

# snorkel

## A62JRT



CE

## **REPAIR PARTS** **MANUAL**

Part Number 104897-000  
October 2014

Serial number 000001 and after  
Replaces 104897-000 July 2013

## GENERAL INFORMATION

GENERAL INFORMATION .....	1-1
---------------------------	-----

## REPAIR PARTS

CHASSIS ASSEMBLY .....	2-1
FRONT AXLE ASSY .....	2-2
REAR AXLE ASSY .....	2-3
TIRES AND WHEELS .....	2-4
TURNTABLE ASSY .....	2-5
RISER ASSEMBLY .....	2-6
MAIN BOOM ASSY .....	2-7
JIB BOOM ASSY .....	2-8
SWING-OUT ENGINE TRAY ASSEMBLY – KUBOTA .....	2-9
ENGINE ASSY - KUBOTA (TURBO) BEFORE SN01-00050 .....	2-10
ENGINE ASSY - KUBOTA(NON TURBO) AFTER SN01-00051 .....	2-11
KUBOTA ENGINE V2403-M-T-E3B-EU-XB REPLACEMENT PARTS .....	2-12
FLYWHEEL ASSY .....	2-13
THROTTLE BRACKET ASSY .....	2-14
AIR CLEANER ASSY .....	2-15
BATTERY DISCONNECT PANEL .....	2-16
CONTROL MODULE TRAY ASSY .....	2-17
FUEL TANK ASSY .....	2-18
COWLING ASSY - RIGHT SIDE .....	2-19
COWLING ASSY - LEFT SIDE .....	2-20
TURNTABLE AND COUNTERWEIGHT INSTALLATION .....	2-21
UPPER BOOM/JIB/PLATFORM MOUNTING .....	2-22
PLATFORM ASSEMBLY .....	2-23
PLATFORM ASSEMBLY STEEL MARCH 2009 AND AFTER .....	2-24
SNORKEL GUARD FABRICATIONS - AFTER SN01-000104 .....	2-25
SNORKEL GUARD ASSY SN 01-000104 AND BEFORE .....	2-26
COWLING INSTALLATION .....	2-27
TRAY MOUNTING .....	2-28
FINAL ASSEMBLY .....	2-29
PLACARDS AND DECALS - ANSI .....	2-30
PLACARDS AND DECALS - CE .....	2-31
DECAL KIT SPANISH A62JRT .....	2-32

## HYDRAULICS

HYDRAULIC TANK ASSEMBLY .....	3-1
OSCILLATING REAR AXLE VALVE ASSEMBLY .....	3-2
DRIVE WHEEL ASSY .....	3-3
WHEEL DRIVE MOTOR HYDRAULIC 38CC .....	3-4
ROTARY MANIFOLD ASSY .....	3-5
ROTARY MANIFOLD .....	3-6
ROTATION DRIVE .....	3-7

HYDROSTATIC PUMP ASSY .....	3-8
HYDROSTATIC PUMP .....	3-9
EMERGENCY POWER UNIT .....	3-10
BOOM FUNCTION CONTROL VALVE ASSEMBLY .....	3-11
BOOM FUNCTION CONTROL VALVE .....	3-12
TRACTION MANIFOLD ASSY .....	3-13
TRACTION MANIFOLD .....	3-14
AXLE LOCK CYLINDER .....	3-15
CYLINDER, STEER .....	3-16
CYLINDER, RISER .....	3-17
CYLINDER, MAIN BOOM LIFT .....	3-18
CYLINDER, MAIN BOOM EXTEND .....	3-19
CYLINDER, JIB .....	3-20
CYLINDER LEVEL .....	3-21
ACCUMULATOR ASSY .....	3-22
PLATFORM ROTATOR ASSY .....	3-23
CHASSIS/TURNTABLE/CYLINDER HOSE DIAGRAMS AND FUEL LINE INSTALLATION .....	3-24

## **ELECTRICAL**

LOWER CONTROL PANEL - UNIVERSAL .....	4-1
LOWER CONTROL PANEL A62JRT DIESEL – ANSI .....	4-2
LOWER CONTROL PANEL A62JRT DIESEL - CE (TURBO) BEFORE SN01-00050 .....	4-3
LOWER CONTROL PANEL A62JRT DIESEL - CE (NON TURBO) AFTER SN01-00051 .....	4-4
UPPER CONTROL PANEL - UNIVERSAL .....	4-5
UPPER CONTROL PANEL - ANSI .....	4-6
UPPER CONTROL PANEL A62JRT DIESEL – ANSI .....	4-7
UPPER CONTROL PANEL - CE BEFORE SN01-00050 .....	4-8
UPPER CONTROL PANEL A62JRT DIESEL – CE BEFORE SN01-00050 .....	4-9
UPPER CONTROL PANEL - (TURBO) CE AFTER SN01-00051 .....	4-10
UPPER CONTROL PANEL A62JRT – (TURBO) CE AFTER SN01-00051 TO SN01-00065 .....	4-11
UPPER CONTROL PANEL - (TURBO) CE AFTER SN01-00066 .....	4-12
UPPER CONTROL PANEL A62JRT – (TURBO) CE AFTER SN01-00066 .....	4-13
UPPER CONTROL PANEL - (NON TURBO) CE AFTER SN01-00051 TO SN01-00065 .....	4-14
UPPER CONTROL PANEL A62JRT – (NON TURBO) CE AFTER SN01-00051 TO SN01-00065 ...	4-15
UPPER CONTROL PANEL - (NON TURBO) CE AFTER SN01-00066 .....	4-16
UPPER CONTROL PANEL A62JRT – (NON TURBO) CE AFTER SN01-00066 .....	4-17
SINGLE AXIS CONTROLLER WITH TOGGLE SWITCH .....	4-18
FLASHING LIGHTS/POWER TO PLATFORM INSTALLATION .....	4-19
PLATFORM FOOT SWITCH .....	4-20
ELECTRICAL HARNESS LOCATIONS .....	4-21
ENGINE HARNESS ASSEMBLY - DIESEL .....	4-22
ENGINE HARNESS - DIESEL .....	4-23
WIRING HARNESS, VALVE BLOCK .....	4-24
LOWER CONTROLS TO BOOM FUNCTION VALVE WIRING HARNESS .....	4-25
BOOM FUNCTION CONTROL VALVE WIRING .....	4-26

CABLE ASSY .....	4-27
CABLE ASSY, UPPER CONTROLS .....	4-28
WIRING HARNESS UPPER CONTROLS .....	4-29
WIRING HARNESS SP2 BYPASS EVDR .....	4-30
WIRING HARNESS, EMERGENCY PUMP .....	4-31
WIRING HARNESS, HORN .....	4-32
WIRING HARNESS, BOOM ELEVATION LIMIT SWITCH .....	4-33
BOOM EXTEND LIMIT SWITCH WIRING HARNESS .....	4-34
WIRING HARNESS, FLASHING LIGHTS .....	4-35
WIRING HARNESS, 110 VAC POWER LOWER .....	4-36
WIRING HARNESS, 110 VAC POWER UPPER .....	4-37
WIRING HARNESS, PLATFORM FOOT SWITCH .....	4-38

## **OPTIONS**

110 VOLT/2,000 WATT AC GENERATOR .....	5-1
110 VOLT/2,000 WATT AC GENERATOR – PLUMBING DIAGRAM .....	5-2
110 VOLT/2,000 WATT AC GENERATOR – GENERATOR ASSEMBLY .....	5-3
110 VOLT/2,000 WATT AC GENERATOR – VALVE BLOCK ASSEMBLY .....	5-4
110 VOLT/2,000 WATT AC GENERATOR – HEAT EXCHANGER ASSEMBLY .....	5-5
110 VOLT/2,000 WATT AC GENERATOR – LOWER CONTROL/GENERATOR HARNESS .....	5-6
TOW PACKAGE .....	5-7
TOW PACKAGE .....	5-8
PLATFORM – 8 FOOT WITH BUMP GUARD .....	5-9
PLATFORM - 8 FOOT WITH BUMP GUARD UPPER CONTROL WIRING .....	5-10
EXTREME COLD WEATHER KIT .....	5-11
EXTREME COLD WEATHER KIT - LOWER CONTROLS .....	5-12
EXTREME COLD WEATHER KIT - UPPER CONTROLS .....	5-13
LOWER CONTROLS HYDRAULIC WARM-UP HARNESS .....	5-14
CSA PACKAGE .....	5-15
36 X 96 PLATFORM ASSEMBLY WITH BUMP GUARD AND PADDING MARCH 2009 AND AFTER	5-16
36 X 96 PLATFORM ASSEMBLY BUMPGUARD WITH PADDING MARCH 2009 AND AFTER ..	5-17

## **MAINTENANCE**

MAINTENANCE & SCHEMATICS .....	6-1
--------------------------------	-----

## **SCHEMATICS**

A .....	A
B .....	B

# DANGER

**The aerial platform is not electrically insulated. Death or serious injury will result from contact with, or inadequate clearance from, an energized conductor.**

**Do not go closer than the Minimum Safe Approach Distance as defined by ANSI standards.**

Regard all conductors as energized.

Allow for electrical wire sag and aerial platform sway.

If the platform, boom structure, or any part of the aerial platform contacts a high-voltage electrical conductor, the entire machine can become electrically charged.

If that happens, remain on the machine and do not contact any other structure or object. This includes the ground, adjacent buildings, poles, and any other objects that are not part of the aerial platform.

Such contact could make your body a conductor to the other object, creating an electrical shock hazard resulting in death or serious injury.

If an aerial platform is in contact with an energized conductor the platform operator must warn ground personnel in the vicinity to stay away. Their bodies can conduct electricity creating an electrical shock hazard resulting in death or serious injury.

Do not approach or leave the aerial platform until the electricity has been turned off.

Do not attempt to operate the lower controls when the platform, boom structure, or any part of the aerial platform is in contact with a high-voltage electrical conductor or if there is an immediate danger of such contact.

Personnel on or near an aerial platform must be continuously aware of electrical hazards, recognizing that death or serious injury can result from contact with an energized conductor.

## California

### Proposition 65 Warning

Battery posts, terminals and related accessories contain lead and lead components, chemicals known to the State of California to cause cancer and birth defects or other reproductive harm. Wash hands after handling.

## California

### Proposition 65 Warning

Diesel and gasoline engine exhaust and some of its constituents are known by the State of California to cause cancer, birth defects or other reproductive harm.

# General Information

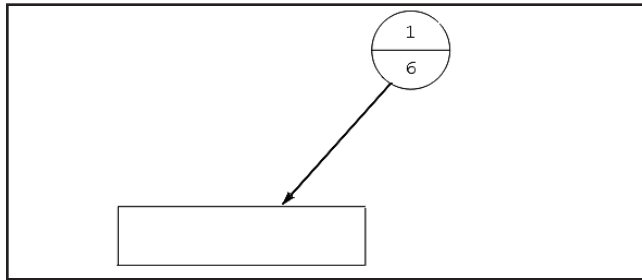
## About This Manual

This manual covers A62JRT aerial platforms. Information is included for machines that have been manufactured to conform to all applicable requirements of the following organizations:

- American National Standards Institute (ANSI)
- Canadian Standards Association (CSA)
- European Committee for Standardization (CE)
- Australian Standards (AS) certification

Part pages include a drawing and a bill of material. The bill of material lists the item number that is on the drawing, the Snorkel part number, quantity used and a description of the item.

Some callouts in the drawings may have a balloon with two numbers. The top number is the item number and the bottom number is the quantity of the item at that location.



While Snorkel has attempted in every way to confirm that all information in this manual is correct, improvements are being constantly made to the machine that may not be reflected in this manual.

If you find information in this manual that is not correct or is confusing, you are urged to report your findings to Snorkel for our evaluation. Your input is important to us and will be used in future printings of this manual.

This machine is covered by a limited warranty that specifically identifies items covered by Snorkel and those items covered by original manufacturer's warranty.

## Repairs and Maintenance

Every person who maintains, inspects, tests or repairs the machine must be qualified and authorized to do so.

### Caution

**Do not modify this aerial platform without prior written consent of Snorkel Engineering Department. Modification may void the warranty, adversely affect stability or affect the operational characteristics of the aerial platform.**

## Abbreviations

The following abbreviations may be used in this manual.

AC	alternating current
ANSI	American National Standards Institute
AR	as required
CCA	cold cranking amps
cm	centimeter
DC	direct current
ft	feet
GFCI	ground fault circuit interruptor
in	inch
lbs	pounds
mm	millimeter
no	number
NPT	national pipe thread
psi	pounds per square inch
qty	quantity
rpm	revolutions per minute
UL	Underwriters Laboratories Inc.

## Additional Information

All correspondence relative to this machine, such as field reports, discrepancy reports, requests for information, etc., should be directed to:

Snorkel North America  
P.O. Box 1160  
St. Joseph, MO 64502-1160 USA  
Phone: 1-800-255-0317

Snorkel Europe  
Vigo Centre  
Birtley Road  
Washington  
Tyne & Wear  
NE38 9DA  
Phone: +44 (0) 845 1550 058

<http://www.snorkellifts.com>

# Service and Parts Information

## Ordering Parts

When placing an order for service or repair parts, please have the following machine information readily available.

- Model number
- Serial number
- Snorkel part number
- Description of part
- Quantity of parts required
- Your purchase order number
- Address for order to ship to
- The desired shipment method

The parts order form on the following page may be mailed or faxed to the attention of the Parts Department at the following location:

Snorkel North America  
P.O. Box 1160  
St. Joseph, MO 64502-1160 USA  
Phone: 1-800-255-0317  
Parts Fax: 1-785-989-3077

Snorkel Europe  
Vigo Centre  
Birtley Road  
Washington  
Tyne & Wear  
NE38 9DA  
Phone: +44 (0) 845 1550 058  
Parts Fax: +44 (0) 1952 607 678

Attention: Parts Department

For your convenience, our electronic on-line ordering system is available at the following Internet location:

<http://www.snorkellifts.com>

## ANSI and OSHA Compliance

All owners and users of the aerial platform must read, understand and comply with all applicable regulations. Ultimate compliance to OSHA regulations is the responsibility of the user and their employer.

ANSI publications clearly identify the responsibilities of all personnel who may be involved with the aerial platform. A reprint of the "Manual of Responsibilities for Dealers, Owners, Users, Operators, Lessors and Lessees of ANSI/SIA A92.5-2006 Boom-Supported Elevating Work Platforms" is available from Snorkel dealers or from the factory upon request.

Copies are also available from:

Scaffold Industry Association, Inc.  
P.O. Box 20574  
Phoenix, AZ 85036-0574 USA

## Manuals

Manuals are available from Snorkel to support any of the machines that we produce.

The specific manuals for A62JRT aerial platforms are as follows:

### A62JRT Operator's Manual

Snorkel part number (ANSI) – 104898-000  
Snorkel part number (CE) – 104850-000  
Snorkel part number (Spanish) – 1430534

### A62JRT Repair Parts Manual

Snorkel part number – 104897-000

### ANSI Manual of Responsibilities

ANSI/SIA A92.5-2006  
Snorkel part number – 0084053

## Machine Information

Model Number: \_\_\_\_\_

Serial Number: \_\_\_\_\_

Date of Purchase: \_\_\_\_\_

Purchased From: \_\_\_\_\_

Snorkel Dealer or Distributor: \_\_\_\_\_

\_\_\_\_\_

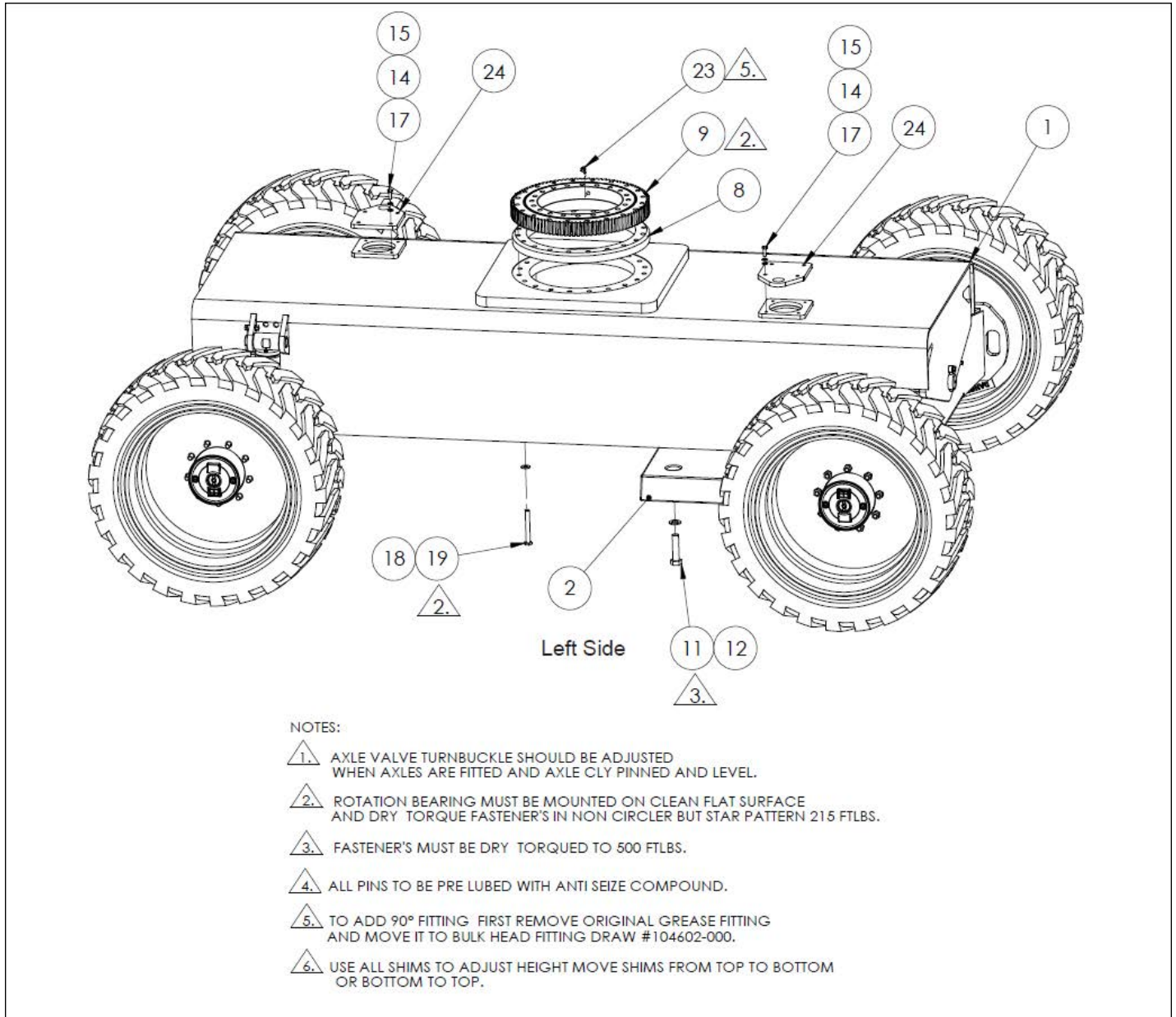
\_\_\_\_\_

\_\_\_\_\_

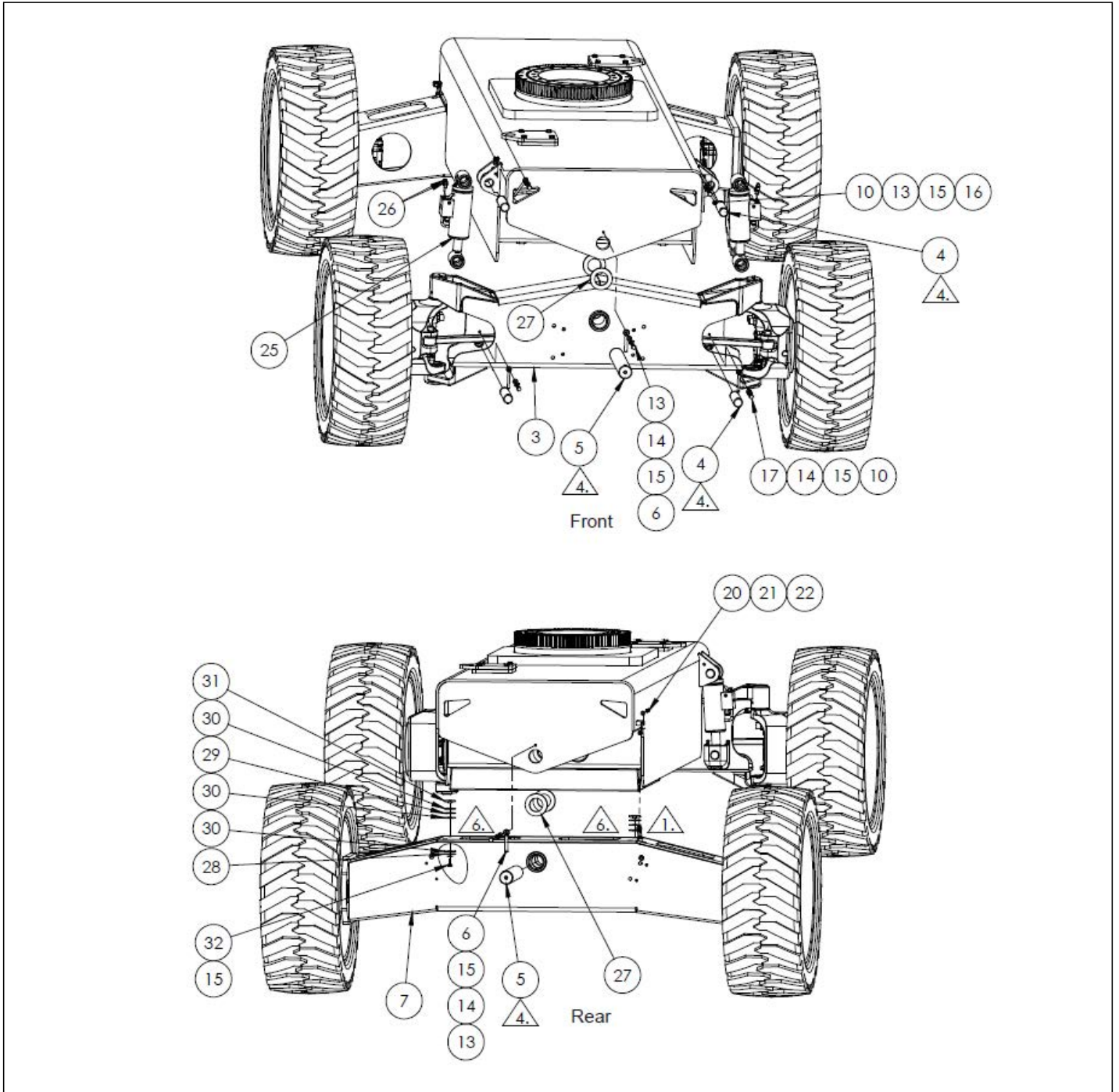




REPAIR PARTS

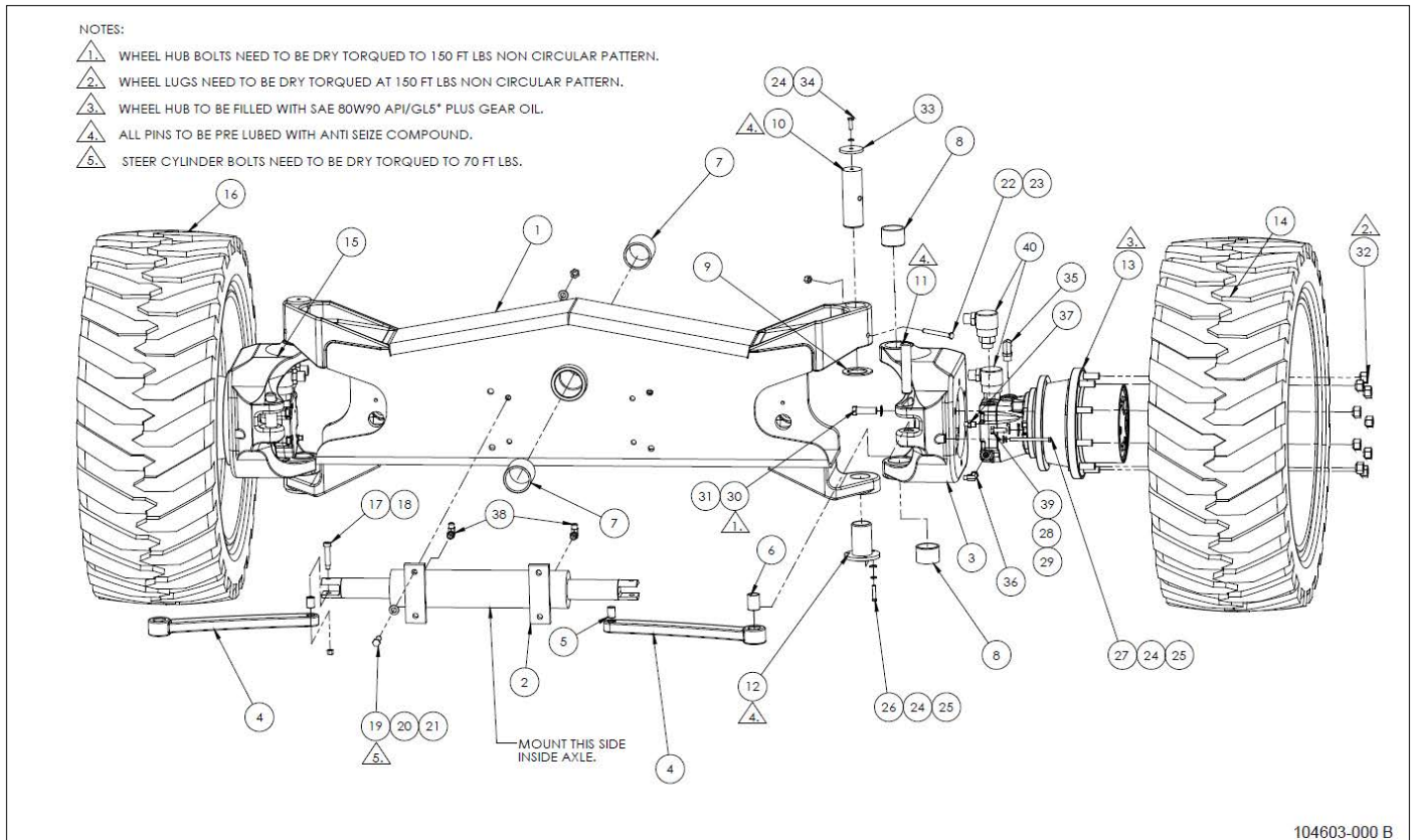


アイテム	部品番号	名前	数量	UOM
Not Shown	104601 000	CHASSIS ASSEMBLY		EA
1	106524 100	CHASSIS WELDMENT	1	EA
2	106527 000	CHASSIS CASTING 1000 LB (T40RT/TB40 machines with 750 lb plat form)	1	EA
3	104603 000	FRONT AXLE ASSEMBLY A62JRT	1	EA
4	106564 100	AXLE LOCK PIN	4	EA
5	106562 100	AXLE PIN	2	EA
6	065214 001	ROD END 1/2 X 3 1/2	2	EA
7	104604 000	REAR AXLE ASSEMBLY A62JRT	1	EA
8	104715 000	ROTATION BEARING BOTTOM SPACER	1	EA
9	100244 001	BEARING rotati on	1	EA
10	065214 000	ROD END 3/8"	4	EA
11	PNNA	BLT HEX HD M24 3.00 X 100MM GR 10.9	4	EA
12	PNNA	M24 FLAT HARD WASHER	4	EA
13	5560695	BoLT HEX HD M10 1.50 X45MM GR 8.8	4	EA
14	5560356	WSHR LOCK 10	12	EA
15	056069 010	Washer, SteelFlatWasher DIN125A M10 ZincPlated	18	EA
16	5560719	NUT HEX LKG M 10 1.50 GR 8.8	2	EA
17	5560626	BLT HEXHD M10 1.5 X 30MM GR8	10	EA
18	011239 010	WASHER, FLAT ASTM A325 5/8"	20	EA
19	104738 000	HHBLT .625 11 X 5.0 GR8	20	EA
20	PNNA	BLT HHD M8 1.25 X 45 GR 8.8 BLT HHD M8 1.25 X 45 GR 8.8	1	EA
21	5560613	WASHER FLAT M8	2	EA
22	5560727	NUT HEX LKG M8 1.25	1	EA
23	106907 000	FITTING 1/4 NPT MALE 90 °	1	EA



アイテム	部品番号	名前	数量	UOM
24	104672 000	Turntable urntable STOP	2	EA
25	104664 000	AXLE LOCK CYLINDER	2	EA
26	100432 002	Hyd Fitting Straight ORFS(04) SAE(04)	4	EA
27	106792 100	THRUST RING, (U.H.M.W.)	4	EA
28	511376 000	Washer , Axle Stop	2	EA
29	511375 000	Spacer, 1mm Ocillating cillating Axle Stop	2	EA
30	511374 000	Spacer, 2mm Ocillating cillating Axle Stop	6	EA
31	511373 000	Stop, Oscillating scillating Axle	2	EA
32	510683 025	M10 X 25 HEX BOLT (NOT SHOWN OPTION)	2	EA

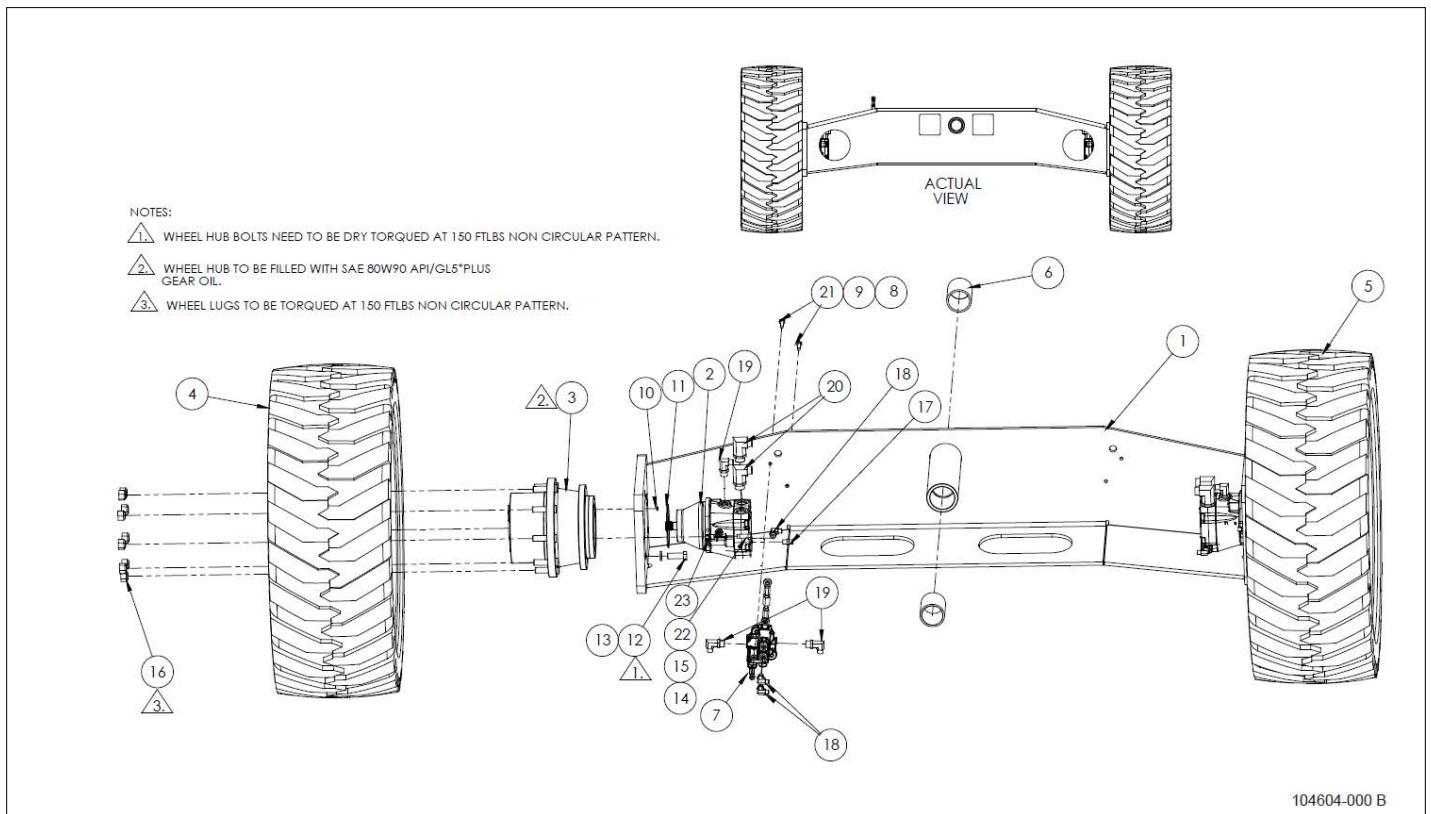
REPAIR PARTS



アイテム	部品番号	名前	数量	UOM
	104603 000 B	FRONT AXLE ASSY		EA
1	106526 100	FRONT AXLE WELDMENT	1	EA
2	068456 001	STEERING CYLINDER	1	EA
3	106532 100	STEERING YOKE LH	1	EA
4	106533 100	DRAG LINK	2	EA
5	106595 000	BEARING MRP0812 16 1/2" ID 3/4" OD 1" LONG	2	EA
6	104731 000	BEARING CRG25 30 38 25 ID X 30 OD X 38 LONG	2	EA
7	104732 000	Bearing, Axle Pivot	2	EA
8	104730 000	BEARING CRG 5058 40 50 ID X 58 OD X 40 LONG	4	EA
9	104759 000	THRUST WASHER MWXTM5075 3	2	EA
10	106560 100	FRONT AXLE UPPER KING PIN	2	EA
11	106563 100	STEERING PIVOT PIN	2	EA
12	106561 100	LOWER KING PIN WELDMENT	2	EA
13	104622 000	DRIVE WHEEL ASSY	2	EA
14	106718 001	WHEEL & TIRE ASSEMBLY LH FOAM FILLED – ansi OPTION/CE STANDARD	1	EA
15	10653 2 101	STEERING YOKE R.H.	1	EA
16	106717 001	WHEEL & TIRE ASSEMBLY RH foam FILLED – ansi OPTION/CE STANDARD	1	EA
17	5563044	BOLT, SKTHD SHLDR .500 1.75	2	EA
18	5560033	.375 16UNC HEX LOCK NUT	2	EA
19	PNNA	BLT HEX HD M12 1.75 45MM GR 10.9	4	EA
20	5560699	FLAT WASHER M 12	8	EA
21	5563078	NUT HEX LKG M 12 1.75	4	EA
22	5569917	BLT HEX HD M10 90MM GR 8.8	2	EA
23	5560719	NUT HEX LKG M 10 1.50 GR 8.8	2	EA

アイテム	部品番号	名前	数量	UOM
24	5560355	WSHR LOCK M8	10	EA
25	5560613	WASHER FLAT M8	8	EA
26	5560627	BLT HEX HD M8 1.25X35MM	6	EA
27	PNNA	BLT HEX HD M8 1.25 X 100 ALL THREAD	2	EA
28	PNNA	LOCK WASHER .438	4	EA
29	986179	WSHR 7/16 FLAT	4	EA
30	PNNA	BLT HEX HD .625 11 X 2 GR 5	12	EA
31	5563058	WASHER FLAT HARD .656	12	EA
32	011469 006	Lug Nut 5/8 18 RH	18	EA
33	106868 000	PIN CAP	2	EA
34	5560357	BLT HEX HD M8 1.25 25MM GR 8.8	2	EA
35	104767 000	FTG, 90 ° , 6MORFF X 8MORB	2	EA
36	100434 004	Hyd Fitting 90 Elbow ORFS(04) SAE(06)	2	EA
37	100432 002	Hyd Fitting Straight ORFS(04) SAE(04)	2	EA
38	011934 004	6MB X 6MJ 90 ° FITTING	2	EA
39	5563116	Bolt, HDD	4	EA
40	106964 000	12 MB X 10 MORFF STR FITTING	4	EA

REPAIR PARTS

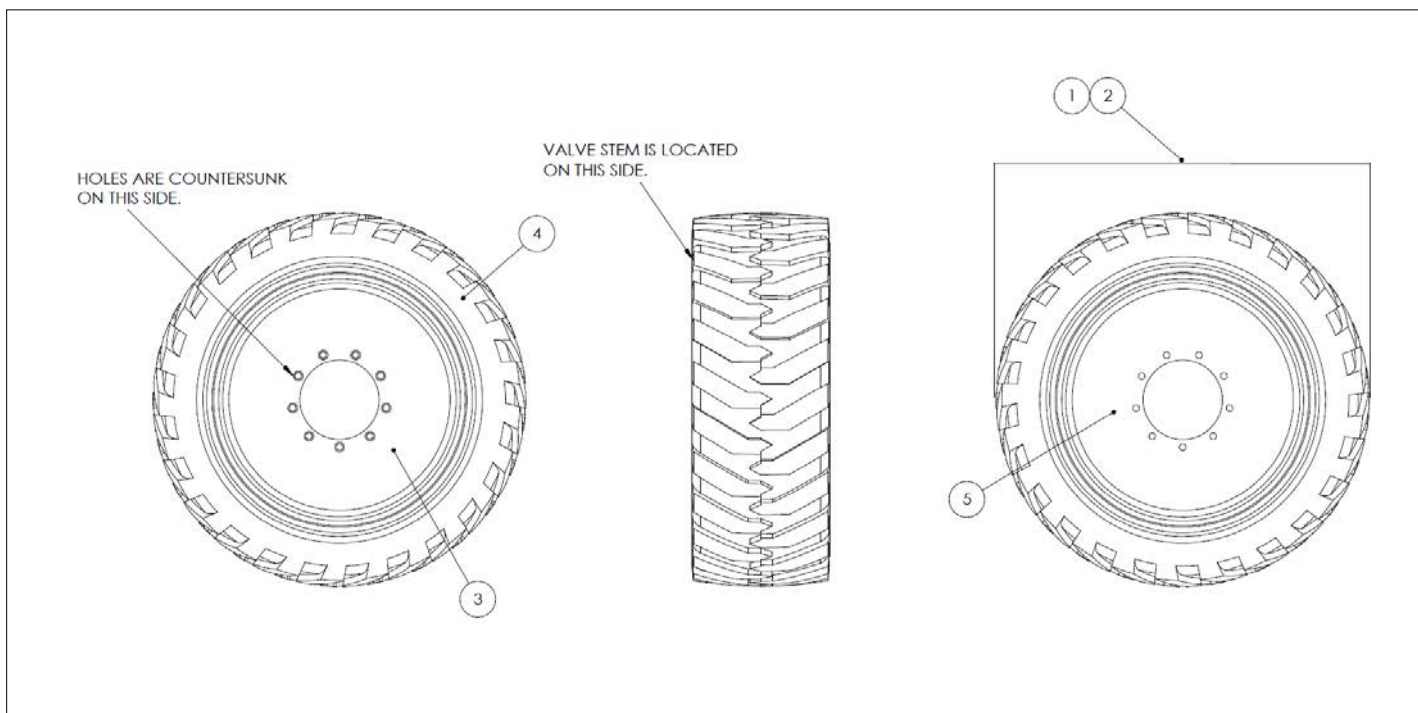




アイテム	部品番号	名前	数量	UOM
	104604 000 B	REAR AXLE ASSY		EA
1	106744 100	REAR AXLE WELDMENT	1	EA
2	104665 000	DRIVE MOTOR HYD 38cc/9.22cc	2	EA
3	116324 000	Wheel Gearbox	2	EA
4	106717 001	WHEEL & TIRE ASSEMBLY RH foam FILLED – ansi OPTION/CE STANDARD	1	EA
5	106718 001	WHEEL & TIRE ASSEMBLY LH FOAM FILLED – ansi OPTION/CE STANDARD	1	EA
6	104732 000	Bearing, Axle Pivot	2	EA
7	106787 000	OSCILLATING REAR AXLE VALVE ASSY	1	EA
8	5560613	WASHER FLAT M8	2	EA
9	5560727	NUT HEX LKG M8 1.25	2	EA
10	0260070	O Ring	2	EA
11	0260099	O Ring	2	EA
12	PNNA	BLT HHD.625 11 X 1.750 GR5	12	EA
13	5563058	WASHER FLAT HARD .656	12	EA
14	986179	WSHR 7/16 FLAT	4	EA
15	PNNA	LOCK WASHER .438	4	EA
16	011469 006	Lug Nut 5/8 18 RH	18	EA
17	100432 002	Hyd Fitting Straight ORFS(04) SAE(04)	2	EA
18	100434 004	Hyd Fitting 90 Elbow ORFS(04) SAE(06)	4	EA
19	104767 000	FTG, 90 ° , 6MORFF X 8MORB	4	EA
20	100434 018	FTG, 90 ° , 10MORFF X 12MORB	4	EA
21	5560627	BLT HEX HD M8 1.25X35MM	2	EA
22	5563116	Bolt, HDD	4	EA
23	0260430	BUSHING HYD MOTOR MOUNT	4	EA
Not Shown	106948 000	Rear axle cover	2	EA

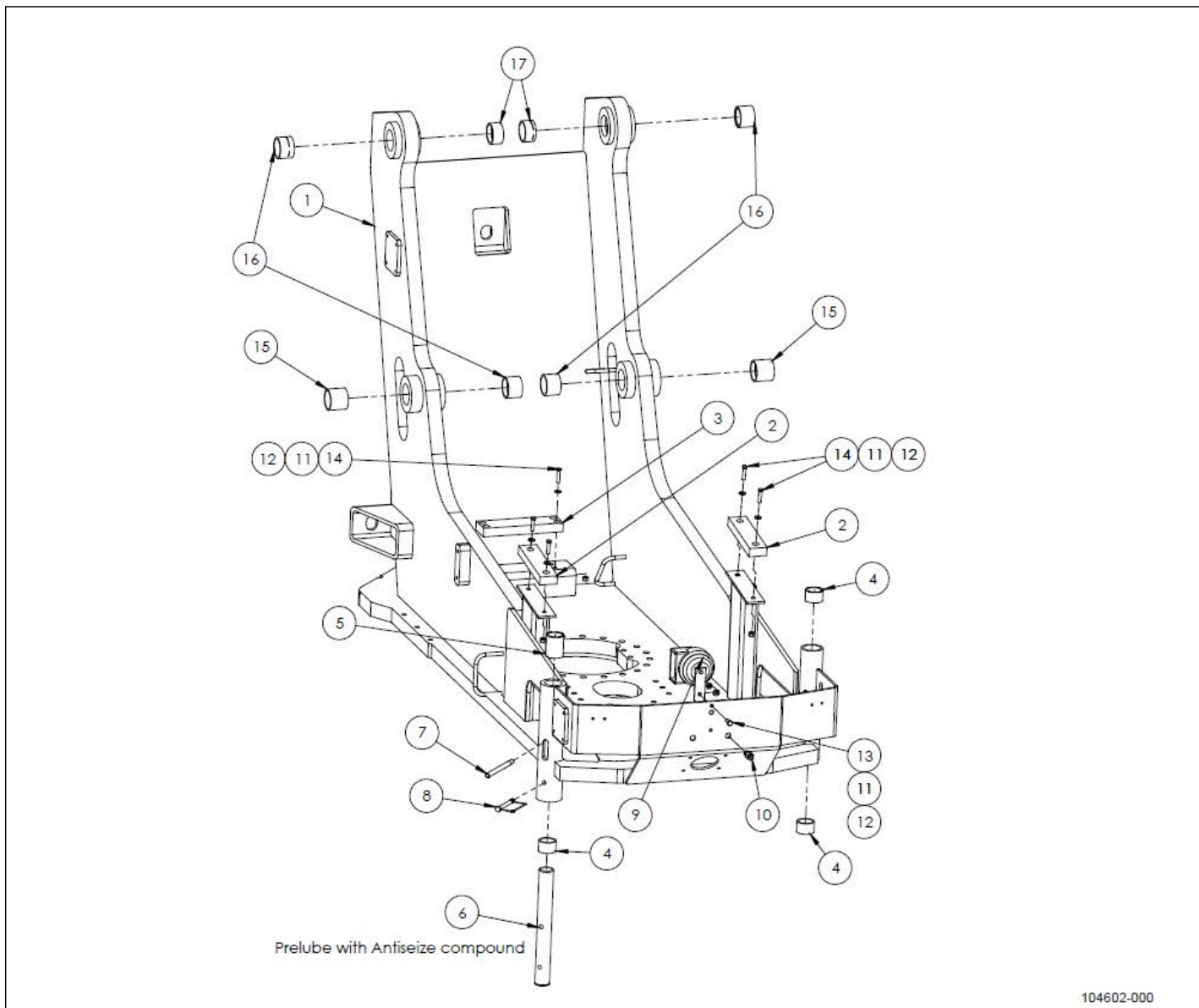
アイテム	部品番号	名前	数量	UOM
Not Shown	PNNA	Hex head bolt m10 1.5 x 25mm gr 8.8	4	EA
Not Shown	5560356	WSHR LOCK 10	4	EA
Not Shown	986009	WSHR FLAT 10	4	EA

REPAIR PARTS



アイテム	部品番号	名前	数量	UOM
	106717 001	WHEEL & TIRE ASSEMBLY RH foam FILLED – ansi OPTION/CE STANDARD		EA
1	106717 001	WHEEL & TIRE ASSEMBLY RH foam FILLED – ansi OPTION/CE STANDARD	1	EA
3	106717 010	"Wheel (CE STANDARD/ANSI OPTION)	1	EA
4	106717 011	"Tire, bar lug 355 55D625 (CE STANDARD/ANSI OPTION)	1	EA
Not Shown	7280054	"rim valve (CE STANDARD/ANSI OPTION)	1	EA
5	106717 003	decal, danger wheel position CE ONLY	1	EA
2	106718 001	WHEEL & TIRE ASSEMBLY LH FOAM FILLED – ansi OPTION/CE STANDARD	1	EA
3	106717 010	"Wheel (CE STANDARD/ANSI OPTION)	1	EA
4	106717 011	"Tire, bar lug 355 55D625 (CE STANDARD/ANSI OPTION)	1	EA
Not Shown	7280054	"rim valve (CE STANDARD/ANSI OPTION)	1	EA
5	106717 003	decal, danger wheel position CE ONLY	1	EA

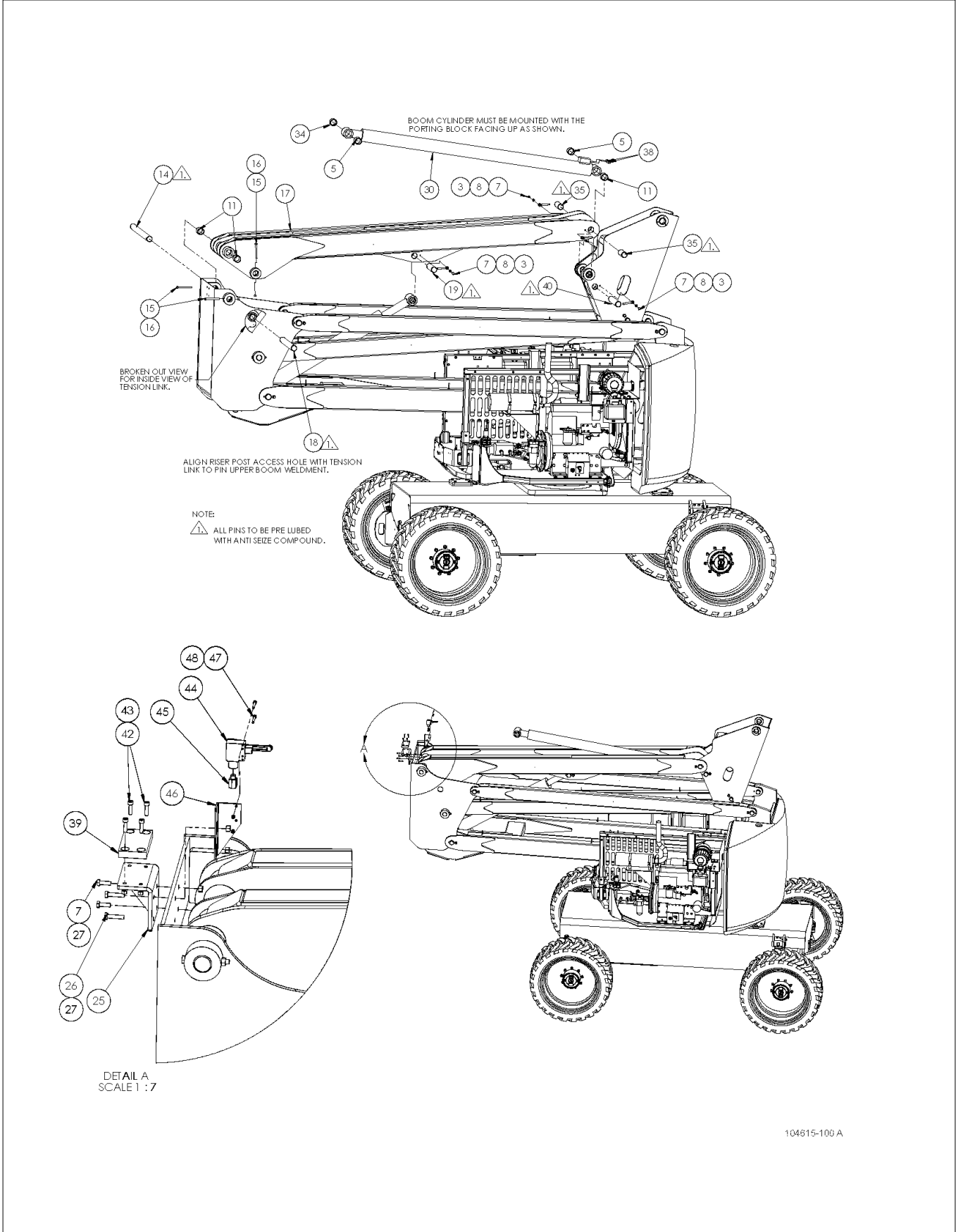
REPAIR PARTS



104602-000

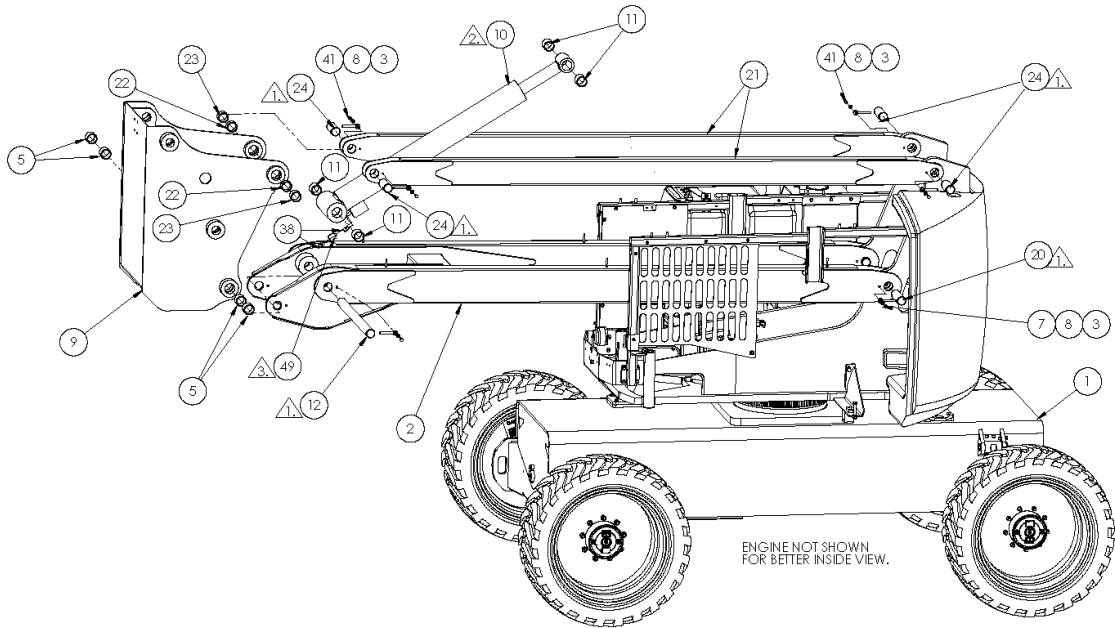
アイテム	部品番号	名前	数量	UOM
	104602 000	TURNTABLE ASSY		EA
1	104650 000	TURNTABLE WELDMENT A62JRT	1	EA
2	104649 000	REST PAD	2	EA
3	104648 000	RISER REST PAD	1	EA
4	104662 000	BUSHING CRG 404830	3	EA
5	104663 000	BUSHING CRG 40 48 60	1	EA
6	104709 000	STOP PIN	1	EA
7	104710 000	ROD STOP PIN	1	EA
8	104378 001	SNAP PIN .375 X 3 GRIP	1	EA
Not Shown	063783 003	LANYARD ASSEMBLY	1	EA
9	3040127	HORN 12VDC	1	EA
10	106905 000	BULK HEAD FT .25 NPT	1	EA
Not Shown	PNNA	GREASE FITTING	1	EA
11	5560613	WASHER FLAT M8	9	EA
12	5560727	NUT HEX LKG M8 1.25	9	EA
13	35560357	BLT HEX HD M8 1.25 25MM GR8.8	1	EA
14	5560627	BLT HEX HD M8 1.25X35MM	8	EA
15	104661 000	BUSHING CRG 505850	2	EA
16	104730 000	BEARING CRG 5058 40 50 ID X 58 OD X 40 LONG	4	EA
17	104679 000	BUSHING 50 58 30	2	EA

REPAIR PARTS



アイテム	部品番号	名前	数量	UOM
	104615 000 A	RISER ASSEMBLY		EA
1	REF	CHASSIS		EA
2	1430131	RISER LOWER ARM	1	EA
3	065214 001	ROD END 1/2 X 3 1/2	18	EA
4	1430165	TENSION LINK WELDMENT	1	EA
5	2509720	BEARING 50 58 50	12	EA
6	1430276	PIN LOWER TENSION LINK	1	EA
7	5560626	BLT HEXHD M10 1.5 X 30MM GR8	14	EA
8	5560356	WSHR LOCK 10	18	EA
9	1430121	LOWER RISER WELDMENT	1	EA
10	1430280	CYLINDER, RISER	1	EA
11	2509721	BEARING 50 58 60	9	EA
12	1430283	PIN LOWER RISER	1	EA
13	1430144	UPPER TENSION LINK WELDMENT	1	EA
14	1430274	PIN UPPER RISER ARM	2	EA
15	PNNA	HHD BLT M12 1.75 X 120MM GR8.8	6	EA
16	55 63078	NUT HEX LKG M 12 1.75	6	EA
17	1430151	UPPER BOOM WELDMENT	1	EA
18	1430273	PIN UPPER TENSION LINK	1	EA
19	1430272	PIN RISER CYLINDER UPPER	1	EA
20	1430284	PIN LOWER LINK	2	EA
21	1430163	SINGLE TENSION LINK ARM	2	EA
22	104679 000	BUSHING 50 58 30	4	EA
23	104730 000	BEARING CRG 5058 40 50 ID X 58 OD X 40 LONG	2	EA
24	1430275	PIN UPPER RISER ARM	4	EA
25	1430299	REST PAD MOUNT	1	EA
26	5560695	BoLT HEX HD M10 1.50 X45MM GR 8.8	2	EA

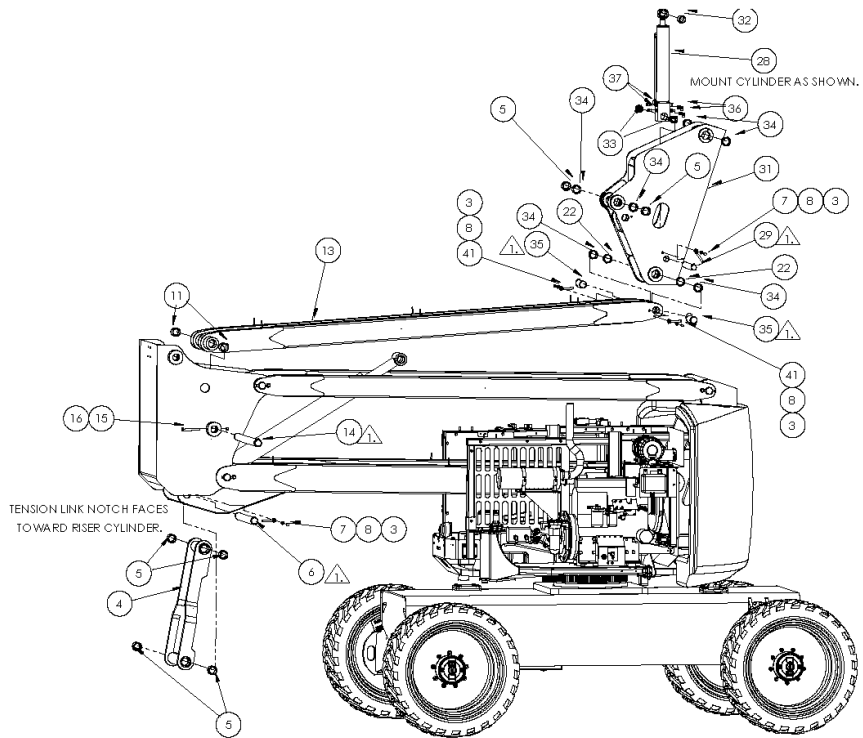




ENGINE NOT SHOWN FOR BETTER INSIDE VIEW.

NOTE

- ▲ ALL PINS TO BE PRE LUBED WITH ANTI SEIZE COMPOUND.
- ▲ RISER CYLINDER MUST BE MOUNTED WITH PORTING BLOCK DOWN AS SHOWN IN DRAWING.
- ▲ INSTALL ON RETRACT SIDE OF RISER CYLINDER



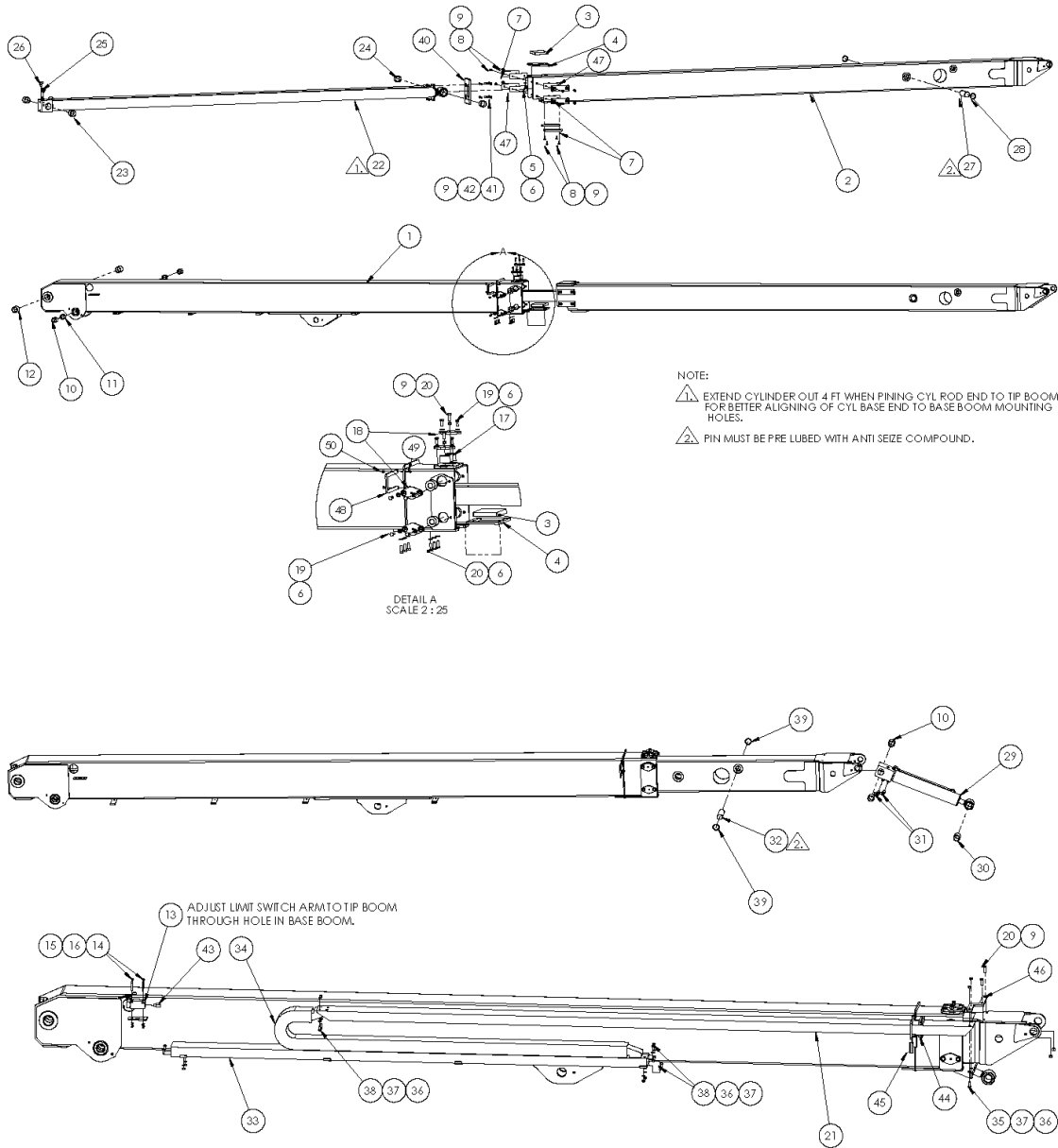
MOUNT CYLINDER AS SHOWN.

TENSION LINK NOTCH FACES TOWARD RISER CYLINDER.

104615-000 A

アイテム	部品番号	名前	数量	UOM
27	5560719	NUT HEX LKG M 10 1.50 GR 8.8	4	EA
28	1430279	CYLINDER LEVEL	1	EA
29	1430254	PIN MASTER LEVEL	1	EA
30	1430282	CYLINDER, MAIN BOOM LIFT	1	EA
31	1430212	KNUCKLE WELDMENT AB 62	1	EA
32	104663 000	BUSHING CRG 40 48 60	1	EA
33	2509717	BEARING 40 48 40	2	EA
34	2509719	BEARING 50 58 40	7	EA
35	1430250	PIN RISER ARM UPPER	4	EA
36	100434 002	FITTING 4MORFF X 4MORB 90 °	2	EA
37	100432 002	Hyd Fitting Straight ORFS(04) SAE(04)	2	EA
38	100432 009	Hyd Fitting Straight ORFS(06) SAE(06)		EA
39	068660 000	REST PAD	1	EA
40	1430255	BOOM CYL PIN	1	EA
41	PNNA	BLT HEX HD M10 1.50 X 25MM GR 8.8	6	EA
42	PNNA	SKT HD BLT M8 1.25 X 30MM GR 12.9	4	EA
43	3 55 60727	NUT HEX LKG M8 1.25 5	4	EA
44	06855 6 002	BOOM LIMIT SWITCH	1	EA
45	029925 000	CONNECTOR CABLE HEYC ( Not illustrated)	1	EA
46	104805 000	LIMIT SWITCH BRKT	1	EA
47	PNNA	SKT HD BLT M5 0.8 X 35 MM 12.9	2	EA
48	056064 005	Nut, NylockNut DIN985 M5 10.0	2	EA
49	104849 000	INLINE CHECK VALVE ORIFICE .080	1	EA

REPAIR PARTS

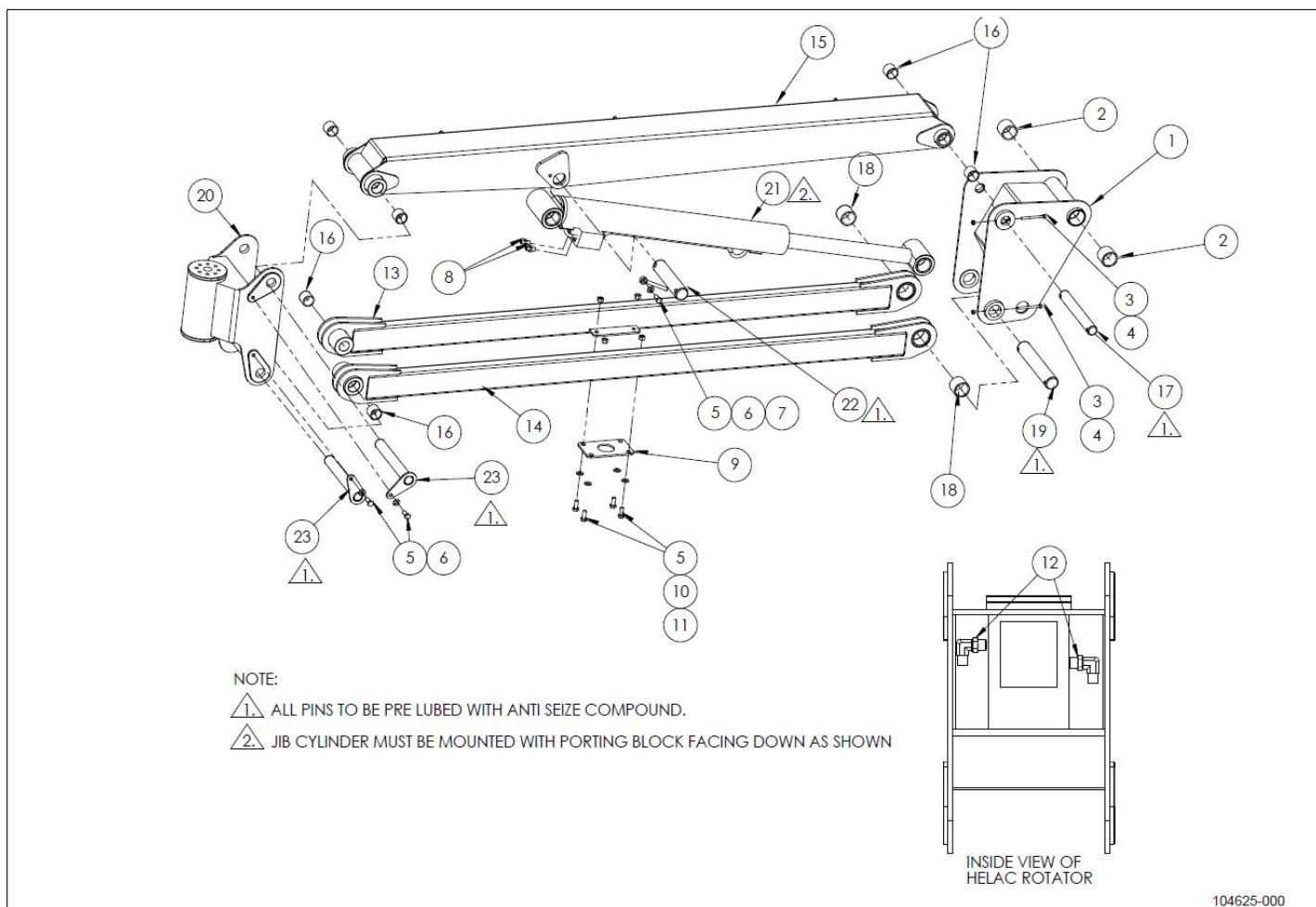


104616-000 B

アイテム	部品番号	名前	数量	UOM
	104616 000 B	MAIN BOOM ASSY		EA
1	1430247	BASE BOOM AB 62	1	EA
2	1430239	TIP BOOM AB 62	1	EA
3	1430294	SLIDE PAD LARGE	2	EA
4	1430293	RETAINER, SLIDE PAD LARGE	2	EA
5	972009	HHD BLT M10 X 1.5 x 16 G8.8 DIN 933 33	6	EA
6	5560356	WSHR LOCK 10	24	EA
7	1430289	SLIDE PAD TIP	6	EA
8	PNNA	FSHCS M10 X 1.50 X 30 CLASS 8.8 DIN7991	12	EA
9	5560719	NUT HEX LKG M 10 1.50 GR 8.8	22	EA
10	2509717	BEARING 40 48 40	4	EA
11	2509716	BUSHING 40mmID x 48mmOD x 30mm	2	EA
12	2509721	BEARING 50 58 60	2	EA
13	0260347	ASS'Y. LIMIT SWITCH	1	EA
14	PNNA	SKT HD BLT M5 08 X45MM GR 12.9	4	EA
15	056064 005	Nut, NylockNut DIN985 M5 10.0	4	EA
16	5563048	FLAT WASHER M 5	4	EA
17	1430292	SLIDE PAD ASSY A62	6	EA
18	1430290	RETAINER SLIDE	6	EA
19	972019	BLT HEXHD M10 1.5 X 25MM	12	EA
20	5560626	BLT HEXHD M10 1.5 X 30MM GR8	12	EA
21	104781 000	Hose Carrier Tube	1	EA
22	1430281	CYLINDER, MAIN BOOM EXTEND	1	EA
23	2509720	BEARING 50 58 50	2	EA
24	2509719	BEARING 50 58 40	2	EA
25	104799 000	FTG 90 ° 6MORFF X 4MORB	1	EA

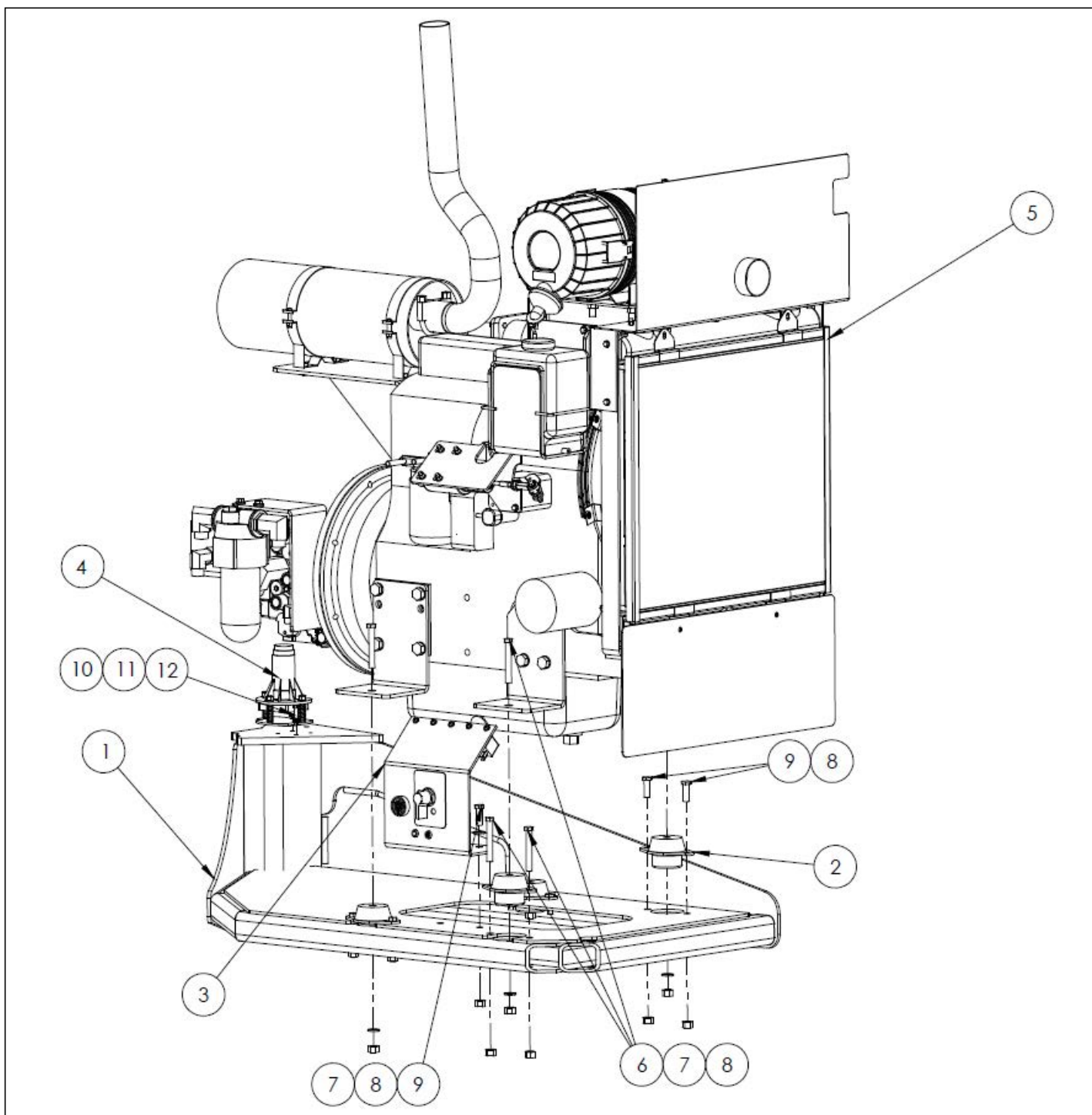
アイテム	部品番号	名前	数量	UOM
26	100434 008	6MB X 6M ORFF 90 ° FITTING	1	EA
27	1430269	PIN, EXTEND CYLINDER	1	EA
28	5563194	SNAP RING 45MM EXT	2	EA
29	1430279	CYLINDER LEVEL	1	EA
30	104663 000	BUSHING CRG 40 48 60	1	EA
31	100434 002	FITTING 4MORFF X 4MORB 90 °	2	EA
32	1430258	PIN LEVEL CYLINDER	1	EA
33	104801 000	HOSE CARRIER TUBE	1	EA
34	104815 000	CABLE TRACK	1	EA
35	PNNA	BLT BUT HD M8 1.25 X 25 GR 8.8	2	EA
36	5560727	NUT HEX LKG M8 1.25	10	EA
37	55 60613	WASHER FLAT M8	10	EA
38	PNNA	SCR BUTT HD M8 1.25 X 20 MM GR 8.8	8	EA
39	104782 000	40MM SNAP RING	2	EA
40	1430286	SUPPORT, EXTEND	1	EA
41	55 60695	BLT HEX HD M10 1.50 X45MM GR 8.8	4	EA
42	986009	WSHR FLAT 10	4	EA
43	029925 000	CONNECTOR CABLE HEYC ( Not illustrated)	1	EA
44	104412 000	GUIDE TUBE (LONG)	2	EA
45	104411 000	GUIDE TUBE (SHORT)	2	EA
46	104809 000	CARRIER TUBE BRKT	1	EA
47	1430295	SHIM SLIDE PAD,TIP	4	EA
48	104899 000	Carrier Track Support	1	EA
49	056058 020	Bolt, HexBolt DIN931 M6 x 20mm	2	EA
50	056064 006	NUT NYLOCK DIN985 M6 10.0 ZP	2	EA

REPAIR PARTS



アイテム	部品番号	名前	数量	UOM
	104625 000	JIB BOOM ASSY		EA
1	1430267	WELDMENT QUADRANT	1	EA
2	2509717	BEARING 40 48 40	2	EA
3	PNNA	SKT HD BLT M6 1.00 X 70MM GR 12.9	4	EA
4	984169	NUT HEX M6 1.00	4	EA
5	PNNA	BLT HEX HD M10 1.50 X 25MM GR 8.8	8	EA
6	5560356	WSHR LOCK 10	4	EA
7	065214 000	ROD END 3/8"	2	EA
8	100432 002	Hyd Fitting Straight ORFS(04) SAE(04)	2	EA
9	106840 000	JIB LOWER ARM ATTACHMENT PLATE	1	EA
10	986009	WSHR FLAT 10	4	EA
11	55 60719	NUT HEX LKG M 10 1.50 GR 8.8	4	EA
12	100434 002	FITTING 4MORFF X 4MORB 90 °	2	EA
13	106807 100	LEVELING TUBE LEFT ARM	1	EA
14	106825 100	LEVELING TUBE RIGHT ARM	1	EA
15	106828 100	JIB TOP ARM	1	EA
16	106981 000	BEARING 30 ID 36 OD 30 LG	6	EA
17	106839 100	TIP BOOM PIVOT PIN	1	EA
18	106963 000	BEARING 40 ID X 48 OD X 40 LONG	2	EA
19	106837 100	PIN BELL CRANK TO JIB TOP ARM	1	EA
20	106571 103	PLATFORM ROTATOR	1	EA
21	106827 100	JIB CYLINDER	1	EA
22	106838 100	JIB CYLinder PIN	1	EA
23	106841 100	TOP & BOTTOM JIB ROTAToR PIN	2	EA

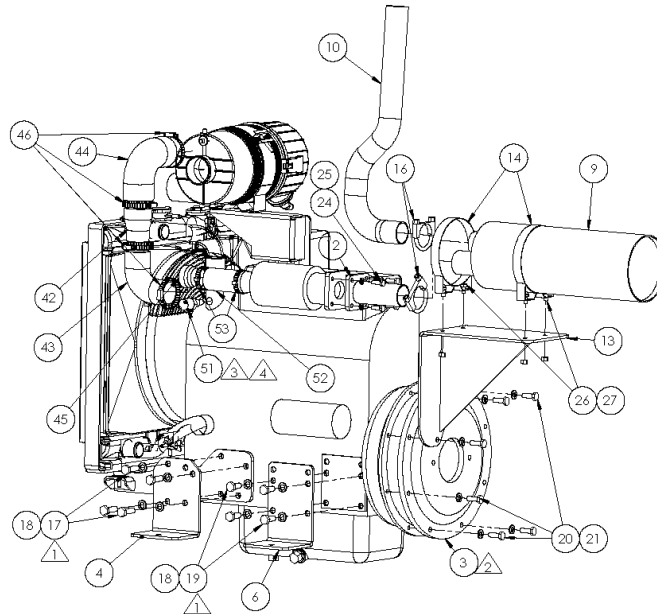
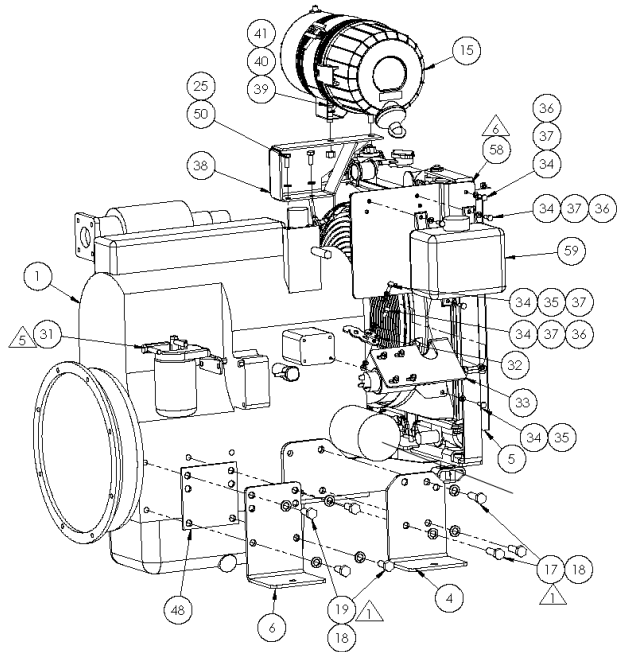
REPAIR PARTS





アイテム	部品番号	名前	数量	UOM
	104609 000	SWING OUT ENGINE TRAY ASSEMBLY – Kubota		EA
1	104659 000	ENGINE TRAY WELDMENT	1	EA
2	100209 000	ISOLATOR ENGINE	4	EA
3	104614 000	BATTERY DISCONNECT PANEL	1	EA
4	029945 037	LEVEL SENSOR 5 ° ANSI	1	EA
Not Shown	3020040	LEVEL SENSOR 5 DEGREE	1	EA
Not Shown	30200103	LEVEL SENSOR 3.5 ° CE	1	EA
5	104608 000	ENGINE ASSEMBLY A62JRT DIESEL	1	EA
6	PNNA	BLT HHD M 10 1.50 X 70 MM GR 8.8	8	EA
7	986009	WSHR FLAT 10	6	EA
8	5560719	NUT HEX LKG M 10 1.50 GR 8.8	14	EA
9	PNNA	BLT HEX HD M10 1.50 X 20 GR 8.8	6	EA
10	5560629	M6 FLAT WASHER DIN125	2	EA
11	975209	BLT HEXHD M6 1.0 X 18MM	2	EA
12	PNNA	M6 LOCK WASHER M6 LOCK WASHER	2	EA

REPAIR PARTS

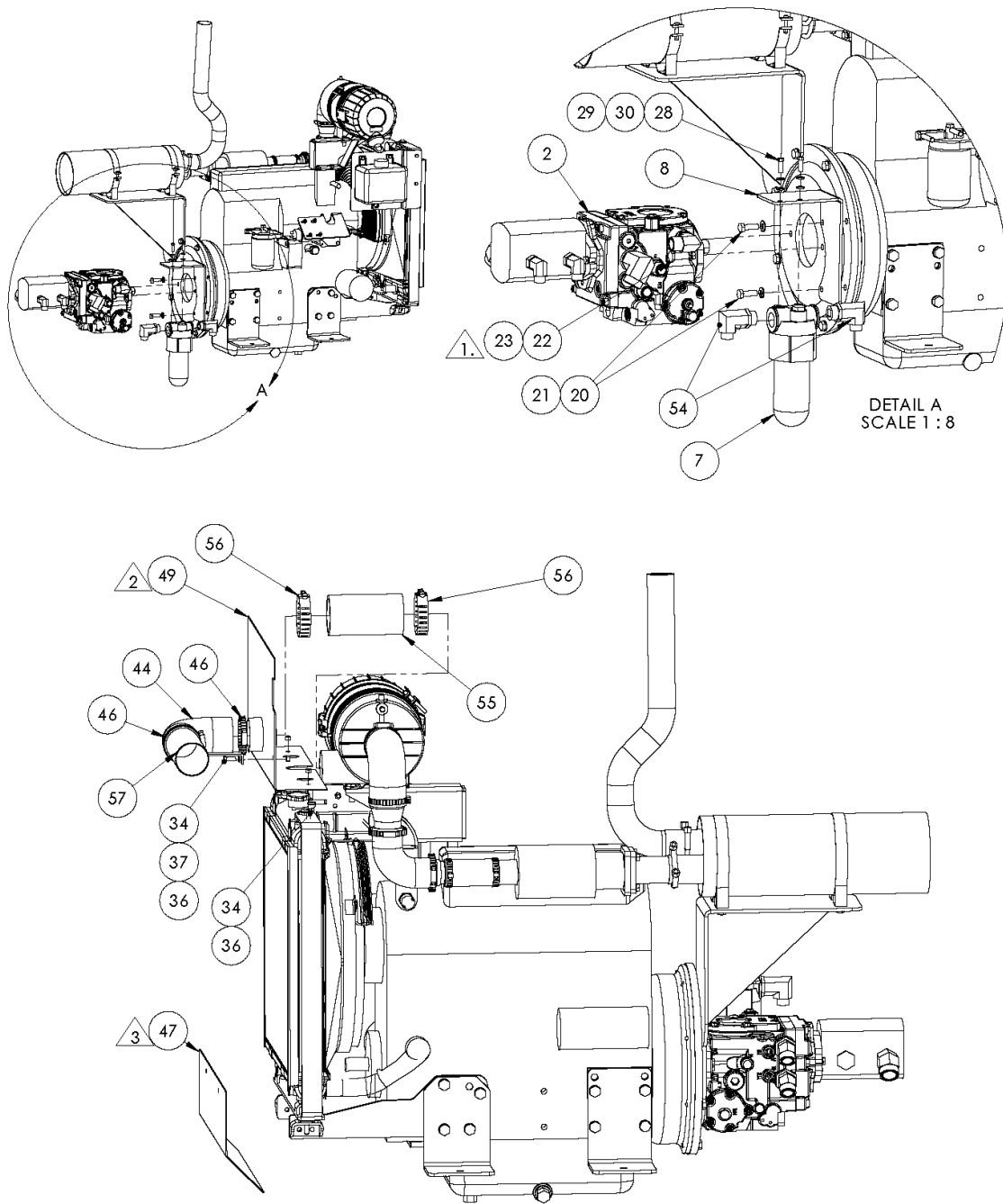


NOTES:

- ▲ ENGINE BOLTS TO BE DRY TORQUED AT 70FT LBS.
- ▲ PUMP MOUNT PLATE NEEDS TO HAVE 6 HHD B/LT M10-1.25 X 25 MM ZINC PLT GR 8.8 BOLTS ALSO 6 M10 SPLIT LOCK WASHERS.
- ▲ WHEN INSTALLING TEMP SWITCH FIRST TAKE OUT ENGINE LIFTING EYE BRKT THEN THERMOSTAT HOUSING PIPE PLUG AFTER SWITCH IS INSTALLED RE INSTALL ENGINE LIFTING EYE BRKT.
- ▲ APPLY PIPE SEALANT OR TEFLON TAPE TO THREADS.
- ▲ TO MOUNT FUEL FILTER & BRKT TAKE OUT TOP TWO COVER BOLTS THEN MOUNT AND RE USE SAME BOLTS.
- ▲ TO MOUNT OVER FLOW BRKT YOU WILL NEED TO DRILL RADIATOR STRAP.

104608-000 A

アイテム	部品番号	名前	数量	UOM
	104608 000 A	ENGINE ASSY KUBOTA		EA
1	104673 000	KUBOTA ENGINE V2403 M T E3B KEA2 REPLACEMENT PARTS	1	EA
2	104620 000	HYDROSTATIC PUMP ASSEMBLY	1	EA
3	104703 000	HOUSING ADAPTER KIT AB62 POLARIS HAYES	1	EA
4	104711 000	ENGINE MOUNT FRONT	2	EA
5	104701 000	RADIATOR KIT	1	EA
6	104712 000	ENGINE MOUNT REAR	2	EA
7	100289 000	CHARGE FILTER	1	EA
8	104705 000	CHARGE FILTER BRKT	1	EA
9	104368 000	MUFFLER	1	EA
10	104726 000	EXHAUST PIPE	1	EA
11	PNNA	THROTTLE LINKAGE SUPPLIED WITH ENGINE	2	EA
12	104735 000	EXHAUST OUTLET AT TURBO	1	EA
13	104736 000	MUFFLER MOUNT	1	EA
14	100180 041	CLAMP, MUFFLER #P00235 1	2	EA
15	104750 000	AIR CLEANER, BEFORE 7/2012	1	EA
15	7630755	AIR CLEANER CUMMINS 3.3 KUBOTA WG2403 TIER 3 AND TIER 4 ASSEMBLY	1	EA
16	013259 008	MUFFLER CLAMP 2"	2	EA
17	PNNA	BLT HDD M12 1.25 X 40 BLT HDD M12 1.25 X 40 GR 8.8	7	EA
18	5560614	LOCK WASHER M12	15	EA
19	PNNA	BLT HD M12 1.25 X30 BLT HDD M12 1.25 X 30 GR 8.8	8	EA
20	5560626	BLT HEXHD M10 1.5 X 30MM GR8	8	EA
21	5560356	WSHR LOCK 10	9	EA
22	5563017	BLT HEX HD .500 13X1.25 GR5	2	EA



NOTE:

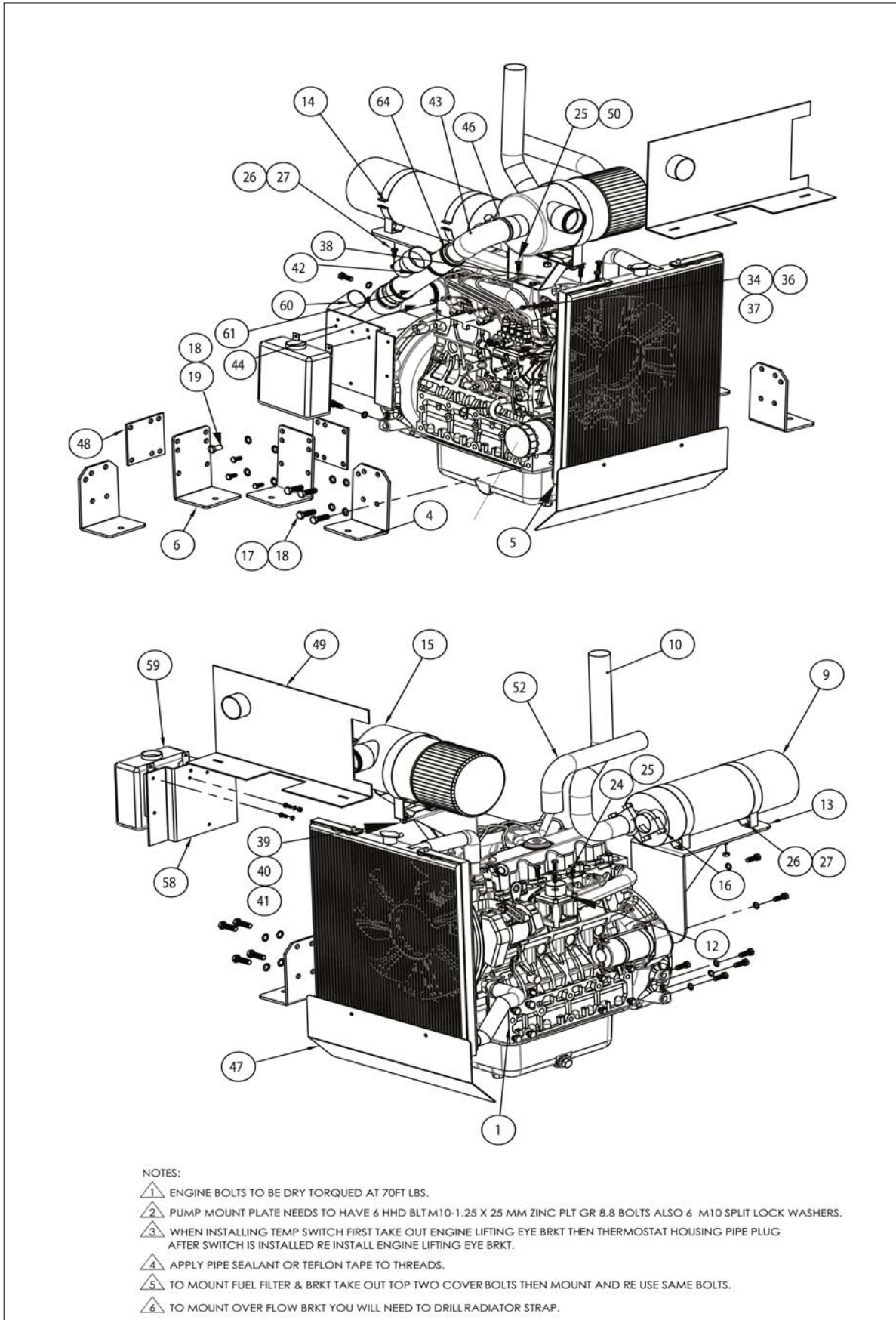
- △1. HYDROSTAT PUMP MOUNTING BOLTS NEED TO BE DRY TORQUED TO 75 FT LBS.
- △2. TO MOUNT ENGINE TOP SHROUDING DRILL MOUNTING HOLES INTO RADIATOR MOUNT STRAPS.
- △3. TO MOUNT ENGINE BOTTOM SHROUDING USE EXISTING HARDWARE FOR RADIATOR.

104608-000 A

アイテム	部品番号	名前	数量	UOM
23	PNNA	.500 LOCK WASHER .500 LOCK WASHER	2	EA
24	5560357	BLT HEX HD M8 1.25 25MM GR 8.8	4	EA
25	5560355	WSHR LOCK M8	6	EA
26	PNNA	BLT HEX HD M8 1.25 X 16 GR 8.8 BLT HEX HD M8 1.25 X 16 GR 8.8	4	EA
27	5560727	NUT HEX LKG M8 1.25	4	EA
28	PNNA	.313 18 X .875 GR5 .313 18 X .875 GR5 5	2	EA
29	986269	WSHR FLAT .313	2	EA
30	PNNA	Regular LW 0.3125 5	2	EA
31	104743 000	FUEL FILTER & BRKT DIESEL	1	EA
32	104744 000	THROTTLE LINKAGE WELDMENT	2	EA
33	104618 000	THROTTLE BRACKET ASSY	1	EA
34	975209	BLT HEXHD M6 1.0 X 18MM	12	EA
35	PNNA	M6 LOCK WASHER M6 LOCK WASHER	3	EA
36	984169	NUT HEX M6 1.00	9	EA
37	5560629	M6 FLAT WASHER DIN125	12	EA
38	104756 000	Bracket , Air Cleaner	1	EA
39	PNNA	BLT HEX HD M10 1.50 X 20 GR 8.8 HEX HD BOLT M10 1.50 X 20MM GR 8.8	2	EA
40	986009	WSHR FLAT 10	2	EA
41	5560719	NUT HEX LKG M 10 1.50 GR 8.8	2	EA
42	104752 000	Reducer , Metal Intake Hose 2.50"OD x 2"OD	1	EA
43	104754 000	90 ° ELBOW 2INCH ID	1	EA
44	104755 000	90 Degree 2 1/2" ID RUBBER Elbow	2	EA

アイテム	部品番号	名前	数量	UOM
45	106960 001	REDUCER METAL INTAKE 1.625" OD X 2" OD	1	EA
46	020541 020	HOSE CLAMP #40 2".0625 3"	6	EA
47	104777 000	SHROUD RADIATOR BOTTOM	1	EA
48	104778 000	MOTOR MOUNT SPACER	2	EA
49	104776 000	SHROUD RADIATOR TOP	1	EA
50	PNNA	M8 1.25 X 20 GR 8.8 HHD BLT M8 1.25 X 20 GR 8.8	2	EA
51	3028812	TEMP SWITCH .375 NPT M SPST NC	1	EA
52	104803 000	INTAKE HOSE 1.75 ID X 4" LONG	1	EA
53	020541 013	HOSE CLAMP 1".313 2".25	2	EA
54	100434 018	FTG, 90 ° , 10MORFF X 12MORB	2	EA
55	104814 000	AIR INTAKE HOSE 2.5" ID	1	EA
56	020541 025	HOSE CLAMP 2".8125 3".75	2	EA
57	104858 000	INTAKE TUBE WELMENT	1	EA
58	104883 000	OVER FLOW BOTTLE BRKT	1	EA
59	1430527	FLUID RESERVOIR	1	EA
60	104673 113	OIL FILTER	1	EA

REPAIR PARTS

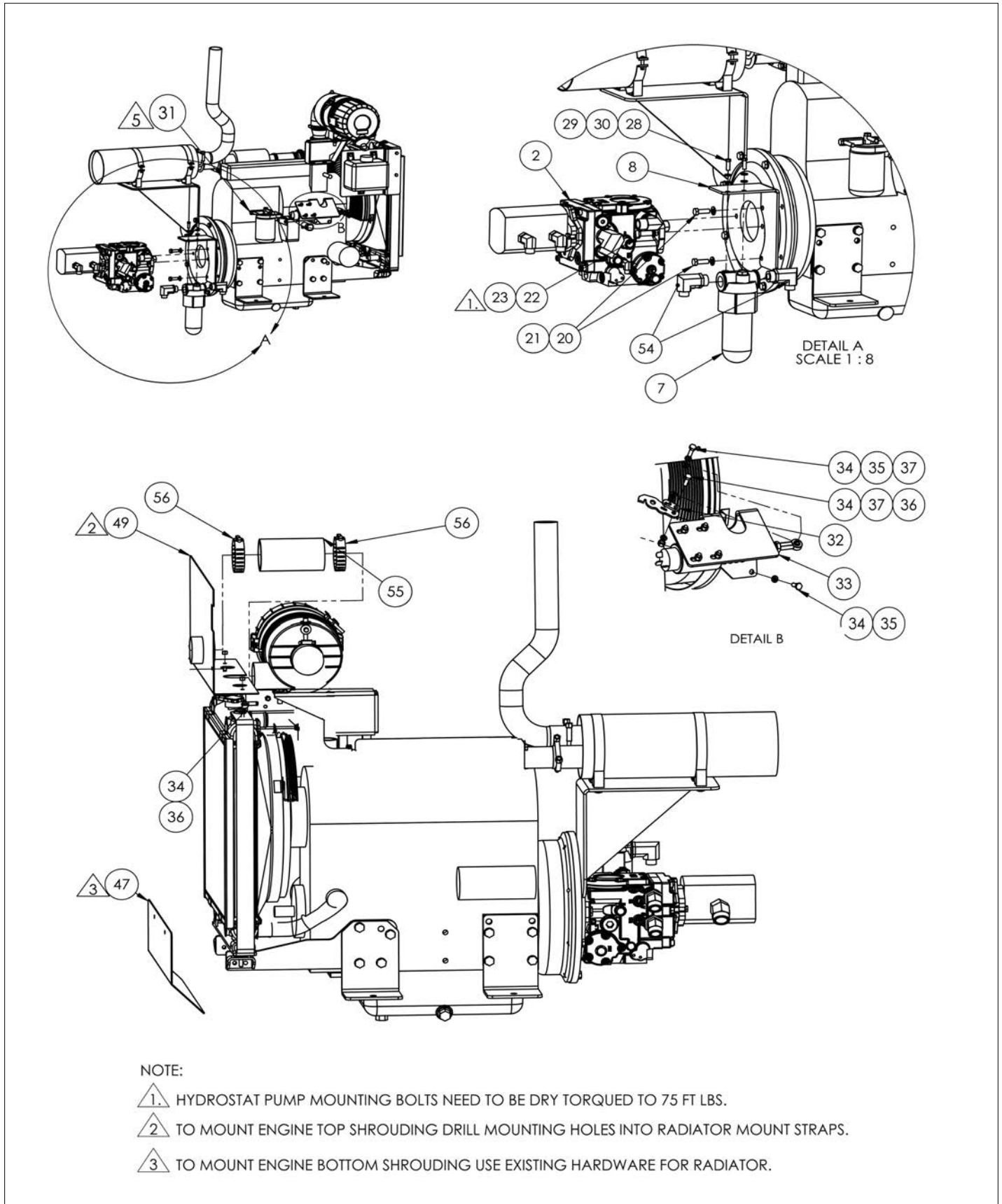


NOTES:

- ⚠ ENGINE BOLTS TO BE DRY TORQUED AT 70FT LBS.
- ⚠ PUMP MOUNT PLATE NEEDS TO HAVE 6 HHD BLT M10-1.25 X 25 MM ZINC PLT GR 8.8 BOLTS ALSO 6 M10 SPLIT LOCK WASHERS.
- ⚠ WHEN INSTALLING TEMP SWITCH FIRST TAKE OUT ENGINE LIFTING EYE BRKT THEN THERMOSTAT HOUSING PIPE PLUG AFTER SWITCH IS INSTALLED RE INSTALL ENGINE LIFTING EYE BRKT.
- ⚠ APPLY PIPE SEALANT OR TEFLON TAPE TO THREADS.
- ⚠ TO MOUNT FUEL FILTER & BRKT TAKE OUT TOP TWO COVER BOLTS THEN MOUNT AND RE USE SAME BOLTS.
- ⚠ TO MOUNT OVER FLOW BRKT YOU WILL NEED TO DRILL RADIATOR STRAP.

アイテム	部品番号	名前	数量	UOM
ITEM	PART NUMBER	DESCRIPTION	QTY	EA
1	515010 000	KUBOTA V2403 NON TURBO DIESEL ENGINE	1	EA
2	104620 000	HYDROSTATIC PUMP ASSEMBLY	1	EA
3	104703 000	HOUSING ADAPTER KIT AB62 POLARIS HAYES	1	EA
4	104711 000	ENGINE MOUNT FRONT	2	EA
5	104701 000	RADIATOR KIT	1	EA
6	104712 000	ENGINE MOUNT REAR	2	EA
7	100289 000	CHARGE FILTER	1	EA
8	104705 000	CHARGE FILTER BRKT	1	EA
9	104368 000	MUFFLER	1	EA
10	104726 000	EXHAUST PIPE	1	EA
11	104673 113	OIL FILTER	1	EA
12	104735 000	EXHAUST OUTLET AT TURBO	1	EA
13	104736 000	MUFFLER MOUNT	1	EA
14	100180 041	CLAMP, MUFFLER #P00235 1	2	EA
15	104750 000	AIR CLEANER, BEFORE 7/2012	1	EA
16	013259 008	MUFFLER CLAMP 2"	2	EA
17	BLT HHD M12 1.25 X 40	BLT HHD M12 1.25 X 40	7	EA
18	5560614	LOCK WASHER M12	15	EA
19	BLT HHD M12 1.25 X 30	BLT HHD M12 1.25 X 30	8	EA
20	5560626	BLT HEXHD M10 1.5 X 30MM GR8	8	EA
21	5560356	WSHR LOCK 10	9	EA
22	5563017	BLT HEX HD .500 13X1.25 GR5	2	EA
23	.500 LOCK WASHER	.500 LOCK WASHER	2	EA
24	5560357	BLT HEX HD M8 1.25 25MM GR 8.8	4	EA
25	5560355	WSHR LOCK M8	6	EA
26	BLT HEX HD M8 1.25 X 16 GR 8.8	BLT HEX HD M8 1.25 X 16 GR 8.8	4	EA





NOTE:

- △1. HYDROSTAT PUMP MOUNTING BOLTS NEED TO BE DRY TORQUED TO 75 FT LBS.
- △2. TO MOUNT ENGINE TOP SHROUDING DRILL MOUNTING HOLES INTO RADIATOR MOUNT STRAPS.
- △3. TO MOUNT ENGINE BOTTOM SHROUDING USE EXISTING HARDWARE FOR RADIATOR.

アイテム	部品番号	名前	数量	UOM
27	5560727	NUT HEX LKG M8 1.25	4	EA
28	.313 18 X .875 GR5	.313 18 X .875 GR5	2	EA
29	986269	WSHR FLAT .313	2	EA
30	REGULAR LW 0.3125	null	2	EA
31	104743 000	FUEL FILTER & BRKT DIESEL	1	EA
32	104744 000	THROTTLE LINKAGE WELDMENT	2	EA
33	104618 000	THROTTLE BRACKET ASSY	1	EA
34	975209	BLT HEXHD M6 1.0 X 18MM	12	EA
35	M6LOCK WASHER	M6LOCK WASHER	3	EA
36	984169	NUT HEX M6 1.00	9	EA
37	5560629	M6 FLAT WASHER DIN125	12	EA
38	104756 000	Bracket , Air Cleaner	1	EA
39	BLT HEX HD M10 1.50X 20MMGR 8.8	BLT HEX HD M10 1.50X 20MMGR 8.8	2	EA
40	986009	WSHR FLAT 10	2	EA
41	5560719	NUT HEX LKG M 10 1.50 GR 8.8	2	EA
42	104752 000	Reducer , Metal Intake Hose 2.50"OD x 2"OD	OD 1	EA
43	104754 000	90 ° ELBOW 2INCH ID	1	EA
44	104755 000	90 ° 2 1/2" ID ELBOW	2	EA
46	020541 020	HOSE CLAMP #40 2".0625 3"	6	EA
47	104777 000	SHROUD RADIATOR BOTTOM	1	EA
48	104778 000	MOTOR MOUNT SPACER	2	EA
49	515108 000	ENGINE BRACKET	1	EA
50	M8 1.25X 20GR 8.8	HHD BLT M8 1.25X 20GR 8.8	2	EA
51	3028812	TEMP SWITCH .375 NPT M SPST NC	1	EA
52	515178 000	EXHAUST PIPE MODIFICATION	1	EA
54	100434 018	FTG, 90 ° , 10MORFF X 12MORB	2	EA
55	104814 000	AIR INTAKE HOSE 2.5" ID	1	EA

アイテム	部品番号	名前	数量	UOM
56	020541 025	HOSE CLAMP 2".8125 3".75	2	EA
58	104883 000	OVER FLOW BOTTLE BRKT	1	EA
59	1430527	FLUID RESERVOIR	1	EA
60		null	1	EA
61	515115 000	RUBBER HOSE	1	EA
62	515108 000	ENGINE BRACKET	1	EA
63		null		EA
64		null		EA

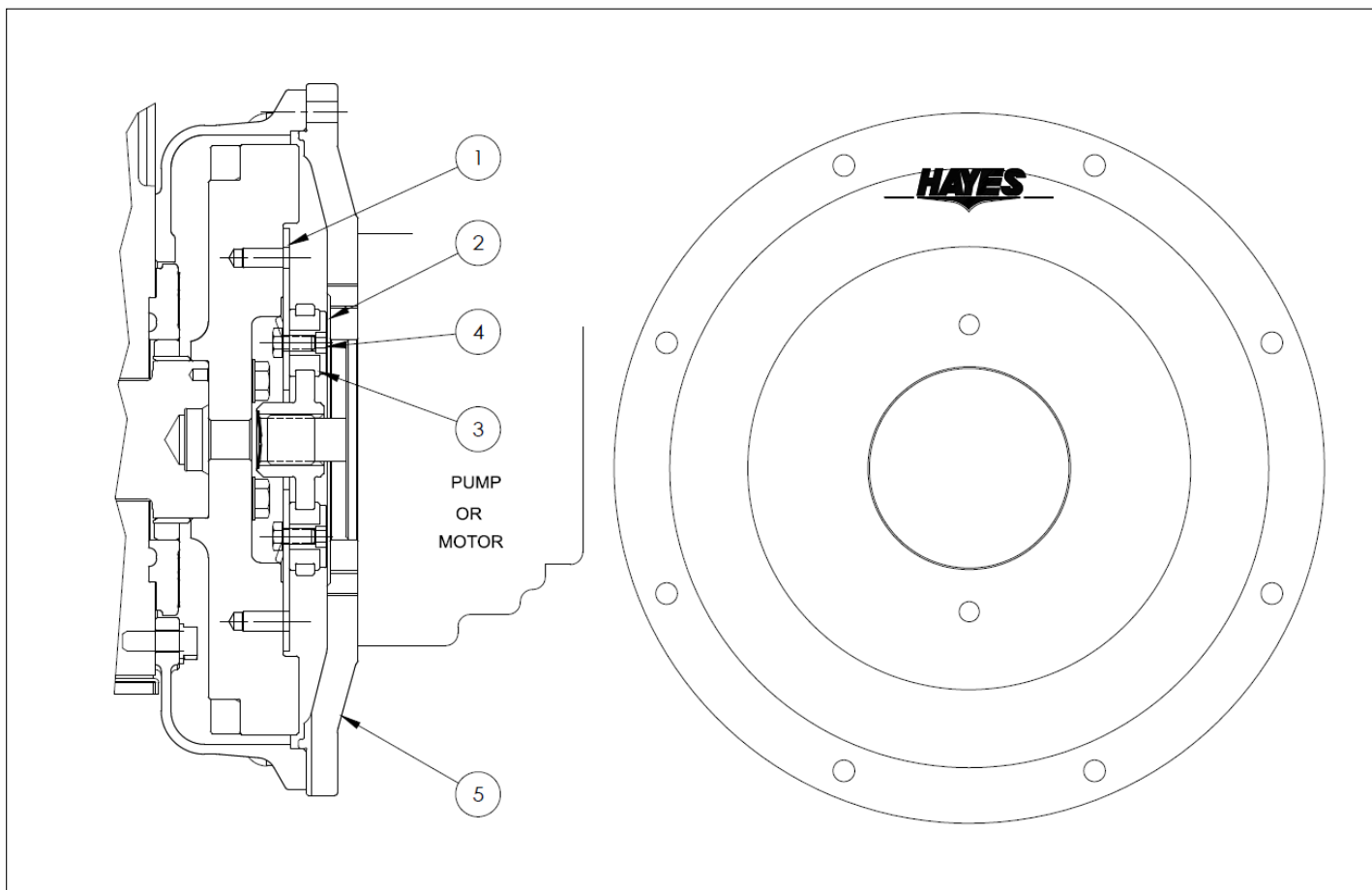
REPAIR PARTS

NO IMAGE AVAILABLE  
(BOM FOR REFERENCE ONLY)

アイテム	部品番号	名前	数量	UOM
	104673 000	KUBOTA ENGINE V2403 M T E3B KEA2 REPLACEMENT PARTS		EA
1	0260466	THERMOSTAT GASKET	1	EA
2	1430539	HOSE, WATER	1	EA
3	1430542	CUSHION	1	EA
4	1431994	RADIATOR CAP	1	EA
5	5089682	FUEL FILTER FOR V2403T	1	EA
6	7631221	GASKET, MUFFLER	1	EA
7	7631292	O RING	1	EA
8	7631295	BAND CLAMP	1	EA
9	7631307	PIPE WATER RETURN	1	EA
10	7631318	BAND PIPE	1	EA
11	7631319	TURBO GASKET	1	EA
12	7631320	TURBO GASKET		EA
13	7631327	RAIDATOR HOSE LOWER	1	EA
14	7631329	PUMP FUEL	1	EA
15	7631331	ASSY FUEL FILTER	1	EA
16	7631333	GASKET THERMOSTAT	1	EA
17	7631334	THERMOSTAT ASSY	1	EA
18	7631335	PIPE WATER RETURN	1	EA
19	7631336	GASKET WATER PUMP	1	EA
20	7631338	GASKET EX MANIFOLD	1	EA
21	7631339	GASKET EX MANIFOLD	1	EA
22	7631342	MANIFOLD EXHAUST	1	EA
23	7631344	ASSY PUMP WATER	1	EA
24	7631349	GASKET	1	EA
25	7631350	FLANGE COMP WATER	1	EA
26	7631352	ASSY TURBO CHARGER	1	EA
27	7631362	GASKET ENG OIL	1	EA
28	7631364	RADIATOR	1	EA

アイテム	部品番号	名前	数量	UOM
29	7631365	RADIATOR SHROUD	1	EA
30	104673 116	FAN	1	EA
31	067614 023	OIL PRESSURE SWITCH	1	EA
32	104673 105	FAN BELT	1	EA
33	104673 107	STARTER ASSY	1	EA
34	104673 106	THERMOSTAT	1	EA
35	104573 111	SOLENOID STOP	1	EA
36	104673 113	OIL FILTER	1	EA
37	106597 000	BAND PIPE	1	EA

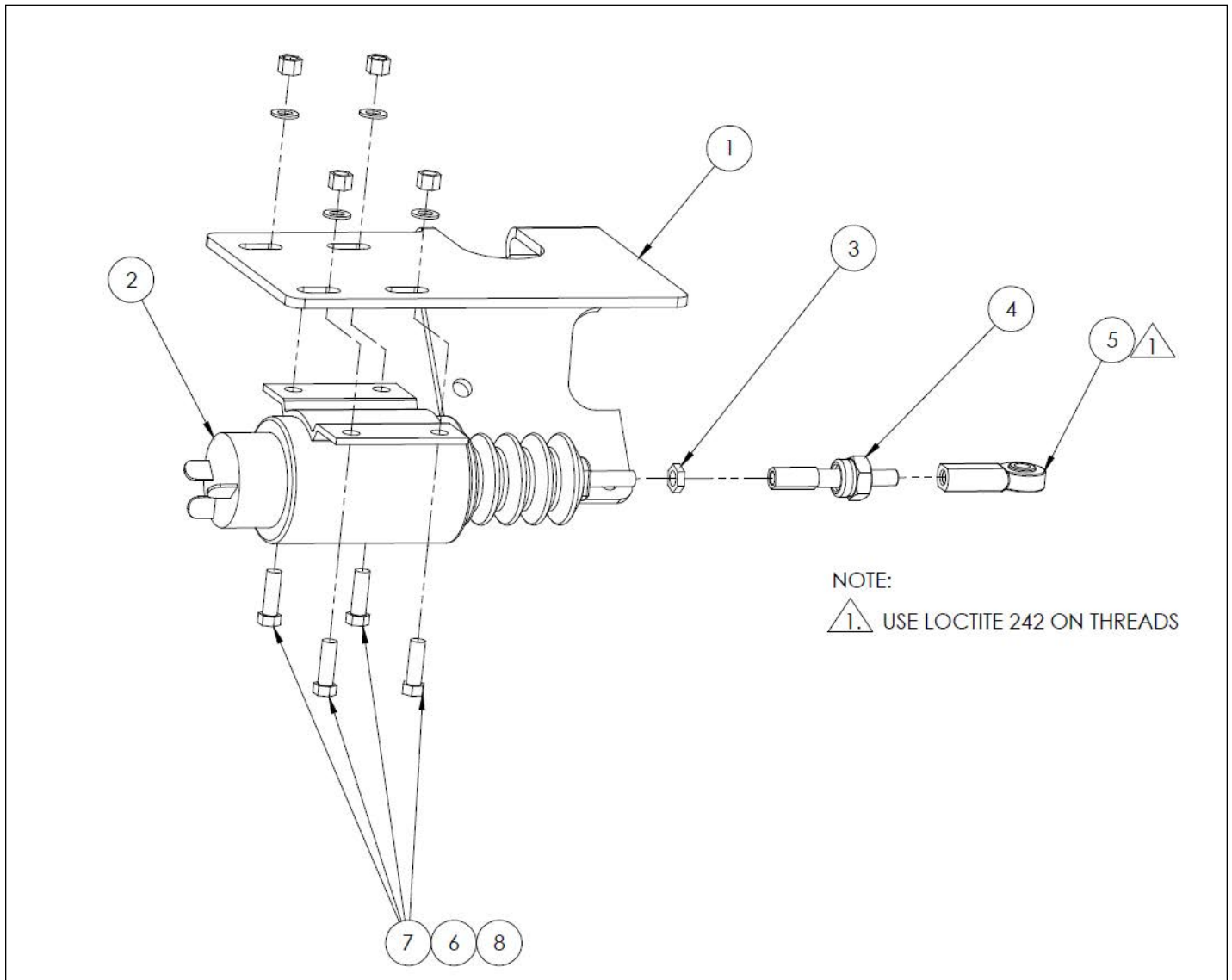
REPAIR PARTS



アイテム	部品番号	名前	数量	UOM
	104703 000 A	FLYWHEEL ASSY		EA
1	104703 100	FLYWHEEL PLATE	1	EA
2	104703 101	COUPLING HUB	1	EA
3	104703 102	NEOPRENE INSERT	8	EA
4	104703 103	THREADED BUSHING	8	EA
5	104703 104	HOUSING	1	EA

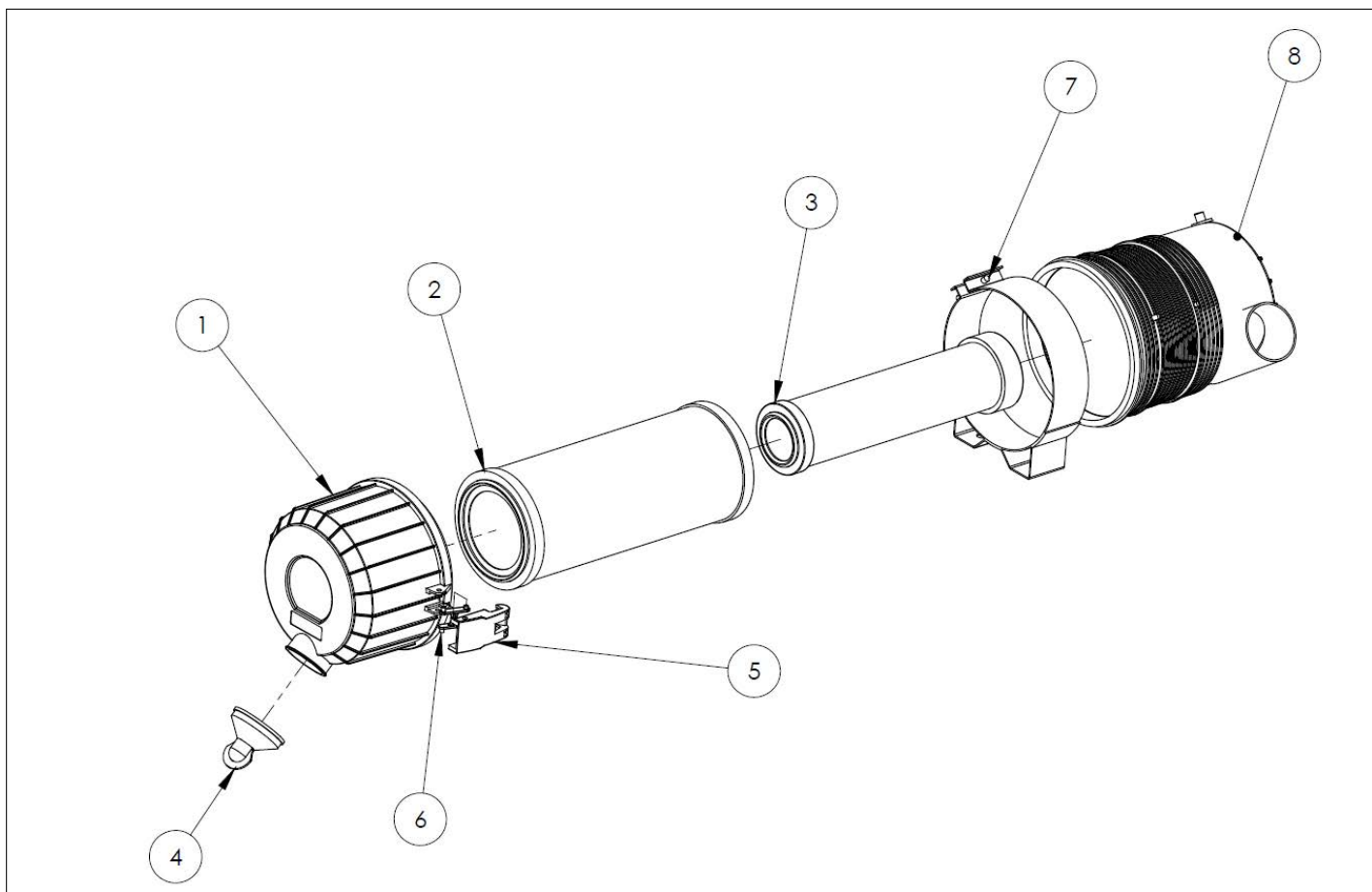


REPAIR PARTS



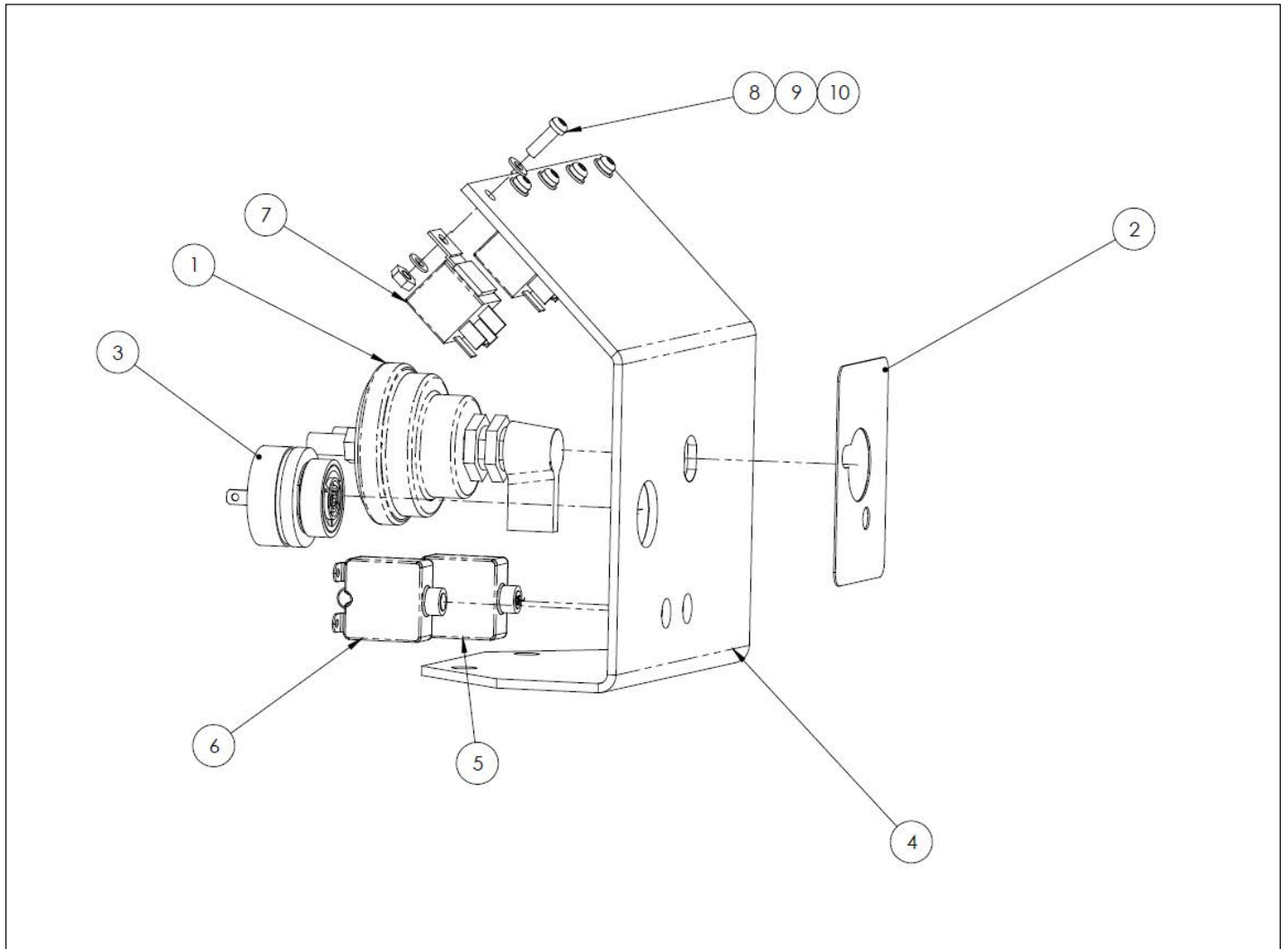
アイテム	部品番号	名前	数量	UOM
	104618 000	THROTTLE BRACKET ASSY		EA
1	104737 000	THROTTLE BRACKET	1	EA
2	3040174	SOLENOID, THROTTLE	1	EA
3	011261 000	JAM NUT .250 28	1	EA
4	064423 000	SWIVEL, IN LINE	1	EA
5	011760 004	ROD END	1	EA
6	55 60629	WASHER FLAT M6	4	EA
7	975209	BLT HEXHD M6 1.0 X 18MM	4	EA
8	984169	NUT HEX M6 1.00	4	EA

REPAIR PARTS



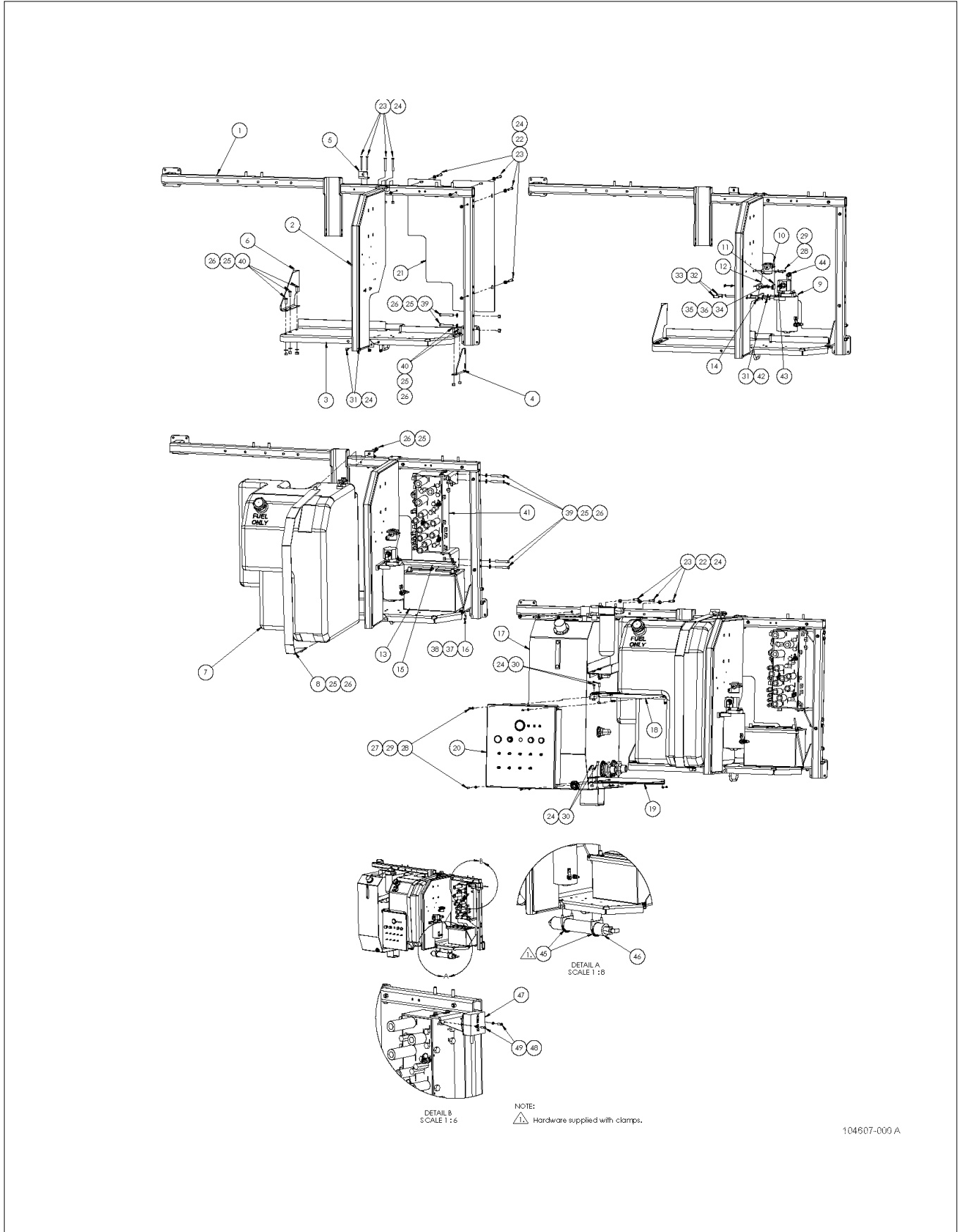
アイテム	部品番号	名前	数量	UOM
	7630755	AIR CLEANER CUMMINS 3.3 KUBOTA WG2403 TIER 3 AND TIER 4 ASSEMBLY	1	EA
1	104750 100	FILTER CAP	1	EA
2	104750 101	PRIMARY ELEMENT	1	EA
3	104750 102	SAFETY ELEMENT	1	EA
4	104750 103	EXTERNAL EJECTOR	1	EA
5	104750 104	CLAMP	1	EA
6	104750 105	CLAMP HINGE	1	EA
7	104750 106	METAL BAND	1	EA
8	104750 107	FILTER BODY	1	EA

REPAIR PARTS



アイテム	部品番号	名前	数量	UOM
	104614 000	BATTERY DISCONNECT PANEL		EA
1	3020061	Battery Disconnect Nut	1	EA
2	0161014	PLACard BATTERY OFF/ON	1	EA
3	3040411	Alarm Buzzer	1	EA
4	104706 000	ELECTRICAL SWITCH MOUNT	1	EA
5	53040069	CIRCUIT BREAKER 25AMP	1	EA
6	3040252	Circuit Breaker 15AMP	1	EA
7	30404695	RELAY SPDT 12V 30 AMP	5	EA
8	PNNA	BoLT RD HD M 5 0.8 X 16 MM GR 12.9	5	EA
9	5563048	FLAT WASHER M 5	10	EA
10	5563136	NUT HEX LKG M5 0.8	5	EA

REPAIR PARTS

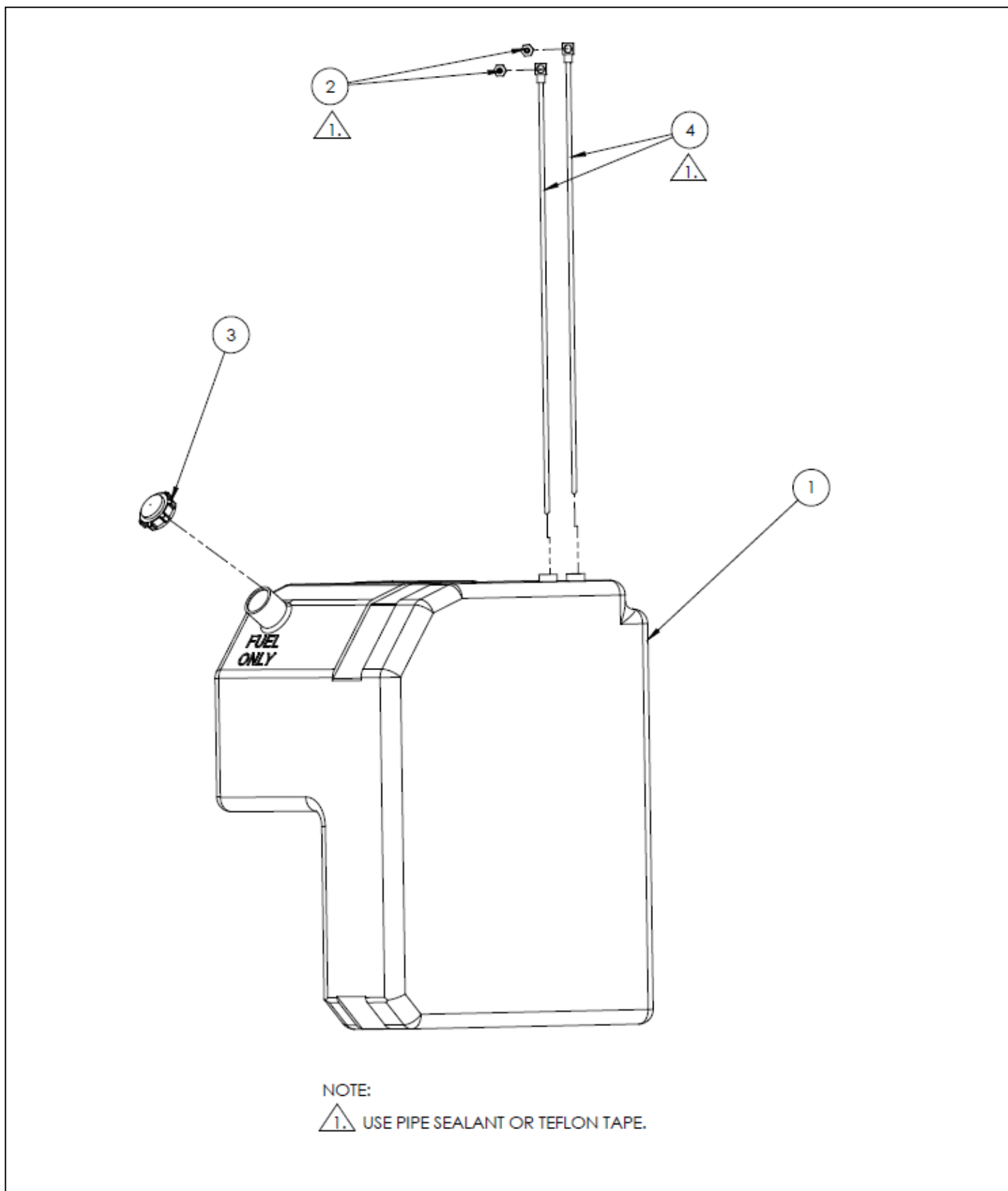


アイテム	部品番号	名前	数量	UOM
	104607 000 A	CONTROL MODULE TRAY ASSY		EA
1	104651 000	LEFT DOOR MOUNT WELDMENT	1	EA
2	104656 000	GENERATOR FRAME WELDMENT	1	EA
3	104652 000	LEFT PAN WELDMENT	1	EA
4	104655 000	FRONT PAN SUPPORT	1	EA
5	104653 000	ANCHOR TANK STRAP	1	EA
6	104654 000	REAR PAN SUPPORT	1	EA
7	104611 000	FUEL TANK ASSEMBLY A62JRT	1	EA
8	104658 000	STRAP FUEL TANK POLARIS	1	EA
9	6020058	EMERGENCY PWR UNIT TB/ATB	1	EA
10	027972 000	STARTER SOLENOID RELAY	1	EA
11	010148 001	FUSE BUSS	1	EA
12	010149 000	FUSE BLOCK	1	EA
13	062299 002	BATTERY 12vdc	1	EA
14	104647 000	ADAPTER E PUMP	1	EA
15	104657 000	BATTERY HOLD DOWN	1	EA
16	100295 000	J BOLT	2	EA
17	104612 000	HYDRAULIC TANK ASSEMBLY A62JRT	1	EA
18	104707 000	TOP CONTROL BRKT	1	EA
19	104708 000	BOTTOM CONTROL BRACKET	1	EA
20	104826 000	LOWER CONTROL BOX A62JRT DIESEL ANSI	1	EA
Not Shown	104827 000	LOWER CONTROL BOX A62JRT DIESEL CE	1	EA
21	104645 000	COVER PANEL LEFT	1	EA
22	5560613	WASHER FLAT M8	7	EA
23	PNNA	HEX HD M8 1.25 X 65MM GR 8.8	11	EA
24	5560727	NUT HEX LKG M8 1.25	17	EA
25	986009	WSHR FLAT 10	13	EA



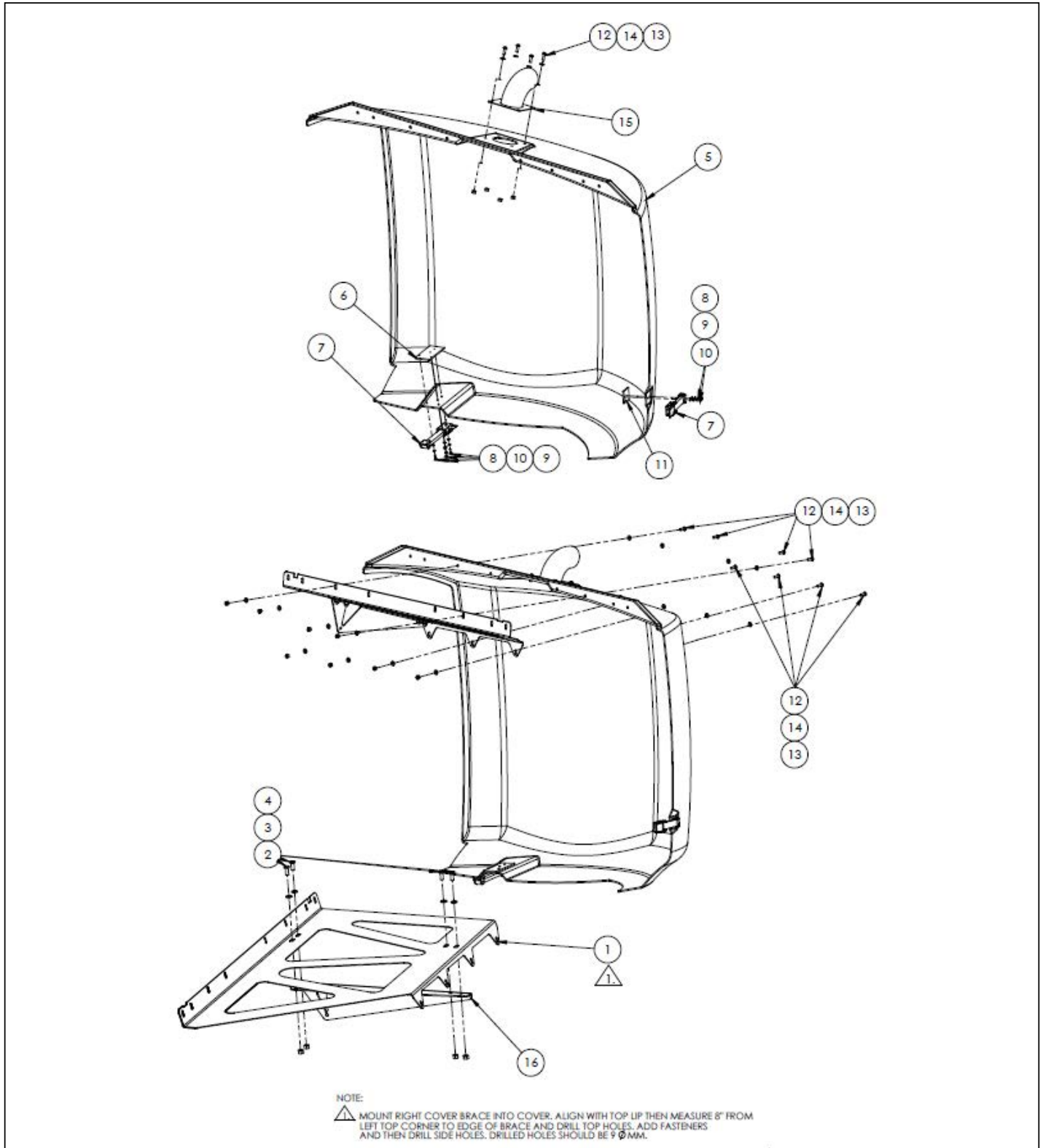
アイテム	部品番号	名前	数量	UOM
26	5560719	NUT HEX LKG M 10 1.50 GR 8.8	13	EA
27	984169	NUT HEX M6 1.00	4	EA
28	975209	BLT HEXHD M6 1.0 X 18MM	6	EA
29	5560629	M6 FLAT WASHER DIN125	10	EA
30	PNNA	BLT HEX HD M8 1.25 X 16 GR 8.8	4	EA
31	5560357	BLT HEX HD M8 1.25 25MM GR 8.8	4	EA
32	5563045	BLT HEX HD .375 16 X 1.00 GR 5	2	EA
33	987119	WSHR LOCK .375	2	EA
34	PNNA	BLT FLTH M5 0.8 X 25 GR 8.8	2	EA
35	5563136	NUT HEX LKG M5 0.8	2	EA
36	5563048	FLAT WASHER M 5	2	EA
37	PNNA	.25 FLAT WASHER	2	EA
38	PNNA	HEX NUT .25 20 GR5 5 5	2	EA
39	PNNA	BLT HHD M10 1.50 X 70 MM GR 8.8	6	EA
40	PNNA	BLT HEX HD M10 1.50 X 25MM GR 8.8	5	EA
41	104606 000	BOOM FUNCTION CONTROL VALVE ASSY	1	EA
42	5560355	WSHR LOCK M8	2	EA
43	100434 013	Hyd Fitting 90 Elbow ORFS(08) SAE(08)	1	EA
44	100434 008	6MB X 6M ORFF 90 ° FITTING	1	EA
45	104839 000	2.25 MUFFLER CLAMP	2	EA
46	104841 000	ACCUMULATOR ASSY	1	EA
47	104842 000	Kar Tech A62JRT Controller	1	EA
48	PNNA	M5 LOCK WASHER	2	EA
49	PNNA	BLT RD HD M 5 0.8 X 16 MM GR 12.9	2	EA

REPAIR PARTS



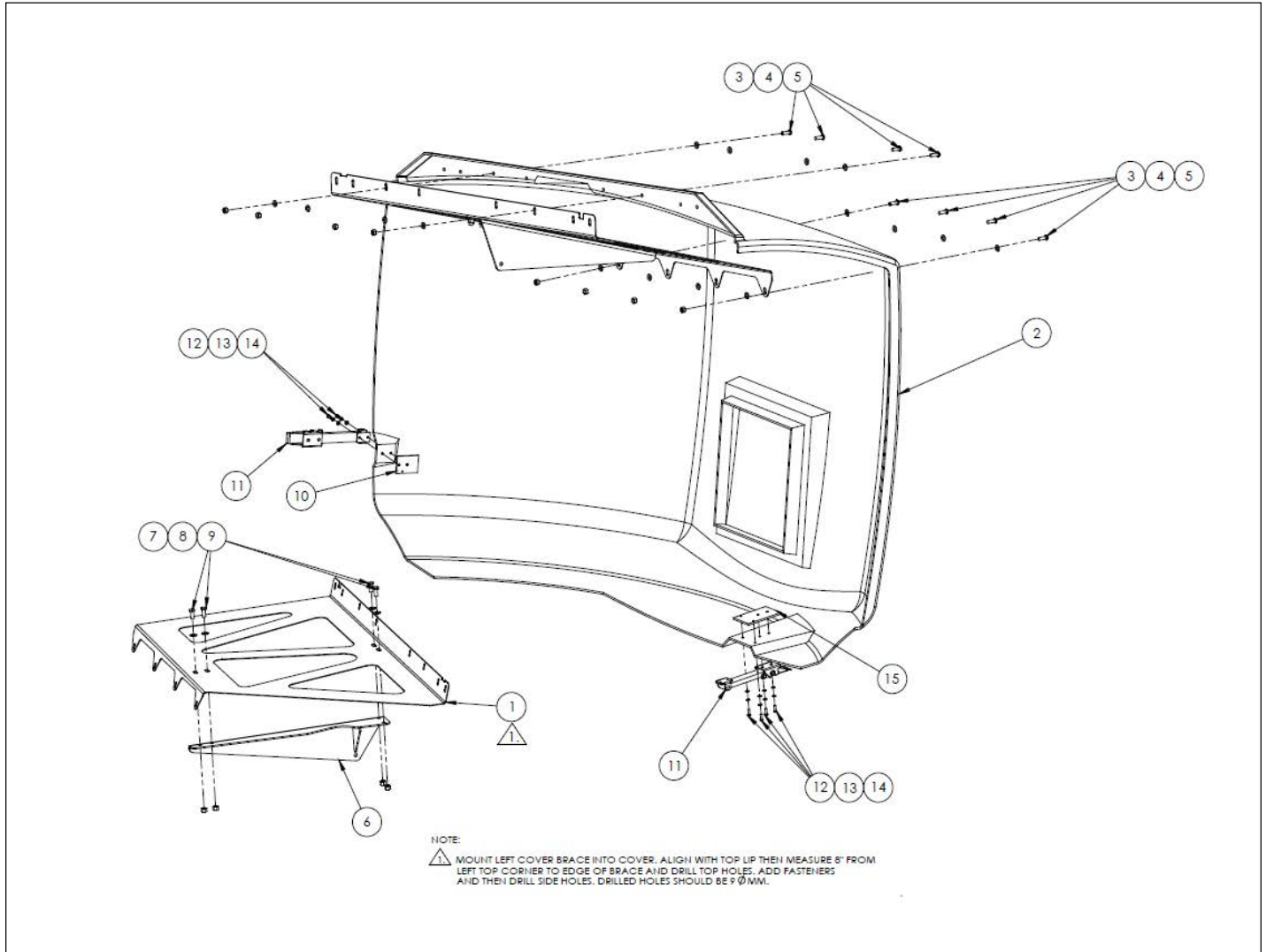
アイテム	部品番号	名前	数量	UOM
	104611 000	FUEL TANK ASSEMBLY A62JRT		EA
1	10433 7 000	FUEL TANK	1	EA
2	010178 003	FITTING BARBED	2	EA
3	068982 002	CAP	1	EA
4	104456 000	WITHDRAWL TUBE	2	EA

REPAIR PARTS



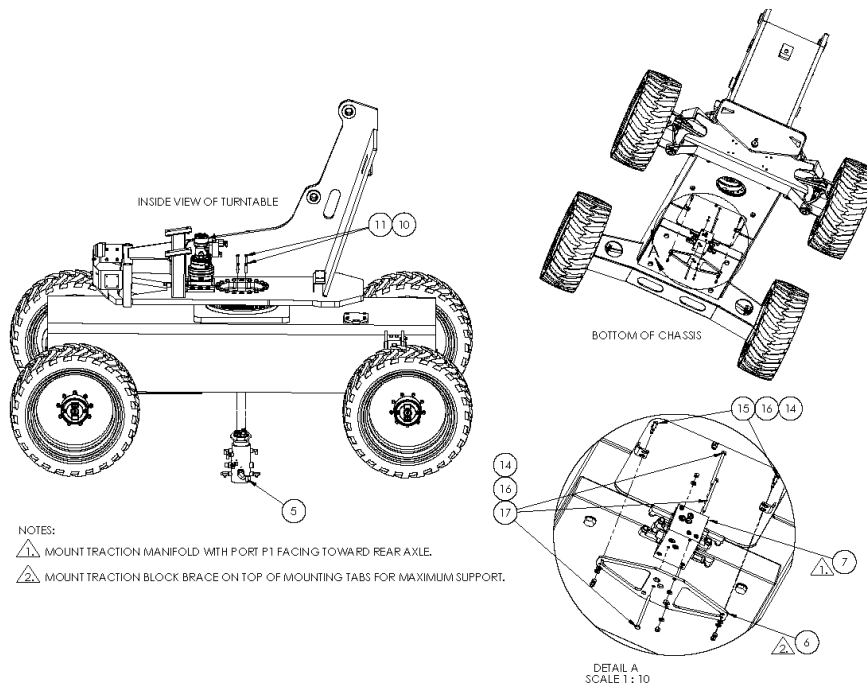
アイテム	部品番号	名前	数量	UOM
	104623 000	COWLING COVER ASSEMBLY RIGHT SIDE		EA
1	104724 000	RIGHT COVER BRACE	1	EA
2	PNNA	HEX HD BOLT M10 1.50 X 25MM GR 8.8	4	EA
3	986009	WSHR FLAT 10	4	EA
4	5560719	NUT HEX LKG M 10 1.50 GR 8.8	4	EA
5	104075 000	COWLING COVER RIGHT	1	EA
6	104741 000	LATCH BLOCK BOTTOM	1	EA
7	068904 000	COWLING LATCH	2	EA
8	PNNA	BLT RD HD M 5 0.8 X 16 MM GR 12.9	6	EA
9	5563048	FLAT WASHER M 5	6	EA
10	PNNA	M5 LOCK WASHER	6	EA
11	104742 000	LATCH BLOCK SIDE	1	EA
12	PNNA	BLT BUT HD M8 1.25 X 25 GR 8.8	12	EA
13	35560727	NUT HEX LKG M8 1.25	12	EA
14	5560613	WASHER FLAT M8	20	EA
15	104292 000	EXHAUST SNORKEL	1	EA
16	104728 000	STRUT BRACE WELDMENT, RIGHT	1	EA

REPAIR PARTS

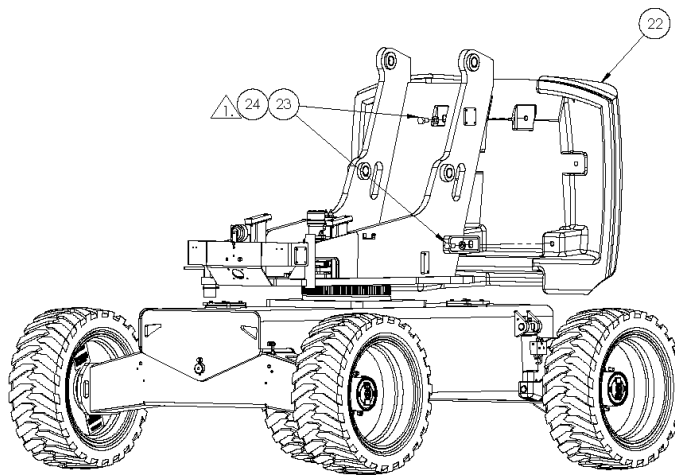


アイテム	部品番号	名前	数量	UOM
	104624 000	COWLING COVER ASSEMBLY LEFT SIDE		EA
1	104725 000	LEFT COVER BRACE	1	EA
2	104076 000	COWLING COVER LEFT SIDE	1	EA
3	PNNA	BLT BUT HD M8 1.25 X 25 GR 8.8	8	EA
4	5560727	NUT HEX LKG M8 1.25	8	EA
5	5560613	WASHER FLAT M8	16	EA
6	104727 000	STRUT BRACE WELDMENT,LEFT	1	EA
7	PNNA	BOLT HEX HD BOLT M10 1.50 X 25MM GR 8.8	4	EA
8	986009	WSHR FLAT 10	4	EA
9	5560719	NUT HEX LKG M 10 1.50 GR 8.8	4	EA
10	104742 000	LATCH BLOCK SIDE	1	EA
11	068904 000	COWLING LATCH	2	EA
12	PNNA	BLT RD HD M 5 0.8 X 16 MM GR 12.9	6	EA
13	PNNA	M5 LOCK WASHER	6	EA
14	5563048	FLAT WASHER M 5	6	EA
15	104741 000	LATCH BLOCK BOTTOM	1	EA

REPAIR PARTS



Rotary Manifold/Traction Manifold Mounting



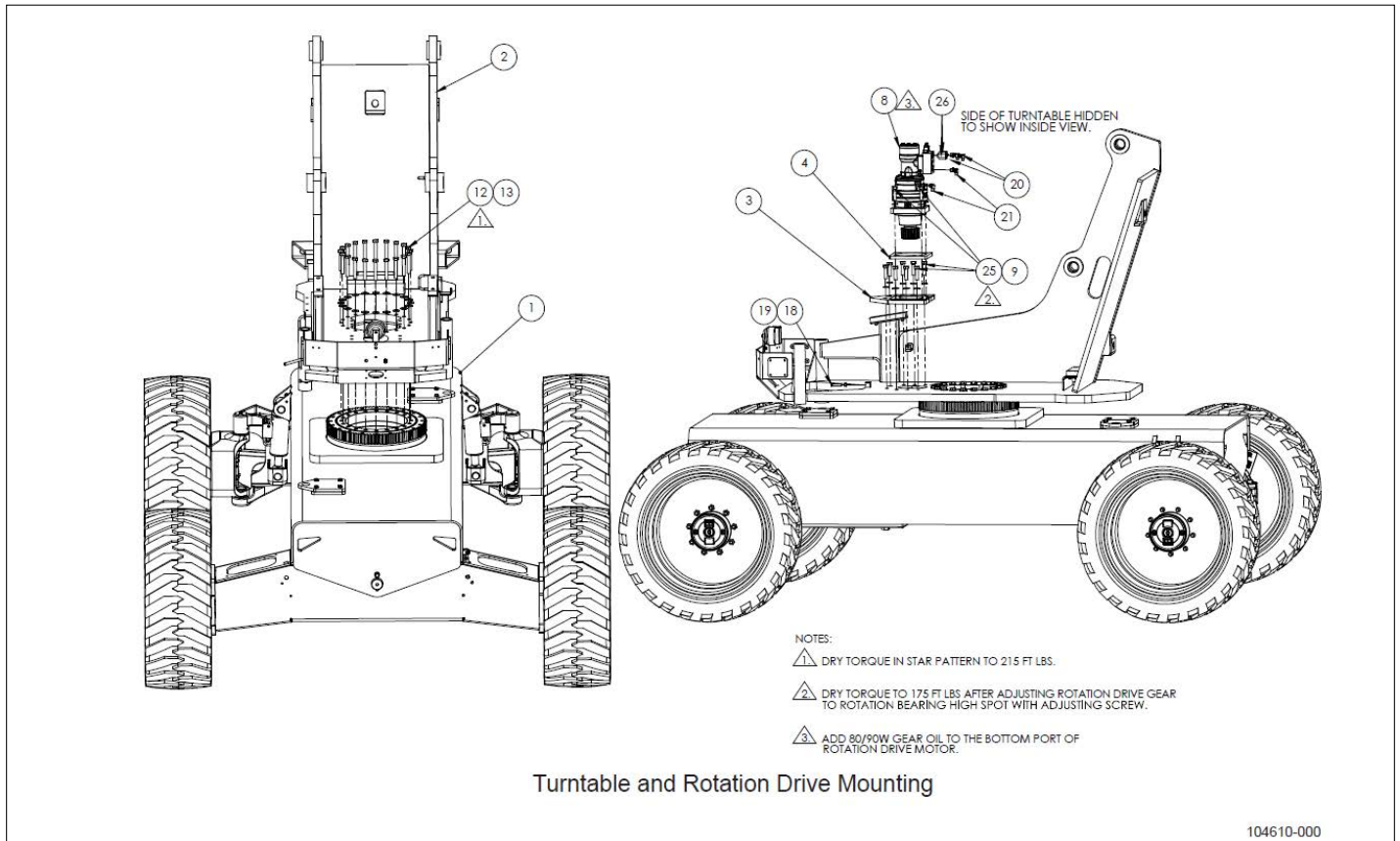
NOTE:  
▲ DRY TORQUE TO 500 FT LBS.

Counterweight Mounting

104810-000



アイテム	部品番号	名前	数量	UOM
	104610 000	TURNTABLE AND COUNTERWEIGHT INSTALLATION		EA
1	REF	A62JRT CHASSIS ASSEMBLY		EA
2	REF	Turntable ASSEMBLY A62JRT		EA
3	104733 000	Rotation Gearbox Adjustment Plate	1	EA
4	104734 000	ROTATION BEARING SPACER PLATE	1	EA
5	104605 000	ROTARY MANIFOLD ASSY	1	EA
6	104745 000	TRACTION BLOCK BRACE	1	EA
7	104621 000	TRACTION MANIFOLD ASSY	1	EA
8	104716 000	ROTATION DRIVE	1	EA
9	PNNA	M16 WASHER ZINC PLT	12	EA
10	PNNA	.500 LOCK WASHER	4	EA
11	PNNA	.500 13 X 2.5 GR5	4	EA
12	104739 000	HHBLT .625 11 X 4.0 GR 8	20	EA
13	011239 010	WASHER, FLAT ASTM A325 5/8"	20	EA
14	5560719	NUT HEX LKG M 10 1.50 GR 8.8	7	EA
15	55560626	BLT HEX HD M10 1.50 30MM	4	EA
16	986009	WSHR FLAT 10	7	EA
17	PNNA	HHBLT M10 1.50 X 150 GR 8.8	3	EA
18	PNNA	HHBLT M10 1.50 X 50 GR8.8	1	EA
19	PNNA	M10 1.50 HEX NUT	1	EA
20	100434 004	Hyd Fitting 90 Elbow ORFS(04) SAE(06)	2	EA
21	100434 002	FITTING 4MORFF X 4MORB 90 °	2	EA
22	104853 000	COUNTERWEIGHT	1	EA
23	PNNA	BLT HHD M 24 3.0 X 50 MM GR 10.9	3	EA
24	PNNA	M24 FLAT HARD WASHER	3	EA

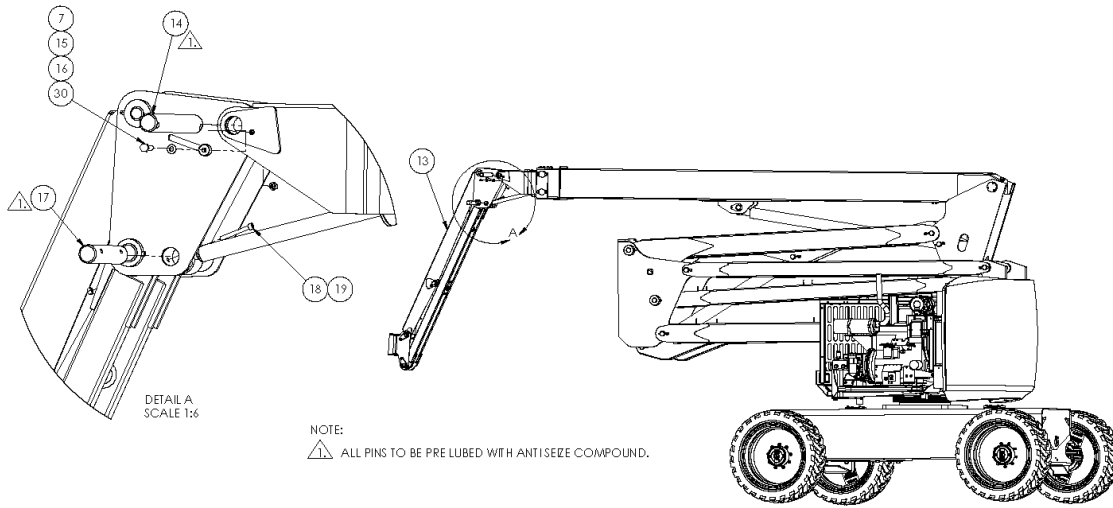


Turntable and Rotation Drive Mounting

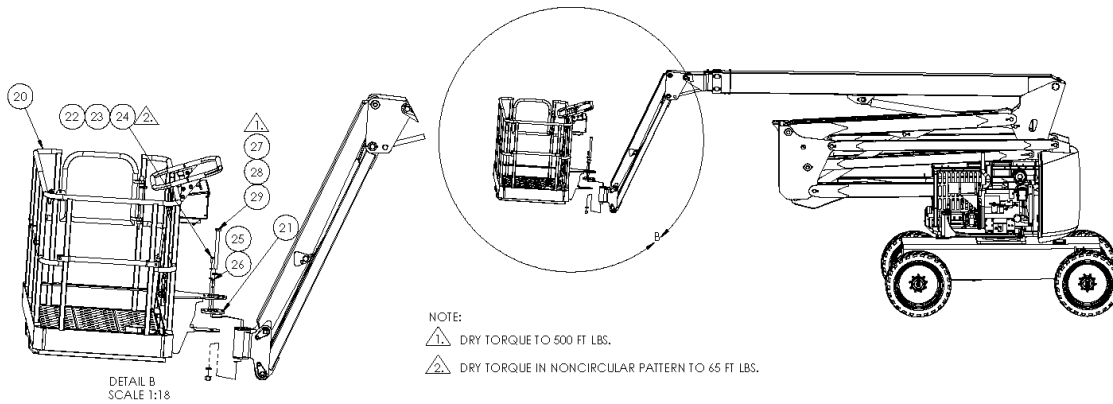
- NOTES:
- ▲ DRY TORQUE IN STAR PATTERN TO 215 FT LBS.
  - ▲ DRY TORQUE TO 175 FT LBS AFTER ADJUSTING ROTATION DRIVE GEAR TO ROTATION BEARING HIGH SPOT WITH ADJUSTING SCREW.
  - ▲ ADD 80/90W GEAR OIL TO THE BOTTOM PORT OF ROTATION DRIVE MOTOR.

アイテム	部品番号	名前	数量	UOM
25	PNNA	M 16 2.0 X 60 MM GR 10.9	12	EA
26	104840 000	INLINE CHECK VALVE ORIFICE .065	2	EA

REPAIR PARTS



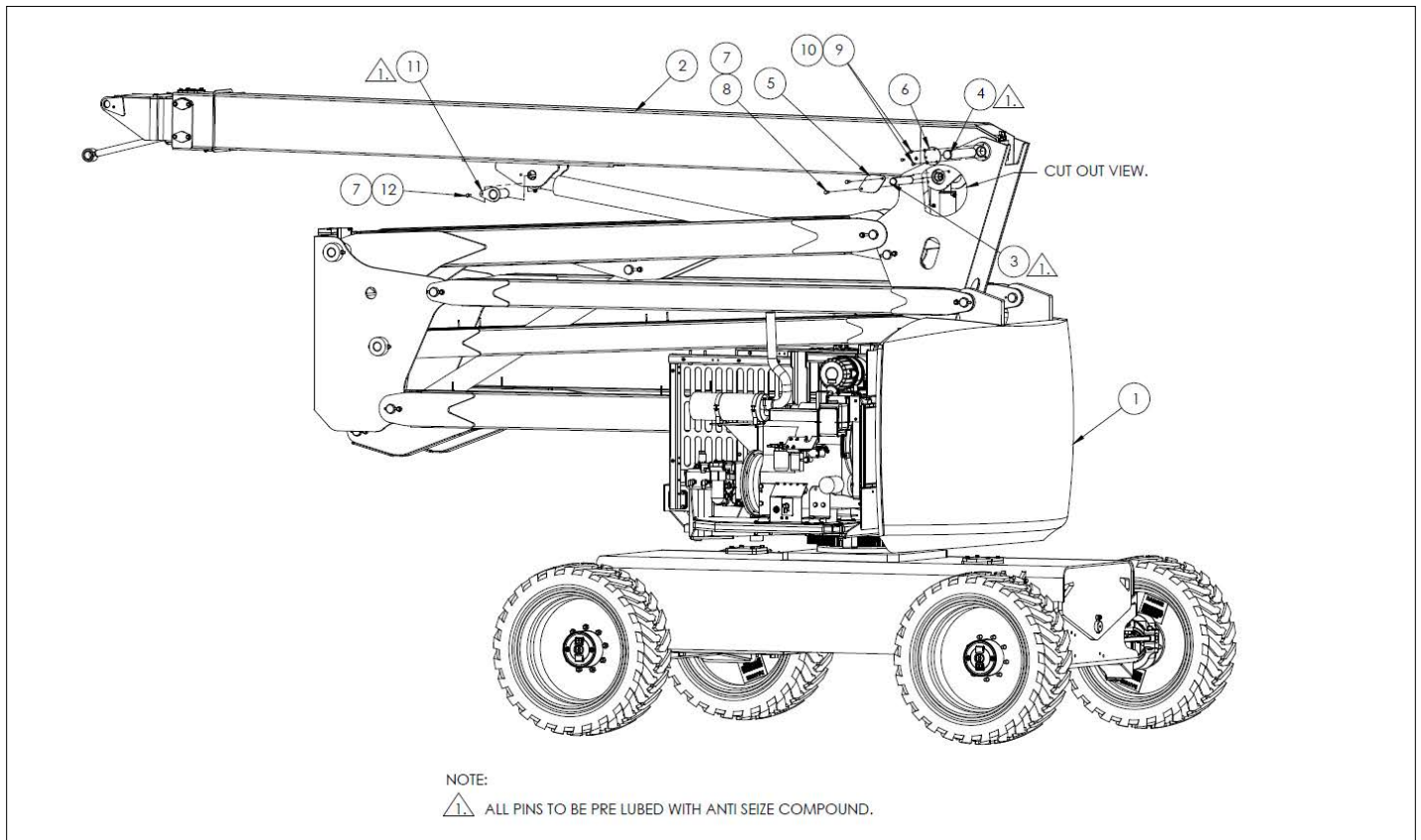
Jib Mounting



Platform Mounting – 104627-000

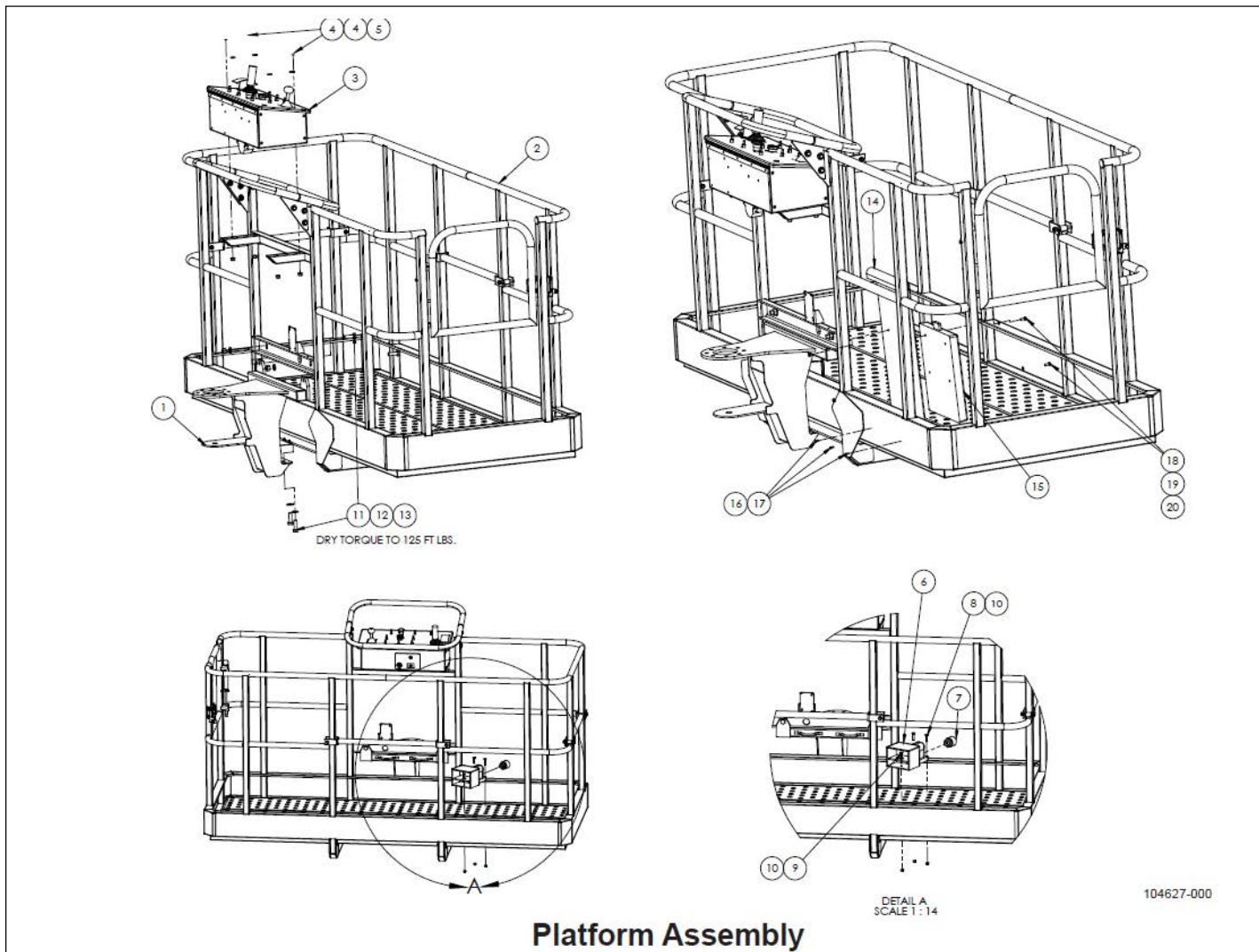
104817-000

アイテム	部品番号	名前	数量	UOM
	104617 000	UPPER BOOM/JIB/PLATFORM MOUNTING		EA
1	REF	LINKAGE TO TURRET ASSY A62JRT		EA
2	104616 000	MAIN BOOM ASSY	1	EA
3	1430253	PIN MASTER CYLinder	1	EA
4	1430252	PIN MAIN BOOM	1	EA
5	1430249	PLATE PIN RETAINER LEVEL.CYL	2	EA
6	1430248	PLATE PIN RETAINER	2	EA
7	5560719	NUT HEX LKG M 10 1.50 GR 8.8	7	EA
8	5560626	BLT HEXHD M10 1.5 X 30MM GR8	4	EA
9	5560357	BLT HEX HD M8 1.25 25MM GR 8.8	6	EA
10	5560355	WSHR LOCK M8	6	EA
11	1430256	BOOM LIFT PIN WELDMENT	1	EA
12	PNNA	BLT HHD M 10 1.50 X 35 MM GR 8.8	1	EA
13	104625 000	JIB BOOM ASSY	1	EA
14	1430257	PIN QUADRANT	1	EA
15	065214 001	ROD END 1/2 X 3 1/2	2	EA
16	986009	WSHR FLAT 10	2	EA
17	1430259	PIN LEVEL CYL	1	EA
18	5560727	NUT HEX LKG M8 1.25	2	EA
19	PNNA	SKT HD BLT M8 1.25 X 70MM GR 12.9	2	EA
20	104627 000	PLATFORM ASSEMBLY	1	EA
21	106598 000	ROTATOR ADAPTOR PLATE	1	EA
Not Shown	116346 000	overload cell – CE ONLY BEFORE SN 01 0004 (Not illustrated)	1	EA
3030178	3030188	OVERLOAD SENSOR PLATE	1	EA



アイテム	部品番号	名前	数量	UOM
Not Shown	3030188	OVERLOAD SENSOR PLATE	1	EA
22	5560614	LOCK WASHER M12	8	EA
23	565476	BLT HHD M12 1.75 X 35MM GR 8.8	8	EA
24	5560699	FLAT WASHER M 12	8	EA
25	5563045	BLT HEX HD .375 16 X 1.00 GR 5	8	EA
26	987119	WSHR LOCK .375	8	EA
27	5569989	BOLT 24MM 3.00P 280MM 10.9	1	EA
28	5569991	WSHR FLAT HARD M24	2	EA
29	5569990	NUT LKG M24 3.0P	1	EA
30	PNNA	HHD BLT M10 1.5 X 40MM GR8.8	2	EA

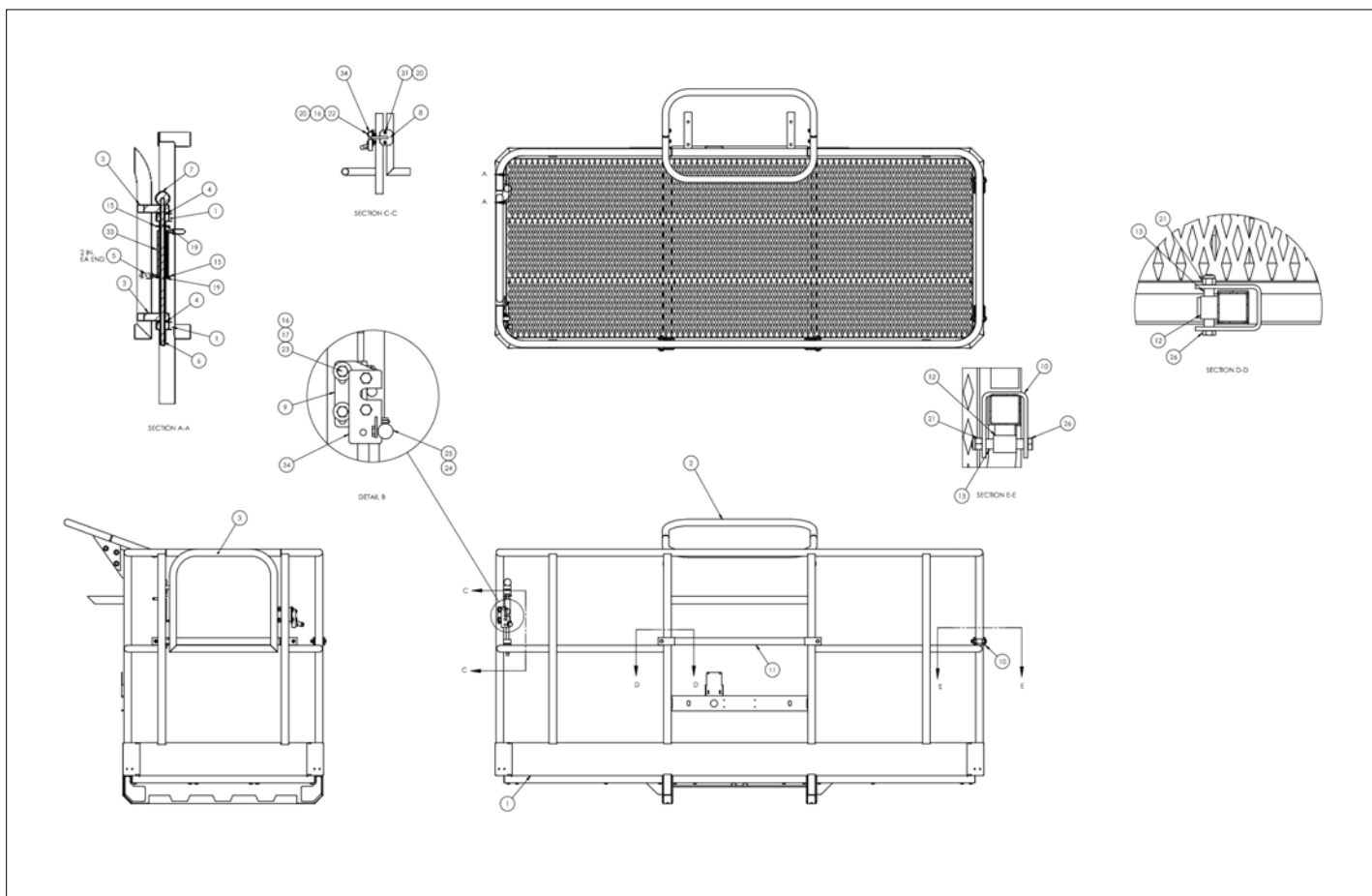
REPAIR PARTS





アイテム	部品番号	名前	数量	UOM
	104627 000	PLATFORM ASSEMBLY		EA
1	1430312	MOUNT PLATFORM BEFORE SN 01 0004	1	EA
1	515446 000	MOUNT PLATFORM AFTER SN 01 0005	1	EA
2	1430100	PLATFORM ASSEMBLY STEEL 8 FOOT	1	EA
3	104820 000	UPPER CONTROL BOX A 62JRT DIESEL ANSI	1	EA
	104825 000	null	1	EA
4	986009	WSHR FLAT 10	4	EA
5	5560719	NUT HEX LKG M 10 1.50 GR 8.8	4	EA
6	3020021	Foot Switch	1	EA
7	029925 011	CABLE GLAND 3/4 NPT	1	EA
8	5560627	BLT HEX HD M8 1.25X35MM	2	EA
9	5560357	BLT HEX HD M8 1.25 25MM GR 8.8	1	EA
10	5560727	NUT HEX LKG M8 1.25	3	EA
11	PNNA	HHD BLT M14 2.00 X45 GR 10.9	4	EA
12	PNNA	FLAT WASHER M 14 ZINC PLATEd d	4	EA
13	PNNA	LOCK NUT M 14 GR 10.9 4	4	EA
14	100468 001	PANEL DECAL MOUNT	1	EA
15	010076 000	Manual Enclosure	1	EA
16	PNNA	LKG NUT M 3 .5 GR 8.8	3	EA
17	PNNA	SKT HD BOLT M3 0.5 X 10 MM GR 12.9	3	EA
18	975209	BLT HEXHD M6 1.0 X 18MM	2	EA
19	5560629	M6 FLAT WASHER DIN125	2	EA
20	984169	NUT HEX M6 1.00	2	EA

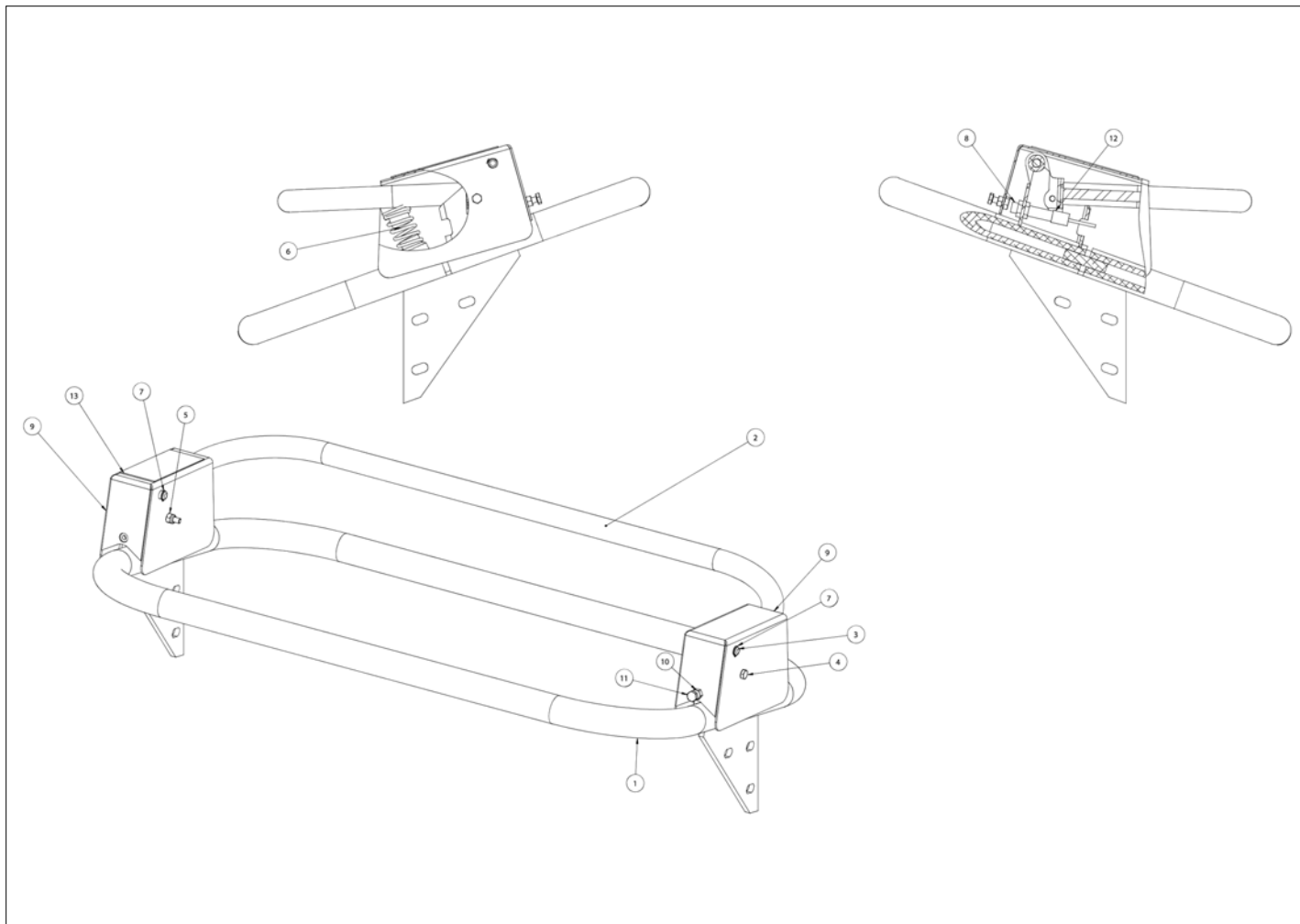
REPAIR PARTS



アイテム	部品番号	名前	数量	UOM
	1430100 L	GLOBAL PLATFORM ASSEMBLY STEEL MARCH 2009 AND AFTER		EA
*	1430100 0	PLATFORM ASSEMBLY STEEL	1	EA
*	1430100 5	PLATFORM ASSEMBLY STEEL	1	EA
1	1430080 0	GLOBAL STD PLATFORM WELDMENT	1	EA
2	0074096 0	GUARD WLDMT PLATF BOX	1	EA
3	1430099 0	WLDMT GATE SWING	1	EA
4	2572007	BRG .500ID .625OD .625	4	EA
5	5010007	HOSE VACUUM .156 ID 4.0MM	0.33	EA
6	0420632	PIN 0.50 4.859 GRIP	1	EA
7	2667500	95 BALL KNOB 1 3/8 X 1/2 13	1	EA
8	0421529 0	WLDMT STRIKER SWING GATE	1	EA
9	0421519 0	PLT LATCH MNT SWING GATE	1	EA
10	0420199 0	WLDMT GATE GRAVITY SIDE 36X96	1	EA
11	0421321 0	WLDMT GG FRONT 36X96 STL PLAT	1	EA
12	0150509	ROLLER	4	EA
13	0071953 8	SPCR .451ID .500OD 1.88 STL	4	EA
14	8060311	PLATE GRIPSTRUT 8FT	3	EA
15	986359	FLATWASHER 1/2"	2	EA
16	986269	WSHR FLAT .313	4	EA
17	5563393	WASHER FLAT .438 HARDENED	2	EA
18	986299	WASHER, FLAT, .375 STANDARD, PLATED	12	EA
19	988179	COTTER PIN, 1/8 DIA. X 1" LG.	2	EA
20	5560031	NUT HEX LKG .313 18	4	EA
21	5560033	.375 16UNC HEX LOCK NUT	10	EA
22	970279	BLT HEXHD .313 18 1.50 GR5	2	EA
23	970239	BLT HEXHD .313 18 .750 GR5	2	EA
24	970009	Capscrew 1/4 20 x 1/2 inch lon	1	EA

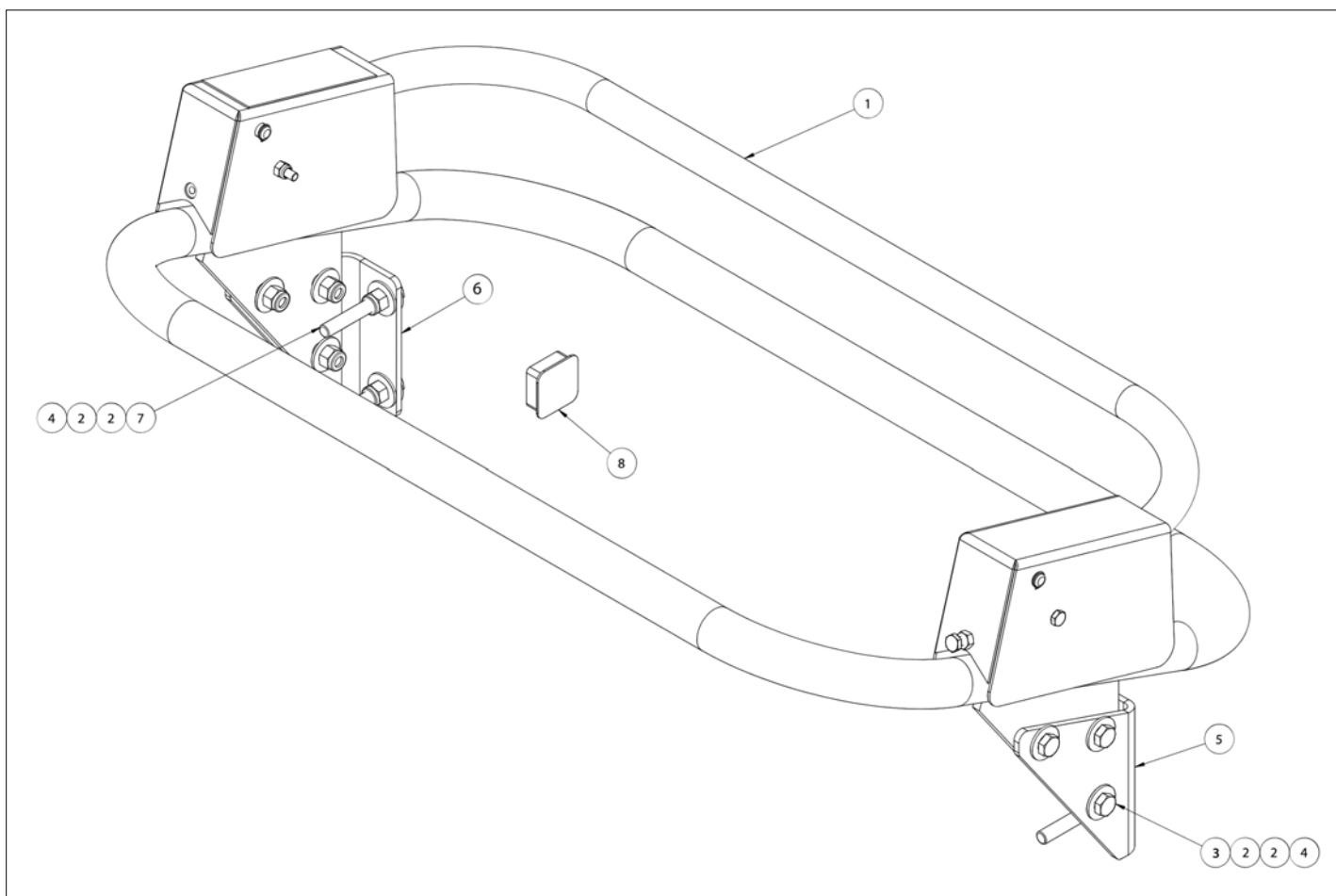
アイテム	部品番号	名前	数量	UOM
25	302555	KNOB ROUND .25 20NC FEMALE DIM	1	EA
26	5569865	BLT HEXHD .375 16 2.75 GR5	4	EA
27	972479	BLT HEXHD .375 16 1.25 GR5	6	EA
28	5563310	HWH .25 14 SELF DRILLING X .75	16	EA
29	972259	BLT FLSKTHD .313 18 1.00	2	EA
30	970029	BLT .25 20 .750	20	EA
31	986019	WSHR FLAT .250	20	EA
32	5560004	NUT LKG .250 20	20	EA
33	0071837	TORSION SPRING BASKET MODIF.	1	EA
34	300492	LATCH LH TRAY ROTARY LOCK	1	EA

REPAIR PARTS



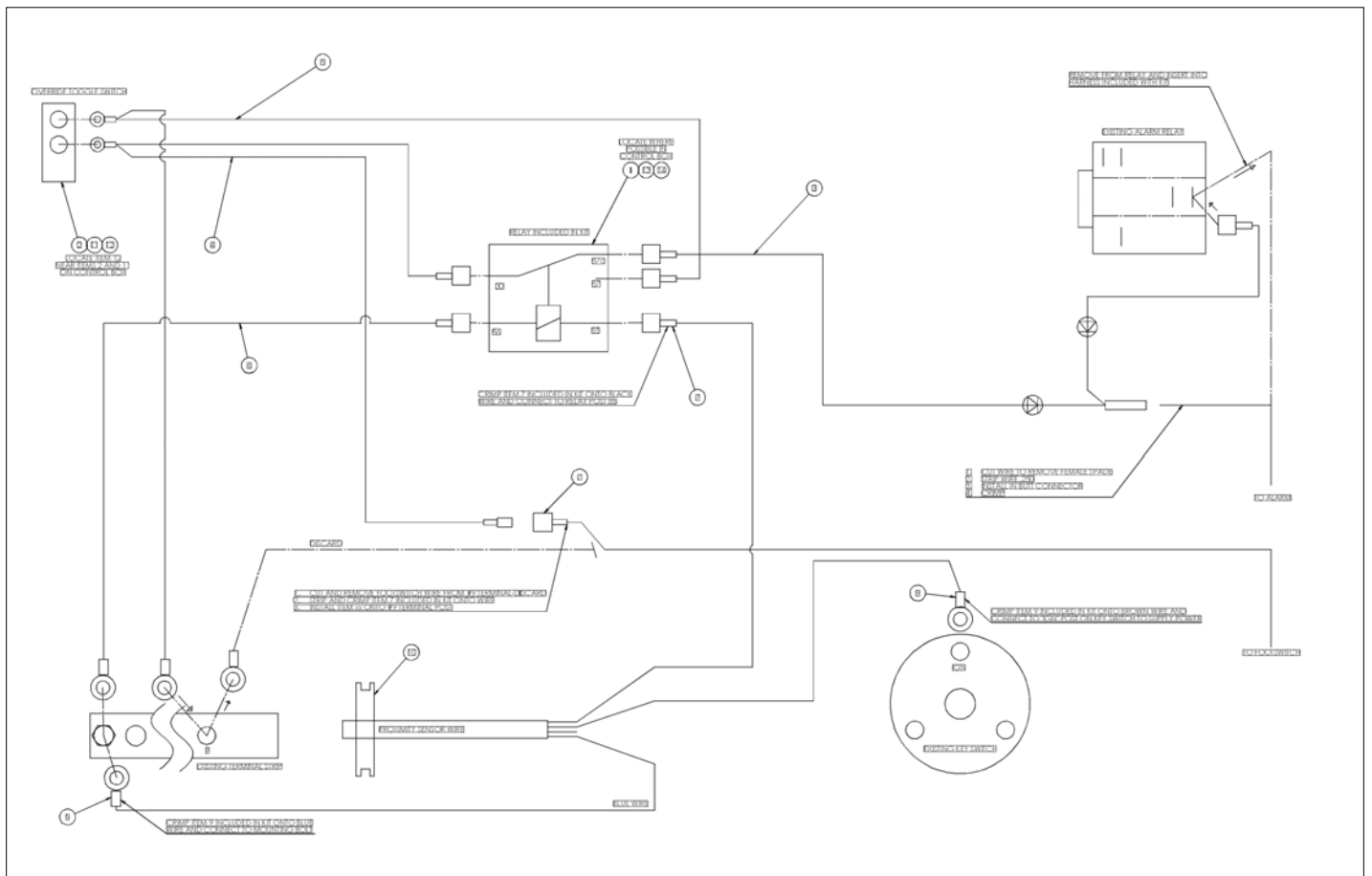
アイテム	部品番号	名前	数量	UOM
Not Shown	0113531	ASSY, SNORKEL GUARD	1	EA
1	0113519	WLDMT, SNORKEL GUARD	1	EA
2	0113529	WLDMT ACTIVATION BAR	1	EA
3	0113528	PIN .375 X 2.31 GRIP	2	EA
4	056058 070	Bolt, HexBolt DIN931 M6 x 70mm	2	EA
5	056066 006	Nut NylockNut DIN985 M6 8.0 Zi	2	EA
6	0113530	SPRING ANTI ENTRAPMENT	1	EA
7	5592018	SNAP RING .375 DIA EXT	4	EA
8	3028844	IFS241 (IFM PROXY)	1	EA
9	0113538	WLDMT SHEILD	2	EA
10	984069	NUT HEX .250 20	1	EA
11	970029	BLT .25 20 .750	1	EA
12	3014753	SNORKEL GUARD SENSOR (CABLE, M12 X 2M L)	1	M
13	7030163	DECAL SNORKEL GUARD OVERRIDE OPERATION	1	EA

REPAIR PARTS

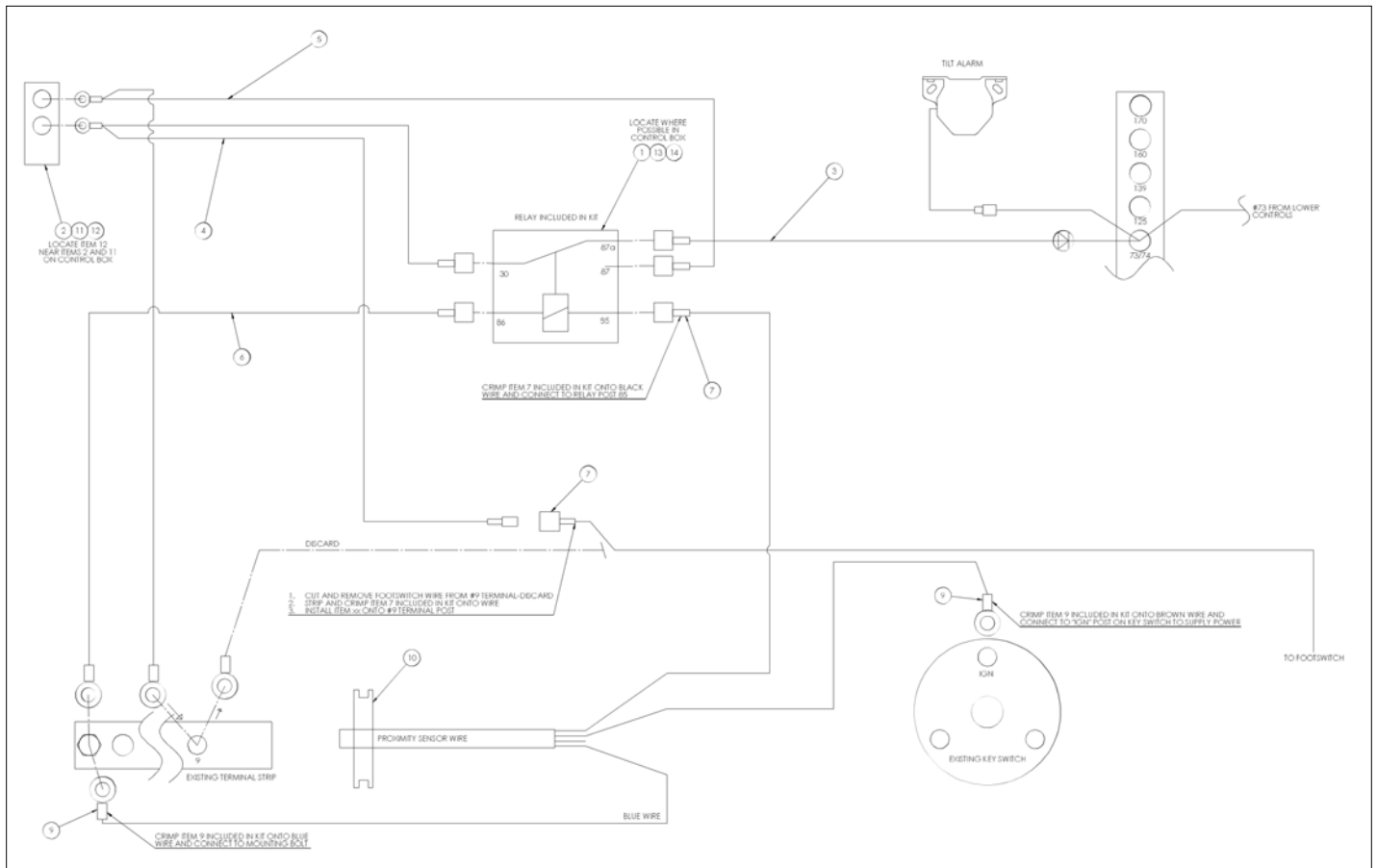


アイテム	部品番号	名前	数量	UOM
Not Shown	0113536	SNORKEL GUARD ASSY SN 01 000104 AND BEFORE	1	EA
1	0113531	ASSY, SNORKEL GUARD	1	EA
2	986299	WASHER, FLAT, .375 STANDARD, PLATED	20	EA
3	972479	BLT HEXHD .375 16 1.25 GR5	6	EA
4	5560033	.375 16UNC HEX LOCK NUT	10	EA
5	0113560	HALO ADAPTER, LH	1	EA
6	0113561	HALO ADAPTER, RH	1	EA
7	970529	BLT HEXHD .375 16 2.50 GR5 PLTD	4	EA
8	2540014	END CAP 1.25 ID SQ PLASTIC BLACK	2	EA
9	IP 0113536	IP LEGACY SNORKEL GUARD	1	EA
1a	3040469	RELAY SPDT 12V 30AMP SONG	1	EA
2a	3020080	TOGGLE SWITCH	1	EA
3a	0113540	ASSY DIODE WIRE	1	EA
4a	0113541	ASSY SWITCHED WIRE COMMON	1	EA
5a	0113542	ASSY SWITCHED WIRE	1	EA
6a	0071556	WIRE 16 R10I FEM250I 24	1	EA
7a	3040083	TERM FEM250FI 16/14	2	EA
9a	3044161	TERM R10I 16/14	2	EA
10a	5569059	GROMMET .313ID .536DIA X .125GRV	1	EA
11a	7030161	DECAL, SNORKEL GUARD OVERRIDE	1	EA
12a	7030162	DECAL, OVERRIDE WARNING	1	EA
13a	5560609	SCR TRHD 10 24 .500	1	EA
14a	5560034	NUT LKG 10 24	1	EA
1b	3040469	RELAY SPDT 12V 30AMP SONG	1	EA
2b	3020080	TOGGLE SWITCH	1	EA

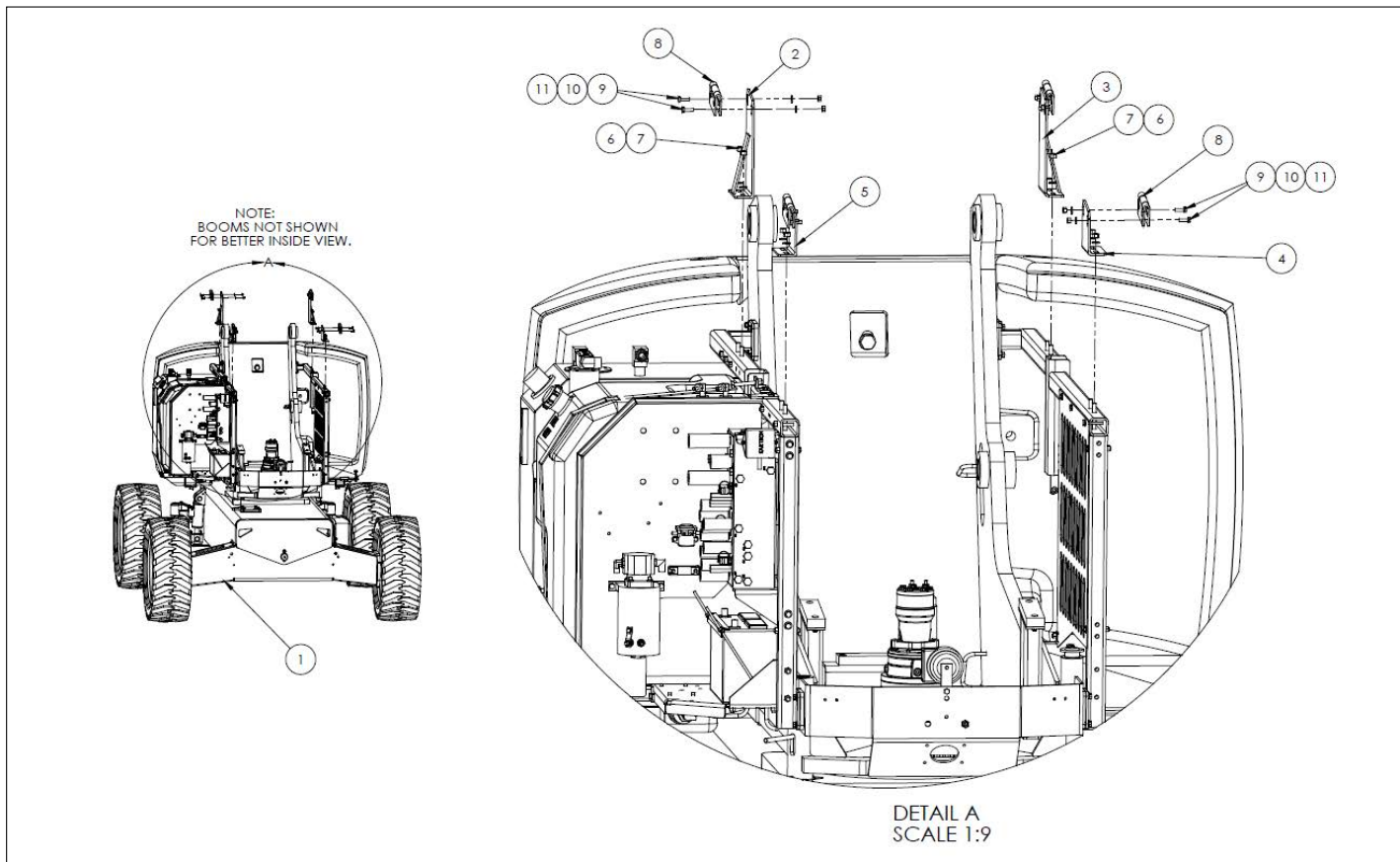




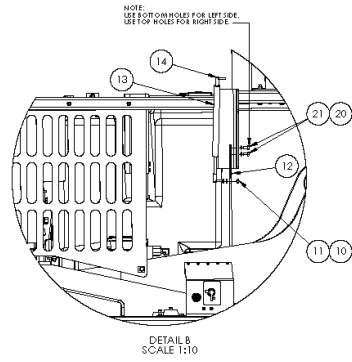
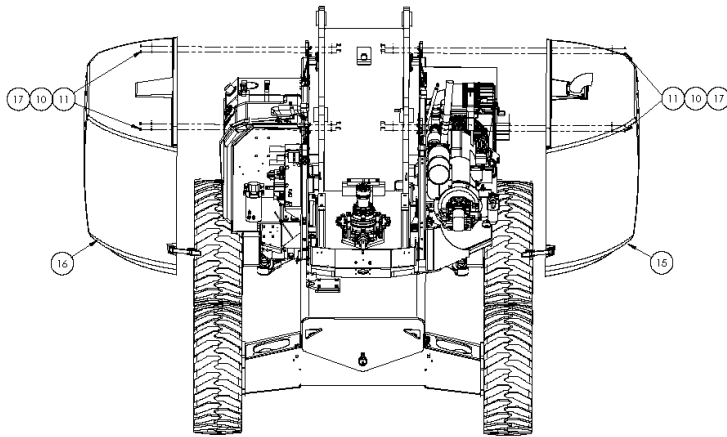
アイテム	部品番号	名前	数量	UOM
3b	0113540	ASSY DIODE WIRE	1	EA
4b	0113541	ASSY SWITCHED WIRE COMMON	1	EA
5b	0113542	ASSY SWITCHED WIRE	1	EA
6b	0071556	WIRE 16 R10I FEM250I 24	1	EA
7b	3040083	TERM FEM250FI 16/14	3	EA
9b	3044161	TERM R10I 16/14	2	EA
10b	5569059	GROMMET .313ID .536DIA X .125GRV	1	EA
11b	7030161	DECAL, SNORKEL GUARD OVERRIDE	1	EA
12b	7030162	DECAL, OVERRIDE WARNING	1	EA
13b	5560609	SCR TRHD 10 24 .500	1	EA
14b	5560034	NUT LKG 10 24	1	EA



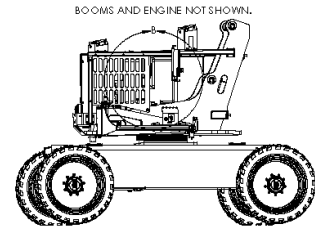
REPAIR PARTS



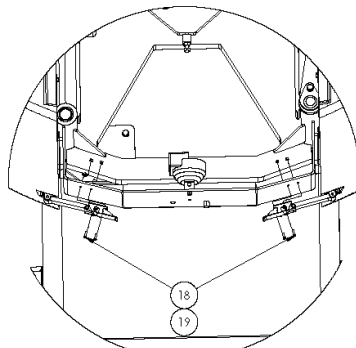
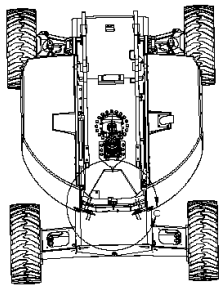
アイテム	部品番号	名前	数量	UOM
	104628 000	COWLING INSTALLATION		EA
1	REF	A62JRT JIB,BOOM & PLATFORM TO LINKAGE ASSY		EA
2	104721 000	HINGE MOUNT WELDMENT LEFT FRONT	1	EA
3	104720 000	HINGE MOUNT WELDMENT RIGHT FRONT	1	EA
4	104719 000	HINGE MOUNT RIGHT REAR	1	EA
5	104718 000	HINGE MOUNT LEFT REAR	1	EA
6	986009	WSHR FLAT 10	8	EA
7	5560719	NUT HEX LKG M 10 1.50 GR 8.8	8	EA
8	104084 000	HINGE	4	EA
9	5560357	BLT HEX HD M8 1.25 25MM GR 8.8	8	EA
10	5560613	WASHER FLAT M8	30	EA
11	5560727	NUT HEX LKG M8 1.25	20	EA
12	104723 000	SPRING MOUNT	2	EA
13	104374 000	GAS SPRING	2	EA
14	104374 001	BALL JOINT END	2	EA
15	104623 000	COWLING COVER ASSEMBLY RIGHT SIDE	1	EA
16	104624 000	COWLING COVER ASSEMBLY LEFT SIDE	1	EA
17	PNNA	BLT BUT HD M8 1.25 X 25 GR 8.8	8	EA
18	PNNA	BLT RD HD M 5 0.8 X 16 MM GR 12.9	8	EA
19	056064 005	Nut, NylockNut DIN985 M5 10.0	8	EA
20	056021 008	Washer SpringWasher DIN127B M8	4	EA
21	056059 016	HHCS M8 X 16 GR8.8 DIN 931	4	EA
22	061692 099	GROMMET MATERIAL	A/R	EA
23	100370 009	DOOR SEAL C	A/R	EA



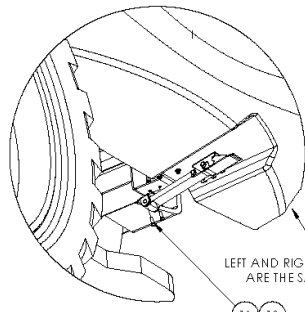
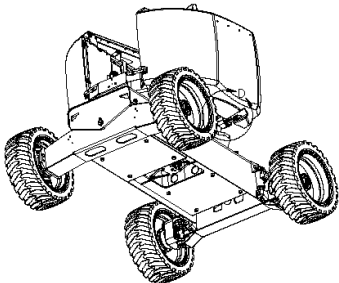
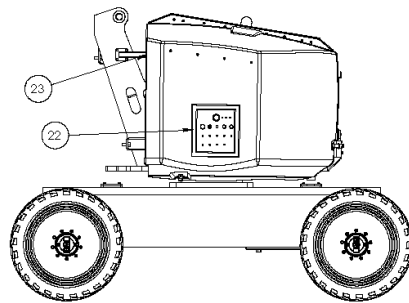
DETAIL B  
SCALE 1:10



BOOMS AND ENGINE NOT SHOWN.



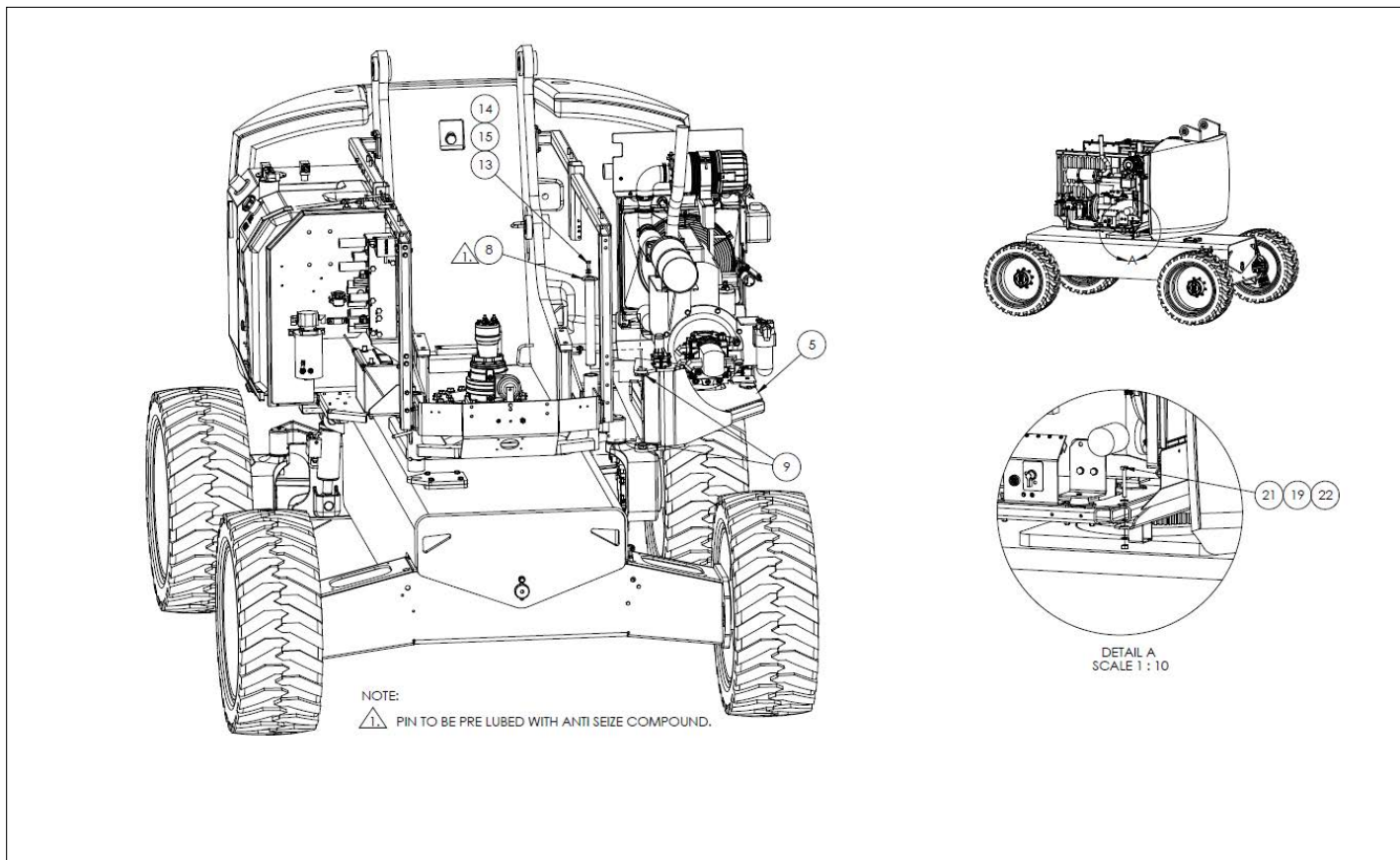
DETAIL C  
SCALE 1:9



DETAIL D  
SCALE 1:6

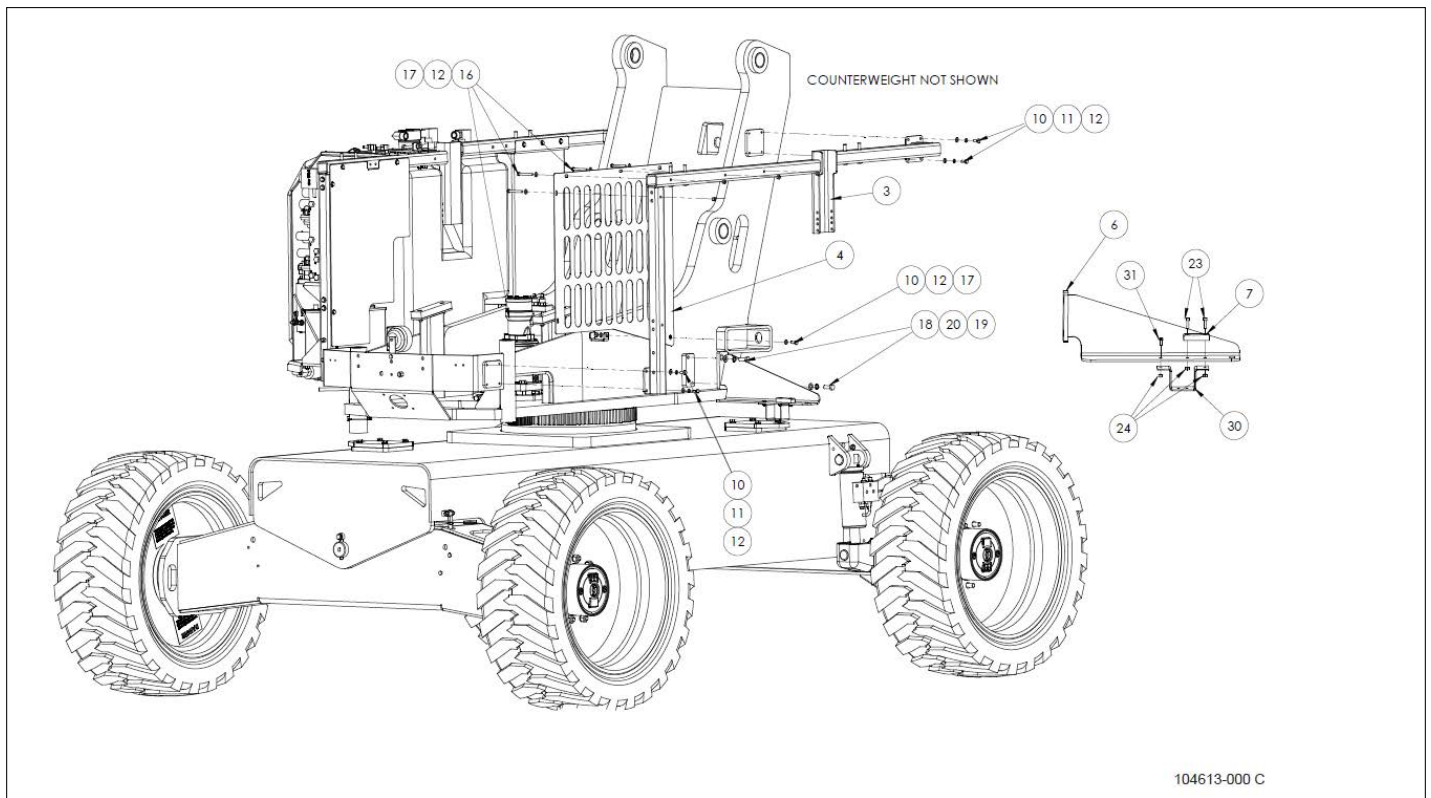
104629-000

REPAIR PARTS

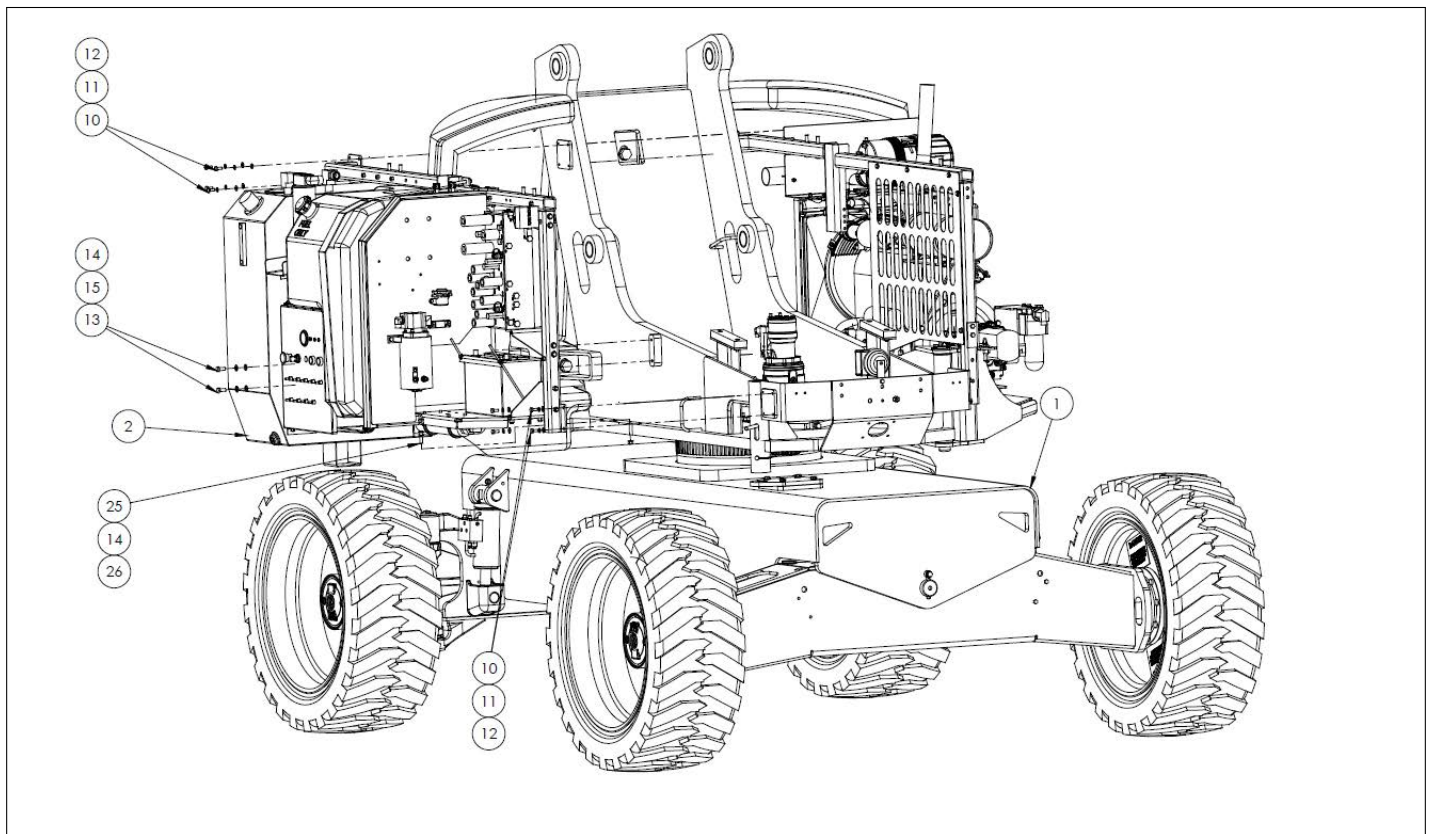


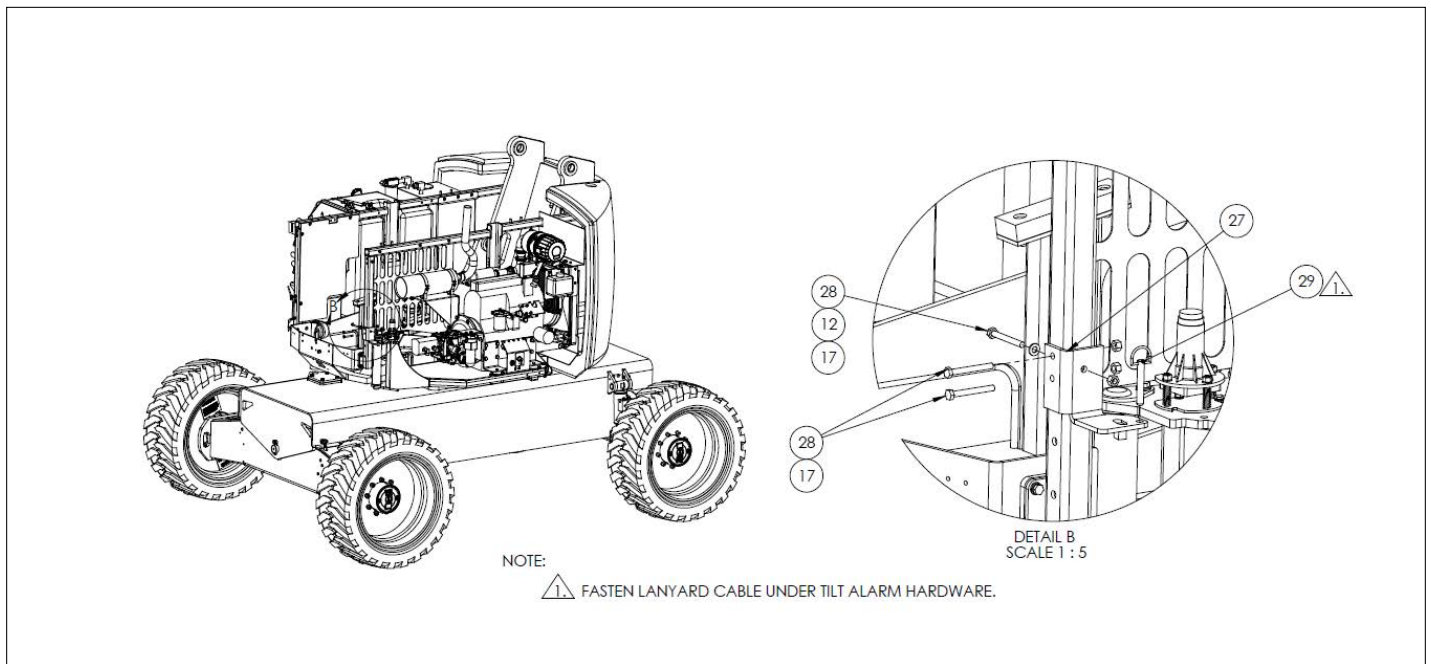
アイテム	部品番号	名前	数量	UOM
	104613 000 C	TRAY MOUNTING		EA
1	REF	TURRET and COUNTERWEIGHT TO CHASSIS ASSY A62JRT		EA
2	104607 000	CONTROL MODULE ASSEMBLY A62JRT	1	EA
3	104854 000	RIGHT DOOR MOUNT	1	EA
4	104643 000	COVER PANEL RIGHT	1	EA
5	104609 000	SWING OUT ENGINE TRAY ASSEMBLY – Kubota	1	EA
6	104642 000	ENGINE SUPPORT WELDMENT	1	EA
7	104641 000	ENGINE MOUNT SLIDE PAD	1	EA
8	104713 000	TRAY PIN WELDMENT	1	EA
9	104640 000	UHMW THRUST WASHER	2	EA
10	PNNA	HHD BLT M8 1.25 X 20 GR 8.8	17	EA
11	5560355	WSHR LOCK M8	16	EA
12	5560613	WASHER FLAT M8	23	EA
13	PNNA	BLT HEX HD M10 1.50 X 25MM GR 8.8	3	EA
14	986009	WSHR FLAT 10	6	EA
15	5560356	WSHR LOCK 10	3	EA
16	PNNA	HEX HD M8 1.25 X 65MM GR 8.8	4	EA
17	5560727	NUT HEX LKG M8 1.25	8	EA
18	565476	BLT HHD M12 1.75 X 35MM GR 8.8	2	EA
19	5560699	FLAT WASHER M 12	4	EA
20	5560614	LOCK WASHER M12	2	EA
21	PNNA	BLT HHD M12 1.75 X 90 GR 8.8	1	EA
22	5563078	NUT HEX LKG M 12 1.75	1	EA
23	PNNA	BLT SKT HD M6 1.0 X 25 GR 12.9	2	EA
24	984169	NUT HEX M6 1.00	3	EA



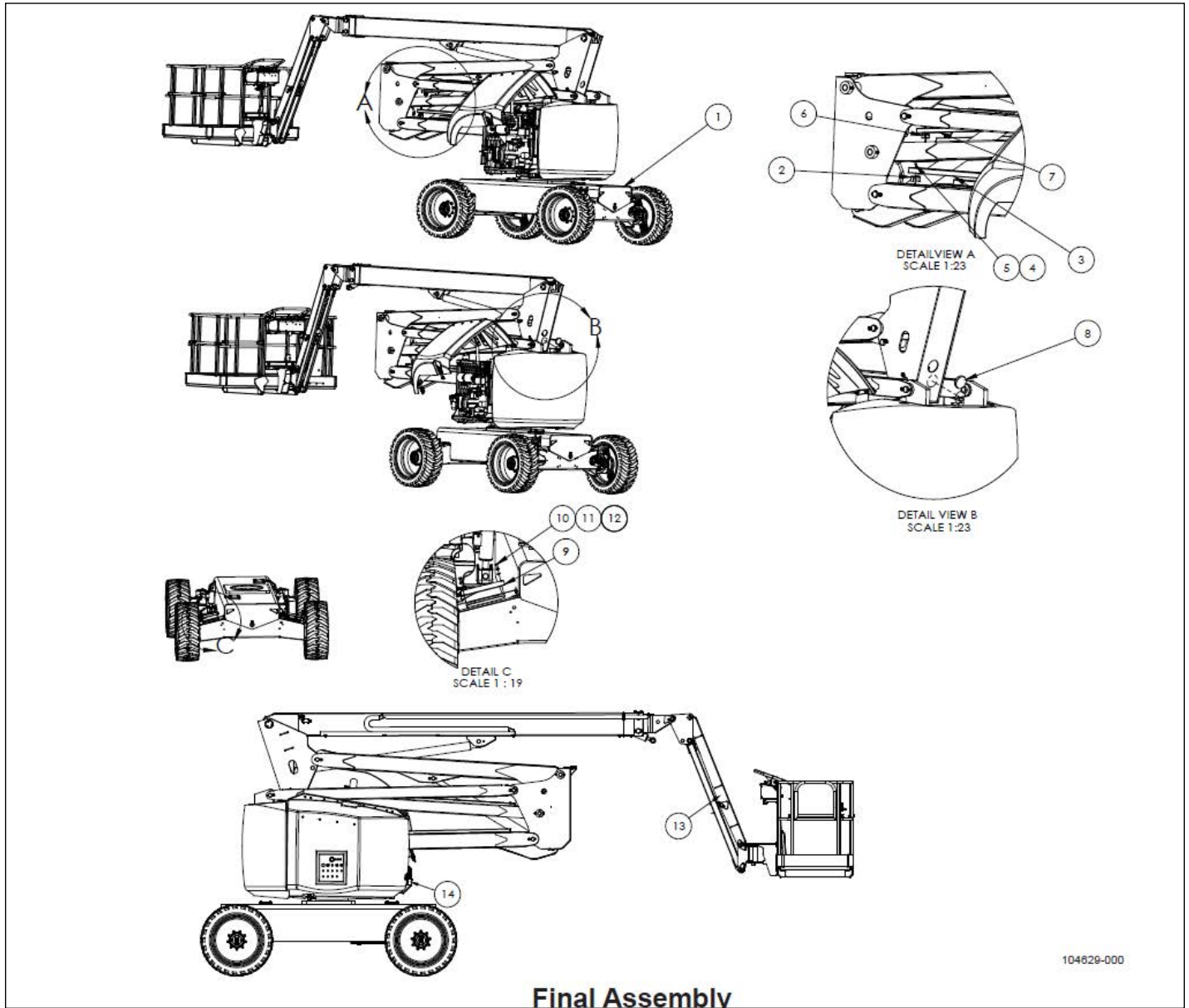


アイテム	部品番号	名前	数量	UOM
25	PNNA	HHD BLT M 10 1.50 X 60MM GR 8.8	3	EA
26	5560719	NUT HEX LKG M 10 1.50 GR 8.8	3	EA
27	104835 000	Stoptop Bracket racket	1	EA
28	056059 70	HHD BLT M8 1.25 X 70 GR 8.8	3	EA
29	010414 003	PIN LANYARD ASSY 10" WIRE ROPE	1	EA
30	104859 000	LATCH BRACKET	1	EA
31	056058 016	HHD BLT M6 1.0 X 16 MM 8.8	1	EA



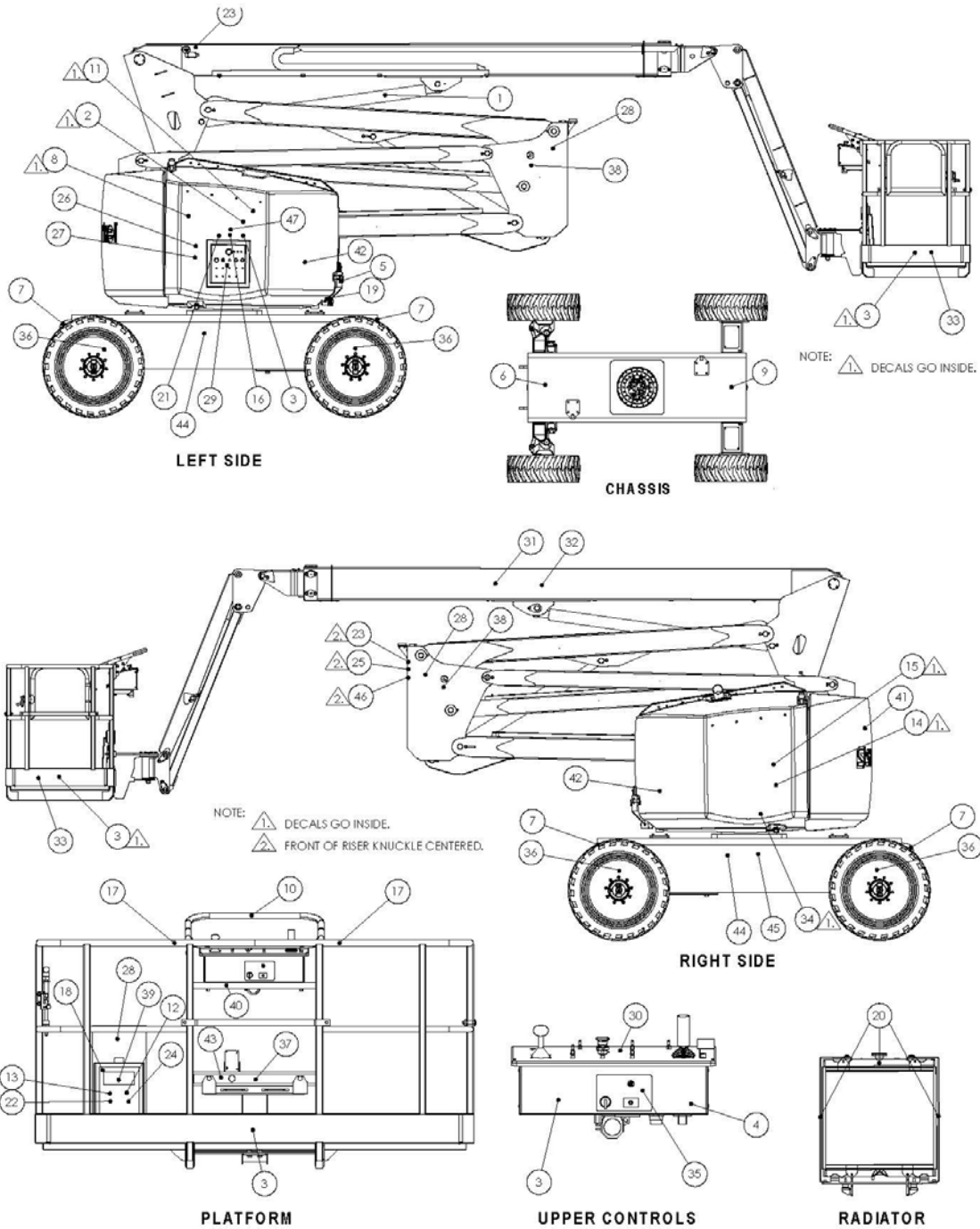


REPAIR PARTS



アイテム	部品番号	名前	数量	UOM
	104629 000	FINAL ASSEMBLY		EA
1	REF	COWLINGS INSTALLATION ASSY A62JRT		EA
2	104329 000	RETAINER, HOSE WIDE	6	EA
3	104328 000	Cover , Hose Wide	2	EA
4	5560629	M6 FLAT WASHER DIN125	12	EA
5	984169	NUT HEX M6 1.00	13	EA
6	104334 000	RETAINER, HOSE NARROW	6	EA
7	104333 000	COVER, HOSE NARROW	2	EA
8	066516 004	4" HOLE PLUG	1	EA
9	106948 000	Rear axle cover	2	EA
10	PNNA	HD BOLT M10 1.50 X 25MM GR 8.8	4	EA
11	5560356	WSHR LOCK 10	4	EA
12	986009	WSHR FLAT 10	4	EA
13	104847 000	HOSE SOCK	6 FT	EA
14	106999 000	GREASE STUB	1	EA

REPAIR PARTS



511443-000A

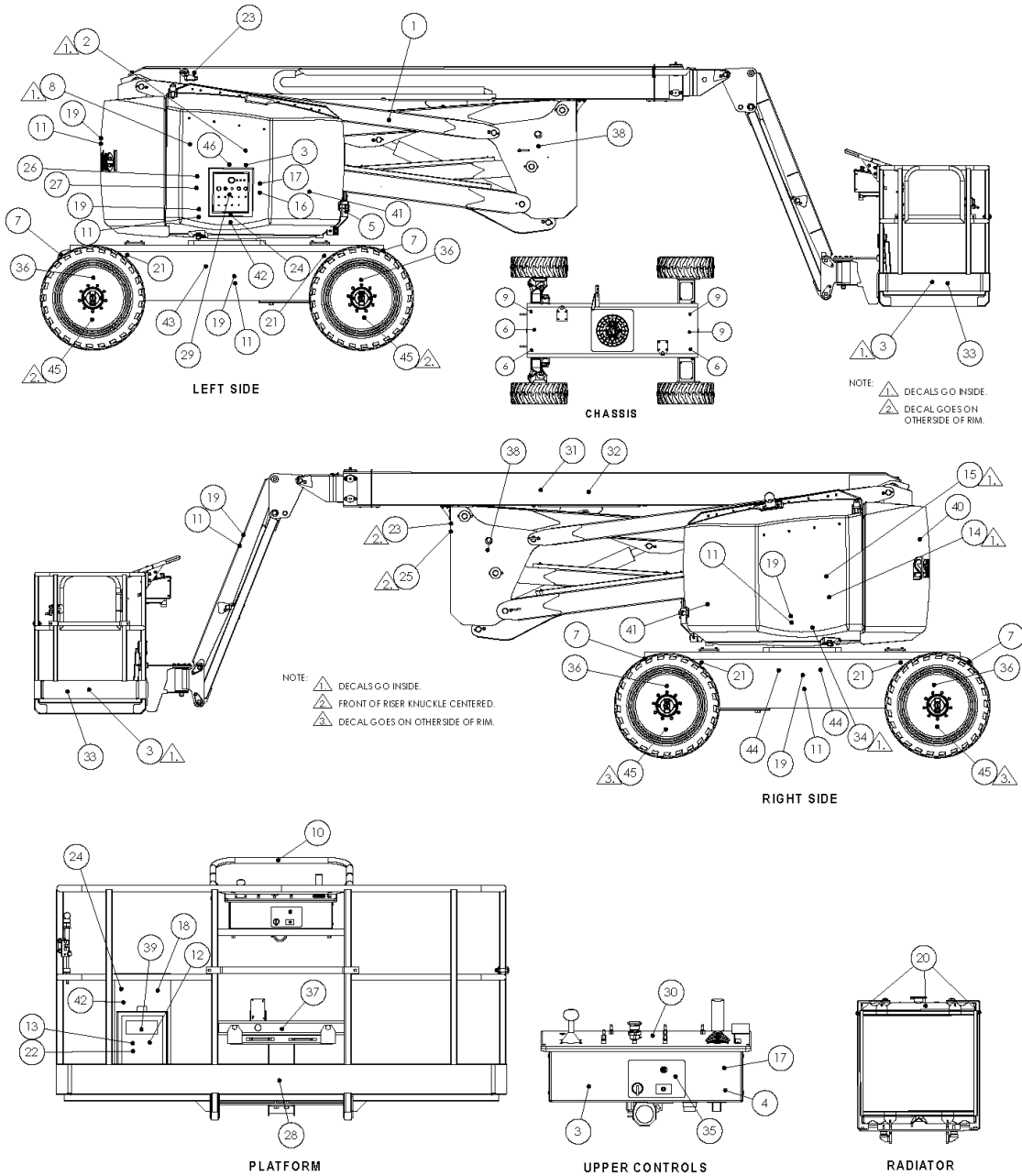
アイテム	部品番号	名前	数量	UOM
	511443 000 A	PLACARDS AND DECALS ANSI		EA
1	0074311	DECAL DANGER CYLINDER FAILURE	8	EA
2	0071926	DECAL, DIESEL FUEL	1	EA
3	0090589E	PLACARD	4	EA
4	0161819E	DECAL, EMRG LWR UPPER"	1	EA
5	0073492	Decal, rotate while greasing	1	EA
6	0151917	DECAL DIR ARROWS FR MT FWD/RVS	1	EA
7	0083427	Decal, Lifting/Tie Down	4	EA
8	0071927	DECAL, HYDRAULIC OIL	1	EA
9	0150452	DECAL DIRECTION ARROWS FWD/RVS	1	EA
10	0072531	DECAL, ELECTROCUTION HAZ	1	EA
11	0070901	Serial Number Plate, US Machines	1	EA
12	0073043	DECAL, OPERATING MANUAL ENCLOS	1	EA
13	0073224	DECAL, NOTICE MANUAL REORDER	1	EA
14	0073139	Crankcase oiltag (used for s	1	EA
15	0074372	PLACARD, ENGINE RPM	1	EA
16	0074209	PLACARD, PRE START INSTRUCTION	1	EA
17	0075235	DECAL SIDE LOAD 150 LB	2	EA
18	0361367	MANUAL RSPNSBLTY A92.6	1	EA
19	0150606	Decal, 125 Volts Power To Platform (USA Only)	1	EA
20	0151410	DECAL, DANGER ROTATING PARTS	3	EA
21	0181562	Decal, Amchine Complies With ANSI (USA Only)	1	EA
22	0182236	DECAL CAUTN PLAT CONTROLS	1	EA
23	451986	Decal, Interlocks	2	EA



アイテム	部品番号	名前	数量	UOM
24	0072541	DECAL DANGER DO NOT OPERATE	1	EA
25	0072530	DECAL DNGR ELEC HAZARD	1	EA
26	0074210	DECAL, DANGER ELEC/TIP HAZARD	1	EA
27	0323897	Decal, Must Not Operate	1	EA
28	0323899	Decal, danger electrical hazar	3	EA
29	104802 000	LOWER CONTROL DECAL	1	EA
30	104832 000	PLACARD UPPER CONTROLS	1	EA
31	7030142	DECAL SNORKEL LOGO, 183MM CAP	1	EA
32	7030143	DECAL A62JRT LOGO, 152MM CAP	1	EA
33	511099 000	Decal, Snorkel	2	EA
34	0073089	PLAC BATTERY DISCONNECT SWITCH	1	EA
35	0084213	PLAC COLDSTART GLOW PLUGS (PLATFORM)	1	EA
36	104697 000	DECAL LUG NUT TORQUE	4	EA
37	0172451	DECAL ATTACH MAX 2 LANYARDS	1	EA
38	0190989E	DECAL DNGR DO NOT REACH	2	EA
39	010076 901	DECAL SNORKEL LOGO, 183MM CAP	1	EA
40	106992 000	PLACARD, PLATfoRM IDENTIfICATIoN	1	EA
41	511100 000	DECAL LOGO, SNORKEL 200MM	1	EA
42	0182397	DECAL A62JRT/SNORKEL LOGO (TWO LINES)	2	EA
43	0070921	Decal, 125 Volts (USA Only)	1	EA
44	0073298	Decal, Foam Tyres	2	EA
45	513863 000	CG LOCATION DECAL	1	EA
46	0150602	DECAL DANGER DESCENDING BOOM	1	EA

アイテム	部品番号	名前	数量	UOM
47	106998 000	SOUND DECAL 103db	1	EA

REPAIR PARTS



511443-001 C

アイテム	部品番号	名前	数量	UOM
	511443 001 C	PLACARDS AND DECALS CE		EA
1	0074311	DECAL DANGER CYLINDER FAILURE	8	EA
2	0071926	DECAL, DIESEL FUEL	1	EA
3	0090589E	PLACARD	4	EA
4	0161819E	DECAL, EMRG LWR UPPER"	1	EA
5	0073492	Decal, rotate while greasing	1	EA
6	0070541	DECAL, BLUE ARROW	1	EA
7	0083427	Decal, Lifting/Tie Down	4	EA
8	0071927	DECAL, HYDRAULIC OIL	1	EA
9	0070540	DECAL, YELLOW ARROW	1	EA
10	0072531	DECAL, ELECTROCUTION HAZ	1	EA
11	0162336E	Decal, DNGR ELECtrical HAZARD - english	6	EA
12	0073043	DECAL, OPERATING MANUAL ENCLOS	1	EA
13	0073224	DECAL, NOTICE MANUAL REORDER	1	EA
14	0073139	Crankcase oiltag (used for s	1	EA
15	0074372	PLACARD, ENGINE RPM	1	EA
16	513861 000	EMERGENCY LOWERING PROCEDURE	1	EA
17	510280 000	DECAL, IPAf EMERG LWR	1	EA
18	0162311	DECAL CE LOGO 3.25 X 2.50 BLAC	1	EA
19	0162366	Decal,Electric Shock	6	EA
20	0151410	DECAL, DANGER ROTATING PARTS	3	EA
21	513862 000	A62JRT MAX WHEEL LOAD	4	EA
22	0182236	DECAL CAUTN PLAT CONTROLS	1	EA
23	451986	Decal, Interlocks	2	EA
24	0162329E	DECAL, BRIEf oPERATING INSTRUCTIoNS - ENGLISH	2	EA

アイテム	部品番号	名前	数量	UOM
25	0072530	DECAL DNGR ELEC HAZARD	1	EA
26	0074210	DECAL, DANGER ELEC/TIP HAZARD	1	EA
27	0323897	Decal, Must Not Operate	1	EA
28	508895 000	DECAL, PLAT CAPACITY"	1	EA
29	104802 000	LOWER CONTROL DECAL	1	EA
30	104832 000	PLACARD UPPER CONTROLS	1	EA
31	0182396	DECAL SNORKEL AND A62JRT LOGO, 183MM CAP	1	EA
33	511099 000	Decal, Snorkel	2	EA
34	0073089	PLAC BATTERY DISCONNECT SWITCH	1	EA
35	0084213	PLAC COLDSTART GLOW PLUGS (PLATFORM)	1	EA
36	104697 000	DECAL LUG NUT TORQUE	4	EA
37	0172451	DECAL ATTACH MAX 2 LANYARDS	1	EA
38	0190989E	DECAL DNGR DO NOT REACH	2	EA
39	010076 901	DECAL SNORKEL LOGO, 183MM CAP	1	EA
40	511100 000	DECAL LOGO, SNORKEL 200MM	1	EA
41	0182397	DECAL A62JRT/SNORKEL LOGO (TWO LINES)	2	EA
42	0162328E	DECAL, ADDITIoNAL oPERATING INSTRUCTIoNS – ENGLISH	2	EA
43	0073298	Decal, Foam Tyres	2	EA
44	513863 000	CG LOCATION DECAL	1	EA
45	513132 000	DANGER WHEEL CAN BE FLIPPED	4	EA
46	106998 000	SOUND DECAL 103db	1	EA

REPAIR PARTS

**NO IMAGE AVAILABLE  
(BOM FOR REFERENCE ONLY)**

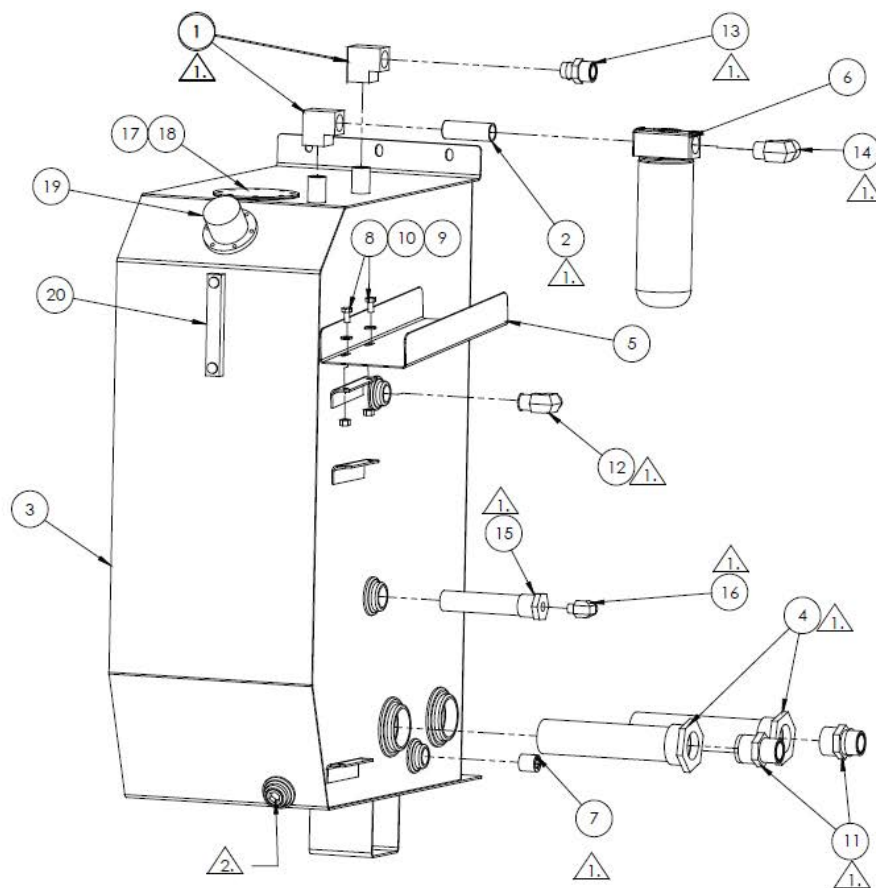
アイテム	部品番号	名前	数量	UOM
Not Shown	1430533	DECAL KIT SPANISH A62JRT		EA
Not Shown	0070901P	PLAC CAUTN SERIAL NUMBER SPANI	1	EA
Not Shown	0071926P	DECAL DIESEL FUEL SPANISH	1	EA
Not Shown	0071927P	DECAL HYDRAULIC OIL SPANISH	1	EA
Not Shown	0072530P	DECAL DANGER ELECTRICAL HAZARD	1	EA
Not Shown	0072531P	DECAL DANGER ELECTRICAL HAZARD	1	EA
Not Shown	0072541P	DECAL DANGER DO NOT OPERATE SPANISH	1	EA
Not Shown	0073043P	DECAL RECORD BOX SPANISH	1	EA
Not Shown	0073139P	TAG CRANKCASE OIL TAG SPANISH	1	EA
Not Shown	0073224P	DECAL MANUAL REORDER SPANISH	1	EA
Not Shown	0073492P	DECAL ROTATE WHILE GREASING SP	1	EA
Not Shown	0074209P	DECAL PRE START INST BOOMS SPA	1	EA
Not Shown	0074210P	DECAL DANGER ELEC/TIPPING HAZA	1	EA
Not Shown	0074311P	DECAL DANGER CYLINDER FAILURE	7	EA
Not Shown	0074372P	PLAC ENGINE RPM SPANISH	1	EA
Not Shown	0075235	DECAL SIDE LOAD 150 LB	2	EA
Not Shown	0083426	Decal, Lifting and Tie Down	2	EA
Not Shown	0083427	Decal, Lifting/Tie Down	4	EA
0084053	0361367	MANUAL RSPNSBLTY A92.6	1	EA

アイテム	部品番号	名前	数量	UOM
Not Shown	0150452	DECAL DIRECTION ARROWS FWD/RVS	1	EA
Not Shown	0150606P	DECAL 125V 15AMP PWR TO PLATF	1	EA
Not Shown	0151410P	DECAL DNGR ROTATING PARTS SPA	3	EA
Not Shown	0151917	DECAL DIR ARROWS FR MT FWD/RVS	1	EA
Not Shown	0181562ES	DECAL MACH COMPLIES WITH ANSI	1	EA
Not Shown	0182236P	DECAL CAUTION PLAT CONTROL SPANISH	1	EA
Not Shown	0323897P	DECAL DANGER YOU MUST NOT OPER	1	EA
Not Shown	0323899P	DECAL DANGER ELECTRICAL HAZARD	3	EA
Not Shown	451986P	DECAL DNGR DO NOT ALTER SW SPA	2	EA
Not Shown	0090589E	PLACARD	1	EA
Not Shown	7030142	DECAL SNORKEL LOGO, 183MM CAP	1	EA
Not Shown	7030143	DECAL A62JRT LOGO, 152MM CAP	1	EA
Not Shown	511099 000	Decal, Snorkel	2	EA
Not Shown	511100 000	DECAL LOGO, SNORKEL 200MM	1	EA
Not Shown	0182397	DECAL A62JRT/SNORKEL LOGO (TWO LINES)	2	EA
Not Shown	0073089	PLAC BATTERY DISCONNECT SWITCH	1	EA
Not Shown	0084213P	PLAC COLDSTART GLOW PLUGS (PLA	1	EA
Not Shown	104697 000	DECAL LUG NUT TORQUE	2	EA



アイテム	部品番号	名前	数量	UOM
Not Shown	0150448P	DECAL ATTACH FALL RESTRAINT SPANISH NON ANSI NON CE	1	EA
Not Shown	016181905	DECAL CE EMER LOWERING PROC	1	EA
Not Shown	0190989	DECAL DNGR DO NOT REACH	1	EA
Not Shown	010076 901	DECAL SNORKEL LOGO, 183MM CAP	1	EA
Not Shown	0071425ES	PLACARD PLATFORM IDENTIFICATION	1	EA

HYDRAULICS



NOTES:

1. ON ALL NPT PIPE ENDS USE PIPE SEALANT OR TEFLON TAPE TO ENSURE SEAL.

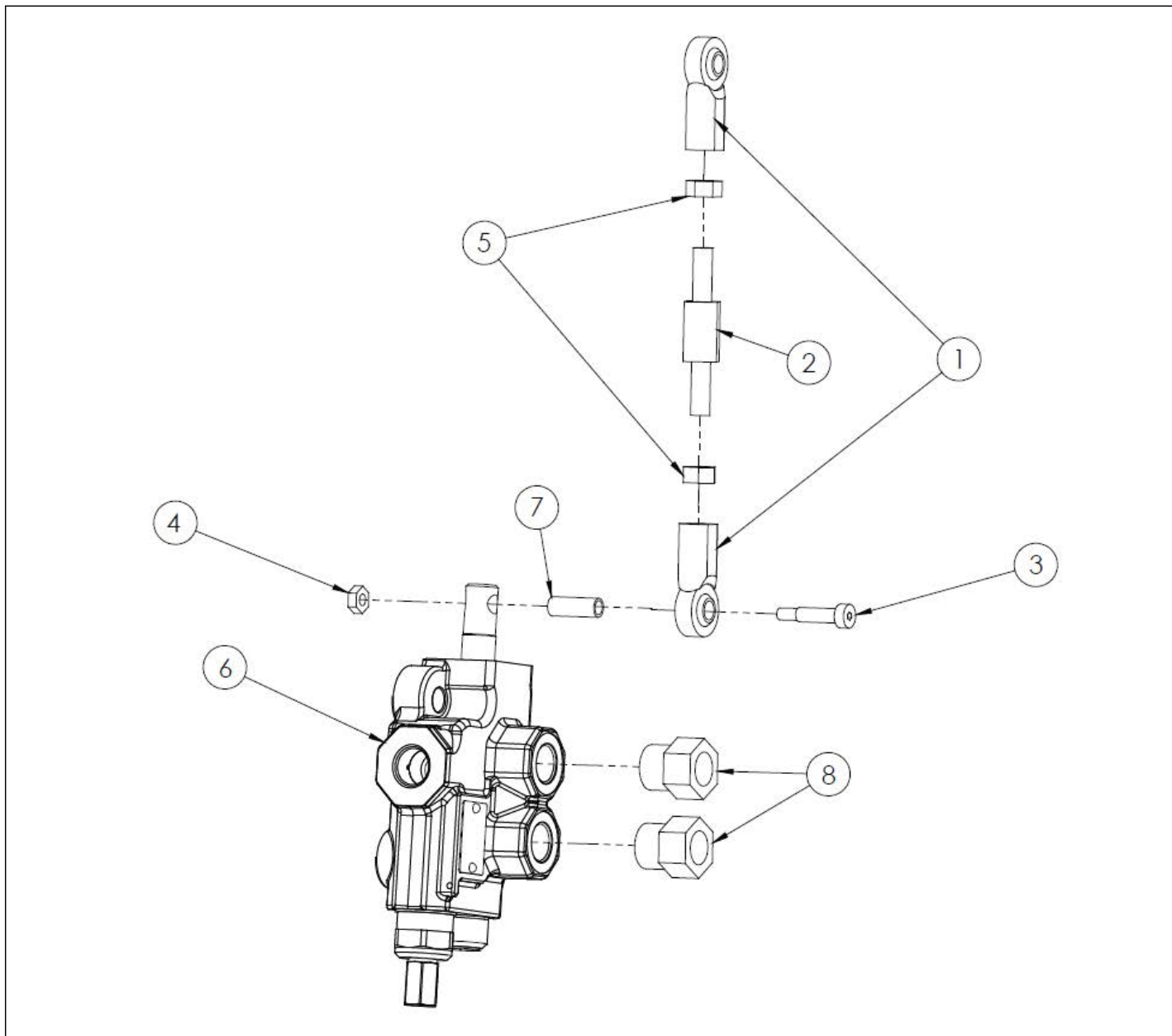
2. ENSURE DRAIN PLUG IS TIGHT.

104612-000 A

アイテム	部品番号	名前	数量	UOM
	104612 000 A	HYDRAULIC TANK ASSEMBLY		EA
1	011916 008	FITTING ELBOW 12FPX12FP 90 °	2	EA
2	012467 006	MALE PIPE NIPPLE .75X3.0 LONG	1	EA
3	104265 000	RESERVOIR	1	EA
4	100286 001	SUCTION STRAINER	2	EA
5	104646 000	SHIELD OIL DRIP	1	EA
6	100285 000	FILTER SP 25 10 10 MICRON NOMINAL	1	EA
7	100288 000	PLUG MAGNETIC	1	EA
8	PNNA	BLT HEX HD M8 1.25 X 16 GR 8.8	2	EA
9	5560727	NUT HEX LKG M8 1.25	2	EA
10	5560613	WASHER FLAT M8	2	EA
11	511343 000	20M NPTF X 16MORFF STR FITTING	2	EA
12	511346 000	12M NPTF X 8MORFF 90 ° FITTING	1	EA
13	102382 017	12M NPTF X 12 MORFF STR FITTING	1	EA
14	511348 000	12mp nptf x 12 morff 90 degree fitting	1	EA
15	104885 000	SUCTION STRAINER 1' NPT X 1/2"	1	EA
16	511458 000	8 MNPT X 8MORFF 90 ° FITTINGS	1	EA
17	104265 100	COVER, 8.000 OD X 10GA HR	1	EA
17	6091969	ALTERNATIVE FILLER BREATHER	1	EA
18	104265 101	CAP w/SCREEN	1	EA
19	104265 102	GASKET, 8.000 OD X 6.000 ID X .250 NEO	1	EA
20	104265 103	SIGHT GAUGE 5.00 C C W/THERmOMETER	1	EA

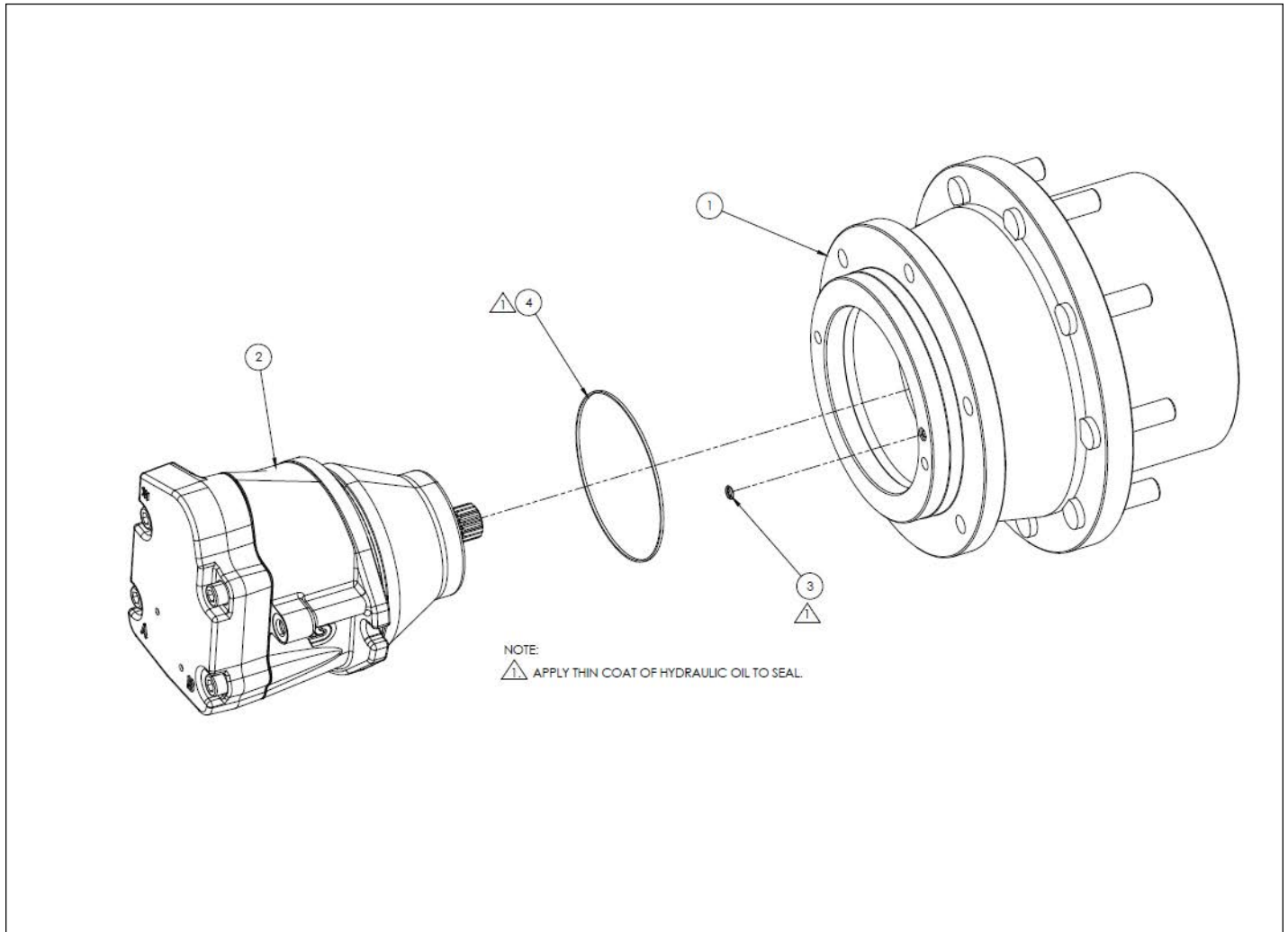
アイテム	部品番号	名前	数量	UOM
20	6091943	SIGHT GAGE, HYD TANK 660SJ	1	EA
	6091970	PLUG, FLUSH .750" (not illustrated)	1	EA

HYDRAULICS



アイテム	部品番号	名前	数量	UOM
	106787 000	OSCILLATING REAR AXLE VALVE ASSY		EA
1	106790 001	ROD END, FEMALE RH, 8MM	2	EA
2	106788 000	REAR AXLE TURNBUCKLE	1	EA
3	106864 000	M 6 X 20MM SHOULDER BOLT	1	EA
4	5563136	NUT HEX LKG M5 0.8	1	EA
5	PNNA	HEX NUT M8 1.25	2	EA
6	106993 000	INTERACTIVE AXLE VALVE	1	EA
7	106994 000	AXLE BUSHING	1	EA
8	015717 002	8MB X 6FB REDUCER FITTING	2	EA

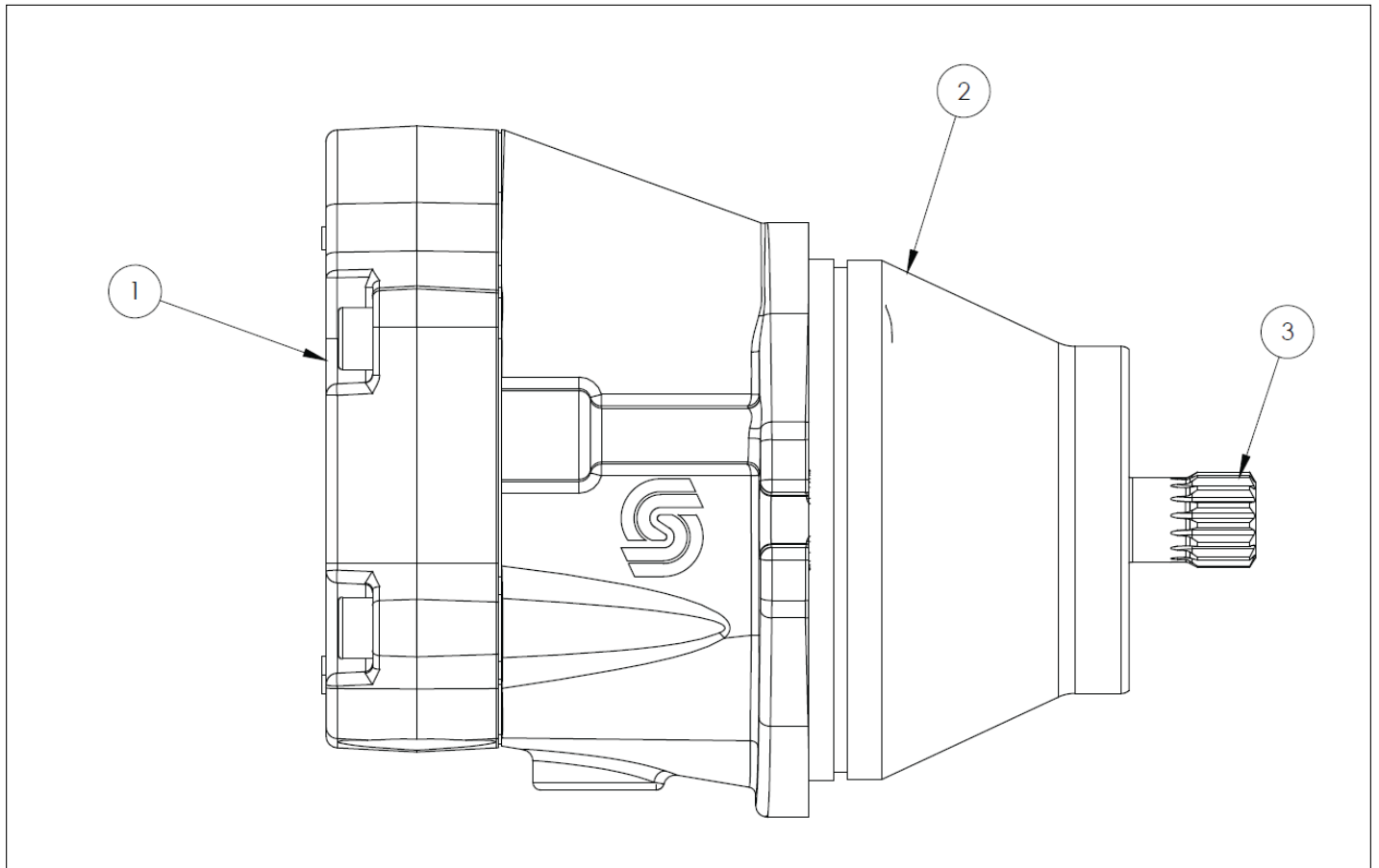
HYDRAULICS



アイテム	部品番号	名前	数量	UOM
	104622 000	DRIVE WHEEL ASSY		EA
1	116324 000	Wheel Gearbox	1	EA
2	104665 000	DRIVE MOTOR HYD 38cc/9.22cc	1	EA
3	0260070	O Ring	1	EA
4	0260099	O Ring	1	EA

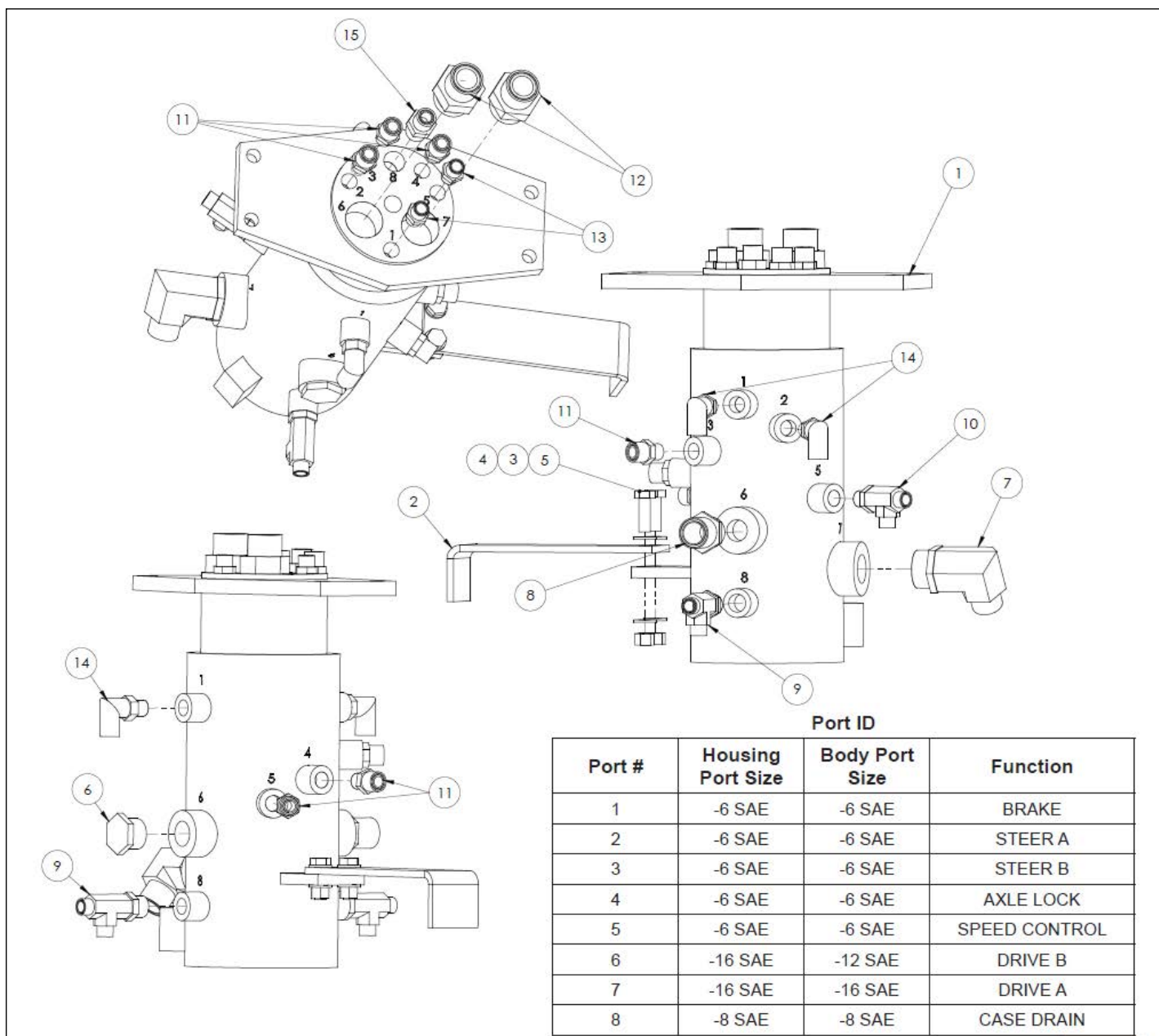


HYDRAULICS



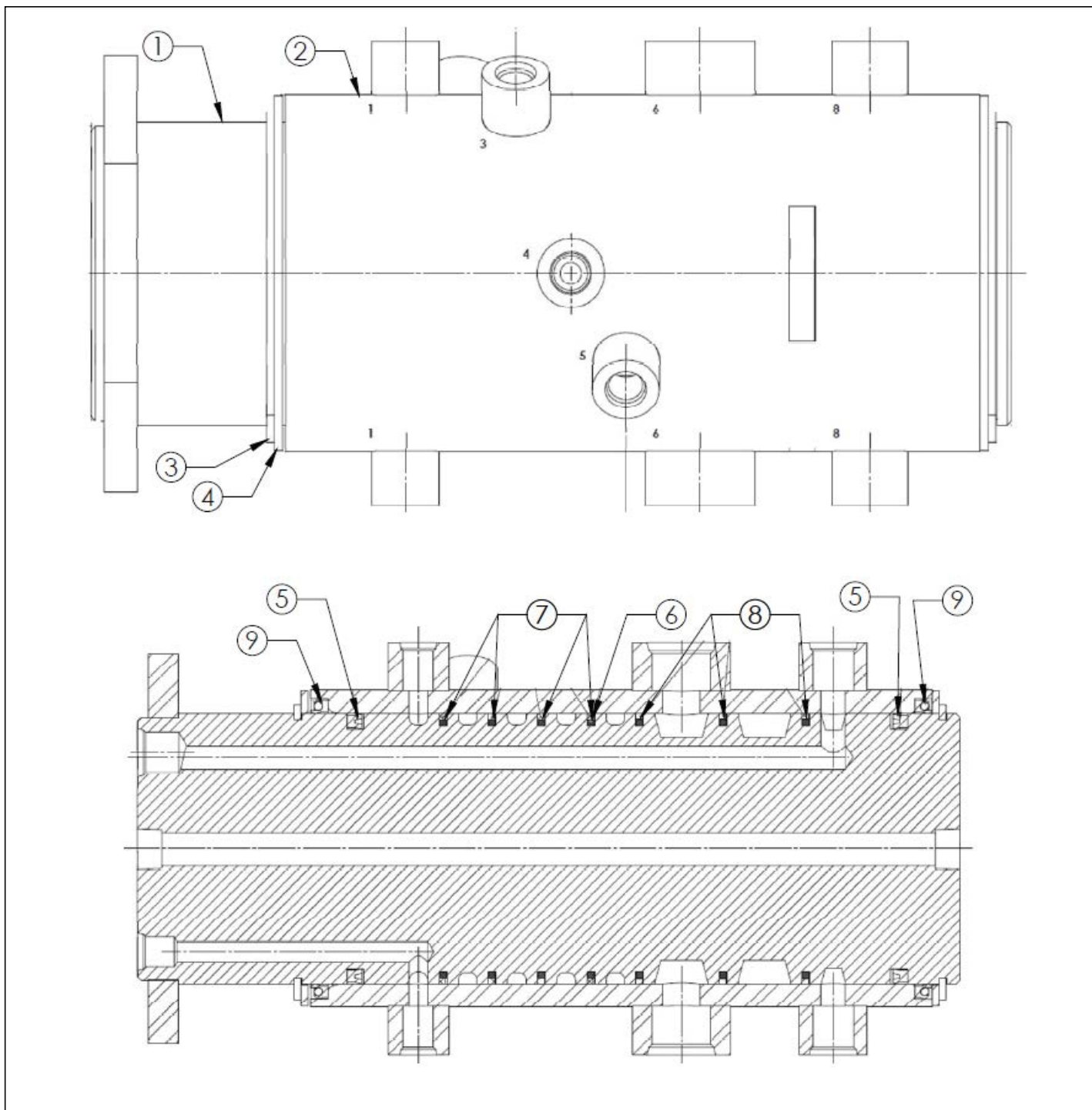
アイテム	部品番号	名前	数量	UOM
	104665 000	DRIVE MOTOR HYD 38cc/9.22cc		EA
1	106751 100	SEAL KIT	1	EA
2	106751 101	CYLINDER BLOCK KIT	1	EA
3	104665 100	SHAFT	1	EA

HYDRAULICS



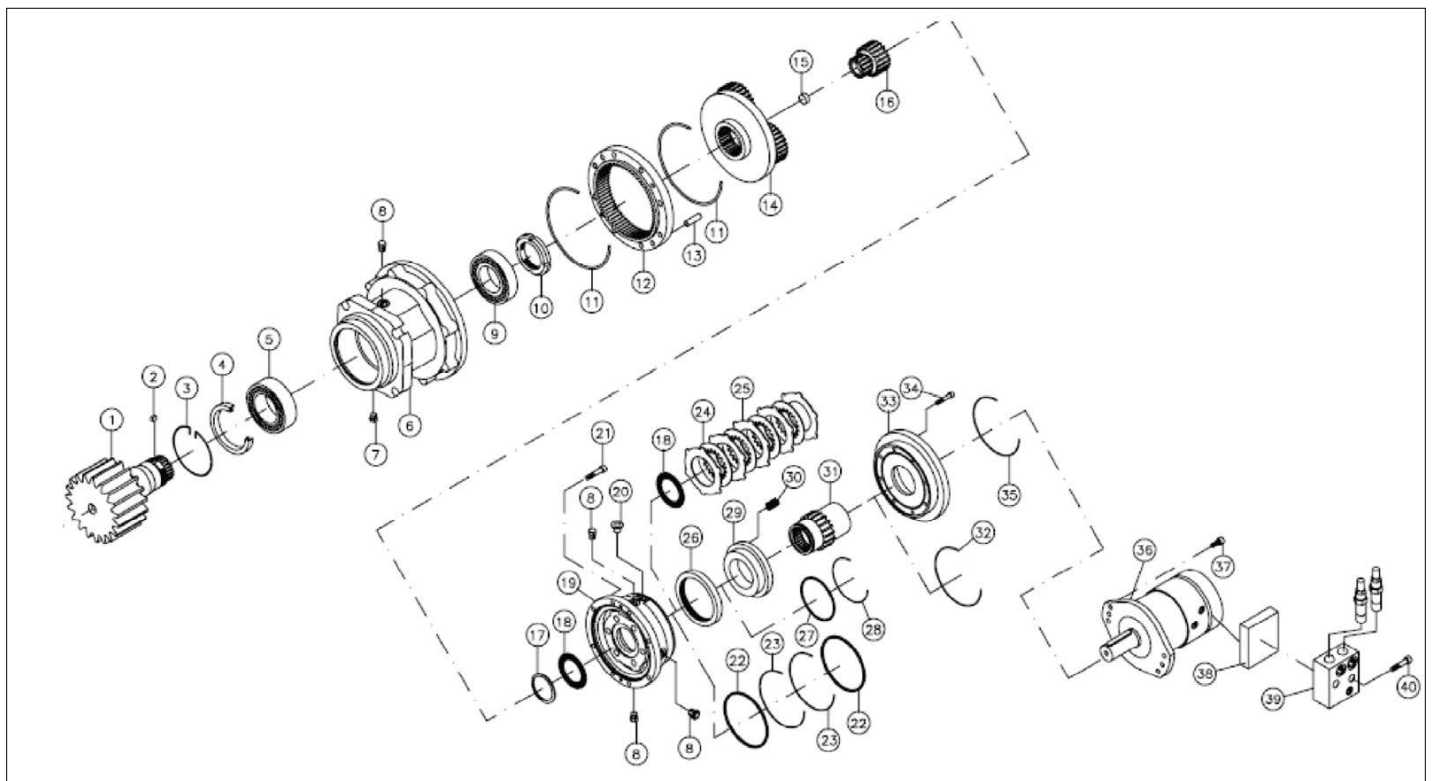
アイテム	部品番号	名前	数量	UOM
	104605 000 A	ROTARY MANIFOLD ASSY		EA
1	100558 001	ROTARY MANIFOLD	1	EA
2	106754 000	Rotary Manifold Stop Bracket	1	EA
3	986009	WSHR FLAT 10	4	EA
4	5560719	NUT HEX LKG M 10 1.50 GR 8.8	2	EA
5	5560626	BLT HEXHD M10 1.5 X 30MM GR8	2	EA
6	020021 012	12 ORB HEX HEAD PLUG	1	EA
7	104762 000	FTG 12MORFF X 16MORB 90 °	1	EA
8	100432 027	Hyd Fitting Straight ORFS(12) SAE(12)	1	EA
9	104763 000	6 M ORFF X 8 MB X 6 MORFF RUN TEE	2	EA
10	104764 000	6 MORFF X 6MB X 6 MORFF RUN TEE	1	EA
11	100432 009	Hyd Fitting Straight ORFS(06) SAE(06)	6	EA
12	100432 029	FTG, STR, 12MORFF X 16MORB	2	EA
13	100432 004	Hyd Fitting Straight ORFS(04) SAE(06)	2	EA
14	100434 008	6MB X 6M ORFF 90 ° FITTING	3	EA
15	511339 000	FTG, STR, 6MORFF X 8MORB	1	EA

HYDRAULICS



アイテム	部品番号	名前	数量	UOM
	100558 001	ROTARY MANIFOLD		EA
1	100558 100	ROTARY MANIFOLD	1	EA
2	100558 101	BODY, 8 PORT	1	EA
3	100558 102	HOUSING, 8 PORT	1	EA
4	100558 103	RETAINING RING	2	EA
	100558 010	THRUST RING	2	EA
5	100558 104	SEAL KIT	1	EA
6	100558 105	POLYSEAL	2	EA
7	100558 106	O RING SQUARE	7	EA
8	100558 107	CAP SEAL	4	EA
9	100558 108	CAP SEAL	3	EA
	PNNA	POLYSEAL	2	EA

HYDRAULICS

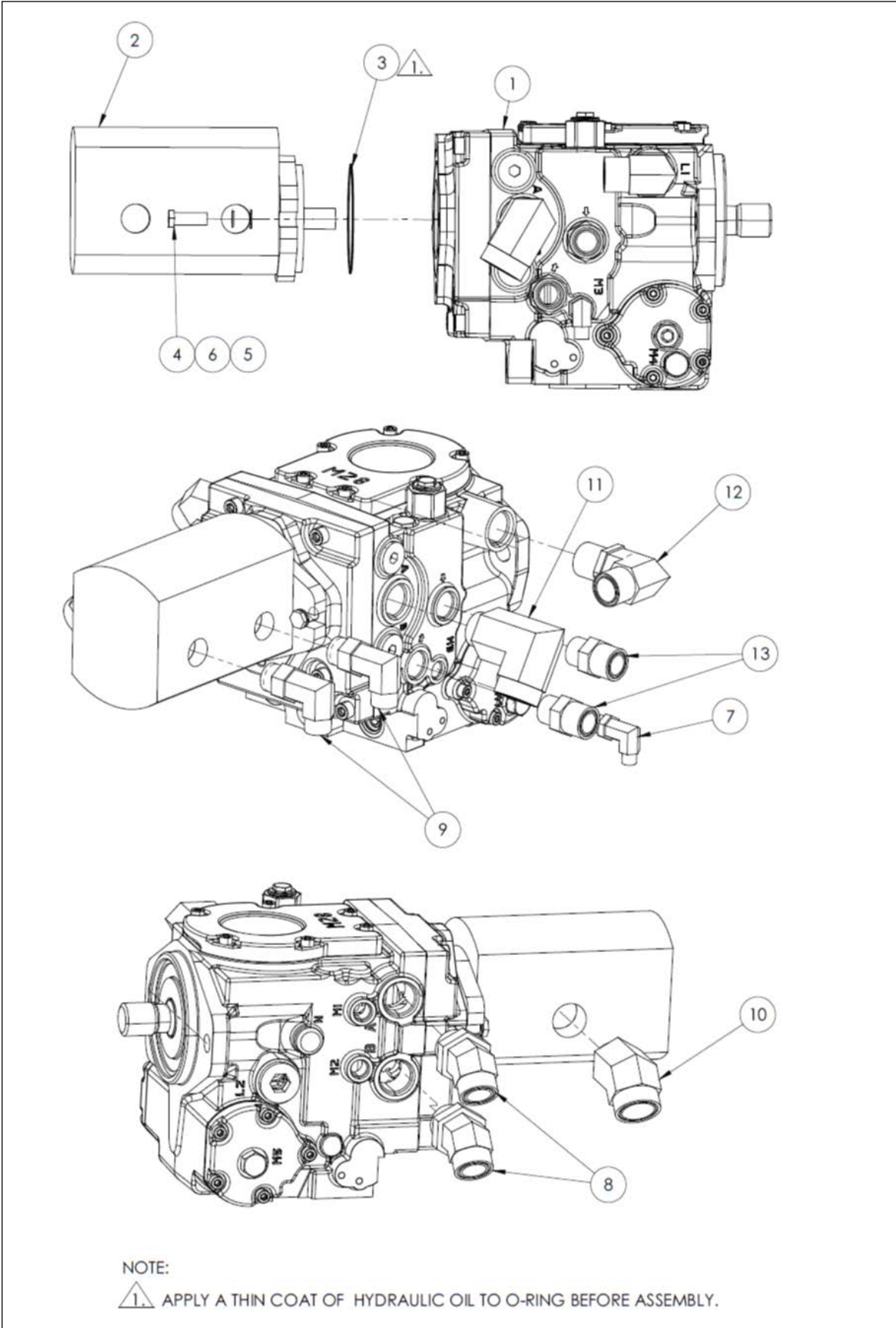


アイテム	部品番号	名前	数量	UOM
	104716 000 A	ROTATION DRIVE		EA
1	104716 100	INTEGRAL PINION OUTPUT SHAFT	1	EA
2	104716 101	KEY	1	EA
3	104716 102	RING	1	EA
4	8010375	OIL SEAL 60X90X8	1	EA
5	104716 104	TAPERED ROLLER BEARING X30210M	1	EA
6	104716 105	RR 210S CUSTOM OUTPUT HSG	1	EA
7	104716 106	MAGNETIC PLUG	1	EA
8	104716 107	STEEL TAP	9	EA
9	104716 104	TAPERED ROLLER BEARING X30210M	1	EA
10	104716 109	RING NUT	1	EA
11	104716 110	O RING 2 162	2	EA
12	104716 111	RING GEAR	1	EA
13	104716 112	SPRING PIN	2	EA
14	104716 113	PLANETARY ASSEMBLY RR210/5.78:1	1	EA
15	104716 114	THRUST BEARING	1	EA
16	104716 115	SUNGEAR RATIO RR 210 5.78/1	1	EA
17	104716 116	RETAINING RING	1	EA
18	104716 117	THRUST BEARING	2	EA
19	104716 118	BRAKE HOUSING	1	EA
20	104716 119	PLASTIC PLUG	1	EA
21	104716 120	M8X50 SOCKET HEAD BOLT	8	EA
22	8010378	PARBAK RING	2	EA
23	8010388	O RING	2	EA
24	8010387	SINTERED DISC	6	EA
25	8010386	STEEL DISC	7	EA
26	104716 125	BRAKE SPACER	1	EA



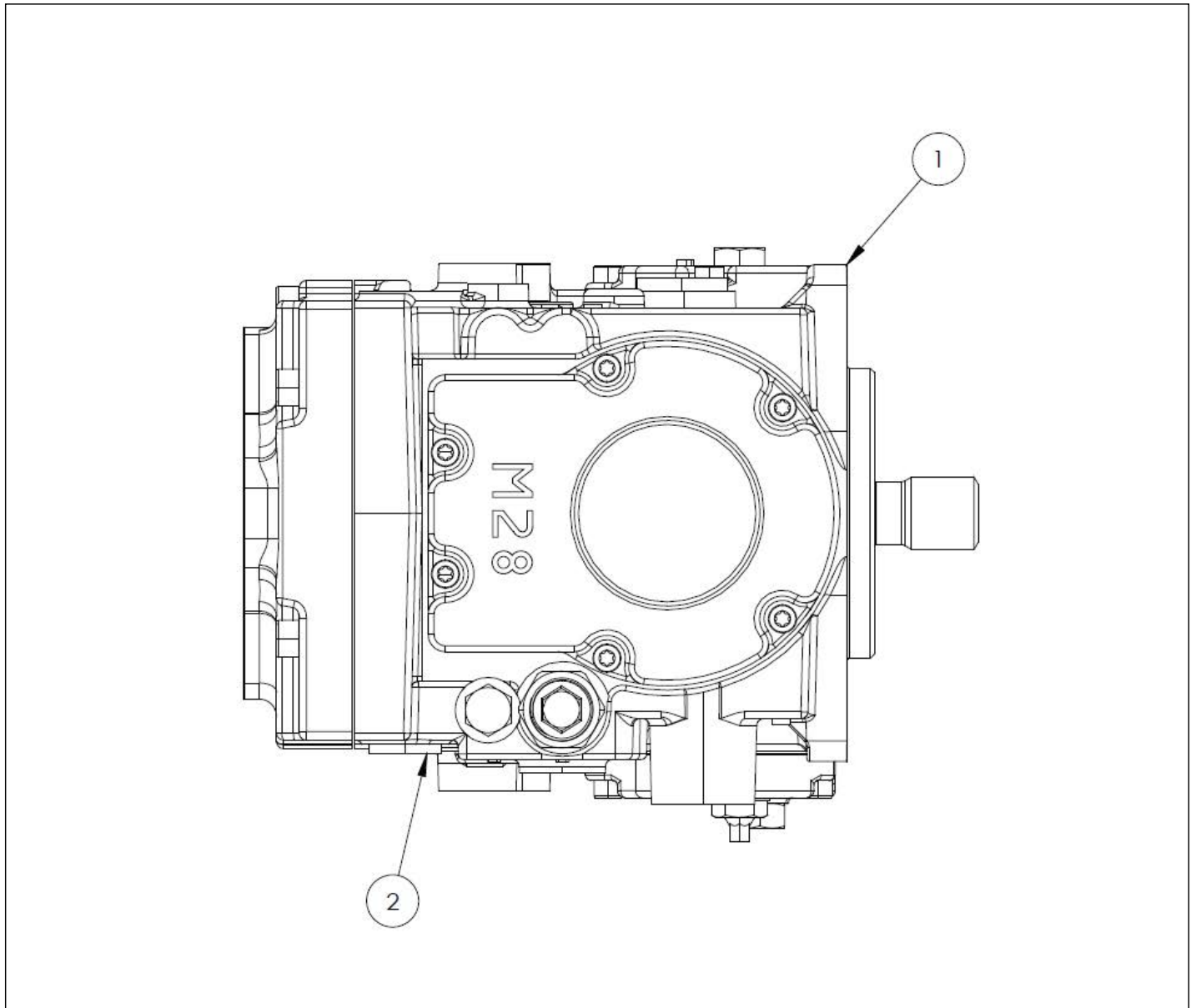
アイテム	部品番号	名前	数量	UOM
27	8010389	PARBAK RING	1	EA
28	104716 127	O RING	1	EA
29	8010391	PISTON RF 2/7 2/43	1	EA
30	8010380	SPRINGS	9	EA
31	104716 130	INPUT SHAFT RF 2/7 2/43	1	EA
32	104716 131	O RING	1	EA
33	104716 132	COVER RF 2/7 2/43	1	EA
34	104716 133	M6X35 SOCKET HEAD BOLT GR12.9	8	EA
35	104716 134	O RING	1	EA
36	104716 135	MLHR200C1LSVPE MOTOR	1	EA
37	104716 136	BOLT M12X35	2	EA
38	104716 137	SPACER BLOCK	1	EA
39	104716 138	KPBR 250 1 DA 02 VALVE BLOCK	1	EA
40	104716 139	5/16 18X3" LENGTH SH CAPSCREW	4	EA

HYDRAULICS



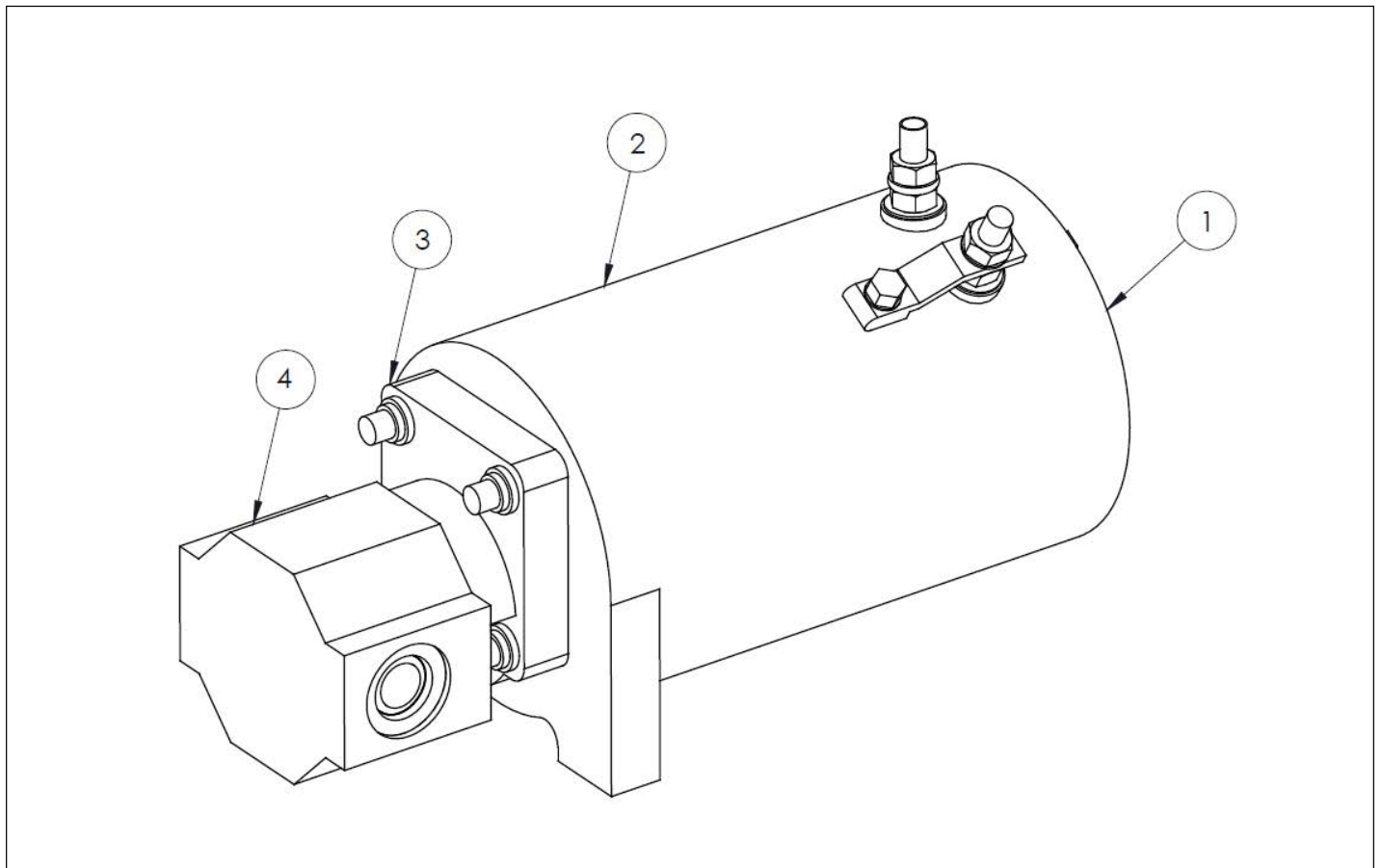
アイテム	部品番号	名前	数量	UOM
	104620 000 A	HYDROSTATIC PUMP ASSY		EA
1	106952 000	DRIVE PUMP	1	EA
2	104740 000	LIFT PUMP (no user replacement parts )	1	EA
3	013888 065	O RING	1	EA
4	5563045	BLT HEX HD .375 16 X 1.00 GR 5	2	EA
5	986299	WASHER, FLAT, .375 STANDARD, PLATED	2	EA
6	987119	WSHR LOCK .375	2	EA
7	100434 004	Hyd Fitting 90 Elbow ORFS(04) SAE(06)	1	EA
8	104798 000	12MB X 12M ORFF 45 ° FITTING	2	EA
9	100434 014	Hyd Fitting 90 Elbow ORFS(08) SAE(10)	2	EA
10	104811 000	16MORFF X 12MB 45 ° FITTING	1	EA
11	104810 000	12MB X 16MORFF 90 ° FITTING	1	EA
12	100434 021	Hyd Fitting 90 Elbow ORFS(12) SAE(12)	1	EA
13	104813 000	10MB X 10MORFF STR FITTING	2	EA

HYDRAULICS



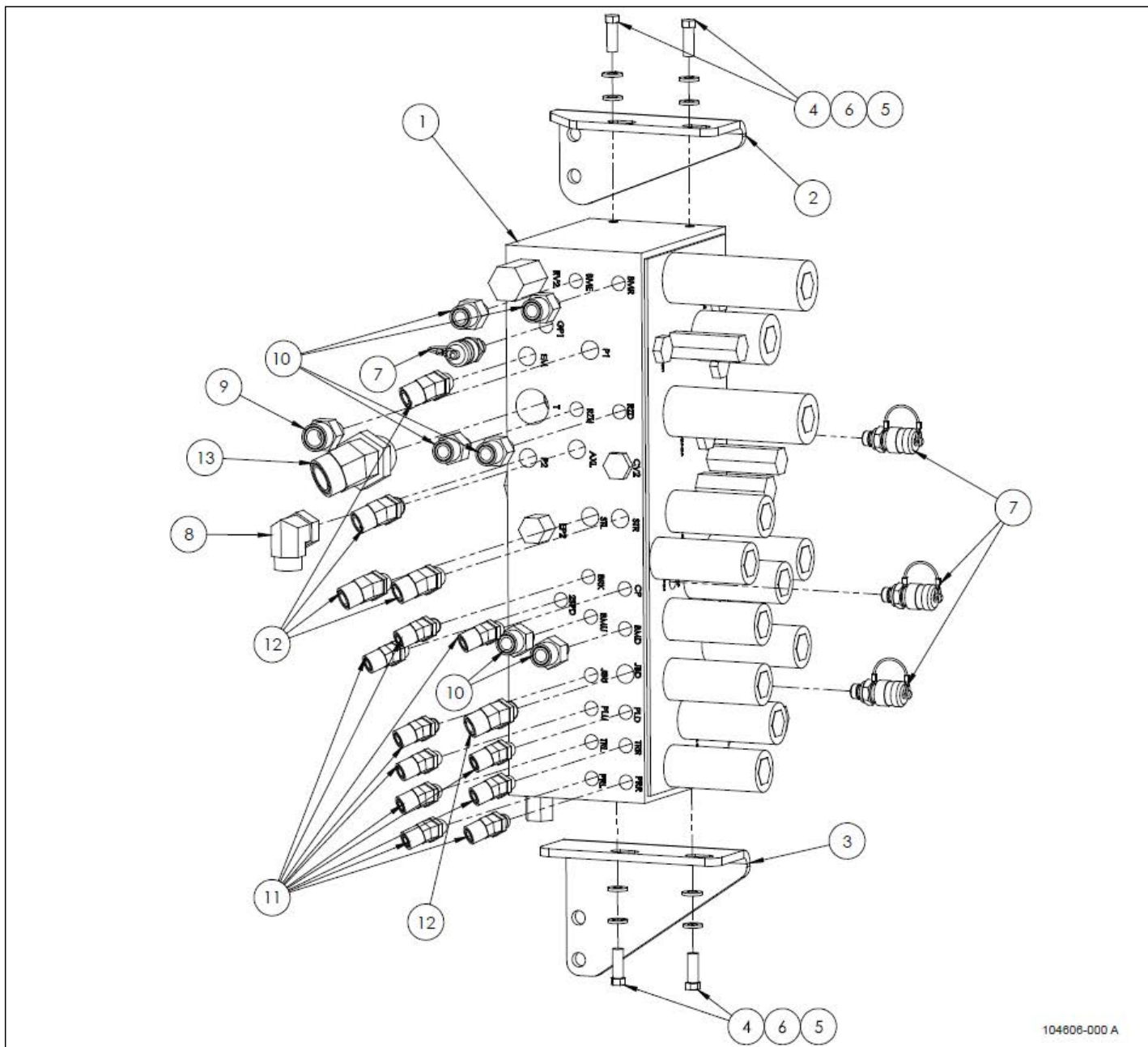
アイテム	部品番号	名前	数量	UOM
	106952 000	DRIVE PUMP	1	EA
1	106952 100	SEAL KIT	1	EA
2	106952 101	VALVE SOL PRESSURE REDUCING, 20 BAR	1	EA

HYDRAULICS



アイテム	部品番号	名前	数量	UOM
1	6020058	EMERGENCY PWR UNIT TB/ATB	1	EA
2	8060296	PUMP	1	EA
3	459986	COUPLING	1	EA
4	8060297	MOTOR	1	EA

HYDRAULICS

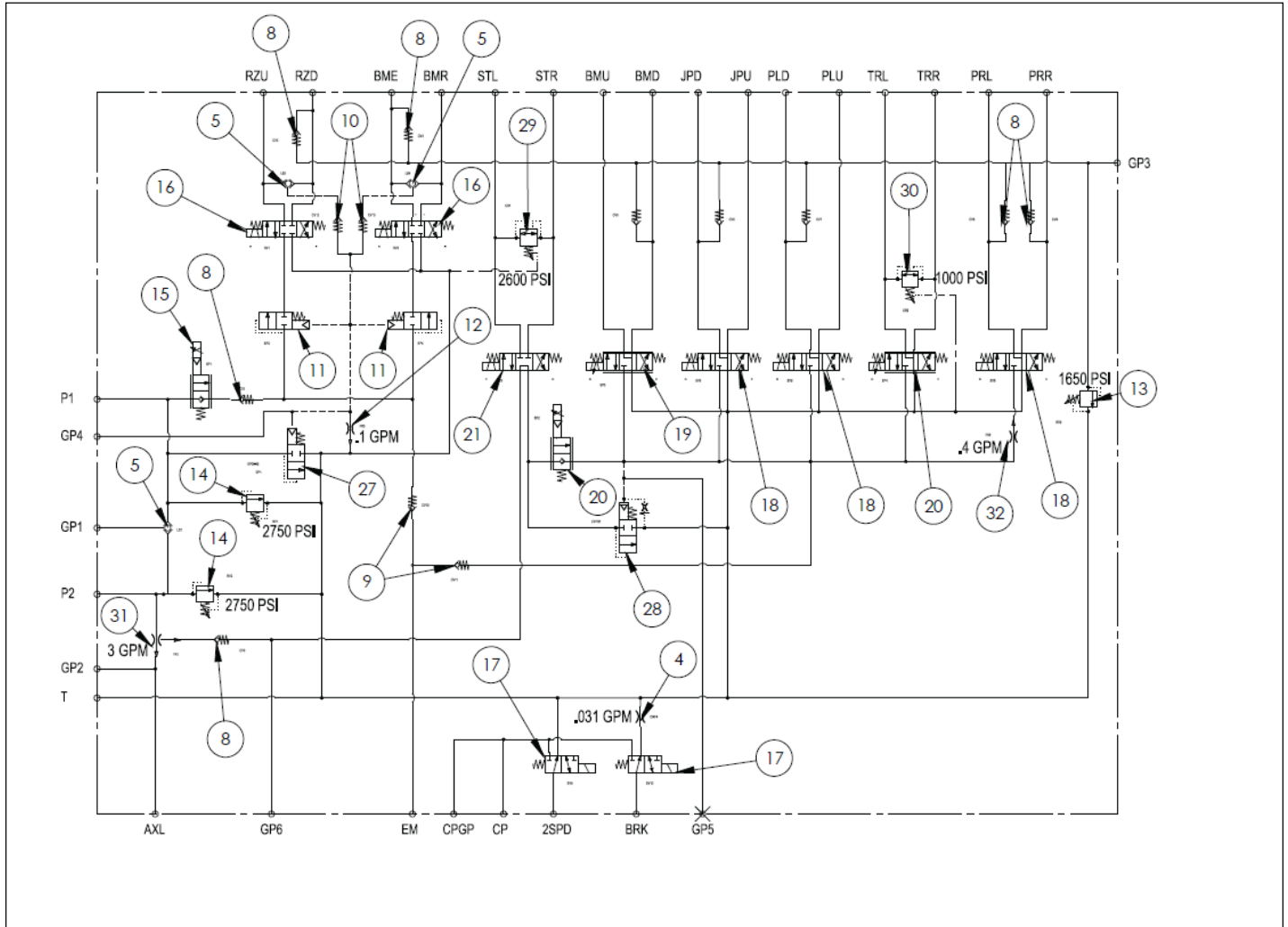


104608-000 A

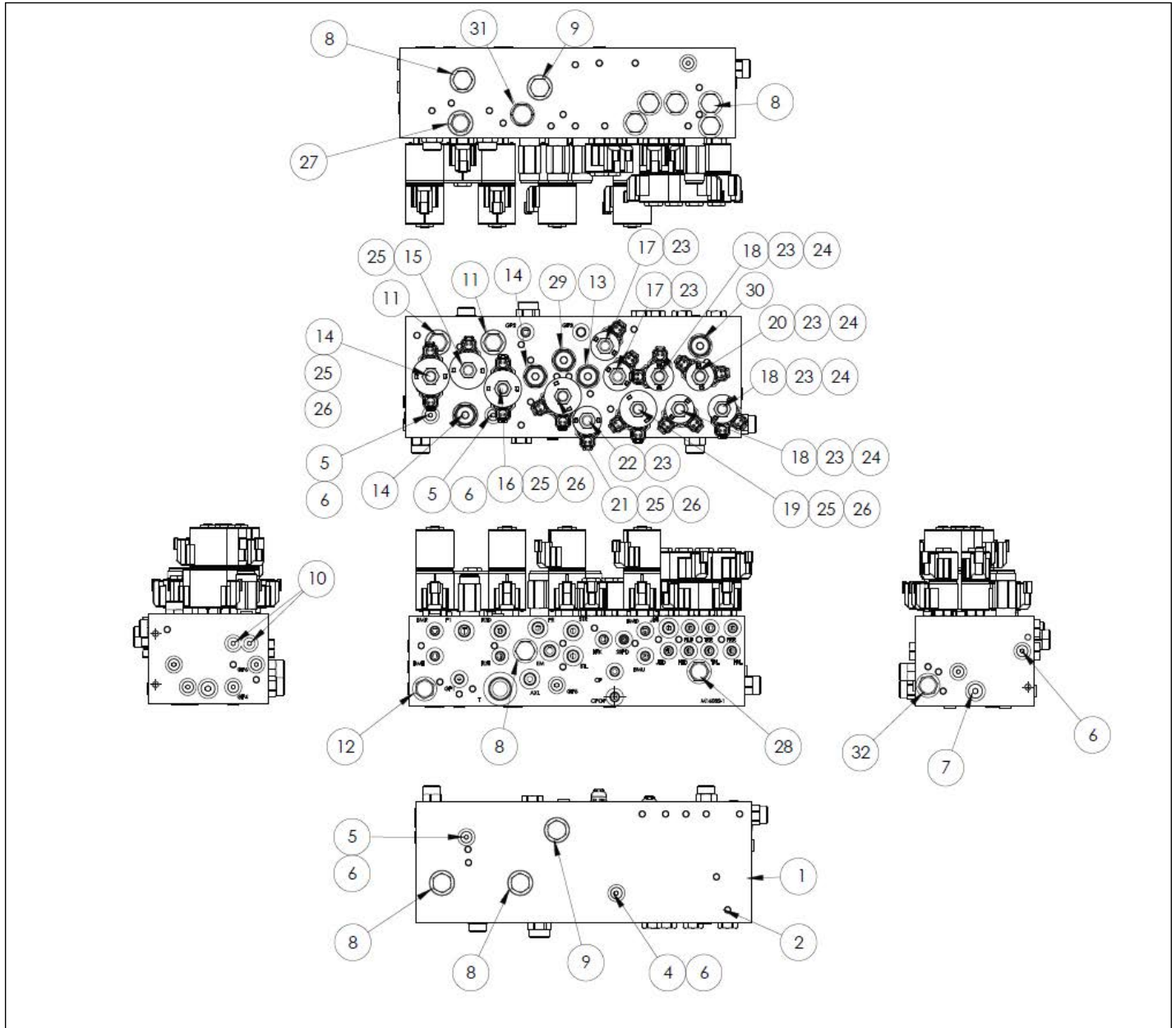


アイテム	部品番号	名前	数量	UOM
	104606 000 A	BOOM FUNCTION CONTROL VALVE ASSEMBLY		EA
1	104674 000	RUN TEE 6MORB X6MORFS X 6MORFS	1	EA
2	104746 000	UPPER MANIFOLD MOUNT	1	EA
3	104747 000	LOWER MANIFOLD MOUNT	1	EA
4	PNNA	.313 18 X .875 GR5	4	EA
5	986269	WSHR FLAT .313	4	EA
6	PNNA	LOCK WASHER .313	4	EA
7	063965 001	PLUG TEST PORT	4	EA
8	100434 012	FTG, 6MB X 8MORFF 90	1	EA
9	100432 014	6MB X 8M ORFF STR FITTING	1	EA
10	100432 007	Hyd Fitting Straight ORFS(06) SAE(04)	6	EA
11	100433 001	FTG 4MB X 4MORFF 45 °	0	EA
12	100433 005	FTG, 45 ° , 6MORFF X 6MORB	5	EA
13	104798 000	12MB X 12M ORFF 45 ° FITTING	1	EA

HYDRAULICS

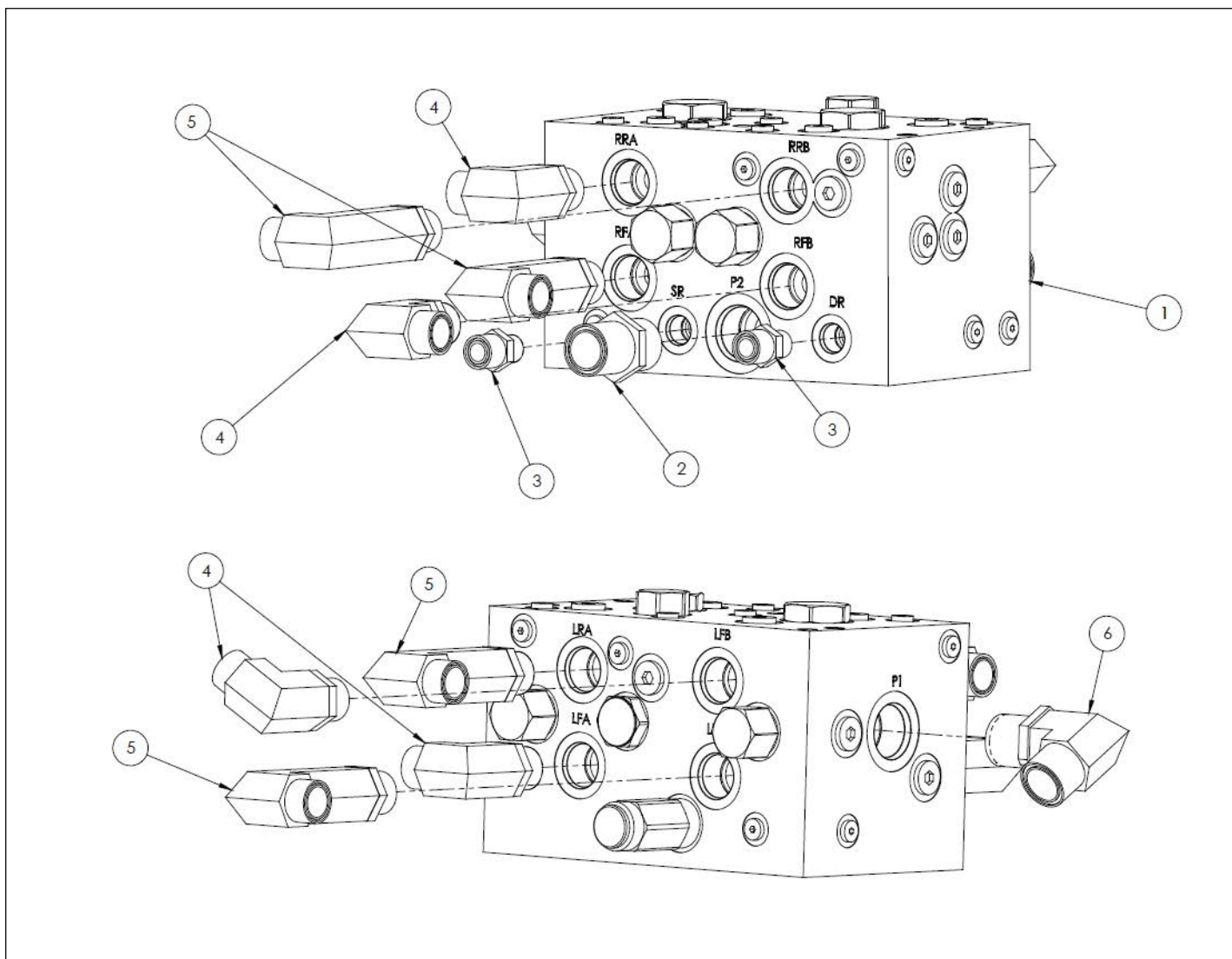


アイテム	部品番号	名前	数量	UOM
	104674 000 B	BOOM FUNCTION CONTROL VALVE		EA
1	N/A	MAIN MANIFOLD BOOM FUNCTION CONTROL VALVE	1	EA
2	N/A	NON SERVICEABLE ITEM	1	EA
4	104674 103	NON SERVICEABLE ITEM	58	EA
5	6019041 3	1/16" NPT PLUG, .031 DIA ORIFICE	1	EA
6	104674 105	LOAD SHUFFLE, BALL TYPE	3	EA
7	104674 106	SAE 04 HOLLOW HEX PLUG	12	EA
8	561176	VALVE CART CHECK	2	EA
9	6019182	CHECK VALVE	9	EA
10	106574 103	#08 CHECK VALVE 10 PSI	2	EA
11	104674 110	#04 CHECK VALVE 5 PSI	2	EA
12	104674 111	#08 FLOW CONTROLPRESS COMP 0.10	2	EA
13	104674 112	#08 FLOW CONTROL PRESS COMP .10 GPM	1	EA
14	6019174	RELIEF VALVE	1	EA
15	106574 117	#08 RELIEF, DIFF AREA POPPET, 2750 PSI	2	EA
16	6019077	VALVE, SOLENOID CART 3 POS 4WAY CC	1	EA
17	6010472	VALVECART 3 WAY VALVE	2	EA
18	6018940 3	#8 SOLENOID VALVE 3 WAY	2	EA
19	104674 118	#8 SPOOL, 4W3P, MOTOR SPOOL	3	EA
20	104674 119	#10 SPOOL, 4W3P, MOTOR SPOOL	1	EA
21	104674 120	#08 PROPORPORTIONAL, 3P4W, FLOAT CENTER	1	EA
22	6019194	ELECTRO PROPORPORTIONAL VALVE	1	EA
23	6019180	Coil 08 12V Deutsch DT Connector	1	EA



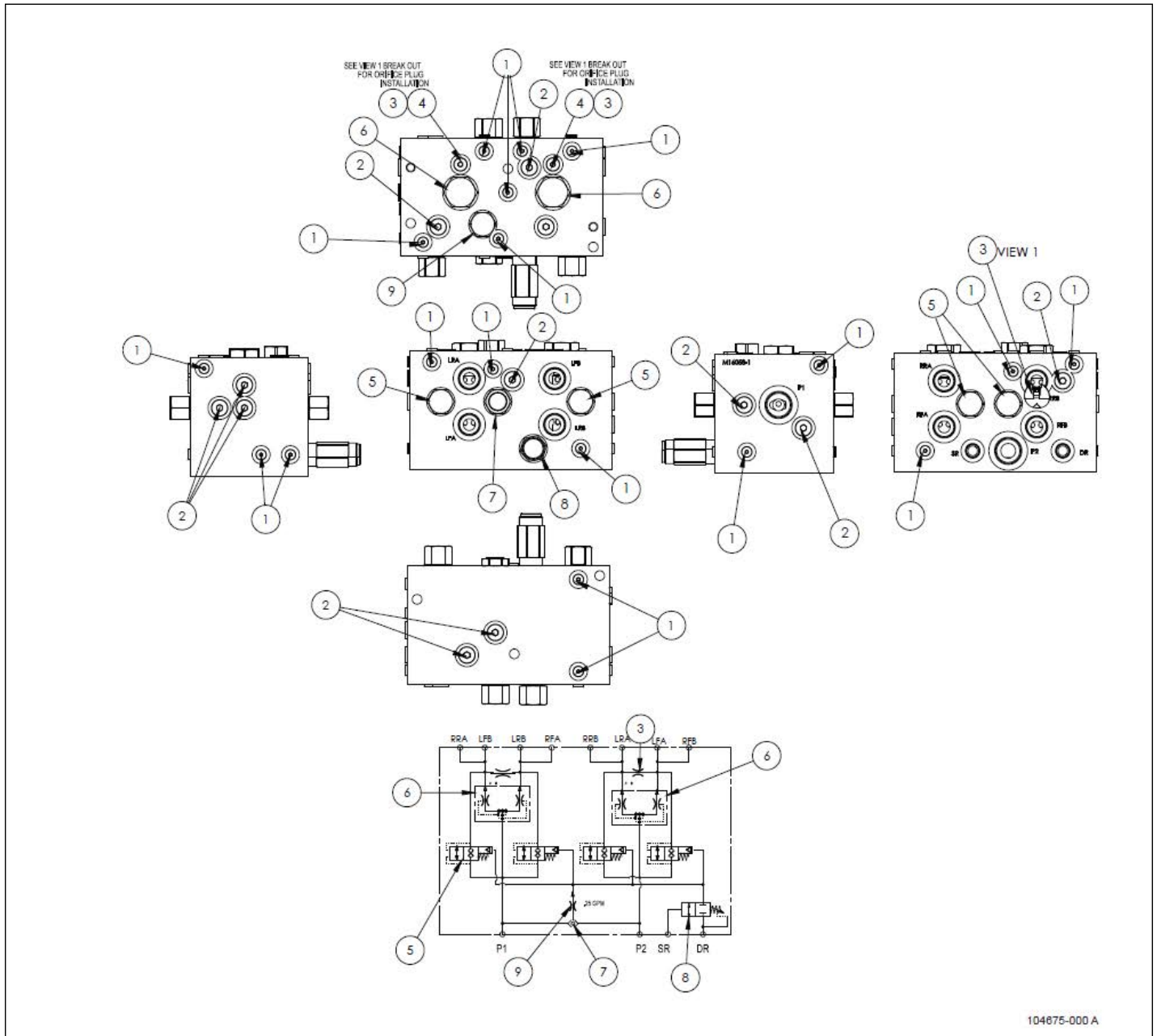
アイテム	部品番号	名前	数量	UOM
24	104674 123	WASHER	11	EA
25	106574 119	#8 COIL SPACER	4	EA
26	104674 125	WASHER	9	EA
27	6019181	#10 COIL SPACER	4	EA
28	104674 127	#8 PILOTED DIRECTIONAL ELEMENT 150 PSI	1	EA
29	104674 128	#8 PILOTED DIRECTIONAL ELEMENT INT DRA	1	EA
30	104674 129	#8 BI DIRECTION RELIEF, VENTED 2600 PSI	1	EA
31	5621635	#8 BI DIRECTION RELIEF, VENTED 1000 PSI	1	EA
32	104674 131	REGULATOR, PRESSURE COMP	1	EA
	PNNA	#08 FLOW CONTROL PRESS COMP .40 GPM	1	EA

HYDRAULICS



アイテム	部品番号	名前	数量	UOM
	104621 000	TRACTION MANIFOLD ASSY		EA
1	104675 000	TRACTION MANIFOLD	1	EA
2	100432 027	Hyd Fitting Straight ORFS(12) SAE(12)	1	EA
3	100432 009	Hyd Fitting Straight ORFS(06) SAE(06)	2	EA
4	100434 017	10 MB X 10 MORFF 90 ° FITTING	4	EA
5	104766 000	10MB X 10 MORFF 90 ° LONG FITTING	4	EA
6	100434 021	Hyd Fitting 90 Elbow ORFS(12) SAE(12)	1	EA

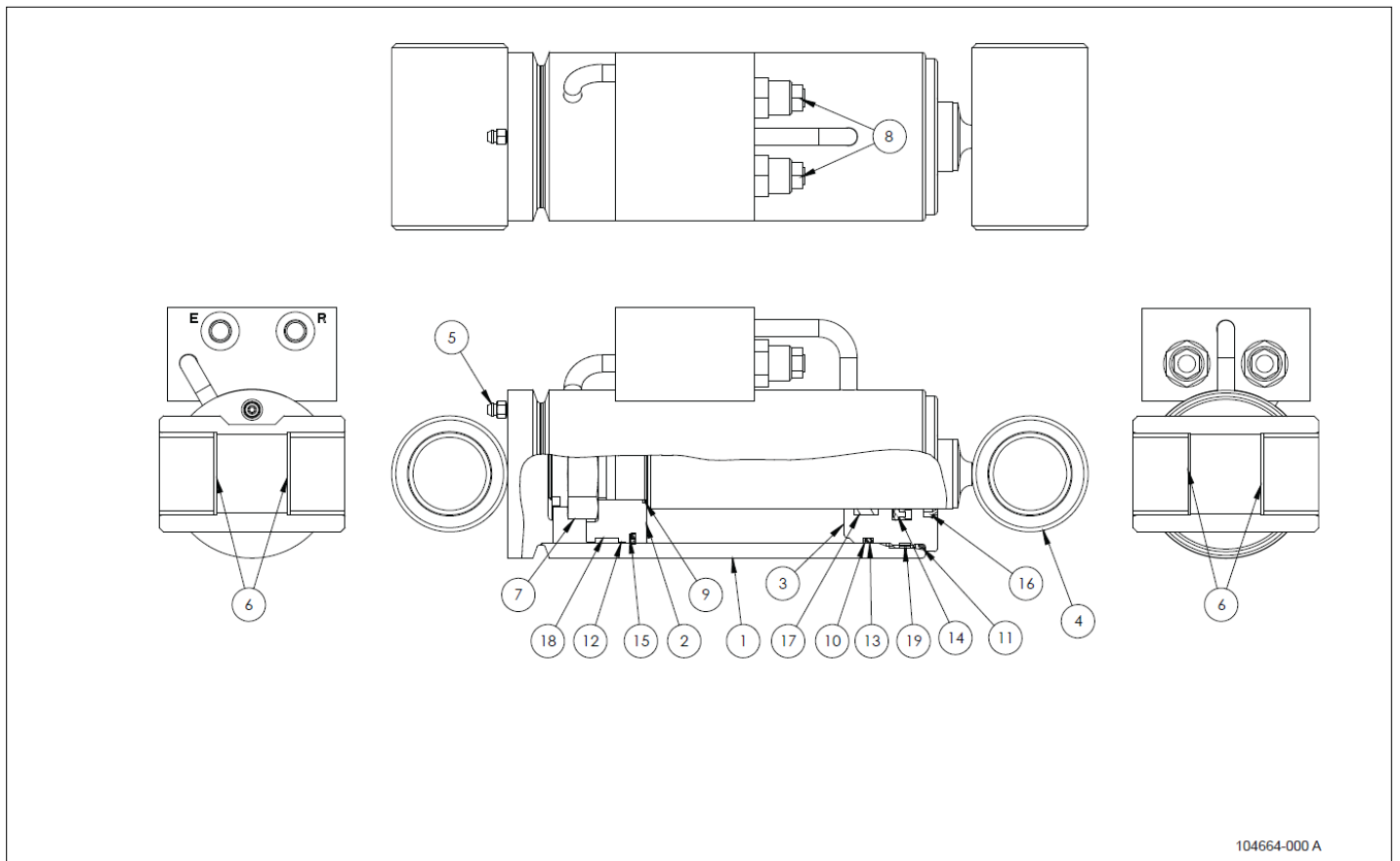
HYDRAULICS





アイテム	部品番号	名前	数量	UOM
	104675 000	TRACTION MANIFOLD	1	EA
1	104675 100	SAE 02 HOLLOW HEX PLUG	19	EA
2	104675 101	SAE 06 HOLLOW HEX PLUG	12	EA
3	104675 102	1/16" NPT PLUG, .030 DIA ORIFICE	2	EA
4	104675 103	SAE 04 HOLLOW HEX PLUG	2	EA
5	104675 104	#10 LOGIC ELEMENT N.C. POPPET 80 PSI	4	EA
6	104675 105	#12 FLOW DIVIDER/COMBINER, 66 RATIO	2	EA
7	104675 106	LOAD SHUTTLE, BALL	1	EA
8	104675 107	PS50 40F P SEQUENCE VALVE	1	EA
9	104675 108	FR50 20F FLOW REGULATOR PRESS COMP	1	EA

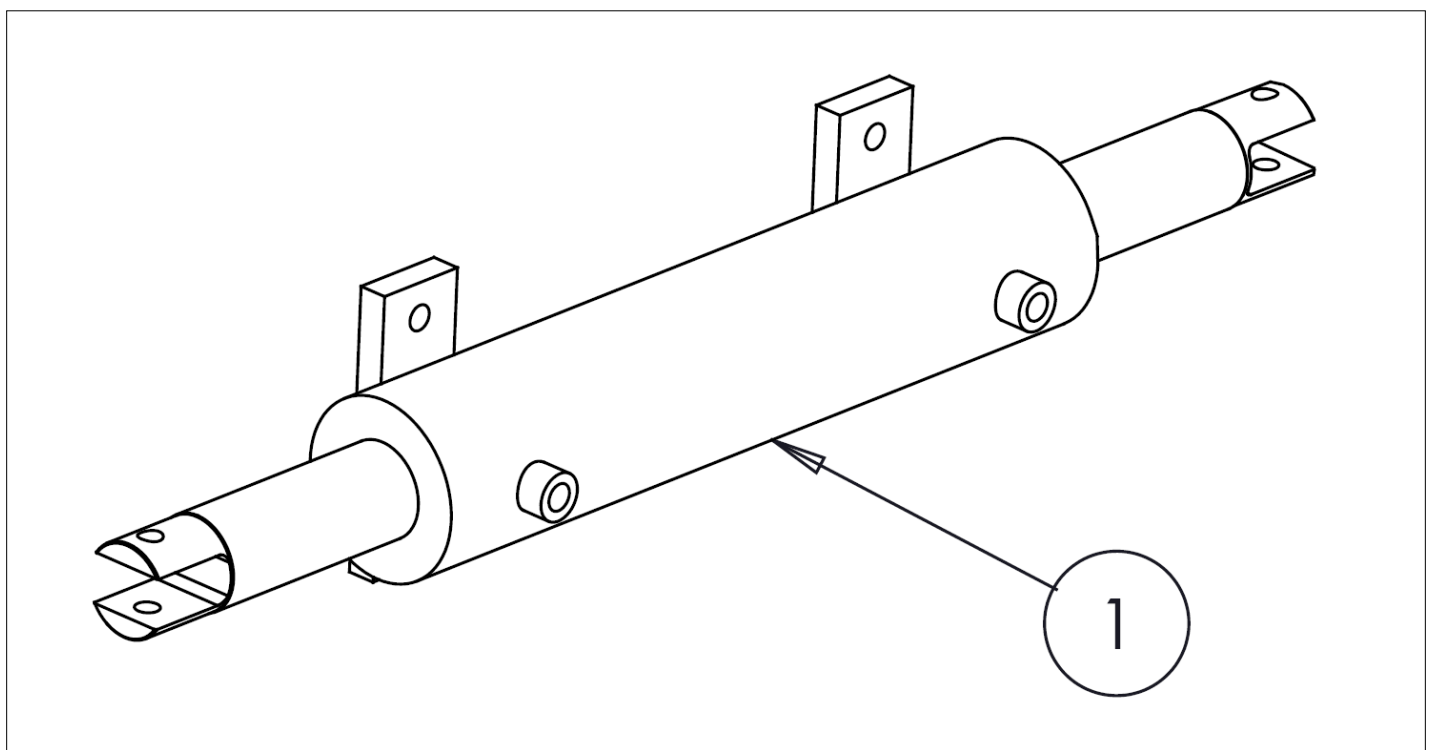
HYDRAULICS



104664-000 A

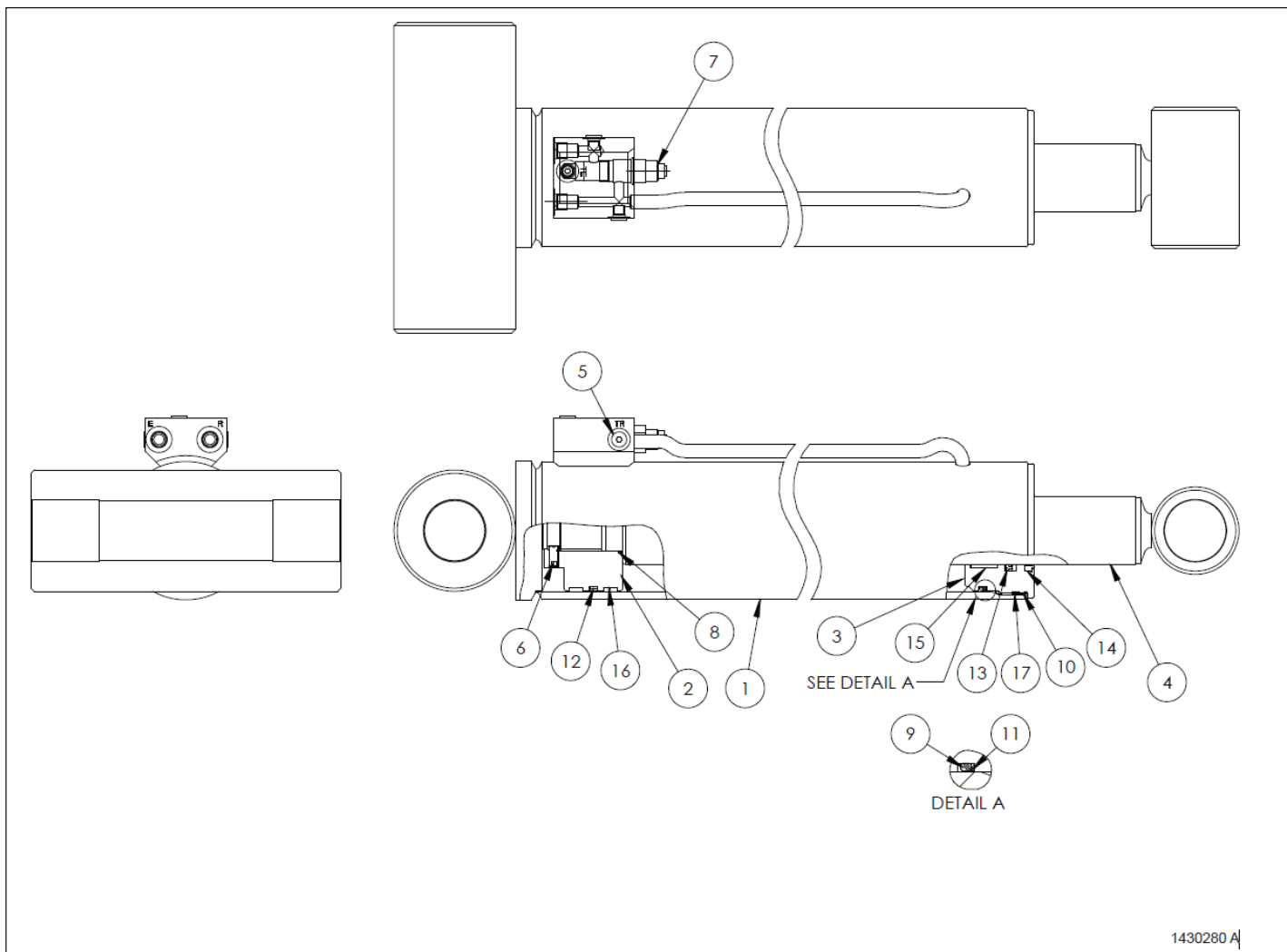
アイテム	部品番号	名前	数量	UOM
	104664 000	AXLE LOCK CYLINDER	1	EA
1	104664 100	TUBE WELDMENT	1	EA
2	106771 102	PISTON	1	EA
3	106771 103	HEAD GLAND	1	EA
4	104664 101	ROD WELDMENT	1	EA
5	106771 105	BLEEDER SCREW	1	EA
6	106771 106	GARMAX JOURNAL BEARING	4	EA
7	106771 107	1.125 12 UNF COLLAR LOCKNUT	1	EA
8	104664 102	CB VALVE, CBCG LJM (3000)	2	EA
Not Shown	104664 103	SEAL KIT – includes items 9 through 19	1	EA
9	KIT ITEM	O RING – not sold separately	1	EA
10	KIT ITEM	O RING – not sold separately	1	EA
11	KIT ITEM	O RING – not sold separately	1	EA
12	KIT ITEM	SQUARE RING – not sold separately	1	EA
13	KIT ITEM	BACKUP RING – not sold separately	1	EA
14	KIT ITEM	DEEP Z SEAL – not sold separately	1	EA
15	KIT ITEM	SQUARE SECTION TFE PISTON SEAL – not sold separately	1	EA
16	KIT ITEM	HD ROD WIPER, SEALED OD – not sold separately	1	EA
17	KIT ITEM	WEARBAND – not sold separately	1	EA
18	KIT ITEM	WEARBAND – not sold separately	1	EA
19	KIT ITEM	LOCKING INSERT – not sold separately	2	EA

HYDRAULICS



アイテム	部品番号	名前	数量	UOM
1	068456 001 3	STEER CYLINDER HYDRATECH	1	EA
Not Shown	0260304	SEAL KIT	1	EA

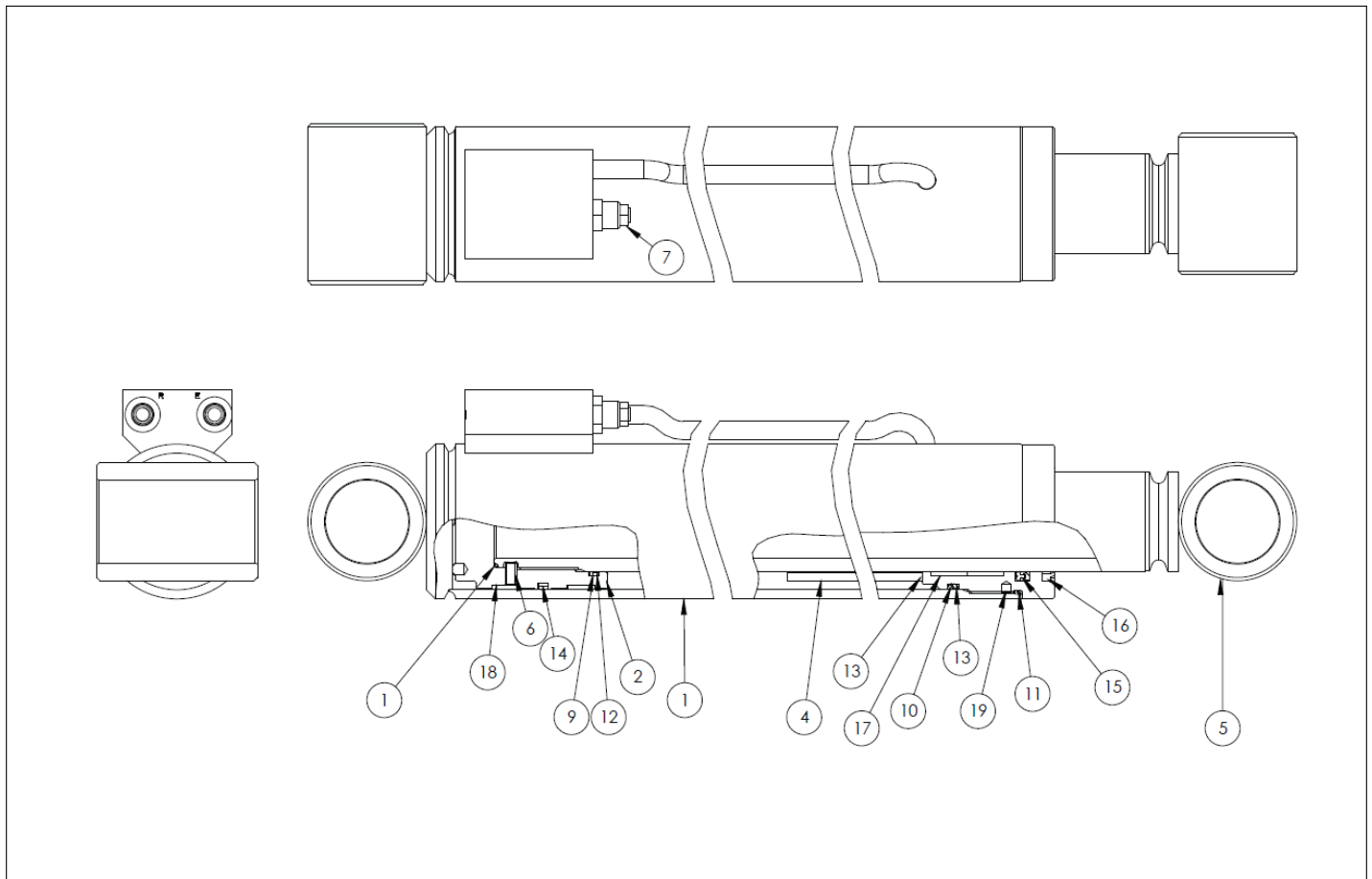
HYDRAULICS



1430280 A

アイテム	部品番号	名前	数量	UOM
	1430280	CYLINDER, RISER	1	EA
1	511496 000	TUBE WELDMENT	1	EA
2	104260 102	PISTON	1	EA
3	104260 103	HEAD GLAND	1	EA
4	511496 001	ROD WELDMENT	1	EA
5	104260 105	SAE NO. 4 STEEL HOL. HEX PLUG	3	EA
6	104260 107	3 / 8 16 UNC X .75 LG SET SCR.	1	EA
7	104260 108	CB VALVE, CBCA LHN (3000)	1	EA
	104260 109	SEAL KIT – includes items 9 through 18	1	EA
8	KIT ITEM	O RING – not sold separately	1	EA
9	KIT ITEM	O RING – not sold separately	1	EA
10	KIT ITEM	O RING – not sold separately	1	EA
11	KIT ITEM	BACKUP RING – not sold separately	1	EA
12	KIT ITEM	DISO PAC – not sold separately	1	EA
13	KIT ITEM	DEEP Z SEAL – not sold separately	1	EA
14	KIT ITEM	HD ROD WIPER, SEALED OD – not sold separately	1	EA
15	KIT ITEM	PRECISION WEARBAND – not sold separately	1	EA
16	KIT ITEM	PRECISION WEARBAND – not sold separately	2	EA
17	KIT ITEM	LOCKING INSERT – not sold separately	2	EA

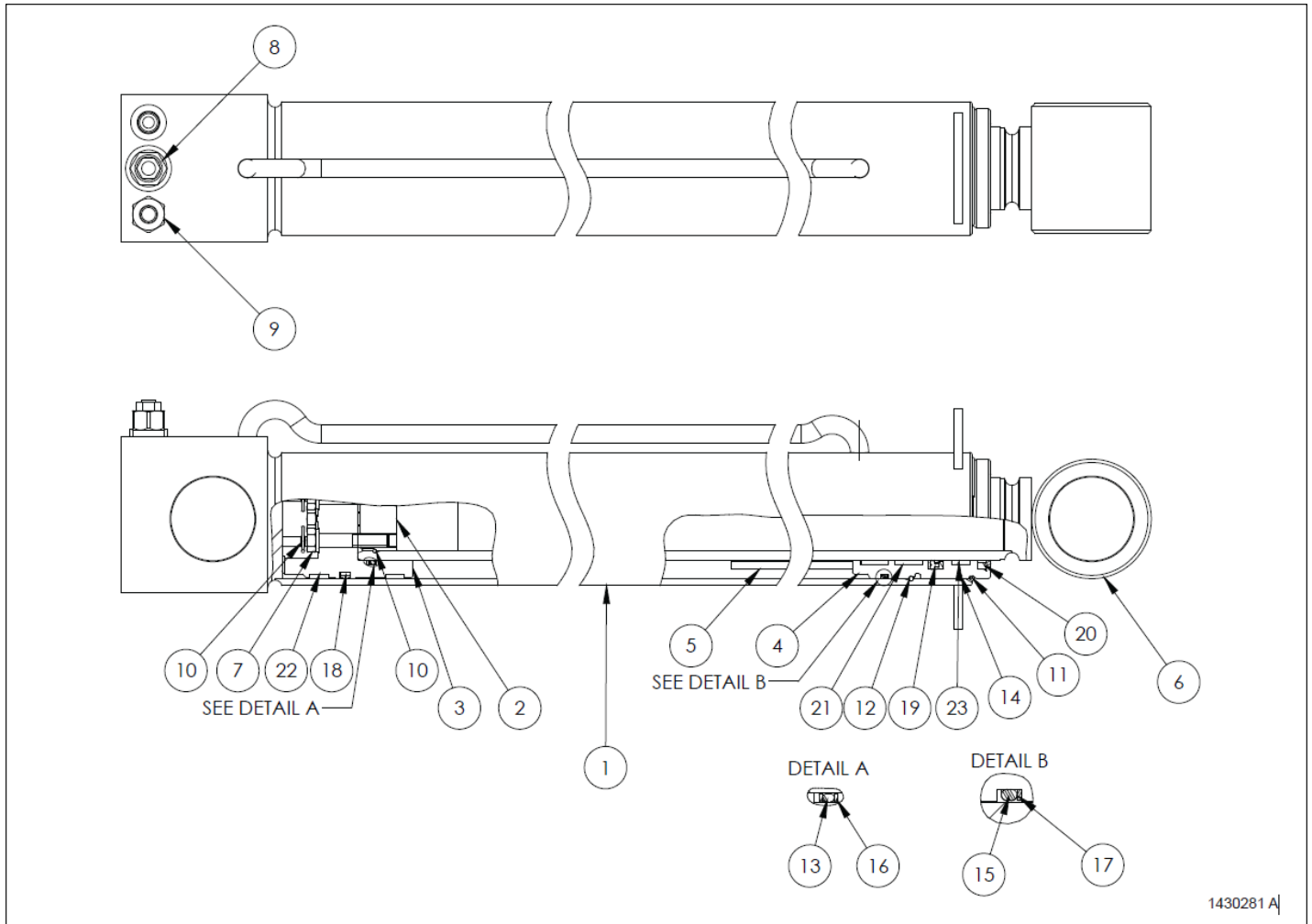
HYDRAULICS





アイテム	部品番号	名前	数量	UOM
	1430282	CYLINDER, MAIN BOOM LIFT	1	EA
1	511498 000	TUBE WELDMENT	1	EA
2	511498 001	PISTON	1	EA
3	511498 002	HEAD GLAND	1	EA
4	511498 003	ROD SPACER	1	EA
5	511498 004	ROD WELDMENT	1	EA
6	511498 005	5/16 18 UNC X .63 LG SET SCR.	1	EA
7	511498 006	CB VALVE (3100) ROSENBOOM FISHER	1	EA
5	11498 007	SEAL KIT – includes items 8 through 19	1	EA
8	KIT ITEM	O RING – not sold separately	1	EA
9	KIT ITEM	O RING – not sold separately	1	EA
10	KIT ITEM	O RING – not sold separately	1	EA
11	KIT ITEM	O RING – not sold separately	1	EA
12	KIT ITEM	BACKUP RING, DYNAMIC – not sold separately	2	EA
13	KIT ITEM	BACKUP RING – not sold separately	1	EA
14	KIT ITEM	DISO PAC – not sold separately	1	EA
15	KIT ITEM	DZR SEAL – not sold separately	1	EA
16	KIT ITEM	HD ROD WIPER, SEALED OD – not sold separately	1	EA
17	KIT ITEM	PRECISION WEARBAND – not sold separately	2	EA
18	KIT ITEM	PRECISION WEARBAND – not sold separately	2	EA
19	KIT ITEM	LOCKING INSERT – not sold separately	1	EA

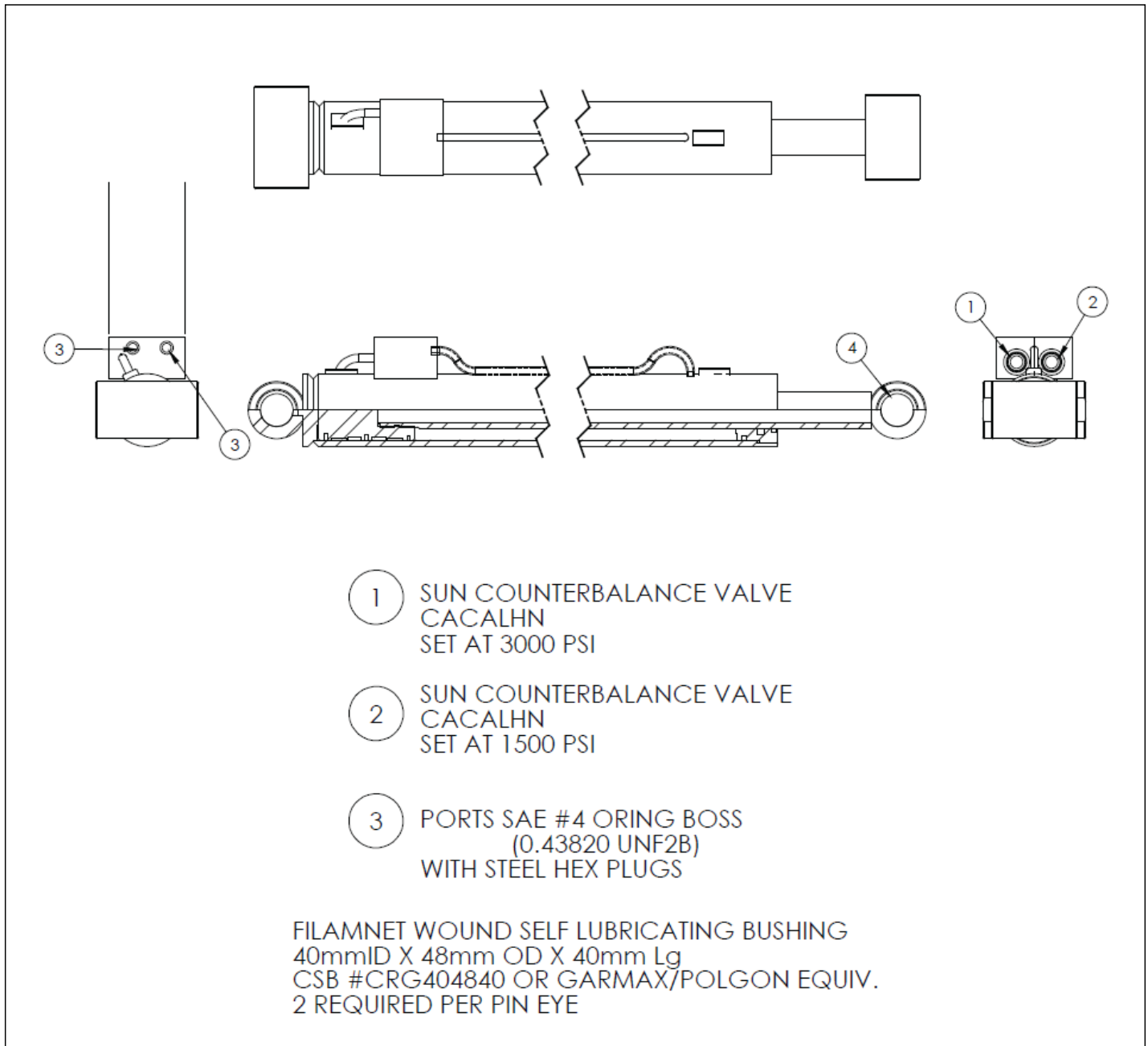
HYDRAULICS



アイテム	部品番号	名前	数量	UOM
	1430281	CYLINDER, MAIN BOOM EXTEND	1	EA
1	511497 000	TUBE WELDMENT	1	EA
2	511497 001	END CAP	1	EA
3	511497 002	PISTON	1	EA
4	511497 003	HEAD GLAND	1	EA
5	511497 004	ROD SPACER	1	EA
6	511497 005	ROD WELDMENT	1	EA
7	511497 006	.375 16 UNC X 2.00 HHCS ASSY	4	EA
8	511497 007	CB VALVE, (2000)	1	EA
9	511497 008	SHUTTLE VALVE	1	EA
5	11497 009	SEAL KIT – includes items 10 through 23		EA
10	KIT ITEM	ROUND RET. RING, 1.75 BORE – not sold separately	2	EA
11	KIT ITEM	ROUND RET. RING, 3.00 BORE – not sold separately	1	EA
12	KIT ITEM	ROUND RET. RING, 3.25 BORE – not sold separately	1	EA
13	KIT ITEM	O RING – not sold separately	1	EA
14	KIT ITEM	O RING – not sold separately	1	EA
15	KIT ITEM	O RING – not sold separately	1	EA
16	KIT ITEM	BACKUP RING – not sold separately	2	EA
17	KIT ITEM	BACKUP RING – not sold separately	1	EA
18	KIT ITEM	DISO PAC – not sold separately	1	EA
19	KIT ITEM	DEEP Z SEAL – not sold separately	1	EA
20	KIT ITEM	HD ROD WIPER, SEALED OD – not sold separately	1	EA
21	KIT ITEM	PRECISION WEARBAND – not sold separately	2	EA
22	KIT ITEM	PRECISION WEARBAND – not sold separately	2	EA

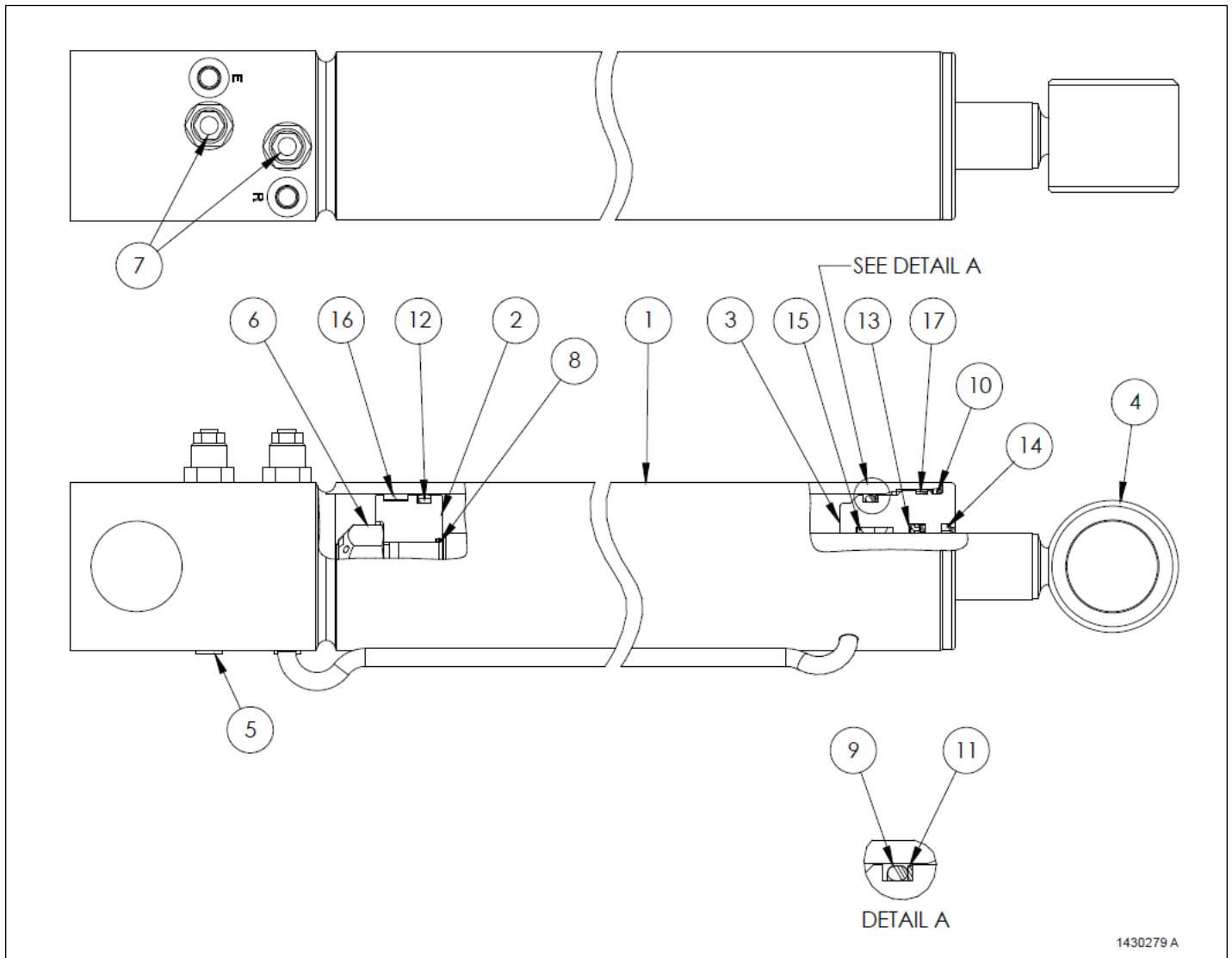
アイテム	部品番号	名前	数量	UOM
23	KIT ITEM	PHENOLIC WEARBAND – not sold separately	1	EA

## HYDRAULICS



アイテム	部品番号	名前	数量	UOM
	106827 100	JIB CYLINDER	1	EA

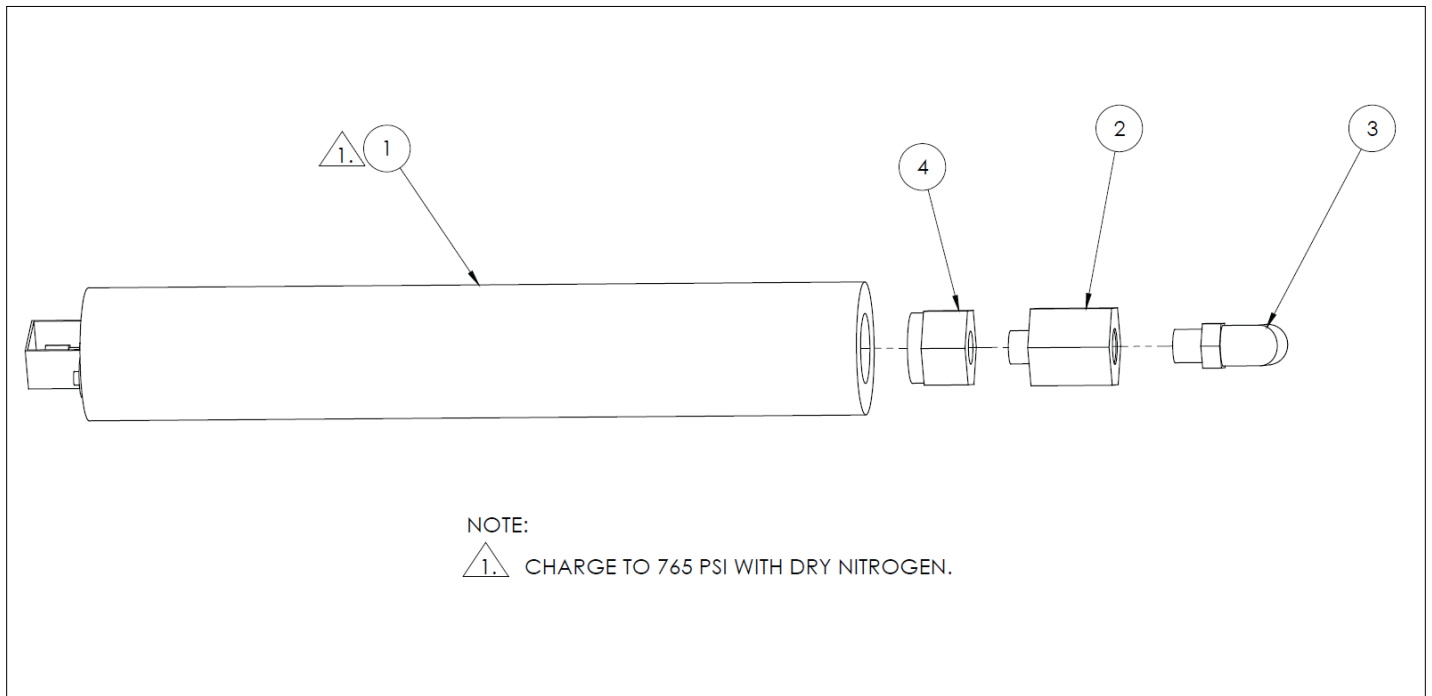
HYDRAULICS



アイテム	部品番号	名前	数量	UOM
	1430279	CYLINDER LEVEL	1	EA
1	511495 000	TUBE WELDMENT	1	EA
2	511495 001	PISTON	1	EA
3	511495 002	HEAD GLAND	1	EA
4	511495 003	ROD WELDMENT	1	EA
5	104260 105	SAE NO. 4 STEEL HOL. HEX PLUG	2	EA
6	511495 004	1.000 14 UNS LOCKNUT	1	EA
7	511495 005	CB VALVE, CBBC LHN (3200)	2	EA
5	11495 006	SEAL KIT – includes items 8 through 17	1	EA
8	KIT ITEM	O RING – not sold separately	1	EA
9	KIT ITEM	O RING – not sold separately	1	EA
10	KIT ITEM	O RING – not sold separately	1	EA
11	KIT ITEM	BACKUP RING – not sold separately	1	EA
12	KIT ITEM	DISO PAC – not sold separately	1	EA
13	KIT ITEM	DEEP Z SEAL – not sold separately	1	EA
14	KIT ITEM	HD ROD WIPER, SEALED OD – not sold separately	1	EA
15	KIT ITEM	WEARBAND – not sold separately	2	EA
16	KIT ITEM	WEARBAND – not sold separately	1	EA
17	KIT ITEM	LOCKING INSERT – not sold separately	2	EA

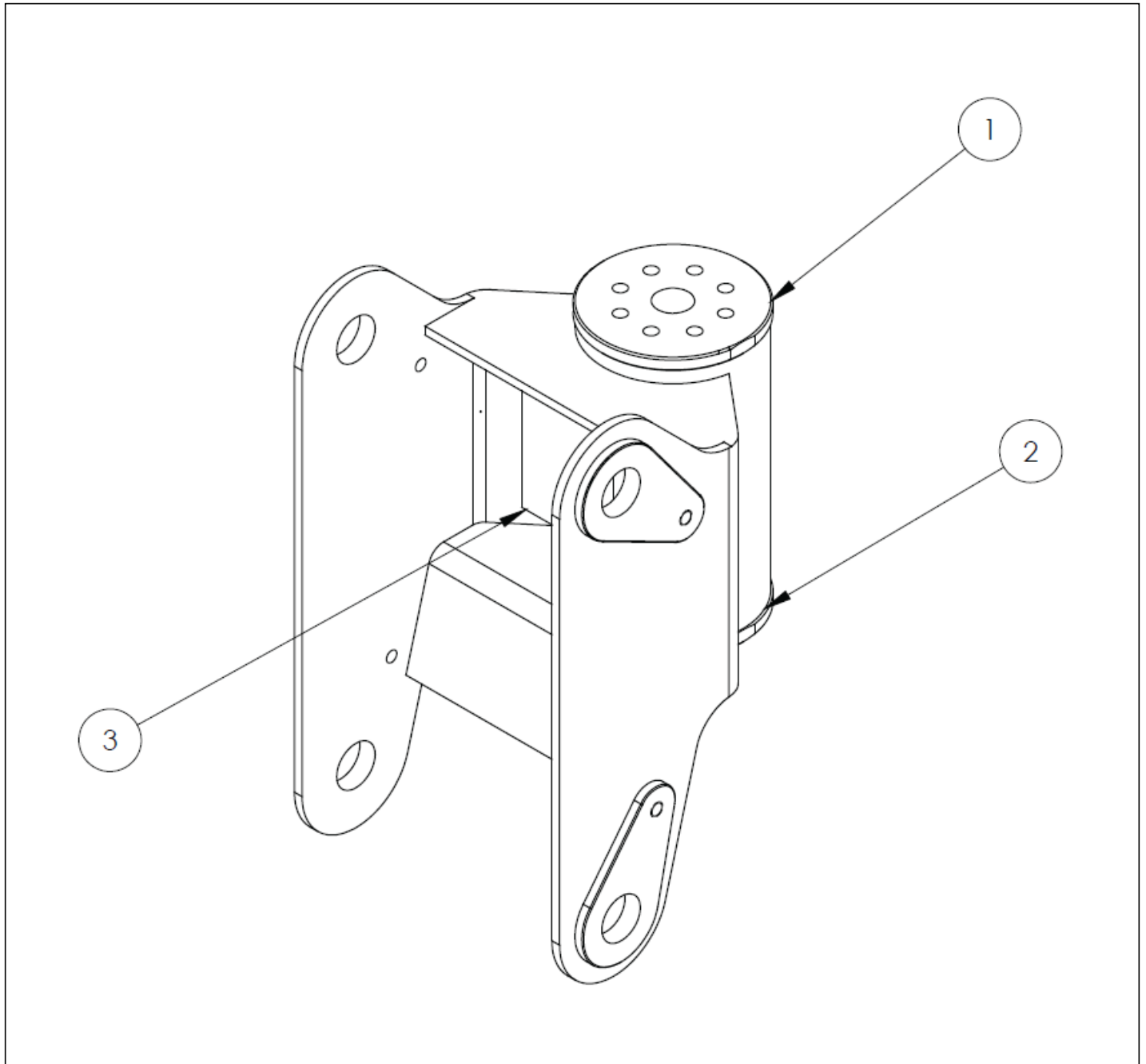


HYDRAULICS



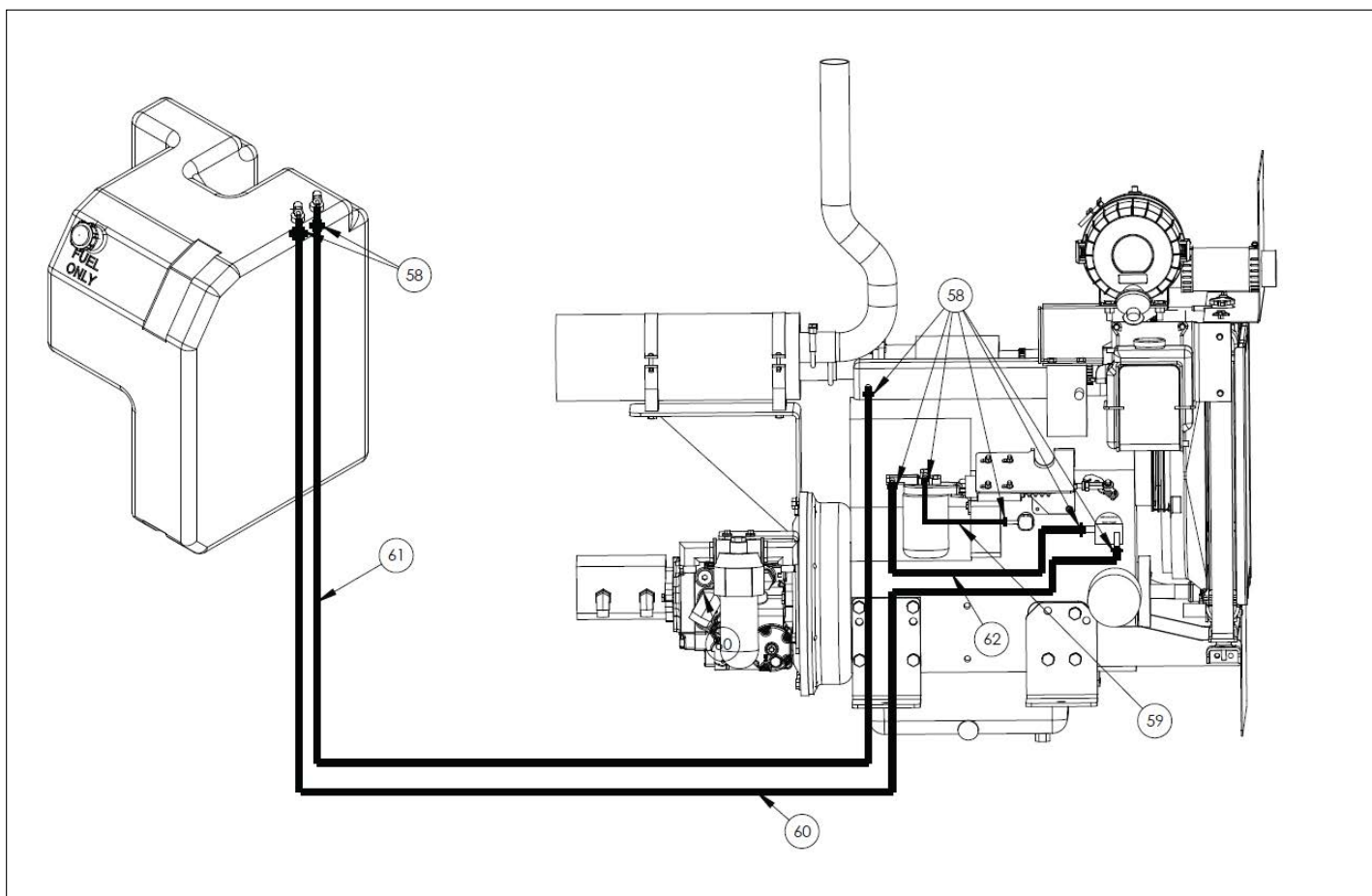
アイテム	部品番号	名前	数量	UOM
	104841 000	ACCUMULATOR ASSY		EA
1	6070005	ACCUMULATOR	1	EA
Not Shown	6070010	ACCUMULATOR EUROPE	A/R	EA
2	104840 000	INLINE CHECK VALVE ORIFICE .065	1	EA
3	100434 008	6MB X 6M ORFF 90 ° FITTING	1	EA
4	104851 000	12 ORB M X 6 ORB F REDUCER	1	EA

HYDRAULICS

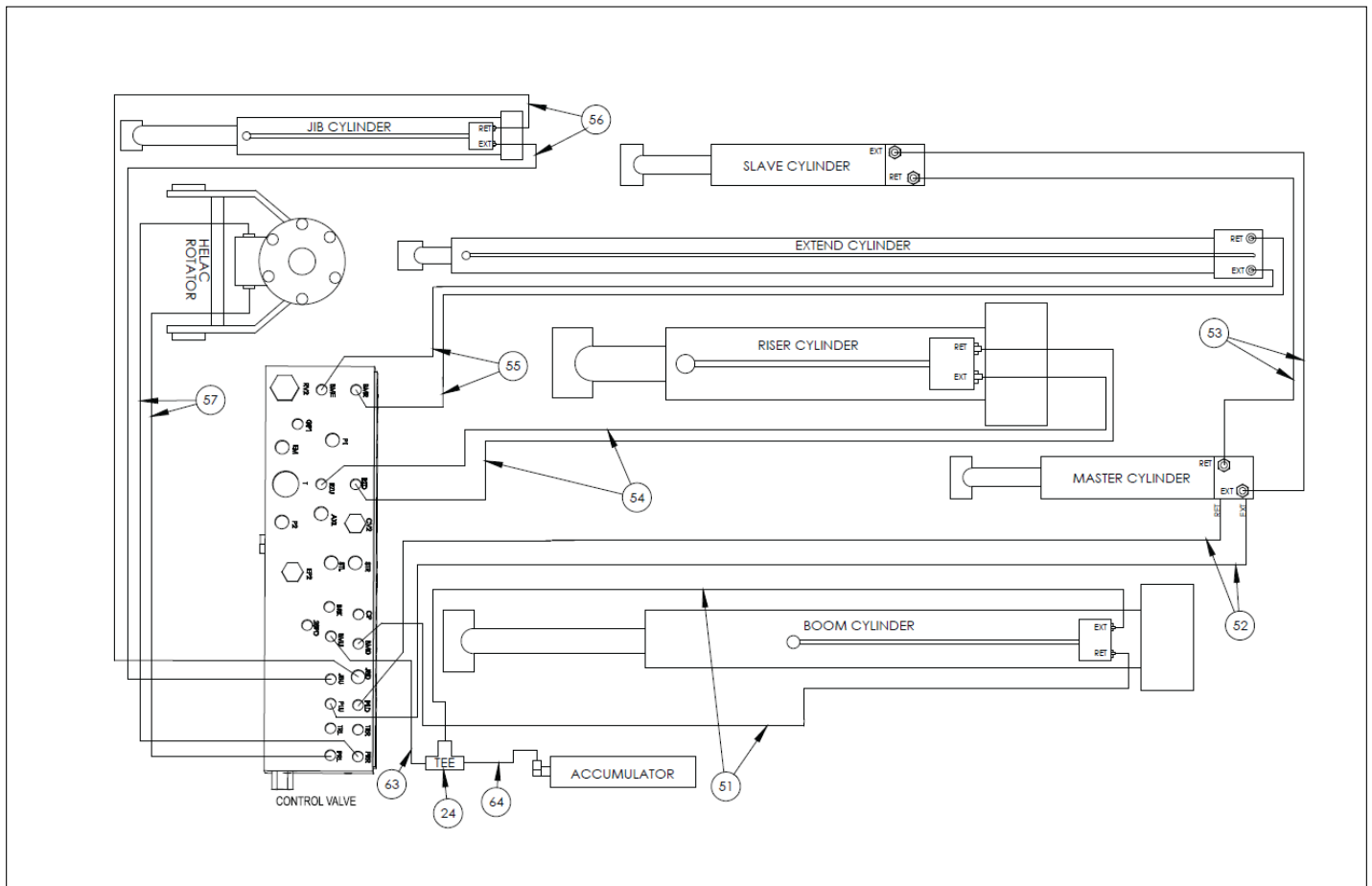


アイテム	部品番号	名前	数量	UOM
	106571 103 A	PLATFORM ROTATOR ASSY		EA
1	8080152	SEAL KIT	1	EA
2	8080153	BEARING KIT	1	EA
3	8080156	COUNTERBALANCE VALVE	1	EA

HYDRAULICS

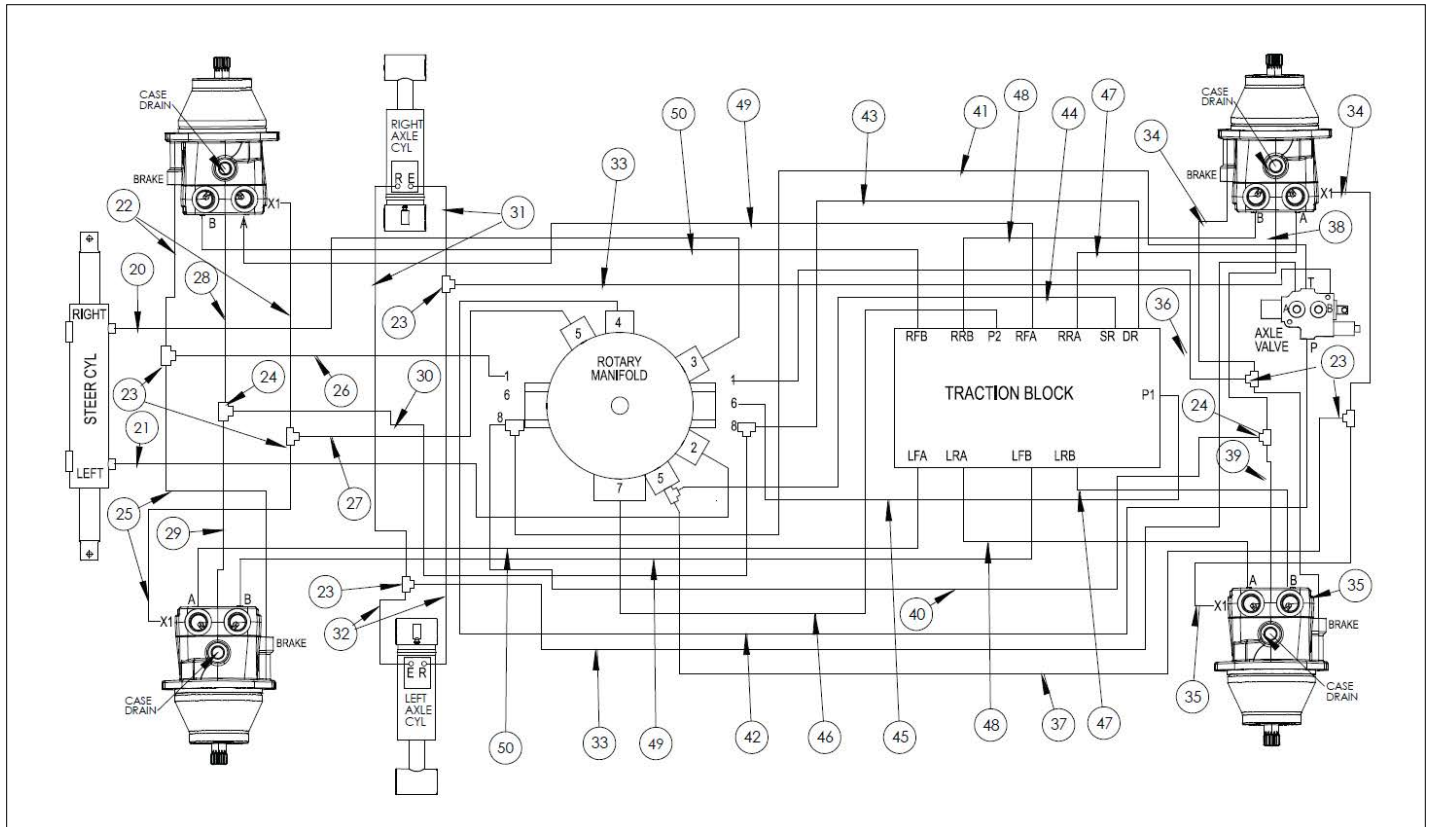


アイテム	部品番号	名前	数量	UOM
	104619 000 A	CHASSIS/TURNTABLE/CYLINDER HOSE DIAGRAMS AND FUEL LINE INSTALLATION		EA
1	104770 001	3 /8" 3000 PSI HYD HOSE 6F ORFF STR X 6F ORFF STR X 52"	1	EA
2	104770 102	1/2" 3000 PSI HYD HOSE 8FORFF STR X 8FORFF STR X 70"	1	EA
3	104770 103	3 /4" 1000 PSI 881 HYD SUC HOSE 12FORFF STR X 12FORFF STR X 95"	1	EA
4	104770 104	3 /4" 1000 PSI 881 HYD SUC HOSE 12FORFF STR X 12FORFF STRX147"	1	EA
5	104770 105	3 /8" 3000 PSI HYD HOSE 8FORFF STR X 6FORFF X 116"	1	EA
6	104770 106	1" 1000 PSI 881 HYD SUC HOSE 16FORFF STR X 16FORFF STR X102"	1	EA
7	104770 107	1" 1000 PSI 881 HYD SUC HOSE 16FORFF STR X 16FORFF STR X106"	1	EA
8	104770 008	3 /8" 3000 PSI HYD HOSE 6F ORFF STR X 6F ORFF STR X 72"	1	EA
9	104770 009	1/4" 3000 PSI HYD HOSE 4F ORFF STR X 4F ORFF STR X 68"	1	EA
10	104770 010	HOSE 4 ORFF STR 4 ORFF STR 300	1	EA
11	104770 011	3 /8" 3000 PSI HYD HOSE 6F ORFF STR X 6F ORFF STR X 68"	2	EA
12	104770 012	3 /4" 5000 PSI HYD HOSE 12F ORFF STR X 12F ORFF STR X 60"	2	EA
13	104770 013	1/2" 3000 PSI HYD HOSE 8F ORFF STR X 8F ORFF STR X 87"	1	EA
14	104770 014	1/2" 3000 PSI HYD HOSE 8F ORFF STR X 8F ORFF STR X 96"	1	EA
15	104770 015	1/4" 3000 PSI HYD HOSE 4F ORFF STR X 4F ORFF STR X 102.5"	1	EA

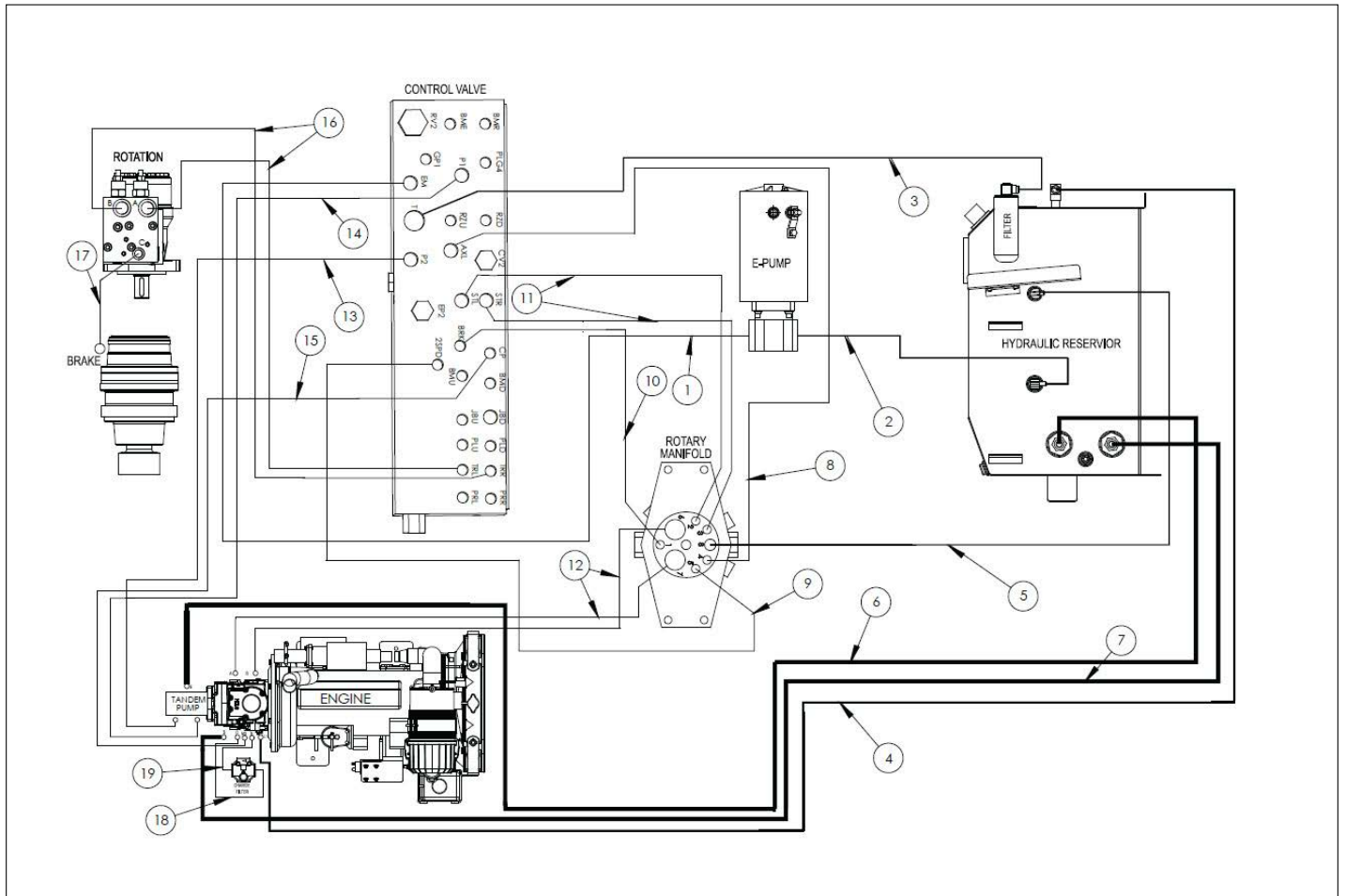


アイテム	部品番号	名前	数量	UOM
16	104770 016	1/4" 3000 PSI HYD HOSE 4F ORFF STR X 4F ORFF STR X 61"	2	EA
17	104770 017	HOSE 4 ORFF STR 4 ORFF STR 300	1	EA
18	104770 118	5/8" 3000 PSI HYD HOSE 10FORFF STR X 10FORFF 90 ° X27"	1	EA
19	104770 119	5/8" 3000 PSI HYD HOSE 10FORFF STR X 10FORFF 90 ° X 29"	1	EA
20	104771 001	3 /8" 3000 PSI HYD HOSE 6FJC STR X 6F ORFF STR X 83"	1	EA
21	104771 002	3 /8" 3000 PSI HYD HOSE 6FJC STR X 6F ORFF STR X 91"	1	EA
22	104771 003	1/4" 3000 PSI HYD HOSE 4F ORFF STR X 4F ORFF STR X 32.5"	2	EA
23	104769 000	FTG, 4MORFF X 4MORFF X 4MORFF UTEE	6	EA
24	104773 000	FTG HYD 06OM 06OM 06OM TN	3	EA
25	104771 004	1/4" 3000 PSI HYD HOSE 4F ORFF STR X 4F ORFF STR X 46.5"	2	EA
26	104771 005	1/4" 3000 PSI HYD HOSE 6F ORFF STR X 4F ORFF STR X 81.5"	1	EA
27	104771 006	1/4" 3000 PSI HYD HOSE 6F ORFF STR X 4F ORFF STR X 77.5"	1	EA
28	104771 007	3 /8" 3000 PSI HYD HOSE 6F ORFF STR X 6F ORFF STR X 34.5"	1	EA
29	104771 008	3 /8" 3000 PSI HYD HOSE 6F ORFF STR X 6F ORFF STR X 48.5"	1	EA
30	104771 009	3 /8" 3000 PSI HYD HOSE 6F ORFF STR X 6F ORFF STR X 84"	1	EA
31	104771 010	1/4" 3000 PSI HYD HOSE 4F ORFF STR X 4F ORFF STR X 21.5"	2	EA



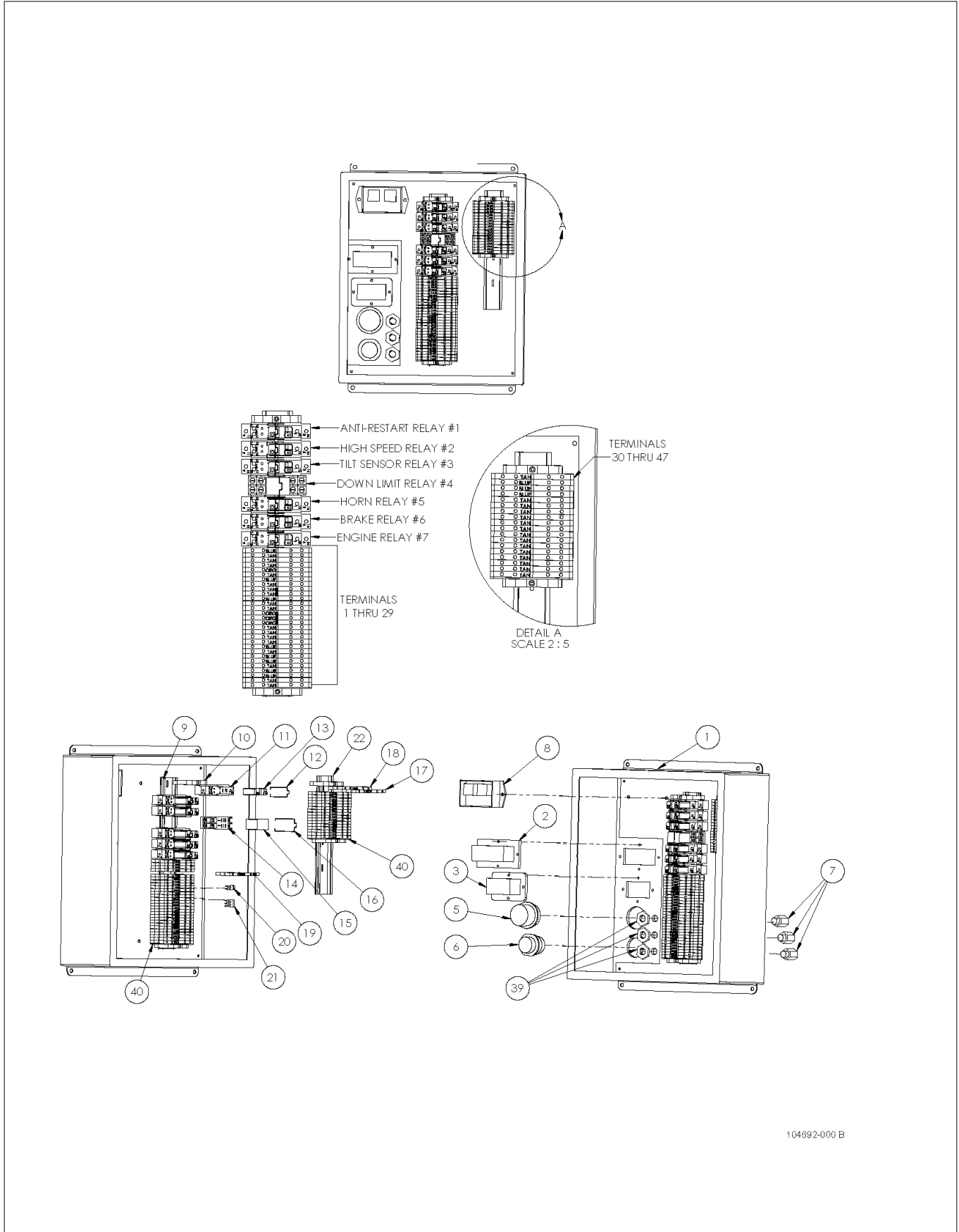


アイテム	部品番号	名前	数量	UOM
32	104771 011	1/4" 3000 PSI HYD HOSE 4F ORFF STR X 4F ORFF STR X 30"	2	EA
33	104771 012	1/4" 3000 PSI HYD HOSE 4F ORFF STR X 4F ORFF STR X 126"	2	EA
34	104771 013	1/4" 3000 PSI HYD HOSE 4F ORFF STR X 4F ORFF STR X 38.5"	2	EA
35	104771 014	1/4" 3000 PSI HYD HOSE 4F ORFF STR X 4F ORFF STR X 27.5"	2	EA
36	104771 015	1/4" 3000 PSI HYD HOSE 6F ORFF STR X 4F ORFF STR X 75.5"	1	EA
37	104771 005	1/4" 3000 PSI HYD HOSE 6F ORFF STR X 4F ORFF STR X 81.5"	1	EA
38	104771 017	3 /8" 3000 PSI HYD HOSE 6F ORFF STR X 6F ORFF STR X 28.5"	1	EA
39	104771 018	3 /8" 3000 PSI HYD HOSE 6F ORFF STR X 6F ORFF STR X 38"	1	EA
40	104771 019	3 /8" 3000 PSI HYD HOSE 6F ORFF STR X 6F ORFF STR X 82"	1	EA
41	104771 020	3 /8" 3000 PSI HYD HOSE 6F ORFF STR X 6F ORFF STR X 101"	1	EA
42	104771 021	3 /8" 3000 PSI HYD HOSE 6F ORFF STR X 6F ORFF STR X 94.5"	1	EA
43	104771 022	3 /8" 3000 PSI HYD HOSE 6F ORFF STR X 6F ORFF STR X 29.5"	1	EA
44	104771 023	1/4" 3000 PSI HYD HOSE 6F ORFF STR X 6F ORFF STR X 19"	1	EA
45	104771 024	3 /4" 5000 PSI HYD HOSE 12F ORFF STR X 12F ORFF 90 ° X 33 "	1	EA
46	104771 025	3 /4" 5000 PSI HYD HOSE 12F ORFF STR X 12F ORFF STR X 29"	1	EA
47	104771 026	5/8" 5000 PSI HYD HOSE 10F ORFF STR X 10F ORFF STR X 69"	2	EA



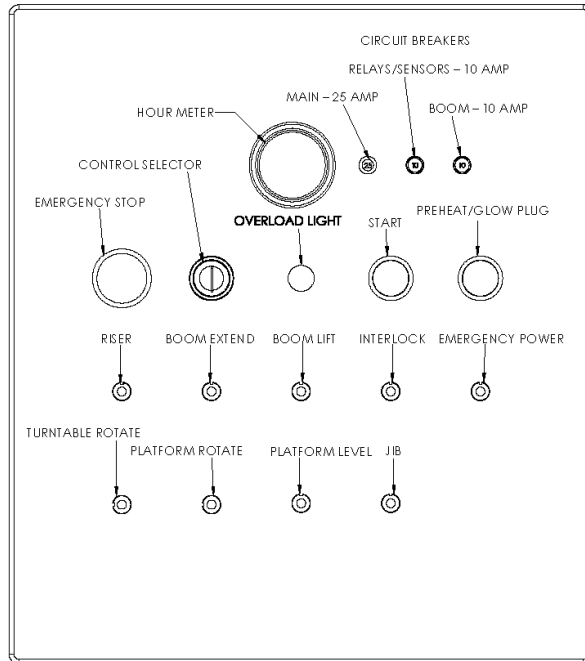
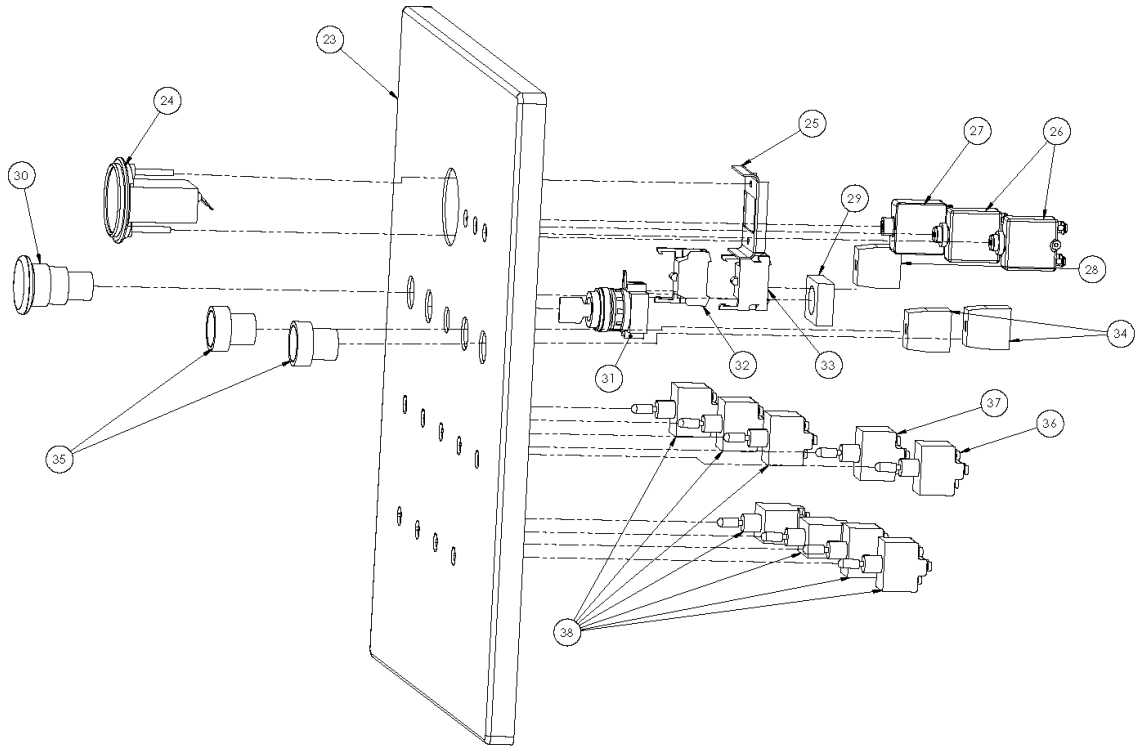
アイテム	部品番号	名前	数量	UOM
48	104771 027	5/8" 5000 PSI HYD HOSE 10F ORFF STR X 10F ORFF STR X72"	2	EA
49	104771 028	5/8" 5000 PSI HYD HOSE 10F ORFF STR X 10F ORFF STR X78"	2	EA
50	104771 029	5/8" 5000 PSI HYD HOSE 10F ORFF STR X 10F ORFF STR X75"	2	EA
51	104772 001	3 /8" 3000 PSI HYD HOSE 6F ORFF STR X6F ORFF STR X 450"	2	EA
52	104772 002	1/4" 3000 PSI HYD HOSE 4F ORFF STR X 4F ORFF STR X 432"	2	EA
53	104772 003	1/4" 3000 PSI HYD HOSE 4F ORFF STR X 4F ORFF 90 ° X 467"	2	EA
54	104772 004	3 /8" 3000 PSI HYD HOSE 6F ORFF STR X 6F ORFF STR X 308"	2	EA
55	104772 005	3 /8" 3000 PSI HYD HOSE 6F ORFF STR X 6F ORFF STR X 477"	2	EA
56	104772 006	1/4" 3000 PSI HYD HOSE 4F ORFF STR X 4F ORFF STR X 881"	2	EA
57	104772 007	1/4" 3000 PSI HYD HOSE 4F ORFF STR X 4F ORFF STR X 856"	2	EA
58	020541 003	3/8" TO 1/4" ASJUSTABLE HOSE CLAMP	6	EA
59	012733 099	22" OF 5/16" ID 50 PSI FUEL LINE	1	EA
60	012733 099	22" OF 5/16" ID 50 PSI FUEL LINE	1	EA
61	012739 099	154" OF 1/4" ID 50 PSI FUEL LINE	1	EA
62	012733 099	22" OF 5/16" ID 50 PSI FUEL LINE	1	EA
63	104772 009	3 /8" HYD HOSE 6F ORFF STR X 6F ORFF STR X 36"	1	EA
64	104772 010	3 /8" HYD HOSE 6F ORFF STR X 6F ORFF STR X 30"	1	EA

ELECTRICAL



104692-000 B

アイテム	部品番号	名前	数量	UOM
	104692 000 B	LOWER CONTROL PANEL UNIVERSAL		EA
1	104700 000	LOWER CONTROL BOX	1	EA
2	015790 006	40 PIN DEUTSCH CONN	1	EA
3	015790 011	DEUTSCH 24PIN CONN DRC 12 24PA	1	EA
4	104700 001	BACKING PLATE	1	EA
5	100338 001	RECPT. DEUTSCH	1	EA
6	3220088	DEUTSCH RND 8 PIN 12GA RCPT CONN	1	EA
7	029925 000	CONNECTOR CABLE HEYC ( Not illustrated)	3	EA
8	3220096	OVERLOAD FAULT DETECTION	1	EA
9	106832 000	13" DIN RAIL	1	EA
10	067660 006	END BLOCK	4	EA
11	067662 001	RELAY BASE SP/ST 12VDC	6	EA
12	67662 005	CLIP	6	EA
13	067661 001	RELAY SP/ST 12VDC	6	EA
14	067662 002	RELAY BASE DP/DT	1	EA
15	067661 002	RELAY DP/DT	1	EA
16	067662 006	CLIP	1	EA
17	068698 002	TERMINAL BLOCK	11	EA
18	068698 001	TERMINAL BLOCK	32	EA
19	068698 000	TERMINAL BLOCK	4	EA
20	68773 002	TWO PIN WEDGE	1	EA
21	68773 003	THREE PIN WEDGE	1	EA
22	104797 000	DIN RAIL 9"	1	EA
23	104700 002	LID LOWER CONTROL AB62	1	EA
24	3070001	HOURMETER	1	EA
25	3070001	HOURMETER	1	EA
26	3220019	CIRCUIT BREAKER 10 AMP	2	EA



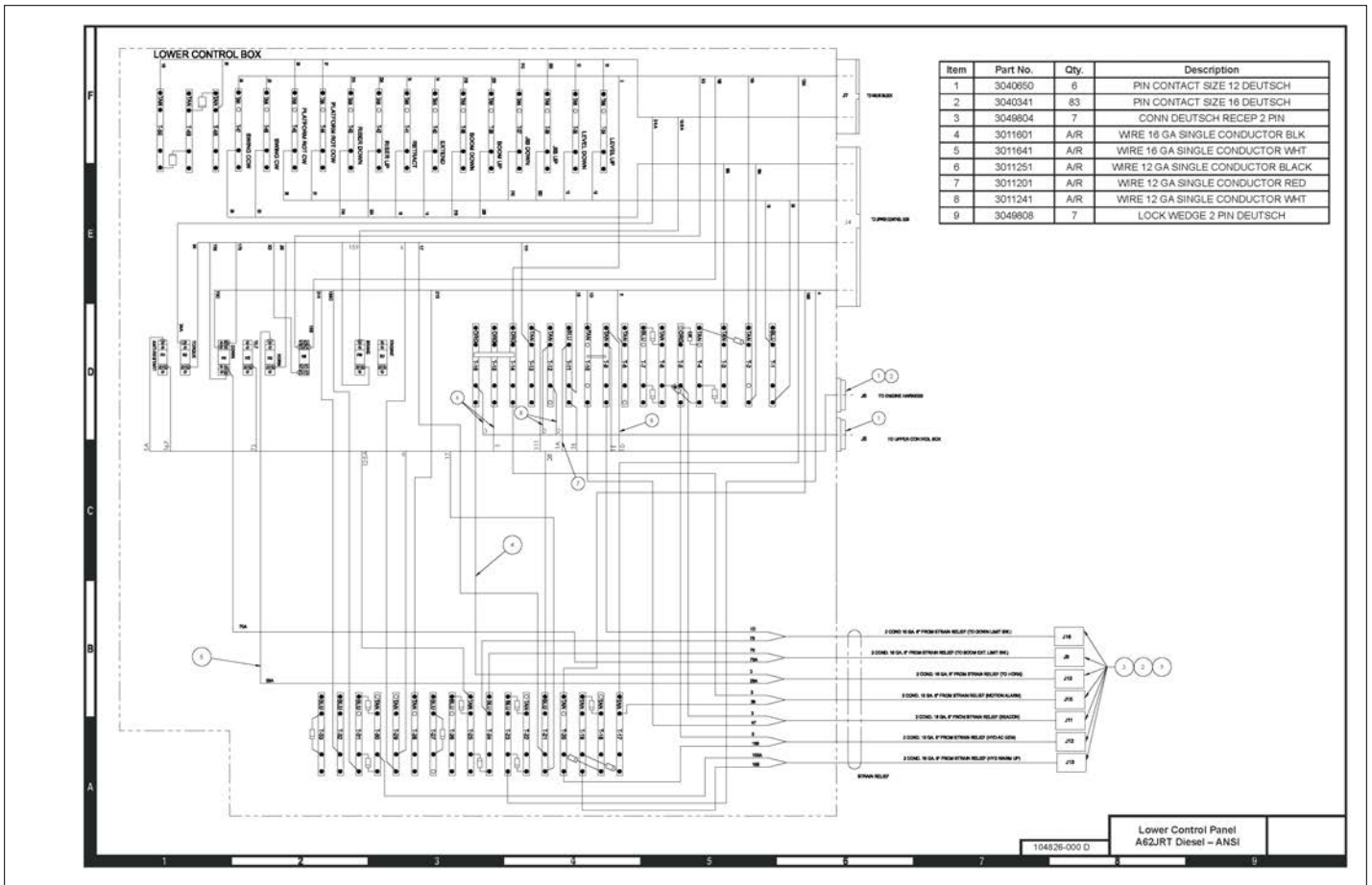
104692-000 B

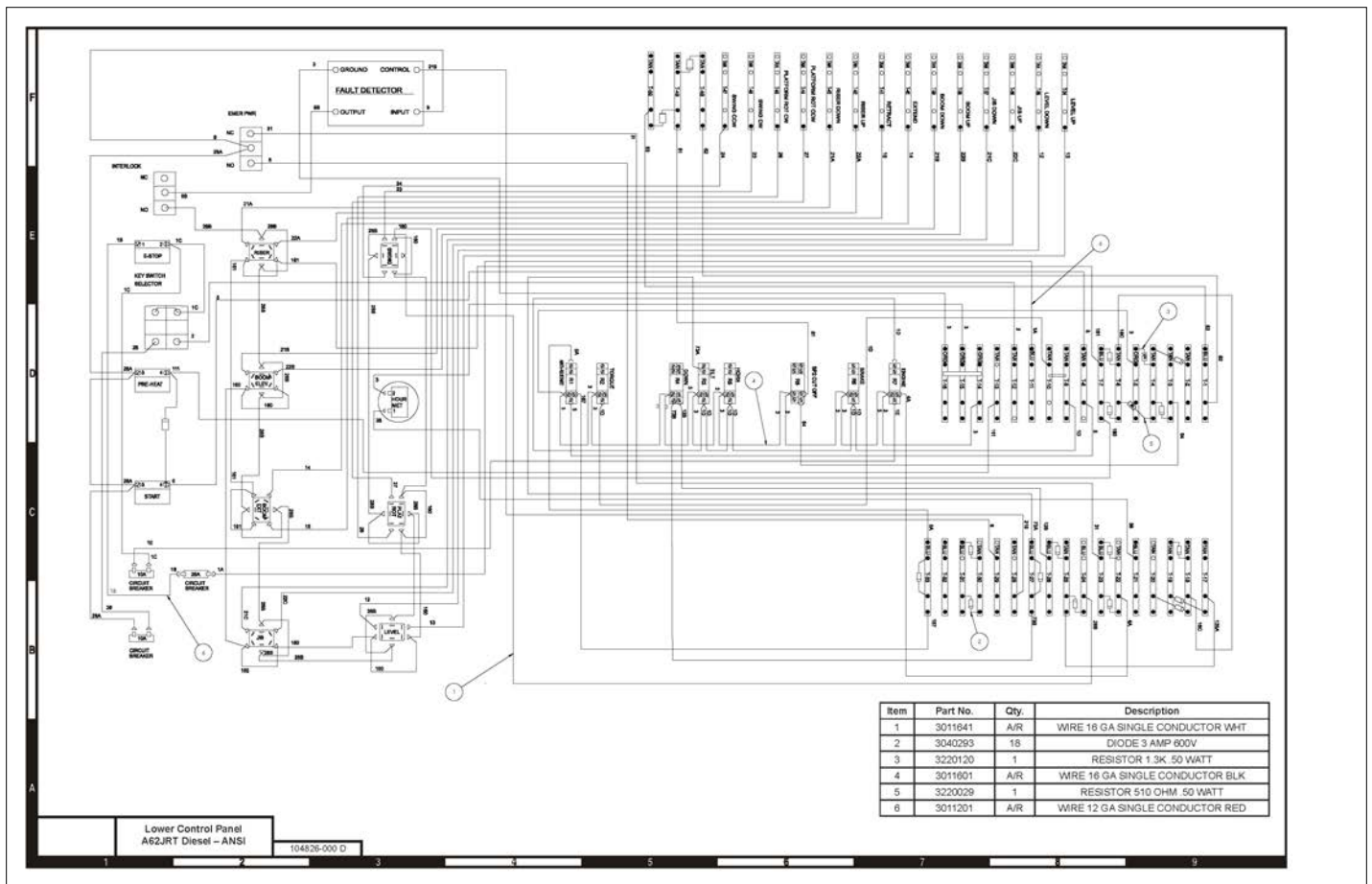
アイテム	部品番号	名前	数量	UOM
27	3040069	CIRCUIT BREAKER 25AMP	1	EA
28	446826	CONTACT BLOCK, EMERGENCY STOP	1	EA
29	446836	SWITCH, PUSH/PULL EMERGENCY STOP	1	EA
30	446836	SWITCH, PUSH/PULL EMERGENCY STOP	1	EA
Not Shown	3028813	KEYED SELECTOR SWITCH (MARCH 2014 AND BEFORE)	1	EA
31	3020070	NUT	1	EA
32	3020069	CONTACT BLOCK	1	EA
33	3020068	CONTACT BLOCK	1	EA
34	64443 001	SWITCH CONTACT BLOCK N/O & MOUNT	2	EA
35	67654 000	PUSH BUTTON MOMENTARY BLK	2	EA
36	3020080	TOGGLE SWITCH	1	EA
37	3020081	SW TGL DPDT (M/ON) SEALED	1	EA
38	3020018	SWITCH TOGGLE DPDT MOM/OFF/MOM	7	EA
39	029939 002	CABLE GLAND NUT	3	EA
40	068698 004	TERMINAL BLOCK END	2	EA

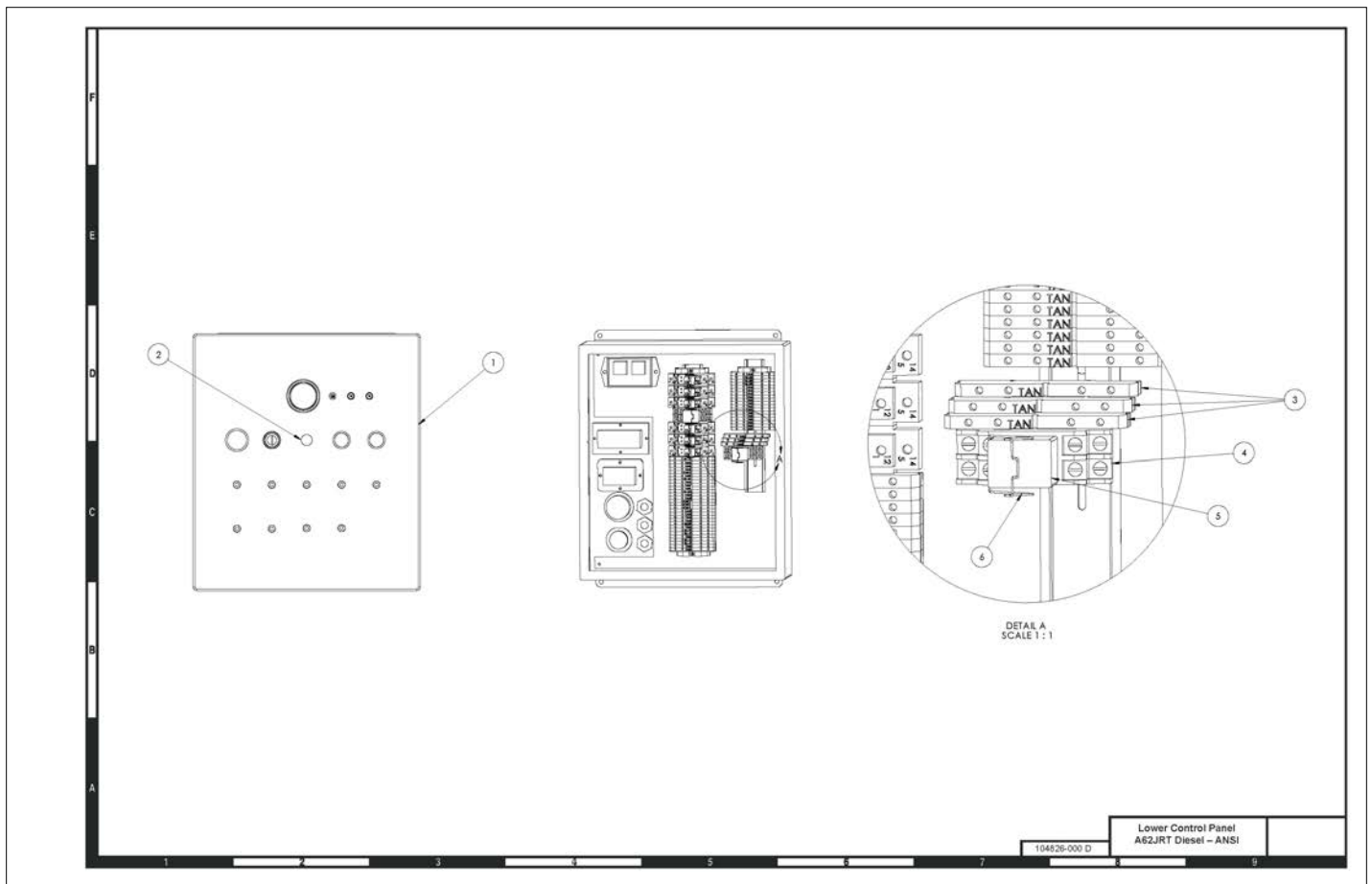




アイテム	部品番号	名前	数量	UOM
	104826 000 D	LOWER CONTROL PANEL A62JRT DIESEL – ANSI		EA
1	104692 000	LOWER CONTROL BOX UNIVERSAL	1	EA
2	066516 005	.68 plug	1	EA
3	068698 001	TERMINAL BLOCK	3	EA
4	067662 002	RELAY BASE DP/DT	1	EA
5	067661 002	RELAY DP/DT	1	EA
6	067662 006	CLIP	1	EA

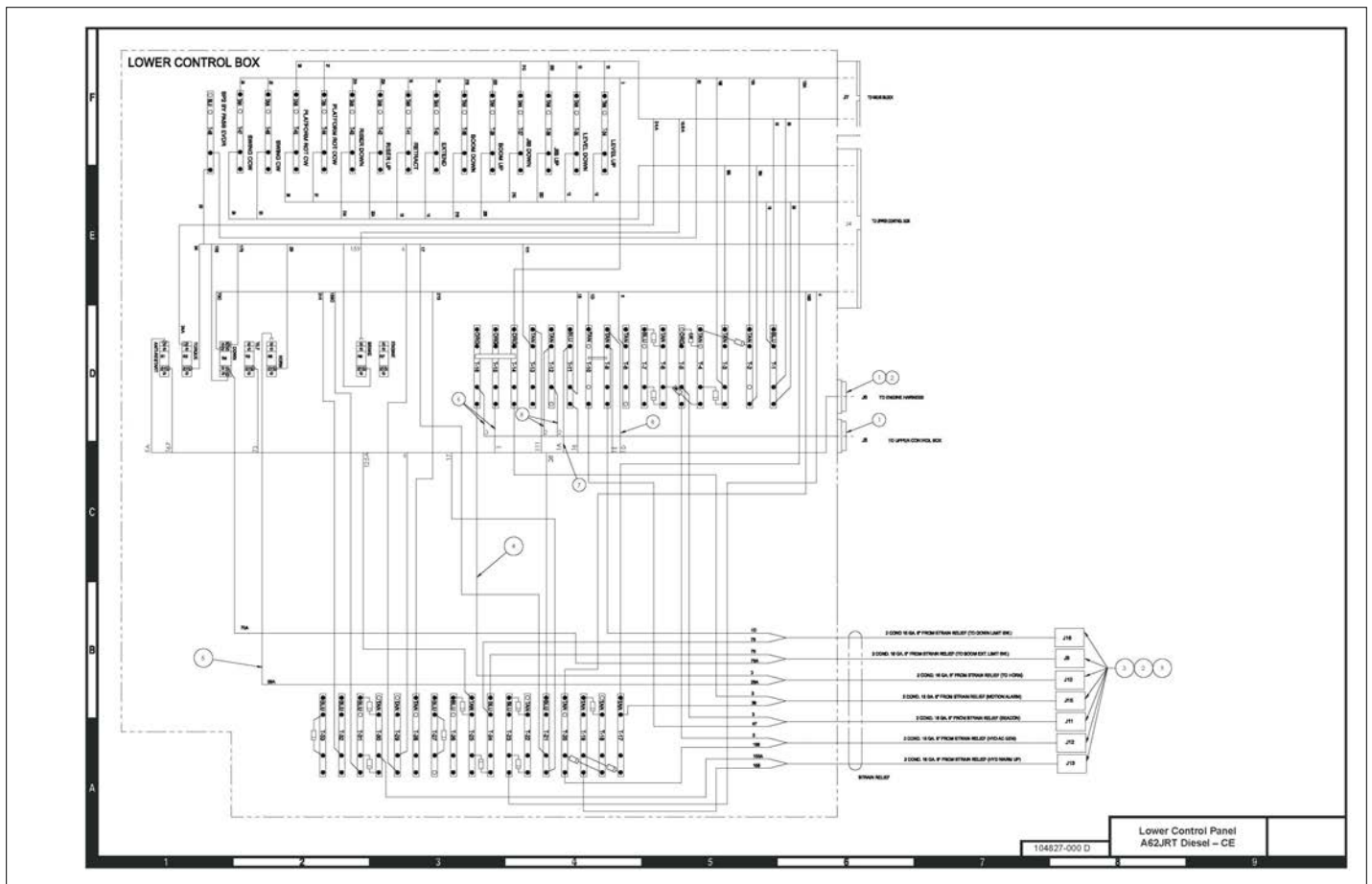




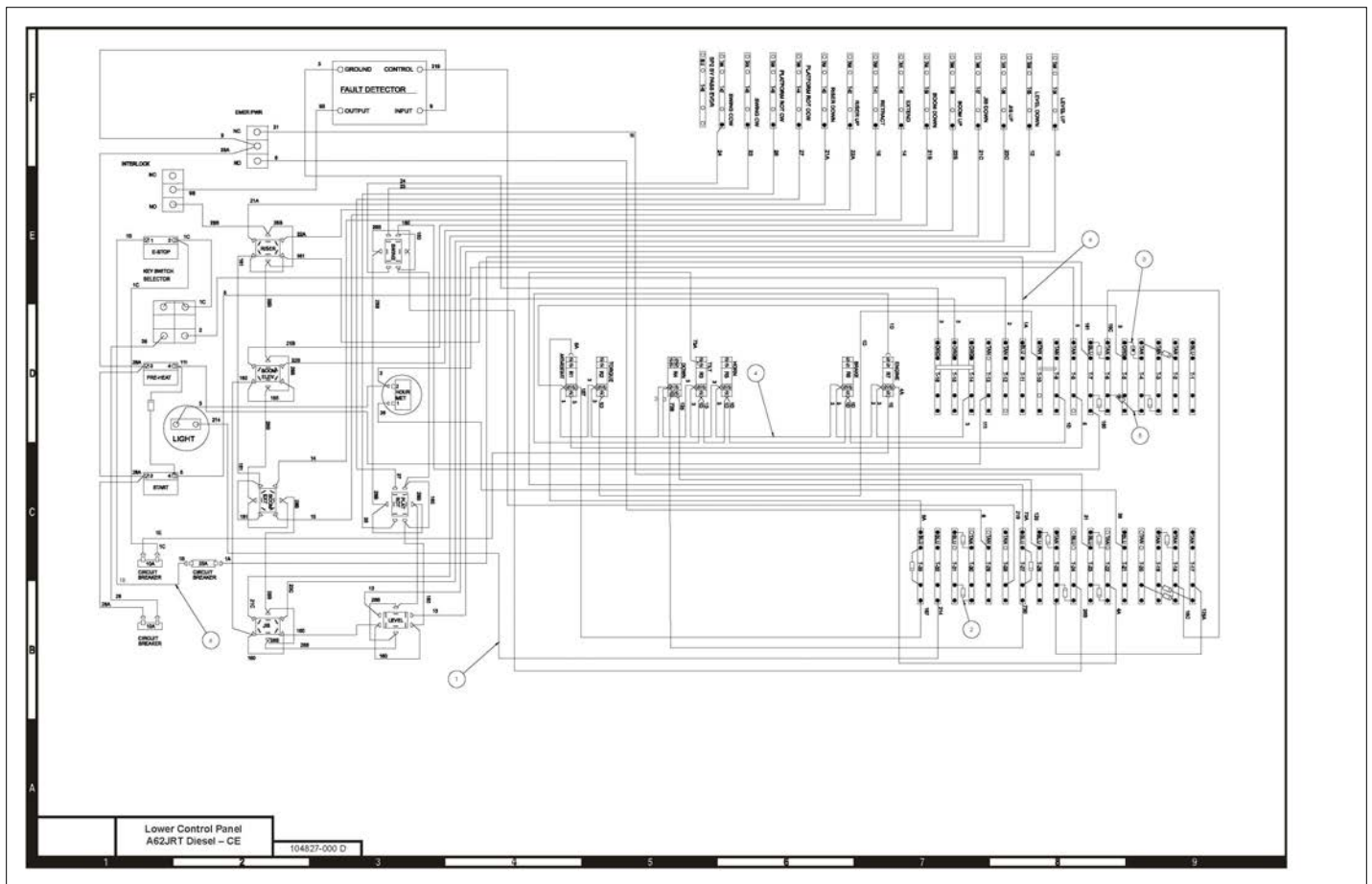


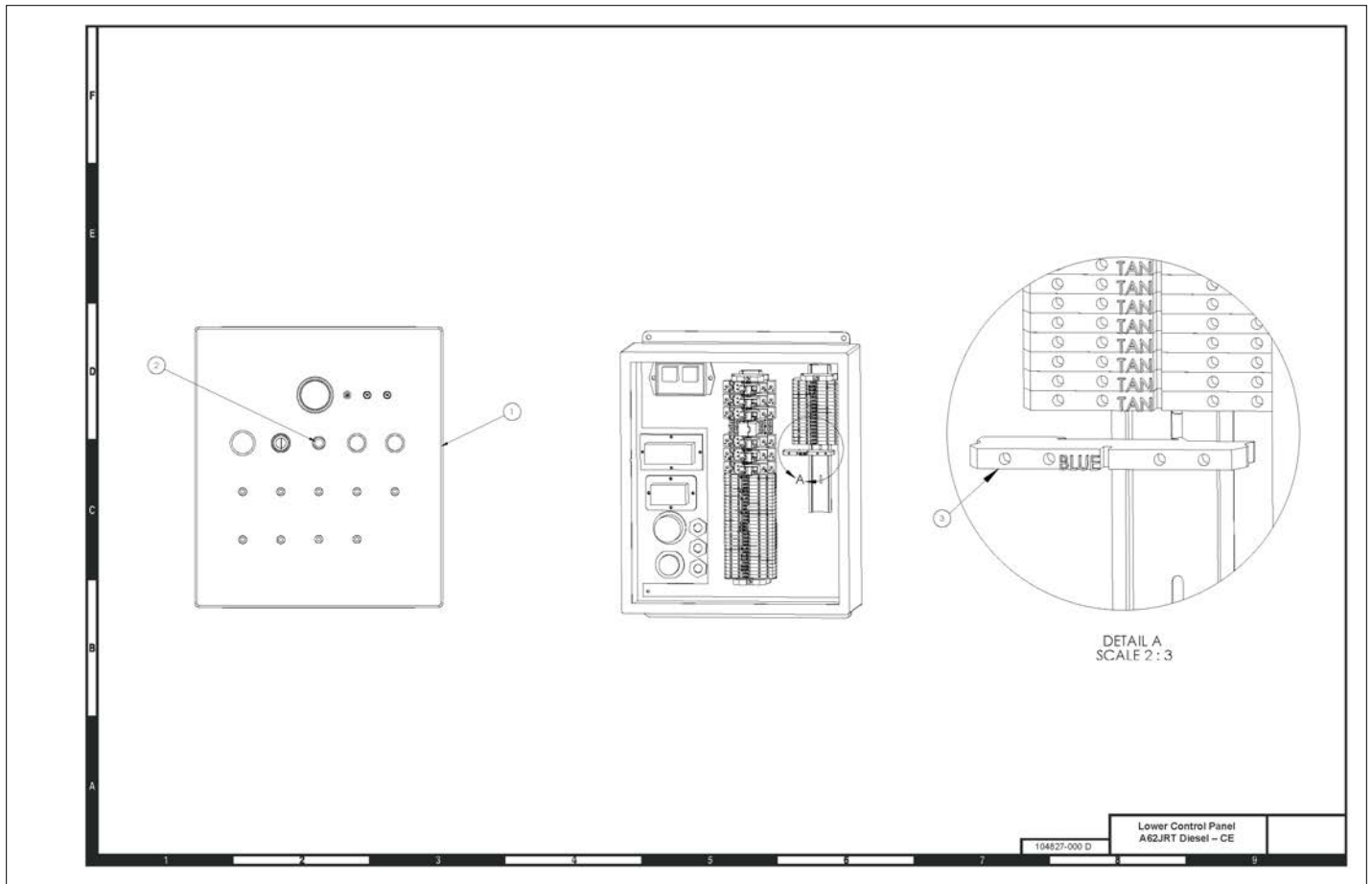


アイテム	部品番号	名前	数量	UOM
1	104692 000	LOWER CONTROL BOX UNIVERSAL	1	EA
2	3069524	LIGHT RED LED 12V	1	EA
3	068698 002	TERMINAL BLOCK	1	EA
11	3011641	WIRE 16GA SINGLE CONDUCTOR WHT	A/R	EA
12	3040293	DIODE	16	EA
13	3220120	RESISTOR 1.3K .50 WATT	1	EA
14	3011601	WIRE 16GA SINGLE CONDUCTOR BLK	A/R	EA
15	3220029	RESISTOR 510 OHM .50 WATT	1	EA
16	3011201	WIRE 12GA RED SINGLE CONDUCTOR	A/R	EA
21	3040650	SOCKET CONTACT 12 DEUTSCH DEU	14	EA
22	3040341	PIN CONTACT SIZE 16 16/18 GA	80	EA
23	3049804	CONNECTOR 2 PIN DEUTSCH RECEP	7	EA
24	3011601	WIRE 16GA SINGLE CONDUCTOR BLK	A/R	EA
25	3011641	WIRE 16GA SINGLE CONDUCTOR WHT	A/R	EA
26	3011251	WIRE 12GA SINGLE CONDUCTOR BLK	A/R	EA
27	3011201	WIRE 12GA RED SINGLE CONDUCTOR	A/R	EA
28	3011241	WIRE 12GA SINGLE CONDUCTOR WHT	A/R	EA
29	3049808	LOCK WEDGE 2 PIN DEUTSCH RECEP	7	EA

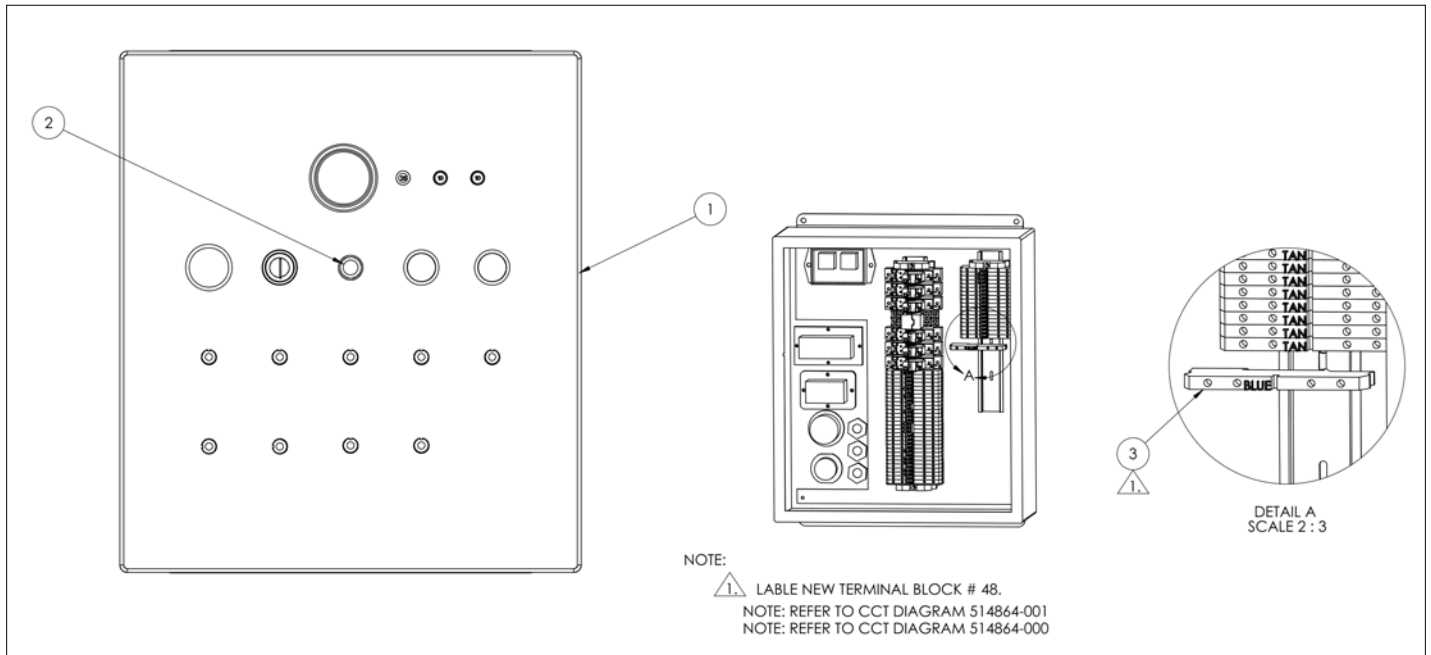




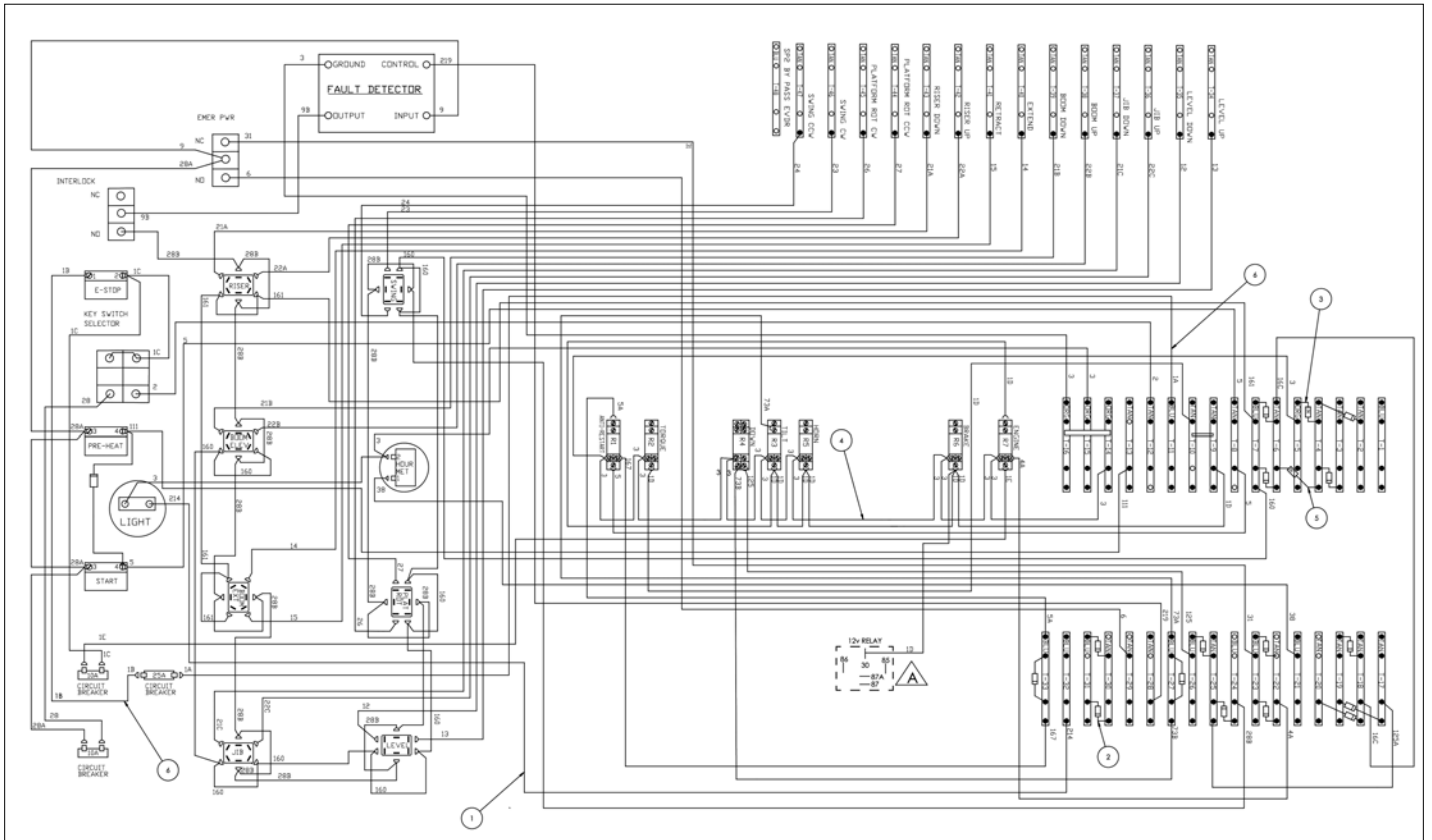




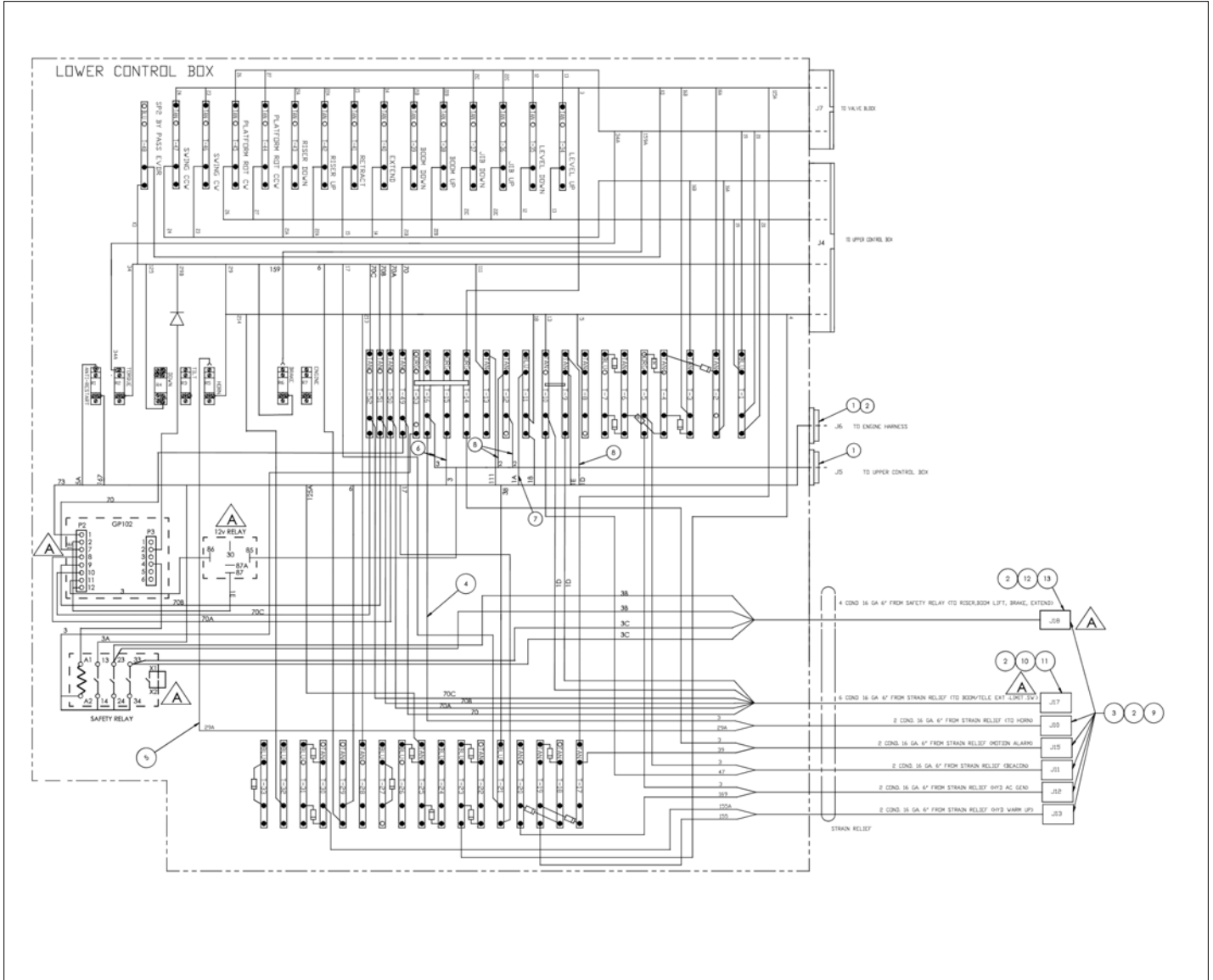
ELECTRICAL



アイテム	部品番号	名前	数量	UOM
1	515313 000	LOWER CONTROL BOX UNIVERSAL A62JRT COMPLIANCE	1	EA
2	3069524	LIGHT RED LED 12V	1	EA
3	068698 002	TERMINAL BLOCK	1	EA
6a	3011201	WIRE 12GA RED SINGLE CONDUCTOR	A/R	EA
5a	3220029	RESISTOR 510 OHM .50 WATT	1	EA
4a	3011601	WIRE 16GA SINGLE CONDUCTOR BLK	A/R	EA
3a	3220120	RESISTOR 1.3K .50 WATT	1	EA
2a	3040293	DIODE	16	EA
1a	3011641	WIRE 16GA SINGLE CONDUCTOR WHT	A/R	EA
13b	509750 000	Wedge, Deutsch W4P	1	EA
12b	509651 000	4 WAY DEUTSCH CONNECTOR (FEMALE)	1	EA
11b	3049886	LOCK WEDGE 6 PIN DEUTSCH	1	EA
10b	514873 000	6 WAY DEUTSCH RECEP	1	EA
9b	3049808	LOCK WEDGE 2 PIN DEUTSCH RECEP	7	EA
8b	3011241	WIRE 12GA SINGLE CONDUCTOR WHT	A/R	EA
7b	3011201	WIRE 12GA RED SINGLE CONDUCTOR	A/R	EA
6b	3011251	WIRE 12GA SINGLE CONDUCTOR BLK	A/R	EA
5b	3011641	WIRE 16GA SINGLE CONDUCTOR WHT	A/R	EA
4b	3011601	WIRE 16GA SINGLE CONDUCTOR BLK	A/R	EA
3b	3049804	CONNECTOR 2 PIN DEUTSCH RECEP	7	EA
2b	3040341	PIN CONTACT SIZE 16 16/18 GA	80	EA



アイテム	部品番号	名前	数量	UOM
1b	3040650	SOCKET CONTACT 12 DEUTSCH DEU	14	EA



PIN OUTS FOR CONN J7

PIN #	WIRE #	DESCRIPTION	WIRE SIZE	COLOR
1	13	PLATFORM LEVEL-UP	18	WHITE
2	12	PLATFORM LEVEL-DOWN	18	WHITE
3	22C	JIB-UP	18	WHITE
4	21C	JIB-DOWN	18	WHITE
5	27	PLATFORM ROTATE CCW	18	WHITE
6	26	PLATFORM ROTATE CW	18	WHITE
7	14	BOOM TELE EXTEND	18	WHITE
8	15	BOOM TELE RETRACT	18	WHITE
9	16A	SP1	18	WHITE
10	22B	BOOM LIFT-UP	18	WHITE
11	21B	BOOM LIFT-DOWN	18	WHITE
12	23	SWING CCW	18	WHITE
13	24	SWING CW	18	WHITE
14	20	STEER RIGHT	18	WHITE
15	19	STEER LEFT	18	WHITE
16	22A	RISER-UP	18	WHITE
17	21A	RISER-DOWN	18	WHITE
18	16B	SP2	18	WHITE
19	34A	HIGH SPEED	18	WHITE
20	159A	BRAKE RELEASE	18	WHITE
21	125A	LOW THROTTLE SIGNAL	18	WHITE
22	3	GROUND	18	BLACK
23	X3	SP2 BY PASS EVDR	18	WHITE
24		NOT USED		

PIN OUTS FOR CONN J4

PIN #	WIRE #	DESCRIPTION	WIRE SIZE	COLOR
1	13	PLATFORM LEVEL-UP	18	WHITE
2	12	PLATFORM LEVEL-DOWN	18	WHITE
3	22C	JIB-UP	18	WHITE
4	21C	JIB-DOWN	18	WHITE
5	27	PLATFORM ROTATE CCW	18	WHITE
6	X3	SP2 BY PASS EVDR	18	WHITE
7	111	GLOW/CHOKE	18	WHITE
8	4	POWER FULCRUM PLATFORM	18	WHITE
9	70	BOOM ELEVATION SWITCH	18	WHITE
10	5	START FROM PLATFORM	18	WHITE
11	21B	BOOM LIFT-DOWN	18	WHITE
12	23	SWING CCW	18	WHITE
13	24	SWING CW	18	WHITE
14	20	STEER RIGHT	18	WHITE
15	19	STEER LEFT	18	WHITE
16	10	ANTI-CRUISE ENGINE POWER	18	WHITE
17	29	HORN SWITCH RELAY	18	WHITE
18	125	HIGH THROTTLE SIGNAL	18	WHITE
19	29B	LOAD SENSE NORMAL	18	WHITE
20	213	LOAD SENSE NORMAL	18	WHITE
21	26	PLATFORM ROTATE CW	18	WHITE
22	14	BOOM TELE EXTEND	18	WHITE
23	15	BOOM TELE RETRACT	18	WHITE
24		NOT USED		
25	22B	BOOM LIFT-UP	18	WHITE
26	6	EMERGENCY POWER	18	WHITE
27	214	LOAD SENSE OVERLOADED	18	WHITE
28	70A	BOOM ELEVATION SWITCH	18	WHITE
29	70B	BOOM ELEVATION SWITCH	18	WHITE
30	34	HIGH SPEED	18	WHITE
31	22A	RISER-UP	18	WHITE
32	21A	RISER-DOWN	18	WHITE
33	16A	SP1	18	WHITE
34	16B	SP2	18	WHITE
35		NOT USED		
36	18	DRIVE REVERSE	18	WHITE
37	70C	TELE BOOM SWITCH	18	WHITE
38	159	BRAKE RELEASE	18	WHITE
39	17	DRIVE FORWARD	18	WHITE
40		NOT USED		

PIN OUTS FOR CONN J6

PIN #	WIRE #	DESCRIPTION	WIRE SIZE	COLOR
B	1A	MAIN POWER	12	RED
D		NOT USED		
E	1D	AUX POWER	12	WHITE
G	3	GROUND	12	BLACK
A		NOT USED		
C		NOT USED		
F		NOT USED		
H	17	DRIVE FORWARD	18	WHITE
J	16	DRIVE REVERSE	18	WHITE
K	6	EMERGENCY PUMP	18	WHITE
L	5A	START	18	WHITE
M	167	ANTI START RELAY	18	WHITE
N	111	CHOKE/GLOW	18	WHITE
P	38	HOUR METER	18	WHITE
R	125A	THROTTLE RELAY	18	WHITE
S	73		18	WHITE
T	1E	TILT SENSOR HOT	18	WHITE
U	3A	GROUND FOR PUMP	18	WHITE
V		NOT USED		
W		NOT USED		
X		NOT USED		

PIN OUTS FOR CONN J5

PIN #	WIRE #	DESCRIPTION	WIRE SIZE	COLOR
A		NOT USED		
B		NOT USED		
C		NOT USED		
D		GROUND	12	BLACK
E		NOT USED		
F	2	PLATFORM POWER	12	WHITE
G	2	PLATFORM POWER	12	WHITE
H	50		12	WHITE

PIN OUTS FOR CONN J17

PIN #	WIRE #	DESCRIPTION	WIRE SIZE	COLOR
1	70B	TELE BOOM SWITCH	18	WHITE
2	70C	TELE BOOM SWITCH	18	WHITE
3	1D	TELE BOOM SWITCH	18	BLACK
4	70A	BOOM ELEV SWITCH	18	WHITE
5	70	BOOM ELEV SWITCH	18	WHITE
6	1D	BOOM ELEV SWITCH	18	BLACK



PIN OUTS FOR CONN J18

PIN #	WIRE #	DESCRIPTION	WIRE SIZE	COLOR
1	3B	RISER	18	WHITE
2	3B	BOOM LIFT	18	WHITE
3	3C	BRAKE	18	WHITE
4	3C	EXTEND	18	WHITE



PIN OUTS FOR CONN J9

PIN #	WIRE #	DESCRIPTION	WIRE SIZE	COLOR
1	70	BOOM EXT LIMIT	18	A/R
2	70A	BOOM EXT LIMIT	18	A/R

PIN OUTS FOR CONN J10

PIN #	WIRE #	DESCRIPTION	WIRE SIZE	COLOR
1	29A	HORN	18	A/R
2	3	GROUND	18	BLACK

PIN OUTS FOR CONN J15

PIN #	WIRE #	DESCRIPTION	WIRE SIZE	COLOR
1	39	MOTION ALARM	18	A/R
2	3	GROUND	18	BLACK

PIN OUTS FOR CONN J11

PIN #	WIRE #	DESCRIPTION	WIRE SIZE	COLOR
1	47	BEACON	18	A/R
2	3	GROUND	18	BLACK

PIN OUTS FOR CONN J12

PIN #	WIRE #	DESCRIPTION	WIRE SIZE	COLOR
1	169	HYD AC GENERATOR	18	A/R
2	3	GROUND	18	BLACK

PIN OUTS FOR CONN J13

PIN #	WIRE #	DESCRIPTION	WIRE SIZE	COLOR
1	155A	HYD WARM UP	18	A/R
2	155	HYD WARM UP	18	A/R

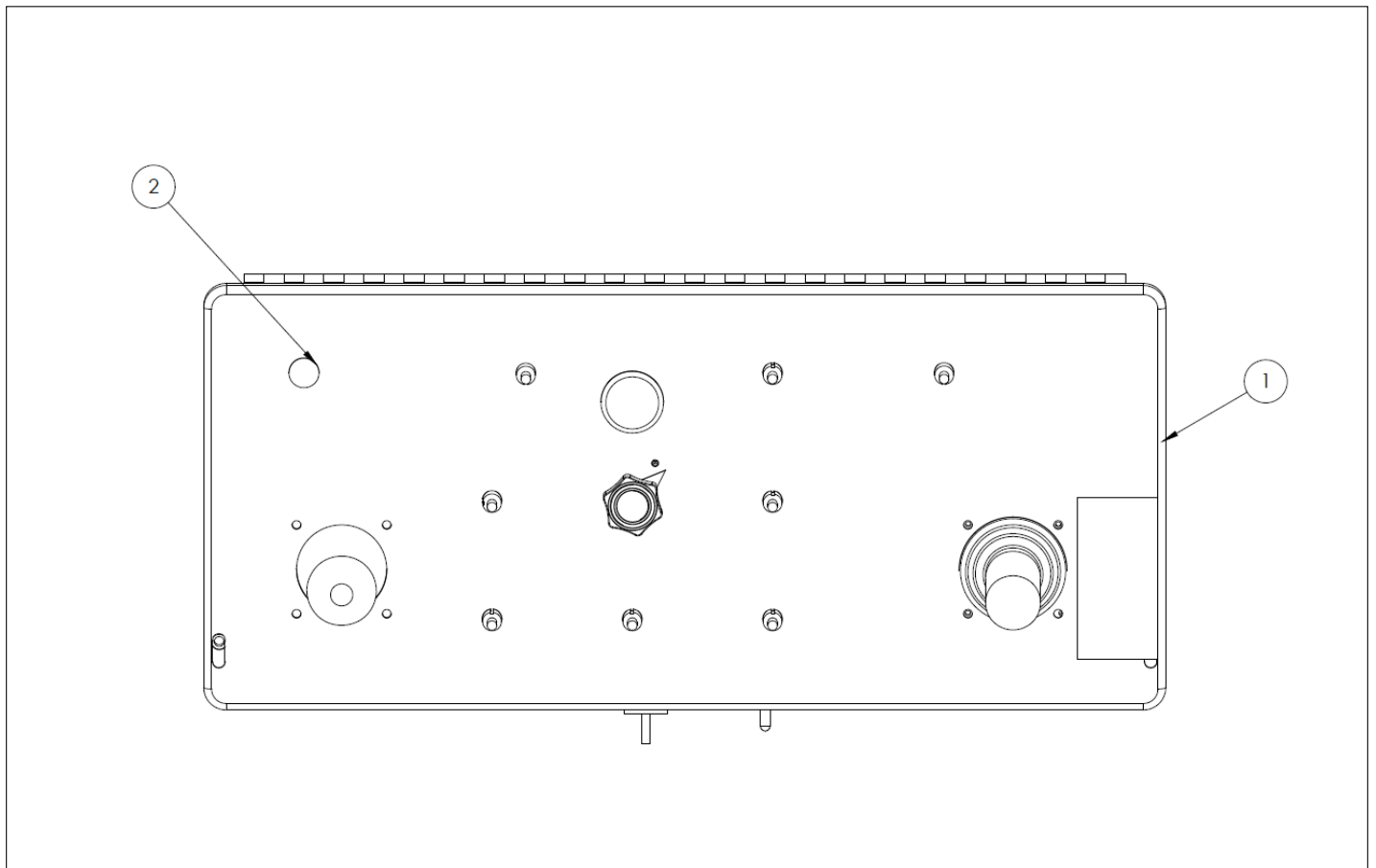




アイテム	部品番号	名前	数量	UOM
	104821 000 B	UPPER CONTROL PANEL UNIVERSAL		EA
1	104822 000	UPPER CONTROL BOX	1	EA
2	480652	ALARM97DBA DUAL TONE 12/24V	1	EA
3	68801 000	WELDMENT HAND SUPPORT	1	EA
4	0260014	PLACARD FRONT PLAT CONT BOX	1	EA
5	3020080	TOGGLE SWITCH	1	EA
6	3220100	CONTROLLER, SINGLE AXIS W/TOG	1	EA
6a	106899 104	POTENTIOMETER	1	EA
7	3220019	CIRCUIT BREAKER 10 AMP	1	EA
8	3020090	SW ANTI RESTART IGNITION	1	EA
9	3020013	Switch, Toggle Honeywell INTI 2	1	EA
10	3020015	Switch, Toggle Honeywell INTI 6	2	EA
11	3220088	DEUTSCH RND 8 PIN 12GA RCPT CONN	1	EA
12	3220089	DEUTSCH 4 PIN BLKHD CON DTP04 4P L012	1	EA
13	446826	CONTACT BLOCK, EMERGENCY STOP	1	EA
14	446836	SWITCH, PUSH/PULL EMERGENCY STOP	1	EA
15	015790 006	40 PIN DEUTSCH CONN	1	EA
16	029925 000	CONNECTOR CABLE HEYC ( Not illustrated)	1	EA
17	029939 002	CABLE GLAND NUT	1	EA
18	067660 006	END BLOCK	2	EA
19	068698 004	TERMINAL BLOCK END	1	EA
20	068698 002	TERMINAL BLOCK	5	EA
21	068698 001	TERMINAL BLOCK	12	EA

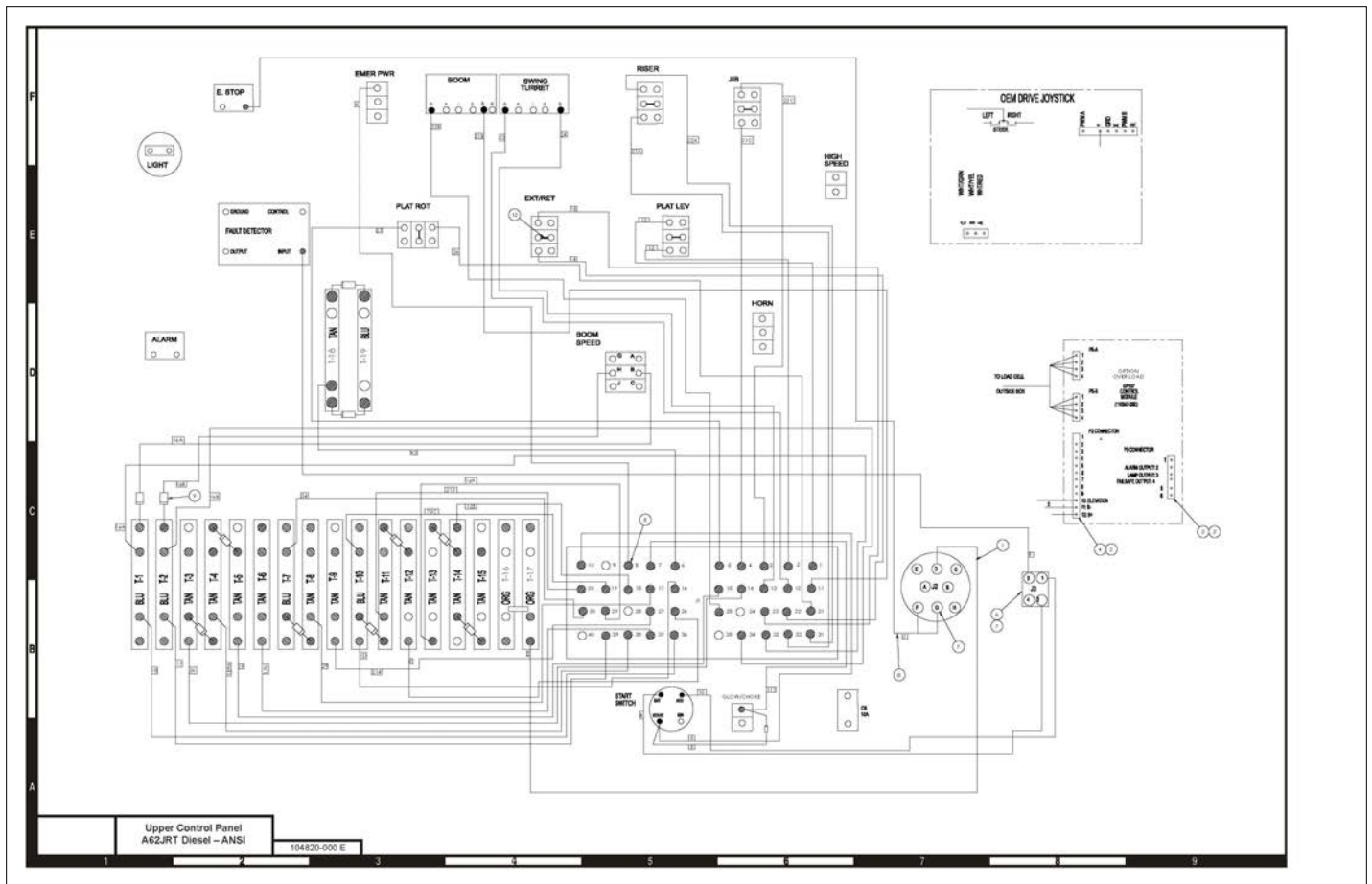
アイテム	部品番号	名前	数量	UOM
22	106826 000	TRACK MOUNTING	1	EA
23	068698 000	TERMINAL BLOCK	2	EA
24	68773 002	TWO PIN WEDGE	1	EA
25	012798 000	SW TGL SPDT (M/ON) SEALED	5	EA
26	3040777	KNOB RHEOSTAT	1	EA
27	3028811	RESISTOR MODULE	1	EA
28	3220096	OVERLOAD FAULT DETECTION	1	EA
29	106899 000	EJS5dm MULTIPLE AXIS CONTROLLER	1	EA
30	106899 000 01	OEM EJS5DM15017AB & 15017CD	2	EA

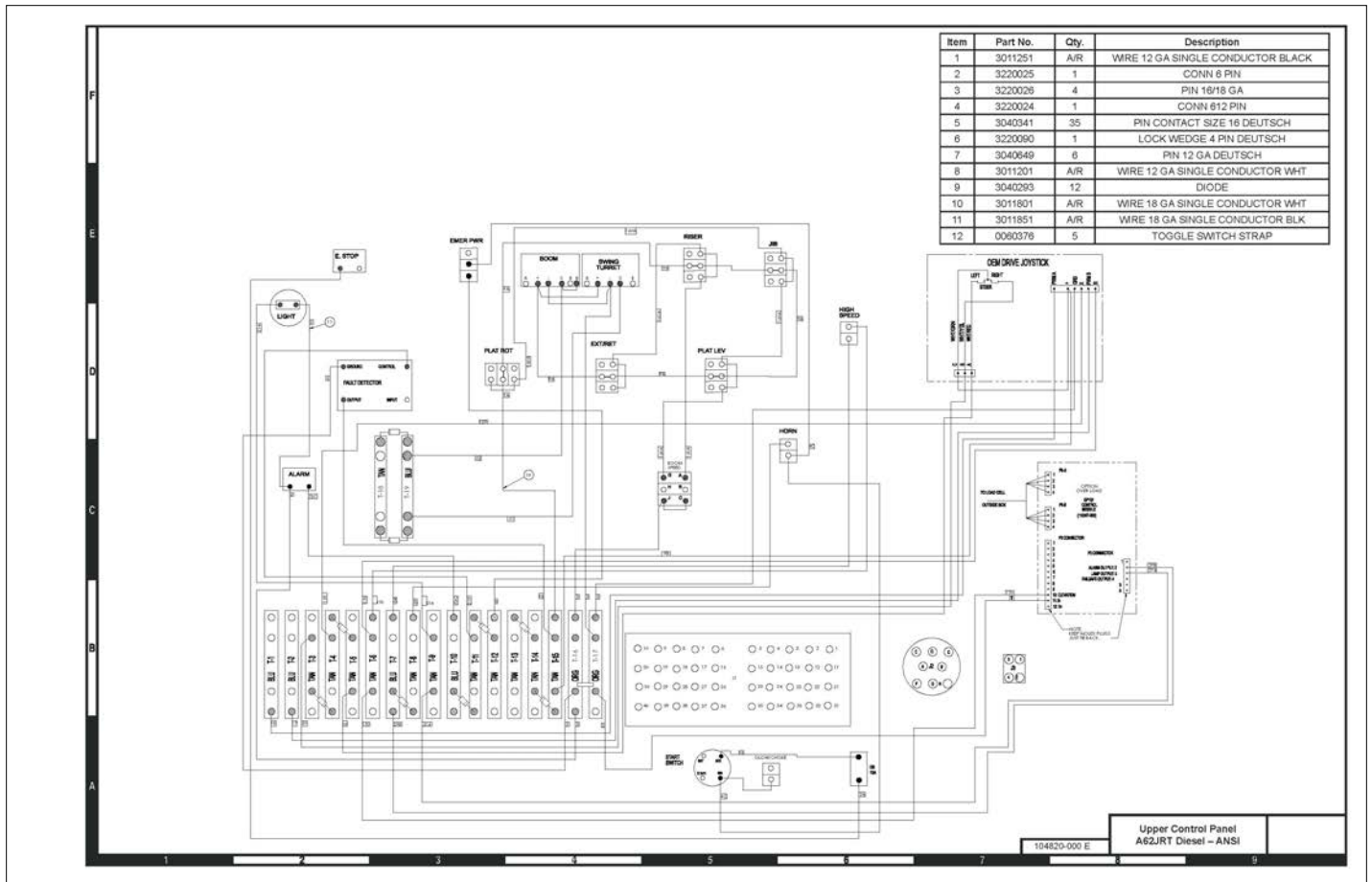
ELECTRICAL



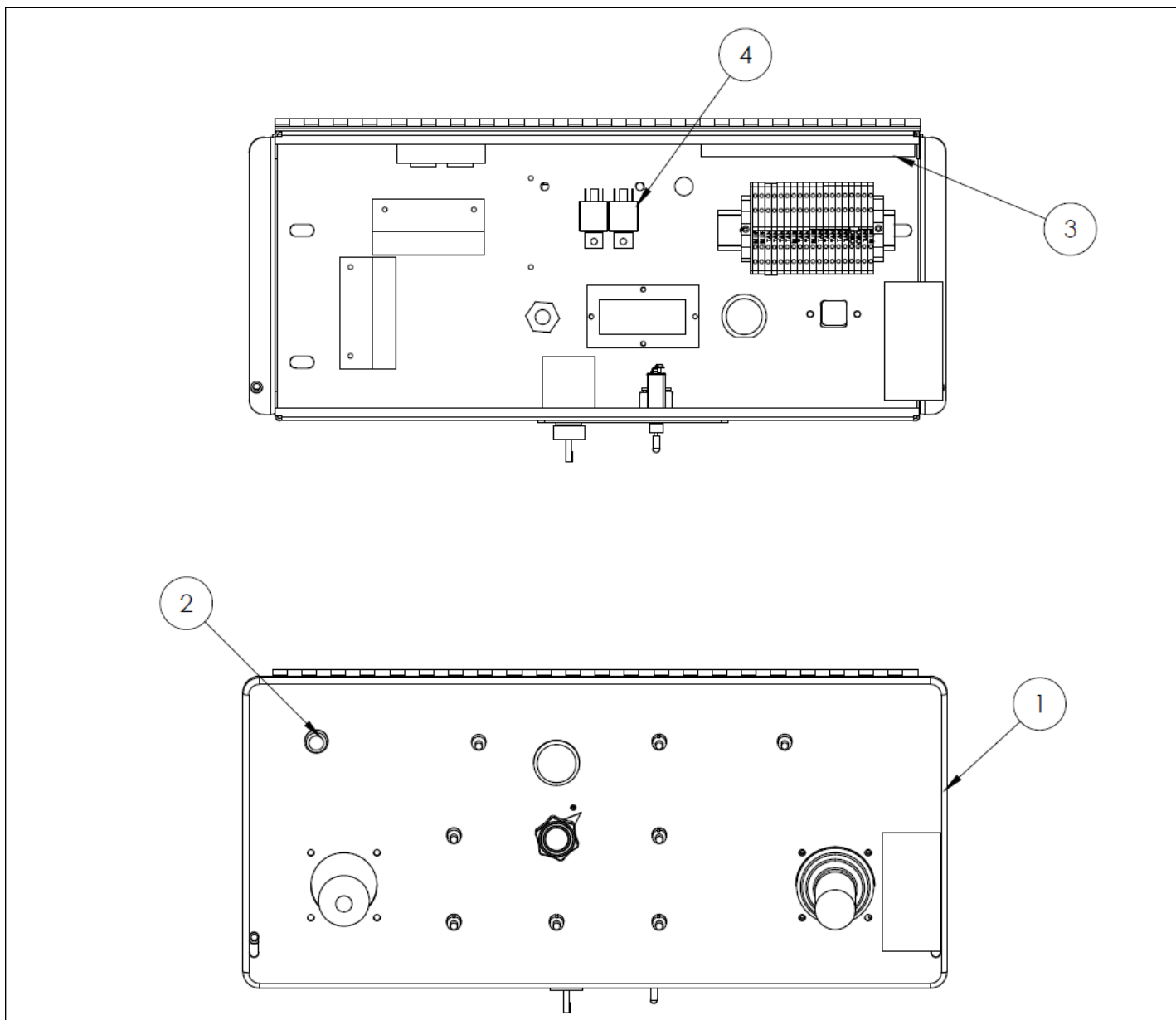
アイテム	部品番号	名前	数量	UOM
	104820 000 D	UPPER CONTROL PANEL ANSI		EA
1	104821 000	UPPER COntROL BOX UNIVERSAL	1	EA
2	066516 005	.68 plug	1	EA

ELECTRICAL





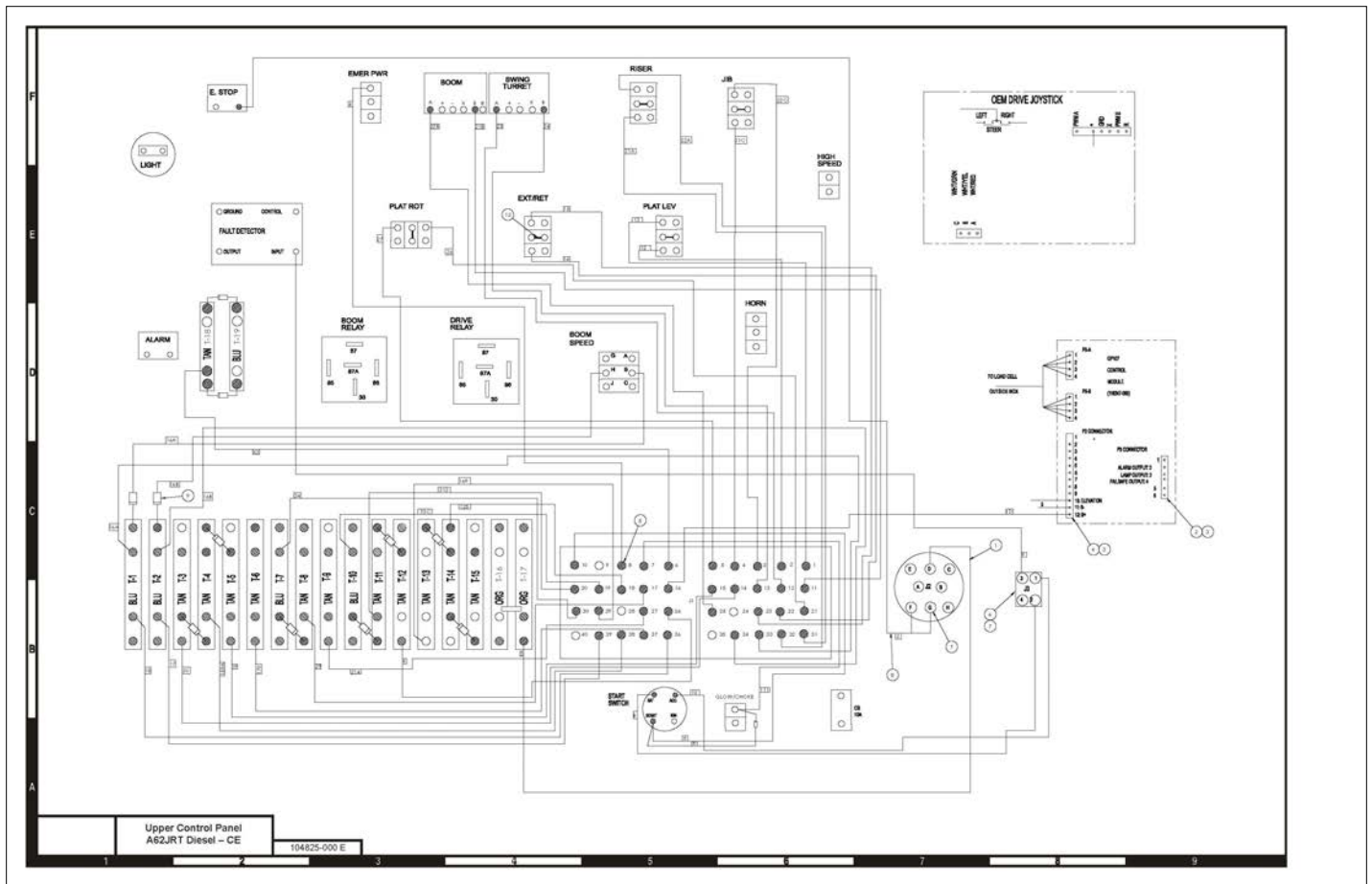
ELECTRICAL

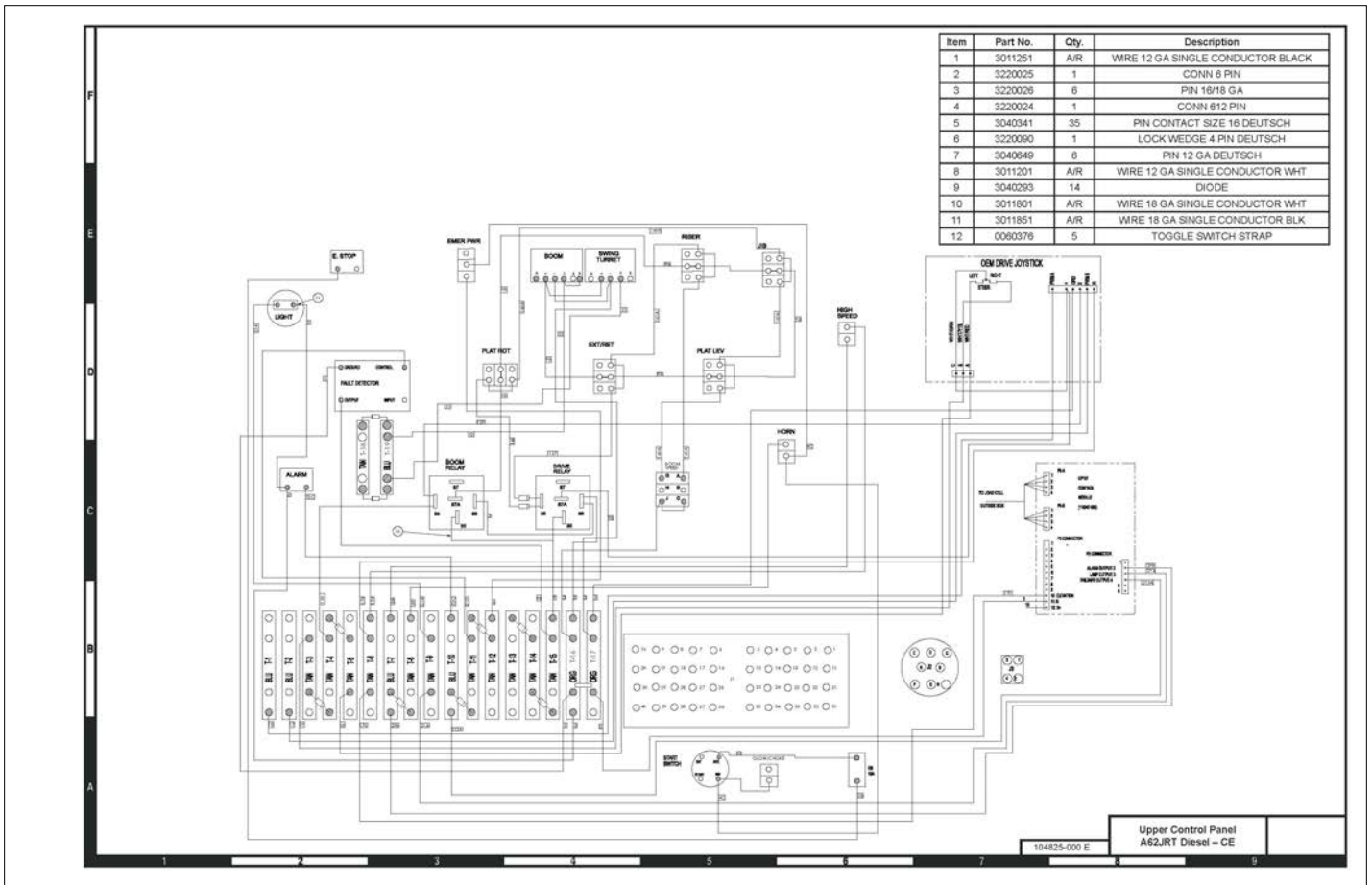




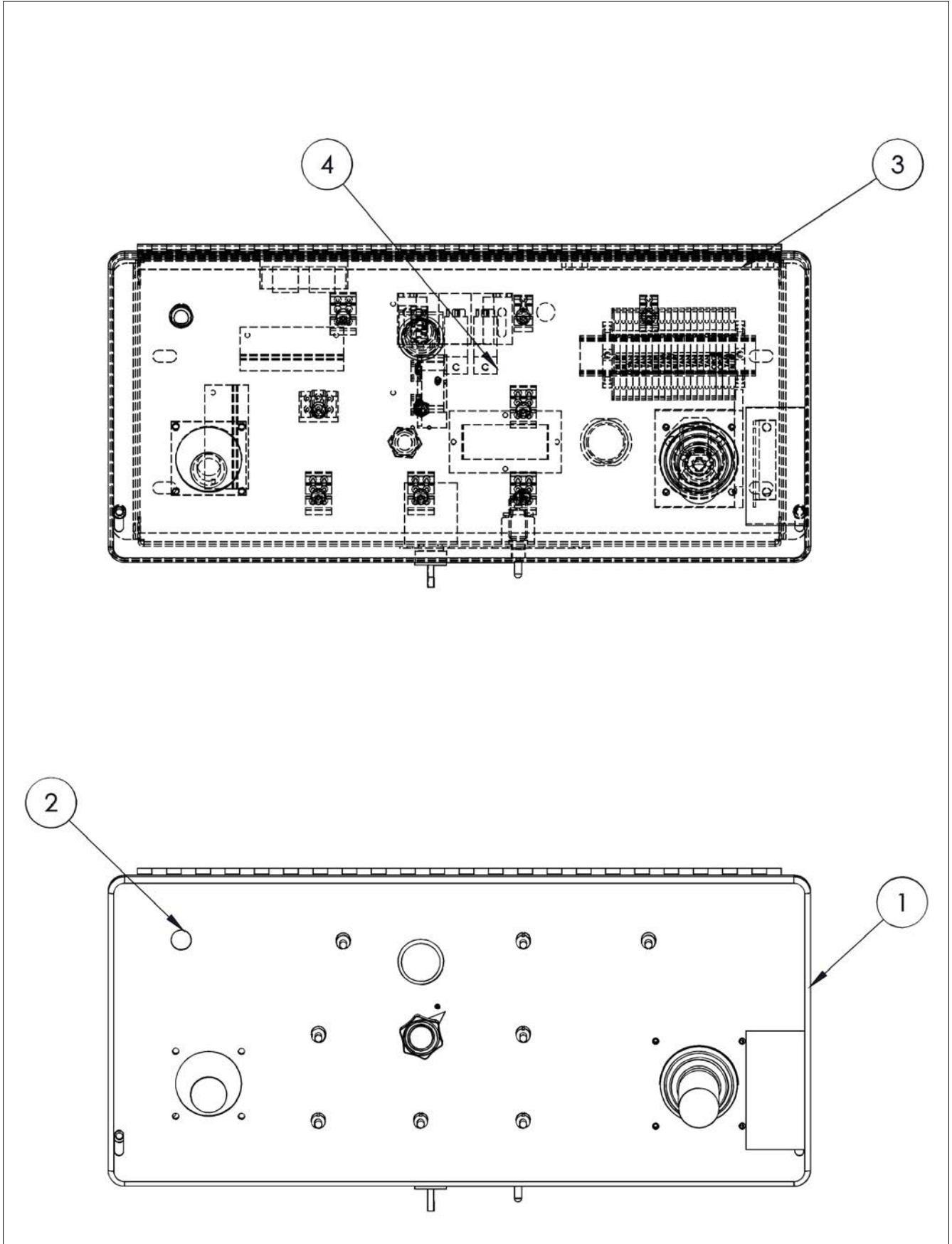
アイテム	部品番号	名前	数量	UOM
	104825 000 D	UPPER CONTROL PANEL CE		EA
1	104821 000	UPPER COntROL BOX UNIVERSAL	1	EA
2	3069524	LIGHT RED LED 12V	1	EA
3	116347 000	OVERLOAD CONTROLLER GP107	1	EA
4	3040469	RELAY SPDT 12V 30AMP SONG	2	EA

ELECTRICAL



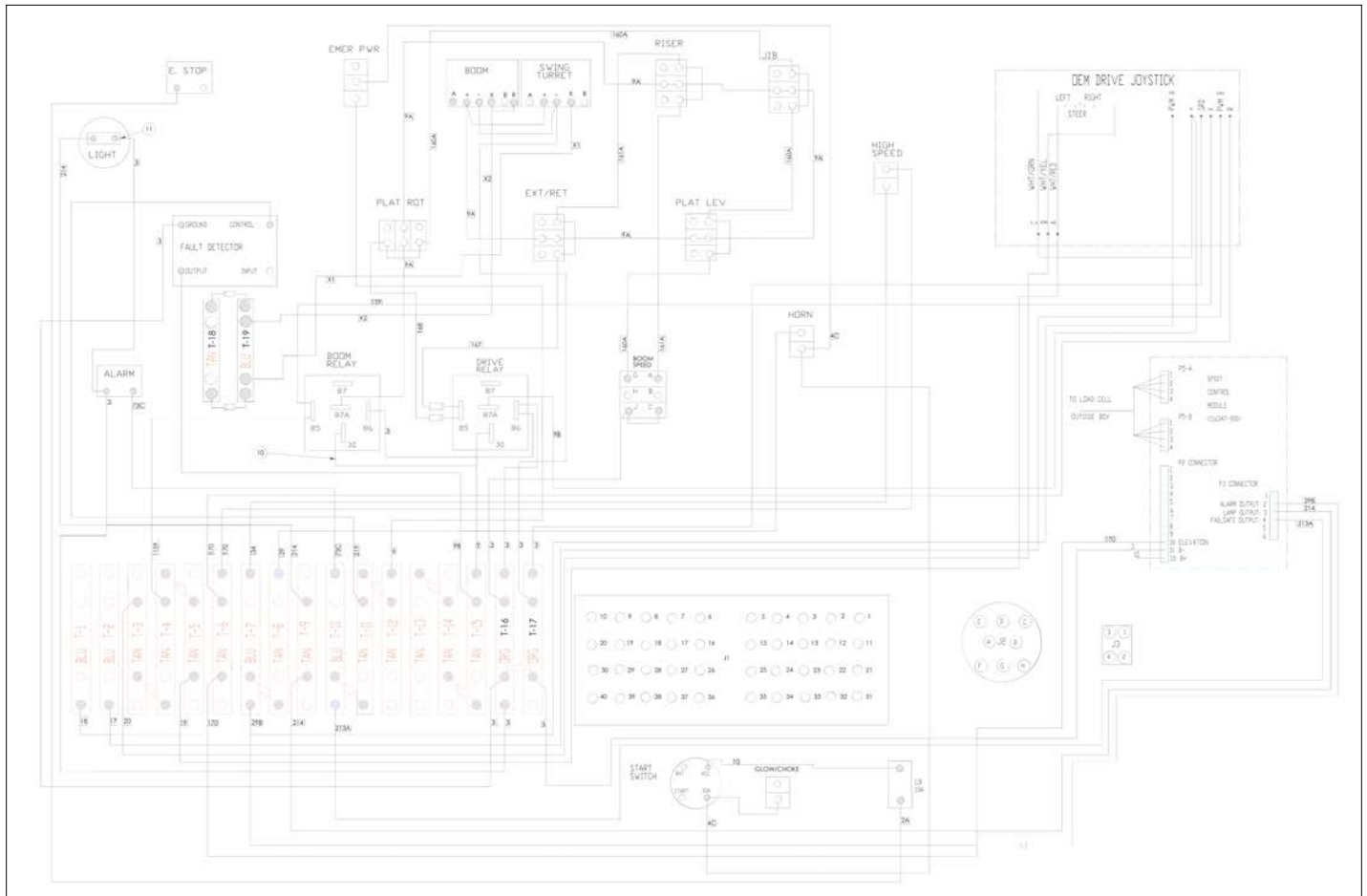


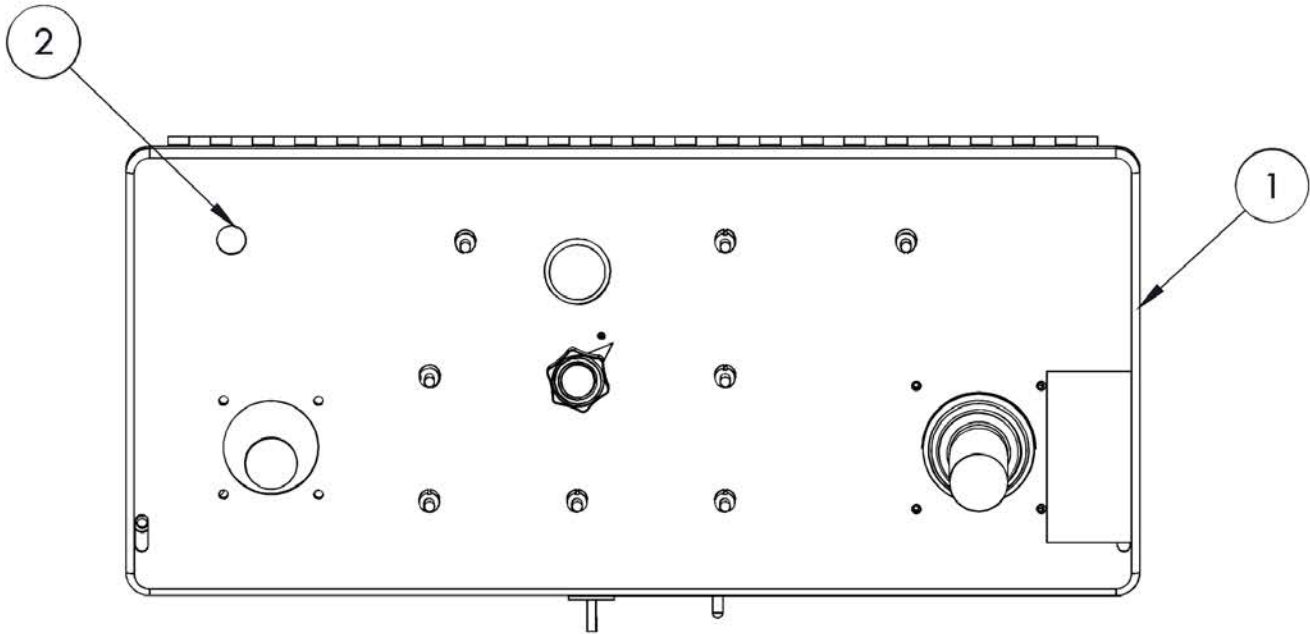
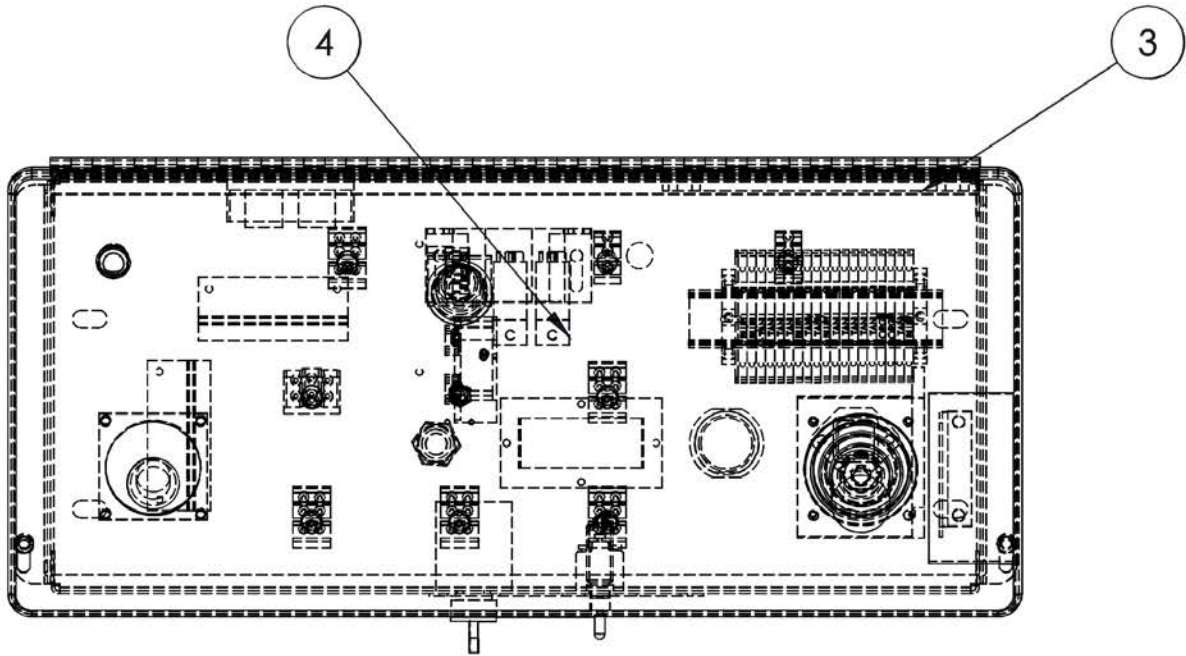
ELECTRICAL



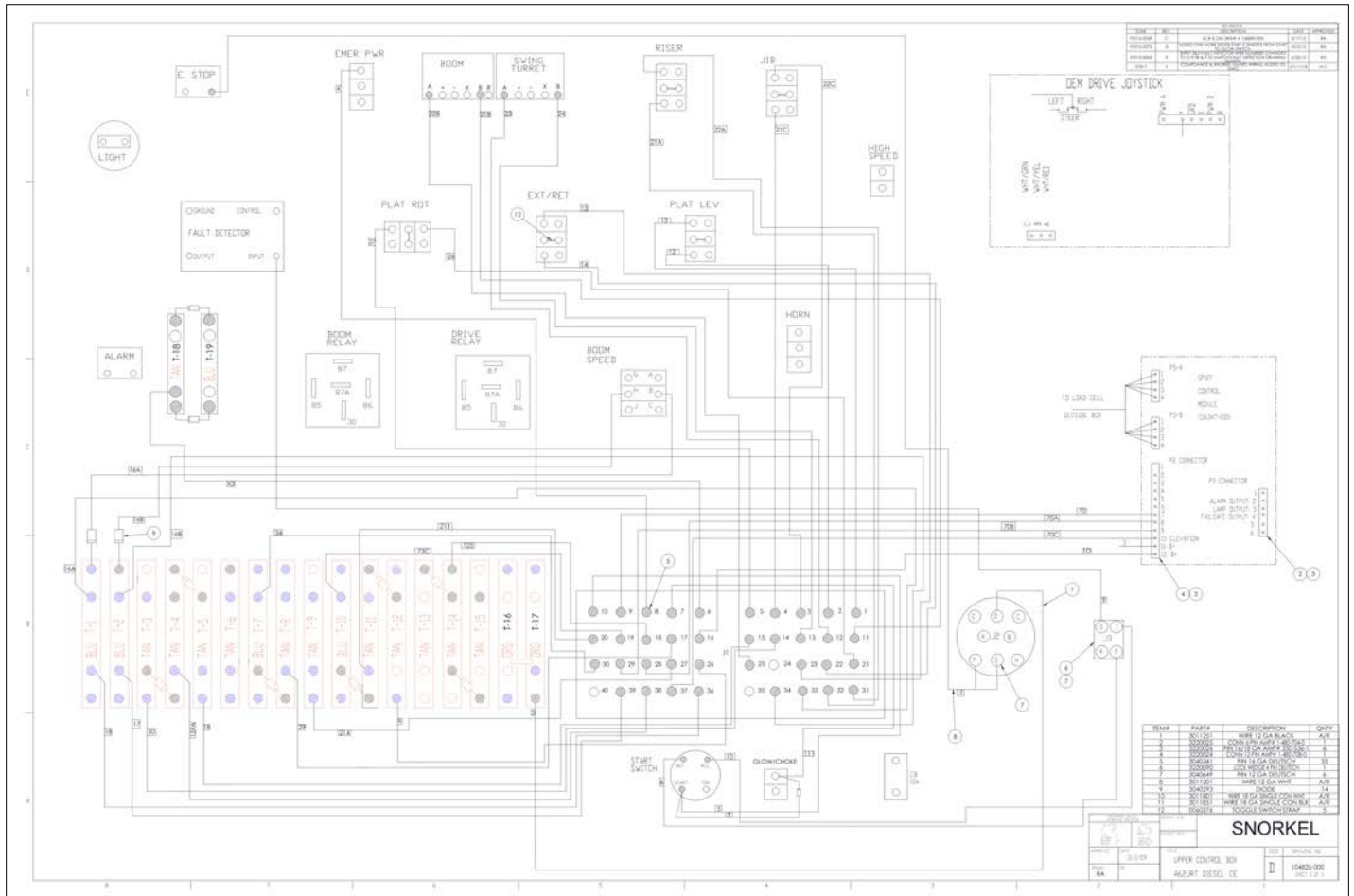
アイテム	部品番号	名前	数量	UOM
	104825 000F	UPPER CONTROL PANEL CE		EA
1	515362 000	UPPER CONTROL BOX UNIVERSALA62JRT CE	1	EA
2	3069524	LIGHT RED LED 12V	1	EA
3	116347 001	OVERLOAD CONTROL GP200	1	EA
4	3040469	RELAY SPDT 12V 30AMP SONG	2	EA

ELECTRICAL





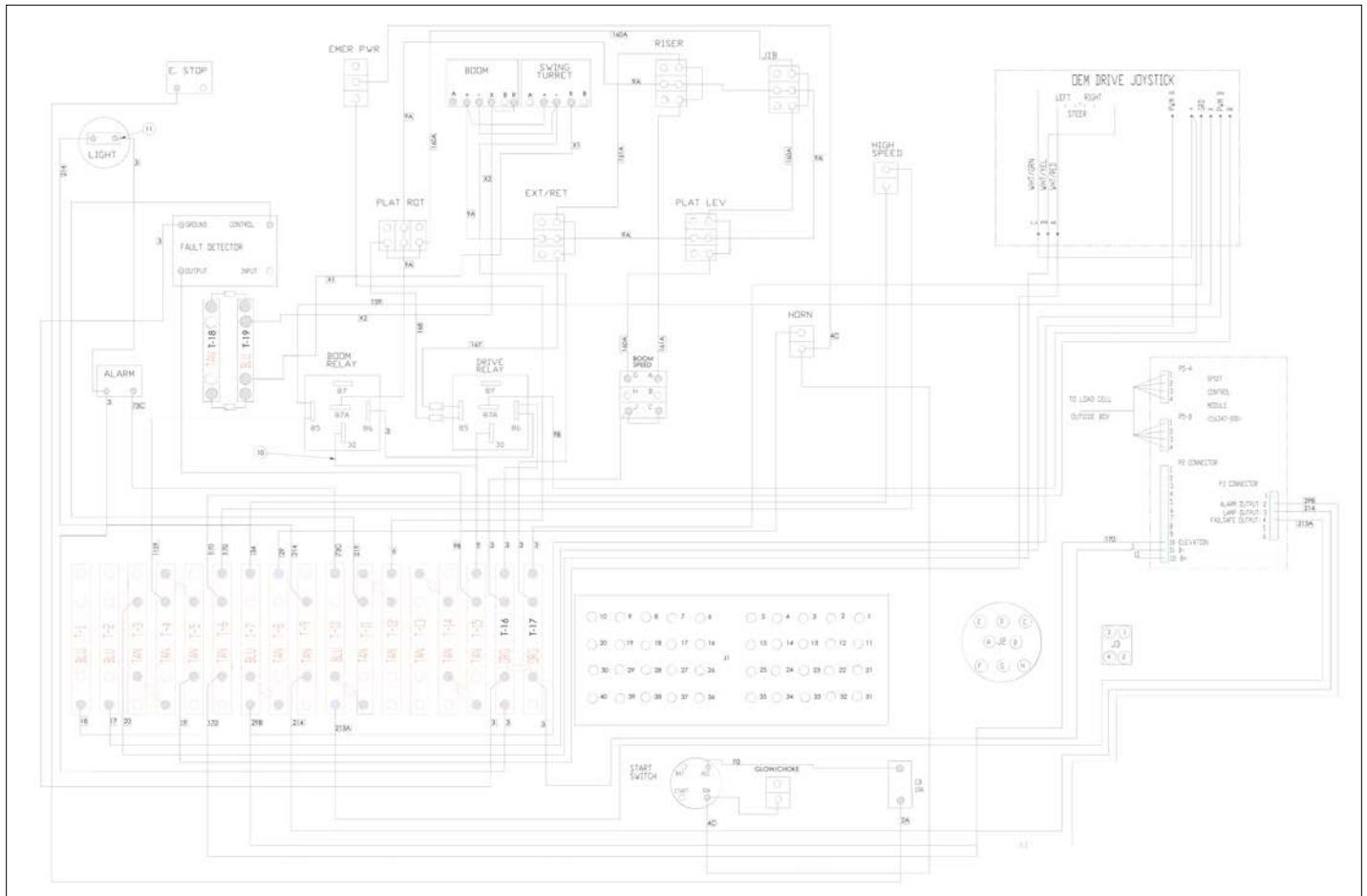
ELECTRICAL

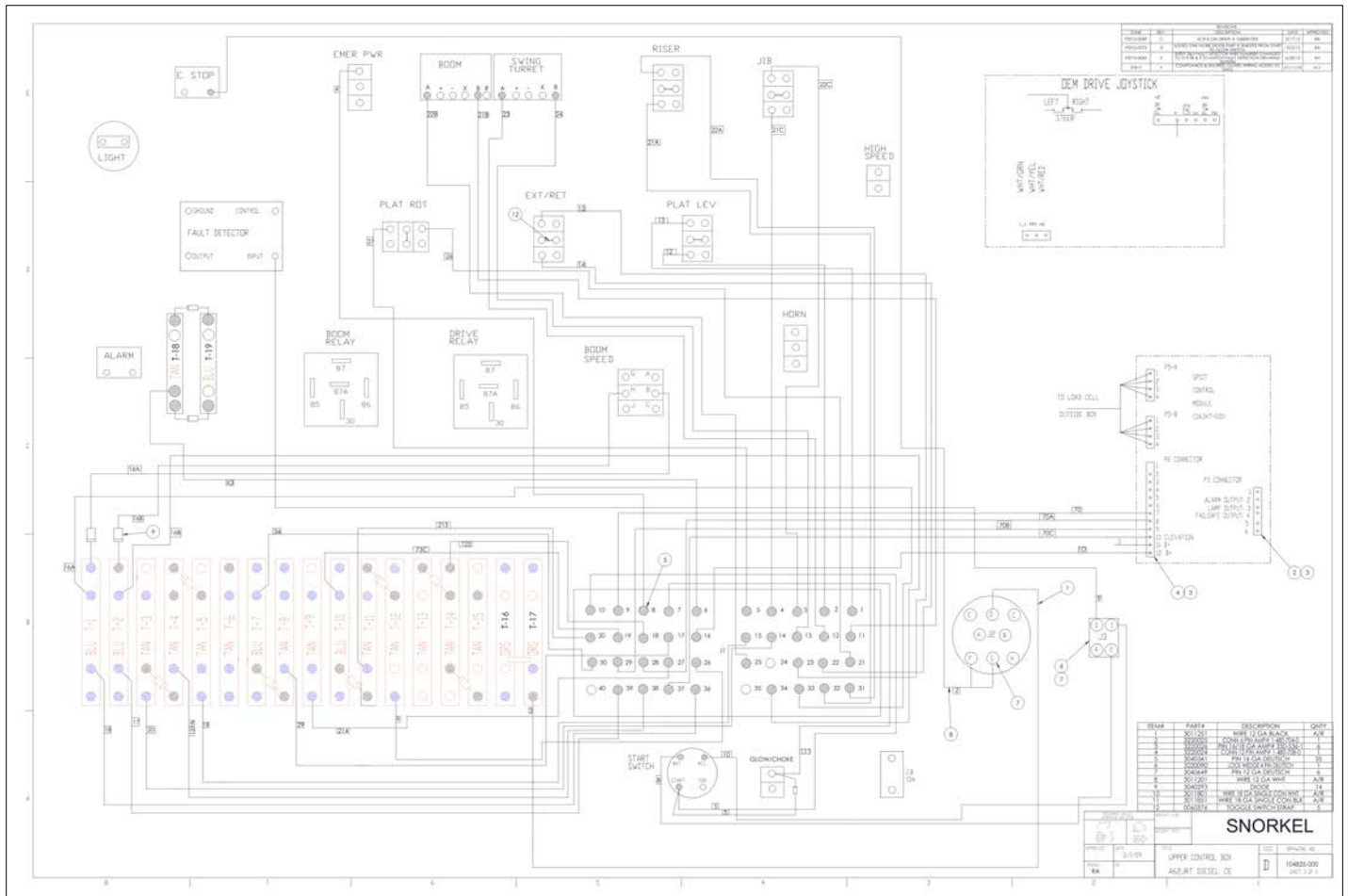




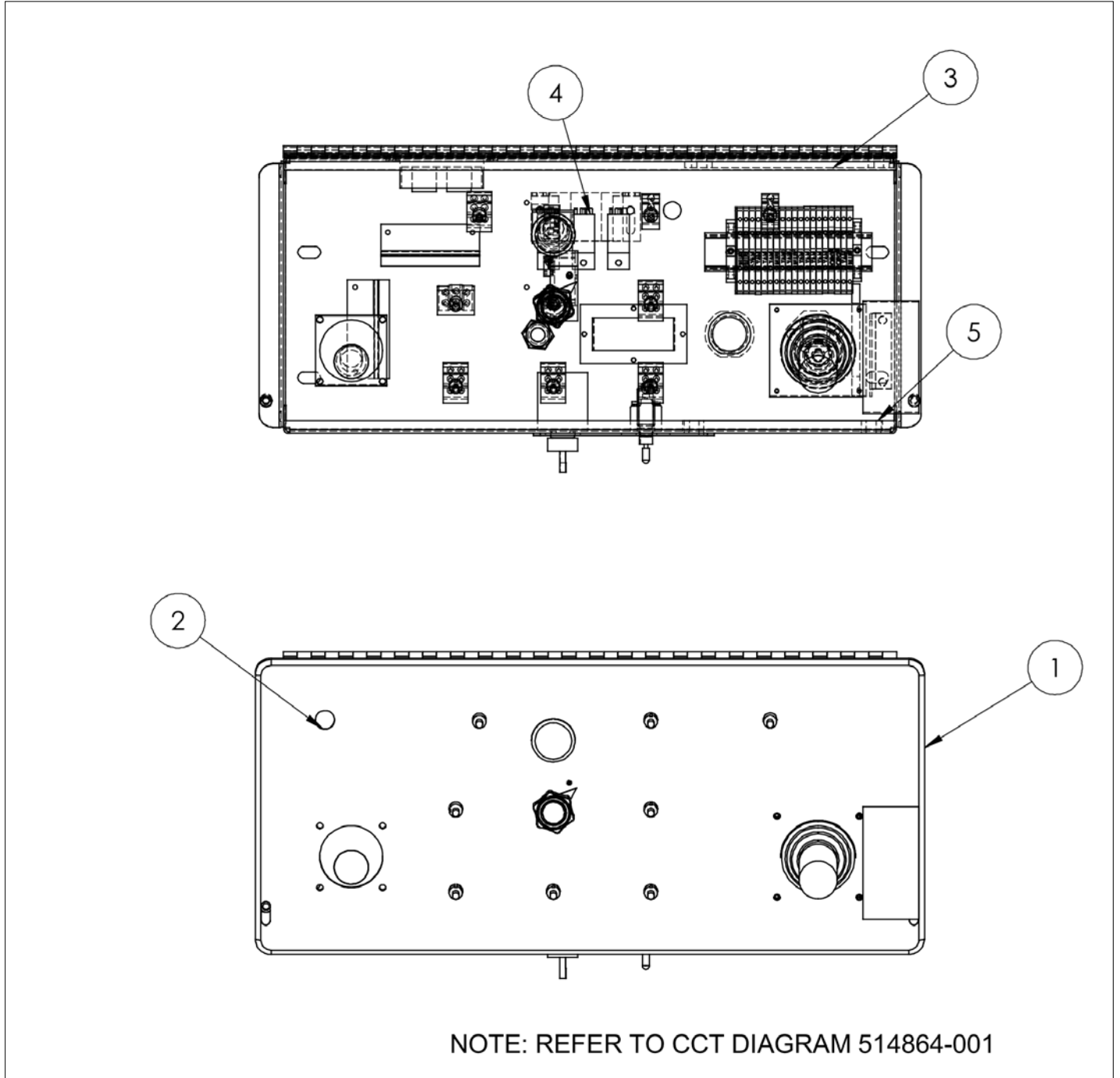
アイテム	部品番号	名前	数量	UOM
	104825 000G	UPPER CONTROL PANEL CE		EA
1	515362 000	UPPER CONTROL BOX UNIVERSALA62JRT CE	1	EA
2	3069524	LIGHT RED LED 12V	1	EA
3	116347 001	OVERLOAD CONTROL GP200	1	EA
4	3040469	RELAY SPDT 12V 30AMP SONG	2	EA
5	3020080	TOGGLE SWITCH	1	EA
6	3014753	SNORKEL GUARD SENSOR (CABLE, M12 X 2M L)	2	M
	029925 000	CONNECTOR CABLE HEYC ( Not illustrated)	1	EA

ELECTRICAL



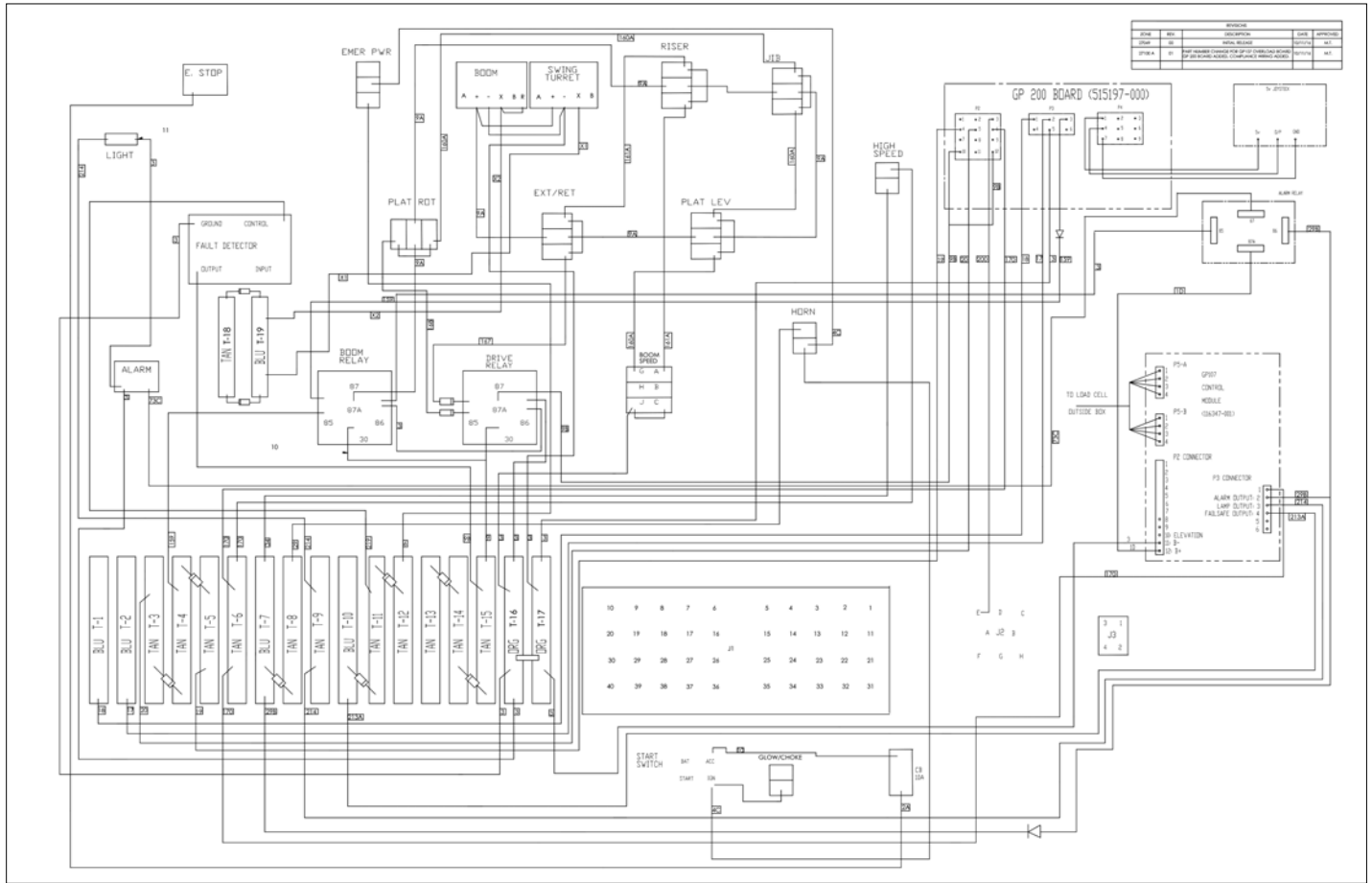


ELECTRICAL

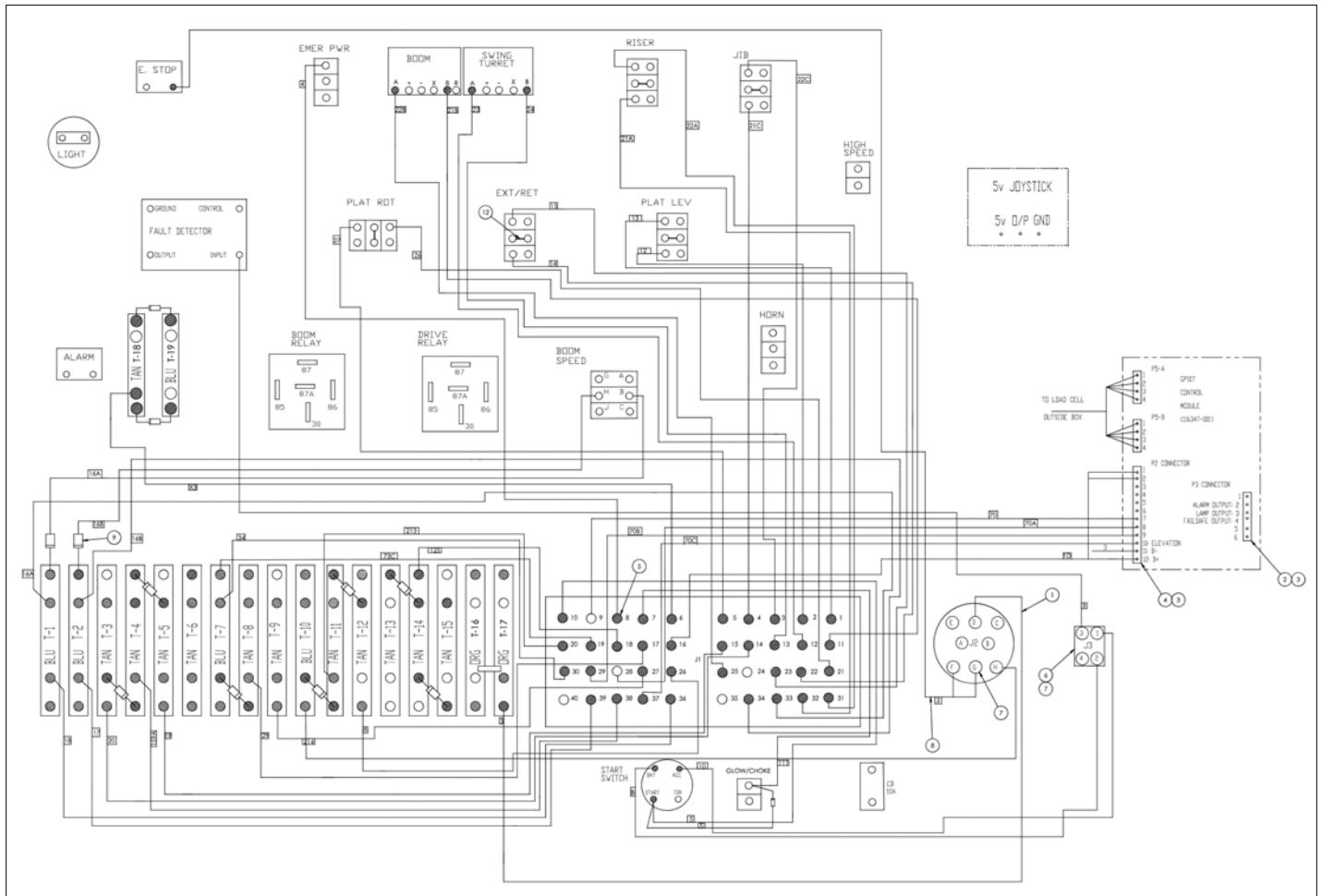


アイテム	部品番号	名前	数量	UOM
	515214 000	UPPER CONTROL PANEL CE (NON TURBO)		EA
1	515196 000	UPPER CONTROL BOX UNIVERSAL (NON TURBO) A62JRT CE	1	EA
2	3069524	LIGHT RED LED 12V	1	EA
3	116347 001	OVERLOAD CONTROL GP200	1	EA
4	3040469	RELAY SPDT 12V 30AMP SONG	3	EA
5	515197 000	GP200 BOARD	1	EA

ELECTRICAL

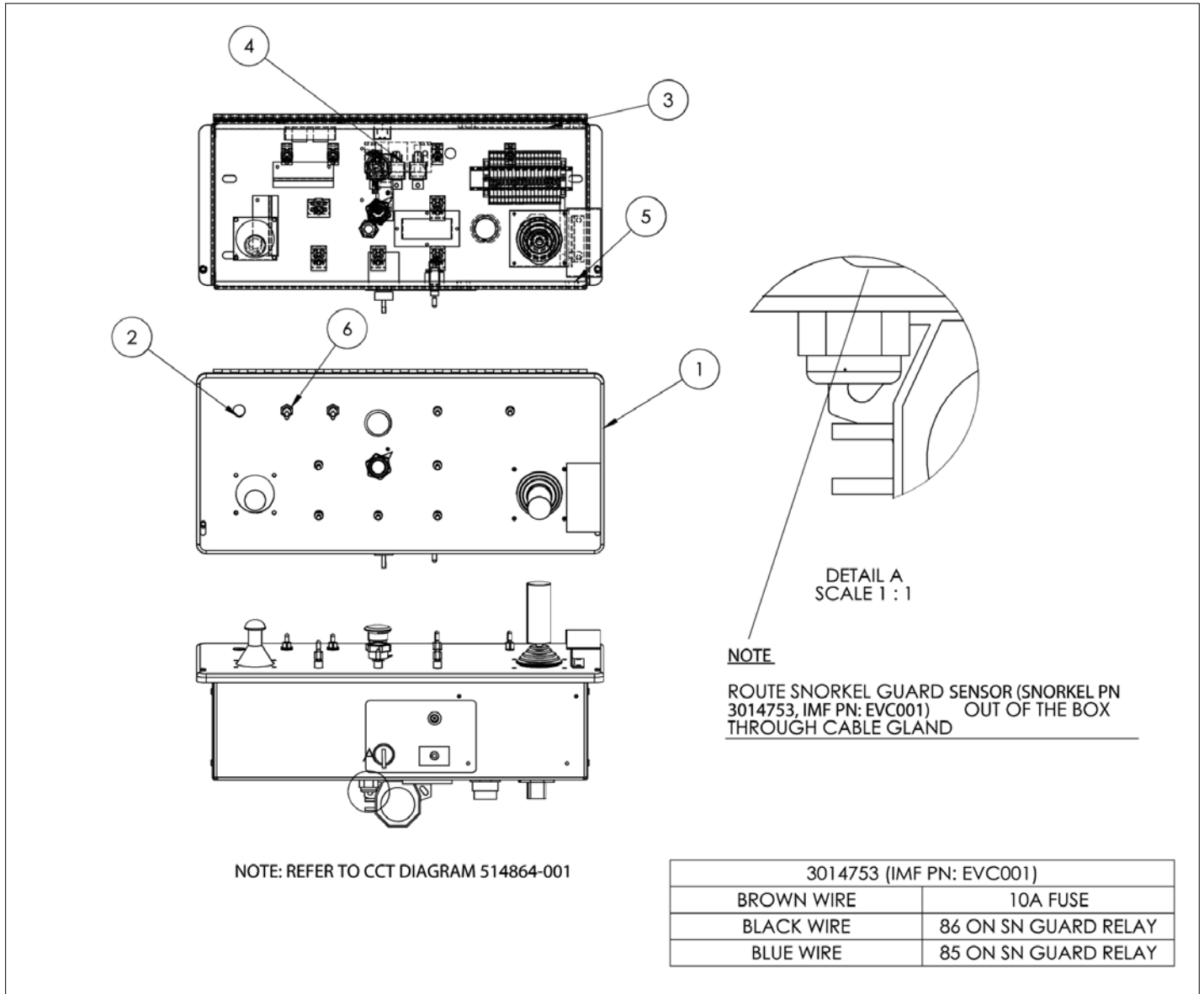


アイテム	部品番号	名前	数量	UOM
1	3011251	WIRE 12GA SINGLE CONDUCTOR BLK	A/R	EA
2	3220025	CONNECTOR AMP 6 PIN	1	EA
3	3220026	SOCKET 16/18 GA AMP	6	EA
4	3220024	CONNECTOR AMP 12 PIN 1 480 708	1	EA
5	3040341	PIN CONTACT SIZE 16 16/18 GA	35	EA
6	3220090	LOCK, WEDGE 4 PIN DEUTSCH	1	EA
7	3040649	PIN CONTACT 12 DEUTSCH	6	EA
8	3011201	WIRE 12GA RED SINGLE CONDUCTOR	A/R	EA
9	3040293	DIODE	14	EA
10	3011801	WIRE 18GA SINGLE CONDUCTOR WHT	A/R	EA
11	3011851	WIRE 18GA SINGLE CONDUCTOR BLK	A/R	EA
12	0060376	TOGGLE SWITCH STRAP	5	EA



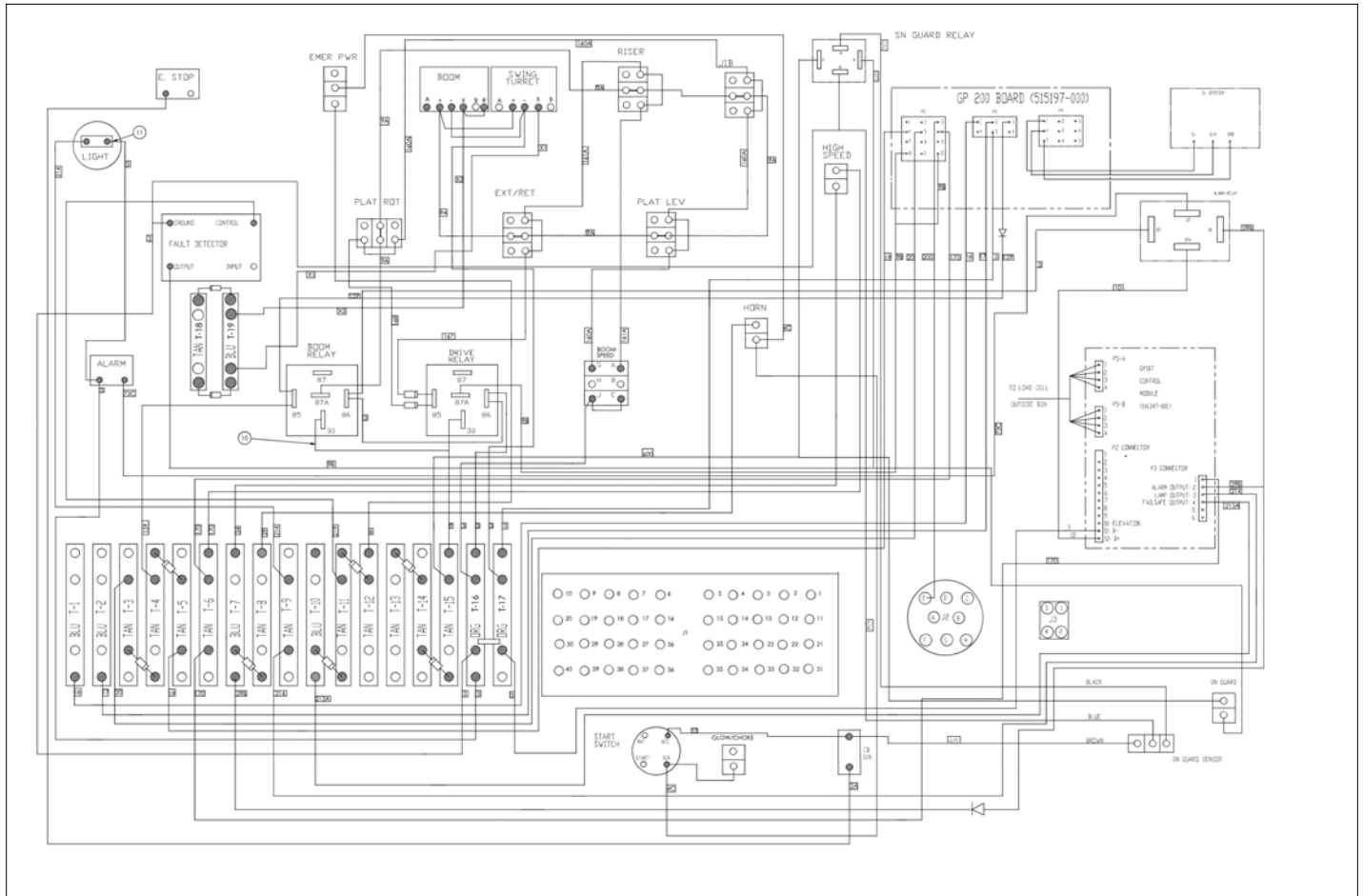


ELECTRICAL

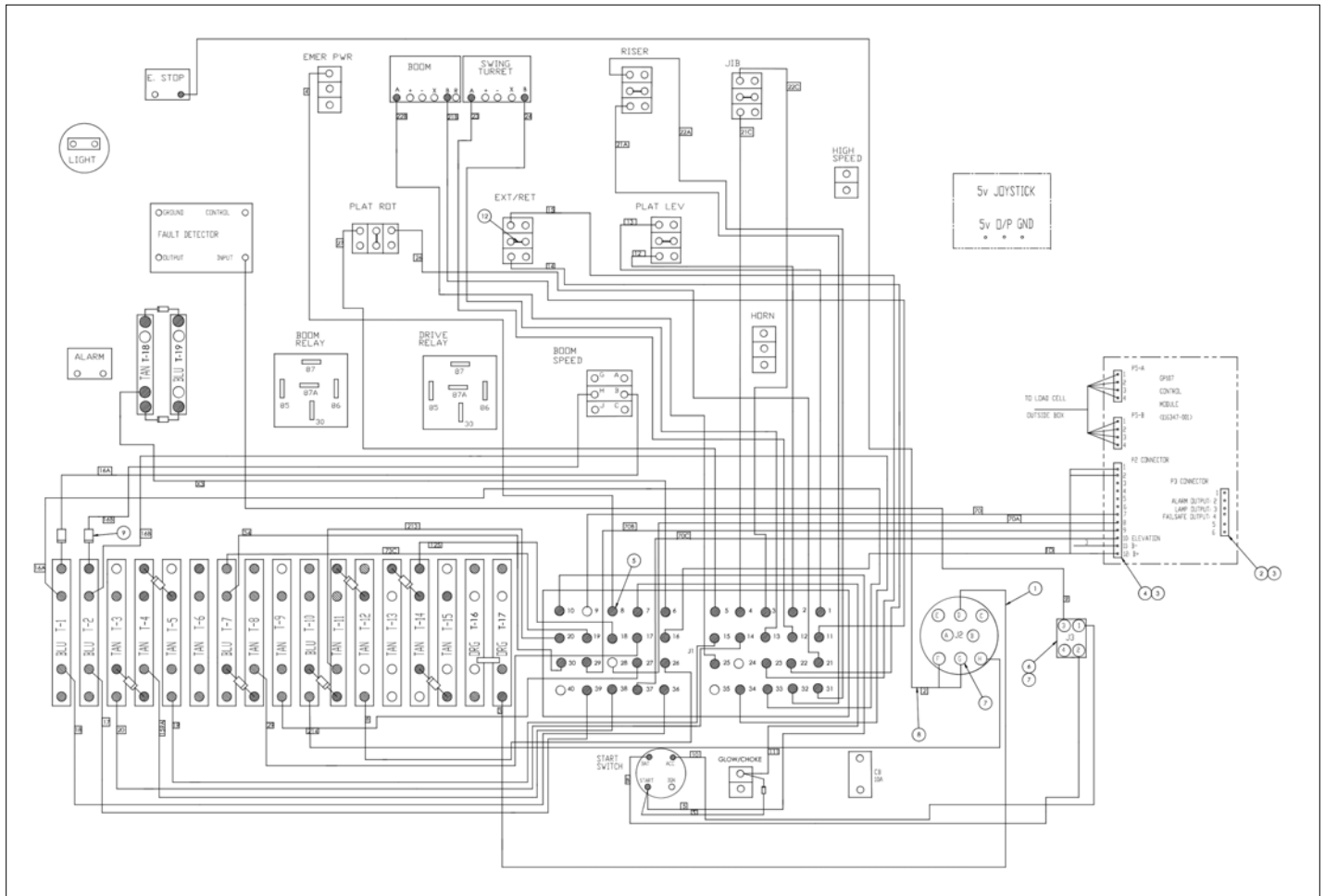


アイテム	部品番号	名前	数量	UOM
	515214 000	UPPER CONTROL PANEL CE (NON TURBO)		EA
1	515196 000	UPPER CONTROL BOX UNIVERSAL (NON TURBO) A62JRT CE	1	EA
2	3069524	LIGHT RED LED 12V	1	EA
3	116347 001	OVERLOAD CONTROL GP200	1	EA
4	3040469	RELAY SPDT 12V 30AMP SONG	4	EA
5	515197 000	GP200 BOARD	1	EA
6	3020080	TOGGLE SWITCH	1	EA
7	3014753	SNORKEL GUARD SENSOR (CABLE, M12 X 2M L)	2	M

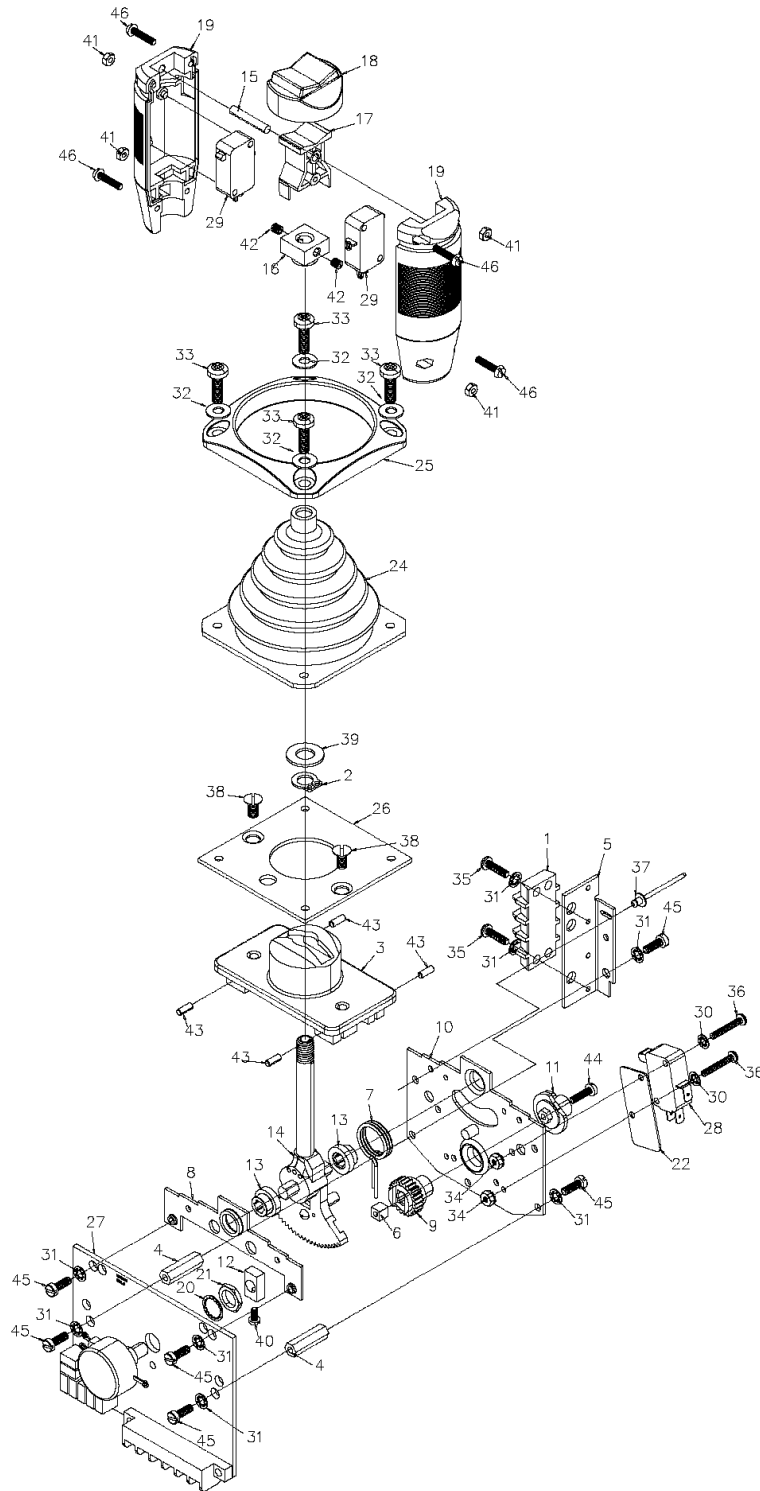
ELECTRICAL



アイテム	部品番号	名前	数量	UOM
1	3011251	WIRE 12GA SINGLE CONDUCTOR BLK	A/R	EA
2	3220025	CONNECTOR AMP 6 PIN	1	EA
3	3220026	SOCKET 16/18 GA AMP	6	EA
4	3220024	CONNECTOR AMP 12 PIN 1 480 708	1	EA
5	3040341	PIN CONTACT SIZE 16 16/18 GA	35	EA
6	3220090	LOCK, WEDGE 4 PIN DEUTSCH	1	EA
7	3040649	PIN CONTACT 12 DEUTSCH	6	EA
8	3011201	WIRE 12GA RED SINGLE CONDUCTOR	A/R	EA
9	3040293	DIODE	14	EA
10	3011801	WIRE 18GA SINGLE CONDUCTOR WHT	A/R	EA
11	3011851	WIRE 18GA SINGLE CONDUCTOR BLK	A/R	EA
12	0060376	TOGGLE SWITCH STRAP	5	EA



ELECTRICAL



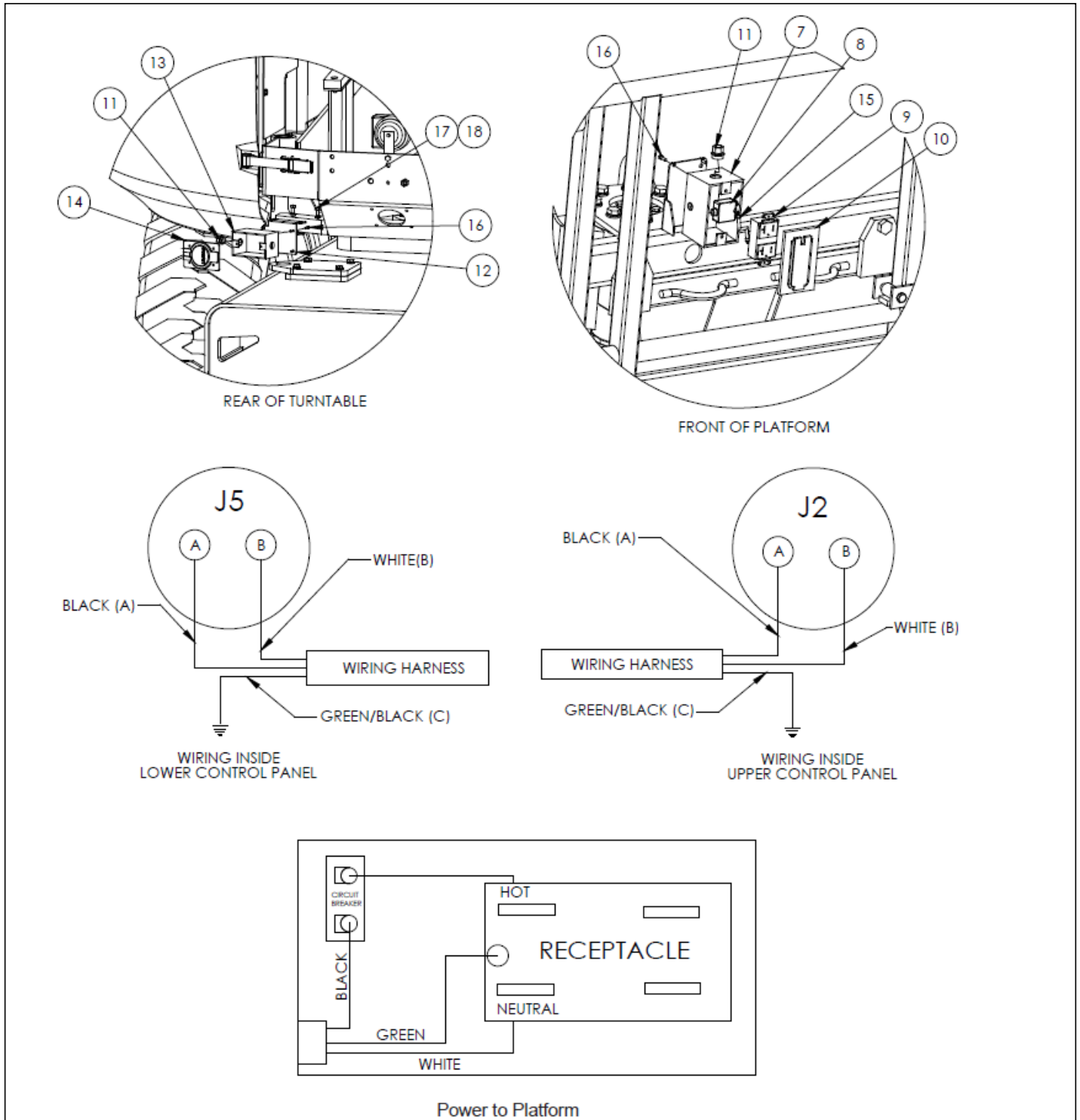
3220100

アイテム	部品番号	名前	数量	UOM
	3220100	CONTROLLER, SINGLE AXIS W/TOG		EA
1	3220210	TERMINAL BLOCK, 3 TERM. 2 ROW	1	EA
2	N/A	NOT SOLD SEPARATELY	1	EA
3	N/A	NOT SOLD SEPARATELY	1	EA
4	N/A	NOT SOLD SEPARATELY	2	EA
5	N/A	NOT SOLD SEPARATELY	1	EA
6	7264022	SLAVE GEAR NUT	1	EA
7	5534383	RETURN SPRING	1	EA
8	N/A	NOT SOLD SEPARATELY	1	EA
9	7264023	SLAVE GEAR	1	EA
10	N/A	NOT SOLD SEPARATELY	1	EA
11	7264024	FIXED CAM, S1 POWER, S2 CCW	1	EA
12	3220211	POT COUPLER	1	EA
13	33220212	PIVOT BEARING	2	EA
14	3220213	HANDLE SHAFT AND GEAR (80mm H	1	EA
15	53028838	ROCKER PIVOT SHAFT	1	EA
16	N/A	NOT SOLD SEPARATELY	1	EA
17	3028839	ROCKER, STEER SWITCH ACTUATOR	1	EA
18	3028840	RUBBER CAP	1	EA
19	3220214	HANDLE HALF	2	EA
20	N/A	NOT SOLD SEPARATELY	1	EA
21	N/A	NOT SOLD SEPARATELY	1	EA
22	N/A	NOT SOLD SEPARATELY	1	EA
23	N/A	NOT SOLD SEPARATELY	1	EA
24	3220215	BOOT, NEW STYLE	1	EA
25	53220216	BOOT PLATE, NEW STYLE	1	EA
26	N/A	NOT SOLD SEPARATELY	1	EA

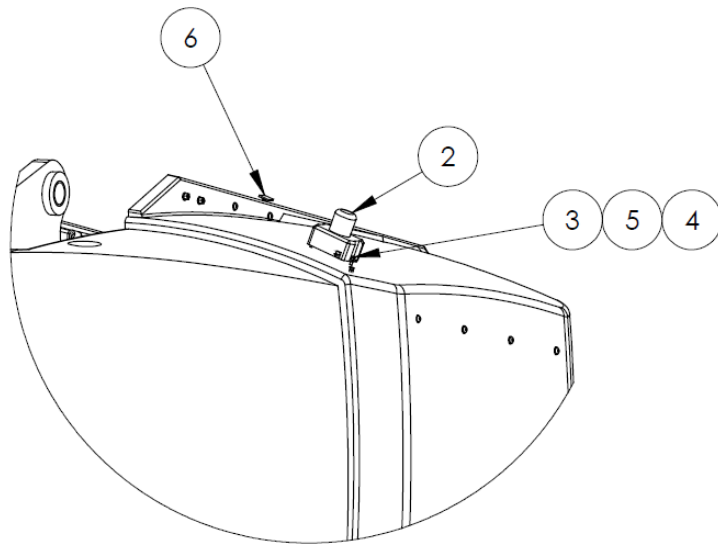
アイテム	部品番号	名前	数量	UOM
27	3220217	CIRCUIT BOARD	1	EA
28	N/A	NOT SOLD SEPARATELY	1	EA
29	N/A	NOT SOLD SEPARATELY	2	EA
30	N/A	NOT SOLD SEPARATELY	2	EA
31	N/A	NOT SOLD SEPARATELY	8	EA
32	N/A	NOT SOLD SEPARATELY	4	EA
33	N/A	NOT SOLD SEPARATELY	4	EA
34	N/A	NOT SOLD SEPARATELY	2	EA
35	N/A	NOT SOLD SEPARATELY	2	EA
36	N/A	NOT SOLD SEPARATELY	2	EA
37	N/A	NOT SOLD SEPARATELY	1	EA
38	N/A	NOT SOLD SEPARATELY	2	EA
39	N/A	NOT SOLD SEPARATELY	1	EA
40	55 63414	M.S. M3 x 6 CHEESE HEAD 914	1	EA
41	N/A	NOT SOLD SEPARATELY	4	EA
42	N/A	NOT SOLD SEPARATELY	2	EA
43	N/A	NOT SOLD SEPARATELY	4	EA
44	N/A	NOT SOLD SEPARATELY	1	EA
45	N/A	NOT SOLD SEPARATELY	6	EA
46	N/A	NOT SOLD SEPARATELY	4	EA



ELECTRICAL



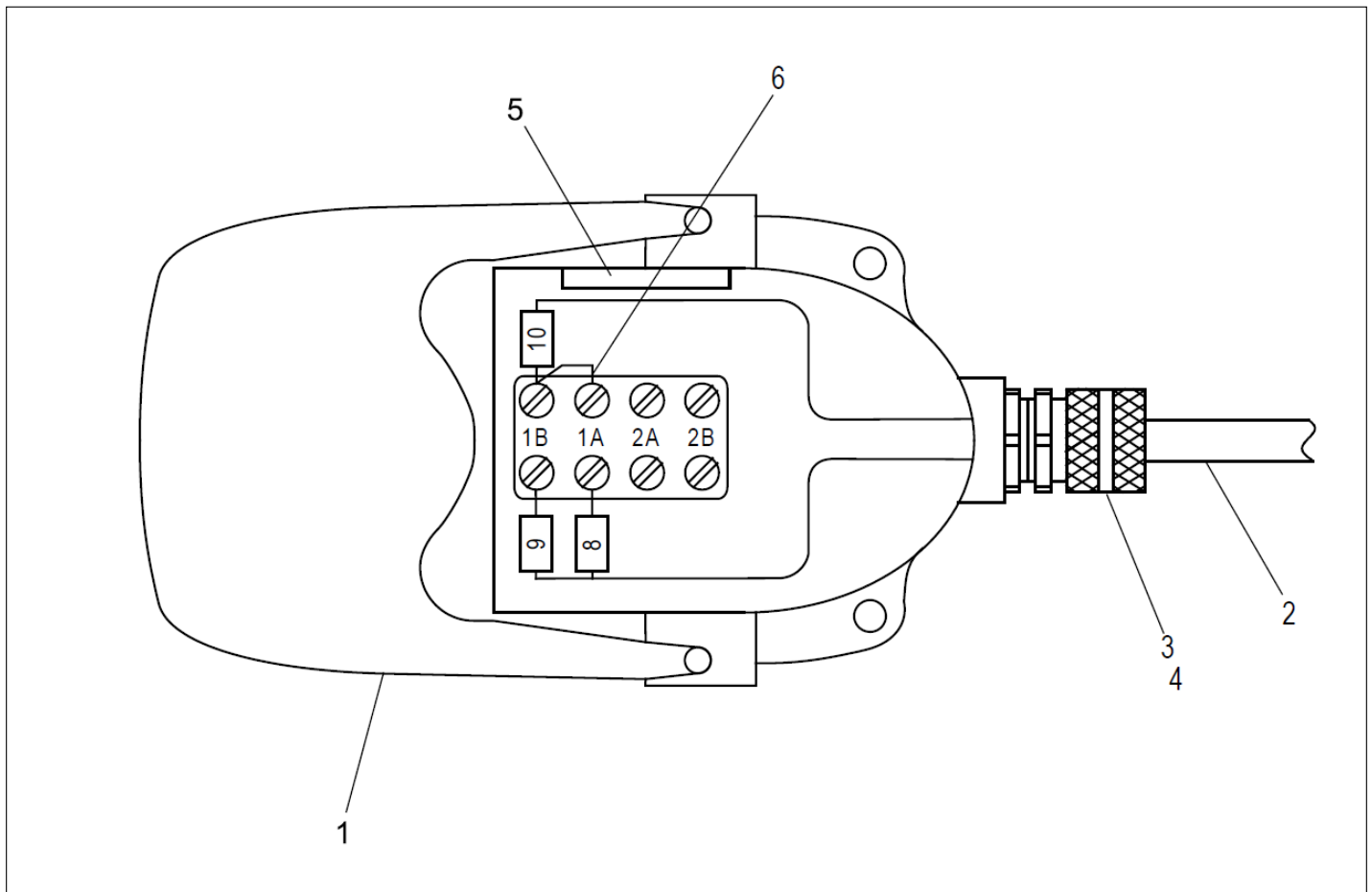
アイテム	部品番号	名前	数量	UOM
	104630 000	BEACON & POWER TO PLATFORM INSTALLATION		EA
1	REF	FINAL ASSEMBLY DIESEL A62JRT		EA
2	514404 000	BEACON WITH GUARD ANBER FLASHING	2	EA
3	505082 016	Bolt, SktButCapScrew DIN9427 M	4	EA
4	056064 005	Nut, NylockNut DIN985 M5 10.0	4	EA
5	5563048	FLAT WASHER M 5	4	EA
6	013283 002	ANCHOR TIE DOWNS	7	EA
7	0074979	Enclosure	1	EA
8	3040252	Circuit Breaker 15AMP	1	EA
9	3040624	Recepticle Outlet 20AMP	1	EA
10	3040625	Enclosure Face	1	EA
11	3040116	CONN .75 .500 .625	2	EA
12	0162060	PLATE OUTLET BOX MTG	1	EA
13	3220007	BOX ELECTRICAL OUTLET	1	EA
14	3045278	OUTLET 5278C W	1	EA
15	0071582	JUMPER WIRE	1	EA
16	5569978	SCR HEXHD 8 32 .375 THD CUTTING	8	EA
17	056059 016	HHCS M8 X 16 GR8.8 DIN 931	2	EA
18	056021 008	Washer SpringWasher DIN127B M8	2	EA
Not Shown	104856 000	WIRING HARNESS, 110 VAC POWER UPPER	1	EA
Not Shown	104857 000	WIRING HARNESS, 110 VAC POWER LOWER	1	EA
Not Shown	104855 000	FLASHING LIGHT HARNESS	1	EA



Top of Cowling

Flashing Lights

ELECTRICAL



アイテム	部品番号	名前	数量	UOM
	AW0071800	PLATFORM FOOT SWITCH		EA
1	3020021	Foot Switch	1	EA
Not Shown	3020037	REPLACEMENT SWITCH, SQUARE D SWITCH, 4 POLE	1	EA
Not Shown	3020113	REPLACEMENT SWITCH, SQUARE D SWITCH, 8 POLE	1	EA
2	0260047	WIRE HARNESS FOOT SWITCH	1	EA
3	3040116	CONN .75 .500 .625	1	EA
4	3040110	NUT LKG HUB .750 SAMEAS 962129	1	EA
5	0070967	CORROSION INHIBITOR STICK BACK	1	EA
6	0060373	JUMPER SWITCH TERMINAL STRAP	1	EA



アイテム	部品番号	名前	数量	UOM
	104619 001 A	ELECTRICAL HARNESS LOCATIONS		EA
1	104828 000	WIRING HARNESS, VALVE BLOCK	1	EA
2	104681 000	WIRING HARNESS UPPER CONTROLS	1	EA
3	104829 000	CABLE ASSY, UPPER CONTROLS	1	EA
4	104683 000	CABLE ASSY	1	EA
5	104684 000	WIRE HARNESS, ENGINE CONNECT	1	EA
6	104686 000	WIRING HARNESS, HORN	1	EA
7	104687 000	WIRING HARNESS, BOOM ELEVATION LIMIT SWITCH	1	EA
8	104688 000	BOOM EXTEND LIMIT SWITCH HARNESS	1	EA
9	0260047	WIRE HARNESS FOOT SWITCH	1	EA
10	104698 000	EMERGENCY PUMP HARNESS	1	EA
11	104699 000	WIRING HARNESS SP2 BYPASS EVDR	1	EA
12	104855 000	FLASHING LIGHT HARNESS	1	EA
13	104857 000	WIRING HARNESS, 110 VAC POWER LOWER	1	EA
14	104856 000	WIRING HARNESS, 110 VAC POWER UPPER	1	EA
15	514404 000	BEACON WITH GUARD ANBER FLASHING	1	EA
16	515460 000	BRACKET BEACON (not illustrated)	1	EA

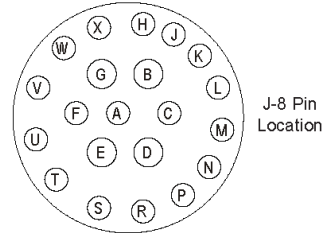
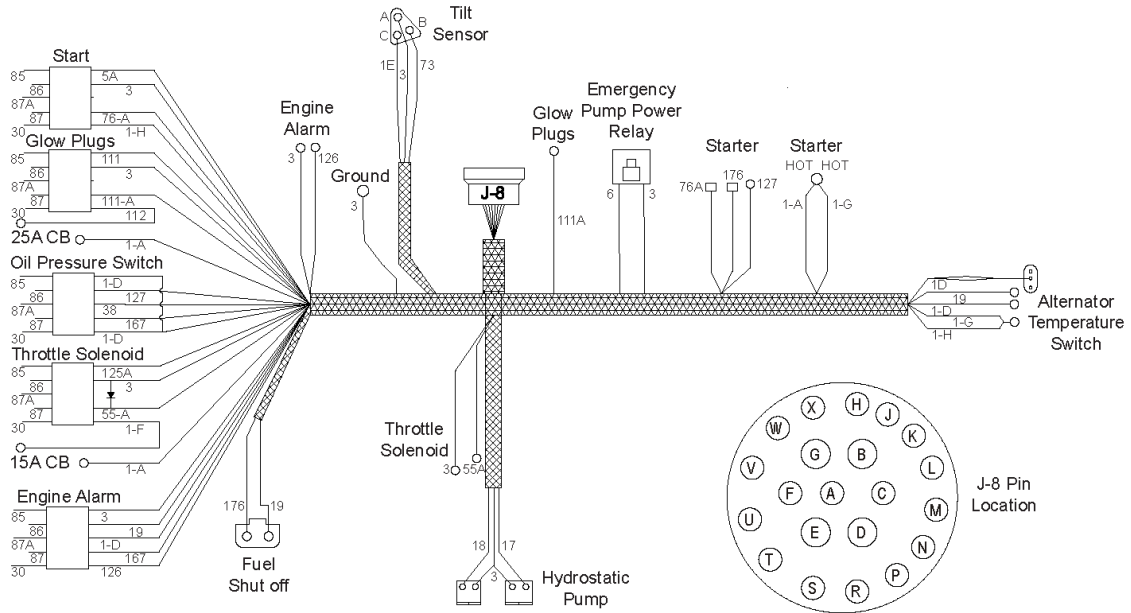




アイテム	部品番号	名前	数量	UOM
	104685 000 A	ENGINE HARNESS ASSEMBLY DIESEL		EA
1	104791 000	WIRE 4/0 R313I R375I 125" RED	1	EA
2	104787 000	WIRE 2/0 R312 R375 120" RED	1	EA
3	104789 000	WIRE 2/0 R375 R375 110" BLACK	1	EA
4	104793 000	WIRE 4/0 R313 R375 26" RED	1	EA
5	3050002	BATTERY 12V	1	EA
6	3040174	SOLENOID, THROTTLE	1	EA
7	3028812	TEMP SWITCH .375 NPT M SPST NC	1	EA
8	106903 000	WIRE 2/0 R375 R375 38 RED	1	EA
9	3040252	Circuit Breaker 15AMP	1	EA
10	3040069	CIRCUIT BREAKER 25AMP	1	EA
11	3040506	SOLENOID 12V 150	1	EA
12	3040469	RELAY SPDT 12V 30AMP SONG	5	EA
13	104684 000	WIRE HARNESS, ENGINE CONNECT	1	EA
14	3040269	Boot Cable Entry Black 1/0 GA	5	EA
15	3040268	BOOT BTRY CABLE END BLK	4	EA
16	3020061	Battery Disconnect Nut	1	EA
17	3040411	Alarm Buzzer	1	EA
18	100338 001	RECPT. DEUTSCH	1	EA
19	100338 005	DEUTSCH BOOT HD 3024BT	1	EA
20	068764 000	SEAL PLUG DEUTSCH 114017	10	EA
21	3040650	SOCKET CONTACT 12 DEUTSCH DEU	3	EA
22	3040341	PIN CONTACT SIZE 16 16/18 GA	12	EA
23	3220102	CONN 2 POS TIMER	2	EA
24	3220103	CONTACT	4	EA

アイテム	部品番号	名前	数量	UOM
25	3220104	WIRE SEAL	2	EA
26	106896 000	WIRE 2 R375 R313 18.5	1	EA
27	3049820	DEUTSCH CONN DT06 3S	1	EA
28	3049822	DEUTSCH WEDGE W3S	1	EA
29	068908 005	DEUTSCH BOOT 3 PIN	1	EA
30	3040342	SOCKET CONTACT SIZE 16 16/18GA	3	EA
31	104795 000	WIRE 4/0 R313 R 313 11" RED	1	EA

ELECTRICAL

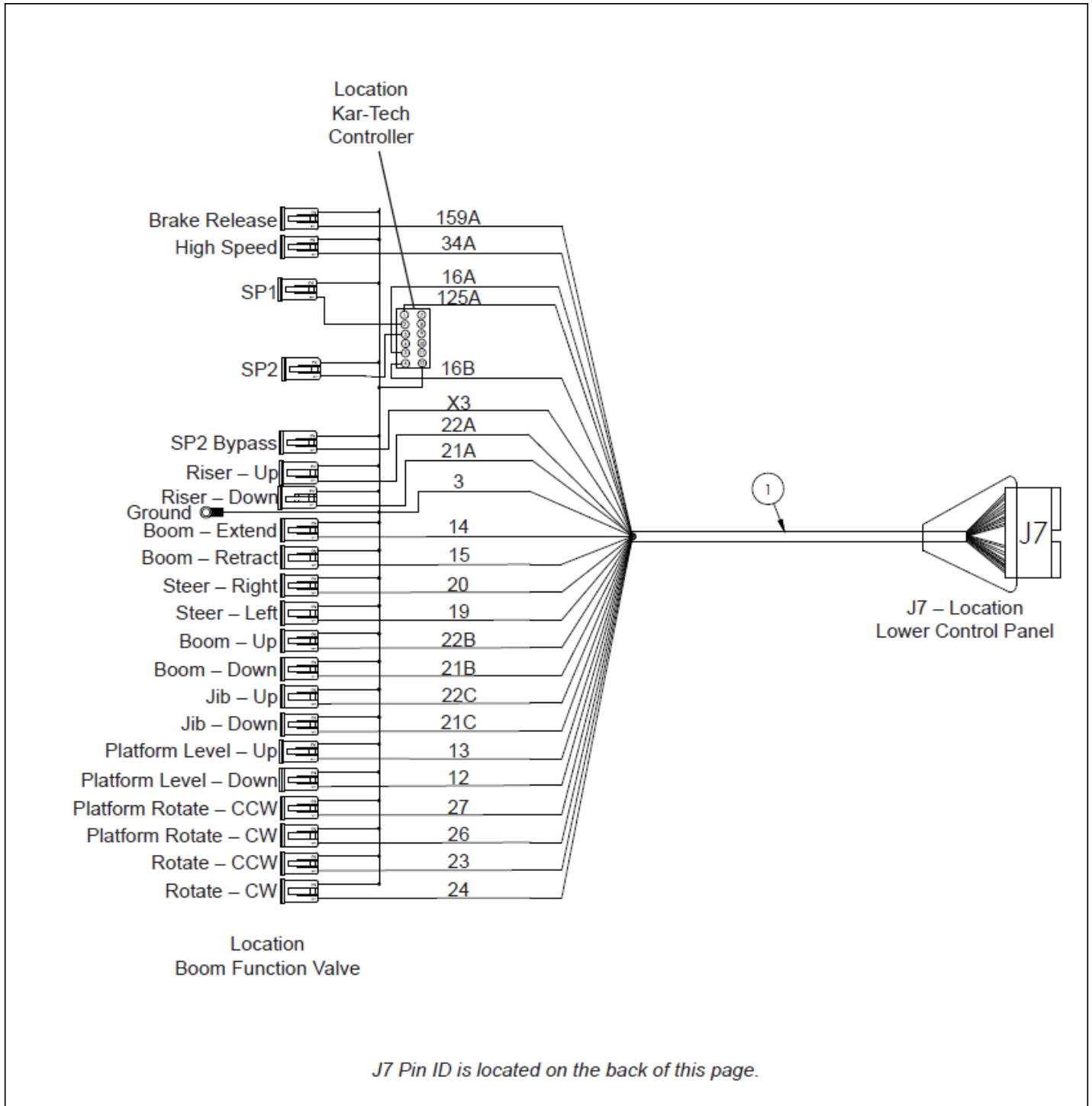


Connector J8 Pin ID

Pin #	Wire #	Description	Terminal Used	Wire Gauge
B	1A	MAIN POWER	DEUTSCH #12 PIN	12
D	NOT USED	N/A	SEALING PLUG 114017	N/A
E	1D	AUX POWER	DEUTSCH #12 PIN	12
G	3	GROUND	DEUTSCH #12 PIN	12
A	NOT USED	N/A	SEALING PLUG 114017	N/A
C	NOT USED	N/A	SEALING PLUG 114017	N/A
F	NOT USED	N/A	SEALING PLUG 114017	N/A
H	17	DRIVE FORWARD	DEUTSCH #16 PIN	18
J	18	DRIVE REVERSE	DEUTSCH #16 PIN	18
K	6	EMERGENCY PUMP	DEUTSCH #16 PIN	18
L	5A	START	DEUTSCH #16 PIN	18
M	167	ANTI START RELAY	DEUTSCH #16 PIN	18
N	111	CHOKE/GLOW PLUG	DEUTSCH #16 PIN	18
P	38	HOUR METER	DEUTSCH #16 PIN	18
R	125A	THROTTLE RELAY	DEUTSCH #16 PIN	18
S	73	TILT SENSOR SIGNAL	DEUTSCH #16 PIN	18
T	1E	TILT SENSOR POWER	DEUTSCH #16 PIN	18
U	NOT USED	N/A	SEALING PLUG 114017	N/A
V	NOT USED	N/A	SEALING PLUG 114017	N/A
W	NOT USED	N/A	SEALING PLUG 114017	N/A
X	NOT USED	N/A	SEALING PLUG 114017	N/A

アイテム	部品番号	名前	数量	UOM
1	104684 000	WIRE HARNESS, ENGINE CONNECT	1	EA

ELECTRICAL



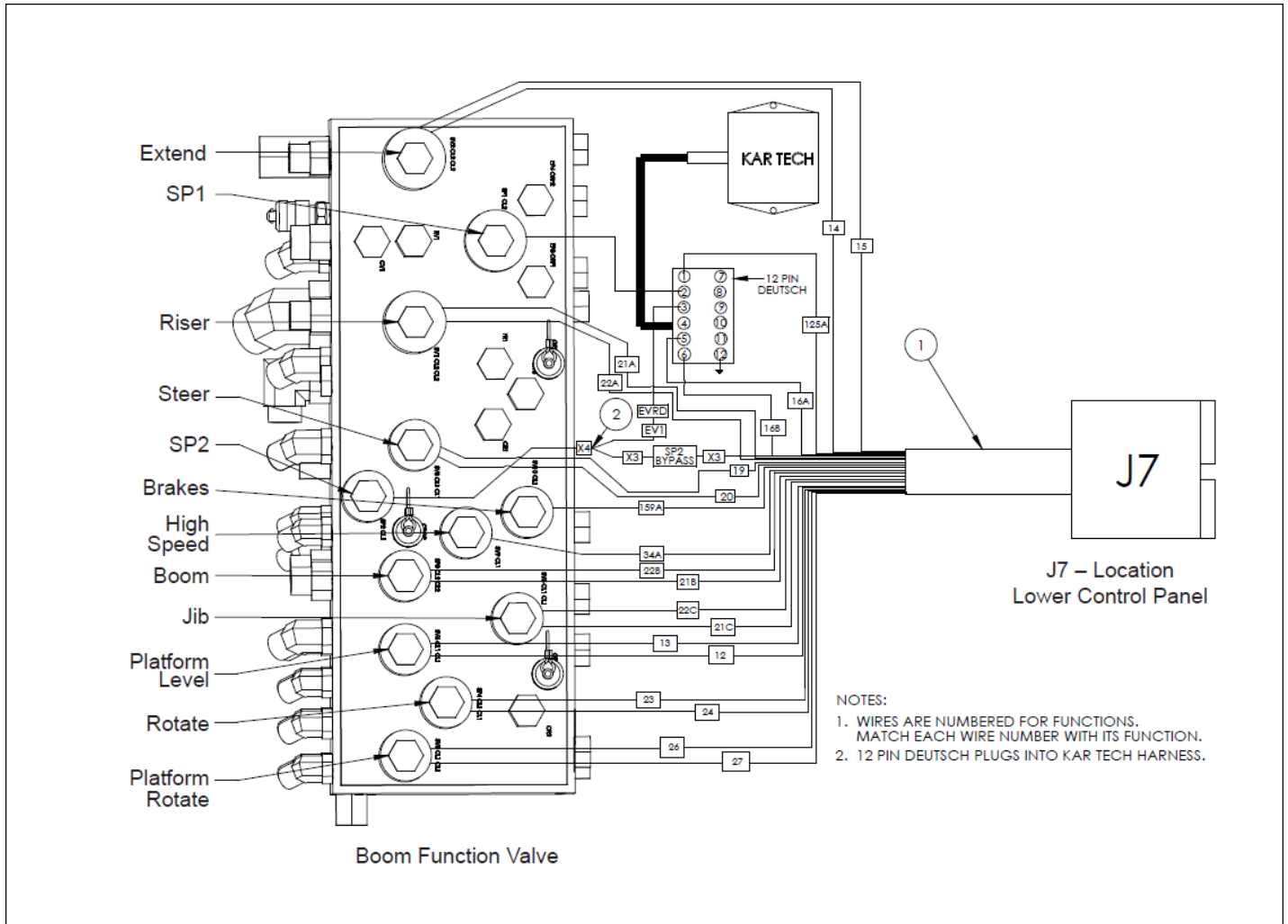
アイテム	部品番号	名前	数量	UOM
1	104828 000	WIRING HARNESS, VALVE BLOCK	1	EA

## ELECTRICAL

J7 Pin ID

Pin #	Wire #	Description	Rex #	Rex Color
1	13	PL ATFORM LEVEL – UP	14	ORANGE/RED
2	12	PL ATFORM LEVEL – DOWN	13	BLUE/RED
3	22C	JIB – UP	9	ORANGE/BLACK
4	21C	JIB – DOWN	18	RED/BLUE
5	27	PL ATFORM ROTATE – CCW	12	BLACK/RED
6	26	PL ATFORM ROTATE – CW	5	YELLOW
7	14	BOOM – EXTEND	15	YELLOW/RED
8	15	BOOM – RETRACT	6	BROWN
9	16A	SP1	10	YELLOW/BLACK
10	22B	BOOM – UP	7	RED/BLACK
11	21B	BOOM – DOWN	19	ORANGE/BLUE
12	23	ROTATE – CCW	17	BLACK/BLUE
13	24	ROTATE – CW	11	BROWN/BLACK
14	20	STEER – RIGHT	8	BLUE/BLACK
15	19	STEER – LEFT	16	BROWN/RED
16	22A	RISER – UP	1	BLACK
17	21A	RISER – DOWN	2	RED
18	16B	SP2	3	BLUE
19	34A	HIGH SPEED	4	ORANGE
20	159A	BRAKE RELEASE	20	YELLOW/BLUE
21	125A	LOWER FLOW CONTROL	21	BROWN/BLUE
22	3	GROUND	22	BLACK/ORANGE
23	X3	SP2 BYPASS EVDR	23	RED/ORANGE
24	SPARE	NA	24	BLUE/ORANGE

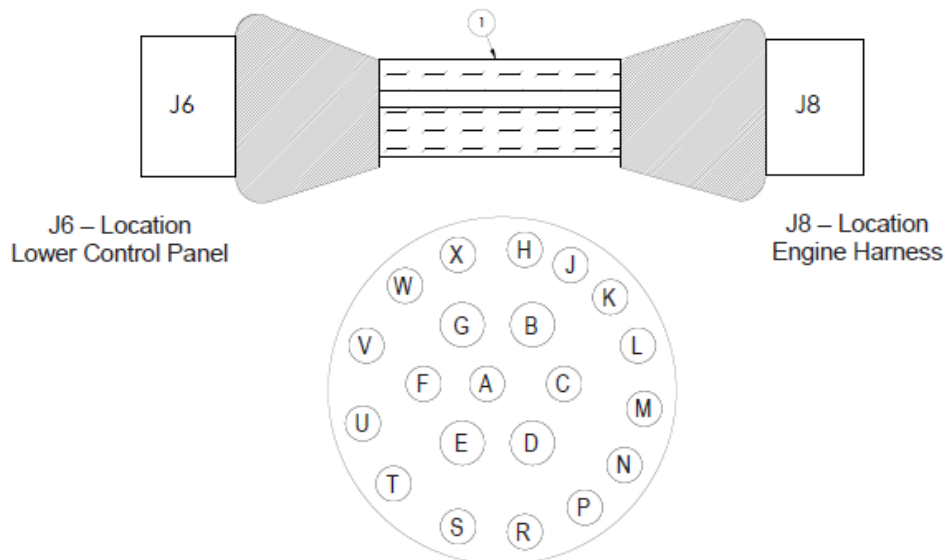
ELECTRICAL





アイテム	部品番号	名前	数量	UOM
	104619 002	BOOM FUNCTION CONTROL VALVE WIRING		EA
1	104682 000	WIRING HARNESS, VALVE BLOCK	1	EA
2	104699 000	WIRING HARNESS SP2 BYPASS EVDR	1	EA

ELECTRICAL



Connectors J6 and J8 Pin ID

Pin #	Wire #	Description	Rex #	Rex Color	Wire Gauge
B	1A	MAIN POWER	N/A	BLACK	12
D	NOT USED	N/A	N/A	N/A	N/A
E	1D	AUX POWER	N/A	WHITE	12
G	3	GROUND	N/A	GREEN	12
A	NOT USED	N/A	N/A	N/A	N/A
C	NOT USED	N/A	N/A	N/A	N/A
F	NOT USED	N/A	N/A	N/A	N/A
H	17	DRIVE FORWARD	11	BROWN/BLACK	18
J	18	DRIVE REVERSE	12	BLACK/RED	18
K	6	EMERGENCY PUMP	5	YELLOW	18
L	5A	START	3	BLUE	18
M	167	ANTI START RELAY	6	BROWN	18
N	111	CHOKE/GLOW PLUG	4	ORANGE	18
P	38	HOUR METER	7	RED/BLACK	18
R	125A	THROTTLE RELAY	8	BLUE/BLACK	18
S	73	TILT SENSOR SIGNAL	9	ORANGE/BLACK	18
T	1E	TILT SENSOR POWER	10	YELLOW/BLACK	18
U	SPARE		1	BLACK	18
V	SPARE		2	RED	18
W	NOT USED	N/A	N/A	N/A	N/A
X	NOT USED	N/A	N/A	N/A	N/A

アイテム	部品番号	名前	数量	UOM
1	104683 000	CABLE ASSY	1	EA

## ELECTRICAL

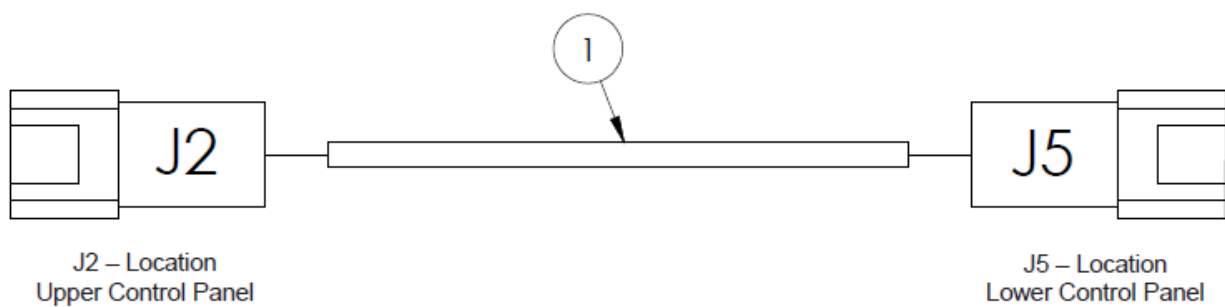
Cable 2 Connectors J1 and J4 Pin ID

Pin #	Wire #	Description	Rex #	Rex Color
6	X3	SP2 BYPASS EVDR	2	RED
7	111	GLOW/CHOKE	8	BLUE/BLACK
8	4	POWER RUN FROM PLATFORM	1	BLACK
9	SPARE	SPARE	9	ORANGE/BLACK
10	5	START – UPPER CONTROLS	11	BROWN/BLACK
16	1D	AUX CIRCUIT – ENGINE POWER	3	BLUE
17	29	HORN SWITCH TO RELAY	5	YELLOW
18	125	HIGH THROTTLE SIGNAL	7	RED/BLACK
19	73C	TILT ALARM	12	BLACK/RED
20	213	LOAD SENSE – NORMAL	13	BLUE/RED
26	6	EMERGENCY POWER	14	ORANGE/RED
27	214	LOAD SENSE – OVERLOADED	15	YELLOW/RED
28	155C	HYD WARM UP – OPTION	16	BROWN/RED
29	169	GENERATOR – OPTION	17	BLACK/BLUE
30	34	HIGH SPEED	18	RED/BLUE
36	18	DRIVE – REVERSE	10	YELLOW/BLACK
37	170	HIGH RANGE ENABLE	6	BROWN
38	159	BRAKE RELEASE	19	ORANGE/BLUE
39	17	DRIVE – FORWARD	4	ORANGE
40	NOT USED	N/A	N/A	N/A

アイテム	部品番号	名前	数量	UOM
1	104829 000	CABLE ASSY, UPPER CONTROLS	1	EA



ELECTRICAL



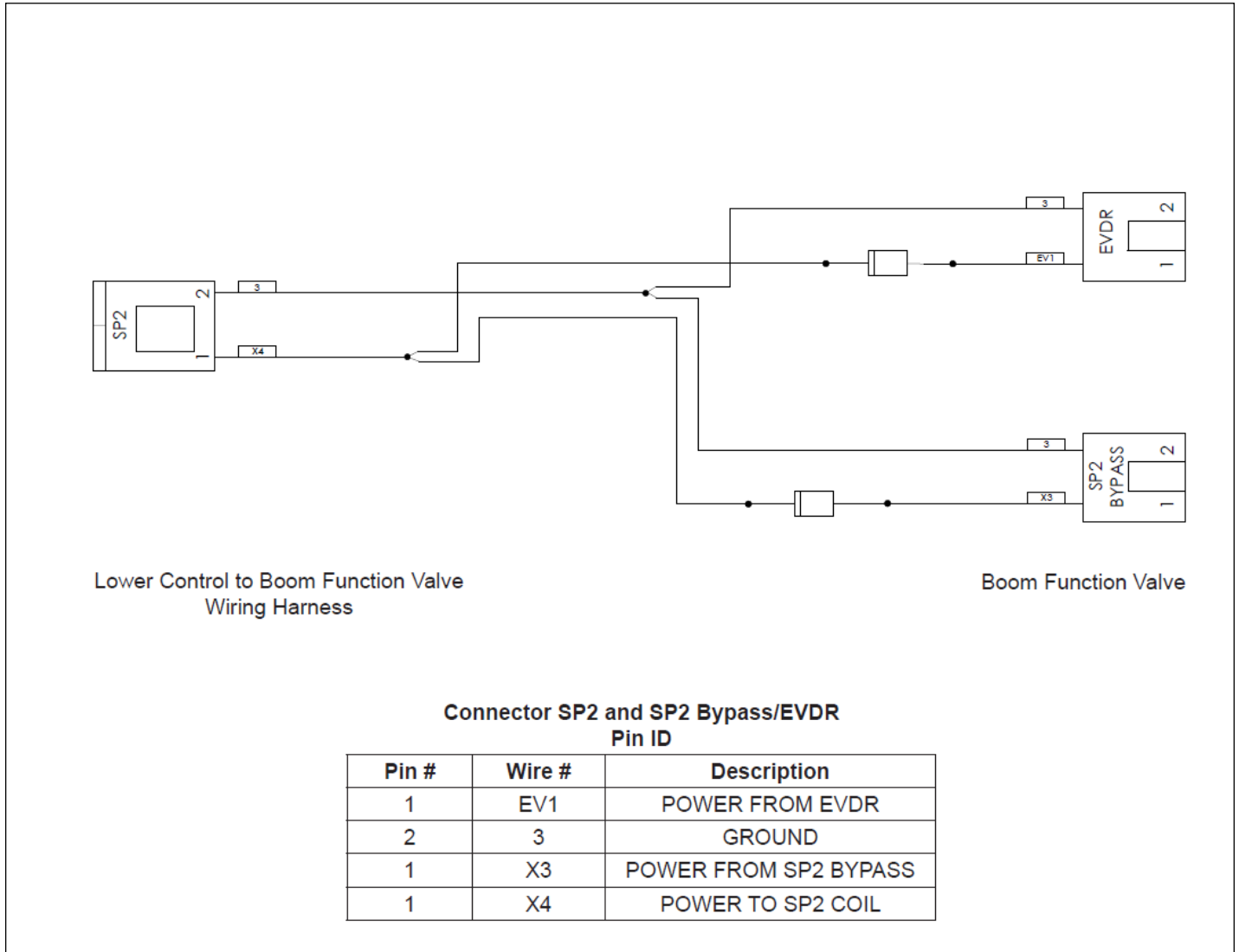
Connectors J2 and J5 Pin ID

Pin #	Wire #	Rex #	Rex Color
A	110	3	BLUE
B	110	6	BROWN
C	SPARE	4	ORANGE
D	3	1	BLACK
E	SPARE	5	YELLOW
F	2	2	RED
G	2	7	RED/BLACK
H	SPARE	6	BLUE/BLACK

アイテム	部品番号	名前	数量	UOM
1	104681 000	WIRING HARNESS UPPER CONTROLS	1	EA

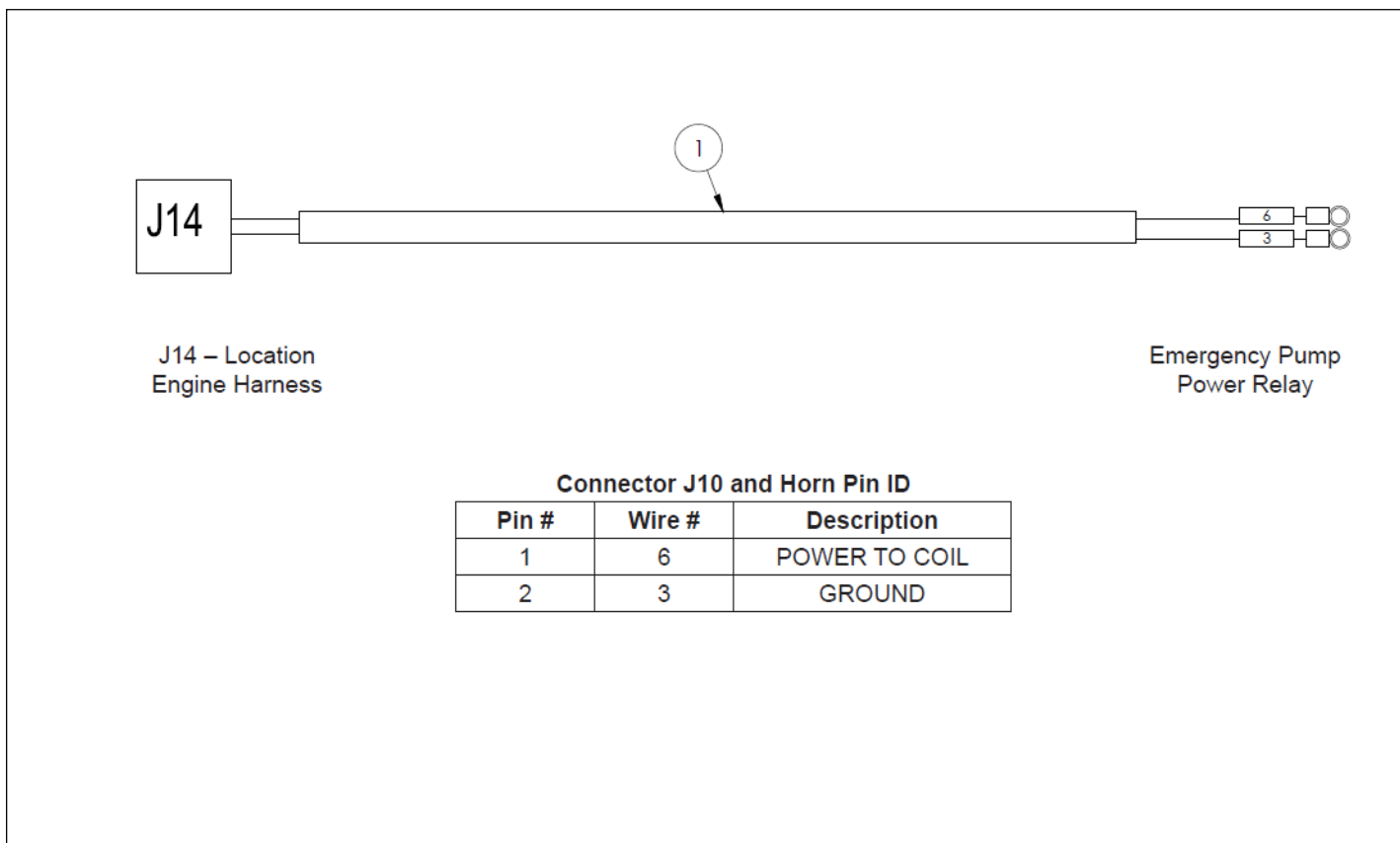


ELECTRICAL



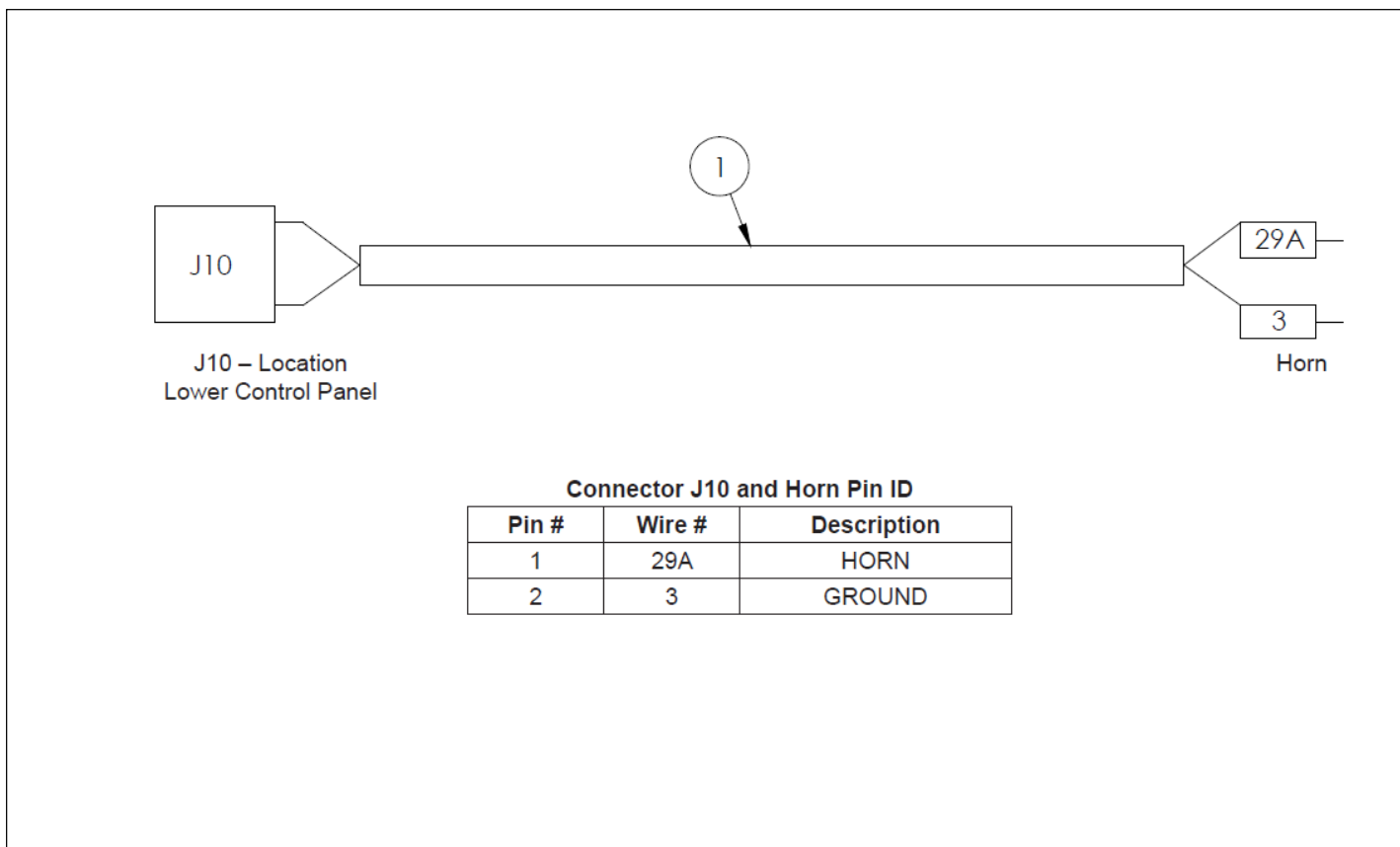
アイテム	部品番号	名前	数量	UOM
1	104699 000	WIRING HARNESS SP2 BYPASS EVDR	1	EA

ELECTRICAL



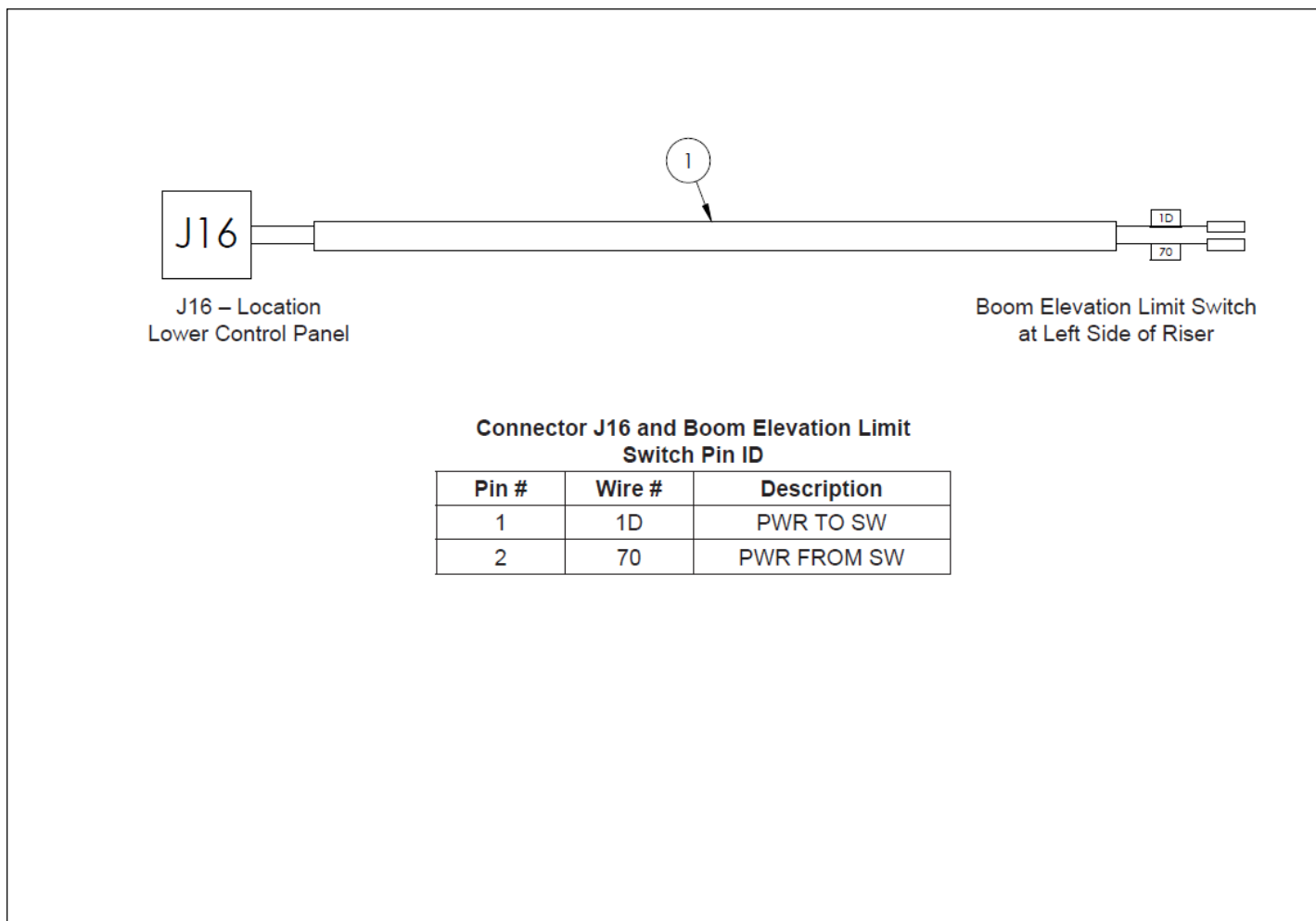
アイテム	部品番号	名前	数量	UOM
1	104698 000 A	WIRING HARNESS, EMERGENCY PUMP	1	EA

ELECTRICAL



アイテム	部品番号	名前	数量	UOM
1	104686 000	WIRING HARNESS, HORN	1	EA

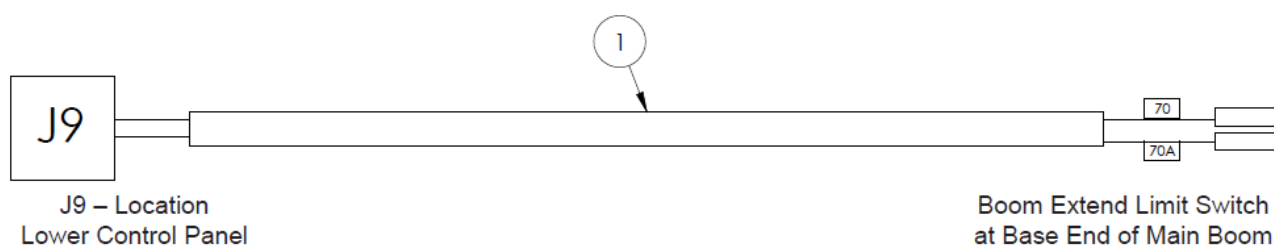
ELECTRICAL



アイテム	部品番号	名前	数量	UOM
1	104687 000	WIRING HARNESS, BOOM ELEVATION LIMIT SWITCH	1	EA



ELECTRICAL

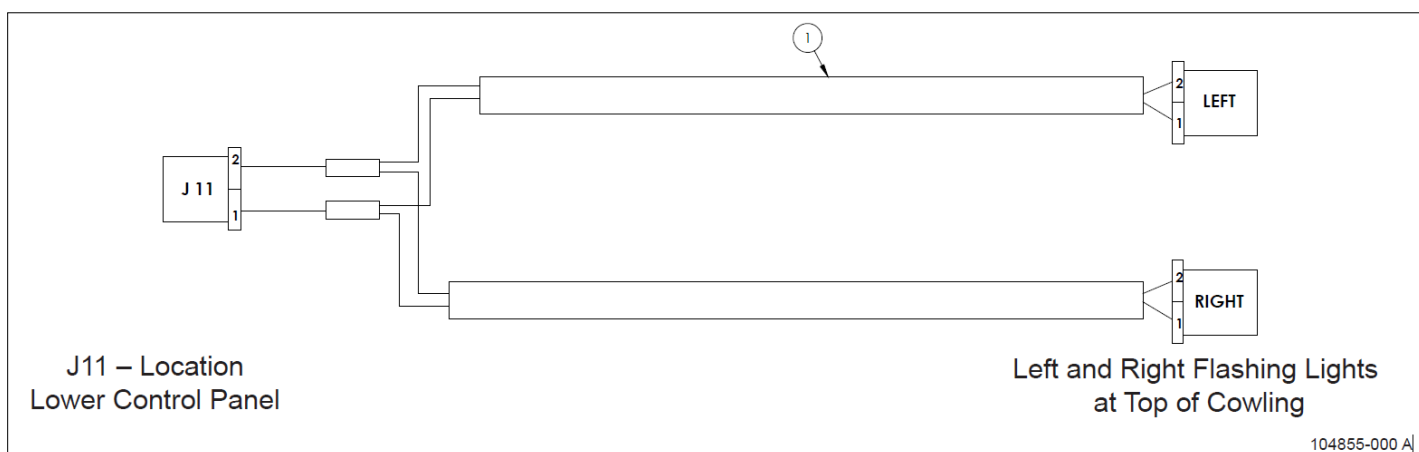


**Connector J9 and Boom Extend Limit Switch  
Pin ID**

Pin #	Wire #	Description
1	70	PWR TO EXT SW
2	70A	PWR FROM EXT SW

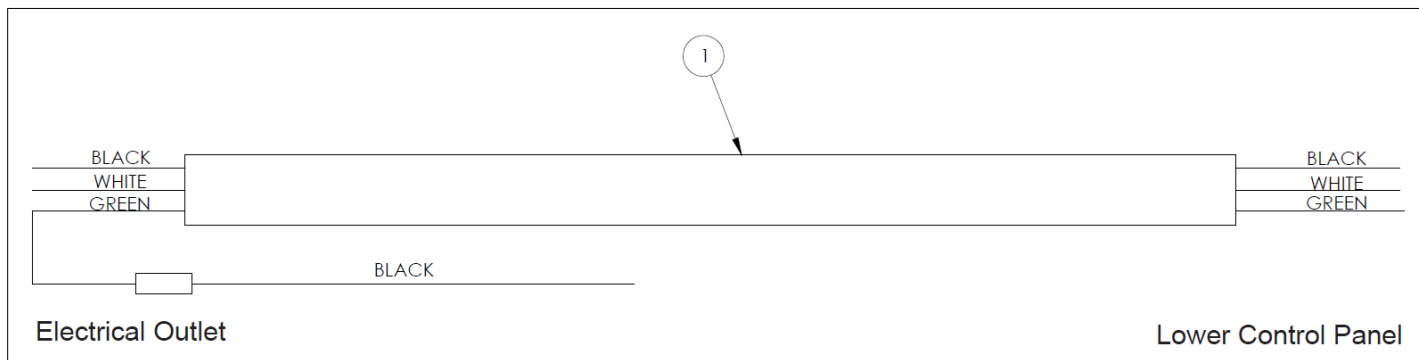
アイテム	部品番号	名前	数量	UOM
1	104688 000 A	BOOM EXTEND LIMIT SWITCH WIRING HARNESS	1	EA

ELECTRICAL



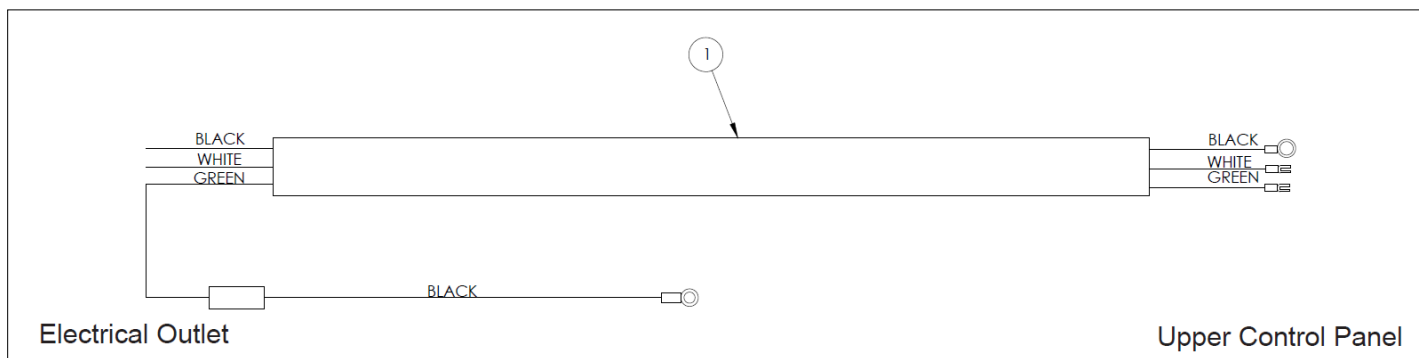
アイテム	部品番号	名前	数量	UOM
1	104855 000	WIRING HARNESS, FLASHING LIGHTS	1	EA

ELECTRICAL



アイテム	部品番号	名前	数量	UOM
1	104857 000	WIRING HARNESS, 110 VAC POWER LOWER	1	EA

ELECTRICAL



アイテム	部品番号	名前	数量	UOM
1	104856 000	WIRING HARNESS, 110 VAC POWER UPPER	1	EA



ELECTRICAL

J6 – Location  
Upper Control Panel

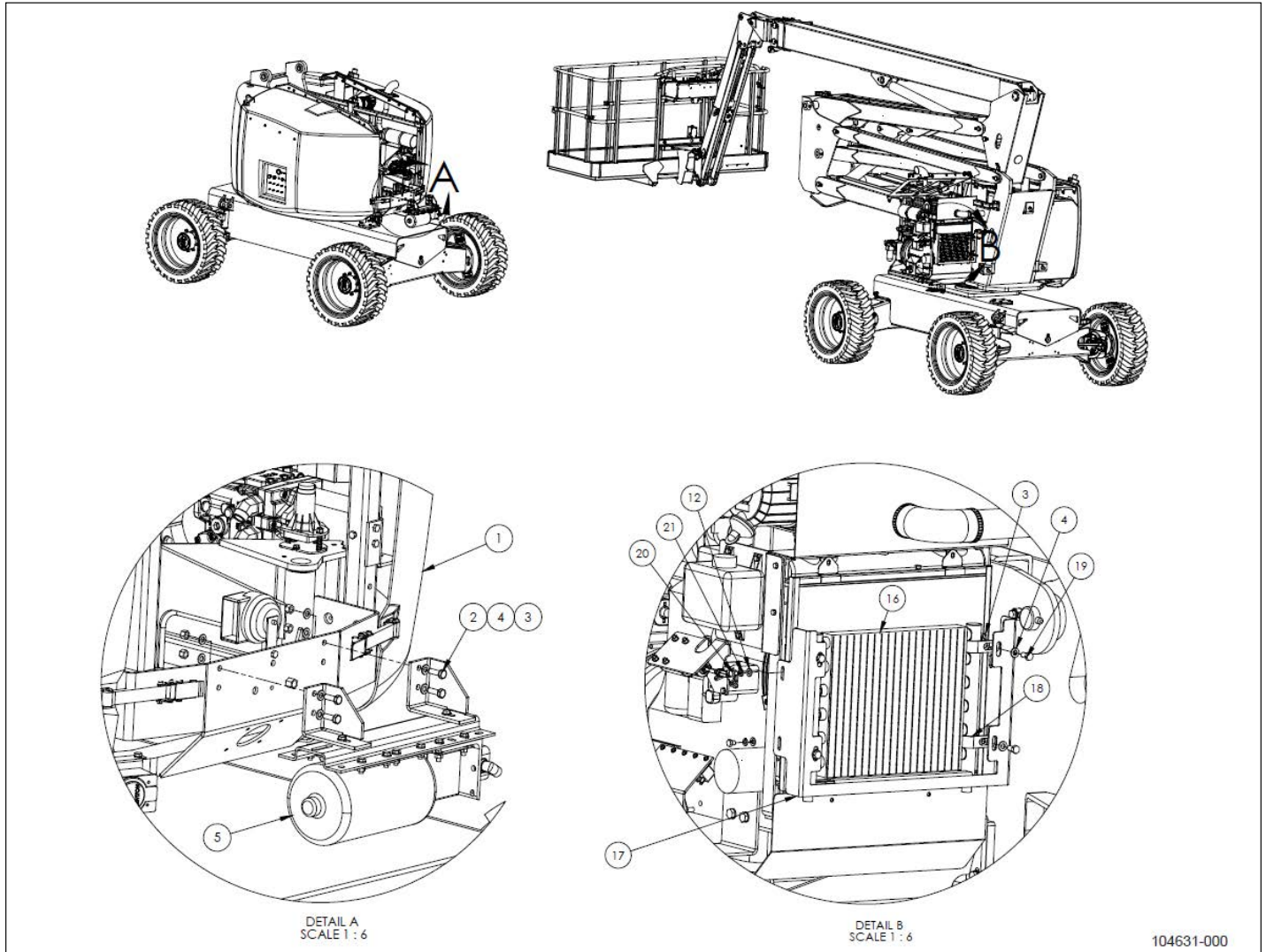
Foot Switch

**Connector J6 and Foot Switch Pin ID**

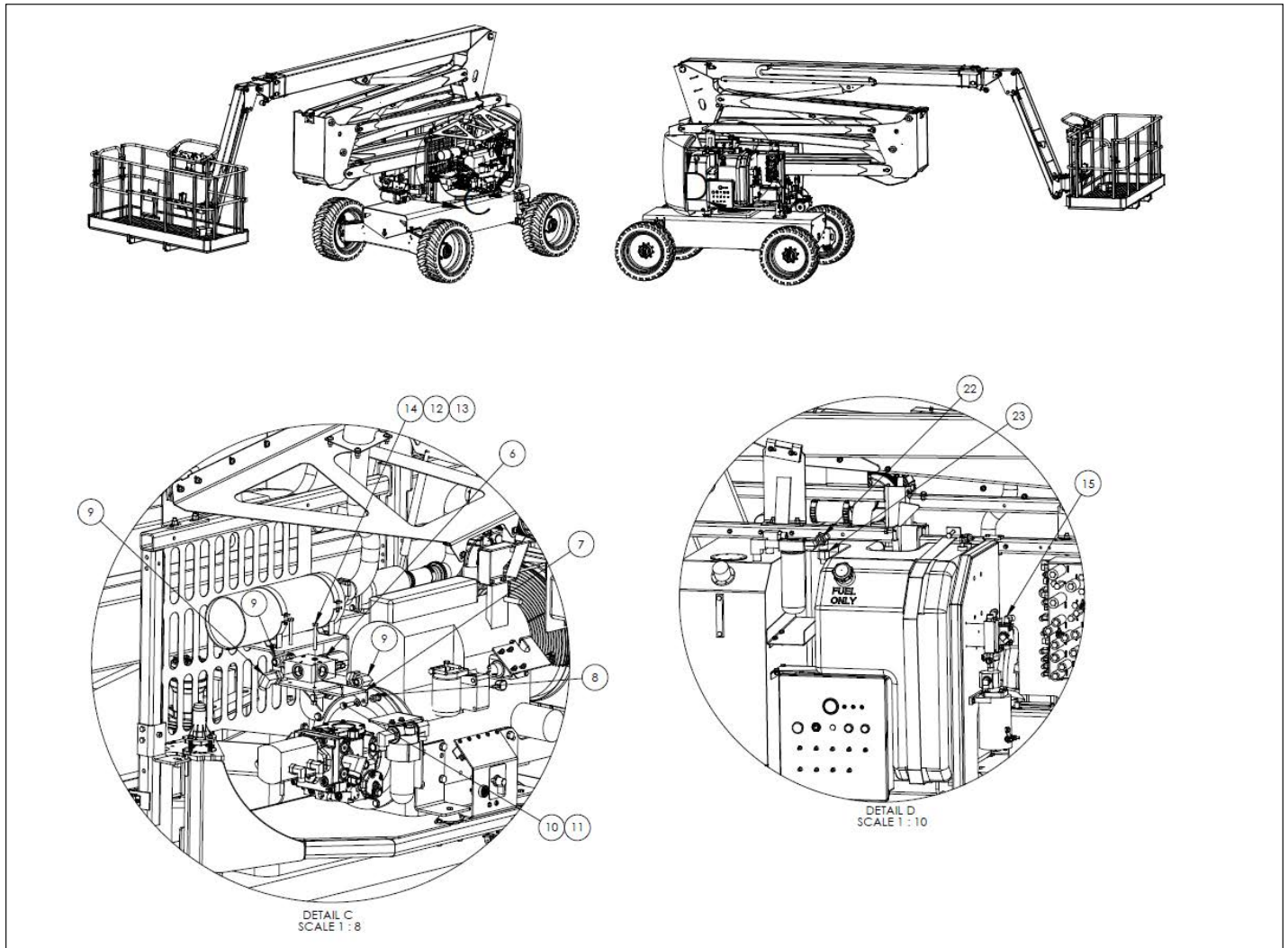
Pin #	Wire #
1	10
2	8
3	9
4	-

アイテム	部品番号	名前	数量	UOM
1	0260047	WIRE HARNESS FOOT SWITCH	1	EA

OPTIONS

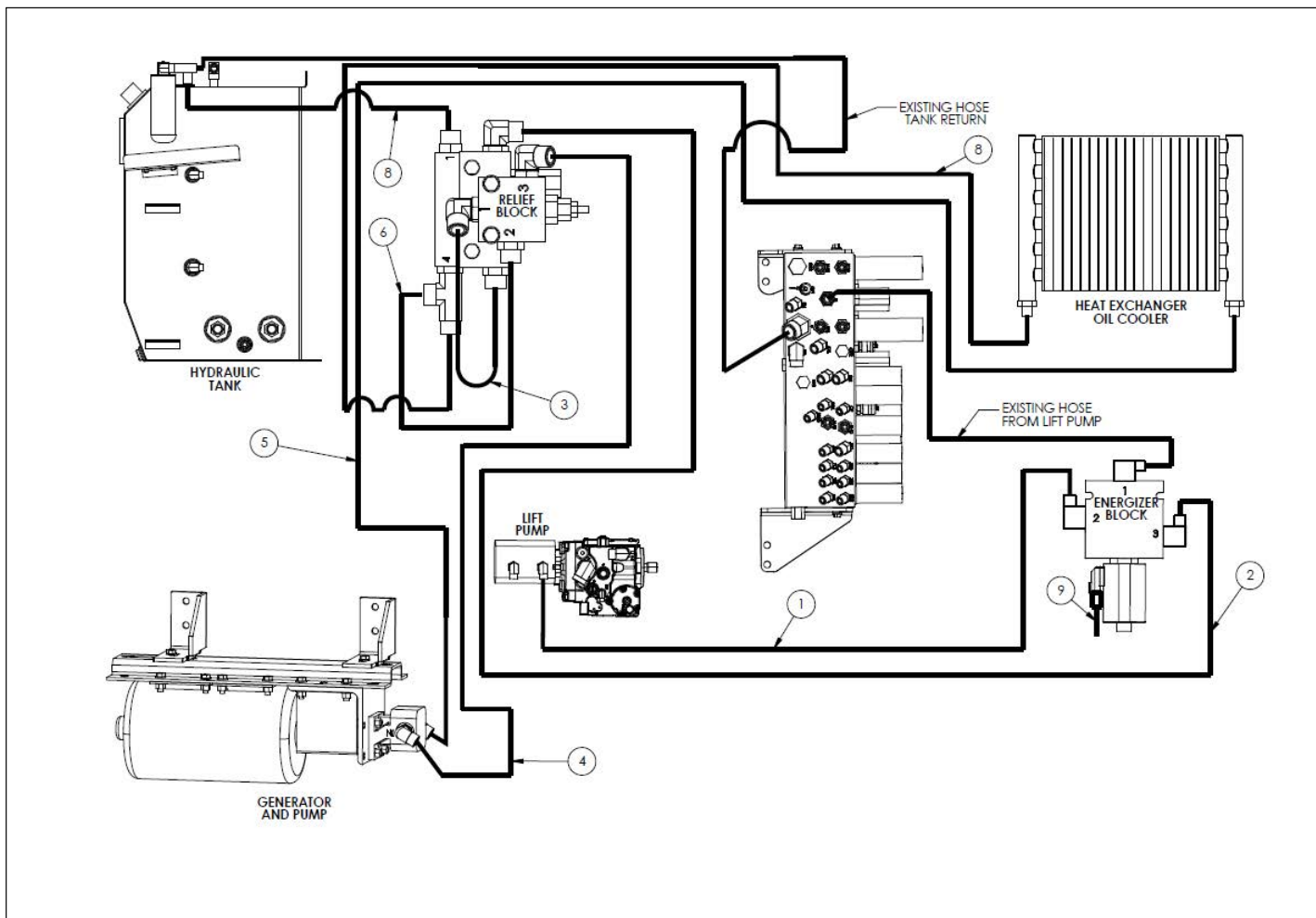


アイテム	部品番号	名前	数量	UOM
	104631 000	110 VOLT/2,000 WATT AC GENERATOR		EA
1	104630 000	BEACON & POWER TO PLATFORM INSTALLATION	1	EA
2	056060 030	BOLT HEXBOLT DIN931 M10 X 30MM 8.8 ZP	4	EA
3	5560719	NUT HEX LKG M 10 1.50 GR 8.8	10	EA
4	986009	WSHR FLAT 10	16	EA
5	104867 000	110 VOLT/2,000 WATT AC GENERATOR – GENERATOR ASSEMBLY	1	EA
6	6019240	VALVE AC GENERATOR ERATORERATOR 12VDC	1	EA
7	104876 000	VALVE BLOCK GENERATOR ERATORERATOR BRAC KET	1	EA
8	104877 000	SPACER .406X.75X.25	1	EA
9	100434 015 3	12MB X 8MORFF 90 ° FITTING	3	EA
10	056060 040	Bolt, HexBolt DIN931 M10 x 40m 8.8 ZP	2	EA
11	5560356	WSHR LOCK 10	2	EA
12	5560613	WASHER FLAT M8	6	EA
13	5560727	NUT HEX LKG M8 1.25	2	EA
14	056059 70	HHD BLT M8 1.25 X 70 GR 8.8	2	EA
15	104875 000	VALVE BLOCK PACK ASSEMBL Y GEN	1	EA
16	104868 000	HEAT EXCHANGER ASSEMBLY	1	EA
17	104878 000	HEAT EXCHANGER BRACKET RACKET	1	EA
18	5093008	CLP CUSH 1.06 VINYL COATED	4	EA
19	056060 020	HEX HD BOLT M10 1.50 X 20MM GR 8.8	4	EA
20	056059 010	HHD BLT M8 1.25 X 10 8.8	4	EA
21	056021 008	Washer SpringWasher DIN127B M8	4	EA



アイテム	部品番号	名前	数量	UOM
22	511341 000	12MORFF X 12FORFF X 12MORFF RUN TEE	1	EA
23	511342 000	12FORFF X 8MORFF STR REDUCER	1	EA

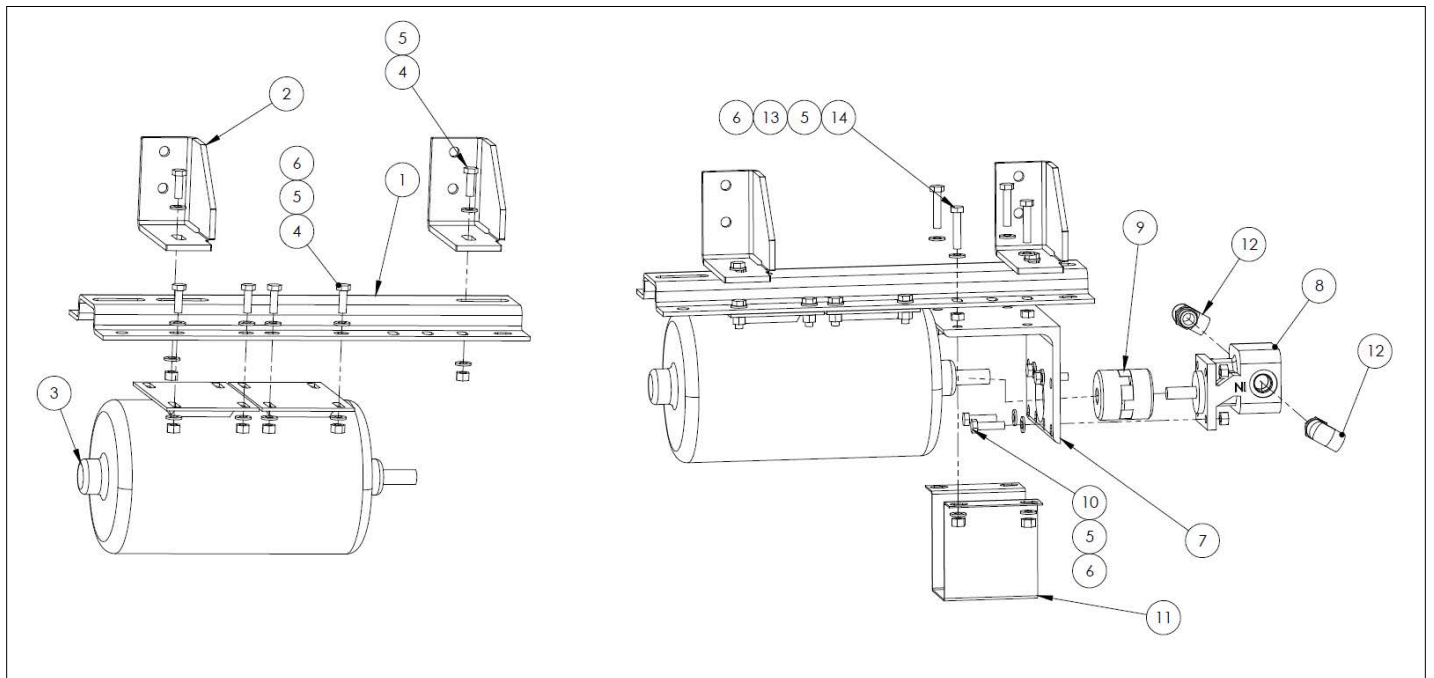
OPTIONS



アイテム	部品番号	名前	数量	UOM
	104619 003	110 VOLT/2,000 WATT AC GENERATOR – PLUMBING DIAGRAM		EA
	104890 000	110 VOLT OLT GENERATOR GENERATOR HOSE KIT – INCLUDED S ITEMS 1 THROUGH 8	1	EA
1	104890 001	1/2" HYD HOSE 3000PSI 451 TC R17 TYPE 8 FORFF X 8FORFF STR	1	EA
2	104890 002	1/2" HYD HOSE 3000PSI 451 TC R17 TYPE 8 FORFF X 8FORFF STR	1	EA
3	104890 003	1/2" HYD HOSE 3000PSI 451 TC R17 TYPE 8 FORFF X 8FORFF STR	1	EA
4	104890 004	1/2" HYD HOSE 3000PSI 451 TC R17 TYPE 8 FORFF X 8FORFF STR	1	EA
5	104890 005	1/2" HYD HOSE 3000PSI 451 TC R17 TYPE 8 FORFF X 8FORFF STR	1	EA
6	104890 006	1/2" HYD HOSE 3000PSI 451 TC R17 TYPE 8 FORFF 90 ° X 8FORFF STR	1	EA
7	104890 007	1/2" HYD HOSE 3000PSI 451 TC R17 TYPE 8 FORFF X 8FORFF STR	1	EA
8	104890 008	1/2" HYD HOSE 3000PSI 451 TC R17 TYPE 8 FORFF X 8FORFF STR	1	EA
9	104863 000	LOWER CONTROL GENERATOR HARNESS	1	EA

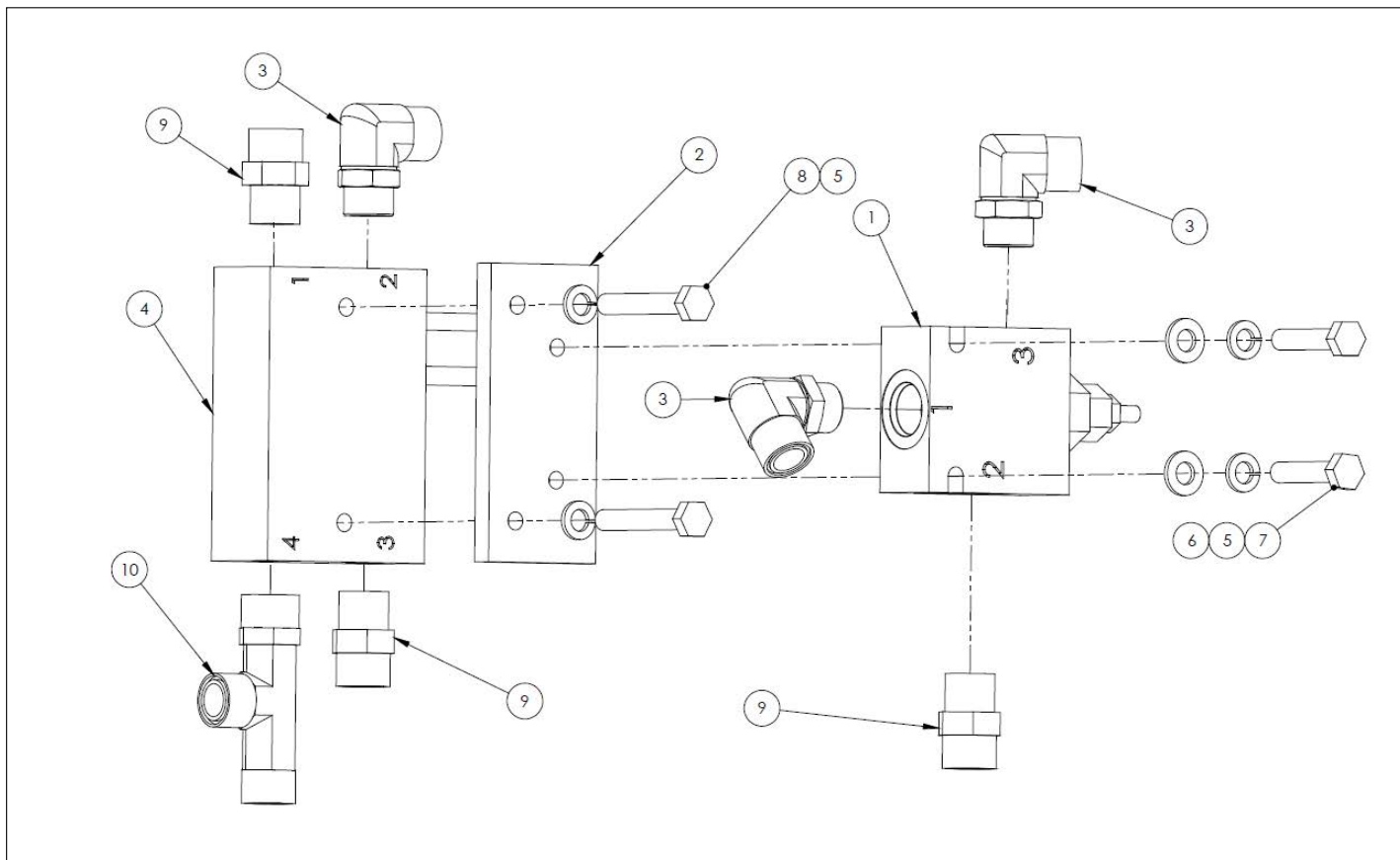


OPTIONS



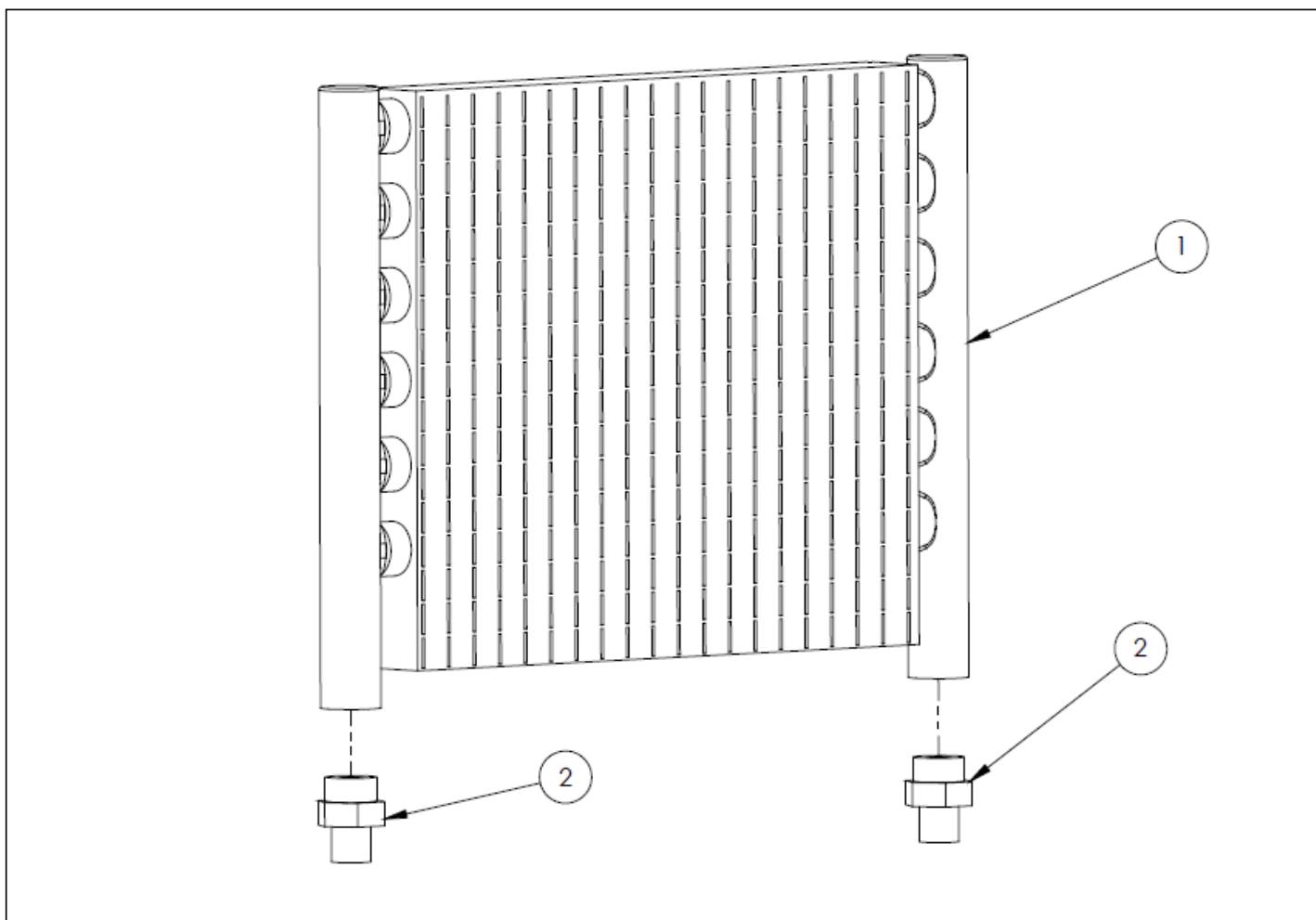
アイテム	部品番号	名前	数量	UOM
	104867 000	110 VOLT/2,000 WATT AC GENERATOR – GENERATOR ASSEMBLY		EA
1	151457	MOUNT PLT HYD GENERATOR	1	EA
2	104860 000	GENERATOR MOUNT BRac KeT WELDMENT	2	EA
3	3080001	GENERATOR 2000 WATT AC 115	1	EA
4	5560357	BLT HEX HD M8 1.25 25MM GR 8.8	10	EA
5	5560613 3	WASHER FLAT M8	32	EA
6	5560727	NUT HEX LKG M8 1.25	18	EA
7	151458	MOUNT ANGLE	1	EA
8	6030029	HYD PUMP	1	EA
9	7240012	COUPLER	1	EA
10	056059 030	Bolt, HexBolt DIN931 M8 x 30mm	4	EA
11	151484	COUPLER COVER	1	EA
12	100434 013	Hyd Fitting 90 Elbow ORFS(08) SAE(08)	2	EA
13	056067 008	Nut, HexNut DIN934 M8 8.0 Zinc	4	EA
14	058492 035	BLT HEXHD M8 X 35MM DIN933 GR8.8 ZP (CE/AU ONLY)	4	EA

OPTIONS



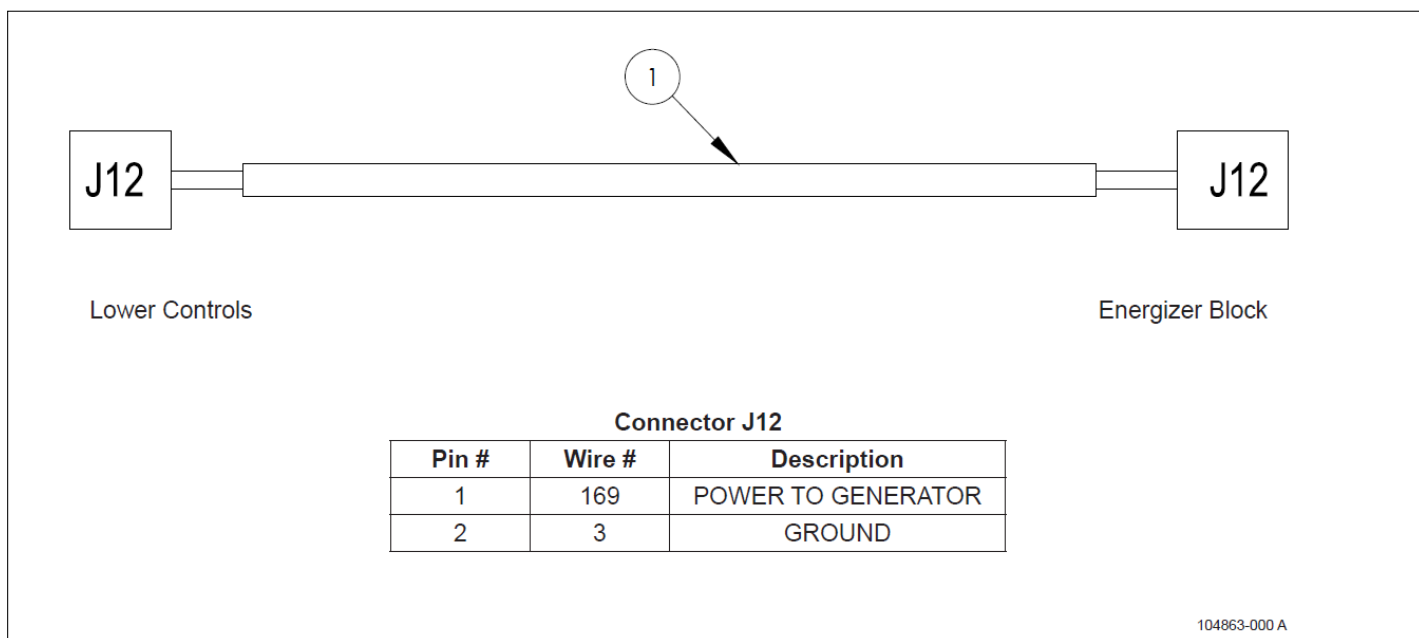
アイテム	部品番号	名前	数量	UOM
	104875 000 A	110 VOLT/2,000 WATT AC GENERATOR – VALVE BLOCK ASSEMBLY		EA
1	6019272	VALVE, AC GENERATOR 5.0 FLOW REDUCER	1	EA
2	1430489	VALVE MOUNT BRACKET BRACKET	1	EA
3	100434 013 3	8MB X 8M ORFF 90 ° FITTING	3	EA
4	6019241	VALVE, AC GENERATOR ERATORERATOR	1	EA
5	056021 008	Washer SpringWasher DIN127B M8	4	EA
6	058492 035	BLT HEXHD M8 X 35MM DIN933 GR8.8 ZP (CE/AU ONLY)	2	EA
7	5560613	WASHER FLAT M8	2	EA
8	056059 055	HHD BLT M8 1.25 X 55 8.8	2	EA
9	100432 015 3	8MB X 8MORFF STR FITTING	3	EA
10	104879 000	8MORFF X 8MB X 8MORFF RUN TEE	1	EA

OPTIONS



アイテム	部品番号	名前	数量	UOM
	104868 000 A	110 VOLT/2,000 WATT AC GENERATOR – HEAT EXCHANGER ASSEMBLY		EA
1	6050005	OIL COOLER HEAT EXCHANGER	1	EA
2	104880 000	12MB X 8M ORFF STR	2	EA

OPTIONS



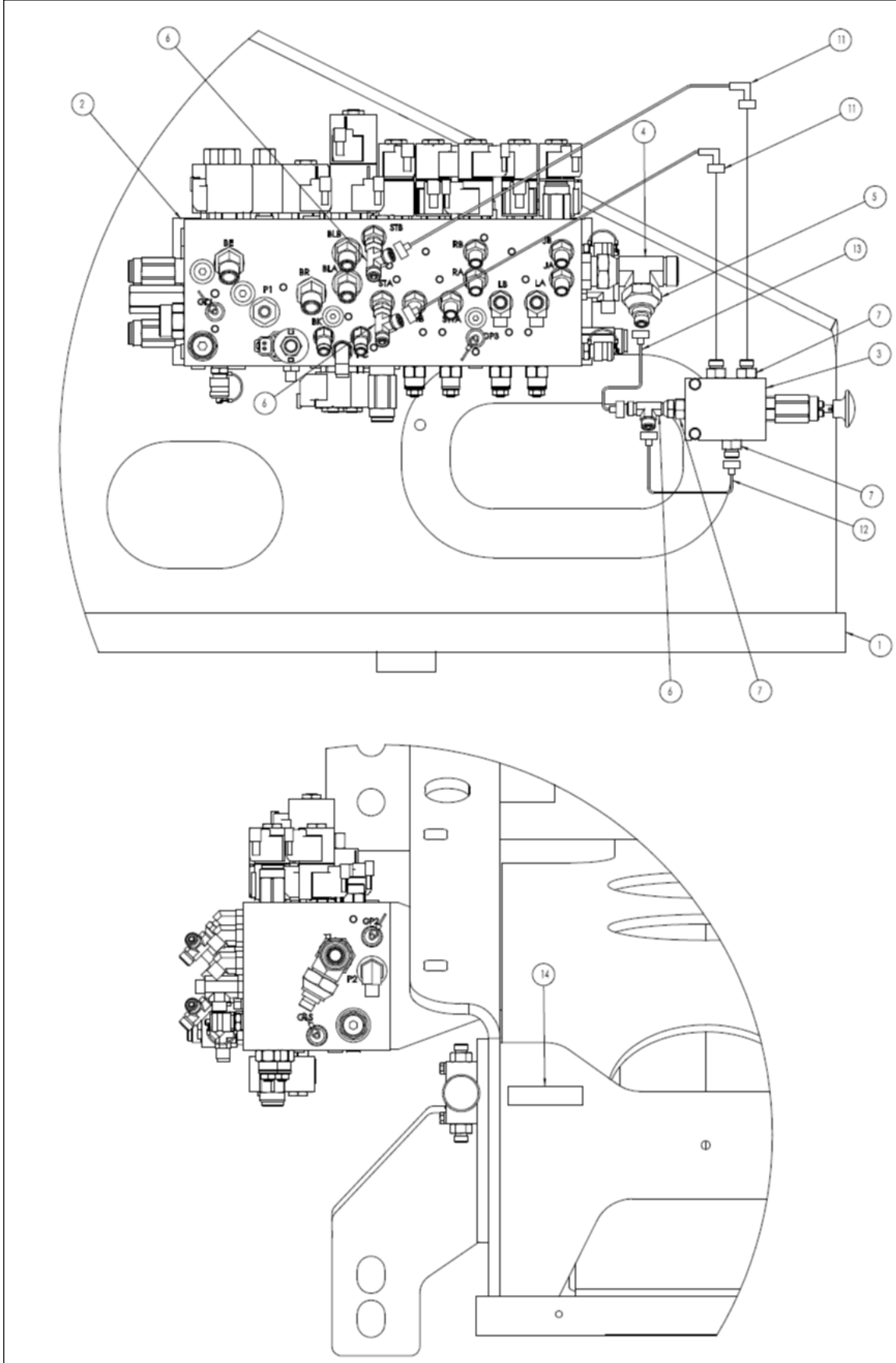
アイテム	部品番号	名前	数量	UOM
1	104863 000 A	110 VOLT/2,000 WATT AC GENERATOR – LOWER CONTROL/GENERATOR HARNESS	1	EA





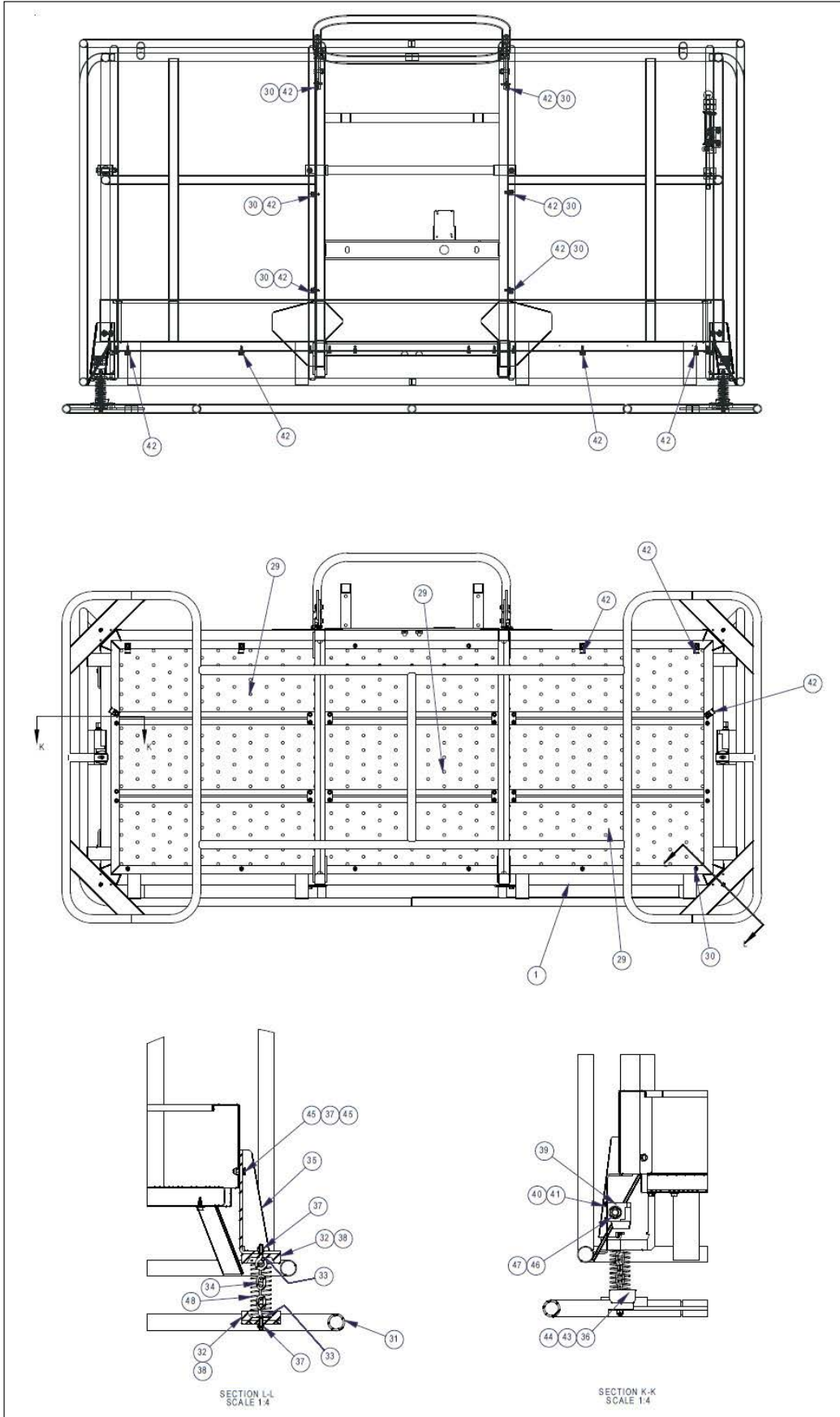
アイテム	部品番号	名前	数量	UOM
	1430488 C	TOW PACKAGE		EA
1	1430494	DOUBLER	1	EA
2	1430497	CHASSIS BRACKET WLDMT	1	EA
3	0152346	TOW BAR WELDMENT UNO41 4X4	1	EA
4	2690001	BUSHING, 1 INCH SPHERICAL PLAIN	1	EA
5	1430498	WLDMT TIE ROD	1	EA
6	0110943	WELDMENT PIN DRAG	1	EA
7	0111465	WLDMT TIE ROD	1	EA
8	0421606	TOW BAR PIN	1	EA
9	0111520	ROTATION STOP	1	EA
10	5550005	CLP EXH 1.75	1	EA
11	0110833	DRAG LING PIN WLDMT	1	EA
12	0110836	CRADLE DRAG LINK	2	EA
13	5561550	HAIRPIN COTTER, LEITZKE #2108	3	EA
14	5580002	PIN SNAPPER	1	EA
15	5260026	FTG GREASE ZERK 1/8NPT SLFTAP	1	EA
16	0072203	DECAL TOWING INSTRUCTIONS	1	EA
17	0181466	DECAL TOP/BOTTOM	1	EA
19	1430493	DRAG LINK TOW PACKAGE	1	EA
20	106593 000	BEARING GM1620 024 1" ID X 1 1/4" OD 1 1/2" LONG	1	EA
21	106595 000	BEARING MRP0812 16 1/2" ID 3/4" OD 1" LONG	1	EA
22	0181678	CRADLE TOW BAR	2	EA
23	056065 140	HHCS M12 x 1.75 x 140 G8.8 DIN 931	2	EA
24	056066 012	Nut, NylockNut DIN985 M12 8.0	4	EA
25	056065 100	HHCS M12 x 1.75 x 100 G8.8 DIN 931	2	EA

OPTIONS

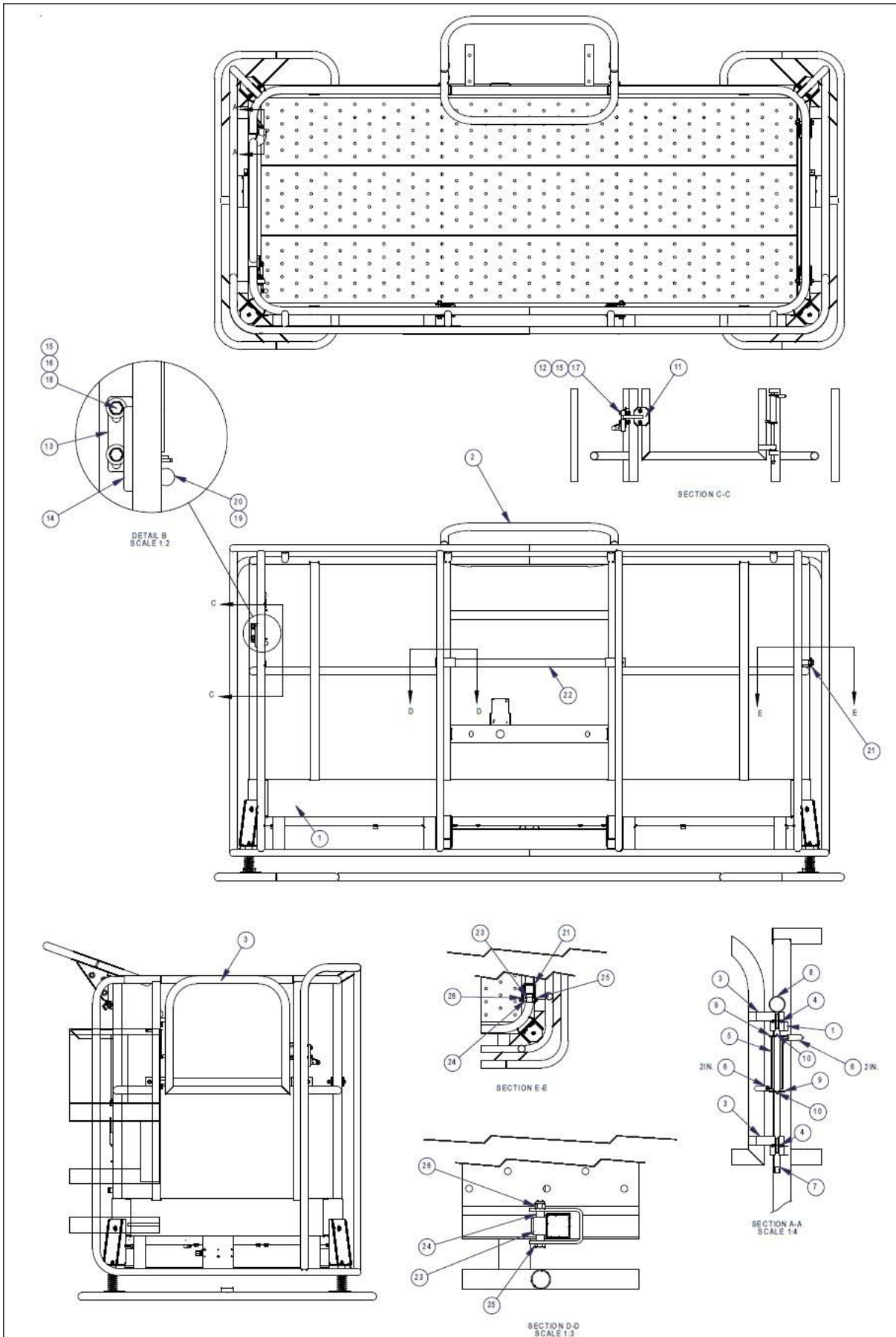


アイテム	部品番号	名前	数量	UOM
	1430488 C	TOW PACKAGE		EA
1	PNNA	TURNTABLE	REF	EA
2	511265 000	BOOM FUNCTION CONTROL VALVE ASSY	REF	EA
3	6010616	FLOAT VALVE	1	EA
4	5033036	FTG RUN TEE SWVL 12 FEMORFF X 12 MBORFF X 12 MBORFF	1	EA
5	5067017	FTG REDUCER 12 FEMORFF X 4 MBORFF	1	EA
6	5033035	TEE RUN SWVL, 4FORRFS X 4FORFS X 4 MORFS	3	EA
7	5067018	FTG REDUCER 6 MBSAE X 4 MBORFF	4	EA
8	056069 006	WSHR STEELFLATWSHE M6 DIN125A	2	EA
9	056058 070	Bolt, HexBolt DIN931 M6 x 70mm	2	EA
10	056066 006	Nut NylockNut DIN985 M6 8.0 Zi	2	EA
11	1430490	HOSE 4ORFF 90 DEG EL 4ORFF STRAIGHT 4 X 24" 100R1	2	EA
12	107090 025	HOSE M1230E PD 1/4 R17 330MM 4 (9/16 ORFS) STRAIGHT EACH END	1	EA
13	1430492	HOSE 4ORFF 90 DEG EL 4ORFF STRAIGHT 4 X 24" 100R1	1	EA
14	0090760	DECAL STEERING FLOAT VALVE TOW PACKAGE	1	EA

OPTIONS



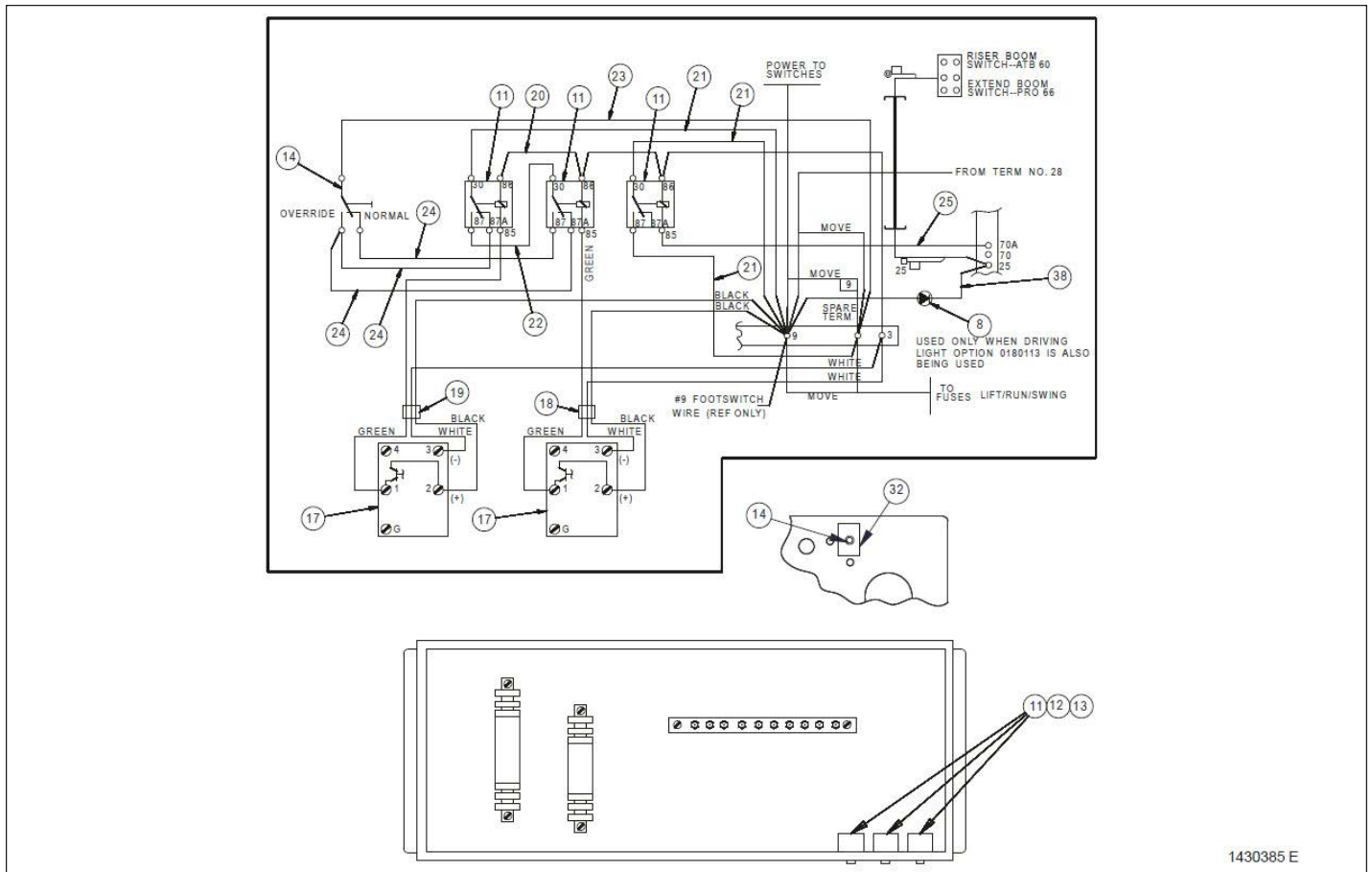
アイテム	部品番号	名前	数量	UOM
	1430385 E	PLATFORM 8 FOOT WITH BUMP GUARD UPPER CONTROL WIRING		EA
1	1430378	PLATFORM BUMP FRAME	1	EA
2	0074096	GUARD WELDMENT	1	EA
3	1430099	WLDMT, GATE SWING SIDE	1	EA
4	2572007	BRG .500ID .625OD .625	4	EA
5	0071837	TORSION SPRING BASKET MODIF.	1	EA
6	967299	HOESAE30R2 04 TYPE 3 1/4 in ID FUEL LINE	2	EA
7	0420632	PIN 0.50 4.859 GRIP	1	EA
8	2667500	95 BALL KNOB 1 3/8 X 1/2 13	1	EA
9	986359	FLATWASHER 1/2"	2	EA
10	988179	COTTER PIN, 1/8 DIA. X 1" LG.	2	EA
11	0421529 5	WLDMT STRIKER SWING GATE	1	EA
12	5560031	NUT HEX LKG .313 18	4	EA
13	0421519 5	PLT LATCH MNT SWING GATE	1	EA
14	300492	LATCH LH TRAY ROTARY LOCK	1	EA
15	986269	WSHR FLAT .313	4	EA
16	987109	WSHR LOCK .313	2	EA
17	970279	BLT HEXHD .313 18 1.50 GR5	2	EA
18	970239	BLT HEXHD .313 18 .750 GR5	2	EA
19	970009	Capscrew 1/4 20 x 1/2 inch lon	1	EA
20	302555	KNOB ROUND .25 20NC FEMALE DIM	1	EA
21	0420199	WLDMT, GATE GRAVITY SIDE	1	EA
22	0421321	WLDMT, GG FRONT 36x96 STL PLAT	1	EA
23	0150509	ROLLER	4	EA
24	0071953	SPCR .451ID .500OD 1.88 STL	4	EA
25	5569865	BLT HEXHD .375 16 2.75 GR5	4	EA



アイテム	部品番号	名前	数量	UOM
26	5560033	.375 16UNC HEX LOCK NUT	10	EA
27	986299	WASHER, FLAT, .375 STANDARD, PLATED	12	EA
28	972479	BLT HEXHD .375 16 1.25 GR5	6	EA
29	8060311	PLATE GRIPSTRUT 8FT	3	EA
30	5563310	HWH .25 14 SELF DRILLING X .75	42	EA
31	1430381	WLDMT BUMP GUARD FRAME	1	EA
32	0181381	SPRING KEEPER	8	EA
33	986019	WSHR FLAT .250	16	EA
34	0181408	CHAIN ASSY	4	EA
35	1430371	SPRING KEEPER MNT ANGLE	4	EA
36	0181406	TARGET PROXIMITY SWITCH INSTL	2	EA
37	5560004	NUT LKG .250 20	16	EA
38	978389	BLT SKTHD .250 20 .75	16	EA
39	3020098	ASSY PHOTOELECTRIC SWITCH	2	EA
40	987089	WSHR LOCK #10 SPLIT TYPE	4	EA
41	5560585	MACHINE SCREW, PAN HD, SLOTTED, #10 32 UNF X .50 MTS 16, 18	4	EA
42	5093001	CLP CUSH .500 VINYL COATED	12	EA
43	986009	WSHR FLAT 10	2	EA
44	5563388	MACHINE SCREW, PAN HD, SLOTTED, #10 24 UNC X .50 MTS 16, 18	2	EA
45	970029	BLT .25 20 .750	8	EA
46	3040070	NUT LKG HUB .500 APPLETON: P/N BL50 REG 801	2	EA
47	3040187	CONN .500 .313 .438	2	EA
48	5530013	SPRING COMPRESSION 1.50 O.D. X	4	EA
49	972259	BLT FLSKTHD .313 18 1.00	2	EA



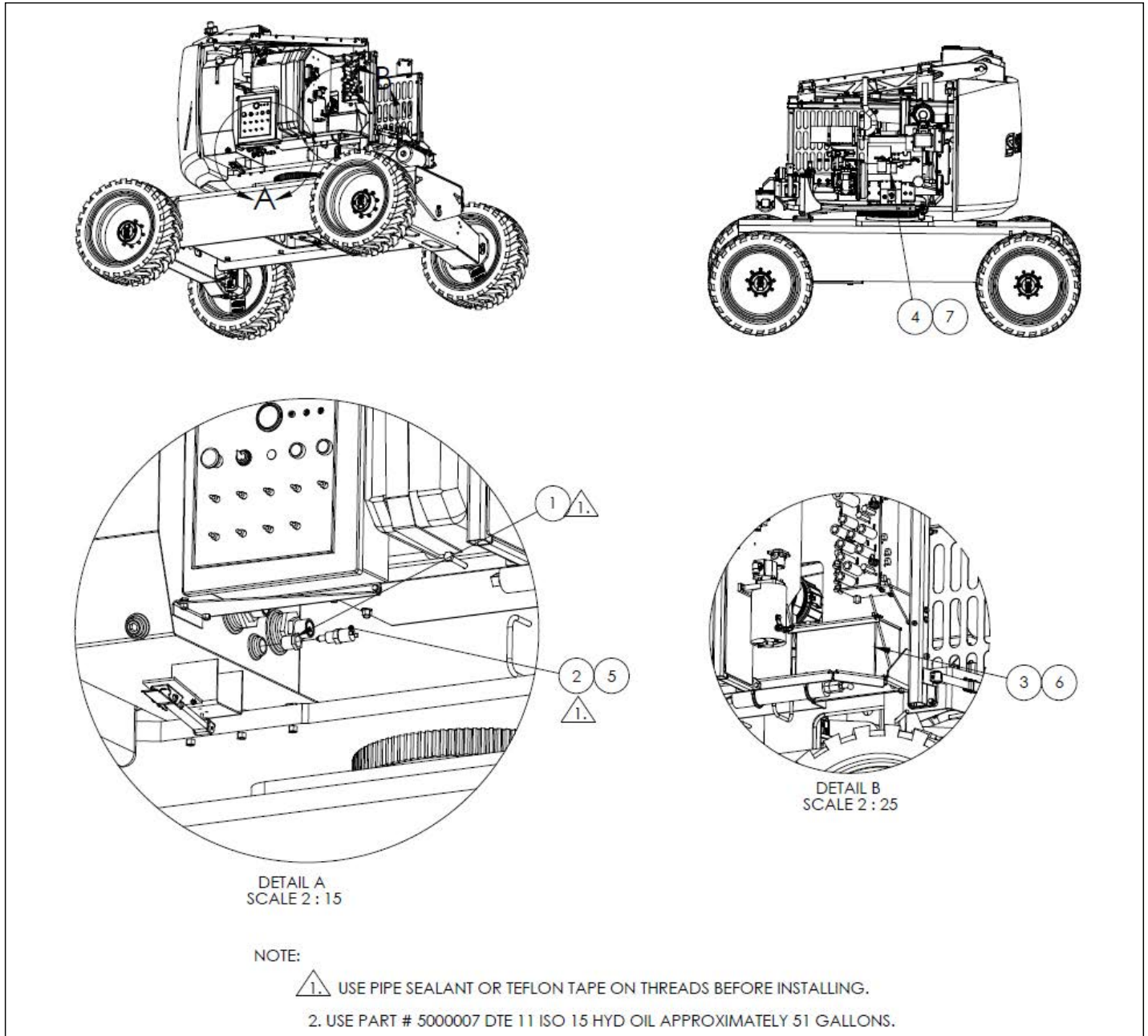
OPTIONS



アイテム	部品番号	名前	数量	UOM
	1430385 E	PLATFORM 8 FOOT WITH BUMP GUARD UPPER CONTROL WIRING		EA
8	0073250	WIRE 18 R10I FEM 1881 17 DIO	1	EA
11	3040502	RELAY 12VDC 70 AMP SPST	3	EA
12	974639	SCR RDH MACH 10 24 .375	5	EA
13	5560034	NUT LKG 10 24	3	EA
14	3020080	TOGGLE SWITCH	1	EA
17	3020098	ASSY PHOTOELECTRIC SWITCH	2	EA
18	3011803	CABLE 18GA/3 CONDUCTOR WIRE	8 FT	EA
19	3011803	CABLE 18GA/3 CONDUCTOR WIRE	8.5 FT	EA
20	0181102	JUMPER WIRE MULTIPLE TERMINAL	1	EA
21	0181103	WIRE 16 R10 FEM250FI 15	3	EA
22	0111476	WIRE 16 FEM250FI FEM250FI 4	1	EA
23	0070758	WIRE 16 R6I R10I 20	1	EA
24	0150756	WIRE 16 R8I FEM250FI 36	3	EA
25	0071528	WIRE 18 FEM250FI FEM188I 21	1	EA
32	0181407	PLAC PROXIMITY SW OVERRIDE	1	EA
33	9980252	COVER KIT	1	EA
34	9980003	PIPE INSUL CLOSED CELL AP ARMA	1368 IN	EA
35	9980005	CABLE TIE UV RESISTANT	500	EA
36	9980006	3/8 ID PLASTIC FLEX WATER PIPE	6.5 FT	EA
37	9980006	3/8 ID PLASTIC FLEX WATER PIPE	7 FT	EA
38	0110835	JUMPER WIRE	1	EA
39	0181480	REF DOCUMENT SPB TB 16	1	EA
40	3042070	NUT LKG HUB .500	1	EA
41	3040116	CONN .75 .500 .625	1	EA

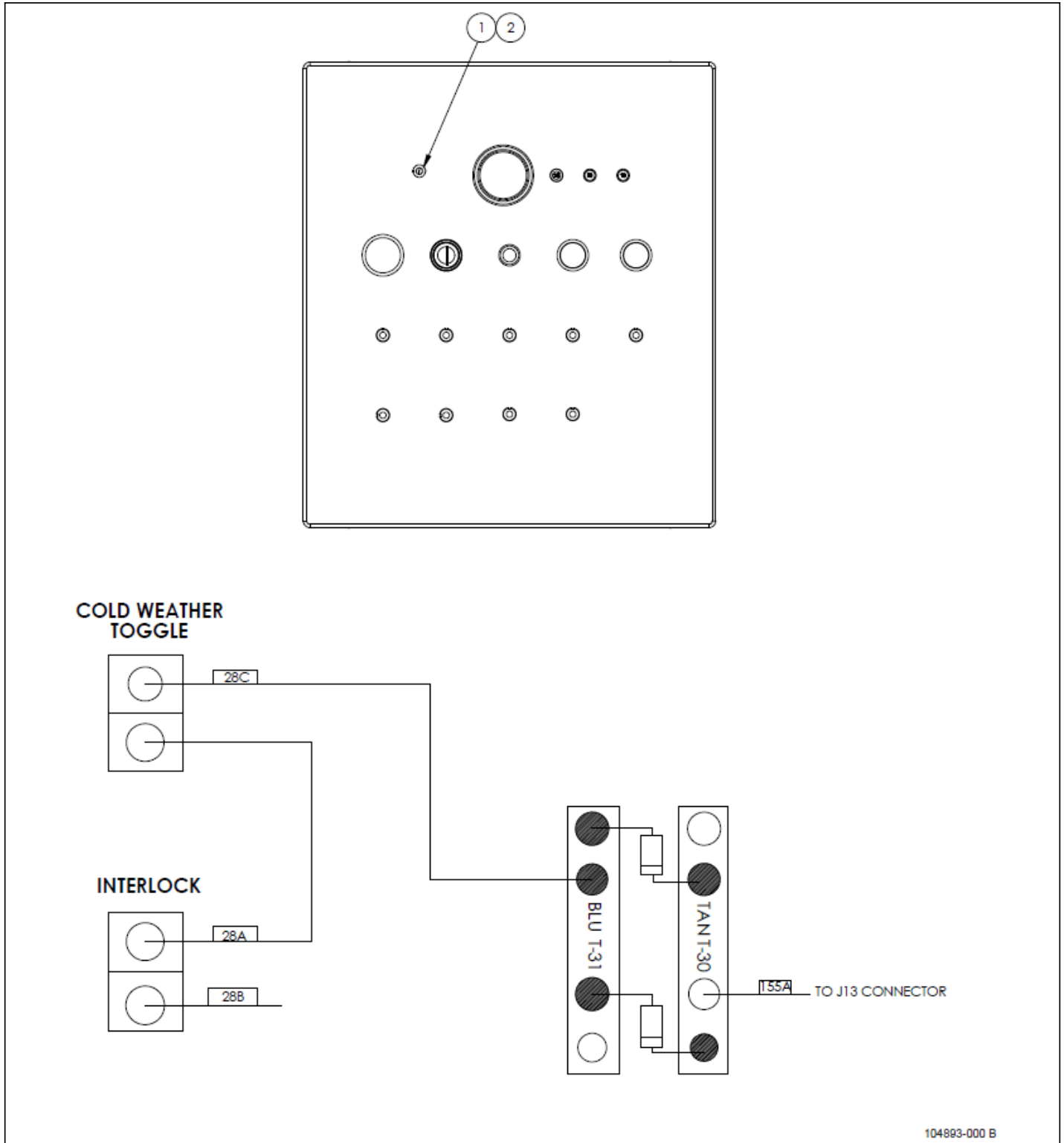
アイテム	部品番号	名前	数量	UOM
42	3040285	CONN .75 .375 .500	1	EA
43	3040469	RELAY SPDT 12V 30AMP SONG	3	EA
44	5560383	BLT HEXHD .250 20 .750 GR8	18	EA

OPTIONS



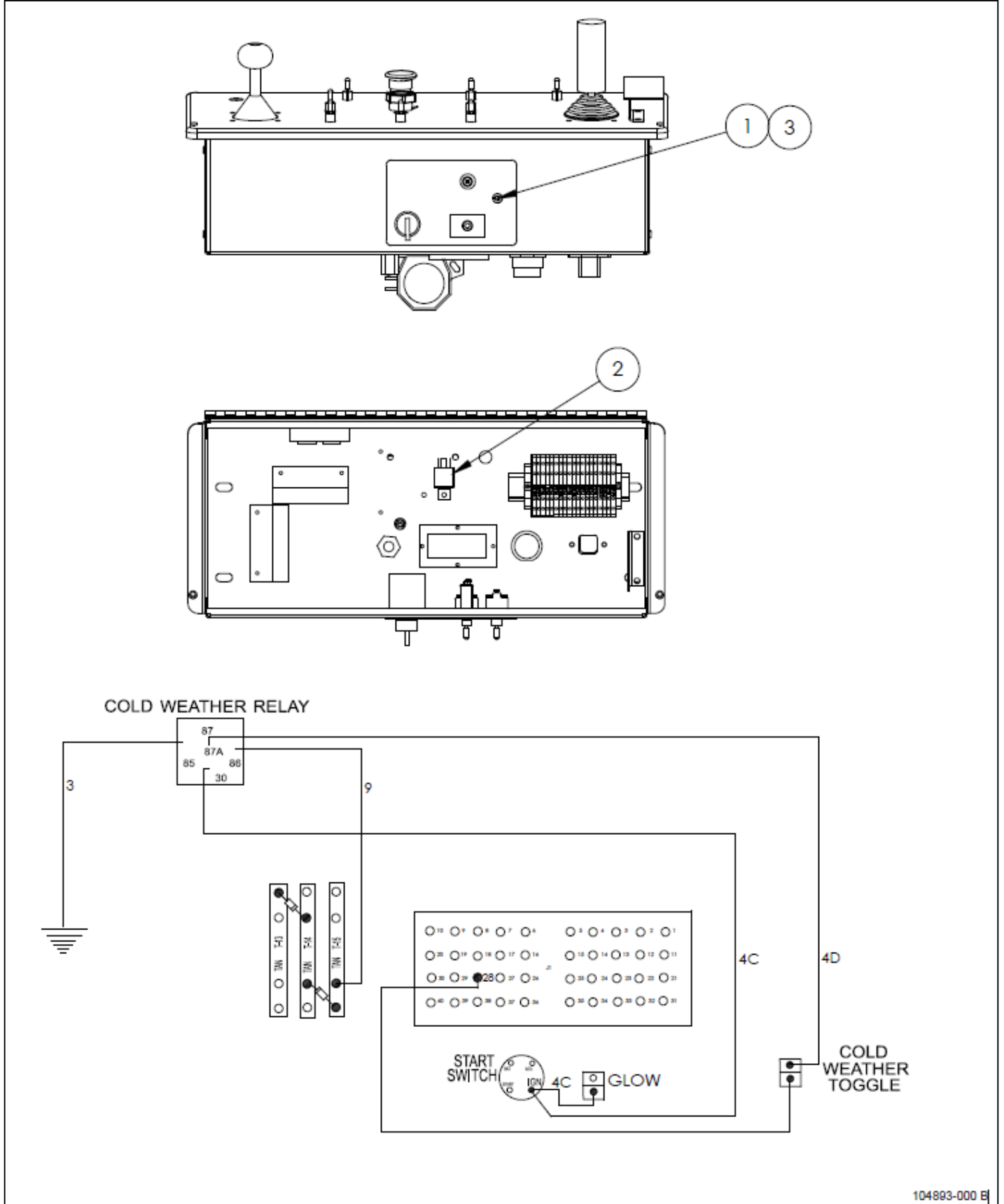
アイテム	部品番号	名前	数量	UOM
	104893 000 B	EXTREME COLD WEATHER KIT UPPER CONTROLS		EA
1	104870 000	3/4 X 1/2 NPT REDUCER	1	EA
2	3020078	TEMPERATURE SWITCH	1	EA
3	3050102	BATTERY BLANKET WARMER	1	EA
4	104869 000	BLOCK HEATER	1	EA
5	104866 000	LOWER CONTROLS HyDRAULIC WARM UP HARNESS	1	EA
6	0073077	CABLE ASSEMBLY EXTENSION	1	EA
7	0181634	DECAL ENGINE BLOCK HEATER	1	EA

OPTIONS



アイテム	部品番号	名前	数量	UOM
	104893 000 B	EXTREME COLD WEATHER KIT UPPER CONTROLS		EA
1	3020047	Switch, Toggle Honeywell INTI 3	1	EA
2	0260275	PLACARD, HYD WARM UP	1	EA

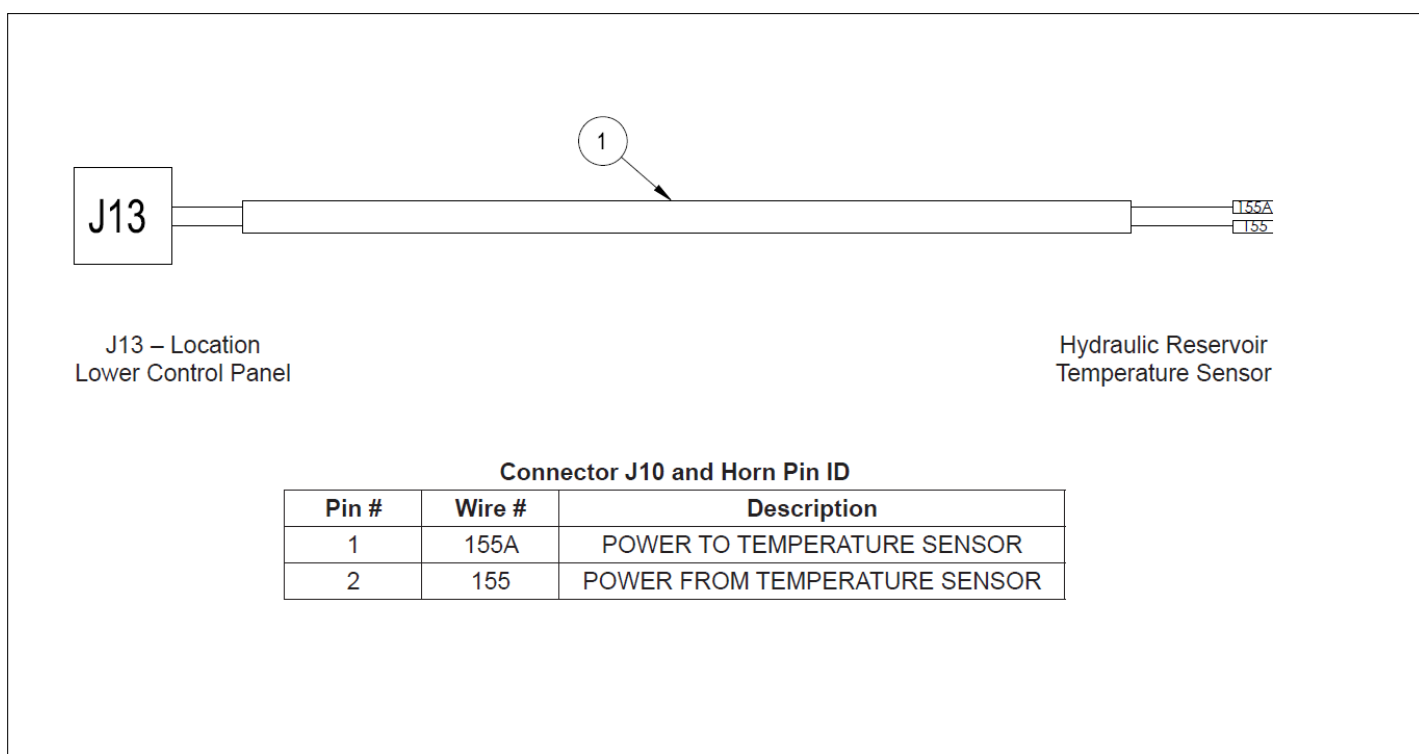
OPTIONS





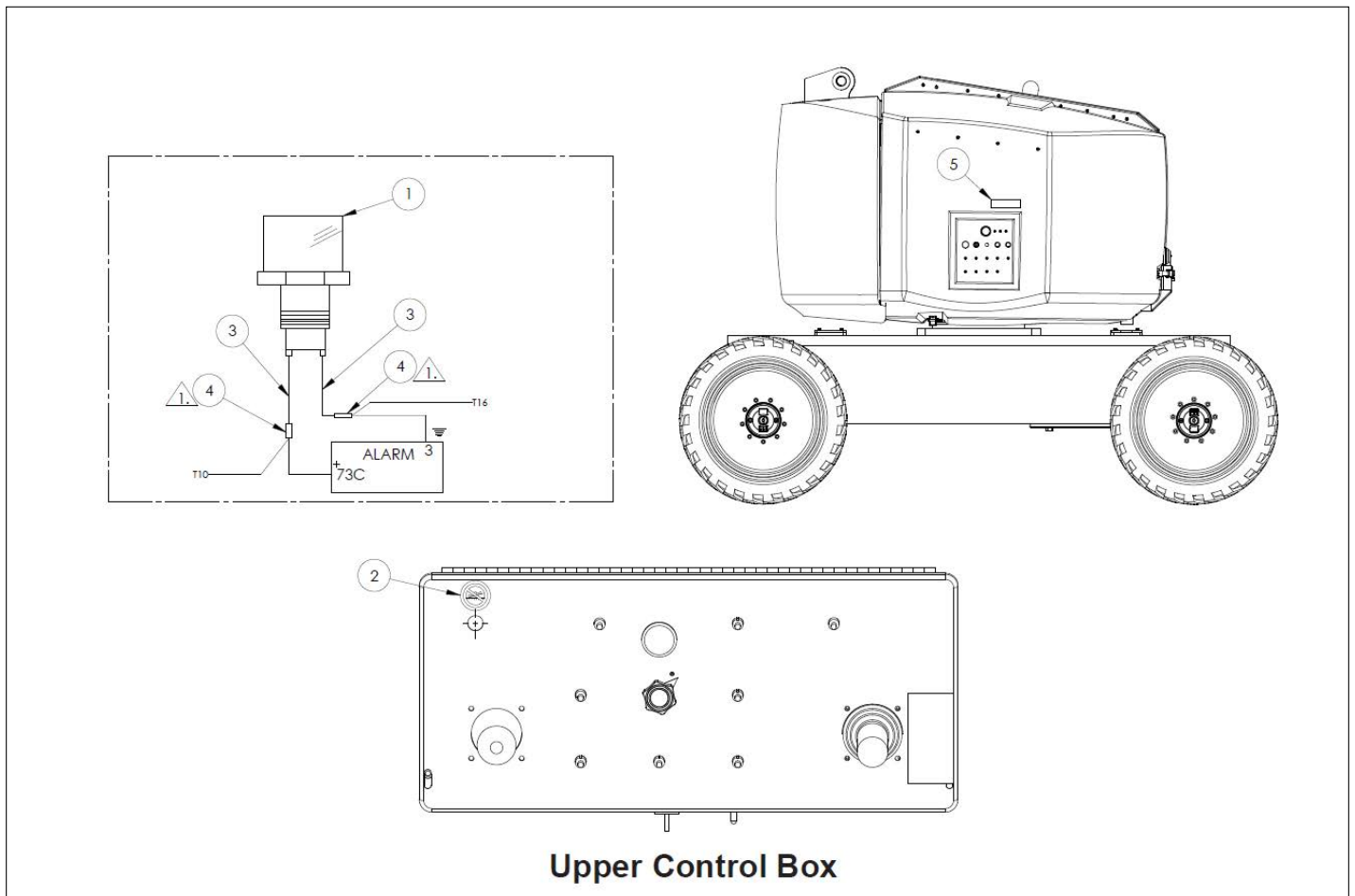
アイテム	部品番号	名前	数量	UOM
	104893 000 B	EXTREME COLD WEATHER KIT UPPER CONTROLS		EA
1	3020047	Switch, Toggle Honeywell INTI 3	1	EA
2	3040469	RELAY SPDT 12V 30AMP SONG	1	EA
3	0260275	PLACARD, HYD WARM UP	1	EA

OPTIONS



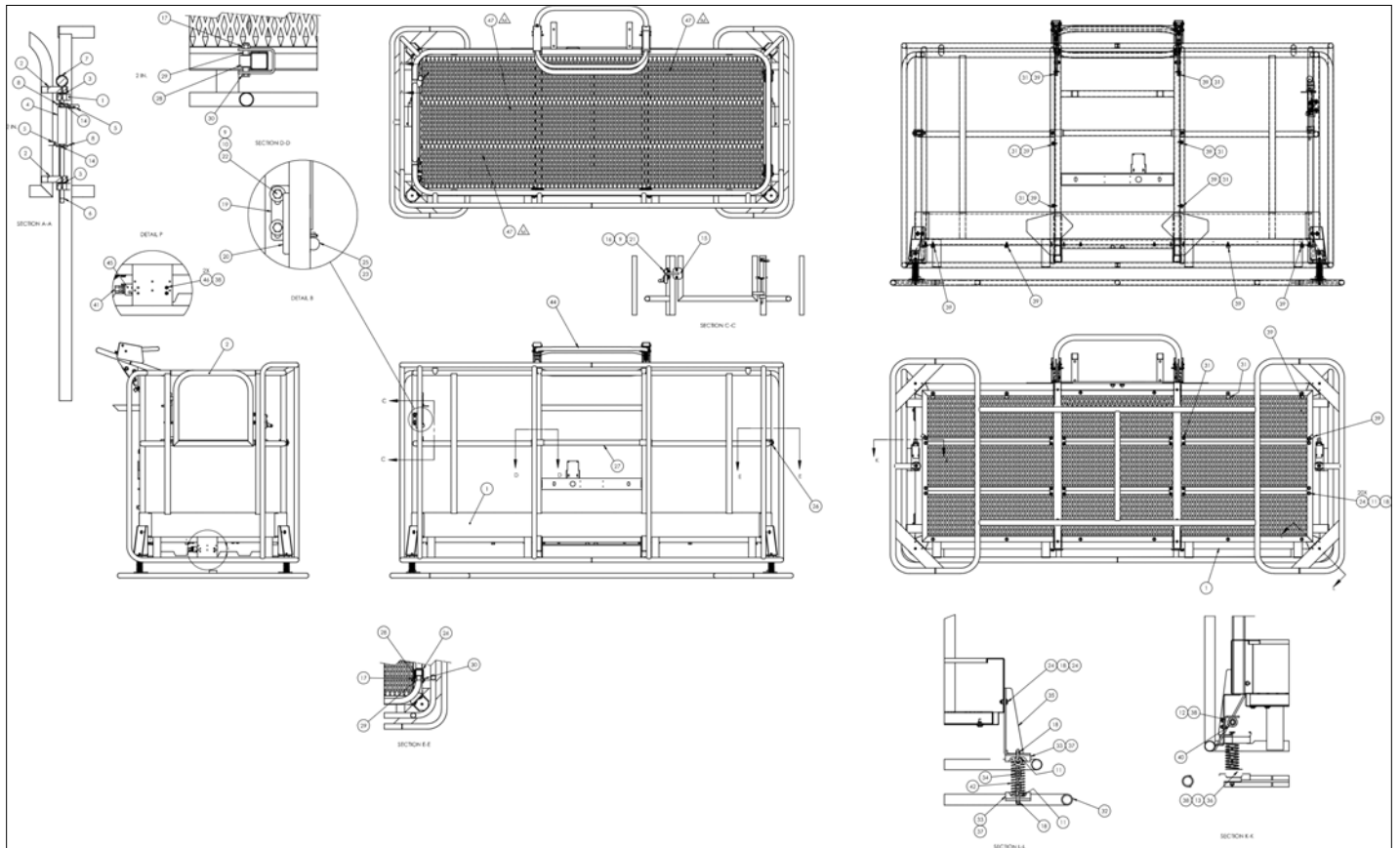
アイテム	部品番号	名前	数量	UOM
1	104866 000	LOWER CONTROLS HyDRAULIC WARM UP HARNESS	1	EA

OPTIONS



アイテム	部品番号	名前	数量	UOM
	104633 000	CSA PACKAGE		EA
	104894 000	OPTION CSA TILT LIGHT A62JRT		EA
1	3069524	LIGHT RED LED 12V	1	EA
2	0081384	DECAL, TILT LAMP (From SN TL37J 01 00291)	1	EA
3	0071536	WIRE 18 FEM188I FEM188I 25	2	EA
4	3044071	TERM BUTT CONN INSUL 16/14	2	EA
5	0075234	DECAL CSA COMPLIANCE	1	EA
Not Shown	1430557	MANUAL INSPECTION AND MAINTENANCE CHECKLIST A62JRT	1	EA

OPTIONS

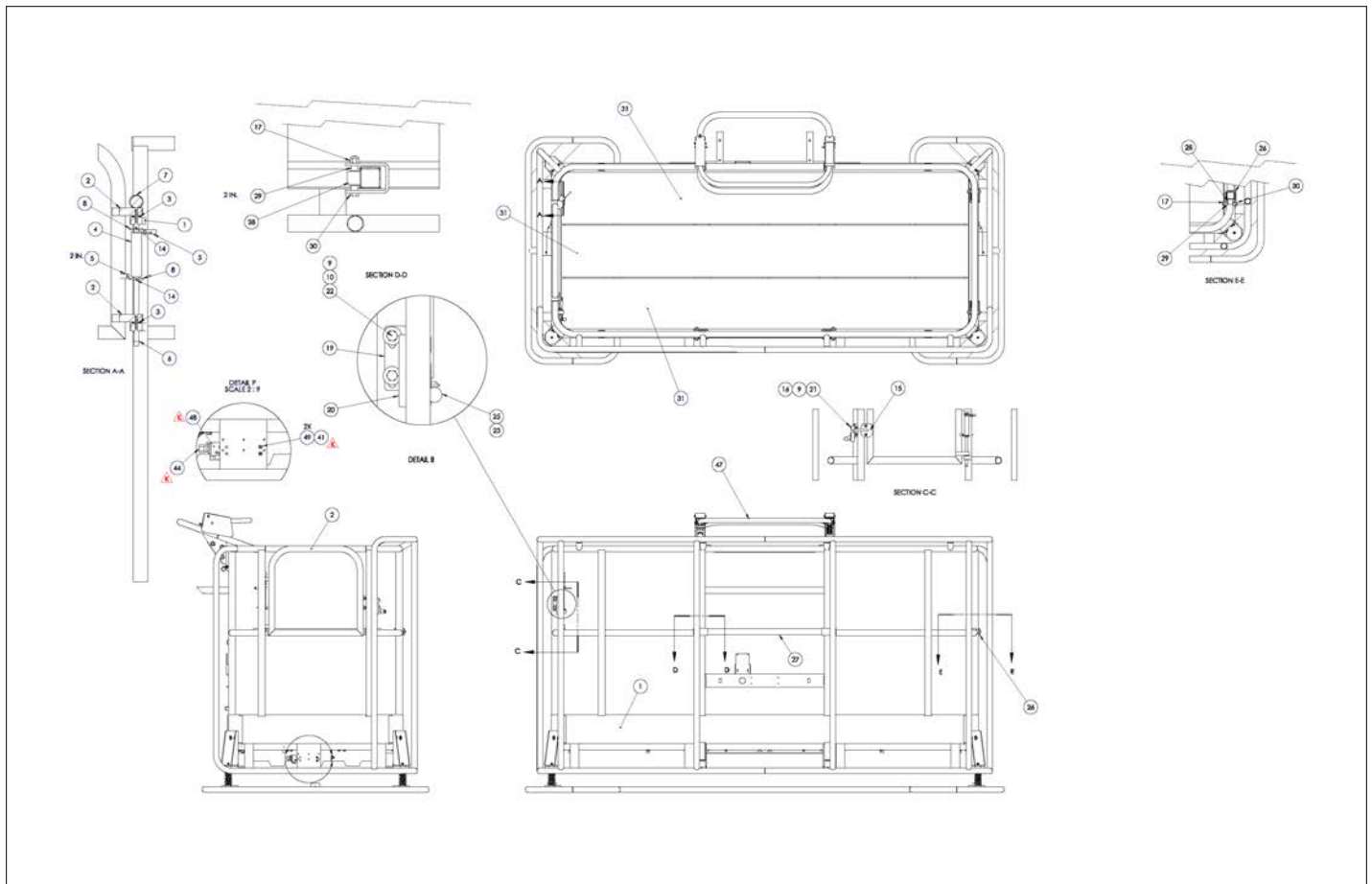


アイテム	部品番号	名前	数量	UOM
	1430385 M	36 X 96 PLATFORM ASSEMBLY WITH BUMP GUARD AND PADDING MARCH 2009 AND AFTER		EA
1	1430378 5	WLDMT PLATF BUMP FRAME MOD	1	EA
2	1430099 5	WLDMT STRIKE GATE SWING	1	EA
3	2572007	BRG .500ID .625OD .625	4	EA
4	0071837	TORSION SPRING BASKET MODIF.	1	EA
5	5010007	HOSE VACUUM .156 ID 4.0MM	0.33	EA
6	0420632	PIN 0.50 4.859 GRIP	1	EA
7	2667500	95 BALL KNOB 1 3/8 X 1/2 13	1	EA
8	986359	FLATWASHER 1/2"	2	EA
9	986269	WSHR FLAT .313	4	EA
10	5563393	WASHER FLAT .438 HARDENED	2	EA
11	986019	WSHR FLAT .250	36	EA
12	5560654	WSHR LOCK #10 SPLIT TYPE	4	EA
13	986009	WSHR FLAT 10	2	EA
14	988179	COTTER PIN, 1/8 DIA. X 1" LG.	2	EA
15	0421529 5	WLDMT STRIKER SWING GATE	1	EA
16	5560031	NUT HEX LKG .313 18	4	EA
17	5560033	.375 16UNC HEX LOCK NUT	4	EA
18	5560004	NUT LKG .250 20	36	EA
19	0421519 5	PLT LATCH MNT SWING GATE	1	EA
20	300492	LATCH LH TRAY ROTARY LOCK	1	EA
21	970279	BLT HEXHD .313 18 1.50 GR5	2	EA
22	970239	BLT HEXHD .313 18 .750 GR5	2	EA
23	970009	Capscrew 1/4 20 x 1/2 inch lon	1	EA
24	970029	BLT .25 20 .750	28	EA
25	302555	KNOB ROUND .25 20NC FEMALE DIM	1	EA

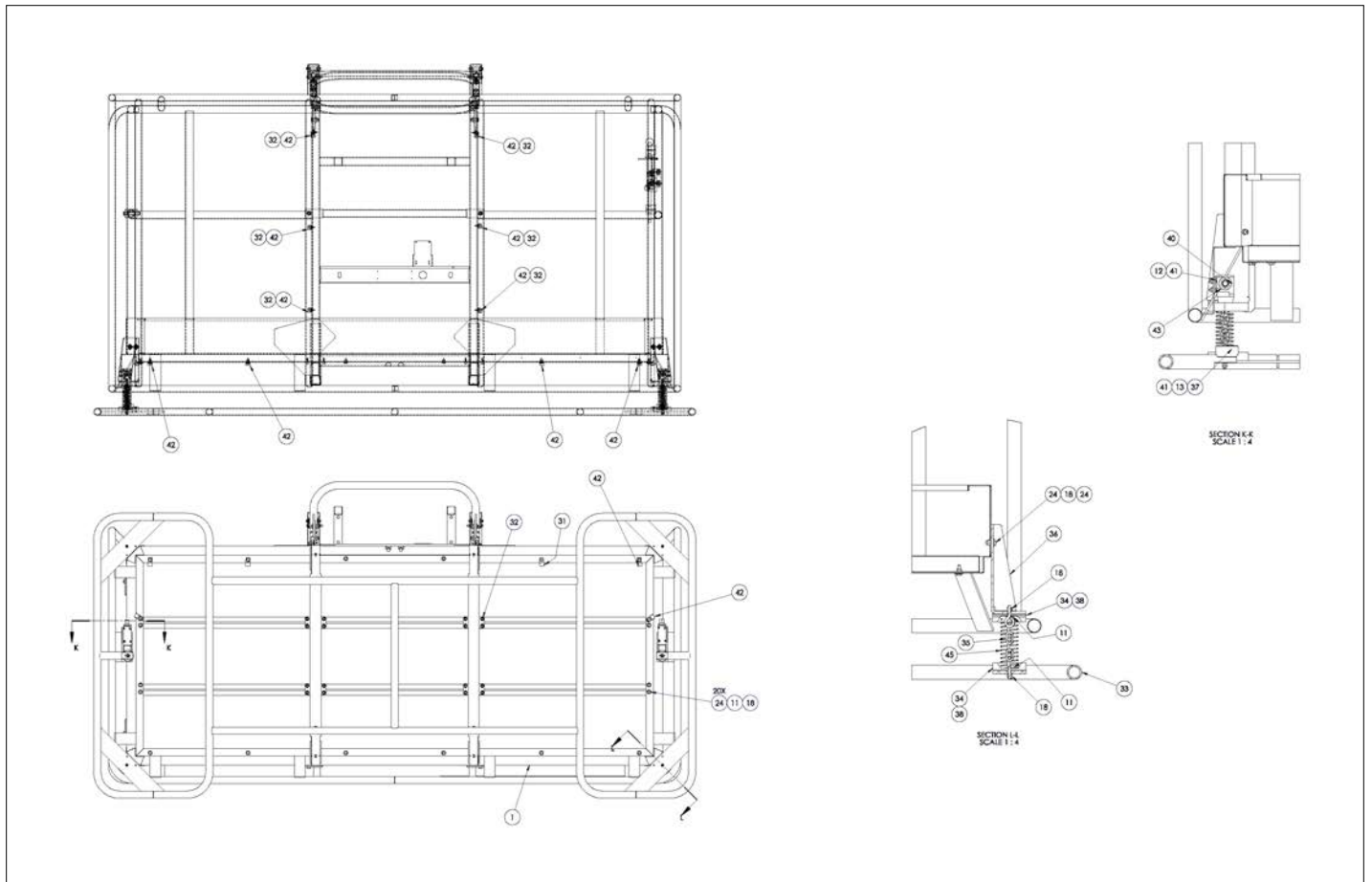
アイテム	部品番号	名前	数量	UOM
26	0420199 5	WLDMT GATE GRAVITY SIDE 36X96	1	EA
27	0421321 5	WLDMT GG FRONT 36X96 STL PLAT	1	EA
28	0150509	ROLLER	4	EA
29	0071953 8	SPCR .451ID .500OD 1.88 STL	4	EA
30	5569865	BLT HEXHD .375 16 2.75 GR5	4	EA
31	5563310	HWH .25 14 SELF DRILLING X .75	22	EA
32	1430381 5	WLDMT BUMP GUARD FRAME	1	EA
33	0181381	SPRING KEEPER	8	EA
34	0181408	CHAIN ASSY	4	EA
35	1430371 5	ANGLE SPRING KEEPER MNT	4	EA
36	0181407	PLAC PROXIMITY SW OVERRIDE	1	EA
37	978389	BLT SKTHD .250 20 .75	16	EA
38	5563388	MACHINE SCREW, PAN HD, SLOTTED, #10 24 UNC X .50 MTS 16, 18	2	EA
39	5093001	CLP CUSH .500 VINYL COATED	12	EA
40	3040070	NUT LKG HUB .500 APPLETON: P/N BL50 REG 801	2	EA
41	3040187	CONN .500 .313 .438	2	EA
42	5530013	SPRING COMPRESSION 1.50 O.D. X	4	EA
43	972259	BLT FLSKTHD .313 18 1.00	2	EA
44	0113584	SNORKEL GUARD TRI ENTRY 8 FOOT STEEL ASSEMBLY	1	EA
45	182340	SENSOR BRKT	2	EA
46	5560034	NUT LKG 10 24	3	EA
47	8060311	PLATE GRIPSTRUT 8FT	3	EA



OPTIONS



アイテム	部品番号	名前	数量	UOM
	1430385 K 1	null		EA
1	1430378	PLATFORM BUMP FRAME	1	EA
2	1430099	WLDMT, GATE SWING SIDE	1	EA
3	2572007	BRG .500ID .625OD .625	4	EA
4	0071837	TORSION SPRING BASKET MODIF.	1	EA
5	5010007	HOSE VACUUM .156 ID 4.0MM	2	EA
6	0420632	PIN 0.50 4.859 GRIP	1	EA
7	2667500	95 BALL KNOB 1 3/8 X 1/2 13	1	EA
8	986359	FLATWASHER 1/2"	2	EA
9	986269	WSHR FLAT .313	4	EA
10	5563393	WASHER FLAT .438 HARDENED	2	EA
11	986019	WSHR FLAT .250	36	EA
12	5560654	WSHR LOCK #10 SPLIT TYPE	4	EA
13	986009	WSHR FLAT 10	2	EA
14	988179	COTTER PIN, 1/8 DIA. X 1" LG.	2	EA
15	0421529 5	WLDMT STRIKER SWING GATE	1	EA
16	5560031	NUT HEX LKG .313 18	4	EA
17	5560033	.375 16UNC HEX LOCK NUT	4	EA
18	5560004	NUT LKG .250 20	36	EA
19	0421519 5	PLT LATCH MNT SWING GATE	1	EA
20	300492	LATCH LH TRAY ROTARY LOCK	1	EA
21	970279	BLT HEXHD .313 18 1.50 GR5	2	EA
22	970239	BLT HEXHD .313 18 .750 GR5	2	EA
23	970009	Capscrew 1/4 20 x 1/2 inch lon	1	EA
24	970029	BLT .25 20 .750	28	EA
25	302555	KNOB ROUND .25 20NC FEMALE DIM	1	EA
26	0420199	WLDMT, GATE GRAVITY SIDE	1	EA
27	0421321	WLDMT, GG FRONT 36x96 STL PLAT	1	EA



アイテム	部品番号	名前	数量	UOM
28	0150509	ROLLER	4	EA
29	0071953	SPCR .451ID .500OD 1.88 STL	4	EA
30	5569865	BLT HEXHD .375 16 2.75 GR5	4	EA
31	8060311	PLATE GRIPSTRUT 8FT	3	EA
32	5563310	HWH .25 14 SELF DRILLING X .75	22	EA
33	1430381	WLDMT BUMP GUARD FRAME	1	EA
34	0181381	SPRING KEEPER	8	EA
35	0181408	CHAIN ASSY	4	EA
36	1430371	SPRING KEEPER MNT ANGLE	4	EA
37	0181406	TARGET PROXIMITY SWITCH INSTL	2	EA
38	978389	BLT SKTHD .250 20 .75	16	EA
39	3028937	ASSY PHOTOELECTRIC SWITCH	1	EA
40	3028937	ASSY PHOTOELECTRIC SWITCH	1	EA
41	5563388	MACHINE SCREW, PAN HD, SLOTTED, #10 24 UNC X .50 MTS 16, 18	2	EA
42	5093001	CLP CUSH .500 VINYL COATED	12	EA
43	3040070	NUT LKG HUB .500 APPLETON: P/N BL50 REG 801	2	EA
44	3040187	CONN .500 .313 .438	2	EA
45	5530013	SPRING COMPRESSION 1.50 O.D. X	4	EA
46	972259	BLT FLSKTHD .313 18 1.00	2	EA
47	0113584	SNORKEL GUARD TRI ENTRY 8 FOOT STEEL ASSEMBLY	1	EA
48	0182340	SENSOR BRKT	2	EA
49	5560034	NUT LKG 10 24	4	EA

# *Maintenance*

## A62JRT



---

## Maintenance

Every person who maintains, inspects, tests or repairs the aerial platform must be qualified to do so. Maintenance functions must be performed by maintenance personnel who are qualified to work on the aerial platform.

### Caution

**Welding current can be very intense. Damage to electronic components can result. Connect the ground clamp as close as possible to the area being welded. Disconnect the battery cables and any microprocessors and engine control modules before welding on the machine.**

If it becomes necessary to weld aerial platform components as a method of repair, take all precautions to prevent damage to electronic circuitry and devices on the machine. This includes, but may not be limited to, disconnecting battery cables and electronic devices.

Do not modify this aerial platform without prior written consent of the Snorkel Engineering Department. Modification may void the warranty, adversely affect stability or affect the operational characteristics of the aerial platform.

### Maintenance Schedules

The manufacturer has established a preventative maintenance schedule to detect any defective, damaged or improperly secured parts and provide information regarding lubrication and other minor maintenance items.

This schedule includes the following:

- Daily Prestart Inspection
- Frequent Inspection and Maintenance – Every 90 Days or 150 Hours
- Frequent Maintenance – Every 90 Days or 150 Hours
- Annual Maintenance – Every 500 Hours

The nature and frequency of periodic inspections may depend on national regulations.

The Daily Prestart Inspection must be performed by a trained operator. All other maintenance and inspection must be performed by a trained service technician only. Retain a copy of these forms for your records.

All placards and decals on the machine must be in place and legible. Use the Placards and Decals parts page in the Repair Parts section of this manual to check these placards and decals.

Snorkel recommends that you make additional copies of the preventative inspection and maintenance checklists for your use in performing these inspections.

### Warning

**The potential for accident increases when operating an aerial platform that is damaged or malfunctioning. Death or serious injury can result from such accidents. Do not operate the aerial platform if it is damaged or malfunctioning.**

Repair all defects before returning the machine to service.

### General Information

The parts drawings located in the Repair Parts section are designed for use as a guide for proper disassembly of the machine and components, as well as, for parts replacement.

### Danger

**Hydraulic fluid escaping under pressure can have enough force to inject fluid into the flesh. Serious infection or reaction will result if medical treatment is not given immediately. In case of injury by escaping hydraulic fluid, seek medical attention at once.**

Always refer to the hydraulic system installation drawings and the electrical wiring diagram before removing or disassembling associated parts.

When disassembling or reassembling components, complete the procedural step in sequence. Do not partially disassemble or assemble one part, then start on another. Always check your work to assure that nothing has been overlooked.

Keep the following in mind when disassembling or assembling the machine.

- Always be conscious of weight.
- Never attempt to lift heavy objects without the aid of a mechanical device.
- Do not allow heavy object to rest in an unstable condition.
- Always make sure the work platform is in the stowed position, blocked or the weight removed by a suitable lifting device before removing any components from the machine.
- When raising a portion of the machine, be sure that adequate blocking is properly positioned. Do not depend solely on the lifting device to hold and secure weight.

- 
- If a part resists removal, check to see if all fasteners, electrical wiring, hydraulic lines, etc., have been removed or that other parts are not interfering.

Parts should be thoroughly inspected before restoring to service at the time of reassembly. Burrs, nicks or scratches may be removed from machines surfaces by honing or polishing with a #600 crocus cloth, followed by a thorough cleaning with an approved cleaning solvent, and blown dry with compressed air. Do not alter the contour of any part. If this operation does not restore the part to a serviceable condition, replace the part.

Replace all o-rings, seals and gaskets at reassembly. Use new roll pins or cotter pins. Dip all packing rings and seals in hydraulic oil before reassembling in cylinder and manifolds. Replace any part having imperfect threads. In general, machines that have been disassembled can be reassembled by reversing the order of disassembly.

The service life of a machine can be increased by keeping dirt and foreign materials out of the vital components.

Shields, covers, seals and filters help to keep air and oil supplies clean. However, these items must be maintained on a scheduled basis in order to function properly.

Clean surrounding areas, as well as the opening and fittings before disconnecting air or oil lines. As soon as a line or component is disconnected, cap or cover all openings to prevent the entry of dirt or foreign materials.

New parts should remain in their container until they are ready to be used.

Clearly mark or tag hydraulic lines and electrical wiring connections when disconnecting or removing them from the machine. This will assure that they are correctly reinstalled.

Proper assembly is critical to the successful rebuilding of any machine. Carefully, inspect any parts which are to be reused. If in doubt, replace.

“Safety First” is a good slogan.

Replace any guards and protective devices that have been removed to carry out maintenance and repair work.

## Daily Prestart Inspection

Item	Inspect For	Ok
<b>Operator's Manual</b>	In manual holder	
<b>Engine</b>		
Oil level	Between full and add marks	
Coolant	Proper fluid level	
Radiator	Cap tight, good condition and clean	
Air cooled engines	Air intake and fan free of obstructions Belt in good condition	
Fuel tank and line	Tank full, cap in place and tight/no leaks	
Charging system	Proper operation	
Cold weather start kit	No damage or deformation	
<b>Electrical System</b>		
Emergency power battery	Condition and charged for proper operation	
Battery fluid level and terminals	Proper level/clean, connectors tight	
Cables and wiring harness	No wear or physical damage	
<b>Hydraulic System</b>		
Fluid level	Between full and add marks	
Hoses, tubes and fittings	No leaks	
Cold weather warm-up kit	Proper operation	
<b>Tires and Wheels</b>	Good condition, all wheel lug nuts present and tight	
<b>Lower Control System</b>		
Operation controls	Proper operation	
Emergency stop and emergency power	Shuts off lower controls/proper operation	
<b>Emergency Lowering</b>	Proper operation	
<b>Level Sensor</b>	Sounds tilt alarm	
<b>Flashing Light</b>	Proper operation	
<b>Sandblast Protection Kit</b>	In place and proper operation	
<b>Structures</b>		
Weldments – Chassis, turntable, booms, platform, etc.	Welds intact, no damage or deformation	
Slide Pads	In place, no damage or deformation	
Fasteners/pin retention hardware	In place and tight	
<b>Upper Control System</b>		
Guardrail system and lanyard anchors	Welds intact, no damage or deformation All fasteners in place, no loose or missing parts	
Operating controls	Proper operation	
Emergency stop and emergency power	Shuts off upper controls/proper operation	
Horn	Sounds when activated	
Electrical power outlet	Proper operation	
Drive motion alarm	Sounds when aerial platform moves	
Driving and work lights	Proper operation	
Platform control cover	In place and proper operation	
<b>Air Line</b>	Good condition, proper operation	
<b>Placards and Decals</b>	In place and readable	

Performed by: \_\_\_\_\_ Date: \_\_\_\_\_



## Frequent Inspection and Maintenance – Every 90 Days or 150 Hours

Item	Procedure	Information	OK
<b>Chassis</b>			
Structural	Check for damage and cracked welds		
Steering cylinder pin retention hardware	Verify that all fasteners are in place and are tight		
Steering linkage	Check for proper operation		
Tires	Check for wear and damage		
Hydraulic tubes and hoses	Check for leaks, wear, and damage		
Drive motor brake	Check for proper operation		
Torque drive and steer wheel lug nuts per placard on wheel	Torque lug bolts/nuts to proper value on machine placard	Front: 150 to 160 ft lb Rear: 150 to 160 ft lb	
Right drive motors	Check for leaks		
Left drive motors	Check for leaks		
Tie-down and lifting lugs	Check for damage and cracked welds		
Four wheel drive	Check for proper operation		
Decals and placards	Check for damage and readability Order replacements as necessary		
<b>Turntable</b>			
Structural	Check for damage and cracked welds		
Torque turntable top bolts	Torque to proper value	215 ft lbs	
Torque turntable bottom bolts	Torque to proper value	215 ft lbs	
Hydraulic tubes and hoses	Check for leaks, wear, and damage		
Centerpost	Check for leaks, wear, and damage		
Centerpost mounting bolts	Verify that all fasteners are in place and are tight		
Riser cylinder pin retention hardware	Verify that all fasteners are in place and are tight		
Riser cylinder and holding valve	Check for leaks, wear, damage, and for proper operation		
Master level cylinder pin retention hardware	Verify that all fasteners are in place and are tight		
Master level cylinder and holding valves	Check for leaks, wear, damage, and for proper operation		
Cowling	Check for wear/damage and that fasteners are in place and are tight		
Wire harness	Check for wear/damage and that fasteners are in place and are tight		
Rotation brake	Check for proper operation		
Rotation backlash	Check for wear and damage		
Operator's Manual	Proper manual in document holder		
Drive circuit pressure	Check maximum drive pressure	6,000 psi	
Boom circuit pressure	Check maximum boom pressure	2,750 psi	
Decals and placards	Check for damage and readability Order replacements as necessary		

## Frequent Inspection and Maintenance – Every 90 Days or 150 Hours

Item	Procedure	Information	OK
<b>Lower Controls</b>			
Control switch in the lower controls position	Check for proper operation	With selector in the lower controls position, upper controls do not work	
Station selector switch in the upper controls position	Check for proper operation	With selector in the upper controls position, lower controls do not work	
Engine Start – Stop	Check for proper operation		
Throttle High – Low	Check for proper operation		
Turntable CW – CCW	Check for proper operation		
Riser Up – Down	Check for proper operation		
Boom Up – Down	Check for proper operation		
Boom Extend – Retract	Check for proper operation		
Jib Up – Down	Check for proper operation		
Platform level Up – Down	Check for proper operation		
Platform rotation CW – CCW	Check for proper operation		
Emergency power, all functions	Check for proper operation		
Emergency stop	Check for proper operation		
<b>Booms</b>			
Structural	Check for damage/cracked welds		
Hydraulic tubes and hoses	Check for leaks, wear, and damage		
Riser arm pin retention hardware	Verify that all fasteners are in place and are tight		
Riser cylinder pin retention hardware	Verify that all fasteners are in place and are tight		
Lift cylinder pin retention hardware	Verify that all fasteners are in place and are tight		
Lift cylinder and holding valve	Check for leaks, wear, damage, and for proper operation		
Extension cylinder pin retention hardware	Verify that all fasteners are in place and are tight		
Extension cylinder and holding valve	Check for leaks, wear, damage, and for proper operation		
Jib boom pin retention hardware	Verify that all fasteners are in place and properly installed		
Jib cylinder pin retention hardware	Verify that all fasteners are in place and properly installed		
Jib cylinder and holding valve	Check for leaks, wear, damage, and for proper operation		
Slave level cylinder pin retention hardware	Verify that all fasteners are in place and are tight		
Slave level cylinder and holding valves	Check for leaks, wear, damage, and for proper operation		
Hose carrier tube and support	Check for residue buildup/proper operation		
Plastic hose track	Check for wear and damage		
Electrical wires	Check for wear and damage		
Decals and placards	Check for damage and readability Order replacements as necessary		

## Frequent Inspection and Maintenance – Every 90 Days or 150 Hours

Item	Procedure	Information	OK
<b>Platform</b>			
Structural	Check for damage and cracked welds		
Entry Gate	Check for proper operation		
Hydraulic tubes and hoses	Check for leaks, wear, and damage		
Slave level cylinder pin retention hardware	Verify that all fasteners are in place and are tight		
Slave level cylinder holding valves	Check for leaks, wear, damage, and for proper operation		
Decals and placards	Check for damage and readability Order replacements as necessary		
<b>Upper Control Station</b>			
Foot switch	Check for proper operation	With the foot switch engaged the engine should not start. Functions should be operational when foot switch is engaged	
Engine Start – Stop	Check for proper operation		
Throttle High – Low	Check for proper operation		
Turntable CW – CCW	Check for proper operation		
Riser Up – Down	Check for proper operation		
Boom Up – Down	Check for proper operation		
Boom Extend – Retract	Check for proper operation		
Jib Up – Down	Check for proper operation		
Platform level Up – Down	Check for proper operation		
Platform rotation CW – CCW	Check for proper operation		
Drive speed	Boom up and/or extended Low – creep	Creep = 100 ft in 100 sec	
	Boom down and retracted High – 3.5 mph	3.5 mph = 100 ft in 20 sec	
Drive range – boom stowed	Check for proper operation	Slow speed only with boom raised	
Engine preheat	Check for proper operation		
Engine choke – gas engine only	Check for proper operation		
Emergency power, all functions	Check for proper operation		
Emergency stop	Check for proper operation		
Horn	Check for proper operation		
Gradual start to stop lift/swing/ drive controls	Check for proper operation		
Speed limit switch	Check for proper operation		
Tilt alarm	Check for proper operation	5° Non CE/3.5° CE	
110 volt AC power to platform	Check for proper operation		
<b>Hydraulic Oil Reservoir</b>			
Filler/breather cap and tank	Check for wear/securely fasten		
Hydraulic fluid level	Check for proper level	Refer to specifications in Operator's Manual	
Hydraulic filter	Replace after the first 50 hours, every 90 days or 150 hours thereafter. Inspect filter for foreign matter that could indicate component wear.		

## Frequent Inspection and Maintenance – Every 90 Days or 150 Hours

Item	Procedure	Information	OK
<b>Engine</b>			
Charging system	Check for proper operation		
Air filter	Check for wear and damage		
Hour meter	Check for proper operation		
Belts and hoses	Check for wear and damage		
Hydraulic pump	Check for proper operation		
Battery terminals	Clean terminals and check cable condition		
Battery electrolyte	Check electrolyte levels	Add distilled water if necessary	
Indicator gauges	Check for wear/damage and proper operation		
Engine oil	Check for wear and damage/level	Between add and full	
Engine coolant	Check level	Between add and full	
Engine Start – Stop	Check for proper operation		
Electric throttle	Check for proper operation		
Electric choke, if equipped	Check for proper operation		
Engine governor setting	Check for proper operation		
<b>Platform Rotator</b>			
Structural	Check for damage and cracked welds		
Hydraulic rotator actuator	Check for leaks, wear, and damage		
Platform rotation holding valve	Check for proper operation		
Mounting bolts and pin retention hardware	Verify that all fasteners are in place and are tight		
<b>Options</b>			
110 volt AC generator	Check for proper operation		
220 volt AC generator	Check for proper operation		
Dual fuel system	Check condition and for proper operation		
LP gas system and control	Check condition and for proper operation		
Drive motion alarm	Check for proper operation		
Flashing light	Check for proper operation		
Cold weather start kit – diesel only	Check for proper operation		
Hydraulic system cold weather warm up kit	Check for proper operation		
Driving lights	Check for proper operation		
Platform work lights	Check for proper operation		
Platform control cover	Check condition and for proper operation		
Sandblast protection kit	Check for proper operation		
Airline to platform	Check for proper operation		
Spark arrestor muffler	Check for wear and damage		
Platform welder	Check condition and for proper operation		
Platform glazier package	Check condition and for proper operation		
Optional platform	Verify that all fasteners are in place and are tight		

## Frequent Maintenance – Every 90 Days or 150 Hours

Item	Procedure	Information	OK
Daily maintenance	Perform maintenance as per schedule	Retain copy of checklist	
Preventive inspection maintenance checklist	Perform inspection, complete form	Retain copy of checklist	
Placards and decals inspection	Inspect using drawing and parts listing in Section 1 – Repair Parts Manual	Replace any missing or unreadable decals/placards	
Door hinges and latches	Lubricate	SAE 10W oil or spray lubricant	
Rotation bearing	Lubricate	Conoco Super Sta #2 Above 32° F Mobilgrease CM-P Below 32° F Mobilgrease CM-L	
Rotation bearing teeth and pinion	Lubricate	Mobil Mobiltac 375NC	
Drive wheel gearbox	Check fluid level, fill if low	Mobil Mobilube HD 80W-90	
Swing drive	Check fluid level, fill if low	Mobil Mobilube HD 80W-90	
Platform rotator	Refill if disassembled for repairs	Consult factory	
Platform controller	Check smooth operation/speeds		
Batteries	Check specific gravity	1.260/1.275 at 80° F (26° C)	
Hydraulic return filter	Check condition	Replace if dirty	
Engine rpm	Check for proper engine rpm	See engine owner's manual	
Engine oil and filter	Replace per engine owner's manual	See engine owner's manual	
Engine fuel filter	Check condition	Replace every 6 months or if dirty	

Performed by: \_\_\_\_\_ Date: \_\_\_\_\_

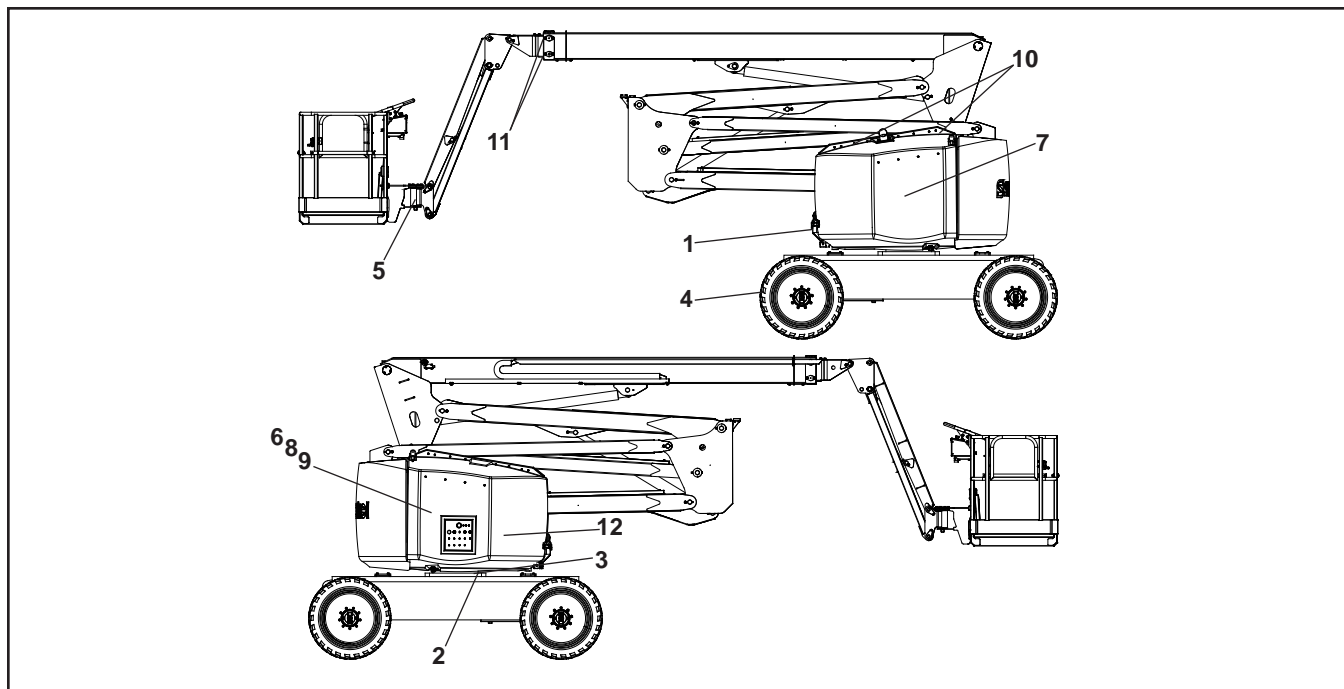
## Annual Maintenance – Every 500 Hours

Item	Procedure	Information	Ok
90 day or 150 hour maintenance	Perform maintenance per schedule	Retain copy of checklist	
Hydraulic oil reservoir	Clean and replace fluid	Refer to specifications in Operator's Manual	
Hydraulic return filter	Replace	After first 50 hours, then at recommended interval	
Hydraulic reservoir suction filter	Clean and reinstall		
Drive wheel gearbox	Replace fluid	Mobil Mobilube HD 80W-90	
Torque drive wheel gearbox bolts	Torque to proper value	Dry torque to 150 ft lb	
Swing drive	Replace fluid	Mobil Mobilube HD 80W-90	
Engine coolant	Check condition	See engine owner's manual	

Performed by: \_\_\_\_\_ Date: \_\_\_\_\_



## Lubrication Points



### Lubrication

Specific lubricants as recommended by Snorkel, should be used in maintaining the unit. If in doubt regarding the use of lubricants other than those listed, contact Snorkel Customer Service Department for evaluation and recommendation.

Refer to the above lubrication illustration to locate component item numbers.

Service all fittings as indicated on the Frequent Maintenance schedule and lubrication illustration. Wipe away all excess lubricant from exposed surfaces. Over lubrication can collect dirt and foreign matter which acts as an abrasive. Lubrication of accessory equipment should be in accordance with the manufacturer's recommendations.

### Rotation Bearing

Rotation bearing – Item 1. Pressure gun lubricate bearing at recommended interval using lubricant as outlined in the maintenance schedule. Rotate while lubricating. The lubrication fitting is located on the rear of the turntable.

### Rotation Gear Teeth and Pinion

Rotation gear teeth and pinion – Item 2. Gear teeth and gear box pinion should be lubricated with a spray-on type open gear lubricant.

### Swing Drive

Swing drive – Item 3. To check oil level, remove check plug located on the side of the gear box. Unit is full if oil is level with bottom of fill hole or just starts to run out.

### Gear Hubs

Gear hubs – Item 4. To check and fill Gear hubs:

1. Rotate wheel until bottom of filler/drain plug is about 1 inch above horizontal centerline.
2. Remove plug with drive ratchet and extension.
3. Fill until lubricant is level with bottom of fill hole.

### Note

*Do not overfill gear hubs as they are not vented and need air space for expansion of oil to prevent damage to hubs.*

### Platform Rotator

Platform Rotator – Item 5. Platform rotators will require lubrication only if disassembled for repairs. Consult factory for proper lubricant if replacement of platform rotator is required.

### Hydraulic Oil Reservoir

Hydraulic oil reservoir – Item 6. The fluid level should be between the full and add marks on the sight gauge and should be checked with the machine in the stowed position.

The interior of the reservoir should be wiped out and cleaned each time the hydraulic oil is changed. The reservoir filler/breather cap should be removed and the cap strainer cleaned with Kerosene, fuel oil, or other solvent at this time.

It is absolutely necessary that only new, clean hydraulic oil is added.



### Note

If it becomes necessary to add or use an oil other than the recommended fluid, it is important that it be compatible and equivalent to the factory fill. Local oil suppliers can generally furnish this information.

If questions still remain, contact Snorkel Customer Service Department for further information.

### Engine

Engine – Item 7. Refer to the engine manufacturer's instruction manual or consult your local engine service representative if engine adjustments or repairs are needed. The engine must be operated in accordance with manufacturer's instructions and serviced at recommended intervals.

### Hydraulic Oil Return Filter

Return filter – Item 8. The hydraulic oil return filter is located on the hydraulic reservoir behind the door on the right side of the turntable

The filter element is a throw-away type filter and should be changed after the initial break-in period (approximately 50 hours operation time).

The filter condition should be checked at the 90 day or 150 hour Preventive Inspection Maintenance interval or more frequently under extreme working conditions.

When changing the filter element, the oil inside of the filter element, should be examined for deposits of metal cuttings, which is present, could indicate excessive wear in some of the system components.

### Suction Strainer

Suction strainer – Item 9. Two 100 mesh strainers are located within the hydraulic oil reservoir, one on the inlet and one on the outlet, and filters the pump suction flow.

The strainers should be cleaned at the time interval shown in the maintenance schedule chart, using Kerosene, fuel oil or other solvent and a soft bristled brush.

Inspect the filter wire cloth for damage. Holes in the filter cloth leak dirt into the pump and other vital hydraulic components. If element is damaged, replace.

When the filter has been thoroughly cleaned, reinstall in suction line and tighten securely.

### Door Hinges and Latches

Door hinges and latches – Item 10. After lubricating, remove any excess lubricant or over spray so it will not collect dirt or debris.

### Slide Pads

Slide pads – Item 11. Check slide pads for excessive wear and replace as required. Slide pads do not require lubrication.

### Battery

Battery – Item 12. The battery will have longer life if the water level is maintained and they are kept charged. The engine will have better starting characteristics with a fully charged battery. In cold weather the battery should be maintained at full charge to keep from freezing. An extremely low or dead battery can freeze in cold weather. Make sure connections are clean and tight.

Make sure charging equipment is operating properly.

### Danger

**Lead-acid batteries produce flammable and explosive gases. Never allow smoking, flames or sparks around batteries. Lead-acid batteries contain sulfuric acid which will damage eyes or skin on contact. When working around batteries, always wear a face shield to avoid acid in eyes.**

If acid contacts eyes, flush immediately with clear water and get medical attention. Wear rubber gloves and protective clothing to keep acid off skin, if acid contacts skin, wash off immediately with clear water.

### Battery Care and Maintenance





The following information about battery care and maintenance was supplied by Interstate Batteries and is reprinted here with their permission.

1. New batteries need to be cycled several times before reaching full capacity (20-50 cycles, depending on type). Usage should be limited during this period.
2. Always recharge batteries fully, immediately after use. Batteries perform best when they are fully charged. More capacity and longer life will result from this practice.
3. The deeper the discharge, the fewer number of cycles a lead-acid battery will deliver. Deep discharges deteriorate the battery quicker than lighter shallow cycles.
4. Battery cables should be intact and connectors kept tight at all times. Systematic inspection is recommended.
5. Vent caps should be kept in place and tight during vehicle operation and battery charging.
6. Batteries should be kept clean – free of dirt and corrosion – at all times. Always keep the top of batteries clean. A film on top of the battery can cause the current to migrate between the posts, accelerating self discharge.
7. Never let the electrolyte level of a lead-acid battery fall below the plates. Lack of maintaining the electrolyte in a lead-acid battery causes damage to the exposed portion of the plate which reduces capacity.

- 
8. Always check electrolyte level before charging. Do not add water to individual cells unless plates are exposed. Batteries should be watered after charging unless the plates are exposed before charging. If exposed before charging, the plates should be covered by approximately 1/8" of water. Check water level after charging. Water should be kept 1/4" below the bottom of the fill tube in the cell cover.
  9. Water used to replenish batteries should be distilled or treated to not exceed 200 T.D.S. (total dissolved solids... parts per million). Particular care should be taken to avoid metallic solids (iron).
  10. A fully charged battery will give you the best and longest service. Be sure the batteries are fully charged before testing or using. A fully charged battery, without a drain or load, after the surface charge has dissipated, is 6.35 volts for a 6 volt battery.
  11. Batteries should not be discharged below 20% of capacity (approximately 1.8 volts per cell under normal operating load; 1.98 volts open circuit; 1.145 specific gravity). Proper battery sizing will help avoid excessive discharge.
  12. Battery chargers should be sized to fully charge batteries in an eight hour period. Chargers should be kept in proper operating condition.
  13. Do not use a mismatched charger of any type; i.e., a 12 volt charger on a 24 volt pack or a 24 volt charger on a 12 volt pack. An undersized charger will never get the job done, no matter how long it tries. An oversized charger will cause excess gassing and heat that could possibly result in a battery meltdown and/or explosion.
  14. Never charge a lead-acid battery with a sealed (gel cell) battery charger. The lead-acid battery needs higher voltage to finish its charge. Without it the battery will never come back to 100% and sulfation can occur.
  15. Always allow batteries to cool off after charging. The cooling time is very important because heat is generated during the recharge and discharge cycles. Without the cooling time the heat grows, accelerating grid corrosion which is one of the major causes of battery failure. Charging practice should enable batteries to cool before use.
  16. Deep cycle batteries need to be equalized periodically. Equalizing is an extended, low current charge performed after the normal charge cycle. It helps keep cells in balance. Actively used batteries should be equalized once per week. Manually timed chargers should have the charge time extended approximately 3 hours. Automatically controlled chargers should be unplugged and reconnected after completing a charge cycle.
  17. In situations where multiple batteries are connected in series, parallel or series-parallel, a replacement battery's should be of the same size, age and usage level as the companion batteries. Do not put a new battery in a pack that has 50 or more cycles. Either replace all the batteries with new batteries or install a good used battery's in place of the bad. New batteries should be given a full charge before use.
  18. Periodic battery testing is an important preventative maintenance procedure. Hydrometer readings of each cell (fully charged) give an indication of balance and true charge level. Imbalance could mean the need for equalizing and is often a sign of improper charging or a bad cell. Voltage checks (open circuit, charged and discharged) can locate a bad cell or weak battery. Load testing will pick out a bad cell when other methods fail. The point is to look for the abnormal. A weak cell or battery will cause premature failure of companion cells or batteries respectively.
  19. As batteries age, their maintenance requirements change, generally their specific gravity is higher and gassing voltage goes up. This means longer charging time and/or higher finish rate (higher amperage at the end of charge). Usually, older batteries need to be watered more often and their capacity decreases.
  20. "Opportunity charging", a short partial charge during an extended duty cycle, is a controversial subject. Generally, the practice is a "crutch" to make up for undersized batteries. The correct approach is to install adequate battery capacity. If this is impossible because of lack of space in the battery compartment or extreme operating conditions (24 hour intermittent use, as an example), "opportunity charging" is better than excessive battery discharging. However, the practice can cause batteries to overheat, require more watering and usually will shorten battery life. "Opportunity charging" is a trade off; something to avoid if possible. One charging cycle per day is preferable.
  21. Extreme temperatures can substantially affect battery performance and charging. Cold reduces battery capacity and retards charging. Heat increases water usage and can result in overcharging. Very high temperature can cause "thermal run away" which may lead to an explosion or fire. If extreme temperature is an unavoidable part of an application, consult a battery/charger specialist about ways to deal with the problem.
  22. An overly discharged battery might need to be cycled a few times before it can recover fully. If a battery begins to heat before coming up to a full charge, it might be necessary to discharge the battery and recharge it a few times. The charge and discharge cycle might help the current acceptance of the battery and facilitate its recovery to a usable condition.

- 
23. Inactivity can be harmful to deep cycle batteries. If they sit for several months, a “boost” charge should be given – more frequently in warm climate (about once a month) than in cold (every 2-3 months).
  24. Never store a battery in a discharged state. The sulfate that forms during discharge can make the battery impossible to recharge fully.

## Fastener Torque Chart – Standard System

Bolt Grade	SAE Grade 1 or 2	SAE Grade 5	SAE Grade 6	SAE Grade 8
Marking				
Definition	Indeterminate Quality	Minimum Commercial Quality	Medium Commercial Quality	Best Commercial Quality
Material	Low Carbon Steel	Medium Carbon Steel Tempered	Medium Carbon Steel Quenched and Tempered	Medium Carbon Alloy Steel Quenched and Tempered
Minimum Tensile Strength	64,000 psi.	105,000 psi	133,000 psi.	150,000 psi
Bolt Size	Recommended Torque Value (ft lbs)			
1/4	5	7	10	10.5
5/16	9	14	19	22
3/8	15	25	34	37
7/16	24	40	55	60
1/2	37	60	85	92
9/16	53	88	120	132
5/8	74	120	167	180
3/4	120	200	280	296
7/8	190	302	440	473
1	282	466	660	714

Torque chart information:

- Consult manufacturers' specific recommendations, when available.
- The chart may be used with both coarse and fine thread fasteners lightly lubricated.
- Increase torque by 20% when multiple tapered tooth (shake proof) lock washers are used.
- The torque values are given in foot-pounds.
- Inch/pound equivalent may be obtained by multiplying by 12.

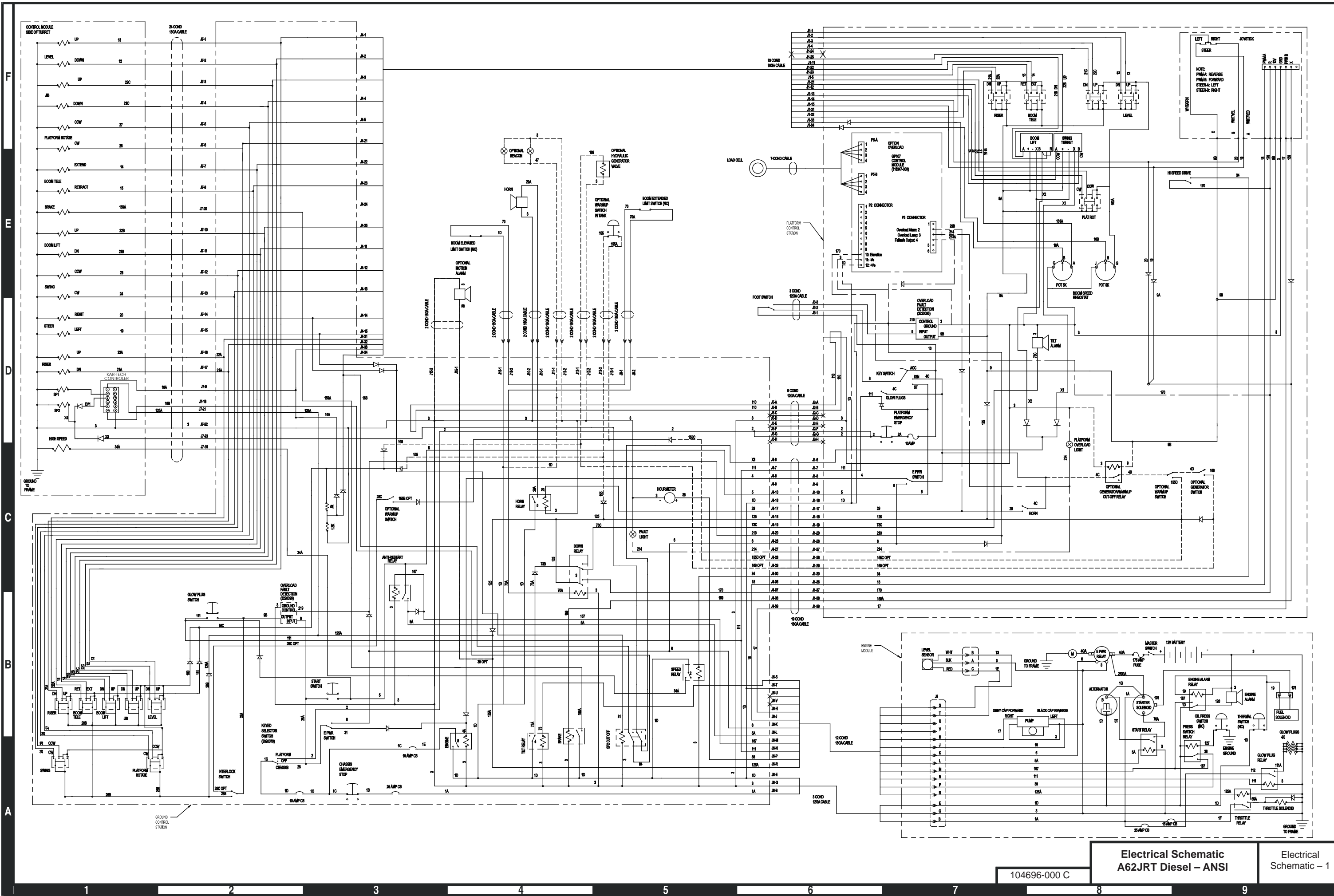
## Fastener Torque Chart – Metric System

Capscrew Size	Grade 8.8					Grade 10.9				
	In-LBS Dry	In-LBS Lubed	FT-LBS Dry	FT-LBS Lubed	Clamp Load (lb)	In-LBS Dry	In-LBS Lubed	FT-LBS Dry	FT-LBS Lubed	Clamp Load (lb)
M4 - 0.7	27	20			861	36	24			1,173
M5 - 0.8	55	41			1,394	72	60			1,895
M6 - 1.0	93	70			1,971	132	96			2,686
M8 - 1.25	228	168	19	14	3,591	312	228			4,889
M8 - 1.0	240	180	20	15	3,844	336	252			5,232
M10 - 1.5			37	28	5,693			51	38	7,744
M10 - 1.25			39	30	6,008			54	41	8,171
M12 - 1.75			65	49	8,273			89	66	11,257
M12 - 1.25			71	53	9,037			96	72	12,297
M14 - 2.0			103	77	11,285			140	107	15,354
M14 - 1.5			114	85	12,263			155	114	16,691
M16 - 2.0			162	122	15,404			221	166	20,963
M16 - 1.5			173	129	16,388			236	177	22,311
M18 - 2.5			222	167	19,423			235	176	
M18 - 1.5										
M20 - 2.5			317	236	24,042			428	321	32,720
M20 - 1.5			350	262	26,695			479	358	36,316
M22 - 2.5			428	321	30,651			452	339	
M22 - 1.5										
M24 - 3.0			546	409	34,642			745	557	47,141
M24 - 2.0			594	446	37,676			811	605	51,277
M27 - 3.0			796	597	45,039			1,084	811	61,292
M27 - 2.0			863	645	58,785			1,173	848	66,226
M30 - 3.5			1084	811	55,054			1,475	1106	74,915
M30 - 3.0			1121	841	56,908			1,527	1143	77,444
M30 - 2.0			1202	900	60,932			1,630	1224	82,917

Rev D

Torque chart information:

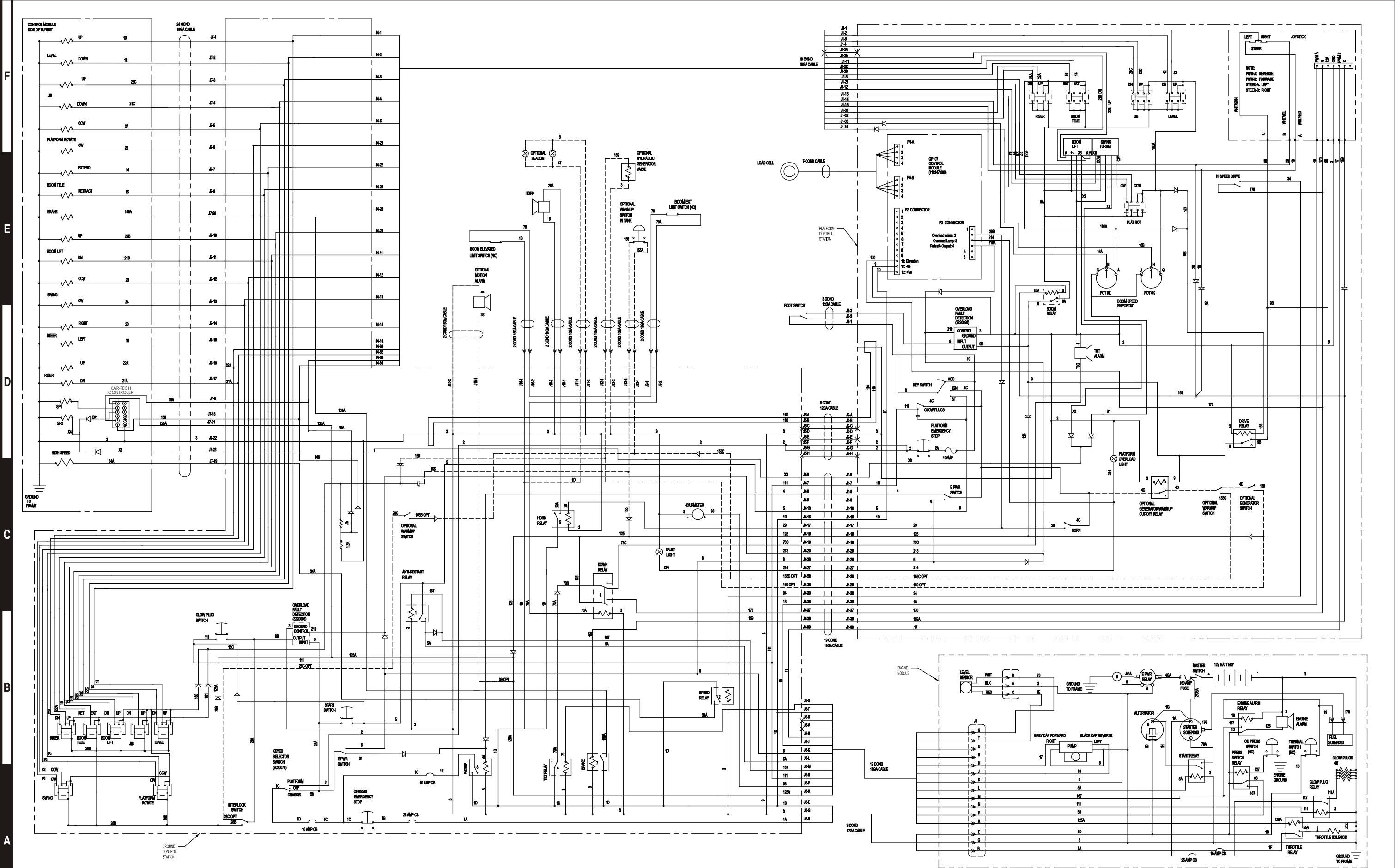
- Consult manufacturers' specific recommendations, when available.
- The chart may be used with both coarse and fine thread fasteners lightly lubricated.
- Increase torque by 20% when multiple tapered tooth (shake proof) lock washers are used.
- Foot/pound equivalent may be obtained by dividing by 12.
- Inch/pound equivalent may be obtained by multiplying by 12.
- Newton/meter equivalent may be obtained by multiplying inch/pound by 0.1130.
- Newton/meter equivalent may be obtained by multiplying foot/pound by 1.3558.



104696-000 C

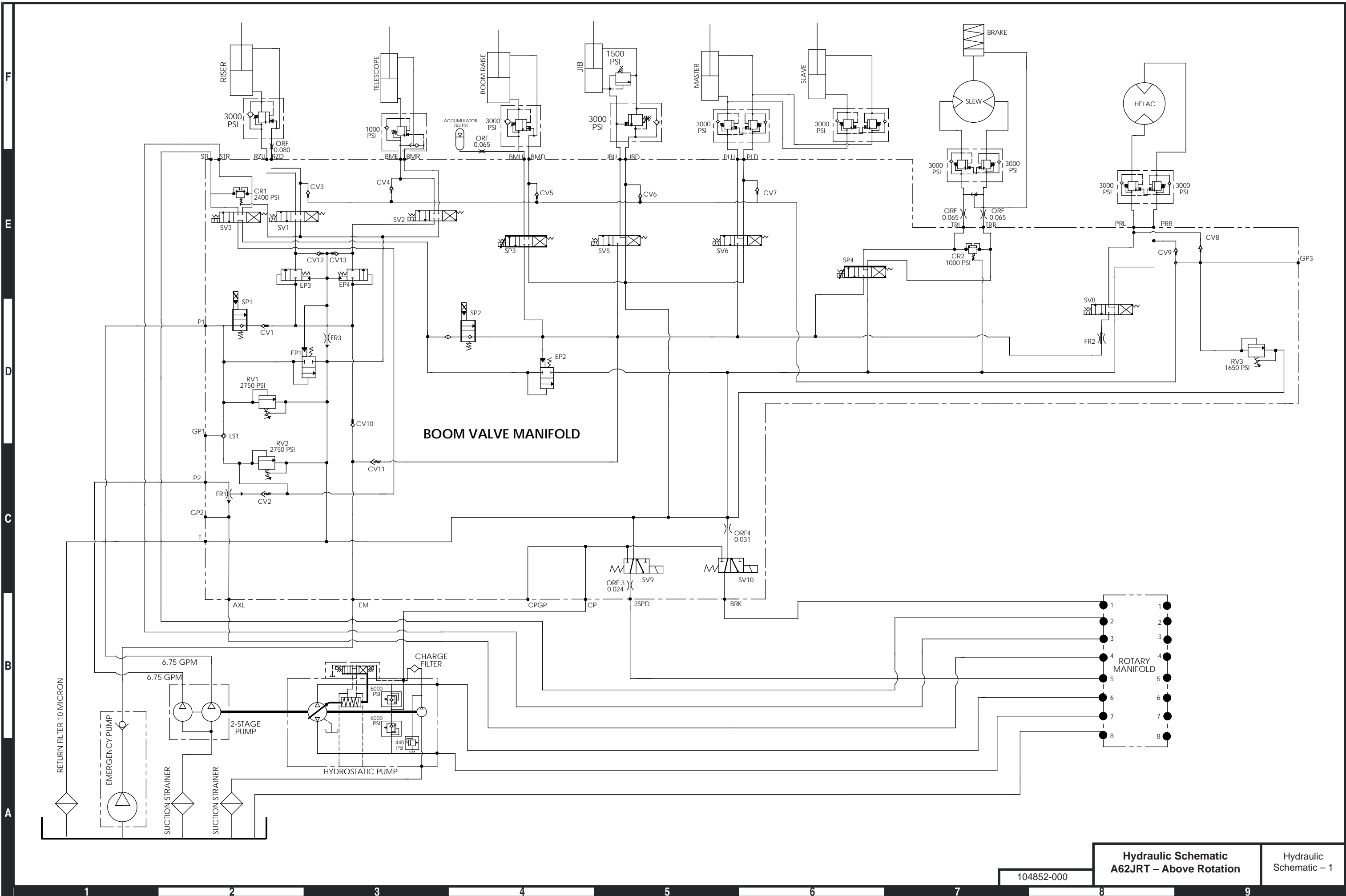
Electrical Schematic  
A62JRT Diesel - ANSI

Electrical Schematic - 1



Electrical Schematic - 2  
**Electrical Schematic A62JRT Diesel - CE**

104695-000 C

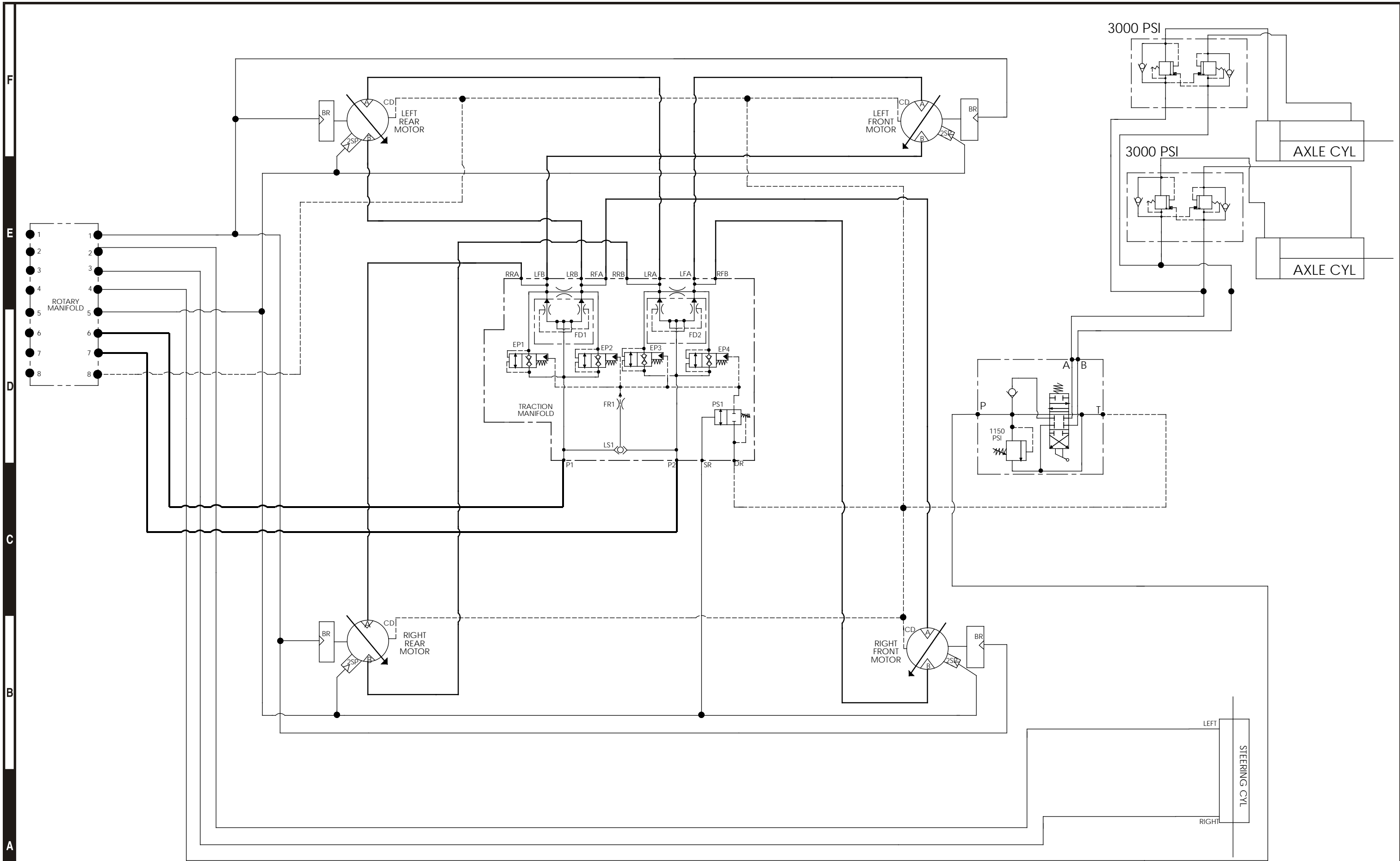


**Hydraulic Schematic  
A62JRT - Above Rotation**

Hydraulic Schematic - 1

104852-000





A	DIAGRAMS AND FUEL LINE INSTALLATION	3-24
110 VOLT/2,000 WATT AC GENERATOR	CONTROL MODULE TRAY ASSY	2-17
110 VOLT/2,000 WATT AC GENERATOR – GENERATOR ASSEMBLY	COWLING ASSY - LEFT SIDE	2-20
110 VOLT/2,000 WATT AC GENERATOR – HEAT EXCHANGER ASSEMBLY	COWLING ASSY - RIGHT SIDE	2-19
110 VOLT/2,000 WATT AC GENERATOR – LOWER CONTROL/GENERATOR HARNESS	COWLING INSTALLATION	2-27
5-6	CSA PACKAGE	5-15
110 VOLT/2,000 WATT AC GENERATOR – PLUMBING DIAGRAM	CYLINDER LEVEL	3-21
110 VOLT/2,000 WATT AC GENERATOR – VALVE BLOCK ASSEMBLY	CYLINDER, JIB	3-20
36 X 96 PLATFORM ASSEMBLY	CYLINDER, MAIN BOOM EXTEND	3-19
BUMPGUARD WITH PADDING MARCH 2009 AND AFTER	CYLINDER, MAIN BOOM LIFT	3-18
36 X 96 PLATFORM ASSEMBLY WITH BUMP GUARD AND PADDING MARCH 2009 AND AFTER	CYLINDER, RISER	3-17
ACCUMULATOR ASSY	CYLINDER, STEER	3-16
AIR CLEANER ASSY	DECAL KIT SPANISH A62JRT	2-32
AXLE LOCK CYLINDER	DRIVE WHEEL ASSY	3-3
BATTERY DISCONNECT PANEL	ELECTRICAL HARNESS LOCATIONS	4-21
BOOM EXTEND LIMIT SWITCH WIRING HARNESS	EMERGENCY POWER UNIT	3-10
BOOM FUNCTION CONTROL VALVE	ENGINE ASSY - KUBOTA (TURBO) BEFORE SN01- 00050	2-10
BOOM FUNCTION CONTROL VALVE ASSEMBLY	ENGINE ASSY - KUBOTA(NON TURBO) AFTER SN01-00051	2-11
BOOM FUNCTION CONTROL VALVE WIRING	ENGINE HARNESS - DIESEL	4-23
CABLE ASSY	ENGINE HARNESS ASSEMBLY - DIESEL	4-22
CABLE ASSY, UPPER CONTROLS	EXTREME COLD WEATHER KIT	5-11
CHASSIS ASSEMBLY	EXTREME COLD WEATHER KIT - LOWER CONTROLS	5-12
CHASSIS/TURNTABLE/CYLINDER HOSE	EXTREME COLD WEATHER KIT - UPPER CONTROLS	5-13
	FINAL ASSEMBLY	2-29
	FLASHING LIGHTS/POWER TO PLATFORM INSTALLATION	4-19
	FLYWHEEL ASSY	2-13
	FRONT AXLE ASSY	2-2
	FUEL TANK ASSY	2-18
	GENERAL INFORMATION	1-1

HYDRAULIC TANK ASSEMBLY .....	3-1	RISER ASSEMBLY .....	2-6
HYDROSTATIC PUMP .....	3-9	ROTARY MANIFOLD .....	3-6
HYDROSTATIC PUMP ASSY .....	3-8	ROTARY MANIFOLD ASSY .....	3-5
JIB BOOM ASSY .....	2-8	ROTATION DRIVE .....	3-7
KUBOTA ENGINE V2403-M-T-E3B-EU-XB REPLACEMENT PARTS .....	2-12	SINGLE AXIS CONTROLLER WITH TOGGLE SWITCH .....	4-18
LOWER CONTROL PANEL - UNIVERSAL .4- 1		SNORKEL GUARD ASSY SN 01-000104 AND BEFORE .....	2-26
LOWER CONTROL PANEL A62JRT DIESEL - CE (NON TURBO) AFTER SN01-00051 ...	4-4	SNORKEL GUARD FABRICATIONS - AFTER SN01- 000104 .....	2-25
LOWER CONTROL PANEL A62JRT DIESEL - CE (TURBO) BEFORE SN01-00050 .....	4-3	SWING-OUT ENGINE TRAY ASSEMBLY – KUBOTA .....	2-9
LOWER CONTROL PANEL A62JRT DIESEL – ANSI .....	4-2	THROTTLE BRACKET ASSY .....	2-14
LOWER CONTROLS HYDRAULIC WARM-UP HARNESS .....	5-14	TIRES AND WHEELS .....	2-4
LOWER CONTROLS TO BOOM FUNCTION VALVE WIRING HARNESS .....	4-25	TOW PACKAGE .....	5-7, 5-8
MAIN BOOM ASSY .....	2-7	TRACTION MANIFOLD .....	3-14
MAINTENANCE & SCHEMATICS .....	6-1	TRACTION MANIFOLD ASSY .....	3-13
OSCILLATING REAR AXLE VALVE ASSEMBLY .....	3-2	TRAY MOUNTING .....	2-28
PLACARDS AND DECALS - ANSI .....	2-30	TURNTABLE AND COUNTERWEIGHT INSTALLATION .....	2-21
PLACARDS AND DECALS - CE .....	2-31	TURNTABLE ASSY .....	2-5
PLATFORM - 8 FOOT WITH BUMP GUARD UPPER CONTROL WIRING .....	5-10	UPPER BOOM/JIB/PLATFORM MOUNTING ...	2-22
PLATFORM ASSEMBLY .....	2-23	UPPER CONTROL PANEL - (NON TURBO) CE AFTER SN01-00051 TO SN01-00065 .....	4-14
PLATFORM ASSEMBLY STEEL MARCH 2009 AND AFTER .....	2-24	UPPER CONTROL PANEL - (NON TURBO) CE AFTER SN01-00066 .....	4-16
PLATFORM FOOT SWITCH .....	4-20	UPPER CONTROL PANEL - (TURBO) CE AFTER SN01-00051 .....	4-10
PLATFORM ROTATOR ASSY .....	3-23	UPPER CONTROL PANEL - (TURBO) CE AFTER SN01-00066 .....	4-12
PLATFORM – 8 FOOT WITH BUMP GUARD . 5-9		UPPER CONTROL PANEL - ANSI .....	4-6
REAR AXLE ASSY .....	2-3	UPPER CONTROL PANEL - CE BEFORE SN01-00050 .....	4-8
		UPPER CONTROL PANEL - UNIVERSAL .....	4-5

UPPER CONTROL PANEL A62JRT DIESEL –  
ANSI ..... 4-7

UPPER CONTROL PANEL A62JRT DIESEL –  
CE BEFORE SN01-00050 ..... 4-9

UPPER CONTROL PANEL A62JRT – (NON  
TURBO) CE AFTER SN01-00051 TO SN01-  
00065 ..... 4-15

UPPER CONTROL PANEL A62JRT – (NON  
TURBO) CE AFTER SN01-00066 ..... 4-17

UPPER CONTROL PANEL A62JRT – (TURBO)  
CE AFTER SN01-00051 TO SN01-00065 .. 4-11

UPPER CONTROL PANEL A62JRT – (TURBO)  
CE AFTER SN01-00066 ..... 4-13

WHEEL DRIVE MOTOR HYDRAULIC 38CC .  
3-4

WIRING HARNESS SP2 BYPASS EVDR . 4-30

WIRING HARNESS UPPER CONTROLS . 4-29

WIRING HARNESS, 110 VAC POWER  
LOWER ..... 4-36

WIRING HARNESS, 110 VAC POWER UPPER  
..... 4-37

WIRING HARNESS, BOOM ELEVATION  
LIMIT SWITCH ..... 4-33

WIRING HARNESS, EMERGENCY PUMP 4-  
31

WIRING HARNESS, FLASHING LIGHTS 4-  
35

WIRING HARNESS, HORN ..... 4-32

WIRING HARNESS, PLATFORM FOOT  
SWITCH ..... 4-38

WIRING HARNESS, VALVE BLOCK .... 4-24

B	0073077	5-11
--	0073089	2-30, 2-31, 2-32
.313-18 X .875 GR5	0073139	2-30, 2-31
.500 LOCK WASHER	0073139P	2-32
0060373	0073224	2-30, 2-31
0060376	0073224P	2-32
0070540	0073250	5-10
0070541	0073298	2-30, 2-31
0070758	0073492	2-30, 2-31
0070901	0073492P	2-32
0070901P	0074096	5-9
0070921	0074096-0	2-24
0070967	0074209	2-30
0071425ES	0074209P	2-32
0071528	0074210	2-30, 2-31
0071536	0074210P	2-32
0071556	0074311	2-30, 2-31
0071582	0074311P	2-32
0071837	0074372	2-30, 2-31
0071926	0074372P	2-32
0071926P	0074979	4-19
0071927	0075234	5-15
0071927P	0075235	2-30, 2-32
0071953	0081384	5-15
0071953-8	0083426	2-32
0072203	0083427	2-30, 2-31, 2-32
0072530	0084213	2-30, 2-31
0072530P	0084213P	2-32
0072531	0090589E	2-30, 2-31, 2-32
0072531P	0090760	5-8
0072541	010076-000	2-23
0072541P	010076-901	2-30, 2-31, 2-32
0073043	010148-001	2-17
0073043P	010149-000	2-17

010178-003	2-18	013888-065	3-8
010414-003	2-28	0150448P	2-32
0110833	5-7	0150452	2-30, 2-32
0110835	5-10	0150509	2-24, 5-9, 5-16, 5-17
0110836	5-7	0150602	2-30
0110943	5-7	0150606	2-30
0111465	5-7	0150606P	2-32
0111476	5-10	0150756	5-10
0111520	5-7	0151410	2-30, 2-31
011239-010	2-1, 2-21	0151410P	2-32
011261-000	2-14	0151917	2-30, 2-32
0113519	2-25	0152346	5-7
0113528	2-25	015717-002	3-2
0113529	2-25	015790-006	4-1, 4-5
0113530	2-25	015790-011	4-1
0113531	2-25, 2-26	0161014	2-16
0113536	2-26	016181905	2-32
0113538	2-25	0161819E	2-30, 2-31
0113540	2-26, 2-26	0162060	4-19
0113541	2-26, 2-26	0162311	2-31
0113542	2-26, 2-26	0162328E	2-31
0113560	2-26	0162329E	2-31
0113561	2-26	0162336E	2-31
0113584	5-16, 5-17	0162366	2-31
011469-006	2-2, 2-3	0172451	2-30, 2-31
011760-004	2-14	0181102	5-10
011916-008	3-1	0181103	5-10
011934-004	2-2	0181381	5-9, 5-16, 5-17
012467-006	3-1	0181406	5-9, 5-17
012733 -099	3-24, 3-24, 3-24	0181407	5-10, 5-16
012739-099	3-24	0181408	5-9, 5-16, 5-17
012798-000	4-5	0181466	5-7
013259-008	2-10, 2-11	0181480	5-10
013283-002	4-19	0181562	2-30

0181562ES	2-32	0420199	5-9, 5-17
0181634	5-11	0420199-0	2-24
0181678	5-7	0420199-5	5-16
0182236	2-30, 2-31	0420632	2-24, 5-9, 5-16, 5-17
0182236P	2-32	0421321	5-9, 5-17
0182340	5-17	0421321-0	2-24
0182396	2-31	0421321-5	5-16
0182397	2-30, 2-31, 2-32	0421519-0	2-24
0190989	2-32	0421519-5	5-9, 5-16, 5-17
0190989E	2-30, 2-31	0421529-0	2-24
020021-012	3-5	0421529-5	5-9, 5-16, 5-17
020541-003	3-24	0421606	5-7
020541-013	2-10	056021-008	2-27, 4-19, 5-1, 5-4
020541-020	2-10, 2-11	056058-016	2-28
020541-025	2-10, 2-11	056058-020	2-7
0260014	4-5	056058-070	2-25, 5-8
0260047	4-20, 4-21, 4-38	056059-010	5-1
0260070	2-3, 3-3	056059-016	2-27, 4-19
0260099	2-3, 3-3	056059-030	5-3
0260275	5-12, 5-13	056059-055	5-4
0260304	3-16	056059-70	2-28, 5-1
0260347	2-7	056060-020	5-1
0260430	2-3	056060-030	5-1
0260466	2-12	056060-040	5-1
027972-000	2-17	056064-005	2-6, 2-7, 2-27, 4-19
029925-000	2-6, 2-7, 4-1, 4-5, 4-12	056064-006	2-7
029925-011	2-23	056065-100	5-7
029939-002	4-1, 4-5	056065-140	5-7
029945-037	2-9	056066-006	2-25, 5-8
0323897	2-30, 2-31	056066-012	5-7
0323897P	2-32	056067-008	5-3
0323899	2-30	056069-006	5-8
0323899P	2-32	056069-010	2-1
0361367	2-30, 2-32	058492-035	5-3, 5-4

061692-099	2-27	100289-000	2-10, 2-11
062299-002	2-17	100295-000	2-17
063783-003	2-5	100338-001	4-1, 4-22
063965-001	3-11	100338-005	4-22
064423-000	2-14	100370-009	2-27
065214-000	2-1, 2-8	100432-002	2-1, 2-2, 2-3, 2-6, 2-8
065214-001	2-1, 2-6, 2-22	100432-004	3-5
066516-004	2-29	100432-007	3-11
066516-005	4-2, 4-6	100432-009	2-6, 3-5, 3-13
067614-023	2-12	100432-014	3-11
067660-006	4-1, 4-5	100432-015 3	5-4
067661-001	4-1	100432-027	3-5, 3-13
067661-002	4-1, 4-2	100432-029	3-5
067662-001	4-1	100433-001	3-11
067662-002	4-1, 4-2	100433-005	3-11
067662-006	4-1, 4-2	100434-002	2-6, 2-7, 2-8, 2-21
068456-001	2-2	100434-004	2-2, 2-3, 2-21, 3-8
068456-001-3	3-16	100434-008	2-7, 2-17, 3-5, 3-22
06855 6-002	2-6	100434-012	3-11
068660-000	2-6	100434-013	2-17, 5-3
068698-000	4-1, 4-5	100434-013 3	5-4
068698-001	4-1, 4-2, 4-5	100434-014	3-8
068698-002	4-1, 4-3, 4-4, 4-5	100434-015 3	5-1
068698-004	4-1, 4-5	100434-017	3-13
068764-000	4-22	100434-018	2-3, 2-10, 2-11
068904-000	2-19, 2-20	100434-021	3-8, 3-13
068908-005	4-22	100468-001	2-23
068982-002	2-18	100558-001	3-5, 3-6
100180-041	2-10, 2-11	100558-010	3-6
100209-000	2-9	100558-100	3-6
100244-001	2-1	100558-101	3-6
100285-000	3-1	100558-102	3-6
100286-001	3-1	100558-103	3-6
100288-000	3-1	100558-104	3-6



100558-105	3-6	104602-000	2-5
100558-106	3-6	104603-000	2-1
100558-107	3-6	104603-000 B	2-2
100558-108	3-6	104604-000	2-1
102382-017	3-1	104604-000 B	2-3
104075-000	2-19	104605-000	2-21
104076-000	2-20	104605-000 A	3-5
104084-000	2-27	104606-000	2-17
104260-102	3-17	104606-000 A	3-11
104260-103	3-17	104607-000	2-28
104260-105	3-17, 3-21	104607-000 A	2-17
104260-107	3-17	104608-000	2-9
104260-108	3-17	104608-000 A	2-10
104260-109	3-17	104609-000	2-9, 2-28
104265-000	3-1	104610-000	2-21
104265-100	3-1	104611-000	2-17, 2-18
104265-101	3-1	104612-000	2-17
104265-102	3-1	104612-000 A	3-1
104265-103	3-1	104613-000 C	2-28
104292-000	2-19	104614-000	2-9, 2-16
104328-000	2-29	104615-000 A	2-6
104329-000	2-29	104616-000	2-22
10433 7-000	2-18	104616-000 B	2-7
104333-000	2-29	104617-000	2-22
104334-000	2-29	104618-000	2-10, 2-11, 2-14
104368-000	2-10, 2-11	104619-000 A	3-24
104374-000	2-27	104619-001 A	4-21
104374-001	2-27	104619-002	4-26
104378-001	2-5	104619-003	5-2
104411-000	2-7	104620-000	2-10, 2-11
104412-000	2-7	104620-000 A	3-8
104456-000	2-18	104621-000	2-21, 3-13
104573-111	2-12	104622-000	2-2, 3-3
104601-000	2-1	104623-000	2-19, 2-27

104624-000	2-20, 2-27	104664-103	3-15
104625-000	2-8, 2-22	104665-000	2-3, 3-3, 3-4
104627-000	2-22, 2-23	104665-100	3-4
104628-000	2-27	104672-000	2-1
104629-000	2-29	104673-000	2-10, 2-12
104630-000	4-19, 5-1	104673-105	2-12
104631-000	5-1	104673-106	2-12
104633 -000	5-15	104673-107	2-12
104640-000	2-28	104673-113	2-10, 2-11, 2-12
104641-000	2-28	104673-116	2-12
104642-000	2-28	104674-000	3-11
104643-000	2-28	104674-000 B	3-12
104645-000	2-17	104674-103	3-12
104646-000	3-1	104674-105	3-12
104647-000	2-17	104674-106	3-12
104648-000	2-5	104674-110	3-12
104649-000	2-5	104674-111	3-12
104650-000	2-5	104674-112	3-12
104651-000	2-17	104674-118	3-12
104652-000	2-17	104674-119	3-12
104653 -000	2-17	104674-120	3-12
104654-000	2-17	104674-123	3-12
104655 -000	2-17	104674-125	3-12
104656-000	2-17	104674-127	3-12
104657-000	2-17	104674-128	3-12
104658-000	2-17	104674-129	3-12
104659-000	2-9	104674-131	3-12
104661-000	2-5	104675-000	3-13, 3-14
104662-000	2-5	104675-100	3-14
104663-000	2-5, 2-6, 2-7	104675-101	3-14
104664-000	2-1, 3-15	104675-102	3-14
104664-100	3-15	104675-103	3-14
104664-101	3-15	104675-104	3-14
104664-102	3-15	104675-105	3-14

104675-106	3-14	104709-000	2-5
104675-107	3-14	104710-000	2-5
104675-108	3-14	104711-000	2-10, 2-11
104679-000	2-5, 2-6	104712-000	2-10, 2-11
104681-000	4-21, 4-29	104713-000	2-28
104682-000	4-26	104715-000	2-1
104683-000	4-21, 4-27	104716-000	2-21
104684-000	4-21, 4-22, 4-23	104716-000 A	3-7
104685-000 A	4-22	104716-100	3-7
104686-000	4-21, 4-32	104716-101	3-7
104687-000	4-21, 4-33	104716-102	3-7
104688-000	4-21	104716-104	3-7, 3-7
104688-000 A	4-34	104716-105	3-7
104692-000	4-2, 4-3	104716-106	3-7
104692-000 B	4-1	104716-107	3-7
104697-000	2-30, 2-31, 2-32	104716-109	3-7
104698-000	4-21	104716-110	3-7
104698-000 A	4-31	104716-111	3-7
104699-000	4-21, 4-26, 4-30	104716-112	3-7
104700-000	4-1	104716-113	3-7
104700-001	4-1	104716-114	3-7
104700-002	4-1	104716-115	3-7
104701-000	2-10, 2-11	104716-116	3-7
104703-000	2-10, 2-11	104716-117	3-7
104703-000 A	2-13	104716-118	3-7
104703-100	2-13	104716-119	3-7
104703-101	2-13	104716-120	3-7
104703-102	2-13	104716-125	3-7
104703-103	2-13	104716-127	3-7
104703-104	2-13	104716-130	3-7
104705-000	2-10, 2-11	104716-131	3-7
104706-000	2-16	104716-132	3-7
104707-000	2-17	104716-133	3-7
104708-000	2-17	104716-134	3-7

104716-135	3-7	104750-000	2-10, 2-11
104716-136	3-7	104750-100	2-15
104716-137	3-7	104750-101	2-15
104716-138	3-7	104750-102	2-15
104716-139	3-7	104750-103	2-15
104718-000	2-27	104750-104	2-15
104719-000	2-27	104750-105	2-15
104720-000	2-27	104750-106	2-15
104721-000	2-27	104750-107	2-15
104723-000	2-27	104752-000	2-10, 2-11
104724-000	2-19	104754-000	2-10, 2-11
104725-000	2-20	104755 -000	2-10
104726-000	2-10, 2-11	104755-000	2-11
104727-000	2-20	104756-000	2-10, 2-11
104728-000	2-19	104759-000	2-2
104730-000	2-2, 2-5, 2-6	104762-000	3-5
104731-000	2-2	104763-000	3-5
104732-000	2-2, 2-3	104764-000	3-5
104733 -000	2-21	104766-000	3-13
104734-000	2-21	104767-000	2-2, 2-3
104735 -000	2-10	104769-000	3-24
104735-000	2-11	104770-001	3-24
104736-000	2-10, 2-11	104770-008	3-24
104737-000	2-14	104770-009	3-24
104738-000	2-1	104770-010	3-24
104739-000	2-21	104770-011	3-24
104740-000	3-8	104770-012	3-24
104741-000	2-19, 2-20	104770-013	3-24
104742-000	2-19, 2-20	104770-014	3-24
104743-000	2-10, 2-11	104770-015	3-24
104744-000	2-10, 2-11	104770-016	3-24
104745-000	2-21	104770-017	3-24
104746-000	3-11	104770-102	3-24
104747-000	3-11	104770-103	3-24

104770-104	3-24	104772-001	3-24
104770-105	3-24	104772-002	3-24
104770-106	3-24	104772-003	3-24
104770-107	3-24	104772-004	3-24
104770-118	3-24	104772-005	3-24
104770-119	3-24	104772-006	3-24
104771-001	3-24	104772-007	3-24
104771-002	3-24	104772-009	3-24
104771-003	3-24	104772-010	3-24
104771-004	3-24	104773-000	3-24
104771-005	3-24, 3-24	104776-000	2-10
104771-006	3-24	104777-000	2-10, 2-11
104771-007	3-24	104778-000	2-10, 2-11
104771-008	3-24	104781-000	2-7
104771-009	3-24	104782-000	2-7
104771-010	3-24	104787-000	4-22
104771-011	3-24	104789-000	4-22
104771-012	3-24	104791-000	4-22
104771-013	3-24	104793-000	4-22
104771-014	3-24	104795-000	4-22
104771-015	3-24	104797-000	4-1
104771-017	3-24	104798-000	3-8, 3-11
104771-018	3-24	104799-000	2-7
104771-019	3-24	104801-000	2-7
104771-020	3-24	104802-000	2-30, 2-31
104771-021	3-24	104803-000	2-10
104771-022	3-24	104805-000	2-6
104771-023	3-24	104809-000	2-7
104771-024	3-24	104810-000	3-8
104771-025	3-24	104811-000	3-8
104771-026	3-24	104813-000	3-8
104771-027	3-24	104814-000	2-10, 2-11
104771-028	3-24	104815-000	2-7
104771-029	3-24	104820-000	2-23

104820-000 D	4-6	104867-000	5-1, 5-3
104821-000	4-6, 4-8	104868-000	5-1
104821-000 B	4-5	104868-000 A	5-5
104822-000	4-5	104869-000	5-11
104825-000	2-23	104870-000	5-11
104825-000 D	4-8	104875 -000 A	5-4
104825-000F	4-10	104875-000	5-1
104825-000G	4-12	104876-000	5-1
104826-000	2-17	104877-000	5-1
104826-000 D	4-2	104878-000	5-1
104827-000	2-17	104879-000	5-4
104828-000	4-21, 4-24	104880-000	5-5
104829-000	4-21, 4-28	104883-000	2-10, 2-11
104832-000	2-30, 2-31	104885-000	3-1
104835-000	2-28	104890-000	5-2
104839-000	2-17	104890-001	5-2
104840-000	2-21, 3-22	104890-002	5-2
104841-000	2-17, 3-22	104890-003	5-2
104842-000	2-17	104890-004	5-2
104847-000	2-29	104890-005	5-2
104849-000	2-6	104890-006	5-2
104851-000	3-22	104890-007	5-2
104853 -000	2-21	104890-008	5-2
104854-000	2-28	104893-000 B	5-11, 5-12, 5-13
104855 -000	4-35	104894-000	5-15
104855-000	4-19, 4-21	104899-000	2-7
104856-000	4-19, 4-21, 4-37	106524-100	2-1
104857-000	4-19, 4-21, 4-36	106526-100	2-2
104858-000	2-10	106527-000	2-1
104859-000	2-28	10653 2-101	2-2
104860-000	5-3	106532-100	2-2
104863-000	5-2	106533-100	2-2
104863-000 A	5-6	106560-100	2-2
104866-000	5-11, 5-14	106561-100	2-2

106562-100	2-1	106828-100	2-8
106563-100	2-2	106832-000	4-1
106564-100	2-1	106837-100	2-8
106571-103	2-8	106838-100	2-8
106571-103 A	3-23	106839-100	2-8
106574-103	3-12	106840-000	2-8
106574-117	3-12	106841-100	2-8
106574-119	3-12	106864-000	3-2
106593-000	5-7	106868-000	2-2
106595-000	2-2, 5-7	106896-000	4-22
106597-000	2-12	106899-000	4-5
106598-000	2-22	106899-000-01	4-5
106717-001	2-2, 2-3, 2-4, 2-4	106899-104	4-5
106717-003	2-4, 2-4	106903-000	4-22
106717-010	2-4, 2-4	106905-000	2-5
106717-011	2-4, 2-4	106907-000	2-1
106718-001	2-2, 2-3, 2-4	106948-000	2-3, 2-29
106744-100	2-3	106952-000	3-8, 3-9
106751-100	3-4	106952-100	3-9
106751-101	3-4	106952-101	3-9
106754-000	3-5	106960-001	2-10
106771-102	3-15	106963-000	2-8
106771-103	3-15	106964-000	2-2
106771-105	3-15	106981-000	2-8
106771-106	3-15	106992-000	2-30
106771-107	3-15	106993-000	3-2
106787-000	2-3, 3-2	106994-000	3-2
106788-000	3-2	106998-000	2-30, 2-31
106790-001	3-2	106999-000	2-29
106792-100	2-1	107090-025	5-8
106807-100	2-8	11495-006	3-21
106825-100	2-8	11497-009	3-19
106826-000	4-5	11498-007	3-18
106827-100	2-8, 3-20	116324-000	2-3, 3-3

116346-000	2-22	1430273	2-6
116347-000	4-8	1430274	2-6
116347-001	4-10, 4-12, 4-14, 4-16	1430275	2-6
1430080-0	2-24	1430276	2-6
1430099	5-9, 5-17	1430279	2-6, 2-7, 3-21
1430099-0	2-24	1430280	2-6, 3-17
1430099-5	5-16	1430281	2-7, 3-19
1430100	2-23	1430282	2-6, 3-18
1430100 L	2-24	1430283	2-6
1430100-0	2-24	1430284	2-6
1430100-5	2-24	1430286	2-7
1430121	2-6	1430289	2-7
1430131	2-6	1430290	2-7
1430144	2-6	1430292	2-7
1430151	2-6	1430293	2-7
1430163	2-6	1430294	2-7
1430165	2-6	1430295	2-7
1430212	2-6	1430299	2-6
1430239	2-7	1430312	2-23
1430247	2-7	1430371	5-9, 5-17
1430248	2-22	1430371-5	5-16
1430249	2-22	1430378	5-9, 5-17
1430250	2-6	1430378-5	5-16
1430252	2-22	1430381	5-9, 5-17
1430253	2-22	1430381-5	5-16
1430254	2-6	1430385 E	5-9, 5-10
1430255	2-6	1430385 K-1	5-17
1430256	2-22	1430385 M	5-16
1430257	2-22	1430488 C	5-7, 5-8
1430258	2-7	1430489	5-4
1430259	2-22	1430490	5-8
1430267	2-8	1430492	5-8
1430269	2-7	1430493	5-7
1430272	2-6	1430494	5-7



1430497	5-7	3020015	4-5
1430498	5-7	3020018	4-1
1430527	2-10, 2-11	3020021	2-23, 4-20
1430533	2-32	3020037	4-20
1430539	2-12	3020040	2-9
1430542	2-12	3020047	5-12, 5-13
1430557	5-15	3020061	2-16, 4-22
1431994	2-12	3020068	4-1
151457	5-3	3020069	4-1
151458	5-3	3020070	4-1
151484	5-3	3020078	5-11
182340	5-16	3020080	2-26, 2-26, 4-1, 4-5, 4-12, 4-16, 5-10
2509716	2-7	3020081	4-1
2509717	2-6, 2-7, 2-8	3020090	4-5
2509719	2-6, 2-7	3020098	5-9, 5-10
2509720	2-6, 2-7	3020113	4-20
2509721	2-6, 2-7	302555	2-24, 5-9, 5-16, 5-17
2540014	2-26	3028811	4-5
2572007	2-24, 5-9, 5-16, 5-17	3028812	2-10, 2-11, 4-22
2667500	2-24, 5-9, 5-16, 5-17	3028813	4-1
2690001	5-7	3028839	4-18
3 55 60727	2-6	3028840	4-18
300492	2-24, 5-9, 5-16, 5-17	3028844	2-25
3011201	4-3, 4-3, 4-4, 4-4, 4-15, 4-17	3028937	5-17, 5-17
3011241	4-3, 4-4	3030188	2-22, 2-22
3011251	4-3, 4-4, 4-15, 4-17	3040069	4-1, 4-22
3011601	4-3, 4-3, 4-4, 4-4	3040070	5-9, 5-16, 5-17
3011641	4-3, 4-3, 4-4, 4-4	3040083	2-26, 2-26
3011801	4-15, 4-17	3040110	4-20
3011803	5-10, 5-10	3040116	4-19, 4-20, 5-10
3011851	4-15, 4-17	3040127	2-5
3014753	2-25, 4-12, 4-16	3040174	2-14, 4-22
30200103	2-9	3040187	5-9, 5-16, 5-17
3020013	4-5	3040252	2-16, 4-19, 4-22

3040268	.....4-22	3220024	..... 4-15, 4-17
3040269	.....4-22	3220025	..... 4-15, 4-17
3040285	.....5-10	3220026	..... 4-15, 4-17
3040293	..... 4-3, 4-4, 4-15, 4-17	3220029	..... 4-3, 4-4
3040341	..... 4-3, 4-4, 4-15, 4-17, 4-22	3220088	..... 4-1, 4-5
3040342	.....4-22	3220089	..... 4-5
3040411	..... 2-16, 4-22	3220090	..... 4-15, 4-17
3040469	. 2-26, 2-26, 4-8, 4-10, 4-12, 4-14, 4-16, 4-22, 5-10, 5-13	3220096	..... 4-1, 4-5
30404695	..... 2-16	3220100	..... 4-5, 4-18
3040502	.....5-10	3220102	.....4-22
3040506	.....4-22	3220103	.....4-22
3040624	.....4-19	3220104	.....4-22
3040625	.....4-19	3220120	..... 4-3, 4-4
3040649	..... 4-15, 4-17	3220210	.....4-18
3040650	..... 4-3, 4-4, 4-22	3220211	.....4-18
3040777	..... 4-5	3220213	.....4-18
3042070	.....5-10	3220214	.....4-18
3044071	.....5-15	3220215	.....4-18
3044161	..... 2-26, 2-26	3220217	.....4-18
3045278	.....4-19	33220212	..... 4-18
3049804	..... 4-3, 4-4	35560357	..... 2-5
3049808	..... 4-3, 4-4	35560727	..... 2-19
3049820	.....4-22	446826	..... 4-1, 4-5
3049822	.....4-22	446836	..... 4-1, 4-1, 4-5
3049886	..... 4-4	451986	..... 2-30, 2-31
3050002	.....4-22	451986P	..... 2-32
3050102	.....5-11	459986	..... 3-10
3069524	. 4-3, 4-4, 4-8, 4-10, 4-12, 4-14, 4-16, 5- 15	480652	..... 4-5
3070001	..... 4-1, 4-1	5010007	..... 2-24, 5-16, 5-17
3080001	..... 5-3	5033035	..... 5-8
3220007	.....4-19	5033036	..... 5-8
3220019	..... 4-1, 4-5	505082-016	..... 4-19
		5067017	..... 5-8
		5067018	..... 5-8

508895-000	2-31	511497-002	3-19
5089682	2-12	511497-003	3-19
5093001	5-9, 5-16, 5-17	511497-004	3-19
5093008	5-1	511497-005	3-19
509651-000	4-4	511497-006	3-19
509750-000	4-4	511497-007	3-19
510280-000	2-31	511497-008	3-19
510683-025	2-1	511498-000	3-18
511099-000	2-30, 2-31, 2-32	511498-001	3-18
511100-000	2-30, 2-31, 2-32	511498-002	3-18
511265-000	5-8	511498-003	3-18
511339-000	3-5	511498-004	3-18
511341-000	5-1	511498-005	3-18
511342-000	5-1	511498-006	3-18
511343-000	3-1	513132-000	2-31
511346-000	3-1	513861-000	2-31
511348-000	3-1	513862-000	2-31
511373-000	2-1	513863-000	2-30, 2-31
511374-000	2-1	514404-000	4-19, 4-21
511375-000	2-1	514873-000	4-4
511376-000	2-1	515010-000	2-11
511443-000 A	2-30	515108-000	2-11, 2-11
511443-001 C	2-31	515115-000	2-11
511458-000	3-1	515178-000	2-11
511495-000	3-21	515196-000	4-14, 4-16
511495-001	3-21	515197-000	4-14, 4-16
511495-002	3-21	515214-000	4-14, 4-16
511495-003	3-21	515313-000	4-4
511495-004	3-21	515362-000	4-10, 4-12
511495-005	3-21	515446-000	2-23
511496-000	3-17	515460-000	4-21
511496-001	3-17	5260026	5-7
511497-000	3-19	53028838	4-18
511497-001	3-19	53040069	2-16

53220216	4-18	2-19, 2-20, 2-21, 2-22, 2-23, 2-27, 2-28, 3-5, 5-1
55 60613	2-7	5560727 . 2-1, 2-3, 2-5, 2-7, 2-10, 2-11, 2-17, 2-20, 2-22,
55 60629	2-14	2-23, 2-27, 2-28, 3-1, 5-1, 5-3
55 60695	2-7	5561550 ..... 5-7
55 60719	2-8	5563017 ..... 2-10, 2-11
55 63078	2-6	5563044 ..... 2-2
55 63414	4-18	5563045 ..... 2-17, 2-22, 3-8
5530013	5-9, 5-16, 5-17	5563048 ..... 2-7, 2-16, 2-17, 2-19, 2-20, 4-19
5534383	4-18	5563058 ..... 2-2, 2-3
5550005	5-7	5563078 ..... 2-2, 2-28
55560626	2-21	5563116 ..... 2-2, 2-3
5560004	2-24, 5-9, 5-16, 5-17	5563136 ..... 2-16, 2-17, 3-2
5560031	2-24, 5-9, 5-16, 5-17	5563194 ..... 2-7
5560033	2-2, 2-24, 2-26, 5-9, 5-16, 5-17	5563310 ..... 2-24, 5-9, 5-16, 5-17
5560034	2-26, 2-26, 5-10, 5-16, 5-17	5563388 ..... 5-9, 5-16, 5-17
5560355	2-2, 2-10, 2-11, 2-17, 2-22, 2-28	5563393 ..... 2-24, 5-16, 5-17
5560356	2-1, 2-3, 2-6, 2-7, 2-8, 2-10, 2-11, 2-28,	5569059 ..... 2-26, 2-26
2-29, 5-1		5569865 ..... 2-24, 5-9, 5-16, 5-17
5560357	2-2, 2-10, 2-11, 2-17, 2-22, 2-23, 2-27,	5569917 ..... 2-2
5-3		5569978 ..... 4-19
5560383	5-10	5569989 ..... 2-22
5560585	5-9	5569990 ..... 2-22
5560609	2-26, 2-26	5569991 ..... 2-22
5560613	2-1, 2-2, 2-3, 2-5, 2-17, 2-19, 2-20, 2-	5580002 ..... 5-7
27, 2-28, 3-1, 5-1, 5-4		5592018 ..... 2-25
5560613 3	5-3	561176 ..... 3-12
5560614	2-10, 2-11, 2-22, 2-28	5621635 ..... 3-12
5560626	2-1, 2-6, 2-7, 2-10, 2-11, 2-22, 3-5	565476 ..... 2-22, 2-28
5560627	2-2, 2-3, 2-5, 2-23	6010472 ..... 3-12
5560629	2-9, 2-10, 2-11, 2-17, 2-23, 2-29	6010616 ..... 5-8
5560654	5-16, 5-17	6018940 3 ..... 3-12
5560695	2-1, 2-6	6019041 3 ..... 3-12
5560699	2-2, 2-22, 2-28	6019077 ..... 3-12
5560719	2-1, 2-2, 2-6, 2-7, 2-9, 2-10, 2-11, 2-17,	6019174 ..... 3-12

6019180	3-12	7631295	2-12
6019181	3-12	7631307	2-12
6019182	3-12	7631318	2-12
6019194	3-12	7631319	2-12
6019240	5-1	7631320	2-12
6019241	5-4	7631327	2-12
6019272	5-4	7631329	2-12
6020058	2-17, 3-10	7631331	2-12
6030029	5-3	7631333	2-12
6050005	5-5	7631334	2-12
6070005	3-22	7631335	2-12
6070010	3-22	7631336	2-12
6091943	3-1	7631338	2-12
6091969	3-1	7631339	2-12
6091970	3-1	7631342	2-12
64443-001	4-1	7631344	2-12
67654-000	4-1	7631349	2-12
67662-005	4-1	7631350	2-12
68773-002	4-1, 4-5	7631352	2-12
68773-003	4-1	7631362	2-12
68801-000	4-5	7631364	2-12
7030142	2-30, 2-32	7631365	2-12
7030143	2-30, 2-32	8010375	3-7
7030161	2-26, 2-26	8010378	3-7
7030162	2-26, 2-26	8010380	3-7
7030163	2-25	8010386	3-7
7240012	5-3	8010387	3-7
7264022	4-18	8010388	3-7
7264023	4-18	8010389	3-7
7264024	4-18	8010391	3-7
7280054	2-4, 2-4	8060296	3-10
7630755	2-10, 2-15	8060297	3-10
7631221	2-12	8060311	2-24, 5-9, 5-16, 5-17
7631292	2-12	8080152	3-23

8080153	.....3-23	AW0071800	.....4-20
8080156	.....3-23	BLT HEX HD M10-1.50X 20MMGR 8.8	.....2-11
967299	.....5-9	BLT HEX HD M8 - 1.25 X 16 GR 8.8	.....2-11
970009	.....2-24, 5-9, 5-16, 5-17	BLT HHD M12-1.25 X 30	.....2-11
970029	.....2-24, 2-25, 5-9, 5-16, 5-17	BLT HHD M12-1.25 X 40	.....2-11
970239	.....2-24, 5-9, 5-16, 5-17	IP-0113536	.....2-26
970279	.....2-24, 5-9, 5-16, 5-17	M6LOCK WASHER	.....2-11
970529	.....2-26	M8-1.25X 20GR 8.8	.....2-11
972009	.....2-7	N/A	4-18, 4-18, 4-18, 4-18, 4-18, 4-18, 4-18, 4-18, 4-18,
972019	.....2-7		4-18, 4-18, 4-18, 4-18, 4-18, 4-18, 4-18, 4-18, 4-18, 4-18,
972259	.....2-24, 5-9, 5-16, 5-17		4-18, 4-18, 4-18, 4-18, 4-18, 4-18, 4-18, 4-18, 4-18,
972479	.....2-24, 2-26, 5-9		4-18
974639	.....5-10	PART NUMBER	.....2-11
975209	.....2-9, 2-10, 2-11, 2-14, 2-17, 2-23	REGULAR LW 0.3125	.....2-11
978389	.....5-9, 5-16, 5-17		
984069	.....2-25		
984169	2-8, 2-10, 2-11, 2-14, 2-17, 2-23, 2-28, 2-29		
986009	2-3, 2-7, 2-8, 2-9, 2-10, 2-11, 2-17, 2-19, 2-20, 2-21, 2-22, 2-23, 2-27, 2-28, 2-29, 3-5, 5-1, 5-9, 5-16, 5-17		
986019	.....2-24, 5-9, 5-16, 5-17		
986179	.....2-2, 2-3		
986269	... 2-10, 2-11, 2-24, 3-11, 5-9, 5-16, 5-17		
986299	.....2-24, 2-26, 3-8, 5-9		
986359	.....2-24, 5-9, 5-16, 5-17		
987089	.....5-9		
987109	.....5-9		
987119	.....2-17, 2-22, 3-8		
988179	.....2-24, 5-9, 5-16, 5-17		
9980003	.....5-10		
9980005	.....5-10		
9980006	.....5-10, 5-10		
9980252	.....5-10		