

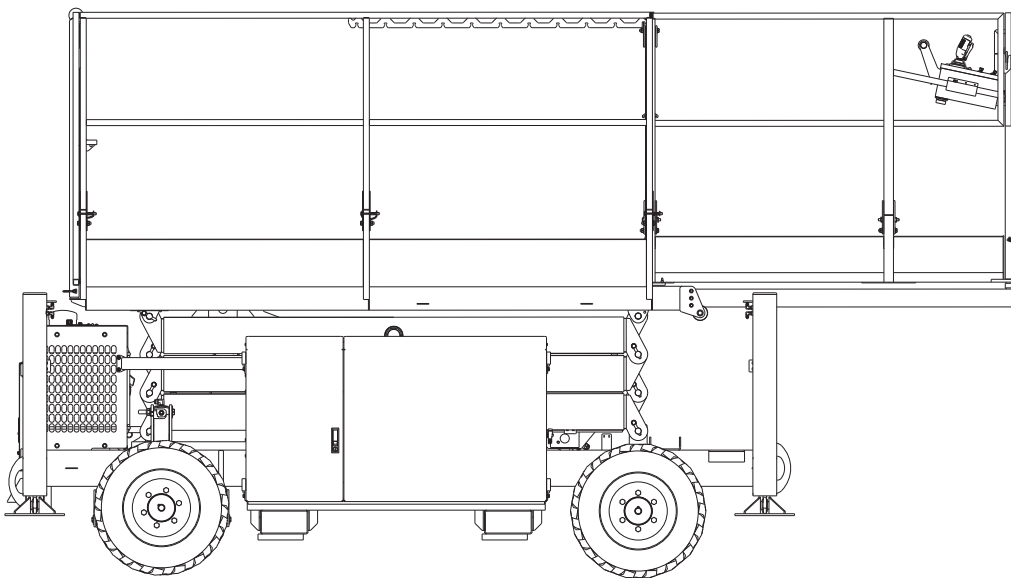


S2755BE

S2255BE

S2755RT

S2255RT



Diesel  
Bi-Energy 24V DC

# REPAIR PARTS MANUAL

Serial Numbers:  
S2255RT-07-000100  
S2755RT-07-000100 and after

Part Number 14047-2  
November 2017 (Rev B)  
Version V

## GENERAL INFORMATION

|                           |     |
|---------------------------|-----|
| General Information ..... | 1-1 |
|---------------------------|-----|

## REPAIR PARTS

|   |      |
|---|------|
| Chassis Assembly Version 5 .....  | 2-1  |
| Chassis Assembly Version 6 .....  | 2-2  |
| Steer Axle Assembly .....   | 2-3  |
| Swing Arms Assembly .....   | 2-4  |
| Control Cabinet Assembly .....  | 2-5  |
| Fuel Cabinet Assembly .....   | 2-6  |
| Engine Cabinet Assembly .....   | 2-7  |
| Engine Cabinet Assembly After Serial Numbers S2255RT-07-180300155 & S2755RT-07-180300173 ..                                 | 2-8  |
| Cabinets Assembly .....   | 2-9  |
| V4 Stabiliser Assembly from serial numbers Sxx70RT-000100 to S2770RT 170400273 S3370RT-07-170100283 S3970RT-170200179 ..... | 2-10 |
| V5 & V6 Stabiliser Assembly from serial numbers S2770RT-07-170400274 S3370RT-07-170100284 S3970RT-07-170200180 .....        | 2-11 |
| Base, Stack, Platform Assembly .....  | 2-12 |
| Base, Stack, Platform Assembly After Serial Numbers S2255RT-07-180600167 & S2755RT-07-180600191                             | 2-13 |
| Platform Assembly .....   | 2-14 |
| Platform Rear Handrail Assembly .....   | 2-15 |
| Platform Assembly After Serial Numbers S2255RT-07-000104 & S2755RT-07-000104 .....  | 2-16 |
| Platform Rear Handrails Assembly After Serial Numbers S2255RT-07-000109 & S2755RT-07-000104                                 | 2-17 |
| Platform Assembly, Version 6 .....  | 2-18 |
| S2255RT Scissor Stack, Version 5 .....  | 2-19 |
| S2255RT Scissor Stack .....   | 2-20 |
| S2755RT Scissor Stack, Version 5 .....  | 2-21 |
| S2755RT Scissor Stack .....   | 2-22 |
| Kubota D902 T3 Engine Assembly .....  | 2-23 |
| Kubota D902 T4 Engine Assembly .....  | 2-24 |
| Kubota D902 T4 Engine Assembly After Serial Numbers S2255RT-07-180300155 & S2755RT-07-180300173 .....                       | 2-25 |
| Plastic Hydraulic Oil Tank Assembly .....   | 2-26 |
| Diesel Fuel Tank Assembly .....   | 2-27 |
| Placards and Decals .....   | 2-28 |
| Placards and Decals Bi-Energy Machines .....  | 2-29 |

## HYDRAULICS

|   |     |
|---|-----|
| Hose Part Numbers and Colour Codes .....      | 3-1 |
| Main Manifold, No Added Fittings .....        | 3-2 |
| Auto Stabiliser Manifold, With Fittings ..... | 3-3 |
| Auto Stabiliser Manifold, No Fittings .....   | 3-4 |
| 4WD Manifold, With Fittings .....             | 3-5 |
| 4WD Manifold, No Fittings .....               | 3-6 |

|                   |   |      |
|-------------------|---|------|
| 7                 | Main Manifold With Fittings After Serial Numbers S2255RT-07-171100145 & S2755RT-07-171100156      | 3-7  |
|                   | Main Manifold With Fittings   | 3-8  |
|                   | Main Manifold, No Added Fittings After Serial Numbers S2255RT-07-171100145 & S2755RT-07-171100156 | 3-9  |
|                   | STEER CYLINDER  | 3-10 |
|                   | AXLE CYLINDER   | 3-11 |
|                   | Axle Cylinder Serial Number S2755RT-07-180600194 and S2755RT-07-180700201 Onwards                 | 3-12 |
|                   | V4 Main Lift Cylinder   | 3-13 |
|                   | V5 Main Lift Cylinder   | 3-14 |
|                   | V4 Stabiliser Cylinder  | 3-15 |
|                   | V5 Stabiliser Cylinder  | 3-16 |
| <b>ELECTRICAL</b> |   |      |
|                   | Looms List  | 4-1  |
|                   | GP400 I/O Menu and Allocations  | 4-2  |
|                   | 13809-02 ANSI Diesel Upper Control Box, Plastic Plug  | 4-3  |
|                   | 13809-01 AS/NZS/CE Diesel Upper Control Box, Plastic Plug   | 4-4  |
|                   | 14023-02 ANSI Diesel Upper Control Box, Metal Plug  | 4-5  |
|                   | 14023-01 AS/NZS/CE Diesel Upper Control Box, Metal Plug   | 4-6  |
|                   | 13811-01 CE AS NZ DIESEL LOWER CONTROL BOX  | 4-7  |
|                   | 13811-02 ANSI Diesel Lower Control Box  | 4-8  |
|                   | Battery Box Mounting  | 4-9  |
|                   | 24V DC Option   | 4-10 |
|                   | 24VDC Cabinet Assembly  | 4-11 |
| <b>OPTIONS</b>    |   |      |
|                   | 240V At Base Assembly   | 5-1  |
|                   | 240V At Platform Assembly   | 5-2  |
| <b>SCHEMATICS</b> |   |      |
|                   | Hydraulic Schematic   | 6-1  |
|                   | Wiring Schematics   | 6-2  |
| A                 |   | A    |
| B                 |   | B    |

# **DANGER**

**The aerial platform is not electrically insulated. Death or serious injury will result from contact with, or inadequate clearance from, an energized conductor.**

**Do not go closer than the Minimum Safe Approach Distance as defined by ANSI standards.**

Regard all conductors as energized.

Allow for electrical wire sag and aerial platform sway.

If the platform, stack, or any part of the aerial platform contacts a high-voltage electrical conductor, the entire machine can become electrically charged.

If that happens, remain on the machine and do not contact any other structure or object. This includes the ground, adjacent buildings, poles, and any other objects that are not part of the aerial platform.

Such contact could make your body a conductor to the other object, creating an electrical shock hazard resulting in death or serious injury.

If an aerial platform is in contact with an energized conductor the platform operator must warn ground personnel in the vicinity to stay away. Their bodies can conduct electricity creating an electrical shock hazard resulting in death or serious injury.

Do not approach or leave the aerial platform until the electricity has been turned off.

Do not attempt to operate the lower controls when the platform, stack, or any part of the aerial platform is in contact with a high-voltage electrical conductor or if there is an immediate danger of such contact.

Personnel on or near an aerial platform must be continuously aware of electrical hazards, recognizing that death or serious injury can result from contact with an energized conductor.

## **California**

### **Proposition 65 Warning**

Battery posts, terminals and related accessories contain lead and lead components, chemicals known to the State of California to cause cancer and birth defects or other reproductive harm. Wash hands after handling.

# General Information

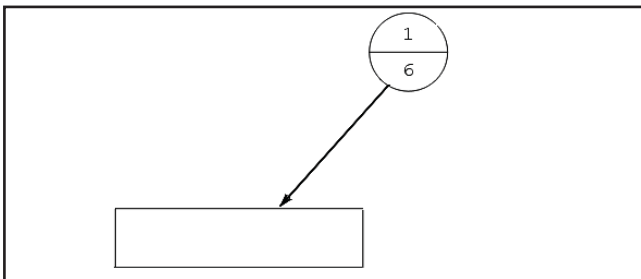
## About This Manual

This manual covers S2255RT / S2755RT aerial platforms. Information is included for machines that have been manufactured to conform to all applicable requirements of the following organizations:

- American National Standards Institute (ANSI)
- Canadian Standards Association (CSA)
- European Committee for Standardization (CE)
- Australian Standards (AS) certification

Part pages include a drawing and a bill of material. The bill of material lists the item number that is on the drawing, the Snorkel part number, quantity used and a description of the item.

Some callouts in the drawings may have a balloon with two numbers. The top number is the item number and the bottom number is the quantity of the item at that location.



While Snorkel has attempted in every way to confirm that all information in this manual is correct, improvements are being constantly made to the machine that may not be reflected in this manual.

If you find information in this manual that is not correct or is confusing, you are urged to report your findings to Snorkel for our evaluation. Your input is important to us and will be used in future printings of this manual.

This machine is covered by a limited warranty that specifically identifies items warrantied by Snorkel and those items covered by original manufacturer's warranty. A copy of the Snorkel Limited Warranty is located on the inside of the back cover of this manual.

## Repairs and Maintenance

Every person who maintains, inspects, tests or repairs the machine must be qualified and authorized to do so.

### ⚠ Caution

**Do not modify this aerial platform without prior written consent of Snorkel Engineering Department. Modification may void the warranty, adversely affect stability or affect the operational characteristics of the aerial platform.**

## Abbreviations

The following abbreviations may be used in this manual.

|      |                                       |
|------|---------------------------------------|
| AC   | alternating current                   |
| ANSI | American National Standards Institute |
| AR   | as required                           |
| CCA  | cold cranking amps                    |
| cm   | centimeter                            |
| DC   | direct current                        |
| ft   | feet                                  |
| GFCI | ground fault circuit interruptor      |
| in   | inch                                  |
| lbs  | pounds                                |
| mm   | millimeter                            |
| no   | number                                |
| NPT  | national pipe thread                  |
| psi  | pounds per square inch                |
| qty  | quantity                              |
| rpm  | revolutions per minute                |
| UL   | Underwriters Laboratories Inc.        |

## Additional Information

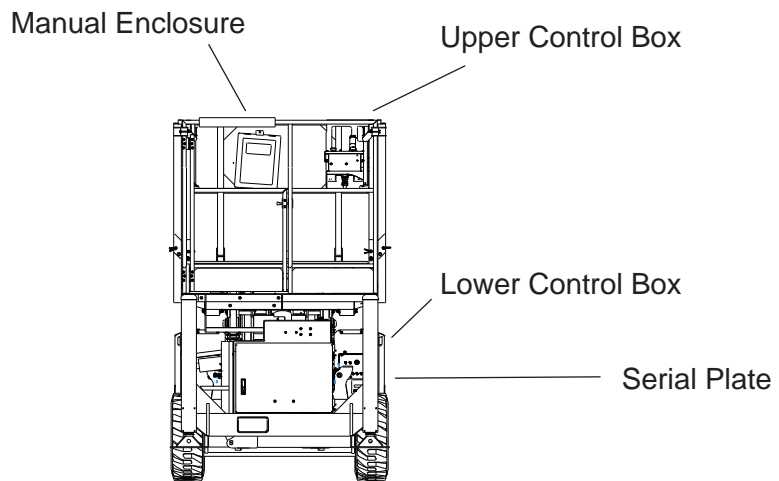
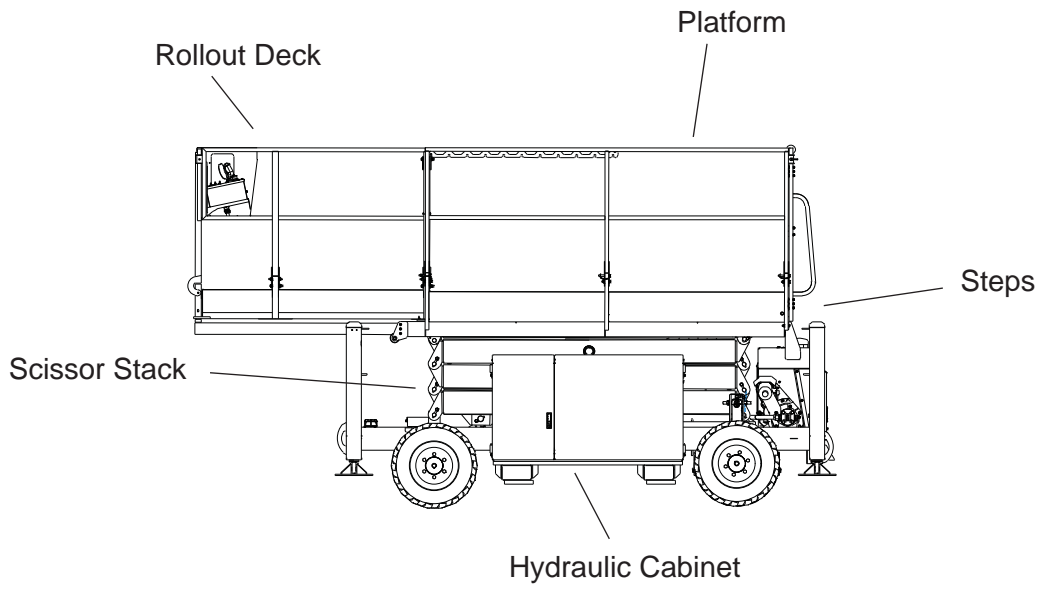
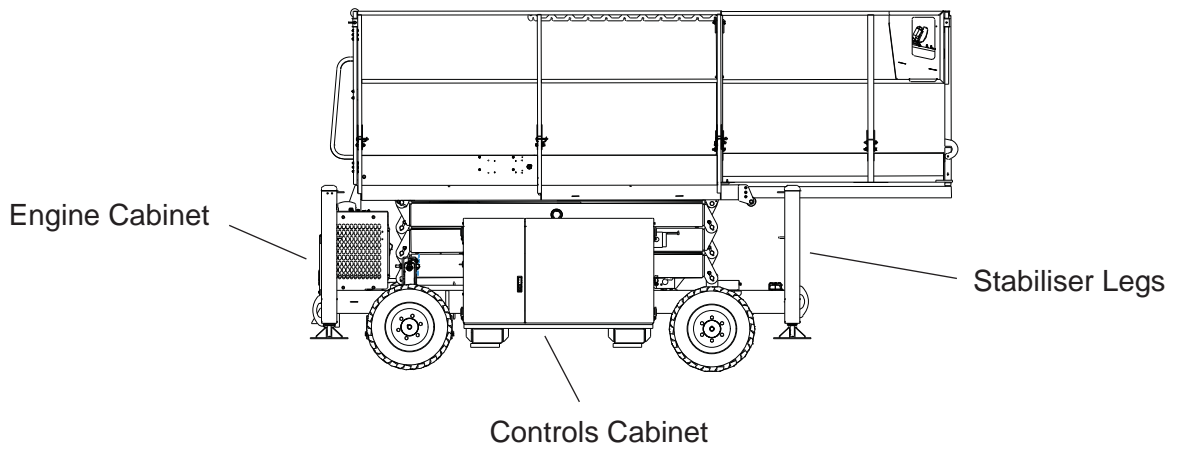
All correspondence relative to this machine, such as field reports, discrepancy reports, requests for information, etc., should be directed to:

Snorkel North America  
P.O. Box 1160  
St. Joseph, MO 64502-1160 USA  
Phone: 1-800-255-0317

Snorkel Europe  
Vigo Centre  
Birtley Road  
Washington  
Tyne & Wear  
NE38 9DA  
Phone: +44 (0) 845 1550 058

<http://www.snorkellifts.com>

# Component Identification



# Service and Parts Information

## Ordering Parts

When placing an order for service or repair parts, please have the following machine information readily available.

- Model number
- Serial number
- Snorkel part number
- Description of part
- Quantity of parts required
- Your purchase order number
- Address for order to ship to
- The desired shipment method

If ordering parts off-line, the parts order form on the following page may be mailed or faxed to the attention of the Parts Department at the following location:

Snorkel North America  
P.O. Box 1160  
St. Joseph, MO 64502-1160 USA  
Phone: 1-800-255-0317  
Parts Fax: 1-785-989-3077

Snorkel Europe  
Vigo Centre  
Birtley Road  
Washington  
Tyne & Wear  
NE38 9DA  
Phone: +44 (0) 845 1550 058  
Parts Fax: +44 (0) 1952 607 678

Attention: Parts Department

For your convenience, our electronic on-line ordering system is accessible from the following Internet location:

<http://www.snorkellifts.com>

## ANSI and OSHA Compliance

All owners and users of the aerial platform must read, understand and comply with all applicable regulations. Ultimate compliance to OSHA regulations is the responsibility of the user and their employer.

ANSI publications clearly identify the responsibilities of all personnel who may be involved with the aerial platform. A reprint of the "Manual of Responsibilities for Dealers, Owners, Users, Operators, Lessors and Lessees of ANSI/SIA A92.6-2006 Self-Propelled Elevating Work Platforms" is available from Snorkel dealers or from the factory upon request. Copies are also available from:

Scaffold Industry Association, Inc.  
P.O. Box 20574  
Phoenix, AZ 85036-0574 USA

## Manuals

Manuals are available from Snorkel to support any of the machines that we produce.

The specific manuals for S2255RT / S2755RT aerial platforms are as follows:

### **S2255RT / S2755RT Operator's Manual ANSI**

Snorkel part number – 14047-1

### **S2255RT / S2755RT Repair Parts Manual**

Snorkel part number – 14047-2

### **ANSI Manual of Responsibilities**

ANSI/SIA A92.6-2006

Snorkel part number – 0361367

## Machine Information

Model Number: \_\_\_\_\_

Serial Number: \_\_\_\_\_

Date of Purchase: \_\_\_\_\_

Purchased From: \_\_\_\_\_

Snorkel Dealer or Distributor: \_\_\_\_\_

\_\_\_\_\_

\_\_\_\_\_

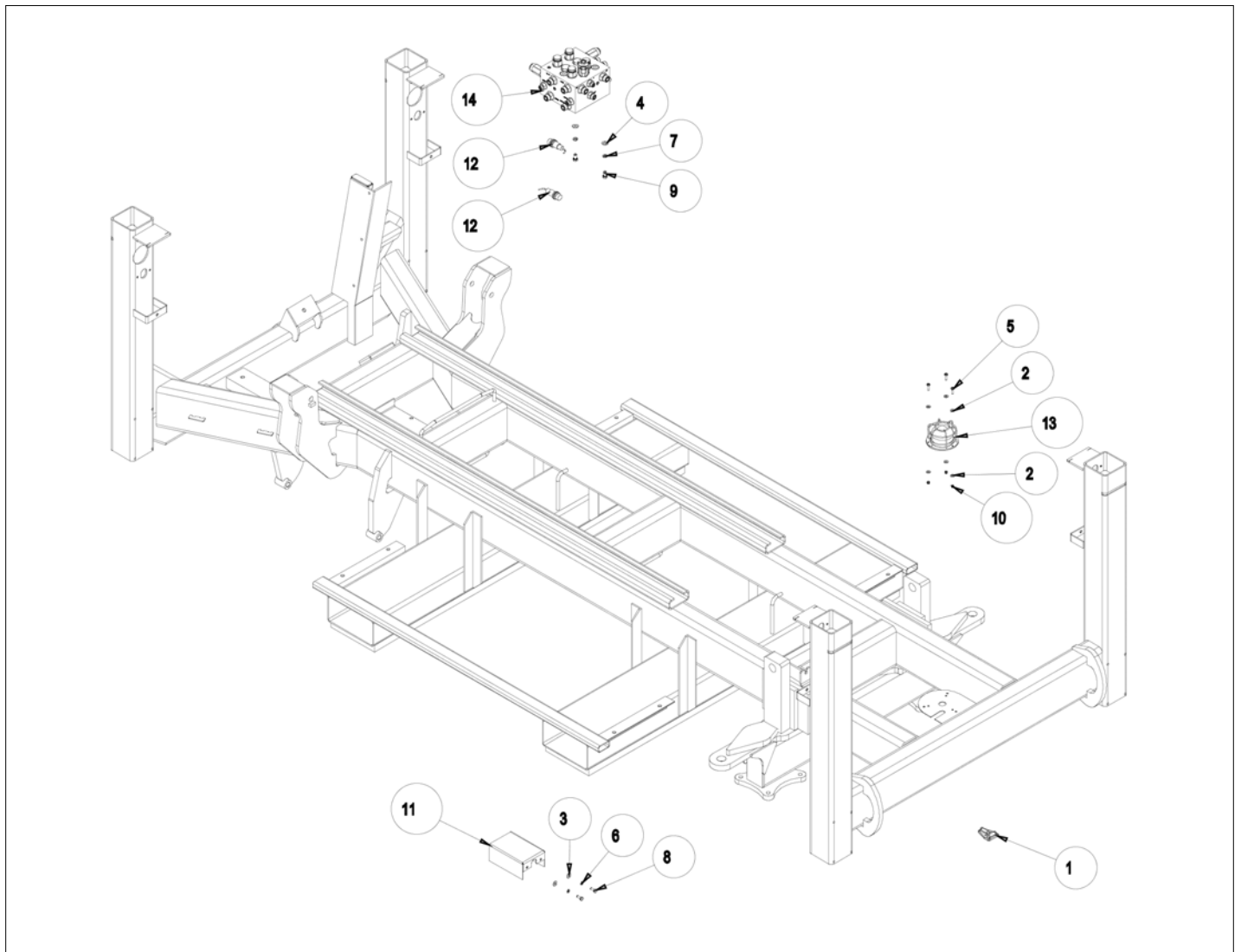
\_\_\_\_\_

\_\_\_\_\_



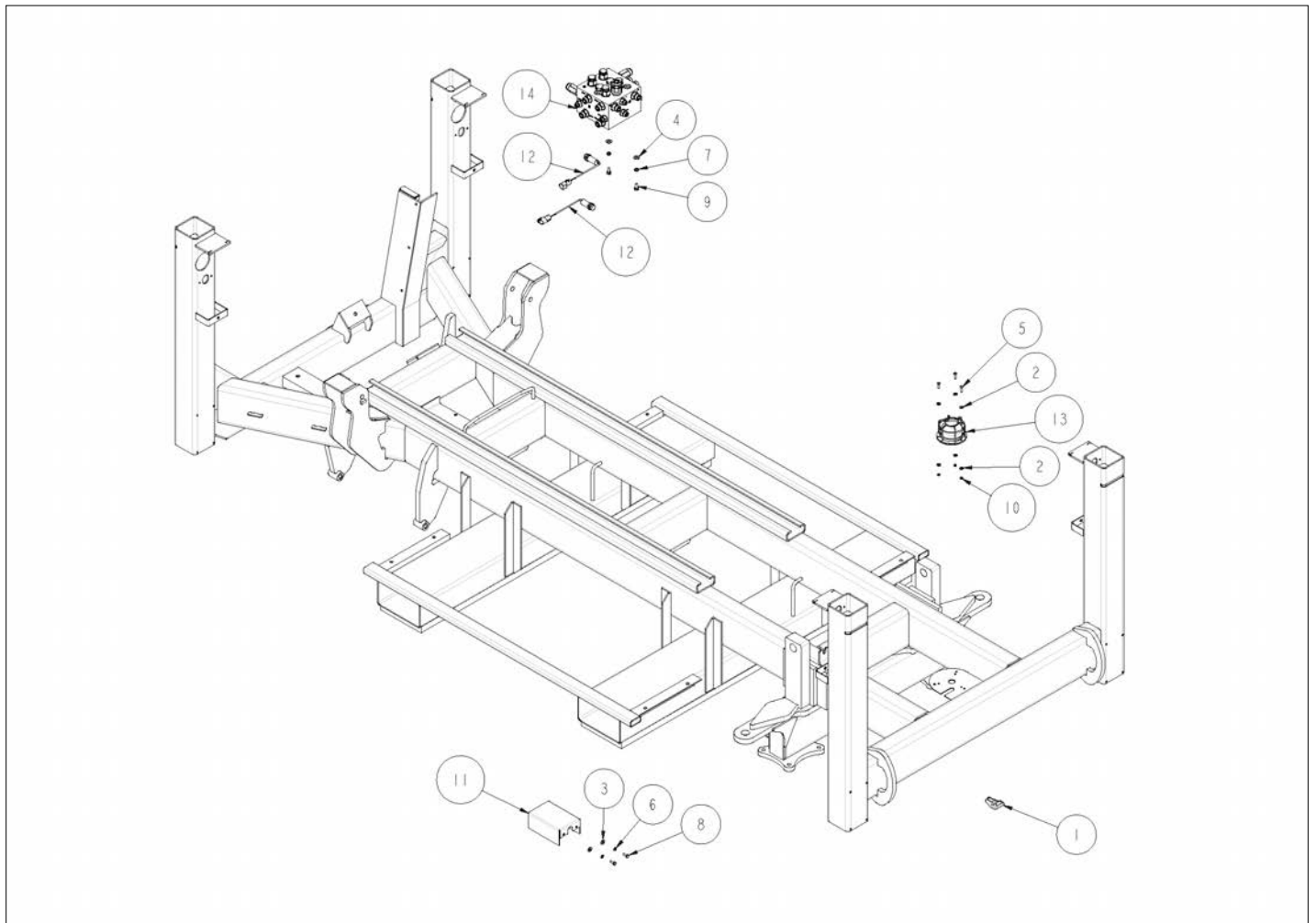


REPAIR PARTS



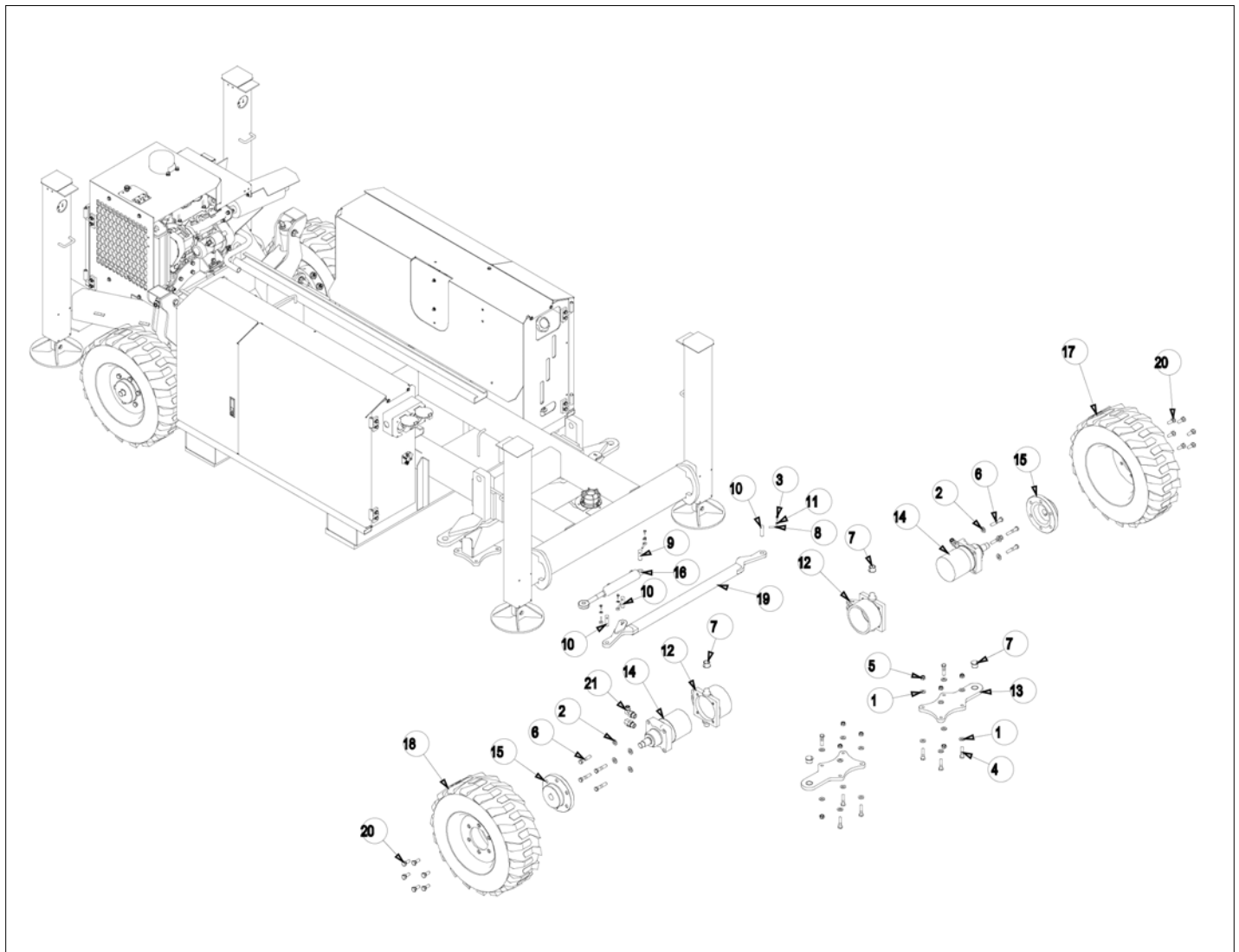
| アイテム | 部品番号       | 名前                                  | 数量 | UOM |
|------|------------|-------------------------------------|----|-----|
| 1    | 1273 2     | Level Bubble, T Shape               | 1  | EA  |
| 2    | 3603 05    | Plain Washer                        | 6  | EA  |
| 3    | 3603 06    | Plain Washer                        | 2  | EA  |
| 4    | 3603 08    | Plain Washer                        | 2  | EA  |
| 5    | 3604 05020 | Pan Head Screw                      | 3  | EA  |
| 6    | 3605 06    | Spring Washer                       | 2  | EA  |
| 7    | 3605 08    | Spring Washer                       | 2  | EA  |
| 8    | 3610 06016 | Metric Bolt                         | 2  | EA  |
| 9    | 3610 08016 | Metric Bolt                         | 2  | EA  |
| 10   | 3611 05    | Metric Nyloc Nut                    | 3  | EA  |
| 11   | 12818      | Bleed Down Cover                    | 1  | EA  |
| 12   | 15085 03   | Axle Prox                           | 2  | EA  |
| 13   | 514404 000 | BEACON WITH GUARD ANBER<br>FLASHING | 1  | EA  |
| 14   | 13780A     | Manifold Assembly, 4WD SR V4        | 1  | EA  |

REPAIR PARTS



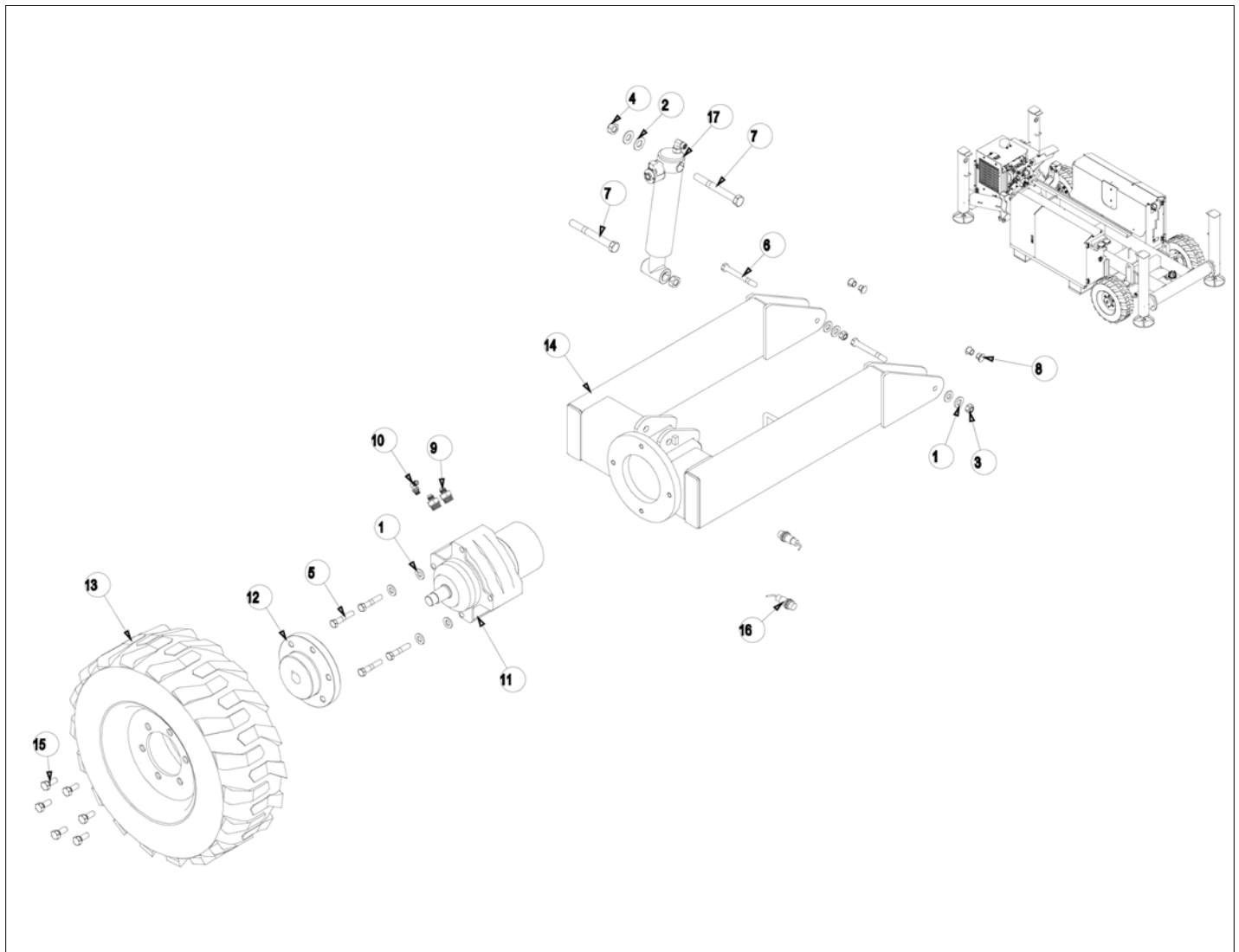
| アイテム | 部品番号       | 名前                                  | 数量 | UOM |
|------|------------|-------------------------------------|----|-----|
| 0    | 15159 01   | 2255 Base Assembly                  | 1  | EA  |
| 0    | 15159 02   | 2755 Base Assembly                  | 1  | EA  |
| 1    | 1273 2     | Level Bubble, T Shape               | 1  | EA  |
| 2    | 3603 05    | Plain Washer                        | 6  | EA  |
| 3    | 3603 06    | Plain Washer                        | 2  | EA  |
| 4    | 3603 08    | Plain Washer                        | 2  | EA  |
| 5    | 3604 05020 | Pan Head Screw                      | 3  | EA  |
| 6    | 3605 06    | Spring Washer                       | 2  | EA  |
| 7    | 3605 08    | Spring Washer                       | 2  | EA  |
| 8    | 3610 06016 | Metric Bolt                         | 2  | EA  |
| 9    | 3610 08016 | Metric Bolt                         | 2  | EA  |
| 10   | 3611 05    | Metric Nyloc Nut                    | 3  | EA  |
| 11   | 12818      | Bleed Down Cover                    | 1  | EA  |
| 12   | 15085 03   | Axle Prox                           | 2  | EA  |
| 13   | 514404 000 | BEACON WITH GUARD ANBER<br>FLASHING | 1  | EA  |
| 14   | 13780A     | Manifold Assembly, 4WD SR V4        | 1  | EA  |

REPAIR PARTS



| アイテム | 部品番号       | 名前                                       | 数量 | UOM |
|------|------------|--|----|-----|
| 1    | 3603 12    | Plain Washer                             | 16 | EA  |
| 2    | 3603 12HD  | Plain Washer                             | 24 | EA  |
| 3    | 3610 06016 | Metric Bolt                              | 4  | EA  |
| 4    | 3610 12050 | Metric Bolt                              | 8  | EA  |
| 5    | 3611 12    | Metric Nyloc Nut                         | 8  | EA  |
| 6    | 3616 12060 | Metric Bolt Grade 10.9                   | 16 | EA  |
| 7    | 3626 1     | Flanged Permaglide Bush                  | 4  | EA  |
| 8    | 8628       | Pin Keeper                               | 4  | EA  |
| 9    | 9311       | Pin 5/8" x 53 lg                         | 1  | EA  |
| 10   | 9319       | Pin 15 x 56 lg                           | 3  | EA  |
| 11   | 11492 1    | Tab Washer                               | 4  | EA  |
| 12   | 11590      | Swivel Housing, Kingpin                  | 2  | EA  |
| 13   | 11595 9    | Bearing Support, Lower                   | 2  | EA  |
| 14   | 11601      | Wheel Motor                              | 2  | EA  |
| 15   | 11629      | Wheel Hub                                | 2  | EA  |
| 16   | 11699      | Steer Cylinder                           | 1  | EA  |
| 17   | 12286 3L   | Wheel, Right Hand Foam Filled            | 2  | EA  |
| 18   | 12866 3R   | Wheel, Right Hand, Foam Filled           | 2  | EA  |
| 19   | 12303      | Steering Rod                             | 1  | EA  |
| 20   | 98300 9    | Wheel Nut                                | 24 | EA  |
| 21   | 100434 014 | Hyd Fitting 90 Elbow ORFS(08)<br>SAE(10) | 4  | EA  |
| 22   | 8113673    | Key (Not Shown)                          | 2  | EA  |

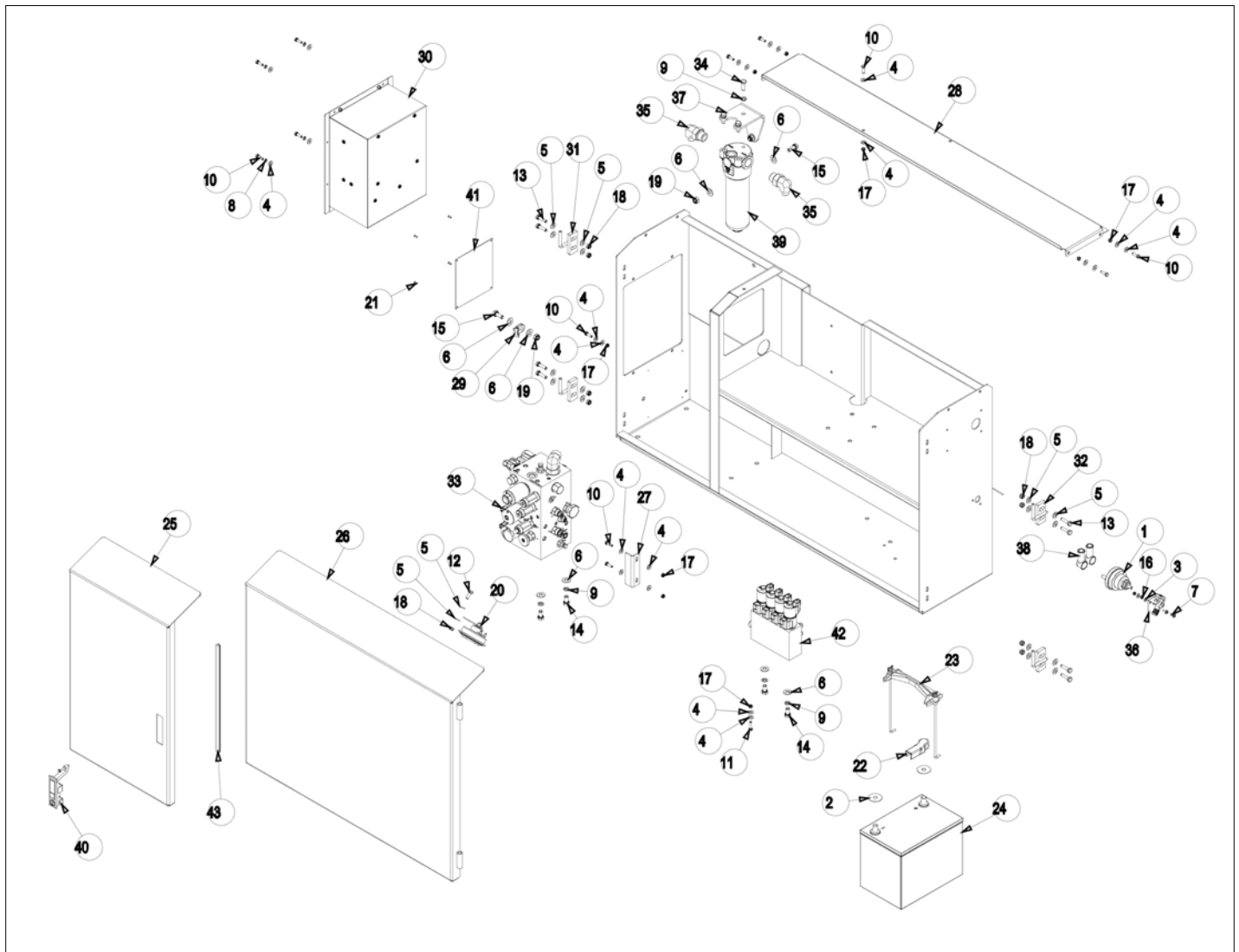
REPAIR PARTS



| アイテム | 部品番号       | 名前   | 数量 | UOM |
|------|------------|--|----|-----|
| 1    | 3603 12HD  | Plain Washer                               | 8  | EA  |
| 2    | 3603 16HD  | Plain Washer                               | 4  | EA  |
| 3    | 3611 12    | Metric Nyloc Nut                           | 2  | EA  |
| 4    | 3611 16    | Metric Nyloc Nut                           | 2  | EA  |
| 5    | 3616 12060 | Metric Bolt Grade 10.9                     | 4  | EA  |
| 6    | 3616 12100 | Metric Bolt, Grade 10.9                    | 2  | EA  |
| 7    | 3616 16140 | Metric Bolt Grade 10.9                     | 2  | EA  |
| 8    | 3626 2     | Flanged Permaglide Bush                    | 4  | EA  |
| 9    | 511327 000 | Adapter JICM > UNO Straight,<br>9/16 > 7/8 | 2  | EA  |
| 10   | 100434 002 | FITTING 4MORFF X 4MORB<br>90 °             | 1  | EA  |
| 11   | 11600      | Wheel Motor 335cc                          | 1  | EA  |
| 12   | 11629      | Wheel Hub                                  | 1  | EA  |
| 13   | 12286 3R   | Wheel, Right Hand, Foam Filled             | 1  | EA  |
| 14   | 12296      | Swing Arm Weld                             | 1  | EA  |
| 15   | 98300 9    | Wheel Nut                                  | 6  | EA  |
| 16   | 505072 000 | SWITCH, PROXIMITY ASSY                     | 2  | EA  |
| 17   | 11642A     | Axle Cylinder Assembly                     | 1  | EA  |
| 17   | 15204A     | Dual Lock Axle Cylinder                    | 1  | EA  |



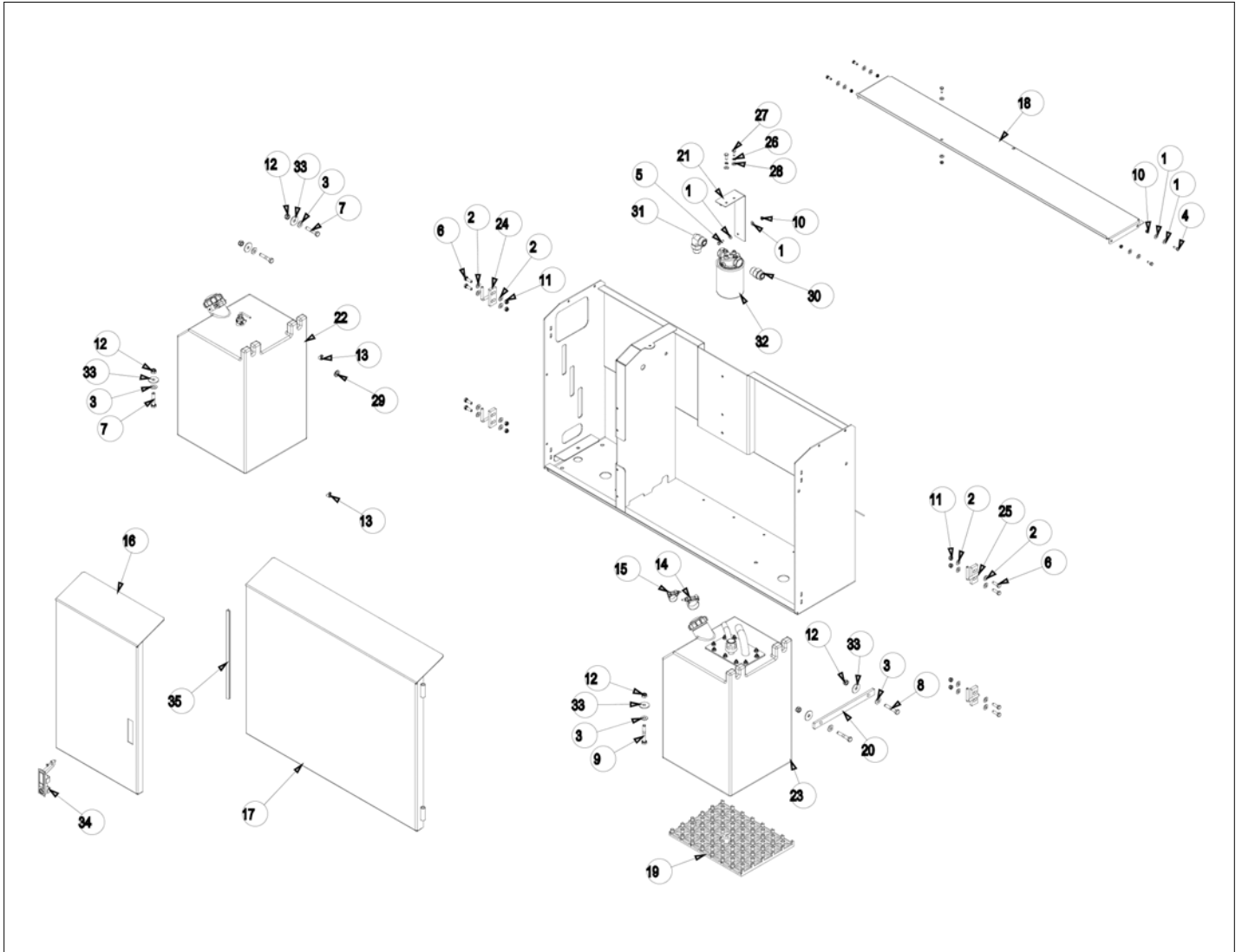
REPAIR PARTS



| アイテム | 部品番号       | 名前                             | 数量 | UOM |
|------|------------|--------------------------------|----|-----|
| 0    | 13969A     | Control Cabinet Assembly       | 1  | EA  |
| 1    | 302 0049   | Switch Battery Disconnect      | 1  | EA  |
| 2    | 2069       | Anti Corrosive Pads            | 1  | EA  |
| 3    | 3603 05    | Plain Washer                   | 2  | EA  |
| 4    | 3603 06    | Plain Washer                   | 26 | EA  |
| 5    | 3603 08    | Plain Washer                   | 18 | EA  |
| 6    | 3603 10    | Plain Washer                   | 10 | EA  |
| 7    | 3604 05012 | Pan Head Screw                 | 2  | EA  |
| 8    | 3605 06    | Spring Washer                  | 4  | EA  |
| 9    | 3605 10    | Spring Washer                  | 7  | EA  |
| 10   | 3610 06020 | Metric Bolt                    | 14 | EA  |
| 11   | 3610 06025 | Metric Bolt                    | 1  | EA  |
| 12   | 3610 08020 | Metric Bolt                    | 1  | EA  |
| 13   | 3610 08030 | Metric Bolt                    | 8  | EA  |
| 14   | 3610 10020 | Metric Bolt                    | 4  | EA  |
| 15   | 3610 10025 | Metric Bolt                    | 3  | EA  |
| 16   | 3611 05    | Metric Nyloc Nut               | 2  | EA  |
| 17   | 3611 06    | Metric Nyloc Nut               | 11 | EA  |
| 18   | 3611 08    | Metric Nylock Nut              | 9  | EA  |
| 19   | 3611 10    | Metric Nyloc Nut               | 3  | EA  |
| 20   | 4381       | Horn                           | 1  | EA  |
| 21   | 60027 013  | Rivet 1/8 x 5/32               | 4  | EA  |
| 22   | 10254      | Cover Battery Terminal HA 206U | 1  | EA  |
| 23   | 10268 1    | Battery Bracket HA 8023        | 1  | EA  |
| 24   | 11596      | Battery 12V BVS 70             | 1  | EA  |
| 25   | 11679      | Cabinet Door Small             | 1  | EA  |
| 26   | 11680      | Cabinet Door Large             | 1  | EA  |
| 27   | 12313 11   | Latch Bracket                  | 1  | EA  |
| 28   | 12857 10   | Top Panel (Side Cabinet)       | 1  | EA  |

| アイテム | 部品番号       | 名前                                       | 数量 | UOM |
|------|------------|--|----|-----|
| 29   | 13164      | Cable Tie Mount M10                      | 1  | EA  |
| 30   | 13811      | Lower Control Box Assembly               | 1  | EA  |
| 31   | 13869 01   | Cabinet Hinge, LH                        | 2  | EA  |
| 32   | 13869 02   | Cabinet Hinge, RH                        | 2  | EA  |
| 33   | 15088      | Main Manifold Assembly                   | 1  | EA  |
| 34   | 60017 006  | 1" x3/8 UNC Bolt                         | 3  | EA  |
| 35   | 100434 015 | Hyd Fitting 90 Elbow ORFS(08)<br>SAE(12) | 2  | EA  |
| 36   | 300840     | Lock Out Lever Assembly                  | 1  | EA  |
| 37   | 1431833    | Bracket Pressure Filter                  | 1  | EA  |
| 38   | 3040269    | Boot Cable Entry Black 1/0 GA            | 2  | EA  |
| 39   | 6019325    | Pressure Filter                          | 1  | EA  |
| 40   | 8342416    | Latch Adjustable Trigger, Key<br>508CH   | 1  | EA  |
| 40   | 8342416 1  | KEY 508CH                                | 1  | EA  |
| 40   | 8342416 3  | Latch Adjustable Trigger, Key<br>508CH   | 1  | EA  |
| 40   | 8342416 2  | Key 501CH                                | 1  | EA  |
| 41   | 0070901E   | Name Plate                               | 1  | EA  |
| 42   | 13781A     | Stabiliser Manifold Assembly             | 1  | EA  |
| 43   | 13872      | Rubber Channel Section                   | 1  | EA  |

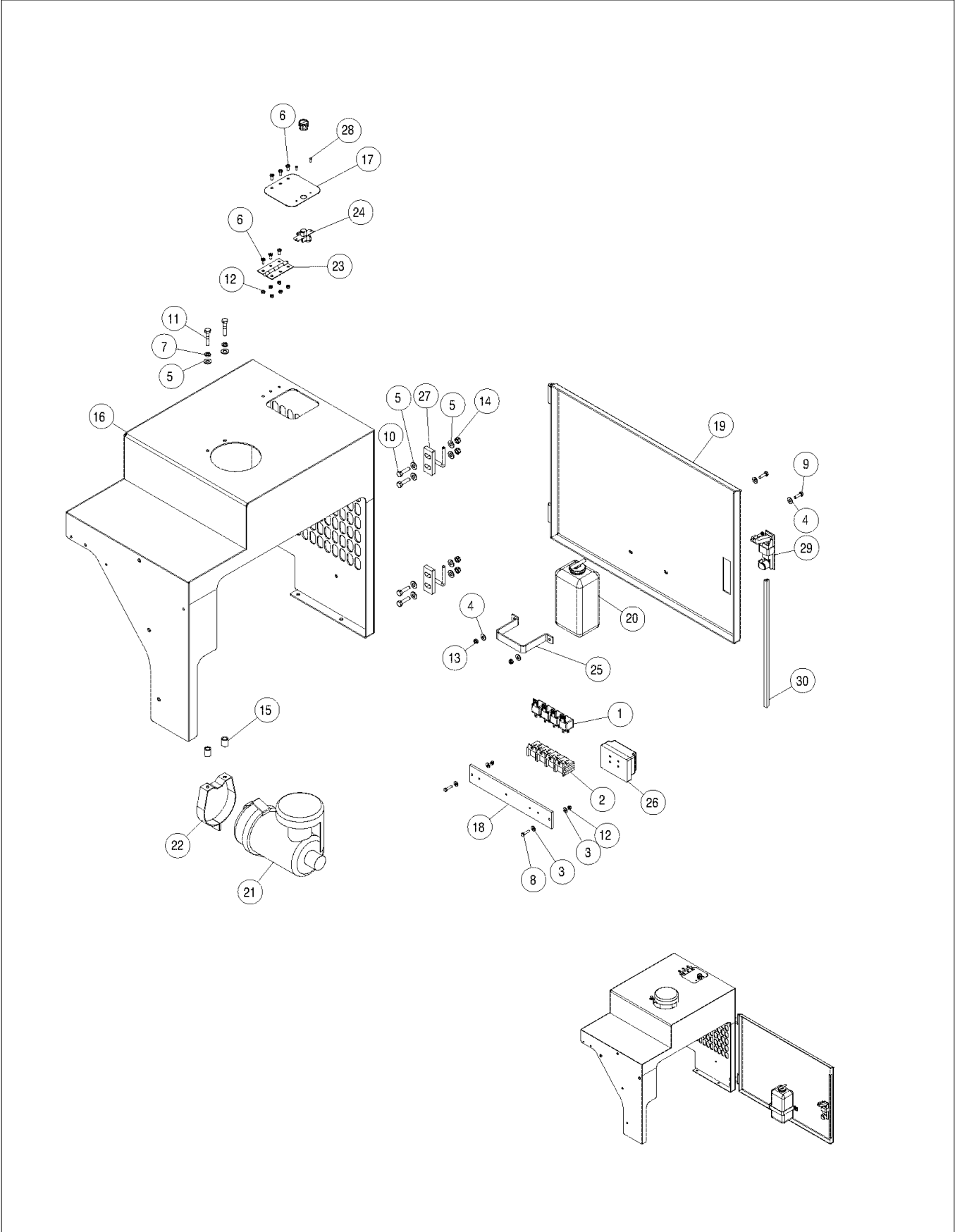
REPAIR PARTS



| アイテム | 部品番号       | 名前                           | 数量 | UOM |
|------|------------|------------------------------|----|-----|
| 0    | 13968A     | Fuel Cabinet Assembly        | 1  | EA  |
| 1    | 3603 06    | Plain Washer                 | 20 | EA  |
| 2    | 3603 08    | Plain Washer                 | 16 | EA  |
| 3    | 3603 10    | Plain Washer                 | 6  | EA  |
| 4    | 3610 06016 | Metric Bolt                  | 5  | EA  |
| 5    | 3610 06020 | Metric Bolt                  | 2  | EA  |
| 6    | 3610 08025 | Metric Bolt                  | 8  | EA  |
| 7    | 3610 10050 | Metric Bolt                  | 3  | EA  |
| 8    | 3610 10055 | Metric Bolt                  | 2  | EA  |
| 9    | 3610 10070 | Metric Bolt                  | 1  | EA  |
| 10   | 3611 06    | Metric Nyloc Nut             | 7  | EA  |
| 11   | 3611 08    | Metric Nylock Nut            | 8  | EA  |
| 12   | 3611 10    | Metric Nyloc Nut             | 6  | EA  |
| 13   | 3618 10    | Hose Clamp 8 10mm            | 2  | EA  |
| 14   | 3618 32    | Hose Clamp 34 37mm           | 1  | EA  |
| 15   | 3618 43    | Hose Clamp 23 25mm           | 1  | EA  |
| 16   | 11679      | Cabinet Door Small           | 1  | EA  |
| 17   | 11680      | Cabinet Door Large           | 1  | EA  |
| 18   | 12313 10   | Top Panel                    | 1  | EA  |
| 19   | 12314 3    | Pad Hydraulic Tank           | 1  | EA  |
| 20   | 12314 4    | Spacer Hydraulic Tank Mount  | 1  | EA  |
| 21   | 12329      | Bracket Return Line Filter   | 1  | EA  |
| 22   | 13106 1A   | Diesel Fuel Tank Assembly    | 1  | EA  |
| 23   | 13106 5A   | Hydraulic Tank Assembly      | 1  | EA  |
| 24   | 13869 01   | Cabinet Hinge, LH            | 2  | EA  |
| 25   | 13869 02   | Cabinet Hinge, RH            | 2  | EA  |
| 26   | 60005 007  | Spring Washer                | 2  | EA  |
| 27   | 60015 006  | 3/4" x 1/4" NC Bolt (Plated) | 2  | EA  |
| 28   | 60030 006  | 1/4" x 5/8" x 1/64 Flat Sash | 2  | EA  |

| アイテム | 部品番号       | 名前                                       | 数量 | UOM |
|------|------------|--|----|-----|
| 29   | 65004 008  | Rubber Grommet                           | 1  | EA  |
| 30   | 100432 027 | Hyd Fitting Straight ORFS(12)<br>SAE(12) | 1  | EA  |
| 31   | 100434 021 | Hyd Fitting 90 Elbow ORFS(12)<br>SAE(12) | 1  | EA  |
| 32   | 301440     | AE 10 Oil Filter                         | 1  | EA  |
| 33   | 5560179    | Flat Washer Special                      | 6  | EA  |
| 34   | 8342416    | Latch Adjustable Trigger, Key<br>508CH   | 1  | EA  |
| 35   | PCA015     | Rubber Channel Section                   | 1  | EA  |

REPAIR PARTS

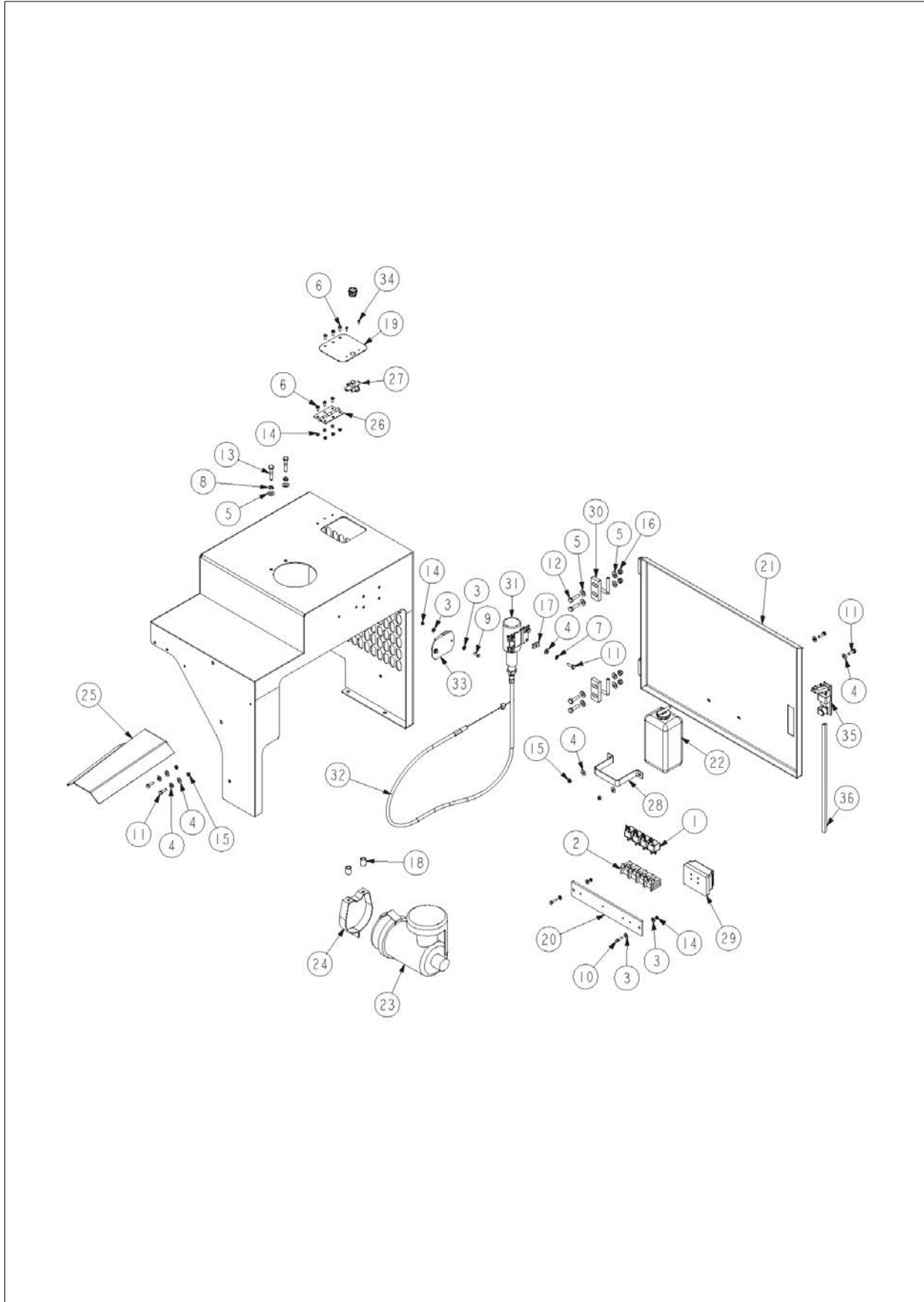


| アイテム | 部品番号       | 名前                                  | 数量 | UOM |
|------|------------|-------------------------------------|----|-----|
| 1    | 1650 010   | Relay 12V                           | 4  | EA  |
| 2    | 2065 002   | Plug In Relay Base                  | 4  | EA  |
| 3    | 3603 05    | Plain Washer                        | 4  | EA  |
| 4    | 3603 06    | Plain Washer                        | 4  | EA  |
| 5    | 3603 08    | Plain Washer                        | 10 | EA  |
| 6    | 3604 05012 | Pan Head Screw                      | 6  | EA  |
| 7    | 3605 08    | Spring Washer                       | 2  | EA  |
| 8    | 3610 05020 | Metric Bolt                         | 2  | EA  |
| 9    | 3610 06020 | Metric Bolt                         | 2  | EA  |
| 10   | 3610 08030 | Metric Bolt                         | 4  | EA  |
| 11   | 3610 08040 | Metric Bolt                         | 2  | EA  |
| 12   | 3611 05    | Metric Nyloc Nut                    | 8  | EA  |
| 13   | 3611 06    | Metric Nyloc Nut                    | 2  | EA  |
| 14   | 3611 08    | Metric Nylock Nut                   | 4  | EA  |
| 15   | 12036 5    | Sliding Spacer                      | 2  | EA  |
| 16   | 13028      | Engine Cabinet                      | 1  | EA  |
| 17   | 13028 10   | Radiator Flap                       | 1  | EA  |
| 18   | 13028 9    | Relay and Fuse Mounting Strip       | 1  | EA  |
| 19   | 13032      | Door Engine Cabinet                 | 1  | EA  |
| 20   | 13086 03   | Radiator Overflow Bottle            | 1  | EA  |
| 21   | 13086 05   | Air Filter Bracket                  | 1  | EA  |
| 22   | 13086 05   | Air Filter Bracket                  | 1  | EA  |
| 23   | 13101      | Hinge                               | 1  | EA  |
| 24   | 13102      | Twist Latch                         | 1  | EA  |
| 25   | 13103      | Overflow Tank Mount                 | 1  | EA  |
| 26   | 13806      | Fuse Block Blade x 6                | 1  | EA  |
| 27   | 13869 02   | Cabinet Hinge, RH                   | 2  | EA  |
| 28   | 60027 014  | Rivet 1/8 x 5/32                    | 2  | EA  |
| 29   | 8342416    | Latch Adjustable Trigger, Key 508CH | 1  | EA  |



| アイテム | 部品番号      | 名前                                  | 数量 | UOM |
|------|-----------|-------------------------------------|----|-----|
| 29   | 8342416 1 | KEY 508CH                           | 1  | EA  |
| 29   | 8342416 3 | Latch Adjustable Trigger, Key 508CH | 1  | EA  |
| 29   | 8342416 2 | Key 501CH                           | 1  | EA  |
| 30   | 13872     | Rubber Channel Section              | 1  | EA  |

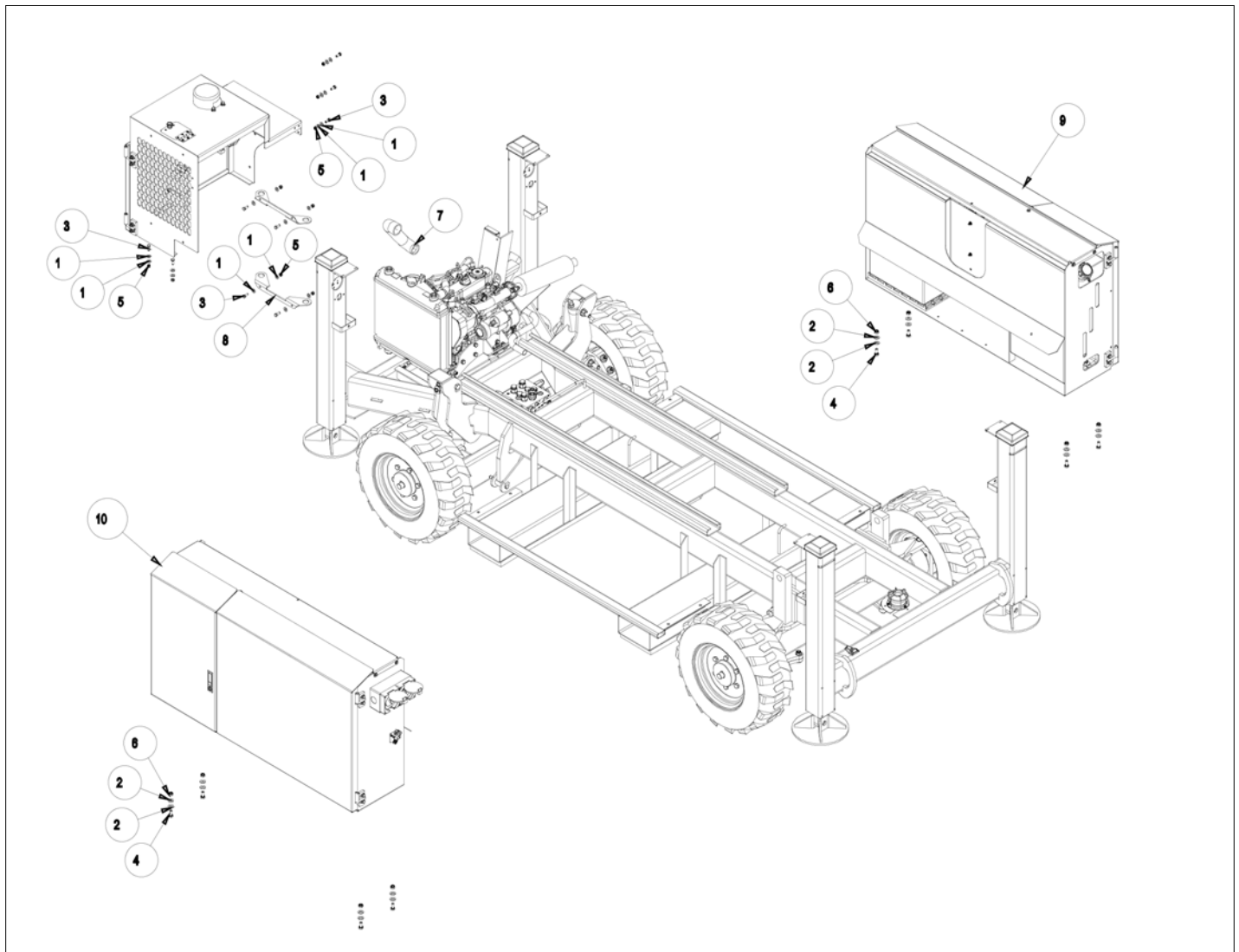
### REPAIR PARTS



| アイテム | 部品番号       | 名前   | 数量 | UOM |
|------|------------|--|----|-----|
| 1    | 1650 010   | Relay 12V                                  | 4  | EA  |
| 2    | 2065 002   | Plug In Relay Base                         | 4  | EA  |
| 3    | 3603 05    | Plain Washer                               | 8  | EA  |
| 4    | 3603 06    | Plain Washer                               | 12 | EA  |
| 5    | 3603 08    | Plain Washer                               | 10 | EA  |
| 6    | 3604 05012 | Pan Head Screw                             | 6  | EA  |
| 7    | 3605 06    | Spring Washer                              | 4  | EA  |
| 8    | 3605 08    | Spring Washer                              | 2  | EA  |
| 9    | 3610 05016 | Metric Bolt                                | 2  | EA  |
| 10   | 3610 05020 | Metric Bolt                                | 2  | EA  |
| 11   | 3610 06020 | Metric Bolt                                | 8  | EA  |
| 12   | 3610 08030 | Metric Bolt                                | 4  | EA  |
| 13   | 3610 08040 | Metric Bolt                                | 2  | EA  |
| 14   | 3611 05    | Metric Nyloc Nut                           | 10 | EA  |
| 15   | 3611 06    | Metric Nyloc Nut                           | 4  | EA  |
| 16   | 3611 08    | Metric Nylock Nut                          | 4  | EA  |
| 17   | 7434       | Captive Nut                                | 4  | EA  |
| 18   | 12036 5    | Sliding Spacer                             | 2  | EA  |
| 19   | 13028 10   | Radiator Flap                              | 1  | EA  |
| 20   | 13028 9    | Relay and Fuse Mounting Strip              | 1  | EA  |
| 21   | 13032      | Door Engine Cabinet                        | 1  | EA  |
| 22   | 13086 03   | Radiator Overflow Bottle                   | 1  | EA  |
| 23   | 13086 04   | Air Filter Assembly                        | 1  | EA  |
| 24   | 13086 05   | Air Filter Bracket                         | 1  | EA  |
| 25   | 13096      | Exhaust Shield                             | 1  | EA  |
| 26   | 13101      | Hinge                                      | 1  | EA  |
| 27   | 13102      | Twist Latch                                | 1  | EA  |
| 28   | 13103      | Overflow Tank Mount                        | 1  | EA  |
| 29   | 13086      | KUBOTA ENGINE D902 T3<br>REPLACEMENT PARTS | 1  | EA  |

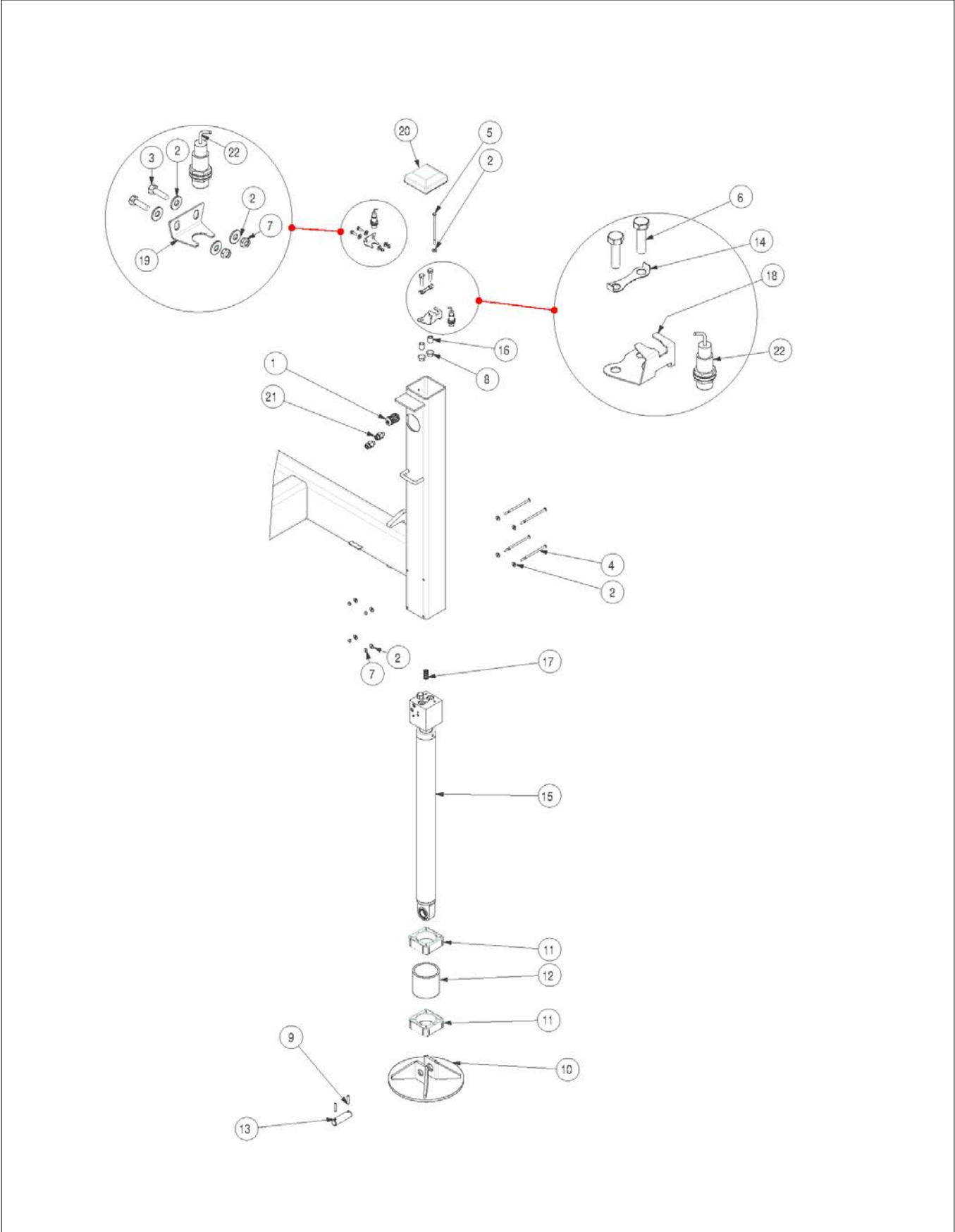
| アイテム | 部品番号      | 名前                                    | 数量 | UOM |
|------|-----------|---------------------------------------|----|-----|
| 30   | 13869 02  | Cabinet Hinge, RH                     | 2  | EA  |
| 31   | 15106     | Solenoid and Cable Assembly Trombetta | 1  | EA  |
| 32   | 15107 02  | Cable Assembly Throttle               | 1  | EA  |
| 33   | 15108     | Control Module Trombetta              | 1  | EA  |
| 34   | 60027 014 | Rivet 1/8 x 5/32                      | 2  | EA  |
| 35   | 8342416   | Latch Adjustable Trigger, Key 508CH   | 1  | EA  |
| 35   | 8342416 1 | KEY 508CH                             | 1  | EA  |
| 35   | 8342416 3 | Latch Adjustable Trigger, Key 508CH   | 1  | EA  |
| 35   | 8342416 2 | Key 501CH                             | 1  | EA  |
| 36   | PCA015    | Rubber Channel Section                | 1  | EA  |

REPAIR PARTS



| アイテム | 部品番号       | 名前                       | 数量 | UOM |
|------|------------|--------------------------|----|-----|
| 1    | 3603 08    | Plain Washer             | 20 | EA  |
| 2    | 3603 10    | Plain Washer             | 20 | EA  |
| 3    | 3610 08020 | Metric Bolt              | 9  | EA  |
| 4    | 3610 10025 | Metric Bolt              | 8  | EA  |
| 5    | 3611 08    | Metric Nylock Nut        | 9  | EA  |
| 6    | 3611 10    | Metric Nyloc Nut         | 12 | EA  |
| 7    | 13086 02   | Air Filter Hose          | 1  | EA  |
| 8    | 13099 2    | Radiator Bracket         | 2  | EA  |
| 9    | 13968A     | Fuel Cabinet Assembly    | 1  | EA  |
| 10   | 13969A     | Control Cabinet Assembly | 1  | EA  |

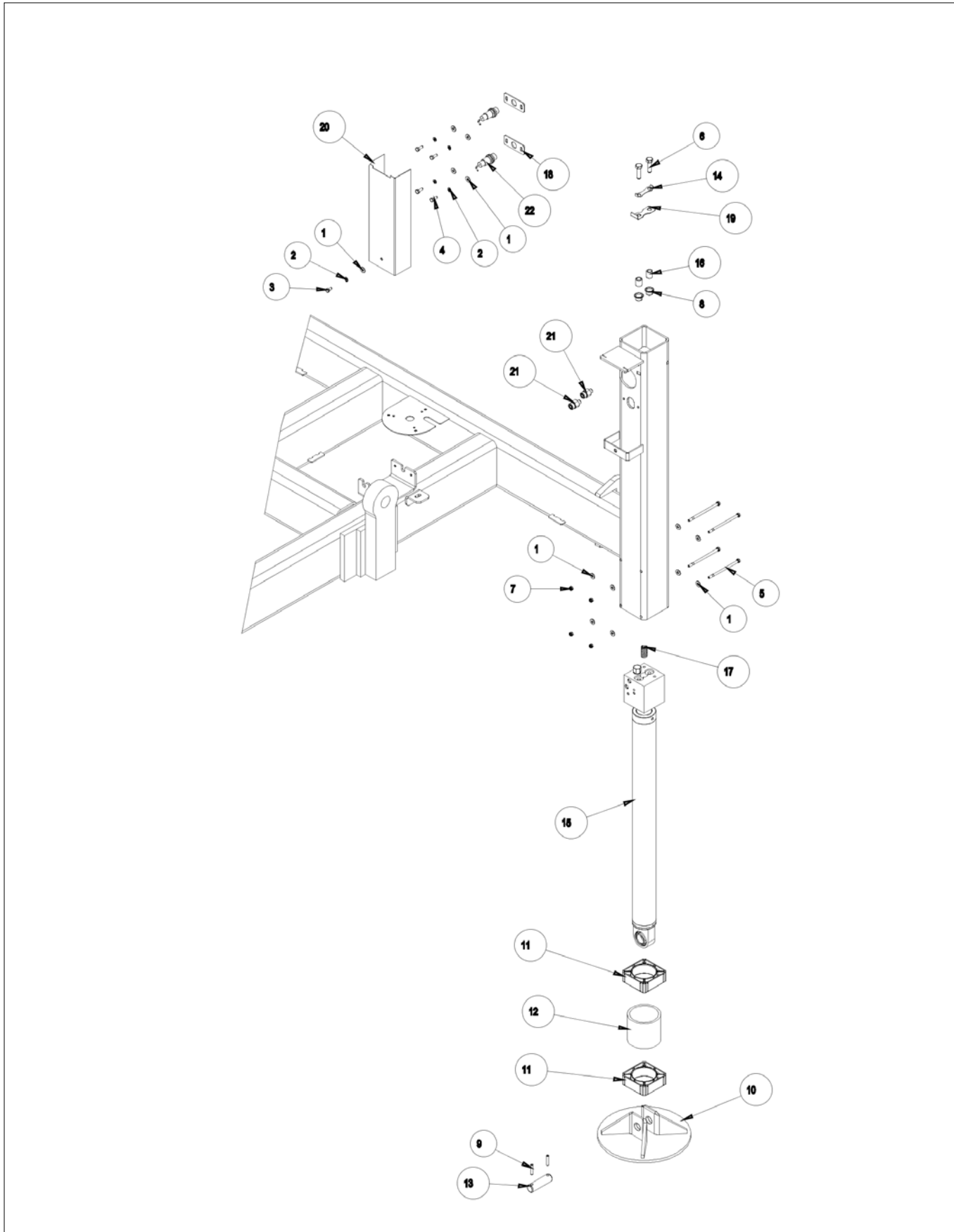
REPAIR PARTS



| アイテム | 部品番号       | 名前                                       | 数量 | UOM |
|------|------------|--|----|-----|
| 1    | 1814       | Cable Gland                              | 1  | EA  |
| 2    | 3603 06    | Plain Washer                             | 13 | EA  |
| 3    | 3610 06020 | Metric Bolt                              | 2  | EA  |
| 4    | 3610 06110 | Metric Bolt                              | 4  | EA  |
| 5    | 3610 06120 | Metric Bolt                              | 1  | EA  |
| 6    | 3610 10035 | Metric Bolt                              | 2  | EA  |
| 7    | 3611 06    | Metric Nyloc Nut                         | 6  | EA  |
| 8    | 3626 8     | Flanged Permaglide Bush                  | 2  | EA  |
| 9    | 3633 3     | Roll Pin                                 | 2  | EA  |
| 10   | 11305      | Foot Weld Inverted Stabiliser Leg        | 1  | EA  |
| 11   | 11366 1    | Stabiliser Bush                          | 2  | EA  |
| 12   | 11366 2    | Stabiliser Bush Spacer                   | 1  | EA  |
| 13   | 11369      | Pin 7/8" x 76mm                          | 1  | EA  |
| 14   | 11492 4    | Dual Locktab                             | 1  | EA  |
| 15   | 12036      | Cylinder Stabiliser SR                   | 1  | EA  |
| 16   | 12036 5    | Sliding Spacer                           | 2  | EA  |
| 17   | 12036 6    | Compression Spring                       | 1  | EA  |
| 18   | 13771 40   | Prox Bracket, Leg Stowed, SR             | 1  | EA  |
| 19   | 13771 45   | Prox Bracket, Leg On Ground, SR          | 1  | EA  |
| 20   | 13771 50   | RHS Cap 100x100 Steel                    | 1  | EA  |
| 21   | 100432 007 | Hyd Fitting Straight ORFS(06)<br>SAE(04) | 2  | EA  |
| 22   | 505072 000 | SWITCH, PROXIMITY ASSY                   | 2  | EA  |

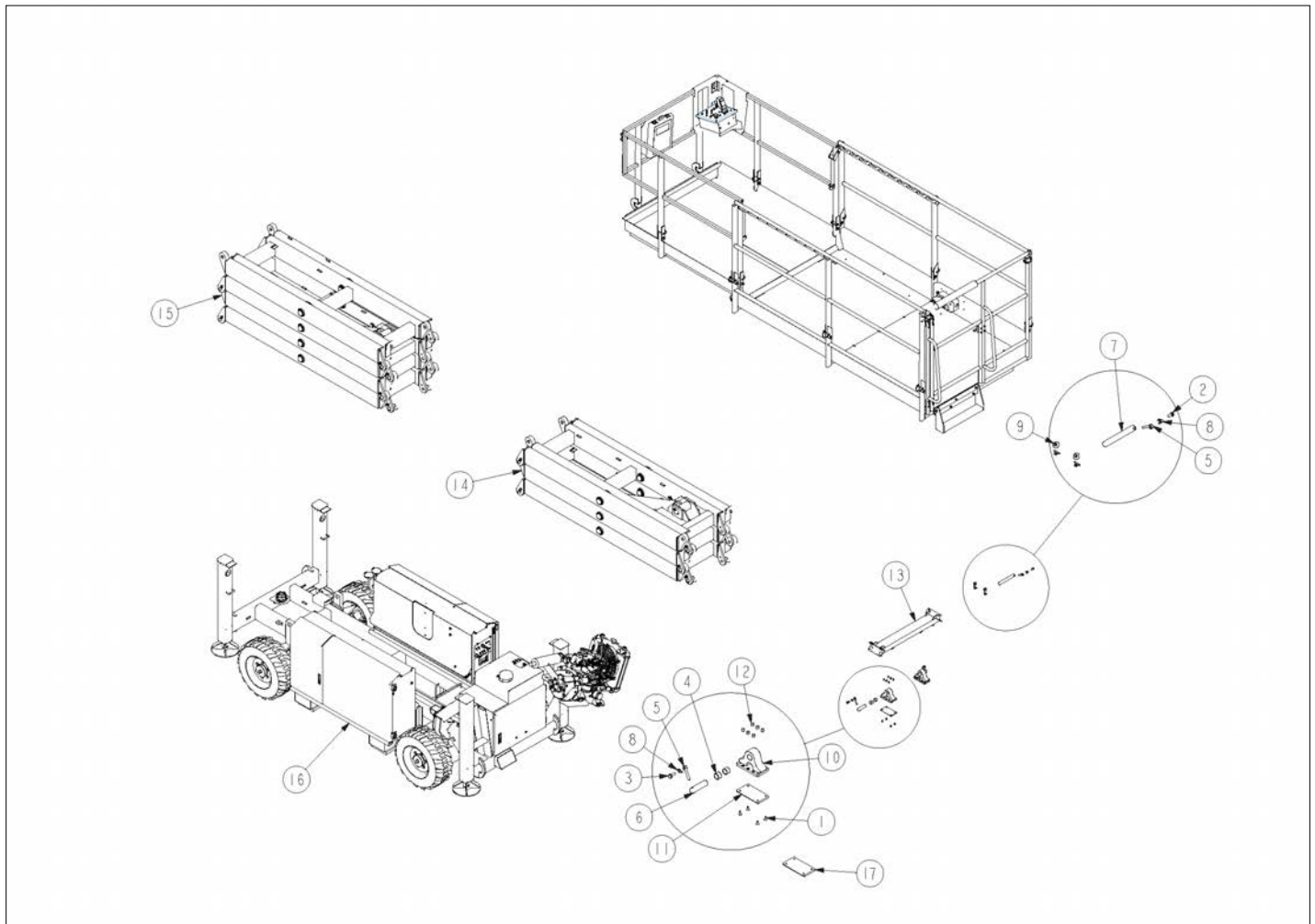


# REPAIR PARTS



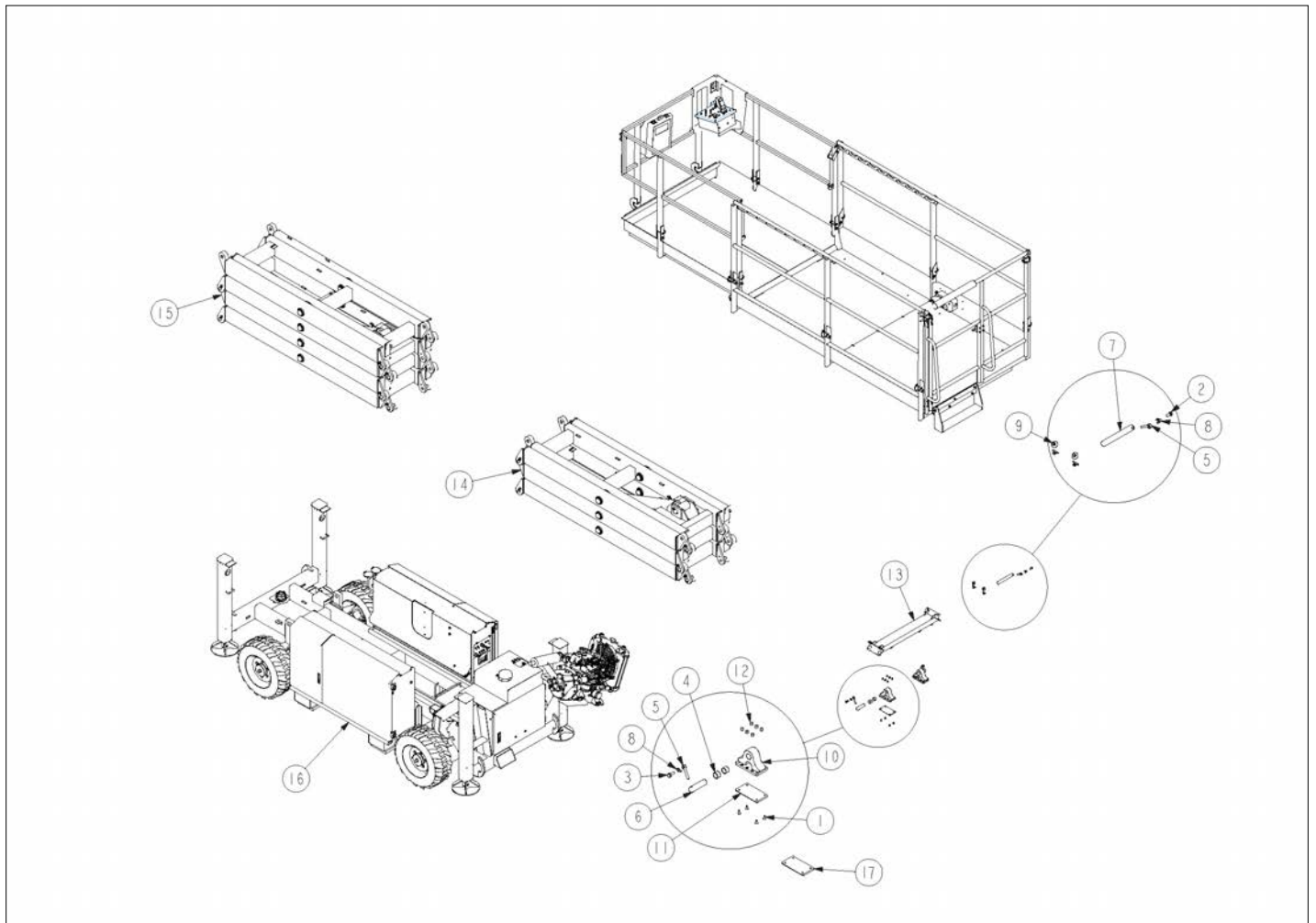
| アイテム | 部品番号       | 名前                                       | 数量 | UOM |
|------|------------|--|----|-----|
| 1    | 3603 06    | Plain Washer                             | 28 | EA  |
| 2    | 3605 06    | Spring Washer                            | 20 | EA  |
| 3    | 3610 06012 | Metric Bolt                              | 4  | EA  |
| 4    | 3610 06016 | Metric Bolt                              | 16 | EA  |
| 5    | 3610 06110 | Metric Bolt                              | 4  | EA  |
| 6    | 3610 10035 | Metric Bolt                              | 2  | EA  |
| 7    | 3611 06    | Metric Nyloc Nut                         | 4  | EA  |
| 8    | 3626 8     | Flanged Permaglide Bush                  | 2  | EA  |
| 9    | 3633 3     | Roll Pin                                 | 2  | EA  |
| 10   | 11305      | Foot Weld Inverted Stabiliser Leg        | 1  | EA  |
| 11   | 11366 1    | Stabiliser Bush                          | 2  | EA  |
| 12   | 11366 2    | Stabiliser Bush Spacer                   | 1  | EA  |
| 13   | 11369      | Pin 7/8" x 76mm                          | 1  | EA  |
| 14   | 11492 4    | Dual Locktab                             | 1  | EA  |
| 15   | 12036      | Cylinder Stabiliser SR                   | 1  | EA  |
| 16   | 12036 5    | Sliding Spacer                           | 2  | EA  |
| 17   | 12036 6    | Compression Spring                       | 1  | EA  |
| 18   | 14098 01   | Prox Mount Bracket                       | 8  | EA  |
| 19   | 14098 02   | Prox Target, Leg Grounded, SR            | 2  | EA  |
| 20   | 14098 03   | Hose Cover                               | 4  | EA  |
| 21   | 100432 007 | Hyd Fitting Straight ORFS(06)<br>SAE(04) | 2  | EA  |
| 22   | 15085 03   | Axle Prox                                | 2  | EA  |

REPAIR PARTS



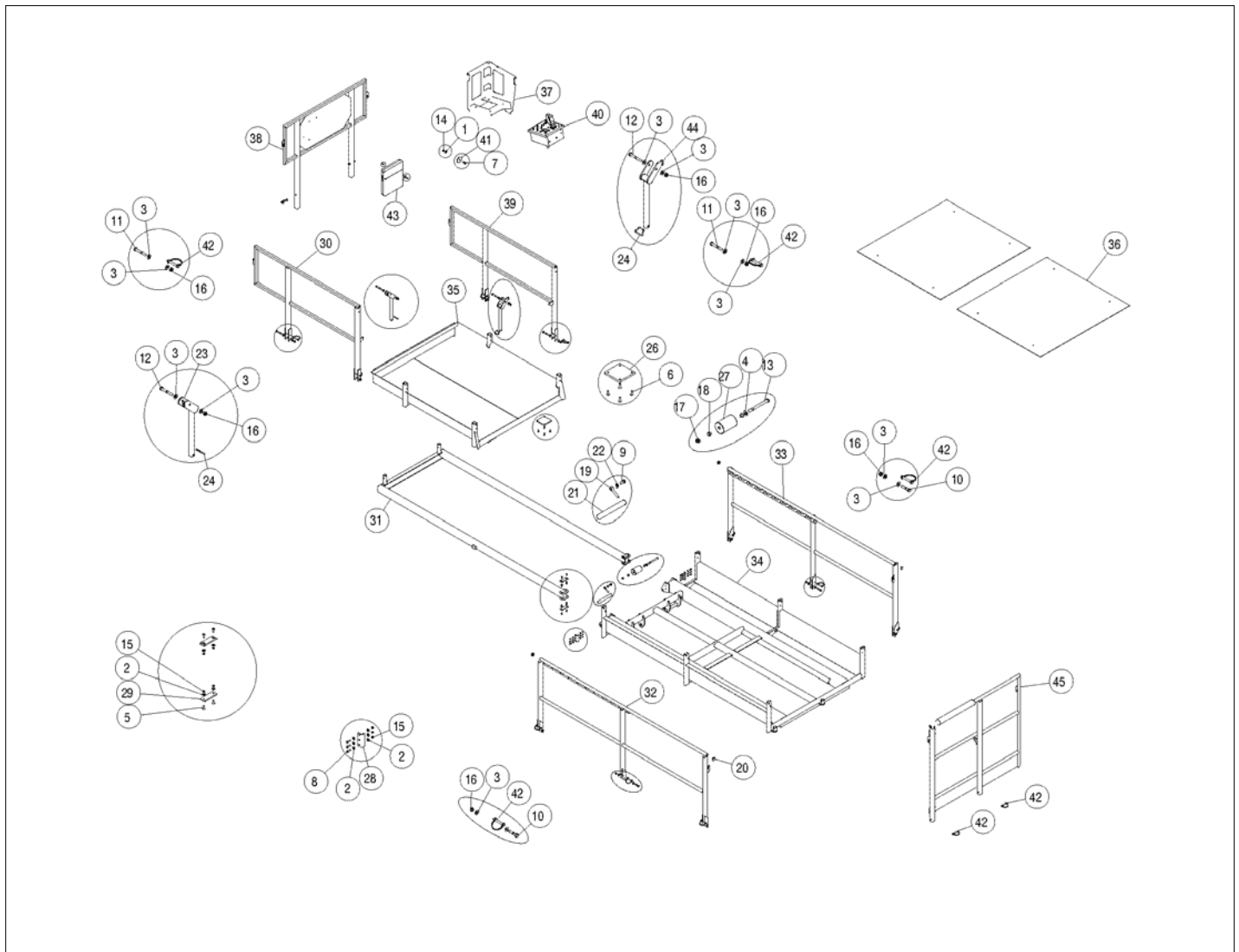
| アイテム | 部品番号       | 名前                             | 数量 | UOM |
|------|------------|--------------------------------|----|-----|
| 1    | 3606 06016 | Countersunk Socket Head Screw  | 8  | EA  |
| 2    | 3610 10020 | Metric Bolt                    | 2  | EA  |
| 3    | 3610 10025 | Metric Bolt                    | 2  | EA  |
| 4    | 3624 3     | Permaglide Bush                | 4  | EA  |
| 5    | 8626       | Pin Keeper                     | 4  | EA  |
| 6    | 8699       | Pin                            | 2  | EA  |
| 7    | 9792       | Pin                            | 2  | EA  |
| 8    | 11492 3    | Tab Washer                     | 4  | EA  |
| 9    | 11658 20   | Wear Plug                      | 8  | EA  |
| 10   | 12566      | Sliding Block Weld             | 2  | EA  |
| 11   | 12566 2    | Wear Pad Slider Block (Bottom) | 2  | EA  |
| 12   | 12566 3    | Slider Block Top               | 12 | EA  |
| 13   | 12589      | Slider Bar Weld                | 1  | EA  |
| 14   | 12850      | 2255 Stack                     | 1  | EA  |
| 15   | 13893 02   | 2755 Stack                     | 1  | EA  |
| 16   | 15023A     | 2255 Base Assembly             | 1  | EA  |
|      | 15024A     | 2755 Base Assembly             | 1  | EA  |
| 17   | 15201 09   | Slider Block Shim 0.9mm        | 2  | EA  |
|      | 15201 12   | Slider Block Shim 1.2mm        | 2  | EA  |
|      | 15201 16   | Slider Block Shim 1.6mm        | 2  | EA  |
|      | 15201 20   | Slider Block Shim 2mm          | 2  | EA  |

# REPAIR PARTS



| アイテム | 部品番号       | 名前                             | 数量 | UOM |
|------|------------|--------------------------------|----|-----|
| 1    | 3606 06016 | Countersunk Socket Head Screw  | 8  | EA  |
| 2    | 3610 10020 | Metric Bolt                    | 2  | EA  |
| 3    | 3610 10025 | Metric Bolt                    | 2  | EA  |
| 4    | 3624 3     | Permaglide Bush                | 4  | EA  |
| 5    | 8626       | Pin Keeper                     | 4  | EA  |
| 6    | 8699       | Pin                            | 2  | EA  |
| 7    | 15202      | Pin, 30mm x 235                | 2  | EA  |
| 8    | 11492 3    | Tab Washer                     | 4  | EA  |
| 9    | 11658 20   | Wear Plug                      | 8  | EA  |
| 10   | 13928      | Sliding Block Weld             | 2  | EA  |
| 11   | 12566 2    | Wear Pad Slider Block (Bottom) | 2  | EA  |
| 12   | 12566 3    | Slider Block Top               | 12 | EA  |
| 13   | 13931      | Slider Bar Weld                | 1  | EA  |
| 14   | 15132 01   | 2255 Stack                     | 1  | EA  |
| 15   | 15132 02   | 2755 Stack                     | 1  | EA  |
| 16   | 15159 01   | 2255 Base Assembly             | 1  | EA  |
|      | 15159 02   | 2755 Base Assembly             | 1  | EA  |
| 17   | 15201 09   | Slider Block Shim 0.9mm        | 2  | EA  |
|      | 15201 12   | Slider Block Shim 1.2mm        | 2  | EA  |
|      | 15201 16   | Slider Block Shim 1.6mm        | 2  | EA  |
|      | 15201 20   | Slider Block Shim 2mm          | 2  | EA  |

REPAIR PARTS

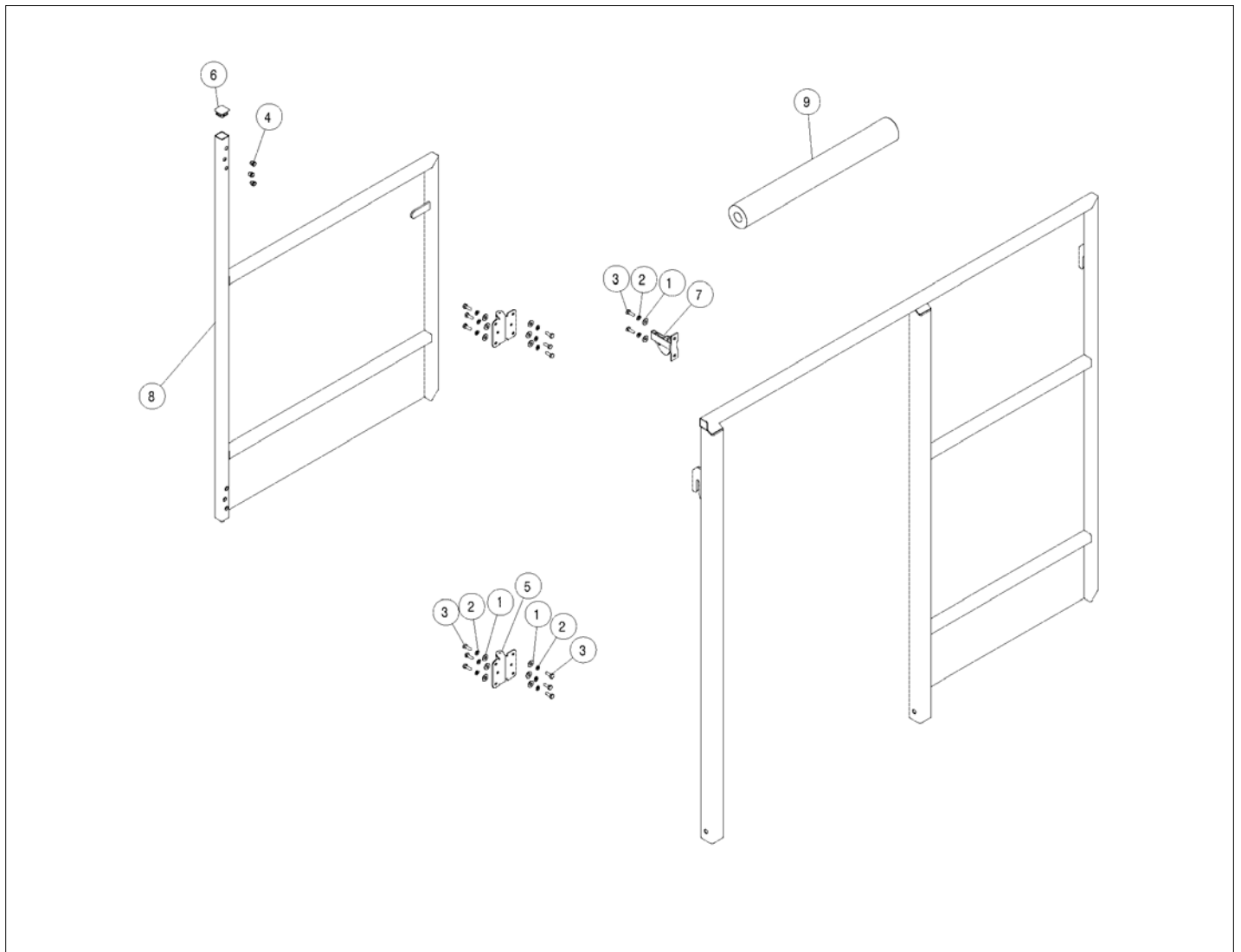


| アイテム | 部品番号       | 名前                            | 数量 | UOM |
|------|------------|-------------------------------|----|-----|
| 0    | 13152A     | Platform Assembly             | 1  | EA  |
| 1    | 3603 05    | Plain Washer                  | 2  | EA  |
| 2    | 3603 06    | Plain Washer                  | 20 | EA  |
| 3    | 3603 10    | Plain Washer                  | 24 | EA  |
| 4    | 3603 12    | Plain Washer                  | 4  | EA  |
| 5    | 3606 06020 | Countersunk Socket Head Screw | 8  | EA  |
| 6    | 3606 06025 | Countersunk Socket Head Screw | 8  | EA  |
| 7    | 3610 05016 | Metric Bolt                   | 2  | EA  |
| 8    | 3610 06020 | Metric Bolt                   | 6  | EA  |
| 9    | 3610 10020 | Metric Bolt                   | 4  | EA  |
| 10   | 3610 10050 | Metric Bolt                   | 6  | EA  |
| 11   | 3610 10070 | Metric Bolt                   | 4  | EA  |
| 12   | 3610 10075 | Metric Bolt                   | 2  | EA  |
| 13   | 3610 12130 | Metric Bolt                   | 2  | EA  |
| 14   | 3611 05    | Metric Nyloc Nut              | 2  | EA  |
| 15   | 3611 06    | Metric Nyloc Nut              | 14 | EA  |
| 16   | 3611 10    | Metric Nyloc Nut              | 12 | EA  |
| 17   | 3611 12    | Metric Nyloc Nut              | 2  | EA  |
| 18   | 3626 2     | Flanged Permaglide Bush       | 4  | EA  |
| 19   | 8626       | Pin Keeper                    | 4  | EA  |
| 20   | 8926 1     | Plug RHS 25mm                 | 4  | EA  |
| 21   | 9792       | Pin                           | 4  | EA  |
| 22   | 11492 3    | Tab Washer                    | 4  | EA  |
| 23   | 11695      | Handrail Latch Left           | 1  | EA  |
| 24   | 11695 3    | Latch Holding Ring            | 2  | EA  |
| 25   | 12589      | Slider Bar Weld               | 1  | EA  |
| 26   | 12709 10   | Rollout Deck Slide Pad        | 2  | EA  |
| 27   | 13122 11   | External Roller               | 2  | EA  |
| 28   | 13122 12   | Stop Rollout                  | 2  | EA  |



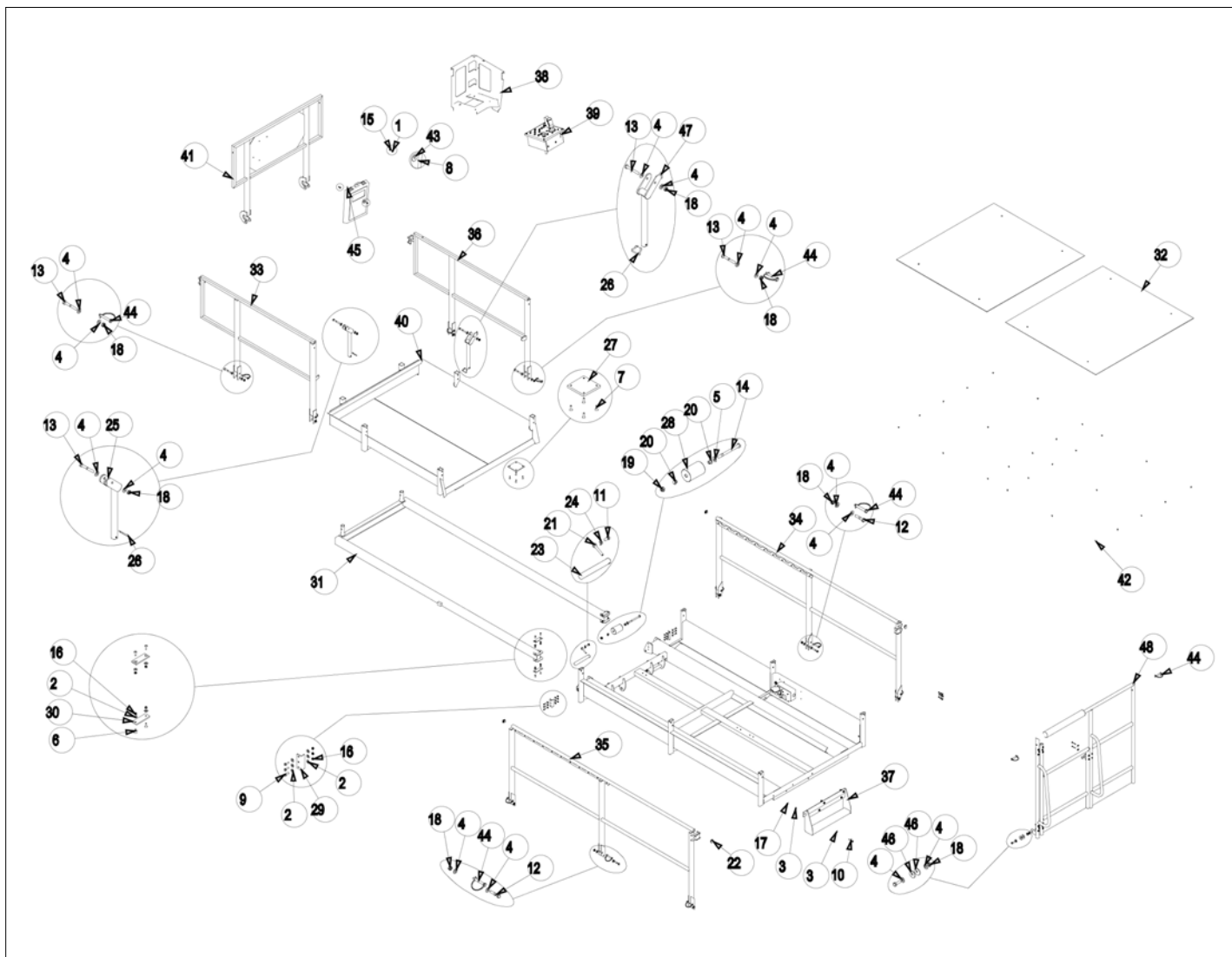
| アイテム | 部品番号      | 名前                         | 数量 | UOM |
|------|-----------|----------------------------|----|-----|
| 29   | 13122 14  | Wear Pad Internal          | 4  | EA  |
| 30   | 13124     | Handrail, Left Front       | 1  | EA  |
| 31   | 13128     | Rollout Frame Weld         | 1  | EA  |
| 32   | 13130     | Left Handrail              | 1  | EA  |
| 33   | 13131     | Right Handrail             | 1  | EA  |
| 34   | 13152     | Platform Weld              | 1  | EA  |
| 35   | 13153     | Rollout Deck Weld          | 1  | EA  |
| 36   | 13155     | Platform Floor             | 2  | EA  |
| 37   | 13921     | Control Mount              | 1  | EA  |
| 38   | 13970     | Handrail, Front            | 1  | EA  |
| 39   | 13971     | Handrail, Right            | 1  | EA  |
| 40   | 14023     | Upper Control Box Assembly | 1  | EA  |
| 41   | 60030 19B | 1/4" Fender Washer         | 2  | EA  |
| 42   | 302544    | Pin & Lock                 | 14 | EA  |
| 43   | 562386    | Literature Compartment     | 1  | EA  |
| 44   | 11695R    | Handrail Latch Right       | 1  | EA  |
| 45   | 13156A    | Handrail, Entry End        | 1  | EA  |

REPAIR PARTS



| アイテム | 部品番号       | 名前                                | 数量 | UOM |
|------|------------|-----------------------------------|----|-----|
| 1    | 3603 06    | Plain Washer                      | 14 | EA  |
| 2    | 3605 06    | Spring Washer                     | 14 | EA  |
| 3    | 3610 06016 | Metric Bolt                       | 14 | EA  |
| 4    | 3628 06    | Nutsert M6                        | 6  | EA  |
| 5    | 7495       | Spring Hinge                      | 2  | EA  |
| 6    | 8926 1     | Plug RHS 25mm                     | 1  | EA  |
| 7    | 11691 10   | Gate Latch Striker Set            | 1  | EA  |
| 8    | 13127      | Handrail, Gate                    | 1  | EA  |
| 9    | 9980003    | PIPE INSUL CLOSED CELL AP<br>ARMA | 1  | EA  |

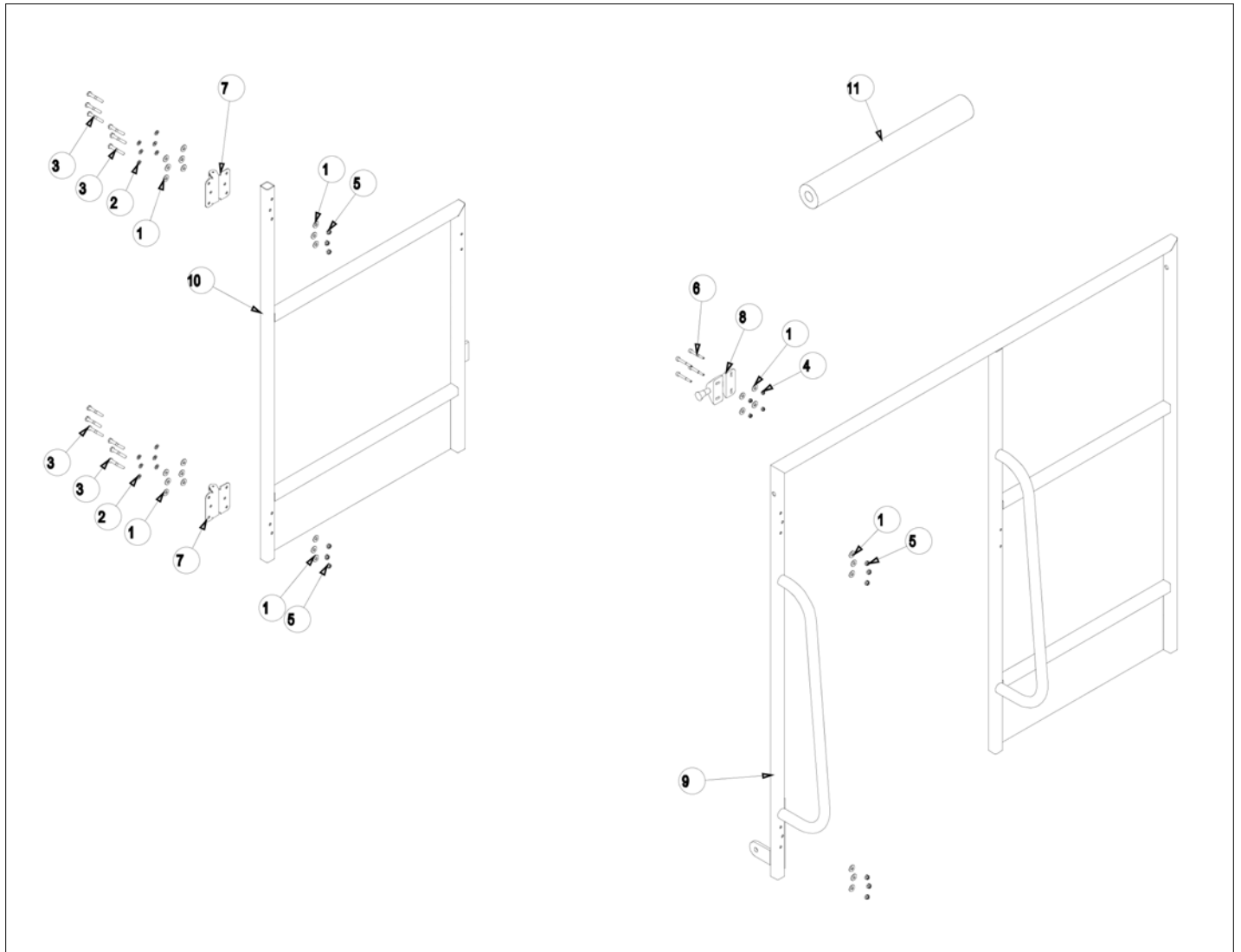
REPAIR PARTS



| アイテム | 部品番号       | 名前                            | 数量 | UOM |
|------|------------|-------------------------------|----|-----|
| 0    | 14504A     | Platform Assembly SRxx55      | 1  | EA  |
| 1    | 3603 05    | Plain Washer                  | 6  | EA  |
| 2    | 3603 06    | Plain Washer                  | 20 | EA  |
| 3    | 3603 08    | Plain Washer                  | 21 | EA  |
| 4    | 3603 10    | Plain Washer                  | 28 | EA  |
| 5    | 3603 12    | Plain Washer                  | 4  | EA  |
| 6    | 3606 06020 | Countersunk Socket Head Screw | 8  | EA  |
| 7    | 3606 06025 | Countersunk Socket Head Screw | 8  | EA  |
| 8    | 3610 05016 | Metric Bolt                   | 2  | EA  |
| 9    | 3610 06020 | Metric Bolt                   | 6  | EA  |
| 10   | 3610 08045 | Metric Bolt                   | 5  | EA  |
| 11   | 3610 10020 | Metric Bolt                   | 4  | EA  |
| 12   | 3610 10050 | Metric Bolt                   | 6  | EA  |
| 13   | 3610 10075 | Metric Bolt                   | 6  | EA  |
| 14   | 3610 12130 | Metric Bolt                   | 2  | EA  |
| 15   | 3611 05    | Metric Nyloc Nut              | 6  | EA  |
| 16   | 3611 06    | Metric Nyloc Nut              | 14 | EA  |
| 17   | 3611 08    | Metric Nylock Nut             | 5  | EA  |
| 18   | 3611 10    | Metric Nyloc Nut              | 14 | EA  |
| 19   | 3611 12    | Metric Nyloc Nut              | 2  | EA  |
| 20   | 3626 2     | Flanged Permaglide Bush       | 4  | EA  |
| 21   | 8626       | Pin Keeper                    | 4  | EA  |
| 22   | 8926 1     | Plug RHS 25mm                 | 4  | EA  |
| 23   | 9792       | Pin                           | 4  | EA  |
| 24   | 11492 3    | Tab Washer                    | 4  | EA  |
| 25   | 11695      | Handrail Latch Left           | 1  | EA  |
| 26   | 11695 3    | Latch Holding Ring            | 2  | EA  |
| 27   | 12709 10   | Rollout Deck Slide Pad        | 2  | EA  |
| 28   | 13122 11   | External Roller               | 2  | EA  |

| アイテム | 部品番号       | 名前                         | 数量 | UOM |
|------|------------|----------------------------|----|-----|
| 29   | 13122 12   | Stop Rollout               | 2  | EA  |
| 30   | 13122 14   | Wear Pad Internal          | 4  | EA  |
| 31   | 13128      | Rollout Frame Weld         | 1  | EA  |
| 32   | 13155      | Platform Floor             | 2  | EA  |
| 33   | 13262      | Handrail Left Front        | 1  | EA  |
| 34   | 13264      | Right Handrail             | 1  | EA  |
| 35   | 13268      | Left Handrail              | 1  | EA  |
| 36   | 13841      | Handrail Right Front       | 1  | EA  |
| 37   | 13871      | Step Weld                  | 1  | EA  |
| 38   | 13921      | Control Mount              | 1  | EA  |
| 39   | 14023      | Upper Control Box Assembly | 1  | EA  |
| 40   | 14055      | Rollout Deck Weld          | 1  | EA  |
| 41   | 14056      | Handrail Front             | 1  | EA  |
| 42   | 60027 067N | Rivet 1/8 x 5/32           | 26 | EA  |
| 43   | 60030 198  | 1/4" Fender Washer         | 2  | EA  |
| 44   | 302544     | Pin & Lock                 | 12 | EA  |
| 45   | 562386     | Literature Compartment     | 1  | EA  |
| 46   | 5560179    | Flat Washer Special        | 4  | EA  |
| 47   | 11695R     | Handrail Latch Right       | 1  | EA  |
| 48   | 14057A     | Hand Rail Entry End        | 1  | EA  |

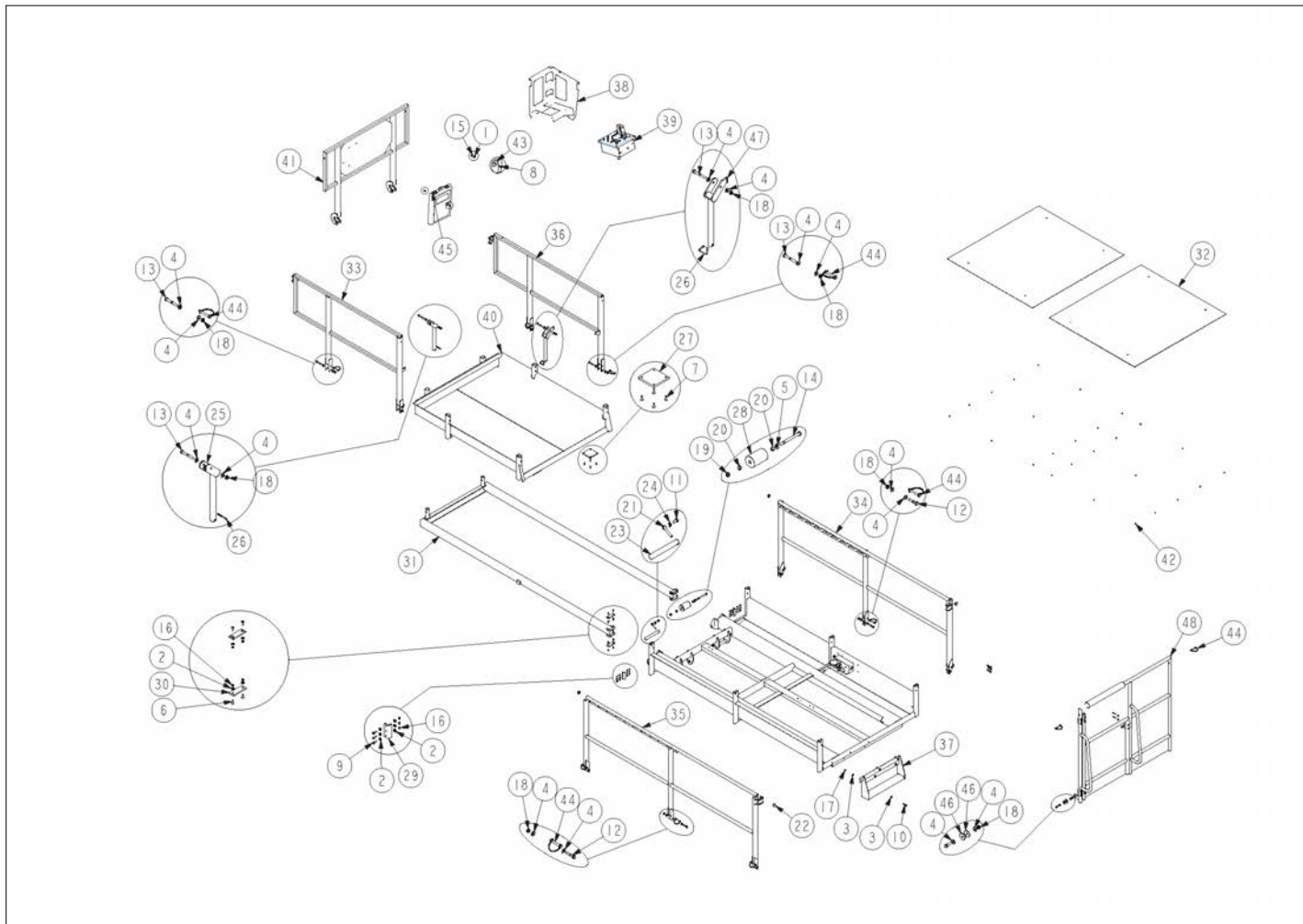
# REPAIR PARTS



| アイテム | 部品番号       | 名前                                | 数量 | UOM |
|------|------------|-----------------------------------|----|-----|
| 1    | 3603 06    | Plain Washer                      | 28 | EA  |
| 2    | 3605 06    | Spring Washer                     | 12 | EA  |
| 3    | 3610 06040 | Metric Bolt                       | 12 | EA  |
| 4    | 3611 05    | Metric Nyloc Nut                  | 4  | EA  |
| 5    | 3611 06    | Metric Nyloc Nut                  | 12 | EA  |
| 6    | 3613 05040 | Socket Head cap Screw             | 4  | EA  |
| 7    | 7495       | Spring Hinge                      | 2  | EA  |
| 8    | 13909      | Latch, Magnetic Slam              | 1  | EA  |
| 9    | 14057      | Handrail Entry End                | 1  | EA  |
| 10   | 14058      | Handrail Gate                     | 1  | EA  |
| 11   | 9980003    | PIPE INSUL CLOSED CELL AP<br>ARMA | 1  | EA  |



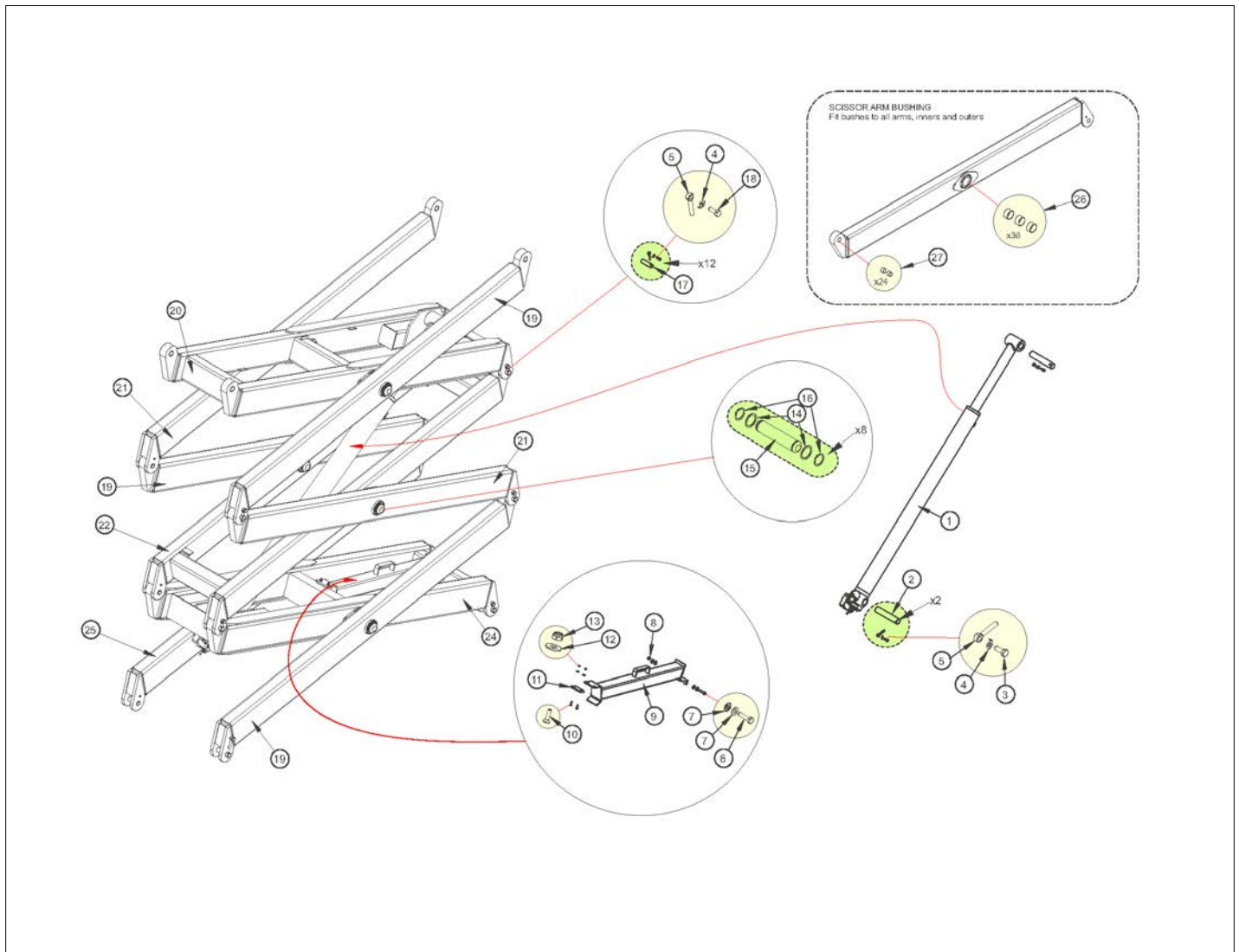
REPAIR PARTS



| アイテム | 部品番号       | 名前                            | 数量 | UOM |
|------|------------|-------------------------------|----|-----|
| 0    | 15164 01   | Platform Assembly             | 1  | EA  |
| 1    | 3603 05    | Plain Washer                  | 6  | EA  |
| 2    | 3603 06    | Plain Washer                  | 20 | EA  |
| 3    | 3603 08    | Plain Washer                  | 10 | EA  |
| 4    | 3603 10    | Plain Washer                  | 28 | EA  |
| 5    | 3603 12    | Plain Washer                  | 4  | EA  |
| 6    | 3606 06020 | Countersunk Socket Head Screw | 8  | EA  |
| 7    | 3606 06025 | Countersunk Socket Head Screw | 8  | EA  |
| 8    | 3610 05016 | Metric Bolt                   | 2  | EA  |
| 9    | 3610 06020 | Metric Bolt                   | 6  | EA  |
| 10   | 3610 08045 | Metric Bolt                   | 5  | EA  |
| 11   | 3610 10020 | Metric Bolt                   | 4  | EA  |
| 12   | 3610 10050 | Metric Bolt                   | 6  | EA  |
| 13   | 3610 10075 | Metric Bolt                   | 6  | EA  |
| 14   | 3610 12130 | Metric Bolt                   | 2  | EA  |
| 15   | 3611 05    | Metric Nyloc Nut              | 6  | EA  |
| 16   | 3611 06    | Metric Nyloc Nut              | 14 | EA  |
| 17   | 3611 08    | Metric Nylock Nut             | 5  | EA  |
| 18   | 3611 10    | Metric Nyloc Nut              | 14 | EA  |
| 19   | 3611 12    | Metric Nyloc Nut              | 2  | EA  |
| 20   | 3626 2     | Flanged Permaglide Bush       | 4  | EA  |
| 21   | 8626       | Pin Keeper                    | 4  | EA  |
| 22   | 8926 1     | Plug RHS 25mm                 | 4  | EA  |
| 23   | 15202      | Pin, 30mm x 235               | 4  | EA  |
| 24   | 11492 3    | Tab Washer                    | 4  | EA  |
| 25   | 11695      | Handrail Latch Left           | 1  | EA  |
| 26   | 11695 3    | Latch Holding Ring            | 2  | EA  |
| 27   | 12709 10   | Rollout Deck Slide Pad        | 2  | EA  |
| 28   | 13122 11   | External Roller               | 2  | EA  |

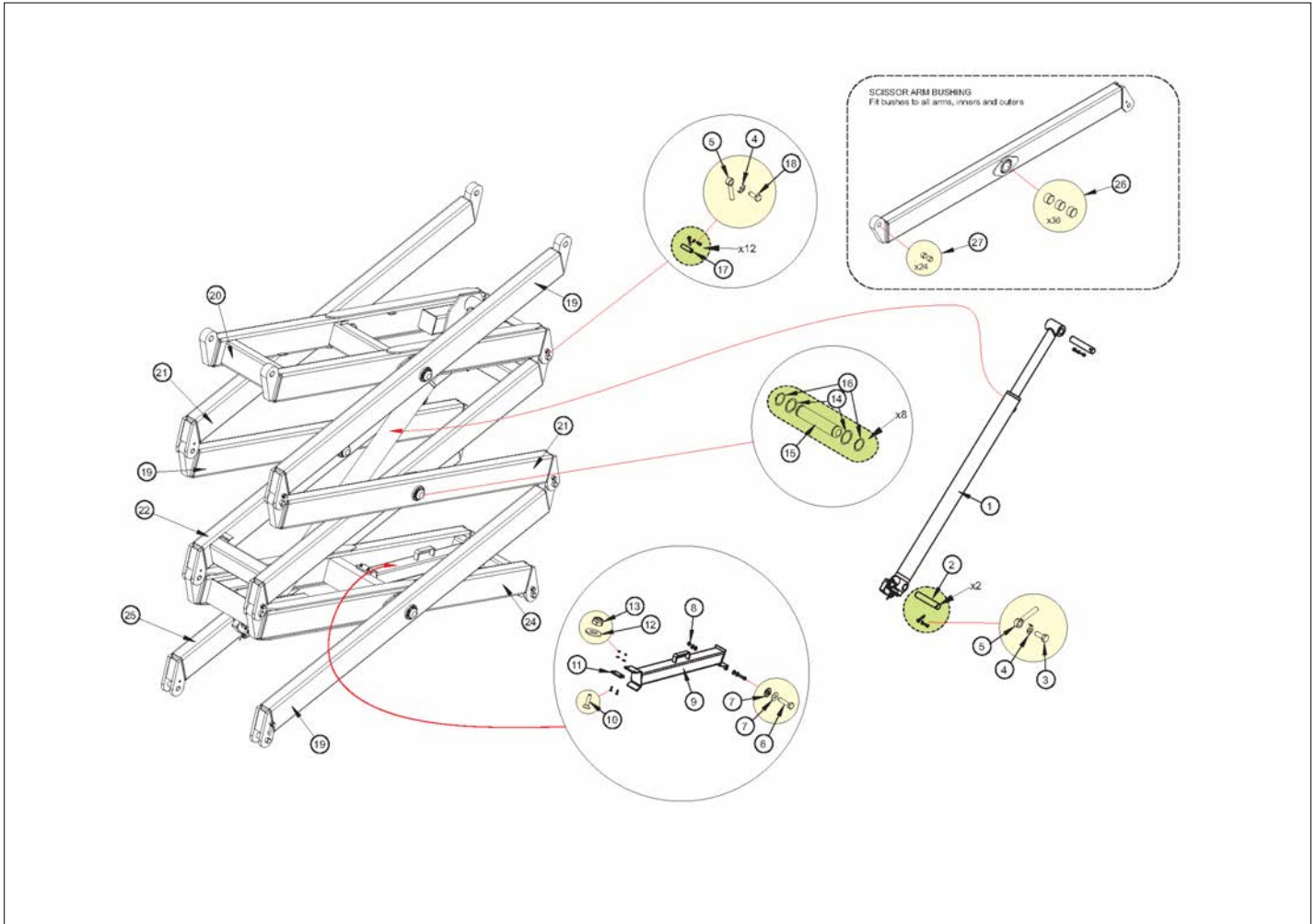
| アイテム | 部品番号       | 名前                         | 数量 | UOM |
|------|------------|----------------------------|----|-----|
| 29   | 13122 12   | Stop Rollout               | 2  | EA  |
| 30   | 13122 14   | Wear Pad Internal          | 4  | EA  |
| 31   | 13128      | Rollout Frame Weld         | 1  | EA  |
| 32   | 13155      | Platform Floor             | 2  | EA  |
| 33   | 13262      | Handrail Left Front        | 1  | EA  |
| 34   | 13264      | Right Handrail             | 1  | EA  |
| 35   | 13268      | Left Handrail              | 1  | EA  |
| 36   | 13841      | Handrail Right Front       | 1  | EA  |
| 37   | 13871      | Step Weld                  | 1  | EA  |
| 38   | 13921      | Control Mount              | 1  | EA  |
| 39   | 14023      | Upper Control Box Assembly | 1  | EA  |
| 40   | 14055      | Rollout Deck Weld          | 1  | EA  |
| 41   | 14056      | Handrail Front             | 1  | EA  |
| 42   | 60027 067N | Rivet 1/8 x 5/32           | 26 | EA  |
| 43   | 60030 198  | 1/4" Fender Washer         | 2  | EA  |
| 44   | 302544     | Pin & Lock                 | 12 | EA  |
| 45   | 562386     | Literature Compartment     | 1  | EA  |
| 46   | 5560179    | Flat Washer Special        | 4  | EA  |
| 47   | 11695R     | Handrail Latch Right       | 1  | EA  |
| 48   | 14057A     | Hand Rail Entry End        | 1  | EA  |

REPAIR PARTS



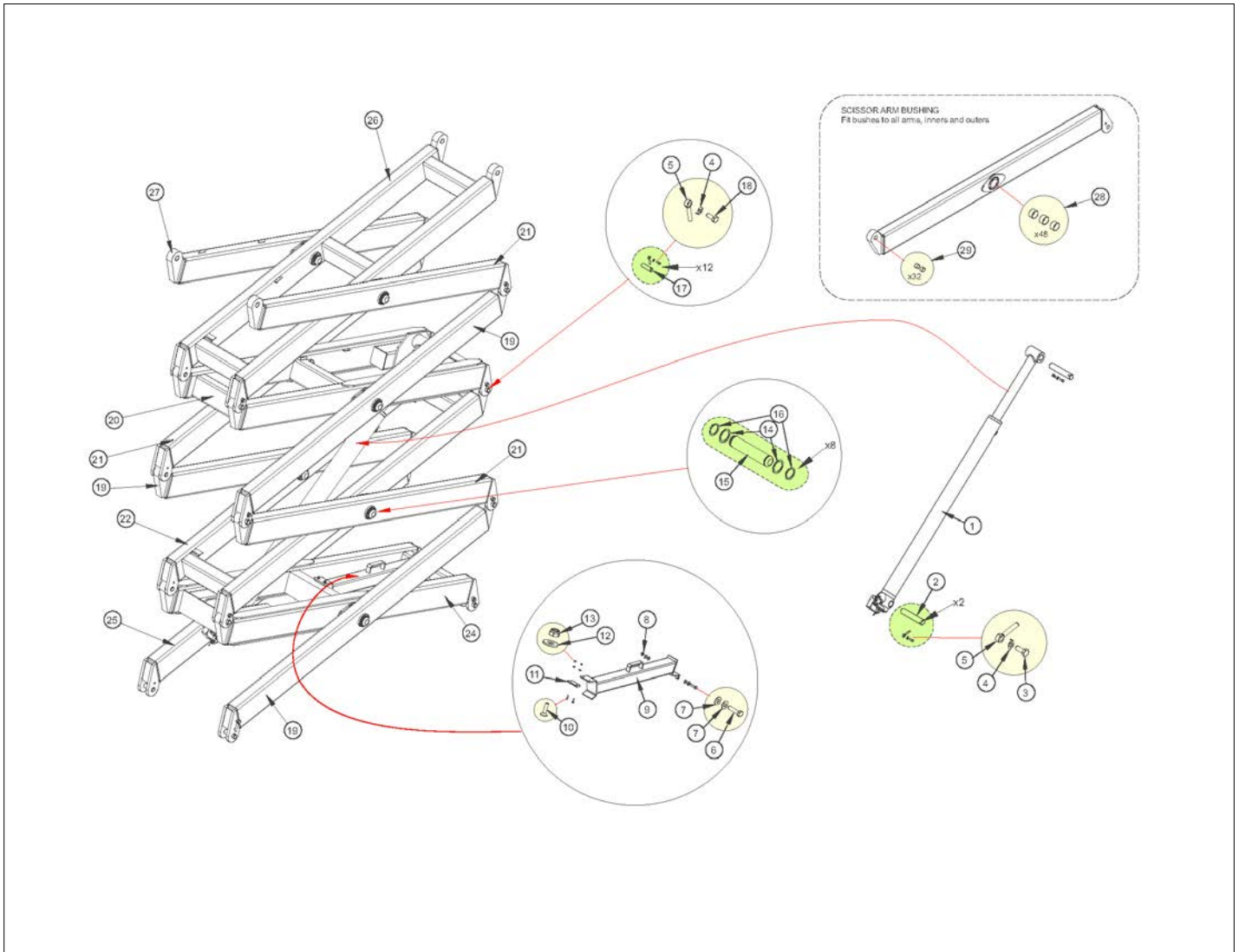
| アイテム | 部品番号       | 名前                              | 数量 | UOM |
|------|------------|---------------------------------|----|-----|
| 0    | 13893 01   | S2255RT Scissor Stack Assembly  | 1  | EA  |
| 1    | 13906 03   | Cylinder Assembly               | 1  | EA  |
| 2    | 9292       | Pin                             | 2  | EA  |
| 3    | 3610 10020 | Metric Bolt                     | 2  | EA  |
| 4    | 11492 3    | Tab Washer                      | 10 | EA  |
| 5    | 8626       | Pin Keeper                      | 10 | EA  |
| 6    | 3610 10120 | Metric Bolt                     | 1  | EA  |
| 7    | 3603 10    | Plain Washer                    | 4  | EA  |
| 8    | 3611 10    | Metric Nyloc Nut                | 1  | EA  |
| 9    | 11380      | Saftey Prop                     | 1  | EA  |
| 10   | 3606 06025 | Countersunk Socket Head Screw   | 2  | EA  |
| 11   | 11143 2    | Wear Pad                        | 1  | EA  |
| 12   | 3603 06    | Plain Washer                    | 2  | EA  |
| 13   | 3611 06    | Metric Nyloc Nut                | 2  | EA  |
| 14   | 3629 5062L | Washer, Scissor Pivot           | 12 | EA  |
| 15   | 11804      | Scissor Pivot Pin               | 6  | EA  |
| 16   | 3619 5     | External Circlip                | 12 | EA  |
| 17   | 8699       | Pin                             | 8  | EA  |
| 18   | 3610 10025 | Metric Bolt                     | 8  | EA  |
| 19   | 12529      | Arm, outer, mid right hand weld | 3  | EA  |
| 20   | 12621      | Arm, inner, top weld            | 1  | EA  |
| 21   | 12530      | Arm, outer, mid left hand weld  | 2  | EA  |
| 22   | 12906      | Arm, inner weld                 | 1  | EA  |
| 24   | 13823      | Arm, inner, lower weld          | 1  | EA  |
| 25   | 12713      | Arm, outer, lower right weld    | 1  | EA  |
| 26   | 3624 2     | Permaglide Bush                 | 36 | EA  |
| 27   | 3624 3     | Permaglide Bush                 | 24 | EA  |

REPAIR PARTS



| アイテム | 部品番号       | 名前                                  | 数量 | UOM |
|------|------------|-------------------------------------|----|-----|
| 0    | 15132 01   | 2255 Stack                          | 1  | EA  |
| 1    | 13906 03   | Cylinder Assembly                   | 1  | EA  |
| 2    | 9292       | Pin                                 | 2  | EA  |
| 3    | 3610 10020 | Metric Bolt                         | 2  | EA  |
| 4    | 11492 3    | Tab Washer                          | 10 | EA  |
| 5    | 8626       | Pin Keeper                          | 10 | EA  |
| 6    | 3610 10120 | Metric Bolt                         | 1  | EA  |
| 7    | 3603 10    | Plain Washer                        | 4  | EA  |
| 8    | 3611 10    | Metric Nyloc Nut                    | 1  | EA  |
| 9    | 11380      | Safety Prop                         | 1  | EA  |
| 10   | 3606 06025 | Countersunk Socket Head Screw       | 2  | EA  |
| 11   | 11143 2    | Wear Pad                            | 1  | EA  |
| 12   | 3606 06    | Plain Washer                        | 2  | EA  |
| 13   | 3611 06    | Metric Nyloc Nut                    | 2  | EA  |
| 14   | 3629 5062L | Washer, Scissor Pivot               | 12 | EA  |
| 15   | 11804      | Scissor Pivot Pin                   | 6  | EA  |
| 16   | 3619 5     | External Circlip                    | 12 | EA  |
| 17   | 13574 16   | Pin, 30mm                           | 8  | EA  |
| 18   | 3610 10025 | Metric Bolt                         | 8  | EA  |
| 19   | 13667 1    | Arm, Outer, Odd Ends, 1" Female     | 3  | EA  |
| 20   | 13667 36   | Arm, Inner, Upper Cylinder Top      | 1  | EA  |
| 21   | 13667 2    | Arm, Outer, Top Odd Ends, Left Hand | 2  | EA  |
| 22   | 13667 15   | Arm, Inner, Top                     | 1  | EA  |
| 24   | 13667 33   | Arm, Lower, Inner Weld              | 1  | EA  |
| 25   | 13667 32   | Arm, First, Outer Right Hand        | 1  | EA  |
| 26   | 3624 2     | Permaglide Bush                     | 36 | EA  |
| 27   | 3624 3     | Permaglide Bush                     | 24 | EA  |

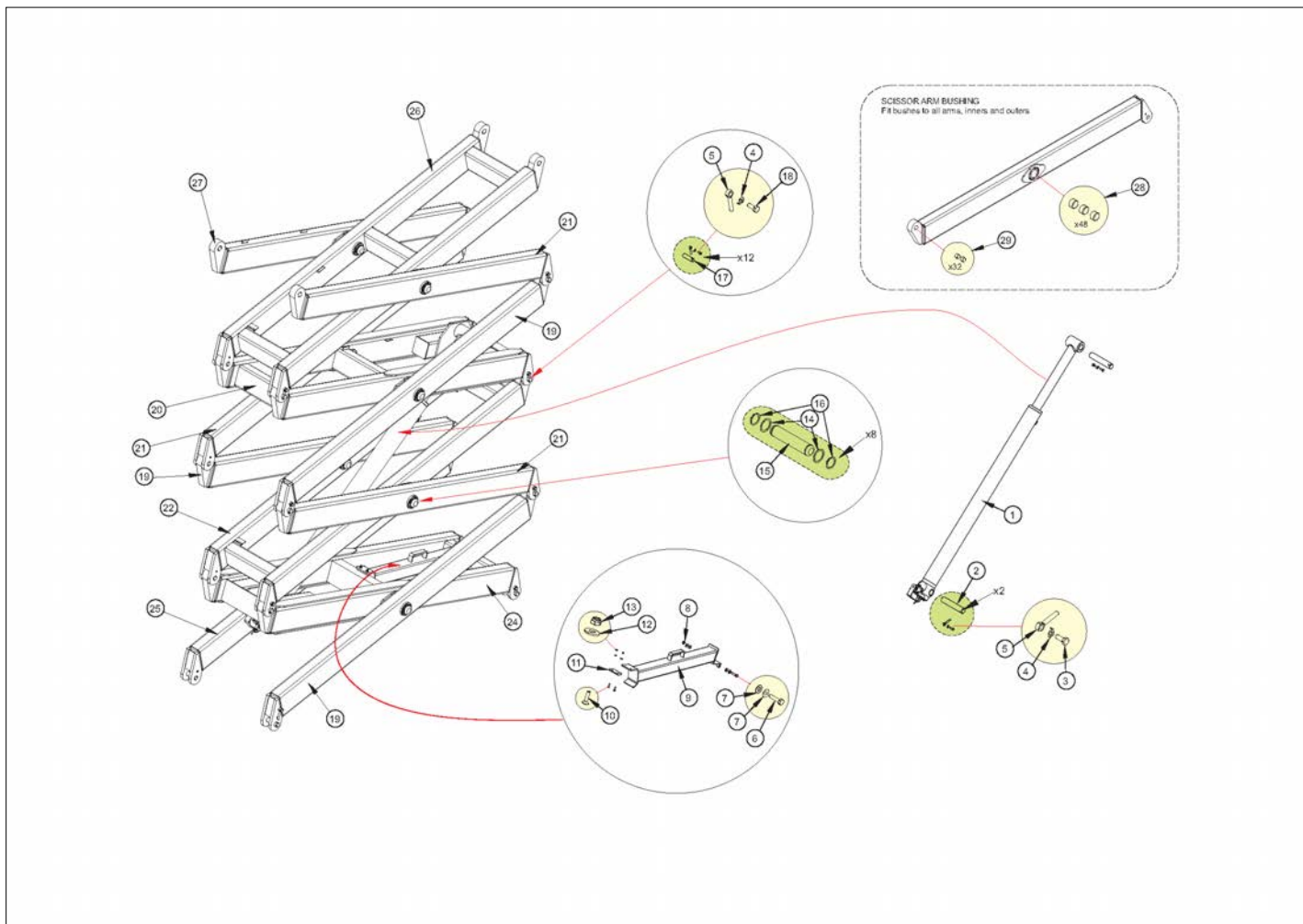
REPAIR PARTS





| アイテム | 部品番号       | 名前                              | 数量 | UOM |
|------|------------|---------------------------------|----|-----|
| 0    | 13893 02   | 2755 Stack                      | 1  | EA  |
| 1    | 13906 03   | Cylinder Assembly               | 1  | EA  |
| 2    | 9292       | Pin                             | 2  | EA  |
| 3    | 3610 10020 | Metric Bolt                     | 2  | EA  |
| 4    | 11492 3    | Tab Washer                      | 14 | EA  |
| 5    | 8626       | Pin Keeper                      | 14 | EA  |
| 6    | 3610 10120 | Metric Bolt                     | 1  | EA  |
| 7    | 3603 10    | Plain Washer                    | 4  | EA  |
| 8    | 3611 10    | Metric Nyloc Nut                | 1  | EA  |
| 9    | 11380      | Safety Prop                     | 1  | EA  |
| 10   | 3606 06025 | Countersunk Socket Head Screw   | 2  | EA  |
| 11   | 11143 2    | Wear Pad                        | 1  | EA  |
| 12   | 3603 06    | Plain Washer                    | 2  | EA  |
| 13   | 3611 06    | Metric Nyloc Nut                | 2  | EA  |
| 14   | 3629 5062L | Washer, Scissor Pivot           | 16 | EA  |
| 15   | 11804      | Scissor Pivot Pin               | 8  | EA  |
| 16   | 3619 5     | External Circlip                | 16 | EA  |
| 17   | 8699       | Pin                             | 12 | EA  |
| 18   | 3610 10025 | Metric Bolt                     | 12 | EA  |
| 19   | 12529      | Arm, outer, mid right hand weld | 3  | EA  |
| 20   | 9332       | Arm, inner upper weld           | 1  | EA  |
| 21   | 12530      | Arm, outer, mid left hand weld  | 3  | EA  |
| 22   | 12906      | Arm, inner weld                 | 1  | EA  |
| 24   | 13823      | Arm, inner, lower weld          | 1  | EA  |
| 25   | 12713      | Arm, outer, lower right weld    | 1  | EA  |
| 26   | 9331       | Arm, inner, upper fourth stage  | 1  | EA  |
| 27   | 9502       | Arm, outer, upper weldment      | 1  | EA  |
| 28   | 3624 2     | Permaglide Bush                 | 48 | EA  |
| 29   | 3624 3     | Permaglide Bush                 | 32 | EA  |

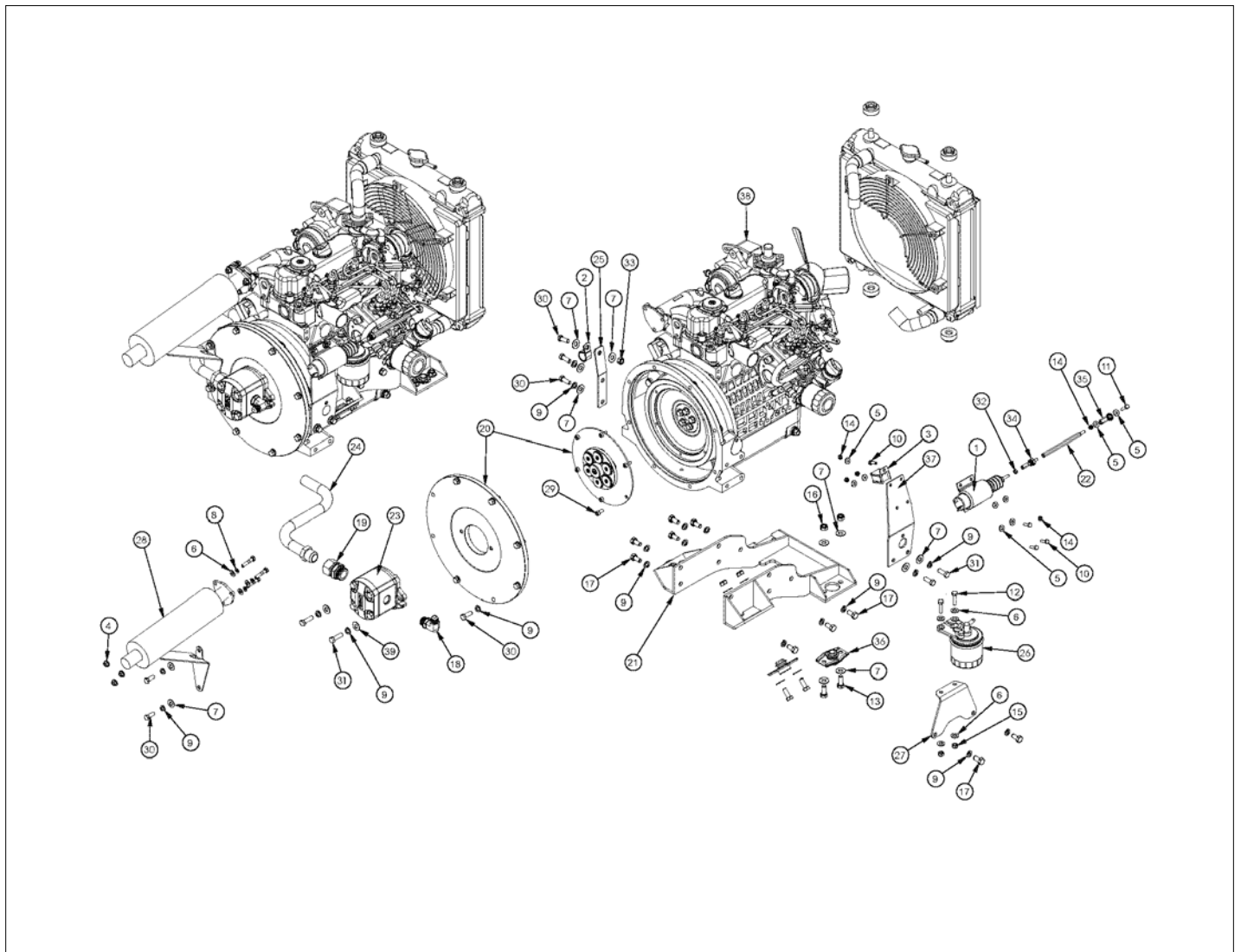
REPAIR PARTS



| アイテム | 部品番号       | 名前                                   | 数量 | UOM |
|------|------------|--------------------------------------|----|-----|
| 0    | 15132 02   | 2755 Stack                           | 1  | EA  |
| 1    | 13906 03   | Cylinder Assembly                    | 1  | EA  |
| 2    | 9292       | Pin                                  | 2  | EA  |
| 3    | 3610 10020 | Metric Bolt                          | 2  | EA  |
| 4    | 11492 3    | Tab Washer                           | 14 | EA  |
| 5    | 8626       | Pin Keeper                           | 14 | EA  |
| 6    | 3610 10120 | Metric Bolt                          | 1  | EA  |
| 7    | 3603 10    | Plain Washer                         | 4  | EA  |
| 8    | 3611 10    | Metric Nyloc Nut                     | 1  | EA  |
| 9    | 11380      | Safety Prop                          | 1  | EA  |
| 10   | 3606 06025 | Countersunk Socket Head Screw        | 2  | EA  |
| 11   | 11143 2    | Wear Pad                             | 1  | EA  |
| 12   | 3603 06    | Plain Washer                         | 2  | EA  |
| 13   | 3611 06    | Metric Nyloc Nut                     | 2  | EA  |
| 14   | 3629 5062L | Washer, Scissor Pivot                | 16 | EA  |
| 15   | 11804      | Scissor Pivot Pin                    | 8  | EA  |
| 16   | 3619 5     | External Circlip                     | 16 | EA  |
| 17   | 13574 16   | Pin, 30mm                            | 12 | EA  |
| 18   | 3610 10025 | Metric Bolt                          | 12 | EA  |
| 19   | 13667 1    | Arm, Outer, Odd Ends, 1" Female      | 3  | EA  |
| 20   | 13667 36   | Arm, Inner, Upper Cylinder Top       | 1  | EA  |
| 21   | 13667 2    | Arm, Outer, Top Odd Ends, Left Hand  | 3  | EA  |
| 22   | 13667 15   | Arm, Inner, Top                      | 1  | EA  |
| 24   | 13667 33   | Arm, Lower, Inner Weld               | 1  | EA  |
| 25   | 13667 32   | Arm, First, Outer Right Hand         | 1  | EA  |
| 26   | 13667 15   | Arm, Inner, Top                      | 1  | EA  |
| 27   | 13667 35   | Arm, Outer, Top Odd Ends, Right Hand | 1  | EA  |
| 28   | 3624 2     | Permaglide Bush                      | 48 | EA  |

| アイテム | 部品番号   | 名前              | 数量 | UOM |
|------|--------|-----------------|----|-----|
| 29   | 3624 3 | Permaglide Bush | 32 | EA  |

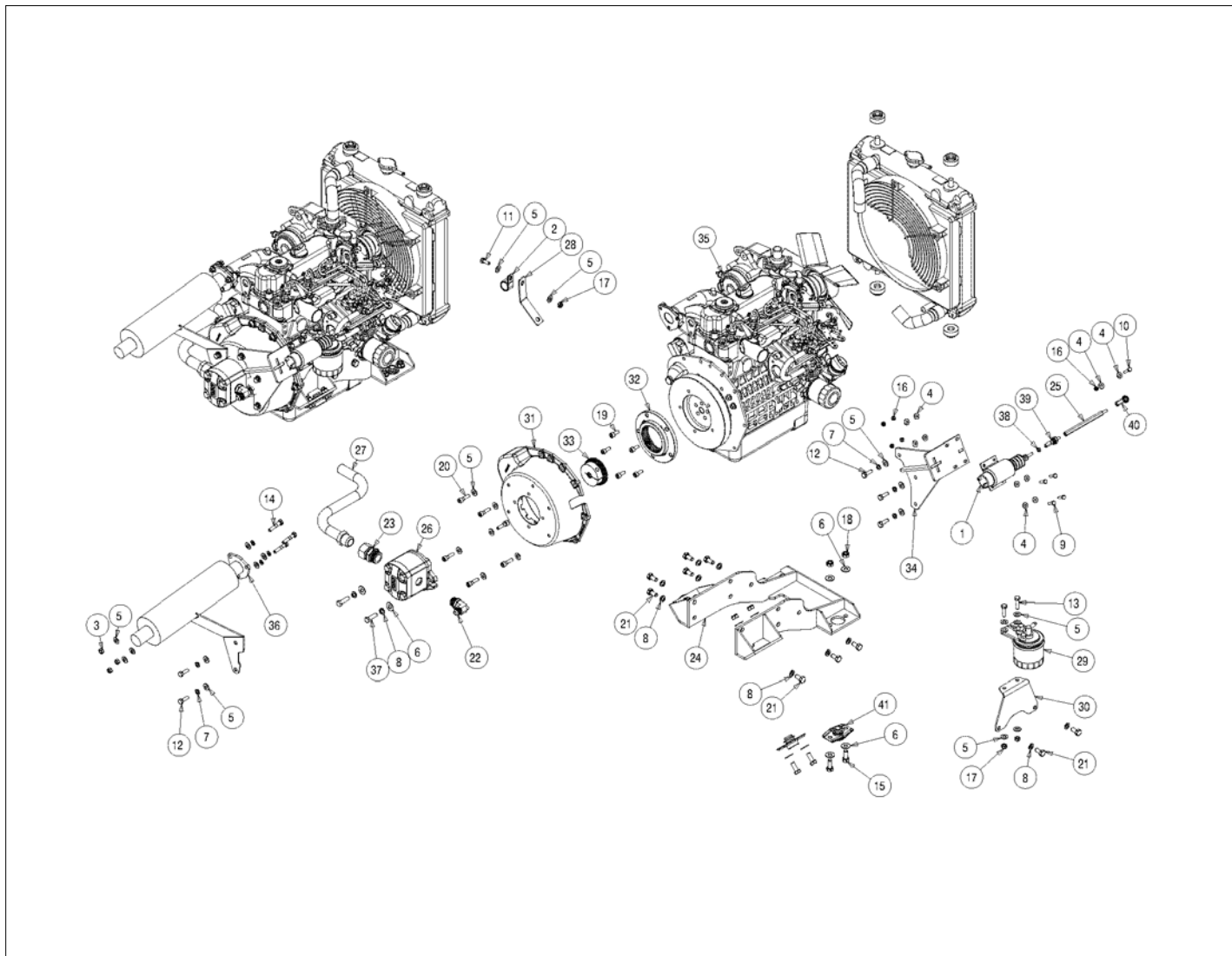
REPAIR PARTS



| アイテム | 部品番号       | 名前   | 数量 | UOM |
|------|------------|--|----|-----|
| 0    | 12960      | Kubota D902 T3 Engine Assembly                                     | 1  | EA  |
| 1    | 304 0174   | Solenoid   | 1  | EA  |
| 2    | 2022 005   | Clamp Cushion 50mm   | 1  | EA  |
| 3    | 2065 002   | Plug In Relay Base   | 1  | EA  |
| 4    | 3602 08    | Metric Hex Nut   | 3  | EA  |
| 5    | 3603 06    | Plain Washer   | 9  | EA  |
| 6    | 3603 08    | Plain Washer   | 7  | EA  |
| 7    | 3603 10    | Plain Washer   | 24 | EA  |
| 8    | 3605 08    | Spring Washer  | 3  | EA  |
| 9    | 3605 10    | Spring Washer  | 25 | EA  |
| 10   | 3610 06020 | Metric Bolt  | 4  | EA  |
| 11   | 3610 06025 | Metric Bolt  | 1  | EA  |
| 12   | 3610 08030 | Metric Bolt  | 2  | EA  |
| 13   | 3610 10025 | Metric Bolt  | 8  | EA  |
| 14   | 3611 06    | Metric Nyloc Nut   | 5  | EA  |
| 15   | 3611 08    | Metric Nylock Nut  | 2  | EA  |
| 16   | 3611 10    | Metric Nyloc Nut   | 8  | EA  |
| 17   | 3617 10020 | Metric Bolt  | 10 | EA  |
| 18   | 7031 004   | Adapter Elbow JICM > UNO<br>3/4 x 7/8                              | 1  | EA  |
| 19   | 7098 7     | Adapter Straight UNO > JICF 1<br>5/16 x 1 5/16                     | 1  | EA  |
| 20   | 12956      | Coupling, SAE 'A' 9 spline > SAC<br>#5 bellhousing + 6/12 flywheel | 1  | EA  |
| 21   | 12961      | Engine Cradle  | 1  | EA  |
| 22   | 13023      | Trottle Lever  | 1  | EA  |
| 23   | 13049      | Pump SAE A 9 Spline 10.3cc   | 1  | EA  |
| 24   | 13074      | Pipe, Pump Suction   | 1  | EA  |
| 25   | 13074 5    | Support, for suction pump  | 1  | EA  |
| 26   | 13086 01   | Fuel Filter, Kubota  | 1  | EA  |

| アイテム | 部品番号       | 名前   | 数量 | UOM |
|------|------------|--|----|-----|
| 27   | 13095      | Fuel Filter Bracket                        | 1  | EA  |
| 28   | 13097      | Exhaust weldment D902,<br>S2255RT          | 1  | EA  |
| 29   | 13104 0510 | Capscrew 5/16" UNC 5/8"                    | 6  | EA  |
| 30   | 60017 007  | 1" x 3/8 UNC Bolt                          | 13 | EA  |
| 31   | 60017 010  | 1" x 3/8 UNC Bolt                          | 2  | EA  |
| 32   | 60021 008  | 1/4" NF Hex Nut                            | 1  | EA  |
| 33   | 60042 051N | Nut, nyloc, UNC 3/8"                       | 1  | EA  |
| 34   | 2650001    | Swivel Inline                              | 1  | EA  |
| 35   | 2690004    | Rod End                                    | 1  | EA  |
| 36   | 7630208    | Engine Mount                               | 4  | EA  |
| 37   | 13022      | Throttle solenoid bracket                  | 1  | EA  |
| 38   | 13086      | KUBOTA ENGINE D902 T3<br>REPLACEMENT PARTS | 1  | EA  |
| 39   | 3603 10H   | Plain Washer                               | 2  | EA  |

REPAIR PARTS

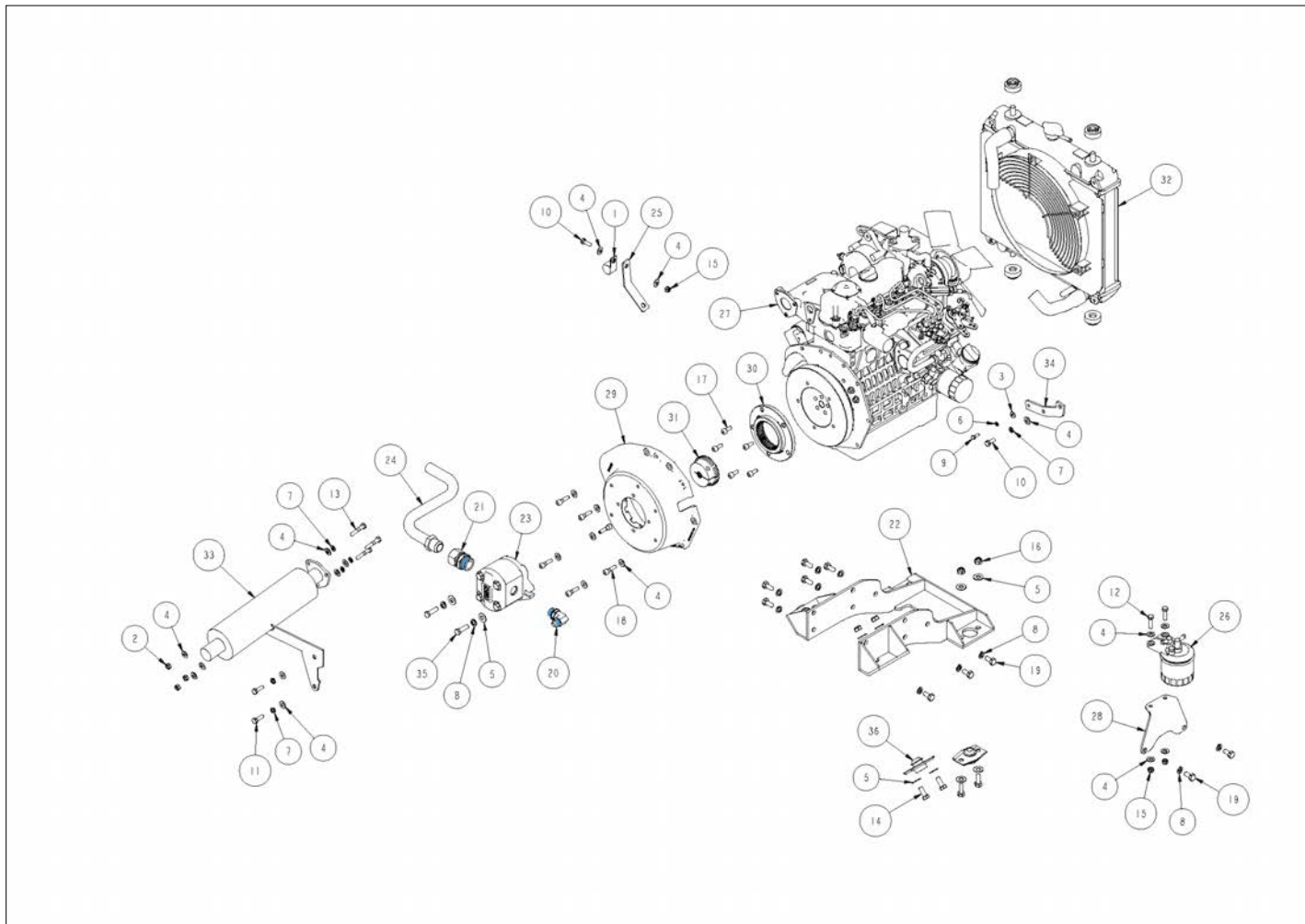




| アイテム | 部品番号       | 名前   | 数量 | UOM |
|------|------------|--|----|-----|
| 0    | 14043      | Kubota D902 T4 Engine Assembly                 | 1  | EA  |
| 1    | 304 0174   | Solenoid                                       | 1  | EA  |
| 2    | 2022 005   | Clamp Cushion 50mm                             | 1  | EA  |
| 3    | 3602 08    | Metric Hex Nut                                 | 3  | EA  |
| 4    | 3603 06    | Plain Washer                                   | 10 | EA  |
| 5    | 3603 08    | Plain Washer                                   | 23 | EA  |
| 6    | 3603 10    | Plain Washer                                   | 18 | EA  |
| 7    | 3605 08    | Spring Washer                                  | 8  | EA  |
| 8    | 3605 10    | Spring Washer                                  | 12 | EA  |
| 9    | 3610 06020 | Metric Bolt                                    | 4  | EA  |
| 10   | 3610 06025 | Metric Bolt                                    | 1  | EA  |
| 11   | 3610 08020 | Metric Bolt                                    | 1  | EA  |
| 12   | 3610 08025 | Metric Bolt                                    | 5  | EA  |
| 13   | 3610 08030 | Metric Bolt                                    | 2  | EA  |
| 14   | 3610 08040 | Metric Bolt                                    | 3  | EA  |
| 15   | 3610 10025 | Metric Bolt                                    | 8  | EA  |
| 16   | 3611 06    | Metric Nyloc Nut                               | 5  | EA  |
| 17   | 3611 08    | Metric Nylock Nut                              | 3  | EA  |
| 18   | 3611 10    | Metric Nyloc Nut                               | 8  | EA  |
| 19   | 3613 08020 | Socket Head Cap Screw                          | 5  | EA  |
| 20   | 3613 08030 | Socket Head Cap Screw                          | 6  | EA  |
| 21   | 3617 10020 | Metric Bolt                                    | 10 | EA  |
| 22   | 7031 004   | Adapter Elbow JICM > UNO<br>3/4 x 7/8          | 1  | EA  |
| 23   | 7098 7     | Adapter Straight UNO > JICF 1<br>5/16 x 1 5/16 | 1  | EA  |
| 24   | 12961      | Engine Cradle                                  | 1  | EA  |
| 25   | 13023      | Trottle Lever                                  | 1  | EA  |
| 26   | 13049      | Pump SAE A 9 Spline 10.3cc                     | 1  | EA  |
| 27   | 13074      | Pipe, Pump Suction                             | 1  | EA  |

| アイテム | 部品番号      | 名前                           | 数量 | UOM |
|------|-----------|------------------------------|----|-----|
| 28   | 13074 6   | Support For Suction Pipe     | 1  | EA  |
| 29   | 13086 01  | Fuel Filter, Kubota          | 1  | EA  |
| 30   | 13095     | Fuel Filter Bracket          | 1  | EA  |
| 31   | 13978 01  | Bell Housing                 | 1  | EA  |
| 32   | 13978 02  | Flywheel Adaptor 6.5in       | 1  | EA  |
| 33   | 13978 03  | Spline Adapter 9 Spline Pump | 1  | EA  |
| 34   | 13986     | RPM Solenoid Mount Bracket   | 1  | EA  |
| 35   | 14004     | Kubota D902 Engine           | 1  | EA  |
| 36   | 14044     | Exhaust Weld                 | 1  | EA  |
| 37   | 60017 010 | 1" x 3/8 UNC Bolt            | 2  | EA  |
| 38   | 60021 008 | 1/4" NF Hex Nut              | 1  | EA  |
| 39   | 2650001   | Swivel Inline                | 1  | EA  |
| 40   | 2690004   | Rod End                      | 1  | EA  |
| 41   | 7630208   | Engine Mount                 | 4  | EA  |

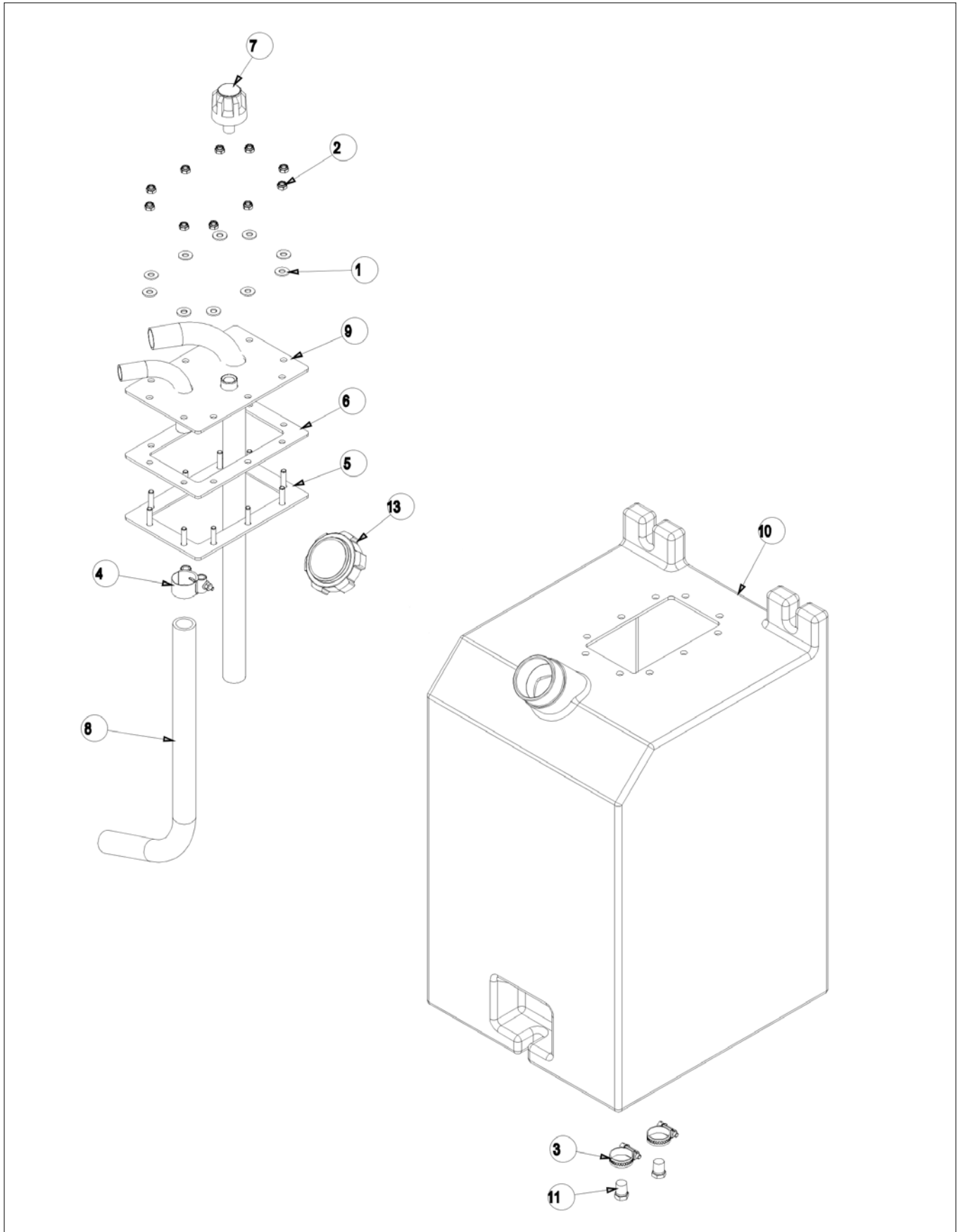
REPAIR PARTS



| アイテム | 部品番号       | 名前   | 数量 | UOM |
|------|------------|--|----|-----|
| 0    | 15167      | Kubota D902 T4 Engine Assembly                 | 1  | EA  |
| 1    | 2022 005   | Clamp Cushion 50mm                             | 1  | EA  |
| 2    | 3602 08    | Metric Hex Nut                                 | 3  | EA  |
| 3    | 3603 06    | Plain Washer                                   | 1  | EA  |
| 4    | 3603 08    | Plain Washer                                   | 21 | EA  |
| 5    | 3603 10    | Plain Washer                                   | 18 | EA  |
| 6    | 3605 06    | Spring Washer                                  | 1  | EA  |
| 7    | 3605 08    | Spring Washer                                  | 6  | EA  |
| 8    | 3605 10    | Spring Washer                                  | 12 | EA  |
| 9    | 3610 06016 | Metric Bolt                                    | 1  | EA  |
| 10   | 3610 08020 | Metric Bolt                                    | 2  | EA  |
| 11   | 3610 08025 | Metric Bolt                                    | 2  | EA  |
| 12   | 3610 08030 | Metric Bolt                                    | 2  | EA  |
| 13   | 3610 08040 | Metric Bolt                                    | 3  | EA  |
| 14   | 3610 10025 | Metric Bolt                                    | 8  | EA  |
| 15   | 3611 08    | Metric Nylock Nut                              | 3  | EA  |
| 16   | 3611 10    | Metric Nyloc Nut                               | 8  | EA  |
| 17   | 3613 08020 | Socket Head Cap Screw                          | 5  | EA  |
| 18   | 3613 08030 | Socket Head Cap Screw                          | 6  | EA  |
| 19   | 3617 10020 | Metric Bolt                                    | 10 | EA  |
| 20   | 7031 004   | Adapter Elbow JICM > UNO<br>3/4 x 7/8          | 1  | EA  |
| 21   | 7098 7     | Adapter Straight UNO > JICF 1<br>5/16 x 1 5/16 | 1  | EA  |
| 22   | 12961      | Engine Cradle                                  | 1  | EA  |
| 23   | 13049      | Pump SAE A 9 Spline 10.3cc                     | 1  | EA  |
| 24   | 13074      | Pipe, Pump Suction                             | 1  | EA  |
| 25   | 13074 6    | Support For Suction Pipe                       | 1  | EA  |
| 26   | 13086 01   | Fuel Filter, Kubota                            | 1  | EA  |
| 27   | 13086 08   | Manifold Flange 3 Bolt                         | 1  | EA  |

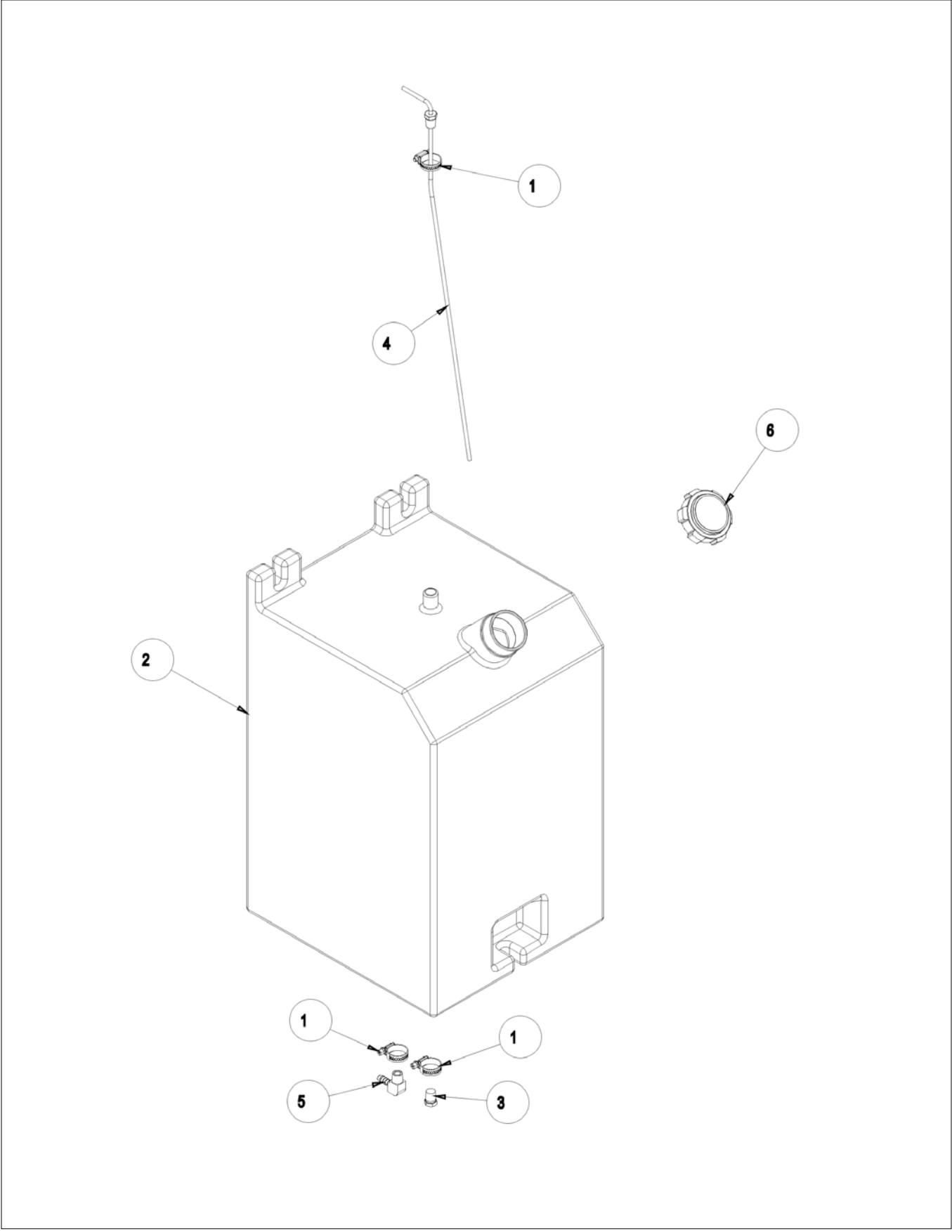
| アイテム | 部品番号      | 名前                           | 数量 | UOM |
|------|-----------|------------------------------|----|-----|
| 28   | 13095     | Fuel Filter Bracket          | 1  | EA  |
| 29   | 13978 01  | Bell Housing                 | 1  | EA  |
| 30   | 13978 02  | Flywheel Adaptor 6.5in       | 1  | EA  |
| 31   | 13978 03  | Spline Adapter 9 Spline Pump | 1  | EA  |
| 32   | 13086 32  | Radiator                     | 1  | EA  |
| 33   | 14044     | Exhaust Weld                 | 1  | EA  |
| 34   | 15109     | Cable Fixture                | 1  | EA  |
| 35   | 60017 010 | 1" x 3/8 UNC Bolt            | 2  | EA  |
| 36   | 7630208   | Engine Mount                 | 4  | EA  |

REPAIR PARTS



| アイテム | 部品番号     | 名前                      | 数量 | UOM |
|------|----------|-------------------------|----|-----|
| 0    | 13106 5A | Hydraulic Tank Assembly | 1  | EA  |
| 1    | 3603 06  | Plain Washer            | 10 | EA  |
| 2    | 3611 06  | Metric Nyloc Nut        | 10 | EA  |
| 3    | 3618 11  | Hose Clamp 11 25mm ZP   | 2  | EA  |
| 4    | 3618 26  | Hose Clamp 26 28mm      | 1  | EA  |
| 5    | 11430 1  | Base Plate Weld         | 1  | EA  |
| 6    | 11430 5  | Gasket                  | 1  | EA  |
| 7    | 11487    | Filter Breather         | 1  | EA  |
| 8    | 15056    | Tank Inner Hose         | 1  | EA  |
| 9    | 12942    | Top Plate Weld          | 1  | EA  |
| 10   | 13106 5  | Oil Tank                | 1  | EA  |
| 11   | 13108 04 | Plug 1/4 NPTM           | 2  | EA  |
| 12   | 605246   | Strainer Hyd Tank Fill  | 1  | EA  |
| 13   | 605256   | Cap, Vented             | 1  | EA  |

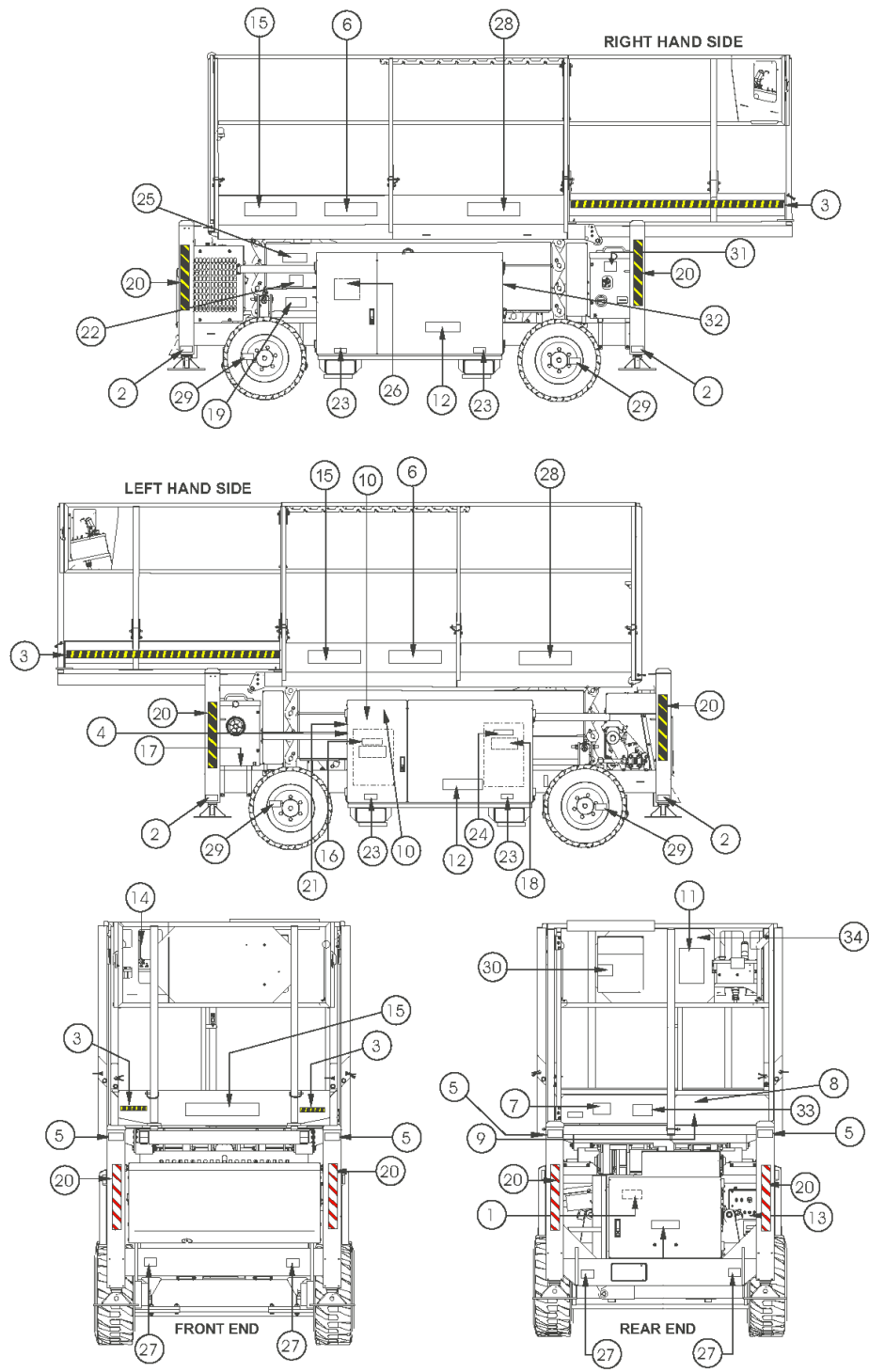
REPAIR PARTS





| アイテム | 部品番号     | 名前                           | 数量 | UOM |
|------|----------|------------------------------|----|-----|
| 0    | 13106 1A | Diesel Fuel Tank Assembly    | 1  | EA  |
| 1    | 3618 11  | Hose Clamp 11 25mm ZP        | 3  | EA  |
| 2    | 13106    | Tank Plastic 49L             | 1  | EA  |
| 3    | 13108 04 | Plug 1/4 NPTM                | 2  | EA  |
| 4    | 13109    | Fuel Return Weld             | 1  | EA  |
| 5    | 967309   | Male Elbow 5/16" x 1/4" BSPT | 1  | EA  |
| 6    | 605256   | Cap, Vented                  | 1  | EA  |

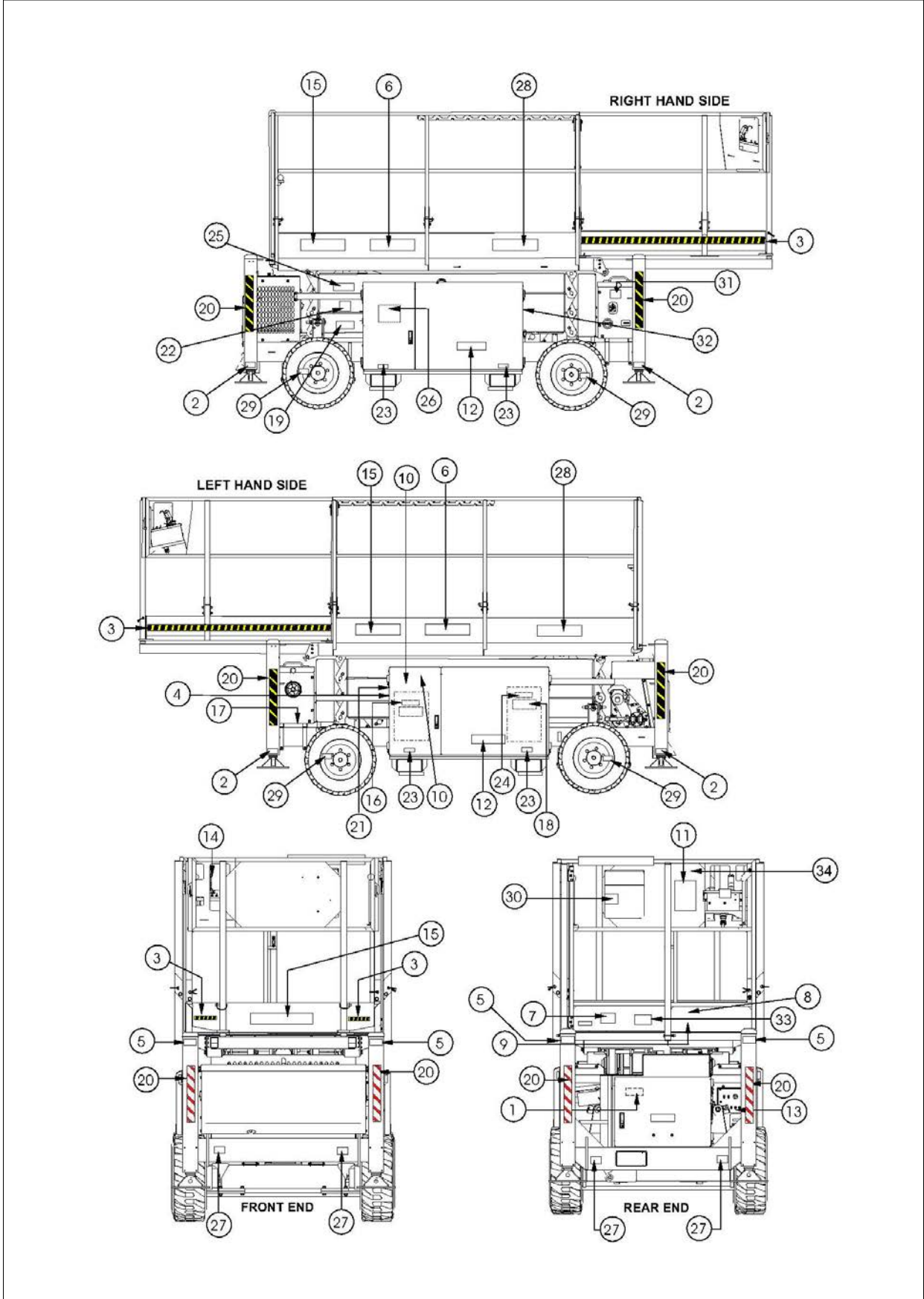
REPAIR PARTS



| アイテム | 部品番号       | 名前   | 数量   | UOM |
|------|------------|--|------|-----|
| 1    | 13814      | Decal, Engine Fuse/Relays                                    | 1    | EA  |
| 2    | 501453 000 | Decal, Foot Crush Hazard                                     | 4    | EA  |
| 3    | 96924 9    | Decal, Warning Stripes<br>Yellow/Black                       | 4m   | EA  |
| 4    | 12833 4    | Serial Number Plate, NZ/AUS<br>Machines                      | 1    | EA  |
| 5    | 13111      | Decal, Pinch Point, Small                                    | 4    | EA  |
| 6    | 13903 11   | Decal, S2255RT   | 2    | EA  |
| 6    | 13903 12   | Decal, S2755RT   | 2    | EA  |
| 7    | 12699 1    | Decal, Rated Load S2255RT &<br>S2255RTE                      | 1    | EA  |
| 7    | 12699 2    | Decal, Rated Load S2755RT                                    | 1    | EA  |
| 8    | 007 3298   | Decal, Machine Tip Over Hazard                               | 1    | EA  |
| 9    | 45198 6    | Decal, Limit Switch Sign                                     | 1    | EA  |
| 10   | 476706     | Decal, Explosive Fumes (Outside<br>Cabinet Door & Fuel Tank) | 2    | EA  |
| 11   | 12574      | Decal, Danger With Alarm                                     | 1    | EA  |
| 12   | 511099 000 | Decal, Snorkel   | 2    | EA  |
| 13   | 13839 01   | Decal, Lower Control Box                                     | 1    | EA  |
| 14   | 13838 01   | Decal, Upper Control Box                                     | 1    | EA  |
| 15   | 511101 000 | Decal, Snorkel   | 3    | EA  |
| 16   | 605726     | Decal, Diesel Fuel Only                                      | 1    | EA  |
| 17   | 12753      | Decal, Emergency Bleed Down                                  | 1    | EA  |
| 18   | 12814      | Decal, Hydraulic Oil (On<br>Hydraulic Oil Tank)              | 1    | EA  |
| 19   | 583656     | Decal, Safety Prop   | 1    | EA  |
| 20   | 96924 9    | Decal, Warning Stripes<br>Yellow/Black                       | 3.6m | EA  |
| 21   | 300699     | Decal, Operators Checklist                                   | 1    | EA  |
| 22   | 032 3897   | Decal, Must not Operate                                      | 1    | EA  |
| 23   | 621486     | Decal, Forklift  | 4    | EA  |

| アイテム | 部品番号       | 名前   | 数量 | UOM |
|------|------------|--|----|-----|
| 24   | 302950     | Decal, Hydraulic Oil Level (On Hydraulic Oil Tank) | 1  | EA  |
| 25   | 300700     | Decal, Shearing Hazard                             | 1  | EA  |
| 26   | 13601 1    | Decal, Emergency Operation                         | 1  | EA  |
| 27   | 0083427    | Decal, Lifting/Tie Down                            | 4  | EA  |
| 28   | 511067 000 | Decal, www.snorkellifts.com                        | 2  | EA  |
| 29   | 0372061    | Decal, Torque Wheel Nuts                           | 1  | EA  |
| 30   | 562426     | Decal, Operators Manual Enclosed                   | 1  | EA  |
| 31   | 13089 2    | Decal, 24V DC                                      | 1  | EA  |
| 32   | 13089 1    | Decal, Diesel                                      | 1  | EA  |
| 33   | 13089 3    | Decal, Fall Restraint Point                        | 1  | EA  |
| 34   | 1843       | Decal, Warning NZ Only                             | 1  | EA  |

REPAIR PARTS



| アイテム | 部品番号       | 名前   | 数量   | UOM |
|------|------------|--|------|-----|
| 1    | 13814      | Decal, Engine Fuse/Relays                                    | 1    | EA  |
| 2    | 501453 000 | Decal, Foot Crush Hazard                                     | 4    | EA  |
| 3    | 96924 9    | Decal, Warning Stripes<br>Yellow/Black                       | 4m   | EA  |
| 4    | 12833 4    | Serial Number Plate, NZ/AUS<br>Machines                      | 1    | EA  |
| 5    | 13111      | Decal, Pinch Point, Small                                    | 4    | EA  |
| 6    | 13903 16   | Decal, S2255BE   | 2    | EA  |
| 6    | 13903 17   | Decal, S2755BE   | 2    | EA  |
| 7    | 12699 1    | Decal, Rated Load S2255RT &<br>S2255RTE                      | 1    | EA  |
| 7    | 12699 8    | Decal, Rated Load S2755RT &<br>S2755RTE                      | 1    | EA  |
| 8    | 007 3298   | Decal, Machine Tip Over Hazard                               | 1    | EA  |
| 9    | 45198 6    | Decal, Limit Switch Sign                                     | 1    | EA  |
| 10   | 476706     | Decal, Explosive Fumes (Outside<br>Cabinet Door & Fuel Tank) | 2    | EA  |
| 11   | 12574      | Decal, Danger With Alarm                                     | 1    | EA  |
| 12   | 511099 000 | Decal, Snorkel   | 2    | EA  |
| 13   | 13839 01   | Decal, Lower Control Box                                     | 1    | EA  |
| 14   | 13838 01   | Decal, Upper Control Box                                     | 1    | EA  |
| 15   | 511101 000 | Decal, Snorkel   | 3    | EA  |
| 16   | 605726     | Decal, Diesel Fuel Only                                      | 1    | EA  |
| 17   | 12753      | Decal, Emergency Bleed Down                                  | 1    | EA  |
| 18   | 12814      | Decal, Hydraulic Oil (On<br>Hydraulic Oil Tank)              | 1    | EA  |
| 19   | 583656     | Decal, Safety Prop   | 1    | EA  |
| 20   | 96924 9    | Decal, Warning Stripes<br>Yellow/Black                       | 3.6m | EA  |
| 21   | 300699     | Decal, Operators Checklist                                   | 1    | EA  |
| 22   | 032 3897   | Decal, Must not Operate                                      | 1    | EA  |
| 23   | 621486     | Decal, Forklift  | 4    | EA  |

| アイテム | 部品番号       | 名前  | 数量 | UOM |
|------|------------|---|----|-----|
| 24   | 302950     | Decal, Hydraulic Oil Level (On Hydraulic Oil Tank)                    | 1  | EA  |
| 25   | 300700     | Decal, Shearing Hazard  | 1  | EA  |
| 26   | 3601 1     | Decal, Emergency Operation  | 1  | EA  |
| 27   | 0083427    | Decal, Lifting/Tie Down   | 4  | EA  |
| 28   | 511067 000 | Decal, <a href="http://www.snorkellifts.com">www.snorkellifts.com</a> | 2  | EA  |
| 29   | 0372061    | Decal, Torque Wheel Nuts  | 4  | EA  |
| 30   | 562426     | Decal, Operators Manual Enclosed                                      | 1  | EA  |
| 31   | 13089 2    | Decal, 24V DC   | 1  | EA  |
| 32   | 13089 1    | Decal, Diesel   | 1  | EA  |
| 33   | 13640 3    | Decal, Fall Restraint Only  | 1  | EA  |
| 34   | 1843       | Decal, Warning NZ Only  | 1  | EA  |

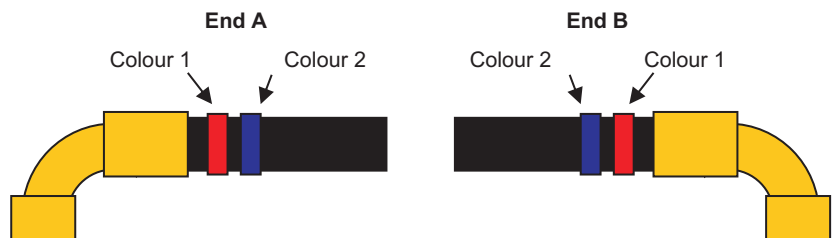
| Snorkel Hose |     | Colour ID |          | Hose Use: Fitting A -> Fitting B                             |
|--------------|-----|-----------|----------|--|
| Part Number  | Rev | Colour 1  | Colour 2 |  |
| 13768-02     | A   | Black     | Yellow   | Raise Stack: Main Manifold LCP -> Lift Cyl Extend            |
| 13768-01     | A   | Black     | White    | Lift Cyl Drain: Main Manifold LCR -> Lift Cyl Drain          |
| 13963-01     | A   | ---       | ---      | Main Manifold Return: Main Manifold Tank -> Oil Filter       |
| 13963-02     | A   | ---       | ---      | Filter Return: Oil Filter -> Hydraulic Oil Tank              |
| 13964-01     | A   | Orange    | ---      | Pump Pressure: Main Manifold Pump -> Pump Pressure Port      |
| 13964-02     | B   | ---       | ---      | Suction Line: Pump Suction Port -> Hydraulic Oil Tank        |
| 13965-01     | A   | Red       | Yellow   | Stab RR Extend: Stab Manifold RRE -> Stab Cyl RR Extend      |
| 13965-02     | A   | Red       | Green    | Stab RR Retract: Stab Manifold RRR -> Stab Cyl RR Retract    |
| 13965-03     | A   | Orange    | Yellow   | Stab LR Extend: Stab Manifold LRE -> Stab Cyl LR Extend      |
| 13965-04     | A   | Orange    | Green    | Stab LR Retract: Stab Manifold LRR -> Stab Cyl LR Retract    |
| 13965-05     | B   | Yellow    | Yellow   | Stab LF Extend: Stab Manifold LFE -> Stab Cyl LF Extend      |
| 13965-06     | B   | Yellow    | Green    | Stab LF Retract: Stab Manifold LFR -> Stab Cyl LF Retract    |
| 13965-07     | A   | Green     | Yellow   | Stab RF Extend: Stab Manifold RFE -> Stab Cyl RF Extend      |
| 13965-08     | A   | Green     | Green    | Stab RF Retract: Stab Manifold RFR -> Stab Cyl RF Retract    |
| 13965-09     | B   | ---       | ---      | Stab Manifold Pressure: Main Manifold STP -> Stab Manifold P |
| 13965-10     | A   | ---       | ---      | Stab Manifold Return: Main Manifold STR -> Stab Manifold R   |
| 13966-01     | A   | Blue      | Yellow   | Steer Right: Main Manifold SR -> Steer Cyl Extend            |
| 13966-02     | A   | Blue      | Green    | Steer Left: Main Manifold SL -> Steer Cyl Retract            |
| 13966-03     | B   | Red       | ---      | Drive Forward: Main Manifold DF -> 4WD Manifold DF           |
| 13966-04     | B   | Blue      | ---      | Drive Reverse: Main Manifold DR -> 4WD Manifold DR           |
| 13966-05     | B   | Red       | Red      | Motor RR CW (Fwd): 4WD Manifold MRRF -> Motor RR Port B      |
| 13966-06     | B   | Red       | Blue     | Motor RR CCW (Rev): 4WD Manifold MRRR -> Motor RR Port A     |
| 13966-07     | B   | Orange    | Red      | Motor LR CW (Rev): 4WD Manifold MLRR -> Motor LR Port B      |
| 13966-08     | B   | Orange    | Blue     | Motor LR CCW (Fwd): 4WD Manifold MLRF -> Motor LR Port A     |
| 13966-09     | A   | Yellow    | Red      | Motor LF CW (Rev): 4WD Manifold MLFR -> Motor LF Port B      |
| 13966-10     | A   | Yellow    | Blue     | Motor LF CCW (Fwd): 4WD Manifold MLFF -> Motor LF Port A     |
| 13966-11     | A   | Green     | Red      | Motor RF CW (Fwd): 4WD Manifold MRFF -> Motor RF Port B      |
| 13966-12     | A   | Green     | Blue     | Motor RF CCW (Rev): 4WD Manifold MRFR -> Motor RF Port A     |
| 13966-13     | B   | Red       | Orange   | 4WD Block Pilot: Main Manifold Pilot -> 4WD Block Pilot      |
| 13966-14     | B   | Red       | Black    | 4WD Manifold Return: Main Manifold DP -> 4WD Manifold DP     |
| 13966-15     | A   | Red       | ---      | Motor RR Brake: Main Manifold BR -> RR Motor Brake           |
| 13966-16     | A   | Orange    | ---      | Motor LR Brake: Main Manifold BL -> LR Motor Brake           |
| 13966-17     | A   | Green     | ---      | Lock Left Axle: Main Manifold AXL -> LH Axle Cyl             |
| 13966-18     | A   | Black     | ---      | Lock Right Axle: Main Manifold AXR -> RH Axle Cyl            |

### READING HOSE TAGS

Hose tags are read from the fitting side of the hose intowards the hose.

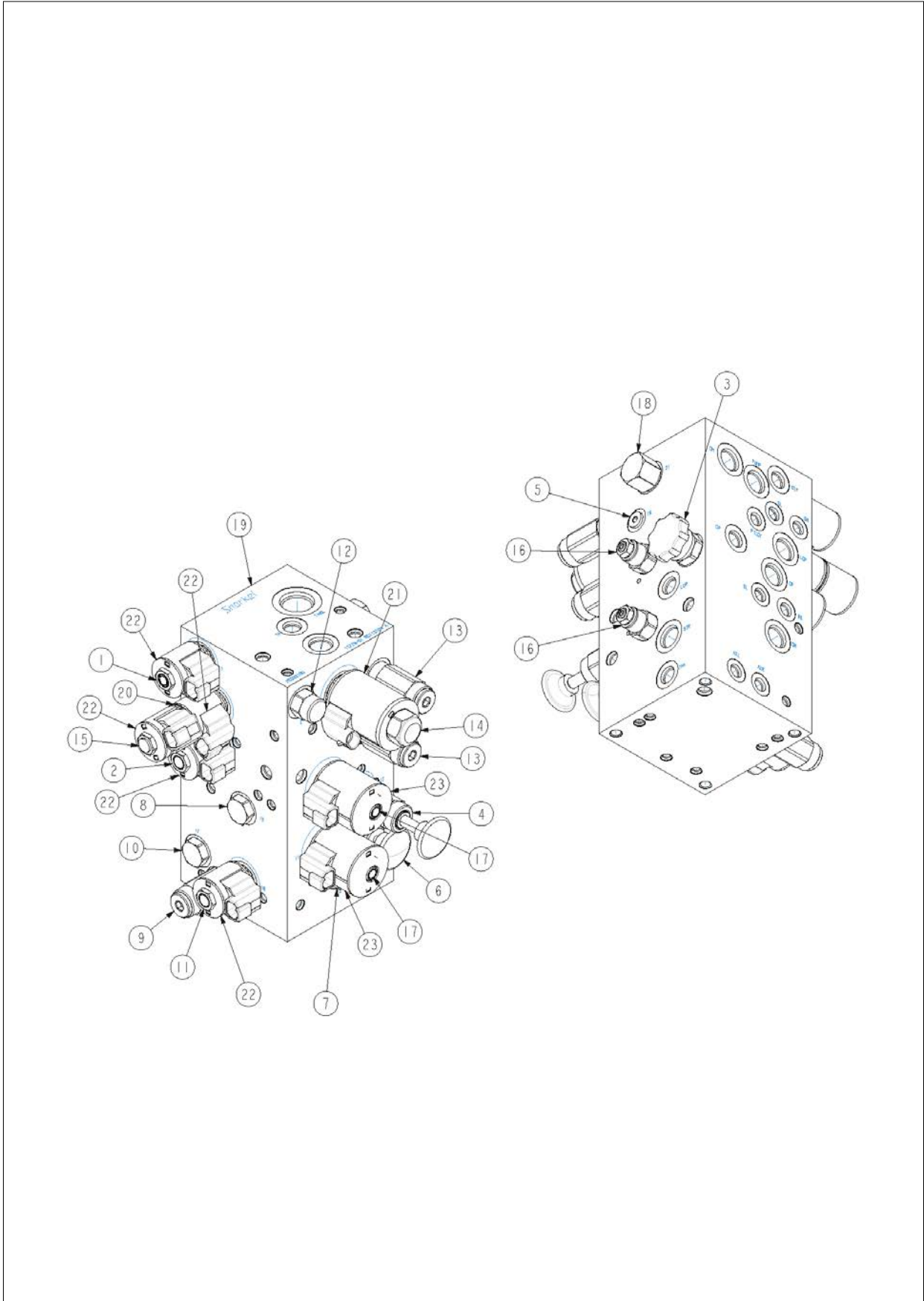
As such colour 1 is the closest to the fitting, colour 2 the next colour then 3, 4 etc...

Hose tags need to be on both ends of the hose



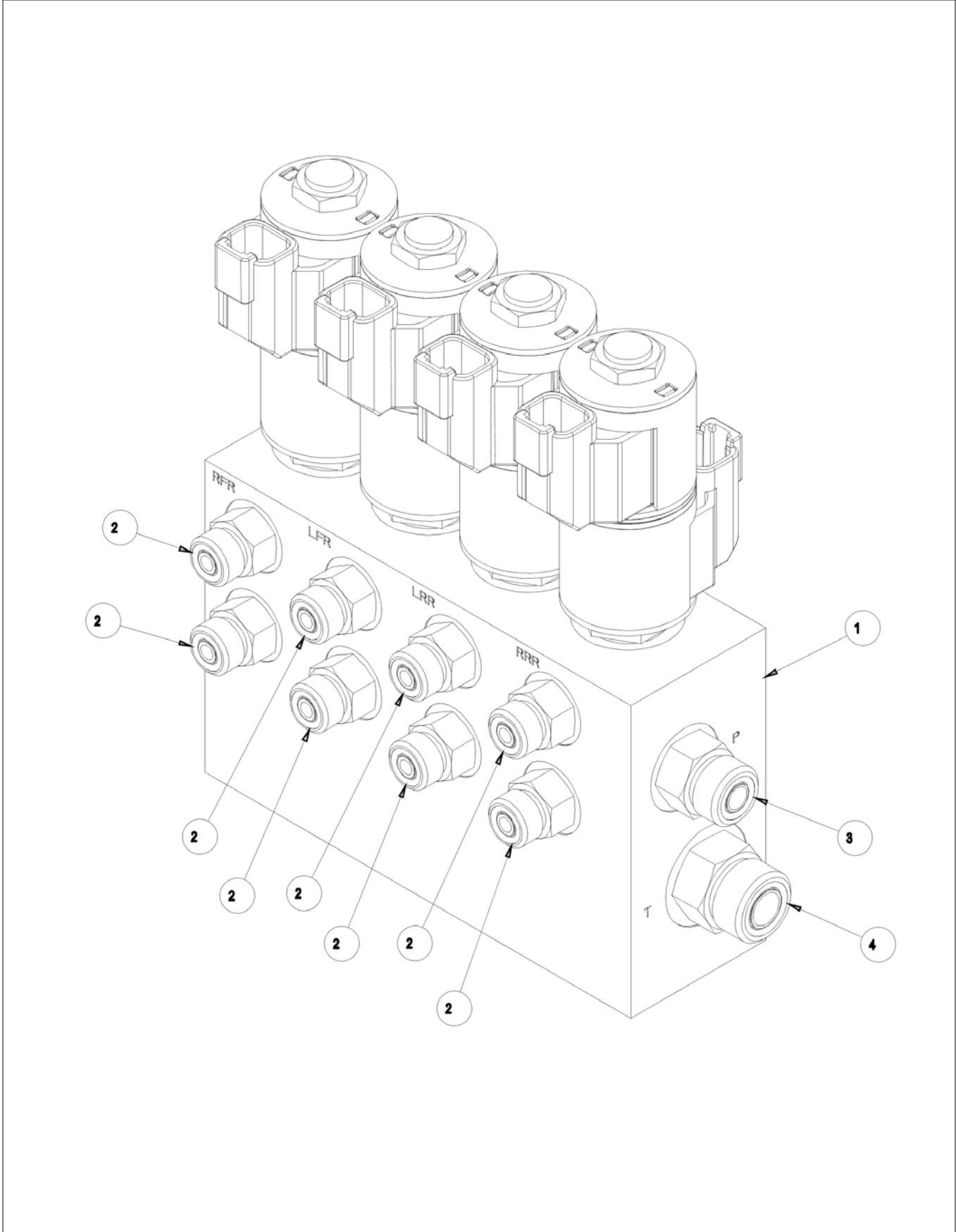


HYDRAULICS



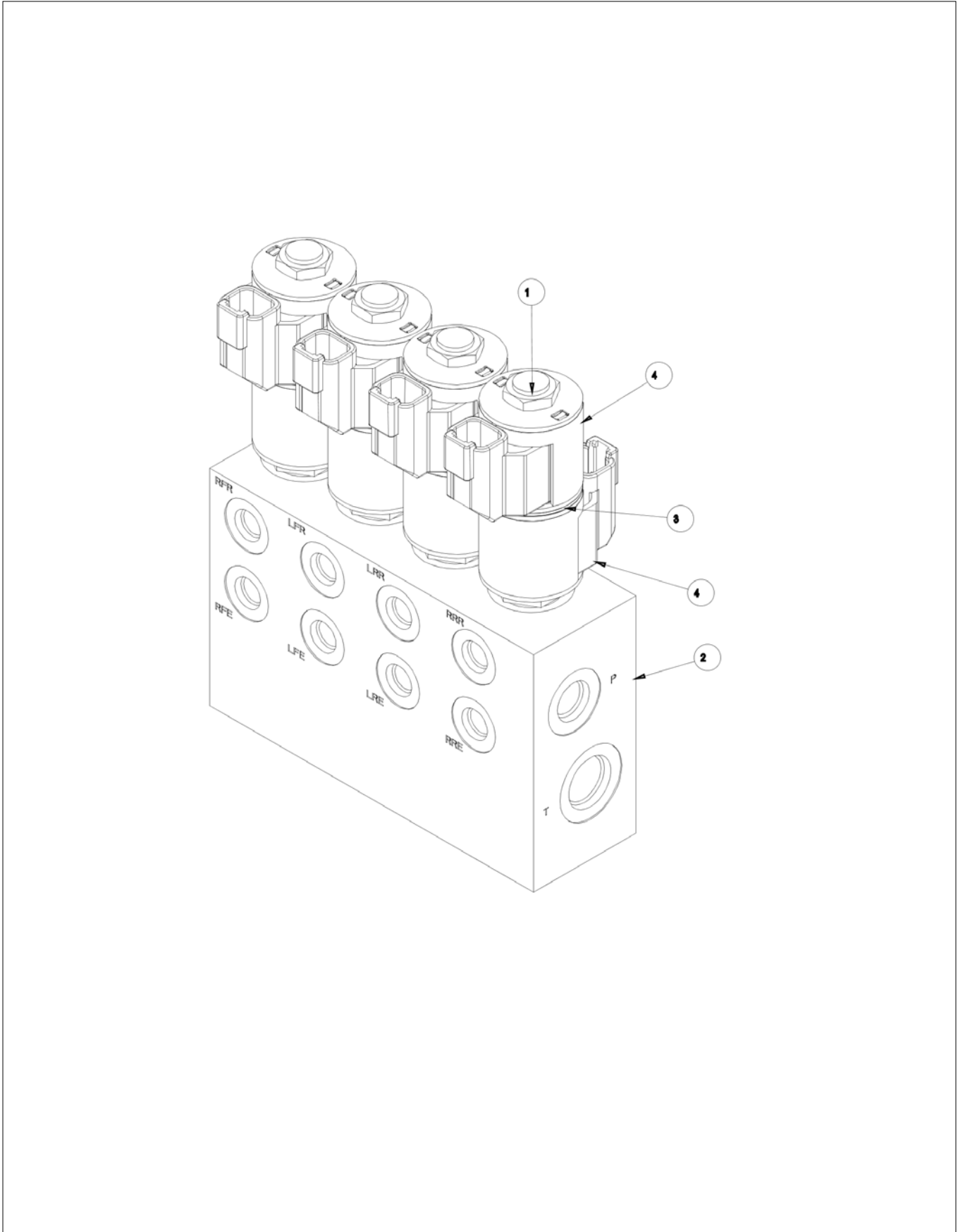
| アイテム | 部品番号     | 名前  | 数量 | UOM |
|------|----------|---|----|-----|
| 1    | 12567 1  | Cartridge, Solenoid Poppet, 2 Way, NC                   | 1  | EA  |
| 2    | 12567 11 | Cartridge, Solenoid Spool, 3 Way                        | 1  | EA  |
| 3    | 12567 15 | Cartridge, Needle Valve                                 | 1  | EA  |
| 4    | 12567 19 | Cartridge, Hand Pump                                    | 1  | EA  |
| 5    | 12567 2  | Cartridge, Check Valve                                  | 1  | EA  |
| 6    | 12567 20 | Brake reset valve                                       | 1  | EA  |
| 7    | 12567 21 | Cartridge, Check, Pilot To Open                         | 1  | EA  |
| 8    | 12567 22 | Cartridge, Load Shuttle                                 | 1  | EA  |
| 9    | 12567 23 | Cartridge, Pressure Reducing                            | 1  | EA  |
| 10   | 12567 24 | Cartridge, Flow Control, Orifice Check                  | 1  | EA  |
| 11   | 12567 25 | Cartridge, Solenoid Spool, 3 Way                        | 1  | EA  |
| 12   | 12567 3  | Steering flow control                                   | 1  | EA  |
| 13   | 12567 8  | Cartridge Relief, Direct Acting Poppet                  | 2  | EA  |
| 14   | 12567 9  | Cartridge, Proportional 2 Port, NC                      | 1  | EA  |
| 15   | 12568 1  | Cartridge, Solenoid Spool, 4 Way, 3 Posn, Closed Center | 1  | EA  |
| 16   | 13161 17 | Cartridge, Counter Balance                              | 2  | EA  |
| 17   | 13167 18 | Cartridge Solenoid Poppet 3 Point                       | 2  | EA  |
| 18   | 13161 28 | Cartridge, Pressure Compensate & Flow Regulator         | 1  | EA  |
| 19   | 13779 01 | Main Manifold Block                                     | 1  | EA  |
| 20   | 13881 08 | Coil Spacer 08  | 1  | EA  |
| 21   | 13895    | Coil 70 Proportional Deutsch DT Connector               | 1  | EA  |
| 22   | 6019180  | Coil 08 12V Deutsch DT Connector                        | 5  | EA  |
| 23   | 6019184  | Coil 10 12V Deutsch DT Connector                        | 2  | EA  |

HYDRAULICS



| アイテム | 部品番号       | 名前                                       | 数量 | UOM |
|------|------------|--|----|-----|
| 1    | 13781      | Stabiliser Manifold                      | 1  | EA  |
| 2    | 100432 002 | Hyd Fitting Straight ORFS(04)<br>SAE(04) | 8  | EA  |
| 3    | 100432 009 | Hyd Fitting Straight ORFS(06)<br>SAE(06) | 1  | EA  |
| 4    | 512970 000 | Hyd Fitting Straight ORFS(08)<br>SAE(08) | 1  | EA  |

HYDRAULICS



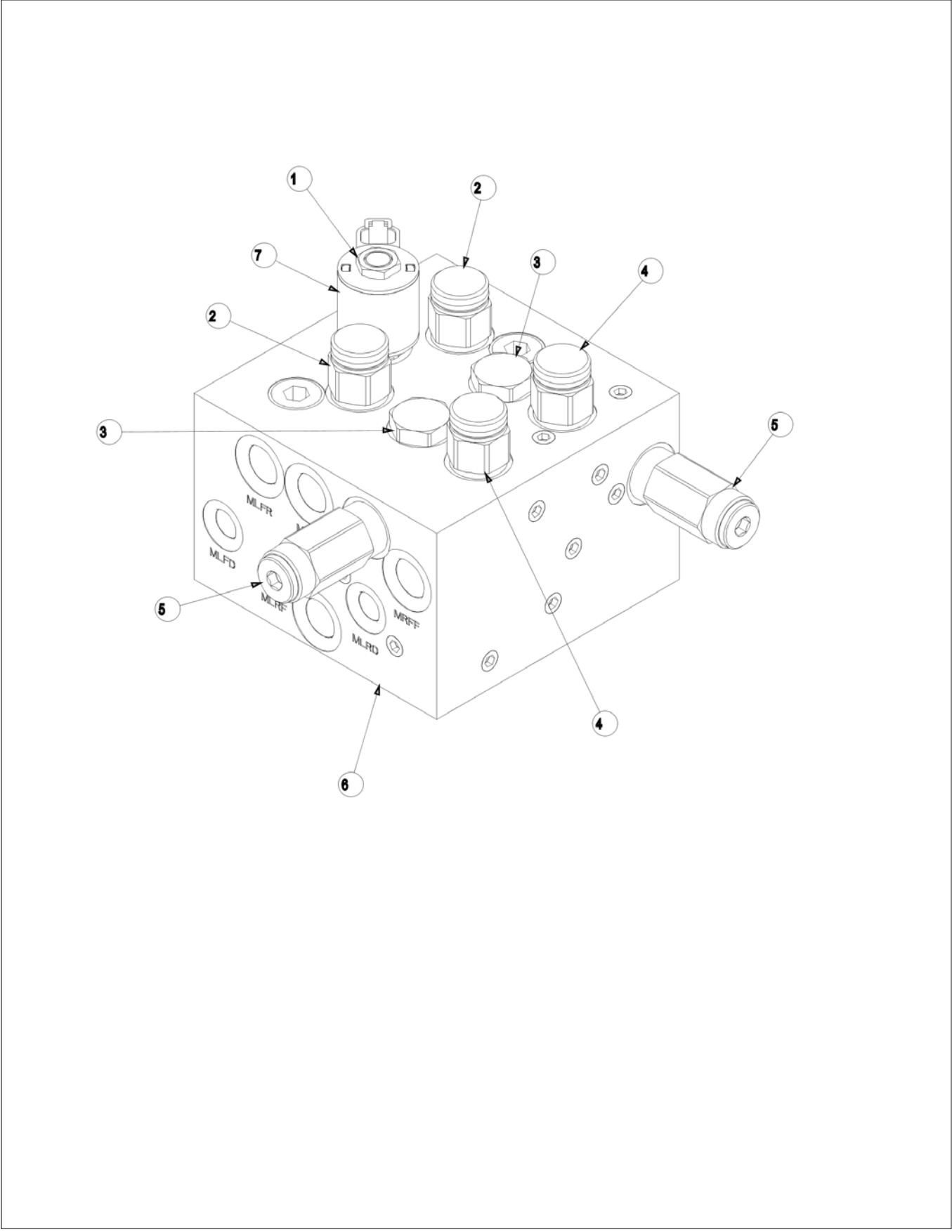
| アイテム | 部品番号     | 名前  | 数量 | UOM |
|------|----------|---|----|-----|
| 1    | 12568 1  | Cartridge, Solenoid Spool, 4 Way, 3 Posn, Closed Center | 4  | EA  |
| 2    | 13781 01 | Manifold Block  | 1  | EA  |
| 3    | 13881 08 | Coil Spacer 08  | 4  | EA  |
| 4    | 6019180  | Coil 08 12V Deutsch DT Connector                        | 8  | EA  |



| アイテム | 部品番号       | 名前                                    | 数量 | UOM |
|------|------------|---------------------------------------|----|-----|
| 1    | 7035 001   | Hyd Plug SAE 06 (9/16" Thread)        | 4  | EA  |
| 2    | 13780      | 4WD Manifold                          | 1  | EA  |
| 3    | 100432 004 | Hyd Fitting Straight ORFS(04) SAE(06) | 1  | EA  |
| 4    | 100432 009 | Hyd Fitting Straight ORFS(06) SAE(06) | 1  | EA  |
| 5    | 512970 000 | Hyd Fitting Straight ORFS(08) SAE(08) | 10 | EA  |

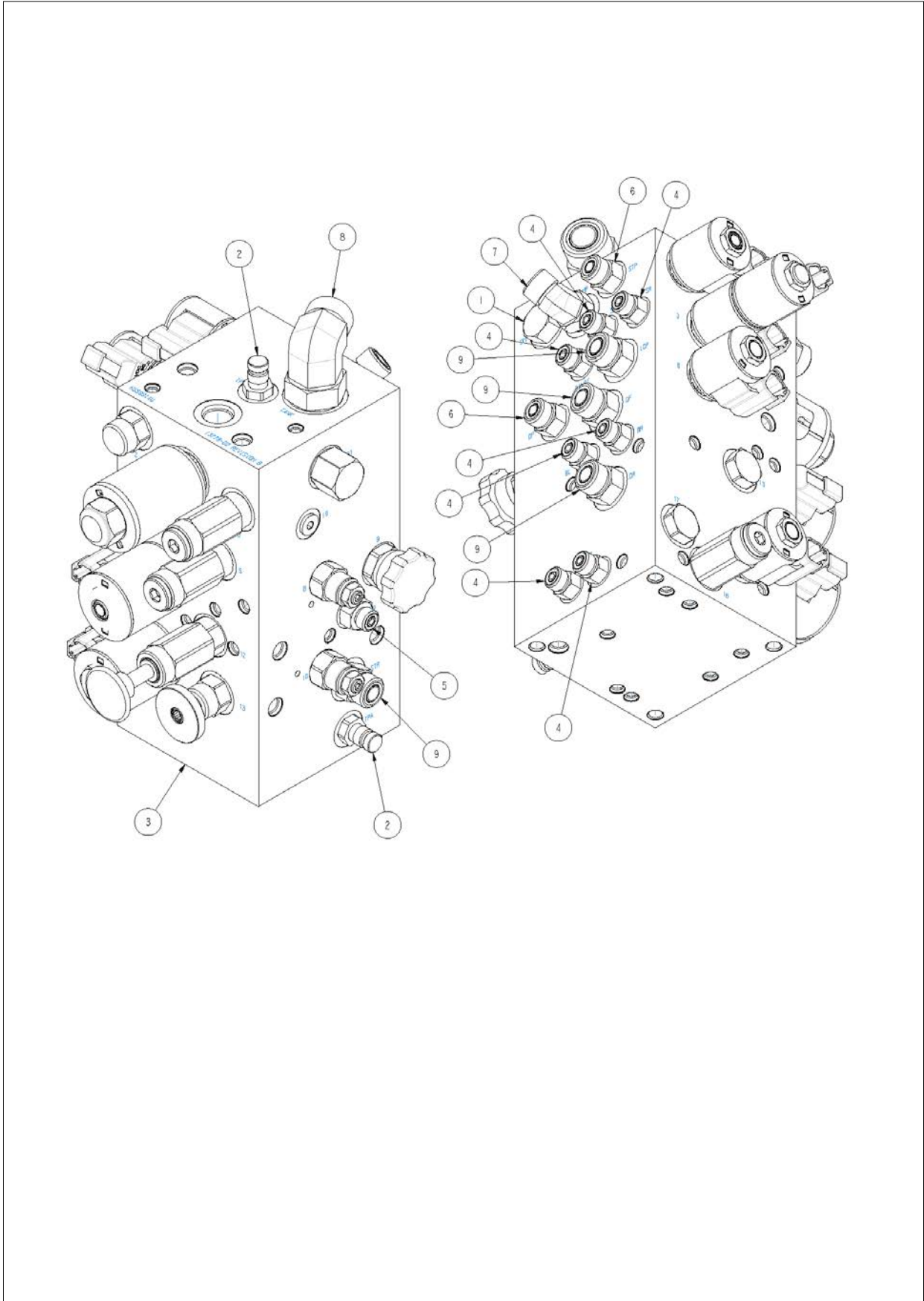


HYDRAULICS



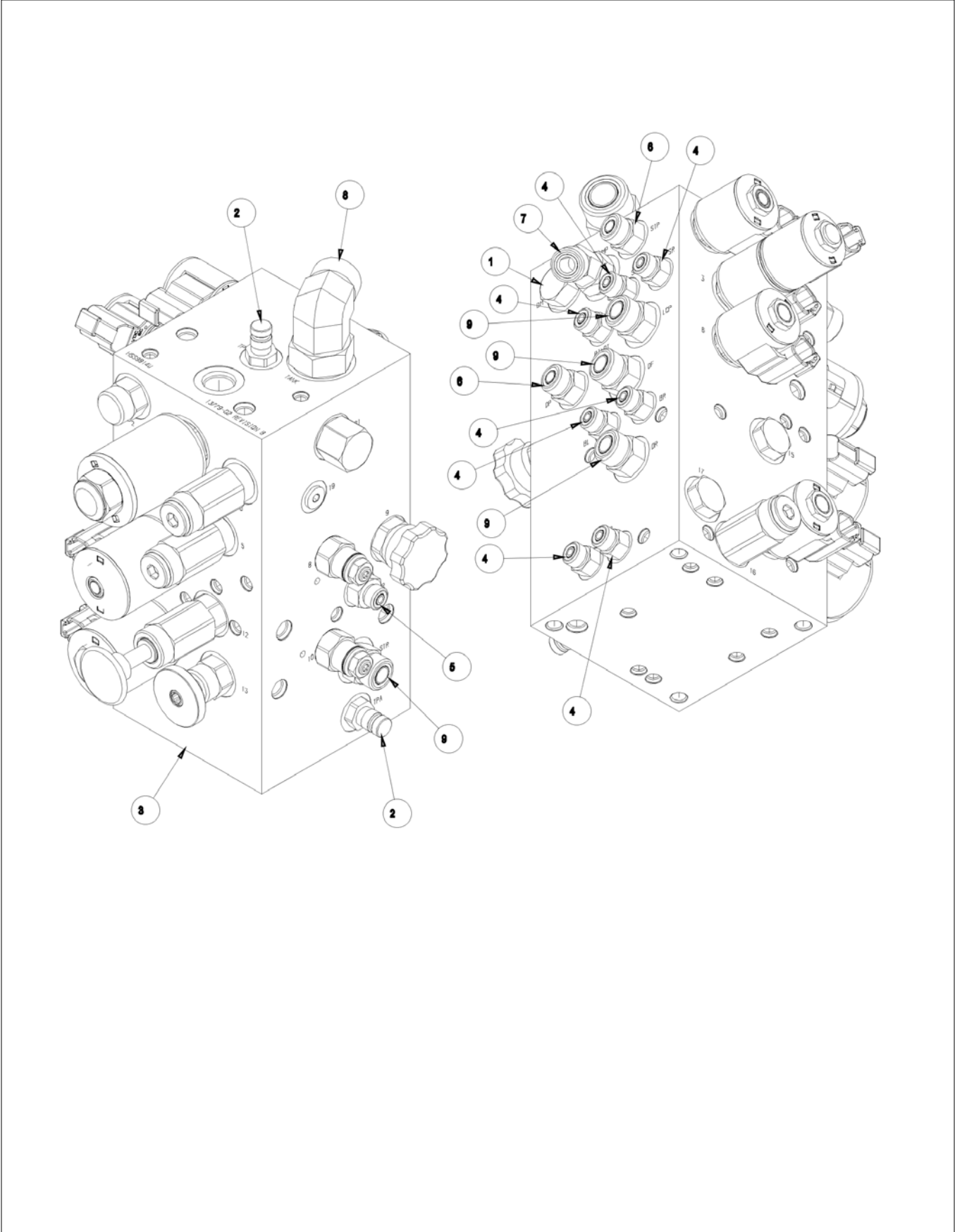
| アイテム | 部品番号     | 名前                                   | 数量 | UOM |
|------|----------|--------------------------------------|----|-----|
| 1    | 12567 11 | Cartridge, Solenoid Spool, 3 Way     | 1  | EA  |
| 2    | 12569 2  | Cartridge, Piloted, 2 Way, Spool, NO | 2  | EA  |
| 3    | 12569 3  | Cartridge, Flow Divider/Combiner     | 2  | EA  |
| 4    | 12569 5  | Cartridge, Piloted, 2 Way, Spool, NC | 2  | EA  |
| 5    | 12569 6  | Cartridge, Relief, Pilot Operated    | 2  | EA  |
| 6    | 13162    | Manifold Black 4WD                   | 1  | EA  |
| 7    | 6019180  | Coil 08 12V Deutsch DT Connector     | 1  | EA  |

# HYDRAULICS



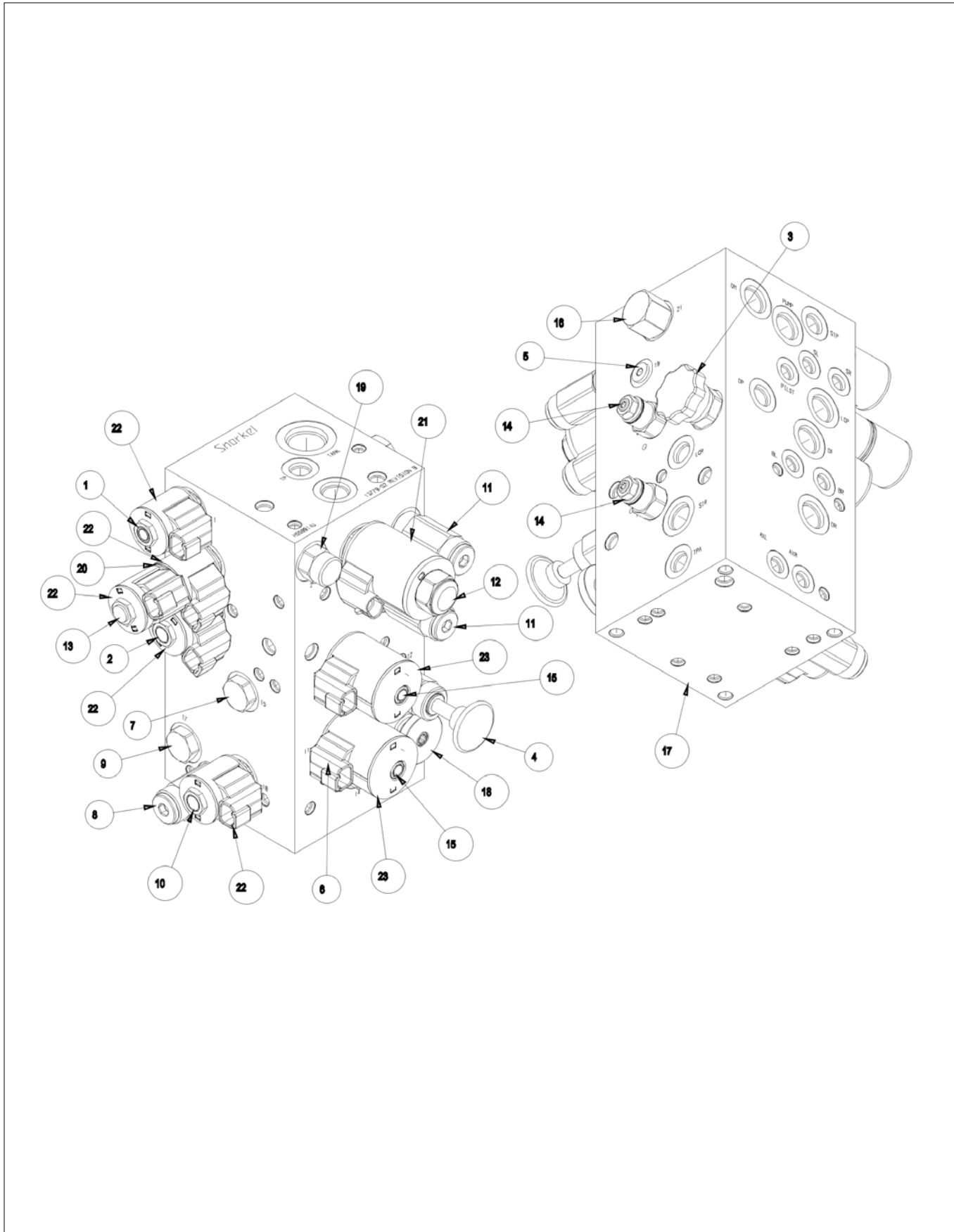
| アイテム | 部品番号       | 名前                                       | 数量 | UOM |
|------|------------|--|----|-----|
| 1    | 7035 002   | Hyd Plug SAE 08 (3/4 Thread)             | 1  | EA  |
| 2    | 10996 2    | Test Point UNO, 9/16                     | 2  | EA  |
| 3    | 13779      | Main Manifold                            | 1  | EA  |
| 4    | 100432 002 | Hyd Fitting Straight ORFS(04)<br>SAE(04) | 7  | EA  |
| 5    | 100432 004 | Hyd Fitting Straight ORFS(04)<br>SAE(06) | 1  | EA  |
| 6    | 100432 009 | Hyd Fitting Straight ORFS(06)<br>SAE(06) | 2  | EA  |
| 7    | 100433 008 | Hyd Fitting 45 Elbow ORFS(08)<br>SAE(08) | 1  | EA  |
| 8    | 100434 021 | Hyd Fitting 90 Elbow ORFS(12)<br>SAE(12) | 1  | EA  |
| 9    | 512970 000 | Hyd Fitting Straight ORFS(08)<br>SAE(08) | 4  | EA  |

HYDRAULICS



| アイテム | 部品番号       | 名前                                       | 数量 | UOM |
|------|------------|--|----|-----|
| 1    | 7035 002   | Hyd Plug SAE 08 (3/4 Thread)             | 1  | EA  |
| 2    | 10996 2    | Test Point UNO, 9/16                     | 2  | EA  |
| 3    | 13779      | Main Manifold                            | 1  | EA  |
| 4    | 100432 002 | Hyd Fitting Straight ORFS(04)<br>SAE(04) | 7  | EA  |
| 5    | 100432 004 | Hyd Fitting Straight ORFS(04)<br>SAE(06) | 1  | EA  |
| 6    | 100432 009 | Hyd Fitting Straight ORFS(06)<br>SAE(06) | 2  | EA  |
| 7    | 100433 008 | Hyd Fitting 45 Elbow ORFS(08)<br>SAE(08) | 1  | EA  |
| 8    | 100434 021 | Hyd Fitting 90 Elbow ORFS(12)<br>SAE(12) | 1  | EA  |
| 9    | 512970 000 | Hyd Fitting Straight ORFS(08)<br>SAE(08) | 4  | EA  |

# HYDRAULICS

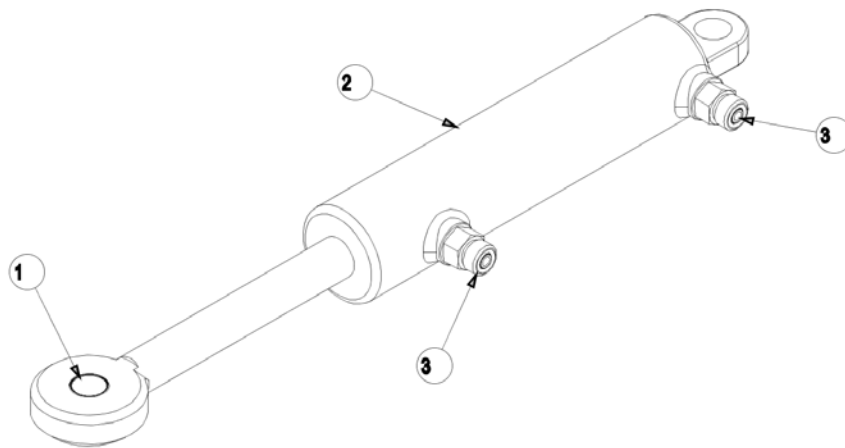


| アイテム | 部品番号     | 名前  | 数量 | UOM |
|------|----------|---|----|-----|
| 1    | 12567 1  | Cartridge, Solenoid Poppet, 2 Way, NC                   | 1  | EA  |
| 2    | 12567 11 | Cartridge, Solenoid Spool, 3 Way                        | 1  | EA  |
| 3    | 12567 15 | Cartridge, Needle Valve                                 | 1  | EA  |
| 4    | 12567 19 | Cartridge, Hand Pump                                    | 1  | EA  |
| 5    | 12567 2  | Cartridge, Check Valve                                  | 1  | EA  |
| 6    | 12567 21 | Cartridge, Check, Pilot To Open                         | 1  | EA  |
| 7    | 12567 22 | Cartridge, Load Shuttle                                 | 1  | EA  |
| 8    | 12567 23 | Cartridge, Pressure Reducing                            | 1  | EA  |
| 9    | 12567 24 | Cartridge, Flow Control, Orifice Check                  | 1  | EA  |
| 10   | 12567 25 | Cartridge, Solenoid Spool, 3 Way                        | 1  | EA  |
| 11   | 12567 8  | Cartridge Relief, Direct Acting Poppet                  | 2  | EA  |
| 12   | 12567 9  | Cartridge, Proportional 2 Port, NC                      | 1  | EA  |
| 13   | 12568 1  | Cartridge, Solenoid Spool, 4 Way, 3 Posn, Closed Center | 1  | EA  |
| 14   | 13161 17 | Cartridge, Counter Balance                              | 2  | EA  |
| 15   | 13161 18 | Cartridge, Solenoid Poppet, 3 Port, NC                  | 2  | EA  |
| 16   | 13161 28 | Cartridge, Pressure Compensate & Flow Regulator         | 1  | EA  |
| 17   | 13779 01 | Main Manifold Block                                     | 1  | EA  |
| 18   | 13779 02 | Cartridge, Needle Valve                                 | 1  | EA  |
| 19   | 13779 03 | Cartridge, Flow Regulator, Pressure Comensated          | 1  | EA  |
| 20   | 13881 08 | Coil Spacer 08  | 1  | EA  |
| 21   | 13895    | Coil 70 Proportional Deutsch DT Connector               | 1  | EA  |
| 22   | 6019180  | Coil 08 12V Deutsch DT Connector                        | 5  | EA  |



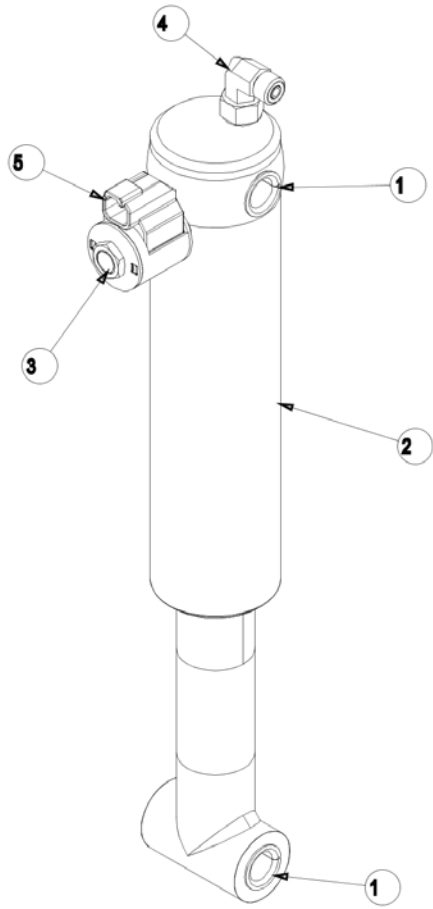
| アイテム | 部品番号    | 名前                               | 数量 | UOM |
|------|---------|----------------------------------|----|-----|
| 23   | 6019184 | Coil 10 12V Deutsch DT Connector | 2  | EA  |

HYDRAULICS



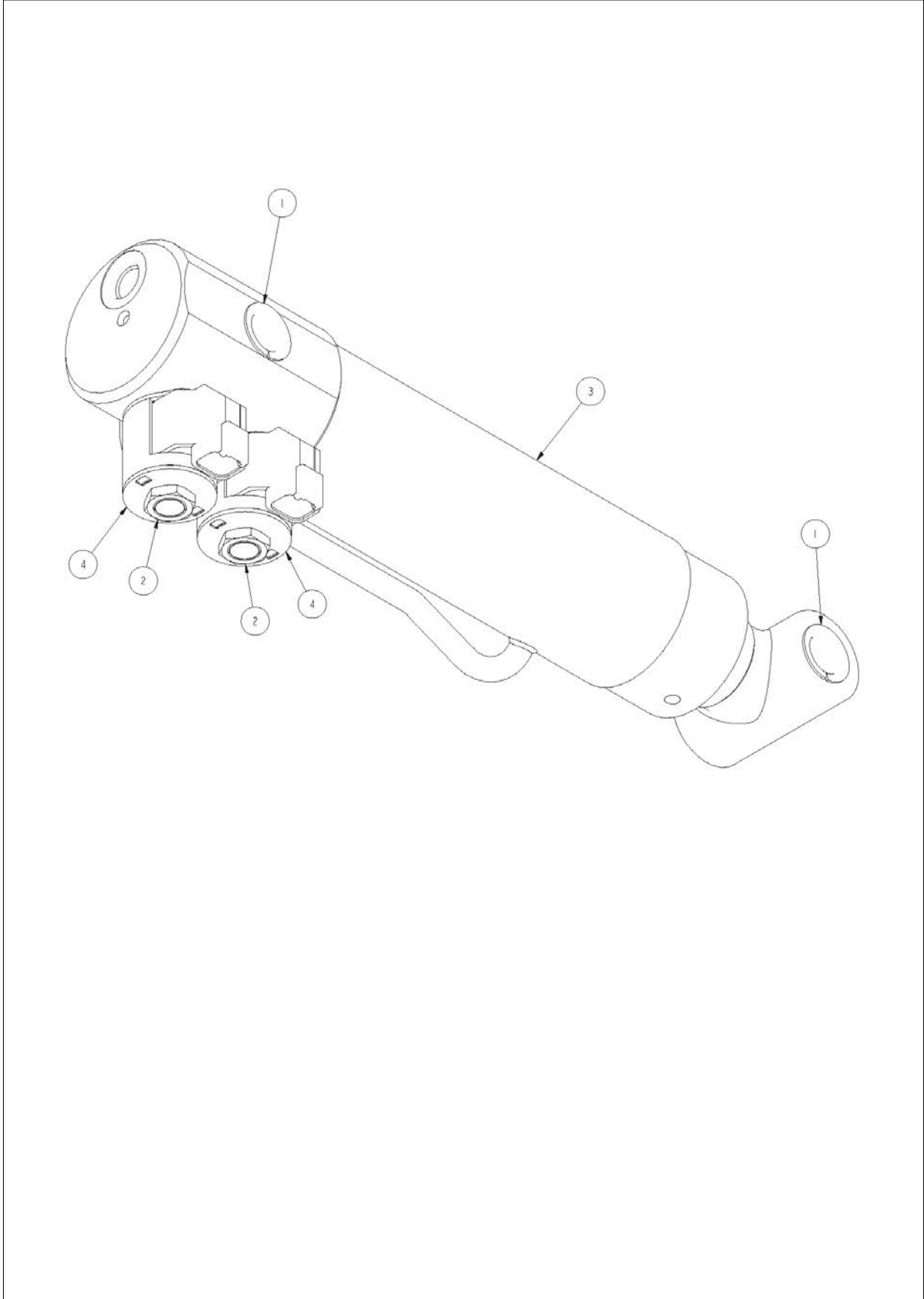
| アイテム | 部品番号       | 名前                                       | 数量 | UOM |
|------|------------|--|----|-----|
|      | 11699A     | Steer Cylinder Assembly                  | 1  | EA  |
| 1    | 3624 27    | Permaglide Bush                          | 1  | EA  |
| 2    | 11699      | Steer Cylinder                           | 1  | EA  |
| 3    | 100432 002 | Hyd Fitting Straight ORFS(04)<br>SAE(04) | 2  | EA  |
| *    | 11699K     | Seal kit Victor                          | 1  | EA  |
| *    | 11699K PB  | Seal Kit PB                              | 1  | EA  |
| *    | 11699K UH  | Seal Kit UH                              | 1  | EA  |

HYDRAULICS



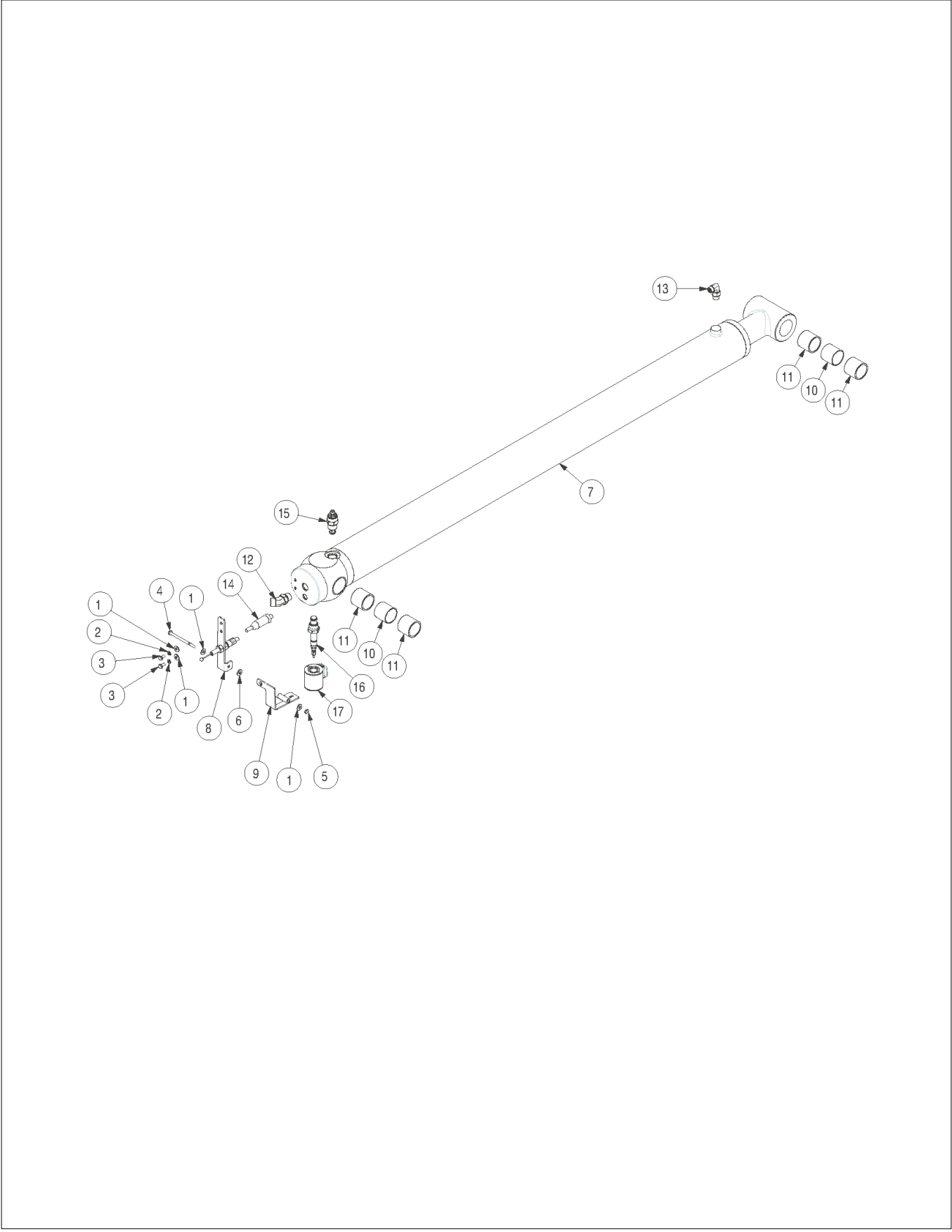
| アイテム | 部品番号       | 名前                                    | 数量 | UOM |
|------|------------|---------------------------------------|----|-----|
| 0    | 11642A     | Axle Cylinder Assembly                | 1  | EA  |
| 1    | 3626 3     | Flanged permaglride bush              | 4  | EA  |
| 2    | 11642      | Axle cylinder (see NOTE below)        | 1  | EA  |
| 3    | 12835 1    | Cartridge, Solenoid Poppet, 2 Way, NC | 1  | EA  |
| 4    | 100434 004 | Hyd Fitting 90 Elbow ORFS(04) SAE(06) | 1  | EA  |
| 5    | 6019180    | Coil 08 12V Deutsch DT Connector      | 1  | EA  |
| *    | 11642K     | Seal kit for (Victor)                 | 1  | EA  |
| *    | 11642K PB  | Seal kit for (PB Machine Tech)        | 1  | EA  |
| *    | 11642K UH  | Seal kit for (United Hydraulics)      | 1  | EA  |

# HYDRAULICS



| アイテム | 部品番号    | 名前                                    | 数量 | UOM |
|------|---------|---------------------------------------|----|-----|
| 0    | 15204A  | Dual Lock Axle Cylinder               | 1  | EA  |
| 1    | 3626 3  | Flanged permaglride bush              | 4  | EA  |
| 2    | 12835 1 | Cartridge, Solenoid Poppet, 2 Way, NC | 2  | EA  |
| 3    | 15204   | Cylinder Dual Lock                    | 1  | EA  |
| 4    | 6019180 | Coil 08 12V Deutsch DT Connector      | 2  | EA  |

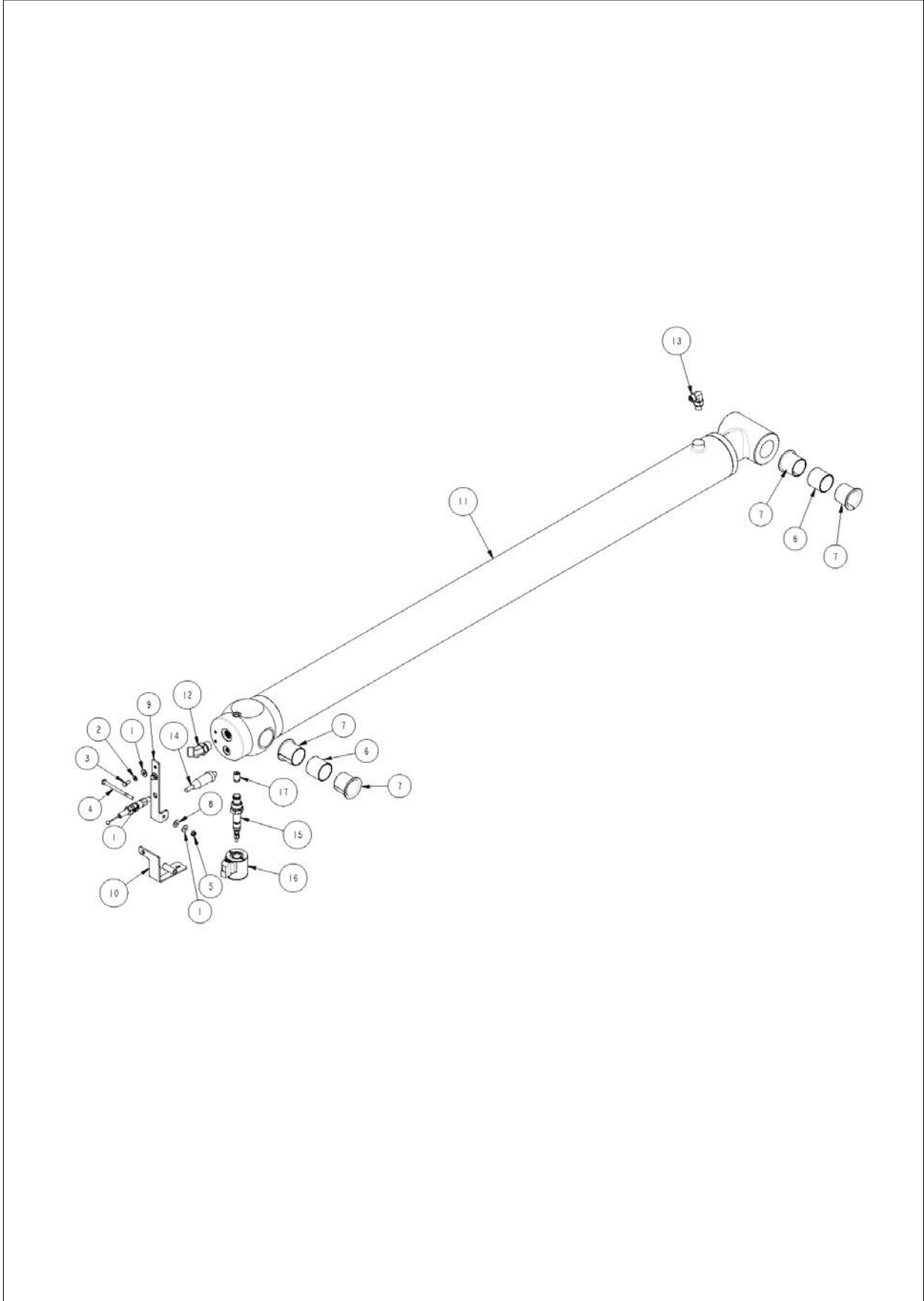
HYDRAULICS





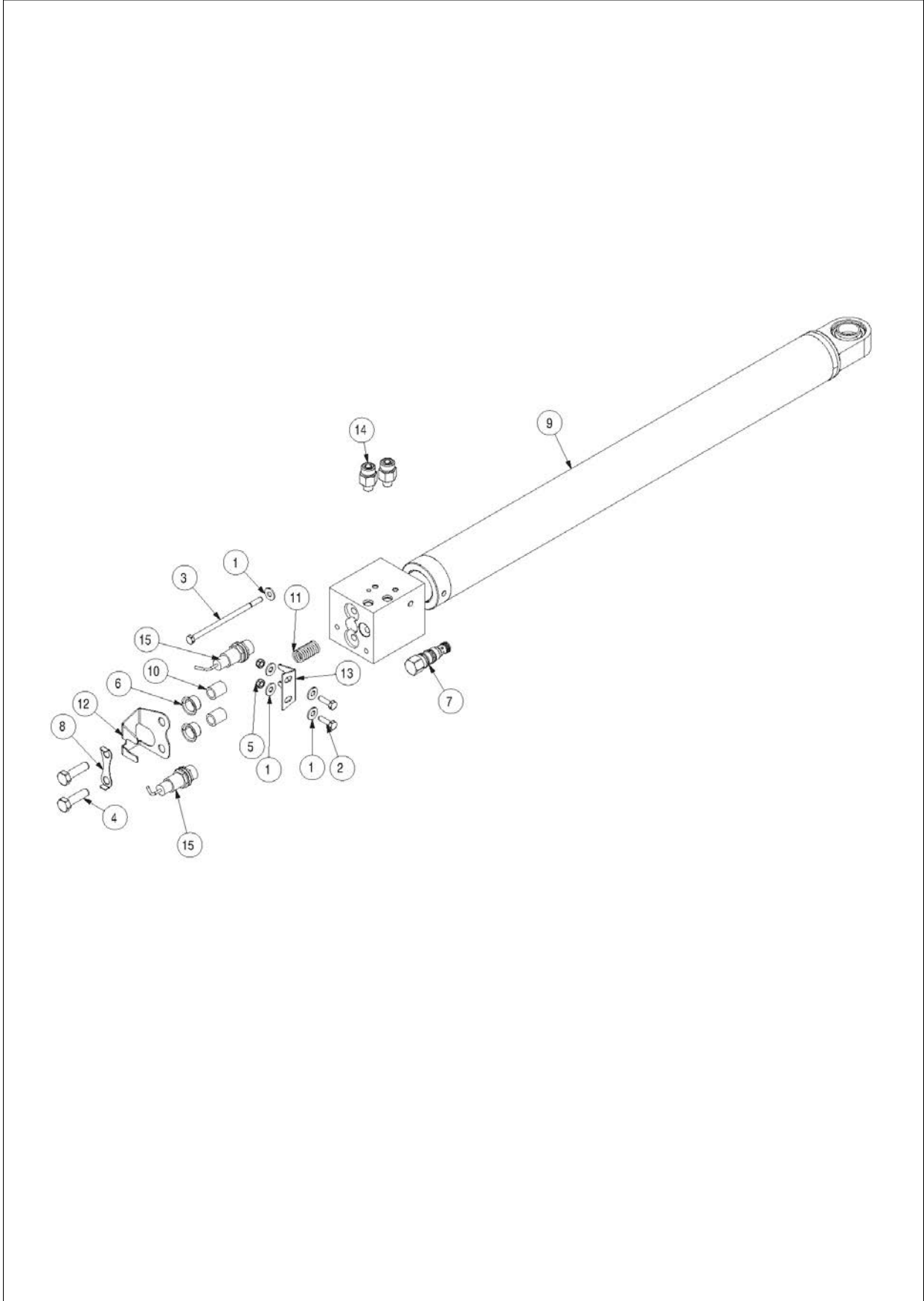
| アイテム | 部品番号       | 名前                                    | 数量 | UOM |
|------|------------|---------------------------------------|----|-----|
| 1    | 3603 06    | Plain Washer                          | 4  | EA  |
| 2    | 3605 06    | Spring Washer                         | 2  | EA  |
| 3    | 3610 06012 | Metric Bolt                           | 2  | EA  |
| 4    | 3610 06085 | Metric Bolt                           | 1  | EA  |
| 5    | 3611 06    | Metric Nyloc Nut                      | 1  | EA  |
| 6    | 3641 06    | Nylon Washer                          | 1  | EA  |
| 7    | 11687      | SR Lift Cylinder                      | 1  | EA  |
| 8    | 12647 1    | Cylinder Lever Pivot Plate            | 1  | EA  |
| 9    | 12648      | Valve Lever                           | 1  | EA  |
| 10   | 13907      | Bush Spacer 38.1mm ID x 38.1 Long     | 2  | EA  |
| 11   | 56112 6    | Bushing                               | 4  | EA  |
| 12   | 100433 008 | Hyd Fitting 45 Elbow ORFS(08) SAE(08) | 1  | EA  |
| 13   | 100434 004 | Hyd Fitting 90 Elbow ORFS(04) SAE(06) | 1  | EA  |
| 14   | 3030158    | Pressure Transducer                   | 1  | EA  |
| 15   | 6010833    | Valve Cartridge, Adjustable           | 1  | EA  |
| 16   | 6018024    | Solenoid Valve, @ Way, NC, 20V        | 1  | EA  |
| 17   | 6019184    | Coil 10 12V Deutsch DT Connector      | 1  | EA  |
|      | 11687K     | Seal Kit Victor                       | 1  | EA  |
|      | 11687K PB  | Seal Kit PB                           | 1  | EA  |
|      | 11687K UH  | Seal Kit UH                           | 1  | EA  |

HYDRAULICS



| アイテム | 部品番号       | 名前                                       | 数量 | UOM |
|------|------------|--|----|-----|
| 1    | 3603 06    | Plain Washer                             | 4  | EA  |
| 2    | 3605 06    | Spring Washer                            | 2  | EA  |
| 3    | 3610 06012 | Metric Bolt                              | 2  | EA  |
| 4    | 3610 06085 | Metric Bolt                              | 1  | EA  |
| 5    | 3611 06    | Metric Nyloc Nut                         | 1  | EA  |
| 6    | 3624 40    | Permaglide Bush                          | 2  | EA  |
| 7    | 3626 19    | Flanged Permaglide Bush                  | 4  | EA  |
| 8    | 3641 06    | Nylon Washer                             | 1  | EA  |
| 9    | 12647 1    | Cylinder Lever Pivot Plate               | 1  | EA  |
| 10   | 12648      | Valve Lever                              | 1  | EA  |
| 11   | 13952      | SR Lift Cylinder                         | 1  | EA  |
| 12   | 100433 008 | Hyd Fitting 45 Elbow ORFS(08)<br>SAE(08) | 1  | EA  |
| 13   | 100434 004 | Hyd Fitting 90 Elbow ORFS(04)<br>SAE(06) | 1  | EA  |
| 14   | 3030158    | Pressure Transducer                      | 1  | EA  |
| 15   | 6018024    | Solenoid Valve, @ Way, NC, 20V           | 1  | EA  |
| 16   | 6019184    | Coil 10 12V Deutsch DT<br>Connector      | 1  | EA  |
| 17   | 15013 063  | Check Valve Poppet Flow                  | 1  | EA  |

HYDRAULICS



| アイテム | 部品番号       | 名前  | 数量 | UOM |
|------|------------|---|----|-----|
| 1    | 3603 06    | Plain Washer                                | 5  | EA  |
| 2    | 3610 06020 | Metric Bolt                                 | 2  | EA  |
| 3    | 3610 06120 | Metric Bolt                                 | 1  | EA  |
| 4    | 3610 10035 | Metric Bolt                                 | 2  | EA  |
| 5    | 3611 06    | Metric Nyloc Nut                            | 2  | EA  |
| 6    | 3626 8     | Flanged Permaglide Bush                     | 2  | EA  |
| 7    | 11367 2    | Pilot to open Check Valve With Sealed Pilot | 1  | EA  |
| 8    | 11492 4    | Dual Locktab                                | 1  | EA  |
| 9    | 12036      | Cylinder Stabiliser SR                      | 1  | EA  |
| 10   | 12036 5    | Sliding Spacer                              | 2  | EA  |
| 11   | 12036 6    | Compression Spring                          | 1  | EA  |
| 12   | 13771 40   | Prox Bracket, Leg Stowed, SR                | 1  | EA  |
| 13   | 13771 45   | Prox Bracket, Leg On Ground, SR             | 1  | EA  |
| 14   | 100432 007 | Hyd Fitting Straight ORFS(06) SAE(04)       | 2  | EA  |
| 15   | 505072 000 | SWITCH, PROXIMITY ASSY                      | 2  | EA  |
|      | 12036K     | Seal kit for (Victor)                       | 1  | EA  |
|      | 12036K PB  | Seal kit for (PB Machine Tech)              | 1  | EA  |
|      | 12036K UH  | (Seal kit for (United Hydraulics)           | 1  | EA  |



| アイテム | 部品番号       | 名前  | 数量 | UOM |
|------|------------|---|----|-----|
| 1    | 3603 06    | Plain Washer                                | 4  | EA  |
| 2    | 3605 06    | Spring Washer                               | 4  | EA  |
| 3    | 3610 06016 | Metric Bolt                                 | 4  | EA  |
| 4    | 3610 10035 | Metric Bolt                                 | 2  | EA  |
| 5    | 3626 8     | Flanged Permaglide Bush                     | 2  | EA  |
| 6    | 11367 2    | Pilot to open Check Valve With Sealed Pilot | 1  | EA  |
| 7    | 11492 4    | Dual Locktab                                | 1  | EA  |
| 8    | 12036      | Cylinder Stabiliser SR                      | 1  | EA  |
| 9    | 12036 5    | Sliding Spacer                              | 2  | EA  |
| 10   | 12036 6    | Compression Spring                          | 1  | EA  |
| 11   | 14098 02   | Prox Target, Leg Grounded, SR               | 1  | EA  |
| 12   | 15085 01   | Leg Prox With Mount 10mm                    | 1  | EA  |
| 13   | 15085 02   | Leg Prox With Mount 20mm                    | 1  | EA  |
| 14   | 100432 007 | Hyd Fitting Straight ORFS(06) SAE(04)       | 2  | EA  |

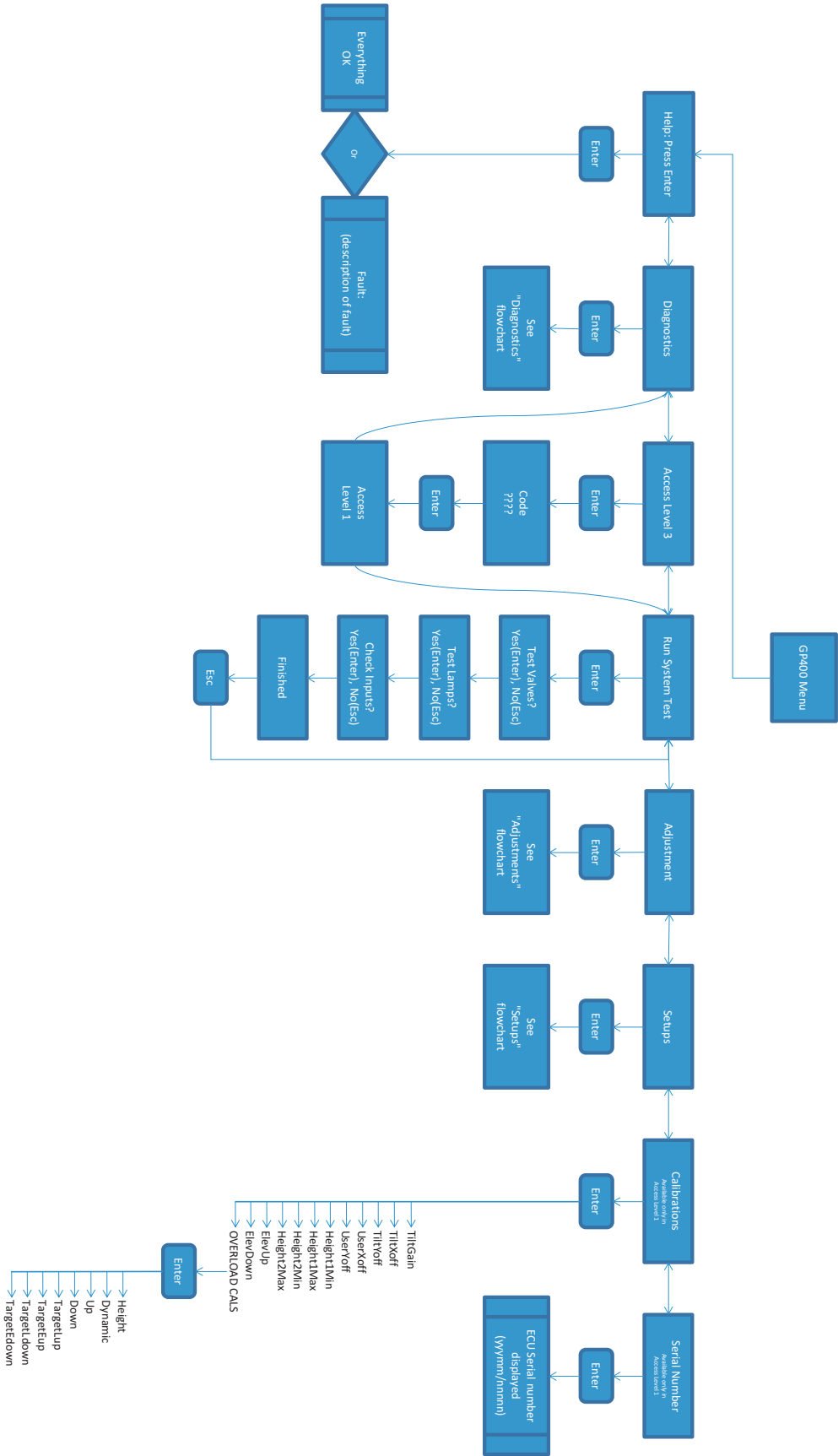
## V5 Looms

| Part No  | Description                                |
|----------|--|
| 15015    | Loom, Outriggers                           |
| 15016    | Loom, Axle                                 |
| 15168    | Loom, Kubota D902 Engine V5                |
| 13967    | Loom, Kubota D902 Engine V4                |
| 15115    | Loom, Factory Convert 13835 Cable Solenoid |
| 13834    | Loom, Hydraulic Cabinet                    |
| 14048    | Loom, Earth, Battery > Chassis             |
| 13817-01 | Loom, Ctrl                                 |
| 15012    | Loom, Stack EZFit                          |
| 14032-01 | Loom, Ctrl Extn                            |

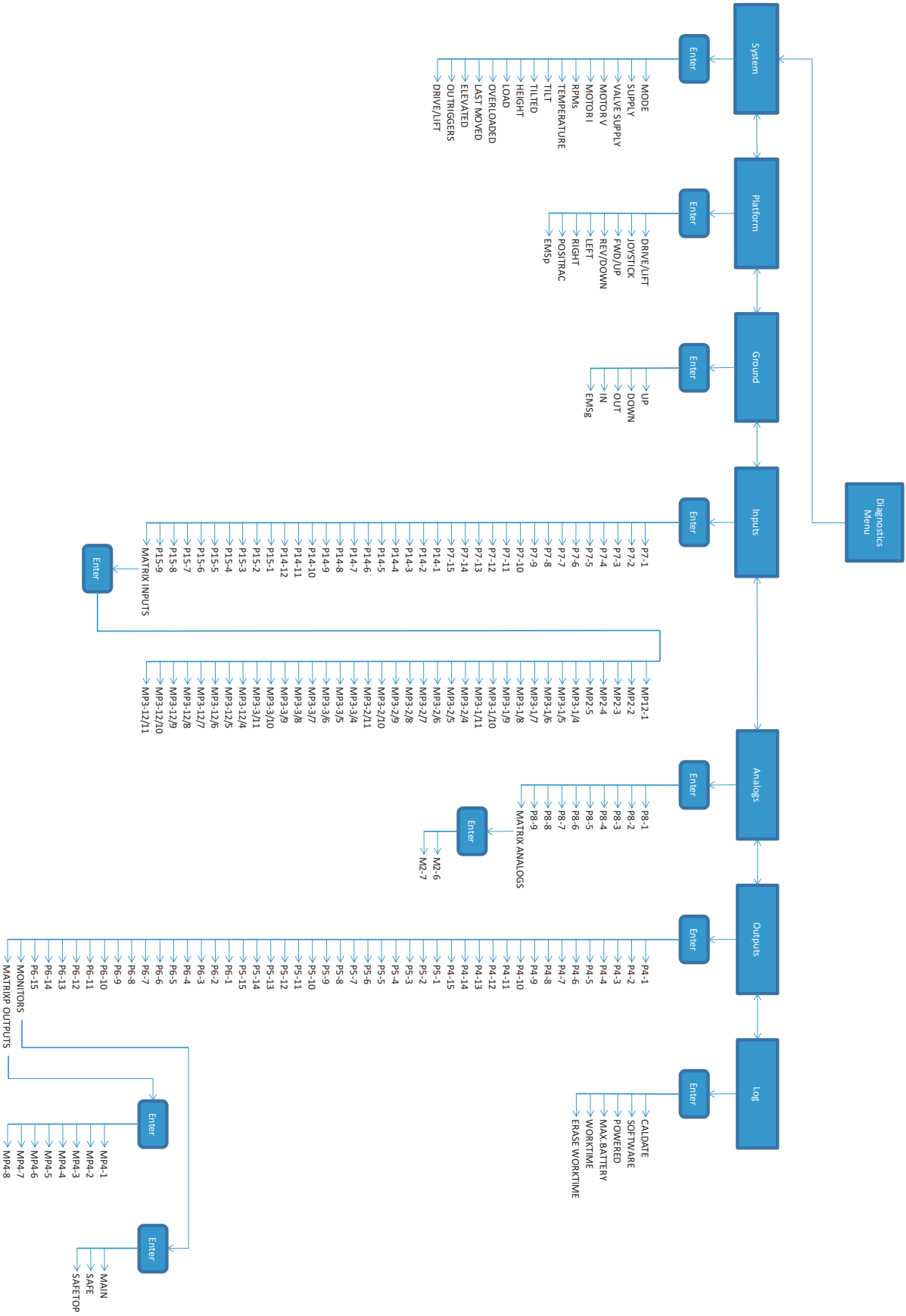
## V6 Looms

| Part No  | Description                                |
|----------|--|
| 15015    | Loom, Outriggers                           |
| 15016    | Loom, Axle V5                              |
| 15211    | Loom, Axle V6                              |
| 15168    | Loom, Kubota D902 Engine V5                |
| 13967    | Loom, Kubota D902 Engine V4                |
| 15115    | Loom, Factory Convert 13835 Cable Solenoid |
| 13834    | Loom, Hydraulic Cabinet                    |
| 14048    | Loom, Earth, Battery > Chassis             |
| 13817-02 | Loom, Ctrl                                 |
| 15012    | Loom, Stack EZFit                          |
| 14032-01 | Loom, Ctrl Extn                            |
| 15203    | Loom, Dual Lock Valve Retro                |

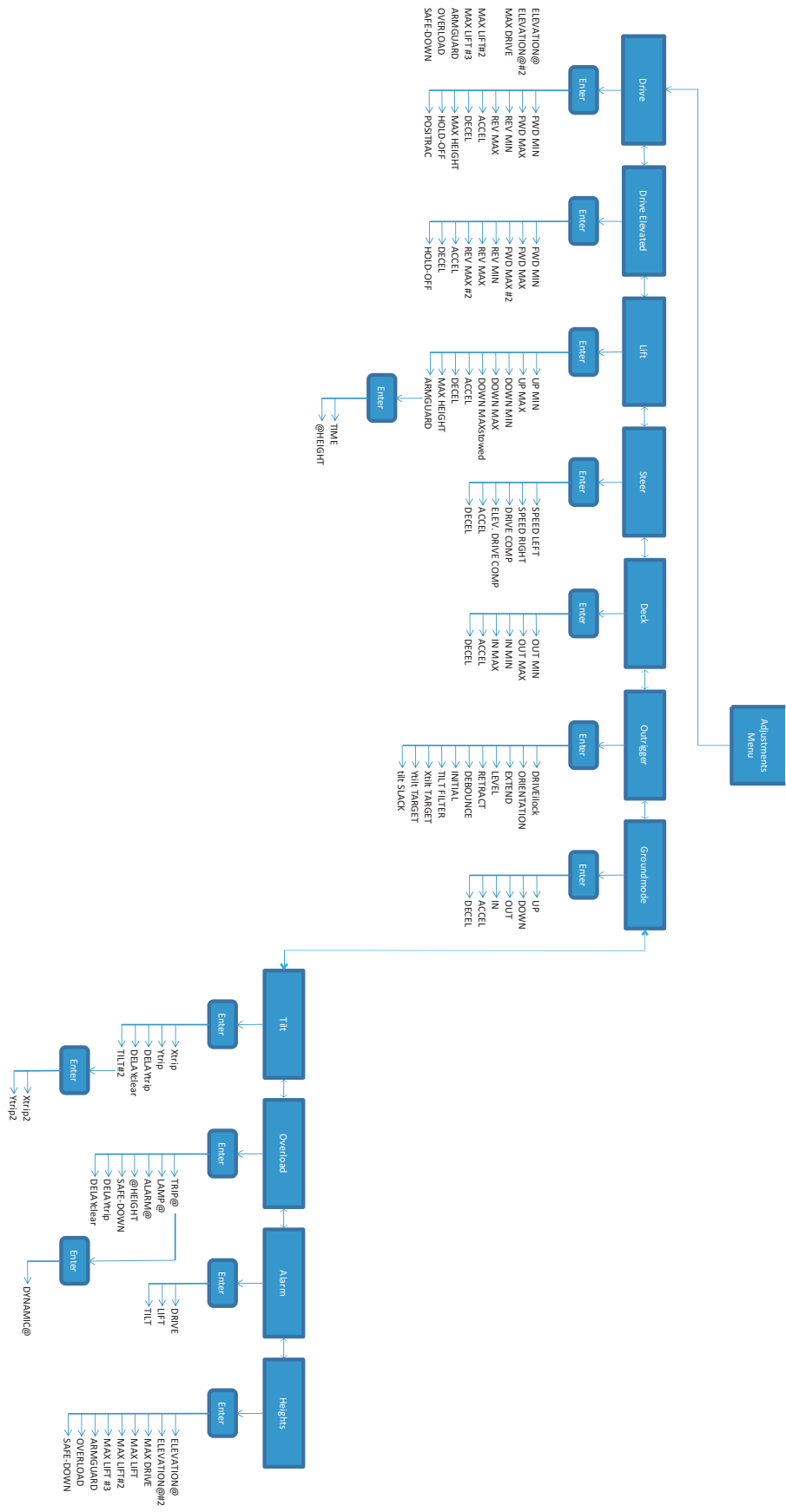




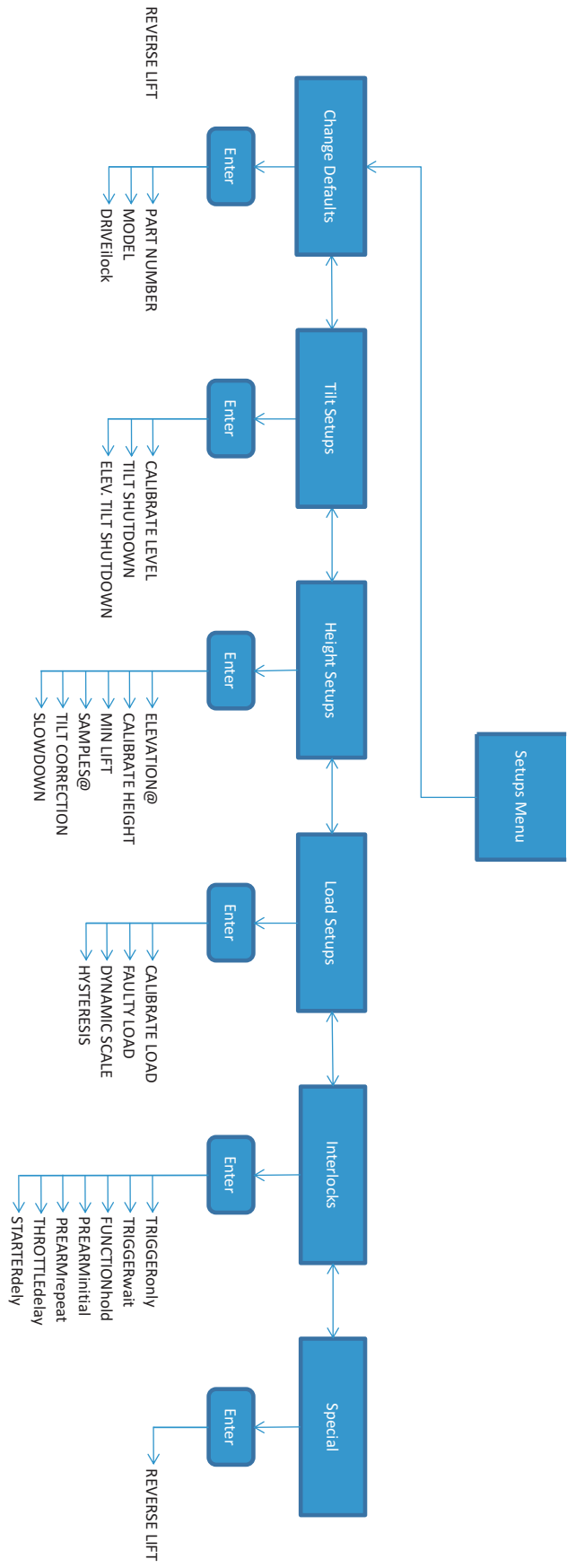
# GP400 I/O Menu Diagnostics



# GP400 I/O Menu Adjustments



# GP400 I/O Menu Setups



# GP400 I/O Allocations

## GP400 I/O allocations

| Pin  | Function |
|------|----------|
| P1-1 | CAN1H    |
| P1-2 | CAN1L    |
| P1-3 | GND      |

|      |                 |
|------|-----------------|
| P9-1 | RS232 B+ supply |
| P9-2 | RS232 Rx        |
| P9-3 | RS232 Tx        |
| P9-4 | RS232 Gnd       |

|       |                     |
|-------|---------------------|
| P4-1  | Proportional Valve  |
| P4-2  |                     |
| P4-3  | Ground Alarm        |
| P4-4  | Fwd                 |
| P4-5  | Rev                 |
| P4-6  | High Speed Valve    |
| P4-7  | Fuel run solenoid   |
| P4-8  |                     |
| P4-9  |                     |
| P4-10 |                     |
| P4-11 | O/R Function enable |
| P4-12 |                     |
| P4-13 | Lift down (gravity) |
| P4-14 | Brake release       |
| P4-15 | Lift down (gravity) |

|       |                  |
|-------|------------------|
| P5-1  | RL up            |
| P5-2  | Steer Left       |
| P5-3  | Steer Right      |
| P5-4  | 24V contactor    |
| P5-5  | Lift up          |
| P5-6  | Start relay      |
| P5-7  | RR up            |
| P5-8  | FR up            |
| P5-9  | FR Down          |
| P5-10 |                  |
| P5-11 | RR down          |
| P5-12 | Cold start relay |
| P5-13 |                  |
| P5-14 |                  |
| P5-15 | RL down          |

|       |                     |
|-------|---------------------|
| P6-1  | Lift allowed lamp   |
| P6-2  |                     |
| P6-3  |                     |
| P6-4  | Overload lamp       |
| P6-5  |                     |
| P6-6  |                     |
| P6-7  | Axle release        |
| P6-8  |                     |
| P6-9  |                     |
| P6-10 | Axle release        |
| P6-11 |                     |
| P6-12 |                     |
| P6-13 | FL up               |
| P6-14 | FL down             |
| P6-15 | 'not safe' Throttle |

|       |                          |
|-------|--------------------------|
| P7-1  | From TBM POS (supply)    |
| P7-2  | Ground                   |
| P7-3  | Enable                   |
| P7-4  | Platform                 |
| P7-5  | Start                    |
| P7-6  | Cold Start               |
| P7-7  | 24VDC Electric operation |
| P7-8  | Lift UP                  |
| P7-9  | Lift DOWN                |
| P7-10 |                          |
| P7-11 |                          |
| P7-12 |                          |
| P7-13 | Oil pressure             |
| P7-14 |                          |
| P7-15 | Alternator sense         |

|       |                           |
|-------|---------------------------|
| P8-1  | Engine Temperature        |
| P8-2  | Ezfit #1 input            |
| P8-3  |                           |
| P8-4  |                           |
| P8-5  | Ezfit #2 input            |
| P8-6  | Pressure transducer input |
| P8-7  |                           |
| P8-8  |                           |
| P8-9  | From TBM # 3              |
| P8-10 |                           |
| P8-11 |                           |
| P8-12 | connect to P8-1           |
| P8-13 |                           |
| P8-14 | connect to TBM-           |
| P8-15 |                           |

|        |                |
|--------|----------------|
| P15-1  |                |
| P15-2  |                |
| P15-3  |                |
| P15-4  |                |
| P15-5  |                |
| P15-6  |                |
| P15-7  |                |
| P15-8  |                |
| P15-9  | Height Limit 1 |
| P15-10 |                |
| P15-11 |                |
| P15-12 |                |

|        |                    |
|--------|--------------------|
| P14-1  | F/R outrigger Down |
| P14-2  | F/L outrigger Down |
| P14-3  | R/R outrigger Down |
| P14-4  | R/L outrigger Down |
| P14-5  | F/R outrigger Up   |
| P14-6  | F/L outrigger Up   |
| P14-7  | R/R outrigger Up   |
| P14-8  | R/L outrigger Up   |
| P14-9  | Axle switches      |
| P14-10 | Height Limit 2     |
| P14-11 |                    |
| P14-12 |                    |

## Matrix I/O allocations

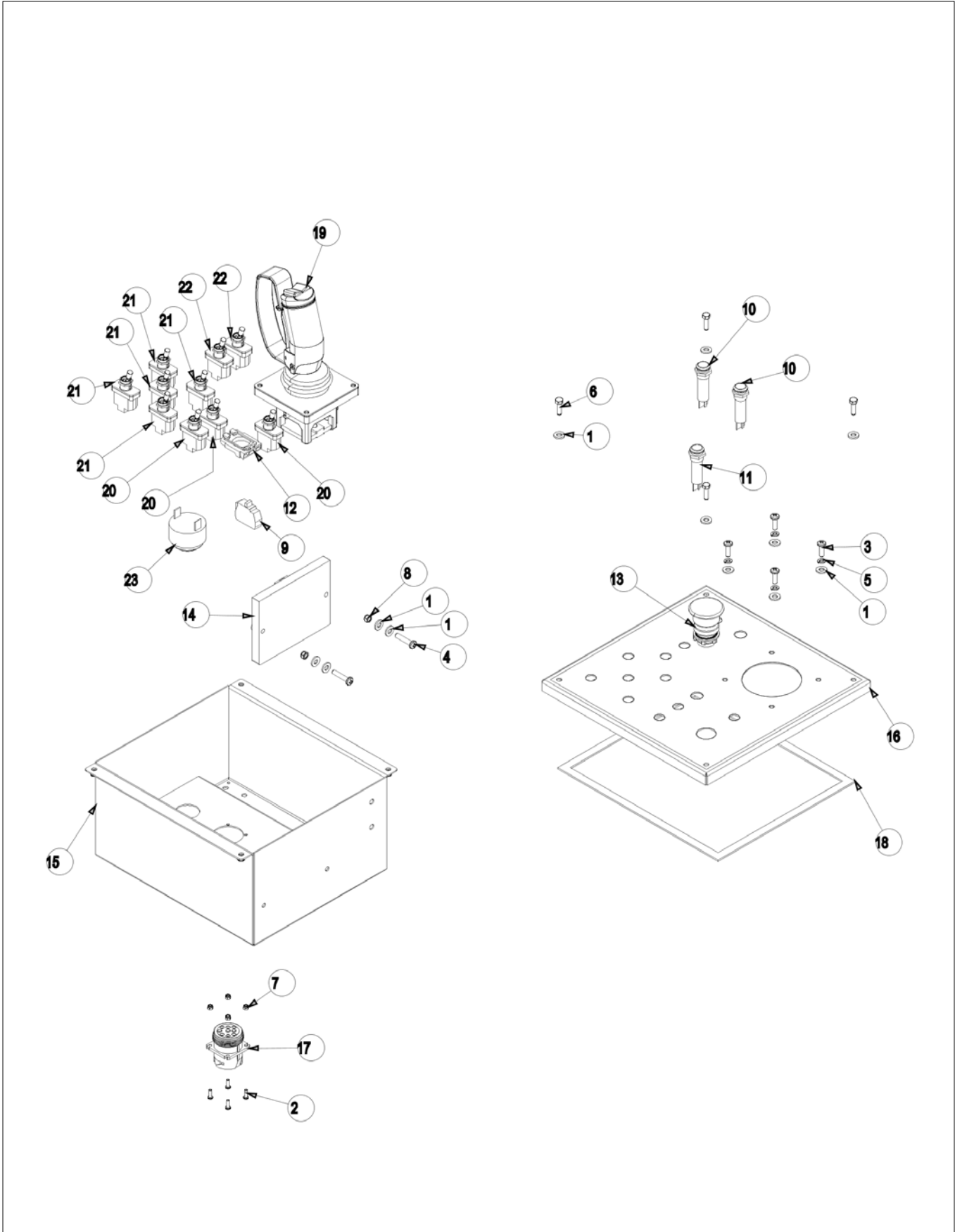
| Pin   | Function                |
|-------|-------------------------|
| MP1-1 | Platform Mode B+ supply |
| MP1-2 | Ground Mode             |
| MP1-3 | CANH                    |
| MP1-4 | GND                     |
| MP1-5 | GND                     |
| MP1-6 | CANL                    |

|        |                           |
|--------|---------------------------|
| MP2-1  | Engine start              |
| MP2-2  |                           |
| MP2-3  | Steer left                |
| MP2-4  | Steer right               |
| MP2-5  | Trigger (enable)          |
| MP2-6  | Joystick (0.5V-2.5V-4.5V) |
| MP2-7  |                           |
| MP2-8  |                           |
| MP2-9  |                           |
| MP2-10 | Joystick supply           |
| MP2-11 | Joystick supply           |
| MP2-12 | Switch supply             |

|        | MP3-1            | MP3-2           | MP3-3  |
|--------|------------------|-----------------|--------|
| MP3-1  |                  |                 |        |
| MP3-2  |                  |                 |        |
| MP3-3  |                  |                 |        |
| MP3-4  | O/R AUTO RETRACT | O/R AUTO EXTEND |        |
| MP3-5  | O/R F/R RETRACT  | O/R F/R EXTEND  |        |
| MP3-6  | O/R F/L RETRACT  | O/R F/L EXTEND  |        |
| MP3-7  | O/R R/R RETRACT  | O/R R/R EXTEND  |        |
| MP3-8  | O/R R/L RETRACT  | O/R R/L EXTEND  |        |
| MP3-9  | LIFT SELECT      | DRIVE SELECT    |        |
| MP3-10 |                  | 24VDC select    |        |
| MP3-11 | HIGHSPEED SELECT | COLD START      |        |
| MP3-12 |                  |                 | MP3-12 |

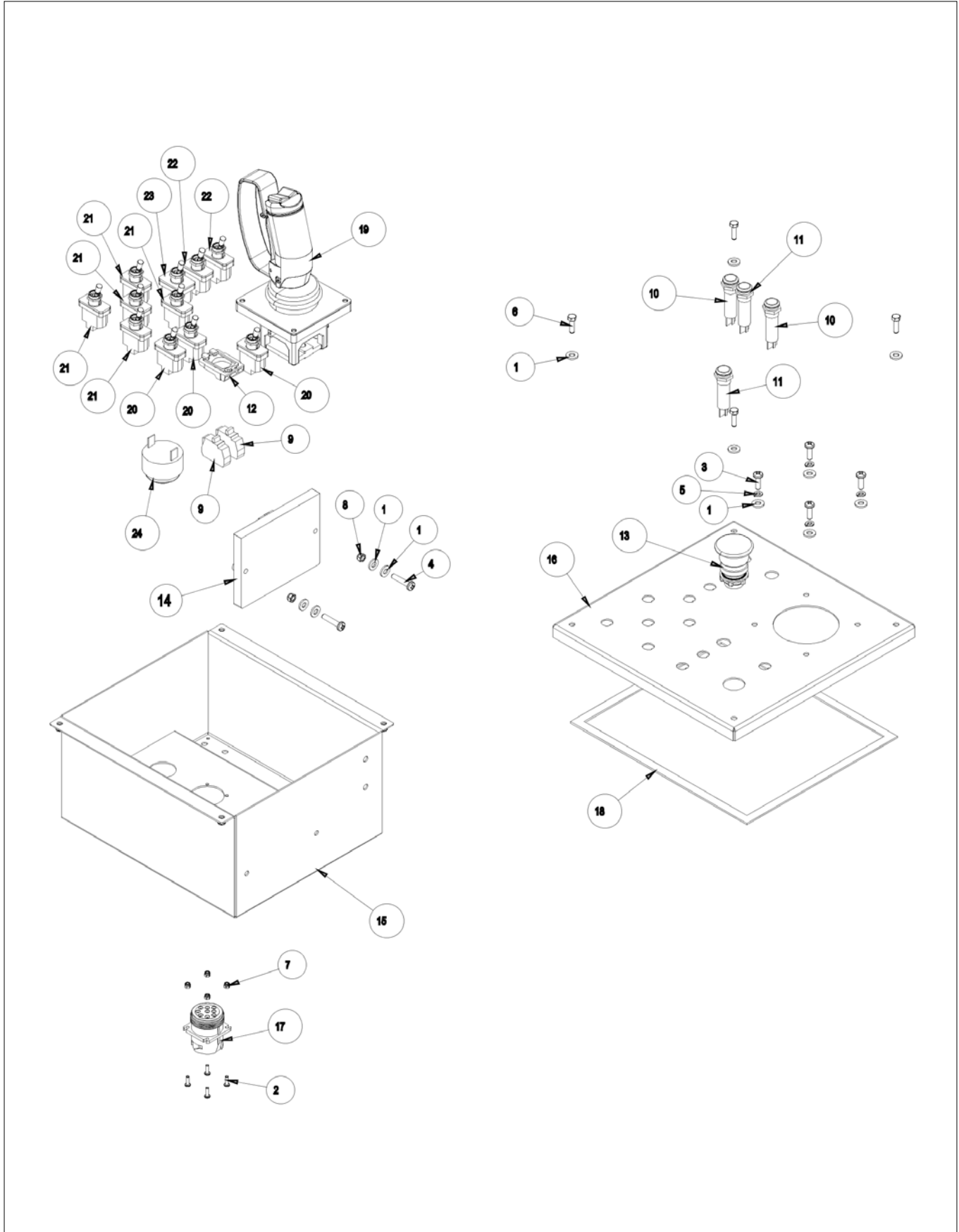
|       |                    |
|-------|--------------------|
| MP4-1 | Warning lamp       |
| MP4-2 | Lift allowed lamp  |
| MP4-3 | Overload lamp      |
| MP4-4 | Drive allowed lamp |
| MP4-5 | All alarm          |
| MP4-6 |                    |
| MP4-7 |                    |
| MP4-8 |                    |
| MP4-9 |                    |

ELECTRICAL



| アイテム | 部品番号       | 名前                                    | 数量 | UOM |
|------|------------|---------------------------------------|----|-----|
| 0    | 13809 02   | ANSI Diesel Upper Control Box         |    | EA  |
| 1    | 3603 05    | Plain Washer                          | 16 | EA  |
| 2    | 3604 03010 | Pan Head Screw                        | 4  | EA  |
| 3    | 3604 05016 | Pan Head Screw                        | 4  | EA  |
| 4    | 3604 05025 | Pan Head Screw                        | 2  | EA  |
| 5    | 3605 05    | Spring Washer                         | 4  | EA  |
| 6    | 3610 05016 | Metric Bolt                           | 4  | EA  |
| 7    | 3611 03    | Metric Nyloc Nut                      | 4  | EA  |
| 8    | 3611 05    | Metric Nyloc Nut                      | 6  | EA  |
| 9    | 10118      | Contact, NC Telemac ZBE 102           | 1  | EA  |
| 10   | 12536 3    | LED Green, 12V M12                    | 2  | EA  |
| 11   | 12536 4    | LED Red, 12V M12                      | 1  | EA  |
| 12   | 12914 10   | Collar                                | 1  | EA  |
| 13   | 12914 11   | E Stop 40mm, Pull Release             | 1  | EA  |
| 14   | 13485 02   | Trionics Matrix                       | 1  | EA  |
| 15   | 13808      | Control Box Base                      | 1  | EA  |
| 16   | 13808 01   | Control Box Lid Upper                 | 1  | EA  |
| 17   | 13847 996  | RECEPTACLE FLANGE HD10 9<br>96P 9 WAY | 1  | EA  |
| 18   | 13862      | Foam Strip                            | 1  | EA  |
| 19   | 3028933    | Joystick I Axis, Deadman Guard        | 1  | EA  |
| 20   | 3020015    | Switch, Toggle Honeywell INTI<br>6    | 3  | EA  |
| 21   | 3020016    | Switch, Toggle Honeywell INTI<br>7    | 5  | EA  |
| 22   | 3020080    | TOGGLE SWITCH                         | 2  | EA  |
| 23   | 3040411    | Alarm Buzzer                          | 1  | EA  |

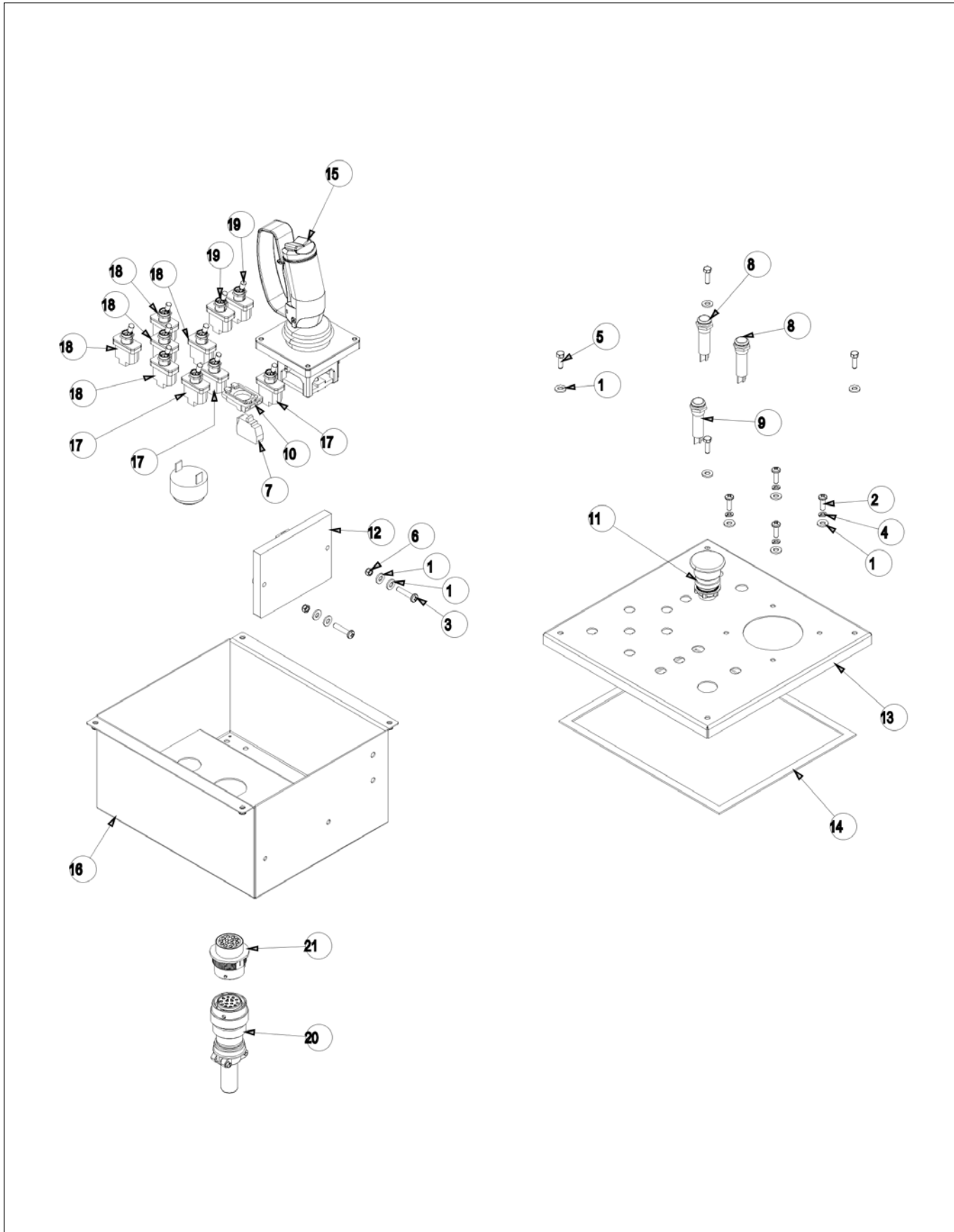
ELECTRICAL





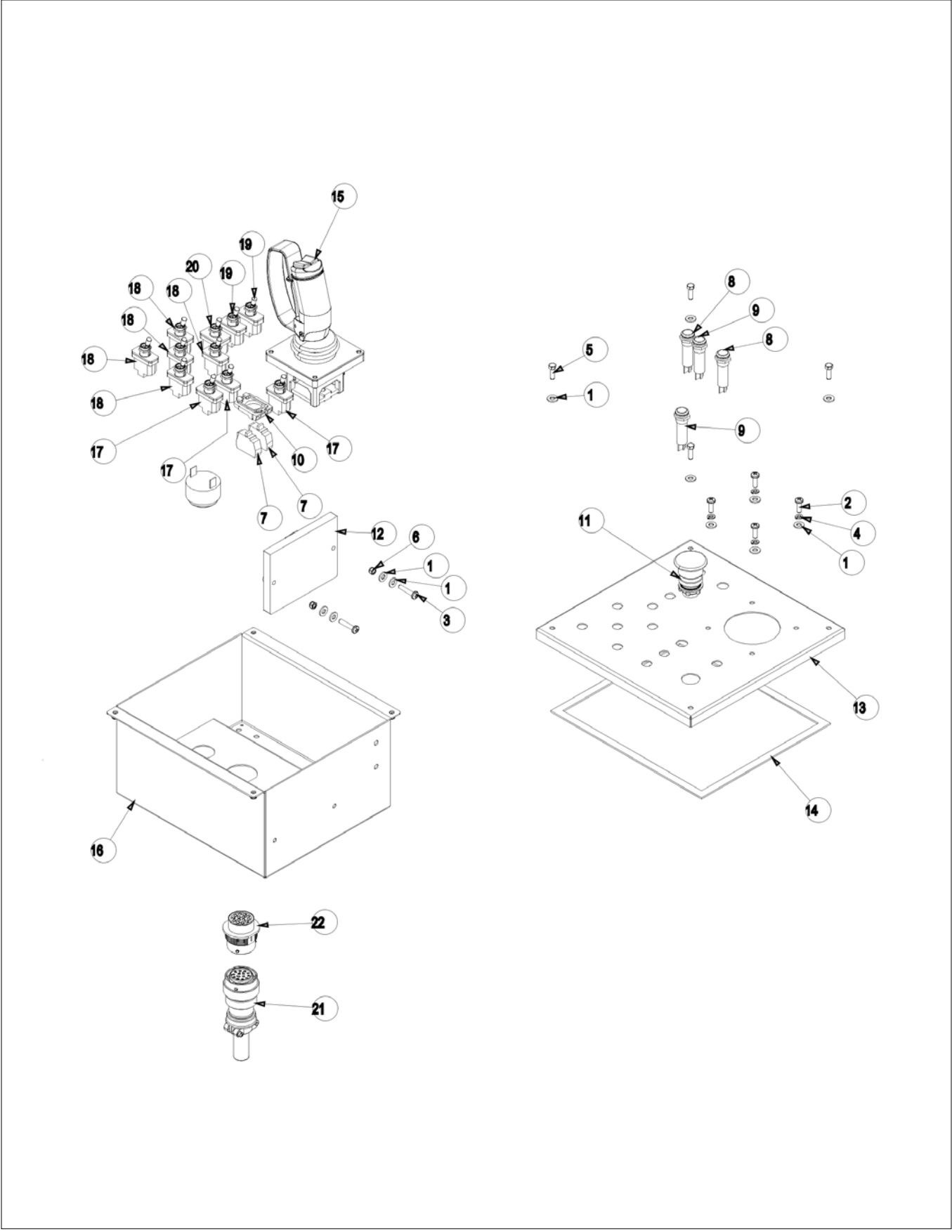
| アイテム | 部品番号       | 名前  | 数量 | UOM |
|------|------------|---|----|-----|
| 0    | 13809 01   | AS/NZS/CE Diesel Upper Control Box Assembly |    | EA  |
| 1    | 3605 05    | Spring Washer                               | 16 | EA  |
| 2    | 3604 03010 | Pan Head Screw                              | 4  | EA  |
| 3    | 3604 05016 | Pan Head Screw                              | 4  | EA  |
| 4    | 3604 05025 | Pan Head Screw                              | 2  | EA  |
| 5    | 3605 05    | Spring Washer                               | 4  | EA  |
| 6    | 3610 05016 | Metric Bolt                                 | 4  | EA  |
| 7    | 3611 03    | Metric Nyloc Nut                            | 4  | EA  |
| 8    | 3611 05    | Metric Nyloc Nut                            | 6  | EA  |
| 9    | 10118      | Contact, NC Telemac ZBE 102                 | 2  | EA  |
| 10   | 12536 3    | LED Green, 12V M12                          | 2  | EA  |
| 11   | 12536 4    | LED Red, 12V M12                            | 2  | EA  |
| 12   | 12914 10   | Collar                                      | 1  | EA  |
| 13   | 12914 11   | E Stop 40mm, Pull Release                   | 1  | EA  |
| 14   | 13485 02   | Trionics Matrix                             | 2  | EA  |
| 15   | 13808      | Control Box Base                            | 1  | EA  |
| 16   | 13808 01   | Control Box Lid Upper                       | 1  | EA  |
| 17   | 13847 996  | RECEPTACLE FLANGE HD10 9 96P 9 WAY          | 1  | EA  |
| 18   | 13862      | Foam Strip                                  | 1  | EA  |
| 19   | 3028933    | Joystick I Axis, Deadman Guard              | 1  | EA  |
| 20   | 3020015    | Switch, Toggle Honeywell INTI 6             | 3  | EA  |
| 21   | 3020016    | Switch, Toggle Honeywell INTI 7             | 5  | EA  |
| 22   | 3020080    | TOGGLE SWITCH                               | 2  | EA  |
| 23   | 3020097    | Switch, Toggle Honeywell 2NTI 3             | 1  | EA  |
| 24   | 3040411    | Alarm Buzzer                                | 1  | EA  |

ELECTRICAL



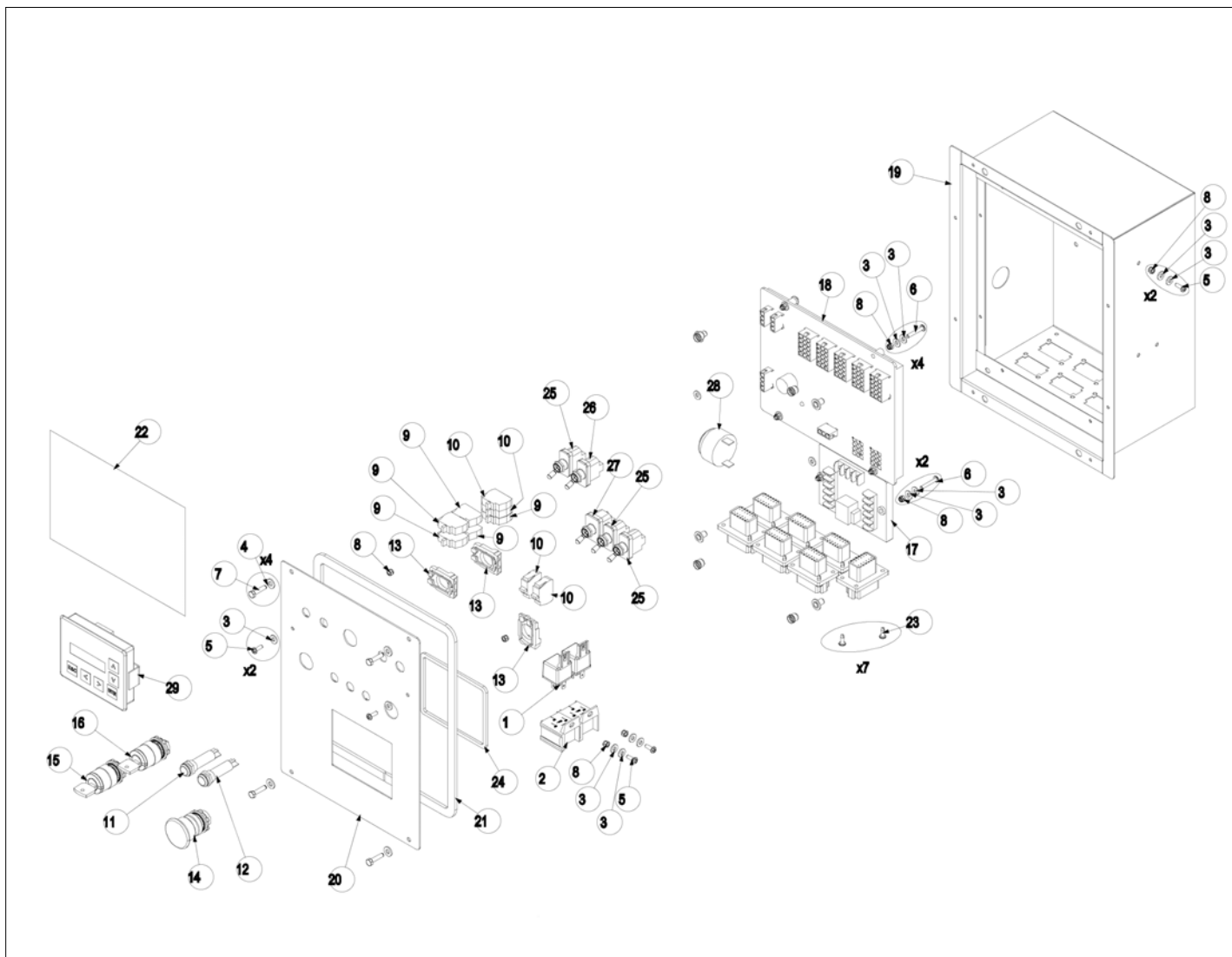
| アイテム | 部品番号       | 名前                                 | 数量 | UOM |
|------|------------|------------------------------------|----|-----|
| 0    | 14023 02   | ANSI Diesel Upper Control Box      |    | EA  |
| 1    | 3603 05    | Plain Washer                       | 16 | EA  |
| 2    | 3604 05016 | Pan Head Screw                     | 4  | EA  |
| 3    | 3604 05025 | Pan Head Screw                     | 2  | EA  |
| 4    | 3605 05    | Spring Washer                      | 4  | EA  |
| 5    | 3610 05016 | Metric Bolt                        | 4  | EA  |
| 6    | 3611 05    | Metric Nyloc Nut                   | 6  | EA  |
| 7    | 10118      | Contact, NC Telemac ZBE 102        | 1  | EA  |
| 8    | 12536 3    | LED Green, 12V M12                 | 2  | EA  |
| 9    | 12536 4    | LED Red, 12V M12                   | 1  | EA  |
| 10   | 12914 10   | Collar                             | 1  | EA  |
| 11   | 12914 11   | E Stop 40mm, Pull Release          | 1  | EA  |
| 12   | 13485 02   | Trionics Matrix                    | 1  | EA  |
| 13   | 13808 01   | Control Box Lid Upper              | 1  | EA  |
| 14   | 13862      | Foam Strip                         | 1  | EA  |
| 15   | 3028933    | Joystick I Axis, Deadman Guard     | 1  | EA  |
| 16   | 14022      | Control Box Base Upper             | 1  | EA  |
| 17   | 3020015    | Switch, Toggle Honeywell INTI<br>6 | 3  | EA  |
| 18   | 3020016    | Switch, Toggle Honeywell INTI<br>7 | 5  | EA  |
| 19   | 3020080    | TOGGLE SWITCH                      | 2  | EA  |
| 20   | 3049861    | Plug, HD30, 14 Way                 | 1  | EA  |
| 21   | 3049862    | Receptacle, Flgd HD30, 14 Way      | 1  | EA  |

ELECTRICAL



| アイテム | 部品番号       | 名前                                 | 数量 | UOM |
|------|------------|------------------------------------|----|-----|
| 0    | 14023 01   | Upper Control Box Assembly         |    | EA  |
| 1    | 3603 05    | Plain Washer                       | 16 | EA  |
| 2    | 3604 05016 | Pan Head Screw                     | 4  | EA  |
| 3    | 3604 05025 | Pan Head Screw                     | 2  | EA  |
| 4    | 3605 05    | Spring Washer                      | 4  | EA  |
| 5    | 3610 05016 | Metric Bolt                        | 4  | EA  |
| 6    | 3611 05    | Metric Nyloc Nut                   | 6  | EA  |
| 7    | 10118      | Contact, NC Telemac ZBE 102        | 2  | EA  |
| 8    | 12536 3    | LED Green, 12V M12                 | 2  | EA  |
| 9    | 12536 4    | LED Red, 12V M12                   | 2  | EA  |
| 10   | 12914 10   | Collar                             | 1  | EA  |
| 11   | 12914 11   | E Stop 40mm, Pull Release          | 1  | EA  |
| 12   | 13485 02   | Trionics Matrix                    | 1  | EA  |
| 13   | 13808 01   | Control Box Lid Upper              | 1  | EA  |
| 14   | 13862      | Foam Strip                         | 1  | EA  |
| 15   | 3028933    | Joystick I Axis, Deadman Guard     | 1  | EA  |
| 16   | 14022      | Control Box Base Upper             | 1  | EA  |
| 17   | 3020015    | Switch, Toggle Honeywell INTI<br>6 | 3  | EA  |
| 18   | 3020016    | Switch, Toggle Honeywell INTI<br>7 | 5  | EA  |
| 19   | 3020080    | TOGGLE SWITCH                      | 2  | EA  |
| 20   | 3020097    | Switch, Toggle Honeywell 2NTI<br>3 | 1  | EA  |
| 21   | 3049861    | Plug, HD30, 14 Way                 | 1  | EA  |
| 22   | 3049862    | Receptacle, Flgd HD30, 14 Way      | 1  | EA  |

ELECTRICAL

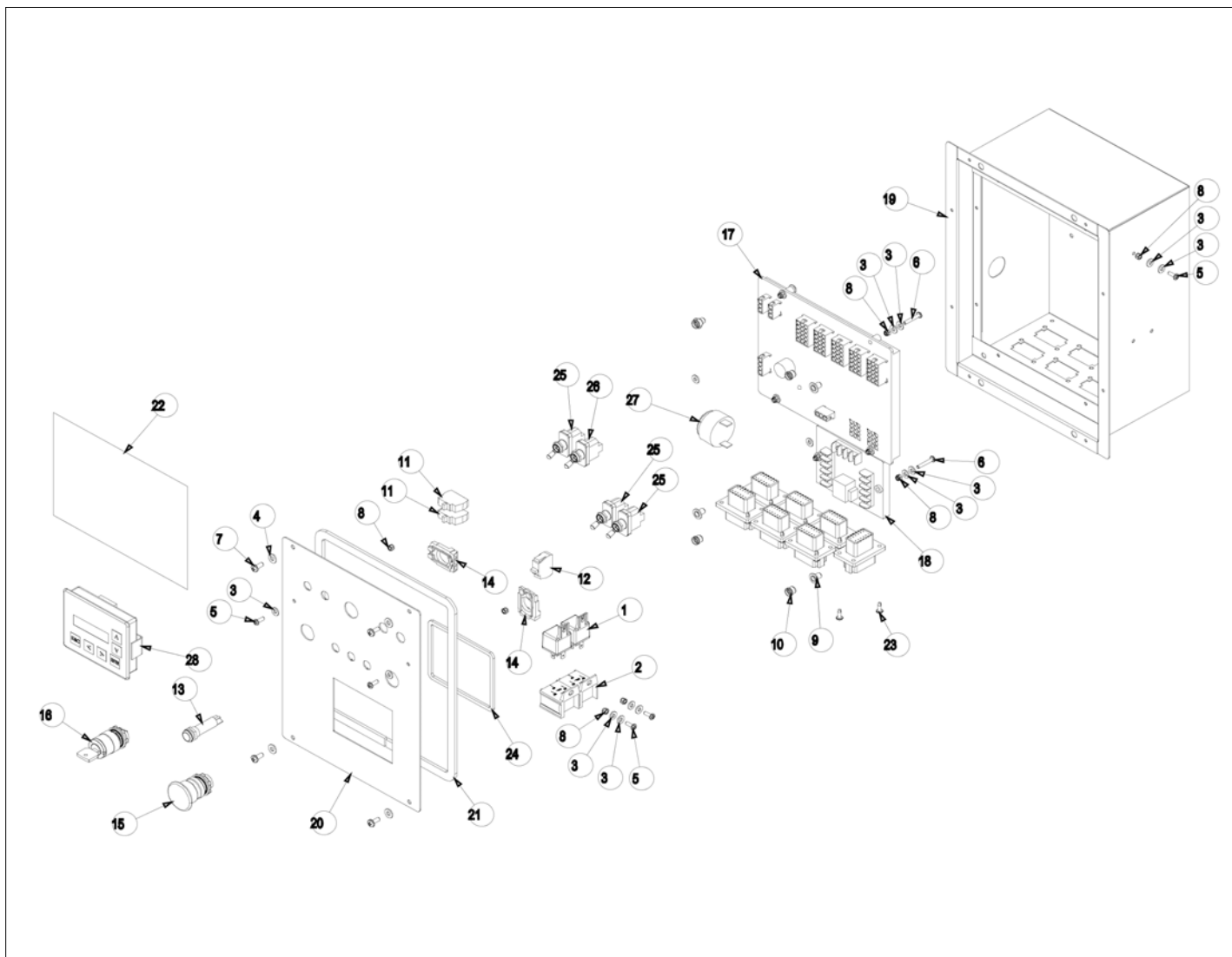


| アイテム | 部品番号       | 名前                               | 数量 | UOM |
|------|------------|----------------------------------|----|-----|
| 0    | 13811      | Lower Control Box Assembly       |    | EA  |
| 1    | 3040469    | RELAY SPDT 12V 30AMP SONG        | 2  | EA  |
| 2    | 2065 002   | Plug In Relay Base               | 2  | EA  |
| 3    | 3603 04    | Plain Washer                     | 28 | EA  |
| 4    | 3603 05    | Plain Washer                     | 4  | EA  |
| 5    | 3604 04012 | Pan Head Screw                   | 8  | EA  |
| 6    | 3604 04025 | Pan Head Screw                   | 6  | EA  |
| 7    | 3610 05020 | Metric Bolt                      | 4  | EA  |
| 8    | 3611 04    | Metric Nyloc Nut                 | 14 | EA  |
| 9    | 10114      | Contact, NO Telemac ZBE 101      | 5  | EA  |
| 10   | 10118      | Contact, NC Telemac ZBE 102      | 4  | EA  |
| 11   | 12536 3    | LED Green, 12V M12               | 1  | EA  |
| 12   | 12536 4    | LED Red, 12V M12                 | 1  | EA  |
| 13   | 12914 10   | Collar                           | 3  | EA  |
| 14   | 12914 12   | Push Button 40mm, Red            | 1  | EA  |
| 15   | 12914 13   | Key Switch 1 (2) 3, 455 Key      | 1  | EA  |
| 16   | 12914 17   | Key Switch (1) (2) (3), 421E Key | 1  | EA  |
| 17   | 13485 03   | Trionics TBM                     | 1  | EA  |
| 18   | 13485 05   | TRIONICS GP400C                  | 1  | EA  |
| 19   | 13810      | Control Box Weld                 | 1  | EA  |
| 20   | 13810 5    | Control Box Face Panel           | 1  | EA  |
| 21   | 13811 1    | Foam Seal                        | 1  | EA  |
| 22   | 13839 01   | Decal, Lower Control Box         | 1  | EA  |
| 23   | 13926 1008 | Screw, T25 Pan Pozi, ZP          | 14 | EA  |
| 24   | 514345 000 | Gasket EZCal Display             | 1  | EA  |
| 25   | 3020015    | Switch, Toggle Honeywell INTI 6  | 3  | EA  |
| 26   | 3020016    | Switch, Toggle Honeywell INTI 7  | 1  | EA  |

| アイテム | 部品番号    | 名前                                 | 数量 | UOM |
|------|---------|------------------------------------|----|-----|
| 27   | 3020097 | Switch, Toggle Honeywell 2NTI<br>3 | 1  | EA  |
| 28   | 3040411 | Alarm Buzzer                       | 1  | EA  |
| 29   | 3087803 | EZCal Panel Trionics               | 1  | EA  |



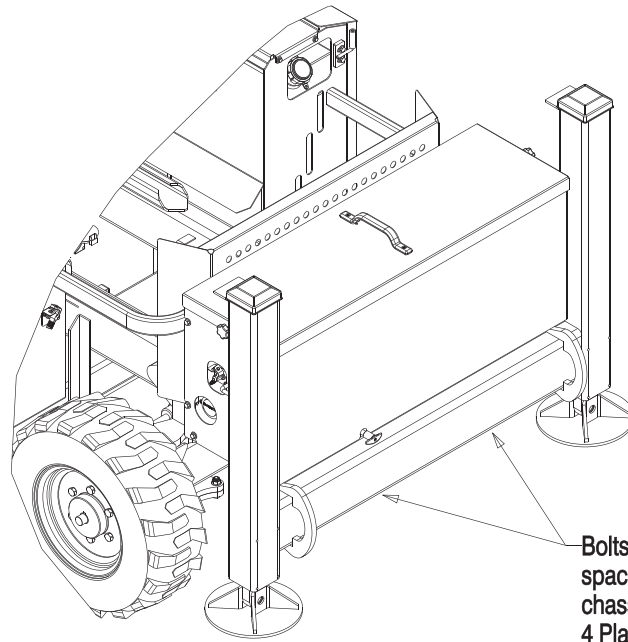
ELECTRICAL



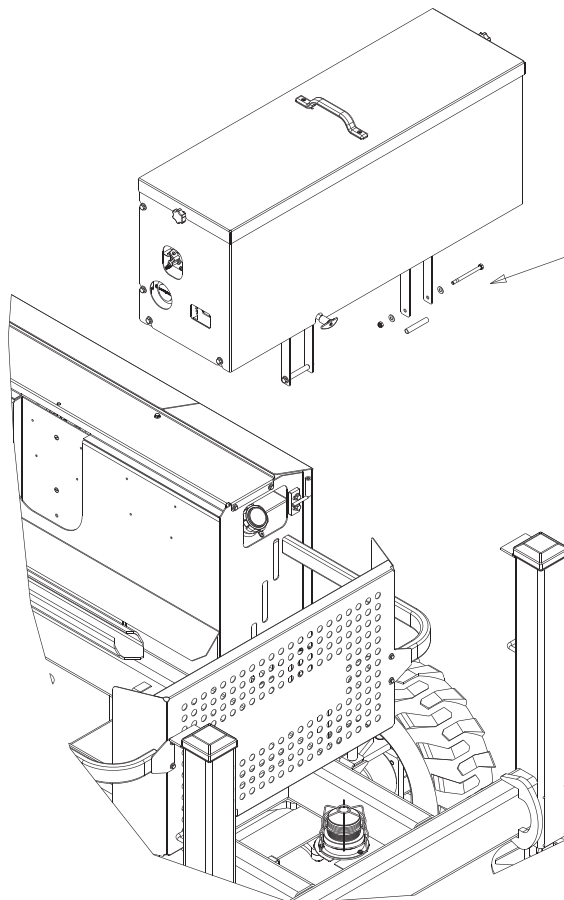
| アイテム | 部品番号       | 名前                              | 数量 | UOM |
|------|------------|---------------------------------|----|-----|
| 0    | 13811 02   | ANSI Diesel Lower Control Box   |    | EA  |
| 1    | 1650 010   | Relay 12V                       | 2  | EA  |
| 2    | 2065 002   | Plug In Relay Base              | 2  | EA  |
| 3    | 3603 04    | Plain Washer                    | 24 | EA  |
| 4    | 3603 05    | Plain Washer                    | 4  | EA  |
| 5    | 3604 04012 | Pan Head Screw                  | 6  | EA  |
| 6    | 3604 04025 | Pan Head Screw                  | 6  | EA  |
| 7    | 3604 05012 | Pan Head Screw                  | 4  | EA  |
| 8    | 3611 04    | Metric Nyloc Nut                | 12 | EA  |
| 9    | 3628 05    | Nutsert M5                      | 4  | EA  |
| 10   | 3628 06    | Nutsert M6                      | 4  | EA  |
| 11   | 10114      | Contact, NO Telemac ZBE 101     | 2  | EA  |
| 12   | 10118      | Contact, NC Telemac ZBE 102     | 1  | EA  |
| 13   | 12536 3    | LED Green, 12V M12              | 1  | EA  |
| 14   | 12914 10   | Collar                          | 2  | EA  |
| 15   | 12914 12   | Push Button 40mm, Red           | 1  | EA  |
| 16   | 12914 13   | Key Switch 1 (2) 3, 455 Key     | 1  | EA  |
| 17   | 13485 05   | TRIONICS GP400C                 | 2  | EA  |
| 18   | 13485 03   | Trionics TBM                    | 1  | EA  |
| 19   | 13810      | Control Box Weld                | 1  | EA  |
| 20   | 13810 5    | Control Box Face Panel          | 1  | EA  |
| 21   | 13811 1    | Foam Seal                       | 1  | EA  |
| 22   | 13839 01   | Decal, Lower Control Box        | 1  | EA  |
| 23   | 13926 1008 | Screw, T25 Pan Pozi, ZP         | 14 | EA  |
| 24   | 514345 000 | Gasket EZCal Display            | 1  | EA  |
| 25   | 3020015    | Switch, Toggle Honeywell INTI 6 | 3  | EA  |
| 26   | 3020016    | Switch, Toggle Honeywell INTI 7 | 1  | EA  |
| 27   | 3040411    | Alarm Buzzer                    | 1  | EA  |

| アイテム | 部品番号    | 名前                   | 数量 | UOM |
|------|---------|----------------------|----|-----|
| 28   | 3087803 | EZCal Panel Trionics | 1  | EA  |

# Battery Box Mounting

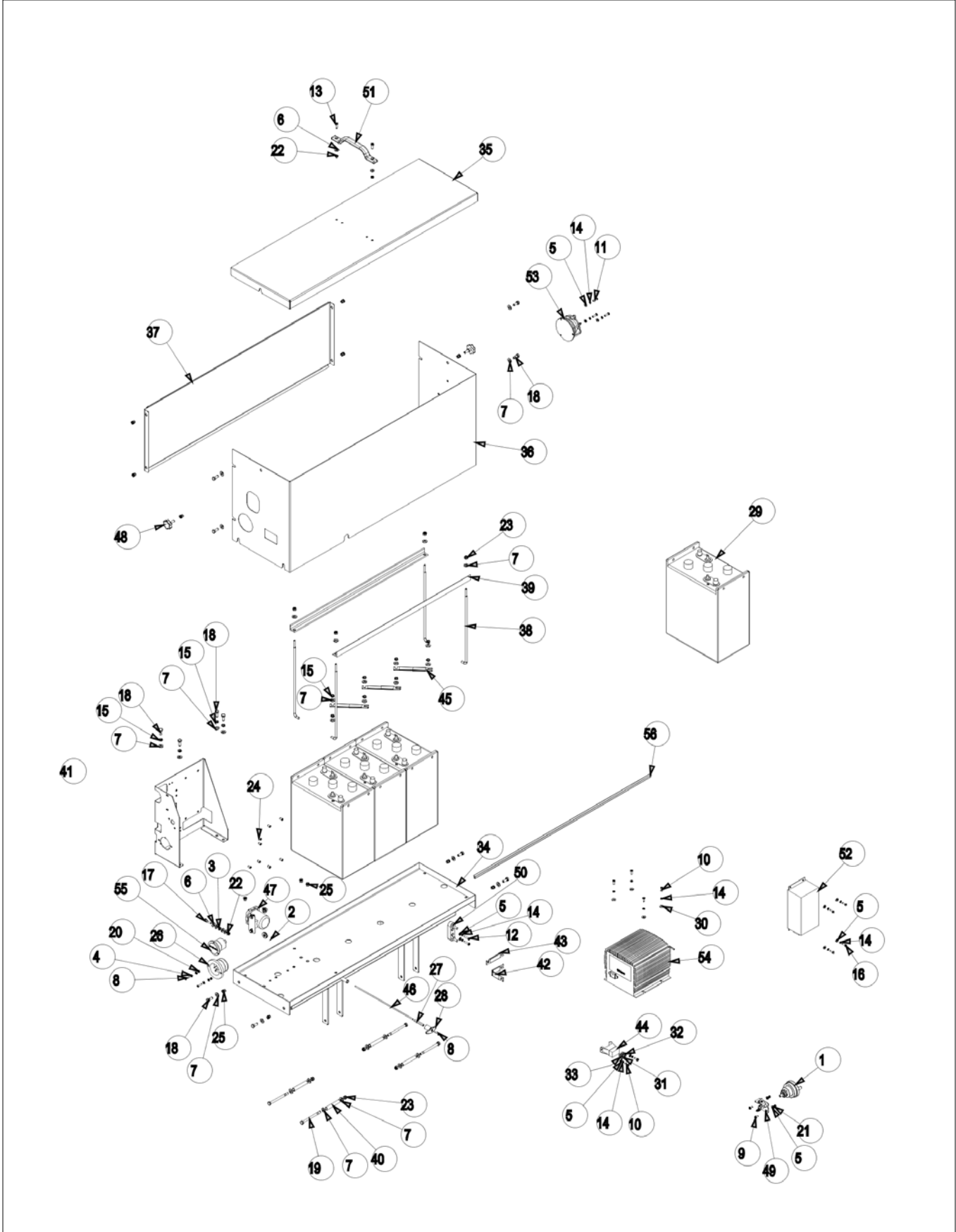


Bolts and anti crush  
spacers under  
chassis RHS  
4 Places



For mounting hardware information  
refer to option exploded view

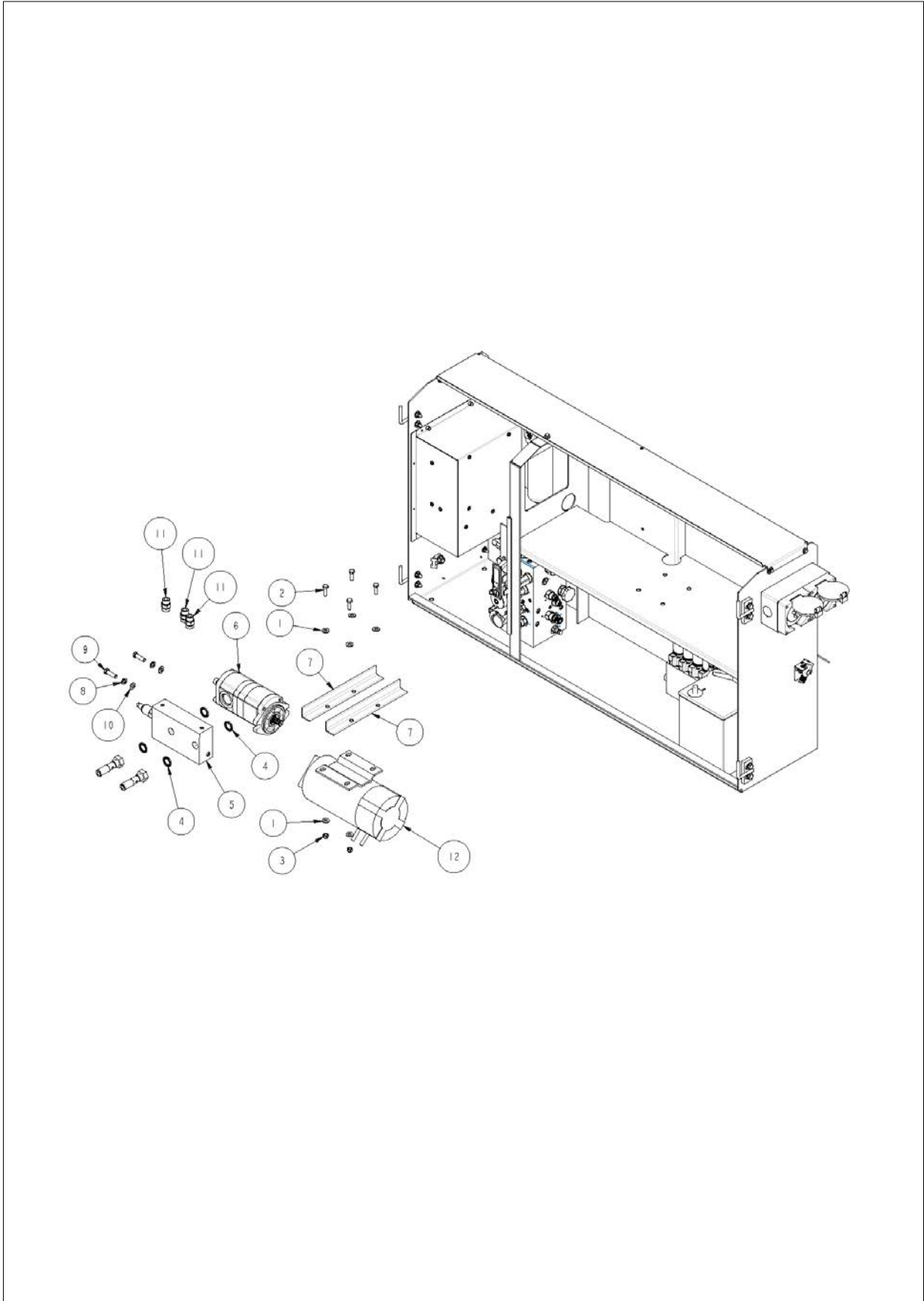
ELECTRICAL



| アイテム | 部品番号       | 名前                          | 数量 | UOM |
|------|------------|-----------------------------|----|-----|
| 0    | 13805A     | 24V DC Option Assembly      |    | EA  |
| 1    | 302 0049   | Switch Battery Disconnect   | 1  | EA  |
| 2    | 3602 04    | Nut (Not Shown)             | 2  | EA  |
| 3    | 3602 06    | Metric Hex Nut              | 1  | EA  |
| 4    | 3603 04    | Plain Washer                | 4  | EA  |
| 5    | 3603 05    | Plain Washer                | 13 | EA  |
| 6    | 3603 06    | Plain Washer                | 10 | EA  |
| 7    | 3603 08    | Plain Washer                | 38 | EA  |
| 8    | 3604 04020 | Pan Head Screw              | 3  | EA  |
| 9    | 3604 05012 | Pan Head Screw              | 2  | EA  |
| 10   | 3604 05016 | Pan Head Screw              | 6  | EA  |
| 11   | 3604 05020 | Pan Head Screw              | 3  | EA  |
| 12   | 3604 05025 | Pan Head Screw              | 2  | EA  |
| 13   | 3604 06020 | Pan Head Screw              | 2  | EA  |
| 14   | 3605 05    | Spring Washer               | 15 | EA  |
| 15   | 3605 08    | Spring Washer               | 15 | EA  |
| 16   | 3610 05016 | Metric Bolt                 | 4  | EA  |
| 17   | 3610 06030 | Metric Bolt                 | 1  | EA  |
| 18   | 3610 08020 | Metric Bolt                 | 12 | EA  |
| 19   | 3610 08100 | Metric Bolt                 | 4  | EA  |
| 20   | 3611 04    | Metric Nyloc Nut            | 2  | EA  |
| 21   | 3611 05    | Metric Nyloc Nut            | 2  | EA  |
| 22   | 3611 06    | Metric Nyloc Nut            | 5  | EA  |
| 23   | 3611 08    | Metric Nylock Nut           | 8  | EA  |
| 24   | 3628 05    | Nutsert M5                  | 12 | EA  |
| 25   | 3628 08    | Nutsert M8                  | 14 | EA  |
| 26   | 9595       | AC Inlet 230V               | 1  | EA  |
| 27   | 12509 50   | Spacer M4 Female x 50mm Hex | 1  | EA  |
| 28   | 12726      | Bleed down handle           | 1  | EA  |

| アイテム | 部品番号        | 名前   | 数量 | UOM |
|------|-------------|--|----|-----|
| 29   | 13100       | Battery, Trojan J305P                        | 4  | EA  |
| 30   | 13525 05    | Washer, M5                                   | 4  | EA  |
| 31   | 13553 05    | Fuse, Blade 5A Tan                           | 1  | EA  |
| 32   | 13553 20    | Fuse, Blade 20A Yellow                       | 1  | EA  |
| 33   | 13553 40    | FUSE 40A                                     | 1  | EA  |
| 34   | 13805 10    | Battery Tray                                 | 1  | EA  |
| 35   | 13805 20    | Lid Battery Box                              | 1  | EA  |
| 36   | 13805 30    | Wrap Panel Battery Box                       | 1  | EA  |
| 37   | 13805 40    | Panel Battery Box Rear                       | 1  | EA  |
| 38   | 13805 50    | Battery "J" Bolt                             | 4  | EA  |
| 39   | 13805 51    | Battery Holden Down Angle                    | 2  | EA  |
| 40   | 13805 60    | Crush Spacer                                 | 4  | EA  |
| 41   | 13805 70    | Battery Box Component Panel                  | 1  | EA  |
| 42   | 13807 20    | Busbar, Switch to Fuse                       | 1  | EA  |
| 43   | 13807 30    | Busbar, Fuse to Contactor                    | 1  | EA  |
| 44   | 13826       | Fuse Block Blade Fuse x 4                    | 1  | EA  |
| 45   | 13827 04    | Busbar, Battery Positive to Battery Negative | 3  | EA  |
| 46   | 13859       | Extn Rod Bleed Down                          | 1  | EA  |
| 47   | 14052       | Contactor 12V Sealed                         | 1  | EA  |
| 48   | 057727 000  | TWIST SCREW FASTNER                          | 2  | EA  |
| 49   | 300840      | Lock Out Lever Assembly                      | 1  | EA  |
| 50   | 446086      | Fuse Block                                   | 1  | EA  |
| 51   | 500052 000  | GRAB HANDLE                                  | 1  | EA  |
| 52   | 510234 000  | Convertor 24V DC to 12V DC                   | 1  | EA  |
| 53   | 514404 000  | BEACON WITH GUARD ANBER FLASHING             | 1  | EA  |
| 54   | 1450029     | BATTERY CHARGER                              | 1  | EA  |
| 55   | 3069521     | INLET FLANGE                                 | 1  | EA  |
| 56   | PCA015 1000 | Rubber Channel Section                       | 1  | EA  |

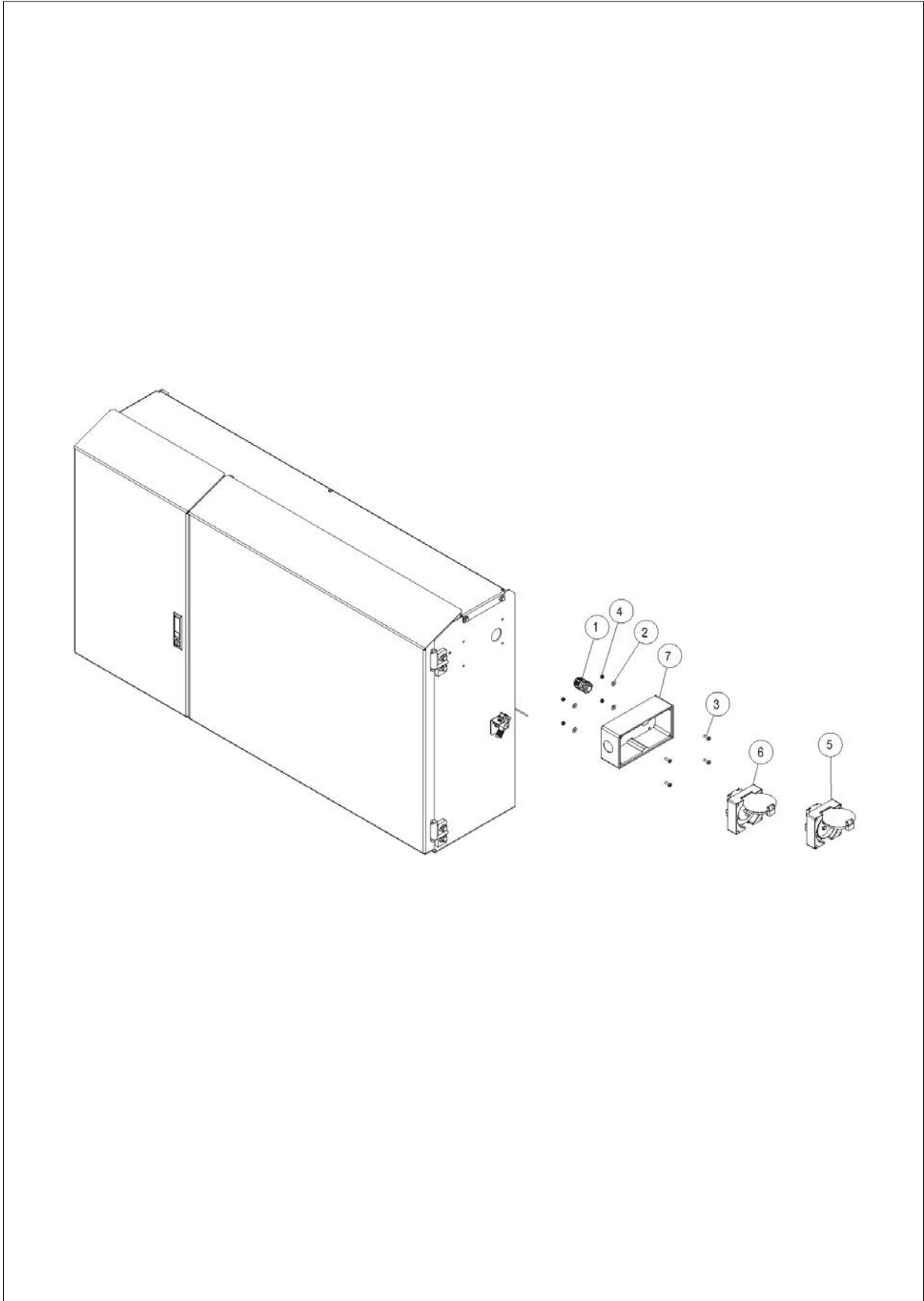
ELECTRICAL





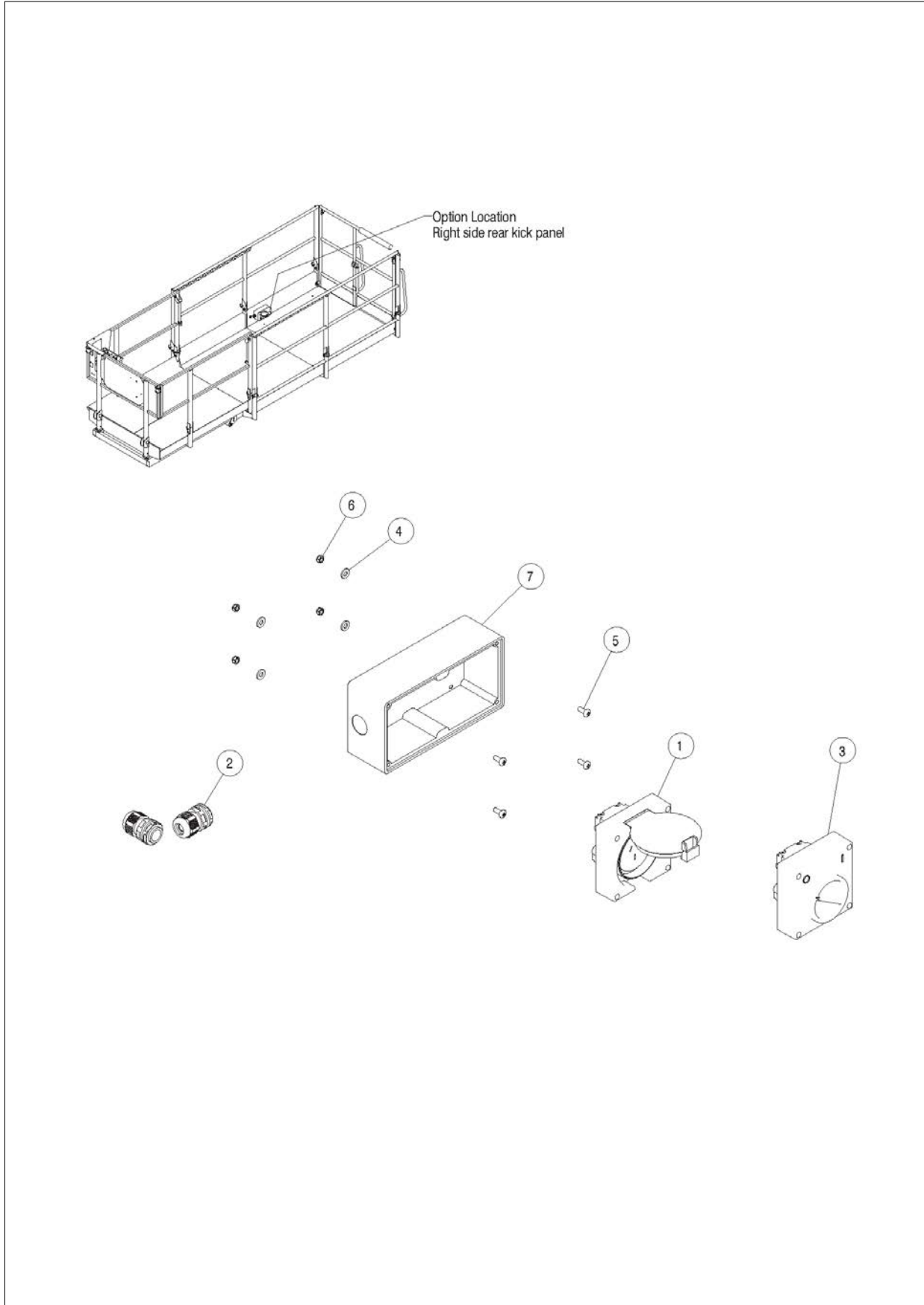
| アイテム | 部品番号       | 名前                                       | 数量 | UOM |
|------|------------|--|----|-----|
| 1    | 3603 08    | Plain Washer                             | 26 | EA  |
| 2    | 3610 08025 | Metric Bolt                              | 4  | EA  |
| 3    | 3611 08    | Metric Nylock Nut                        | 13 | EA  |
| 4    | 7084 004   | Dowty Seal 1/2" BSP                      | 4  | EA  |
| 5    | 13866      | Manifold Unloader Valve                  | 1  | EA  |
| 6    | 13868      | Pump SAE                                 | 1  | EA  |
| 7    | 15005      | Bracket 24V Motor                        | 2  | EA  |
| 8    | 60005 009  | Spring Washer                            | 2  | EA  |
| 9    | 60017 028  | Bolt UNC 3/8 x 1"                        | 2  | EA  |
| 10   | 60030 049  | 3/8" Plain Washer                        | 2  | EA  |
| 11   | 512970 000 | Hyd Fitting Straight ORFS(08)<br>SAE(08) | 3  | EA  |
| 12   | 3087790    | 24V DC Motor                             | 1  | EA  |

OPTIONS



| アイテム | 部品番号       | 名前   | 数量 | UOM |
|------|------------|--|----|-----|
| 1    | 1814       | Cable Gland  | 1  | EA  |
| 2    | 3603 05    | Plain Washer   | 4  | EA  |
| 3    | 3604 05016 | Pan Head Screw   | 4  | EA  |
| 4    | 3611 05    | Metric Nyloc Nut                                       | 4  | EA  |
| 5    | 10967 1    | Residual current device (with<br>appliance inlet pins) | 1  | EA  |
| 6    | 10967 2    | Appliance Inlet  | 1  | EA  |
| 7    | 10967 3    | PDL Enclosure  | 1  | EA  |

OPTIONS



| アイテム | 部品番号       | 名前               | 数量 | UOM |
|------|------------|------------------|----|-----|
| 1    | 1807       | Appliance Outlet | 1  | EA  |
| 2    | 1814       | Cable Gland      | 2  | EA  |
| 3    | 1865 001   | PDL Switch       | 1  | EA  |
| 4    | 3603 05    | Plain Washer     | 4  | EA  |
| 5    | 3604 05012 | Pan Head Screw   | 4  | EA  |
| 6    | 3611 05    | Metric Nyloc Nut | 4  | EA  |
| 7    | 10967 3    | PDL Enclosure    | 1  | EA  |

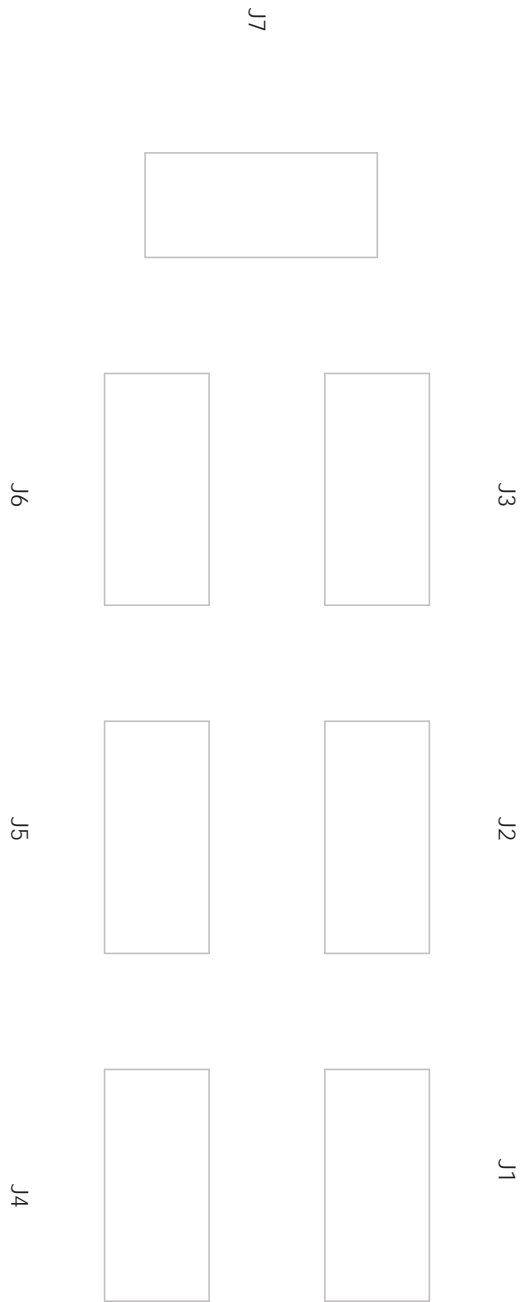




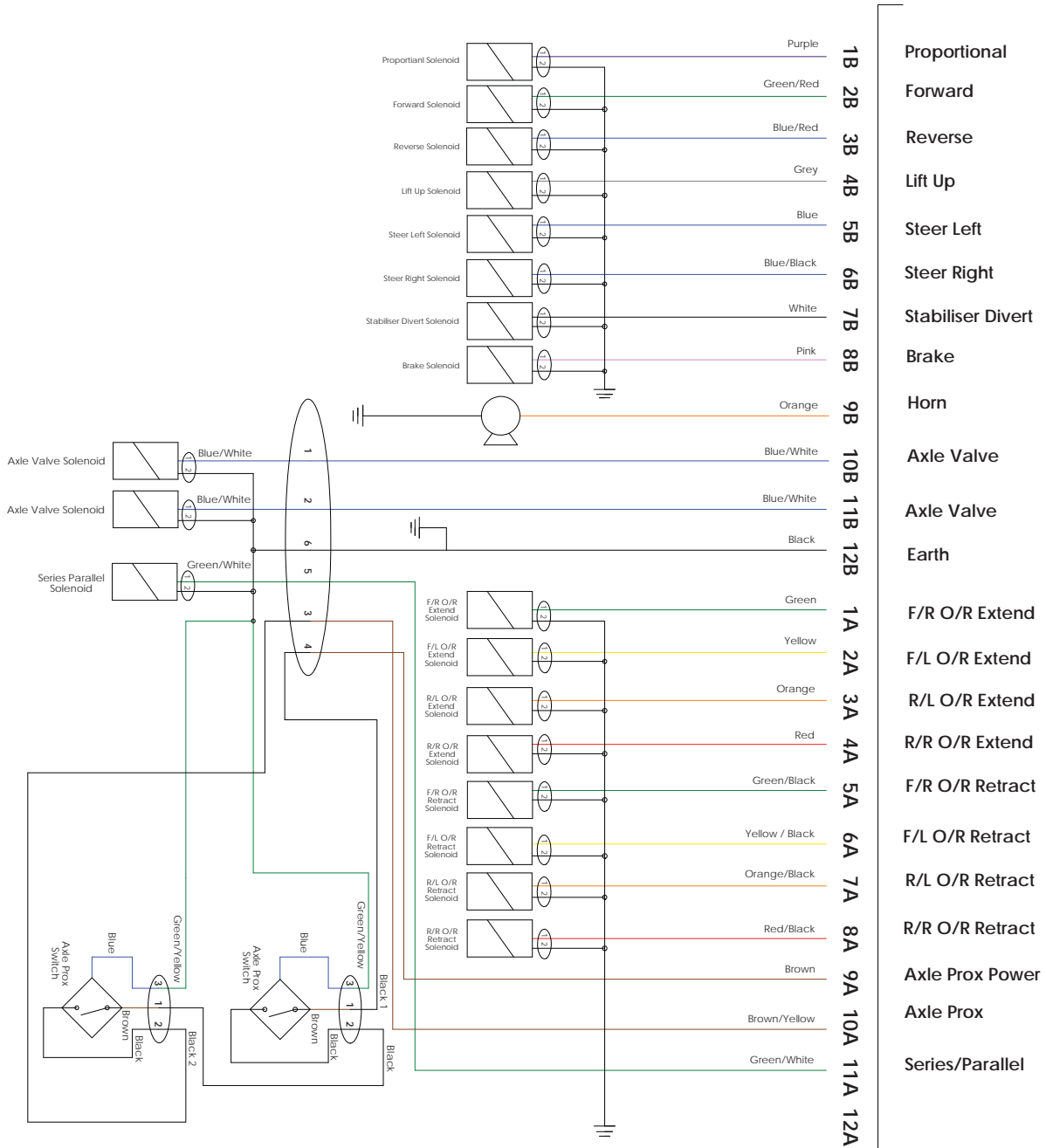




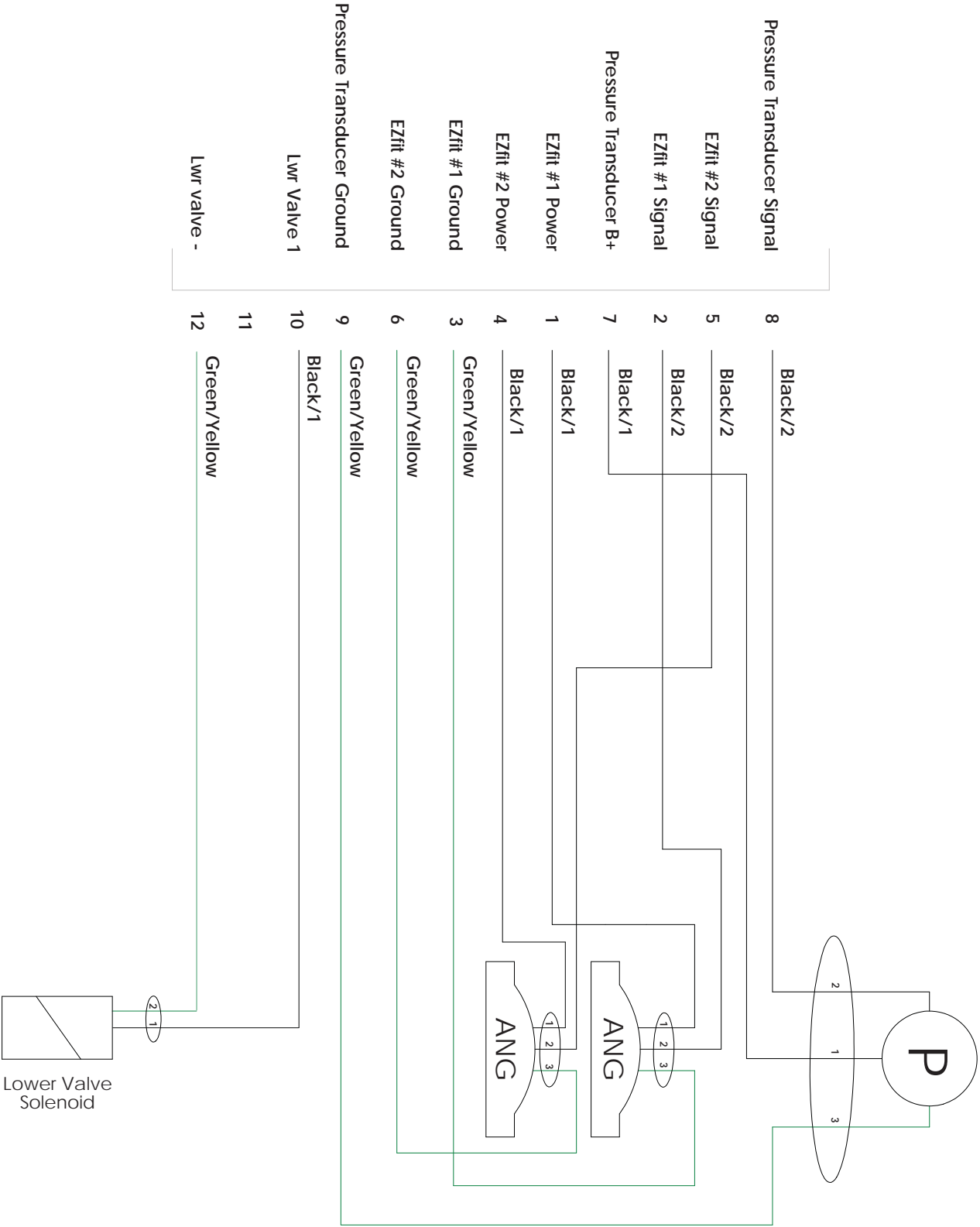
# Top View of Lower Control Box



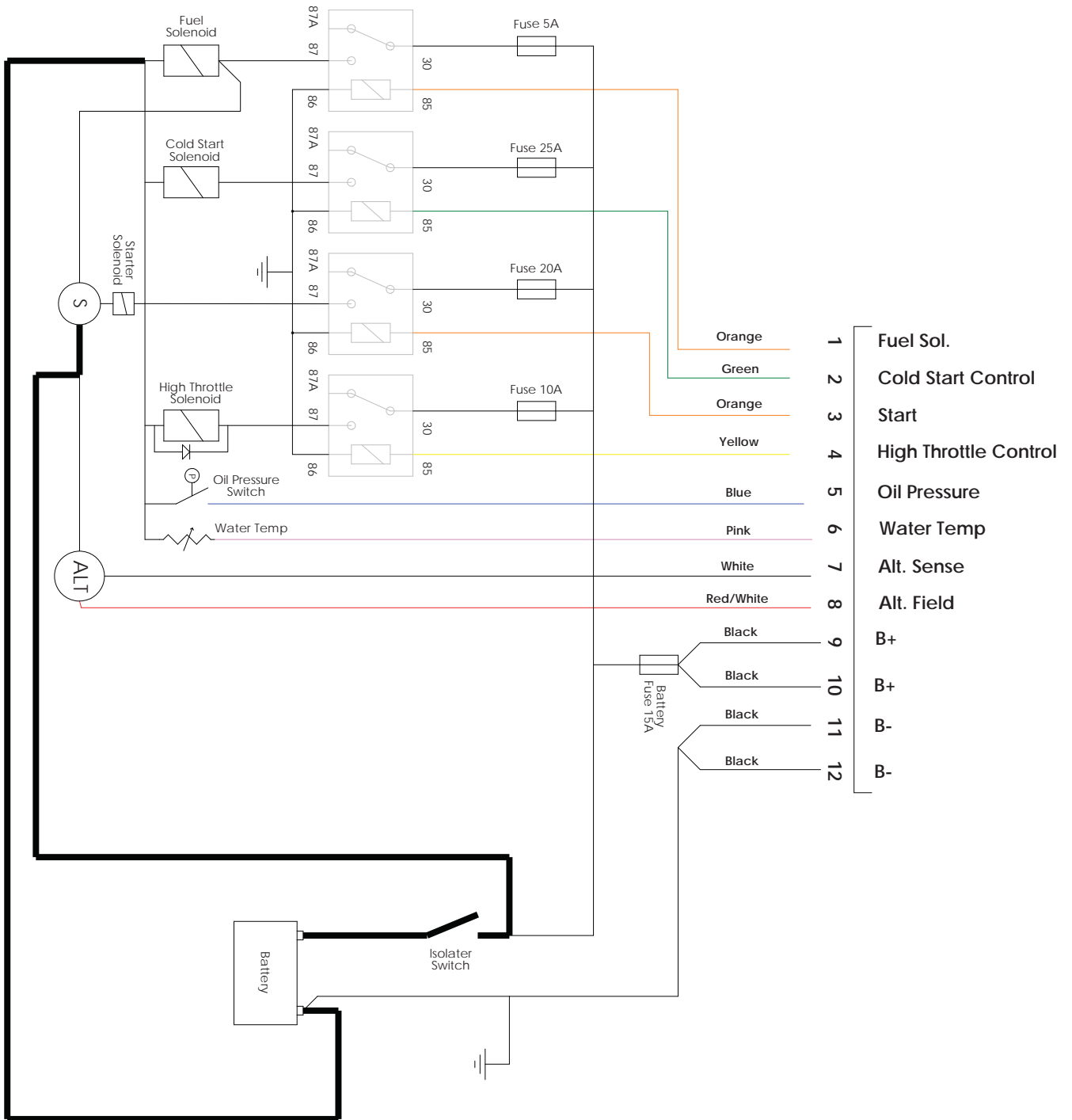
# Hydraulic Compartment Wiring



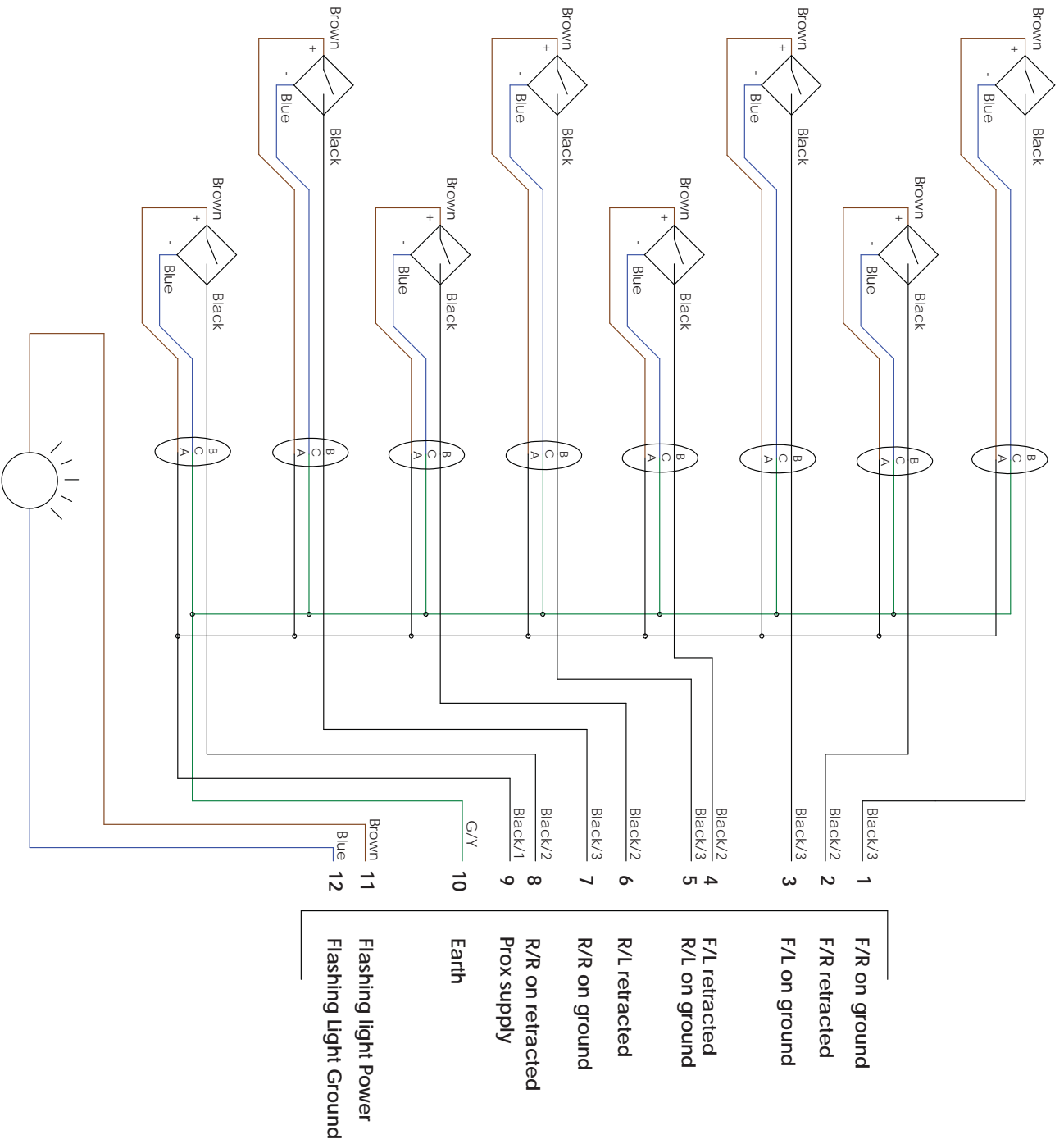
# EZFit Sensors Wiring



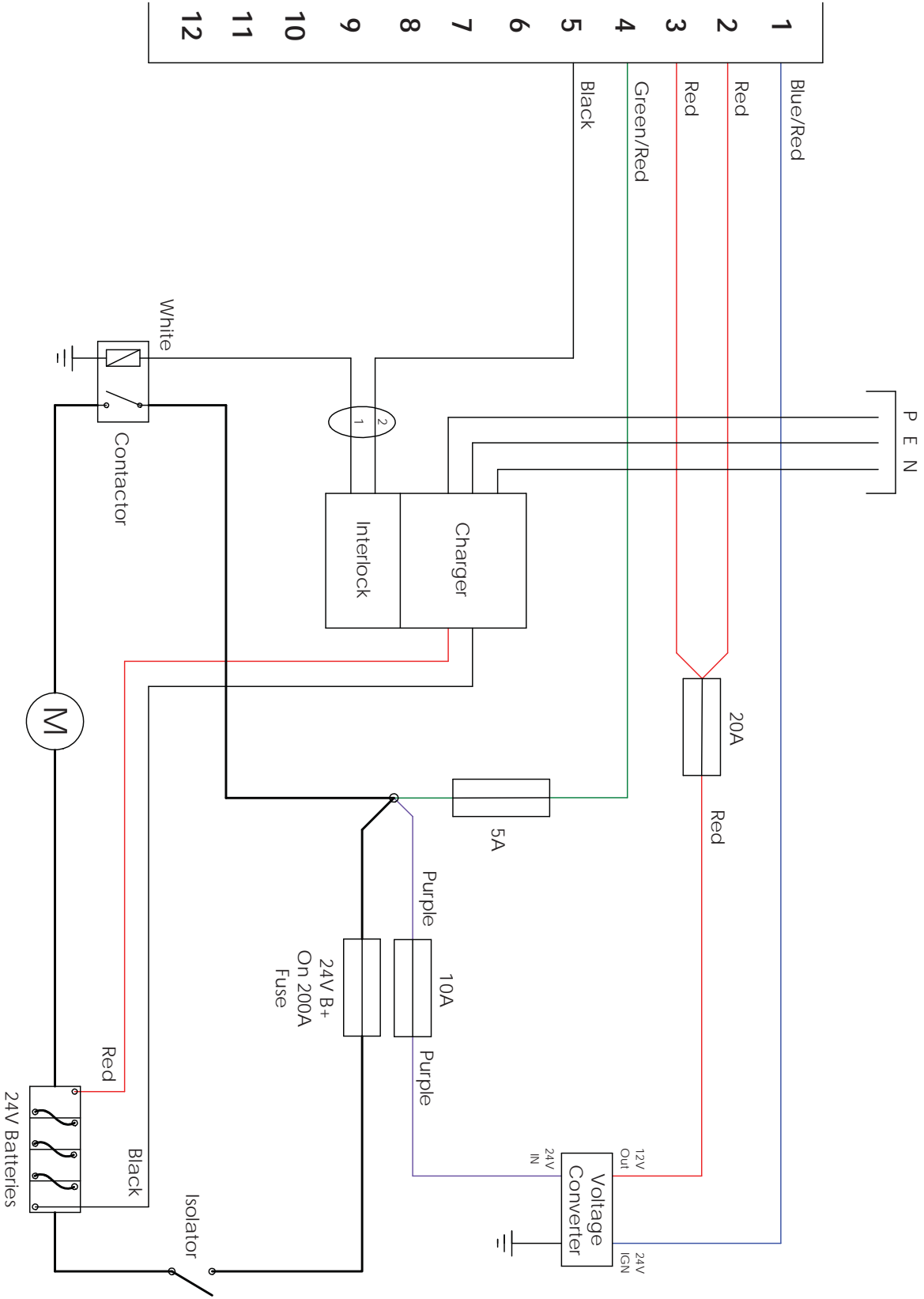
# Engine Compartment Wiring



# Stabiliser Legs Wiring



# 24V DC Option Wiring



|  |  |      |
|--|--|------|
| A  | Engine Cabinet Assembly  | 2-7  |
| 13809-01 AS/NZS/CE Diesel Upper Control Box,<br>Plastic Plug   | Engine Cabinet Assembly After Serial Numbers<br>S2255RT-07-180300155 & S2755RT-07-180300173          | 2-8  |
| 13809-02 ANSI Diesel Upper Control Box,<br>Plastic Plug  | Fuel Cabinet Assembly  | 2-6  |
| 13811-01 CE AS NZ DIESEL LOWER<br>CONTROL BOX  | GP400 I/O Menu and Allocations   | 4-2  |
| 13811-02 ANSI Diesel Lower Control Box   | General Information  | 1-1  |
| 14023-01 AS/NZS/CE Diesel Upper Control Box,<br>Metal Plug   | Hose Part Numbers and Colour Codes   | 3-1  |
| 14023-02 ANSI Diesel Upper Control Box, Metal<br>Plug  | Hydraulic Schematic  | 6-1  |
| 240V At Base Assembly  | Kubota D902 T3 Engine Assembly   | 2-23 |
| 240V At Platform Assembly  | Kubota D902 T4 Engine Assembly   | 2-24 |
| 24V DC Option  | Kubota D902 T4 Engine Assembly After Serial Numbers<br>S2255RT-07-180300155 & S2755RT-07-180300173   | 2-25 |
| 24VDC Cabinet Assembly   | Looms List   | 4-1  |
| 4WD Manifold, No Fittings  | Main Manifold With Fittings  | 3-8  |
| 4WD Manifold, With Fittings  | Main Manifold With Fittings After Serial Numbers<br>S2255RT-07-171100145 & S2755RT-07-171100156      | 3-7  |
| AXLE CYLINDER  | Main Manifold, No Added Fittings   | 3-2  |
| Auto Stabiliser Manifold, No Fittings  | Main Manifold, No Added Fittings After Serial Numbers<br>S2255RT-07-171100145 & S2755RT-07-171100156 | 3-9  |
| Auto Stabiliser Manifold, With Fittings  | Placards and Decals  | 2-28 |
| Axle Cylinder Serial Number S2755RT-07-<br>180600194 and S2755RT-07-180700201 Onwards                  | Placards and Decals Bi-Energy Machines   | 2-29 |
| Base, Stack, Platform Assembly   | Plastic Hydraulic Oil Tank Assembly  | 2-26 |
| Base, Stack, Platform Assembly After Serial<br>Numbers S2255RT-07-180600167 & S2755RT-<br>07-180600191 | Platform Assembly  | 2-14 |
| Battery Box Mounting   | Platform Assembly After Serial Numbers S2255RT-07-<br>000104 & S2755RT-07-000104                     | 2-16 |
| Cabinets Assembly  | Platform Assembly, Version 6   | 2-18 |
| Chassis Assembly Version 5   | Platform Rear Handrail Assembly  | 2-15 |
| Chassis Assembly Version 6   | Platform Rear Handrails Assembly After Serial Numbers<br>S2255RT-07-000109 & S2755RT-07-000104       | 2-17 |
| Control Cabinet Assembly   | S2255RT Scissor Stack  | 2-20 |
| Diesel Fuel Tank Assembly  |  |      |

S2255RT Scissor Stack, Version 5 ..... 2-19  
S2755RT Scissor Stack ..... 2-22  
S2755RT Scissor Stack, Version 5 ..... 2-21  
STEER CYLINDER ..... 3-10  
Steer Axle Assembly ..... 2-3  
Swing Arms Assembly ..... 2-4  
V4 Main Lift Cylinder ..... 3-13  
V4 Stabiliser Assembly from serial numbers  
Sxx70RT-000100 to S2770RT 170400273  
S3370RT-07-170100283 S3970RT-170200179  
2-10  
V4 Stabiliser Cylinder ..... 3-15  
V5 & V6 Stabiliser Assembly from serial numbers  
S2770RT-07-170400274 S3370RT-07-170100284  
S3970RT-07-170200180 ..... 2-11  
V5 Main Lift Cylinder ..... 3-14  
V5 Stabiliser Cylinder ..... 3-16  
Wiring Schematics ..... 6-2



|            |           |  |
|------------|-----------|--|
| B          | 11430-5   | 2-26   |
| 007-3298   | 11487     | 2-26   |
| 0070901E   | 11492-1   | 2-3  |
| 0083427    | 11492-3   | 2-12, 2-13, 2-14, 2-16, 2-18, 2-19, 2-20, 2-21, 2-22 |
| 032-3897   | 11492-4   | 2-10, 2-11, 3-15, 3-16                               |
| 0372061    | 11590     | 2-3  |
| 057727-000 | 11595-9   | 2-3  |
| 100432-002 | 11596     | 2-5  |
| 100432-004 | 11600     | 2-4  |
| 100432-007 | 11601     | 2-3  |
| 100432-009 | 11629     | 2-3, 2-4   |
| 100432-027 | 11642     | 3-11   |
| 100433-008 | 11642A    | 2-4, 3-11  |
| 100434-002 | 11642K    | 3-11   |
| 100434-004 | 11642K-PB | 3-11   |
| 100434-014 | 11642K-UH | 3-11   |
| 100434-015 | 11658-20  | 2-12, 2-13   |
| 100434-021 | 11679     | 2-5, 2-6   |
| 10114      | 11680     | 2-5, 2-6   |
| 10118      | 11687     | 3-13   |
| 10254      | 11687K    | 3-13   |
| 10268-1    | 11687K-PB | 3-13   |
| 10967-1    | 11687K-UH | 3-13   |
| 10967-2    | 11691-10  | 2-15   |
| 10967-3    | 11695     | 2-14, 2-16, 2-18                                     |
| 10996-2    | 11695-3   | 2-14, 2-16, 2-18                                     |
| 11143-2    | 11695R    | 2-14, 2-16, 2-18                                     |
| 11305      | 11699     | 2-3, 3-10  |
| 11366-1    | 11699A    | 3-10   |
| 11366-2    | 11699K    | 3-10   |
| 11367-2    | 11699K-PB | 3-10   |
| 11369      | 11699K-UH | 3-10   |
| 11380      | 11804     | 2-19, 2-20, 2-21, 2-22                               |
| 11430-1    |           |  |

---

|           |                                  |          |                              |
|-----------|----------------------------------|----------|------------------------------|
| 12036     | 2-10, 2-11, 3-15, 3-16           | 12567-3  | 3-2                          |
| 12036-5   | 2-7, 2-8, 2-10, 2-11, 3-15, 3-16 | 12567-8  | 3-2, 3-9                     |
| 12036-6   | 2-10, 2-11, 3-15, 3-16           | 12567-9  | 3-2, 3-9                     |
| 12036K    | 3-15                             | 12568-1  | 3-2, 3-4, 3-9                |
| 12036K-PB | 3-15                             | 12569-2  | 3-6                          |
| 12036K-UH | 3-15                             | 12569-3  | 3-6                          |
| 12286-3L  | 2-3                              | 12569-5  | 3-6                          |
| 12286-3R  | 2-4                              | 12569-6  | 3-6                          |
| 12296     | 2-4                              | 12574    | 2-28, 2-29                   |
| 12303     | 2-3                              | 12589    | 2-12, 2-14                   |
| 12313-10  | 2-6                              | 12621    | 2-19                         |
| 12313-11  | 2-5                              | 12647-1  | 3-13, 3-14                   |
| 12314-3   | 2-6                              | 12648    | 3-13, 3-14                   |
| 12314-4   | 2-6                              | 12699-1  | 2-28, 2-29                   |
| 12329     | 2-6                              | 12699-2  | 2-28                         |
| 12509-50  | 4-10                             | 12699-8  | 2-29                         |
| 12529     | 2-19, 2-21                       | 12709-10 | 2-14, 2-16, 2-18             |
| 12530     | 2-19, 2-21                       | 12713    | 2-19, 2-21                   |
| 12536-3   | 4-3, 4-4, 4-5, 4-6, 4-7, 4-8     | 12726    | 4-10                         |
| 12536-4   | 4-3, 4-4, 4-5, 4-6, 4-7          | 1273-2   | 2-1, 2-2                     |
| 12566     | 2-12                             | 12753    | 2-28, 2-29                   |
| 12566-2   | 2-12, 2-13                       | 12814    | 2-28, 2-29                   |
| 12566-3   | 2-12, 2-13                       | 12818    | 2-1, 2-2                     |
| 12567-1   | 3-2, 3-9                         | 12833-4  | 2-28, 2-29                   |
| 12567-11  | 3-2, 3-6, 3-9                    | 12835-1  | 3-11, 3-12                   |
| 12567-15  | 3-2, 3-9                         | 12850    | 2-12                         |
| 12567-19  | 3-2, 3-9                         | 12857-10 | 2-5                          |
| 12567-2   | 3-2, 3-9                         | 12866-3R | 2-3                          |
| 12567-20  | 3-2                              | 12906    | 2-19, 2-21                   |
| 12567-21  | 3-2, 3-9                         | 12914-10 | 4-3, 4-4, 4-5, 4-6, 4-7, 4-8 |
| 12567-22  | 3-2, 3-9                         | 12914-11 | 4-3, 4-4, 4-5, 4-6           |
| 12567-23  | 3-2, 3-9                         | 12914-12 | 4-7, 4-8                     |
| 12567-24  | 3-2, 3-9                         | 12914-13 | 4-7, 4-8                     |
| 12567-25  | 3-2, 3-9                         | 12914-17 | 4-7                          |

---

|            |                  |          |                    |
|------------|------------------|----------|--------------------|
| 12942      | 2-26             | 13106    | 2-27               |
| 12956      | 2-23             | 13106-1A | 2-6, 2-27          |
| 12960      | 2-23             | 13106-5  | 2-26               |
| 12961      | 2-23, 2-24, 2-25 | 13106-5A | 2-6, 2-26          |
| 13022      | 2-23             | 13108-04 | 2-26, 2-27         |
| 13023      | 2-23, 2-24       | 13109    | 2-27               |
| 13028      | 2-7              | 13111    | 2-28, 2-29         |
| 13028-10   | 2-7, 2-8         | 13122-11 | 2-14, 2-16, 2-18   |
| 13028-9    | 2-7, 2-8         | 13122-12 | 2-14, 2-16, 2-18   |
| 13032      | 2-7, 2-8         | 13122-14 | 2-14, 2-16, 2-18   |
| 13049      | 2-23, 2-24, 2-25 | 13124    | 2-14               |
| 13074      | 2-23, 2-24, 2-25 | 13127    | 2-15               |
| 13074-5    | 2-23             | 13128    | 2-14, 2-16, 2-18   |
| 13074-6    | 2-24, 2-25       | 13130    | 2-14               |
| 13086      | 2-8, 2-23        | 13131    | 2-14               |
| 13086-01   | 2-23, 2-24, 2-25 | 13152    | 2-14               |
| 13086-02   | 2-9              | 13152A   | 2-14               |
| 13086-03   | 2-7, 2-8         | 13153    | 2-14               |
| 13086-04   | 2-8              | 13155    | 2-14, 2-16, 2-18   |
| 13086-05   | 2-7, 2-7, 2-8    | 13156A   | 2-14               |
| 13086-08   | 2-25             | 13161-17 | 3-2, 3-9           |
| 13086-32   | 2-25             | 13161-18 | 3-9                |
| 13089-1    | 2-28, 2-29       | 13161-28 | 3-2, 3-9           |
| 13089-2    | 2-28, 2-29       | 13162    | 3-6                |
| 13089-3    | 2-28             | 13164    | 2-5                |
| 13095      | 2-23, 2-24, 2-25 | 13167-18 | 3-2                |
| 13096      | 2-8              | 13262    | 2-16, 2-18         |
| 13097      | 2-23             | 13264    | 2-16, 2-18         |
| 13099-2    | 2-9              | 13268    | 2-16, 2-18         |
| 13100      | 4-10             | 13485-02 | 4-3, 4-4, 4-5, 4-6 |
| 13101      | 2-7, 2-8         | 13485-03 | 4-7, 4-8           |
| 13102      | 2-7, 2-8         | 13485-05 | 4-7, 4-8           |
| 13103      | 2-7, 2-8         | 13525-05 | 4-10               |
| 13104-0510 | 2-23             | 13553-05 | 4-10               |

---

|          |                  |           |                      |
|----------|------------------|-----------|----------------------|
| 13553-20 | 4-10             | 13807-20  | 4-10                 |
| 13553-40 | 4-10             | 13807-30  | 4-10                 |
| 13574-16 | 2-20, 2-22       | 13808     | 4-3, 4-4             |
| 13601-1  | 2-28             | 13808-01  | 4-3, 4-4, 4-5, 4-6   |
| 13640-3  | 2-29             | 13809-01  | 4-4                  |
| 13667-1  | 2-20, 2-22       | 13809-02  | 4-3                  |
| 13667-15 | 2-20, 2-22, 2-22 | 13810     | 4-7, 4-8             |
| 13667-2  | 2-20, 2-22       | 13810-5   | 4-7, 4-8             |
| 13667-32 | 2-20, 2-22       | 13811     | 2-5, 4-7             |
| 13667-33 | 2-20, 2-22       | 13811-02  | 4-8                  |
| 13667-35 | 2-22             | 13811-1   | 4-7, 4-8             |
| 13667-36 | 2-20, 2-22       | 13814     | 2-28, 2-29           |
| 13771-40 | 2-10, 3-15       | 13823     | 2-19, 2-21           |
| 13771-45 | 2-10, 3-15       | 13826     | 4-10                 |
| 13771-50 | 2-10             | 13827-04  | 4-10                 |
| 13779    | 3-7, 3-8         | 13838-01  | 2-28, 2-29           |
| 13779-01 | 3-2, 3-9         | 13839-01  | 2-28, 2-29, 4-7, 4-8 |
| 13779-02 | 3-9              | 13841     | 2-16, 2-18           |
| 13779-03 | 3-9              | 13847-996 | 4-3, 4-4             |
| 13780    | 3-5              | 13859     | 4-10                 |
| 13780A   | 2-1, 2-2         | 13862     | 4-3, 4-4, 4-5, 4-6   |
| 13781    | 3-3              | 13866     | 4-11                 |
| 13781-01 | 3-4              | 13868     | 4-11                 |
| 13781A   | 2-5              | 13869-01  | 2-5, 2-6             |
| 13805-10 | 4-10             | 13869-02  | 2-5, 2-6, 2-7, 2-8   |
| 13805-20 | 4-10             | 13871     | 2-16, 2-18           |
| 13805-30 | 4-10             | 13872     | 2-5, 2-7             |
| 13805-40 | 4-10             | 13881-08  | 3-2, 3-4, 3-9        |
| 13805-50 | 4-10             | 13893-01  | 2-19                 |
| 13805-51 | 4-10             | 13893-02  | 2-12, 2-21           |
| 13805-60 | 4-10             | 13895     | 3-2, 3-9             |
| 13805-70 | 4-10             | 13903-11  | 2-28                 |
| 13805A   | 4-10             | 13903-12  | 2-28                 |
| 13806    | 2-7              | 13903-16  | 2-29                 |

---

|            |                        |           |                  |
|------------|------------------------|-----------|------------------|
| 13903-17   | 2-29                   | 1450029   | 4-10             |
| 13906-03   | 2-19, 2-20, 2-21, 2-22 | 14504A    | 2-16             |
| 13907      | 3-13                   | 15005     | 4-11             |
| 13909      | 2-17                   | 15013-063 | 3-14             |
| 13921      | 2-14, 2-16, 2-18       | 15023A    | 2-12             |
| 13926-1008 | 4-7, 4-8               | 15024A    | 2-12             |
| 13928      | 2-13                   | 15056     | 2-26             |
| 13931      | 2-13                   | 15085-01  | 3-16             |
| 13952      | 3-14                   | 15085-02  | 3-16             |
| 13968A     | 2-6, 2-9               | 15085-03  | 2-1, 2-2, 2-11   |
| 13969A     | 2-5, 2-9               | 15088     | 2-5              |
| 13970      | 2-14                   | 15106     | 2-8              |
| 13971      | 2-14                   | 15107-02  | 2-8              |
| 13978-01   | 2-24, 2-25             | 15108     | 2-8              |
| 13978-02   | 2-24, 2-25             | 15109     | 2-25             |
| 13978-03   | 2-24, 2-25             | 15132-01  | 2-13, 2-20       |
| 13986      | 2-24                   | 15132-02  | 2-13, 2-22       |
| 14004      | 2-24                   | 15159-01  | 2-2, 2-13        |
| 14022      | 4-5, 4-6               | 15159-02  | 2-2, 2-13        |
| 14023      | 2-14, 2-16, 2-18       | 15164-01  | 2-18             |
| 14023-01   | 4-6                    | 15167     | 2-25             |
| 14023-02   | 4-5                    | 15201-09  | 2-12, 2-13       |
| 14043      | 2-24                   | 15201-12  | 2-12, 2-13       |
| 14044      | 2-24, 2-25             | 15201-16  | 2-12, 2-13       |
| 14052      | 4-10                   | 15201-20  | 2-12, 2-13       |
| 14055      | 2-16, 2-18             | 15202     | 2-13, 2-18       |
| 14056      | 2-16, 2-18             | 15204     | 3-12             |
| 14057      | 2-17                   | 15204A    | 2-4, 3-12        |
| 14057A     | 2-16, 2-18             | 1650-010  | 2-7, 2-8, 4-8    |
| 14058      | 2-17                   | 1807      | 5-2              |
| 14098-01   | 2-11                   | 1814      | 2-10, 5-1, 5-2   |
| 14098-02   | 2-11, 3-16             | 1843      | 2-28, 2-29       |
| 14098-03   | 2-11                   | 1865-001  | 5-2              |
| 1431833    | 2-5                    | 2022-005  | 2-23, 2-24, 2-25 |

|  |                              |   |
|--|------------------------------|---|
| 2065-002   | 2-7, 2-8, 2-23, 4-7, 4-8     | 2-14, 2-15, 2-16, 2-17, 2-18, 2-19, 2-21, 2-22, 2-23, 2-24, |
| 2069   | 2-5                          | 2-25, 2-26, 3-13, 3-14, 3-15, 3-16, 4-10                    |
| 2650001  | 2-23, 2-24                   | 3603-08 2-1, 2-2, 2-5, 2-6, 2-7, 2-8, 2-9, 2-16, 2-18, 2-   |
| 2690004  | 2-23, 2-24                   | 23, 2-24, 2-25, 4-10, 4-11                                  |
| 300699   | 2-28, 2-29                   | 3603-10 2-5, 2-6, 2-9, 2-14, 2-16, 2-18, 2-19, 2-20, 2-21,  |
| 300700   | 2-28, 2-29                   | 2-22, 2-23, 2-24, 2-25                                      |
| 300840   | 2-5, 4-10                    | 3603-10H 2-23   |
| 301440   | 2-6                          | 3603-12 2-3, 2-14, 2-16, 2-18                               |
| 302-0049   | 2-5, 4-10                    | 3603-12HD 2-3, 2-4  |
| 3020015  | 4-3, 4-4, 4-5, 4-6, 4-7, 4-8 | 3603-16HD 2-4   |
| 3020016  | 4-3, 4-4, 4-5, 4-6, 4-7, 4-8 | 3604-03010 4-3, 4-4   |
| 3020080  | 4-3, 4-4, 4-5, 4-6           | 3604-04012 4-7, 4-8   |
| 3020097  | 4-4, 4-6, 4-7                | 3604-04020 4-10   |
| 302544   | 2-14, 2-16, 2-18             | 3604-04025 4-7, 4-8   |
| 3028933  | 4-3, 4-4, 4-5, 4-6           | 3604-05012 2-5, 2-7, 2-8, 4-8, 4-10, 5-2                    |
| 302950   | 2-28, 2-29                   | 3604-05016 4-3, 4-4, 4-5, 4-6, 4-10, 5-1                    |
| 3030158  | 3-13, 3-14                   | 3604-05020 2-1, 2-2, 4-10                                   |
| 304-0174   | 2-23, 2-24                   | 3604-05025 4-3, 4-4, 4-5, 4-6, 4-10                         |
| 3040269  | 2-5                          | 3604-06020 4-10   |
| 3040411  | 4-3, 4-4, 4-7, 4-8           | 3605-05 4-3, 4-4, 4-4, 4-5, 4-6, 4-10                       |
| 3040469  | 4-7                          | 3605-06 2-1, 2-2, 2-5, 2-8, 2-11, 2-15, 2-17, 2-25, 3-13,   |
| 3049861  | 4-5, 4-6                     | 3-14, 3-16  |
| 3049862  | 4-5, 4-6                     | 3605-08 2-1, 2-2, 2-7, 2-8, 2-23, 2-24, 2-25, 4-10          |
| 3069521  | 4-10                         | 3605-10 2-5, 2-23, 2-24, 2-25                               |
| 3087790  | 4-11                         | 3606-06 2-20  |
| 3087803  | 4-7, 4-8                     | 3606-06016 2-12, 2-13                                       |
| 3601-1   | 2-29                         | 3606-06020 2-14, 2-16, 2-18                                 |
| 3602-04  | 4-10                         | 3606-06025 2-14, 2-16, 2-18, 2-19, 2-20, 2-21, 2-22         |
| 3602-06  | 4-10                         | 3610-05016 2-8, 2-14, 2-16, 2-18, 4-3, 4-4, 4-5, 4-6, 4-    |
| 3602-08  | 2-23, 2-24, 2-25             | 10  |
| 3603-04  | 4-7, 4-8, 4-10               | 3610-05020 2-7, 2-8, 4-7                                    |
| 3603-05 2-1, 2-2, 2-5, 2-7, 2-8, 2-14, 2-16, 2-18, |                              | 3610-06012 2-11, 3-13, 3-14                                 |
| 4-3, 4-5, 4-6, 4-7, 4-8, 4-10, 5-1, 5-2            |                              | 3610-06016 2-1, 2-2, 2-3, 2-6, 2-11, 2-15, 2-25, 3-16       |
| 3603-06 2-1, 2-2, 2-5, 2-6, 2-7, 2-8, 2-10, 2-11,  |                              | 3610-06020 2-5, 2-6, 2-7, 2-8, 2-10, 2-14, 2-16, 2-18, 2-   |

|  |   |
|--|---|
| 23, 2-24, 3-15   | 2-24, 2-25, 4-10, 4-11  |
| 3610-06025 ..... 2-5, 2-23, 2-24   | 3611-10 2-5, 2-6, 2-9, 2-14, 2-16, 2-18, 2-19, 2-20, 2-21, 2-22, 2-23, 2-24, 2-25 |
| 3610-06030 ..... 4-10  | 3611-12 ..... 2-3, 2-4, 2-14, 2-16, 2-18  |
| 3610-06040 ..... 2-17  | 3611-16 ..... 2-4   |
| 3610-06085 ..... 3-13, 3-14  | 3613-05040 ..... 2-17   |
| 3610-06110 ..... 2-10, 2-11  | 3613-08020 ..... 2-24, 2-25   |
| 3610-06120 ..... 2-10, 3-15  | 3613-08030 ..... 2-24, 2-25   |
| 3610-08016 ..... 2-1, 2-2  | 3616-12060 ..... 2-3, 2-4   |
| 3610-08020 ..... 2-5, 2-9, 2-24, 2-25, 4-10  | 3616-12100 ..... 2-4  |
| 3610-08025 ..... 2-6, 2-24, 2-25, 4-11   | 3616-16140 ..... 2-4  |
| 3610-08030 ..... 2-5, 2-7, 2-8, 2-23, 2-24, 2-25   | 3617-10020 ..... 2-23, 2-24, 2-25   |
| 3610-08040 ..... 2-7, 2-8, 2-24, 2-25  | 3618-10 ..... 2-6   |
| 3610-08045 ..... 2-16, 2-18  | 3618-11 ..... 2-26, 2-27  |
| 3610-08100 ..... 4-10  | 3618-26 ..... 2-26  |
| 3610-10020 . 2-5, 2-12, 2-13, 2-14, 2-16, 2-18, 2-19, 2-20, 2-21, 2-22   | 3618-32 ..... 2-6   |
| 3610-10025 2-5, 2-9, 2-12, 2-13, 2-19, 2-20, 2-21, 2-22, 2-23, 2-24, 2-25  | 3618-43 ..... 2-6   |
| 3610-10035 ..... 2-10, 2-11, 3-15, 3-16  | 3619-5 ..... 2-19, 2-20, 2-21, 2-22   |
| 3610-10050 ..... 2-6, 2-14, 2-16, 2-18   | 3624-2 ..... 2-19, 2-20, 2-21, 2-22   |
| 3610-10055 ..... 2-6   | 3624-27 ..... 3-10  |
| 3610-10070 ..... 2-6, 2-14   | 3624-3 ..... 2-12, 2-13, 2-19, 2-20, 2-21, 2-22                                   |
| 3610-10075 ..... 2-14, 2-16, 2-18  | 3624-40 ..... 3-14  |
| 3610-10120 ..... 2-19, 2-20, 2-21, 2-22  | 3626-1 ..... 2-3  |
| 3610-12050 ..... 2-3   | 3626-19 ..... 3-14  |
| 3610-12130 ..... 2-14, 2-16, 2-18  | 3626-2 ..... 2-4, 2-14, 2-16, 2-18  |
| 3611-03 ..... 4-3, 4-4   | 3626-3 ..... 3-11, 3-12   |
| 3611-04 ..... 4-7, 4-8, 4-10   | 3626-8 ..... 2-10, 2-11, 3-15, 3-16   |
| 3611-05 . 2-1, 2-2, 2-5, 2-7, 2-8, 2-14, 2-16, 2-17, 2-18, 4-3, 4-4, 4-5, 4-6, 4-10, 5-1, 5-2                                    | 3628-05 ..... 4-8, 4-10   |
| 3611-06 2-5, 2-6, 2-7, 2-8, 2-10, 2-11, 2-14, 2-16, 2-17, 2-18, 2-19, 2-20, 2-21, 2-22, 2-23, 2-24, 2-26, 3-13, 3-14, 3-15, 4-10 | 3628-06 ..... 2-15, 4-8   |
| 3611-08 . 2-5, 2-6, 2-7, 2-8, 2-9, 2-16, 2-18, 2-23,   | 3628-08 ..... 4-10  |
|  | 3629-5062L ..... 2-19, 2-20, 2-21, 2-22   |
|  | 3633-3 ..... 2-10, 2-11   |
|  | 3641-06 ..... 3-13, 3-14  |
|  | 4381 ..... 2-5  |

|            |                          |            |  |
|------------|--------------------------|------------|--|
| 446086     | 4-10                     | 60042-051N | 2-23   |
| 45198-6    | 2-28, 2-29               | 6010833    | 3-13   |
| 476706     | 2-28, 2-29               | 6018024    | 3-13, 3-14   |
| 500052-000 | 4-10                     | 6019180    | 3-2, 3-4, 3-6, 3-9, 3-11, 3-12                       |
| 501453-000 | 2-28, 2-29               | 6019184    | 3-2, 3-9, 3-13, 3-14                                 |
| 505072-000 | 2-4, 2-10, 3-15          | 6019325    | 2-5  |
| 510234-000 | 4-10                     | 605246     | 2-26   |
| 511067-000 | 2-28, 2-29               | 605256     | 2-26, 2-27   |
| 511099-000 | 2-28, 2-29               | 605726     | 2-28, 2-29   |
| 511101-000 | 2-28, 2-29               | 621486     | 2-28, 2-29   |
| 511327-000 | 2-4                      | 65004-008  | 2-6  |
| 512970-000 | 3-3, 3-5, 3-7, 3-8, 4-11 | 7031-004   | 2-23, 2-24, 2-25                                     |
| 514345-000 | 4-7, 4-8                 | 7035-001   | 3-5  |
| 514404-000 | 2-1, 2-2, 4-10           | 7035-002   | 3-7, 3-8   |
| 5560179    | 2-6, 2-16, 2-18          | 7084-004   | 4-11   |
| 56112-6    | 3-13                     | 7098-7     | 2-23, 2-24, 2-25                                     |
| 562386     | 2-14, 2-16, 2-18         | 7434       | 2-8  |
| 562426     | 2-28, 2-29               | 7495       | 2-15, 2-17   |
| 583656     | 2-28, 2-29               | 7630208    | 2-23, 2-24, 2-25                                     |
| 60005-007  | 2-6                      | 8113673    | 2-3  |
| 60005-009  | 4-11                     | 8342416    | 2-5, 2-6, 2-7, 2-8                                   |
| 60015-006  | 2-6                      | 8342416-1  | 2-5, 2-7, 2-8  |
| 60017-006  | 2-5                      | 8342416-2  | 2-5, 2-7, 2-8  |
| 60017-007  | 2-23                     | 8342416-3  | 2-5, 2-7, 2-8  |
| 60017-010  | 2-23, 2-24, 2-25         | 8626       | 2-12, 2-13, 2-14, 2-16, 2-18, 2-19, 2-20, 2-21, 2-22 |
| 60017-028  | 4-11                     | 8628       | 2-3  |
| 60021-008  | 2-23, 2-24               | 8699       | 2-12, 2-13, 2-19, 2-21                               |
| 60027-013  | 2-5                      | 8926-1     | 2-14, 2-15, 2-16, 2-18                               |
| 60027-014  | 2-7, 2-8                 | 9292       | 2-19, 2-20, 2-21, 2-22                               |
| 60027-067N | 2-16, 2-18               | 9311       | 2-3  |
| 60030-006  | 2-6                      | 9319       | 2-3  |
| 60030-049  | 4-11                     | 9331       | 2-21   |
| 60030-198  | 2-16, 2-18               | 9332       | 2-21   |
| 60030-19B  | 2-14                     | 9502       | 2-21   |



|                   |                        |
|-------------------|------------------------|
| 9595 .....        | 4-10                   |
| 967309 .....      | 2-27                   |
| 96924-9 .....     | 2-28, 2-28, 2-29, 2-29 |
| 9792 .....        | 2-12, 2-14, 2-16       |
| 98300-9 .....     | 2-3, 2-4               |
| 9980003 .....     | 2-15, 2-17             |
| PCA015 .....      | 2-6, 2-8               |
| PCA015_1000 ..... | 4-10                   |