

snorkel

S2255RTE S2755RTE



REPAIR PARTS MANUAL

From Serial Numbers:

S2255RTE-07-200700001 &

S2755RTE-07-200700001 Onwards

Part Number 15382-2

July 2020 (Rev A)

Version 1

General Information

General Information	1-1
---------------------------	-----

Repair Parts

S2255RT Base Assembly	2-1
S2755RT Base Assembly	2-2
Steer Axle Assembly	2-3
Swing Arm Assembly	2-4
Control Cabinet Assembly	2-5
Serial Plate Mount Assembly	2-6
Control Box Mounting Assembly	2-7
Motor Cabinet Assembly	2-8
Motor Cabinet Charger Assembly	2-9
Power Cabinet Assembly	2-10
Cabinet Mounting Assembly	2-11
Stabiliser Leg Assembly	2-12
Wheel Mounting Assembly	2-13
Base, Stack & Platform Assembly	2-14
Bleed Down Cover Assembly	2-15
Platform Assembly	2-16
Platform Rear Handrail Assembly	2-17
S2255RT Scissor Stack	2-18
S2755RT Scissor Stack	2-19
Angle Transducer	2-20
Plastic Hydraulic Oil Tank Assembly	2-21
Steel Hydraulic Oil Tank Assembly	2-22
Placards And Decals	2-23

Hydraulics

Hose Part Numbers And Colour Codes	3-1
Main Manifold, No Added Fittings	3-2
Main Manifold, With Added Fittings	3-3
4WD Manifold, No Added Fittings	3-4
4WD Manifold, Added Fittings	3-5
Auto Stabiliser Manifold, No Added Fittings	3-6
Auto Stabiliser Manifold, Added Fittings	3-7
Steer Cylinder Assembly	3-8
Axle Cylinder Assembly	3-9
Lift Cylinder Assembly	3-10
Stabiliser Leg Cylinder Assembly	3-11

Electrical

GP400 & I/O Allocations	4-1
Upper Control Box Assembly	4-2
Lower Control Box Assembly	4-3

Options

240V At Base Assembly 5-1
240V At Platform Assembly 5-2

Schematics

Hydraulic Schematic 6-1
Wiring Schematics 6-2
A A
B B

■ General Specifications S2255RTE

SPECIFICATIONS		S2255RTE	
Nominal working height	Wheels	8.1m	26' 7"
	Stabilisers	8.5m	27' 11"
Platform floor height	Wheels	6.1m	20'
	Stabilisers	6.5m	21' 4"
Roll out deck size		1.2m	47"
Drive speed	Below 2.4m	0 to 5.2kp/h	0 to 3.3mph
	Above 2.4m	0 to 0.64kp/h	0 to 0.4mph
Safe working load (Roll out deck NOT extended)	Main deck	420kg	925lb
	Roll out deck	120kg	265lb
Safe working load (Roll out deck extended)	Main deck	300kg	661lb
	Roll out deck	120kg	265lb
Platform size		2.73 x 1.4m	8' 11" x 4' 7"
Stowed height	Hand rails up	2.35m	7' 8"
	Hand rails folded down	1.55m	5' 1"
Overall length		3.3m	11' 0"
Overall width		1.45m	4' 9"
Gradeability		35%	
Lift time		24 - 29 seconds	
Lower time		40 - 42 seconds	
Turning radius	Inner	2.5m	8.2'
	Outer	4.75m	15.6'
Maximum wind speed	12.5m/s	45km/h	28mph
Insulation rating		Nil	
Tyres	Poly filled loader lug	23" x 8.9" x 12"	
Overall weight		2410kg	5313lb
Ground clearance	Minimum	170mm	7"
	Mid cabinet	260mm	10.2"
Maximum sound level at platform		86db	
Maximum outrigger load		1420kg	3130lb
Maximum wheel load		1420kg	3130lb
Maximum chassis inclination		2/4 degrees	
Maximum manual force		400N	

General Specifications

■ General Specifications S2755RT

SPECIFICATIONS		S2755RT	
Nominal working height	Wheels	9.9m	32' 6"
	Stabilisers	10.4m	34' 1"
Platform floor height	Wheels	7.9m	25' 11"
	Stabilisers	8.4m	27' 7"
Roll out deck size		1200mm	47"
Drive speed	Below 2.4m	0 to 7kph	0 to 4.3mph
	Above 2.4m	0 to 0.8kph	0 to 0.5mph
Safe working load (Roll out deck NOT extended)	Main deck	300kg	750lbs
Safe working load (Roll out deck extended)	Main deck	180kg	661lbs
	Roll out deck	120kg	264lbs
Platform size		2.73 x 1.4m	8' 11" x 4' 7"
Stowed height	Hand rails up	2.5m	8' 3"
	Hand rails folded down	1.75m	5' 8"
Overall length		3.3m	11' 0"
Overall width		1.45m	4' 9"
Gradeability		35%	
Lift time		24 - 29 seconds	
Lower time		40 - 42 seconds	
Turning radius	Inner	2.5m	8.2'
	Outer	4.75m	15.6'
Power source		Lithium Ion Batteries	
Maximum wind speed	12.5m/s	45km/h	28mph
Insulation rating		Nil	
Tyres	Poly filled loader lug	23" x 8.9" x 12"	
Overall weight		2750kg	6062.7lbs
Ground clearance	Minimum	170mm	7"
	Mid cabinet	260mm	10.2"
Maximum sound level at platform		86db	
Maximum outrigger load		1470kg	3240lbs
Maximum wheel load		1470kg	3240lbs
Maximum chassis inclination		2/4 degrees	
Maximum manual force		400N	

General Specifications

■ Classification

Group A Type 3

■ AS1418.1 Group Classification

C3

■ Commissioning Information

Commissioning of the machine consists of performing the Pre Delivery and Inspection Report (PDIR) satisfactorily.

This PDIR is performed by Snorkel or it's agent before the machine is delivered.

A completed PDIR can be obtained, by request, from the sales agent.

■ About this Manual:

This Maintenance and Repair Parts manual covers current production machines only.

While Snorkel has attempted in every way to confirm that all information in this manual is correct, improvements are being constantly made to the machine that may not be reflected in this manual.

NOTE:

It is recommended that you record the serial and model number of your machine (see page 17 of this chapter). This information is found on the serial number placard.

■ Manual Organization

The Repair Parts Manual consists of six sections with an individual table of contents preceding sections 1 through 4.

Subassemblies and detailed parts are identified by index numbers on the drawings that correspond to the item numbers on the parts listing. When requesting any part, always specify complete part number, description, model and serial number of your unit.

The following is a general description of each section and its contents.

□ General Specifications

The section immediately preceding, contains information relating to the general specifications of the S2255RTE & S2755RTE.

□ Maintenance

The pages immediately following, contain information as to the maintenance schedules - lubricants and procedures for proper lubrication of the unit.

□ Control system information

Provides a description of the EzCal LCD Display, a diagnostic tool for the control system.

□ Repair parts and drawings

Repair Parts (Section 1), contains parts listings and drawings for general mechanical repair parts of all major installations and subassemblies of the unit.

□ Hydraulics

(Section 2), contains parts listings and drawings of hydraulic components installations including hydraulic schematics and individual components

such as cylinders, controls valves and solenoid operated valves.

□ Electrical

Electrical (Section 3), contains listings and drawings of electrical components installations including wiring schematics.

□ Options

Options (Section 4), contains parts listings and drawings of optional installations.

■ Maintenance and Schematics

□ Maintenance information

The parts drawings located in the repair parts sections, are designed for use as a guide for proper disassembly of the machine and components as well as for parts replacement. Always refer to the hydraulic system installation drawings and the electrical wiring diagram before removing or disassembling associated parts.

▲ CAUTION

Do not attempt to disconnect or remove any hydraulic line before reading and understanding all text concerning the system hydraulics. In most cases, disassembly of the machine will be obvious from the drawing.

▲ CAUTION

DO NOT modify this ariel platform without prior written consent of Snorkel Engineering Department.

Modification may void the warranty, adversely affect stability, or affect the operational characteristics of the ariel platform.

When disassembling or reassembling components, complete the procedural steps in sequence. Always check your work to assure that nothing has been overlooked.

The following list is a gentle reminder when disassembling or assembling the machine.

- ✓ Always be conscious of weight.
- ✓ Never attempt to lift heavy objects without the aid of a mechanical device.
- ✓ Do not allow heavy objects to rest in an unstable condition.

Maintenance Information

- ✓ Always make sure work platform is in stowed position - blocked or the weight removed by a suitable lifting device before disconnecting the hydraulic hose from the motor/pump unit to the lift cylinder.
- ✓ When raising a portion of the machine, be sure that adequate blocking is properly positioned - Do not depend on lifting device to hold and secure weight.
- ✓ If a part resists removal, check to see if all fasteners, electrical wiring, hydraulic lines, etc., have been removed or that other parts are not interfering.

Parts should be thoroughly inspected before restoring to service at the time of reassembly. Burrs, nicks or scratches may be removed from machined surfaces by honing or polishing with #600 crocus cloth, followed by a thorough cleaning in an approved cleaning solvent, and blown dry with compressed air. Do not alter the contour of any part. If this operation does not restore the part to a serviceable condition, replace the part.

Replace all O-rings, seals, and gaskets at reassembly. Use new roll pins or cotter pins. Dip all packing rings and seals in hydraulic oil before reassembling in cylinder and manifold installations. Replace any part having imperfect threads. In general, units that have been disassembled can be reassembled by reversing the order of disassembly.

Remember that the service life of a machine can be increased by keeping dirt and foreign materials out of the vital components. Precautions have been taken to safeguard against this; shields, covers, seals and filters are provided to keep air and oil supplies clean; however, these items must be maintained on a scheduled basis in order to function properly.

At any time air or oil lines are disconnected, clean surrounding areas as well as the opening and fittings themselves. As soon as a line or component is disconnected, cap or cover all openings to prevent the entry of dirt or foreign materials.

New parts should remain in their container until they are ready to be used.

Clearly mark or tag hydraulic lines and electrical wiring connections when disconnecting or removing them from unit. This will assure that they are correctly reinstalled.

Proper assembly is critical to the successful rebuilding of any unit. Carefully inspect any parts which are to be reused. If in doubt, replace.

“**SAFETY FIRST**” is a good slogan.

Replace any guards and protective devices that have been removed to carry out maintenance and repair work.

■ Maintenance schedules

Snorkel has established a Preventive Maintenance Schedule that includes:

- ✓ Daily Maintenance (Operator’s Inspection)
- ✓ 90 Day or 150 Hour (frequent) Maintenance
- ✓ Yearly or 500 Hour (annual) Maintenance,

These schedules should ensure the detection of any defective, damaged or improperly secured parts and provide information regarding lubrication and other minor maintenance items.

The Maintenance Schedule following, outlines the requirements of these maintenance checks for each time interval. The Operator’s Pre-operational inspection must be performed by a trained operator. All other maintenance and inspections must be performed by a trained service technician only.

Note that the 90 Day or 150 hour (frequent) and yearly or 500 hour (annual) Maintenance, require use of the Preventive Inspection Maintenance Checklist to pinpoint all inspection items. Retain a copy of these forms for your records.

They also require that all placards and decals on the unit are to be inspected.

All placards and decals must be in place and legible. Use the placards installation drawing and parts listing in the repair parts section 1 of this manual to check these placards and decals.

Snorkel recommends that you make additional copies of the Preventive Inspection Maintenance Checklist forms for your use in performing these

▲ DANGER

Failure to perform the Preventive Maintenance at the intervals outlined in the Maintenance Schedule may result in a unit being operated with a defect that could result in INJURY or DEATH of the unit operator. DO NOT allow a unit to be operated that has been found to be defective.

Repair all defects before returning the unit to service

■ Daily Maintenance

Pre-operational inspection

(Set the KEY SWITCH to off before starting this inspection).

COMPONENTS	SERVICE REQUIRED
Rough terrain scissor interlock tests (see page in this section)	Perform the tests to ensure the system is functioning
Platform entrance gate	Visually inspect (installation, operation)
Wiring harness and connectors	Visually inspect (installation, condition)
Battery terminals	Visually inspect (installation)
Battery fluid level	Visually inspect (covers plates)
Hydraulic oil reservoir cap	Visually inspect (installation)
Hydraulic oil level	Check fluid level (at line on side of tank)
Hydraulic oil leaks	Visually inspect (hoses, tubes)
Tires and wheels	Visually inspect (condition)
Bolts and fasteners	Visually inspect (looseness)
Structural damage & welds	Visually inspect (weld cracks, dents)
Platform guardrails	Visually inspect (condition)
Lanyard anchor points (option)	Visually inspect (condition)
Bubble level indicator	Visually inspect (condition)
Guides, rollers and slides	Visually inspect (condition)
Non slip tread grip	Visually inspect (condition)
Wrist support	Visually inspect (condition)
Operator manual	Visually inspect (that the manual is in the holder)
Placards, decals and operators manual	Visually inspect (installation and condition)
START THE MOTOR FROM THE BASE CONTROL PANEL TO CHECK THE FOLLOWING	
Charging system	No faults on the display
Ground controls	Actuate and visually inspect for proper operation
Emergency lowering (from the ground)	Check operation (causes correct motion)
Flashing light	Check operation
Safety prop	Check operation
Parking brakes	Check operation
Optional items	Check operation
START THE MOTOR FROM THE PLATFORM TO CHECK THE FOLLOWING	
Platform controls	Actuate and visually inspect for proper operation
Emergency lowering (from the platform)	Check operation

Maintenance Information

■ 90 Day or 150 Hour Maintenance (Trained Service Technician)

COMPONENTS	SERVICE REQUIRED	RECOMMENDED LUBRICANT OR FURTHER INSTRUCTIONS
Daily maintenance	Perform maintenance as per schedule	
Preventive inspection maintenance checklist	Perform inspection, complete form	Retain copy of checklist
Placards & decals inspection	Inspect using drawing and parts listing in section 1 (repair parts)	Replace any missing or unreadable decals/placards
Door hinges and latches	Lubricate	SAE 10W oil or spray lube
Tie rods	Check pin keeper and condition	
Steer cylinder ends	Check pin keeper and condition	
Batteries	Check specific gravity	1.260/1.275 at 80° F.
Platform lift capacity	Check if platform can lift maximum load	
Platform lift/lower speeds	Check smooth operation and speeds	
Hydraulic return filter	Replace Filter	Replace if dirty
Slide pads	Check condition	
Scissor arm bearings	Check condition	

■ Yearly or 500 Hour Maintenance (Trained Service Technician)

COMPONENTS	SERVICE REQUIRED	RECOMMENDED LUBRICANT OR FURTHER INSTRUCTIONS
90 day or 150 hour maintenance	Perform maintenance per schedule	
Hydraulic oil reservoir	Clean and replace fluid	Shell Tellus 32 or similar
Hydraulic return filter	Replace	After 1st. 50 hours, thereafter at recommended interval
Hydraulic pressures	Check pressures	
Platform controller	Check operation	
Base controls	Check operation	

■ Preventive Inspection Maintenance
90 Day or 150 Hour Checklist and Pre Delivery Inspection Sheet

36 Bruce Road, Levin, 5510
New Zealand
Ph: +64 (0)6 368-9168, Fax: +(0)6 368-9164
Email: sales.nz@snorkellifts.com

Preventative Inspection
Maintenance
90 Day or 150 Hour Checklist

S2255RT, S2755RT,

OK No Service Required
X Corrective Action Required
✓ Corrected, (Record description of corrective action)

Model: _____
Serial Number: _____
Date: _____

Inspection Procedures Codes	
(1) Weld cracks, dents and/or rust	(2) Installation
(3) Leaks	(4) Operation
(5) Condition	(6) Tightness
(7) Residue buildup	(8) See placards and decals inspection chart

CHECK	OK	X	✓
BASEFRAME			
Structural (1)			
Steering cylinders (2,3,4,6)			
Steering cylinder fasteners and linkage (2,4)			
Tyres and wheels (5)			
Articulating axles (2,4,5)			
Tray side covers (2,5,6)			
Torque drive wheel lug nuts 90-100 ft lbs (2,6)			
Torque steer wheel lug nuts 90-100 ft lbs (2,6)			
Right drive motor(s) (3,6)			
Left drive motor(s) (3,6)			
Guides, rollers and slides (2,4,5)			
Parking brake & Free wheeling valve (3,4)			
Emergency lowering valve (3,4)			
Lubrication points			
Cords and wire assemblies (2,5,6)			
Hydraulic tubes and hoses (3,5)			
Decals and placards (2,8)			
Flashing light (2,4)			
Right front outrigger (2,3,4)			
Left front outrigger (2,3,4)			
Right rear outrigger (2,3,4)			
Left rear outrigger (2,3,4)			
SCISSOR ARM ASSEMBLY			
Structural (1)			
Scissor arm pivot pins (2,5)			
Lift cylinders and valves (2,3,4)			
Safety bar (2,4,5)			
Hydraulic tubes and hoses (3,5)			
Wires and electrical cables (2,5)			
Decals and placards (2,8)			
BASE CONTROL STATION			
Key switch (4)			
Toggle switch, platform UP - DOWN (4)			
Start switch (4)			
Toggle switch, glow plug (4)			
Emergency stop switch (4)			
Hour meter (4)			
Lowering alarm (4)			
Low oil pressure alarm (4)			
Lift enable light (4)			

CHECK	OK	X	✓
PLATFORM			
Structural (1)			
Guardrails properly installed and fastened (2,5)			
Platform entrance gate (2,5)			
Wires and electrical cables (2,5)			
Decals and placards (2,8)			
Correct operators manual in document holder			
Roll out platform deck extension (2,4,5,8)			
PLATFORM CONTROLS			
Joystick control - DRIVE/STEER and PROPORTIONAL LIFT (4)			
Toggle type selector switch - HIGH SPEED/HIGH TORQUE (4)			
Toggle type selector switch - LIFT/DRIVE (4)			
Engine warning light (4)			
Drive enable light (4)			
Lift enable light (4)			
Emergency stop button (4)			
Joystick interlock switch (4)			
Horn (4)			
INTERLOCK TESTS			
Load sense system (4)			
Platform elevated (6-8%~2m) OUTRIGGER CONTROLS DO NOT WORK (4)			
Axle switch open PLATFORM DOES NOT RAISE (4)			
Tilted PLATFORM DOES NOT RAISE (4)			
Each outrigger not stowed DRIVEDOES NOT WORK (4)			
Selector switch base/platform controls BASE CONTROLS SELECTED PLATFORM CONTROLS DO NOT WORK (4)			
Selector switch base/platform controls PLATFORM CONTROLS SELECTED BASE CONTROLS DO NOT WORK (4)			
Drive speed - platform elevated (6-8%~2m) SLOW DRIVE SPEED ONLY (4)			
Drive speed - platform lowered DRIVES FAST or SLOW (4)			

Maintenance Information

CHECK	OK	X	✓
ELECTRICAL			
Batteries (2,4)			
Battery terminals (5,6,7)			
Battery electrolyte level (5)			
Battery specific gravity reading (5)			
Wires and cables (2,5,6)			
Motion warning alarm (2,4)			
HYDRAULIC RESERVOIR & RETURN FILTER			
Translucent hydraulic oil reservoir (3,5)			
Filter/breather cap (6)			
Hydraulic fluid level (2,5)			
Return filter (2,5,6)			

Corrective Action Required

Additional Work Done, Options Fitted, Destination Specific Items etc.

Note: If corrective action is required on any item, attach sheet indicating problem and action taken.

All items have been properly checked and tested and found to be operating satisfactorily or necessary corrective action has been completed

Inspected by: _____ Date: _____

■ Lubricants

Specific lubricants as recommended by Snorkel, should be used in maintaining your unit. If in doubt regarding the use of lubricants other than those listed, contact Snorkel.

□ Pressure gun application

Service all fittings as indicated in the Maintenance Schedule. Wipe away all excess lubricant from exposed surfaces. Over lubrication can collect dirt and foreign matter which acts as an abrasive.

NOTE

Any time the work platform is elevated to perform maintenance work, properly position the safety bar as outlined on the safety prop decal.

▲ DANGER

DO NOT reach through scissors mechanism unless the safety prop is properly positioned.

INJURY or DEATH could occur if the platform is not supported by the safety prop and should suddenly drop onto personnel performing maintenance work under the raised platform.

□ King pins

King pin bearings are self lubricating. Check for signs of damage and excessive wear as outlined in the maintenance schedule.

□ Tie rods

Tie rod bearings are self lubricating. Check for damage and excessive wear as outlined in the maintenance schedule.

□ Steer cylinder end

Steer cylinder ends are self lubricating. Check for damage and excessive wear as outlined in the maintenance schedule.

□ Wheel bearings drive wheels

Wheel bearings used on drive wheels are sealed bearings and do not require lubrication.

□ Hydraulic oil reservoir

The fluid level should be kept level with the indicator line on the side of the reservoir and should be checked with all cylinders fully retracted and the platform in the stowed position.

The interior of the reservoir should be wiped out and cleaned each time the hydraulic oil is changed. The reservoir filler/breather cap should be removed and the cap breather cleaned yearly with Kerosene, Fuel Oil or other solvent.

It is absolutely necessary that only new, clean hydraulic oil is added.

▲ CAUTION

If it becomes necessary to add or use an oil other than the recommended fluid, it is important that it be compatible and equivalent to the factory fill. Local oil suppliers can generally furnish this information.

If questions still remain, contact Snorkel for further information.

□ Return filter

On scissorlift models, the hydraulic oil return filter is mounted in the left hand tray assembly close to the hydraulic oil reservoir.

The filter element is a throw-away type filter and should be changed after the initial break-in period (approximately 50 hours operation time).

The filter condition should be checked at the 90 day or 150 hour Preventive Inspection Maintenance interval or more frequently under extreme working conditions.

When changing the filter element, the oil inside of the filter element, should be examined for deposits of metal cuttings, which if present, could indicate

Maintenance Information

excessive wear in some of the system components.

Door hinges and latches

Door hinges and latches may be lubricated as required with spray lubrication or SAE 10W oil.

After lubricating, remove any excess oil or over-spray so it will not collect dirt and debris.

Slide pads

Check slide pads for excessive wear and replace as required.

Scissor arm bearings

Scissor arm bearings are self lubricating. Check bearings for signs of damage and excessive wear as outlined in the maintenance schedule.

■ Batteries

The battery will have longer life if the water level is maintained and it is kept charged. The unit will have better starting characteristics with a fully charged battery.

In cold weather the battery should be maintained at full charge to keep from freezing. An extremely low or dead battery can freeze in cold weather. Make sure connections are clean and tight.

Check specific gravity of the battery per maintenance schedule.

Make sure charging equipment is operating properly.

▲ DANGER

Lead-acid batteries contain sulfuric acid which will damage eyes or skin on contact. When working around batteries, ALWAYS wear a face shield to avoid acid in eyes.

If acid contacts eyes, flush immediately with clear water and get medical attention.

Wear rubber gloves and protective clothing to keep acid off skin, if acid contacts skin, wash off immediately with clear water.

▲ DANGER

Lead-acid batteries produce flammable and explosive gases. NEVER allow smoking, flames or sparks around batteries.

■ Rough Terrain Scissor Interlock Tests

The Snorkel S/RT Series are fitted with a very important safety feature, a 'Stabiliser/axle/scissor Interlock' system that prevents the stabilisers being moved while the platform is elevated, and prevents the platform being raised if the rear axle is oscillated and the stabilisers are not set or the machine is tilted.

The correct operation of the Stabiliser/scissor Interlock is critical to ensure that the Scissor is operated safely and with minimum risk.

▲ DANGER

To ensure the interlock system is functioning correctly, before operating the Scissor the following test must be carried out prior to operation each day, in conjunction with all other relevant daily pre-operational checks:

Stabiliser locked out when platform elevated test

1. Position the machine on a firm level surface.
2. From the platform controls, start the engine and allow it to warm up.
3. Raise the platform above the elevation height (approx. 1.5 metres, depending on model).
4. Operate the right front stabiliser extend switch while watching the stabiliser leg for movement
5. If the stabiliser leg moves, release the switch **immediately!**
Lower the platform fully, remove the machine from service and affix a Danger Tag warning others that the machine is not to be used. In the first instance contact the owner who will then contact the Snorkel branch or authorised agent to inspect, repair and test the machine before allowing it to be placed back into service.

If the stabiliser leg does not move, continue to step 6
6. Lower the platform to the stowed position

Elevation locked out when axles not stowed test

7. Park the machine such that one rear wheel is in a depression (approx. 100mm deep) such that the axle switch opens. A kerb or gutter may be sufficient

8. Raise the platform above the elevation height, (approx. 1.5 metres, depending on model).
9. At this point, an alarm will sound and further lift or drive will be disabled.
10. If there is no alarm and/or the machine continues to allow lift **stop immediately!** Lower the platform fully, remove the machine from service and affix a Danger Tag warning others that the machine is not to be used. In the first instance contact the owner who will then contact the Snorkel branch or authorised agent to inspect, repair and test the machine before allowing it to be placed back into service.
11. Repeat steps 7-10 for the opposite rear wheel.
12. Lower the platform to the stowed position




Elevation locked out when tilted test

13. Park the machine on ground known to exceed the tilt limit specified on the serial plate.
14. Raise the platform above the elevation height, (approx. 1.5 metres, depending on model).
15. At this point, an alarm will sound and further lift or drive will be disabled.
16. If there is no alarm and/or the machine continues to allow lift **stop immediately!** Lower the platform fully, remove the machine from service and affix a Danger Tag warning others that the machine is not to be used. In the first instance contact the owner who will then contact the Snorkel branch or authorised agent to inspect, repair and test the machine before allowing it to be placed back into service.
17. Lower the platform to the stowed position
18. If all steps have been followed and the Stabiliser/scissor interlock is functioning correctly, the machine can now be used in accordance with the operating instructions provided in the Operators Manual.

Maintenance Information

■ Torque chart

NOM SIZE X PITCH	TENSILE STRESS AREA A _s (mm ²)	PROPERTY CLASS 8.8			PROPERTY CLASS 10.9		
		CLAMP LOAD W (N)	TORQUE (N.m)		CLAMP LOAD W (N)	TORQUE (N.m)	
			DRY k=0.20	LUBED k=0.15		DRY k=0.20	LUBED k=0.15
M3 x 0.5	5.03	2 200	1.32	0.99	2 990	1.79	1.34
M3.5 x 0.6	6.78	2 960	2.07	1.55	4 030	2.82	2.11
M4 x 0.7	8.78	3 830	3.07	2.30	5 220	4.17	3.13
M5 x 0.8	14.2	6 200	6.20	4.65	8 430	8.43	6.33
M6 x 1	20.1	8 770	10.5	7.90	11 950	14.3	10.8
M8 x 1.25	36.6	15 975	25.6	19.2	21 750	34.8	26.1
M8 x 1	39.2	17 100	27.4	20.5	23 275	37.3	27.9
M10 x 1.5	58.0	25 325	51	38.0	34 450	69	52
M10 x 1.25	61.2	26 725	53	40.1	36 350	73	55
M12 x 1.75	84.3	36 800	88	66	50 075	120	90
M12 x 1.25	92.1	40 200	96	72	54 700	130	98
M14 x 2	115	50 200	140	105	68 300	190	145
M14 x 1.5	125	54 550	155	115	74 250	210	155
M16 x 2	157	68 525	220	165	93 250	300	225
M16 x 1.5	167	72 900	235	175	99 200	320	240
M20 x 2.5	245	106 950	430	320	145 550	580	435
M20 x 1.5	272	118 750	475	355	161 550	650	485
M24 x 3	353	154 100	740	555	209 700	1 010	755
M24 x 2	384	167 600	805	605	228 100	1 100	820
M27 x 3	459	200 350	1 080	810	272 650	1 470	1 100
M27 x 2	496	216 500	1 170	875	294 600	1 590	1 150
M30 x 3.5	561	244 900	1 470	1 100	333 250	2 000	1 500
M30 x 3	580	253 150	1 520	1 140	344 500	2 070	1 550
M30 x 2	621	271 050	1 630	1 220	368 850	2 210	1 660
M33 x 3.5	694	302 950	2 000	1 500	412 250	2 720	2 040
M33 x 2	761	332 200	2 200	1 640	452 050	2 980	2 240
M36 x 4	817	356 600	2 570	1 930	485 300	3 490	2 620
M36 x 3	865	377 600	2 720	2 040	513 800	3 700	2 780
M39 x 4	976	426 000	3 320	2 490	579 750	4 520	3 390
M39 x 3	1 028	448 700	3 500	2 630	610 650	4 760	3 570
M42 x 4.5	1 121	489 300	4 110	3 080	665 850	5 590	4 200
M42 x 3	1 206	526 400	4 420	3 320	716 350	6 020	4 510
M45 x 4.5	1 306	570 050	5 130	3 850	775 750	6 980	5 240
M45 x 3	1 398	610 250	5 490	4 120	830 400	7 470	5 610
M48 x 5	1 473	642 950	6 170	4 630	874 950	8 400	6 300
M48 x 3	1 604	700 150	6 720	5 040	952 800	9 150	6 860

Grade marking   

■ To order service or repair parts

When placing an order for service or repair parts, please have the following information available for your machine.

- ✓ Machine model number
- ✓ Machine serial number
- ✓ Snorkel part number
- ✓ Description of part
- ✓ Quantity of parts required
- ✓ Your purchase order number
- ✓ Address for order to "Ship To"
- ✓ Your desired shipment method

All correspondence relative to this unit, such as field reports, discrepancy reports, requests for service information, etc., should be directed to:

Snorkel New Zealand
36 Bruce Road
P.O. Box 1041
Levin 5500
New Zealand

Phone: +64 06 368-9168
Fax: +64 06 368-9164

Attention: Parts Department

□ Manuals

Manuals are available from Snorkel to support any of the machines that we produce.

The specific manuals for S2255RTE - S2755RTE are as follows:

- ✓ Operator's Manual
Snorkel part number - 15382-1
- ✓ Repair Parts Manual
Snorkel part number - 15382-2

■ Responsibilities

It is the sole responsibility of owners and users of Elevating Work Platforms to ensure that all persons owning or using an MEWP have read, understood, and abide by all local regulations. Ultimately, compliance to those local regulations is the responsibility of the user and their employer.

Local regulations may take the form of (but are not limited to): Codes of Practise, Best Practise Guides, Standards e.g. AS2550.10, ANSI manual of responsibilities for Dealers, Owners, Users, Operators, Lessors and lessees etc.

■ Product Warranty

For full terms of your warranty policy refer to the rear of this manual after the Index section, or check with your Snorkel distributor, or check the Snorkel website.

Record machine information here:

Model number*

Serial number*

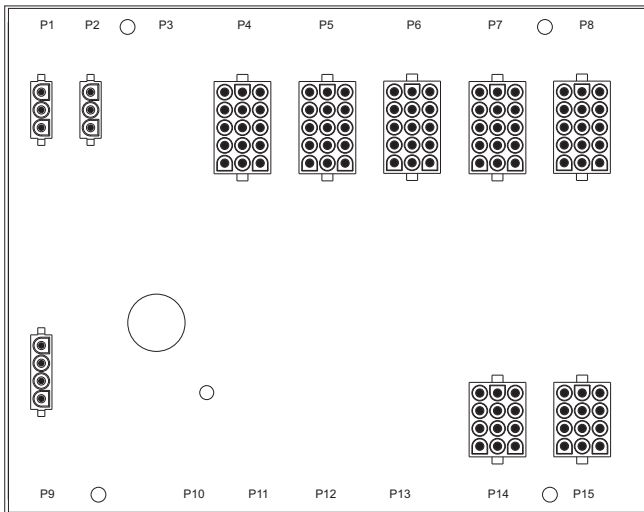
Date of purchase

Purchased from

Snorkel dealer or distributor

* This information is found on the serial number placard attached to your machine.

■ Scissor Lift Control System



GP400C Control Board



EZcal

The EzCal LCD Display is a diagnostic tool for the control system. It is intended to be used primarily by trained technicians. The EzCal LCD display gives some information for the machine operator.

□ Work time

The EzCal default state is to display machine work time. It accumulates time when ever the control system is active. This can be re set by a qualified technician. This value can be used to tell when periodic maintenance is due.

□ Water

If the engine becomes too hot the EzCal LCD display will show “**Shut down - Engine Too Hot**”

□ Alternator

If the alternator is not providing sufficient charge the EzCal LCD display will show “**Shut down - Not Charging**”

□ Oil Pressure

If the engine does not have sufficient oil pressure the EzCal LCD display will show “**Shut down - No Oil Pressure**”

□ Other messages

Other general messages may be displayed at the time a machine state is not allowed e.g. Functions Locked – Outriggers.

This is a guide to the operator to understand why the machine is not doing what is desired. The messages encompass many possible issues.

In the above case it could mean that the outriggers can not be used because the platform is raised, or it could mean that platform can not be raised because the outriggers are not properly set.

■ GP400 Menus Available with EZcal

When the EZcal LCD is in Technician Mode, a two line display shows various menus and settings.

At any time the top line of the display describes the currently selected menu and the bottom line shows the currently selected item in that menu.

Six buttons on EZcal allow easy navigation through the menus:

← and → change the selected item (the bottom line display)

ENTER enters the selected new menu when available (top line display changes)

↑ and ↓ adjusts the selected item when available (at “ACCESS LEVEL” 1)

ESC exits the current menu back to the previous menu

To enter Technician Mode press and hold the **ESC** key for 10 seconds with the ignition on. The display will change from showing work time to:

□ Help Menu:

Press enter for help.

Refer to the menu structure to navigate the menus.

Auto Level

The default access level is 3.

In this level only viewing of data is allowed.

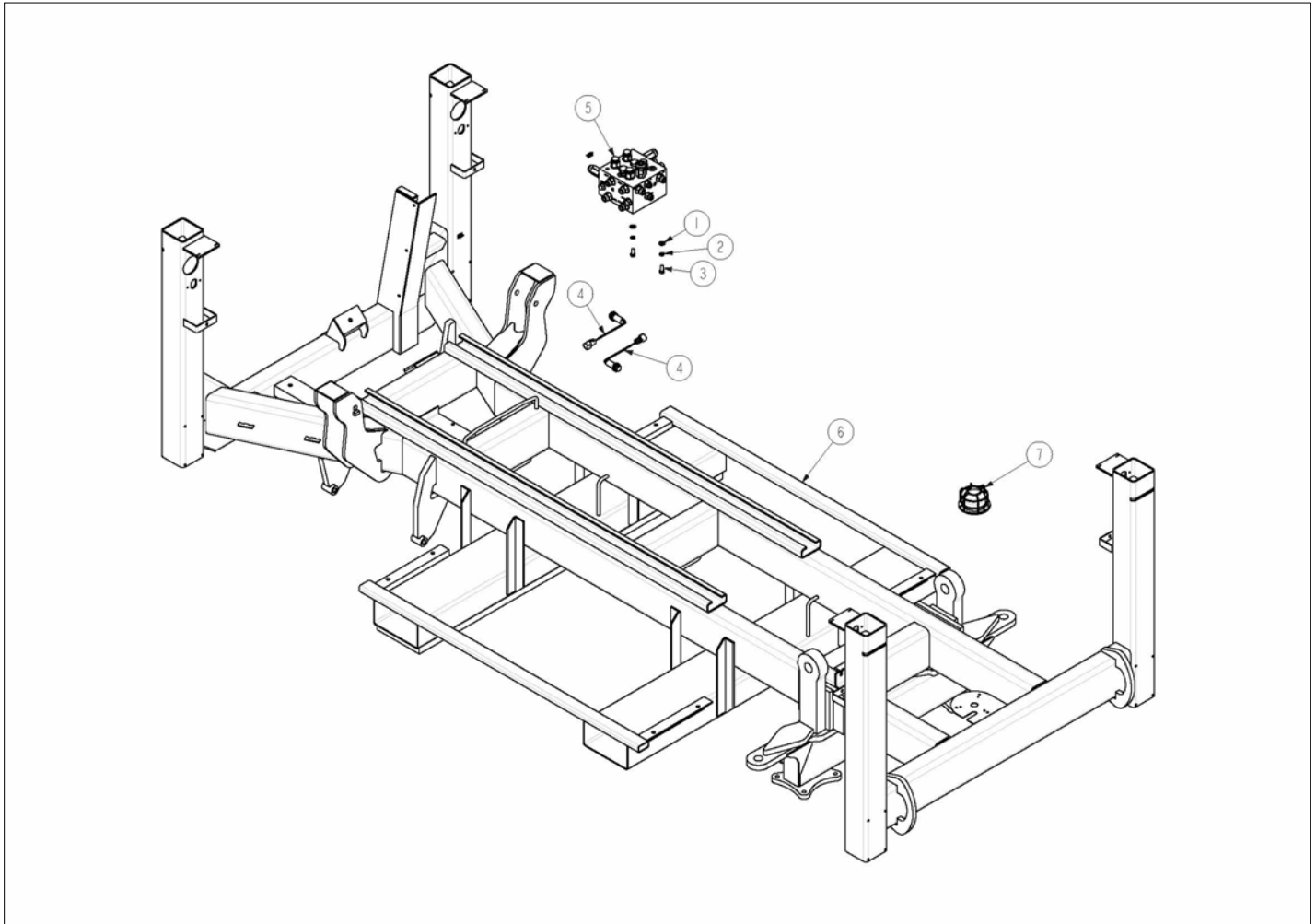
STOP: If you are not a trained technician do not use Technician Mode in Access level 1 or 2. Death or serious injury can result from unauthorized adjustments and setups.

Access level 2 is required to make adjustments to values and to make calibrations.

Access level 1 is required to make adjustments to values, calibrations, and change setups.

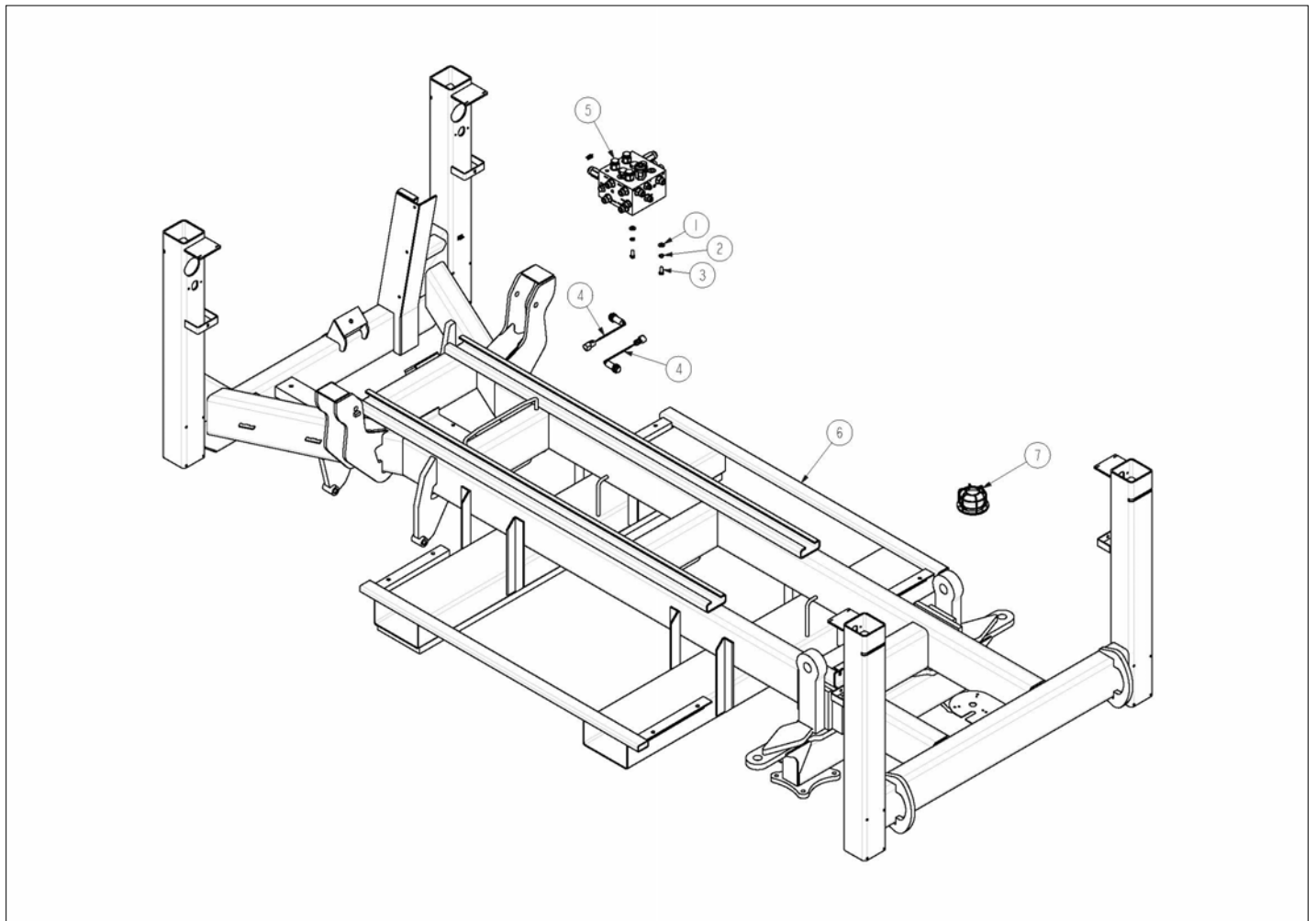
Access Codes to change between Access Levels prevent inadvertent adjustments.

Repair Parts



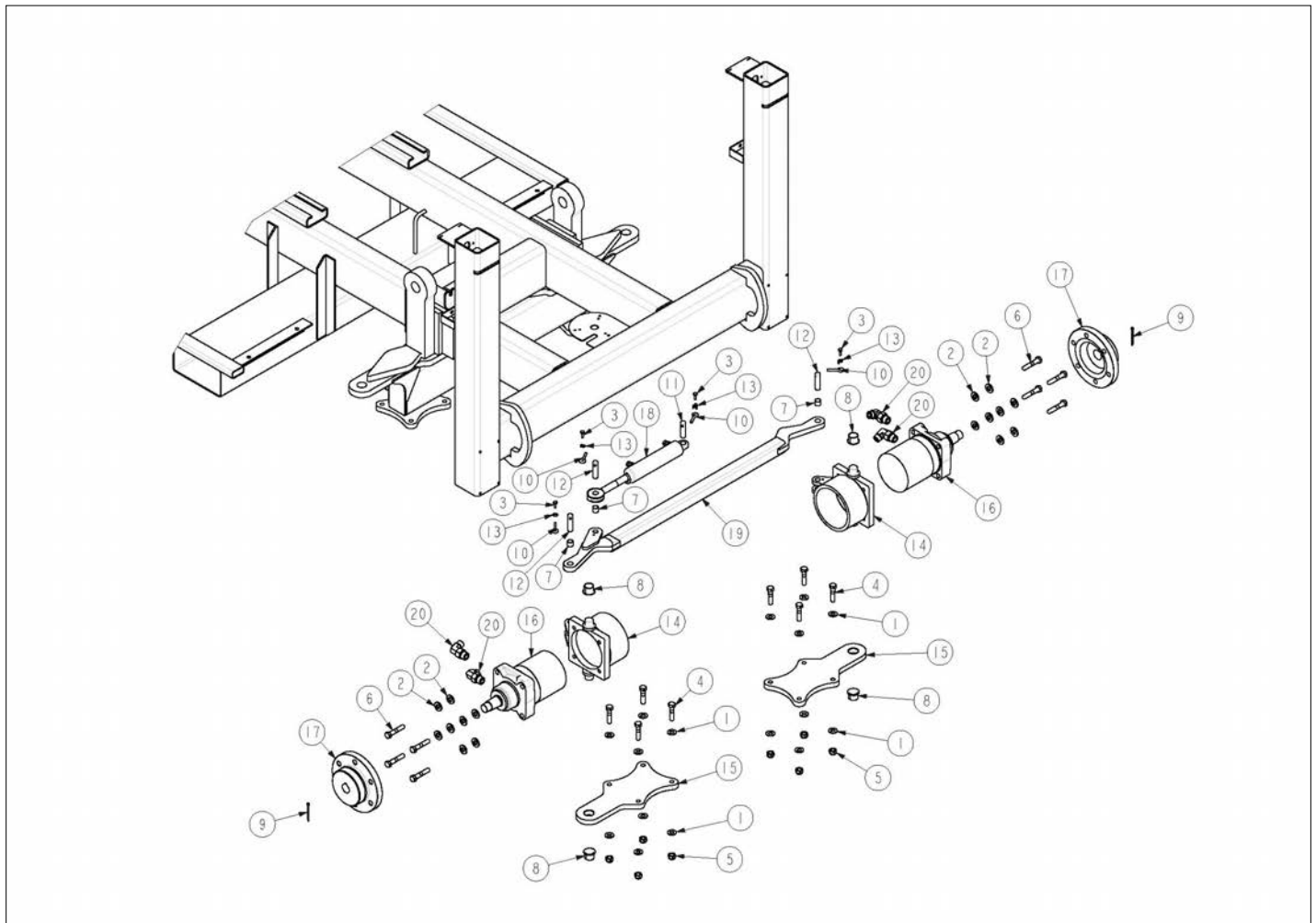
アイテム	部品番号	名前	数量	UOM
1	3603 08	Plain Washer	2	EA
2	3605 08	Spring Washer	2	EA
3	3610 08020	Metric Bolt	2	EA
4	15085 03	Axle Prox	2	EA
5	15089	4WD Manifold Assembly	1	EA
6	15157	S2255RT Base Frame Weld	1	EA
7	515611 000	BEACON ASSY AMBER	1	EA

Repair Parts



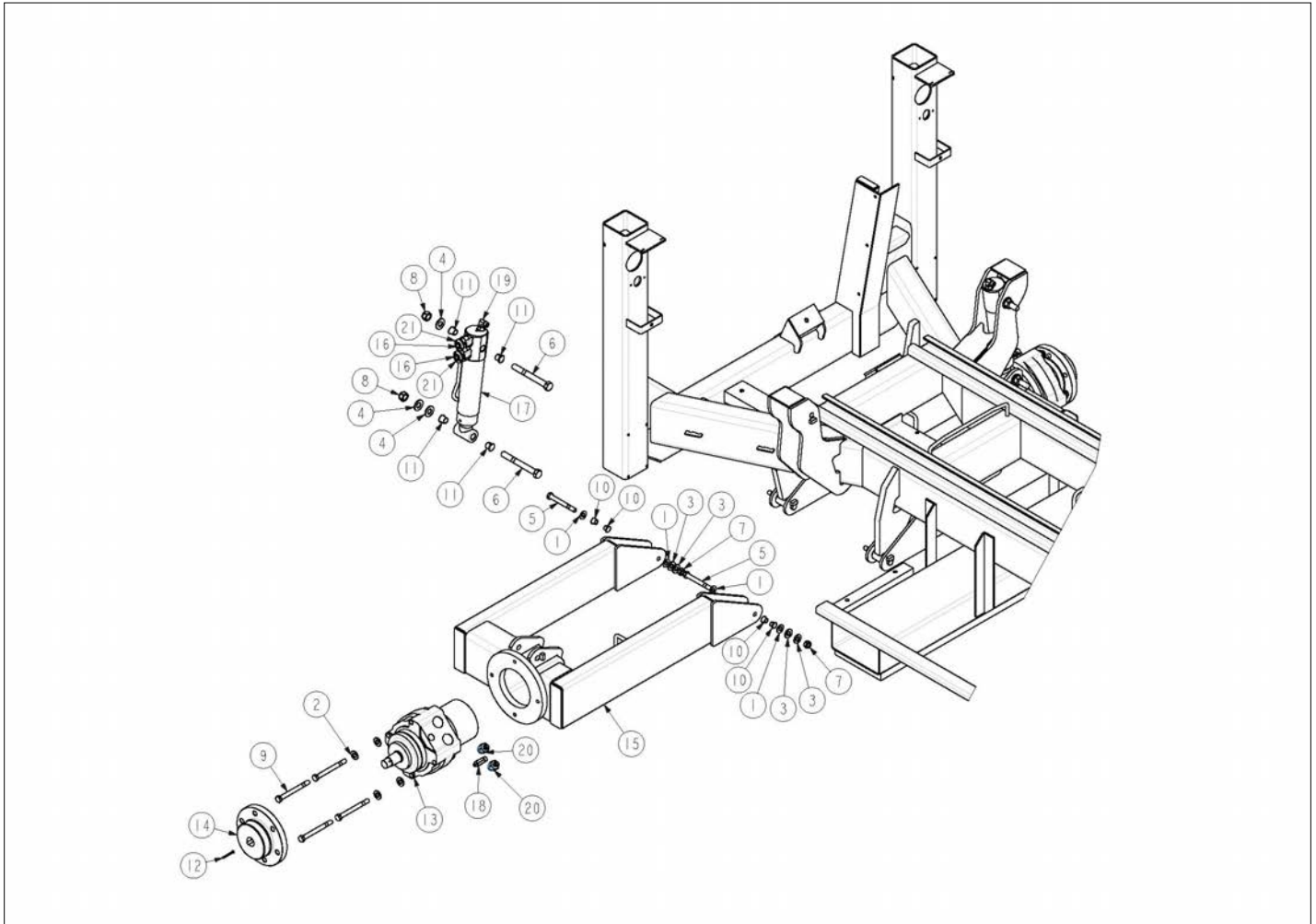
アイテム	部品番号	名前	数量	UOM
1	3603 08	Plain Washer	2	EA
2	3605 08	Spring Washer	2	EA
3	3610 08020	Metric Bolt	2	EA
4	15085 03	Axle Prox	2	EA
5	15089	4WD Manifold Assembly	1	EA
6	15208	S2755RT Base Frame Weld	1	EA
7	515611 000	BEACON ASSY AMBER	1	EA

Repair Parts



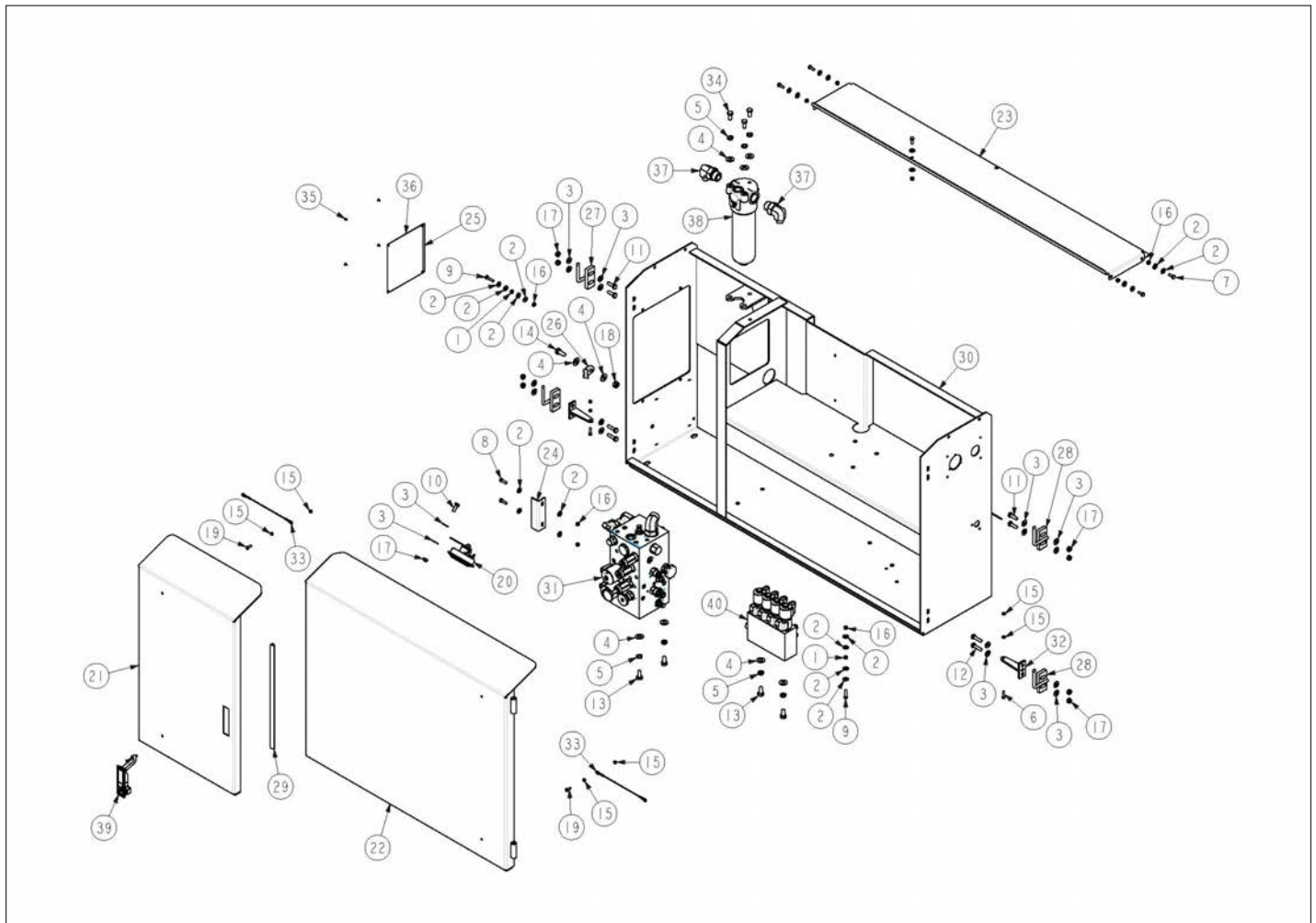
アイテム	部品番号	名前	数量	UOM
1	3603 12	Plain Washer	16	EA
2	3603 12HD	Plain Washer	16	EA
3	3610 06016	Metric Bolt	4	EA
4	3610 12050	Metric Bolt	8	EA
5	3611 12	Metric Nyloc Nut	8	EA
6	3616 12060	Metric Bolt Grade 10.9	8	EA
7	3624 27	Permaglide Bush	3	EA
8	3626 1	Flanged Permaglide Bush	4	EA
9	3636 1	Split Pin	2	EA
10	8628	Pin Keeper	4	EA
11	9311	Pin 5/8" x 53 lg	1	EA
12	9319	Pin 15 x 56 lg	3	EA
13	11492 1	Tab Washer	4	EA
14	11590	Swivel Housing, Kingpin	2	EA
15	11595 9	Bearing Support, Lower	2	EA
16	11601	Wheel Motor	2	EA
17	11629	Wheel Hub	2	EA
18	11699	Steer Cylinder	1	EA
19	12303	Steering Rod	1	EA
20	100434 014	Hyd Fitting 90 Elbow ORFS(08) SAE(10)	4	EA

Repair Parts



アイテム	部品番号	名前	数量	UOM
1	3603 12	Plain Washer	8	EA
2	3603 12H	Plain Washer	8	EA
3	3603 12HD	Plain Washer	8	EA
4	3603 16HD	Plain Washer	6	EA
5	3610 12100	Metric Bolt	4	EA
6	3610 16140	Metric Bolt	4	EA
7	3611 12	Metric Nyloc Nut	4	EA
8	3611 16	Metric Nyloc Nut	4	EA
9	3616 12120	Metric Bolt Grade 10.9	8	EA
10	3626 2	Flanged Permaglride Bush	8	EA
11	3626 3	Flanged permaglride bush	8	EA
12	3636 1	Split Pin	2	EA
13	11600	Wheel Motor 335cc	2	EA
14	11629	Wheel Hub	2	EA
15	12296	Swing Arm Weld	2	EA
16	12835 1	Cartridge, Solenoid Poppet, 2 Way, NC	4	EA
17	15204	Cylinder Dual Lock	2	EA
18	100434 002	FITTING 4MORFF X 4MORB 90 °	2	EA
19	100434 004	Hyd Fitting 90 Elbow ORFS(04) SAE(06)	2	EA
20	511327 000	Adapter JICM > UNO Straight, 9/16 > 7/8	4	EA
21	6019180	Coil 08 12V Deutsch DT Connector	4	EA

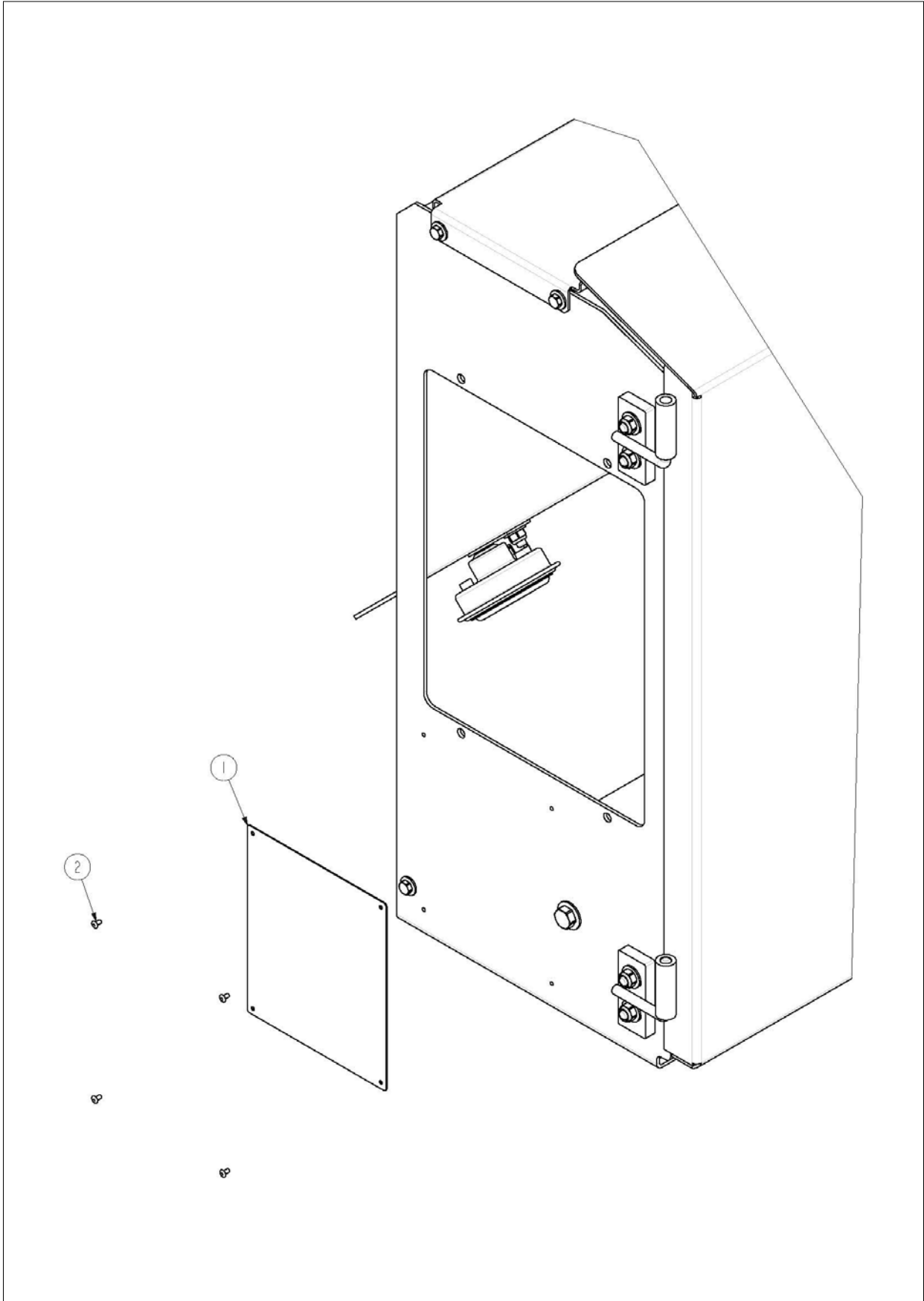
Repair Parts



アイテム	部品番号	名前	数量	UOM
1	3602 06	Metric Hex Nut	2	EA
2	3603 06	Plain Washer	22	EA
3	3603 08	Plain Washer	18	EA
4	3603 10	Plain Washer	9	EA
5	3605 10	Spring Washer	7	EA
6	3610 05020	Metric Bolt	2	EA
7	3610 06016	Metric Bolt	5	EA
8	3610 06020	Metric Bolt	2	EA
9	3610 06025	Metric Bolt	2	EA
10	3610 08020	Metric Bolt	1	EA
11	3610 08025	Metric Bolt	4	EA
12	3610 08030	Metric Bolt	4	EA
13	3610 10020	Metric Bolt	4	EA
14	3610 10025	Metric Bolt	1	EA
15	3611 05	Metric Nyloc Nut	8	EA
16	3611 06	Metric Nyloc Nut	9	EA
17	3611 08	Metric Nylock Nut	9	EA
18	3611 10	Metric Nyloc Nut	1	EA
19	3668 05016	Button Head Socket Screw	2	EA
20	4381	Horn	1	EA
21	11679	Cabinet Door Small	1	EA
22	11680	Cabinet Door Large	1	EA
23	12313 10	Top Panel	1	EA
24	12313 11	Latch Bracket	1	EA
25	12833 4	Serial Number Plate, NZ/AUS Machines	1	EA
26	13164	Cable Tie Mount M10	1	EA
27	13869 01	Cabinet Hinge, LH	2	EA
28	13869 02	Cabinet Hinge, RH	2	EA
29	13872	Rubber Channel Section	1	EA

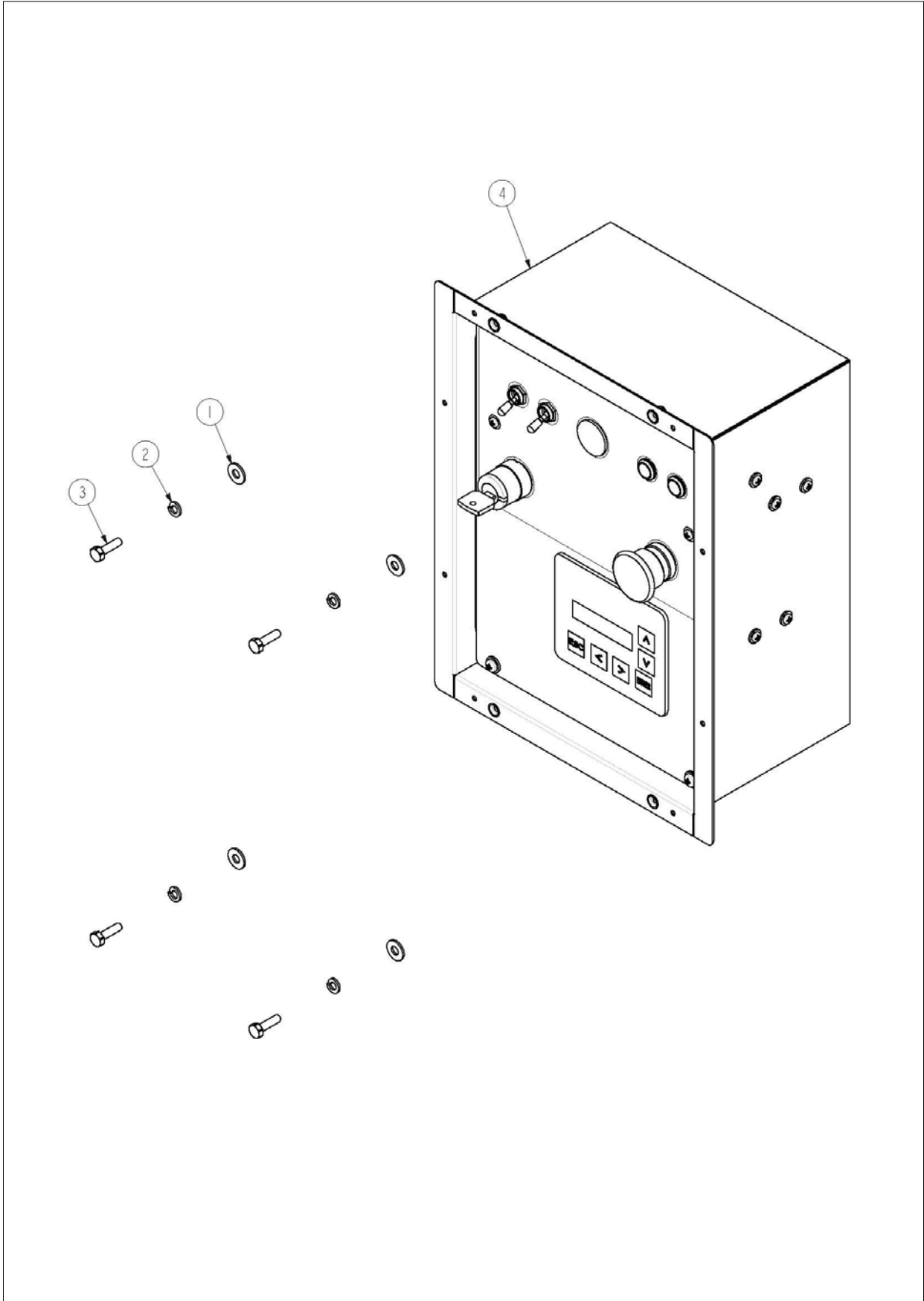
アイテム	部品番号	名前	数量	UOM
30	13969	Cabinet Control Side	1	EA
31	15088 01	Main Manifold Assembly	1	EA
32	15361	Door Stop	2	EA
33	15361 03	Lanyard Eye to Eye 8"	2	EA
34	60017 006	1" x3/8 UNC Bolt	3	EA
35	60027 013	Rivet 1/8 x 5/32	4	EA
36	0070901	Serial Number Plate, US Machines	1	EA
37	100434 015	Hyd Fitting 90 Elbow ORFS(08) SAE(12)	2	EA
38	6019325	Pressure Filter	1	EA
39	8342416 3	Latch Adjustable Trigger, Key 508CH	1	EA
40	13781A	Stabiliser Manifold Assembly	1	EA

Repair Parts



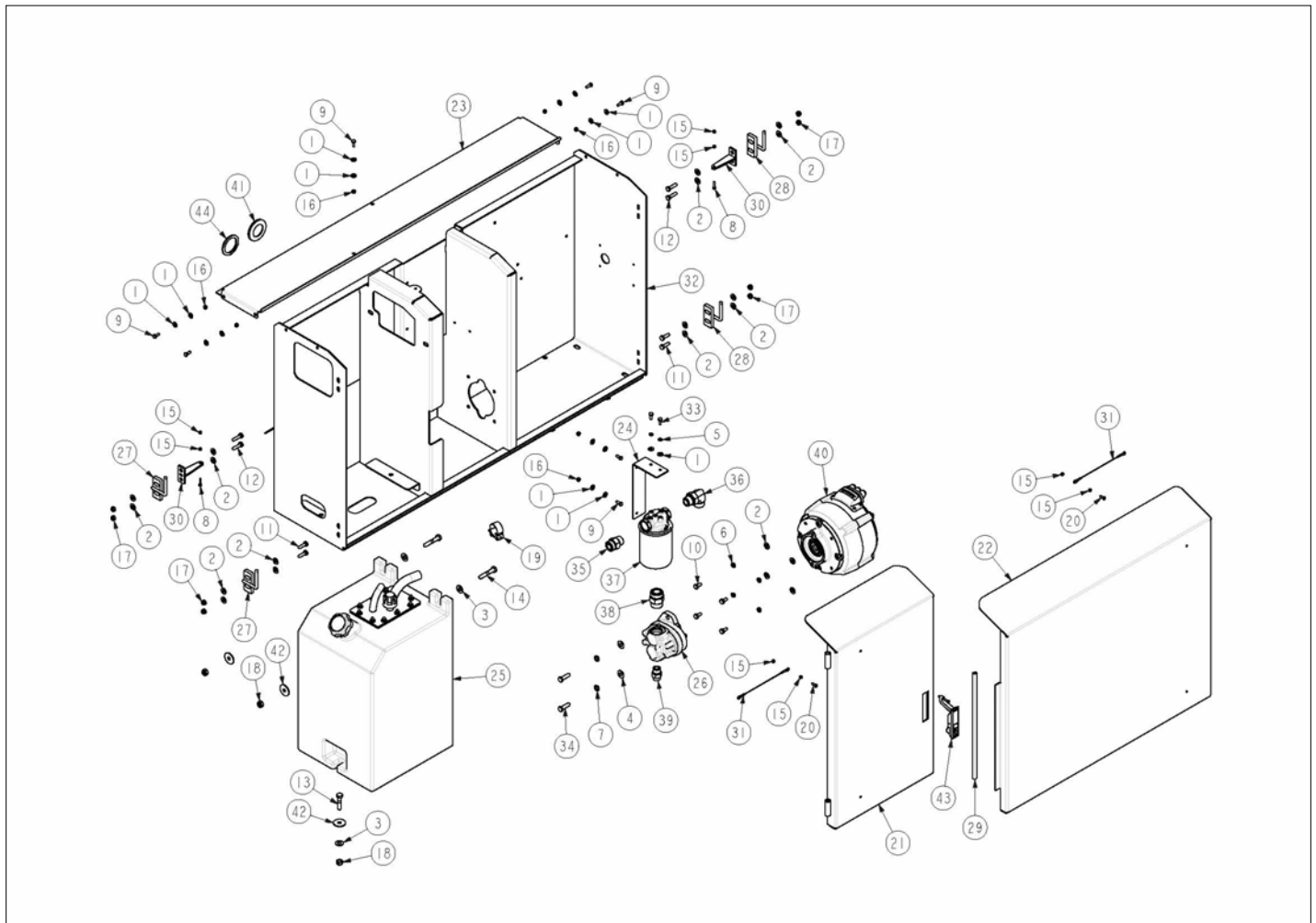
アイテム	部品番号	名前	数量	UOM
1	12833 4	Serial Number Plate, NZ/AUS Machines	1	EA
1	0070901	Serial Number Plate, US Machines	1	EA
2	60027 013	Rivet 1/8 x 5/32	4	EA

Repair Parts



アイテム	部品番号	名前	数量	UOM
1	3603 06	Plain Washer	4	EA
2	3605 06	Spring Washer	4	EA
3	3610 06020	Metric Bolt	4	EA
4	13811 06	Lower Control Box Assembly AS/NZS/CE, Lithium	1	EA

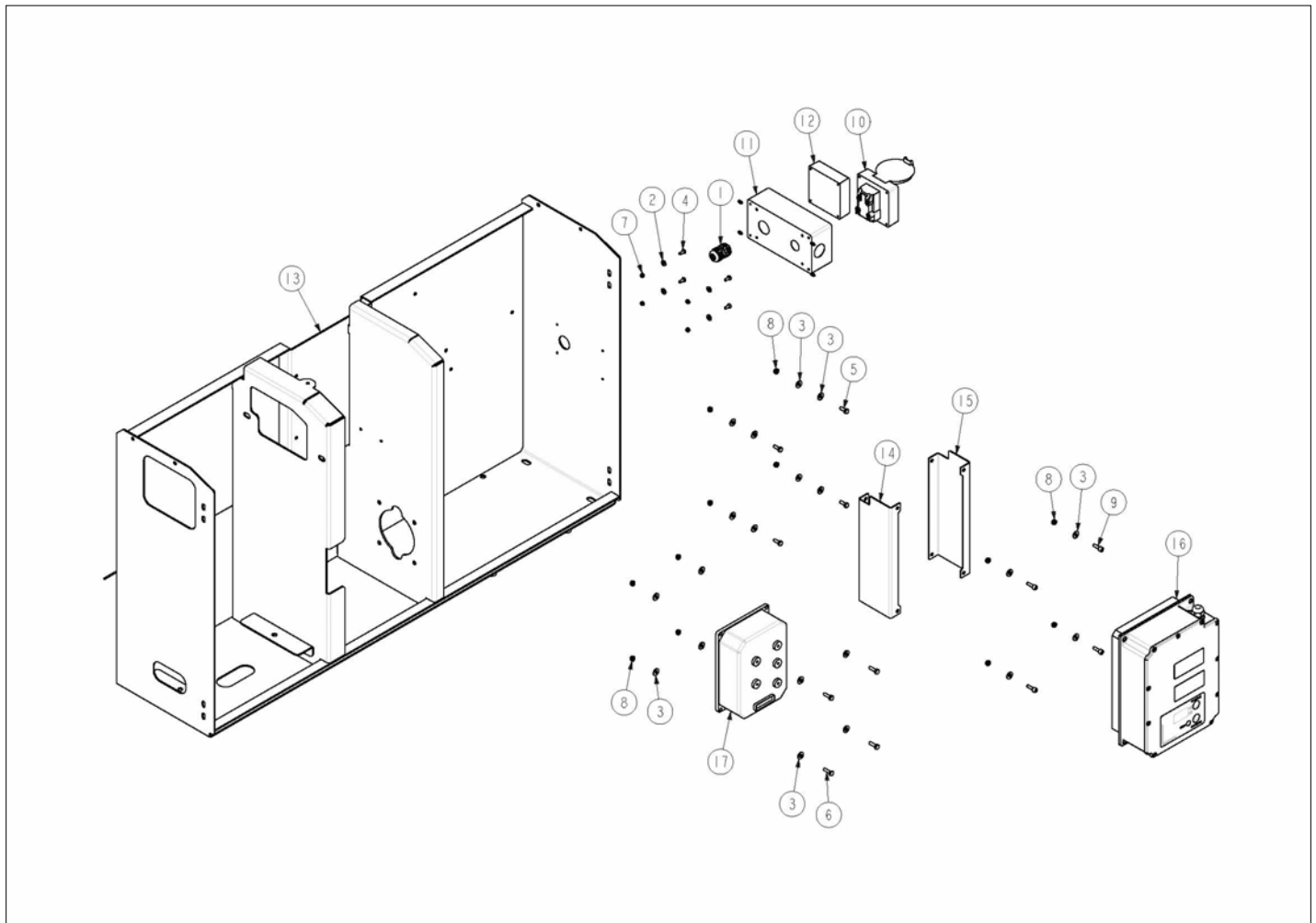
Repair Parts



アイテム	部品番号	名前	数量	UOM
1	3603 06	Plain Washer	16	EA
2	3603 08	Plain Washer	20	EA
3	3603 10	Plain Washer	3	EA
4	3603 10H	Plain Washer	2	EA
5	3605 06	Spring Washer	2	EA
6	3605 08	Spring Washer	4	EA
7	3605 10	Spring Washer	2	EA
8	3610 05020	Metric Bolt	2	EA
9	3610 06016	Metric Bolt	7	EA
10	3610 08016	Metric Bolt	4	EA
11	3610 08025	Metric Bolt	4	EA
12	3610 08030	Metric Bolt	4	EA
13	3610 10045	Metric Bolt	1	EA
14	3610 10055	Metric Bolt	2	EA
15	3611 05	Metric Nyloc Nut	8	EA
16	3611 06	Metric Nyloc Nut	7	EA
17	3611 08	Metric Nylock Nut	8	EA
18	3611 10	Metric Nyloc Nut	3	EA
19	3618 32	Hose Clamp 34 37mm	1	EA
20	3668 05016	Button Head Socket Screw	2	EA
21	11679	Cabinet Door Small	1	EA
22	11680	Cabinet Door Large	1	EA
23	12313 10	Top Panel	1	EA
24	12329	Bracket Return Line Filter	1	EA
25	13106 6A	Hydraulic Tank	1	EA
26	13628	Pump, SAE A, 9 Spline 10.3cc	1	EA
27	13869 01	Cabinet Hinge, LH	2	EA
28	13869 02	Cabinet Hinge, RH	2	EA
29	13872	Rubber Channel Section	1	EA

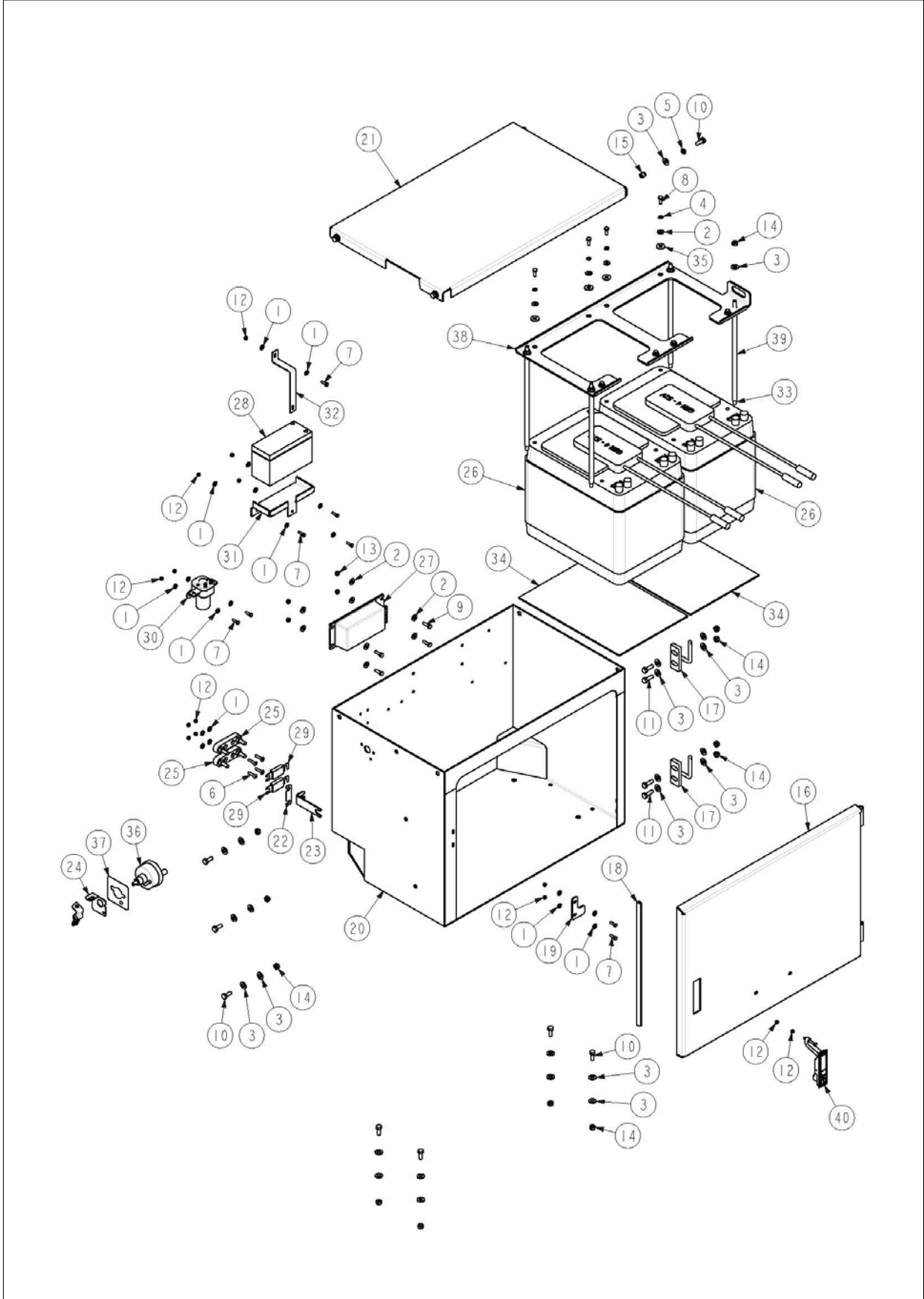
アイテム	部品番号	名前	数量	UOM
30	15361	Door Stop	2	EA
31	15361 03	Lanyard Eye to Eye 8"	2	EA
32	15368	Cabinet Tank Side	1	EA
33	60015 012	3/4" x 1/4" NC Bolt (Plated)	2	EA
34	60017 010	1" x 3/8 UNC Bolt	2	EA
35	100432 027	Hyd Fitting Straight ORFS(12) SAE(12)	1	EA
36	100434 021	Hyd Fitting 90 Elbow ORFS(12) SAE(12)	1	EA
37	301440	AE 10 Oil Filter	1	EA
38	512968 000	Hyd Fitting Straight ORFS(16) SAE(16)	1	EA
39	512969 000	Hyd Fitting Straight ORFS(08) SAE(10)	1	EA
40	515959 000	Motor 01PM 200 66	1	EA
41	516204 000	Rubber Grommet	1	EA
42	5560179	Flat Washer Special	3	EA
43	8342416 3	Latch Adjustable Trigger, Key 508CH	1	EA
44	Grommet 60mm	Rubber Grommet	1	EA

Repair Parts



アイテム	部品番号	名前	数量	UOM
1	1814	Cable Gland	1	EA
2	3603 05	Plain Washer	4	EA
3	3603 06	Plain Washer	20	EA
4	3604 05012	Pan Head Screw	4	EA
5	3610 06016	Metric Bolt	4	EA
6	3610 06020	Metric Bolt	4	EA
7	3611 05	Metric Nyloc Nut	4	EA
8	3611 06	Metric Nyloc Nut	12	EA
9	3613 06030	Socket Head Cap Screw	4	EA
10	10967 2	Appliance Inlet	1	EA
11	10967 3	PDL Enclosure	1	EA
12	10967 4	PDL Enclosure Lid	1	EA
13	15368	Cabinet Tank Side	1	EA
14	15372 01	Mount, Charger Left	1	EA
15	15372 02	Mount, Charger Right	1	EA
16	515957 000	Charger Zivan SG3	1	EA
17	515958 000	Curtis Drive	1	EA

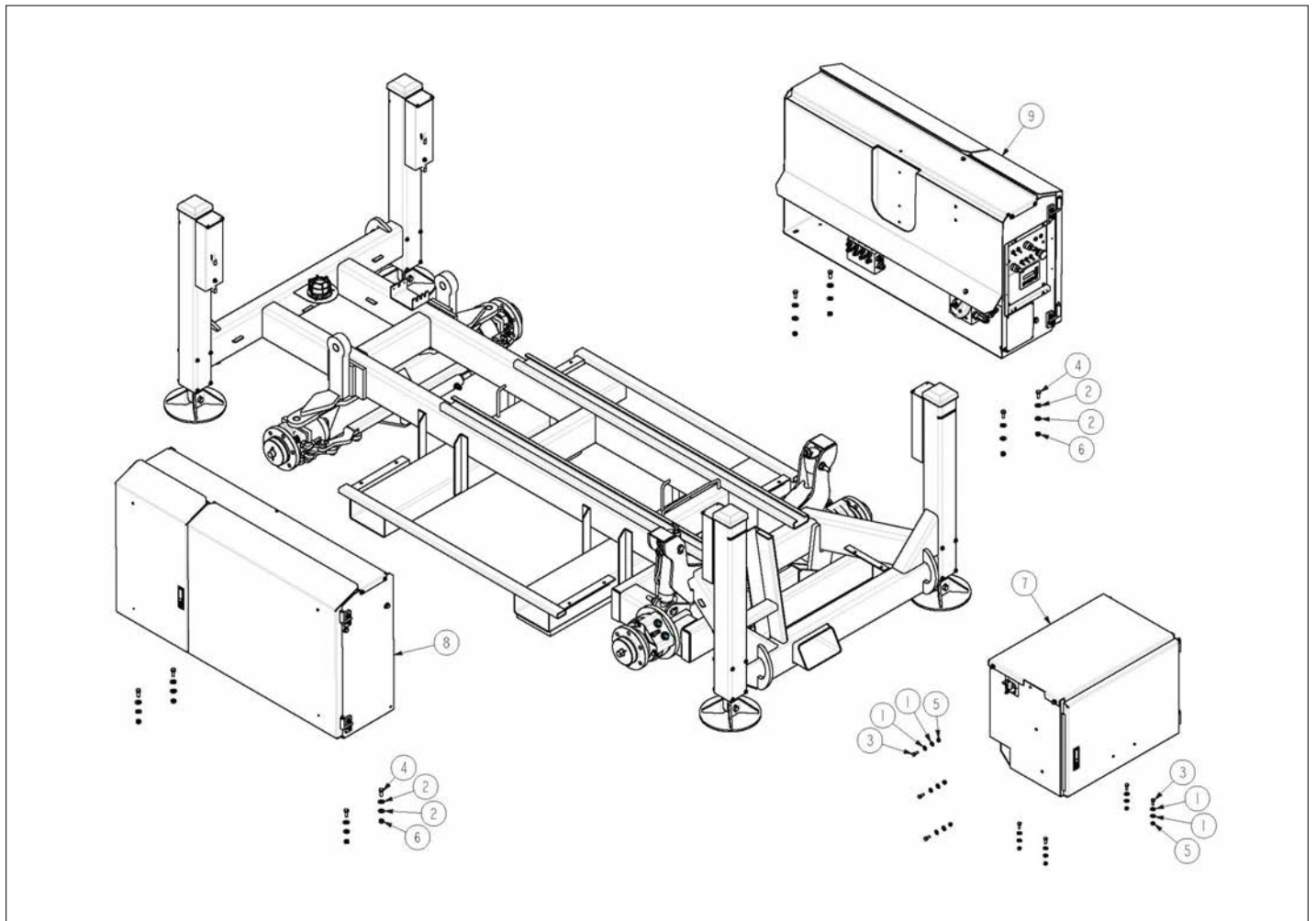
Repair Parts



アイテム	部品番号	名前	数量	UOM
1	3603 05	Plain Washer	20	EA
2	3603 06	Plain Washer	16	EA
3	3603 08	Plain Washer	30	EA
4	3605 06	Spring Washer	8	EA
5	3605 08	Spring Washer	4	EA
6	3606 05025	Countersunk Socket Head Screw	4	EA
7	3610 05016	Metric Bolt	8	EA
8	3610 06016	Metric Bolt	8	EA
9	3610 06020	Metric Bolt	4	EA
10	3610 08020	Metric Bolt	11	EA
11	3610 08025	Metric Bolt	4	EA
12	3611 05	Metric Nyloc Nut	14	EA
13	3611 06	Metric Nyloc Nut	4	EA
14	3611 08	Metric Nylock Nut	15	EA
15	3628 08	Nutsert M8	4	EA
16	13032	Door Engine Cabinet	1	EA
17	13869 02	Cabinet Hinge, RH	2	EA
18	13872	Rubber Channel Section	1	EA
19	15370 01	Bracket Door Latch	1	EA
20	15371	Power Cabinet	1	EA
21	15371 4	Power Cabinet Lid	1	EA
22	15378	Busbar	1	EA
23	15379	Busbar	1	EA
24	300840	Lock Out Lever Assembly	1	EA
25	446086	Fuse Block	2	EA
26	515956 000	Battery Pack	2	EA
27	516050 000	DC DC Converter	1	EA
28	516057 000	Battery , 12V AUX	1	EA
29	516065 000	Fuse Block	2	EA

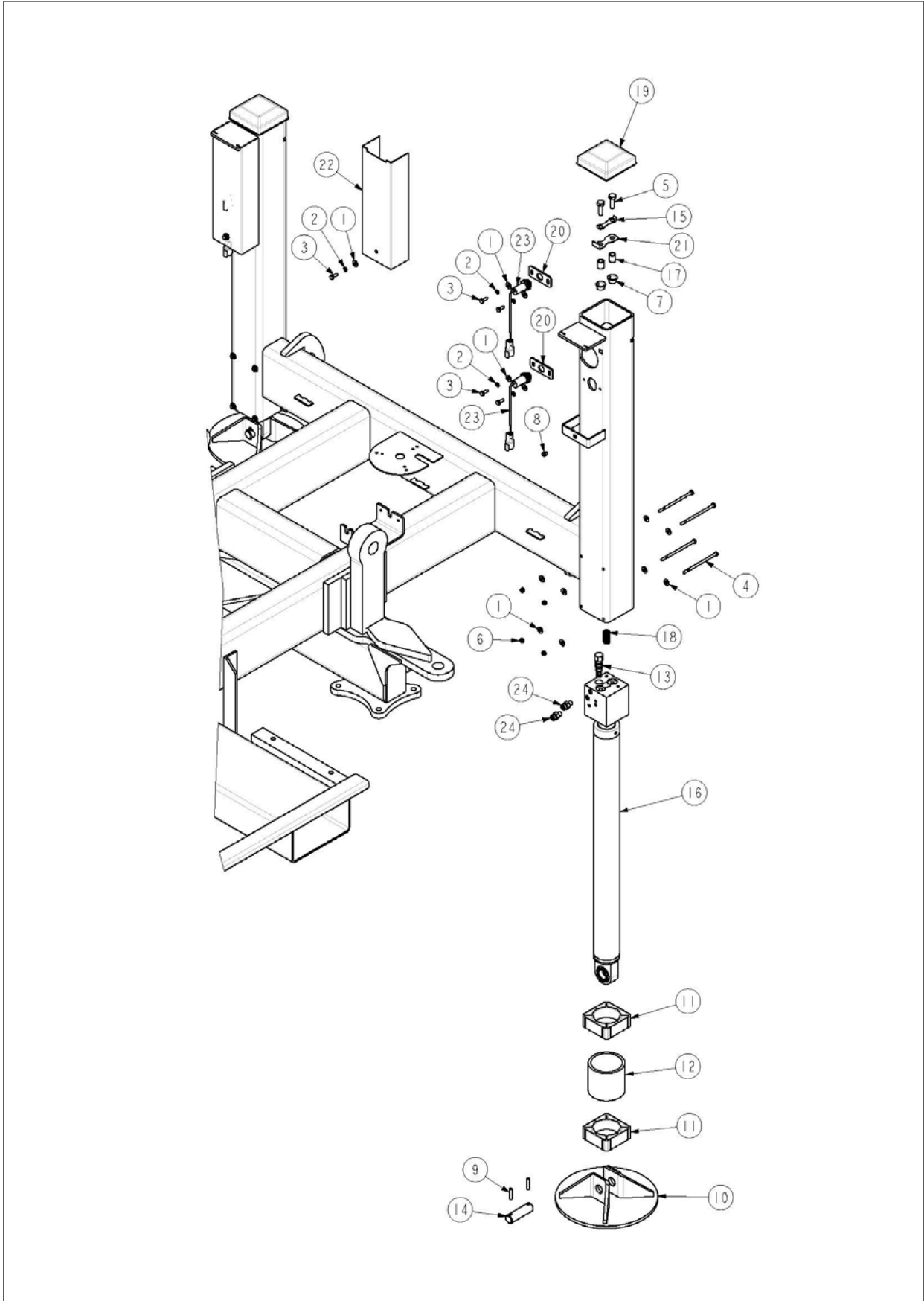
アイテム	部品番号	名前	数量	UOM
30	516067 000	Contactora 300AMP	1	EA
31	516094 000	Tray, Battery Aux	1	EA
32	516095 000	Strap, Aux Battery	1	EA
33	516112 000	Tie Rod, Battery	4	EA
34	516147 000	Mat, Isolation, EPDM Rubber	2	EA
35	516148 000	Nylon Flat Washer	8	EA
36	516163 000	Battery Isolator Switch Double	1	EA
37	516203 000	Lockout Lever Plate	1	EA
38	516289 000	Battery Lockplate	1	EA
39	516292 000	Lock Plate Tube	4	EA
40	8342416 3	Latch Adjustable Trigger, Key 508CH	1	EA

Repair Parts



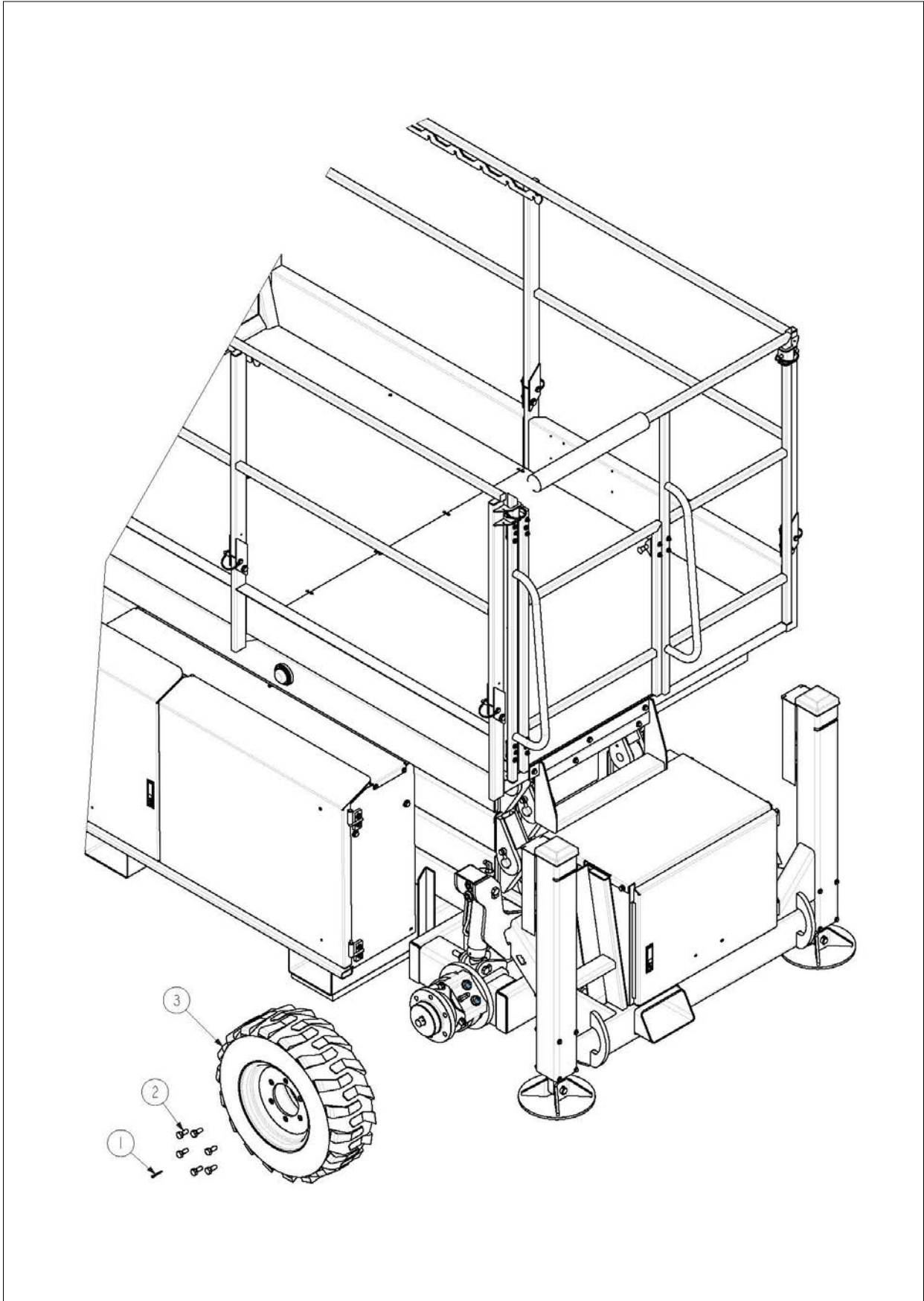
アイテム	部品番号	名前	数量	UOM
1	3603 08	Plain Washer	68	EA
2	3603 10	Plain Washer	28	EA
3	3610 08020	Metric Bolt	15	EA
4	3610 10025	Metric Bolt	9	EA
5	3611 08	Metric Nylock Nut	33	EA
6	3611 10	Metric Nyloc Nut	12	EA
7	15370	Power Cabinet	1	EA
8	15372	Motor Cabinet	1	EA
9	15380	Control Cabinet	1	EA

Repair Parts



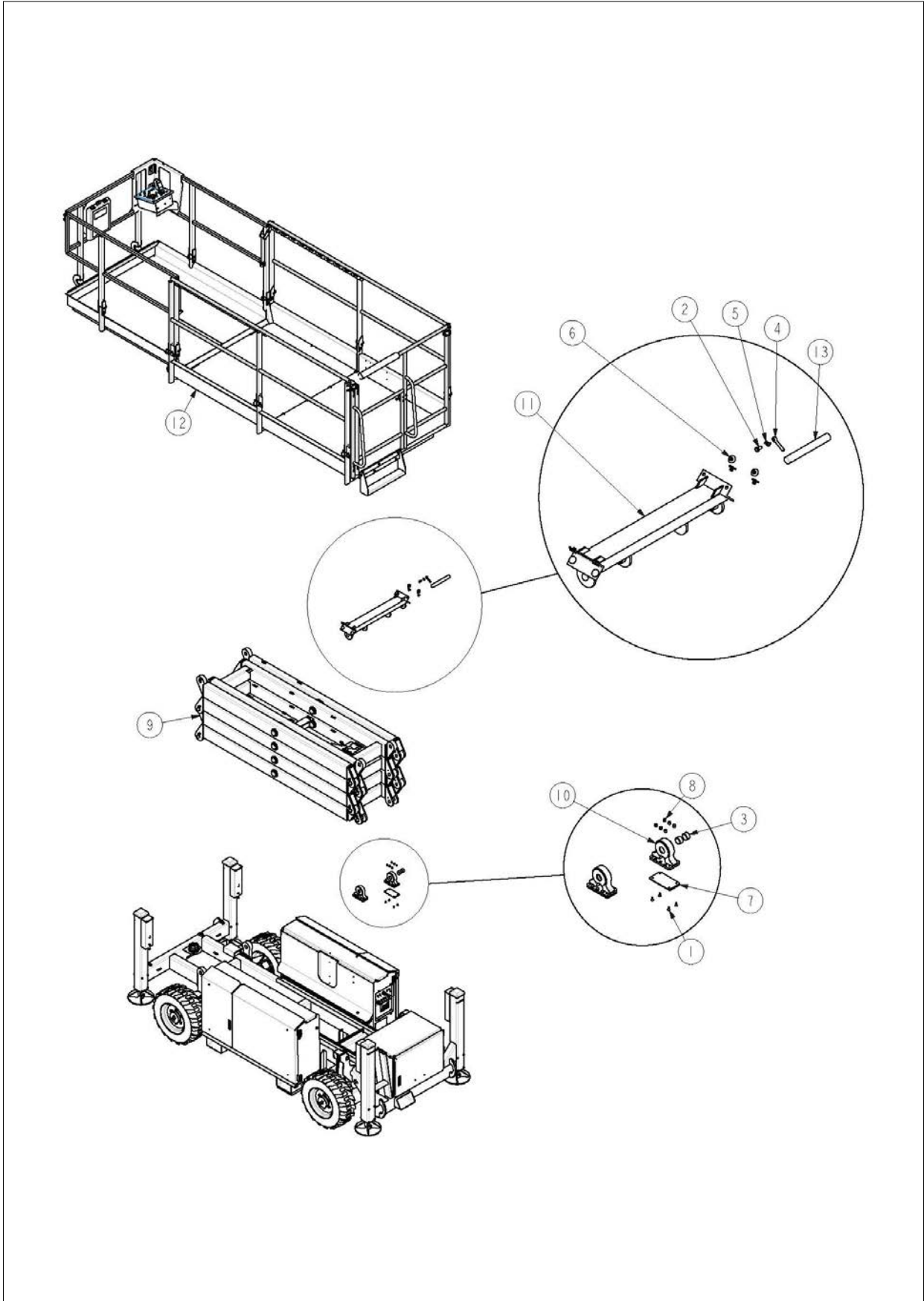
アイテム	部品番号	名前	数量	UOM
1	3603 06	Plain Washer	52	EA
2	3605 06	Spring Washer	20	EA
3	3610 06016	Metric Bolt	20	EA
4	3610 06110	Metric Bolt	16	EA
5	3610 10030	Metric Bolt	8	EA
6	3611 06	Metric Nyloc Nut	16	EA
7	3626 8	Flanged Permaglide Bush	8	EA
8	3628 06	Nutsert M6	4	EA
9	3633 3	Roll Pin	8	EA
10	11305	Foot Weld Inverted Stabiliser Leg	4	EA
11	11366 1	Stabiliser Bush	8	EA
12	11366 2	Stabiliser Bush Spacer	4	EA
13	11367 2	Pilot to open Check Valve With Sealed Pilot	4	EA
14	11369	Pin 7/8" x 76mm	4	EA
15	11492 4	Dual Locktab	4	EA
16	12036	Cylinder Stabiliser SR	4	EA
17	12036 5	Sliding Spacer	8	EA
18	12036 6	Compression Spring	4	EA
19	13771 50	RHS Cap 100x100 Steel	4	EA
20	14098 01	Prox Mount Bracket	8	EA
21	14098 02	Prox Target, Leg Grounded, SR	4	EA
22	14098 03	Hose Cover	4	EA
23	15085 03	Axle Prox	8	EA
24	100432 002	Hyd Fitting Straight ORFS(04) SAE(04)	8	EA

Repair Parts



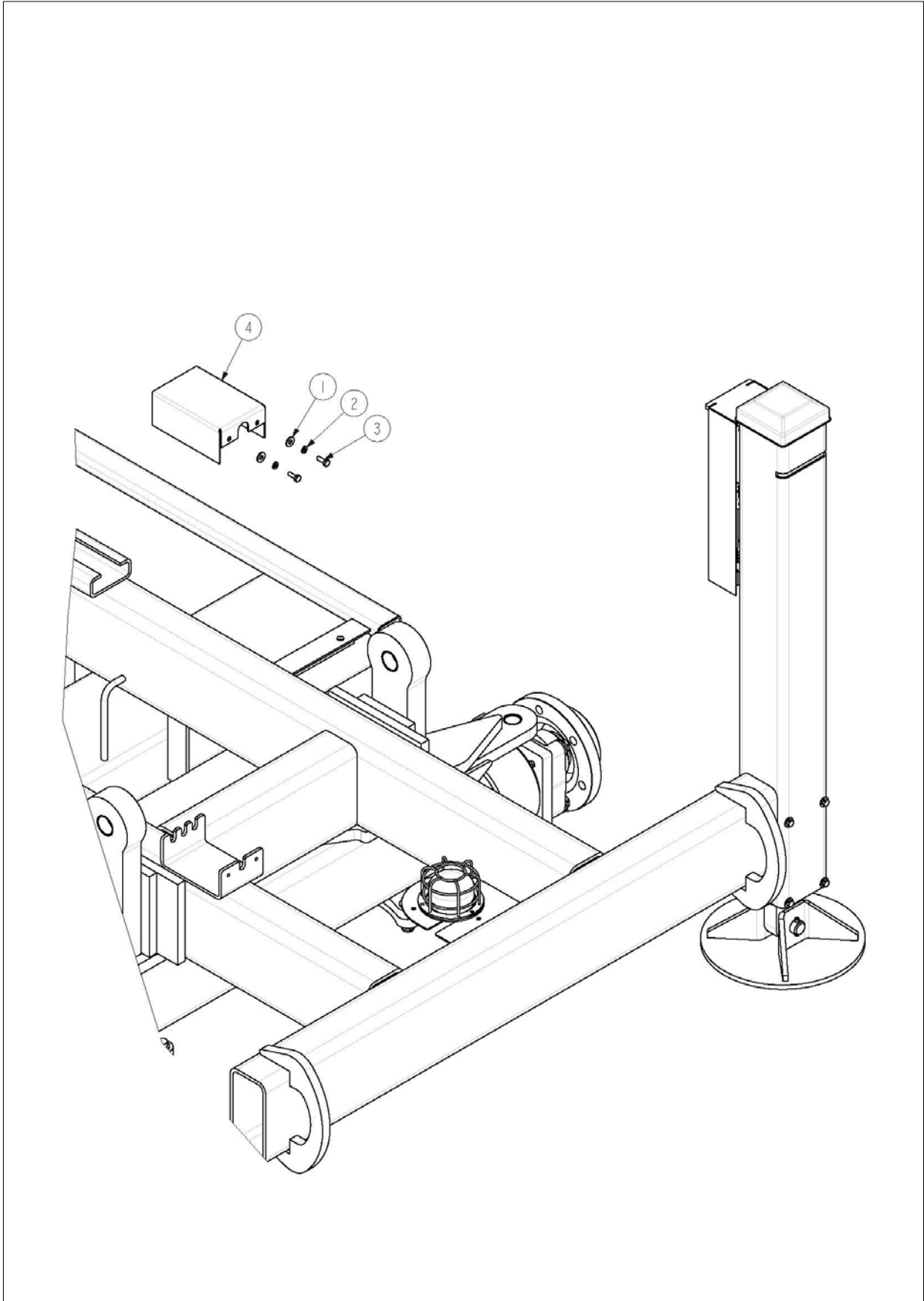
アイテム	部品番号	名前	数量	UOM
1	3631 1	Split Pin	4	EA
2	98300 9	Wheel Nut	24	EA
3	12286 4L	Wheel, Left Hand Foam Filled Non Marking	2	EA
3	12286 4R	Wheel, Right Hand Foam Filled Non Marking	2	EA
3	12286 3L	Wheel, Right Hand Foam Filled	2	EA
3	12286 3L	Wheel, Right Hand Foam Filled	2	EA

Repair Parts



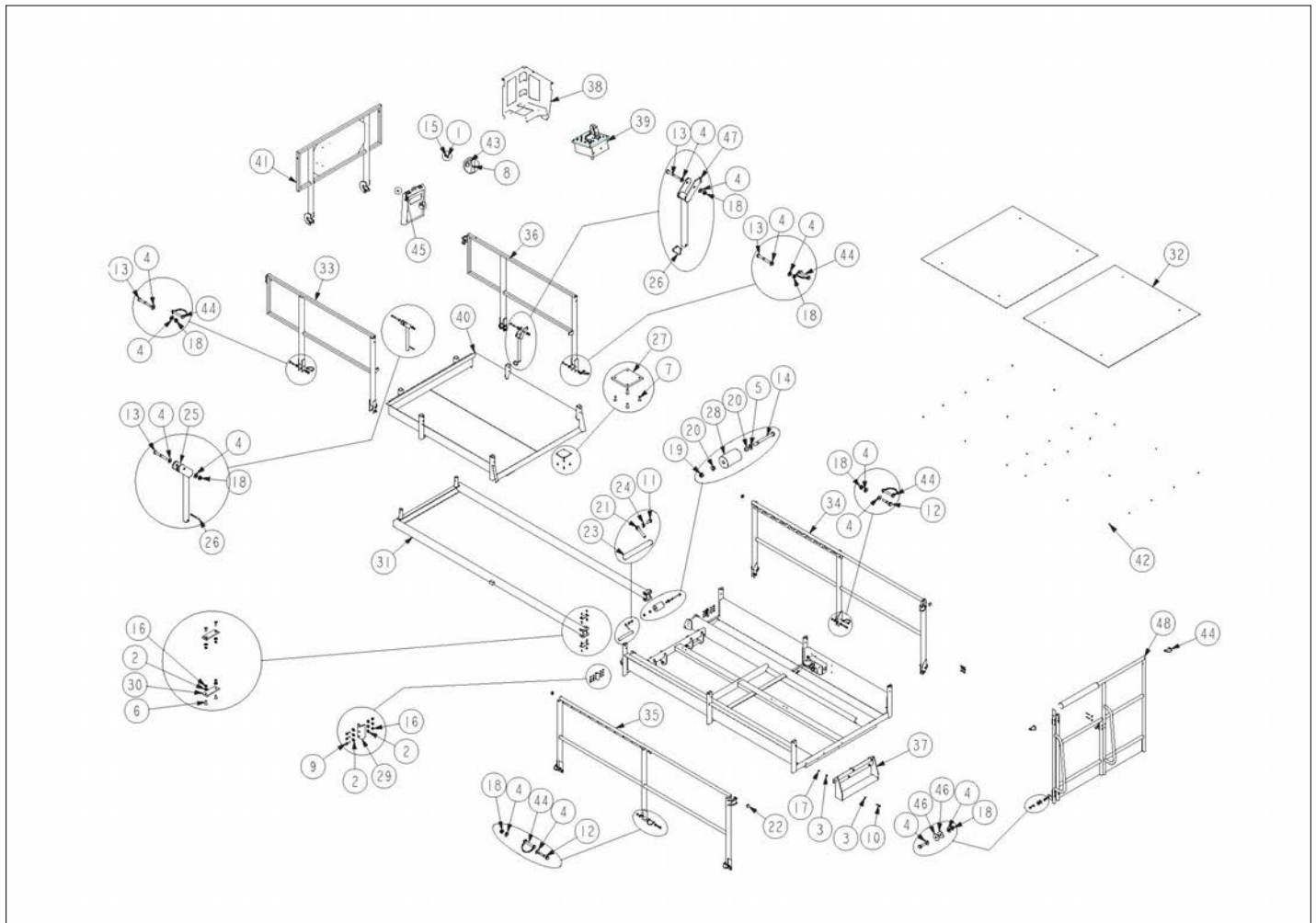
アイテム	部品番号	名前	数量	UOM
1	3606 06016	Countersunk Socket Head Screw	8	EA
2	3610 10020	Metric Bolt	2	EA
3	3624 19	Permaglide Bush	4	EA
4	8626	Pin Keeper	2	EA
5	11492 3	Tab Washer	2	EA
6	11658 20	Wear Plug	8	EA
7	12566 2	Wear Pad Slider Block (Bottom)	2	EA
8	12566 3	Slider Block Top	12	EA
9	13893 04	S2255RTE Stack	1	EA
9	13893 05	S2755RTE Stack	1	EA
10	13928	Sliding Block Weld	2	EA
11	13931	Slider Bar Weld	1	EA
12	15165 01	Platform Assembly	1	EA
13	15202	Pin, 30mm x 235	2	EA

Repair Parts



アイテム	部品番号	名前	数量	UOM
1	3603 06	Plain Washer	2	EA
2	3605 06	Spring Washer	2	EA
3	3610 06016	Metric Bolt	2	EA
4	12818	Bleed Down Cover	1	EA

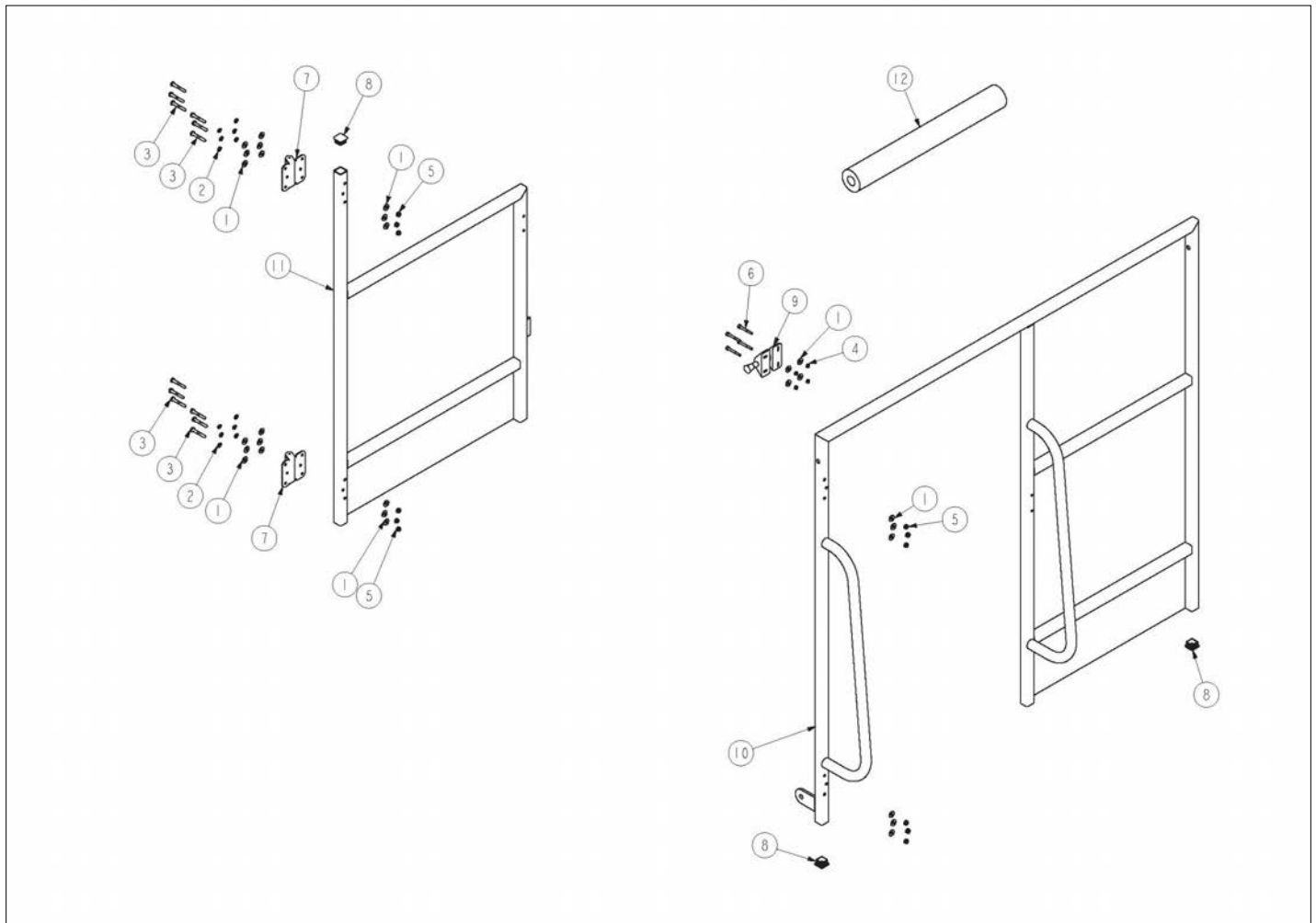
Repair Parts



アイテム	部品番号	名前	数量	UOM
0	15164 01	Platform Assembly	1	EA
1	3603 05	Plain Washer	6	EA
2	3603 06	Plain Washer	20	EA
3	3603 08	Plain Washer	10	EA
4	3603 10	Plain Washer	28	EA
5	3603 12	Plain Washer	4	EA
6	3606 06020	Countersunk Socket Head Screw	8	EA
7	3606 06025	Countersunk Socket Head Screw	8	EA
8	3610 05016	Metric Bolt	2	EA
9	3610 06020	Metric Bolt	6	EA
10	3610 08045	Metric Bolt	5	EA
11	3610 10020	Metric Bolt	4	EA
12	3610 10050	Metric Bolt	6	EA
13	3610 10075	Metric Bolt	6	EA
14	3610 12130	Metric Bolt	2	EA
15	3611 05	Metric Nyloc Nut	6	EA
16	3611 06	Metric Nyloc Nut	14	EA
17	3611 08	Metric Nylock Nut	5	EA
18	3611 10	Metric Nyloc Nut	14	EA
19	3611 12	Metric Nyloc Nut	2	EA
20	3626 2	Flanged Permaglide Bush	4	EA
21	8626	Pin Keeper	4	EA
22	8926 1	Plug RHS 25mm	4	EA
23	15202	Pin, 30mm x 235	4	EA
24	11492 3	Tab Washer	4	EA
25	11695	Handrail Latch Left	1	EA
26	11695 3	Latch Holding Ring	2	EA
27	12709 10	Rollout Deck Slide Pad	2	EA
28	13122 11	External Roller	2	EA

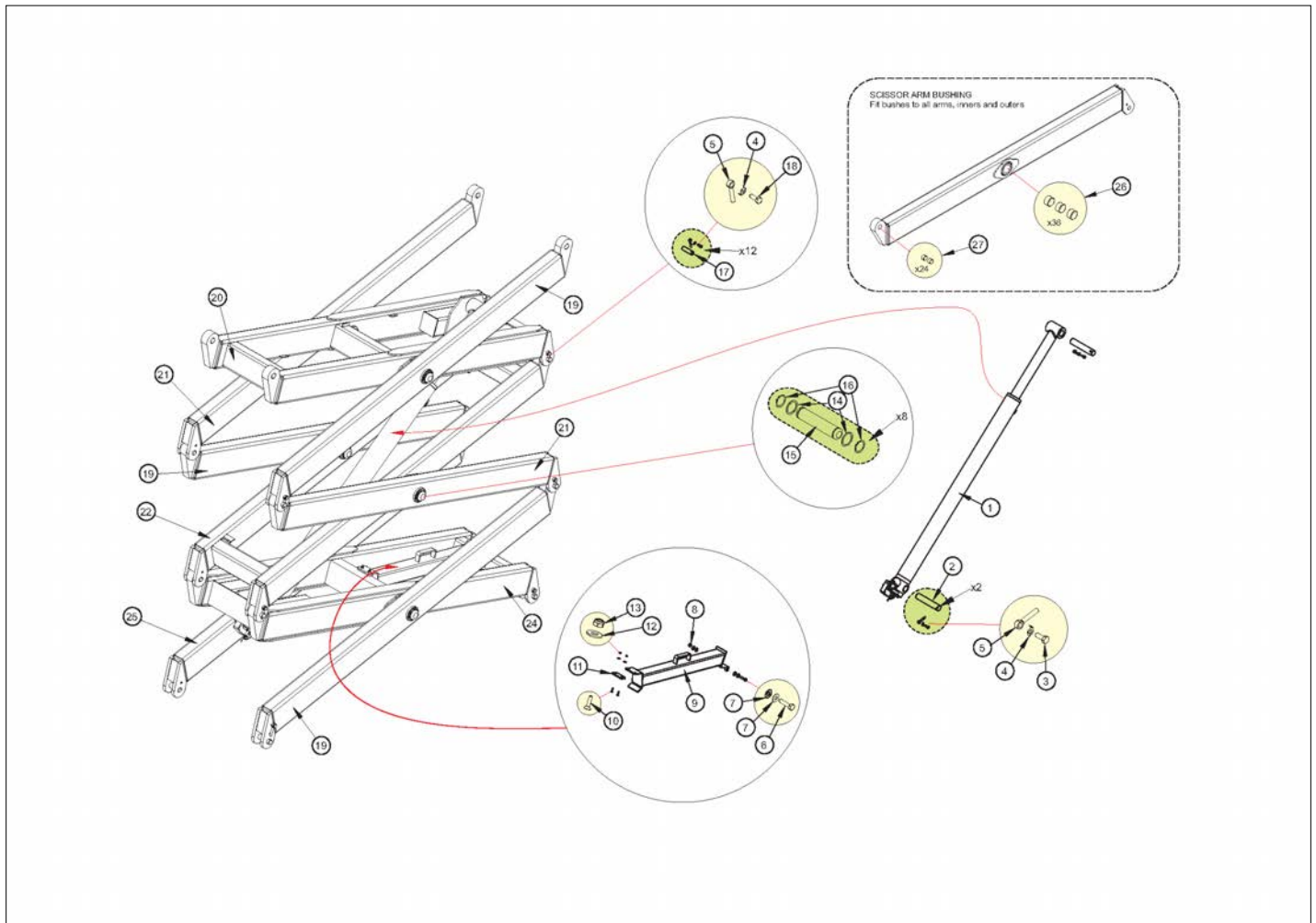
アイテム	部品番号	名前	数量	UOM
29	13122 12	Stop Rollout	2	EA
30	13122 14	Wear Pad Internal	4	EA
31	13128	Rollout Frame Weld	1	EA
32	13155	Platform Floor	2	EA
33	13262	Handrail Left Front	1	EA
34	13264	Right Handrail	1	EA
35	13268	Left Handrail	1	EA
36	13841	Handrail Right Front	1	EA
37	13871	Step Weld	1	EA
38	13921	Control Mount	1	EA
39	14023 10	Upper Control Box	1	EA
40	14055	Rollout Deck Weld	1	EA
41	14056	Handrail Front	1	EA
42	60027 067N	Rivet 1/8 x 5/32	26	EA
43	60030 198	1/4" Fender Washer	2	EA
44	302544	Pin & Lock	12	EA
45	562386	Literature Compartment	1	EA
46	5560179	Flat Washer Special	4	EA
47	11695R	Handrail Latch Right	1	EA
48	14057	Handrail Entry End	1	EA

Repair Parts



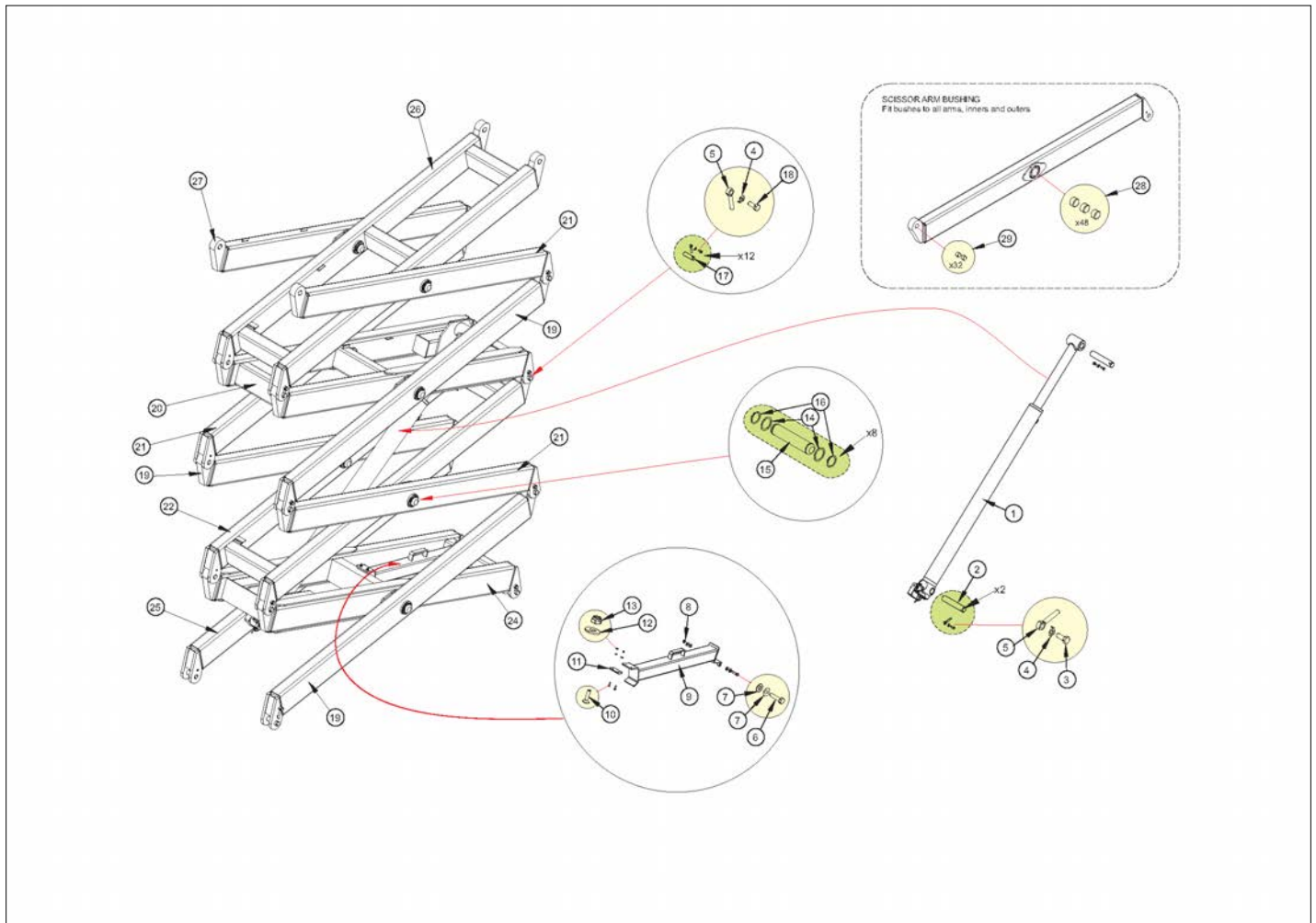
アイテム	部品番号	名前	数量	UOM
1	3603 06	Plain Washer	28	EA
2	3605 06	Spring Washer	12	EA
3	3610 06040	Metric Bolt	12	EA
4	3611 05	Metric Nyloc Nut	4	EA
5	3611 06	Metric Nyloc Nut	12	EA
6	3613 05040	Socket Head cap Screw	4	EA
7	7495	Spring Hinge	2	EA
8	8926 1	Plug RHS 25mm	3	EA
9	13909	Latch, Magnetic Slam	1	EA
10	14057	Handrail Entry End	1	EA
11	14058	Handrail Gate	1	EA
12	15243	Foam Pipe Wrap	1	EA

Repair Parts



アイテム	部品番号	名前	数量	UOM
0	15132 01	2255 Stack	1	EA
1	13906 03	Cylinder Assembly	1	EA
2	9292	Pin	2	EA
3	3610 10020	Metric Bolt	2	EA
4	11492 3	Tab Washer	10	EA
5	8626	Pin Keeper	10	EA
6	3610 10120	Metric Bolt	1	EA
7	3603 10	Plain Washer	4	EA
8	3611 10	Metric Nyloc Nut	1	EA
9	11380	Safety Prop	1	EA
10	3606 06025	Countersunk Socket Head Screw	2	EA
11	11143 2	Wear Pad	1	EA
12	3606 06	Plain Washer	2	EA
13	3611 06	Metric Nyloc Nut	2	EA
14	3629 5062L	Washer, Scissor Pivot	12	EA
15	11804	Scissor Pivot Pin	6	EA
16	3619 5	External Circlip	12	EA
17	13574 16	Pin, 30mm	8	EA
18	3610 10025	Metric Bolt	8	EA
19	13667 1	Arm, Outer, Odd Ends, 1" Female	3	EA
20	13667 36	Arm, Inner, Upper Cylinder Top	1	EA
21	13667 2	Arm, Outer, Top Odd Ends, Left Hand	2	EA
22	13667 15	Arm, Inner, Top	1	EA
24	13667 33	Arm, Lower, Inner Weld	1	EA
25	13667 32	Arm, First, Outer Right Hand	1	EA
26	3624 2	Permaglide Bush	36	EA
27	3624 3	Permaglide Bush	24	EA

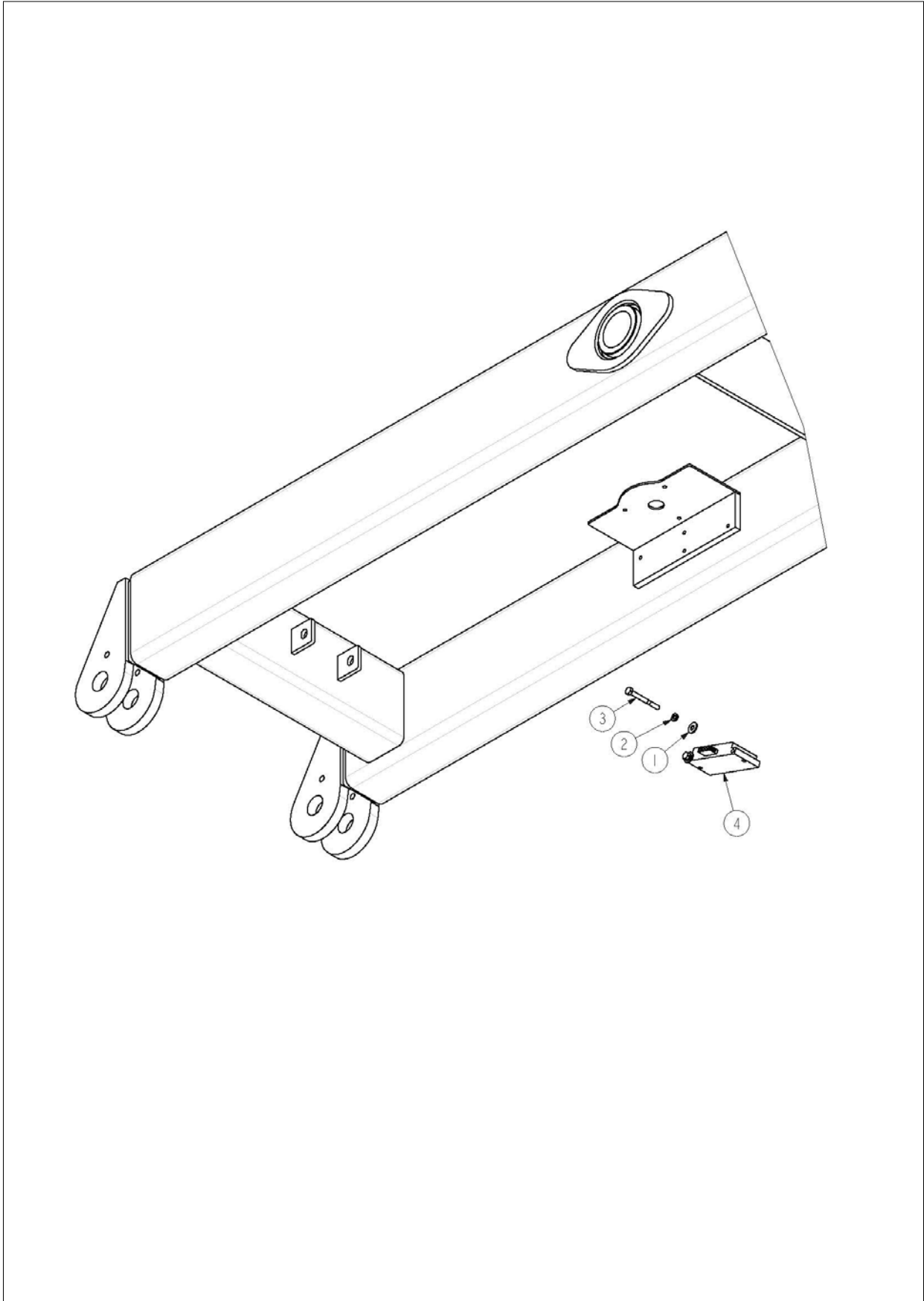
Repair Parts



アイテム	部品番号	名前	数量	UOM
0	15132 02	2755 Stack	1	EA
1	13906 03	Cylinder Assembly	1	EA
2	9292	Pin	2	EA
3	3610 10020	Metric Bolt	2	EA
4	11492 3	Tab Washer	14	EA
5	8626	Pin Keeper	14	EA
6	3610 10120	Metric Bolt	1	EA
7	3603 10	Plain Washer	4	EA
8	3611 10	Metric Nyloc Nut	1	EA
9	11380	Safety Prop	1	EA
10	3606 06025	Countersunk Socket Head Screw	2	EA
11	11143 2	Wear Pad	1	EA
12	3603 06	Plain Washer	2	EA
13	3611 06	Metric Nyloc Nut	2	EA
14	3629 5062L	Washer, Scissor Pivot	16	EA
15	11804	Scissor Pivot Pin	8	EA
16	3619 5	External Circlip	16	EA
17	13574 16	Pin, 30mm	12	EA
18	3610 10025	Metric Bolt	12	EA
19	13667 1	Arm, Outer, Odd Ends, 1" Female	3	EA
20	13667 36	Arm, Inner, Upper Cylinder Top	1	EA
21	13667 2	Arm, Outer, Top Odd Ends, Left Hand	3	EA
22	13667 15	Arm, Inner, Top	1	EA
24	13667 33	Arm, Lower, Inner Weld	1	EA
25	13667 32	Arm, First, Outer Right Hand	1	EA
26	13667 15	Arm, Inner, Top	1	EA
27	13667 35	Arm, Outer, Top Odd Ends, Right Hand	1	EA
28	3624 2	Permaglide Bush	48	EA

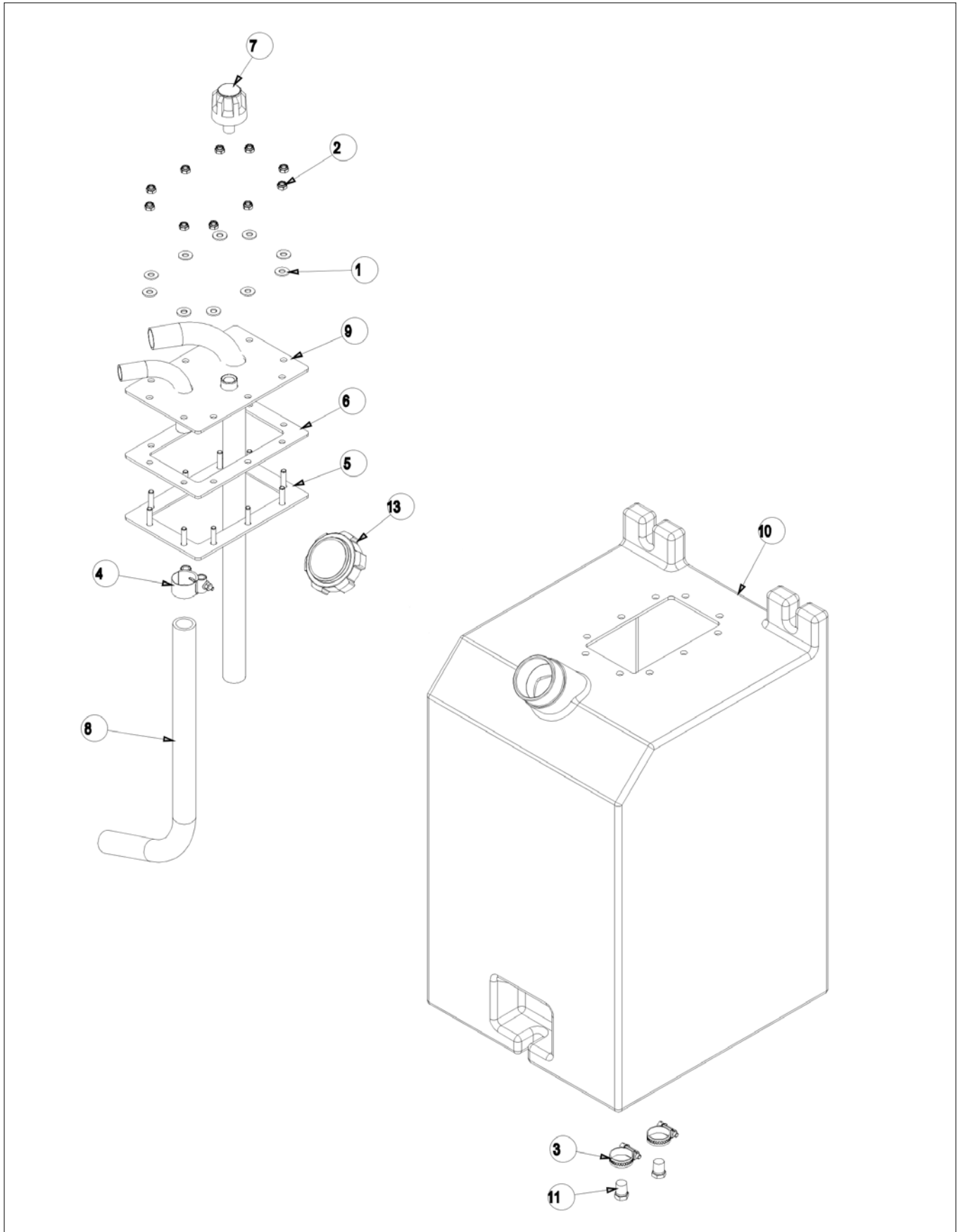
アイテム	部品番号	名前	数量	UOM
29	3624 3	Permaglide Bush	32	EA

Repair Parts



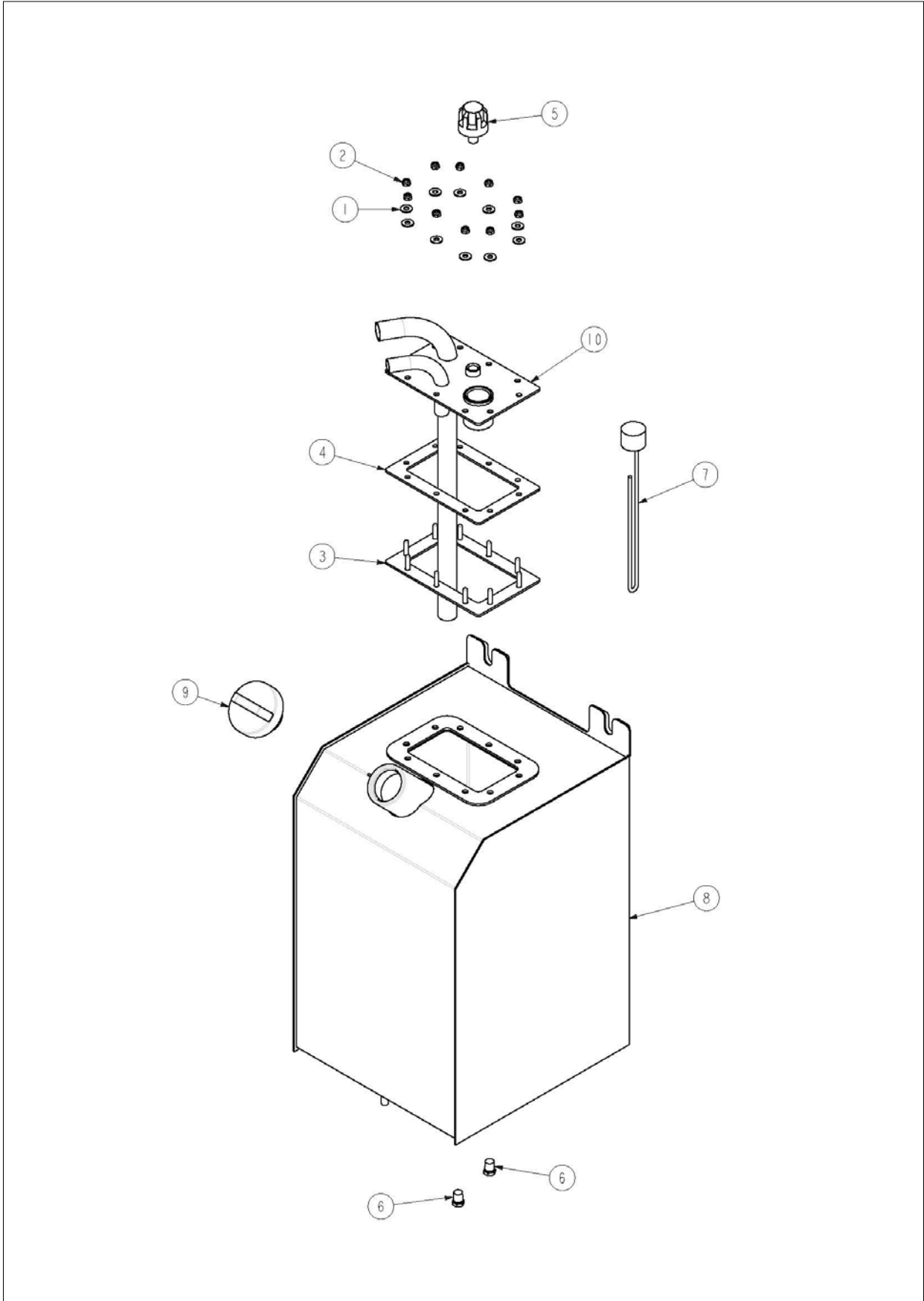
アイテム	部品番号	名前	数量	UOM
1	3603 06	Plain Washer	6	EA
2	3605 06	Spring Washer	6	EA
3	3610 06055	Metric Bolt	2	EA
4	3030187	Angle Transducer	1	EA

Repair Parts



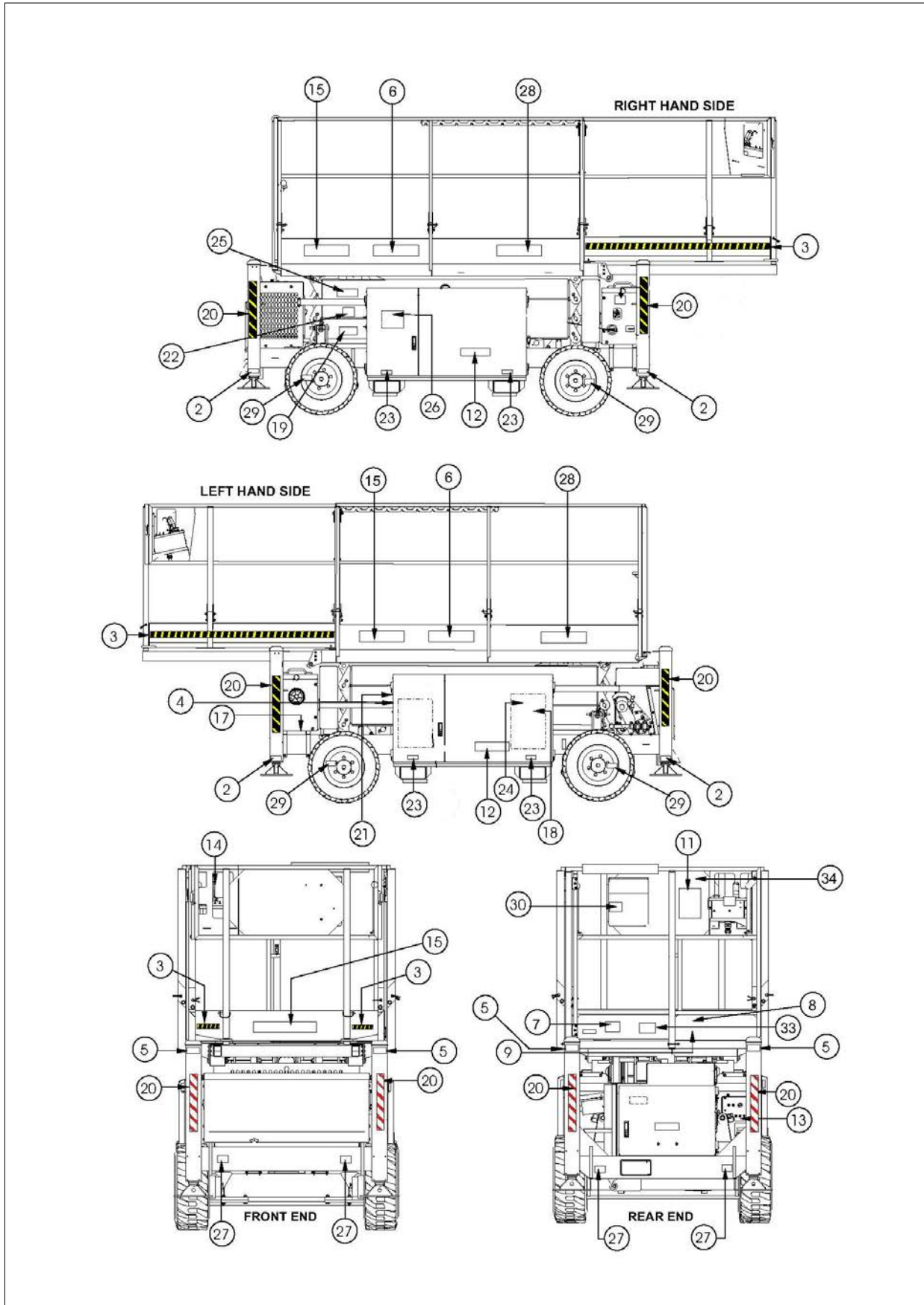
アイテム	部品番号	名前	数量	UOM
0	13106 5A	Hydraulic Tank Assembly	1	EA
1	3603 06	Plain Washer	10	EA
2	3611 06	Metric Nyloc Nut	10	EA
3	3618 11	Hose Clamp 11 25mm ZP	2	EA
4	3618 26	Hose Clamp 26 28mm	1	EA
5	11430 1	Base Plate Weld	1	EA
6	11430 5	Gasket	1	EA
7	11487	Filter Breather	1	EA
8	15056	Tank Inner Hose	1	EA
9	12942	Top Plate Weld	1	EA
10	13106 5	Oil Tank	1	EA
11	13108 04	Plug 1/4 NPTM	2	EA
12	605246	Strainer Hyd Tank Fill	1	EA
13	605256	Cap, Vented	1	EA

Repair Parts



アイテム	部品番号	名前	数量	UOM
1	3603 06	Plain Washer	10	EA
2	3611 06	Metric Nyloc Nut	10	EA
3	11430 1	Base Plate Weld	1	EA
4	11430 5	Gasket	1	EA
5	11487	Filter Breather	1	EA
6	13108 04	Plug 1/4 NPTM	2	EA
7	13520 000	Heater Element	1	EA
8	15146	Fuel Tank Weldment	1	EA
9	15256	Fuel Tank Cap, Non Vented	1	EA
10	15354	Top Plate Weld Hyd Oil Tank	1	EA

Repair Parts



アイテム	部品番号	名前	数量	UOM
2	501453 000	Decal, Foot Crush Hazard	4	EA
3	96924 9	Decal, Warning Stripes Yellow/Black	4m	EA
4	12833 4	Serial Number Plate, NZ/AUS Machines	1	EA
4	0070901	Serial Number Plate, US Machines	1	EA
5	13111	Decal, Pinch Point, Small	4	EA
6	13903 24	Decal, S2255RTE	2	EA
6	13903 25	Decal, S2755RTE	2	EA
7	12699 1	Decal, Rated Load S2255RT & S2255RTE	1	EA
7	12699 8	Decal, Rated Load S2755RT & S2755RTE	1	EA
8	0073298	Decal, Foam Tyres	1	EA
9	45198 6	Decal, Limit Switch Sign	1	EA
11	12574	Decal, Danger With Alarm	1	EA
12	511099 000	Decal, Snorkel	2	EA
13	13839 01	Decal, Lower Control Box	1	EA
14	13838 01	Decal, Upper Control Box	1	EA
15	511101 000	Decal, Snorkel	3	EA
17	12753	Decal, Emergency Bleed Down	1	EA
18	12814	Decal, Hydraulic Oil (On Hydraulic Oil Tank)	1	EA
19	583656	Decal, Safety Prop	1	EA
20	96924 9	Decal, Warning Stripes Yellow/Black	3.6m	EA
21	300699	Decal, Operators Checklist	1	EA
22	032 3897	Decal, Must not Operate	1	EA
23	621486	Decal, Forklift	4	EA
24	302950	Decal, Hydraulic Oil Level (On Hydraulic Oil Tank)	1	EA
25	300700	Decal, Shearing Hazard	1	EA

アイテム	部品番号	名前	数量	UOM
26	15078	Decal, Emergency Operation	1	EA
27	0083427	Decal, Lifting/Tie Down	4	EA
28	511067 000	Decal, www.snorkellifts.com	2	EA
29	0372061	Decal, Torque Wheel Nuts	4	EA
30	562426	Decal, Operators Manual Enclosed	1	EA
33	13640 3	Decal, Fall Restraint Only	1	EA
34	1843	Decal, Warning NZ Only	1	EA

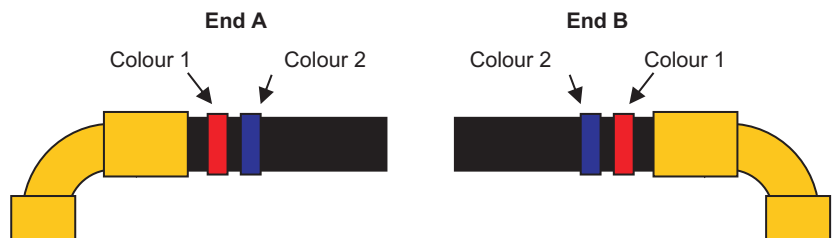
Snorkel Hose		Colour ID		Hose Use: Fitting A -> Fitting B
Part Number	Rev	Colour 1	Colour 2	
13768-02	A	Black	Yellow	Raise Stack: Main Manifold LCP -> Lift Cyl Extend
13768-01	A	Black	White	Lift Cyl Drain: Main Manifold LCR -> Lift Cyl Drain
13963-01	A	---	---	Main Manifold Return: Main Manifold Tank -> Oil Filter
13963-02	A	---	---	Filter Return: Oil Filter -> Hydraulic Oil Tank
13964-01	A	Orange	---	Pump Pressure: Main Manifold Pump -> Pump Pressure Port
13964-02	B	---	---	Suction Line: Pump Suction Port -> Hydraulic Oil Tank
13965-01	A	Red	Yellow	Stab RR Extend: Stab Manifold RRE -> Stab Cyl RR Extend
13965-02	A	Red	Green	Stab RR Retract: Stab Manifold RRR -> Stab Cyl RR Retract
13965-03	A	Orange	Yellow	Stab LR Extend: Stab Manifold LRE -> Stab Cyl LR Extend
13965-04	A	Orange	Green	Stab LR Retract: Stab Manifold LRR -> Stab Cyl LR Retract
13965-05	B	Yellow	Yellow	Stab LF Extend: Stab Manifold LFE -> Stab Cyl LF Extend
13965-06	B	Yellow	Green	Stab LF Retract: Stab Manifold LFR -> Stab Cyl LF Retract
13965-07	A	Green	Yellow	Stab RF Extend: Stab Manifold RFE -> Stab Cyl RF Extend
13965-08	A	Green	Green	Stab RF Retract: Stab Manifold RFR -> Stab Cyl RF Retract
13965-09	B	---	---	Stab Manifold Pressure: Main Manifold STP -> Stab Manifold P
13965-10	A	---	---	Stab Manifold Return: Main Manifold STR -> Stab Manifold R
13966-01	A	Blue	Yellow	Steer Right: Main Manifold SR -> Steer Cyl Extend
13966-02	A	Blue	Green	Steer Left: Main Manifold SL -> Steer Cyl Retract
13966-03	B	Red	---	Drive Forward: Main Manifold DF -> 4WD Manifold DF
13966-04	B	Blue	---	Drive Reverse: Main Manifold DR -> 4WD Manifold DR
13966-05	B	Red	Red	Motor RR CW (Fwd): 4WD Manifold MRRF -> Motor RR Port B
13966-06	B	Red	Blue	Motor RR CCW (Rev): 4WD Manifold MRRR -> Motor RR Port A
13966-07	B	Orange	Red	Motor LR CW (Rev): 4WD Manifold MLRR -> Motor LR Port B
13966-08	B	Orange	Blue	Motor LR CCW (Fwd): 4WD Manifold MLRF -> Motor LR Port A
13966-09	A	Yellow	Red	Motor LF CW (Rev): 4WD Manifold MLFR -> Motor LF Port B
13966-10	A	Yellow	Blue	Motor LF CCW (Fwd): 4WD Manifold MLFF -> Motor LF Port A
13966-11	A	Green	Red	Motor RF CW (Fwd): 4WD Manifold MRFF -> Motor RF Port B
13966-12	A	Green	Blue	Motor RF CCW (Rev): 4WD Manifold MRFR -> Motor RF Port A
13966-13	B	Red	Orange	4WD Block Pilot: Main Manifold Pilot -> 4WD Block Pilot
13966-14	B	Red	Black	4WD Manifold Return: Main Manifold DP -> 4WD Manifold DP
13966-15	A	Red	---	Motor RR Brake: Main Manifold BR -> RR Motor Brake
13966-16	A	Orange	---	Motor LR Brake: Main Manifold BL -> LR Motor Brake
13966-17	A	Green	---	Lock Left Axle: Main Manifold AXL -> LH Axle Cyl
13966-18	A	Black	---	Lock Right Axle: Main Manifold AXR -> RH Axle Cyl

READING HOSE TAGS

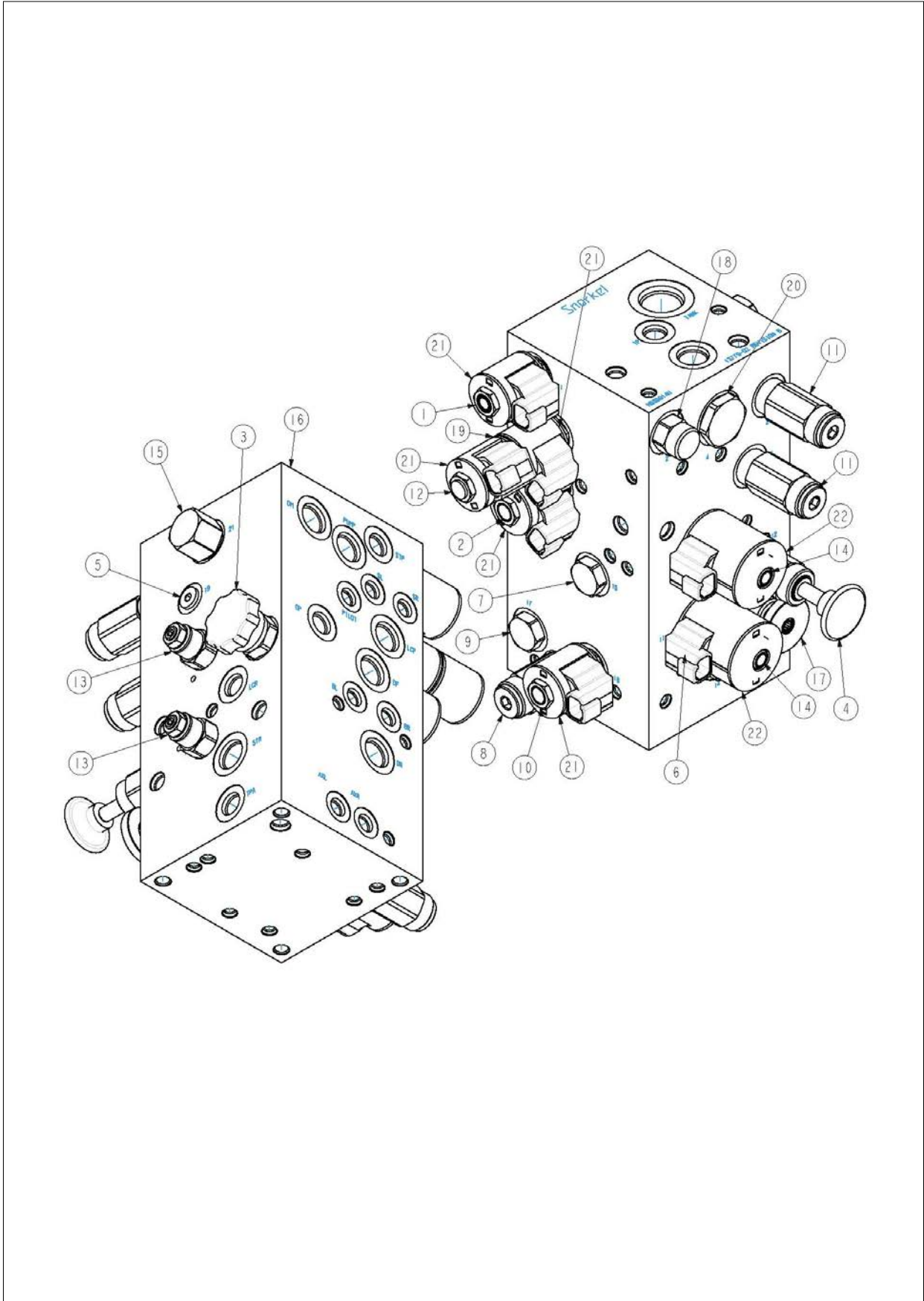
Hose tags are read from the fitting side of the hose intowards the hose.

As such colour 1 is the closest to the fitting, colour 2 the next colour then 3, 4 etc...

Hose tags need to be on both ends of the hose

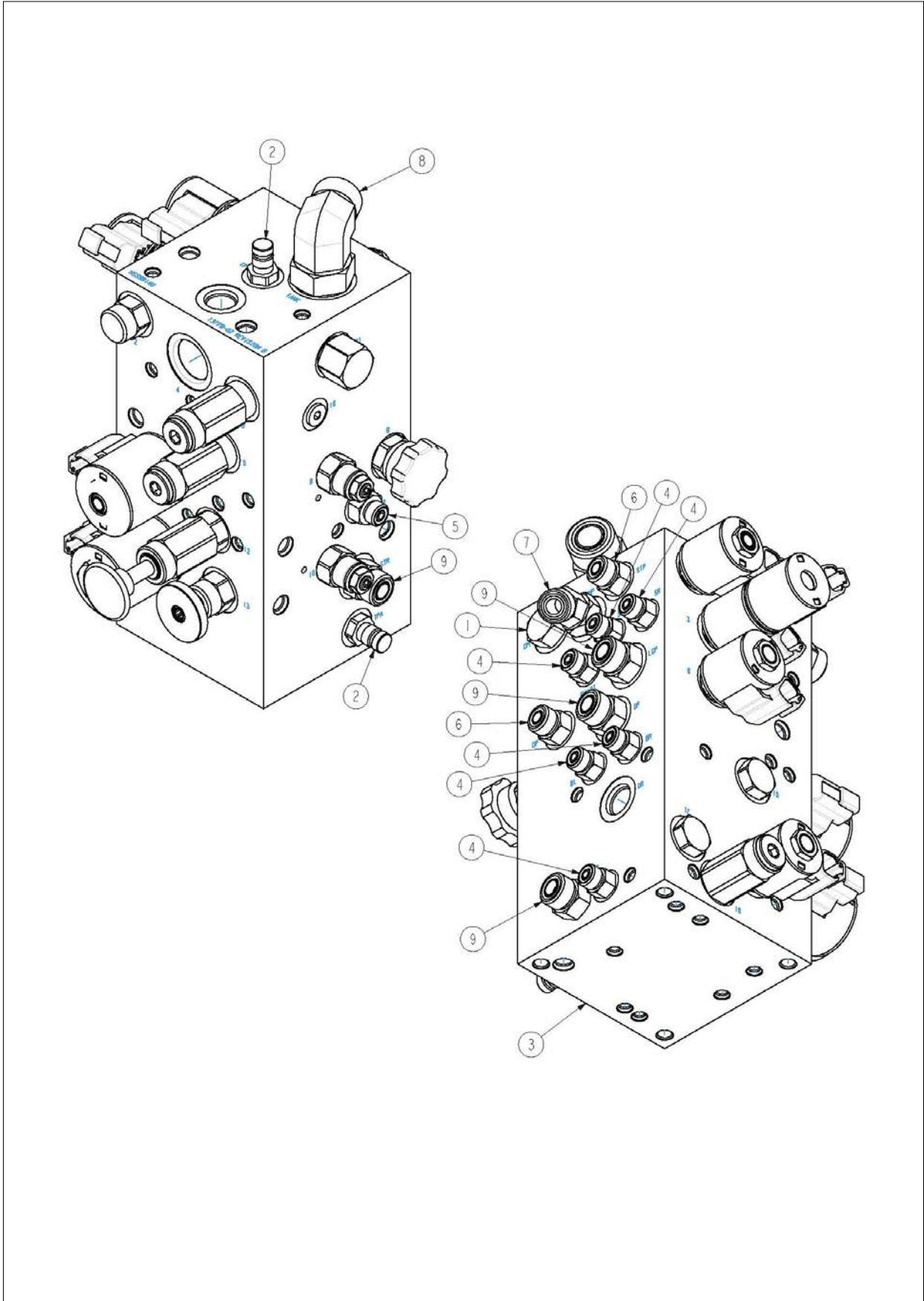


Hydraulics



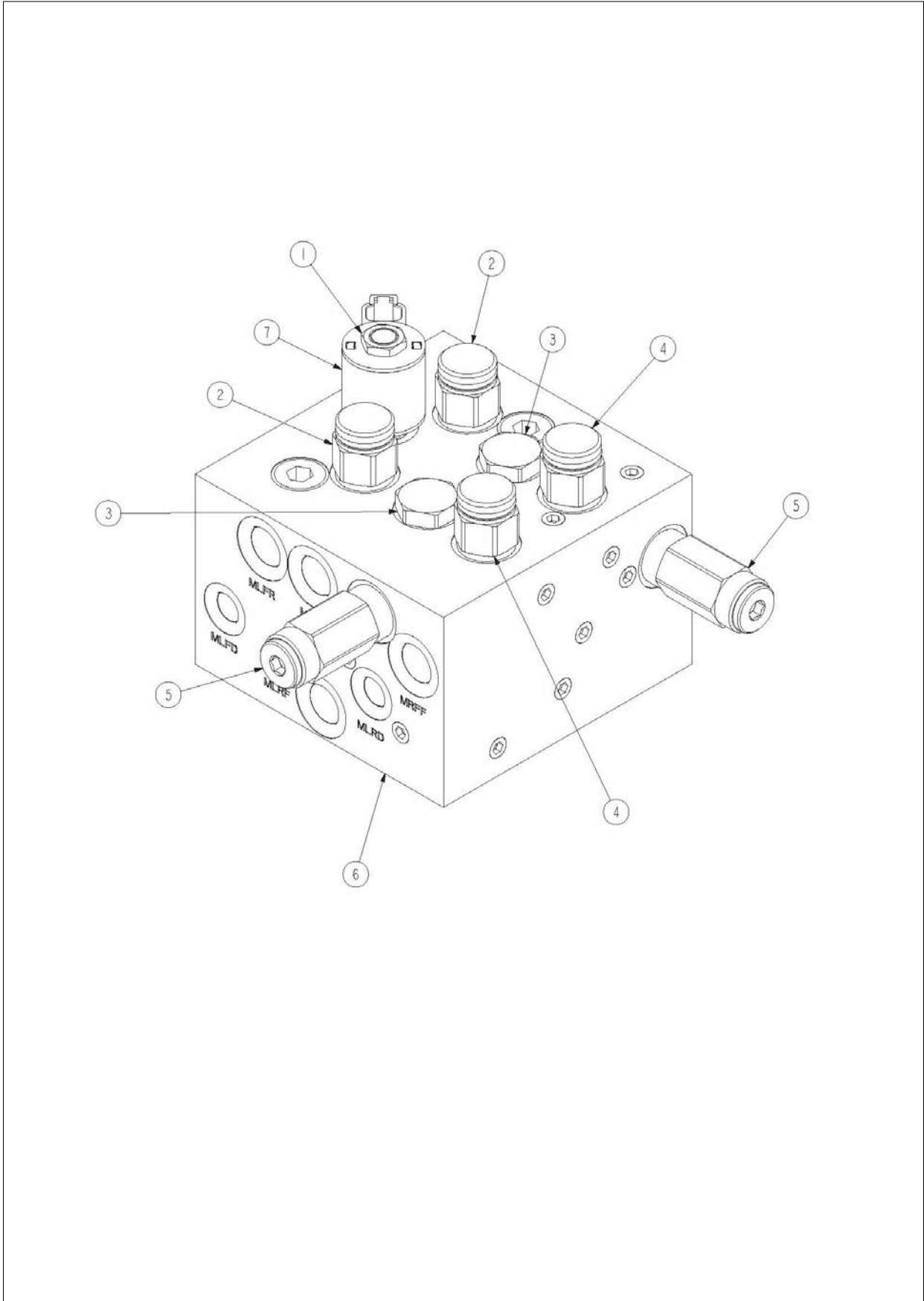
アイテム	部品番号	名前	数量	UOM
1	12567 1	Cartridge, Solenoid Poppet, 2 Way, NC	1	EA
2	12567 11	Cartridge, Solenoid Spool, 3 Way	1	EA
3	12567 15	Cartridge, Needle Valve	1	EA
4	12567 19	Cartridge, Hand Pump	1	EA
5	12567 2	Cartridge, Check Valve	1	EA
6	12567 21	Cartridge, Check, Pilot To Open	1	EA
7	12567 22	Cartridge, Load Shuttle	1	EA
8	12567 23	Cartridge, Pressure Reducing	1	EA
9	12567 24	Cartridge, Flow Control, Orifice Check	1	EA
10	12567 25	Cartridge, Solenoid Spool, 3 Way	1	EA
11	12567 8	Cartridge Relief, Direct Acting Poppet	2	EA
12	12568 1	Cartridge, Solenoid Spool, 4 Way, 3 Posn, Closed Center	1	EA
13	13161 17	Cartridge, Counter Balance	2	EA
14	13161 18	Cartridge, Solenoid Poppet, 3 Port, NC	2	EA
15	13161 28	Cartridge, Pressure Compensate & Flow Regulator	1	EA
16	13779 01	Main Manifold Block	1	EA
17	13779 02	Cartridge, Needle Valve	1	EA
18	13779 03	Cartridge, Flow Regulator, Pressure Comensated	1	EA
19	13881 08	Coil Spacer 08	1	EA
20	15381	Cartridge, Proportional 2 Port, NC	1	EA
21	6019180	Coil 08 12V Deutsch DT Connector	5	EA
22	6019184	Coil 10 12V Deutsch DT Connector	2	EA

Hydraulics



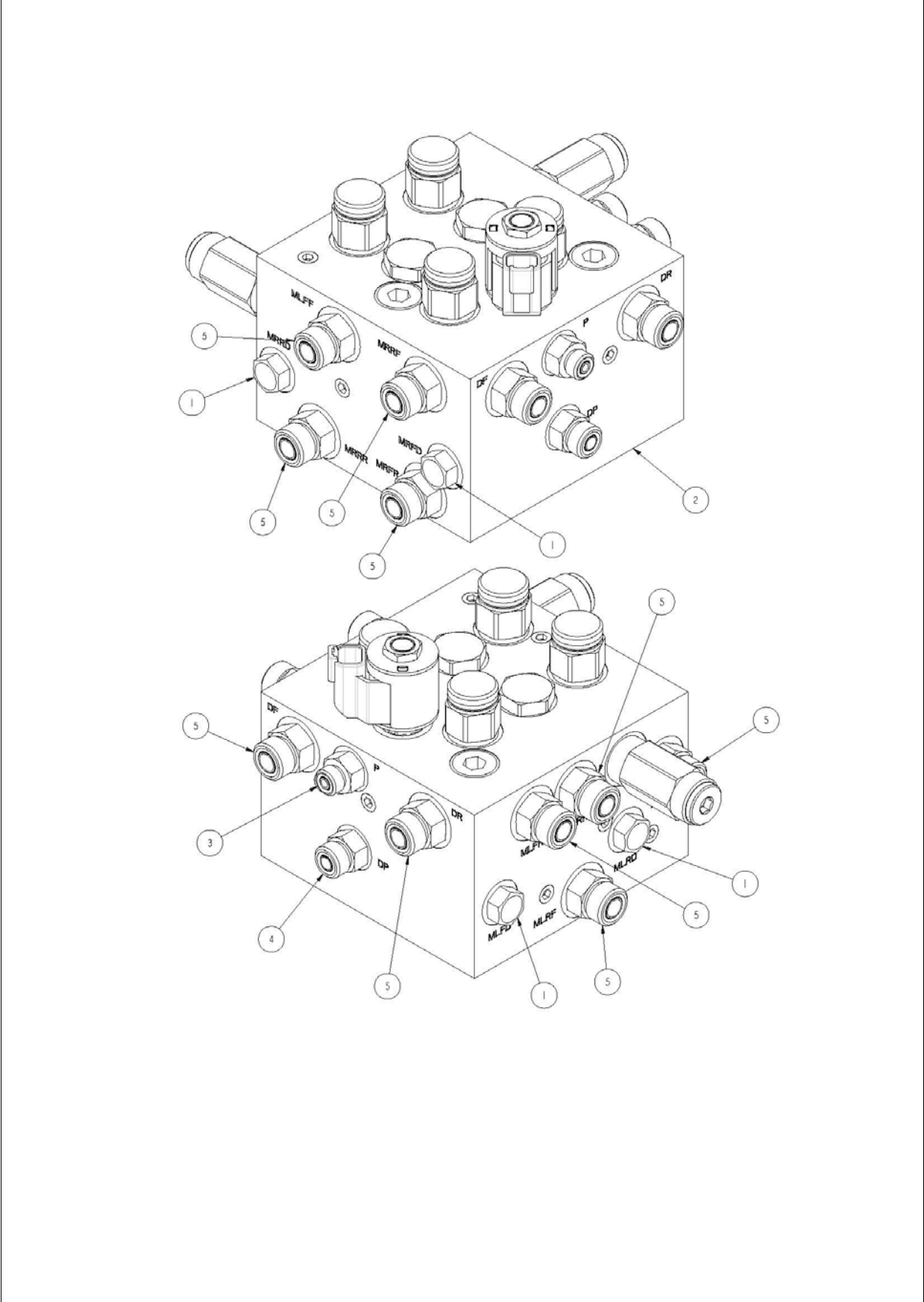
アイテム	部品番号	名前	数量	UOM
1	7035 002	Hyd Plug SAE 08 (3/4 Thread)	1	EA
2	10996 2	Test Point UNO, 9/16	2	EA
3	13779 04	Main Manifold	1	EA
4	100432 002	Hyd Fitting Straight ORFS(04) SAE(04)	7	EA
5	100432 004	Hyd Fitting Straight ORFS(04) SAE(06)	1	EA
6	100432 009	Hyd Fitting Straight ORFS(06) SAE(06)	2	EA
7	100433 008	Hyd Fitting 45 Elbow ORFS(08) SAE(08)	1	EA
8	100434 021	Hyd Fitting 90 Elbow ORFS(12) SAE(12)	1	EA
9	512970 000	Hyd Fitting Straight ORFS(08) SAE(08)	4	EA

Hydraulics



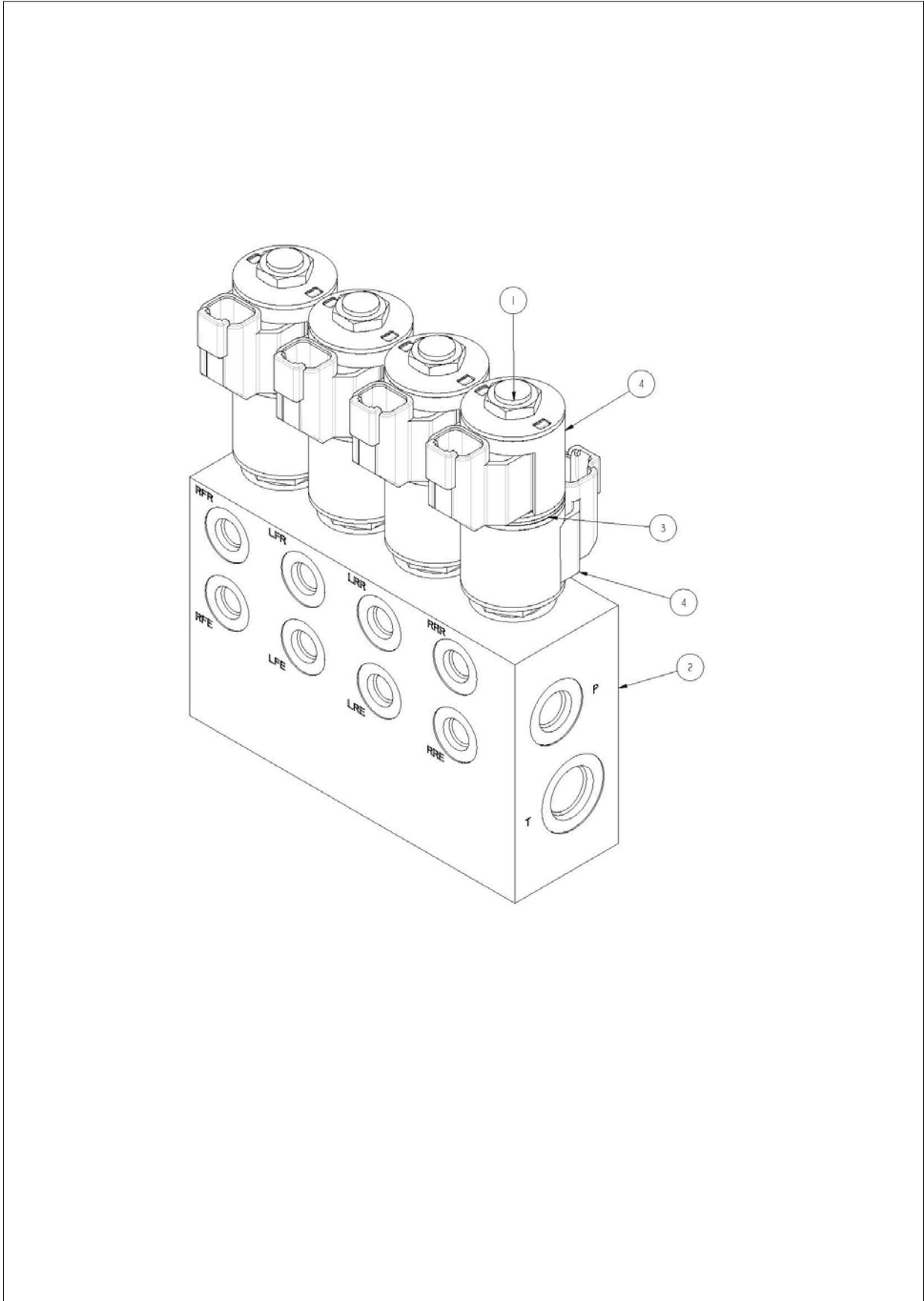
アイテム	部品番号	名前	数量	UOM
1	12567 11	Cartridge, Solenoid Spool, 3 Way	1	EA
2	12569 2	Cartridge, Piloted, 2 Way, Spool, NO	2	EA
3	12569 3	Cartridge, Flow Divider/Combiner	2	EA
4	12569 5	Cartridge, Piloted, 2 Way, Spool, NC	2	EA
5	12569 6	Cartridge, Relief, Pilot Operated	2	EA
6	13780	4WD Manifold	1	EA
7	6019180	Coil 08 12V Deutsch DT Connector	1	EA

Hydraulics



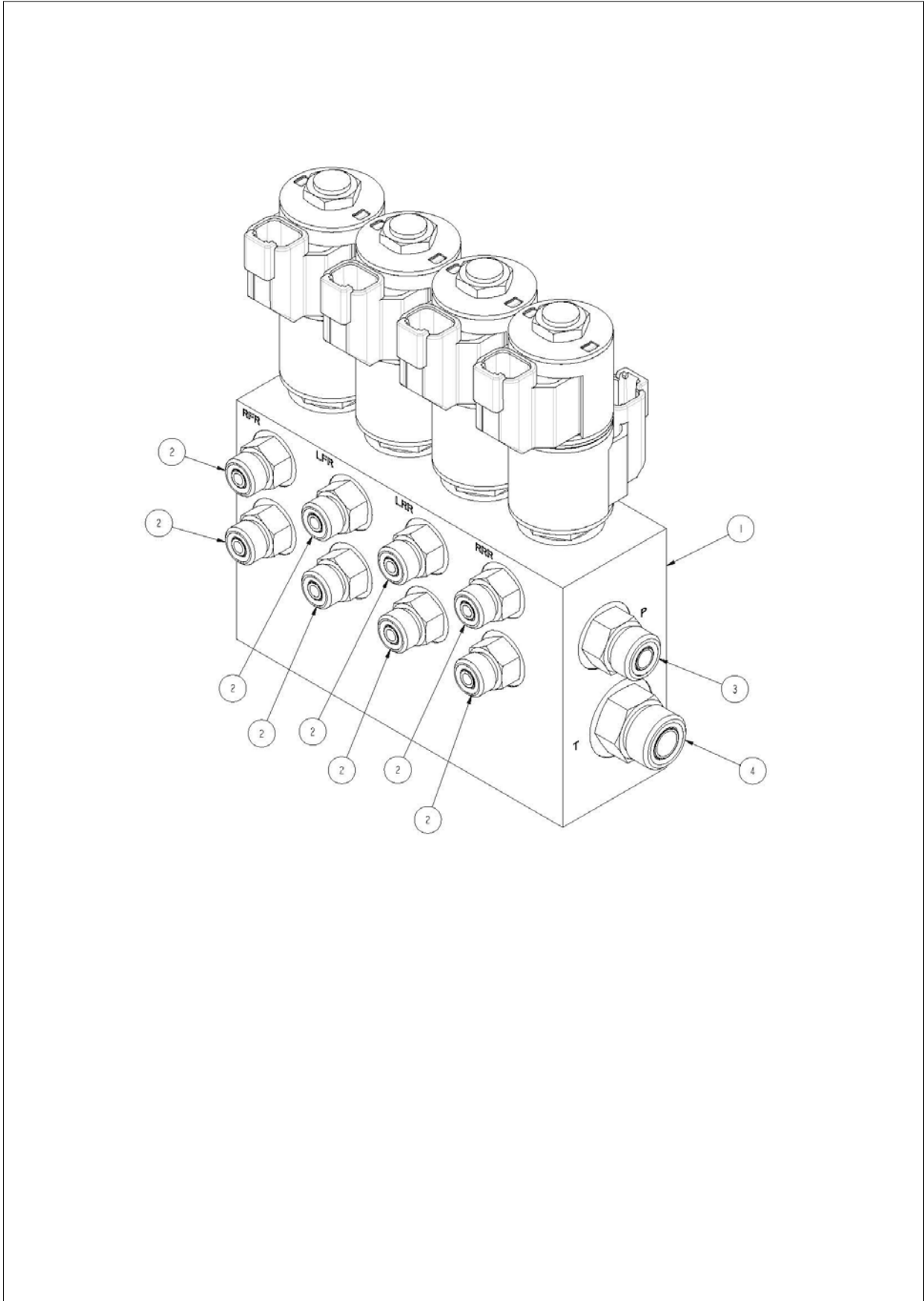
アイテム	部品番号	名前	数量	UOM
0	15089	4WD Manifold Assembly	1	EA
1	7035 001	Hyd Plug SAE 06 (9/16" Thread)	4	EA
2	13780	4WD Manifold	1	EA
3	100432 004	Hyd Fitting Straight ORFS(04) SAE(06)	1	EA
4	100432 009	Hyd Fitting Straight ORFS(06) SAE(06)	1	EA
5	512970 000	Hyd Fitting Straight ORFS(08) SAE(08)	10	EA

Hydraulics



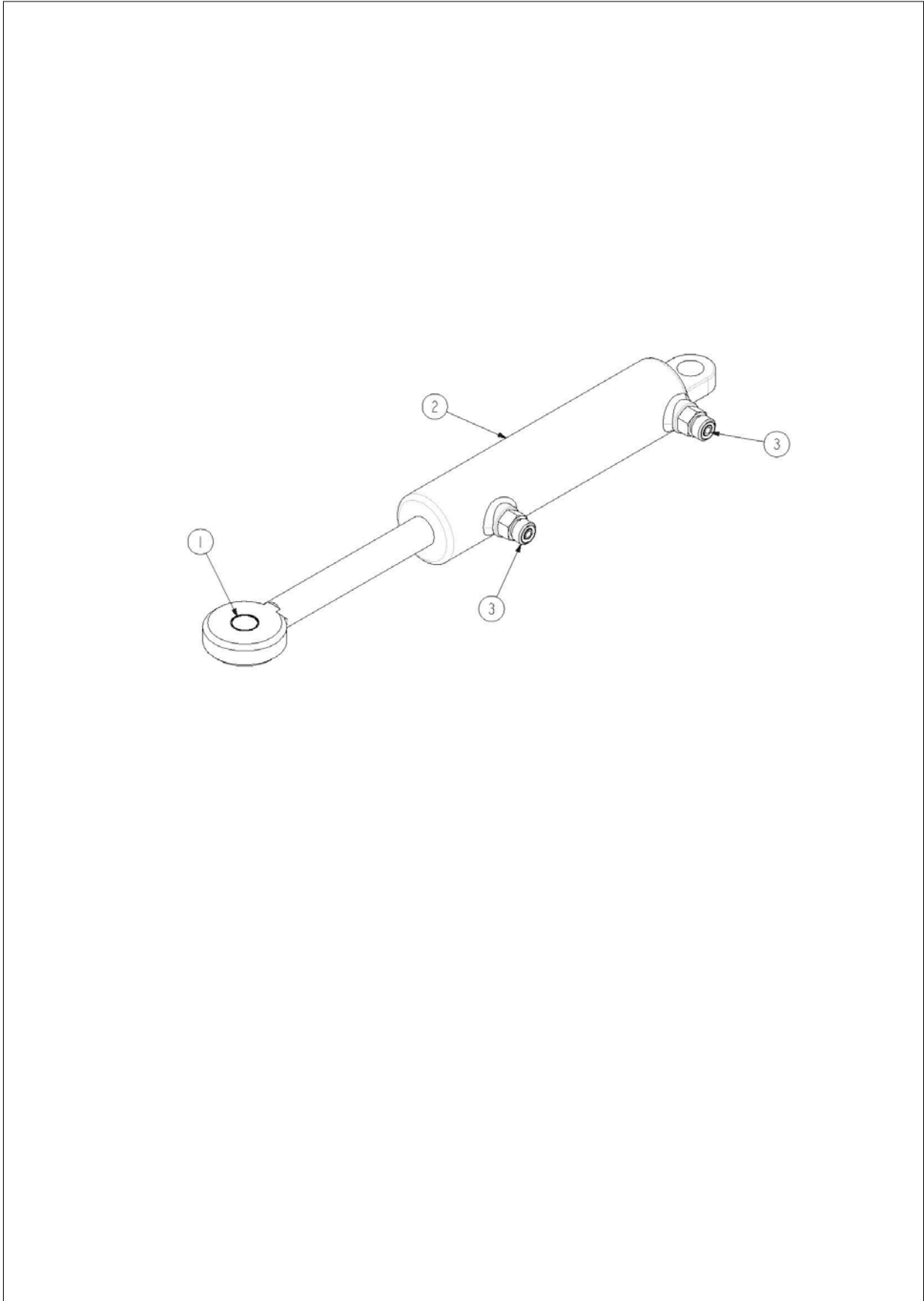
アイテム	部品番号	名前	数量	UOM
1	12568 1	Cartridge, Solenoid Spool, 4 Way, 3 Posn, Closed Center	4	EA
2	13781 01	Manifold Block	1	EA
3	13881 08	Coil Spacer 08	4	EA
4	6019180	Coil 08 12V Deutsch DT Connector	8	EA

Hydraulics



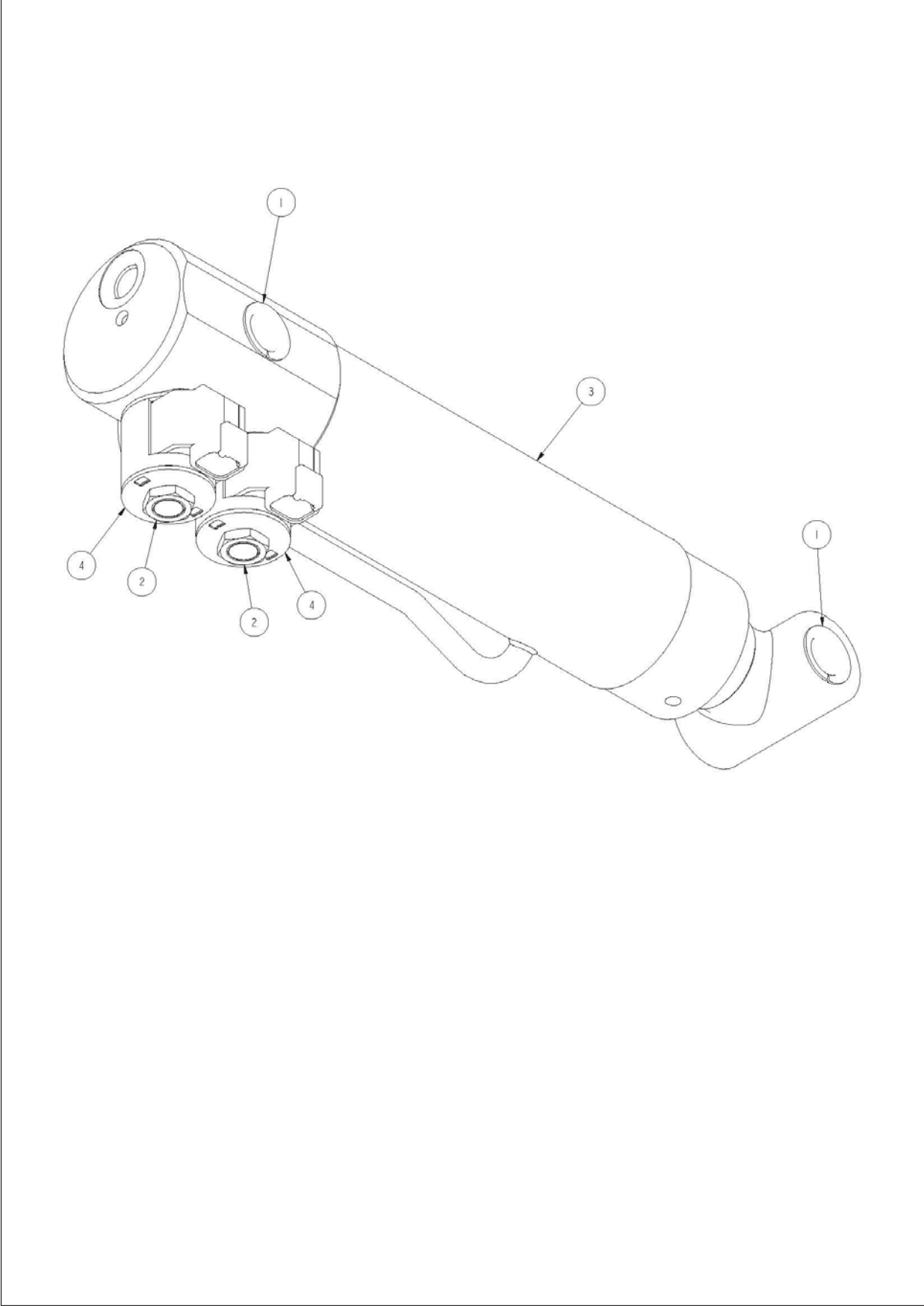
アイテム	部品番号	名前	数量	UOM
0	13781A	Stabiliser Manifold Assembly	1	EA
1	13781	Stabiliser Manifold	1	EA
2	100432 002	Hyd Fitting Straight ORFS(04) SAE(04)	8	EA
3	100432 009	Hyd Fitting Straight ORFS(06) SAE(06)	1	EA
4	512970 000	Hyd Fitting Straight ORFS(08) SAE(08)	1	EA

Hydraulics



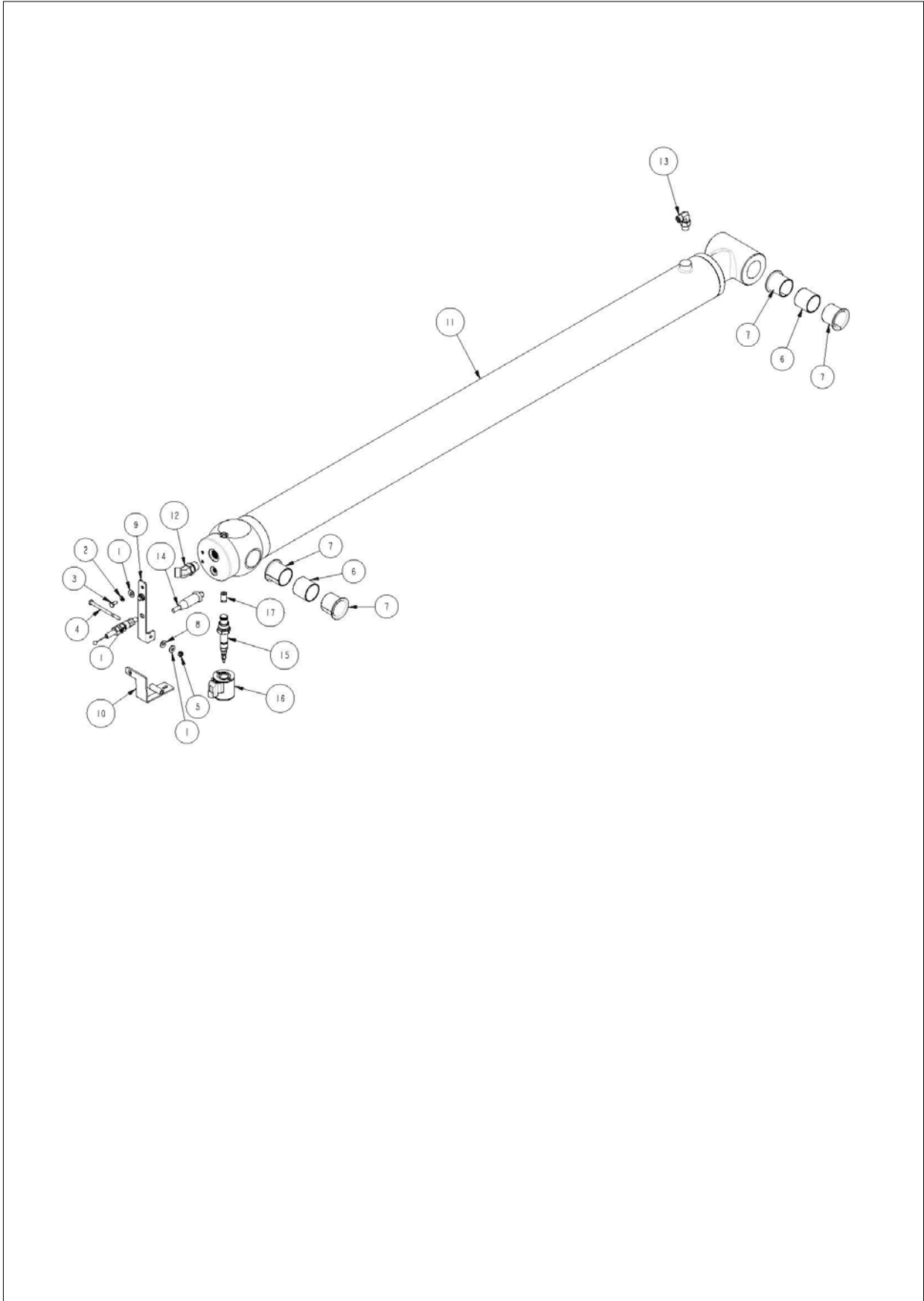
アイテム	部品番号	名前	数量	UOM
1	3624 27	Permaglide Bush	1	EA
2	11699	Steer Cylinder	1	EA
3	100432 002	Hyd Fitting Straight ORFS(04) SAE(04)	2	EA
4	11699K	Seal kit Victor	1	EA
4	11699K PB	Seal Kit PB	1	EA
4	11699K UH	Seal Kit UH	1	EA

Hydraulics



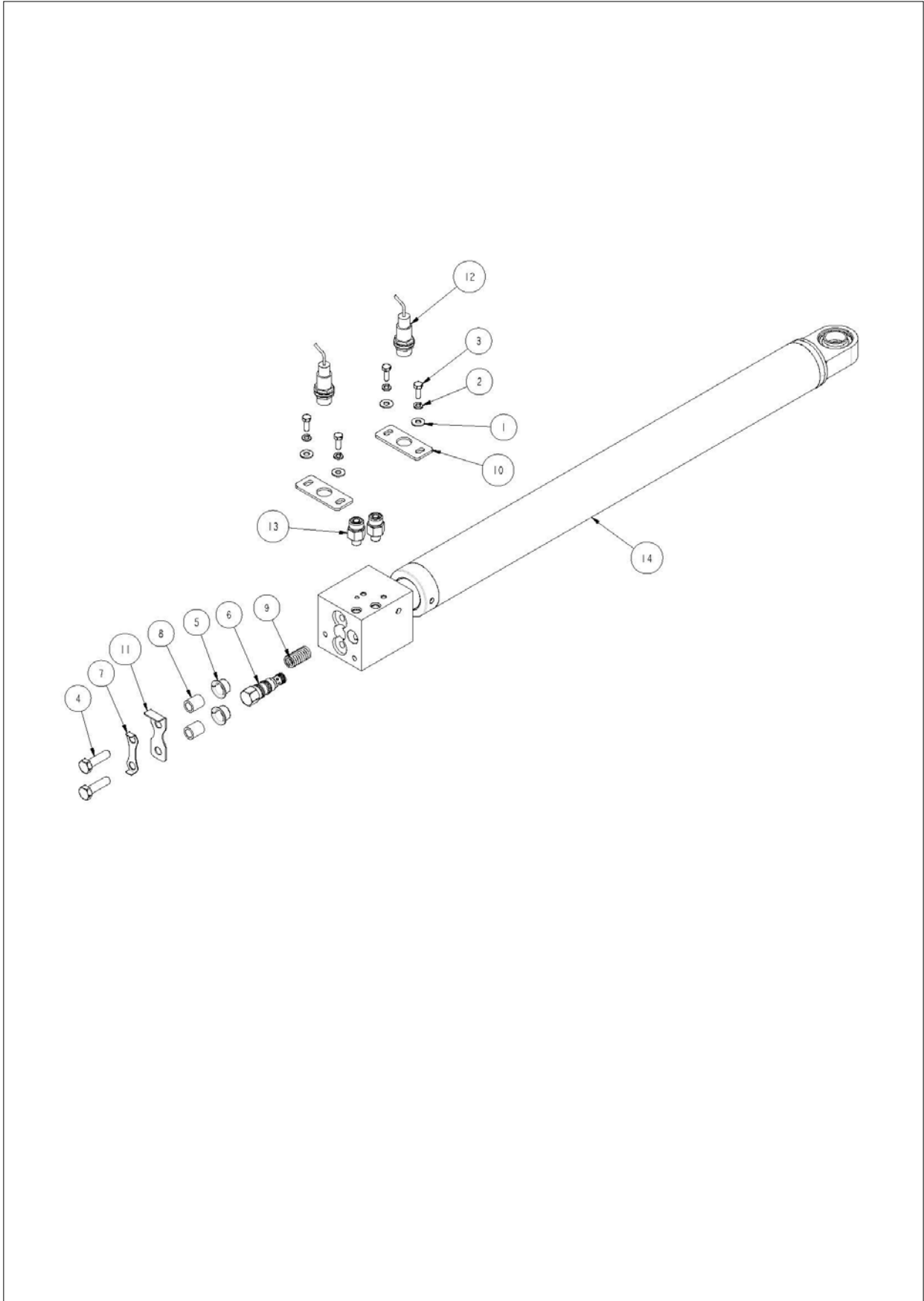
アイテム	部品番号	名前	数量	UOM
1	3626 3	Flanged permaglride bush	4	EA
2	12835 1	Cartridge, Solenoid Poppet, 2 Way, NC	2	EA
3	15204	Cylinder Dual Lock	1	EA
4	6019180	Coil 08 12V Deutsch DT Connector	2	EA

Hydraulics

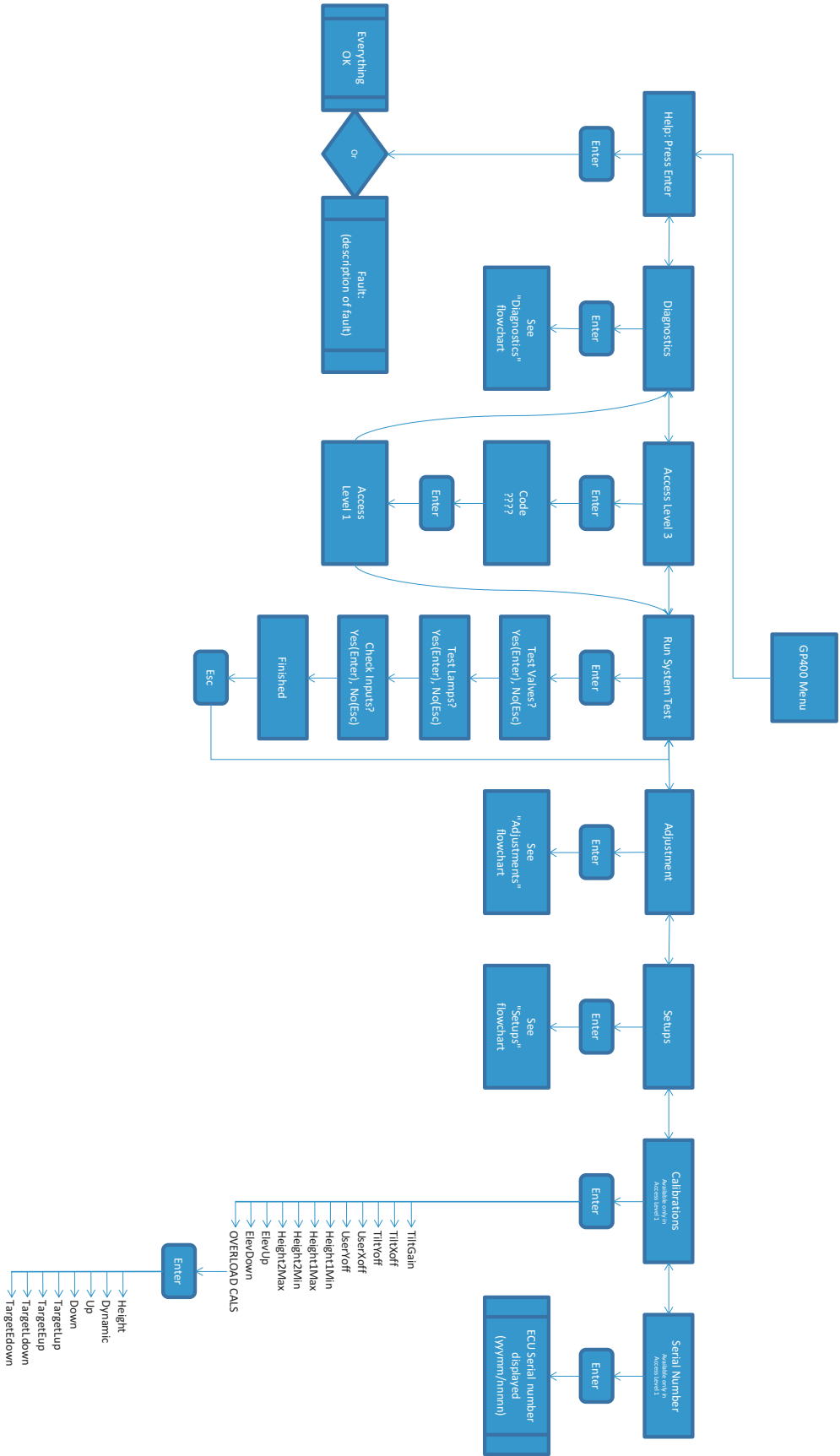


アイテム	部品番号	名前	数量	UOM
1	3603 06	Plain Washer	4	EA
2	3605 06	Spring Washer	2	EA
3	3610 06012	Metric Bolt	2	EA
4	3610 06085	Metric Bolt	1	EA
5	3611 06	Metric Nyloc Nut	1	EA
6	3624 40	Permaglide Bush	2	EA
7	3626 19	Flanged Permaglide Bush	4	EA
8	3641 06	Nylon Washer	1	EA
9	12647 1	Cylinder Lever Pivot Plate	1	EA
10	12648	Valve Lever	1	EA
11	13952	SR Lift Cylinder	1	EA
12	100433 008	Hyd Fitting 45 Elbow ORFS(08) SAE(08)	1	EA
13	100434 004	Hyd Fitting 90 Elbow ORFS(04) SAE(06)	1	EA
14	3030158	Pressure Transducer	1	EA
15	6018024	Solenoid Valve, @ Way, NC, 20V	1	EA
16	6019184	Coil 10 12V Deutsch DT Connector	1	EA
17	15013 063	Check Valve Poppet Flow	1	EA

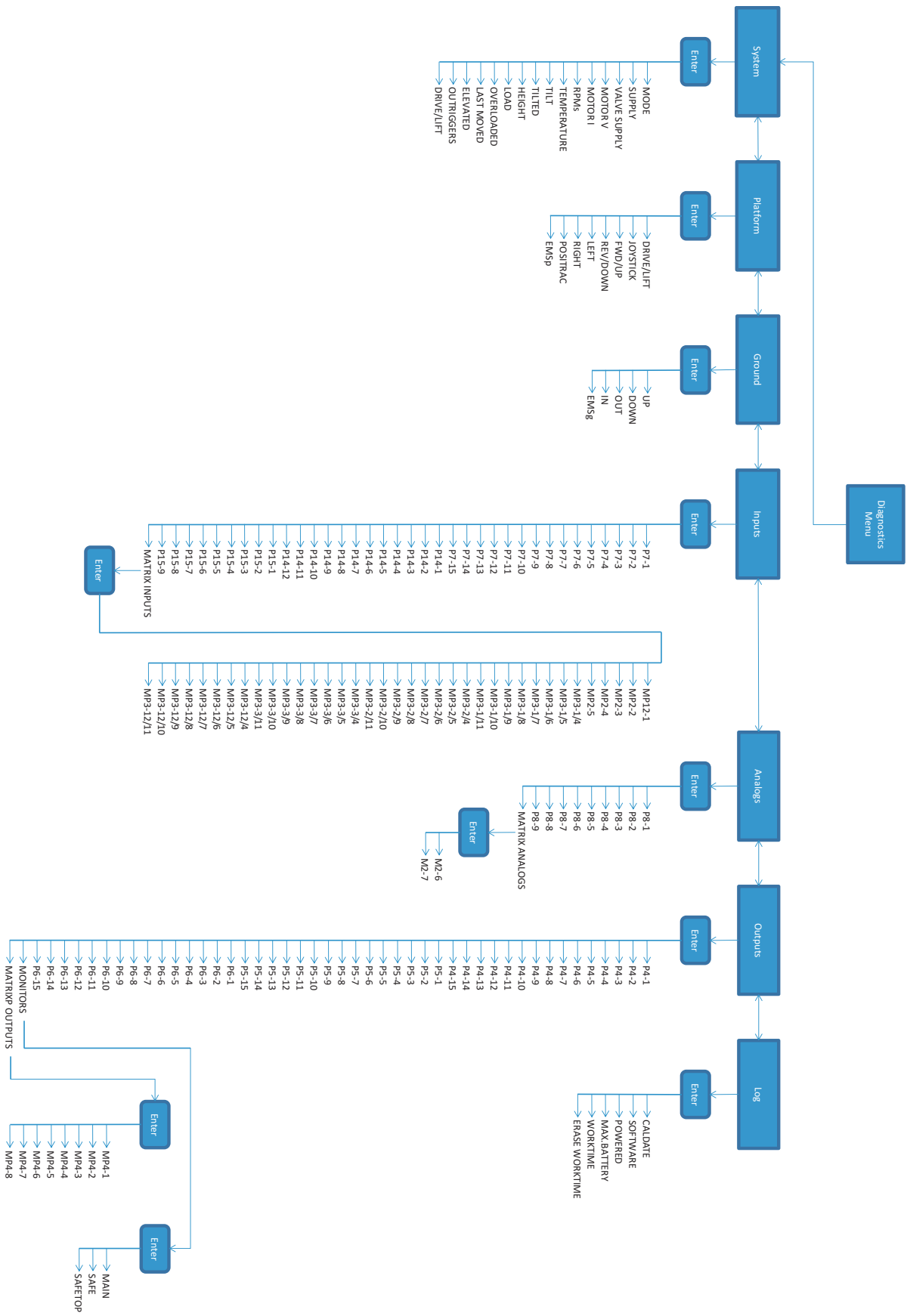
Hydraulics



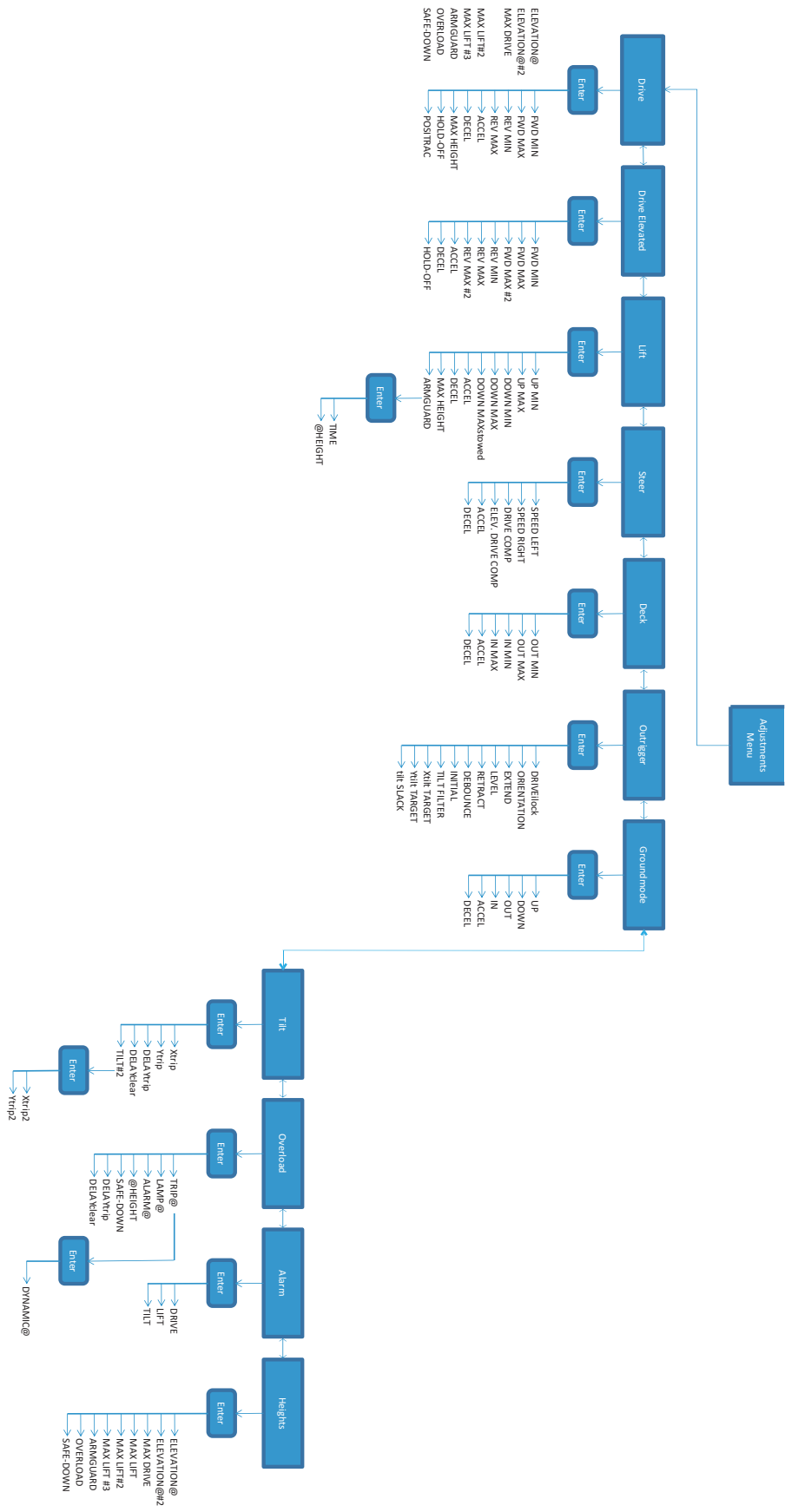
アイテム	部品番号	名前	数量	UOM
1	3603 06	Plain Washer	4	EA
2	3605 06	Spring Washer	4	EA
3	3610 06016	Metric Bolt	4	EA
4	3610 10035	Metric Bolt	2	EA
5	3626 8	Flanged Permaglide Bush	2	EA
6	11367 2	Pilot to open Check Valve With Sealed Pilot	1	EA
7	11492 4	Dual Locktab	1	EA
8	12036 5	Sliding Spacer	2	EA
9	12036 6	Compression Spring	1	EA
10	14098 01	Prox Mount Bracket	2	EA
11	14098 02	Prox Target, Leg Grounded, SR	1	EA
12	15085 03	Axle Prox	2	EA
13	100432 007	Hyd Fitting Straight ORFS(06) SAE(04)	2	EA
14	12036	Cylinder Stabiliser SR	1	EA



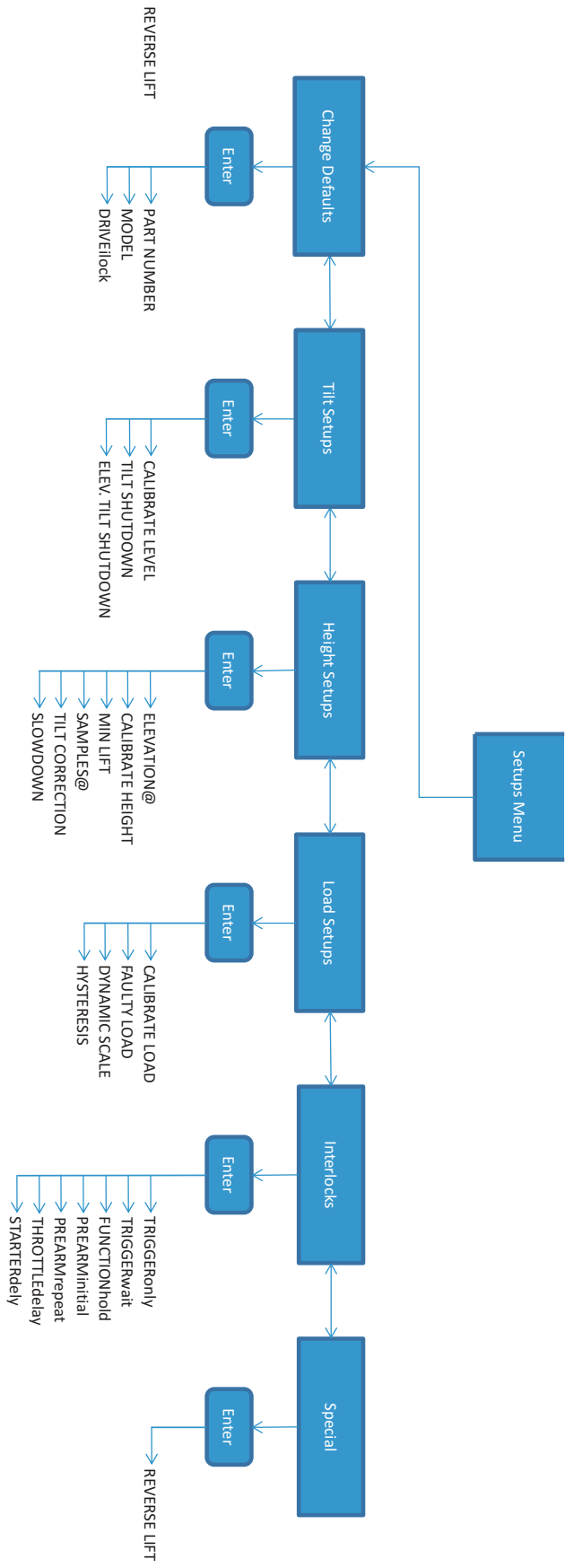
GP400 I/O Menu Diagnostics



GP400 I/O Menu Adjustments



GP400 I/O Menu Setups



GP400 I/O Allocations

GP400 I/O allocations

Pin	Function
P1-1	CAN1H
P1-2	CAN1L
P1-3	GND

P9-1	RS232 B+ supply
P9-2	RS232 Rx
P9-3	RS232 Tx
P9-4	RS232 Gnd

P4-1	Proportional Valve
P4-2	
P4-3	Ground Alarm
P4-4	Fwd
P4-5	Rev
P4-6	High Speed Valve
P4-7	Fuel run solenoid
P4-8	
P4-9	
P4-10	
P4-11	O/R Function enable
P4-12	
P4-13	Lift down (gravity)
P4-14	Brake release
P4-15	Lift down (gravity)

P5-1	RL up
P5-2	Steer Left
P5-3	Steer Right
P5-4	24V contactor
P5-5	Lift up
P5-6	Start relay
P5-7	RR up
P5-8	FR up
P5-9	FR Down
P5-10	
P5-11	RR down
P5-12	Cold start relay
P5-13	
P5-14	
P5-15	RL down

P6-1	Lift allowed lamp
P6-2	
P6-3	
P6-4	Overload lamp
P6-5	
P6-6	
P6-7	Axle release
P6-8	
P6-9	
P6-10	Axle release
P6-11	
P6-12	
P6-13	FL up
P6-14	FL down
P6-15	'not safe' Throttle

P7-1	From TBM POS (supply)
P7-2	Ground
P7-3	Enable
P7-4	Platform
P7-5	Start
P7-6	Cold Start
P7-7	24VDC Electric operation
P7-8	Lift UP
P7-9	Lift DOWN
P7-10	
P7-11	
P7-12	
P7-13	Oil pressure
P7-14	
P7-15	Alternator sense

P8-1	Engine Temperature
P8-2	Ezfit #1 input
P8-3	
P8-4	
P8-5	Ezfit #2 input
P8-6	Pressure transducer input
P8-7	
P8-8	
P8-9	From TBM # 3
P8-10	
P8-11	
P8-12	connect to P8-1
P8-13	
P8-14	connect to TBM-
P8-15	

P15-1	
P15-2	
P15-3	
P15-4	
P15-5	
P15-6	
P15-7	
P15-8	
P15-9	Height Limit 1
P15-10	
P15-11	
P15-12	

P14-1	F/R outrigger Down
P14-2	F/L outrigger Down
P14-3	R/R outrigger Down
P14-4	R/L outrigger Down
P14-5	F/R outrigger Up
P14-6	F/L outrigger Up
P14-7	R/R outrigger Up
P14-8	R/L outrigger Up
P14-9	Axle switches
P14-10	Height Limit 2
P14-11	
P14-12	

Matrix I/O allocations

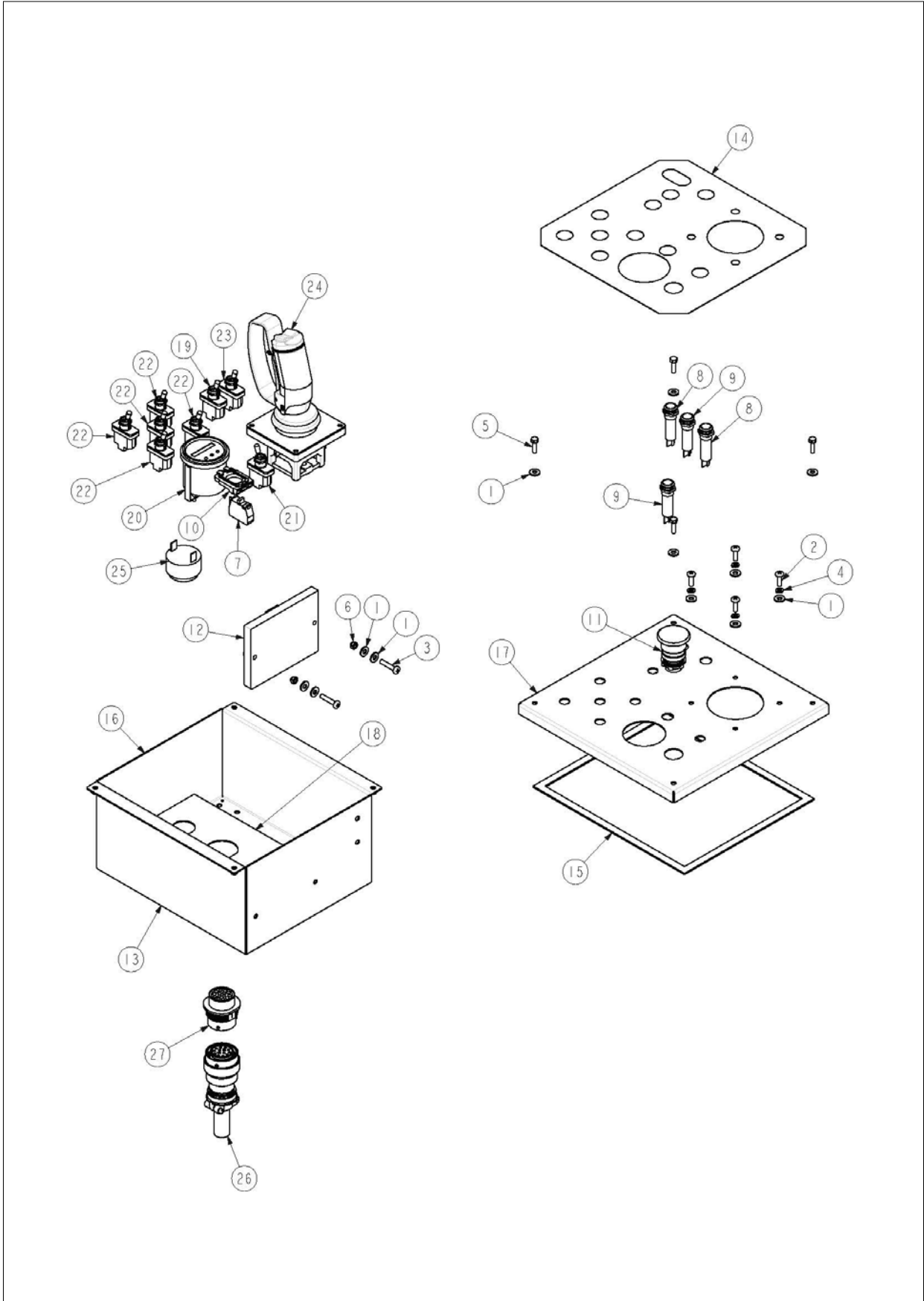
Pin	Function
MP1-1	Platform Mode B+ supply
MP1-2	Ground Mode
MP1-3	CANH
MP1-4	GND
MP1-5	GND
MP1-6	CANL

MP2-1	Engine start
MP2-2	
MP2-3	Steer left
MP2-4	Steer right
MP2-5	Trigger (enable)
MP2-6	Joystick (0.5V-2.5V-4.5V)
MP2-7	
MP2-8	
MP2-9	
MP2-10	Joystick supply
MP2-11	Joystick supply
MP2-12	Switch supply

	MP3-1	MP3-2	MP3-3
MP3-1			
MP3-2			
MP3-3			
MP3-4	O/R AUTO RETRACT	O/R AUTO EXTEND	
MP3-5	O/R F/R RETRACT	O/R F/R EXTEND	
MP3-6	O/R F/L RETRACT	O/R F/L EXTEND	
MP3-7	O/R R/R RETRACT	O/R R/R EXTEND	
MP3-8	O/R R/L RETRACT	O/R R/L EXTEND	
MP3-9	LIFT SELECT	DRIVE SELECT	
MP3-10		24VDC select	
MP3-11	HIGHSPEED SELECT	COLD START	
MP3-12			MP3-12

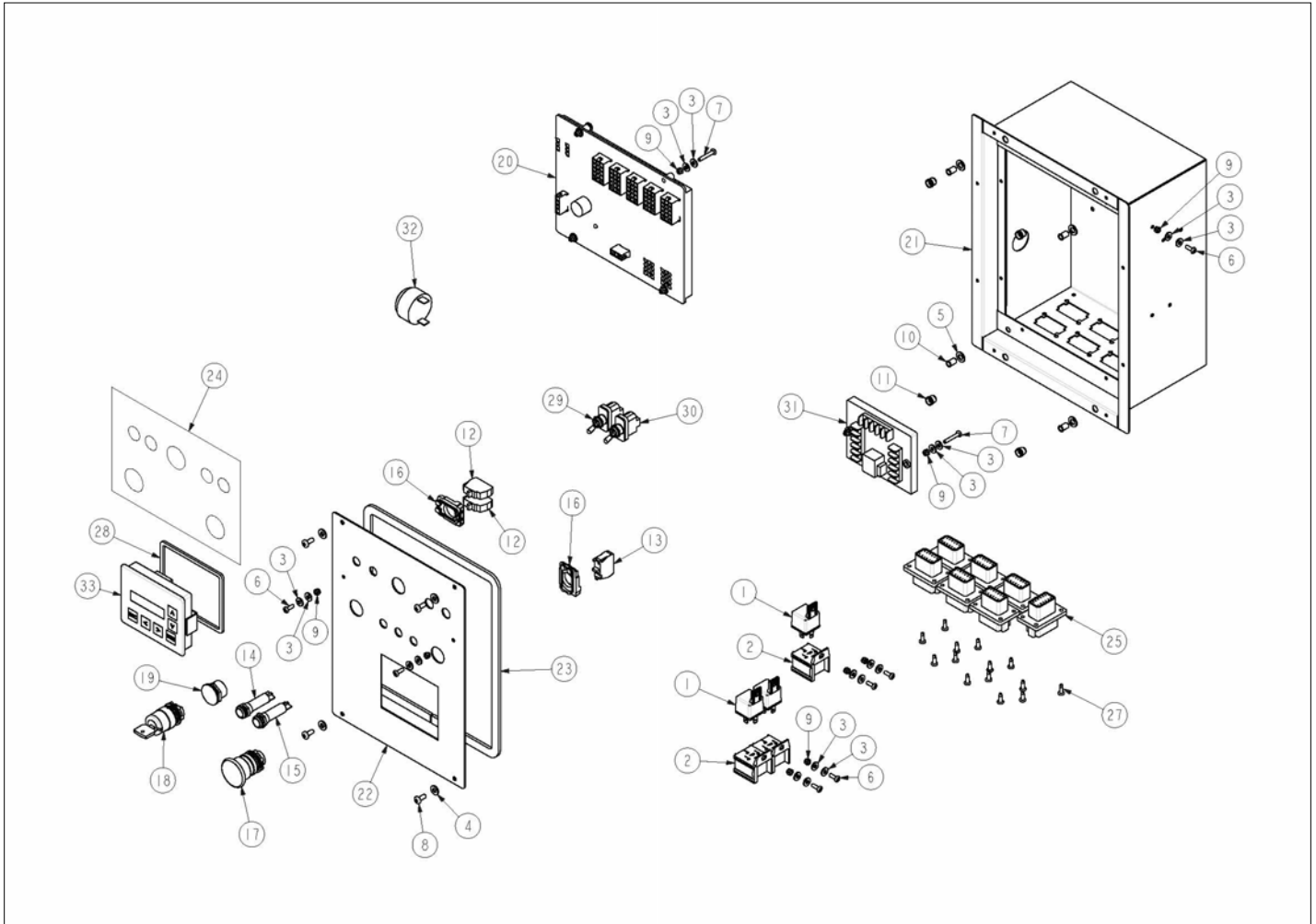
MP4-1	Warning lamp
MP4-2	Lift allowed lamp
MP4-3	Overload lamp
MP4-4	Drive allowed lamp
MP4-5	All alarm
MP4-6	
MP4-7	
MP4-8	
MP4-9	

Electrical



アイテム	部品番号	名前	数量	UOM
1	3603 05	Plain Washer	16	EA
2	3604 05016	Pan Head Screw	4	EA
3	3604 05025	Pan Head Screw	2	EA
4	3605 05	Spring Washer	4	EA
5	3610 05016	Metric Bolt	4	EA
6	3611 05	Metric Nyloc Nut	6	EA
7	10118	Contact, NC Telemac ZBE 102	1	EA
8	12536 3	LED Green, 12V M12	2	EA
9	12536 4	LED Red, 12V M12	2	EA
10	12914 10	Collar	1	EA
11	12914 11	E Stop 40mm, Pull Release	1	EA
12	13485 02	Trionics Matrix	2	EA
13	13808 02	Control Box Base Fold Lower	1	EA
14	13838 10	Decal, Upper Control Box	1	EA
15	13862	Foam Strip	1	EA
16	14022	Control Box Base Upper	1	EA
17	14022 01	Control Box Lid	1	EA
18	14022 03	Control Box Base Insert	1	EA
19	329926	Switch, Toggle Honeywell INTI 1	1	EA
20	516042 000	CAN840 Display	1	EA
21	3020015	Switch, Toggle Honeywell INTI 6	1	EA
22	3020016	Switch, Toggle Honeywell INTI 7	5	EA
23	3020047	Switch, Toggle Honeywell INTI 3	1	EA
24	3028933	Joystick I Axis, Deadman Guard	1	EA
25	3040411	Alarm Buzzer	1	EA
26	3049861	Plug, HD30, 14 Way	1	EA
27	3049862	Receptacle, Flgd HD30, 14 Way	1	EA

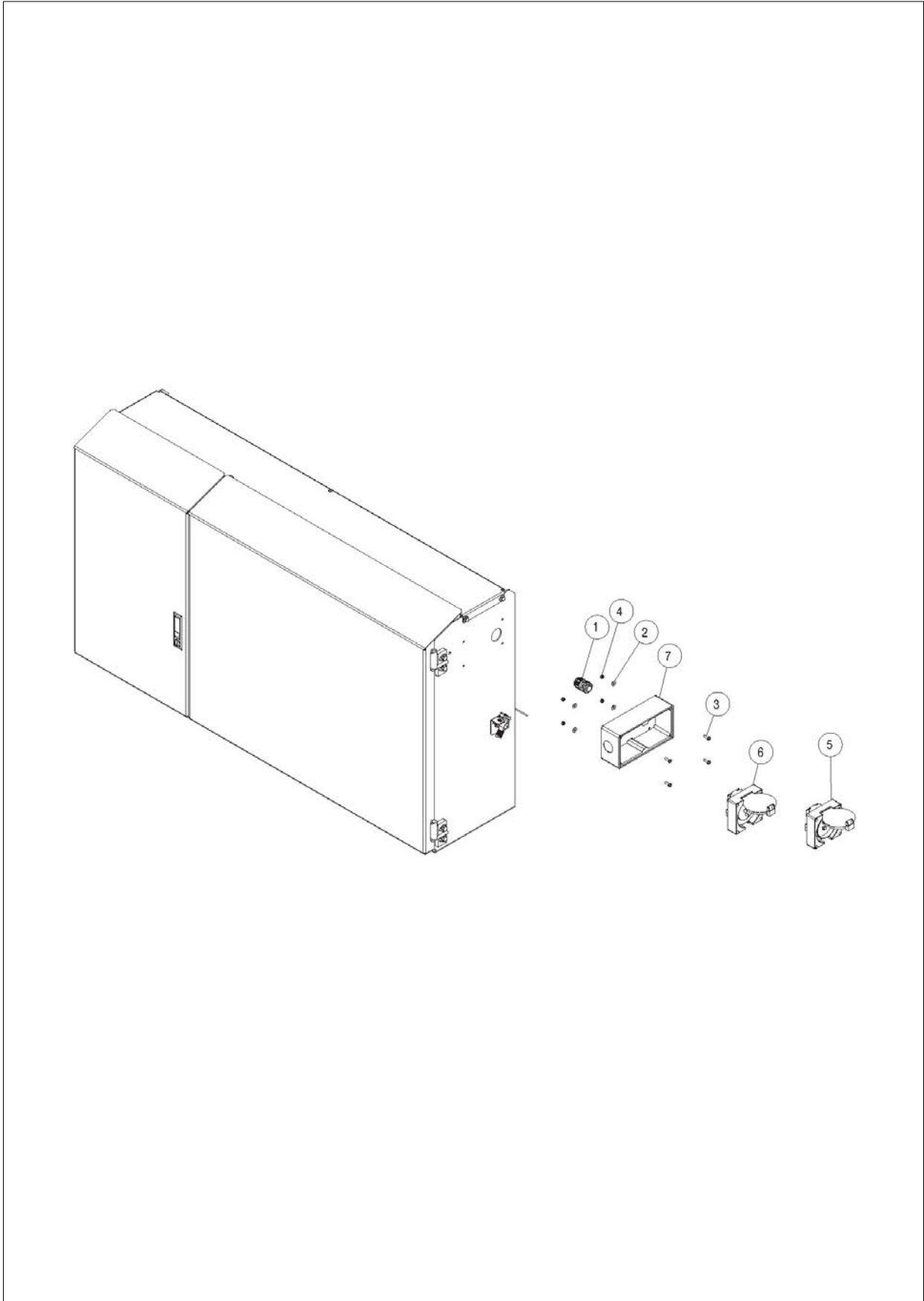
Electrical



アイテム	部品番号	名前	数量	UOM
1	1650 010	Relay 12V	3	EA
2	2065 002	Plug In Relay Base	3	EA
3	3603 04	Plain Washer	28	EA
4	3603 05	Plain Washer	4	EA
5	3603 07	Plain Washer	4	EA
6	3604 04012	Pan Head Screw	8	EA
7	3604 04025	Pan Head Screw	6	EA
8	3604 05012	Pan Head Screw	4	EA
9	3611 04	Metric Nyloc Nut	14	EA
10	3628 05	Nutsert M5	4	EA
11	3628 06	Nutsert M6	4	EA
12	10114	Contact, NO Telemac ZBE 101	2	EA
13	10118	Contact, NC Telemac ZBE 102	1	EA
14	12536 3	LED Green, 12V M12	1	EA
15	12536 4	LED Red, 12V M12	1	EA
16	12914 10	Collar	2	EA
17	12914 12	Push Button 40mm, Red	1	EA
18	12914 13	Key Switch 1 (2) 3, 455 Key	1	EA
19	12914 6	Plastic Blanking Plug	1	EA
20	13485 05	TRIONICS GP400C	1	EA
21	13810	Control Box Weld	1	EA
22	13810 5	Control Box Face Panel	1	EA
23	13811 1	Foam Seal	1	EA
24	13839 03	Decal, Lower Control Box	1	EA
25	13852 12	DT04 12PA 1012	7	EA
26	13878 02	Harness Lower Control Box	1	EA
27	13926 1008	Screw, T25 Pan Pozi, ZP	14	EA
28	514345 000	Gasket EZCal Display	1	EA
29	3020015	Switch, Toggle Honeywell INTI 6	1	EA

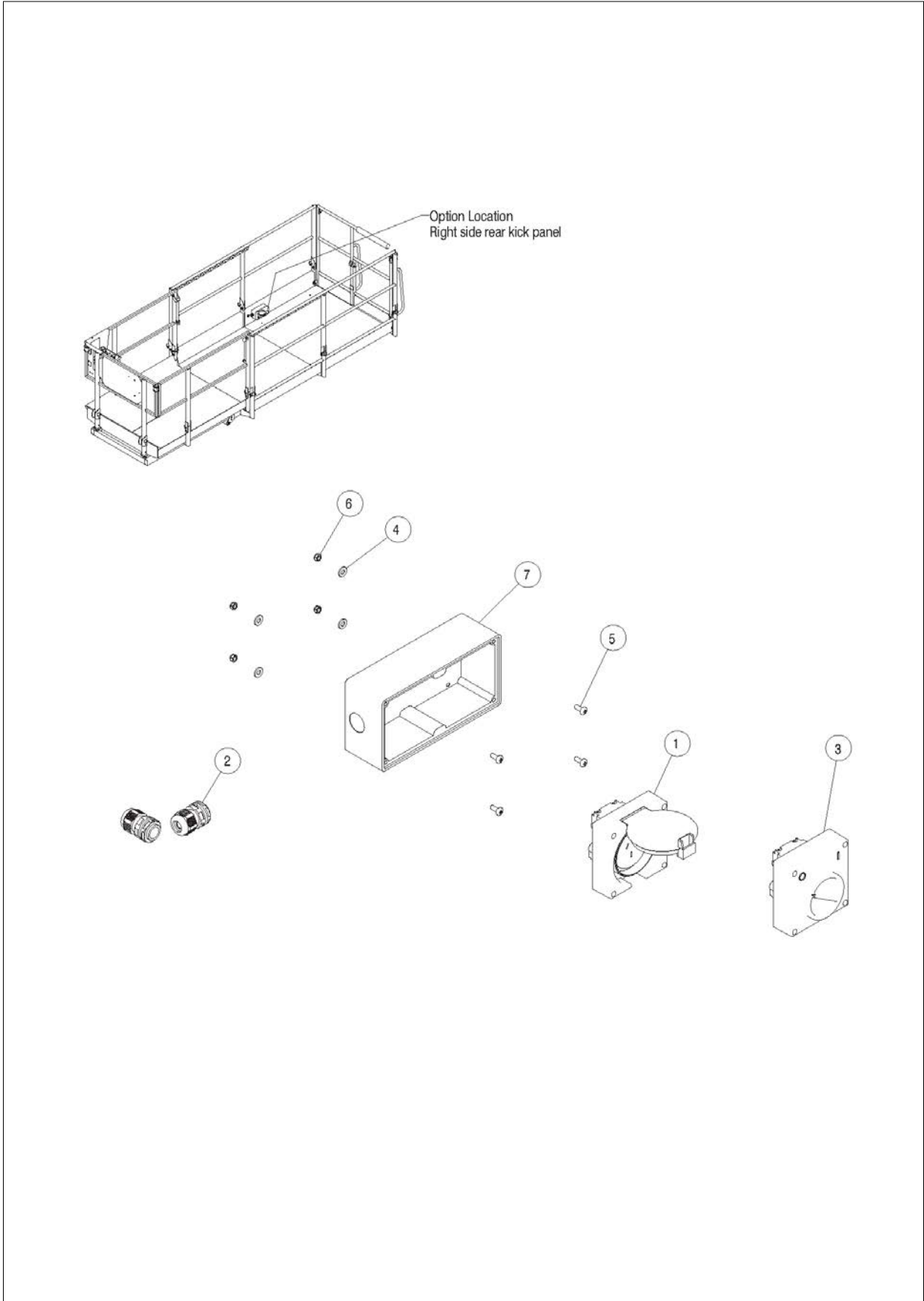
アイテム	部品番号	名前	数量	UOM
30	3020016	Switch, Toggle Honeywell INTI 7	1	EA
31	3030181	Trionics TBM	1	EA
32	3040411	Alarm Buzzer	1	EA
33	3087803	EZCal Panel Trionics	1	EA

Options

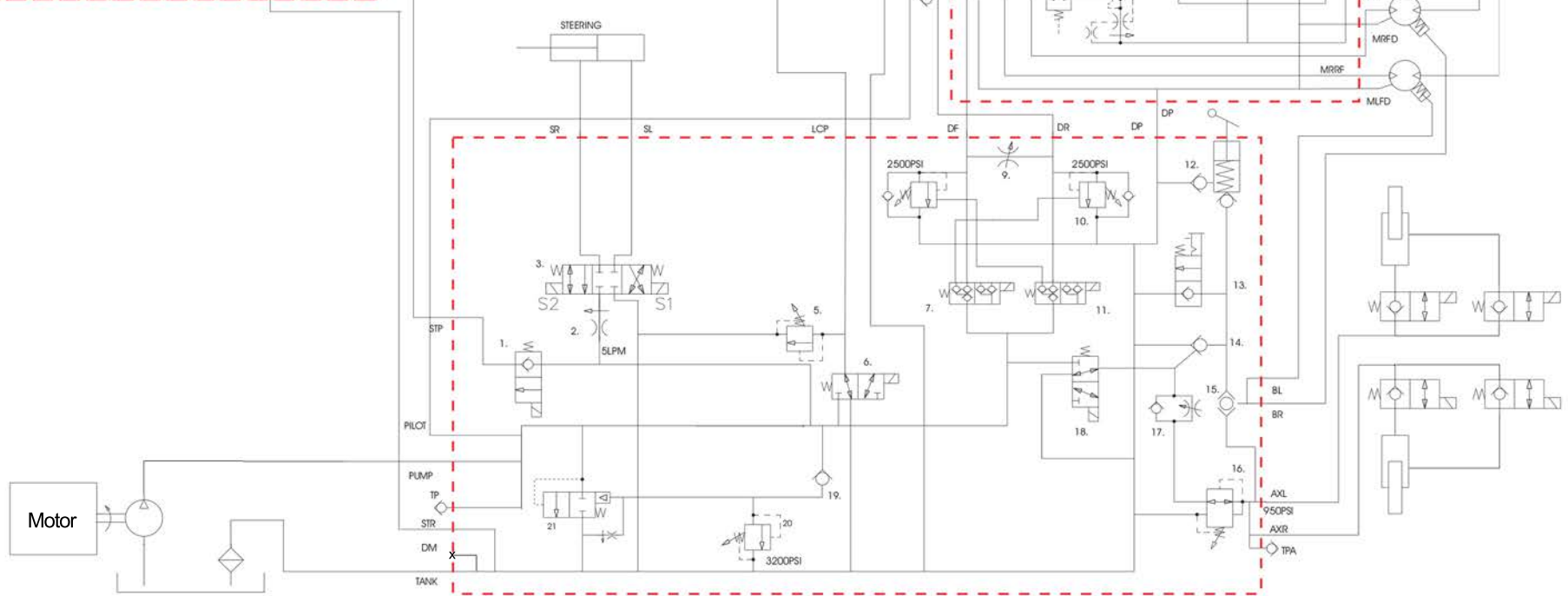
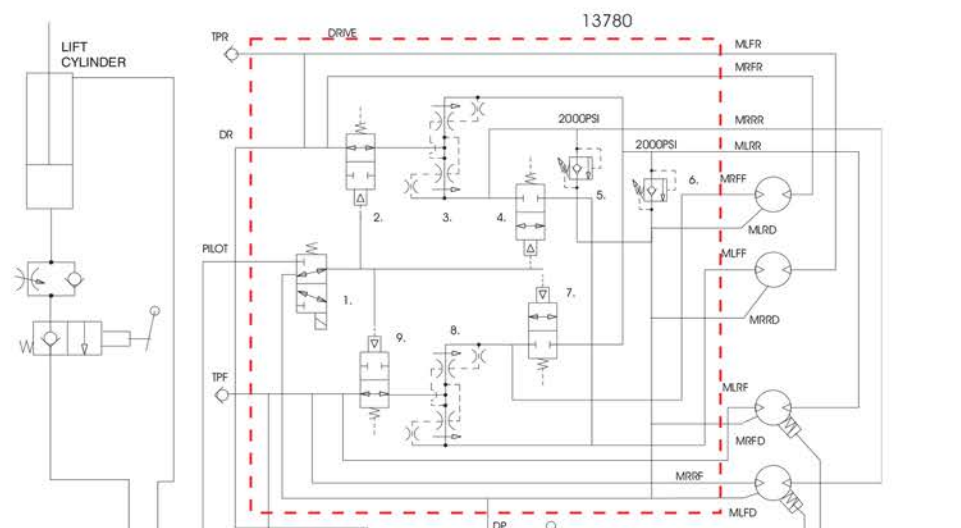
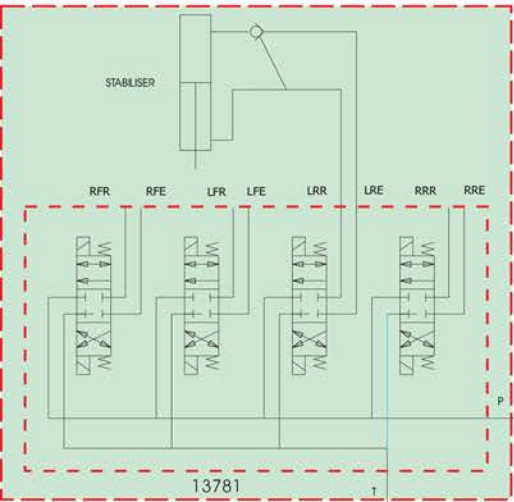


アイテム	部品番号	名前	数量	UOM
1	1814	Cable Gland	1	EA
2	3603 05	Plain Washer	4	EA
3	3604 05016	Pan Head Screw	4	EA
4	3611 05	Metric Nyloc Nut	4	EA
5	10967 1	Residual current device (with appliance inlet pins)	1	EA
6	10967 2	Appliance Inlet	1	EA
7	10967 3	PDL Enclosure	1	EA

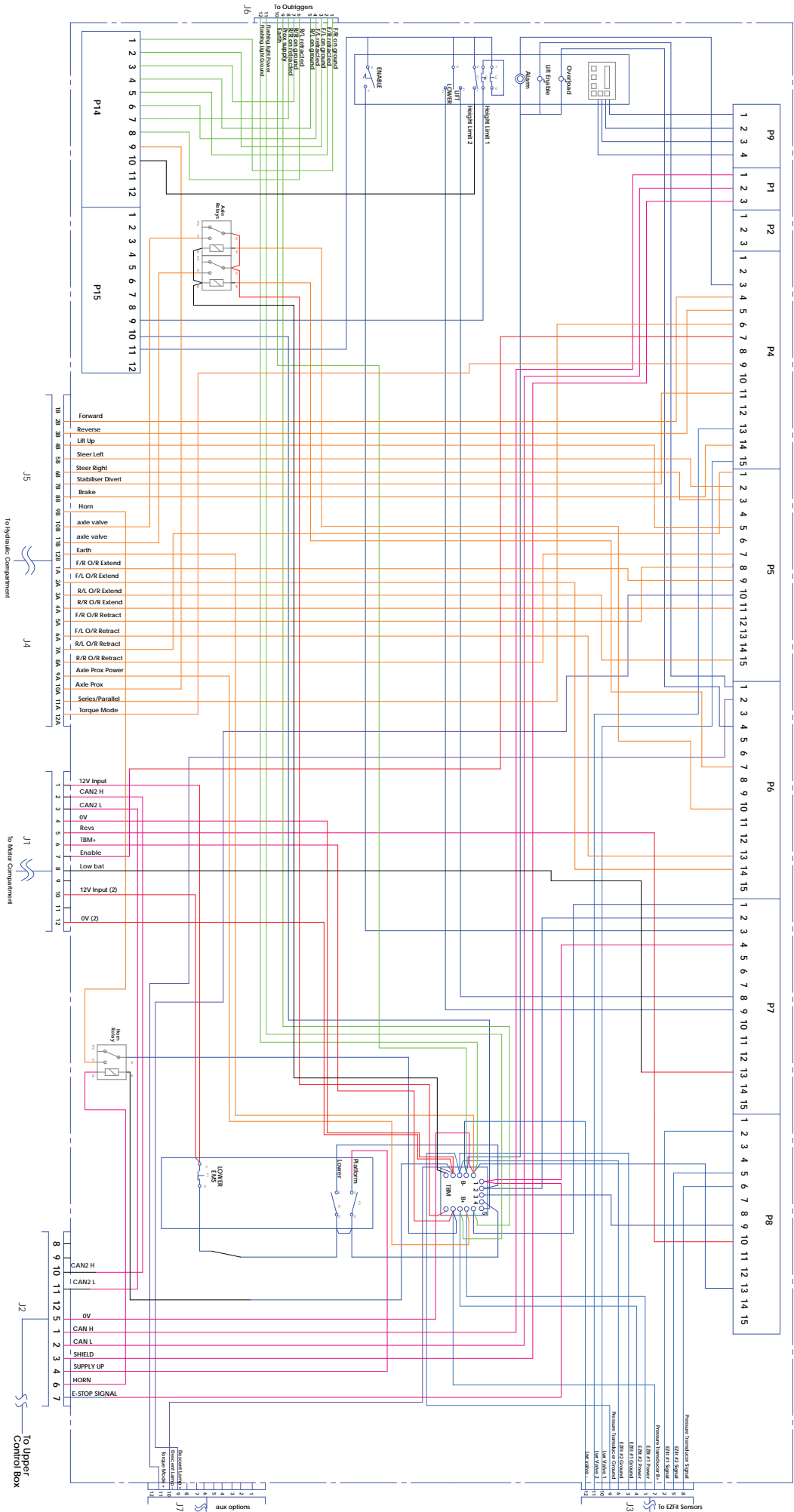
Options



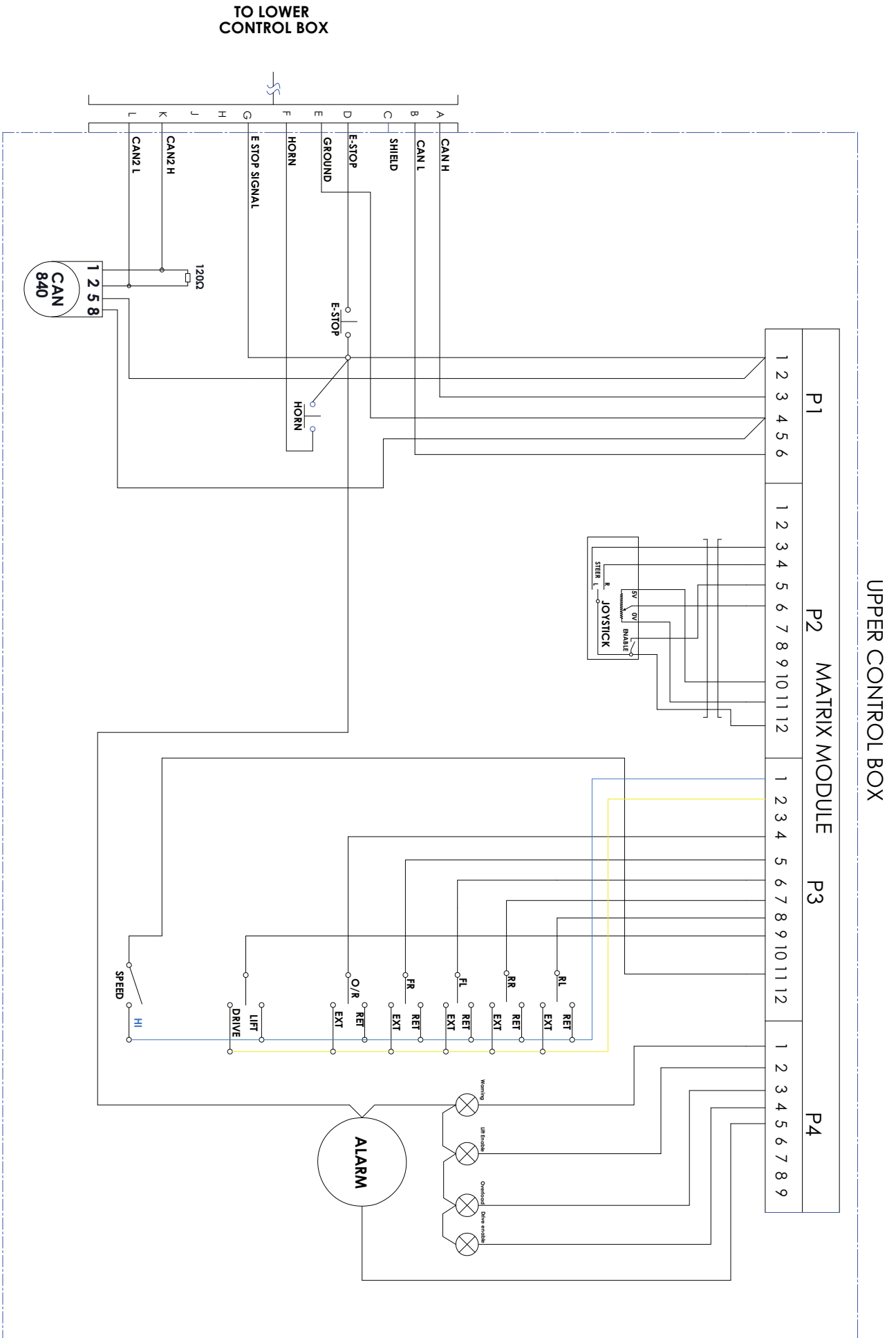
アイテム	部品番号	名前	数量	UOM
1	1807	Appliance Outlet	1	EA
2	1814	Cable Gland	2	EA
3	1865 001	PDL Switch	1	EA
4	3603 05	Plain Washer	4	EA
5	3604 05012	Pan Head Screw	4	EA
6	3611 05	Metric Nyloc Nut	4	EA
7	10967 3	PDL Enclosure	1	EA



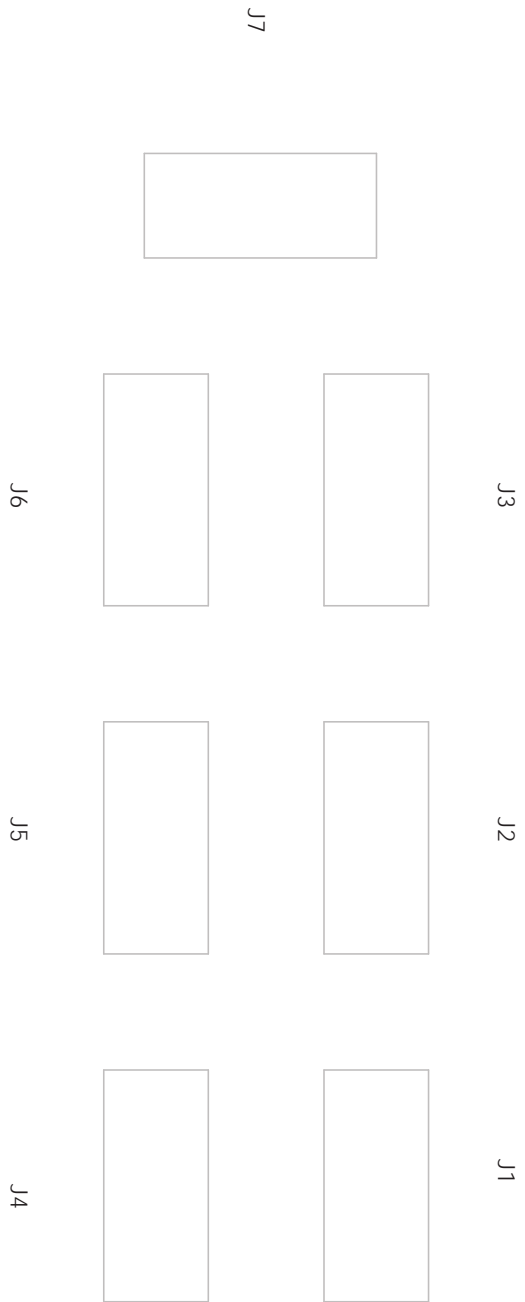
Lower Control Box Wiring



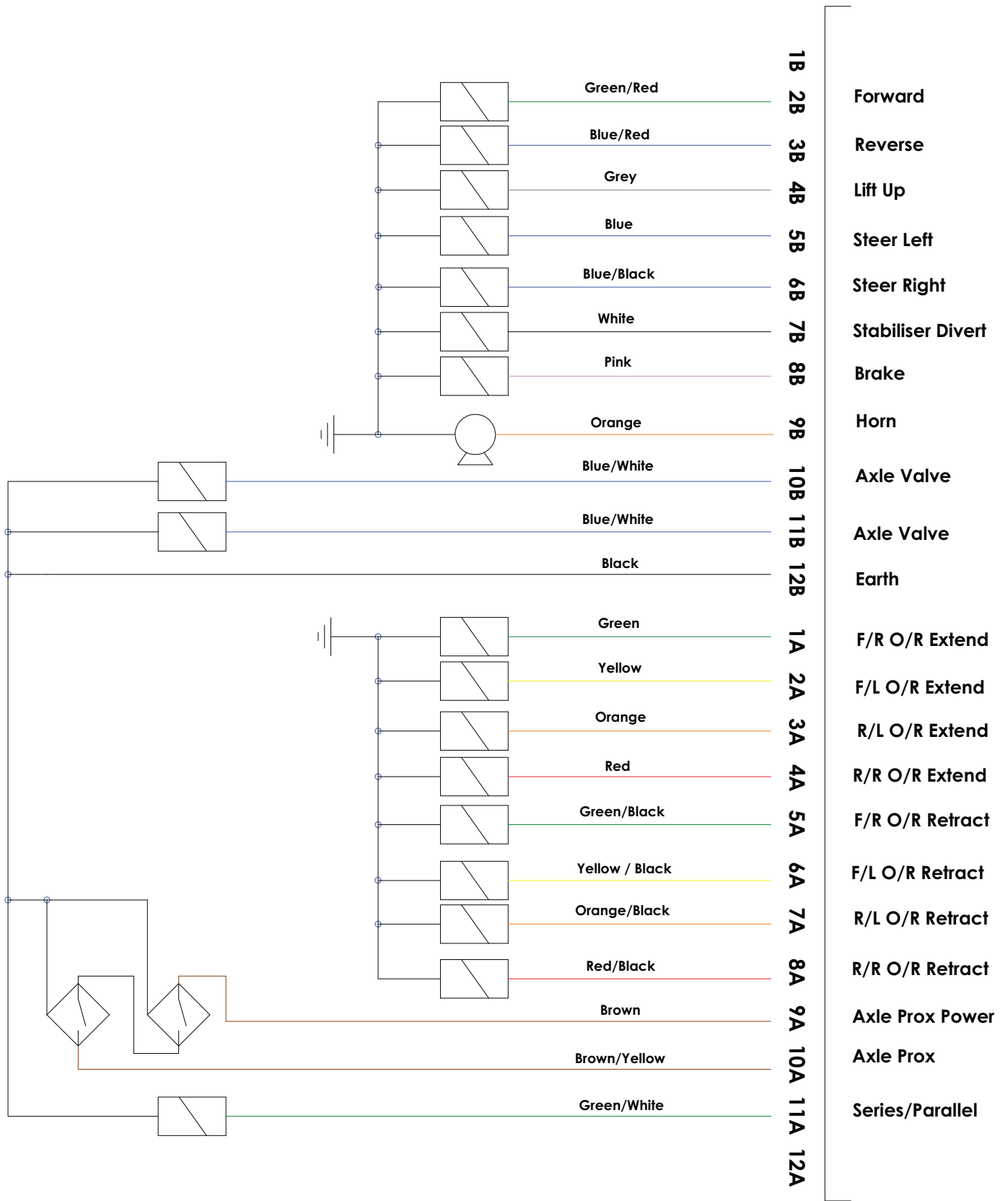
Upper Control Box Wiring



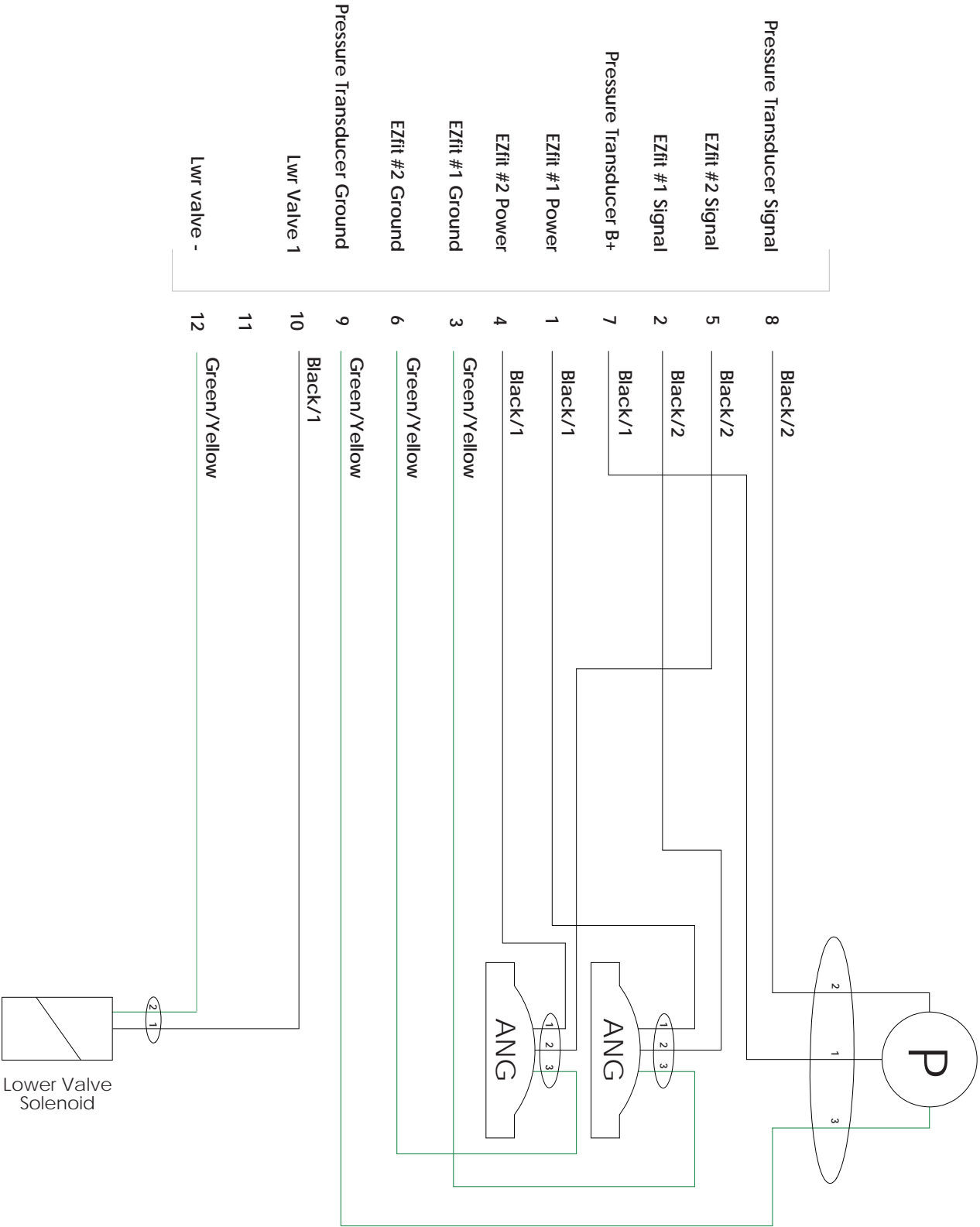
Top View of Lower Control Box



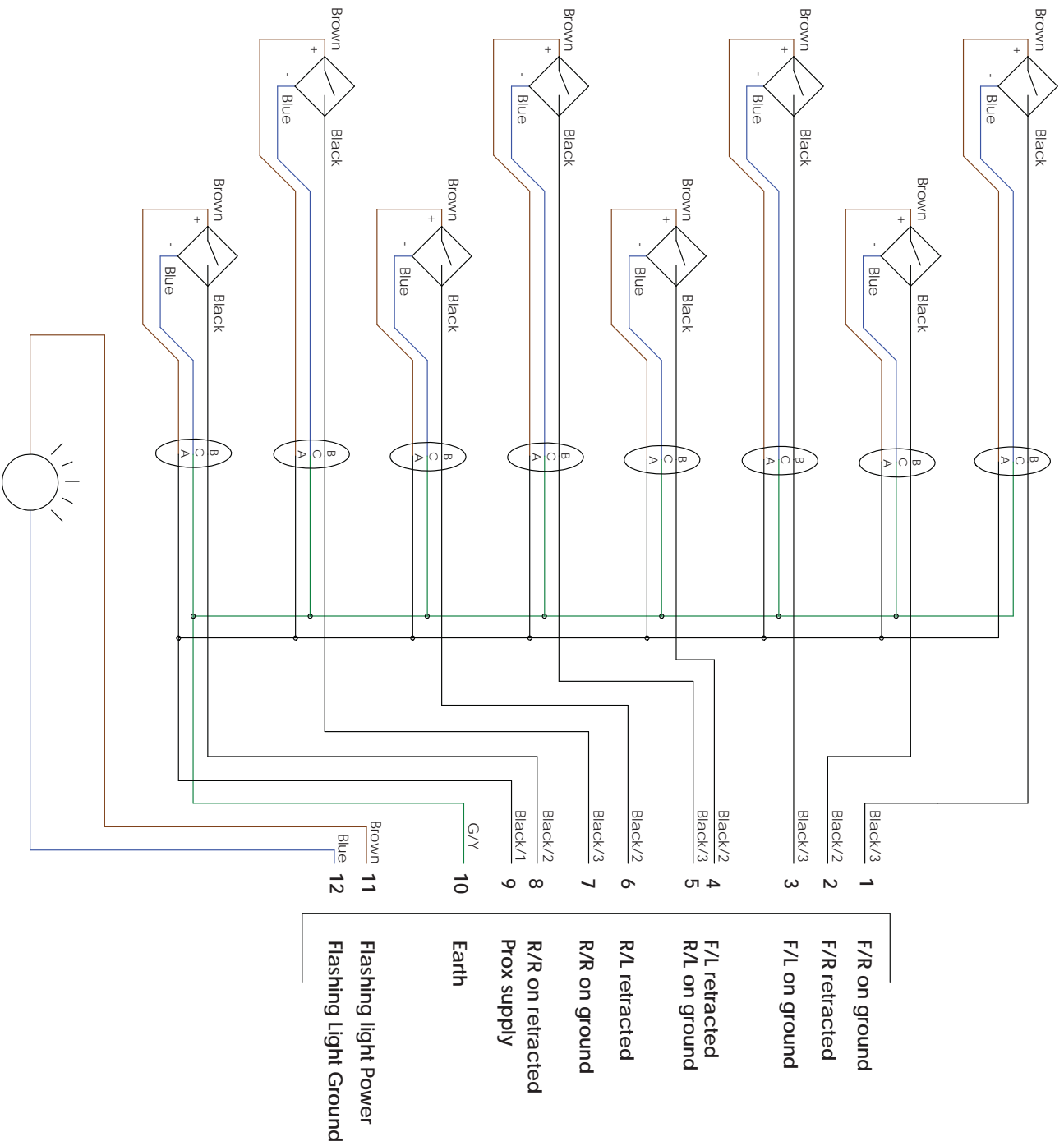
Hydraulic Compartment Wiring



EZFit Sensors Wiring



Stabiliser Legs Wiring



A	Stabiliser Leg Assembly	2-12
240V At Base Assembly	Stabiliser Leg Cylinder Assembly	3-11
240V At Platform Assembly	Steel Hydraulic Oil Tank Assembly	2-22
4WD Manifold, Added Fittings	Steer Axle Assembly	2-3
4WD Manifold, No Added Fittings	Steer Cylinder Assembly	3-8
Angle Transducer	Swing Arm Assembly	2-4
Auto Stabiliser Manifold, Added Fittings	Upper Control Box Assembly	4-2
Auto Stabiliser Manifold, No Added Fittings	Wheel Mounting Assembly	2-13
Axle Cylinder Assembly	Wiring Schematics	6-2
Base, Stack & Platform Assembly		
Bleed Down Cover Assembly		
Cabinet Mounting Assembly		
Control Box Mounting Assembly		
Control Cabinet Assembly		
GP400 & I/O Allocations		
General Information		
Hose Part Numbers And Colour Codes		
Hydraulic Schematic		
Lift Cylinder Assembly		
Lower Control Box Assembly		
Main Manifold, No Added Fittings		
Main Manifold, With Added Fittings		
Motor Cabinet Assembly		
Motor Cabinet Charger Assembly		
Placards And Decals		
Plastic Hydraulic Oil Tank Assembly		
Platform Assembly		
Platform Rear Handrail Assembly		
Power Cabinet Assembly		
S2255RT Base Assembly		
S2255RT Scissor Stack		
S2755RT Base Assembly		
S2755RT Scissor Stack		
Serial Plate Mount Assembly		

B	11492-1	2-3
0070901	11492-3	2-14, 2-16, 2-18, 2-19
0073298	11492-4	2-12, 3-11
0083427	11590	2-3
032-3897	11595-9	2-3
0372061	11600	2-4
100432-002	11601	2-3
100432-004	11629	2-3, 2-4
100432-007	11658-20	2-14
100432-009	11679	2-5, 2-8
100432-027	11680	2-5, 2-8
100433-008	11695	2-16
100434-002	11695-3	2-16
100434-004	11695R	2-16
100434-014	11699	2-3, 3-8
100434-015	11699K	3-8
100434-021	11699K-PB	3-8
10114	11699K-UH	3-8
10118	11804	2-18, 2-19
10967-1	12036	2-12, 3-11
10967-2	12036-5	2-12, 3-11
10967-3	12036-6	2-12, 3-11
10967-4	12286-3L	2-13, 2-13
10996-2	12286-4L	2-13
11143-2	12286-4R	2-13
11305	12296	2-4
11366-1	12303	2-3
11366-2	12313-10	2-5, 2-8
11367-2	12313-11	2-5
11369	12329	2-8
11380	12536-3	4-2, 4-3
11430-1	12536-4	4-2, 4-3
11430-5	12566-2	2-14
11487	12566-3	2-14

12567-1	3-2	13106-5	2-21
12567-11	3-2, 3-4	13106-5A	2-21
12567-15	3-2	13106-6A	2-8
12567-19	3-2	13108-04	2-21, 2-22
12567-2	3-2	13111	2-23
12567-21	3-2	13122-11	2-16
12567-22	3-2	13122-12	2-16
12567-23	3-2	13122-14	2-16
12567-24	3-2	13128	2-16
12567-25	3-2	13155	2-16
12567-8	3-2	13161-17	3-2
12568-1	3-2, 3-6	13161-18	3-2
12569-2	3-4	13161-28	3-2
12569-3	3-4	13164	2-5
12569-5	3-4	13262	2-16
12569-6	3-4	13264	2-16
12574	2-23	13268	2-16
12647-1	3-10	13485-02	4-2
12648	3-10	13485-05	4-3
12699-1	2-23	13520-000	2-22
12699-8	2-23	13574-16	2-18, 2-19
12709-10	2-16	13628	2-8
12753	2-23	13640-3	2-23
12814	2-23	13667-1	2-18, 2-19
12818	2-15	13667-15	2-18, 2-19, 2-19
12833-4	2-5, 2-6, 2-23	13667-2	2-18, 2-19
12835-1	2-4, 3-9	13667-32	2-18, 2-19
12914-10	4-2, 4-3	13667-33	2-18, 2-19
12914-11	4-2	13667-35	2-19
12914-12	4-3	13667-36	2-18, 2-19
12914-13	4-3	13771-50	2-12
12914-6	4-3	13779-01	3-2
12942	2-21	13779-02	3-2
13032	2-10	13779-03	3-2

13779-04	3-3	13969	2-5
13780	3-4, 3-5	14022	4-2
13781	3-7	14022-01	4-2
13781-01	3-6	14022-03	4-2
13781A	2-5, 3-7	14023-10	2-16
13808-02	4-2	14055	2-16
13810	4-3	14056	2-16
13810-5	4-3	14057	2-16, 2-17
13811-06	2-7	14058	2-17
13811-1	4-3	14098-01	2-12, 3-11
13838-01	2-23	14098-02	2-12, 3-11
13838-10	4-2	14098-03	2-12
13839-01	2-23	15013-063	3-10
13839-03	4-3	15056	2-21
13841	2-16	15078	2-23
13852-12	4-3	15085-03	2-1, 2-2, 2-12, 3-11
13862	4-2	15088-01	2-5
13869-01	2-5, 2-8	15089	2-1, 2-2, 3-5
13869-02	2-5, 2-8, 2-10	15132-01	2-18
13871	2-16	15132-02	2-19
13872	2-5, 2-8, 2-10	15146	2-22
13878-02	4-3	15157	2-1
13881-08	3-2, 3-6	15164-01	2-16
13893-04	2-14	15165-01	2-14
13893-05	2-14	15202	2-14, 2-16
13903-24	2-23	15204	2-4, 3-9
13903-25	2-23	15208	2-2
13906-03	2-18, 2-19	15243	2-17
13909	2-17	15256	2-22
13921	2-16	15354	2-22
13926-1008	4-3	15361	2-5, 2-8
13928	2-14	15361-03	2-5, 2-8
13931	2-14	15368	2-8, 2-9
13952	3-10	15370	2-11

15370-01	2-10	3602-06	2-5
15371	2-10	3603-04	4-3
15371-4	2-10	3603-05	2-9, 2-10, 2-16, 4-2, 4-3, 5-1, 5-2
15372	2-11	3603-06	2-5, 2-7, 2-8, 2-9, 2-10, 2-12, 2-15, 2-16, 2-17, 2-19, 2-20, 2-21, 2-22, 3-10, 3-11
15372-01	2-9	3603-07	4-3
15372-02	2-9	3603-08	2-1, 2-2, 2-5, 2-8, 2-10, 2-11, 2-16
15378	2-10	3603-10	2-5, 2-8, 2-11, 2-16, 2-18, 2-19
15379	2-10	3603-10H	2-8
15380	2-11	3603-12	2-3, 2-4, 2-16
15381	3-2	3603-12H	2-4
1650-010	4-3	3603-12HD	2-3, 2-4
1807	5-2	3603-16HD	2-4
1814	2-9, 5-1, 5-2	3604-04012	4-3
1843	2-23	3604-04025	4-3
1865-001	5-2	3604-05012	2-9, 4-3, 5-2
2065-002	4-3	3604-05016	4-2, 5-1
300699	2-23	3604-05025	4-2
300700	2-23	3605-05	4-2
300840	2-10	3605-06	2-7, 2-8, 2-10, 2-12, 2-15, 2-17, 2-20, 3-10, 3-11
301440	2-8	3605-08	2-1, 2-2, 2-8, 2-10
3020015	4-2, 4-3	3605-10	2-5, 2-8
3020016	4-2, 4-3	3606-05025	2-10
3020047	4-2	3606-06	2-18
302544	2-16	3606-06016	2-14
3028933	4-2	3606-06020	2-16
302950	2-23	3606-06025	2-16, 2-18, 2-19
3030158	3-10	3610-05016	2-10, 2-16, 4-2
3030181	4-3	3610-05020	2-5, 2-8
3030187	2-20	3610-06012	3-10
3040411	4-2, 4-3	3610-06016	2-3, 2-5, 2-8, 2-9, 2-10, 2-12, 2-15, 3-11
3049861	4-2	3610-06020	2-5, 2-7, 2-9, 2-10, 2-16
3049862	4-2	3610-06025	2-5
3087803	4-3		
329926	4-2		

3610-06040	2-17	3616-12120	2-4
3610-06055	2-20	3618-11	2-21
3610-06085	3-10	3618-26	2-21
3610-06110	2-12	3618-32	2-8
3610-08016	2-8	3619-5	2-18, 2-19
3610-08020	2-1, 2-2, 2-5, 2-10, 2-11	3624-19	2-14
3610-08025	2-5, 2-8, 2-10	3624-2	2-18, 2-19
3610-08030	2-5, 2-8	3624-27	2-3, 3-8
3610-08045	2-16	3624-3	2-18, 2-19
3610-10020	2-5, 2-14, 2-16, 2-18, 2-19	3624-40	3-10
3610-10025	2-5, 2-11, 2-18, 2-19	3626-1	2-3
3610-10030	2-12	3626-19	3-10
3610-10035	3-11	3626-2	2-4, 2-16
3610-10045	2-8	3626-3	2-4, 3-9
3610-10050	2-16	3626-8	2-12, 3-11
3610-10055	2-8	3628-05	4-3
3610-10075	2-16	3628-06	2-12, 4-3
3610-10120	2-18, 2-19	3628-08	2-10
3610-12050	2-3	3629-5062L	2-18, 2-19
3610-12100	2-4	3631-1	2-13
3610-12130	2-16	3633-3	2-12
3610-16140	2-4	3636-1	2-3, 2-4
3611-04	4-3	3641-06	3-10
3611-05	2-5, 2-8, 2-9, 2-10, 2-16, 2-17, 4-2, 5-1, 5-2	3668-05016	2-5, 2-8
3611-06	2-5, 2-8, 2-9, 2-10, 2-12, 2-16, 2-17, 2-18, 2-19, 2-21, 2-22, 3-10	4381	2-5
3611-08	2-5, 2-8, 2-10, 2-11, 2-16	446086	2-10
3611-10	2-5, 2-8, 2-11, 2-16, 2-18, 2-19	45198-6	2-23
3611-12	2-3, 2-4, 2-16	501453-000	2-23
3611-16	2-4	511067-000	2-23
3613-05040	2-17	511099-000	2-23
3613-06030	2-9	511101-000	2-23
3616-12060	2-3	511327-000	2-4
		512968-000	2-8
		512969-000	2-8

512970-000	3-3, 3-5, 3-7	6019184	3-2, 3-10
514345-000	4-3	6019325	2-5
515611-000	2-1, 2-2	605246	2-21
515956-000	2-10	605256	2-21
515957-000	2-9	621486	2-23
515958-000	2-9	7035-001	3-5
515959-000	2-8	7035-002	3-3
516042-000	4-2	7495	2-17
516050-000	2-10	8342416-3	2-5, 2-8, 2-10
516057-000	2-10	8626	2-14, 2-16, 2-18, 2-19
516065-000	2-10	8628	2-3
516067-000	2-10	8926-1	2-16, 2-17
516094-000	2-10	9292	2-18, 2-19
516095-000	2-10	9311	2-3
516112-000	2-10	9319	2-3
516147-000	2-10	96924-9	2-23, 2-23
516148-000	2-10	98300-9	2-13
516163-000	2-10	Grommet 60mm	2-8
516203-000	2-10		
516204-000	2-8		
516289-000	2-10		
516292-000	2-10		
5560179	2-8, 2-16		
562386	2-16		
562426	2-23		
583656	2-23		
60015-012	2-8		
60017-006	2-5		
60017-010	2-8		
60027-013	2-5, 2-6		
60027-067N	2-16		
60030-198	2-16		
6018024	3-10		
6019180	2-4, 3-2, 3-4, 3-6, 3-9		