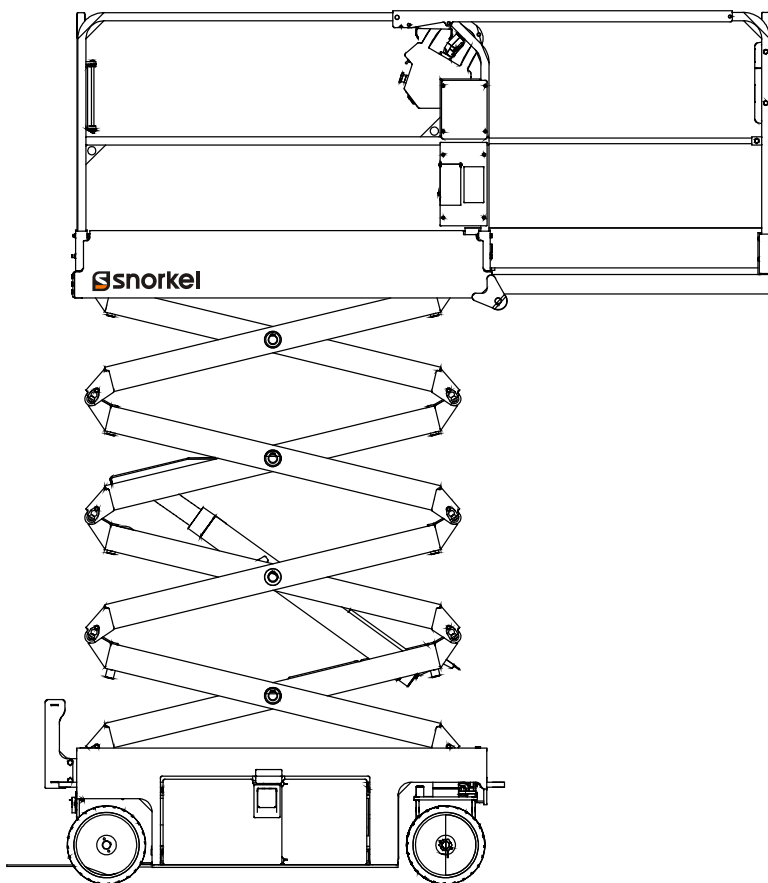


S3215E PARTS MANUAL



S3215E



CE

REPAIR PARTS MANUAL

Part Number 1502787
August 2017

Serial number 000000 and after
Replaces 1501796 July 2016

GENERAL INFORMATION

S3215E GENERAL INFORMATION 1-1

REPAIR PARTS

CHASSIS ASSEMBLY S3215E JANUARY 2016 AND AFTER 2-1

CHASSIS ASSEMBLY OCTOBER 2016 AND AFTER 2-2

CHASSIS / STACK ASSEMBLY S3215E NOVEMBER 2019 AND AFTER 2-3

GENERIC CHASSIS ASSEMBLY S3215E OCTOBER 2018 AND AFTER 2-4

GENERIC CHASSIS ASSEMBLY S3215E JANUARY 2020 AND AFTER 2-5

CHASSIS ASSEMBLY ANSI S3219E-04-181006621 THROUGH CURRENT 2-6

CHASSIS ASSEMBLY CHINA S3215E S3219E MARCH 2018 AND AFTER 2-7

CHASSIS ASSEMBLY CHINA S3215E S3219E JANUARY 2020 AND AFTER 2-8

OVERTRAVEL ASSEMBLY S3215E S3219E S3220E S3226E DECEMBER S3219E-04-000001
THROUGH CURRENT 2-9

VALVE TRAY ASSEMBLY NOVEMBER 2016 AND BEFORE 2-10

VALVE TRAY ASSEMBLY ANSI CE DECEMBER 2016 AND AFTER 2-11

VALVE TRAY ASSEMBLY TWO SPEED DECEMBER 2019 AND AFTER 2-12

REAR TRAY ASSEMBLY ANSI S3219E-04-002295 AND BEFORE 2-13

REAR TRAY ASSEMBLY ANSI S3219E-04-002295 AND BEFORE 2-14

REAR TRAY ASSEMBLY ANSI S3219E-04-S3219E-04-181006662 AND BEFORE 2-15

REAR TRAY ASSEMBLY ANSI (SERVICE USE 150198428 FOR CHASSIS HARNESS) 2-16

REAR TRAY ASSEMBLY ANSI S3219E-04-181006663 AND AFTER 2-17

REAR TRAY ASSEMBLY ANSI S3215L S3215E S3219E S3219E-04-190407733 THROUGH CURRENT
..... 2-18

REAR TRAY INSTALLATION ANSI S3215E S3219E 2-19

ANSI CSA ASSEMBLY S3215E S3219E JUNE 2019 AND AFTER 2-20

REAR TRAY ASSEMBLY CE AS S3215E SEPTEMBER 2017 AND BEFORE 2-21

REAR TRAY ASSEMBLY CE AS S3215E OCTOBER 2017 AND AFTER 2-22

REAR TRAY ASSEMBLY CE AS S3215 FEBRUARY 2019 AND AFTER 2-23

CONTROL TRAY ASSEMBLY AUSTRALIA CE S3215E S3219E MARCH 2015 AND AFTER 2-24

CONTROL TRAY ASSEMBLY AUSTRALIA CE S3215E S3219E OCTOBER 2016 AND AFTER . 2-25

CONTROL TRAY ASSEMBLY AUSTRALIA CE S3215L S3215E S3219E OCTOBER 2018 AND
AFTER 2-26

CONTROL TRAY ASSEMBLY AUSTRALIA CE S3215L S3215E S3219E APRIL 2019 AND AFTER 2-
27

REAR TRAY ASSEMBLY ANSI CSA S3215E S3219E JUNE 2019 AND AFTER (CSA COMPLIANT
MACHINES) 2-28

TANK TRAY ASSEMBLY ANSI CE S3219E-04-001543 THROUGH CURRENT (6029696 WUXI
PUMP) 2-29

TRAYS ASSEMBLY ANSI CSA S3215E S3219E (USES 1502147 VALVE TRAY ASSEMBLY) ... 2-30

TRAYS ASSEMBLY AND INSTALLATION FEBRUARY 2017 AND AFTER S3215 - S3219 2-31

TRAYS ASSEMBLY AND INSTALLATION ANSI CE AUSTRALIA S3215E S3219E (USES 1502148
VALVE TRAY ASSEMBLY) 2-32

LYNCH PIN WITH LANYARD ASSEMBLY 2-33

REAR TRAY INSTALLATION ANSI S3215E S3219E 2-34

ANSI CSA ASSEMBLY S3215E S3215L S3219E JANUARY 2020 AND AFTER 2-35

CHASSIS AND STACK ASSEMBLY S3215E S3219E SEPTEMBER 2015 AND BEFORE	2-36
CHASSIS AND STACK ASSEMBLY OCTOBER 2015 AND AFTER	2-37
CHASSIS STACK ASSEMBLY S3215E OCTOBER 2018 AND AFTER	2-38
CHASSIS /STACK ASSEMBLY S3215E JANUARY 2020 AND AFTER	2-39
REAR TRAY INSTALLATION CE AUSTRALIA S3219E	2-40
REAR TRAY INSTALLATION CE AUSTRALIA S3219E	2-41
REAR TRAY ASSEMBLY CE AS S3215 FEBRUARY 2019 AND AFTER	2-42
STACK ASSEMBLY S3215E S3215L JUNE 2017 AND BEFORE	2-43
STACK ASSEMBLY JUNE 2017 AND AFTER	2-44
STACK ASSEMBLY S3215L OCTOBER 2017 AND AFTER	2-45
STACK ASSEMBLY S3215E SEPTEMBER 2018 AND AFTER	2-46
STACK ASSEMBLY S3215E APRIL 2019 AND AFTER	2-47
STACK ASSEMBLY S3215E JUNE 2019 AND AFTER	2-48
STACK ASEMBLY INSTALLATION S3215E JANUARY 2017 AND BEFORE	2-49
STACK INSTALLATION FEBRUARY 2017 AND AFTER	2-50
STACK INSTALLATION S3219E JULY 2017 AND AFTER	2-51
STACK INSTALLATION OCTOBER 2018 AND AFTER	2-52
STACK INSTALLATION CE AS S3215E	2-53
STACK ASSEMBLY S3215E CHINA MARCH 2018 AND AFTER	2-54
STACK INSTALLATION CHINA S3215E MARCH 2018 AND AFTER	2-55
STACK INSTALLATION S3215E CHINA FEBRUARY 2019 AND AFTER	2-56
ADD ON ASSEMBLY ANSI S3215E	2-57
PLATFORM ASSEMBLY ANSI CE AUSTRALIA S3215E S3219E JANUARY 2017 AND BEFORE ..	2-58
PLATFORM ASSEMBLY S3215E S3219E MARCH 2017 AND AFTER	2-59
PLATFORM ASSEMBLY CHINA S3215E S3219E JANUARY 2017 AND BEFORE	2-60
PLATFORM ASSEMBLY CHINA S3215E S3219E FEBRUARY 2017 AND AFTER	2-61
HANDRAILS ASSEMBLY ANSI S3215E S3215L S3219E APRIL 2018 AND BEFORE	2-62
HANDRAILS ASEMBLY ANSI S3215L S3215E S3219E MAY 2018 AND AFTER	2-63
NON FOLDING HANDRAILS ASSEMBLY WITH FIXED UPPER CONTROL BOX AS S3215E S3219E JULY 2018 AND AFTER	2-64
FOLDING HANDRAILS ASSEMBLY ANSI S3215E S3219E	2-65
HANDRAILS ASSEMBLY CE S3215E S3219E MARCH 2019 AND AFTER	2-66
HANDRAILS ASSEMBLY CE S3215E S3215L S3219E DECENBER 2018 AND AFTER	2-67
FOLDING HANDRAILS ASSEMBLY WITH REMOVABLE UPPER CONTROL BOX CE S3215E S3219E SEPTEMBER 2018 AND BEFORE	2-68
FOLDING HANDRAILS REMOVEABLE UPPER CONTROL BOX CE JULY 2019 AND AFTER ..	2-69
ANSI CSA FOLDING HANDRAILS FIXED UPPER CONTROL BOX FOOT LATCH ASSEMBLY JUNE 2019 AND AFTER	2-70
FOLDING HANDRAIL CE FIXED UCB FOOT LATCH S3215E S3219E MAY 2019 AND AFTER .	2-71
NON FOLDING HANDRAILS FIXED UPPER CONTROL BOX ASSEMBLY ANSI FOOT LATCH MAY 2019 AND AFTER	2-72
HANDRAIL FOLDING FOOT LATCH CE AS ASSEMBLY MAY 2019 AND AFTER	2-73
HANDRAILS FOLDING FIXED UCB ASSEMBLY CSA SEPTEMBER 2019 AND AFTER	2-74
SALOON GATE ASSEMBLY ANSI S3215E S3215L S3219E	2-75
SINGLE SWING GATE ASSEMBLY CE S3215E S3215L S3219E DECEMBER 2018 AND AFTER	2-76

SINGLE SWING GATE ASSEMBLY AUSTRALIA S3215E S3219E	2-77
SALOON GATES ASSEMBLY CE S3215E S3215L S3219E DECEMBER 2018 AND AFTER	2-78
HANDRAIL SALOON GATE KIT S3215E S3219E NOVEMBER 2019 AND AFTER	2-79
GRAVITY GATE ASSEMBLY S3215E S3219E	2-80
DECAL ASSEMBLY ANSI S3215E MAY 2017 AND BEFORE	2-81
DECAL ASSEMBLY ANSI S3215E JUNE 2017 AND AFTER	2-82
DECAL ASSEMBLY CE S3215E MAY 2016 AND BEFORE	2-83
DECAL ASSEMBLY CE S3215E JUNE 2016 AND AFTER	2-84
DECAL ASSEMBLY CE S3215E APRIL 2017 AND AFTER	2-85
DECAL ASSEMBLY AS S3215E MARCH 2017 AND BEFORE	2-86
DECAL ASSEMBLY AS S3215E APRIL 2017 AND AFTER	2-87
DECAL ASSEMBLY AS S3215E OCTOBER 2019 AND AFTER	2-88
DECAL ASSEMBLY CSA S3215E	2-89
DECAL ASSEMBLY CSA S3215E	2-90
DECAL ASSEMBLY CSA S3215E OCTOBER 2019 AND AFTER	2-91
DECAL ASSEMBLY CSA FRENCH S3215E	2-92
CSA DECALS S3215E ASSEMBLY FRENCH OCTOBER 2019 AND AFTER	2-93

HYDRAULICS

DRIVE MOTOR WHITE JULY 2014 AND AFTER	3-1
DRIVE MOTOR DALI 230CC MAY 2016 AND AFTER	3-2
BRAKE DALI S/N S3219E-04-002034, S4732E-04-000561 AND AFTER	3-3
MANIFOLD SCISSOR SINGLE SPEED JULY 2015 AND AFTER	3-4
MANIFOLD TWO SPEED FLUID TECH S3219E-04-170102962 THROUGH CURRENT	3-5
MANIFOLD TWO SPEED FLUID TECH (AFTER 6019378 MANIFOLD)	3-6
HOSE ASSEMBLY	3-7
PUMP UNIT 24VDC 4.3CC DECEMBER 2014 AND AFTER	3-8
PUMP UNIT 24 VOLT DC 4.33CC NOVEMBER 2015 AND AFTER	3-9
STEER CYLINDER ROSENBOOM AND FISHER	3-10
LIFT CYLINDER ROSENBOOM	3-11
LIFT CYLINDER HENGLI	3-12
LIFT CYLINDER FISHER	3-13
LIFT CYLINDER PB CE	3-14

ELECTRICAL

CHASSIS HARNESS ANSI (SERVICE USE 150198428)	4-1
CHASSIS HARNESS ANSI S3219E-04-002296 AND AFTER	4-2
CHASSIS HARNESS ANSI S3215E S3215L S3219E S3219E-04-181006663 AND AFTER	4-3
CHASSIS HARNESS ANSI CE AS S3215E S3219E JANUARY 2019 AND AFTER	4-4
ANGLE TRANSDUCER JUMPER JANUARY 2019 AND AFTER	4-5
DOUBLE PROX SENSOR HARNESS JANUARY 2016 AND AFTER	4-6
TABULATED BATTERY CABLES MARCH 2019 AND AFTER	4-7
GROUND CONTROL PANEL ANSI CE AUSTRALIA ASSEMBLY S3219E-04-002296 AND AFTER	4-8

8

GROUND CONTROL PANEL ASSEMBLY CE AS	4-9
GROUND CONTROLS HARNESS	4-10

REAR TRAY ASSEMBLY ANSI CSA S3215E S3219E JUNE 2019 AND AFTER (CSA COMPLIANT MACHINES)	4-11
STACK HARNESS ASSEMBLY JULY 2018 AND BEFORE	4-12
STACK HARNESS ASSEMBLY ANSI S3219E-04-000001 THROUGH CURRENT	4-13
DRIVE CONTROL PENDANT	4-14
SIDE DRIVE ASSEMBLY THIN ANSI	4-15
SIDE DRIVE HARNESS APRIL 2016 AND AFTER	4-16
SIDE DRIVE OVERRIDE CONNECTOR	4-17
PENDANT CONVERT ASSEMBLY AUGUST 2018 AND AFTER	4-18
BUMP GUARD ASSEMBLY S3215E S3219E ASSEMBLY SEPTEMBER 2019 AND AFTER	4-19
BUMP GUARD ASSEMBLY SEPTEMBER 2019 AND AFTER	4-20
UPPER CONTROL BOX ASSEMBLY ONE SPEED ANSI JUNE 2017 AND BEFORE	4-21
UPPER CONTROL BOX SINGLE SPEED CE ASSEMBLY JULY 2018 AND AFTER	4-22
UPPER CONTROL BOX ASSEMBLY TWO SPEED ANSI MAY 2017 AND AFTER	4-23
UPPER CONTROL BOX ANSI 2SPD ASSEMBLY MAY 2018 AND AFTER	4-24
UPPER CONTROL BOX ASSEMBLY ANSI 2SPD OCTOBER 2018 AND AFTER	4-25
UPPER CONTROL BOX ASSEMBLY TWO SPEED ANSI SEPTEMBER 2018 AND BEFORE	4-26
UPPER CONTROL BOX ASSEMBLY TWO SPEED ANSI CSA MAY 2019 AND AFTER	4-27
UPPER CONTROL BOX ASSEMBLY TWO SPEED ANSI CSA MAY 2019 AND AFTER	4-28
UPPER CONTROL BOX ASSEMBLY TWO SPEED CE JUNE 2016 AND AFTER	4-29
UPPER CONTROL BOX ASSEMBLY TWO SPEED CE JULY 2018 AND AFTER	4-30
UPPER CONTROL BOX CONNECTOR TWO SPEED CE AUSTRALIA OCTOBER 2018 AND AFTER	4-31
UPPER CONTROL BOX CONNECTOR TWO SPEED ANSI AFTER MAY 20 2018	4-32
UPPER CONTROL BOX CONNECTOR TWO SPEED CE AUSTRALIA SEPTEMBER 2018 AND BEFORE	4-33
UPPER CONTROL BOX HARNESS	4-34
110 VOLT ASSEMBLY APRIL 2017 AND AFTER	4-35
110 VOLT JUMPER HARNESS	4-36
110 VOLT ASSEMBLY CHINA	4-37
JOYSTICK	4-38
PENDANT SCISSORS PDI JANUARY 2020 AND AFTER	4-39
HARNESS SCISSORS PDI PENDANT JANUARY 2020 AND AFTER	4-40

OPTIONS

MAINTENANCE FREE BATTERY OPTION	5-1
CHARGER INTERLOCK DELETE ANSI	5-2
CONNECTOR CHARGER INTERLOCK DELETE	5-3
6H PLUG AND SOCKET	5-4
LOCKING BATTERY AND REAR TRAY	5-5
REAR TRAY COVER INSTALLATION	5-6
AUSTRALIA NEW ZEALAND PLUG	5-7
INVERTER ASSEMBLY S3215E S3219E	5-8
INVERTER ASSEMBLY S3215L S3215E S3219E	5-9
AMBER BEACON ASSEMBLY ANSI CE AUSTRALIA OCTOBER 2016 AND AFTER	5-10
AMBER BEACON INSTALLATION CE OCTOBER 2016 AND AFTER	5-11

AMBER BEACON ASSEMBLY JUNE 2017 AND AFTER	5-12
AMBER BEACON INSTALLATION ANSI JUNE 2019 AND AFTER	5-13
AMBER BEACON ASSEMBLY ANSI JUNE 2019 AND AFTER	5-14
AMBER BEACON HARNESS	5-15
DUAL FLASHING LIGHT	5-16
DUAL FLASHING LIGHT	5-17
SCRATCH GUARD S3215E S3219E	5-18
ANGLE TRANSDUCER COVER	5-19
OVERLOAD OPTION MAY 2016 AND AFTER	5-20
ENVIRONMENTALLY SAFE OIL S3215E S3215L S3219E	5-21
AIRLINE S3215E	5-22
FOLDING HANDRAILS ASSEMBLY WITH FOOT LATCH	5-23
NON FOLDING HANDRAILS ASSEMBLY WITH FOOT LATCH	5-24
NON FOLDING HANDRAILS ASSEMBLY WITH FIXED UPPER CONTROL BOX ANSI S3215E S3219E JUNE 2018 AND BEFORE	5-25
NON FOLDING HANDRAILS ASSEMBLY WITH FIXED UPPER CONTROL BOX ANSI S3215E S3219E JULY 2018 AND AFTER	5-26
NON FOLDING HANDRAILS ASEMBLY WITH FIXED UPPER CONTROL BOX ANSI S3215E S3219E OCTOBER 2018 AND AFTER	5-27
NON FOLDING HANDRAILS ASSEMBLY WITH FIXED UPPER CONTROL BOX ANSI S3215E S3219E DECEMBER 2018 AND AFTER	5-28
NON FOLDING HANDRAILS ASSEMBLY AS WITH FIXED UPPER CONTROL BOX S3215E S3219E JULY 2018 AND BEFORE	5-29
NON FOLDING HANDRAILS ASSEMBLY AS WITH FIXED UPPER CONTROL BOX S3215E S3219E AUGUST 2018 AND AFTER	5-30
NON FOLDING HANDRAILS ASSEMBLY WITH FIXED UPPER CONTROL BOX AUSTRALIA S3215E S3219E DECEMBER 2018 AND AFTER	5-31
NON FOLDING HANDRAILS WITH REMOVABLE UPPER CONTROL BOX ASSEMBLY ANSI S3215E S3219E SEPTEMBER 2018 AND BEFORE	5-32
NON FOLDING HANDRAILS WITH REMOVABLE UPPER CONTROL BOX ANSI S3215E S3219E OCTOBER 2018 AND AFTER	5-33
NON FOLDING HANDRAILS WITH REMOVABLE UPPER CONTROL BOX ASSEMBLY AS S3215E S3219E MARCH 2017 AND AFTER	5-34
NON FOLDING HANDRAILS WITH REMOVABLE UPPER CONTROL BOX ASEMBLY AS S3215E S3219E OCTOBER 2018 AND AFTER	5-35
FOLDING HANDRAILS ASSEMBLY WITH REMOVABLE UPPER CONTROL BOX CE S3215E S3219E SEPTEMBER 2018 AND BEFORE	5-36
FOLDING HANDRAILS REMOVEABLE UPPER CONTROL BOX CE JULY 2019 AND AFTER ..	5-37
REMOVABLE TOP RAIL S3215E S3215L S3219E S3220E S3226E	5-38
SALOON GATE ASSEMBLY ANSI S3215E S3215L S3219E	5-39
SINGLE GATE ASSEMBLY CE S3215E S3219E	5-40
GRAVITY GATE ASSEMBLY S3215E S3219E	5-41
SINGLE SWING GATE ASSEMBLY AUSTRALIA S3215E S3219E	5-42
SALOON GATES ASSEMBLY ANSI S3215E S3219E	5-43
SALOON GATES ASSEMBLY CE S3215E S3219E	5-44
SWING GATE CE S3215 3219E	5-45
BRUSH ASSEMBLY	5-46
PIPE RACK NARROW	5-47

PANEL CARRIER	5-48
REMOVABLE UPPER CONTROL BOX AUSTRALIA S3215E S3219E	5-49
SNORKEL GUARD PLATFORM CONTROL BOX ASSEMBLY	5-50
ANSI SNORKEL GUARD PLATFORM CONTROL BOX 2SPD ASSEMBLY AUGUST 2018 AND AFTER	5-51
UPPER CONTROL BOX ASSEMBLY WITH SNORKEL GUARD TWO SPEED AUGUST 2018 AND AFTER	5-52
UPPER CONTROL BOX ASSEMBLY WITH SNORKEL GUARD CE AUGUST 2018 AND AFTER .	5-53
SNORKEL GUARD UPPER CONTROL BOX ASSEMBLY CE OCTOBER 2018 AND AFTER ...	5-54
SNORKEL GUARD ASSEMBLY	5-55
SNORKEL GUARD UPPER CONTROL BOX HARNESS	5-56
CONTROL BOX WEATHER GUARD KIT	5-57
BUMP GUARD ASSEMBLY S3215E S3219E ASSEMBLY SEPTEMBER 2019 AND AFTER	5-58

MAINTENANCE

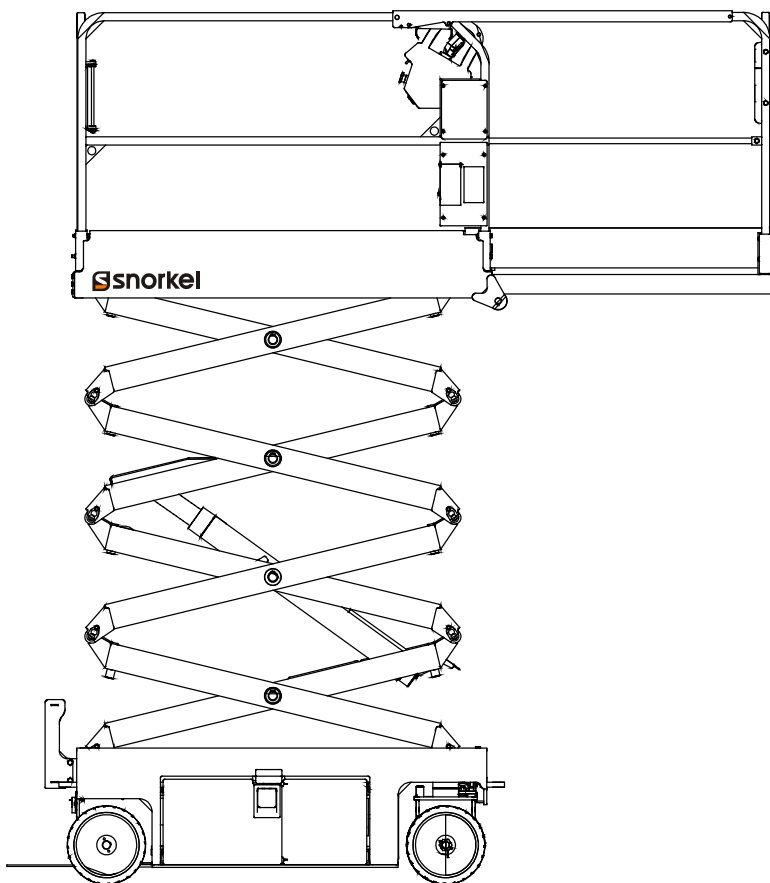
MAINTENANCE	6-1
-------------------	-----

SCHEMATICS

S3215E S3219E S3220E HYDRAULIC SCHEMATIC 1501591A	7-1
S3215L S3215E S3219E S3220E S3226E S4726E S4732E 2 SPEED HYDRAULIC SCHEMATIC A50005AC 3-22-17 and AFTER	7-2
S3215L S3215E S3219E S3220E S3226E S4726E S4732E ELECTRICAL SCHEMATIC ANSI WITHOUT PENDANT A50001AM	7-3
S3215L S3215E S3219E S3220E S3226E S4726E S4732E ELECTRICAL SCHEMATIC CE A50001AM .	7-4
S3215L S3215E S3219E S3220E S3226E S4726E S4732E ELECTRICAL SCHEMATIC ANSI WITH PENDANT A50001AM	7-5
A	A
B	B



S3215E



CE

REPAIR PARTS
MANUAL

Part Number 1502787
August 2017

Serial number 000000 and after
Replaces 1501796 July 2016

DANGER

The aerial platform is not electrically insulated. Death or serious injury will result from contact with, or inadequate clearance from, an energized conductor.

Do not go closer than the Minimum Safe Approach Distance as defined by ANSI standards.

Regard all conductors as energized.

Allow for electrical wire sag and aerial platform sway.

If the platform, scissors structure, or any part of the aerial platform contacts a high-voltage electrical conductor, the entire machine can become electrically charged.

If that happens, remain on the machine and do not contact any other structure or object. This includes the ground, adjacent buildings, poles, and any other objects that are not part of the aerial platform.

Such contact could make your body a conductor to the other object, creating an electrical shock hazard resulting in death or serious injury.

If an aerial platform is in contact with an energized conductor the platform operator must warn ground personnel in the vicinity to stay away. Their bodies can conduct electricity creating an electrical shock hazard resulting in death or serious injury.

Do not approach or leave the aerial platform until the electricity has been turned off.

Do not attempt to operate the lower controls when the platform, scissors structure, or any part of the aerial platform is in contact with a high-voltage electrical conductor or if there is an immediate danger of such contact.

Personnel on or near an aerial platform must be continuously aware of electrical hazards, recognizing that death or serious injury can result from contact with an energized conductor.

California

Proposition 65 Warning

Battery posts, terminals and related accessories contain lead and lead components, chemicals known to the State of California to cause cancer and birth defects or other reproductive harm. Wash hands after handling.

General Information

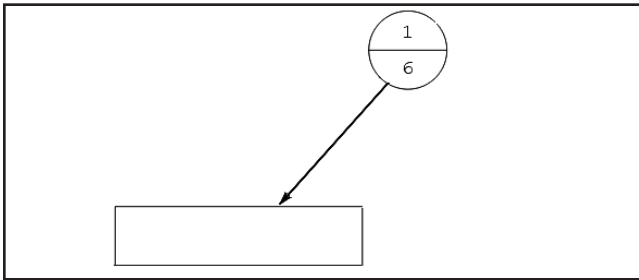
About This Manual

This manual covers S3215E aerial platforms. Information is included for machines that have been manufactured to conform to all applicable requirements of the following organizations:

- American National Standards Institute (ANSI)
- Canadian Standards Association (CSA)
- European Committee for Standardization (CE)
- Australian Standards (AS) certification

Part pages include a drawing and a bill of material. The bill of material lists the item number that is on the drawing, the Snorkel part number, quantity used and a description of the item.

Some callouts in the drawings may have a balloon with two numbers. The top number is the item number and the bottom number is the quantity of the item at that location.



While Snorkel has attempted in every way to confirm that all information in this manual is correct, improvements are being constantly made to the machine that may not be reflected in this manual.

If you find information in this manual that is not correct or is confusing, you are urged to report your findings to Snorkel for our evaluation. Your input is important to us and will be used in future printings of this manual.

This machine is covered by a limited warranty that specifically identifies items warrantied by Snorkel and those items covered by original manufacturer's warranty. A copy of the Snorkel Limited Warranty is located on the inside of the back cover of this manual.

Repairs and Maintenance

Every person who maintains, inspects, tests or repairs the machine must be qualified and authorized to do so.

⚠Caution

Do not modify this aerial platform without prior written consent of Snorkel Engineering Department. Modification may void the warranty, adversely affect stability or affect the operational characteristics of the aerial platform.

Abbreviations

The following abbreviations may be used in this manual.

AC	alternating current
ANSI	American National Standards Institute
AR	as required
CCA	cold cranking amps
cm	centimeter
DC	direct current
ft	feet
GFCI	ground fault circuit interruptor
in	inch
lbs	pounds
mm	millimeter
no	number
NPT	national pipe thread
psi	pounds per square inch
qty	quantity
rpm	revolutions per minute
UL	Underwriters Laboratories Inc.

Additional Information

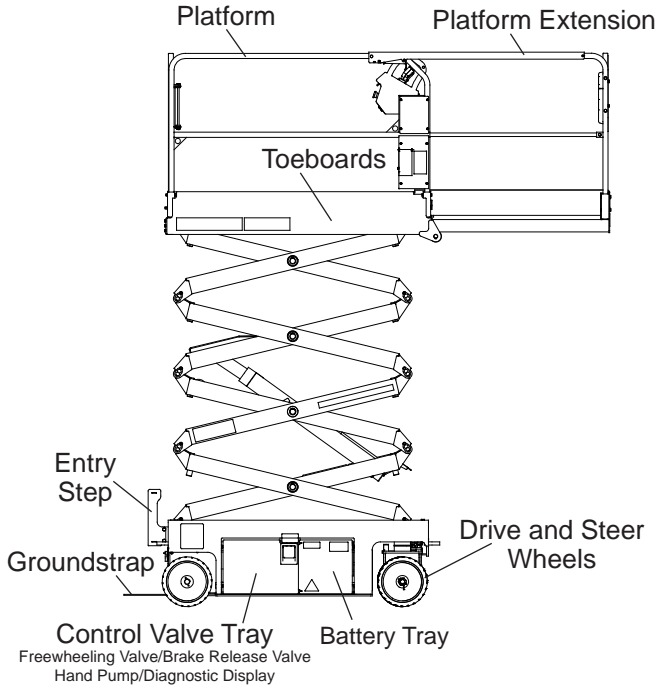
All correspondence relative to this machine, such as field reports, discrepancy reports, requests for information, etc., should be directed to:

Snorkel North America
P.O. Box 1160
St. Joseph, MO 64502-1160 USA
Phone: 1-800-255-0317

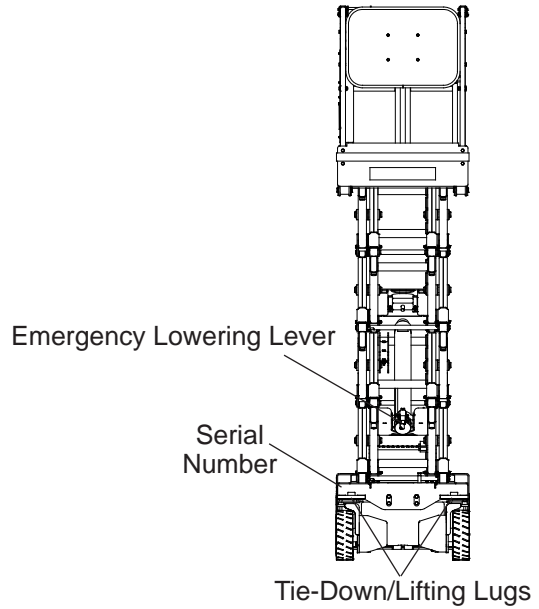
Snorkel Europe
Vigo Centre
Birtley Road
Washington
Tyne & Wear
NE38 9DA
Phone: +44 (0) 845 1550 058

<http://www.snorkellifts.com>

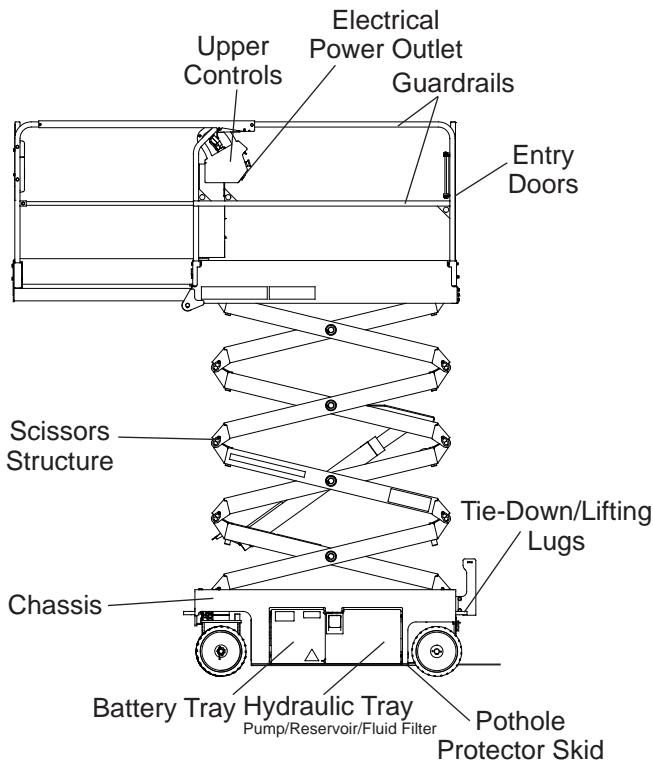
Component Identification



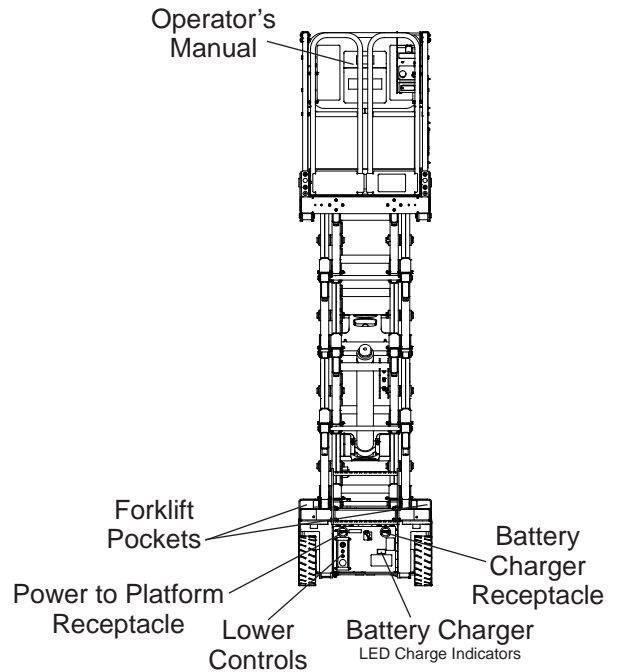
Right Side



Front



Left Side



Rear

Service and Parts Information

Ordering Parts

When placing an order for service or repair parts, please have the following machine information readily available.

- Model number
- Serial number
- Snorkel part number
- Description of part
- Quantity of parts required
- Your purchase order number
- Address for order to ship to
- The desired shipment method

If ordering parts off-line, the parts order form on the following page may be mailed or faxed to the attention of the Parts Department at the following location:

Snorkel North America
P.O. Box 1160
St. Joseph, MO 64502-1160 USA
Phone: 1-800-255-0317
Parts Fax: 1-785-989-3077

Snorkel Europe
Vigo Centre
Birtley Road
Washington
Tyne & Wear
NE38 9DA
Phone: +44 (0) 845 1550 058
Parts Fax: +44 (0) 1952 607 678

Attention: Parts Department

For your convenience, our electronic on-line ordering system is accessible from the following Internet location:

<http://www.snorkellifts.com>

ANSI and OSHA Compliance

All owners and users of the aerial platform must read, understand and comply with all applicable regulations. Ultimate compliance to OSHA regulations is the responsibility of the user and their employer.

ANSI publications clearly identify the responsibilities of all personnel who may be involved with the aerial platform. A reprint of the "Manual of Responsibilities for Dealers, Owners, Users, Operators, Lessors and Lessees of ANSI/SIA A92.6-2006 Self-Propelled Elevating Work Platforms" is available from Snorkel dealers or from the factory upon request.

Copies are also available from:

Scaffold Industry Association, Inc.
P.O. Box 20574
Phoenix, AZ 85036-0574 USA

Manuals

Manuals are available from Snorkel to support any of the machines that we produce.

The specific manuals for S3215E aerial platforms are as follows:

S3215E/S3219E/S3220E/S3226E/S4726E/S4732E
Operator's Manual ANSI
Snorkel part number – 1500834

S3215E/S3219E/S3220E/S3226E/S4726E/S4732E
Operators Manual CE
Snorkel part number – 1500842

S3215E Repair Parts Manual
Snorkel part number – 1502787

CSA Inspection and Maintenance Checklists
Snorkel part number – 1500841

ANSI Manual of Responsibilities
ANSI/SIA A92.6-2006
Snorkel part number – 0361367

Machine Information

Model Number: _____

Serial Number: _____

Date of Purchase: _____

Purchased From: _____

Snorkel Dealer or Distributor: _____

Parts Order Form

Fill out completely and fax attention Parts Department to:
Snorkel USA 1-785-989-3077
Snorkel Europe +44 (0) 1952 607 678

Date: _____ Account Number: _____

Company: _____ Purchase Order Number: _____

Address: _____ Model Number: _____

Serial Number: _____

Ship To: _____

Contact Name: _____

Phone Number: _____

Fax Number: _____

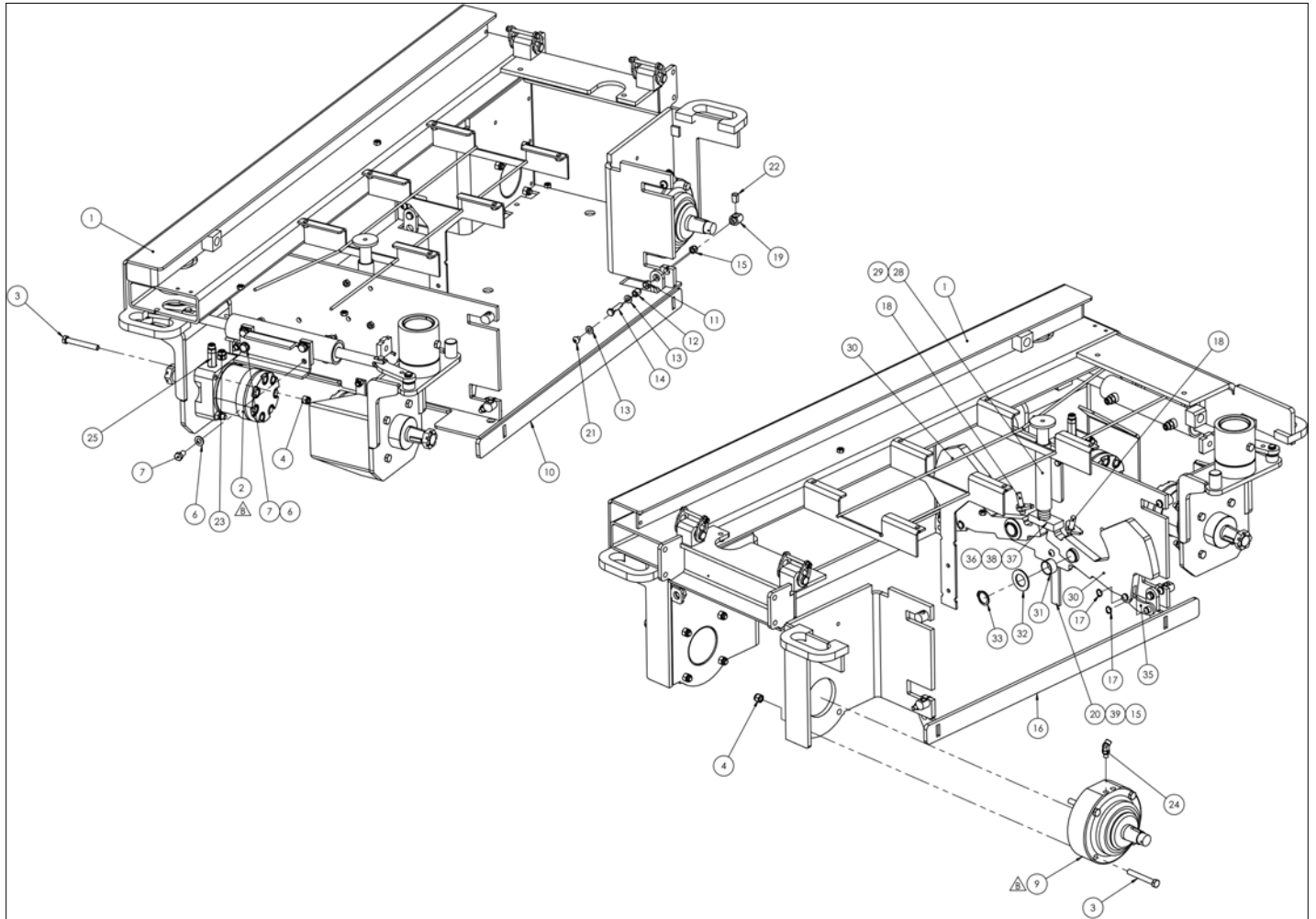
Shipping Method: _____

Part Number	Description	Quantity

Note: Backordered parts will be shipped as soon as available using the same shipping method as the original order unless otherwise indicated below.

- Ship complete order only. Do not backorder parts.
- Ship all available parts and disposition of backordered parts.
- Other instructions as specified: _____

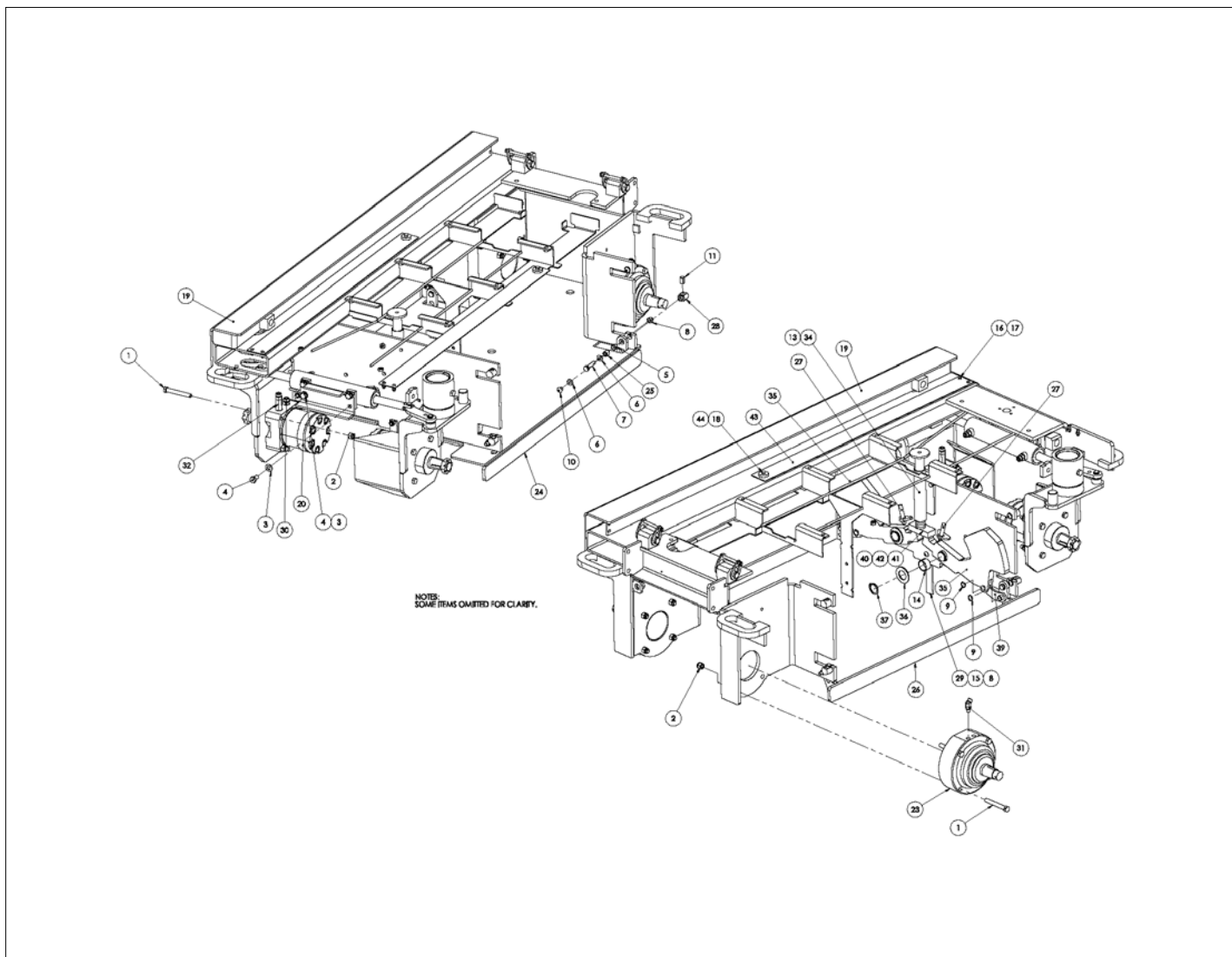
REPAIR PARTS



アイテム	部品番号	名前	数量	UOM
*	1502239 B	CHASSIS ASSEMBLY S3215E		EA
1	1502236	CHASSIS/STACK ASSEMBLY S3215E	1	EA
2	6031629	DRIVE MOTOR DALI 230CC MAY 2016 AND AFTER	2	EA
3	056065 090	BLT HEXHD M12 1.75 90MM	16	EA
4	056066 012	Nut, NylockNut DIN985 M12 8.0	16	EA
5	6047139	STEER CYLINDER	1	EA
6	056069 012	WASHER DIN125A M12 ZP	4	EA
7	058494 020	BOLT,HEXSETSCREW DIN933 M12 X 2.0 8.8 ZIN	4	EA
8	1501346	PLT STEER LINK	2	EA
9	6091700	BRAKE DALI	2	EA
10	1501053	WLDMT POTHOLE SKID LH	1	EA
11	2509827	BRG .625ID .719OD .375L	10	EA
12	1500936	PIN POTHOLE	4	EA
13	056069 010	Washer, SteelFlatWasher DIN125A M10 ZincPlated	12	EA
14	056060 045	Bolt, HexBolt DIN931 M10 x 45mm 8.8 ZincPlated	4	EA
15	056066 010	Nut, NylockNut DIN985 M10 8.0ZincPlated	5	EA
16	1501054	WLDMT POTHOLE SKID RH	1	EA
17	5592001	SNAP RING .625 EXT HD	7	EA
18	3028844	IFS241 (IFM PROXY)	2	EA
19	1501420	HINGE BLOCK, LOWER	8	EA
20	467966	STATIC STRAP RUBBER GRD 30in	1	EA
21	5563459	BLT, SBHCS M10 X 1.50 X 12 GR10.9 ZP	8	EA
22	2500812	BEARING	8	EA
23	100432 009	Hyd Fitting Straight ORFS(06) SAE(06)	4	EA

アイテム	部品番号	名前	数量	UOM
24	100433 001	FTG 4MB X 4MORFF 45 °	2	EA
25	104912 000	FTG 6MB X 6MORFF STR LONG	2	EA
26	1500729	PIN M10 X 22MM	2	EA
27	5592015	RETAINING RING EXTERNAL 10MM D	2	EA
28	1502157	WLDMT, POHOLE SLIDE	1	EA
29	058492 025	BOLT HEXSETSCREW DIN933 M8 X 25MM 8.8 ZP	2	EA
30	1502229	PLT, POTHOLE WEIGHT	2	EA
31	062642 024	BRG 1.25 ID X 1.41 OD X 0.75 L	2	EA
32	1500892	Washer Ctr Pin Zinc Plated	2	EA
33	5592016	RETAINING RING EXT 1.25 HD	2	EA
34	1502183	PIN POTHOLE LINK	2	EA
35	1502152	PLT, POTHOLE LINK	2	EA
36	1502232	WLDMT, POTHOLE PLUNGER S3215/3	1	EA
37	1502161	BAR, POTHOLE PLUNGER	1	EA
38	5534386	SPRING POTHOLE	1	EA
39	5563264	SBHCS M10 X 1.50 X 30 GR 10.9 FULL THD BLACK FINISH	1	EA

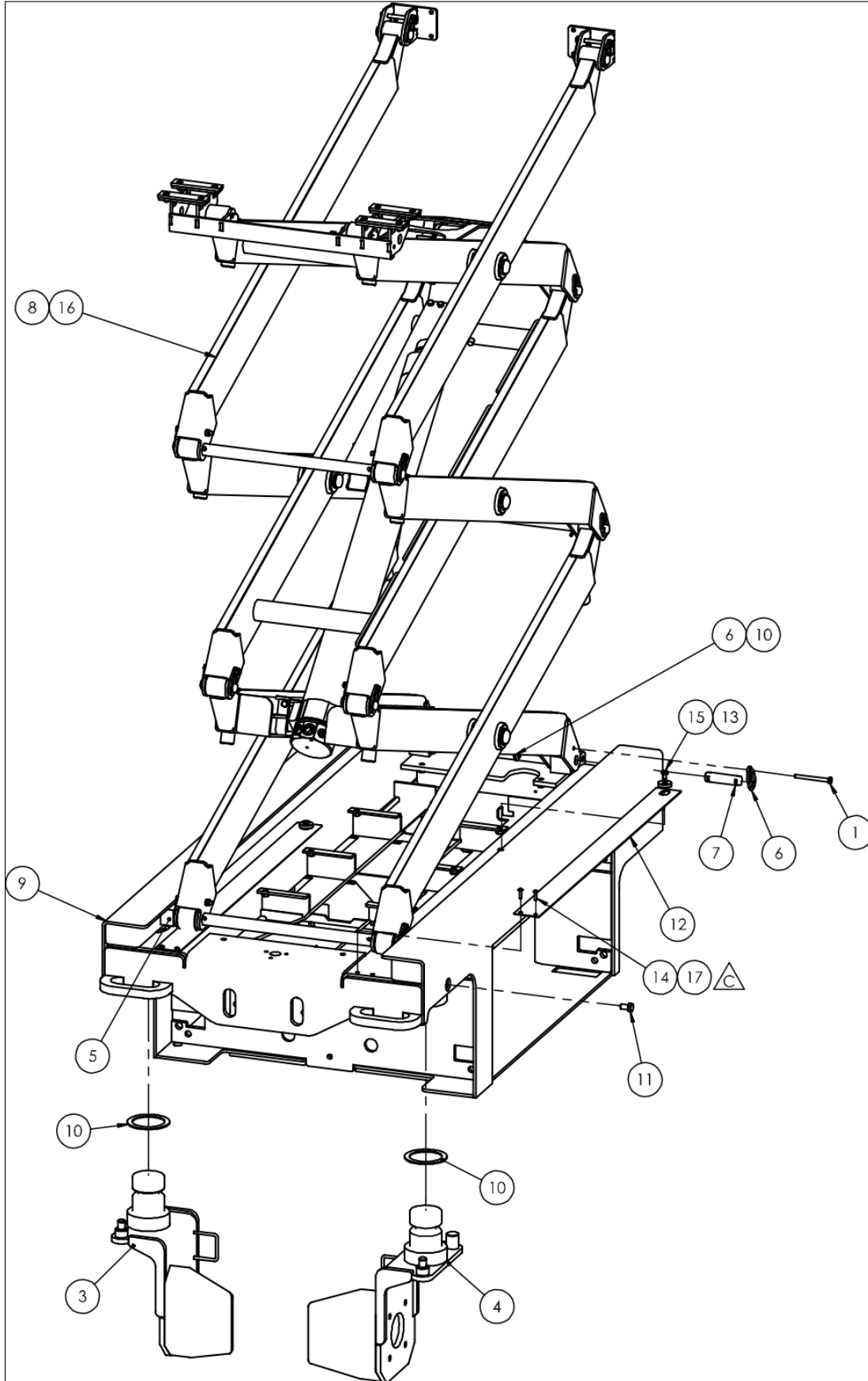
REPAIR PARTS



アイテム	部品番号	名前	数量	UOM
	1502239 E	CHASSIS ASSEMBLY S3215E 04 000001 S3215E 04 000002 S3215E 04 170200003		EA
1	056065 090	BLT HEXHD M12 1.75 90MM	16	EA
2	056066 012	Nut, NylockNut DIN985 M12 8.0	16	EA
3	056069 012	WASHER DIN125A M12 ZP	4	EA
4	058494 020	BOLT,HEXSETSCREW DIN933 M12 X 2.0 8.8 ZIN	4	EA
5	2509827	BRG .625ID .719OD .375L	10	EA
6	056069 010	Washer, SteelFlatWasher DIN125A M10 ZincPlated	12	EA
7	056060 045	Bolt, HexBolt DIN931 M10 x 45mm 8.8 ZincPlated	4	EA
8	056066 010	Nut, NylockNut DIN985 M10 8.0ZincPlated	5	EA
9	5592001	SNAP RING .625 EXT HD	7	EA
10	5563459	BLT, SBHCS M10 X 1.50 X 12 GR10.9 ZP	8	EA
11	2500812	BEARING	8	EA
Not Shown	5592015	RETAINING RING EXTERNAL 10MM D	2	EA
13	058492 025	BOLT HEXSETSCREW DIN933 M8 X 25MM 8.8 ZP	2	EA
14	062642 024	BRG 1.25 ID X 1.41 OD X 0.75 L	2	EA
15	5563264	SBHCS M10 X 1.50 X 30 GR 10.9 FULL THD BLACK FINISH	1	EA
16	501253 020	Bolt, SktButCapScrew DIN9427 M	4	EA
17	056066 006	Nut NylockNut DIN985 M6 8.0 Zi	4	EA
18	058492 020	Bolt HexSetScrew DIN933 M8 x 2	2	EA
19	1502236	CHASSIS/STACK ASSEMBLY S3215E	1	EA
20	6031629	DRIVE MOTOR DALI 230CC MAY 2016 AND AFTER	2	EA

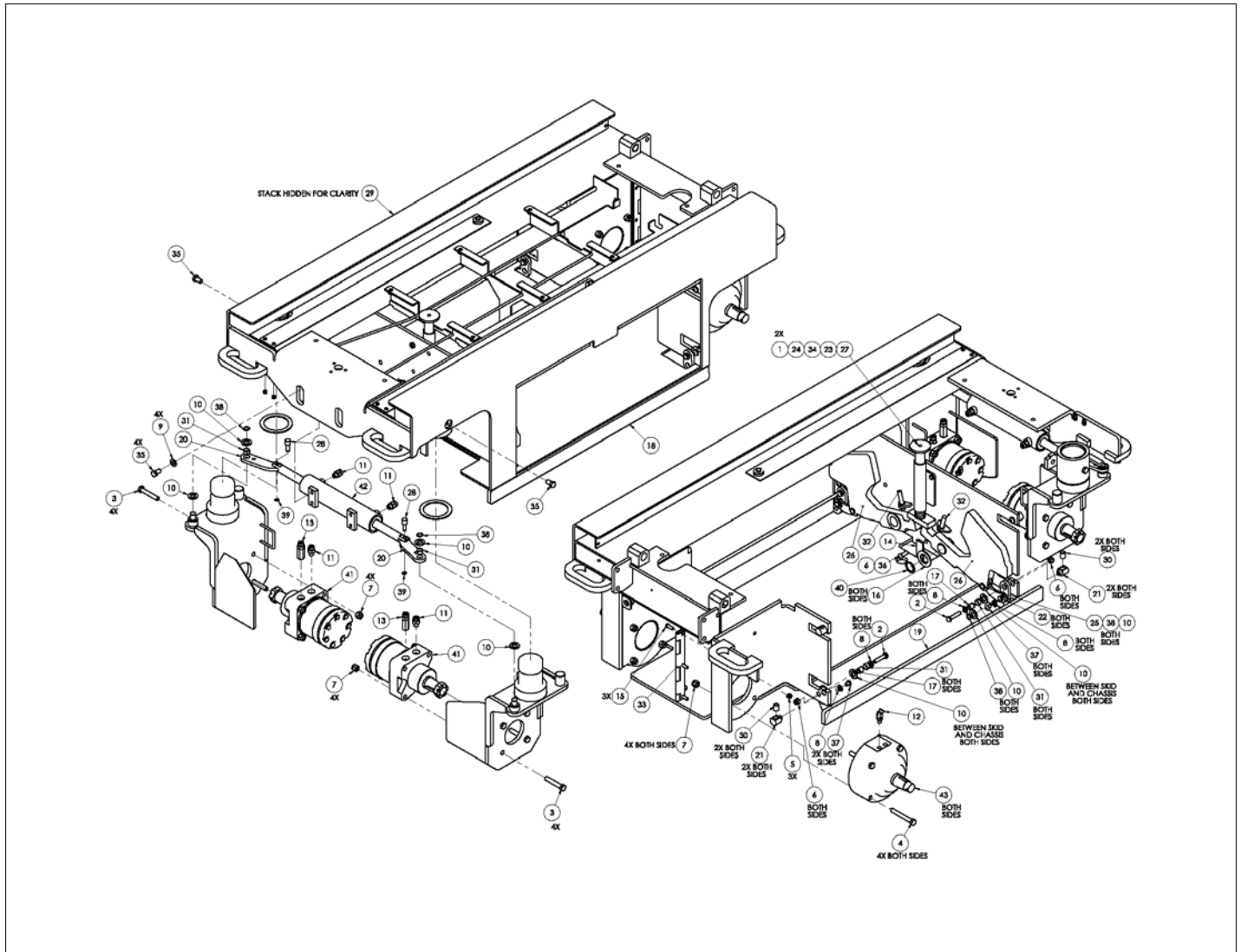
アイテム	部品番号	名前	数量	UOM
Not Shown	6047139	STEER CYLINDER	1	EA
Not Shown	1501346	PLT STEER LINK	2	EA
23	6091700	BRAKE DALI	2	EA
24	1501053	WLDMT POTHOLE SKID LH	1	EA
25	1500936	PIN POTHOLE	4	EA
26	1501054	WLDMT POTHOLE SKID RH	1	EA
27	3028844	IFS241 (IFM PROXY)	2	EA
28	1501420	HINGE BLOCK, LOWER	8	EA
29	467966	STATIC STRAP RUBBER GRD 30in	1	EA
30	100432 009	Hyd Fitting Straight ORFS(06) SAE(06)	4	EA
31	100433 001	FTG 4MB X 4MORFF 45 °	2	EA
32	104912 000	FTG 6MB X 6MORFF STR LONG	2	EA
1500729	1502842	PIN .375DIA X 1.56	2	EA
34	1502157	WLDMT, POHOLE SLIDE	1	EA
35	1502229	PLT, POTHOLE WEIGHT	2	EA
36	1500892	Washer Ctr Pin Zinc Plated	2	EA
37	5592016	RETAINING RING EXT 1.25 HD	2	EA
Not Shown	1502183	PIN POTHOLE LINK	2	EA
39	1502152	PLT, POTHOLE LINK	2	EA
40	1502232	WLDMT, POTHOLE PLUNGER S3215/3	1	EA
41	1502161	BAR, POTHOLE PLUNGER	1	EA
42	5534386	SPRING POTHOLE	1	EA
43	1502311	PLT, SCRATCH GUARD S3215/3219	2	EA
44	1502312	BOSS, SCRATCH GUARD	2	EA

REPAIR PARTS



アイテム	部品番号	名前	数量	UOM
	1503033 D	CHASSIS / STACK ASSEMBLY S3215E NOVEMBER 2019 AND AFTER		EA
1	056059 085	HHCS M8 x 1.25 x 85 G8.8 ISO 4014 DIN 931	2	EA
Not Shown	056066 008	NUT NYLOCKNUT DIN985 M8 8.0 ZP	2	EA
3	1500174	WLDMT STRG SPDL LH	1	EA
4	1500224	WLDMT STRG SPDL RH	1	EA
5	1500879	LOWER SLIDER	2	EA
6	1500881	Pin Retainer Zinc Plated	4	EA
7	1500882	PIN, END DOUBLE RETAINER	2	EA
8	1502076	STACK SUB ASSEMBLY S3215E	1	EA
9	1503199	WELDMENT, CHASSIS S3219	1	EA
10	2580430	THRUST BRG, 80mmID 100mmOD 3mm THK	2	EA
11	5560630	BLOT M12 1.75 X 20	2	EA
12	1502311	PLT, SCRATCH GUARD S3215/3219	2	EA
13	1502312	BOSS, SCRATCH GUARD	2	EA
14	501253 020	Bolt, SktButCapScrew DIN9427 M	4	EA
15	058492 012	Bolt HexSetScrew DIN933 M8 x 1	2	EA
16	1502125	STACK HARNESS 15'	1	EA
17	056066 006	Nut NylockNut DIN985 M6 8.0 Zi	4	EA

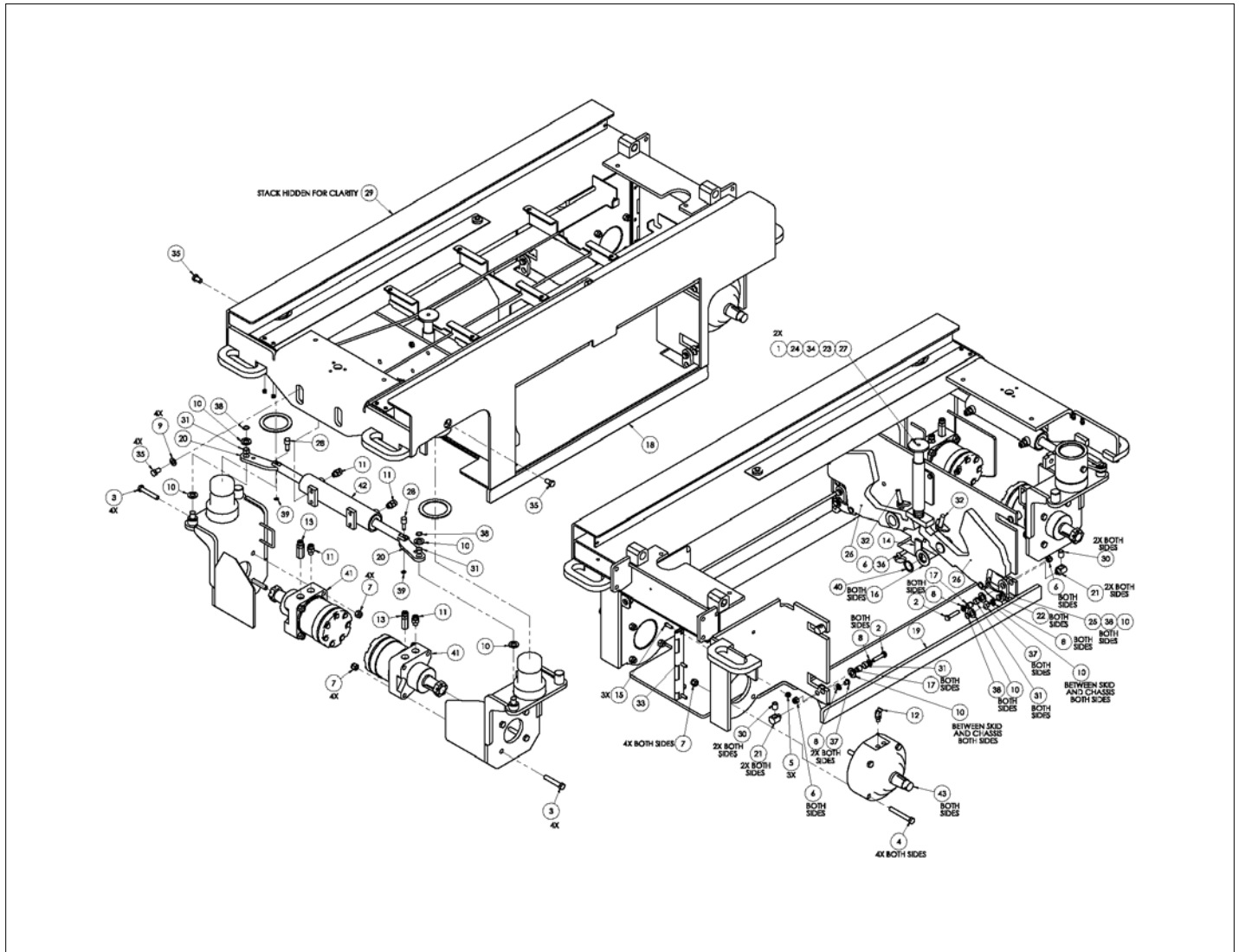
REPAIR PARTS



アイテム	部品番号	名前	数量	UOM
	1503036 A	GENERIC CHASSIS ASSEMBLY S3215E OCTOBER 2018 AND AFTER		EA
1	058492 025	BOLT HEXSETSCREW DIN933 M8 X 25MM 8.8 ZP	2	EA
2	056060 045	Bolt, HexBolt DIN931 M10 x 45mm 8.8 ZincPlated	4	EA
3	056065 070	Bolt, HexBolt M12 x 70mm Gr 8.	8	EA
4	056065 090	BLT HEXHD M12 1.75 90MM	8	EA
5	056066 008	NUT NYLOCKNUT DIN985 M8 8.0 ZP	3	EA
6	056066 010	Nut, NylockNut DIN985 M10 8.0ZincPlated	5	EA
7	056066 012	Nut, NylockNut DIN985 M12 8.0	16	EA
8	056069 010	Washer, SteelFlatWasher DIN125A M10 ZincPlated	12	EA
9	056069 012	WASHER DIN125A M12 ZP	4	EA
10	056069 016	WASHER STEELFLATWASHER M16 DIN	14	EA
11	100432 009	Hyd Fitting Straight ORFS(06) SAE(06)	4	EA
12	100433 001	FTG 4MB X 4MORFF 45 °	2	EA
13	104912 000	FTG 6MB X 6MORFF STR LONG	2	EA
14	467966	STATIC STRAP RUBBER GRD 30in	1	EA
15	500595 025	Bolt, SktButCapScrew DIN9427	3	EA
16	1500892	Washer Ctr Pin Zinc Plated	2	EA
17	1500936	PIN POTHOLE	4	EA
18	1501053	WLDMT POTHOLE SKID LH	1	EA
19	1501054	WLDMT POTHOLE SKID RH	1	EA
20	1501346	PLT STEER LINK	2	EA
21	1501420	HINGE BLOCK, LOWER	8	EA
22	1502152	PLT, POTHOLE LINK	2	EA
23	1502157	WLDMT, POHOLE SLIDE	1	EA

アイテム	部品番号	名前	数量	UOM
24	1502161	BAR, POTHOLE PLUNGER	1	EA
25	1502183	PIN POTHOLE LINK	2	EA
26	1502229	PLT, POTHOLE WEIGHT	2	EA
27	1502232	WLDMT, POTHOLE PLUNGER S3215/3	1	EA
28	1502842	PIN .375DIA X 1.56	2	EA
29	1503033	ASSY, CHASSIS/STACK S3215	1	EA
30	2500812	BEARING	8	EA
31	2509827	BRG .625ID .719OD .375L	6	EA
32	3028844	IFS241 (IFM PROXY)	2	EA
33	5516346	HINGE CONTROL TRAY	1	EA
34	5534386	SPRING POTHOLE	1	EA
35	058494 020	BOLT,HEXSETSCREW DIN933 M12 X 2.0 8.8 ZIN	6	EA
36	5563264	SBHCS M10 X 1.50 X 30 GR 10.9 FULL THD BLACK FINISH	1	EA
37	5563459	BLT, SBHCS M10 X 1.50 X 12 GR10.9 ZP	8	EA
38	5592001	SNAP RING .625 EXT HD	6	EA
39	5592015	RETAINING RING EXTERNAL 10MM D	2	EA
40	5592016	RETAINING RING EXT 1.25 HD	2	EA
41	6031629	DRIVE MOTOR DALI 230CC MAY 2016 AND AFTER	2	EA
42	6047139	STEER CYLINDER	1	EA
43	6091700	BRAKE DALI	2	EA

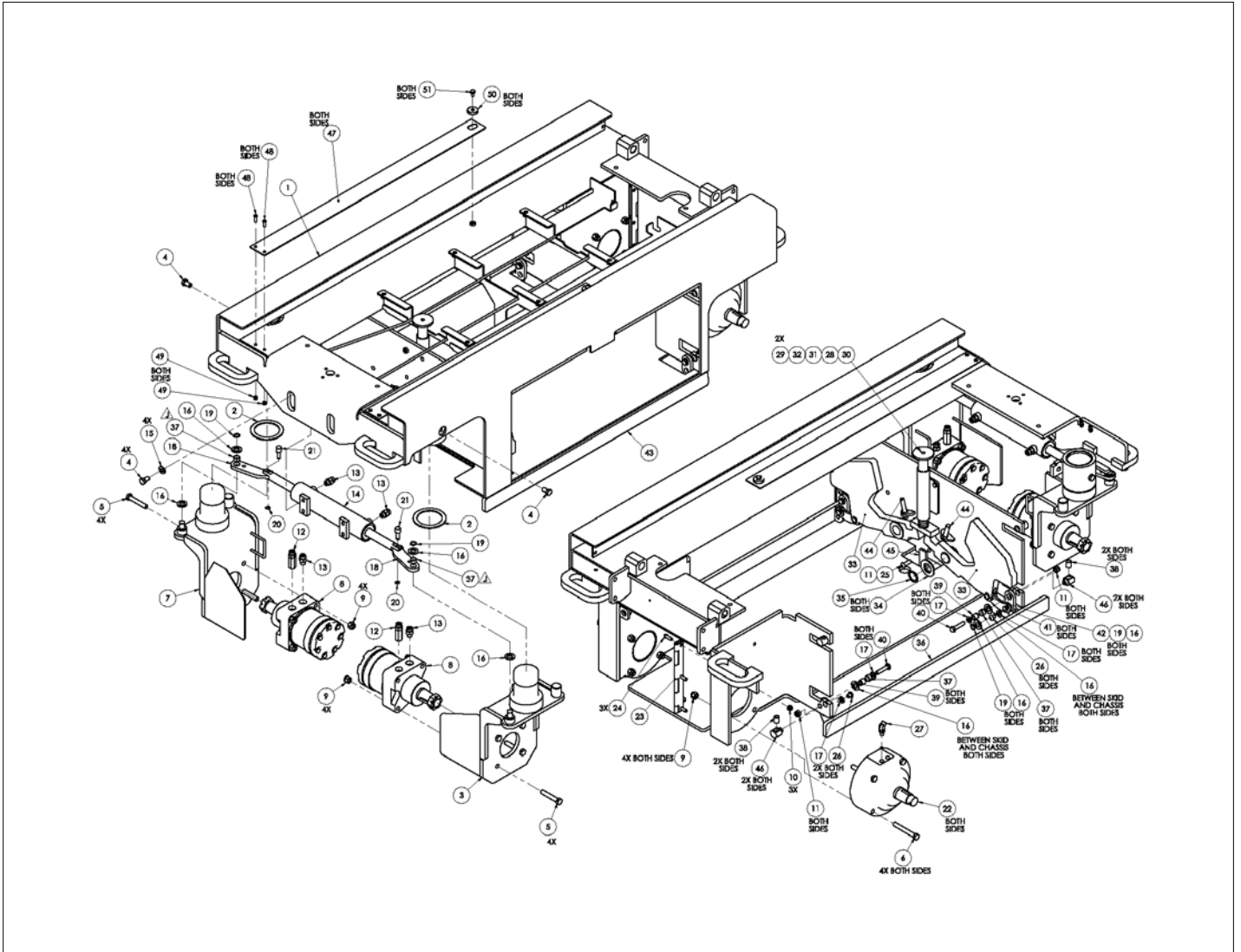
REPAIR PARTS



アイテム	部品番号	名前	数量	UOM
	1503036 B	GENERIC CHASSIS ASSEMBLY S3215E JANUARY 2020 AND AFTER		EA
1	058492 025	BOLT HEXSETSCREW DIN933 M8 X 25MM 8.8 ZP	2	EA
2	056060 045	Bolt, HexBolt DIN931 M10 x 45mm 8.8 ZincPlated	4	EA
3	056065 070	Bolt, HexBolt M12 x 70mm Gr 8.	8	EA
4	056065 090	BLT HEXHD M12 1.75 90MM	8	EA
5	056066 008	NUT NYLOCKNUT DIN985 M8 8.0 ZP	3	EA
6	056066 010	Nut, NylockNut DIN985 M10 8.0ZincPlated	5	EA
7	056066 012	Nut, NylockNut DIN985 M12 8.0	16	EA
8	056069 010	Washer, SteelFlatWasher DIN125A M10 ZincPlated	12	EA
9	056069 012	WASHER DIN125A M12 ZP	4	EA
10	056069 016	WASHER STEELFLATWASHER M16 DIN	14	EA
11	100432 009	Hyd Fitting Straight ORFS(06) SAE(06)	4	EA
12	100433 001	FTG 4MB X 4MORFF 45 °	2	EA
13	104912 000	FTG 6MB X 6MORFF STR LONG	2	EA
14	467966	STATIC STRAP RUBBER GRD 30in	1	EA
15	500595 025	Bolt, SktButCapScrew DIN9427	3	EA
16	1500892	Washer Ctr Pin Zinc Plated	2	EA
17	1500936	PIN POTHOLE	4	EA
18	1501053	WLDMT POTHOLE SKID LH	1	EA
19	1501054	WLDMT POTHOLE SKID RH	1	EA
20	1501346	PLT STEER LINK	2	EA
21	1501420	HINGE BLOCK, LOWER	8	EA
22	1502152	PLT, POTHOLE LINK	2	EA
23	1502157	WLDMT, POHOLE SLIDE	1	EA

アイテム	部品番号	名前	数量	UOM
24	1502161	BAR, POTHOLE PLUNGER	1	EA
25	1502183	PIN POTHOLE LINK	2	EA
26	1502229	PLT, POTHOLE WEIGHT	2	EA
27	1502232	WLDMT, POTHOLE PLUNGER S3215/3	1	EA
28	1502842	PIN .375DIA X 1.56	2	EA
29	1503033	ASSY, CHASSIS/STACK S3215	1	EA
30	2500812	BEARING	8	EA
31	2509827	BRG .625ID .719OD .375L	6	EA
32	3028844	IFS241 (IFM PROXY)	2	EA
33	5516346	HINGE CONTROL TRAY	1	EA
34	5534386	SPRING POTHOLE	1	EA
35	058494 020	BOLT,HEXSETSCREW DIN933 M12 X 2.0 8.8 ZIN	6	EA
36	5563264	SBHCS M10 X 1.50 X 30 GR 10.9 FULL THD BLACK FINISH	1	EA
37	5563459	BLT, SBHCS M10 X 1.50 X 12 GR10.9 ZP	8	EA
38	5592001	SNAP RING .625 EXT HD	6	EA
39	5592015	RETAINING RING EXTERNAL 10MM D	2	EA
40	5592016	RETAINING RING EXT 1.25 HD	2	EA
41	6031629	DRIVE MOTOR DALI 230CC MAY 2016 AND AFTER	2	EA
42	6047139	STEER CYLINDER	1	EA
43	6091700	BRAKE DALI	2	EA

REPAIR PARTS

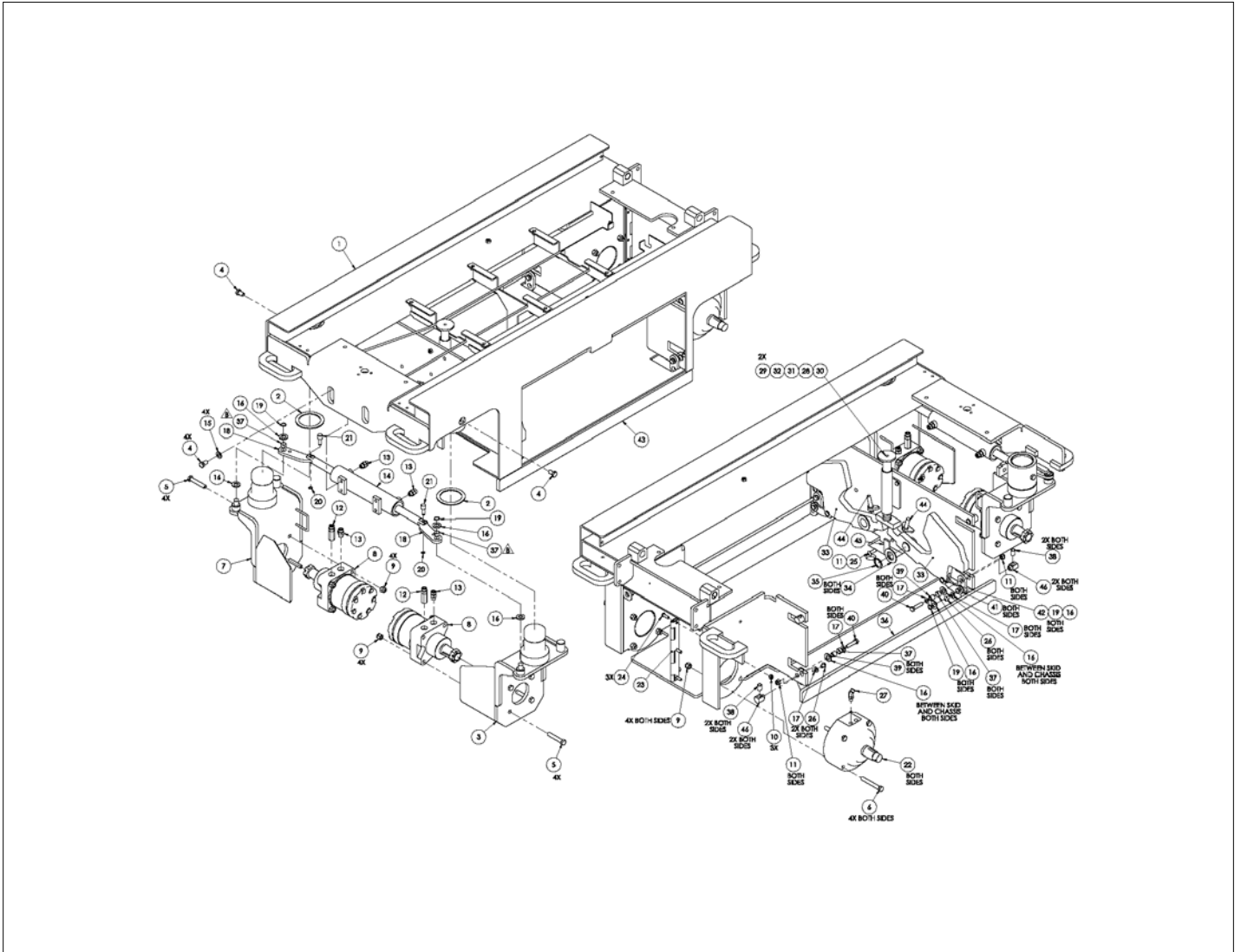


アイテム	部品番号	名前	数量	UOM
	1502665 K	CHASSIS ASSEMBLY ANSI S3219E 04 181006621 THROUGH CURRENT		EA
1	1503199 5	WELDMENT, CHASSIS S3219/3215 CSA	1	EA
2	2580430	THRUST BRG, 80mmID 100mmOD 3mm THK	2	EA
3	1500224	WLDMT STRG SPDL RH	1	EA
4	058494 020	BOLT,HEXSETSCREW DIN933 M12 X 2.0 8.8 ZIN	6	EA
5	056065 070	Bolt, HexBolt M12 x 70mm Gr 8.	8	EA
6	056065 090	BLT HEXHD M12 1.75 90MM	8	EA
7	1500174	WLDMT STRG SPDL LH	1	EA
8	6031629	DRIVE MOTOR DALI 230CC MAY 2016 AND AFTER	2	EA
9	056066 012	Nut, NylockNut DIN985 M12 8.0	16	EA
10	056066 008	NUT NYLOCKNUT DIN985 M8 8.0 ZP	3	EA
11	056066 010	Nut, NylockNut DIN985 M10 8.0ZincPlated	5	EA
12	104912 000	FTG 6MB X 6MORFF STR LONG	2	EA
13	100432 009	Hyd Fitting Straight ORFS(06) SAE(06)	4	EA
14	6047139	STEER CYLINDER	1	EA
15	056069 012	WASHER DIN125A M12 ZP	4	EA
16	056069 016	WASHER STEELFLATWASHER M16 DIN	14	EA
17	056069 010	Washer, SteelFlatWasher DIN125A M10 ZincPlated	12	EA
18	1501346	PLT STEER LINK	2	EA
19	5592001	SNAP RING .625 EXT HD	6	EA
20	5592015	RETAINING RING EXTERNAL 10MM D	2	EA
21	1502842	PIN .375DIA X 1.56	2	EA
22	6091700	BRAKE DALI	2	EA

アイテム	部品番号	名前	数量	UOM
23	5516346	HINGE CONTROL TRAY	1	EA
24	500595 025	Bolt, SktButCapScrew DIN9427	3	EA
25	5563264	SBHCS M10 X 1.50 X 30 GR 10.9 FULL THD BLACK FINISH	1	EA
26	5563459	BLT, SBHCS M10 X 1.50 X 12 GR10.9 ZP	8	EA
27	100433 001	FTG 4MB X 4MORFF 45 °	2	EA
28	1502157	WLDMT, POHOLE SLIDE	1	EA
29	058492 025	BOLT HEXSETSCREW DIN933 M8 X 25MM 8.8 ZP	2	EA
30	1502232	WLDMT, POTHOLE PLUNGER S3215/3	1	EA
31	5534386	SPRING POTHOLE	1	EA
32	1502161	BAR, POTHOLE PLUNGER	1	EA
33	1502229	PLT, POTHOLE WEIGHT	2	EA
34	1500892	Washer Ctr Pin Zinc Plated	2	EA
35	5592016	RETAINING RING EXT 1.25 HD	2	EA
36	1501054	WLDMT POTHOLE SKID RH	1	EA
37	2509827	BRG .625ID .719OD .375L	6	EA
38	2500812	BEARING	8	EA
39	1500936	PIN POTHOLE	4	EA
40	056060 045	Bolt, HexBolt DIN931 M10 x 45mm 8.8 ZincPlated	4	EA
41	1502152	PLT, POTHOLE LINK	2	EA
42	1502183	PIN POTHOLE LINK	2	EA
43	1501053	WLDMT POTHOLE SKID LH	1	EA
44	3028844	IFS241 (IFM PROXY)	2	EA
45	467966	STATIC STRAP RUBBER GRD 30in	1	EA
46	1501420	HINGE BLOCK, LOWER	8	EA
47	1502311	PLT, SCRATCH GUARD S3215/3219	2	EA

アイテム	部品番号	名前	数量	UOM
48	5563283	SBHCS M6 X 1.0 X 20 GR 10.9 BLK FINISH	4	EA
49	056066 006	Nut NylockNut DIN985 M6 8.0 Zi	4	EA
50	1502312	BOSS, SCRATCH GUARD	2	EA
51	058492 012	Bolt HexSetScrew DIN933 M8 x 1	2	EA

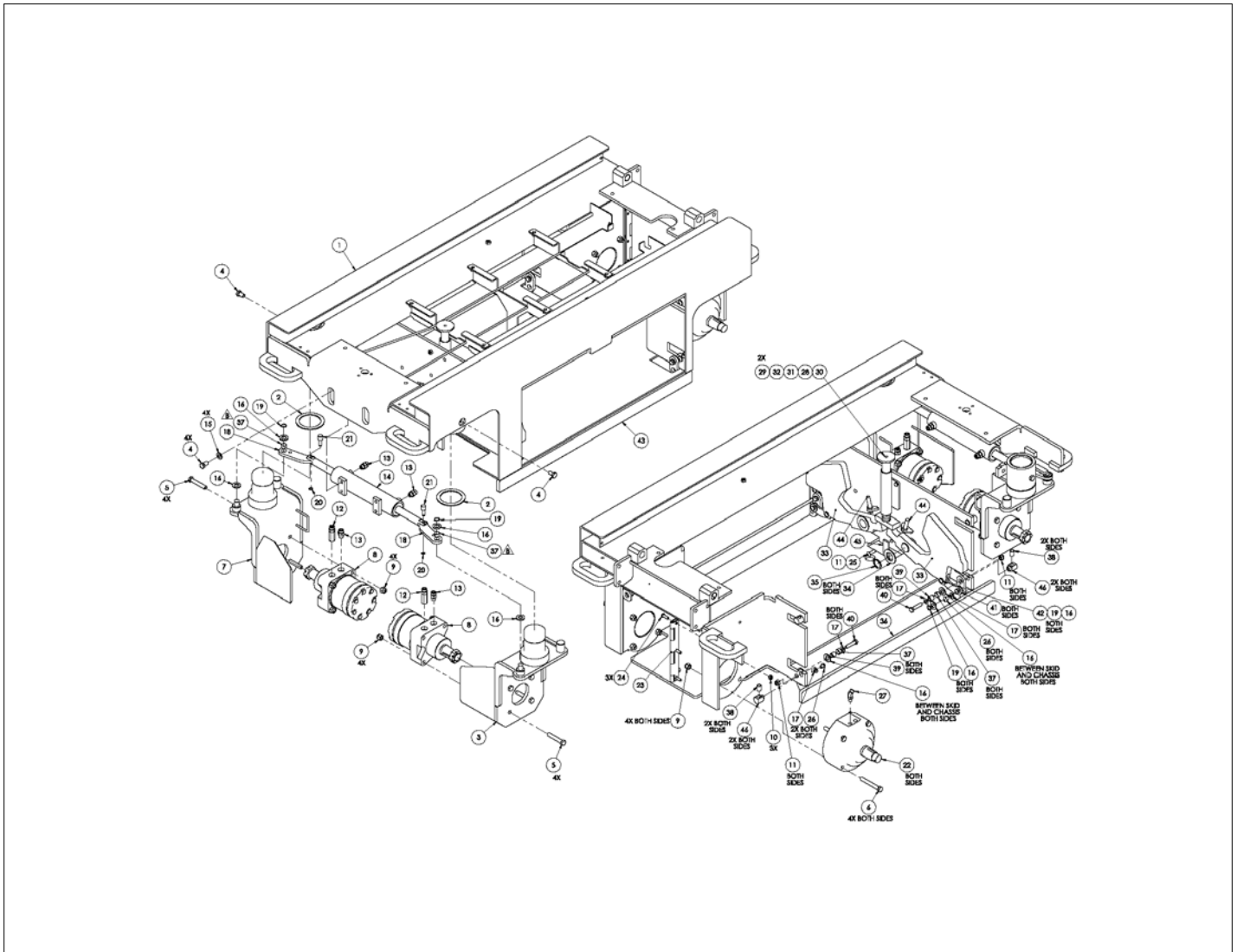
REPAIR PARTS



アイテム	部品番号	名前	数量	UOM
	1502876 B	CHASSIS ASSEMBLY CHINA S3215E S3219E		EA
1	1502203	WELDMENT, CHASSIS	1	EA
2	2580430	THRUST BRG, 80mmID 100mmOD 3mm THK	2	EA
3	1500224	WLDMT STRG SPDL RH	1	EA
4	058494 020	BOLT,HEXSETSCREW DIN933 M12 X 2.0 8.8 ZIN	6	EA
5	056065 070	Bolt, HexBolt M12 x 70mm Gr 8.	8	EA
6	056065 090	BLT HEXHD M12 1.75 90MM	8	EA
7	1500174	WLDMT STRG SPDL LH	1	EA
8	6031629	DRIVE MOTOR DALI 230CC MAY 2016 AND AFTER	2	EA
9	056066 012	Nut, NylockNut DIN985 M12 8.0	16	EA
10	056066 008	NUT NYLOCKNUT DIN985 M8 8.0 ZP	3	EA
11	056066 010	Nut, NylockNut DIN985 M10 8.0ZincPlated	5	EA
12	104912 000	FTG 6MB X 6MORFF STR LONG	2	EA
13	100432 009	Hyd Fitting Straight ORFS(06) SAE(06)	4	EA
14	6047139	STEER CYLINDER	1	EA
15	056069 012	WASHER DIN125A M12 ZP	4	EA
16	056069 016	WASHER STEELFLATWASHER M16 DIN	14	EA
17	056069 010	Washer, SteelFlatWasher DIN125A M10 ZincPlated	12	EA
18	1501346	PLT STEER LINK	2	EA
19	5592001	SNAP RING .625 EXT HD	6	EA
20	5562015	SNAP RING .625 EXT HD	2	EA
21	1502842	PIN .375DIA X 1.56	2	EA
22	6091700	BRAKE DALI	2	EA
23	5516346	HINGE CONTROL TRAY	1	EA

アイテム	部品番号	名前	数量	UOM
24	500595 025	Bolt, SktButCapScrew DIN9427	3	EA
25	5563264	SBHCS M10 X 1.50 X 30 GR 10.9 FULL THD BLACK FINISH	1	EA
26	5563459	BLT, SBHCS M10 X 1.50 X 12 GR10.9 ZP	8	EA
27	100433 001	FTG 4MB X 4MORFF 45 °	2	EA
28	1502157	WLDMT, POHOLE SLIDE	1	EA
29	058492 025	BOLT HEXSETSCREW DIN933 M8 X 25MM 8.8 ZP	2	EA
30	1502232	WLDMT, POTHOLE PLUNGER S3215/3	1	EA
31	5534386	SPRING POTHOLE	1	EA
32	1502161	BAR, POTHOLE PLUNGER	1	EA
33	1502229	PLT, POTHOLE WEIGHT	2	EA
34	1500892	Washer Ctr Pin Zinc Plated	2	EA
35	5592016	RETAINING RING EXT 1.25 HD	2	EA
36	1501054	WLDMT POTHOLE SKID RH	1	EA
37	2509827	BRG .625ID .719OD .375L	6	EA
38	2500812	BEARING	8	EA
39	1500936	PIN POTHOLE	4	EA
40	056060 045	Bolt, HexBolt DIN931 M10 x 45mm 8.8 ZincPlated	4	EA
41	1502152	PLT, POTHOLE LINK	2	EA
42	1502183	PIN POTHOLE LINK	2	EA
43	1501053	WLDMT POTHOLE SKID LH	1	EA
44	3028844	IFS241 (IFM PROXY)	2	EA
45	467966	STATIC STRAP RUBBER GRD 30in	1	EA
46	1501420	HINGE BLOCK, LOWER	8	EA

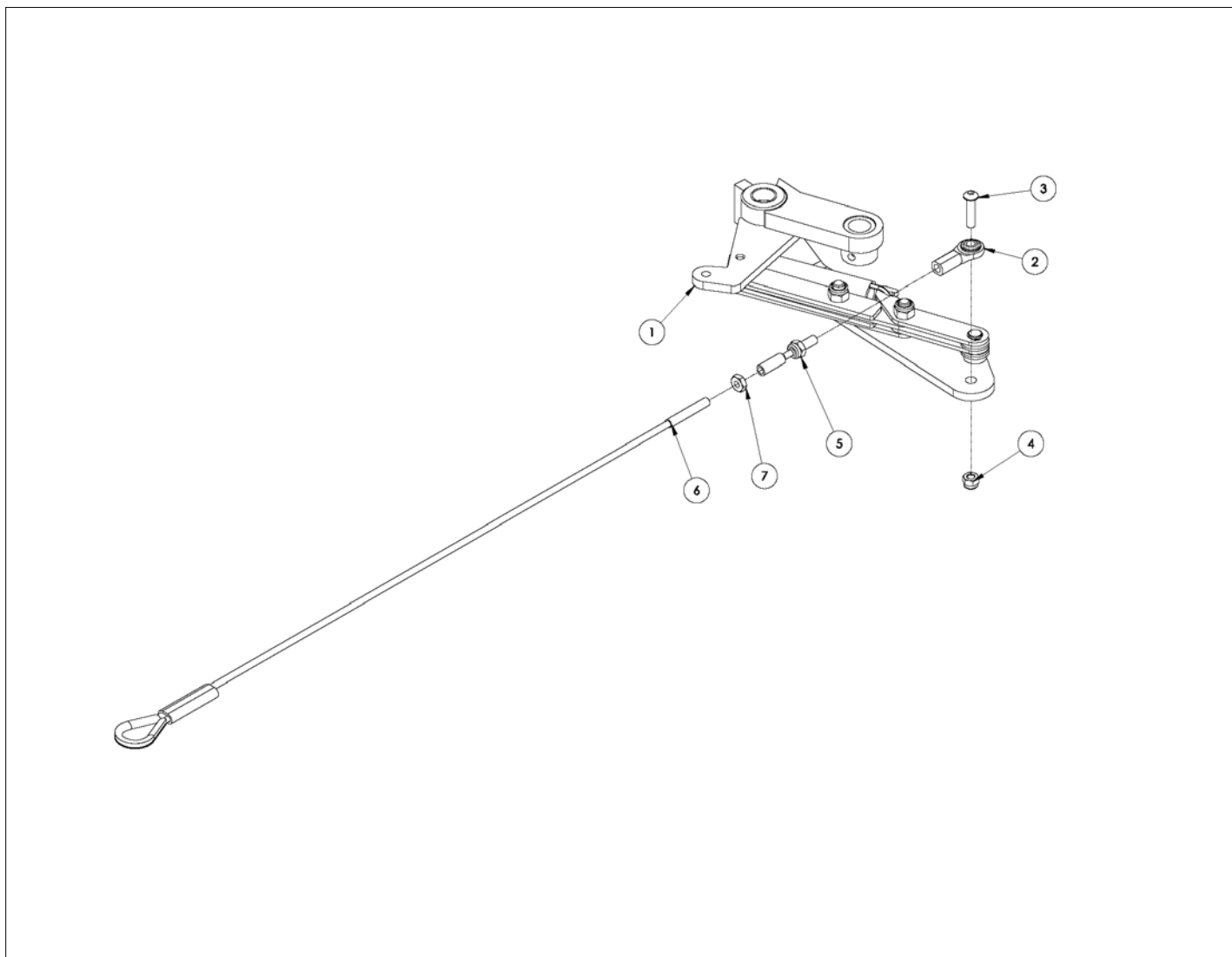
REPAIR PARTS



アイテム	部品番号	名前	数量	UOM
	1502876 C	CHASSIS ASSEMBLY CHINA S3215E S3219E JANUARY 2020 AND AFTER		EA
1	1503199 5	WELDMNT, CHASSIS S3219/3215 CSA	1	EA
2	2580430	THRUST BRG, 80mmID 100mmOD 3mm THK	2	EA
3	1500224	WLDMT STRG SPDL RH	1	EA
4	058494 020	BOLT,HEXSETSCREW DIN933 M12 X 2.0 8.8 ZIN	6	EA
5	056065 070	Bolt, HexBolt M12 x 70mm Gr 8.	8	EA
6	056065 090	BLT HEXHD M12 1.75 90MM	8	EA
7	1500174	WLDMT STRG SPDL LH	1	EA
8	6031629	DRIVE MOTOR DALI 230CC MAY 2016 AND AFTER	2	EA
9	056066 012	Nut, NylockNut DIN985 M12 8.0	16	EA
10	056066 008	NUT NYLOCKNUT DIN985 M8 8.0 ZP	3	EA
11	056066 010	Nut, NylockNut DIN985 M10 8.0ZincPlated	5	EA
12	104912 000	FTG 6MB X 6MORFF STR LONG	2	EA
13	100432 009	Hyd Fitting Straight ORFS(06) SAE(06)	4	EA
14	6047139	STEER CYLINDER	1	EA
15	056069 012	WASHER DIN125A M12 ZP	4	EA
16	056069 016	WASHER STEELFLATWASHER M16 DIN	14	EA
17	056069 010	Washer, SteelFlatWasher DIN125A M10 ZincPlated	12	EA
18	1501346	PLT STEER LINK	2	EA
19	5592001	SNAP RING .625 EXT HD	6	EA
20	5562015	SNAP RING .625 EXT HD	2	EA
21	1502842	PIN .375DIA X 1.56	2	EA
22	6091700	BRAKE DALI	2	EA

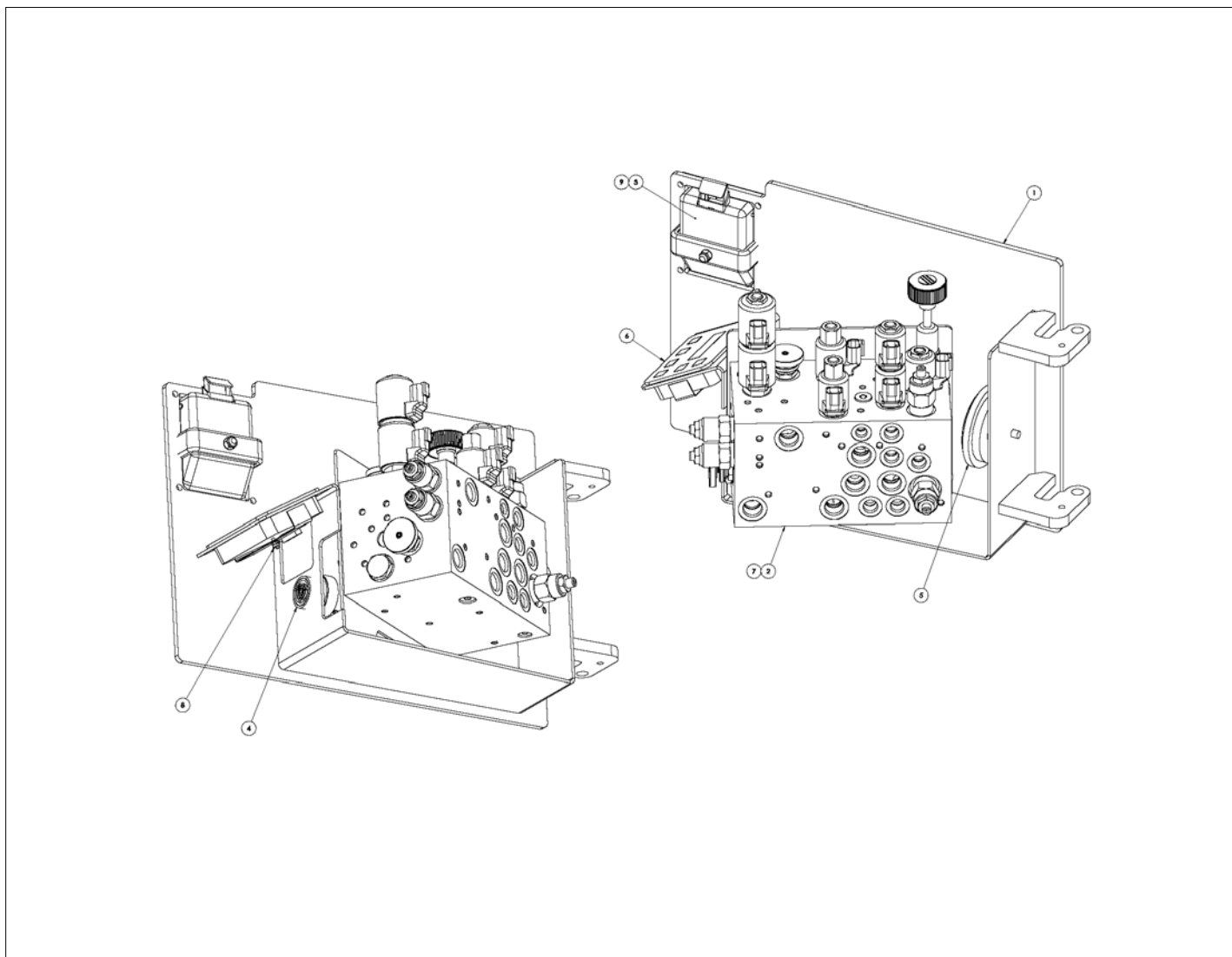
アイテム	部品番号	名前	数量	UOM
23	5516346	HINGE CONTROL TRAY	1	EA
24	500595 025	Bolt, SktButCapScrew DIN9427	3	EA
25	5563264	SBHCS M10 X 1.50 X 30 GR 10.9 FULL THD BLACK FINISH	1	EA
26	5563459	BLT, SBHCS M10 X 1.50 X 12 GR10.9 ZP	8	EA
27	100433 001	FTG 4MB X 4MORFF 45 °	2	EA
28	1502157	WLDMT, POTHOLE SLIDE	1	EA
29	058492 025	BOLT HEXSETSCREW DIN933 M8 X 25MM 8.8 ZP	2	EA
30	1502232	WLDMT, POTHOLE PLUNGER S3215/3	1	EA
31	5534386	SPRING POTHOLE	1	EA
32	1502161	BAR, POTHOLE PLUNGER	1	EA
33	1502229	PLT, POTHOLE WEIGHT	2	EA
34	1500892	Washer Ctr Pin Zinc Plated	2	EA
35	5592016	RETAINING RING EXT 1.25 HD	2	EA
36	1501054	WLDMT POTHOLE SKID RH	1	EA
37	2509827	BRG .625ID .719OD .375L	6	EA
38	2500812	BEARING	8	EA
39	1500936	PIN POTHOLE	4	EA
40	056060 045	Bolt, HexBolt DIN931 M10 x 45mm 8.8 ZincPlated	4	EA
41	1502152	PLT, POTHOLE LINK	2	EA
42	1502183	PIN POTHOLE LINK	2	EA
43	1501053	WLDMT POTHOLE SKID LH	1	EA
44	3028844	IFS241 (IFM PROXY)	2	EA
45	467966	STATIC STRAP RUBBER GRD 30in	1	EA
46	1501420	HINGE BLOCK, LOWER	8	EA

REPAIR PARTS



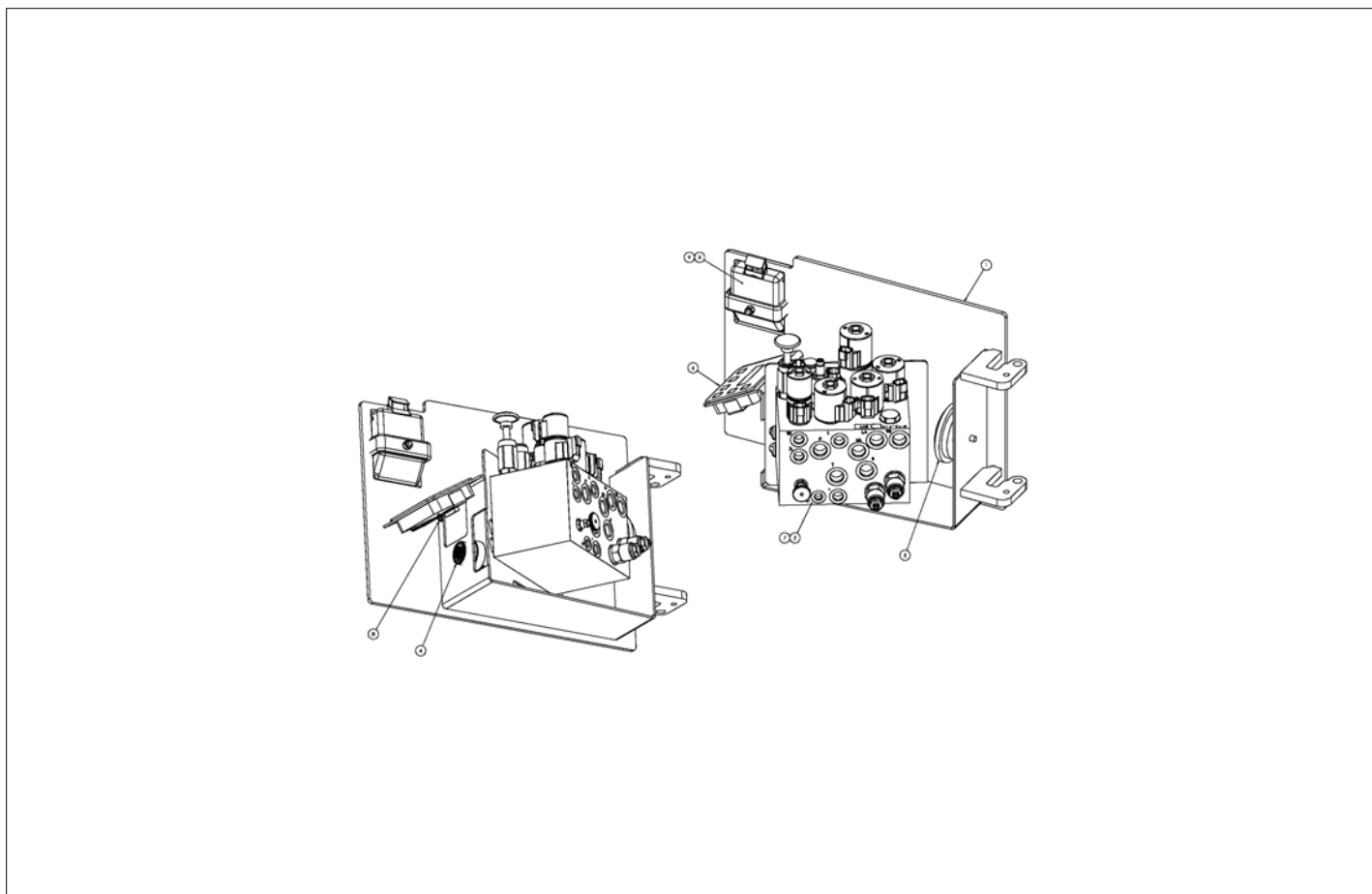
アイテム	部品番号	名前	数量	UOM
	1502224 A	OVER TRAVEL S3215E S3219 S3220 S3226E DECEMBER 2015 AND BEFORE		EA
1	1501978	ASSY, OVERTRAVEL SVC USE 1502224	1	EA
2	2690004	Rod End	1	EA
3	5563285	SBHCS M6 X 1.0 X 25 GR 10.9 BLK FINISH	1	EA
4	056066 006	Nut NylockNut DIN985 M6 8.0 Zi	1	EA
5	2650001	Swivel Inline	1	EA
6	5520118	POTHOLE CABLE ASSEMBLY	1	EA
7	984339	NUT HEX JAM .250 28	1	EA

REPAIR PARTS



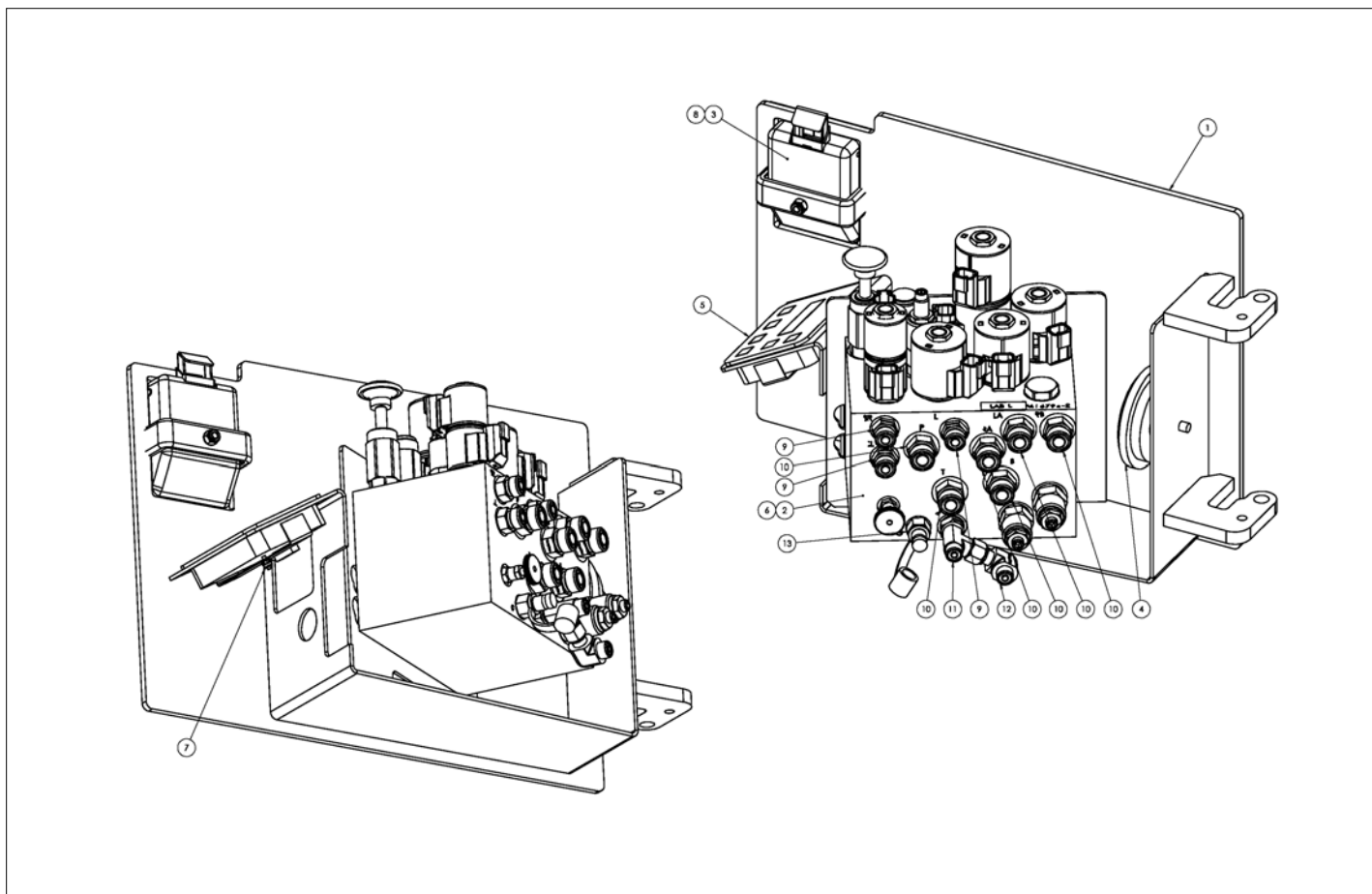
アイテム	部品番号	名前	数量	UOM
	1502148 A	VALVE TRAY ASSEMBLY WIDE BEFORE NOVEMBER 2015		EA
1	1501652	WLDMT, VALVE TRAY S3219	1	EA
2	6019340	MANIFOLD, SCISSOR WIDE	1	EA
3	5516353	LATCH PADDLE	1	EA
4	3049978	ALARM BEEPING	1	EA
5	501868 000	HORN AB38 (ITT)	1	EA
6	3087803	EZCal Panel Trionics	1	EA
7	056059 016	HHCS M8 X 16 GR8.8 DIN 931	4	EA
8	056066 004	NUT NYLOCK DIN985 M4 8.0 ZP	1	EA
9	5560004	NUT LKG .250 20	1	EA

REPAIR PARTS



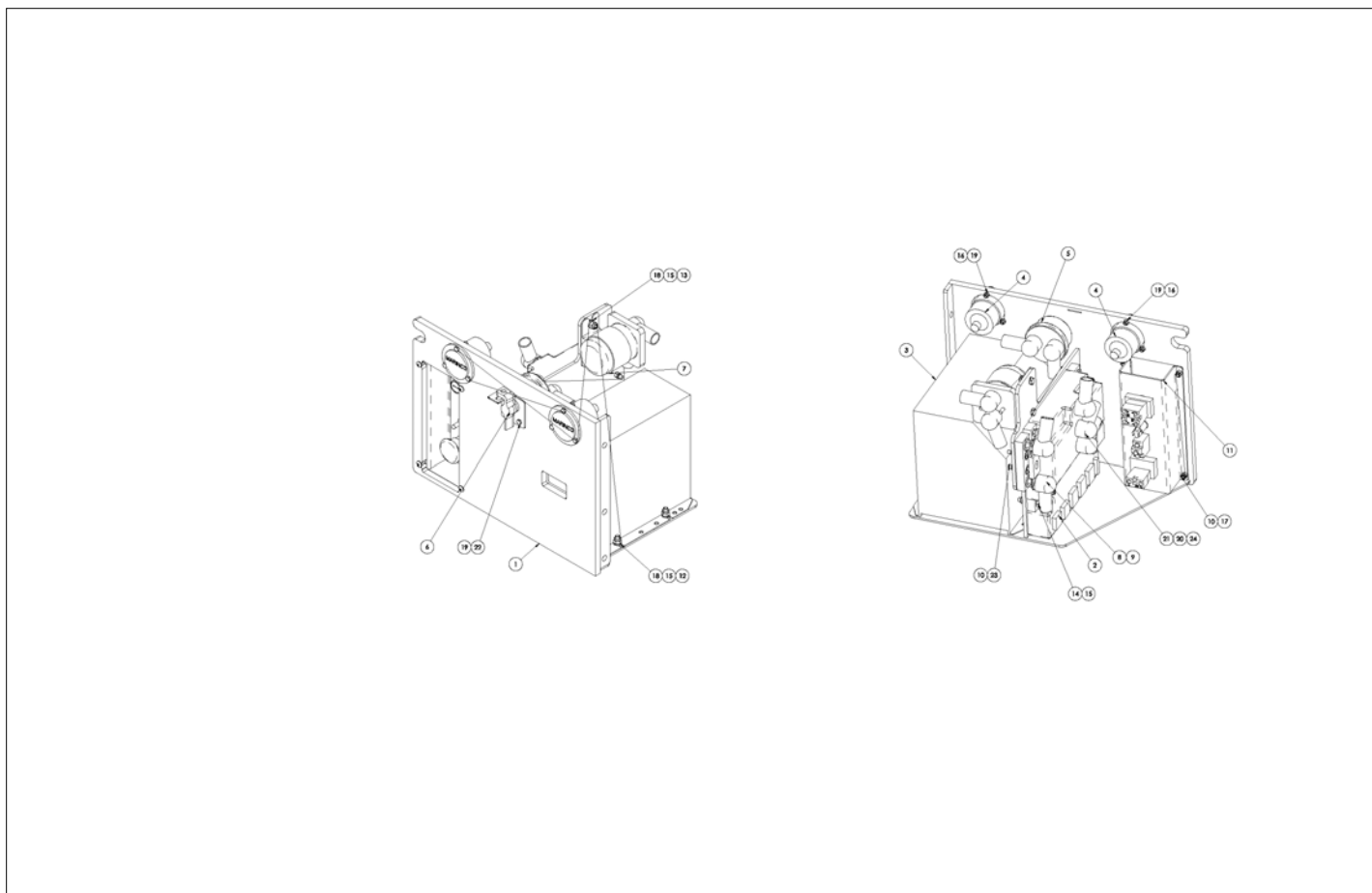
アイテム	部品番号	名前	数量	UOM
	1502148D	ASSEMBLY, VALVE TRAY WIDE		EA
1	1501652	WLDMT, VALVE TRAY S3219	1	EA
2	6019378	MANIFOLD, SCISSOR (2 SPD)	1	EA
3	5516353	LATCH PADDLE	1	EA
4	3049978	ALARM BEEPING	1	EA
5	501868 000	HORN AB38 (ITT)	1	EA
6	3087803	EZCal Panel Trionics	1	EA
7	058492 016	HHCS M8 x 1.25 X 16GR 8.8 DIN933	3	EA
8	056066 004	NUT NYLOCK DIN985 M4 8.0 ZP	1	EA
9	5560004	NUT LKG .250 20	1	EA

REPAIR PARTS

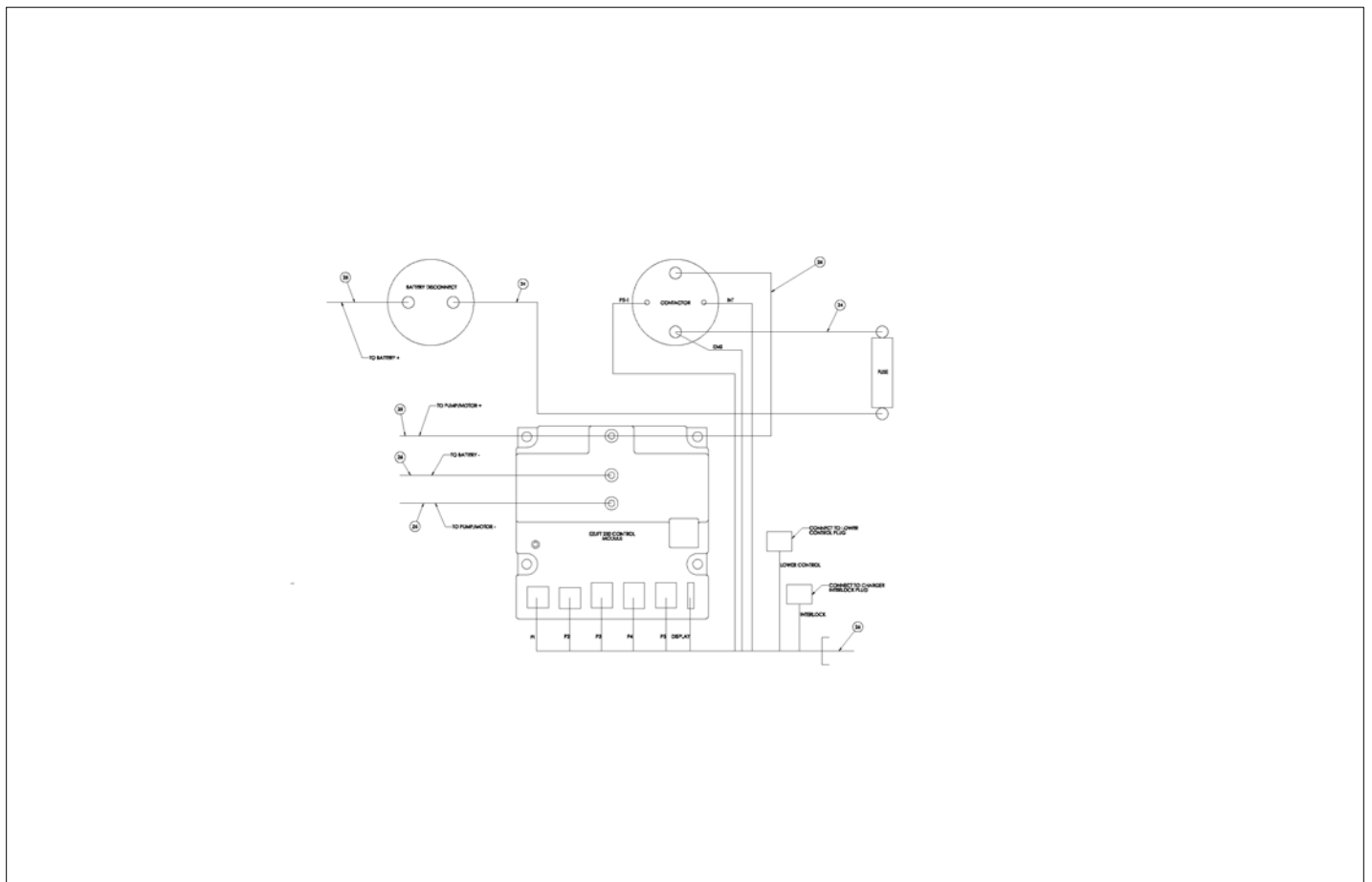


アイテム	部品番号	名前	数量	UOM
*	1502148 G	VALVE TRAY ASSEMBLY TWO SPEED DECEMBER 2019 AND AFTER		EA
1	1501652 5	WLDMT VALVE TRAY	1	EA
2	6019446	MANIFOLD, SCISSOR FLUID TECH DECEMBER 2019 AND AFTER	1	EA
3	5516353	LATCH PADDLE	1	EA
4	501868 000	HORN AB38 (ITT)	1	EA
5	3087803	EZCal Panel Trionics	1	EA
6	058492 016	HHCS M8 x 1.25 X 16GR 8.8 DIN933	3	EA
7	056066 004	NUT NYLOCK DIN985 M4 8.0 ZP	1	EA
8	5560004	NUT LKG .250 20	1	EA
9	100432 009	Hyd Fitting Straight ORFS(06) SAE(06)	3	EA
10	100432 015	FTG, STR, 8MORFF X 8MORB	6	EA
11	5033056	FTG 6MB X 4MORFF X 4MORFF RUN TEE	1	EA
12	5033053	FTG 4FORFF X 4MORFF 90	1	EA
13	5070006	FTG NIP DIGN 4B	1	EA

REPAIR PARTS

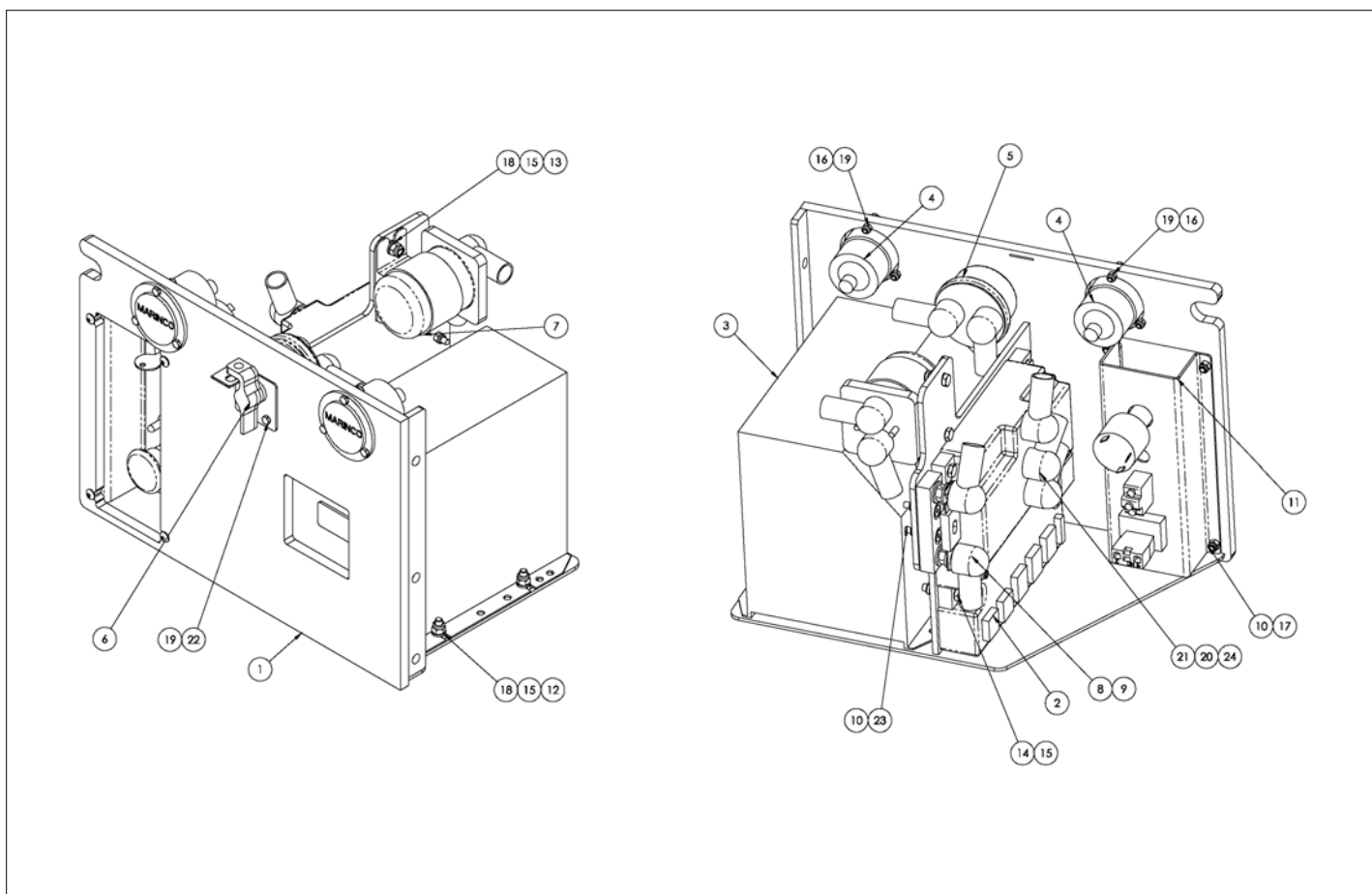


アイテム	部品番号	名前	数量	UOM
	1501176 E	REAR TRAY ASSEMBLY		EA
1	1501010	WLDMT REAR TRAY ORG	1	EA
2	3087800	EZ230 CONTROLLER	1	EA
3	3050124	CHARGER PRO CHARGER	1	EA
4	3069521	INLET FLANGE	2	EA
5	3020049	Switch, Battery Disconnect	1	EA
6	300840	Lock Out Lever Assembly	1	EA
7	3087787	CONTACTOR 24V SEALED	1	EA
8	446086	Fuse Block	1	EA
9	446076	FUSE, 250 AMP, REPLACEMENT	1	EA
10	056066 005	Nut NylockNut DIN985 M5 8.0 Zi	6	EA
11	1500662	GROUND CONTROL PANEL ASSEMBLY	1	EA
12	5563283	SBHCS M6 X 1.0 X 20 GR 10.9 BLK FINISH	4	EA
13	058491 016	BOLT HEXSETSCREW DIN933 M6 X 16MM 8.8 ZP	2	EA
14	056058 030	Bolt, HexBolt DIN931 M6 x 30mm	4	EA
15	056066 006	Nut NylockNut DIN985 M6 8.0 Zi	10	EA
16	512459 020	BLT HEXHD M4 0.07 X 20MM G8.8	6	EA
17	505082 020	Bolt, SktButCapScrew DIN9427 M5 x 20mm 10.9 ZincPlated	4	EA
18	056069 006	WSHR STEELFLATWSHE M6 DIN125A	10	EA
19	056066 004	NUT NYLOCK DIN985 M4 8.0 ZP	7	EA
20	056021 008	Washer SpringWasher DIN127B M8	3	EA
21	058492 016	HHCS M8 x 1. 25 X 16GR 8.8 DIN933	3	EA
22	512459 016	BLT HEXHD M4 X 0.7 X 16MM DIN 933 8.8 ZP	1	EA
23	5563164	FSHCS M5 0.8 X 30	2	EA

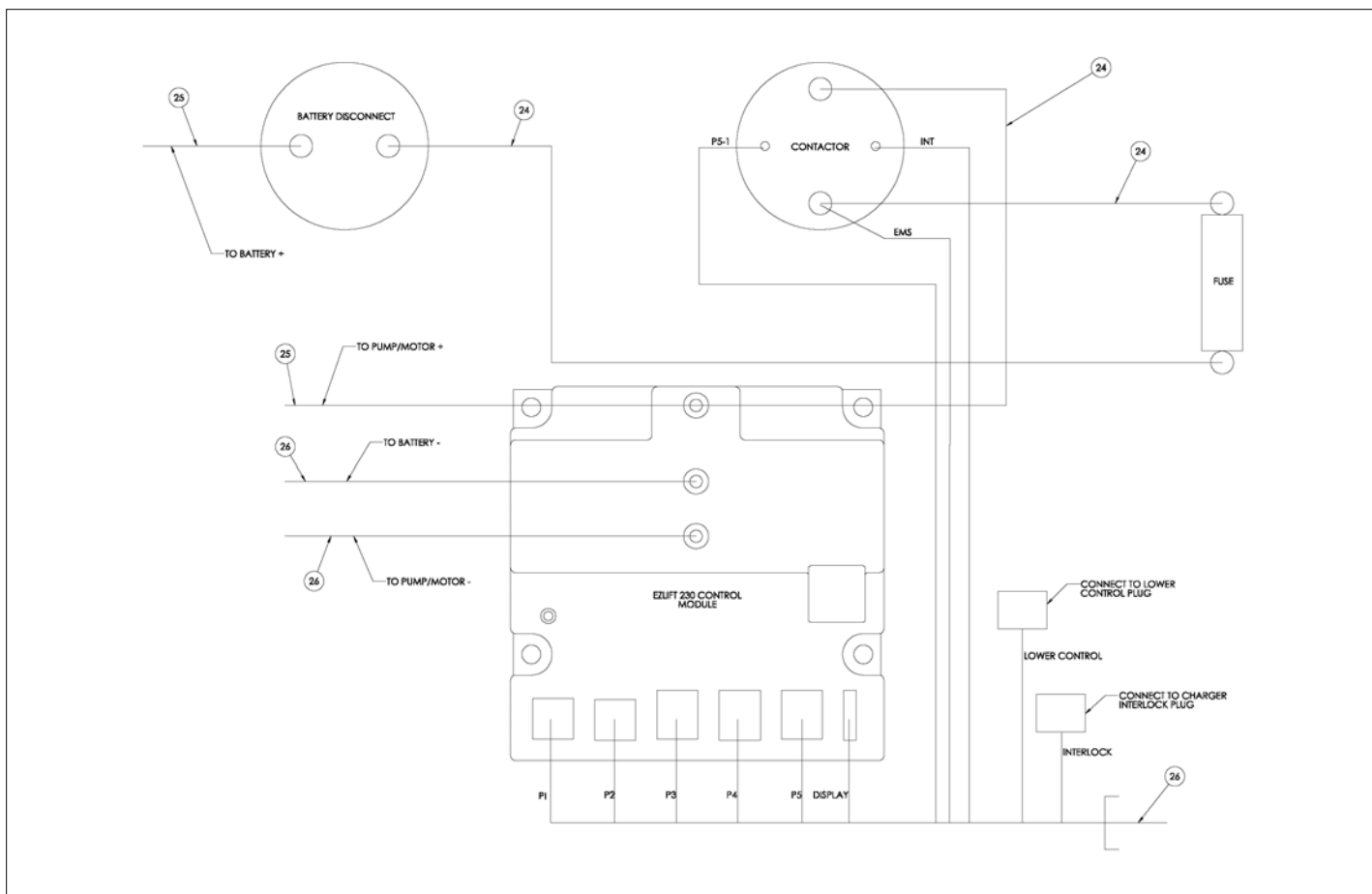


アイテム	部品番号	名前	数量	UOM
24	3040269	Boot Cable Entry Black I/O GA	9	EA
25	3014713	WIRE 2 R375 R375 13.5 RED	3	EA
26	3014744	WIRE 2 R375 R375 89 RED	2	EA
27	3014745	WIRE 2 R375 R375 86 BLK	2	EA
28	1500211	HARNESS CHASSIS PHX II	1	EA

REPAIR PARTS

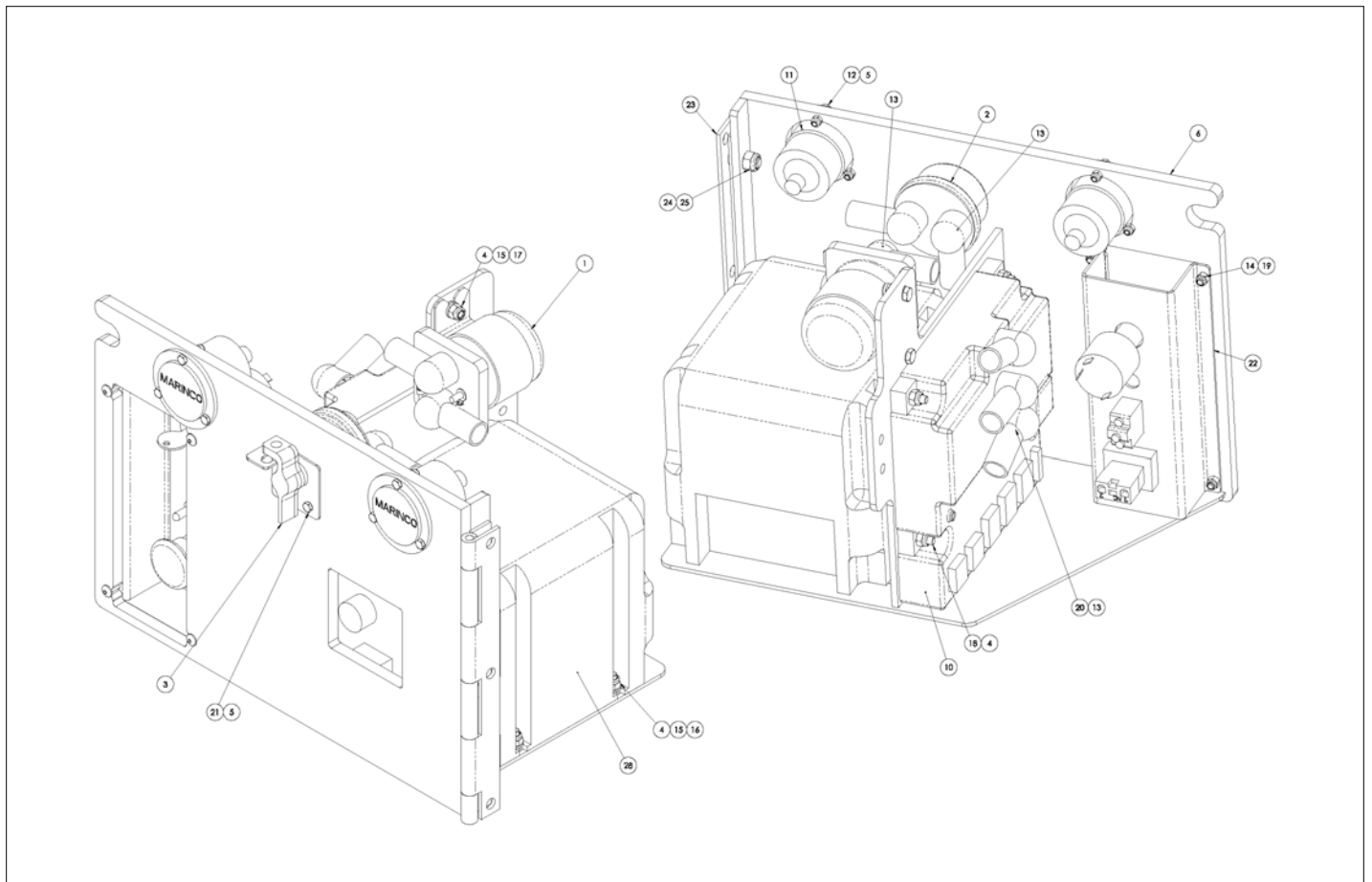


アイテム	部品番号	名前	数量	UOM
*	1501176 F	REAR TRAY ASSEMBLY JANUARY 2015 AND AFTER		EA
1	1501010	WLDMT REAR TRAY ORG	1	EA
2	3087800	EZ230 CONTROLLER	1	EA
3	3050124	CHARGER PRO CHARGER	1	EA
4	3069521	INLET FLANGE	2	EA
5	3020049	Switch, Battery Disconnect	1	EA
6	300840	Lock Out Lever Assembly	1	EA
7	3087787	CONTACTOR 24V SEALED	1	EA
8	446086	Fuse Block	1	EA
9	446076	FUSE, 250 AMP, REPLACEMENT	1	EA
10	056066 005	Nut NylockNut DIN985 M5 8.0 Zi	6	EA
11	1501687	GROUND CONTROL PANEL ASSEMBLY ANSI	1	EA
12	5563283	SBHCS M6 X 1.0 X 20 GR 10.9 BLK FINISH	4	EA
13	058491 016	BOLT HEXSETSCREW DIN933 M6 X 16MM 8.8 ZP	2	EA
14	056058 030	Bolt, HexBolt DIN931 M6 x 30mm	4	EA
15	056066 006	Nut NylockNut DIN985 M6 8.0 Zi	10	EA
16	512459 020	BLT HEXHD M4 0.07 X 20MM G8.8	6	EA
17	505082 020	Bolt, SktButCapScrew DIN9427 M5 x 20mm 10.9 ZincPlated	4	EA
18	056069 006	WSHR STEELFLATWSHE M6 DIN125A	10	EA
19	056066 004	NUT NYLOCK DIN985 M4 8.0 ZP	7	EA
20	056021 008	Washer SpringWasher DIN127B M8	3	EA
21	058492 016	HHCS M8 x 1.25 X 16GR 8.8 DIN933	3	EA
22	512459 016	BLT HEXHD M4 X 0.7 X 16MM DIN 933 8.8 ZP	1	EA

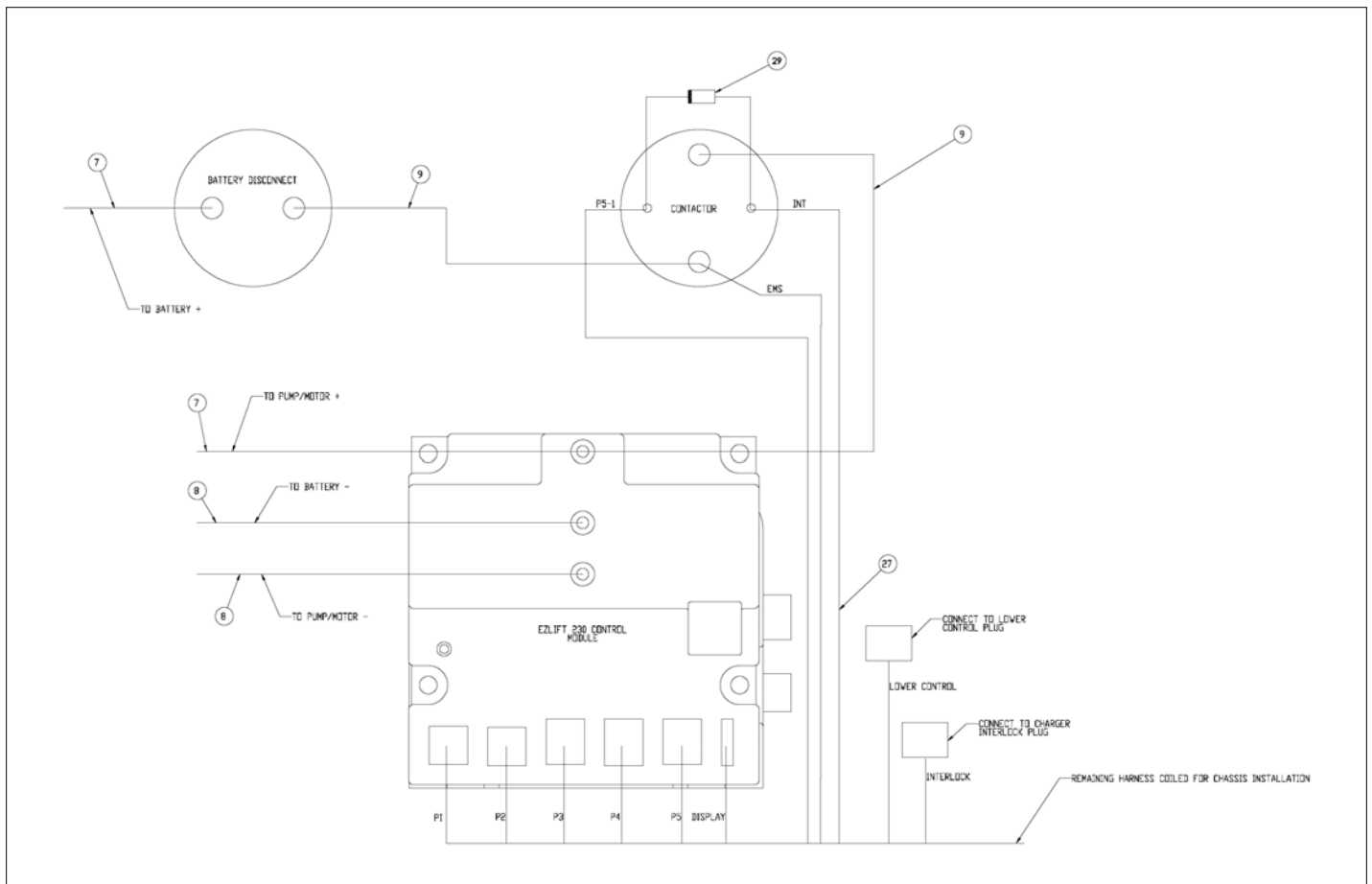


アイテム	部品番号	名前	数量	UOM
23	5563164	FSHCS M5 0.8 X 30	2	EA
24	3040269	Boot Cable Entry Black I/O GA	9	EA
25	3014743	WIRE 2 R375 R375 13.5 RED	3	EA
26	3014744	WIRE 2 R375 R375 89 RED	2	EA
27	3014745	WIRE 2 R375 R375 86 BLK	2	EA
28	1500211	HARNESS CHASSIS PHX II	1	EA

REPAIR PARTS

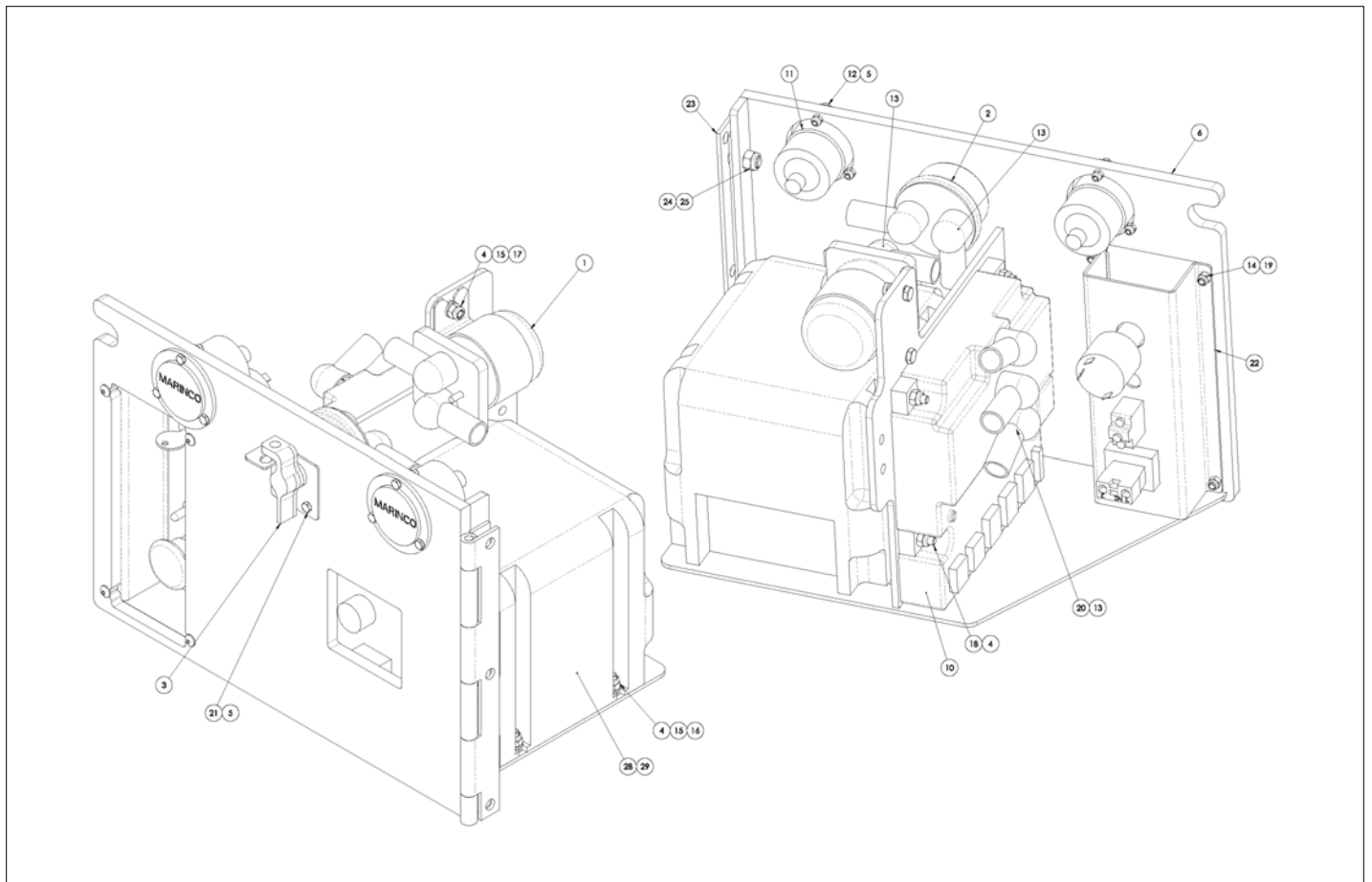


アイテム	部品番号	名前	数量	UOM
*	1501176 Q	REAR TRAY ASSEMBLY APRIL 2016 AND AFTER		EA
1	3087787	CONTACTOR 24V SEALED	1	EA
2	3020049	Switch, Battery Disconnect	1	EA
3	300840	Lock Out Lever Assembly	1	EA
4	056066 006	Nut NylockNut DIN985 M6 8.0 Zi	8	EA
5	056066 004	NUT NYLOCK DIN985 M4 8.0 ZP	7	EA
6	1501010	WLDMT REAR TRAY ORG	1	EA
7	3014744	WIRE 2 R375 R375 89 RED	2	EA
8	3014745	WIRE 2 R375 R375 86 BLK	2	EA
9	3014743	WIRE 2 R375 R375 13.5 RED	2	EA
10	3087800	EZ230 CONTROLLER	1	EA
11	3069521	INLET FLANGE	2	EA
12	512459 020	BLT HEXHD M4 0.07 X 20MM G8.8	6	EA
13	3040269	Boot Cable Entry Black I/O GA	7	EA
14	056066 005	Nut NylockNut DIN985 M5 8.0 Zi	4	EA
15	056069 006	WSHR STEELFLATWSHE M6 DIN125A	4	EA
16	5563283	SBHCS M6 X 1.0 X 20 GR 10.9 BLK FINISH	2	EA
17	058491 016	BOLT HEXSETSCREW DIN933 M6 X 16MM 8.8 ZP	2	EA
18	056058 030	Bolt, HexBolt DIN931 M6 x 30mm	4	EA
19	505082 020	Bolt, SktButCapScrew DIN9427 M5 x 20mm 10.9 ZincPlated	4	EA
20	058492 016	HHCS M8 x 1.25 X 16GR 8.8 DIN933	3	EA
21	512459 016	BLT HEXHD M4 X 0.7 X 16MM DIN 933 8.8 ZP	1	EA
22	1501687	GROUND CONTROL PANEL ASSEMBLY ANSI	1	EA
23	5516346	HINGE CONTROL TRAY	1	EA

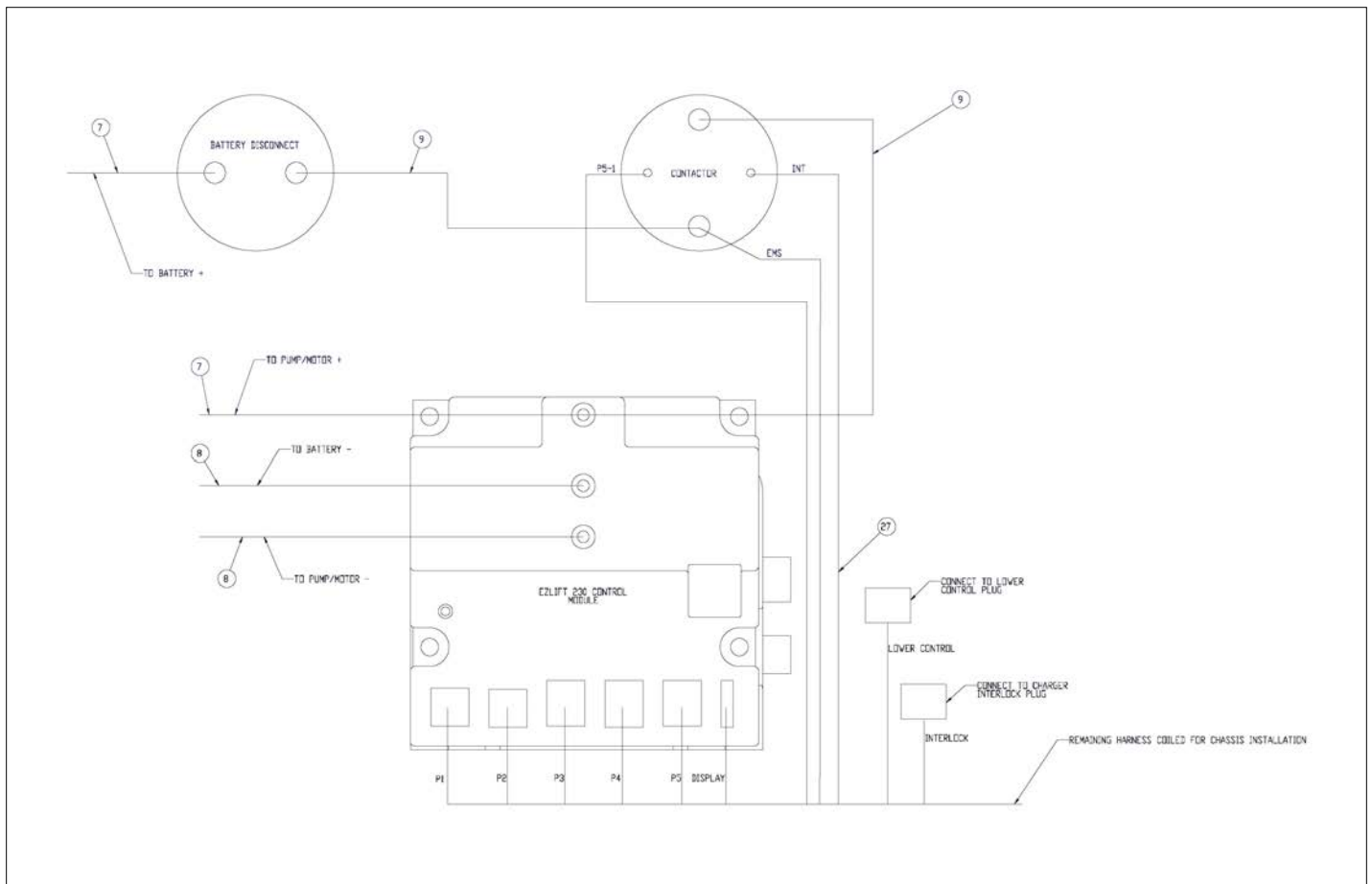


アイテム	部品番号	名前	数量	UOM
24	500595 020	Bolt, SktButCapScrew DIN9427 M	3	EA
25	056066 008	NUT NYLOCKNUT DIN985 M8 8.0 ZP	3	EA
26	1450303	AC POWER CORD	1	EA
27	1502310	HARNESS CHASSIS S3215/3219 OCTOBER 2017 AND BEFORE	1	EA
28	3050126	CHARGER, PYLON	1	EA
29	0351039	DIODE ASSY R10I R10I SEE DRAWI	1	EA

REPAIR PARTS

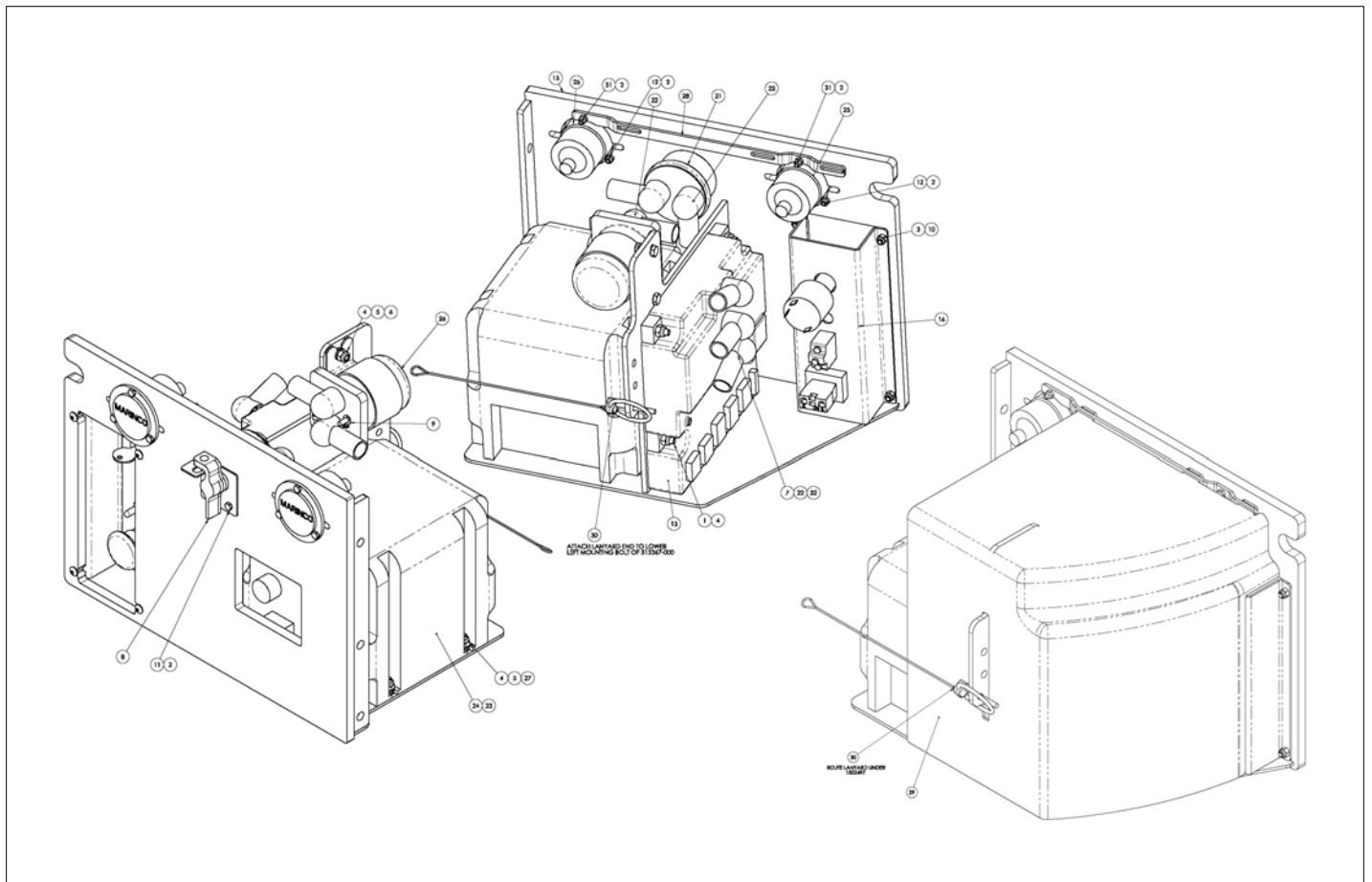


アイテム	部品番号	名前	数量	UOM
*	1501176 N	REAR TRAY ASSEMBLY JANUARY 2016 AND AFTER		EA
1	3087787	CONTACTOR 24V SEALED	1	EA
2	3020049	Switch, Battery Disconnect	1	EA
3	300840	Lock Out Lever Assembly	1	EA
4	056066 006	Nut NylockNut DIN985 M6 8.0 Zi	8	EA
5	056066 004	NUT NYLOCK DIN985 M4 8.0 ZP	7	EA
6	1501010	WLDMT REAR TRAY ORG	1	EA
7	3014744	WIRE 2 R375 R375 89 RED	2	EA
8	3014745	WIRE 2 R375 R375 86 BLK	2	EA
9	3014743	WIRE 2 R375 R375 13.5 RED	2	EA
10	3087800	EZ230 CONTROLLER	1	EA
11	3069521	INLET FLANGE	2	EA
12	512459 020	BLT HEXHD M4 0.07 X 20MM G8.8	6	EA
13	3040269	Boot Cable Entry Black I/O GA	7	EA
14	056066 005	Nut NylockNut DIN985 M5 8.0 Zi	4	EA
15	056069 006	WSHR STEELFLATWSHE M6 DIN125A	4	EA
16	5563283	SBHCS M6 X 1.0 X 20 GR 10.9 BLK FINISH	2	EA
17	058491 016	BOLT HEXSETSCREW DIN933 M6 X 16MM 8.8 ZP	2	EA
18	056058 030	Bolt, HexBolt DIN931 M6 x 30mm	4	EA
19	505082 020	Bolt, SktButCapScrew DIN9427 M5 x 20mm 10.9 ZincPlated	4	EA
20	058492 016	HHCS M8 x 1.25 X 16GR 8.8 DIN933	3	EA
21	512459 016	BLT HEXHD M4 X 0.7 X 16MM DIN 933 8.8 ZP	1	EA
22	1501687	GROUND CONTROL PANEL ASSEMBLY ANSI	1	EA
23	5516346	HINGE CONTROL TRAY	1	EA

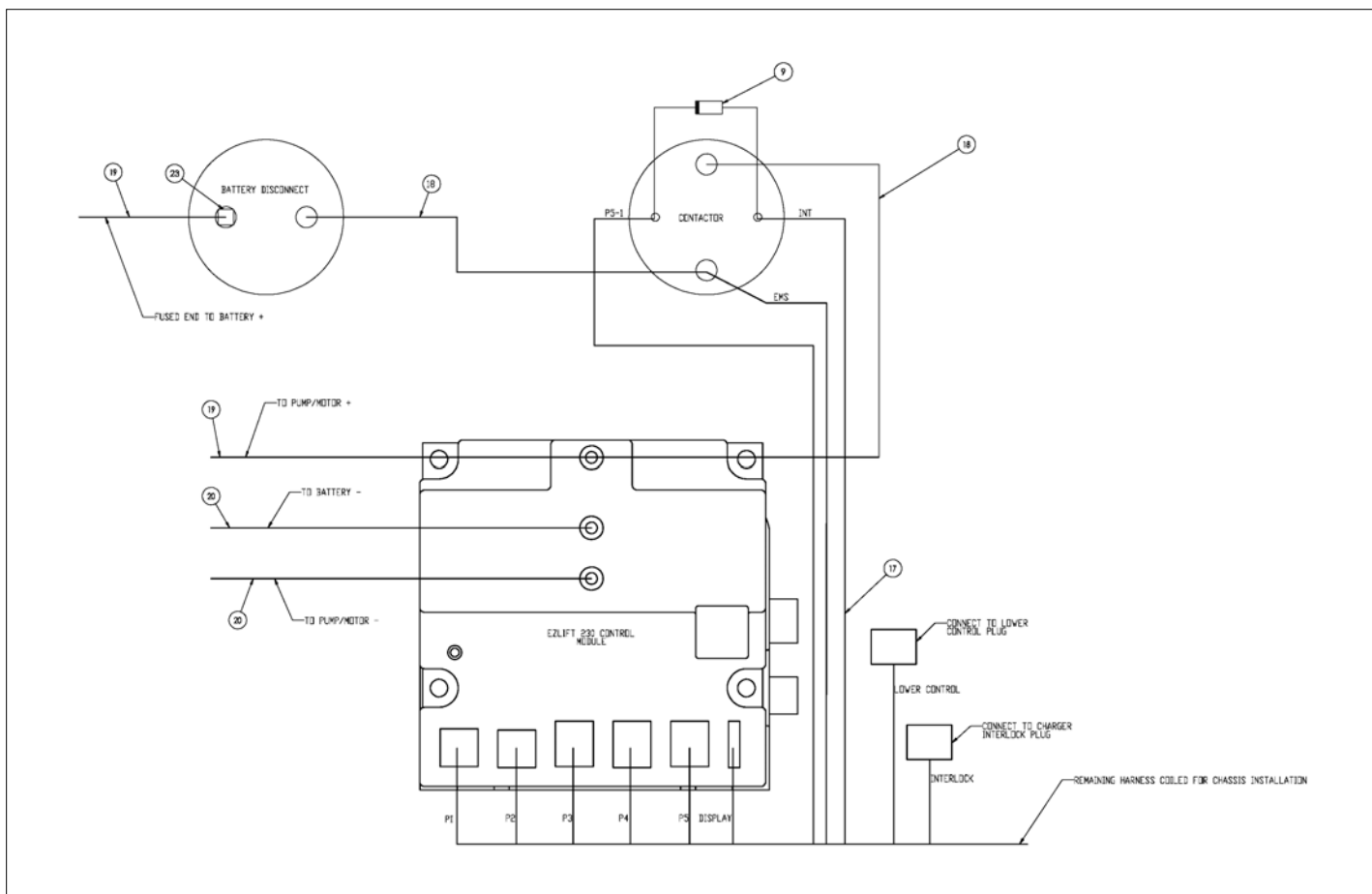


アイテム	部品番号	名前	数量	UOM
24	500595 020	Bolt, SktButCapScrew DIN9427 M	3	EA
25	056066 008	NUT NYLOCKNUT DIN985 M8 8.0 ZP	3	EA
26	1450303	AC POWER CORD	1	EA
27	1501984	HARNESS CHASSIS S3215/3219 FEBURARY 2016 AND BEFORE	1	EA
28	3050126	CHARGER, PYLON	1	EA
29	1502306	HARNESS, DOUBLE PROX SENSOR	1	EA

REPAIR PARTS

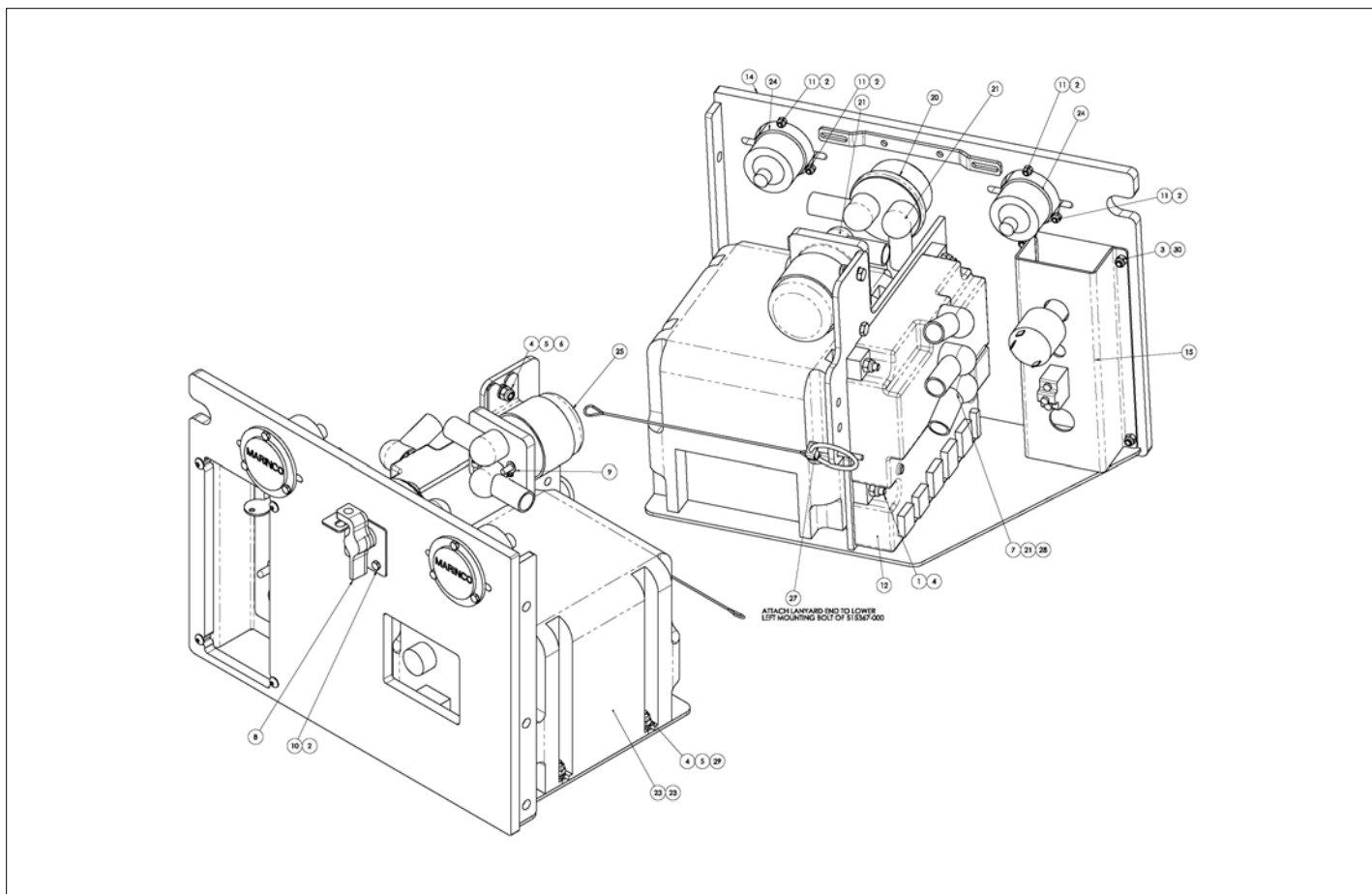


アイテム	部品番号	名前	数量	UOM
*	1501176 Z	REAR TRAY ASSEMBLY JUNE 2018 AND AFTER		EA
1	056058 030	Bolt, HexBolt DIN931 M6 x 30mm	4	EA
2	056066 004	NUT NYLOCK DIN985 M4 8.0 ZP	7	EA
3	056066 005	Nut NylockNut DIN985 M5 8.0 Zi	4	EA
4	056066 006	Nut NylockNut DIN985 M6 8.0 Zi	8	EA
5	056069 006	WSHR STEELFLATWSHE M6 DIN125A	4	EA
6	058491 016	BOLT HEXSETSCREW DIN933 M6 X 16MM 8.8 ZP	2	EA
7	058492 016	HHCS M8 x 1.25 X 16GR 8.8 DIN933	3	EA
8	300840	Lock Out Lever Assembly	1	EA
9	0351039	DIODE ASSY R10I R10I SEE DRAWI	1	EA
10	505082 020	Bolt, SktButCapScrew DIN9427 M5 x 20mm 10.9 ZincPlated	4	EA
11	512459 016	BLT HEXHD M4 X 0.7 X 16MM DIN 933 8.8 ZP	1	EA
12	512459 020	BLT HEXHD M4 0.07 X 20MM G8.8	6	EA
13	515367 000	CONTROL MODULE PG	1	EA
14	1450303	AC POWER CORD	1	EA
15	1501010	WLDMT REAR TRAY ORG	1	EA
16	1501687	GROUND CONTROL PANEL ASSEMBLY ANSI	1	EA
17	1502973	HARNESS CHASSIS S3215/3219 DECEMBER 2018 AND BEFORE	1	EA
18	3014743	WIRE 2 R375 R375 13.5 RED	2	EA
19	3014744	WIRE 2 R375 R375 89 RED	2	EA
20	3014745	WIRE 2 R375 R375 86 BLK	2	EA
21	3020049	Switch, Battery Disconnect	1	EA
22	3040269	Boot Cable Entry Black I/O GA	7	EA

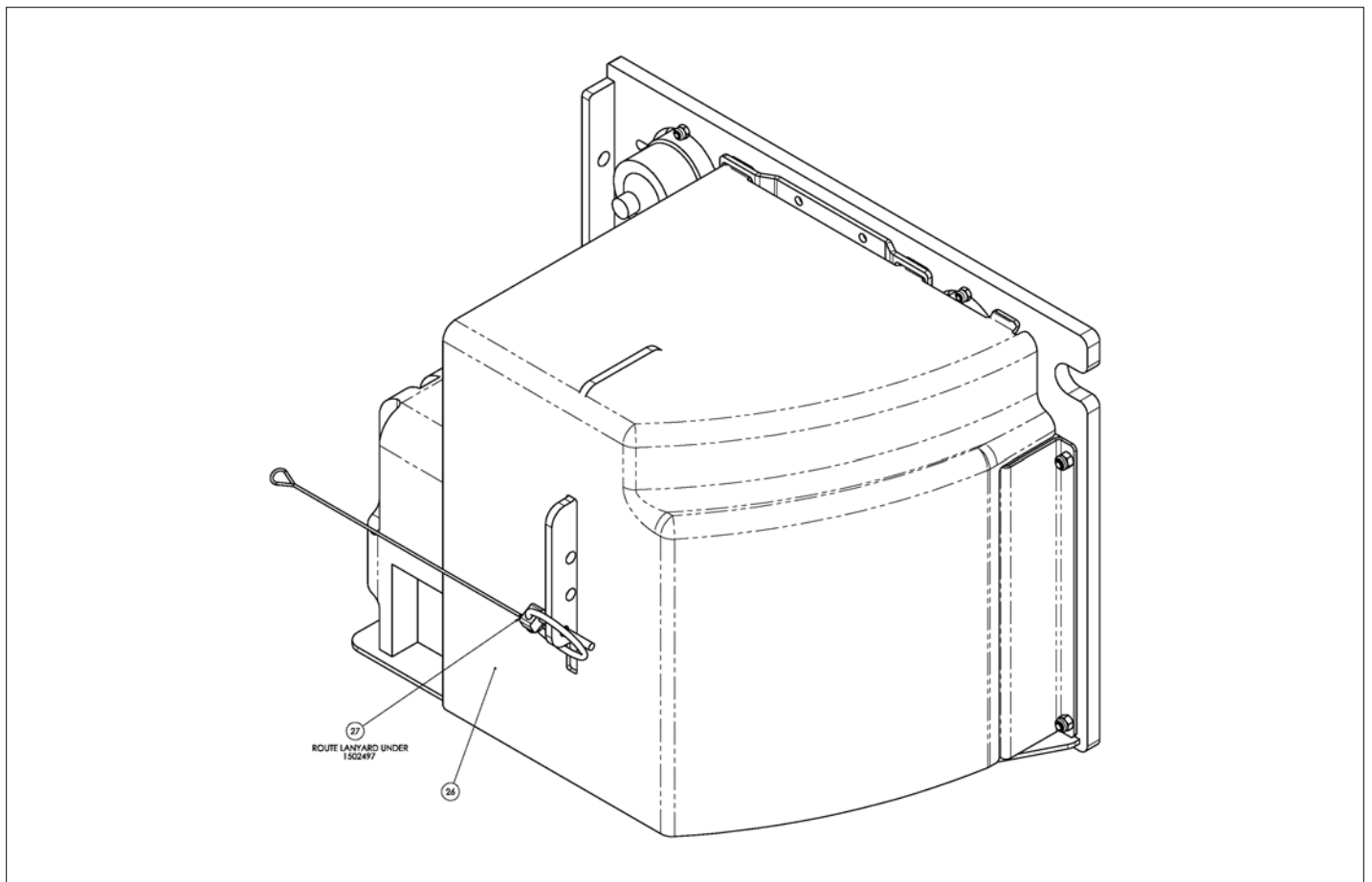


アイテム	部品番号	名前	数量	UOM
23	3044836	TERM R375I 12/10	1	EA
24	3050126	CHARGER, PYLON	1	EA
25	3069521	INLET FLANGE	2	EA
26	3087787	CONTACTOR 24V SEALED	1	EA
27	5563283	SBHCS M6 X 1.0 X 20 GR 10.9 BLK FINISH	2	EA
28	1502325	PLT, REAR COVER MNT	1	EA
29	1502497	COVER, REAR TRAY	1	EA
30	5563933	ASSY, LYNCH PIN WITH LANYARD	1	EA
31	512714 025	HHCS M4 X 0.7 x 25 G8.8 ISO 4014 DIN 931	2	EA
32	056069 005	Washer SteelFlatWasher DIN125A	3	EA

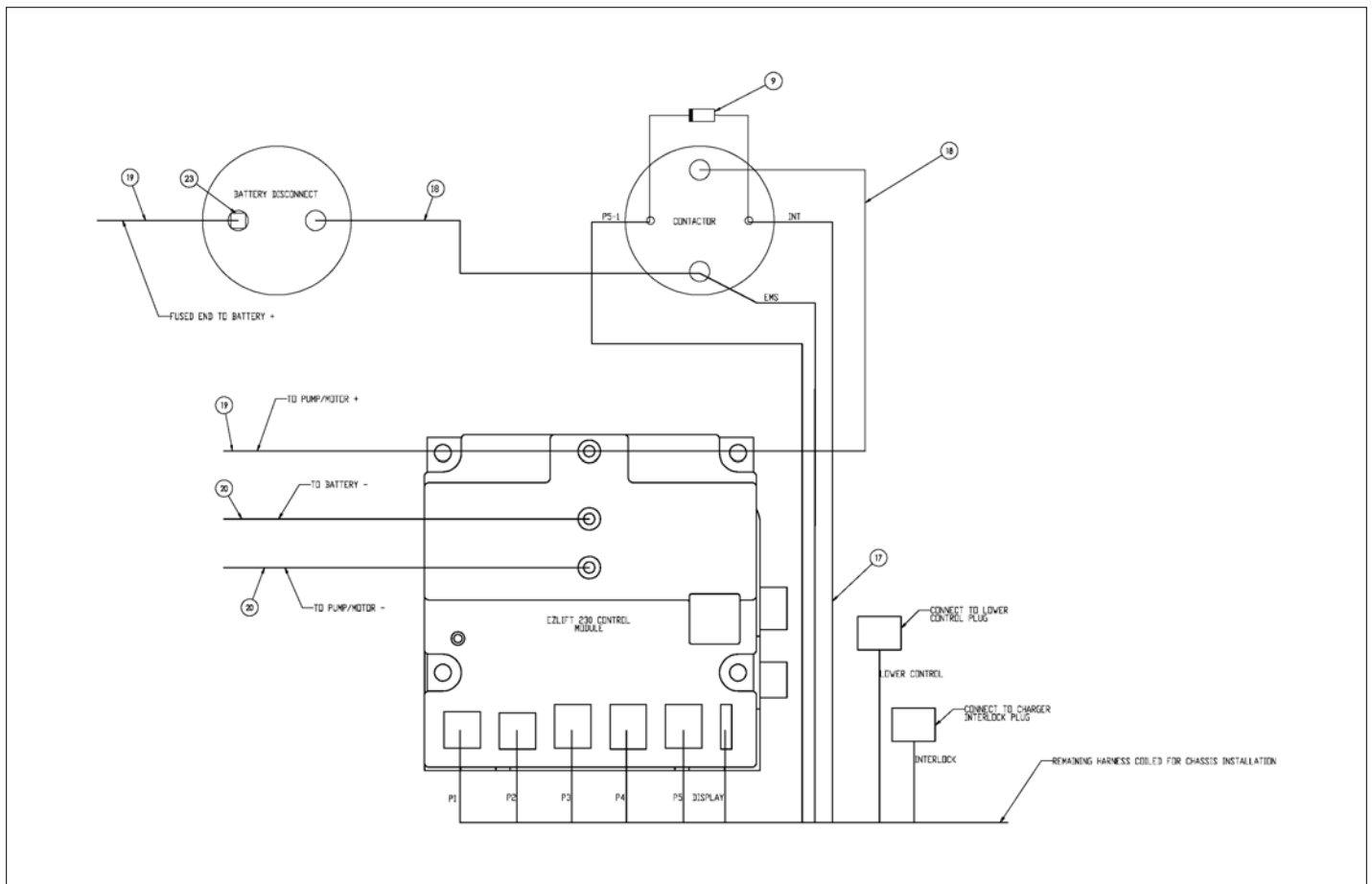
REPAIR PARTS



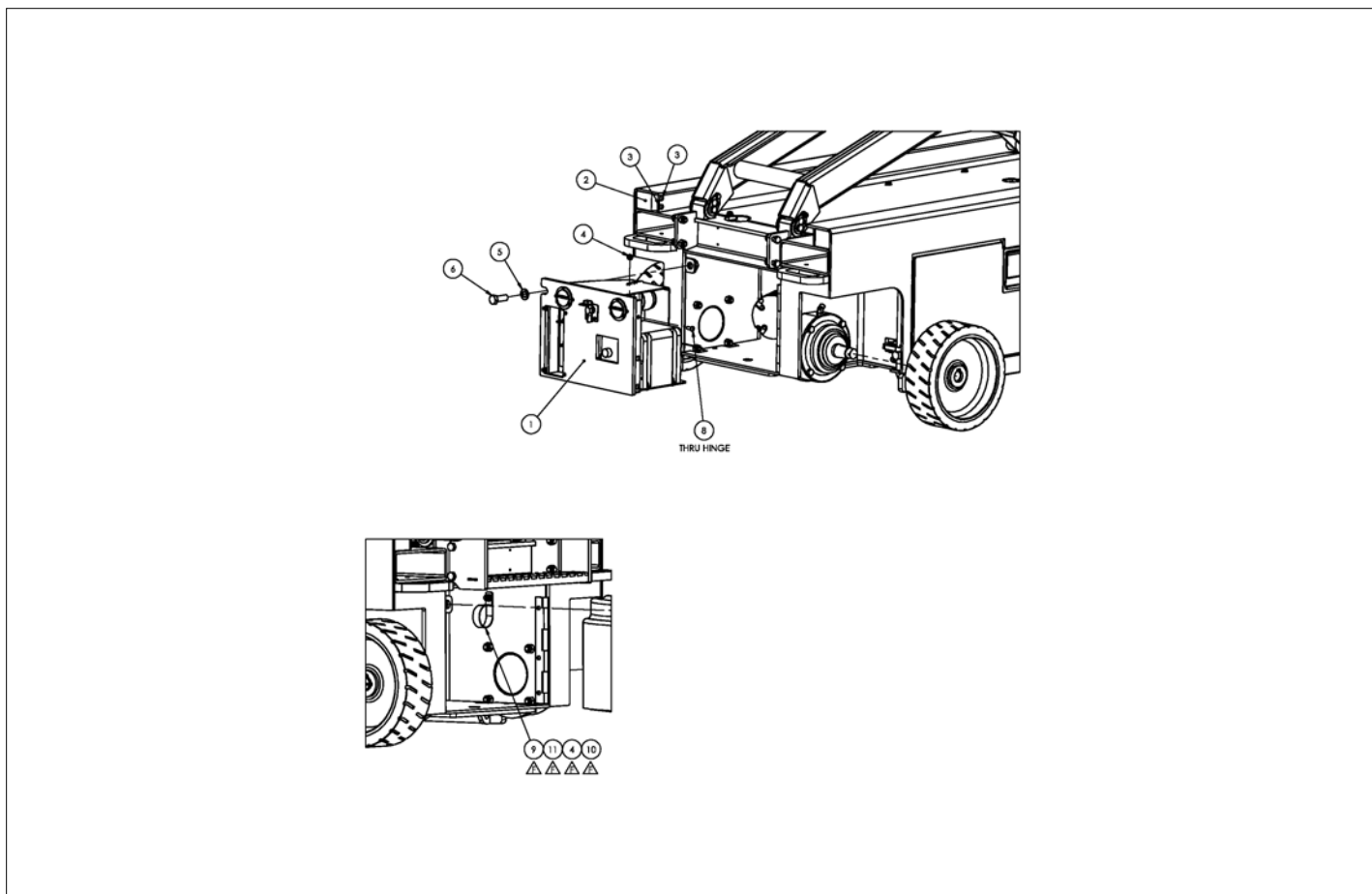
アイテム	部品番号	名前	数量	UOM
	1501176 ZC	REAR TRAY ASSEMBLY S3219E JANUARY 2019 AND AFTER		EA
1	056058 030	Bolt, HexBolt DIN931 M6 x 30mm	4	EA
2	056066 004	NUT NYLOCK DIN985 M4 8.0 ZP	7	EA
3	056066 005	Nut NylockNut DIN985 M5 8.0 Zi	4	EA
4	056066 006	Nut NylockNut DIN985 M6 8.0 Zi	8	EA
5	056069 006	WSHR STEELFLATWSHE M6 DIN125A	5	EA
6	058491 016	BOLT HEXSETSCREW DIN933 M6 X 16MM 8.8 ZP	2	EA
7	058492 016	HHCS M8 x 1.25 X 16GR 8.8 DIN933	3	EA
8	300840	Lock Out Lever Assembly	1	EA
9	0351039	DIODE ASSY R10I R10I SEE DRAWI	1	EA
10	512459 016	BLT HEXHD M4 X 0.7 X 16MM DIN 933 8.8 ZP	1	EA
11	512459 020	BLT HEXHD M4 0.07 X 20MM G8.8	6	EA
12	515367 000	CONTROL MODULE PG	1	EA
Not Shown	1450303	AC POWER CORD	1	EA
14	1501010	WLDMT REAR TRAY ORG	1	EA
15	1500662	GROUND CONTROL PANEL ASSEMBLY	1	EA
16	1503092	HARNES, CHASSIS S3215/3219	1	EA
17	3014743	WIRE 2 R375 R375 13.5 RED	2	EA
18	3014744	WIRE 2 R375 R375 89 RED	2	EA
19	3014745	WIRE 2 R375 R375 86 BLK	2	EA
20	3020049	Switch, Battery Disconnect	1	EA
21	3040269	Boot Cable Entry Black I/O GA	7	EA
Not Shown	3044836	TERM R375I 12/10	1	EA



アイテム	部品番号	名前	数量	UOM
23	3050126	CHARGER, PYLON	1	EA
24	3069521	INLET FLANGE	2	EA
25	3087787	CONTACTOR 24V SEALED	1	EA
26	1502497	COVER, REAR TRAY	1	EA
27	5563933	ASSY, LYNCH PIN WITH LANYARD	1	EA
28	056069 005	Washer SteelFlatWasher DIN125A	3	EA
29	5563283	SBHCS M6 X 1.0 X 20 GR 10.9 BLK FINISH	2	EA
30	505082 020	Bolt, SktButCapScrew DIN9427 M5 x 20mm 10.9 ZincPlated	4	EA

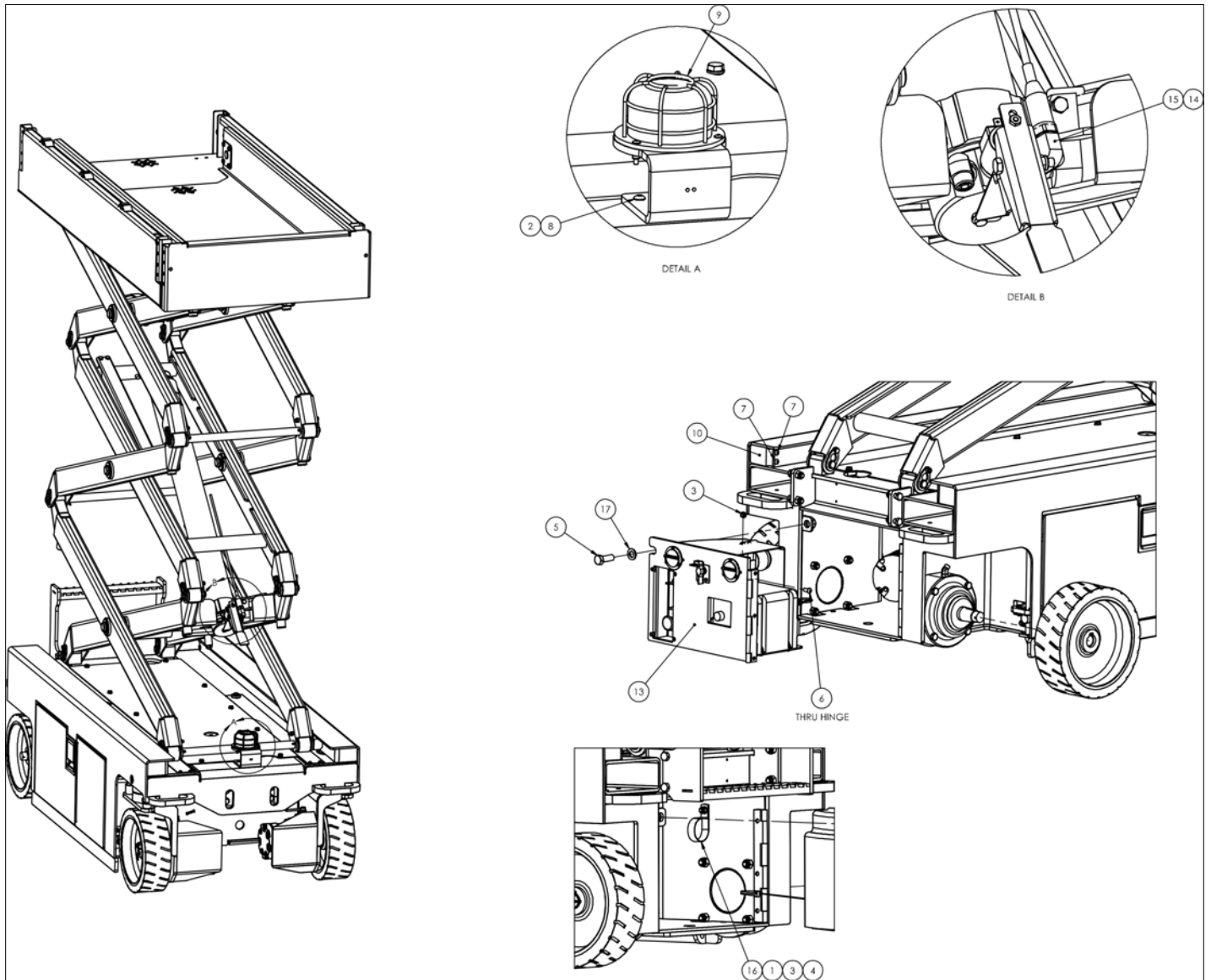


REPAIR PARTS



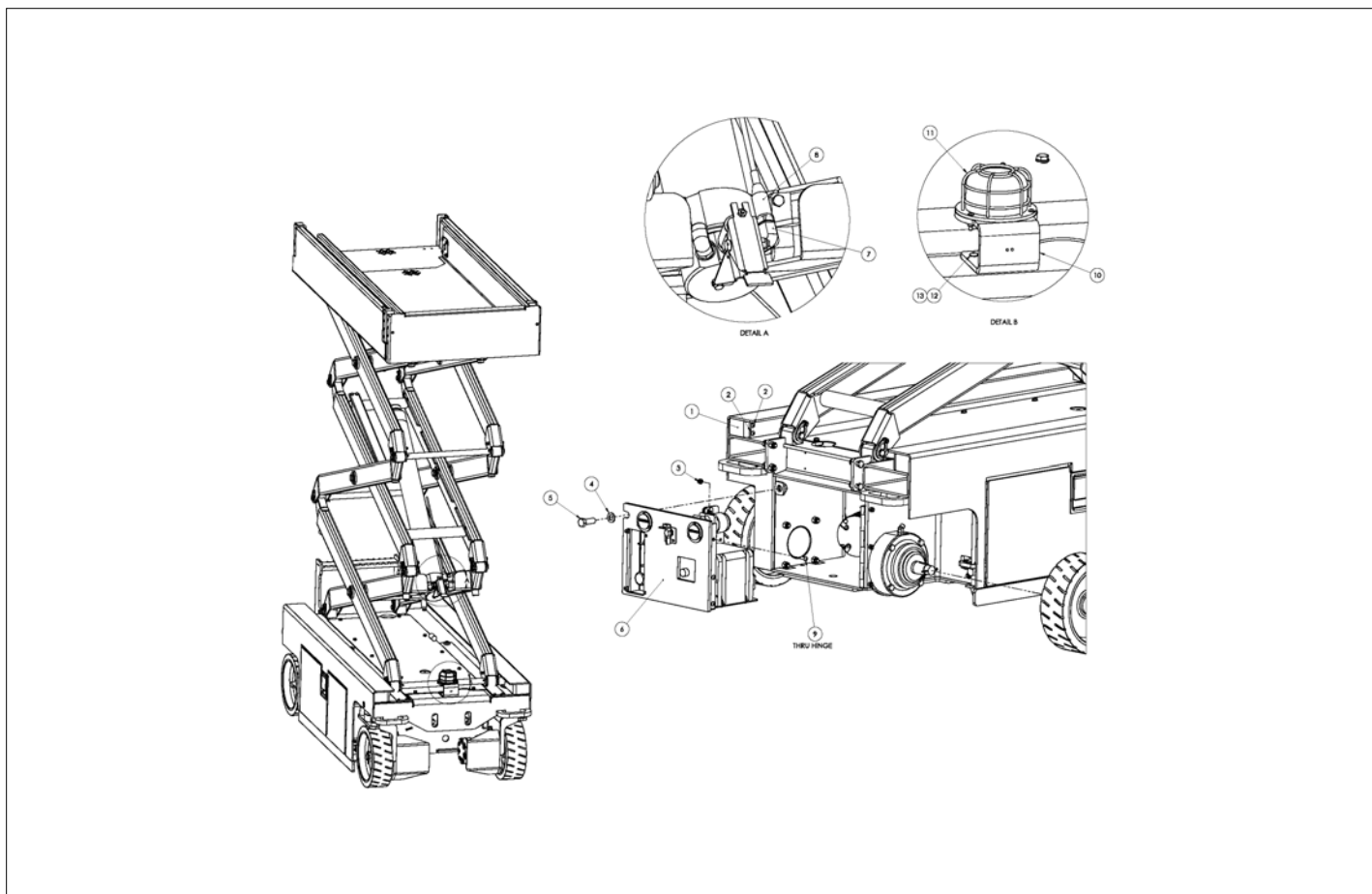
アイテム	部品番号	名前	数量	UOM
	1502673F	ANSI REAR TRAY INSTALLATION S3215E S3219E FEBURARY 2019 AND AFTER		EA
1	1501176	ASSY CONTROL TRAY S3219E	1	EA
2	1501794 5	WLDMT, FILLER	2	EA
3	500595 025	Bolt, SktButCapScrew DIN9427	4	EA
4	056066 008	NUT NYLOCKNUT DIN985 M8 8.0 ZP	4	EA
5	5563704	WSHR FLAT M16x30 YZ	1	EA
6	056687 045	HHCS M16X2X45 G8.8 ISO 4014	1	EA
7	1502541	CONN, CHARGER INTERLOCK DELETE	1	EA
8	500595 020	Bolt, SktButCapScrew DIN9427 M	3	EA
9	5093013	CLP CUSH 2.00 VINYL COATED	1	EA
10	056069 008	WASHER, STEELFLATWASHER DIN12M8 FLAT WASHER DIN 125	1	EA
11	056059 030	Bolt, HexBolt DIN931 M8 x 30mm	1	EA

REPAIR PARTS



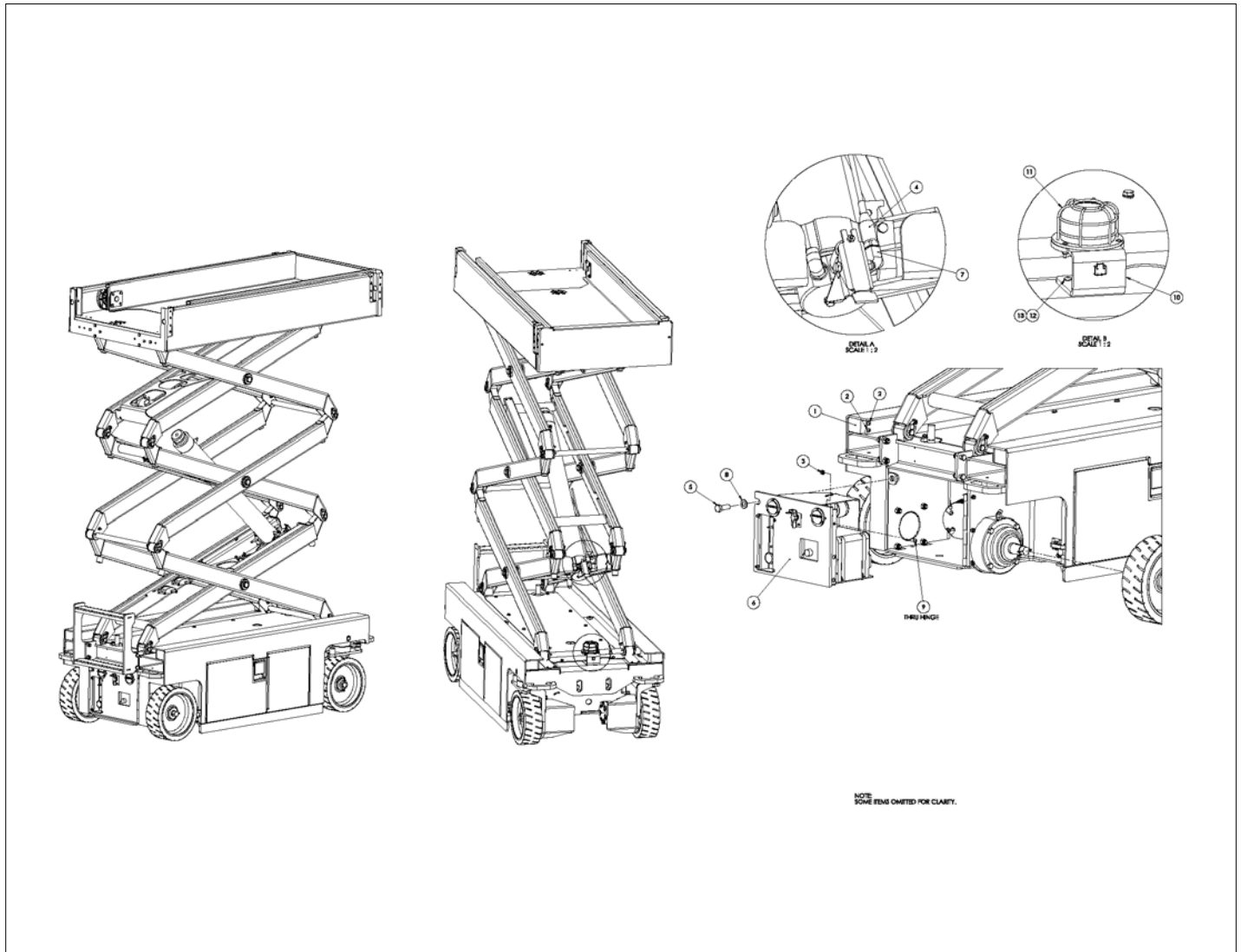
アイテム	部品番号	名前	数量	UOM
*	1503175 A	ANSI CSA ASSEMBLY S3215E S3219E JUNE 2019 AND AFTER		EA
1	056059 030	Bolt, HexBolt DIN931 M8 x 30mm	1	EA
2	056066 006	Nut NylockNut DIN985 M6 8.0 Zi	3	EA
3	056066 008	NUT NYLOCKNUT DIN985 M8 8.0 ZP	4	EA
4	056069 008	WASHER, STEELFLATWASHER DIN12M8 FLAT WASHER DIN 125	1	EA
5	056687 045	HHCS M16X2X45 G8.8 ISO 4014	1	EA
6	500595 020	Bolt, SktButCapScrew DIN9427 M	3	EA
7	500595 025	Bolt, SktButCapScrew DIN9427	4	EA
8	514176 030	SBHCS M6 X 1.0 X 30 GR 10.9 BL	3	EA
9	515611 000	BEACON ASSY AMBER	1	EA
10	1501794	Weldment filler ORG	2	EA
11	1502485 4	BRKT, AMBER BEACON MNT	1	EA
12	1502541	CONN, CHARGER INTERLOCK DELETE	1	EA
13	1503177	ASSY, CTRL TRAY S3215/3219, AN	1	EA
14	3030158	Pressure Transducer	1	EA
15	5076527	FTG 4MBX4FB 90	1	EA
16	5093013	CLP CUSH 2.00 VINYL COATED	1	EA
17	5563704	WSHR FLAT M16x30 YZ	1	EA

REPAIR PARTS



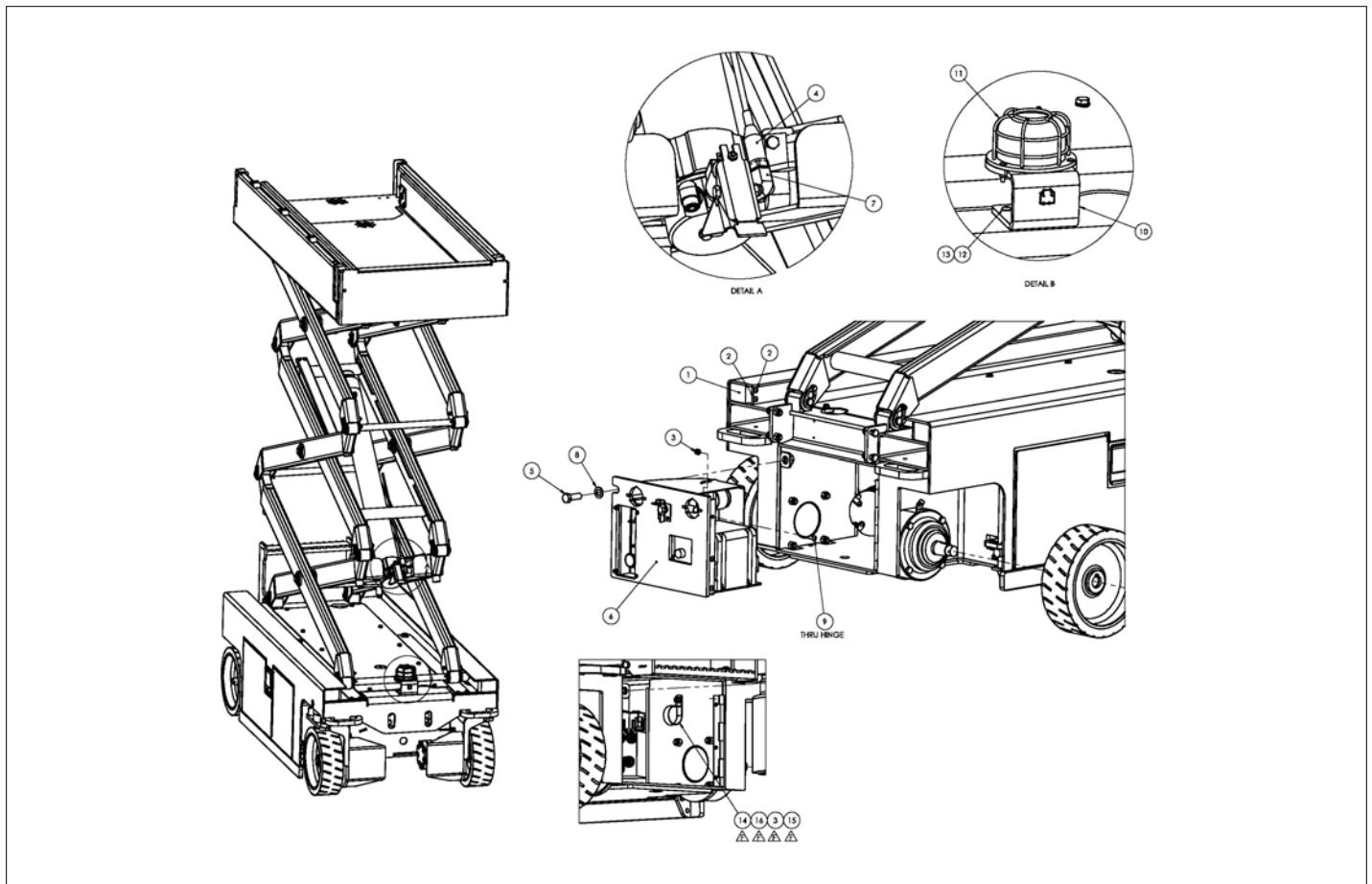
アイテム	部品番号	名前	数量	UOM
	1502674C	ASSEMBLY, CE/AU S3215		EA
1	1501794	Weldment filler ORG	2	EA
2	500595 025	Bolt, SktButCapScrew DIN9427	4	EA
3	056066 008	NUT NYLOCKNUT DIN985 M8 8.0 ZP	3	EA
4	056069 016	WASHER STEELFLATWASHER M16 DIN	1	EA
5	056687 045	HHCS M16X2X45 G8.8 ISO 4014	1	EA
6	1501639	ASSY, CE CONTROL TRAY S3219E	1	EA
7	5076527	FTG 4MBX4FB 90	1	EA
8	3030158	Pressure Transducer	1	EA
9	500595 020	Bolt, SktButCapScrew DIN9427 M	3	EA
10	1502485	BRKT ANBER BEACON MNT	1	EA
11	1502490	ASSY, AMBER BEACON	1	EA
12	514176 030	SBHCS M6 X 1.0 X 30 GR 10.9 BL	3	EA
13	056066 006	Nut NylockNut DIN985 M6 8.0 Zi	3	EA

REPAIR PARTS



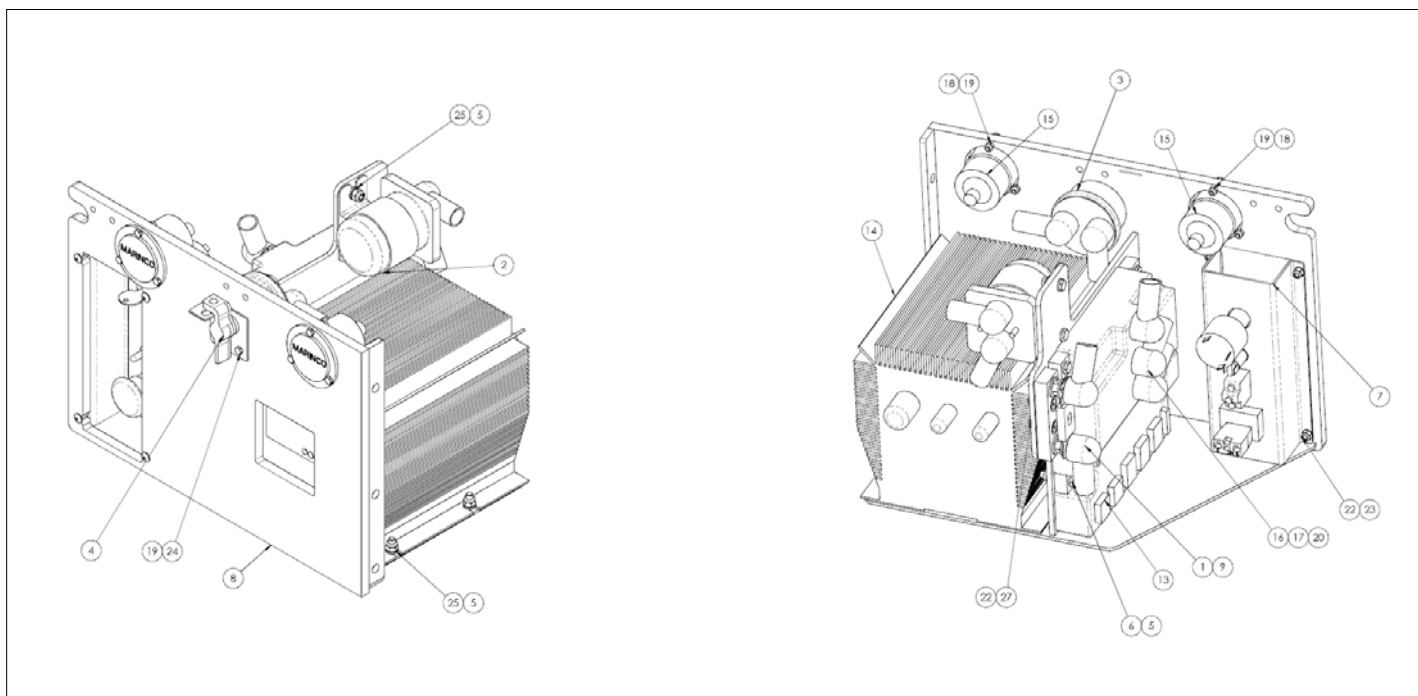
アイテム	部品番号	名前	数量	UOM
	1502674 E	CE/AU ASSEMBLY S3215E		EA
1	1501794	Weldment filler ORG	2	EA
2	500595 025	Bolt, SktButCapScrew DIN9427	4	EA
3	056066 008	NUT NYLOCKNUT DIN985 M8 8.0 ZP	3	EA
4	3030158	Pressure Transducer	1	EA
5	056687 045	HHCS M16X2X45 G8.8 ISO 4014	1	EA
6	1501639	ASSY, CE CONTROL TRAY S3219E	1	EA
7	5076527	FTG 4MBX4FB 90	1	EA
8	056069 016	WASHER STEELFLATWASHER M16 DIN	1	EA
9	500595 020	Bolt, SktButCapScrew DIN9427 M	3	EA
10	1502485	BRKT ANBER BEACON MNT	1	EA
11	1502490	ASSY, AMBER BEACON	1	EA
12	514176 030	SBHCS M6 X 1.0 X 30 GR 10.9 BL	3	EA
13	056066 006	Nut NylockNut DIN985 M6 8.0 Zi	3	EA

REPAIR PARTS

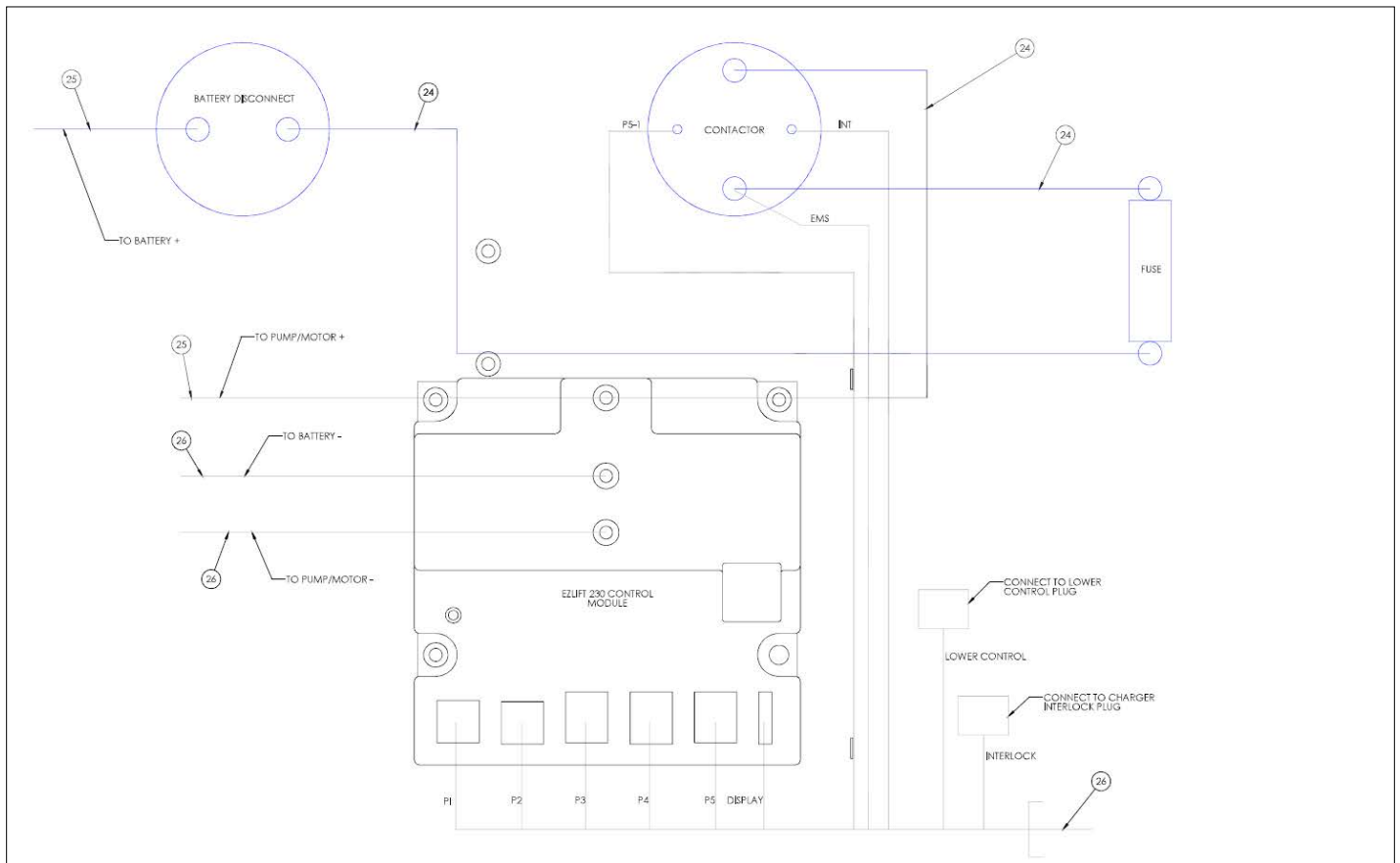


アイテム	部品番号	名前	数量	UOM
	1502674F	CE AS S3215 ASSEMBLY		EA
1	1501794	Weldment filler ORG	2	EA
2	500595 025	Bolt, SktButCapScrew DIN9427	4	EA
3	056066 008	NUT NYLOCKNUT DIN985 M8 8.0 ZP	3	EA
4	3030158	Pressure Transducer	1	EA
5	056687 045	HHCS M16X2X45 G8.8 ISO 4014	1	EA
6	1501639	ASSY, CE CONTROL TRAY S3219E	1	EA
7	5076527	FTG 4MBX4FB 90	1	EA
8	5563704	WSHR FLAT M16x30 YZ	1	EA
9	500595 020	Bolt, SktButCapScrew DIN9427 M	3	EA
10	1502485 4	BRKT, AMBER BEACON MNT	1	EA
11	1502490	ASSY, AMBER BEACON	1	EA
12	514176 030	SBHCS M6 X 1.0 X 30 GR 10.9 BL	3	EA
13	056066 006	Nut NylockNut DIN985 M6 8.0 Zi	3	EA
14	5093016	CLAMP	1	EA
15	056069 008	WASHER, STEELFLATWASHER DIN12M8 FLAT WASHER DIN 125	1	EA
16	056059 030	Bolt, HexBolt DIN931 M8 x 30mm	1	EA

REPAIR PARTS

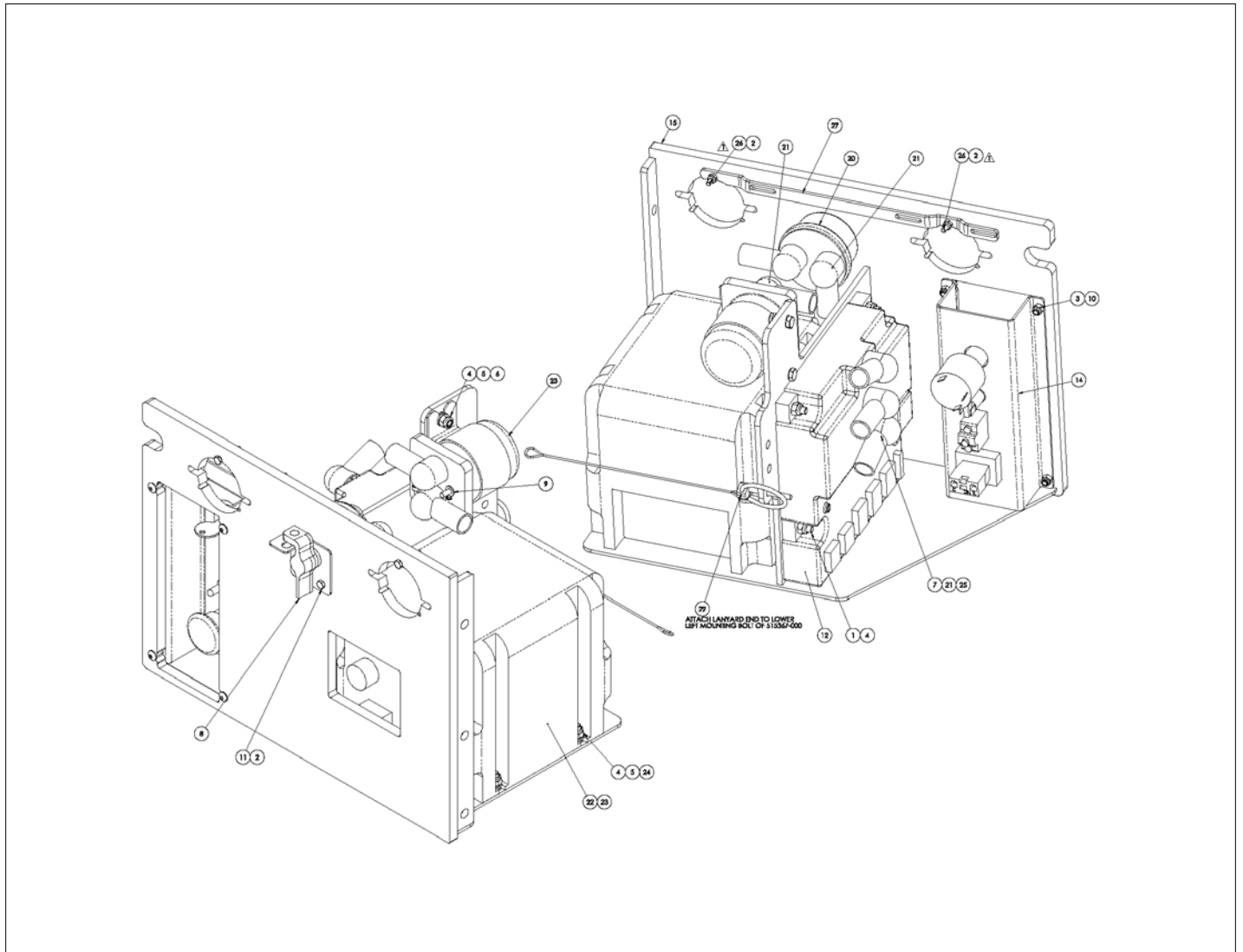


アイテム	部品番号	名前	数量	UOM
	1501639 C	CONTROL TRAY ASSEMBLY AS CE S3215/3219		EA
1	446086	Fuse Block	1	EA
2	3087787	CONTACTOR 24V SEALED	1	EA
3	3020049	Switch, Battery Disconnect	1	EA
4	300840	Lock Out Lever Assembly	1	EA
5	056066 006	Nut NylockNut DIN985 M6 8.0 Zi	10	EA
6	056058 030	Bolt, HexBolt DIN931 M6 x 30mm	3	EA
7	1500662	GROUND CONTROL PANEL ASSEMBLY	1	EA
8	1501010	WLDMT REAR TRAY ORG	1	EA
9	446076	FUSE, 250 AMP, REPLACEMENT	1	EA
10	3014744	WIRE 2 R375 R375 89 RED	2	EA
11	3014745	WIRE 2 R375 R375 86 BLK	2	EA
12	3014743	WIRE 2 R375 R375 13.5 RED	3	EA
13	3087800	EZ230 CONTROLLER	1	EA
14	1450029	BATTERY CHARGER	1	EA
15	3069521	INLET FLANGE	2	EA
Not Shown	3069542	FRONT COVER FOR 3069521	1	EA
16	058492 016	HHCS M8 x 1.25 X 16GR 8.8 DIN933	3	EA
17	056021 008	Washer SpringWasher DIN127B M8	3	EA
18	512459 020	BLT HEXHD M4 0.07 X 20MM G8.8	6	EA
19	05606 004	NUT HEX M4 X 0.70 GR 8.8 SELF LOCKING DIN 985	7	EA
20	3040269	Boot Cable Entry Black I/O GA	9	EA
21	1501984	HARNESS CHASSIS S3215/3219 FEBURARY 2016 AND BEFORE	1	EA
22	056066 005	Nut NylockNut DIN985 M5 8.0 Zi	6	EA

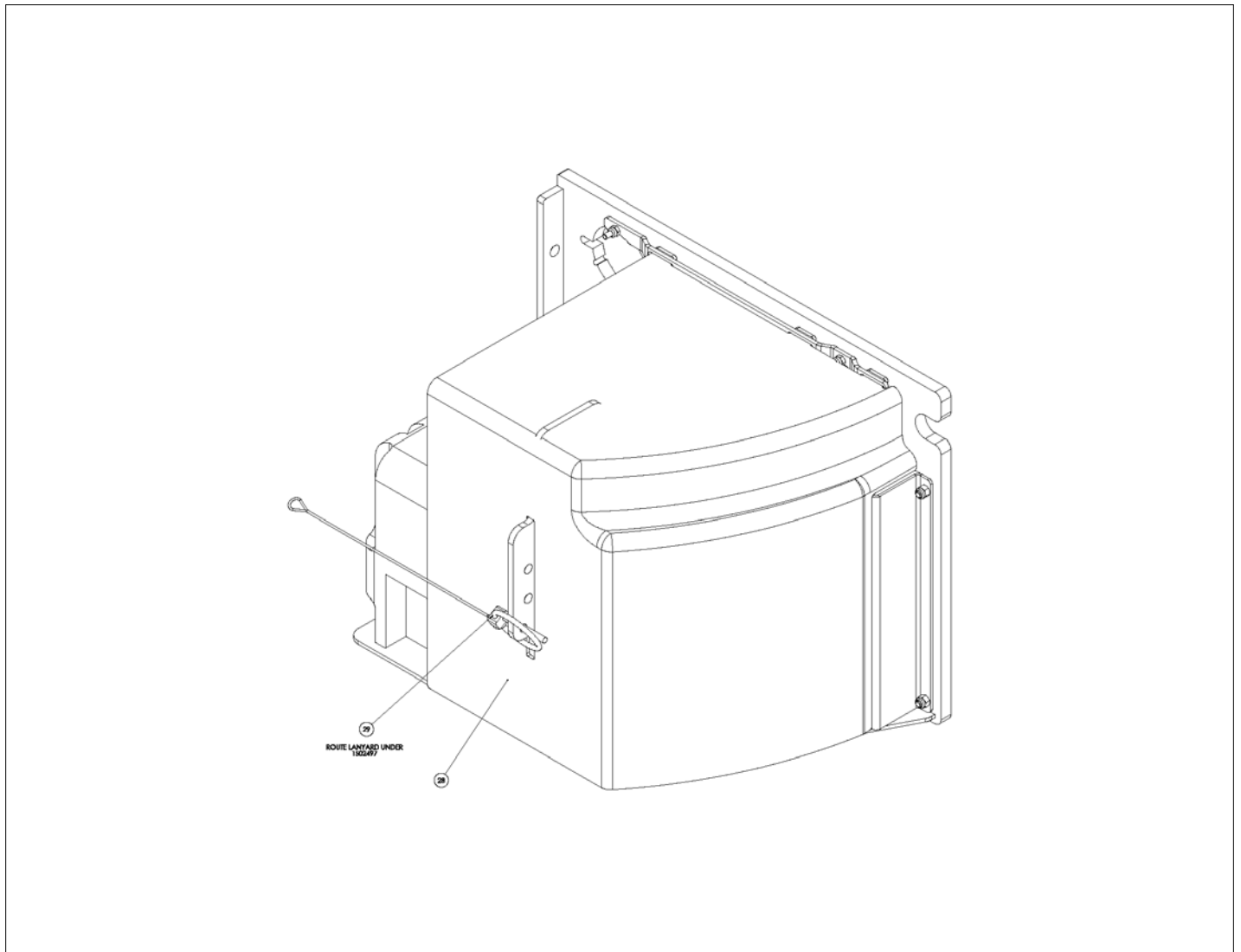


アイテム	部品番号	名前	数量	UOM
23	5563273	SBHCS M5 X .8 X 18 GR 10.9 BLK FINISH	4	EA
24	512459 016	BLT HEXHD M4 X 0.7 X 16MM DIN 933 8.8 ZP	1	EA
25	056069 006	WSHR STEELFLATWSHE M6 DIN125A	20	EA
26	056069 005	Washer SteelFlatWasher DIN125A	2	EA
27	513876 025	Bolt,CskSktFltMachScrew,DIN799	2	EA
28	1450303	AC POWER CORD	1	EA

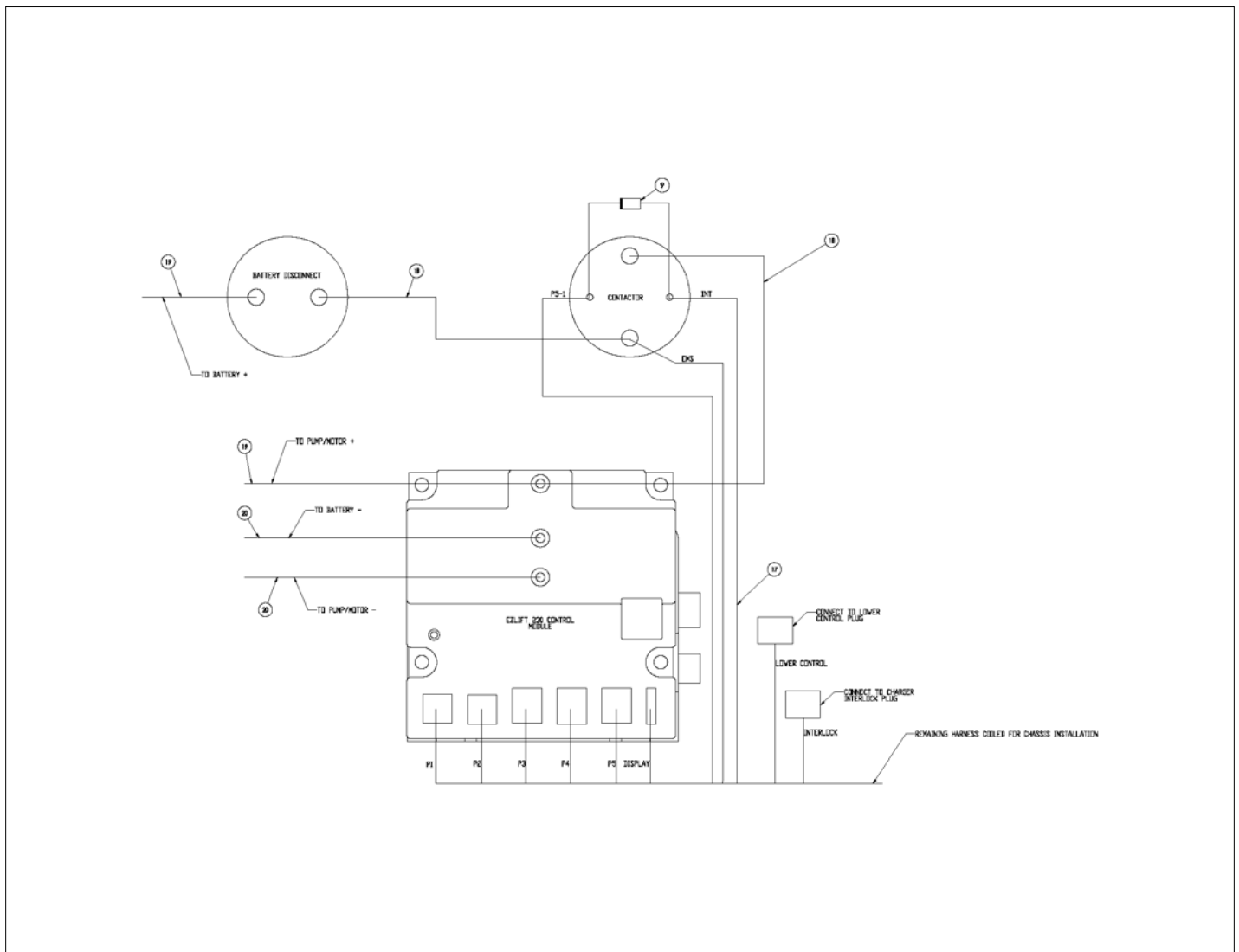
REPAIR PARTS



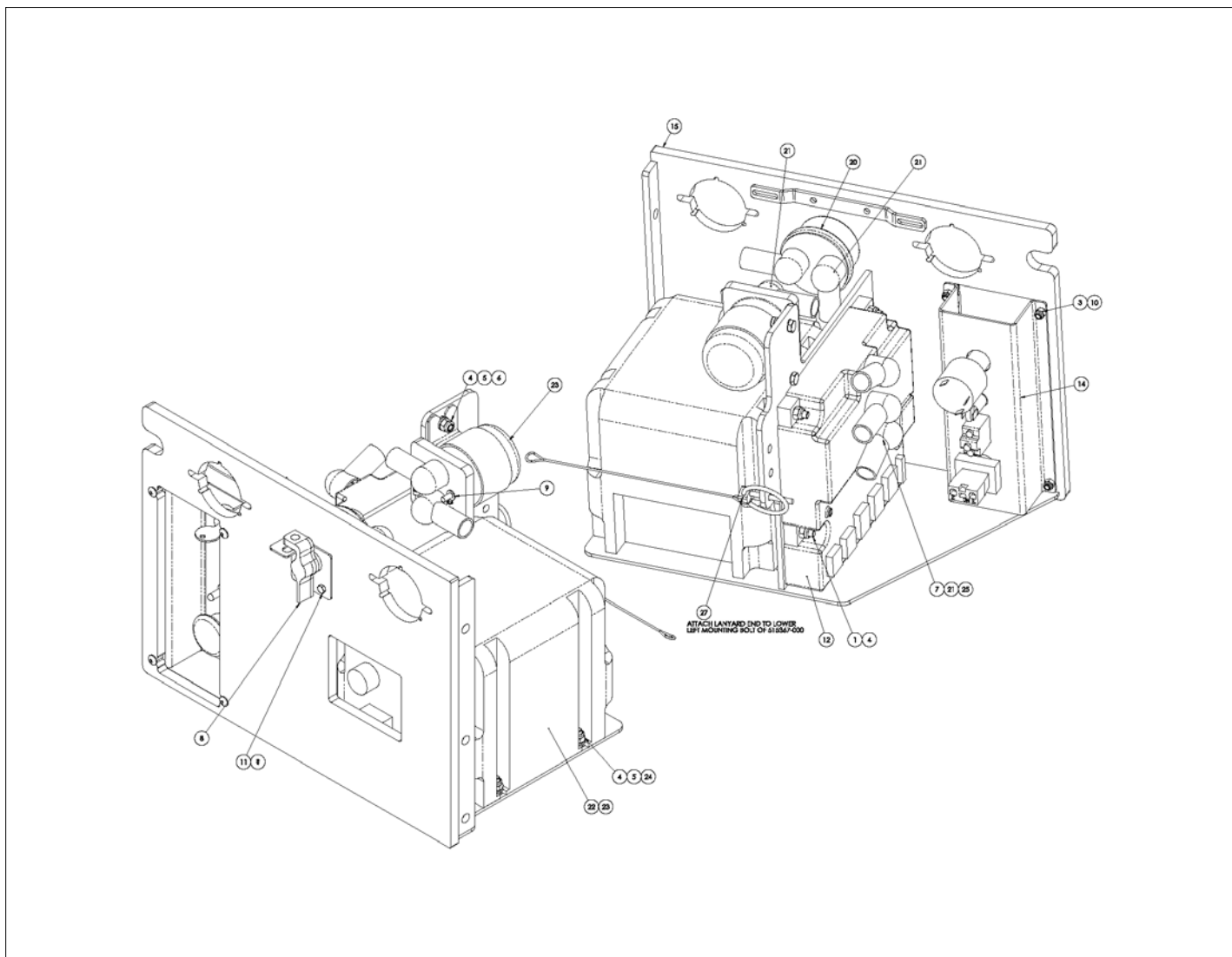
アイテム	部品番号	名前	数量	UOM
	1501639 T	REAR TRAY ASSEMBLY CE AS S3215E S3219E DECEMBER 2017 AND BEFORE		EA
1	056058 030	Bolt, HexBolt DIN931 M6 x 30mm	4	EA
2	056066 004	NUT NYLOCK DIN985 M4 8.0 ZP	3	EA
3	056066 005	Nut NylockNut DIN985 M5 8.0 Zi	4	EA
4	056066 006	Nut NylockNut DIN985 M6 8.0 Zi	8	EA
5	056069 006	WSHR STEELFLATWSHE M6 DIN125A	4	EA
6	058491 016	BOLT HEXSETSCREW DIN933 M6 X 16MM 8.8 ZP	2	EA
7	058492 016	HHCS M8 x 1. 25 X 16GR 8.8 DIN933	3	EA
8	300840	Lock Out Lever Assembly	1	EA
9	0351039	DIODE ASSY R10I R10I SEE DRAWI	1	EA
10	505082 020	Bolt, SktButCapScrew DIN9427 M5 x 20mm 10.9 ZincPlated	4	EA
11	512459 016	BLT HEXHD M4 X 0.7 X 16MM DIN 933 8.8 ZP	1	EA
12	515367 000	CONTROL MODULE PG	1	EA
Not Shown	1450303	AC POWER CORD	1	EA
14	1500662	GROUND CONTROL PANEL ASSEMBLY	1	EA
15	1501010	WLDMT REAR TRAY ORG	1	EA
Not Shown	1501984	HARNESS CHASSIS S3215/3219 FEBURARY 2016 AND BEFORE	1	EA
17	3014743	WIRE 2 R375 R375 13.5 RED	2	EA
18	3014744	WIRE 2 R375 R375 89 RED	2	EA
19	3014745	WIRE 2 R375 R375 86 BLK	2	EA
20	3020049	Switch, Battery Disconnect	1	EA
21	3040269	Boot Cable Entry Black I/O GA	7	EA
22	3050126	CHARGER, PYLON	1	EA



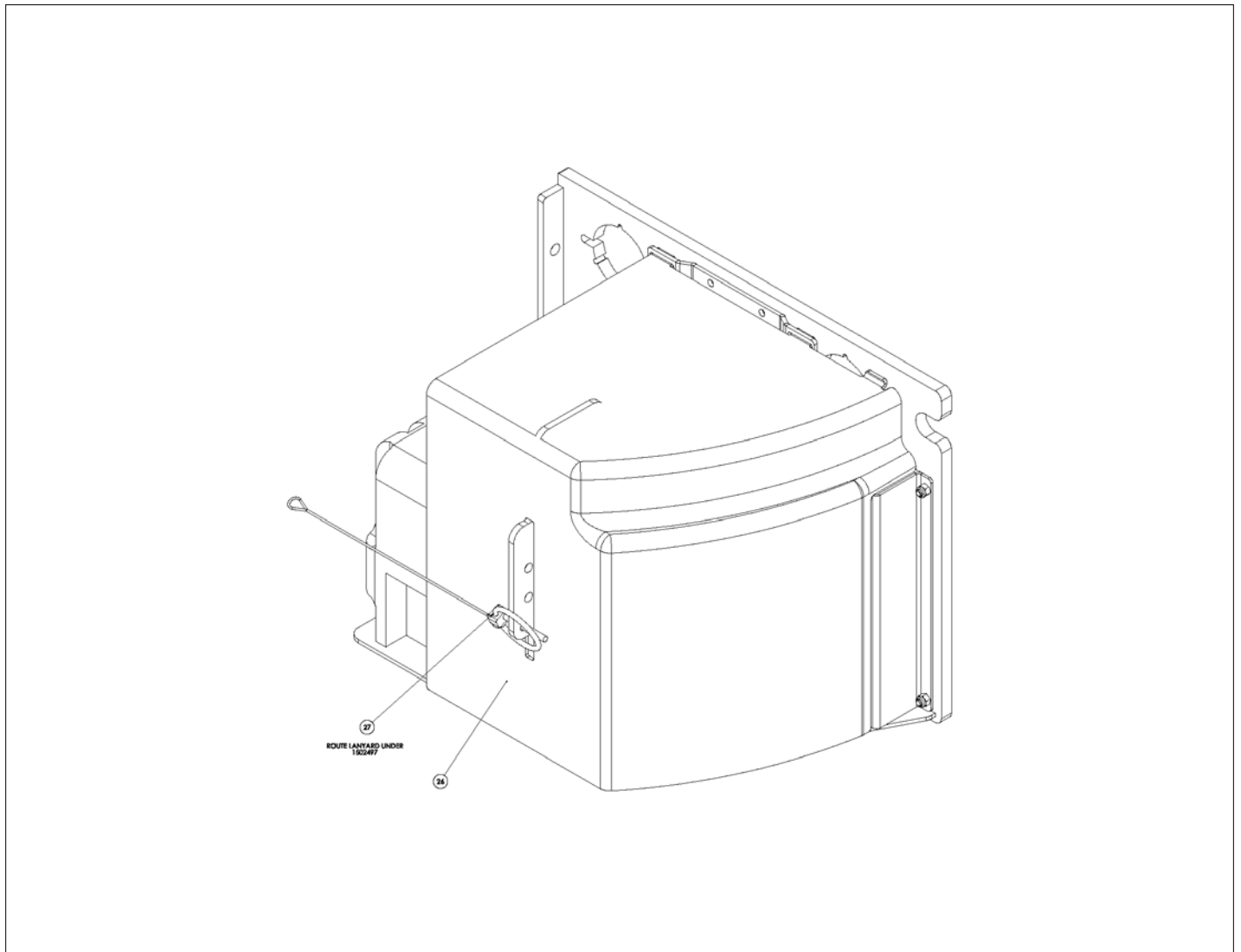
アイテム	部品番号	名前	数量	UOM
23	3087787	CONTACTOR 24V SEALED	1	EA
24	501253 020	Bolt, SktButCapScrew DIN9427 M	2	EA
25	056069 005	Washer SteelFlatWasher DIN125A	3	EA
26	512714 025	HHCS M4 X 0.7 x 25 G8.8 ISO 4014 DIN 931	2	EA
27	1502325	PLT, REAR COVER MNT	1	EA
28	1502497	COVER, REAR TRAY	1	EA
29	5563933	ASSY, LYNCH PIN WITH LANYARD	1	EA



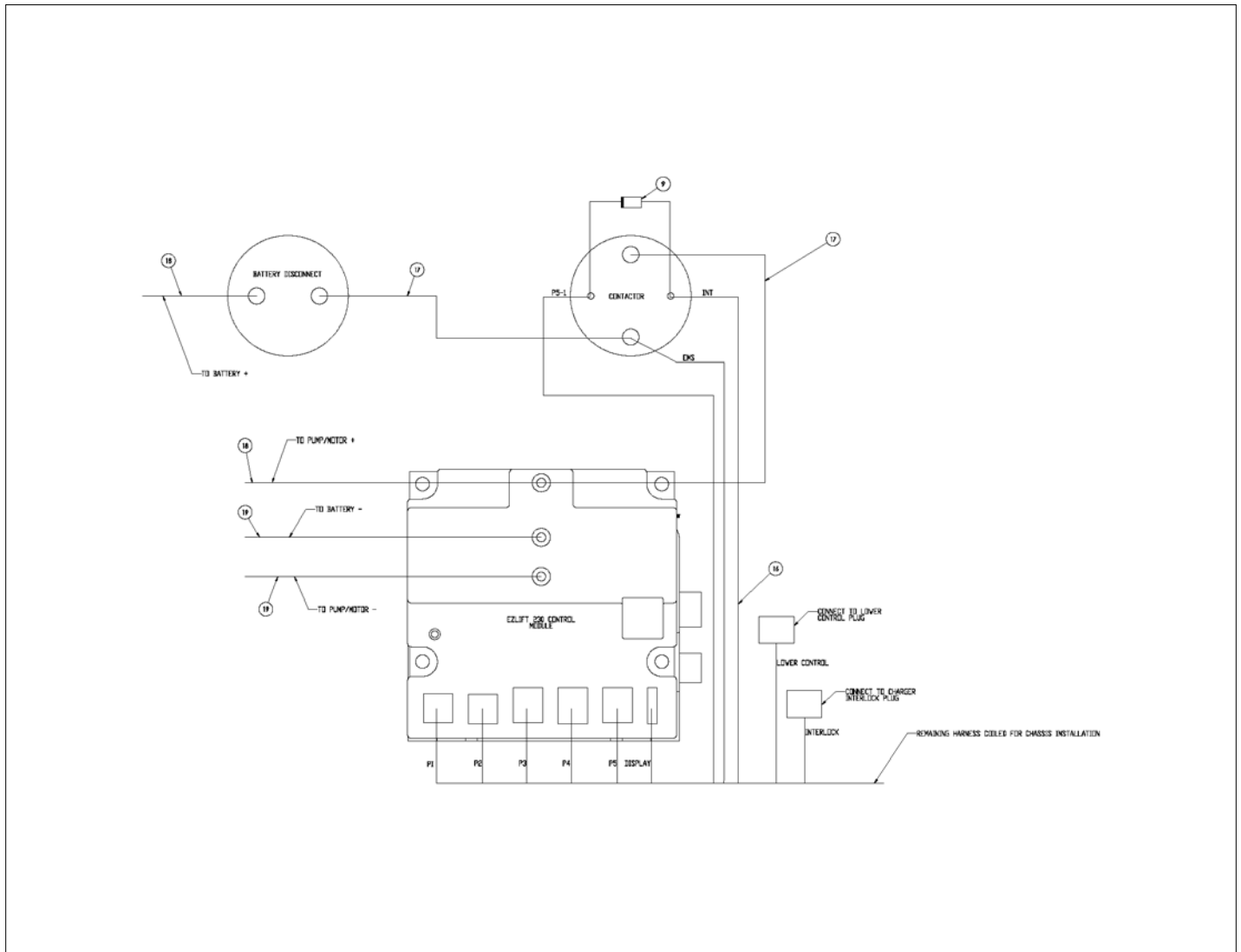
REPAIR PARTS



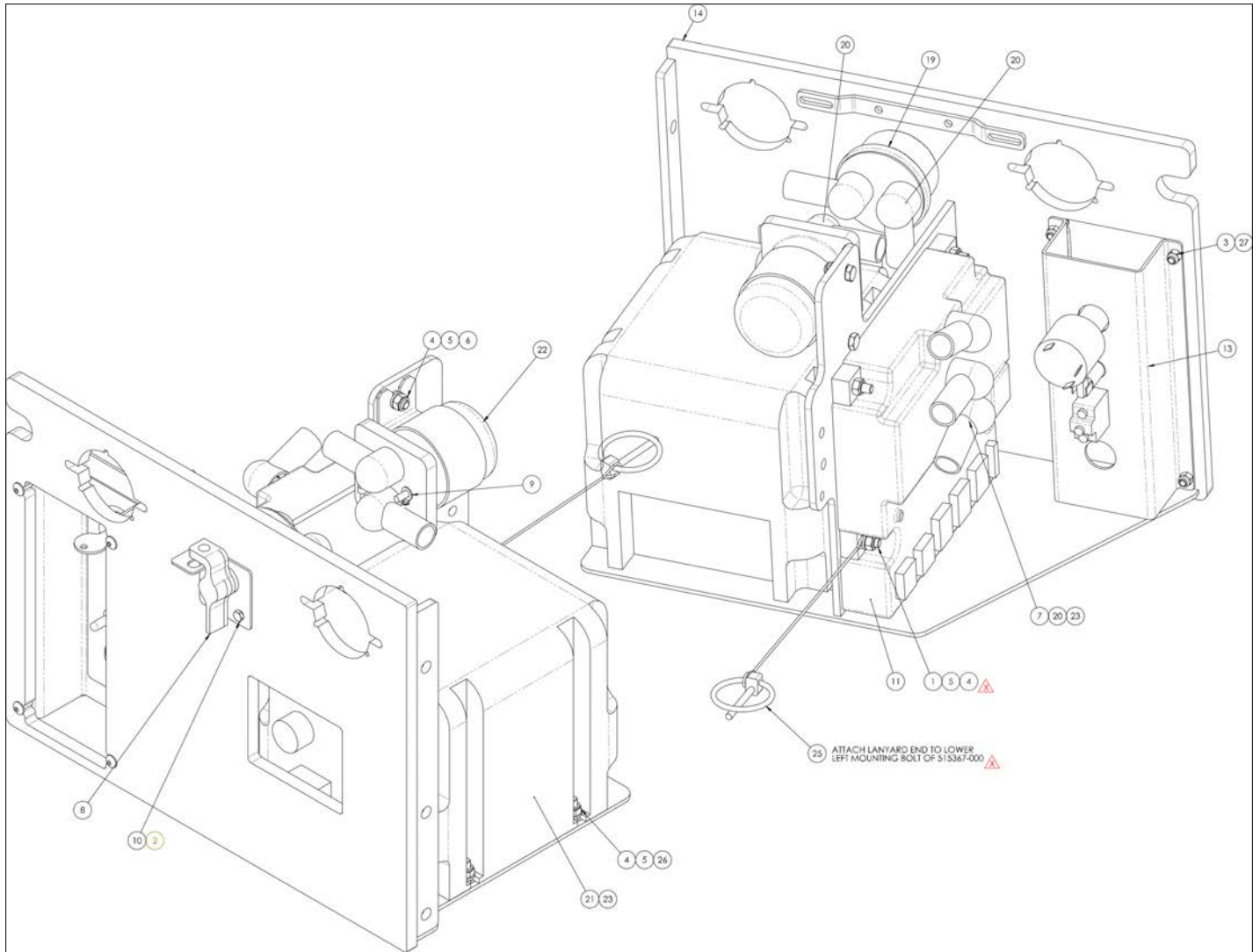
アイテム	部品番号	名前	数量	UOM
	1501639 V	REAR TRAY ASSEMBLY CE S3215L S3215E S3219E AUGUST 2018 AND AFTER		EA
1	056058 030	Bolt, HexBolt DIN931 M6 x 30mm	4	EA
2	056066 004	NUT NYLOCK DIN985 M4 8.0 ZP	1	EA
3	056066 005	Nut NylockNut DIN985 M5 8.0 Zi	4	EA
4	056066 006	Nut NylockNut DIN985 M6 8.0 Zi	8	EA
5	056069 006	WSHR STEELFLATWSHE M6 DIN125A	4	EA
6	058491 016	BOLT HEXSETSCREW DIN933 M6 X 16MM 8.8 ZP	2	EA
7	058492 016	HHCS M8 x 1. 25 X 16GR 8.8 DIN933	3	EA
8	300840	Lock Out Lever Assembly	1	EA
9	0351039	DIODE ASSY R10I R10I SEE DRAWI	1	EA
10	505082 020	Bolt, SktButCapScrew DIN9427 M5 x 20mm 10.9 ZincPlated	4	EA
11	512459 016	BLT HEXHD M4 X 0.7 X 16MM DIN 933 8.8 ZP	1	EA
12	515367 000	CONTROL MODULE PG	1	EA
Not Shown	1450303	AC POWER CORD	1	EA
14	1500662	GROUND CONTROL PANEL ASSEMBLY	1	EA
15	1501010	WLDMT REAR TRAY ORG	1	EA
16	1502973	HARNESS CHASSIS S3215/3219 DECEMBER 2018 AND BEFORE	1	EA
17	3014743	WIRE 2 R375 R375 13.5 RED	2	EA
18	3014744	WIRE 2 R375 R375 89 RED	2	EA
19	3014745	WIRE 2 R375 R375 86 BLK	2	EA
20	3020049	Switch, Battery Disconnect	1	EA
21	3040269	Boot Cable Entry Black I/O GA	7	EA
22	3050126	CHARGER, PYLON	1	EA



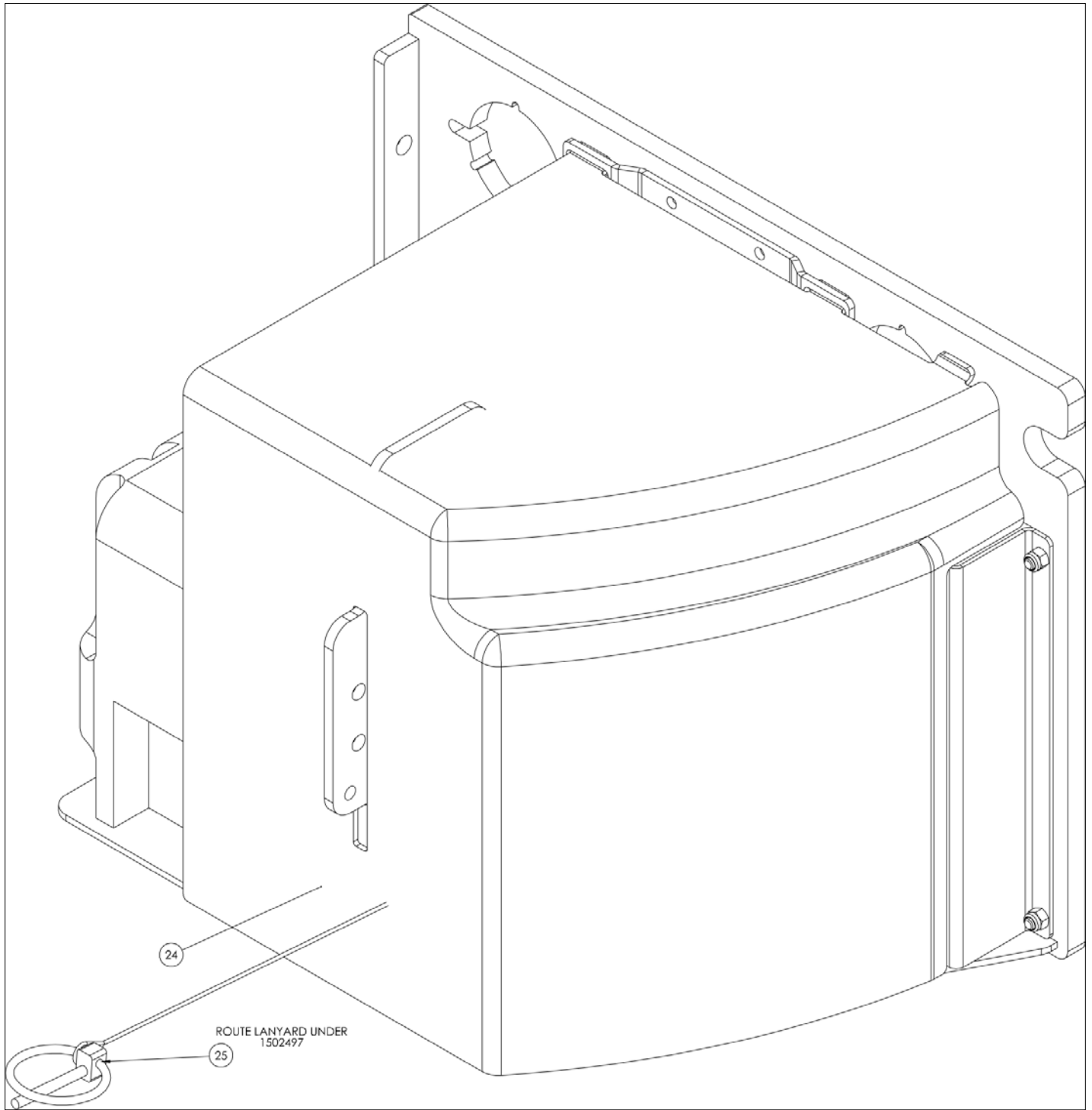
アイテム	部品番号	名前	数量	UOM
23	3087787	CONTACTOR 24V SEALED	1	EA
24	5563283	SBHCS M6 X 1.0 X 20 GR 10.9 BLK FINISH	2	EA
25	056069 005	Washer SteelFlatWasher DIN125A	3	EA
26	1502497	COVER, REAR TRAY	1	EA
27	5563933	ASSY, LYNCH PIN WITH LANYARD	1	EA



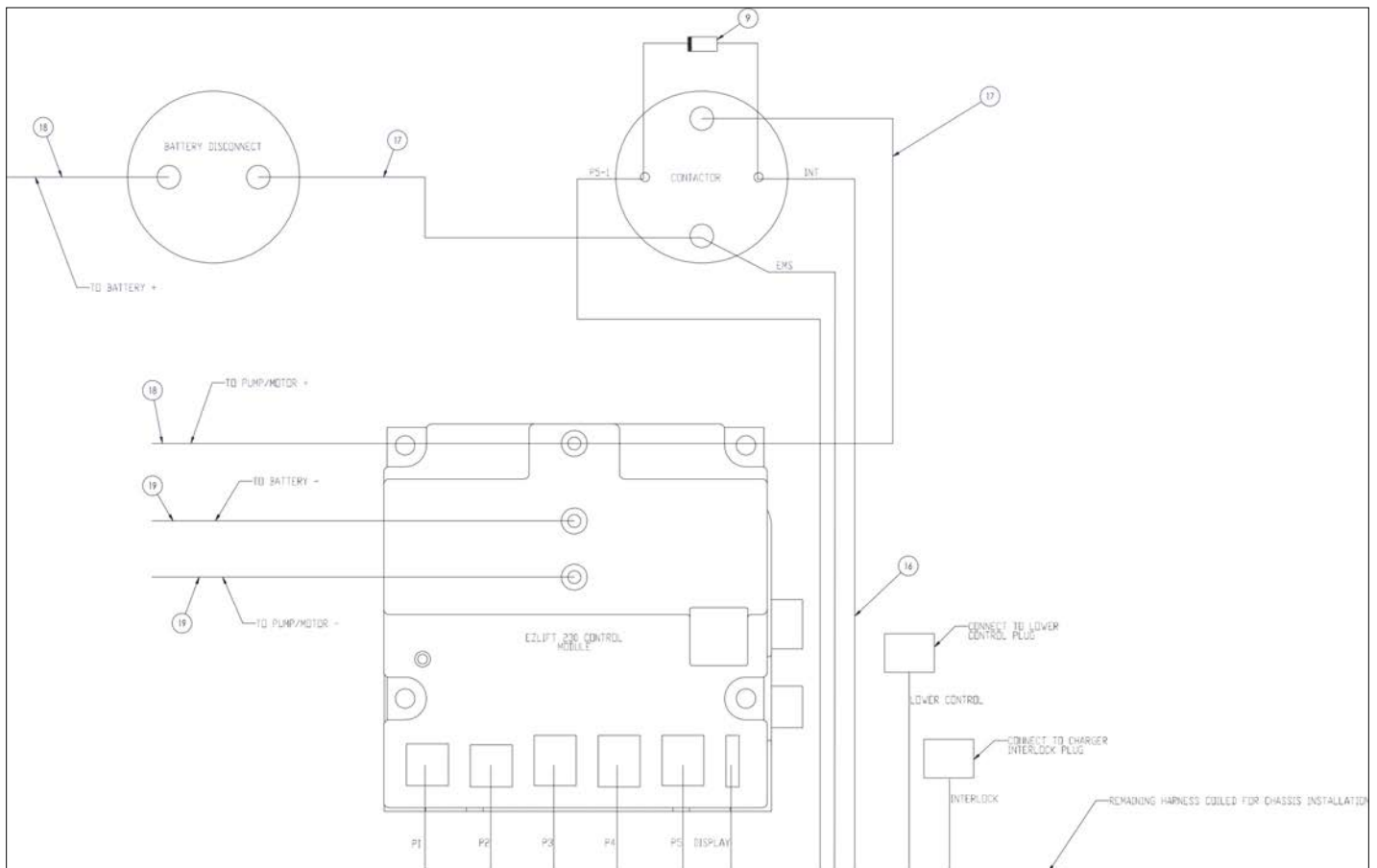
REPAIR PARTS



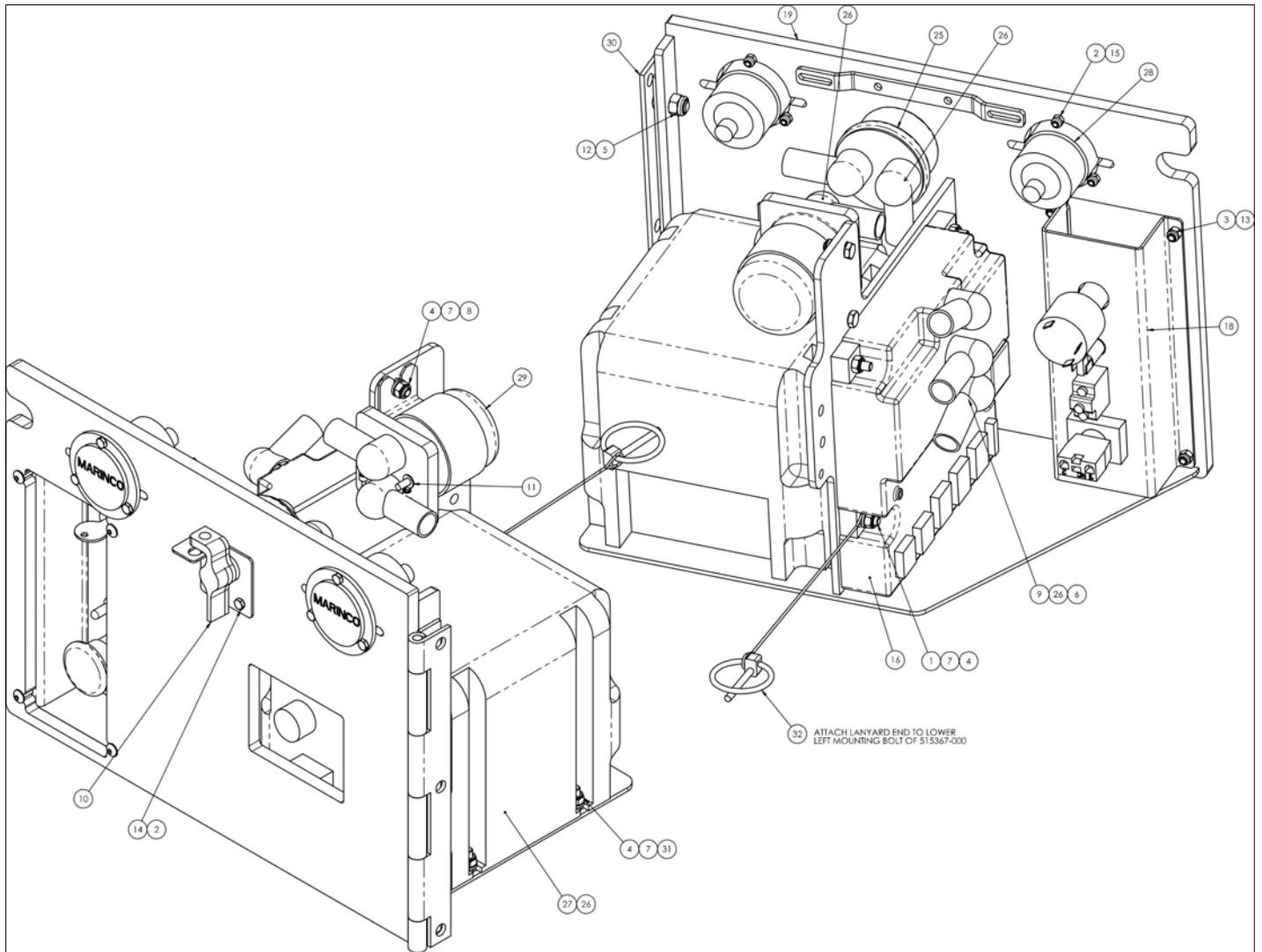
アイテム	部品番号	名前	数量	UOM
	1501639 X	REAR TRAY ASSEMBLY CE S3215L S3215E S3219E APRIL 2019 AND AFTER		EA
1	056058 030	Bolt, HexBolt DIN931 M6 x 30mm	4	EA
2	056066 004	NUT NYLOCK DIN985 M4 8.0 ZP	1	EA
3	056066 005	Nut NylockNut DIN985 M5 8.0 Zi	4	EA
4	056066 006	Nut NylockNut DIN985 M6 8.0 Zi	8	EA
5	056069 006	WSHR STEELFLATWSHE M6 DIN125A	5	EA
6	058491 016	BOLT HEXSETSCREW DIN933 M6 X 16MM 8.8 ZP	2	EA
7	058492 016	HHCS M8 x 1.25 X 16GR 8.8 DIN933	3	EA
8	300840	Lock Out Lever Assembly	1	EA
9	0351039	DIODE ASSY R10I R10I SEE DRAWI	1	EA
10	512459 016	BLT HEXHD M4 X 0.7 X 16MM DIN 933 8.8 ZP	1	EA
11	515367 000	CONTROL MODULE PG	1	EA
Not Shown	1450303	AC POWER CORD	1	EA
13	1500662	GROUND CONTROL PANEL ASSEMBLY	1	EA
14	1501010	WLDMT REAR TRAY ORG	1	EA
Not Shown	1503092	HARNESS, CHASSIS S3215/3219	1	EA
16	3014743	WIRE 2 R375 R375 13.5 RED	2	EA
17	3014744	WIRE 2 R375 R375 89 RED	2	EA
18	3014745	WIRE 2 R375 R375 86 BLK	2	EA
19	3020049	Switch, Battery Disconnect	1	EA
20	3040269	Boot Cable Entry Black I/O GA	7	EA
21	3050126	CHARGER, PYLON	1	EA
22	3087787	CONTACTOR 24V SEALED	1	EA



アイテム	部品番号	名前	数量	UOM
23	056069 005	Washer SteelFlatWasher DIN125A	3	EA
24	1502497	COVER, REAR TRAY	1	EA
25	5563933	ASSY, LYNCH PIN WITH LANYARD	1	EA
26	5563283	SBHCS M6 X 1.0 X 20 GR 10.9 BLK FINISH	2	EA
27	505082 020	Bolt, SktButCapScrew DIN9427 M5 x 20mm 10.9 ZincPlated	4	EA



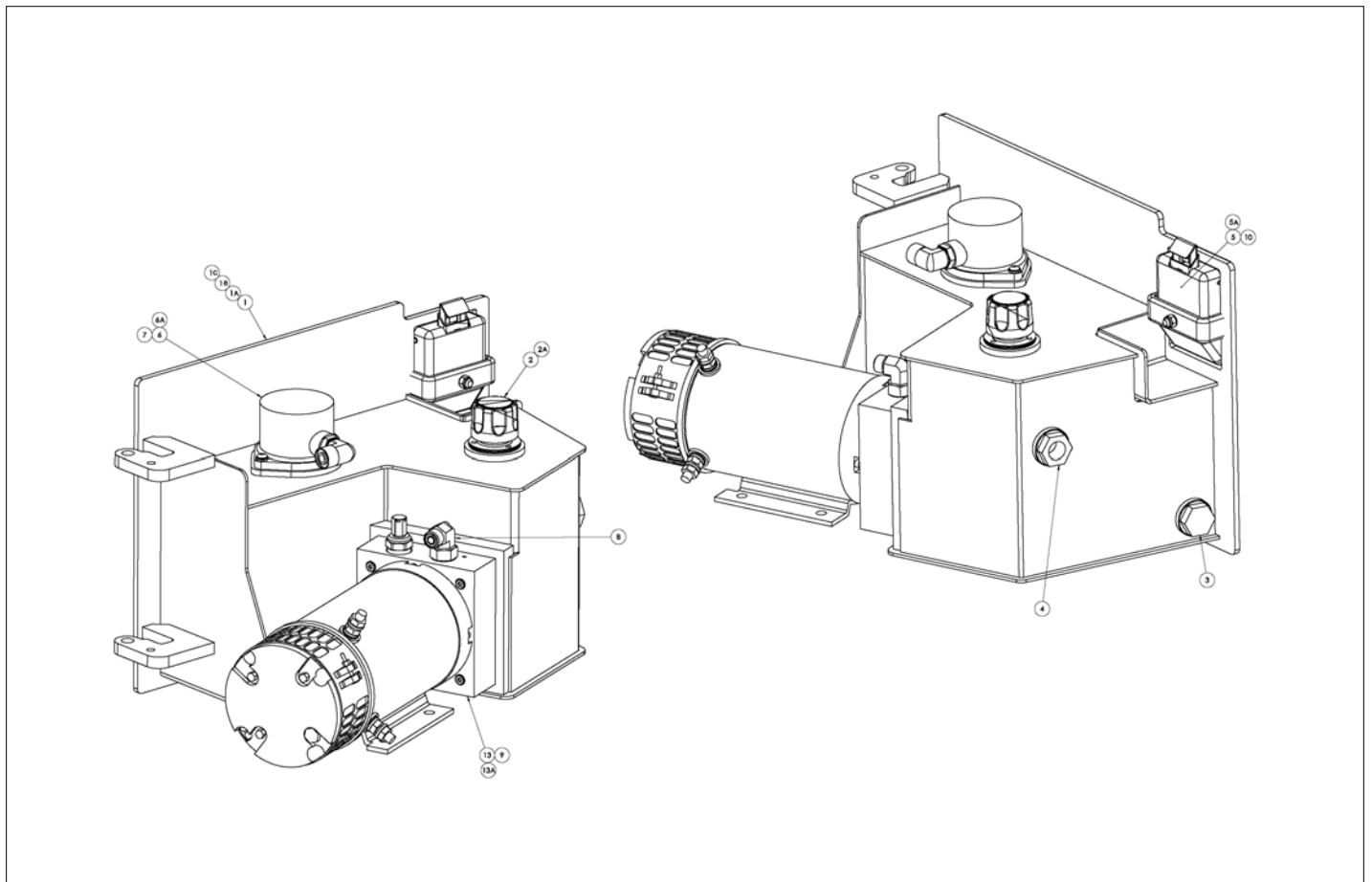
REPAIR PARTS



アイテム	部品番号	名前	数量	UOM
*	1503177 A	CONTROL TRAY ASSEMBLY ANSI CSA S3215E S3219E JUNE 2019 AND AFTER		EA
1	056058 030	Bolt, HexBolt DIN931 M6 x 30mm	4	EA
2	056066 004	NUT NYLOCK DIN985 M4 8.0 ZP	7	EA
3	056066 005	Nut NylockNut DIN985 M5 8.0 Zi	4	EA
4	056066 006	Nut NylockNut DIN985 M6 8.0 Zi	8	EA
5	056066 008	NUT NYLOCKNUT DIN985 M8 8.0 ZP	3	EA
6	056069 005	Washer SteelFlatWasher DIN125A	3	EA
7	056069 006	WSHR STEELFLATWSHE M6 DIN125A	5	EA
8	058491 016	BOLT HEXSETSCREW DIN933 M6 X 16MM 8.8 ZP	2	EA
9	058492 016	HHCS M8 x 1.25 X 16GR 8.8 DIN933	3	EA
10	300840	Lock Out Lever Assembly	1	EA
11	0351039	DIODE ASSY R10I R10I SEE DRAWI	1	EA
12	500595 020	Bolt, SktButCapScrew DIN9427 M	3	EA
13	505082 020	Bolt, SktButCapScrew DIN9427 M5 x 20mm 10.9 ZincPlated	4	EA
14	512459 016	BLT HEXHD M4 X 0.7 X 16MM DIN 933 8.8 ZP	1	EA
15	512459 020	BLT HEXHD M4 0.07 X 20MM G8.8	6	EA
16	515367 000	CONTROL MODULE PG	1	EA
17	1450303	AC POWER CORD	1	EA
18	1500662	GROUND CONTROL PANEL ASSEMBLY	1	EA
19	1501010	WLDMT REAR TRAY ORG	1	EA
20	1502497	COVER, REAR TRAY	1	EA
21	1503092	HARNESS, CHASSIS S3215/3219	1	EA

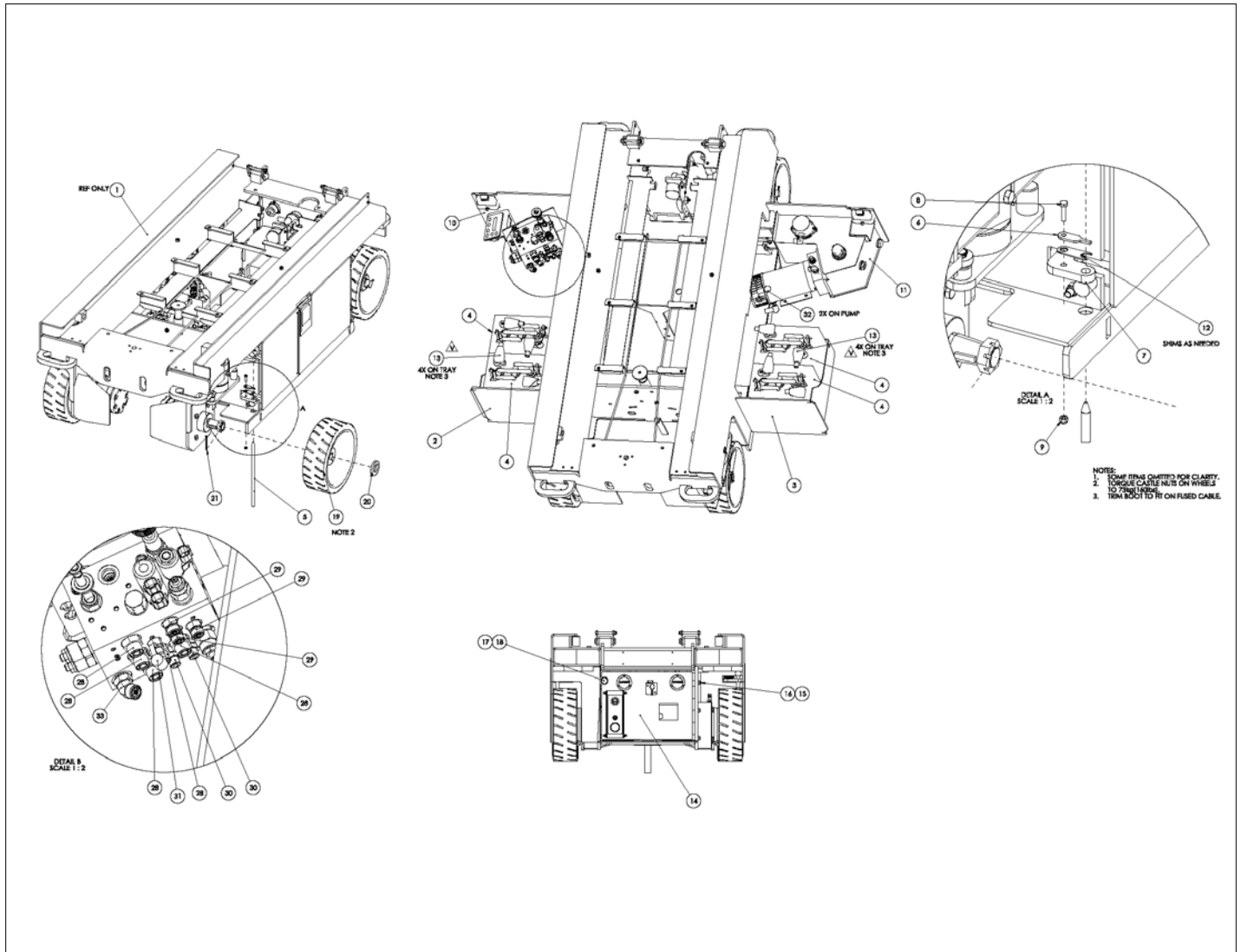
アイテム	部品番号	名前	数量	UOM
22	3014743	WIRE 2 R375 R375 13.5 RED	2	EA
23	3014750	WIRE 2 R375 R375 101 RED	2	EA
24	3014751	WIRE 2 R375 R375 122 BLACK	2	EA
25	3020049	Switch, Battery Disconnect	1	EA
26	3040269	Boot Cable Entry Black I/O GA	7	EA
27	3050126	CHARGER, PYLON	1	EA
28	3069521	INLET FLANGE	2	EA
29	3087787	CONTACTOR 24V SEALED	1	EA
30	5516346	HINGE CONTROL TRAY	1	EA
31	501253 020	Bolt, SktButCapScrew DIN9427 M	2	EA
32	5563933	ASSY, LYNCH PIN WITH LANYARD	1	EA

REPAIR PARTS

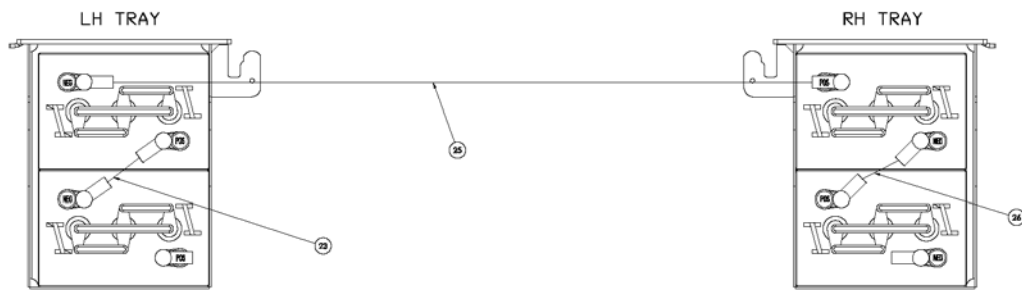


アイテム	部品番号	名前	数量	UOM
*	1502149 G	TANK TRAY ASSEMBLY ANSI CE JUNE 2018 AND AFTER		EA
1	1501653	WLDMT HYD TRAY S3219E	1	EA
1A	1501009	WLDMT HYD TRAY S3219E BEFORE 4 14	1	EA
1B	1501654	WLDMT HYD TRAY S4732/26E	1	EA
1C	1501654	WLDMT HYD TRAY S4732/26E	1	EA
2	5076528	TANK CAP WITH TETHER	1	EA
2A	5076526	CAP W/DIPSTICK S/M 000000 TO 000250	1	EA
2B	7190010	GASKET FOR 5076528	1	EA
3	5076529	FTG BSPP 12 PLUG	1	EA
4	5076530	FTG BSPP 12 SIGHT	1	EA
5	5516353	LATCH PADDLE	1	EA
5A	5516345	LATCH PADDLE S/N 000000 TO 000253	1	EA
6	114067 000	Tank Top Filter	1	EA
6A	114067 012	HYD FILTER ELEMENT	1	EA
6B	7119945	O RING FOR 114067 000	1	EA
7	100434 013	Hyd Fitting 90 Elbow ORFS(08) SAE(08)	1	EA
8	100434 012	FTG, 6MB X 8MORFF 90	1	EA
9	058502 050	Bolt, SktCapScrew DIN912 M6 x	4	EA
10	5560004	NUT LKG .250 20	1	EA
Not Shown	5563280	SBHCS M6 X 1.0 X 14 GR 12.9 ZP	2	EA
Not Shown	056069 006	WSHR STEELFLATWSHE M6 DIN125A	2	EA
13	6029696	PUMP UNIT 24 VDC 4.33CC WUXI	1	EA
	6091783	SUCTION FILTER	1	EA
	6091784	SUCTION TUBE	1	EA
13A	6029678	PUMP UNIT 24VDC 4.3CC	1	EA

REPAIR PARTS

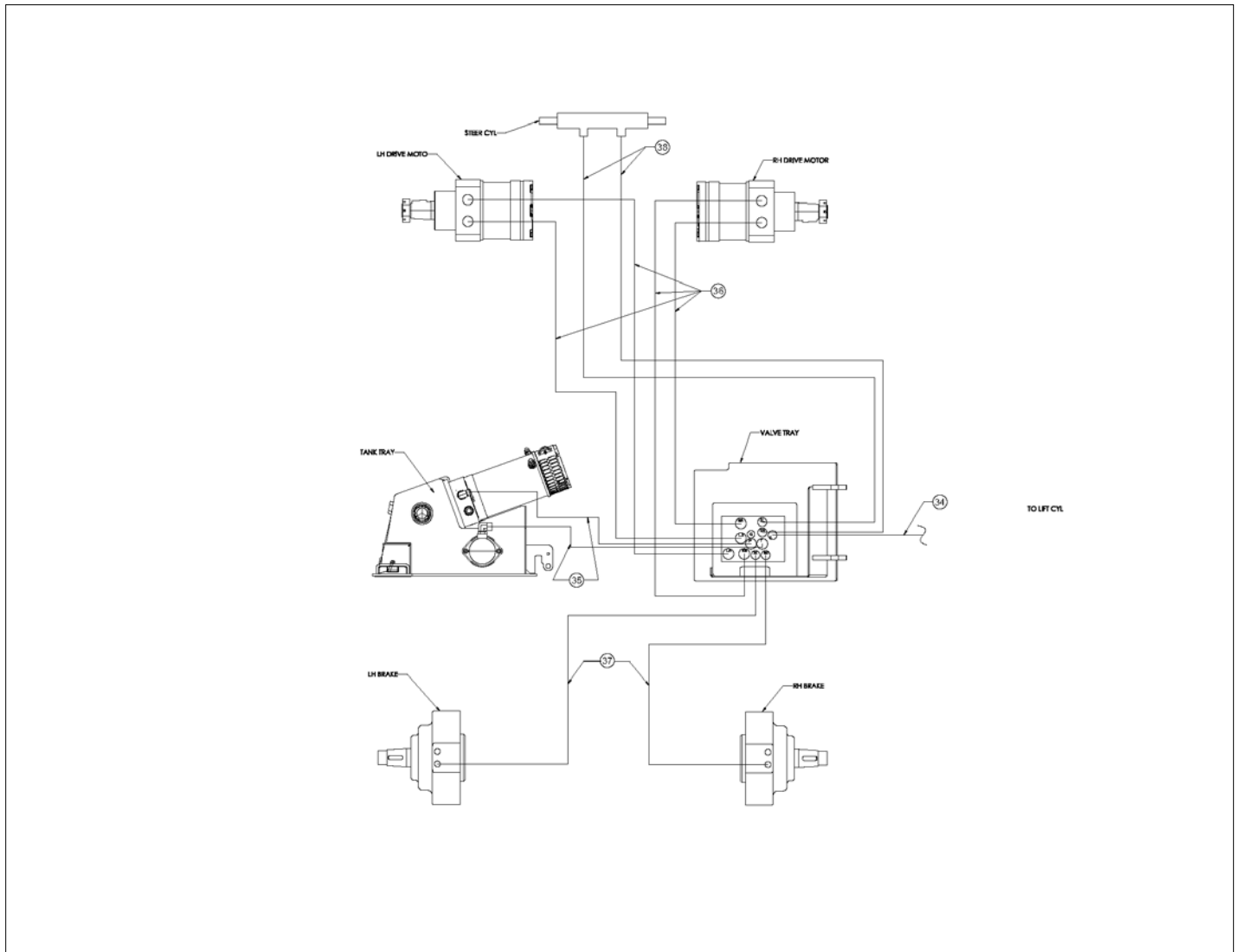


アイテム	部品番号	名前	数量	UOM
	1501294 V	TRAYS ASSEMBLY S3215E 3219		EA
1	1502237	ASSY CHASSIS S3219E	1	EA
2	1501008	WLDMT BATTERY TRAY RH	1	EA
3	1501007	WLDMT BATTERY TRAY LH	1	EA
4	3050009	BATTERY, 6v	4	EA
5	1500947	PIN TRAY HINGE	4	EA
6	1500948	PLT, TRAY PIN KEEPER	4	EA
7	5569941	BSHG MCHRY .500ID .875OD 14GA	4	EA
8	058491 025	Bolt HexSetScrew DIN933 M6 x 2	4	EA
9	056066 006	Nut NylockNut DIN985 M6 8.0 Zi	4	EA
10	1502147	VALVE TRAY ASSEMBLY	1	EA
11	1502149	TANK TRAY ASSEMBLY ANSI CE JUNE 2018 AND AFTER	1	EA
12	1501059	SHIM HINGE BLOCK LOWER	2	EA
13	010154 000	COVER BATTERY	8	EA
14	1501176	ASSY CONTROL TRAY S3219E	1	EA
15	500595 020	Bolt, SktButCapScrew DIN9427 M	3	EA
16	056066 008	NUT NYLOCKNUT DIN985 M8 8.0 ZP	3	EA
17	056069 016	WASHER STEELFLATWASHER M16 DIN	1	EA
18	056087 045	HHCS M16X2X45 G8.8 ISO 4014	1	EA
19	1360604	Tire/Wheel Assy 12x4, 1.5 Taper, Threaded	4	EA
20	1501734	PLT, WHEEL SPACER	4	EA
21	5563230	PIN COT .156DIA 2.25	4	EA
23	3014746	WIRE 2 R375 9 BLK	1	EA
Not Shown	5098343	SLEEVEHOSE ABRASION GRD 2.88 in	1	EA

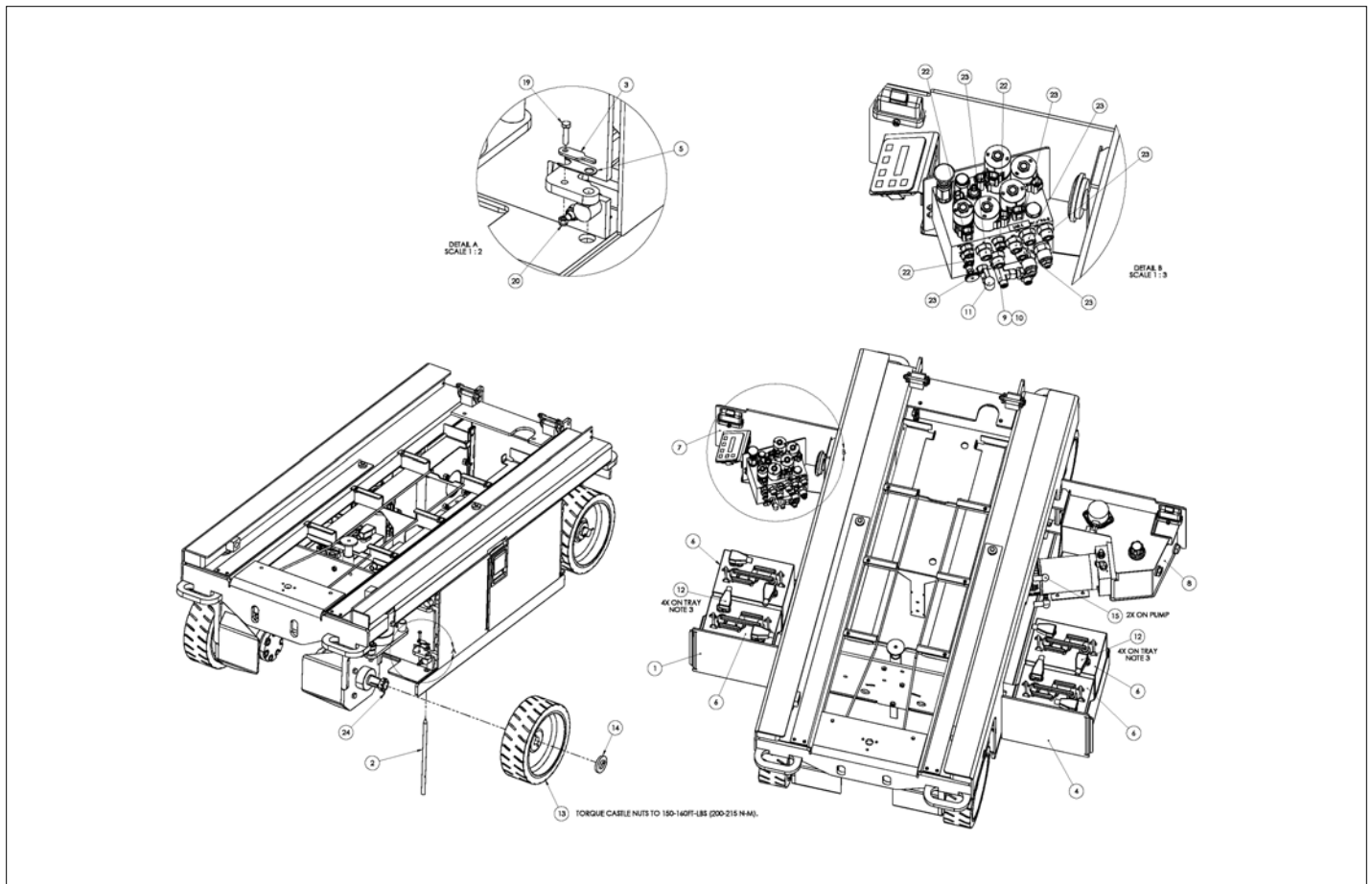


FOR WIRING OF REMAING POSTS AND POWER UNIT SEE 1501176

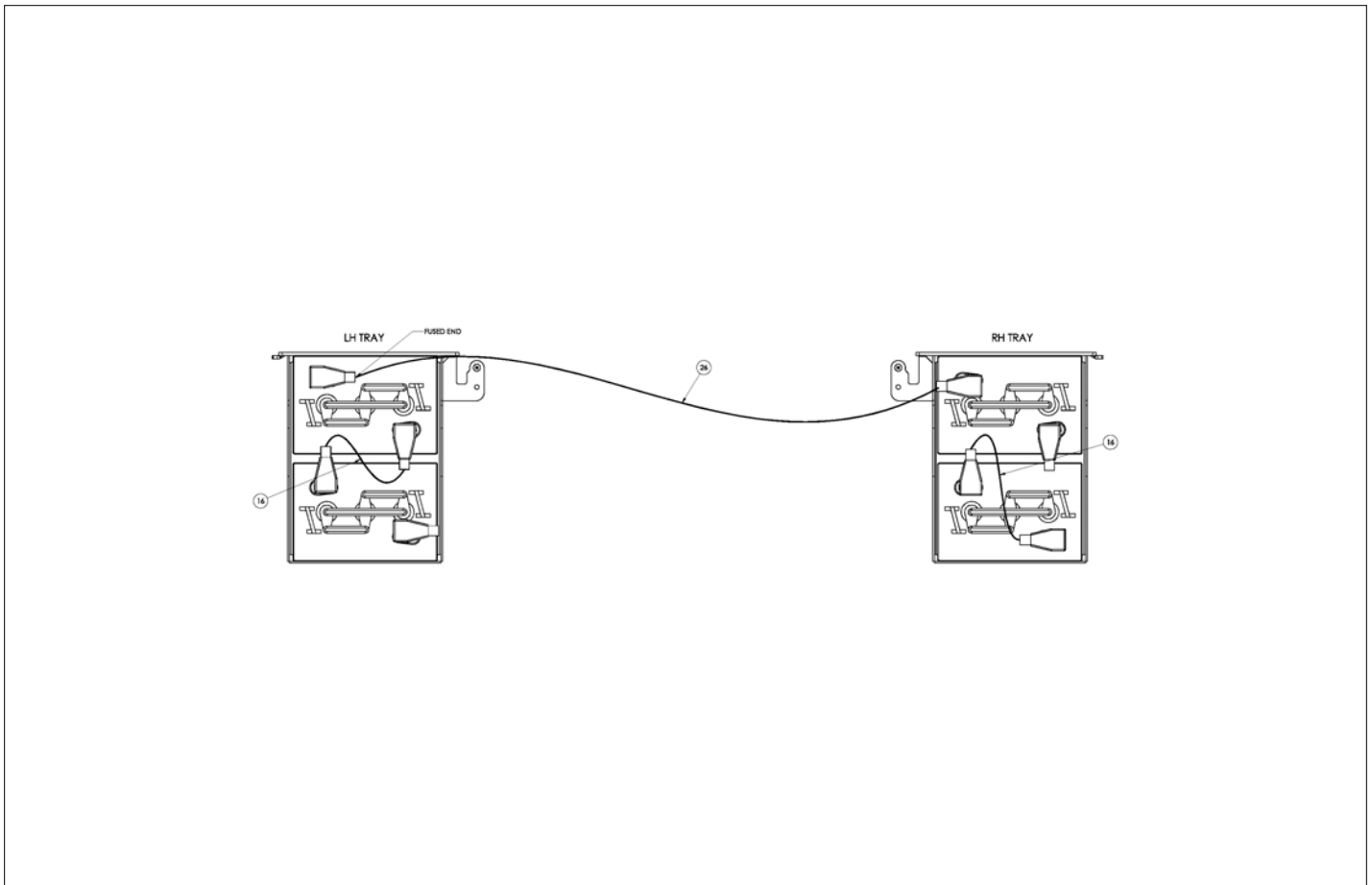
アイテム	部品番号	名前	数量	UOM
25	3014757	WIRE 2 R375 R375 49 BLK	1	EA
26	3014756	WIRE 2 R313 R313 7 BLACK FUSED	1	EA
Not Shown	5090034	SLEEVEHOSE ABRASION GRD 1.81 in	1	EA
28	100432 015	FTG, STR, 8MORFF X 8MORB	5	EA
29	100432 009	Hyd Fitting Straight ORFS(06) SAE(06)	3	EA
30	100432 004	Hyd Fitting Straight ORFS(04) SAE(06)	2	EA
31	5070006	FTG NIP DIGN 4B	1	EA
32	3040269	Boot Cable Entry Black I/O GA	2	EA
33	5033057	FTG 8MB X 8MORFF 30 DEG	1	EA
34	5018841	HOSE 06 06FORFF 06FORFF 100R17 180 in	1	EA
35	5018842	HOSE 08 08FORFF 08FORFF 100R17 62.5 in	2	EA
36	5018843	HOSE 06 08FORFF 06FORFF 90DE90DEG 100R17 78 in	4	EA
37	5018844	HOSE 04 04FORFF 04FORFF 100R17 51 in	2	EA
38	5018864	HOSE 04 06FORFF 06FORFF 100R17 58IN	2	EA



REPAIR PARTS

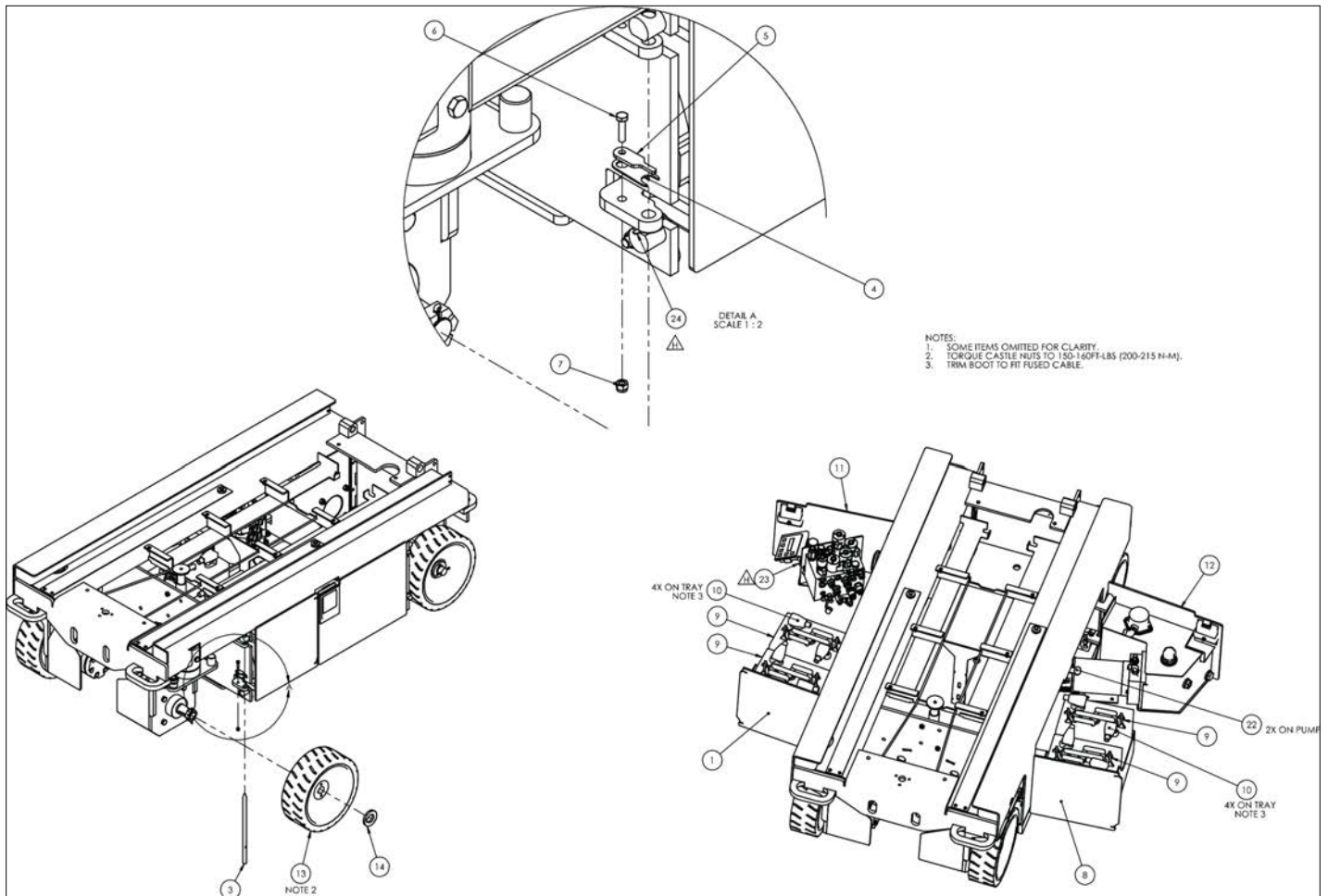


アイテム	部品番号	名前	数量	UOM
	1502666B	ASSEMBLY, TRAY INSTALL S3215/3219		EA
1	1501008	WLDMT BATTERY TRAY RH	1	EA
2	1500947	PIN TRAY HINGE	4	EA
3	1500948	PLT, TRAY PIN KEEPER	4	EA
4	1501007	WLDMT BATTERY TRAY LH	1	EA
5	1501059	SHIM HINGE BLOCK LOWER	2	EA
6	3050009	BATTERY, 6v	4	EA
7	1502148	ASSY, VALVE TRAY WIDE	1	EA
8	1502149	TANK TRAY ASSEMBLY ANSI CE JUNE 2018 AND AFTER	1	EA
9	5033056	FTG 6MB X 4MORFF X 4MORFF RUN TEE	1	EA
10	5033053	FTG 4FORFF X 4MORFF 90	1	EA
11	5070006	FTG NIP DIGN 4B	1	EA
12	010154 000	COVER BATTERY	8	EA
13	1360604	Tire/Wheel Assy 12x4, 1.5 Taper, Threaded	4	EA
14	1501734	PLT, WHEEL SPACER	4	EA
15	3040269	Boot Cable Entry Black I/O GA	2	EA
16	3014756	WIRE 2 R313 R313 7 BLACK FUDED	1	EA
17	5098343	SLEEVEHOSE ABRASION GRD 2.88 in	1.0000	EA
18	5090034	SLEEVEHOSE ABRASION GRD 1.81 in	0.8000	EA
19	058491 025	Bolt HexSetScrew DIN933 M6 x 2	4	EA
20	056066 006	Nut NylockNut DIN985 M6 8.0 Zi	4	EA
21	5569941	BSHG MCHRY .500ID .875OD 14GA	4	EA
22	100432 009	Hyd Fitting Straight ORFS(06) SAE(06)	3	EA
23	100432 015	FTG, STR, 8MORFF X 8MORB	6	EA

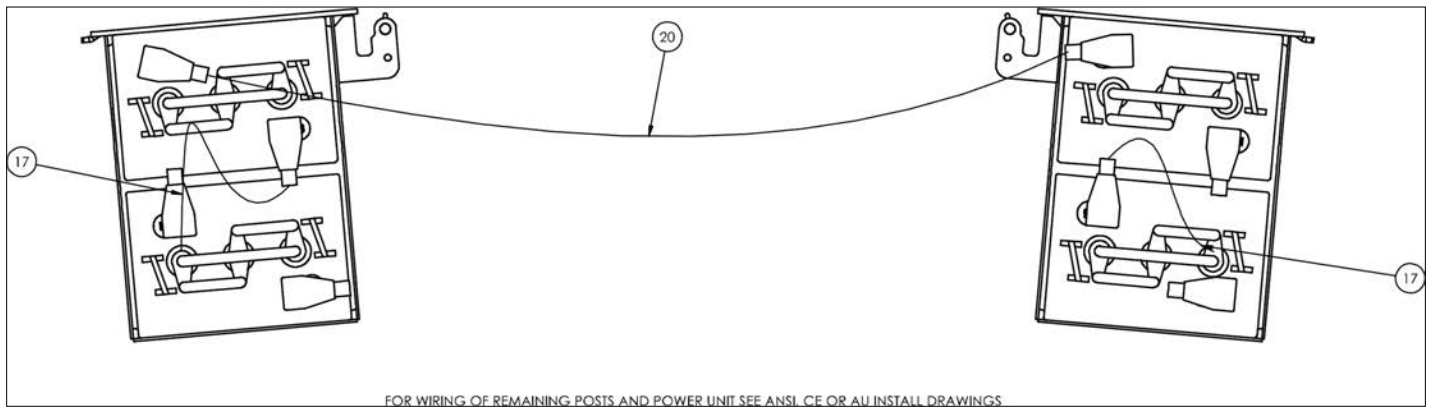


アイテム	部品番号	名前	数量	UOM
24	5563230	PIN COT .156DIA 2.25	4	EA
25	5018846	S3219 HOSE ASSEMBLY INCLUDES ITEMS 27 30	1	EA
26	3014806	WIRE 2 R313 R313 7 BLACK FUSED, 49 IN NARROW SCISSORS ONLY	1	EA

REPAIR PARTS

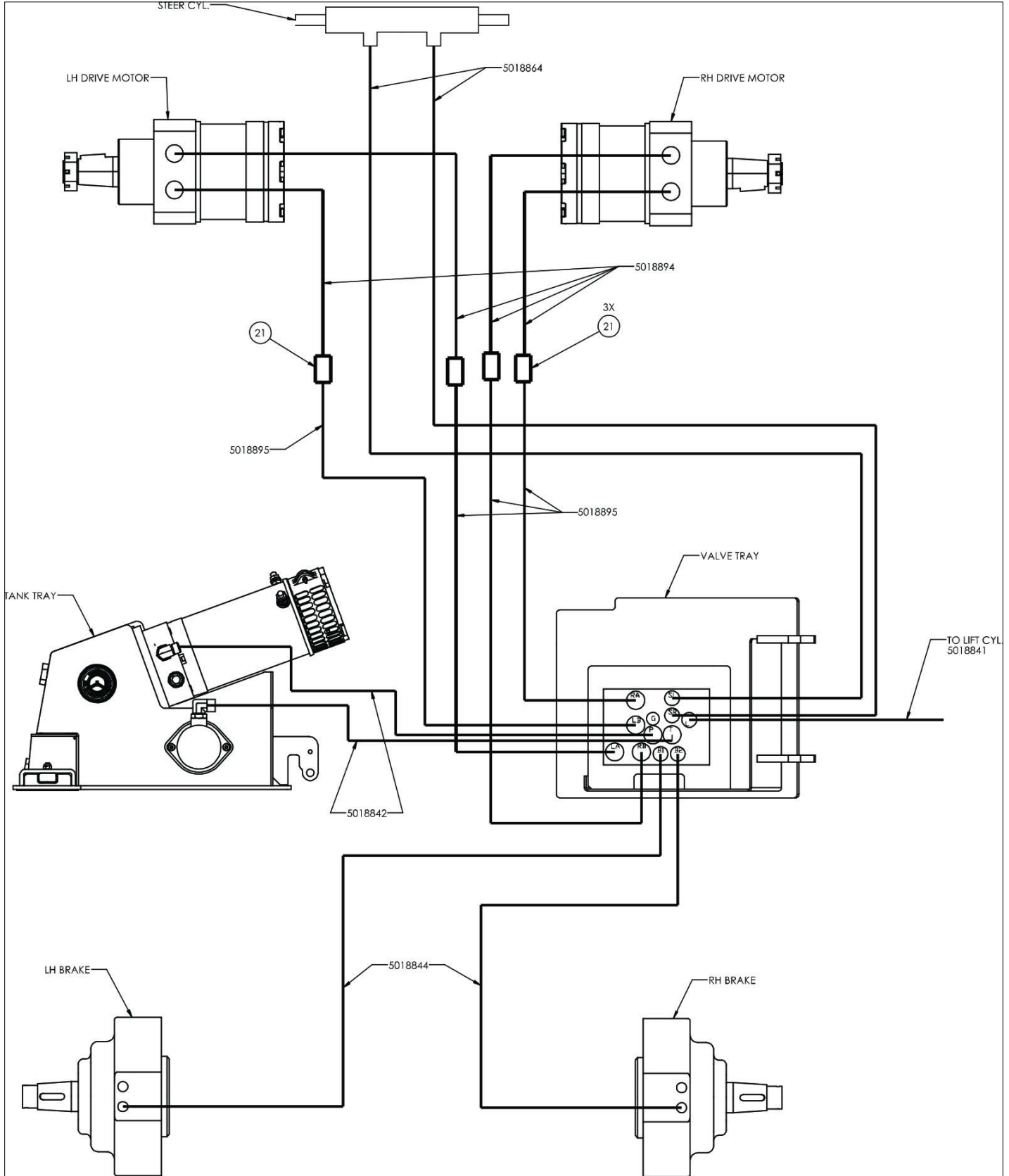


アイテム	部品番号	名前	数量	UOM
	1502666 H	TRAY INSTALLATION S3215E S3219E		EA
1	1501008	WLDMT BATTERY TRAY RH	1	EA
Not Shown	056069 010	Washer, SteelFlatWasher DIN125A M10 ZincPlated	4	EA
3	1500947	PIN TRAY HINGE	4	EA
4	1501059	SHIM HINGE BLOCK LOWER	3	EA
5	1500948	PLT, TRAY PIN KEEPER	4	EA
6	058491 025	Bolt HexSetScrew DIN933 M6 x 2	4	EA
7	056066 006	Nut NylockNut DIN985 M6 8.0 Zi	4	EA
8	1501007	WLDMT BATTERY TRAY LH	1	EA
9	3050009	BATTERY, 6v	4	EA
10	010154 000	COVER BATTERY	8	EA
11	1502148	ASSY, VALVE TRAY WIDE	1	EA
12	1502149	TANK TRAY ASSEMBLY ANSI CE JUNE 2018 AND AFTER	1	EA
13	1360604	Tire/Wheel Assy 12x4, 1.5 Taper, Threaded	4	EA
14	1501734	PLT, WHEEL SPACER	4	EA
Not Shown	5563230	PIN COT .156DIA 2.25	3	EA
Not Shown	5018846	S3219 HOSE ASSEMBLY INCLUDES ITEMS 27 30	1	EA
17	3014746	WIRE 2 R375 9 BLK	2	EA
Not Shown	5098343	SLEEVEHOSE ABRASION GRD 2.88 in	1	EA
Not Shown	5090034	SLEEVEHOSE ABRASION GRD 1.81 in	1	EA
20	3014806	WIRE 2 R313 R313 7 BLACK FUDED, 49 IN NARROW SCISSORS ONLY	1	EA
21	5260045	FTG STR 6MORFF X 6MORFF UNION	4	EA
22	3040269	Boot Cable Entry Black I/O GA	2	EA

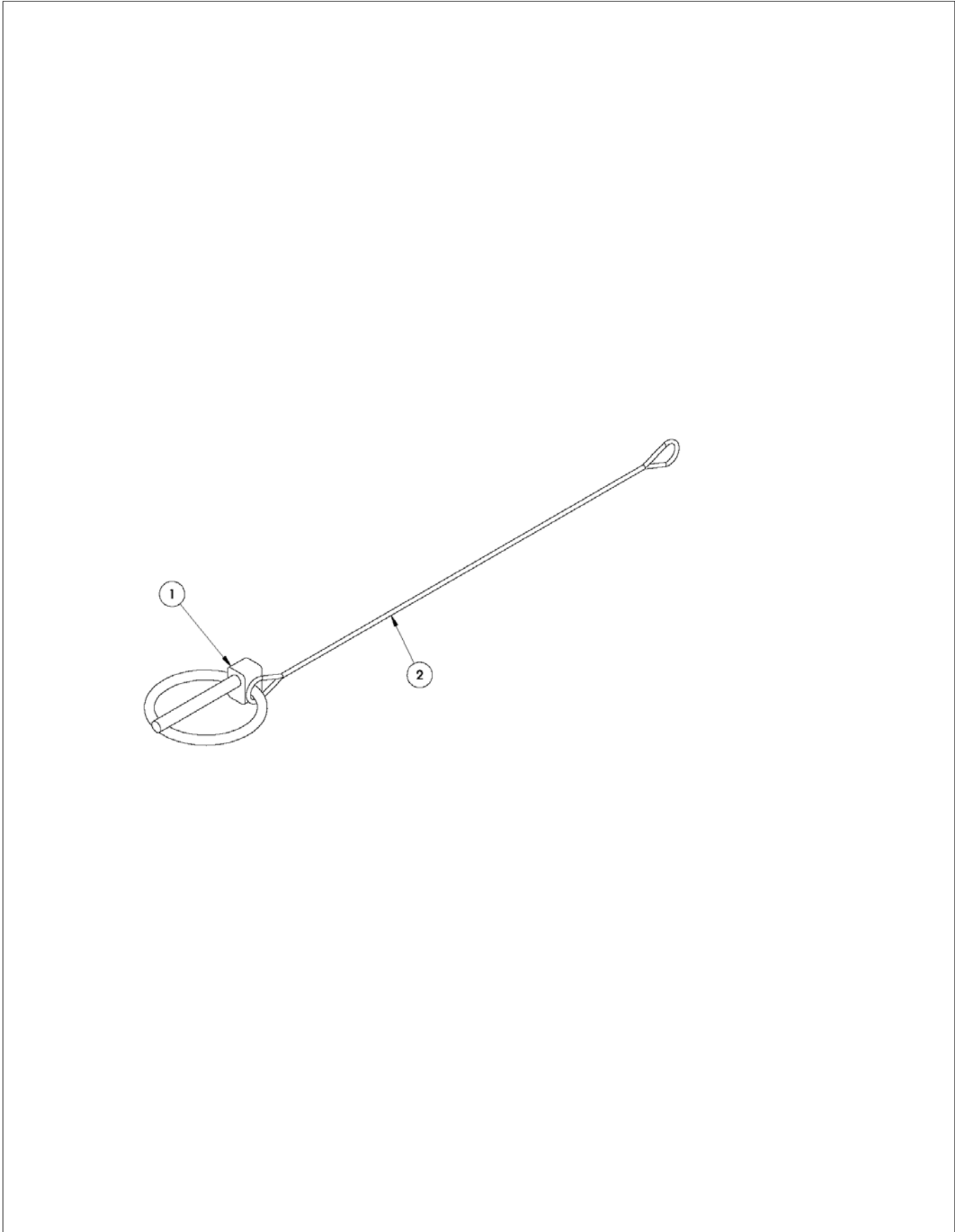


FOR WIRING OF REMAINING POSTS AND POWER UNIT SEE ANSI CE OR AU INSTALL DRAWINGS

アイテム	部品番号	名前	数量	UOM
23	3049978	ALARM BEEPING	1	EA
24	1501733	HINGE BLOCK SHIM	2	EA

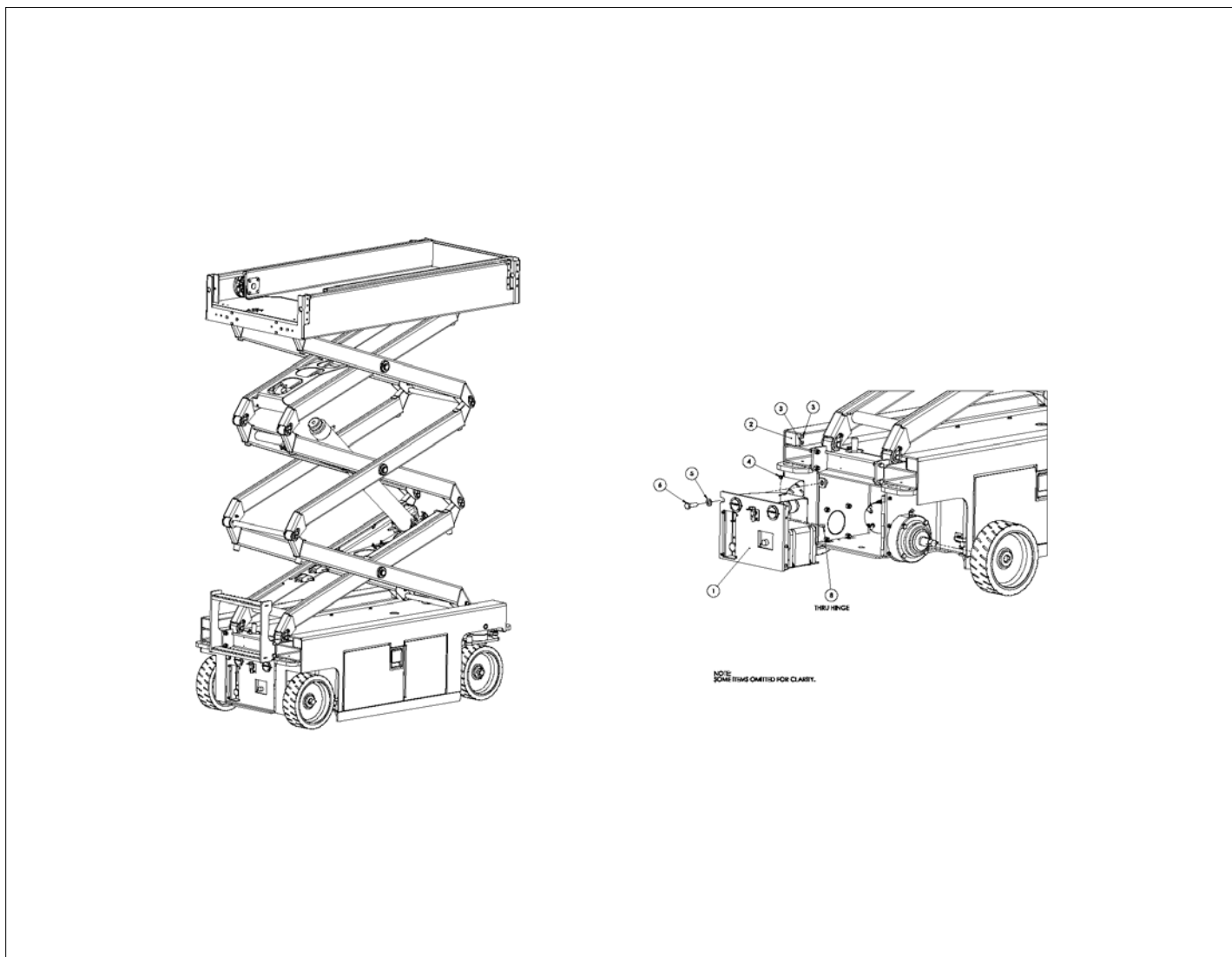


REPAIR PARTS



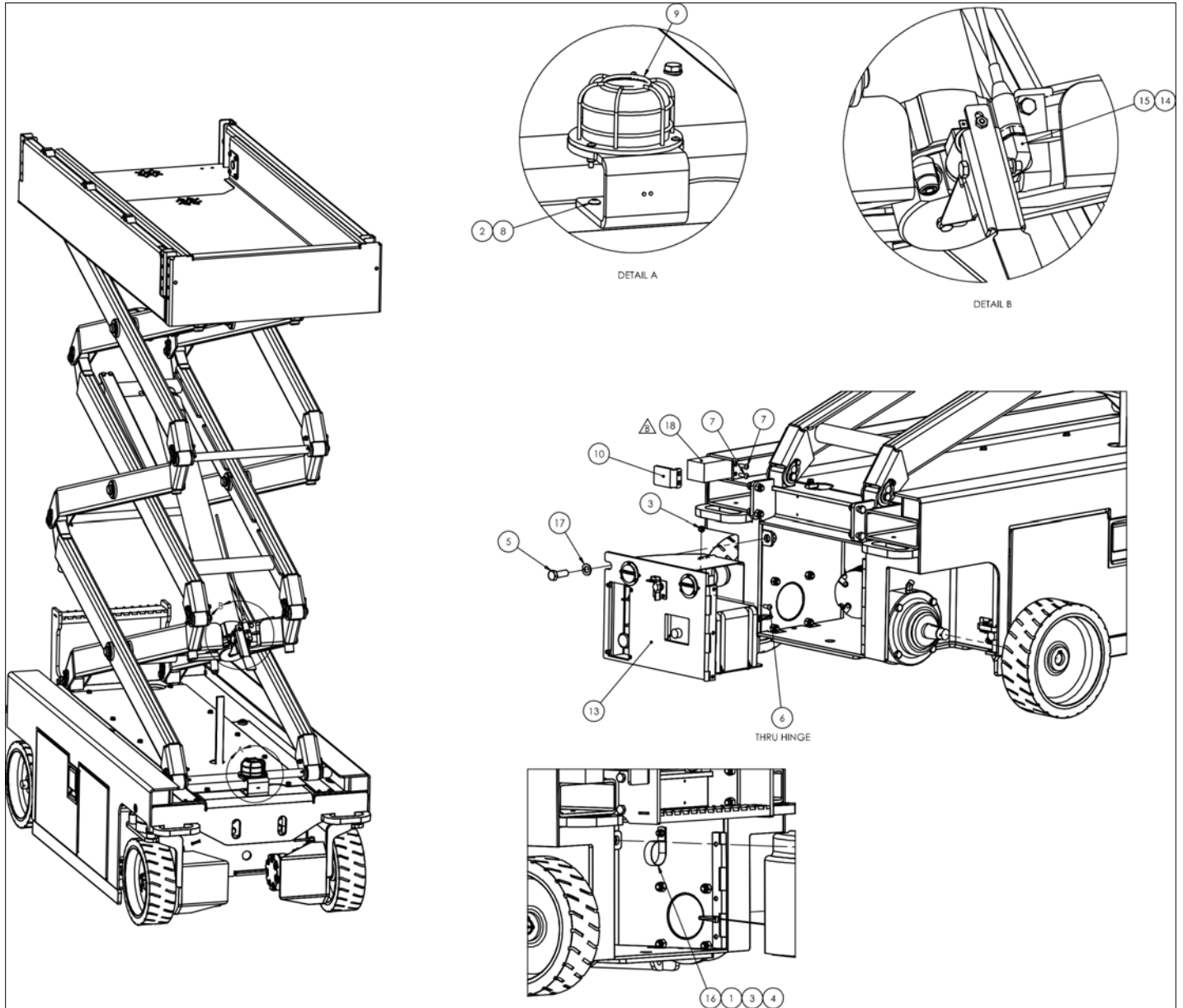
アイテム	部品番号	名前	数量	UOM
	5563933 B	LYNCH PIN WITH LANYARD ASSEMBLY		EA
1	5563932	PIN, LYNCH #HANG 2	1	EA
2	068898 002	PIN, LYNCH #HANG 2	1	EA

REPAIR PARTS



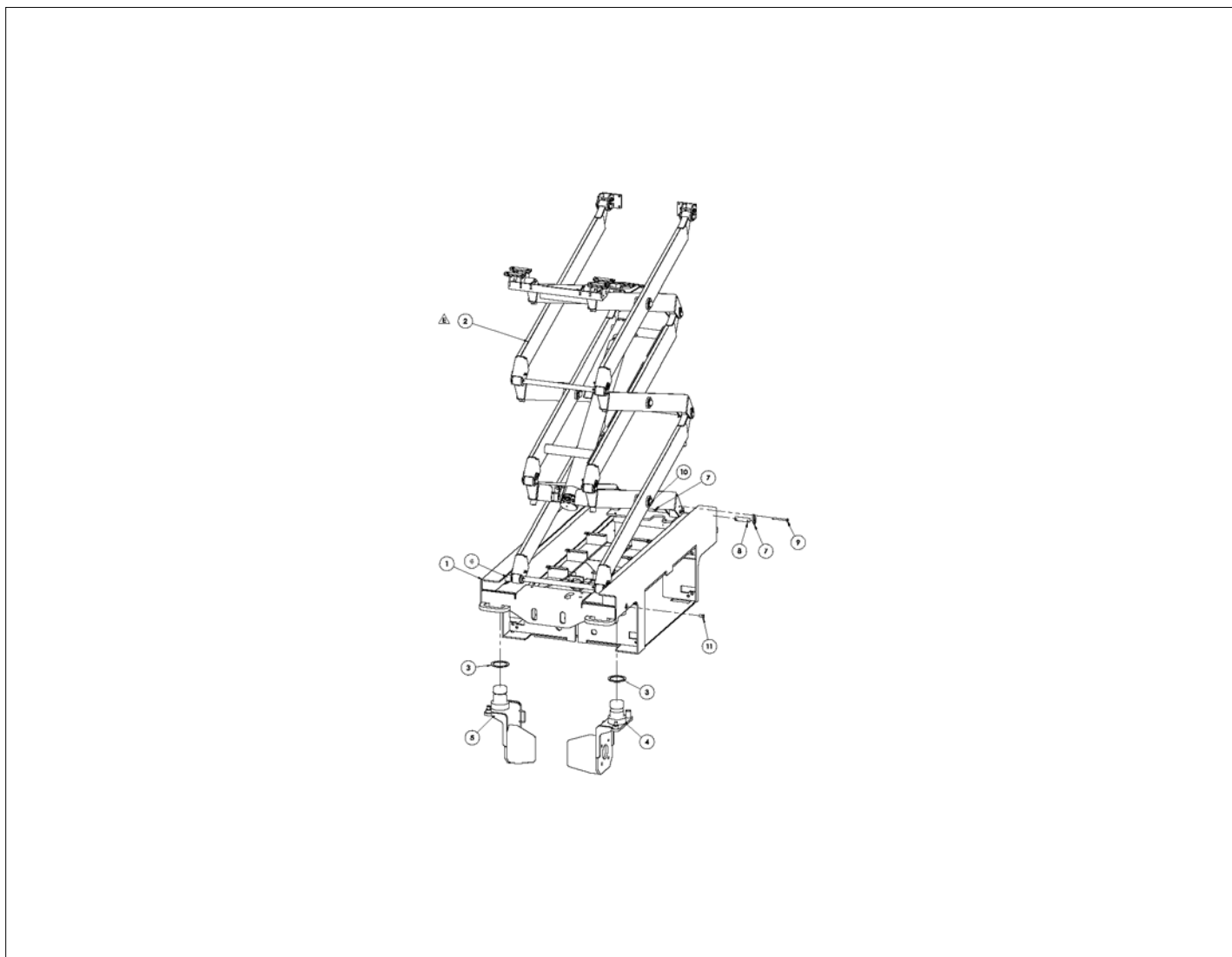
アイテム	部品番号	名前	数量	UOM
	1502673 E	ANSI ASSEMBLY S3215E S3219E		EA
1	1501176	ASSY CONTROL TRAY S3219E	1	EA
2	1501794	Weldment filler ORG	2	EA
3	500595 025	Bolt, SktButCapScrew DIN9427	4	EA
4	056066 008	NUT NYLOCKNUT DIN985 M8 8.0 ZP	3	EA
5	056069 016	WASHER STEELFLATWASHER M16 DIN	1	EA
6	056687 045	HHCS M16X2X45 G8.8 ISO 4014	1	EA
Not Shown	1502541	CONN, CHARGER INTERLOCK DELETE	1	EA
8	500595 020	Bolt, SktButCapScrew DIN9427 M	3	EA

REPAIR PARTS



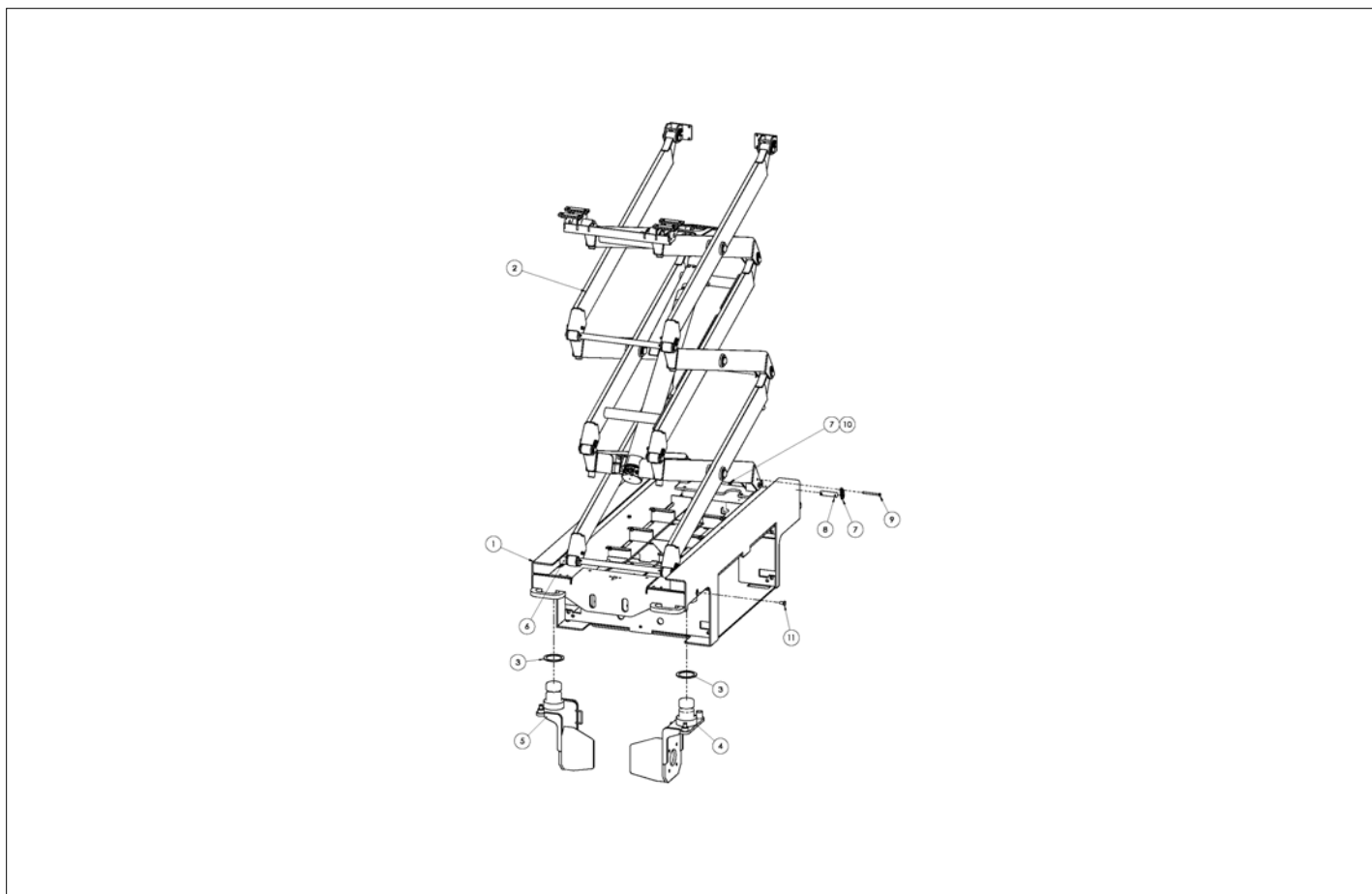
アイテム	部品番号	名前	数量	UOM
	1503175 D	ANSI CSA ASSEMBLY S3215E/L S3219E JANUARY 2020 AND AFTER		EA
1	056059 030	Bolt, HexBolt DIN931 M8 x 30mm		EA
2	056066 006	Nut NylockNut DIN985 M6 8.0 Zi		EA
3	056066 008	NUT NYLOCKNUT DIN985 M8 8.0 ZP		EA
4	056069 008	WASHER, STEELFLATWASHER DIN12M8 FLAT WASHER DIN 125		EA
5	056687 045	HHCS M16X2X45 G8.8 ISO 4014		EA
6	500595 020	Bolt, SktButCapScrew DIN9427 M		EA
7	500595 025	Bolt, SktButCapScrew DIN9427		EA
8	514176 030	SBHCS M6 X 1.0 X 30 GR 10.9 BL		EA
9	515611 000	BEACON ASSY AMBER		EA
10	1501794 5	WLDMT, FILLER		EA
11	1502485 4	BRKT, AMBER BEACON MNT		EA
12	1502541	CONN, CHARGER INTERLOCK DELETE		EA
13	1503177	ASSY, CTRL TRAY S3215/3219, AN		EA
14	3030158	Pressure Transducer		EA
15	5076527	FTG 4MBX4FB 90		EA
16	5093013	CLP CUSH 2.00 VINYL COATED		EA
17	5563704	WSHR FLAT M16x30 YZ		EA
*	PNNA			EA

REPAIR PARTS



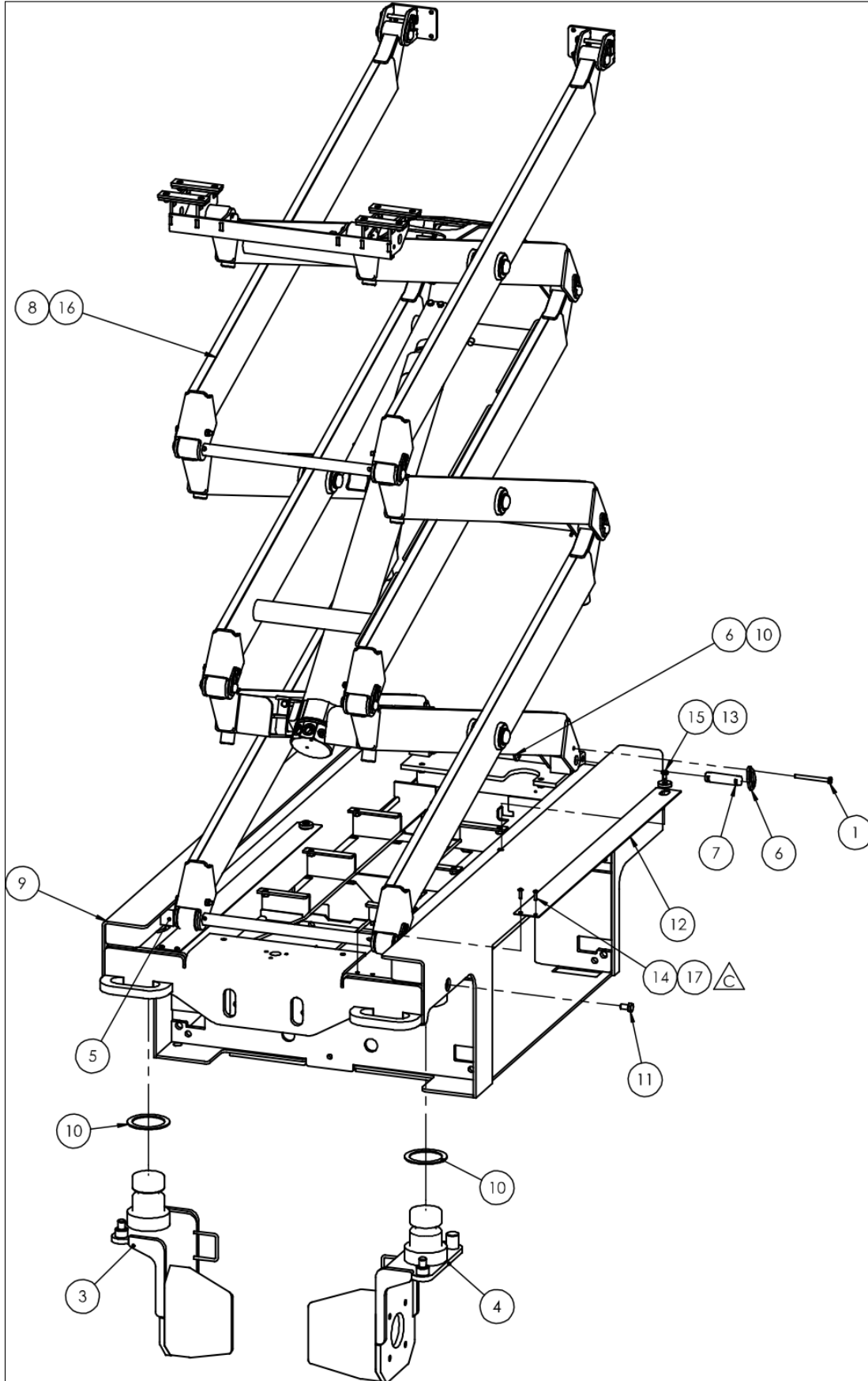
アイテム	部品番号	名前	数量	UOM
	1502086 E	CHASSIS/STACK SUB ASSEMBLY S3215E 3219		EA
1	1500665	WLDMT, CHASSIS, S3219	1	EA
2	1502076	STACK SUB ASSEMBLY S3215E	1	EA
3	2580430	THRUST BRG, 80mmID 100mmOD 3mm THK	2	EA
4	1500224 5	WLDMT, STRG SPDL RH	1	EA
5	1500174 5	WLDMT, STRG SPDL LH	1	EA
6	1500879	LOWER SLIDER	2	EA
7	1500881	Pin Retainer Zinc Plated	4	EA
8	1500882	PIN, END DOUBLE RETAINER	2	EA
9	056059 085	HHCS M8 x 1.25 x 85 G8.8 ISO 4014 DIN 931	2	EA
10	056066 008	NUT NYLOCKNUT DIN985 M8 8.0 ZP	2	EA
11	058494 020	BOLT,HEXSETSCREW DIN933 M12 X 2.0 8.8 ZIN	2	EA

REPAIR PARTS



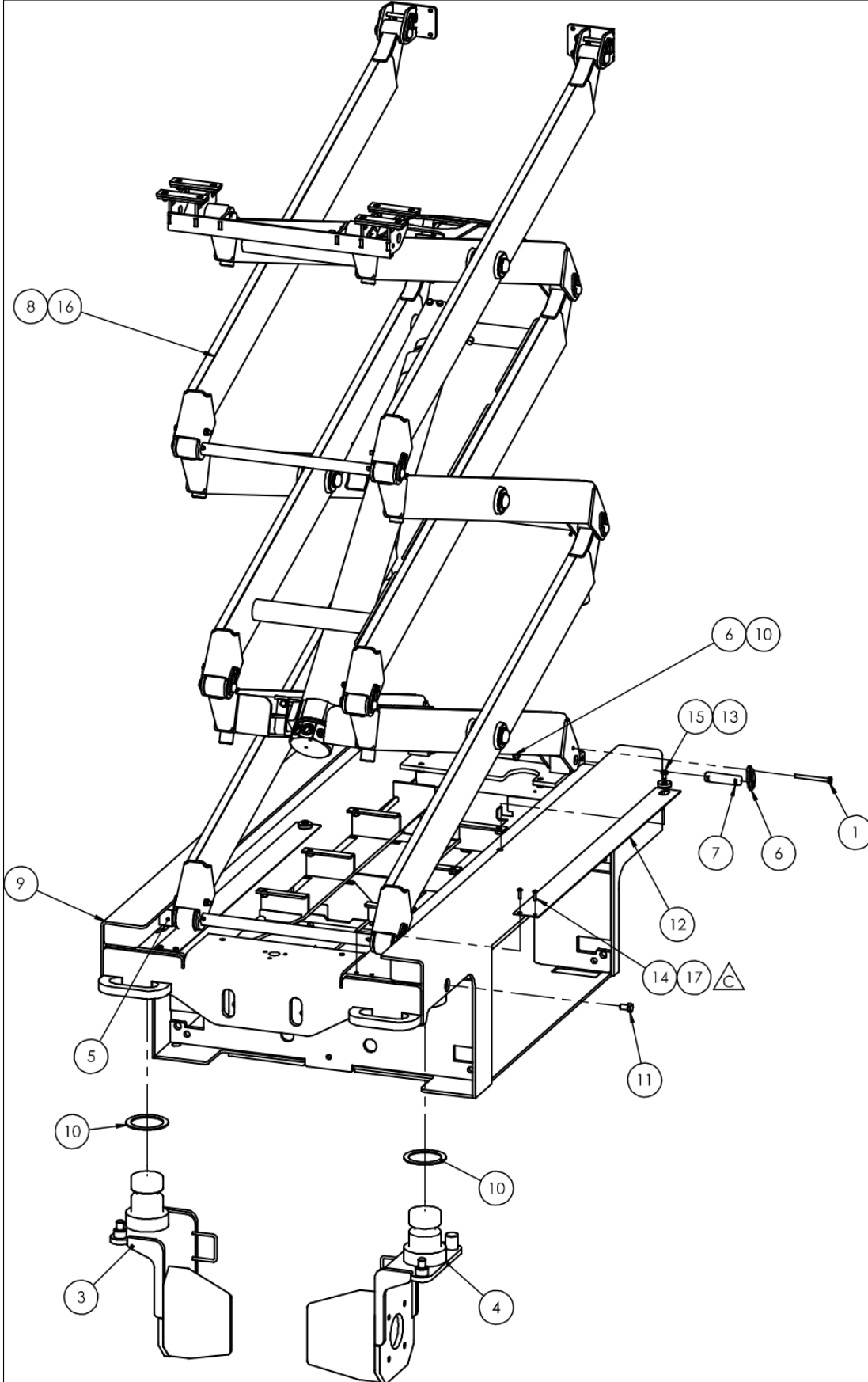
アイテム	部品番号	名前	数量	UOM
	1502236Z	ASSEMBLY, CHASSIS/STACK S3215		EA
1	1502203	WELDMENT, CHASSIS	1	EA
2	1502076	STACK SUB ASSEMBLY S3215E	1	EA
3	2580430	THRUST BRG, 80mmID 100mmOD 3mm THK	2	EA
4	1500224 5	WLDMT, STRG SPDL RH	1	EA
5	1500174 5	WLDMT, STRG SPDL LH	1	EA
6	1500879	LOWER SLIDER	2	EA
7	1500881	Pin Retainer Zinc Plated	4	EA
8	1500882	PIN, END DOUBLE RETAINER	2	EA
9	056059 085	HHCS M8 x 1.25 x 85 G8.8 ISO 4014 DIN 931	2	EA
10	056066 008	NUT NYLOCKNUT DIN985 M8 8.0 ZP	2	EA
11	058494 020	BOLT,HEXSETSCREW DIN933 M12 X 2.0 8.8 ZIN	2	EA

REPAIR PARTS



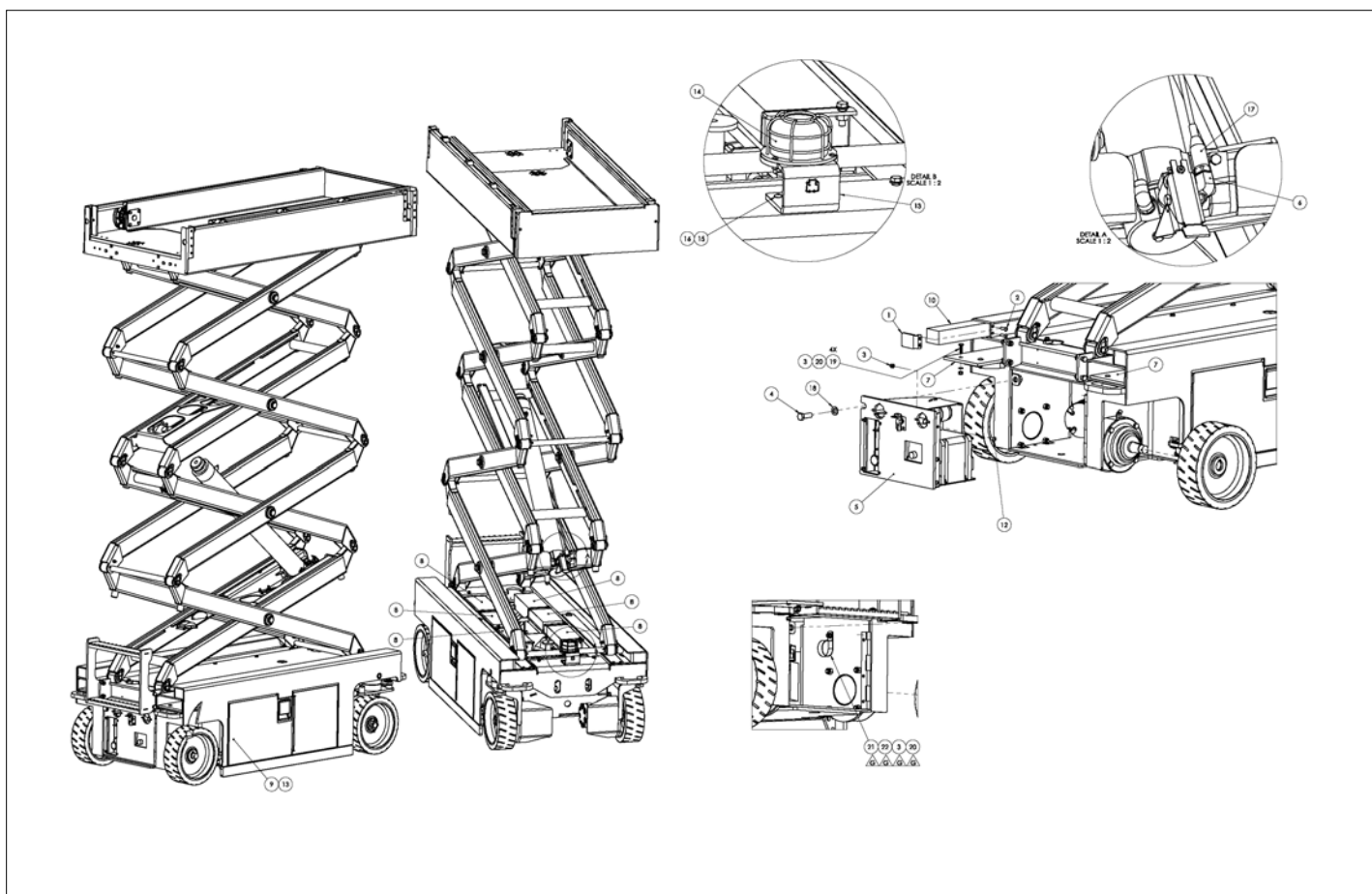
アイテム	部品番号	名前	数量	UOM
	1503033 C	CHASSIS / STACK ASSEMBLY S3215E		EA
1	056059 085	HHCS M8 x 1.25 x 85 G8.8 ISO 4014 DIN 931	2	EA
Not Shown	056066 008	NUT NYLOCKNUT DIN985 M8 8.0 ZP	2	EA
3	1500174	WLDMT STRG SPDL LH	1	EA
4	1500224	WLDMT STRG SPDL RH	1	EA
5	1500879	LOWER SLIDER	2	EA
6	1500881	Pin Retainer Zinc Plated	4	EA
7	1500882	PIN, END DOUBLE RETAINER	2	EA
8	1502076	STACK SUB ASSEMBLY S3215E	1	EA
9	1502203	WELDMENT, CHASSIS	1	EA
10	2580430	THRUST BRG, 80mmID 100mmOD 3mm THK	2	EA
11	5560630	BLOT M12 1.75 X 20	2	EA
12	1502311	PLT, SCRATCH GUARD S3215/3219	2	EA
13	1502312	BOSS, SCRATCH GUARD	2	EA
14	501253 020	Bolt, SktButCapScrew DIN9427 M	4	EA
15	058492 012	Bolt HexSetScrew DIN933 M8 x 1	2	EA
16	1502125	STACK HARNESS 15'	1	EA
17	056066 006	Nut NylockNut DIN985 M6 8.0 Zi	4	EA

REPAIR PARTS



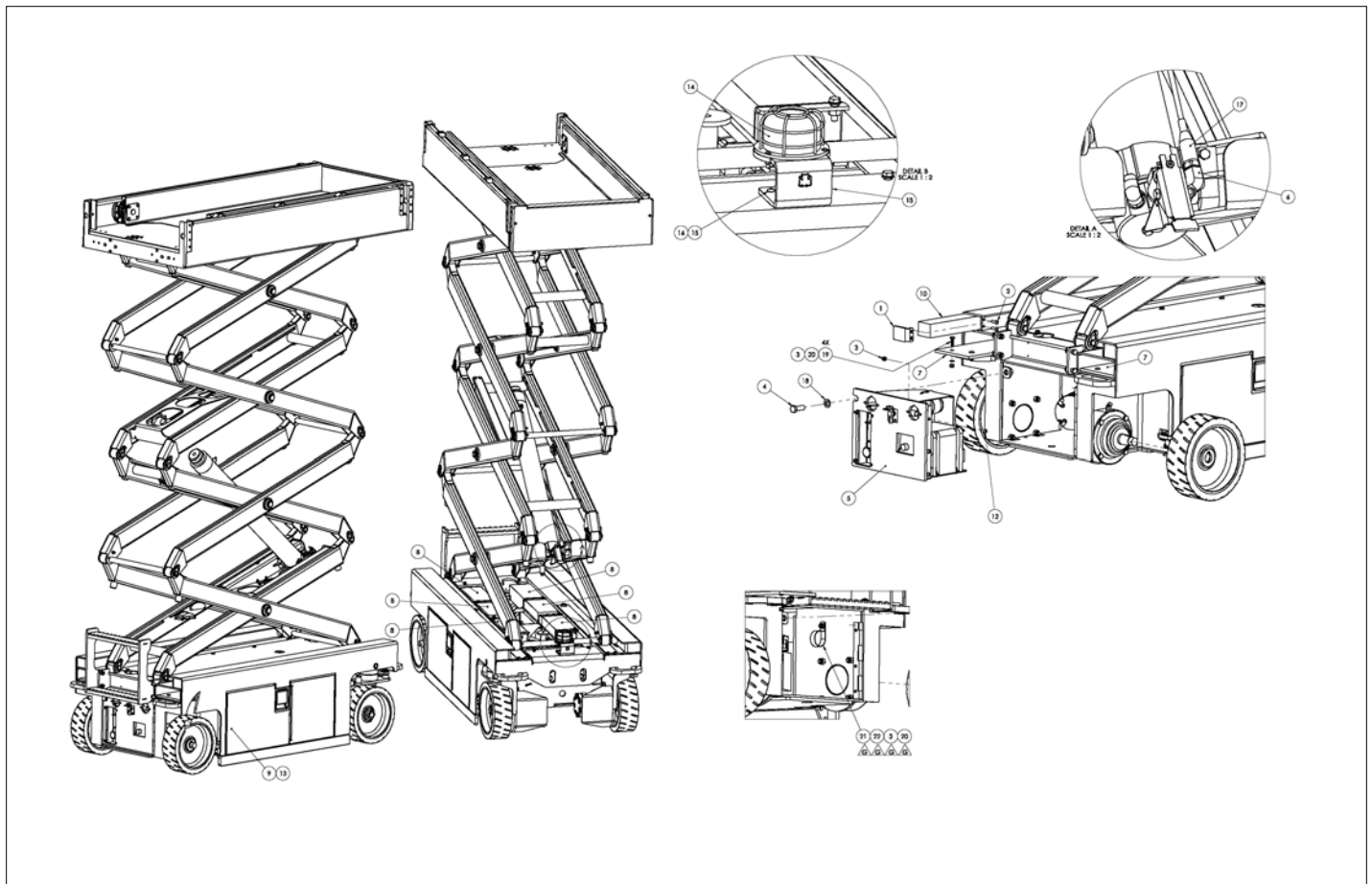
アイテム	部品番号	名前	数量	UOM
	1503033 D	CHASSIS / STACK ASSEMBLY S3215E NOVEMBER 2019 AND AFTER		EA
1	056059 085	HHCS M8 x 1.25 x 85 G8.8 ISO 4014 DIN 931	2	EA
Not Shown	056066 008	NUT NYLOCKNUT DIN985 M8 8.0 ZP	2	EA
3	1500174	WLDMT STRG SPDL LH	1	EA
4	1500224	WLDMT STRG SPDL RH	1	EA
5	1500879	LOWER SLIDER	2	EA
6	1500881	Pin Retainer Zinc Plated	4	EA
7	1500882	PIN, END DOUBLE RETAINER	2	EA
8	1502076	STACK SUB ASSEMBLY S3215E	1	EA
9	1503199 5	WELDMENT, CHASSIS S3219/3215 CSA	1	EA
10	2580430	THRUST BRG, 80mmID 100mmOD 3mm THK	2	EA
11	5560630	BLOT M12 1.75 X 20	2	EA
12	1502311	PLT, SCRATCH GUARD S3215/3219	2	EA
13	1502312	BOSS, SCRATCH GUARD	2	EA
14	501253 020	Bolt, SktButCapScrew DIN9427 M	4	EA
15	058492 012	Bolt HexSetScrew DIN933 M8 x 1	2	EA
16	1502125	STACK HARNESS 15'	1	EA
17	056066 006	Nut NylockNut DIN985 M6 8.0 Zi	4	EA

REPAIR PARTS



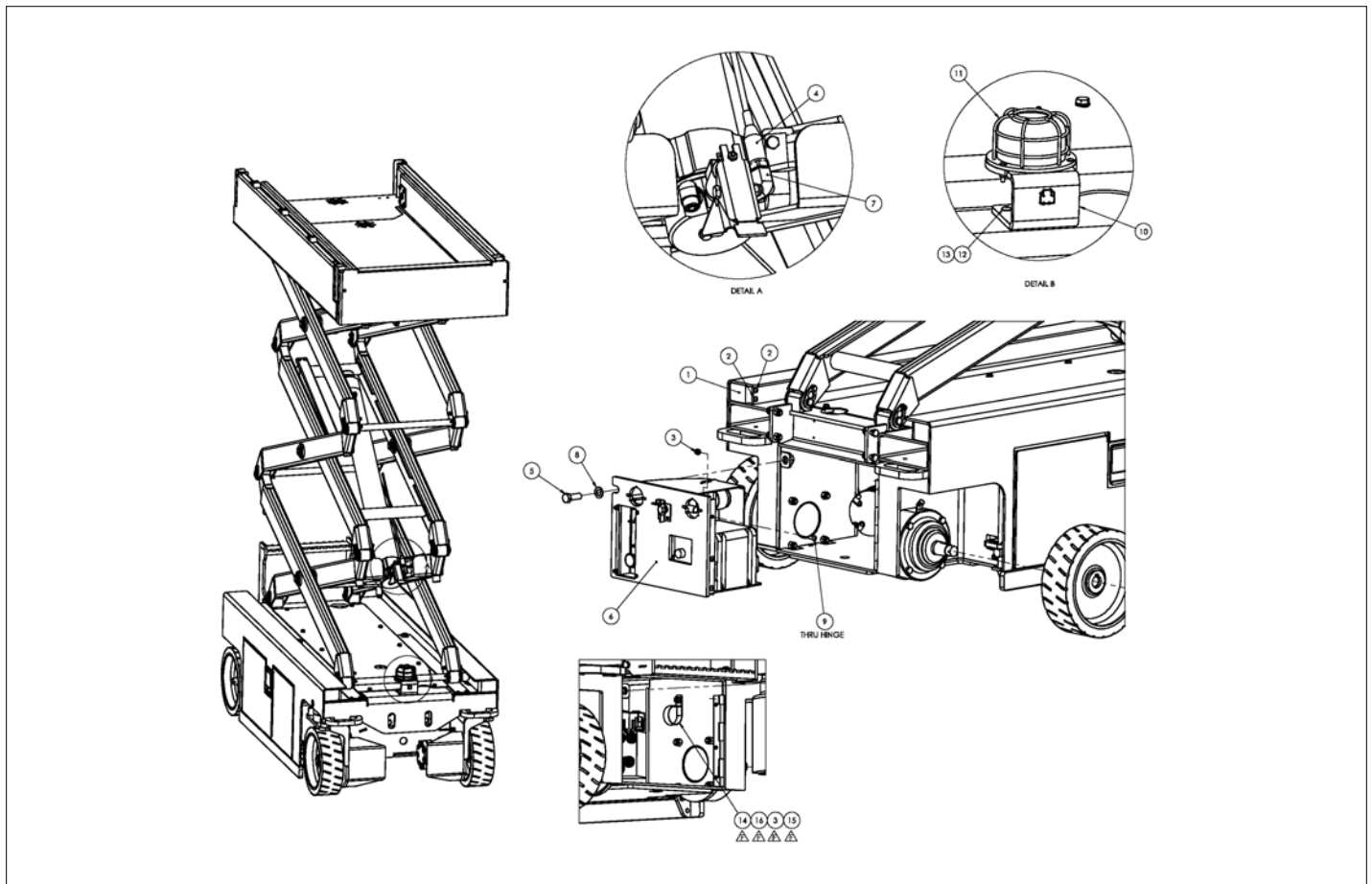
アイテム	部品番号	名前	数量	UOM
	1502675G	CE AS S3219 ASSEMBLY		EA
1	1501794 5	WLDMT, FILLER	2	EA
2	500595 025	Bolt, SktButCapScrew DIN9427	4	EA
3	056066 008	NUT NYLOCKNUT DIN985 M8 8.0 ZP	7	EA
4	056687 045	HHCS M16X2X45 G8.8 ISO 4014	1	EA
5	1501639	ASSY, CE CONTROL TRAY S3219E	1	EA
6	5076527	FTG 4MBX4FB 90	1	EA
7	1502436 5	CWT, FORK TUBE 25.75KG	2	EA
8	1502434	CWT, UPPER 18.25 KG	6	EA
9	1502435 8	CWT, CENTER 58.25 KG	1	EA
10	1501792 8	BAR, COUNTERWEIGHT	2	EA
11	058492 020	Bolt HexSetScrew DIN933 M8 x 2	2	EA
12	500595 020	Bolt, SktButCapScrew DIN9427 M	3	EA
13	1502485 4	BRKT, AMBER BEACON MNT	1	EA
14	1502490	ASSY, AMBER BEACON	1	EA
15	514176 030	SBHCS M6 X 1.0 X 30 GR 10.9 BL	3	EA
16	056066 006	Nut NylockNut DIN985 M6 8.0 Zi	3	EA
17	3030158	Pressure Transducer	1	EA
18	5563704	WSHR FLAT M16x30 YZ	1	EA
19	514733 030	CARRIAGE BOLT, M8 X 30 8.8	4	EA
20	056069 008	WASHER, STEELFLATWASHER DIN12M8 FLAT WASHER DIN 125	5	EA
21	5093013	CLP CUSH 2.00 VINYL COATED	1	EA
22	056059 030	Bolt, HexBolt DIN931 M8 x 30mm	1	EA

REPAIR PARTS



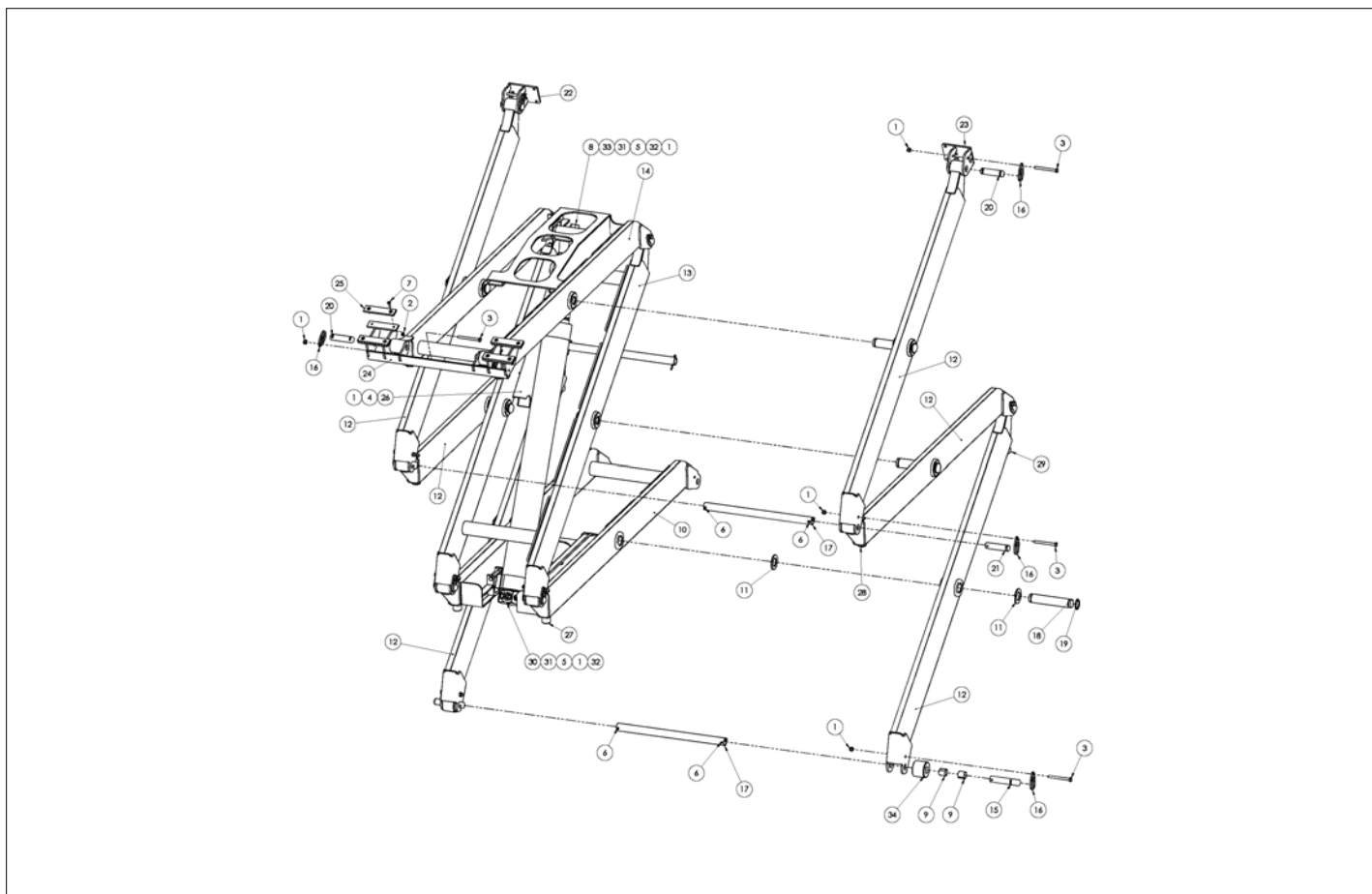
アイテム	部品番号	名前	数量	UOM
	1502675 H	CE AS S3219 ASSEMBLY		EA
1	1501794 5	WLDMT, FILLER	2	EA
2	500595 025	Bolt, SktButCapScrew DIN9427	4	EA
3	056066 008	NUT NYLOCKNUT DIN985 M8 8.0 ZP	7	EA
4	056687 045	HHCS M16X2X45 G8.8 ISO 4014	1	EA
5	1501639	ASSY, CE CONTROL TRAY S3219E	1	EA
6	5076527	FTG 4MBX4FB 90	1	EA
7	1502436 5	CWT, FORK TUBE 25.75KG	2	EA
8	1502434	CWT, UPPER 18.25 KG	6	EA
9	1502435 8	CWT, CENTER 58.25 KG	1	EA
10	1501792 8	BAR, COUNTERWEIGHT	2	EA
11	058492 020	Bolt HexSetScrew DIN933 M8 x 2	2	EA
12	500595 020	Bolt, SktButCapScrew DIN9427 M	3	EA
13	1502485 4	BRKT, AMBER BEACON MNT	1	EA
14	515611 000	BEACON ASSY AMBER	1	EA
15	514176 030	SBHCS M6 X 1.0 X 30 GR 10.9 BL	3	EA
16	056066 006	Nut NylockNut DIN985 M6 8.0 Zi	3	EA
17	3030158	Pressure Transducer	1	EA
18	5563704	WSHR FLAT M16x30 YZ	1	EA
19	514733 030	CARRIAGE BOLT, M8 X 30 8.8	4	EA
20	056069 008	WASHER, STEELFLATWASHER DIN12M8 FLAT WASHER DIN 125	5	EA
21	5093013	CLP CUSH 2.00 VINYL COATED	1	EA
22	056059 030	Bolt, HexBolt DIN931 M8 x 30mm	1	EA

REPAIR PARTS



アイテム	部品番号	名前	数量	UOM
	1502674G	CE AS S3215 ASSEMBLY		EA
1	1501794	Weldment filler ORG	2	EA
2	500595 025	Bolt, SktButCapScrew DIN9427	4	EA
3	056066 008	NUT NYLOCKNUT DIN985 M8 8.0 ZP	3	EA
4	3030158	Pressure Transducer	1	EA
5	056687 045	HHCS M16X2X45 G8.8 ISO 4014	1	EA
6	1501639	ASSY, CE CONTROL TRAY S3219E	1	EA
7	5076527	FTG 4MBX4FB 90	1	EA
8	5563704	WSHR FLAT M16x30 YZ	1	EA
9	500595 020	Bolt, SktButCapScrew DIN9427 M	3	EA
10	1502485 4	BRKT, AMBER BEACON MNT	1	EA
11	515611 000	BEACON ASSY AMBER	1	EA
12	514176 030	SBHCS M6 X 1.0 X 30 GR 10.9 BL	3	EA
13	056066 006	Nut NylockNut DIN985 M6 8.0 Zi	3	EA
14	5093016	CLAMP	1	EA
15	056069 008	WASHER, STEELFLATWASHER DIN12M8 FLAT WASHER DIN 125	1	EA
16	056059 030	Bolt, HexBolt DIN931 M8 x 30mm	1	EA

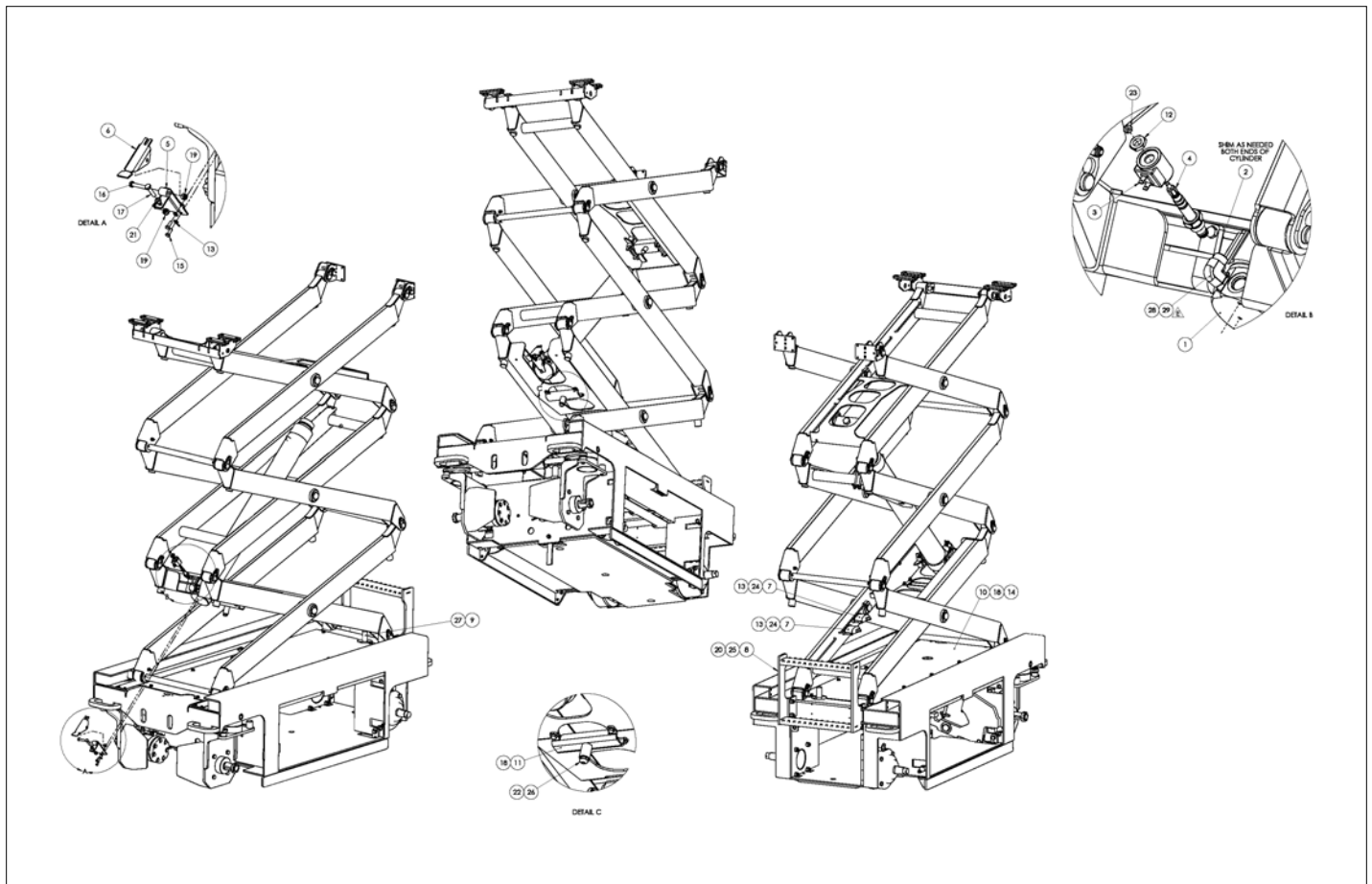
REPAIR PARTS



アイテム	部品番号	名前	数量	UOM
	1502076 P	STACK ASSEMBLY S3215E S3215L MAY 2017 AND AFTER		EA
1	056066 008	NUT NYLOCKNUT DIN985 M8 8.0 ZP	20	EA
2	056066 006	Nut NylockNut DIN985 M6 8.0 Zi	8	EA
3	056059 085	HHCS M8 x 1.25 x 85 G8.8 ISO 4014 DIN 931	14	EA
4	056059 090	Bolt, HexBolt DIN931 M8 x 90mm 8.8 ZincPlated	2	EA
5	056059 100	Bolt, HexBolt DIN931 M8 x 100mm 8.8 ZincPlated	4	EA
6	988379	PIN COTTER .188 DIA 1.75	6	EA
7	500532 020	Bolt, CskSktFltMachScrew DIN79	8	EA
8	510684 090	BOLT HEXBOLT M20 X 090MM DIN93	1	EA
9	2509835	BRG, 875ID 1.00OD .938L	4	EA
10	1500866	WLDMT FIRST INNER ARM	1	EA
11	1500892	Washer Ctr Pin Zinc Plated	18	EA
12	1500858	WLDMT SINGLE ARM	6	EA
13	1500876	WLDMT INNER ARM S3219	1	EA
14	1500877	WLDMT THIRD INNER ARM 3219 WHT	1	EA
15	1500880	PIN LOWER SLIDER	2	EA
16	1500881	Pin Retainer Zinc Plated	20	EA
17	1500884	TUBE, STACK CROSS SVC USE 1501757 1	3	EA
18	1500891	PIN CENTER	6	EA
19	5592016	RETAINING RING EXT 1.25 HD	12	EA
20	1500882	PIN, END DOUBLE RETAINER	8	EA
21	1500883	PIN END	4	EA
22	1502179	WLDMT, PLATFORM MNT RH	1	EA
23	1502175	WLDMT, PLATFORM MNT LH	1	EA
24	1502178	WLDMT, PLAT SLDR	1	EA

アイテム	部品番号	名前	数量	UOM
25	1500898	Plastic UHMW 1/4 x 1 1/8	4	EA
26	1501946	TUBE, SAFETY PROP WHT	1	EA
27	1500978	STACK PAD IMPERIAL 1ST INNER	2	EA
28	1500888	STACK PAD IMPERIAL UPPER	8	EA
29	1500979	STACK PAD IMPERIAL 1ST OUTER	2	EA
30	6047194 3	CYLINDER, LIFT 3in X 33.5in DISP	1	EA
31	1500889	MNT TRUNION	4	EA
32	1501355	SHIM TRUNION	2	EA
33	1500890	BAR, CYL ROD MNT	1	EA
34	1500857	BOSS STACK ROLLER 3219	2	EA

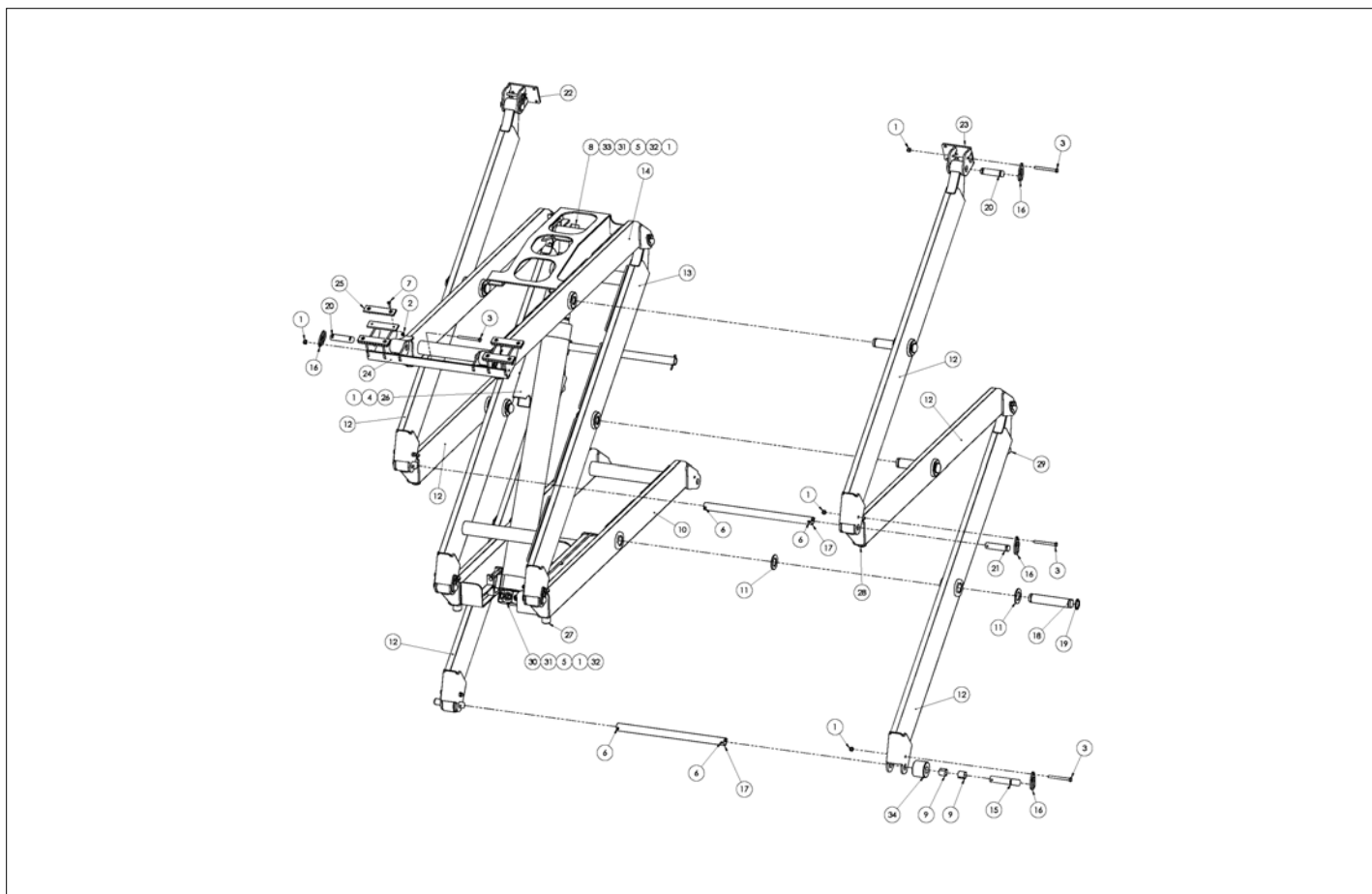
REPAIR PARTS



アイテム	部品番号	名前	数量	UOM
	1502669E	ASSEMBLY, STACK INSTAL S3215		EA
1	6047194	CYLINDER, LIFT 3in X 33.5in DISP ROSENBOOM	1	EA
2	1501355	SHIM TRUNION	2	EA
3	6019289	COIL 20VDC HYDRAFORCE 4303620	1	EA
4	6019357	SOLENOID VALVE SP08 20J 0 N 00	1	EA
5	1500885	WLDMT CYLINDER BLEED	1	EA
6	1500887	PLT CYLINDER BLEED LEVER	1	EA
7	3030157	Angle Transducer	2	EA
8	1500981	WLDMT STEP S3219	1	EA
9	5090048	HOSE GUARD 16	1.0000	EA
10	1502215	CHASSIS COVER S3215/3219 ORG	1	EA
11	1502172	WLDMT POTHOLE CROSSMEMBER PURCHASED	1	EA
12	5563650	NUT HEX JAM .500 20THIN	1	EA
13	056069 006	WSHR STEELFLATWSHE M6 DIN125A	6	EA
14	056069 008	WASHER, STEELFLATWASHER DIN12M8 FLAT WASHER DIN 125	10	EA
15	058491 016	BOLT HEXSETSCREW DIN933 M6 X 16MM 8.8 ZP	2	EA
16	056059 050	BOLT, HEXBOLT DIN931 M8 X 50MM 8.8 ZINCPLATED	1.0000	EA
17	056059 035	BOLT HEXSETSCREW DIN933 M8 X 35MM 8.8 ZP	1	EA
18	058492 025	BOLT HEXSETSCREW DIN933 M8 X 25MM 8.8 ZP	14	EA
19	056066 008	NUT NYLOCKNUT DIN985 M8 8.0 ZP	6	EA
20	056066 012	Nut, NylockNut DIN985 M12 8.0	4	EA
21	056067 008	Nut, HexNut DIN934 M8 8.0 Zinc	1	EA

アイテム	部品番号	名前	数量	UOM
22	056067 512	Nut, HexJamNut DIN936 M12 8.0	1	EA
23	5563311	NUT HEX 10 32 TOPLKG	1	EA
24	5563138	BLT HEXHD M5 0.8 45MM 8.8 ZN	4	EA
25	056065 040	BOLT HEXBOLT DIN 931 M12 X 40MM 8.8 ZP	4	EA
26	5563293	BLT SKTBUTCS M12 1.75 X 50 DIN	1	EA
27	1502125	STACK HARNESS 15'	1	EA
28	6019382	ORIFICE	1	EA
29	100434 008	6MB X 6M ORFF 90 ° FITTING	1	EA

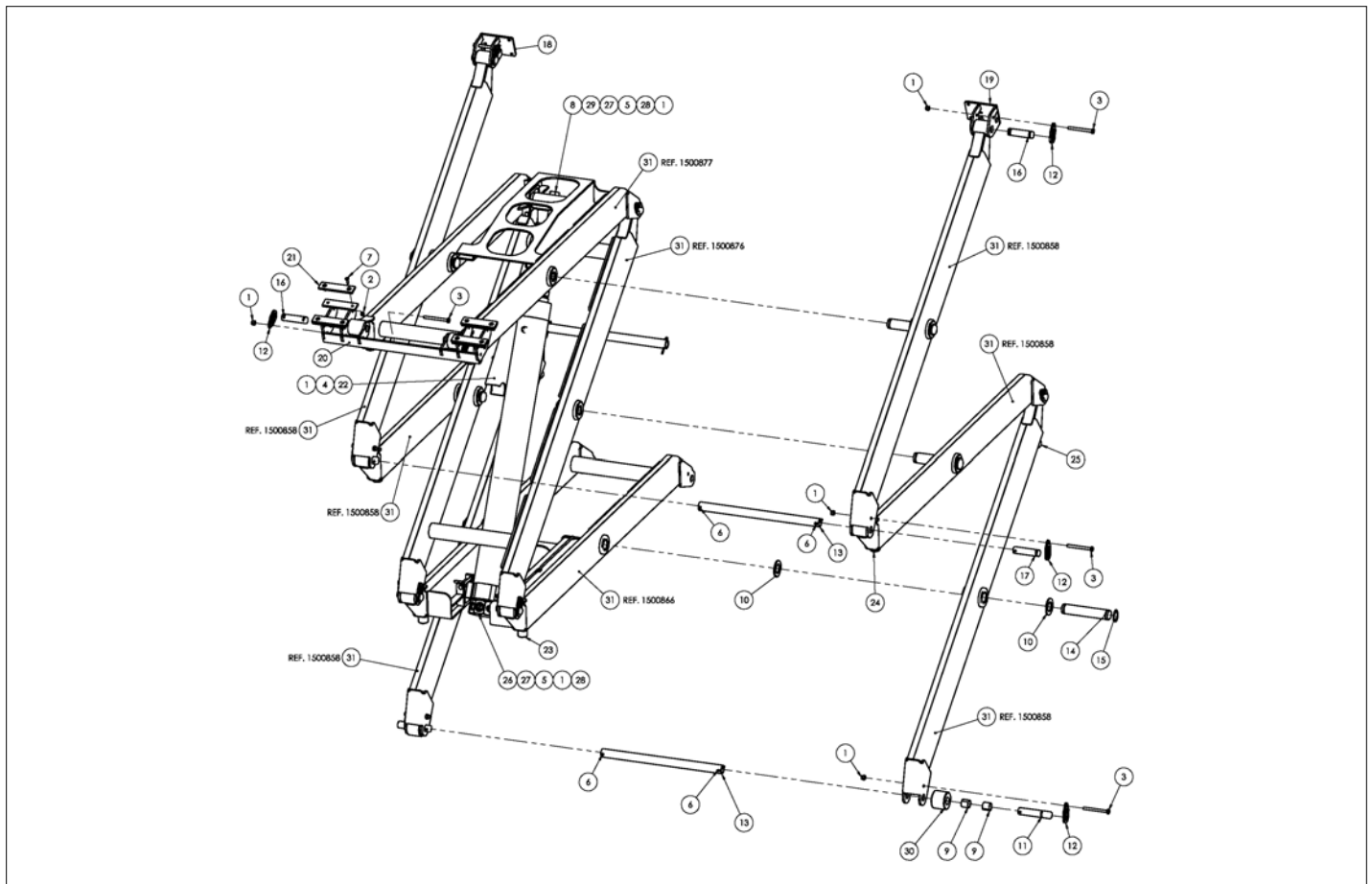
REPAIR PARTS



アイテム	部品番号	名前	数量	UOM
	1502076R	STACK ASSEMBLY S3215L OCTOBER 2017 AND AFTER		EA
1	056066 008	NUT NYLOCKNUT DIN985 M8 8.0 ZP	20	EA
2	056066 006	Nut NylockNut DIN985 M6 8.0 Zi	8	EA
3	056059 085	HHCS M8 x 1.25 x 85 G8.8 ISO 4014 DIN 931	14	EA
4	056059 090	Bolt, HexBolt DIN931 M8 x 90mm 8.8 ZincPlated	2	EA
5	056059 100	Bolt, HexBolt DIN931 M8 x 100mm 8.8 ZincPlated	4	EA
6	988379	PIN COTTER .188 DIA 1.75	6	EA
7	500532 020	Bolt, CskSktFltMachScrew DIN79	8	EA
8	510684 090	BOLT HEXBOLT M20 X 090MM DIN93	1	EA
9	2509835	BRG, 875ID 1.00OD .938L	4	EA
10	1500866	WLDMT FIRST INNER ARM	1	EA
11	1500892	Washer Ctr Pin Zinc Plated	18	EA
12	1500858	WLDMT SINGLE ARM	6	EA
13	1500876	WLDMT INNER ARM S3219	1	EA
14	1500877	WLDMT THIRD INNER ARM 3219 WHT	1	EA
15	1500880	PIN LOWER SLIDER	2	EA
16	1500881	Pin Retainer Zinc Plated	20	EA
17	1500884	TUBE, STACK CROSS SVC USE 1501757 1	3	EA
18	1500891	PIN CENTER	6	EA
19	5592016	RETAINING RING EXT 1.25 HD	12	EA
20	1500882	PIN, END DOUBLE RETAINER	8	EA
21	1500883	PIN END	4	EA
22	1502179	WLDMT, PLATFORM MNT RH	1	EA
23	1502175	WLDMT, PLATFORM MNT LH	1	EA
24	1502178	WLDMT, PLAT SLDR	1	EA

アイテム	部品番号	名前	数量	UOM
25	1500898	Plastic UHMW 1/4 x 1 1/8	4	EA
26	1501946	TUBE, SAFETY PROP WHT	1	EA
27	1500978	STACK PAD IMPERIAL 1ST INNER	2	EA
28	1500888	STACK PAD IMPERIAL UPPER	8	EA
29	1500979	STACK PAD IMPERIAL 1ST OUTER	2	EA
30	6047194 3	CYLINDER, LIFT 3in X 33.5in DISP	1	EA
31	1500889	MNT TRUNION	4	EA
32	1501355	SHIM TRUNION	2	EA
33	1500890	BAR, CYL ROD MNT	1	EA
34	1500857	BOSS STACK ROLLER 3219	2	EA

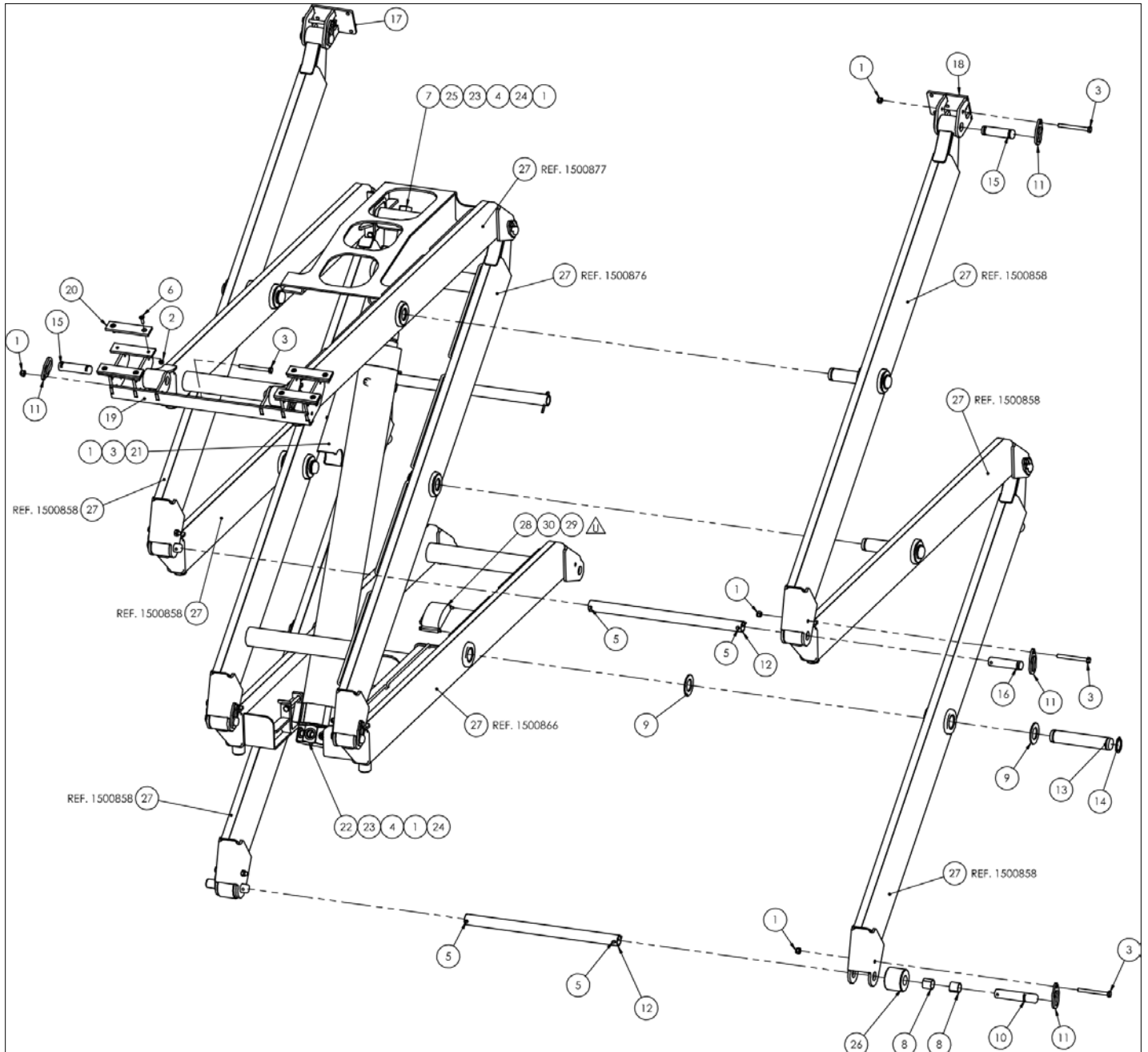
REPAIR PARTS



アイテム	部品番号	名前	数量	UOM
*	1502076 T	STACK ASSEMBLY S3215E SEPTEMBER 2018 AND AFTER		EA
1	056066 008	NUT NYLOCKNUT DIN985 M8 8.0 ZP	20	EA
2	056066 006	Nut NylockNut DIN985 M6 8.0 Zi	8	EA
3	056059 085	HHCS M8 x 1.25 x 85 G8.8 ISO 4014 DIN 931	14	EA
4	056059 090	Bolt, HexBolt DIN931 M8 x 90mm 8.8 ZincPlated	2	EA
5	056059 100	Bolt, HexBolt DIN931 M8 x 100mm 8.8 ZincPlated	2	EA
6	988379	PIN COTTER .188 DIA 1.75	6	EA
7	500532 020	Bolt, CskSktFltMachScrew DIN79	8	EA
8	510684 090	BOLT HEXBOLT M20 X 090MM DIN93	1	EA
9	2509835	BRG, 875ID 1.00OD .938L	4	EA
10	1500892	Washer Ctr Pin Zinc Plated	18	EA
11	1500880	PIN LOWER SLIDER	2	EA
12	1500881	Pin Retainer Zinc Plated	20	EA
13	1500884	TUBE, STACK CROSS SVC USE 1501757 1	3	EA
14	1500891	PIN CENTER	6	EA
15	5592016	RETAINING RING EXT 1.25 HD	12	EA
16	1500882	PIN, END DOUBLE RETAINER	8	EA
17	1500883	PIN END	4	EA
18	1502179	WLDMT, PLATFORM MNT RH	1	EA
19	1502175	WLDMT, PLATFORM MNT LH	1	EA
20	1502178	WLDMT, PLAT SLDR	1	EA
21	1500898	Plastic UHMW 1/4 x 1 1/8	4	EA
22	1501946	TUBE, SAFETY PROP WHT	1	EA
23	1500978	STACK PAD IMPERIAL 1ST INNER	2	EA
24	1500888	STACK PAD IMPERIAL UPPER	8	EA

アイテム	部品番号	名前	数量	UOM
25	1500979	STACK PAD IMPERIAL 1ST OUTER	2	EA
26	6047194	CYLINDER, LIFT 3in X 33.5in DISP ROSENBOOM	1	EA
27	1500889	MNT TRUNION	4	EA
28	1501355	SHIM TRUNION	2	EA
29	1500890	BAR, CYL ROD MNT	1	EA
30	1500857	BOSS STACK ROLLER 3219	2	EA
31	1503032	KIT, STACK ARMS S3215E	1	EA

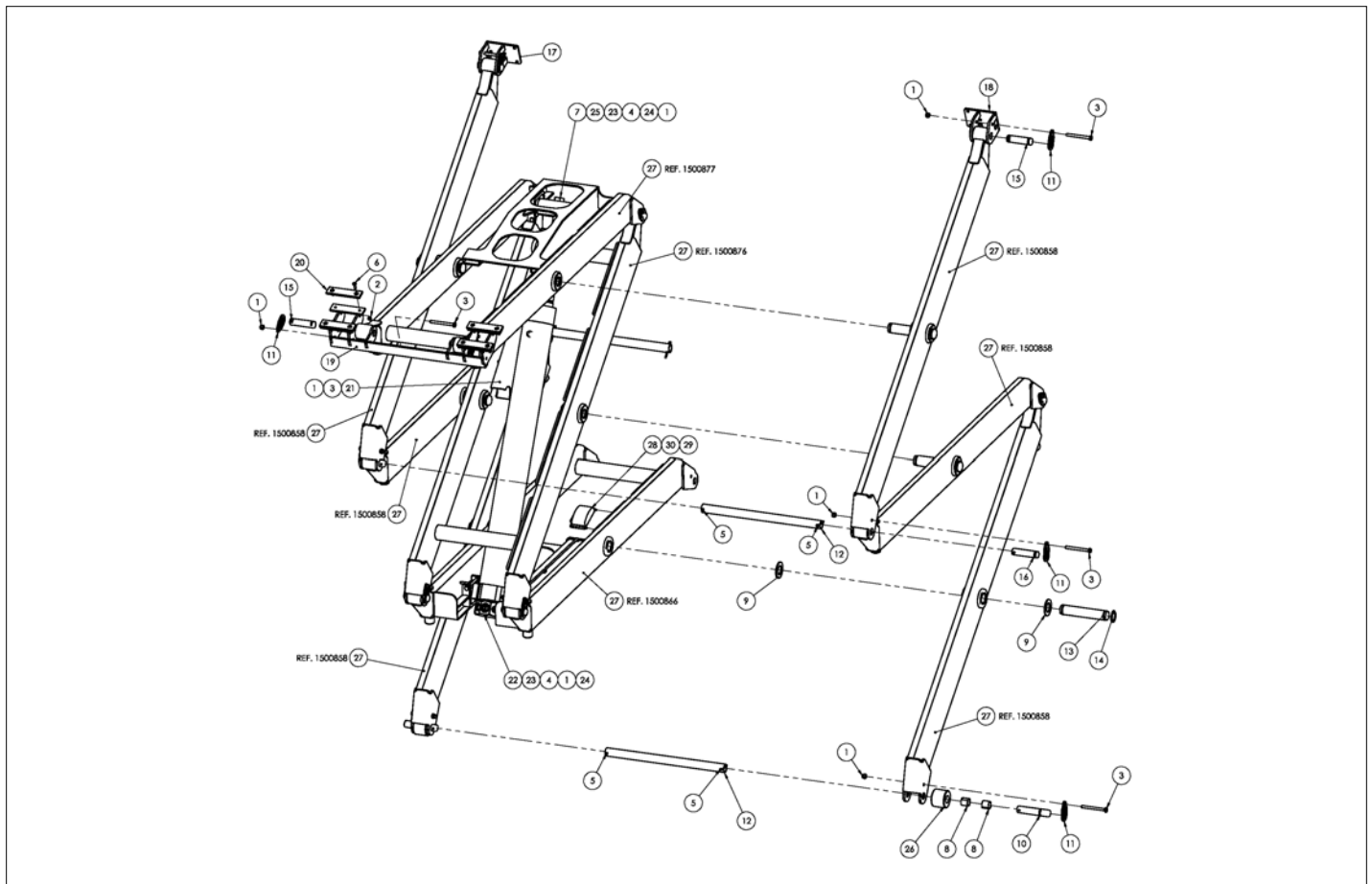
REPAIR PARTS



アイテム	部品番号	名前	数量	UOM
	1502076 U	STACK ASSEMBLY S3215E APRIL 2019 AND AFTER		EA
1	056066 008	NUT NYLOCKNUT DIN985 M8 8.0 ZP	20	EA
2	056066 006	Nut NylockNut DIN985 M6 8.0 Zi	8	EA
3	056059 085	HHCS M8 x 1.25 x 85 G8.8 ISO 4014 DIN 931	16	EA
4	056059 100	Bolt, HexBolt DIN931 M8 x 100mm 8.8 ZincPlated	4	EA
5	988379	PIN COTTER .188 DIA 1.75	6	EA
6	500532 020	Bolt, CskSktFltMachScrew DIN79	8	EA
7	510684 090	BOLT HEXBOLT M20 X 090MM DIN93	1	EA
8	2509835	BRG, 875ID 1.00OD .938L	4	EA
9	1500892	Washer Ctr Pin Zinc Plated	18	EA
10	1500880	PIN LOWER SLIDER	2	EA
11	1500881	Pin Retainer Zinc Plated	20	EA
12	1500884	TUBE, STACK CROSS SVC USE 1501757 1	3	EA
13	1500891	PIN CENTER	6	EA
14	5592016	RETAINING RING EXT 1.25 HD	12	EA
15	1500882	PIN, END DOUBLE RETAINER	8	EA
16	1500883	PIN END	4	EA
17	1502179	WLDMT, PLATFORM MNT RH	1	EA
18	1502175	WLDMT, PLATFORM MNT LH	1	EA
19	1502178	WLDMT, PLAT SLDR	1	EA
20	1500898	Plastic UHMW 1/4 x 1 1/8	4	EA
21	1501946	TUBE, SAFETY PROP WHT	1	EA
22	6047194	CYLINDER, LIFT 3in X 33.5in DISP ROSENBOOM	1	EA
23	1500889	MNT TRUNION	4	EA
24	1501355	SHIM TRUNION	2	EA

アイテム	部品番号	名前	数量	UOM
25	1500890	BAR, CYL ROD MNT	1	EA
26	1500857	BOSS STACK ROLLER 3219	2	EA
27	1503032	KIT, STACK ARMS S3215E	1	EA
28	3030187	Angle Transducer	1	EA
29	056069 005	Washer SteelFlatWasher DIN125A	2	EA
30	056057 055	BOLT, HEXBOLT DIN931 M5 X 55MM 8.8 ZP	2	EA
Not Shown	1500978	STACK PAD IMPERIAL 1ST INNER	2	EA
Not Shown	1500888	STACK PAD IMPERIAL UPPER	8	EA
Not Shown	1500979	STACK PAD IMPERIAL 1ST OUTER	2	EA

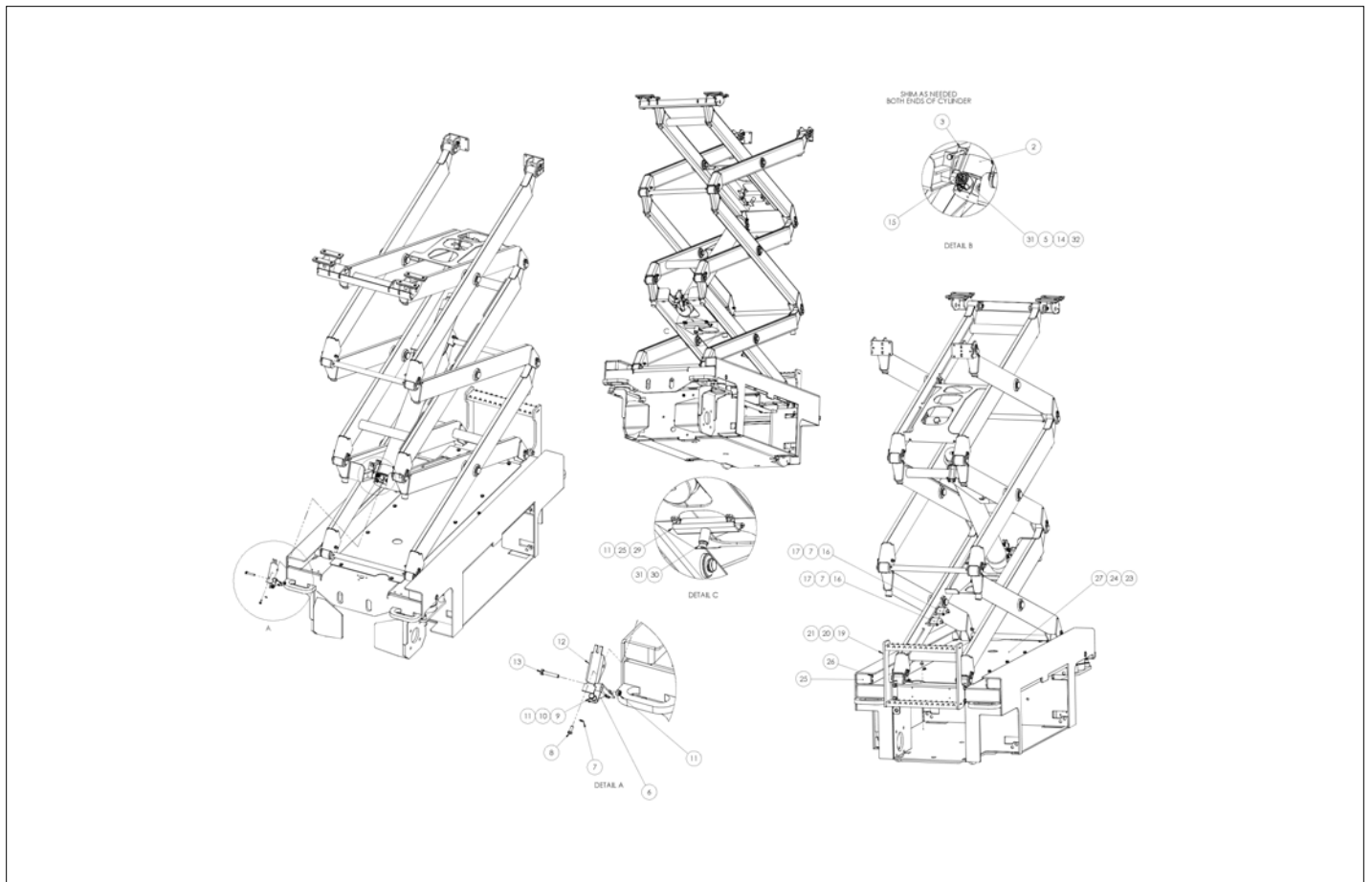
REPAIR PARTS



アイテム	部品番号	名前	数量	UOM
*	1502076 V	STACK ASSEMBLY S3215E MAY 2019 AND AFTER		EA
1	056066 008	NUT NYLOCKNUT DIN985 M8 8.0 ZP	20	EA
2	056066 006	Nut NylockNut DIN985 M6 8.0 Zi	8	EA
3	056059 085	HHCS M8 x 1.25 x 85 G8.8 ISO 4014 DIN 931	14	EA
4	056059 100	Bolt, HexBolt DIN931 M8 x 100mm 8.8 ZincPlated	4	EA
5	988379	PIN COTTER .188 DIA 1.75	6	EA
6	500532 020	Bolt, CskSktFltMachScrew DIN79	8	EA
7	510684 090	BOLT HEXBOLT M20 X 090MM DIN93	1	EA
8	2509835	BRG, 875ID 1.00OD .938L	4	EA
9	1500892	Washer Ctr Pin Zinc Plated	18	EA
10	1500880	PIN LOWER SLIDER	2	EA
11	1500881	Pin Retainer Zinc Plated	20	EA
12	1500884	TUBE, STACK CROSS SVC USE 1501757 1	3	EA
13	1500891	PIN CENTER	6	EA
14	5592016	RETAINING RING EXT 1.25 HD	12	EA
15	1500882	PIN, END DOUBLE RETAINER	8	EA
16	1500883	PIN END	4	EA
17	1502179	WLDMT, PLATFORM MNT RH	1	EA
18	1502175	WLDMT, PLATFORM MNT LH	1	EA
19	1502178	WLDMT, PLAT SLDR	1	EA
20	1500898	Plastic UHMW 1/4 x 1 1/8	4	EA
21	1501946	TUBE, SAFETY PROP WHT	1	EA
22	6047194	CYLINDER, LIFT 3in X 33.5in DISP ROSENBOOM	1	EA
23	1500889	MNT TRUNION	4	EA
24	1501355	SHIM TRUNION	2	EA

アイテム	部品番号	名前	数量	UOM
25	1500890	BAR, CYL ROD MNT	1	EA
26	1500857	BOSS STACK ROLLER 3219	2	EA
27	1503032	KIT, STACK ARMS S3215E	1	EA
28	3030187	Angle Transducer	1	EA
29	056069 005	Washer SteelFlatWasher DIN125A	2	EA
30	056057 055	BOLT, HEXBOLT DIN931 M5 X 55MM 8.8 ZP	2	EA

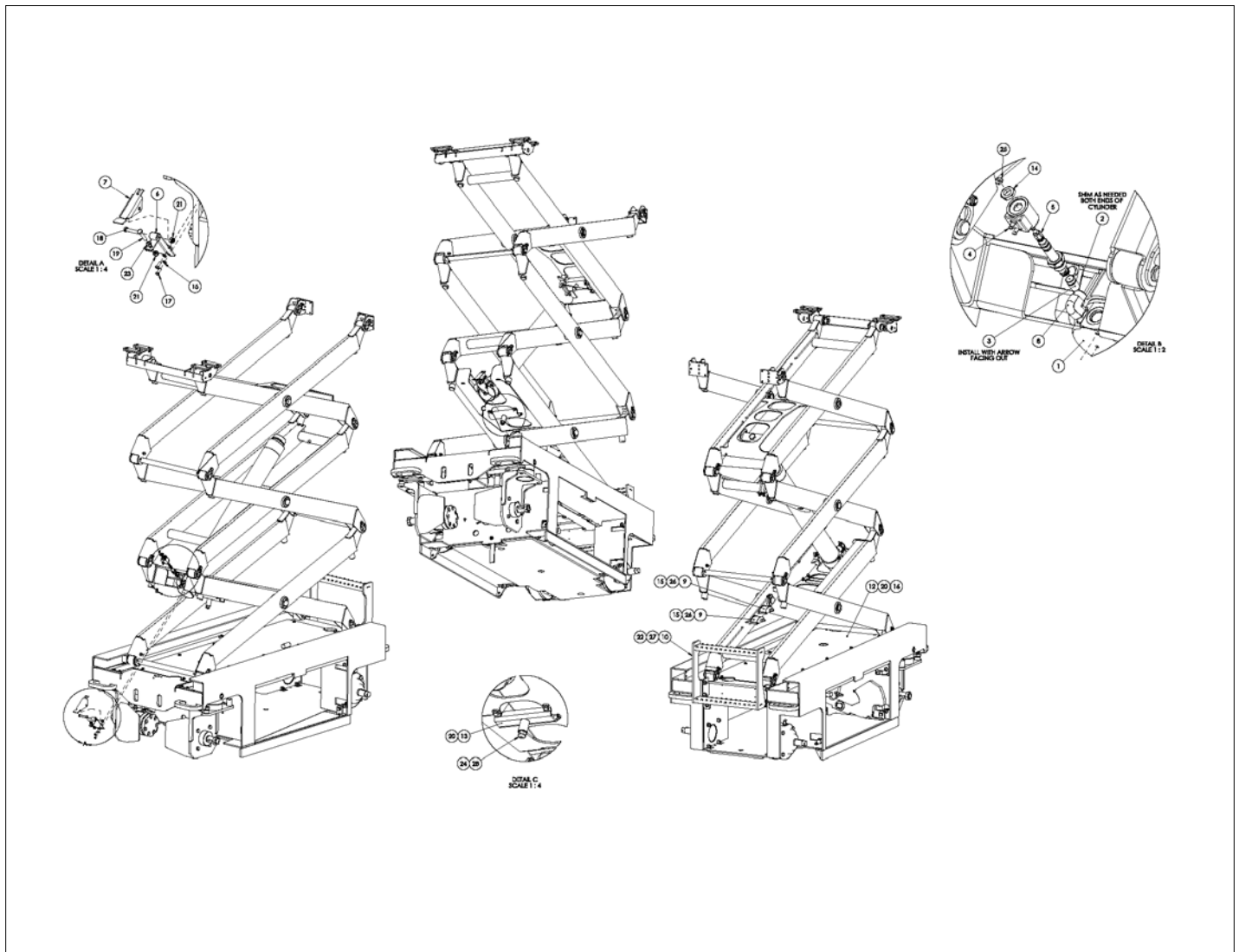
REPAIR PARTS



アイテム	部品番号	名前	数量	UOM
	1502123H	INSTALL, STACK S3215E		EA
1	1502236	CHASSIS/STACK ASSEMBLY S3215E	1	EA
2	6047135	CYLINDER, LIFT 3in X 33.5in DISP FISHER	1	EA
3	1501355	SHIM TRUNION	2	EA
4	6091596	CHECK VALVE POPPET FLOW .052	1	EA
5	6019289	COIL 20VDC HYDRAFORCE 4303620	1	EA
6	1500885	WLDMT CYLINDER BLEED	1	EA
7	056069 006	WSHR STEELFLATWSHE M6 DIN125A	6	EA
8	058491 016	BOLT HEXSETSCREW DIN933 M6 X 16MM 8.8 ZP	2	EA
9	056059 035	BOLT HEXSETSCREW DIN933 M8 X 35MM 8.8 ZP	1	EA
10	056067 008	Nut, HexNut DIN934 M8 8.0 Zinc	1	EA
11	056066 008	NUT NYLOCKNUT DIN985 M8 8.0 ZP	10	EA
12	1500887	PLT CYLINDER BLEED LEVER	1	EA
13	056059 045	Bolt, HexBolt DIN931 M8 x 45mm	1	EA
14	5563311	NUT HEX 10 32 TOPLKG	1	EA
15	100434 008	6MB X 6M ORFF 90 ° FITTING	1	EA
16	3030157	Angle Transducer	2	EA
17	5563138	BLT HEXHD M5 0.8 45MM 8.8 ZN	4	EA
18	1500290	STACK HARNESS 19'	1	EA
19	1500981	WLDMT STEP S3219	1	EA
20	058494 035	BOLT HEXSETSCREW DIN933 M12 X 35MM 8.8 ZP	4	EA
21	056066 012	Nut, NylockNut DIN985 M12 8.0	4	EA
22	5090048	HOSE GUARD 16	1.0000	EA

アイテム	部品番号	名前	数量	UOM
23	056069 008	WASHER, STEELFLATWASHER DIN12M8 FLAT WASHER DIN 125	10	EA
24	058492 025	BOLT HEXSETSCREW DIN933 M8 X 25MM 8.8 ZP	18	EA
25	1501794	Weldment filler ORG	2	EA
26	5563298	SBHCS M8 X 1.25 X 18 GR 10.9 BLK FINISH	4	EA
27	1502215	CHASSIS COVER S3215/3219 ORG	1	EA
28	1502172	WLDMT POTHOLE CROSSMEMBER PURCHASED	1	EA
29	5563293	BLT SKTBUTCS M12 1.75 X 50 DIN	1	EA
30	056067 512	Nut, HexJamNut DIN936 M12 8.0	1	EA
31	6019357	SOLENOID VALVE SP08 20J 0 N 00	1	EA
32	5563650	NUT HEX JAM .500 20THIN	1	EA

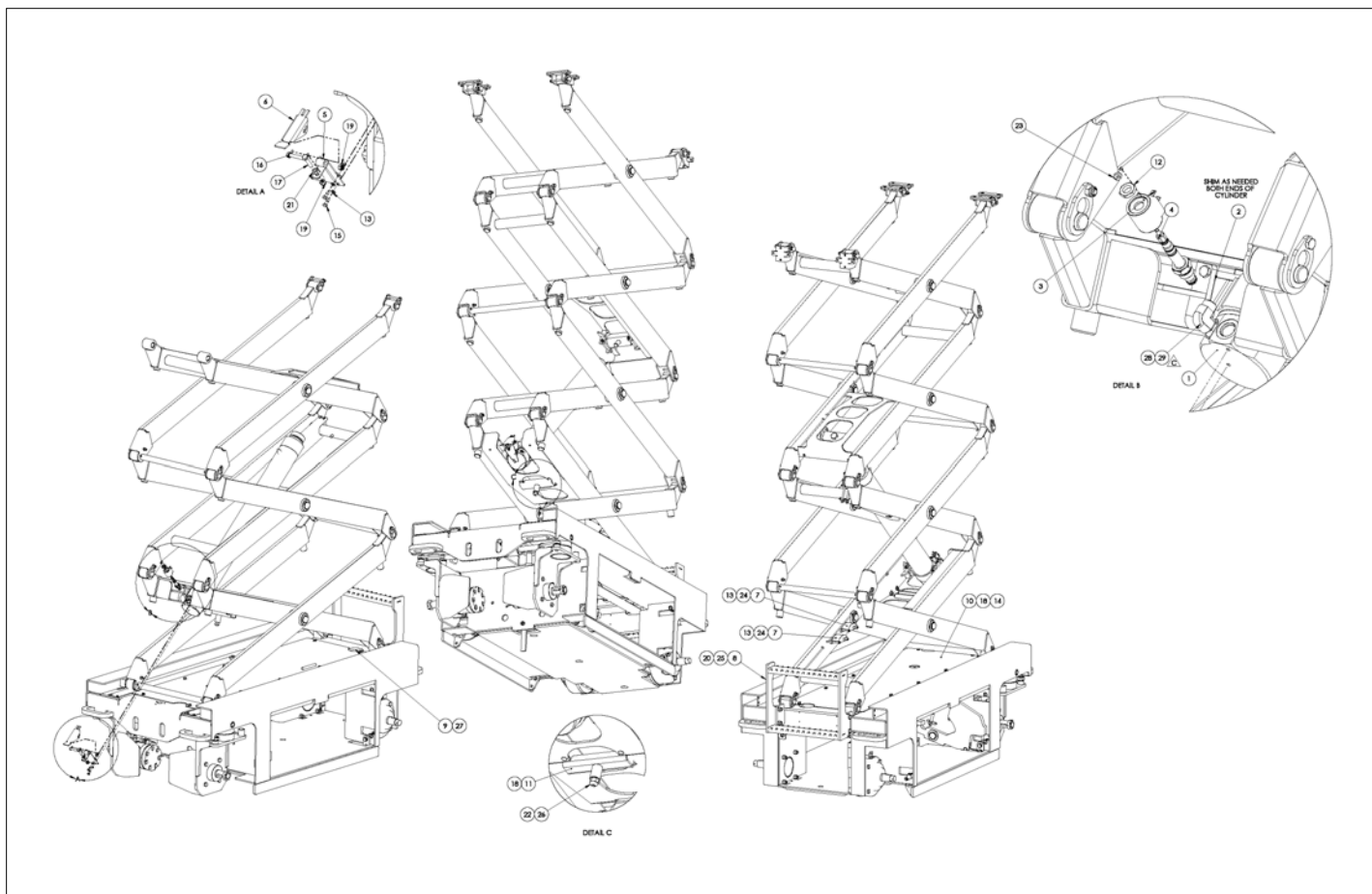
REPAIR PARTS



アイテム	部品番号	名前	数量	UOM
	1502669 B	STACK INSTALLATION		EA
1	6047135	CYLINDER, LIFT 3in X 33.5in DISP FISHER	1	EA
2	1501355	SHIM TRUNION	2	EA
3	6091596	CHECK VALVE POPPET FLOW .052	1	EA
4	6019289	COIL 20VDC HYDRAFORCE 4303620	1	EA
5	6019357	SOLENOID VALVE SP08 20J 0 N 00	1	EA
6	1500885	WLDMT CYLINDER BLEED	1	EA
7	1500887	PLT CYLINDER BLEED LEVER	1	EA
8	100434 008	6MB X 6M ORFF 90 ° FITTING	1	EA
9	3030157	Angle Transducer	2	EA
10	1500981	WLDMT STEP S3219	1	EA
Not Shown	5090048	HOSE GUARD 16	1	EA
12	1502215	CHASSIS COVER S3215/3219 ORG	1	EA
13	1502172	WLDMT POTHOLE CROSSMEMBER PURCHASED	1	EA
14	5563650	NUT HEX JAM .500 20THIN	1	EA
15	056069 006	WSHR STEELFLATWSHE M6 DIN125A	6	EA
16	056069 008	WASHER, STEELFLATWASHER DIN12M8 FLAT WASHER DIN 125	10	EA
17	058491 016	BOLT HEXSETSCREW DIN933 M6 X 16MM 8.8 ZP	2	EA
18	056059 050	BOLT, HEXBOLT DIN931 M8 X 50MM 8.8 ZINCPLATED	1	EA
19	056059 035	BOLT HEXSETSCREW DIN933 M8 X 35MM 8.8 ZP	1	EA
20	058492 025	BOLT HEXSETSCREW DIN933 M8 X 25MM 8.8 ZP	14	EA

アイテム	部品番号	名前	数量	UOM
21	056066 008	NUT NYLOCKNUT DIN985 M8 8.0 ZP	6	EA
22	056066 012	Nut, NylockNut DIN985 M12 8.0	4	EA
23	056067 008	Nut, HexNut DIN934 M8 8.0 Zinc	1	EA
24	056067 012	NUT, HEX, M12 X 1.75 DIN 934	1	EA
25	5563311	NUT HEX 10 32 TOPLKG	1	EA
26	5563138	BLT HEXHD M5 0.8 45MM 8.8 ZN	4	EA
27	056065 040	BOLT HEXBOLT DIN 931 M12 X 40MM 8.8 ZP	4	EA
28	5563293	BLT SKTBUTCS M12 1.75 X 50 DIN	1	EA
Not Shown	1502125	STACK HARNESS 15'	1	EA

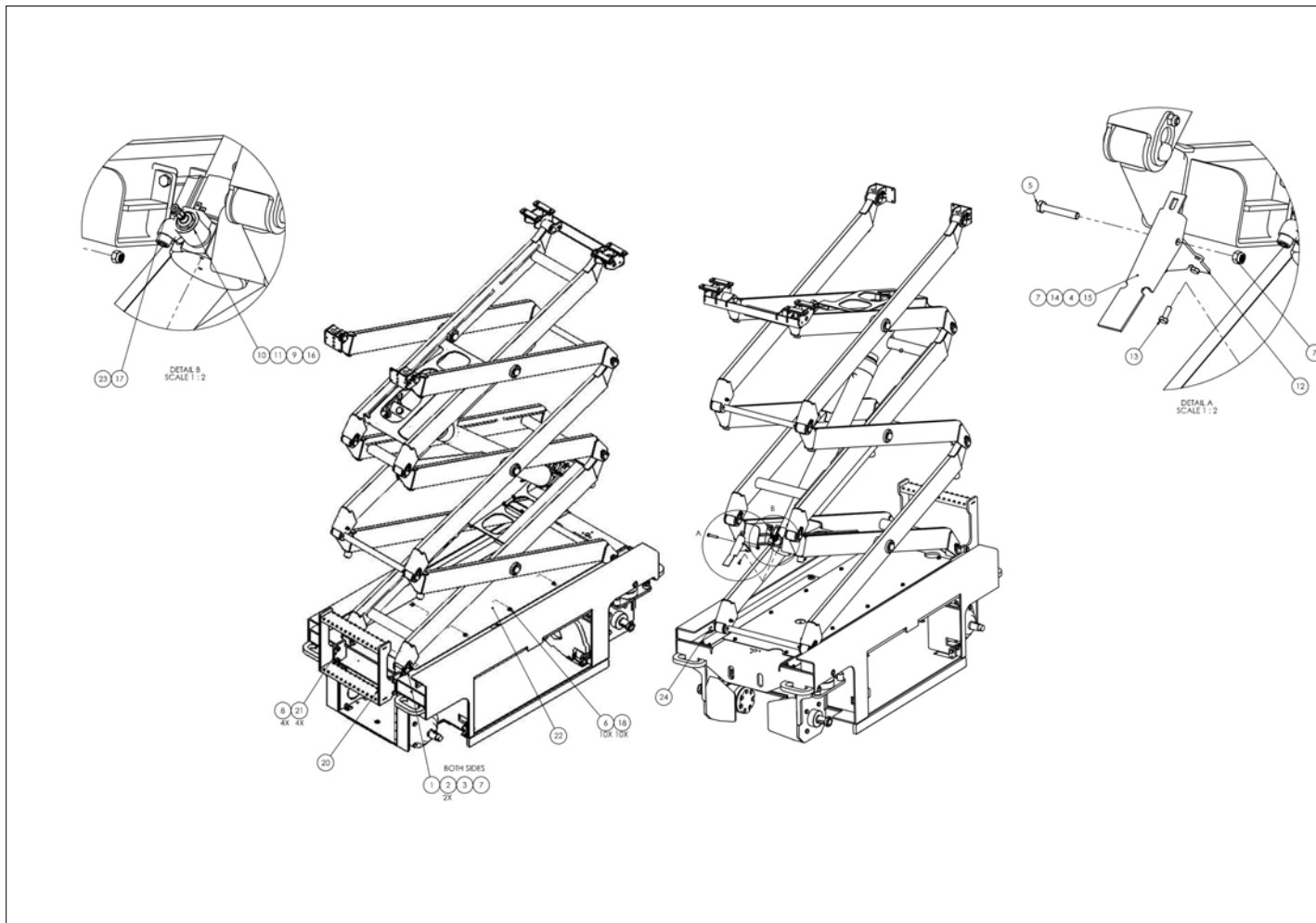
REPAIR PARTS



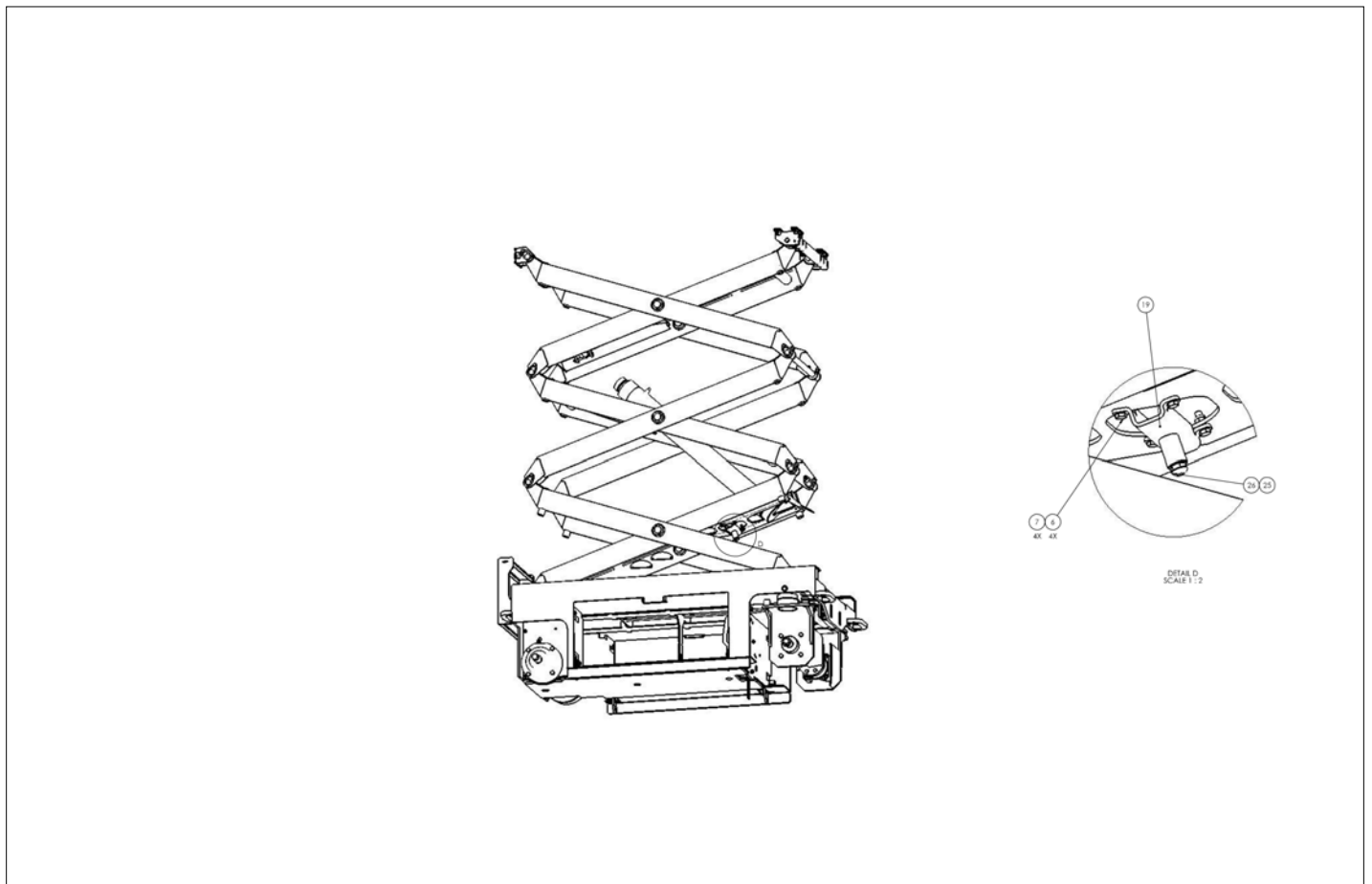
アイテム	部品番号	名前	数量	UOM
	1502720 C	STACK ASSEMBLY JULY 2017 AND AFTER		EA
1	6047194	CYLINDER, LIFT 3in X 33.5in DISP ROSENBOOM	1	EA
2	1501355	SHIM TRUNION	2	EA
3	6019289	COIL 20VDC HYDRAFORCE 4303620	1	EA
4	6019357	SOLENOID VALVE SP08 20J 0 N 00	1	EA
5	1500885	WLDMT CYLINDER BLEED	1	EA
6	1500887	PLT CYLINDER BLEED LEVER	1	EA
7	3030157	Angle Transducer	2	EA
8	1500981	WLDMT STEP S3219	1	EA
9	5090048	HOSE GUARD 16	1.0000	EA
10	1502215	CHASSIS COVER S3215/3219 ORG	1	EA
11	1502172	WLDMT POTHOLE CROSSMEMBER PURCHASED	1	EA
12	5563650	NUT HEX JAM .500 20THIN	1	EA
13	056069 006	WSHR STEELFLATWSHE M6 DIN125A	6	EA
14	056069 008	WASHER, STEELFLATWASHER DIN12M8 FLAT WASHER DIN 125	10	EA
15	058491 016	BOLT HEXSETSCREW DIN933 M6 X 16MM 8.8 ZP	2	EA
16	056059 050	BOLT, HEXBOLT DIN931 M8 X 50MM 8.8 ZINCPLATED	1.0000	EA
17	056059 035	BOLT HEXSETSCREW DIN933 M8 X 35MM 8.8 ZP	1	EA
18	058492 025	BOLT HEXSETSCREW DIN933 M8 X 25MM 8.8 ZP	14	EA
19	056066 008	NUT NYLOCKNUT DIN985 M8 8.0 ZP	6	EA
20	056066 012	Nut, NylockNut DIN985 M12 8.0	4	EA
21	056067 008	Nut, HexNut DIN934 M8 8.0 Zinc	1	EA

アイテム	部品番号	名前	数量	UOM
22	056067 012	NUT, HEX, M12 X 1.75 DIN 934	1	EA
23	5563311	NUT HEX 10 32 TOPLKG	1	EA
24	5563138	BLT HEXHD M5 0.8 45MM 8.8 ZN	4	EA
25	056065 040	BOLT HEXBOLT DIN 931 M12 X 40MM 8.8 ZP	4	EA
26	5563293	BLT SKTBUTCS M12 1.75 X 50 DIN	1	EA
27	1500290	STACK HARNESS 19'	1	EA
28	6019382	ORIFICE	1	EA
29	100434 008	6MB X 6M ORFF 90 ° FITTING	1	EA

REPAIR PARTS

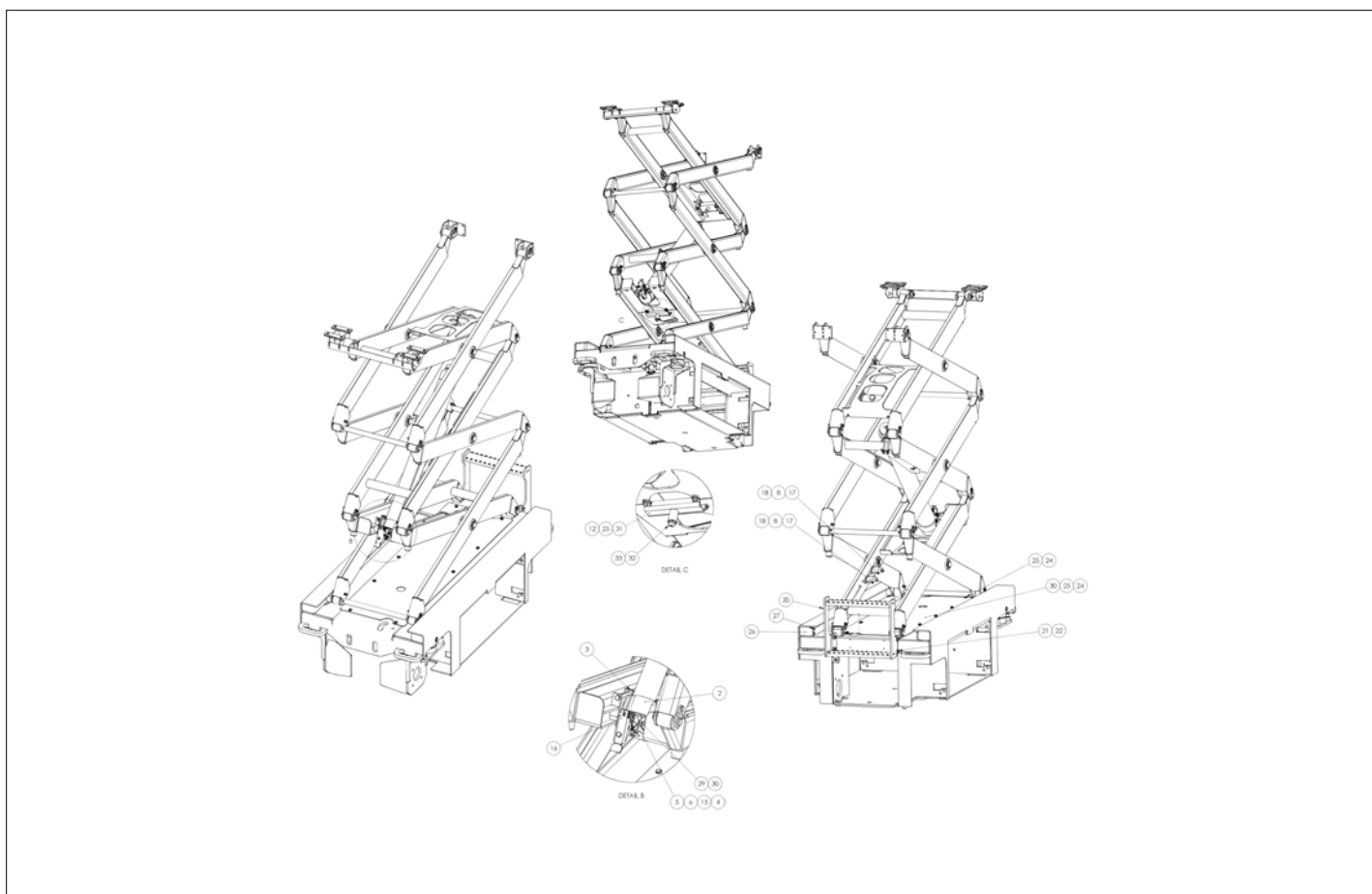


アイテム	部品番号	名前	数量	UOM
	1502669 J	STACK INSTALLATION S3215E		EA
1	1500882	PIN, END DOUBLE RETAINER	2	EA
2	1500881	Pin Retainer Zinc Plated	4	EA
3	056059 085	HHCS M8 x 1.25 x 85 G8.8 ISO 4014 DIN 931	2	EA
4	056059 035	BOLT HEXSETSCREW DIN933 M8 X 35MM 8.8 ZP	1	EA
5	056059 050	BOLT, HEXBOLT DIN931 M8 X 50MM 8.8 ZINCPLATED	1	EA
6	058492 025	BOLT HEXSETSCREW DIN933 M8 X 25MM 8.8 ZP	14	EA
7	056066 008	NUT NYLOCKNUT DIN985 M8 8.0 ZP	8	EA
8	056066 012	Nut, NylockNut DIN985 M12 8.0	4	EA
9	6019357	SOLENOID VALVE SP08 20J 0 N 00	1	EA
10	6019289	COIL 20VDC HYDRAFORCE 4303620	1	EA
11	5563650	NUT HEX JAM .500 20THIN	1	EA
12	1500882	PIN, END DOUBLE RETAINER	1	EA
13	058491 016	BOLT HEXSETSCREW DIN933 M6 X 16MM 8.8 ZP	2	EA
14	056067 008	Nut, HexNut DIN934 M8 8.0 Zinc	1	EA
15	1500887	PLT CYLINDER BLEED LEVER	1	EA
16	5563311	NUT HEX 10 32 TOPLKG	1	EA
17	100434 008	6MB X 6M ORFF 90 ° FITTING	1	EA
18	056069 008	WASHER, STEELFLATWASHER DIN12M8 FLAT WASHER DIN 125	10	EA
19	1502172	WLDMT POTHOLE CROSSMEMBER PURCHASED	1	EA
20	1500981	WLDMT STEP S3219	1	EA
21	056065 040	BOLT HEXBOLT DIN 931 M12 X 40MM 8.8 ZP	4	EA



アイテム	部品番号	名前	数量	UOM
22	1502215	CHASSIS COVER S3215/3219 ORG	1	EA
23	6019382	ORIFICE	1	EA
24	1500879	LOWER SLIDER	2	EA
25	056067 512	Nut, HexJamNut DIN936 M12 8.0	1	EA
26	5563293	BLT SKTBUTCS M12 1.75 X 50 DIN	1	EA

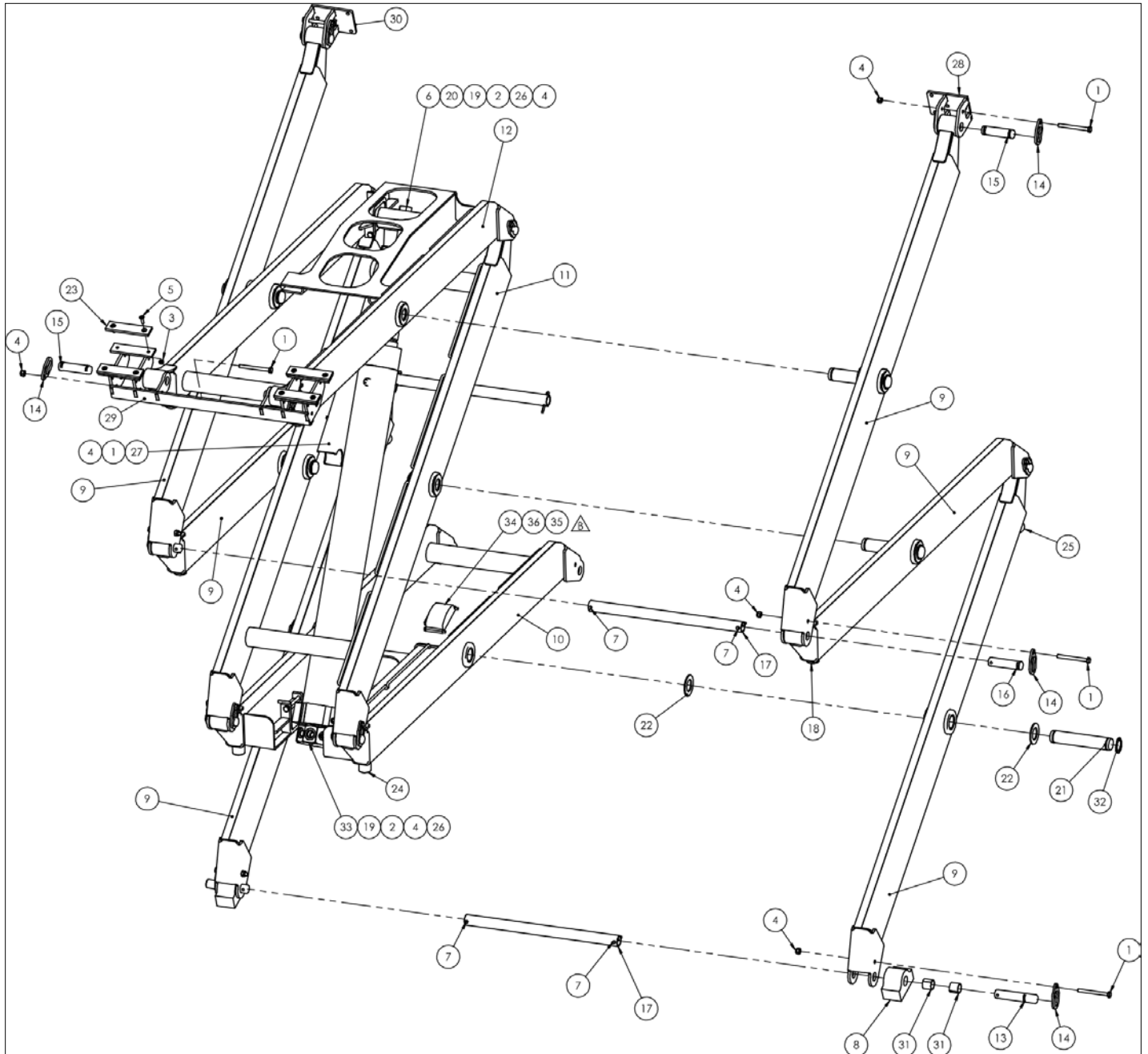
REPAIR PARTS



アイテム	部品番号	名前	数量	UOM
	1502122H	ASSEMBLY, CE/AU STACK S3215		EA
1	1502086	ASSY, CHASSIS/STACK S3215, SUB	1	EA
2	6047135	CYLINDER, LIFT 3in X 33.5in DISP FISHER	1	EA
3	1501355	SHIM TRUNION	2	EA
4	6091596	CHECK VALVE POPPET FLOW .052	1	EA
5	6019357	SOLENOID VALVE SP08 20J 0 N 00	1	EA
6	6019289	COIL 20VDC HYDRAFORCE 4303620	1	EA
7	1500885	WLDMT CYLINDER BLEED	1	EA
8	056069 006	WSHR STEELFLATWSHE M6 DIN125A	6	EA
9	058491 016	BOLT HEXSETSCREW DIN933 M6 X 16MM 8.8 ZP	2	EA
10	056059 035	BOLT HEXSETSCREW DIN933 M8 X 35MM 8.8 ZP	1	EA
11	056067 008	Nut, HexNut DIN934 M8 8.0 Zinc	1	EA
12	056066 008	NUT NYLOCKNUT DIN985 M8 8.0 ZP	10	EA
13	1500887	PLT CYLINDER BLEED LEVER	1	EA
14	056059 045	Bolt, HexBolt DIN931 M8 x 45mm	1	EA
15	5563311	NUT HEX 10 32 TOPLKG	1	EA
16	100434 008	6MB X 6M ORFF 90 ° FITTING	1	EA
17	3030157	Angle Transducer	2	EA
18	5563138	BLT HEXHD M5 0.8 45MM 8.8 ZN	4	EA
19	1500290	STACK HARNESS 19'	1	EA
20	1500981	WLDMT STEP S3219	1	EA
21	058494 035	BOLT HEXSETSCREW DIN933 M12 X 35MM 8.8 ZP	4	EA
22	056066 012	Nut, NylockNut DIN985 M12 8.0	4	EA

アイテム	部品番号	名前	数量	UOM
23	5090048	HOSE GUARD 16	1.0000	EA
24	056069 008	WASHER, STEELFLATWASHER DIN12M8 FLAT WASHER DIN 125	10	EA
25	058492 025	BOLT HEXSETSCREW DIN933 M8 X 25MM 8.8 ZP	18	EA
26	1501794	Weldment filler ORG	2	EA
27	5563298	SBHCS M8 X 1.25 X 18 GR 10.9 BLK FINISH	4	EA
28	5076527	FTG 4MBX4FB 90	1	EA
29	3030158	Pressure Transducer	1	EA
30	1502215	CHASSIS COVER S3215/3219 ORG	1	EA
31	1502172	WLDMT POTHOLE CROSSMEMBER PURCHASED	1	EA
32	5563293	BLT SKTBUTCS M12 1.75 X 50 DIN	1	EA
33	056067 512	Nut, HexJamNut DIN936 M12 8.0	1	EA
34	5563650	NUT HEX JAM .500 20THIN	1	EA

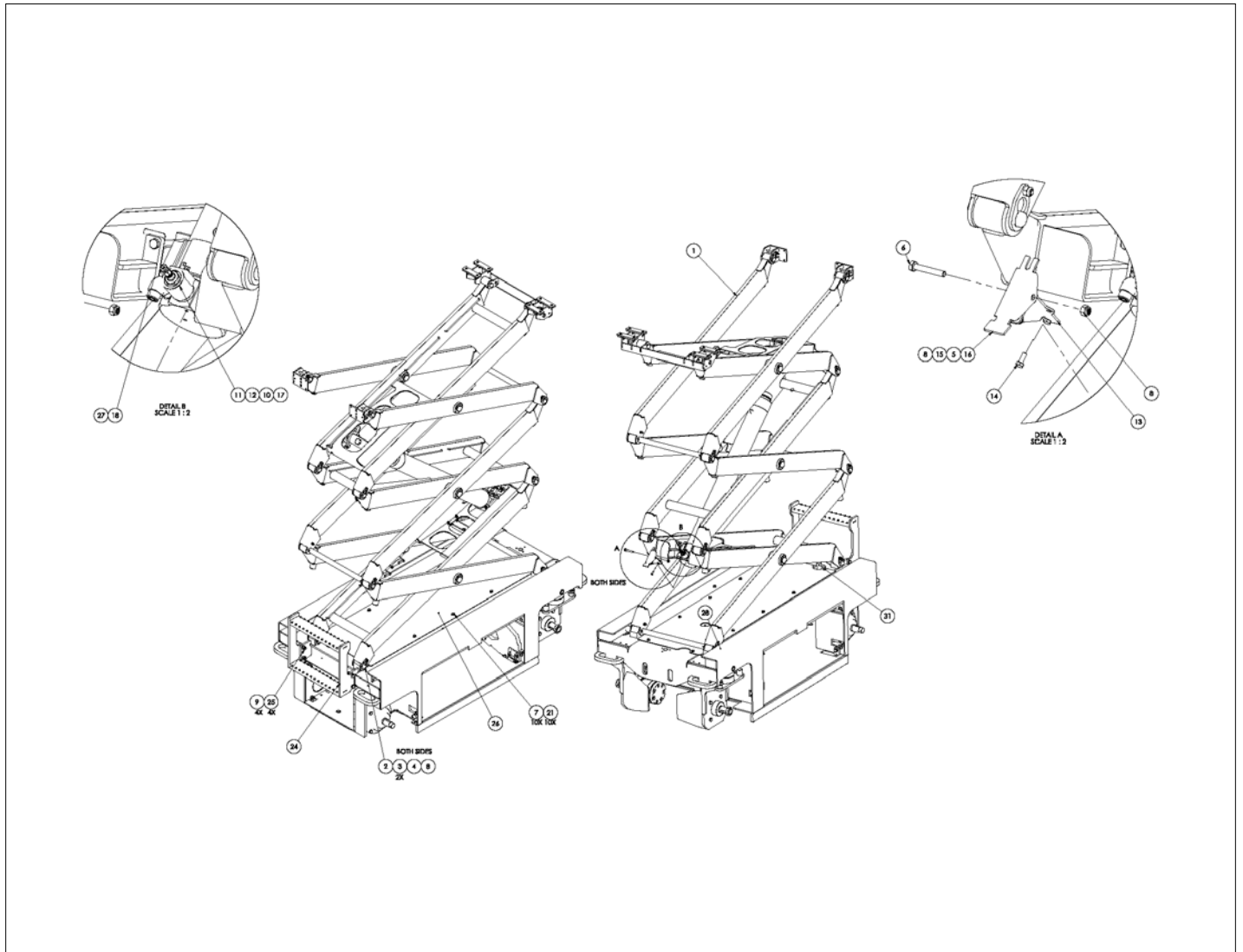
REPAIR PARTS



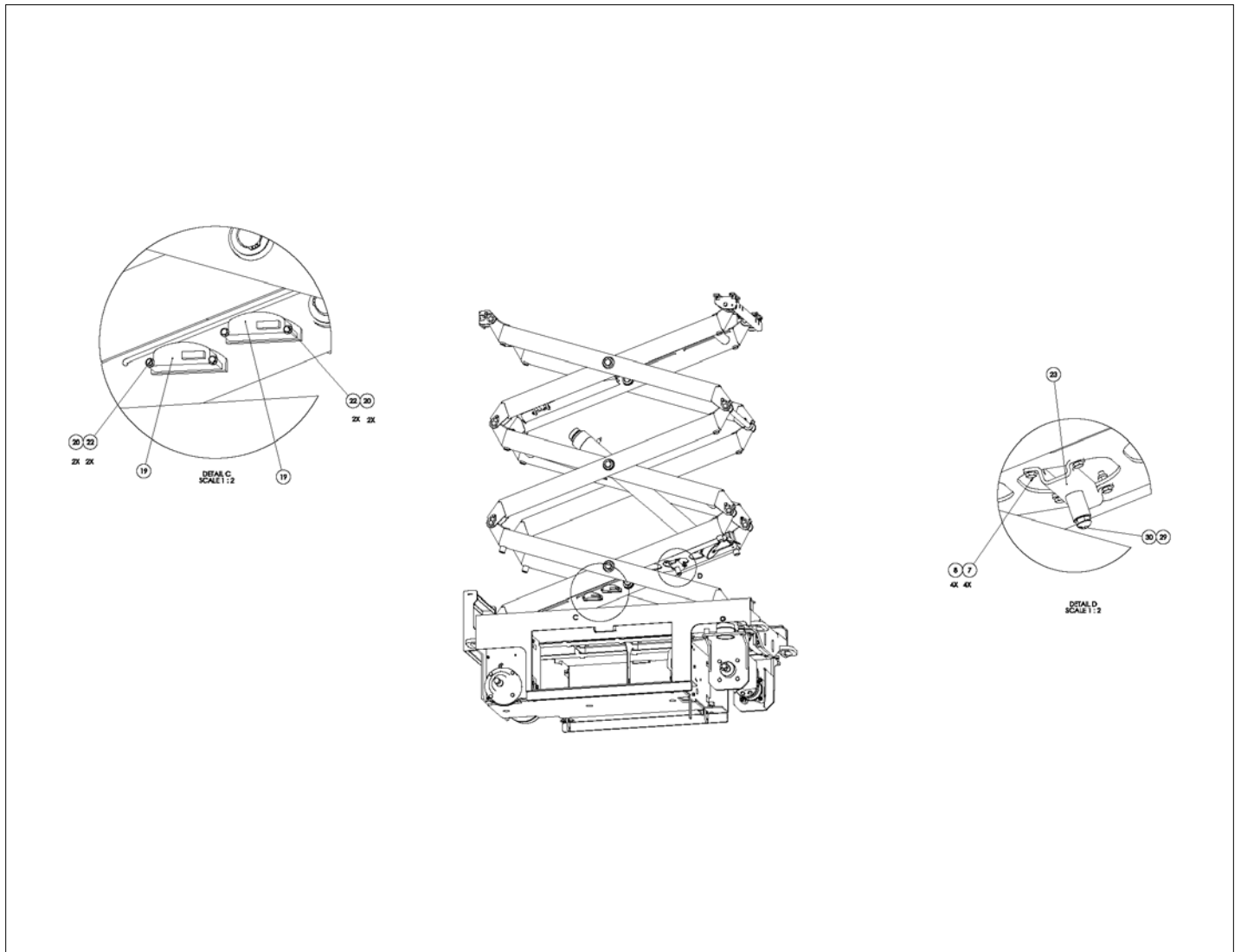
アイテム	部品番号	名前	数量	UOM
	1502932 B	STACK ASSEMBLY S3215E CHINA		EA
1	056059 085	HHCS M8 x 1.25 x 85 G8.8 ISO 4014 DIN 931	16	EA
2	056059 100	Bolt, HexBolt DIN931 M8 x 100mm 8.8 ZincPlated	4	EA
3	056066 006	Nut NylockNut DIN985 M6 8.0 Zi	8	EA
4	056066 008	NUT NYLOCKNUT DIN985 M8 8.0 ZP	20	EA
5	500532 020	Bolt, CskSktFltMachScrew DIN79	8	EA
6	510684 090	BOLT HEXBOLT M20 X 090MM DIN93	1	EA
7	988379	PIN COTTER .188 DIA 1.75	6	EA
8	1502873	SLIDE PAD, STACK	2	EA
9	1500858	WLDMT SINGLE ARM	6	EA
10	1500866	WLDMT FIRST INNER ARM	1	EA
11	1500876	WLDMT INNER ARM S3219	1	EA
12	1500877	WLDMT THIRD INNER ARM 3219 WHT	1	EA
13	1500880	PIN LOWER SLIDER	2	EA
14	1500881	Pin Retainer Zinc Plated	20	EA
15	1500882	PIN, END DOUBLE RETAINER	8	EA
16	1500883	PIN END	4	EA
17	1500884	TUBE, STACK CROSS SVC USE 1501757 1	3	EA
18	1500888	STACK PAD IMPERIAL UPPER	8	EA
19	1500889	MNT TRUNION	4	EA
20	1500890	BAR, CYL ROD MNT	1	EA
21	1500891	PIN CENTER	6	EA
22	1500892	Washer Ctr Pin Zinc Plated	18	EA
23	1500898	Plastic UHMW 1/4 x 1 1/8	4	EA
24	1500978	STACK PAD IMPERIAL 1ST INNER	2	EA

アイテム	部品番号	名前	数量	UOM
25	1500979	STACK PAD IMPERIAL 1ST OUTER	2	EA
26	1501355	SHIM TRUNION	2	EA
27	1501946	TUBE, SAFETY PROP WHT	1	EA
28	1502175	WLDMT, PLATFORM MNT LH	1	EA
29	1502178	WLDMT, PLAT SLDR	1	EA
30	1502179	WLDMT, PLATFORM MNT RH	1	EA
31	2509835	BRG, 875ID 1.00OD .938L	4	EA
32	5592016	RETAINING RING EXT 1.25 HD	12	EA
33	6047194	CYLINDER, LIFT 3in X 33.5in DISP ROSENBOOM	1	EA
34	3030187	Angle Transducer	1	EA
35	056069 005	Washer SteelFlatWasher DIN125A	2	EA
36	056057 055	BOLT, HEXBOLT DIN931 M5 X 55MM 8.8 ZP	2	EA

REPAIR PARTS

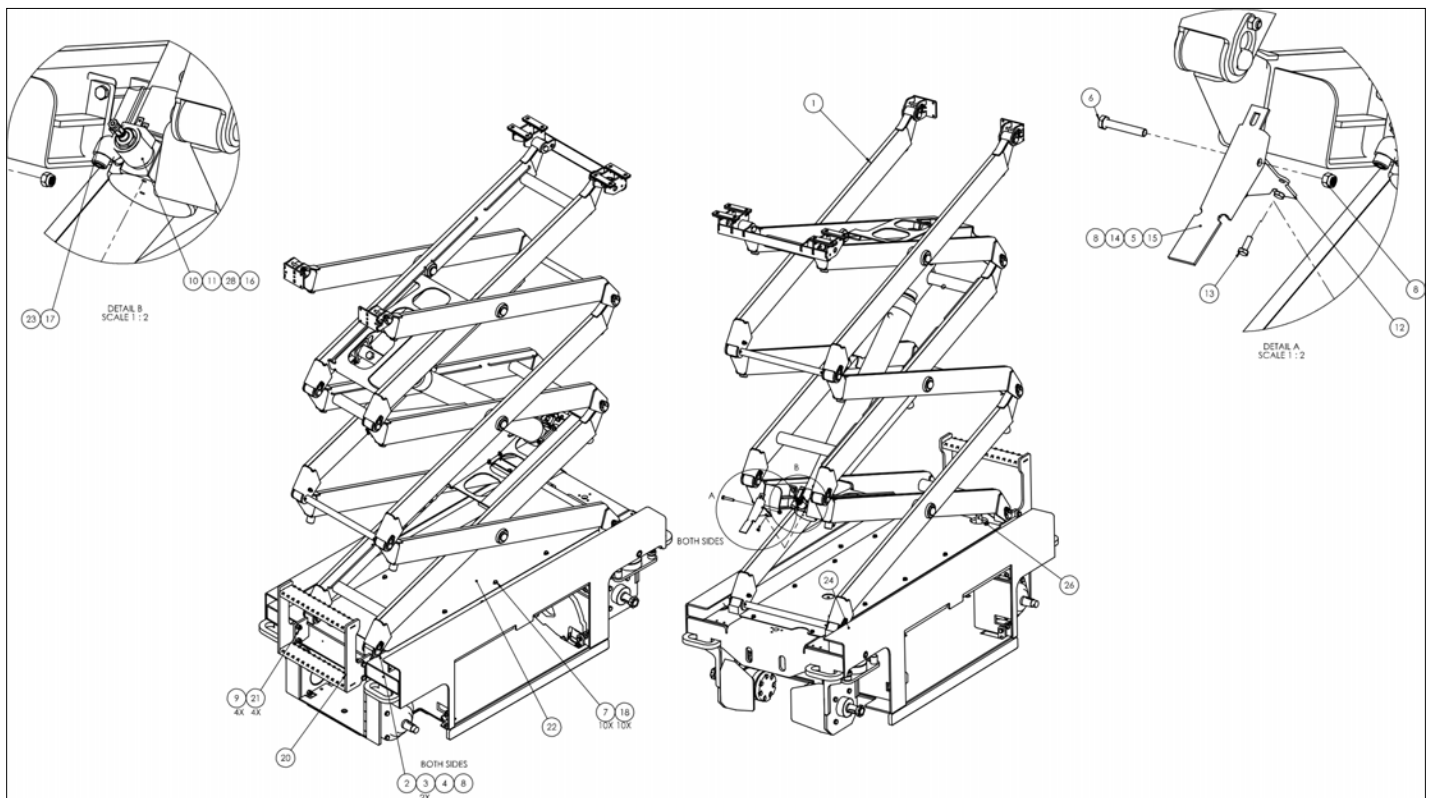


アイテム	部品番号	名前	数量	UOM
	1502933 A	STACK INSTALLATION CHINA S3215E		EA
1	1502932	ASSY, STACK S3215 CHINA	1	EA
2	1500882	PIN, END DOUBLE RETAINER	2	EA
3	1500881	Pin Retainer Zinc Plated	4	EA
4	056059 085	HHCS M8 x 1.25 x 85 G8.8 ISO 4014 DIN 931	2	EA
5	056059 035	BOLT HEXSETSCREW DIN933 M8 X 35MM 8.8 ZP	1	EA
6	056059 050	BOLT, HEXBOLT DIN931 M8 X 50MM 8.8 ZINCPLATED	1	EA
7	058492 025	BOLT HEXSETSCREW DIN933 M8 X 25MM 8.8 ZP	14	EA
8	056066 008	NUT NYLOCKNUT DIN985 M8 8.0 ZP	8	EA
9	056066 012	Nut, NylockNut DIN985 M12 8.0	4	EA
10	6019357	SOLENOID VALVE SP08 20J 0 N 00	1	EA
11	6019289	COIL 20VDC HYDRAFORCE 4303620	1	EA
12	5563650	NUT HEX JAM .500 20THIN	1	EA
13	1500885	WLDMT CYLINDER BLEED	1	EA
14	058491 016	BOLT HEXSETSCREW DIN933 M6 X 16MM 8.8 ZP	2	EA
15	056067 008	Nut, HexNut DIN934 M8 8.0 Zinc	1	EA
16	1500887	PLT CYLINDER BLEED LEVER	1	EA
17	5563311	NUT HEX 10 32 TOPLKG	1	EA
18	100434 008	6MB X 6M ORFF 90 ° FITTING	1	EA
19	3030157	Angle Transducer	2	EA
20	056069 006	WSHR STEELFLATWSHE M6 DIN125A	4	EA
Not Shown	056069 008	WASHER, STEELFLATWASHER DIN12M8 FLAT WASHER DIN 125	10	EA

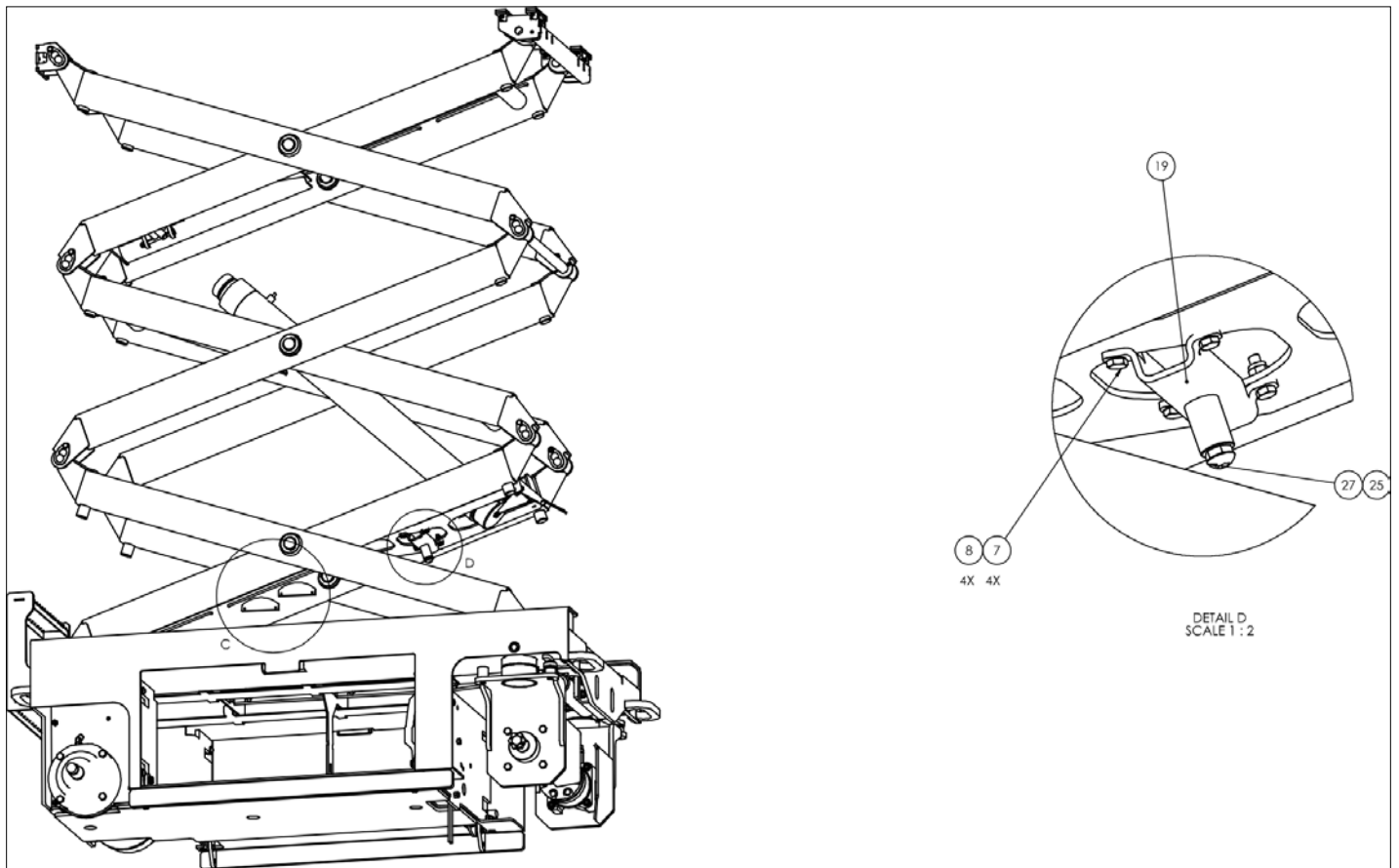


アイテム	部品番号	名前	数量	UOM
22	5563138	BLT HEXHD M5 0.8 45MM 8.8 ZN	4	EA
23	1502172	WLDMT POTHOLE CROSSMEMBER PURCHASED	1	EA
24	1500981	WLDMT STEP S3219	1	EA
25	056065 040	BOLT HEXBOLT DIN 931 M12 X 40MM 8.8 ZP	4	EA
26	1502215	CHASSIS COVER S3215/3219 ORG	1	EA
27	6019382	ORIFICE	1	EA
28	1500879	LOWER SLIDER	2	EA
29	056067 512	Nut, HexJamNut DIN936 M12 8.0	1	EA
30	5563293	BLT SKTBUTCS M12 1.75 X 50 DIN	1	EA
31	1502125	STACK HARNESS 15'	1	EA

REPAIR PARTS

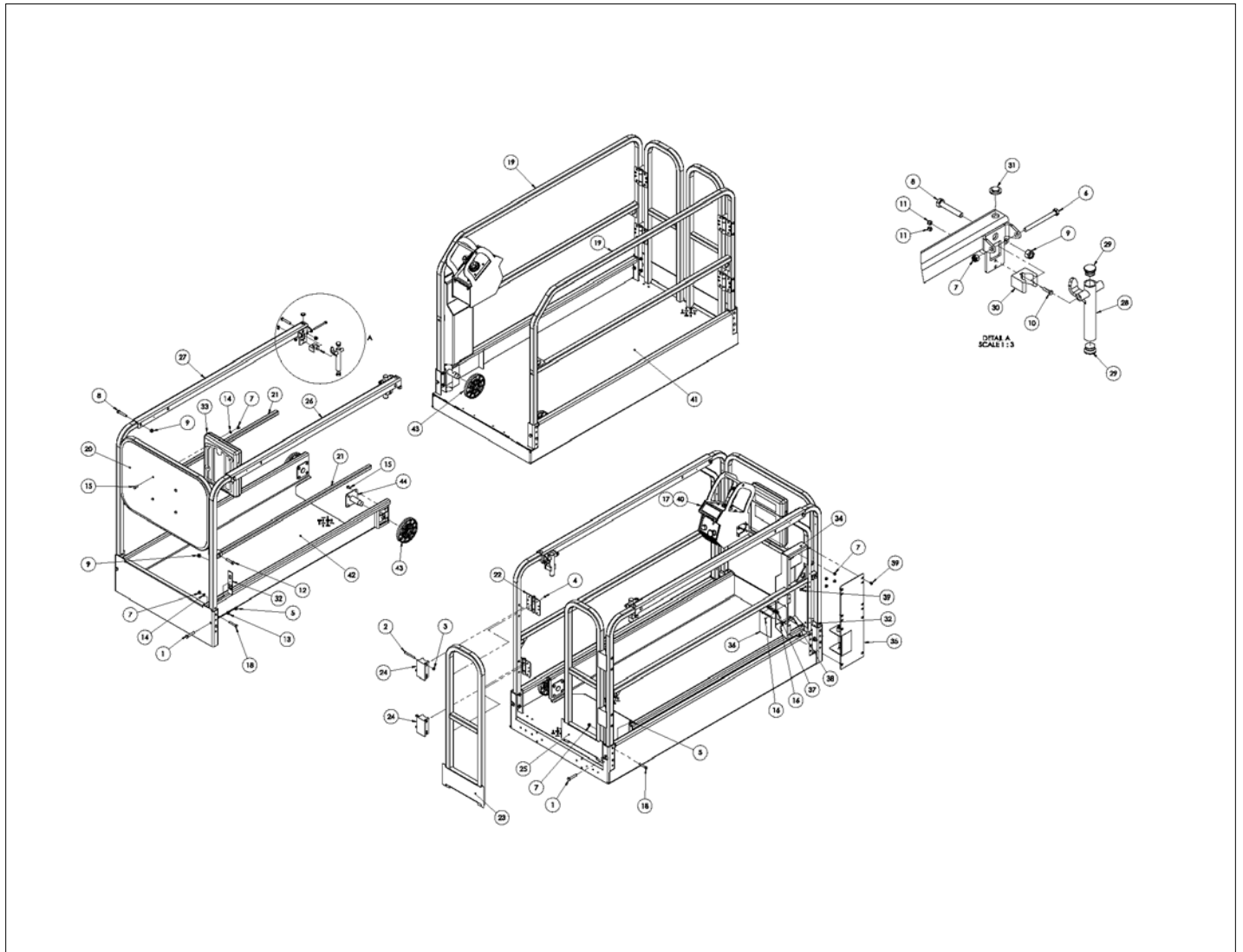


アイテム	部品番号	名前	数量	UOM
	1502933 C	STACK INSTALLATION S3215E CHINA		EA
1	1502932	ASSY, STACK S3215 CHINA	1	EA
2	1500882	PIN, END DOUBLE RETAINER	2	EA
3	1500881	Pin Retainer Zinc Plated	4	EA
4	056059 085	HHCS M8 x 1.25 x 85 G8.8 ISO 4014 DIN 931	2	EA
5	056059 035	BOLT HEXSETSCREW DIN933 M8 X 35MM 8.8 ZP	1	EA
6	056059 050	BOLT, HEXBOLT DIN931 M8 X 50MM 8.8 ZINCPLATED	1	EA
7	058492 025	BOLT HEXSETSCREW DIN933 M8 X 25MM 8.8 ZP	14	EA
8	056066 008	NUT NYLOCKNUT DIN985 M8 8.0 ZP	8	EA
9	056066 012	Nut, NylockNut DIN985 M12 8.0	4	EA
10	6019289	COIL 20VDC HYDRAFORCE 4303620	1	EA
11	5563650	NUT HEX JAM .500 20THIN	1	EA
12	1500885	WLDMT CYLINDER BLEED	1	EA
13	058491 016	BOLT HEXSETSCREW DIN933 M6 X 16MM 8.8 ZP	2	EA
14	056067 008	Nut, HexNut DIN934 M8 8.0 Zinc	1	EA
15	1500887	PLT CYLINDER BLEED LEVER	1	EA
16	5563311	NUT HEX 10 32 TOPLKG	1	EA
17	100434 008	6MB X 6M ORFF 90 ° FITTING	1	EA
18	056069 008	WASHER, STEELFLATWASHER DIN12M8 FLAT WASHER DIN 125	10	EA
19	1502172	WLDMT POTHOLE CROSSMEMBER PURCHASED	1	EA
20	1500981	WLDMT STEP S3219	1	EA
21	056065 040	BOLT HEXBOLT DIN 931 M12 X 40MM 8.8 ZP	4	EA



アイテム	部品番号	名前	数量	UOM
22	1502215	CHASSIS COVER S3215/3219 ORG	1	EA
23	6019382	ORIFICE	1	EA
24	1500879	LOWER SLIDER	2	EA
25	056067 512	Nut, HexJamNut DIN936 M12 8.0	1	EA
26	1502125	STACK HARNESS 15'	1	EA
27	5563293	BLT SKTBUTCS M12 1.75 X 50 DIN	1	EA
28	6019357	SOLENOID VALVE SP08 20J 0 N 00	1	EA

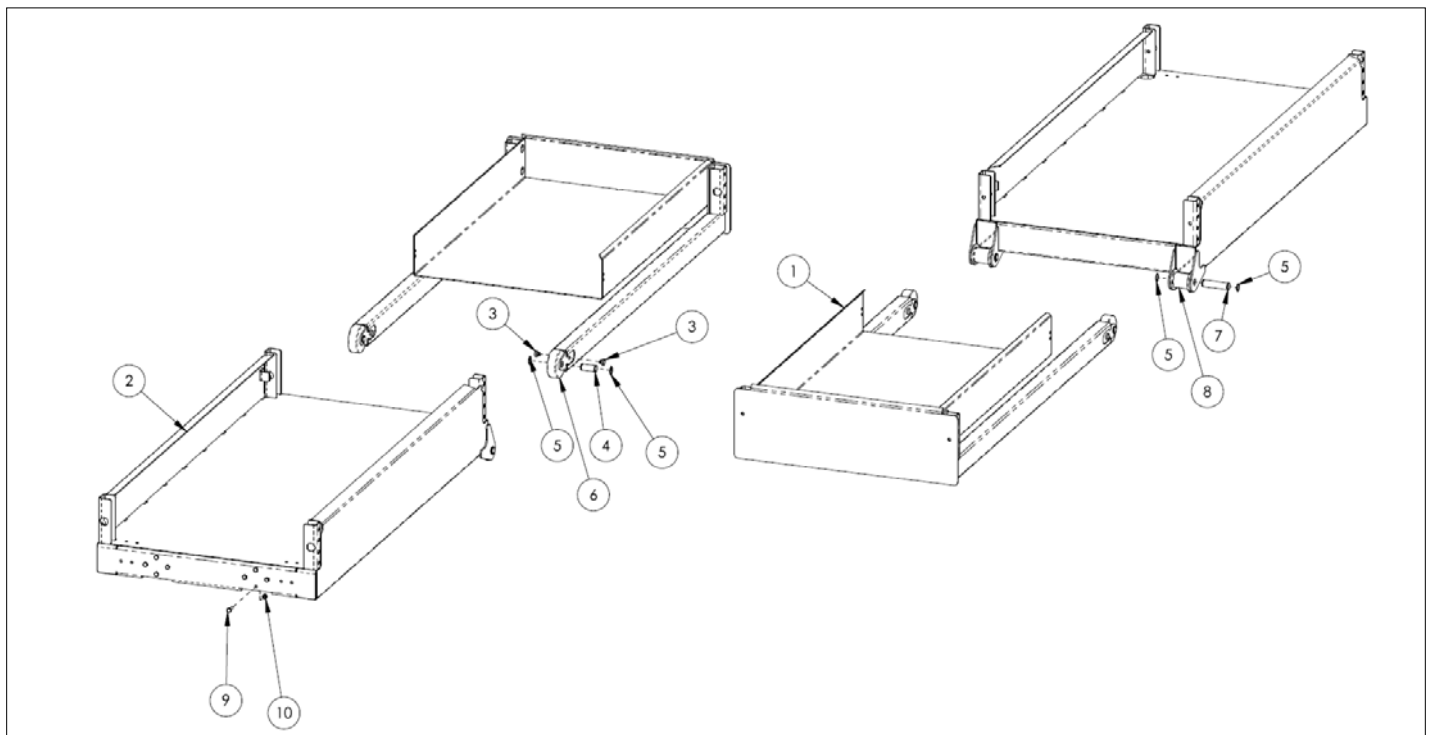
REPAIR PARTS



アイテム	部品番号	名前	数量	UOM
	1502117 H	ADD ON ASSEMBLY ANSI S3215E		EA
1	056060 055	Bolt, HexBolt DIN931 M10 x 55mm 8.8 ZincPlated	6	EA
2	500595 075	Bolt, SktButCapScrew DIN9427 M	8	EA
3	056067 008	Nut, HexNut DIN934 M8 8.0 Zinc	8	EA
4	5563466	POP RIVET S/SSTEEL MANDREL	32	EA
5	056064 010	Nut NylockNut DIN985 M10 10.0	6	EA
6	056059 090	Bolt, HexBolt DIN931 M8 x 90mm 8.8 ZincPlated	2	EA
7	056066 008	NUT NYLOCKNUT DIN985 M8 8.0 ZP	22	EA
8	056060 060	BOLT HEXHD M10 1.50 X 60 MM DIN 931GR 8.8 ZP	4	EA
9	056066 010	Nut, NylockNut DIN985 M10 8.0ZincPlated	6	EA
10	058490 020	Bolt, HexSetScrew DIN933 M5 x	4	EA
11	056066 005	Nut NylockNut DIN985 M5 8.0 Zi	4	EA
12	056060 045	Bolt, HexBolt DIN931 M10 x 45mm 8.8 ZincPlated	2	EA
13	056069 010	Washer, SteelFlatWasher DIN125A M10 ZincPlated	6	EA
14	056069 008	WASHER, STEELFLATWASHER DIN12M8 FLAT WASHER DIN 125	16	EA
15	058492 016	HHCS M8 x 1.25 X 16GR 8.8 DIN933	12	EA
16	5560656	RVT POP .125 DIA .375 DMD STL	6	EA
17	058492 020	Bolt HexSetScrew DIN933 M8 x 2	4	EA
18	056059 050	BOLT, HEXBOLT DIN931 M8 X 50MM 8.8 ZINCPLATED	12	EA
19	1501852	WLDMT, HNDRL OUTER MAIN S3219	2	EA

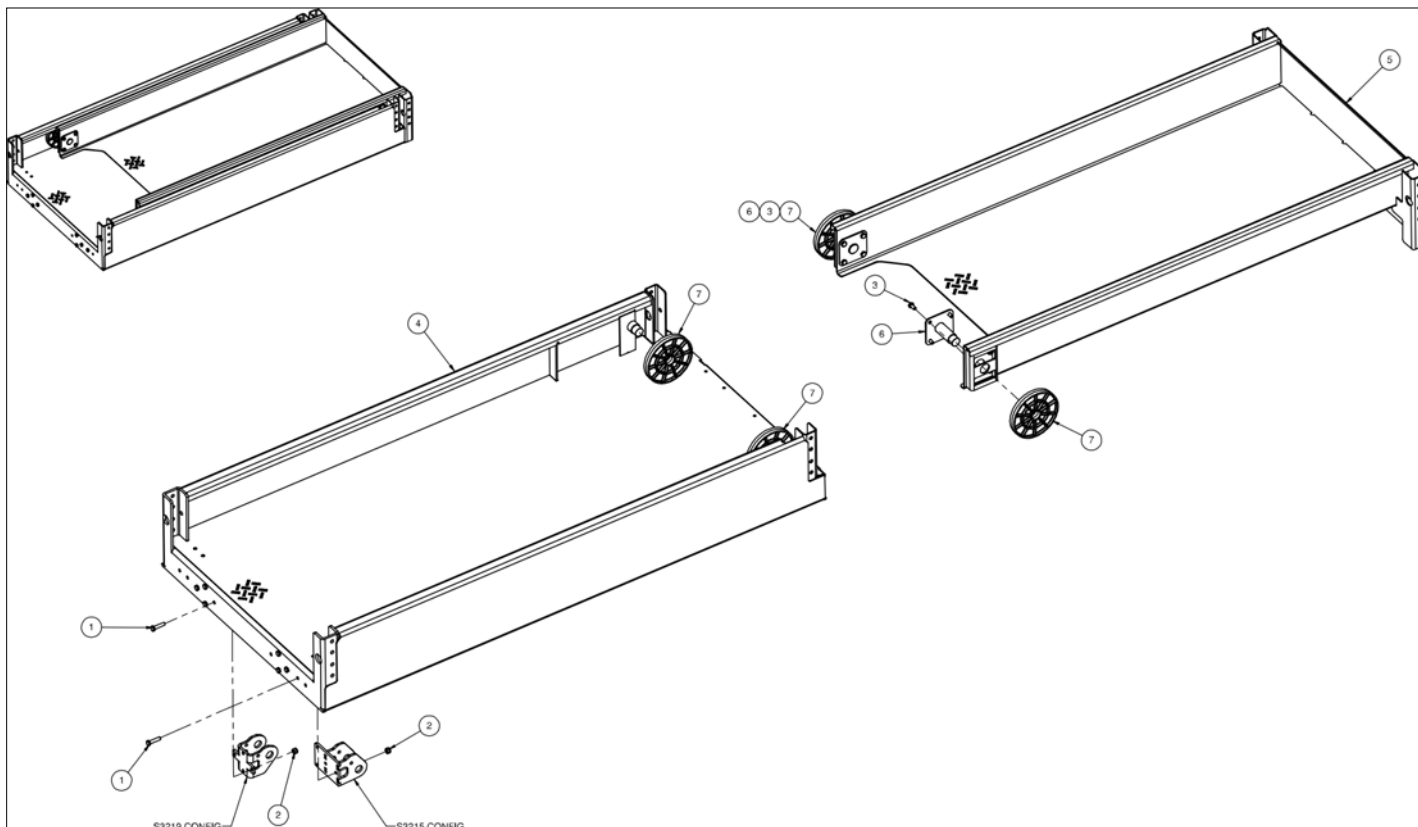
アイテム	部品番号	名前	数量	UOM
20	1501812	WLDMT, FRONT GATE S3219 AU	1	EA
21	1501323	TUBE HNDRL MID TELESCOPE	2	EA
22	5516359	HINGE, SPRING	4	EA
23	1501858	WLDMT, SALOON GATE LH	1	EA
24	1501844	BUMPER, GATES	4	EA
25	1501862	WLDMT, SALOON GATE RH	1	EA
26	1501630	WLDMT, TOP SLIDER LH ORG	1	EA
27	1501631	WLDMT, TOP SLIDER RH ORG	1	EA
28	1501715	WLDMT, SLIDE HANDLE SHORT	2	EA
29	5563451	PLUG TUBING 1.00 X .095	4	EA
30	1501583	CLIP HANDLE 1.00	2	EA
31	5569973	SLIDE PAD, STICK ON OCTOBER 2017 AND BEFORE	6	EA
32	1501842	DOUBLER PLATE, HANDRAIL ORG	2	EA
33	562386	Literature Compartment	1	EA
34	1501864	BOX, PLATF CONT MNT ANSI	1	EA
35	1502027	LOADING CONTROL PANEL ASSEMBLY	1	EA
36	1501843	PLT, SIDE DRIVE REAR DOOR	1	EA
37	5516358	HINGE, DRILLED SIDE DRIVE	1	EA
38	5516349	MAGNETIC LATCH	1	EA
39	5563446	1/4 20 PAN HEAD SCREW	12	EA
40	1501498	ASSY, UCB ANSI 2SPD AUGUST 2018 AND AFTER	1	EA
41	1502245	WLDMT, S3219E PLATFORM	1	EA
42	1502252	WLDMT, ROLLOUT 3219/15	1	EA
43	1502269	ROLLER, PLATFORM EXTENSION	4	EA
44	1502265	WLDMT, ROLLER MNT	2	EA

REPAIR PARTS



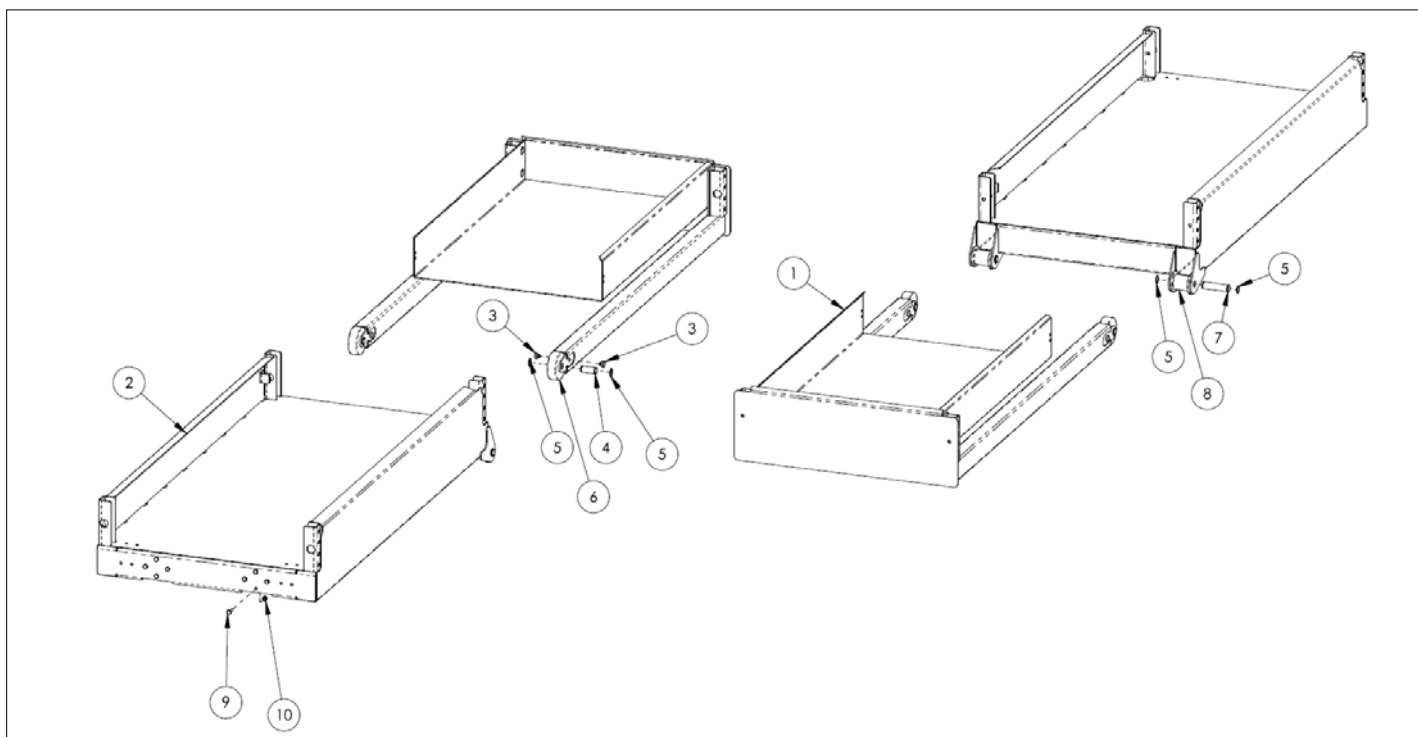
アイテム	部品番号	名前	数量	UOM
	1501344 E	PLATFORM ASSEMBLY CHINA S3215E/S3215E		EA
1	1501837	WELDMENT, ROLLOUT NARROW	1	EA
2	1501018	WELDMENT, S3219E PLATFORM	1	EA
3	1501841	SLIDE PAD, ROLLOUT	4	EA
4	1501109	PIN, .875 DIA X 1.78L	2	EA
5	5592017	RETAINING RING, EXTERNAL, .875 DIA, BASIC	8	EA
6	1501341	ROLLER, EXT DECK INNER S3219	2	EA
7	1501110	PIN, .875 DIA X 2.90L	2	EA
8	1501343	ROLLER, MAIN DECK S3219	2	EA
9	058492 025	BOLT HEXSETSCREW DIN933 M8 X 25MM 8.8 ZP	8	EA
10	056066 008	NUT NYLOCKNUT DIN985 M8 8.0 ZP	8	EA

REPAIR PARTS



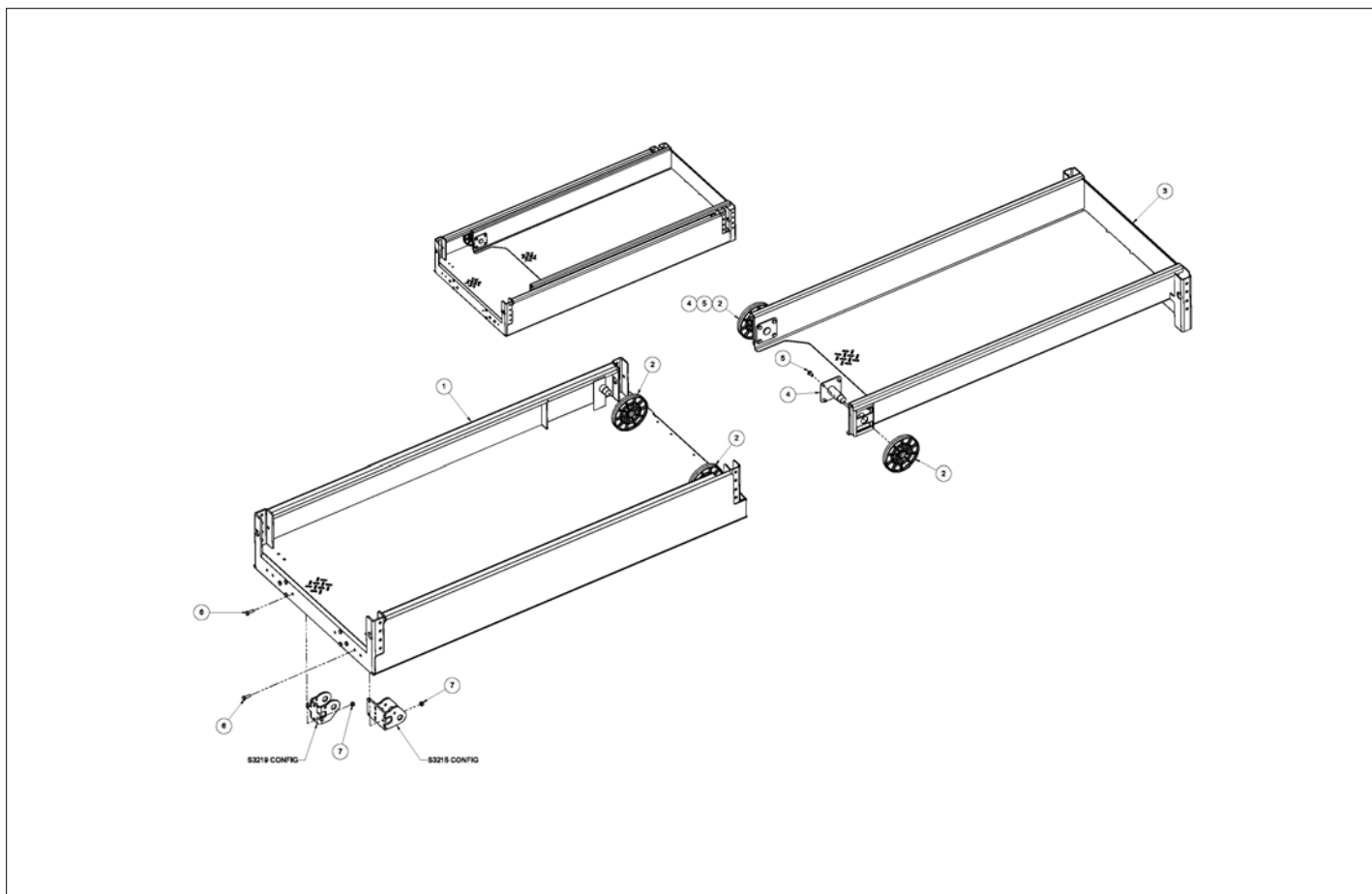
アイテム	部品番号	名前	数量	UOM
	1502653 B	PLATFORM ASSEMBLY ANSI AU CE CHINA CSA S3215E S3219E FEBRUARY 2019 AND AFTER		EA
1	056059 035	BOLT HEXSETSCREW DIN933 M8 X 35MM 8.8 ZP	8	EA
2	056066 008	NUT NYLOCKNUT DIN985 M8 8.0 ZP	8	EA
3	058492 016	HHCS M8 x 1.25 X 16GR 8.8 DIN933	8	EA
4	1502245	WLDMT, S3219E PLATFORM	1	EA
5	1502252	WLDMT, ROLLOUT 3219/15	1	EA
6	1502265	WLDMT, ROLLER MNT	2	EA
7	1502269	ROLLER, PLATFORM EXTENSION	4	EA

REPAIR PARTS



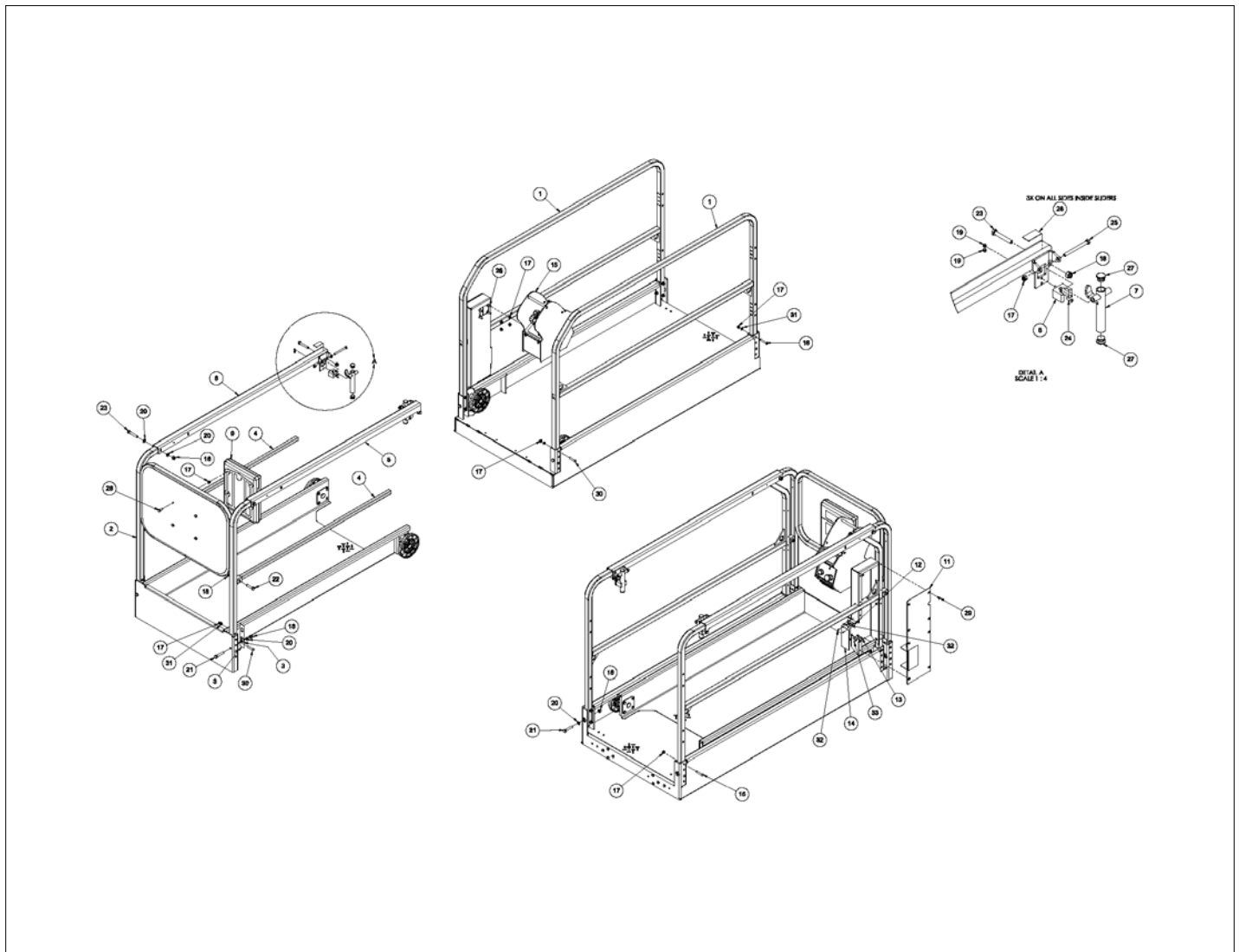
アイテム	部品番号	名前	数量	UOM
	1501344E	PLATFORM ASSEMBLY CHINA S3215E/S3215E		EA
1	1501837	WELDMENT, ROLLOUT NARROW	1	EA
2	1501018	WELDMENT, S3219E PLATFORM	1	EA
3	1501841	SLIDE PAD, ROLLOUT	4	EA
4	1501109	PIN, .875 DIA X 1.78L	2	EA
5	5592017	RETAINING RING, EXTERNAL, .875 DIA, BASIC	8	EA
6	1501341	ROLLER, EXT DECK INNER S3219	2	EA
7	1501110	PIN, .875 DIA X 2.90L	2	EA
8	1501343	ROLLER, MAIN DECK S3219	2	EA
9	058492 025	BOLT HEXSETSCREW DIN933 M8 X 25MM 8.8 ZP	8	EA
10	056066 008	NUT NYLOCKNUT DIN985 M8 8.0 ZP	8	EA

REPAIR PARTS



アイテム	部品番号	名前	数量	UOM
	1502653 A	ASSEMBLY, PLATFORM CHINA S3215E S3219E		EA
1	1502245	WLDMT, S3219E PLATFORM	1	EA
2	1502269	ROLLER, PLATFORM EXTENSION	4	EA
3	1502252	WLDMT, ROLLOUT 3219/15	1	EA
4	1502265	WLDMT, ROLLER MNT	2	EA
5	058492 016	HHCS M8 x 1.25 X 16GR 8.8 DIN933	8	EA
6	058492 025	BOLT HEXSETSCREW DIN933 M8 X 25MM 8.8 ZP	8	EA
7	056066 008	NUT NYLOCKNUT DIN985 M8 8.0 ZP	8	EA

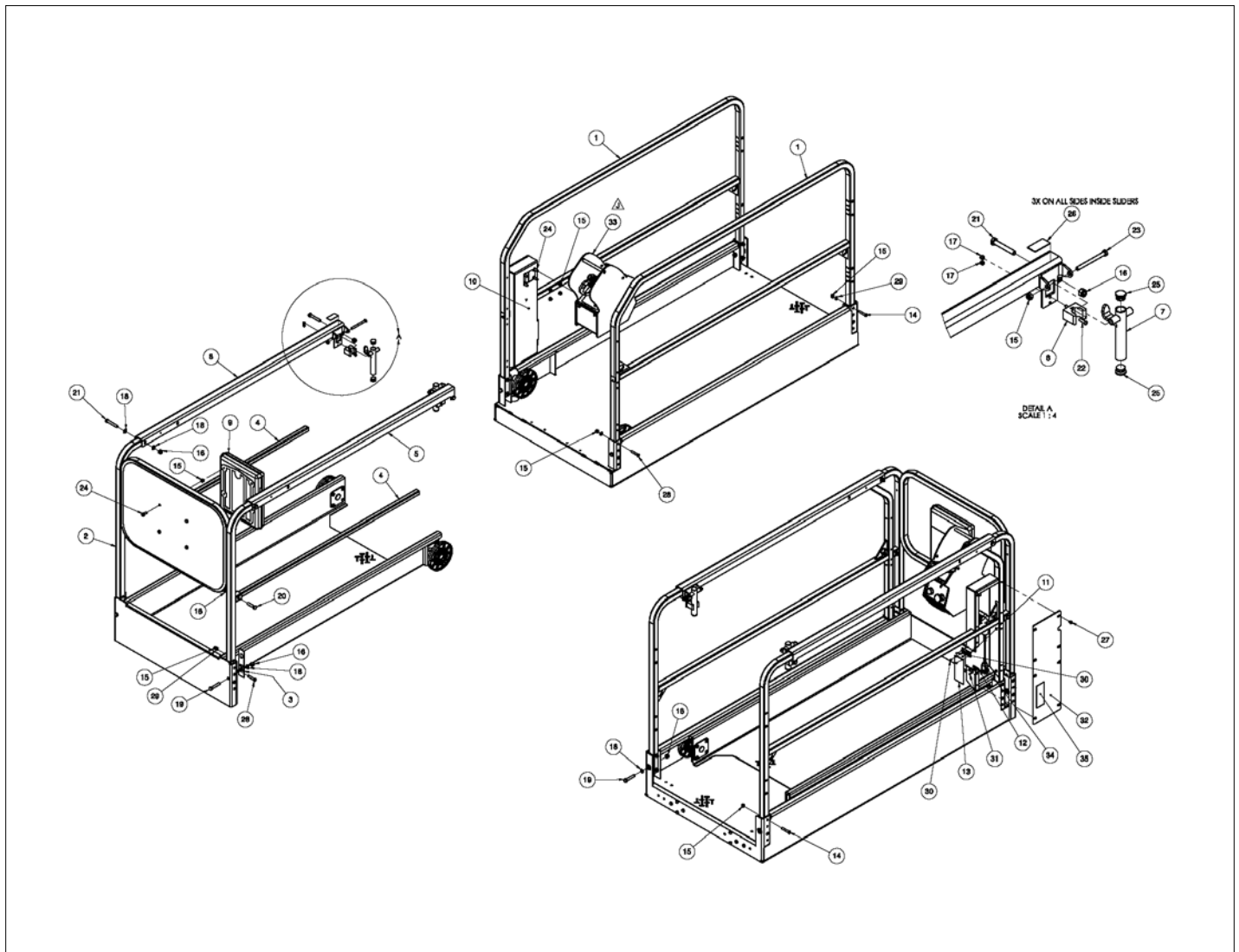
REPAIR PARTS



アイテム	部品番号	名前	数量	UOM
	1502655 E	HANDRAILS ASSEMBLY ANSI S3215E S3215L S3219E APRIL 2018 AND BEFORE		EA
1	1501852	WLDMT, HNDRL OUTER MAIN S3219	2	EA
2	1501812	WLDMT, FRONT GATE S3219 AU	1	EA
3	1501842	DOUBLER PLATE, HANDRAIL ORG	2	EA
4	1501323	TUBE HNDRL MID TELESCOPE	2	EA
5	1501630	WLDMT, TOP SLIDER LH ORG	1	EA
6	1501583	CLIP HANDLE 1.00	2	EA
7	1501715	WLDMT, SLIDE HANDLE SHORT	2	EA
8	1501631	WLDMT, TOP SLIDER RH ORG	1	EA
9	562386	Literature Compartment	1	EA
10	1502348	BOX,PLATF MNT THIN S3215 3219	1	EA
11	1502351	ASSY, SIDE DRIVE THIN ANSI ORG	1	EA
12	5516360	HINGE, DRILLED SIDE DRIVE THIN	1	EA
13	5516349	MAGNETIC LATCH	1	EA
14	1502442	PLT, SIDE DOOR THIN ORG	1	EA
15	1501498	ASSY, UCB ANSI 2SPD AUGUST 2018 AND AFTER	1	EA
16	5563304	SBHCS M8 X 1.25 X 50MM GR 1039	4	EA
17	056066 008	NUT NYLOCKNUT DIN985 M8 8.0 ZP	22	EA
18	056066 010	Nut, NylockNut DIN985 M10 8.0ZincPlated	12	EA
19	056066 005	Nut NylockNut DIN985 M5 8.0 Zi	4	EA
20	056069 010	Washer, SteelFlatWasher DIN125A M10 ZincPlated	10	EA
21	056060 055	Bolt, HexBolt DIN931 M10 x 55mm 8.8 ZincPlated	6	EA

アイテム	部品番号	名前	数量	UOM
22	056060 045	Bolt, HexBolt DIN931 M10 x 45mm 8.8 ZincPlated	2	EA
23	056060 065	Bolt, HexBolt DIN931 M10 x 65mm 8.8 ZincPlated	4	EA
24	505082 020	Bolt, SktButCapScrew DIN9427 M5 x 20mm 10.9 ZincPlated	4	EA
25	056059 090	Bolt, HexBolt DIN931 M8 x 90mm 8.8 ZincPlated	2	EA
26	058492 020	Bolt HexSetScrew DIN933 M8 x 2	8	EA
27	5563451	PLUG TUBING 1.00 X .095	4	EA
28	1502834	SLIDE PAD, STICK ON NOVEMBER 2017 AND AFTER	6	EA
29	5563446	1/4 20 PAN HEAD SCREW	11	EA
30	5563305	SBHCS M8 X 1.25 X 45MM GR 1039 PLTD	8	EA
31	056069 008	WASHER, STEELFLATWASHER DIN12M8 FLAT WASHER DIN 125	12	EA
32	5560659	RVT POP .125 DIA .250 DMD STL	4	EA
33	5560656	RVT POP .125 DIA .375 DMD STL	2	EA

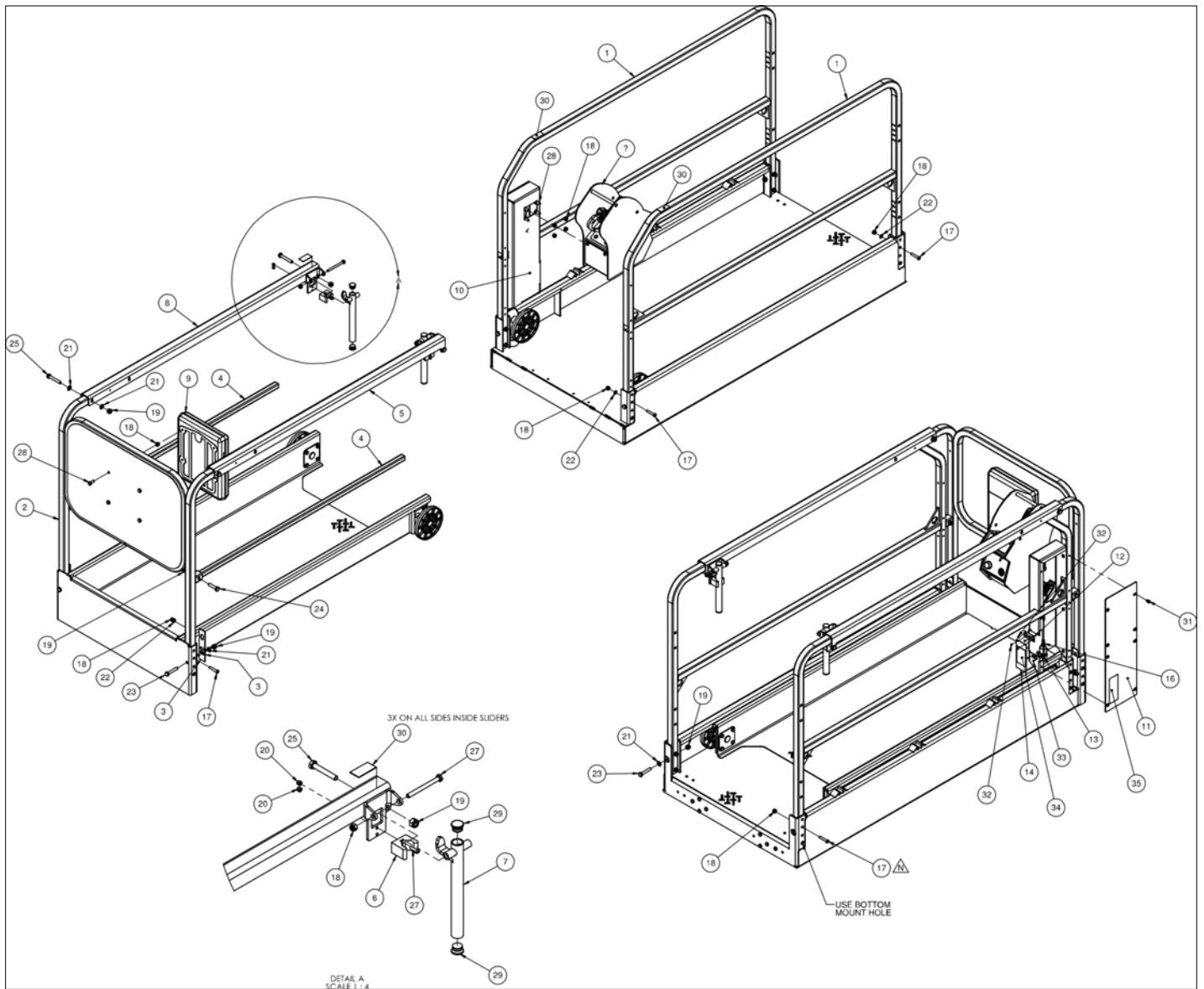
REPAIR PARTS



アイテム	部品番号	名前	数量	UOM
	1502655 N	HANDRAILS ASEMBLY ANSI S3215L S3215E S3219E MAY 2018 AND AFTER		EA
1	1501852	WLDMT, HNDRL OUTER MAIN S3219	2	EA
2	1501812	WLDMT, FRONT GATE S3219 AU	1	EA
3	1501842	DOUBLER PLATE, HANDRAIL ORG	2	EA
4	1501323	TUBE HNDRL MID TELESCOPE	2	EA
5	1501630	WLDMT, TOP SLIDER LH ORG	1	EA
6	1501583	CLIP HANDLE 1.00	2	EA
7	1501715	WLDMT, SLIDE HANDLE SHORT	2	EA
8	1501631	WLDMT, TOP SLIDER RH ORG	1	EA
9	562386	Literature Compartment	1	EA
10	1502348	BOX,PLATF MNT THIN S3215 3219	1	EA
11	5516360	HINGE, DRILLED SIDE DRIVE THIN	1	EA
12	5516349	MAGNETIC LATCH	1	EA
13	1502442	PLT, SIDE DOOR THIN ORG	1	EA
14	5563304	SBHCS M8 X 1.25 X 50MM GR 1039	4	EA
15	056066 008	NUT NYLOCKNUT DIN985 M8 8.0 ZP	22	EA
16	056066 010	Nut, NylockNut DIN985 M10 8.0ZincPlated	12	EA
17	056066 005	Nut NylockNut DIN985 M5 8.0 Zi	4	EA
18	056069 010	Washer, SteelFlatWasher DIN125A M10 ZincPlated	10	EA
19	056060 055	Bolt, HexBolt DIN931 M10 x 55mm 8.8 ZincPlated	6	EA
20	056060 045	Bolt, HexBolt DIN931 M10 x 45mm 8.8 ZincPlated	2	EA
21	056060 065	Bolt, HexBolt DIN931 M10 x 65mm 8.8 ZincPlated	4	EA

アイテム	部品番号	名前	数量	UOM
22	505082 020	Bolt, SktButCapScrew DIN9427 M5 x 20mm 10.9 ZincPlated	4	EA
23	056059 090	Bolt, HexBolt DIN931 M8 x 90mm 8.8 ZincPlated	2	EA
24	058492 020	Bolt HexSetScrew DIN933 M8 x 2	8	EA
25	5563451	PLUG TUBING 1.00 X .095	4	EA
26	1502834	SLIDE PAD, STICK ON NOVEMBER 2017 AND AFTER	6	EA
27	5563446	1/4 20 PAN HEAD SCREW	11	EA
28	5563305	SBHCS M8 X 1.25 X 45MM GR 1039 PLTD	8	EA
29	056069 008	WASHER, STEELFLATWASHER DIN12M8 FLAT WASHER DIN 125	12	EA
30	5560659	RVT POP .125 DIA .250 DMD STL	4	EA
31	5560656	RVT POP .125 DIA .375 DMD STL	2	EA
32	1502321	PLT, SIDE DRIVE REAR S3219 ANSI	1	EA
33	1502975	ASSY, UCB ANSI 2SPD	1	EA
34	1503200	PENDANT, DRIVE CONTROLS SEPTEMBER 2019 AND AFTER	1	EA
35	1502990	DECAL, PENDANT CONTROLS JUNE 2018 AND AFTER	1	EA

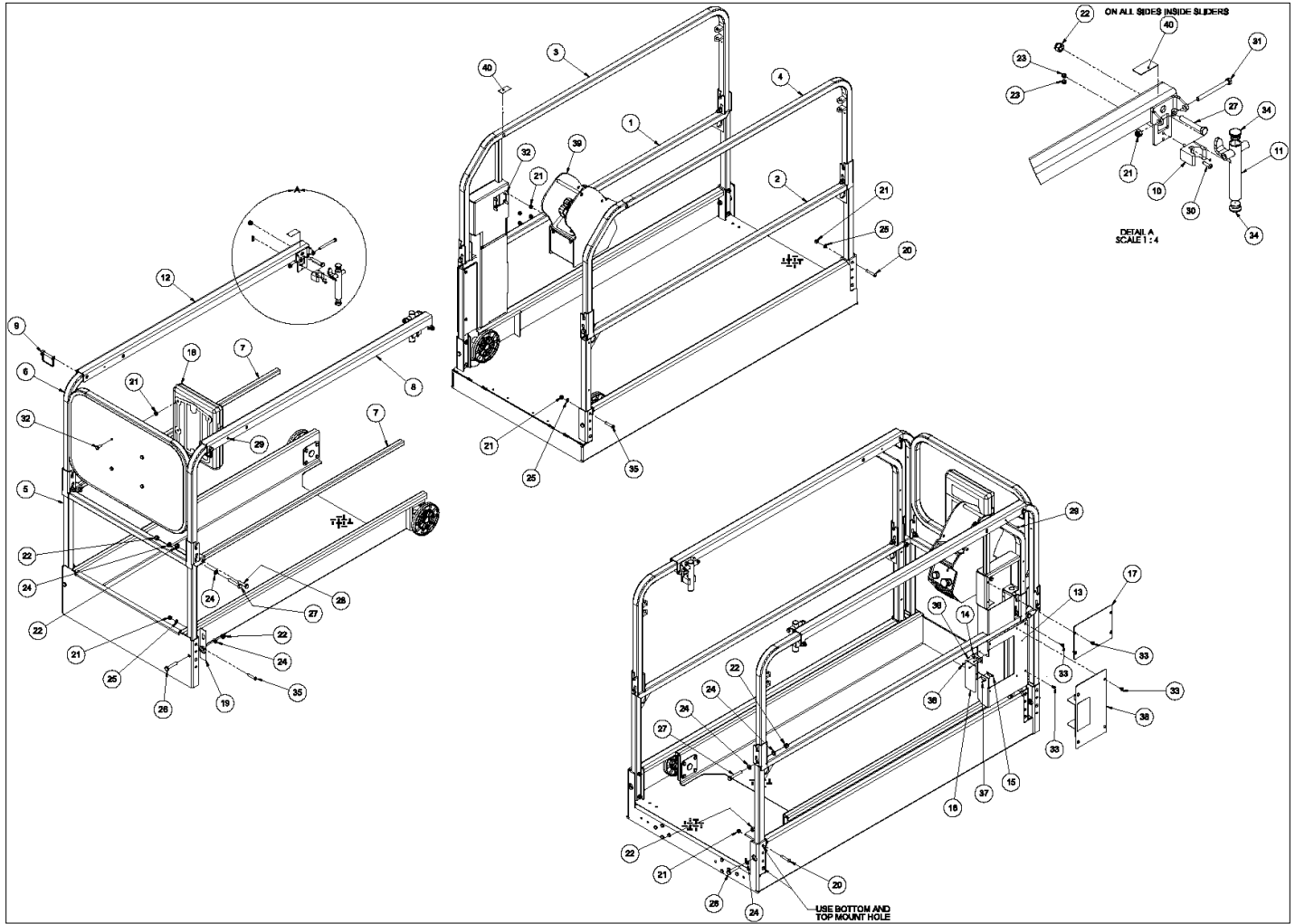
REPAIR PARTS



アイテム	部品番号	名前	数量	UOM
	1502657 P	NON FOLDING HANDRAILS ASSEMBLY WITH FIXED UPPER CONTROL BOX AS S3215E S3219E JULY 2018 AND AFTER		EA
1	1501852	WLDMT, HNDRL OUTER MAIN S3219	2	EA
2	1501812	WLDMT, FRONT GATE S3219 AU	1	EA
3	1501842	DOUBLER PLATE, HANDRAIL ORG	2	EA
4	1501323	TUBE HNDRL MID TELESCOPE	2	EA
5	1501630	WLDMT, TOP SLIDER LH ORG	1	EA
6	1501583	CLIP HANDLE 1.00	2	EA
7	1501525	WLDMT, SLIDE HANDLE	2	EA
8	1501631	WLDMT, TOP SLIDER RH ORG	1	EA
9	562386	Literature Compartment	1	EA
10	1502352	Box, Platform Mount Thin AU	1	EA
11	1502322	PLT side Drive Rear	1	EA
12	5516360	HINGE, DRILLED SIDE DRIVE THIN	1	EA
13	5516349	MAGNETIC LATCH	1	EA
14	1502442	PLT, SIDE DOOR THIN ORG	1	EA
15	1502976	ASSY, UCB CE 2SPD JUNE 2019 AND AFTER	1	EA
16	1503200	PENDANT, DRIVE CONTROLS SEPTEMBER 2019 AND AFTER	1	EA
17	5563305	SBHCS M8 X 1.25 X 45MM GR 1039 PLTD	12	EA
18	056066 008	NUT NYLOCKNUT DIN985 M8 8.0 ZP	22	EA
19	056066 010	Nut, NylockNut DIN985 M10 8.0ZincPlated	12	EA
20	056066 005	Nut NylockNut DIN985 M5 8.0 Zi	4	EA
21	056069 010	Washer, SteelFlatWasher DIN125A M10 ZincPlated	10	EA

アイテム	部品番号	名前	数量	UOM
22	056069 008	WASHER, STEELFLATWASHER DIN12M8 FLAT WASHER DIN 125	12	EA
23	056060 055	Bolt, HexBolt DIN931 M10 x 55mm 8.8 ZincPlated	6	EA
24	056060 045	Bolt, HexBolt DIN931 M10 x 45mm 8.8 ZincPlated	2	EA
25	056060 065	Bolt, HexBolt DIN931 M10 x 65mm 8.8 ZincPlated	4	EA
26	505082 020	Bolt, SktButCapScrew DIN9427 M5 x 20mm 10.9 ZincPlated	4	EA
27	056059 090	Bolt, HexBolt DIN931 M8 x 90mm 8.8 ZincPlated	2	EA
28	058492 020	Bolt HexSetScrew DIN933 M8 x 2	8	EA
29	5563451	PLUG TUBING 1.00 X .095	4	EA
30	1502834	SLIDE PAD, STICK ON NOVEMBER 2017 AND AFTER	8	EA
31	5563446	1/4 20 PAN HEAD SCREW	11	EA
32	5560659	RVT POP .125 DIA .250 DMD STL	4	EA
33	5560656	RVT POP .125 DIA .375 DMD STL	2	EA
34	1503072	DECAL, DRIVE CNTRL E STOP ON	1	EA
35	1502990	DECAL, PENDANT CONTROLS JUNE 2018 AND AFTER	1	EA

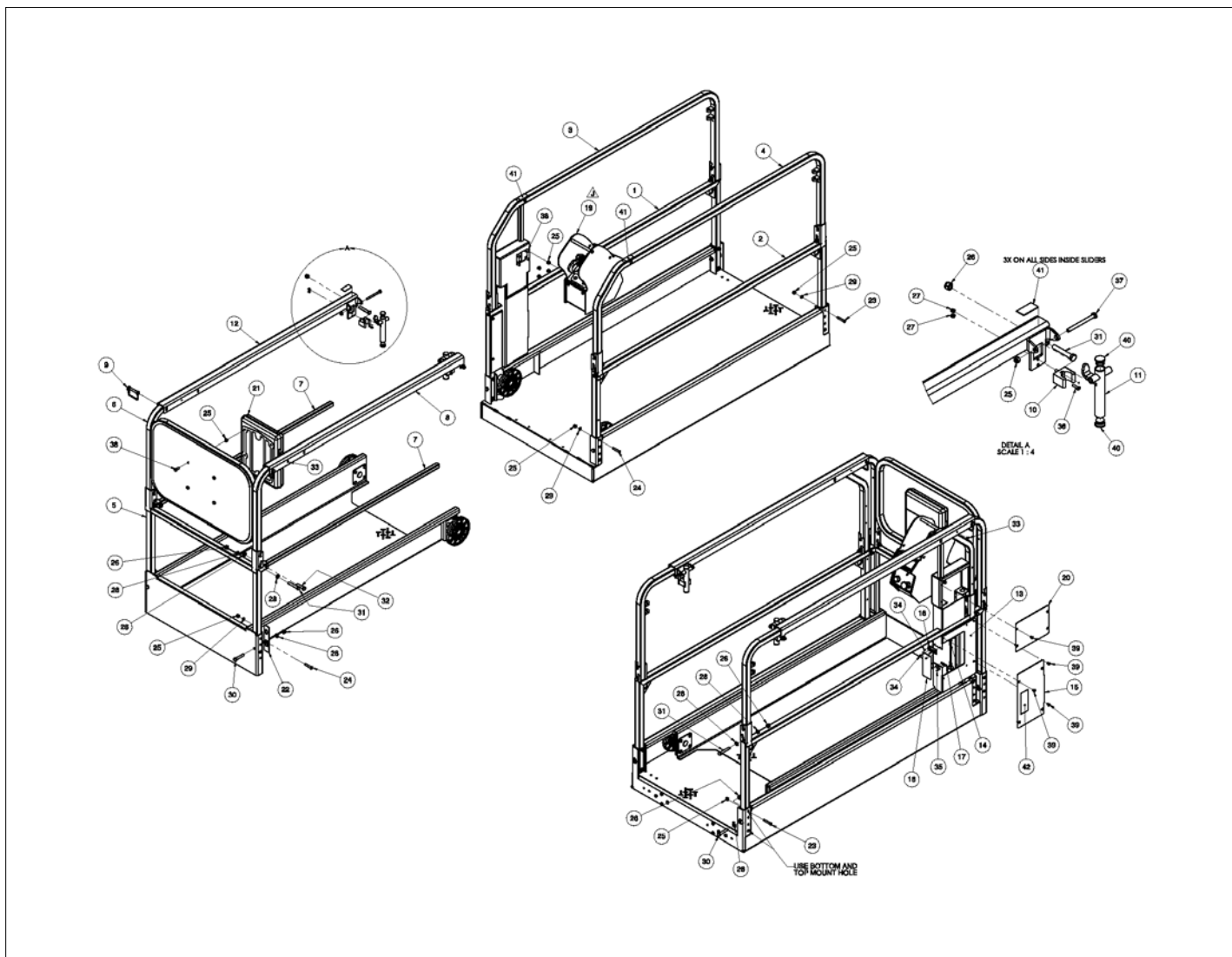
REPAIR PARTS



アイテム	部品番号	名前	数量	UOM
	1502835 A	FOLDING HANDRAILS ASSEMBLY ANSI S3215E S3219E		EA
1	1501483	WLDMT, HNDRL BOTTOM CE RH	1	EA
2	1501481	WLDMT HNDRL BOTTOM CE	1	EA
3	1502063	WLDMT, HNDRL TOP CE RH	1	EA
4	1501484	WLDMT, HNDRL TOP CE LH	1	EA
5	1501545	WLDMT, HNDRL FRONT CE	1	EA
6	1501562	WLDMT, FRONT GATE	1	EA
7	1501323	TUBE HNDRL MID TELESCOPE	2	EA
8	1501630	WLDMT, TOP SLIDER LH ORG	1	EA
9	302544	Pin & Lock	2	EA
10	1501583	CLIP HANDLE 1.00	2	EA
11	1501715	WLDMT, SLIDE HANDLE SHORT	2	EA
12	1501631	WLDMT, TOP SLIDER RH ORG	1	EA
13	1502443	WLDMT, WIRE CHASE	1	EA
14	5516360	HINGE, DRILLED SIDE DRIVE THIN	1	EA
15	5516349	MAGNETIC LATCH	1	EA
16	1502442	PLT, SIDE DOOR THIN ORG	1	EA
17	1501397	PLT CONT BOX MNT COVER	1	EA
18	562386	Literature Compartment	1	EA
19	1501842	DOUBLER PLATE, HANDRAIL ORG	2	EA
20	5563304	SBHCS M8 X 1.25 X 50MM GR 1039	4	EA
21	056066 008	NUT NYLOCKNUT DIN985 M8 8.0 ZP	24	EA
22	056066 010	Nut, NylockNut DIN985 M10 8.0ZincPlated	14	EA
23	056066 005	Nut NylockNut DIN985 M5 8.0 Zi	4	EA
24	056069 010	Washer, SteelFlatWasher DIN125A M10 ZincPlated	18	EA

アイテム	部品番号	名前	数量	UOM
25	056069 008	WASHER, STEELFLATWASHER DIN12M8 FLAT WASHER DIN 125	12	EA
26	056060 055	Bolt, HexBolt DIN931 M10 x 55mm 8.8 ZincPlated	6	EA
27	056060 065	Bolt, HexBolt DIN931 M10 x 65mm 8.8 ZincPlated	8	EA
28	056060 045	Bolt, HexBolt DIN931 M10 x 45mm 8.8 ZincPlated	2	EA
29	5563466	POP RIVET S/SSTEEL MANDREL	2	EA
30	505082 020	Bolt, SktButCapScrew DIN9427 M5 x 20mm 10.9 ZincPlated	4	EA
31	056059 090	Bolt, HexBolt DIN931 M8 x 90mm 8.8 ZincPlated	2	EA
32	058492 020	Bolt HexSetScrew DIN933 M8 x 2	8	EA
33	5563446	1/4 20 PAN HEAD SCREW	12	EA
34	5563451	PLUG TUBING 1.00 X .095	4	EA
35	5563305	SBHCS M8 X 1.25 X 45MM GR 1039 PLTD	8	EA
36	5560659	RVT POP .125 DIA .250 DMD STL	4	EA
37	5560656	RVT POP .125 DIA .375 DMD STL	2	EA
38	1502066	ASSY LOADING CONTROL PANEL	1	EA
39	1501498	ASSY, UCB ANSI 2SPD AUGUST 2018 AND AFTER	1	EA
40	1502834	SLIDE PAD, STICK ON NOVEMBER 2017 AND AFTER	8	EA

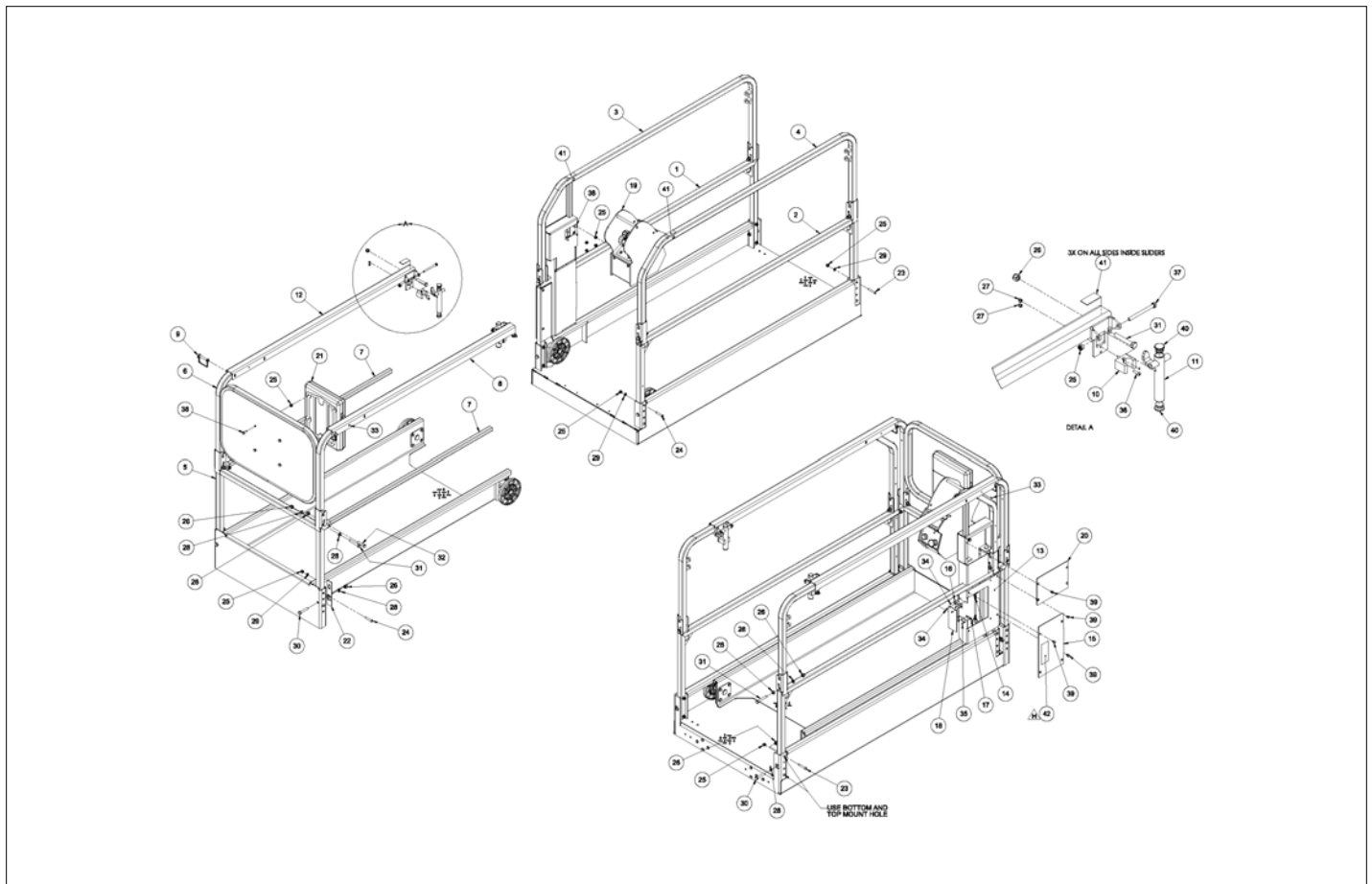
REPAIR PARTS



アイテム	部品番号	名前	数量	UOM
	1502654 J	HANDRAILS ASSEMBLY CE S3215E S3219E JULY 2018 AND AFTER		EA
1	1501483	WLDMT, HNDRL BOTTOM CE RH	1	EA
2	1501481	WLDMT HNDRL BOTTOM CE	1	EA
3	1502063	WLDMT, HNDRL TOP CE RH	1	EA
4	1501484	WLDMT, HNDRL TOP CE LH	1	EA
5	1501545	WLDMT, HNDRL FRONT CE	1	EA
6	1501562	WLDMT, FRONT GATE	1	EA
7	1501323	TUBE HNDRL MID TELESCOPE	2	EA
8	1501630	WLDMT, TOP SLIDER LH ORG	1	EA
9	302544	Pin & Lock	2	EA
10	1501583	CLIP HANDLE 1.00	2	EA
11	1501715	WLDMT, SLIDE HANDLE SHORT	2	EA
12	1501631	WLDMT, TOP SLIDER RH ORG	1	EA
13	1502443	WLDMT, WIRE CHASE	1	EA
14	1502836	PENDANT, DRIVE CONTROLS JANUARY 2018 AND AFTER	1	EA
15	1501829	PLT, CABLE COVER BOTTOM	1	EA
16	5516360	HINGE, DRILLED SIDE DRIVE THIN	1	EA
17	5516349	MAGNETIC LATCH	1	EA
18	1502442	PLT, SIDE DOOR THIN ORG	1	EA
19	1502976	ASSY, UCB CE 2SPD JUNE 2019 AND AFTER	1	EA
20	1501397	PLT CONT BOX MNT COVER	1	EA
21	562386	Literature Compartment	1	EA
22	1501842	DOUBLER PLATE, HANDRAIL ORG	2	EA
23	5563304	SBHCS M8 X 1.25 X 50MM GR 1039	4	EA
24	5563305	SBHCS M8 X 1.25 X 45MM GR 1039 PLTD	8	EA

アイテム	部品番号	名前	数量	UOM
25	056066 008	NUT NYLOCKNUT DIN985 M8 8.0 ZP	24	EA
26	056066 010	Nut, NylockNut DIN985 M10 8.0ZincPlated	14	EA
27	056066 005	Nut NylockNut DIN985 M5 8.0 Zi	4	EA
28	056069 010	Washer, SteelFlatWasher DIN125A M10 ZincPlated	18	EA
29	056069 008	WASHER, STEELFLATWASHER DIN12M8 FLAT WASHER DIN 125	12	EA
30	056060 055	Bolt, HexBolt DIN931 M10 x 55mm 8.8 ZincPlated	6	EA
31	056060 065	Bolt, HexBolt DIN931 M10 x 65mm 8.8 ZincPlated	8	EA
32	056060 045	Bolt, HexBolt DIN931 M10 x 45mm 8.8 ZincPlated	2	EA
33	5563466	POP RIVET S/SSTEEL MANDREL	2	EA
34	5560659	RVT POP .125 DIA .250 DMD STL	4	EA
35	5560656	RVT POP .125 DIA .375 DMD STL	2	EA
36	505082 020	Bolt, SktButCapScrew DIN9427 M5 x 20mm 10.9 ZincPlated	4	EA
37	056059 090	Bolt, HexBolt DIN931 M8 x 90mm 8.8 ZincPlated	2	EA
38	058492 020	Bolt HexSetScrew DIN933 M8 x 2	8	EA
39	5563446	1/4 20 PAN HEAD SCREW	12	EA
40	5563451	PLUG TUBING 1.00 X .095	4	EA
41	1502834	SLIDE PAD, STICK ON NOVEMBER 2017 AND AFTER	8	EA
42	1502990	DECAL, PENDANT CONTROLS JUNE 2018 AND AFTER	1	EA

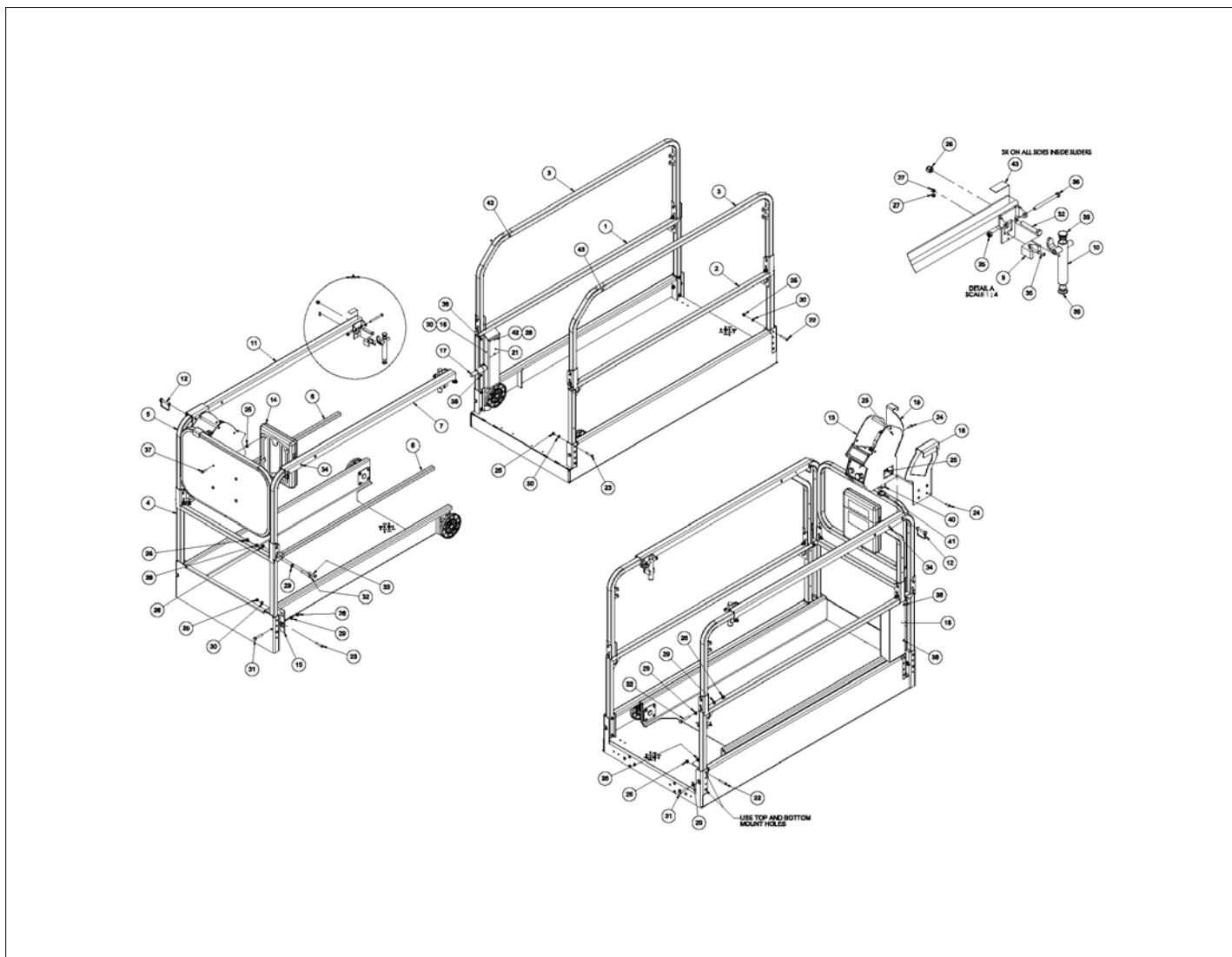
REPAIR PARTS



アイテム	部品番号	名前	数量	UOM
	1502654 M	HANDRAILS ASSEMBLY CE S3215E S3215L S3219E DECEMBER 2018 AND AFTER		EA
1	1501483	WLDMT, HNDRL BOTTOM CE RH	1	EA
2	1501481	WLDMT HNDRL BOTTOM CE	1	EA
3	1502063	WLDMT, HNDRL TOP CE RH	1	EA
4	1501484	WLDMT, HNDRL TOP CE LH	1	EA
5	1501545	WLDMT, HNDRL FRONT CE	1	EA
6	1501562	WLDMT, FRONT GATE	1	EA
7	1501323	TUBE HNDRL MID TELESCOPE	2	EA
8	1501630	WLDMT, TOP SLIDER LH ORG	1	EA
9	302544	Pin & Lock	2	EA
10	1501583	CLIP HANDLE 1.00	2	EA
11	1501715	WLDMT, SLIDE HANDLE SHORT	2	EA
12	1501631	WLDMT, TOP SLIDER RH ORG	1	EA
13	1502443	WLDMT, WIRE CHASE	1	EA
14	1503200	PENDANT, DRIVE CONTROLS SEPTEMBER 2019 AND AFTER	1	EA
15	1501829	PLT, CABLE COVER BOTTOM	1	EA
16	5516360	HINGE, DRILLED SIDE DRIVE THIN	1	EA
17	5516349	MAGNETIC LATCH	1	EA
18	1502442	PLT, SIDE DOOR THIN ORG	1	EA
19	1502336	ASSY, UCB CE 2SPD SEPTEMBER 2018 AND AEFOR	1	EA
20	1501397	PLT CONT BOX MNT COVER	1	EA
21	562386	Literature Compartment	1	EA
22	1501842	DOUBLER PLATE, HANDRAIL ORG	2	EA
23	5563304	SBHCS M8 X 1.25 X 50MM GR 1039	4	EA
24	5563305	SBHCS M8 X 1.25 X 45MM GR 1039 PLTD	8	EA

アイテム	部品番号	名前	数量	UOM
25	056066 008	NUT NYLOCKNUT DIN985 M8 8.0 ZP	24	EA
26	056066 010	Nut, NylockNut DIN985 M10 8.0ZincPlated	14	EA
27	056066 0058	NUT, NYLOCKNUT DIN985 M5 8.0 ZINCPLATED	4	EA
28	056069 010	Washer, SteelFlatWasher DIN125A M10 ZincPlated	18	EA
29	056069 008	WASHER, STEELFLATWASHER DIN12M8 FLAT WASHER DIN 125	12	EA
30	056060 055	Bolt, HexBolt DIN931 M10 x 55mm 8.8 ZincPlated	6	EA
31	056060 065	Bolt, HexBolt DIN931 M10 x 65mm 8.8 ZincPlated	8	EA
32	056060 045	Bolt, HexBolt DIN931 M10 x 45mm 8.8 ZincPlated	2	EA
33	5563466	POP RIVET S/SSTEEL MANDREL	2	EA
34	5560659	RVT POP .125 DIA .250 DMD STL	4	EA
35	5560656	RVT POP .125 DIA .375 DMD STL	2	EA
36	505082 020	Bolt, SktButCapScrew DIN9427 M5 x 20mm 10.9 ZincPlated	4	EA
37	056059 090	Bolt, HexBolt DIN931 M8 x 90mm 8.8 ZincPlated	2	EA
38	058492 020	Bolt HexSetScrew DIN933 M8 x 2	8	EA
39	5563446	1/4 20 PAN HEAD SCREW	12	EA
40	5563451	PLUG TUBING 1.00 X .095	4	EA
41	1502834	SLIDE PAD, STICK ON NOVEMBER 2017 AND AFTER	8	EA
42	1502990	DECAL, PENDANT CONTROLS JUNE 2018 AND AFTER	1	EA

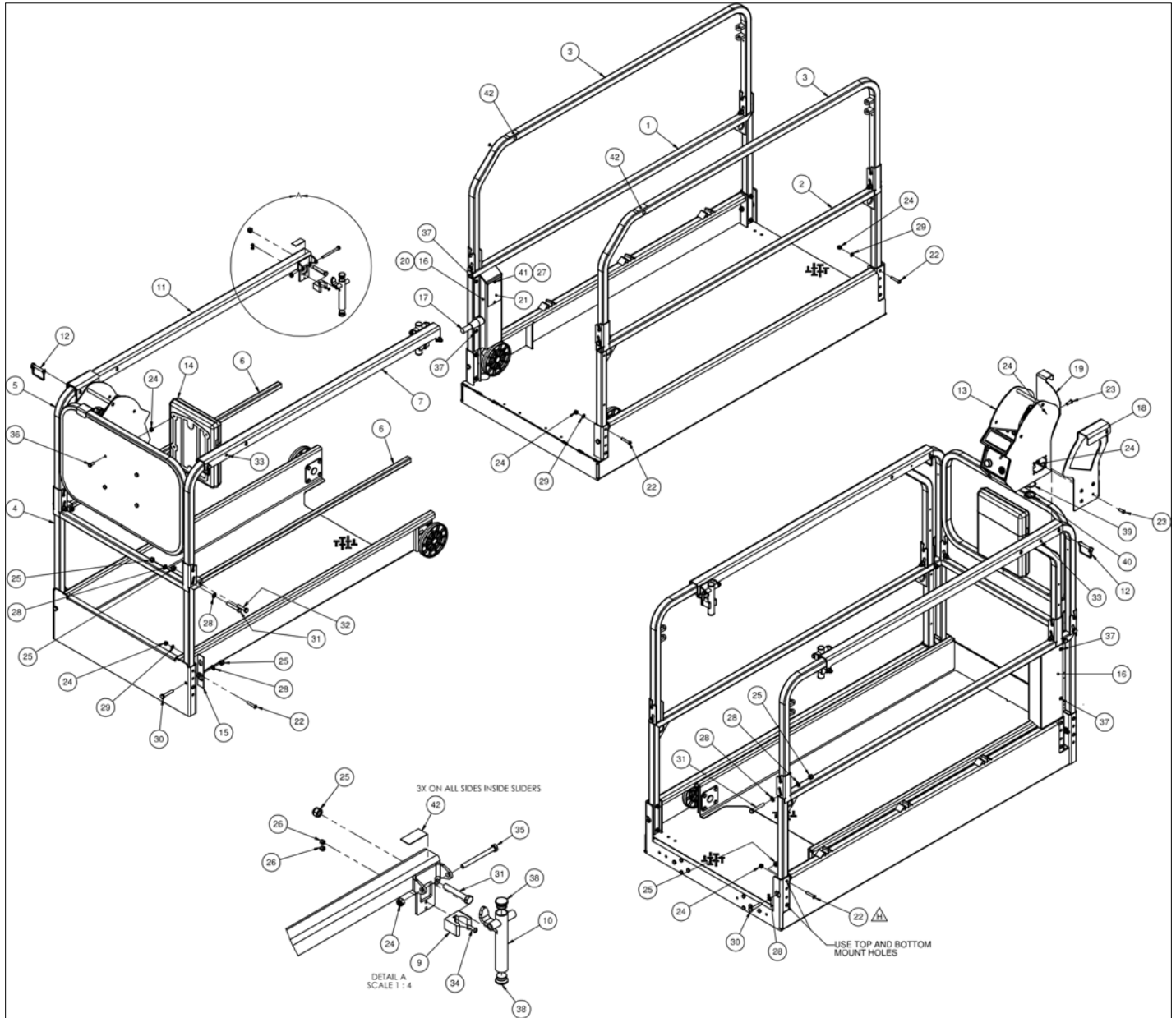
REPAIR PARTS



アイテム	部品番号	名前	数量	UOM
	1502664 F	RAILS REM UCB ASSEMBLY CE S3215E S3219E		EA
1	1501483	WLDMT, HNDRL BOTTOM CE RH	1	EA
2	1501481	WLDMT HNDRL BOTTOM CE	1	EA
3	1501484	WLDMT, HNDRL TOP CE LH	2	EA
4	1501545	WLDMT, HNDRL FRONT CE	1	EA
5	1501562	WLDMT, FRONT GATE	1	EA
6	1501323	TUBE HNDRL MID TELESCOPE	2	EA
7	1501630	WLDMT, TOP SLIDER LH ORG	1	EA
Not Shown	302544	Pin & Lock	1	EA
9	1501583	CLIP HANDLE 1.00	2	EA
10	1501715	WLDMT, SLIDE HANDLE SHORT	2	EA
11	1501631	WLDMT, TOP SLIDER RH ORG	1	EA
12	5580020	PIN, SNAPPER .375 X 2.50 W/LAN	1	EA
13	1502336	ASSY, UCB CE 2SPD SEPTEMBER 2018 AND AEFORÉ	1	EA
14	562386	Literature Compartment	1	EA
15	1501842	DOUBLER PLATE, HANDRAIL ORG	2	EA
16	1502471	WLDMT, CHASE REMOVABLE UCB	1	EA
17	1502468	HARNES UCB	1	EA
18	1502452	PLT, SIDE REMOVABLE UCB	1	EA
19	1502453	PLT, REMOVABLE UCB BOTTOM	1	EA
20	1502543	CONN, SIDE DRIVE OVERRIDE ADDED MARCH 2017 AND AFTER	1	EA
21	1501688	PLT, COVER OUTLET	1	EA
22	5563304	SBHCS M8 X 1.25 X 50MM GR 1039	4	EA
23	5563305	SBHCS M8 X 1.25 X 45MM GR 1039 PLTD	8	EA

アイテム	部品番号	名前	数量	UOM
24	500595 025	Bolt, SktButCapScrew DIN9427	5	EA
25	056066 008	NUT NYLOCKNUT DIN985 M8 8.0 ZP	23	EA
26	056066 010	Nut, NylockNut DIN985 M10 8.0ZincPlated	16	EA
27	056066 005	Nut NylockNut DIN985 M5 8.0 Zi	4	EA
28	056066 004	NUT NYLOCK DIN985 M4 8.0 ZP	2	EA
29	056069 010	Washer, SteelFlatWasher DIN125A M10 ZincPlated	18	EA
30	056069 008	WASHER, STEELFLATWASHER DIN12M8 FLAT WASHER DIN 125	12	EA
31	056060 055	Bolt, HexBolt DIN931 M10 x 55mm 8.8 ZincPlated	6	EA
32	056060 065	Bolt, HexBolt DIN931 M10 x 65mm 8.8 ZincPlated	8	EA
33	056060 045	Bolt, HexBolt DIN931 M10 x 45mm 8.8 ZincPlated	2	EA
34	5563466	POP RIVET S/SSTEEL MANDREL	2	EA
35	505082 020	Bolt, SktButCapScrew DIN9427 M5 x 20mm 10.9 ZincPlated	4	EA
36	056059 090	Bolt, HexBolt DIN931 M8 x 90mm 8.8 ZincPlated	2	EA
37	058492 020	Bolt HexSetScrew DIN933 M8 x 2	4	EA
38	5563446	1/4 20 PAN HEAD SCREW	4	EA
39	5563451	PLUG TUBING 1.00 X .095	4	EA
40	14030	LOCK WASHER HD30, 18 SHELL	1	EA
41	3040208	PANEL NUT (18 SHELL)	1	EA
42	512459 016	BLT HEXHD M4 X 0.7 X 16MM DIN 933 8.8 ZP	2	EA
43	1502834	SLIDE PAD, STICK ON NOVEMBER 2017 AND AFTER	8	EA

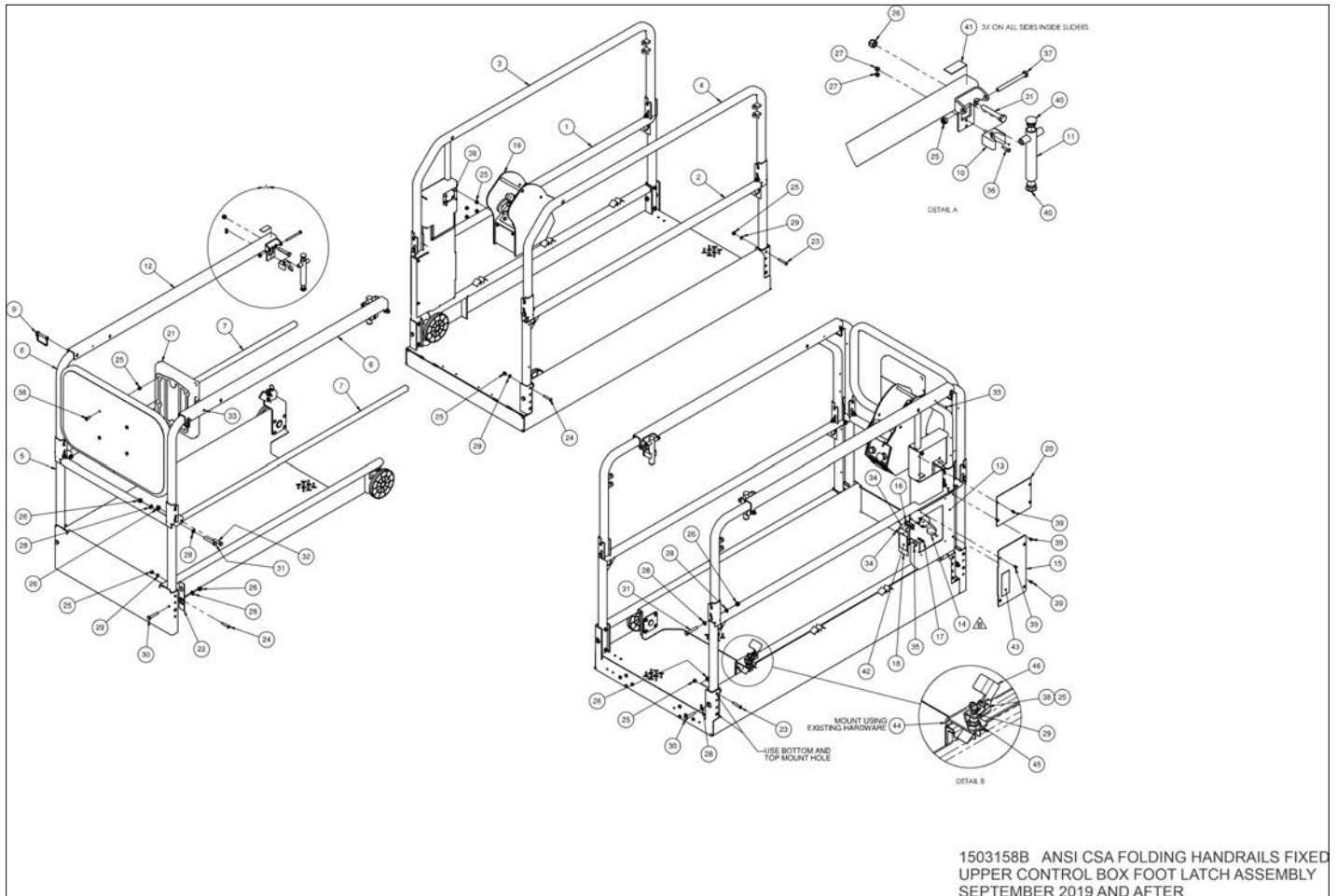
REPAIR PARTS



アイテム	部品番号	名前	数量	UOM
	1502664 H	CE FOLDING HANDRAILS REMOVEABLE UPPER CONTROL BOX JULY 2019 AND AFTER		EA
1	1501483	WLDMT, HNDRL BOTTOM CE RH	1	EA
2	1501481	WLDMT HNDRL BOTTOM CE	1	EA
3	1501484	WLDMT, HNDRL TOP CE LH	2	EA
4	1501545	WLDMT, HNDRL FRONT CE	1	EA
5	1501562	WLDMT, FRONT GATE	1	EA
6	1501323	TUBE HNDRL MID TELESCOPE	2	EA
7	1501630	WLDMT, TOP SLIDER LH ORG	1	EA
Not Shown	302544	Pin & Lock	1	EA
9	1501583	CLIP HANDLE 1.00	2	EA
10	1501715	WLDMT, SLIDE HANDLE SHORT	2	EA
11	1501631	WLDMT, TOP SLIDER RH ORG	1	EA
12	5580020	PIN, SNAPPER .375 X 2.50 W/LAN	1	EA
13	1502976	ASSY, UCB CE 2SPD JUNE 2019 AND AFTER	1	EA
14	562386	Literature Compartment	1	EA
15	1501842	DOUBLER PLATE, HANDRAIL ORG	2	EA
16	1502471	WLDMT, CHASE REMOVABLE UCB	1	EA
17	1502468	HARNES UCB	1	EA
18	1502452	PLT, SIDE REMOVABLE UCB	1	EA
19	1502453	PLT, REMOVABLE UCB BOTTOM	1	EA
20	1502543	CONN, SIDE DRIVE OVERRIDE ADDED MARCH 2017 AND AFTER	1	EA
21	1501688	PLT, COVER OUTLET	1	EA
22	5563305	SBHCS M8 X 1.25 X 45MM GR 1039 PLTD	12	EA
23	500595 025	Bolt, SktButCapScrew DIN9427	5	EA

アイテム	部品番号	名前	数量	UOM
24	056066 008	NUT NYLOCKNUT DIN985 M8 8.0 ZP	23	EA
25	056066 010	Nut, NylockNut DIN985 M10 8.0ZincPlated	16	EA
26	056066 005	Nut NylockNut DIN985 M5 8.0 Zi	4	EA
27	056066 004	NUT NYLOCK DIN985 M4 8.0 ZP	2	EA
28	056069 010	Washer, SteelFlatWasher DIN125A M10 ZincPlated	18	EA
29	056069 008	WASHER, STEELFLATWASHER DIN12M8 FLAT WASHER DIN 125	12	EA
30	056060 055	Bolt, HexBolt DIN931 M10 x 55mm 8.8 ZincPlated	6	EA
31	056060 065	Bolt, HexBolt DIN931 M10 x 65mm 8.8 ZincPlated	8	EA
32	056060 045	Bolt, HexBolt DIN931 M10 x 45mm 8.8 ZincPlated	2	EA
33	5563466	POP RIVET S/STEEL MANDREL	2	EA
34	505082 020	Bolt, SktButCapScrew DIN9427 M5 x 20mm 10.9 ZincPlated	4	EA
35	056059 090	Bolt, HexBolt DIN931 M8 x 90mm 8.8 ZincPlated	2	EA
36	058492 020	Bolt HexSetScrew DIN933 M8 x 2	4	EA
37	5563446	1/4 20 PAN HEAD SCREW	4	EA
38	5563451	PLUG TUBING 1.00 X .095	4	EA
39	14030	LOCK WASHER HD30, 18 SHELL	1	EA
40	3040208	PANEL NUT (18 SHELL)	1	EA
41	512459 016	BLT HEXHD M4 X 0.7 X 16MM DIN 933 8.8 ZP	2	EA
42	1502834	SLIDE PAD, STICK ON NOVEMBER 2017 AND AFTER	8	EA

REPAIR PARTS



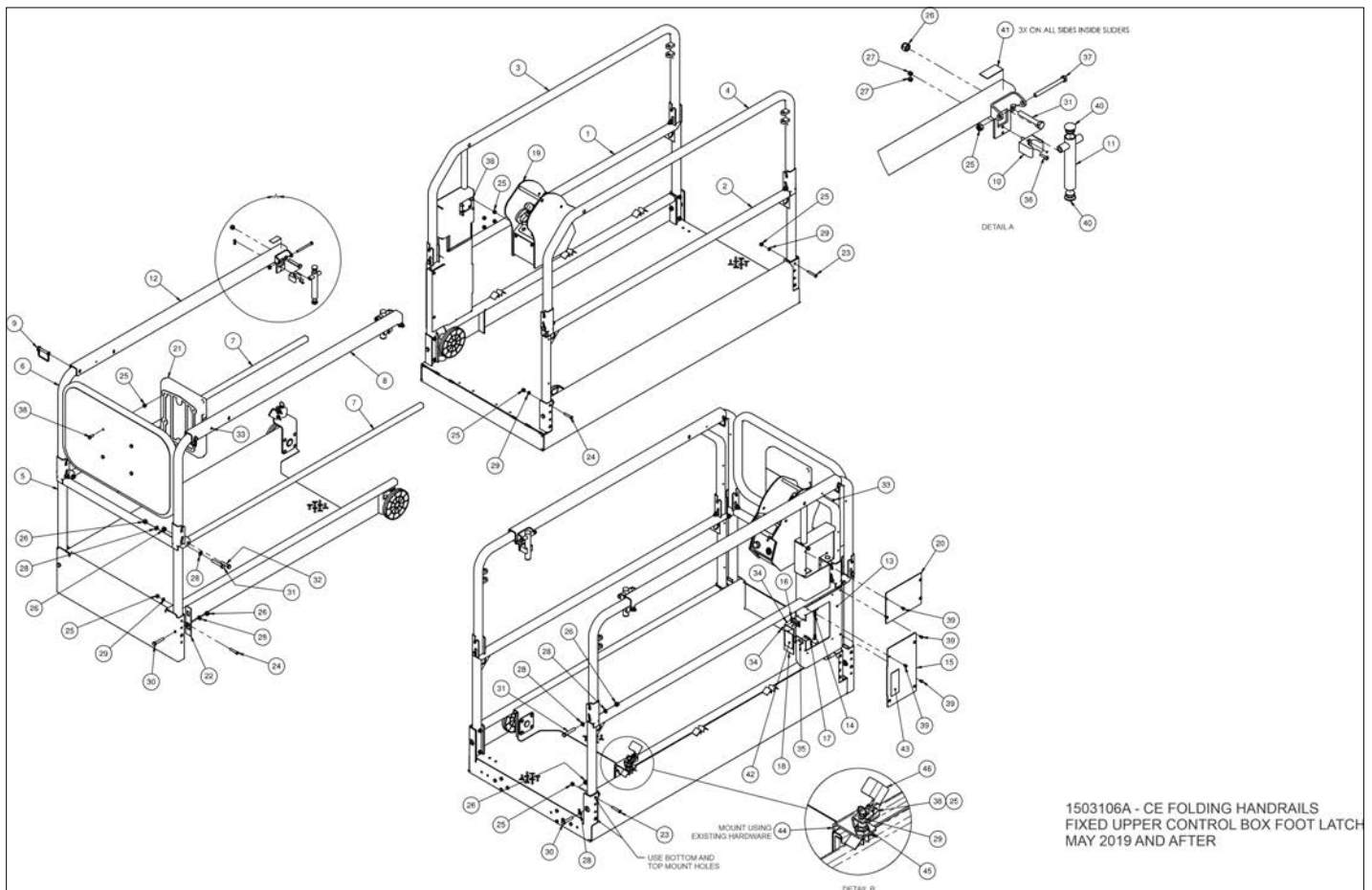
1503158B ANSI CSA FOLDING HANDRAILS FIXED UPPER CONTROL BOX FOOT LATCH ASSEMBLY SEPTEMBER 2019 AND AFTER

アイテム	部品番号	名前	数量	UOM
	1503158 B	ANSI CSA FOLDING HANDRAILS FIXED UPPER CONTROL BOX FOOT LATCH ASSEMBLY JUNE 2019 AND AFTER		EA
1	1501483 5	WLDMT, HNDRL BOTTOM CE RH	1	EA
2	1501481 5	WLDMT HNDRL BOTTOM CE	1	EA
3	1503103 5	WLDMT, FOLDING TOP HNDRL UCB S	1	EA
4	1503085 5	WLDMT, TOP RAIL S3215/3219	1	EA
5	1501545 5	WLDMT, HNDRL FRONT CE	1	EA
6		WLDMT FRONT GATE	1	EA
7	1501323	TUBE HNDRL MID TELESCOPE	2	EA
8	1501630 5	WLDMT, TOP SLIDER LH ORG	1	EA
9	302544	Pin & Lock	2	EA
10	1501583	CLIP HANDLE 1.00	2	EA
11	1503079 4	WLDMT, SLIDE HANDLE SHORT	2	EA
12	1501631 5	WLDMT, TOP SLIDER RH ORG	1	EA
13	1502443 5	WLDMT, WIRE CHASE	1	EA
14	1503200	PENDANT, DRIVE CONTROLS SEPTEMBER 2019 AND AFTER	1	EA
Not Shown	1503200	PENDANT, DRIVE CONTROLS SEPTEMBER 2019 AND AFTER	1	EA
15	1501829 5	PLT, CABLE COVER BOTTOM	1	EA
16	5516360	HINGE, DRILLED SIDE DRIVE THIN	1	EA
17	5516349	MAGNETIC LATCH	1	EA
18	1502442 5	PLT, SIDE DOOR THIN	1	EA
19	1503113	ASSY, UCB ANSI/CE 2SPD	1	EA
20	1501397 5	PLT CONT BOX MNT COVER	1	EA
21	562386	Literature Compartment	1	EA
22	1501842 4	DOUBLER PLATE, HANDRAIL	2	EA
23	5563304	SBHCS M8 X 1.25 X 50MM GR 1039	4	EA

アイテム	部品番号	名前	数量	UOM
24	5563305	SBHCS M8 X 1.25 X 45MM GR 1039 PLTD	8	EA
25	056066 008	NUT NYLOCKNUT DIN985 M8 8.0 ZP	25	EA
26	056066 010	Nut, NylockNut DIN985 M10 8.0ZincPlated	14	EA
27	056066 005	Nut NylockNut DIN985 M5 8.0 Zi	4	EA
28	056069 010	Washer, SteelFlatWasher DIN125A M10 ZincPlated	18	EA
29	056069 008	WASHER, STEELFLATWASHER DIN12M8 FLAT WASHER DIN 125	13	EA
30	056060 055	Bolt, HexBolt DIN931 M10 x 55mm 8.8 ZincPlated	6	EA
31	056060 065	Bolt, HexBolt DIN931 M10 x 65mm 8.8 ZincPlated	8	EA
32	056060 045	Bolt, HexBolt DIN931 M10 x 45mm 8.8 ZincPlated	2	EA
33	5563466	POP RIVET S/STEEL MANDREL	2	EA
34	5560659	RVT POP .125 DIA .250 DMD STL	4	EA
35	5560656	RVT POP .125 DIA .375 DMD STL	2	EA
36	505082 020	Bolt, SktButCapScrew DIN9427 M5 x 20mm 10.9 ZincPlated	4	EA
37	056059 090	Bolt, HexBolt DIN931 M8 x 90mm 8.8 ZincPlated	2	EA
38	058492 020	Bolt HexSetScrew DIN933 M8 x 2	9	EA
39	5563446	1/4 20 PAN HEAD SCREW	12	EA
40	5563451	PLUG TUBING 1.00 X .095	4	EA
41	1502834	SLIDE PAD, STICK ON NOVEMBER 2017 AND AFTER	8	EA
42	1503072	DECAL, DRIVE CNTRL E STOP ON	1	EA
43	1502990	DECAL, PENDANT CONTROLS JUNE 2018 AND AFTER	1	EA

アイテム	部品番号	名前	数量	UOM
44	1500038 5	WLDMT PIVOT LEVER	1	EA
45	009442 003	SPRING LATCH	1	EA
46	502141 000 5	STOP LEVER	1	EA

REPAIR PARTS



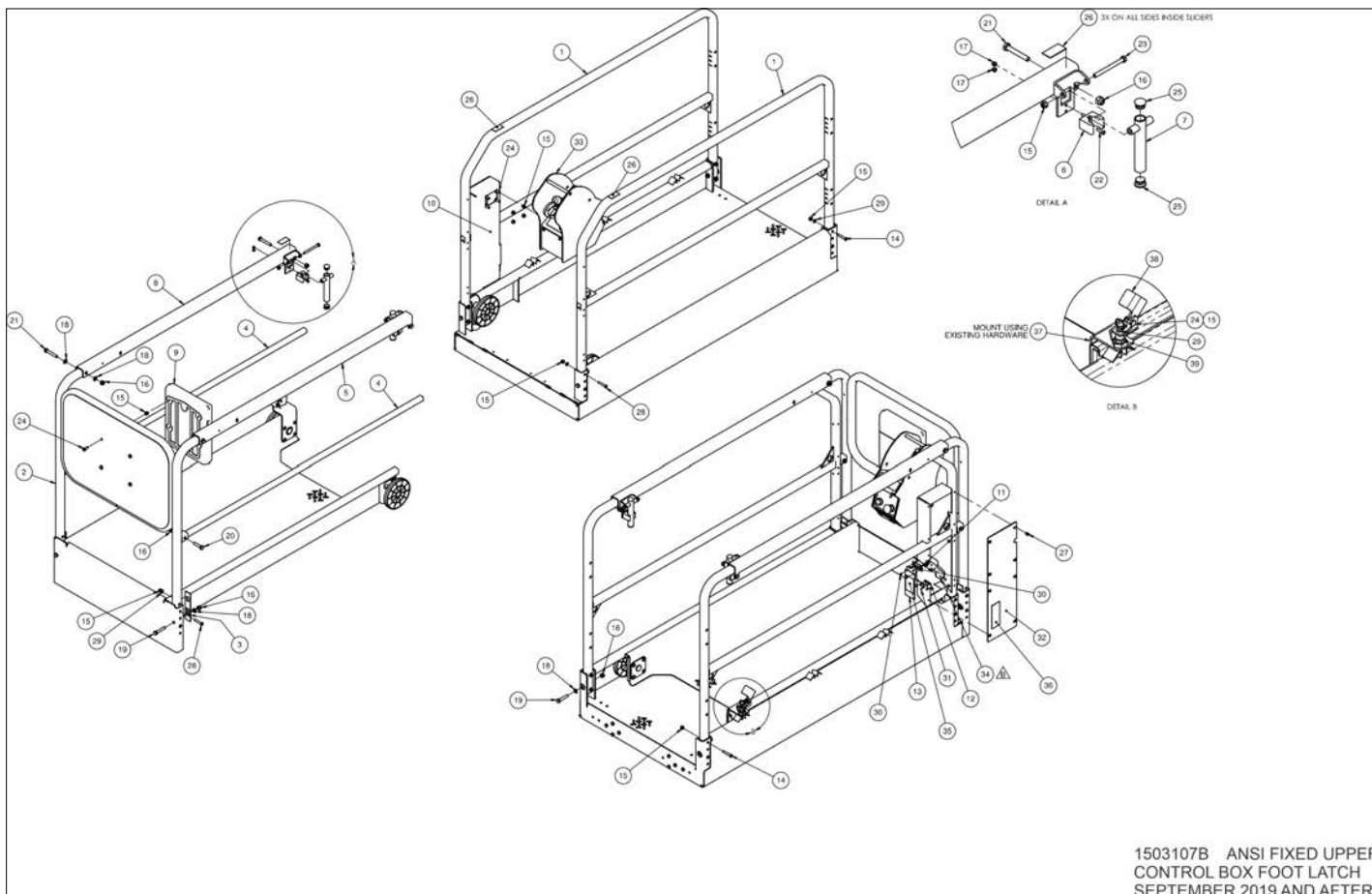
1503106A - CE FOLDING HANDRAILS
FIXED UPPER CONTROL BOX FOOT LATCH
MAY 2019 AND AFTER

アイテム	部品番号	名前	数量	UOM
	1503106 B	FOLDING HANDRAIL CE FIXED UCB FOOT LATCH S3215E S3219E MAY 2019 AND AFTER		EA
1	1501483 5	WLDMT, HNDRL BOTTOM CE RH	1	EA
2	1501481 5	WLDMT HNDRL BOTTOM CE	1	EA
3	1503103 5	WLDMT, FOLDING TOP HNDRL UCB S	1	EA
4	1503085 5	WLDMT, TOP RAIL S3215/3219	1	EA
5	1501545 5	WLDMT, HNDRL FRONT CE	1	EA
6		WLDMT FRONT GATE	1	EA
7	1501395 5	TUBE, HNDRL MID TELE	2	EA
8	1501630 5	WLDMT, TOP SLIDER LH ORG	1	EA
9	302544	Pin & Lock	2	EA
10	1501583	CLIP HANDLE 1.00	2	EA
11	1503079 5	WLDMT SLIDE HANDLE SHORT	2	EA
12	1501631 5	WLDMT, TOP SLIDER RH ORG	1	EA
13	1502443 5	WLDMT, WIRE CHASE	1	EA
14	1503200	PENDANT, DRIVE CONTROLS SEPTEMBER 2019 AND AFTER	1	EA
15	1501829 5	PLT, CABLE COVER BOTTOM	1	EA
16	5516360	HINGE, DRILLED SIDE DRIVE THIN	1	EA
17	5516349	MAGNETIC LATCH	1	EA
18	1502442 5	PLT, SIDE DOOR THIN	1	EA
19	1502976	ASSY, UCB CE 2SPD JUNE 2019 AND AFTER	1	EA
20	1501397 5	PLT CONT BOX MNT COVER	1	EA
21	562386	Literature Compartment	1	EA
22	1501842 4	DOUBLER PLATE, HANDRAIL	2	EA
23	5563304	SBHCS M8 X 1.25 X 50MM GR 1039	4	EA
24	5563305	SBHCS M8 X 1.25 X 45MM GR 1039 PLTD	8	EA

アイテム	部品番号	名前	数量	UOM
25	056066 008	NUT NYLOCKNUT DIN985 M8 8.0 ZP	25	EA
26	056066 010	Nut, NylockNut DIN985 M10 8.0ZincPlated	14	EA
27	056066 005	Nut NylockNut DIN985 M5 8.0 Zi	4	EA
28	056069 010	Washer, SteelFlatWasher DIN125A M10 ZincPlated	18	EA
29	056069 008	WASHER, STEELFLATWASHER DIN12M8 FLAT WASHER DIN 125	13	EA
30	056060 055	Bolt, HexBolt DIN931 M10 x 55mm 8.8 ZincPlated	6	EA
31	056060 065	Bolt, HexBolt DIN931 M10 x 65mm 8.8 ZincPlated	8	EA
32	056060 045	Bolt, HexBolt DIN931 M10 x 45mm 8.8 ZincPlated	2	EA
33	5563466	POP RIVET S/SSTEEL MANDREL	2	EA
34	5560659	RVT POP .125 DIA .250 DMD STL	4	EA
35	5560656	RVT POP .125 DIA .375 DMD STL	2	EA
36	505082 020	Bolt, SktButCapScrew DIN9427 M5 x 20mm 10.9 ZincPlated	4	EA
37	056059 090	Bolt, HexBolt DIN931 M8 x 90mm 8.8 ZincPlated	2	EA
38	058492 020	Bolt HexSetScrew DIN933 M8 x 2	9	EA
39	5563446	1/4 20 PAN HEAD SCREW	12	EA
40	5563451	PLUG TUBING 1.00 X .095	4	EA
41	1502834	SLIDE PAD, STICK ON NOVEMBER 2017 AND AFTER	8	EA
42	1503072	DECAL, DRIVE CNTRL E STOP ON	1	EA
43	1502990	DECAL, PENDANT CONTROLS JUNE 2018 AND AFTER	1	EA
44	1500038 5	WLDMT PIVOT LEVER	1	EA
45	009442 003	SPRING LATCH	1	EA

アイテム	部品番号	名前	数量	UOM
46	502141 000 5	STOP LEVER	1	EA

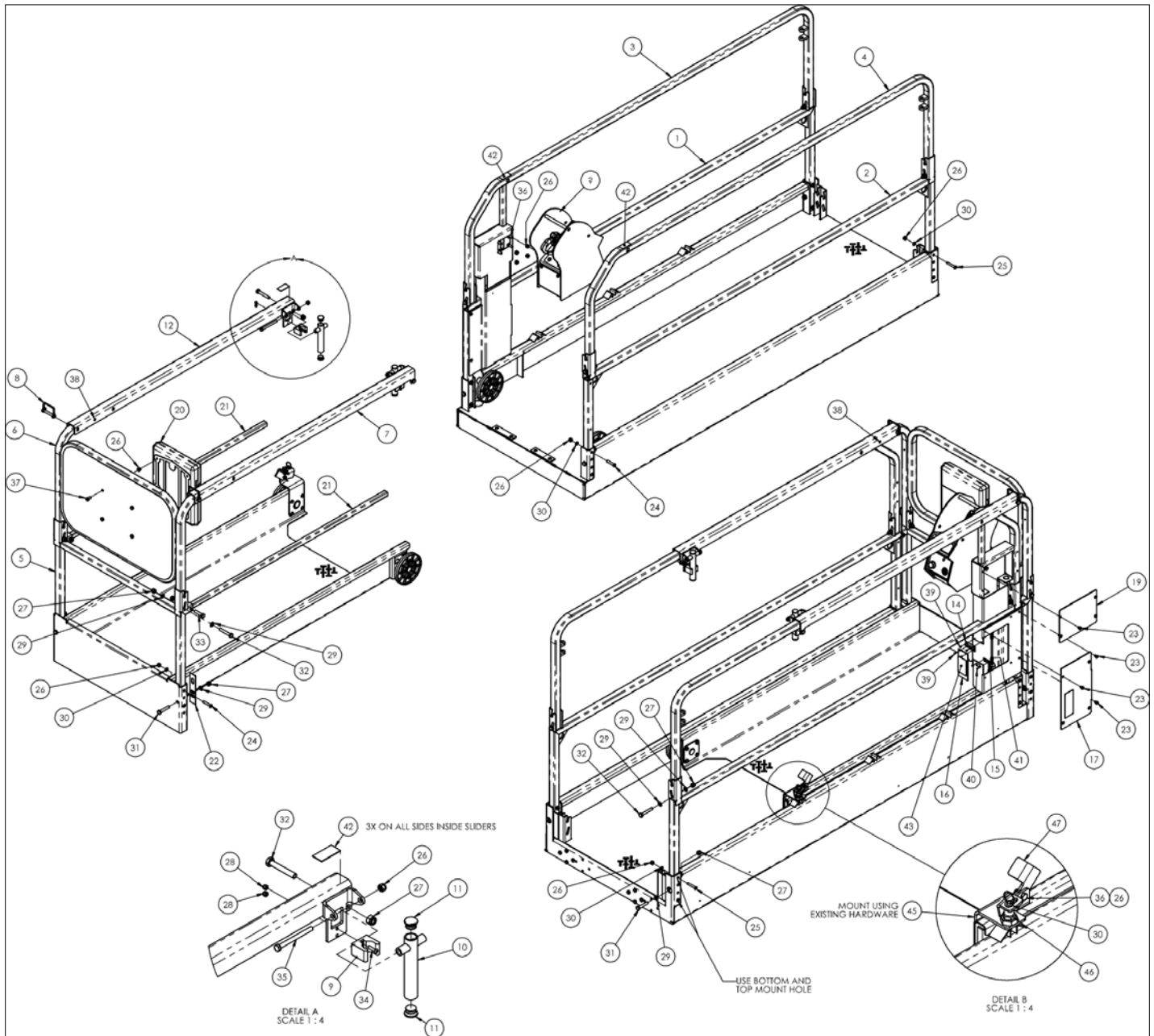
REPAIR PARTS



アイテム	部品番号	名前	数量	UOM
	1503107 B	ANSI NON FOLDING HANDRAILS FIXED UPPER CONTROL BOX FOOT LATCH MAY 2019 AND AFTER		EA
1	1503105 5	WLDMT, NON FOLDING HNDRL S3215	2	EA
2	1501812 5	WLDMT, FRONT GATE S3219 AU	1	EA
3	1501842 4	DOUBLER PLATE, HANDRAIL	2	EA
4	1501323	TUBE HNDRL MID TELESCOPE	2	EA
5	1501630 5	WLDMT, TOP SLIDER LH ORG	1	EA
6	1501583	CLIP HANDLE 1.00	2	EA
7	1503079 4	WLDMT, SLIDE HANDLE SHORT	2	EA
8	1501631 5	WLDMT, TOP SLIDER RH ORG	1	EA
9	562386	Literature Compartment	1	EA
10	1502348 5	Box, Platform Mount Thin	1	EA
11	5516360	HINGE, DRILLED SIDE DRIVE THIN	1	EA
12	5516349	MAGNETIC LATCH	1	EA
13	1502442 5	PLT, SIDE DOOR THIN	1	EA
14	5563304	SBHCS M8 X 1.25 X 50MM GR 1039	4	EA
15	056066 008	NUT NYLOCKNUT DIN985 M8 8.0 ZP	23	EA
16	056066 010	Nut, NylockNut DIN985 M10 8.0ZincPlated	12	EA
17	056066 005	Nut NylockNut DIN985 M5 8.0 Zi	4	EA
18	056069 010	Washer, SteelFlatWasher DIN125A M10 ZincPlated	10	EA
19	056060 055	Bolt, HexBolt DIN931 M10 x 55mm 8.8 ZincPlated	6	EA
20	056060 045	Bolt, HexBolt DIN931 M10 x 45mm 8.8 ZincPlated	2	EA
21	056060 065	Bolt, HexBolt DIN931 M10 x 65mm 8.8 ZincPlated	4	EA

アイテム	部品番号	名前	数量	UOM
22	505082 020	Bolt, SktButCapScrew DIN9427 M5 x 20mm 10.9 ZincPlated	4	EA
23	056059 090	Bolt, HexBolt DIN931 M8 x 90mm 8.8 ZincPlated	2	EA
24	058492 020	Bolt HexSetScrew DIN933 M8 x 2	9	EA
25	5563451	PLUG TUBING 1.00 X .095	4	EA
26	1502834	SLIDE PAD, STICK ON NOVEMBER 2017 AND AFTER	8	EA
27	5563446	1/4 20 PAN HEAD SCREW	11	EA
28	5563305	SBHCS M8 X 1.25 X 45MM GR 1039 PLTD	8	EA
29	056069 008	WASHER, STEELFLATWASHER DIN12M8 FLAT WASHER DIN 125	13	EA
30	5560659	RVT POP .125 DIA .250 DMD STL	2	EA
31	5560656	RVT POP .125 DIA .375 DMD STL	6	EA
32	1502321 5	PLT, SIDE DRIVE REAR S3219 ANSI	1	EA
33	1502975	ASSY, UCB ANSI 2SPD	1	EA
34	1503200	PENDANT, DRIVE CONTROLS SEPTEMBER 2019 AND AFTER	1	EA
Not Shown	1503071	PENDANT, DRIVE CONTROLS NOVEMBER 2018 AND AFTER	1	EA
35	1503073	DECAL, DRIVE CNTRL E STOP OFF	1	EA
36	1502990	DECAL, PENDANT CONTROLS JUNE 2018 AND AFTER	1	EA
37	1500038 5	WLDMT PIVOT LEVER	1	EA
38	502141 000 5	STOP LEVER	1	EA
39	009442 003	SPRING LATCH	1	EA

REPAIR PARTS

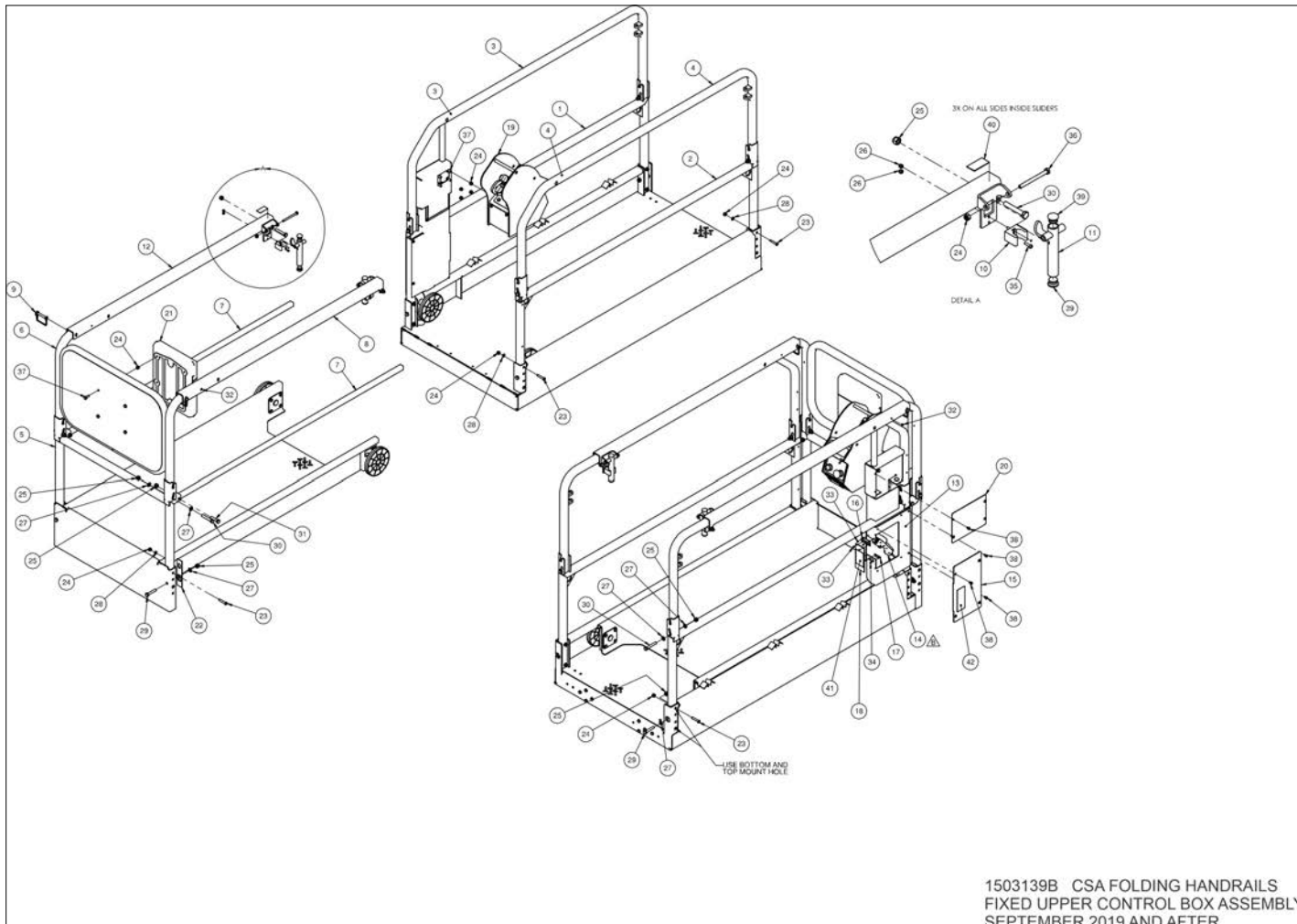


アイテム	部品番号	名前	数量	UOM
	1503109 B	FOLDING HANDRAIL ASSEMBLY FOOT LATCH CE AS MAY 2019 AND AFTER		EA
1	1501559	WLDMT HNDRL MAIN RH	1	EA
2	1501558	WLDMT HNDRL MAIN LH	1	EA
3	1503108	WLDMT, FOLDING TOP HNDRL UCB S3220/3226, FOOT LATCH	1	EA
4	1503077	WLDMT, TOP RAIL PURCHASED PART	1	EA
5	1501545	WLDMT, HNDRL FRONT CE	1	EA
6	1501562	WLDMT, FRONT GATE	1	EA
7	1501630	WLDMT, TOP SLIDER LH ORG	1	EA
8	302544	Pin & Lock	2	EA
9	1501583	CLIP HANDLE 1.00	2	EA
10	1503079	WLDMT, SLIDE HANDLE SHORT	2	EA
11	5563451	PLUG TUBING 1.00 X .095	4	EA
12	1501631	WLDMT, TOP SLIDER RH ORG	1	EA
Not Shown	1502443	WLDMT, WIRE CHASE	1	EA
14	5516360	HINGE, DRILLED SIDE DRIVE THIN	1	EA
15	5516349	MAGNETIC LATCH	1	EA
16	1502442	PLT, SIDE DOOR THIN ORG	1	EA
17	1501829	PLT, CABLE COVER BOTTOM	1	EA
18	1502976	ASSY, UCB CE 2SPD JUNE 2019 AND AFTER	1	EA
19	1501397	PLT CONT BOX MNT COVER	1	EA
20	562386	Literature Compartment	1	EA
21	1501323	TUBE HNDRL MID TELESCOPE	2	EA
22	1501842	DOUBLER PLATE, HANDRAIL ORG	2	EA
23	5563446	1/4 20 PAN HEAD SCREW	12	EA

アイテム	部品番号	名前	数量	UOM
24	5563305	SBHCS M8 X 1.25 X 45MM GR 1039 PLTD	8	EA
25	5563304	SBHCS M8 X 1.25 X 50MM GR 1039	4	EA
26	056066 008	NUT NYLOCKNUT DIN985 M8 8.0 ZP	23	EA
27	056066 010	Nut, NylockNut DIN985 M10 8.0ZincPlated	16	EA
28	056066 005	Nut NylockNut DIN985 M5 8.0 Zi	4	EA
29	056069 010	Washer, SteelFlatWasher DIN125A M10 ZincPlated	18	EA
30	056069 008	WASHER, STEELFLATWASHER DIN12M8 FLAT WASHER DIN 125	13	EA
31	056060 055	Bolt, HexBolt DIN931 M10 x 55mm 8.8 ZincPlated	6	EA
32	056060 065	Bolt, HexBolt DIN931 M10 x 65mm 8.8 ZincPlated	8	EA
33	056060 045	Bolt, HexBolt DIN931 M10 x 45mm 8.8 ZincPlated	2	EA
34	505082 020	Bolt, SktButCapScrew DIN9427 M5 x 20mm 10.9 ZincPlated	4	EA
35	056059 090	Bolt, HexBolt DIN931 M8 x 90mm 8.8 ZincPlated	2	EA
36	058492 020	Bolt HexSetScrew DIN933 M8 x 2	5	EA
37	058492 016	HHCS M8 x 1. 25 X 16GR 8.8 DIN933	4	EA
38	5563466	POP RIVET S/SSTEEL MANDREL	2	EA
39	5560659	RVT POP .125 DIA .250 DMD STL	4	EA
40	5560656	RVT POP .125 DIA .375 DMD STL	2	EA
41	1503200	PENDANT, DRIVE CONTROLS SEPTEMBER 2019 AND AFTER	1	EA
42	1502834	SLIDE PAD, STICK ON NOVEMBER 2017 AND AFTER	8	EA

アイテム	部品番号	名前	数量	UOM
Not Shown	1503072	DECAL, DRIVE CNTRL E STOP ON	1	EA
Not Shown	1502990	DECAL, PENDANT CONTROLS JUNE 2018 AND AFTER	1	EA
45	1500038	WLDMT PIVOT LEVER	1	EA
46	009442 003	SPRING LATCH	1	EA
47	502141 000	STOP LEVER	1	EA

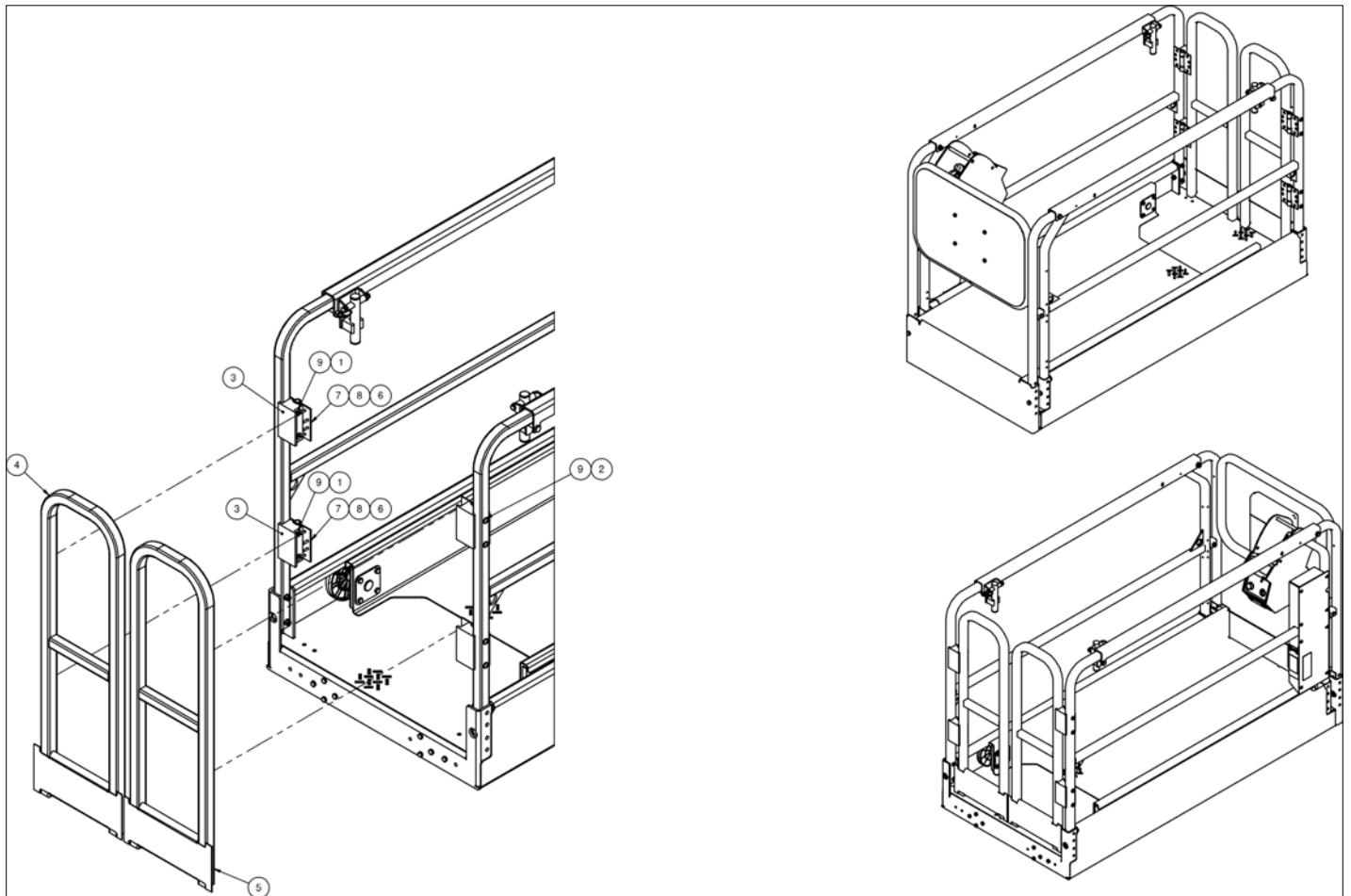
REPAIR PARTS



アイテム	部品番号	名前	数量	UOM
	1503139 B	HANDRAILS FOLDING FIXED UCB ASSEMBLY CSA SEPTEMBER 2019 AND AFTER		EA
1	1501483 5	WLDMT, HNDRL BOTTOM CE RH	1	EA
2	1501481 5	WLDMT HNDRL BOTTOM CE	1	EA
3	1502063 5	WLDMT, HNDRL TOP CE RH	1	EA
4	1501484 5	WLDMT, HNDRL TOP CE LH	1	EA
5	1501545 5	WLDMT, HNDRL FRONT CE	1	EA
6		WLDMT FRONT GATE	1	EA
7	1501323	TUBE HNDRL MID TELESCOPE	2	EA
8	1501630 5	WLDMT, TOP SLIDER LH ORG	1	EA
9	302544	Pin & Lock	2	EA
10	1501583	CLIP HANDLE 1.00	2	EA
11	1501715 4	WLDMT, SLIDE HANDLE SHORT	2	EA
12	1501631 5	WLDMT, TOP SLIDER RH ORG	1	EA
13	1502443 5	WLDMT, WIRE CHASE	1	EA
14	1503200	PENDANT, DRIVE CONTROLS SEPTEMBER 2019 AND AFTER	1	EA
Not Shown	1503071	PENDANT, DRIVE CONTROLS NOVEMBER 2018 AND AFTER	1	EA
15	1501829 5	PLT, CABLE COVER BOTTOM	1	EA
16	5516360	HINGE, DRILLED SIDE DRIVE THIN	1	EA
17	5516349	MAGNETIC LATCH	1	EA
18	1502442 5	PLT, SIDE DOOR THIN	1	EA
19	1503113	ASSY, UCB ANSI/CE 2SPD	1	EA
20	1501397 5	PLT CONT BOX MNT COVER	1	EA
21	562386	Literature Compartment	1	EA
22	1501842 4	DOUBLER PLATE, HANDRAIL	2	EA
23	5563305	SBHCS M8 X 1.25 X 45MM GR 1039 PLTD	12	EA

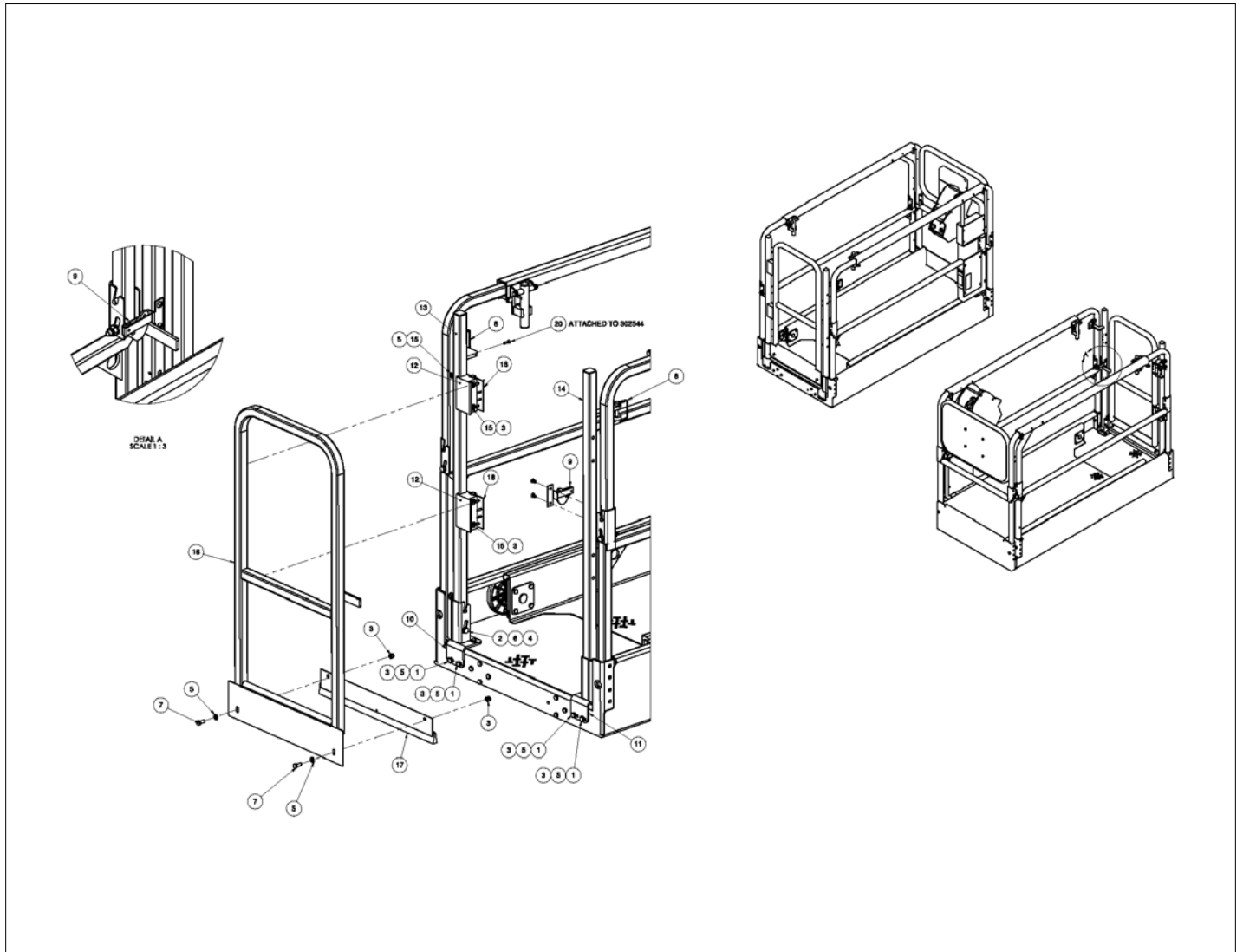
アイテム	部品番号	名前	数量	UOM
24	056066 008	NUT NYLOCKNUT DIN985 M8 8.0 ZP	24	EA
25	056066 010	Nut, NylockNut DIN985 M10 8.0ZincPlated	14	EA
26	056066 005	Nut NylockNut DIN985 M5 8.0 Zi	4	EA
27	056069 010	Washer, SteelFlatWasher DIN125A M10 ZincPlated	18	EA
28	056069 008	WASHER, STEELFLATWASHER DIN12M8 FLAT WASHER DIN 125	12	EA
29	056060 055	Bolt, HexBolt DIN931 M10 x 55mm 8.8 ZincPlated	6	EA
30	056060 065	Bolt, HexBolt DIN931 M10 x 65mm 8.8 ZincPlated	8	EA
31	056060 045	Bolt, HexBolt DIN931 M10 x 45mm 8.8 ZincPlated	2	EA
32	5563466	POP RIVET S/SSTEEL MANDREL	2	EA
33	5560659	RVT POP .125 DIA .250 DMD STL	4	EA
34	5560656	RVT POP .125 DIA .375 DMD STL	2	EA
35	505082 020	Bolt, SktButCapScrew DIN9427 M5 x 20mm 10.9 ZincPlated	4	EA
36	056059 090	Bolt, HexBolt DIN931 M8 x 90mm 8.8 ZincPlated	2	EA
37	058492 020	Bolt HexSetScrew DIN933 M8 x 2	4	EA
38	5563446	1/4 20 PAN HEAD SCREW	12	EA
39	5563451	PLUG TUBING 1.00 X .095	4	EA
40	1502834	SLIDE PAD, STICK ON NOVEMBER 2017 AND AFTER	8	EA
41	1503072	DECAL, DRIVE CNTRL E STOP ON	1	EA
42	1502990	DECAL, PENDANT CONTROLS JUNE 2018 AND AFTER	1	EA

REPAIR PARTS



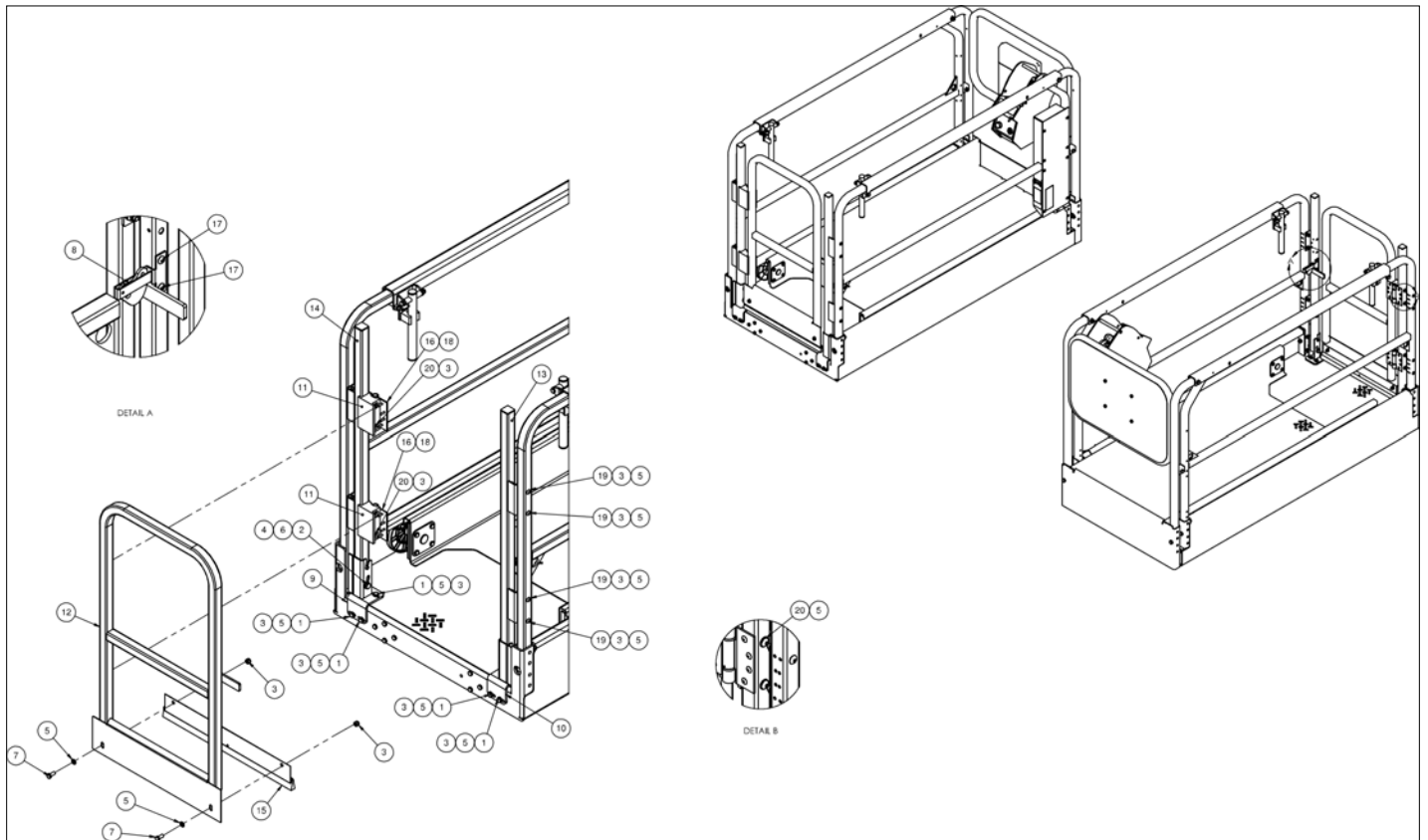
アイテム	部品番号	名前	数量	UOM
	1502660 E	SALOON GATES ANSI ASSEMBLY S3215E S3215L S3219E DECEMBER2018 AND AFTER		EA
1	056066 008	NUT NYLOCKNUT DIN985 M8 8.0 ZP	8	EA
2	056069 008	WASHER, STEELFLATWASHER DIN12M8 FLAT WASHER DIN 125	8	EA
3	1501844	BUMPER, GATES	4	EA
4	1501858	WLDMT, SALOON GATE LH	1	EA
5	1501862	WLDMT, SALOON GATE RH	1	EA
6	1502128	PLT,DOOR STOP SHIM	10	EA
7	5516359	HINGE, SPRING	4	EA
8	5563973	POP RIVET .188 X .13 .25 ST	32	EA
9	500595 075	Bolt, SktButCapScrew DIN9427 M	8	EA

REPAIR PARTS



アイテム	部品番号	名前	数量	UOM
*	1502656 F	CE SINGLE GATE ASSEMBLY S3215E/S3219E MARCH 2019 AND AFTER		EA
1	056059 030	Bolt, HexBolt DIN931 M8 x 30mm	8	EA
2	056060 065	Bolt, HexBolt DIN931 M10 x 65mm 8.8 ZincPlated	2	EA
3	056066 008	NUT NYLOCKNUT DIN985 M8 8.0 ZP	14	EA
4	056066 010	Nut, NylockNut DIN985 M10 8.0ZincPlated	2	EA
5	056069 008	WASHER, STEELFLATWASHER DIN12M8 FLAT WASHER DIN 125	14	EA
6	056069 010	Washer, SteelFlatWasher DIN125A M10 ZincPlated	4	EA
7	058492 020	Bolt HexSetScrew DIN933 M8 x 2	2	EA
8	302544	Pin & Lock	2	EA
9	512602 000	LATCH/STRIKER SET	1	EA
10	1501491	WLDMT, GATE MNT S3219 CE LH	1	EA
11	1501553	WLDMT, GATE MNT S3219 CE RH	1	EA
12	1501844	BUMPER, GATES	2	EA
13	1501914	WLDMT GATE MNT LH	1	EA
14	1501917	WLDMT GATE MNT RH	1	EA
15	500595 075	Bolt, SktButCapScrew DIN9427 M	4	EA
16	1502353	WLDMT, SWING GATE S3215/3219 CE	1	EA
17	1502772	ASSY, BRUSH, 21IN	1	EA
18	5516359	HINGE, SPRING	2	EA
Not Shown	5563446	1/4 20 PAN HEAD SCREW	2	EA
20	5563973	POP RIVET .188 X .13 .25 ST	20	EA

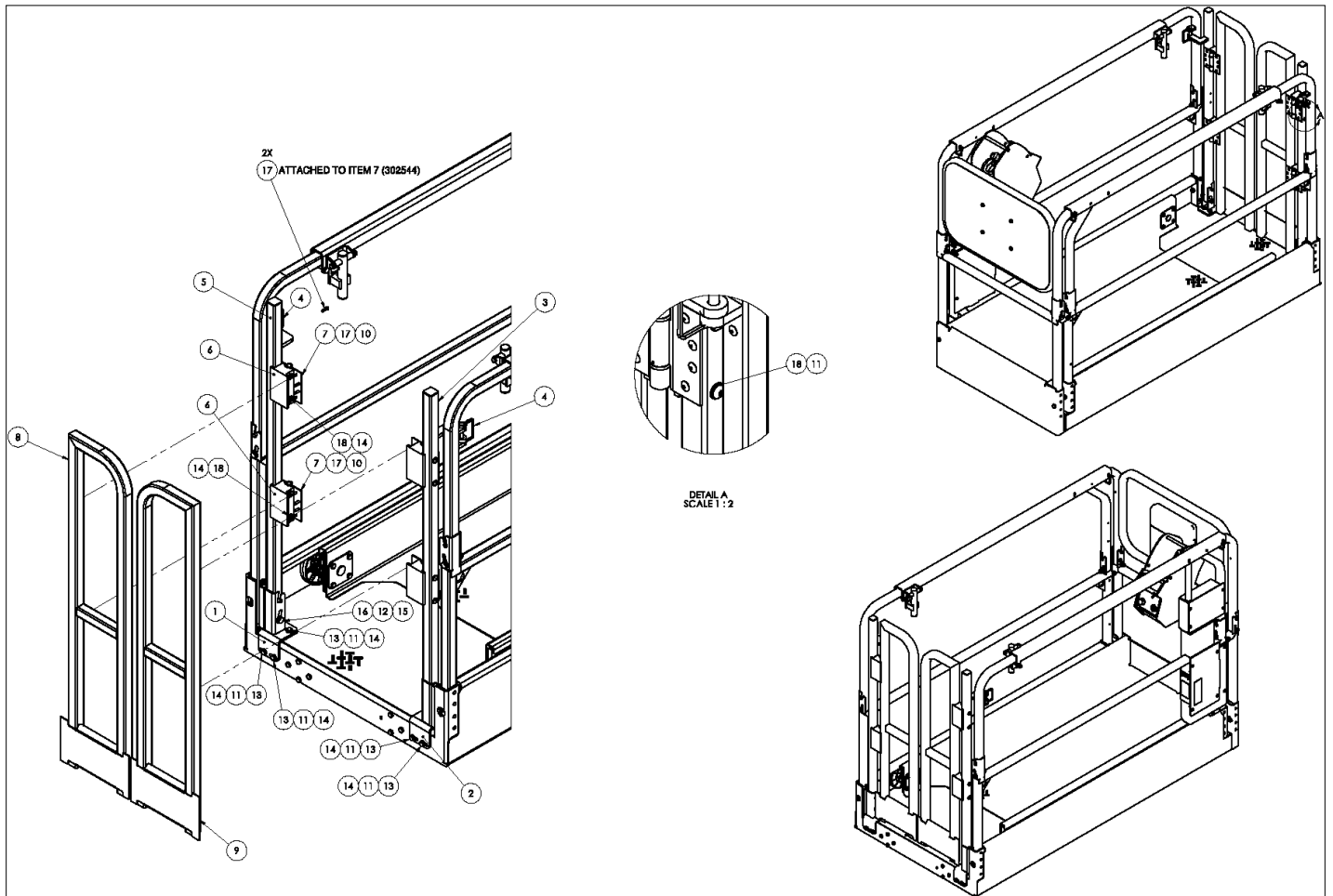
REPAIR PARTS



アイテム	部品番号	名前	数量	UOM
*	1502661 G	SINGLE GATE AS ASSEMBLY S3215E S3215L S3219E DECEMBER 2018 AND AFTER		EA
1	056059 030	Bolt, HexBolt DIN931 M8 x 30mm	8	EA
2	056060 065	Bolt, HexBolt DIN931 M10 x 65mm 8.8 ZincPlated	2	EA
3	056066 008	NUT NYLOCKNUT DIN985 M8 8.0 ZP	22	EA
4	056066 010	Nut, NylockNut DIN985 M10 8.0ZincPlated	2	EA
5	056069 008	WASHER, STEELFLATWASHER DIN12M8 FLAT WASHER DIN 125	22	EA
6	056069 010	Washer, SteelFlatWasher DIN125A M10 ZincPlated	4	EA
7	058492 020	Bolt HexSetScrew DIN933 M8 x 2	2	EA
8	512602 000	LATCH/STRIKER SET	1	EA
9	1501491	WLDMT, GATE MNT S3219 CE LH	1	EA
10	1501553	WLDMT, GATE MNT S3219 CE RH	1	EA
11	1501844	BUMPER, GATES	2	EA
12	1502360	WLDMT, SWING GATE S3215/3219 A	1	EA
13	1502362	WLDMT, GATE MNT S3215/3219 RH	1	EA
14	1502365	WLDMT, GATE MNT S3215/3219 LH	1	EA
15	1502772	ASSY, BRUSH, 21IN	1	EA
16	5516359	HINGE, SPRING	2	EA
17	5563446	1/4 20 PAN HEAD SCREW	2	EA
18	5563973	POP RIVET .188 X .13 .25 ST	16	EA
19	5563304	SBHCS M8 X 1.25 X 50MM GR 1039	8	EA

アイテム	部品番号	名前	数量	UOM
20	500595 075	Bolt, SktButCapScrew DIN9427 M	4	EA

REPAIR PARTS



アイテム	部品番号	名前	数量	UOM
	1502658 E	CE SALOON GATES ASSEMBLY S3215E/S3219E MARCH 2019 AND AFTER		EA
1	1501491	WLDMT, GATE MNT S3219 CE LH	1	EA
2	1501553	WLDMT, GATE MNT S3219 CE RH	1	EA
3	1501917	WLDMT GATE MNT RH	1	EA
4	302544	Pin & Lock	2	EA
5	1501914	WLDMT GATE MNT LH	1	EA
6	1501844	BUMPER, GATES	4	EA
7	5516359	HINGE, SPRING	4	EA
8	1501909	WLDMT SALOON GATE LH	1	EA
9	1501913	WLDMT SALOON GATE RH	1	EA
10	1502128	PLT,DOOR STOP SHIM	10	EA
11	056069 008	WASHER, STEELFLATWASHER DIN12M8 FLAT WASHER DIN 125	16	EA
12	056069 010	Washer, SteelFlatWasher DIN125A M10 ZincPlated	4	EA
13	056059 030	Bolt, HexBolt DIN931 M8 x 30mm	8	EA
14	056066 008	NUT NYLOCKNUT DIN985 M8 8.0 ZP	16	EA
15	056069 010	Washer, SteelFlatWasher DIN125A M10 ZincPlated	2	EA
16	056060 065	Bolt, HexBolt DIN931 M10 x 65mm 8.8 ZincPlated	2	EA
17	5563973	POP RIVET .188 X .13 .25 ST	34	EA
18	500595 075	Bolt, SktButCapScrew DIN9427 M	8	EA

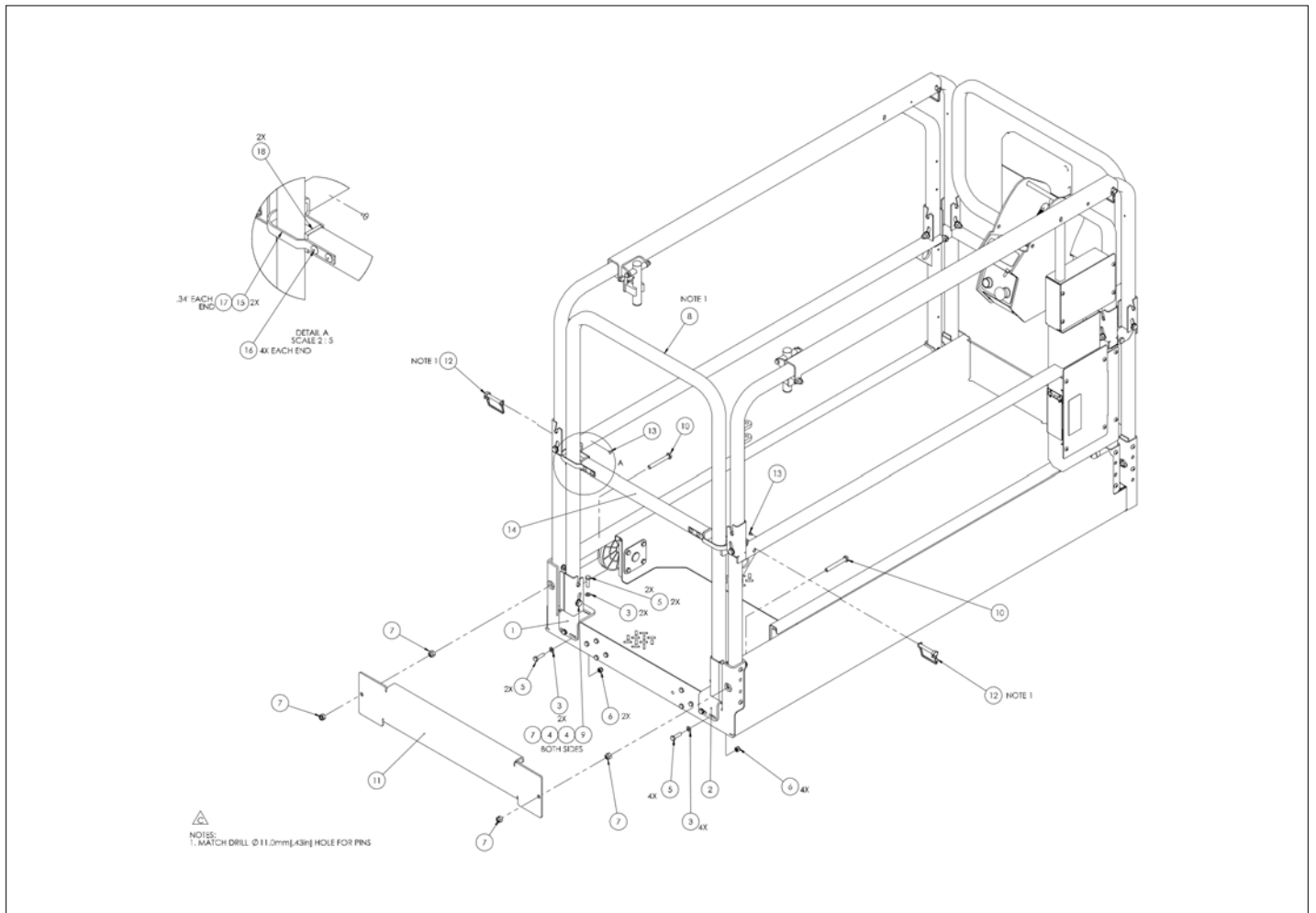
REPAIR PARTS

NO IMAGE AVAILABLE
(BOM FOR REFERENCE ONLY)

アイテム	部品番号	名前	数量	UOM
	1503302 A	KIT S3215E S3219E HANDRAIL SALOON GATE NOVEMBER 2019 AND AFTER		EA
1	5516349	MAGNETIC LATCH	1	EA
2	1502442 5	PLT, SIDE DOOR THIN	1	EA
3	058492 020	Bolt HexSetScrew DIN933 M8 x 2	4	EA
4	1501397 5	PLT CONT BOX MNT COVER	1	EA
5	562386	Literature Compartment	1	EA
6	058492 016	HHCS M8 x 1.25 X 16GR 8.8 DIN933	4	EA
7	1501842 4	DOUBLER PLATE, HANDRAIL	2	EA
8	5563305	SBHCS M8 X 1.25 X 45MM GR 1039 PLTD	12	EA
9	505082 020	Bolt, SktButCapScrew DIN9427 M5 x 20mm 10.9 ZincPlated	4	EA
10	5560656	RVT POP .125 DIA .375 DMD STL	2	EA
11	1502834	SLIDE PAD, STICK ON NOVEMBER 2017 AND AFTER	8	EA
12	1502990	DECAL, PENDANT CONTROLS JUNE 2018 AND AFTER	1	EA
13	1503072	DECAL, DRIVE CNTRL E STOP ON	1	EA
14	1501491 5	WLDMT, GATE MNT S3219 CE LH	1	EA
15	056069 008	WASHER, STEELFLATWASHER DIN12M8 FLAT WASHER DIN 125	8	EA
16	056059 030	Bolt, HexBolt DIN931 M8 x 30mm	8	EA
17	056066 008	NUT NYLOCKNUT DIN985 M8 8.0 ZP	16	EA
18	1501553 5	WLDMT, GATE MNT S3219 CE RH	1	EA
19	1501917 5	WLDMT, GATE MNT RH	1	EA

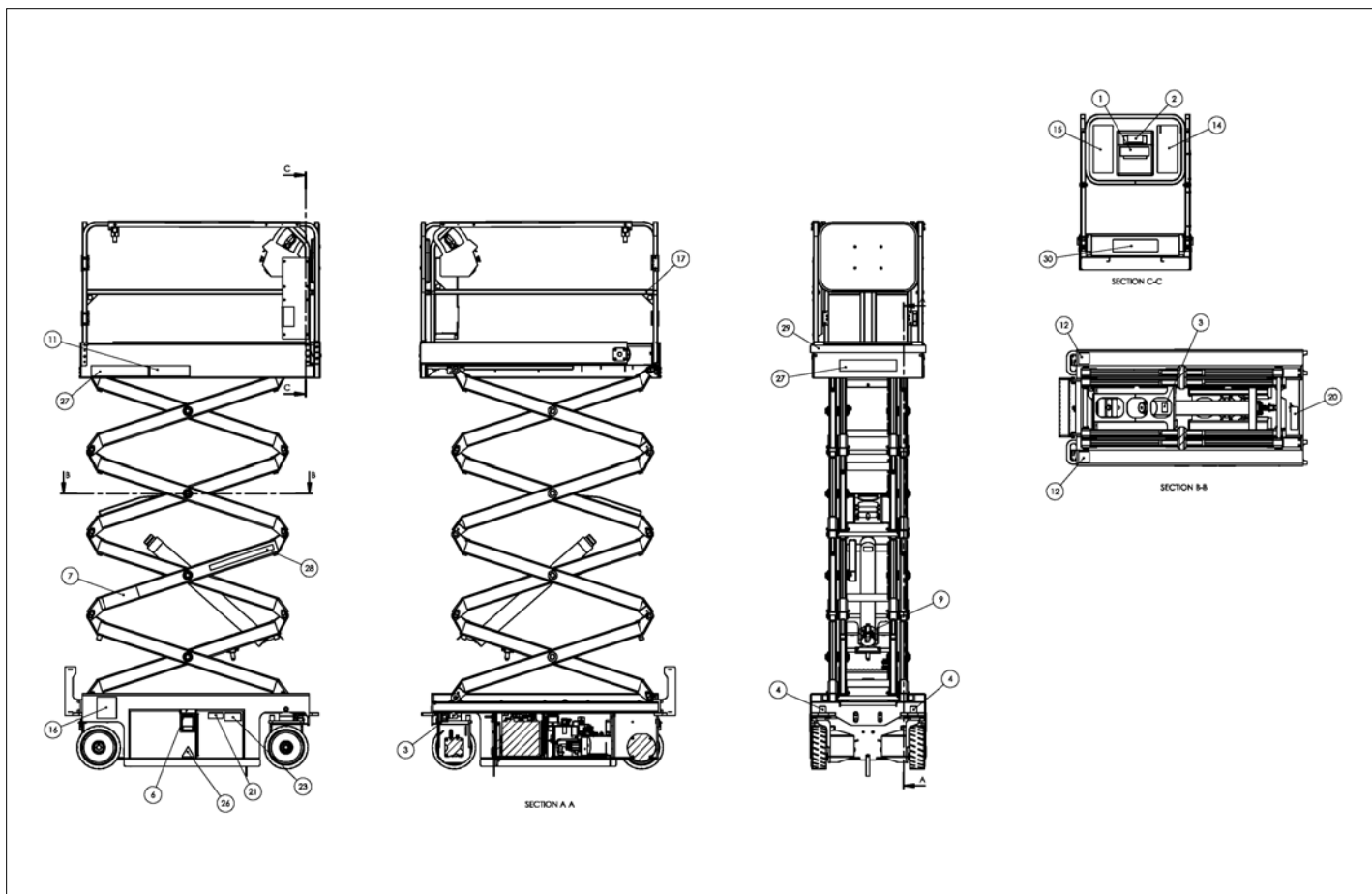
アイテム	部品番号	名前	数量	UOM
20	056069 010	Washer, SteelFlatWasher DIN125A M10 ZincPlated	4	EA
21	056060 065	Bolt, HexBolt DIN931 M10 x 65mm 8.8 ZincPlated	2	EA
22	056066 010	Nut, NylockNut DIN985 M10 8.0ZincPlated	2	EA
23	302544	Pin & Lock	2	EA
24	1501914 5	WLDMT, GATE MNT LH	1	EA
25	1501844	BUMPER, GATES	4	EA
26	500595 075	Bolt, SktButCapScrew DIN9427 M	8	EA
27	5516359	HINGE, SPRING	4	EA
28	1501909 5	WLDMT, SALOON GATE LH S3226	1	EA
29	1501913 5	WLDMT, SALOON GATE RH S3226	1	EA
30	1502128 4	PLT, DOOR STOP SHIM ZNC	10	EA
31	056069 008	WASHER, STEELFLATWASHER DIN12M8 FLAT WASHER DIN 125	8	EA
32	5563973	POP RIVET .188 X .13 .25 ST	36	EA

REPAIR PARTS

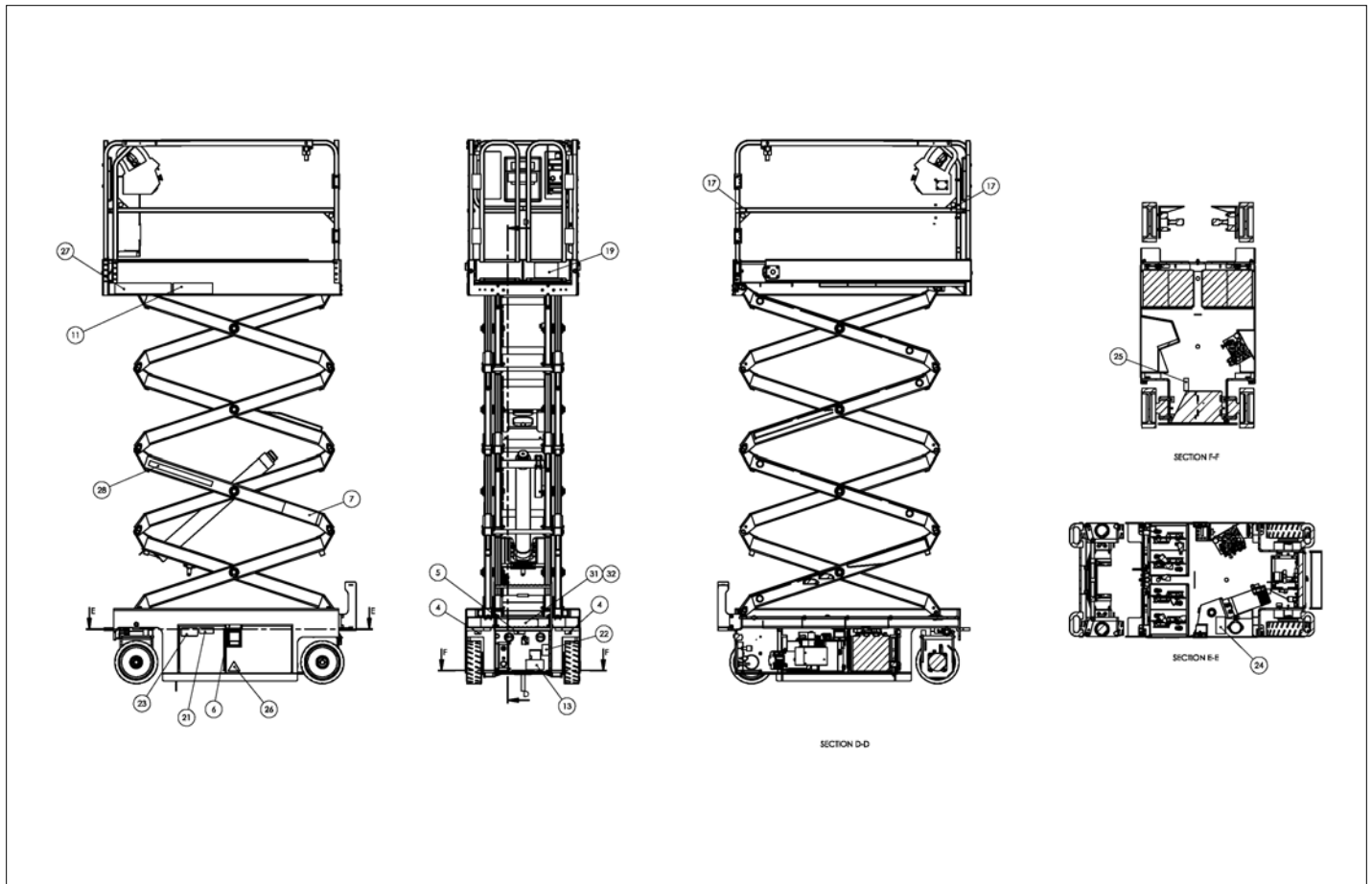


アイテム	部品番号	名前	数量	UOM
*	1502879 C	CE GRAVITY GATE ASSEMBLY S3215E/S3219E JULY 2018 AND AFTER		EA
1	1501491	WLDMT, GATE MNT S3219 CE LH	1	EA
2	1501553	WLDMT, GATE MNT S3219 CE RH	1	EA
3	056069 008	WASHER, STEELFLATWASHER DIN12M8 FLAT WASHER DIN 125	8	EA
4	056069 010	Washer, SteelFlatWasher DIN125A M10 ZincPlated	4	EA
5	056059 030	Bolt, HexBolt DIN931 M8 x 30mm	8	EA
6	056066 008	NUT NYLOCKNUT DIN985 M8 8.0 ZP	8	EA
7	056066 010	Nut, NylockNut DIN985 M10 8.0ZincPlated	6	EA
8	1502881	WLDMT, GRAVITY GATE ENTRY	1	EA
9	056060 065	Bolt, HexBolt DIN931 M10 x 65mm 8.8 ZincPlated	2	EA
10	056060 080	Bolt, HexBolt DIN931 M10 x 80m	2	EA
11	1502892	PLT, TOE KICK NARROW	1	EA
12	302544	Pin & Lock	2	EA
13	5563466	POP RIVET S/SSTEEL MANDREL	2	EA
14	1502935	TUBE DROP BAR NARROW	1	EA
15	508932 000	U BRACKET	2	EA
16	000561 000	RIVET M4 4.8MM X 10MM	8	EA
17	058383 000	PVC SLEEVING	0.67	EA
18	468886	END CAP 1.25 SQ PLASTIC BLACK	2	EA

REPAIR PARTS

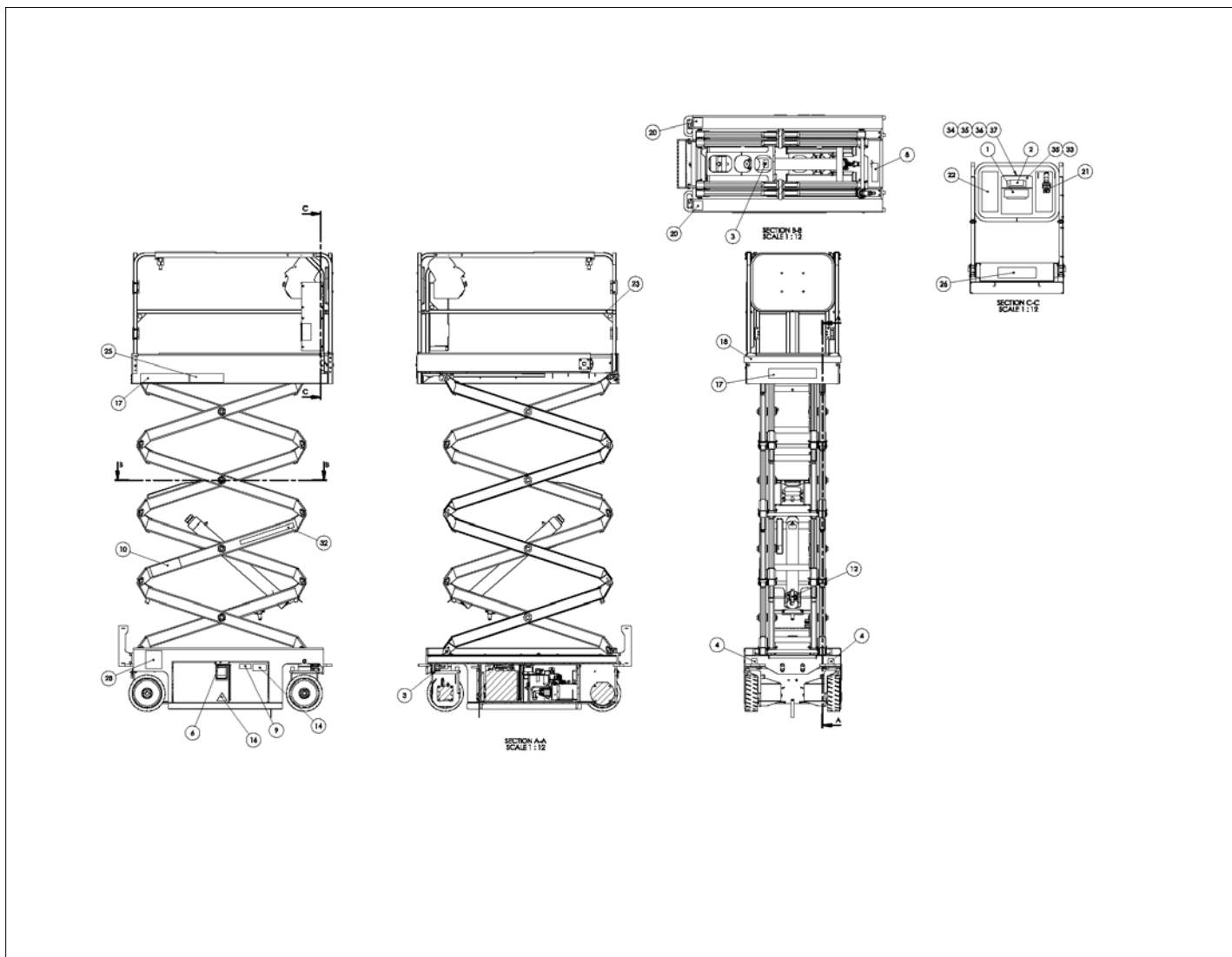


アイテム	部品番号	名前	数量	UOM
*	1502089 G	ANSI DECALS ASSEMBLY S3215E MAY 2017 AND BEFORE		EA
1	0073043	DECAL, OPERATING MANUAL ENCLOS	1	EA
2	0073224	DECAL, NOTICE MANUAL REORDER	1	EA
3	0074311	DECAL DANGER CYLINDER FAILURE	2	EA
4	0083426	Decal, Lifting and Tie Down	4	EA
5	0150606	Decal, 125 Volts Power To Platform (USA Only)	1	EA
6	0181562	Decal, Amchine Complies With ANSI (USA Only)	2	EA
7	0361259	DECAL DNGR SAFETY PROP	2	EA
8	0361367	MANUAL RSPNSBLTY A92.6	1	EA
9	0361533	DECAL EMER BLEED DOWN 1930 PIC	1	EA
10	1500834	MANUAL, OPERATORS ANSI	1	EA
11	1502092	DECAL, S3215E MODEL	2	EA
12	1500840	DECAL FORKLIFT PHOENIX II	2	EA
13	1501472	DECAL CHARGER INFO	1	EA
14	1501475	DECAL DNGR TIPOVER/ELEC HAZARD	1	EA
15	1501476	DECAL DNGR TIPOVER/ELEC HAZARD	1	EA
16	1502596	DECAL WARNING TOW INSTRUCTIONS	1	EA
17	1501676	DECAL, LANYARD ATTACHMENT	3	EA
18	1501763	DECAL, SAFETY PROP HERE	1	EA
19	300699	Decal, Operators Checklist	1	EA
20	300700	Decal, Shearing Hazard	1	EA
21	300760	DECAL DNGR TIPOVER HAZARD	2	EA
22	416836	DECAL BATTEY CHARGER PLUG	1	EA

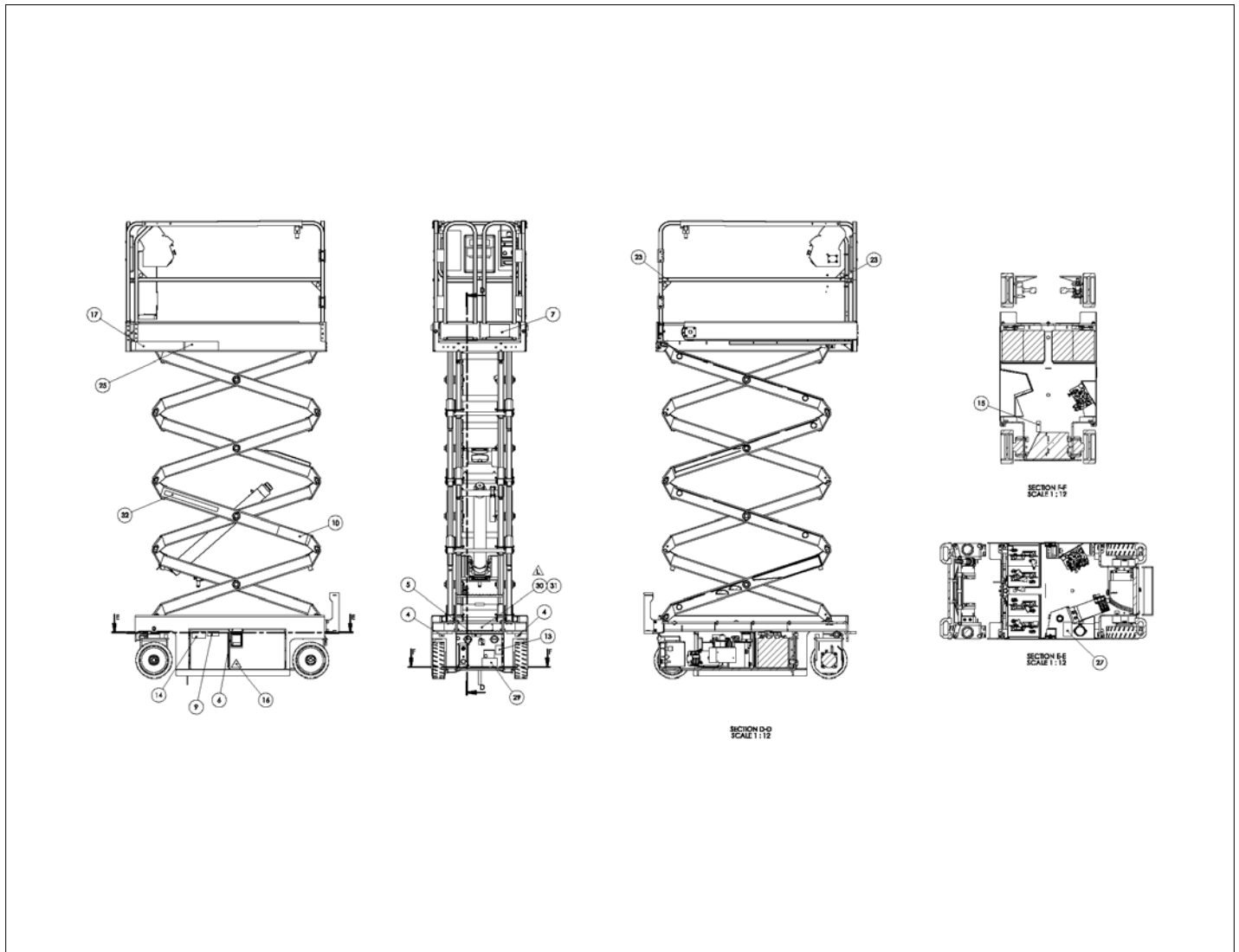


アイテム	部品番号	名前	数量	UOM
23	451726	DECAL CHK BTRY BEFORE CHARGING	2	EA
24	1502586	DECAL, HYDRAULIC FLUID LEVEL	1	EA
25	451986	Decal, Interlocks	1	EA
26	501453 000	Decal, Foot Crush Hazard	2	EA
27	569295	DECAL, SNORKEL BRAND LOGO 3.00	3	EA
28	7030068	DECAL, SNORKELLIFTS.COM	2	EA
29	969249	DECAL STRIPE YEL /BLK 1000 INCH	1	EA
30	1502327	DECAL PLAT CAP 600# W/WIND SP	1	EA
31	1501677	S/N PLAC, 2.25 X 8.50	1	EA
32	5563454	RIVET, 1/8 X .313/.375 ALUM BLIND	4	EA
33	7050004	RECORD POUCH, 12 X 15 RECLOSABLE BAG	1	EA

REPAIR PARTS

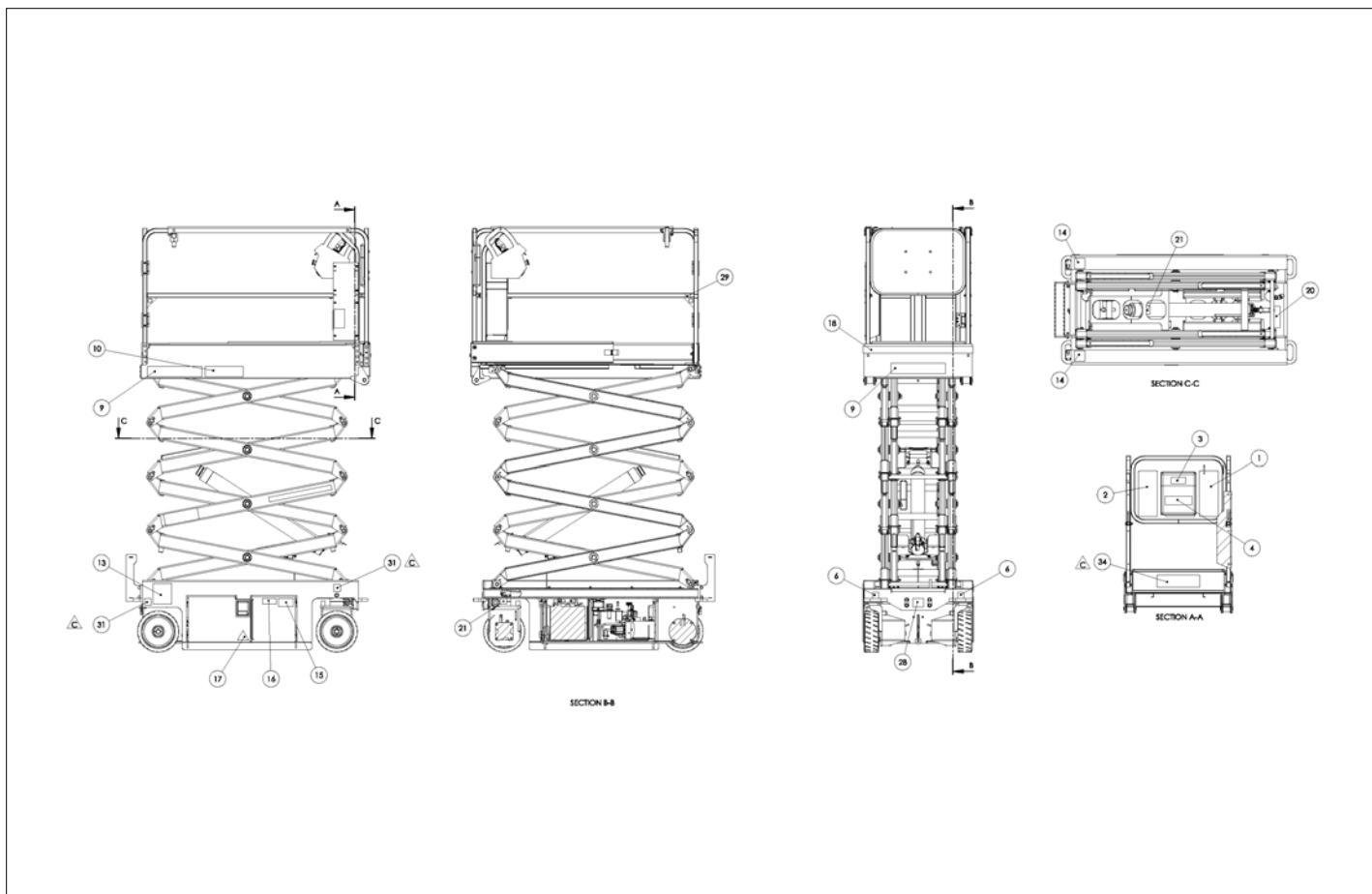


アイテム	部品番号	名前	数量	UOM
	1502089 M	DECALS ASSEMBLY ANSI S3215E		EA
1	0073043	DECAL, OPERATING MANUAL ENCLOS	1	EA
2	0073224	DECAL, NOTICE MANUAL REORDER	1	EA
3	0074311	DECAL DANGER CYLINDER FAILURE	2	EA
4	0083427	Decal, Lifting/Tie Down	4	EA
5	1502528	DECAL, POWER TO PLATFORM	1	EA
6	0181562	Decal, Amchine Complies With ANSI (USA Only)	2	EA
7	300699	Decal, Operators Checklist	1	EA
8	300700	Decal, Shearing Hazard	1	EA
9	300760	DECAL DNGR TIPOVER HAZARD	2	EA
10	0361259	DECAL DNGR SAFETY PROP	2	EA
Not Shown	0361367	MANUAL RSPNSBLTY A92.6	1	EA
12	0361533	DECAL EMER BLEED DOWN 1930 PIC	1	EA
13	416836	DECAL BATTEY CHARGER PLUG	1	EA
14	451726	DECAL CHK BTRY BEFORE CHARGING	2	EA
15	451986	Decal, Interlocks	1	EA
16	501453 000	Decal, Foot Crush Hazard	2	EA
17	569295	DECAL, SNORKEL BRAND LOGO 3.00	3	EA
18	969249	DECAL STRIPE YEL /BLK 1000 INCH	32	EA
Not Shown	1500834	MANUAL, OPERATORS ANSI	1	EA
20	1500840	DECAL FORKLIFT PHOENIX II	2	EA
21	1501475	DECAL DNGR TIPOVER/ELEC HAZARD	1	EA
22	1501476	DECAL DNGR TIPOVER/ELEC HAZARD	1	EA

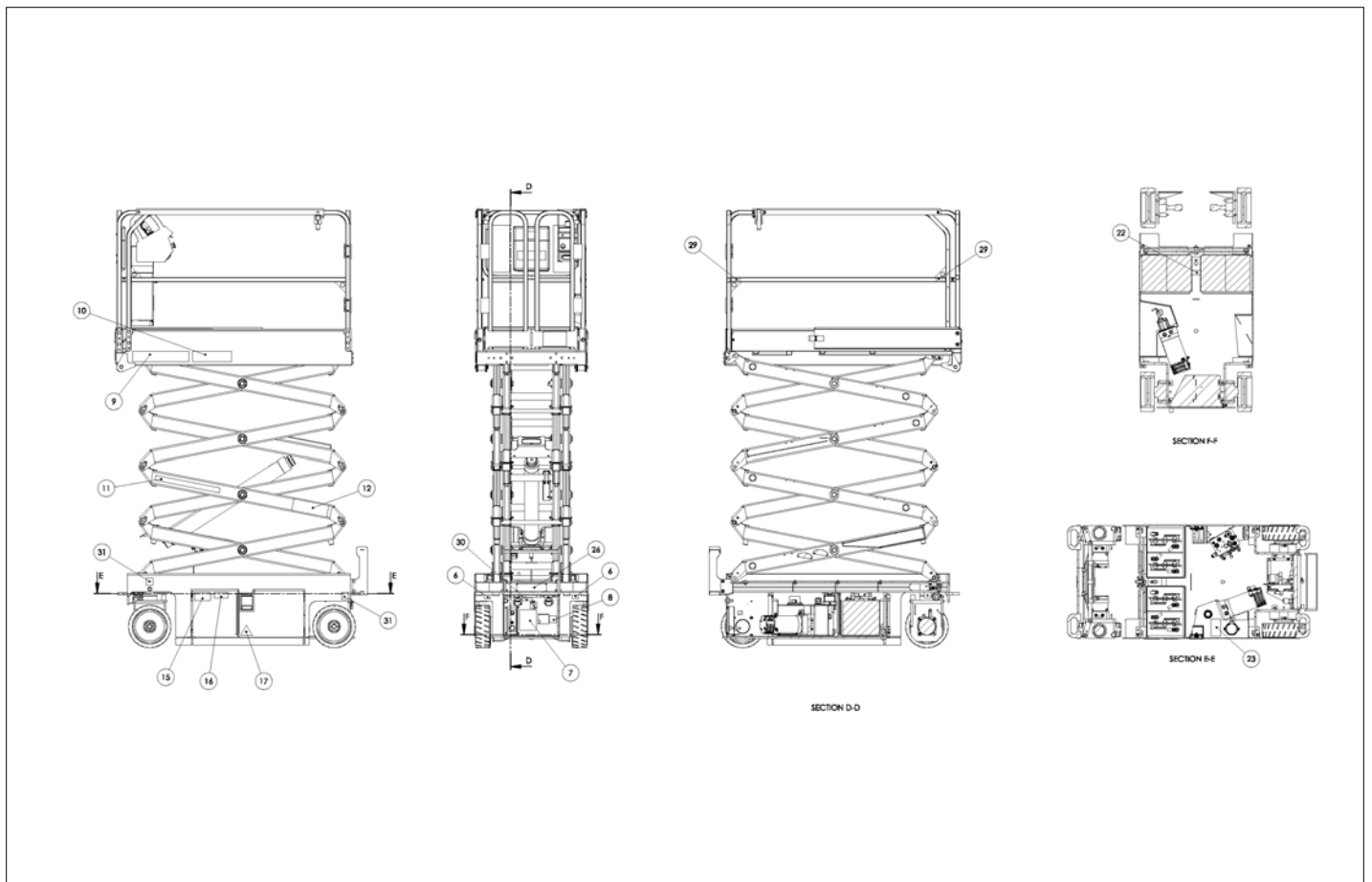


アイテム	部品番号	名前	数量	UOM
23	1501676	DECAL, LANYARD ATTACHMENT	3	EA
Not Shown	1501763	DECAL, SAFETY PROP HERE	1	EA
25	1502092	DECAL, S3215E MODEL	2	EA
26	1502327	DECAL PLAT CAP 600# W/WIND SP	1	EA
27	1502586	DECAL, HYDRAULIC FLUID LEVEL	1	EA
28	1502596	DECAL WARNING TOW INSTRUCTIONS	1	EA
29	1502762	DECAL, FAULT CODES	1	EA
30	1502847	PLACARD, ANSI S3215E	1	EA
31	5560656	RVT POP .125 DIA .375 DMD STL	4	EA
32	7030068	DECAL, SNORKELLIFTS.COM	2	EA
33	7050004	RECORD POUCH, 12 X 15 RECLOSABLE BAG	1	EA
34	8140020	PDI/WARRANTY CARD NORCO PRINTI	1	EA
35	8230187	SNORKEL PRODUCT WARRANTY POLIC	1	EA
36	8230188	WARRANTY ACTIVATION FORM	1	EA
37	8230189	WARRANTY CLAIM FORM	1	EA

REPAIR PARTS

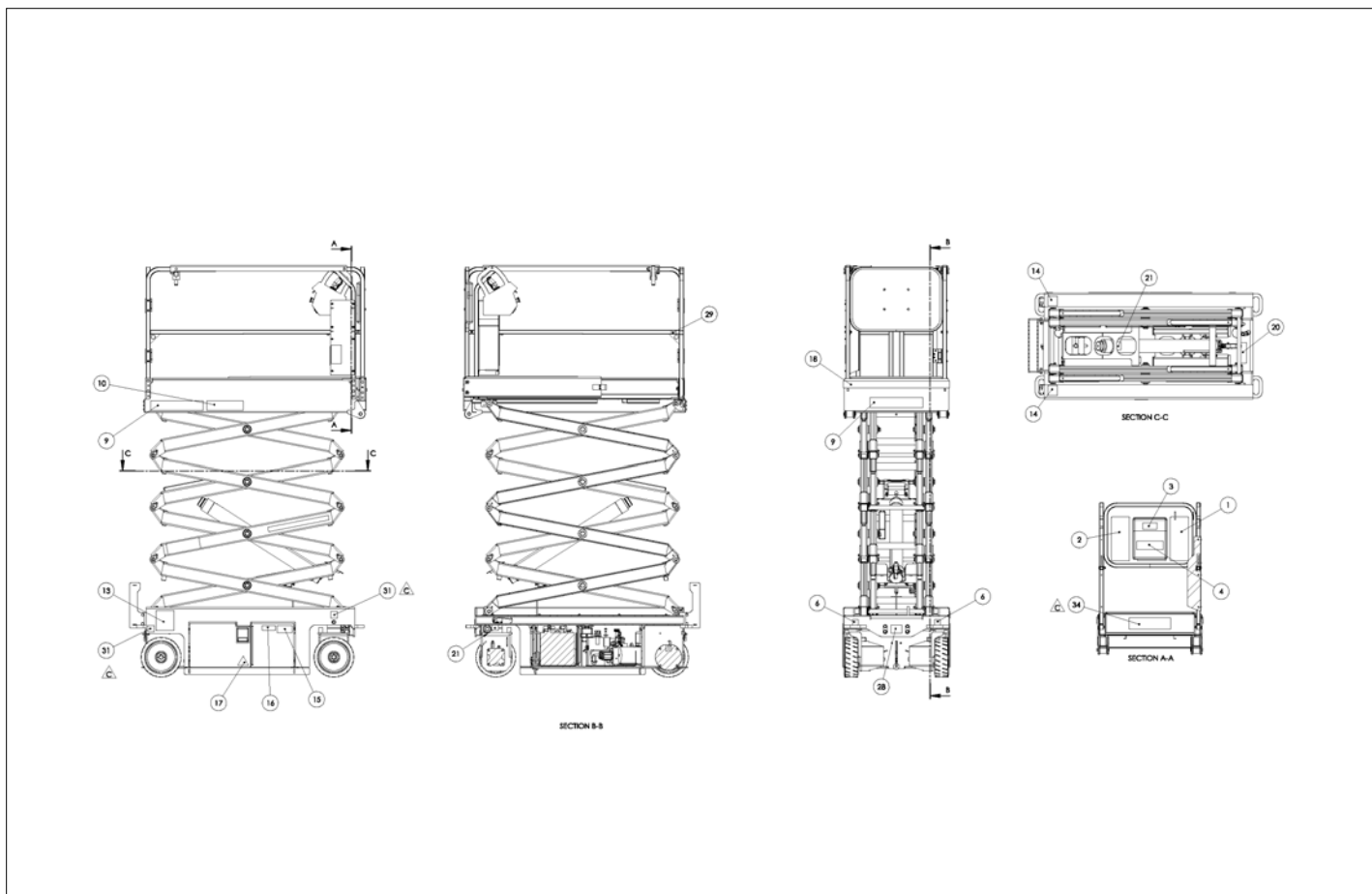


アイテム	部品番号	名前	数量	UOM
*	1502090 C	CE DECALS ASSEMBLY S3215E MAY 2016 AND BEFORE		EA
1	1501475	DECAL DNGR TIPOVER/ELEC HAZARD	1	EA
2	1501476	DECAL DNGR TIPOVER/ELEC HAZARD	1	EA
3	0073224	DECAL, NOTICE MANUAL REORDER	1	EA
4	0073043	DECAL, OPERATING MANUAL ENCLOS	1	EA
5	300699	Decal, Operators Checklist	1	EA
6	0083426	Decal, Lifting and Tie Down	4	EA
7	0361562	PLAC BATTERY CHARGER INFO	1	EA
8	0372063	DECAL BATTERY CHARGER PLUG	1	EA
9	569295	DECAL, SNORKEL BRAND LOGO 3.00	3	EA
10	1502092	DECAL, S3215E MODEL	2	EA
11	7030068	DECAL, SNORKEL LIFTS.COM	2	EA
12	0361259	DECAL DNGR SAFETY PROP	2	EA
13	0361533	DECAL EMER BLEED DOWN 1930 PIC	1	EA
14	1500840	DECAL FORKLIFT PHOENIX II	2	EA
15	451726	DECAL CHK BTRY BEFORE CHARGING	2	EA
16	300760	DECAL DNGR TIPOVER HAZARD	2	EA
17	501453 000	Decal, Foot Crush Hazard	2	EA
18	969249	DECAL STRIPE YEL /BLK 1000 INCH	1	EA
19	0361533	DECAL EMER BLEED DOWN 1930 PIC	1	EA
20	300700	Decal, Shearing Hazard	1	EA
21	0074311	DECAL DANGER CYLINDER FAILURE	2	EA
22	451986	Decal, Interlocks	1	EA

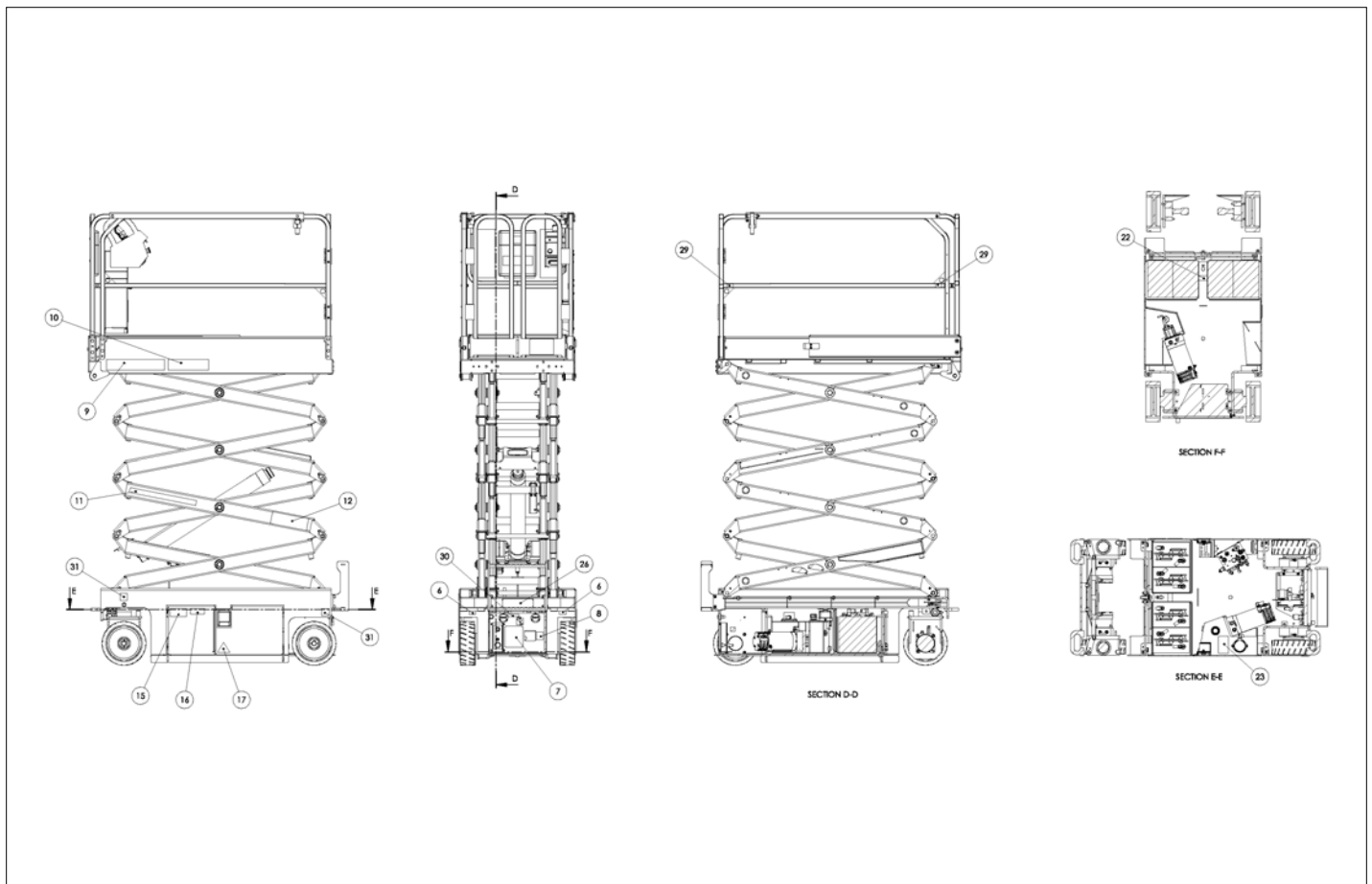


アイテム	部品番号	名前	数量	UOM
23	451776	DECAL HYDR FLUID LEVEL	1	EA
24	0361367	MANUAL RSPNSBLTY A92.6	1	EA
25	1500842	MANUAL OPERATORS PHOENIX II CE	1	EA
26	1501677	S/N PLAC, 2.25 X 8.50	1	EA
27	5563454	RIVET, 1/8 X .313/.375 ALUM BLIND	4	EA
28	0162311	DECAL CE LOGO 3.25 X 2.50 BLAC	1	EA
29	1501676	DECAL, LANYARD ATTACHMENT	3	EA
30	0150606	Decal, 125 Volts Power To Platform (USA Only)	1	EA
31	1501643	DECAL, WHEEL LOADING S3219E CE	4	EA
32	1501763	DECAL, SAFETY PROP HERE	1	EA
33	7050004	RECORD POUCH, 12 X 15 RECLOSABLE BAG	1	EA
34	1502327	DECAL PLAT CAP 600# W/WIND SP	1	EA

REPAIR PARTS

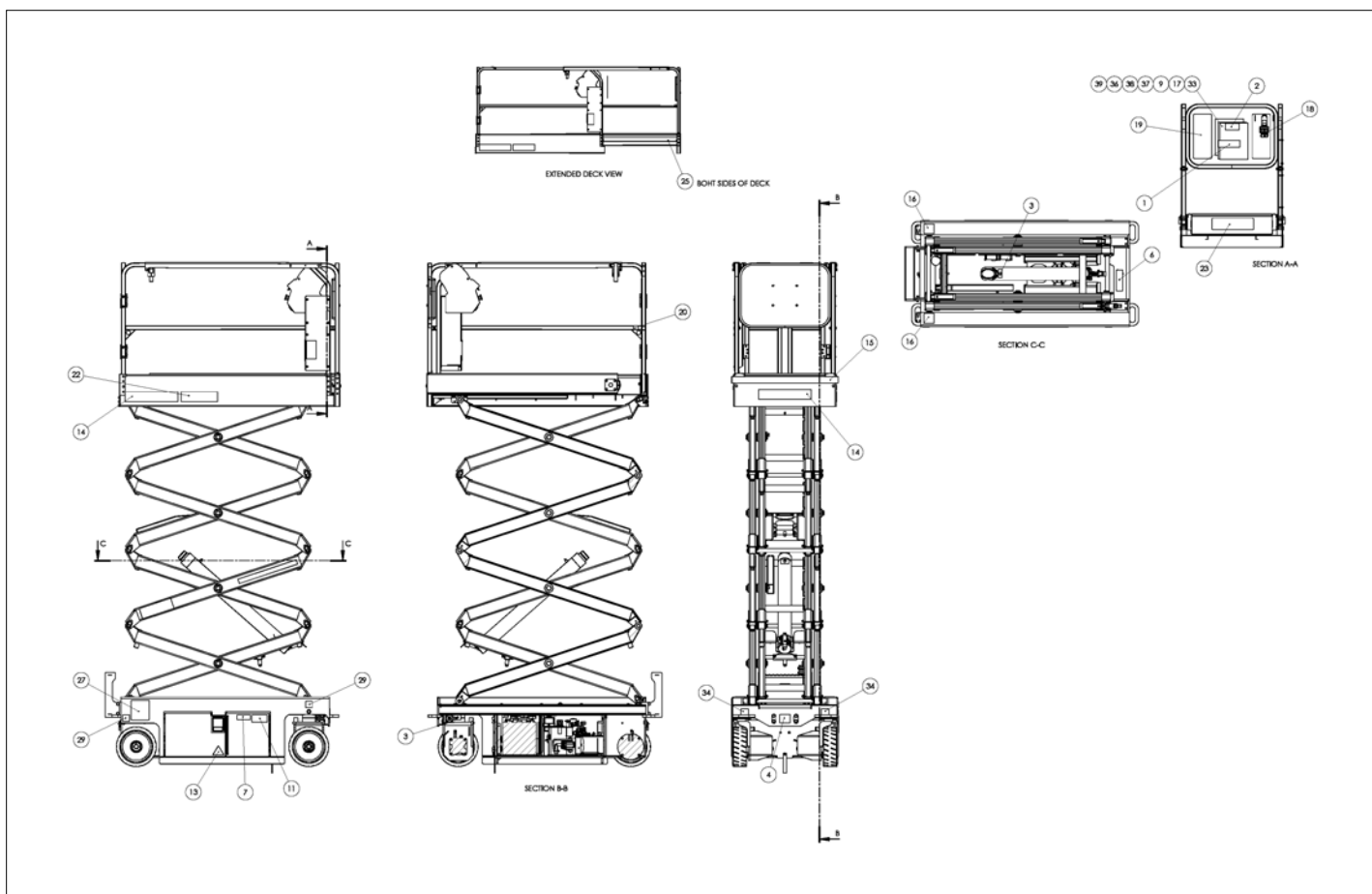


アイテム	部品番号	名前	数量	UOM
*	1502090 G	CE DECALS ASSEMBLY S3215E JUNE 2016 AND AFTER		EA
1	1501475	DECAL DNGR TIPOVER/ELEC HAZARD	1	EA
2	1501476	DECAL DNGR TIPOVER/ELEC HAZARD	1	EA
3	0073224	DECAL, NOTICE MANUAL REORDER	1	EA
4	0073043	DECAL, OPERATING MANUAL ENCLOS	1	EA
5	300699	Decal, Operators Checklist	1	EA
6	0083426	Decal, Lifting and Tie Down	4	EA
7	0361562	PLAC BATTERY CHARGER INFO	1	EA
8	0372063	DECAL BATTERY CHARGER PLUG	1	EA
9	569295	DECAL, SNORKEL BRAND LOGO 3.00	3	EA
10	1502092	DECAL, S3215E MODEL	2	EA
11	7030068	DECAL, SNORKELLIFTS.COM	2	EA
12	0361259	DECAL DNGR SAFETY PROP	2	EA
13	1502596	DECAL WARNING TOW INSTRUCTIONS	1	EA
14	1500840	DECAL FORKLIFT PHOENIX II	2	EA
15	451726	DECAL CHK BTRY BEFORE CHARGING	2	EA
16	300760	DECAL DNGR TIPOVER HAZARD	2	EA
17	501453 000	Decal, Foot Crush Hazard	2	EA
18	969249	DECAL STRIPE YEL /BLK 1000 INCH	1	EA
19	0361533	DECAL EMER BLEED DOWN 1930 PIC	1	EA
20	300700	Decal, Shearing Hazard	1	EA
21	0074311	DECAL DANGER CYLINDER FAILURE	2	EA
22	451986	Decal, Interlocks	1	EA

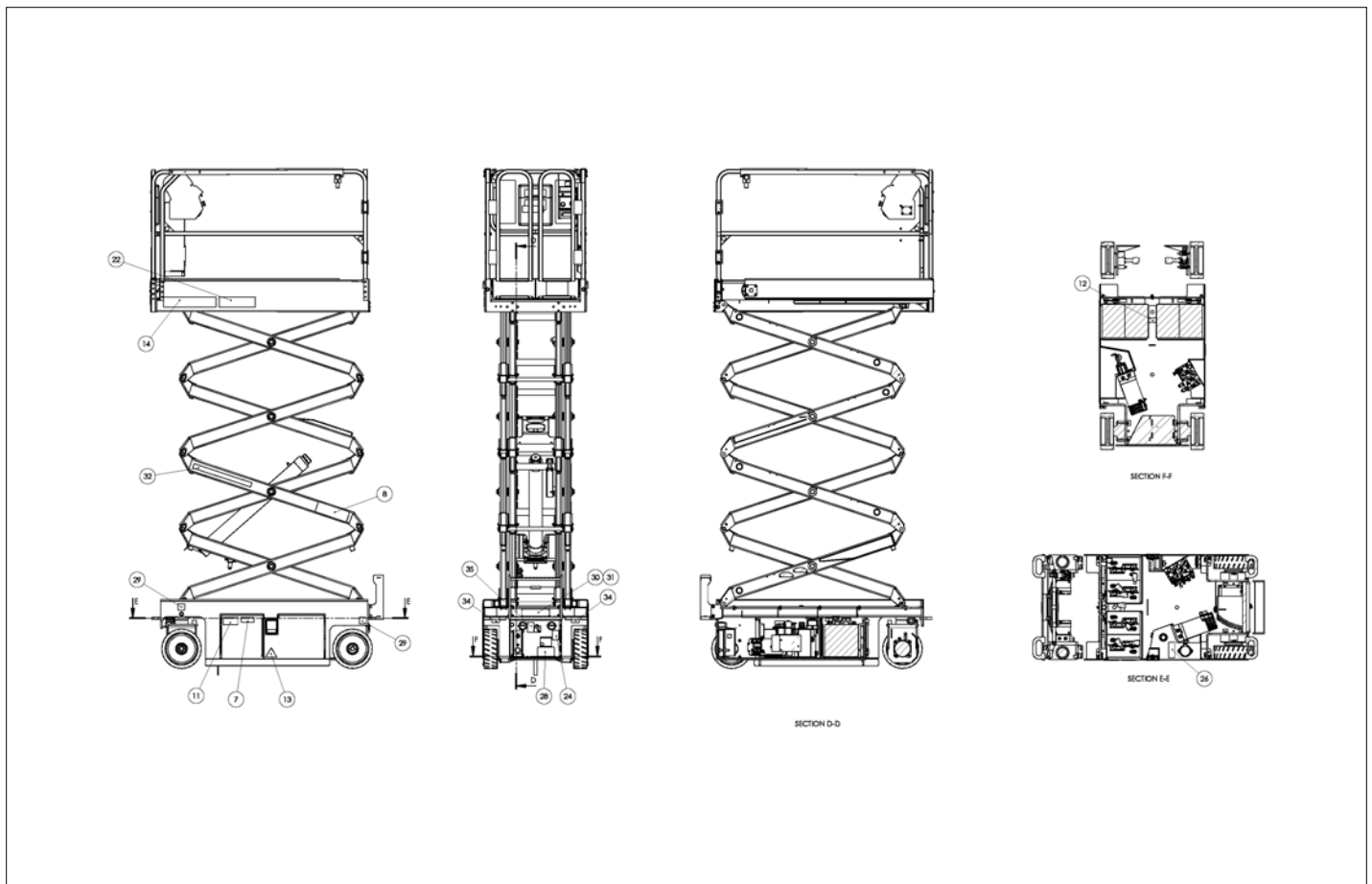


アイテム	部品番号	名前	数量	UOM
23	1502586	DECAL, HYDRAULIC FLUID LEVEL	1	EA
24	0361367	MANUAL RSPNSBLTY A92.6	1	EA
25	1500842	MANUAL OPERATORS PHOENIX II CE	1	EA
26	1501677	S/N PLAC, 2.25 X 8.50	1	EA
27	5563454	RIVET, 1/8 X .313/.375 ALUM BLIND	4	EA
28	0162311	DECAL CE LOGO 3.25 X 2.50 BLAC	1	EA
29	1501676	DECAL, LANYARD ATTACHMENT	3	EA
30	0150606	Decal, 125 Volts Power To Platform (USA Only)	1	EA
31	1501643	DECAL, WHEEL LOADING S3219E CE	4	EA
32	1501763	DECAL, SAFETY PROP HERE	1	EA
33	7050004	RECORD POUCH, 12 X 15 RECLOSABLE BAG	1	EA
34	1502327	DECAL PLAT CAP 600# W/WIND SP	1	EA
35	1502546	DECAL, BLCK/YLLW CAUTION 51.5	2	EA

REPAIR PARTS

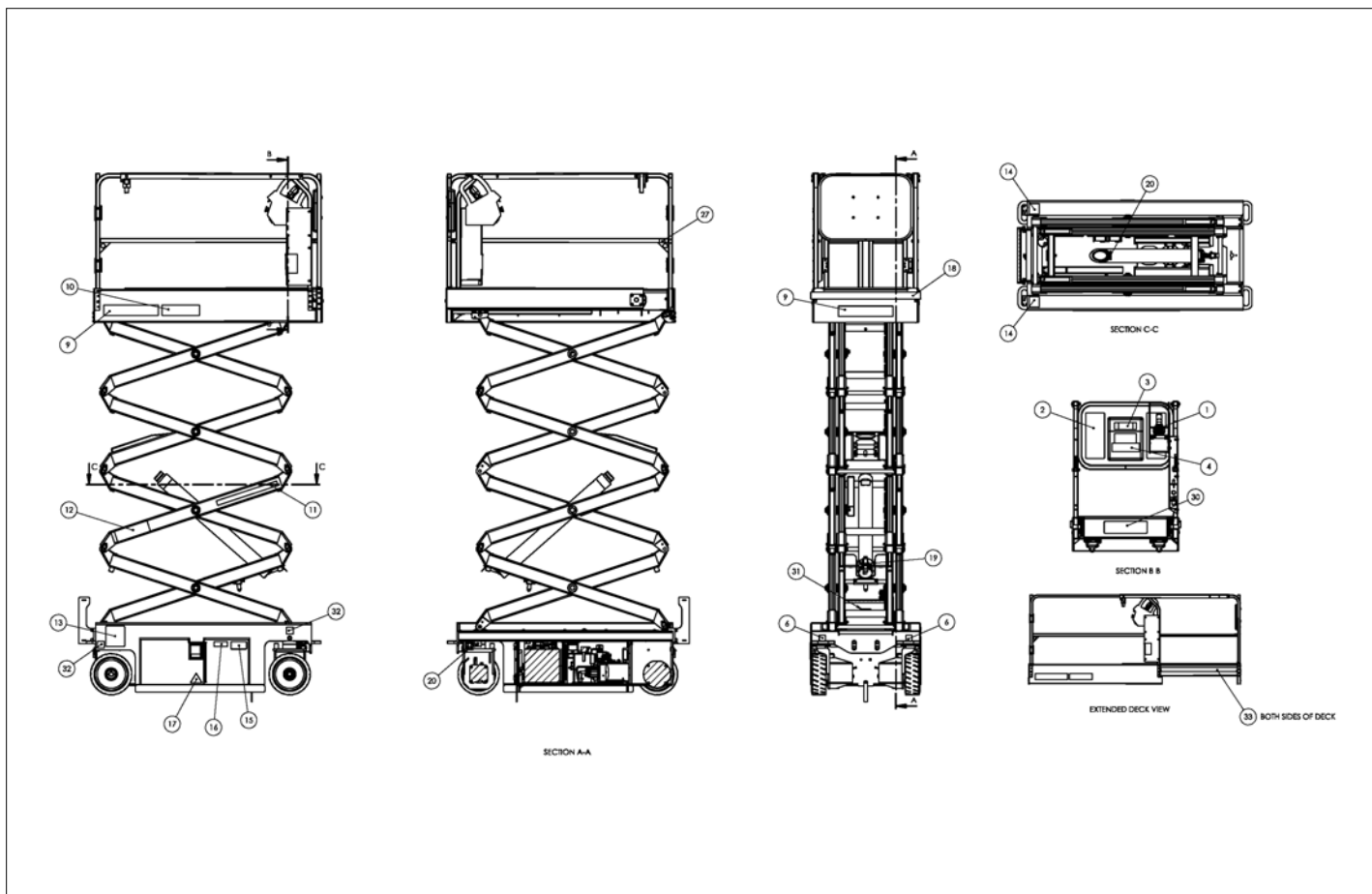


アイテム	部品番号	名前	数量	UOM
	1502090P	CE DECALS ASSEMBLY S3215E APRIL 2017 AND AFTER		EA
1	0073043	DECAL, OPERATING MANUAL ENCLOS	1	EA
2	0073224	DECAL, NOTICE MANUAL REORDER	1	EA
3	0074311	DECAL DANGER CYLINDER FAILURE	2	EA
4	0162311	DECAL CE LOGO 3.25 X 2.50 BLAC	1	EA
5	300699	Decal, Operators Checklist	1	EA
6	300700	Decal, Shearing Hazard	1	EA
7	300760	DECAL DNGR TIPOVER HAZARD	2	EA
8	0361259	DECAL DNGR SAFETY PROP	2	EA
9	0361367	MANUAL RSPNSBLTY A92.6	1	EA
10	0361533	DECAL EMER BLEED DOWN 1930 PIC	1	EA
11	451726	DECAL CHK BTRY BEFORE CHARGING	2	EA
12	451986	Decal, Interlocks	1	EA
13	501453 000	Decal, Foot Crush Hazard	2	EA
14	569295	DECAL, SNORKEL BRAND LOGO 3.00	3	EA
15	969249	DECAL STRIPE YEL /BLK 1000 INCH	32	EA
16	1500840	DECAL FORKLIFT PHOENIX II	2	EA
17	1500842	MANUAL OPERATORS PHOENIX II CE	1	EA
18	1501475	DECAL DNGR TIPOVER/ELEC HAZARD	1	EA
19	1501476	DECAL DNGR TIPOVER/ELEC HAZARD	1	EA
20	1501676	DECAL, LANYARD ATTACHMENT	3	EA
21	1501763	DECAL, SAFETY PROP HERE	1	EA
22	1502092	DECAL, S3215E MODEL	2	EA

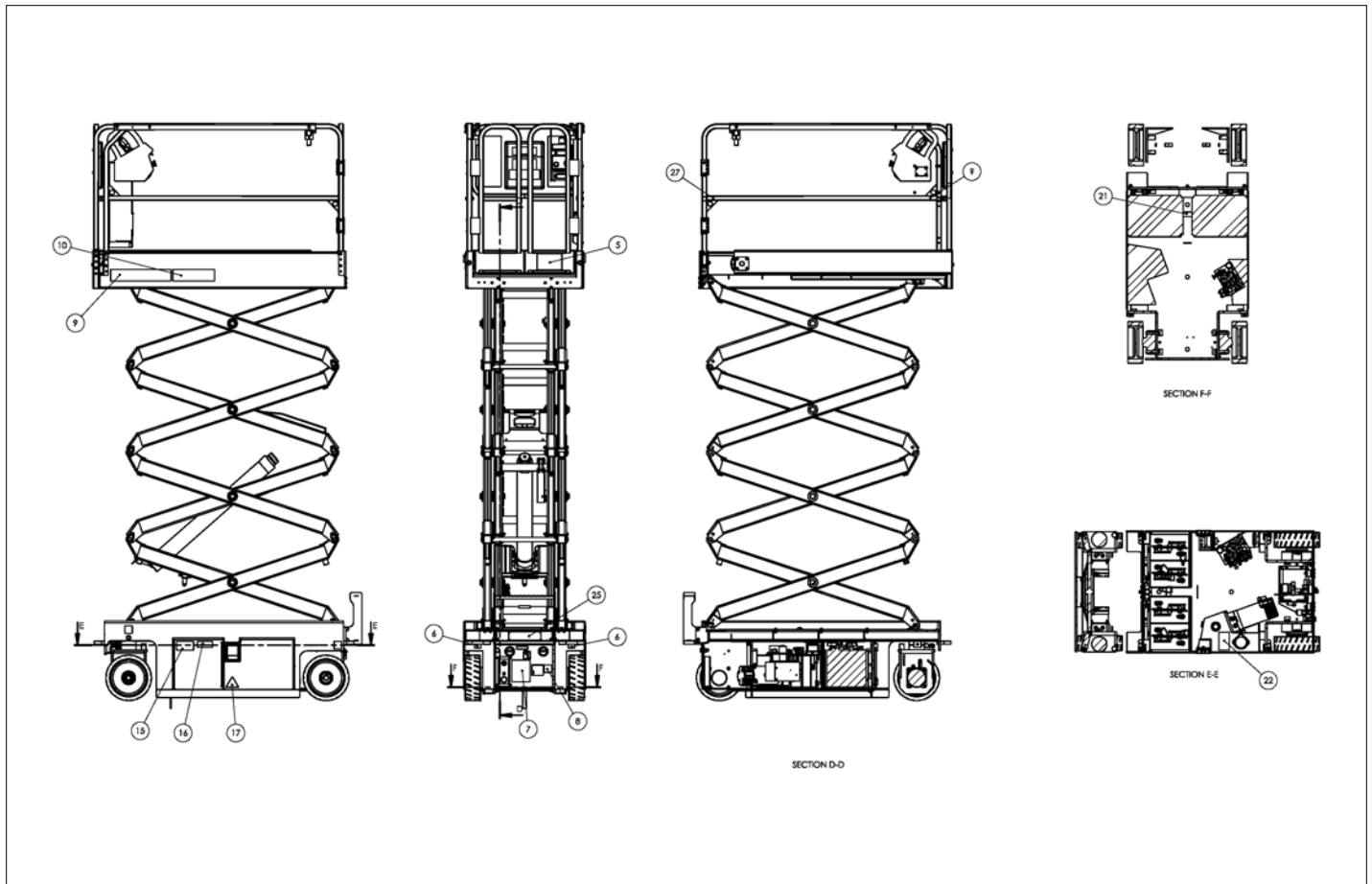


アイテム	部品番号	名前	数量	UOM
23	1502327	DECAL PLAT CAP 600# W/WIND SP	1	EA
24	1502529	DECAL, BATTERY CHARGER PLUG	1	EA
25	1502546	DECAL, BLCK/YLLW CAUTION 51.5	2	EA
26	1502586	DECAL, HYDRAULIC FLUID LEVEL	1	EA
27	1502596	DECAL WARNING TOW INSTRUCTIONS	1	EA
28	1502762	DECAL, FAULT CODES	1	EA
29	1502815	DECAL, WEIGHT BEARING S3219E	4	EA
30	1502848	PLACARD, CE S3215E	1	EA
31	5560656	RVT POP .125 DIA .375 DMD STL	4	EA
32	7030068	DECAL, SNORKELLIFTS.COM	2	EA
33	7050004	RECORD POUCH, 12 X 15 RECLOSABLE BAG	1	EA
34	0083427	Decal, Lifting/Tie Down	4	EA
35	1502528	DECAL, POWER TO PLATFORM	1	EA
36	8140020	PDI/WARRANTY CARD NORCO PRINTI	1	EA
37	8230189	WARRANTY CLAIM FORM	1	EA
38	8230188	WARRANTY ACTIVATION FORM	1	EA
39	8230187	SNORKEL PRODUCT WARRANTY POLIC	1	EA

REPAIR PARTS

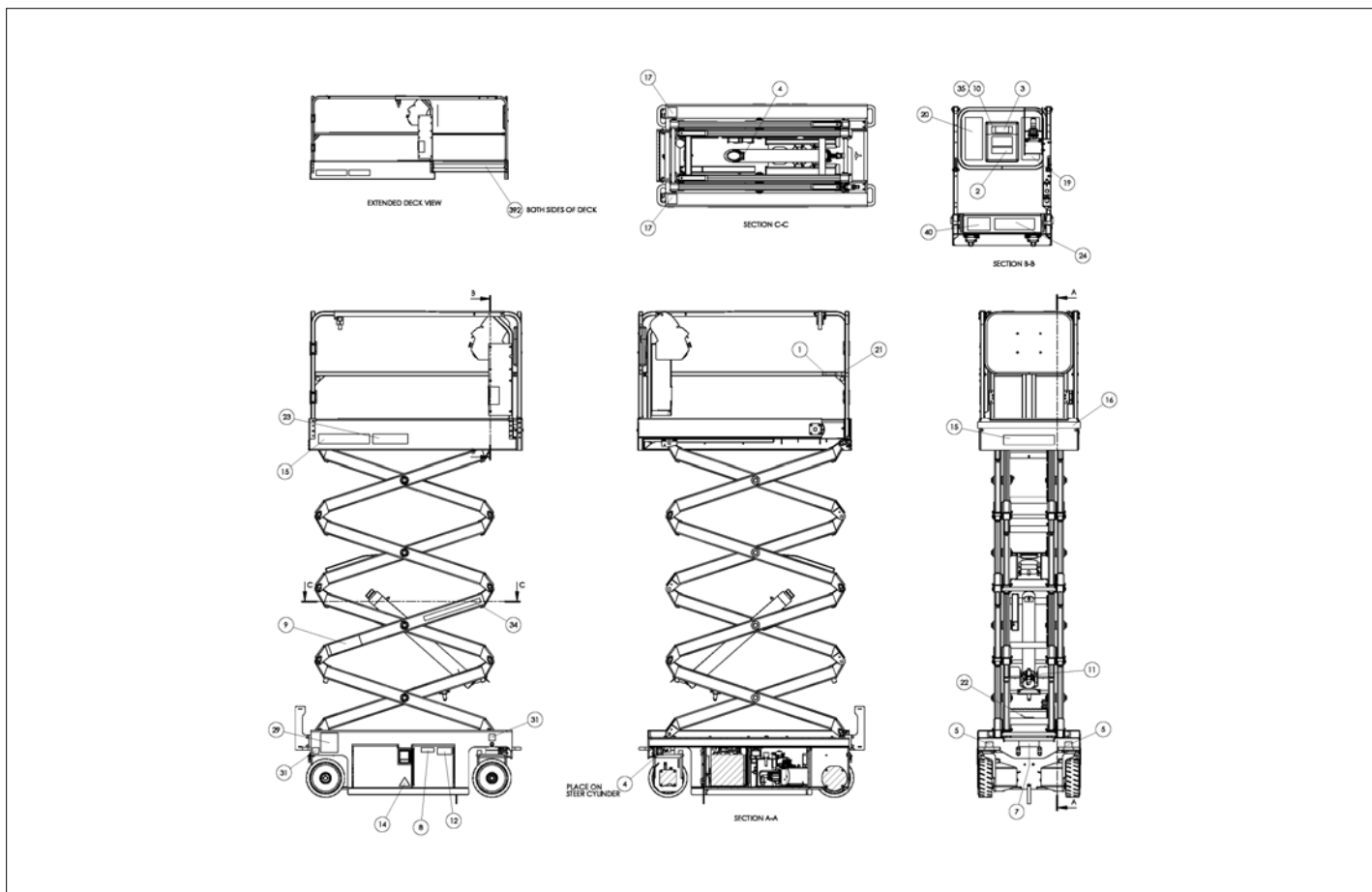


アイテム	部品番号	名前	数量	UOM
*	1502091 J	S3215E AS DECAL ASSEMBLY MARCH 2017 AND BEFORE		EA
1	1501475	DECAL DNGR TIPOVER/ELEC HAZARD	1	EA
2	1501476	DECAL DNGR TIPOVER/ELEC HAZARD	1	EA
3	0073224	DECAL, NOTICE MANUAL REORDER	1	EA
4	0073043	DECAL, OPERATING MANUAL ENCLOS	1	EA
5	300699	Decal, Operators Checklist	1	EA
6	0083426	Decal, Lifting and Tie Down	4	EA
7	0361562	PLAC BATTERY CHARGER INFO	1	EA
8	0372063	DECAL BATTERY CHARGER PLUG	1	EA
9	569295	DECAL, SNORKEL BRAND LOGO 3.00	3	EA
10	1502092	DECAL, S3215E MODEL	2	EA
11	7030068	DECAL, SNORKELLIFTS.COM	2	EA
12	0361259	DECAL DNGR SAFETY PROP	2	EA
13	1502596	DECAL WARNING TOW INSTRUCTIONS	1	EA
14	1500840	DECAL FORKLIFT PHOENIX II	2	EA
15	451726	DECAL CHK BTRY BEFORE CHARGING	2	EA
16	300760	DECAL DNGR TIPOVER HAZARD	2	EA
17	501453 000	Decal, Foot Crush Hazard	2	EA
18	969249	DECAL STRIPE YEL /BLK 1000 INCH	32	EA
19	0361533	DECAL EMER BLEED DOWN 1930 PIC	1	EA
20	0074311	DECAL DANGER CYLINDER FAILURE	2	EA
21	451986	Decal, Interlocks	1	EA

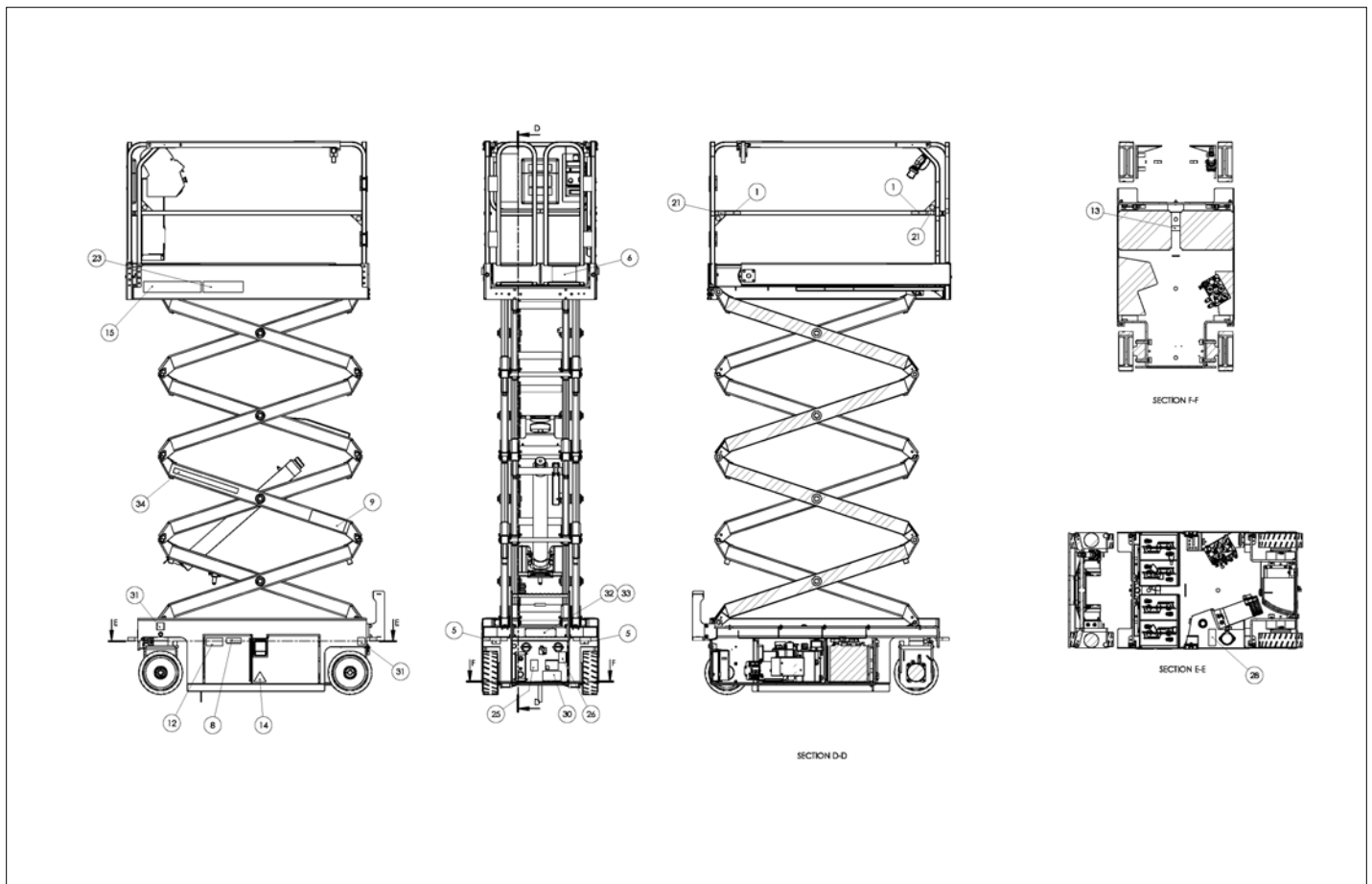


アイテム	部品番号	名前	数量	UOM
22	1502586	DECAL, HYDRAULIC FLUID LEVEL	1	EA
23	0361367	MANUAL RSPNSBLTY A92.6	1	EA
24	1500842	MANUAL OPERATORS PHOENIX II CE	1	EA
25	1501677	S/N PLAC, 2.25 X 8.50	1	EA
26	5563454	RIVET, 1/8 X .313/.375 ALUM BLIND	4	EA
27	1501676	DECAL, LANYARD ATTACHMENT	3	EA
28	0150606	Decal, 125 Volts Power To Platform (USA Only)	1	EA
29	7050004	RECORD POUCH, 12 X 15 RECLOSABLE BAG	1	EA
30	1502327	DECAL PLAT CAP 600# W/WIND SP	1	EA
31	1501763	DECAL, SAFETY PROP HERE	1	EA
32	1501634	DECAL WHEEL LOADING S3219E CE	4	EA
33	1502546	DECAL, BLCK/YLLW CAUTION 51.5	2	EA

REPAIR PARTS

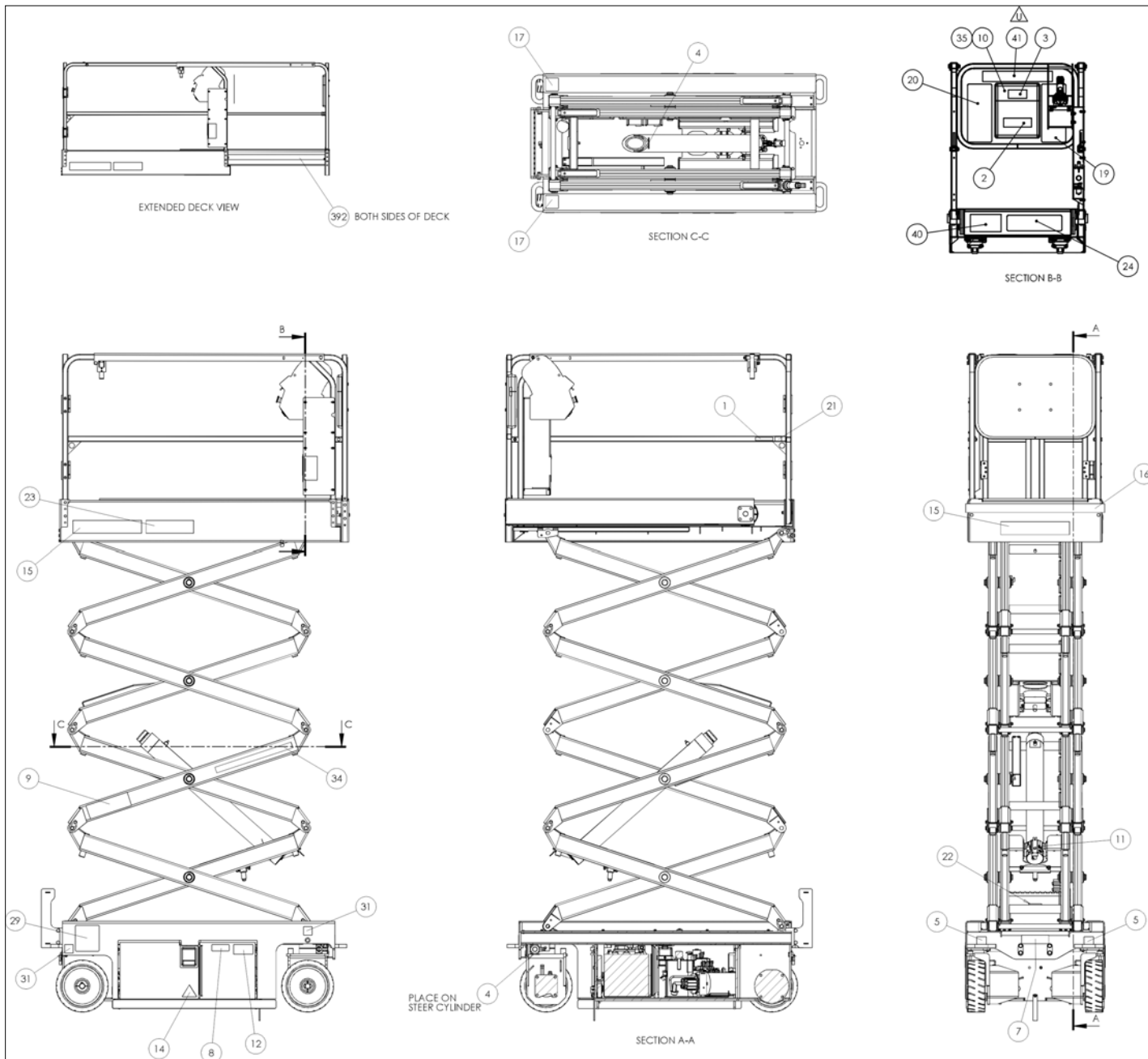


アイテム	部品番号	名前	数量	UOM
	1502091T	DECAL ASSEMBLY AS S3215E OCTOBER 2019 AND AFTER		EA
1	14092	DECAL FALL RESTRAINT ONLY	3	EA
2	0073043	DECAL, OPERATING MANUAL ENCLOS	1	EA
3	0073224	DECAL, NOTICE MANUAL REORDER	1	EA
4	0074311	DECAL DANGER CYLINDER FAILURE	2	EA
5	0083427	Decal, Lifting/Tie Down	4	EA
6	300699	Decal, Operators Checklist	1	EA
7	300700	Decal, Shearing Hazard	1	EA
8	300760	DECAL DNGR TIPOVER HAZARD	2	EA
9	0361259	DECAL DNGR SAFETY PROP	2	EA
10	0361367	MANUAL RSPNSBLTY A92.6	1	EA
11	0361533	DECAL EMER BLEED DOWN 1930 PIC	1	EA
12	451726	DECAL CHK BTRY BEFORE CHARGING	2	EA
13	451986	Decal, Interlocks	1	EA
14	501453 000	Decal, Foot Crush Hazard	2	EA
15	569295	DECAL, SNORKEL BRAND LOGO 3.00	3	EA
16	969249	DECAL STRIPE YEL /BLK 1000 INCH	32	EA
17	1500840	DECAL FORKLIFT PHOENIX II	2	EA
18	1500842	MANUAL OPERATORS PHOENIX II CE	1	EA
19	1501475	DECAL DNGR TIPOVER/ELEC HAZARD	1	EA
20	1501476	DECAL DNGR TIPOVER/ELEC HAZARD	1	EA
21	1501676	DECAL, LANYARD ATTACHMENT	3	EA
22	1501763	DECAL, SAFETY PROP HERE	1	EA

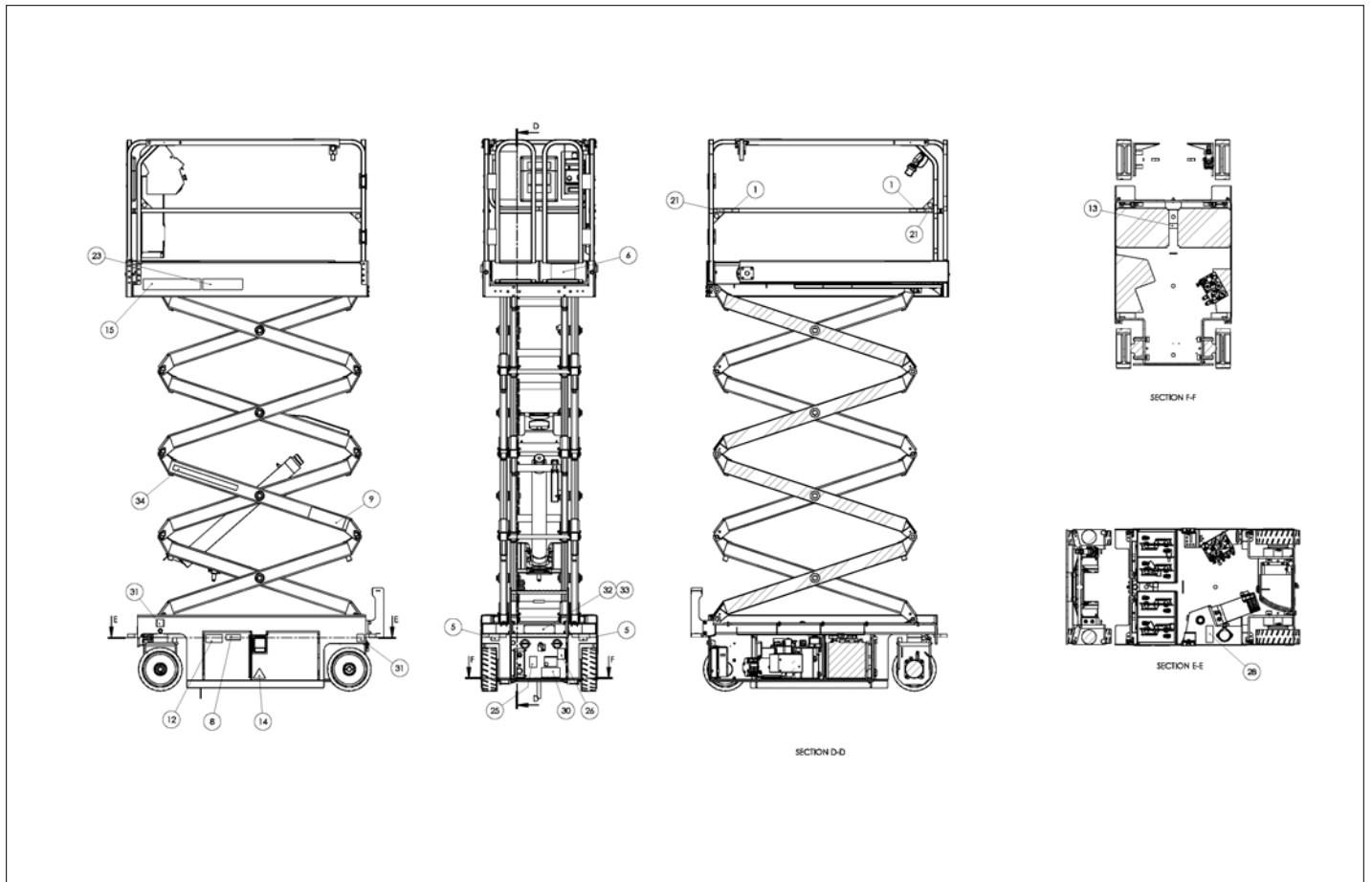


アイテム	部品番号	名前	数量	UOM
23	1502092	DECAL, S3215E MODEL	2	EA
24	1502327	DECAL PLAT CAP 600# W/WIND SP	1	EA
25	1502528	DECAL, POWER TO PLATFORM	1	EA
26	1502529	DECAL, BATTERY CHARGER PLUG	1	EA
27	1502546	DECAL, BLCK/YLLW CAUTION 51.5	2	EA
28	1502586	DECAL, HYDRAULIC FLUID LEVEL	1	EA
29	1502596	DECAL WARNING TOW INSTRUCTIONS	1	EA
30	1502762	DECAL, FAULT CODES	1	EA
31	1502815	DECAL, WEIGHT BEARING S3219E	4	EA
32	1502849	PLACARD, AU S3215E	1	EA
33	5560656	RVT POP .125 DIA .375 DMD STL	4	EA
34	7030068	DECAL, SNORKELLIFTS.COM	2	EA
35	7050004	RECORD POUCH, 12 X 15 RECLOSABLE BAG	1	EA
36	8140020	PDI/WARRANTY CARD NORCO PRINTI	1	EA
37	8230189	WARRANTY CLAIM FORM	1	EA
38	8230188	WARRANTY ACTIVATION FORM	1	EA
39	8230187	SNORKEL PRODUCT WARRANTY POLIC	1	EA
40	1843	Decal, Warning NZ Only	1	EA

REPAIR PARTS

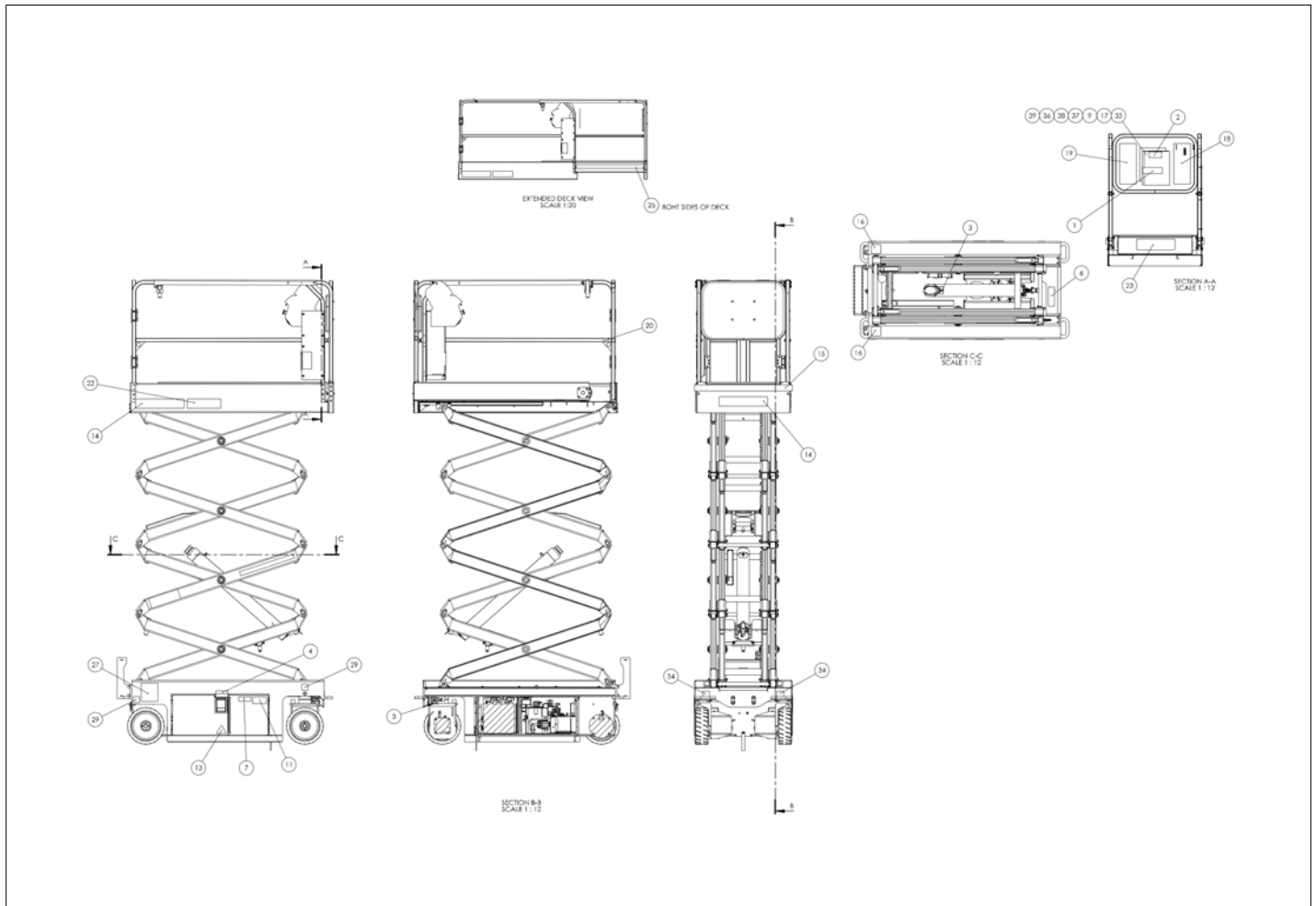


アイテム	部品番号	名前	数量	UOM
	1502091T	DECAL ASSEMBLY AS S3215E OCTOBER 2019 AND AFTER		EA
1	14092	DECAL FALL RESTRAINT ONLY	3	EA
2	0073043	DECAL, OPERATING MANUAL ENCLOS	1	EA
3	0073224	DECAL, NOTICE MANUAL REORDER	1	EA
4	0074311	DECAL DANGER CYLINDER FAILURE	2	EA
5	0083427	Decal, Lifting/Tie Down	4	EA
6	300699	Decal, Operators Checklist	1	EA
7	300700	Decal, Shearing Hazard	1	EA
8	300760	DECAL DNGR TIPOVER HAZARD	2	EA
9	0361259	DECAL DNGR SAFETY PROP	2	EA
10	0361367	MANUAL RSPNSBLTY A92.6	1	EA
11	0361533	DECAL EMER BLEED DOWN 1930 PIC	1	EA
12	451726	DECAL CHK BTRY BEFORE CHARGING	2	EA
13	451986	Decal, Interlocks	1	EA
14	501453 000	Decal, Foot Crush Hazard	2	EA
15	569295	DECAL, SNORKEL BRAND LOGO 3.00	3	EA
16	969249	DECAL STRIPE YEL /BLK 1000 INCH	32	EA
17	1500840	DECAL FORKLIFT PHOENIX II	2	EA
18	1500842	MANUAL OPERATORS PHOENIX II CE	1	EA
19	1501475	DECAL DNGR TIPOVER/ELEC HAZARD	1	EA
20	1501476	DECAL DNGR TIPOVER/ELEC HAZARD	1	EA
21	1501676	DECAL, LANYARD ATTACHMENT	3	EA
22	1501763	DECAL, SAFETY PROP HERE	1	EA



アイテム	部品番号	名前	数量	UOM
23	1502092	DECAL, S3215E MODEL	2	EA
24	1502327	DECAL PLAT CAP 600# W/WIND SP	1	EA
25	1502528	DECAL, POWER TO PLATFORM	1	EA
26	1502529	DECAL, BATTERY CHARGER PLUG	1	EA
27	1502546	DECAL, BLCK/YLLW CAUTION 51.5	2	EA
28	1502586	DECAL, HYDRAULIC FLUID LEVEL	1	EA
29	1502596	DECAL WARNING TOW INSTRUCTIONS	1	EA
30	1502762	DECAL, FAULT CODES	1	EA
31	1502815	DECAL, WEIGHT BEARING S3219E	4	EA
32	1502849	PLACARD, AU S3215E	1	EA
33	5560656	RVT POP .125 DIA .375 DMD STL	4	EA
34	7030068	DECAL, SNORKELLIFTS.COM	2	EA
35	7050004	RECORD POUCH, 12 X 15 RECLOSABLE BAG	1	EA
36	8140020	PDI/WARRANTY CARD NORCO PRINTI	1	EA
37	8230189	WARRANTY CLAIM FORM	1	EA
38	8230188	WARRANTY ACTIVATION FORM	1	EA
39	8230187	SNORKEL PRODUCT WARRANTY POLIC	1	EA
40	1843	Decal, Warning NZ Only	1	EA
41	7030249	Decal, Do Not Operate	1	EA

REPAIR PARTS

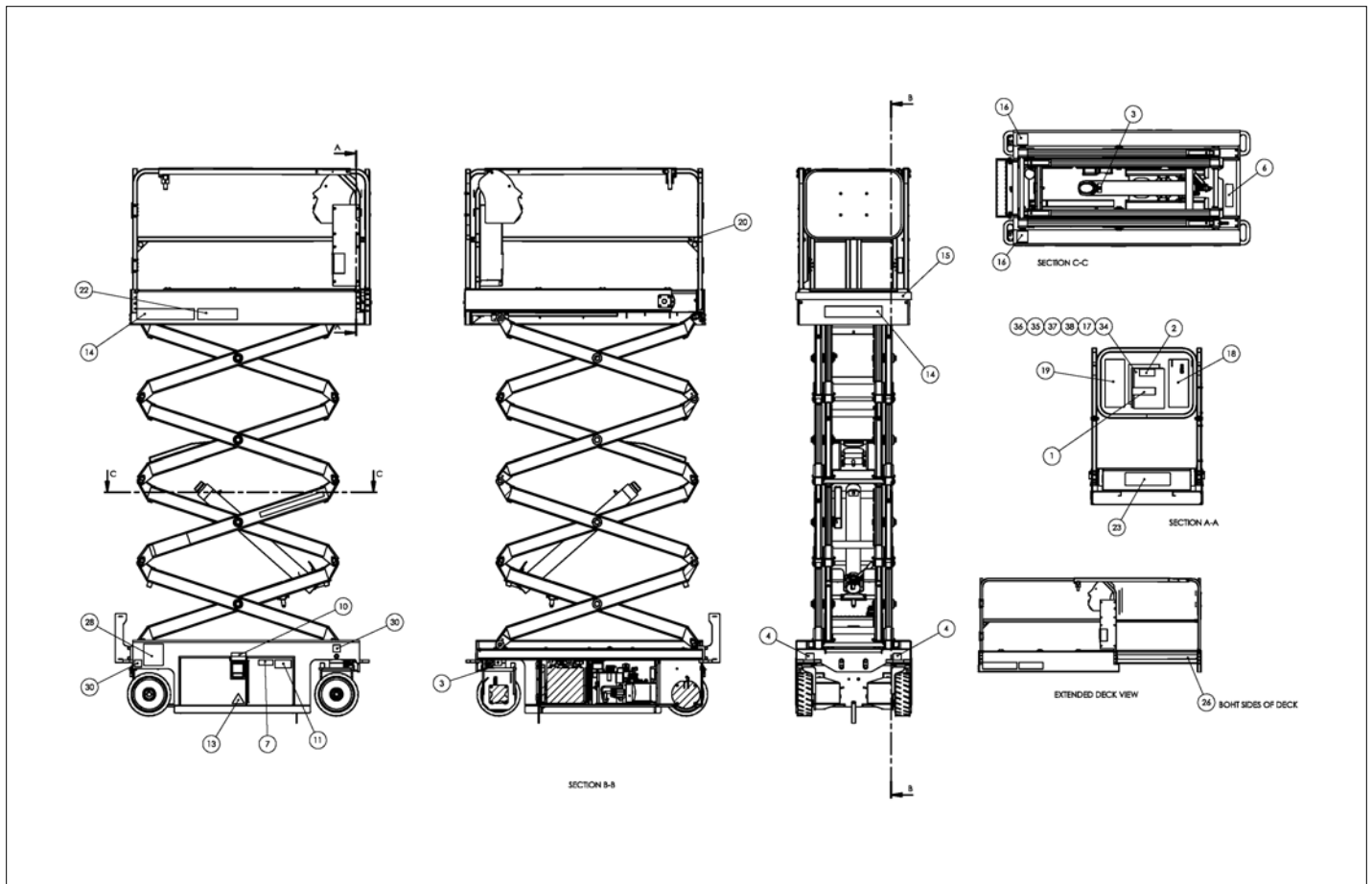


アイテム	部品番号	名前	数量	UOM
	1503017 A	CSA DECALS ASSEMBLY S3215E		EA
1	0073043	DECAL, OPERATING MANUAL ENCLOS	1	EA
2	0073224	DECAL, NOTICE MANUAL REORDER	1	EA
3	0074311	DECAL DANGER CYLINDER FAILURE	2	EA
4	0361661	DECAL, ANSI/CSA COMPLAINT	1	EA
Not Shown	300699	Decal, Operators Checklist	1	EA
6	300700	Decal, Shearing Hazard	1	EA
7	300760	DECAL DNGR TIPOVER HAZARD	2	EA
8	0361259	DECAL DNGR SAFETY PROP	2	EA
9	0361367	MANUAL RSPNSBLTY A92.6	1	EA
Not Shown	0361533	DECAL EMER BLEED DOWN 1930 PIC	1	EA
11	451726	DECAL CHK BTRY BEFORE CHARGING	2	EA
12	451986	Decal, Interlocks	1	EA
13	501453 000	Decal, Foot Crush Hazard	2	EA
14	569295	DECAL, SNORKEL BRAND LOGO 3.00	3	EA
15	969249	DECAL STRIPE YEL /BLK 1000 INCH	32	EA
16	1500840	DECAL FORKLIFT PHOENIX II	2	EA
17	1500842	MANUAL OPERATORS PHOENIX II CE	1	EA
18	1501475	DECAL DNGR TIPOVER/ELEC HAZARD	1	EA
19	1501476	DECAL DNGR TIPOVER/ELEC HAZARD	1	EA
20	1501676	DECAL, LANYARD ATTACHMENT	3	EA
Not Shown	1501763	DECAL, SAFETY PROP HERE	1	EA
22	1502092	DECAL, S3215E MODEL	2	EA

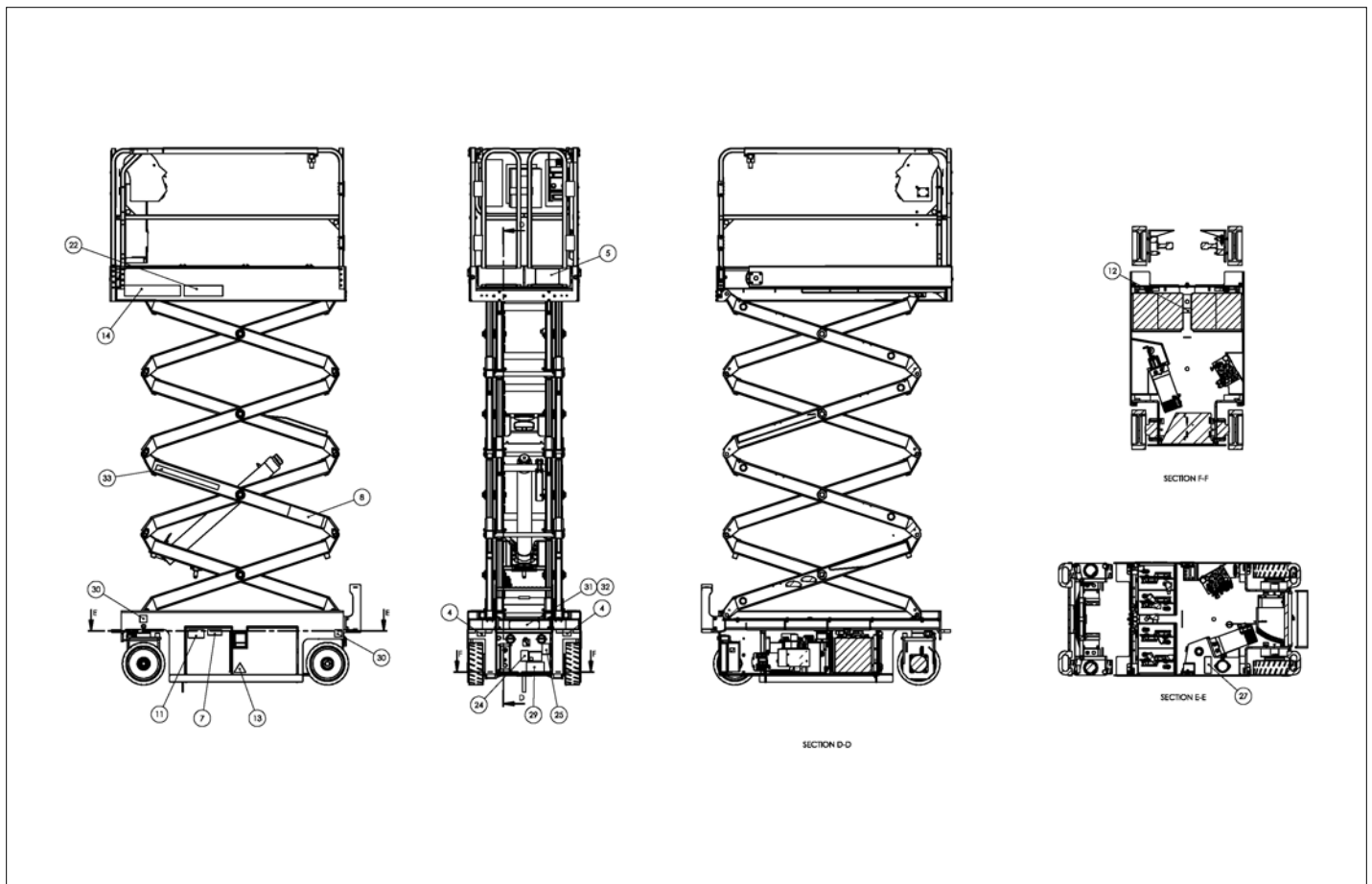
画像が存在しません

アイテム	部品番号	名前	数量	UOM
23	1502327	DECAL PLAT CAP 600# W/WIND SP	1	EA
24	1502529	DECAL, BATTERY CHARGER PLUG	1	EA
25	1502546	DECAL, BLCK/YLLW CAUTION 51.5	2	EA
26	1502586	DECAL, HYDRAULIC FLUID LEVEL	1	EA
27	1502596	DECAL WARNING TOW INSTRUCTIONS	1	EA
28	1502762	DECAL, FAULT CODES	1	EA
29	1502815	DECAL, WEIGHT BEARING S3219E	4	EA
30	1502848	PLACARD, CE S3215E	1	EA
31	5560656	RVT POP .125 DIA .375 DMD STL	4	EA
32	7030068	DECAL, SNORKELLIFTS.COM	2	EA
33	7050004	RECORD POUCH, 12 X 15 RECLOSABLE BAG	1	EA
34	0083427	Decal, Lifting/Tie Down	4	EA
35	1502528	DECAL, POWER TO PLATFORM	1	EA
36	8140020	PDI/WARRANTY CARD NORCO PRINTI	1	EA
37	8230189	WARRANTY CLAIM FORM	1	EA
38	8230188	WARRANTY ACTIVATION FORM	1	EA
39	8230187	SNORKEL PRODUCT WARRANTY POLIC	1	EA

REPAIR PARTS

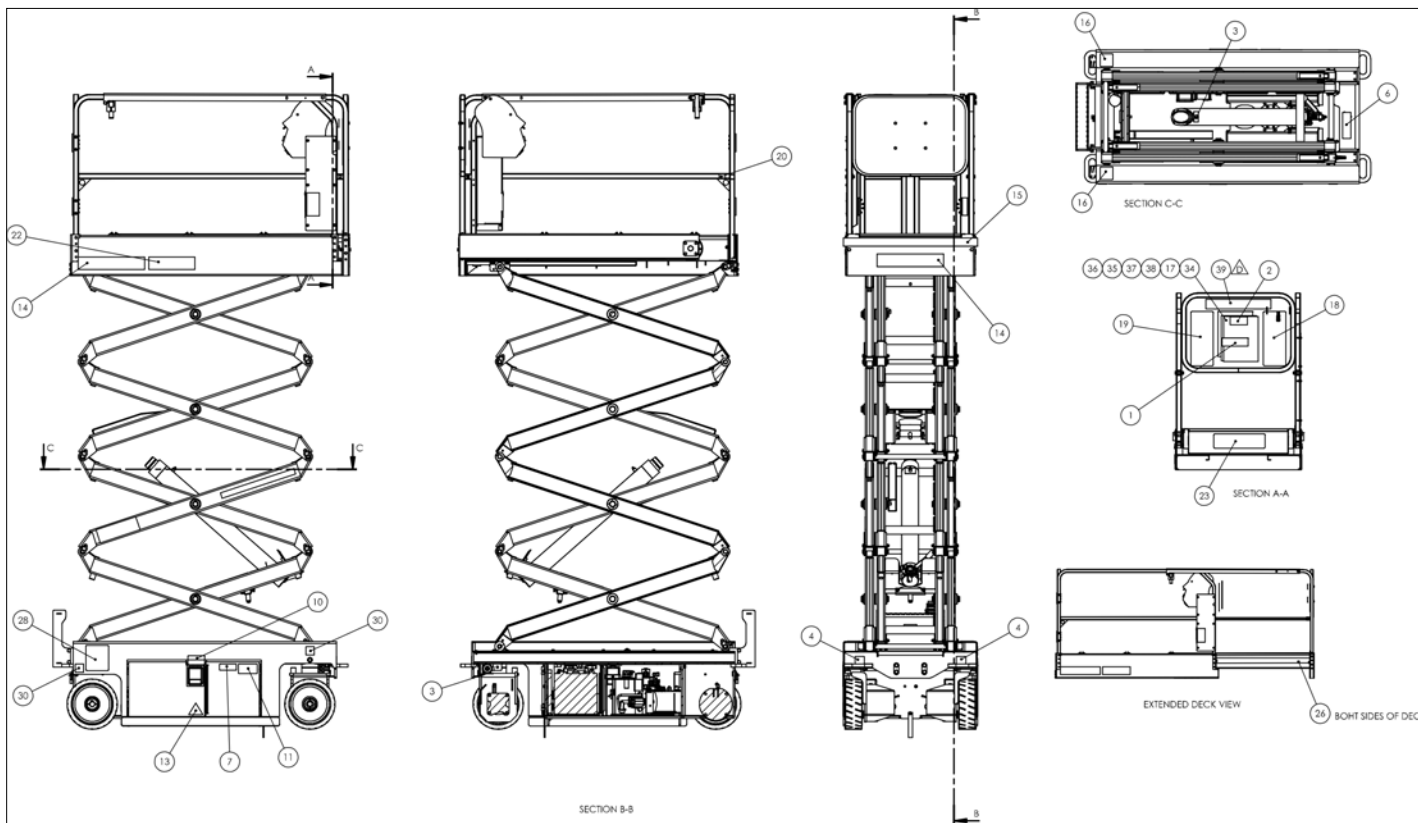


アイテム	部品番号	名前	数量	UOM
*	1503017 C	CSA DECALS S3215E ASSEMBLY		EA
1	0073043	DECAL, OPERATING MANUAL ENCLOS	1	EA
2	0073224	DECAL, NOTICE MANUAL REORDER	1	EA
3	0074311	DECAL DANGER CYLINDER FAILURE	2	EA
4	0083427	Decal, Lifting/Tie Down	4	EA
5	300699	Decal, Operators Checklist	1	EA
6	300700	Decal, Shearing Hazard	1	EA
7	300760	DECAL DNGR TIPOVER HAZARD	2	EA
8	0361259	DECAL DNGR SAFETY PROP	2	EA
9	0361533	DECAL EMER BLEED DOWN 1930 PIC	1	EA
10	0361661	DECAL, ANSI/CSA COMPLAINT	1	EA
11	451726	DECAL CHK BTRY BEFORE CHARGING	2	EA
12	451986	Decal, Interlocks	1	EA
13	501453 000	Decal, Foot Crush Hazard	2	EA
14	569295	DECAL, SNORKEL BRAND LOGO 3.00	2	EA
15	969249	DECAL STRIPE YEL /BLK 1000 INCH	32	EA
16	1500840	DECAL FORKLIFT PHOENIX II	2	EA
17	1500842	MANUAL OPERATORS PHOENIX II CE	1	EA
18	1501475	DECAL DNGR TIPOVER/ELEC HAZARD	1	EA
19	1501476	DECAL DNGR TIPOVER/ELEC HAZARD	1	EA
20	1501676	DECAL, LANYARD ATTACHMENT	3	EA
21	1501763	DECAL, SAFETY PROP HERE	1	EA
22	1502092	DECAL, S3215E MODEL	2	EA

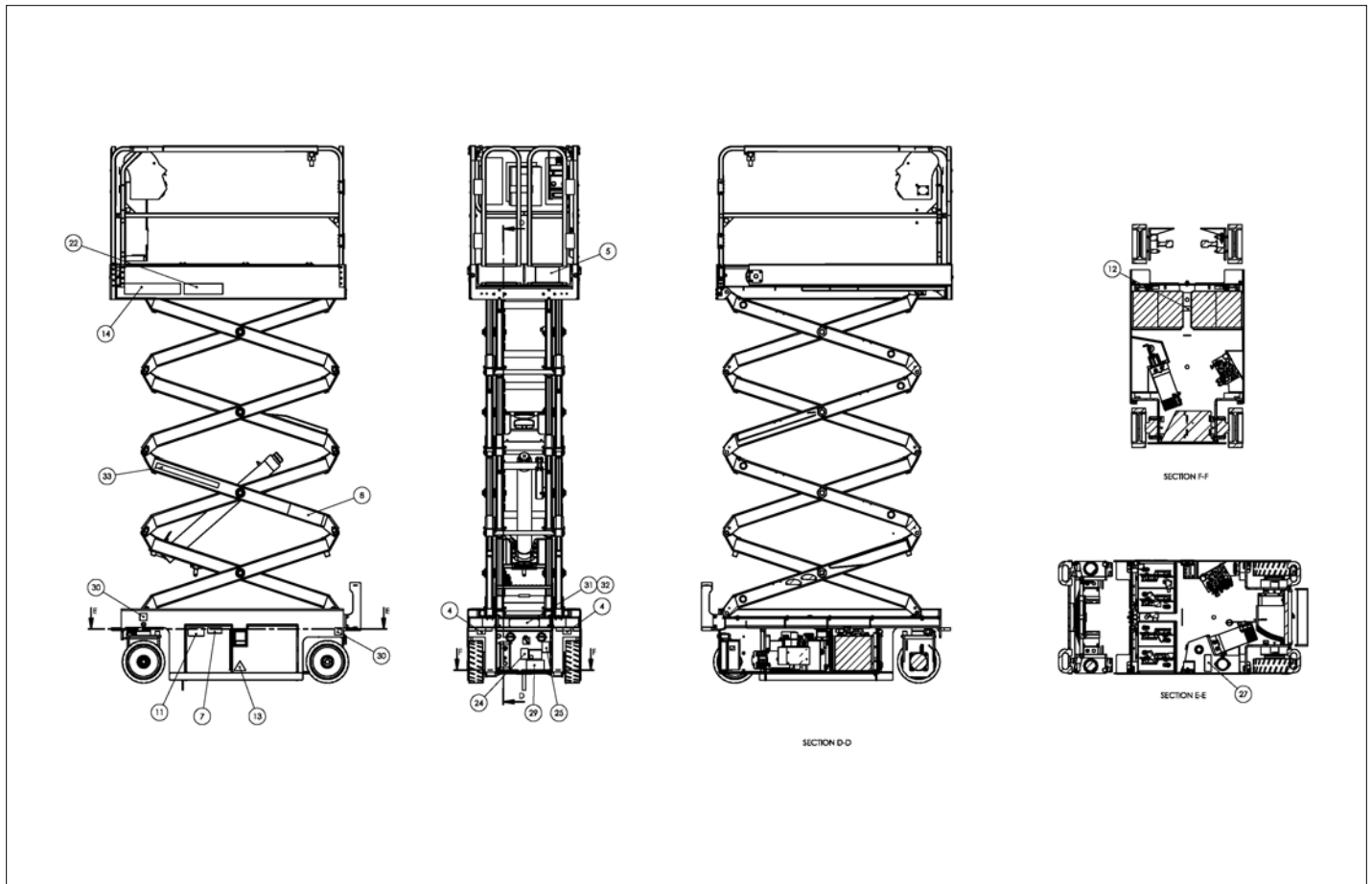


アイテム	部品番号	名前	数量	UOM
23	1502327	DECAL PLAT CAP 600# W/WIND SP	1	EA
24	1502528	DECAL, POWER TO PLATFORM	1	EA
25	1502529	DECAL, BATTERY CHARGER PLUG	1	EA
26	1502546	DECAL, BLCK/YLLW CAUTION 51.5	2	EA
27	1502586	DECAL, HYDRAULIC FLUID LEVEL	1	EA
28	1502596	DECAL WARNING TOW INSTRUCTIONS	1	EA
29	1502762	DECAL, FAULT CODES	1	EA
30	1502815	DECAL, WEIGHT BEARING S3219E	4	EA
31	1503124	PLAC, CSA S3215E	1	EA
32	5560656	RVT POP .125 DIA .375 DMD STL	4	EA
33	7030068	DECAL, SNORKELLIFTS.COM	2	EA
34	7050004	RECORD POUCH, 12 X 15 RECLOSABLE BAG	1	EA
35	8140020	PDI/WARRANTY CARD NORCO PRINTI	1	EA
36	8230187	SNORKEL PRODUCT WARRANTY POLIC	1	EA
37	8230188	WARRANTY ACTIVATION FORM	1	EA
38	8230189	WARRANTY CLAIM FORM	1	EA

REPAIR PARTS

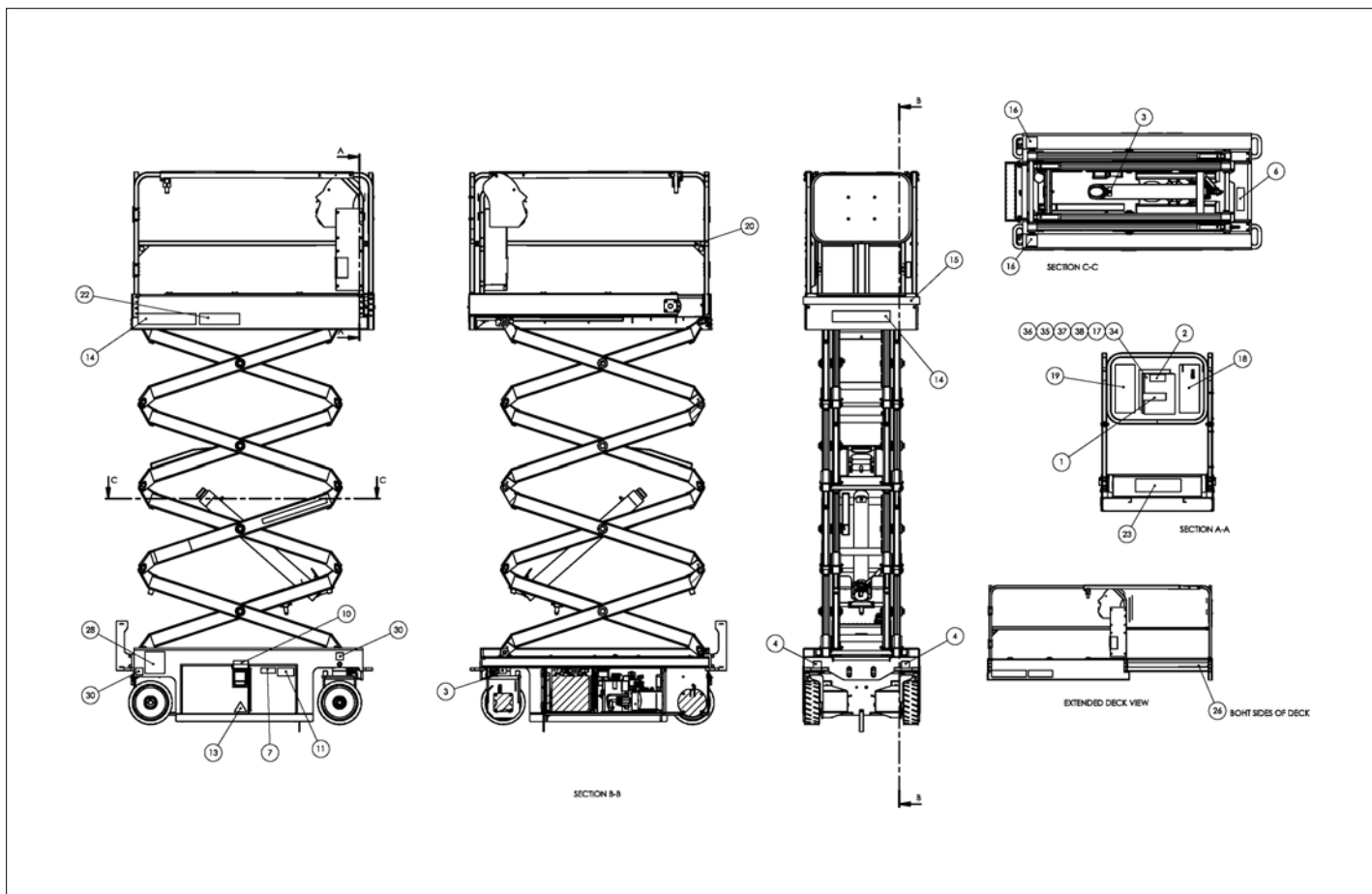


アイテム	部品番号	名前	数量	UOM
*	1503017 D	CSA DECALS S3215E ASSEMBLY OCTOBER 2019 AND AFTER		EA
1	0073043	DECAL, OPERATING MANUAL ENCLOS	1	EA
2	0073224	DECAL, NOTICE MANUAL REORDER	1	EA
3	0074311	DECAL DANGER CYLINDER FAILURE	2	EA
4	0083427	Decal, Lifting/Tie Down	4	EA
5	300699	Decal, Operators Checklist	1	EA
6	300700	Decal, Shearing Hazard	1	EA
7	300760	DECAL DNGR TIPOVER HAZARD	2	EA
8	0361259	DECAL DNGR SAFETY PROP	2	EA
9	0361533	DECAL EMER BLEED DOWN 1930 PIC	1	EA
10	0361661	DECAL, ANSI/CSA COMPLAINT	1	EA
11	451726	DECAL CHK BTRY BEFORE CHARGING	2	EA
12	451986	Decal, Interlocks	1	EA
13	501453 000	Decal, Foot Crush Hazard	2	EA
14	569295	DECAL, SNORKEL BRAND LOGO 3.00	2	EA
15	969249	DECAL STRIPE YEL /BLK 1000 INCH	32	EA
16	1500840	DECAL FORKLIFT PHOENIX II	2	EA
17	1500842	MANUAL OPERATORS PHOENIX II CE	1	EA
18	1501475	DECAL DNGR TIPOVER/ELEC HAZARD	1	EA
19	1501476	DECAL DNGR TIPOVER/ELEC HAZARD	1	EA
20	1501676	DECAL, LANYARD ATTACHMENT	3	EA
21	1501763	DECAL, SAFETY PROP HERE	1	EA
22	1502092	DECAL, S3215E MODEL	2	EA

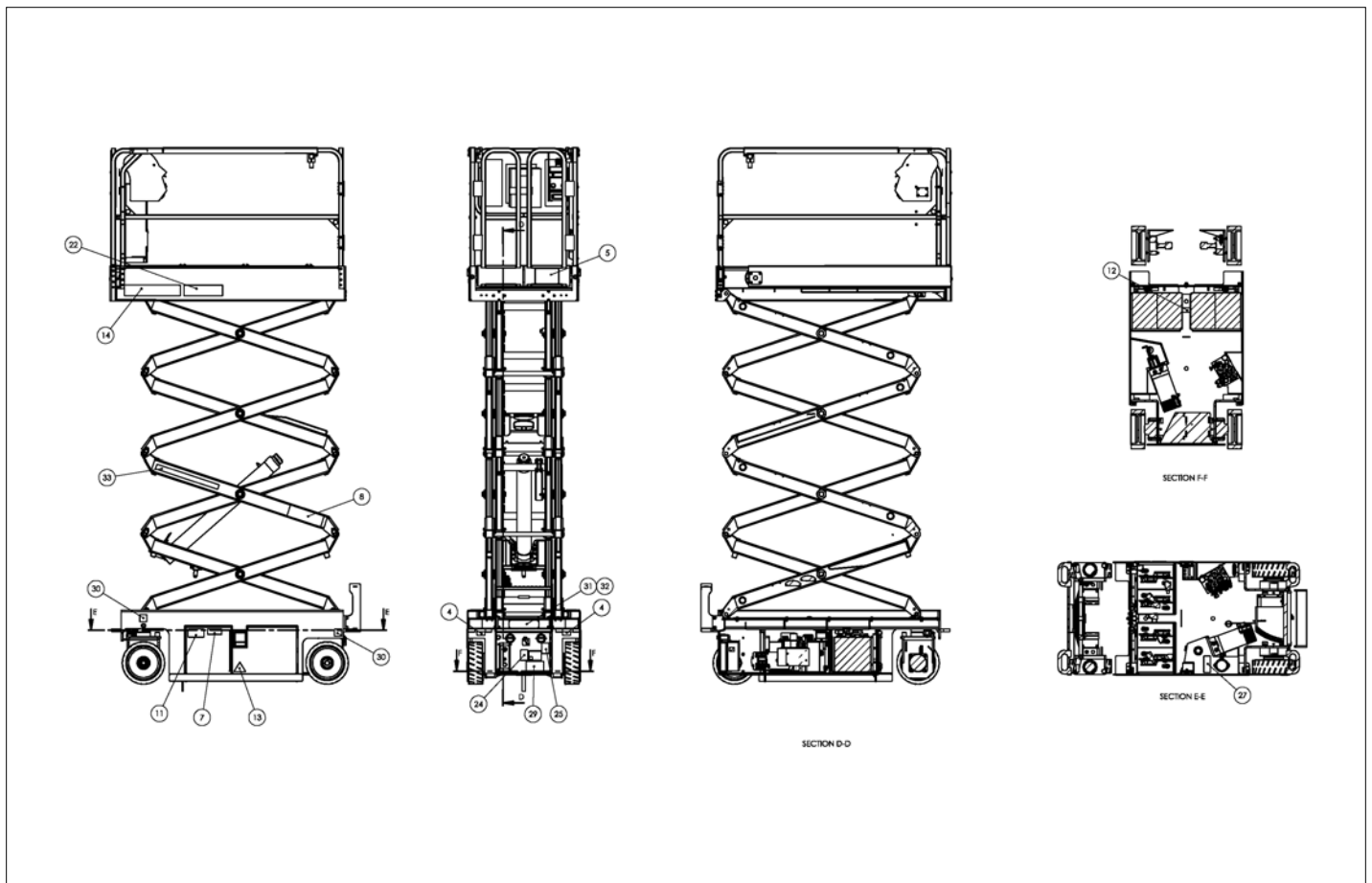


アイテム	部品番号	名前	数量	UOM
23	1502327	DECAL PLAT CAP 600# W/WIND SP	1	EA
24	1502528	DECAL, POWER TO PLATFORM	1	EA
25	1502529	DECAL, BATTERY CHARGER PLUG	1	EA
26	1502546	DECAL, BLCK/YLLW CAUTION 51.5	2	EA
27	1502586	DECAL, HYDRAULIC FLUID LEVEL	1	EA
28	1502596	DECAL WARNING TOW INSTRUCTIONS	1	EA
29	1502762	DECAL, FAULT CODES	1	EA
30	1502815	DECAL, WEIGHT BEARING S3219E	4	EA
31	1503124	PLAC, CSA S3215E	1	EA
32	5560656	RVT POP .125 DIA .375 DMD STL	4	EA
33	7030068	DECAL, SNORKELLIFTS.COM	2	EA
34	7050004	RECORD POUCH, 12 X 15 RECLOSABLE BAG	1	EA
35	8140020	PDI/WARRANTY CARD NORCO PRINTI	1	EA
36	8230187	SNORKEL PRODUCT WARRANTY POLIC	1	EA
37	8230188	WARRANTY ACTIVATION FORM	1	EA
38	8230189	WARRANTY CLAIM FORM	1	EA
39	7030249	Decal, Do Not Operate	1	EA

REPAIR PARTS



アイテム	部品番号	名前	数量	UOM
*	1503017FR C	CSA DECALS S3215E ASSEMBLY FRENCH		EA
1	0073043FR	DECAL MANUAL HOLDER	1	EA
2	0073224FR	DECAL NOTICE MANUAL RE ORDER	1	EA
3	0074311FR	DECAL DNGR CYLINDER FAILURE	2	EA
4	0083427	Decal, Lifting/Tie Down	4	EA
5	508862 000	DECAL OpreatorsChecklist.pdf FRENCH	1	EA
6	508863 000	DECAL, BEWARE DESCENDING PLAT, FR	1	EA
7	511176 000	DECAL, DNGR TIPOVER HAZARD, FR	2	EA
8	508867 000	DECAL Danger Use of Safety Prop FRENCH	2	EA
9	0361533	DECAL EMER BLEED DOWN 1930 PIC	1	EA
10	0361661FR	DECAL, ANSI/CSA COMPLIANT FREN	1	EA
11	451726FR	DECAL CHK BTRY BEFORE CHARGING	2	EA
12	451986FR	DECAL DNGR DO NOT ALTER SW	1	EA
13	501453 000	Decal, Foot Crush Hazard	2	EA
14	569295	DECAL, SNORKEL BRAND LOGO 3.00	2	EA
15	969249	DECAL STRIPE YEL /BLK 1000 INCH	32	EA
16	1500840	DECAL FORKLIFT PHOENIX II	2	EA
17	1500842FR	MANUAL OPERATORS PHOENIX II CE, FR	1	EA
18	1501475FR	DECAL, DNGR TIPOVER/ELEC HAZARD RH, FR	1	EA
19	1501476FR	DECAL, DNGR TIPOVER/ELEC HAZARD LH, FR	1	EA
20	1501676	DECAL, LANYARD ATTACHMENT	3	EA



アイテム	部品番号	名前	数量	UOM
21	1501763FR	DECAL, SAFETY PROP HERE, FR	1	EA
22	1502092	DECAL, S3215E MODEL	2	EA
23	1502327	DECAL PLAT CAP 600# W/WIND SP	1	EA
24	1502528	DECAL, POWER TO PLATFORM	1	EA
25	1502529	DECAL, BATTERY CHARGER PLUG	1	EA
26	1502546	DECAL, BLCK/YLLW CAUTION 51.5	2	EA
27	1502586FR	DECAL, (FR)HYD FLUID LEVEL	1	EA
28	1502596FR	DECAL WARNING TOW INSTRUCTIONS FRENCH	1	EA
29	1502762FR	DECAL, FAULT CODES, FR	1	EA
30	1502815	DECAL, WEIGHT BEARING S3219E	4	EA
31	1503124FR	PLAC, CSA S3215E	1	EA
32	5560656	RVT POP .125 DIA .375 DMD STL	4	EA
33	7030068	DECAL, SNORKELLIFTS.COM	2	EA
34	7050004	RECORD POUCH, 12 X 15 RECLOSABLE BAG	1	EA
35	8140020	PDI/WARRANTY CARD NORCO PRINTI	1	EA
36	8230187FR	SNORKEL PRODUCT WARRANTY POLIC	1	EA
37	8230188FR	WARRANTY ACTIVATION FORM, FR	1	EA
38	8230189FR	WARRANTY CLAIM FORM, FR	1	EA

REPAIR PARTS

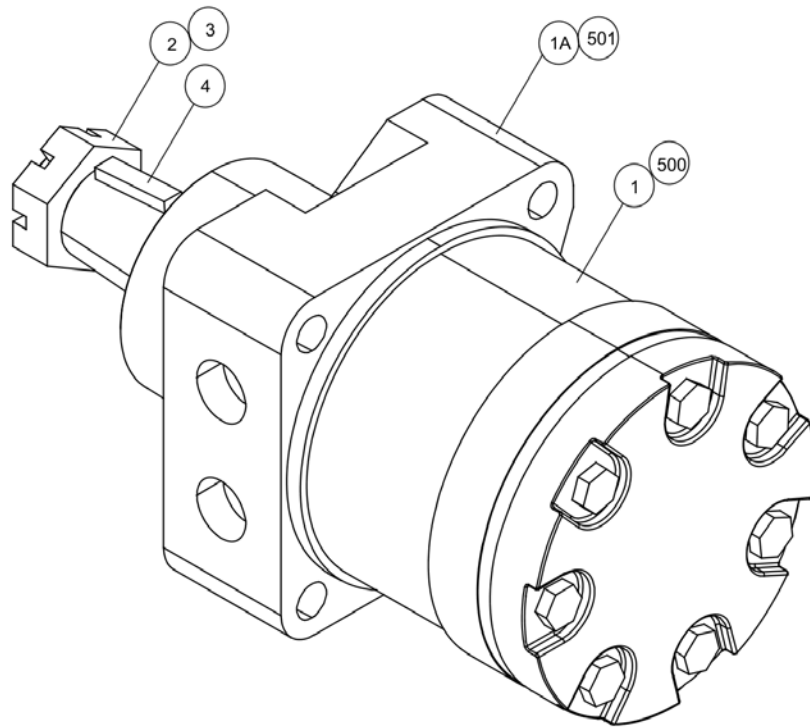
画像が存在しません

アイテム	部品番号	名前	数量	UOM
*	1503017FR D	CSA DECALS S3215E ASSEMBLY FRENCH OCTOBER 2019 AND AFTER		EA
1	0073043FR	DECAL MANUAL HOLDER	1	EA
2	0073224FR	DECAL NOTICE MANUAL RE ORDER	1	EA
3	0074311FR	DECAL DNGR CYLINDER FAILURE	2	EA
4	0083427	Decal, Lifting/Tie Down	4	EA
5	508862 000	DECAL OpreatorsChecklist.pdf FRENCH	1	EA
6	508863 000	DECAL, BEWARE DESCENDING PLAT, FR	1	EA
7	511176 000	DECAL, DNGR TIPOVER HAZARD, FR	2	EA
8	508867 000	DECAL Danger Use of Safety Prop FRENCH	2	EA
9	0361533	DECAL EMER BLEED DOWN 1930 PIC	1	EA
10	0361661FR	DECAL, ANSI/CSA COMPLIANT FREN	1	EA
11	451726FR	DECAL CHK BTRY BEFORE CHARGING	2	EA
12	451986FR	DECAL DNGR DO NOT ALTER SW	1	EA
13	501453 000	Decal, Foot Crush Hazard	2	EA
14	569295	DECAL, SNORKEL BRAND LOGO 3.00	2	EA
15	969249	DECAL STRIPE YEL /BLK 1000 INCH	32	EA
16	1500840	DECAL FORKLIFT PHOENIX II	2	EA
17	1500842FR	MANUAL OPERATORS PHOENIX II CE, FR	1	EA
18	1501475FR	DECAL, DNGR TIPOVER/ELEC HAZARD RH, FR	1	EA
19	1501476FR	DECAL, DNGR TIPOVER/ELEC HAZARD LH, FR	1	EA
20	1501676	DECAL, LANYARD ATTACHMENT	3	EA

画像が存在しません

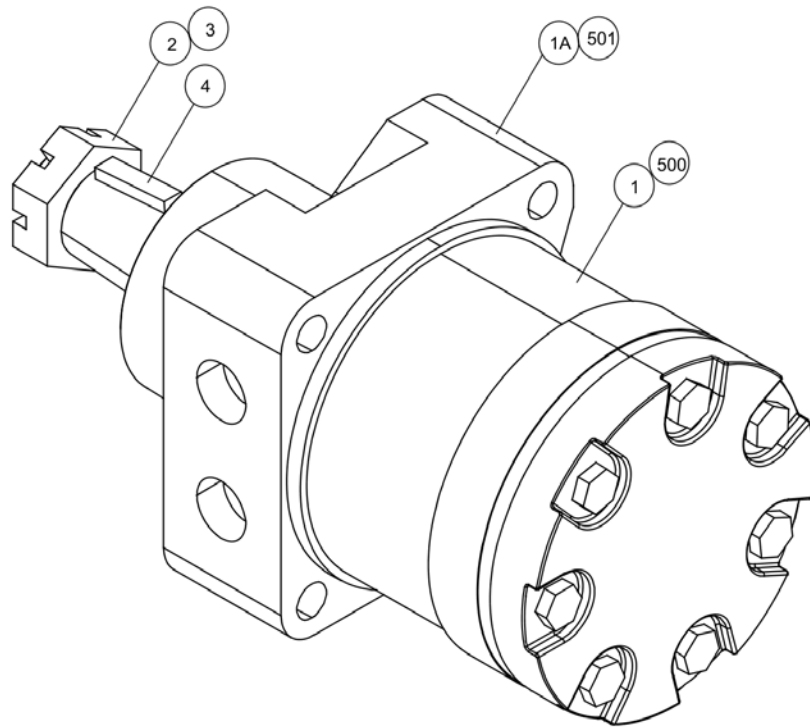
アイテム	部品番号	名前	数量	UOM
21	1501763FR	DECAL, SAFETY PROP HERE, FR	1	EA
22	1502092	DECAL, S3215E MODEL	2	EA
23	1502327	DECAL PLAT CAP 600# W/WIND SP	1	EA
24	1502528	DECAL, POWER TO PLATFORM	1	EA
25	1502529	DECAL, BATTERY CHARGER PLUG	1	EA
26	1502546	DECAL, BLCK/YLLW CAUTION 51.5	2	EA
27	1502586FR	DECAL, (FR)HYD FLUID LEVEL	1	EA
28	1502596FR	DECAL WARNING TOW INSTRUCTIONS FRENCH	1	EA
29	1502762FR	DECAL, FAULT CODES, FR	1	EA
30	1502815	DECAL, WEIGHT BEARING S3219E	4	EA
31	1503124FR	PLAC, CSA S3215E	1	EA
32	5560656	RVT POP .125 DIA .375 DMD STL	4	EA
33	7030068	DECAL, SNORKELLIFTS.COM	2	EA
34	7050004	RECORD POUCH, 12 X 15 RECLOSABLE BAG	1	EA
35	8140020	PDI/WARRANTY CARD NORCO PRINTI	1	EA
36	8230187FR	SNORKEL PRODUCT WARRANTY POLIC	1	EA
37	8230188FR	WARRANTY ACTIVATION FORM, FR	1	EA
38	8230189FR	WARRANTY CLAIM FORM, FR	1	EA
39	7030249FR	DO NOT OPERATE	1	EA

HYDRAULICS



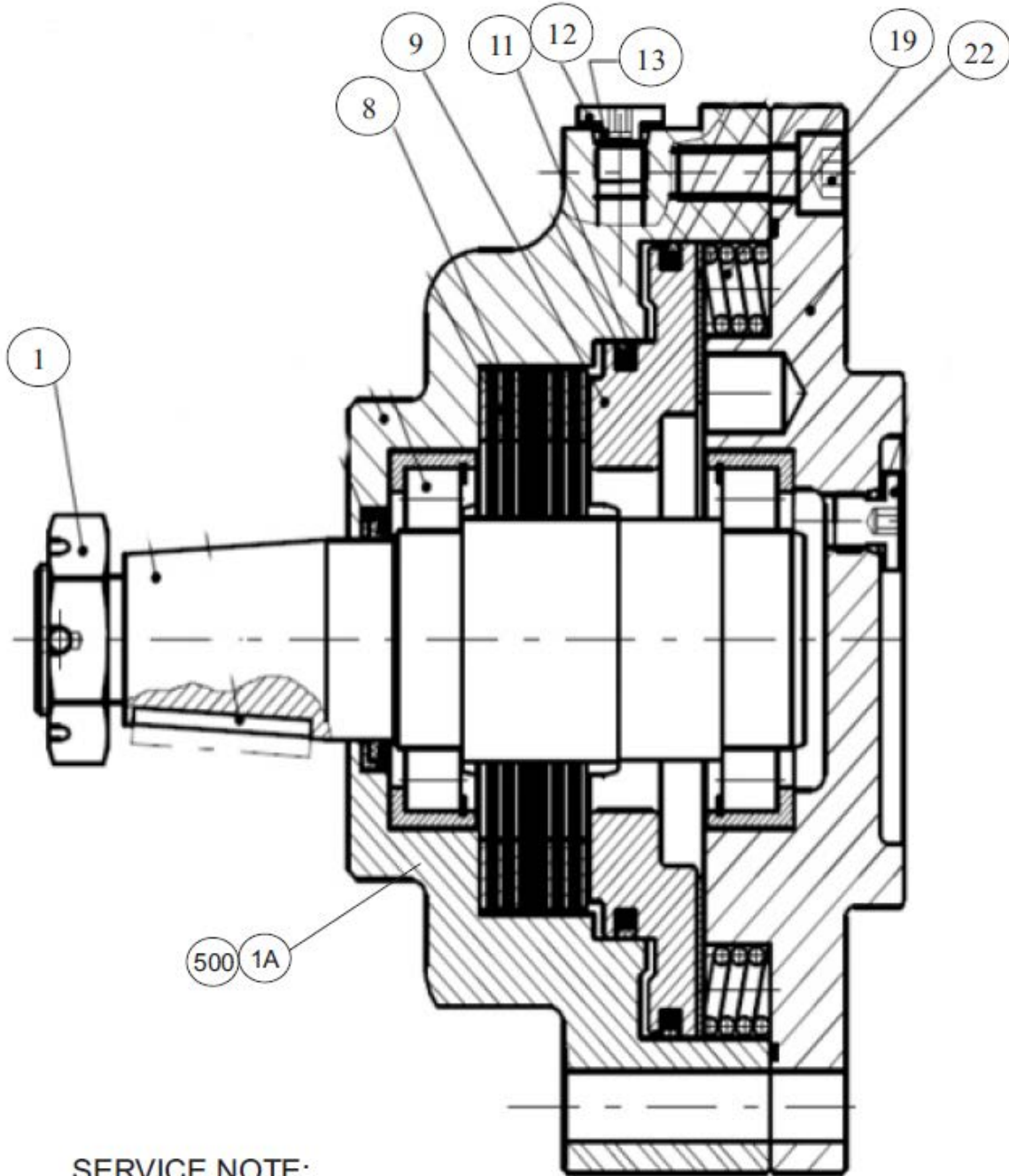
アイテム	部品番号	名前	数量	UOM
*	6031625	MOTOR DRIVE		EA
1	6031625	MOTOR DRIVE	1	EA
500	PNNA	SEAL REPAIR KIT	1	EA
1A	6031627	MOTOR DRIVE	1	EA
501	PNNA	SEAL REPAIR KIT	1	EA
2	8230183	CASTLE NUT 1.125 18	1	EA
3	5569975	PIN COTTER .250 DIA 2.250 ITEM NOT SHOWN	1	EA
4	8230182	KEYSTOCK	1	EA

HYDRAULICS



アイテム	部品番号	名前	数量	UOM
1	6031629	DRIVE MOTOR DALI 230CC MAY 2016 AND AFTER	1	EA
500	6031631	SEAL KIT	1	EA
2	8230183	CASTLE NUT 1.125 18	1	EA
3	5569975	PIN COTTER .250 DIA 2.250 ITEM NOT SHOWN	1	EA
4	8230182	KEYSTOCK	1	EA

HYDRAULICS



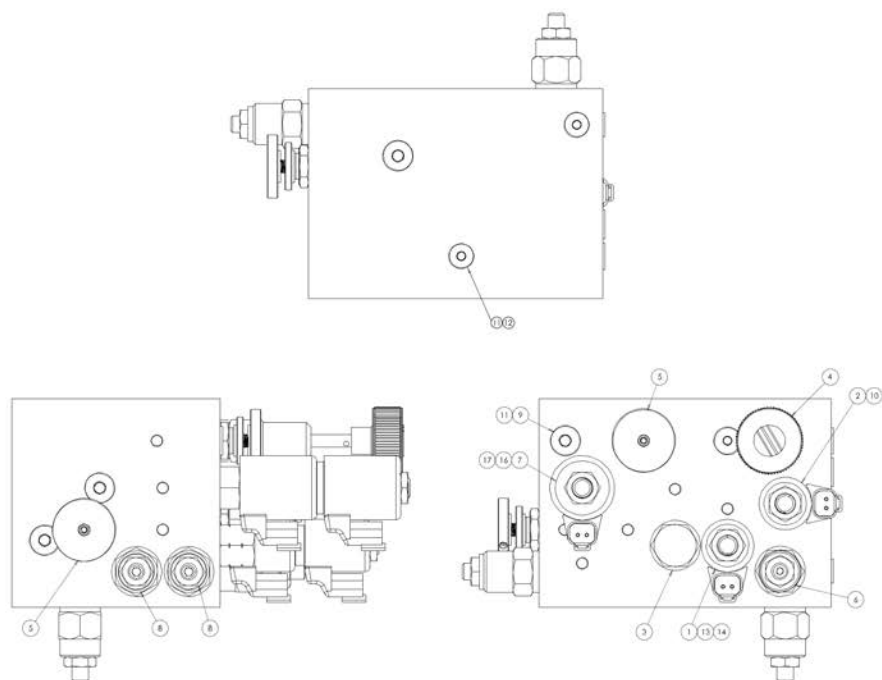
SERVICE NOTE:

ITEMS #'s 2-7, 10 & 11, 14-18, and 20 ARE NOT AVAILABLE AS REPLACEMENT PARTS. IF REQUIRED, PLEASE CONTACT THE SNORKEL PARTS DEPARTMENT.

アイテム	部品番号	名前	数量	UOM
*	6091700 A	BRAKE DALI AFTER S/N S3219 04 002034 S4732E 04 000561		EA
1A	6091700	BRAKE DALI	1	EA
500	6091881	SEAL KIT	1	EA
1	6091874	CASTELLATED NUT	1	EA
2	N/A	NOT SOLD SEPARATELY	1	EA
3	N/A	NOT SOLD SEPARATELY	1	EA
4	N/A	NOT SOLD SEPARATELY	1	EA
5	N/A	NOT SOLD SEPARATELY	1	EA
6	N/A	NOT SOLD SEPARATELY	2	EA
7	N/A	NOT SOLD SEPARATELY	6	EA
8	6091875	BRAKE DISC	7	EA
9	6091876	PISTON	1	EA
10	N/A	NOT SOLD SEPARATELY	1	EA
11	N/A	NOT SOLD SEPARATELY	1	EA
12	6091877	DRAIN PLUG	2	EA
13	6091878	GASKET	2	EA
14	N/A	NOT SOLD SEPARATELY	1	EA
15	N/A	NOT SOLD SEPARATELY	1	EA
16	N/A	NOT SOLD SEPARATELY	1	EA
17	N/A	NOT SOLD SEPARATELY	1	EA
18	N/A	NOT SOLD SEPARATELY	23	EA
19	6091879	O RING	1	EA
20	N/A	NOT SOLD SEPARATELY	4	EA
22	6091800	END COVER	1	EA

HYDRAULICS

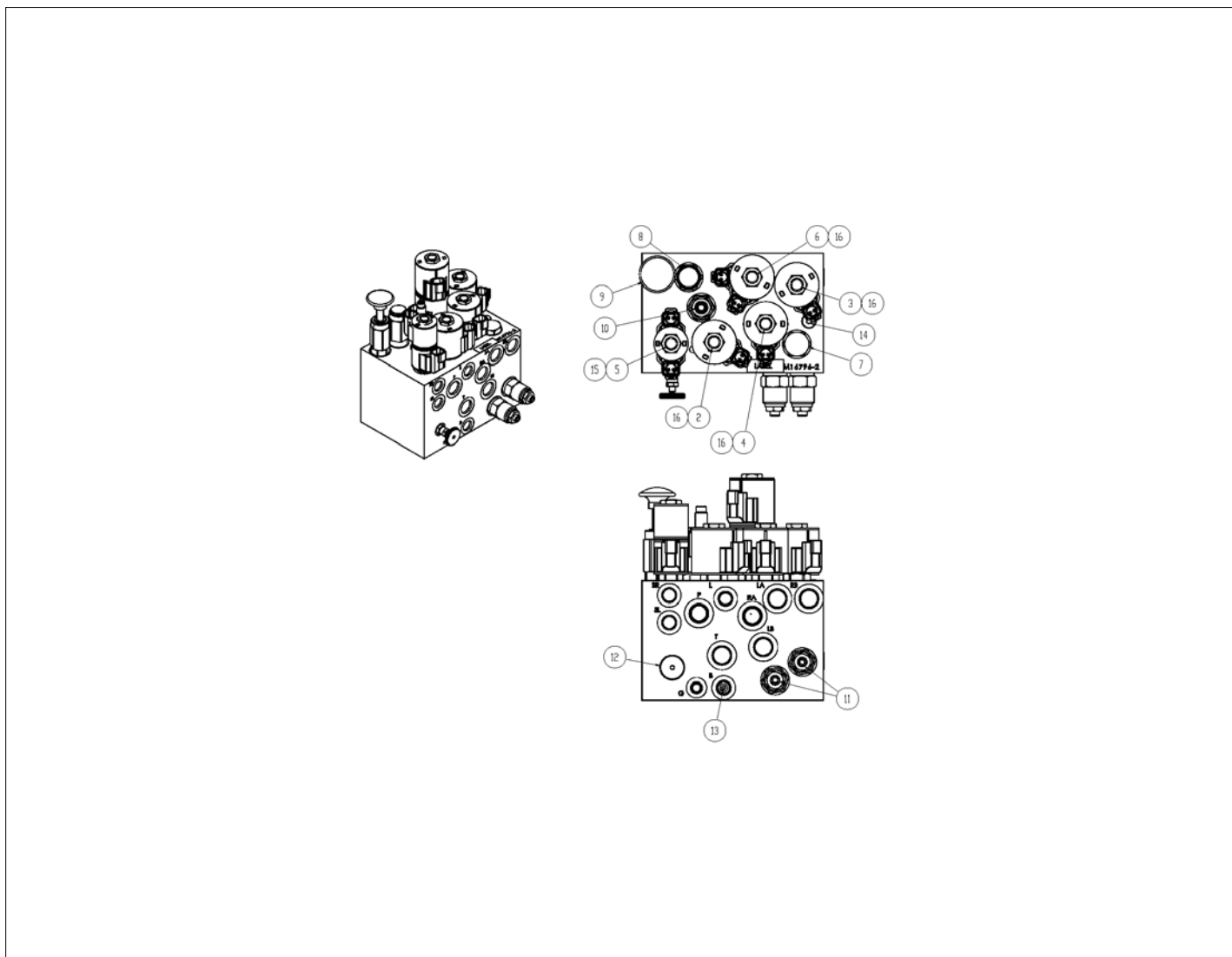
NOTE:
AFTER S/N 53219E-04-002849 ITEM 12 WAS REMOVED
AND P/N 487106 WAS INSTALLED IN ITS PLACE.
PLEASE REFER TO IP-1502547.



NOTE:
1. INSTALL ORifice CHECK DEC (REM 15)
WITH SLOT FACING OUT.

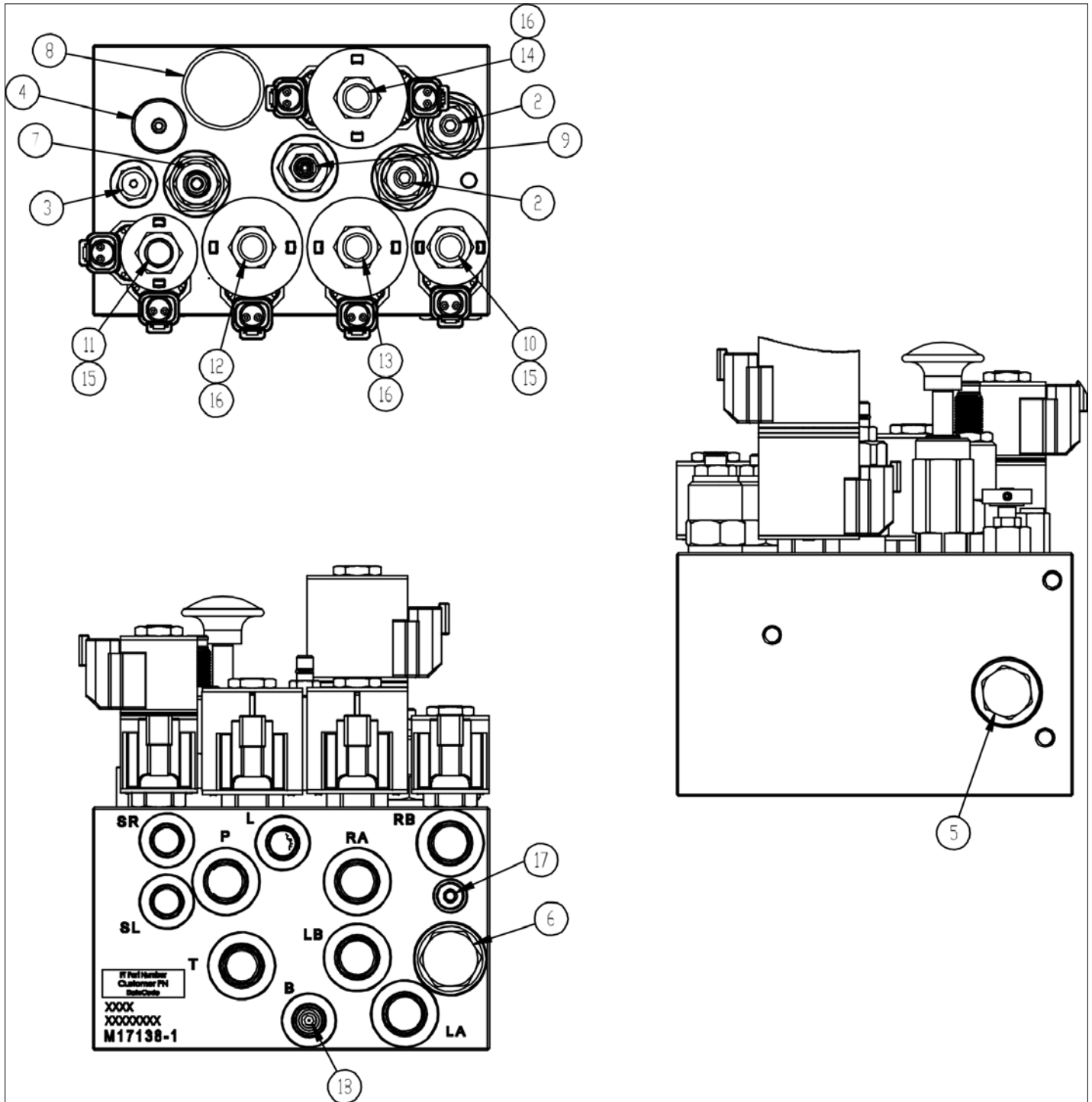
アイテム	部品番号	名前	数量	UOM
	6019339A	MANIFOLD, SCISSOR NARROW (SINGLE SPEED)		EA
1	6019344	SOLENOID VALVE	1	EA
2	6019301	SOLENOID VALVE	1	EA
3	6019345	FLOW REGULATOR	1	EA
4	6019303	HAND PUMP	1	EA
5	6019309	NEEDLE VALVE	2	EA
6	6019305	RELIEF VALVE	2	EA
7	6019306	SOLENOID VALVE	1	EA
8	6019307	OVERCENTER VALVE	2	EA
9	6019308	SHUTTLE VALVE	1	EA
10	6019346	SOLENOID COIL	1	EA
11	5075305	FTG PL HOL HEX 6B STL	2	EA
12	6019311	ORIFICE PLUG	1	EA
13	6019312	COIL SPACER	1	EA
14	6019347	SOLENOID COIL	2	EA
15	6019315	ORIFICE CHECK DISC	2	EA
16	6019314	COIL SPACER	1	EA
17	6019348	Check Valve Poppet Flow	2	EA

HYDRAULICS



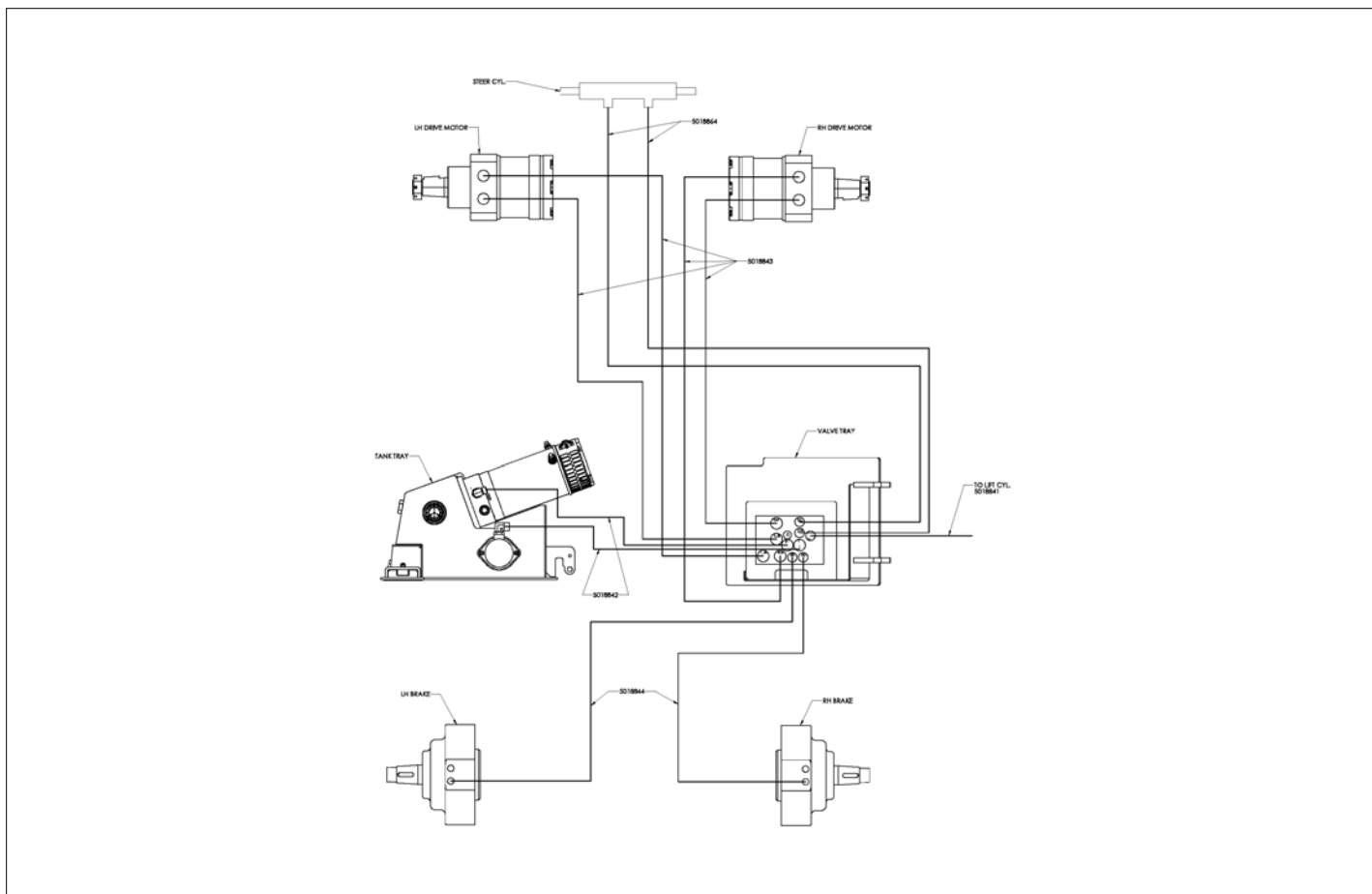
アイテム	部品番号	名前	数量	UOM
	6019378 B	MANIFOLD TWO SPEED DECEMBER 2016 AND AFTER		EA
2	6091570	#10 SOLENOID, 2 POSITION 4 WAY	1	EA
3	6091939	#10 4 WAY SOLENOID VALVE	1	EA
4	6019389	#10, SPOOL, 4 WAY, 2 POSITION	1	EA
5	6019032	#8 SPOOL, 4W3P, TANDEM CENTER	1	EA
6	6091576	#10 SPOOL, 4W3P, OPEN CENTER	1	EA
7	561976	FLOW DIVIDER/COMBINER, 12.0 GPM INPUT	1	EA
8	6019394	PRIORITY FLOW REGULATOR W/RELIEF	1	EA
9	6029632	#10 HAND PUMP, 1.36CC, BLACK	1	EA
10	6019391	RELIEF VALVE, DIFFERENTIAL, AREA POPPET, 2000PSI	1	EA
11	501532 000	COUNTERBALANCE VALVE	2	EA
12	6019393	NEEDLE VALVE	1	EA
13	106574 127	1/16" NPT PLUG, .040 DIA ORIFICE	1	EA
14	6019395	1/16" NPT PLUG, .018 DIA ORIFICE	1	EA
15	6019289	COIL 20VDC HYDRAFORCE 4303620	2	EA
Not Shown	104674 123	WASHER	1	EA
16	6019390	E COIL, 20VDC, DEUTSCH DT04 2P	5	EA
Not Shown	104674 125	WASHER	1	EA

HYDRAULICS



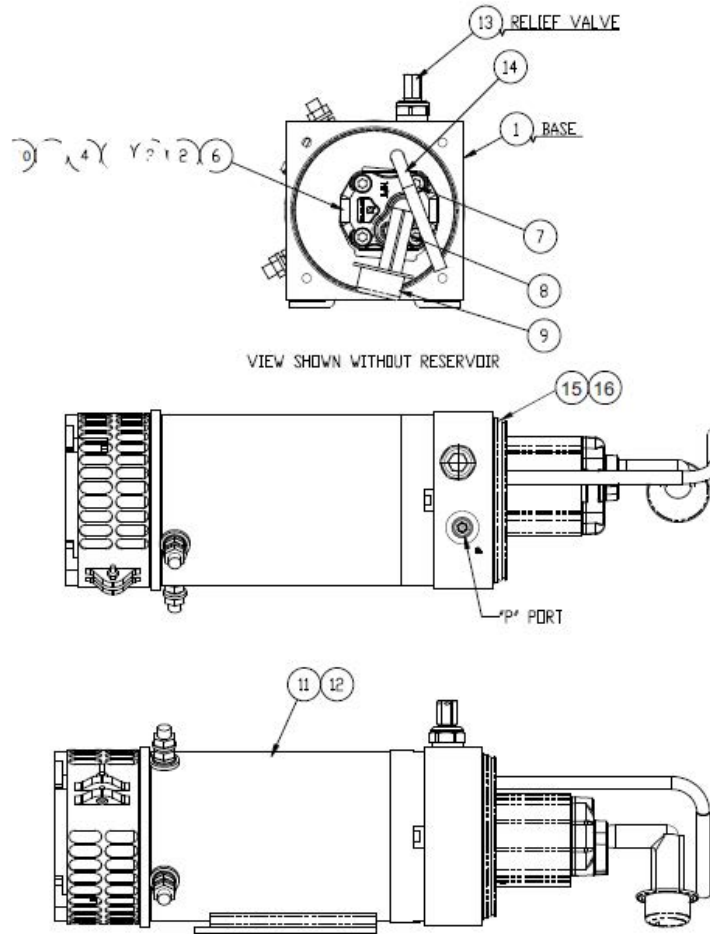
アイテム	部品番号	名前	数量	UOM
	6019446 B	MANIFOLD SCISSOR FLUID TECH (AFTER 6019378 MANIFOLD)		EA
2	501532 000	COUNTERBALANCE VALVE		EA
3	6019456	RELIEF VALVE		EA
4	6019457	NEEDLE VALVE		EA
5	104674 107	#08 CHECK VALVE 4 PSI		EA
6	561976	FLOW DIVIDER/COMBINER, 12.0 GPM INPUT		EA
7	6019458	FLOW CONTROL		EA
8	6029632	#10 HAND PUMP, 1.36CC, BLACK		EA
9	6019391	RELIEF VALVE, DIFFERENTIAL, AREA POPPET, 2000PSI		EA
10	6018943	SOLENOID VALVE		EA
11	6019032	#8 SPOOL, 4W3P, TANDEM CENTER		EA
12	6091570	#10 SOLENOID, 2 POSITION 4 WAY		EA
13	6019459	SOLENOID VALVE, 2 POS, 4 WAY		EA
14	6091576	#10 SPOOL, 4W3P, OPEN CENTER		EA
15	6019289	COIL 20VDC HYDRAFORCE 4303620		EA
16	6019390	E COIL, 20VDC, DEUTSCH DT04 2P		EA
17	6019395	1/16" NPT PLUG, .018 DIA ORIFICE		EA
18	6019123	1/16 in NPT PLUG W/.040 ORIFICE FLUIDTECH P/N:		EA

HYDRAULICS



アイテム	部品番号	名前	数量	UOM
	5018846G	HOSE ASSEMBLY		EA
1	5018841	HOSE 06 06FORFF 06FORFF 100R17 180 in	1	EA
2	5018842	HOSE 08 08FORFF 08FORFF 100R17 62.5 in	2	EA
3	5018843	HOSE 06 08FORFF 06FORFF 90DE90DEG 100R17 78 in	4	EA
4	5018844	HOSE 04 04FORFF 04FORFF 100R17 51 in	2	EA
5	5018864	HOSE 04 06FORFF 06FORFF 100R17 58IN	2	EA

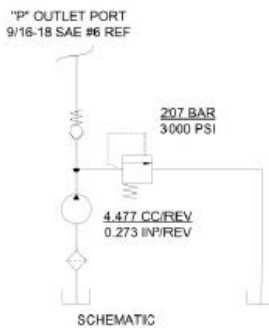
HYDRAULICS



NOTE:

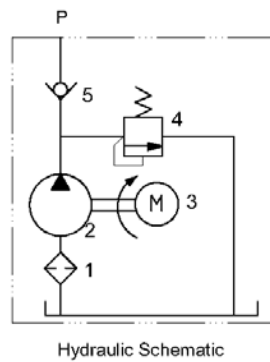
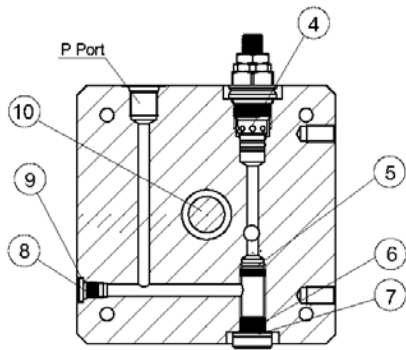
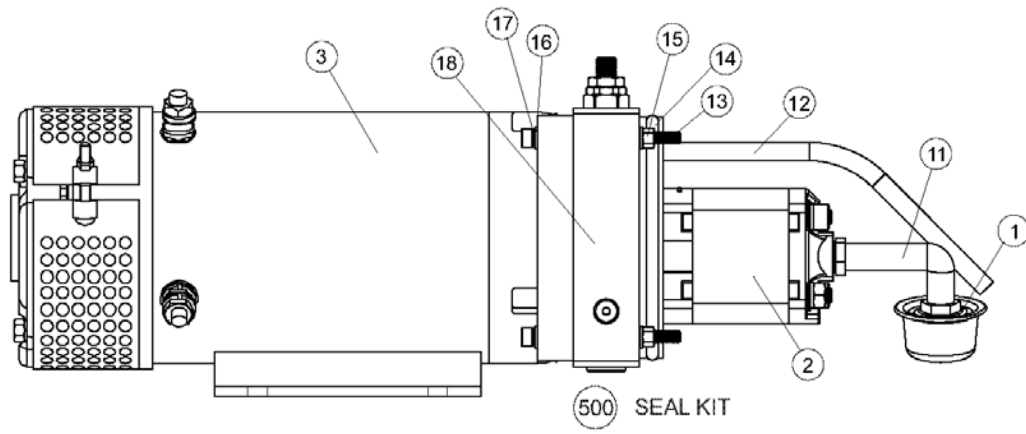
1. BUCHER PUMP ASSEMBLY NO LONGER AVAILABLE. 6029696 WUXI PUMP ASSEMBLY.

2. BUCHER REPLACEMENT PARTS STILL AVAILABLE.



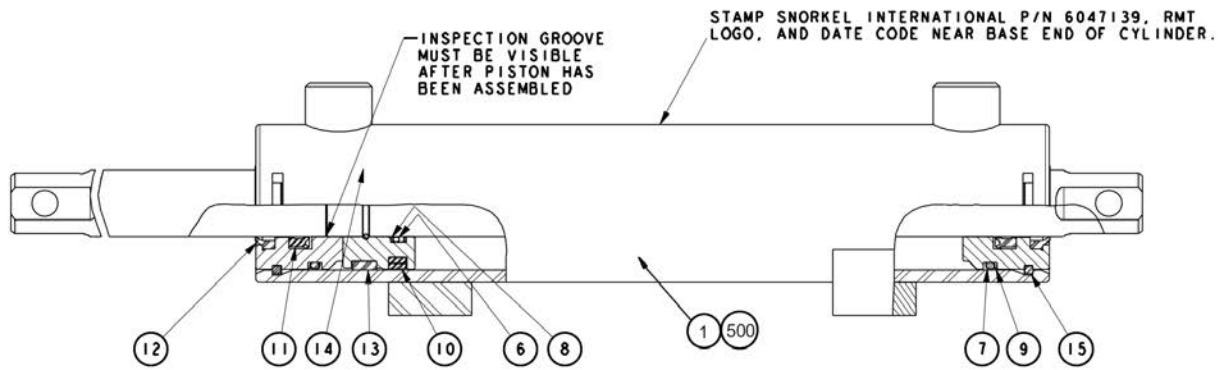
アイテム	部品番号	名前	数量	UOM
	6029678 B	BUCHER PUMP ASSEMBLY		EA
500	6091696	SEAL KIT – INCLUDES ITEMS 15 AND 16	1	EA
1	6029683	BASE ASSEMBLY M3504 STD MTR AP100 VM01	1	EA
2	6029680	PUMP AP100 4.3 PBP NO COVER CW	1	EA
3	6029681	O RING SHAPED REAR COVER AP100	1	EA
4	6029682	O RING SHAPED UP100&UP110	1	EA
5	6029684	PIN DOWEL 5X7 MM AP100	4	EA
6	6029685	COVER REAR AP100 309 .375 NPT	1	EA
7	6029686	V TCEI M008X085 08.8UNI5931 ZG	4	EA
8	6029687	TUBE SUCT 90 H/MT M 400 3/8NPT	1	EA
9	6029688	FILTER SCREEN M SERIES SUCT.	1	EA
10	6029689	SHAFT INTERMEDIATE AP100 DC	1	EA
11	6029690	MOTOR DC 24VOLT 5.0 in EXTND DTY	1	EA
12	6029691	SCREW F HD SOC CAP 1/4 20X 3/4	4	EA
13	6029692	VALVE MAX VM01 HDM10 T.211 320	1	EA
14	6029693	TUBE RETURN 90 DEG 1/8NPT	1	EA
15	6091697	O RING – ALSO INCLUDED IN SEAL KIT	1	EA
16	6091698	O RING – ALSO INCLUDED IN SEAL KIT	1	EA

HYDRAULICS



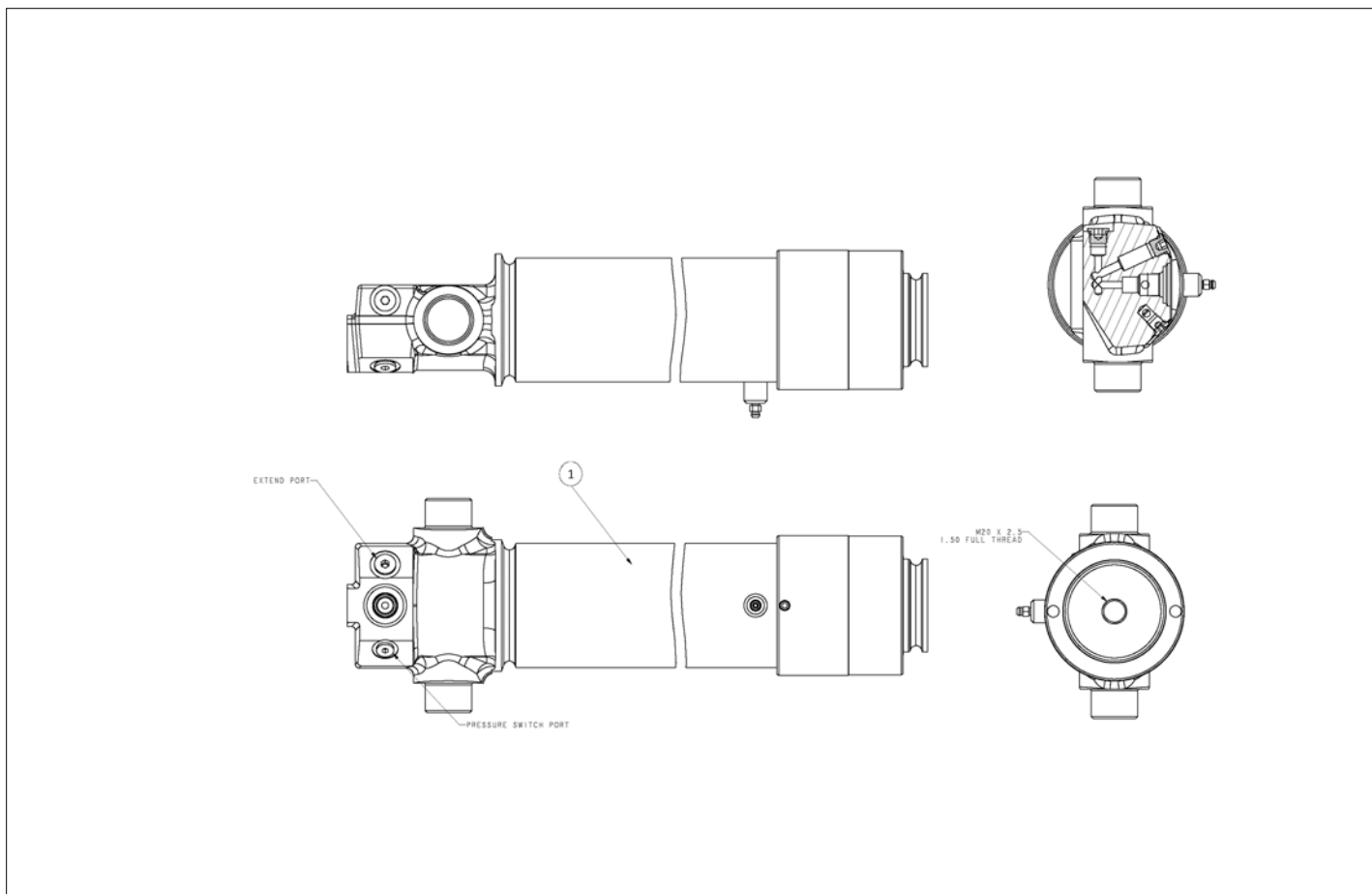
アイテム	部品番号	名前	数量	UOM
	6029696B	PUMP UNIT 24 VDC 4.33CC WUXI DELI	1	EA
500	6091793	SEAL KIT	1	EA
1	6091783	SUCTION FILTER	1	EA
2	6091779	GEAR PUMP	1	EA
3	6091777	DC MOTOR	1	EA
4	6091787	RELIEF VALVE	1	EA
5	6091786	CHECK VALVE	1	EA
6	6091791	PLUG	1	EA
7	6091792	BONDED WASHER	1	EA
8	6091790	PLUG	1	EA
9	6091789	O RING	1	EA
10	6091788	COUPLING	1	EA
11	6091784	SUCTION TUBE	1	EA
12	6091785	RETURN TUBE	1	EA
13	6091781	SOCKET HEAD CAP SCREWS	4	EA
14	6091780	O RING	1	EA
15	6091782	HEXAGON NUT	4	EA
16	056021 006	WASHER SPRING WASHER M6 DIN 127B GR8.8 ZP	4	EA
17	056069 006	WSHR STEELFLATWSHE M6 DIN125A	4	EA
18	6091778	MANIFOLD	1	EA

HYDRAULICS



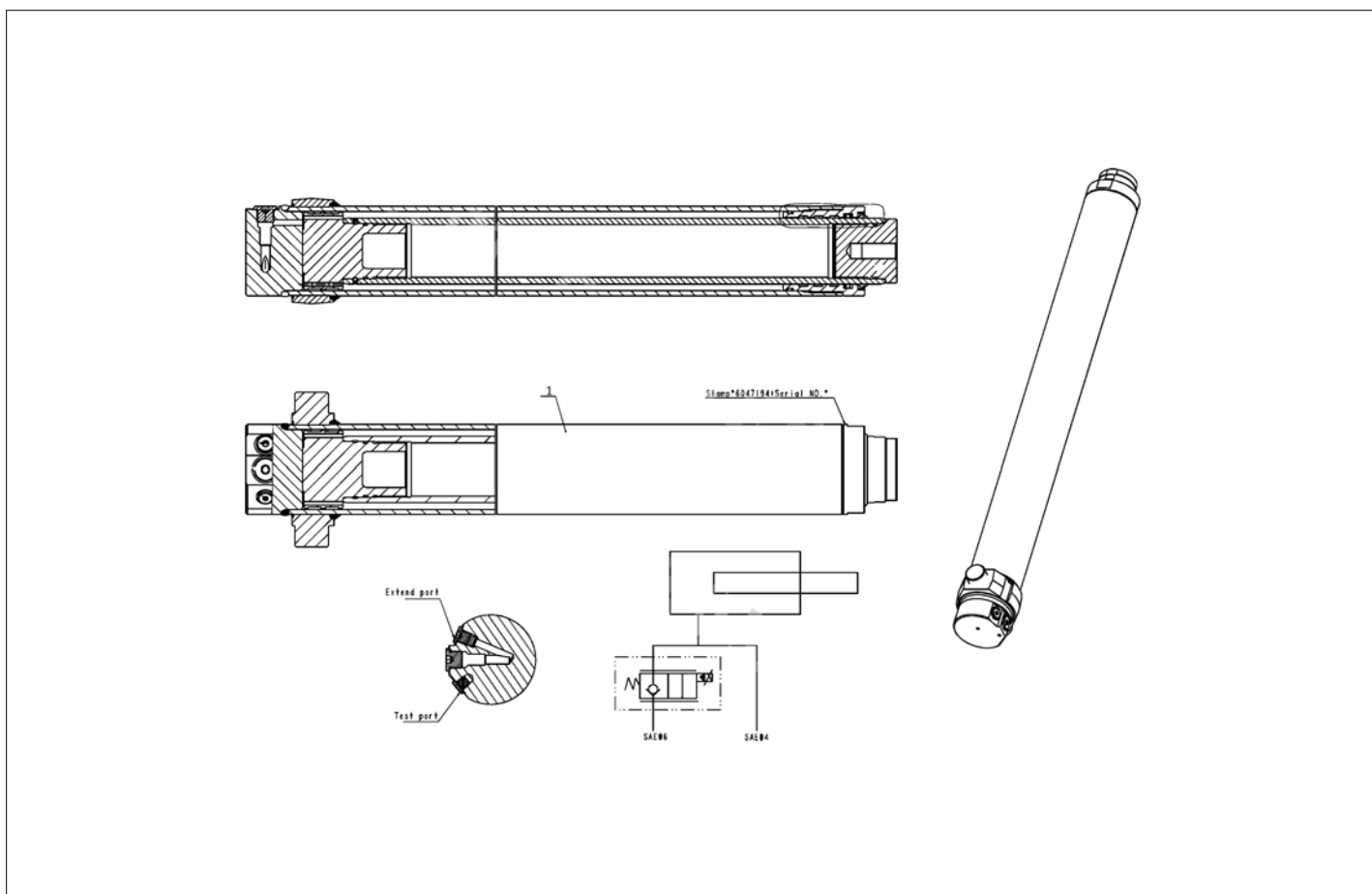
アイテム	部品番号	名前	数量	UOM
	6047139E	STEER CYLINDER ROSENBOOM AND FISHER		EA
1	6047139	STEER CYLINDER	1	EA
500	6091710	SEAL KIT FISHER, ROSENBOOM AND PB	1	EA
6	KIT ITEM	O RING	1	EA
7	KIT ITEM	O RING	2	EA
8	KIT ITEM	BACKUP RING DYNAMIC	2	EA
9	KIT ITEM	BACKUP RING	2	EA
10	KIT ITEM	DISO PAC	1	EA
11	KIT ITEM	BT U CUP	2	EA
12	KIT ITEM	HD ROD WIPER, SEALED OD	2	EA
13	KIT ITEM	WEARBAND	1	EA
14	KIT ITEM	ROUND WRAP IN WIRE	1	EA
15	KIT ITEM	SQUARE WRAP IN WIRE	2	EA

HYDRAULICS



アイテム	部品番号	名前	数量	UOM
	6047194A 1	LIFT CYLINDER ROSEBOOM		EA
1	6047202	SEAL KIT	1	EA

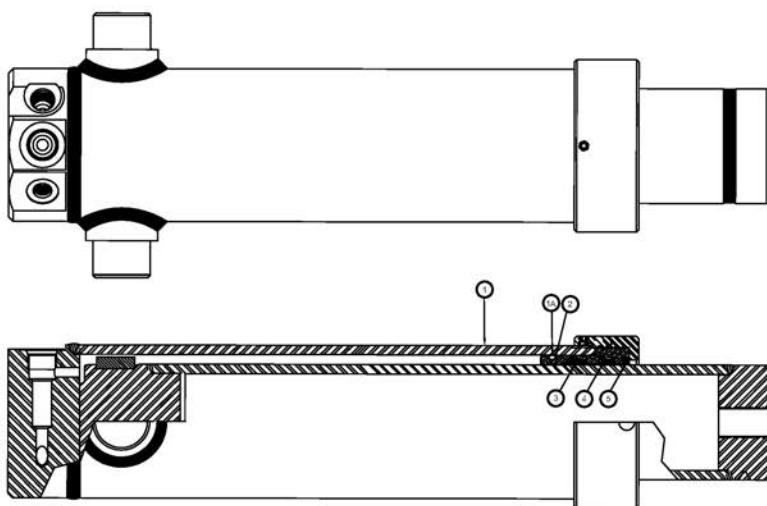
HYDRAULICS



アイテム	部品番号	名前	数量	UOM
	6047194A	LIFT CYLINDER HENGLI		EA
1	6047148	SEAL KIT	1	EA
(if needed)	056069 006	WSHR STEELFLATWSHE M6 DIN125A	2	EA

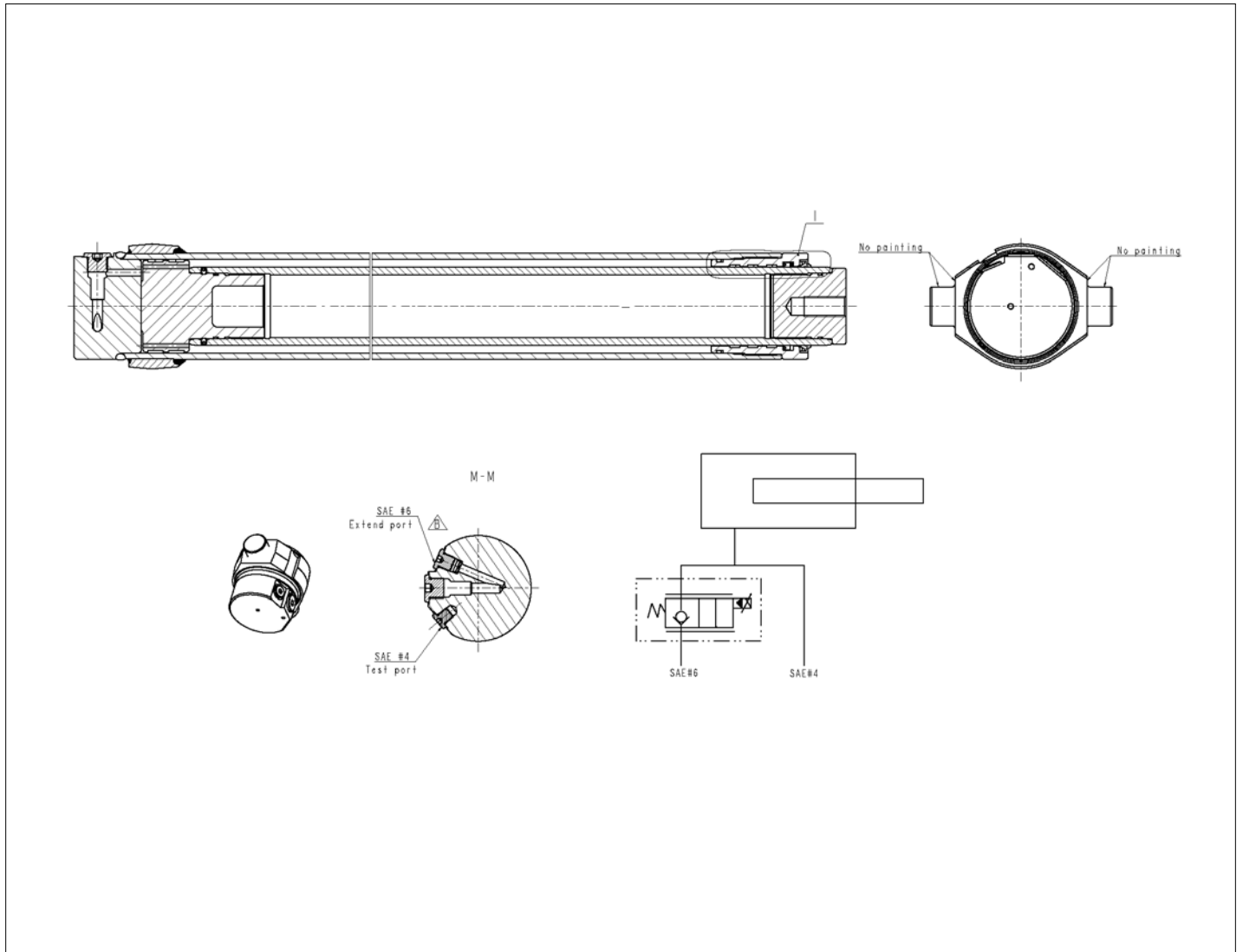
HYDRAULICS

FIRST THREE MACHINES BUILT WITH FISHER CYLINDERS:
S3215L-04-000001 S3215L-04-000002 S3215L-04-000003



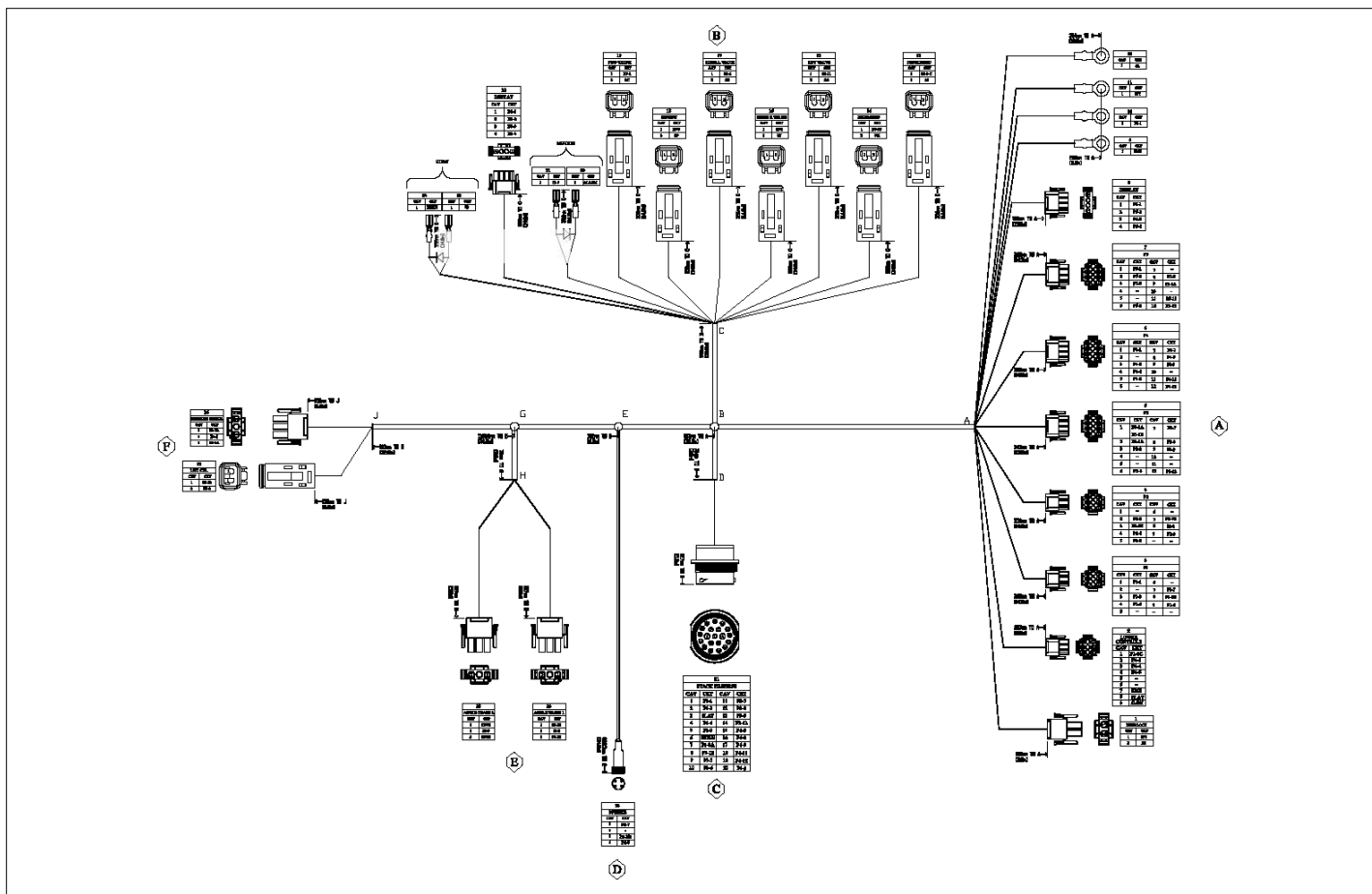
アイテム	部品番号	名前	数量	UOM
	6047135E	CYLINDER, LIFT (FISHER) before june 2017		EA
1	6047147	SEAL KIT	1	EA
1A	REF	O'RING	1	EA
2	REF	BACK UP RING	1	EA
3	REF	WEAR RING	1	EA
4	REF	LOADED U CUP	1	EA
5	REF	ROD WIPER	1	EA

HYDRAULICS



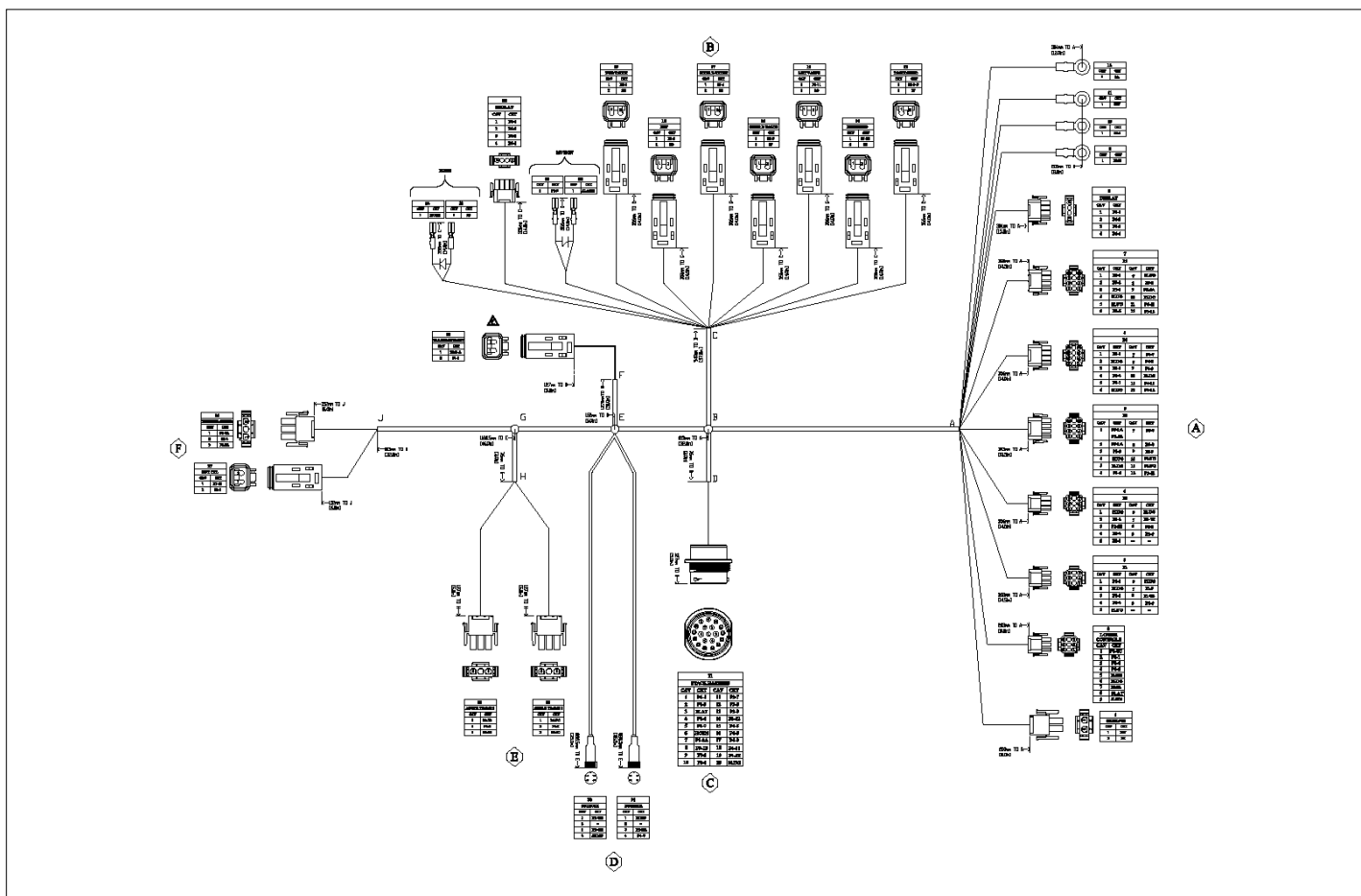
アイテム	部品番号	名前	数量	UOM
	6047194 A	LIFT CYLINDER PB CE		EA
1	6047148	SEAL KIT	1	EA

ELECTRICAL



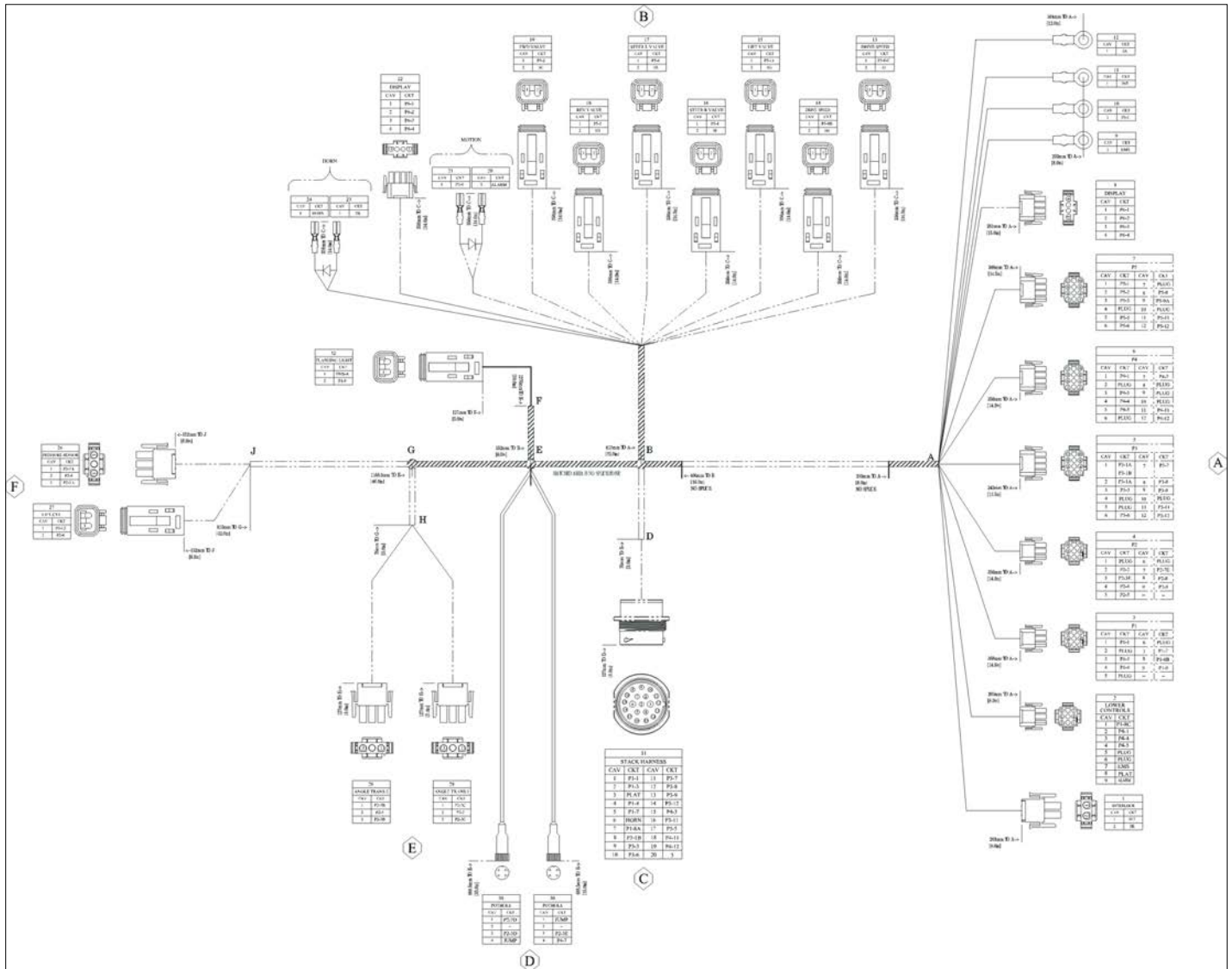
アイテム	部品番号	名前	数量	UOM
	1501984A	HARNESS, CHASSIS PHX II		EA
1	3044163	TERM R312I 16/14	2	EA
2	3040047	TERM FEM250FI 22/18	4	EA
3	3044146	TERM R10I 22/18	2	EA
9	3049803	CONNECTOR 2 PIN DEUTSCH PLUG	8	EA
16	32202447	WIRE SEAL, 2 POS	1	EA
17	3220249	WIRE SEAL, 3 POS	3	EA
18	3220251	WIRE SEAL, 4 POS	2	EA
19	3220253	WIRE SEAL, 9 POS	3	EA
20	3220255	WIRE SEAL, 12 POS	3	EA

ELECTRICAL



アイテム	部品番号	名前	数量	UOM
	1502310 J	CHASSIS HARNESS FEBRUARY 2016 AND AFTER		EA
1	3044163	TERM R312I 16/14	2	EA
2	3040047	TERM FEM250FI 22/18	4	EA
3	3044146	TERM R10I 22/18	2	EA
4	3220208	CONNECTOR DEUTSCH	1	EA
5	3049895	SOCKET CONTACT 20 DEUTSCH P/N	18	EA
6	3040342	SOCKET CONTACT SIZE 16 16/18GA	4	EA
7	3220199	CONNECTOR AMP 3 PIN	3	EA
8	3049986	AMP SOCKET CONTACT	59	EA
9	3049803	CONNECTOR 2 PIN DEUTSCH PLUG	10	EA
10	3049993	CONNECTOR	3	EA
11	3014753	SNORKEL GUARD SENSOR (CABLE, M12 X 2M L)	1	M
12	3220163	CONNECTOR AMP 4 PIN 1 480702 0	2	EA
13	3220132	CONN AMP 9 PIN PLUG	3	EA
14	3220181	CONN AMP 2PIN P/N:1 480698 0	1	EA
15	3049807	LOCK WEDGE 2 PIN DEUTSCH PLUG	9	EA
16	3220247	WIRE SEAL 2 POS	1	EA
17	3220249	WIRE SEAL, 3 POS	3	EA
18	3220251	WIRE SEAL, 4 POS	2	EA
19	3220253	WIRE SEAL, 9 POS	3	EA
20	3220255	WIRE SEAL, 12 POS	3	EA
21	3220293	KEYING PLUG	18	EA

ELECTRICAL



アイテム	部品番号	名前	数量	UOM
	1502973A	HARNESS, S3215L/S3215E/S3219E CHASSIS		EA
1	3044163	TERM R312I 16/14	2	EA
2	3040047	TERM FEM250FI 22/18	4	EA
3	3044146	TERM R10I 22/18	2	EA
4	3220208	CONNECTOR DEUTSCH	1	EA
5	3049895	SOCKET CONTACT 20 DEUTSCH P/N	26	EA
6	3040342	SOCKET CONTACT SIZE 16 16/18GA	2	EA
7	3220199	CONNECTOR AMP 3 PIN	3	EA
8	3049986	AMP SOCKET CONTACT	65	EA
9	3049803	CONNECTOR 2 PIN DEUTSCH PLUG	9	EA
10	3049993	CONNECTOR	3	EA
11	3014753	SNORKEL GUARD SENSOR (CABLE, M12 X 2M L)	2	M
12	3220163	CONNECTOR AMP 4 PIN 1 480702 0	2	EA
13	3220132	CONN AMP 9 PIN PLUG	3	EA
14	3220181	CONN AMP 2PIN P/N:1 480698 0	1	EA
15	3049807	LOCK WEDGE 2 PIN DEUTSCH PLUG	9	EA
16	3220247	WIRE SEAL 2 POS	1	EA
17	3220249	WIRE SEAL, 3 POS	3	EA
18	3220251	WIRE SEAL, 4 POS	2	EA
19	3220253	WIRE SEAL, 9 POS	3	EA
20	3220255	WIRE SEAL, 12 POS	3	EA
21	3220293	KEYING PLUG	18	EA

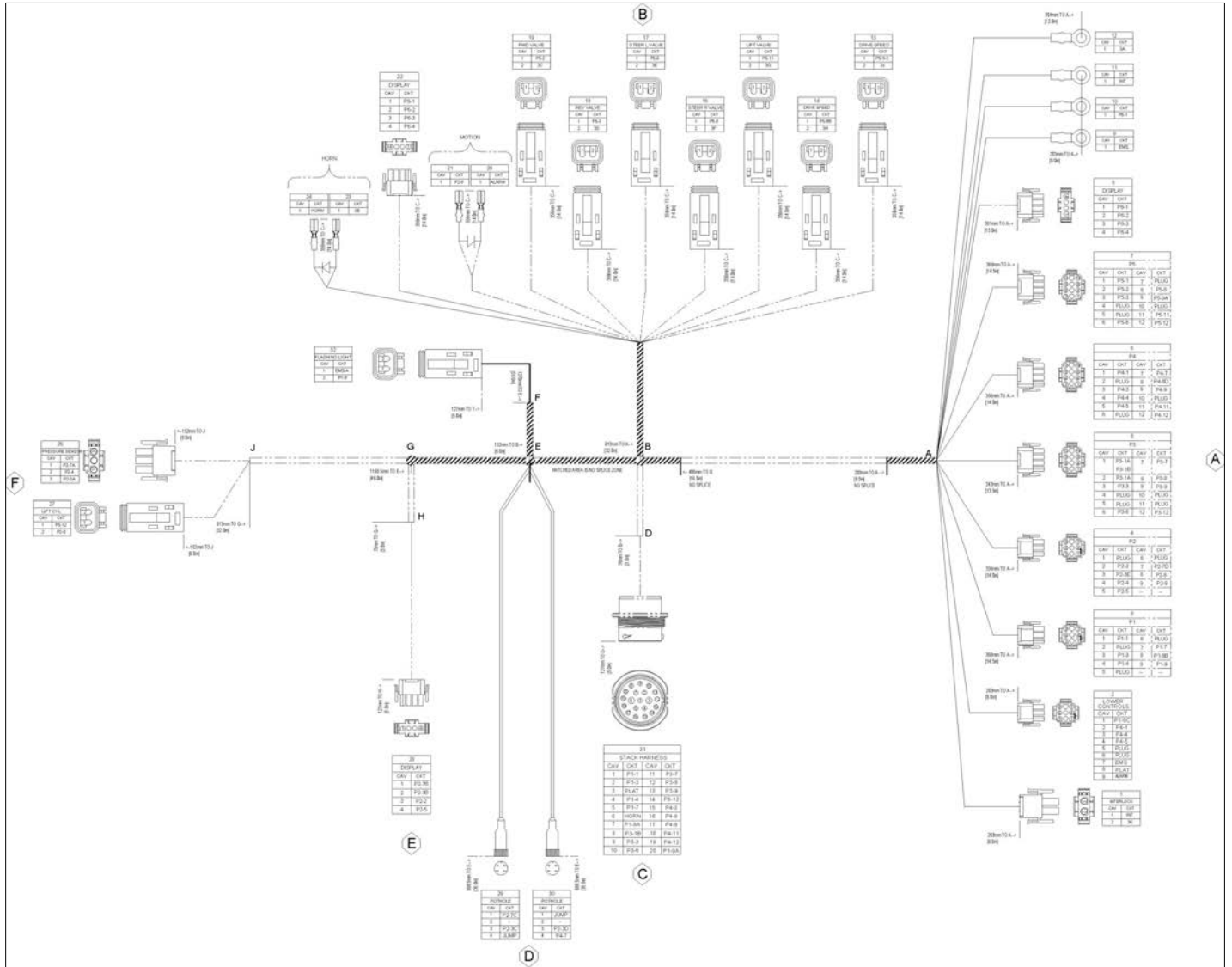
CIRCUIT	SUFFIX	AWG	COLOR	DEVICE LEFT			DEVICE RIGHT					
				LOCATION	CONN	CAVITY	TERM	ITEM	CONN	CAVITY	TERM	
3	A	14	BLK	12	ITEM 1	1		SPLICE				
3	B	20	BLK	23	ITEM 2	1		SPLICE				
3	C	20	BLK	SPLICE				19	ITEM 9	2	ITEM 5	
3	D	20	BLK	SPLICE				18	ITEM 9	2	ITEM 5	
3	E	20	BLK	SPLICE				17	ITEM 9	2	ITEM 5	
3	F	20	BLK	SPLICE				16	ITEM 9	2	ITEM 5	
3	G	20	BLK	SPLICE				15	ITEM 9	2	ITEM 5	
3	H	20	BLK	SPLICE				14	ITEM 9	2	ITEM 5	
3	J	20	BLK	SPLICE				13	ITEM 9	2	ITEM 5	
3	K	20	BLK	SPLICE				1	ITEM 14	2	ITEM 8	
3	L	20	BLK	SPLICE				31	ITEM 4	20	ITEM 5	
EMS		14	WHT	9	ITEM 1	1		2	ITEM 13	7	ITEM 8	
EMS	A	18	WHT	SPLICE				32	ITEM 9	1	ITEM 5	
HORN		18	WHT	24	ITEM 2	1		31	ITEM 4	6	ITEM 6	
INT		20	WHT	11	ITEM 3	1		1	ITEM 14	1	ITEM 8	
ALARM		18	WHT	20	ITEM 2	1		2	ITEM 13	9	ITEM 8	
P1-1		18	WHT	31	ITEM 4	1	ITEM 5	3	ITEM 13	1	ITEM 8	
P1-3		18	WHT	31	ITEM 4	2	ITEM 5	3	ITEM 13	3	ITEM 8	
P1-4		18	WHT	31	ITEM 4	4	ITEM 5	3	ITEM 13	4	ITEM 8	
P1-7		18	WHT	31	ITEM 4	5	ITEM 5	3	ITEM 13	7	ITEM 8	
P1-8	A	18	WHT	31	ITEM 4	7	ITEM 5	SPLICE				
P1-8	B	18	WHT	SPLICE				3	ITEM 13	18	ITEM 8	
P1-8	C	18	WHT	SPLICE				2	ITEM 13	1	ITEM 8	
P1-9		18	WHT	32	ITEM 9	2	ITEM 9	3	ITEM 13	9	ITEM 8	
P1-9A	A	20	WHT	SPLICE				ITEM 4	20	ITEM 5		
P2-2		20	WHT	29	ITEM 7	2	ITEM 8	4	ITEM 13	2	ITEM 8	
P2-3	A	20	WHT	26	ITEM 7	3	ITEM 8	SPLICE				
P2-3	B	20	WHT	28	ITEM 7	3	ITEM 8	SPLICE				
P2-3	C	20	WHT	29	ITEM 7	3	ITEM 8	SPLICE				
P2-3	D	20	WHT	SPLICE				30	ITEM 11	3		
P2-3	E	20	WHT	SPLICE				4	ITEM 13	3	ITEM 8	
P2-3	F	20	WHT	SPLICE				32	ITEM 11	3		
P2-4		20	WHT	26	ITEM 7	2	ITEM 8	4	ITEM 13	4	ITEM 8	
P2-5		20	WHT	28	ITEM 7	2	ITEM 8	4	ITEM 13	5	ITEM 8	
P2-7	A	20	WHT	26	ITEM 7	1	ITEM 8	SPLICE				
P2-7	B	20	WHT	28	ITEM 7	1	ITEM 8	SPLICE				
P2-7	C	20	WHT	29	ITEM 7	1	ITEM 8	SPLICE	ITEM 4	10	ITEM 5	
P2-7	D	20	WHT	SPLICE				30	ITEM 11	1		
P2-7	E	20	WHT	SPLICE				4	ITEM 13	7	ITEM 8	
P2-8		18	WHT	27	ITEM 9	2	ITEM 5	4	ITEM 13	8	ITEM 8	
P2-9		18	WHT	21	ITEM 2	1		4	ITEM 13	9	ITEM 8	
P3-1	A	18	WHT	5	ITEM 10	1	ITEM 8	5	ITEM 10	2		
P3-1	B	18	WHT	31	ITEM 4	8	ITEM 5	5	ITEM 10	1	ITEM 8	
P3-3		18	WHT	31	ITEM 4	9	ITEM 5	5	ITEM 10	3	ITEM 8	
P3-6		18	WHT	31	ITEM 4	10	ITEM 5	5	ITEM 10	6	ITEM 8	
P3-7		18	WHT	31	ITEM 4	11	ITEM 5	5	ITEM 10	7	ITEM 8	
P3-8		18	WHT	31	ITEM 4	12	ITEM 5	5	ITEM 10	8	ITEM 8	
P3-9		18	WHT	31	ITEM 4	13	ITEM 5	5	ITEM 10	9	ITEM 8	
P3-11		20	WHT	31	ITEM 4	16	ITEM 5	5	ITEM 10	11	ITEM 8	
P3-12		18	WHT	31	ITEM 4	14	ITEM 5	5	ITEM 10	12	ITEM 8	
P4-1		20	WHT	6	ITEM 10	1	ITEM 8	2	ITEM 13	2	ITEM 8	
P4-3		20	WHT	31	ITEM 4	15	ITEM 5	6	ITEM 10	3	ITEM 8	
P4-4		20	WHT	6	ITEM 10	4	ITEM 8	2	ITEM 13	3	ITEM 8	
P4-5		20	WHT	6	ITEM 10	5	ITEM 8	2	ITEM 13	4	ITEM 8	
P4-7		20	WHT	32	ITEM 11	4		6	ITEM 10	7	ITEM 8	
P4-11		20	WHT	31	ITEM 4	18	ITEM 5	6	ITEM 10	11	ITEM 8	
P4-12		20	WHT	31	ITEM 4	19	ITEM 5	6	ITEM 10	12	ITEM 8	
P5-1		20	WHT	10	ITEM 3	1		7	ITEM 10	1	ITEM 8	
P5-2		20	WHT	7	ITEM 10	2	ITEM 8	19	ITEM 9	1	ITEM 5	
P5-3		20	WHT	7	ITEM 10	3	ITEM 8	18	ITEM 9	1	ITEM 5	
P5-5		20	WHT	31	ITEM 4	17	ITEM 5	7	ITEM 10	5	ITEM 8	
P5-6		20	WHT	7	ITEM 10	6	ITEM 8	17	ITEM 9	1	ITEM 5	
P5-8		20	WHT	7	ITEM 10	8	ITEM 8	16	ITEM 9	1	ITEM 5	
P5-9	A	18	WHT	7	ITEM 10	9	ITEM 8	SPLICE				
P5-9	B	20	WHT	SPLICE				14	ITEM 9	1	ITEM 5	
P5-9	C	20	WHT	SPLICE				13	ITEM 9	1	ITEM 5	
P5-11		20	WHT	7	ITEM 10	11	ITEM 8	15	ITEM 9	1	ITEM 5	
P5-12		18	WHT	27	ITEM 9	1	ITEM 5	7	ITEM 10	12	ITEM 8	
P6-1		20	WHT	8	ITEM 12	1	ITEM 8	22	ITEM 12	1	ITEM 8	
P6-2		20	WHT	8	ITEM 12	2	ITEM 8	22	ITEM 12	2	ITEM 8	
P6-3		20	WHT	8	ITEM 12	3	ITEM 8	22	ITEM 12	3	ITEM 8	
P6-4		20	WHT	8	ITEM 12	4	ITEM 8	22	ITEM 12	4	ITEM 8	
PLAT		14	WHT	31	ITEM 4	3	ITEM 6	2	ITEM 13	8	ITEM 8	
JUMP		20	WHT	30	ITEM 11	4		32	ITEM 11	1		

ITEM	SNORKEL PN	DESCRIPTION	MFG PN	MFG	UNIT	QTY
1	3044163	TERM R3121 16/14	485030-1	TYCO	EA	2
2	3040047	TERM FEM250FT 22/18	2-520405-2	TYCO	EA	4
3	3044146	TERM R101 22/18	160102-2	TYCO	EA	2
4	3220208	CONNECTOR, DEUTSCH	HDP26-18-20SN	DEUTSCH	EA	1
5	3049895	SOCKET, 0462-201-20141	0462-201-20141	DEUTSCH	EA	36
6	3040342	SOCKET, 0462-201-16141	0462-201-16141	DEUTSCH	EA	2
7	3220199	CONNECTOR, 3-WAY PLUG	1-480700-0	TYCO	EA	3
8	3049986	SOCKET, 350536-2	350536-2	TYCO	EA	65
9	3049803	CONNECTOR 2-PIN DEUTSCH	DT06-2S	DEUTSCH	EA	9
10	3049993	CONNECTOR, 1-480708-0	1-480708-0	TYCO	EA	3
11	3014753	4-WIRE MICRO DC CORDSET	EVC001	IFM	EA	2
12	3220163	CONNECTOR, 1-480702-0	1-480702-0	TYCO	EA	2
13	3220132	CONNECTOR, 1-480706-0	1-480706-0	TYCO	EA	3
14	3220181	CONNECTOR, 1-480698-0	1-480698-0	TYCO	EA	1
15	3049807	WEDGELOCK, DT, 2-WAY	W2S	DEUTSCH	EA	9
16	3220247	WIRE SEAL 2 POS	794270-1	TYCO	EA	1
17	3220249	WIRE SEAL 3 POS	794272-1	TYCO	EA	3
18	3220251	WIRE SEAL 4 POS	794274-1	TYCO	EA	2
19	3220253	WIRE SEAL 9 POS	794278-1	TYCO	EA	3
20	3220255	WIRE SEAL 12 POS	794280-1	TYCO	EA	3
21	3220293	KEYING PLUG	1-640415-0	TYCO	EA	18

NOTES:

- ALL WIRES SHALL BE MARKED WITH THE CIRCUIT NUMBER WITH ANY SUFFIX AS DEFINED IN THE WIRE CHART, USING PERMANENT INK. MARKINGS SHALL BE MADE WITHING 50mm(2.0in) FROM THE END OF THE CUT LEAD. NOTE THAT THIS REQUIREMENT DOES NOT APPLY TO WIRE ENDS AT SPLICES.
- GXL, GPT, OR TDL WIRE MAY BE SUBSTITUTED PROVIDED THE SAME CORE SIZE AND INSULATION COLOR ARE USED. THIS SUBSTITUTION DOES NOT REQUIRE PRIOR AUTHORIZATION.
- ATA MINIMUM THE HARNESS ID LABEL SHALL CLEARLY SHOW: HARNESS PART NUMBER, REVISION LEVEL, MANUFACTURE DATE. THE LABEL MAY BE FLAGGED OR ROLLED.
- ITEMS 16, 17, 18, 19, 20 NEED TO BE INSTALLED IN ITEMS 14, 7, 12, 13, 10 RESPECTIVELY.

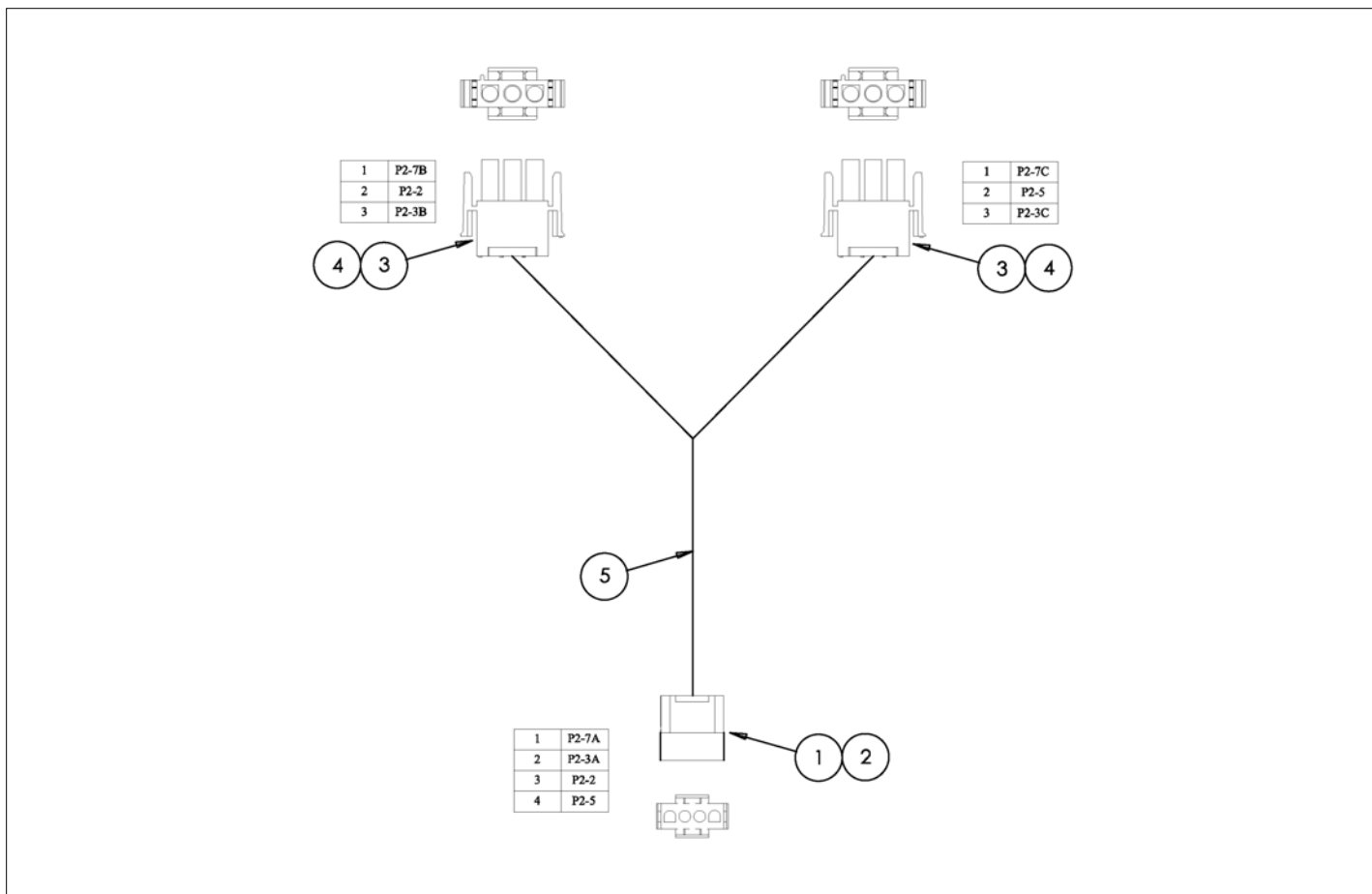
ELECTRICAL



アイテム	部品番号	名前	数量	UOM
	1503092 B	CHASSIS HARNESS ANSI CE AS S3215E S3219E JANUARY 2019 AND AFTER		EA

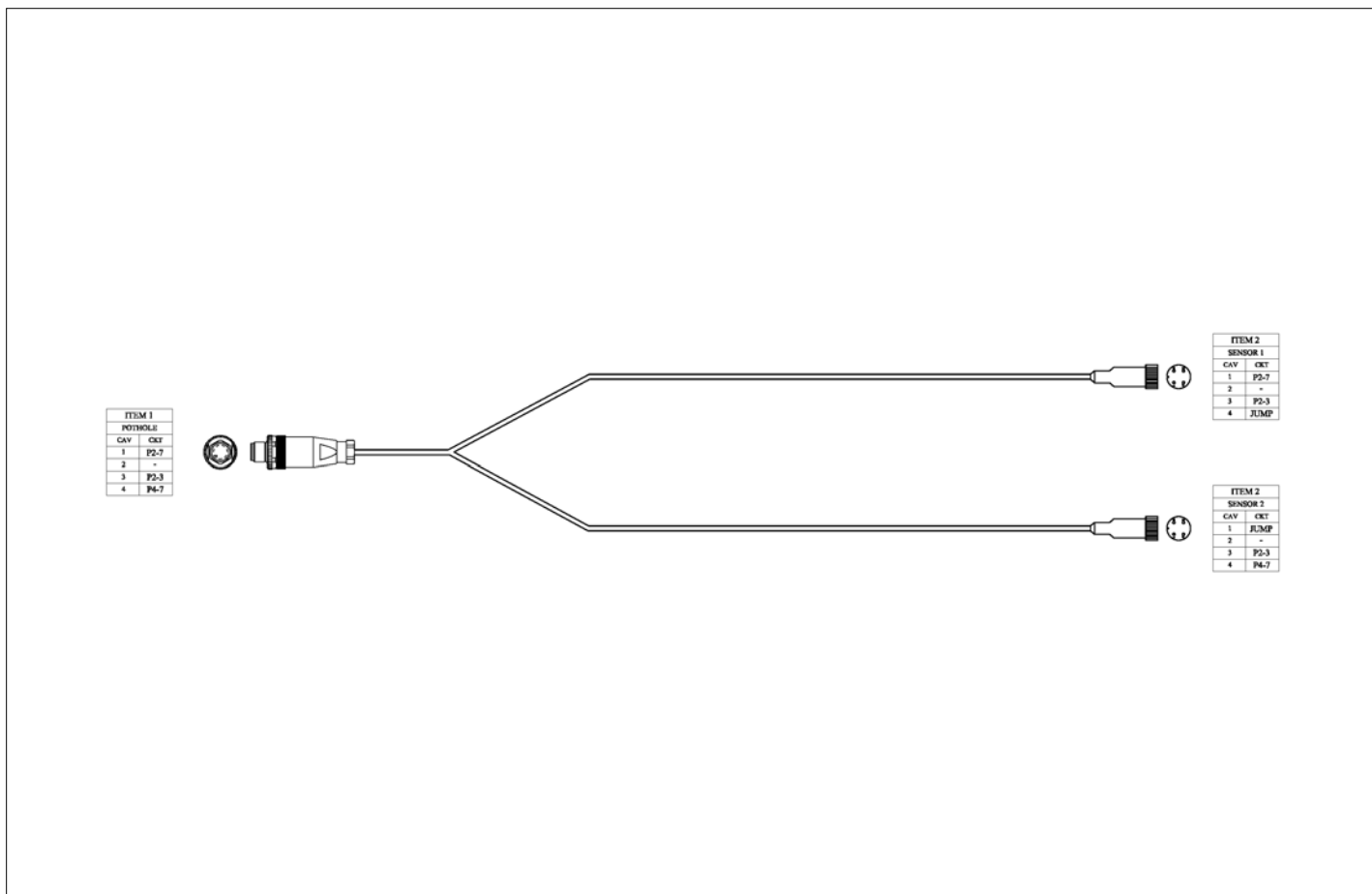
CIRCUIT	SYM	WIRE	COLOR	SOURCE LEFT				SOURCE RIGHT					
				LOCATION	CON.	CAP.	TERMS	LOCATION	CON.	CAP.	TERMS		
1	A	16	BUL	19									
2	B	20	BUL	27									
3	C	20	BUL	SRKCE					19	STEM 2			
4	D	20	BUL	SRKCE					18	STEM			
5	E	20	BUL	SRKCE					17	STEM 2			
6	F	20	BUL	SRKCE					16	STEM 2			
7	G	20	BUL	SRKCE					15	STEM 2			
8	H	20	BUL	SRKCE					14	STEM 2			
9	J	20	BUL	SRKCE					13	STEM 2			
10	K	20	BUL	SRKCE					1	STEM 14			
11	L	18	WHT	6					2	STEM 12			
12	M	18	WHT	SRKCE	STEM 1				32	STEM 1			
13	N	18	WHT	24	STEM 2				31	STEM 1			
14	O	18	WHT	11	STEM 2				1	STEM 1			
15	P	18	WHT	20	STEM 2				2	STEM 13			
16	Q	18	WHT	31	STEM 4				3	STEM 13			
17	R	18	WHT	31	STEM 4				3	STEM 13			
18	S	18	WHT	31	STEM 4				3	STEM 13			
19	T	18	WHT	31	STEM 4				3	STEM 13			
20	U	18	WHT	31	STEM 4				3	STEM 13			
21	V	18	WHT	31	STEM 4				3	STEM 13			
22	W	18	WHT	31	STEM 4				3	STEM 13			
23	X	18	WHT	31	STEM 4				3	STEM 13			
24	Y	18	WHT	31	STEM 4				3	STEM 13			
25	Z	18	WHT	31	STEM 4				3	STEM 13			
26	AA	18	WHT	31	STEM 4				3	STEM 13			
27	AB	18	WHT	31	STEM 4				3	STEM 13			
28	AC	18	WHT	31	STEM 4				3	STEM 13			
29	AD	18	WHT	31	STEM 4				3	STEM 13			
30	AE	18	WHT	31	STEM 4				3	STEM 13			
31	AF	18	WHT	31	STEM 4				3	STEM 13			
32	AG	18	WHT	31	STEM 4				3	STEM 13			
33	AH	18	WHT	31	STEM 4				3	STEM 13			
34	AI	18	WHT	31	STEM 4				3	STEM 13			
35	AJ	18	WHT	31	STEM 4				3	STEM 13			
36	AK	18	WHT	31	STEM 4				3	STEM 13			
37	AL	18	WHT	31	STEM 4				3	STEM 13			
38	AM	18	WHT	31	STEM 4				3	STEM 13			
39	AN	18	WHT	31	STEM 4				3	STEM 13			
40	AO	18	WHT	31	STEM 4				3	STEM 13			
41	AP	18	WHT	31	STEM 4				3	STEM 13			
42	AQ	18	WHT	31	STEM 4				3	STEM 13			
43	AR	18	WHT	31	STEM 4				3	STEM 13			
44	AS	18	WHT	31	STEM 4				3	STEM 13			
45	AT	18	WHT	31	STEM 4				3	STEM 13			
46	AU	18	WHT	31	STEM 4				3	STEM 13			
47	AV	18	WHT	31	STEM 4				3	STEM 13			
48	AW	18	WHT	31	STEM 4				3	STEM 13			
49	AX	18	WHT	31	STEM 4				3	STEM 13			
50	AY	18	WHT	31	STEM 4				3	STEM 13			
51	AZ	18	WHT	31	STEM 4				3	STEM 13			
52	BA	18	WHT	31	STEM 4				3	STEM 13			
53	BB	18	WHT	31	STEM 4				3	STEM 13			
54	BC	18	WHT	31	STEM 4				3	STEM 13			
55	BD	18	WHT	31	STEM 4				3	STEM 13			
56	BE	18	WHT	31	STEM 4				3	STEM 13			
57	BF	18	WHT	31	STEM 4				3	STEM 13			
58	BG	18	WHT	31	STEM 4				3	STEM 13			
59	BH	18	WHT	31	STEM 4				3	STEM 13			
60	BI	18	WHT	31	STEM 4				3	STEM 13			
61	BJ	18	WHT	31	STEM 4				3	STEM 13			
62	BK	18	WHT	31	STEM 4				3	STEM 13			
63	BL	18	WHT	31	STEM 4				3	STEM 13			
64	BM	18	WHT	31	STEM 4				3	STEM 13			
65	BN	18	WHT	31	STEM 4				3	STEM 13			
66	BO	18	WHT	31	STEM 4				3	STEM 13			
67	BP	18	WHT	31	STEM 4				3	STEM 13			
68	BQ	18	WHT	31	STEM 4				3	STEM 13			
69	BR	18	WHT	31	STEM 4				3	STEM 13			
70	BS	18	WHT	31	STEM 4				3	STEM 13			
71	BT	18	WHT	31	STEM 4				3	STEM 13			
72	BV	18	WHT	31	STEM 4				3	STEM 13			
73	BW	18	WHT	31	STEM 4				3	STEM 13			
74	BX	18	WHT	31	STEM 4				3	STEM 13			
75	BY	18	WHT	31	STEM 4				3	STEM 13			
76	BZ	18	WHT	31	STEM 4				3	STEM 13			
77	CA	18	WHT	31	STEM 4				3	STEM 13			
78	CB	18	WHT	31	STEM 4				3	STEM 13			
79	CC	18	WHT	31	STEM 4				3	STEM 13			
80	CD	18	WHT	31	STEM 4				3	STEM 13			
81	CE	18	WHT	31	STEM 4				3	STEM 13			
82	CF	18	WHT	31	STEM 4				3	STEM 13			
83	CG	18	WHT	31	STEM 4				3	STEM 13			
84	CH	18	WHT	31	STEM 4				3	STEM 13			
85	CI	18	WHT	31	STEM 4				3	STEM 13			
86	CJ	18	WHT	31	STEM 4				3	STEM 13			
87	CK	18	WHT	31	STEM 4				3	STEM 13			
88	CL	18	WHT	31	STEM 4				3	STEM 13			
89	CM	18	WHT	31	STEM 4				3	STEM 13			
90	CN	18	WHT	31	STEM 4				3	STEM 13			
91	CO	18	WHT	31	STEM 4				3	STEM 13			
92	CP	18	WHT	31	STEM 4				3	STEM 13			
93	CQ	18	WHT	31	STEM 4				3	STEM 13			
94	CR	18	WHT	31	STEM 4				3	STEM 13			
95	CS	18	WHT	31	STEM 4				3	STEM 13			
96	CT	18	WHT	31	STEM 4				3	STEM 13			
97	CV	18	WHT	31	STEM 4				3	STEM 13			
98	CW	18	WHT	31	STEM 4				3	STEM 13			
99	CX	18	WHT	31	STEM 4				3	STEM 13			
100	CY	18	WHT	31	STEM 4				3	STEM 13			
101	CZ	18	WHT	31	STEM 4				3	STEM 13			
102	DA	18	WHT	31	STEM 4				3	STEM 13			
103	DB	18	WHT	31	STEM 4				3	STEM 13			
104	DC	18	WHT	31	STEM 4				3	STEM 13			
105	DD	18	WHT	31	STEM 4				3	STEM 13			
106	DE	18	WHT	31	STEM 4				3	STEM 13			
107	DF	18	WHT	31	STEM 4				3	STEM 13			
108	DG	18	WHT	31	STEM 4				3	STEM 13			
109	DH	18	WHT	31	STEM 4				3	STEM 13			
110	DI	18	WHT	31	STEM 4				3	STEM 13			
111	DJ	18	WHT	31	STEM 4				3	STEM 13			
112	DK	18	WHT	31	STEM 4				3	STEM 13			
113	DL	18	WHT	31	STEM 4				3	STEM 13			
114	DM	18	WHT	31	STEM 4				3	STEM 13			
115	DN	18	WHT	31	STEM 4				3	STEM 13			
116	DO	18	WHT	31	STEM 4				3	STEM 13			
117	DP	18	WHT	31	STEM 4				3	STEM 13			
118	DQ	18	WHT	31	STEM 4				3	STEM 13			
119	DR	18	WHT	31	STEM 4				3	STEM 13			
120	DS	18	WHT	31	STEM 4				3	STEM 13			
121	DT	18	WHT	31	STEM 4				3	STEM 13			
122	DV	18	WHT	31	STEM 4				3	STEM 13			
123	DW	18	WHT	31	STEM 4				3	STEM 13			
124	DX	18	WHT	31	STEM 4				3	STEM 13			
125	DY	18	WHT	31	STEM 4				3	STEM 13			
126	DZ	18	WHT	31	STEM 4				3	STEM 13			
127	EA	18	WHT	31	STEM 4				3	STEM 13			
128	EB	18	WHT	31	STEM 4				3	STEM 13			
129	EC	18	WHT	31	STEM 4				3	STEM 13			
130	ED	18	WHT	31	STEM 4				3	STEM 13			
131	EE	18	WHT	31	STEM 4				3	STEM 13			
132	EF	18	WHT	31	STEM 4				3	STEM 13			
133	EG	18	WHT	31	STEM 4				3	STEM 13			
134	EH	18	WHT	31	STEM 4				3	STEM 13			
135	EI	18	WHT	31	STEM 4				3	STEM 13			
136	EJ	18	WHT	31	STEM 4				3	STEM 13			
137	EK	18	WHT	31	STEM 4				3	STEM 13			
138	EL	18	WHT	31	STEM 4				3	STEM 13			
139	EM	18	WHT	31	STEM 4				3	STEM 13			
140	EN	18	WHT	31	STEM 4				3	STEM 13			
141	EO	18	WHT	31	STEM 4				3	STEM 13			
142	EP												

ELECTRICAL



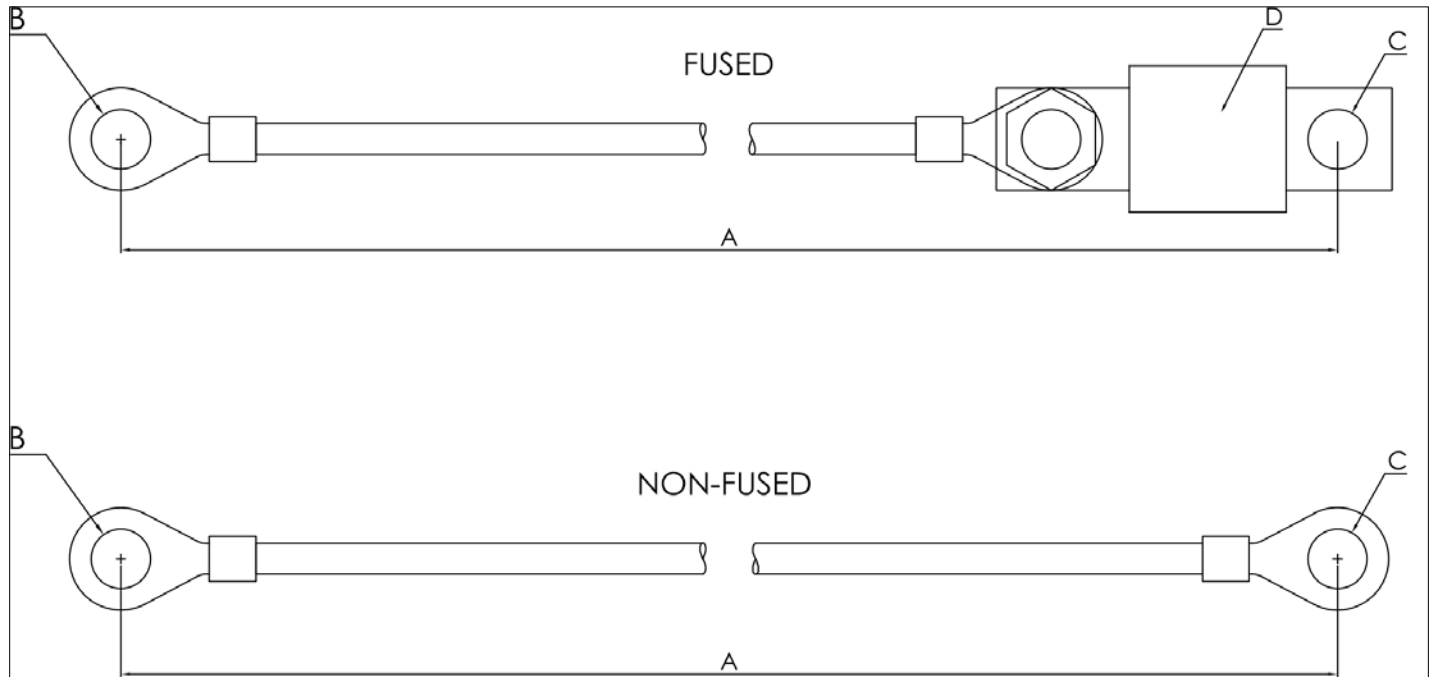
アイテム	部品番号	名前	数量	UOM
	1503093 A	ANGLE TRANSDUCER JUMPER JANUARY 2019 AND AFTER		EA
1	3220199	CONNECTOR AMP 3 PIN	2	EA
2	3049986	AMP SOCKET CONTACT	6	EA
3	3220376	CONNECTOR AMP FEMALE 4 PIN	1	EA
4	3220377	AMP SOCKET CONTACT	4	EA
5	3011801	WIRE 18GA SINGLE CONDUCTOR WHT	A/R	EA

ELECTRICAL



アイテム	部品番号	名前	数量	UOM
	1502306A	HARNESS, DOUBLE PROX SENSOR		EA
1	3014759	CONNECTOR, M12 MALE WIRABLE	1	EA
2	3014753	SNORKEL GUARD SENSOR (CABLE, M12 X 2M L)	2	M

ELECTRICAL



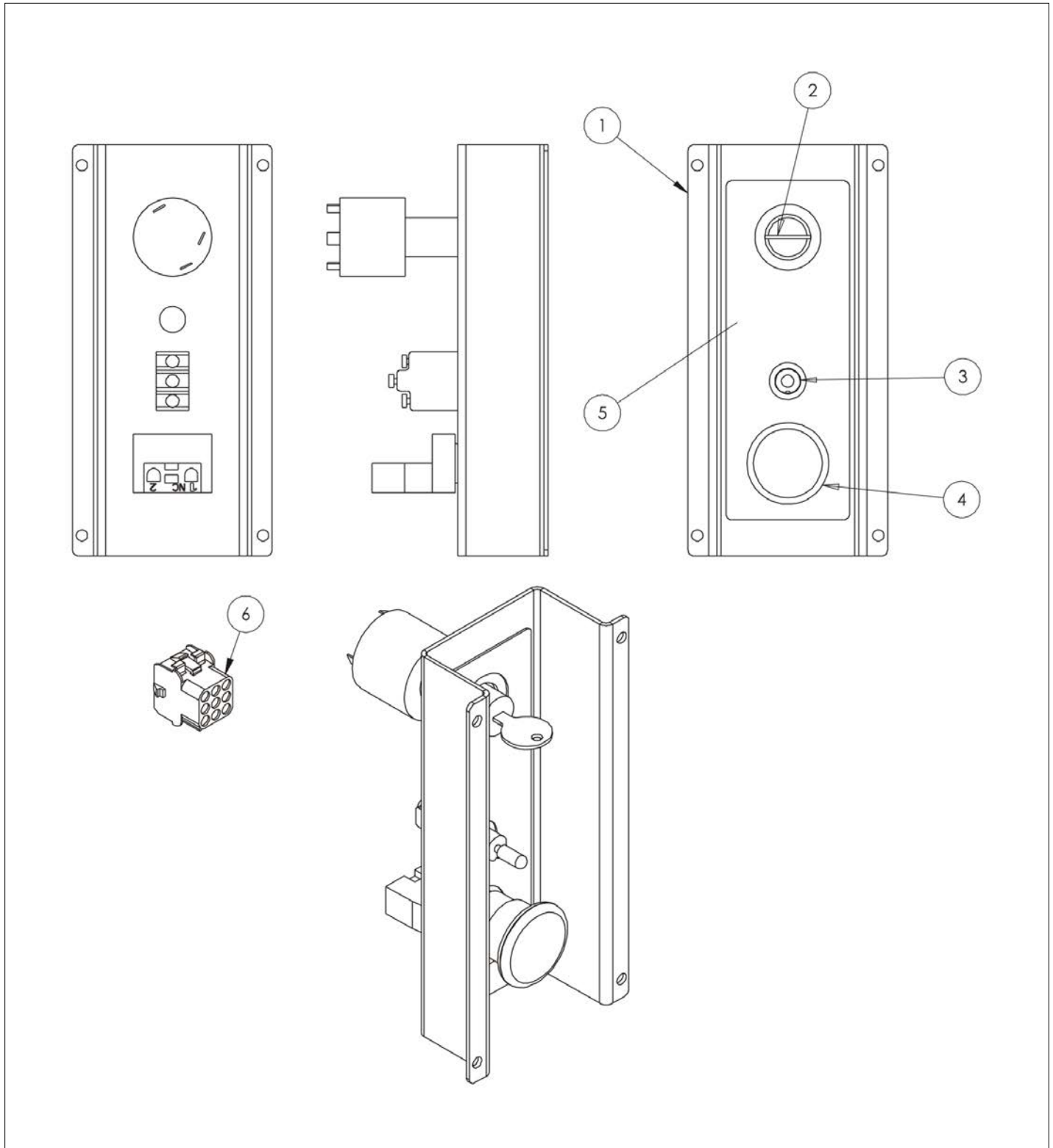
NOTES:

- SHRINK WRAP ALL CONNECTIONS (BLACK).
- MULTI STRAND 2GA WELDING WIRE

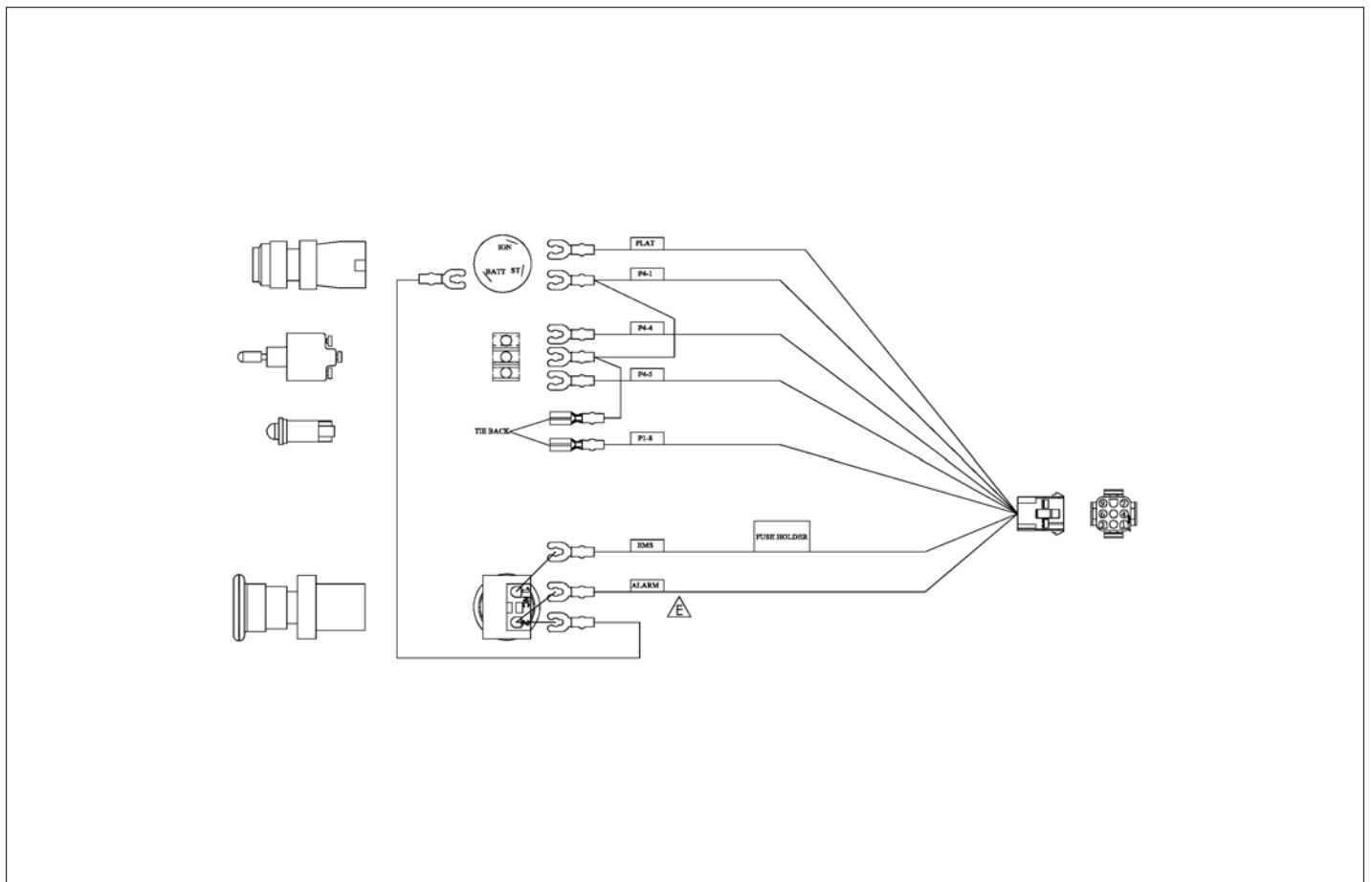
PART #	REV	DESCRIPTION	A	B	C	D
3014743	A	WIRE 2 R375 R375 13.5 RED	13.5in	0.375in	0.375in	-
3014744	A	WIRE 2 R375 R375 89 RED	89in	0.375in	0.375in	-
3014745	C	WIRE 2 R375 R375 86 BLACK	86in	0.375in	0.375in	-
3014746	C	WIRE 2 R313 R313 8 BLACK Δ	8in Δ	0.313in	0.313in	-
3014750	A	WIRE 2 R375 R375 101 RED	101in	0.375in	0.375in	-
3014751	C	WIRE 2 R375 R375 122 BLACK	122in	0.375in	0.375in	-
3014756	B	WIRE 2 R313 R313 7 BLACK FUSED	7in	0.313in	0.313in	446076
3014757	C	WIRE 2 R375 R375 49 BLACK	49in	0.375in	0.375in	-
3014806	A	WIRE 2 R375 R375 49 BLACK FUSED	49in	0.375in	0.375in	446076
3014807	A	WIRE 2 R375 R375 86 BLACK FUSED	86in	0.375in	0.375in	446076
3014829	A	WIRE 2 R375 R375 49 BLACK FUSED	49in	0.375in	0.375in	REF DWG
3014830	A	WIRE 2 R375 R375 86 BLACK FUSED	86in	0.375in	0.375in	REF DWG

アイテム	部品番号	名前	数量	UOM
	A50004A G	TABULATED BATTERY CABLES MARCH 2019 AND AFTER		EA

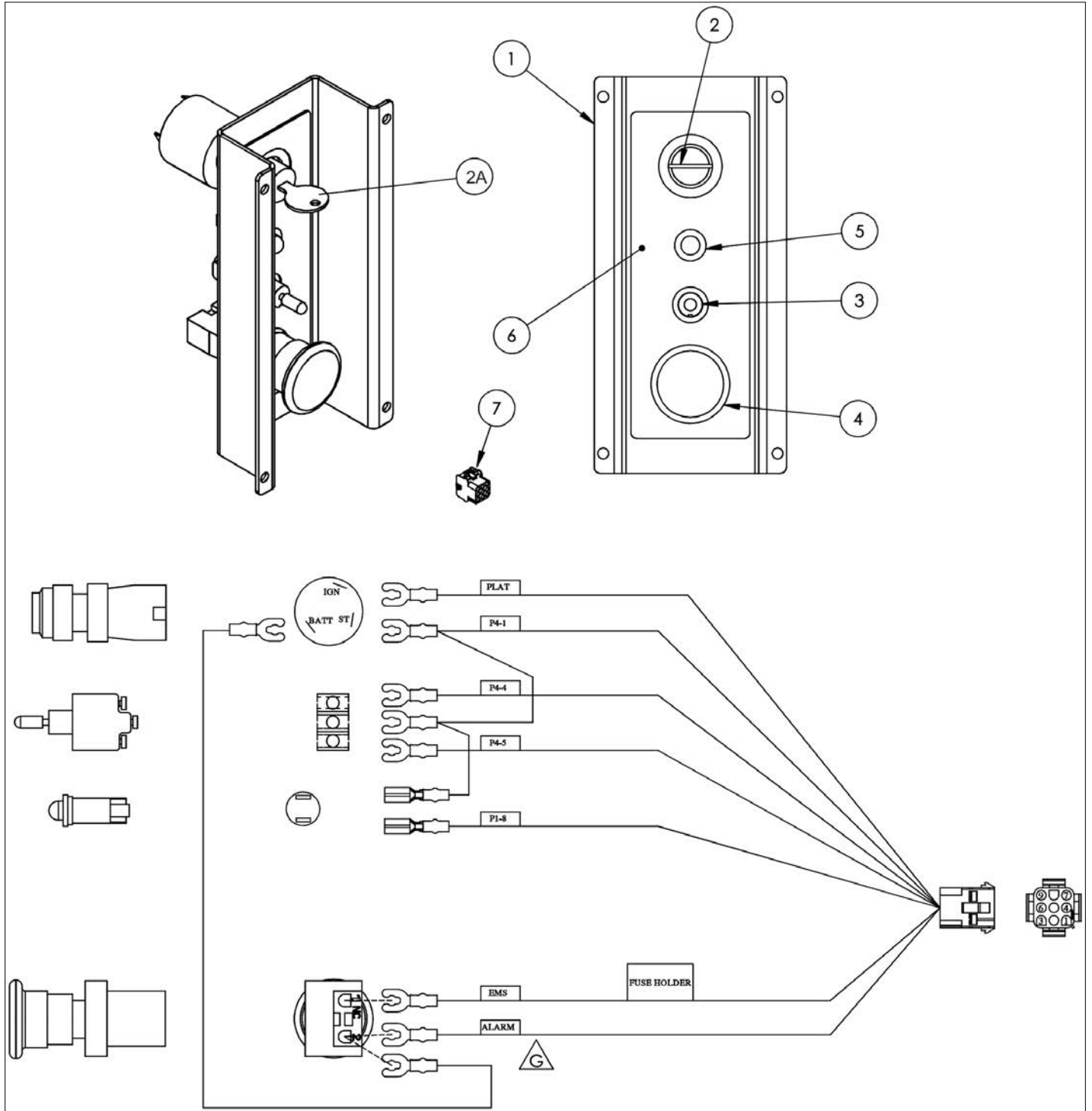
ELECTRICAL



アイテム	部品番号	名前	数量	UOM
	1501687E	GROUND CONTROL PANEL ASSEMBLY ANSI S3215E S3215L S3219E APRIL 2016 AND AFTER S4740 FEBURARY 2020 AND AFTER		EA
1	1500663	PLT GRD CTRL PANEL	1	EA
2	3020087	KEY SWITCH	1	EA
Not Shown	8030044	REPLACEMENT KEY		EA
3	3020016	Switch, Toggle Honeywell INTI 7	1	EA
4	3028810	PUSH/PULL EMERGENCY STOP	1	EA
5	1500438	DECAL LOWER CONTROL PANEL	1	EA
6	1501674	HARNESS LOWER CONTROLS	1	EA

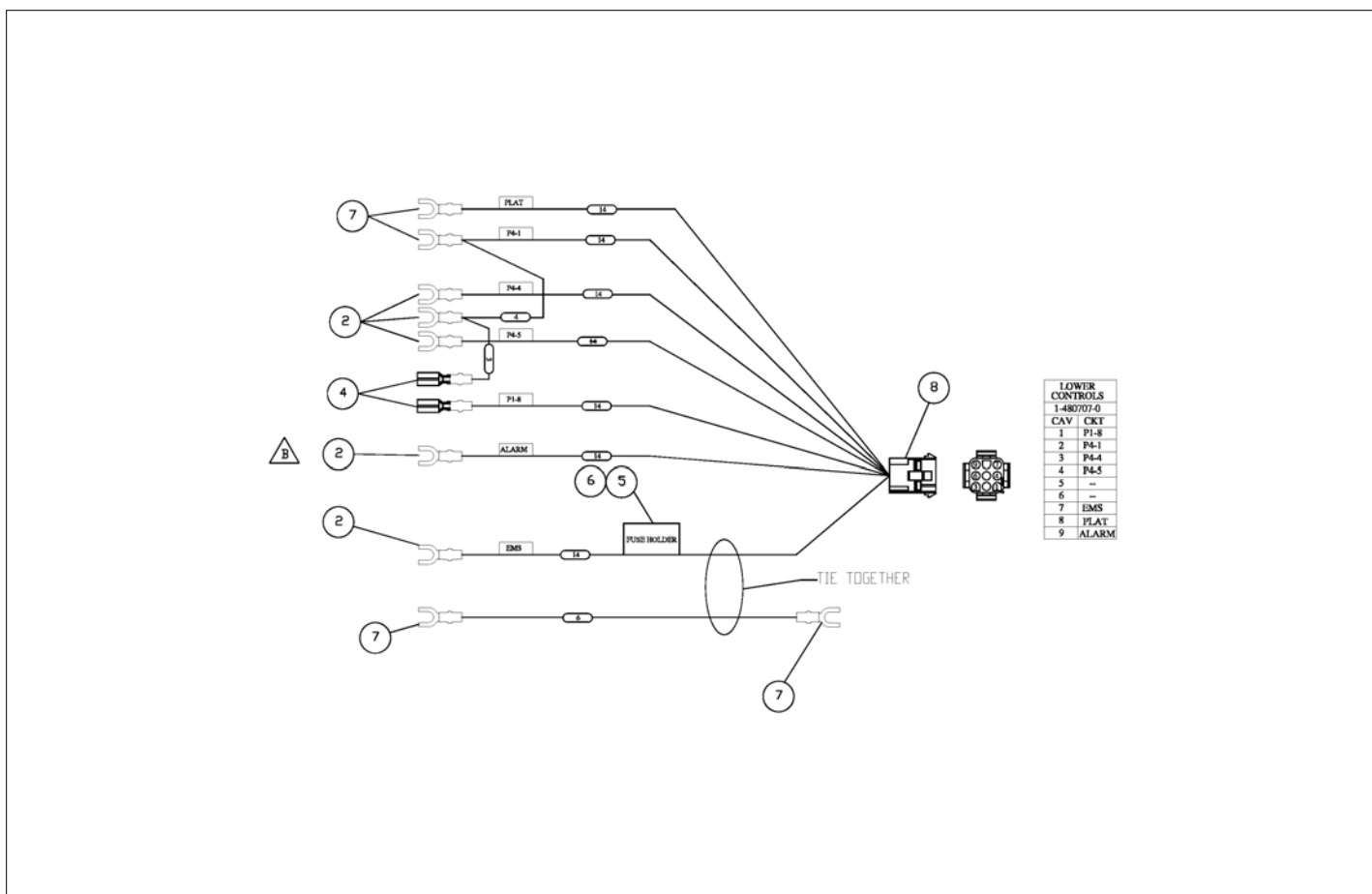


ELECTRICAL



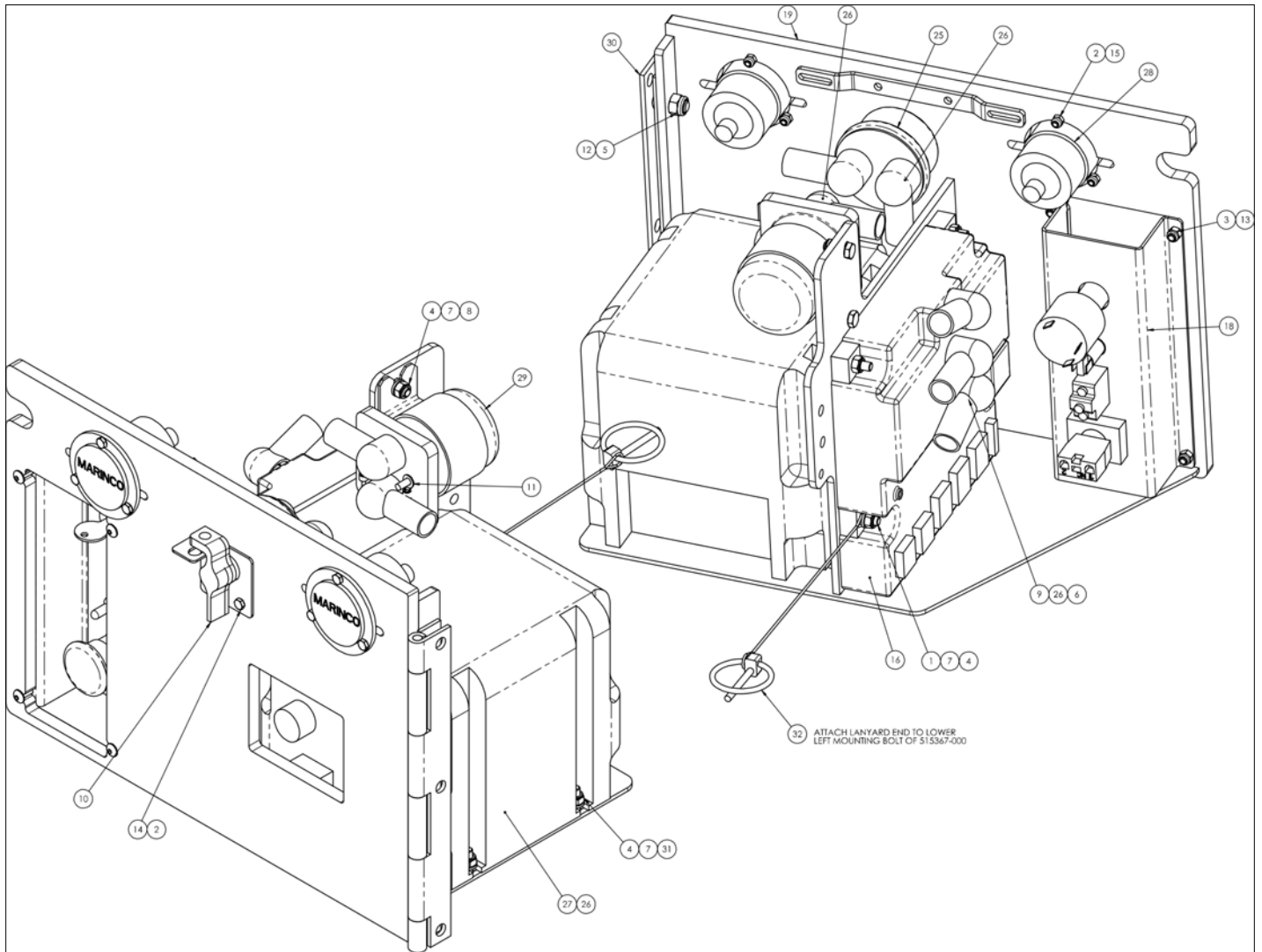
アイテム	部品番号	名前	数量	UOM
	1500662G	ASSEMBLY, GROUND CONTROL PANEL		EA
1	1500663	PLT GRD CTRL PANEL	1	EA
2	3020087	KEY SWITCH	1	EA
2A	8080210	SPARE KEY (SET OF TWO) IDEC	1	EA
3	3020016	Switch, Toggle Honeywell INTI 7	1	EA
4	3028810	PUSH/PULL EMERGENCY STOP	1	EA
5	510528 000	LED RED	1	EA
6	1500438	DECAL LOWER CONTROL PANEL	1	EA
7	1501674	HARNESS LOWER CONTROLS	1	EA
8	3220261	AMP CONTACT PIN	7	EA

ELECTRICAL



アイテム	部品番号	名前	数量	UOM
	1501674B	HARNESS, LOWER CONTROLS		EA
1	3011641	WIRE 16GA SINGLE CONDUCTOR WHT	A/R	EA
2	32220241	TERM, #6 SINGLE SPADE	6	EA
3	3044161	TERM R10I 16/14	3	EA
4	3046697	TERM FEM188I 16/14GA	2	EA
5	509741 000	FUSE HOLDER	1	EA
6	509740 000	FUSE 20A	1	EA
7	3220240	TERM, 38 SPRING SPADE	3	EA
8	3220218	CONN AMP 9 PIN SOCKET	1	EA
9	3220261	AMP CONTACT PIN	7	EA

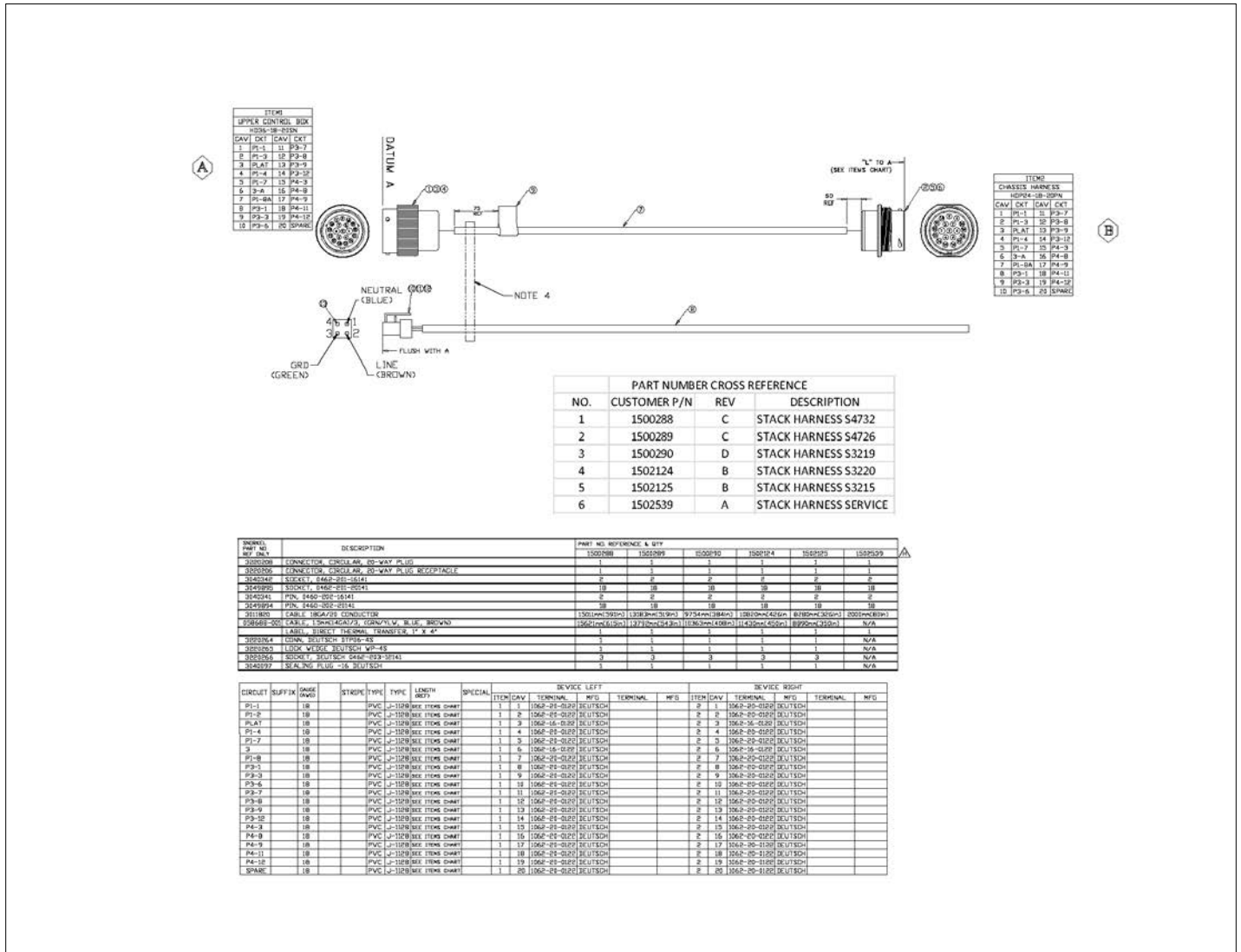
ELECTRICAL



アイテム	部品番号	名前	数量	UOM
*	1503177 A	CONTROL TRAY ASSEMBLY ANSI CSA S3215E S3219E JUNE 2019 AND AFTER		EA
1	056058 030	Bolt, HexBolt DIN931 M6 x 30mm	4	EA
2	056066 004	NUT NYLOCK DIN985 M4 8.0 ZP	7	EA
3	056066 005	Nut NylockNut DIN985 M5 8.0 Zi	4	EA
4	056066 006	Nut NylockNut DIN985 M6 8.0 Zi	8	EA
5	056066 008	NUT NYLOCKNUT DIN985 M8 8.0 ZP	3	EA
6	056069 005	Washer SteelFlatWasher DIN125A	3	EA
7	056069 006	WSHR STEELFLATWSHE M6 DIN125A	5	EA
8	058491 016	BOLT HEXSETSCREW DIN933 M6 X 16MM 8.8 ZP	2	EA
9	058492 016	HHCS M8 x 1. 25 X 16GR 8.8 DIN933	3	EA
10	300840	Lock Out Lever Assembly	1	EA
11	0351039	DIODE ASSY R10I R10I SEE DRAWI	1	EA
12	500595 020	Bolt, SktButCapScrew DIN9427 M	3	EA
13	505082 020	Bolt, SktButCapScrew DIN9427 M5 x 20mm 10.9 ZincPlated	4	EA
14	512459 016	BLT HEXHD M4 X 0.7 X 16MM DIN 933 8.8 ZP	1	EA
15	512459 020	BLT HEXHD M4 0.07 X 20MM G8.8	6	EA
16	515367 000	CONTROL MODULE PG	1	EA
17	1450303	AC POWER CORD	1	EA
18	1500662	GROUND CONTROL PANEL ASSEMBLY	1	EA
19	1501010	WLDMT REAR TRAY ORG	1	EA
20	1502497	COVER, REAR TRAY	1	EA
21	1503092	HARNESS, CHASSIS S3215/3219	1	EA

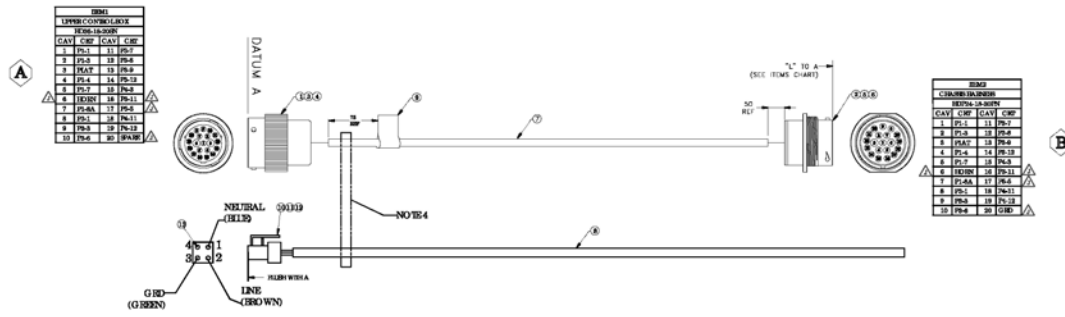
アイテム	部品番号	名前	数量	UOM
22	3014743	WIRE 2 R375 R375 13.5 RED	2	EA
23	3014750	WIRE 2 R375 R375 101 RED	2	EA
24	3014751	WIRE 2 R375 R375 122 BLACK	2	EA
25	3020049	Switch, Battery Disconnect	1	EA
26	3040269	Boot Cable Entry Black I/O GA	7	EA
27	3050126	CHARGER, PYLON	1	EA
28	3069521	INLET FLANGE	2	EA
29	3087787	CONTACTOR 24V SEALED	1	EA
30	5516346	HINGE CONTROL TRAY	1	EA
31	501253 020	Bolt, SktButCapScrew DIN9427 M	2	EA
32	5563933	ASSY, LYNCH PIN WITH LANYARD	1	EA

ELECTRICAL



アイテム	部品番号	名前	数量	UOM
	A50002A H	STACK HARNESS ASSEMBLY		EA
1	3220208	CONNECTOR DEUTSCH	1	EA
2	3220206	CONNECTOR, CIRCULAR, 20 WAY PLUG RECEPTICALE	1	EA
3	3040342	SOCKET CONTACT SIZE 16 16/18GA	2	EA
4	3049895	SOCKET CONTACT 20 DEUTSCH P/N	18	EA
5	3040341	PIN CONTACT SIZE 16 16/18 GA	2	EA
6	3049894	PIN CONTACT 20 DEUTCH P/N 04	18	EA
7	3011820	CABLE, 18GA / 2 CONDUCTOR	A/R	EA
8	058688 001	CABLE 1.5MM 14GA 1/3 GRN/YLW, BLUE, BROWN	A/R	EA
9	N/A	NOT SOLD SEPARATELY	1	EA
10	3220264	CONN DEUTSCH	1	EA
11	3220265	LOCK WEDGE DEUTSCH	1	EA
12	3220266	SOCKET DEUTSCH	3	EA
13	3040097	SEALING PLUG, 16 DEUTSCH	1	EA

ELECTRICAL



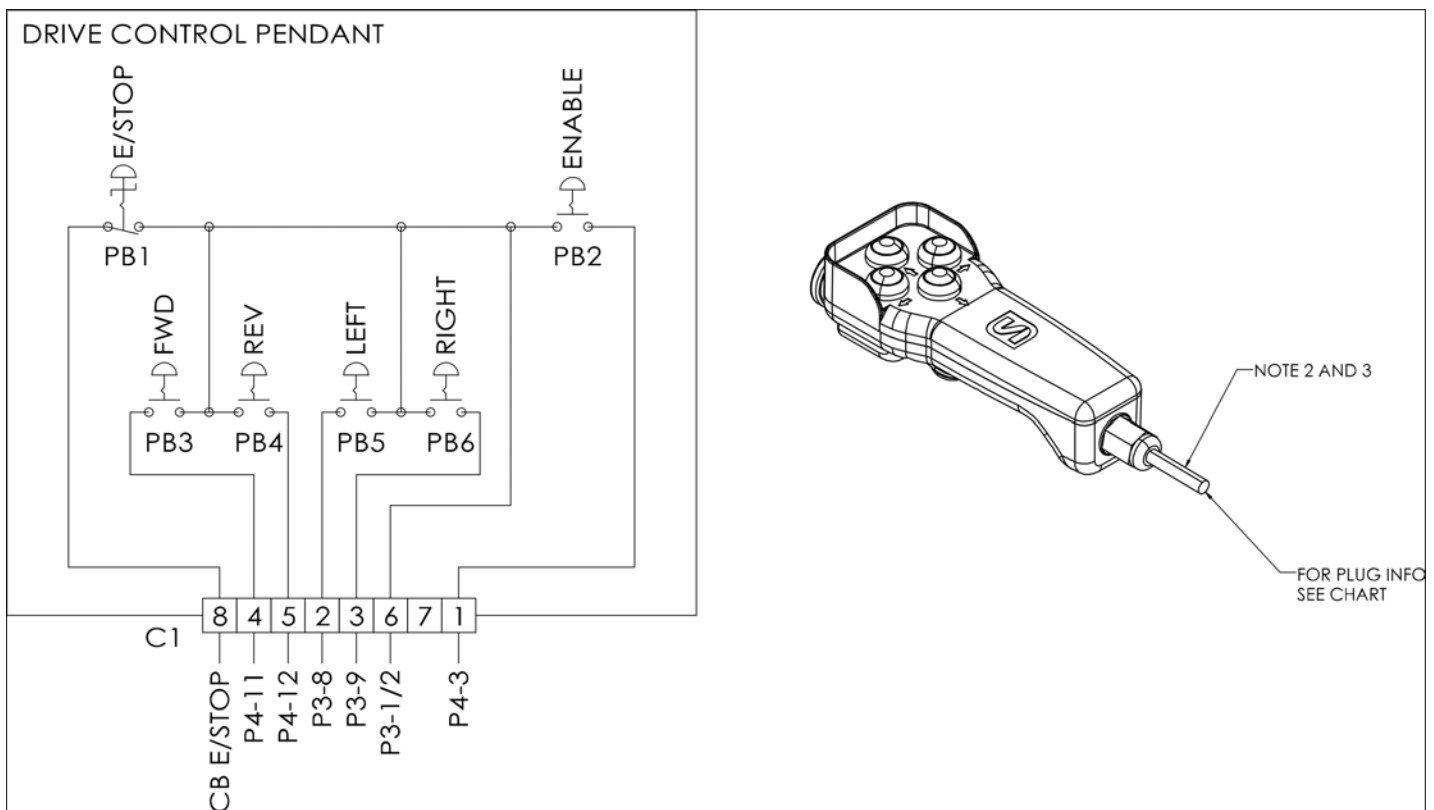
ITEM NO	QTY	DESCRIPTION	DIMENSIONS	PARTS NUMBER & QTY						
				1000000	1000000	1000000	1000000	1000000	1000000	1000000
1	1	CONNECTOR CIRCULAR 30-WAY PWR	1000000	1	1	1	1	1	1	1
2	1	CONNECTOR CIRCULAR 30-WAY PWR 2000000	1000000	1	1	1	1	1	1	1
3	1	CONNECTOR CIRCULAR 30-WAY PWR 2000000	1000000	1	1	1	1	1	1	1
4	1	CONNECTOR CIRCULAR 30-WAY PWR 2000000	1000000	1	1	1	1	1	1	1
5	1	CONNECTOR CIRCULAR 30-WAY PWR 2000000	1000000	1	1	1	1	1	1	1
6	1	CONNECTOR CIRCULAR 30-WAY PWR 2000000	1000000	1	1	1	1	1	1	1
7	1	CONNECTOR CIRCULAR 30-WAY PWR 2000000	1000000	1	1	1	1	1	1	1
8	1	CONNECTOR CIRCULAR 30-WAY PWR 2000000	1000000	1	1	1	1	1	1	1
9	1	CONNECTOR CIRCULAR 30-WAY PWR 2000000	1000000	1	1	1	1	1	1	1
10	1	CONNECTOR CIRCULAR 30-WAY PWR 2000000	1000000	1	1	1	1	1	1	1
11	1	CONNECTOR CIRCULAR 30-WAY PWR 2000000	1000000	1	1	1	1	1	1	1
12	1	CONNECTOR CIRCULAR 30-WAY PWR 2000000	1000000	1	1	1	1	1	1	1
13	1	CONNECTOR CIRCULAR 30-WAY PWR 2000000	1000000	1	1	1	1	1	1	1

PARTS NUMBER & QTY			
NO.	DESCRIPTION	QTY	REMARKS
1	CONNECTOR CIRCULAR 30-WAY PWR	1	
2	CONNECTOR CIRCULAR 30-WAY PWR 2000000	1	
3	CONNECTOR CIRCULAR 30-WAY PWR 2000000	1	
4	CONNECTOR CIRCULAR 30-WAY PWR 2000000	1	
5	CONNECTOR CIRCULAR 30-WAY PWR 2000000	1	
6	CONNECTOR CIRCULAR 30-WAY PWR 2000000	1	
7	CONNECTOR CIRCULAR 30-WAY PWR 2000000	1	
8	CONNECTOR CIRCULAR 30-WAY PWR 2000000	1	

CIRCUIT	WIRE	GAGE	TYPE	TYPE	WIRE	WIRE	DRIVE LEAF				DRIVE LEAF			
							NO.	WIRE	WIRE	WIRE	NO.	WIRE	WIRE	WIRE
PS1	18	PVC	A-1130	DRIVE LEAF	1	1	1	1	1	1	1	1	1	1
PS2	18	PVC	A-1130	DRIVE LEAF	1	2	2	2	2	2	2	2	2	2
PS3	18	PVC	A-1130	DRIVE LEAF	1	3	3	3	3	3	3	3	3	3
PS4	18	PVC	A-1130	DRIVE LEAF	1	4	4	4	4	4	4	4	4	4
PS5	18	PVC	A-1130	DRIVE LEAF	1	5	5	5	5	5	5	5	5	5
PS6	18	PVC	A-1130	DRIVE LEAF	1	6	6	6	6	6	6	6	6	6
PS7	18	PVC	A-1130	DRIVE LEAF	1	7	7	7	7	7	7	7	7	7
PS8	18	PVC	A-1130	DRIVE LEAF	1	8	8	8	8	8	8	8	8	8
PS9	18	PVC	A-1130	DRIVE LEAF	1	9	9	9	9	9	9	9	9	9
PS10	18	PVC	A-1130	DRIVE LEAF	1	10	10	10	10	10	10	10	10	10
PS11	18	PVC	A-1130	DRIVE LEAF	1	11	11	11	11	11	11	11	11	11
PS12	18	PVC	A-1130	DRIVE LEAF	1	12	12	12	12	12	12	12	12	12
PS13	18	PVC	A-1130	DRIVE LEAF	1	13	13	13	13	13	13	13	13	13
PS14	18	PVC	A-1130	DRIVE LEAF	1	14	14	14	14	14	14	14	14	14
PS15	18	PVC	A-1130	DRIVE LEAF	1	15	15	15	15	15	15	15	15	15
PS16	18	PVC	A-1130	DRIVE LEAF	1	16	16	16	16	16	16	16	16	16
PS17	18	PVC	A-1130	DRIVE LEAF	1	17	17	17	17	17	17	17	17	17
PS18	18	PVC	A-1130	DRIVE LEAF	1	18	18	18	18	18	18	18	18	18
PS19	18	PVC	A-1130	DRIVE LEAF	1	19	19	19	19	19	19	19	19	19
PS20	18	PVC	A-1130	DRIVE LEAF	1	20	20	20	20	20	20	20	20	20

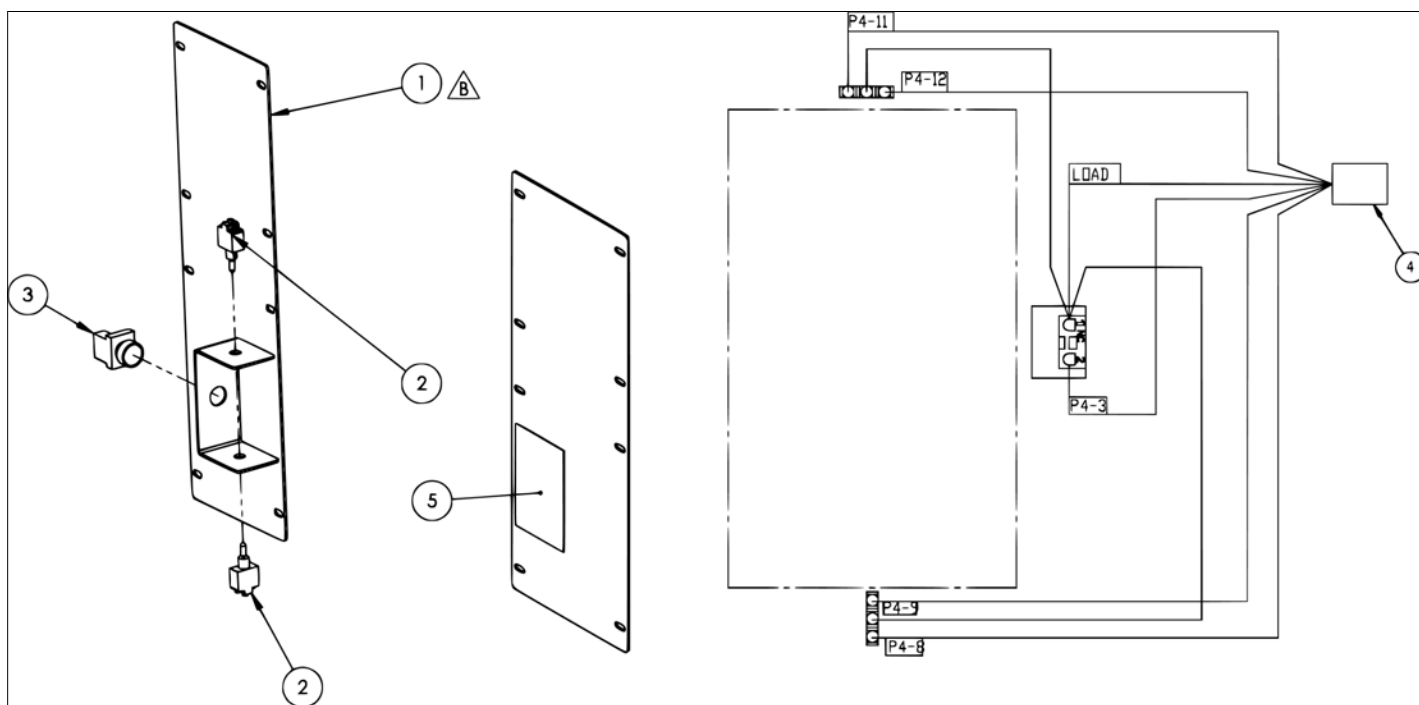
アイテム	部品番号	名前	数量	UOM
	A50002A J	STACK HARNESS		EA
1	3220208	CONNECTOR DEUTSCH	SEE CHART	EA
2	3220206	CONNECTOR, CIRCULAR, 20 WAY PLUG RECEPTICALE	SEE CHART	EA
3	3040342	SOCKET CONTACT SIZE 16 16/18GA	SEE CHART	EA
4	3049895	SOCKET CONTACT 20 DEUTSCH P/N	SEE CHART	EA
5	3040341	PIN CONTACT SIZE 16 16/18 GA	SEE CHART	EA
6	3049894	PIN CONTACT 20 DEUTCH P/N 04	SEE CHART	EA
7	3011820	CABLE, 18GA / 2 CONDUCTOR	SEE CHART	EA
8	058688 001	CABLE 1.5MM 14GA 1/3 GRN/YLW, BLUE, BROWN	SEE CHART	EA
10	3220264	CONN DEUTSCH	SEE CHART	EA
11	3220265	LOCK WEDGE DEUTSCH	SEE CHART	EA
12	3220266	SOCKET DEUTSCH	SEE CHART	EA
13	3040097	SEALING PLUG, 16 DEUTSCH	SEE CHART	EA

ELECTRICAL



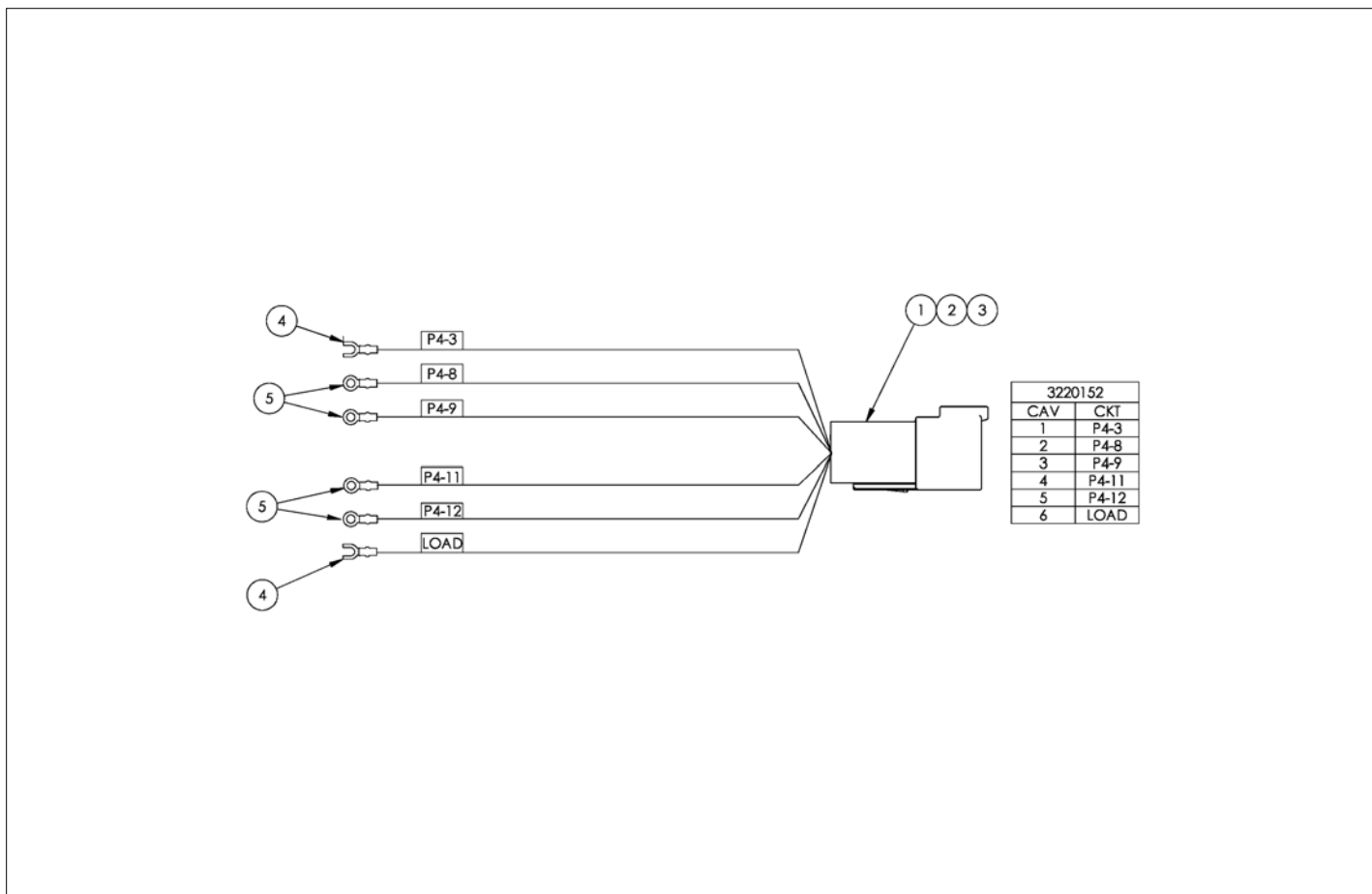
アイテム	部品番号	名前	数量	UOM
	1503200 A	DRIVE CONTROL PENDANT		EA
1	514627 000	CONN, DEUTSCH DT06 8SA	1	EA
2	514629 000	LOCK WEDGE W8P	1	EA
3	12554 024	DEUTSCH CONTACT PIN	7	EA

ELECTRICAL



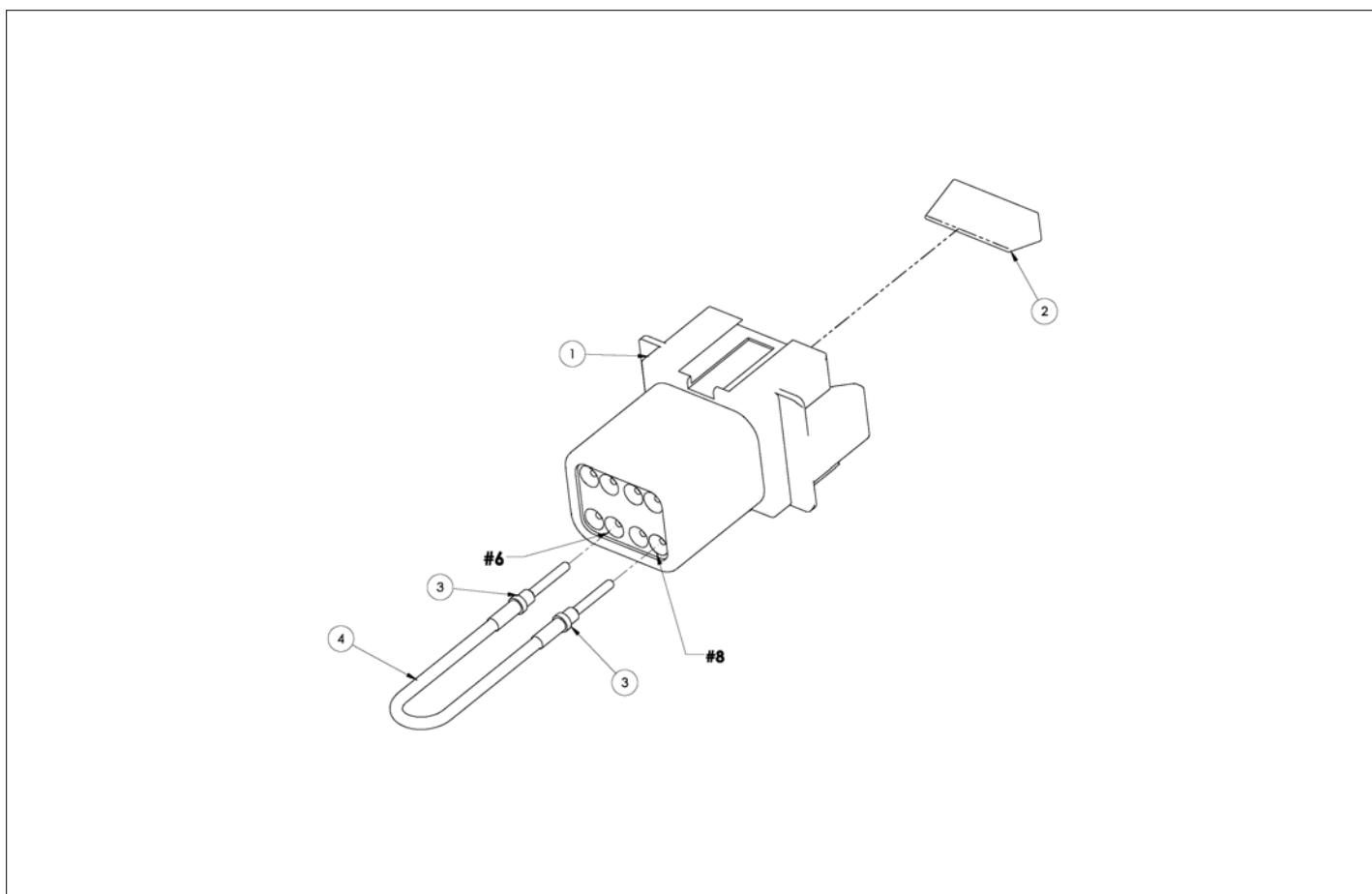
アイテム	部品番号	名前	数量	UOM
	1502351B	ASSEMBLY, SIDE DRIVE THIN ANSI		EA
1	1502350	WLDMT SIDE DRIVE THIN ANSI	1	EA
2	3020016	Switch, Toggle Honeywell INTI 7	2	EA
3	510542 000	PUSHBUTTON BLACK C/W 1 N/O CON	1	EA
4	1501697	HARNESS SIDE DRIVE	1	EA
5	1501474	DECAL, PENDANT CONTROLS JANUARY 2018 AND BEFORE	1	EA

ELECTRICAL



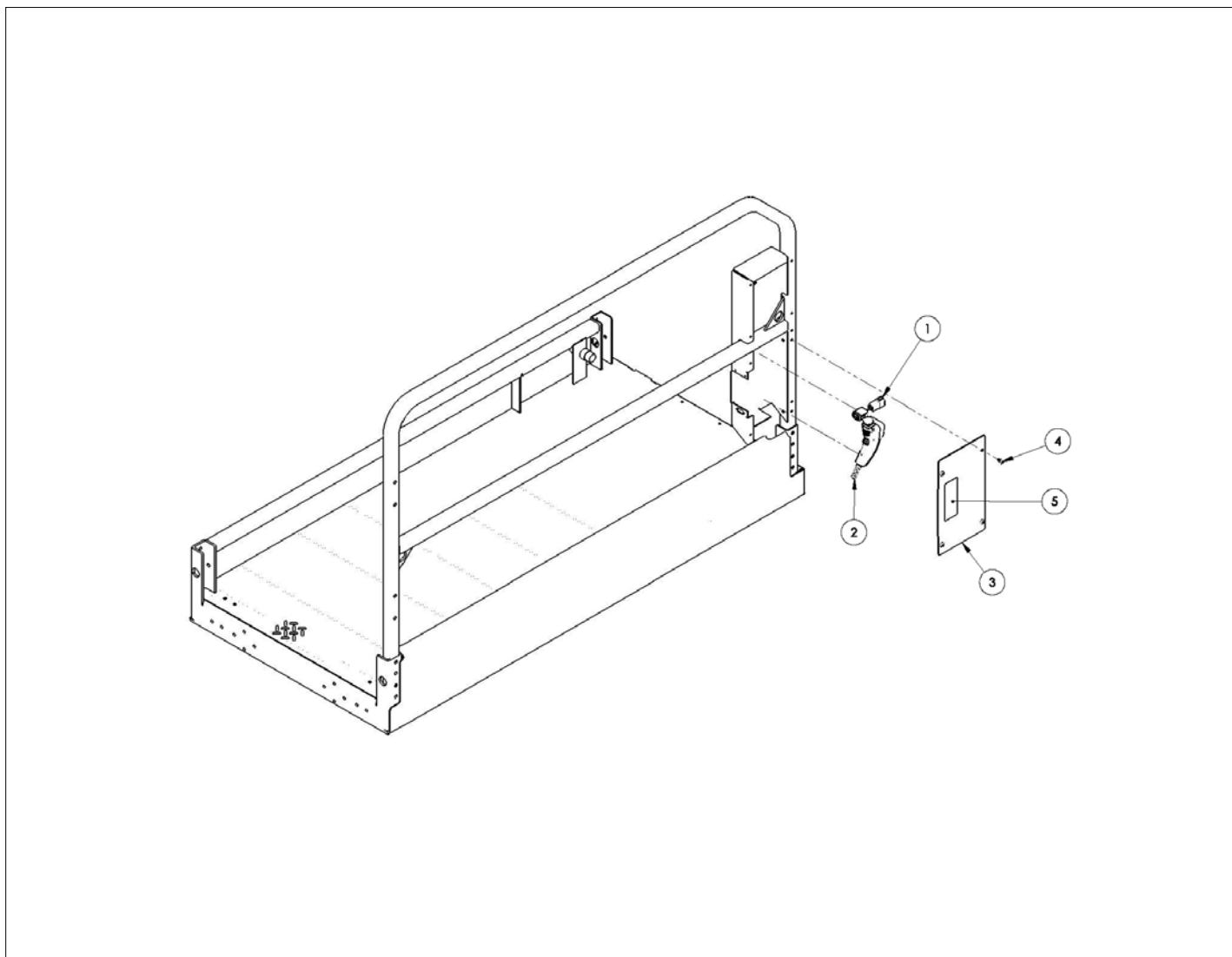
アイテム	部品番号	名前	数量	UOM
	1501697 B	SIDE DRIVE HARNESS APRIL 2016 AND AFTER		EA
1	3220152	6 WAY RECEPTACLE DEUTSCH	1	EA
2	3040341	PIN CONTACT SIZE 16 16/18 GA	6	EA
3	3049886	LOCK WEDGE 6 PIN DEUTSCH	1	EA
4	960359	TERM SPADE6I 18 14 GA	2	EA
5	3044146	TERM R10I 22/18	4	EA
6	3111801	WIRE 16 GA SINGLE CONDUCTOR WHT	122 IN	EA

ELECTRICAL



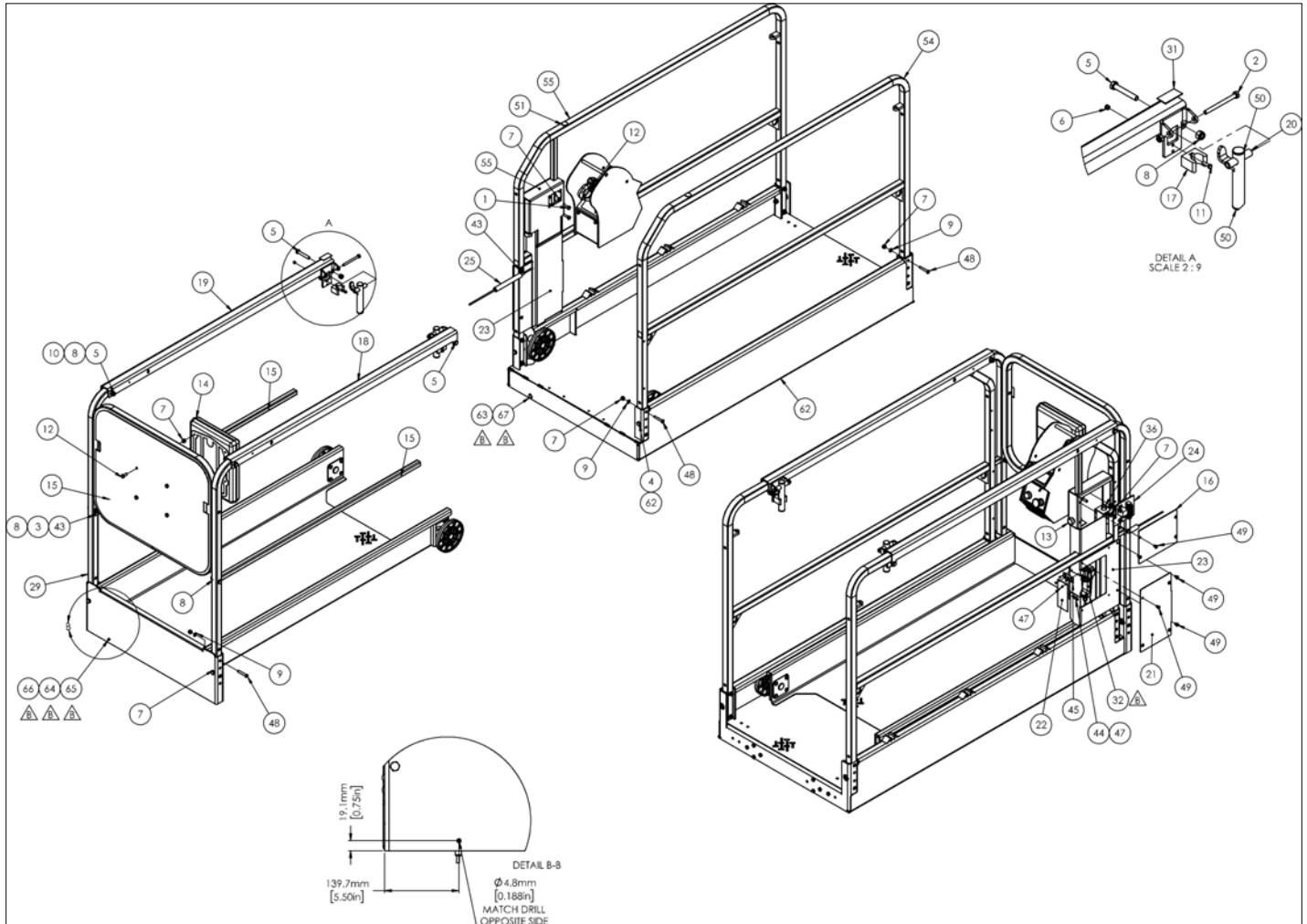
アイテム	部品番号	名前	数量	UOM
	1502543A	CONNECTOR, SIDE DRIVE OVERRIDE		EA
1	3220295	CONNECTOR, DEUTSCH	1	EA
2	514629 000	LOCK WEDGE W8P	1	EA
3	3040341	PIN CONTACT SIZE 16 16/18 GA	2	EA
4	3011641	WIRE 16GA SINGLE CONDUCTOR WHT	3	EA

ELECTRICAL

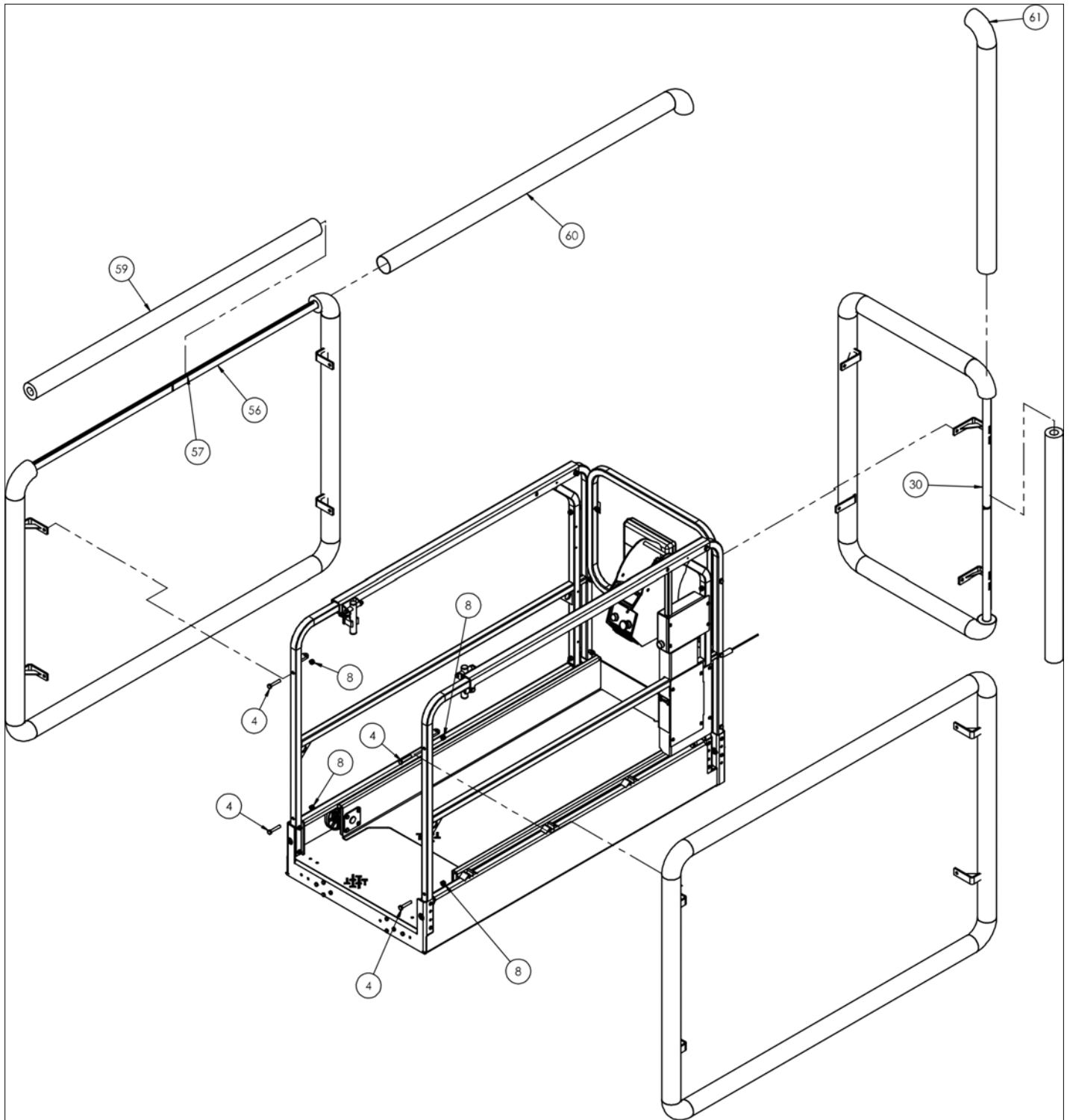


アイテム	部品番号	名前	数量	UOM
	1503029 A	PENDANT CONVERT ASSEMBLY AUGUST 2018 AND AFTER		EA
1	1502991	HARNESS, LOADING CONTROL ADAPT	1	EA
2	1502836	PENDANT, DRIVE CONTROLS JANUARY 2018 AND AFTER	1	EA
3	1501829	PLT, CABLE COVER BOTTOM	1	EA
4	5563446	1/4 20 PAN HEAD SCREW	4	EA
5	1502990	DECAL, PENDANT CONTROLS JUNE 2018 AND AFTER	1	EA

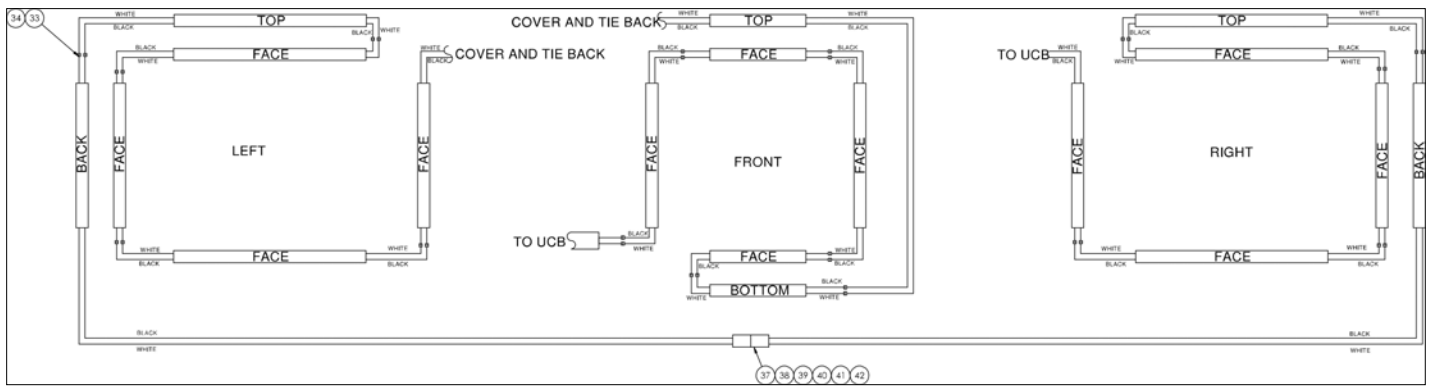
ELECTRICAL



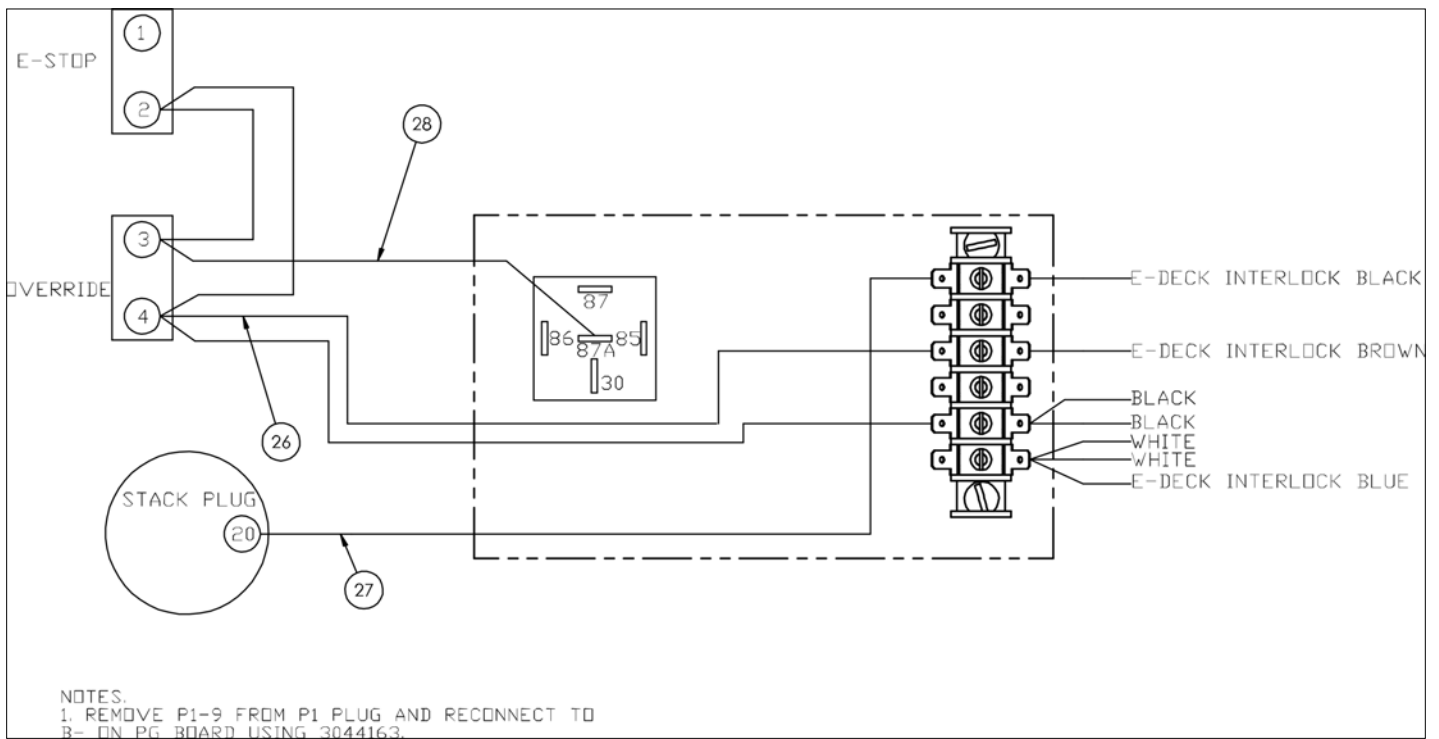
アイテム	部品番号	名前	数量	UOM
	1502754 B	BUMP GUARD S3215E S3219E ASSEMBLY SEPTEMBER 2019 AND AFTER		EA
1	056059 030	Bolt, HexBolt DIN931 M8 x 30mm	2	EA
2	056059 090	Bolt, HexBolt DIN931 M8 x 90mm 8.8 ZincPlated	2	EA
3	056060 045	Bolt, HexBolt DIN931 M10 x 45mm 8.8 ZincPlated	2	EA
4	056060 055	Bolt, HexBolt DIN931 M10 x 55mm 8.8 ZincPlated	16	EA
5	056060 065	Bolt, HexBolt DIN931 M10 x 65mm 8.8 ZincPlated	4	EA
6	056066 005	Nut NylockNut DIN985 M5 8.0 Zi	4	EA
7	056066 008	NUT NYLOCKNUT DIN985 M8 8.0 ZP	24	EA
8	056066 010	Nut, NylockNut DIN985 M10 8.0ZincPlated	24	EA
9	056069 008	WASHER, STEELFLATWASHER DIN12M8 FLAT WASHER DIN 125	12	EA
10	056069 010	Washer, SteelFlatWasher DIN125A M10 ZincPlated	10	EA
11	058490 020	Bolt, HexSetScrew DIN933 M5 x	4	EA
12	058492 020	Bolt HexSetScrew DIN933 M8 x 2	6	EA
13	510542 000	PUSHBUTTON BLACK C/W 1 N/O CON	1	EA
14	562386	Literature Compartment	1	EA
15	1501323	TUBE HNDRL MID TELESCOPE	2	EA
16	1501397 5	PLT CONT BOX MNT COVER	1	EA
17	1501583	CLIP HANDLE 1.00	2	EA
18	1501630 5	WLDMT, TOP SLIDER LH ORG	1	EA
19	1501631 5	WLDMT, TOP SLIDER RH ORG	1	EA
20	1501715 4	WLDMT, SLIDE HANDLE SHORT	2	EA
21	1501829 5	PLT, CABLE COVER BOTTOM	1	EA



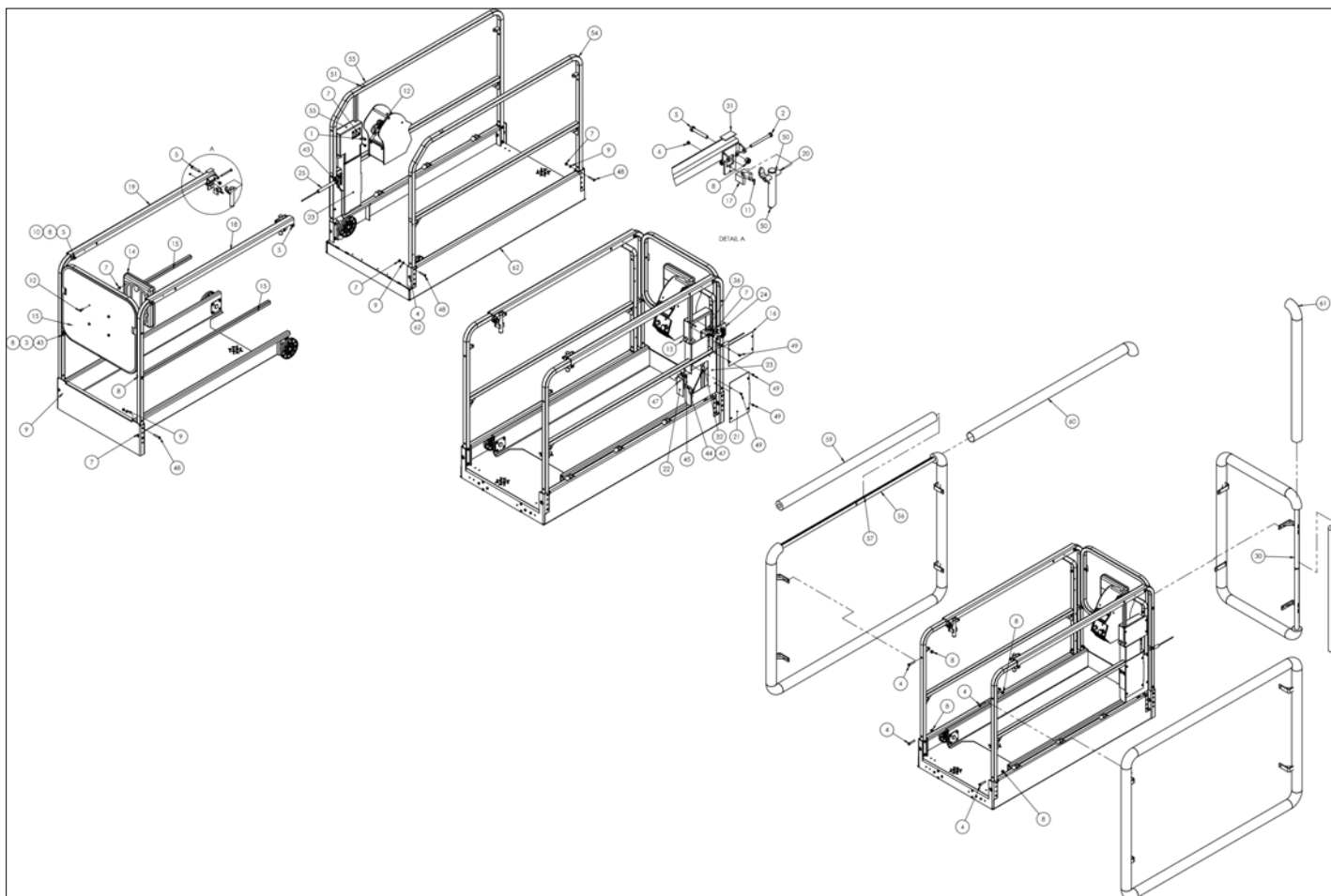
アイテム	部品番号	名前	数量	UOM
22	1502442 5	PLT, SIDE DOOR THIN	1	EA
23	1502443 5	WLDMT, WIRE CHASE	1	EA
24	1502731	ASSY, WIRING BUMP GUARD	1	EA
25	1502733	CABLE BUMP GUARD EXT	1	EA
26	1502735	WIRE 18 SPECIAL	1	EA
27	1502736	WIRE 18 SPADE6I FEM250FI 9	1	EA
28	1502737	WIRE 18 PIN SPADE6I 15	1	EA
29	1502741 5	WLDMT, FRONT GATE BUMP GRD	1	EA
30	1502745 5	WLDMT, FRONT BUMP GRD S3220/26	1	EA
31	1502834	SLIDE PAD, STICK ON NOVEMBER 2017 AND AFTER	2	EA
32	1503200	PENDANT, DRIVE CONTROLS SEPTEMBER 2019 AND AFTER	1	EA
33	3040082	TERM MALE250FI 16/14	38	EA
34	3040083	TERM FEM250FI 16/14	38	EA
35	3040113	MOUNTING BASE	1	EA
36	3040300	CONN .500 .188 .313	1	EA
37	3040341	PIN CONTACT SIZE 16 16/18 GA	2	EA
38	3040342	SOCKET CONTACT SIZE 16 16/18GA	2	EA
39	3049803	CONNECTOR 2 PIN DEUTSCH PLUG	1	EA
40	3049804	CONNECTOR 2 PIN DEUTSCH RECEP	1	EA
41	3049807	LOCK WEDGE 2 PIN DEUTSCH PLUG	1	EA
42	3049808	LOCK WEDGE 2 PIN DEUTSCH RECEP	1	EA
43	5093018	CLP CUSH .250 VINYL COATED	4	EA
44	5516349	MAGNETIC LATCH	1	EA



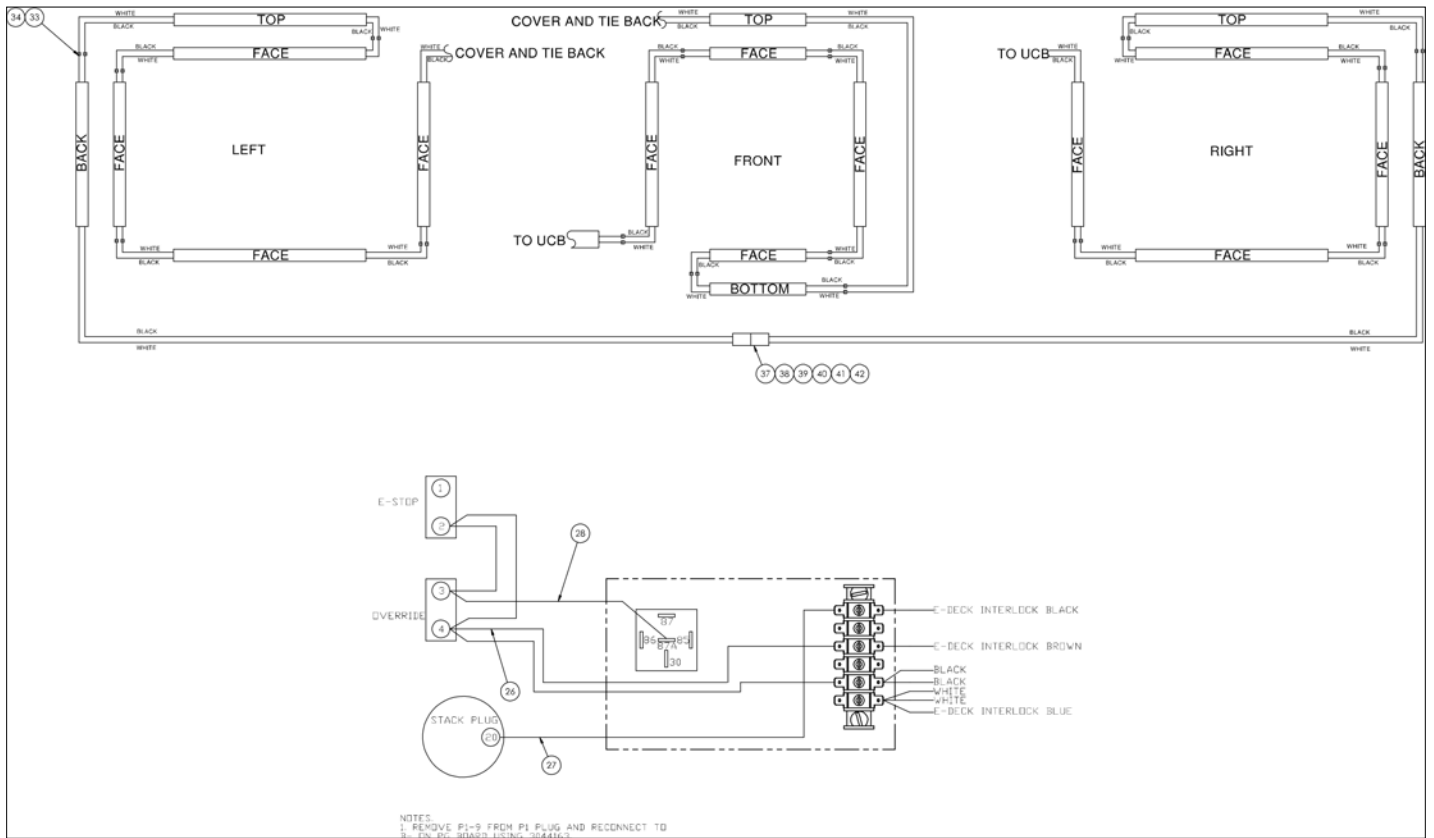
アイテム	部品番号	名前	数量	UOM
45	5516360	HINGE, DRILLED SIDE DRIVE THIN	1	EA
46	5560653	BLT HEXHD M10 1.50 X 85MM DIN	2	EA
47	5560659	RVT POP .125 DIA .250 DMD STL	6	EA
48	5563304	SBHCS M8 X 1.25 X 50MM GR 1039	12	EA
49	5563446	1/4 20 PAN HEAD SCREW	12	EA
50	5563451	PLUG TUBING 1.00 X .095	4	EA
51	5569973	SLIDE PAD, STICK ON OCTOBER 2017 AND BEFORE	2	EA
52	031051 040	TAPE SWITCH	8	EA
53	031051 024	TAPE SWITCH 24.00	4	EA
54	1502755 5	WLDMT, HNDRL LH BUMP GRD S3215	1	EA
55	1502756 5	WLDMT, HNDRL RH BUMP GRD S3215	1	EA
56	1502753 5	WLDMT, BUMP GRD SIDE S3215/321	2	EA
57	031051 062	TAPE SWITCH	6	EA
58	1502975	ASSY, UCB ANSI 2SPD	1	EA
59	9980003	PIPE INSUL CLOSED CELL AP ARMA	561	EA
60	9980008	COV STR 18OZ COVERLITE YELLOW	4	EA
61	9980007	COV ELB 18OZ COVERLITE YELLOW	12	EA
62	1502653	ASSY PLATFORM S3215/3219	REF	EA
63	3028896	CABLE MR 90 ° 2M	1	EA
64	056066 004	NUT NYLOCK DIN985 M4 8.0 ZP	1	EA
65	5563871	FSHCS M4 X 0.7 X 25	1	EA
66	3028895	SWNSOR MAG TARGET	1	EA
67	3028894	SENSOR MAGNETIC	1	EA



ELECTRICAL



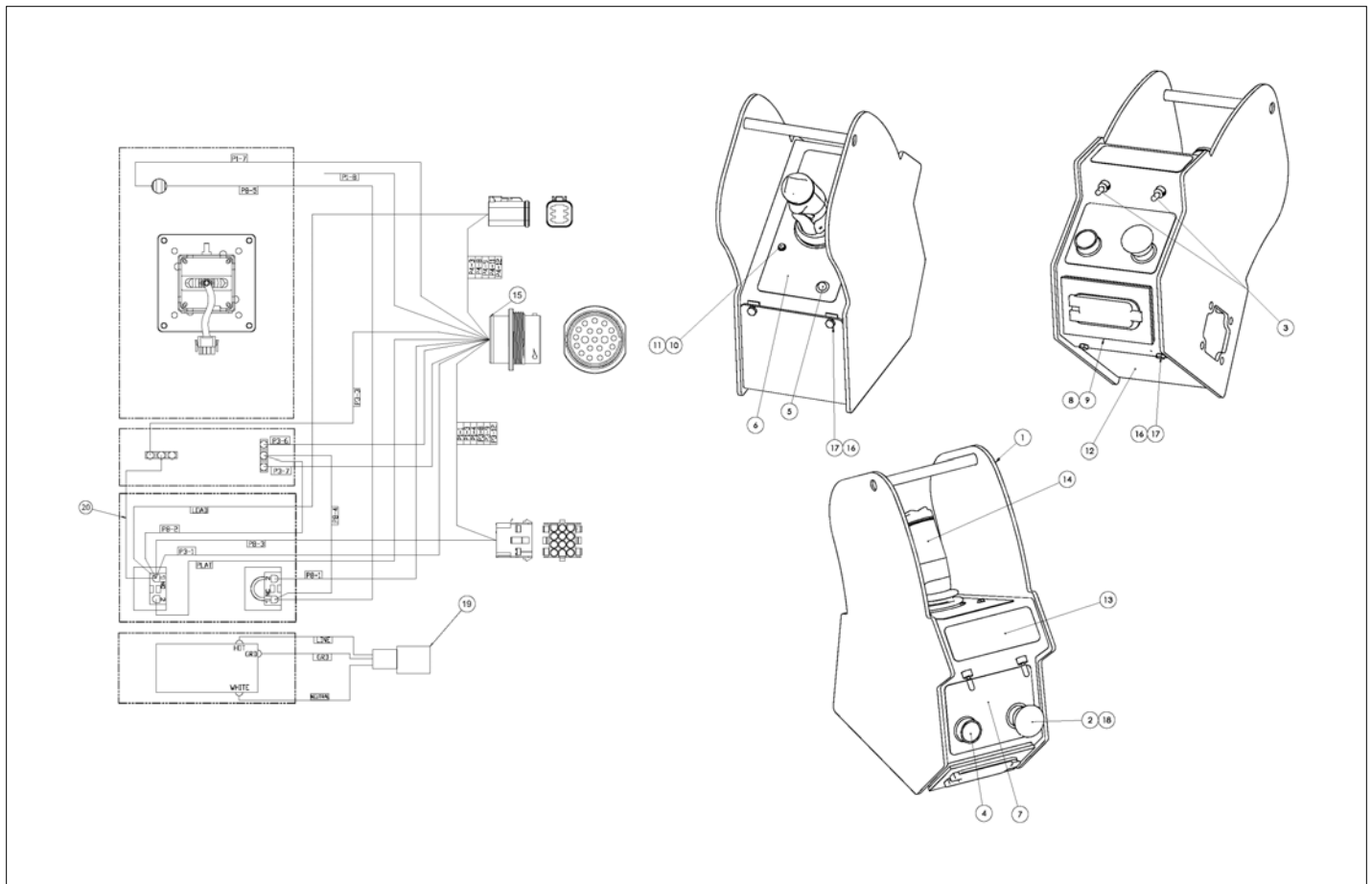
アイテム	部品番号	名前	数量	UOM
*	1502754 A	BUMP GUARD ASSEMBLY SEPTEMBER 2019 AND AFTER		EA
1	056059 030	Bolt, HexBolt DIN931 M8 x 30mm	2	EA
2	056059 090	Bolt, HexBolt DIN931 M8 x 90mm 8.8 ZincPlated	2	EA
3	056060 045	Bolt, HexBolt DIN931 M10 x 45mm 8.8 ZincPlated	2	EA
4	056060 055	Bolt, HexBolt DIN931 M10 x 55mm 8.8 ZincPlated	16	EA
5	056060 065	Bolt, HexBolt DIN931 M10 x 65mm 8.8 ZincPlated	4	EA
6	056066 005	Nut NylockNut DIN985 M5 8.0 Zi	4	EA
7	056066 008	NUT NYLOCKNUT DIN985 M8 8.0 ZP	24	EA
8	056066 010	Nut, NylockNut DIN985 M10 8.0ZincPlated	24	EA
9	056069 008	WASHER, STEELFLATWASHER DIN12M8 FLAT WASHER DIN 125	12	EA
10	056069 010	Washer, SteelFlatWasher DIN125A M10 ZincPlated	10	EA
11	058490 020	Bolt, HexSetScrew DIN933 M5 x	4	EA
12	058492 020	Bolt HexSetScrew DIN933 M8 x 2	6	EA
13	510542 000	PUSHBUTTON BLACK C/W 1 N/O CON	1	EA
14	562386	Literature Compartment	1	EA
15	1501323	TUBE HNDRL MID TELESCOPE	2	EA
16	1501397 5	PLT CONT BOX MNT COVER	1	EA
17	1501583	CLIP HANDLE 1.00	2	EA
18	1501630 5	WLDMT, TOP SLIDER LH ORG	1	EA
19	1501631 5	WLDMT, TOP SLIDER RH ORG	1	EA
20	1501715 4	WLDMT, SLIDE HANDLE SHORT	2	EA
21	1501829 5	PLT, CABLE COVER BOTTOM	1	EA



アイテム	部品番号	名前	数量	UOM
22	1502442 5	PLT, SIDE DOOR THIN	1	EA
23	1502443 5	WLDMT, WIRE CHASE	1	EA
24	1502731	ASSY, WIRING BUMP GUARD	1	EA
25	1502733	CABLE BUMP GUARD EXT	1	EA
26	1502735	WIRE 18 SPECIAL	1	EA
27	1502736	WIRE 18 SPADE6I FEM250FI 9	1	EA
28	1502737	WIRE 18 PIN SPADE6I 15	1	EA
29	1502741 5	WLDMT, FRONT GATE BUMP GRD	1	EA
30	1502745 5	WLDMT, FRONT BUMP GRD S3220/26	1	EA
31	1502834	SLIDE PAD, STICK ON NOVEMBER 2017 AND AFTER	2	EA
32	1503071	PENDANT, DRIVE CONTROLS NOVEMBER 2018 AND AFTER	1	EA
33	3040082	TERM MALE250FI 16/14	38	EA
34	3040083	TERM FEM250FI 16/14	38	EA
35	3040113	MOUNTING BASE	1	EA
36	3040300	CONN .500 .188 .313	1	EA
37	3040341	PIN CONTACT SIZE 16 16/18 GA	2	EA
38	3040342	SOCKET CONTACT SIZE 16 16/18GA	2	EA
39	3049803	CONNECTOR 2 PIN DEUTSCH PLUG	1	EA
40	3049804	CONNECTOR 2 PIN DEUTSCH RECEP	1	EA
41	3049807	LOCK WEDGE 2 PIN DEUTSCH PLUG	1	EA
42	3049808	LOCK WEDGE 2 PIN DEUTSCH RECEP	1	EA
43	5093018	CLP CUSH .250 VINYL COATED	4	EA
44	5516349	MAGNETIC LATCH	1	EA

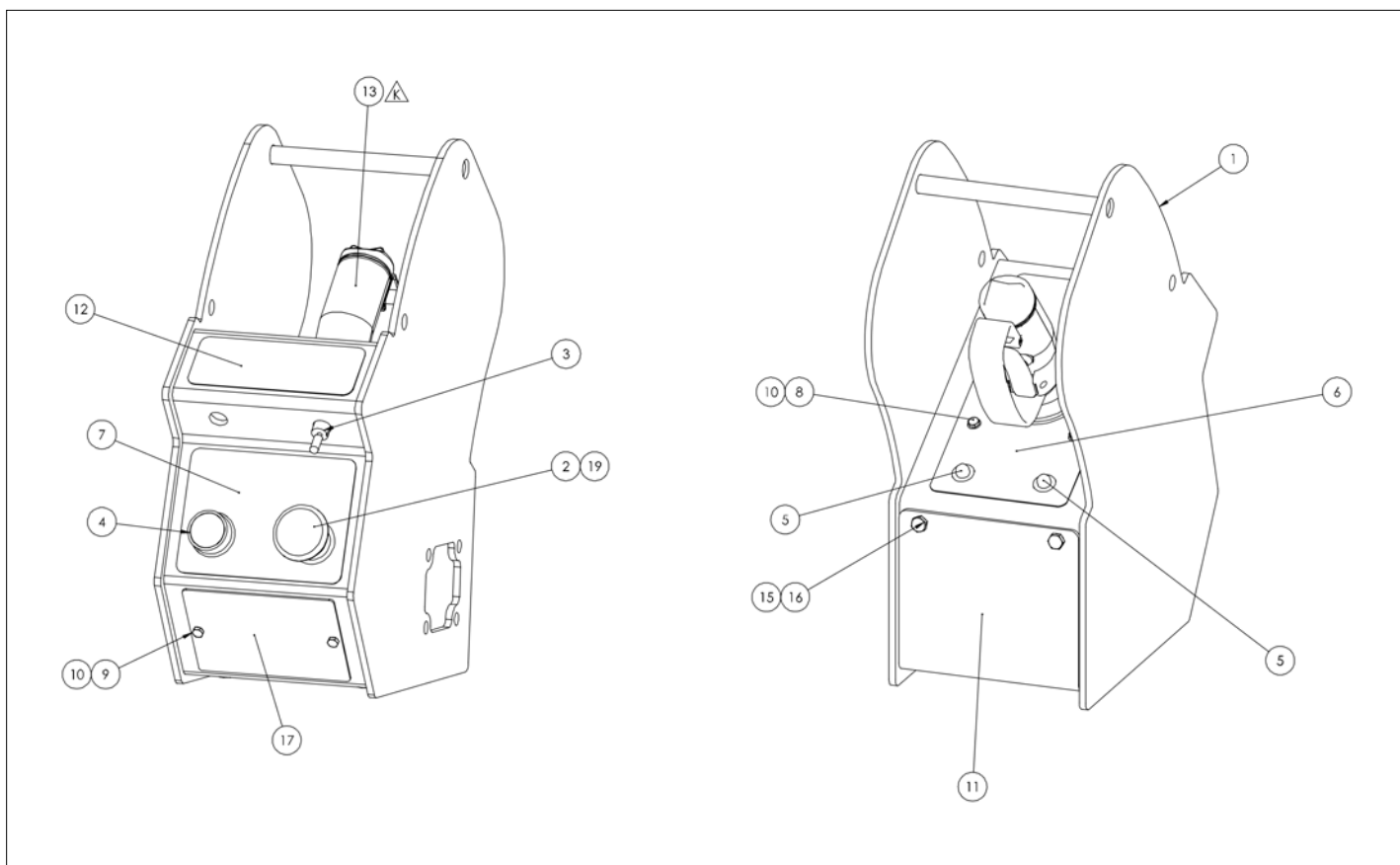
アイテム	部品番号	名前	数量	UOM
45	5516360	HINGE, DRILLED SIDE DRIVE THIN	1	EA
46	5560653	BLT HEXHD M10 1.50 X 85MM DIN	2	EA
47	5560659	RVT POP .125 DIA .250 DMD STL	6	EA
48	5563304	SBHCS M8 X 1.25 X 50MM GR 1039	12	EA
49	5563446	1/4 20 PAN HEAD SCREW	12	EA
50	5563451	PLUG TUBING 1.00 X .095	4	EA
51	5569973	SLIDE PAD, STICK ON OCTOBER 2017 AND BEFORE	2	EA
52	031051 040	TAPE SWITCH	8	EA
53	031051 024	TAPE SWITCH 24.00	4	EA
54	1502755 5	WLDMT, HNDRL LH BUMP GRD S3215	1	EA
55	1502756 5	WLDMT, HNDRL RH BUMP GRD S3215	1	EA
56	1502753 5	WLDMT, BUMP GRD SIDE S3215/321	2	EA
57	031051 062	TAPE SWITCH	6	EA
58	1502975	ASSY, UCB ANSI 2SPD	1	EA
59	9980003	PIPE INSUL CLOSED CELL AP ARMA	561	EA
60	9980008	COV STR 18OZ COVERLITE YELLOW	4	EA
61	9980007	COV ELB 18OZ COVERLITE YELLOW	12	EA
62	1502653	ASSY PLATFORM S3215/3219	REF	EA

ELECTRICAL

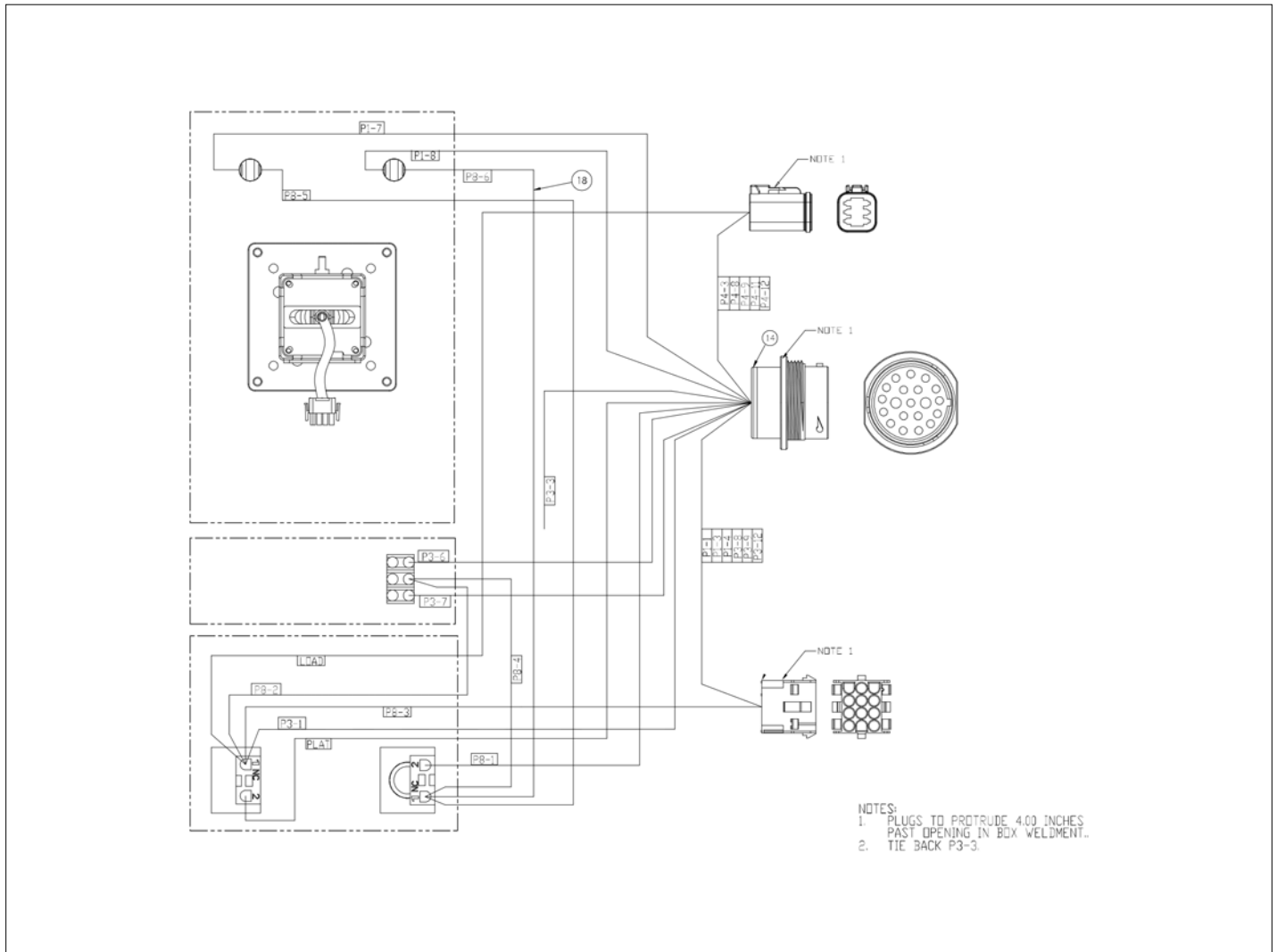


アイテム	部品番号	名前	数量	UOM
	1501157 M	PLATFORM CONTROL BOX ASSEMBLY, BEFORE JULY 2017		EA
1	1501112	WLDMT, PLATFORM CTRL BOX	1	EA
2	3028810	PUSH/PULL EMERGENCY STOP	1	EA
3	3020047	Switch, Toggle Honeywell INTI 3	2	EA
4	510542 000	PUSHBUTTON BLACK C/W 1 N/O CON	1	EA
5	302829	LIGHT RED 24VDC BEZEL MOUNT	1	EA
6	1501158	PLAC PLATFM CONT BOX	1	EA
7	1501159	PLAC PLATFM CONT E STOP/HORN	1	EA
8	3040624	Recepticle Outlet 20AMP	1	EA
9	3040625	Enclosure Face	1	EA
10	5563181	HHCS M4 X 0.7 X 30G8.8 DIN 931	4	EA
11	056066 004	NUT NYLOCK DIN985 M4 8.0 ZP	4	EA
12	1501116	PLT BOTTOM PLATFORM CONTROL BOX	1	EA
13	1501359	PLAC LIFT/DRIVE	1	EA
14	3087801	JOYSTICK, OEM MARCH 2016 AND AFTER	1	EA
15	1501298	CONN S3219 PLATFORM CONTROL Box	1	EA
16	5560067	NUT SPEED U THREADED M6	4	EA
17	058491 030	BOLT HEXSETSCREW DIN 933 M6 X 30MM 8.8 ZP	4	EA
18	5563643	WSHR .875ID 1.38OD .045THK	1	EA
19	1502308	HARNESS 110V JUMPER	1	EA
20	1501760	WIRE 18 R6I SPADE6I 8	1	EA

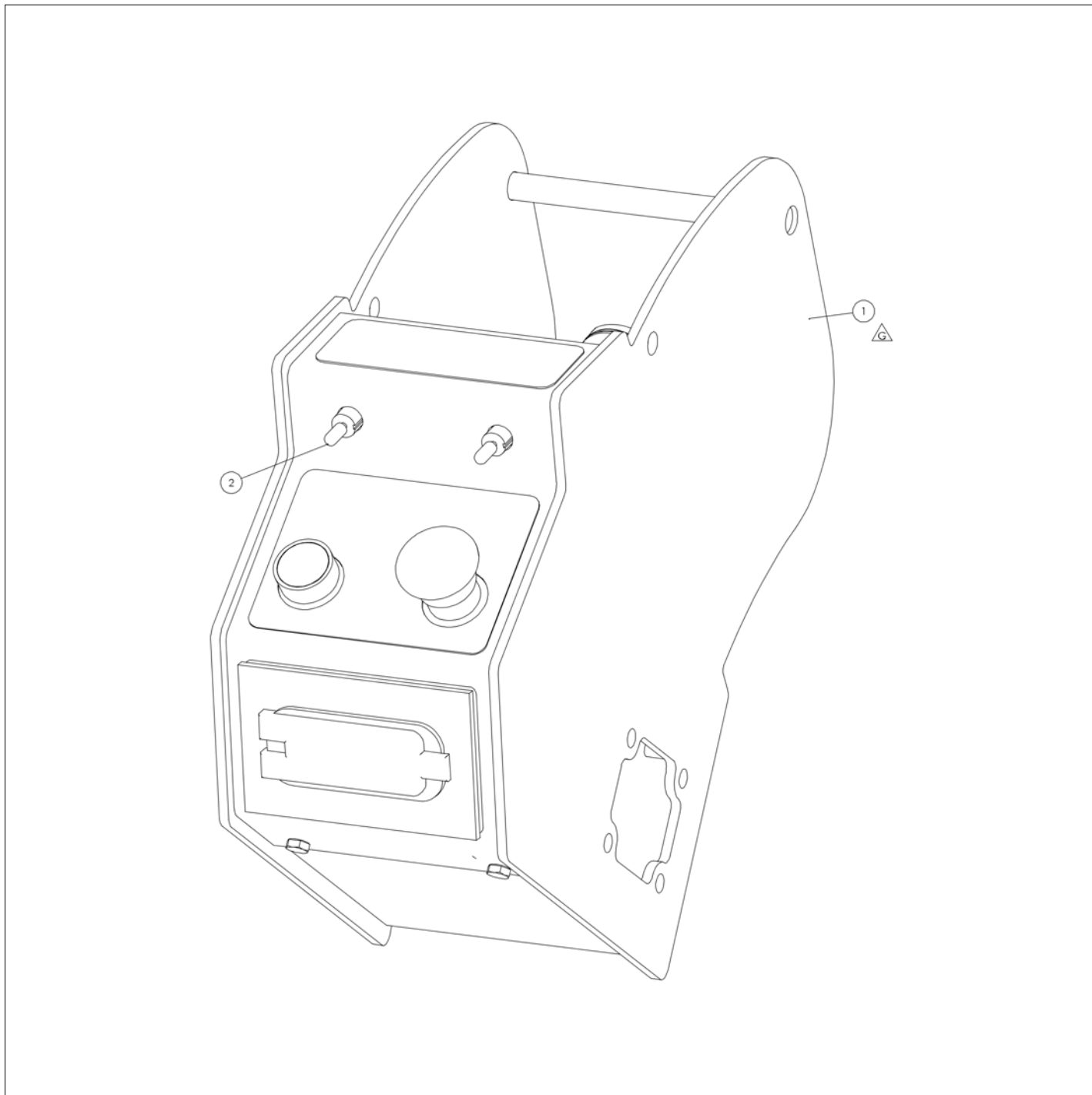
ELECTRICAL



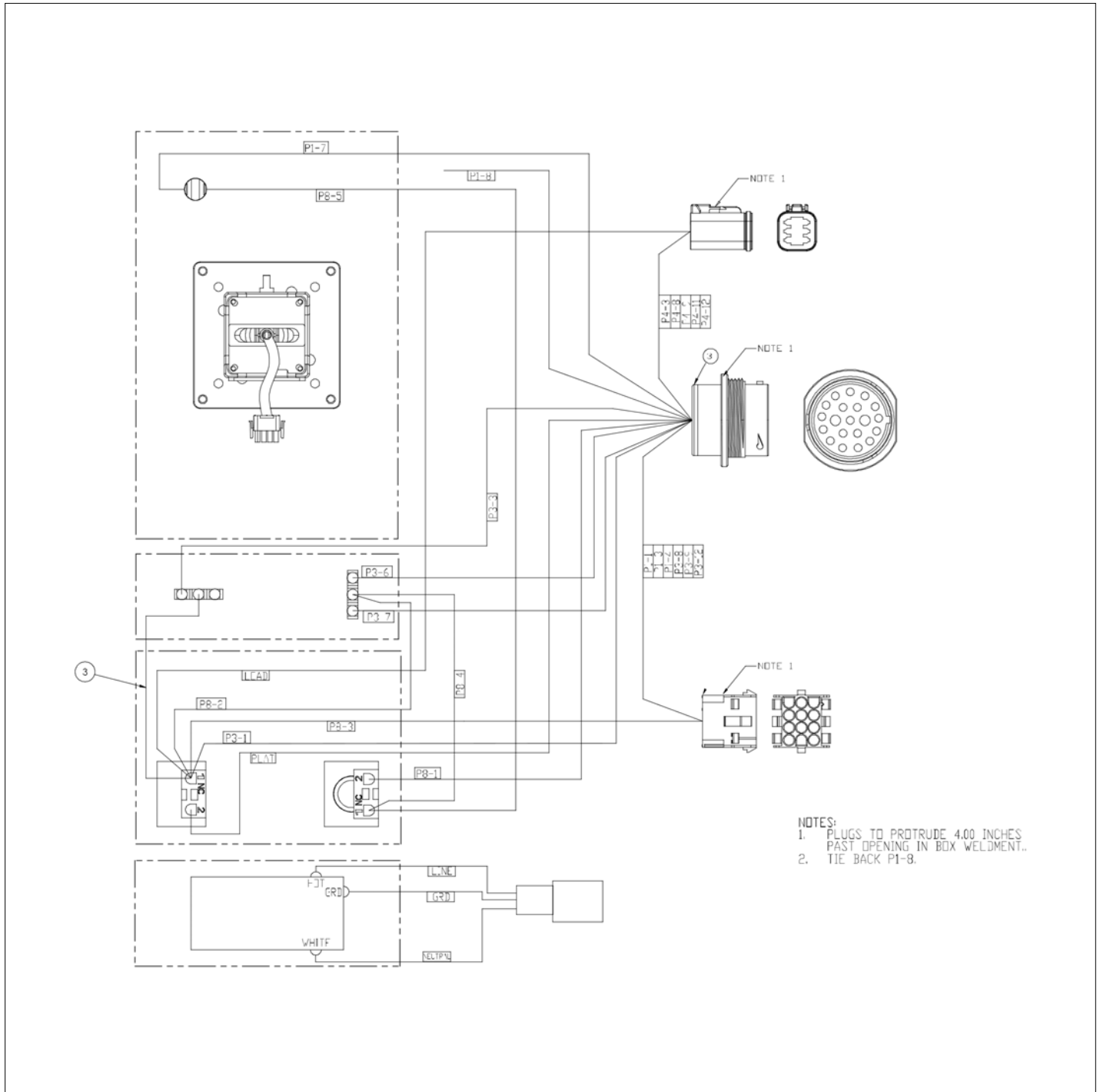
アイテム	部品番号	名前	数量	UOM
	1501641 K	UPPER CONTROL BOX SINGLE SPEED CE ASSEMBLY JULY 2018 AND AFTER		EA
1	1501112	WLDMT, PLATFORM CTRL BOX	1	EA
2	3028810	PUSH/PULL EMERGENCY STOP	1	EA
3	3020047	Switch, Toggle Honeywell INTI 3	1	EA
4	510542 000	PUSHBUTTON BLACK C/W 1 N/O CON	1	EA
5	302829	LIGHT RED 24VDC BEZEL MOUNT	2	EA
6	1501158	PLAC PLATFM CONT BOX	1	EA
7	1501159	PLAC PLATFM CONT E STOP/HORN	1	EA
8	5563181	HHCS M4 X 0.7 X 30G8.8 DIN 931	4	EA
9	512459 016	BLT HEXHD M4 X 0.7 X 16MM DIN 933 8.8 ZP	2	EA
10	056066 004	NUT NYLOCK DIN985 M4 8.0 ZP	6	EA
11	1501116	PLT BOTTOM PLATFORM CONTROL BOX	1	EA
12	1501359	PLAC LIFT/DRIVE	1	EA
13	3028933	Joystick I Axis, Deadman Guard	1	EA
14	1501298	CONN S3219 PLATFORM CONTROL Box	1	EA
15	5560067	NUT SPEED U THREADED M6	4	EA
16	058491 030	BOLT HEXSETSCREW DIN 933 M6 X 30MM 8.8 ZP	4	EA
17	1501688	PLT, COVER OUTLET	1	EA
18	1501690	WIRE JUMPER CE OVERLOAD LIGHT	1	EA
19	5563643	WSHR .875ID 1.38OD .045THK	1	EA



ELECTRICAL

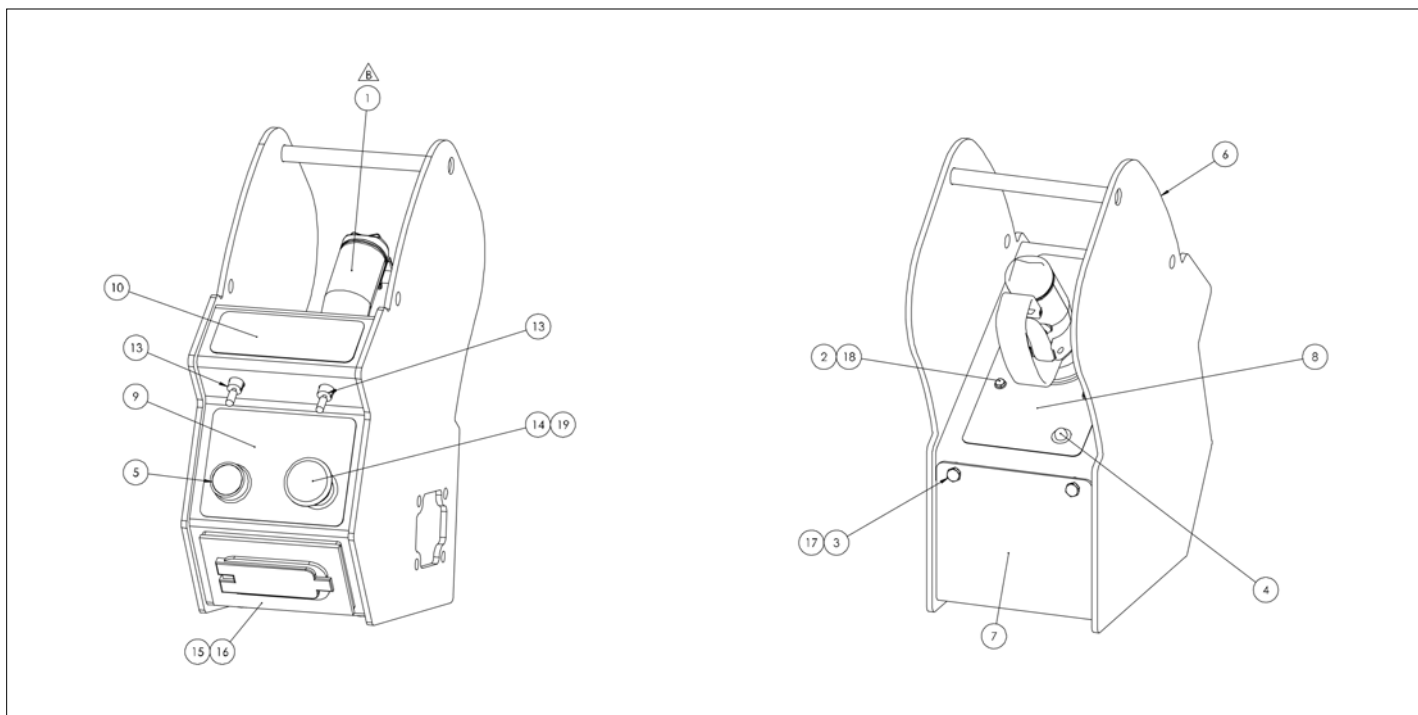


アイテム	部品番号	名前	数量	UOM
	1501498 H	UPPER CONTROL BOX ASSEMBLY TWO SPEED ANSI		EA
1	1501157	ASSY PLATFM CONT BOX	1	EA
2	3020047	Switch, Toggle Honeywell INTI 3	1	EA
3	1501760	WIRE 18 R6I SPADE6I 8	1	EA

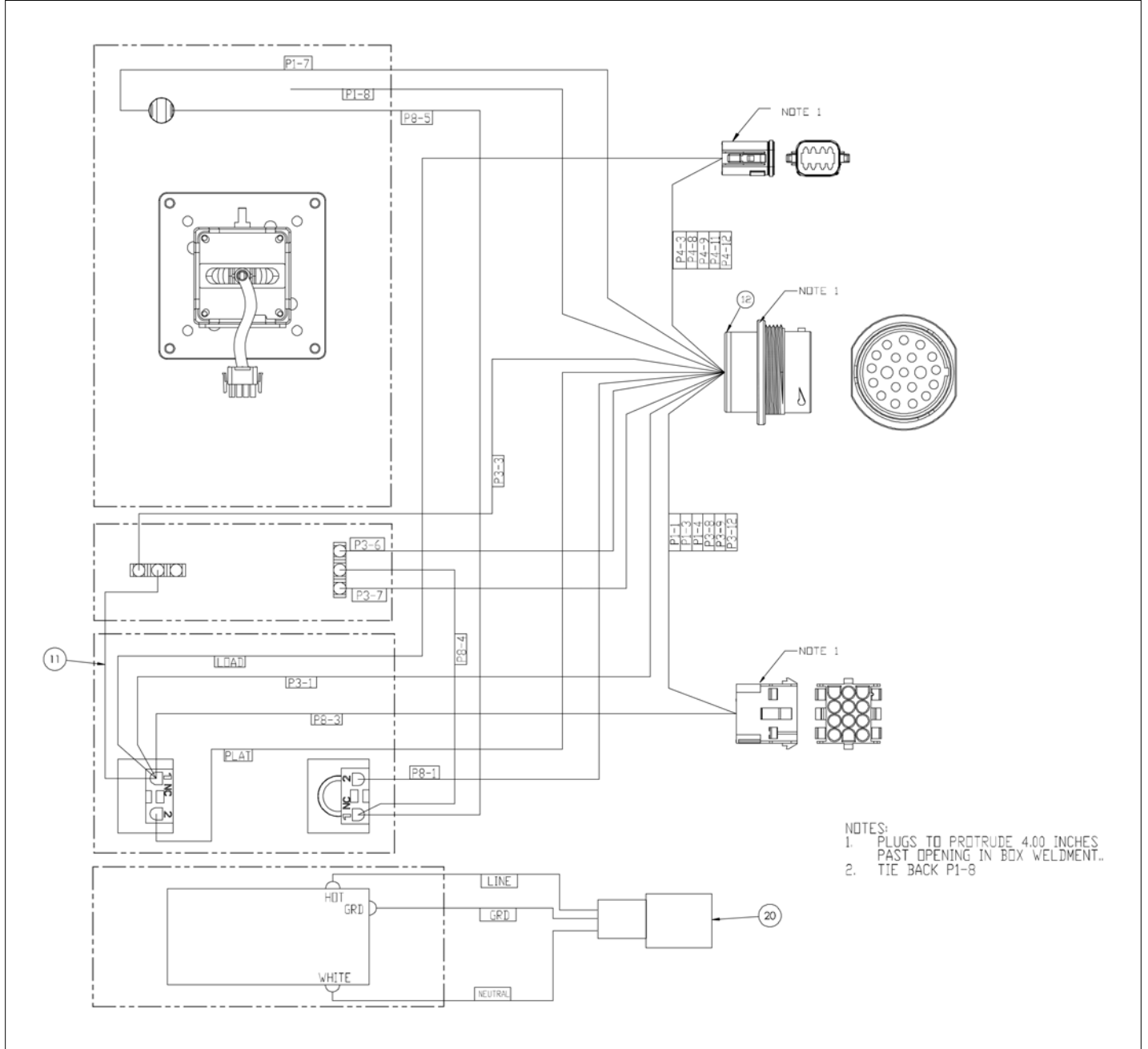


NOTES:
 1. PLUGS TO PROTRUDE 4.00 INCHES PAST OPENING IN BOX WELDMENT.
 2. TIE BACK P1-8.

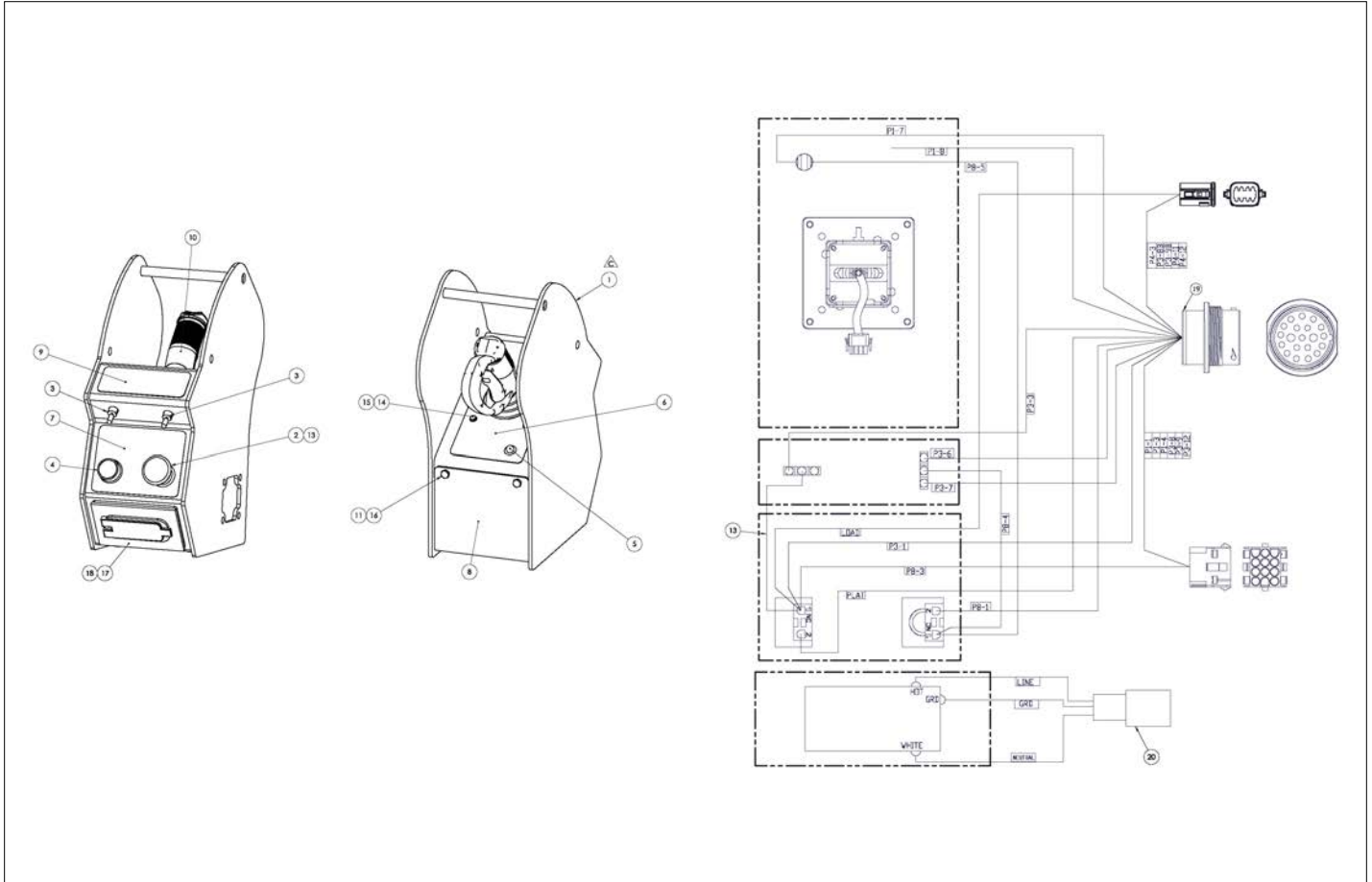
ELECTRICAL



アイテム	部品番号	名前	数量	UOM
	1502872 B	UPPER CONTROL BOX ANSI 2SPD ASSEMBLY MAY 2018 AND AFTER		EA
1	3028933	Joystick 1 Axis, Deadman Guard	1	EA
2	056066 004	NUT NYLOCK DIN985 M4 8.0 ZP	4	EA
3	058491 030	BOLT HEXSETSCREW DIN 933 M6 X 30MM 8.8 ZP	4	EA
4	302829	LIGHT RED 24VDC BEZEL MOUNT	1	EA
5	510542 000	PUSHBUTTON BLACK C/W 1 N/O CON	1	EA
6	1501112	WLDMT, PLATFORM CTRL BOX	1	EA
7	1501116	PLT BOTTOM PLATFORM CONTROL BOX	1	EA
8	1501158	PLAC PLATFM CONT BOX	1	EA
9	1501159	PLAC PLATFM CONT E STOP/HORN	1	EA
10	1501359	PLAC LIFT/DRIVE	1	EA
11	1501760	WIRE 18 R6I SPADE6I 8	1	EA
12	1502871	CONN, ANSI UCB 2 SPEED	1	EA
13	3020047	Switch, Toggle Honeywell INTI 3	2	EA
14	3028810	PUSH/PULL EMERGENCY STOP	1	EA
15	3040624	Recepticle Outlet 20AMP	1	EA
16	3040625	Enclosure Face	1	EA
17	5560067	NUT SPEED U THREADED M6	4	EA
18	5563181	HHCS M4 X 0.7 X 30G8.8 DIN 931	4	EA
19	5563643	WSHR .875ID 1.38OD .045THK	1	EA
20	1502308	HARNESS 110V JUMPER	1	EA

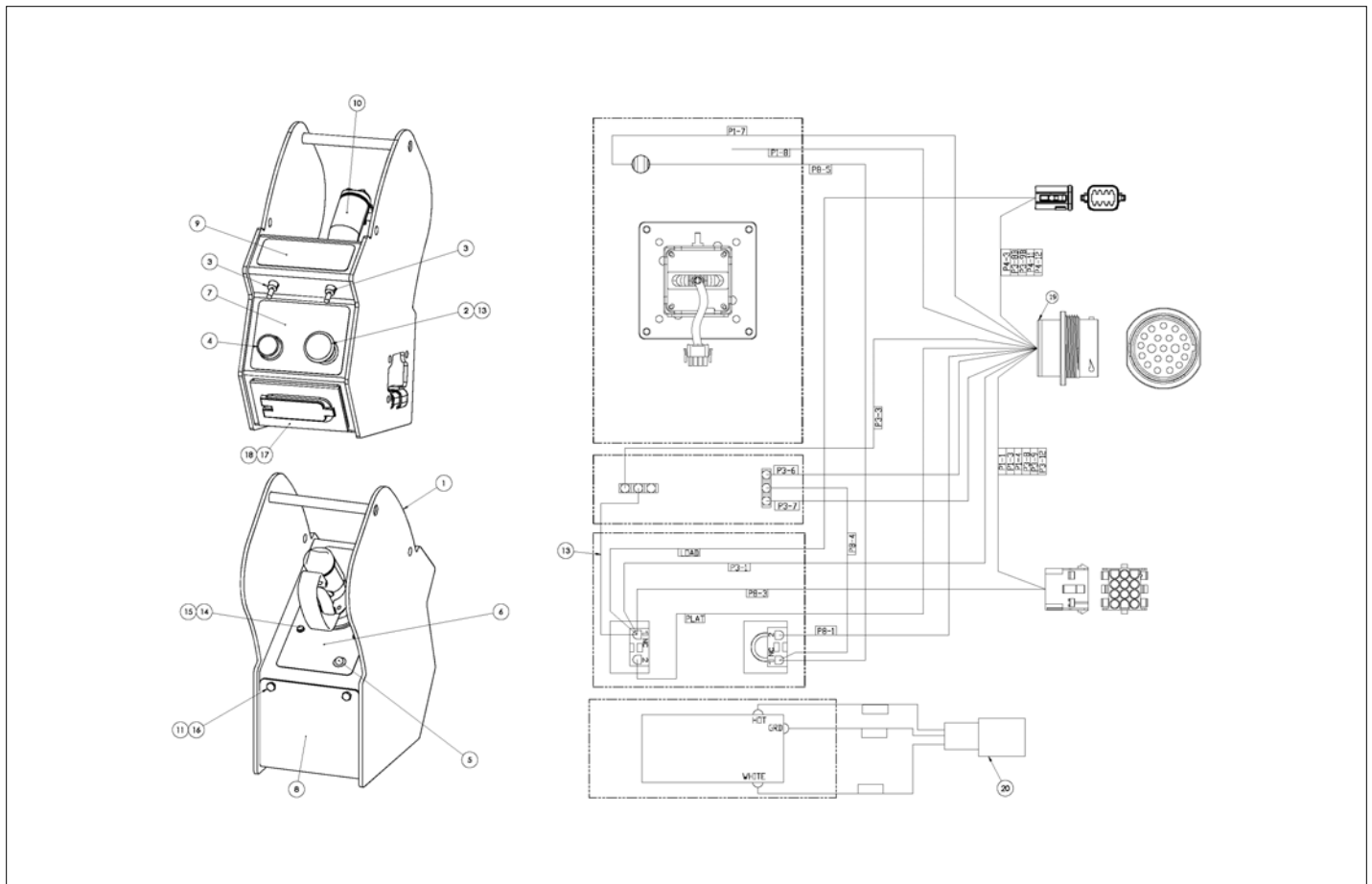


ELECTRICAL



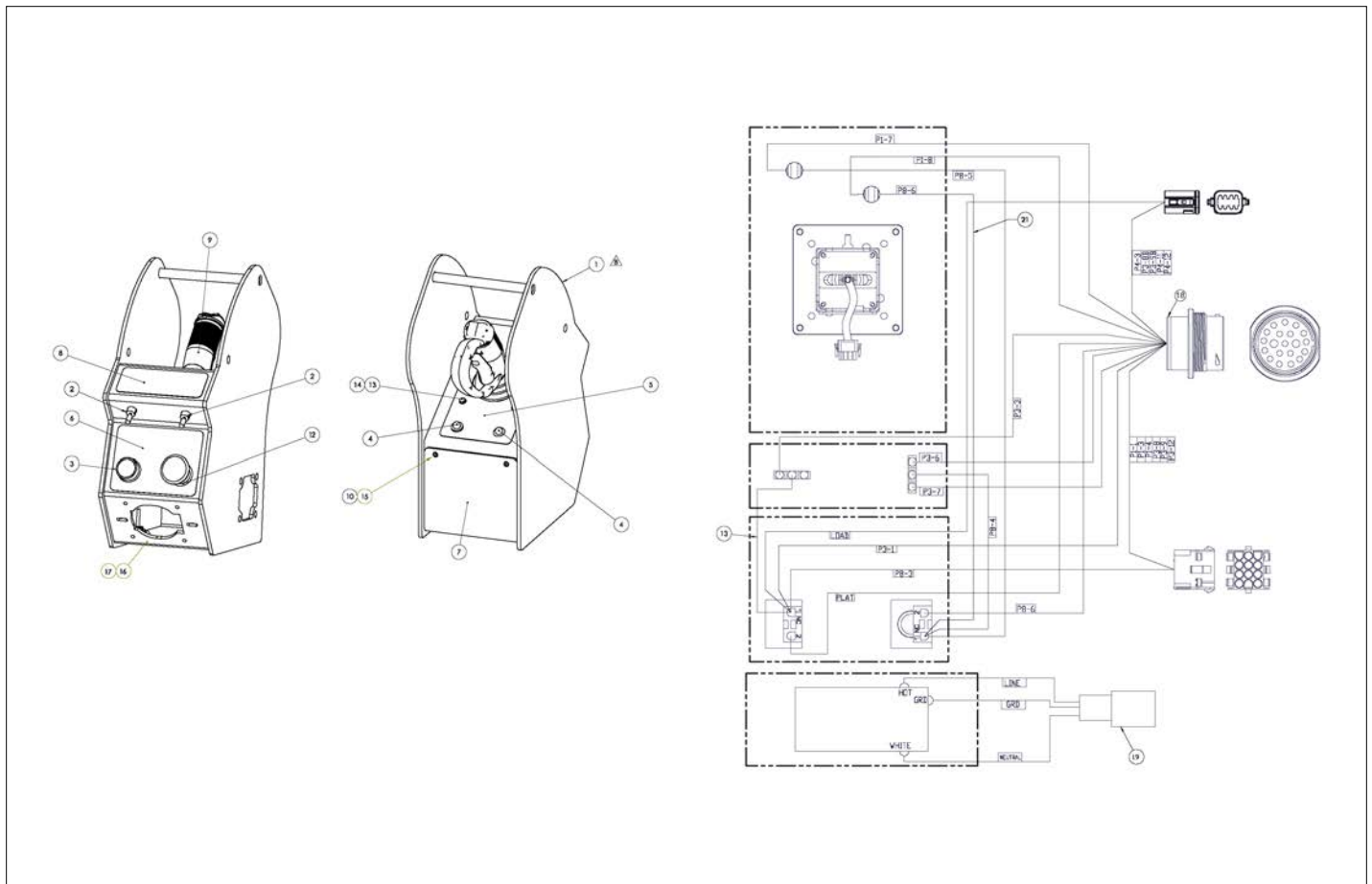
アイテム	部品番号	名前	数量	UOM
	1502975 C	UPPER CONTROL BOX ASSEMBLY ANSI 2SPD OCTOBER 2018 AND AFTER		EA
1	1501112	WLDMT, PLATFORM CTRL BOX	1	EA
2	3028810	PUSH/PULL EMERGENCY STOP	1	EA
3	3020047	Switch, Toggle Honeywell INTI 3	2	EA
4	510542 000	PUSHBUTTON BLACK C/W 1 N/O CON	1	EA
5	302829	LIGHT RED 24VDC BEZEL MOUNT	1	EA
6	1501158	PLAC PLATFM CONT BOX	1	EA
7	1501159	PLAC PLATFM CONT E STOP/HORN	1	EA
8	1501116	PLT BOTTOM PLATFORM CONTROL BOX	1	EA
9	1501359	PLAC LIFT/DRIVE	1	EA
10	3028933	Joystick 1 Axis, Deadman Guard	1	EA
11	5560067	NUT SPEED U THREADED M6	4	EA
12	1501760	WIRE 18 R6I SPADE6I 8	1	EA
13	5563643	WSHR .875ID 1.38OD .045THK	1	EA
14	5563181	HHCS M4 X 0.7 X 30G8.8 DIN 931	4	EA
15	056066 004	NUT NYLOCK DIN985 M4 8.0 ZP	4	EA
16	058491 030	BOLT HEXSETSCREW DIN 933 M6 X 30MM 8.8 ZP	4	EA
17	3040625	Enclosure Face	1	EA
18	3040624	Recepticle Outlet 20AMP	1	EA
19	1502971	CON UCB ANSI 2SPD	1	EA
20	1502308	HARNESS 110V JUMPER	1	EA

ELECTRICAL



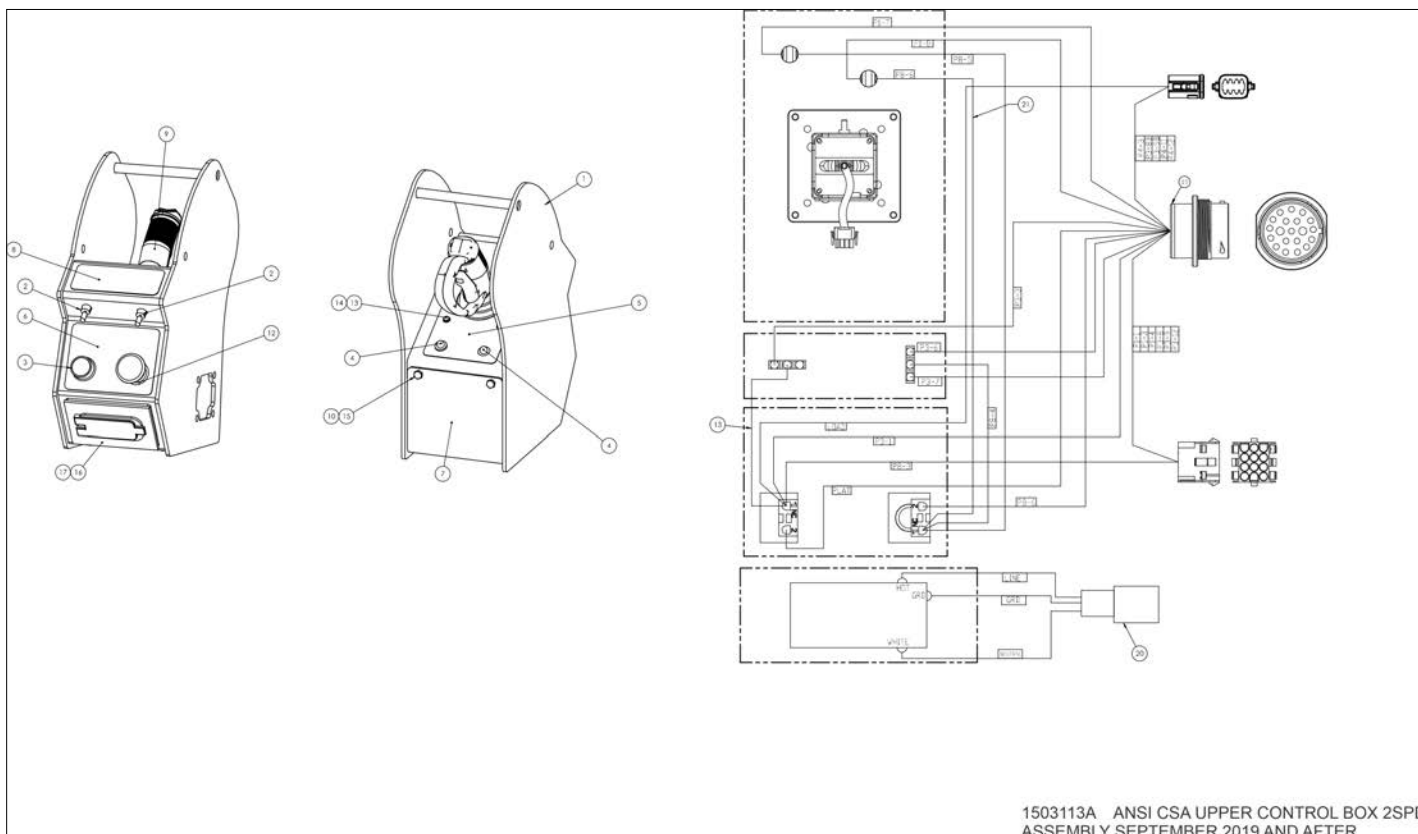
アイテム	部品番号	名前	数量	UOM
Not Shown	1502975A	UPPER CONTROL BOX ASSEMBLY TWO SPEED ANSI SEPTEMBER 2018 AND BEFORE		EA
1	1501112	WLDMT, PLATFORM CTRL BOX	1	EA
2	3028810	PUSH/PULL EMERGENCY STOP	1	EA
3	3020047	Switch, Toggle Honeywell INTI 3	2	EA
4	510542 000	PUSHBUTTON BLACK C/W 1 N/O CON	1	EA
5	302829	LIGHT RED 24VDC BEZEL MOUNT	1	EA
6	1501158	PLAC PLATFM CONT BOX	1	EA
7	1501159	PLAC PLATFM CONT E STOP/HORN	1	EA
8	1501116	PLT BOTTOM PLATFORM CONTROL BOX	1	EA
9	1501359	PLAC LIFT/DRIVE	1	EA
10	3028933	Joystick 1 Axis, Deadman Guard	1	EA
11	5560067	NUT SPEED U THREADED M6	4	EA
12	1501760	WIRE 18 R6I SPADE6I 8	1	EA
13	5563643	WSHR .875ID 1.38OD .045THK	1	EA
14	5563181	HHCS M4 X 0.7 X 30G8.8 DIN 931	4	EA
15	056066 004	NUT NYLOCK DIN985 M4 8.0 ZP	4	EA
16	058491 030	BOLT HEXSETSCREW DIN 933 M6 X 30MM 8.8 ZP	4	EA
17	3040625	Enclosure Face	1	EA
18	3040624	Recepticle Outlet 20AMP	1	EA
19	1502971	CON UCB ANSI 2SPD	1	EA
20	1502308	HARNESS 110V JUMPER	1	EA

ELECTRICAL



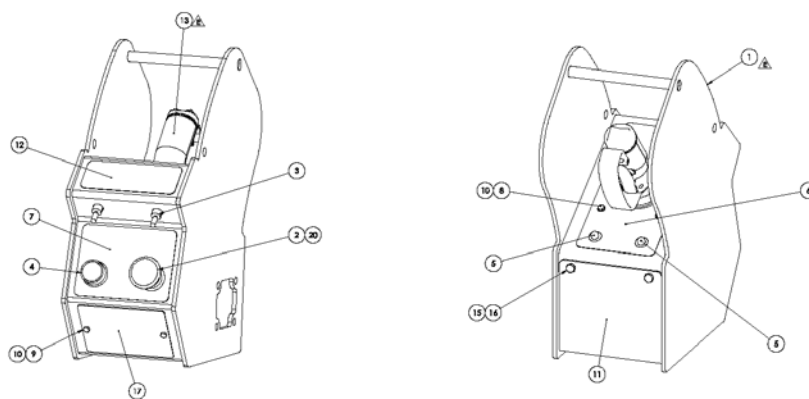
アイテム	部品番号	名前	数量	UOM
*	1503113 B	ANSI CSA UPPER CONTROL BOX ASSEMBLY 2SPD MAY 2019 AND AFTER		EA
1	1501112	WLDMT, PLATFORM CTRL BOX	1	EA
2	3020047	Switch, Toggle Honeywell INTI 3	2	EA
3	510542 000	PUSHBUTTON BLACK C/W 1 N/O CON	1	EA
4	302829	LIGHT RED 24VDC BEZEL MOUNT	1	EA
5	1501158	PLAC PLATFM CONT BOX	1	EA
6	1501159	PLAC PLATFM CONT E STOP/HORN	1	EA
7	1501116	PLT BOTTOM PLATFORM CONTROL BOX	1	EA
8	1501359	PLAC LIFT/DRIVE	1	EA
9	3028933	Joystick 1 Axis, Deadman Guard	1	EA
10	5560067	NUT SPEED U THREADED M6	4	EA
11	1501760	WIRE 18 R6I SPADE6I 8	1	EA
12	5563643	WSHR .875ID 1.38OD .045THK	1	EA
13	5563181	HHCS M4 X 0.7 X 30G8.8 DIN 931	4	EA
14	056066 004	NUT NYLOCK DIN985 M4 8.0 ZP	4	EA
15	3028810	PUSH/PULL EMERGENCY STOP	1	EA
16	1501690	WIRE JUMPER CE OVERLOAD LIGHT	1	EA
17	3040624	Recepticle Outlet 20AMP	1	EA
18	1502971	CON UCB ANSI 2SPD	1	EA
19	1502308	HARNESS 110V JUMPER	1	EA
20	1508810	PUSH/PULL ASSY W/CONTACT	1	EA
21	1501690	WIRE JUMPER CE OVERLOAD LIGHT	1	EA

ELECTRICAL



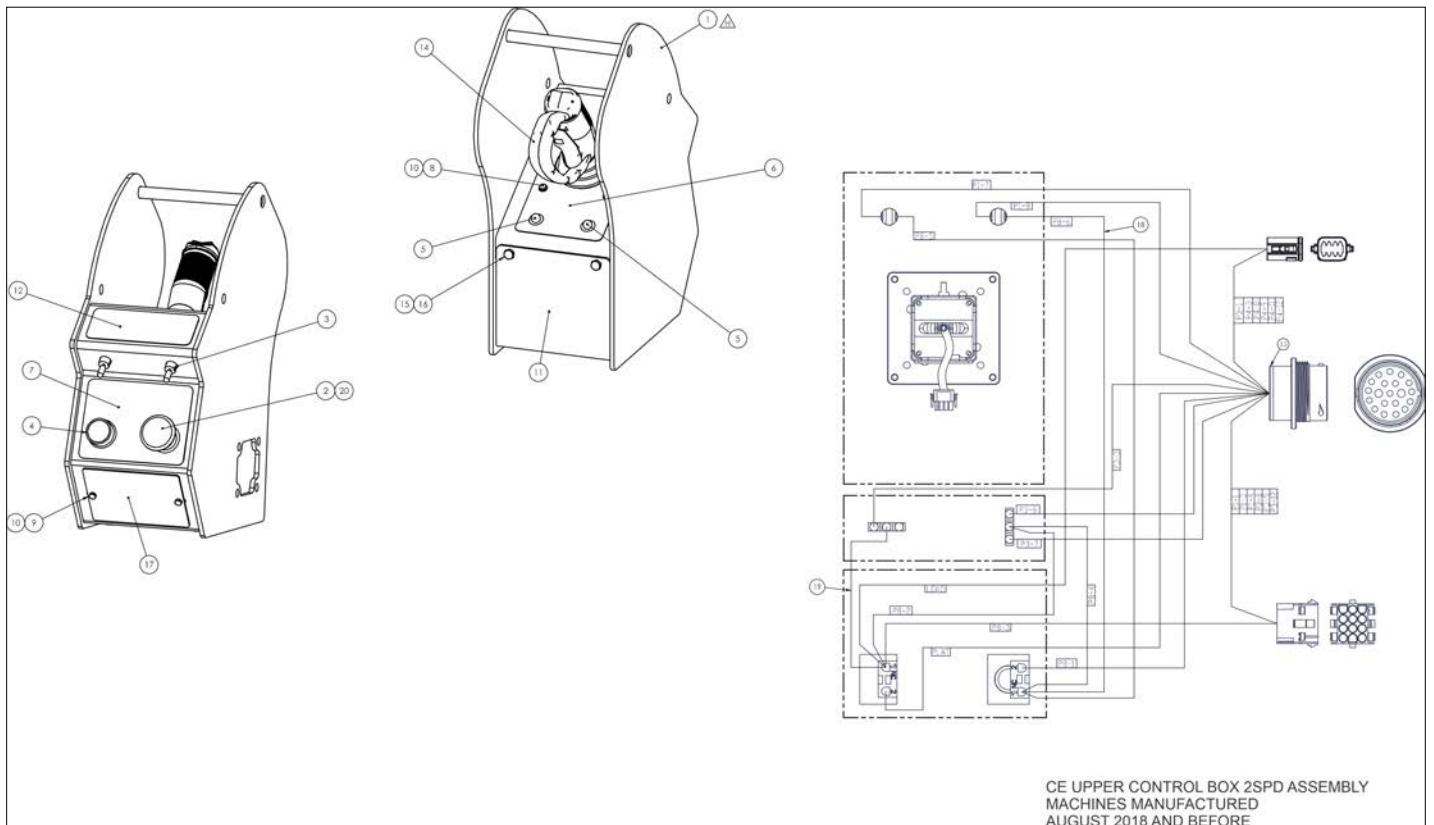
アイテム	部品番号	名前	数量	UOM
*	1503113 A	ANSI CSA UPPER CONTROL BOX 2SPD ASSEMBLY SEPTEMBER 2019 AND AFTER		EA
1	1501112	WLDMT, PLATFORM CTRL BOX	1	EA
2	3020047	Switch, Toggle Honeywell INTI 3	2	EA
3	510542 000	PUSHBUTTON BLACK C/W 1 N/O CON	1	EA
4	302829	LIGHT RED 24VDC BEZEL MOUNT	1	EA
5	1501158	PLAC PLATFM CONT BOX	1	EA
6	1501159	PLAC PLATFM CONT E STOP/HORN	1	EA
7	1501116	PLT BOTTOM PLATFORM CONTROL BOX	1	EA
8	1501359	PLAC LIFT/DRIVE	1	EA
9	3028933	Joystick 1 Axis, Deadman Guard	1	EA
10	5560067	NUT SPEED U THREADED M6	4	EA
11	1501760	WIRE 18 R6I SPADE6I 8	1	EA
12	5563643	WSHR .875ID 1.38OD .045THK	1	EA
13	5563181	HHCS M4 X 0.7 X 30G8.8 DIN 931	4	EA
14	056066 004	NUT NYLOCK DIN985 M4 8.0 ZP	4	EA
15	058491 030	BOLT HEXSETSCREW DIN 933 M6 X 30MM 8.8 ZP	1	EA
16	3040625	Enclosure Face	1	EA
17	3040624	Recepticle Outlet 20AMP	1	EA
18	1502971	CON UCB ANSI 2SPD	1	EA
19	1502308	HARNESS 110V JUMPER	1	EA
20	1508810	PUSH/PULL ASSY W/CONTACT	1	EA
21	1501690	WIRE JUMPER CE OVERLOAD LIGHT	1	EA

ELECTRICAL



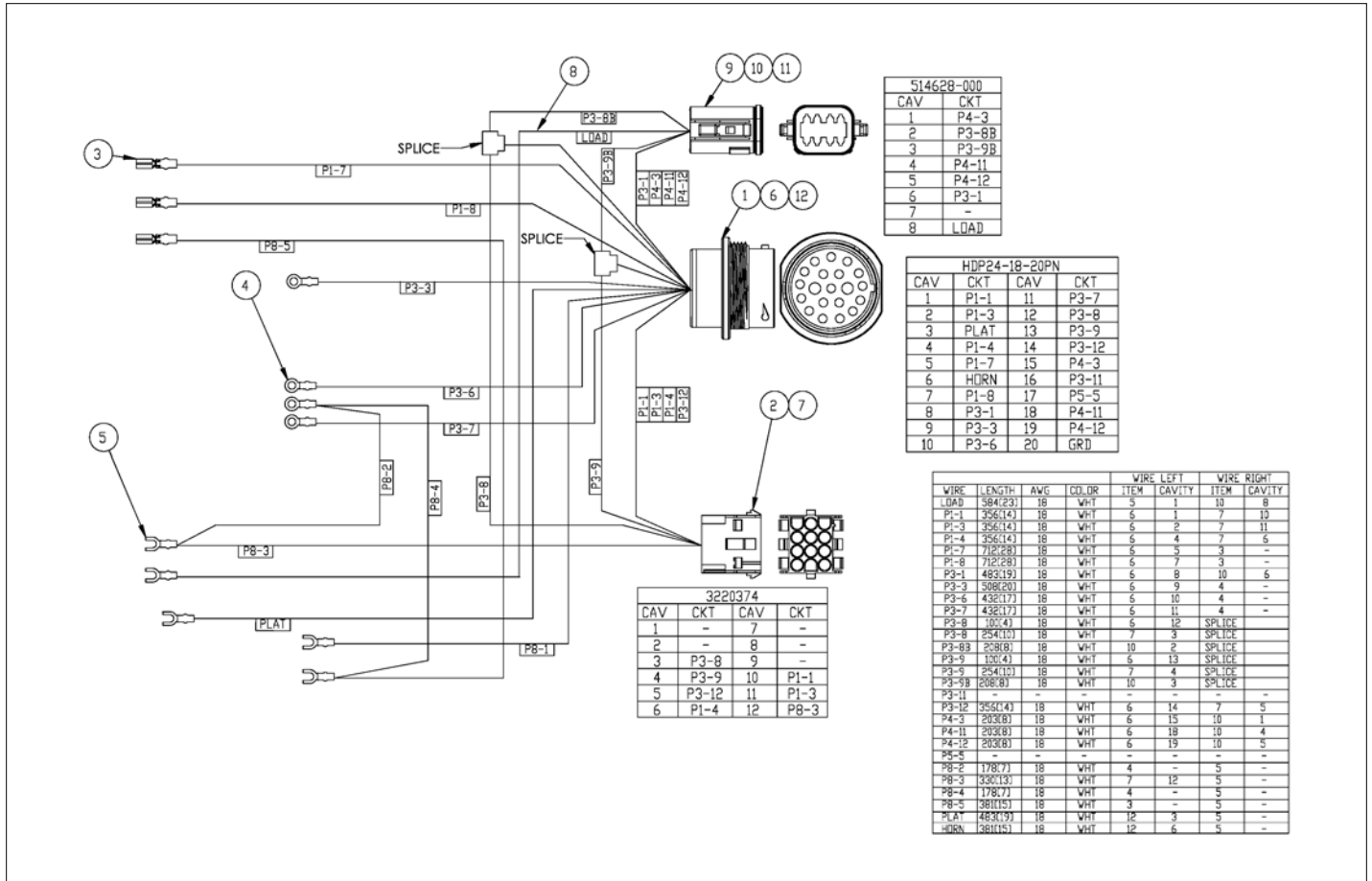
アイテム	部品番号	名前	数量	UOM
	1502336E	ASSEMBLY, CE UCB 2SP		EA
1	1501112	WLDMT, PLATFORM CTRL BOX	1	EA
2	3028810	PUSH/PULL EMERGENCY STOP	1	EA
3	3020047	Switch, Toggle Honeywell INTI 3	2	EA
4	510542 000	PUSHBUTTON BLACK C/W 1 N/O CON	1	EA
5	302829	LIGHT RED 24VDC BEZEL MOUNT	2	EA
6	1501158	PLAC PLATFM CONT BOX	1	EA
7	1501159	PLAC PLATFM CONT E STOP/HORN	1	EA
8	5563181	HHCS M4 X 0.7 X 30G8.8 DIN 931	4	EA
9	512459 016	BLT HEXHD M4 X 0.7 X 16MM DIN 933 8.8 ZP	2	EA
10	056066 004	NUT NYLOCK DIN985 M4 8.0 ZP	6	EA
11	1501116	PLT BOTTOM PLATFORM CONTROL BOX	1	EA
12	1501359	PLAC LIFT/DRIVE	1	EA
13	13888	JOYSTICK, JR MERRITT WITH GUARD (HALL EFFECT) JULY 2017 AND AFTER	1	EA
14	1502338	CONN, CE UCB 2SP	1	EA
15	5560067	NUT SPEED U THREADED M6	4	EA
16	058491 030	BOLT HEXSETSCREW DIN 933 M6 X 30MM 8.8 ZP	4	EA
17	1501688	PLT, COVER OUTLET	1	EA
18	1501690	WIRE JUMPER CE OVERLOAD LIGHT	1	EA
19	1501760	WIRE 18 R6I SPADE6I 8	1	EA
20	5563643	WSHR .875ID 1.38OD .045THK	1	EA

ELECTRICAL



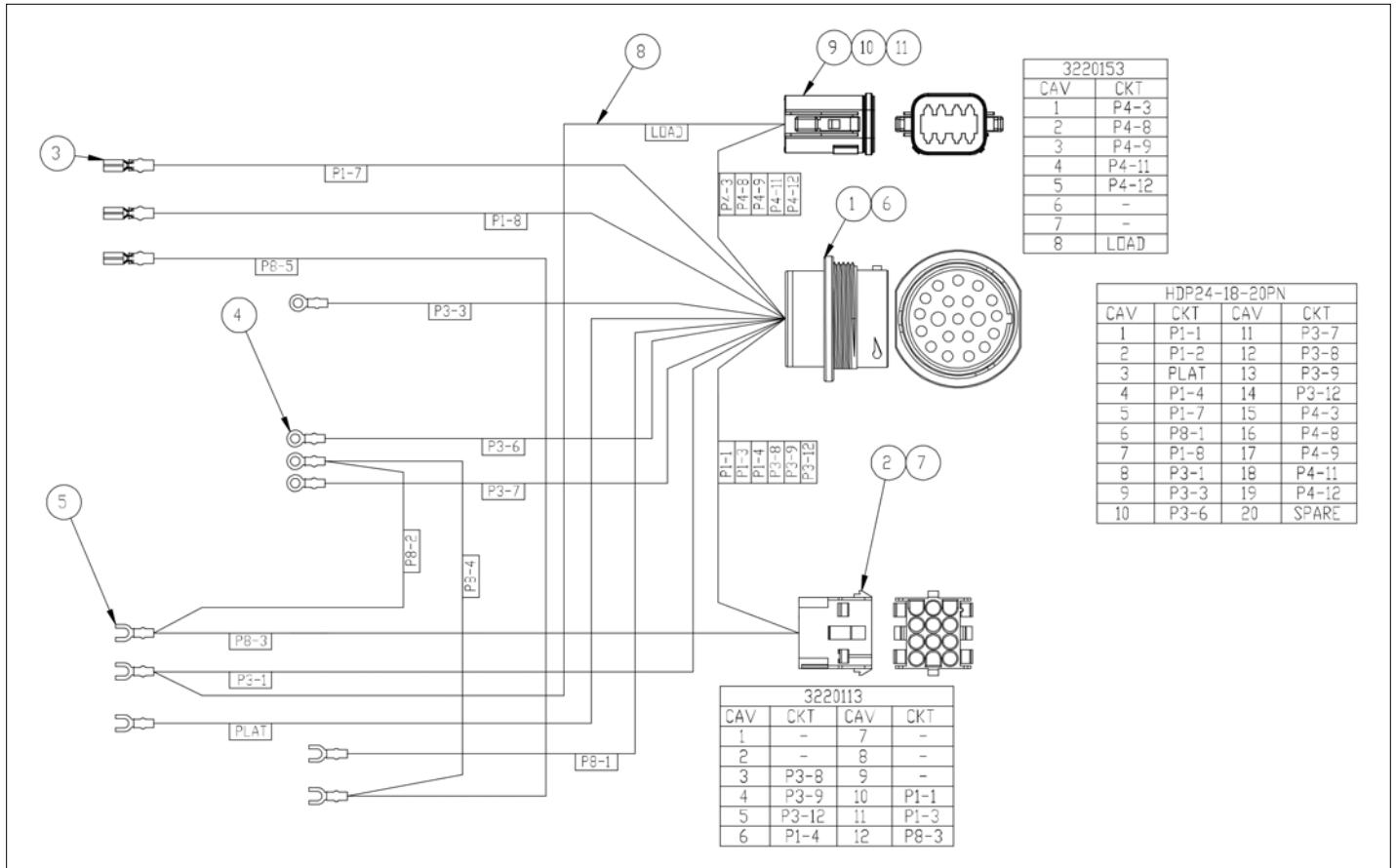
アイテム	部品番号	名前	数量	UOM
*	1502336 H	CE UPPER CONTROL BOX 2SPD ASSEMBLY JUNE 2019 AND AFTER		EA
1	1501112	WLDMT, PLATFORM CTRL BOX	1	EA
2	3028810	PUSH/PULL EMERGENCY STOP	1	EA
3	3020047	Switch, Toggle Honeywell INTI 3	2	EA
4	510542 000	PUSHBUTTON BLACK C/W 1 N/O CON	1	EA
5	302829	LIGHT RED 24VDC BEZEL MOUNT	2	EA
6	1501158	PLAC PLATFM CONT BOX	1	EA
7	1501159	PLAC PLATFM CONT E STOP/HORN	1	EA
8	5563181	HHCS M4 X 0.7 X 30G8.8 DIN 931	4	EA
9	512459 016	BLT HEXHD M4 X 0.7 X 16MM DIN 933 8.8 ZP	2	EA
10	056066 004	NUT NYLOCK DIN985 M4 8.0 ZP	6	EA
11	1501116	PLT BOTTOM PLATFORM CONTROL BOX	1	EA
12	1501359	PLAC LIFT/DRIVE	1	EA
13	1502972	CONN, CE UCB 2SP	1	EA
14	3028933	Joystick 1 Axis, Deadman Guard	1	EA
15	5560067	NUT SPEED U THREADED M6	4	EA
16	058491 030	BOLT HEXSETSCREW DIN 933 M6 X 30MM 8.8 ZP	4	EA
17	1501688	PLT, COVER OUTLET	1	EA
18	1501690	WIRE JUMPER CE OVERLOAD LIGHT	1	EA
19	1501760	WIRE 18 R6I SPADE6I 8	1	EA
20	5563643	WSHR .875ID 1.38OD .045THK	1	EA

ELECTRICAL



アイテム	部品番号	名前	数量	UOM
	1502972A	CONNECTOR, UCB CE 2SPD		EA
1	3220274	CONN DEUTSCH	1	EA
2	3220374	CONN AMP 12PIN	1	EA
3	3046972	TERM FEM188I 22/18	3	EA
4	3044158	TERM R6I	4	EA
5	960359	TERM SPADE6I 18 14 GA	5	EA
6	3220177	PIN CONTACT #20 16 18AWG DEUTSCH	18	EA
7	3220225	PIN AMP	7	EA
8	3011801	WIRE 18GA SINGLE CONDUCTOR WHT	A/R	EA
9	514628 000	8 WAY PLUG	1	EA
10	3040342	SOCKET CONTACT SIZE 16 16/18GA	7	EA
11	514630 000	WEDLOCK	1	EA
12	3040341	PIN CONTACT SIZE 16 16/18 GA	2	EA

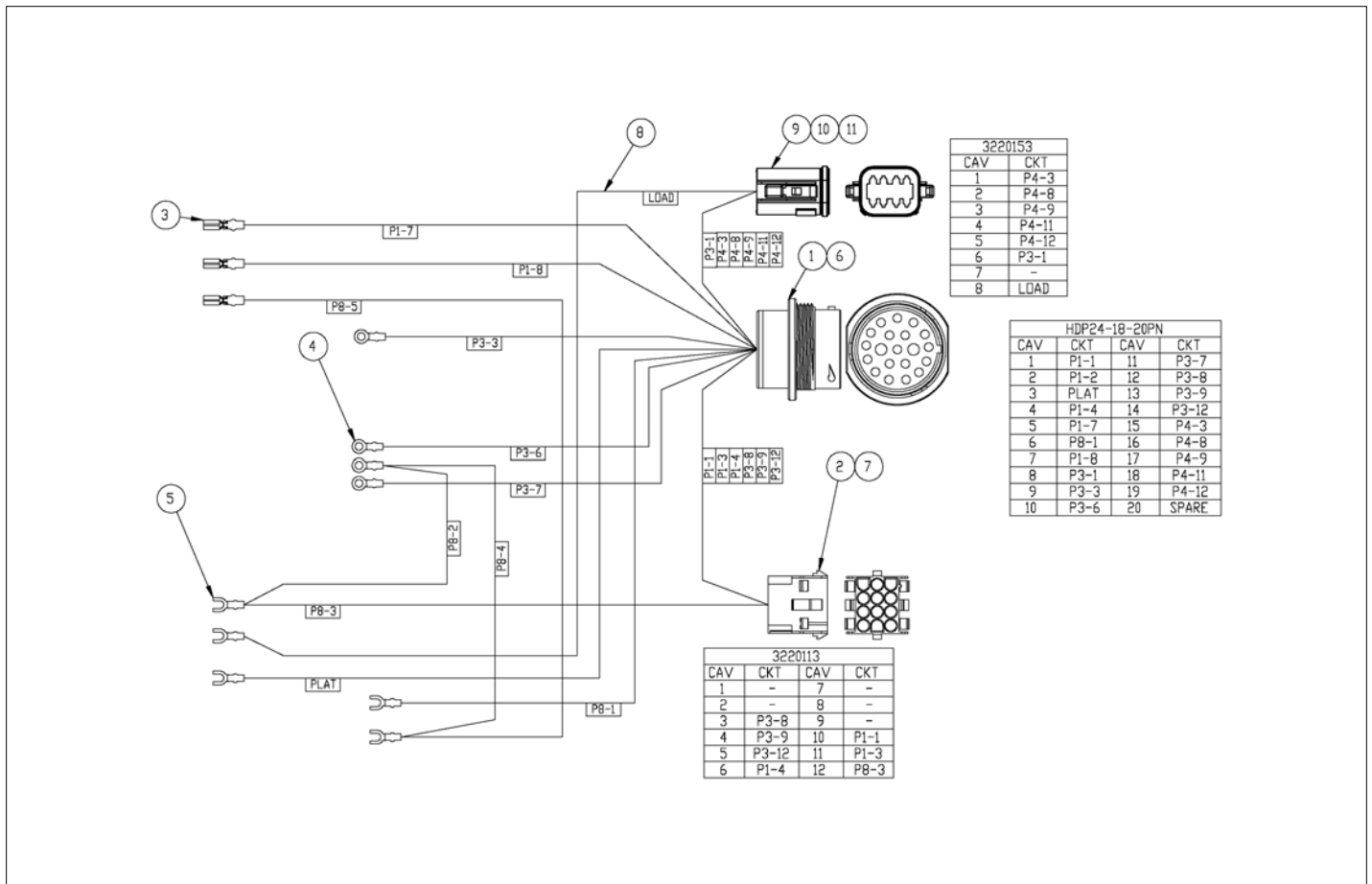
ELECTRICAL



アイテム	部品番号	名前	数量	UOM
	1502871 A	2 SPEED UPPER CONTROL BOX WITH CONNECTORS ANSI		EA
1	3220274	CONN DEUTSCH	1	EA
2	3220113	RELAY SOCKET 1 POLE DIN MAGNEC	1	EA
3	3046972	TERM FEM188I 22/18	3	EA
4	3044146	TERM R10I 22/18	4	EA
5	960359	TERM SPADE6I 18 14 GA	5	EA
6	3220177	PIN CONTACT #20 16 18AWG DEUTSCH	14	EA
7	3220225	PIN AMP	7	EA
8	3011801	WIRE 18GA SINGLE CONDUCTOR WHT	A/R	EA
9	514628 000	8 WAY PLUG	1	EA
10	3040342	SOCKET CONTACT SIZE 16 16/18GA	7	EA
11	514630 000	WEDLOCK	1	EA

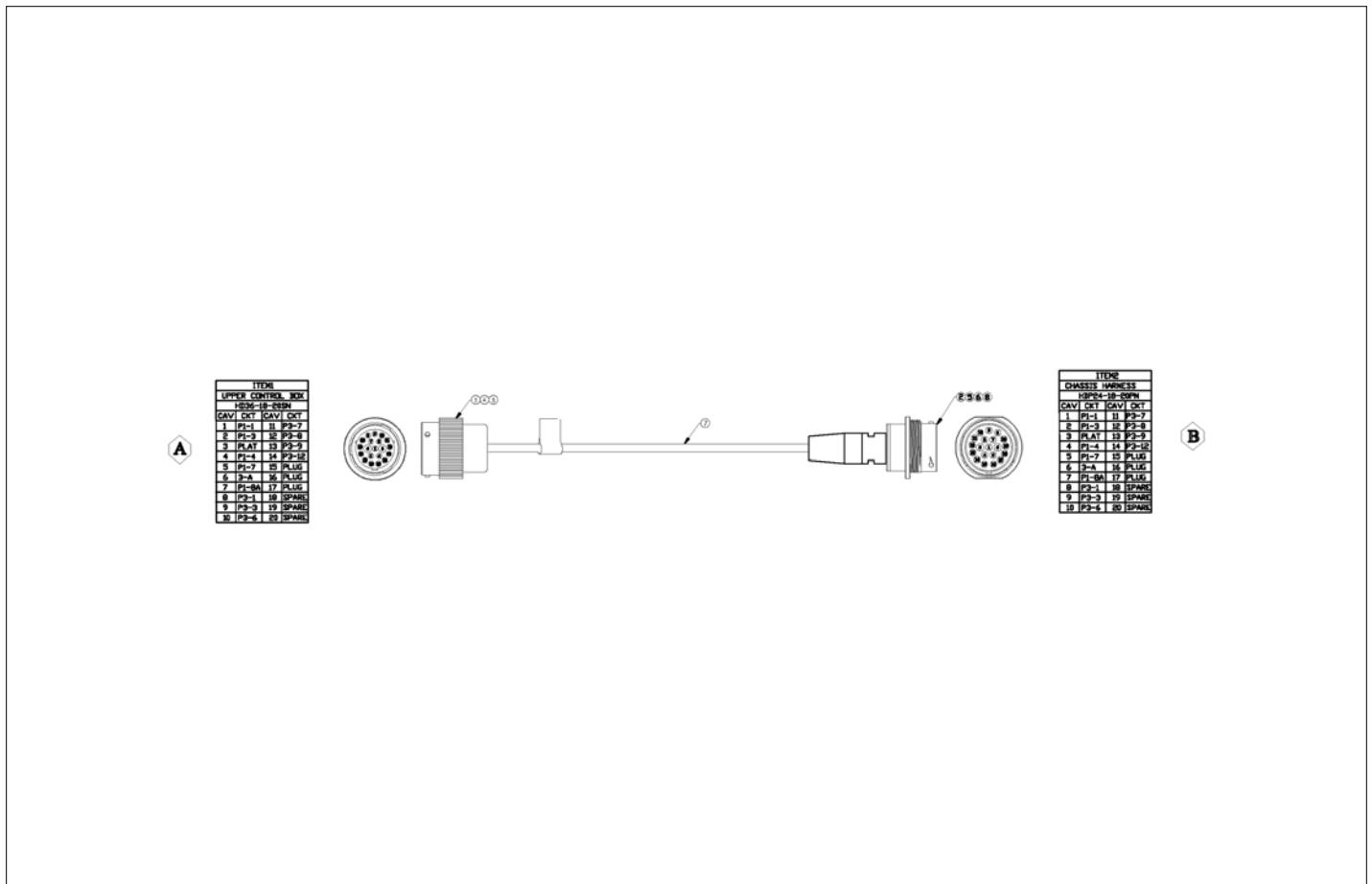
WIRE	LENGTH	AWG	COLOR	WIRE LEFT		WIRE RIGHT	
				ITEM	CAVITY	ITEM	CAVITY
LOAD	584[23]	18	WHT	5	1	10	8
P1-1	356[14]	18	WHT	6	1	7	10
P1-3	356[14]	18	WHT	6	2	7	11
P1-4	356[14]	18	WHT	6	4	7	6
P1-7	712[28]	18	WHT	6	5	3	-
P1-8	712[28]	18	WHT	6	7	3	-
P3-1	483[19]	18	WHT	6	8	5	-
P3-3	508[20]	18	WHT	6	9	4	-
P3-6	432[17]	18	WHT	6	10	4	-
P3-7	432[17]	18	WHT	6	11	4	-
P3-8	356[14]	18	WHT	6	12	7	3
P3-9	356[14]	18	WHT	6	13	7	4
P3-12	356[14]	18	WHT	6	14	7	5
P4-3	203[8]	18	WHT	1	15	10	1
P4-8	203[8]	18	WHT	1	16	10	2
P4-9	203[8]	18	WHT	1	17	10	3
P4-11	203[8]	18	WHT	1	18	10	4
P4-12	203[8]	18	WHT	1	19	10	5
P8-1	381[15]	18	WHT	6	6	5	-
P8-2	178[7]	18	WHT	4	-	5	-
P8-3	330[13]	18	WHT	7	12	5	-
P8-4	178[7]	18	WHT	4	-	5	-
P8-5	381[15]	18	WHT	3	-	5	-
PLAT	483[19]	18	WHT	6	3	5	-

ELECTRICAL



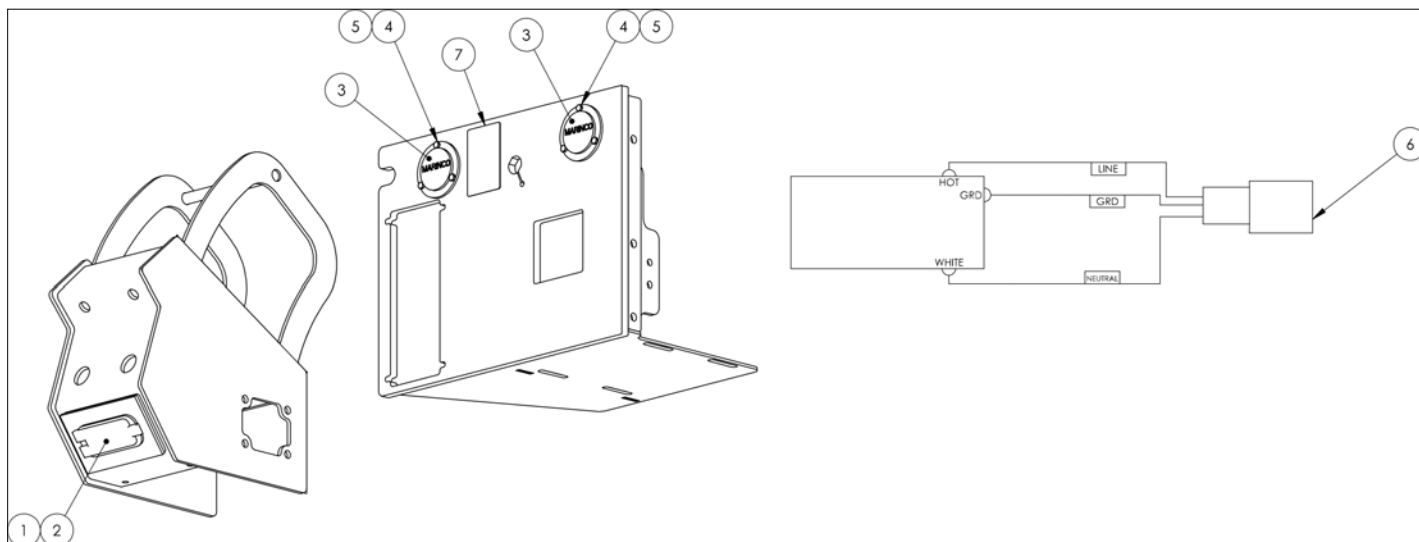
アイテム	部品番号	名前	数量	UOM
	1502338A	CONNECTOR, CE UCB 2 SPEED		EA
1	3220274	CONN DEUTSCH	1	EA
2	3220113	RELAY SOCKET 1 POLE DIN MAGNEC	1	EA
3	3046972	TERM FEM188I 22/18	3	EA
4	3044146	TERM R10I 22/18	4	EA
5	960359	TERM SPADE6I 18 14 GA	5	EA
6	3220177	PIN CONTACT #20 16 18AWG DEUTSCH	14	EA
7	3220225	PIN AMP	7	EA
8	3011801	WIRE 18GA SINGLE CONDUCTOR WHT	A/R	EA
9	514628 000	8 WAY PLUG	1	EA
10	3040342	SOCKET CONTACT SIZE 16 16/18GA	7	EA
11	514630 000	WEDLOCK	1	EA

ELECTRICAL



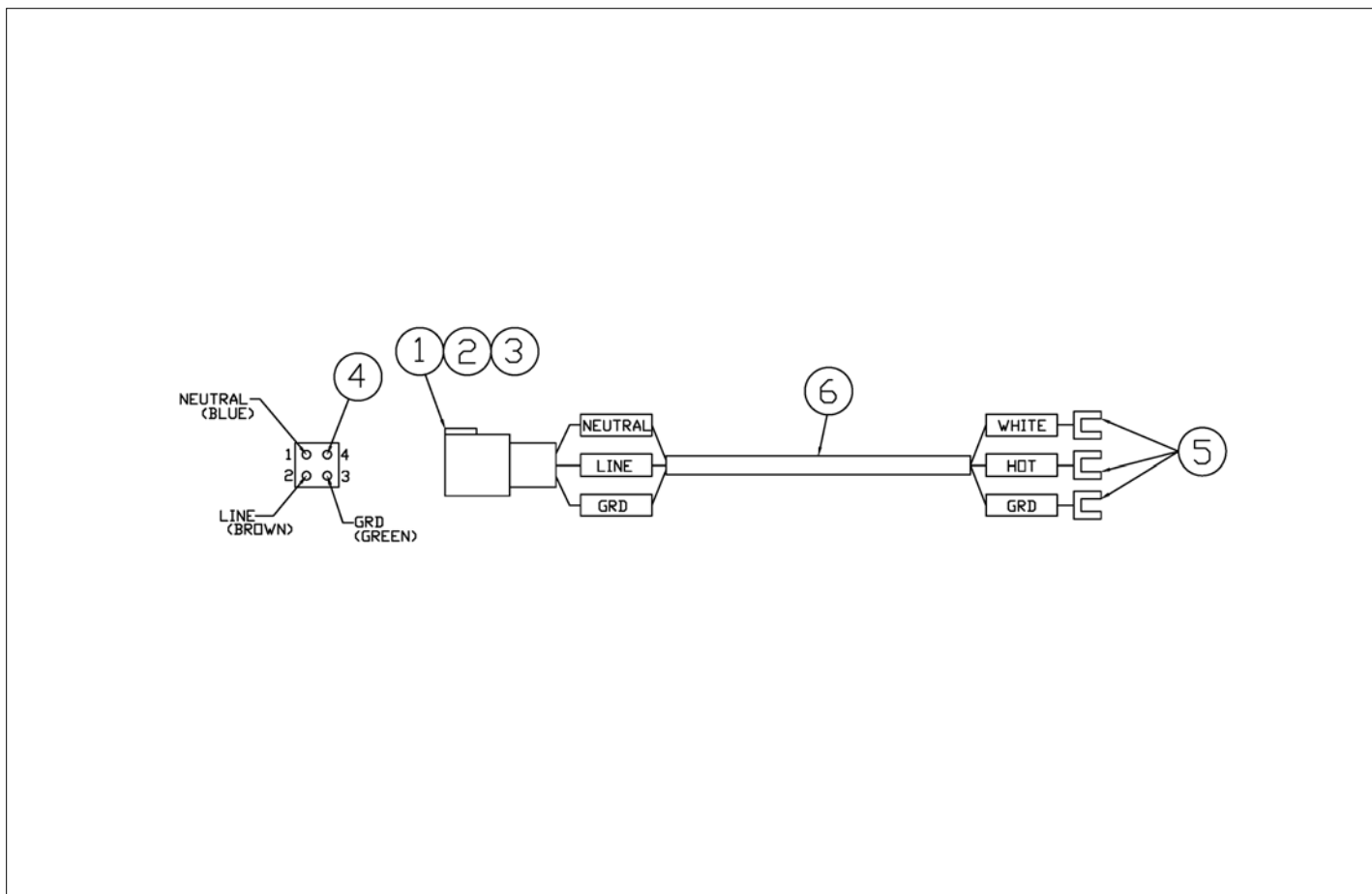
アイテム	部品番号	名前	数量	UOM
	1502468B	UPPER CONTROL BOX HARNESS AUGUST 2016 AND AFTER		EA
2	3220206	CONNECTOR, CIRCULAR, 20 WAY PLUG RECEPTACLE	1	EA
3	3040342	SOCKET CONTACT SIZE 16 16/18GA	2	EA
4	3049895	SOCKET CONTACT 20 DEUTSCH P/N	15	EA
5	3040341	PIN CONTACT SIZE 16 16/18 GA	2	EA
6	3049894	PIN CONTACT 20 DEUTCH P/N 04	15	EA
7	3011817	CABLE 18GA/20 17 CONDUCTOR, PAIGE	60in	EA
8	3040097	SEALING PLUG, 16 DEUTSCH	6	EA

ELECTRICAL



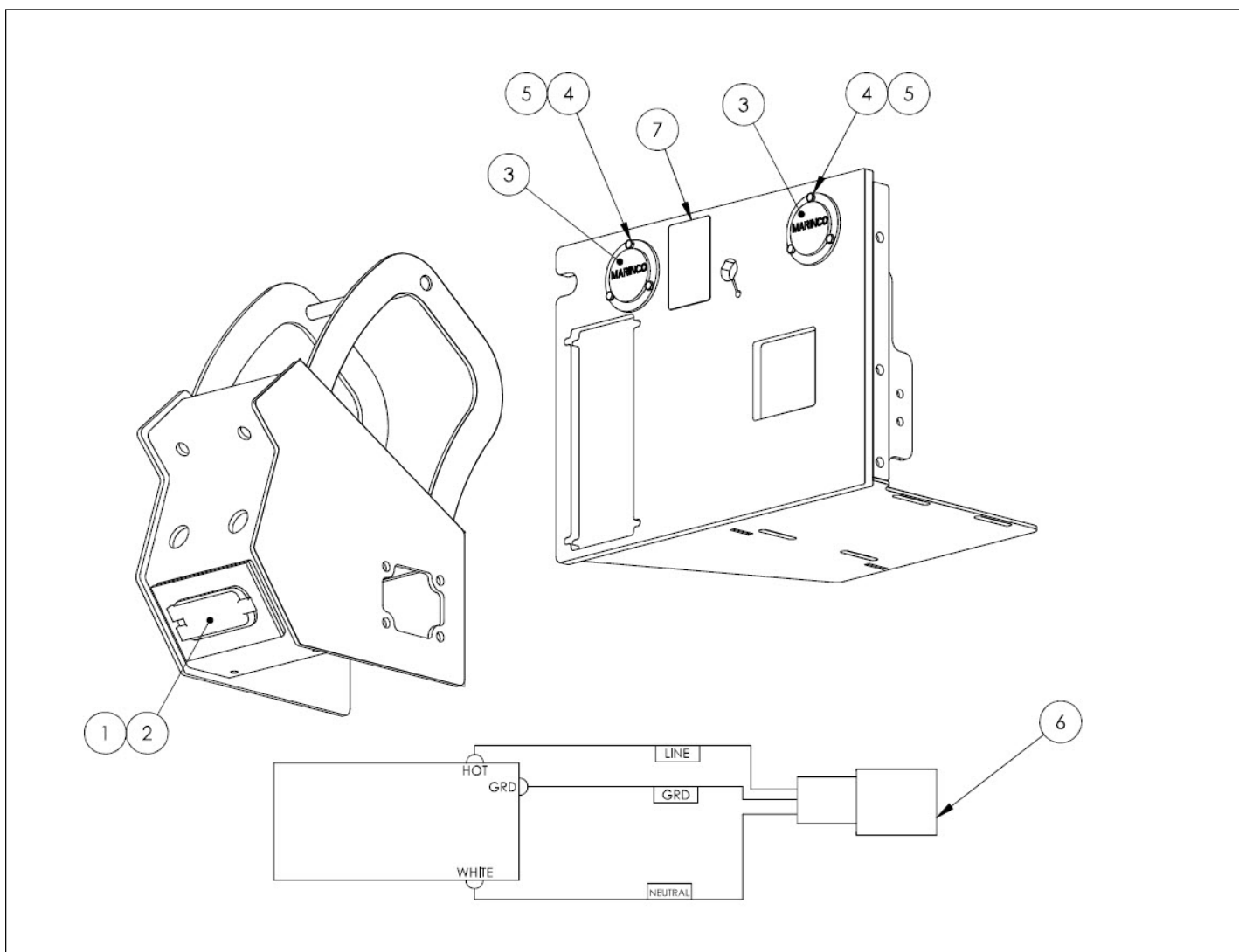
アイテム	部品番号	名前	数量	UOM
	1502763 B	110V OPTION ASSEMBLY		EA
1	3040624	Recepticle Outlet 20AMP	1	EA
2	3040625	Enclosure Face	1	EA
3	3069521	INLET FLANGE	2	EA
Not Shown	3069542	FRONT COVER FOR 3069521	1	EA
4	512459 020	BLT HEXHD M4 0.07 X 20MM G8.8	6	EA
5	056066 004	NUT NYLOCK DIN985 M4 8.0 ZP	6	EA
6	1502308	HARNESS 110V JUMPER	1	EA
7	1502528	DECAL, POWER TO PLATFORM	1	EA

ELECTRICAL



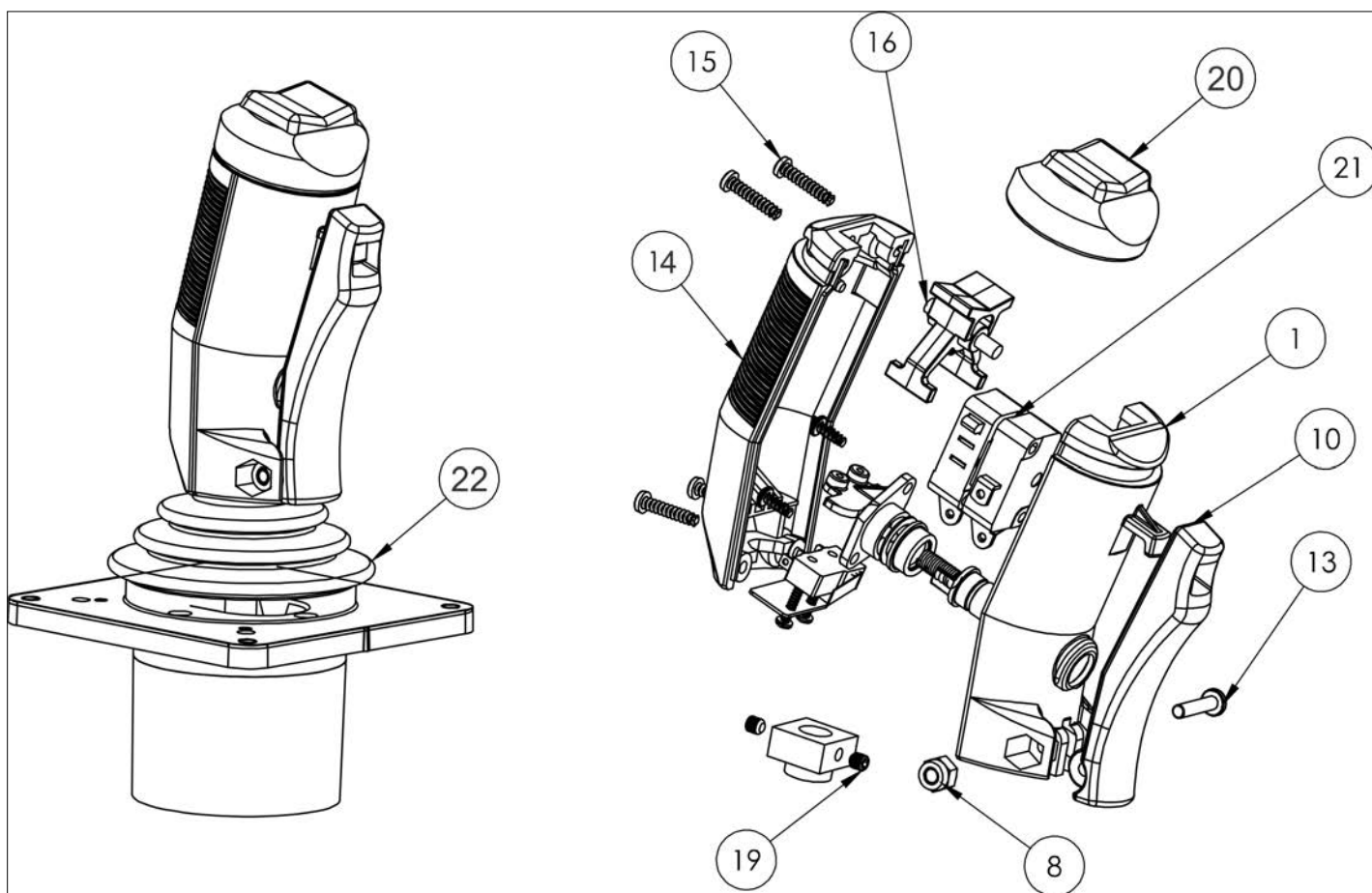
アイテム	部品番号	名前	数量	UOM
	1502308A	HARNESS, 110V JUMPER		EA
1	3220263	CONNECTOR DEUTSCH	1	EA
2	3220090	LOCK, WEDGE 4 PIN DEUTSCH	1	EA
3	3028827	PIN 12GA DEUTSCH	3	EA
4	3040097	SEALING PLUG, 16 DEUTSCH	1	EA
5	3044155	TERM SPADE8I 16/14 3M:B06 503	3	EA
6	058688 001	CABLE 1.5MM 14GA 1/3 GRN/YLW, BLUE, BROWN	A/R	EA

ELECTRICAL



アイテム	部品番号	名前	数量	UOM
	1502763 B	110V OPTION ASSEMBLY		EA
1	3040624	Recepticle Outlet 20AMP	1	EA
2	3040625	Enclosure Face	1	EA
3	3069521	INLET FLANGE	2	EA
Not Shown	3069542	FRONT COVER FOR 3069521	1	EA
4	512459 020	BLT HEXHD M4 0.07 X 20MM G8.8	6	EA
5	056066 004	NUT NYLOCK DIN985 M4 8.0 ZP	6	EA
6	1502308	HARNESS 110V JUMPER	1	EA
7	1502528	DECAL, POWER TO PLATFORM	1	EA

ELECTRICAL



アイテム	部品番号	名前	数量	UOM
*	3087801 E	JOYSTICK		EA
1	3029801	ASSEMBLY SCREW	1	EA
8	5560593	TRIGGER AXEL NUT	1	EA
10	3029802	LEVER	1	EA
13	5560592	TRIGGER AXLE SCREW	1	EA
14	3029801	ASSEMBLY SCREW	1	EA
15	5560594	ASSEMBLY SCREW	4	EA
16	3020187	AXLE ROCKER	1	EA
19	3020182	COUPLING SETSCREW	2	EA
20	3087807	ROCKER BOOT	1	EA
21	3020183	MICROSWITCH	2	EA
22	3087816	BOOT	1	EA

ELECTRICAL



NO IMAGE AVAILABLE
(BOM FOR REFERENCE ONLY)

アイテム	部品番号	名前	数量	UOM
	9991350 A	PENDANT SCISSORS PDI JANUARY 2020 AND AFTER		EA
1	9991353	HARNES, SCISSOR PDI PENDANT	1	EA
2	056066 004	NUT NYLOCK DIN985 M4 8.0 ZP	2	EA
3	5563871	FSHCS M4 X 0.7 X 25	2	EA
4	3028895	SWNSOR MAG TARGET	2	EA
5	9991351	DECAL, SCISSOR PDI PENDANT	1	EA
6	3020016	Switch, Toggle Honeywell INTI 7	2	EA
7	9991349	ENCLOSURE, SCISSOR PDI PENDANT	1	EA
8	3028810	PUSH/PULL EMERGENCY STOP	1	EA
9	3040110	NUT LKG HUB .750 SAMEAS 962129	1	EA
10	3040285	CONN .75 .375 .500	1	EA

ELECTRICAL



NO IMAGE AVAILABLE
(BOM FOR REFERENCE ONLY)

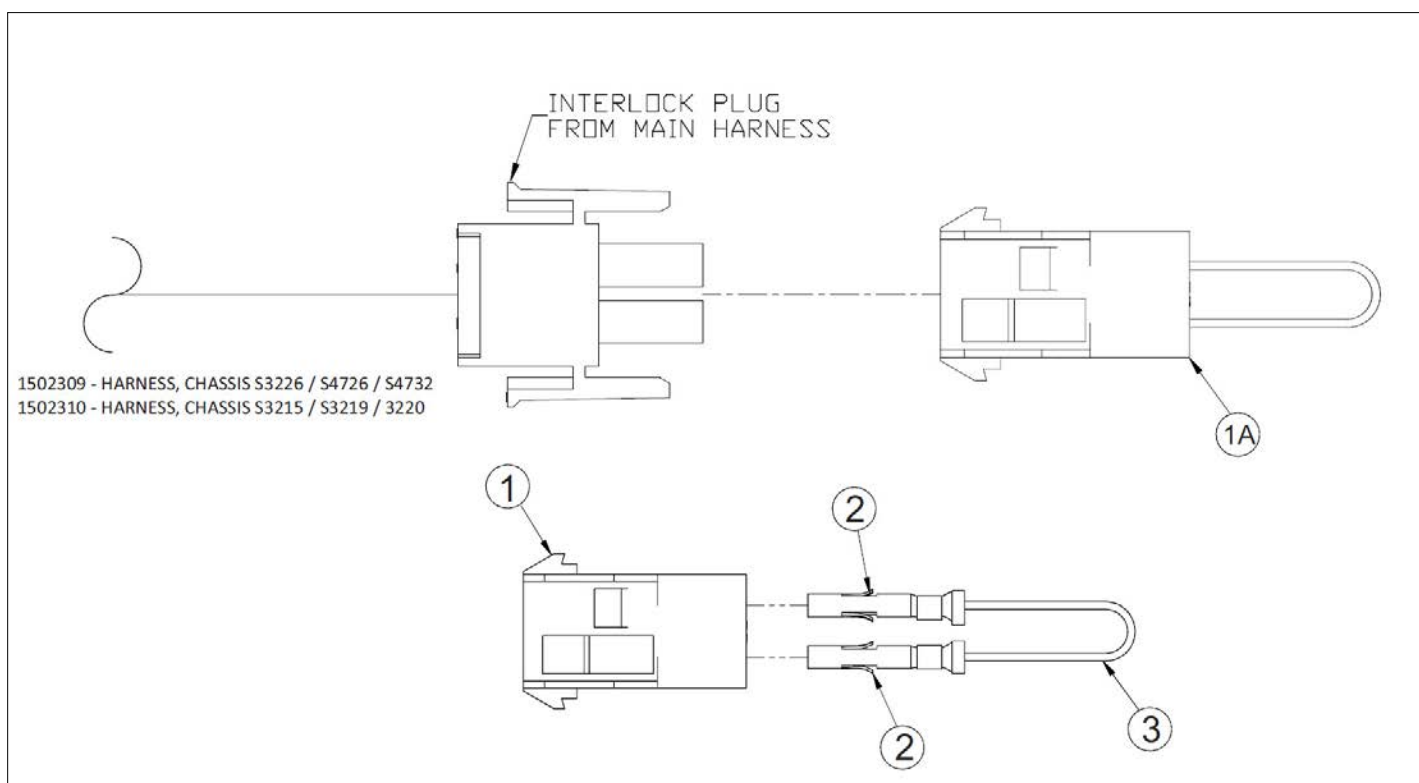
アイテム	部品番号	名前	数量	UOM
	9991353 A	HARNESS SCISSORS PDI PENDANT JANUARY 2020 AND AFTER		EA
1	9991357	CABLE, 6 COND, 18GA	2.5	EA
2	3044161	TERM R10I 16/14	3	EA
3	3220241	TERM, #6 SPRING SPADE	5	EA
4	3011641	WIRE 16GA SINGLE CONDUCTOR WHT	3	EA
5	509471 000	Decal, Snorkel T40RT	1	EA
6	509740 000	FUSE 20A	1	EA
7	3220218	CONN AMP 9 PIN SOCKET	1	EA
8	3220261	AMP CONTACT PIN	6	EA

OPTIONS

**NO IMAGE AVAILABLE
(BOM FOR REFERENCE ONLY)**

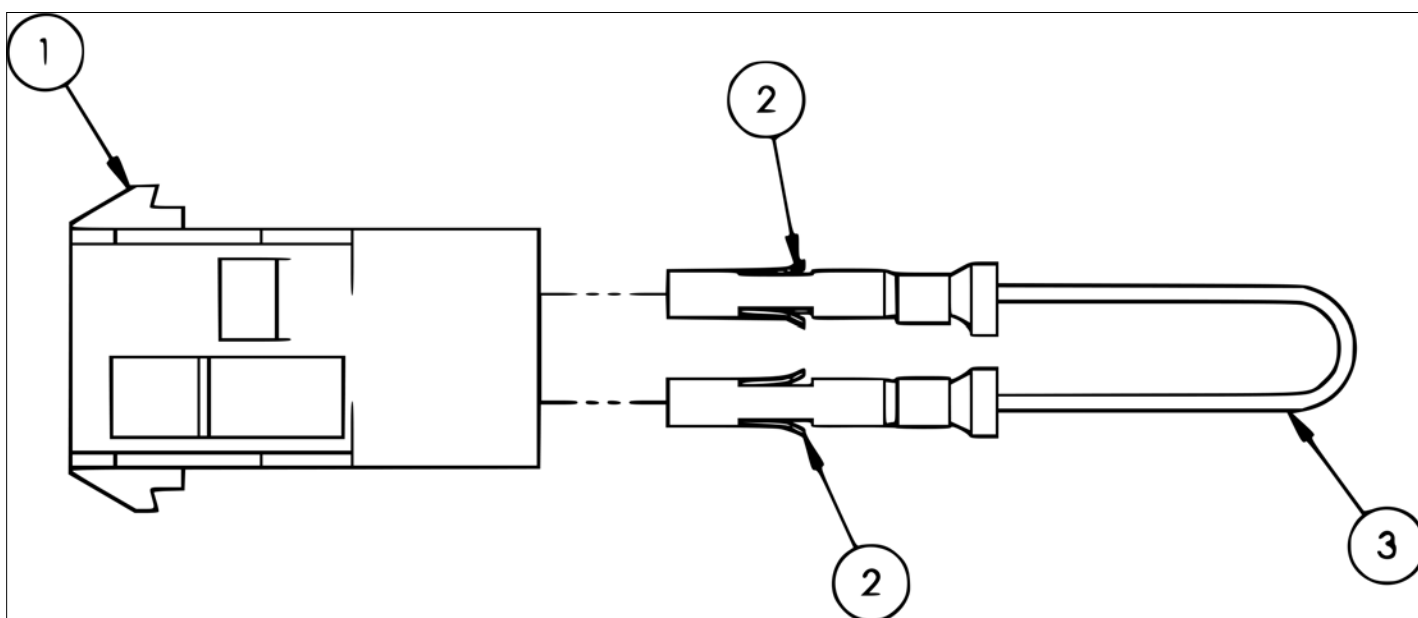
アイテム	部品番号	名前	数量	UOM
	1503097 A	MAINTENANCE FREE BATTERY OPTION		EA
1	3050139	BATTERY, 6V AGM	4	EA

OPTIONS



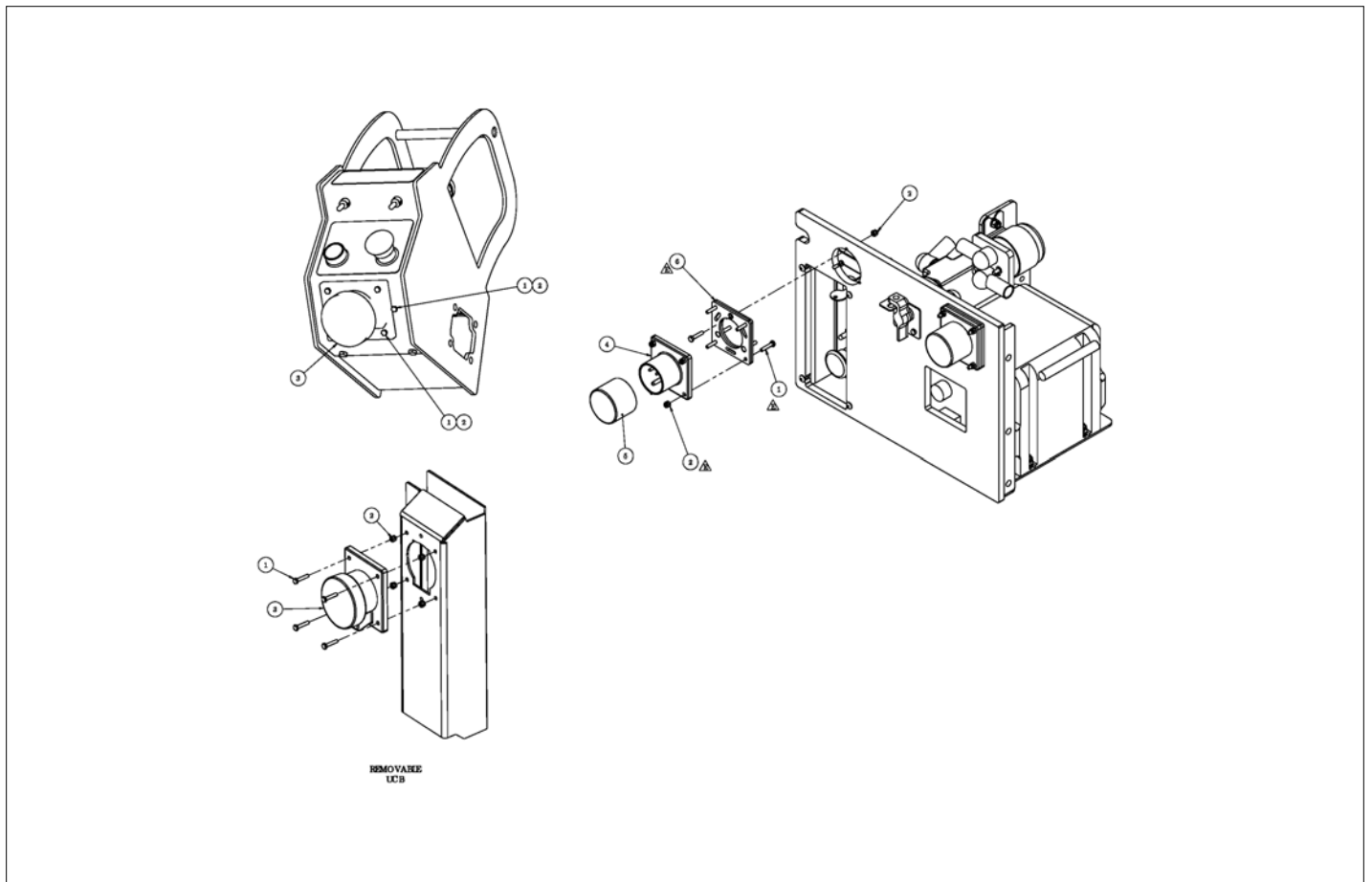
アイテム	部品番号	名前	数量	UOM
	1502540A	CHARGER INTERLOCK DELETE ANSI		EA
1	3220294	CONN AMP 2PIN	1	EA
1A	1502540	CHARGER INTERLOCK DELETE (COMPLETE)	1	EA
2	3049985	AMP PIN CONTACT 20/14 GA AMP P	2	EA
3	3011641	WIRE 16GA SINGLE CONDUCTOR WHT	3.000	EA
	1502309	HARNESS, CHASSIS S4726/4732	1	EA
	1502310	HARNESS CHASSIS S3215/3219 OCTOBER 2017 AND BEFORE	1	EA

OPTIONS



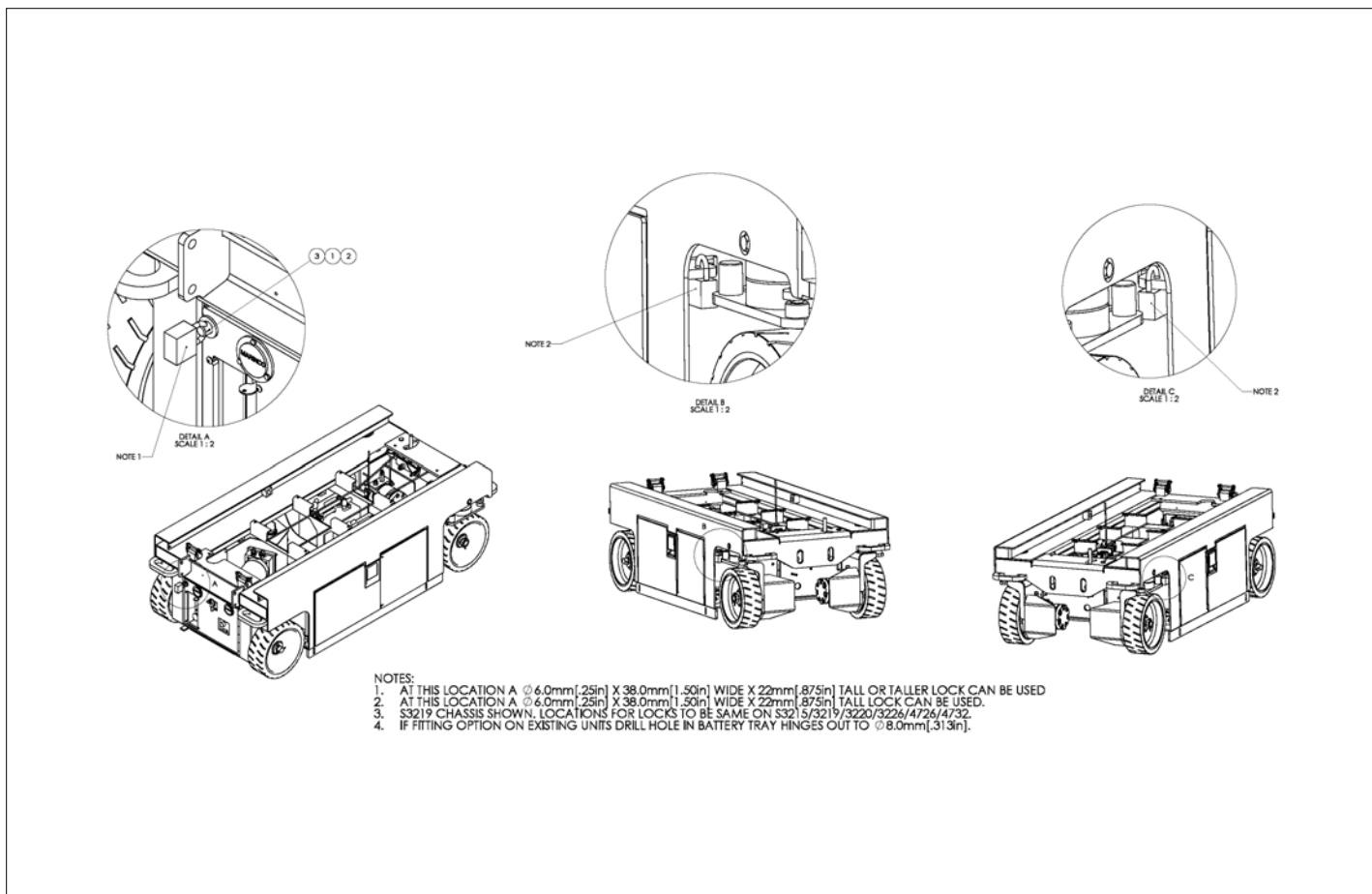
アイテム	部品番号	名前	数量	UOM
	1502541A	CONN, CHARGER INTERLOCK DELETE		EA
1	3220294	CONN AMP 2PIN	1	EA
2	3049985	AMP PIN CONTACT 20/14 GA AMP P	2	EA
3	3011641	WIRE 16GA SINGLE CONDUCTOR WHT	3.000	EA

OPTIONS



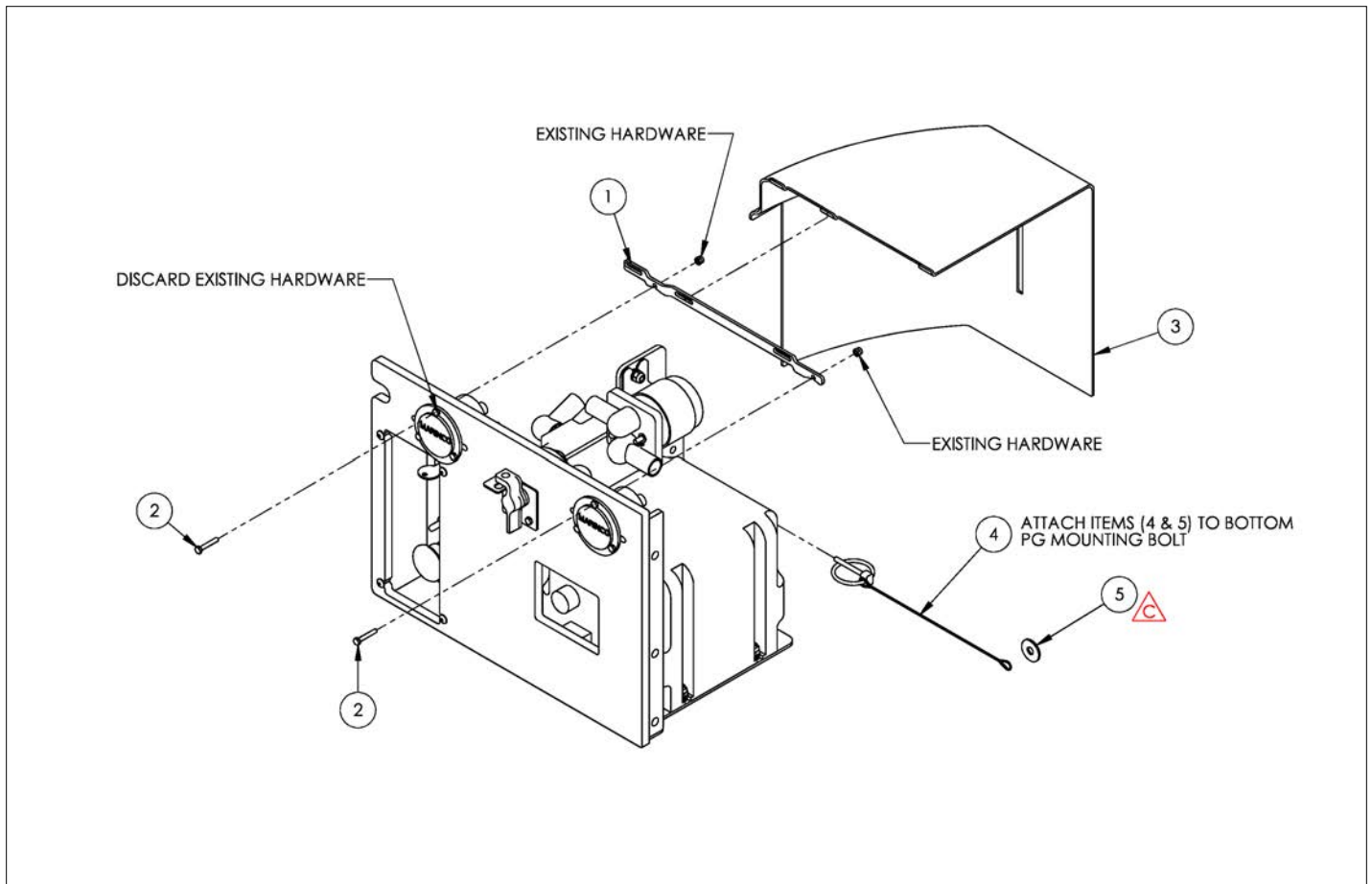
アイテム	部品番号	名前	数量	UOM
	1502046E	OPTION, 6 HPLUG AND SOCKET		EA
1	512459 020	BLT HEXHD M4 0.07 X 20MM G8.8	19	EA
2	056066 004	NUT NYLOCK DIN985 M4 8.0 ZP	19	EA
3	3069539	RECEPTACLE, 6H 20/16AMP ANGLED	1	EA
4	3069540	INLET, 6H 20/16 AMP	2	EA
5	3069541	COVER, 6H INLET 20/16 AMP	2	EA
6	1502769	WLDMT, 6H PLUG ADAPTER	1	EA

OPTIONS



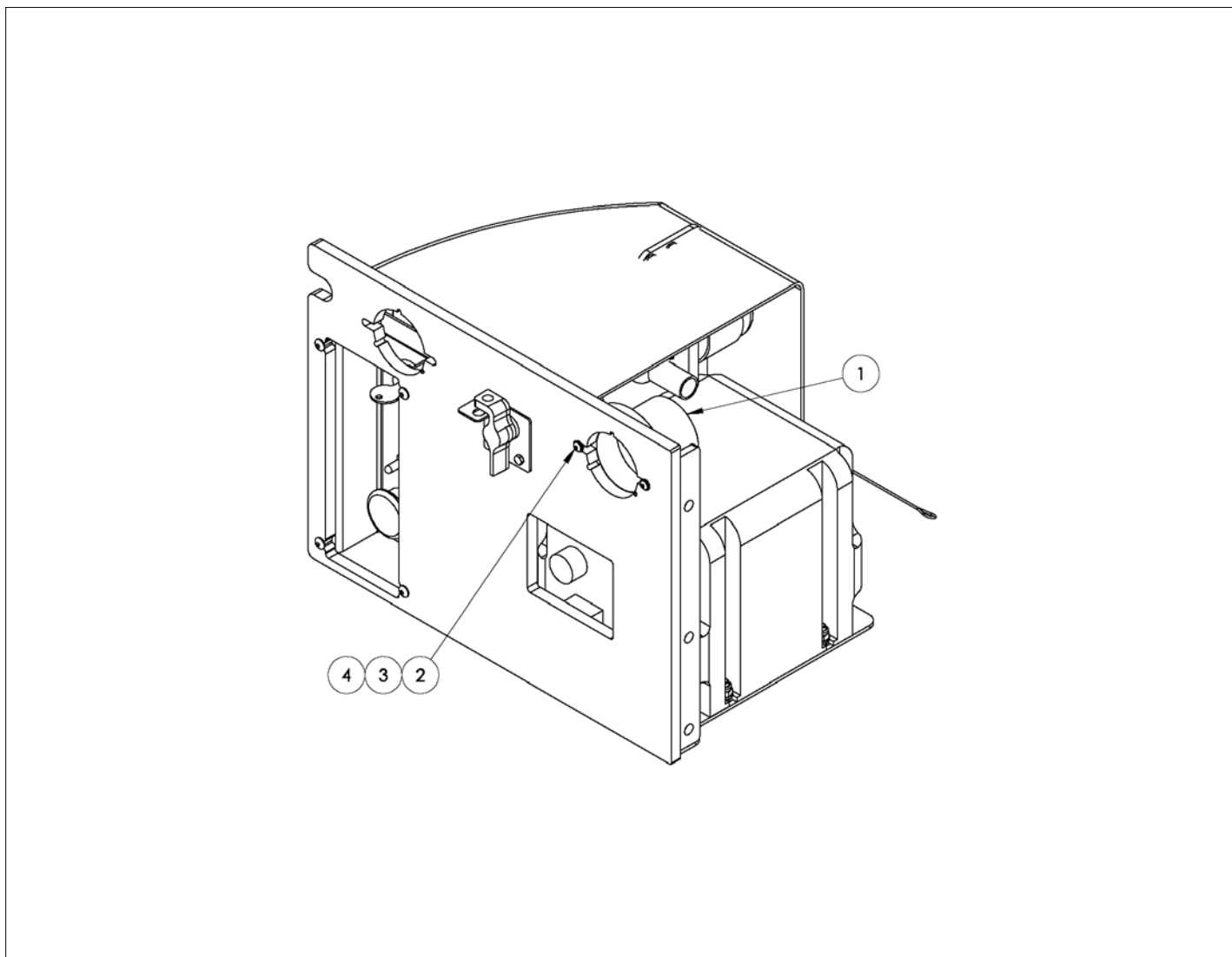
アイテム	部品番号	名前	数量	UOM
	1502307 A	LOCKING BATTERY AND REAR TRAY		EA
1	056069 016	WASHER STEELFLATWASHER M16 DIN	1	EA
2	056067 516	NUT HEX, THIN M16 X 2.0 DIN 936	1	EA
3	1501810	PIN, REAR LATCH	1	EA

OPTIONS



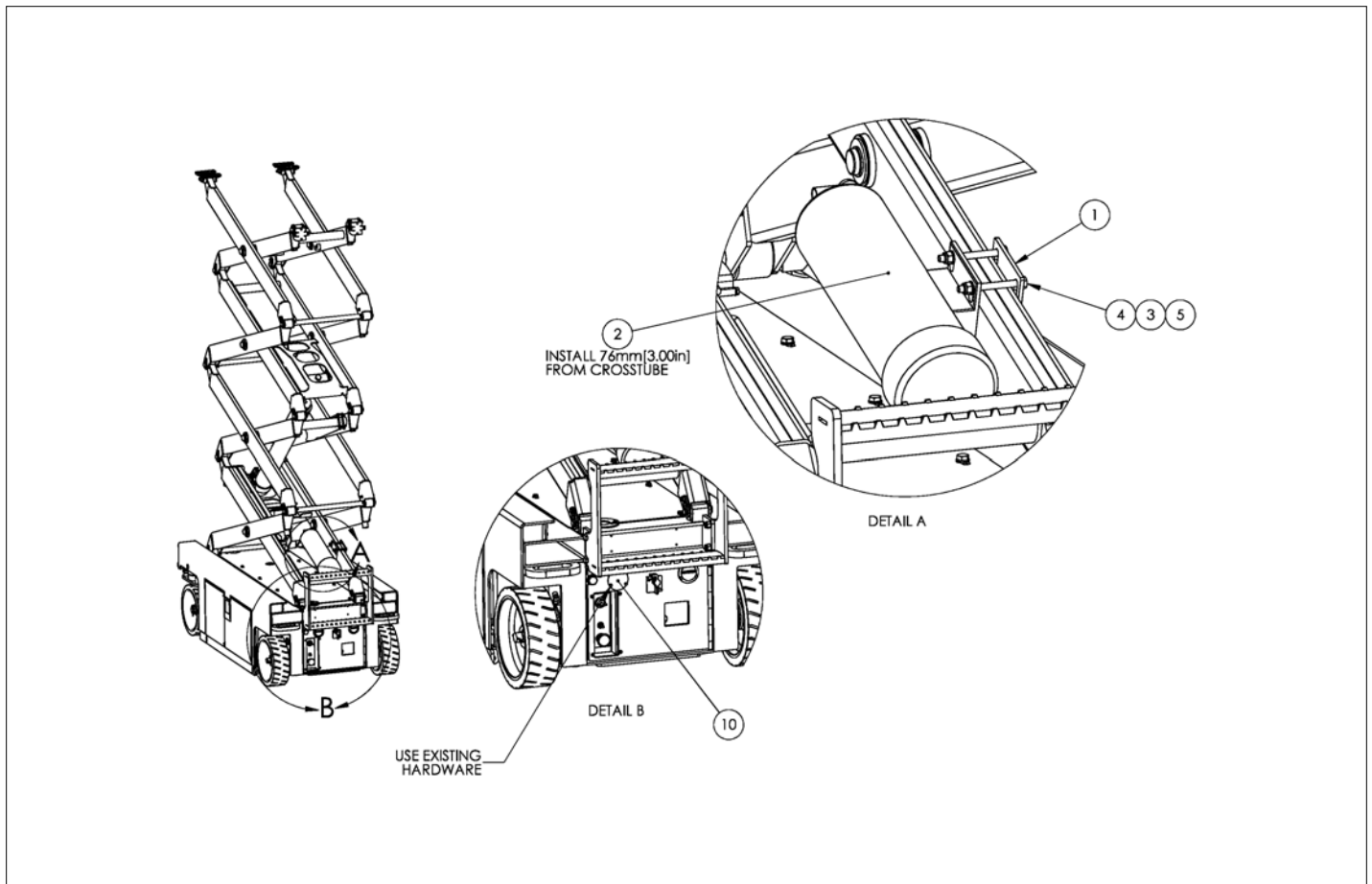
アイテム	部品番号	名前	数量	UOM
	1502807C	REAR TRAY COVER INSTALLATION		EA
1	1502325 4	PLT, REAR COVER MNT	1	EA
2	512714 025	HHCS M4 X 0.7 x 25 G8.8 ISO 4014 DIN 931	2	EA
3	1502497	COVER, REAR TRAY	1	EA
4	5563933	ASSY, LYNCH PIN WITH LANYARD	1	EA
5	508247 008	Washer, pennywasher, DIN9021, M8	1	EA
	NOTE: PLEASE SEE TCB 18.004 FOR INSTALLATION INSTRUCTIONS	null		EA

OPTIONS

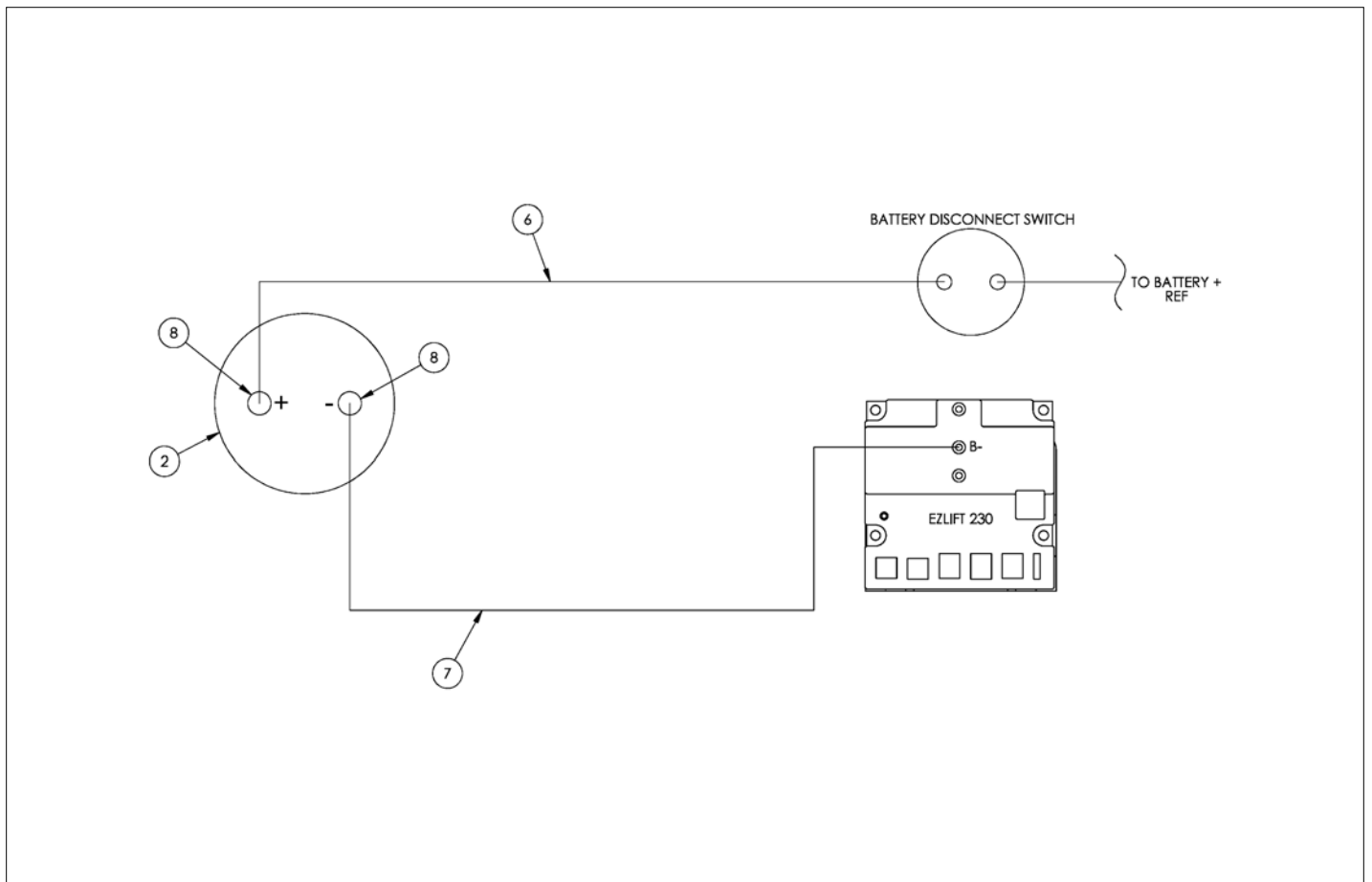


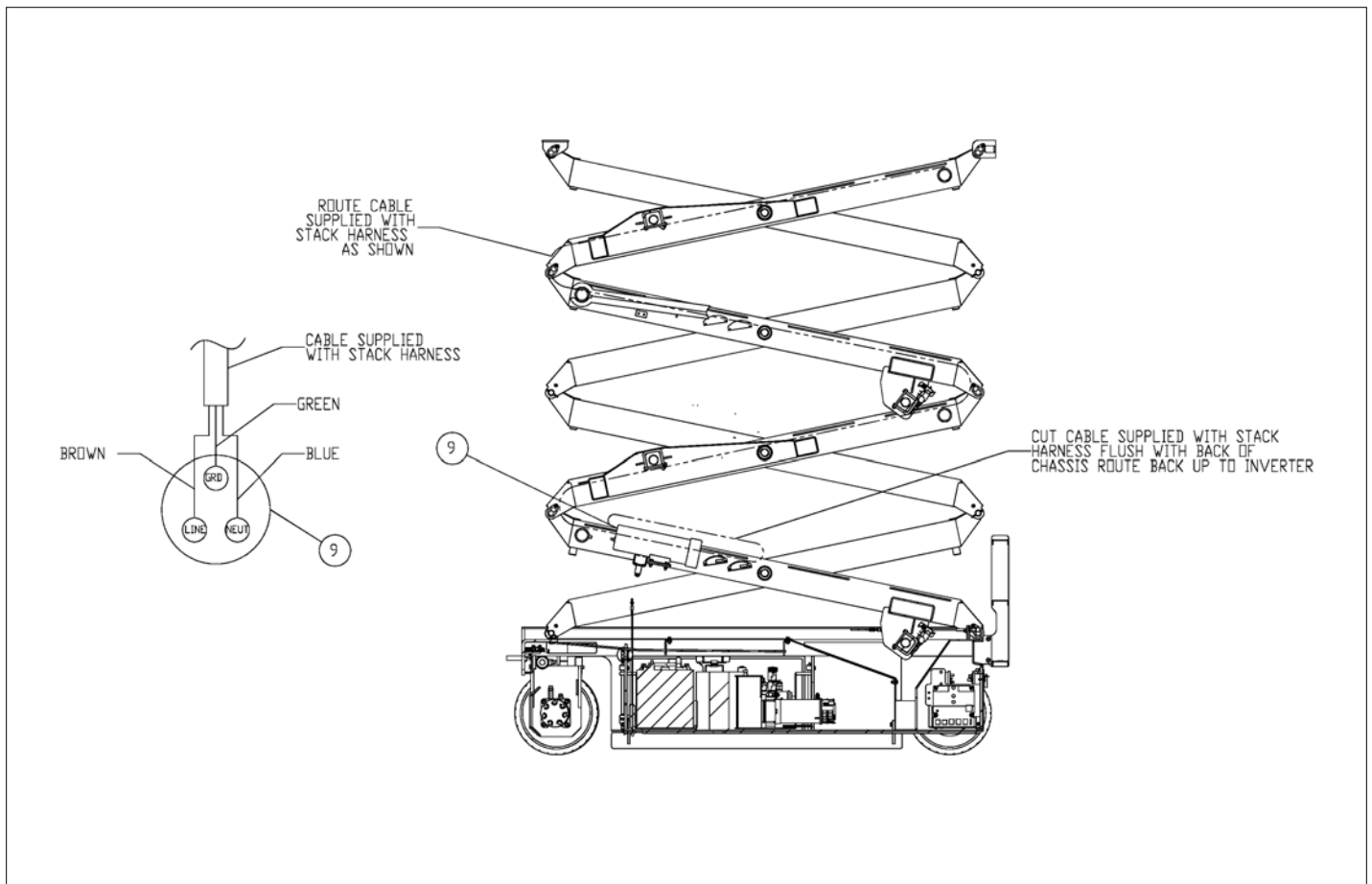
アイテム	部品番号	名前	数量	UOM
	1503065 B	AS NZ PLUG		EA
1	9595	AC Inlet 230V	1	EA
2	5563249	SHCS M4 X 0.7X 25 G8.8 ZP BRIG	2	EA
3	056069 004	Wshr, SteelFlatWshr M4 DIN125	2	EA
4	056066 004	NUT NYLOCK DIN985 M4 8.0 ZP	2	EA

OPTIONS

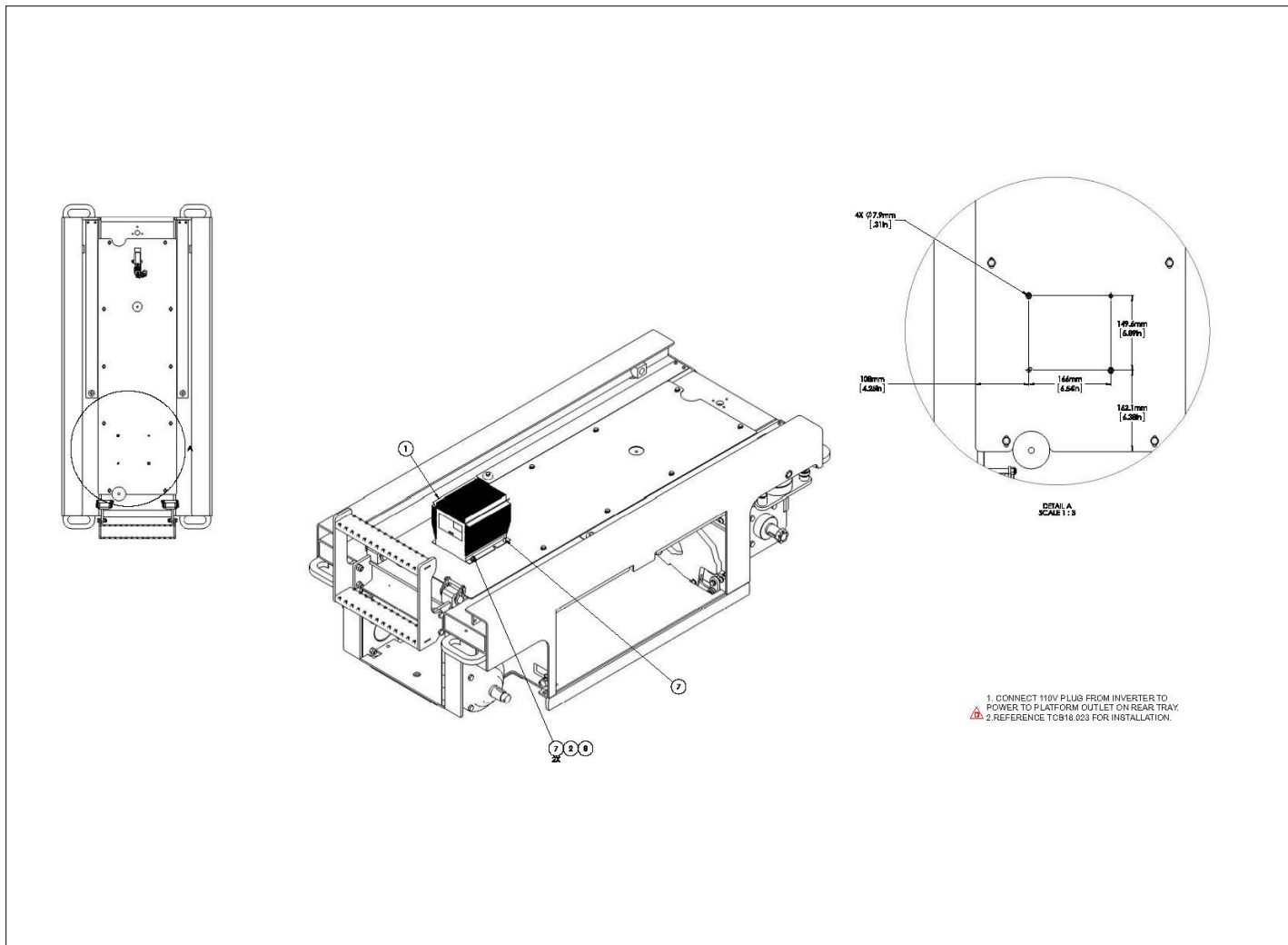


アイテム	部品番号	名前	数量	UOM
	1502496B	OPTION, INVERTER S3215/3219		EA
1	1502495	PLT, INVERTER MNT S3215/3219	1	EA
2	455536	MTR/GENERATOR	1	EA
3	056069 008	WASHER, STEELFLATWASHER DIN12M8 FLAT WASHER DIN 125	8	EA
4	056059 080	Bolt, HexBolt DIN931 M8 x 80mm	4	EA
5	056066 008	NUT NYLOCKNUT DIN985 M8 8.0 ZP	4	EA
6	3014744	WIRE 2 R375 R375 89 RED	1	EA
7	3014745	WIRE 2 R375 R375 86 BLK	1	EA
8	3040269	Boot Cable Entry Black I/O GA	2	EA
9	3040219	PLUG MALE CONNECTOR 90D 125VAC	1	EA
10	1502526	PLT, HOLE COVER IR	1	EA

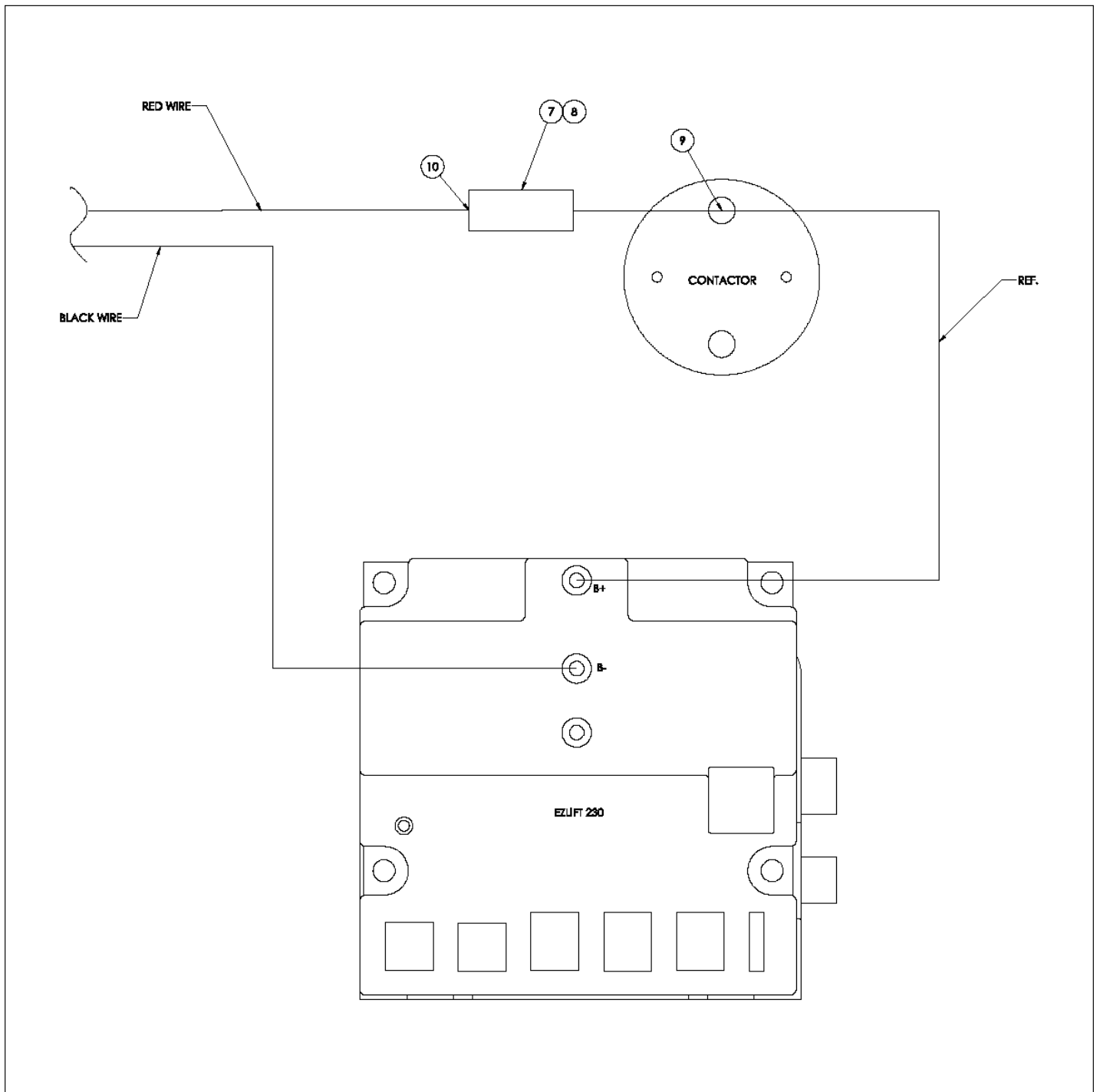




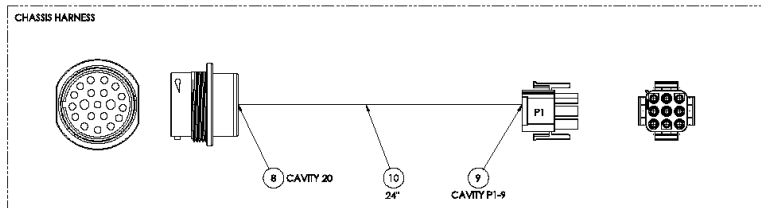
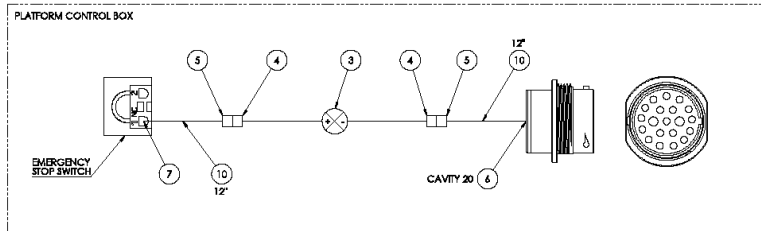
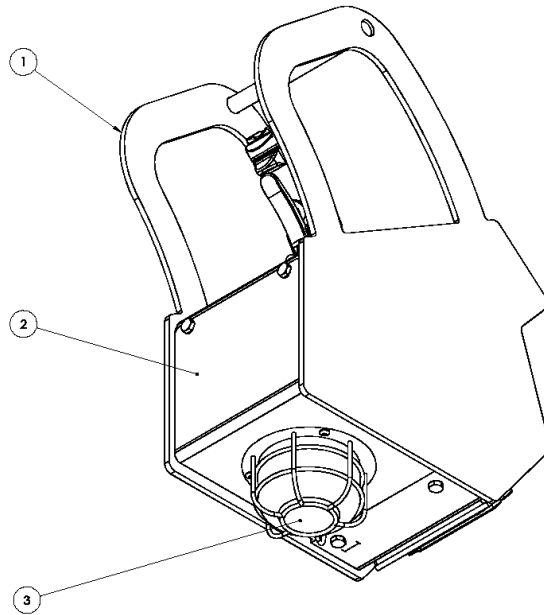
OPTIONS



アイテム	部品番号	名前	数量	UOM
Not Shown	1502965 D	INVERTER ASSEMBLY S3215L S3215E S3219E JUNE 2018 AND AFTER		EA
1	3087846	INVERTER, SIGNET	1	EA
2	986019	WSHR FLAT .250	2	EA
3	3220372	FUSE, HOLDER 40 80AMP	1	EA
4	3220373	FUSE, 50AMP	1	EA
5	0071584	WIRE 12 R10I R375I 7	1	EA
6	3044854	TERM R10I 12/10	1	EA
7	5563979	BLT BTNHD .250 20 .75 ZP	4	EA
8	5560004	NUT LKG .250 20	4	EA
9	3090007	TUBE FLEXGARD .500 ID WAYTEK	1	EA
10	TCB 18.023	PHX2 INVERTER INSTALLATION	REF ONLY	EA

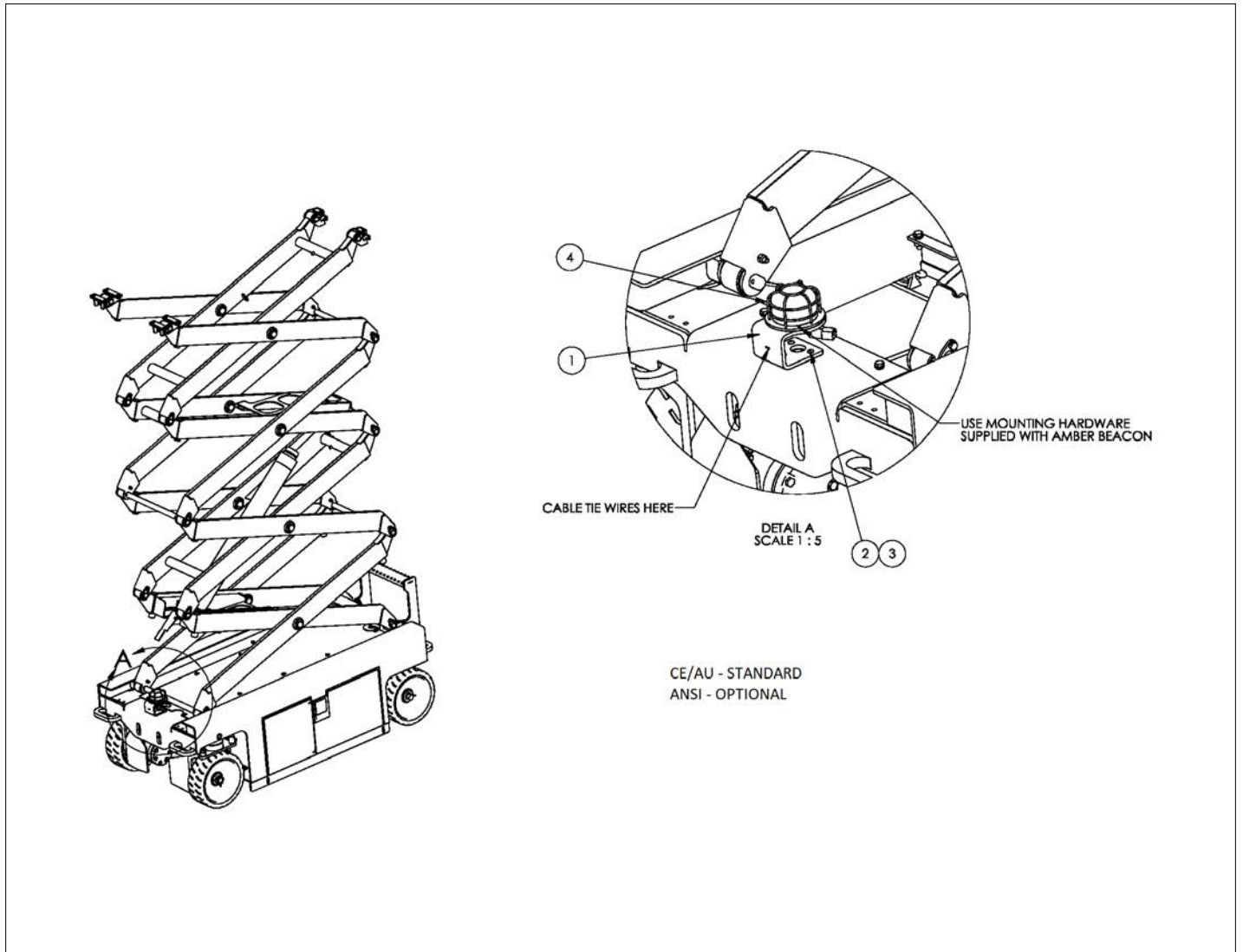


OPTIONS

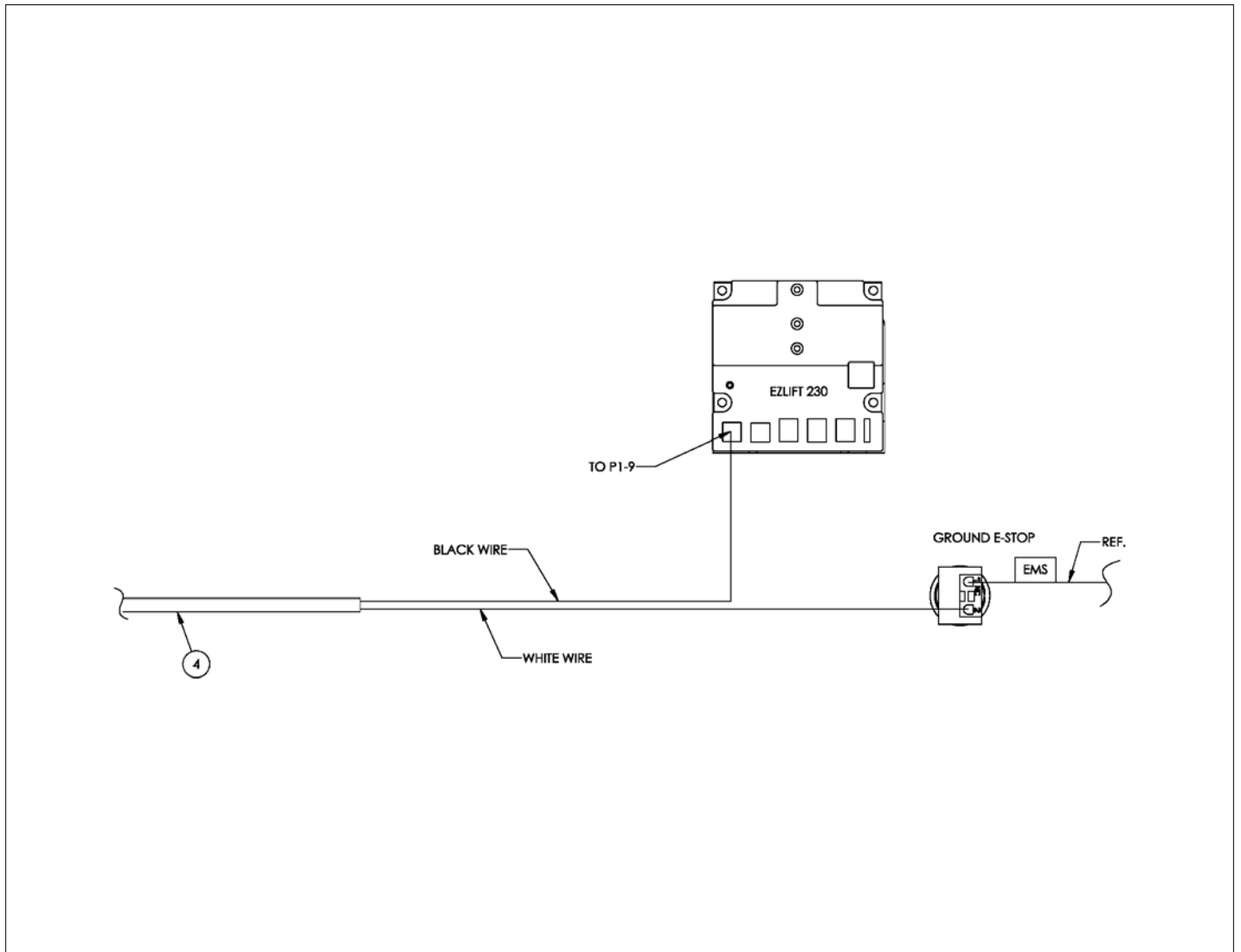


アイテム	部品番号	名前	数量	UOM
	1501918B	AMBER BEACON ASSEMBLY SEPTEMBER 2016 AND BEFORE		EA
1	1502336	ASSY, UCB CE 2SPD SEPTEMBER 2018 AND AEFORÉ	1	EA
2	1501919	PLT FLASHING AMBER BEACON MOUNT	1	EA
3	514404 000	BEACON WITH GUARD ANBER FLASHING	1	EA
4	3040046	TERM MALE250FI 22/18	2	EA
5	3040047	TERM FEM250FI 22/18	2	EA
6	3049894	PIN CONTACT 20 DEUTCH P/N 04	1	EA
7	3044155	TERM SPADE8I 16/14 3M:B06 503	1	EA
8	3049895	SOCKET CONTACT 20 DEUTSCH P/N	1	EA
9	3049986	AMP SOCKET CONTACT	1	EA
10	3011801	WIRE 18GA SINGLE CONDUCTOR WHT	4	EA

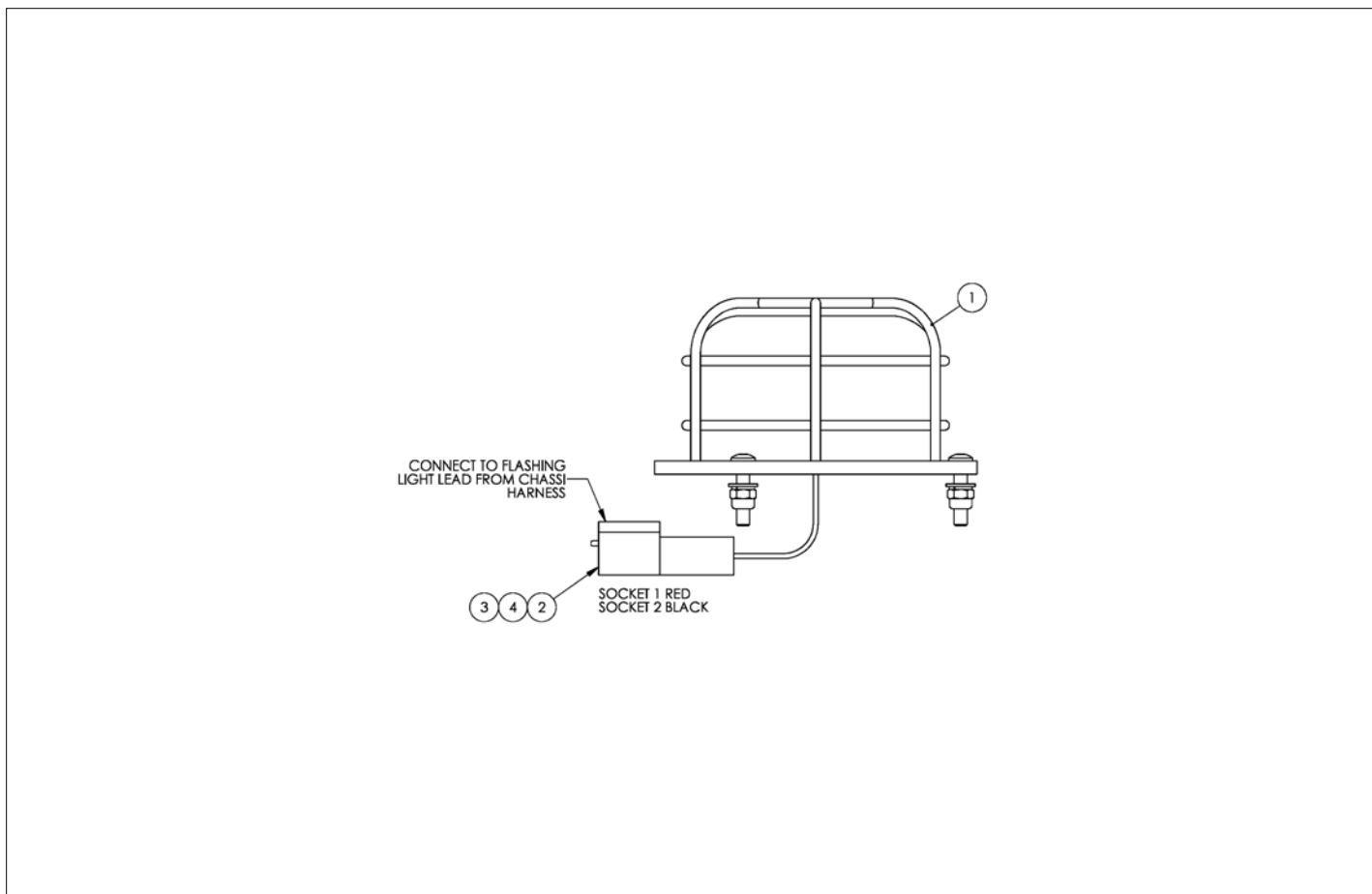
OPTIONS



アイテム	部品番号	名前	数量	UOM
	1502492 A	AMBER BEACON		EA
1	1502485	BRKT ANBER BEACON MNT	1	EA
2	514176 030	SBHCS M6 X 1.0 X 30 GR 10.9 BL	3	EA
3	056066 006	Nut NylockNut DIN985 M6 8.0 Zi	3	EA
4	1502490	ASSY, AMBER BEACON	1	EA

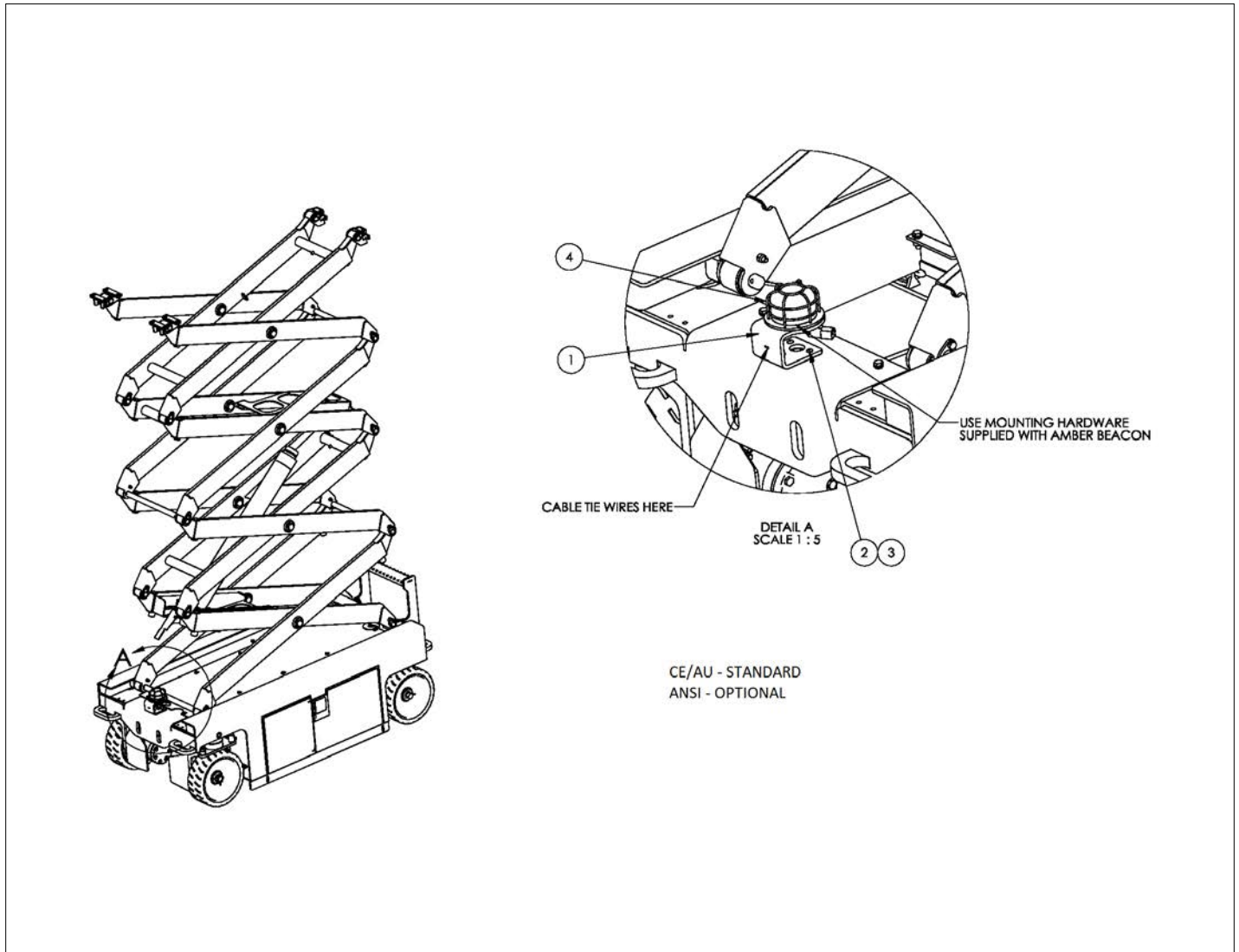


OPTIONS

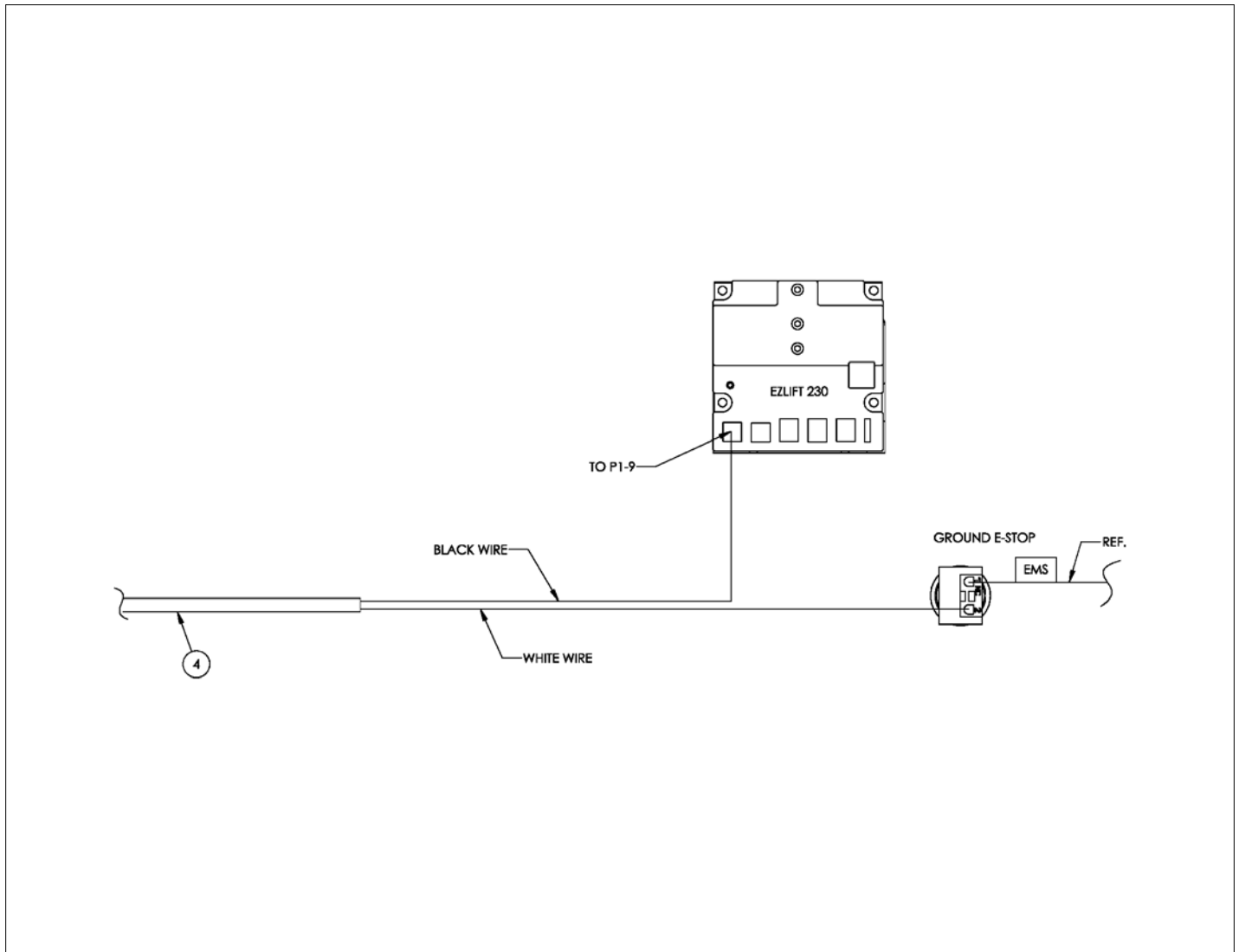


アイテム	部品番号	名前	数量	UOM
	1502490B	ASSY, AMBER BEACON		EA
1	514404 000	BEACON WITH GUARD ANBER FLASHING	1	EA
2	3049804	CONNECTOR 2 PIN DEUTSCH RECEP	1	EA
3	3049808	LOCK WEDGE 2 PIN DEUTSCH RECEP	1	EA
4	3040341	PIN CONTACT SIZE 16 16/18 GA	2	EA

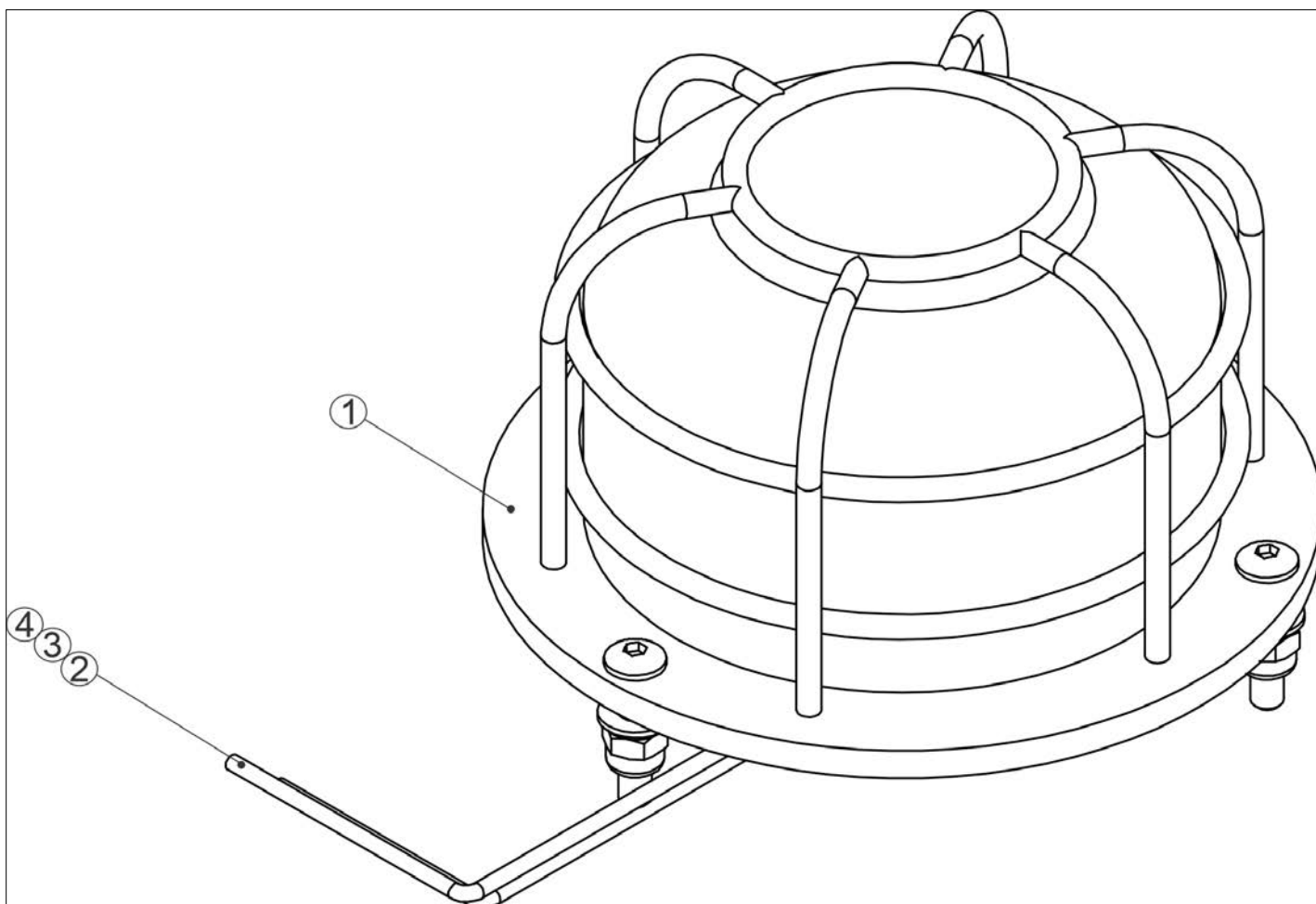
OPTIONS



アイテム	部品番号	名前	数量	UOM
	1502492B	AMBER BEACON		EA
1	1502485	BRKT ANBER BEACON MNT	1	EA
2	514176 030	SBHCS M6 X 1.0 X 30 GR 10.9 BL	3	EA
3	056066 006	Nut NylockNut DIN985 M6 8.0 Zi	3	EA
4	515611 000	BEACON ASSY AMBER	1	EA

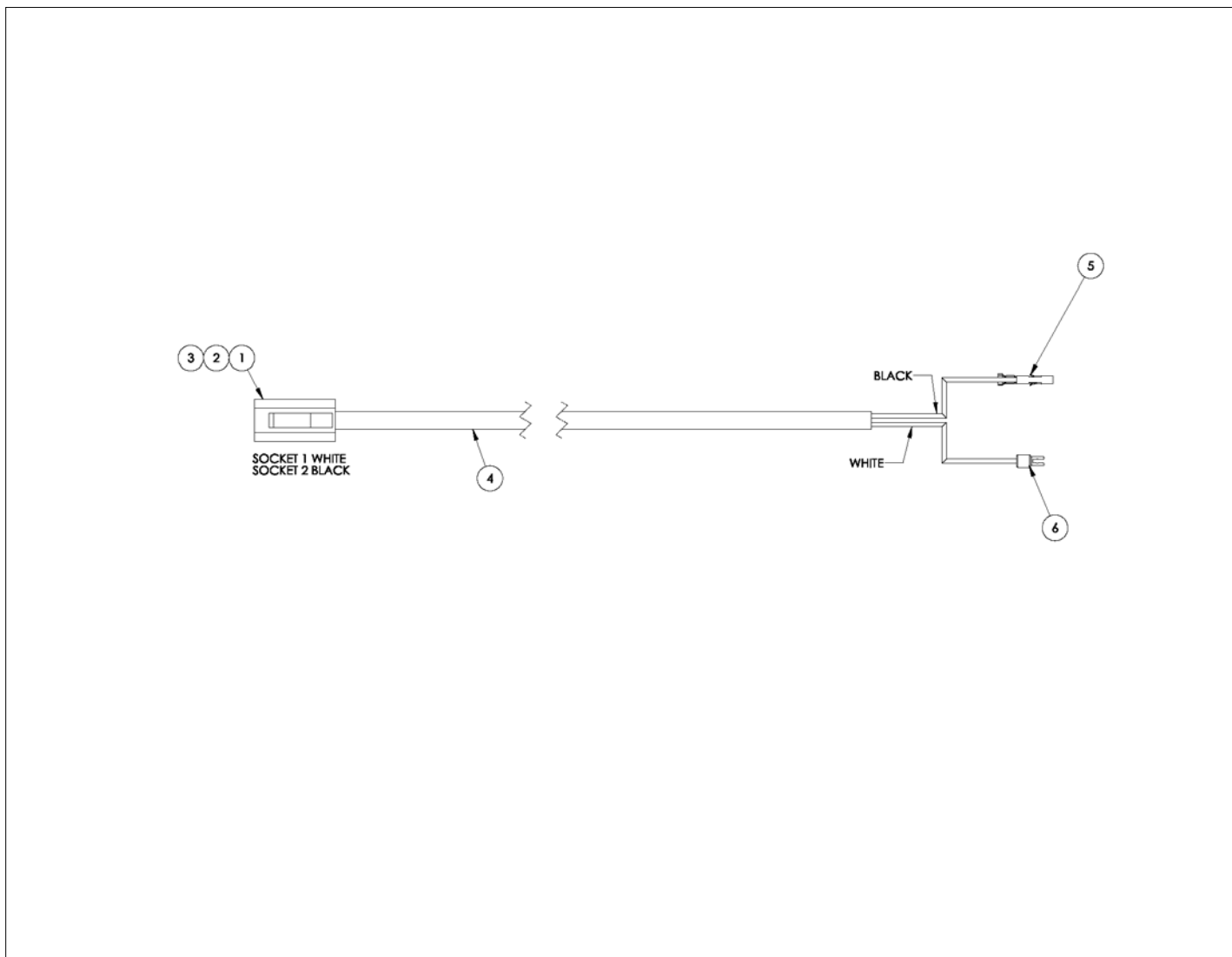


OPTIONS



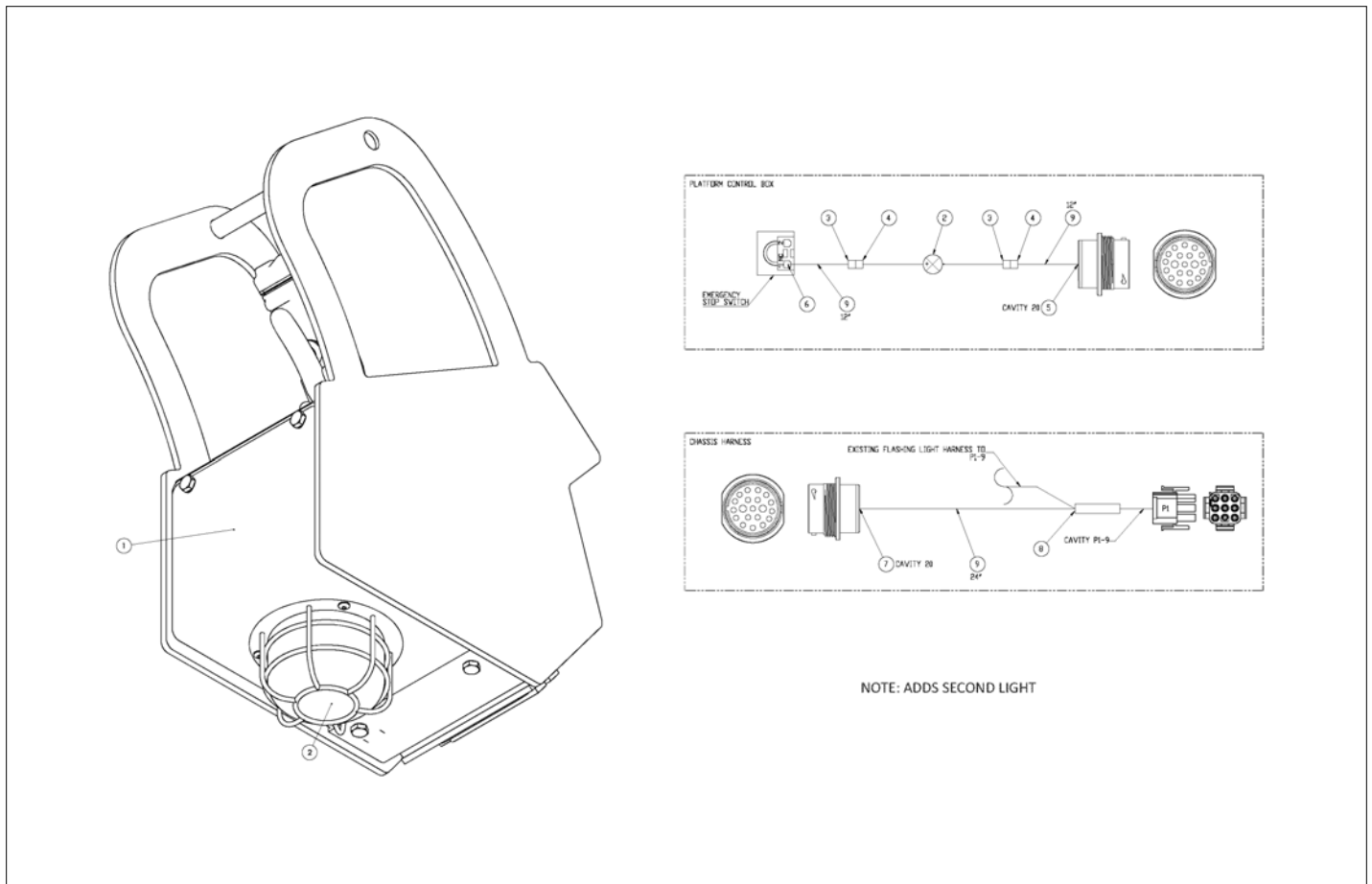
アイテム	部品番号	名前	数量	UOM
*	515611 000 A	AMBER BEACON ASSEMBLY JULY 2018 AND AFTER		EA
1	514404 000	BEACON WITH GUARD ANBER FLASHING	1	EA
2	3049808	LOCK WEDGE 2 PIN DEUTSCH RECEP	1	EA
3	3049804	CONNECTOR 2 PIN DEUTSCH RECEP	1	EA
4	3040341	PIN CONTACT SIZE 16 16/18 GA	2	EA

OPTIONS



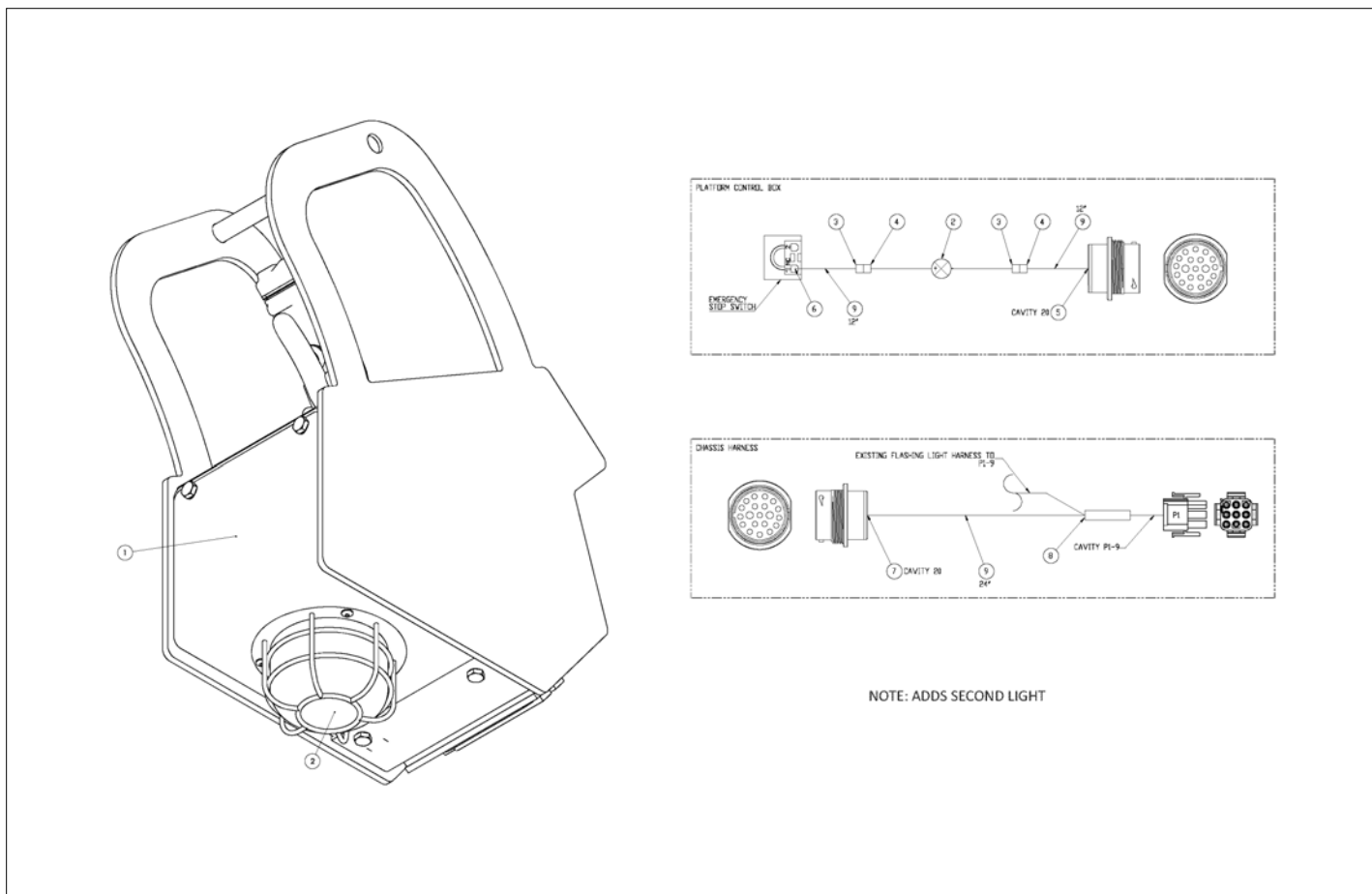
アイテム	部品番号	名前	数量	UOM
	1502491 A	AMBER BEACON HARNESS		EA
1	3049803	CONNECTOR 2 PIN DEUTSCH PLUG	1	EA
2	3049807	LOCK WEDGE 2 PIN DEUTSCH PLUG	1	EA
3	3040342	SOCKET CONTACT SIZE 16 16/18GA	2	EA
4	3011802	CABLE 18GA/2 CONDUCTOR WIRE 18/2 TYPE SJOBLACK JACKETCABL	10FT	EA
5	3049986	AMP SOCKET CONTACT	1	EA
6	3220241	TERM, #6 SPRING SPADE	1	EA

OPTIONS



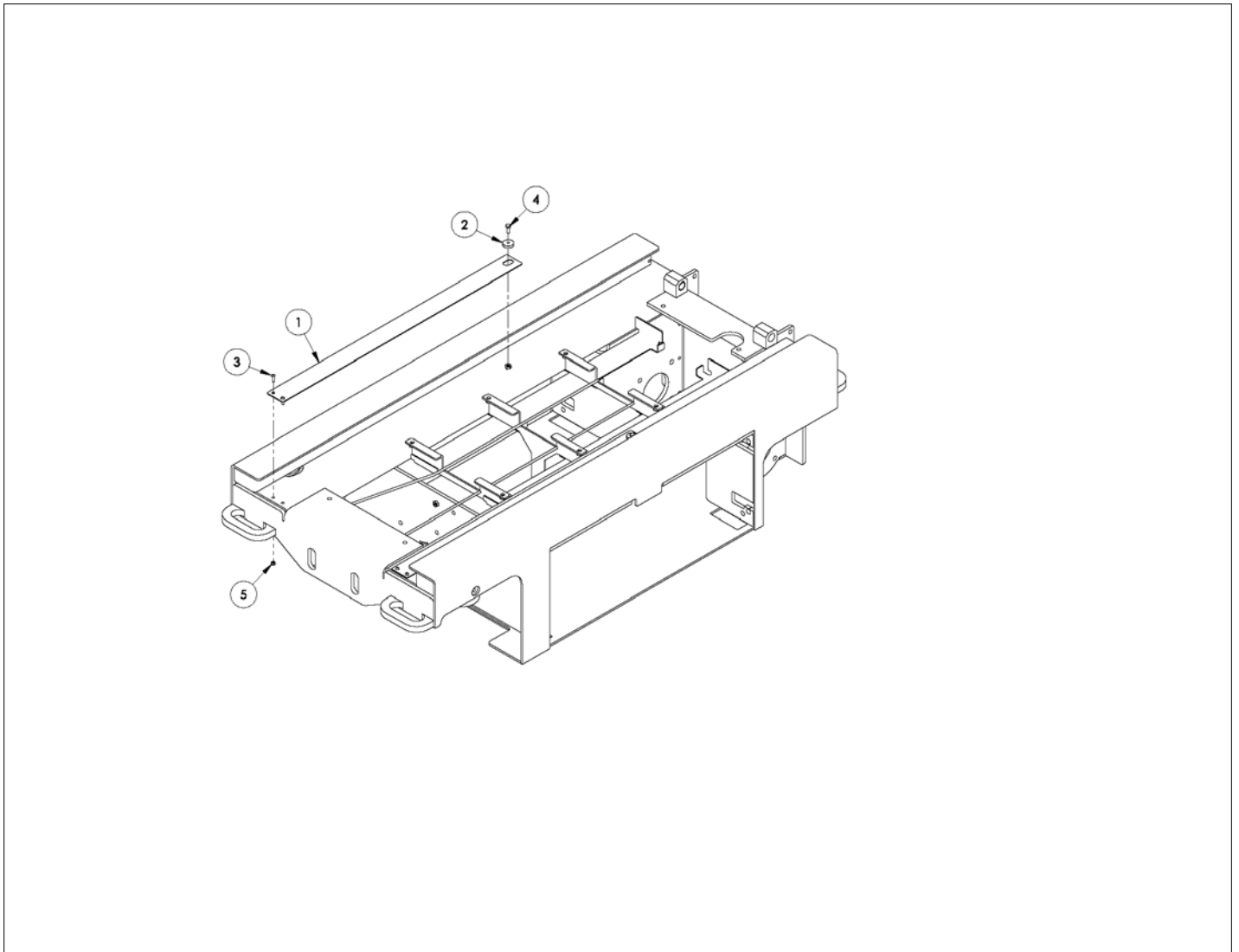
アイテム	部品番号	名前	数量	UOM
	1502759A	OPTION, DUAL FLASHING LIGHT		EA
1	1501919	PLT FLASHING AMBER BEACON MOUNT	1	EA
2	514404 000	BEACON WITH GUARD ANBER FLASHING	1	EA
3	3040046	TERM MALE250FI 22/18	2	EA
4	3040047	TERM FEM250FI 22/18	2	EA
5	3049894	PIN CONTACT 20 DEUTCH P/N 04	1	EA
6	3044155	TERM SPADE8I 16/14 3M:B06 503	1	EA
7	3049895	SOCKET CONTACT 20 DEUTSCH P/N	1	EA
8	3044070	TERM BUTT CONN INSUL 22/18	1	EA
9	3011801	WIRE 18GA SINGLE CONDUCTOR WHT	48in	EA

OPTIONS



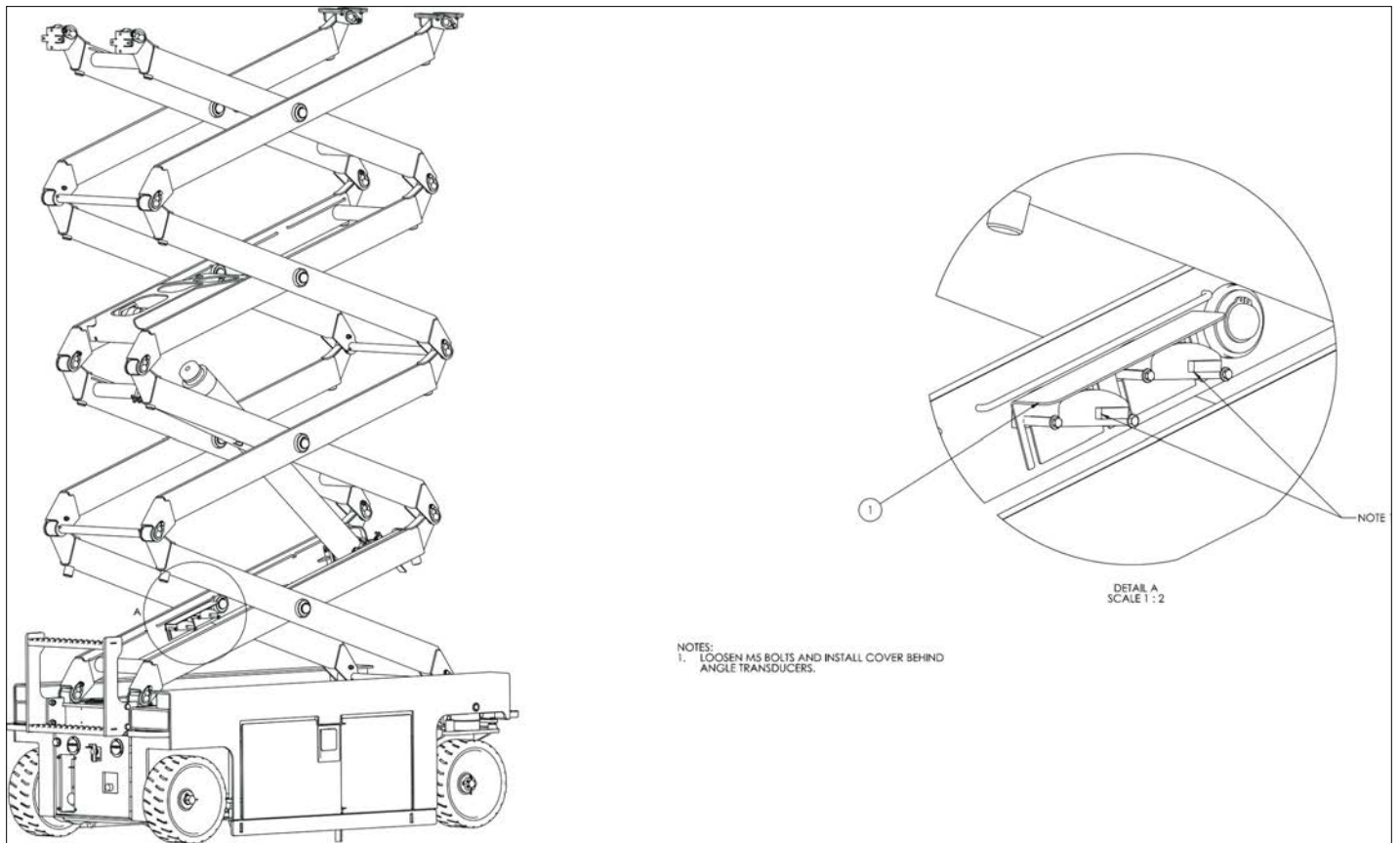
アイテム	部品番号	名前	数量	UOM
	1502759 B	OPTION, DUAL FLASHING LIGHT		EA
1	1501919	PLT FLASHING AMBER BEACON MOUNT	1	EA
2	515611 000	BEACON ASSY AMBER	1	EA
3	3040046	TERM MALE250FI 22/18	2	EA
4	3040047	TERM FEM250FI 22/18	2	EA
5	3049894	PIN CONTACT 20 DEUTCH P/N 04	1	EA
6	3044155	TERM SPADE8I 16/14 3M:B06 503	1	EA
7	3049895	SOCKET CONTACT 20 DEUTSCH P/N	1	EA
8	3044070	TERM BUTT CONN INSUL 22/18	1	EA
9	3011801	WIRE 18GA SINGLE CONDUCTOR WHT	48in	EA

OPTIONS



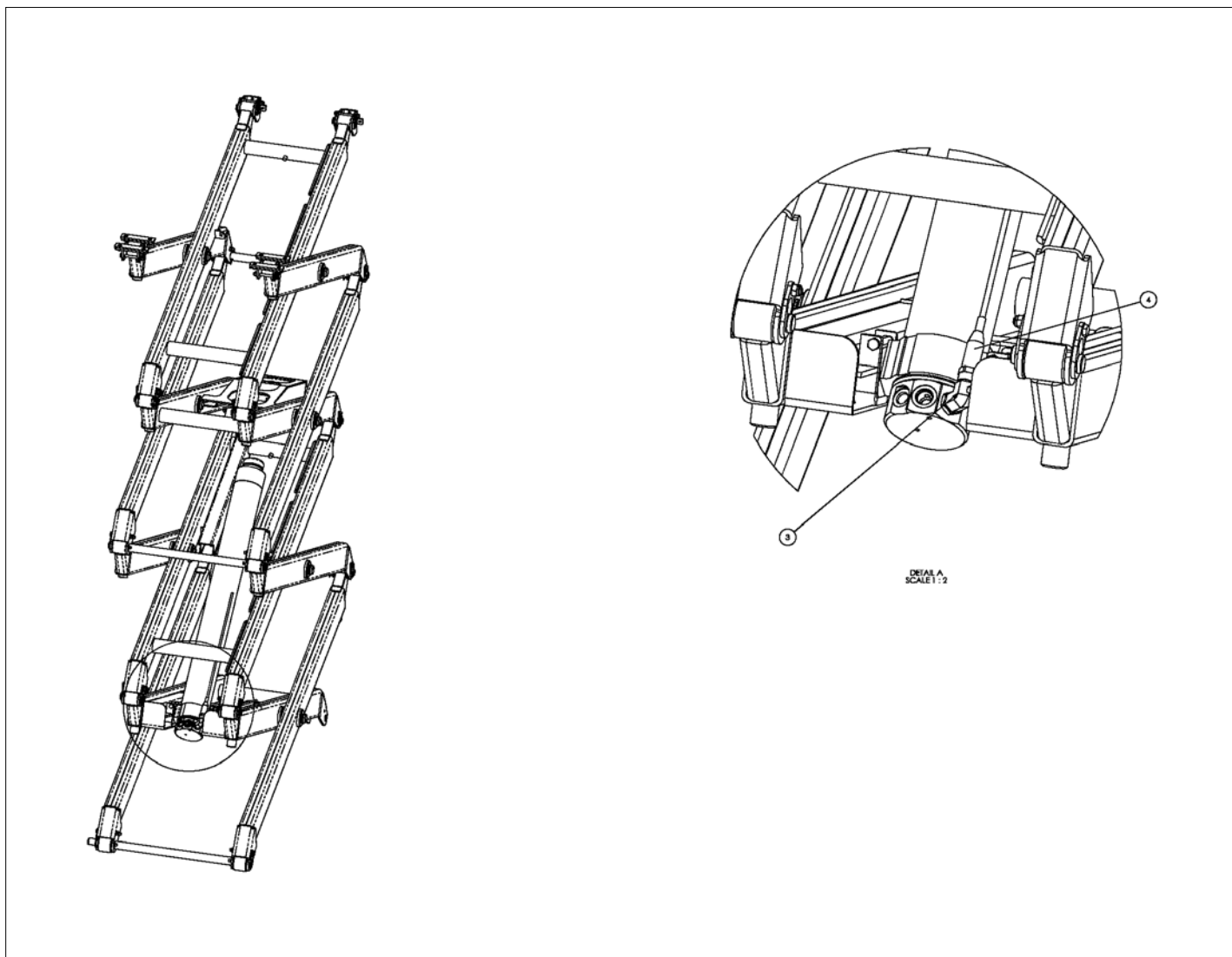
アイテム	部品番号	名前	数量	UOM
	1502314 B	SCRATCH GUARD OPTION S3215E 3219		EA
1	1502311	PLT, SCRATCH GUARD S3215/3219	2	EA
2	1502312	BOSS, SCRATCH GUARD	2	EA
3	501253 020	Bolt, SktButCapScrew DIN9427 M	4	EA
4	058492 020	Bolt HexSetScrew DIN933 M8 x 2	2	EA
5	056066 006	Nut NylockNut DIN985 M6 8.0 Zi	4	EA

OPTIONS

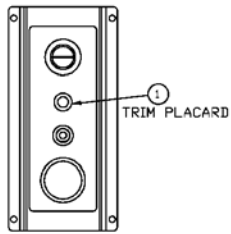


アイテム	部品番号	名前	数量	UOM
	1502571 A	ANGLE TRANSDUCER COVER		EA
1	1502570	PLT, ANGLE TRANSDUCER COVER	1	EA

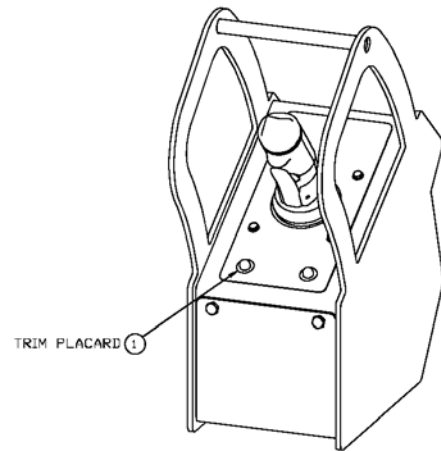
OPTIONS



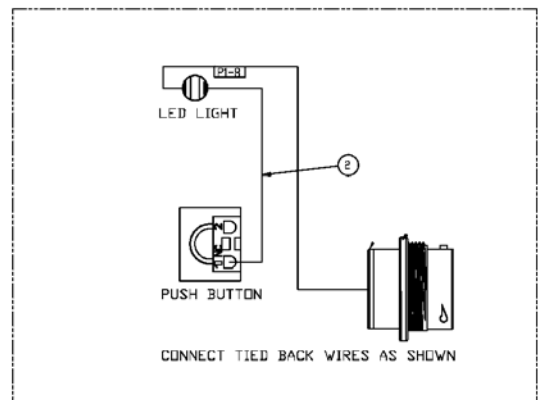
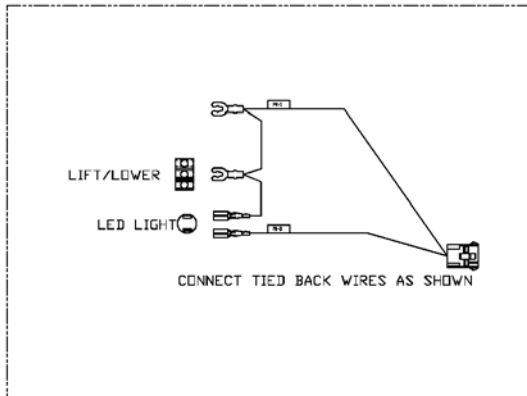
アイテム	部品番号	名前	数量	UOM
*	1502349 B	OVERLOAD OPTION MAY 2016 AND AFTER		EA
1	302829	LIGHT RED 24VDC BEZEL MOUNT	2	EA
2	1501690	WIRE JUMPER CE OVERLOAD LIGHT	1	EA
3	5076527	FTG 4MBX4FB 90	1	EA
4	3030158	Pressure Transducer	1	EA



GROUND CONTROL PANEL



UPPER CONTROL BOX

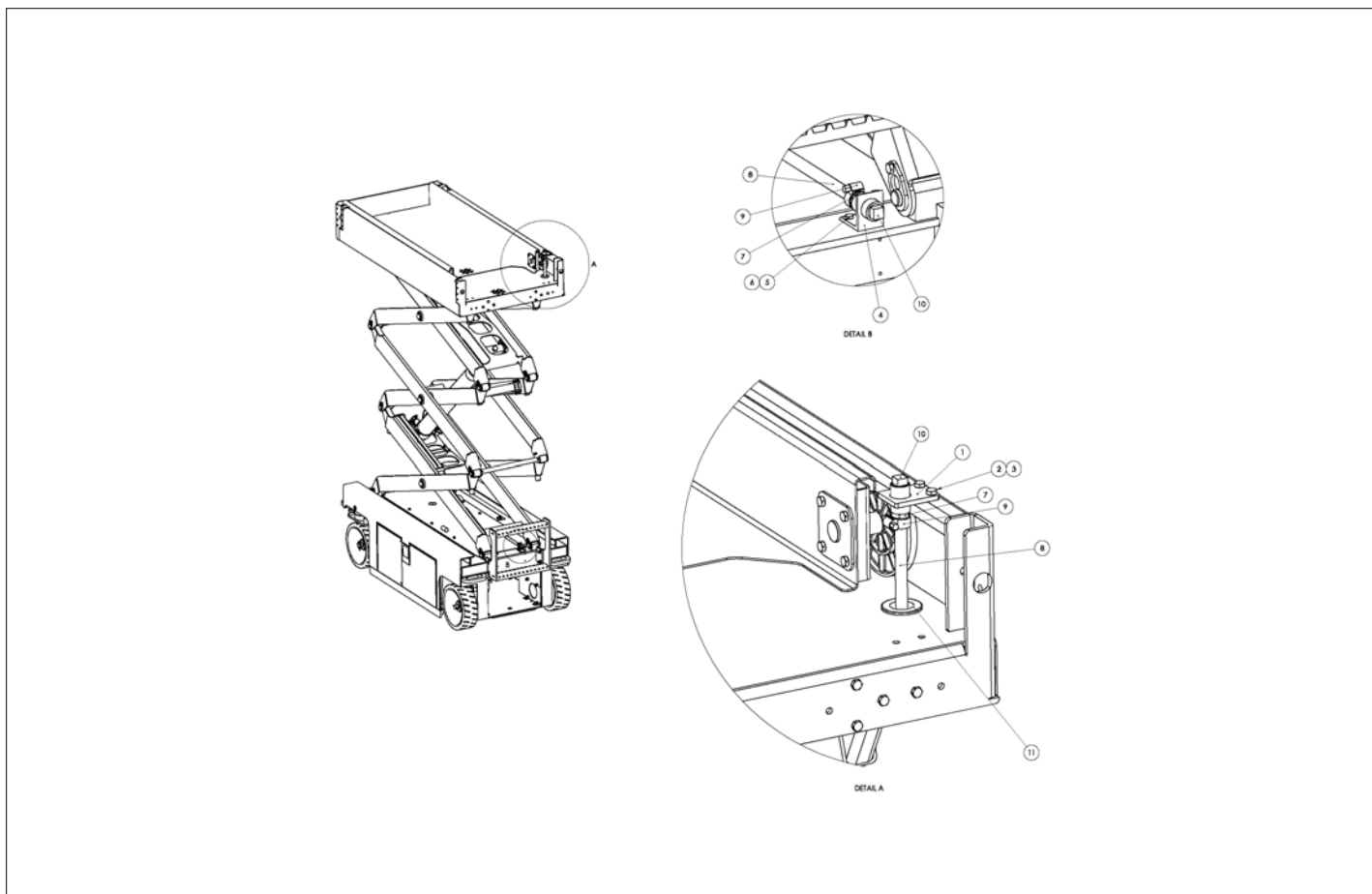


OPTIONS

**NO IMAGE AVAILABLE
(BOM FOR REFERENCE ONLY)**

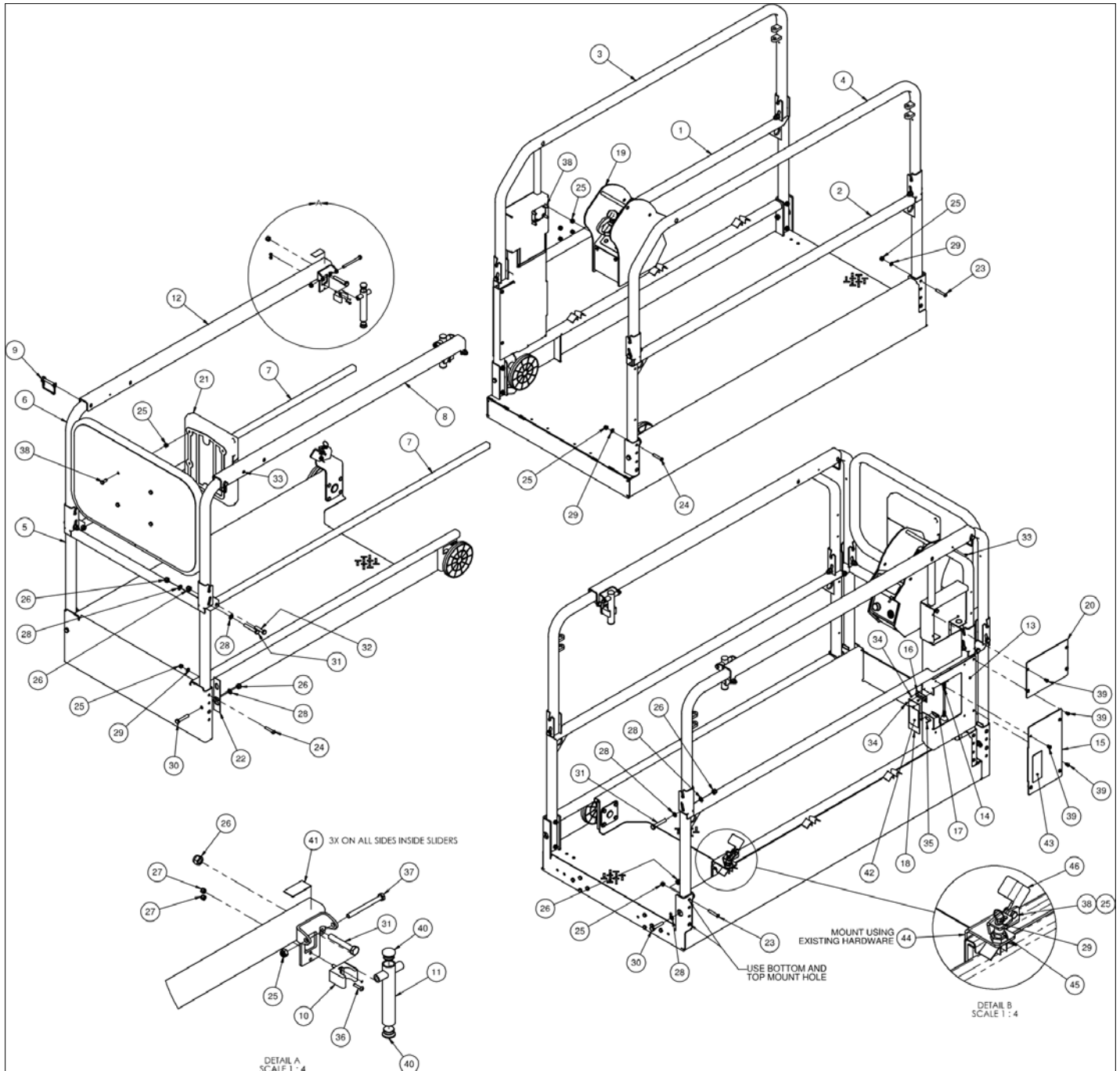
アイテム	部品番号	名前	数量	UOM
	1503095 A	ENVIRONMENTALLY SAFE OIL S3215E S3215L S3219E		EA
1	8210054	OIL HYDRAULIC BIODEGRABLE	4.00gal	EA
2	7030150	DECAL OIL HYD ENVIRONMENTALLY	1	EA

OPTIONS



アイテム	部品番号	名前	数量	UOM
	1502724 A	AIRLINE S3215		EA
1	1502726	WLDMT, AIRLINE MNT	1	EA
2	058492 012	Bolt HexSetScrew DIN933 M8 x 1	2	EA
3	056066 008	NUT NYLOCKNUT DIN985 M8 8.0 ZP	2	EA
4	0181276	BULKHEAD BRACKET	1	EA
5	0181276	BULKHEAD BRACKET	1	EA
6	058491 025	Bolt HexSetScrew DIN933 M6 x 2	2	EA
7	056066 006	Nut NylockNut DIN985 M6 8.0 Zi	2	EA
8	5260013	FTG ADPTR MALE 8N 8 BARBED	2	EA
9	5010024	HOSE .50 ID AIR HOSE	32.000	EA
10	457406	CLP WORM DRV .50 1.25 SAE#12	2	EA
11	7714204	PIPE PLUG1/2 in NPT SQ.HD BLK.	2	EA
12	5569998	GROMMET 1.25ID 1.75DIA X.094GRV	1	EA

OPTIONS

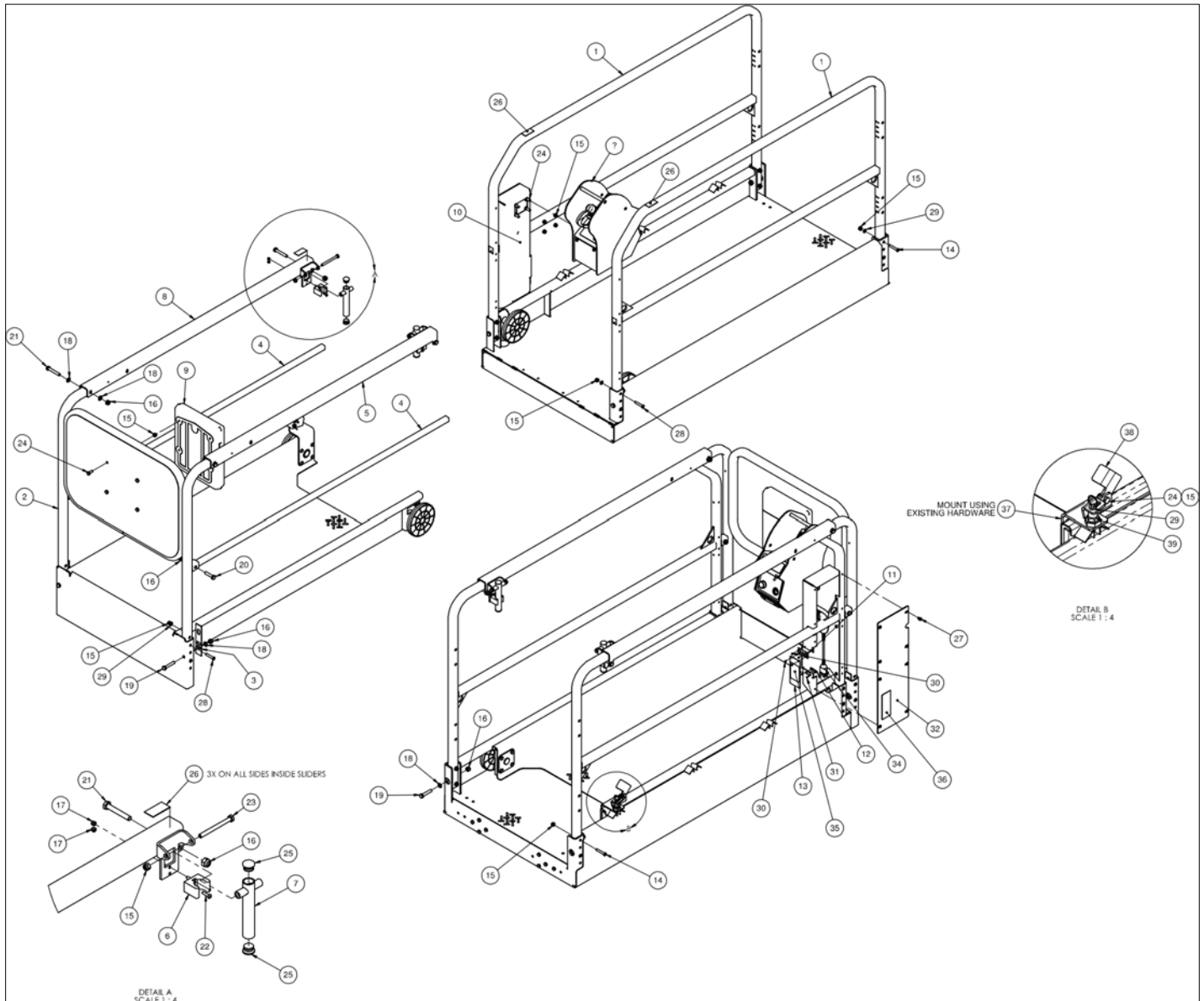


アイテム	部品番号	名前	数量	UOM
	1503106 A	FOLDING HANDRAIL ASSEMBLY WITH FOOT LATCH		EA
1	1501483	WLDMT, HNDRL BOTTOM CE RH	1	EA
2	1501481	WLDMT HNDRL BOTTOM CE	1	EA
3	1503103	WLDMT, FOLDING TOP HNDRL UCB S	1	EA
4	1503085	WLDMT, TOP RAIL S3215/3219	1	EA
5	1501545	WLDMT, HNDRL FRONT CE	1	EA
6	1501562	WLDMT, FRONT GATE	1	EA
7	1501395	TUBE HNDRL MID TELESCOPE	2	EA
8	1501630	WLDMT, TOP SLIDER LH ORG	1	EA
9	302544	Pin & Lock	2	EA
10	1501583	CLIP HANDLE 1.00	2	EA
11	1503079	WLDMT, SLIDE HANDLE SHORT	2	EA
12	1501631	WLDMT, TOP SLIDER RH ORG	1	EA
13	1502443	WLDMT, WIRE CHASE	1	EA
14	1503071	PENDANT, DRIVE CONTROLS NOVEMBER 2018 AND AFTER	1	EA
15	1501829	PLT, CABLE COVER BOTTOM	1	EA
16	5516360	HINGE, DRILLED SIDE DRIVE THIN	1	EA
17	5516349	MAGNETIC LATCH	1	EA
18	1502442	PLT, SIDE DOOR THIN ORG	1	EA
19	1502976	ASSY, UCB CE 2SPD JUNE 2019 AND AFTER	1	EA
20	1501397	PLT CONT BOX MNT COVER	1	EA
21	562386	Literature Compartment	1	EA
22	1501842	DOUBLER PLATE, HANDRAIL ORG	2	EA
23	5563304	SBHCS M8 X 1.25 X 50MM GR 1039	4	EA
24	5563305	SBHCS M8 X 1.25 X 45MM GR 1039 PLTD	8	EA

アイテム	部品番号	名前	数量	UOM
25	056066 008	NUT NYLOCKNUT DIN985 M8 8.0 ZP	25	EA
26	056066 010	Nut, NylockNut DIN985 M10 8.0ZincPlated	14	EA
27	056066 005	Nut NylockNut DIN985 M5 8.0 Zi	4	EA
28	056069 010	Washer, SteelFlatWasher DIN125A M10 ZincPlated	18	EA
29	056069 008	WASHER, STEELFLATWASHER DIN12M8 FLAT WASHER DIN 125	13	EA
30	056060 055	Bolt, HexBolt DIN931 M10 x 55mm 8.8 ZincPlated	6	EA
31	056060 065	Bolt, HexBolt DIN931 M10 x 65mm 8.8 ZincPlated	8	EA
32	056060 045	Bolt, HexBolt DIN931 M10 x 45mm 8.8 ZincPlated	2	EA
33	5563466	POP RIVET S/SSTEEL MANDREL	2	EA
34	5560659	RVT POP .125 DIA .250 DMD STL	4	EA
35	5560656	RVT POP .125 DIA .375 DMD STL	2	EA
36	505082 020	Bolt, SktButCapScrew DIN9427 M5 x 20mm 10.9 ZincPlated	4	EA
37	056059 090	Bolt, HexBolt DIN931 M8 x 90mm 8.8 ZincPlated	2	EA
38	058492 020	Bolt HexSetScrew DIN933 M8 x 2	9	EA
39	5563446	1/4 20 PAN HEAD SCREW	12	EA
40	5563451	PLUG TUBING 1.00 X .095	4	EA
41	1502834	SLIDE PAD, STICK ON NOVEMBER 2017 AND AFTER	6	EA
42	1503072	DECAL, DRIVE CNTRL E STOP ON	1	EA
43	1502990	DECAL, PENDANT CONTROLS JUNE 2018 AND AFTER	1	EA
44	1500038	WLDMT PIVOT LEVER	1	EA
45	009442 003	SPRING LATCH	1	EA

アイテム	部品番号	名前	数量	UOM
46	502141 000	STOP LEVER	1	EA

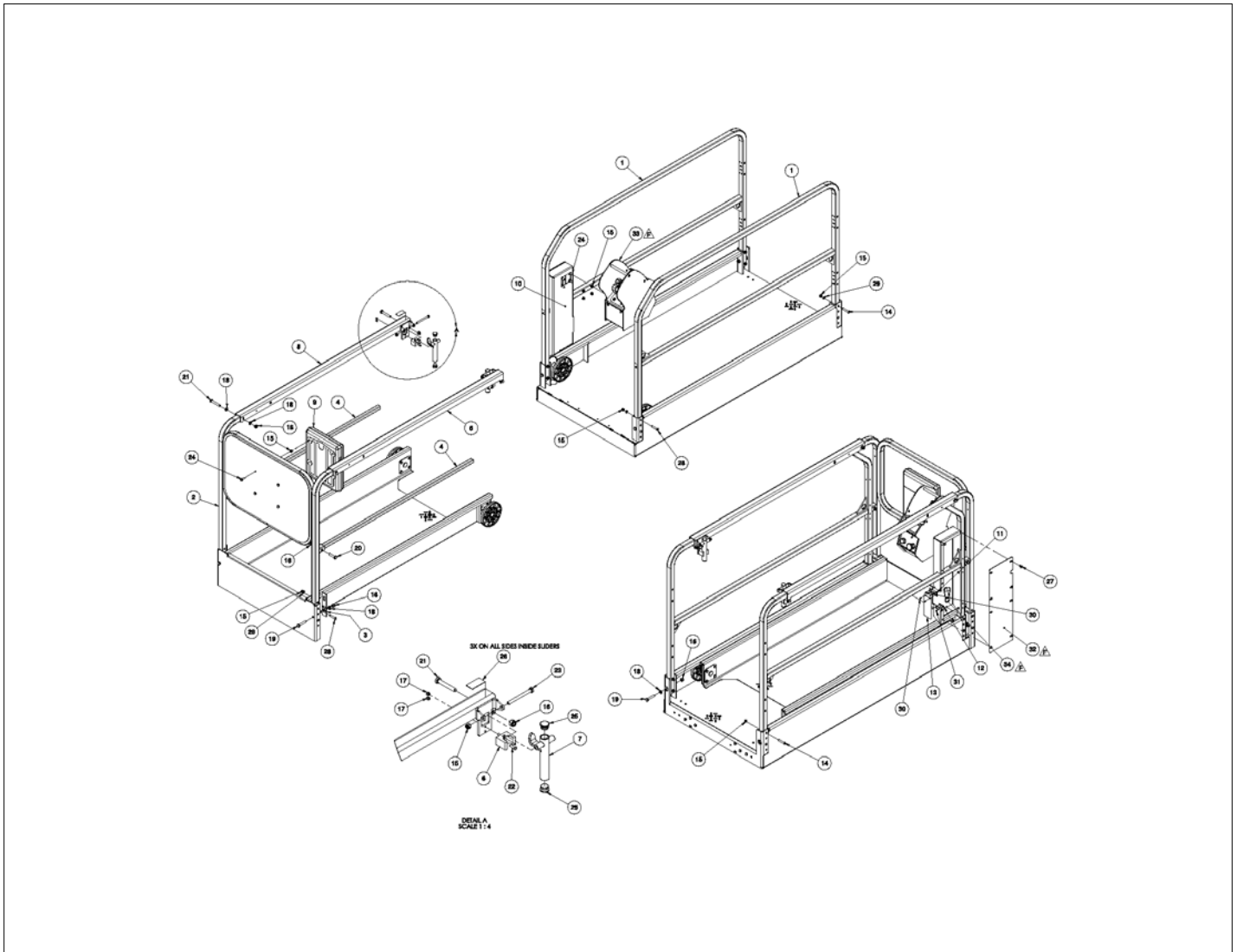
OPTIONS



アイテム	部品番号	名前	数量	UOM
	1503107 A	NON FOLDING HANDRAILS ASSEMBLY WITH FOOT LATCH		EA
1	1503105	WLDMT, NON FOLDING HNDRL S3215/3219, FOOT LATCH	2	EA
2	1501812	WLDMT, FRONT GATE S3219 AU	1	EA
3	1501842	DOUBLER PLATE, HANDRAIL ORG	2	EA
4	1501395	TUBE HNDRL MID TELESCOPE	2	EA
5	1501630	WLDMT, TOP SLIDER LH ORG	1	EA
6	1501583	CLIP HANDLE 1.00	2	EA
7	1503079	WLDMT, SLIDE HANDLE SHORT	2	EA
8	1501631	WLDMT, TOP SLIDER RH ORG	1	EA
9	562386	Literature Compartment	1	EA
10	1502348	BOX,PLATF MNT THIN S3215 3219	1	EA
11	5516360	HINGE, DRILLED SIDE DRIVE THIN	1	EA
12	5516349	MAGNETIC LATCH	1	EA
13	1502442	PLT, SIDE DOOR THIN ORG	1	EA
14	5563304	SBHCS M8 X 1.25 X 50MM GR 1039	4	EA
15	056066 008	NUT NYLOCKNUT DIN985 M8 8.0 ZP	23	EA
16	056066 010	Nut, NylockNut DIN985 M10 8.0ZincPlated	12	EA
17	056066 005	Nut NylockNut DIN985 M5 8.0 Zi	4	EA
18	056069 010	Washer, SteelFlatWasher DIN125A M10 ZincPlated	10	EA
19	056060 055	Bolt, HexBolt DIN931 M10 x 55mm 8.8 ZincPlated	6	EA
20	056060 045	Bolt, HexBolt DIN931 M10 x 45mm 8.8 ZincPlated	2	EA
21	056060 065	Bolt, HexBolt DIN931 M10 x 65mm 8.8 ZincPlated	4	EA

アイテム	部品番号	名前	数量	UOM
22	505082 020	Bolt, SktButCapScrew DIN9427 M5 x 20mm 10.9 ZincPlated	4	EA
23	056059 090	Bolt, HexBolt DIN931 M8 x 90mm 8.8 ZincPlated	2	EA
24	058492 020	Bolt HexSetScrew DIN933 M8 x 2	9	EA
25	5563451	PLUG TUBING 1.00 X .095	4	EA
26	1502834	SLIDE PAD, STICK ON NOVEMBER 2017 AND AFTER	8	EA
27	5563446	1/4 20 PAN HEAD SCREW	11	EA
28	5563305	SBHCS M8 X 1.25 X 45MM GR 1039 PLTD	8	EA
29	056069 008	WASHER, STEELFLATWASHER DIN12M8 FLAT WASHER DIN 125	13	EA
30	5560659	RVT POP .125 DIA .250 DMD STL	4	EA
31	5560656	RVT POP .125 DIA .375 DMD STL	2	EA
32	1502321	PLT, SIDE DRIVE REAR S3219 ANSI	1	EA
33	1502975	ASSY, UCB ANSI 2SPD	1	EA
34	1503071	PENDANT, DRIVE CONTROLS NOVEMBER 2018 AND AFTER	1	EA
35	1503073	DECAL, DRIVE CNTRL E STOP OFF	1	EA
36	1502990	DECAL, PENDANT CONTROLS JUNE 2018 AND AFTER	1	EA
37	1500038	WLDMT PIVOT LEVER	1	EA
38	502141 000	STOP LEVER	1	EA
39	009442 003	SPRING LATCH	1	EA

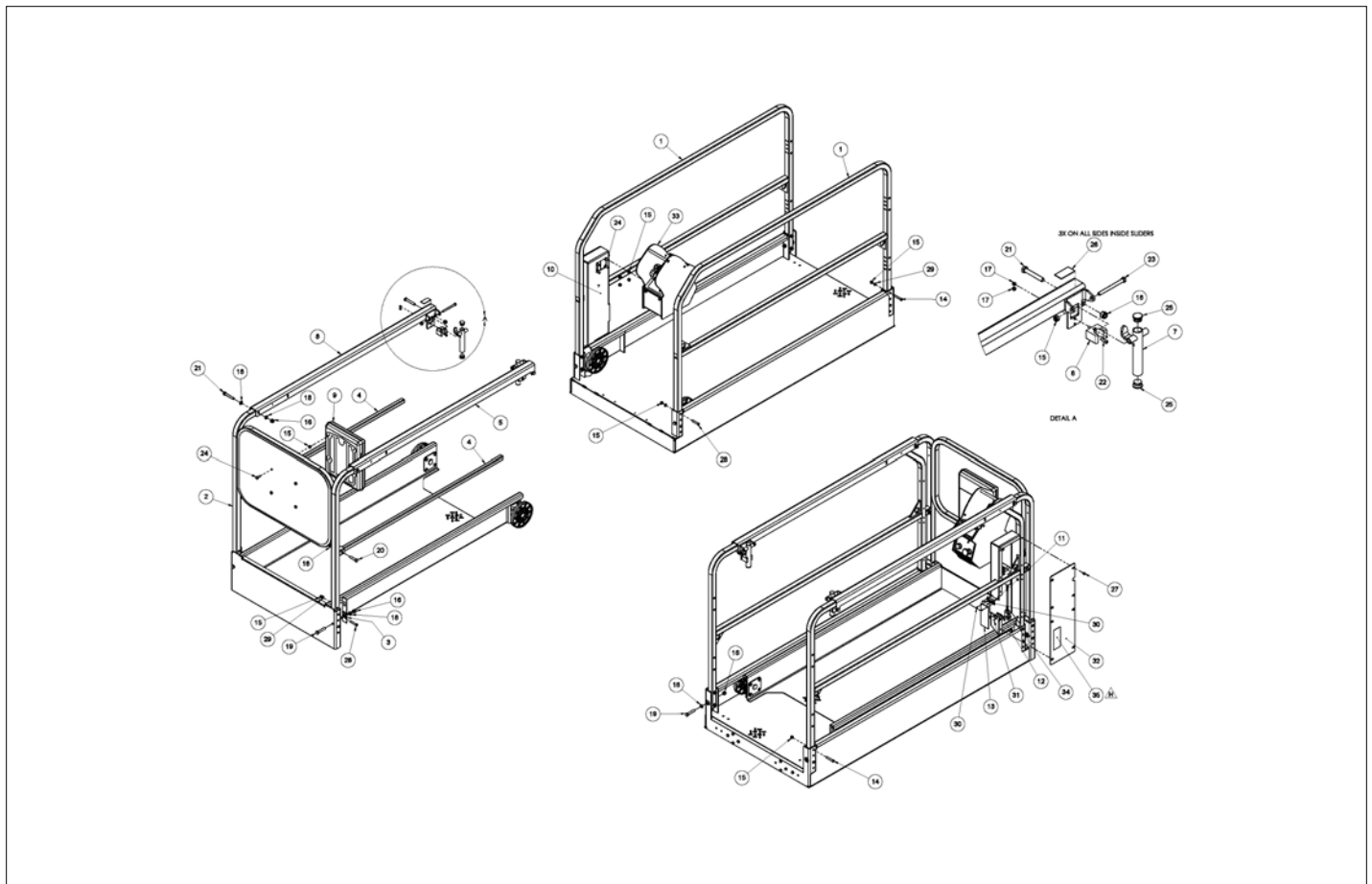
OPTIONS



アイテム	部品番号	名前	数量	UOM
	1502655 F	HANDRAILS ASSEMBLY ANSI S3215E S3219E		EA
1	1501852	WLDMT, HNDRL OUTER MAIN S3219	2	EA
2	1501812	WLDMT, FRONT GATE S3219 AU	1	EA
3	1501842	DOUBLER PLATE, HANDRAIL ORG	2	EA
4	1501323	TUBE HNDRL MID TELESCOPE	2	EA
5	1501630	WLDMT, TOP SLIDER LH ORG	1	EA
6	1501583	CLIP HANDLE 1.00	2	EA
7	1501715	WLDMT, SLIDE HANDLE SHORT	2	EA
8	1501631	WLDMT, TOP SLIDER RH ORG	1	EA
9	562386	Literature Compartment	1	EA
10	1502348	BOX,PLATF MNT THIN S3215 3219	1	EA
11	5516360	HINGE, DRILLED SIDE DRIVE THIN	1	EA
12	5516349	MAGNETIC LATCH	1	EA
13	1502442	PLT, SIDE DOOR THIN ORG	1	EA
14	5563304	SBHCS M8 X 1.25 X 50MM GR 1039	4	EA
15	056066 008	NUT NYLOCKNUT DIN985 M8 8.0 ZP	22	EA
16	056066 010	Nut, NylockNut DIN985 M10 8.0ZincPlated	12	EA
17	056066 005	Nut NylockNut DIN985 M5 8.0 Zi	4	EA
18	056069 010	Washer, SteelFlatWasher DIN125A M10 ZincPlated	10	EA
19	056060 055	Bolt, HexBolt DIN931 M10 x 55mm 8.8 ZincPlated	6	EA
20	056060 045	Bolt, HexBolt DIN931 M10 x 45mm 8.8 ZincPlated	2	EA
21	056060 065	Bolt, HexBolt DIN931 M10 x 65mm 8.8 ZincPlated	4	EA

アイテム	部品番号	名前	数量	UOM
22	505082 020	Bolt, SktButCapScrew DIN9427 M5 x 20mm 10.9 ZincPlated	4	EA
23	056059 090	Bolt, HexBolt DIN931 M8 x 90mm 8.8 ZincPlated	2	EA
24	058492 020	Bolt HexSetScrew DIN933 M8 x 2	8	EA
25	5563451	PLUG TUBING 1.00 X .095	4	EA
26	1502834	SLIDE PAD, STICK ON NOVEMBER 2017 AND AFTER	6	EA
27	5563446	1/4 20 PAN HEAD SCREW	11	EA
28	5563305	SBHCS M8 X 1.25 X 45MM GR 1039 PLTD	8	EA
29	056069 008	WASHER, STEELFLATWASHER DIN12M8 FLAT WASHER DIN 125	12	EA
30	5560659	RVT POP .125 DIA .250 DMD STL	4	EA
31	5560656	RVT POP .125 DIA .375 DMD STL	2	EA
32	1502321	PLT, SIDE DRIVE REAR S3219 ANSI	1	EA
33	1502872	ASSY, UCB ANSI 2SPD MAY 2018 AND AFTER	1	EA
34	1502836	PENDANT, DRIVE CONTROLS JANUARY 2018 AND AFTER	1	EA

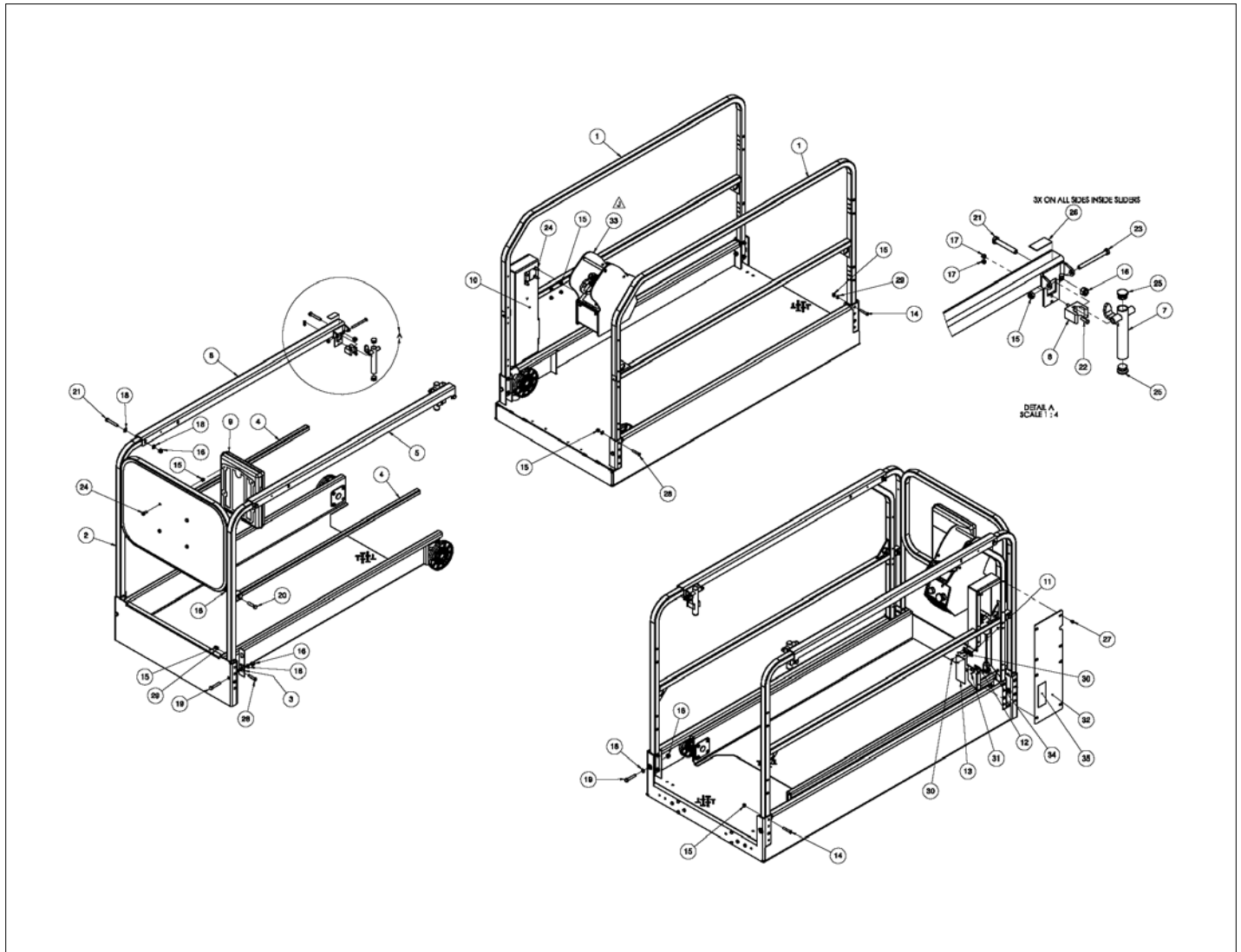
OPTIONS



アイテム	部品番号	名前	数量	UOM
	1502655 H	HANDRAILS ASSEMBLY ANSI S3215E S3219E		EA
1	1501852	WLDMT, HNDRL OUTER MAIN S3219	2	EA
2	1501812	WLDMT, FRONT GATE S3219 AU	1	EA
3	1501842	DOUBLER PLATE, HANDRAIL ORG	2	EA
4	1501323	TUBE HNDRL MID TELESCOPE	2	EA
5	1501630	WLDMT, TOP SLIDER LH ORG	1	EA
6	1501583	CLIP HANDLE 1.00	2	EA
7	1501715	WLDMT, SLIDE HANDLE SHORT	2	EA
8	1501631	WLDMT, TOP SLIDER RH ORG	1	EA
9	562386	Literature Compartment	1	EA
10	1502348	BOX,PLATF MNT THIN S3215 3219	1	EA
11	5516360	HINGE, DRILLED SIDE DRIVE THIN	1	EA
12	5516349	MAGNETIC LATCH	1	EA
13	1502442	PLT, SIDE DOOR THIN ORG	1	EA
14	5563304	SBHCS M8 X 1.25 X 50MM GR 1039	4	EA
15	056066 008	NUT NYLOCKNUT DIN985 M8 8.0 ZP	22	EA
16	056066 010	Nut, NylockNut DIN985 M10 8.0ZincPlated	12	EA
17	056066 005	Nut NylockNut DIN985 M5 8.0 Zi	4	EA
18	056069 010	Washer, SteelFlatWasher DIN125A M10 ZincPlated	10	EA
19	056060 055	Bolt, HexBolt DIN931 M10 x 55mm 8.8 ZincPlated	6	EA
20	056060 045	Bolt, HexBolt DIN931 M10 x 45mm 8.8 ZincPlated	2	EA
21	056060 065	Bolt, HexBolt DIN931 M10 x 65mm 8.8 ZincPlated	4	EA

アイテム	部品番号	名前	数量	UOM
22	505082 020	Bolt, SktButCapScrew DIN9427 M5 x 20mm 10.9 ZincPlated	4	EA
23	056059 090	Bolt, HexBolt DIN931 M8 x 90mm 8.8 ZincPlated	2	EA
24	058492 020	Bolt HexSetScrew DIN933 M8 x 2	8	EA
25	5563451	PLUG TUBING 1.00 X .095	4	EA
26	1502834	SLIDE PAD, STICK ON NOVEMBER 2017 AND AFTER	6	EA
27	5563446	1/4 20 PAN HEAD SCREW	11	EA
28	5563305	SBHCS M8 X 1.25 X 45MM GR 1039 PLTD	8	EA
29	056069 008	WASHER, STEELFLATWASHER DIN12M8 FLAT WASHER DIN 125	12	EA
30	5560659	RVT POP .125 DIA .250 DMD STL	4	EA
31	5560656	RVT POP .125 DIA .375 DMD STL	2	EA
32	1502321	PLT, SIDE DRIVE REAR S3219 ANSI	1	EA
33	1502872	ASSY, UCB ANSI 2SPD MAY 2018 AND AFTER	1	EA
34	1502836	PENDANT, DRIVE CONTROLS JANUARY 2018 AND AFTER	1	EA
35	1502990	DECAL, PENDANT CONTROLS JUNE 2018 AND AFTER	1	EA

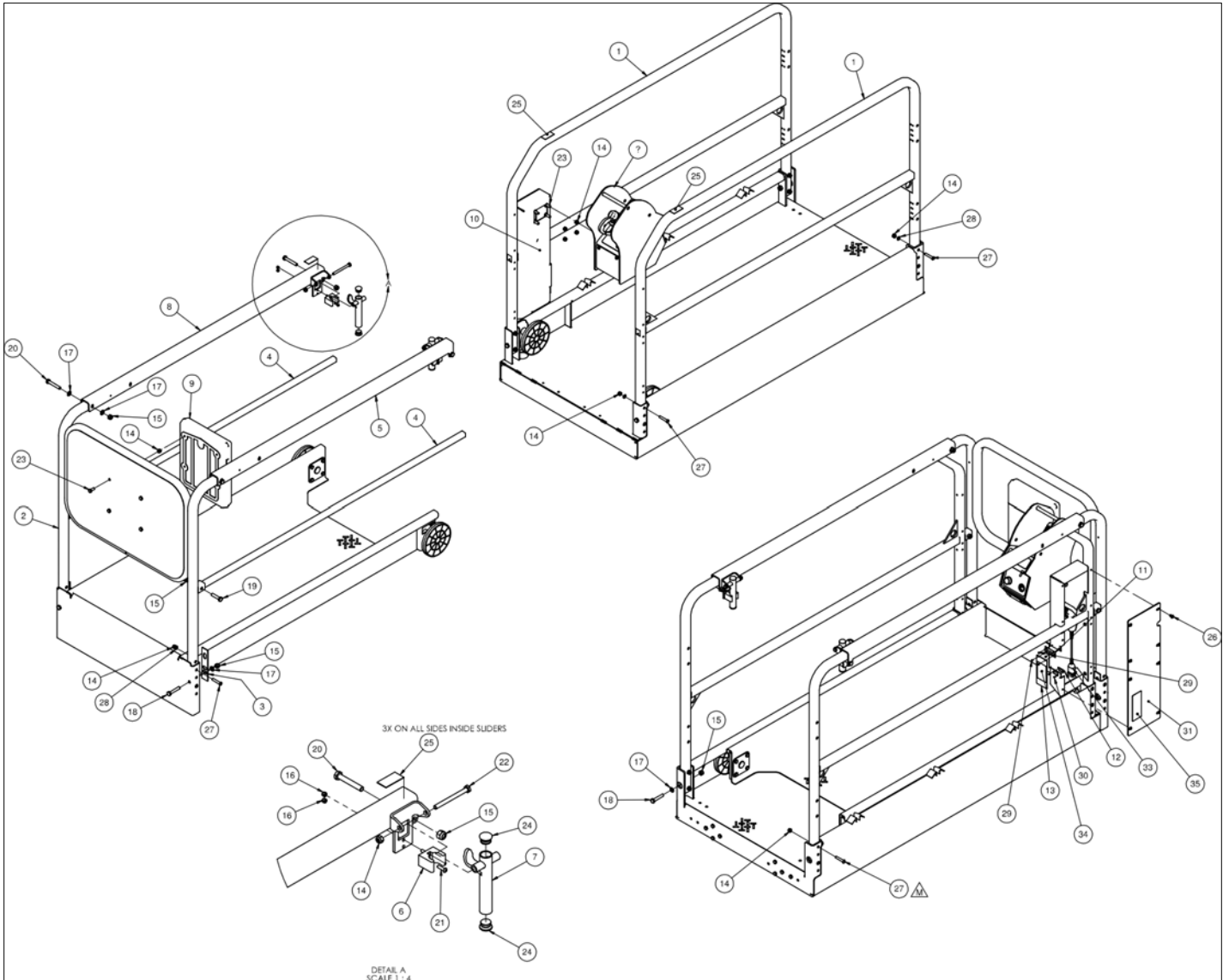
OPTIONS



アイテム	部品番号	名前	数量	UOM
	1502655 K	HANDRAILS ASSEMBLY ANSI S3215E S3219E JULY 2018 AND AFTER		EA
1	1501852	WLDMT, HNDRL OUTER MAIN S3219	2	EA
2	1501812	WLDMT, FRONT GATE S3219 AU	1	EA
3	1501842	DOUBLER PLATE, HANDRAIL ORG	2	EA
4	1501323	TUBE HNDRL MID TELESCOPE	2	EA
5	1501630	WLDMT, TOP SLIDER LH ORG	1	EA
6	1501583	CLIP HANDLE 1.00	2	EA
7	1501715	WLDMT, SLIDE HANDLE SHORT	2	EA
8	1501631	WLDMT, TOP SLIDER RH ORG	1	EA
9	562386	Literature Compartment	1	EA
10	1502348	BOX,PLATF MNT THIN S3215 3219	1	EA
11	5516360	HINGE, DRILLED SIDE DRIVE THIN	1	EA
12	5516349	MAGNETIC LATCH	1	EA
13	1502442	PLT, SIDE DOOR THIN ORG	1	EA
14	5563304	SBHCS M8 X 1.25 X 50MM GR 1039	4	EA
15	056066 008	NUT NYLOCKNUT DIN985 M8 8.0 ZP	22	EA
16	056066 010	Nut, NylockNut DIN985 M10 8.0ZincPlated	12	EA
17	056066 005	Nut NylockNut DIN985 M5 8.0 Zi	4	EA
18	056069 010	Washer, SteelFlatWasher DIN125A M10 ZincPlated	10	EA
19	056060 055	Bolt, HexBolt DIN931 M10 x 55mm 8.8 ZincPlated	6	EA
20	056060 045	Bolt, HexBolt DIN931 M10 x 45mm 8.8 ZincPlated	2	EA
21	056060 065	Bolt, HexBolt DIN931 M10 x 65mm 8.8 ZincPlated	4	EA

アイテム	部品番号	名前	数量	UOM
22	505082 020	Bolt, SktButCapScrew DIN9427 M5 x 20mm 10.9 ZincPlated	4	EA
23	056059 090	Bolt, HexBolt DIN931 M8 x 90mm 8.8 ZincPlated	2	EA
24	058492 020	Bolt HexSetScrew DIN933 M8 x 2	8	EA
25	5563451	PLUG TUBING 1.00 X .095	4	EA
26	1502834	SLIDE PAD, STICK ON NOVEMBER 2017 AND AFTER	8	EA
27	5563446	1/4 20 PAN HEAD SCREW	11	EA
28	5563305	SBHCS M8 X 1.25 X 45MM GR 1039 PLTD	8	EA
29	056069 008	WASHER, STEELFLATWASHER DIN12M8 FLAT WASHER DIN 125	12	EA
30	5560659	RVT POP .125 DIA .250 DMD STL	4	EA
31	5560656	RVT POP .125 DIA .375 DMD STL	2	EA
32	1502321	PLT, SIDE DRIVE REAR S3219 ANSI	1	EA
33	1502975	ASSY, UCB ANSI 2SPD	1	EA
34	1502836	PENDANT, DRIVE CONTROLS JANUARY 2018 AND AFTER	1	EA
35	1502990	DECAL, PENDANT CONTROLS JUNE 2018 AND AFTER	1	EA

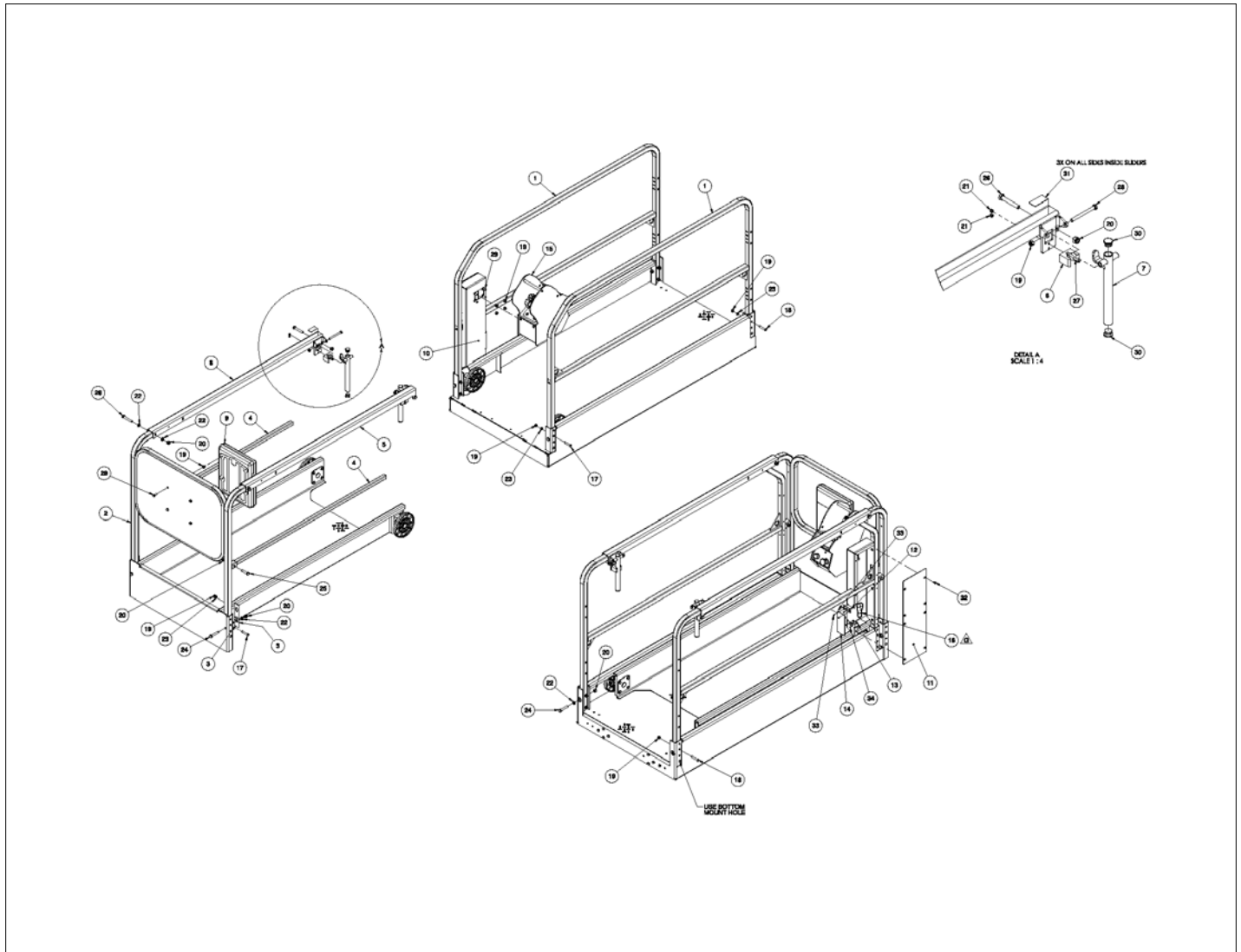
OPTIONS



アイテム	部品番号	名前	数量	UOM
	1502655 M	HANDRAILS ASSEMBLY ANSI S3215E S3219E		EA
1	1501852	WLDMT, HNDRL OUTER MAIN S3219	2	EA
2	1501812	WLDMT, FRONT GATE S3219 AU	1	EA
3	1501842	DOUBLER PLATE, HANDRAIL ORG	2	EA
4	1501395	TUBE HNDRL MID TELESCOPE	2	EA
5	1501630	WLDMT, TOP SLIDER LH ORG	1	EA
6	1501583	CLIP HANDLE 1.00	2	EA
7	1501715	WLDMT, SLIDE HANDLE SHORT	2	EA
8	1501631	WLDMT, TOP SLIDER RH ORG	1	EA
9	562386	Literature Compartment	1	EA
10	1502348	BOX,PLATF MNT THIN S3215 3219	1	EA
11	5516360	HINGE, DRILLED SIDE DRIVE THIN	1	EA
12	5516349	MAGNETIC LATCH	1	EA
13	1502442	PLT, SIDE DOOR THIN ORG	1	EA
14	056066 008	NUT NYLOCKNUT DIN985 M8 8.0 ZP	22	EA
15	056066 010	Nut, NylockNut DIN985 M10 8.0ZincPlated	12	EA
16	056066 005	Nut NylockNut DIN985 M5 8.0 Zi	4	EA
17	056069 010	Washer, SteelFlatWasher DIN125A M10 ZincPlated	10	EA
18	056060 055	Bolt, HexBolt DIN931 M10 x 55mm 8.8 ZincPlated	6	EA
19	056060 045	Bolt, HexBolt DIN931 M10 x 45mm 8.8 ZincPlated	2	EA
20	056060 065	Bolt, HexBolt DIN931 M10 x 65mm 8.8 ZincPlated	4	EA
21	505082 020	Bolt, SktButCapScrew DIN9427 M5 x 20mm 10.9 ZincPlated	4	EA

アイテム	部品番号	名前	数量	UOM
22	056059 090	Bolt, HexBolt DIN931 M8 x 90mm 8.8 ZincPlated	2	EA
23	058492 020	Bolt HexSetScrew DIN933 M8 x 2	8	EA
24	5563451	PLUG TUBING 1.00 X .095	4	EA
25	1502834	SLIDE PAD, STICK ON NOVEMBER 2017 AND AFTER	8	EA
26	5563446	1/4 20 PAN HEAD SCREW	11	EA
27	5563305	SBHCS M8 X 1.25 X 45MM GR 1039 PLTD	12	EA
28	056069 008	WASHER, STEELFLATWASHER DIN12M8 FLAT WASHER DIN 125	12	EA
29	5560659	RVT POP .125 DIA .250 DMD STL	4	EA
30	5560656	RVT POP .125 DIA .375 DMD STL	2	EA
31	1502321	PLT, SIDE DRIVE REAR S3219 ANSI	1	EA
32	1502975	ASSY, UCB ANSI 2SPD	1	EA
33	1503071	PENDANT, DRIVE CONTROLS NOVEMBER 2018 AND AFTER	1	EA
34	1503073	DECAL, DRIVE CNTRL E STOP OFF	1	EA
35	1502990	DECAL, PENDANT CONTROLS JUNE 2018 AND AFTER	1	EA

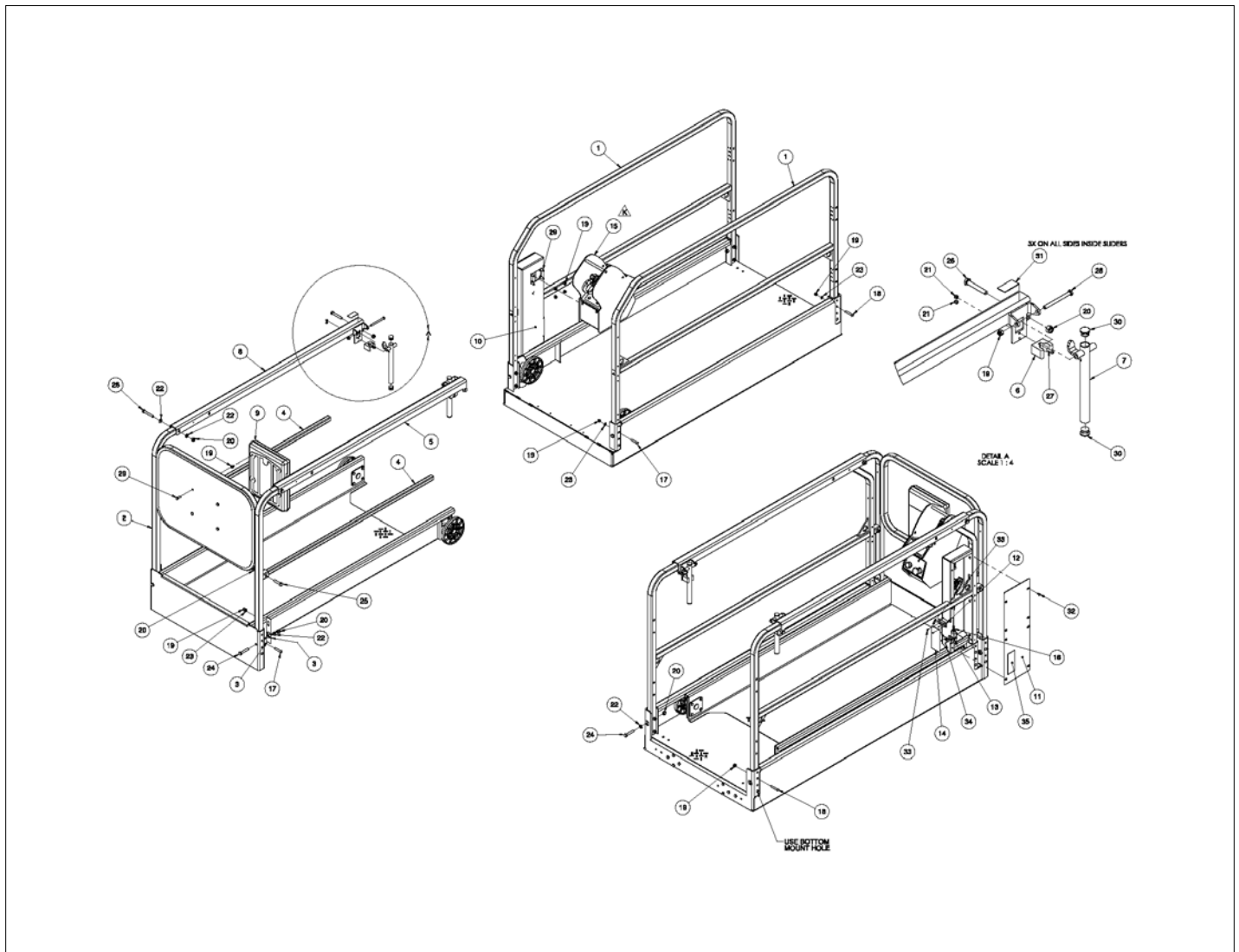
OPTIONS



アイテム	部品番号	名前	数量	UOM
	1502657 G	HANDRAILS ASSEMBLY AU S3215E S3219E		EA
1	1501852	WLDMT, HNDRL OUTER MAIN S3219	2	EA
2	1501812	WLDMT, FRONT GATE S3219 AU	1	EA
3	1501842	DOUBLER PLATE, HANDRAIL ORG	2	EA
4	1501323	TUBE HNDRL MID TELESCOPE	2	EA
5	1501630	WLDMT, TOP SLIDER LH ORG	1	EA
6	1501583	CLIP HANDLE 1.00	2	EA
7	1501525	WLDMT, SLIDE HANDLE	2	EA
8	1501631	WLDMT, TOP SLIDER RH ORG	1	EA
9	562386	Literature Compartment	1	EA
10	1502352	Box, Platform Mount Thin AU	1	EA
11	1502322	PLT side Drive Rear	1	EA
12	5516360	HINGE, DRILLED SIDE DRIVE THIN	1	EA
13	5516349	MAGNETIC LATCH	1	EA
14	1502442	PLT, SIDE DOOR THIN ORG	1	EA
15	1502336	ASSY, UCB CE 2SPD SEPTEMBER 2018 AND AEFOR	1	EA
16	1502836	PENDANT, DRIVE CONTROLS JANUARY 2018 AND AFTER	1	EA
17	5563305	SBHCS M8 X 1.25 X 45MM GR 1039 PLTD	8	EA
18	5563304	SBHCS M8 X 1.25 X 50MM GR 1039	4	EA
19	056066 008	NUT NYLOCKNUT DIN985 M8 8.0 ZP	22	EA
20	056066 010	Nut, NylockNut DIN985 M10 8.0ZincPlated	12	EA
21	056066 005	Nut NylockNut DIN985 M5 8.0 Zi	4	EA
22	056069 010	Washer, SteelFlatWasher DIN125A M10 ZincPlated	10	EA

アイテム	部品番号	名前	数量	UOM
23	056069 008	WASHER, STEELFLATWASHER DIN12M8 FLAT WASHER DIN 125	12	EA
24	056060 055	Bolt, HexBolt DIN931 M10 x 55mm 8.8 ZincPlated	6	EA
25	056060 045	Bolt, HexBolt DIN931 M10 x 45mm 8.8 ZincPlated	2	EA
26	056060 065	Bolt, HexBolt DIN931 M10 x 65mm 8.8 ZincPlated	4	EA
27	505082 020	Bolt, SktButCapScrew DIN9427 M5 x 20mm 10.9 ZincPlated	4	EA
28	056059 090	Bolt, HexBolt DIN931 M8 x 90mm 8.8 ZincPlated	2	EA
29	058492 020	Bolt HexSetScrew DIN933 M8 x 2	8	EA
30	5563451	PLUG TUBING 1.00 X .095	4	EA
31	1502834	SLIDE PAD, STICK ON NOVEMBER 2017 AND AFTER	6	EA
32	5563446	1/4 20 PAN HEAD SCREW	11	EA
33	5560659	RVT POP .125 DIA .250 DMD STL	4	EA
34	5560656	RVT POP .125 DIA .375 DMD STL	2	EA

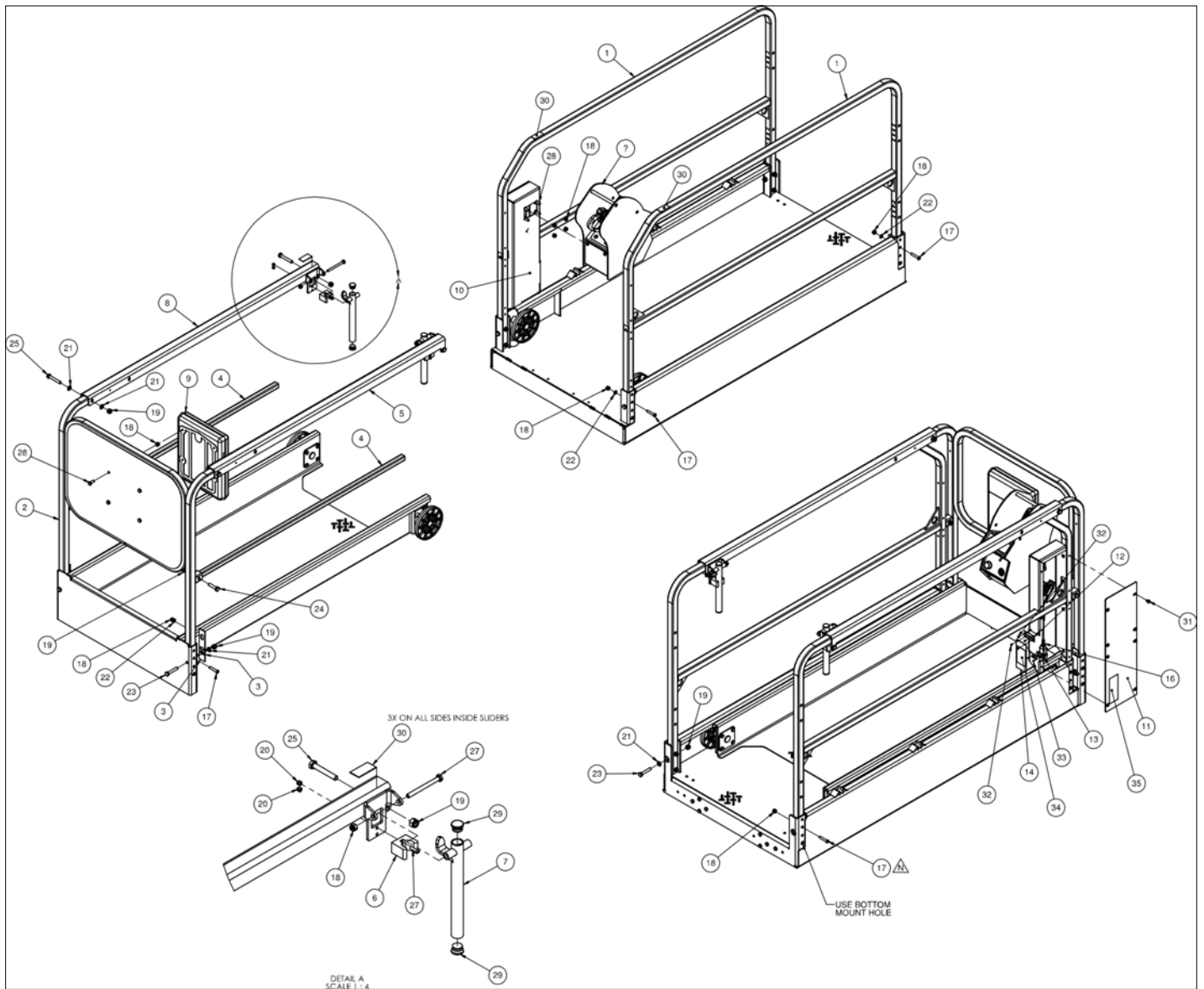
OPTIONS



アイテム	部品番号	名前	数量	UOM
	1502657 K	HANDRAILS ASSEMBLY (AS) S3215E S3219E JUNE 2018 AND AFTER		EA
1	1501852	WLDMT, HNDRL OUTER MAIN S3219	2	EA
2	1501812	WLDMT, FRONT GATE S3219 AU	1	EA
3	1501842	DOUBLER PLATE, HANDRAIL ORG	2	EA
4	1501323	TUBE HNDRL MID TELESCOPE	2	EA
5	1501630	WLDMT, TOP SLIDER LH ORG	1	EA
6	1501583	CLIP HANDLE 1.00	2	EA
7	1501525	WLDMT, SLIDE HANDLE	2	EA
8	1501631	WLDMT, TOP SLIDER RH ORG	1	EA
9	562386	Literature Compartment	1	EA
10	1502352	Box, Platform Mount Thin AU	1	EA
11	1502322	PLT side Drive Rear	1	EA
12	5516360	HINGE, DRILLED SIDE DRIVE THIN	1	EA
13	5516349	MAGNETIC LATCH	1	EA
14	1502442	PLT, SIDE DOOR THIN ORG	1	EA
15	1502976	ASSY, UCB CE 2SPD JUNE 2019 AND AFTER	1	EA
16	1502836	PENDANT, DRIVE CONTROLS JANUARY 2018 AND AFTER	1	EA
17	5563305	SBHCS M8 X 1.25 X 45MM GR 1039 PLTD	8	EA
18	5563304	SBHCS M8 X 1.25 X 50MM GR 1039	4	EA
19	056066 008	NUT NYLOCKNUT DIN985 M8 8.0 ZP	22	EA
20	056066 010	Nut, NylockNut DIN985 M10 8.0ZincPlated	12	EA
21	056066 005	Nut NylockNut DIN985 M5 8.0 Zi	4	EA
22	056069 010	Washer, SteelFlatWasher DIN125A M10 ZincPlated	10	EA

アイテム	部品番号	名前	数量	UOM
23	056069 008	WASHER, STEELFLATWASHER DIN12M8 FLAT WASHER DIN 125	12	EA
24	056060 055	Bolt, HexBolt DIN931 M10 x 55mm 8.8 ZincPlated	6	EA
25	056060 045	Bolt, HexBolt DIN931 M10 x 45mm 8.8 ZincPlated	2	EA
26	056060 065	Bolt, HexBolt DIN931 M10 x 65mm 8.8 ZincPlated	4	EA
27	505082 020	Bolt, SktButCapScrew DIN9427 M5 x 20mm 10.9 ZincPlated	4	EA
28	056059 090	Bolt, HexBolt DIN931 M8 x 90mm 8.8 ZincPlated	2	EA
29	058492 020	Bolt HexSetScrew DIN933 M8 x 2	8	EA
30	5563451	PLUG TUBING 1.00 X .095	4	EA
31	1502834	SLIDE PAD, STICK ON NOVEMBER 2017 AND AFTER	6	EA
32	5563446	1/4 20 PAN HEAD SCREW	11	EA
33	5560659	RVT POP .125 DIA .250 DMD STL	4	EA
34	5560656	RVT POP .125 DIA .375 DMD STL	2	EA
35	1502990	DECAL, PENDANT CONTROLS JUNE 2018 AND AFTER	1	EA

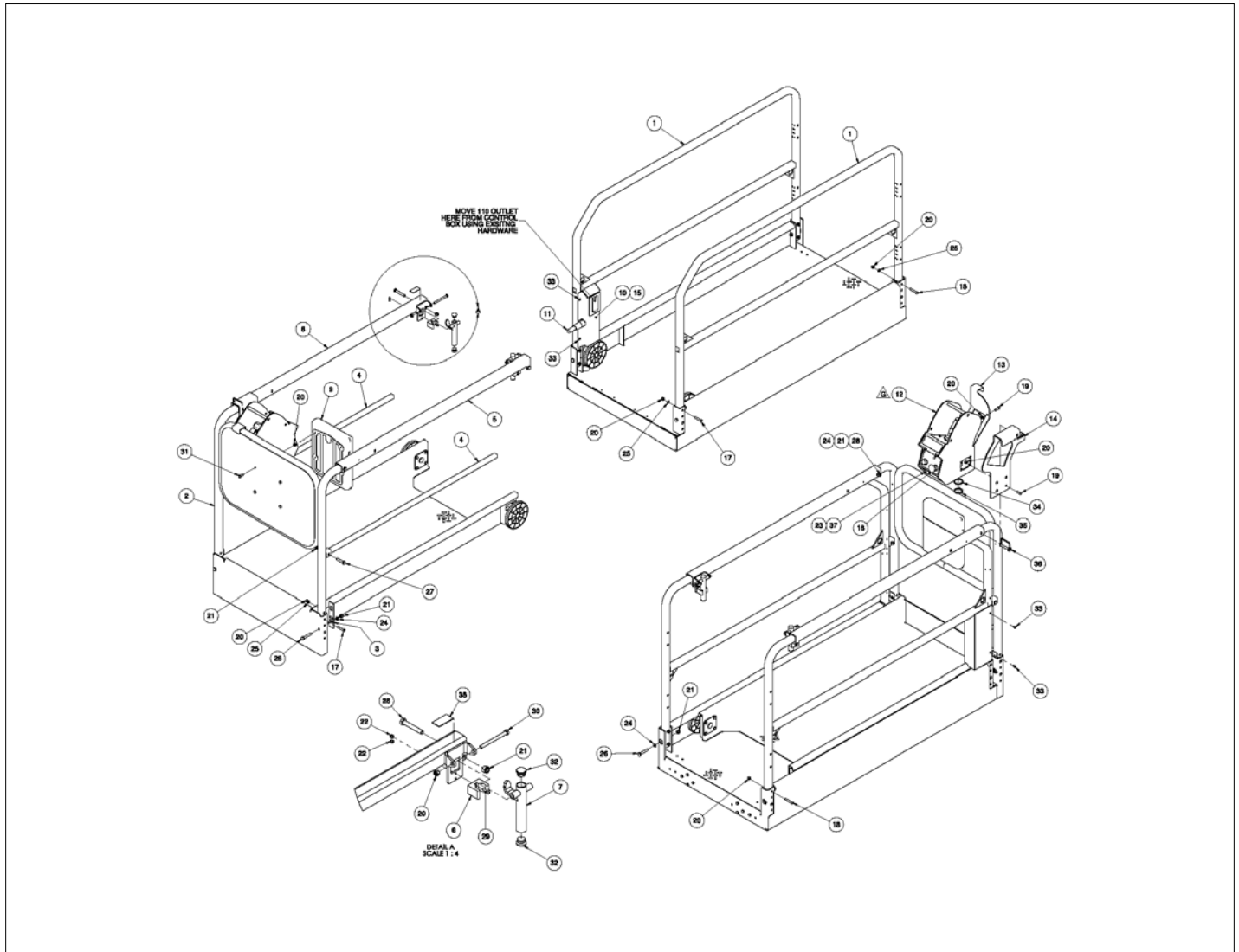
OPTIONS



アイテム	部品番号	名前	数量	UOM
	1502657 N	HANDRAILS ASSEMBLY AS S3215E S3219E		EA
1	1501852	WLDMT, HNDRL OUTER MAIN S3219	2	EA
2	1501812	WLDMT, FRONT GATE S3219 AU	1	EA
3	1501842	DOUBLER PLATE, HANDRAIL ORG	2	EA
4	1501323	TUBE HNDRL MID TELESCOPE	2	EA
5	1501630	WLDMT, TOP SLIDER LH ORG	1	EA
6	1501583	CLIP HANDLE 1.00	2	EA
7	1501525	WLDMT, SLIDE HANDLE	2	EA
8	1501631	WLDMT, TOP SLIDER RH ORG	1	EA
9	562386	Literature Compartment	1	EA
10	1502352	Box, Platform Mount Thin AU	1	EA
11	1502322	PLT side Drive Rear	1	EA
12	5516360	HINGE, DRILLED SIDE DRIVE THIN	1	EA
13	5516349	MAGNETIC LATCH	1	EA
14	1502442	PLT, SIDE DOOR THIN ORG	1	EA
15	1502976	ASSY, UCB CE 2SPD JUNE 2019 AND AFTER	1	EA
16	1503071	PENDANT, DRIVE CONTROLS NOVEMBER 2018 AND AFTER	1	EA
17	5563305	SBHCS M8 X 1.25 X 45MM GR 1039 PLTD	12	EA
18	056066 008	NUT NYLOCKNUT DIN985 M8 8.0 ZP	22	EA
19	056066 010	Nut, NylockNut DIN985 M10 8.0ZincPlated	12	EA
20	056066 005	Nut NylockNut DIN985 M5 8.0 Zi	4	EA
21	056069 010	Washer, SteelFlatWasher DIN125A M10 ZincPlated	10	EA
22	056069 008	WASHER, STEELFLATWASHER DIN12M8 FLAT WASHER DIN 125	12	EA

アイテム	部品番号	名前	数量	UOM
23	056060 055	Bolt, HexBolt DIN931 M10 x 55mm 8.8 ZincPlated	6	EA
24	056060 045	Bolt, HexBolt DIN931 M10 x 45mm 8.8 ZincPlated	2	EA
25	056060 065	Bolt, HexBolt DIN931 M10 x 65mm 8.8 ZincPlated	4	EA
26	505082 020	Bolt, SktButCapScrew DIN9427 M5 x 20mm 10.9 ZincPlated	4	EA
27	056059 090	Bolt, HexBolt DIN931 M8 x 90mm 8.8 ZincPlated	2	EA
28	058492 020	Bolt HexSetScrew DIN933 M8 x 2	8	EA
29	5563451	PLUG TUBING 1.00 X .095	4	EA
30	1502834	SLIDE PAD, STICK ON NOVEMBER 2017 AND AFTER	8	EA
31	5563446	1/4 20 PAN HEAD SCREW	11	EA
32	5560659	RVT POP .125 DIA .250 DMD STL	4	EA
33	5560656	RVT POP .125 DIA .375 DMD STL	2	EA
34	1503072	DECAL, DRIVE CNTRL E STOP ON	1	EA
35	1502990	DECAL, PENDANT CONTROLS JUNE 2018 AND AFTER	1	EA

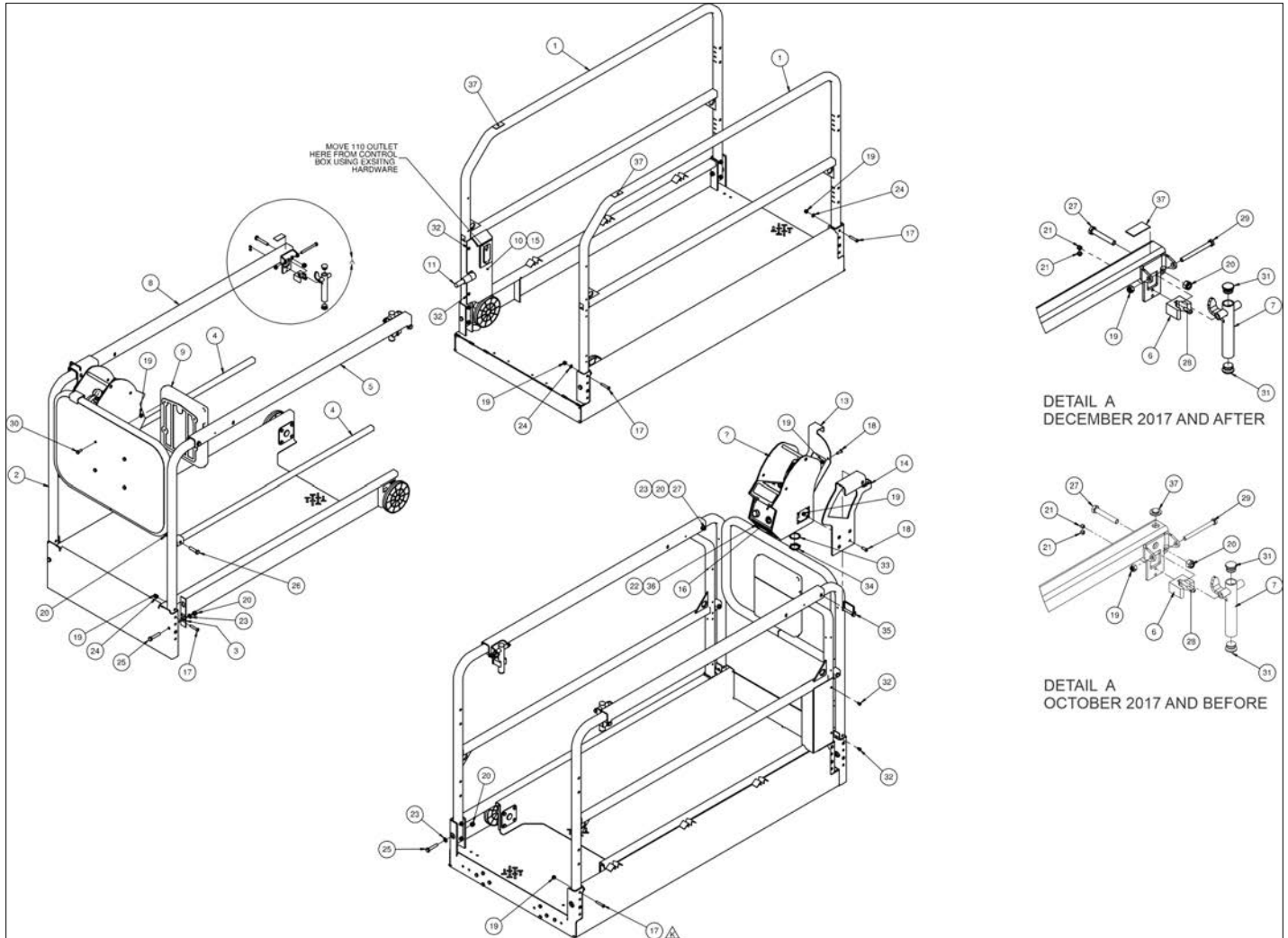
OPTIONS



アイテム	部品番号	名前	数量	UOM
	1502662 G	ANSI RAILS REMOVABLE UCB ASSEMBLY S3215E S3219E		EA
1	1501852	WLDMT, HNDRL OUTER MAIN S3219	2	EA
2	1501812	WLDMT, FRONT GATE S3219 AU	1	EA
3	1501842	DOUBLER PLATE, HANDRAIL ORG	2	EA
4	1501323	TUBE HNDRL MID TELESCOPE	2	EA
5	1501630	WLDMT, TOP SLIDER LH ORG	1	EA
6	1501583	CLIP HANDLE 1.00	2	EA
7	1501715	WLDMT, SLIDE HANDLE SHORT	2	EA
8	1501631	WLDMT, TOP SLIDER RH ORG	1	EA
9	562386	Literature Compartment	1	EA
10	1502743	WLDMT, CHASE REMOV UCB S3219E	1	EA
11	1502468	HARNES UCB	1	EA
12	1502872	ASSY, UCB ANSI 2SPD MAY 2018 AND AFTER	1	EA
13	1502606	PLT, BTM REMOVEABLE UCB FIXED	1	EA
14	1502605	PLT, SIDE REMOVEABLE UCB FIXED	1	EA
15	1502543	CONN, SIDE DRIVE OVERRIDE ADDED MARCH 2017 AND AFTER	1	EA
16	1501688	PLT, COVER OUTLET	1	EA
17	5563305	SBHCS M8 X 1.25 X 45MM GR 1039 PLTD	8	EA
18	5563304	SBHCS M8 X 1.25 X 50MM GR 1039	4	EA
19	500595 025	Bolt, SktButCapScrew DIN9427	5	EA
20	056066 008	NUT NYLOCKNUT DIN985 M8 8.0 ZP	23	EA
21	056066 010	Nut, NylockNut DIN985 M10 8.0ZincPlated	11	EA

アイテム	部品番号	名前	数量	UOM
22	056066 005	Nut NylockNut DIN985 M5 8.0 Zi	4	EA
23	056066 004	NUT NYLOCK DIN985 M4 8.0 ZP	2	EA
24	056069 010	Washer, SteelFlatWasher DIN125A M10 ZincPlated	8	EA
25	056069 008	WASHER, STEELFLATWASHER DIN12M8 FLAT WASHER DIN 125	12	EA
26	056060 055	Bolt, HexBolt DIN931 M10 x 55mm 8.8 ZincPlated	6	EA
27	056060 045	Bolt, HexBolt DIN931 M10 x 45mm 8.8 ZincPlated	2	EA
28	056060 065	Bolt, HexBolt DIN931 M10 x 65mm 8.8 ZincPlated	3	EA
29	505082 020	Bolt, SktButCapScrew DIN9427 M5 x 20mm 10.9 ZincPlated	4	EA
30	056059 090	Bolt, HexBolt DIN931 M8 x 90mm 8.8 ZincPlated	2	EA
31	058492 020	Bolt HexSetScrew DIN933 M8 x 2	4	EA
32	5563451	PLUG TUBING 1.00 X .095	4	EA
33	5563446	1/4 20 PAN HEAD SCREW	4	EA
34	14030	LOCK WASHER HD30, 18 SHELL	1	EA
35	3040208	PANEL NUT (18 SHELL)	1	EA
36	5580020	PIN, SNAPPER .375 X 2.50 W/LAN	1	EA
37	512459 016	BLT HEXHD M4 X 0.7 X 16MM DIN 933 8.8 ZP	2	EA
38	1502834	SLIDE PAD, STICK ON NOVEMBER 2017 AND AFTER	6	EA

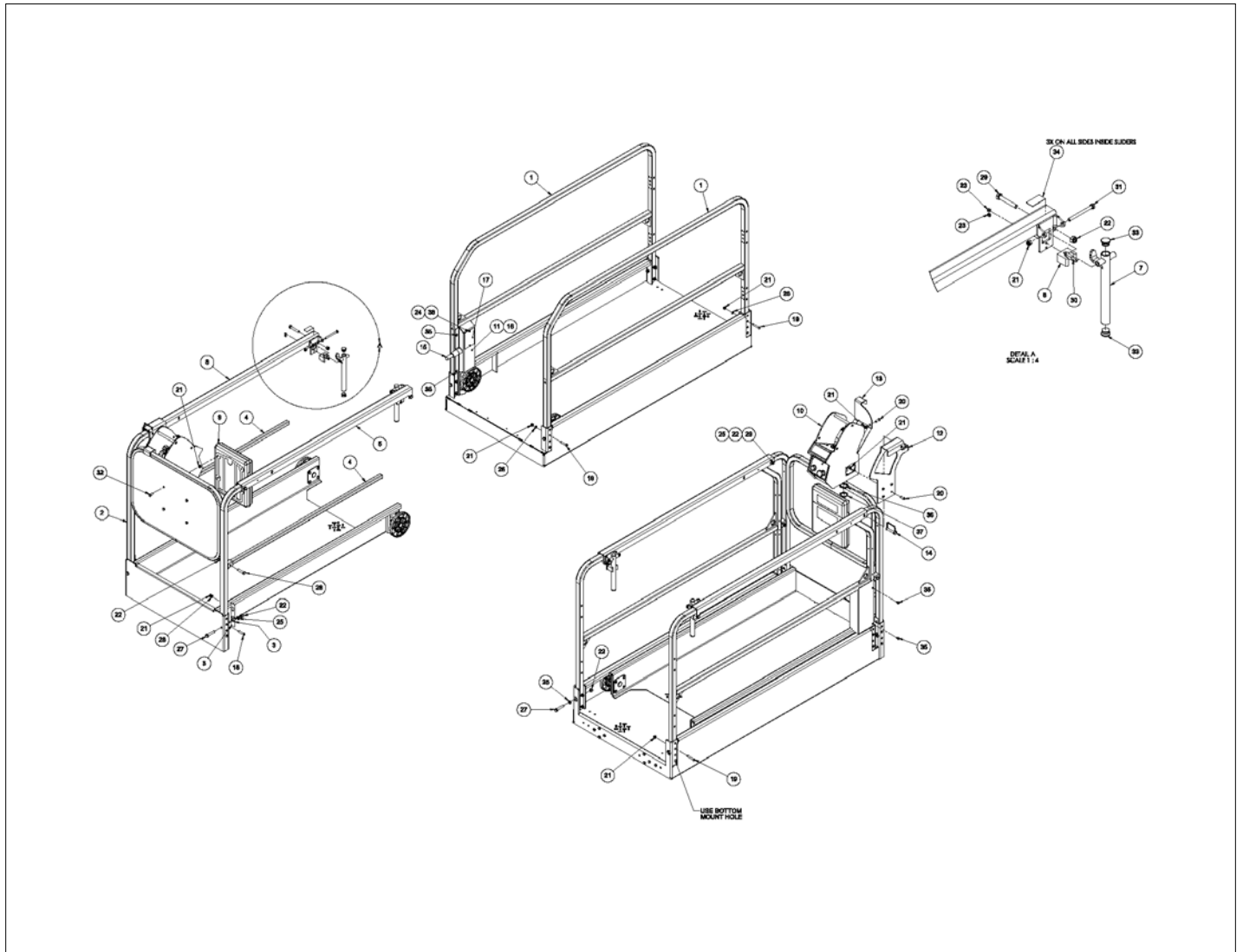
OPTIONS



アイテム	部品番号	名前	数量	UOM
	1502662 K	ANSI NON FOLDING HANDRAIL REMOVABLE UPPER CONTROL BOX APRIL 2019 AND AFTER		EA
1	1501852	WLDMT, HNDRL OUTER MAIN S3219	2	EA
2	1501812	WLDMT, FRONT GATE S3219 AU	1	EA
3	1501842	DOUBLER PLATE, HANDRAIL ORG	2	EA
4	1501323	TUBE HNDRL MID TELESCOPE	2	EA
5	1501630	WLDMT, TOP SLIDER LH ORG	1	EA
6	1501583	CLIP HANDLE 1.00	2	EA
7	1501715	WLDMT, SLIDE HANDLE SHORT	2	EA
8	1501631	WLDMT, TOP SLIDER RH ORG	1	EA
9	562386	Literature Compartment	1	EA
10	1502743	WLDMT, CHASE REMOV UCB S3219E	1	EA
11	1502468	HARNES UCB	1	EA
12	1502975	ASSY, UCB ANSI 2SPD	1	EA
13	1502606	PLT, BTM REMOVEABLE UCB FIXED	1	EA
14	1502605	PLT, SIDE REMOVEABLE UCB FIXED	1	EA
15	1502543	CONN, SIDE DRIVE OVERRIDE ADDED MARCH 2017 AND AFTER	1	EA
16	1501688	PLT, COVER OUTLET	1	EA
17	5563305	SBHCS M8 X 1.25 X 45MM GR 1039 PLTD	12	EA
18	500595 025	Bolt, SktButCapScrew DIN9427	5	EA
19	056066 008	NUT NYLOCKNUT DIN985 M8 8.0 ZP	23	EA
20	056066 010	Nut, NylockNut DIN985 M10 8.0ZincPlated	11	EA
21	056066 005	Nut NylockNut DIN985 M5 8.0 Zi	4	EA
22	056066 004	NUT NYLOCK DIN985 M4 8.0 ZP	2	EA

アイテム	部品番号	名前	数量	UOM
23	056069 010	Washer, SteelFlatWasher DIN125A M10 ZincPlated	8	EA
24	056069 008	WASHER, STEELFLATWASHER DIN12M8 FLAT WASHER DIN 125	12	EA
25	056066 005	Nut NylockNut DIN985 M5 8.0 Zi	6	EA
26	056060 045	Bolt, HexBolt DIN931 M10 x 45mm 8.8 ZincPlated	2	EA
27	056060 065	Bolt, HexBolt DIN931 M10 x 65mm 8.8 ZincPlated	3	EA
28	505082 020	Bolt, SktButCapScrew DIN9427 M5 x 20mm 10.9 ZincPlated	4	EA
29	056059 090	Bolt, HexBolt DIN931 M8 x 90mm 8.8 ZincPlated	2	EA
30	058492 020	Bolt HexSetScrew DIN933 M8 x 2	4	EA
31	5563451	PLUG TUBING 1.00 X .095	4	EA
32	5563446	1/4 20 PAN HEAD SCREW	4	EA
33	14030	LOCK WASHER HD30, 18 SHELL	1	EA
34	3040208	PANEL NUT (18 SHELL)	1	EA
35	5580020	PIN, SNAPPER .375 X 2.50 W/LAN	1	EA
36	512459 016	BLT HEXHD M4 X 0.7 X 16MM DIN 933 8.8 ZP	2	EA
37	1502834	SLIDE PAD, STICK ON NOVEMBER 2017 AND AFTER	8	EA

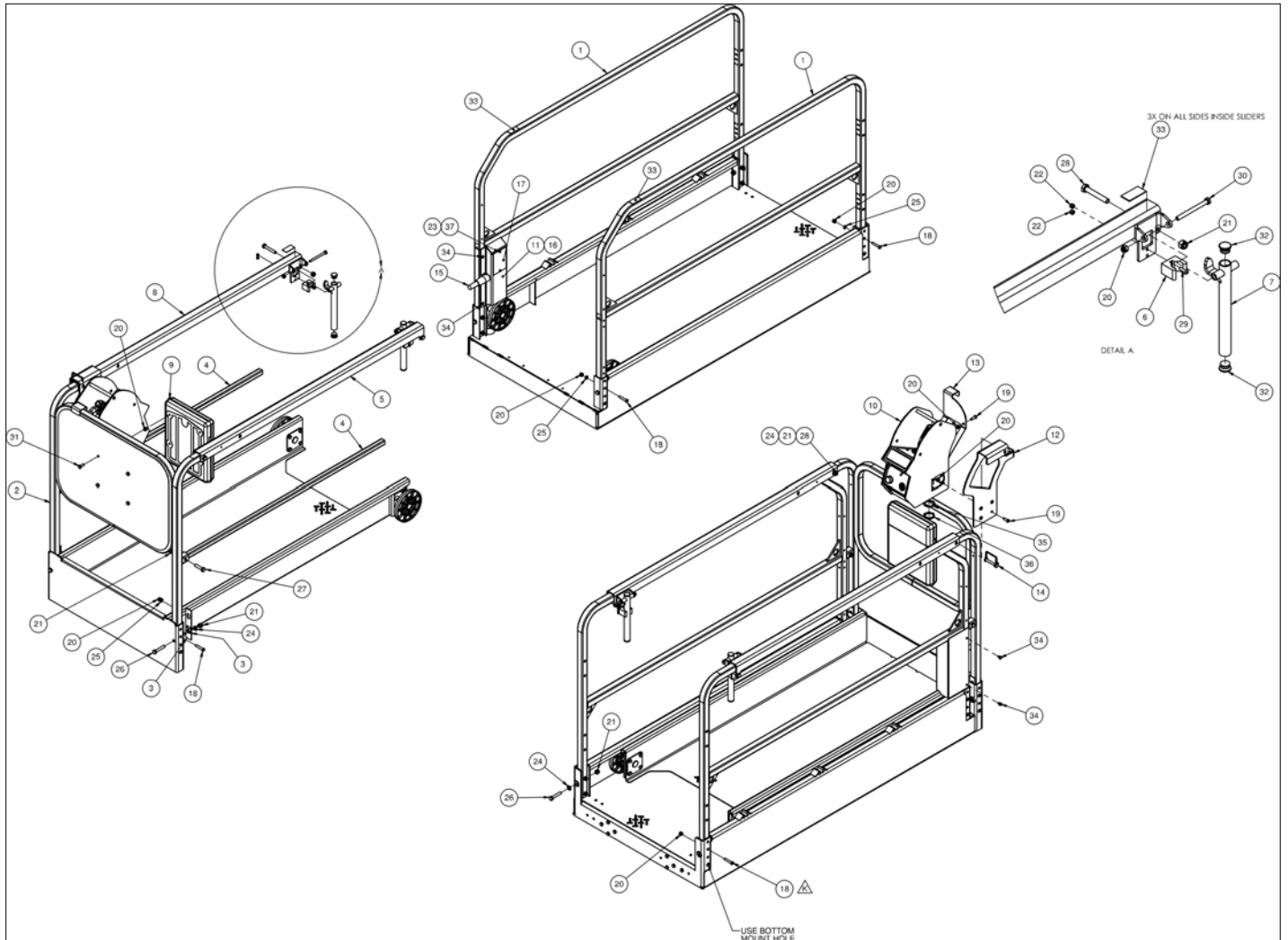
OPTIONS



アイテム	部品番号	名前	数量	UOM
	1502663 G	AU RAILS REMOVABLE UCB ASSEMBLY S3215E S3219E		EA
1	1501852	WLDMT, HNDRL OUTER MAIN S3219	2	EA
2	1501812	WLDMT, FRONT GATE S3219 AU	1	EA
3	1501842	DOUBLER PLATE, HANDRAIL ORG	2	EA
4	1501323	TUBE HNDRL MID TELESCOPE	2	EA
5	1501630	WLDMT, TOP SLIDER LH ORG	1	EA
6	1501583	CLIP HANDLE 1.00	2	EA
7	1501525	WLDMT, SLIDE HANDLE	2	EA
8	1501631	WLDMT, TOP SLIDER RH ORG	1	EA
9	562386	Literature Compartment	1	EA
10	1502336	ASSY, UCB CE 2SPD SEPTEMBER 2018 AND AEFORÉ	1	EA
11	1502480	WLDMT, CHASE REMOV UCB 3219AUS	1	EA
12	1502605	PLT, SIDE REMOVEABLE UCB FIXED	1	EA
13	1502606	PLT, BTM REMOVEABLE UCB FIXED	1	EA
14	5580020	PIN, SNAPPER .375 X 2.50 W/LAN	1	EA
15	1502468	HARNES UCB	1	EA
16	1502543	CONN, SIDE DRIVE OVERRIDE ADDED MARCH 2017 AND AFTER	1	EA
17	1501688	PLT, COVER OUTLET	1	EA
18	5563305	SBHCS M8 X 1.25 X 45MM GR 1039 PLTD	8	EA
19	5563304	SBHCS M8 X 1.25 X 50MM GR 1039	4	EA
20	500595 025	Bolt, SktButCapScrew DIN9427	5	EA
21	056066 008	NUT NYLOCKNUT DIN985 M8 8.0 ZP	23	EA

アイテム	部品番号	名前	数量	UOM
22	056066 010	Nut, NylockNut DIN985 M10 8.0ZincPlated	11	EA
23	056066 005	Nut NylockNut DIN985 M5 8.0 Zi	4	EA
24	056066 004	NUT NYLOCK DIN985 M4 8.0 ZP	2	EA
25	056069 010	Washer, SteelFlatWasher DIN125A M10 ZincPlated	8	EA
26	056069 008	WASHER, STEELFLATWASHER DIN12M8 FLAT WASHER DIN 125	12	EA
27	056060 055	Bolt, HexBolt DIN931 M10 x 55mm 8.8 ZincPlated	6	EA
28	056060 045	Bolt, HexBolt DIN931 M10 x 45mm 8.8 ZincPlated	2	EA
29	056060 065	Bolt, HexBolt DIN931 M10 x 65mm 8.8 ZincPlated	3	EA
30	505082 020	Bolt, SktButCapScrew DIN9427 M5 x 20mm 10.9 ZincPlated	4	EA
31	056059 090	Bolt, HexBolt DIN931 M8 x 90mm 8.8 ZincPlated	2	EA
32	058492 020	Bolt HexSetScrew DIN933 M8 x 2	4	EA
33	5563451	PLUG TUBING 1.00 X .095	4	EA
34	1502834	SLIDE PAD, STICK ON NOVEMBER 2017 AND AFTER	6	EA
35	5563446	1/4 20 PAN HEAD SCREW	4	EA
36	14030	LOCK WASHER HD30, 18 SHELL	1	EA
37	3040208	PANEL NUT (18 SHELL)	1	EA
38	512459 016	BLT HEXHD M4 X 0.7 X 16MM DIN 933 8.8 ZP	2	EA

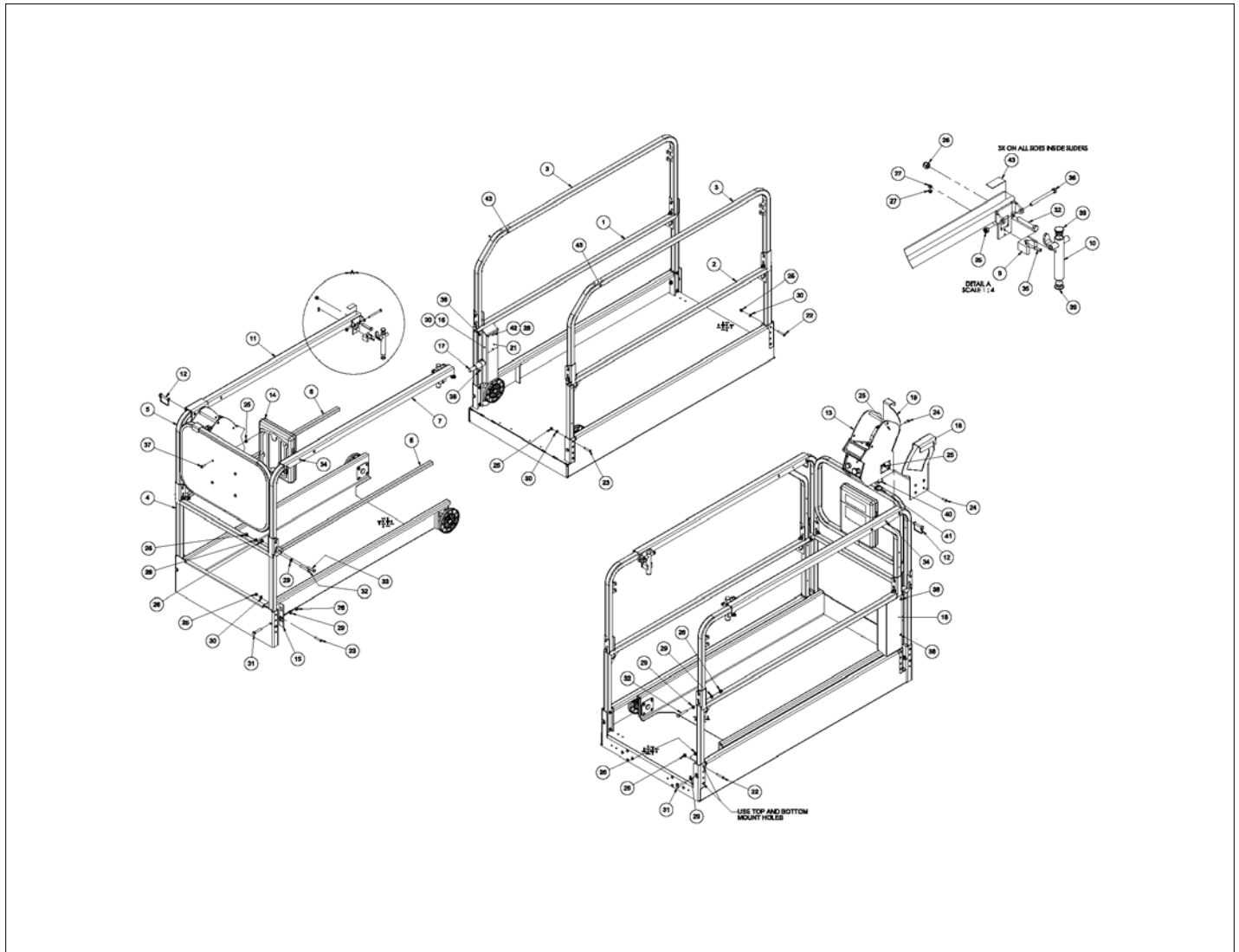
OPTIONS



アイテム	部品番号	名前	数量	UOM
	1502663 K	RAILS WITH REMOVABLE UPPER CONTROL BOX AS S3215E S3219E		EA
1	1501852	WLDMT, HNDRL OUTER MAIN S3219	2	EA
2	1501812	WLDMT, FRONT GATE S3219 AU	1	EA
3	1501842	DOUBLER PLATE, HANDRAIL ORG	2	EA
4	1501323	TUBE HNDRL MID TELESCOPE	2	EA
5	1501630	WLDMT, TOP SLIDER LH ORG	1	EA
6	1501583	CLIP HANDLE 1.00	2	EA
7	1501525	WLDMT, SLIDE HANDLE	2	EA
8	1501631	WLDMT, TOP SLIDER RH ORG	1	EA
9	562386	Literature Compartment	1	EA
10	1502976	ASSY, UCB CE 2SPD JUNE 2019 AND AFTER	1	EA
11	1502480	WLDMT, CHASE REMOV UCB 3219AUS	1	EA
12	1502605	PLT, SIDE REMOVEABLE UCB FIXED	1	EA
13	1502606	PLT, BTM REMOVEABLE UCB FIXED	1	EA
14	5580020	PIN, SNAPPER .375 X 2.50 W/LAN	1	EA
15	1502468	HARNES UCB	1	EA
16	1502543	CONN, SIDE DRIVE OVERRIDE ADDED MARCH 2017 AND AFTER	1	EA
17	1501688	PLT, COVER OUTLET	1	EA
18	5563305	SBHCS M8 X 1.25 X 45MM GR 1039 PLTD	12	EA
19	500595 025	Bolt, SktButCapScrew DIN9427	5	EA
20	056066 008	NUT NYLOCKNUT DIN985 M8 8.0 ZP	23	EA
21	056066 010	Nut, NylockNut DIN985 M10 8.0ZincPlated	11	EA

アイテム	部品番号	名前	数量	UOM
22	056066 005	Nut NylockNut DIN985 M5 8.0 Zi	4	EA
23	056066 004	NUT NYLOCK DIN985 M4 8.0 ZP	2	EA
24	056069 010	Washer, SteelFlatWasher DIN125A M10 ZincPlated	8	EA
25	056069 008	WASHER, STEELFLATWASHER DIN12M8 FLAT WASHER DIN 125	12	EA
26	056060 055	Bolt, HexBolt DIN931 M10 x 55mm 8.8 ZincPlated	6	EA
27	056060 045	Bolt, HexBolt DIN931 M10 x 45mm 8.8 ZincPlated	2	EA
28	056060 065	Bolt, HexBolt DIN931 M10 x 65mm 8.8 ZincPlated	3	EA
29	505082 020	Bolt, SktButCapScrew DIN9427 M5 x 20mm 10.9 ZincPlated	4	EA
30	056059 090	Bolt, HexBolt DIN931 M8 x 90mm 8.8 ZincPlated	2	EA
31	058492 020	Bolt HexSetScrew DIN933 M8 x 2	4	EA
32	5563451	PLUG TUBING 1.00 X .095	4	EA
33	1502834	SLIDE PAD, STICK ON NOVEMBER 2017 AND AFTER	8	EA
34	5563446	1/4 20 PAN HEAD SCREW	4	EA
35	14030	LOCK WASHER HD30, 18 SHELL	1	EA
36	3040208	PANEL NUT (18 SHELL)	1	EA
37	512459 016	BLT HEXHD M4 X 0.7 X 16MM DIN 933 8.8 ZP	2	EA

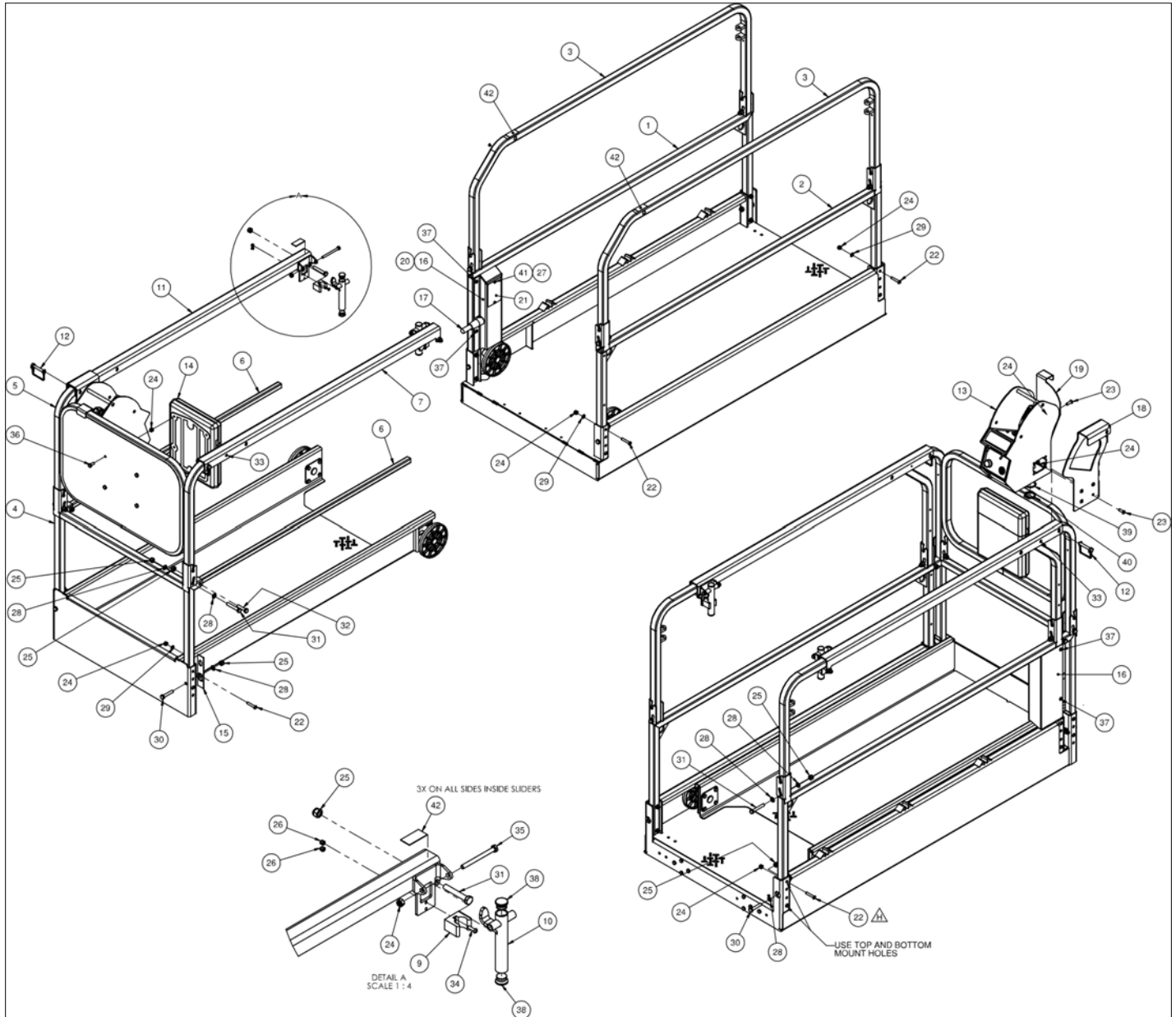
OPTIONS



アイテム	部品番号	名前	数量	UOM
	1502664 F	RAILS REM UCB ASSEMBLY CE S3215E S3219E		EA
1	1501483	WLDMT, HNDRL BOTTOM CE RH	1	EA
2	1501481	WLDMT HNDRL BOTTOM CE	1	EA
3	1501484	WLDMT, HNDRL TOP CE LH	2	EA
4	1501545	WLDMT, HNDRL FRONT CE	1	EA
5	1501562	WLDMT, FRONT GATE	1	EA
6	1501323	TUBE HNDRL MID TELESCOPE	2	EA
7	1501630	WLDMT, TOP SLIDER LH ORG	1	EA
Not Shown	302544	Pin & Lock	1	EA
9	1501583	CLIP HANDLE 1.00	2	EA
10	1501715	WLDMT, SLIDE HANDLE SHORT	2	EA
11	1501631	WLDMT, TOP SLIDER RH ORG	1	EA
12	5580020	PIN, SNAPPER .375 X 2.50 W/LAN	1	EA
13	1502336	ASSY, UCB CE 2SPD SEPTEMBER 2018 AND AEFORÉ	1	EA
14	562386	Literature Compartment	1	EA
15	1501842	DOUBLER PLATE, HANDRAIL ORG	2	EA
16	1502471	WLDMT, CHASE REMOVABLE UCB	1	EA
17	1502468	HARNES UCB	1	EA
18	1502452	PLT, SIDE REMOVABLE UCB	1	EA
19	1502453	PLT, REMOVABLE UCB BOTTOM	1	EA
20	1502543	CONN, SIDE DRIVE OVERRIDE ADDED MARCH 2017 AND AFTER	1	EA
21	1501688	PLT, COVER OUTLET	1	EA
22	5563304	SBHCS M8 X 1.25 X 50MM GR 1039	4	EA
23	5563305	SBHCS M8 X 1.25 X 45MM GR 1039 PLTD	8	EA

アイテム	部品番号	名前	数量	UOM
24	500595 025	Bolt, SktButCapScrew DIN9427	5	EA
25	056066 008	NUT NYLOCKNUT DIN985 M8 8.0 ZP	23	EA
26	056066 010	Nut, NylockNut DIN985 M10 8.0ZincPlated	16	EA
27	056066 005	Nut NylockNut DIN985 M5 8.0 Zi	4	EA
28	056066 004	NUT NYLOCK DIN985 M4 8.0 ZP	2	EA
29	056069 010	Washer, SteelFlatWasher DIN125A M10 ZincPlated	18	EA
30	056069 008	WASHER, STEELFLATWASHER DIN12M8 FLAT WASHER DIN 125	12	EA
31	056060 055	Bolt, HexBolt DIN931 M10 x 55mm 8.8 ZincPlated	6	EA
32	056060 065	Bolt, HexBolt DIN931 M10 x 65mm 8.8 ZincPlated	8	EA
33	056060 045	Bolt, HexBolt DIN931 M10 x 45mm 8.8 ZincPlated	2	EA
34	5563466	POP RIVET S/SSTEEL MANDREL	2	EA
35	505082 020	Bolt, SktButCapScrew DIN9427 M5 x 20mm 10.9 ZincPlated	4	EA
36	056059 090	Bolt, HexBolt DIN931 M8 x 90mm 8.8 ZincPlated	2	EA
37	058492 020	Bolt HexSetScrew DIN933 M8 x 2	4	EA
38	5563446	1/4 20 PAN HEAD SCREW	4	EA
39	5563451	PLUG TUBING 1.00 X .095	4	EA
40	14030	LOCK WASHER HD30, 18 SHELL	1	EA
41	3040208	PANEL NUT (18 SHELL)	1	EA
42	512459 016	BLT HEXHD M4 X 0.7 X 16MM DIN 933 8.8 ZP	2	EA
43	1502834	SLIDE PAD, STICK ON NOVEMBER 2017 AND AFTER	8	EA

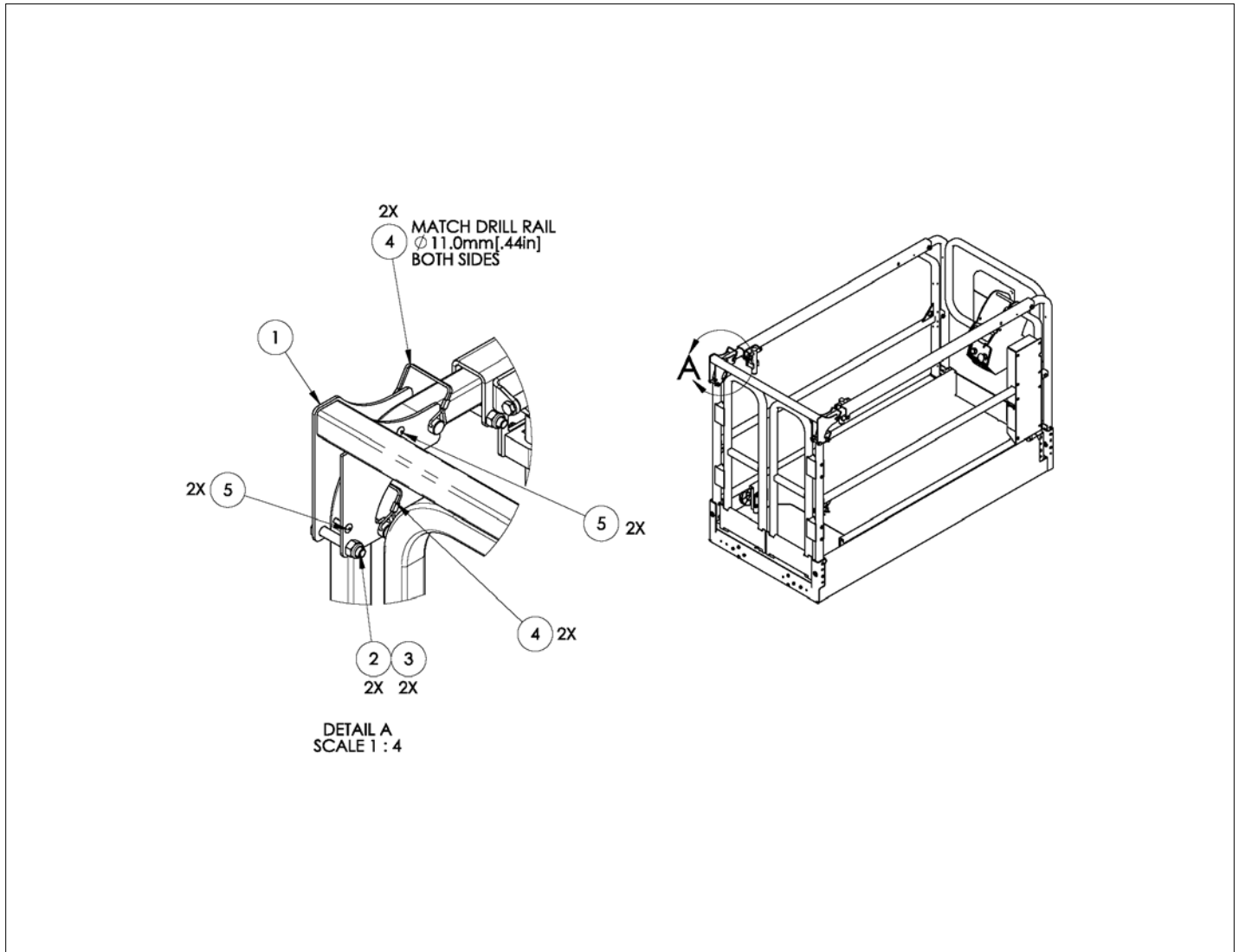
OPTIONS



アイテム	部品番号	名前	数量	UOM
	1502664 H	CE FOLDING HANDRAILS REMOVEABLE UPPER CONTROL BOX JULY 2019 AND AFTER		EA
1	1501483	WLDMT, HNDRL BOTTOM CE RH	1	EA
2	1501481	WLDMT HNDRL BOTTOM CE	1	EA
3	1501484	WLDMT, HNDRL TOP CE LH	2	EA
4	1501545	WLDMT, HNDRL FRONT CE	1	EA
5	1501562	WLDMT, FRONT GATE	1	EA
6	1501323	TUBE HNDRL MID TELESCOPE	2	EA
7	1501630	WLDMT, TOP SLIDER LH ORG	1	EA
Not Shown	302544	Pin & Lock	1	EA
9	1501583	CLIP HANDLE 1.00	2	EA
10	1501715	WLDMT, SLIDE HANDLE SHORT	2	EA
11	1501631	WLDMT, TOP SLIDER RH ORG	1	EA
12	5580020	PIN, SNAPPER .375 X 2.50 W/LAN	1	EA
13	1502976	ASSY, UCB CE 2SPD JUNE 2019 AND AFTER	1	EA
14	562386	Literature Compartment	1	EA
15	1501842	DOUBLER PLATE, HANDRAIL ORG	2	EA
16	1502471	WLDMT, CHASE REMOVABLE UCB	1	EA
17	1502468	HARNES UCB	1	EA
18	1502452	PLT, SIDE REMOVABLE UCB	1	EA
19	1502453	PLT, REMOVABLE UCB BOTTOM	1	EA
20	1502543	CONN, SIDE DRIVE OVERRIDE ADDED MARCH 2017 AND AFTER	1	EA
21	1501688	PLT, COVER OUTLET	1	EA
22	5563305	SBHCS M8 X 1.25 X 45MM GR 1039 PLTD	12	EA
23	500595 025	Bolt, SktButCapScrew DIN9427	5	EA

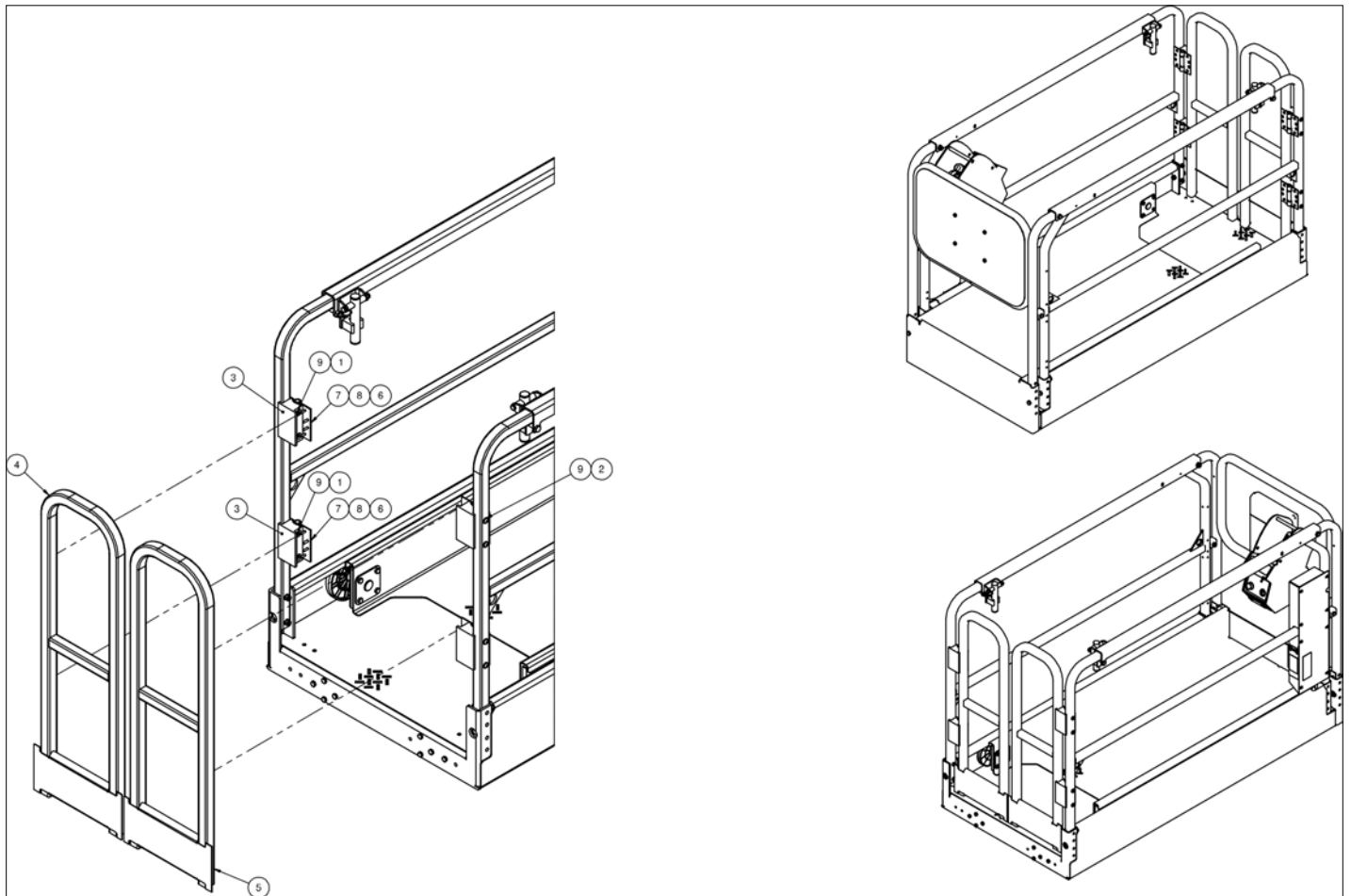
アイテム	部品番号	名前	数量	UOM
24	056066 008	NUT NYLOCKNUT DIN985 M8 8.0 ZP	23	EA
25	056066 010	Nut, NylockNut DIN985 M10 8.0ZincPlated	16	EA
26	056066 005	Nut NylockNut DIN985 M5 8.0 Zi	4	EA
27	056066 004	NUT NYLOCK DIN985 M4 8.0 ZP	2	EA
28	056069 010	Washer, SteelFlatWasher DIN125A M10 ZincPlated	18	EA
29	056069 008	WASHER, STEELFLATWASHER DIN12M8 FLAT WASHER DIN 125	12	EA
30	056060 055	Bolt, HexBolt DIN931 M10 x 55mm 8.8 ZincPlated	6	EA
31	056060 065	Bolt, HexBolt DIN931 M10 x 65mm 8.8 ZincPlated	8	EA
32	056060 045	Bolt, HexBolt DIN931 M10 x 45mm 8.8 ZincPlated	2	EA
33	5563466	POP RIVET S/STEEL MANDREL	2	EA
34	505082 020	Bolt, SktButCapScrew DIN9427 M5 x 20mm 10.9 ZincPlated	4	EA
35	056059 090	Bolt, HexBolt DIN931 M8 x 90mm 8.8 ZincPlated	2	EA
36	058492 020	Bolt HexSetScrew DIN933 M8 x 2	4	EA
37	5563446	1/4 20 PAN HEAD SCREW	4	EA
38	5563451	PLUG TUBING 1.00 X .095	4	EA
39	14030	LOCK WASHER HD30, 18 SHELL	1	EA
40	3040208	PANEL NUT (18 SHELL)	1	EA
41	512459 016	BLT HEXHD M4 X 0.7 X 16MM DIN 933 8.8 ZP	2	EA
42	1502834	SLIDE PAD, STICK ON NOVEMBER 2017 AND AFTER	8	EA

OPTIONS



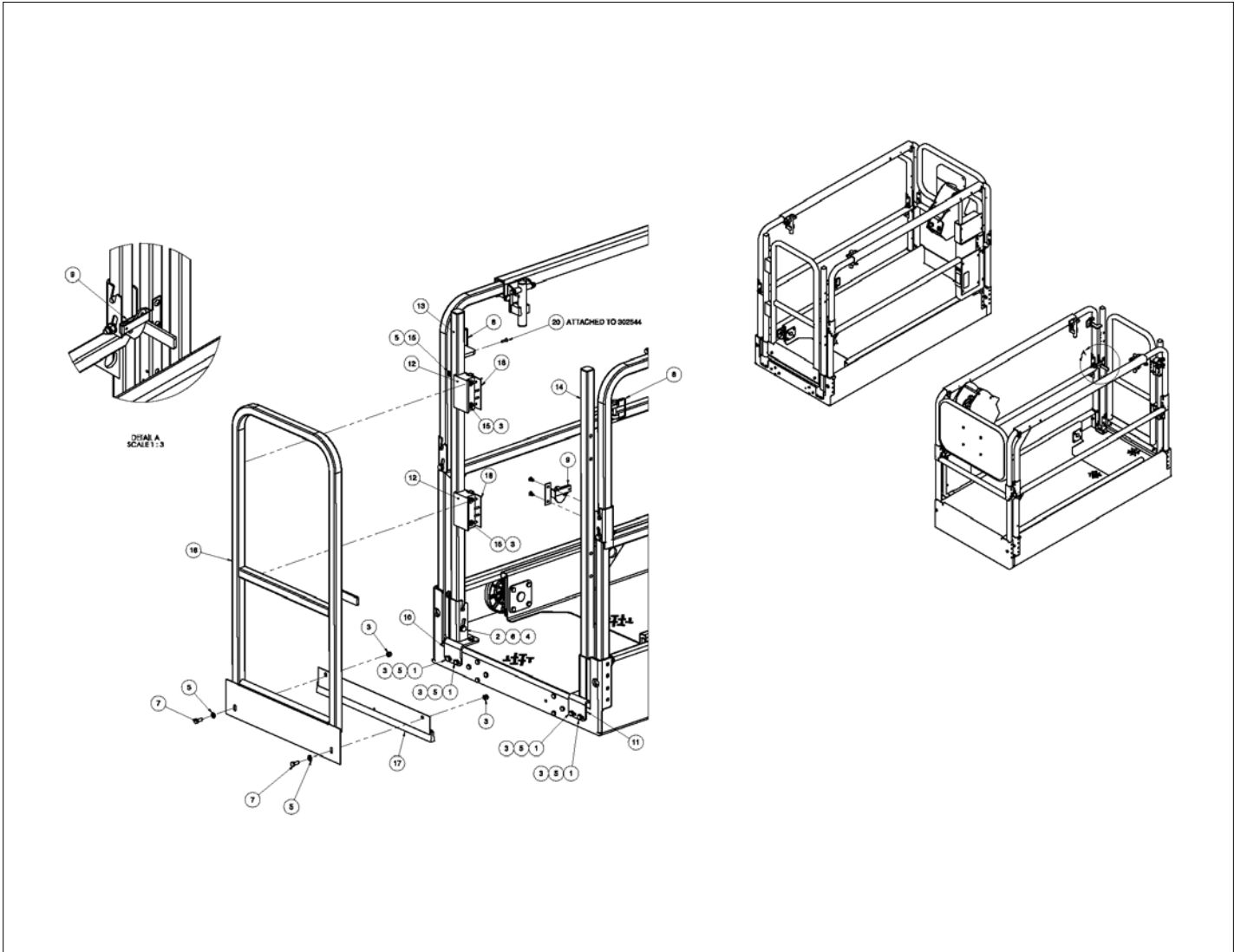
アイテム	部品番号	名前	数量	UOM
	1502955 A	TOP RAIL S3215L S3215E S3219E S3220E S3226E		EA
1	1502914	WLDMT, TOP RAIL NARROW	1	EA
2	056060 060	BOLT HEXHD M10 1.50 X 60 MM DIN 931GR 8.8 ZP	2	EA
3	056066 010	Nut, NylockNut DIN985 M10 8.0ZincPlated	2	EA
4	302544	Pin & Lock	4	EA
5	5563973	POP RIVET .188 X .13 .25 ST	4	EA

OPTIONS



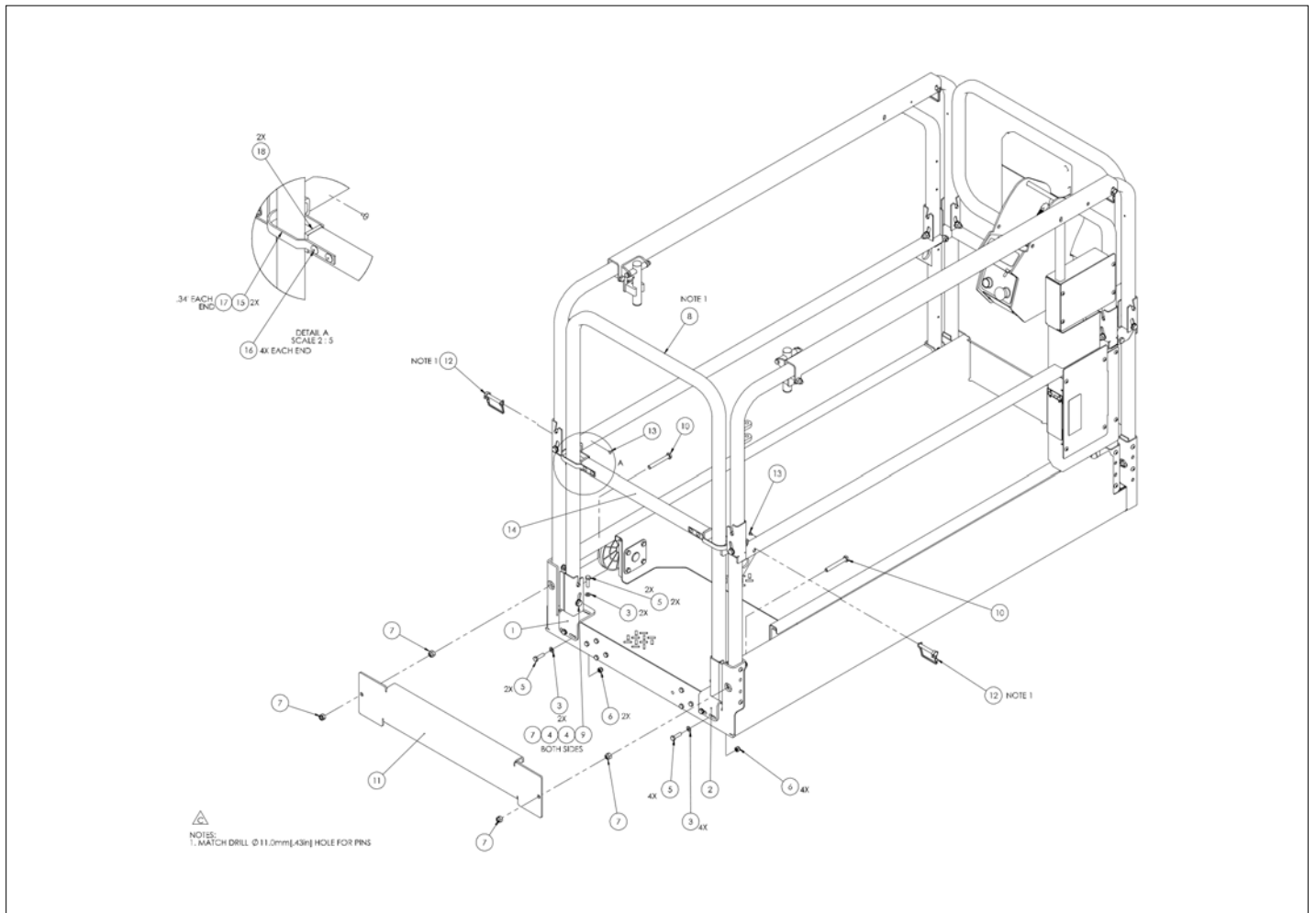
アイテム	部品番号	名前	数量	UOM
	1502660 E	SALOON GATES ANSI ASSEMBLY S3215E S3215L S3219E DECEMBER2018 AND AFTER		EA
1	056066 008	NUT NYLOCKNUT DIN985 M8 8.0 ZP	8	EA
2	056069 008	WASHER, STEELFLATWASHER DIN12M8 FLAT WASHER DIN 125	8	EA
3	1501844	BUMPER, GATES	4	EA
4	1501858	WLDMT, SALOON GATE LH	1	EA
5	1501862	WLDMT, SALOON GATE RH	1	EA
6	1502128	PLT,DOOR STOP SHIM	10	EA
7	5516359	HINGE, SPRING	4	EA
8	5563973	POP RIVET .188 X .13 .25 ST	32	EA
9	500595 075	Bolt, SktButCapScrew DIN9427 M	8	EA

OPTIONS



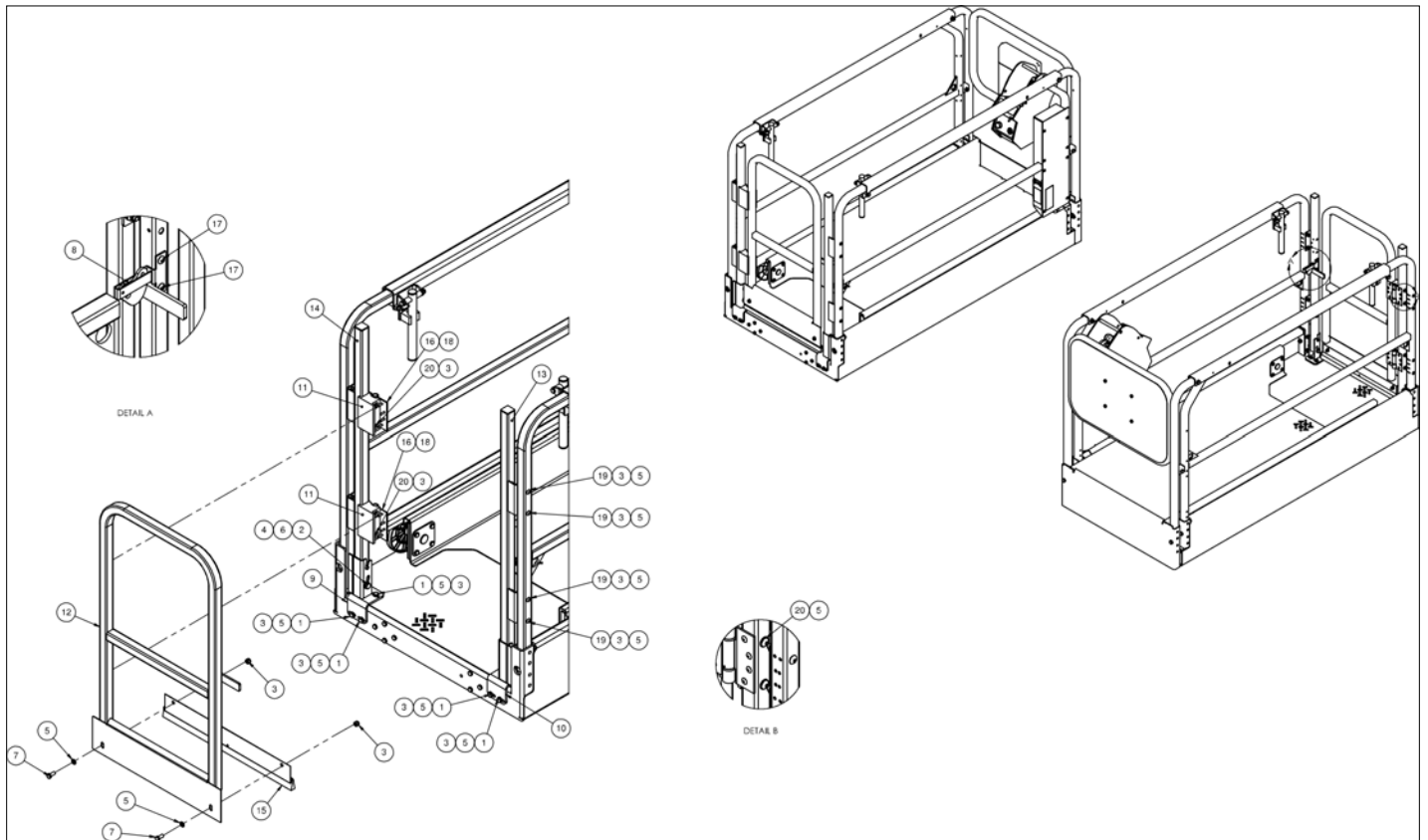
アイテム	部品番号	名前	数量	UOM
	1502656 F	CE SINGLE GATE ASSEMBLY S3215E/S3219E MARCH 2019 AND AFTER		EA
1	056059 030	Bolt, HexBolt DIN931 M8 x 30mm	8	EA
2	056060 065	Bolt, HexBolt DIN931 M10 x 65mm 8.8 ZincPlated	2	EA
3	056066 008	NUT NYLOCKNUT DIN985 M8 8.0 ZP	14	EA
4	056066 010	Nut, NylockNut DIN985 M10 8.0ZincPlated	2	EA
5	056069 008	WASHER, STEELFLATWASHER DIN12M8 FLAT WASHER DIN 125	14	EA
6	056069 010	Washer, SteelFlatWasher DIN125A M10 ZincPlated	4	EA
7	058492 020	Bolt HexSetScrew DIN933 M8 x 2	2	EA
8	302544	Pin & Lock	2	EA
9	512602 000	LATCH/STRIKER SET	1	EA
10	1501491	WLDMT, GATE MNT S3219 CE LH	1	EA
11	1501553	WLDMT, GATE MNT S3219 CE RH	1	EA
12	1501844	BUMPER, GATES	2	EA
13	1501914	WLDMT GATE MNT LH	1	EA
14	1501917	WLDMT GATE MNT RH	1	EA
15	500595 075	Bolt, SktButCapScrew DIN9427 M	4	EA
16	1502353	WLDMT, SWING GATE S3215/3219 CE	1	EA
17	1502772	ASSY, BRUSH, 21IN	1	EA
18	5516359	HINGE, SPRING	2	EA
Not Shown	5563446	1/4 20 PAN HEAD SCREW	2	EA
20	5563973	POP RIVET .188 X .13 .25 ST	20	EA

OPTIONS



アイテム	部品番号	名前	数量	UOM
*	1502879 C	CE GRAVITY GATE ASSEMBLY S3215E/S3219E JULY 2018 AND AFTER		EA
1	1501491	WLDMT, GATE MNT S3219 CE LH	1	EA
2	1501553	WLDMT, GATE MNT S3219 CE RH	1	EA
3	056069 008	WASHER, STEELFLATWASHER DIN12M8 FLAT WASHER DIN 125	8	EA
4	056069 010	Washer, SteelFlatWasher DIN125A M10 ZincPlated	4	EA
5	056059 030	Bolt, HexBolt DIN931 M8 x 30mm	8	EA
6	056066 008	NUT NYLOCKNUT DIN985 M8 8.0 ZP	8	EA
7	056066 010	Nut, NylockNut DIN985 M10 8.0ZincPlated	6	EA
8	1502881	WLDMT, GRAVITY GATE ENTRY	1	EA
9	056060 065	Bolt, HexBolt DIN931 M10 x 65mm 8.8 ZincPlated	2	EA
10	056060 080	Bolt, HexBolt DIN931 M10 x 80m	2	EA
11	1502892	PLT, TOE KICK NARROW	1	EA
12	302544	Pin & Lock	2	EA
13	5563466	POP RIVET S/SSTEEL MANDREL	2	EA
14	1502935	TUBE DROP BAR NARROW	1	EA
15	508932 000	U BRACKET	2	EA
16	000561 000	RIVET M4 4.8MM X 10MM	8	EA
17	058383 000	PVC SLEEVING	0.67	EA
18	468886	END CAP 1.25 SQ PLASTIC BLACK	2	EA

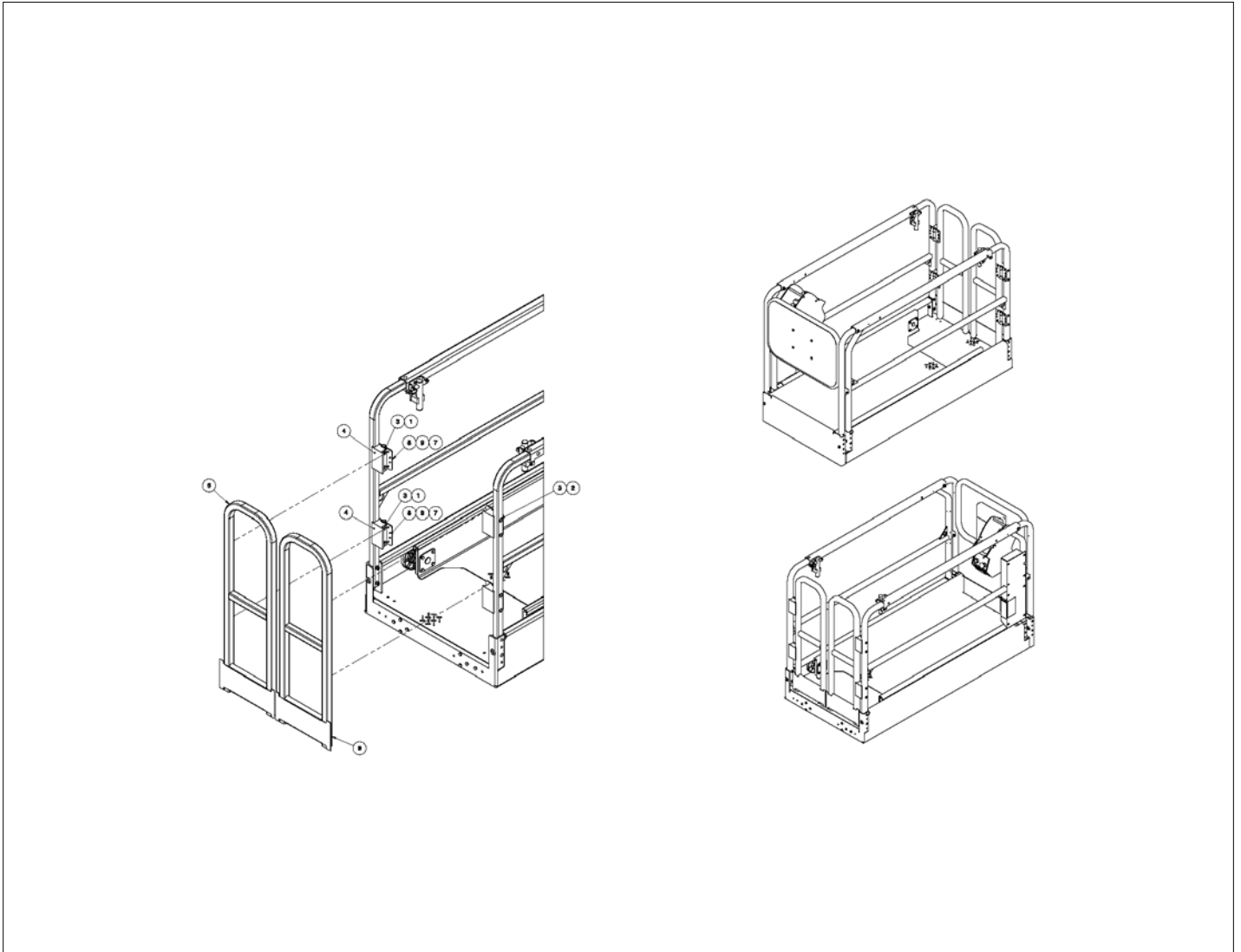
OPTIONS



アイテム	部品番号	名前	数量	UOM
*	1502661 G	SINGLE GATE AS ASSEMBLY S3215E S3215L S3219E DECEMBER 2018 AND AFTER		EA
1	056059 030	Bolt, HexBolt DIN931 M8 x 30mm	8	EA
2	056060 065	Bolt, HexBolt DIN931 M10 x 65mm 8.8 ZincPlated	2	EA
3	056066 008	NUT NYLOCKNUT DIN985 M8 8.0 ZP	22	EA
4	056066 010	Nut, NylockNut DIN985 M10 8.0ZincPlated	2	EA
5	056069 008	WASHER, STEELFLATWASHER DIN12M8 FLAT WASHER DIN 125	22	EA
6	056069 010	Washer, SteelFlatWasher DIN125A M10 ZincPlated	4	EA
7	058492 020	Bolt HexSetScrew DIN933 M8 x 2	2	EA
8	512602 000	LATCH/STRIKER SET	1	EA
9	1501491	WLDMT, GATE MNT S3219 CE LH	1	EA
10	1501553	WLDMT, GATE MNT S3219 CE RH	1	EA
11	1501844	BUMPER, GATES	2	EA
12	1502360	WLDMT, SWING GATE S3215/3219 A	1	EA
13	1502362	WLDMT, GATE MNT S3215/3219 RH	1	EA
14	1502365	WLDMT, GATE MNT S3215/3219 LH	1	EA
15	1502772	ASSY, BRUSH, 21IN	1	EA
16	5516359	HINGE, SPRING	2	EA
17	5563446	1/4 20 PAN HEAD SCREW	2	EA
18	5563973	POP RIVET .188 X .13 .25 ST	16	EA
19	5563304	SBHCS M8 X 1.25 X 50MM GR 1039	8	EA

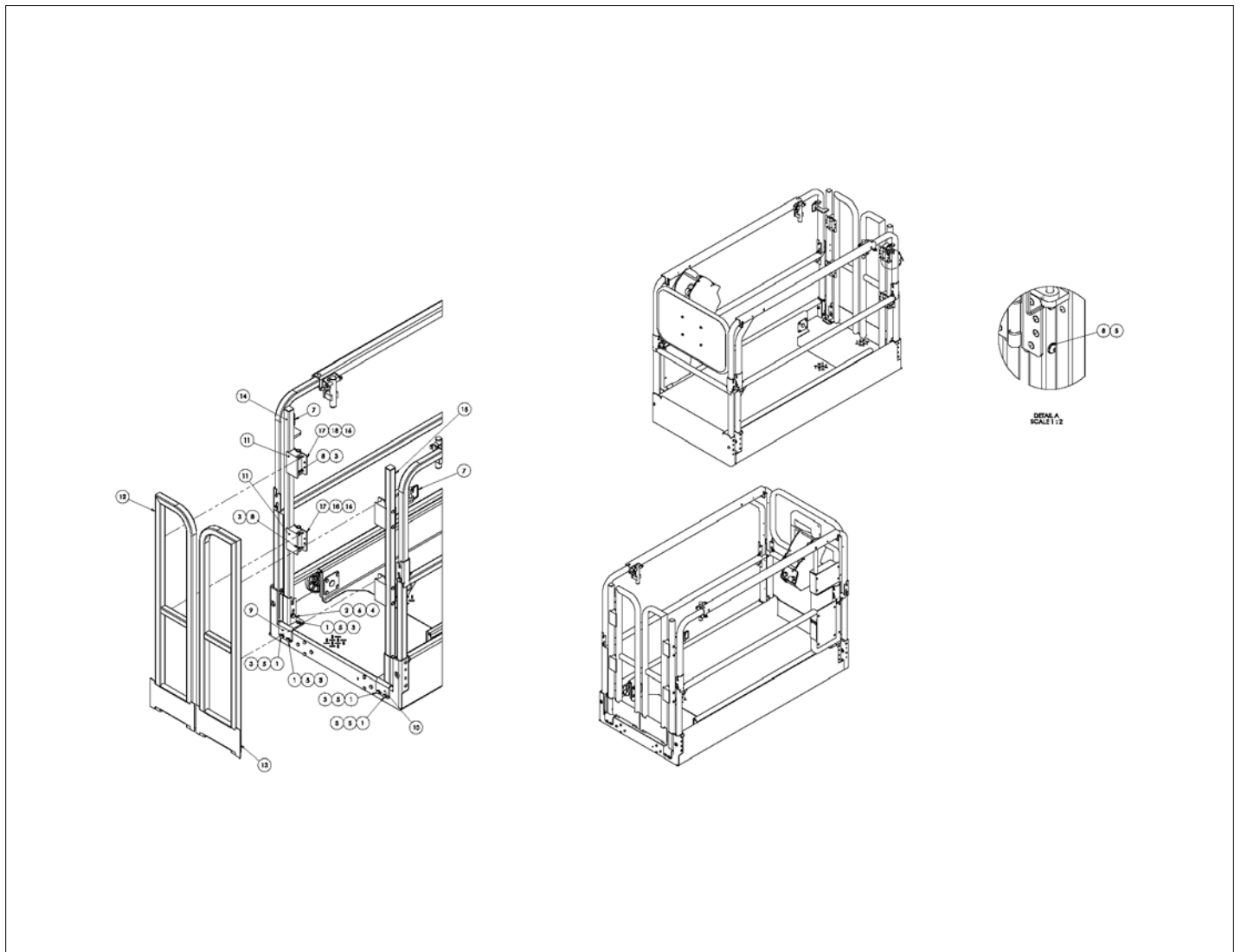
アイテム	部品番号	名前	数量	UOM
20	500595 075	Bolt, SktButCapScrew DIN9427 M	4	EA

OPTIONS



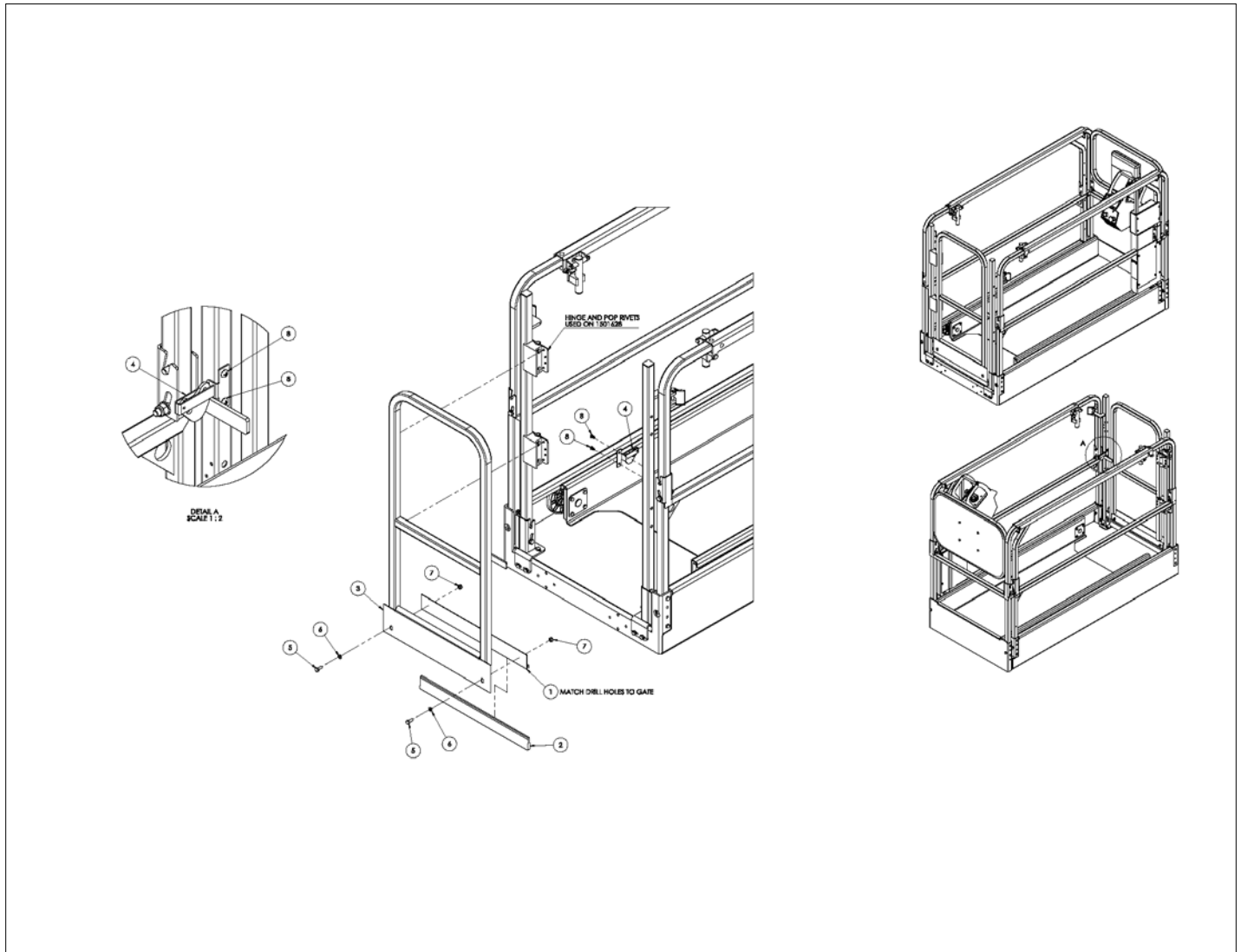
アイテム	部品番号	名前	数量	UOM
	1502660 B	SALOON GATES ASSEMBLY ANSI S3215E S3219E		EA
1	056066 008	NUT NYLOCKNUT DIN985 M8 8.0 ZP	8	EA
2	056069 008	WASHER, STEELFLATWASHER DIN12M8 FLAT WASHER DIN 125	8	EA
3	500595 075	Bolt, SktButCapScrew DIN9427 M	8	EA
4	1501844	BUMPER, GATES	4	EA
5	1501858	WLDMT, SALOON GATE LH	1	EA
6	1501862	WLDMT, SALOON GATE RH	1	EA
7	1502128	PLT,DOOR STOP SHIM	2	EA
8	5516359	HINGE, SPRING	4	EA
9	5563466	POP RIVET S/SSTEEL MANDREL	32	EA

OPTIONS



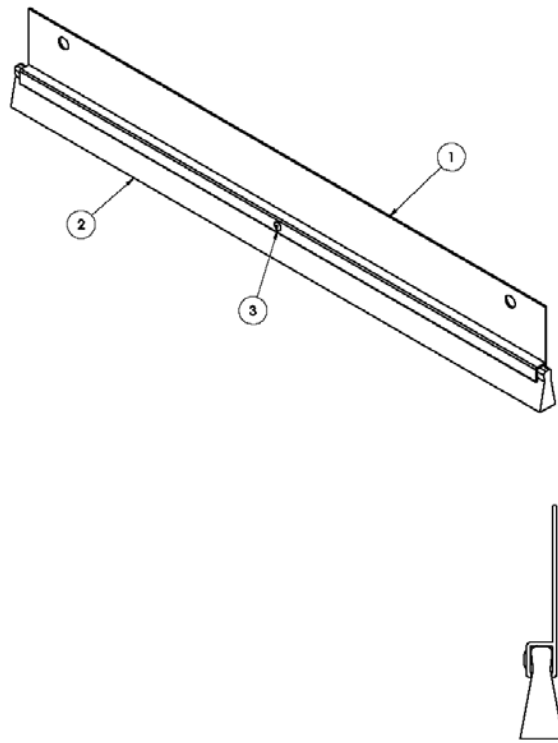
アイテム	部品番号	名前	数量	UOM
	1502658 B	SALOON GATES CE ASSEMBLY S3215E S3219E		EA
1	056059 030	Bolt, HexBolt DIN931 M8 x 30mm	8	EA
2	056060 065	Bolt, HexBolt DIN931 M10 x 65mm 8.8 ZincPlated	2	EA
3	056066 008	NUT NYLOCKNUT DIN985 M8 8.0 ZP	16	EA
4	056066 010	Nut, NylockNut DIN985 M10 8.0ZincPlated	2	EA
5	056069 008	WASHER, STEELFLATWASHER DIN12M8 FLAT WASHER DIN 125	16	EA
6	056069 010	Washer, SteelFlatWasher DIN125A M10 ZincPlated	4	EA
7	302544	Pin & Lock	2	EA
8	500595 075	Bolt, SktButCapScrew DIN9427 M	8	EA
9	1501491	WLDMT, GATE MNT S3219 CE LH	1	EA
10	1501553	WLDMT, GATE MNT S3219 CE RH	1	EA
11	1501844	BUMPER, GATES	4	EA
12	1501909	WLDMT SALOON GATE LH	1	EA
13	1501913	WLDMT SALOON GATE RH	1	EA
14	1501914	WLDMT GATE MNT LH	1	EA
15	151917	DECAL DIR ARROWS FR MT FWD/RVS	1	EA
16	1502128	PLT,DOOR STOP SHIM	2	EA
17	5516359	HINGE, SPRING	4	EA
18	5563466	POP RIVET S/SSTEEL MANDREL	34	EA

OPTIONS



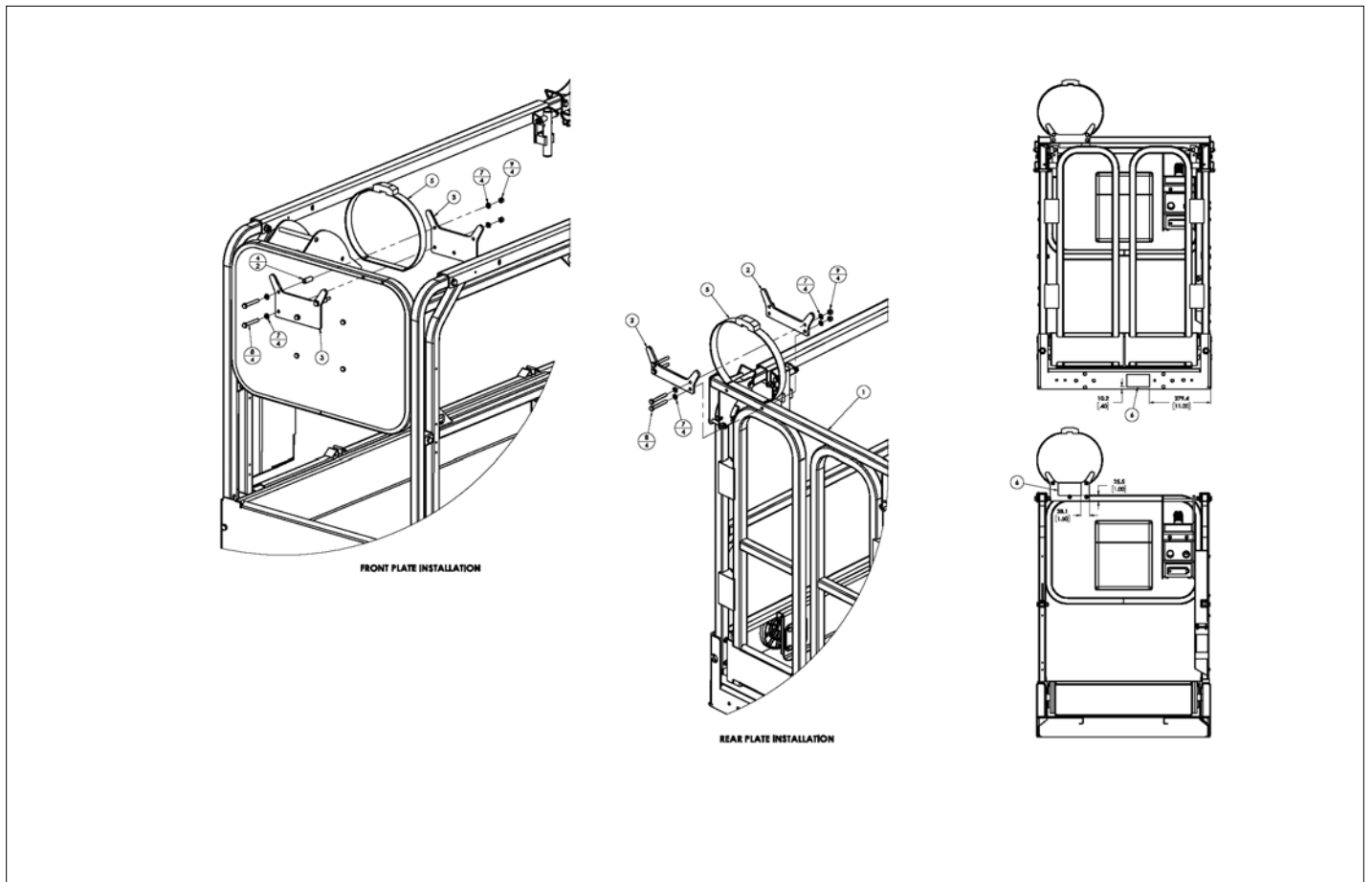
アイテム	部品番号	名前	数量	UOM
	1502358 A	SWING GATE CE S3215/3219E		EA
1	0084470	BRUSH HOLDER MTG BRKT	20.5"	EA
2	0084468	BRUSH	21"	EA
3	1502353	WLDMT, SWING GATE S3215/3219 CE	1	EA
4	512602 000	LATCH/STRIKER SET	1	EA
5	058492 020	Bolt HexSetScrew DIN933 M8 x 2	2	EA
6	056069 008	WASHER, STEELFLATWASHER DIN12M8 FLAT WASHER DIN 125	2	EA
7	056066 008	NUT NYLOCKNUT DIN985 M8 8.0 ZP	2	EA
8	5563446	1/4 20 PAN HEAD SCREW	2	EA

OPTIONS

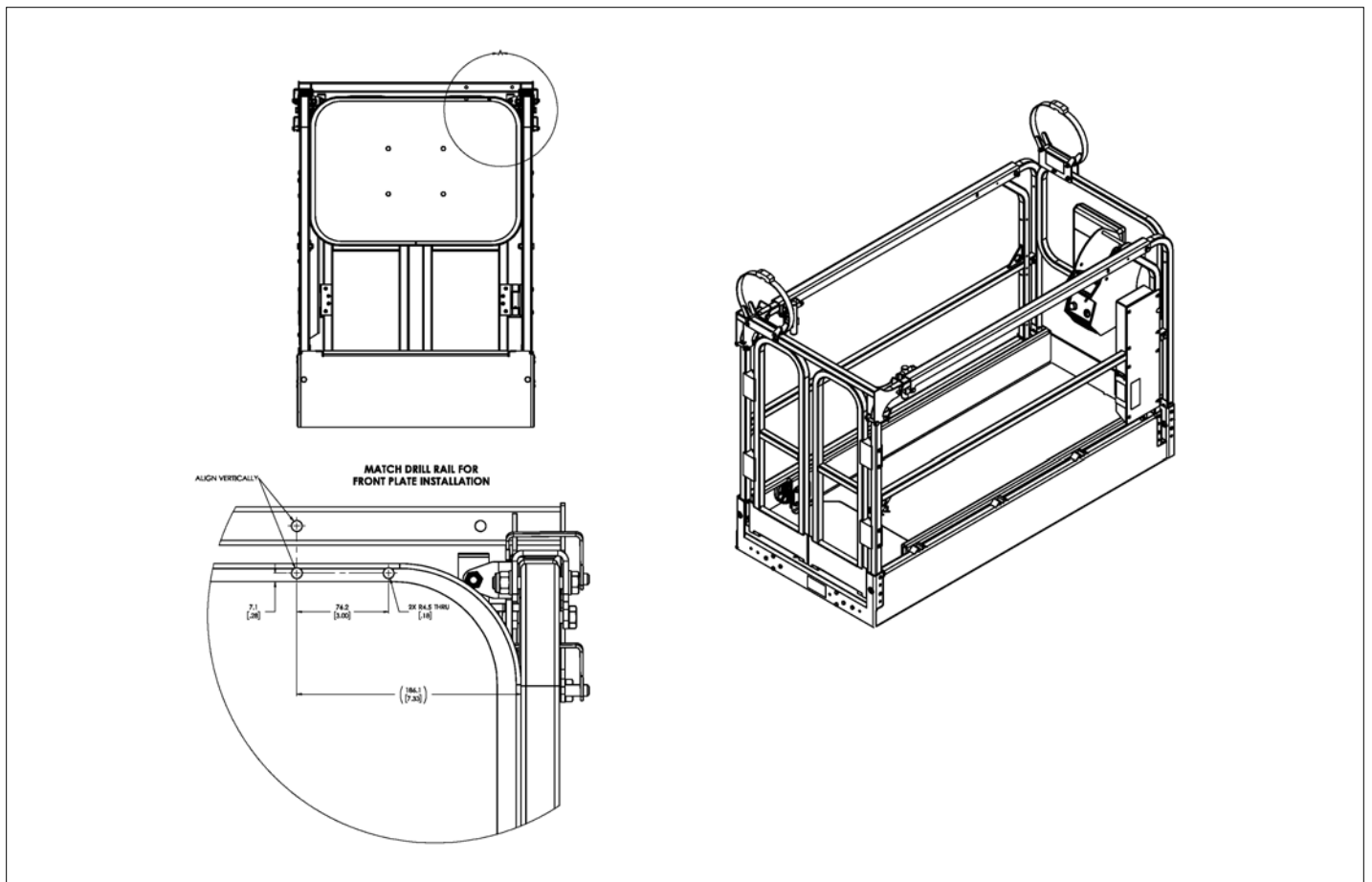


アイテム	部品番号	名前	数量	UOM
	1502772 A	21IN BRUSH ASSEMBLY		EA
1	0084826	BRUSH HOLDER (STRAIGHT)	21	EA
2	0084827	BRUSH	21.5	EA
3	5563454	RIVET, 1/8 X .313/.375 ALUM BLIND	1	EA

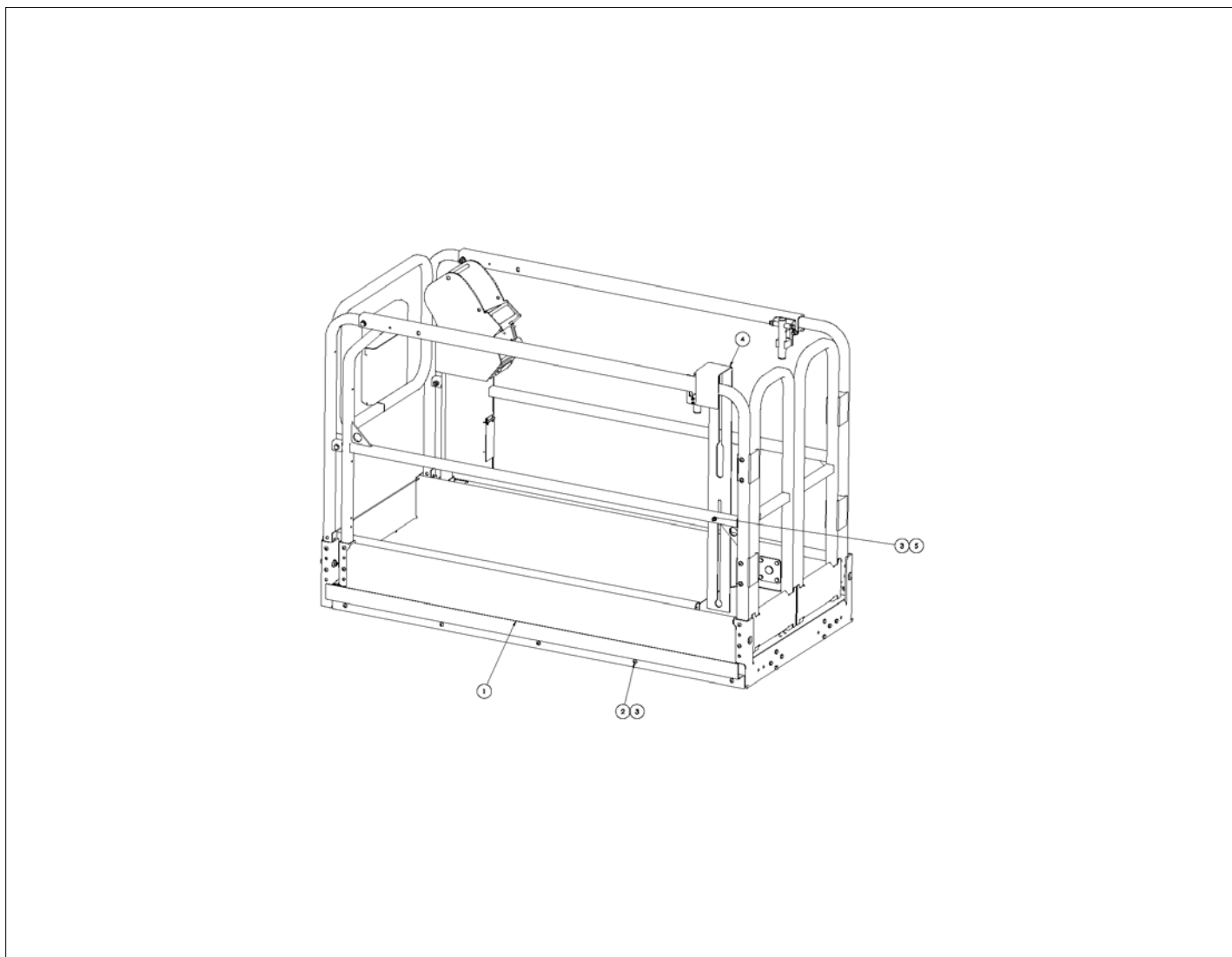
OPTIONS



アイテム	部品番号	名前	数量	UOM
*	1503134 B	PIPE RACK NARROW		EA
1	1502955	OPT, TOP RAIL NARROW	1	EA
2	1503136	PLT, PIPE RACK REAR	2	EA
3	1503135	PLT, PIPE RACK FRONT	2	EA
4	1503138	TUBE, SPACER	2	EA
5	1503141	STRAP	2	EA
6	1503142	DECAL, CAUTION, PIPE RACK	2	EA
7	11015 010	WASHER M8 FLAT	16	EA
8	10404 060	BOLT, M8 1.25MM X 60	8	EA
9	5563555	NUT HEX M8X1.25 YL ZN GR10.9	8	EA

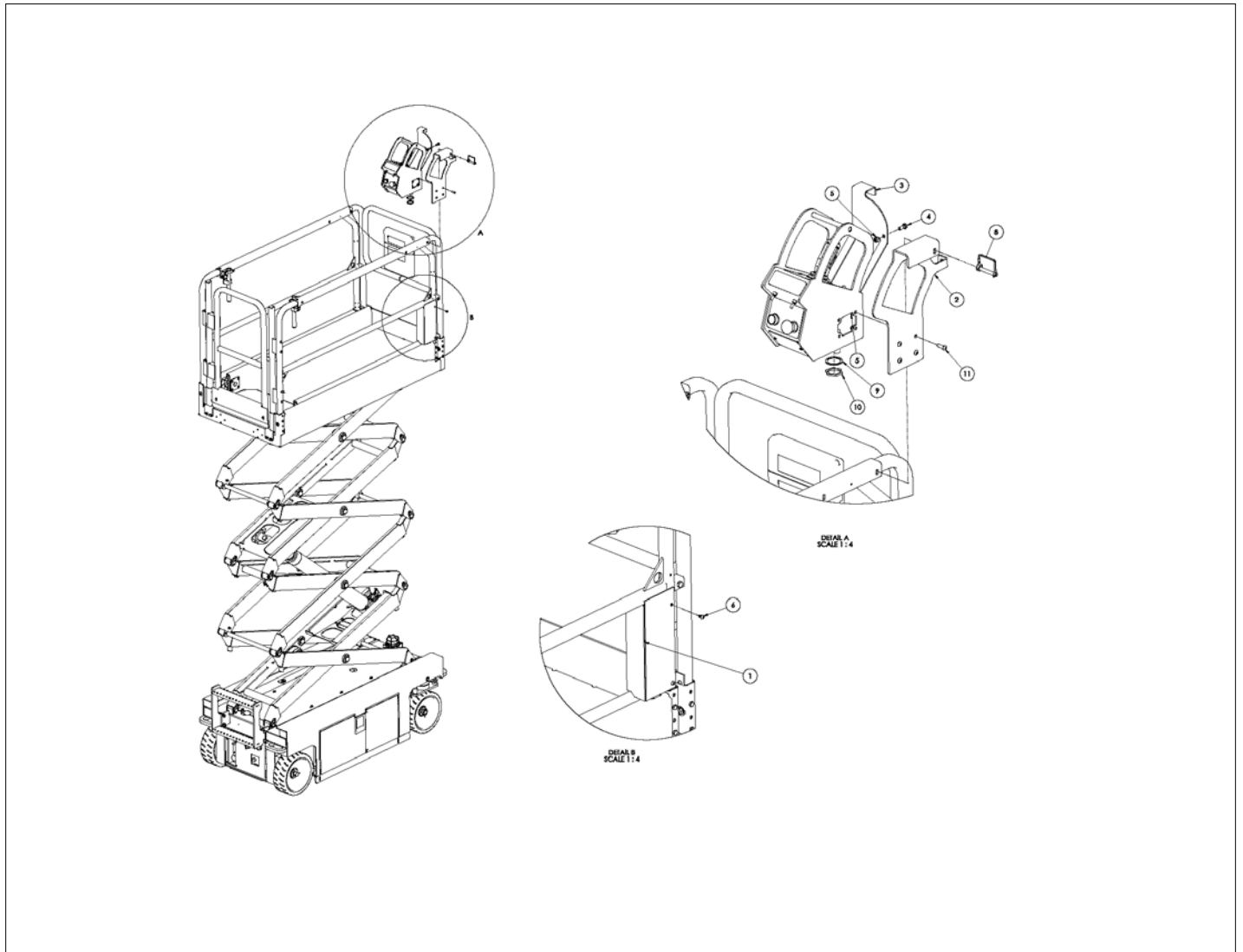


OPTIONS



アイテム	部品番号	名前	数量	UOM
	1502723 A	PANEL CARRIER		EA
1	1502721	PLT. PANEL HOLDER	1	EA
2	500595 020	Bolt, SktButCapScrew DIN9427 M	5	EA
3	056066 008	NUT NYLOCKNUT DIN985 M8 8.0 ZP	7	EA
4	1502722	PLT, PANEL HOOK	1	EA
5	5563447	BLT CRG M8 X 1.25 X 45 8.8 CLR ZN	2	EA

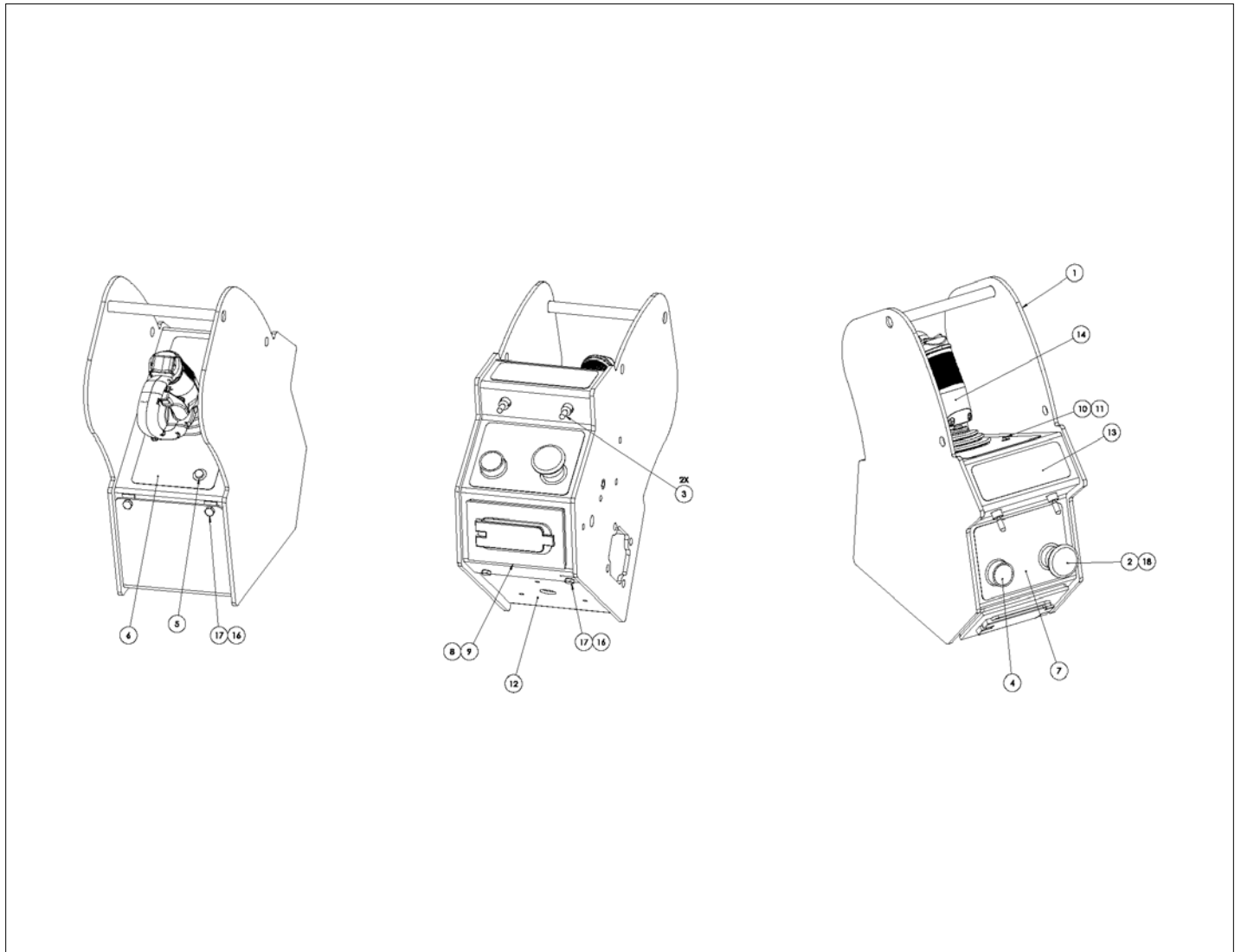
OPTIONS



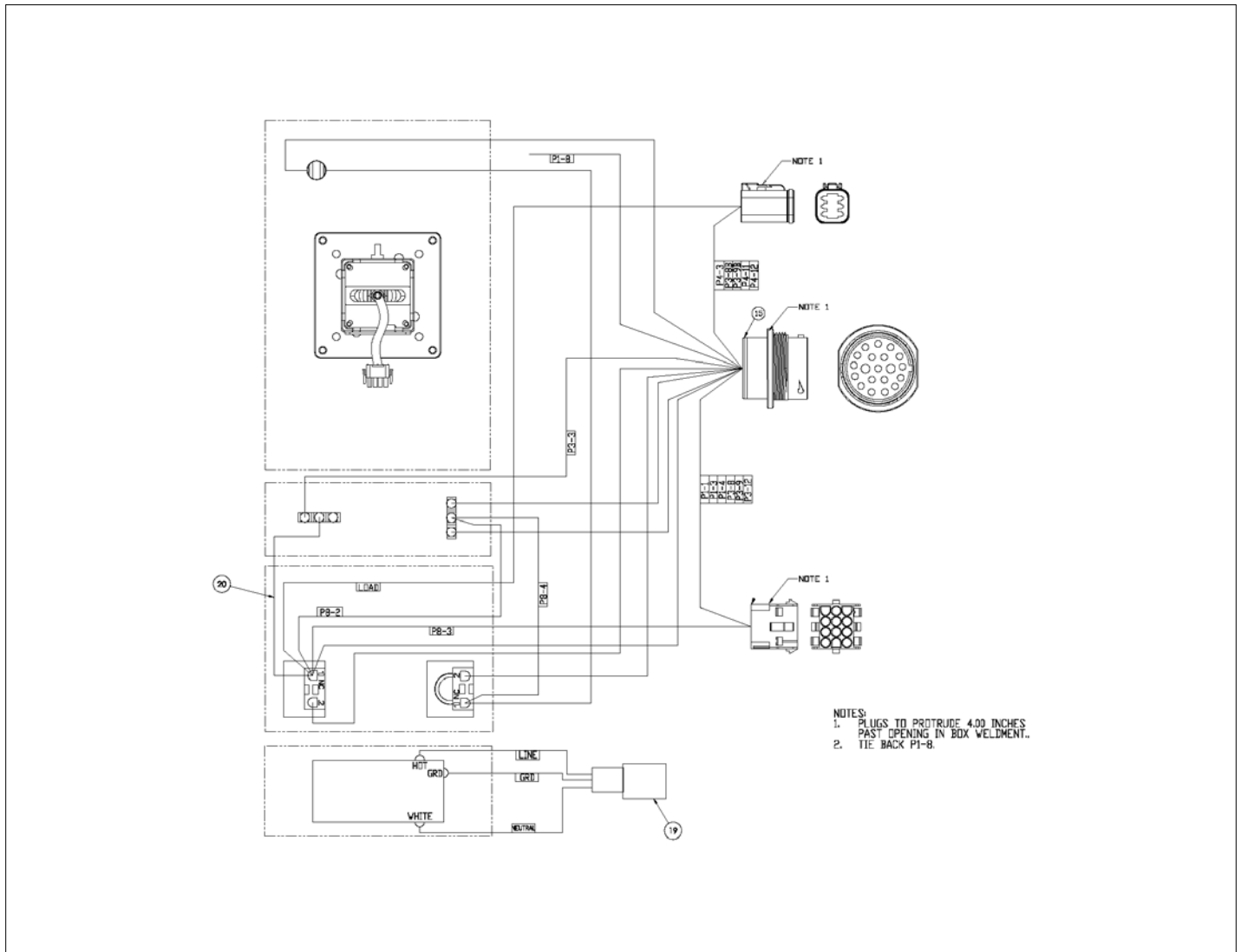
アイテム	部品番号	名前	数量	UOM
	1502479 A	REMOVABLE UCB AU S3215E 3219		EA
1	1502480	WLDMT, CHASE REMOV UCB 3219AUS	1	EA
2	1502605	PLT, SIDE REMOVEABLE UCB FIXED	1	EA
3	1502606	PLT, BTM REMOVEABLE UCB FIXED	1	EA
4	058492 020	Bolt HexSetScrew DIN933 M8 x 2	1	EA
5	056066 008	NUT NYLOCKNUT DIN985 M8 8.0 ZP	5	EA
6	5563446	1/4 20 PAN HEAD SCREW	4	EA
Not Shown	1502468	HARNES UCB	1	EA
8	5580020	PIN, SNAPPER .375 X 2.50 W/LAN	1	EA
9	14030	LOCK WASHER HD30, 18 SHELL	1	EA
10	3040208	PANEL NUT (18 SHELL)	1	EA
11	500595 025	Bolt, SktButCapScrew DIN9427	4	EA

アイテム	部品番号	名前	数量	UOM
*	1502841 B	SNORKEL GUARD PLATFORM CONTROL BOX ASSEMBLY JANUARY 2018 AND AFTER		EA
1	1502837	WLDMT, SNORKEL GUARD PLATF CONT BOX	1	EA
2	3028810	PUSH/PULL EMERGENCY STOP	1	EA
3	3020047	Switch, Toggle Honeywell INTI 3	2	EA
4	510542 000	PUSHBUTTON BLACK C/W 1 N/O CON	1	EA
5	302829	LIGHT RED 24VDC BEZEL MOUNT	1	EA
6	1501158	PLAC PLATFM CONT BOX	1	EA
7	1501159	PLAC PLATFM CONT E STOP/HORN	1	EA
8	3040624	Recepticle Outlet 20AMP	1	EA
9	3040625	Enclosure Face	1	EA
10	5563181	HHCS M4 X 0.7 X 30G8.8 DIN 931	4	EA
11	056066 004	NUT NYLOCK DIN985 M4 8.0 ZP	4	EA
12	1501919	PLT FLASHING AMBER BEACON MOUNT	1	EA
13	1501359	PLAC LIFT/DRIVE	1	EA
14	13888	JOYSTICK, JR MERRITT WITH GUARD (HALL EFFECT) JULY 2017 AND AFTER	1	EA
15	1501298	CONN S3219 PLATFORM CONTROL Box	1	EA
16	5560067	NUT SPEED U THREADED M6	4	EA
17	058491 030	BOLT HEXSETSCREW DIN 933 M6 X 30MM 8.8 ZP	4	EA
18	5563643	WSHR .875ID 1.38OD .045THK	1	EA
19	1502308	HARNESS 110V JUMPER	1	EA
20	1501760	WIRE 18 R6I SPADE6I 8	1	EA

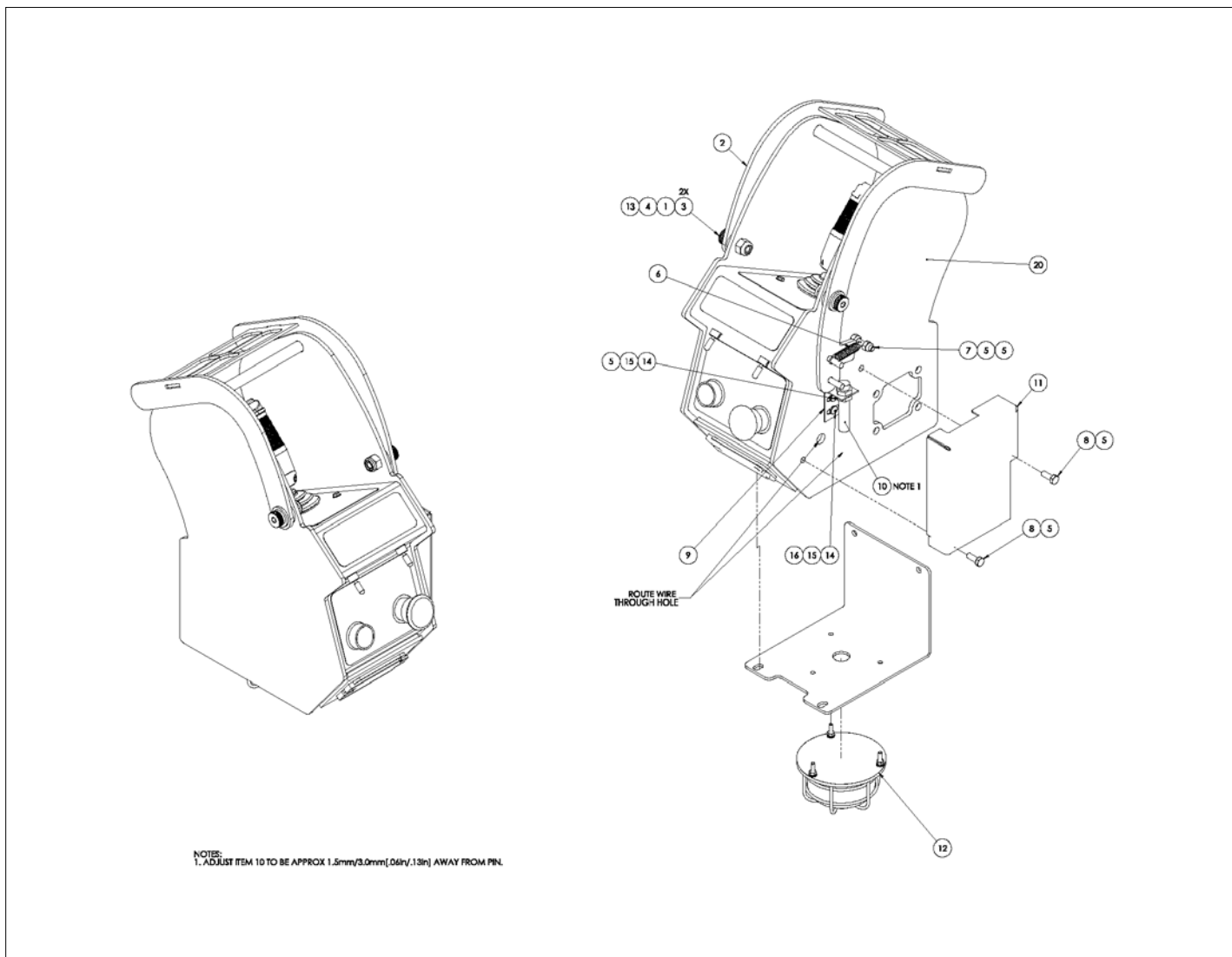
OPTIONS



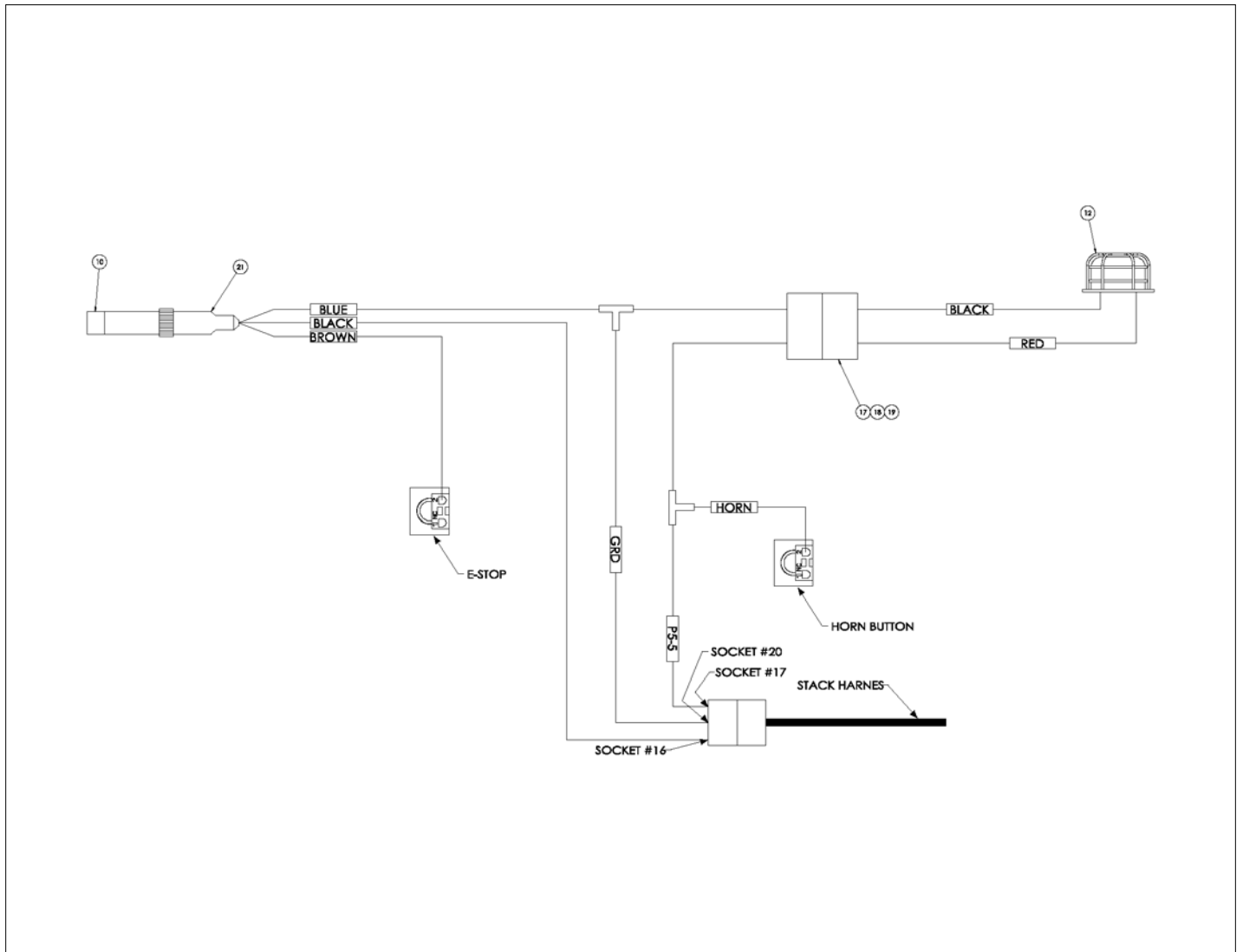
アイテム	部品番号	名前	数量	UOM
	1502977 B	ANSI SNORKEL GUARD UPPER CONTROL BOX 2SPD ASSEMBLY AUGUST 2018 AND AFTER		EA
1	1502837	WLDMT, SNORKEL GUARD PLATF CONT BOX	1	EA
2	3028810	PUSH/PULL EMERGENCY STOP	1	EA
3	3020047	Switch, Toggle Honeywell INTI 3	2	EA
4	510542 000	PUSHBUTTON BLACK C/W 1 N/O CON	1	EA
5	302829	LIGHT RED 24VDC BEZEL MOUNT	1	EA
6	1501158	PLAC PLATFM CONT BOX	1	EA
7	1501159	PLAC PLATFM CONT E STOP/HORN	1	EA
8	3040624	Recepticle Outlet 20AMP	1	EA
9	3040625	Enclosure Face	1	EA
10	5563181	HHCS M4 X 0.7 X 30G8.8 DIN 931	4	EA
11	056066 004	NUT NYLOCK DIN985 M4 8.0 ZP	4	EA
12	1501919	PLT FLASHING AMBER BEACON MOUNT	1	EA
13	1501359	PLAC LIFT/DRIVE	1	EA
14	3028933	Joystick 1 Axis, Deadman Guard	1	EA
15	1502971	CON UCB ANSI 2SPD	1	EA
16	5560067	NUT SPEED U THREADED M6	4	EA
17	058491 030	BOLT HEXSETSCREW DIN 933 M6 X 30MM 8.8 ZP	4	EA
18	5563643	WSHR .875ID 1.38OD .045THK	1	EA
19	1502308	HARNESS 110V JUMPER	1	EA
20	1501760	WIRE 18 R6I SPADE6I 8	1	EA



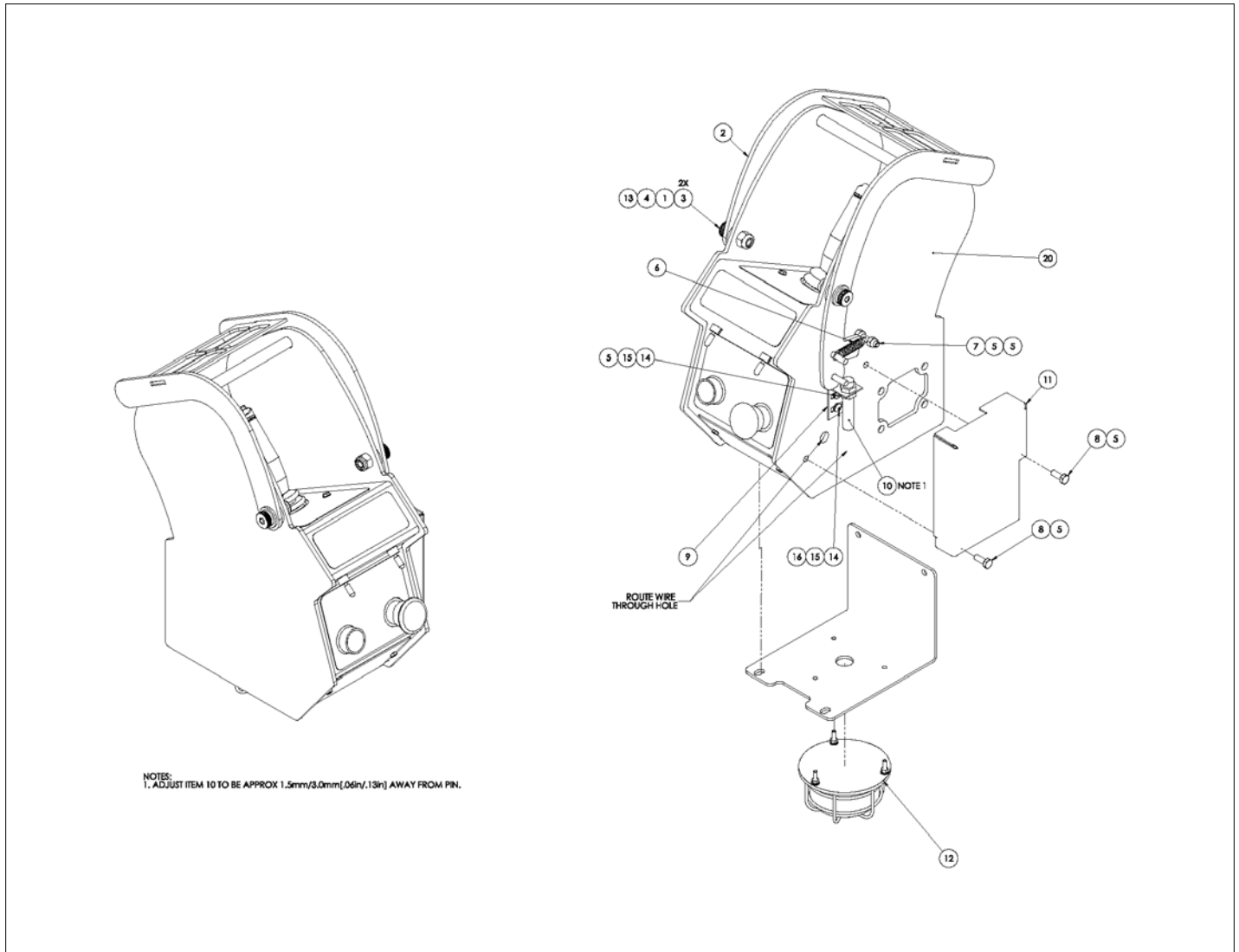
OPTIONS



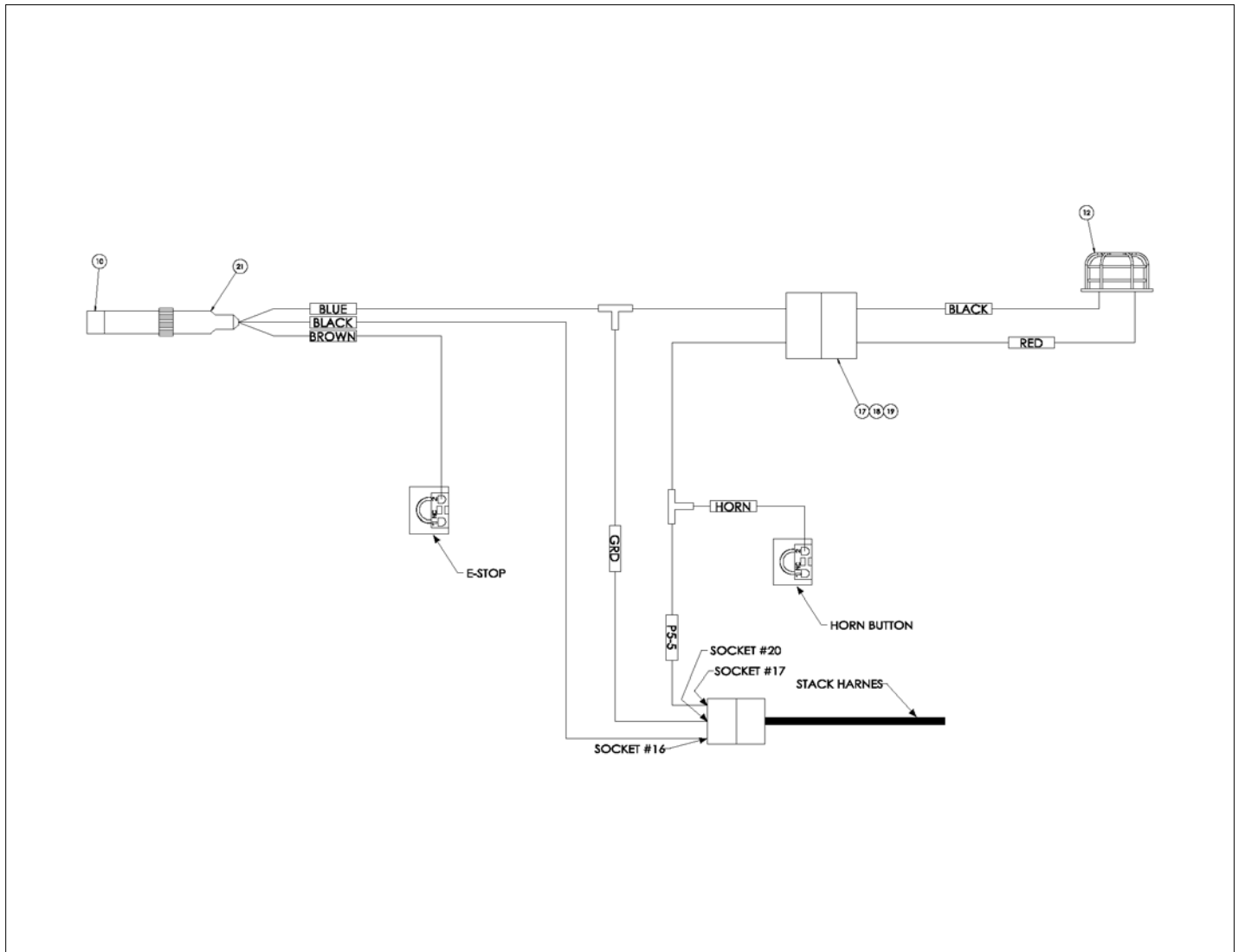
アイテム	部品番号	名前	数量	UOM
	1502979 C	UPPER CONTROL BOX WITH SNORKEL GUARD 2SPD ASSEMBLY AUGUST 2018 AND AFTER		EA
1	1502557	SPCR, SNORKEL GUARD PHXII	2	EA
2	1502548	WLDMT, SNORKEL GUARD PHXII	1	EA
3	512430 012	BLT, SHLDR SKTHD 12MM X 12 X M10 X 1.5	2	EA
4	056069 012	WASHER DIN125A M12 ZP	2	EA
5	056066 006	Nut NylockNut DIN985 M6 8.0 Zi	4	EA
6	1502555	SPRING, SNORKEL GUARD PHXII	1	EA
7	058491 035	BLT HEXHD M6 1.0 X 35MM G8.8 DIN 933 ZP	1	EA
8	058491 016	BOLT HEXSETSCREW DIN933 M6 X 16MM 8.8 ZP	2	EA
9	1502553	BRKT, SNORKEL GUARD PHXII	1	EA
10	3028844	IFS241 (IFM PROXY)	1	EA
11	1502554	COVER, SNORKEL GUARD PHXII	1	EA
12	514404 001	FLASHING BEACON BLUE	1	EA
13	056064 010	Nut NylockNut DIN985 M10 10.0	2	EA
14	505082 020	Bolt, SktButCapScrew DIN9427 M5 x 20mm 10.9 ZincPlated	2	EA
15	056069 005	Washer SteelFlatWasher DIN125A	2	EA
16	056066 005	Nut NylockNut DIN985 M5 8.0 Zi	2	EA
17	3049804	CONNECTOR 2 PIN DEUTSCH RECEP	1	EA
18	3040341	PIN CONTACT SIZE 16 16/18 GA	2	EA
19	3049808	LOCK WEDGE 2 PIN DEUTSCH RECEP	1	EA
20	1502977	ASSY, SNORKEL GUARD PLATF CONT BOX	1	EA
21	1502978	HARNESS, SNORKEL GUARD UCB	1	EA



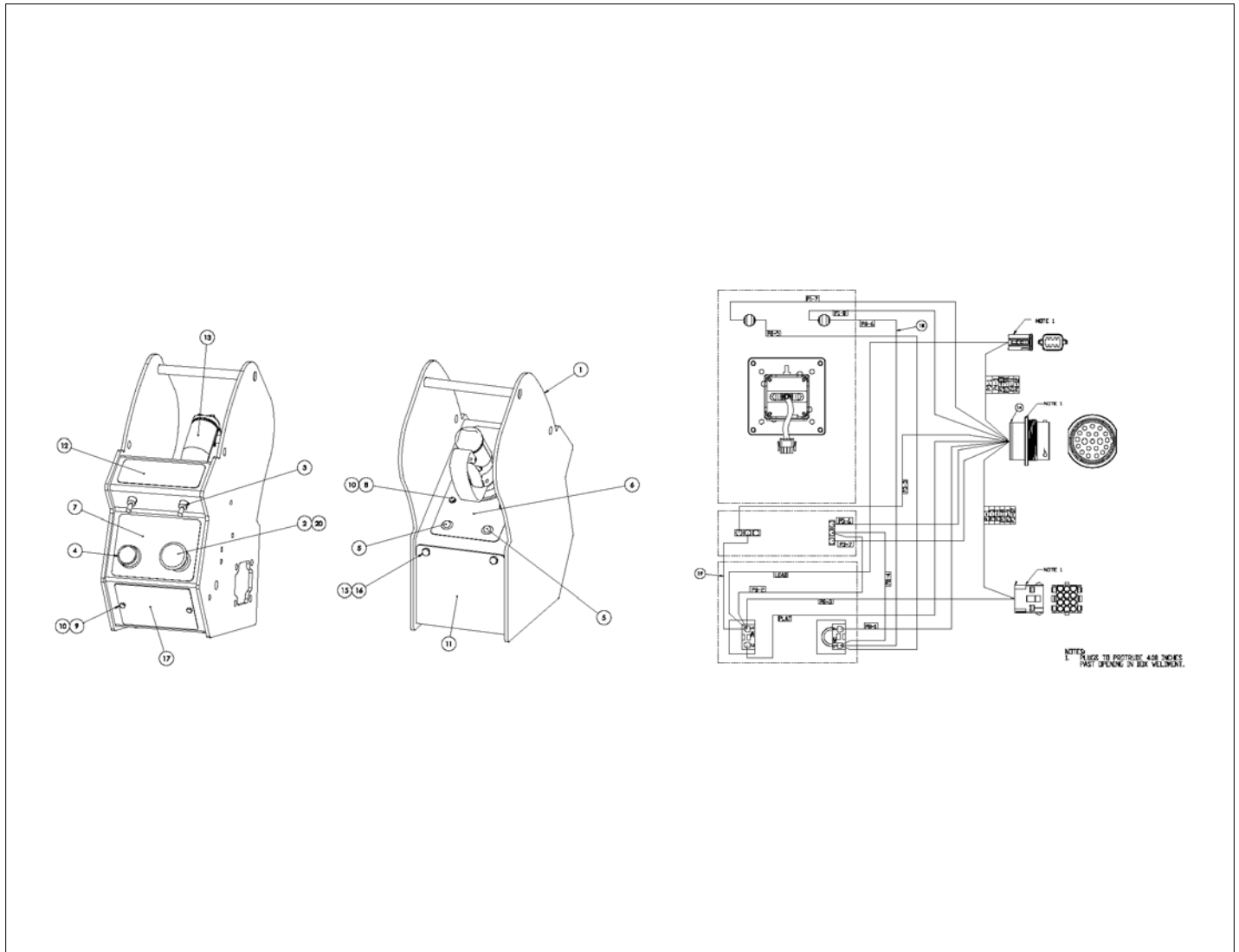
OPTIONS



アイテム	部品番号	名前	数量	UOM
	1502993 C	UPPER CONTROL BOX WITH SNORKEL GUARD CE ASSEMBLY OCTOBER 2018 AND AFTER		EA
1	1502557	SPCR, SNORKEL GUARD PHXII	2	EA
2	1502548	WLDMT, SNORKEL GUARD PHXII	1	EA
3	512430 012	BLT, SHLDR SKTHD 12MM X 12 X M10 X 1.5	2	EA
4	056069 012	WASHER DIN125A M12 ZP	2	EA
5	056066 006	Nut NylockNut DIN985 M6 8.0 Zi	4	EA
6	1502555	SPRING, SNORKEL GUARD PHXII	1	EA
7	058491 035	BLT HEXHD M6 1.0 X 35MM G8.8 DIN 933 ZP	1	EA
8	058491 016	BOLT HEXSETSCREW DIN933 M6 X 16MM 8.8 ZP	2	EA
9	1502553	BRKT, SNORKEL GUARD PHXII	1	EA
10	3028844	IFS241 (IFM PROXY)	1	EA
11	1502554	COVER, SNORKEL GUARD PHXII	1	EA
12	514404 001	FLASHING BEACON BLUE	1	EA
13	056064 010	Nut NylockNut DIN985 M10 10.0	2	EA
14	505082 020	Bolt, SktButCapScrew DIN9427 M5 x 20mm 10.9 ZincPlated	2	EA
15	056069 005	Washer SteelFlatWasher DIN125A	2	EA
16	056066 005	Nut NylockNut DIN985 M5 8.0 Zi	2	EA
17	3049804	CONNECTOR 2 PIN DEUTSCH RECEP	1	EA
18	3040341	PIN CONTACT SIZE 16 16/18 GA	2	EA
19	3049808	LOCK WEDGE 2 PIN DEUTSCH RECEP	1	EA
20	1502992	ASSY, CE SNORKEL GUARD UCB	1	EA
21	1502978	HARNESS, SNORKEL GUARD UCB	1	EA

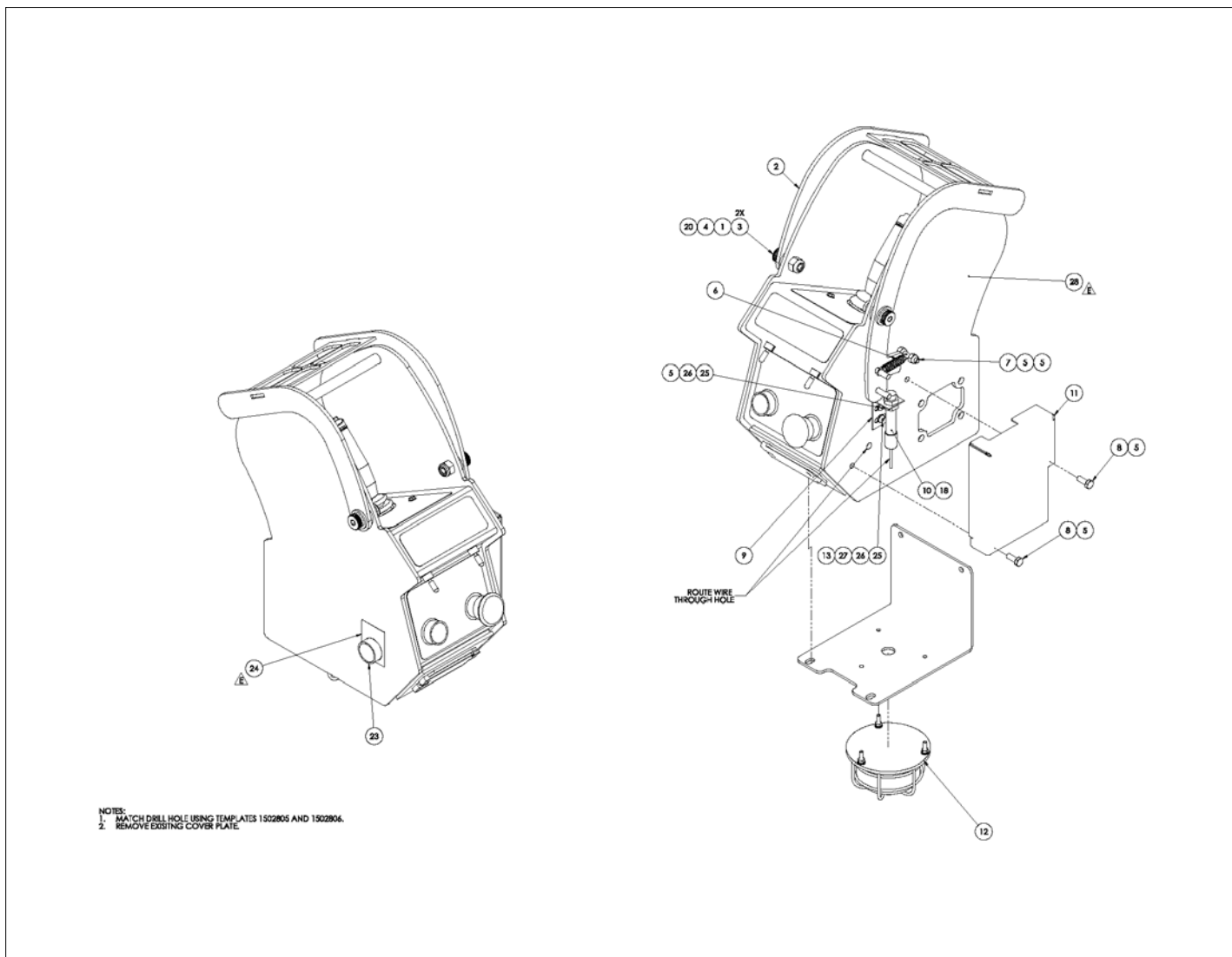


OPTIONS

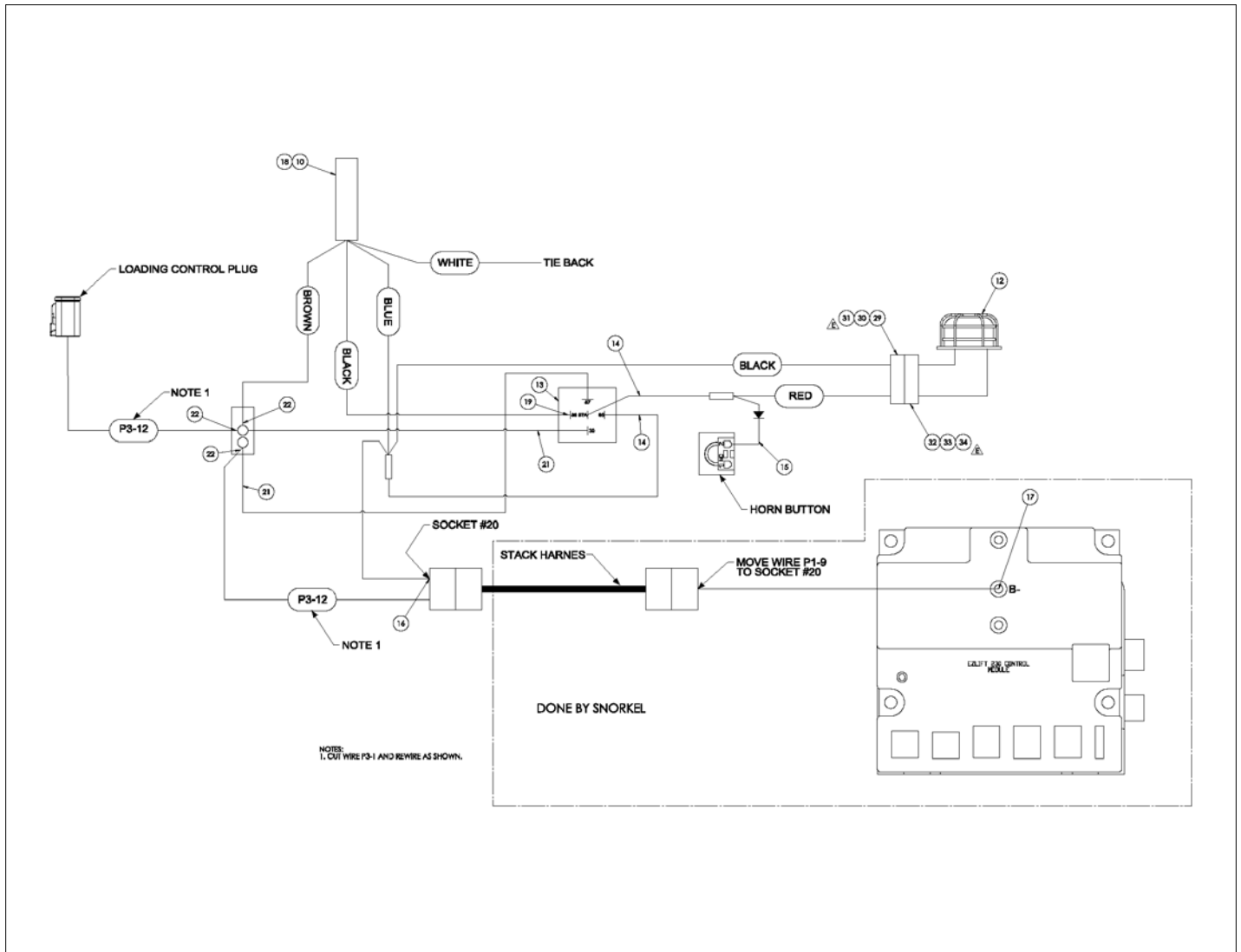


アイテム	部品番号	名前	数量	UOM
	1502992 B	UPPER CONTROL BOX WITH SNORKEL GUARD CE ASSEMBLY OCTOBER 2018 AND AFTER		EA
1	1502837	WLDMT, SNORKEL GUARD PLATF CONT BOX	1	EA
2	3028810	PUSH/PULL EMERGENCY STOP	1	EA
3	3020047	Switch, Toggle Honeywell INTI 3	2	EA
4	510542 000	PUSHBUTTON BLACK C/W 1 N/O CON	1	EA
5	302829	LIGHT RED 24VDC BEZEL MOUNT	2	EA
6	1501158	PLAC PLATFM CONT BOX	1	EA
7	1501159	PLAC PLATFM CONT E STOP/HORN	1	EA
8	5563181	HHCS M4 X 0.7 X 30G8.8 DIN 931	4	EA
9	512459 016	BLT HEXHD M4 X 0.7 X 16MM DIN 933 8.8 ZP	2	EA
10	056066 004	NUT NYLOCK DIN985 M4 8.0 ZP	6	EA
11	1501919	PLT FLASHING AMBER BEACON MOUNT	1	EA
12	1501359	PLAC LIFT/DRIVE	1	EA
13	3028933	Joystick 1 Axis, Deadman Guard	1	EA
14	1502972	CONN, CE UCB 2SP	1	EA
15	5560067	NUT SPEED U THREADED M6	4	EA
16	058491 030	BOLT HEXSETSCREW DIN 933 M6 X 30MM 8.8 ZP	4	EA
17	1501688	PLT, COVER OUTLET	1	EA
18	1501690	WIRE JUMPER CE OVERLOAD LIGHT	1	EA
19	1501760	WIRE 18 R6I SPADE6I 8	1	EA
20	5563643	WSHR .875ID 1.38OD .045THK	1	EA

OPTIONS

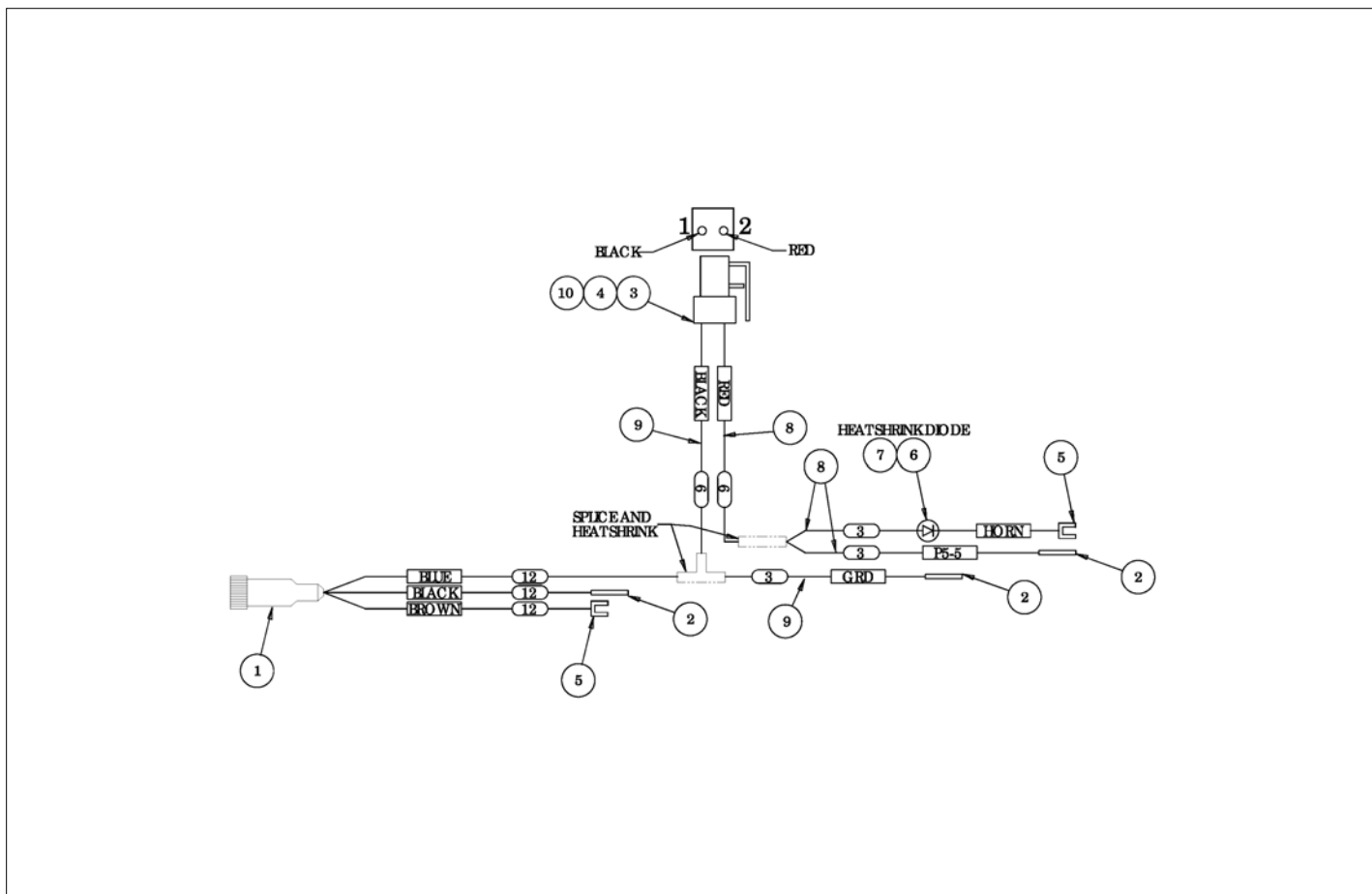


アイテム	部品番号	名前	数量	UOM
*	1502556 E	SNORKEL GUARD ASSEMBLY NOVEMBER 2017 AND AFTER		EA
1	1502557	SPCR, SNORKEL GUARD PHXII	2	EA
2	1502548	WLDMT, SNORKEL GUARD PHXII	1	EA
3	512430 012	BLT, SHLDR SKTHD 12MM X 12 X M10 X 1.5	2	EA
4	056069 012	WASHER DIN125A M12 ZP	2	EA
5	056066 006	Nut NylockNut DIN985 M6 8.0 Zi	4	EA
6	1502555	SPRING, SNORKEL GUARD PHXII	1	EA
7	058491 035	BLT HEXHD M6 1.0 X 35MM G8.8 DIN 933 ZP	1	EA
8	058491 016	BOLT HEXSETSCREW DIN933 M6 X 16MM 8.8 ZP	2	EA
9	1502553	BRKT, SNORKEL GUARD PHXII	1	EA
10	3028844	IFS241 (IFM PROXY)	1	EA
11	1502554	COVER, SNORKEL GUARD PHXII	1	EA
12	514404 001	FLASHING BEACON BLUE	1	EA
13	562846	RELAY 24V 40/30 AMP SPDT	1	EA
14	0410091	WIRE 16 BUTT FEM250 FI 14	2	EA
15	1502802	DIODE JUMPER WIRE	1	EA
16	3220177	PIN CONTACT #20 16 18AWG DEUTSCH	1	EA
17	960589	TERM R375 18 14GA 3/8 in STUDT&B	1	EA
18	3014753	SNORKEL GUARD SENSOR (CABLE, M12 X 2M L)	1	M
19	3040083	TERM FEM250FI 16/14	1	EA
20	056064 010	Nut NylockNut DIN985 M10 10.0	2	EA
21	0101800	WIRE 16 FEM250I NONE 12	2	EA
22	960359	TERM SPADE6I 18 14 GA	5	EA
23	510542 000	PUSHBUTTON BLACK C/W 1 N/O CON	1	EA



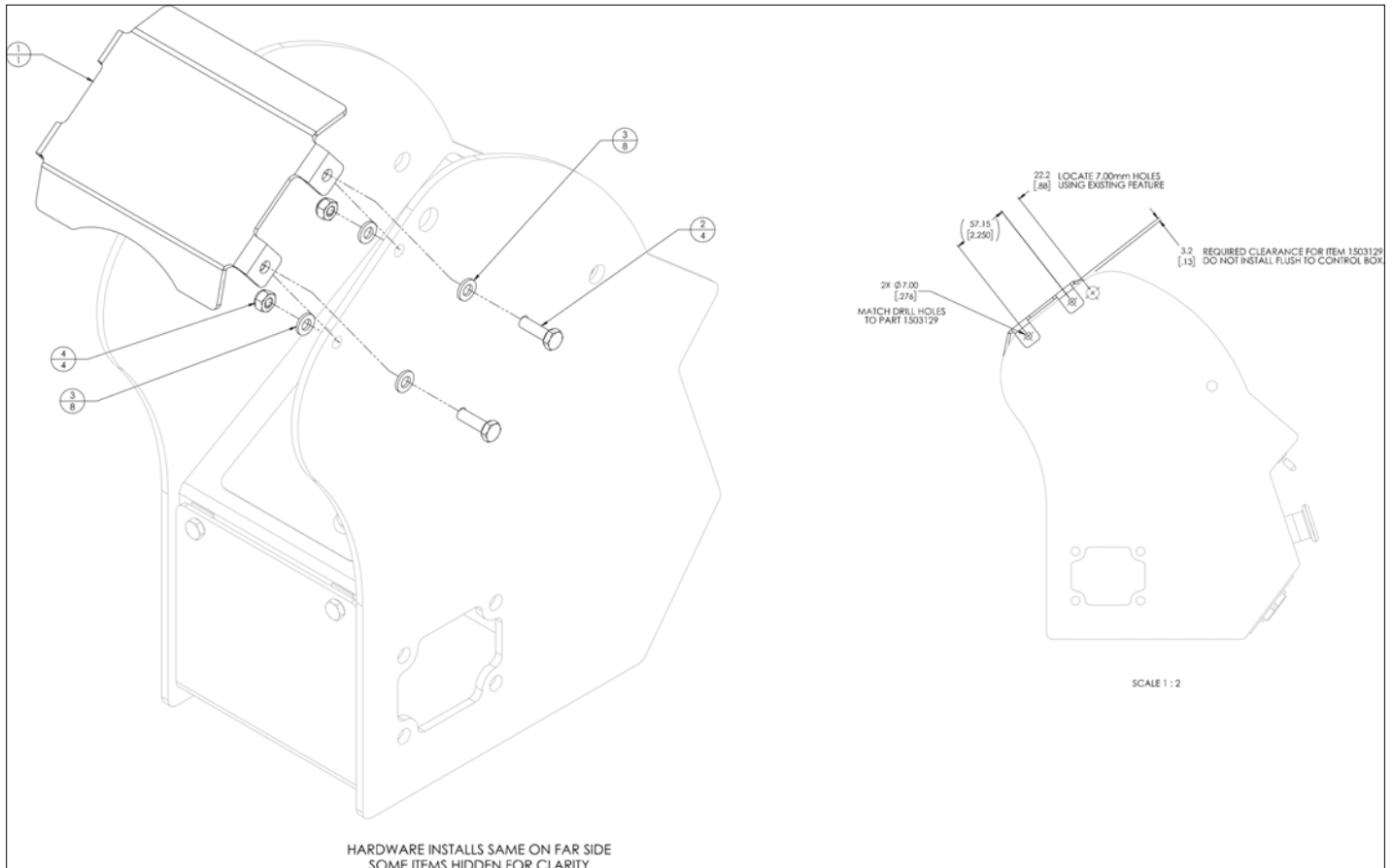
アイテム	部品番号	名前	数量	UOM
24	1502840	DECAL, SNORKEL GUARD OVERRIDE	1	EA
25	505082 020	Bolt, SktButCapScrew DIN9427 M5 x 20mm 10.9 ZincPlated	2	EA
26	056069 005	Washer SteelFlatWasher DIN125A	2	EA
27	056066 005	Nut NylockNut DIN985 M5 8.0 Zi	2	EA
28	1502841	ASSY, SNORKEL GUARD PLTF CONT	1	EA
29	3049807	LOCK WEDGE 2 PIN DEUTSCH PLUG	1	EA
30	3049803	CONNECTOR 2 PIN DEUTSCH PLUG	1	EA
31	3040342	SOCKET CONTACT SIZE 16 16/18GA	2	EA
32	3049804	CONNECTOR 2 PIN DEUTSCH RECEP	1	EA
33	3040341	PIN CONTACT SIZE 16 16/18 GA	2	EA
34	3049808	LOCK WEDGE 2 PIN DEUTSCH RECEP	1	EA

OPTIONS



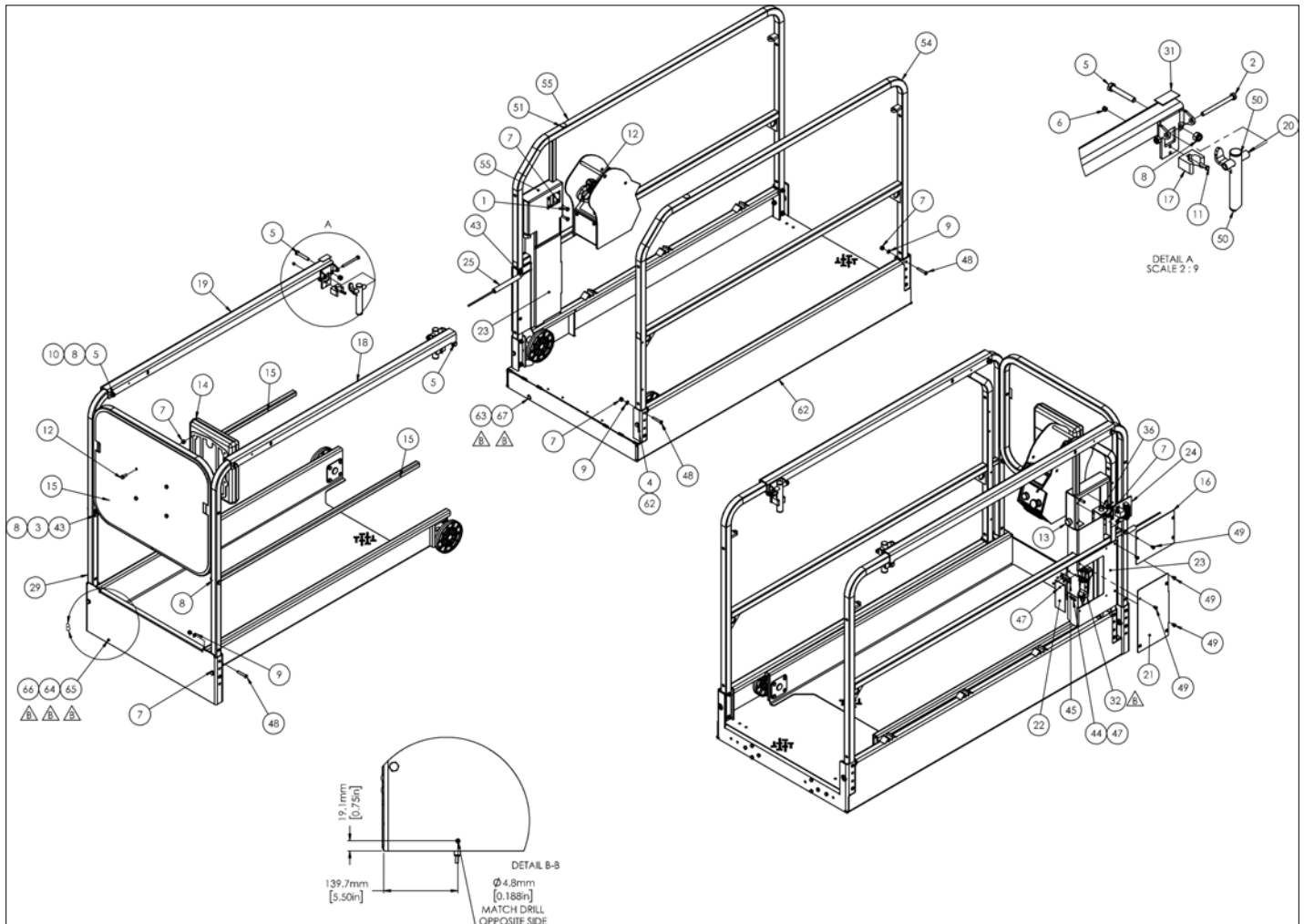
アイテム	部品番号	名前	数量	UOM
	1502978 A	SNORKEL GUARD UPPER CONTROL BOX HARNESS		EA
1	3014753	SNORKEL GUARD SENSOR (CABLE, M12 X 2M L)	1	M
2	3049894	PIN CONTACT 20 DEUTCH P/N 04	3	EA
3	3049803	CONNECTOR 2 PIN DEUTSCH PLUG	1	EA
4	3049807	LOCK WEDGE 2 PIN DEUTSCH PLUG	1	EA
5	960359	TERM SPADE6I 18 14 GA	2	EA
6	3040293	DIODE	1	EA
7	3044070	TERM BUTT CONN INSUL 22/18	1	EA
8	3011801	WIRE 18GA SINGLE CONDUCTOR WHT	AR	EA
9	3011851	WIRE 18GA SINGLE CONDUCTOR BLK	AR	EA
10	3049895	SOCKET CONTACT 20 DEUTSCH P/N	2	EA

OPTIONS

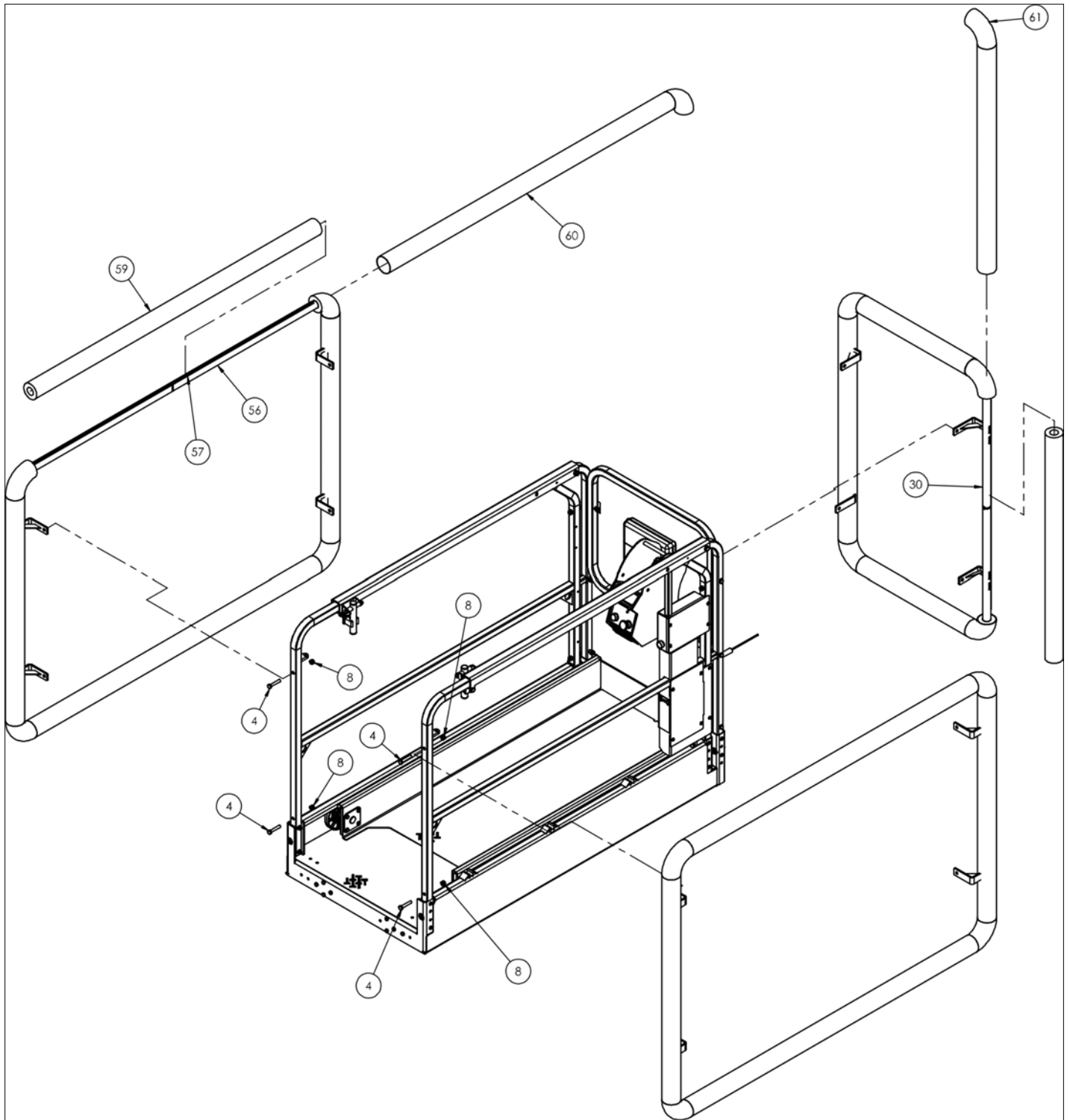


アイテム	部品番号	名前	数量	UOM
	1503130 A	CONTROL BOX WEATHER GUARD		EA
1	1503129	GUARD, UPPER CTRL BOX	1	EA
2	512630 020	HHCS M6 X X 20 G10.9 DIN 933	4	EA
3	056069 006	WSHR STEELFLATWSHE M6 DIN125A	8	EA
4	056064 006	NUT NYLOCK DIN985 M6 10.0 ZP	4	EA

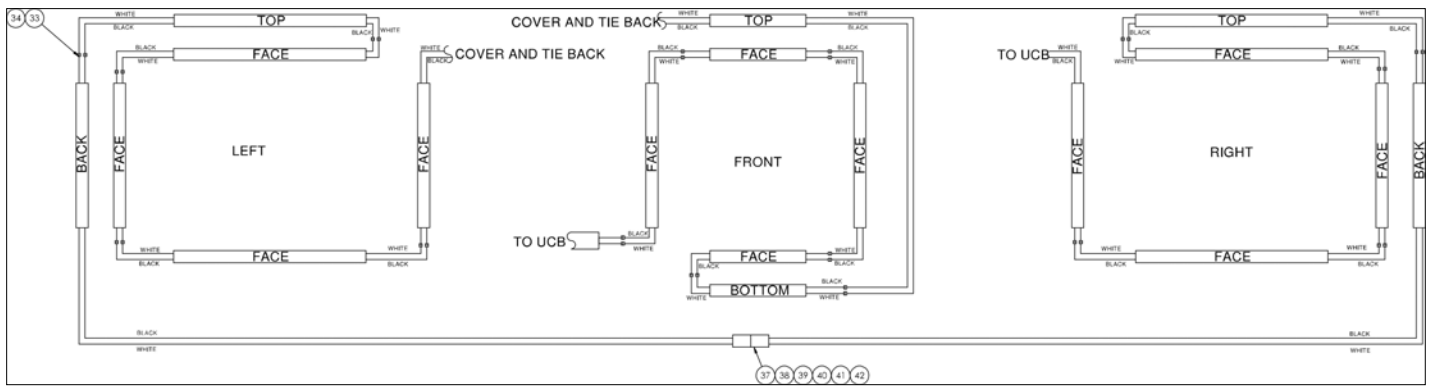
OPTIONS



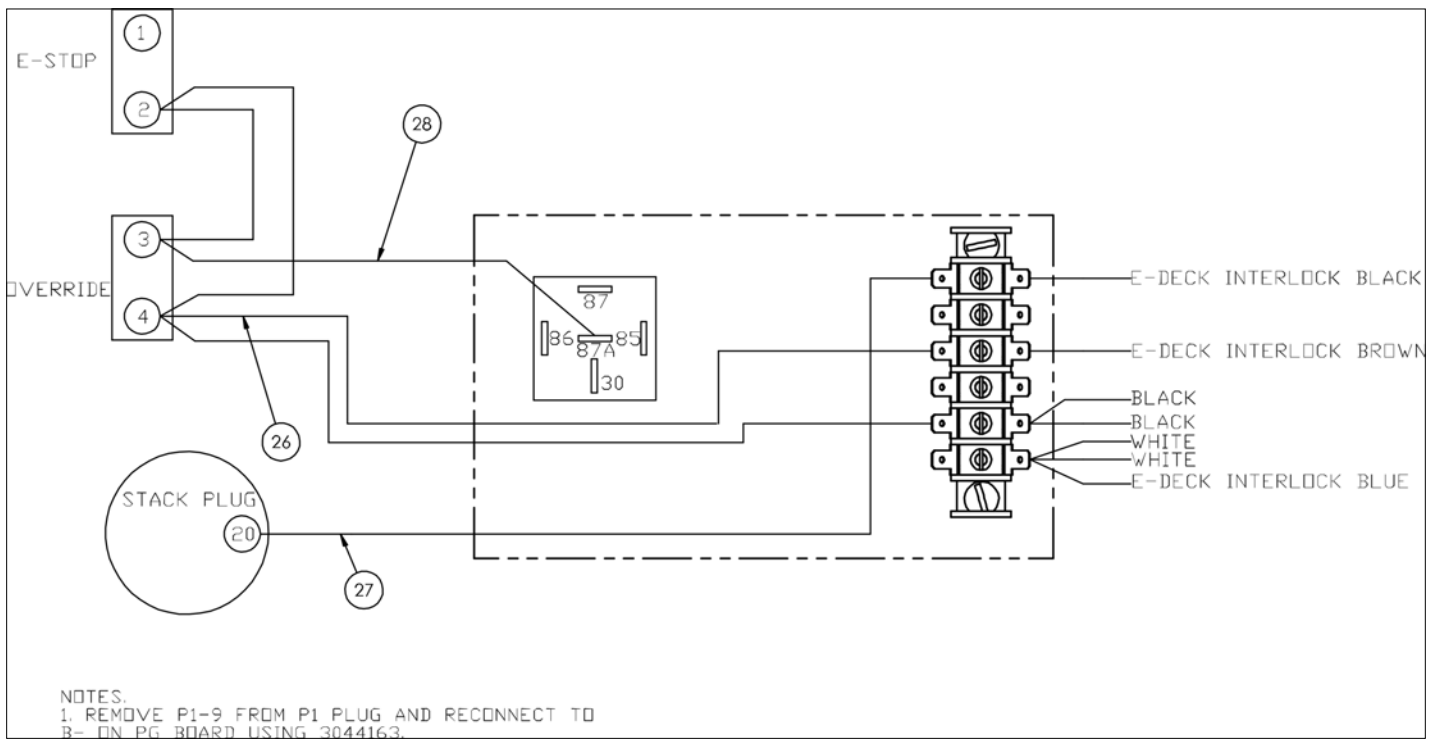
アイテム	部品番号	名前	数量	UOM
	1502754 C	BUMP GUARD S3215E S3219E ASSEMBLY SEPTEMBER 2019 AND AFTER		EA
1	056059 030	Bolt, HexBolt DIN931 M8 x 30mm	2	EA
2	056059 090	Bolt, HexBolt DIN931 M8 x 90mm 8.8 ZincPlated	2	EA
3	056060 045	Bolt, HexBolt DIN931 M10 x 45mm 8.8 ZincPlated	2	EA
4	056060 055	Bolt, HexBolt DIN931 M10 x 55mm 8.8 ZincPlated	16	EA
5	056060 065	Bolt, HexBolt DIN931 M10 x 65mm 8.8 ZincPlated	4	EA
6	056066 005	Nut NylockNut DIN985 M5 8.0 Zi	4	EA
7	056066 008	NUT NYLOCKNUT DIN985 M8 8.0 ZP	24	EA
8	056066 010	Nut, NylockNut DIN985 M10 8.0ZincPlated	24	EA
9	056069 008	WASHER, STEELFLATWASHER DIN12M8 FLAT WASHER DIN 125	12	EA
10	056069 010	Washer, SteelFlatWasher DIN125A M10 ZincPlated	10	EA
11	058490 020	Bolt, HexSetScrew DIN933 M5 x	4	EA
12	058492 020	Bolt HexSetScrew DIN933 M8 x 2	6	EA
13	510542 000	PUSHBUTTON BLACK C/W 1 N/O CON	1	EA
14	562386	Literature Compartment	1	EA
15	1501323	TUBE HNDRL MID TELESCOPE	2	EA
16	1501397 5	PLT CONT BOX MNT COVER	1	EA
17	1501583	CLIP HANDLE 1.00	2	EA
18	1501630 5	WLDMT, TOP SLIDER LH ORG	1	EA
19	1501631 5	WLDMT, TOP SLIDER RH ORG	1	EA
20	1501715 4	WLDMT, SLIDE HANDLE SHORT	2	EA
21	1501829 5	PLT, CABLE COVER BOTTOM	1	EA



アイテム	部品番号	名前	数量	UOM
22	1502442 5	PLT, SIDE DOOR THIN	1	EA
23	1502443 5	WLDMT, WIRE CHASE	1	EA
24	1502731	ASSY, WIRING BUMP GUARD	1	EA
25	1502733	CABLE BUMP GUARD EXT	1	EA
26	1502735	WIRE 18 SPECIAL	1	EA
27	1502736	WIRE 18 SPADE6I FEM250FI 9	1	EA
28	1502737	WIRE 18 PIN SPADE6I 15	1	EA
29	1502741 5	WLDMT, FRONT GATE BUMP GRD	1	EA
30	1502745 5	WLDMT, FRONT BUMP GRD S3220/26	1	EA
31	1502834	SLIDE PAD, STICK ON NOVEMBER 2017 AND AFTER	2	EA
32	1503200	PENDANT, DRIVE CONTROLS SEPTEMBER 2019 AND AFTER	1	EA
33	3040082	TERM MALE250FI 16/14	38	EA
34	3040083	TERM FEM250FI 16/14	38	EA
35	3040113	MOUNTING BASE	1	EA
36	3040300	CONN .500 .188 .313	1	EA
37	3040341	PIN CONTACT SIZE 16 16/18 GA	2	EA
38	3040342	SOCKET CONTACT SIZE 16 16/18GA	2	EA
39	3049803	CONNECTOR 2 PIN DEUTSCH PLUG	1	EA
40	3049804	CONNECTOR 2 PIN DEUTSCH RECEP	1	EA
41	3049807	LOCK WEDGE 2 PIN DEUTSCH PLUG	1	EA
42	3049808	LOCK WEDGE 2 PIN DEUTSCH RECEP	1	EA
43	5093018	CLP CUSH .250 VINYL COATED	4	EA
44	5516349	MAGNETIC LATCH	1	EA



アイテム	部品番号	名前	数量	UOM
45	5516360	HINGE, DRILLED SIDE DRIVE THIN	1	EA
46	5560653	BLT HEXHD M10 1.50 X 85MM DIN	2	EA
47	5560659	RVT POP .125 DIA .250 DMD STL	6	EA
48	5563304	SBHCS M8 X 1.25 X 50MM GR 1039	12	EA
49	5563446	1/4 20 PAN HEAD SCREW	12	EA
50	5563451	PLUG TUBING 1.00 X .095	4	EA
51	5569973	SLIDE PAD, STICK ON OCTOBER 2017 AND BEFORE	2	EA
52	031051 040	TAPE SWITCH	8	EA
53	031051 024	TAPE SWITCH 24.00	4	EA
54	1502755 5	WLDMT, HNDRL LH BUMP GRD S3215	1	EA
55	1502756 5	WLDMT, HNDRL RH BUMP GRD S3215	1	EA
56	1502753 5	WLDMT, BUMP GRD SIDE S3215/321	2	EA
57	031051 062	TAPE SWITCH	6	EA
58	1502975	ASSY, UCB ANSI 2SPD	1	EA
59	9980003	PIPE INSUL CLOSED CELL AP ARMA	561	EA
60	9980008	COV STR 18OZ COVERLITE YELLOW	4	EA
61	9980007	COV ELB 18OZ COVERLITE YELLOW	12	EA
62	1502653	ASSY PLATFORM S3215/3219	REF	EA
63	3028896	CABLE MR 90 ° 2M	1	EA
64	056066 004	NUT NYLOCK DIN985 M4 8.0 ZP	1	EA
65	5563871	FSHCS M4 X 0.7 X 25	1	EA
66	3028895	SWNSOR MAG TARGET	1	EA
67	3028894	SENSOR MAGNETIC	1	EA



Maintenance

Every person who maintains, inspects, tests, or repairs the aerial platform must be qualified to do so. Maintenance functions must be performed by maintenance personnel who are qualified to work on the aerial platform.

Caution

Welding current can be very intense. Damage to electronic components can result. Connect the ground clamp as close as possible to the area being welded. Disconnect battery cables and any microprocessors and engine control modules before welding on the machine.

If it becomes necessary to weld aerial platform components as a method of repair, take all precautions to prevent damage to electronic circuitry and devices on the machine. This includes, but may not be limited to, disconnecting battery cables and electronic devices.

Do not modify this aerial platform without prior written consent of the Snorkel Engineering Department. Modification may void the warranty, adversely affect stability, or affect the operational characteristics of the aerial platform.

Maintenance Schedules

Snorkel has established a preventive maintenance schedule to detect any defective, damaged or improperly secured parts and provide information regarding lubrication and other minor maintenance items.

This schedule includes the following:

- Daily Prestart Inspection
- Frequent Inspection and Maintenance
Every 90 Days or 150 Hours
- Annual Maintenance – Every 500 Hours

The Daily Prestart Inspection must be performed by a trained operator. All other maintenance and inspections must be performed by a trained service technician only. Retain a copy of these forms for your records.

All placards and decals on the machine must be in place and legible. Use the Placards and Decals parts page in the Repair Parts section of this manual to check these placards and decals.

Snorkel recommends that you make additional copies of the Preventive Inspection Maintenance Checklist forms for your use in performing these inspections.

Warning

The potential for an accident increases when operating an aerial platform that is damaged or malfunctioning. Death or serious injury can result from such accidents. Do not operate the aerial platform if it is damaged or malfunctioning.

Repair all defects before returning the machine to service.

General Information

The parts drawings located in the repair parts sections, are designed for use as a guide for proper disassembly of the machine and components as well as for parts replacement.

Danger

Hydraulic fluid escaping under pressure can have enough force to inject fluid into the flesh. Serious infection or reaction will result if medical treatment is not given immediately. In case of injury by escaping hydraulic fluid, seek medical attention at once.

Always refer to the hydraulic system installation drawings and the electrical wiring diagram before removing or disassembling associated parts.

When disassembling or reassembling components, complete the procedural steps in sequence. Do not partially disassemble or assemble one part, then start on another. Always check your work to assure that nothing has been overlooked.

Keep the following in mind when disassembling or assembling the machine.

- Always be conscious of weight.
- Never attempt to lift heavy objects without the aid of a mechanical device.
- Do not allow heavy objects to rest in an unstable condition.
- Always make sure the work platform is in the stowed position, blocked or the weight removed by a suitable lifting device before removing any components from the scissor stack.
- When raising a portion of the machine, be sure that adequate blocking is properly positioned. Do not depend solely on the lifting device to hold and secure weight.
- If a part resists removal, check to see if all fasteners, electrical wiring, hydraulic lines, etc., have been removed or that other parts are not interfering.

Parts should be thoroughly inspected before restoring to service at the time of reassembly. Burrs, nicks or scratches may be removed from machined surfaces by honing or polishing with #600 crocus cloth, followed by a thorough cleaning in an approved cleaning solvent, and blown dry with compressed air. Do not alter the contour of any part. If this operation does not restore the part to a serviceable condition, replace the part.

Replace all o-rings, seals, and gaskets at reassembly.

Use new roll pins or cotter pins. Dip all packing rings and seals in hydraulic oil before reassembling in cylinders and manifolds. Replace any part having imperfect threads. In general, machines that have been disassembled can be reassembled by reversing the order of disassembly.

The service life of a machine can be increased by keeping dirt and foreign materials out of the vital components. Shields, covers, seals, and filters help to keep air and oil supplies clean. However, these items must be maintained on a scheduled basis in order to function properly.

Clean surrounding areas as well as the opening and fittings before disconnecting air or oil lines. As soon as a line or component is disconnected, cap or cover all openings to prevent the entry of dirt or foreign materials.

New parts should remain in their container until they are ready to be used.

Clearly mark or tag hydraulic lines and electrical wiring connections when disconnecting or removing them from the machine. This will assure that they are correctly reinstalled.

Proper assembly is critical to the successful rebuilding of any machine. Carefully inspect any parts which are to be reused. If in doubt, replace.

“Safety First” is a good slogan.

Replace any guards and protective devices that have been removed to carry out maintenance and repair work.

Daily Prestart Inspection

Item	Inspect For	OK
Operator's Manual	In manual holder, all pages readable and intact	
Electrical System		
Battery fluid level	Proper level	
Battery terminals	Clean, connectors tight	
Battery charger	Proper operation	
Cables and wiring harness	No wear or physical damage	
Hydraulic System		
Fluid level	Visible on dipstick with platform stowed	
Hoses, tubes and fittings	No leaks, all fittings tight	
Free-wheeling valve	Fully closed – clockwise	
Diagnostic Center Display	Displays operating time/battery power	
Tires and Wheels	Good condition, wheel fasteners tight, retainer pin installed	
Ground Strap	In place and securely fastened	
Lower Control Station		
Operating controls	Proper operation	
Emergency stop	Shuts off lower controls/proper operation	
Lowering alarm – if equipped	Sounds when platform lowers	
Pothole Protection Interlock	Proper operation	
Emergency Lowering	Proper operation	
Safety Prop	No damage or deformation	
Flashing Light – if equipped	Proper operation, no damage or deformation	
Structures		
Weldments – Chassis, scissors, platform, etc.	Welds intact, no damage or deformation	
Platform slide pads/blocks/rollers/spacers	In place, no damage or deformation	
Fasteners	In place, tight, and no damage	
Upper Control Station		
Guardrail system	Welds intact, no damage or deformation All fasteners in place, no loose or missing parts	
Platform floor	No damage or deformation Clean to prevent slip and fall hazards	
Platform extension/latch handles	Proper operation, no damage or deformation	
Swing-down rails – if equipped	Fasteners in place, proper operation	
Lanyard anchors	In place, no deformation or damage	
Entry doors	In place, no deformation or damage, proper operation	
Brakes	Proper operation	
Operating controls	Proper operation	
Emergency stop	Shuts off upper controls	
Lowering alarm – if equipped	Sounds when platform lowers	
Drive motion alarm – if equipped	Sounds when aerial platform drive function is operated	
Electrical power outlet	Proper operation	
Battery condition indicator – LED	Proper operation	
Horn	Sounds when activated	
Placards and Decals	In place and readable	

Performed by: _____ Date: _____

Frequent Inspection and Maintenance – Every 90 Days or 150 Hours

Item	Procedure	Information	Ok
Electrical System			
Batteries	Clean terminals, check electrolyte levels and cable connections	Add distilled water if necessary	
Cables and wiring harness	Check for wear and damage		
Battery charger	Check for proper operation	Ensure batteries are fully charged	
Hydraulic System			
Hydraulic fluid condition	Visually inspect a sample taken from the center of the reservoir. Do a lab test if necessary. Flush system and replace fluid as necessary.	Above 10°F (-12°C) ISO VG32 Below 10°F (-12°C) ISO VG15	
Fluid reservoir	Check for leaks		
Return filter	Replace after the first 50 hours, every 90 days or 150 hours thereafter Inspect filter for foreign matter that could indicate component wear		
Hoses, tubes, and fittings	Check for leaks, blistering, cracks, etc.		
Fluid level	Fill with proper fluid, visible in sight glass/on dipstick with platform stowed	See above	
Filler cap	Check for wear and securely fasten		
Free-wheeling valve	Fully closed		
Motor and pump assembly	Check for damage and leaks Check for proper operation		
Structures			
Weldments	Check for damage and cracked welds		
Slide pads/blocks	Check for wear and proper operation	Do not lubricate	
Fasteners	Verify that all fasteners are in place and are tight		
Scissor pins/king pins	Check for damage and cracked welds		
Wheels and Tires			
	Check for wear and damage Retorque castle nuts to 150 ft lb		
Steering Cylinder – Fasteners and Linkage			
	Check for cylinder damage and leaks Check for proper operation		
Scissor Structure			
Pivot pins, snap rings, bolts and nuts	Check for wear and damage, or missing components		
Lift cylinder and valves	Check for wear/damage/leakage and proper operation		
Emergency lowering valve	Check for proper operation		
Hoses, tubes, and fittings	Check for leaks, blistering, cracks, etc.		
Cables and wiring harness	Check for wear and damage		
Safety prop	Check for damage and deformation		
Parking Brakes			
	Check for leaks and proper operation		
Ground Strap			
	In place and securely fastened		
Pothole Protectors			
Interlock and alarm	Check for damage and proper operation		
Linkage/skid pivot points	Check for damage and proper operation		

Frequent Inspection and Maintenance – Every 90 Days or 150 Hours

Item	Procedure	Information	Ok
Swing-out Trays			
Hinges and latches	Check for damage and proper operation		
Placards and Decals			
	Check for damage and readability		
	Order replacements as necessary	Refer to Parts Manual	
Operator's Manual			
	Proper manual in document holder		
Platform			
Guardrail system	Welds intact, no damage or deformation All fasteners in place, no loose or missing parts		
Platform floor	Check for damage and deformation Clean to prevent slip and fall hazards		
Platform extension	Check for damage and deformation Smooth operation Check for proper operation of latch handles		
Swing-down rails—if equipped	Verify that all fasteners are in place and that the rails fold down properly.		
Entry doors	Check for damage and deformation Check for proper operation		
Lanyard anchors	Check for wear and damage		
Emergency Lowering System			
	Check for proper operation		
Lower Controls			
Operating controls	Check for smooth operation and proper speed	Refer to Operator's Manual for function speeds	
Emergency stop	Shuts off power to lower controls		
Lowering alarm—if equipped	Verify that alarm sounds while the platform is lowering		
Lowering interrupt – CE only	Verify that the platform stops lowering when it reaches about 1.8 m (6')		
Control selector switch	Check for proper operation	In the lower controls position, the upper controls should not be functional.	
Lift capacity	Check lift function at maximum load capacity	Maximum Load S3215E 600 lb (273 kg) S3219E 550 lb (250 kg) S3220E 900 lb (409 kg) S3226E 500 lb (227 kg) S4726E 1000 lb (455 kg) S4732E 700 lb (318 kg)	
	While the platform is loaded, raise the platform and with a pen, mark the chassis next to the slide pad. Mark on the side of the pad toward the front of the chassis. Wait for 15 minutes to determine if the lift cylinder is drifting. If the slide pad covers the mark, the cylinder or holding valve is leaking.	If the cylinder or holding valve leaks, remove the machine from service and correct the cause of the hydraulic leak before further operation.	

Frequent Inspection and Maintenance – Every 90 Days or 150 Hours

Item	Procedure	Information	Ok
Overload system test CE machines only	Check the lift function at 120% maximum load capacity. Start the test with the platform fully lowered. Verify that the lift function cuts out automatically, the alarm sounds and the red light on the control panel flashes before the platform reaches an elevation of approximately 1.8 m (6').	120% Maximum Load S3215E 327 kg (720 lb) S3219E 300 kg (660 lb) S3220E 490 kg (1080 lb) S3226E 272 kg (600 lb) S4726E 544 kg (1200 lb) S4732E 381 kg (840 lb)	
Battery disconnect switch	Shuts off all controls		
Upper Controls			
Operating controls	Check for smooth operation and proper speed		
Parking brakes	Proper operation		
Emergency stop	Shuts off power to upper controls		
Lowering alarm–if equipped	Verify that alarm sounds while the platform is lowering		
Drive motion alarm –if equipped	Verify that alarm sounds while chassis is in motion		
Electrical power outlet	Check for proper operation of outlet and GFCI		
Travel speed	Verify proper travel speed		
	Low speed – all models	0.4 mph = 50ft in 85 secs (0.6 km/h = 15.2m in 85 secs)	
	0.4 mph (0.6 km/h)		
	High speed – S3215E	2.4 mph = 50ft in 14 secs (3.9 km/h = 15.2m in 14 secs)	
	2.4 mph (3.9 km/h)		
	High speed – S3219E	2.0 mph = 50ft in 17 secs (3.2 km/h = 15.2m in 17 secs)	
	2.0 mph (3.2 km/h)		
	High speed S3220E/S3226E/S4726E/S4732E	2.3 mph = 50ft in 15 secs (3.7 km/h = 15.2m in 15 secs)	
	2.3 mph (3.7 km/h)		
Horn			
Battery condition indicator	Check for wear and damage		
Options			
Flashing light	Check for proper operation		
Level Sensor Interlock Test			
	Check for proper operation		
	A. Park the machine on a level surface. Place a smart level on the chassis in the front-to-back direction. Zero the level.		
	B. Elevate the front tires to the approximate height as follows:		
	S3215E/S3219E		
	3 3/8" (86 mm)		
	S3220E/S3226E/S4726E/S4732E		
	4 3/4" (121 mm)		
	Verify the chassis inclination is no more than 3.7 degrees. Verify the platform will raise and lower through its full range of motion.		
	Continued on next page...		

Frequent Inspection and Maintenance – Every 90 Days or 150 Hours


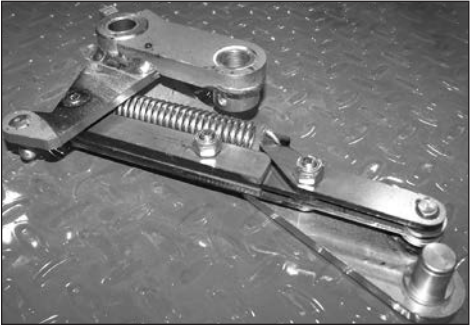
Item	Procedure	Information	Ok
<p>Level Sensor Interlock Test</p>	<p>C. Elevate the front tires to the approximate height as follows: S3215E/S3219E 4 1/8" (105 mm) S3220E/S3226E/S4726E/S4732E 6" (152 mm)</p> <p>Verify the chassis inclination is between 4.2 and 4.4 degrees. Verify that the lift function cuts out automatically and the alarm sounds before the platform reaches an elevation of 6' (1.8 m). All drive functions must also cut out.</p> <p>D. Repeat steps B and C elevating the rear tires.</p> <p>E. Place the smart level on the chassis in the side-to-side direction. Zero the level. Elevate the front tires on the right side of the machine to the approximate height as follows: S3215E/S3219E/S3220E/S3226E 3/4" (19 mm) S4726E/S4732E 1 1/8" (29 mm)</p> <p>Verify the chassis inclination is no more than 1.8 degrees. Verify the platform will raise and lower through its full range of motion.</p> <p>F. Elevate the front tires on the right side of the machine to the approximate height as follows: S3215E/S3219E/S3220E/S3226E 1" (25 mm) S4726E/S4732E 1 3/4" (44 mm)</p> <p>Verify the chassis inclination is between 2.2 and 2.4 degrees. Verify that the lift function cuts out automatically and the alarm sounds before the platform reaches an elevation of 6' (1.8 m). All drive functions must also cut out.</p> <p>G. Repeat steps E and F for the left side of machine.</p> <p>H. Adjust/replace the level sensor as required.</p>		

Performed by: _____ Date: _____

Annual Maintenance – Every 500 Hours

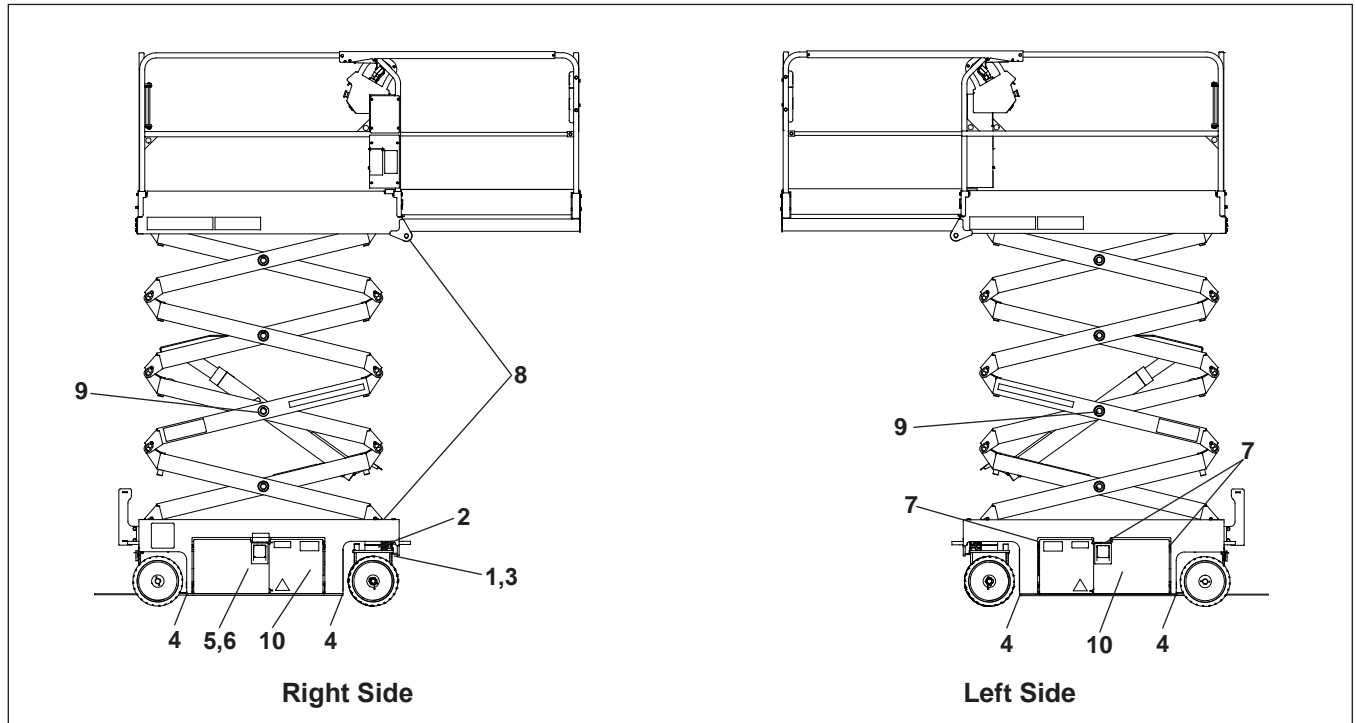
Item	Procedure	Information	Ok
Frequent Maintenance Checklist	Complete Frequent Maintenance		
Hydraulic System			
Hydraulic fluid condition	Drain, flush, and clean hydraulic system. Refill with new fluid.	Above 10°F (-12°C) Mobil DTE-13M, ISO VG32 Below 10°F (-12°C) Mobil DTE-11M, ISO VG15	
Return filter	Replace	Refer to Parts Manual for filter part number	
System pressures	Check system relief pressure	System Relief Pressure 2,900 to 3100 psi (200 to 214 bar)	
Machines with Overtravel Linkage Only Test Pothole Protection Overtravel Assembly	<p>A. Using a forklift capable of supporting the weight of the machine, raise the machine from the rear forklift pockets about 2 feet off the ground.</p> <p>B. Raise the platform and remove the chassis cover at the front of the machine.</p> <p>C. Hold a 2x4 approx. 30.5" long for S3219E/S3226E or approx. 46" long for S4726E/S4732E machines between the pothole skids to prevent the skids from retracting.</p> <p>D. Lower the platform so the stack pushes against the moveable link pin until a "POP" is heard. This will indicate that the overtravel assembly has tripped due to an obstruction between the pothole skids, not allowing them to fully retract. The stack still should be able to be lowered to stowed position.</p> <p>E. Verify the overtravel linkage has tripped. Refer to Figure 1.</p> <p>Continued on next page...</p>		

Annual Maintenance – Every 500 Hours

Item	Procedure	Information	Ok
<p>Test Pothole Protection Overtravel Assembly</p>	<div style="text-align: center;">  <p>Figure 1 – Overtravel Linkage Tripped</p> </div> <p>F. Slightly raise the stack and remove the 2 x 4. You may hear the same “POP” when the overtravel assembly resets. Refer to Figure 2.</p> <div style="text-align: center;">  <p>Figure 2 – Overtravel Linkage Reset</p> </div> <p>G. Reinstall the chassis cover, lower the platform, and set the machine on the ground.</p>		

Performed by: _____

Date: _____



Lubrication Points

Lubrication

Specific lubricants as recommended by Snorkel, should be used in maintaining the unit. If in doubt regarding the use of lubricants other than those listed, contact Snorkel Customer Service Department for evaluation and recommendation.

Anytime the aerial platform is elevated to perform maintenance work, properly position the safety prop as outlined on the safety prop decal.

⚠ Danger

Pinch points exist on the scissors structure. Death or serious injury will result if the scissors structure drops onto personnel working within the scissors arms or under the raised platform. Properly position the safety prop before reaching through the scissors structure.

Refer to the above lubrication illustration for location of item numbers.

Service all lubrication points as indicated in the Maintenance Schedule and lubrication illustration. Wipe away all excess lubricant from exposed surfaces. Over lubrication can collect dirt and foreign matter which acts as an abrasive. Lubrication of accessory equipment should be in accordance with the manufacturer's recommendations.

Tie Rods – Item 1

Tie rod bearings are self lubricating. Check bearings for signs of damage and excessive wear as outlined in the maintenance schedule. Do not lubricate tie rod bearings.

King Pins – Item 2

King pin bearings are self lubricating. Check bearings for signs of damage and excessive wear as outlined in the maintenance schedule. Do not lubricate king pin bearings.

Steer Cylinder Ends – Item 3

Lubricate using a petroleum based spray lubricant following the Frequent Inspection and Maintenance schedule.

Pothole Protectors – Item 4

Pothole protector bearings are self lubricating. Check bearings for signs of damage and excessive wear as outlined in the maintenance schedule. Do not lubricate pothole protector bearings.

Hydraulic Oil Reservoir – Item 5

The fluid must be visible on the reservoir dip stick/visible in the sight glass and should be checked with all cylinders fully retracted.

The interior of the reservoir should be cleaned each time the hydraulic oil is changed.

Any time the hydraulic oil is changed or added, it is absolutely necessary that only clean hydraulic oil is used.

Note

If it becomes necessary to add or use an oil other than the recommended fluid, it is important that it be compatible and equivalent to the factory fill. Local oil suppliers can generally furnish this information.

If questions still remain, contact Snorkel Customer Service Department for further information.

Return Filter – Item 6

The hydraulic oil return filter is mounted on the top of the hydraulic oil reservoir.

The filter element is a throwaway type filter and should be changed after the initial break-in period (approximately 50 hours operation time).

Check the filter condition during the Frequent Inspection and Maintenance or more frequently under extreme working conditions.

When changing the filter element, the oil inside of the filter element, should be examined for deposits of metal cuttings, which if present, could indicate excessive wear in some of the system components.

Tray Hinges and Latches – Item 7

Tray hinges bearings are self lubricating. Check bearings for signs of damage and excessive wear as outlined in the maintenance schedule. Do not lubricate tray hinge bearings.

Slide Pads/Rollers – Item 8

Check slide pads and rollers for excessive wear and replace as required. The slide pads and rollers do not require lubrication.

Machines with the platform overload system – lubricate the slide pads with a spray dry-film lubricant as required for smooth operation before overload calibration.

Scissor Arm Bearings – Item 9

Scissor arm bearings are self lubricating. Check bearings for signs of damage and excessive wear as outlined in the maintenance schedule. Do not lubricate scissor arm bearings.

Batteries – Item 10

The batteries and battery cables should be checked to assure that the connections are tight and free of corrosion. Fluid level should be maintained to assure that the batteries will maintain proper charge.

Check the batteries specific gravity per the maintenance schedule.

The batteries are enclosed within a tray located on the side of the machine. For access to the batteries when the machine is lowered, position the machine on a hard level surface, unlatch and open tray.

Warning

Battery acid can damage the skin and eyes. Serious infection or reaction can result if medical treatment is not given immediately. Wear face and eye protection when working near the batteries.

Wear rubber gloves and protective clothing to keep acid off skin, if acid contacts skin, wash off immediately with clear water.

Lead-acid batteries produce flammable and explosive gases. Never allow smoking, flames or sparks around batteries.

Battery Care and Maintenance

The following information about battery care and maintenance was supplied by Interstate Batteries and is reprinted here with their permission.

1. New batteries need to be cycled several times before reaching full capacity (20-50 cycles, depending on type). Usage should be limited during this period.
2. Always recharge batteries fully, immediately after use. Batteries perform best when they are fully charged. More capacity and longer life will result from this practice.
3. The deeper the discharge, the fewer number of cycles a lead-acid battery will deliver. Deep discharges deteriorate the battery quicker than lighter shallow cycles.
4. Battery cables should be intact and connectors kept tight at all times. Systematic inspection is recommended.
5. Vent caps should be kept in place and tight during vehicle operation and battery charging.
6. Batteries should be kept clean – free of dirt and corrosion – at all times. Always keep the top of batteries clean. A film on top of the battery can cause the current to migrate between the posts, accelerating self discharge.
7. Never let the electrolyte level of a lead-acid battery fall below the plates. Lack of maintaining the electrolyte in a lead-acid battery causes damage to the exposed portion of the plate which reduces capacity.
8. Always check electrolyte level before charging. Do not add water to individual cells unless plates are exposed. Batteries should be watered after charging unless the plates are exposed before charging. If exposed before charging, the plates should be covered by approximately 1/8" of water. Check water level after charging. Water should be kept 1/4" below the bottom of the fill tube in the cell cover.
9. Water used to replenish batteries should be distilled or treated to not exceed 200 T.D.S. (total dissolved solids... parts per million). Particular care should be taken to avoid metallic solids (iron).
10. A fully charged battery will give you the best and longest service. Be sure the batteries are fully

charged before testing or using. A fully charged battery, without a drain or load, after the surface charge has dissipated, is 6.35 volts for a 6 volt battery.

11. Batteries should not be discharged below 20% of capacity (approximately 1.8 volts per cell under normal operating load; 1.98 volts open circuit; 1.145 specific gravity). Proper battery sizing will help avoid excessive discharge.
12. Battery chargers should be sized to fully charge batteries in an eight hour period. Chargers should be kept in proper operating condition.
13. Do not use a mismatched charger of any type; i.e., a 12 volt charger on a 24 volt pack or a 24 volt charger on a 12 volt pack. An undersized charger will never get the job done, no matter how long it tries. An oversized charger will cause excess gassing and heat that could possibly result in a battery meltdown and/or explosion.
14. Never charge a lead-acid battery with a sealed (gel cell) battery charger. The lead-acid battery needs higher voltage to finish its charge. Without it the battery will never come back to 100% and sulfation can occur.
15. Always allow batteries to cool off after charging. The cooling time is very important because heat is generated during the recharge and discharge cycles. Without the cooling time the heat grows, accelerating grid corrosion which is one of the major causes of battery failure. Charging practice should enable batteries to cool before use.
16. Deep cycle batteries need to be equalized periodically. Equalizing is an extended, low current charge performed after the normal charge cycle. It helps keep cells in balance. Actively used batteries should be equalized once per week. Manually timed chargers should have the charge time extended approximately 3 hours. Automatically controlled chargers should be unplugged and reconnected after completing a charge cycle.
17. In situations where multiple batteries are connected in series, parallel or series-parallel, a replacement battery's should be of the same size, age and usage level as the companion batteries. Do not put a new battery in a pack that has 50 or more cycles. Either replace all the batteries with new batteries or install a good used battery's in place of the bad. New batteries should be given a full charge before use.
18. Periodic battery testing is an important preventative maintenance procedure. Hydrometer readings of each cell (fully charged) give an indication of balance and true charge level. Imbalance could mean the need for equalizing and is often a sign of improper charging or a bad cell. Voltage checks (open circuit, charged and discharged) can locate a bad cell or weak battery. Load testing will pick out a bad cell when other methods fail. The point is to look for the abnormal. A weak cell or battery will cause premature failure of companion cells or batteries respectively.
19. As batteries age, their maintenance requirements change, Generally their specific gravity is higher and gassing voltage goes up. This means longer charging time and/or higher finish rate (higher amperage at the end of charge). Usually, older batteries need to be watered more often and their capacity decreases.
20. "Opportunity charging", a short partial charge during an extended duty cycle, is a controversial subject. Generally, the practice is a "crutch" to make up for undersized batteries. The correct approach is to install adequate battery capacity. If this is impossible because of lack of space in the battery compartment or extreme operating conditions (24 hour intermittent use, as an example), "opportunity charging" is better than excessive battery discharging. However, the practice can cause batteries to overheat, require more watering and usually will shorten battery life. "Opportunity charging" is a trade off; something to avoid if possible. One charging cycle per day is preferable.
21. Extreme temperatures can substantially affect battery performance and charging. Cold reduces battery capacity and retards charging. Heat increases water usage and can result in overcharging. Very high temperature can cause "thermal run away" which may lead to an explosion or fire. If extreme temperature is an unavoidable part of an application, consult a battery/charger specialist about ways to deal with the problem.
22. An overly discharged battery might need to be cycled a few times before it can recover fully. If a battery begins to heat before coming up to a full charge, it might be necessary to discharge the battery and recharge it a few times. The charge and discharge cycle might help the current acceptance of the battery and facilitate its recovery to a usable condition.
23. Inactivity can be harmful to deep cycle batteries. If they sit for several months, a "boost" charge should be given – more frequently in warm climate (about once a month) than in cold (every 2-3 months).
24. Never store a battery in a discharged state. The sulfate that forms during discharge can make the battery impossible to recharge fully.

Battery Charger

The aerial platform is equipped with an onboard automatic battery charger. This charger has an electronic circuit that will completely recharge the batteries and automatically turn off after the charge cycle is completed.

The charging cycle may last 1 1/2 to 18 hours depending on the state of charge of the batteries. If the charging cycle should exceed 18 hours without the batteries being fully recharged, the charger should be shut off and the batteries should be checked.

General Charging Cautions





1. Do not recharge batteries unless Electrolyte level has been checked. Operate charger in accordance with the battery charging instructions outline in this manual. Place the battery disconnect switch in the off position before charging batteries.
2. Do not smoke or introduce a flame or spark in the charging area.

Warning

Batteries give off hydrogen and oxygen that can combine explosively. Death or serious injury can result from a chemical explosion. Charge the batteries only in a well ventilated area away from sparks or flame.

3. Use protective face and eye equipment when checking the condition of charging batteries.

Fastener Torque Chart – Standard System

Bolt Grade	SAE Grade 1 or 2	SAE Grade 5	SAE Grade 6	SAE Grade 8
Marking				
Definition	Indeterminate Quality	Minimum Commercial Quality	Medium Commercial Quality	Best Commercial Quality
Material	Low Carbon Steel	Medium Carbon Steel Tempered	Medium Carbon Steel Quenched and Tempered	Medium Carbon Alloy Steel Quenched and Tempered
Minimum Tensile Strength	64,000 psi.	105,000 psi	133,000 psi.	150,000 psi
Bolt Size	Recommended Torque Value (ft lbs)			
1/4	5	7	10	10.5
5/16	9	14	19	22
3/8	15	25	34	37
7/16	24	40	55	60
1/2	37	60	85	92
9/16	53	88	120	132
5/8	74	120	167	180
3/4	120	200	280	296
7/8	190	302	440	473
1	282	466	660	714

Torque chart information:

- Consult manufacturers' specific recommendations, when available.
- The chart may be used with both coarse and fine thread fasteners lightly lubricated.
- Increase torque by 20% when multiple tapered tooth (shake proof) lock washers are used.
- The torque values are given in foot-pounds.
- Inch/pound equivalent may be obtained by multiplying by 12.

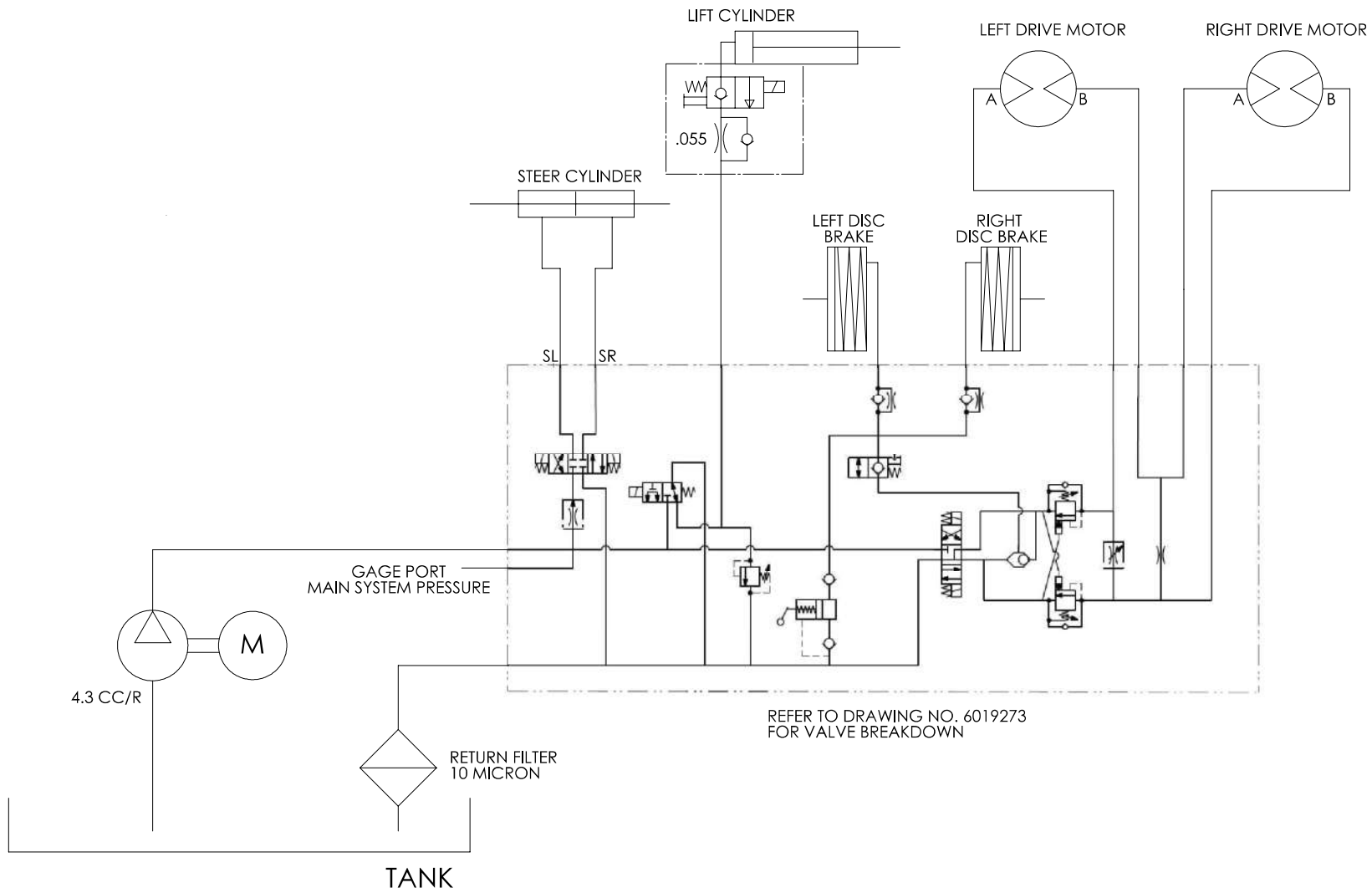
Fastener Torque Chart – Metric System

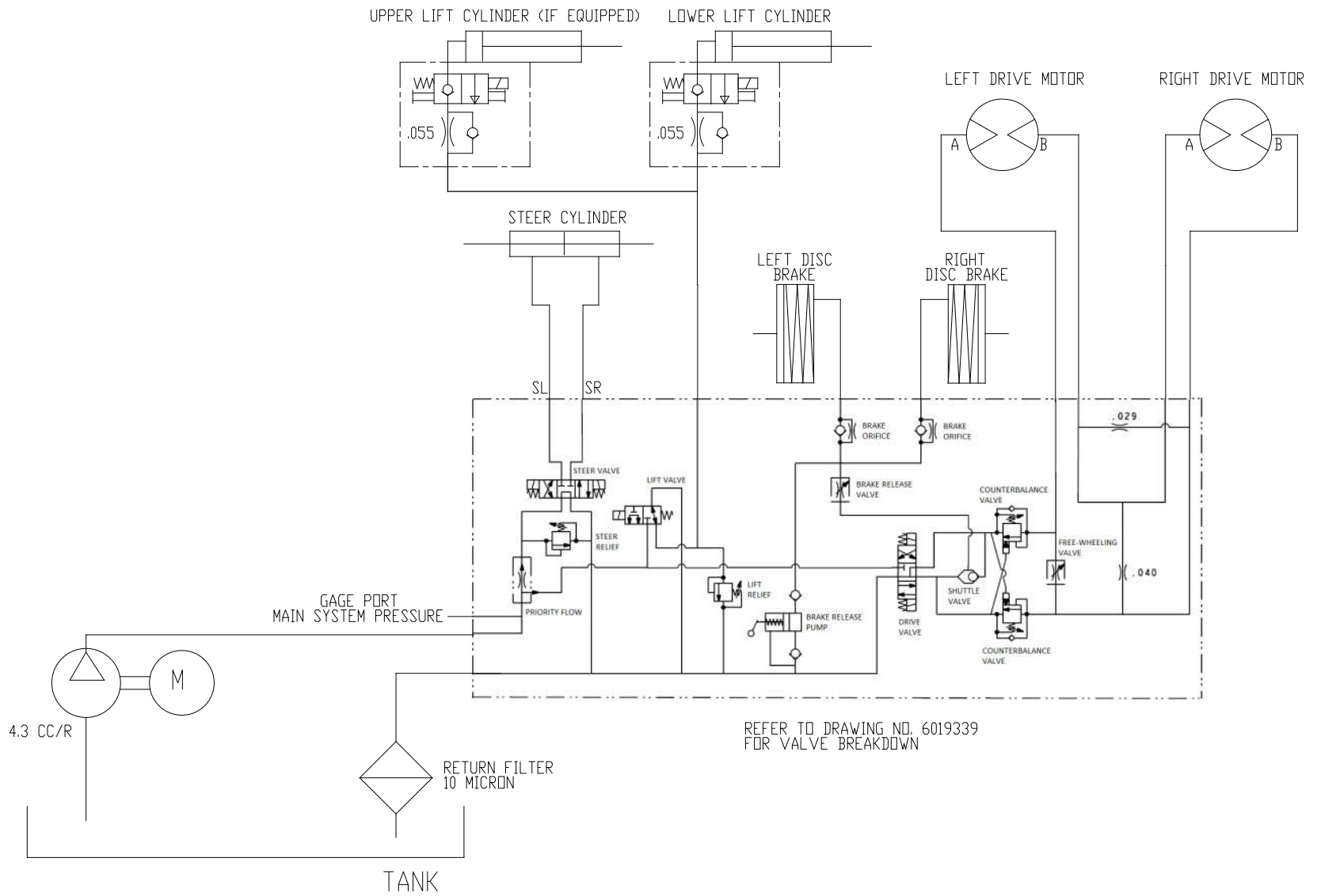
Capscrew	Grade 8.8					Grade 10.9				
	In-LBS Dry	In-LBS Lubed	FT-LBS Dry	FT-LBS Lubed	Clamp Load (lb)	In-LBS Dry	In-LBS Lubed	FT-LBS Dry	FT-LBS Lubed	Clamp Load (lb)
M4 - 0.7	27	20			861	36	24			1,173
M5 - 0.8	55	41			1,394	72	60			1,895
M6 - 1.0	93	70			1,971	132	96			2,686
M8 - 1.25	228	168	19	14	3,591	312	228			4,889
M8 - 1.0	240	180	20	15	3,844	336	252			5,232
M10 - 1.5			37	28	5,693			51	38	7,744
M10 - 1.25			39	30	6,008			54	41	8,171
M12 - 1.75			65	49	8,273			89	66	11,257
M12 - 1.25			71	53	9,037			96	72	12,297
M14 - 2.0			103	77	11,285			140	107	15,354
M14 - 1.5			114	85	12,263			155	114	16,691
M16 - 2.0			162	122	15,404			221	166	20,963
M16 - 1.5			173	129	16,388			236	177	22,311
M18 - 2.5			222	167	19,423			235	176	
M18 - 1.5										
M20 - 2.5			317	236	24,042			428	321	32,720
M20 - 1.5			350	262	26,695			479	358	36,316
M22 - 2.5			428	321	30,651			452	339	
M22 - 1.5										
M24 - 3.0			546	409	34,642			745	557	47,141
M24 - 2.0			594	446	37,676			811	605	51,277
M27 - 3.0			796	597	45,039			1,084	811	61,292
M27 - 2.0			863	645	58,785			1,173	848	66,226
M30 - 3.5			1084	811	55,054			1,475	1106	74,915
M30 - 3.0			1121	841	56,908			1,527	1143	77,444
M30 - 2.0			1202	900	60,932			1,630	1224	82,917

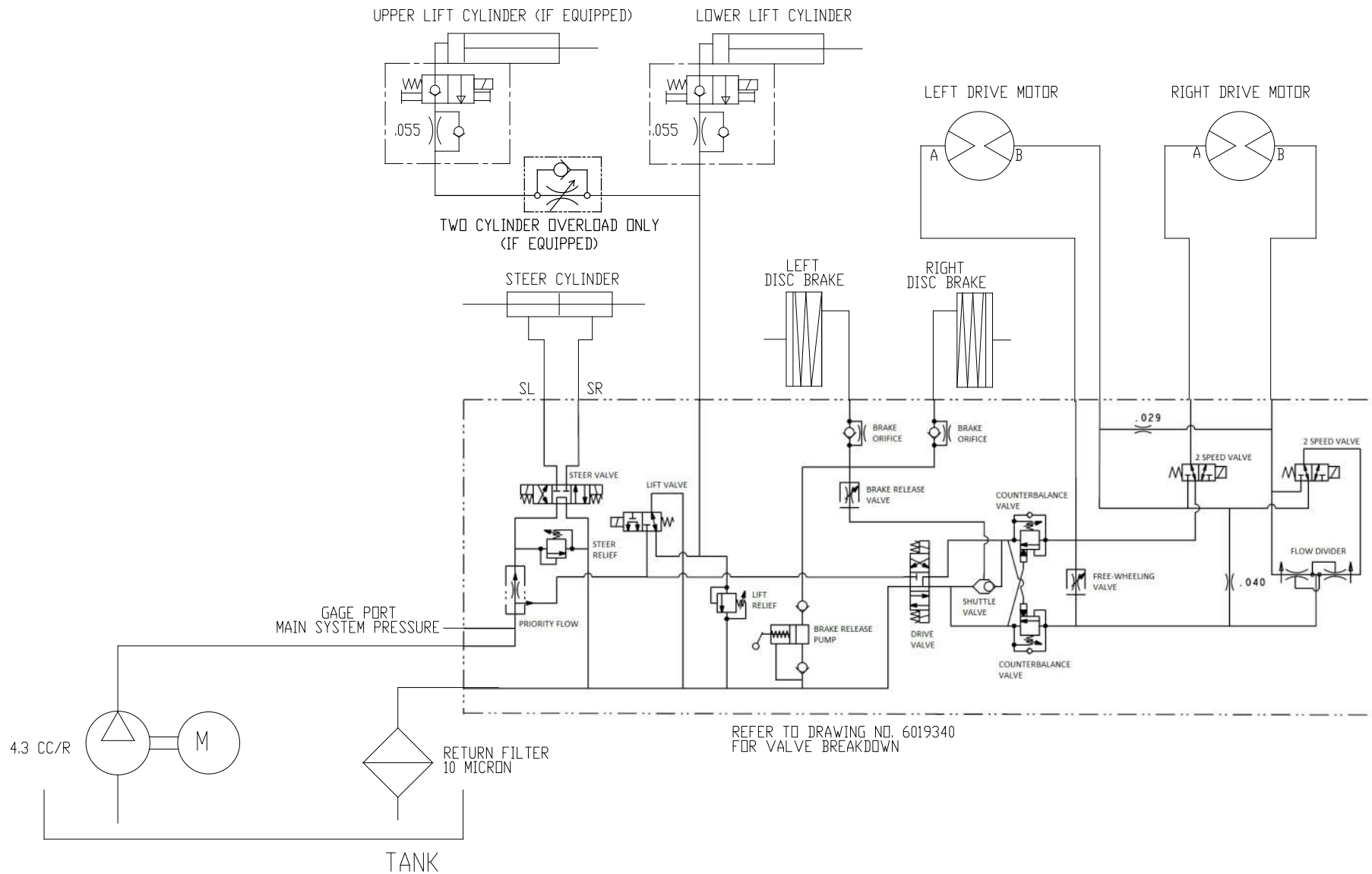
Rev D

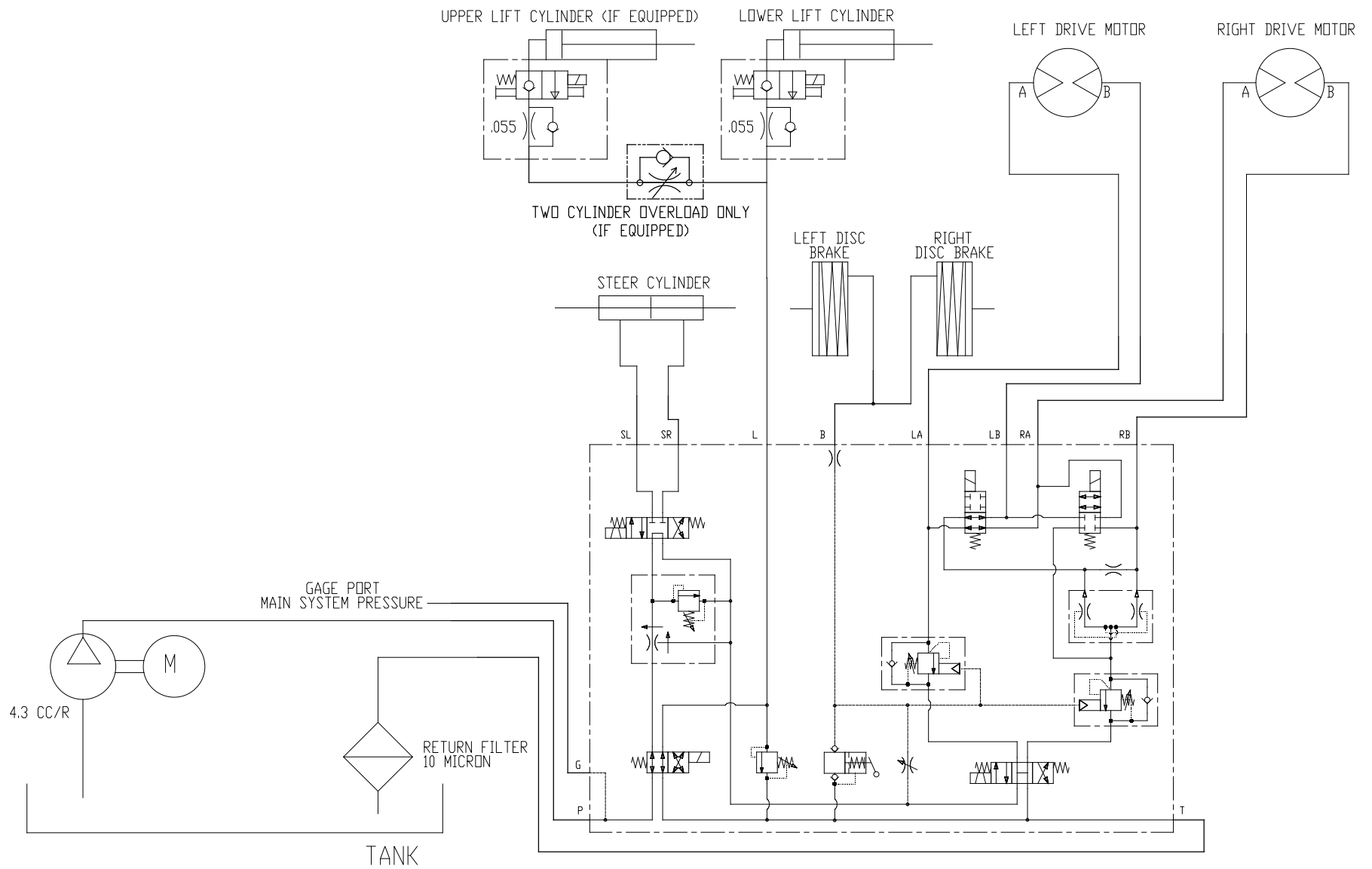
Torque chart information:

- Consult manufacturers' specific recommendations, when available.
- The chart may be used with both coarse and fine thread fasteners lightly lubricated.
- Increase torque by 20% when multiple tapered tooth (shake proof) lock washers are used.
- Foot/pound equivalent may be obtained by dividing by 12.
- Inch/pound equivalent may be obtained by multiplying by 12.
- Newton/meter equivalent may be obtained by multiplying inch/pound by 0.1130.
- Newton/meter equivalent may be obtained by multiplying foot/pound by 1.3558.





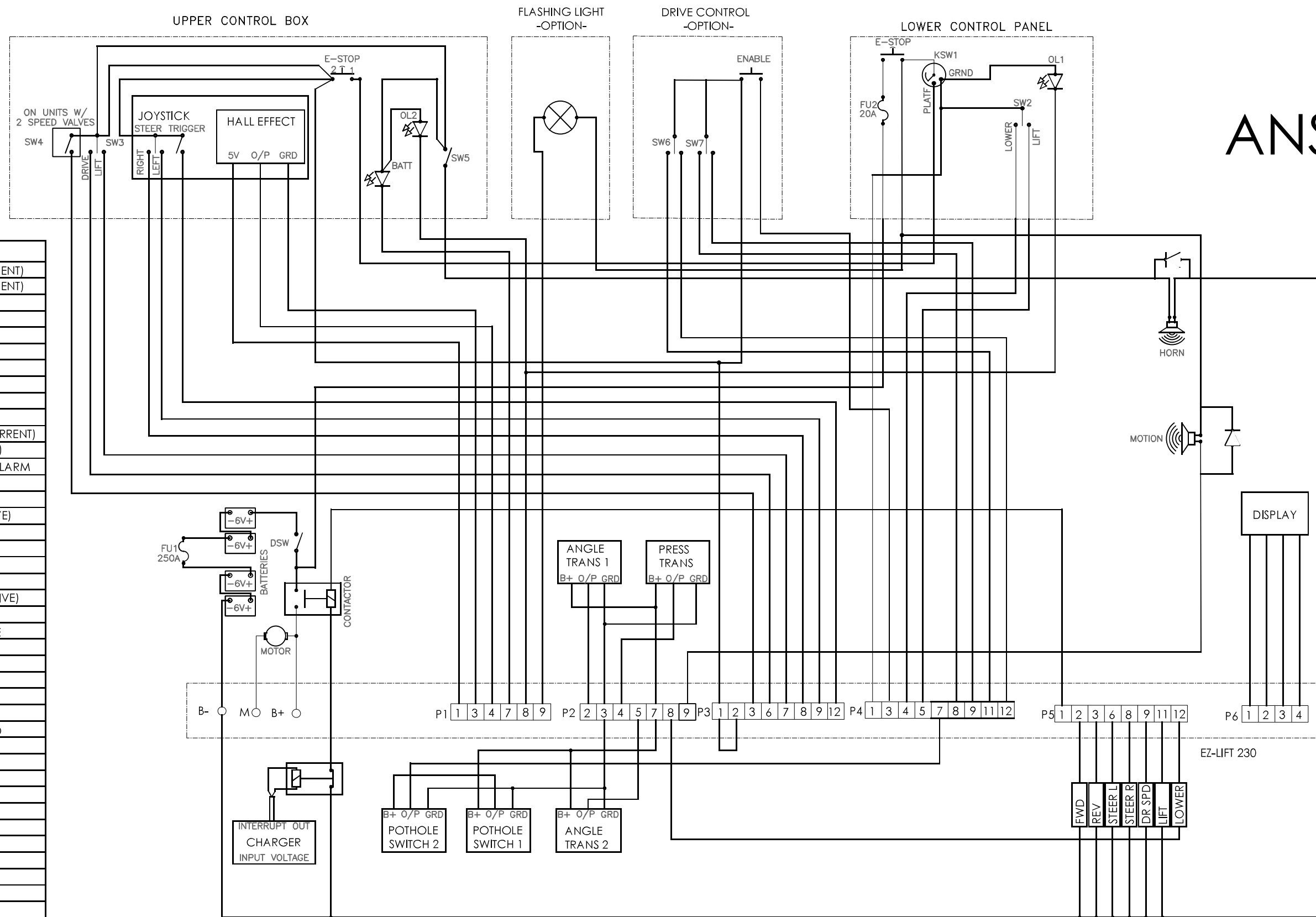




REFER TO DRAWING NO. 6019378 FOR VALVE BREAKDOWN

ANSI

EZ230 CONNECTIONS	
P1-1	5V TO JOYSTICK (LOW CURRENT)
P1-3	0V TO JOYSTICK (LOW CURRENT)
P1-4	Joystick analog input
P1-7	LOW BATTERY LIGHT (0V)
P1-8	OVERLOAD LIGHT (0V)
P1-9	FLASHING LIGHT (0V)
P2-2	ANGLE SENSOR #1 INPUT
P2-3	0V (LOW CURRENT)
P2-4	PRESSURE SENSOR INPUT
P2-5	ANGLE SENSOR #2 INPUT
P2-7	SENSOR VOLTAGE (LOW CURRENT)
P2-8	STACK LOWER (0V = ACTIVE)
P2-9	OVERLOAD AND MOTION ALARM
P3-1	PLATFORM INPUT
P3-2	VALVE SUPPLY
P3-3	2-SPEED SWITCH (B+ = ACTIVE)
P3-6	DRIVE SWITCH (B+ = ACTIVE)
P3-7	LIFT SWITCH (B+ = ACTIVE)
P3-8	STEER RIGHT (B+ = ACTIVE)
P3-9	STEER LEFT (B+ = ACTIVE)
P3-12	JOYSTICK ENABLE (B+ = ACTIVE)
P4-1	GROUND CONTROL INPUT
P4-3	LOADING CONTROL ENABLE
P4-4	GROUND CONTROL LOWER
P4-5	GROUND CONTROL LIFT
P4-7	POTHOLE SENSOR INPUT
P4-8	LOADING - STEER LEFT
P4-9	LOADING - STEER RIGHT
P4-11	LOADING - DRIVE FORWARD
P4-12	LOADING - DRIVE REVERSE
P5-1	CONTACTOR OUTPUT
P5-2	FORWARD VALVE OUTPUT
P5-3	REVERSE VALVE OUTPUT
P5-6	STEER LEFT VALVE OUTPUT
P5-8	STEER RIGHT VALVE OUTPUT
P5-9	2 SPEED VALVE OUTPUT
P5-11	LIFT VALVE OUPUT
P5-12	LOWER VALVE OUTPUT
P6-1	DISPLAY SUPPLY
P6-2	DISPLAY RECEIVE
P6-3	DISPLAY TRANSMIT
P6-4	DISPLAY 0V RETURN

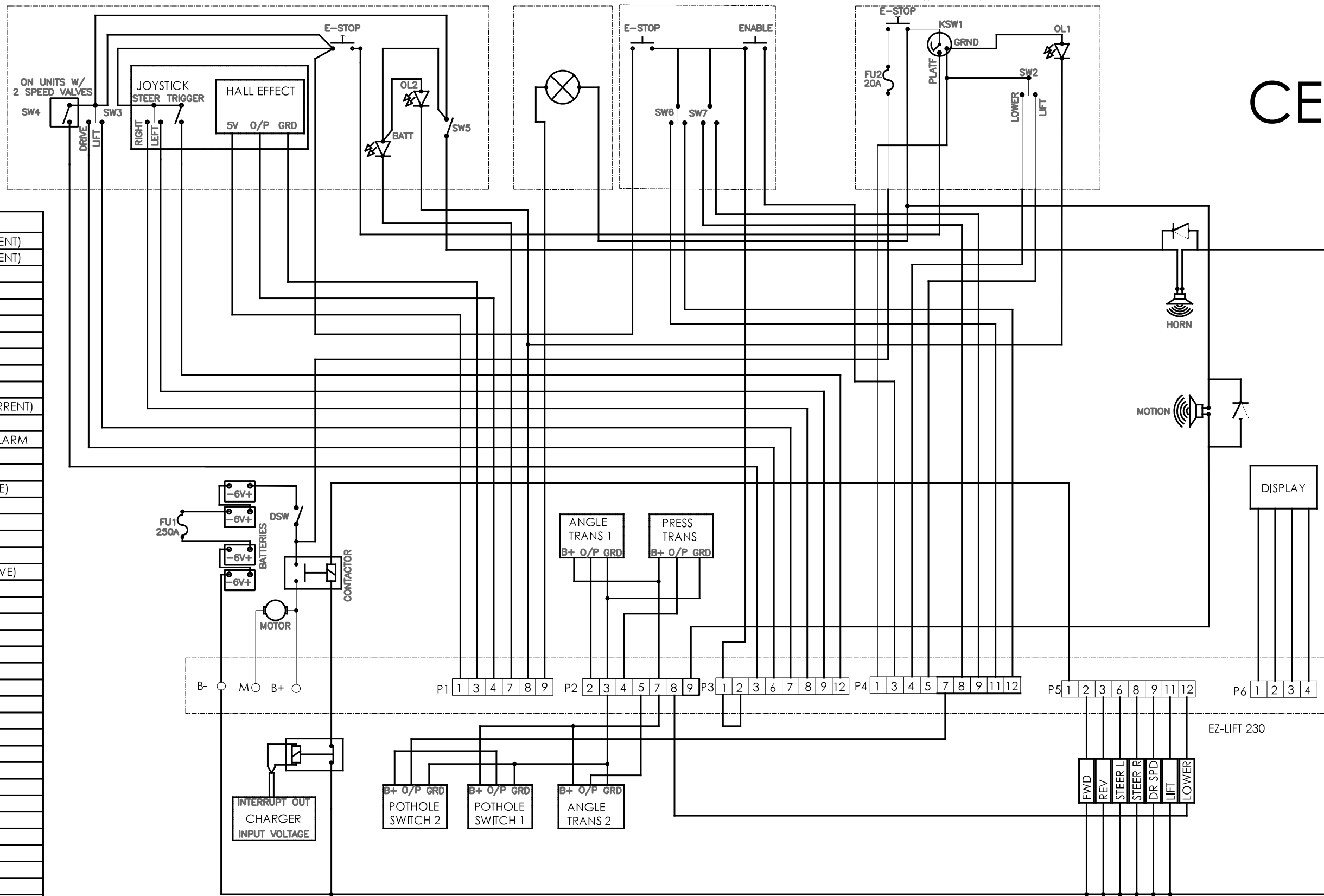


UPPER CONTROL BOX

FLASHING LIGHT
-OPTION-

DRIVE CONTROL
-OPTION-

LOWER CONTROL PANEL



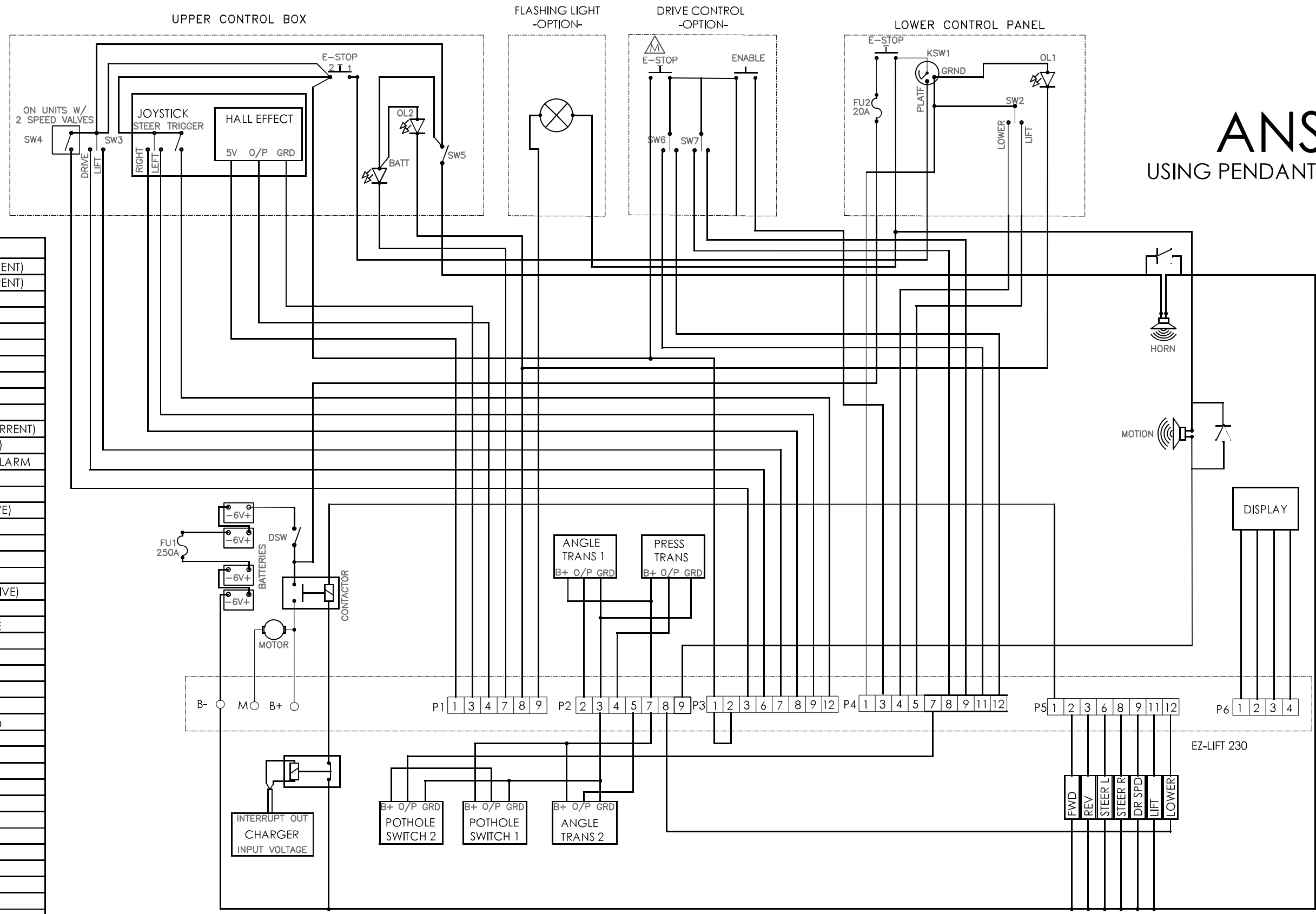
CE

EZ230 CONNECTIONS	
P1-1	5V TO JOYSTICK (LOW CURRENT)
P1-3	0V TO JOYSTICK (LOW CURRENT)
P1-4	Joystick analog input
P1-7	LOW BATTERY LIGHT (0V)
P1-8	OVERLOAD LIGHT (0V)
P1-9	FLASHING LIGHT (0V)
P2-2	ANGLE SENSOR #1 INPUT
P2-3	0V (LOW CURRENT)
P2-4	PRESSURE SENSOR INPUT
P2-5	ANGLE SENSOR #2 INPUT
P2-7	SENSOR VOLTAGE (LOW CURRENT)
P2-8	STACK LOWER (0V = ACTIVE)
P2-9	OVERLOAD AND MOTION ALARM
P3-1	PLATFORM INPUT
P3-2	VALVE SUPPLY
P3-3	2-SPEED SWITCH (B+ = ACTIVE)
P3-6	DRIVE SWITCH (B+ = ACTIVE)
P3-7	LIFT SWITCH (B+ = ACTIVE)
P3-8	STEER RIGHT (B+ = ACTIVE)
P3-9	STEER LEFT (B+ = ACTIVE)
P3-12	JOYSTICK ENABLE (B+ = ACTIVE)
P4-1	GROUND CONTROL INPUT
P4-3	LOADING CONTROL ENABLE
P4-4	GROUND CONTROL LOWER
P4-5	GROUND CONTROL LIFT
P4-7	POTHOLE SENSOR INPUT
P4-8	LOADING - STEER LEFT
P4-9	LOADING - STEER RIGHT
P4-11	LOADING - DRIVE FORWARD
P4-12	LOADING - DRIVE REVERSE
P5-1	CONTACTOR OUTPUT
P5-2	FORWARD VALVE OUTPUT
P5-3	REVERSE VALVE OUTPUT
P5-6	STEER LEFT VALVE OUTPUT
P5-8	STEER RIGHT VALVE OUTPUT
P5-9	2 SPEED VALVE OUTPUT
P5-11	LIFT VALVE OUPUT
P5-12	LOWER VALVE OUTPUT
P6-1	DISPLAY SUPPLY
P6-2	DISPLAY RECEIVE
P6-3	DISPLAY TRANSMIT
P6-4	DISPLAY 0V RETURN

ANSI

USING PENDANT 1502836

EZ230 CONNECTIONS	
P1-1	5V TO JOYSTICK (LOW CURRENT)
P1-3	0V TO JOYSTICK (LOW CURRENT)
P1-4	Joystick analog input
P1-7	LOW BATTERY LIGHT (0V)
P1-8	OVERLOAD LIGHT (0V)
P1-9	FLASHING LIGHT (0V)
P2-2	ANGLE SENSOR #1 INPUT
P2-3	0V (LOW CURRENT)
P2-4	PRESSURE SENSOR INPUT
P2-5	ANGLE SENSOR #2 INPUT
P2-7	SENSOR VOLTAGE (LOW CURRENT)
P2-8	STACK LOWER (0V = ACTIVE)
P2-9	OVERLOAD AND MOTION ALARM
P3-1	PLATFORM INPUT
P3-2	VALVE SUPPLY
P3-3	2-SPEED SWITCH (B+ = ACTIVE)
P3-6	DRIVE SWITCH (B+ = ACTIVE)
P3-7	LIFT SWITCH (B+ = ACTIVE)
P3-8	STEER RIGHT (B+ = ACTIVE)
P3-9	STEER LEFT (B+ = ACTIVE)
P3-12	JOYSTICK ENABLE (B+ = ACTIVE)
P4-1	GROUND CONTROL INPUT
P4-3	LOADING CONTROL ENABLE
P4-4	GROUND CONTROL LOWER
P4-5	GROUND CONTROL LIFT
P4-7	POTHOLE SENSOR INPUT
P4-8	LOADING - STEER LEFT
P4-9	LOADING - STEER RIGHT
P4-11	LOADING - DRIVE FORWARD
P4-12	LOADING - DRIVE REVERSE
P5-1	CONTACTOR OUTPUT
P5-2	FORWARD VALVE OUTPUT
P5-3	REVERSE VALVE OUTPUT
P5-6	STEER LEFT VALVE OUTPUT
P5-8	STEER RIGHT VALVE OUTPUT
P5-9	2 SPEED VALVE OUTPUT
P5-11	LIFT VALVE OUPUT
P5-12	LOWER VALVE OUTPUT
P6-1	DISPLAY SUPPLY
P6-2	DISPLAY RECEIVE
P6-3	DISPLAY TRANSMIT
P6-4	DISPLAY 0V RETURN



A		BRAKE DALI S/N S3219E-04-002034, S4732E-04-000561 AND AFTER	3-3
110 VOLT ASSEMBLY CHINA	4-37	BRUSH ASSEMBLY	5-46
110 VOLT ASSEMBLY APRIL 2017 AND AFTER	4-35	BUMP GUARD ASSEMBLY S3215E S3219E ASSEMBLY SEPTEMBER 2019 AND AFTER	4-19, 5-58
110 VOLT JUMPER HARNESS	4-36	BUMP GUARD ASSEMBLY SEPTEMBER 2019 AND AFTER	4-20
6H PLUG AND SOCKET	5-4	CHARGER INTERLOCK DELETE ANSI	5-2
ADD ON ASSEMBLY ANSI S3215E	2-57	CHASSIS / STACK ASSEMBLY S3215E NOVEMBER 2019 AND AFTER	2-3
AIRLINE S3215E	5-22	CHASSIS /STACK ASSEMBLY S3215E JANUARY 2020 AND AFTER	2-39
AMBER BEACON ASSEMBLY ANSI CE AUSTRALIA OCTOBER 2016 AND AFTER	5-10	CHASSIS AND STACK ASSEMBLY OCTOBER 2015 AND AFTER	2-37
AMBER BEACON ASSEMBLY ANSI JUNE 2019 AND AFTER	5-14	CHASSIS AND STACK ASSEMBLY S3215E S3219E SEPTEMBER 2015 AND BEFORE	2-36
AMBER BEACON ASSEMBLY JUNE 2017 AND AFTER	5-12	CHASSIS ASSEMBLY ANSI S3219E-04-181006621 THROUGH CURRENT	2-6
AMBER BEACON HARNESS	5-15	CHASSIS ASSEMBLY CHINA S3215E S3219E MARCH 2018 AND AFTER	2-7
AMBER BEACON INSTALLATION ANSI JUNE 2019 AND AFTER	5-13	CHASSIS ASSEMBLY CHINA S3215E S3219E JANUARY 2020 AND AFTER	2-8
AMBER BEACON INSTALLATION CE OCTOBER 2016 AND AFTER	5-11	CHASSIS ASSEMBLY OCTOBER 2016 AND AFTER	2-2
ANGLE TRANSDUCER COVER	5-19	CHASSIS ASSEMBLY S3215E JANUARY 2016 AND AFTER	2-1
ANGLE TRANSDUCER JUMPER JANUARY 2019 AND AFTER	4-5	CHASSIS HARNESS ANSI (SERVICE USE 150198428)	4-1
ANSI CSA FOLDING HANDRAILS FIXED UPPER CONTROL BOX FOOT LATCH ASSEMBLY JUNE 2019 AND AFTER	2-70	CHASSIS HARNESS ANSI CE AS S3215E S3219E JANUARY 2019 AND AFTER	4-4
ANSI CSA ASSEMBLY S3215E S3215L S3219E JANUARY 2020 AND AFTER	2-35	CHASSIS HARNESS ANSI S3215E S3215L S3219E S3219E-04-181006663 AND AFTER	4-3
ANSI CSA ASSEMBLY S3215E S3219E JUNE 2019 AND AFTER	2-20	CHASSIS HARNESS ANSI S3219E-04-002296 AND	
ANSI SNORKEL GUARD PLATFORM CONTROL BOX 2SPD ASSEMBLY AUGUST 2018 AND AFTER	5-51		
AUSTRALIA NEW ZEALAND PLUG	5-7		

AFTER	4-2	AND AFTER	2-84
CHASSIS STACK ASSEMBLY S3215E		DECAL ASSEMBLY CE S3215E MAY 2016 AND	
OCTOBER 2018 AND AFTER	2-38	BEFORE	2-83
CONNECTOR CHARGER INTERLOCK		DECAL ASSEMBLY CSA FRENCH S3215E	2-92
DELETE	5-3	DECAL ASSEMBLY CSA S3215E	2-89
CONTROL BOX WEATHER GUARD KIT	5-57	DECAL ASSEMBLY CSA S3215E	2-90
CONTROL TRAY ASSEMBLY AUSTRALIA		DECAL ASSEMBLY CSA S3215E OCTOBER 2019	
CE S3215E S3219E OCTOBER 2016 AND		AND AFTER	2-91
AFTER	2-25	DOUBLE PROX SENSOR HARNESS JANUARY 2016	
CONTROL TRAY ASSEMBLY AUSTRALIA		AND AFTER	4-6
CE S3215E S3219E MARCH 2015 AND AFTER		DRIVE CONTROL PENDANT	4-14
.....	2-24	DRIVE MOTOR DALI 230CC MAY 2016 AND AFTER	
CONTROL TRAY ASSEMBLY AUSTRALIA		3-2
CE S3215L S3215E S3219E APRIL 2019 AND		DRIVE MOTOR WHITE JULY 2014 AND AFTER	3-1
AFTER	2-27	DUAL FLASHING LIGHT	5-16, 5-17
CONTROL TRAY ASSEMBLY AUSTRALIA		ENVIRONMENTALLY SAFE OIL S3215E S3215L	
CE S3215L S3215E S3219E OCTOBER 2018		S3219E	5-21
AND AFTER	2-26	FOLDING HANDRAIL CE FIXED UCB FOOT LATCH	
CSA DECALS S3215E ASSEMBLY FRENCH		S3215E S3219E MAY 2019 AND AFTER	2-71
OCTOBER 2019 AND AFTER	2-93	FOLDING HANDRAILS ASSEMBLY ANSI S3215E	
DECAL ASSEMBLY AS S3215E APRIL 2017		S3219E	2-65
AND AFTER	2-87	FOLDING HANDRAILS ASSEMBLY WITH	
DECAL ASSEMBLY AS S3215E OCTOBER		REMOVABLE UPPER CONTROL BOX CE S3215E	
2019 AND AFTER	2-88	S3219E SEPTEMBER 2018 AND BEFORE .	2-68, 5-36
DECAL ASSEMBLY CE S3215E APRIL 2017		FOLDING HANDRAILS ASSEMBLY WITH FOOT	
AND AFTER	2-85	LATCH	5-23
DECAL ASSEMBLY ANSI S3215E JUNE 2017		FOLDING HANDRAILS REMOVEABLE UPPER	
AND AFTER	2-82	CONTROL BOX CE JULY 2019 AND AFTER	2-69, 5-37
DECAL ASSEMBLY ANSI S3215E MAY 2017		GENERIC CHASSIS ASSEMBLY S3215E JANUARY	
AND BEFORE	2-81	2020 AND AFTER	2-5
DECAL ASSEMBLY AS S3215E MARCH 2017		GENERIC CHASSIS ASSEMBLY S3215E OCTOBER	
AND BEFORE	2-86	2018 AND AFTER	2-4
DECAL ASSEMBLY CE S3215E JUNE 2016		GRAVITY GATE ASSEMBLY S3215E S3219E .	2-80,

5-41	LOCKING BATTERY AND REAR TRAY	5-5
GROUND CONTROL PANEL ANSI CE	LYNCH PIN WITH LANYARD ASSEMBLY	2-33
AUSTRALIA ASSEMBLY S3219E-04-002296	MAINTENANCE	6-1
AND AFTER	MAINTENANCE FREE BATTERY OPTION	5-1
GROUND CONTROL PANEL ASSEMBLY CE	MANIFOLD SCISSOR SINGLE SPEED JULY 2015	
AS	AND AFTER	3-4
GROUND CONTROLS HARNESS	MANIFOLD TWO SPEED FLUID TECH (AFTER	
HANDRAIL FOLDING FOOT LATCH CE AS	6019378 MANIFOLD)	3-6
ASSEMBLY MAY 2019 AND AFTER	MANIFOLD TWO SPEED FLUID TECH S3219E-04-	
HANDRAIL SALOON GATE KIT S3215E	170102962 THROUGH CURRENT	3-5
S3219E NOVEMBER 2019 AND AFTER	NON FOLDING HANDRAILS ASEMBLY WITH	
HANDRAILS ASEMBLY ANSI S3215L	FIXED UPPER CONTROL BOX ANSI S3215E S3219E	
S3215E S3219E MAY 2018 AND AFTER	OCTOBER 2018 AND AFTER	5-27
HANDRAILS ASSEMBLY ANSI S3215E	NON FOLDING HANDRAILS ASSEMBLY WITH	
S3215L S3219E APRIL 2018 AND BEFORE	FIXED UPPER CONTROL BOX ANSI S3215E S3219E	
62	JULY 2018 AND AFTER	5-26
HANDRAILS ASSEMBLY CE S3215E S3215L	NON FOLDING HANDRAILS ASSEMBLY AS WITH	
S3219E DECEMBER 2018 AND AFTER	FIXED UPPER CONTROL BOX S3215E S3219E	
HANDRAILS ASSEMBLY CE S3215E S3219E	JULY 2018 AND BEFORE	5-29
MARCH 2019 AND AFTER	NON FOLDING HANDRAILS ASSEMBLY AS WITH	
HANDRAILS FOLDING FIXED UCB	FIXED UPPER CONTROL BOX S3215E S3219E	
ASSEMBLY CSA SEPTEMBER 2019 AND	AUGUST 2018 AND AFTER	5-30
AFTER	NON FOLDING HANDRAILS ASSEMBLY WITH	
HARNESS SCISSORS PDI PENDANT	FIXED UPPER CONTROL BOX ANSI S3215E S3219E	
JANUARY 2020 AND AFTER	DECEMBER 2018 AND AFTER	5-28
HOSE ASSEMBLY	NON FOLDING HANDRAILS ASSEMBLY WITH	
INVERTER ASSEMBLY S3215E S3219E	FIXED UPPER CONTROL BOX AS S3215E S3219E	
INVERTER ASSEMBLY S3215L S3215E	JULY 2018 AND AFTER	2-64
S3219E	NON FOLDING HANDRAILS ASSEMBLY WITH	
JOYSTICK	FIXED UPPER CONTROL BOX AUSTRALIA S3215E	
LIFT CYLINDER FISHER	S3219E DECEMBER 2018 AND AFTER	5-31
LIFT CYLINDER HENGLI	NON FOLDING HANDRAILS ASSEMBLY WITH	
LIFT CYLINDER PB CE	FIXED UPPER CONTROL BOX ANSI S3215E S3219E	
LIFT CYLINDER ROSENBOOM	JUNE 2018 AND BEFORE	5-25

NON FOLDING HANDRAILS ASSEMBLY WITH FOOT LATCH	5-24	PLATFORM ASSEMBLY ANSI CE AUSTRALIA S3215E S3219E JANUARY 2017 AND BEFORE	2-58
NON FOLDING HANDRAILS FIXED UPPER CONTROL BOX ASSEMBLY ANSI FOOT LATCH MAY 2019 AND AFTER	2-72	PLATFORM ASSEMBLY CHINA S3215E S3219E FEBRUARY 2017 AND AFTER	2-61
NON FOLDING HANDRAILS WITH REMOVABLE UPPER CONTROL BOX ASSEMBLY ANSI S3215E S3219E SEPTEMBER 2018 AND BEFORE	5-32	PLATFORM ASSEMBLY CHINA S3215E S3219E JANUARY 2017 AND BEFORE	2-60
NON FOLDING HANDRAILS WITH REMOVABLE UPPER CONTROL BOX ASSEMBLY AS S3215E S3219E MARCH 2017 AND AFTER	5-34	PUMP UNIT 24 VOLT DC 4.33CC NOVEMBER 2015 AND AFTER	3-9
NON FOLDING HANDRAILS WITH REMOVABLE UPPER CONTROL BOX ANSI S3215E S3219E OCTOBER 2018 AND AFTER	5-33	PUMP UNIT 24VDC 4.3CC DECEMBER 2014 AND AFTER	3-8
NON FOLDING HANDRAILS WITH REMOVABLE UPPER CONTROL BOX ASEMBLY AS S3215E S3219E OCTOBER 2018 AND AFTER	5-35	REAR TRAY ASSEMBLY ANSI (SERVICE USE 150198428 FOR CHASSIS HARNESS)	2-16
OVERLOAD OPTION MAY 2016 AND AFTER	5-20	REAR TRAY ASSEMBLY ANSI CSA S3215E S3219E JUNE 2019 AND AFTER (CSA COMPLIANT MACHINES)	2-28, 4-11
OVERTRAVEL ASSEMBLY S3215E S3219E S3220E S3226E DECEMBER S3219E-04- 000001 THROUGH CURRENT	2-9	REAR TRAY ASSEMBLY ANSI S3215L S3215E S3219E S3219E-04-190407733 THROUGH CURRENT 2-18	
PANEL CARRIER	5-48	REAR TRAY ASSEMBLY ANSI S3219E-04-002295 AND BEFORE	2-13, 2-14
PENDANT CONVERT ASSEMBLY AUGUST 2018 AND AFTER	4-18	REAR TRAY ASSEMBLY ANSI S3219E-04- 181006663 AND AFTER	2-17
PENDANT SCISSORS PDI JANUARY 2020 AND AFTER	4-39	REAR TRAY ASSEMBLY ANSI S3219E-04-S3219E- 04-181006662 AND BEFORE	2-15
PIPE RACK NARROW	5-47	REAR TRAY ASSEMBLY CE AS S3215 FEBRUARY 2019 AND AFTER	2-23, 2-42
PLATFORM ASSEMBLY S3215E S3219E MARCH 2017 AND AFTER	2-59	REAR TRAY ASSEMBLY CE AS S3215E OCTOBER 2017 AND AFTER	2-22
		REAR TRAY ASSEMBLY CE AS S3215E SEPTEMBER 2017 AND BEFORE	2-21
		REAR TRAY COVER INSTALLATION	5-6
		REAR TRAY INSTALLATION ANSI S3215E S3219E 2-19, 2-34	
		REAR TRAY INSTALLATION CE AUSTRALIA	

S3219E	2-40, 2-41	SINGLE GATE ASSEMBLY CE S3215E S3219E .	5-40
REMOVABLE TOP RAIL S3215E S3215L		SINGLE SWING GATE ASSEMBLY AUSTRALIA	
S3219E S3220E S3226E	5-38	S3215E S3219E	2-77, 5-42
REMOVABLE UPPER CONTROL BOX		SINGLE SWING GATE ASSEMBLY CE S3215E	
AUSTRALIA S3215E S3219E	5-49	S3215L S3219E DECEMBER 2018 AND AFTER .	2-76
S3215E GENERAL INFORMATION	1-1	SNORKEL GUARD ASSEMBLY	5-55
S3215E S3219E S3220E HYDRAULIC		SNORKEL GUARD PLATFORM CONTROL BOX	
SCHEMATIC 1501591A	7-1	ASSEMBLY	5-50
S3215L S3215E S3219E S3220E S3226E S4726E		SNORKEL GUARD UPPER CONTROL BOX	
S4732E 2 SPEED HYDRAULIC SCHEMATIC		ASSEMBLY CE OCTOBER 2018 AND AFTER ..	5-54
A50005AC 3-22-17 and AFTER	7-2	SNORKEL GUARD UPPER CONTROL BOX	
S3215L S3215E S3219E S3220E S3226E S4726E		HARNES	5-56
S4732E ELECTRICAL SCHEMATIC ANSI		STACK ASEMBLY INSTALLATION S3215E	
WITH PENDANT A50001AM	7-5	JANUARY 2017 AND BEFORE	2-49
S3215L S3215E S3219E S3220E S3226E S4726E		STACK ASSEMBLY JUNE 2017 AND AFTER ..	2-44
S4732E ELECTRICAL SCHEMATIC ANSI		STACK ASSEMBLY S3215E APRIL 2019 AND	
WITHOUT PENDANT A50001AM	7-3	AFTER	2-47
S3215L S3215E S3219E S3220E S3226E S4726E		STACK ASSEMBLY S3215E CHINA MARCH 2018	
S4732E ELECTRICAL SCHEMATIC CE		AND AFTER	2-54
A50001AM	7-4	STACK ASSEMBLY S3215E JUNE 2019 AND AFTER	
SALOON GATE ASSEMBLY ANSI S3215E		2-48
S3215L S3219E	2-75, 5-39	STACK ASSEMBLY S3215E S3215L JUNE 2017 AND	
SALOON GATES ASSEMBLY ANSI S3215E		BEFORE	2-43
S3219E	5-43	STACK ASSEMBLY S3215E SEPTEMBER 2018 AND	
SALOON GATES ASSEMBLY CE S3215E		AFTER	2-46
S3215L S3219E DECEMBER 2018 AND		STACK ASSEMBLY S3215L OCTOBER 2017 AND	
AFTER	2-78	AFTER	2-45
SALOON GATES ASSEMBLY CE S3215E		STACK HARNESS ASSEMBLY ANSI S3219E-04-	
S3219E	5-44	000001 THROUGH CURRENT	4-13
SCRATCH GUARD S3215E S3219E	5-18	STACK HARNESS ASSEMBLY JULY 2018 AND	
SIDE DRIVE ASSEMBLY THIN ANSI ...	4-15	BEFORE	4-12
SIDE DRIVE HARNESS APRIL 2016 AND		STACK INSTALLATION FEBRUARY 2017 AND	
AFTER	4-16	AFTER	2-50
SIDE DRIVE OVERRIDE CONNECTOR .	4-17	STACK INSTALLATION CE AS S3215E	2-53

STACK INSTALLATION CHINA S3215E	27
MARCH 2018 AND AFTER	2-55
STACK INSTALLATION OCTOBER 2018	
AND AFTER	2-52
STACK INSTALLATION S3215E CHINA	
FEBRUARY 2019 AND AFTER	2-56
STACK INSTALLATION S3219E JULY 2017	
AND AFTER	2-51
STEER CYLINDER ROSENBOOM AND	
FISHER	3-10
SWING GATE CE S3215 3219E	5-45
TABULATED BATTERY CABLES MARCH	
2019 AND AFTER	4-7
TANK TRAY ASSEMBLY ANSI CE S3219E-	
04-001543 THROUGH CURRENT (6029696	
WUXI PUMP)	2-29
TRAYS ASSEMBLY AND INSTALLATION	
ANSI CE AUSTRALIA S3215E S3219E (USES	
1502148 VALVE TRAY ASSEMBLY)	2-32
TRAYS ASSEMBLY AND INSTALLATION	
FEBRUARY 2017 AND AFTER S3215 - S3219 .	
2-31	
TRAYS ASSEMBLY ANSI CSA S3215E	
S3219E (USES 1502147 VALVE TRAY	
ASSEMBLY)	2-30
UPPER CONTROL BOX ANSI 2SPD	
ASSEMBLY MAY 2018 AND AFTER	4-24
UPPER CONTROL BOX ASSEMBLY ANSI	
2SPD OCTOBER 2018 AND AFTER	4-25
UPPER CONTROL BOX ASSEMBLY TWO	
SPEED ANSI CSA MAY 2019 AND AFTER	
4-	
28	
UPPER CONTROL BOX ASSEMBLY TWO	
SPEED ANSI CSA MAY 2019 AND AFTER .	4-
UPPER CONTROL BOX ASSEMBLY TWO SPEED	
ANSI SEPTEMBER 2018 AND BEFORE	4-26
UPPER CONTROL BOX ASSEMBLY TWO SPEED	
CE JULY 2018 AND AFTER	4-30
UPPER CONTROL BOX ASSEMBLY TWO SPEED	
CE JUNE 2016 AND AFTER	4-29
UPPER CONTROL BOX ASSEMBLY WITH	
SNORKEL GUARD CE AUGUST 2018 AND AFTER .	
5-53	
UPPER CONTROL BOX ASSEMBLY WITH	
SNORKEL GUARD TWO SPEED AUGUST 2018 AND	
AFTER	5-52
UPPER CONTROL BOX CONNECTOR TWO SPEED	
ANSI AFTER MAY 20 2018	4-32
UPPER CONTROL BOX CONNECTOR TWO SPEED	
CE AUSTRALIA SEPTEMBER 2018 AND BEFORE	
4-33	
UPPER CONTROL BOX ASSEMBLY ONE SPEED	
ANSI JUNE 2017 AND BEFORE	4-21
UPPER CONTROL BOX ASSEMBLY TWO SPEED	
ANSI MAY 2017 AND AFTER	4-23
UPPER CONTROL BOX CONNECTOR TWO SPEED	
CE AUSTRALIA OCTOBER 2018 AND AFTER .	4-31
UPPER CONTROL BOX HARNESS	4-34
UPPER CONTROL BOX SINGLE SPEED CE	
ASSEMBLY JULY 2018 AND AFTER	4-22
VALVE TRAY ASSEMBLY ANSI CE DECEMBER	
2016 AND AFTER	2-11
VALVE TRAY ASSEMBLY NOVEMBER 2016 AND	
BEFORE	2-10
VALVE TRAY ASSEMBLY TWO SPEED	
DECEMBER 2019 AND AFTER	2-12

B	2-88, 2-89
000561-000	2-80, 5-41
0071584	5-9
0073043	2-81, 2-82, 2-83, 2-84, 2-85, 2-86, 2-87, 2-88, 2-89, 2-90, 2-91
0073043FR	2-92, 2-93
0073224	2-81, 2-82, 2-83, 2-84, 2-85, 2-86, 2-87, 2-88, 2-89, 2-90, 2-91
0073224FR	2-92, 2-93
0074311	2-81, 2-82, 2-83, 2-84, 2-85, 2-86, 2-87, 2-88, 2-89, 2-90, 2-91
0074311FR	2-92, 2-93
0083426	2-81, 2-83, 2-84, 2-86
0083427	2-82, 2-85, 2-87, 2-88, 2-89, 2-90, 2-91, 2-92, 2-93
0084468	5-45
0084470	5-45
0084826	5-46
0084827	5-46
009442-003	2-70, 2-71, 2-72, 2-73, 5-23, 5-24
010154-000	2-30, 2-31, 2-32
0101800	5-55
0150606	2-81, 2-83, 2-84, 2-86
0162311	2-83, 2-84, 2-85
0181276	5-22, 5-22
0181562	2-81, 2-82
031051-024	4-19, 4-20, 5-58
031051-040	4-19, 4-20, 5-58
031051-062	4-19, 4-20, 5-58
0351039	2-15, 2-17, 2-18, 2-25, 2-26, 2-27, 2-28, 4-11
0361259	2-81, 2-82, 2-83, 2-84, 2-85, 2-86, 2-87, 2-88, 2-89, 2-90, 2-91
0361367	2-81, 2-82, 2-83, 2-84, 2-85, 2-86, 2-87, 2-88, 2-89
0361533	2-81, 2-82, 2-83, 2-83, 2-84, 2-85, 2-86, 2-87, 2-88, 2-89, 2-90, 2-91, 2-92, 2-93
0361562	2-83, 2-84, 2-86
0361661	2-89, 2-90, 2-91
0361661FR	2-92, 2-93
0372063	2-83, 2-84, 2-86
0410091	5-55
056021-006	3-9
056021-008	2-13, 2-14, 2-24
056057-055	2-47, 2-48, 2-54
056058-030	2-13, 2-14, 2-15, 2-16, 2-17, 2-18, 2-24, 2-25, 2-26, 2-27, 2-28, 4-11
056059-016	2-10
056059-030	2-19, 2-20, 2-23, 2-35, 2-40, 2-41, 2-42, 2-76, 2-77, 2-78, 2-79, 2-80, 4-19, 4-20, 5-40, 5-41, 5-42, 5-44, 5-58
056059-035	2-44, 2-49, 2-50, 2-51, 2-52, 2-53, 2-55, 2-56, 2-59
056059-045	2-49, 2-53
056059-050	2-44, 2-50, 2-51, 2-52, 2-55, 2-56, 2-57
056059-080	5-8
056059-085	2-3, 2-36, 2-37, 2-38, 2-39, 2-43, 2-45, 2-46, 2-47, 2-48, 2-52, 2-54, 2-55, 2-56
056059-090	2-43, 2-45, 2-46, 2-57, 2-62, 2-63, 2-64, 2-65, 2-66, 2-67, 2-68, 2-69, 2-70, 2-71, 2-72, 2-73, 2-74, 4-19, 4-20, 5-23, 5-24, 5-25, 5-26, 5-27, 5-28, 5-29, 5-30, 5-31, 5-32, 5-33, 5-34, 5-35, 5-36, 5-37, 5-58
056059-100	2-43, 2-45, 2-46, 2-47, 2-48, 2-54
05606-004	2-24
056060-045	2-1, 2-2, 2-4, 2-5, 2-6, 2-7, 2-8, 2-57, 2-62, 2-63, 2-64, 2-65, 2-66, 2-67, 2-68, 2-69, 2-70, 2-71, 2-72, 2-73, 2-74, 4-19, 4-20, 5-23, 5-24, 5-25, 5-26, 5-27, 5-28, 5-29, 5-30, 5-31, 5-32, 5-33, 5-34, 5-35, 5-36, 5-37, 5-58

056060-055	2-57, 2-62, 2-63, 2-64, 2-65, 2-66, 2-67, 2-68, 2-69, 2-70, 2-71, 2-72, 2-73, 2-74, 4-19, 4-20, 5-23, 5-24, 5-25, 5-26, 5-27, 5-28, 5-29, 5-30, 5-31, 5-32, 5-34, 5-35, 5-36, 5-37, 5-58	5-55	
056060-060 2-57, 5-38	056066-008	2-3, 2-4, 2-5, 2-6, 2-7, 2-8, 2-15, 2-16, 2-19, 2-20, 2-21, 2-22, 2-23, 2-28, 2-30, 2-34, 2-35, 2-36, 2-37, 2-38, 2-39, 2-40, 2-41, 2-42, 2-43, 2-44, 2-45, 2-46, 2-47, 2-48, 2-49, 2-50, 2-51, 2-52, 2-53, 2-54, 2-55, 2-56, 2-57, 2-58, 2-59, 2-60, 2-61, 2-62, 2-63, 2-64, 2-65, 2-66, 2-67, 2-68, 2-69, 2-70, 2-71, 2-72, 2-73, 2-74, 2-75, 2-76, 2-77, 2-78, 2-79, 2-80, 4-11, 4-19, 4-20, 5-8, 5-22, 5-23, 5-24, 5-25, 5-26, 5-27, 5-28, 5-29, 5-30, 5-31, 5-32, 5-33, 5-34, 5-35, 5-36, 5-37, 5-39, 5-40, 5-41, 5-42, 5-43, 5-44, 5-45, 5-48, 5-49, 5-58
056060-065	2-62, 2-63, 2-64, 2-65, 2-66, 2-67, 2-68, 2-69, 2-70, 2-71, 2-72, 2-73, 2-74, 2-76, 2-77, 2-78, 2-79, 2-80, 4-19, 4-20, 5-23, 5-24, 5-25, 5-26, 5-27, 5-28, 5-29, 5-30, 5-31, 5-32, 5-33, 5-34, 5-35, 5-36, 5-37, 5-40, 5-41, 5-42, 5-44, 5-58	056066-010	. 2-1, 2-2, 2-4, 2-5, 2-6, 2-7, 2-8, 2-57, 2-62, 2-63, 2-64, 2-65, 2-66, 2-67, 2-68, 2-69, 2-70, 2-71, 2-72, 2-73, 2-74, 2-76, 2-77, 2-79, 2-80, 4-19, 4-20, 5-23, 5-24, 5-25, 5-26, 5-27, 5-28, 5-29, 5-30, 5-31, 5-32, 5-33, 5-34, 5-35, 5-36, 5-37, 5-38, 5-40, 5-41, 5-42, 5-44, 5-58
056060-080 2-80, 5-41	056066-012	. 2-1, 2-2, 2-4, 2-5, 2-6, 2-7, 2-8, 2-44, 2-49, 2-50, 2-51, 2-52, 2-53, 2-55, 2-56
056064-006 5-57	056067-008	2-44, 2-49, 2-50, 2-51, 2-52, 2-53, 2-55, 2-56, 2-57
056064-010 2-57, 5-52, 5-53, 5-55	056067-012 2-50, 2-51
056065-040	... 2-44, 2-50, 2-51, 2-52, 2-55, 2-56	056067-512 2-44, 2-49, 2-52, 2-53, 2-55, 2-56
056065-070 2-4, 2-5, 2-6, 2-7, 2-8	056067-516 5-5
056065-090 2-1, 2-2, 2-4, 2-5, 2-6, 2-7, 2-8	056069-004 5-7
056066-004	2-10, 2-11, 2-12, 2-13, 2-14, 2-15, 2-16, 2-17, 2-18, 2-25, 2-26, 2-27, 2-28, 2-68, 2-69, 4-11, 4-19, 4-21, 4-22, 4-24, 4-25, 4-26, 4-27, 4-28, 4-29, 4-30, 4-35, 4-37, 4-39, 5-4, 5-7, 5-32, 5-33, 5-34, 5-35, 5-36, 5-37, 5-50, 5-51, 5-54, 5-58	056069-005	2-17, 2-18, 2-24, 2-25, 2-26, 2-27, 2-28, 2-47, 2-48, 2-54, 4-11, 5-52, 5-53, 5-55
056066-005	2-13, 2-14, 2-15, 2-16, 2-17, 2-18, 2-24, 2-25, 2-26, 2-27, 2-28, 2-57, 2-62, 2-63, 2-64, 2-65, 2-66, 2-68, 2-69, 2-70, 2-71, 2-72, 2-73, 2-74, 4-11, 4-19, 4-20, 5-23, 5-24, 5-25, 5-26, 5-27, 5-28, 5-29, 5-30, 5-31, 5-32, 5-33, 5-33, 5-34, 5-35, 5-36, 5-37, 5-52, 5-53, 5-55, 5-58	056069-006	2-13, 2-14, 2-15, 2-16, 2-17, 2-18, 2-24, 2-25, 2-26, 2-27, 2-28, 2-29, 2-44, 2-49, 2-50, 2-51, 2-53, 2-55, 3-9, 3-12, 4-11, 5-57
056066-0058 2-67	056069-008	2-19, 2-20, 2-23, 2-35, 2-40, 2-41, 2-42, 2-44, 2-49, 2-50, 2-51, 2-52, 2-53, 2-55, 2-56, 2-57, 2-62, 2-63, 2-64, 2-65, 2-66, 2-67, 2-68, 2-69, 2-70, 2-71, 2-72, 2-73, 2-74, 2-75, 2-76, 2-77, 2-78, 2-79, 2-79, 2-80, 4-19, 4-20, 5-8, 5-23, 5-24, 5-25, 5-26, 5-27, 5-28, 5-29, 5-30, 5-
056066-006	. 2-2, 2-3, 2-6, 2-9, 2-13, 2-14, 2-15, 2-16, 2-17, 2-18, 2-20, 2-21, 2-22, 2-23, 2-24, 2-25, 2-26, 2-27, 2-28, 2-30, 2-31, 2-32, 2-35, 2-38, 2-39, 2-40, 2-41, 2-42, 2-43, 2-45, 2-46, 2-47, 2-48, 2-54, 4-11, 5-11, 5-13, 5-18, 5-22, 5-52, 5-53,		

31, 5-32, 5-33, 5-34, 5-35, 5-36, 5-37, 5-39, 5-40, 5-41, 5-42, 5-43, 5-44, 5-45, 5-58	058492-025 . 2-1, 2-2, 2-4, 2-5, 2-6, 2-7, 2-8, 2-44, 2-49, 2-50, 2-51, 2-52, 2-53, 2-55, 2-56, 2-58, 2-60, 2-61
056069-010 2-1, 2-2, 2-4, 2-5, 2-6, 2-7, 2-8, 2-32, 2-57, 2-62, 2-63, 2-64, 2-65, 2-66, 2-67, 2-68, 2-69, 2-70, 2-71, 2-72, 2-73, 2-74, 2-76, 2-77, 2-78, 2-78, 2-79, 2-80, 4-19, 4-20, 5-23, 5-24, 5-25, 5-26, 5-27, 5-28, 5-29, 5-30, 5-31, 5-32, 5-33, 5-34, 5-35, 5-36, 5-37, 5-40, 5-41, 5-42, 5-44, 5-58	058494-020 .. 2-1, 2-2, 2-4, 2-5, 2-6, 2-7, 2-8, 2-36, 2-37
056069-012 2-1, 2-2, 2-4, 2-5, 2-6, 2-7, 2-8, 5-52, 5-53, 5-55	058494-035 2-49, 2-53
056069-016 2-4, 2-5, 2-6, 2-7, 2-8, 2-21, 2-22, 2-30, 2-34, 5-5	058502-050 2-29
056087-045 2-30	058688-001 4-12, 4-13, 4-36
056687-045 2-19, 2-20, 2-21, 2-22, 2-23, 2-34, 2-35, 2-40, 2-41, 2-42	062642-024 2-1, 2-2
058383-000 2-80, 5-41	068898-002 2-33
058490-020 2-57, 4-19, 4-20, 5-58	100432-004 2-30
058491-016 2-13, 2-14, 2-15, 2-16, 2-17, 2-18, 2-25, 2-26, 2-27, 2-28, 2-44, 2-49, 2-50, 2-51, 2-52, 2-53, 2-55, 2-56, 4-11, 5-52, 5-53, 5-55	100432-009 . 2-1, 2-2, 2-4, 2-5, 2-6, 2-7, 2-8, 2-12, 2-30, 2-31
058491-025 2-30, 2-31, 2-32, 5-22	100432-015 2-12, 2-30, 2-31
058491-030 4-21, 4-22, 4-24, 4-25, 4-26, 4-28, 4-29, 4-30, 5-50, 5-51, 5-54	100433-001 2-1, 2-2, 2-4, 2-5, 2-6, 2-7, 2-8
058491-035 5-52, 5-53, 5-55	100434-008 2-44, 2-49, 2-50, 2-51, 2-52, 2-53, 2-55, 2-56
058492-012 2-3, 2-6, 2-38, 2-39, 5-22	100434-012 2-29
058492-016 2-11, 2-12, 2-13, 2-14, 2-15, 2-16, 2-17, 2-18, 2-24, 2-25, 2-26, 2-27, 2-28, 2-57, 2-59, 2-61, 2-73, 2-79, 4-11	100434-013 2-29
058492-020 . 2-2, 2-40, 2-41, 2-57, 2-62, 2-63, 2-64, 2-65, 2-66, 2-67, 2-68, 2-69, 2-70, 2-71, 2-72, 2-73, 2-74, 2-76, 2-77, 2-79, 4-19, 4-20, 5-18, 5-23, 5-24, 5-25, 5-26, 5-27, 5-28, 5-29, 5-30, 5-31, 5-32, 5-33, 5-34, 5-35, 5-36, 5-37, 5-40, 5-42, 5-45, 5-49, 5-58	10404-060 5-47
	104674-107 3-6
	104674-123 3-5
	104674-125 3-5
	104912-000 2-1, 2-2, 2-4, 2-5, 2-6, 2-7, 2-8
	106574-127 3-5
	11015-010 5-47
	114067-000 2-29
	114067-012 2-29
	12554-024 4-14
	1360604 2-30, 2-31, 2-32
	13888 4-29, 5-50
	14030 2-68, 2-69, 5-32, 5-33, 5-34, 5-35, 5-36, 5-37, 5-49
	14092 2-87, 2-88
	1450029 2-24
	1450303 .. 2-15, 2-16, 2-17, 2-18, 2-24, 2-25, 2-26, 2-27,

2-28, 4-11	1500883	2-43, 2-45, 2-46, 2-47, 2-48, 2-54
1500038	1500884	2-43, 2-45, 2-46, 2-47, 2-48, 2-54
1500038-5	1500885	2-44, 2-49, 2-50, 2-51, 2-53, 2-55, 2-56
1500174	1500887	2-44, 2-49, 2-50, 2-51, 2-52, 2-53, 2-55, 2-56
1500174-5	1500888	2-43, 2-45, 2-46, 2-47, 2-54
1500211	1500889	2-43, 2-45, 2-46, 2-47, 2-48, 2-54
1500224	1500890	2-43, 2-45, 2-46, 2-47, 2-48, 2-54
1500224-5	1500891	2-43, 2-45, 2-46, 2-47, 2-48, 2-54
1500290	1500892	2-1, 2-2, 2-4, 2-5, 2-6, 2-7, 2-8, 2-43, 2-45, 2-46, 2-47, 2-48, 2-54
1500438	1500898	2-43, 2-45, 2-46, 2-47, 2-48, 2-54
1500662	1500936	2-1, 2-2, 2-4, 2-5, 2-6, 2-7, 2-8
2-13, 2-18, 2-24, 2-25, 2-26, 2-27, 2-28, 4-11	1500947	2-30, 2-31, 2-32
1500662G	1500948	2-30, 2-31, 2-32
1500663	1500978	2-43, 2-45, 2-46, 2-47, 2-54
1500665	1500979	2-43, 2-45, 2-46, 2-47, 2-54
1500729	1500981	2-44, 2-49, 2-50, 2-51, 2-52, 2-53, 2-55, 2-56
1500834	1501007	2-30, 2-31, 2-32
1500840	1501008	2-30, 2-31, 2-32
2-81, 2-82, 2-83, 2-84, 2-85, 2-86, 2-87, 2-88, 2-89, 2-90, 2-91, 2-92, 2-93	1501009	2-29
1500842	1501010	2-13, 2-14, 2-15, 2-16, 2-17, 2-18, 2-24, 2-25, 2-26, 2-27, 2-28, 4-11
2-83, 2-84, 2-85, 2-86, 2-87, 2-88, 2-89, 2-90, 2-91	1501018	2-58, 2-60
1500842FR	1501053	2-1, 2-2, 2-4, 2-5, 2-6, 2-7, 2-8
2-92, 2-93	1501054	2-1, 2-2, 2-4, 2-5, 2-6, 2-7, 2-8
1500857	1501059	2-30, 2-31, 2-32
2-43, 2-45, 2-46, 2-47, 2-48	1501109	2-58, 2-60
1500858	1501110	2-58, 2-60
2-43, 2-45, 2-54	1501112	4-21, 4-22, 4-24, 4-25, 4-26, 4-27, 4-28, 4-29, 4-30
1500866	1501116	4-21, 4-22, 4-24, 4-25, 4-26, 4-27, 4-28, 4-29, 4-30
2-43, 2-45, 2-54	1501157	4-23
1500876	1501157 M	4-21
2-43, 2-45, 2-54		
1500877		
2-43, 2-45, 2-54		
1500879		
2-3, 2-36, 2-37, 2-38, 2-39, 2-52, 2-55, 2-56		
1500880		
2-43, 2-45, 2-46, 2-47, 2-48, 2-54		
1500881		
2-3, 2-36, 2-37, 2-38, 2-39, 2-43, 2-45, 2-46, 2-47, 2-48, 2-52, 2-54, 2-55, 2-56		
1500882		
2-3, 2-36, 2-37, 2-38, 2-39, 2-43, 2-45, 2-46, 2-47, 2-48, 2-52, 2-54, 2-55, 2-56		

1501158	4-21, 4-22, 4-24, 4-25, 4-26, 4-27, 4-28, 4-29, 4-30, 5-50, 5-51, 5-54	1501475	.. 2-81, 2-82, 2-83, 2-84, 2-85, 2-86, 2-87, 2-88, 2-89, 2-90, 2-91
1501159	4-21, 4-22, 4-24, 4-25, 4-26, 4-27, 4-28, 4-29, 4-30, 5-50, 5-51, 5-54	1501475FR 2-92, 2-93
1501176 2-19, 2-30, 2-34	1501476	.. 2-81, 2-82, 2-83, 2-84, 2-85, 2-86, 2-87, 2-88, 2-89, 2-90, 2-91
1501176 Q 2-15	1501476FR 2-92, 2-93
1501176 Z 2-17	1501481	.. 2-65, 2-66, 2-67, 2-68, 2-69, 5-23, 5-36, 5-37
1501176 E 2-13	1501481-5 2-70, 2-71, 2-74
1501176 F 2-14	1501483	.. 2-65, 2-66, 2-67, 2-68, 2-69, 5-23, 5-36, 5-37
1501176 N 2-16	1501483-5 2-70, 2-71, 2-74
1501176 ZC 2-18	1501484 2-65, 2-66, 2-67, 2-68, 2-69, 5-36, 5-37
1501294 V 2-30	1501484-5 2-74
1501298 4-21, 4-22, 5-50	1501491	.. 2-76, 2-77, 2-78, 2-80, 5-40, 5-41, 5-42, 5-44
1501323	2-57, 2-62, 2-63, 2-64, 2-65, 2-66, 2-67, 2-68, 2-69, 2-70, 2-72, 2-73, 2-74, 4-19, 4-20, 5-25, 5-26, 5-27, 5-29, 5-30, 5-31, 5-32, 5-33, 5-34, 5-35, 5-36, 5-37, 5-58	1501491-5 2-79
1501341 2-58, 2-60	1501498 2-57, 2-62, 2-65
1501343 2-58, 2-60	1501498 H 4-23
1501344 E 2-58	1501525 2-64, 5-29, 5-30, 5-31, 5-34, 5-35
1501344E 2-60	1501545	.. 2-65, 2-66, 2-67, 2-68, 2-69, 2-73, 5-23, 5-36, 5-37
1501346 2-1, 2-2, 2-4, 2-5, 2-6, 2-7, 2-8	1501545-5 2-70, 2-71, 2-74
1501355	2-43, 2-44, 2-45, 2-46, 2-47, 2-48, 2-49, 2-50, 2-51, 2-53, 2-54	1501553	.. 2-76, 2-77, 2-78, 2-80, 5-40, 5-41, 5-42, 5-44
1501359	4-21, 4-22, 4-24, 4-25, 4-26, 4-27, 4-28, 4-29, 4-30, 5-50, 5-51, 5-54	1501553-5 2-79
1501395 5-23, 5-24, 5-28	1501558 2-73
1501395-5 2-71	1501559 2-73
1501397 2-65, 2-66, 2-67, 2-73, 5-23	1501562	.. 2-65, 2-66, 2-67, 2-68, 2-69, 2-73, 5-23, 5-36, 5-37
1501397-5	.. 2-70, 2-71, 2-74, 2-79, 4-19, 4-20, 5-58	1501562-5 2-70, 2-71, 2-74
1501420 2-1, 2-2, 2-4, 2-5, 2-6, 2-7, 2-8	1501583	.. 2-57, 2-62, 2-63, 2-64, 2-65, 2-66, 2-67, 2-68, 2-69, 2-70, 2-71, 2-72, 2-73, 2-74, 4-19, 4-20, 5-23, 5-24, 5-25, 5-26, 5-27, 5-28, 5-29, 5-30, 5-31, 5-32, 5-33, 5-34, 5-35, 5-36, 5-37, 5-58
1501472 2-81	1501630	.. 2-57, 2-62, 2-63, 2-64, 2-65, 2-66, 2-67, 2-68, 2-69, 2-73, 5-23, 5-24, 5-25, 5-26, 5-27, 5-28, 5-29, 5-30, 5-31, 5-32, 5-33, 5-34, 5-35, 5-36, 5-37
1501474 4-15		

1501630-5 . 2-70, 2-71, 2-72, 2-74, 4-19, 4-20, 5-58	2-69, 5-25, 5-26, 5-27, 5-28, 5-32, 5-33, 5-36, 5-37
1501631 2-57, 2-62, 2-63, 2-64, 2-65, 2-66, 2-67, 2-68, 2-69, 2-73, 5-23, 5-24, 5-25, 5-26, 5-27, 5-28, 5-29, 5-30, 5-31, 5-32, 5-33, 5-34, 5-35, 5-36, 5-37	1501715-4 2-74, 4-19, 4-20, 5-58
1501631-5 . 2-70, 2-71, 2-72, 2-74, 4-19, 4-20, 5-58	1501733 2-32
1501634 2-86	1501734 2-30, 2-31, 2-32
1501639 2-21, 2-22, 2-23, 2-40, 2-41, 2-42	1501760 . 4-21, 4-23, 4-24, 4-25, 4-26, 4-27, 4-28, 4-29, 4-30, 5-50, 5-51, 5-54
1501639 C 2-24	1501763 . 2-81, 2-82, 2-83, 2-84, 2-85, 2-86, 2-87, 2-88, 2-89, 2-90, 2-91
1501639 T 2-25	1501763FR 2-92, 2-93
1501639 V 2-26	1501792-8 2-40, 2-41
1501639 X 2-27	1501794 . 2-20, 2-21, 2-22, 2-23, 2-34, 2-42, 2-49, 2-53
1501641 K 4-22	1501794-5 2-19, 2-35, 2-40, 2-41
1501643 2-83, 2-84	1501810 5-5
1501652 2-10, 2-11	1501812 . 2-57, 2-62, 2-63, 2-64, 5-24, 5-25, 5-26, 5-27, 5-28, 5-29, 5-30, 5-31, 5-32, 5-33, 5-34, 5-35
1501652-5 2-12	1501812-5 2-72
1501653 2-29	1501829 2-66, 2-67, 2-73, 4-18, 5-23
1501654 2-29, 2-29	1501829-5 2-70, 2-71, 2-74, 4-19, 4-20, 5-58
1501674 4-8, 4-9	1501837 2-58, 2-60
1501674B 4-10	1501841 2-58, 2-60
1501676 2-81, 2-82, 2-83, 2-84, 2-85, 2-86, 2-87, 2-88, 2-89, 2-90, 2-91, 2-92, 2-93	1501842 . 2-57, 2-62, 2-63, 2-64, 2-65, 2-66, 2-67, 2-68, 2-69, 2-73, 5-23, 5-24, 5-25, 5-26, 5-27, 5-28, 5-29, 5-30, 5-31, 5-32, 5-33, 5-34, 5-35, 5-36, 5-37
1501677 2-81, 2-83, 2-84, 2-86	1501842-4 2-70, 2-71, 2-72, 2-74, 2-79
1501687 2-14, 2-15, 2-16, 2-17	1501843 2-57
1501687E 4-8	1501844 . 2-57, 2-75, 2-76, 2-77, 2-78, 2-79, 5-39, 5-40, 5-42, 5-43, 5-44
1501688 2-68, 2-69, 4-22, 4-29, 4-30, 5-32, 5-33, 5-34, 5-35, 5-36, 5-37, 5-54	1501852 . 2-57, 2-62, 2-63, 2-64, 5-25, 5-26, 5-27, 5-28, 5-29, 5-30, 5-31, 5-32, 5-33, 5-34, 5-35
1501690 4-22, 4-27, 4-27, 4-28, 4-29, 4-30, 5-20, 5-54	1501858 2-57, 2-75, 5-39, 5-43
1501697 4-15	1501862 2-57, 2-75, 5-39, 5-43
1501697 B 4-16	1501864 2-57
1501715 2-57, 2-62, 2-63, 2-65, 2-66, 2-67, 2-68,	1501909 2-78, 5-44
	1501909-5 2-79

1501913	2-78, 5-44	1502117 H	2-57
1501913-5	2-79	1502122H	2-53
1501914	2-76, 2-78, 5-40, 5-44	1502123H	2-49
1501914-5	2-79	1502125	2-3, 2-38, 2-39, 2-44, 2-50, 2-55, 2-56
1501917	2-76, 2-78, 5-40	1502128	2-75, 2-78, 5-39, 5-43, 5-44
1501917-5	2-79	1502128-4	2-79
1501918B	5-10	1502147	2-30
1501919	5-10, 5-16, 5-17, 5-50, 5-51, 5-54	1502148	2-31, 2-32
1501946	2-43, 2-45, 2-46, 2-47, 2-48, 2-54	1502148 A	2-10
1501978	2-9	1502148 G	2-12
1501984	2-16, 2-24, 2-25	1502148D	2-11
1501984A	4-1	1502149	2-30, 2-31, 2-32
1502027	2-57	1502149 G	2-29
1502046E	5-4	1502152	2-1, 2-2, 2-4, 2-5, 2-6, 2-7, 2-8
1502063	2-65, 2-66, 2-67	1502157	2-1, 2-2, 2-4, 2-5, 2-6, 2-7, 2-8
1502063-5	2-74	1502161	2-1, 2-2, 2-4, 2-5, 2-6, 2-7, 2-8
1502066	2-65	1502172	2-44, 2-49, 2-50, 2-51, 2-52, 2-53, 2-55, 2-56
1502076	2-3, 2-36, 2-37, 2-38, 2-39	1502175	2-43, 2-45, 2-46, 2-47, 2-48, 2-54
1502076 P	2-43	1502178	2-43, 2-45, 2-46, 2-47, 2-48, 2-54
1502076 T	2-46	1502179	2-43, 2-45, 2-46, 2-47, 2-48, 2-54
1502076 U	2-47	1502183	2-1, 2-2, 2-4, 2-5, 2-6, 2-7, 2-8
1502076 V	2-48	1502203	2-7, 2-37, 2-38
1502076R	2-45	1502215	2-44, 2-49, 2-50, 2-51, 2-52, 2-53, 2-55, 2-56
1502086	2-53	1502224 A	2-9
1502086 E	2-36	1502229	2-1, 2-2, 2-4, 2-5, 2-6, 2-7, 2-8
1502089 G	2-81	1502232	2-1, 2-2, 2-4, 2-5, 2-6, 2-7, 2-8
1502089 M	2-82	1502236	2-1, 2-2, 2-49
1502090 C	2-83	1502236Z	2-37
1502090 G	2-84	1502237	2-30
1502090P	2-85	1502239 B	2-1
1502091 J	2-86	1502239 E	2-2
1502091T	2-87, 2-88	1502245	2-57, 2-59, 2-61
1502092	2-81, 2-82, 2-83, 2-84, 2-85, 2-86, 2-87, 2-88, 2-89, 2-90, 2-91, 2-92, 2-93	1502252	2-57, 2-59, 2-61
		1502265	2-57, 2-59, 2-61

1502269	2-57, 2-59, 2-61	1502360	2-77, 5-42
1502306	2-16	1502362	2-77, 5-42
1502306A	4-6	1502365	2-77, 5-42
1502307 A	5-5	1502434	2-40, 2-41
1502308	4-21, 4-24, 4-25, 4-26, 4-27, 4-28, 4-35, 4-37, 5-50, 5-51	1502435-8	2-40, 2-41
1502308A	4-36	1502436-5	2-40, 2-41
1502309	5-2	1502442	2-62, 2-63, 2-64, 2-65, 2-66, 2-67, 2-73, 5-23, 5-24, 5-25, 5-26, 5-27, 5-28, 5-29, 5-30, 5-31
1502310	2-15, 5-2	1502442-5	2-70, 2-71, 2-72, 2-74, 2-79, 4-19, 4-20, 5-58
1502310 J	4-2	1502443	2-65, 2-66, 2-67, 2-73, 5-23
1502311	2-2, 2-3, 2-6, 2-38, 2-39, 5-18	1502443-5	2-70, 2-71, 2-74, 4-19, 4-20, 5-58
1502312	2-2, 2-3, 2-6, 2-38, 2-39, 5-18	1502452	2-68, 2-69, 5-36, 5-37
1502314 B	5-18	1502453	2-68, 2-69, 5-36, 5-37
1502321	2-63, 5-24, 5-25, 5-26, 5-27, 5-28	1502468	2-68, 2-69, 5-32, 5-33, 5-34, 5-35, 5-36, 5-37, 5-49
1502321-5	2-72	1502468B	4-34
1502322	2-64, 5-29, 5-30, 5-31	1502471	2-68, 2-69, 5-36, 5-37
1502325	2-17, 2-25	1502479 A	5-49
1502325-4	5-6	1502480	5-34, 5-35, 5-49
1502327	2-81, 2-82, 2-83, 2-84, 2-85, 2-86, 2-87, 2-88, 2-89, 2-90, 2-91, 2-92, 2-93	1502485	2-21, 2-22, 5-11, 5-13
1502336	2-67, 2-68, 5-10, 5-29, 5-34, 5-36	1502485-4	2-20, 2-23, 2-35, 2-40, 2-41, 2-42
1502336 H	4-30	1502490	2-21, 2-22, 2-23, 2-40, 5-11
1502336E	4-29	1502490B	5-12
1502338	4-29	1502491 A	5-15
1502338A	4-33	1502492 A	5-11
1502348	2-62, 2-63, 5-24, 5-25, 5-26, 5-27, 5-28	1502492B	5-13
1502348-5	2-72	1502495	5-8
1502349 B	5-20	1502496B	5-8
1502350	4-15	1502497	2-17, 2-18, 2-25, 2-26, 2-27, 2-28, 4-11, 5-6
1502351	2-62	1502526	5-8
1502351B	4-15	1502528	2-82, 2-85, 2-87, 2-88, 2-89, 2-90, 2-91, 2-92, 2-93, 4-35, 4-37
1502352	2-64, 5-29, 5-30, 5-31	1502529	2-85, 2-87, 2-88, 2-89, 2-90, 2-91, 2-92, 2-93
1502353	2-76, 5-40, 5-45	1502540	5-2
1502358 A	5-45		

1502540A	5-2	1502655 N	2-63
1502541	2-19, 2-20, 2-34, 2-35	1502656 F	2-76, 5-40
1502541A	5-3	1502657 G	5-29
1502543	2-68, 2-69, 5-32, 5-33, 5-34, 5-35, 5-36, 5-37	1502657 K	5-30
1502543A	4-17	1502657 N	5-31
1502546	2-84, 2-85, 2-86, 2-87, 2-88, 2-89, 2-90, 2-91, 2-92, 2-93	1502657 P	2-64
1502548	5-52, 5-53, 5-55	1502658 B	5-44
1502553	5-52, 5-53, 5-55	1502658 E	2-78
1502554	5-52, 5-53, 5-55	1502660 B	5-43
1502555	5-52, 5-53, 5-55	1502660 E	2-75, 5-39
1502556 E	5-55	1502661 G	2-77, 5-42
1502557	5-52, 5-53, 5-55	1502662 G	5-32
1502570	5-19	1502662 K	5-33
1502571 A	5-19	1502663 G	5-34
1502586	2-81, 2-82, 2-84, 2-85, 2-86, 2-87, 2-88, 2-89, 2-90, 2-91	1502663 K	5-35
1502586FR	2-92, 2-93	1502664 F	2-68, 5-36
1502596	2-81, 2-82, 2-84, 2-85, 2-86, 2-87, 2-88, 2-89, 2-90, 2-91	1502664 H	2-69, 5-37
1502596FR	2-92, 2-93	1502665 K	2-6
1502605	5-32, 5-33, 5-34, 5-35, 5-49	1502666 H	2-32
1502606	5-32, 5-33, 5-34, 5-35, 5-49	1502666B	2-31
1502653	4-19, 4-20, 5-58	1502669 B	2-50
1502653 A	2-61	1502669 J	2-52
1502653 B	2-59	1502669E	2-44
1502654 J	2-66	1502673 E	2-34
1502654 M	2-67	1502673F	2-19
1502655 E	2-62	1502674 E	2-22
1502655 F	5-25	1502674C	2-21
1502655 H	5-26	1502674F	2-23
1502655 K	5-27	1502674G	2-42
1502655 M	5-28	1502675 H	2-41
		1502675G	2-40
		1502720 C	2-51
		1502721	5-48
		1502722	5-48

1502723 A	5-48	1502836	2-66, 4-18, 5-25, 5-26, 5-27, 5-29, 5-30
1502724 A	5-22	1502837	5-50, 5-51, 5-54
1502726	5-22	1502840	5-55
1502731	4-19, 4-20, 5-58	1502841	5-55
1502733	4-19, 4-20, 5-58	1502841 B	5-50
1502735	4-19, 4-20, 5-58	1502842	2-2, 2-4, 2-5, 2-6, 2-7, 2-8
1502736	4-19, 4-20, 5-58	1502847	2-82
1502737	4-19, 4-20, 5-58	1502848	2-85, 2-89
1502741-5	4-19, 4-20, 5-58	1502849	2-87, 2-88
1502743	5-32, 5-33	1502871	4-24
1502745-5	4-19, 4-20, 5-58	1502871 A	4-32
1502753-5	4-19, 4-20, 5-58	1502872	5-25, 5-26, 5-32
1502754 A	4-20	1502872 B	4-24
1502754 B	4-19	1502873	2-54
1502754 C	5-58	1502876 B	2-7
1502755-5	4-19, 4-20, 5-58	1502876 C	2-8
1502756-5	4-19, 4-20, 5-58	1502879 C	2-80, 5-41
1502759 B	5-17	1502881	2-80, 5-41
1502759A	5-16	1502892	2-80, 5-41
1502762	2-82, 2-85, 2-87, 2-88, 2-89, 2-90, 2-91	1502914	5-38
1502762FR	2-92, 2-93	1502932	2-55, 2-56
1502763 B	4-35, 4-37	1502932 B	2-54
1502769	5-4	1502933 A	2-55
1502772	2-76, 2-77, 5-40, 5-42	1502933 C	2-56
1502772 A	5-46	1502935	2-80, 5-41
1502802	5-55	1502955	5-47
1502807C	5-6	1502955 A	5-38
1502815	2-85, 2-87, 2-88, 2-89, 2-90, 2-91, 2-92, 2-93	1502965 D	5-9
1502834	2-62, 2-63, 2-64, 2-65, 2-66, 2-67, 2-68, 2-69, 2-70, 2-71, 2-72, 2-73, 2-74, 2-79, 4-19, 4-20, 5-23, 5-24, 5-25, 5-26, 5-27, 5-28, 5-29, 5-30, 5-31, 5-32, 5-33, 5-34, 5-35, 5-36, 5-37, 5-58	1502971	4-25, 4-26, 4-27, 4-28, 5-51
1502835 A	2-65	1502972	4-30, 5-54
		1502972A	4-31
		1502973	2-17, 2-26
		1502973A	4-3
		1502975	2-63, 2-72, 4-19, 4-20, 5-24, 5-27, 5-28, 5-33,

5-58	1503077	2-73
1502975 C	1503079	2-73, 5-23, 5-24
1502975A	1503079-4	2-70, 2-72
1502976	1503079-5	2-71
2-64, 2-66, 2-69, 2-71, 2-73, 5-23, 5-30, 5-31, 5-35, 5-37	1503085	5-23
1502977	1503085-5	2-70, 2-71
1502977 B	1503092	2-18, 2-27, 2-28, 4-11
1502978	1503092 B	4-4
1502978 A	1503093 A	4-5
1502979 C	1503095 A	5-21
1502990	1503097 A	5-1
2-63, 2-64, 2-66, 2-67, 2-70, 2-71, 2-72, 2-73, 2-74, 2-79, 4-18, 5-23, 5-24, 5-26, 5-27, 5- 28, 5-30, 5-31	1503103	5-23
1502991	1503103-5	2-70, 2-71
1502992	1503105	5-24
1502992 B	1503105-5	2-72
1502993 C	1503106 A	5-23
1503017 A	1503106 B	2-71
1503017 C	1503107 A	5-24
1503017 D	1503107 B	2-72
1503017FR C	1503108	2-73
1503017FR D	1503109 B	2-73
1503029 A	1503113	2-70, 2-74
1503032	1503113 A	4-28
2-46, 2-47, 2-48	1503113 B	4-27
1503033	1503124	2-90, 2-91
2-4, 2-5	1503124FR	2-92, 2-93
1503033 C	1503129	5-57
1503033 D	1503130 A	5-57
2-3, 2-39	1503134 B	5-47
1503036 A	1503135	5-47
2-4	1503136	5-47
1503036 B	1503138	5-47
2-5	1503139 B	2-74
1503065 B	1503141	5-47
5-7		
1503071		
2-72, 2-74, 4-20, 5-23, 5-24, 5-28, 5-31		
1503072		
2-64, 2-70, 2-71, 2-73, 2-74, 2-79, 5-23, 5-31		
1503073		
2-72, 5-24, 5-28		

1503142	5-47	3011817	4-34
1503158 B	2-70	3011820	4-12, 4-13
1503175 A	2-20	3011851	5-56
1503175 D	2-35	3014713	2-13
1503177	2-20, 2-35	3014743	2-14, 2-15, 2-16, 2-17, 2-18, 2-24, 2-25, 2-26, 2-27, 2-28, 4-11
1503177 A	2-28, 4-11	3014744	2-13, 2-14, 2-15, 2-16, 2-17, 2-18, 2-24, 2-25, 2-26, 2-27, 5-8
1503199	2-3	3014745	2-13, 2-14, 2-15, 2-16, 2-17, 2-18, 2-24, 2-25, 2-26, 2-27, 5-8
1503199-5	2-6, 2-8, 2-39	3014746	2-30, 2-32
1503200	2-63, 2-64, 2-67, 2-70, 2-70, 2-71, 2-72, 2-73, 2-74, 4-19, 5-58	3014750	2-28, 4-11
1503200 A	4-14	3014751	2-28, 4-11
1503302 A	2-79	3014753	4-2, 4-3, 4-6, 5-55, 5-56
1508810	4-27, 4-28	3014756	2-30, 2-31
151917	5-44	3014757	2-30
1843	2-87, 2-88	3014759	4-6
2500812	2-1, 2-2, 2-4, 2-5, 2-6, 2-7, 2-8	3014806	2-31, 2-32
2509827	2-1, 2-2, 2-4, 2-5, 2-6, 2-7, 2-8	3020016	4-8, 4-9, 4-15, 4-39
2509835	2-43, 2-45, 2-46, 2-47, 2-48, 2-54	3020047	4-21, 4-22, 4-23, 4-24, 4-25, 4-26, 4-27, 4-28, 4-29, 4-30, 5-50, 5-51, 5-54
2580430	2-3, 2-6, 2-7, 2-8, 2-36, 2-37, 2-38, 2-39	3020049	2-13, 2-14, 2-15, 2-16, 2-17, 2-18, 2-24, 2-25, 2-26, 2-27, 2-28, 4-11
2650001	2-9	3020087	4-8, 4-9
2690004	2-9	3020182	4-38
300699	2-81, 2-82, 2-83, 2-84, 2-85, 2-86, 2-87, 2-88, 2-89, 2-90, 2-91	3020183	4-38
300700	2-81, 2-82, 2-83, 2-84, 2-85, 2-87, 2-88, 2-89, 2-90, 2-91	3020187	4-38
300760	2-81, 2-82, 2-83, 2-84, 2-85, 2-86, 2-87, 2-88, 2-89, 2-90, 2-91	302544	2-65, 2-66, 2-67, 2-68, 2-69, 2-70, 2-71, 2-73, 2-74, 2-76, 2-78, 2-79, 2-80, 5-23, 5-36, 5-37, 5-38, 5-40, 5-41, 5-44
300840	2-13, 2-14, 2-15, 2-16, 2-17, 2-18, 2-24, 2-25, 2-26, 2-27, 2-28, 4-11	302829	4-21, 4-22, 4-24, 4-25, 4-26, 4-27, 4-28, 4-29, 4-30, 5-20, 5-50, 5-51, 5-54
3011641	4-10, 4-17, 4-40, 5-2, 5-3	3028810	4-8, 4-9, 4-21, 4-22, 4-24, 4-25, 4-26, 4-27, 4-29, 4-30, 4-39, 5-50, 5-51, 5-54
3011801	4-5, 4-31, 4-32, 4-33, 5-10, 5-16, 5-17, 5-56		
3011802	5-15		

3028827 4-36	4-37, 5-50, 5-51
3028844	2-1, 2-2, 2-4, 2-5, 2-6, 2-7, 2-8, 5-52, 5-53, 5-55	3040625 .. 4-21, 4-24, 4-25, 4-26, 4-28, 4-35, 4-37, 5-50, 5-51
3028894 4-19, 5-58	3044070 5-16, 5-17, 5-56
3028895 4-19, 4-39, 5-58	3044146 4-1, 4-2, 4-3, 4-16, 4-32, 4-33
3028896 4-19, 5-58	3044155 4-36, 5-10, 5-16, 5-17
3028933	4-22, 4-24, 4-25, 4-26, 4-27, 4-28, 4-30, 5-51, 5-54	3044158 4-31
3029801 4-38, 4-38	3044161 4-10, 4-40
3029802 4-38	3044163 4-1, 4-2, 4-3
3030157 2-44, 2-49, 2-50, 2-51, 2-53, 2-55	3044836 2-17, 2-18
3030158	2-20, 2-21, 2-22, 2-23, 2-35, 2-40, 2-41, 2-42, 2-53, 5-20	3044854 5-9
3030187 2-47, 2-48, 2-54	3046697 4-10
3040046 5-10, 5-16, 5-17	3046972 4-31, 4-32, 4-33
3040047 4-1, 4-2, 4-3, 5-10, 5-16, 5-17	3049803 4-1, 4-2, 4-3, 4-19, 4-20, 5-15, 5-55, 5-56, 5-58
3040082 4-19, 4-20, 5-58	3049804 .. 4-19, 4-20, 5-12, 5-14, 5-52, 5-53, 5-55, 5-58
3040083 4-19, 4-20, 5-55, 5-58	3049807 4-2, 4-3, 4-19, 4-20, 5-15, 5-55, 5-56, 5-58
3040097 4-12, 4-13, 4-34, 4-36	3049808 .. 4-19, 4-20, 5-12, 5-14, 5-52, 5-53, 5-55, 5-58
3040110 4-39	3049886 4-16
3040113 4-19, 4-20, 5-58	3049894 4-12, 4-13, 4-34, 5-10, 5-16, 5-17, 5-56
3040208	2-68, 2-69, 5-32, 5-33, 5-34, 5-35, 5-36, 5-37, 5-49	3049895 4-2, 4-3, 4-12, 4-13, 4-34, 5-10, 5-16, 5-17, 5-56
3040219 5-8	3049978 2-10, 2-11, 2-32
3040269	2-13, 2-14, 2-15, 2-16, 2-17, 2-18, 2-24, 2-25, 2-26, 2-27, 2-28, 2-30, 2-31, 2-32, 4-11, 5-8	3049985 5-2, 5-3
3040285 4-39	3049986 4-2, 4-3, 4-5, 5-10, 5-15
3040293 5-56	3049993 4-2, 4-3
3040300 4-19, 4-20, 5-58	3050009 2-30, 2-31, 2-32
3040341	4-12, 4-13, 4-16, 4-17, 4-19, 4-20, 4-31, 4-34, 5-12, 5-14, 5-52, 5-53, 5-55, 5-58	3050124 2-13, 2-14
3040342	4-2, 4-3, 4-12, 4-13, 4-19, 4-20, 4-31, 4-32, 4-33, 4-34, 5-15, 5-55, 5-58	3050126 .. 2-15, 2-16, 2-17, 2-18, 2-25, 2-26, 2-27, 2-28, 4-11
3040624	4-21, 4-24, 4-25, 4-26, 4-27, 4-28, 4-35,	3050139 5-1
		3069521 .. 2-13, 2-14, 2-15, 2-16, 2-17, 2-18, 2-24, 2-28, 4-11, 4-35, 4-37
		3069539 5-4
		3069540 5-4

3069541	5-4	3220263	4-36
3069542	2-24, 4-35, 4-37	3220264	4-12, 4-13
3087787	2-13, 2-14, 2-15, 2-16, 2-17, 2-18, 2-24, 2-25, 2-26, 2-27, 2-28, 4-11	3220265	4-12, 4-13
3087800	2-13, 2-14, 2-15, 2-16, 2-24	3220266	4-12, 4-13
3087801	4-21	3220274	4-31, 4-32, 4-33
3087801 E	4-38	3220293	4-2, 4-3
3087803	2-10, 2-11, 2-12	3220294	5-2, 5-3
3087807	4-38	3220295	4-17
3087816	4-38	3220372	5-9
3087846	5-9	3220373	5-9
3090007	5-9	3220374	4-31
3111801	4-16	3220376	4-5
3220090	4-36	3220377	4-5
3220113	4-32, 4-33	32220241	4-10
3220132	4-2, 4-3	416836	2-81, 2-82
3220152	4-16	446076	2-13, 2-14, 2-24
3220163	4-2, 4-3	446086	2-13, 2-14, 2-24
3220177	4-31, 4-32, 4-33, 5-55	451726	2-81, 2-82, 2-83, 2-84, 2-85, 2-86, 2-87, 2-88, 2- 89, 2-90, 2-91
3220181	4-2, 4-3	451726FR	2-92, 2-93
3220199	4-2, 4-3, 4-5	451776	2-83
3220206	4-12, 4-13, 4-34	451986	2-81, 2-82, 2-83, 2-84, 2-85, 2-86, 2-87, 2-88, 2- 89, 2-90, 2-91
3220208	4-2, 4-3, 4-12, 4-13	451986FR	2-92, 2-93
3220218	4-10, 4-40	455536	5-8
3220225	4-31, 4-32, 4-33	457406	5-22
3220240	4-10	467966	2-1, 2-2, 2-4, 2-5, 2-6, 2-7, 2-8
3220241	4-40, 5-15	468886	2-80, 5-41
32202447	4-1	500532-020	2-43, 2-45, 2-46, 2-47, 2-48, 2-54
3220247	4-2, 4-3	500595-020	2-15, 2-16, 2-19, 2-20, 2-21, 2-22, 2-23, 2- 28, 2-30, 2-34, 2-35, 2-40, 2-41, 2-42, 4-11, 5-48
3220249	4-1, 4-2, 4-3	500595-025	2-4, 2-5, 2-6, 2-7, 2-8, 2-19, 2-20, 2-21, 2- 22, 2-23, 2-34, 2-35, 2-40, 2-41, 2-42, 2-68, 2-69, 5-32, 5- 33, 5-34, 5-35, 5-36, 5-37, 5-49
3220251	4-1, 4-2, 4-3		
3220253	4-1, 4-2, 4-3		
3220255	4-1, 4-2, 4-3		
3220261	4-9, 4-10, 4-40		

500595-075	2-57, 2-75, 2-76, 2-77, 2-78, 2-79, 5-39, 5-40, 5-42, 5-43, 5-44	5076530	2-29
5010024	5-22	508247-008	5-6
501253-020	2-2, 2-3, 2-25, 2-28, 2-38, 2-39, 4- 11, 5-18	508862-000	2-92, 2-93
501453-000	2-81, 2-82, 2-83, 2-84, 2-85, 2-86, 2-87, 2-88, 2-89, 2-90, 2-91, 2-92, 2-93	508863-000	2-92, 2-93
501532-000	3-5, 3-6	508867-000	2-92, 2-93
501868-000	2-10, 2-11, 2-12	508932-000	2-80, 5-41
5018841	2-30, 3-7	5090034	2-30, 2-31, 2-32
5018842	2-30, 3-7	5090048	2-44, 2-49, 2-50, 2-51, 2-53
5018843	2-30, 3-7	5093013	2-19, 2-20, 2-35, 2-40, 2-41
5018844	2-30, 3-7	5093016	2-23, 2-42
5018846	2-31, 2-32	5093018	4-19, 4-20, 5-58
5018846G	3-7	509471-000	4-40
5018864	2-30, 3-7	509740-000	4-10, 4-40
502141-000	2-73, 5-23, 5-24	509741-000	4-10
502141-000-5	2-70, 2-71, 2-72	5098343	2-30, 2-31, 2-32
5033053	2-12, 2-31	510528-000	4-9
5033056	2-12, 2-31	510542-000	4-15, 4-19, 4-20, 4-21, 4-22, 4-24, 4-25, 4- 26, 4-27, 4-28, 4-29, 4-30, 5-50, 5-51, 5-54, 5-55, 5-58
5033057	2-30	510684-090	2-43, 2-45, 2-46, 2-47, 2-48, 2-54
505082-020	2-13, 2-14, 2-15, 2-16, 2-17, 2-18, 2-25, 2-26, 2-27, 2-28, 2-62, 2-63, 2-64, 2-65, 2- 66, 2-67, 2-68, 2-69, 2-70, 2-71, 2-72, 2-73, 2-74, 2-79, 4-11, 5-23, 5-24, 5-25, 5-26, 5-27, 5-28, 5- 29, 5-30, 5-31, 5-32, 5-33, 5-34, 5-35, 5-36, 5-37, 5-52, 5-53, 5-55	511176-000	2-92, 2-93
5070006	2-12, 2-30, 2-31	512430-012	5-52, 5-53, 5-55
5075305	3-4	512459-016	2-13, 2-14, 2-15, 2-16, 2-17, 2-18, 2-24, 2- 25, 2-26, 2-27, 2-28, 2-68, 2-69, 4-11, 4-22, 4-29, 4-30, 5- 32, 5-33, 5-34, 5-35, 5-36, 5-37, 5-54
5076526	2-29	512459-020	2-13, 2-14, 2-15, 2-16, 2-17, 2-18, 2-24, 2- 28, 4-11, 4-35, 4-37, 5-4
5076527	2-20, 2-21, 2-22, 2-23, 2-35, 2-40, 2-41, 2-42, 2-53, 5-20	512602-000	2-76, 2-77, 5-40, 5-42, 5-45
5076528	2-29	512630-020	5-57
5076529	2-29	512714-025	2-17, 2-25, 5-6
		513876-025	2-24
		514176-030	2-20, 2-21, 2-22, 2-23, 2-35, 2-40, 2-41, 2- 42, 5-11, 5-13
		514404-000	5-10, 5-12, 5-14, 5-16
		514404-001	5-52, 5-53, 5-55

514627-000 4-14	5560653 4-19, 4-20, 5-58
514628-000 4-31, 4-32, 4-33	5560656	.. 2-57, 2-62, 2-63, 2-64, 2-65, 2-66, 2-67, 2-70,
514629-000 4-14, 4-17	2-71, 2-72, 2-73, 2-74, 2-79, 2-82, 2-85, 2-87, 2-88, 2-89,	
514630-000 4-31, 4-32, 4-33	2-90, 2-91, 2-92, 2-93, 5-23, 5-24, 5-25, 5-26, 5-27, 5-28,	
514733-030 2-40, 2-41	5-29, 5-30, 5-31	
515367-000	2-17, 2-18, 2-25, 2-26, 2-27, 2-28,	5560659	.. 2-62, 2-63, 2-64, 2-65, 2-66, 2-67, 2-70, 2-71,
4-11		2-72, 2-73, 2-74, 4-19, 4-20, 5-23, 5-24, 5-25, 5-26, 5-27,	
515611-000	... 2-20, 2-35, 2-41, 2-42, 5-13, 5-17	5-28, 5-29, 5-30, 5-31, 5-58	
515611-000 A 5-14	5562015 2-7, 2-8
5260013 5-22	5563138 2-44, 2-49, 2-50, 2-51, 2-53, 2-55
5260045 2-32	5563164 2-13, 2-14
5516345 2-29	5563181	.. 4-21, 4-22, 4-24, 4-25, 4-26, 4-27, 4-28, 4-29,
5516346	2-4, 2-5, 2-6, 2-7, 2-8, 2-15, 2-16, 2-28,	4-30, 5-50, 5-51, 5-54	
4-11		5563230 2-30, 2-31, 2-32
5516349	2-57, 2-62, 2-63, 2-64, 2-65, 2-66, 2-67,	5563249 5-7
2-70, 2-71, 2-72, 2-73, 2-74, 2-79, 4-19, 4-20, 5-		5563264 2-1, 2-2, 2-4, 2-5, 2-6, 2-7, 2-8
23, 5-24, 5-25, 5-26, 5-27, 5-28, 5-29, 5-30, 5-31,		5563273 2-24
5-58		5563280 2-29
5516353 2-10, 2-11, 2-12, 2-29	5563283	2-6, 2-13, 2-14, 2-15, 2-16, 2-17, 2-18, 2-26, 2-
5516358 2-57	27	
5516359	2-57, 2-75, 2-76, 2-77, 2-78, 2-79, 5-39,	5563285 2-9
5-40, 5-42, 5-43, 5-44		5563293	.. 2-44, 2-49, 2-50, 2-51, 2-52, 2-53, 2-55, 2-56
5516360	2-62, 2-63, 2-64, 2-65, 2-66, 2-67, 2-70,	5563298 2-49, 2-53
2-71, 2-72, 2-73, 2-74, 4-19, 4-20, 5-23, 5-24, 5-		5563304	.. 2-62, 2-63, 2-65, 2-66, 2-67, 2-68, 2-70, 2-71,
25, 5-26, 5-27, 5-28, 5-29, 5-30, 5-31, 5-58		2-72, 2-73, 2-77, 4-19, 4-20, 5-23, 5-24, 5-25, 5-26, 5-27,	
5520118 2-9	5-29, 5-30, 5-32, 5-34, 5-36, 5-42, 5-58	
5534386 2-1, 2-2, 2-4, 2-5, 2-6, 2-7, 2-8	5563305	.. 2-62, 2-63, 2-64, 2-65, 2-66, 2-67, 2-68, 2-69,
5560004 2-10, 2-11, 2-12, 2-29, 5-9	2-70, 2-71, 2-72, 2-73, 2-74, 2-79, 5-23, 5-24, 5-25, 5-26,	
5560067	4-21, 4-22, 4-24, 4-25, 4-26, 4-27, 4-28,	5-27, 5-28, 5-29, 5-30, 5-31, 5-32, 5-33, 5-34, 5-35, 5-36,	
4-29, 4-30, 5-50, 5-51, 5-54		5-37	
5560592 4-38	5563311	.. 2-44, 2-49, 2-50, 2-51, 2-52, 2-53, 2-55, 2-56
5560593 4-38	5563446	.. 2-57, 2-62, 2-63, 2-64, 2-65, 2-66, 2-67, 2-68,
5560594 4-38	2-69, 2-70, 2-71, 2-72, 2-73, 2-74, 2-76, 2-77, 4-18, 4-19,	
5560630 2-3, 2-38, 2-39	4-20, 5-23, 5-24, 5-25, 5-26, 5-27, 5-28, 5-29, 5-30, 5-31,	

5-32, 5-33, 5-34, 5-35, 5-36, 5-37, 5-40, 5-42, 5-45, 5-49, 5-58	5592016 . 2-1, 2-2, 2-4, 2-5, 2-6, 2-7, 2-8, 2-43, 2-45, 2-46, 2-47, 2-48, 2-54
5563447 5-48	5592017 2-58, 2-60
5563451 2-57, 2-62, 2-63, 2-64, 2-65, 2-66, 2-67, 2-68, 2-69, 2-70, 2-71, 2-72, 2-73, 2-74, 4-19, 4-20, 5-23, 5-24, 5-25, 5-26, 5-27, 5-28, 5-29, 5-30, 5-31, 5-32, 5-33, 5-34, 5-35, 5-36, 5-37, 5-58	561976 3-5, 3-6
5563454 2-81, 2-83, 2-84, 2-86, 5-46	562386 2-57, 2-62, 2-63, 2-64, 2-65, 2-66, 2-67, 2-68, 2-69, 2-70, 2-71, 2-72, 2-73, 2-74, 2-79, 4-19, 4-20, 5-23, 5-24, 5-25, 5-26, 5-27, 5-28, 5-29, 5-30, 5-31, 5-32, 5-33, 5-34, 5-35, 5-36, 5-37, 5-58
5563459 2-1, 2-2, 2-4, 2-5, 2-6, 2-7, 2-8	562846 5-55
5563466 2-57, 2-65, 2-66, 2-67, 2-68, 2-69, 2-70, 2-71, 2-73, 2-74, 2-80, 5-23, 5-36, 5-37, 5-41, 5-43, 5-44	569295 2-81, 2-82, 2-83, 2-84, 2-85, 2-86, 2-87, 2-88, 2-89, 2-90, 2-91, 2-92, 2-93
5563555 5-47	6018943 3-6
5563643 4-21, 4-22, 4-24, 4-25, 4-26, 4-27, 4-28, 4-29, 4-30, 5-50, 5-51, 5-54	6019032 3-5, 3-6
5563650 2-44, 2-49, 2-50, 2-51, 2-52, 2-53, 2-55, 2-56	6019123 3-6
5563704 . 2-19, 2-20, 2-23, 2-35, 2-40, 2-41, 2-42	6019289 . . 2-44, 2-49, 2-50, 2-51, 2-52, 2-53, 2-55, 2-56, 3-5, 3-6
5563871 4-19, 4-39, 5-58	6019301 3-4
5563932 2-33	6019303 3-4
5563933 2-17, 2-18, 2-25, 2-26, 2-27, 2-28, 4-11, 5-6	6019305 3-4
5563933 B 2-33	6019306 3-4
5563973 2-75, 2-76, 2-77, 2-78, 2-79, 5-38, 5-39, 5-40, 5-42	6019307 3-4
5563979 5-9	6019308 3-4
5569941 2-30, 2-31	6019309 3-4
5569973 2-57, 4-19, 4-20, 5-58	6019311 3-4
5569975 3-1, 3-2	6019312 3-4
5569998 5-22	6019314 3-4
5580020 2-68, 2-69, 5-32, 5-33, 5-34, 5-35, 5-36, 5-37, 5-49	6019315 3-4
5592001 2-1, 2-2, 2-4, 2-5, 2-6, 2-7, 2-8	6019339A 3-4
5592015 2-1, 2-2, 2-4, 2-5, 2-6	6019340 2-10
	6019344 3-4
	6019345 3-4
	6019346 3-4
	6019347 3-4
	6019348 3-4

6019357	2-44, 2-49, 2-50, 2-51, 2-52, 2-53, 2-55, 2-56	6029696	2-29
6019378	2-11	6029696B	3-9
6019378 B	3-5	6031625	3-1, 3-1
6019382	2-44, 2-51, 2-52, 2-55, 2-56	6031627	3-1
6019389	3-5	6031629	2-1, 2-2, 2-4, 2-5, 2-6, 2-7, 2-8, 3-2
6019390	3-5, 3-6	6031631	3-2
6019391	3-5, 3-6	6047135	2-49, 2-50, 2-53
6019393	3-5	6047135E	3-13
6019394	3-5	6047139	2-1, 2-2, 2-4, 2-5, 2-6, 2-7, 2-8, 3-10
6019395	3-5, 3-6	6047139E	3-10
6019446	2-12	6047147	3-13
6019446 B	3-6	6047148	3-12, 3-14
6019456	3-6	6047194	2-44, 2-46, 2-47, 2-48, 2-51, 2-54
6019457	3-6	6047194-3	2-43, 2-45
6019458	3-6	6047194-A	3-14
6019459	3-6	6047194A	3-12
6029632	3-5, 3-6	6047194A-1	3-11
6029678	2-29	6047202	3-11
6029678 B	3-8	6091570	3-5, 3-6
6029680	3-8	6091576	3-5, 3-6
6029681	3-8	6091596	2-49, 2-50, 2-53
6029682	3-8	6091696	3-8
6029683	3-8	6091697	3-8
6029684	3-8	6091698	3-8
6029685	3-8	6091700	2-1, 2-2, 2-4, 2-5, 2-6, 2-7, 2-8, 3-3
6029686	3-8	6091700 A	3-3
6029687	3-8	6091710	3-10
6029688	3-8	6091777	3-9
6029689	3-8	6091778	3-9
6029690	3-8	6091779	3-9
6029691	3-8	6091780	3-9
6029692	3-8	6091781	3-9
6029693	3-8	6091782	3-9
		6091783	2-29, 3-9

6091784	2-29, 3-9	8230182	3-1, 3-2
6091785	3-9	8230183	3-1, 3-2
6091786	3-9	8230187	2-82, 2-85, 2-87, 2-88, 2-89, 2-90, 2-91
6091787	3-9	8230187FR	2-92, 2-93
6091788	3-9	8230188	2-82, 2-85, 2-87, 2-88, 2-89, 2-90, 2-91
6091789	3-9	8230188FR	2-92, 2-93
6091790	3-9	8230189	2-82, 2-85, 2-87, 2-88, 2-89, 2-90, 2-91
6091791	3-9	8230189FR	2-92, 2-93
6091792	3-9	9595	5-7
6091793	3-9	960359	4-16, 4-31, 4-32, 4-33, 5-55, 5-56
6091800	3-3	960589	5-55
6091874	3-3	969249	2-81, 2-82, 2-83, 2-84, 2-85, 2-86, 2-87, 2-88, 2-89, 2-90, 2-91, 2-92, 2-93
6091875	3-3	984339	2-9
6091876	3-3	986019	5-9
6091877	3-3	988379	2-43, 2-45, 2-46, 2-47, 2-48, 2-54
6091878	3-3	9980003	4-19, 4-20, 5-58
6091879	3-3	9980007	4-19, 4-20, 5-58
6091881	3-3	9980008	4-19, 4-20, 5-58
6091939	3-5	9991349	4-39
7030068	2-81, 2-82, 2-83, 2-84, 2-85, 2-86, 2-87, 2-88, 2-89, 2-90, 2-91, 2-92, 2-93	9991350 A	4-39
7030150	5-21	9991351	4-39
7030249	2-88, 2-91	9991353	4-39
7030249FR	2-93	9991353 A	4-40
7050004	2-81, 2-82, 2-83, 2-84, 2-85, 2-86, 2-87, 2-88, 2-89, 2-90, 2-91, 2-92, 2-93	9991357	4-40
7119945	2-29	A50002A H	4-12
7190010	2-29	A50002A-J	4-13
7714204	5-22	A50004A G	4-7
8030044	4-8	N/A	4-12
8080210	4-9	NOTE: PLEASE SEE TCB 18.004 FOR INSTALLATION INSTRUCTIONS	5-6
8140020	2-82, 2-85, 2-87, 2-88, 2-89, 2-90, 2-91, 2-92, 2-93	TCB-18.023	5-9
8210054	5-21		