

# **S4732E PARTS MANUAL**

## GENERAL INFORMATION

GENERAL INFORMATION .....	1-1
---------------------------	-----

## REPAIR PARTS

CHASSIS ASSEMBLY AUGUST 2015 AND AFTER .....	2-1
CHASSIS ASSEMBLY S4726E S4732E JANUARY 2016 AND AFTER .....	2-2
CHASSIS ASSEMBLY S4726E S4732E APRIL 2016 AND AFTER .....	2-3
GENERIC CHASSIS ASSEMBLY S4726E S4732E MARCH 2017 AND AFTER .....	2-4
CHASSIS ASSEMBLY CHINA S4726E S4732E .....	2-5
SCRATCH GUARD AFTER S3220E-04-000023 S3226E-04-000185 S4726E-04-000362 S4732E-04-000858 .....	2-6
OVERTRAVEL ASSEMBLY WIDE OCTOBER 2015 AND AFTER .....	2-7
OVERTRAVEL ASSEMBLY WIDE MARCH 2015 AND AFTER .....	2-8
TIRE AND WHEEL ASSEMBLY .....	2-9
VALVE TRAY ASSEMBLY ANSI CE SINGLE SPEED S3219E-04-002295 AND BEFORE .....	2-10
VALVE TRAY ASSEMBLY ANSI CE TWO SPEED S3219E-04-002296 THROUGH CURRENT ...	2-11
VALVE TRAY ASSEMBLY TWO SPEED DECEMBER 2019 AND AFTER .....	2-12
CONTROL TRAY ASSEMBLY ANSI CSA FEBURARY 2020 AND BEFORE .....	2-13
CONTROL TRAY ASSEMBLY MARCH 2020 AND AFTER .....	2-14
CONTROL TRAY ASSEMBLY CE AUGUST 2015 AND AFTER .....	2-15
CONTROL TRAY ASSEMBLY CE APRIL 2016 AND AFTER .....	2-16
CONTROL TRAY ASSEMBLY CE OCTOBER 2018 AND AFTER .....	2-17
CONTROL TRAY ASSEMBLY CE APRIL 2019 AND AFTER .....	2-18
CONTROL TRAY ANSI CSA ASSEMBLY AUGUST 2019 AND AFTER .....	2-19
TANK TRAY ASSEMBLY S3220E S3226E S4726E S4732E JUNE 2018 AND AFTER .....	2-20
TRAYS INSTALLATION ANSI CSA S4726E S4732E SEPTEMBER 2015 AND AFTER .....	2-21
TRAYS INSTALLATION CE AS S4726E S4732E SEPTEMBER 2015 AND AFTER .....	2-22
TRAY S INSTALLATION CHINA S4726E S4732E MAY2017 AND BEFORE .....	2-23
TRAYS INSTALLATION CHINA S4726E S4732E JUNE 2017 AND AFTER .....	2-24
LYNCH PIN WITH LANYARD ASSEMBLY .....	2-25
ANSI ASSEMBLY S4732E .....	2-26
ANSI CSA ASSEMBLY S4726E S4732E JULY 2019 AND AFTER .....	2-27
CE AS ASSEMBLY S4732E .....	2-28
CE AS ASSEMBLY S4732E .....	2-29
CHINA ASSEMBLY S4732E .....	2-30
STACK ASSEMBLY S4732E .....	2-31
STACK ASSEMBLY S4732E CHINA .....	2-32
STACK ASSEMBLY INSTALLATION S4726E APRIL 2017 AND AFTER .....	2-33
STACK ASSEMBLY INSTALLATION S4726E APRIL 2019 AND AFTER .....	2-34
STACK INSTALLATION S4732E JANUARY 2017 AND BEFORE .....	2-35
STACK ASSEMBLY INSTALLATION S4732E MARCH 2019 AND BEFORE .....	2-36
STACK ASSEMBLY INSTALLATION S4732E APRIL 2019 AND AFTER AND AFTER .....	2-37
STACK ASSEMBLY INSTALLATION CE S4732E APRIL 2019 AND AFTER .....	2-38
STACK INSTALLATION CE S4732E .....	2-39
STACK ASSEMBLY INSTALLATION S4726 MARCH 2017 AND BEFORE .....	2-40

STACK ASSEMBLY CHINA S4732E MAY 2019 AND AFTER .....	2-41
STACK ASSEMBLY CHINA S4732E MARCH 2018 AND AFTER .....	2-42
STACK ASSEMBLY INSTALLATION CHINA S4732E APRIL 2019 AND AFTER .....	2-43
PLATFORM ASSEMBLY ANSI CE S4726E S4732E AUGUST 2015 AND AFTER .....	2-44
PLATFORM ASSEMBLY ANSI CE S4726E S4732E JUNE 2016 AND AFTER .....	2-45
PLATFORM ASSEMBLY ANSI S4726E S4732E MARCH 2017 AND AFTER .....	2-46
PLATFORM ASSEMBLY AS S4726E S4732E SEPTEMBER 2015 AND AFTER .....	2-47
PLATFORM ASSEMBLY AS S4726E S4732E JUNE 2016 AND AFTER .....	2-48
PLATFORM ASSEMBLY CHINA S4726E S4732E .....	2-49
HANDRAIL ASSEMBLY CSA SEPTEMBER 2019 AND AFTER .....	2-50
HANDRAILS ASSEMBLY ANSI MARCH 2017 AND AFTER .....	2-51
HANDRAILS ASSEMBLY ANSI/CE OCTOBER 2018 AND AFTER .....	2-52
HANDRAILS ASSEMBLY ANSI OCTOBER 2018 AND AFTER .....	2-53
HANDRAILS ASSEMBLY WITH FIXED UPPER CONTROL BOX CE AS S4726E S4732E APTIL 2018 AND BEFORE .....	2-54
HANDRAILS ASSEMBLY WITH FIXED UPPER CONTROL BOX CE AS S4726E S4732E SEPTEMBER 2018 AND BEFORE .....	2-55
HANDRAILS ASSEMBLY WITH FIXED UPPER CONTROL BOX CE AS S4726E S4732E OCTOBER 2018 AND AFTER .....	2-56
HANDRAILS ASSEMBLY WITH FIXED UPPER CONTROL BOX CE AS S4726E S4732E OCTOBER 2018 AND AFTER .....	2-57
HANDRAILS ASSEMBLY CHINA S4726E S4732E .....	2-58
HANDRAILS ASSEMBLY WITH REMOVABLE UPPER CONTROL BOX ANSI S4726E S4732E APRIL 2018 AND BEFORE .....	2-59
HANDRAILS ASSEMBLY WITH REMOVABLE UPPER CONTROL BOX ANSI S4726E S4732E MAY 2018 AND AFTER .....	2-60
HANDRAILS ASSEMBLY WITH REMOVABLE UPPER CONTROL BOX CE AS S4726E S4732E NOVEMBER 2017 AND AFTER .....	2-61
HANDRAILS ASSEMBLY WITH REMOVABLE UPPER CONTROL BOX CE AS S4726E S4732E OCTOBER 2018 AND AFTER .....	2-62
FOLDING HANDRAILS ASSEMBLY WITH FOOT LATCH CE AS S4726E S4732E MAY 2019 AND AFTER .....	2-63
FOLDING HANDRAIL ASSEMBLY WITH FOOT LATCH CSA S4726E S4732E MAY 2019 AND AFTER .....	2-64
FOLDING HANDRAIL FOOT LATCH ANSI CSA ASSEMBLY S4726E S4732E OCTOBER 2019 AND AFTER .....	2-65
SALOON GATES ASSEMBLY S4726E S4732E .....	2-66
SALOON GATES ASSEMBLY CHINA S4726E S4732E .....	2-67
SINGLE GATE ASSEMBLY S4726E S4732E .....	2-68
SINGLE GATE ASSEMBLY CHINA S4726E S4732E .....	2-69
GRAVITY GATE ASSEMBLY S4726E S4732E .....	2-70
DECALS ASSEMBLY ANSI S4732E AUGUST 2015 AND AFTER .....	2-71
DECAL ASSEMBLY ANSI S4732E APRIL 2017 AND AFTER .....	2-72
DECAL ASSEMBLY ANSI S4732E OCTOBER 2019E AND AFTER .....	2-73
DECALS ASSEMBLY AS S4732E JUNE 2016 AND AFTER .....	2-74
DECALS ASSEMBLY AS S4732E APRIL 2017 AND AFTER .....	2-75
DECAL ASSEMBLY AS S4732E OCTOBER 2019 AND AFTER .....	2-76

DECALS ASSEMBLY CHINA S4732E .....	2-77
DECALS ASSEMBLY AS S4732E PLATFORM CAPACITY 700# .....	2-78
DECALS ASSEMBLY CE S4732E AUGUST 2015 AND AFTER .....	2-79
DECALS ASSEMBLY CE S4732E APRIL 2017 AND AFTER .....	2-80
DECALS ASSEMBLY CE S4732E OCTOBER 2019 AND AFTER .....	2-81
DECALS ASSEMBLY CE CHINA S4732E .....	2-82
DECALS ASSEMBLY CSA S4732E .....	2-83
DECAL ASSEMBLY CSA S4732E OCTOBER 2019 AND AFTER .....	2-84
DECALS ASSEMBLY CSA FRENCH S4732E .....	2-85
DECAL ASSEMBLY FRENCH S4732E OCTOBER 2019 AND AFTER .....	2-86
DECALS ASSEMBLY SPANISH S4732E .....	2-87
DECALS ASSEMBLY SPANISH S4732E .....	2-88
DECALS ASSEMBLY GERMAN S4732E .....	2-89
DECALS ASSEMBLY GERMAN S4732E OCTOBER 2019 AND AFTER .....	2-90

## HYDRAULICS

DRIVE MOTOR DALI 300CC .....	3-1
BRAKE DALI AFTER S/N S4732E-04-000561 .....	3-2
MANIFOLD TWO SPEED DECEMBER 2016 AND AFTER .....	3-3
MANIFOLD TWO SPEED FLUID TECH (AFTER 6019378 MANIFOLD) .....	3-4
HOSE ASSEMBLY S4726E S4732E .....	3-5
TABULATED HOSES .....	3-6
PUMP UNIT 24VDC 4.3CC DECEMBER 2014 AND AFTER .....	3-7
PUMP UNIT 24 VOLT DC 4.33CC NOVEMBER 2015 AND AFTER .....	3-8
STEER CYLINDER ROSENBOOM AND FISHER .....	3-9
CYLINDER STEER .....	3-10
LIFT CYLINDER UPPER ROSENBOOM .....	3-11
LIFT CYLINDER LOWER ROSENBOOM .....	3-12
LIFT CYLINDER PB .....	3-13
LIFT CYLINDER FISHER .....	3-14

## ELECTRICAL

CONTROL TRAY ANSI CSA ASSEMBLY AUGUST 2019 AND AFTER .....	4-1
CHASSIS HARNESS S4732E DECEMBER 2014 AND AFTER .....	4-2
CHASSIS HARNESS S4726E S4732E BEFORE S4726E-04-000087 AND S4732E-04-000218 .....	4-3
CHASSIS HARNESS S4726E S4732E APRIL 2016 AND AFTER .....	4-4
CHASSIS HARNESS OCTOBER S3220E S3226E S4726E S4732E 2018 AND AFTER .....	4-5
CHASSIS HARNESS S3220E S3226E S4726E JANUARY 2019 AND AFTER S4732E S4740E FEBURARY 2020 AND AFTER .....	4-6
ANGLE TRANSDUCER JUMPER JANUARY 2019 AND AFTER .....	4-7
DOUBLE PROX SENSOR HARNESS JANUARY 2016 AND AFTER .....	4-8
TABULATED BATTERY CABLES MARCH 2019 AND AFTER .....	4-9
GROUND CONTROL PANEL ASSEMBLY ANSI S3215E S3215L S3219E APRIL 2016 AND AFTER S4740 FEBURARY 2020 AND AFTER .....	4-10
GROUND CONTROL PANEL ANSI CE AUSTRALIA S3219E-04-002295 AND BEFORE .....	4-11
GROUND CONTROLS HARNESS .....	4-12



STACK HARNESS ASSEMBLY JULY 2018 AND BEFORE .....	4-13
STACK HARNESS ASSEMBLY ANSI S3219E-04-000001 THROUGH CURRENT .....	4-14
PENDANT CONVERT ASSEMBLY AUGUST 2018 AND AFTER .....	4-15
DRIVE CONTROL PENDANT .....	4-16
PENDANT CONVERSION CE .....	4-17
BUMP GUARD ASSEMBLY S4726E S4732E MAY 2018 AND AFTER .....	4-18
BUMP GUARD ASSEMBLY S4726E S4732E MAY 2018 AND AFTER .....	4-19
BUMP GUARD ASSEMBLY S4732E S4726E APRIL 2018 AND BEFORE .....	4-20
UPPER CONTROL BOX ASSEMBLY TWO SPEED ANSI MAY 2017 AND AFTER .....	4-21
UPPER CONTROL BOX ANSI 2SPD ASSEMBLY MAY 2018 AND AFTER .....	4-22
UPPER CONTROL BOX ASSEMBLY TWO SPEED ANSI SEPTEMBER 2018 AND BEFORE ....	4-23
UPPER CONTROL BOX ASSEMBLY ANSI 2SPD OCTOBER 2018 AND AFTER .....	4-24
UPPER CONTROL BOX ASSEMBLY TWO SPEED ANSI CSA MAY 2019 AND AFTER .....	4-25
UPPER CONTROL BOX ASSEMBLY TWO SPEED ANSI CSA MAY 2019 AND AFTER .....	4-26
UPPER CONTROL BOX ASSEMBLY TWO SPEED CE JUNE 2016 AND AFTER .....	4-27
UPPER CONTROL BOX ASSEMBLY TWO SPEED CE AUSTRALIA AUGUST 2017 AND AFTER	4-28
UPPER CONTROL BOX ASSEMBLY TWO SPEED CE JULY 2018 AND AFTER .....	4-29
UPPER CONTROL BOX ASSEMBLY CE 2SPD AUGUST 2018 AND AFTER .....	4-30
UPPER CONTROL BOX HARNESS .....	4-31
UPPER CONTROL BOX CONNECTOR TWO SPEED ANSI SEPTEMBER 2018 AND AFTER ....	4-32
UPPER CONTROL BOX CONNECTOR TWO SPEED CE AUSTRALIA OCTOBER 2018 AND AFTER	4-33
110 VOLT ASSEMBLY APRIL 2017 AND AFTER .....	4-34
110 VOLT ASSEMBLY CHINA .....	4-35
JOYSTICK .....	4-36
PENDANT SCISSORS PDI JANUARY 2020 AND AFTER .....	4-37
HARNESS SCISSORS PDI PENDANT JANUARY 2020 AND AFTER .....	4-38

**OPTIONS**

MAINTENANCE FREE BATTERY OPTION .....	5-1
CHARGER INTERLOCK DELETE ANSI .....	5-2
LOCKING BATTERY AND REAR TRAY .....	5-3
REAR TRAY COVER INSTALLATION .....	5-4
AUSTRALIA NEW ZEALAND PLUG .....	5-5
6H PLUG AND SOCKET .....	5-6
ENVIRONMENTALLY SAFE OIL S3220E S3226E S4726E S4732E .....	5-7
AIRLINE S4732E .....	5-8
INVERTER ASSEMBLY INSTALLATION S4726E S4732E SEPTEMBER 2016 AND AFTER .....	5-9
INVERTER ASSEMBLY INSTALLATION S4726E S4732E JUNE 2018 AND AFTER .....	5-10
DUAL FLASHING LIGHT .....	5-11
AMBER BEACON ASSEMBLY ANSI CE AUSTRALIA OCTOBER 2016 AND AFTER .....	5-12
AMBER BEACON INSTALLATION CE OCTOBER 2016 AND AFTER .....	5-13
AMBER BEACON INSTALLATION ANSI JUNE 2019 AND AFTER .....	5-14
AMBER BEACON ASSEMBLY ANSI JUNE 2019 AND AFTER .....	5-15
AMBER BEACON CHINA .....	5-16

DUAL FLASHING LIGHT .....	5-17
ANGLE TRANSDUCER COVER .....	5-18
OVERLOAD OPTION MAY 2016 AND AFTER .....	5-19
BRUSH ASSEMBLY .....	5-20
TOP RAIL S4726E S4732E .....	5-21
PANEL CARRIER .....	5-22
BUMP GUARD ASSEMBLY WIRING .....	5-23
BUMP GUARD ASSEMBLY S4732E S4726E APRIL 2018 AND BEFORE .....	5-24
BUMP GUARD ASSEMBLY S4726E S4732E MAY 2018 AND AFTER .....	5-25
PIPE RACK MAY 2019 AND AFTER .....	5-26
REMOVABLE UPPER CONTROL BOX ANSI AS .....	5-27
CONTROL BOX WEATHER GUARD KIT .....	5-28
UPPER CONTROL BOX ASSEMBLY WITH SNORKEL GUARD TWO SPEED AUGUST 2018 AND AFTER .....	5-29
UPPER CONTROL BOX ASSEMBLY WITH SNORKEL GUARD CE AUGUST 2018 AND AFTER .5- 30	
SNORKEL GUARD PLATFORM CONTROL BOX ASSEMBLY .....	5-31
ANSI SNORKEL GUARD PLATFORM CONTROL BOX 2SPD ASSEMBLY AUGUST 2018 AND AFTER .....	5-32
SNORKEL GUARD UPPER CONTROL BOX ASSEMBLY CE AUGUST 2018 AND AFTER .....	5-33
SNORKEL GUARD UPPER CONTROL BOX ASSEMBLY CE OCTOBER 2018 AND AFTER ...	5-34
SNORKEL GUARD ASSEMBLY .....	5-35
SNORKEL GUARD UPPER CONTROL BOX HARNESS .....	5-36
LOADING CONTROL KIT FOLDING RAILS BUILT WITH OUT SIDE DRIVE MAY 2019 AND AFTER .....	5-37
LOADING CONTROL KIT FIXED HAND RAILS BUILT WITH OUT SIDE DRIVE MAY 2019 AND AFTER .....	5-38
PANNEL CARRIER S4732E OCTOBER 2019 AND AFTER .....	5-39

**MAINTENANCE**

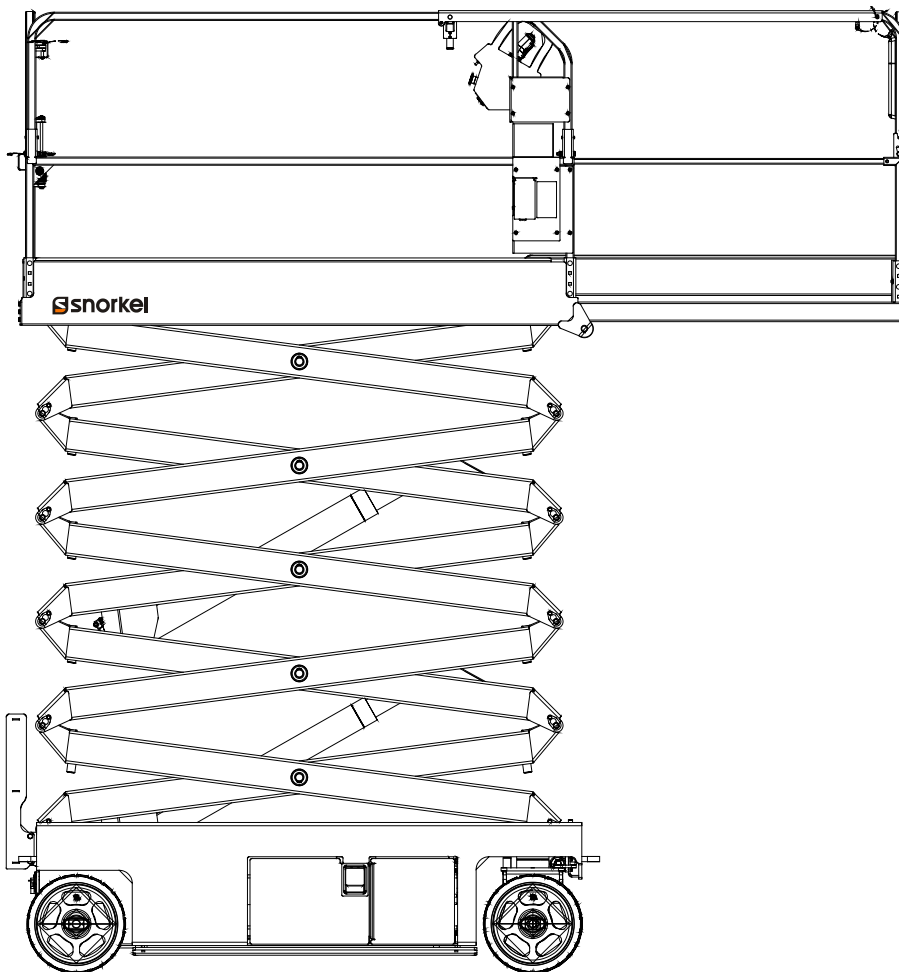
MAINTENANCE .....	6-1
-------------------	-----

**SCHEMATICS**

S3215L S3215E S3219E S3220E S3226E S4726E S4732E ELECTRICAL SCHEMATIC ANSI WITHOUT PENDANT A50001AM .....	7-1
S3215L S3215E S3219E S3220E S3226E S4726E S4732E ELECTRICAL SCHEMATIC ANSI WITH PENDANT A50001AM .....	7-2
S3215L S3215E S3219E S3220E S3226E S4726E S4732E ELECTRICAL SCHEMATIC CE A50001AM . 7-3	
S3215L S3215E S3219E S3220E S3226E S4726E S4732E 2 SPEED HYDRAULIC SCHEMATIC A50005AC 3-22-17 and AFTER .....	7-4
A .....	A
B .....	B



S4732E



CE

# REPAIR PARTS MANUAL

Part Number 1502792  
September 2017

Serial number 000000 and after  
Replaces 1501797 July 2016

# DANGER

**The aerial platform is not electrically insulated. Death or serious injury will result from contact with, or inadequate clearance from, an energized conductor.**

**Do not go closer than the Minimum Safe Approach Distance as defined by ANSI standards.**

Regard all conductors as energized.

Allow for electrical wire sag and aerial platform sway.

If the platform, scissors structure, or any part of the aerial platform contacts a high-voltage electrical conductor, the entire machine can become electrically charged.

If that happens, remain on the machine and do not contact any other structure or object. This includes the ground, adjacent buildings, poles, and any other objects that are not part of the aerial platform.

Such contact could make your body a conductor to the other object, creating an electrical shock hazard resulting in death or serious injury.

If an aerial platform is in contact with an energized conductor the platform operator must warn ground personnel in the vicinity to stay away. Their bodies can conduct electricity creating an electrical shock hazard resulting in death or serious injury.

Do not approach or leave the aerial platform until the electricity has been turned off.

Do not attempt to operate the lower controls when the platform, scissors structure, or any part of the aerial platform is in contact with a high-voltage electrical conductor or if there is an immediate danger of such contact.

Personnel on or near an aerial platform must be continuously aware of electrical hazards, recognizing that death or serious injury can result from contact with an energized conductor.

## **California**

### **Proposition 65 Warning**

Battery posts, terminals and related accessories contain lead and lead components, chemicals known to the State of California to cause cancer and birth defects or other reproductive harm. Wash hands after handling.

# General Information

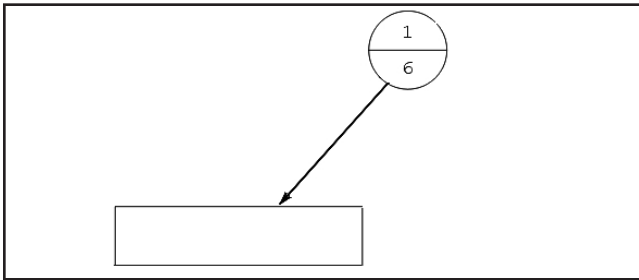
## About This Manual

This manual covers S4732E aerial platforms. Information is included for machines that have been manufactured to conform to all applicable requirements of the following organizations:

- American National Standards Institute (ANSI)
- Canadian Standards Association (CSA)
- European Committee for Standardization (CE)
- Australian Standards (AS) certification

Part pages include a drawing and a bill of material. The bill of material lists the item number that is on the drawing, the Snorkel part number, quantity used and a description of the item.

Some callouts in the drawings may have a balloon with two numbers. The top number is the item number and the bottom number is the quantity of the item at that location.



While Snorkel has attempted in every way to confirm that all information in this manual is correct, improvements are being constantly made to the machine that may not be reflected in this manual.

If you find information in this manual that is not correct or is confusing, you are urged to report your findings to Snorkel for our evaluation. Your input is important to us and will be used in future printings of this manual.

This machine is covered by a limited warranty that specifically identifies items warrantied by Snorkel and those items covered by original manufacturer's warranty. A copy of the Snorkel Limited Warranty is located on the inside of the back cover of this manual.

## Repairs and Maintenance

Every person who maintains, inspects, tests or repairs the machine must be qualified and authorized to do so.

### ⚠Caution

**Do not modify this aerial platform without prior written consent of Snorkel Engineering Department. Modification may void the warranty, adversely affect stability or affect the operational characteristics of the aerial platform.**

## Abbreviations

The following abbreviations may be used in this manual.

AC	alternating current
ANSI	American National Standards Institute
AR	as required
CCA	cold cranking amps
cm	centimeter
DC	direct current
ft	feet
GFCI	ground fault circuit interruptor
in	inch
lbs	pounds
mm	millimeter
no	number
NPT	national pipe thread
psi	pounds per square inch
qty	quantity
rpm	revolutions per minute
UL	Underwriters Laboratories Inc.

## Additional Information

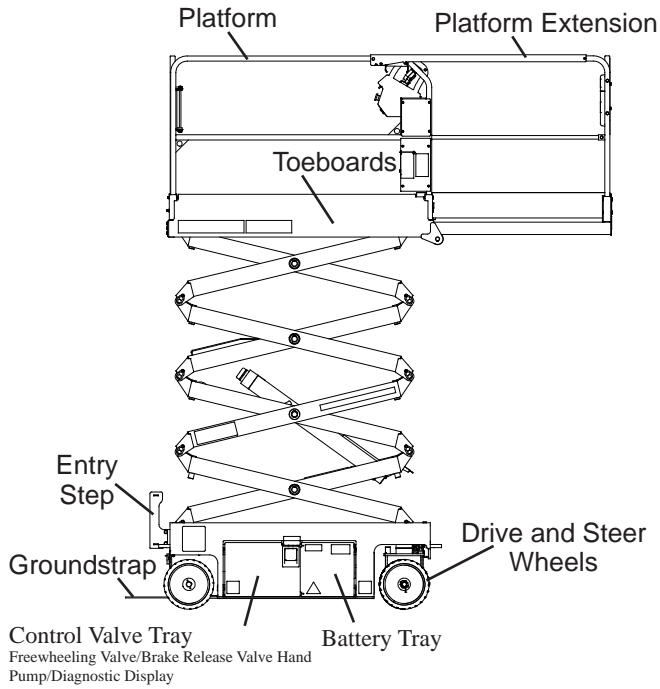
All correspondence relative to this machine, such as field reports, discrepancy reports, requests for information, etc., should be directed to:

Snorkel North America  
P.O. Box 1160  
St. Joseph, MO 64502-1160 USA  
Phone: 1-800-255-0317

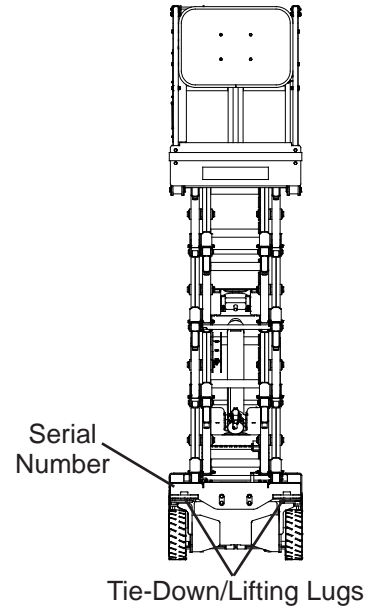
Snorkel Europe  
Vigo Centre  
Birtley Road  
Washington  
Tyne & Wear  
NE38 9DA  
Phone: +44 (0) 845 1550 058

<http://www.snorkellifts.com>

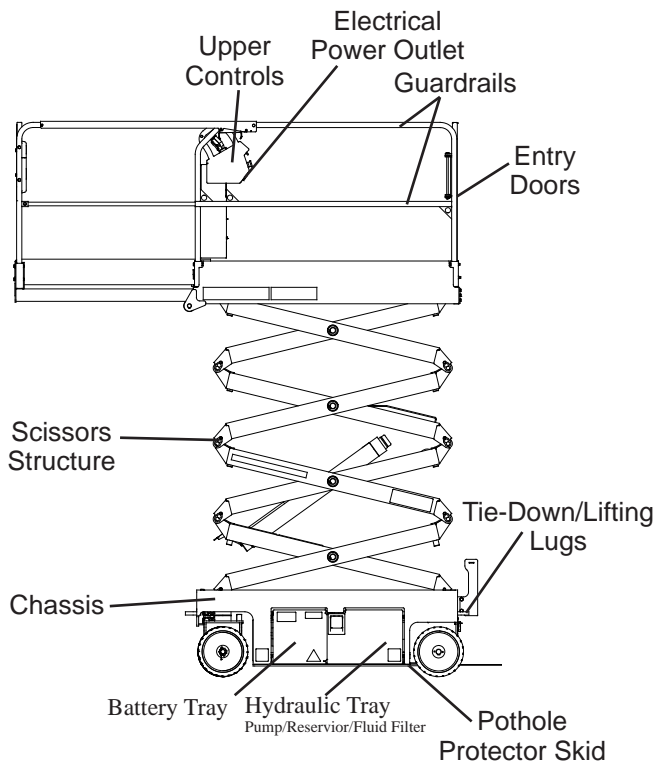
# Component Identification



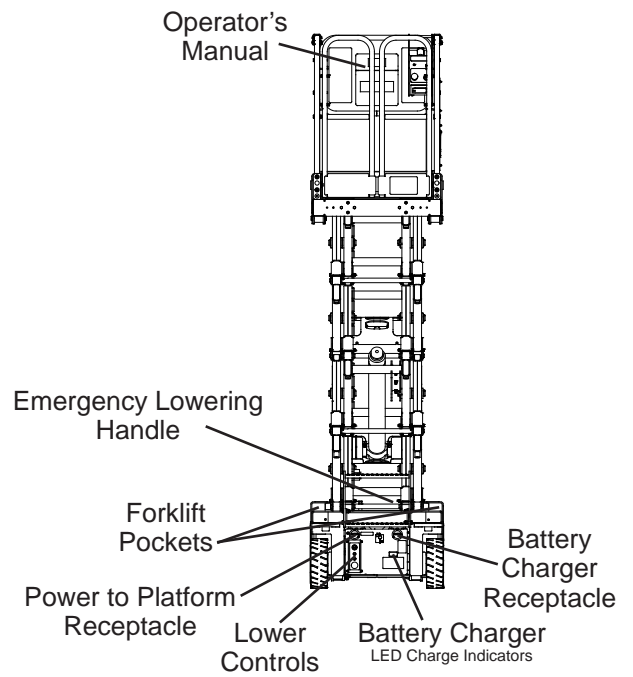
**Right Side**



**Front**



**Left Side**



**Rear**

# Service and Parts Information

## Ordering Parts

When placing an order for service or repair parts, please have the following machine information readily available.

- Model number
- Serial number
- Snorkel part number
- Description of part
- Quantity of parts required
- Your purchase order number
- Address for order to ship to
- The desired shipment method

If ordering parts off-line, the parts order form on the following page may be mailed or faxed to the attention of the Parts Department at the following location:

Snorkel North America  
P.O. Box 1160  
St. Joseph, MO 64502-1160 USA  
Phone: 1-800-255-0317  
Parts Fax: 1-785-989-3077

Snorkel Europe  
Vigo Centre  
Birtley Road  
Washington  
Tyne & Wear  
NE38 9DA  
Phone: +44 (0) 845 1550 058  
Parts Fax: +44 (0) 1952 607 678

Attention: Parts Department

For your convenience, our electronic on-line ordering system is accessible from the following Internet location:

<http://www.snorkellifts.com>

## ANSI and OSHA Compliance

All owners and users of the aerial platform must read, understand and comply with all applicable regulations. Ultimate compliance to OSHA regulations is the responsibility of the user and their employer.

ANSI publications clearly identify the responsibilities of all personnel who may be involved with the aerial platform. A reprint of the "Manual of Responsibilities for Dealers, Owners, Users, Operators, Lessors and Lessees of ANSI/SIA A92.6-2006 Self-Propelled Elevating Work Platforms" is available from Snorkel dealers or from the factory upon request.

Copies are also available from:

Scaffold Industry Association, Inc.  
P.O. Box 20574  
Phoenix, AZ 85036-0574 USA

## Manuals

Manuals are available from Snorkel to support any of the machines that we produce.

The specific manuals for S4732E aerial platforms are as follows:

**S3215E/S3219E/S3220E/S3226E/S4726E/S4732E  
Operator's Manual ANSI**  
Snorkel part number – 1500834

**S3215E/S3219E/S3220E/S3226E/S4726E/S4732E  
Operators Manual CE**  
Snorkel part number – 1500842

**S4732E Repair Parts Manual**  
Snorkel part number – 1502792

**CSA Inspection and Maintenance Checklists**  
Snorkel part number – 1500841

**ANSI Manual of Responsibilities**  
ANSI/SIA A92.6-2006  
Snorkel part number – 0361367

## Machine Information

Model Number: \_\_\_\_\_

Serial Number: \_\_\_\_\_

Date of Purchase: \_\_\_\_\_

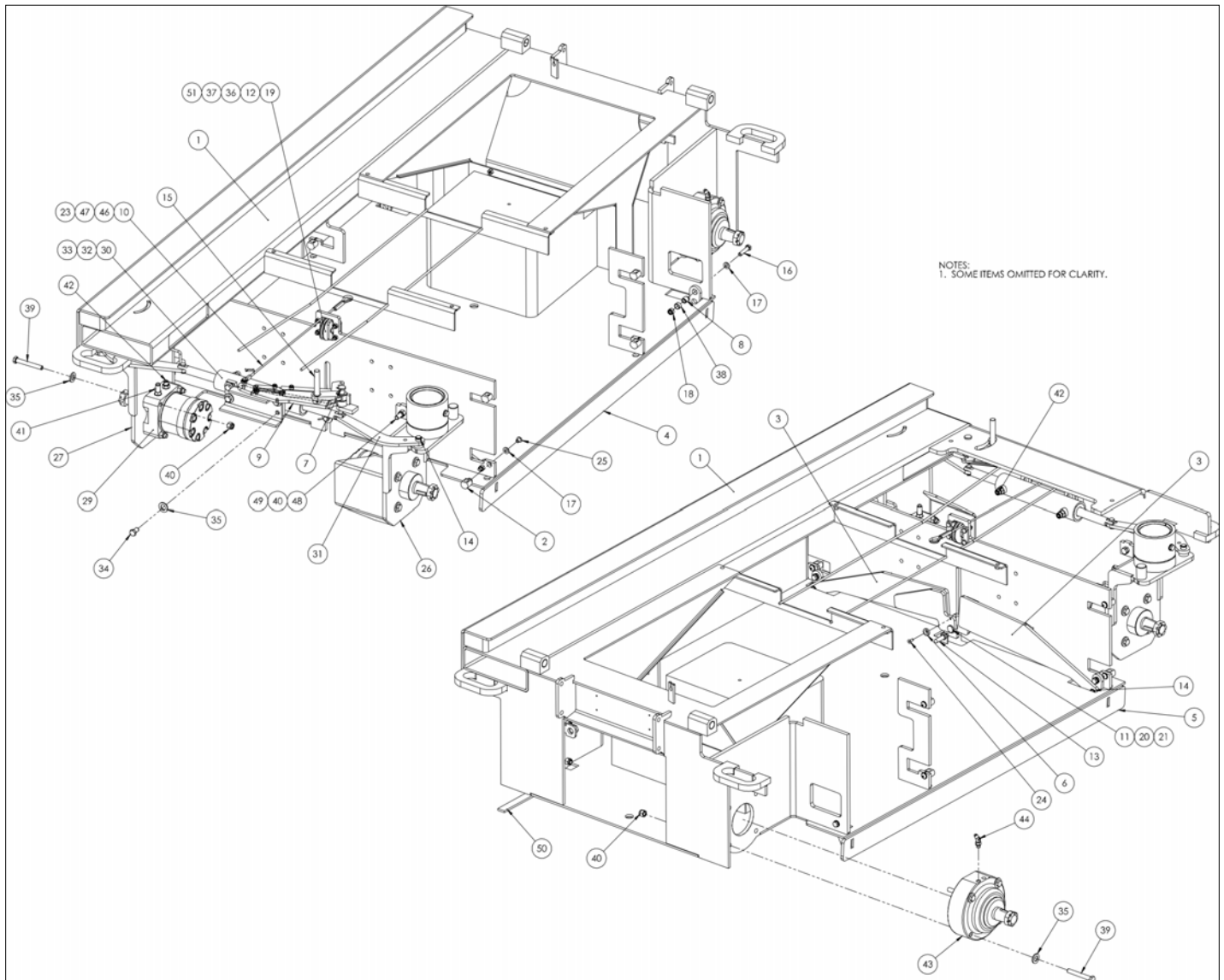
Purchased From: \_\_\_\_\_

Snorkel Dealer or Distributor: \_\_\_\_\_





REPAIR PARTS

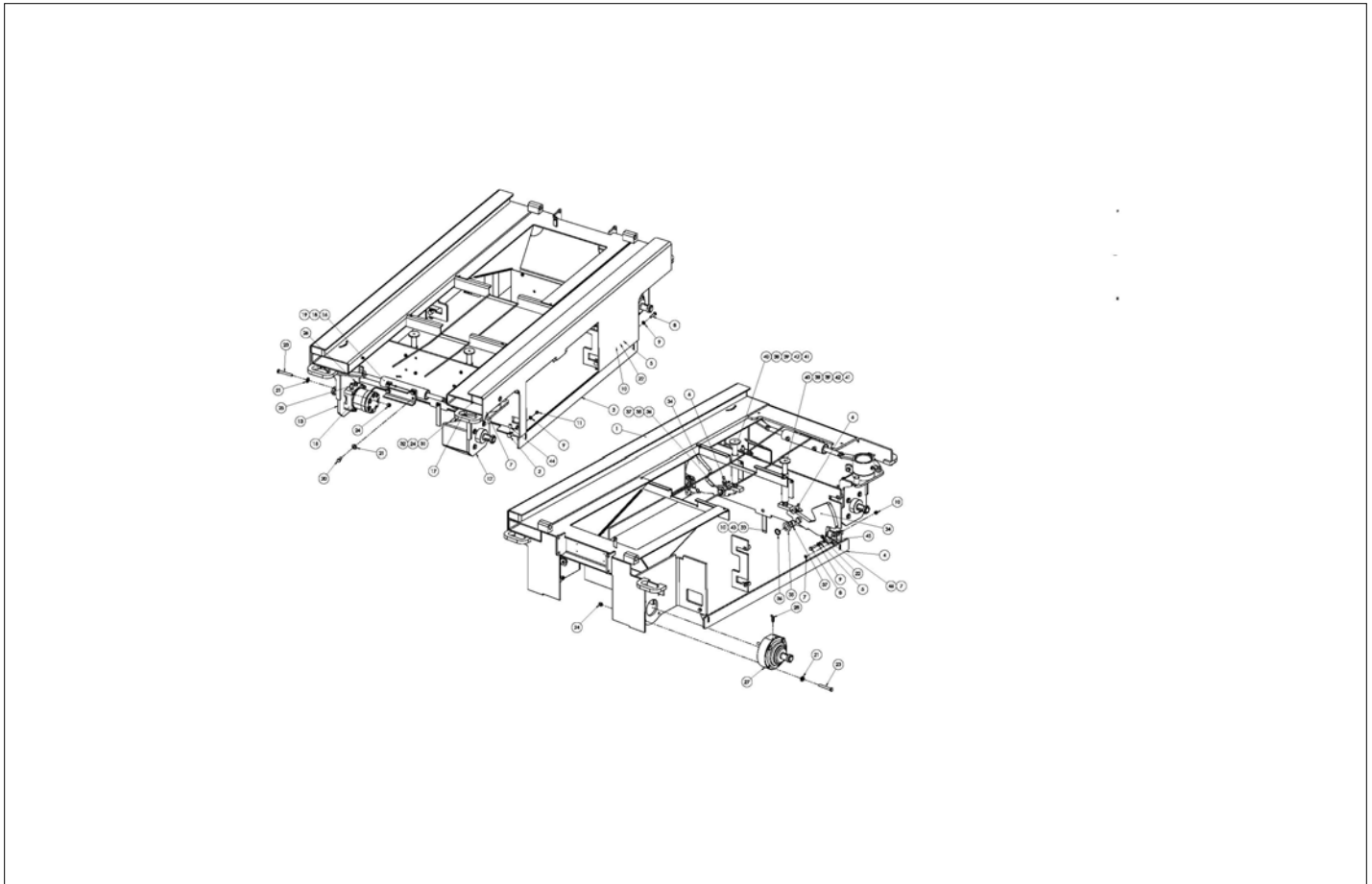


アイテム	部品番号	名前	数量	UOM
	1501140 Q	ASSY CHASSIS S4732/26E OCTOBER 2015 AND AFTER		EA
1	1501655	WELDMNT COUNTERWEIGHT INSTALLATION	1	EA
2	1501420	HINGE BLOCK, LOWER	8	EA
3	1501202	WLDMT POTHOLE LINK S4732/26E	2	EA
4	1501196	WLDMT POTHOLE SKID LH S4732/26E	1	EA
5	1501195	WLDMT POTHOLE SKID RH S4732/26E	1	EA
6	1501270	WSHR POTHOLE SWITCH	1	EA
7	1501521	PIN POTHOLE ACTUATOR	1	EA
8	1500936	PIN POTHOLE	4	EA
9	1502042	ASSY, OVERTRAVEL WIDE SVC USE 1502225	1	EA
10	5520118	POTHOLE CABLE ASSEMBLY	1	EA
11	1501975	PIN, .625 X 2.19 L W/HOLE SVC USE 150197528	1	EA
12	1500952	PLT PULLEY MNT	2	EA
13	3028844	IFS241 (IFM PROXY)	1	EA
14	5592001	SNAP RING .625 EXT HD	5	EA
15	1501293	PIN .625 DIA X 4.25 L	1	EA
16	058509 045	BOLT, HEXBOLT DIN 931 M10 X 45MM 10.9 DACROMET	4	EA
17	056069 010	Washer, SteelFlatWasher DIN125A M10 ZincPlated	14	EA
18	056064 010	Nut NylockNut DIN985 M10 10.0	4	EA
19	5516347	PULLEY	1	EA
Not Shown	5560169	WSHR FLAT HARD .625 SP	1	EA
Not Shown	988229	PIN COTTER .125 DIA 2.50	1	EA

アイテム	部品番号	名前	数量	UOM
Not Shown	1501098	PIN .625DIA X 2.19L	1	EA
23	2690004	Rod End	1	EA
24	500532 016	Bolt, CskSktFltMachScrew DIN7991 M6 x 16mm 10.9 ZincPlated	1	EA
25	5563459	BLT, SBHCS M10 X 1.50 X 12 GR10.9 ZP	8	EA
26	1501194	WLDMT STRG SPDL LH S4732/26E	1	EA
27	1501193	WLDMT STRG SPDL RH S4732/26E	1	EA
28	2500825	THR BRG 4.00ID 4.75OD .125THK	2	EA
29	6031627	MOTOR DRIVE	2	EA
30	6047154	CYLINDER STEER	1	EA
31	1501213	PLT STEERING LINKAGE S4732/26E	2	EA
32	1500729	PIN M10 X 22MM	2	EA
33	5592015	RETAINING RING EXTERNAL 10MM D	2	EA
34	5560630	BLOT M12 1.75 X 20	4	EA
35	056069 016	WASHER STEELFLATWASHER M16 DIN	20	EA
36	056059 030	Bolt, HexBolt DIN931 M8 x 30mm	4	EA
37	056064 008	NUT HEX M8 1.25 GR10.9 SELF LOCKING DIN 985	4	EA
38	2509827	BRG .625ID .719OD .375L	4	EA
39	056065 090	BLT HEXHD M12 1.75 90MM	16	EA
40	056066 012	Nut, NylockNut DIN985 M12 8.0	18	EA
41	104912 000	FTG 6MB X 6MORFF STR LONG	2	EA
42	100432 009	Hyd Fitting Straight ORFS(06) SAE(06)	4	EA
43	6091501	HYD BRAKE/HUB BK10	2	EA

アイテム	部品番号	名前	数量	UOM
Not Shown	100433 001	FTG 4MB X 4MORFF 45 °	2	EA
Not Shown	056060 030	BOLT HEXBOLT DIN931 M10 X 30MM 8.8 ZP	2	EA
46	512630 025	HHCS M6 X 1 X 25 GR 10.9 DIN 933	1	EA
47	056067 006	NUT HEX NUT M6 DIN934 ZINC PLATED	1	EA
48	058494 055	HHCS M12 X 1.75 X 55 GR8.8 DIN 933	2	EA
49	056067 512	Nut, HexJamNut DIN936 M12 8.0	2	EA
50	467966	STATIC STRAP RUBBER GRD 30in	1	EA
51	062642 004	BRG .625ID .719OD .50L	1	EA

REPAIR PARTS



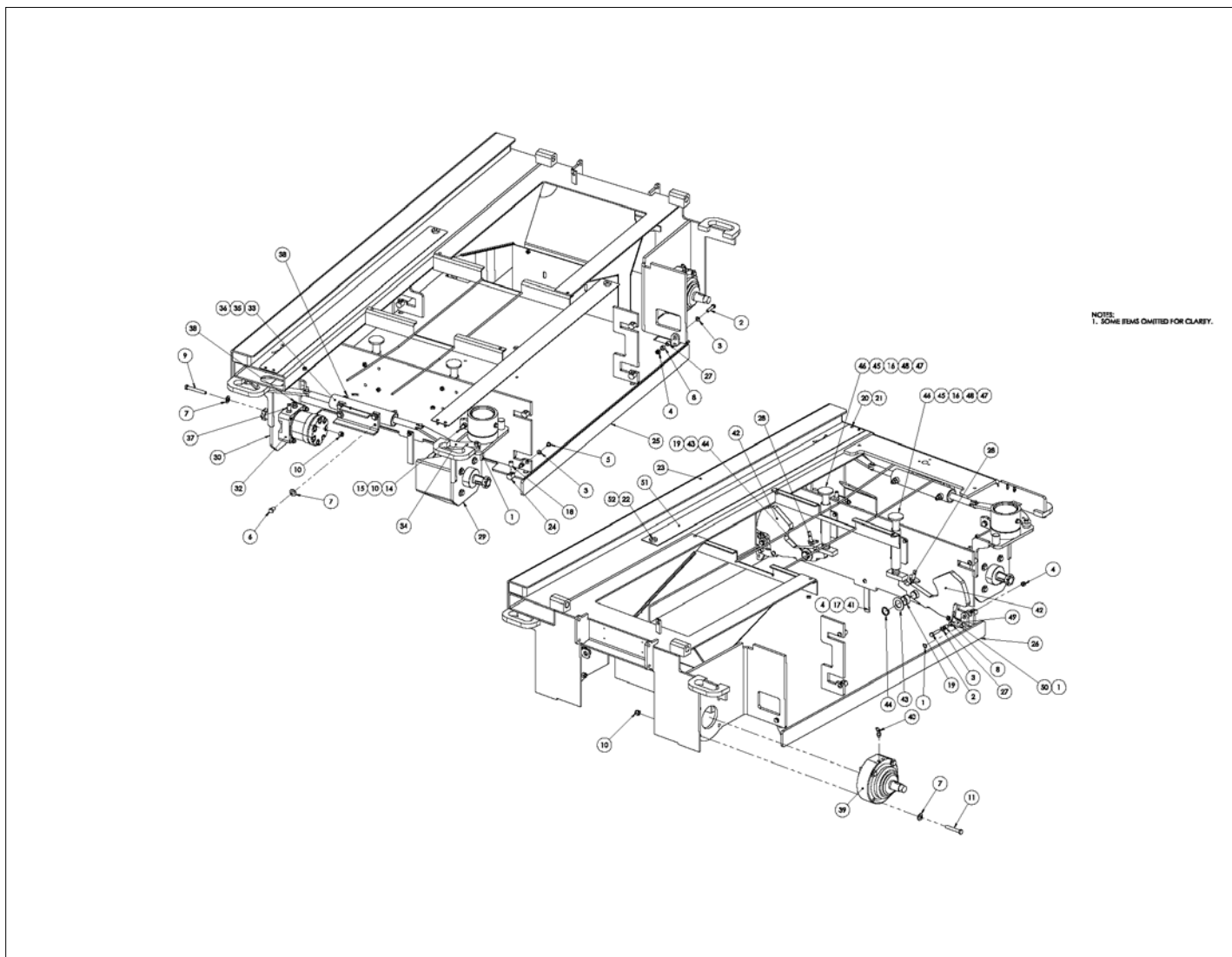
アイテム	部品番号	名前	数量	UOM
Not Shown	1502240A	CHASSIS ASSEMBLY S4726E S4732E		EA
1	1502208	WLDMT, CHASSIS S4726/4732	1	EA
2	1501420	HINGE BLOCK, LOWER	8	EA
3	1501196	WLDMT POTHOLE SKID LH S4732/26E	1	EA
4	1501195	WLDMT POTHOLE SKID RH S4732/26E	1	EA
5	1500936	PIN POTHOLE	4	EA
6	3028844	IFS241 (IFM PROXY)	2	EA
7	5592001	SNAP RING .625 EXT HD	6	EA
8	056060 045	Bolt, HexBolt DIN931 M10 x 45mm 8.8 ZincPlated	4	EA
9	056069 010	Washer, SteelFlatWasher DIN125A M10 ZincPlated	14	EA
10	056066 010	Nut, NylockNut DIN985 M10 8.0ZincPlated	5	EA
11	5563459	BLT, SBHCS M10 X 1.50 X 12 GR10.9 ZP	8	EA
12	1501194	WLDMT STRG SPDL LH S4732/26E	1	EA
13	1501193	WLDMT STRG SPDL RH S4732/26E	1	EA
14	2500825	THR BRG 4.00ID 4.75OD .125THK	2	EA
15	6031627	MOTOR DRIVE	2	EA
16	6047154	CYLINDER STEER	1	EA
17	1501213	PLT STEERING LINKAGE S4732/26E	2	EA
18	1500729	PIN M10 X 22MM	2	EA
19	5592015	RETAINING RING EXTERNAL 10MM D	2	EA
20	5560630	BLOT M12 1.75 X 20	4	EA
21	056069 016	WASHER STEELFLATWASHER M16 DIN	20	EA

アイテム	部品番号	名前	数量	UOM
22	2509827	BRG .625ID .719OD .375L	4	EA
23	056065 090	BLT HEXHD M12 1.75 90MM	16	EA
24	056066 012	Nut, NylockNut DIN985 M12 8.0	18	EA
25	104912 000	FTG 6MB X 6MORFF STR LONG	2	EA
26	100432 009	Hyd Fitting Straight ORFS(06) SAE(06)	2	EA
27	6091501	HYD BRAKE/HUB BK10	2	EA
28	100433 001	FTG 4MB X 4MORFF 45 °	2	EA
29	056060 030	BOLT HEXBOLT DIN931 M10 X 30MM 8.8 ZP	2	EA
30	056067 006	NUT HEX NUT M6 DIN934 ZINC PLATED	1	EA
31	056065 055	BOLT HEXBOLT DIN931 M12 X 55M	2	EA
32	056067 512	Nut, HexJamNut DIN936 M12 8.0	2	EA
33	467966	STATIC STRAP RUBBER GRD 30in	1	EA
34	1502229 4	PLT, POTHOLE WEIGHT	2	EA
35	1500892	Washer Ctr Pin Zinc Plated	2	EA
36	5592016	RETAINING RING EXT 1.25 HD	2	EA
37	062642 024	BRG 1.25 ID X 1.41 OD X 0.75 L	2	EA
38	1502157	WLDMT, POTHOLE SLIDE	2	EA
39	058492 025	BOLT HEXSETSCREW DIN933 M8 X 25MM 8.8 ZP	4	EA
40	1502234	WLDMT, POTHOLE PLUNGER S4726/4732	2	EA
41	1502161	BAR, POTHOLE PLUNGER	2	EA
42	5534386	SPRING POTHOLE	2	EA
43	5563264	SBHCS M10 X 1.50 X 30 GR 10.9 FULL THD BLACK FINISH	1	EA
44	2500812	BEARING	8	EA
45	1502152 4	PLT, POTHOLE LINK	2	EA

アイテム	部品番号	名前	数量	UOM
46	1502183	PIN POTHOLE LINK	2	EA



REPAIR PARTS

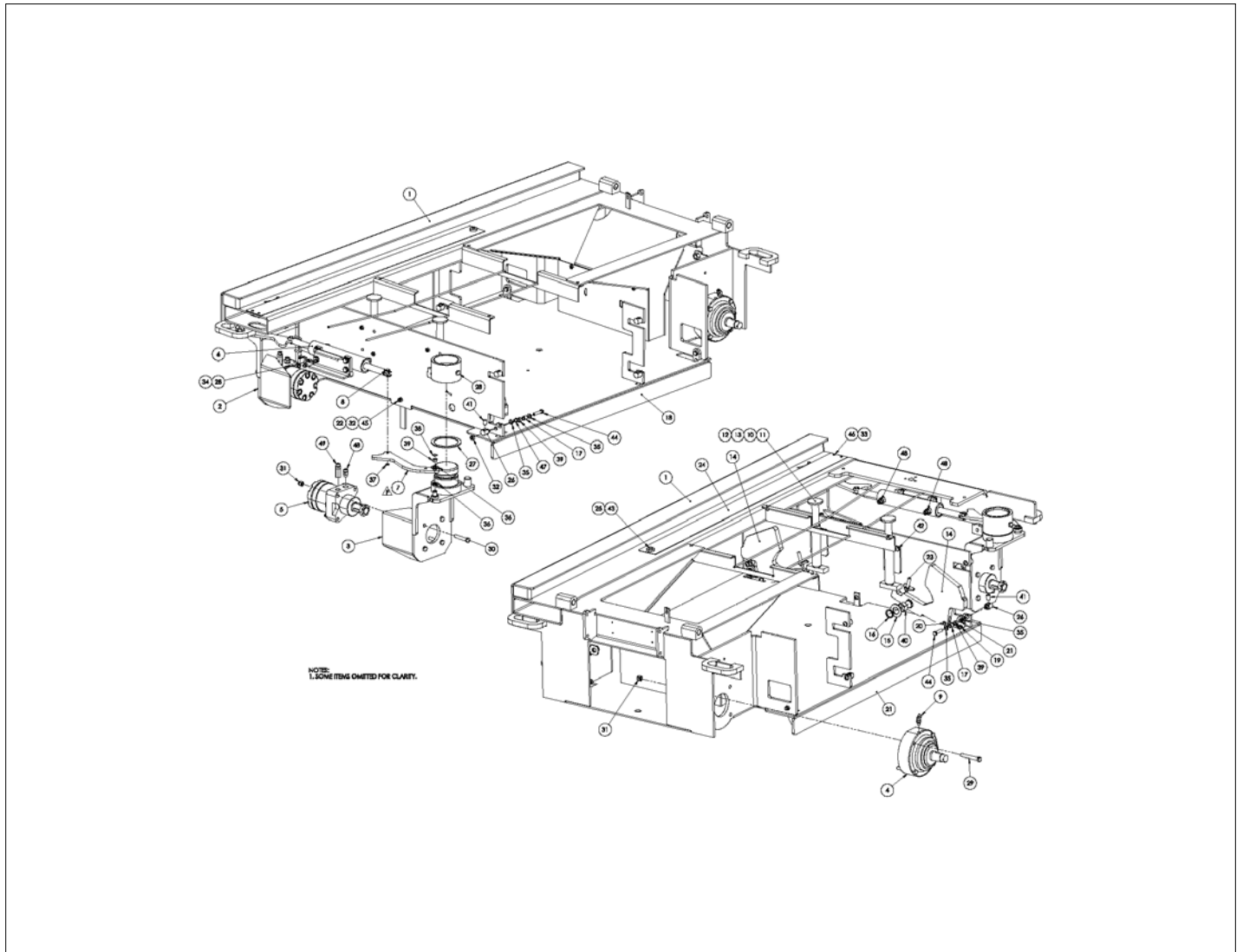


アイテム	部品番号	名前	数量	UOM
	1502240 G	CHASSIS ASSEMBLY S4726E S4732E		EA
1	5592001	SNAP RING .625 EXT HD	6	EA
2	056060 045	Bolt, HexBolt DIN931 M10 x 45mm 8.8 ZincPlated	4	EA
3	056069 010	Washer, SteelFlatWasher DIN125A M10 ZincPlated	14	EA
4	056066 010	Nut, NylockNut DIN985 M10 8.0ZincPlated	5	EA
5	5563459	BLT, SBHCS M10 X 1.50 X 12 GR10.9 ZP	8	EA
6	058494 020	BOLT,HEXSETSCREW DIN933 M12 X 2.0 8.8 ZIN	4	EA
7	056069 016	WASHER STEELFLATWASHER M16 DIN	20	EA
8	2509827	BRG .625ID .719OD .375L	4	EA
9	056065 090	BLT HEXHD M12 1.75 90MM	8	EA
10	056066 012	Nut, NylockNut DIN985 M12 8.0	18	EA
11	056065 075	BOLT HEXBOLT DIN931 M12 X 75MM 8.8 ZINC PLATED	8	EA
Not Shown	056060 030	BOLT HEXBOLT DIN931 M10 X 30MM 8.8 ZP	2	EA
Not Shown	056067 006	NUT HEX NUT M6 DIN934 ZINC PLATED	1	EA
14	056065 055	BOLT HEXBOLT DIN931 M12 X 55M	2	EA
15	056067 512	Nut, HexJamNut DIN936 M12 8.0	2	EA
16	058492 025	BOLT HEXSETSCREW DIN933 M8 X 25MM 8.8 ZP	4	EA
17	5563264	SBHCS M10 X 1.50 X 30 GR 10.9 FULL THD BLACK FINISH	1	EA
18	2500812	BEARING	8	EA
19	062642 024	BRG 1.25 ID X 1.41 OD X 0.75 L	2	EA
20	501253 020	Bolt, SktButCapScrew DIN9427 M	4	EA

アイテム	部品番号	名前	数量	UOM
21	056066 006	Nut NylockNut DIN985 M6 8.0 Zi	4	EA
22	058492 020	Bolt HexSetScrew DIN933 M8 x 2	2	EA
23	1502208	WLDMT, CHASSIS S4726/4732	1	EA
24	1501420	HINGE BLOCK, LOWER	8	EA
25	1501196	WLDMT POTHOLE SKID LH S4732/26E	1	EA
26	1501195	WLDMT POTHOLE SKID RH S4732/26E	1	EA
27	1500936	PIN POTHOLE	4	EA
28	3028844	IFS241 (IFM PROXY)	2	EA
29	1501194 5	WLDMT STRG SPDL LH	1	EA
30	1501193 5	WLDMT STRG SPDL RH	1	EA
Not Shown	2500825	THR BRG 4.00ID 4.75OD .125THK	2	EA
32	6031630	DRIVE MOTOR 300cc DALI	2	EA
33	6047154	CYLINDER STEER	1	EA
34	1501213	PLT STEERING LINKAGE S4732/26E	2	EA
35	1502842	PIN .375DIA X 1.56	2	EA
36	5592015	RETAINING RING EXTERNAL 10MM D	2	EA
37	104912 000	FTG 6MB X 6MORFF STR LONG	2	EA
38	100432 009	Hyd Fitting Straight ORFS(06) SAE(06)	4	EA
39	6091700	BRAKE DALI	2	EA
40	100433 001	FTG 4MB X 4MORFF 45 °	2	EA
41	467966	STATIC STRAP RUBBER GRD 30in	1	EA
42	1502229	PLT, POTHOLE WEIGHT	2	EA
43	1500892	Washer Ctr Pin Zinc Plated	2	EA
44	5592016	RETAINING RING EXT 1.25 HD	2	EA
45	1502157	WLDMT, POHOLE SLIDE	2	EA

アイテム	部品番号	名前	数量	UOM
46	1502343	WLDMT, POTHOLE PLUNGER	3	EA
47	1502340	WLDMT, POTHOLE PLUNGER	3	EA
48	5534386	SPRING POTHOLE	2	EA
49	1502152	PLT, POTHOLE LINK	2	EA
50	1502183	PIN POTHOLE LINK	2	EA
51	1502313	PLT, SCRATCH GUARD WIDES	2	EA
52	1502312	BOSS, SCRATCH GUARD	2	EA

REPAIR PARTS



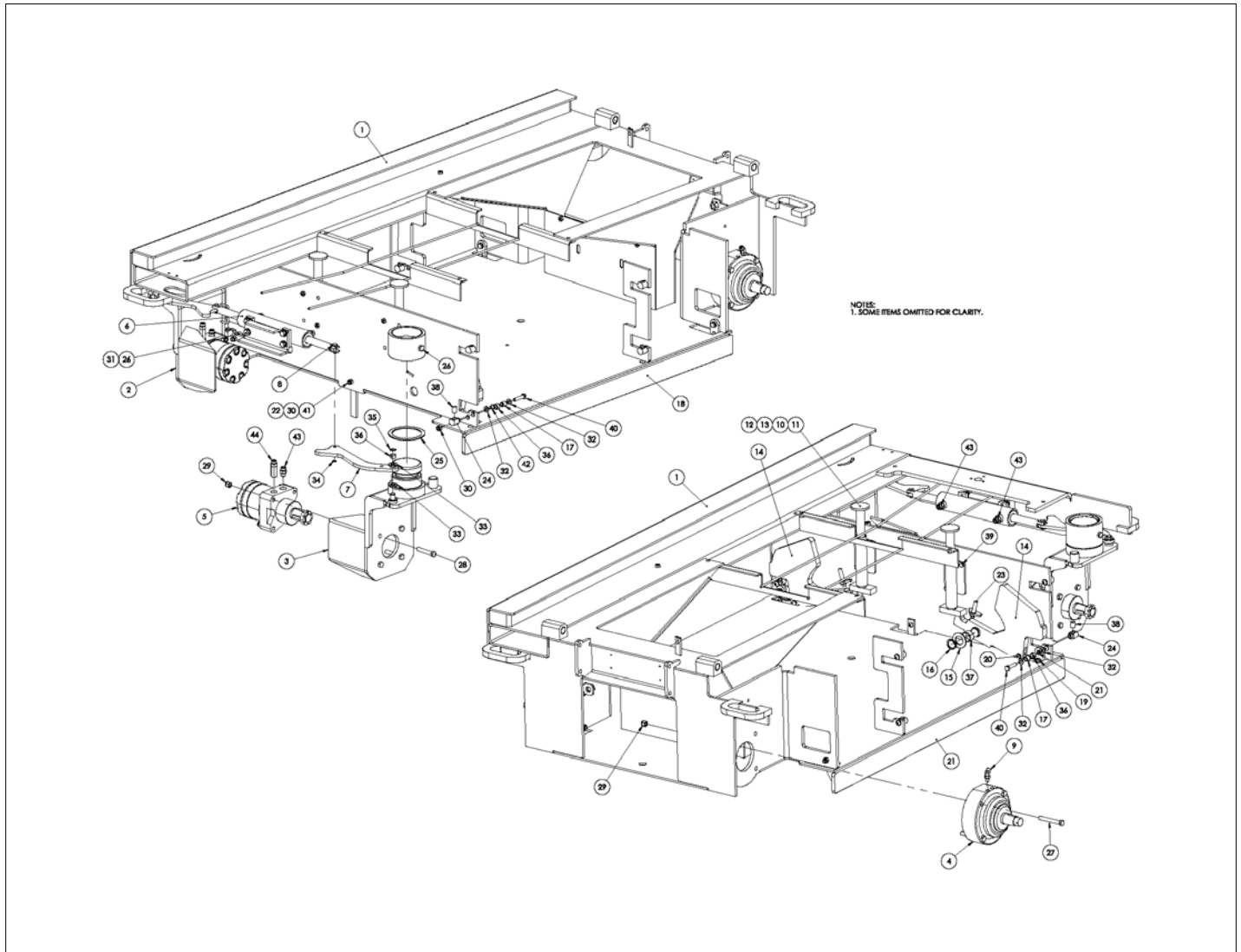
アイテム	部品番号	名前	数量	UOM
	1502701 F	GENERIC CHASSIS ASSEMBLY S4726E S4732E		EA
1	1502208	WLDMT, CHASSIS S4726/4732	1	EA
2	1501193 5	WLDMT STRG SPDL RH	1	EA
3	1501194 5	WLDMT STRG SPDL LH	1	EA
4	6091700	BRAKE DALI	2	EA
5	6031630	DRIVE MOTOR 300cc DALI	2	EA
6	6047154	CYLINDER STEER	1	EA
7	1501213	PLT STEERING LINKAGE S4732/26E	2	EA
8	1502842	PIN .375DIA X 1.56	2	EA
9	100433 001	FTG 4MB X 4MORFF 45 °	2	EA
10	1502157	WLDMT, POTHOLE SLIDE	2	EA
11	1502343	WLDMT, POTHOLE PLUNGER	2	EA
12	5534386	SPRING POTHOLE	2	EA
13	1502340	WLDMT, POTHOLE PLUNGER	2	EA
14	1502229	PLT, POTHOLE WEIGHT	2	EA
15	1500892	Washer Ctr Pin Zinc Plated	2	EA
16	5592016	RETAINING RING EXT 1.25 HD	2	EA
17	1500936	PIN POTHOLE	4	EA
18	1501196	WLDMT POTHOLE SKID LH S4732/26E	1	EA
19	1502152	PLT, POTHOLE LINK	2	EA
20	1502183	PIN POTHOLE LINK	2	EA
21	1501195	WLDMT POTHOLE SKID RH S4732/26E	1	EA
22	467966	STATIC STRAP RUBBER GRD 30in	1	EA
23	3028844	IFS241 (IFM PROXY)	2	EA
24	1502313	PLT, SCRATCH GUARD WIDES	2	EA
25	1502312	BOSS, SCRATCH GUARD	2	EA
26	1501420	HINGE BLOCK, LOWER	8	EA

アイテム	部品番号	名前	数量	UOM
27	2500825	THR BRG 4.00ID 4.75OD .125THK	2	EA
28	058494 020	BOLT,HEXSETSCREW DIN933 M12 X 2.0 8.8 ZIN	6	EA
29	056065 090	BLT HEXHD M12 1.75 90MM	8	EA
30	056065 070	Bolt, HexBolt M12 x 70mm Gr 8.	8	EA
31	056066 012	Nut, NylockNut DIN985 M12 8.0	16	EA
Not Shown	056066 010	Nut, NylockNut DIN985 M10 8.0ZincPlated	5	EA
33	056066 006	Nut NylockNut DIN985 M6 8.0 Zi	4	EA
34	056069 012	WASHER DIN125A M12 ZP	4	EA
35	056069 010	Washer, SteelFlatWasher DIN125A M10 ZincPlated	12	EA
36	056069 016	WASHER STEELFLATWASHER M16 DIN	12	EA
37	5592015	RETAINING RING EXTERNAL 10MM D	2	EA
38	5592001	SNAP RING .625 EXT HD	6	EA
39	2509827	BRG .625ID .719OD .375L	6	EA
40	062642 024	BRG 1.25 ID X 1.41 OD X 0.75 L	2	EA
41	2500812	BEARING	8	EA
42	058492 025	BOLT HEXSETSCREW DIN933 M8 X 25MM 8.8 ZP	4	EA
43	058492 012	Bolt HexSetScrew DIN933 M8 x 1	2	EA
44	056060 045	Bolt, HexBolt DIN931 M10 x 45mm 8.8 ZincPlated	4	EA
45	5563264	SBHCS M10 X 1.50 X 30 GR 10.9 FULL THD BLACK FINISH	1	EA
46	501253 020	Bolt, SktButCapScrew DIN9427 M	4	EA
47	5563459	BLT, SBHCS M10 X 1.50 X 12 GR10.9 ZP	8	EA
48	100432 009	Hyd Fitting Straight ORFS(06) SAE(06)	4	EA

アイテム	部品番号	名前	数量	UOM
49	104912 000	FTG 6MB X 6MORFF STR LONG	2	EA



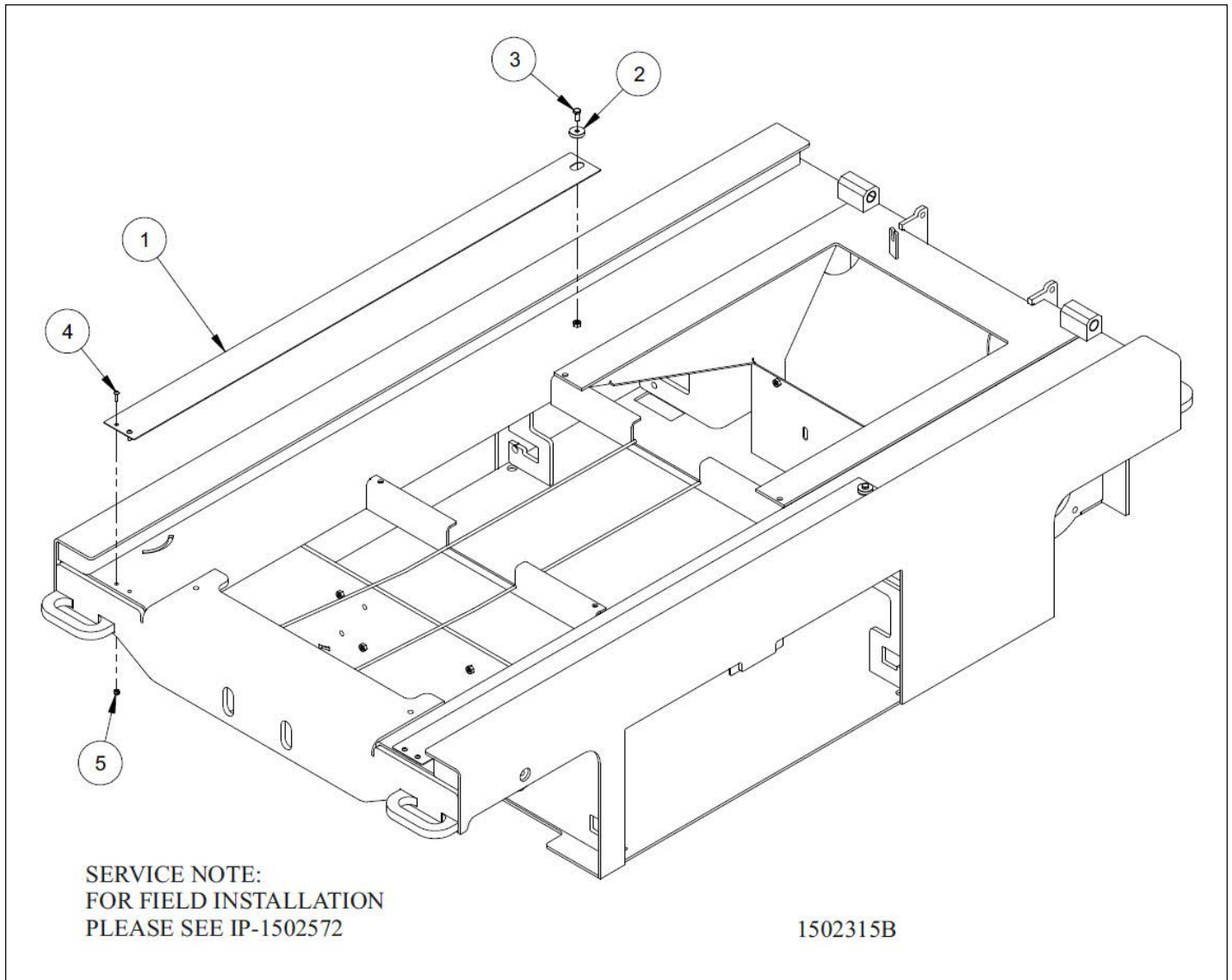
REPAIR PARTS



アイテム	部品番号	名前	数量	UOM
	1502924 A	CHASSIS ASSEMBLY CHINA S4726E S4732E		EA
1	1502208	WLDMT, CHASSIS S4726/4732	1	EA
2	1501193 5	WLDMT STRG SPDL RH	1	EA
3	1501194 5	WLDMT STRG SPDL LH	1	EA
4	6091700	BRAKE DALI	2	EA
5	6031630	DRIVE MOTOR 300cc DALI	2	EA
6	6047154	CYLINDER STEER	1	EA
7	1501213	PLT STEERING LINKAGE S4732/26E	2	EA
8	1500729	PIN M10 X 22MM	2	EA
9	100433 001	FTG 4MB X 4MORFF 45 °	2	EA
10	1502157	WLDMT, POTHOLE SLIDE	2	EA
11	1502343	WLDMT, POTHOLE PLUNGER	2	EA
12	5534386	SPRING POTHOLE	2	EA
13	1502340	WLDMT, POTHOLE PLUNGER	2	EA
14	1502229	PLT, POTHOLE WEIGHT	2	EA
15	1500892	Washer Ctr Pin Zinc Plated	2	EA
16	5592016	RETAINING RING EXT 1.25 HD	2	EA
17	1500936	PIN POTHOLE	4	EA
18	1501196	WLDMT POTHOLE SKID LH S4732/26E	1	EA
19	1502152	PLT, POTHOLE LINK	2	EA
20	1502183	PIN POTHOLE LINK	2	EA
21	1501195	WLDMT POTHOLE SKID RH S4732/26E	1	EA
22	467966	STATIC STRAP RUBBER GRD 30in	1	EA
23	3028844	IFS241 (IFM PROXY)	2	EA
24	1501420	HINGE BLOCK, LOWER	8	EA
25	2500825	THR BRG 4.00ID 4.75OD .125THK	2	EA

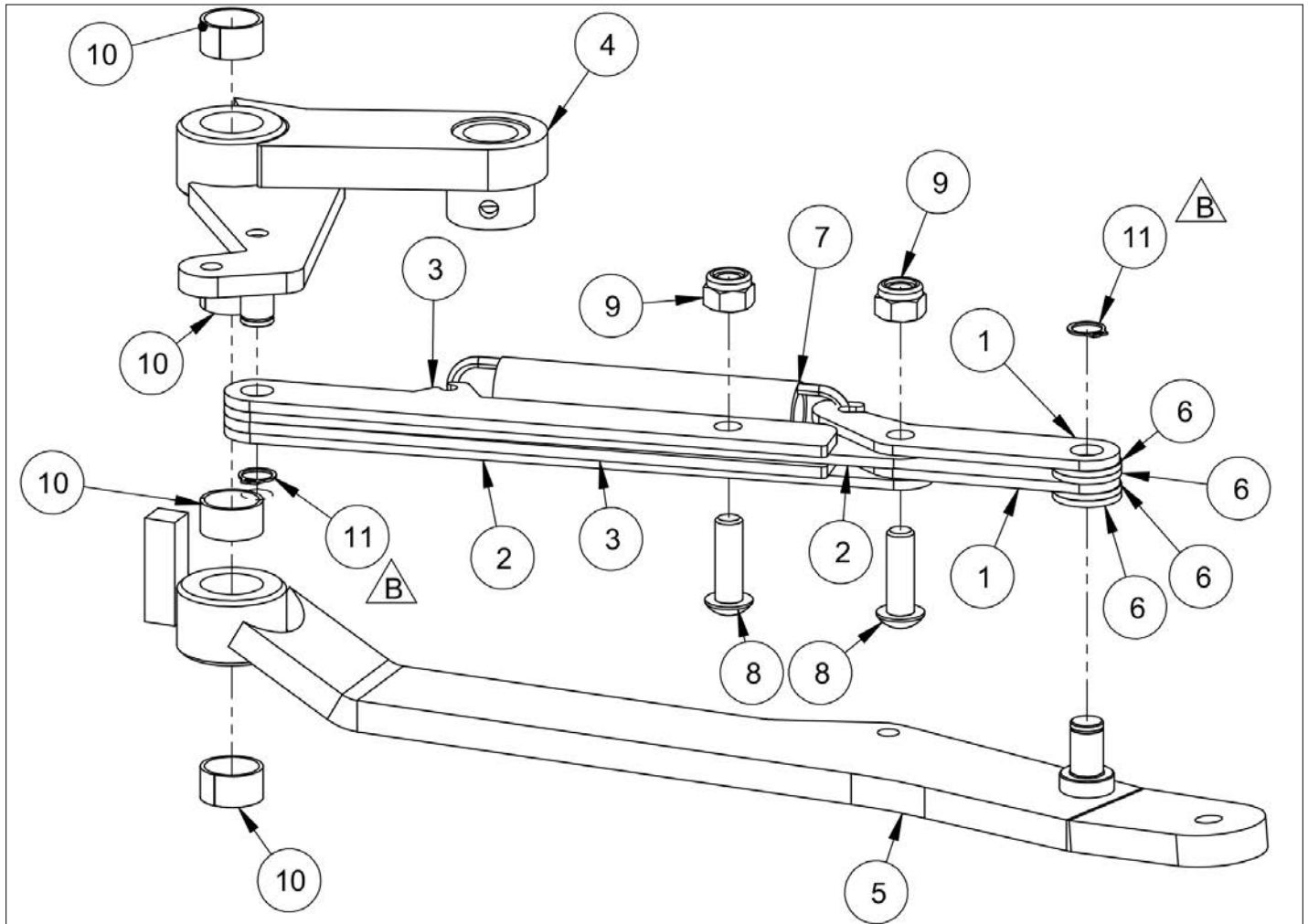
アイテム	部品番号	名前	数量	UOM
26	058494 020	BOLT,HEXSETSCREW DIN933 M12 X 2.0 8.8 ZIN	6	EA
27	056065 090	BLT HEXHD M12 1.75 90MM	8	EA
28	056065 070	Bolt, HexBolt M12 x 70mm Gr 8.	8	EA
29	056066 012	Nut, NylockNut DIN985 M12 8.0	16	EA
30	056066 010	Nut, NylockNut DIN985 M10 8.0ZincPlated	5	EA
31	056069 012	WASHER DIN125A M12 ZP	4	EA
32	056069 010	Washer, SteelFlatWasher DIN125A M10 ZincPlated	12	EA
33	056069 016	WASHER STEELFLATWASHER M16 DIN	12	EA
34	5592015	RETAINING RING EXTERNAL 10MM D	2	EA
Not Shown	5592001	SNAP RING .625 EXT HD	6	EA
36	2509827	BRG .625ID .719OD .375L	6	EA
37	062642 024	BRG 1.25 ID X 1.41 OD X 0.75 L	2	EA
38	2500812	BEARING	8	EA
39	058492 025	BOLT HEXSETSCREW DIN933 M8 X 25MM 8.8 ZP	4	EA
40	056060 045	Bolt, HexBolt DIN931 M10 x 45mm 8.8 ZincPlated	4	EA
41	5563264	SBHCS M10 X 1.50 X 30 GR 10.9 FULL THD BLACK FINISH	1	EA
42	5563459	BLT, SBHCS M10 X 1.50 X 12 GR10.9 ZP	8	EA
43	100432 009	Hyd Fitting Straight ORFS(06) SAE(06)	4	EA
44	104912 000	FTG 6MB X 6MORFF STR LONG	2	EA

REPAIR PARTS



アイテム	部品番号	名前	数量	UOM
	1502315B	SCRATCH GUARD AFTER S3226E 04 000173, S4726E 04 000365, S4732E 04 000874		EA
1	1502313	PLT, SCRATCH GUARD WIDES	2	EA
2	1502312	BOSS, SCRATCH GUARD	1	EA
3	058492 020	Bolt HexSetScrew DIN933 M8 x 2	2	EA
4	501253 020	Bolt, SktButCapScrew DIN9427 M	4	EA
5	056066 006	Nut NylockNut DIN985 M6 8.0 Zi	4	EA

REPAIR PARTS

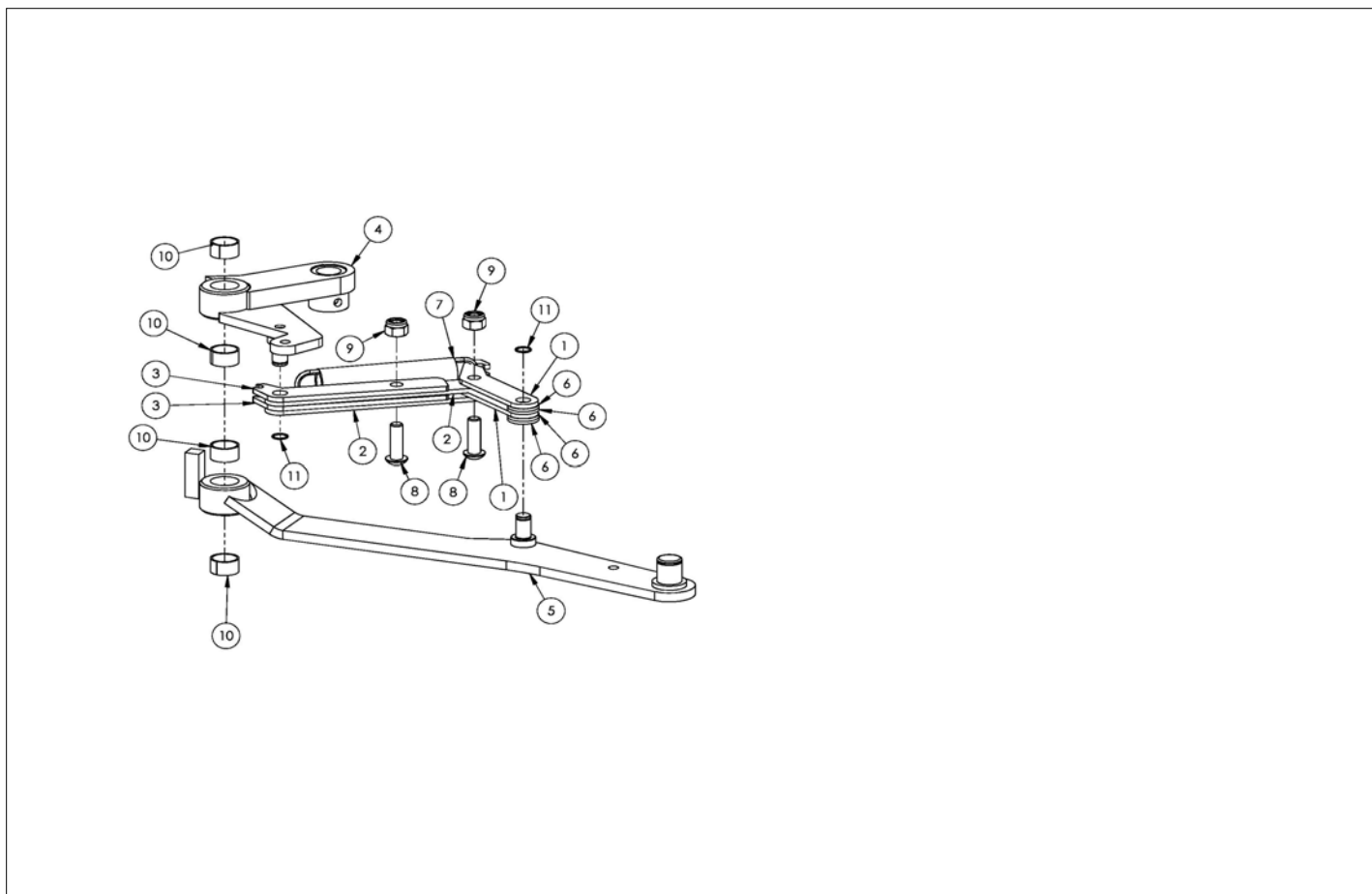


SERVICE NOTE:

OVERTRAVEL ASSEMBLY P/N 152042B  
IF ANY MAJOR COMPONENT PART FAILS  
PLEASE ORDER SERVICE KIT P/N 1502225.

アイテム	部品番号	名前	数量	UOM
	1502042B	OVERTRAVEL WIDE ASSEMBLY BEFORE S4726E 04 000200		EA
1	1501727	PLT, MOVING LINK	2	EA
2	1501807	PLT, FIXED LINK	2	EA
3	1501808	PLT, SPRING CATCH	2	EA
4	1501766	WLDMT, FIXED ARM	1	EA
5	1502041	WLDMT, MOVEABLE ARM	1	EA
6	056069 010	Washer, SteelFlatWasher DIN125A M10 ZincPlated	4	EA
7	1501769	SPRING, OVERTRAVEL	1	EA
8	500595 025	Bolt, SktButCapScrew DIN9427	2	EA
9	056066 008	NUT NYLOCKNUT DIN985 M8 8.0 ZP	2	EA
10	2509827	BRG .625ID .719OD .375L	4	EA
11	5592018	SNAP RING .375 DIA EXT	2	EA
Not Shown	1502225A	S4726 4732 OVERTRAVEL ASSY FIELD KIT		EA
Not Shown	1502042	ASSY, OVERTRAVEL WIDE SVC USE 1502225	1	EA
Not Shown	5520118	POTHOLE CABLE ASSEMBLY	1	EA
Not Shown	2690004	Rod End	1	EA
Not Shown	984339	NUT HEX JAM .250 28	1	EA
Not Shown	5563285	SBHCS M6 X 1.0 X 25 GR 10.9 BLK FINISH	1	EA
Not Shown	056066 006	Nut NylockNut DIN985 M6 8.0 Zi	1	EA

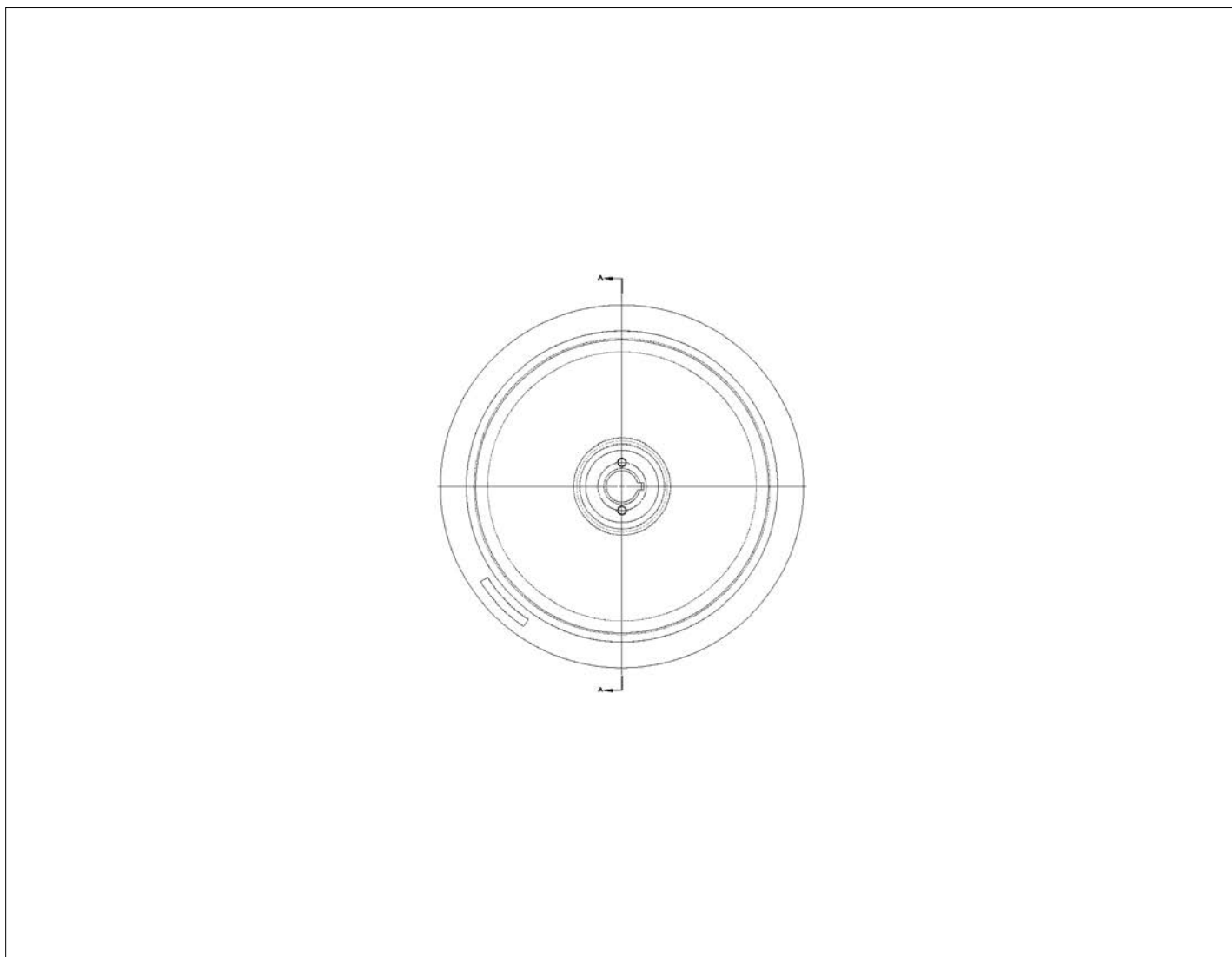
REPAIR PARTS





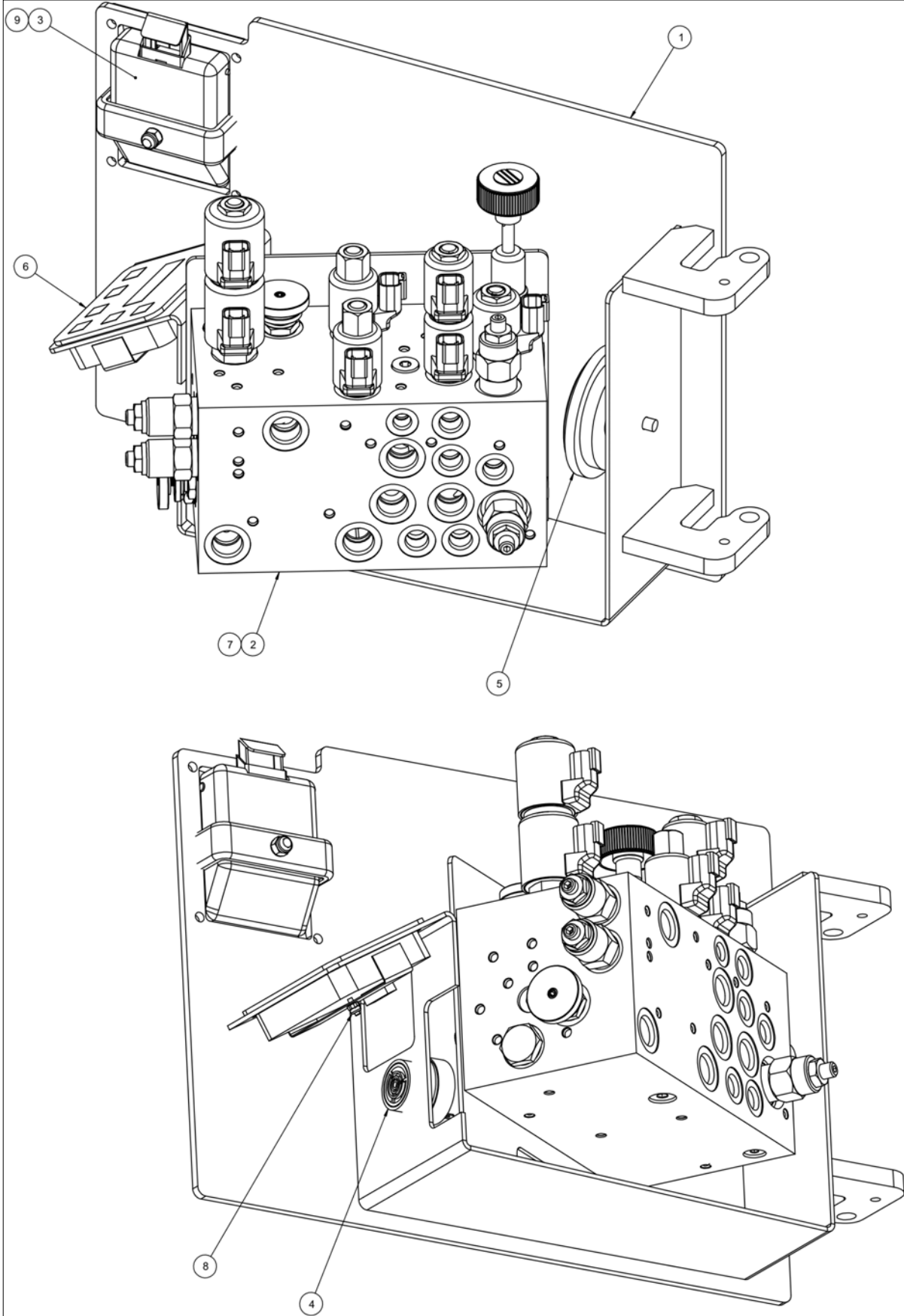
アイテム	部品番号	名前	数量	UOM
Not Shown	1501771B	ASSEMBLY OVERTRAVEL WIDE		EA
1	1501727	PLT, MOVING LINK	2	EA
2	1501728	PLT, FIXED LINK	2	EA
3	1501729	PLT, SPRING LATCH	2	EA
4	1501766	WLDMT, FIXED ARM	1	EA
5	1501768	WLDMT, MOVEABLE ARM	1	EA
6	1501769 010	M10 FLAT WASHER DIN 125	4	EA
7	1501769	SPRING, OVERTRAVEL	1	EA
8	5563299	SBHCS M8 X 1.25 X 25	2	EA
9	056066 008	NUT NYLOCKNUT DIN985 M8 8.0 ZP	2	EA
10	056069 010	Washer, SteelFlatWasher DIN125A M10 ZincPlated	4	EA
11	5592018	SNAP RING .375 DIA EXT	2	EA

REPAIR PARTS



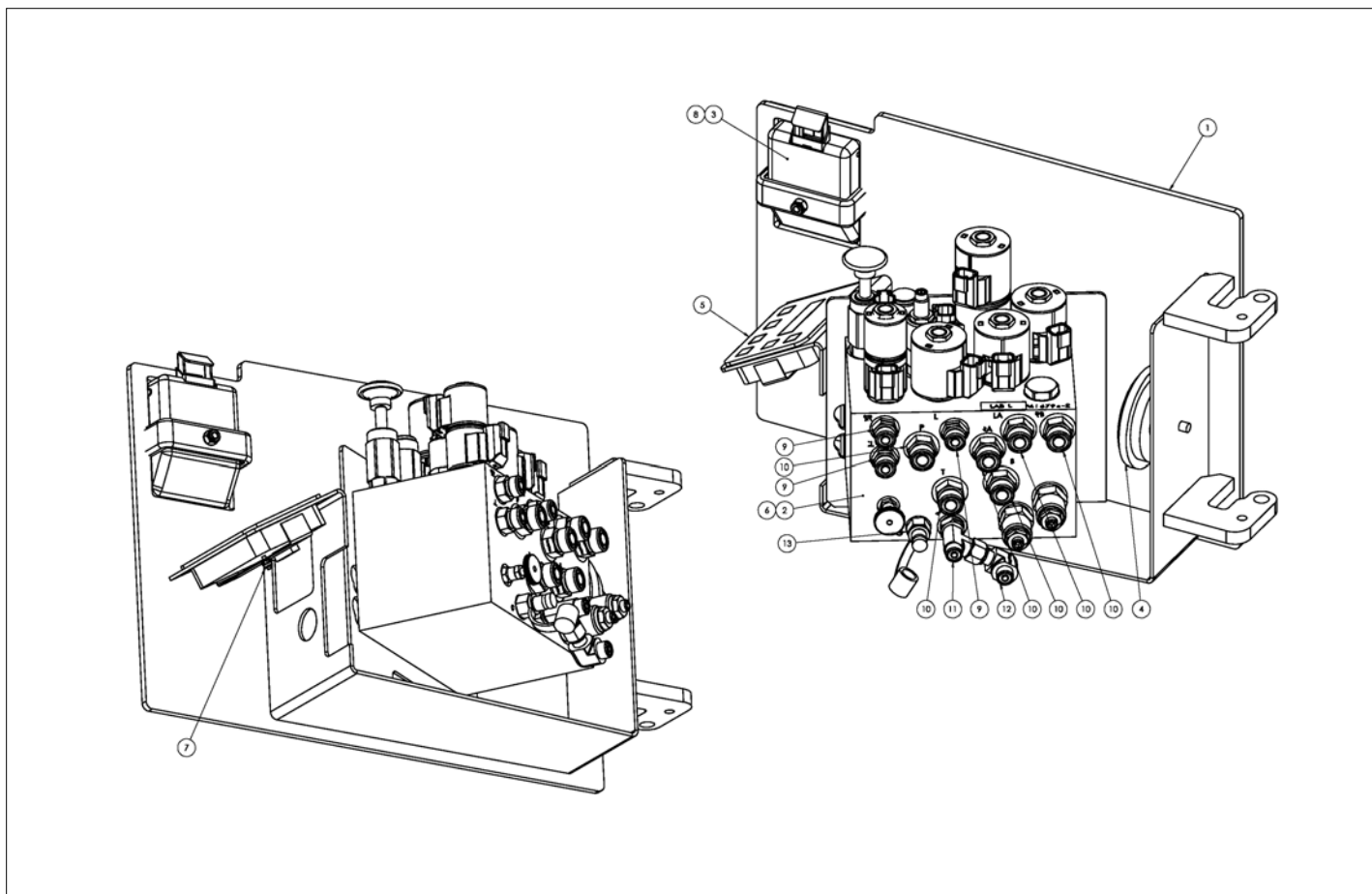
アイテム	部品番号	名前	数量	UOM
	1370248 A	TIRE AND WHEEL ASSEMBLY		EA

REPAIR PARTS



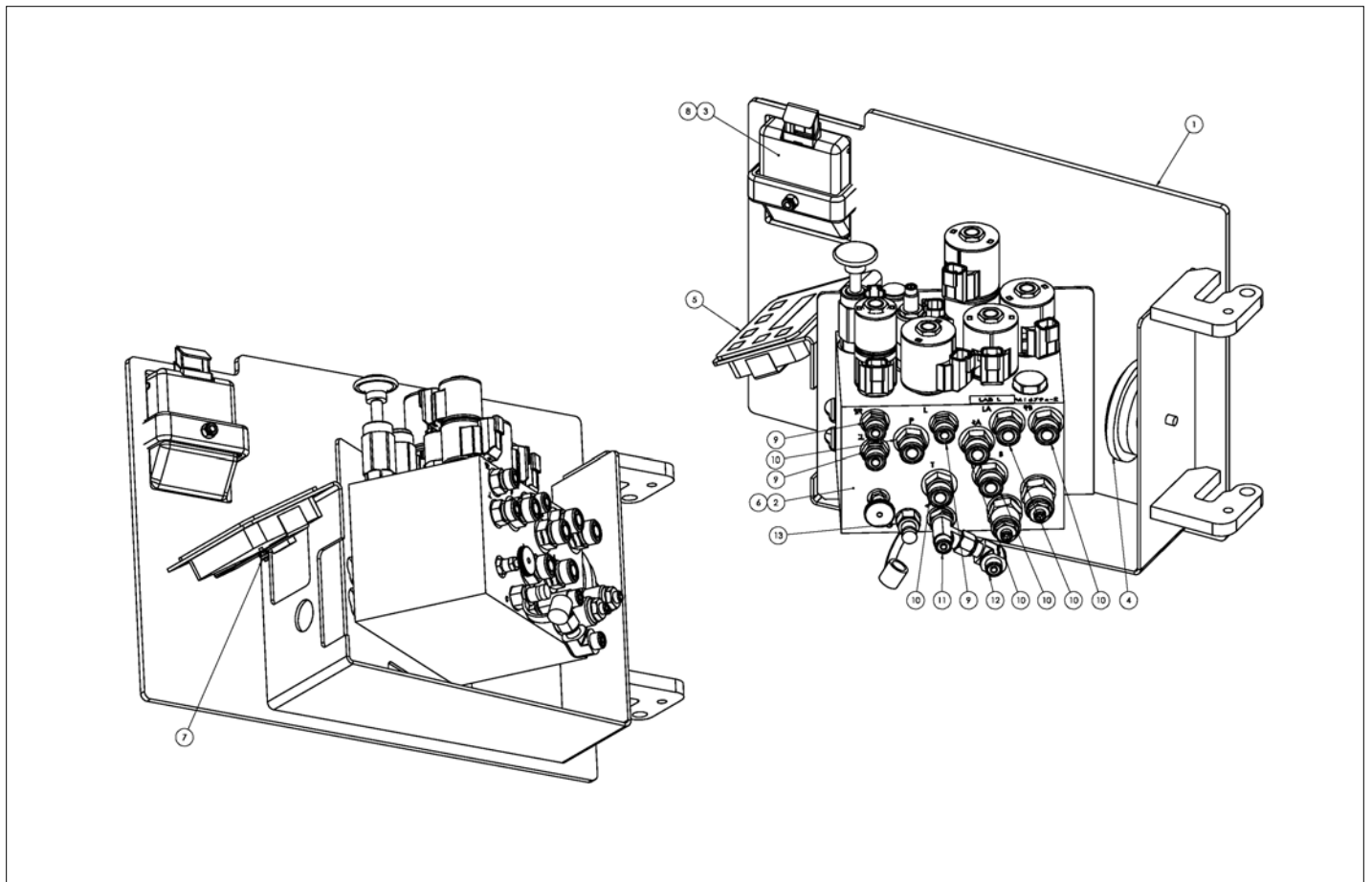
アイテム	部品番号	名前	数量	UOM
Not Shown	1502148 C	VALVE TRAY ASSEMBLY SINGLE SPEED		EA
1	1501652	WLDMT, VALVE TRAY S3219	1	EA
2	6019340	MANIFOLD, SCISSOR WIDE	1	EA
3	5516353	LATCH PADDLE	1	EA
4	3049978	ALARM BEEPING	1	EA
5	501868 000	HORN AB38 (ITT)	1	EA
6	3087803	EZCal Panel Trionics	1	EA
7	056059 016	HHCS M8 X 16 GR8.8 DIN 931	3	EA
8	056066 004	NUT NYLOCK DIN985 M4 8.0 ZP	1	EA
9	5560004	NUT LKG .250 20	1	EA

REPAIR PARTS



アイテム	部品番号	名前	数量	UOM
	1502148 E	VALVE TRAY ASSEMBLY TWO SPEED NOVEMBER 2019 BEFORE		EA
1	1501652 5	WLDMT VALVE TRAY	1	EA
2	6019378	MANIFOLD, SCISSOR (2 SPD)	1	EA
3	5516353	LATCH PADDLE	1	EA
4	501868 000	HORN AB38 (ITT)	1	EA
5	3087803	EZCal Panel Trionics	1	EA
6	058492 016	HHCS M8 x 1.25 X 16GR 8.8 DIN933	3	EA
7	056066 004	NUT NYLOCK DIN985 M4 8.0 ZP	1	EA
8	5560004	NUT LKG .250 20	1	EA
9	100432 009	Hyd Fitting Straight ORFS(06) SAE(06)	3	EA
10	100432 015	FTG, STR, 8MORFF X 8MORB	6	EA
11	5033056	FTG 6MB X 4MORFF X 4MORFF RUN TEE	1	EA
12	5033053	FTG 4FORFF X 4MORFF 90	1	EA
13	5070006	FTG NIP DIGN 4B	1	EA

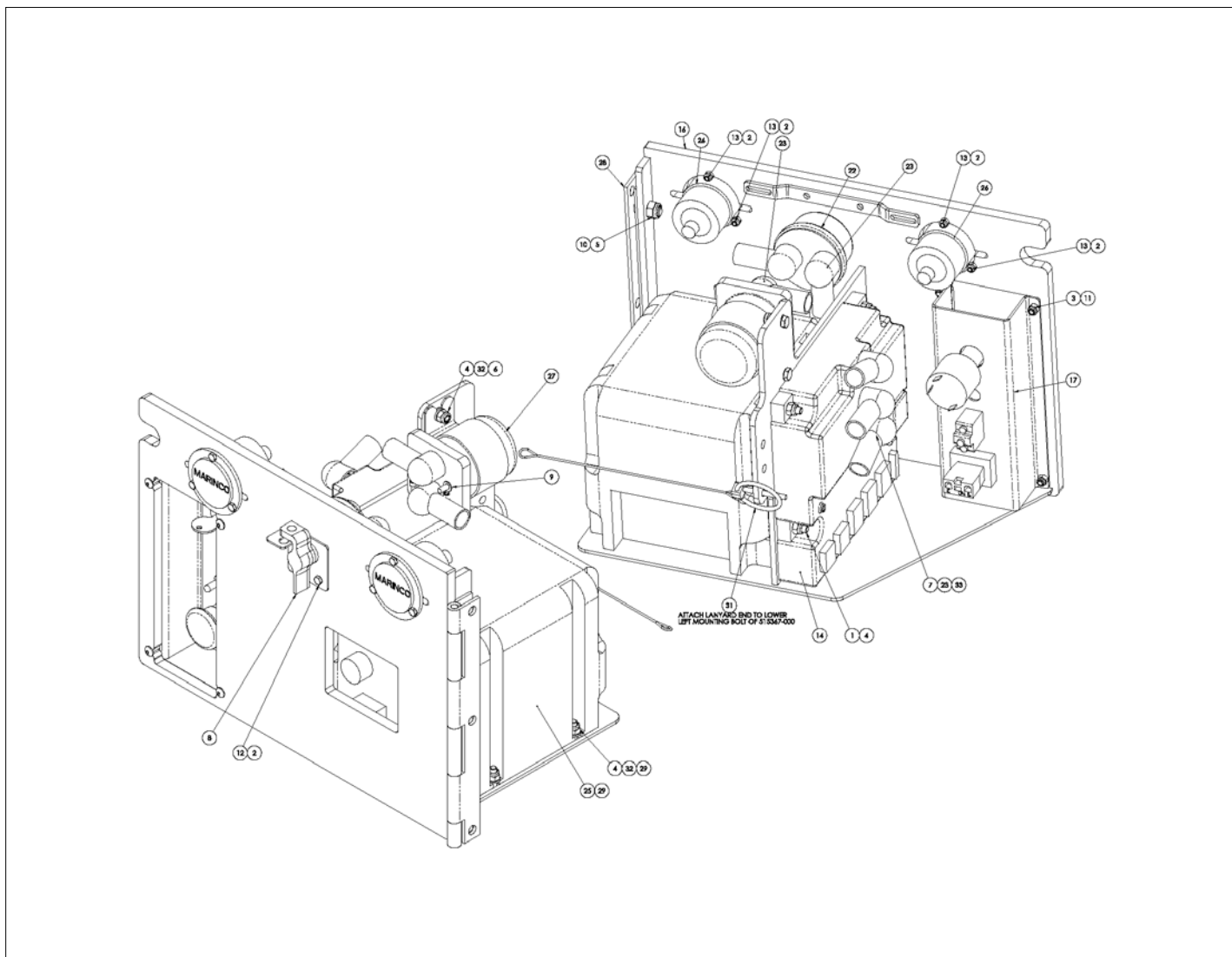
REPAIR PARTS



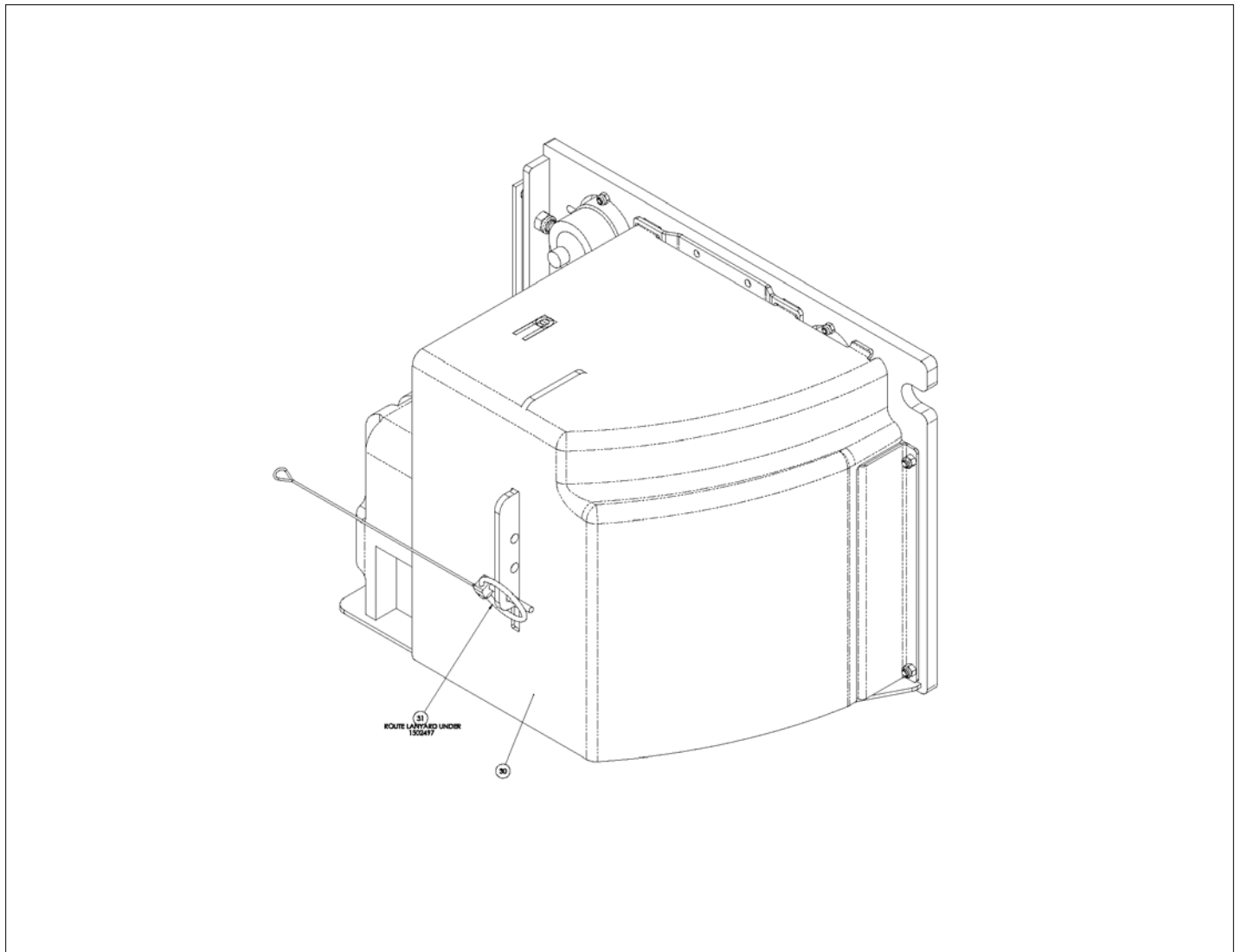


アイテム	部品番号	名前	数量	UOM
*	1502148 G	VALVE TRAY ASSEMBLY TWO SPEED DECEMBER 2019 AND AFTER		EA
1	1501652 5	WLDMT VALVE TRAY	1	EA
2	6019446	MANIFOLD, SCISSOR FLUID TECH DECEMBER 2019 AND AFTER	1	EA
3	5516353	LATCH PADDLE	1	EA
4	501868 000	HORN AB38 (ITT)	1	EA
5	3087803	EZCal Panel Trionics	1	EA
6	058492 016	HHCS M8 x 1.25 X 16GR 8.8 DIN933	3	EA
7	056066 004	NUT NYLOCK DIN985 M4 8.0 ZP	1	EA
8	5560004	NUT LKG .250 20	1	EA
9	100432 009	Hyd Fitting Straight ORFS(06) SAE(06)	3	EA
10	100432 015	FTG, STR, 8MORFF X 8MORB	6	EA
11	5033056	FTG 6MB X 4MORFF X 4MORFF RUN TEE	1	EA
12	5033053	FTG 4FORFF X 4MORFF 90	1	EA
13	5070006	FTG NIP DIGN 4B	1	EA

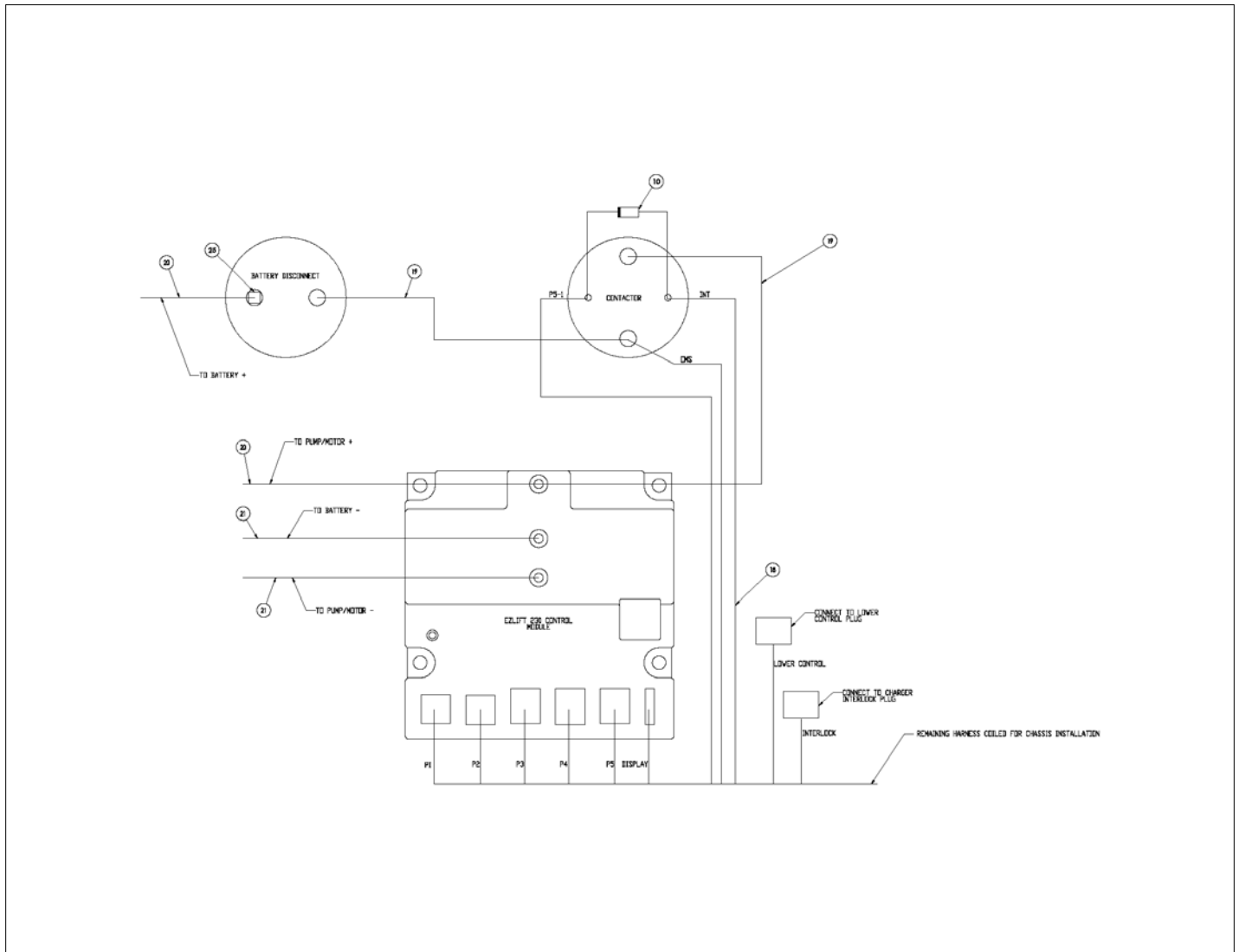
REPAIR PARTS



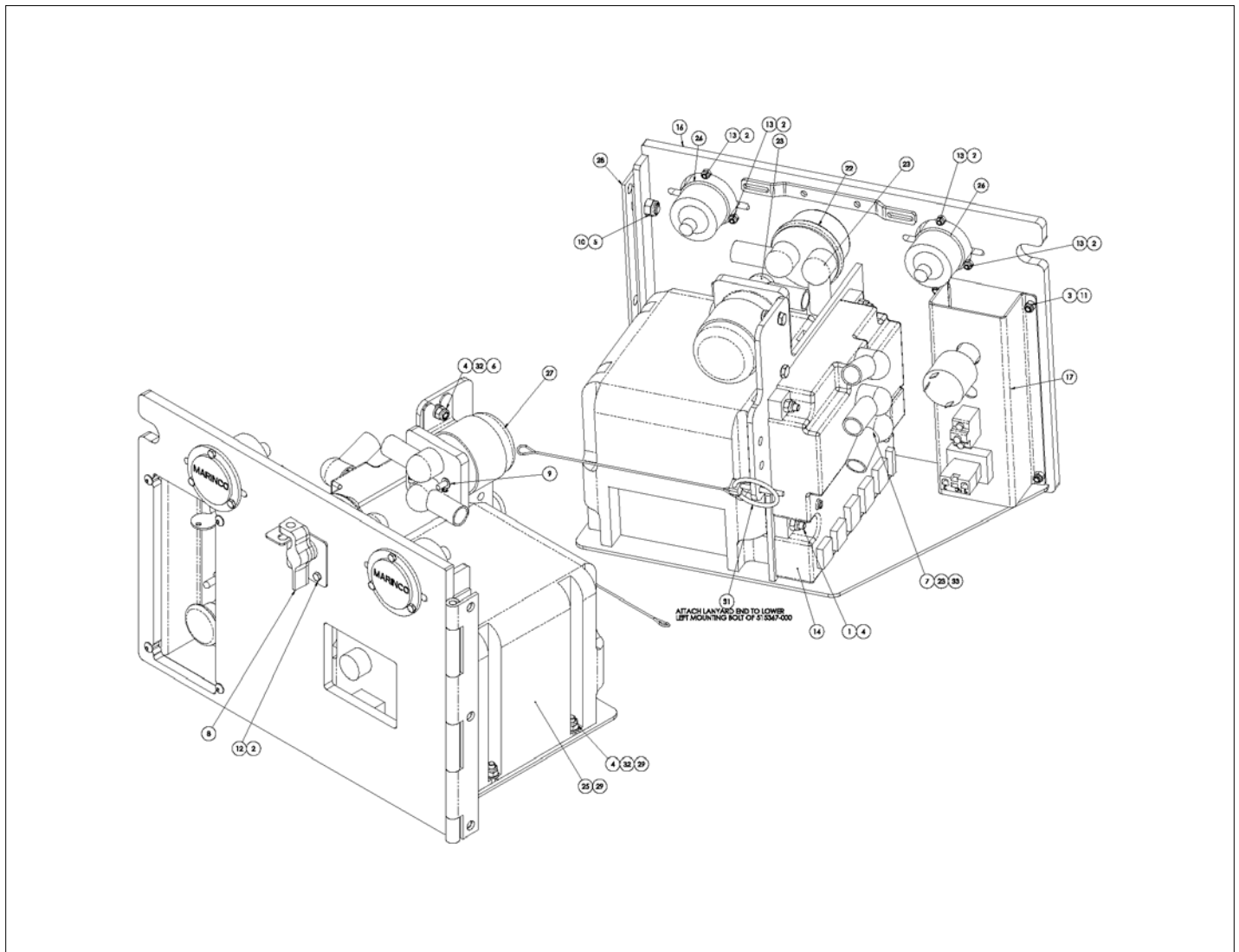
アイテム	部品番号	名前	数量	UOM
	1501629 Y	CONTROL TRAY ASSEMBLY ANSI FEBURARY 2020 AND BEFORE		EA
1	056058 030	Bolt, HexBolt DIN931 M6 x 30mm	4	EA
2	056066 004	NUT NYLOCK DIN985 M4 8.0 ZP	7	EA
3	056066 005	Nut NylockNut DIN985 M5 8.0 Zi	4	EA
4	056066 006	Nut NylockNut DIN985 M6 8.0 Zi	8	EA
5	056066 008	NUT NYLOCKNUT DIN985 M8 8.0 ZP	3	EA
6	058491 016	BOLT HEXSETSCREW DIN933 M6 X 16MM 8.8 ZP	2	EA
7	058492 016	HHCS M8 x 1.25 X 16GR 8.8 DIN933	3	EA
8	300840	Lock Out Lever Assembly	1	EA
9	0351039	DIODE ASSY R10I R10I SEE DRAWI	1	EA
10	512459 016	BLT HEXHD M4 X 0.7 X 16MM DIN 933 8.8 ZP	1	EA
11	512459 020	BLT HEXHD M4 0.07 X 20MM G8.8	6	EA
12	515367 000	CONTROL MODULE PG	1	EA
13	1450303	AC POWER CORD	1	EA
14	1501010	WLDMT REAR TRAY           ORG	1	EA
15	1500662	GROUND CONTROL PANEL ASSEMBLY	1	EA
16	1503091	HARNESS, CHASSIS S4726/4732	1	EA
17	3014743	WIRE 2 R375 R375 13.5 RED	2	EA
18	3014750	WIRE 2 R375 R375 101 RED	2	EA
19	3014751	WIRE 2 R375 R375 122 BLACK	2	EA
20	3020049	Switch, Battery Disconnect	1	EA
21	3040269	Boot Cable Entry Black I/O GA	7	EA
22	3044836	TERM R375I 12/10	1	EA
23	3050126	CHARGER, PYLON	1	EA



アイテム	部品番号	名前	数量	UOM
24	3069521	INLET FLANGE	2	EA
25	3087787	CONTACTOR 24V SEALED	1	EA
26	5516346	HINGE CONTROL TRAY	1	EA
27	1502497	COVER, REAR TRAY	1	EA
28	5563933	ASSY, LYNCH PIN WITH LANYARD	1	EA
29	056069 006	WSHR STEELFLATWSHE M6 DIN125A	5	EA
30	512949 008	Washer,Serrated,DIN 6798J,M8,ZincPlated	3	EA
31	5563283	SBHCS M6 X 1.0 X 20 GR 10.9 BLK FINISH	2	EA
32	505082 020	Bolt, SktButCapScrew DIN9427 M5 x 20mm 10.9 ZincPlated	4	EA
33	500595 020	Bolt, SktButCapScrew DIN9427 M	3	EA

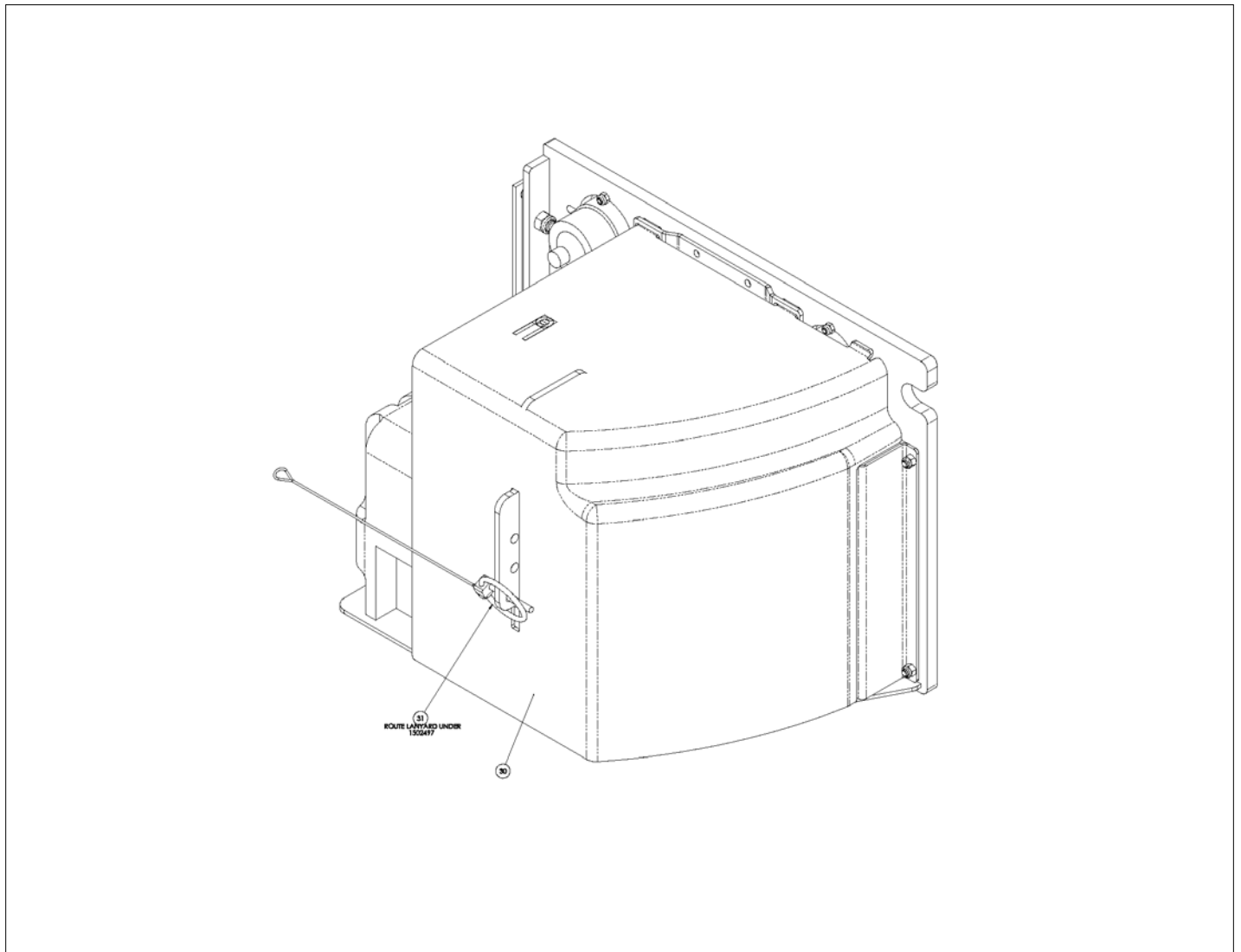


REPAIR PARTS

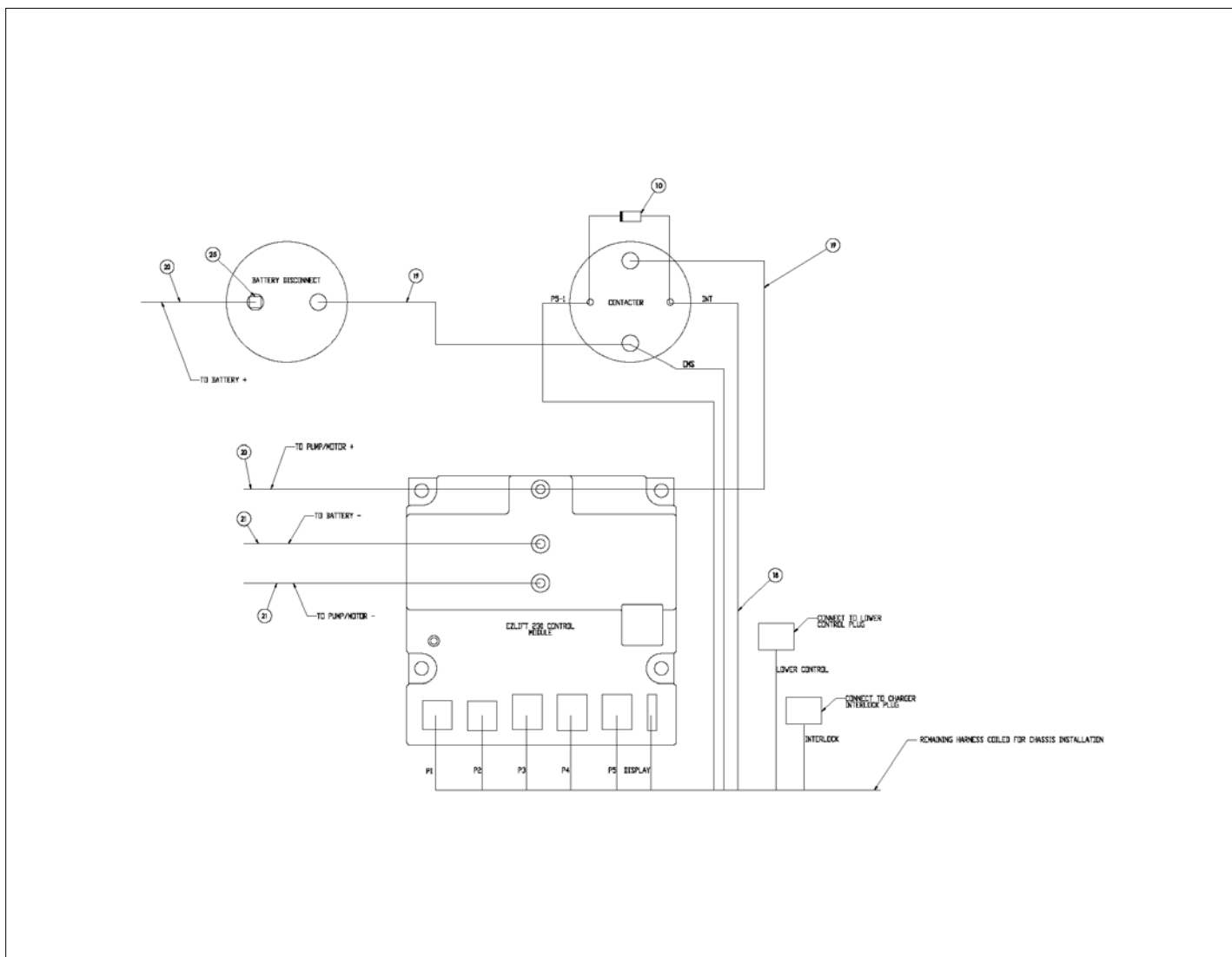


アイテム	部品番号	名前	数量	UOM
	1501629 Z	CONTROL TRAY ASSEMBLY MARCH 2020 AND AFTER		EA
1	056058 030	Bolt, HexBolt DIN931 M6 x 30mm	4	EA
2	056066 004	NUT NYLOCK DIN985 M4 8.0 ZP	7	EA
3	056066 005	Nut NylockNut DIN985 M5 8.0 Zi	4	EA
4	056066 006	Nut NylockNut DIN985 M6 8.0 Zi	8	EA
5	056066 008	NUT NYLOCKNUT DIN985 M8 8.0 ZP	3	EA
6	058491 016	BOLT HEXSETSCREW DIN933 M6 X 16MM 8.8 ZP	2	EA
7	058492 016	HHCS M8 x 1.25 X 16GR 8.8 DIN933	3	EA
8	300840	Lock Out Lever Assembly	1	EA
9	0351039	DIODE ASSY R10I R10I SEE DRAWI	1	EA
10	512459 016	BLT HEXHD M4 X 0.7 X 16MM DIN 933 8.8 ZP	1	EA
11	512459 020	BLT HEXHD M4 0.07 X 20MM G8.8	6	EA
12	515367 000	CONTROL MODULE PG	1	EA
13	1450303	AC POWER CORD	1	EA
14	1501010	WLDMT REAR TRAY       ORG	1	EA
15	1500662	GROUND CONTROL PANEL ASSEMBLY	1	EA
16	1503091	HARNESS, CHASSIS S4726/4732	1	EA
17	3014743	WIRE 2 R375 R375 13.5 RED	2	EA
18	3014750	WIRE 2 R375 R375 101 RED	2	EA
19	3014751	WIRE 2 R375 R375 122 BLACK	2	EA
20	3020049	Switch, Battery Disconnect	1	EA
21	3040269	Boot Cable Entry Black I/O GA	7	EA
22	3044836	TERM R375I 12/10	1	EA
23	3050126	CHARGER, PYLON	1	EA

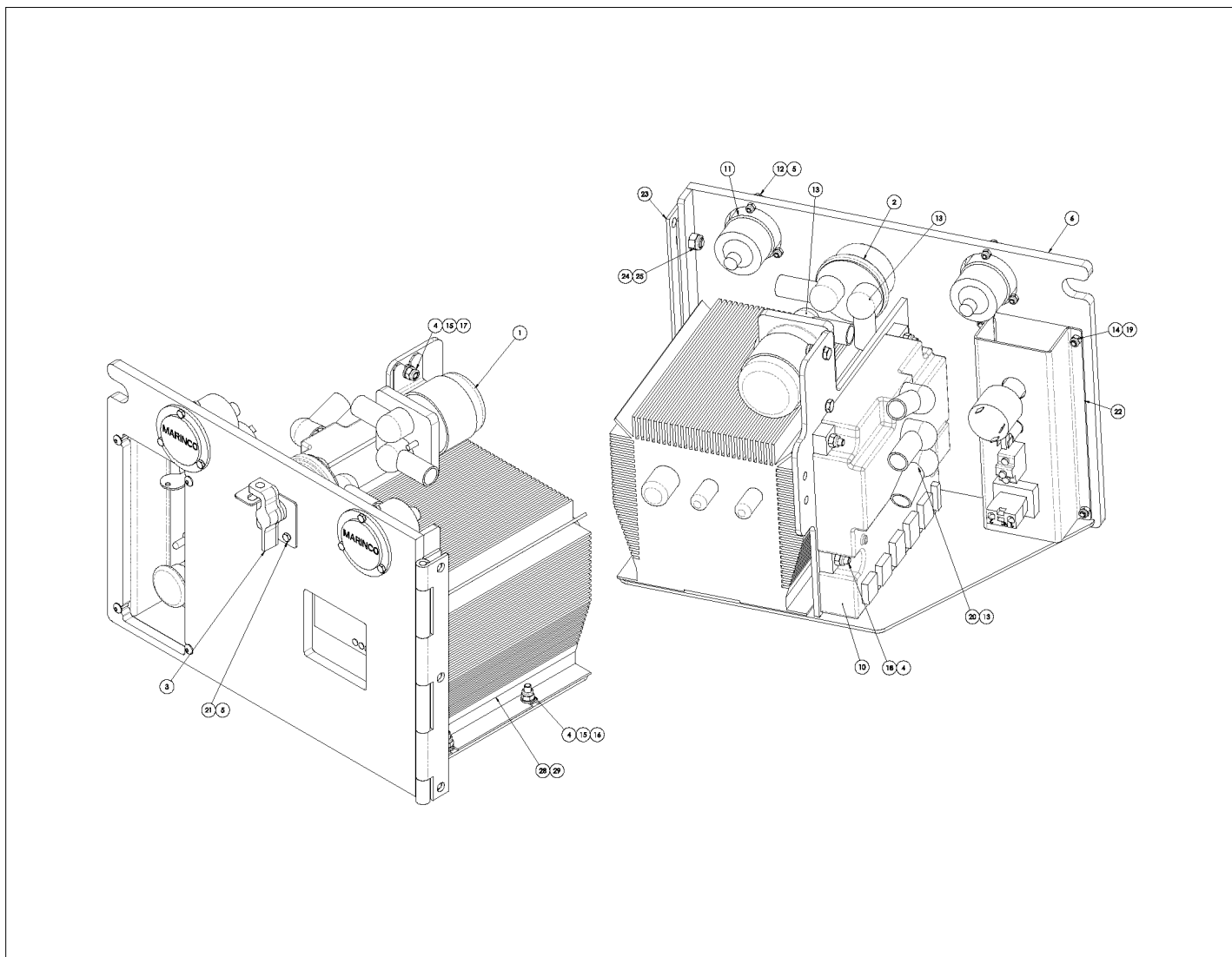




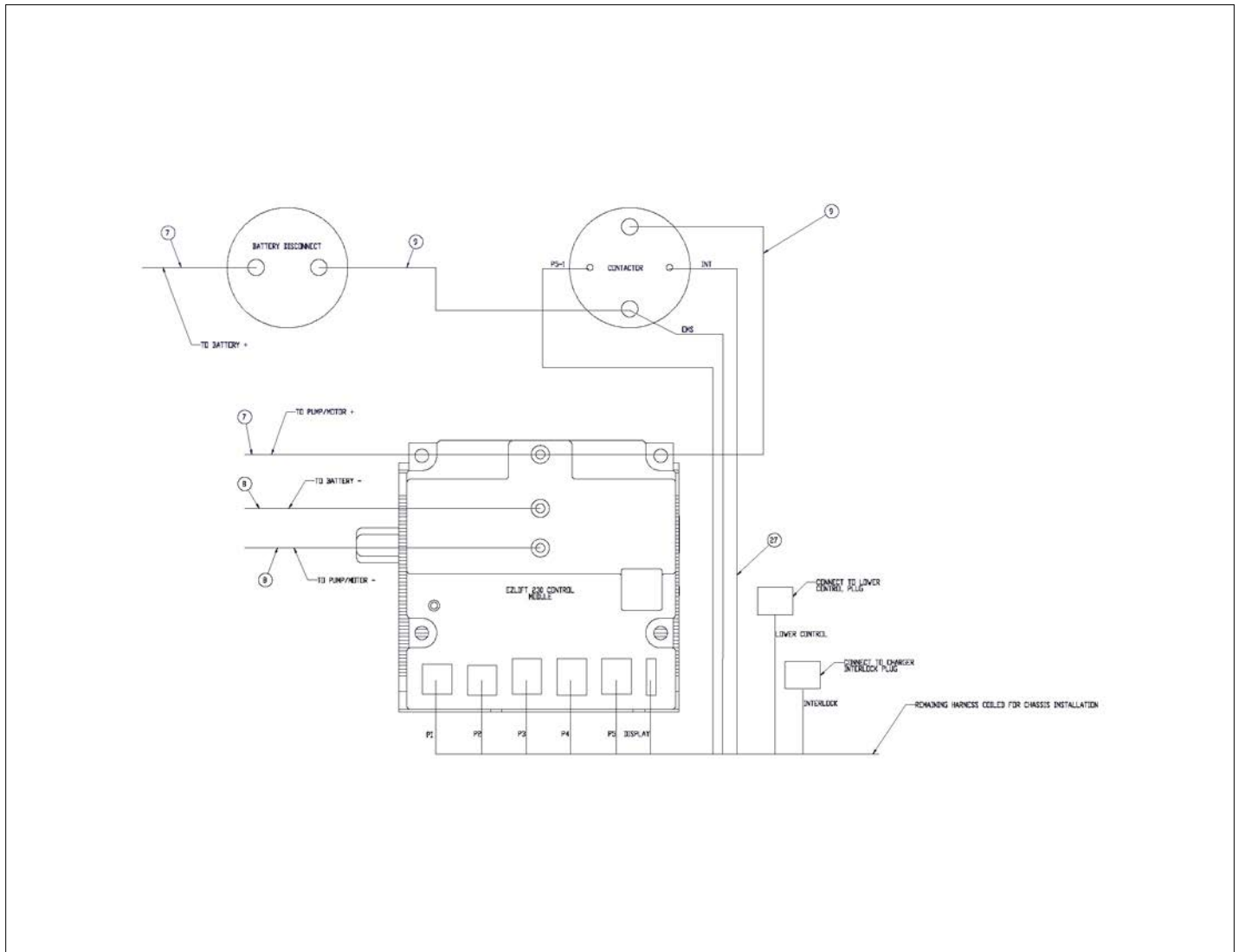
アイテム	部品番号	名前	数量	UOM
24	3069521	INLET FLANGE	2	EA
25	3087787	CONTACTOR 24V SEALED	1	EA
26	5516346	HINGE CONTROL TRAY	1	EA
27	1502497	COVER, REAR TRAY	1	EA
28	5563933	ASSY, LYNCH PIN WITH LANYARD	1	EA
29	056069 006	WSHR STEELFLATWSHE M6 DIN125A	5	EA
30	512949 008	Washer,Serrated,DIN 6798J,M8,ZincPlated	3	EA
31	5563283	SBHCS M6 X 1.0 X 20 GR 10.9 BLK FINISH	2	EA
32	505082 020	Bolt, SktButCapScrew DIN9427 M5 x 20mm 10.9 ZincPlated	4	EA
33	500595 020	Bolt, SktButCapScrew DIN9427 M	3	EA



REPAIR PARTS

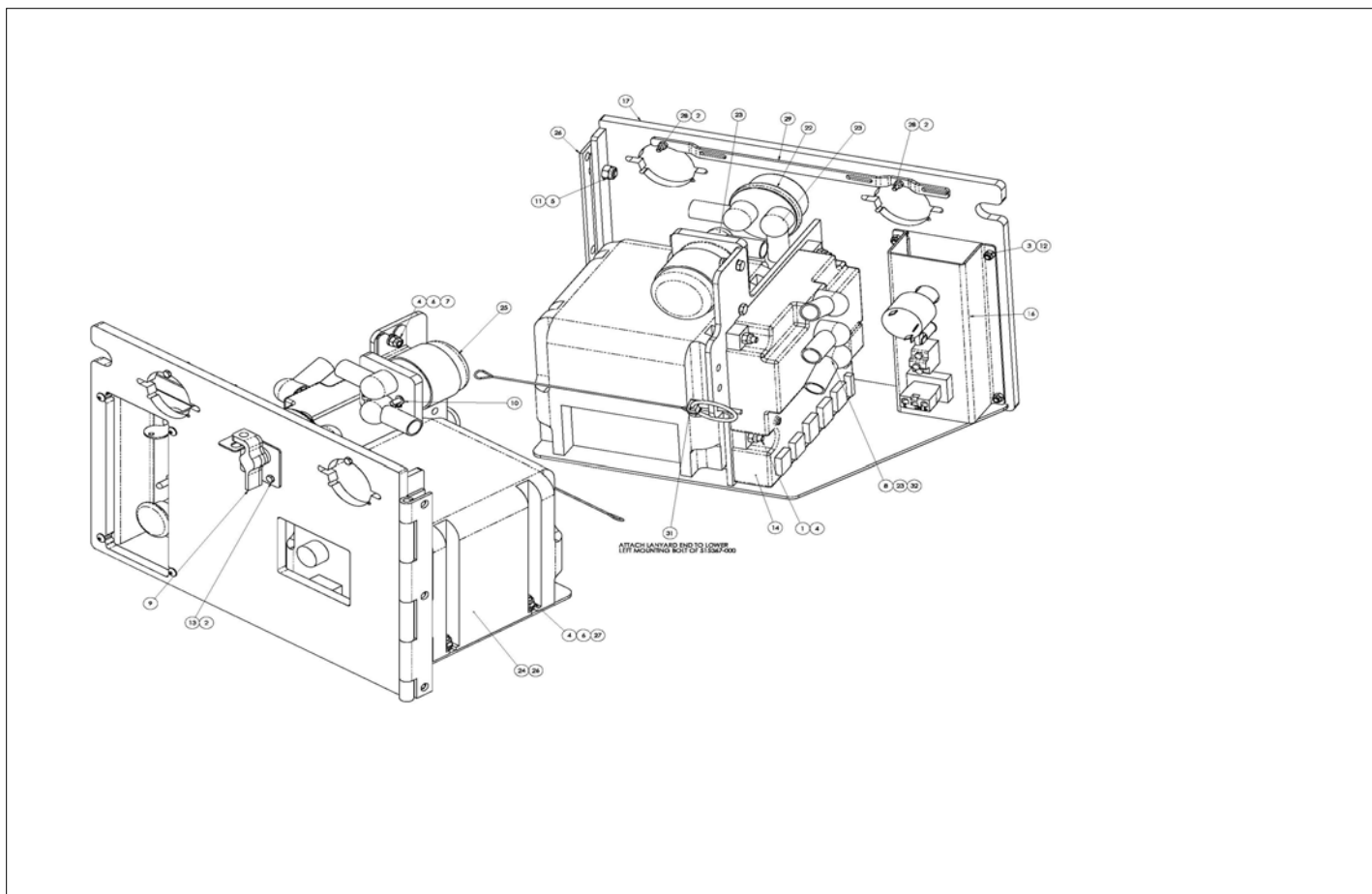


アイテム	部品番号	名前	数量	UOM
	1501775 F	CONTROL TRAY ASSEMBLY CE		EA
1	3087787	CONTACTOR 24V SEALED	1	EA
2	3020049	Switch, Battery Disconnect	1	EA
3	300840	Lock Out Lever Assembly	1	EA
4	056066 006	Nut NylockNut DIN985 M6 8.0 Zi	8	EA
5	056066 004	NUT NYLOCK DIN985 M4 8.0 ZP	7	EA
6	1501010	WLDMT REAR TRAY ORG	1	EA
7	3014750	WIRE 2 R375 R375 101 RED	2	EA
8	3014751	WIRE 2 R375 R375 122 BLACK	2	EA
9	3014743	WIRE 2 R375 R375 13.5 RED	2	EA
10	3087800	EZ230 CONTROLLER	1	EA
11	3069521	INLET FLANGE	2	EA
12	512459 020	BLT HEXHD M4 0.07 X 20MM G8.8	6	EA
13	3040269	Boot Cable Entry Black I/O GA	7	EA
Not Shown	056066 005	Nut NylockNut DIN985 M5 8.0 Zi	4	EA
15	056069 006	WSHR STEELFLATWSHE M6 DIN125A	4	EA
16	501253 020	Bolt, SktButCapScrew DIN9427 M	2	EA
17	058491 016	BOLT HEXSETSCREW DIN933 M6 X 16MM 8.8 ZP	2	EA
18	056058 030	Bolt, HexBolt DIN931 M6 x 30mm	4	EA
19	505082 020	Bolt, SktButCapScrew DIN9427 M5 x 20mm 10.9 ZincPlated	4	EA
20	058492 016	HHCS M8 x 1.25 X 16GR 8.8 DIN933	3	EA
21	512459 016	BLT HEXHD M4 X 0.7 X 16MM DIN 933 8.8 ZP	1	EA
22	1500662	GROUND CONTROL PANEL ASSEMBLY	1	EA
23	5516346	HINGE CONTROL TRAY	1	EA



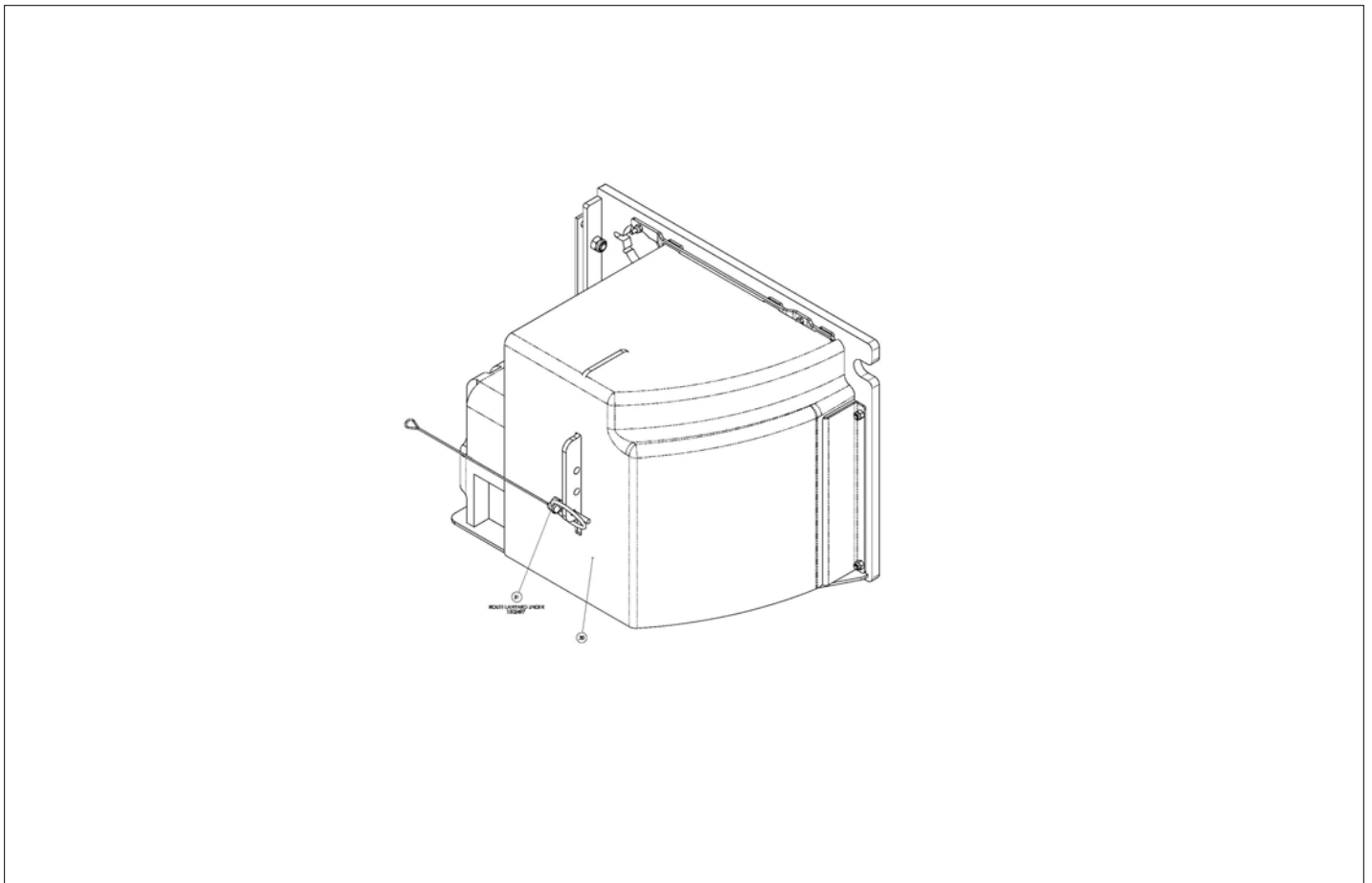
アイテム	部品番号	名前	数量	UOM
24	500595 020	Bolt, SktButCapScrew DIN9427 M	3	EA
25	056066 008	NUT NYLOCKNUT DIN985 M8 8.0 ZP	3	EA
Not Shown	1450303	AC POWER CORD	1	EA
27	1501983	HARNESS, CHASSIS PHX II (SRV USE 150198328)	1	EA
28	1450029	BATTERY CHARGER	1	EA
29	1502306	HARNESS, DOUBLE PROX SENSOR	1	EA

REPAIR PARTS

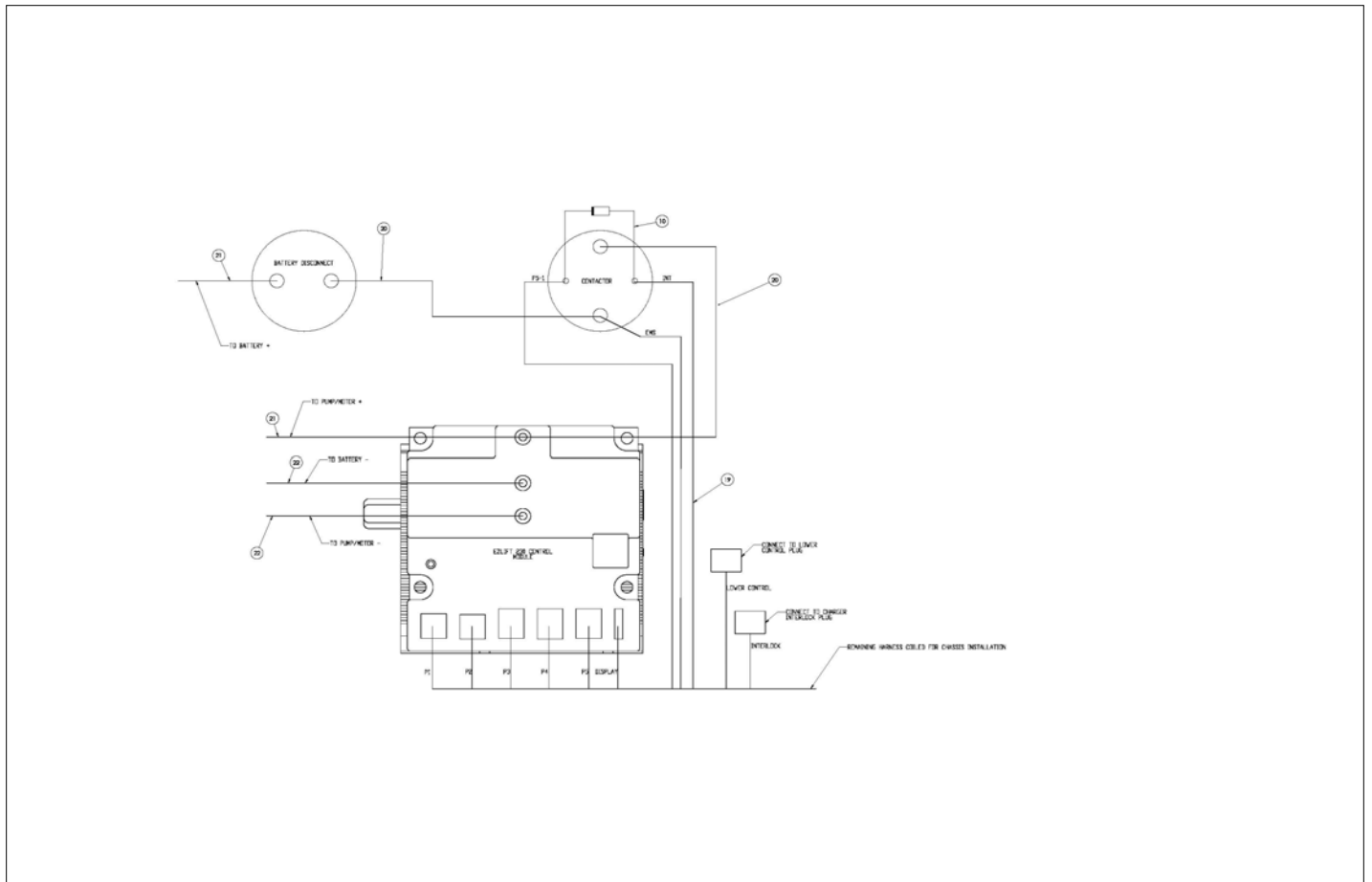




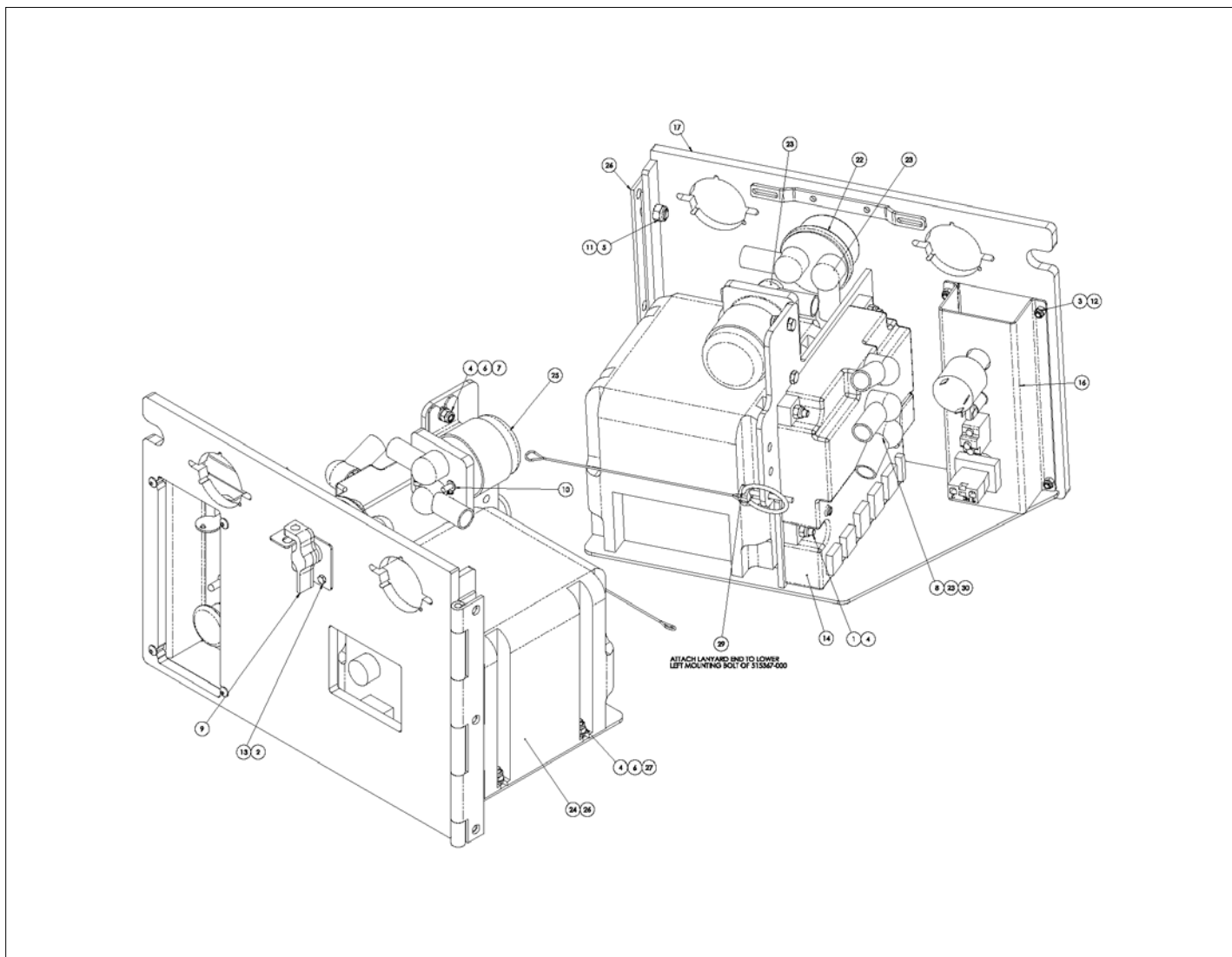
アイテム	部品番号	名前	数量	UOM
	1501775 R	CONTROL TRAY ASSEMBLY CE S3220E S3226E S4726E S4732E		EA
1	056058 030	Bolt, HexBolt DIN931 M6 x 30mm	4	EA
2	056066 004	NUT NYLOCK DIN985 M4 8.0 ZP	3	EA
3	056066 005	Nut NylockNut DIN985 M5 8.0 Zi	4	EA
4	056066 006	Nut NylockNut DIN985 M6 8.0 Zi	8	EA
5	056066 008	NUT NYLOCKNUT DIN985 M8 8.0 ZP	3	EA
6	056069 006	WSHR STEELFLATWSHE M6 DIN125A	4	EA
7	058491 016	BOLT HEXSETSCREW DIN933 M6 X 16MM 8.8 ZP	2	EA
8	058492 016	HHCS M8 x 1.25 X 16GR 8.8 DIN933	3	EA
9	300840	Lock Out Lever Assembly	1	EA
10	0351039	DIODE ASSY R10I R10I SEE DRAWI	1	EA
11	500595 020	Bolt, SktButCapScrew DIN9427 M	3	EA
12	505082 020	Bolt, SktButCapScrew DIN9427 M5 x 20mm 10.9 ZincPlated	4	EA
13	512459 016	BLT HEXHD M4 X 0.7 X 16MM DIN 933 8.8 ZP	1	EA
14	515367 000	CONTROL MODULE PG	1	EA
Not Shown	1450303	AC POWER CORD	1	EA
16	1500662	GROUND CONTROL PANEL ASSEMBLY	1	EA
17	1501010	WLDMT REAR TRAY        ORG	1	EA
Not Shown	1502309	HARNESS, CHASSIS S4726/4732	1	EA
19	3014743	WIRE 2 R375 R375 13.5 RED	2	EA
20	3014750	WIRE 2 R375 R375 101 RED	2	EA
21	3014751	WIRE 2 R375 R375 122 BLACK	2	EA



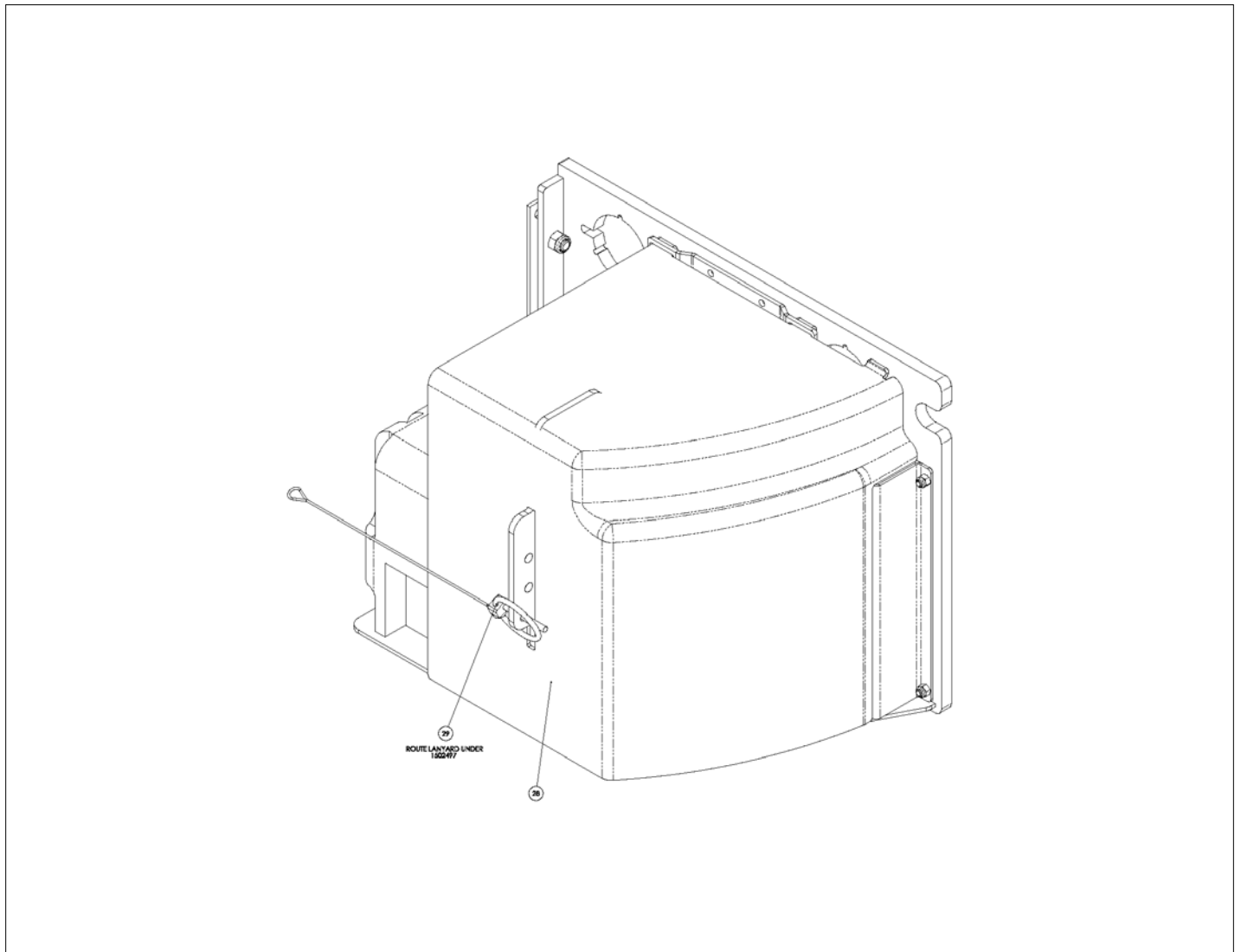
アイテム	部品番号	名前	数量	UOM
22	3020049	Switch, Battery Disconnect	1	EA
23	3040269	Boot Cable Entry Black I/O GA	7	EA
24	3050126	CHARGER, PYLON	1	EA
25	3087787	CONTACTOR 24V SEALED	1	EA
26	5516346	HINGE CONTROL TRAY	1	EA
27	501253 020	Bolt, SktButCapScrew DIN9427 M	2	EA
28	512714 025	HHCS M4 X 0.7 x 25 G8.8 ISO 4014 DIN 931	2	EA
29	1502325	PLT, REAR COVER MNT	1	EA
30	1502497	COVER, REAR TRAY	1	EA
31	5563933	ASSY, LYNCH PIN WITH LANYARD	1	EA
32	056069 005	Washer SteelFlatWasher DIN125A	3	EA



REPAIR PARTS

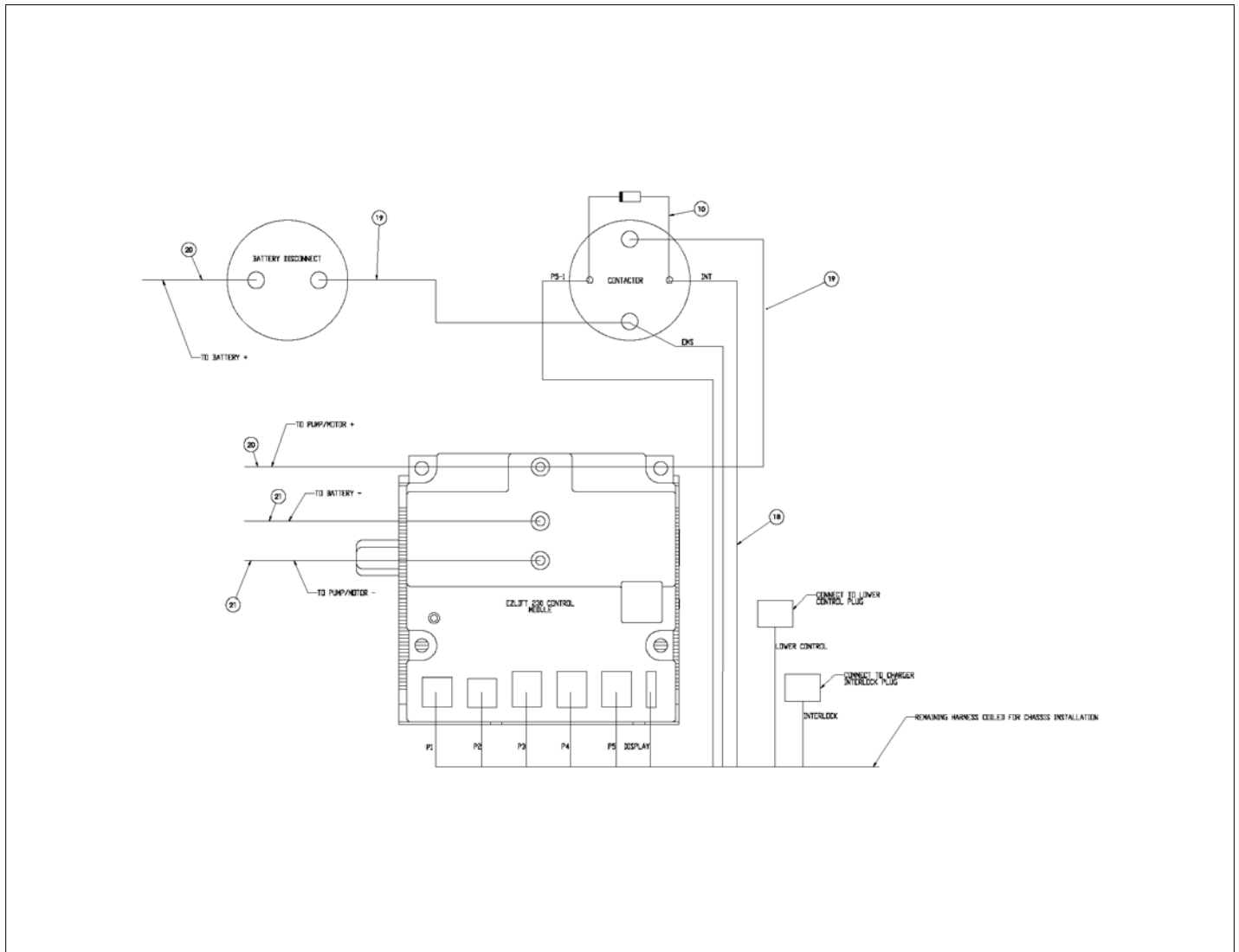


アイテム	部品番号	名前	数量	UOM
	1501775 T	CONTROL TRAY ASSEMBLY CE		EA
1	056058 030	Bolt, HexBolt DIN931 M6 x 30mm	4	EA
2	056066 004	NUT NYLOCK DIN985 M4 8.0 ZP	1	EA
3	056066 005	Nut NylockNut DIN985 M5 8.0 Zi	4	EA
4	056066 006	Nut NylockNut DIN985 M6 8.0 Zi	8	EA
5	056066 008	NUT NYLOCKNUT DIN985 M8 8.0 ZP	3	EA
6	056069 006	WSHR STEELFLATWSHE M6 DIN125A	4	EA
7	058491 016	BOLT HEXSETSCREW DIN933 M6 X 16MM 8.8 ZP	2	EA
8	058492 016	HHCS M8 x 1.25 X 16GR 8.8 DIN933	3	EA
9	300840	Lock Out Lever Assembly	1	EA
10	0351039	DIODE ASSY R10I R10I SEE DRAWI	1	EA
11	500595 020	Bolt, SktButCapScrew DIN9427 M	3	EA
12	505082 020	Bolt, SktButCapScrew DIN9427 M5 x 20mm 10.9 ZincPlated	4	EA
13	512459 016	BLT HEXHD M4 X 0.7 X 16MM DIN 933 8.8 ZP	1	EA
14	515367 000	CONTROL MODULE PG	1	EA
Not Shown	1450303	AC POWER CORD	1	EA
16	1500662	GROUND CONTROL PANEL ASSEMBLY	1	EA
17	1501010	WLDMT REAR TRAY ORG	1	EA
18	1502974	HARNESS, S4726/4732 CHASSIS	1	EA
19	3014743	WIRE 2 R375 R375 13.5 RED	2	EA
20	3014750	WIRE 2 R375 R375 101 RED	2	EA
21	3014751	WIRE 2 R375 R375 122 BLACK	2	EA
22	3020049	Switch, Battery Disconnect	1	EA

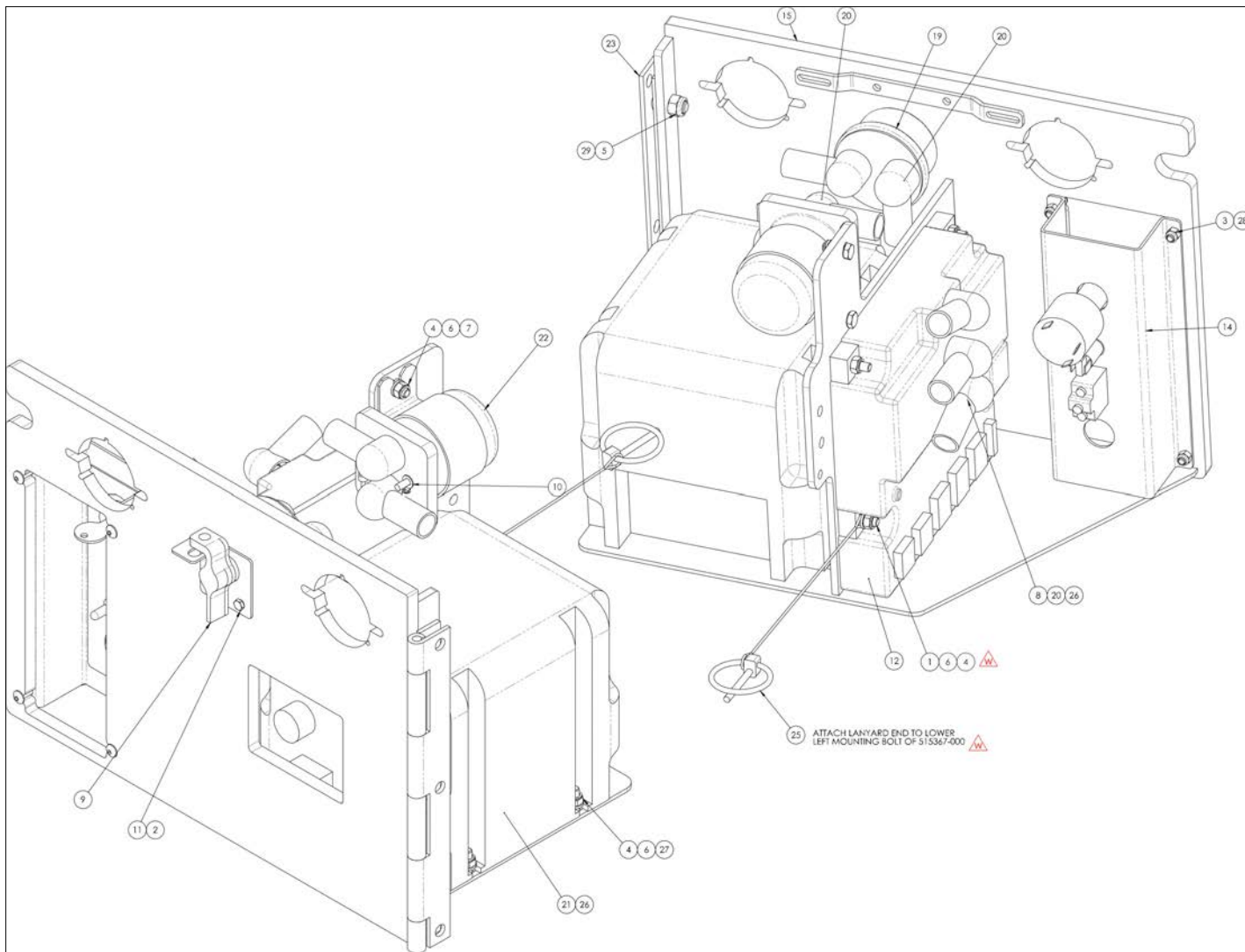


アイテム	部品番号	名前	数量	UOM
23	3040269	Boot Cable Entry Black I/O GA	7	EA
24	3040126	BOOT BTRY CABLE END BLK 1/0 5	1	EA
25	3087787	CONTACTOR 24V SEALED	1	EA
26	5516346	HINGE CONTROL TRAY	1	EA
27	5563283	SBHCS M6 X 1.0 X 20 GR 10.9 BLK FINISH	2	EA
28	1502497	COVER, REAR TRAY	1	EA
29	5563933	ASSY, LYNCH PIN WITH LANYARD	1	EA
30	056069 005	Washer SteelFlatWasher DIN125A	3	EA

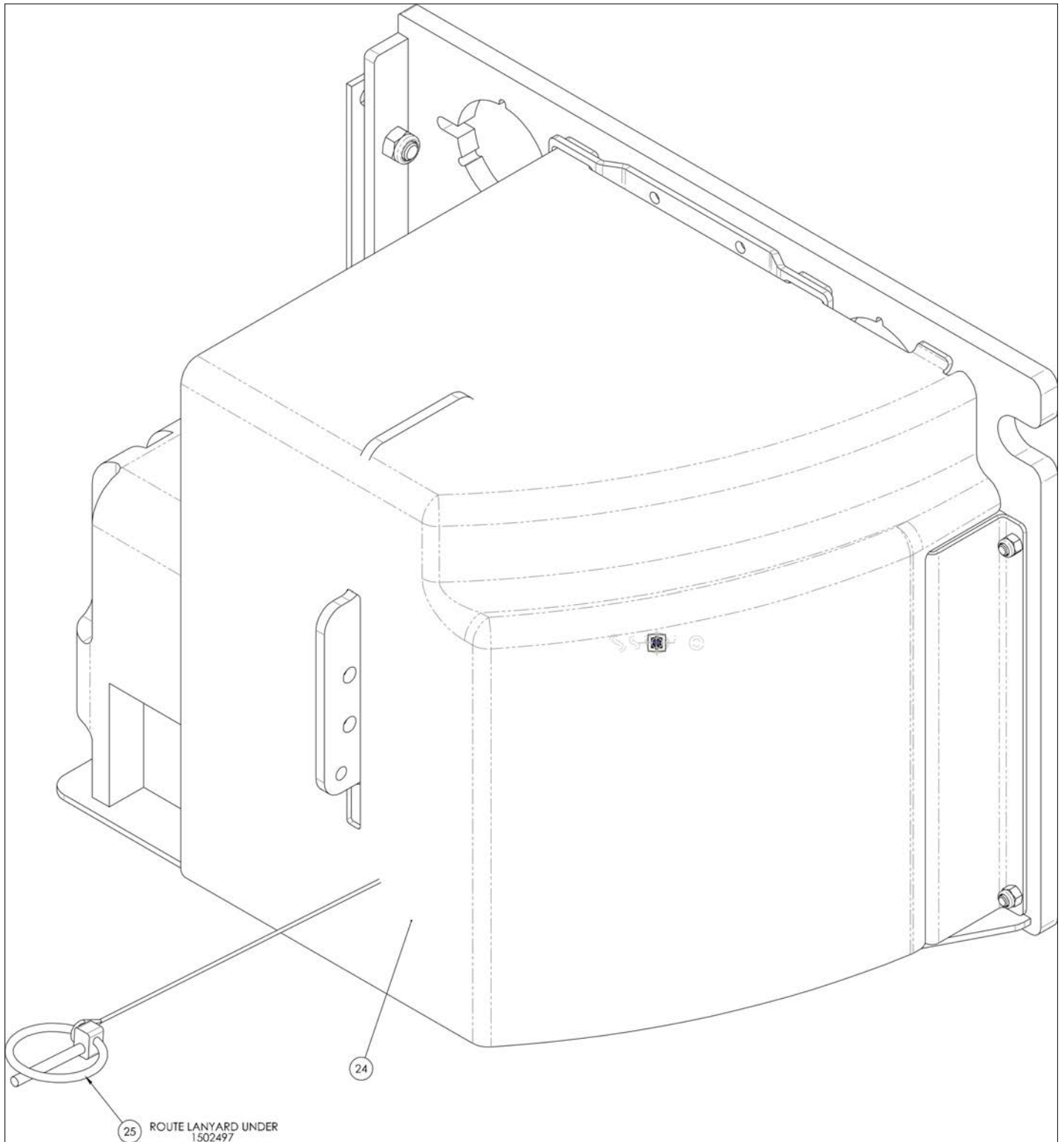




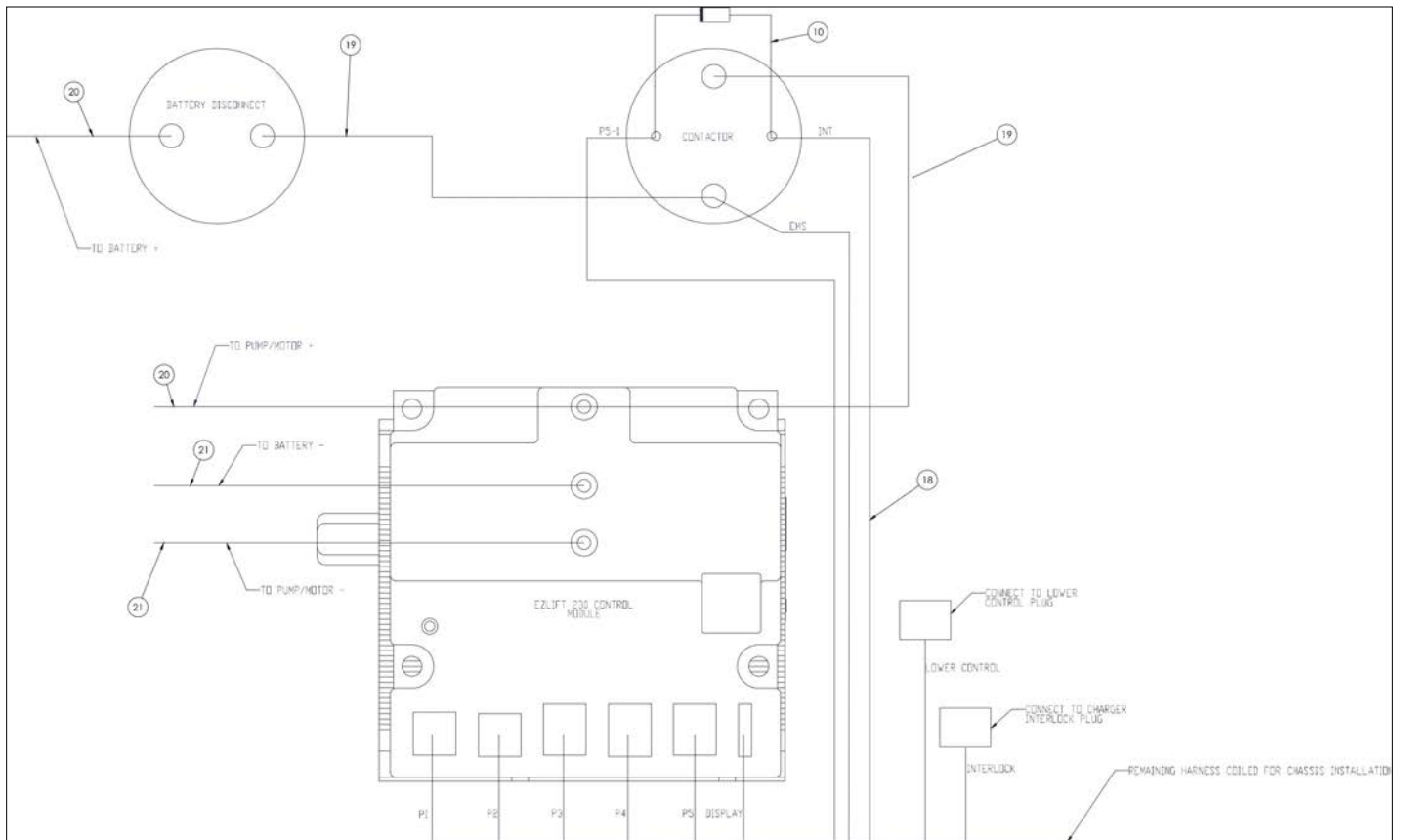
REPAIR PARTS



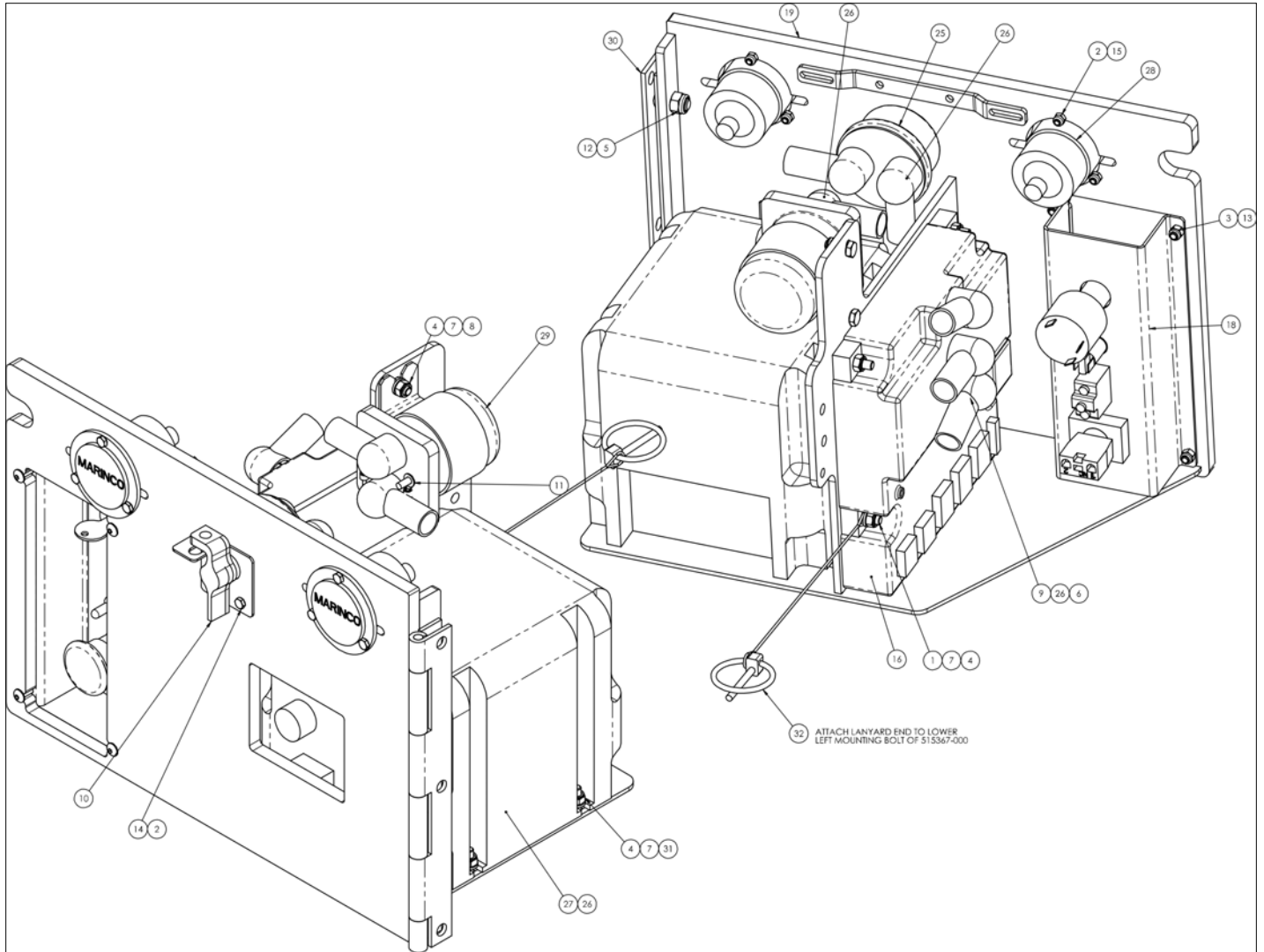
アイテム	部品番号	名前	数量	UOM
*	1501775 W	CONTROL TRAY ASSEMBLY CE S3220E APRIL 2019 AND AFTER		EA
1	056058 030	Bolt, HexBolt DIN931 M6 x 30mm	4	EA
2	056066 004	NUT NYLOCK DIN985 M4 8.0 ZP	1	EA
3	056066 005	Nut NylockNut DIN985 M5 8.0 Zi	4	EA
4	056066 006	Nut NylockNut DIN985 M6 8.0 Zi	8	EA
5	056066 008	NUT NYLOCKNUT DIN985 M8 8.0 ZP	3	EA
6	056069 006	WSHR STEELFLATWSHE M6 DIN125A	5	EA
7	058491 016	BOLT HEXSETSCREW DIN933 M6 X 16MM 8.8 ZP	2	EA
8	058492 016	HHCS M8 x 1. 25 X 16GR 8.8 DIN933	3	EA
9	300840	Lock Out Lever Assembly	1	EA
10	0351039	DIODE ASSY R10I R10I SEE DRAWI	1	EA
11	512459 016	BLT HEXHD M4 X 0.7 X 16MM DIN 933 8.8 ZP	1	EA
12	515367 000	CONTROL MODULE PG	1	EA
13	1450303	AC POWER CORD	1	EA
14	1500662	GROUND CONTROL PANEL ASSEMBLY	1	EA
15	1501010 5	WLDMT REAR TRAY ORN	1	EA
16	3014743	WIRE 2 R375 R375 13.5 RED	2	EA
17	3014750	WIRE 2 R375 R375 101 RED	2	EA
18	3014751	WIRE 2 R375 R375 122 BLACK	2	EA
19	3020049	Switch, Battery Disconnect	1	EA
20	3040269	Boot Cable Entry Black I/O GA	7	EA
21	3050126	CHARGER, PYLON	1	EA
22	3087787	CONTACTOR 24V SEALED	1	EA
23	5516346	HINGE CONTROL TRAY	1	EA



アイテム	部品番号	名前	数量	UOM
24	1502497	COVER, REAR TRAY	1	EA
25	5563933	ASSY, LYNCH PIN WITH LANYARD	1	EA
26	056069 005	Washer SteelFlatWasher DIN125A	3	EA
27	5563283	SBHCS M6 X 1.0 X 20 GR 10.9 BLK FINISH	2	EA
28	505082 020	Bolt, SktButCapScrew DIN9427 M5 x 20mm 10.9 ZincPlated	4	EA
29	500595 020	Bolt, SktButCapScrew DIN9427 M	3	EA
30	1503091	HARNESS, CHASSIS S4726/4732	1	EA

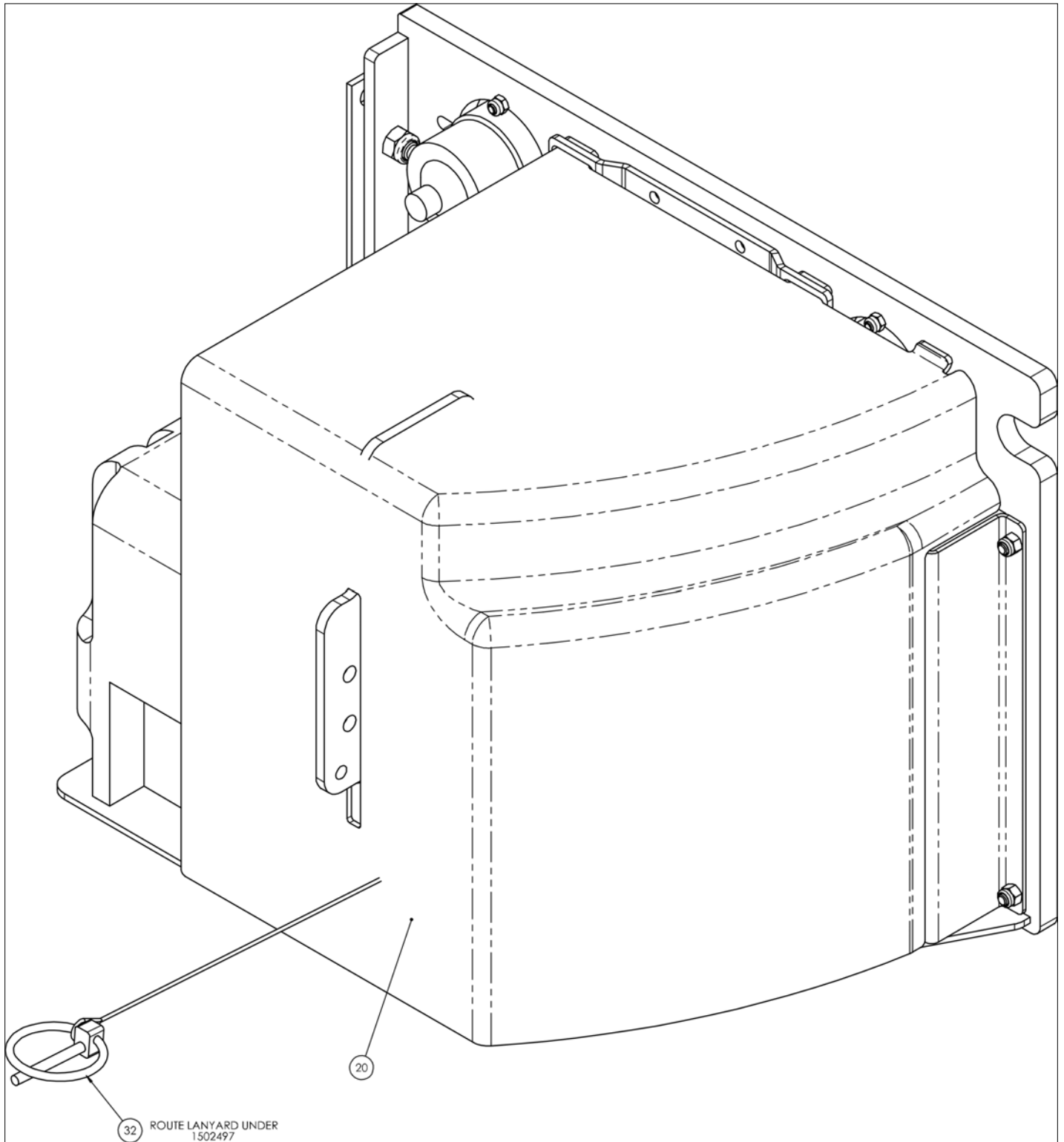


REPAIR PARTS

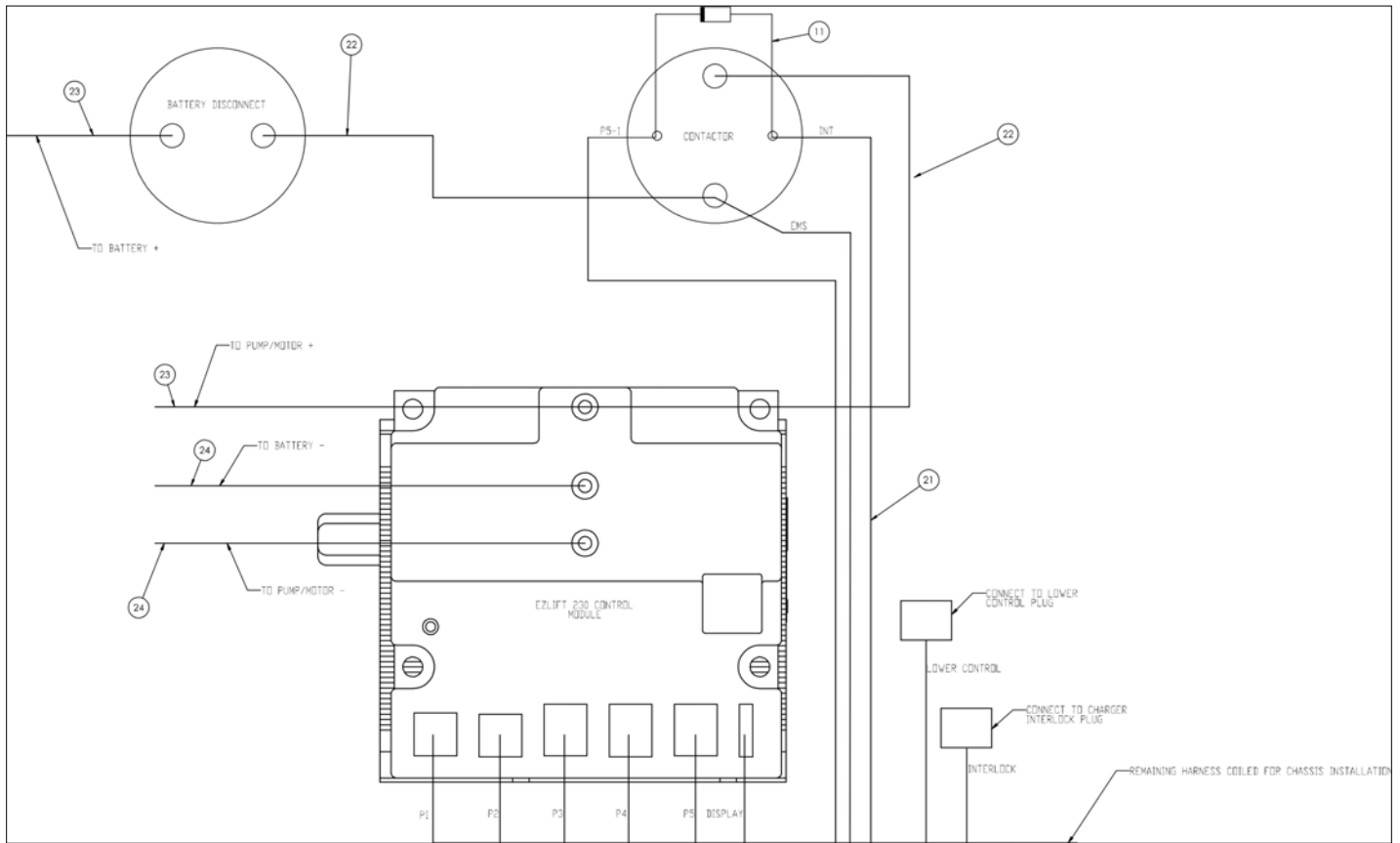


アイテム	部品番号	名前	数量	UOM
*	1503156 A	CONTROL TRAY ANSI CSA ASSEMBLY AUGUST 2019 AND AFTER		EA
1	056058 030	Bolt, HexBolt DIN931 M6 x 30mm	4	EA
2	056066 004	NUT NYLOCK DIN985 M4 8.0 ZP	7	EA
3	056066 005	Nut NylockNut DIN985 M5 8.0 Zi	4	EA
4	056066 006	Nut NylockNut DIN985 M6 8.0 Zi	8	EA
5	056066 008	NUT NYLOCKNUT DIN985 M8 8.0 ZP	3	EA
6	056069 005	Washer SteelFlatWasher DIN125A	3	EA
7	056069 006	WSHR STEELFLATWSHE M6 DIN125A	5	EA
8	058491 016	BOLT HEXSETSCREW DIN933 M6 X 16MM 8.8 ZP	2	EA
9	058492 016	HHCS M8 x 1. 25 X 16GR 8.8 DIN933	3	EA
10	300840	Lock Out Lever Assembly	1	EA
11	0351039	DIODE ASSY R10I R10I SEE DRAWI	1	EA
12	500595 020	Bolt, SktButCapScrew DIN9427 M	3	EA
13	505082 020	Bolt, SktButCapScrew DIN9427 M5 x 20mm 10.9 ZincPlated	4	EA
14	512459 016	BLT HEXHD M4 X 0.7 X 16MM DIN 933 8.8 ZP	1	EA
15	512459 020	BLT HEXHD M4 0.07 X 20MM G8.8	6	EA
16	515367 000	CONTROL MODULE PG	1	EA
17	1450303	AC POWER CORD	1	EA
18	1500662	GROUND CONTROL PANEL ASSEMBLY	1	EA
19	1501010 5	WLDMT REAR TRAY ORN	1	EA
20	1502497	COVER, REAR TRAY	1	EA
21	1503091	HARNESS, CHASSIS S4726/4732	1	EA

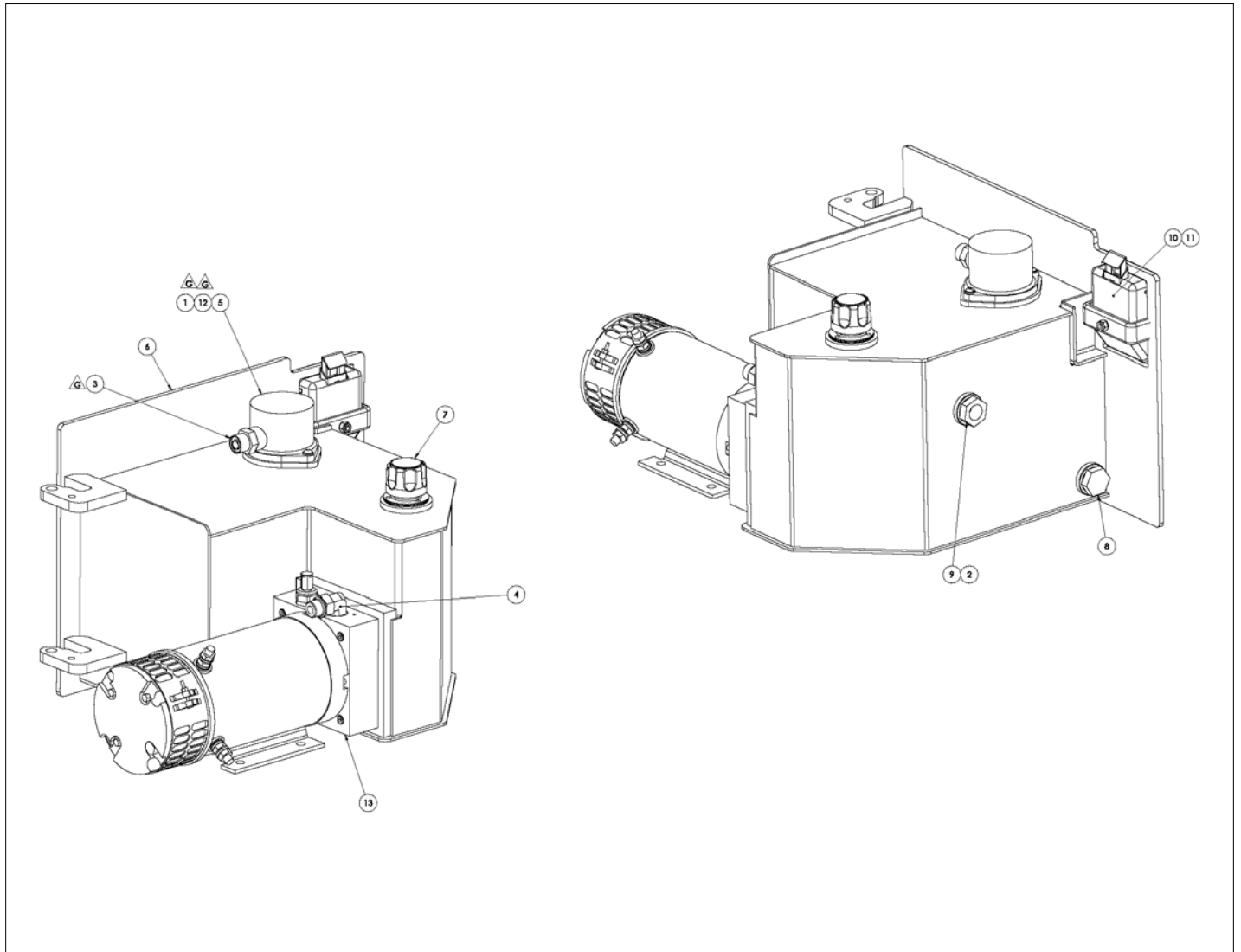




アイテム	部品番号	名前	数量	UOM
22	3014743	WIRE 2 R375 R375 13.5 RED	2	EA
23	3014750	WIRE 2 R375 R375 101 RED	2	EA
24	3014751	WIRE 2 R375 R375 122 BLACK	2	EA
25	3020049	Switch, Battery Disconnect	1	EA
26	3040269	Boot Cable Entry Black I/O GA	7	EA
27	3050126	CHARGER, PYLON	1	EA
28	3069521	INLET FLANGE	2	EA
29	3087787	CONTACTOR 24V SEALED	1	EA
30	5516346	HINGE CONTROL TRAY	1	EA
31	501253 020	Bolt, SktButCapScrew DIN9427 M	2	EA
32	5563933	ASSY, LYNCH PIN WITH LANYARD	1	EA

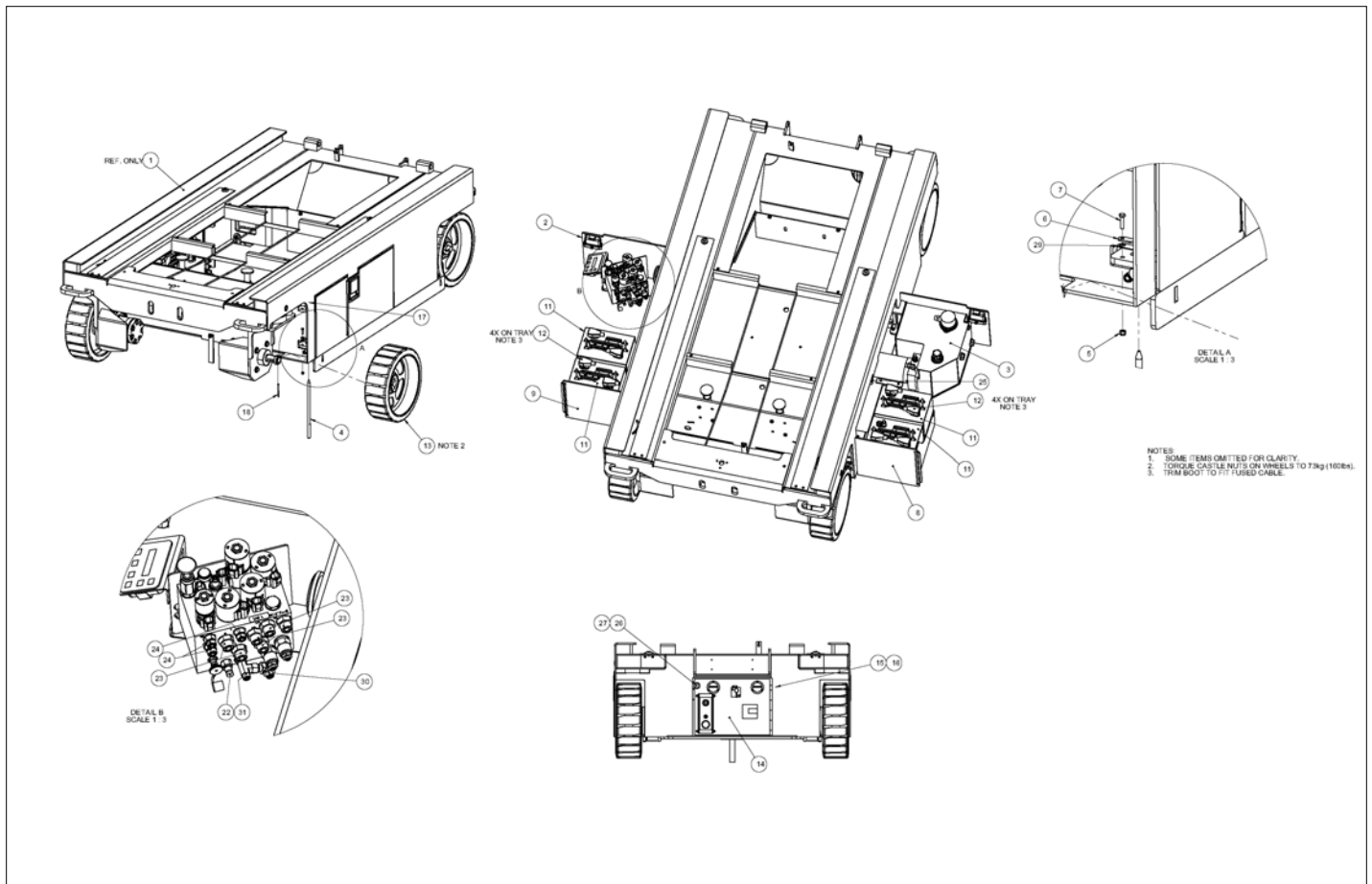


REPAIR PARTS

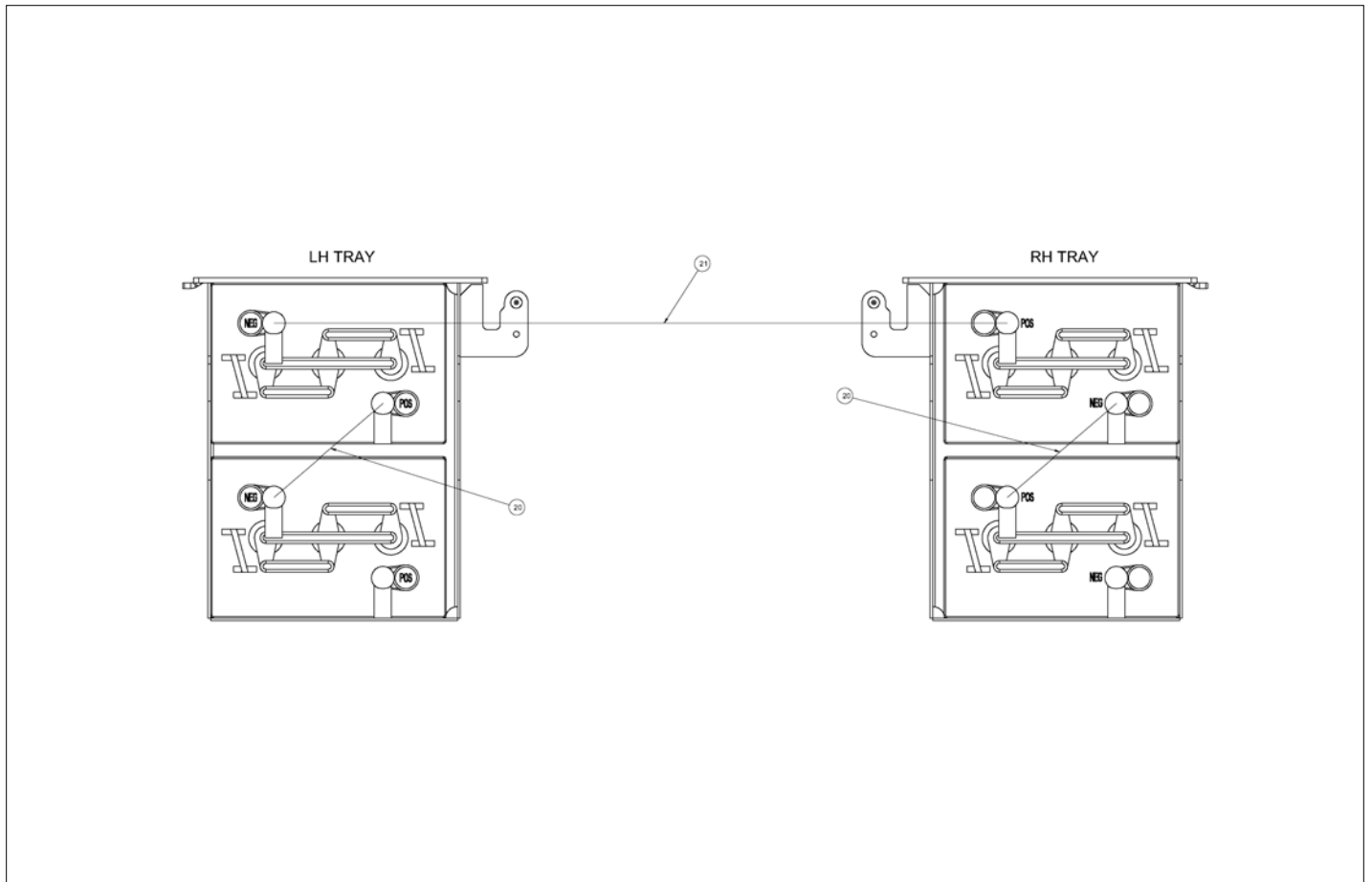


アイテム	部品番号	名前	数量	UOM
	1502150 G	TANK TRAY ASSEMBLY S3220E S3226E S4726E S4732E JUNE 2018 AND AFTER		EA
1	056069 006	WSHR STEELFLATWSHE M6 DIN125A	2	EA
2	057352 000	BONDED SEAL 3/4 in SC	1	EA
3	100432 015	FTG, STR, 8MORFF X 8MORB	1	EA
4	100434 012	FTG, 6MB X 8MORFF 90	1	EA
5	114067 000	Tank Top Filter	1	EA
6	1501654	WLDMT HYD TRAY S4732/26E	1	EA
7	5076528	TANK CAP WITH TETHER	1	EA
8	5076529	FTG BSPP 12 PLUG	1	EA
9	5076530	FTG BSPP 12 SIGHT	1	EA
10	5516353	LATCH PADDLE	1	EA
11	5560004	NUT LKG .250 20	1	EA
12	5563280	SBHCS M6 X 1.0 X 14 GR 12.9 ZP	2	EA
13	6029696	PUMP UNIT 24 VDC 4.33CC WUXI	1	EA

# REPAIR PARTS

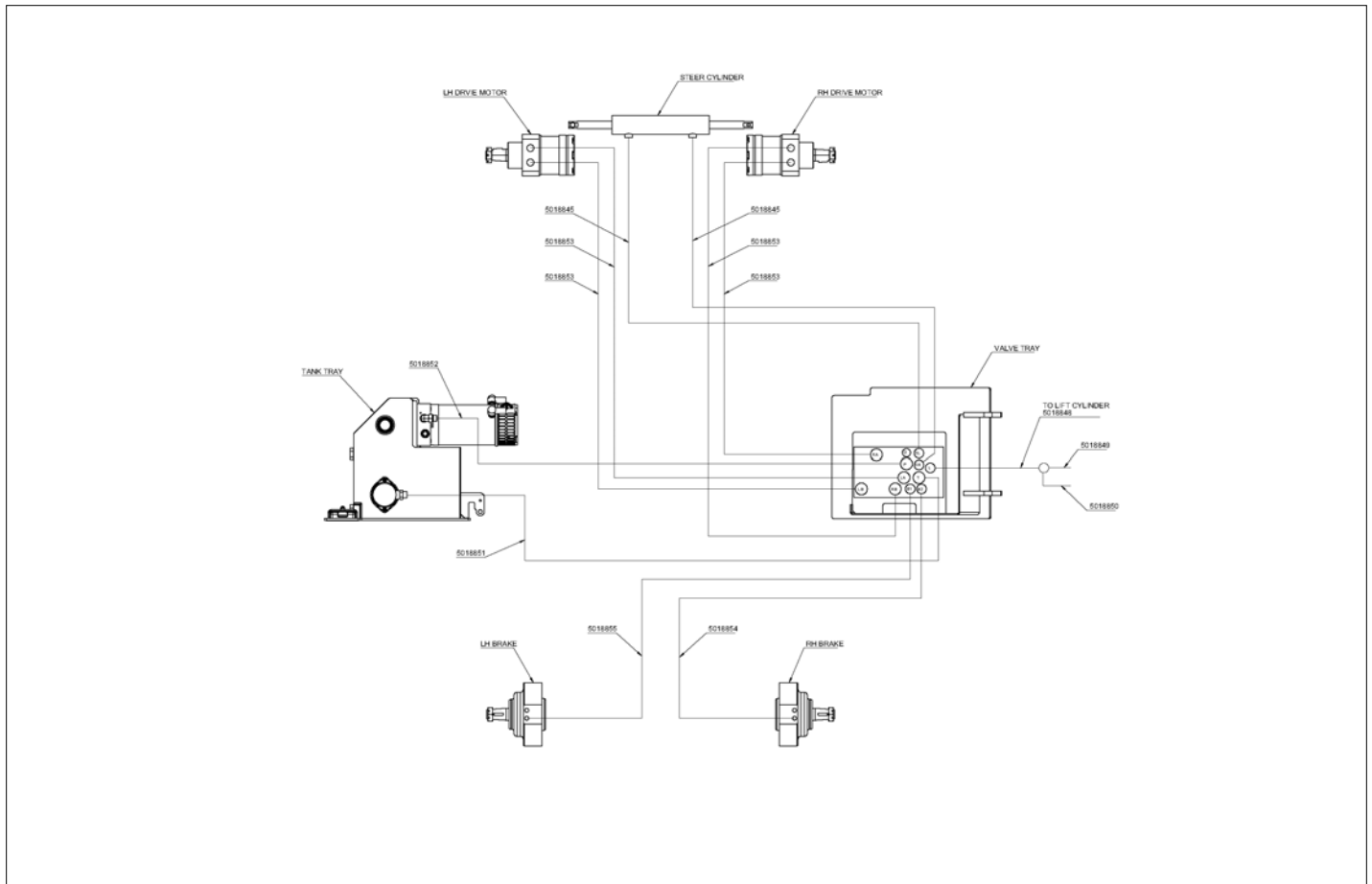


アイテム	部品番号	名前	数量	UOM
	1501360 T	TRAYS ASSEMBLY S4732/26E		EA
1	1502240	ASSY CHASSIS S4726E/S4732E	1	EA
2	1502148	ASSY, VALVE TRAY WIDE	1	EA
3	1502150	ASSY, TANK TRAY WIDE	1	EA
4	1500947	PIN TRAY HINGE	4	EA
5	056064 006	NUT NYLOCK DIN985 M6 10.0 ZP	4	EA
6	1500948	PLT, TRAY PIN KEEPER	4	EA
7	058491 025	Bolt HexSetScrew DIN933 M6 x 2	1	EA
8	1501007	WLDMT BATTERY TRAY LH	1	EA
9	1501008	WLDMT BATTERY TRAY RH	1	EA
Not Shown	512630 025	HHCS M6 X 1 X 25 GR 10.9 DIN 933	3	EA
11	3050027	BTRY 6VOLT TYPE T 145	4	EA
12	010154 000	COVER BATTERY	8	EA
13	1370248	ASSY TIRE AND WHEEL JANUARY 2013 AND AFTER	4	EA
14	1501629	CONTROL TRAY ASSEMBLY	1	EA
15	500595 020	Bolt, SktButCapScrew DIN9427 M	3	EA
16	056066 008	NUT NYLOCKNUT DIN985 M8 8.0 ZP	3	EA
17	1501733	HINGE BLOCK SHIM	2	EA
18	988229	PIN COTTER .125 DIA 2.50	5	EA
19	5090034	SLEEVEHOSE ABRASION GRD 1.81 in	1	EA
20	3014746	WIRE 2 R375 9 BLK	1	EA
21	3014745	WIRE 2 R375 R375 86 BLK	1	EA
22	5070006	FTG NIP DIGN 4B	1	EA
23	100432 015	FTG, STR, 8MORFF X 8MORB	6	EA
24	100432 009	Hyd Fitting Straight ORFS(06) SAE(06)	3	EA

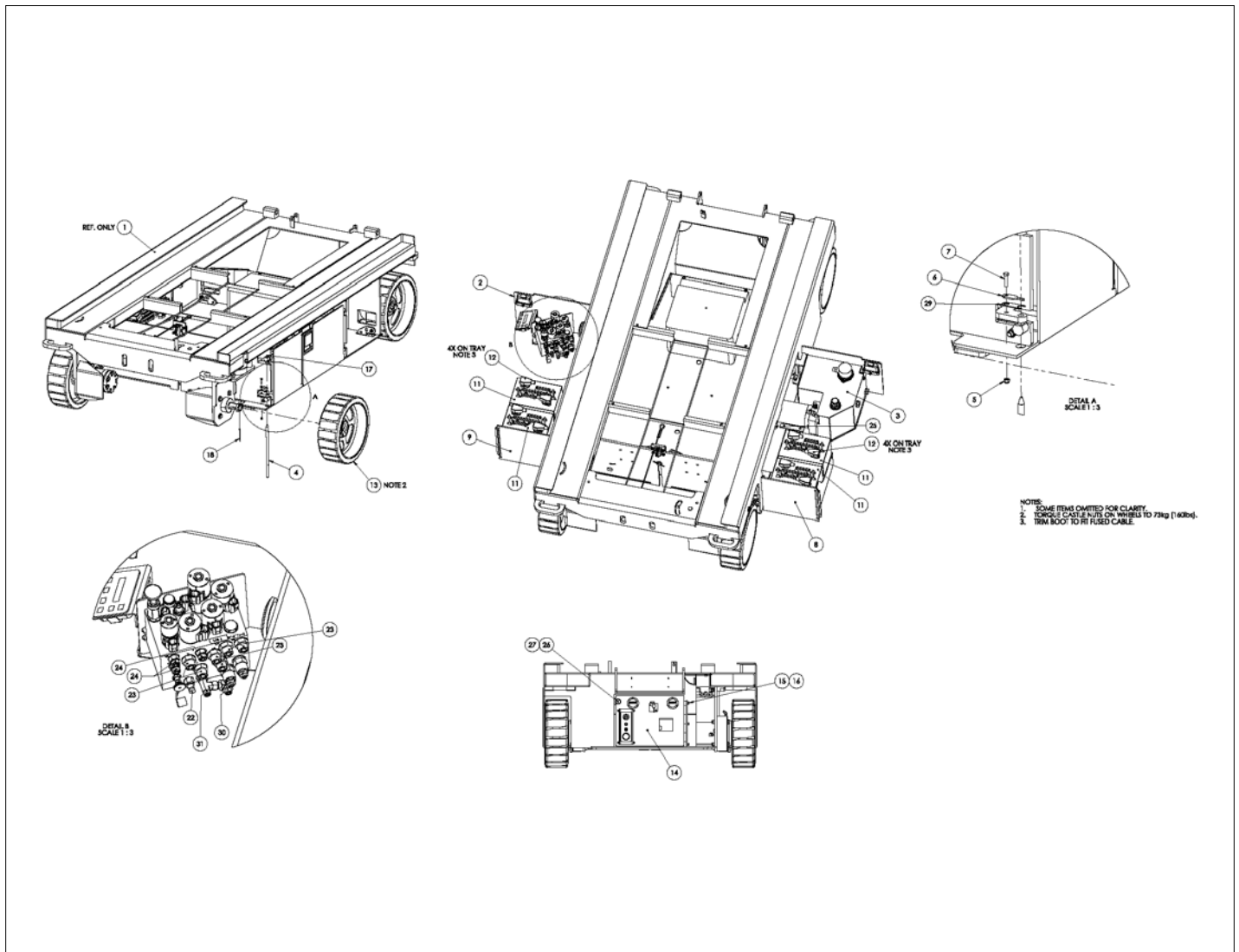




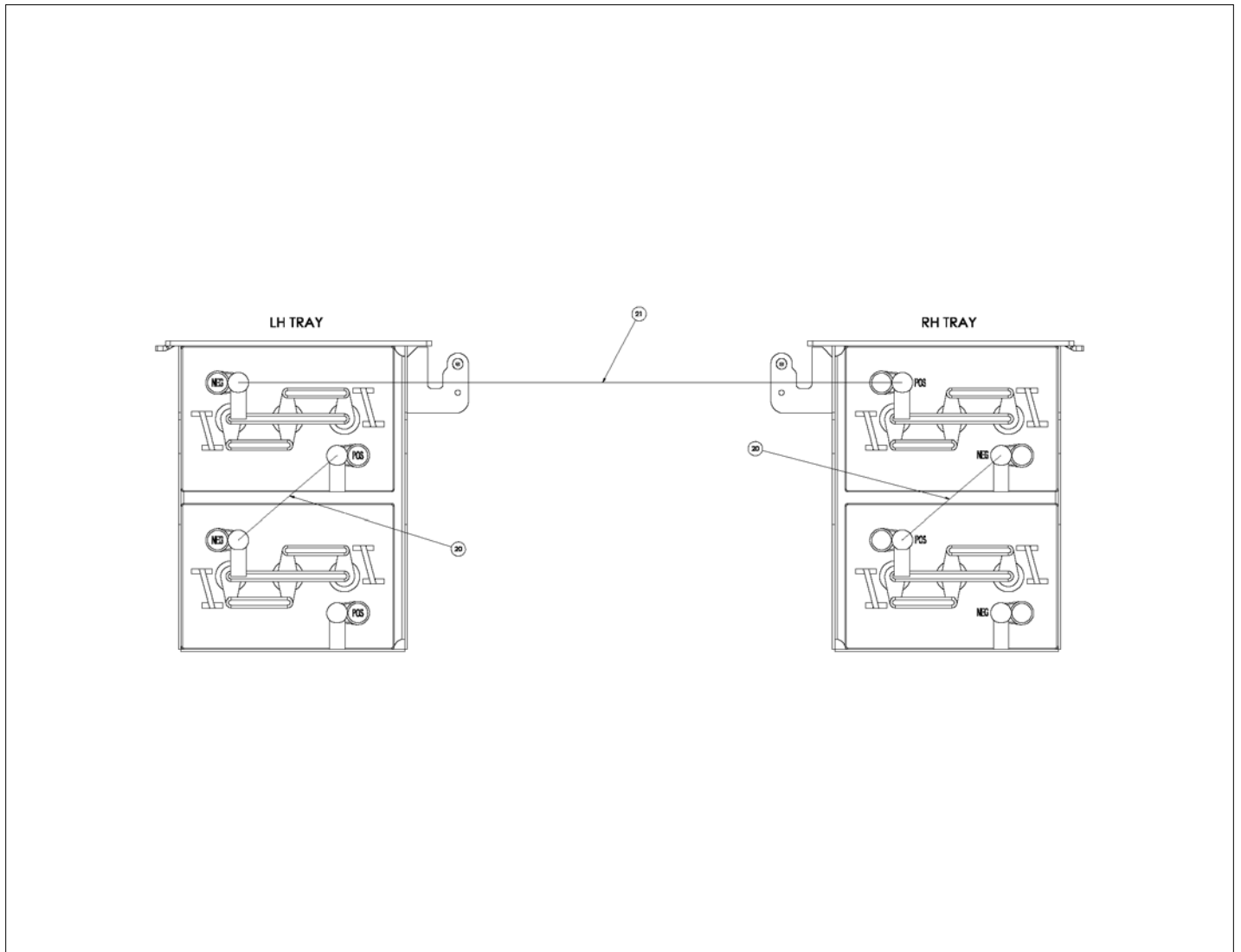
アイテム	部品番号	名前	数量	UOM
25	3040269	Boot Cable Entry Black I/O GA	2	EA
26	056687 045	HHCS M16X2X45 G8.8 ISO 4014	1	EA
27	056069 016	WASHER STEELFLATWASHER M16 DIN	1	EA
Not Shown	5018847	S4732E HOSE ASSEMBLY (FER ONLY SEE ITEMS 31 39)	1	EA
Not Shown	1501059	SHIM HINGE BLOCK LOWER	2	EA
30	5033053	FTG 4FORFF X 4MORFF 90	1	EA
31	5033056	FTG 6MB X 4MORFF X 4MORFF RUN TEE	1	EA



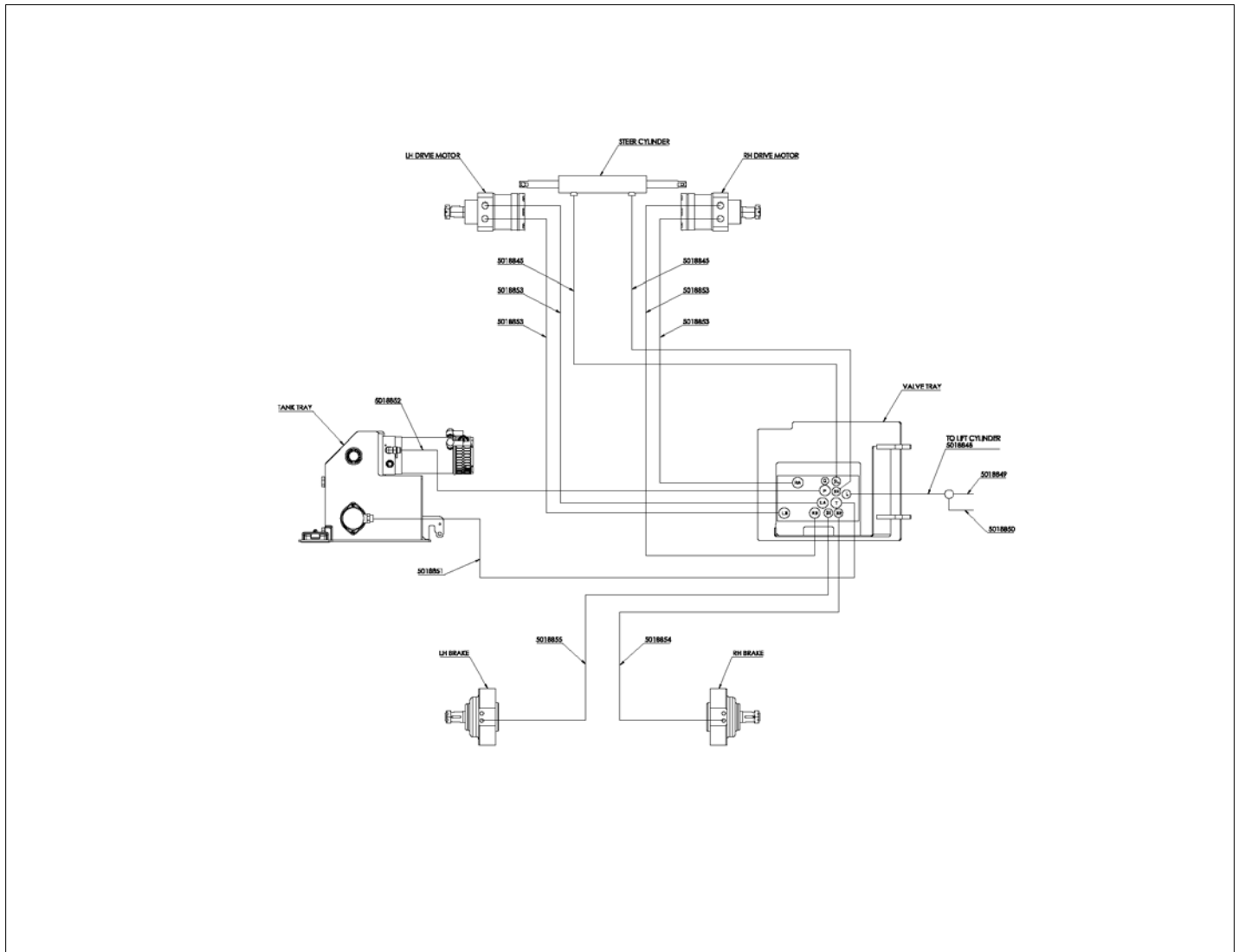
REPAIR PARTS



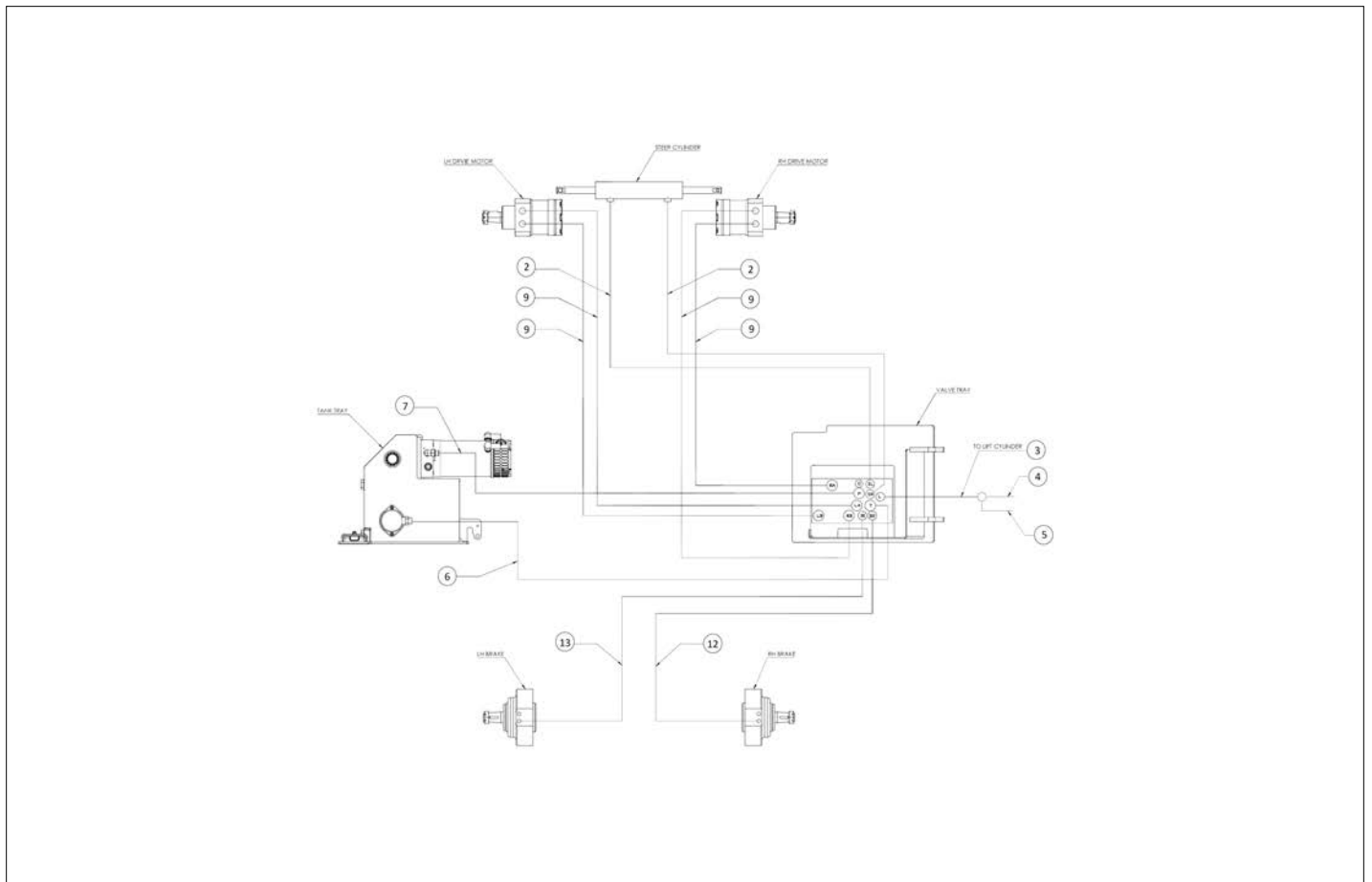
アイテム	部品番号	名前	数量	UOM
	1501774 M	TRAYS ASSEMBLY S4726E S4732E		EA
1	1501780	ASSY CHASSIS S4726 S4732	1	EA
2	1502148	ASSY, VALVE TRAY WIDE	1	EA
3	1502150	ASSY, TANK TRAY WIDE	1	EA
4	1500947	PIN TRAY HINGE	4	EA
5	056064 006	NUT NYLOCK DIN985 M6 10.0 ZP	4	EA
6	1500948	PLT, TRAY PIN KEEPER	4	EA
7	058491 025	Bolt HexSetScrew DIN933 M6 x 2	1	EA
8	1501007	WLDMT BATTERY TRAY LH	1	EA
9	1501008	WLDMT BATTERY TRAY RH	1	EA
Not Shown	512630 025	HHCS M6 X 1 X 25 GR 10.9 DIN 933	3	EA
11	3050027	BTRY 6VOLT TYPE T 145	4	EA
12	010154 000	COVER BATTERY	8	EA
13	1370248	ASSY TIRE AND WHEEL JANUARY 2013 AND AFTER	4	EA
14	1501775	ASSY, CONTROL TRAY CE	1	EA
15	500595 020	Bolt, SktButCapScrew DIN9427 M	3	EA
16	056066 008	NUT NYLOCKNUT DIN985 M8 8.0 ZP	3	EA
17	1501733	HINGE BLOCK SHIM	2	EA
18	988229	PIN COTTER .125 DIA 2.50	5	EA
Not Shown	5090034	SLEEVEHOSE ABRASION GRD 1.81 in	1	EA
20	3014746	WIRE 2 R375 9 BLK	1	EA
21	3014745	WIRE 2 R375 R375 86 BLK	1	EA
22	5070006	FTG NIP DIGN 4B	1	EA
23	100432 015	FTG, STR, 8MORFF X 8MORB	6	EA



アイテム	部品番号	名前	数量	UOM
24	100432 009	Hyd Fitting Straight ORFS(06) SAE(06)	3	EA
25	3040269	Boot Cable Entry Black I/O GA	2	EA
26	056687 045	HHCS M16X2X45 G8.8 ISO 4014	1	EA
27	056069 016	WASHER STEELFLATWASHER M16 DIN	1	EA
Not Shown	5018847	S4732E HOSE ASSEMBLY (FER ONLY SEE ITEMS 31 39)	1	EA
29	1501059	SHIM HINGE BLOCK LOWER	2	EA
30	5033053	FTG 4FORFF X 4MORFF 90	1	EA
31	5033056	FTG 6MB X 4MORFF X 4MORFF RUN TEE	1	EA



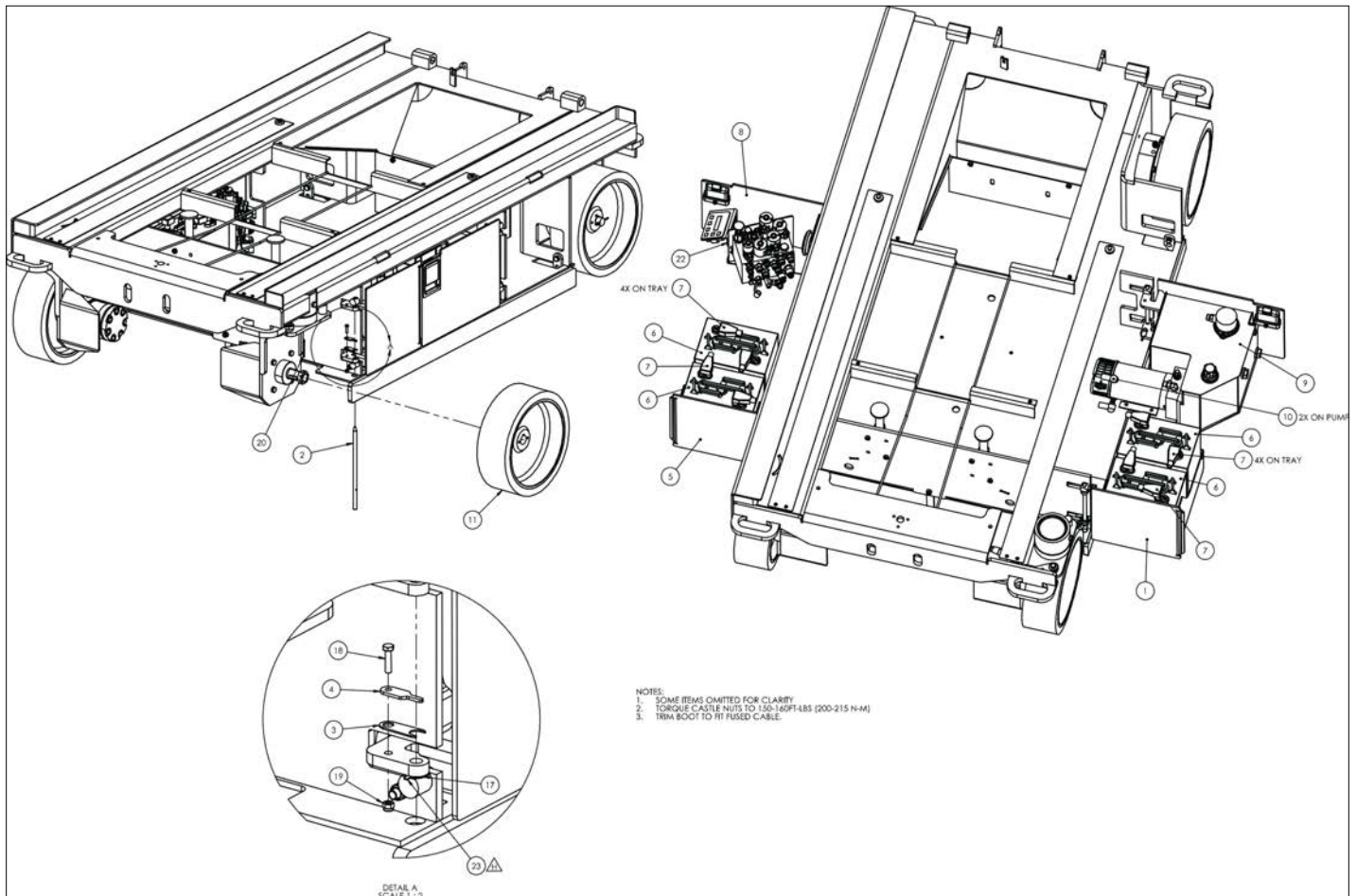
REPAIR PARTS



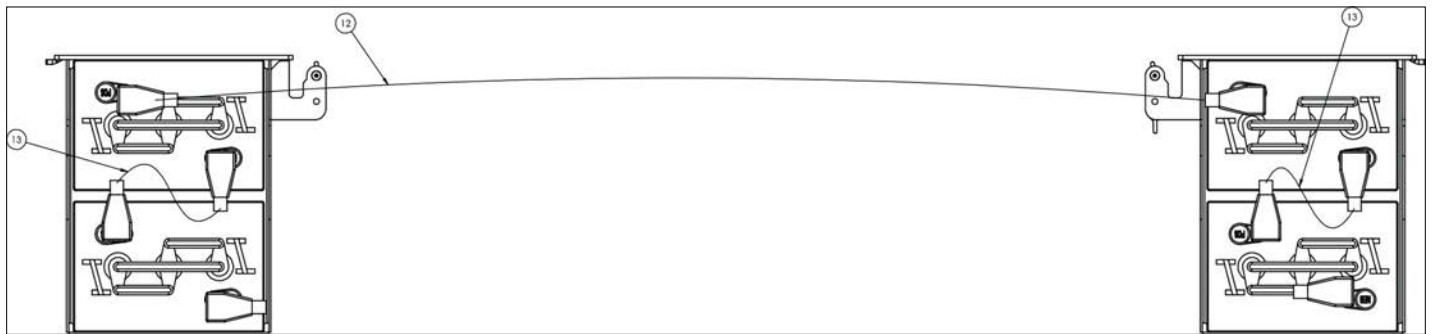


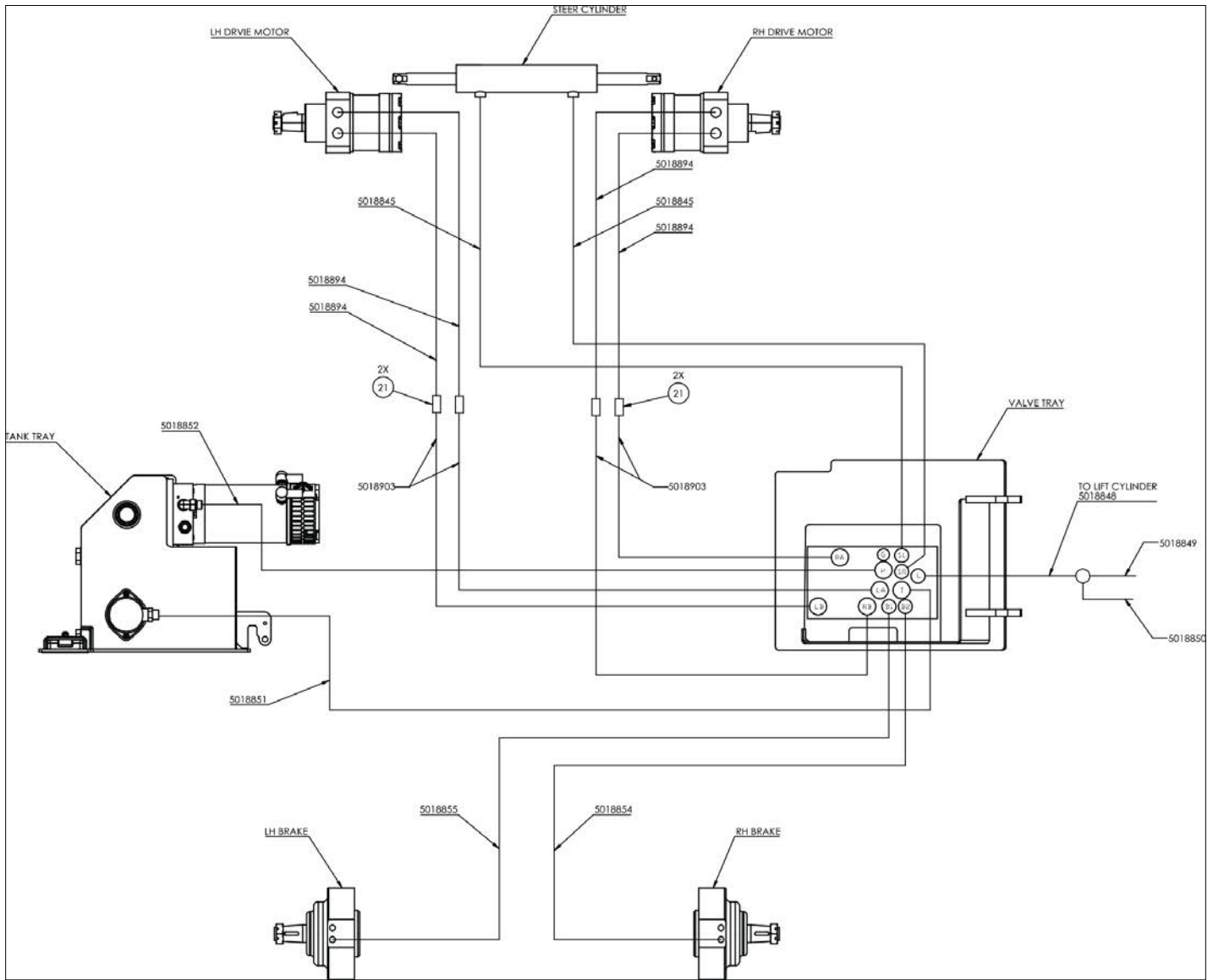
アイテム	部品番号	名前	数量	UOM
	1502702D	ASSEMBLY, TRAY INSTALL S4726E S4732E		EA
2	5018845	HOSE 04 06FORFF 06FORFF 100R17 67.5IN	2	EA
3	5018848	HOSE 06 06FORFF 06FORFF 100R17 80IN	1	EA
4	5018849	HOSE 06 06FORFF 06FORFF 90 ° 100R17 50IN	1	EA
5	5018850	HOSE 06 06FORFF 06FORFF 100R17 222IN	1	EA
6	5018851	HOSE 08 08FORFF 08FORFF 100R17 76IN	1	EA
7	5018852	HOSE 08 08FORFF 08FORFF 100R17 69IN	1	EA
9	5018853	HOSE 06 08FORFF 06FORFF 90 ° 100R17 86IN	4	EA
12	5018854	HOSE 04 04FORFF 04FORFF 100R17 51IN	1	EA
13	5018855	HOSE 04 04FORFF 04FORFF 100R17 81IN	1	EA

REPAIR PARTS

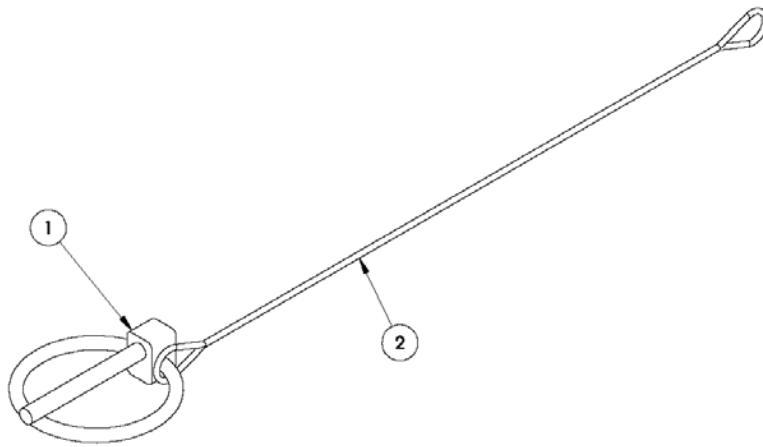


アイテム	部品番号	名前	数量	UOM
	1502702 H	TRAYS INSTALLATION S4726E S4732E		EA
1	1501007	WLDMT BATTERY TRAY LH	1	EA
2	1500947	PIN TRAY HINGE	4	EA
3	1501059	SHIM HINGE BLOCK LOWER	4	EA
4	1500948	PLT, TRAY PIN KEEPER	4	EA
5	1501008	WLDMT BATTERY TRAY RH	1	EA
6	3050027	BTRY 6VOLT TYPE T 145	4	EA
7	010154 000	COVER BATTERY	8	EA
8	1502148	ASSY, VALVE TRAY WIDE	1	EA
9	1502150	ASSY, TANK TRAY WIDE	1	EA
10	3040269	Boot Cable Entry Black I/O GA	2	EA
11	1370248	ASSY TIRE AND WHEEL JANUARY 2013 AND AFTER	4	EA
12	3014807	WIRE 2 R313 R313 7 BLACK FUSED, 86 IN WIDE SCISSORS ONLY	1	EA
13	3014746	WIRE 2 R375 9 BLK	2	EA
Not Shown	5098343	SLEEVEHOSE ABRASION GRD 2.88 in	1	EA
Not Shown	5090034	SLEEVEHOSE ABRASION GRD 1.81 in	1	EA
Not Shown	5018847	S4732E HOSE ASSEMBLY (FER ONLY SEE ITEMS 31 39)	1	EA
17	5569941	BSHG MCHRY .500ID .875OD 14GA	4	EA
18	058491 025	Bolt HexSetScrew DIN933 M6 x 2	4	EA
19	056066 006	Nut NylockNut DIN985 M6 8.0 Zi	4	EA
20	5563230	PIN COT .156DIA 2.25	4	EA
21	5260045	FTG STR 6MORFF X 6MORFF UNION	4	EA
22	3049978	ALARM BEEPING	1	EA
23	1501733	HINGE BLOCK SHIM	2	EA



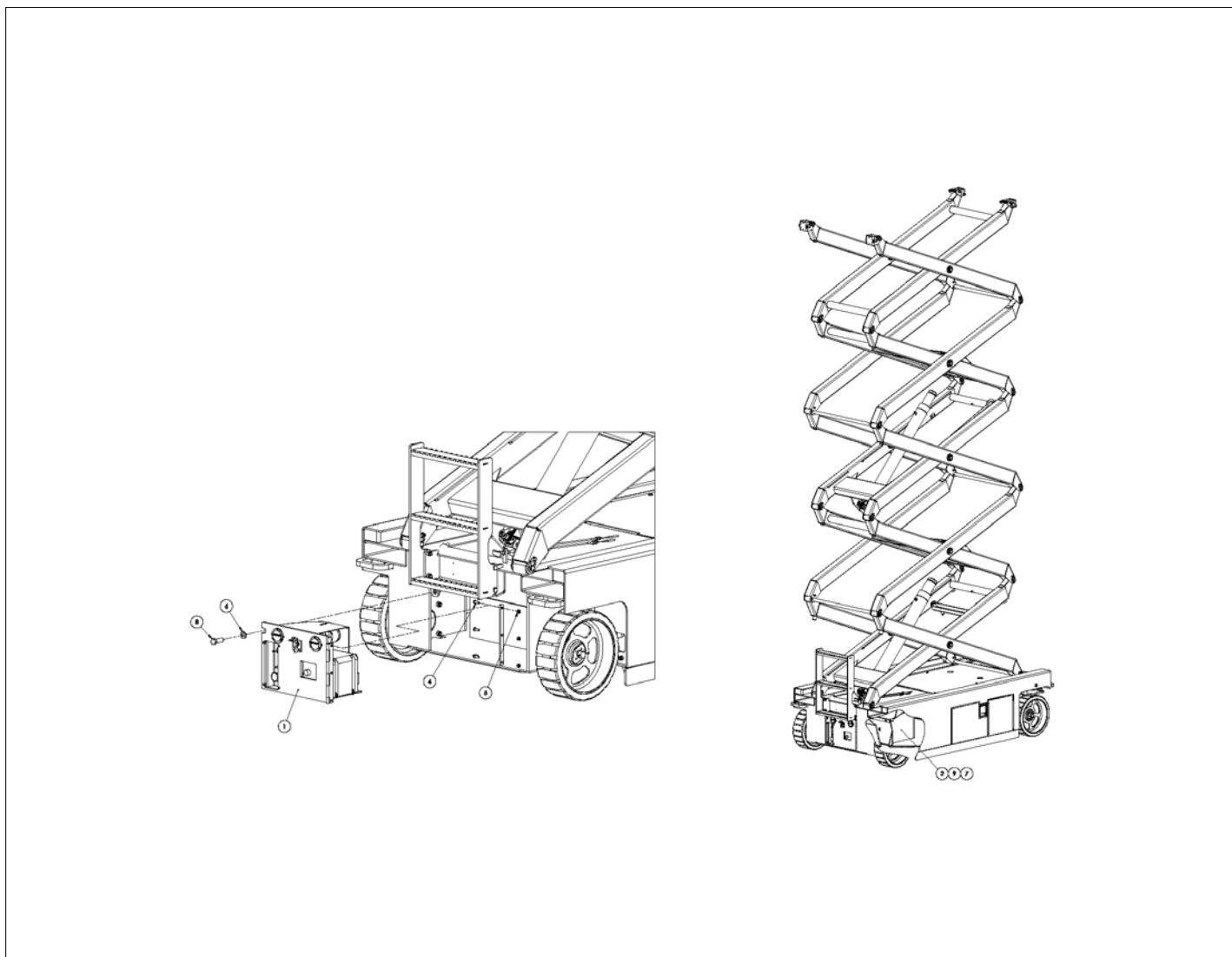


REPAIR PARTS



アイテム	部品番号	名前	数量	UOM
	5563933 B	LYNCH PIN WITH LANYARD ASSEMBLY		EA
1	5563932	PIN, LYNCH #HANG 2	1	EA
2	068898 002	PIN, LYNCH #HANG 2	1	EA

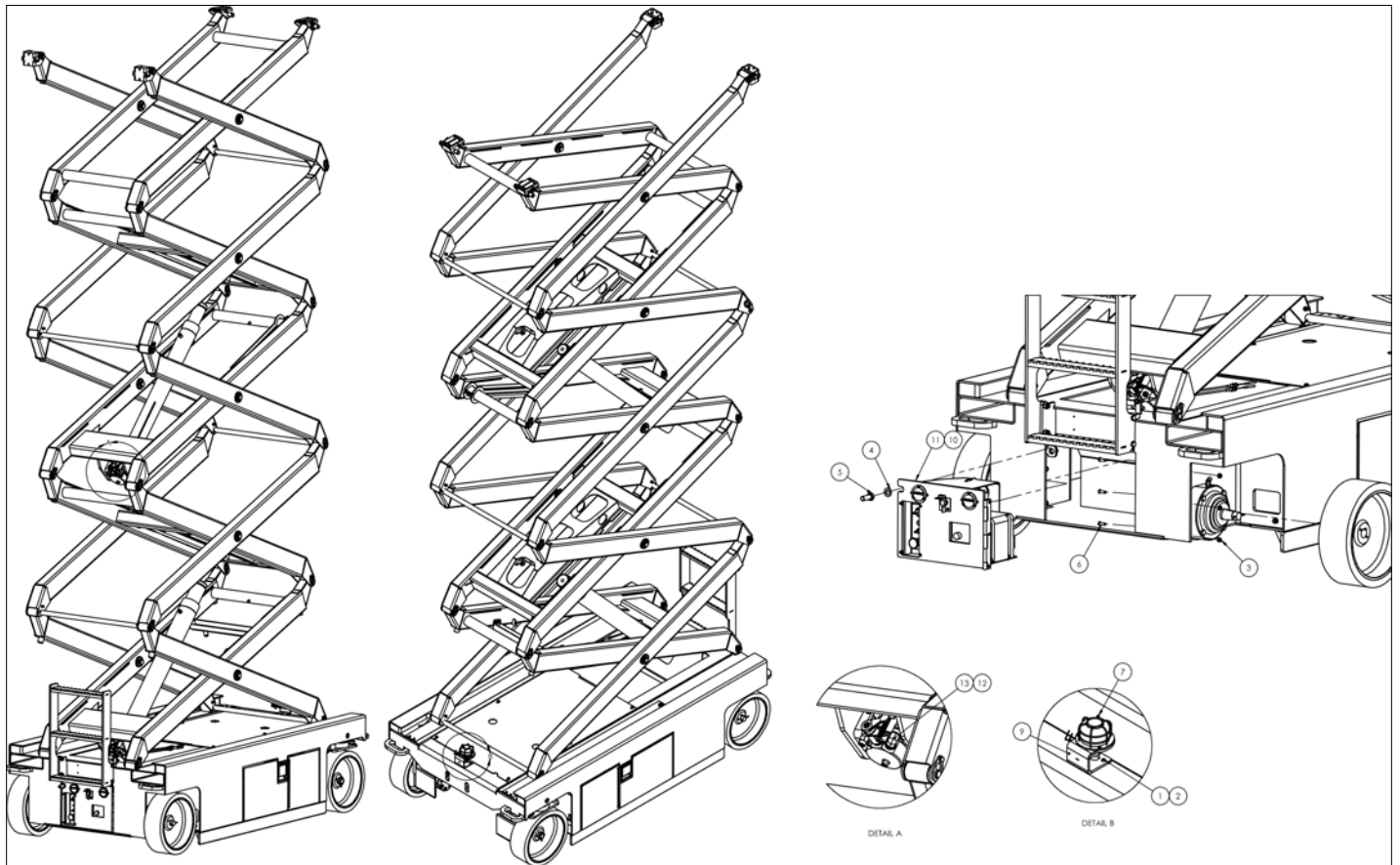
REPAIR PARTS





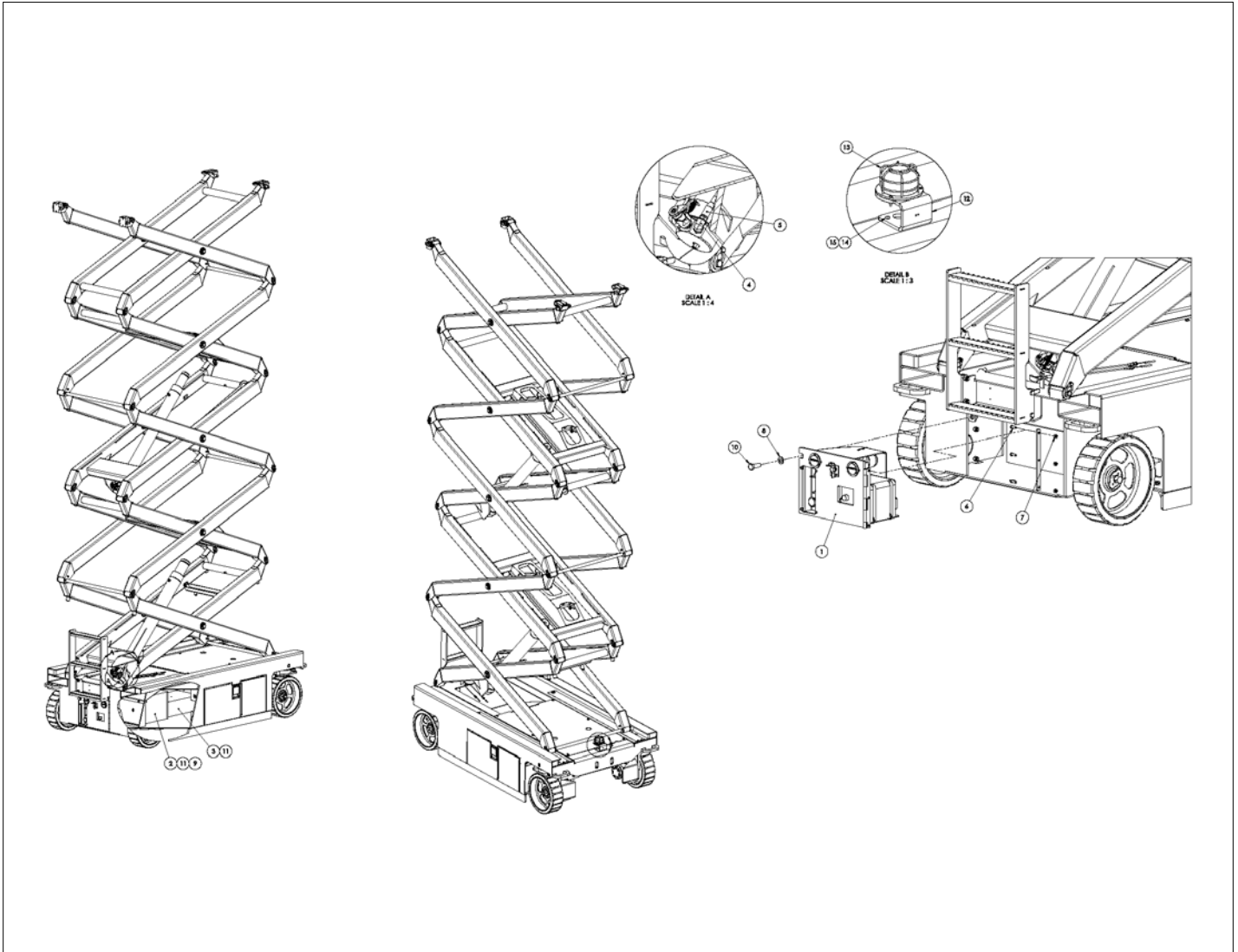
アイテム	部品番号	名前	数量	UOM
	1502715 C	ANSI ASSEMBLY S4732E		EA
1	1501629ELW	CONTROL TRAY ASSEMBLY	1	EA
2	1501724	C/WEIGHT, S4732 CENTER	1	EA
Not Shown	1502541	CONN, CHARGER INTERLOCK DELETE	1	EA
4	500595 025	Bolt, SktButCapScrew DIN9427	3	EA
5	056066 008	NUT NYLOCKNUT DIN985 M8 8.0 ZP	3	EA
6	056069 016	WASHER STEELFLATWASHER M16 DIN	1	EA
7	056069 008	WASHER, STEELFLATWASHER DIN12M8 FLAT WASHER DIN 125	2	EA
8	056687 045	HHCS M16X2X45 G8.8 ISO 4014	1	EA
9	058492 025	BOLT HEXSETSCREW DIN933 M8 X 25MM 8.8 ZP	2	EA

REPAIR PARTS



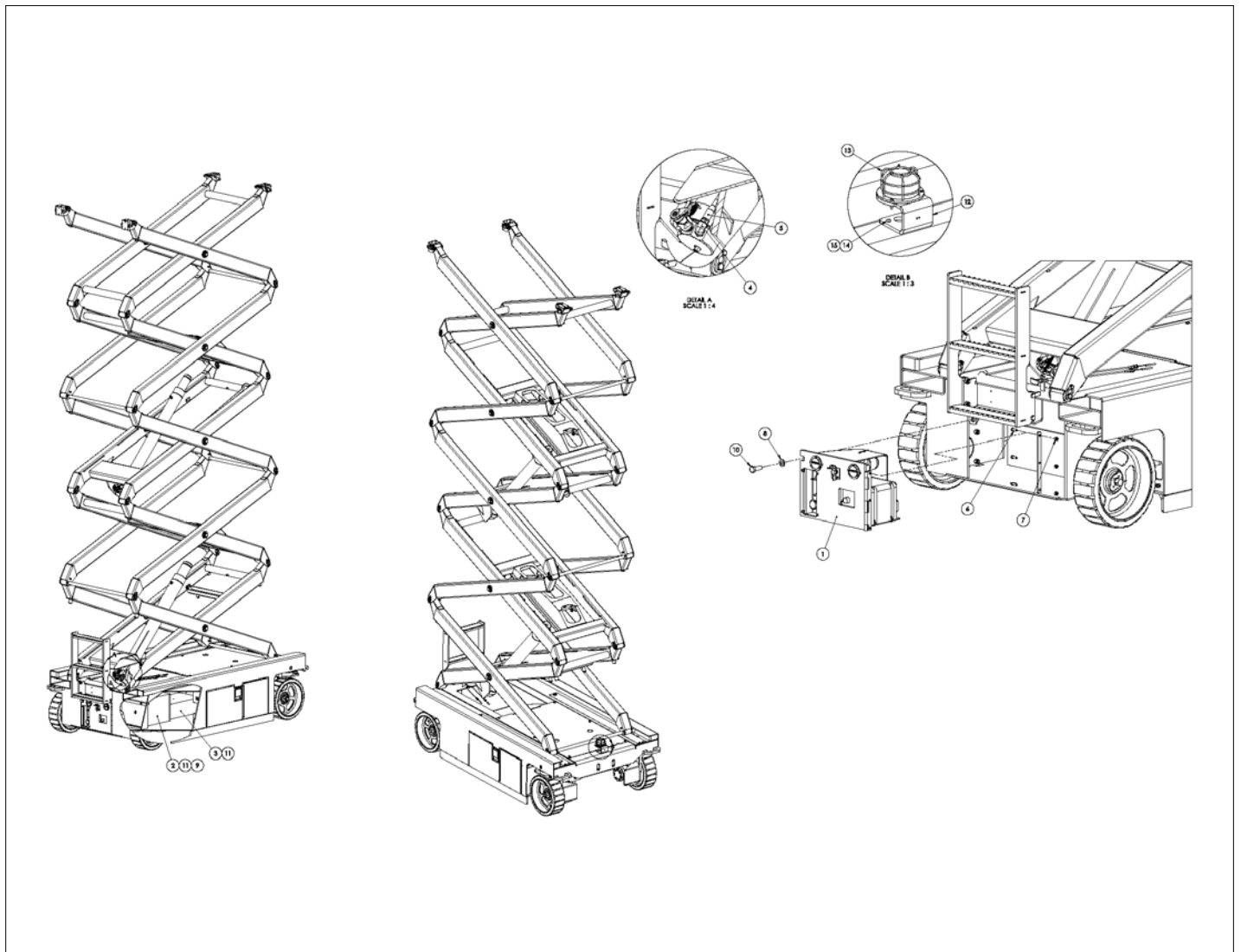
アイテム	部品番号	名前	数量	UOM
*	1503176 A	ANSI CSA ASSEMBLY S4726E S4732E JUNE 2019 AND AFTER		EA
1	514176 030	SBHCS M6 X 1.0 X 30 GR 10.9 BL	3	EA
2	056064 006	NUT NYLOCK DIN985 M6 10.0 ZP	3	EA
3	056066 008	NUT NYLOCKNUT DIN985 M8 8.0 ZP	3	EA
4	056069 016	WASHER STEELFLATWASHER M16 DIN	1	EA
5	056687 045	HHCS M16X2X45 G8.8 ISO 4014	1	EA
6	500595 025	Bolt, SktButCapScrew DIN9427	3	EA
7	515611 000	BEACON ASSY AMBER	1	EA
8	563536	HOSE GUARD SPRIAL 3/4in ID	24	EA
9	1502485 4	BRKT, AMBER BEACON MNT	1	EA
10	1502541	CONN, CHARGER INTERLOCK DELETE	1	EA
11	1503156	ASSY, CONTROL TRAY ANSI/CSA	1	EA
12	3030158	Pressure Transducer	1	EA
13	5076527	FTG 4MBX4FB 90	1	EA

REPAIR PARTS



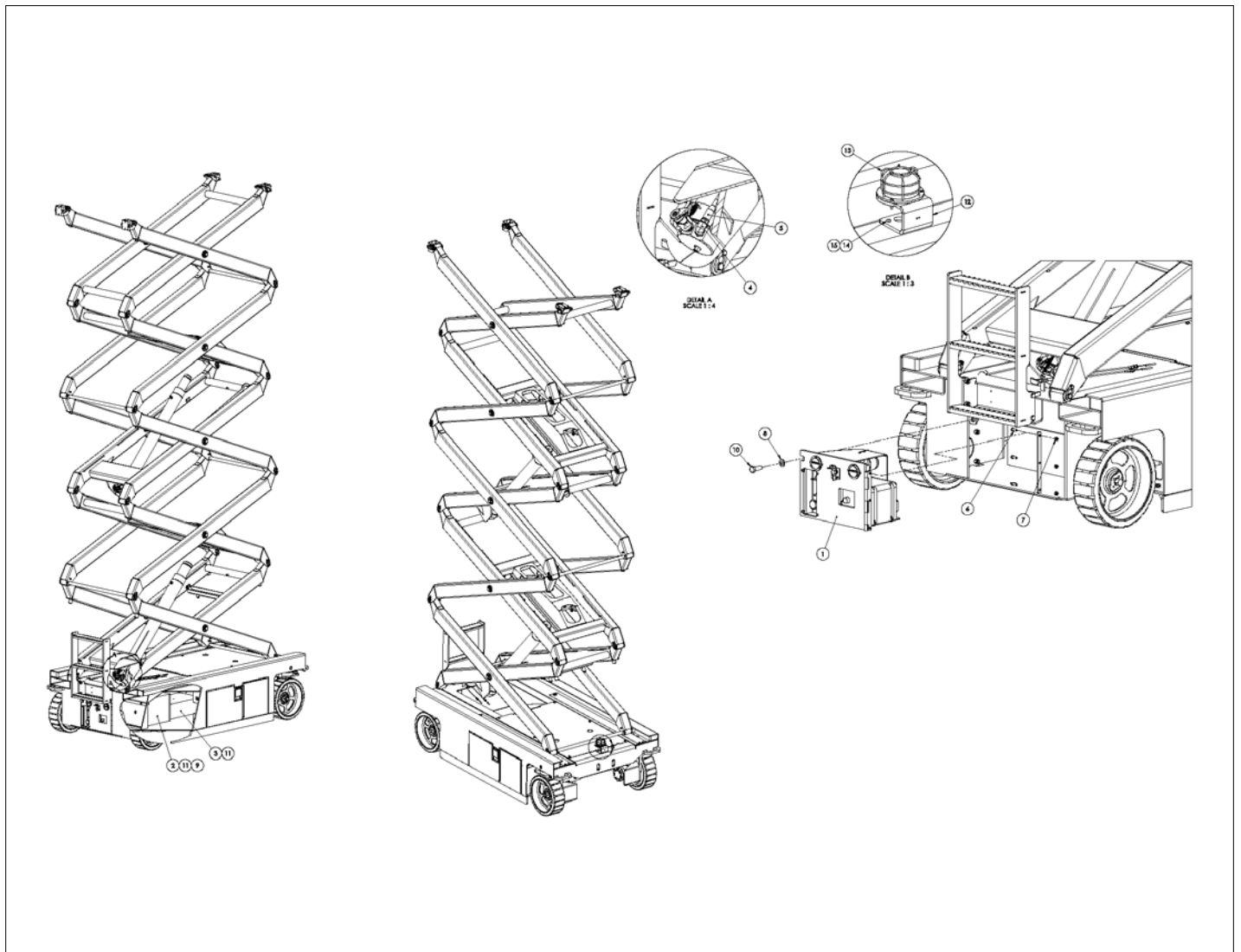
アイテム	部品番号	名前	数量	UOM
	1502717 D	CE/AU ASSEMBLY S4732E		EA
1	1501775	ASSY, CONTROL TRAY CE	1	EA
2	1501724	C/WEIGHT, S4732 CENTER	1	EA
3	1502359	CWEIGHT, CENTER	1	EA
4	5076527	FTG 4MBX4FB 90	1	EA
5	3030158	Pressure Transducer	1	EA
6	500595 025	Bolt, SktButCapScrew DIN9427	3	EA
7	056066 008	NUT NYLOCKNUT DIN985 M8 8.0 ZP	3	EA
8	056069 016	WASHER STEELFLATWASHER M16 DIN	1	EA
9	056069 008	WASHER, STEELFLATWASHER DIN12M8 FLAT WASHER DIN 125	2	EA
10	056687 045	HHCS M16X2X45 G8.8 ISO 4014	1	EA
11	058492 025	BOLT HEXSETSCREW DIN933 M8 X 25MM 8.8 ZP	4	EA
12	1502485	BRKT ANBER BEACON MNT	1	EA
13	1502490	ASSY, AMBER BEACON	1	EA
14	514176 030	SBHCS M6 X 1.0 X 30 GR 10.9 BL	3	EA
15	056066 006	Nut NylockNut DIN985 M6 8.0 Zi	3	EA
16	5093009	CLP CUSH 1.13 VINYL COATED	1	EA

REPAIR PARTS



アイテム	部品番号	名前	数量	UOM
	1502717 F	CE/AU ASSEMBLY S4732E		EA
1	1501775	ASSY, CONTROL TRAY CE	1	EA
2	1501724	C/WEIGHT, S4732 CENTER	1	EA
3	1502359	CWEIGHT, CENTER	1	EA
4	5076527	FTG 4MBX4FB 90	1	EA
5	3030158	Pressure Transducer	1	EA
6	500595 025	Bolt, SktButCapScrew DIN9427	3	EA
7	056066 008	NUT NYLOCKNUT DIN985 M8 8.0 ZP	3	EA
8	056069 016	WASHER STEELFLATWASHER M16 DIN	1	EA
9	056069 008	WASHER, STEELFLATWASHER DIN12M8 FLAT WASHER DIN 125	2	EA
10	056687 045	HHCS M16X2X45 G8.8 ISO 4014	1	EA
11	058492 025	BOLT HEXSETSCREW DIN933 M8 X 25MM 8.8 ZP	4	EA
12	1502485	BRKT ANBER BEACON MNT	1	EA
13	515611 000	BEACON ASSY AMBER	1	EA
14	514176 030	SBHCS M6 X 1.0 X 30 GR 10.9 BL	3	EA
15	056066 006	Nut NylockNut DIN985 M6 8.0 Zi	3	EA
16	5093009	CLP CUSH 1.13 VINYL COATED	1	EA

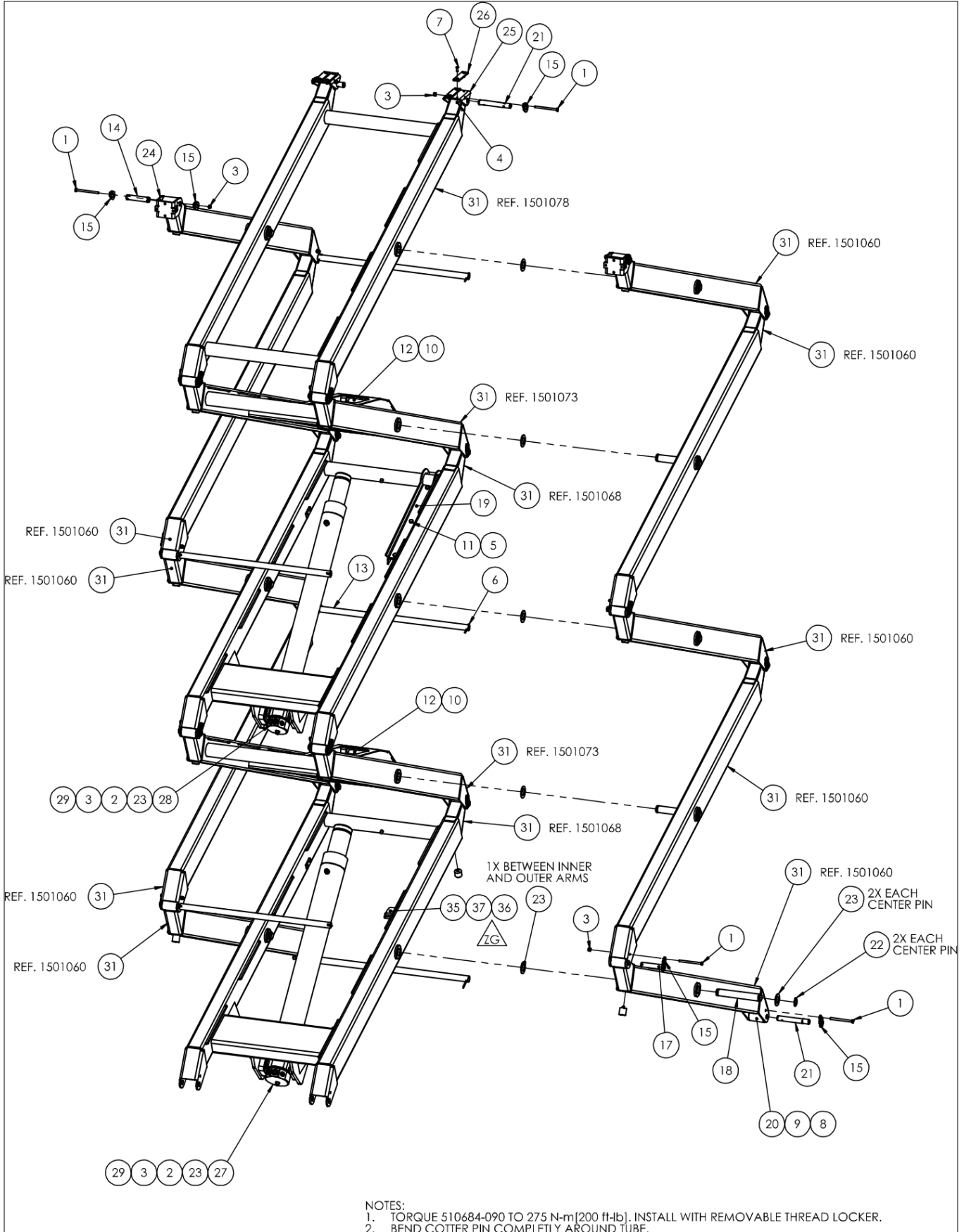
REPAIR PARTS





アイテム	部品番号	名前	数量	UOM
	1502717D	CHINA ASSEMBLY S4732E		EA
1	1501775	ASSY, CONTROL TRAY CE	1	EA
2	1501724	C/WEIGHT, S4732 CENTER	1	EA
3	1502359	CWEIGHT, CENTER	1	EA
4	5076527	FTG 4MBX4FB 90	1	EA
5	3030158	Pressure Transducer	1	EA
6	500595 025	Bolt, SktButCapScrew DIN9427	3	EA
7	056066 008	NUT NYLOCKNUT DIN985 M8 8.0 ZP	3	EA
8	056069 016	WASHER STEELFLATWASHER M16 DIN	1	EA
9	056069 008	WASHER, STEELFLATWASHER DIN12M8 FLAT WASHER DIN 125	2	EA
10	056687 045	HHCS M16X2X45 G8.8 ISO 4014	1	EA
11	058492 025	BOLT HEXSETSCREW DIN933 M8 X 25MM 8.8 ZP	4	EA
12	1502485	BRKT ANBER BEACON MNT	1	EA
13	1502490	ASSY, AMBER BEACON	1	EA
14	514176 030	SBHCS M6 X 1.0 X 30 GR 10.9 BL	3	EA
15	056066 006	Nut NylockNut DIN985 M6 8.0 Zi	3	EA
16	5093009	CLP CUSH 1.13 VINYL COATED	1	EA

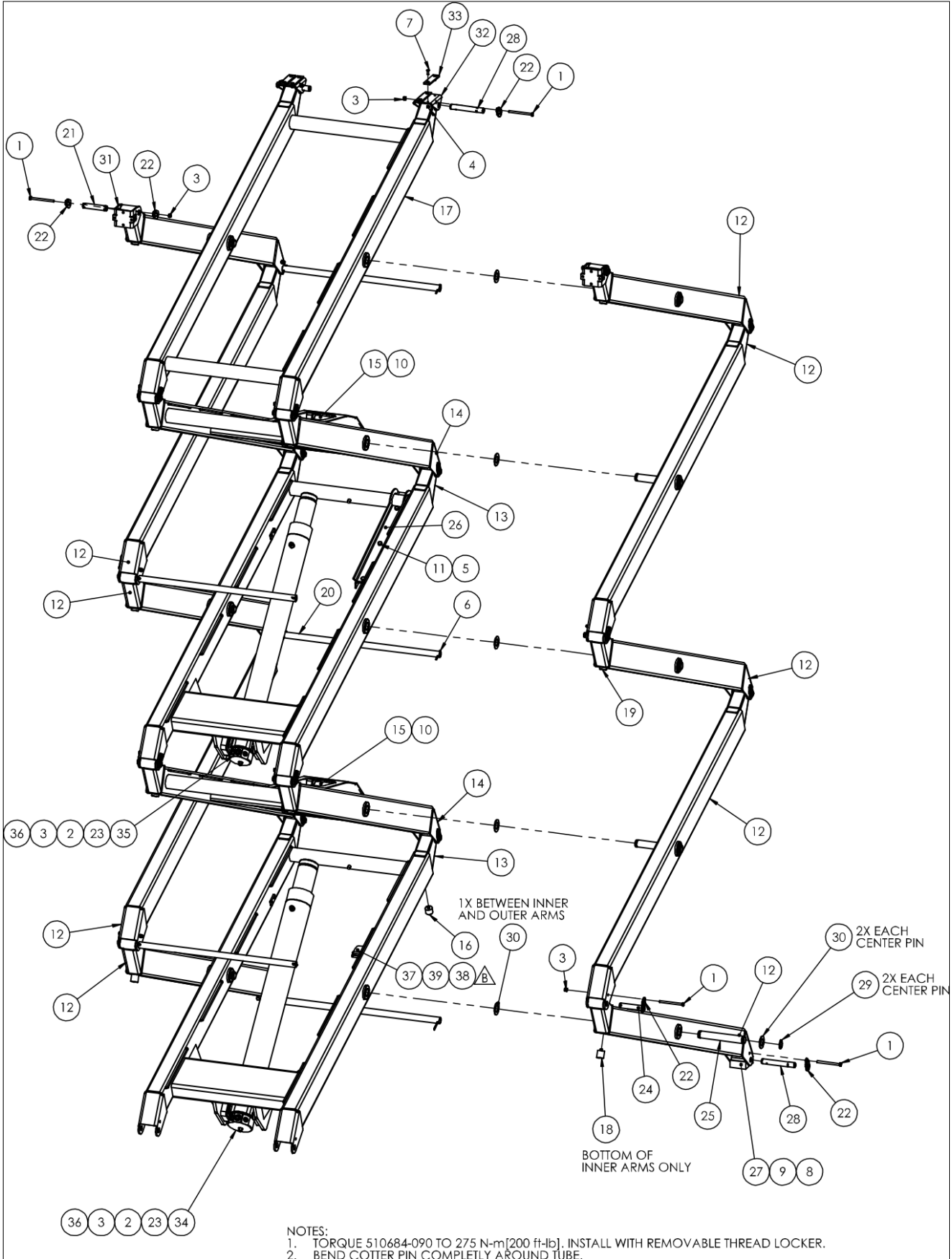
REPAIR PARTS



アイテム	部品番号	名前	数量	UOM
	1501079 ZG	STACK ASSEMBLY S4732E		EA
1	056059 110	Bolt, HexBolt DIN931 M8 x 110m	22	EA
2	056059 100	Bolt, HexBolt DIN931 M8 x 100mm 8.8 ZincPlated	8	EA
3	056066 008	NUT NYLOCKNUT DIN985 M8 8.0 ZP	30	EA
4	056066 006	Nut NylockNut DIN985 M6 8.0 Zi	8	EA
5	056066 010	Nut, NylockNut DIN985 M10 8.0ZincPlated	3	EA
6	988379	PIN COTTER .188 DIA 1.75	10	EA
7	500532 020	Bolt, CskSktFltMachScrew DIN79	8	EA
8	2509823	BRG .875ID 1.00OD 1.50L	2	EA
9	2509816	BRG .875ID 1.00OD 1.00L	2	EA
10	510684 090	BOLT HEXBOLT M20 X 090MM DIN93	2	EA
11	056060 045	Bolt, HexBolt DIN931 M10 x 45mm 8.8 ZincPlated	3	EA
12	1500890	BAR, CYL ROD MNT	2	EA
13	1501082	TUBE STACK CROSS BRACE S4732/2	5	EA
14	1501080	PIN END DOUBLE RETAINER	10	EA
15	1500881	Pin Retainer Zinc Plated	32	EA
Not Shown	1500889	MNT TRUNION	8	EA
17	1501081	PIN END	8	EA
18	1501083	PIN CENTER	10	EA
19	1501090	PLT, SAFETY PROP	2	EA
20	1501101	BOSS, STACK ROLLER	2	EA
21	1501102	PIN LOWER SLIDER	4	EA
22	5592016	RETAINING RING EXT 1.25 HD	20	EA
23	1500892	Washer Ctr Pin Zinc Plated	30	EA
24	1501084	PLT, PLATFORM MNT BEND	2	EA

アイテム	部品番号	名前	数量	UOM
25	1501108	PLT, PLTFM SLIDE S4726/4732	2	EA
26	1500898	Plastic UHMW 1/4 x 1 1/8	4	EA
27	6047195	Cylinder Lift 3.5in x 37.25in	1	EA
28	6047196	Cylinder Lift, 3in x 37.25in D	1	EA
29	1501355	SHIM TRUNION	4	EA
Not Shown	1500288	STACK HARNESS 32'	1	EA
31	1503066	KIT, STACK ARMS S4732	1	EA
Not Shown	1500978	STACK PAD IMPERIAL 1ST INNER	2	EA
Not Shown	1500979	STACK PAD IMPERIAL 1ST OUTER	2	EA
Not Shown	1500888	STACK PAD IMPERIAL UPPER	16	EA
35	3030187	Angle Transducer	1	EA
36	056069 005	Washer SteelFlatWasher DIN125A	2	EA
37	056057 055	BOLT, HEXBOLT DIN931 M5 X 55MM 8.8 ZP	2	EA

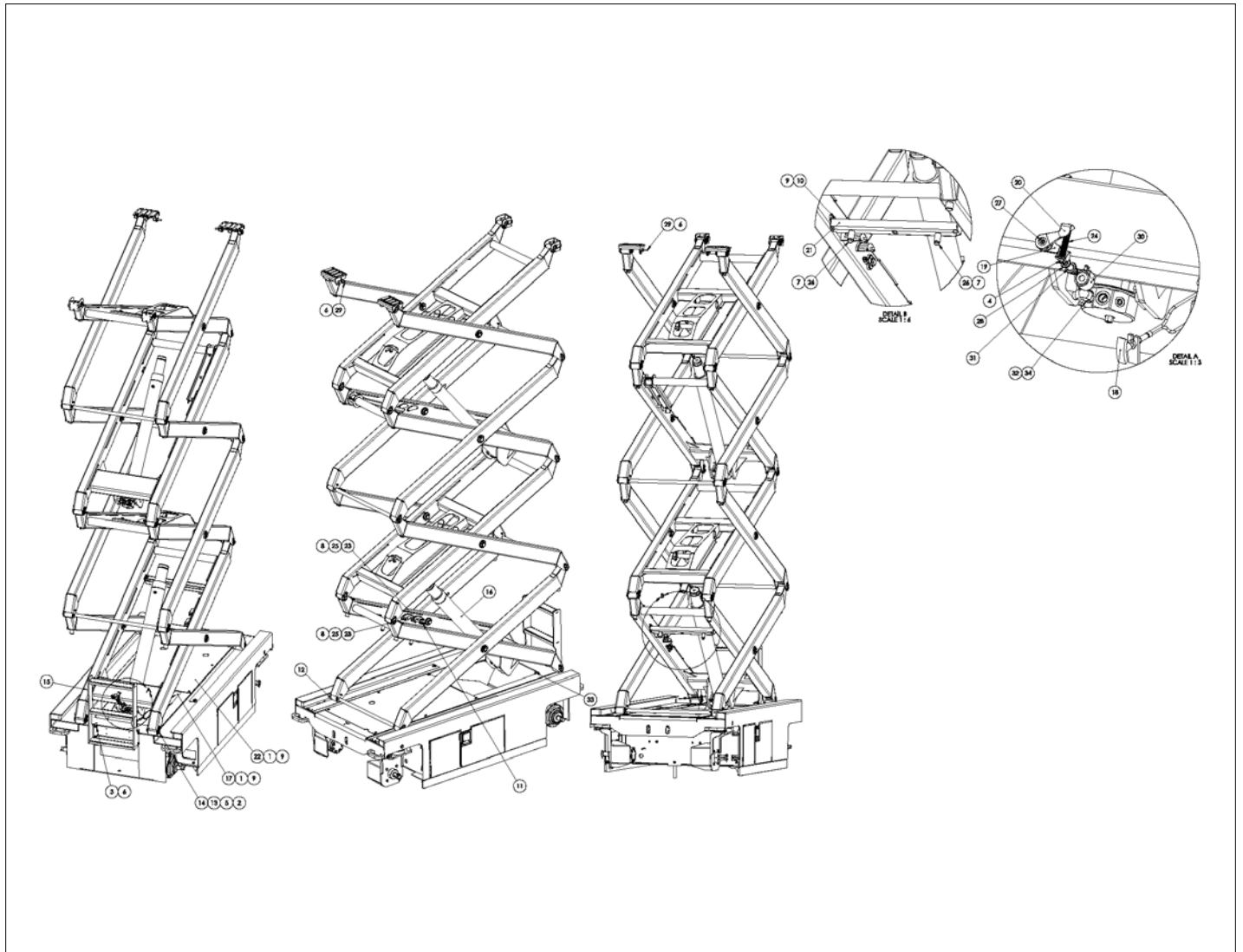
REPAIR PARTS



アイテム	部品番号	名前	数量	UOM
	1502925 B	STACK ASSEMBLY S4732E CHINA		EA
1	056059 110	Bolt, HexBolt DIN931 M8 x 110m	22	EA
2	056059 100	Bolt, HexBolt DIN931 M8 x 100mm 8.8 ZincPlated	8	EA
3	056066 008	NUT NYLOCKNUT DIN985 M8 8.0 ZP	30	EA
4	056066 006	Nut NylockNut DIN985 M6 8.0 Zi	8	EA
5	056066 010	Nut, NylockNut DIN985 M10 8.0ZincPlated	3	EA
6	988379	PIN COTTER .188 DIA 1.75	10	EA
7	500532 020	Bolt, CskSktFltMachScrew DIN79	8	EA
8	2509823	BRG .875ID 1.00OD 1.50L	2	EA
9	2509816	BRG .875ID 1.00OD 1.00L	2	EA
10	510684 090	BOLT HEXBOLT M20 X 090MM DIN93	2	EA
11	056060 045	Bolt, HexBolt DIN931 M10 x 45mm 8.8 ZincPlated	3	EA
12	1501060	WLDMT SINGLE ARM S4732/26E	10	EA
13	1501068	WLDMT 1ST INNER ARM S4732/26E	2	EA
14	1501073	WLDMT 2ND INNER ARM S4732/26E	2	EA
15	1500890	BAR, CYL ROD MNT	2	EA
16	1500978	STACK PAD IMPERIAL 1ST INNER	2	EA
17	1501078	WLDMT 5TH INNER ARM S4732/26E	1	EA
18	1500979	STACK PAD IMPERIAL 1ST OUTER	2	EA
19	1500888	STACK PAD IMPERIAL UPPER	16	EA
20	1501082	TUBE STACK CROSS BRACE S4732/2	5	EA
21	1501080	PIN END DOUBLE RETAINER	10	EA

アイテム	部品番号	名前	数量	UOM
22	1500881	Pin Retainer Zinc Plated	32	EA
23	1500889	MNT TRUNION	8	EA
24	1501081	PIN END	8	EA
25	1501083	PIN CENTER	10	EA
26	1501090	PLT, SAFETY PROP	2	EA
27	1502874	SLIDE PAD, STACK	2	EA
28	1501102	PIN LOWER SLIDER	4	EA
29	5592016	RETAINING RING EXT 1.25 HD	20	EA
30	1500892	Washer Ctr Pin Zinc Plated	30	EA
31	1501084	PLT, PLATFORM MNT BEND	2	EA
32	1501108	PLT, PLTFM SLIDE S4726/4732	2	EA
33	1500898	Plastic UHMW 1/4 x 1 1/8	4	EA
34	6047195	Cylinder Lift 3.5in x 37.25in	1	EA
35	6047196	Cylinder Lift, 3in x 37.25in D	1	EA
36	1501355	SHIM TRUNION	4	EA
37	3030187	Angle Transducer	1	EA
38	056069 005	Washer SteelFlatWasher DIN125A	2	EA
39	056057 055	BOLT, HEXBOLT DIN931 M5 X 55MM 8.8 ZP	2	EA

REPAIR PARTS

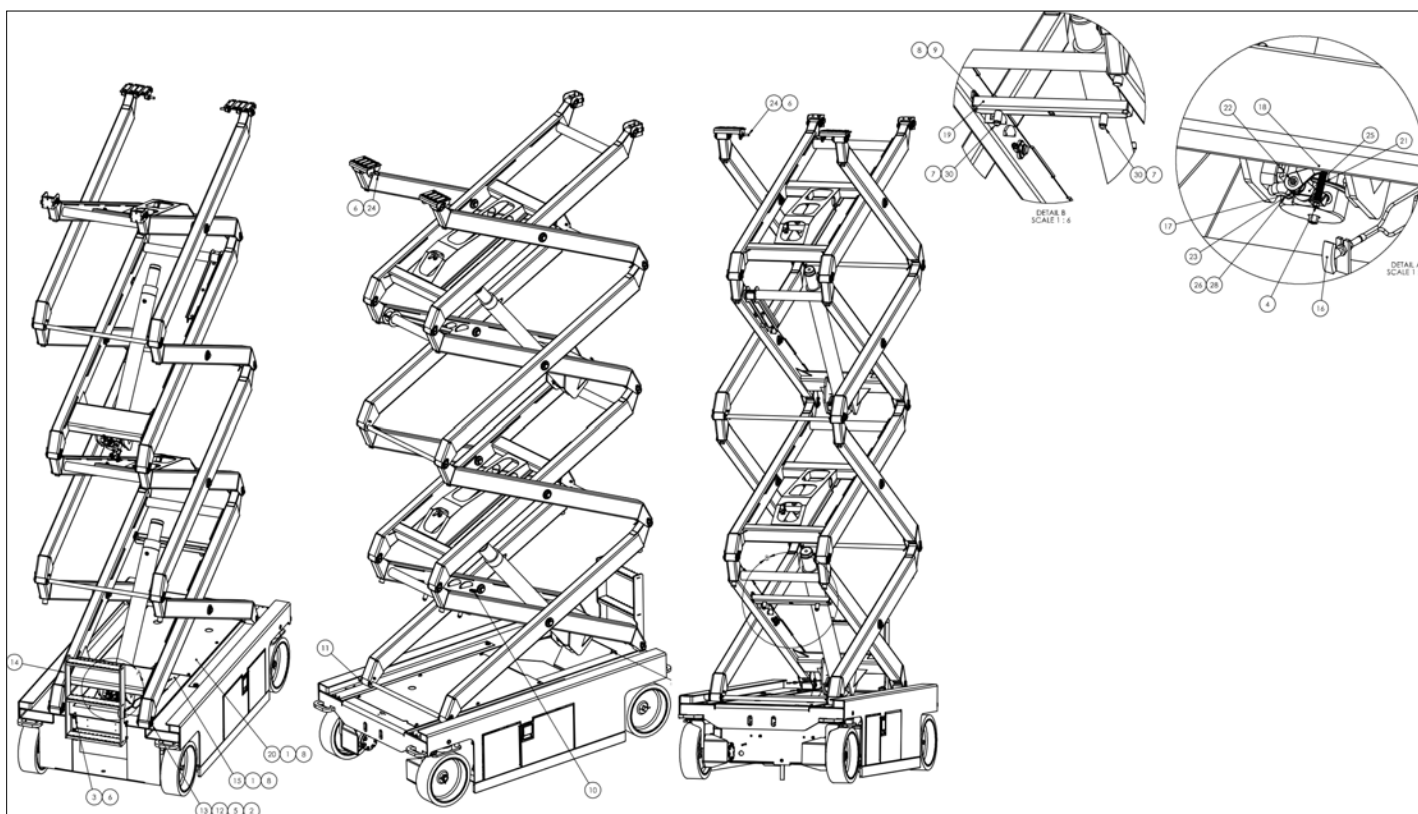




アイテム	部品番号	名前	数量	UOM
	1502704 M	STACK ASSEMBLY S4726E		EA
1	058492 025	BOLT HEXSETSCREW DIN933 M8 X 25MM 8.8 ZP	8	EA
2	056059 110	Bolt, HexBolt DIN931 M8 x 110m	2	EA
3	056065 040	BOLT HEXBOLT DIN 931 M12 X 40MM 8.8 ZP	4	EA
4	056066 006	Nut NylockNut DIN985 M6 8.0 Zi	2	EA
5	056066 008	NUT NYLOCKNUT DIN985 M8 8.0 ZP	2	EA
6	056066 012	Nut, NylockNut DIN985 M12 8.0	6	EA
7	056067 512	Nut, HexJamNut DIN936 M12 8.0	2	EA
8	056069 006	WSHR STEELFLATWSHE M6 DIN125A	4	EA
9	056069 008	WASHER, STEELFLATWASHER DIN12M8 FLAT WASHER DIN 125	12	EA
10	058492 012	Bolt HexSetScrew DIN933 M8 x 1	4	EA
11	104773 000	FTG HYD 06OM 06OM 06OM TN	1	EA
12	1500879	LOWER SLIDER	2	EA
13	1500881	Pin Retainer Zinc Plated	4	EA
14	1501080	PIN END DOUBLE RETAINER	2	EA
15	1501219	WLDMT STEP S4732E	1	EA
16	1501235	ASSY, STACK	1	EA
17	1501446	PLT TUNNEL COVER S4732/26E	1	EA
18	1501668	CABLE EMERGENCY LOWER	1	EA
19	1502126	BRKT, LOWER CAM BLEED DOWN	2	EA
20	1502127	BRKT, UPPER CAM BLEED DOWN	2	EA
21	1502201	WLDMT POTHOLE CROSSMEMBER	1	EA

アイテム	部品番号	名前	数量	UOM
22	1502217	PLT, CHASSIS COVER S4726/4732	1	EA
23	3030157	Angle Transducer	2	EA
24	5534389	SPRING, EMERGENCY LOWER	2	EA
25	5563138	BLT HEXHD M5 0.8 45MM 8.8 ZN	4	EA
26	5563293	BLT SKTBUTCS M12 1.75 X 50 DIN	2	EA
27	5563311	NUT HEX 10 32 TOPLKG	2	EA
28	5563650	NUT HEX JAM .500 20THIN	2	EA
29	5563737	WLDMT BATTERY TRAY LH	2	EA
30	6019289	COIL 20VDC HYDRAFORCE 4303620	2	EA
31	6019357	SOLENOID VALVE SP08 20J 0 N 00	2	EA
32	6019382	ORIFICE	2	EA
33	5090048	HOSE GUARD 16	2	EA
34	100434 008	6MB X 6M ORFF 90 ° FITTING	2	EA

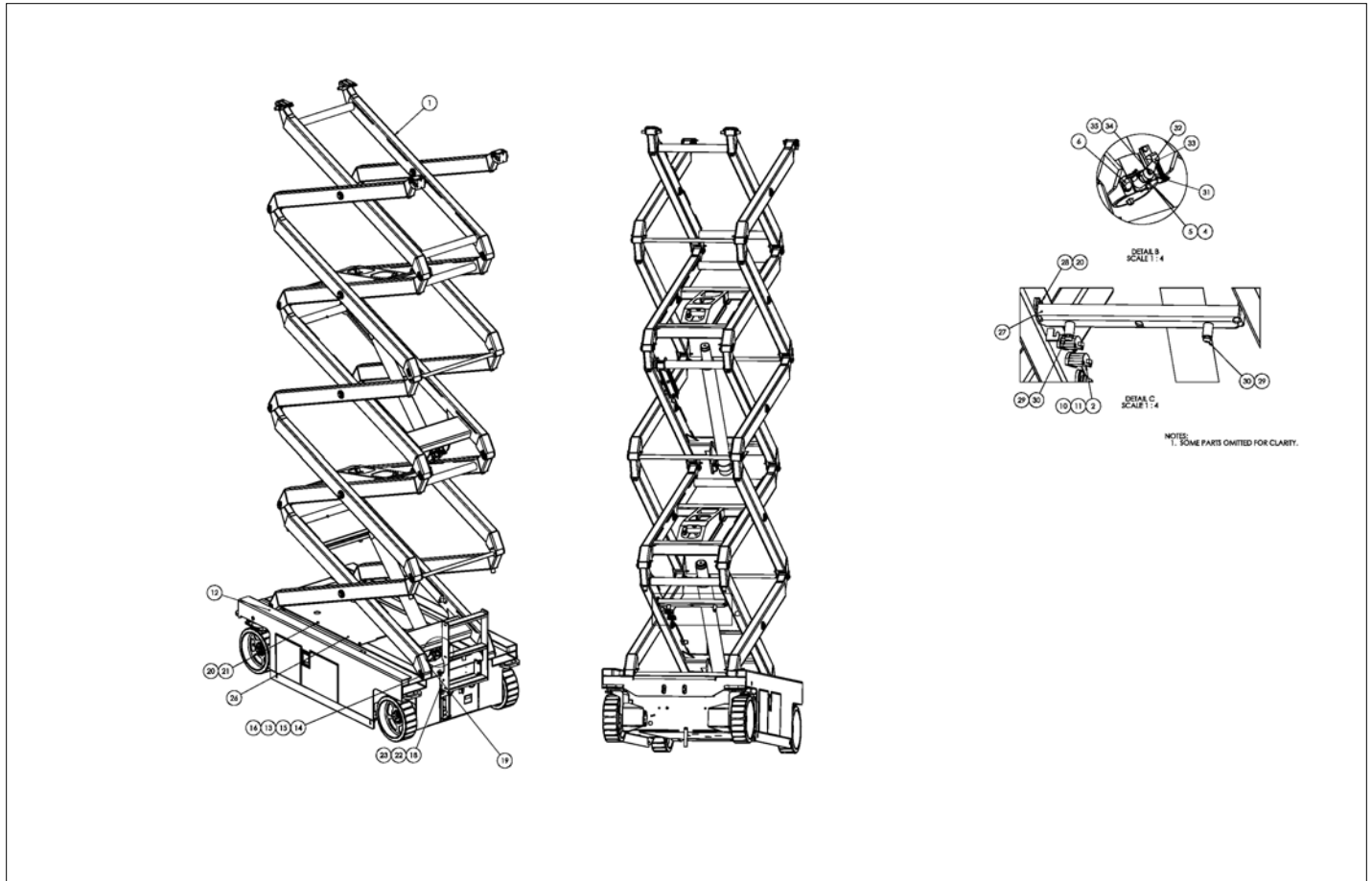
REPAIR PARTS



アイテム	部品番号	名前	数量	UOM
	1502704 P	STACK INSTALLATION S4726E		EA
1	058492 025	BOLT HEXSETSCREW DIN933 M8 X 25MM 8.8 ZP	8	EA
2	056059 110	Bolt, HexBolt DIN931 M8 x 110m	2	EA
3	056065 040	BOLT HEXBOLT DIN 931 M12 X 40MM 8.8 ZP	4	EA
4	056066 006	Nut NylockNut DIN985 M6 8.0 Zi	1	EA
5	056066 008	NUT NYLOCKNUT DIN985 M8 8.0 ZP	2	EA
6	056066 012	Nut, NylockNut DIN985 M12 8.0	6	EA
7	056067 512	Nut, HexJamNut DIN936 M12 8.0	2	EA
8	056069 008	WASHER, STEELFLATWASHER DIN12M8 FLAT WASHER DIN 125	12	EA
9	058492 012	Bolt HexSetScrew DIN933 M8 x 1	4	EA
10	104773 000	FTG HYD 06OM 06OM 06OM TN	1	EA
11	1500879	LOWER SLIDER	2	EA
12	1500881	Pin Retainer Zinc Plated	4	EA
13	1501080	PIN END DOUBLE RETAINER	2	EA
14	1501219	WLDMT STEP S4732E	1	EA
15	1501446	PLT TUNNEL COVER S4732/26E	1	EA
16	1501668	CABLE EMERGENCY LOWER	1	EA
17	1502126	BRKT, LOWER CAM BLEED DOWN	1	EA
18	1502127	BRKT, UPPER CAM BLEED DOWN	1	EA
19	1502201	WLDMT POTHOLE CROSSMEMBER	1	EA
20	1502217	PLT, CHASSIS COVER S4726/4732	1	EA
21	5534389	SPRING, EMERGENCY LOWER	1	EA

アイテム	部品番号	名前	数量	UOM
22	5563311	NUT HEX 10 32 TOPLKG	1	EA
23	5563650	NUT HEX JAM .500 20THIN	1	EA
24	5563737	WLDMT BATTERY TRAY LH	2	EA
25	6019289	COIL 20VDC HYDRAFORCE 4303620	1	EA
26	6019382	ORIFICE	1	EA
Not Shown	5090048	HOSE GUARD 16	2	EA
28	100434 008	6MB X 6M ORFF 90 ° FITTING	1	EA
Not Shown	1501235	ASSY, STACK	1	EA
30	5563293	BLT SKTBUTCS M12 1.75 X 50 DIN	2	EA
Not Shown	6019357	SOLENOID VALVE SP08 20J 0 N 00	2	EA

REPAIR PARTS

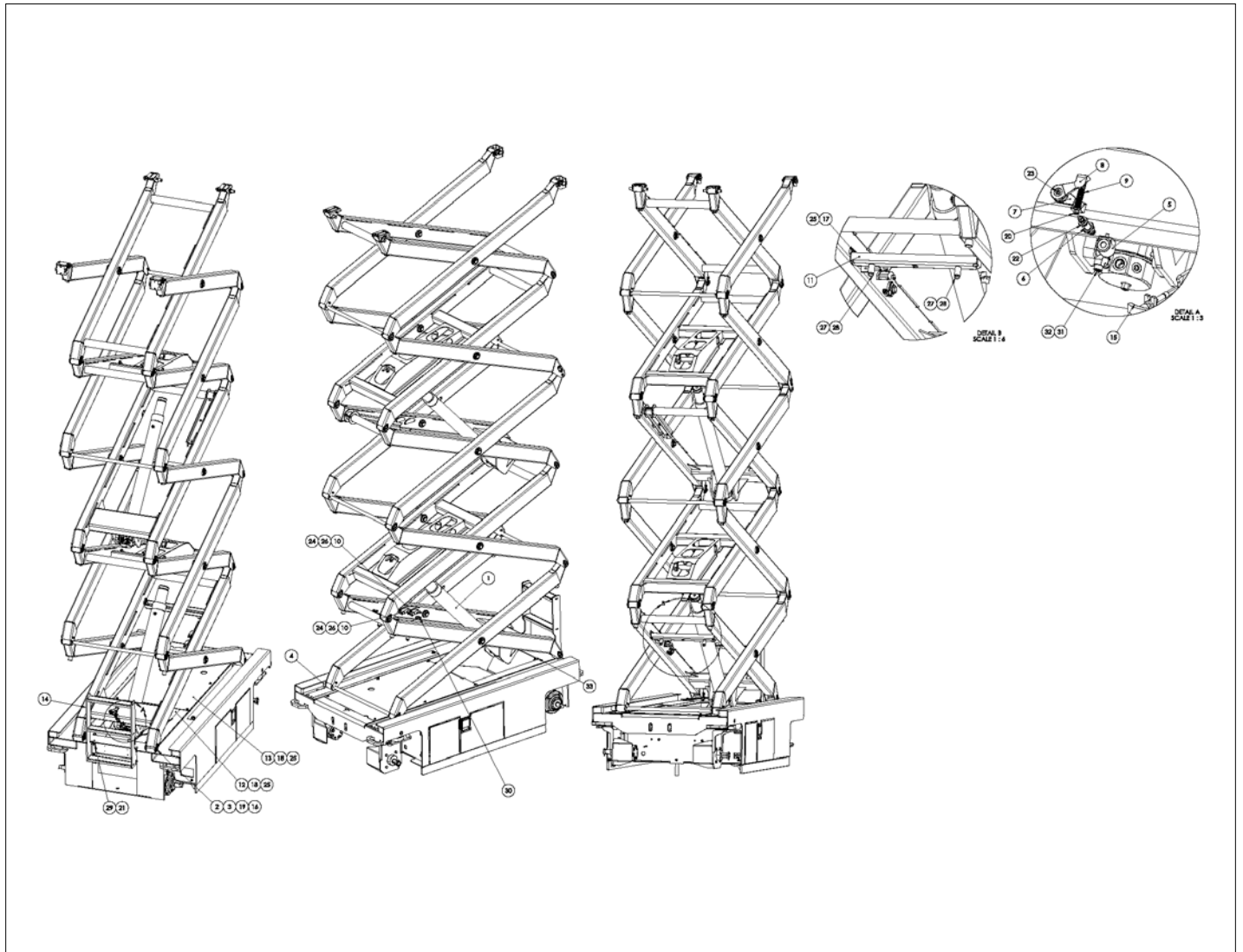


アイテム	部品番号	名前	数量	UOM
	1501236 W	STACK ASSEMBLY		EA
1	1501079	ASSY STACK S4732E SUB	1	EA
2	3030157	Angle Transducer	2	EA
Not Shown	1500288	STACK HARNESS 32'	1	EA
4	5563311	NUT HEX 10 32 TOPLKG	2	EA
5	6019289	COIL 20VDC HYDRAFORCE 4303620	2	EA
6	100434 008	6MB X 6M ORFF 90 ° FITTING	2	EA
Not Shown	6091596	CHECK VALVE POPPET FLOW .052	2	EA
Not Shown	1501355	SHIM TRUNION	4	EA
Not Shown	104773 000	FTG HYD 06OM 06OM 06OM TN	1	EA
10	5563138	BLT HEXHD M5 0.8 45MM 8.8 ZN	4	EA
11	056069 006	WSHR STEELFLATWSHE M6 DIN125A	4	EA
12	1500879	LOWER SLIDER	2	EA
13	1500881	Pin Retainer Zinc Plated	4	EA
14	1501080	PIN END DOUBLE RETAINER	2	EA
15	056059 120	BOLT HEXBOLT DIN931 M8 X 120MM 8.8 ZINC PLATED	2	EA
16	056066 008	NUT NYLOCKNUT DIN985 M8 8.0 ZP	2	EA
Not Shown	1501360	INSTALL TRAYS S4732/26E	1	EA
18	1501219	WLDMT STEP S4732E	1	EA
19	1501668	CABLE EMERGENCY LOWER	1	EA
20	056069 008	WASHER, STEELFLATWASHER DIN12M8 FLAT WASHER DIN 125	12	EA
21	058492 025	BOLT HEXSETSCREW DIN933 M8 X 25MM 8.8 ZP	8	EA

アイテム	部品番号	名前	数量	UOM
22	058494 035	BOLT HEXSETSCREW DIN933 M12 X 35MM 8.8 ZP	4	EA
23	056066 012	Nut, NylockNut DIN985 M12 8.0	4	EA
Not Shown	1501446	PLT TUNNEL COVER S4732/26E	1	EA
Not Shown	6047137	CYLINDER LIFT 4732 UPPER	2	EA
26	1502217	PLT, CHASSIS COVER S4726/4732	1	EA
27	1502201	WLDMT POTHOLE CROSSMEMBER	1	EA
28	058492 012	Bolt HexSetScrew DIN933 M8 x 1	4	EA
29	056067 512	Nut, HexJamNut DIN936 M12 8.0	2	EA
30	5563293	BLT SKTBUTCS M12 1.75 X 50 DIN	2	EA
31	1502126	BRKT, LOWER CAM BLEED DOWN	2	EA
32	1502127	BRKT, UPPER CAM BLEED DOWN	2	EA
33	5534389	SPRING, EMERGENCY LOWER	2	EA
34	6019357	SOLENOID VALVE SP08 20J 0 N 00	2	EA
35	5563650	NUT HEX JAM .500 20THIN	2	EA



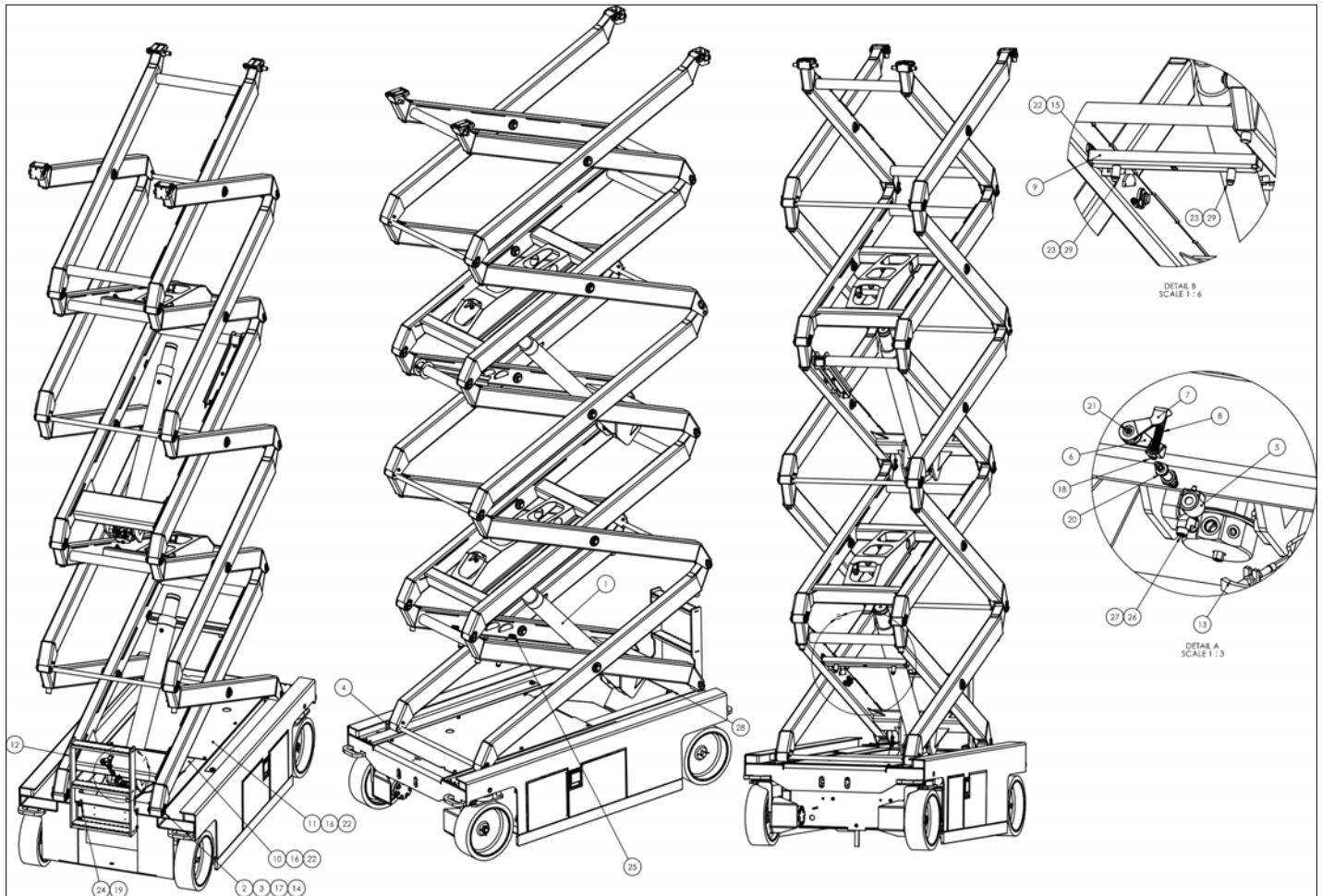
REPAIR PARTS



アイテム	部品番号	名前	数量	UOM
	1502711 K	STACK INSTALLATION S4732E		EA
1	1501079	ASSY STACK S4732E SUB	1	EA
2	1501080	PIN END DOUBLE RETAINER	2	EA
3	1500881	Pin Retainer Zinc Plated	4	EA
4	1500879	LOWER SLIDER	2	EA
5	6019289	COIL 20VDC HYDRAFORCE 4303620	2	EA
6	6019357	SOLENOID VALVE SP08 20J 0 N 00	2	EA
7	1502126	BRKT, LOWER CAM BLEED DOWN	2	EA
8	1502127	BRKT, UPPER CAM BLEED DOWN	2	EA
9	5534389	SPRING, EMERGENCY LOWER	2	EA
10	3030157	Angle Transducer	2	EA
11	1502201	WLDMT POTHOLE CROSSMEMBER	1	EA
12	1501446	PLT TUNNEL COVER S4732/26E	1	EA
13	1502217	PLT, CHASSIS COVER S4726/4732	1	EA
14	1501219	WLDMT STEP S4732E	1	EA
15	1501668	CABLE EMERGENCY LOWER	1	EA
16	056059 110	Bolt, HexBolt DIN931 M8 x 110m	2	EA
17	058492 012	Bolt HexSetScrew DIN933 M8 x 1	4	EA
18	058492 025	BOLT HEXSETSCREW DIN933 M8 X 25MM 8.8 ZP	8	EA
19	056066 008	NUT NYLOCKNUT DIN985 M8 8.0 ZP	2	EA
20	056066 006	Nut NylockNut DIN985 M6 8.0 Zi	2	EA
21	056066 012	Nut, NylockNut DIN985 M12 8.0	4	EA
22	5563650	NUT HEX JAM .500 20THIN	2	EA
23	5563311	NUT HEX 10 32 TOPLKG	2	EA

アイテム	部品番号	名前	数量	UOM
24	056069 006	WSHR STEELFLATWSHE M6 DIN125A	4	EA
25	056069 008	WASHER, STEELFLATWASHER DIN12M8 FLAT WASHER DIN 125	12	EA
26	5563138	BLT HEXHD M5 0.8 45MM 8.8 ZN	4	EA
27	056067 512	Nut, HexJamNut DIN936 M12 8.0	2	EA
28	5563293	BLT SKTBUTCS M12 1.75 X 50 DIN	2	EA
29	056065 040	BOLT HEXBOLT DIN 931 M12 X 40MM 8.8 ZP	4	EA
30	104773 000	FTG HYD 06OM 06OM 06OM TN	1	EA
31	100434 008	6MB X 6M ORFF 90 ° FITTING	2	EA
32	6019382	ORIFICE	2	EA
33	5090048	HOSE GUARD 16	2	EA

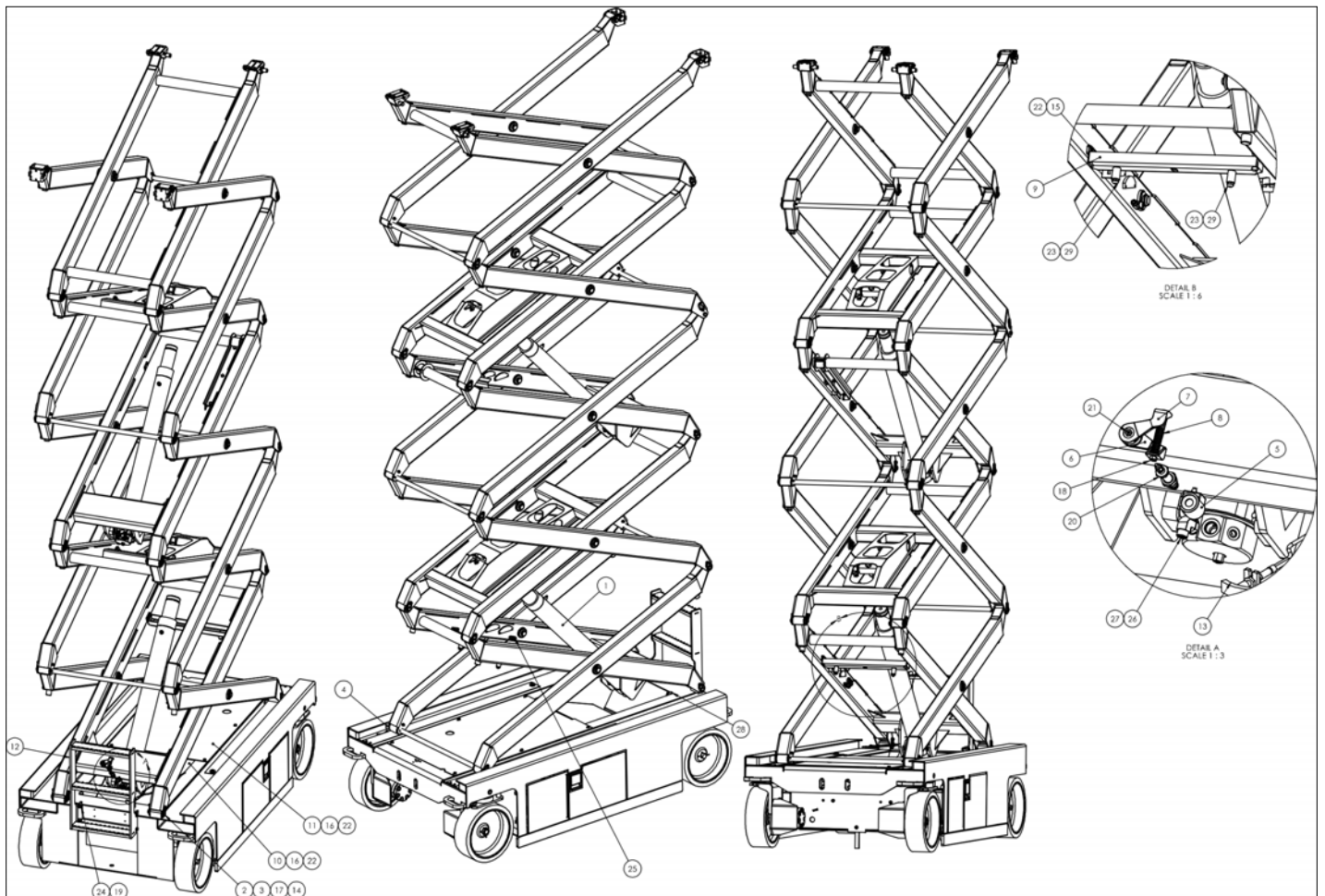
REPAIR PARTS



アイテム	部品番号	名前	数量	UOM
	1502711 M	STACK INSTALLATION CE S4732E		EA
1	1501079	ASSY STACK S4732E SUB	1	EA
2	1501080	PIN END DOUBLE RETAINER	2	EA
3	1500881	Pin Retainer Zinc Plated	4	EA
4	1500879	LOWER SLIDER	2	EA
5	6019289	COIL 20VDC HYDRAFORCE 4303620	2	EA
6	1502126	BRKT, LOWER CAM BLEED DOWN	2	EA
7	1502127	BRKT, UPPER CAM BLEED DOWN	2	EA
8	5534389	SPRING, EMERGENCY LOWER	2	EA
9	1502201	WLDMT POTHOLE CROSSMEMBER	1	EA
10	1501446	PLT TUNNEL COVER S4732/26E	1	EA
11	1502217	PLT, CHASSIS COVER S4726/4732	1	EA
12	1501219	WLDMT STEP S4732E	1	EA
13	1501668	CABLE EMERGENCY LOWER	1	EA
14	056059 110	Bolt, HexBolt DIN931 M8 x 110m	2	EA
15	058492 012	Bolt HexSetScrew DIN933 M8 x 1	4	EA
16	058492 025	BOLT HEXSETSCREW DIN933 M8 X 25MM 8.8 ZP	8	EA
17	056066 008	NUT NYLOCKNUT DIN985 M8 8.0 ZP	2	EA
18	056066 006	Nut NylockNut DIN985 M6 8.0 Zi	2	EA
19	056066 012	Nut, NylockNut DIN985 M12 8.0	4	EA
20	5563650	NUT HEX JAM .500 20THIN	2	EA
21	5563311	NUT HEX 10 32 TOPLKG	2	EA
22	056069 008	WASHER, STEELFLATWASHER DIN12M8 FLAT WASHER DIN 125	12	EA

アイテム	部品番号	名前	数量	UOM
23	056067 512	Nut, HexJamNut DIN936 M12 8.0	2	EA
24	056065 040	BOLT HEXBOLT DIN 931 M12 X 40MM 8.8 ZP	4	EA
25	104773 000	FTG HYD 06OM 06OM 06OM TN	1	EA
26	100434 008	6MB X 6M ORFF 90 ° FITTING	2	EA
27	6019382	ORIFICE	2	EA
28	5090048	HOSE GUARD 16	2	EA
29	5563293	BLT SKTBUTCS M12 1.75 X 50 DIN	2	EA
Not Shown	6019357	SOLENOID VALVE SP08 20J 0 N 00	2	EA

REPAIR PARTS

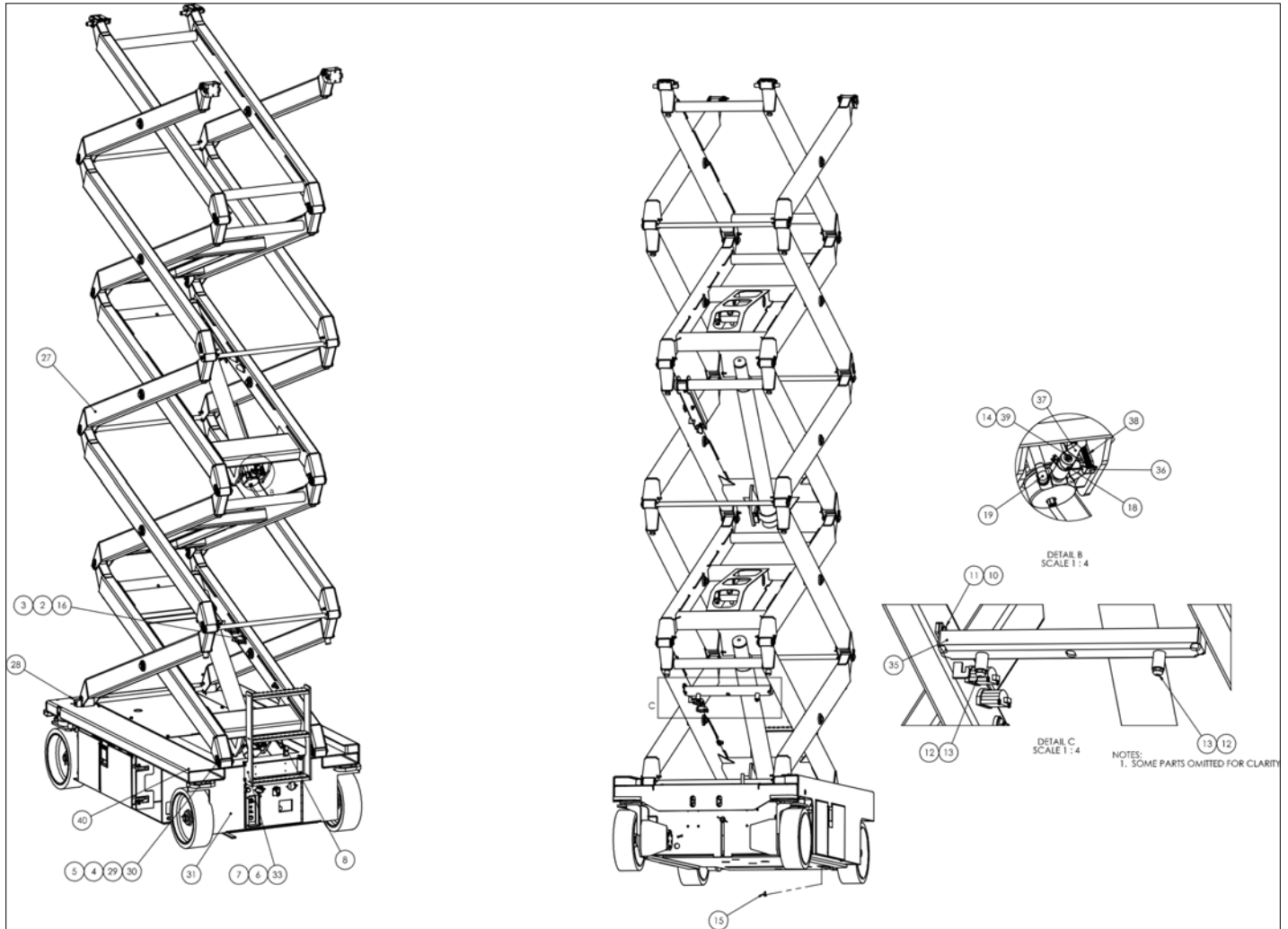


アイテム	部品番号	名前	数量	UOM
	1502711 N	STACK ASSEMBLY INSTALLATION CE S4732E APRIL 2019 AND AFTER		EA
1	1501079	ASSY STACK S4732E SUB	1	EA
2	1501080	PIN END DOUBLE RETAINER	2	EA
3	1500881	Pin Retainer Zinc Plated	4	EA
4	1500879	LOWER SLIDER	2	EA
5	6019289	COIL 20VDC HYDRAFORCE 4303620	2	EA
6	1502126	BRKT, LOWER CAM BLEED DOWN	2	EA
7	1502127	BRKT, UPPER CAM BLEED DOWN	2	EA
8	5534389	SPRING, EMERGENCY LOWER	2	EA
9	1502201	WLDMT POTHOLE CROSSMEMBER	1	EA
10	1501446	PLT TUNNEL COVER S4732/26E	1	EA
11	1502217	PLT, CHASSIS COVER S4726/4732	1	EA
12	1501219	WLDMT STEP S4732E	1	EA
13	1501668	CABLE EMERGENCY LOWER	1	EA
14	056059 110	Bolt, HexBolt DIN931 M8 x 110m	2	EA
15	058492 012	Bolt HexSetScrew DIN933 M8 x 1	4	EA
16	058492 025	BOLT HEXSETSCREW DIN933 M8 X 25MM 8.8 ZP	8	EA
17	056066 008	NUT NYLOCKNUT DIN985 M8 8.0 ZP	2	EA
18	056066 006	Nut NylockNut DIN985 M6 8.0 Zi	2	EA
19	056066 012	Nut, NylockNut DIN985 M12 8.0	4	EA
20	5563650	NUT HEX JAM .500 20THIN	2	EA
21	5563311	NUT HEX 10 32 TOPLKG	2	EA



アイテム	部品番号	名前	数量	UOM
22	056069 008	WASHER, STEELFLATWASHER DIN12M8 FLAT WASHER DIN 125	12	EA
23	056067 512	Nut, HexJamNut DIN936 M12 8.0	2	EA
24	056065 040	BOLT HEXBOLT DIN 931 M12 X 40MM 8.8 ZP	4	EA
25	104773 000	FTG HYD 06OM 06OM 06OM TN	1	EA
26	100434 008	6MB X 6M ORFF 90 ° FITTING	2	EA
27	6019382	ORIFICE	2	EA
Not Shown		Base Assembly		EA
29	5563293	BLT SKTBUTCS M12 1.75 X 50 DIN	2	EA
30	6019357	SOLENOID VALVE SP08 20J 0 N 00	2	EA

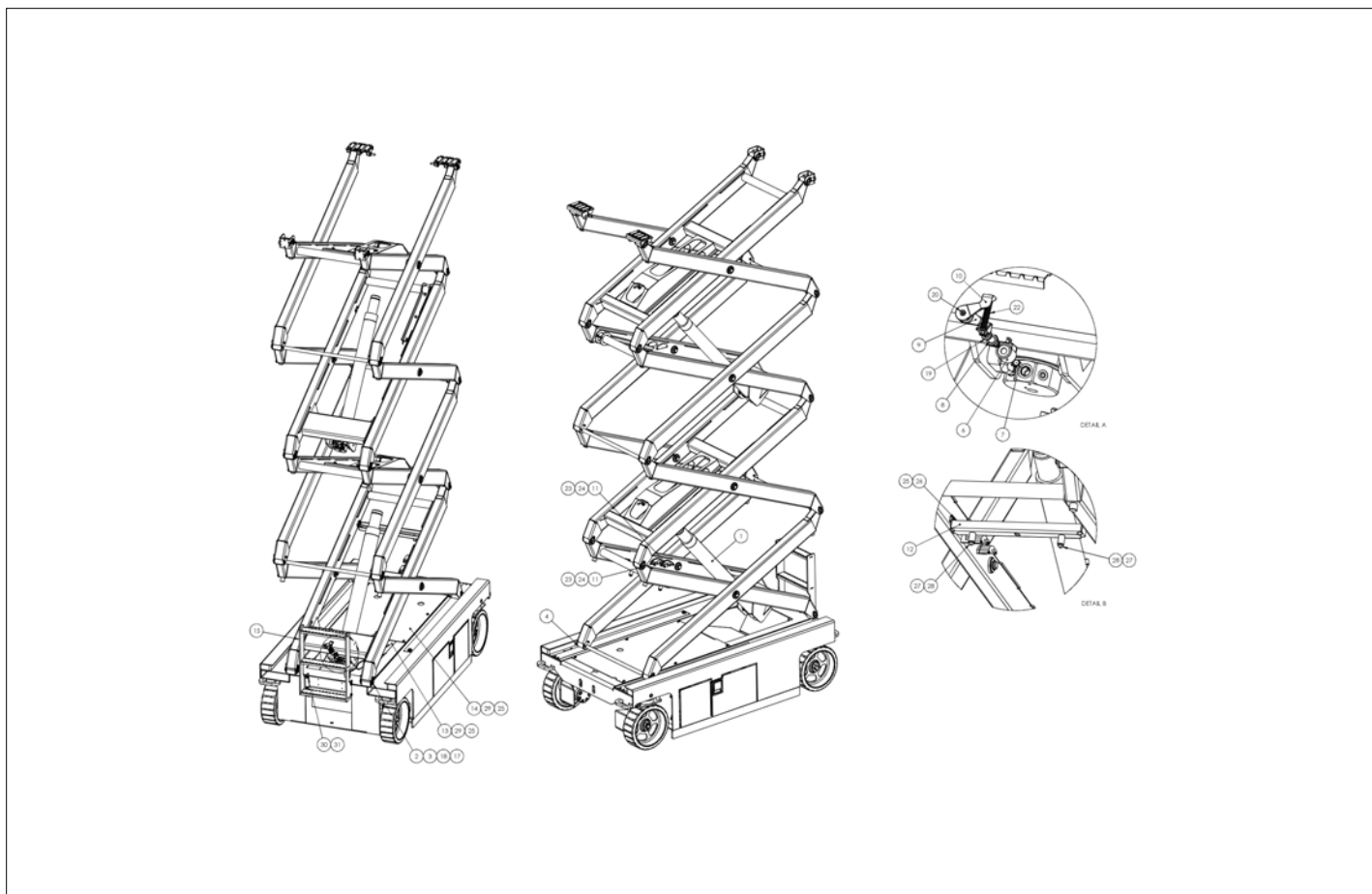
REPAIR PARTS



アイテム	部品番号	名前	数量	UOM
	1501785 T	STACK INSTALLATION CE S4732E		EA
Not Shown	5563311	NUT HEX 10 32 TOPLKG	2	EA
2	5563138	BLT HEXHD M5 0.8 45MM 8.8 ZN	4	EA
3	056069 006	WSHR STEELFLATWSHE M6 DIN125A	4	EA
4	056059 120	BOLT HEXBOLT DIN931 M8 X 120MM 8.8 ZINC PLATED	2	EA
5	056066 008	NUT NYLOCKNUT DIN985 M8 8.0 ZP	2	EA
6	058494 035	BOLT HEXSETSCREW DIN933 M12 X 35MM 8.8 ZP	4	EA
7	056066 012	Nut, NylockNut DIN985 M12 8.0	4	EA
8	1501668	CABLE EMERGENCY LOWER	1	EA
056059 025	058492 025	BOLT HEXSETSCREW DIN933 M8 X 25MM 8.8 ZP	8	EA
10	056069 008	WASHER, STEELFLATWASHER DIN12M8 FLAT WASHER DIN 125	12	EA
11	058492 012	Bolt HexSetScrew DIN933 M8 x 1	4	EA
12	056067 512	Nut, HexJamNut DIN936 M12 8.0	2	EA
13	5563293	BLT SKTBUTCS M12 1.75 X 50 DIN	2	EA
14	5563650	NUT HEX JAM .500 20THIN	2	EA
15	058492 020	Bolt HexSetScrew DIN933 M8 x 2	2	EA
16	3030157	Angle Transducer	2	EA
Not Shown	1500288	STACK HARNESS 32'	1	EA
18	6019289	COIL 20VDC HYDRAFORCE 4303620	2	EA
19	100434 008	6MB X 6M ORFF 90 ° FITTING	2	EA

アイテム	部品番号	名前	数量	UOM
Not Shown	6091596	CHECK VALVE POPPET FLOW .052	2	EA
Not Shown	1501355	SHIM TRUNION	4	EA
Not Shown	104773 000	FTG HYD 06OM 06OM 06OM TN	1	EA
Not Shown	3030158	Pressure Transducer	1	EA
Not Shown	5076527	FTG 4MBX4FB 90	1	EA
Not Shown	6047136	CYLINDER LIFT 4732 LWR	1	EA
Not Shown	6047137	CYLINDER LIFT 4732 UPPER	1	EA
27	1501079	ASSY STACK S4732E SUB	1	EA
28	1500879	LOWER SLIDER	2	EA
29	1500881	Pin Retainer Zinc Plated	4	EA
30	1501080	PIN END DOUBLE RETAINER	2	EA
31	1501774	INSTALL TRAYS	1	EA
Not Shown	1501446	PLT TUNNEL COVER S4732/26E	1	EA
33	1501219	WLDMT STEP S4732E	1	EA
Not Shown	1502217	PLT, CHASSIS COVER S4726/4732	1	EA
35	1502201	WLDMT POTHOLE CROSSMEMBER	1	EA
36	1502126	BRKT, LOWER CAM BLEED DOWN	2	EA
37	1502127	BRKT, UPPER CAM BLEED DOWN	2	EA
38	5534389	SPRING, EMERGENCY LOWER	2	EA
39	6019357	SOLENOID VALVE SP08 20J 0 N 00	2	EA
40	1502359	CWEIGHT, CENTER	1	EA
Not Shown	1501724	C/WEIGHT, S4732 CENTER	1	EA

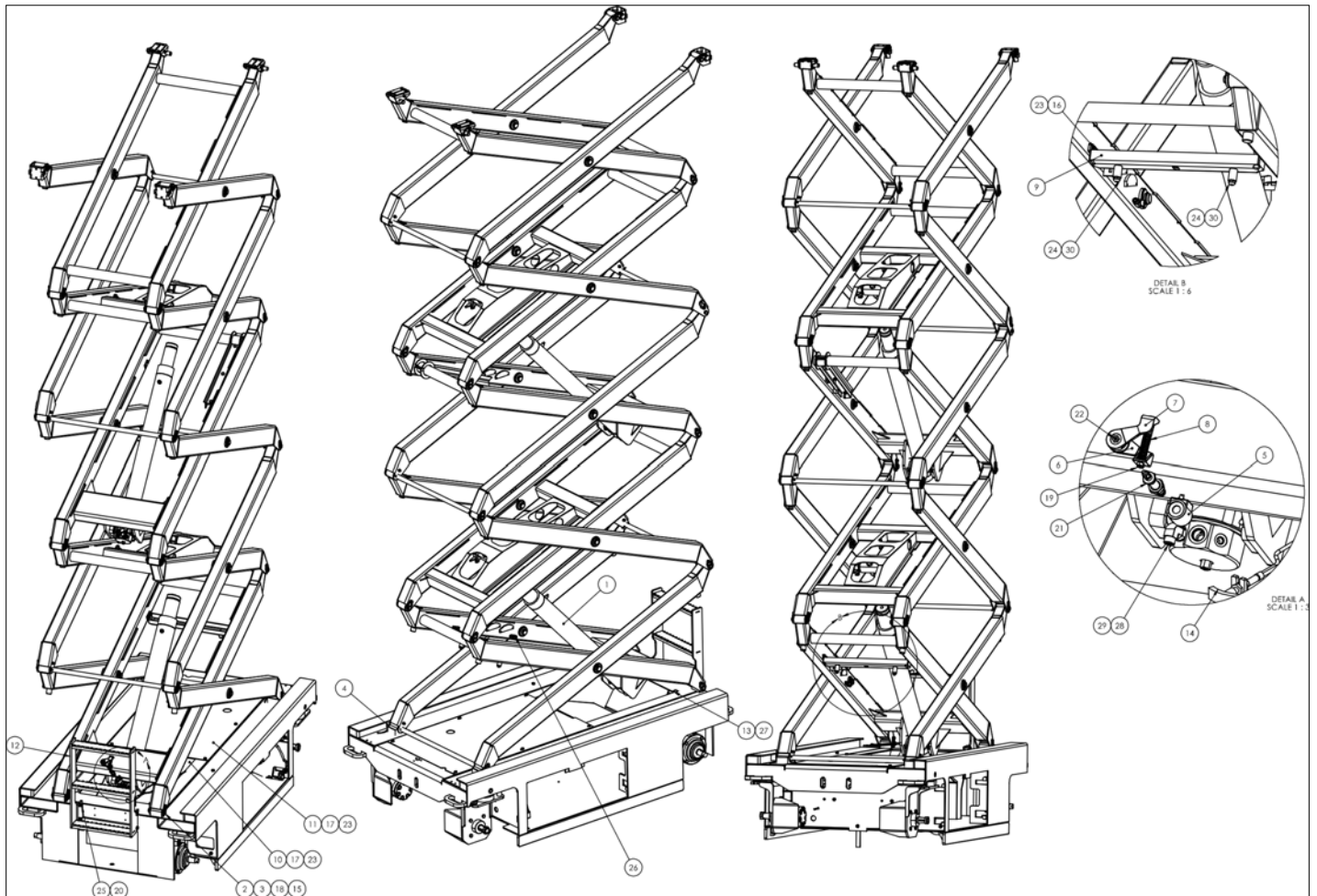
REPAIR PARTS



アイテム	部品番号	名前	数量	UOM
	1502704B	ASSEMBLY, STACK INSTALL S4726		EA
1	1501235	ASSY, STACK	1	EA
2	1501060	WLDMT SINGLE ARM S4732/26E	8	EA
3	1500081	PLT, PIN RETAINER	4	EA
4	1500879	LOWER SLIDER	2	EA
5	100434 008	6MB X 6M ORFF 90 ° FITTING	2	EA
6	6019289	COIL 20VDC HYDRAFORCE 4303620	2	EA
7	6091596	CHECK VALVE POPPET FLOW .052	2	EA
8	6019357	SOLENOID VALVE SP08 20J 0 N 00	2	EA
9	1502126	BRKT, LOWER CAM BLEED DOWN	2	EA
10	1502127	BRKT, UPPER CAM BLEED DOWN	2	EA
11	3030157	Angle Transducer	2	EA
12	1502201	WLDMT POTHOLE CROSSMEMBER	1	EA
13	1501446	PLT TUNNEL COVER S4732/26E	1	EA
14	1502217	PLT, CHASSIS COVER S4726/4732	1	EA
15	1501219	WLDMT STEP S4732E	1	EA
16	1501668	CABLE EMERGENCY LOWER	1	EA
17	056059 110	Bolt, HexBolt DIN931 M8 x 110m	18	EA
18	056066 008	NUT NYLOCKNUT DIN985 M8 8.0 ZP	26	EA
19	5563650	NUT HEX JAM .500 20THIN	2	EA
20	5563311	NUT HEX 10 32 TOPLKG	2	EA
21	056066 006	Nut NylockNut DIN985 M6 8.0 Zi	16	EA
22	5534389	SPRING, EMERGENCY LOWER	2	EA

アイテム	部品番号	名前	数量	UOM
23	056069 006	WSHR STEELFLATWSHE M6 DIN125A	4	EA
24	5563138	BLT HEXHD M5 0.8 45MM 8.8 ZN	4	EA
25	056069 008	WASHER, STEELFLATWASHER DIN12M8 FLAT WASHER DIN 125	12	EA
26	058492 012	Bolt HexSetScrew DIN933 M8 x 1	4	EA
27	056067 512	Nut, HexJamNut DIN936 M12 8.0	2	EA
28	5563293	BLT SKTBUTCS M12 1.75 X 50 DIN	2	EA
29	058492 025	BOLT HEXSETSCREW DIN933 M8 X 25MM 8.8 ZP	8	EA
30	056065 040	BOLT HEXBOLT DIN 931 M12 X 40MM 8.8 ZP	4	EA
31	056066 012	Nut, NylockNut DIN985 M12 8.0	6	EA
32	056065 055	BOLT HEXBOLT DIN931 M12 X 55M	2	EA
33	1500289	STACK HARNESS 26'	1	EA

REPAIR PARTS

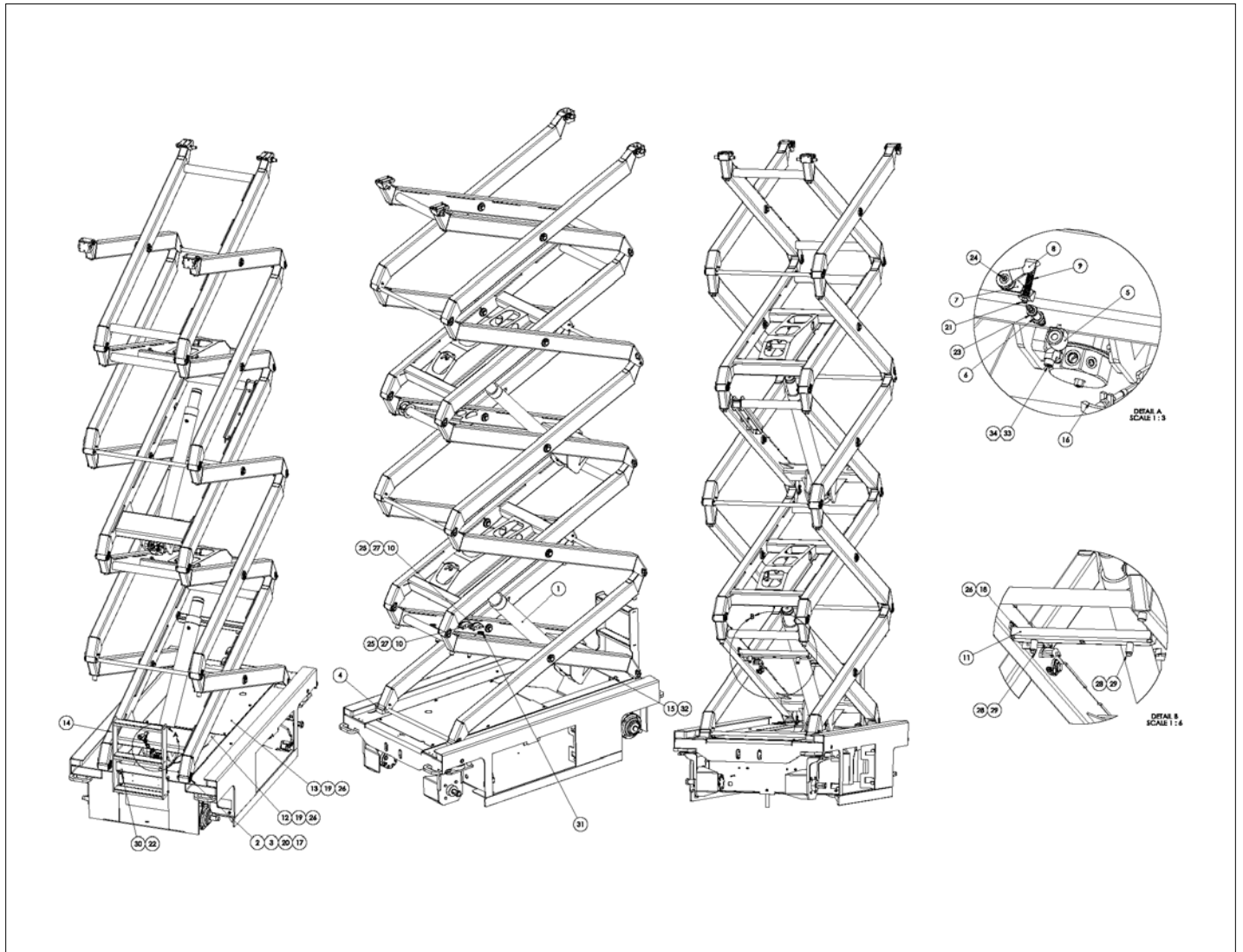




アイテム	部品番号	名前	数量	UOM
	1502926 C	STACK INSTALLATION S4732E CHINA		EA
1	1502925	ASSY, STACK S4732 CHINA	1	EA
2	1501080	PIN END DOUBLE RETAINER	2	EA
3	1500881	Pin Retainer Zinc Plated	4	EA
4	1500879	LOWER SLIDER	2	EA
5	6019289	COIL 20VDC HYDRAFORCE 4303620	2	EA
6	1502126	BRKT, LOWER CAM BLEED DOWN	2	EA
7	1502127	BRKT, UPPER CAM BLEED DOWN	2	EA
8	5534389	SPRING, EMERGENCY LOWER	2	EA
9	1502201	WLDMT POTHOLE CROSSMEMBER	1	EA
10	1501446	PLT TUNNEL COVER S4732/26E	1	EA
11	1502217	PLT, CHASSIS COVER S4726/4732	1	EA
12	1501219	WLDMT STEP S4732E	1	EA
13	1500288	STACK HARNESS 32'	1	EA
14	1501668	CABLE EMERGENCY LOWER	1	EA
15	056059 110	Bolt, HexBolt DIN931 M8 x 110m	2	EA
16	058492 012	Bolt HexSetScrew DIN933 M8 x 1	4	EA
17	058492 025	BOLT HEXSETSCREW DIN933 M8 X 25MM 8.8 ZP	8	EA
18	056066 008	NUT NYLOCKNUT DIN985 M8 8.0 ZP	2	EA
19	056066 006	Nut NylockNut DIN985 M6 8.0 Zi	2	EA
20	056066 012	Nut, NylockNut DIN985 M12 8.0	4	EA
21	5563650	NUT HEX JAM .500 20THIN	2	EA
22	5563311	NUT HEX 10 32 TOPLKG	2	EA

アイテム	部品番号	名前	数量	UOM
23	056069 008	WASHER, STEELFLATWASHER DIN12M8 FLAT WASHER DIN 125	12	EA
24	056067 512	Nut, HexJamNut DIN936 M12 8.0	2	EA
25	056065 040	BOLT HEXBOLT DIN 931 M12 X 40MM 8.8 ZP	4	EA
26	104773 000	FTG HYD 06OM 06OM 06OM TN	1	EA
27	5090048	HOSE GUARD 16	2	EA
28	100434 008	6MB X 6M ORFF 90 ° FITTING	2	EA
29	6019382	ORIFICE	2	EA
30	5563293	BLT SKTBUTCS M12 1.75 X 50 DIN	2	EA
31	6019357	SOLENOID VALVE SP08 20J 0 N 00	2	EA

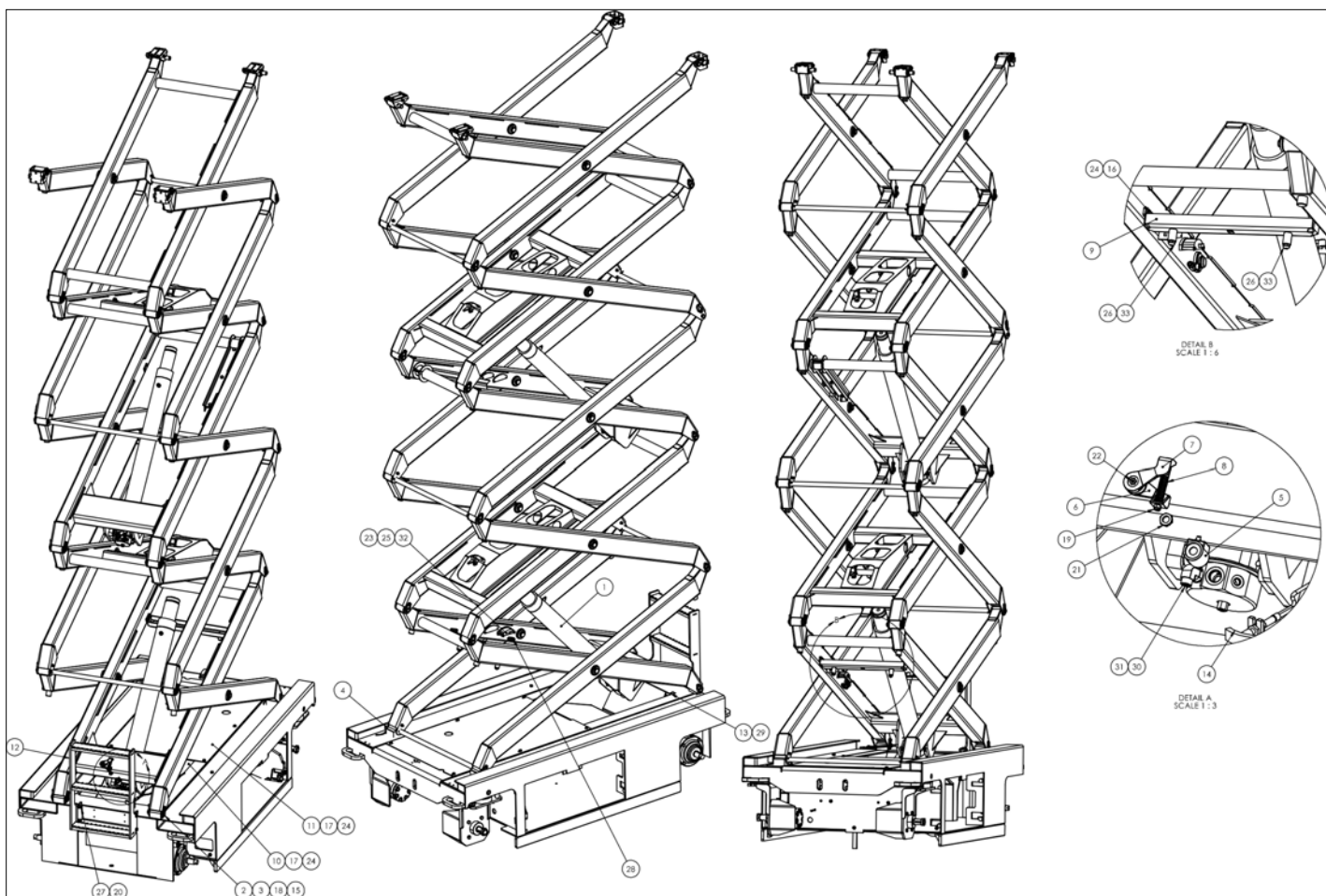
REPAIR PARTS



アイテム	部品番号	名前	数量	UOM
	1502926 A	STACK INSTALLATION CHINA S4732E		EA
1	1502925	ASSY, STACK S4732 CHINA	1	EA
2	1501080	PIN END DOUBLE RETAINER	2	EA
3	1500881	Pin Retainer Zinc Plated	4	EA
4	1500879	LOWER SLIDER	2	EA
5	6019289	COIL 20VDC HYDRAFORCE 4303620	2	EA
6	6019357	SOLENOID VALVE SP08 20J 0 N 00	2	EA
7	1502126	BRKT, LOWER CAM BLEED DOWN	2	EA
8	1502127	BRKT, UPPER CAM BLEED DOWN	2	EA
9	5534389	SPRING, EMERGENCY LOWER	2	EA
10	3030157	Angle Transducer	2	EA
11	1502201	WLDMT POTHOLE CROSSMEMBER	1	EA
12	1501446	PLT TUNNEL COVER S4732/26E	1	EA
13	1502217	PLT, CHASSIS COVER S4726/4732	1	EA
14	1501219	WLDMT STEP S4732E	1	EA
15	1500288	STACK HARNESS 32'	1	EA
16	1501668	CABLE EMERGENCY LOWER	1	EA
17	056059 110	Bolt, HexBolt DIN931 M8 x 110m	2	EA
18	058492 012	Bolt HexSetScrew DIN933 M8 x 1	4	EA
19	058492 025	BOLT HEXSETSCREW DIN933 M8 X 25MM 8.8 ZP	8	EA
20	056066 008	NUT NYLOCKNUT DIN985 M8 8.0 ZP	2	EA
21	056066 006	Nut NylockNut DIN985 M6 8.0 Zi	2	EA
22	056066 012	Nut, NylockNut DIN985 M12 8.0	4	EA

アイテム	部品番号	名前	数量	UOM
23	5563650	NUT HEX JAM .500 20THIN	2	EA
24	5563311	NUT HEX 10 32 TOPLKG	2	EA
25	056069 006	WSHR STEELFLATWSHE M6 DIN125A	4	EA
26	056069 008	WASHER, STEELFLATWASHER DIN12M8 FLAT WASHER DIN 125	12	EA
27	5563138	BLT HEXHD M5 0.8 45MM 8.8 ZN	4	EA
28	056067 512	Nut, HexJamNut DIN936 M12 8.0	2	EA
29	5563293	BLT SKTBUTCS M12 1.75 X 50 DIN	2	EA
30	056065 040	BOLT HEXBOLT DIN 931 M12 X 40MM 8.8 ZP	4	EA
31	104773 000	FTG HYD 06OM 06OM 06OM TN	1	EA
32	5090048	HOSE GUARD 16	2	EA
33	100434 008	6MB X 6M ORFF 90 ° FITTING	2	EA
34	6019382	ORIFICE	2	EA

REPAIR PARTS

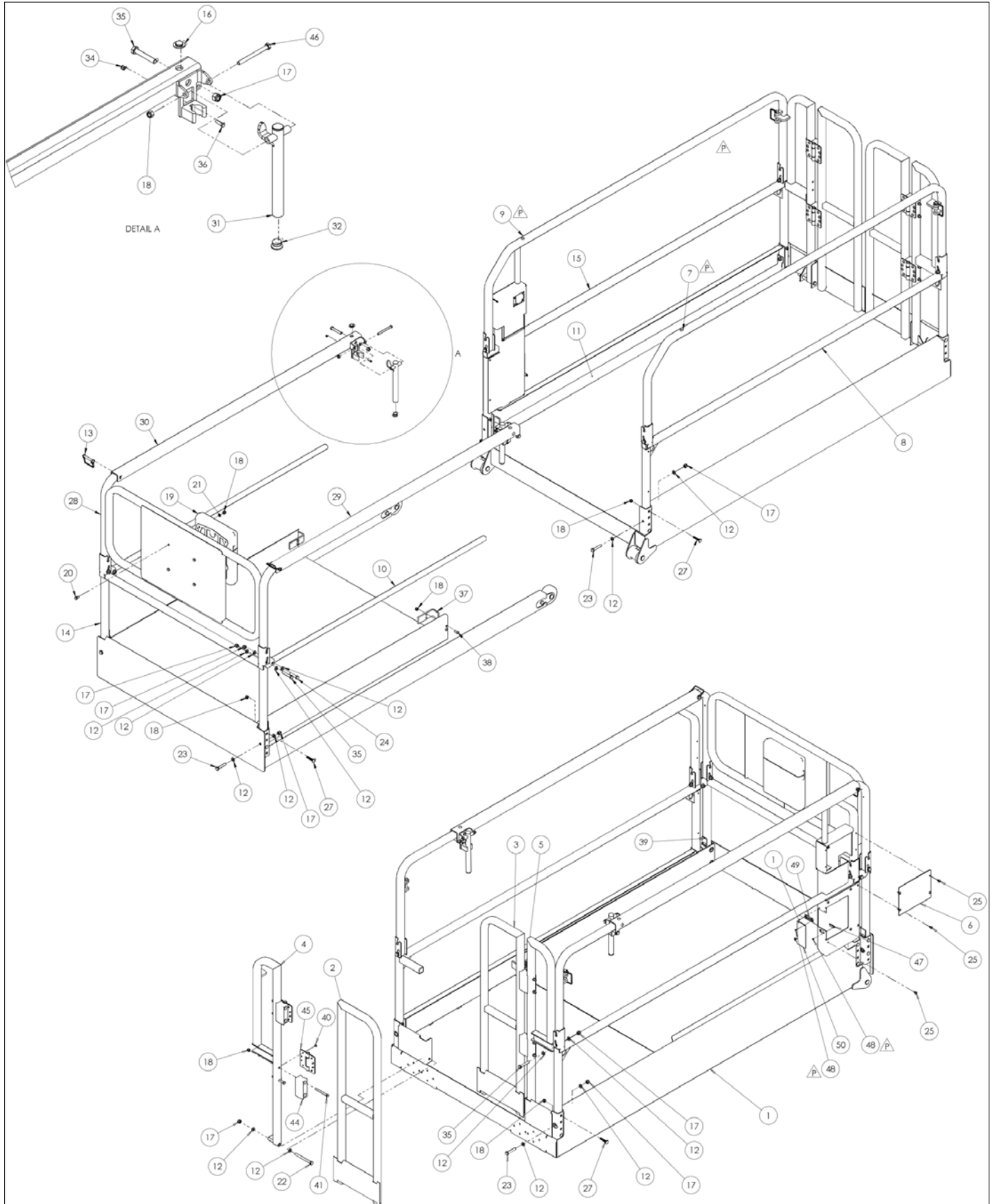


アイテム	部品番号	名前	数量	UOM
	1502926 B	STACK INSTALLATION CHINA S4732E		EA
1	1502925	ASSY, STACK S4732 CHINA	1	EA
2	1501080	PIN END DOUBLE RETAINER	2	EA
3	1500881	Pin Retainer Zinc Plated	4	EA
4	1500879	LOWER SLIDER	2	EA
5	6019289	COIL 20VDC HYDRAFORCE 4303620	2	EA
6	1502126	BRKT, LOWER CAM BLEED DOWN	2	EA
7	1502127	BRKT, UPPER CAM BLEED DOWN	2	EA
8	5534389	SPRING, EMERGENCY LOWER	2	EA
9	1502201	WLDMT POTHOLE CROSSMEMBER	1	EA
10	1501446	PLT TUNNEL COVER S4732/26E	1	EA
11	1502217	PLT, CHASSIS COVER S4726/4732	1	EA
12	1501219	WLDMT STEP S4732E	1	EA
13	1500288	STACK HARNESS 32'	1	EA
14	1501668	CABLE EMERGENCY LOWER	1	EA
15	056059 110	Bolt, HexBolt DIN931 M8 x 110m	2	EA
16	058492 012	Bolt HexSetScrew DIN933 M8 x 1	4	EA
17	058492 025	BOLT HEXSETSCREW DIN933 M8 X 25MM 8.8 ZP	8	EA
18	056066 008	NUT NYLOCKNUT DIN985 M8 8.0 ZP	2	EA
19	056066 006	Nut NylockNut DIN985 M6 8.0 Zi	2	EA
20	056066 012	Nut, NylockNut DIN985 M12 8.0	4	EA
21	5563650	NUT HEX JAM .500 20THIN	2	EA
22	5563311	NUT HEX 10 32 TOPLKG	2	EA

アイテム	部品番号	名前	数量	UOM
23	056069 006	WSHR STEELFLATWSHE M6 DIN125A	2	EA
24	056069 008	WASHER, STEELFLATWASHER DIN12M8 FLAT WASHER DIN 125	12	EA
25	5563138	BLT HEXHD M5 0.8 45MM 8.8 ZN	2	EA
26	056067 512	Nut, HexJamNut DIN936 M12 8.0	2	EA
27	056065 040	BOLT HEXBOLT DIN 931 M12 X 40MM 8.8 ZP	4	EA
28	104773 000	FTG HYD 06OM 06OM 06OM TN	1	EA
29	5090048	HOSE GUARD 16	2	EA
30	100434 008	6MB X 6M ORFF 90 ° FITTING	2	EA
31	6019382	ORIFICE	2	EA
32	3030187	Angle Transducer	1	EA
33	5563293	BLT SKTBUTCS M12 1.75 X 50 DIN	2	EA



REPAIR PARTS

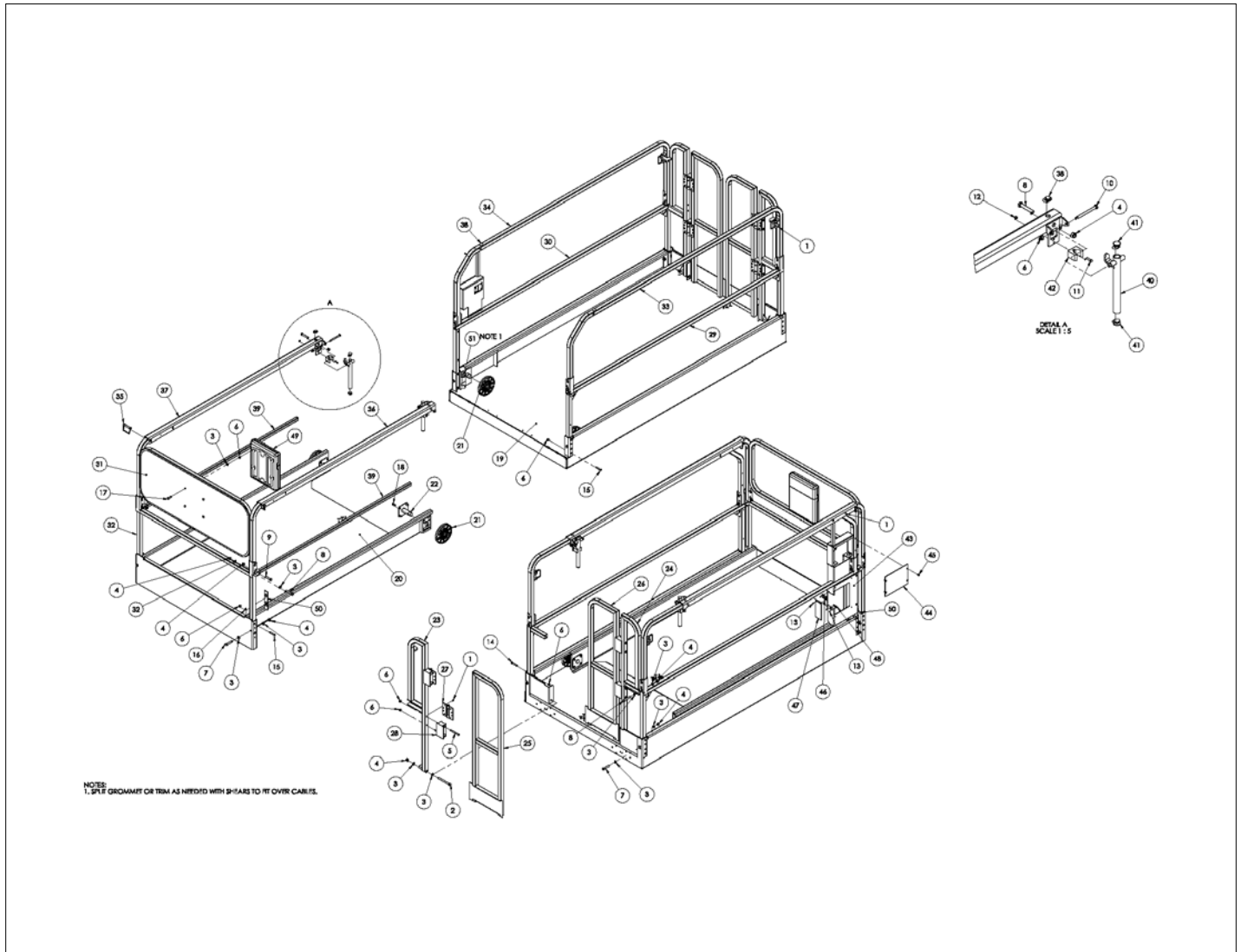


アイテム	部品番号	名前	数量	UOM
Not Shown	1501403P	ASSY PLATF S4726E S4732E AFTER AUGUST 2015		EA
1	1501575	ASSY PLATFORM S4732E S4726E	1	EA
2	1501865	WLDMT, SALOON GATE LH	1	EA
3	1501870	WLDMT, SALOON GATE RH	1	EA
4	1501902	WLDMT, SALOON GATE MNT LH	1	EA
5	1501904	WLDMT, SALOON GATE MNT RH	1	EA
6	1501397	PLT CONT BOX MNT COVER	1	EA
7	1502001	WLDMT, HNDRL TOP LH	1	EA
8	1502222	WLDMT HNDRL MAIN LF S4726/4732	1	EA
9	1502002	WLDMT, HNDRL TOP RH	1	EA
10	1501395	TUBE HNDRL MID TELESCOPE	2	EA
11	1501189	COVER CABLE GUARD	1	EA
12	056069 010	Washer, SteelFlatWasher DIN125A M10 ZincPlated	4	EA
13	302544	Pin & Lock	8	EA
14	1502221	WLDMT HNDRL FRONT LH S4726/4732	1	EA
15	1502223	WLDMT HNDRL MAIN RH S4726/4732	1	EA
16	5569973	SLIDE PAD, STICK ON OCTOBER 2017 AND BEFORE	6	EA
17	056064 010	Nut NylockNut DIN985 M10 10.0	20	EA
18	056066 008	NUT NYLOCKNUT DIN985 M8 8.0 ZP	18	EA
19	562386	Literature Compartment	1	EA
20	058492 016	HHCS M8 x 1.25 X 16GR 8.8 DIN933	4	EA
21	056069 008	WASHER, STEELFLATWASHER DIN12M8 FLAT WASHER DIN 125	4	EA
22	056060 110	Bolt, HexBolt DIN931 M10 x 110	2	EA

アイテム	部品番号	名前	数量	UOM
23	056060 055	Bolt, HexBolt DIN931 M10 x 55mm 8.8 ZincPlated	5	EA
24	056060 045	Bolt, HexBolt DIN931 M10 x 45mm 8.8 ZincPlated	2	EA
25	5563446	1/4 20 PAN HEAD SCREW	10	EA
26	5563447	BLT CRG M8 X 1.25 X 45 8.8 CLR ZN	12	EA
27	1501542	WLDMT FRONT GATE	1	EA
28	1501581	WLDMT, TOP SLIDER LH	1	EA
29	1501582	WLDMT, TOP SLIDER RH	1	EA
30	1501525	WLDMT, SLIDE HANDLE	2	EA
31	5563451	PLUG TUBING 1.00 X .095	2	EA
32	1501583	CLIP HANDLE 1.00	2	EA
33	056066 005	Nut NylockNut DIN985 M5 8.0 Zi	4	EA
34	056060 060	BOLT HEXHD M10 1.50 X 60 MM DIN 931GR 8.8 ZP	9	EA
35	505082 020	Bolt, SktButCapScrew DIN9427 M5 x 20mm 10.9 ZincPlated	4	EA
36	058490 020	Bolt, HexSetScrew DIN933 M5 x	4	EA
37	1501826	PLT EXTENSION STOP	2	EA
38	500595 020	Bolt, SktButCapScrew DIN9427 M	4	EA
39	1501842	DOUBLER PLATE, HANDRAIL ORG	2	EA
40	5563466	POP RIVET S/SSTEEL MANDREL	16	EA
41	056059 080	Bolt, HexBolt DIN931 M8 x 80mm	2	EA
42	1502050	WLDMT LOADING CONTROLS	1	EA
43	1501487	WLDMT EXT DECK STOP	2	EA
44	1501844	BUMPER, GATES	4	EA
45	5516359	HINGE, SPRING	4	EA
46	058492 016	HHCS M8 x 1.25 X 16GR 8.8 DIN933	4	EA

アイテム	部品番号	名前	数量	UOM
47	5516349	MAGNETIC LATCH	1	EA
48	5560659	RVT POP .125 DIA .250 DMD STL	6	EA
49	5516360	HINGE, DRILLED SIDE DRIVE THIN	1	EA
50	1502067	PLT SIDE DRIVE REAR DOOR THIN	1	EA

REPAIR PARTS



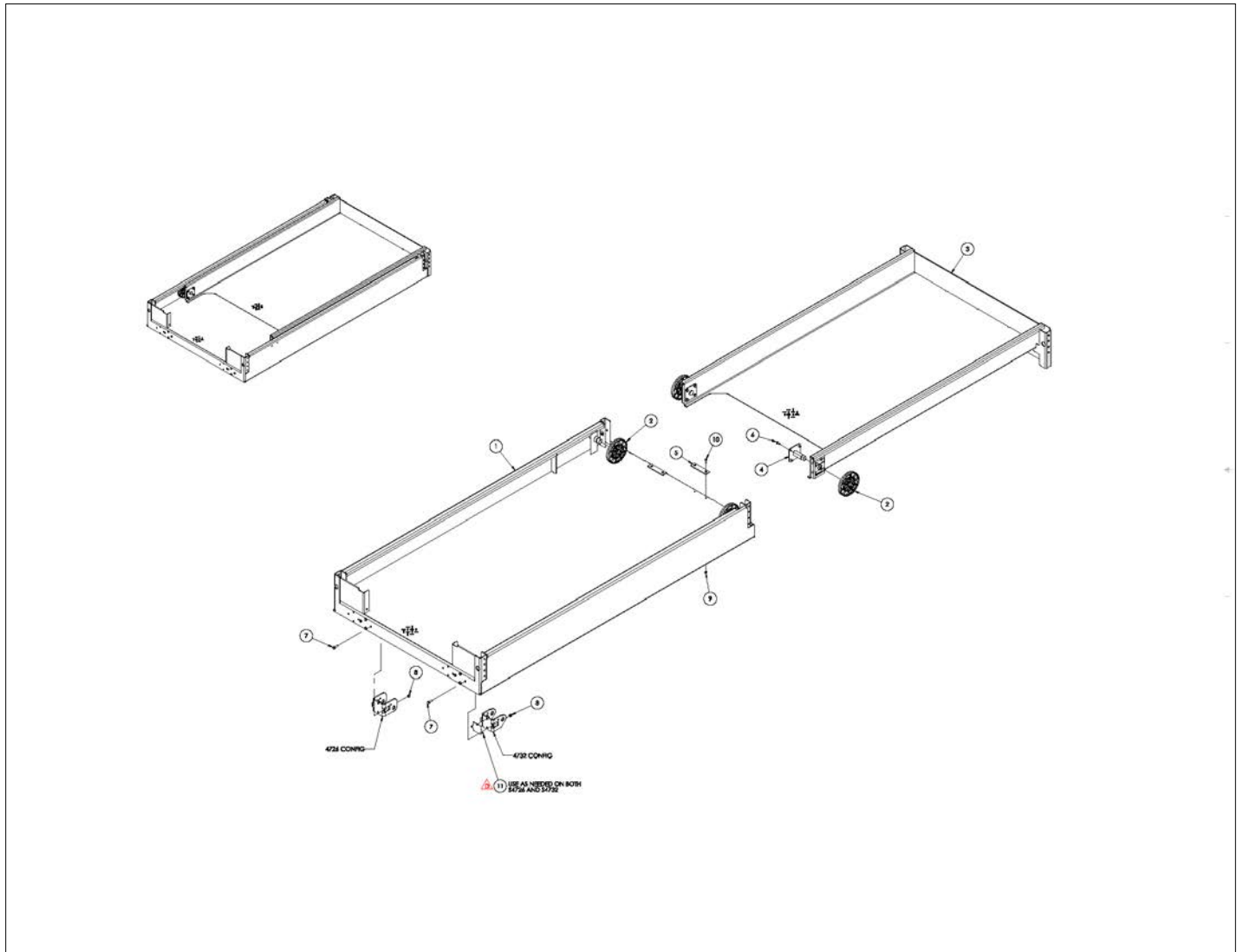
アイテム	部品番号	名前	数量	UOM
	1501403 V	PLATFORM ASSEMBLY S4732/S4726E		EA
1	5563466	POP RIVET S/SSTEEL MANDREL	36	EA
2	056060 110	Bolt, HexBolt DIN931 M10 x 110	2	EA
3	056069 010	Washer, SteelFlatWasher DIN125A M10 ZincPlated	32	EA
4	056066 010	Nut, NylockNut DIN985 M10 8.0ZincPlated	18	EA
5	500595 075	Bolt, SktButCapScrew DIN9427 M	8	EA
6	056066 008	NUT NYLOCKNUT DIN985 M8 8.0 ZP	26	EA
7	056060 055	Bolt, HexBolt DIN931 M10 x 55mm 8.8 ZincPlated	6	EA
8	056060 060	BOLT HEXHD M10 1.50 X 60 MM DIN 931GR 8.8 ZP	8	EA
9	056060 045	Bolt, HexBolt DIN931 M10 x 45mm 8.8 ZincPlated	2	EA
10	056059 090	Bolt, HexBolt DIN931 M8 x 90mm 8.8 ZincPlated	2	EA
11	058490 020	Bolt, HexSetScrew DIN933 M5 x	4	EA
12	056066 005	Nut NylockNut DIN985 M5 8.0 Zi	4	EA
13	5560659	RVT POP .125 DIA .250 DMD STL	6	EA
14	5563304	SBHCS M8 X 1.25 X 50MM GR 1039	4	EA
15	5563305	SBHCS M8 X 1.25 X 45MM GR 1039 PLTD	8	EA
16	056069 008	WASHER, STEELFLATWASHER DIN12M8 FLAT WASHER DIN 125	4	EA
17	058492 025	BOLT HEXSETSCREW DIN933 M8 X 25MM 8.8 ZP	4	EA
18	058492 012	Bolt HexSetScrew DIN933 M8 x 1	8	EA
19	1502271	WLDMT, S4726/4732 PLATFORM	1	EA

アイテム	部品番号	名前	数量	UOM
20	1502281	WLDMT, EXT DECK S4726/4732	1	EA
21	1502269	ROLLER, PLATFORM EXTENSION	4	EA
22	1502265	WLDMT, ROLLER MNT	2	EA
23	1501902	WLDMT, SALOON GATE MNT LH	1	EA
24	1501904	WLDMT, SALOON GATE MNT RH	1	EA
25	1501865	WLDMT, SALOON GATE LH	1	EA
26	1501870	WLDMT, SALOON GATE RH	1	EA
27	5516359	HINGE, SPRING	4	EA
28	1501844	BUMPER, GATES	4	EA
29	1501361	WLDMT, HNDRL MAIN LH	1	EA
30	1501366	WLDMT, HNDRL OUTER RH	1	EA
31	1501542	WLDMT FRONT GATE	1	EA
32	1501371	WLDMT, HNDRL FRONT LH	1	EA
33	1502001	WLDMT, HNDRL TOP LH	1	EA
34	1502002	WLDMT, HNDRL TOP RH	1	EA
35	302544	Pin & Lock	4	EA
36	1501581	WLDMT, TOP SLIDER LH	1	EA
37	1501582	WLDMT, TOP SLIDER RH	1	EA
38	5569973	SLIDE PAD, STICK ON OCTOBER 2017 AND BEFORE	8	EA
39	1501395	TUBE HNDRL MID TELESCOPE	2	EA
40	1501525	WLDMT, SLIDE HANDLE	2	EA
41	5563451	PLUG TUBING 1.00 X .095	4	EA
42	1501583	CLIP HANDLE 1.00	2	EA
43	1502443	WLDMT, WIRE CHASE	1	EA
44	1501397	PLT CONT BOX MNT COVER	1	EA
45	5563446	1/4 20 PAN HEAD SCREW	8	EA
46	5516360	HINGE, DRILLED SIDE DRIVE THIN	1	EA
47	1502442	PLT, SIDE DOOR THIN      ORG	1	EA

アイテム	部品番号	名前	数量	UOM
48	5516349	MAGNETIC LATCH	1	EA
49	562386	Literature Compartment	1	EA
50	1501842	DOUBLER PLATE, HANDRAIL ORG	2	EA
51	5569998	GROMMET 1.25ID 1.75DIA X.094GRV	1	EA

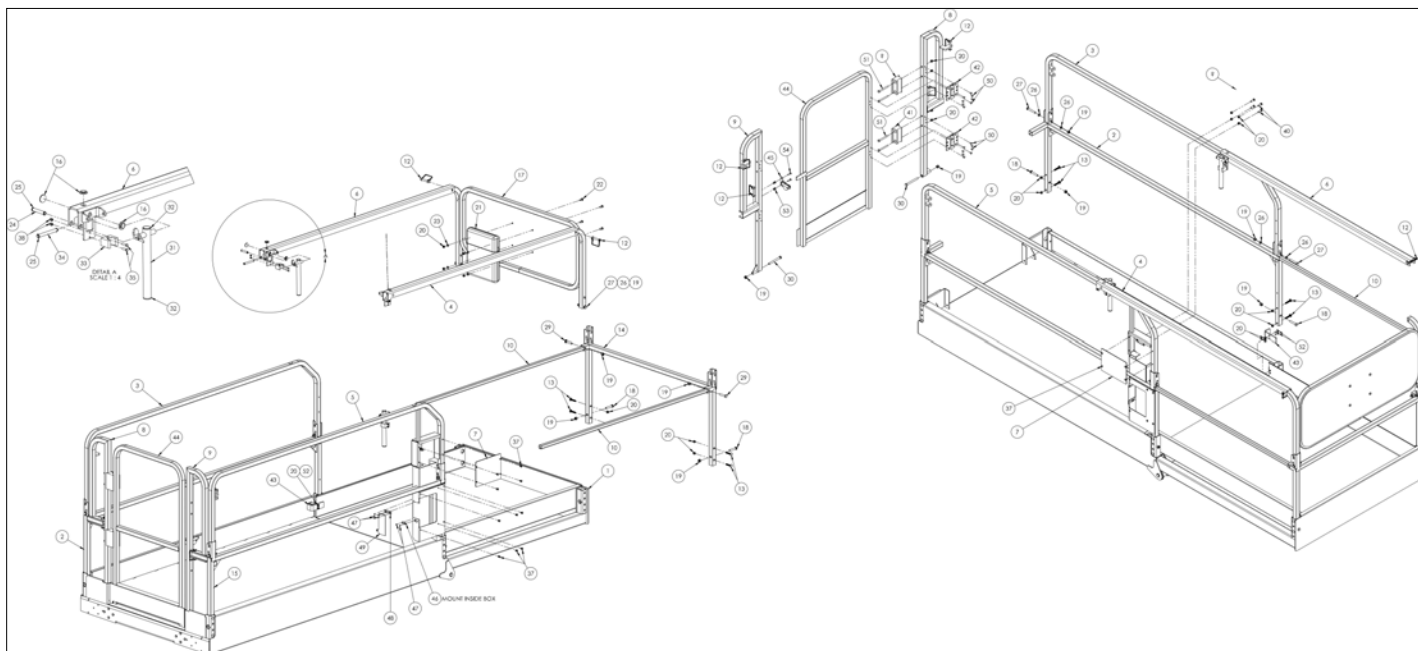


REPAIR PARTS



アイテム	部品番号	名前	数量	UOM
	1502693 D	PLATFORM ASSEMBLY S4726E S4732E		EA
1	1502271	WLDMT, S4726/4732 PLATFORM	1	EA
2	1502269	ROLLER, PLATFORM EXTENSION	4	EA
3	1502281	WLDMT, EXT DECK S4726/4732	1	EA
4	1502265	WLDMT, ROLLER MNT	2	EA
5	1500898	Plastic UHMW 1/4 x 1 1/8	2	EA
6	058492 016	HHCS M8 x 1.25 X 16GR 8.8 DIN933	8	EA
7	058492 025	BOLT HEXSETSCREW DIN933 M8 X 25MM 8.8 ZP	8	EA
8	056066 008	NUT NYLOCKNUT DIN985 M8 8.0 ZP	8	EA
9	056066 006	Nut NylockNut DIN985 M6 8.0 Zi	4	EA
10	500532 020	Bolt, CskSktFltMachScrew DIN79	4	EA
11	1502951	PLT, SHIM PLATFORM MNT	1	EA

# REPAIR PARTS

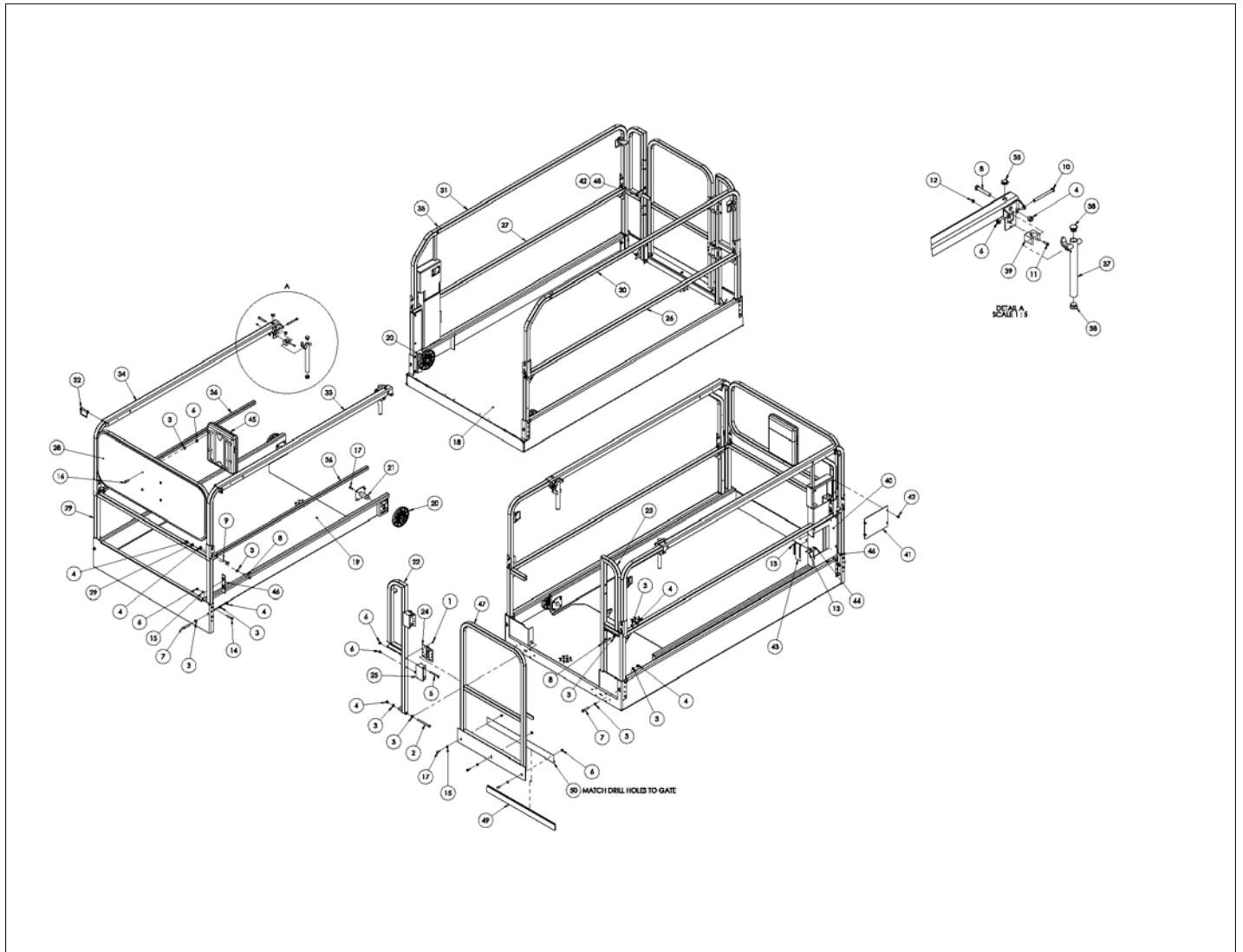


アイテム	部品番号	名前	数量	UOM
*	1501999 C	PLATFORM ASSEMBLY S4732E S4726E SEPTEMBER 2015 AND AFTER		EA
1	1501575	ASSY PLATFORM S4732E S4726E	1	EA
2	1501361 5	WLDMT HNDRL MAIN LF	1	EA
3	1501381	WLDMT HNDRL MAIN LH S4732/S4726	1	EA
4	1501582 5	WLDMT TOP SLIDER RH	1	EA
5	1502088	WLDMT HNDRL TOP RH S4732/4726	1	EA
6	1501581 5	WLDMT TOP SLIDER LH	1	EA
7	1501397 5	PLT CONT BOX MNT COVER	1	EA
8	1501902 5	WLDMT, SALOON GATE MNT LH	1	EA
9	1501904 5	WLDMT, SALOON GATE MNT RH	1	EA
10	1501395	TUBE HNDRL MID TELESCOPE	2	EA
11	1501189	COVER CABLE GUARD	1	EA
12	302544	Pin & Lock	6	EA
13	5563447	BLT CRG M8 X 1.25 X 45 8.8 CLR ZN	12	EA
14	1501371 5	WLDMT HNDRL FRONT LH	1	EA
15	1501366 5	WLDMT HNDRL MAIN RH	1	EA
16	5569973	SLIDE PAD, STICK ON OCTOBER 2017 AND BEFORE	8	EA
17	1501542	WLDMT FRONT GATE	1	EA
18	056060 055	Bolt, HexBolt DIN931 M10 x 55mm 8.8 ZincPlated	5	EA
19	056066 010	Nut, NylockNut DIN985 M10 8.0ZincPlated	16	EA
20	056066 008	NUT NYLOCKNUT DIN985 M8 8.0 ZP	25	EA
21	562386	Literature Compartment	1	EA
22	056059 016	HHCS M8 X 16 GR8.8 DIN 931	4	EA

アイテム	部品番号	名前	数量	UOM
23	056069 008	WASHER, STEELFLATWASHER DIN12M8 FLAT WASHER DIN 125	7	EA
24	1501408	PIN HNDRL SLIDER MNT	2	EA
25	1502018	RETAINING RING EXTERNAL .375 DIA BASIC	8	EA
26	056069 010	Washer, SteelFlatWasher DIN125A M10 ZincPlated	12	EA
27	056060 065	Bolt, HexBolt DIN931 M10 x 65mm 8.8 ZincPlated	7	EA
28	056060 045	Bolt, HexBolt DIN931 M10 x 45mm 8.8 ZincPlated	1	EA
29	056060 050	Bolt, HexBolt DIN931 M10 x 50m	2	EA
30	056060 100	Bolt, HexBolt DIN931 M10 x 100	2	EA
31	1501525 4	WLDMT SLIDE HANDLE JUNE 2017 AND AFTER	2	EA
32	5563451	PLUG TUBING 1.00 X .095	4	EA
33	1501583	CLIP HANDLE 1.00	2	EA
34	1501585	PIN HNDRL HANDLE MNT	2	EA
35	058490 020	Bolt, HexSetScrew DIN933 M5 x	4	EA
36	1502050	WLDMT LOADING CONTROLS	1	EA
37	5563446	1/4 20 PAN HEAD SCREW	12	EA
38	056066 005	Nut NylockNut DIN985 M5 8.0 Zi	4	EA
39	1501487 4	WLDMT EXT DECK STOP	1	EA
40	058492 025	BOLT HEXSETSCREW DIN933 M8 X 25MM 8.8 ZP	2	EA
41	1501844	BUMPER, GATES	2	EA
42	1506359	HINGE SELF CLOSING SPRING	2	EA
43	1501826	PLT EXTENSION STOP	2	EA
44	1501989 5	WLDMT, SWING S4726/4732 AU	1	EA
45	512602 000	LATCH/STRIKER SET	1	EA
46	5516349	MAGNETIC LATCH	1	EA

アイテム	部品番号	名前	数量	UOM
47	5560659	RVT POP .125 DIA .250 DMD STL	6	EA
48	15665A314	HINGE DRILLED SIDE DRIVE	1	EA
49	1502067	PLT SIDE DRIVE REAR DOOR THIN	1	EA
50	5563644	ALUM POP RIVET LG HD 4.8 X 9.2 STL MANDREL	16	EA
51	056059 080	Bolt, HexBolt DIN931 M8 x 80mm	4	EA
52	058492 020	Bolt HexSetScrew DIN933 M8 x 2	3	EA
53	3628 06	Nutsert M6	2	EA
54	058491 020	HHCS M6 X 1 X 20 G8.8 DIN 933	2	EA

REPAIR PARTS



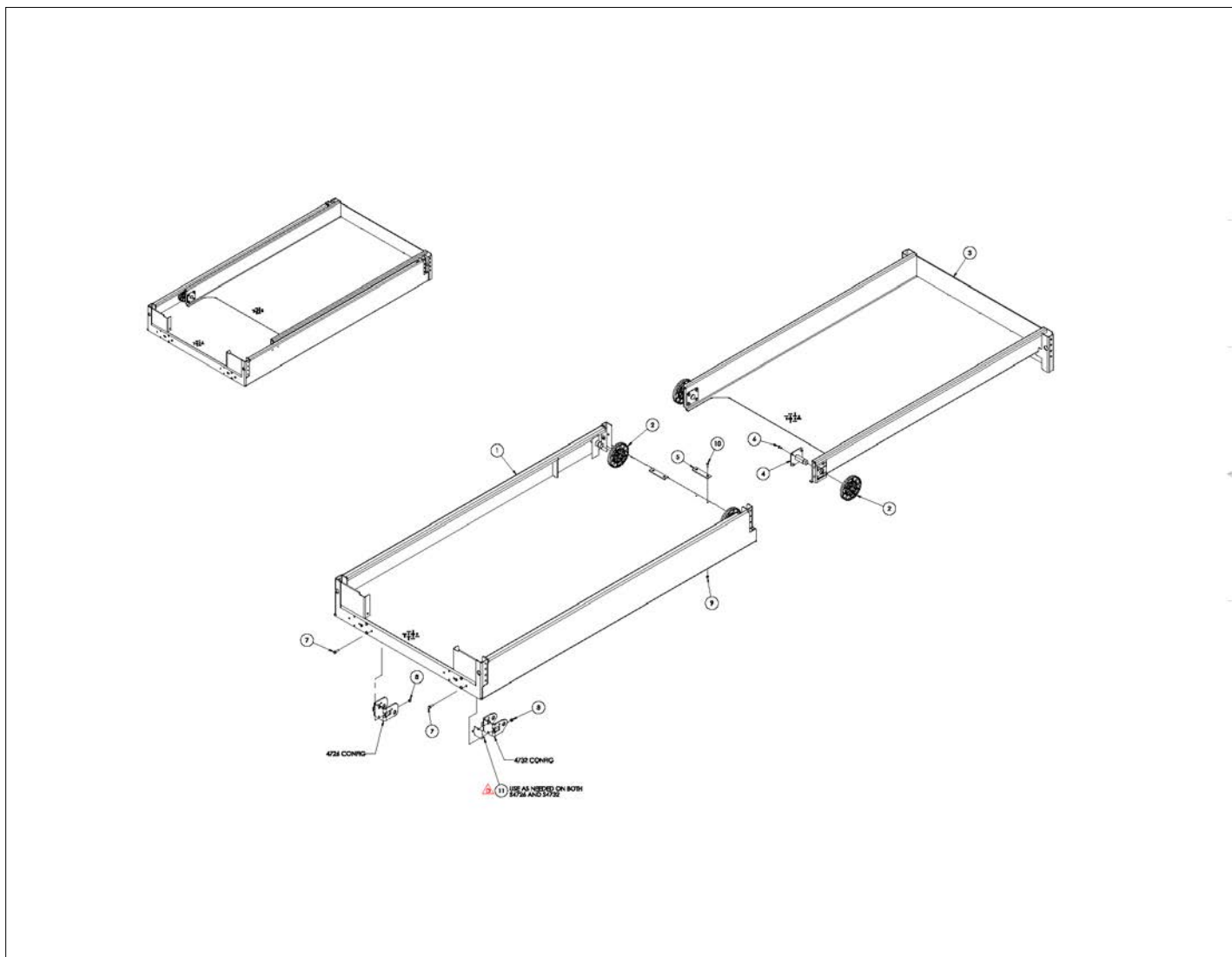
アイテム	部品番号	名前	数量	UOM
	1501999 G	PLATFORM ASSEMBLY AU S4726/4732		EA
1	5563466	POP RIVET S/SSTEEL MANDREL	1	EA
2	056060 110	Bolt, HexBolt DIN931 M10 x 110	1	EA
3	056069 010	Washer, SteelFlatWasher DIN125A M10 ZincPlated	1	EA
4	056066 010	Nut, NylockNut DIN985 M10 8.0ZincPlated	1	EA
5	500595 075	Bolt, SktButCapScrew DIN9427 M	2	EA
6	056066 008	NUT NYLOCKNUT DIN985 M8 8.0 ZP	1	EA
7	056060 055	Bolt, HexBolt DIN931 M10 x 55mm 8.8 ZincPlated	1	EA
8	056060 060	BOLT HEXHD M10 1.50 X 60 MM DIN 931GR 8.8 ZP	1	EA
9	056060 045	Bolt, HexBolt DIN931 M10 x 45mm 8.8 ZincPlated	10	EA
10	056059 090	Bolt, HexBolt DIN931 M8 x 90mm 8.8 ZincPlated	1	EA
11	058490 020	Bolt, HexSetScrew DIN933 M5 x	1	EA
12	056066 005	Nut NylockNut DIN985 M5 8.0 Zi	2	EA
13	5560659	RVT POP .125 DIA .250 DMD STL	4	EA
14	056059 050	BOLT, HEXBOLT DIN931 M8 X 50MM 8.8 ZINCPLATED	2	EA
15	056069 008	WASHER, STEELFLATWASHER DIN12M8 FLAT WASHER DIN 125	2	EA
16	058492 025	BOLT HEXSETSCREW DIN933 M8 X 25MM 8.8 ZP	8	EA
17	058492 012	Bolt HexSetScrew DIN933 M8 x 1	1	EA
18	1502271	WLDMT, S4726/4732 PLATFORM	1	EA
19	1502281	WLDMT, EXT DECK S4726/4732	4	EA
20	1502269	ROLLER, PLATFORM EXTENSION	1	EA



アイテム	部品番号	名前	数量	UOM
21	1502265	WLDMT, ROLLER MNT	1	EA
22	1501902	WLDMT, SALOON GATE MNT LH	1	EA
23	1501904	WLDMT, SALOON GATE MNT RH	1	EA
24	5516359	HINGE, SPRING	1	EA
25	1501844	BUMPER, GATES	1	EA
26	1501361	WLDMT, HNDRL MAIN LH	2	EA
27	1501366	WLDMT, HNDRL OUTER RH	2	EA
28	1501542	WLDMT FRONT GATE	1	EA
29	1501371	WLDMT, HNDRL FRONT LH	1	EA
30	1502001	WLDMT, HNDRL TOP LH	2	EA
31	1502002	WLDMT, HNDRL TOP RH	4	EA
32	302544	Pin & Lock	1	EA
33	1501581	WLDMT, TOP SLIDER LH	1	EA
34	1501582	WLDMT, TOP SLIDER RH	11	EA
35	5569973	SLIDE PAD, STICK ON OCTOBER 2017 AND BEFORE	4	EA
36	1501395	TUBE HNDRL MID TELESCOPE	7	EA
37	1501525	WLDMT, SLIDE HANDLE	12	EA
38	5563451	PLUG TUBING 1.00 X .095	6	EA
39	1501583	CLIP HANDLE 1.00	4	EA
40	1502050	WLDMT LOADING CONTROLS	4	EA
41	1501397	PLT CONT BOX MNT COVER	2	EA
42	5563446	1/4 20 PAN HEAD SCREW	2	EA
43	1502067	PLT SIDE DRIVE REAR DOOR THIN	8	EA
44	5516349	MAGNETIC LATCH	6	EA
45	562386	Literature Compartment	25	EA
46	1501842	DOUBLER PLATE, HANDRAIL ORG	4	EA
47	1501989	WLDMT, SWING GATE 4726/4732 AU	18	EA

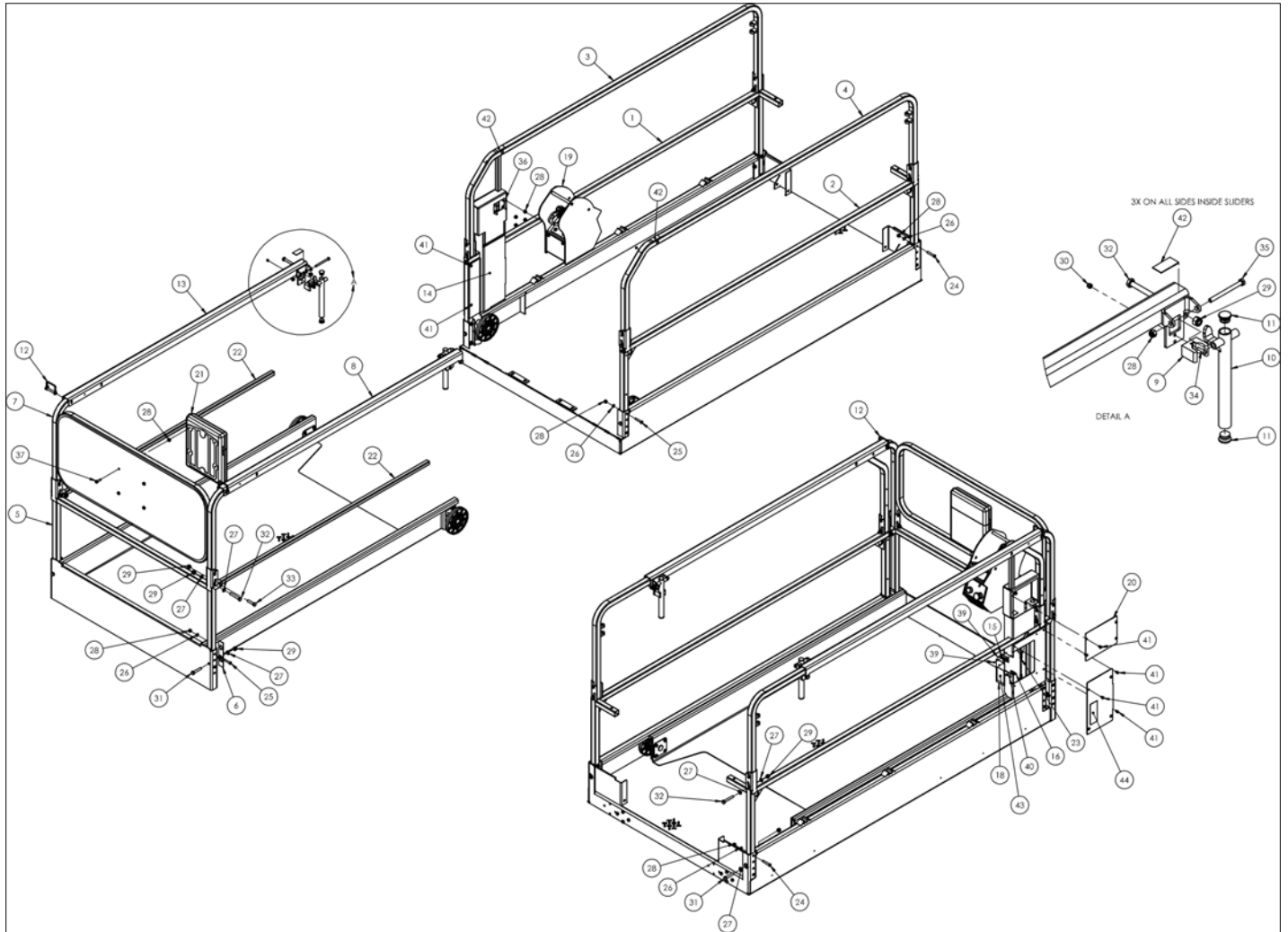
アイテム	部品番号	名前	数量	UOM
48	512602 000	LATCH/STRIKER SET	32	EA
49	0084468	BRUSH	2	EA
50	0084470	BRUSH HOLDER MTG BRKT	16	EA

REPAIR PARTS



アイテム	部品番号	名前	数量	UOM
	1502693D	PLATFORM ASSEMBLY CHINA S4726E S4732E		EA
1	1502271	WLDMT, S4726/4732 PLATFORM	1	EA
2	1502269	ROLLER, PLATFORM EXTENSION	4	EA
3	1502281	WLDMT, EXT DECK S4726/4732	1	EA
4	1502265	WLDMT, ROLLER MNT	2	EA
5	1500898	Plastic UHMW 1/4 x 1 1/8	2	EA
6	058492 016	HHCS M8 x 1.25 X 16GR 8.8 DIN933	8	EA
7	058492 025	BOLT HEXSETSCREW DIN933 M8 X 25MM 8.8 ZP	8	EA
8	056066 008	NUT NYLOCKNUT DIN985 M8 8.0 ZP	8	EA
9	056066 006	Nut NylockNut DIN985 M6 8.0 Zi	4	EA
10	500532 020	Bolt, CskSktFltMachScrew DIN79	4	EA
11	1502951	PLT, SHIM PLATFORM MNT	1	EA

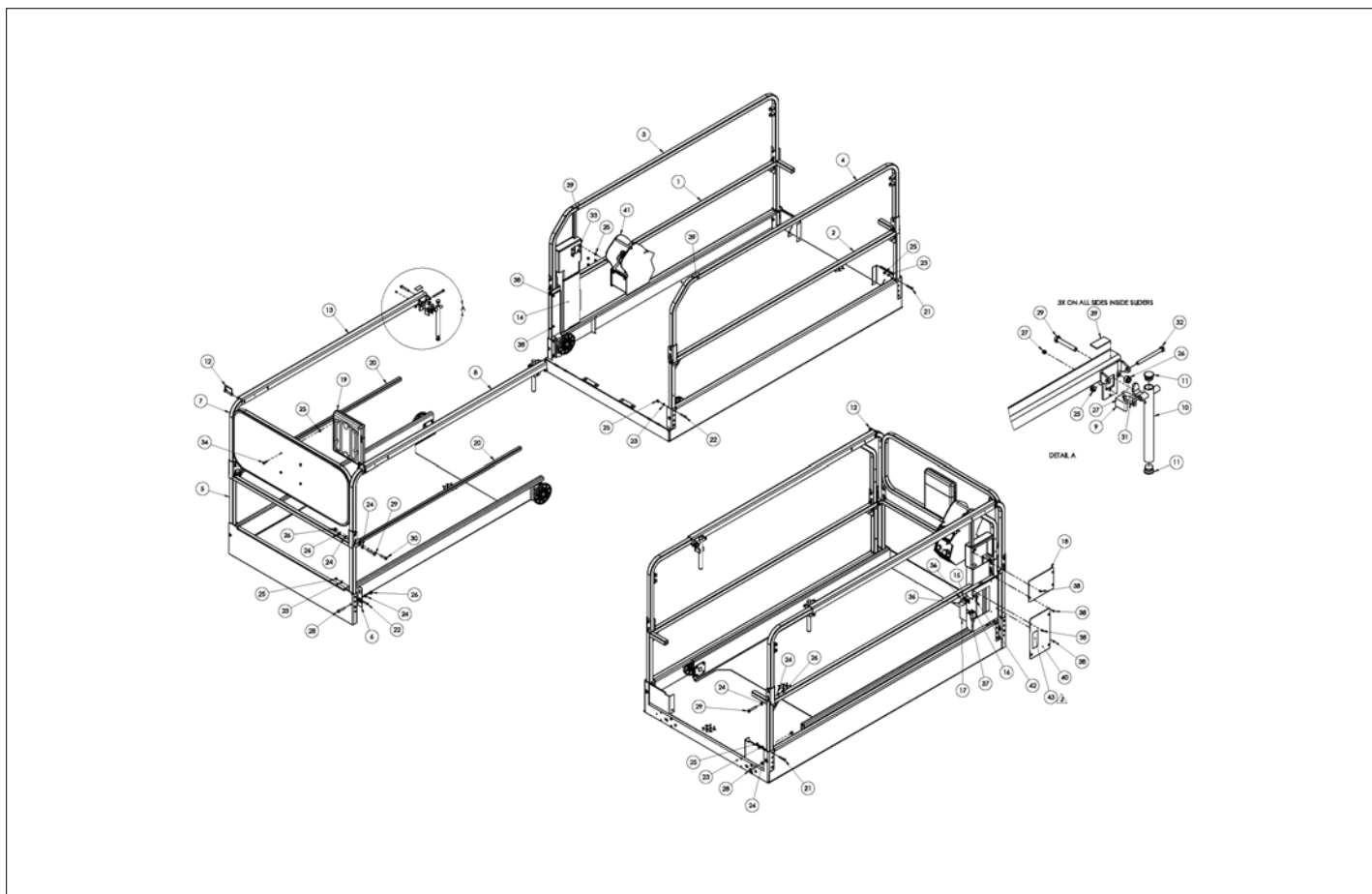
REPAIR PARTS



アイテム	部品番号	名前	数量	UOM
*	1503140 B	HANDRAIL ASSEMBLY CSA SEPTEMBER 2019 AND AFTER		EA
1	1501366 5	WLDMT HNDRL MAIN RH	1	EA
2	1501361 5	WLDMT HNDRL MAIN LF	1	EA
3	1502002 5	WLDMT, HANDRAIL TOP RH	1	EA
4	1502001 5	WLDMT, HNDRL TOP LH	1	EA
5	1501371 5	WLDMT HNDRL FRONT LH	1	EA
6	1501842 4	DOUBLER PLATE, HANDRAIL	2	EA
7	1501542 5	WLDMT FRONT GATE	1	EA
8	1501581 5	WLDMT TOP SLIDER LH	1	EA
9	1501583	CLIP HANDLE 1.00	2	EA
10	1501525 4	WLDMT SLIDE HANDLE JUNE 2017 AND AFTER	2	EA
11	5563451	PLUG TUBING 1.00 X .095	4	EA
12	302544	Pin & Lock	2	EA
13	1501582 5	WLDMT TOP SLIDER RH	1	EA
14	1502443 5	WLDMT, WIRE CHASE	1	EA
15	5516360	HINGE, DRILLED SIDE DRIVE THIN	1	EA
16	5516349	MAGNETIC LATCH	1	EA
17	1501829 5	PLT, CABLE COVER BOTTOM	1	EA
18	1502442 5	PLT, SIDE DOOR THIN	1	EA
19	1503113	ASSY, UCB ANSI/CE 2SPD	1	EA
20	1501397 5	PLT CONT BOX MNT COVER	1	EA
21	562386	Literature Compartment	1	EA
22	1501395	TUBE HNDRL MID TELESCOPE	2	EA
23	1503200	PENDANT, DRIVE CONTROLS SEPTEMBER 2019 AND AFTER	1	EA
24	5563304	SBHCS M8 X 1.25 X 50MM GR 1039	4	EA
25	5563305	SBHCS M8 X 1.25 X 45MM GR 1039 PLTD	8	EA

アイテム	部品番号	名前	数量	UOM
26	056069 008	WASHER, STEELFLATWASHER DIN12M8 FLAT WASHER DIN 125	12	EA
27	056069 010	Washer, SteelFlatWasher DIN125A M10 ZincPlated	18	EA
28	056066 008	NUT NYLOCKNUT DIN985 M8 8.0 ZP	22	EA
29	056066 010	Nut, NylockNut DIN985 M10 8.0ZincPlated	16	EA
30	056066 005	Nut NylockNut DIN985 M5 8.0 Zi	4	EA
31	056060 055	Bolt, HexBolt DIN931 M10 x 55mm 8.8 ZincPlated	6	EA
32	056060 065	Bolt, HexBolt DIN931 M10 x 65mm 8.8 ZincPlated	8	EA
33	056060 045	Bolt, HexBolt DIN931 M10 x 45mm 8.8 ZincPlated	2	EA
34	505082 020	Bolt, SktButCapScrew DIN9427 M5 x 20mm 10.9 ZincPlated	4	EA
35	056059 090	Bolt, HexBolt DIN931 M8 x 90mm 8.8 ZincPlated	2	EA
36	058492 020	Bolt HexSetScrew DIN933 M8 x 2	4	EA
37	058492 025	BOLT HEXSETSCREW DIN933 M8 X 25MM 8.8 ZP	4	EA
38	5563466	POP RIVET S/SSTEEL MANDREL	2	EA
39	5560659	RVT POP .125 DIA .250 DMD STL	4	EA
40	5560656	RVT POP .125 DIA .375 DMD STL	2	EA
41	5563446	1/4 20 PAN HEAD SCREW	12	EA
42	1502834	SLIDE PAD, STICK ON NOVEMBER 2017 AND AFTER	8	EA
43	1503072	DECAL, DRIVE CNTRL E STOP ON	1	EA
44	1502990	DECAL, PENDANT CONTROLS JUNE 2018 AND AFTER	1	EA

REPAIR PARTS

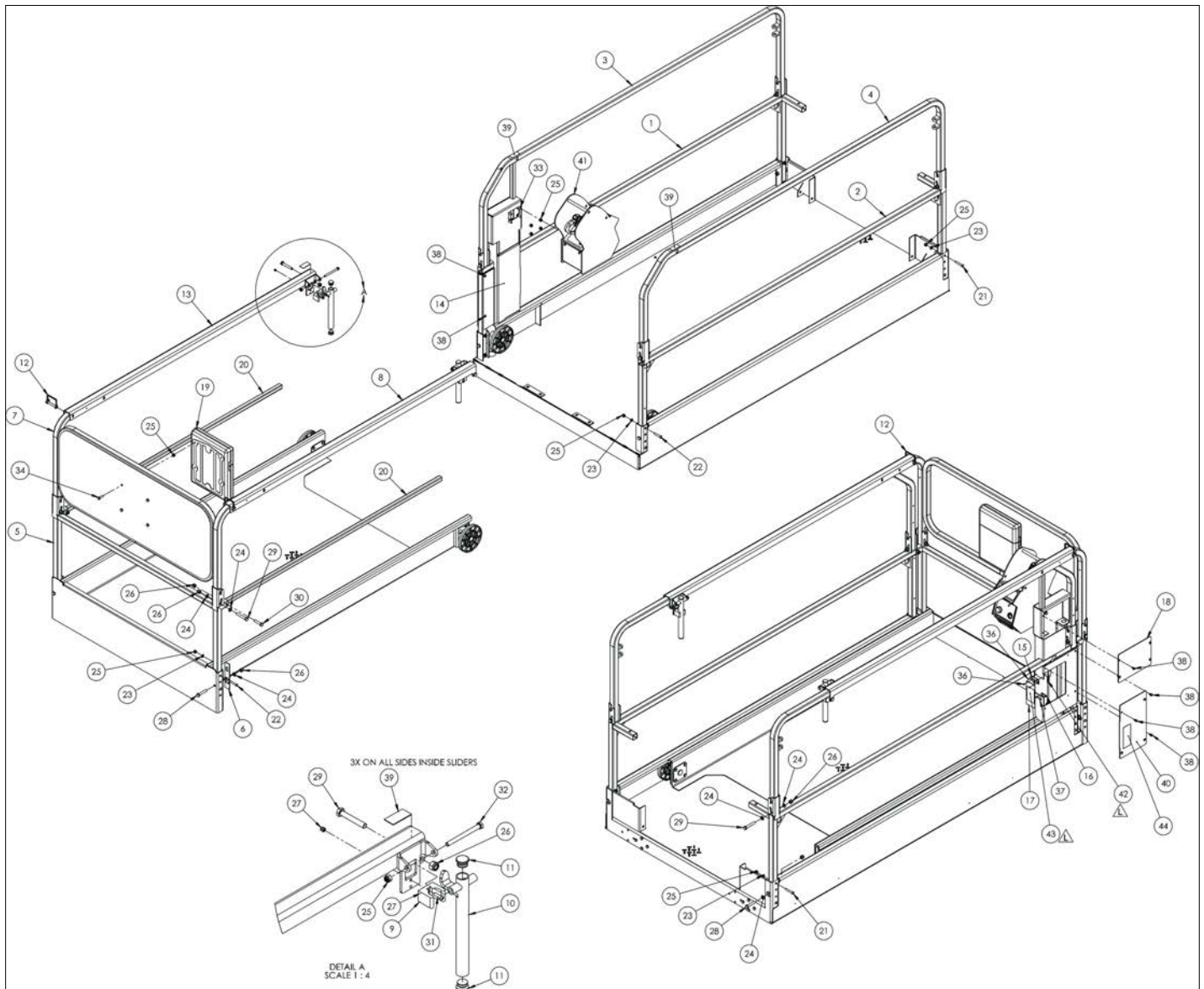




アイテム	部品番号	名前	数量	UOM
	1502694 J	HANDRAILS ASSEMBLY ANSI MARCH 2017 AND AFTER		EA
1	1501366	WLDMT, HNDRL OUTER RH	1	EA
2	1501361	WLDMT, HNDRL MAIN LH	1	EA
3	1502002	WLDMT, HNDRL TOP RH	1	EA
4	1502001	WLDMT, HNDRL TOP LH	1	EA
5	1501371	WLDMT, HNDRL FRONT LH	2	EA
6	1501842	DOUBLER PLATE, HANDRAIL ORG	1	EA
7	1501542	WLDMT FRONT GATE	1	EA
8	1501581	WLDMT, TOP SLIDER LH	2	EA
9	1501583	CLIP HANDLE 1.00	2	EA
10	1501525	WLDMT, SLIDE HANDLE	4	EA
11	5563451	PLUG TUBING 1.00 X .095	2	EA
12	302544	Pin & Lock	1	EA
13	1501582	WLDMT, TOP SLIDER RH	1	EA
14	1502443	WLDMT, WIRE CHASE	1	EA
15	5516360	HINGE, DRILLED SIDE DRIVE THIN	1	EA
16	5516349	MAGNETIC LATCH	1	EA
17	1502442	PLT, SIDE DOOR THIN      ORG	1	EA
18	1501397	PLT CONT BOX MNT COVER	1	EA
19	562386	Literature Compartment	1	EA
20	1501395	TUBE HNDRL MID TELESCOPE	2	EA
21	5563304	SBHCS M8 X 1.25 X 50MM GR 1039	4	EA
22	5563305	SBHCS M8 X 1.25 X 45MM GR 1039 PLTD	8	EA
23	056069 008	WASHER, STEELFLATWASHER DIN12M8 FLAT WASHER DIN 125	12	EA
24	056069 010	Washer, SteelFlatWasher DIN125A M10 ZincPlated	18	EA

アイテム	部品番号	名前	数量	UOM
25	056066 008	NUT NYLOCKNUT DIN985 M8 8.0 ZP	22	EA
26	056066 010	Nut, NylockNut DIN985 M10 8.0ZincPlated	16	EA
27	056066 005	Nut NylockNut DIN985 M5 8.0 Zi	4	EA
28	056060 055	Bolt, HexBolt DIN931 M10 x 55mm 8.8 ZincPlated	6	EA
29	056060 065	Bolt, HexBolt DIN931 M10 x 65mm 8.8 ZincPlated	8	EA
30	056060 045	Bolt, HexBolt DIN931 M10 x 45mm 8.8 ZincPlated	2	EA
31	505082 020	Bolt, SktButCapScrew DIN9427 M5 x 20mm 10.9 ZincPlated	4	EA
32	056059 090	Bolt, HexBolt DIN931 M8 x 90mm 8.8 ZincPlated	2	EA
33	058492 020	Bolt HexSetScrew DIN933 M8 x 2	4	EA
34	058492 025	BOLT HEXSETSCREW DIN933 M8 X 25MM 8.8 ZP	4	EA
35	5563466	POP RIVET S/SSTEEL MANDREL	2	EA
36	5560659	RVT POP .125 DIA .250 DMD STL	4	EA
37	5560656	RVT POP .125 DIA .375 DMD STL	2	EA
38	5563446	1/4 20 PAN HEAD SCREW	12	EA
39	1502834	SLIDE PAD, STICK ON NOVEMBER 2017 AND AFTER	8	EA
40	1501829	PLT, CABLE COVER BOTTOM	1	EA
41	1502872	ASSY, UCB ANSI 2SPD MAY 2018 AND AFTER	1	EA
42	1502836	PENDANT, DRIVE CONTROLS JANUARY 2018 AND AFTER	1	EA
43	1502990	DECAL, PENDANT CONTROLS JUNE 2018 AND AFTER		EA

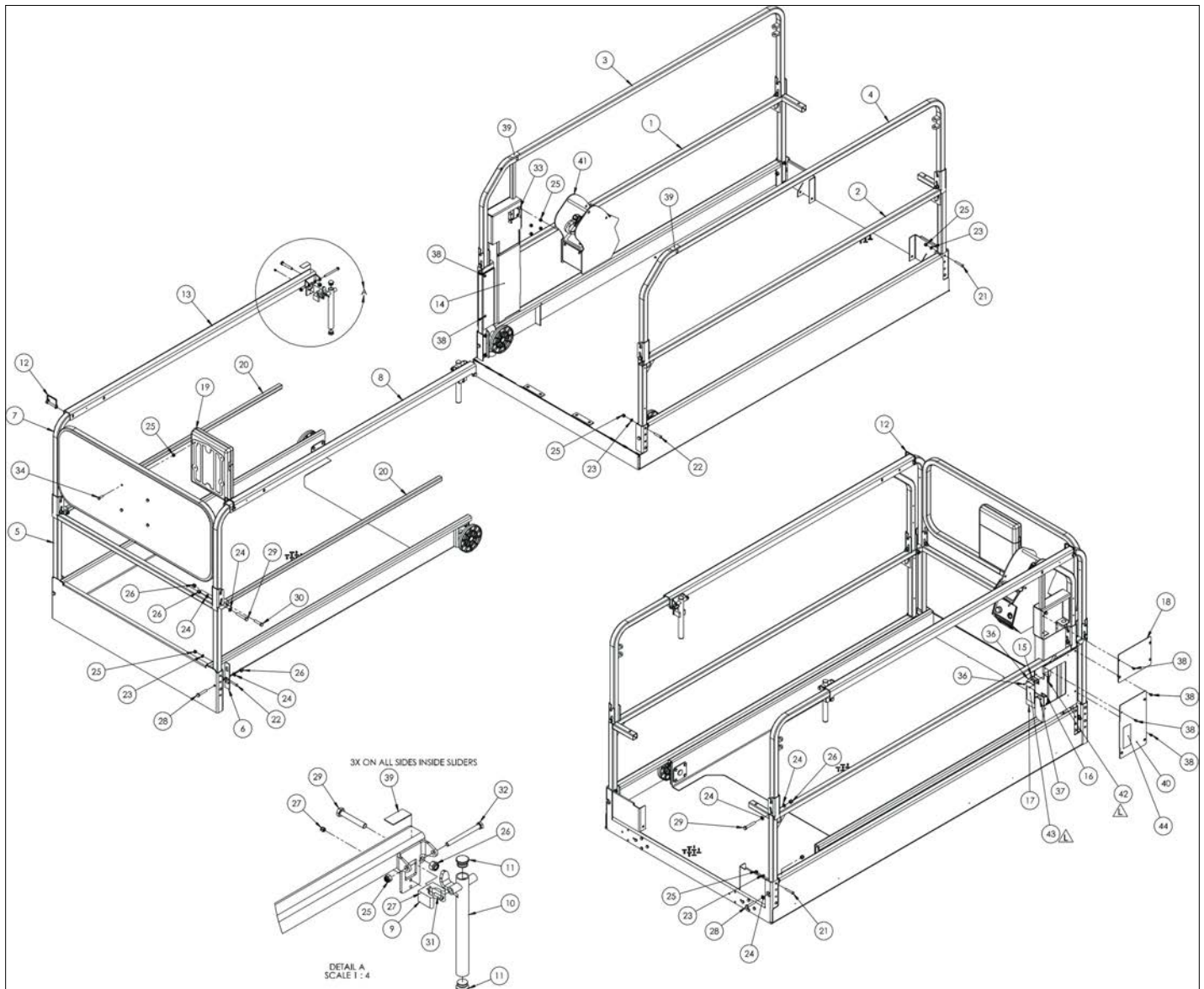
REPAIR PARTS



アイテム	部品番号	名前	数量	UOM
	1502694 L	HANDRAILS ASSEMBLY ANSI/CE OCTOBER 2018 AND AFTER		EA
1	1501366	WLDMT, HNDRL OUTER RH	1	EA
2	1501361	WLDMT, HNDRL MAIN LH	1	EA
3	1502002	WLDMT, HNDRL TOP RH	1	EA
4	1502001	WLDMT, HNDRL TOP LH	1	EA
5	1501371	WLDMT, HNDRL FRONT LH	1	EA
6	1501842	DOUBLER PLATE, HANDRAIL ORG	2	EA
7	1501542	WLDMT FRONT GATE	1	EA
8	1501581	WLDMT, TOP SLIDER LH	1	EA
9	1501583	CLIP HANDLE 1.00	2	EA
10	1501525	WLDMT, SLIDE HANDLE	2	EA
11	5563451	PLUG TUBING 1.00 X .095	4	EA
12	302544	Pin & Lock	2	EA
13	1501582	WLDMT, TOP SLIDER RH	1	EA
14	1502443	WLDMT, WIRE CHASE	1	EA
15	5516360	HINGE, DRILLED SIDE DRIVE THIN	1	EA
16	5516349	MAGNETIC LATCH	1	EA
17	1502442	PLT, SIDE DOOR THIN      ORG	1	EA
18	1501397	PLT CONT BOX MNT COVER	1	EA
19	562386	Literature Compartment	1	EA
20	1501395	TUBE HNDRL MID TELESCOPE	2	EA
21	5563304	SBHCS M8 X 1.25 X 50MM GR 1039	4	EA
22	5563305	SBHCS M8 X 1.25 X 45MM GR 1039 PLTD	8	EA
23	056069 008	WASHER, STEELFLATWASHER DIN12M8 FLAT WASHER DIN 125	12	EA
24	056069 010	Washer, SteelFlatWasher DIN125A M10 ZincPlated	18	EA

アイテム	部品番号	名前	数量	UOM
25	056066 008	NUT NYLOCKNUT DIN985 M8 8.0 ZP	22	EA
26	056066 010	Nut, NylockNut DIN985 M10 8.0ZincPlated	16	EA
27	056066 005	Nut NylockNut DIN985 M5 8.0 Zi	4	EA
28	056060 055	Bolt, HexBolt DIN931 M10 x 55mm 8.8 ZincPlated	6	EA
29	056060 065	Bolt, HexBolt DIN931 M10 x 65mm 8.8 ZincPlated	8	EA
30	056060 045	Bolt, HexBolt DIN931 M10 x 45mm 8.8 ZincPlated	2	EA
31	505082 020	Bolt, SktButCapScrew DIN9427 M5 x 20mm 10.9 ZincPlated	4	EA
32	056059 090	Bolt, HexBolt DIN931 M8 x 90mm 8.8 ZincPlated	2	EA
33	058492 020	Bolt HexSetScrew DIN933 M8 x 2	4	EA
34	058492 025	BOLT HEXSETSCREW DIN933 M8 X 25MM 8.8 ZP	4	EA
Not Shown	5563466	POP RIVET S/SSTEEL MANDREL	2	EA
36	5560659	RVT POP .125 DIA .250 DMD STL	4	EA
37	5560656	RVT POP .125 DIA .375 DMD STL	2	EA
38	5563446	1/4 20 PAN HEAD SCREW	12	EA
39	1502834	SLIDE PAD, STICK ON NOVEMBER 2017 AND AFTER	8	EA
40	1501829	PLT, CABLE COVER BOTTOM	1	EA
41	1503113	ASSY, UCB ANSI/CE 2SPD	1	EA
42	1503071	PENDANT, DRIVE CONTROLS NOVEMBER 2018 AND AFTER	1	EA
43	1503073	DECAL, DRIVE CNTRL E STOP OFF	1	EA
44	1502990	DECAL, PENDANT CONTROLS JUNE 2018 AND AFTER	1	EA

REPAIR PARTS

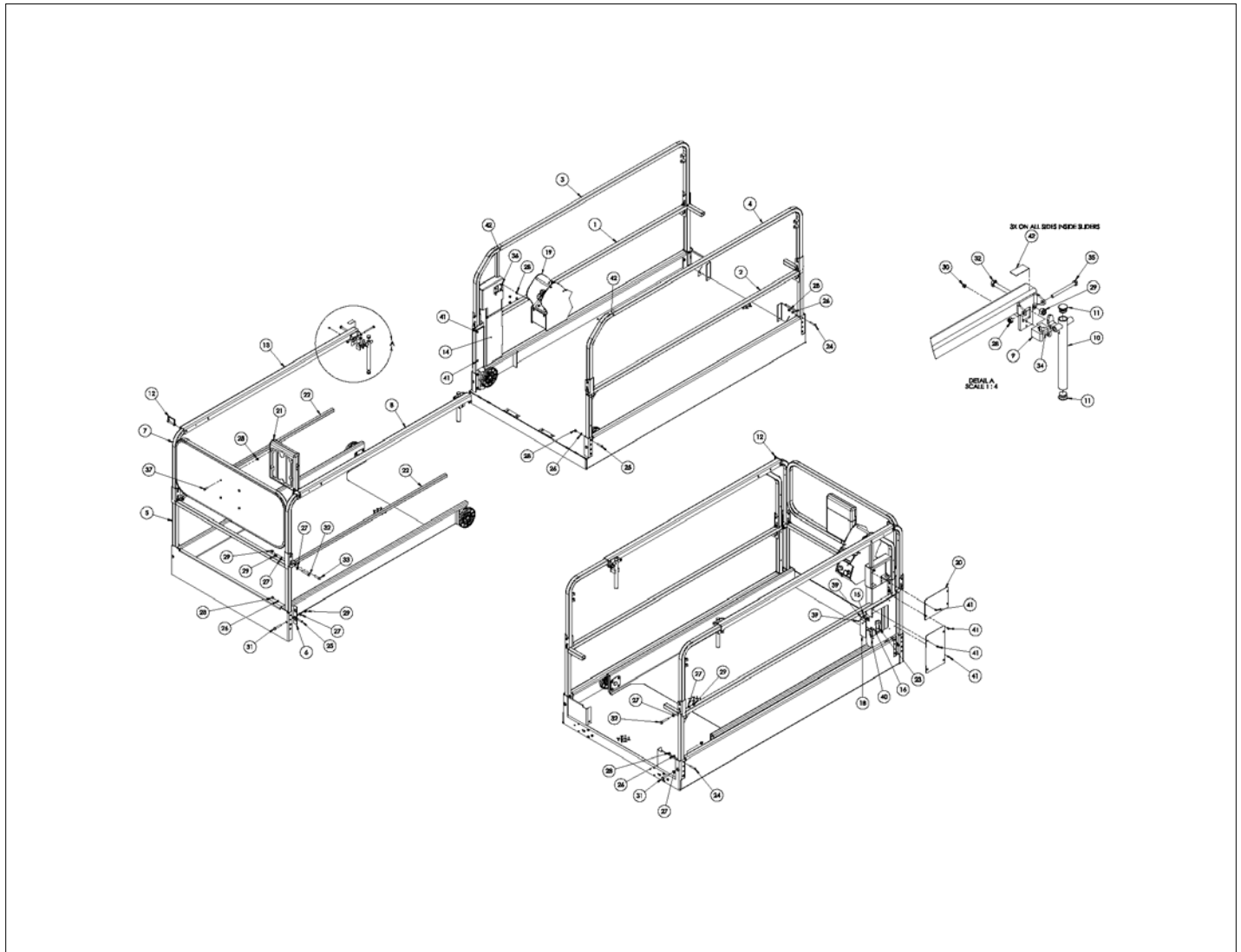


アイテム	部品番号	名前	数量	UOM
	1502694 M	HANDRAILS ASSEMBLY ANSI OCTOBER 2018 AND AFTER		EA
1	1501366	WLDMT, HNDRL OUTER RH	1	EA
2	1501361	WLDMT, HNDRL MAIN LH	1	EA
3	1502002	WLDMT, HNDRL TOP RH	1	EA
4	1502001	WLDMT, HNDRL TOP LH	1	EA
5	1501371	WLDMT, HNDRL FRONT LH	1	EA
6	1501842	DOUBLER PLATE, HANDRAIL ORG	2	EA
7	1501542	WLDMT FRONT GATE	1	EA
8	1501581	WLDMT, TOP SLIDER LH	1	EA
9	1501583	CLIP HANDLE 1.00	2	EA
10	1501525	WLDMT, SLIDE HANDLE	2	EA
11	5563451	PLUG TUBING 1.00 X .095	4	EA
12	302544	Pin & Lock	2	EA
13	1501582	WLDMT, TOP SLIDER RH	1	EA
14	1502443	WLDMT, WIRE CHASE	1	EA
15	5516360	HINGE, DRILLED SIDE DRIVE THIN	1	EA
16	5516349	MAGNETIC LATCH	1	EA
17	1502442	PLT, SIDE DOOR THIN      ORG	1	EA
18	1501397	PLT CONT BOX MNT COVER	1	EA
19	562386	Literature Compartment	1	EA
20	1501395	TUBE HNDRL MID TELESCOPE	2	EA
21	5563304	SBHCS M8 X 1.25 X 50MM GR 1039	4	EA
22	5563305	SBHCS M8 X 1.25 X 45MM GR 1039 PLTD	8	EA
23	056069 008	WASHER, STEELFLATWASHER DIN12M8 FLAT WASHER DIN 125	12	EA
24	056069 010	Washer, SteelFlatWasher DIN125A M10 ZincPlated	18	EA

アイテム	部品番号	名前	数量	UOM
25	056066 008	NUT NYLOCKNUT DIN985 M8 8.0 ZP	22	EA
26	056066 010	Nut, NylockNut DIN985 M10 8.0ZincPlated	16	EA
27	056066 005	Nut NylockNut DIN985 M5 8.0 Zi	4	EA
28	056060 055	Bolt, HexBolt DIN931 M10 x 55mm 8.8 ZincPlated	6	EA
29	056060 065	Bolt, HexBolt DIN931 M10 x 65mm 8.8 ZincPlated	8	EA
30	056060 045	Bolt, HexBolt DIN931 M10 x 45mm 8.8 ZincPlated	2	EA
31	505082 020	Bolt, SktButCapScrew DIN9427 M5 x 20mm 10.9 ZincPlated	4	EA
32	056059 090	Bolt, HexBolt DIN931 M8 x 90mm 8.8 ZincPlated	2	EA
33	058492 020	Bolt HexSetScrew DIN933 M8 x 2	4	EA
34	058492 025	BOLT HEXSETSCREW DIN933 M8 X 25MM 8.8 ZP	4	EA
Not Shown	5563466	POP RIVET S/SSTEEL MANDREL	2	EA
36	5560659	RVT POP .125 DIA .250 DMD STL	4	EA
37	5560656	RVT POP .125 DIA .375 DMD STL	2	EA
38	5563446	1/4 20 PAN HEAD SCREW	12	EA
39	1502834	SLIDE PAD, STICK ON NOVEMBER 2017 AND AFTER	8	EA
40	1501829	PLT, CABLE COVER BOTTOM	1	EA
41	1502975	ASSY, UCB ANSI 2SPD	1	EA
42	1503200	PENDANT, DRIVE CONTROLS SEPTEMBER 2019 AND AFTER	1	EA
43	1503073	DECAL, DRIVE CNTRL E STOP OFF	1	EA
44	1502990	DECAL, PENDANT CONTROLS JUNE 2018 AND AFTER	1	EA



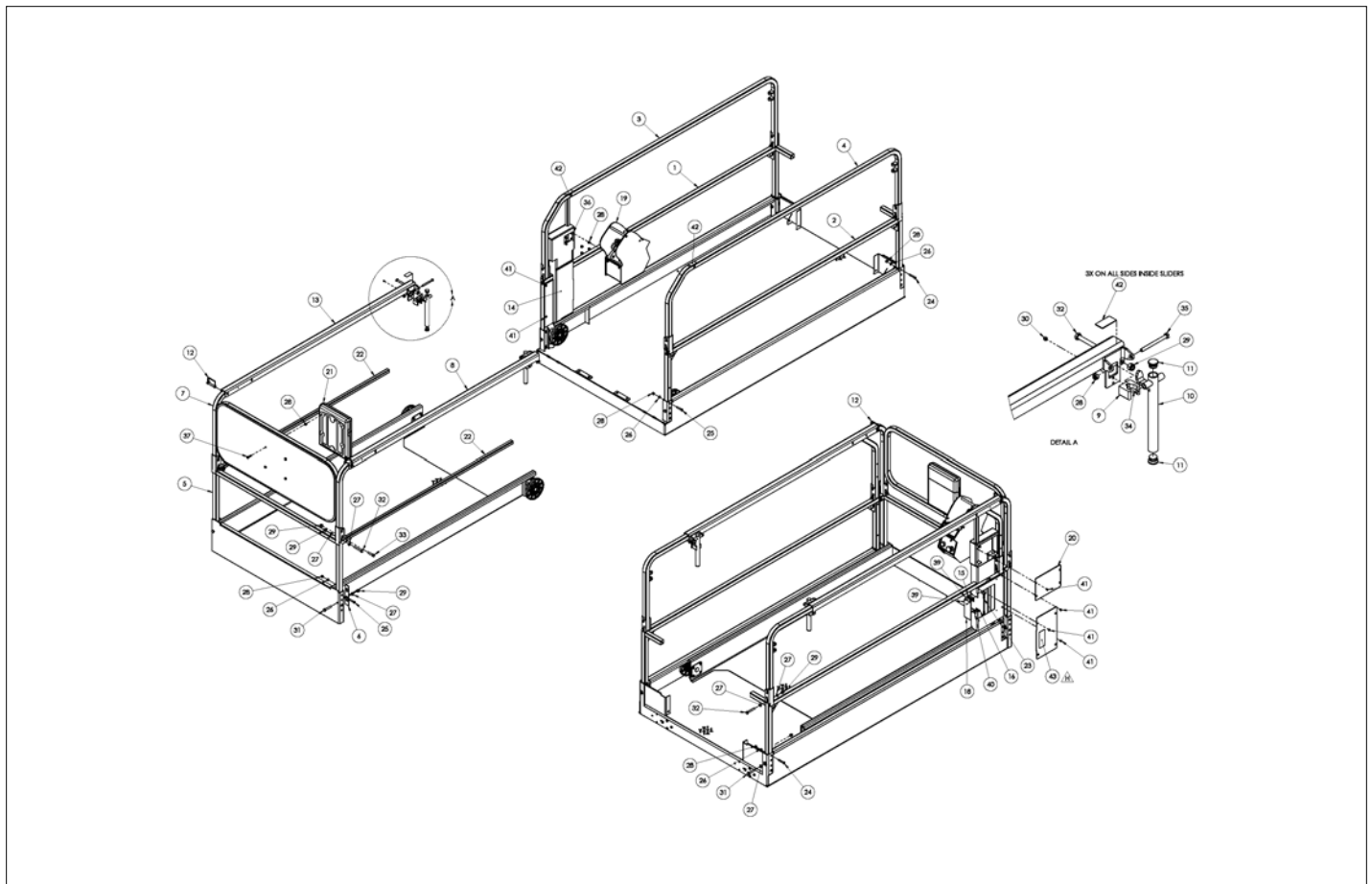
REPAIR PARTS



アイテム	部品番号	名前	数量	UOM
	1502695 E	CE AS HANDRAILS ASSEMBLY		EA
1	1501366	WLDMT, HNDRL OUTER RH	1	EA
2	1501361	WLDMT, HNDRL MAIN LH	1	EA
3	1502002	WLDMT, HNDRL TOP RH	1	EA
4	1502001	WLDMT, HNDRL TOP LH	1	EA
5	1501371	WLDMT, HNDRL FRONT LH	1	EA
6	1501842	DOUBLER PLATE, HANDRAIL ORG	2	EA
7	1501542	WLDMT FRONT GATE	1	EA
8	1501581	WLDMT, TOP SLIDER LH	1	EA
9	1501583	CLIP HANDLE 1.00	2	EA
10	1501525	WLDMT, SLIDE HANDLE	2	EA
11	5563451	PLUG TUBING 1.00 X .095	4	EA
12	302544	Pin & Lock	2	EA
13	1501582	WLDMT, TOP SLIDER RH	1	EA
14	1502443	WLDMT, WIRE CHASE	1	EA
15	5516360	HINGE, DRILLED SIDE DRIVE THIN	1	EA
16	5516349	MAGNETIC LATCH	1	EA
Not Shown	1501829	PLT, CABLE COVER BOTTOM	1	EA
18	1502442	PLT, SIDE DOOR THIN      ORG	1	EA
19	1502336	ASSY, UCB CE 2SPD SEPTEMBER 2018 AND AEFORÉ	1	EA
20	1501397	PLT CONT BOX MNT COVER	1	EA
21	562386	Literature Compartment	1	EA
22	1501395	TUBE HNDRL MID TELESCOPE	2	EA
23	514880 000	PENDANT, DRIVE CONTROLS DECEMBER 2017 AND AFTER	1	EA
24	5563304	SBHCS M8 X 1.25 X 50MM GR 1039	4	EA

アイテム	部品番号	名前	数量	UOM
25	5563305	SBHCS M8 X 1.25 X 45MM GR 1039 PLTD	8	EA
26	056069 008	WASHER, STEELFLATWASHER DIN12M8 FLAT WASHER DIN 125	12	EA
27	056069 010	Washer, SteelFlatWasher DIN125A M10 ZincPlated	18	EA
28	056066 008	NUT NYLOCKNUT DIN985 M8 8.0 ZP	22	EA
29	056066 010	Nut, NylockNut DIN985 M10 8.0ZincPlated	16	EA
30	056066 005	Nut NylockNut DIN985 M5 8.0 Zi	4	EA
31	056060 055	Bolt, HexBolt DIN931 M10 x 55mm 8.8 ZincPlated	6	EA
32	056060 065	Bolt, HexBolt DIN931 M10 x 65mm 8.8 ZincPlated	8	EA
33	056060 045	Bolt, HexBolt DIN931 M10 x 45mm 8.8 ZincPlated	2	EA
34	505082 020	Bolt, SktButCapScrew DIN9427 M5 x 20mm 10.9 ZincPlated	4	EA
35	056059 090	Bolt, HexBolt DIN931 M8 x 90mm 8.8 ZincPlated	2	EA
36	058492 020	Bolt HexSetScrew DIN933 M8 x 2	4	EA
37	058492 025	BOLT HEXSETSCREW DIN933 M8 X 25MM 8.8 ZP	4	EA
Not Shown	5563466	POP RIVET S/SSTEEL MANDREL	2	EA
39	5560659	RVT POP .125 DIA .250 DMD STL	4	EA
40	5560656	RVT POP .125 DIA .375 DMD STL	2	EA
41	5563446	1/4 20 PAN HEAD SCREW	12	EA
42	1502834	SLIDE PAD, STICK ON NOVEMBER 2017 AND AFTER	8	EA

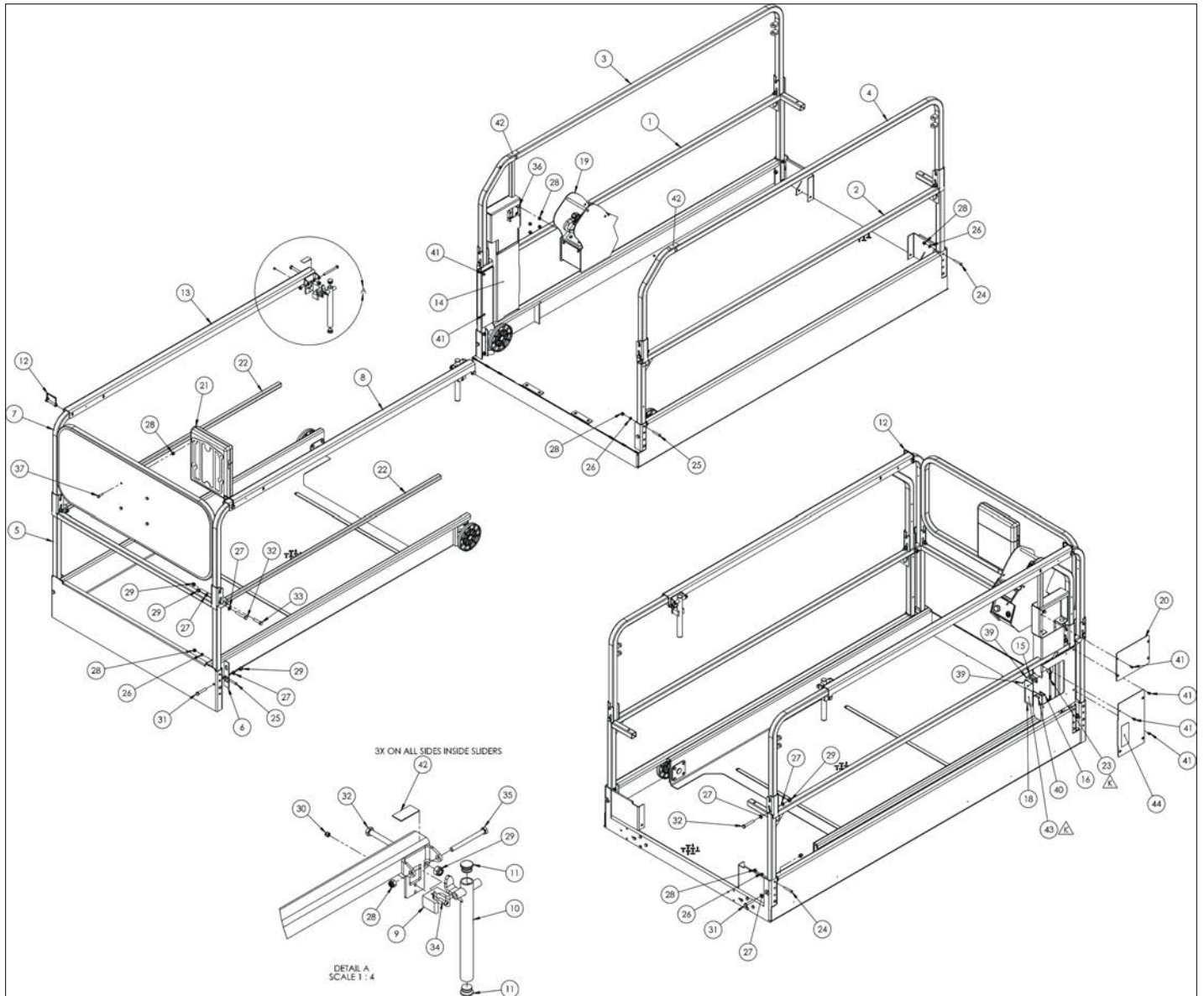
REPAIR PARTS



アイテム	部品番号	名前	数量	UOM
	1502695 H	HANDRAILS ASSEMBLY WITH FIXED UPPER CONTROL BOX CE AS S4726E S4732E SEPTEMBER 2018 AND BEFORE		EA
1	1501366	WLDMT, HNDRL OUTER RH	1	EA
2	1501361	WLDMT, HNDRL MAIN LH	1	EA
3	1502002	WLDMT, HNDRL TOP RH	1	EA
4	1502001	WLDMT, HNDRL TOP LH	1	EA
5	1501371	WLDMT, HNDRL FRONT LH	1	EA
6	1501842	DOUBLER PLATE, HANDRAIL ORG	2	EA
7	1501542	WLDMT FRONT GATE	1	EA
8	1501581	WLDMT, TOP SLIDER LH	1	EA
9	1501583	CLIP HANDLE 1.00	2	EA
10	1501525	WLDMT, SLIDE HANDLE	2	EA
11	5563451	PLUG TUBING 1.00 X .095	4	EA
12	302544	Pin & Lock	2	EA
13	1501582	WLDMT, TOP SLIDER RH	1	EA
14	1502443	WLDMT, WIRE CHASE	1	EA
15	5516360	HINGE, DRILLED SIDE DRIVE THIN	1	EA
16	5516349	MAGNETIC LATCH	1	EA
17	1501829	PLT, CABLE COVER BOTTOM	1	EA
18	1502442	PLT, SIDE DOOR THIN      ORG	1	EA
19	1502336	ASSY, UCB CE 2SPD SEPTEMBER 2018 AND AEFOR	1	EA
20	1501397	PLT CONT BOX MNT COVER	1	EA
21	562386	Literature Compartment	1	EA
22	1501395	TUBE HNDRL MID TELESCOPE	2	EA
23	1502836	PENDANT, DRIVE CONTROLS JANUARY 2018 AND AFTER	1	EA
24	5563304	SBHCS M8 X 1.25 X 50MM GR 1039	4	EA

アイテム	部品番号	名前	数量	UOM
25	5563305	SBHCS M8 X 1.25 X 45MM GR 1039 PLTD	8	EA
26	056069 008	WASHER, STEELFLATWASHER DIN12M8 FLAT WASHER DIN 125	12	EA
27	056069 010	Washer, SteelFlatWasher DIN125A M10 ZincPlated	18	EA
28	056066 008	NUT NYLOCKNUT DIN985 M8 8.0 ZP	22	EA
29	056066 010	Nut, NylockNut DIN985 M10 8.0ZincPlated	16	EA
30	056066 005	Nut NylockNut DIN985 M5 8.0 Zi	4	EA
31	056060 055	Bolt, HexBolt DIN931 M10 x 55mm 8.8 ZincPlated	6	EA
32	056060 065	Bolt, HexBolt DIN931 M10 x 65mm 8.8 ZincPlated	8	EA
33	056060 045	Bolt, HexBolt DIN931 M10 x 45mm 8.8 ZincPlated	2	EA
34	505082 020	Bolt, SktButCapScrew DIN9427 M5 x 20mm 10.9 ZincPlated	4	EA
35	056059 090	Bolt, HexBolt DIN931 M8 x 90mm 8.8 ZincPlated	2	EA
36	058492 020	Bolt HexSetScrew DIN933 M8 x 2	4	EA
37	058492 025	BOLT HEXSETSCREW DIN933 M8 X 25MM 8.8 ZP	4	EA
Not Shown	5563466	POP RIVET S/SSTEEL MANDREL	2	EA
39	5560659	RVT POP .125 DIA .250 DMD STL	4	EA
40	5560656	RVT POP .125 DIA .375 DMD STL	2	EA
41	5563446	1/4 20 PAN HEAD SCREW	12	EA
42	1502834	SLIDE PAD, STICK ON NOVEMBER 2017 AND AFTER	8	EA
43	1502990	DECAL, PENDANT CONTROLS JUNE 2018 AND AFTER	1	EA

REPAIR PARTS



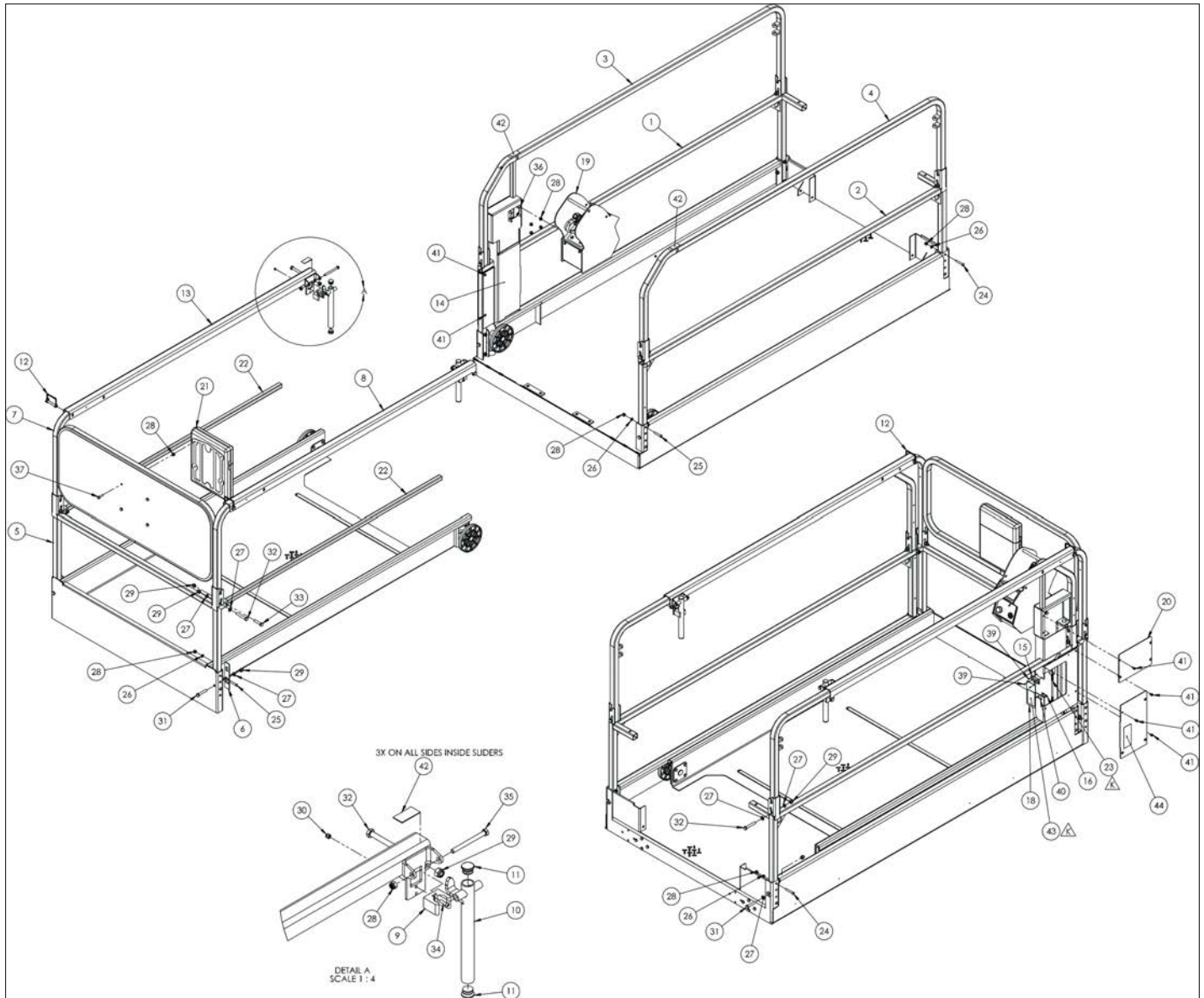
アイテム	部品番号	名前	数量	UOM
	1502695 K	HANDRAILS ASSEMBLY WITH FIXED UPPER CONTROL BOX CE AS S4726E S4732E OCTOBER 2018 AND AFTER		EA
1	1501366	WLDMT, HNDRL OUTER RH	1	EA
2	1501361	WLDMT, HNDRL MAIN LH	1	EA
3	1502002	WLDMT, HNDRL TOP RH	1	EA
4	1502001	WLDMT, HNDRL TOP LH	1	EA
5	1501371	WLDMT, HNDRL FRONT LH	1	EA
6	1501842	DOUBLER PLATE, HANDRAIL ORG	2	EA
7	1501542	WLDMT FRONT GATE	1	EA
8	1501581	WLDMT, TOP SLIDER LH	1	EA
9	1501583	CLIP HANDLE 1.00	2	EA
10	1501525	WLDMT, SLIDE HANDLE	2	EA
11	5563451	PLUG TUBING 1.00 X .095	4	EA
12	302544	Pin & Lock	2	EA
13	1501582	WLDMT, TOP SLIDER RH	1	EA
14	1502443	WLDMT, WIRE CHASE	1	EA
15	5516360	HINGE, DRILLED SIDE DRIVE THIN	1	EA
16	5516349	MAGNETIC LATCH	1	EA
Not Shown	1501829	PLT, CABLE COVER BOTTOM	1	EA
18	1502442	PLT, SIDE DOOR THIN      ORG	1	EA
19	1502976	ASSY, UCB CE 2SPD JUNE 2019 AND AFTER	1	EA
20	1501397	PLT CONT BOX MNT COVER	1	EA
21	562386	Literature Compartment	1	EA
22	1501395	TUBE HNDRL MID TELESCOPE	2	EA
23	1503071	PENDANT, DRIVE CONTROLS NOVEMBER 2018 AND AFTER	1	EA



アイテム	部品番号	名前	数量	UOM
24	5563304	SBHCS M8 X 1.25 X 50MM GR 1039	4	EA
25	5563305	SBHCS M8 X 1.25 X 45MM GR 1039 PLTD	8	EA
26	056069 008	WASHER, STEELFLATWASHER DIN12M8 FLAT WASHER DIN 125	12	EA
27	056069 010	Washer, SteelFlatWasher DIN125A M10 ZincPlated	18	EA
28	056066 008	NUT NYLOCKNUT DIN985 M8 8.0 ZP	22	EA
29	056066 010	Nut, NylockNut DIN985 M10 8.0ZincPlated	16	EA
30	056066 005	Nut NylockNut DIN985 M5 8.0 Zi	4	EA
31	056060 055	Bolt, HexBolt DIN931 M10 x 55mm 8.8 ZincPlated	6	EA
32	056060 065	Bolt, HexBolt DIN931 M10 x 65mm 8.8 ZincPlated	8	EA
33	056060 045	Bolt, HexBolt DIN931 M10 x 45mm 8.8 ZincPlated	2	EA
34	505082 020	Bolt, SktButCapScrew DIN9427 M5 x 20mm 10.9 ZincPlated	4	EA
35	056059 090	Bolt, HexBolt DIN931 M8 x 90mm 8.8 ZincPlated	2	EA
36	058492 020	Bolt HexSetScrew DIN933 M8 x 2	4	EA
37	058492 025	BOLT HEXSETSCREW DIN933 M8 X 25MM 8.8 ZP	4	EA
Not Shown	5563466	POP RIVET S/SSTEEL MANDREL	2	EA
39	5560659	RVT POP .125 DIA .250 DMD STL	4	EA
40	5560656	RVT POP .125 DIA .375 DMD STL	2	EA
41	5563446	1/4 20 PAN HEAD SCREW	12	EA
42	1502834	SLIDE PAD, STICK ON NOVEMBER 2017 AND AFTER	8	EA

アイテム	部品番号	名前	数量	UOM
43	1503072	DECAL, DRIVE CNTRL E STOP ON	1	EA
44	1502990	DECAL, PENDANT CONTROLS JUNE 2018 AND AFTER	1	EA

REPAIR PARTS

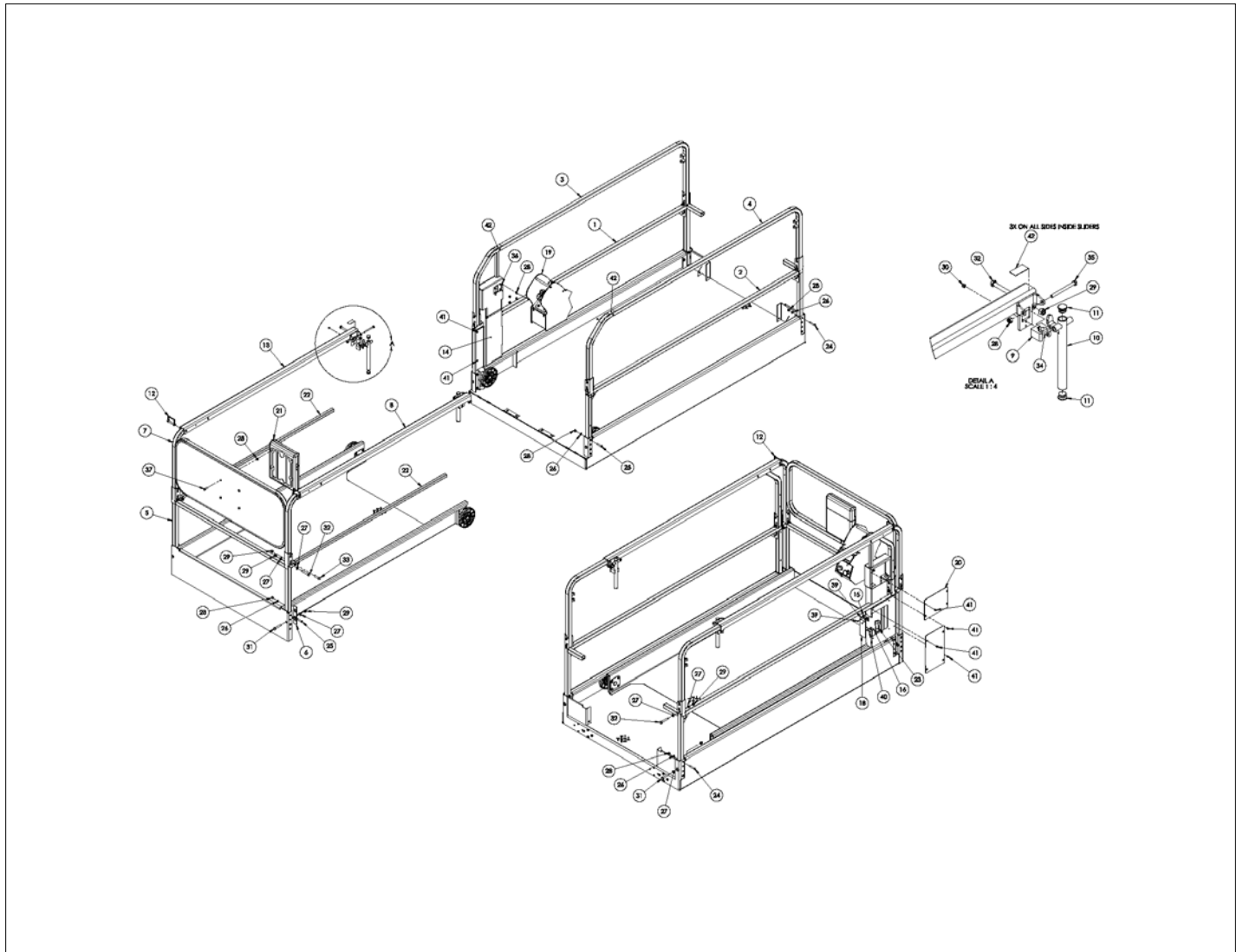


アイテム	部品番号	名前	数量	UOM
	1502695 K	HANDRAILS ASSEMBLY WITH FIXED UPPER CONTROL BOX CE AS S4726E S4732E OCTOBER 2018 AND AFTER		EA
1	1501366	WLDMT, HNDRL OUTER RH	1	EA
2	1501361	WLDMT, HNDRL MAIN LH	1	EA
3	1502002	WLDMT, HNDRL TOP RH	1	EA
4	1502001	WLDMT, HNDRL TOP LH	1	EA
5	1501371	WLDMT, HNDRL FRONT LH	1	EA
6	1501842	DOUBLER PLATE, HANDRAIL ORG	2	EA
7	1501542	WLDMT FRONT GATE	1	EA
8	1501581	WLDMT, TOP SLIDER LH	1	EA
9	1501583	CLIP HANDLE 1.00	2	EA
10	1501525	WLDMT, SLIDE HANDLE	2	EA
11	5563451	PLUG TUBING 1.00 X .095	4	EA
12	302544	Pin & Lock	2	EA
13	1501582	WLDMT, TOP SLIDER RH	1	EA
14	1502443	WLDMT, WIRE CHASE	1	EA
15	5516360	HINGE, DRILLED SIDE DRIVE THIN	1	EA
16	5516349	MAGNETIC LATCH	1	EA
Not Shown	1501829	PLT, CABLE COVER BOTTOM	1	EA
18	1502442	PLT, SIDE DOOR THIN      ORG	1	EA
19	1502976	ASSY, UCB CE 2SPD JUNE 2019 AND AFTER	1	EA
20	1501397	PLT CONT BOX MNT COVER	1	EA
21	562386	Literature Compartment	1	EA
22	1501395	TUBE HNDRL MID TELESCOPE	2	EA
23	1503200	PENDANT, DRIVE CONTROLS SEPTEMBER 2019 AND AFTER	1	EA

アイテム	部品番号	名前	数量	UOM
24	5563304	SBHCS M8 X 1.25 X 50MM GR 1039	4	EA
25	5563305	SBHCS M8 X 1.25 X 45MM GR 1039 PLTD	8	EA
26	056069 008	WASHER, STEELFLATWASHER DIN12M8 FLAT WASHER DIN 125	12	EA
27	056069 010	Washer, SteelFlatWasher DIN125A M10 ZincPlated	18	EA
28	056066 008	NUT NYLOCKNUT DIN985 M8 8.0 ZP	22	EA
29	056066 010	Nut, NylockNut DIN985 M10 8.0ZincPlated	16	EA
30	056066 005	Nut NylockNut DIN985 M5 8.0 Zi	4	EA
31	056060 055	Bolt, HexBolt DIN931 M10 x 55mm 8.8 ZincPlated	6	EA
32	056060 065	Bolt, HexBolt DIN931 M10 x 65mm 8.8 ZincPlated	8	EA
33	056060 045	Bolt, HexBolt DIN931 M10 x 45mm 8.8 ZincPlated	2	EA
34	505082 020	Bolt, SktButCapScrew DIN9427 M5 x 20mm 10.9 ZincPlated	4	EA
35	056059 090	Bolt, HexBolt DIN931 M8 x 90mm 8.8 ZincPlated	2	EA
36	058492 020	Bolt HexSetScrew DIN933 M8 x 2	4	EA
37	058492 025	BOLT HEXSETSCREW DIN933 M8 X 25MM 8.8 ZP	4	EA
Not Shown	5563466	POP RIVET S/SSTEEL MANDREL	2	EA
39	5560659	RVT POP .125 DIA .250 DMD STL	4	EA
40	5560656	RVT POP .125 DIA .375 DMD STL	2	EA
41	5563446	1/4 20 PAN HEAD SCREW	12	EA
42	1502834	SLIDE PAD, STICK ON NOVEMBER 2017 AND AFTER	8	EA

アイテム	部品番号	名前	数量	UOM
43	1503072	DECAL, DRIVE CNTRL E STOP ON	1	EA
44	1502990	DECAL, PENDANT CONTROLS JUNE 2018 AND AFTER	1	EA

REPAIR PARTS

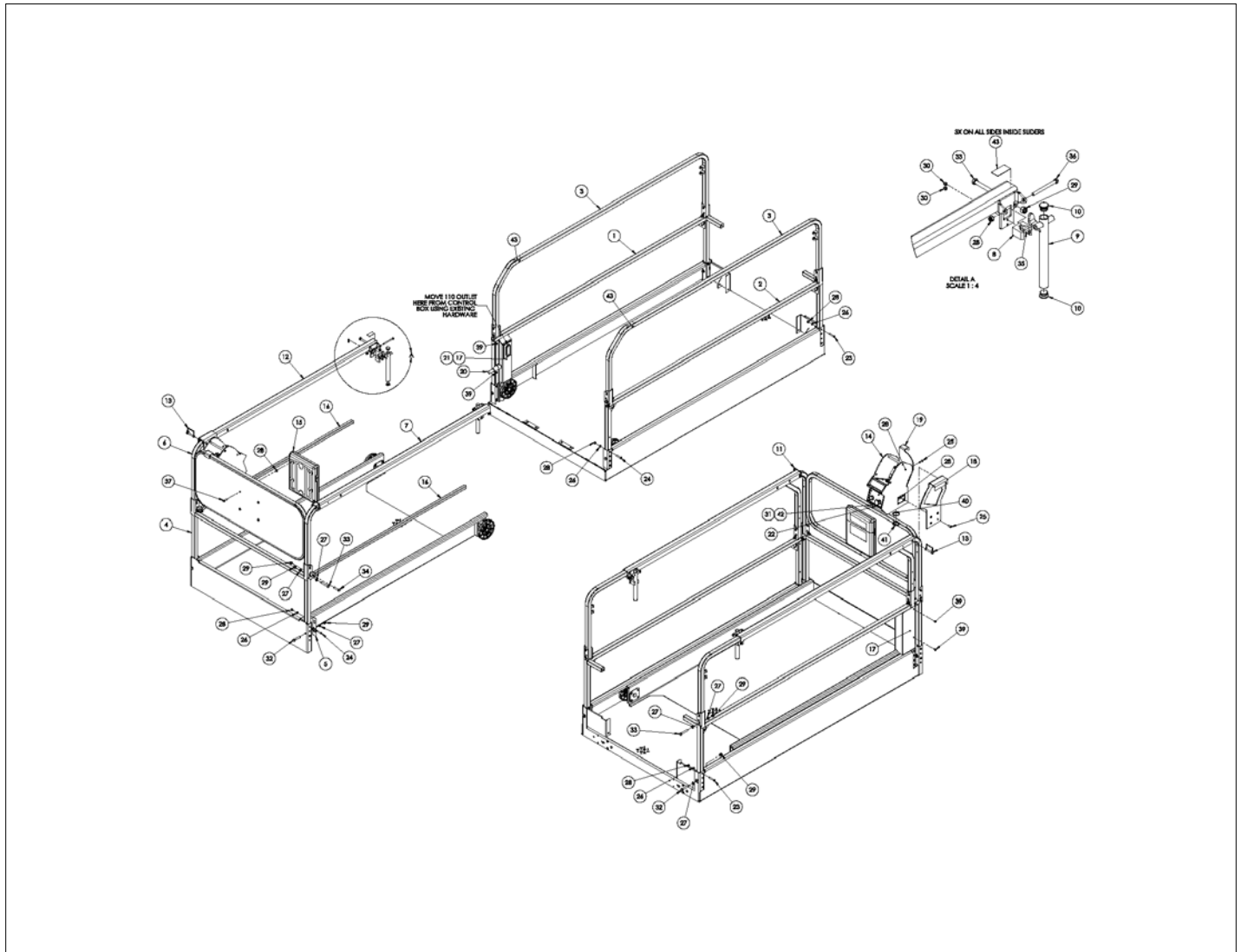


アイテム	部品番号	名前	数量	UOM
	1502695E	CHINA HANDRAILS ASSEMBLY		EA
1	1501366	WLDMT, HNDRL OUTER RH	1	EA
2	1501361	WLDMT, HNDRL MAIN LH	1	EA
3	1502002	WLDMT, HNDRL TOP RH	1	EA
4	1502001	WLDMT, HNDRL TOP LH	1	EA
5	1501371	WLDMT, HNDRL FRONT LH	1	EA
6	1501842	DOUBLER PLATE, HANDRAIL ORG	2	EA
7	1501542	WLDMT FRONT GATE	1	EA
8	1501581	WLDMT, TOP SLIDER LH	1	EA
9	1501583	CLIP HANDLE 1.00	2	EA
10	1501525	WLDMT, SLIDE HANDLE	2	EA
11	5563451	PLUG TUBING 1.00 X .095	4	EA
12	302544	Pin & Lock	2	EA
13	1501582	WLDMT, TOP SLIDER RH	1	EA
14	1502443	WLDMT, WIRE CHASE	1	EA
15	5516360	HINGE, DRILLED SIDE DRIVE THIN	1	EA
16	5516349	MAGNETIC LATCH	1	EA
Not Shown	1501829	PLT, CABLE COVER BOTTOM	1	EA
18	1502442	PLT, SIDE DOOR THIN      ORG	1	EA
19	1502336	ASSY, UCB CE 2SPD SEPTEMBER 2018 AND AEFORÉ	1	EA
20	1501397	PLT CONT BOX MNT COVER	1	EA
21	562386	Literature Compartment	1	EA
22	1501395	TUBE HNDRL MID TELESCOPE	2	EA
23	514880 000	PENDANT, DRIVE CONTROLS DECEMBER 2017 AND AFTER	1	EA
24	5563304	SBHCS M8 X 1.25 X 50MM GR 1039	4	EA



アイテム	部品番号	名前	数量	UOM
25	5563305	SBHCS M8 X 1.25 X 45MM GR 1039 PLTD	8	EA
26	056069 008	WASHER, STEELFLATWASHER DIN12M8 FLAT WASHER DIN 125	12	EA
27	056069 010	Washer, SteelFlatWasher DIN125A M10 ZincPlated	18	EA
28	056066 008	NUT NYLOCKNUT DIN985 M8 8.0 ZP	22	EA
29	056066 010	Nut, NylockNut DIN985 M10 8.0ZincPlated	16	EA
30	056066 005	Nut NylockNut DIN985 M5 8.0 Zi	4	EA
31	056060 055	Bolt, HexBolt DIN931 M10 x 55mm 8.8 ZincPlated	6	EA
32	056060 065	Bolt, HexBolt DIN931 M10 x 65mm 8.8 ZincPlated	8	EA
33	056060 045	Bolt, HexBolt DIN931 M10 x 45mm 8.8 ZincPlated	2	EA
34	505082 020	Bolt, SktButCapScrew DIN9427 M5 x 20mm 10.9 ZincPlated	4	EA
35	056059 090	Bolt, HexBolt DIN931 M8 x 90mm 8.8 ZincPlated	2	EA
36	058492 020	Bolt HexSetScrew DIN933 M8 x 2	4	EA
37	058492 025	BOLT HEXSETSCREW DIN933 M8 X 25MM 8.8 ZP	4	EA
Not Shown	5563466	POP RIVET S/SSTEEL MANDREL	2	EA
39	5560659	RVT POP .125 DIA .250 DMD STL	4	EA
40	5560656	RVT POP .125 DIA .375 DMD STL	2	EA
41	5563446	1/4 20 PAN HEAD SCREW	12	EA
42	1502834	SLIDE PAD, STICK ON NOVEMBER 2017 AND AFTER	8	EA

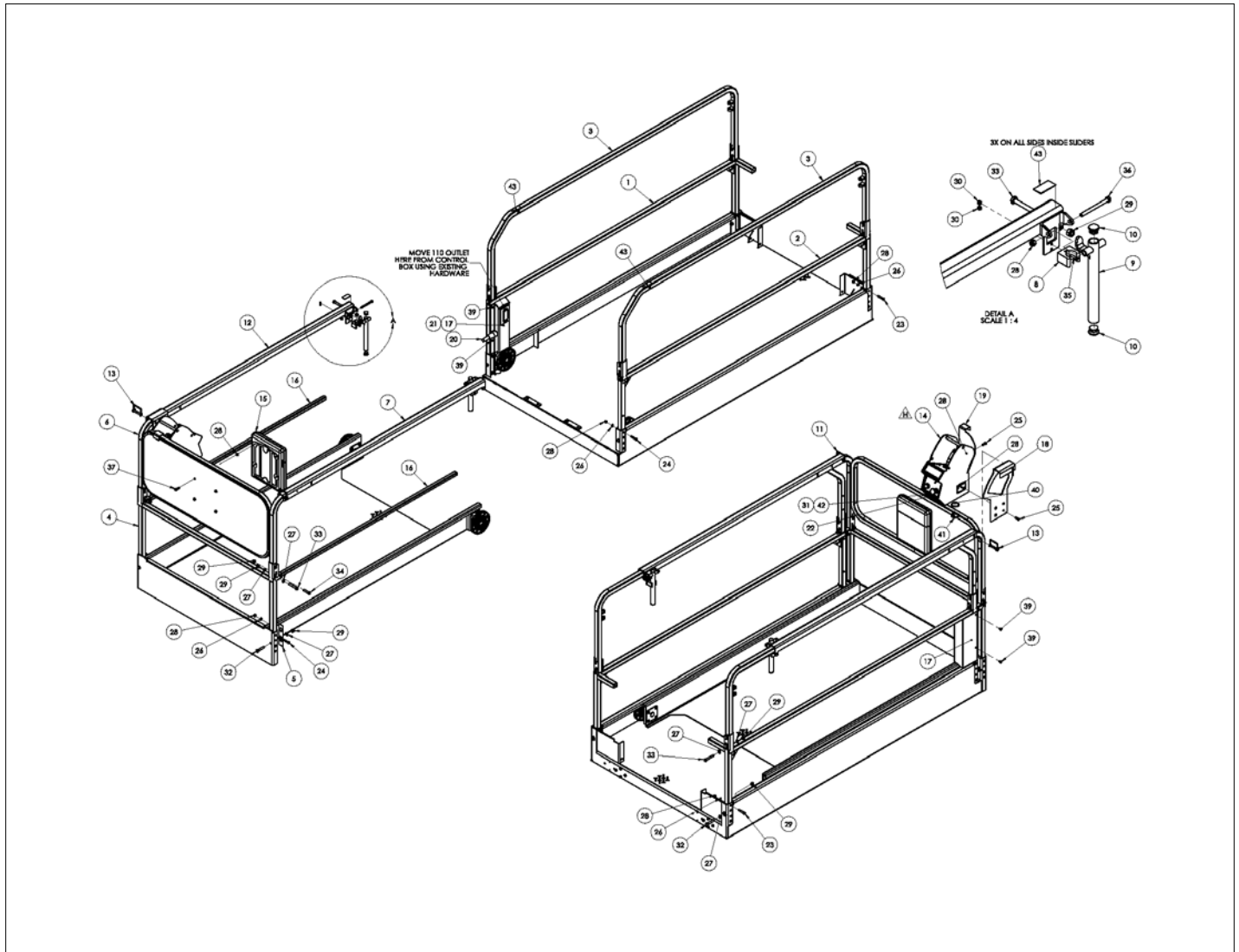
REPAIR PARTS



アイテム	部品番号	名前	数量	UOM
	1502696 F	HANDRAILS ASSEMBLY WITH REMOVABLE UPPER CONTROL BOX ANSI S4726E S4732E		EA
1	1501366	WLDMT, HNDRL OUTER RH	1	EA
2	1501361	WLDMT, HNDRL MAIN LH	1	EA
3	1502001	WLDMT, HNDRL TOP LH	2	EA
4	1501371	WLDMT, HNDRL FRONT LH	1	EA
5	1501842	DOUBLER PLATE, HANDRAIL ORG	2	EA
6	1501542	WLDMT FRONT GATE	1	EA
7	1501581	WLDMT, TOP SLIDER LH	1	EA
8	1501583	CLIP HANDLE 1.00	2	EA
9	1501525	WLDMT, SLIDE HANDLE	2	EA
10	5563451	PLUG TUBING 1.00 X .095	4	EA
11	302544	Pin & Lock	1	EA
12	1501582	WLDMT, TOP SLIDER RH	1	EA
13	5580020	PIN, SNAPPER .375 X 2.50 W/LAN	1	EA
14	1501498	ASSY, UCB ANSI 2SPD AUGUST 2018 AND AFTER	1	EA
15	562386	Literature Compartment	1	EA
16	1501395	TUBE HNDRL MID TELESCOPE	2	EA
17	1502471	WLDMT, CHASE REMOVABLE UCB	1	EA
18	1502452	PLT, SIDE REMOVABLE UCB	1	EA
19	1502453	PLT, REMOVABLE UCB BOTTOM	1	EA
20	1502468	HARNES UCB	1	EA
21	1502543	CONN, SIDE DRIVE OVERRIDE ADDED MARCH 2017 AND AFTER	1	EA
Not Shown	1501688	PLT, COVER OUTLET	1	EA
23	5563304	SBHCS M8 X 1.25 X 50MM GR 1039	4	EA

アイテム	部品番号	名前	数量	UOM
24	5563305	SBHCS M8 X 1.25 X 45MM GR 1039 PLTD	8	EA
25	500595 025	Bolt, SktButCapScrew DIN9427	5	EA
26	056069 008	WASHER, STEELFLATWASHER DIN12M8 FLAT WASHER DIN 125	12	EA
27	056069 010	Washer, SteelFlatWasher DIN125A M10 ZincPlated	18	EA
28	056066 008	NUT NYLOCKNUT DIN985 M8 8.0 ZP	23	EA
29	056066 010	Nut, NylockNut DIN985 M10 8.0ZincPlated	16	EA
30	056066 005	Nut NylockNut DIN985 M5 8.0 Zi	4	EA
31	056066 004	NUT NYLOCK DIN985 M4 8.0 ZP	2	EA
32	056060 055	Bolt, HexBolt DIN931 M10 x 55mm 8.8 ZincPlated	6	EA
33	056060 065	Bolt, HexBolt DIN931 M10 x 65mm 8.8 ZincPlated	8	EA
34	056060 045	Bolt, HexBolt DIN931 M10 x 45mm 8.8 ZincPlated	2	EA
35	505082 020	Bolt, SktButCapScrew DIN9427 M5 x 20mm 10.9 ZincPlated	4	EA
36	056059 090	Bolt, HexBolt DIN931 M8 x 90mm 8.8 ZincPlated	2	EA
37	058492 025	BOLT HEXSETSCREW DIN933 M8 X 25MM 8.8 ZP	4	EA
Not Shown	5563466	POP RIVET S/SSTEEL MANDREL	2	EA
39	5563446	1/4 20 PAN HEAD SCREW	4	EA
40	14030	LOCK WASHER HD30, 18 SHELL	1	EA
41	3040208	PANEL NUT ( 18 SHELL)	1	EA
42	512459 016	BLT HEXHD M4 X 0.7 X 16MM DIN 933 8.8 ZP	2	EA
43	1502834	SLIDE PAD, STICK ON NOVEMBER 2017 AND AFTER	8	EA

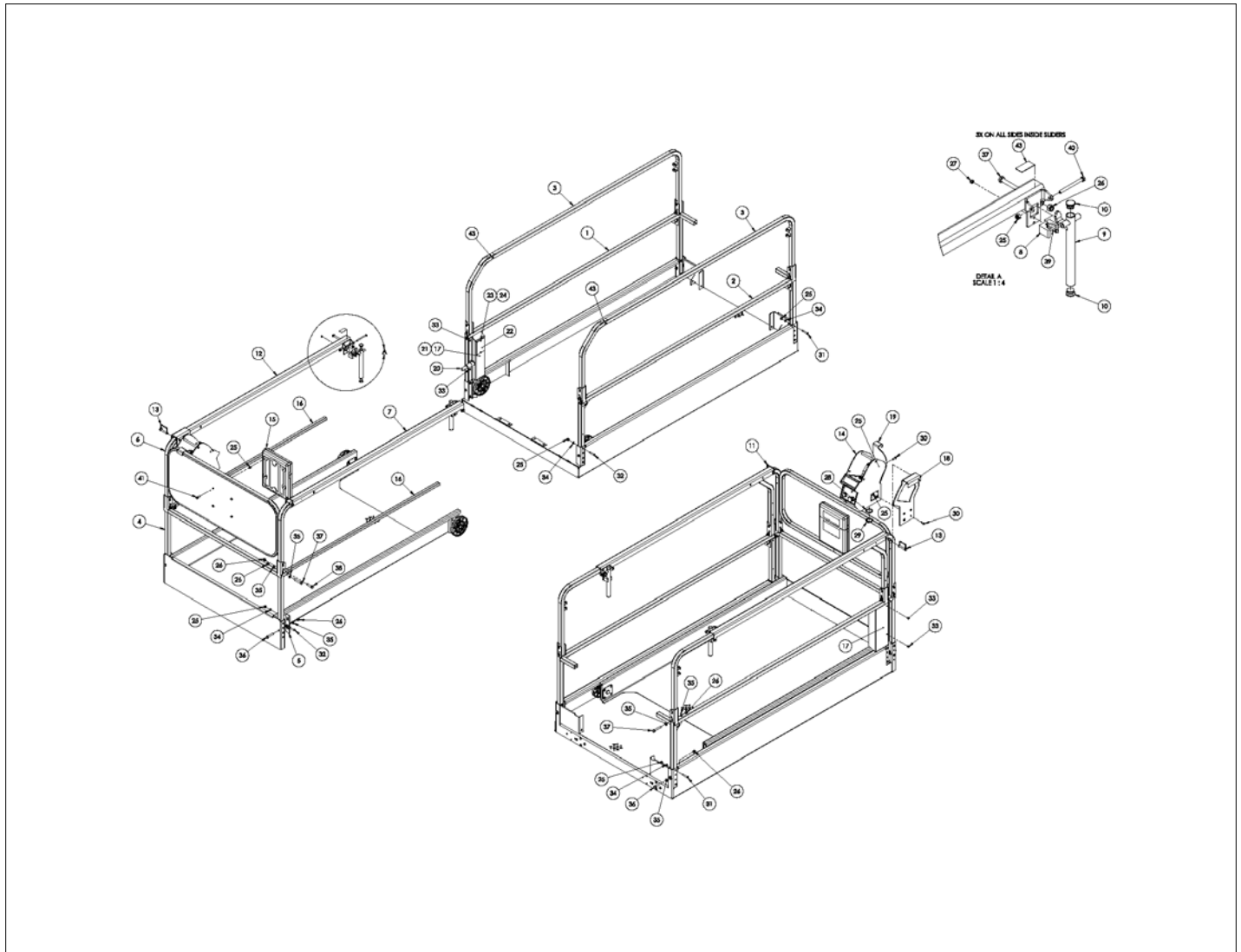
REPAIR PARTS



アイテム	部品番号	名前	数量	UOM
	1502696 H	RAILS REMOVABLE UPPER CONTROL BOX ASSEMBLY ANSI S4726E S4732E		EA
1	1501366	WLDMT, HNDRL OUTER RH	1	EA
2	1501361	WLDMT, HNDRL MAIN LH	1	EA
3	1502001	WLDMT, HNDRL TOP LH	2	EA
4	1501371	WLDMT, HNDRL FRONT LH	1	EA
5	1501842	DOUBLER PLATE, HANDRAIL ORG	2	EA
6	1501542	WLDMT FRONT GATE	1	EA
7	1501581	WLDMT, TOP SLIDER LH	1	EA
8	1501583	CLIP HANDLE 1.00	2	EA
9	1501525	WLDMT, SLIDE HANDLE	2	EA
10	5563451	PLUG TUBING 1.00 X .095	4	EA
11	302544	Pin & Lock	1	EA
12	1501582	WLDMT, TOP SLIDER RH	1	EA
13	5580020	PIN, SNAPPER .375 X 2.50 W/LAN	1	EA
14	1502975	ASSY, UCB ANSI 2SPD	1	EA
15	562386	Literature Compartment	1	EA
16	1501395	TUBE HNDRL MID TELESCOPE	2	EA
17	1502471	WLDMT, CHASE REMOVABLE UCB	1	EA
18	1502452	PLT, SIDE REMOVABLE UCB	1	EA
19	1502453	PLT, REMOVABLE UCB BOTTOM	1	EA
20	1502468	HARNES UCB	1	EA
21	1502543	CONN, SIDE DRIVE OVERRIDE ADDED MARCH 2017 AND AFTER	1	EA
22	1501688	PLT, COVER OUTLET	1	EA
23	5563304	SBHCS M8 X 1.25 X 50MM GR 1039	4	EA

アイテム	部品番号	名前	数量	UOM
24	5563305	SBHCS M8 X 1.25 X 45MM GR 1039 PLTD	8	EA
25	500595 025	Bolt, SktButCapScrew DIN9427	5	EA
26	056069 005	Washer SteelFlatWasher DIN125A	12	EA
27	056069 010	Washer, SteelFlatWasher DIN125A M10 ZincPlated	18	EA
28	056066 008	NUT NYLOCKNUT DIN985 M8 8.0 ZP	23	EA
29	056066 010	Nut, NylockNut DIN985 M10 8.0ZincPlated	16	EA
30	056066 005	Nut NylockNut DIN985 M5 8.0 Zi	4	EA
31	056066 004	NUT NYLOCK DIN985 M4 8.0 ZP	2	EA
32	056060 055	Bolt, HexBolt DIN931 M10 x 55mm 8.8 ZincPlated	6	EA
33	056060 065	Bolt, HexBolt DIN931 M10 x 65mm 8.8 ZincPlated	8	EA
34	056060 045	Bolt, HexBolt DIN931 M10 x 45mm 8.8 ZincPlated	2	EA
35	505082 020	Bolt, SktButCapScrew DIN9427 M5 x 20mm 10.9 ZincPlated	4	EA
36	056059 090	Bolt, HexBolt DIN931 M8 x 90mm 8.8 ZincPlated	2	EA
37	058492 025	BOLT HEXSETSCREW DIN933 M8 X 25MM 8.8 ZP	4	EA
Not Shown	5563466	POP RIVET S/SSTEEL MANDREL	2	EA
39	5563446	1/4 20 PAN HEAD SCREW	4	EA
40	14030	LOCK WASHER HD30, 18 SHELL	1	EA
41	3040208	PANEL NUT ( 18 SHELL)	1	EA
42	512459 016	BLT HEXHD M4 X 0.7 X 16MM DIN 933 8.8 ZP	2	EA
43	1502834	SLIDE PAD, STICK ON NOVEMBER 2017 AND AFTER	8	EA

REPAIR PARTS

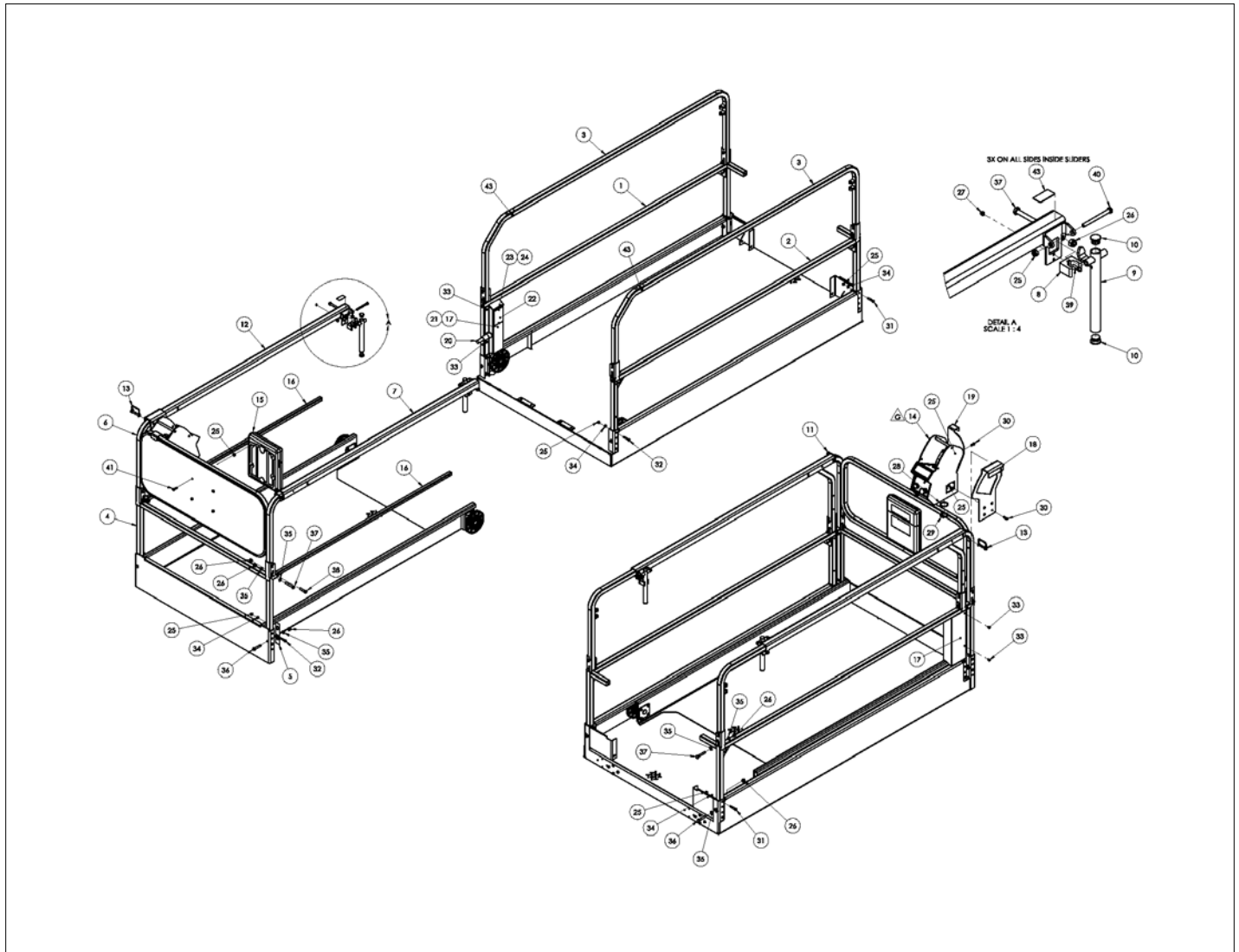




アイテム	部品番号	名前	数量	UOM
	1502697F	HANDRAILS ASSEMBLY WITH REMOVABLE UPPER CONTROL BOX CE AS S4726E S4732E		EA
1	1501366	WLDMT, HNDRL OUTER RH	1	EA
2	1501361	WLDMT, HNDRL MAIN LH	1	EA
3	1502001	WLDMT, HNDRL TOP LH	2	EA
4	1501371	WLDMT, HNDRL FRONT LH	1	EA
5	1501842	DOUBLER PLATE, HANDRAIL ORG	2	EA
6	1501542	WLDMT FRONT GATE	1	EA
7	1501581	WLDMT, TOP SLIDER LH	1	EA
8	1501583	CLIP HANDLE 1.00	2	EA
9	1501525	WLDMT, SLIDE HANDLE	2	EA
10	5563451	PLUG TUBING 1.00 X .095	4	EA
11	302544	Pin & Lock	1	EA
12	1501582	WLDMT, TOP SLIDER RH	1	EA
13	5580020	PIN, SNAPPER .375 X 2.50 W/LAN	1	EA
14	1502336	ASSY, UCB CE 2SPD SEPTEMBER 2018 AND AEFORÉ	1	EA
15	562386	Literature Compartment	1	EA
16	1501395	TUBE HNDRL MID TELESCOPE	2	EA
17	1502471	WLDMT, CHASE REMOVABLE UCB	1	EA
18	1502452	PLT, SIDE REMOVABLE UCB	1	EA
19	1502453	PLT, REMOVABLE UCB BOTTOM	1	EA
20	1502468	HARNES UCB	1	EA
21	1502543	CONN, SIDE DRIVE OVERRIDE ADDED MARCH 2017 AND AFTER	1	EA
22	1501688	PLT, COVER OUTLET	1	EA
23	512459 016	BLT HEXHD M4 X 0.7 X 16MM DIN 933 8.8 ZP	2	EA

アイテム	部品番号	名前	数量	UOM
24	056066 004	NUT NYLOCK DIN985 M4 8.0 ZP	2	EA
25	056066 008	NUT NYLOCKNUT DIN985 M8 8.0 ZP	23	EA
26	056066 010	Nut, NylockNut DIN985 M10 8.0ZincPlated	16	EA
27	056066 005	Nut NylockNut DIN985 M5 8.0 Zi	4	EA
28	14030	LOCK WASHER HD30, 18 SHELL	1	EA
29	3040208	PANEL NUT ( 18 SHELL)	1	EA
30	500595 025	Bolt, SktButCapScrew DIN9427	5	EA
31	5563304	SBHCS M8 X 1.25 X 50MM GR 1039	4	EA
32	5563305	SBHCS M8 X 1.25 X 45MM GR 1039 PLTD	8	EA
33	5563446	1/4 20 PAN HEAD SCREW	4	EA
34	056069 008	WASHER, STEELFLATWASHER DIN12M8 FLAT WASHER DIN 125	12	EA
35	056069 010	Washer, SteelFlatWasher DIN125A M10 ZincPlated	18	EA
36	056060 055	Bolt, HexBolt DIN931 M10 x 55mm 8.8 ZincPlated	6	EA
37	056060 065	Bolt, HexBolt DIN931 M10 x 65mm 8.8 ZincPlated	8	EA
38	056060 045	Bolt, HexBolt DIN931 M10 x 45mm 8.8 ZincPlated	2	EA
39	058490 020	Bolt, HexSetScrew DIN933 M5 x	4	EA
40	056059 090	Bolt, HexBolt DIN931 M8 x 90mm 8.8 ZincPlated	2	EA
41	058492 025	BOLT HEXSETSCREW DIN933 M8 X 25MM 8.8 ZP	4	EA
Not Shown	5563466	POP RIVET S/SSTEEL MANDREL	2	EA
43	1502834	SLIDE PAD, STICK ON NOVEMBER 2017 AND AFTER	8	EA

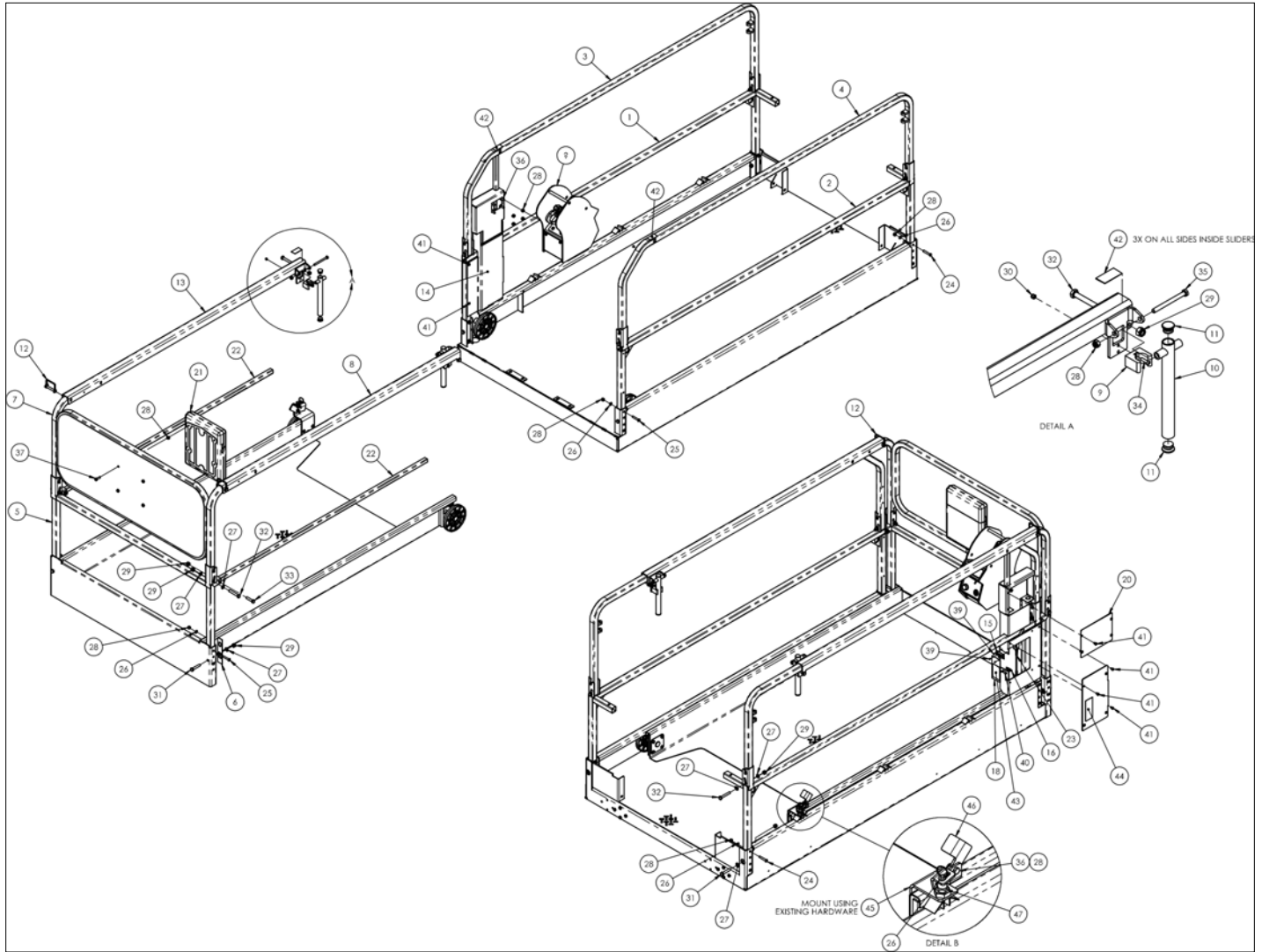
REPAIR PARTS



アイテム	部品番号	名前	数量	UOM
	1502697 G	RAILS REMOVABLE UPPER CONTROL BOX ASSEMBLY CE/AS S4726E S4732E		EA
1	1501366	WLDMT, HNDRL OUTER RH	1	EA
2	1501361	WLDMT, HNDRL MAIN LH	1	EA
3	1502001	WLDMT, HNDRL TOP LH	2	EA
4	1501371	WLDMT, HNDRL FRONT LH	1	EA
5	1501842	DOUBLER PLATE, HANDRAIL ORG	2	EA
6	1501542	WLDMT FRONT GATE	1	EA
7	1501581	WLDMT, TOP SLIDER LH	1	EA
8	1501583	CLIP HANDLE 1.00	2	EA
9	1501525	WLDMT, SLIDE HANDLE	2	EA
10	5563451	PLUG TUBING 1.00 X .095	4	EA
11	302544	Pin & Lock	1	EA
12	1501582	WLDMT, TOP SLIDER RH	1	EA
13	5580020	PIN, SNAPPER .375 X 2.50 W/LAN	1	EA
14	1502976	ASSY, UCB CE 2SPD JUNE 2019 AND AFTER	1	EA
15	562386	Literature Compartment	1	EA
16	1501395	TUBE HNDRL MID TELESCOPE	2	EA
17	1502471	WLDMT, CHASE REMOVABLE UCB	1	EA
18	1502452	PLT, SIDE REMOVABLE UCB	1	EA
19	1502453	PLT, REMOVABLE UCB BOTTOM	1	EA
20	1502468	HARNES UCB	1	EA
21	1502543	CONN, SIDE DRIVE OVERRIDE ADDED MARCH 2017 AND AFTER	1	EA
22	1501688	PLT, COVER OUTLET	1	EA
23	512459 016	BLT HEXHD M4 X 0.7 X 16MM DIN 933 8.8 ZP	2	EA

アイテム	部品番号	名前	数量	UOM
24	056066 004	NUT NYLOCK DIN985 M4 8.0 ZP	2	EA
25	056066 008	NUT NYLOCKNUT DIN985 M8 8.0 ZP	23	EA
26	056066 010	Nut, NylockNut DIN985 M10 8.0ZincPlated	16	EA
27	056066 005	Nut NylockNut DIN985 M5 8.0 Zi	4	EA
28	14030	LOCK WASHER HD30, 18 SHELL	1	EA
29	3040208	PANEL NUT ( 18 SHELL)	1	EA
30	500595 025	Bolt, SktButCapScrew DIN9427	5	EA
31	5563304	SBHCS M8 X 1.25 X 50MM GR 1039	4	EA
32	5563305	SBHCS M8 X 1.25 X 45MM GR 1039 PLTD	8	EA
33	5563446	1/4 20 PAN HEAD SCREW	4	EA
34	056069 008	WASHER, STEELFLATWASHER DIN12M8 FLAT WASHER DIN 125	12	EA
35	056069 010	Washer, SteelFlatWasher DIN125A M10 ZincPlated	18	EA
36	056060 055	Bolt, HexBolt DIN931 M10 x 55mm 8.8 ZincPlated	6	EA
37	056060 065	Bolt, HexBolt DIN931 M10 x 65mm 8.8 ZincPlated	8	EA
38	056060 045	Bolt, HexBolt DIN931 M10 x 45mm 8.8 ZincPlated	2	EA
39	058490 020	Bolt, HexSetScrew DIN933 M5 x	4	EA
40	056059 090	Bolt, HexBolt DIN931 M8 x 90mm 8.8 ZincPlated	2	EA
41	058492 025	BOLT HEXSETSCREW DIN933 M8 X 25MM 8.8 ZP	4	EA
Not Shown	5563466	POP RIVET S/SSTEEL MANDREL	2	EA
43	1502834	SLIDE PAD, STICK ON NOVEMBER 2017 AND AFTER	8	EA

REPAIR PARTS



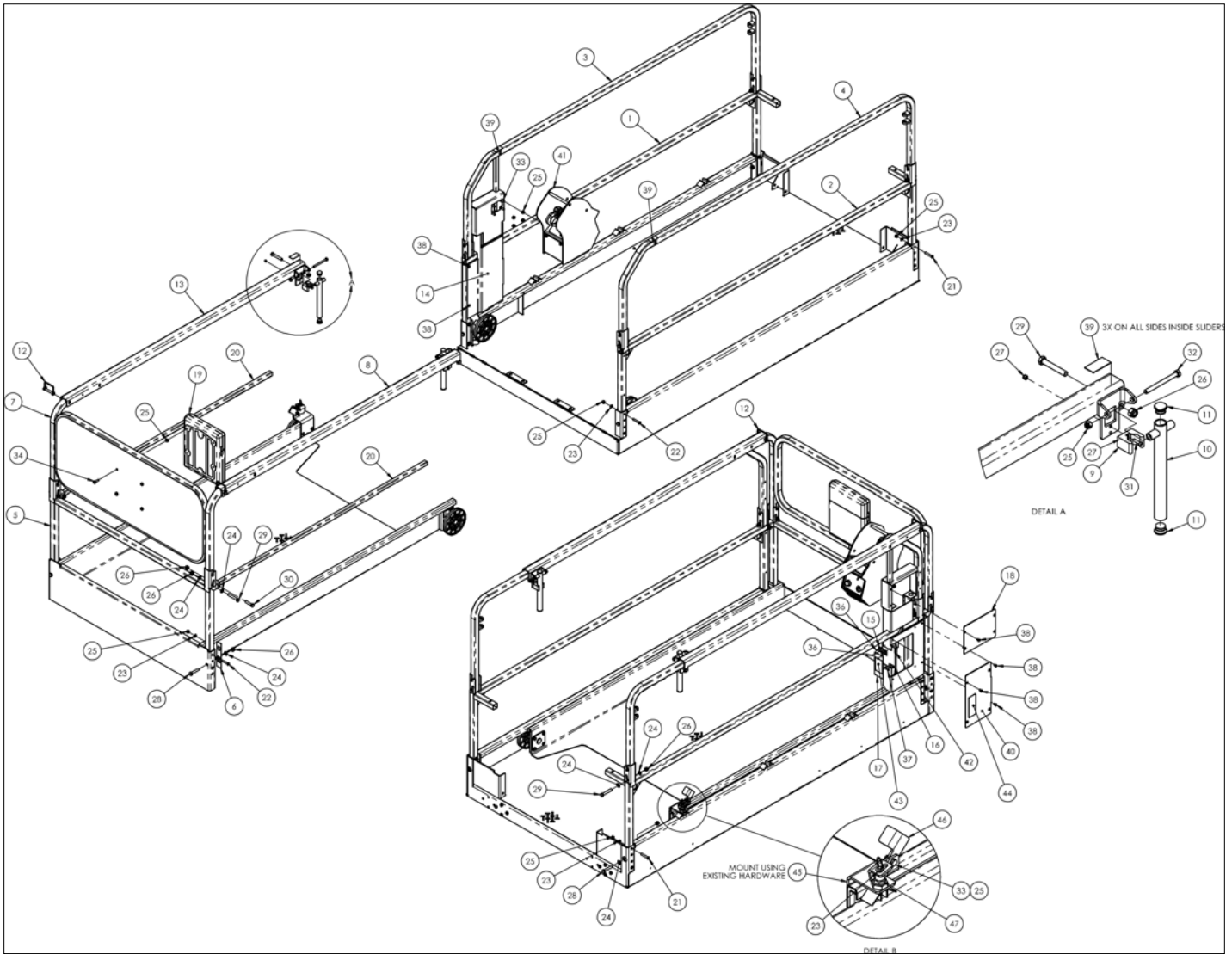
アイテム	部品番号	名前	数量	UOM
*	1503111 B	FOLDING HANDRAILS ASSEMBLY WITH FOOT LATCH CE AS S4726E S4732E MAY 2019 AND AFTER		EA
1	1501366 5	WLDMT HNDRL MAIN RH	1	EA
2	1501361 5	WLDMT HNDRL MAIN LF	1	EA
3	1503108 5	WLDMT, FOLDING TOP HNDRL UCB S	1	EA
4	1503077 5	WLDMT, TOP RAIL	1	EA
5	1501371 5	WLDMT HNDRL FRONT LH	1	EA
6	1501842 4	DOUBLER PLATE, HANDRAIL	2	EA
7	1501542 5	WLDMT FRONT GATE	1	EA
8	1501581 5	WLDMT TOP SLIDER LH	1	EA
9	1501583	CLIP HANDLE 1.00	2	EA
10	1503075 4	WLDMT, SLIDE HANDLE	2	EA
11	5563451	PLUG TUBING 1.00 X .095	4	EA
12	302544	Pin & Lock	2	EA
13	1501582 5	WLDMT TOP SLIDER RH	1	EA
14	1502443 5	WLDMT, WIRE CHASE	1	EA
15	5516360	HINGE, DRILLED SIDE DRIVE THIN	1	EA
16	5516349	MAGNETIC LATCH	1	EA
17	1501829 5	PLT, CABLE COVER BOTTOM	1	EA
18	1502442 5	PLT, SIDE DOOR THIN	1	EA
19	1502976	ASSY, UCB CE 2SPD JUNE 2019 AND AFTER	1	EA
20	1501397 5	PLT CONT BOX MNT COVER	1	EA
21	562386	Literature Compartment	1	EA
22	1501395	TUBE HNDRL MID TELESCOPE	2	EA
23	1503200	PENDANT, DRIVE CONTROLS SEPTEMBER 2019 AND AFTER	1	EA
24	5563304	SBHCS M8 X 1.25 X 50MM GR 1039	4	EA

アイテム	部品番号	名前	数量	UOM
25	5563305	SBHCS M8 X 1.25 X 45MM GR 1039 PLTD	8	EA
26	056069 008	WASHER, STEELFLATWASHER DIN12M8 FLAT WASHER DIN 125	13	EA
27	056069 010	Washer, SteelFlatWasher DIN125A M10 ZincPlated	18	EA
28	056066 008	NUT NYLOCKNUT DIN985 M8 8.0 ZP	23	EA
29	056066 010	Nut, NylockNut DIN985 M10 8.0ZincPlated	16	EA
30	056066 005	Nut NylockNut DIN985 M5 8.0 Zi	4	EA
31	056060 055	Bolt, HexBolt DIN931 M10 x 55mm 8.8 ZincPlated	6	EA
32	056060 065	Bolt, HexBolt DIN931 M10 x 65mm 8.8 ZincPlated	8	EA
33	056060 045	Bolt, HexBolt DIN931 M10 x 45mm 8.8 ZincPlated	2	EA
34	505082 020	Bolt, SktButCapScrew DIN9427 M5 x 20mm 10.9 ZincPlated	4	EA
35	056059 090	Bolt, HexBolt DIN931 M8 x 90mm 8.8 ZincPlated	2	EA
36	058492 020	Bolt HexSetScrew DIN933 M8 x 2	5	EA
37	058492 025	BOLT HEXSETSCREW DIN933 M8 X 25MM 8.8 ZP	4	EA
38	5563466	POP RIVET S/SSTEEL MANDREL	2	EA
39	5560659	RVT POP .125 DIA .250 DMD STL	4	EA
40	5560656	RVT POP .125 DIA .375 DMD STL	2	EA
41	5563446	1/4 20 PAN HEAD SCREW	12	EA
42	1502834	SLIDE PAD, STICK ON NOVEMBER 2017 AND AFTER	8	EA
43	1503072	DECAL, DRIVE CNTRL E STOP ON	1	EA



アイテム	部品番号	名前	数量	UOM
44	1502990	DECAL, PENDANT CONTROLS JUNE 2018 AND AFTER	1	EA
45	1500038 5	WLDMT PIVOT LEVER	1	EA
46	502141 000 5	STOP LEVER	1	EA
47	009442 003	SPRING LATCH	1	EA

REPAIR PARTS

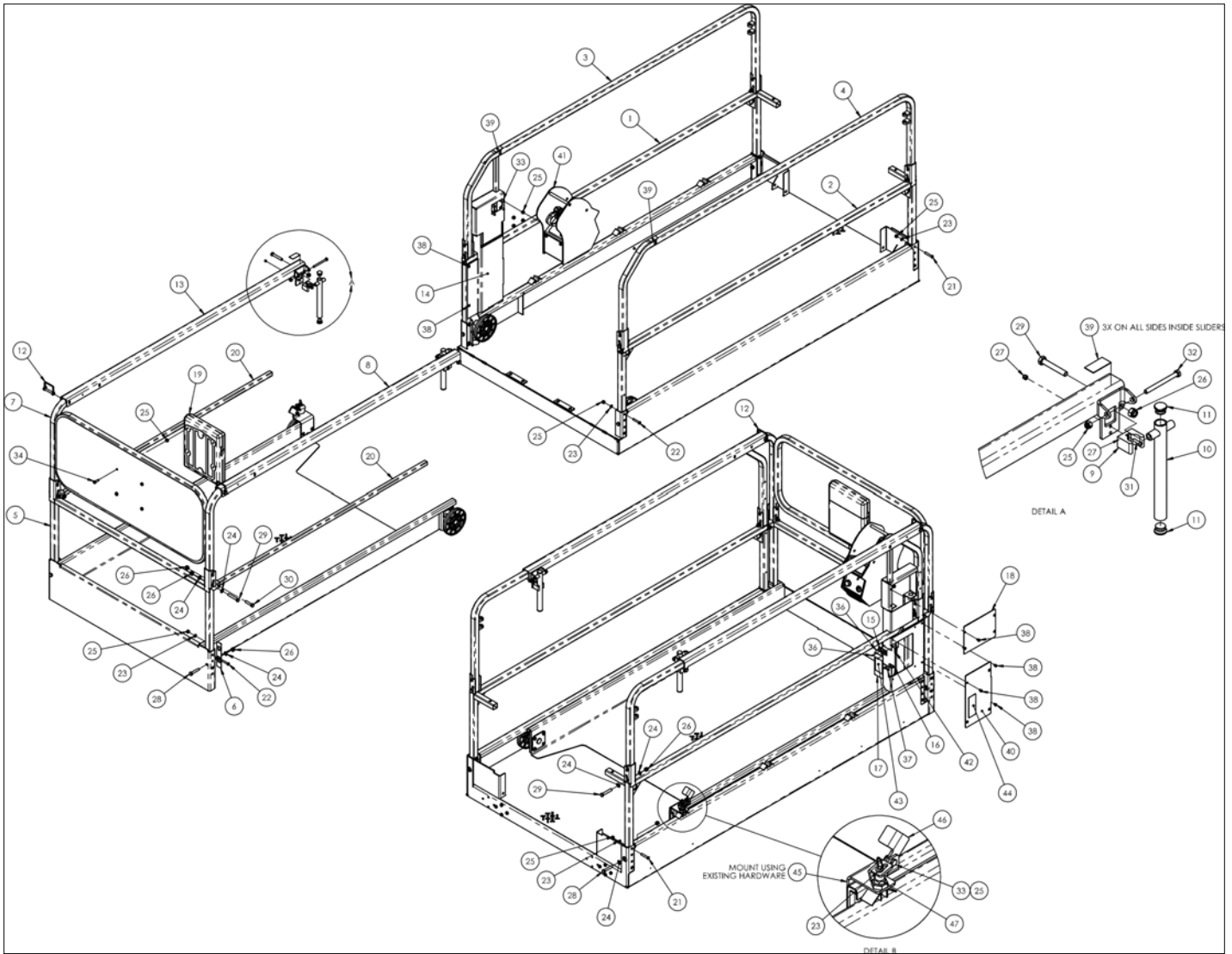


アイテム	部品番号	名前	数量	UOM
*	1503112 A	FOLDING HANDRAIL FOOT LATCH CSA ASSEMBLY S4726E S4732E MAY 2019 AND AFTER		EA
1	1501366 5	WLDMT HNDRL MAIN RH	1	EA
2	1501361 5	WLDMT HNDRL MAIN LF	1	EA
3	1503108 5	WLDMT, FOLDING TOP HNDRL UCB S	1	EA
4	1503077 5	WLDMT, TOP RAIL	1	EA
5	1501371 5	WLDMT HNDRL FRONT LH	1	EA
6	1501842 4	DOUBLER PLATE, HANDRAIL	2	EA
7	1501542 5	WLDMT FRONT GATE	1	EA
8	1501581 5	WLDMT TOP SLIDER LH	1	EA
9	1501583	CLIP HANDLE 1.00	2	EA
10	1503075 4	WLDMT, SLIDE HANDLE	2	EA
11	5563451	PLUG TUBING 1.00 X .095	4	EA
12	302544	Pin & Lock	2	EA
13	1501582 5	WLDMT TOP SLIDER RH	1	EA
14	1502443 5	WLDMT, WIRE CHASE	1	EA
15	5516360	HINGE, DRILLED SIDE DRIVE THIN	1	EA
16	5516349	MAGNETIC LATCH	1	EA
17	1502442 5	PLT, SIDE DOOR THIN	1	EA
18	1501397 5	PLT CONT BOX MNT COVER	1	EA
19	562386	Literature Compartment	1	EA
20	1501395	TUBE HNDRL MID TELESCOPE	2	EA
21	5563304	SBHCS M8 X 1.25 X 50MM GR 1039	4	EA
22	5563305	SBHCS M8 X 1.25 X 45MM GR 1039 PLTD	8	EA
23	056069 008	WASHER, STEELFLATWASHER DIN12M8 FLAT WASHER DIN 125	13	EA

アイテム	部品番号	名前	数量	UOM
24	056069 010	Washer, SteelFlatWasher DIN125A M10 ZincPlated	18	EA
25	056066 008	NUT NYLOCKNUT DIN985 M8 8.0 ZP	23	EA
26	056066 010	Nut, NylockNut DIN985 M10 8.0ZincPlated	16	EA
27	056066 005	Nut NylockNut DIN985 M5 8.0 Zi	4	EA
28	056060 055	Bolt, HexBolt DIN931 M10 x 55mm 8.8 ZincPlated	6	EA
29	056060 065	Bolt, HexBolt DIN931 M10 x 65mm 8.8 ZincPlated	8	EA
30	056060 045	Bolt, HexBolt DIN931 M10 x 45mm 8.8 ZincPlated	2	EA
31	505082 020	Bolt, SktButCapScrew DIN9427 M5 x 20mm 10.9 ZincPlated	4	EA
32	056059 090	Bolt, HexBolt DIN931 M8 x 90mm 8.8 ZincPlated	2	EA
33	058492 020	Bolt HexSetScrew DIN933 M8 x 2	5	EA
34	058492 025	BOLT HEXSETSCREW DIN933 M8 X 25MM 8.8 ZP	4	EA
35	5563466	POP RIVET S/SSTEEL MANDREL	2	EA
36	5560659	RVT POP .125 DIA .250 DMD STL	4	EA
37	5560656	RVT POP .125 DIA .375 DMD STL	2	EA
38	5563446	1/4 20 PAN HEAD SCREW	12	EA
39	1502834	SLIDE PAD, STICK ON NOVEMBER 2017 AND AFTER	8	EA
40	1501829 5	PLT, CABLE COVER BOTTOM	1	EA
41	1502975	ASSY, UCB ANSI 2SPD	1	EA
42	1503071	PENDANT, DRIVE CONTROLS NOVEMBER 2018 AND AFTER	1	EA
43	1503073	DECAL, DRIVE CNTRL E STOP OFF	1	EA
44	1502990	DECAL, PENDANT CONTROLS JUNE 2018 AND AFTER	1	EA

アイテム	部品番号	名前	数量	UOM
45	1500038 5	WLDMT PIVOT LEVER	1	EA
46	502141 000 5	STOP LEVER	1	EA
47	009442 003	SPRING LATCH	1	EA

# REPAIR PARTS



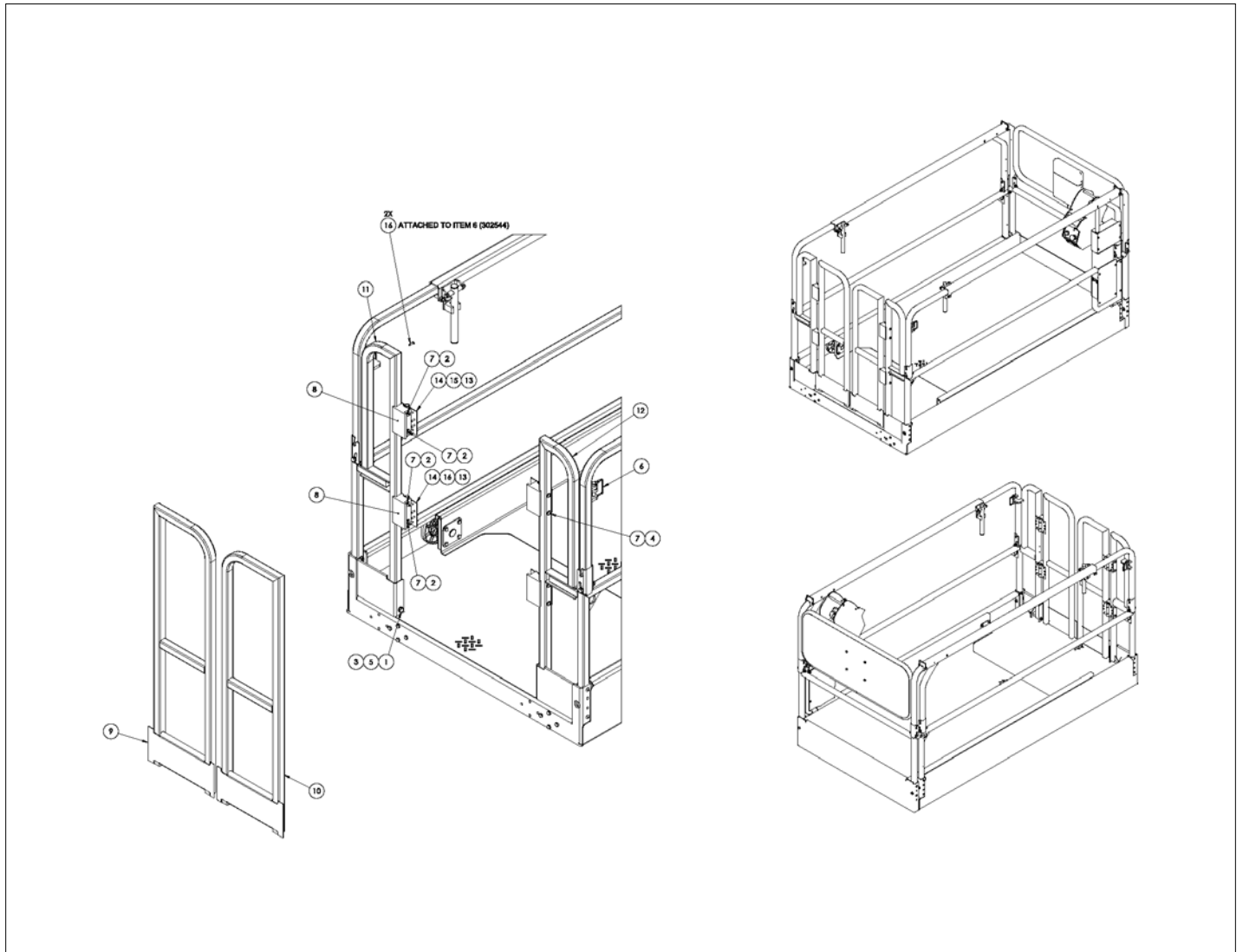
アイテム	部品番号	名前	数量	UOM
*	1503112 C	FOLDING HANDRAIL FOOT LATCH ANSI CSA ASSEMBLY S4726E S4732E OCTOBER 2019 AND AFTER		EA
1	1501366 5	WLDMT HNDRL MAIN RH	1	EA
2	1501361 5	WLDMT HNDRL MAIN LF	1	EA
3	1503108 5	WLDMT, FOLDING TOP HNDRL UCB S	1	EA
4	1503077 5	WLDMT, TOP RAIL	1	EA
5	1501371 5	WLDMT HNDRL FRONT LH	1	EA
6	1501842 4	DOUBLER PLATE, HANDRAIL	2	EA
7	1501542 5	WLDMT FRONT GATE	1	EA
8	1501581 5	WLDMT TOP SLIDER LH	1	EA
9	1501583	CLIP HANDLE 1.00	2	EA
10	1503075 4	WLDMT, SLIDE HANDLE	2	EA
11	5563451	PLUG TUBING 1.00 X .095	4	EA
12	302544	Pin & Lock	2	EA
13	1501582 5	WLDMT TOP SLIDER RH	1	EA
14	1502443 5	WLDMT, WIRE CHASE	1	EA
15	5516360	HINGE, DRILLED SIDE DRIVE THIN	1	EA
16	5516349	MAGNETIC LATCH	1	EA
17	1502442 5	PLT, SIDE DOOR THIN	1	EA
18	1501397 5	PLT CONT BOX MNT COVER	1	EA
19	562386	Literature Compartment	1	EA
20	1501395	TUBE HNDRL MID TELESCOPE	2	EA
21	5563304	SBHCS M8 X 1.25 X 50MM GR 1039	4	EA
22	5563305	SBHCS M8 X 1.25 X 45MM GR 1039 PLTD	8	EA
23	056069 008	WASHER, STEELFLATWASHER DIN12M8 FLAT WASHER DIN 125	13	EA

アイテム	部品番号	名前	数量	UOM
24	056069 010	Washer, SteelFlatWasher DIN125A M10 ZincPlated	18	EA
25	056066 008	NUT NYLOCKNUT DIN985 M8 8.0 ZP	23	EA
26	056066 010	Nut, NylockNut DIN985 M10 8.0ZincPlated	16	EA
27	056066 005	Nut NylockNut DIN985 M5 8.0 Zi	4	EA
28	056060 055	Bolt, HexBolt DIN931 M10 x 55mm 8.8 ZincPlated	6	EA
29	056060 065	Bolt, HexBolt DIN931 M10 x 65mm 8.8 ZincPlated	8	EA
30	056060 045	Bolt, HexBolt DIN931 M10 x 45mm 8.8 ZincPlated	2	EA
31	505082 020	Bolt, SktButCapScrew DIN9427 M5 x 20mm 10.9 ZincPlated	4	EA
32	056059 090	Bolt, HexBolt DIN931 M8 x 90mm 8.8 ZincPlated	2	EA
33	058492 020	Bolt HexSetScrew DIN933 M8 x 2	5	EA
34	058492 025	BOLT HEXSETSCREW DIN933 M8 X 25MM 8.8 ZP	4	EA
35	5563466	POP RIVET S/SSTEEL MANDREL	2	EA
36	5560659	RVT POP .125 DIA .250 DMD STL	4	EA
37	5560656	RVT POP .125 DIA .375 DMD STL	2	EA
38	5563446	1/4 20 PAN HEAD SCREW	12	EA
39	1502834	SLIDE PAD, STICK ON NOVEMBER 2017 AND AFTER	8	EA
40	1501829 5	PLT, CABLE COVER BOTTOM	1	EA
41	1503113	ASSY, UCB ANSI/CE 2SPD	1	EA
42	1503200	PENDANT, DRIVE CONTROLS SEPTEMBER 2019 AND AFTER	1	EA
43	1503073	DECAL, DRIVE CNTRL E STOP OFF	1	EA
44	1502990	DECAL, PENDANT CONTROLS JUNE 2018 AND AFTER	1	EA



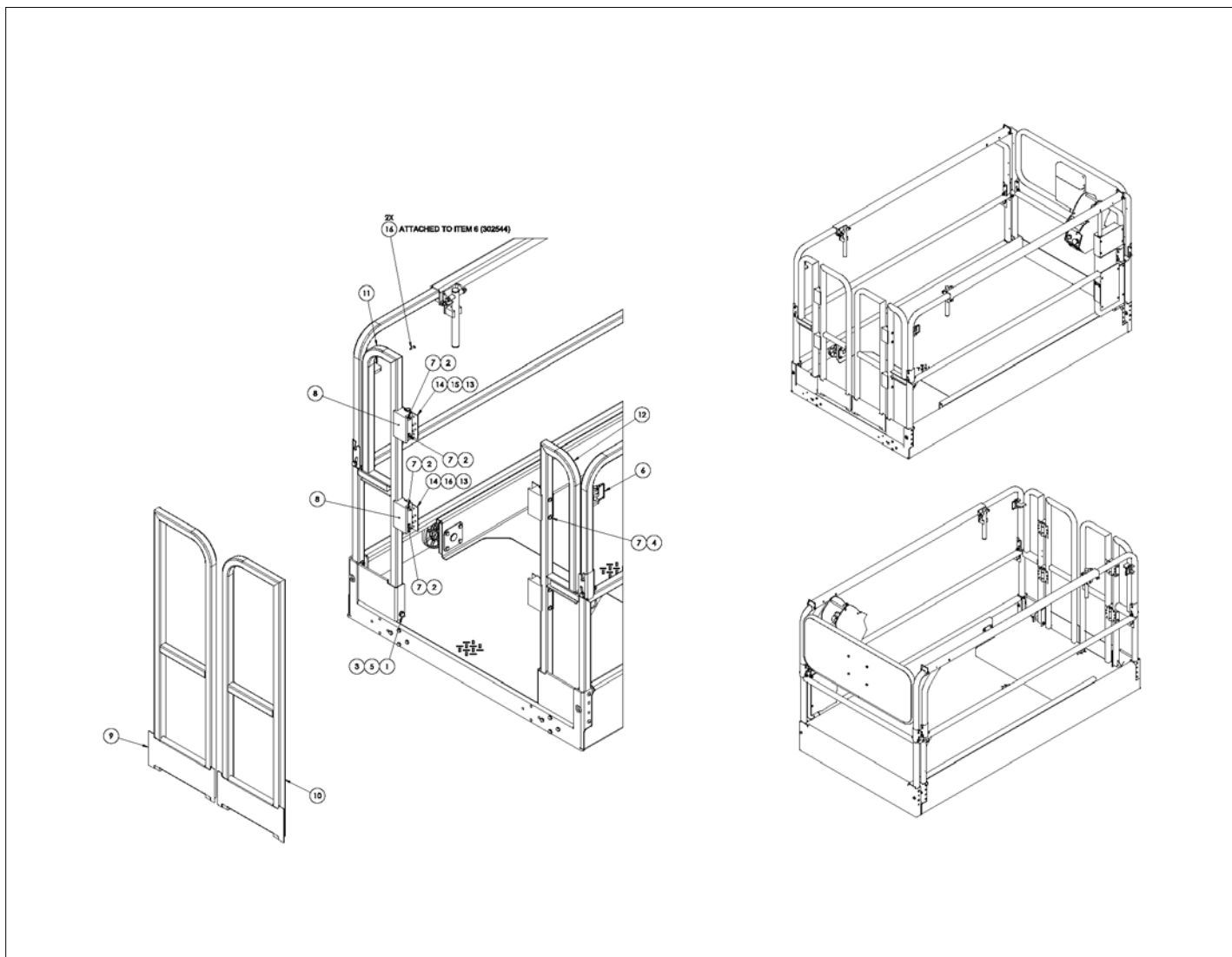
アイテム	部品番号	名前	数量	UOM
45	1500038 5	WLDMT PIVOT LEVER	1	EA
46	502141 000 5	STOP LEVER	1	EA
47	009442 003	SPRING LATCH	1	EA

REPAIR PARTS



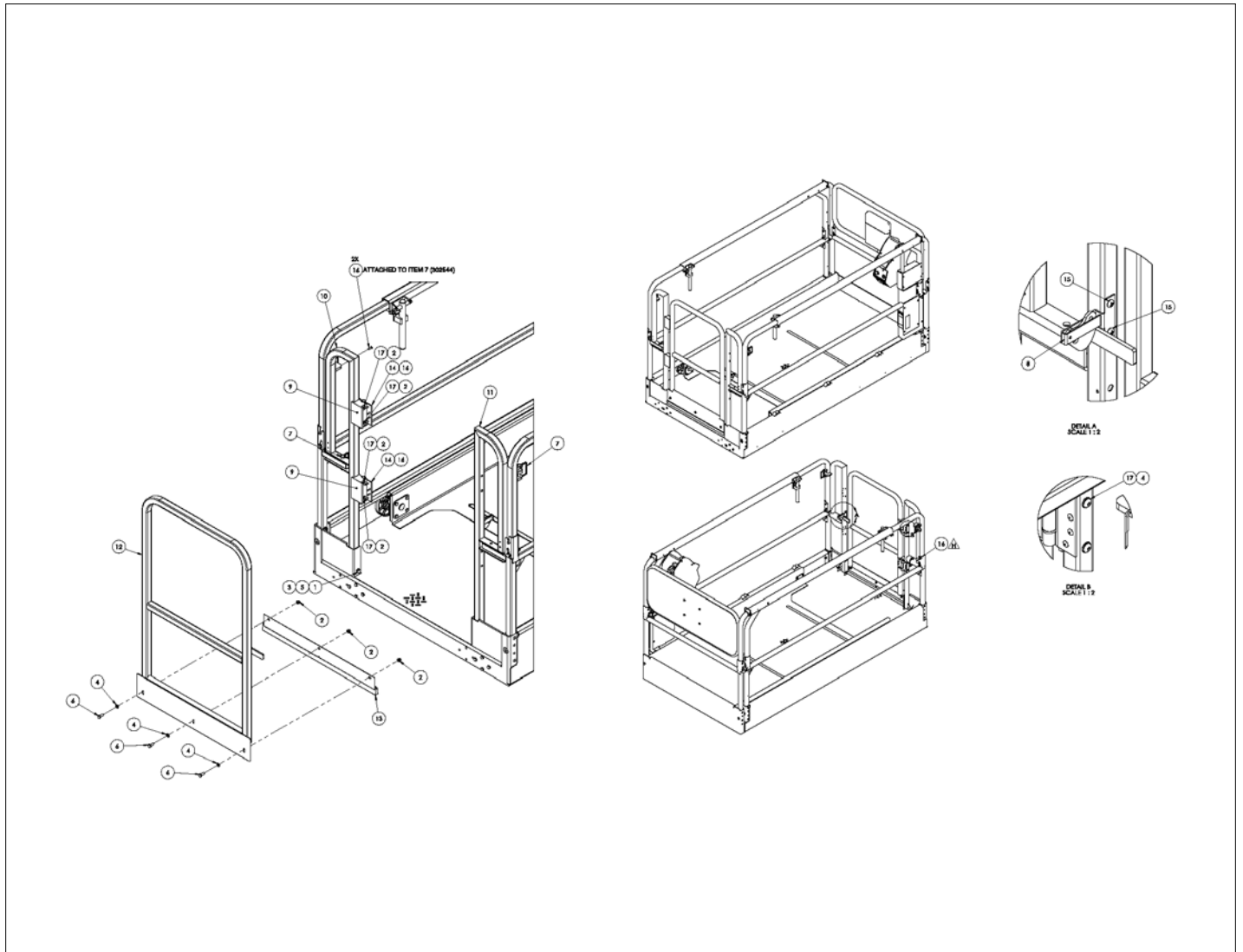
アイテム	部品番号	名前	数量	UOM
	1502699 D	SALOON GATES ASSEMBLY S4726E S4732E		EA
1	056060 110	Bolt, HexBolt DIN931 M10 x 110	2	EA
2	056066 008	NUT NYLOCKNUT DIN985 M8 8.0 ZP	8	EA
3	056066 010	Nut, NylockNut DIN985 M10 8.0ZincPlated	2	EA
4	056069 008	WASHER, STEELFLATWASHER DIN12M8 FLAT WASHER DIN 125	8	EA
5	056069 010	Washer, SteelFlatWasher DIN125A M10 ZincPlated	4	EA
6	302544	Pin & Lock	2	EA
7	500595 075	Bolt, SktButCapScrew DIN9427 M	8	EA
8	1501844	BUMPER, GATES	4	EA
9	1501865	WLDMT, SALOON GATE LH	1	EA
10	1501870	WLDMT, SALOON GATE RH	1	EA
11	1501902	WLDMT, SALOON GATE MNT LH	1	EA
12	1501904	WLDMT, SALOON GATE MNT RH	1	EA
13	1502128	PLT,DOOR STOP SHIM	2	EA
14	5516359	HINGE, SPRING	4	EA
15	5563466	POP RIVET S/SSTEEL MANDREL	1	EA
16	5563973	POP RIVET .188 X .13 .25 ST	34	EA

REPAIR PARTS



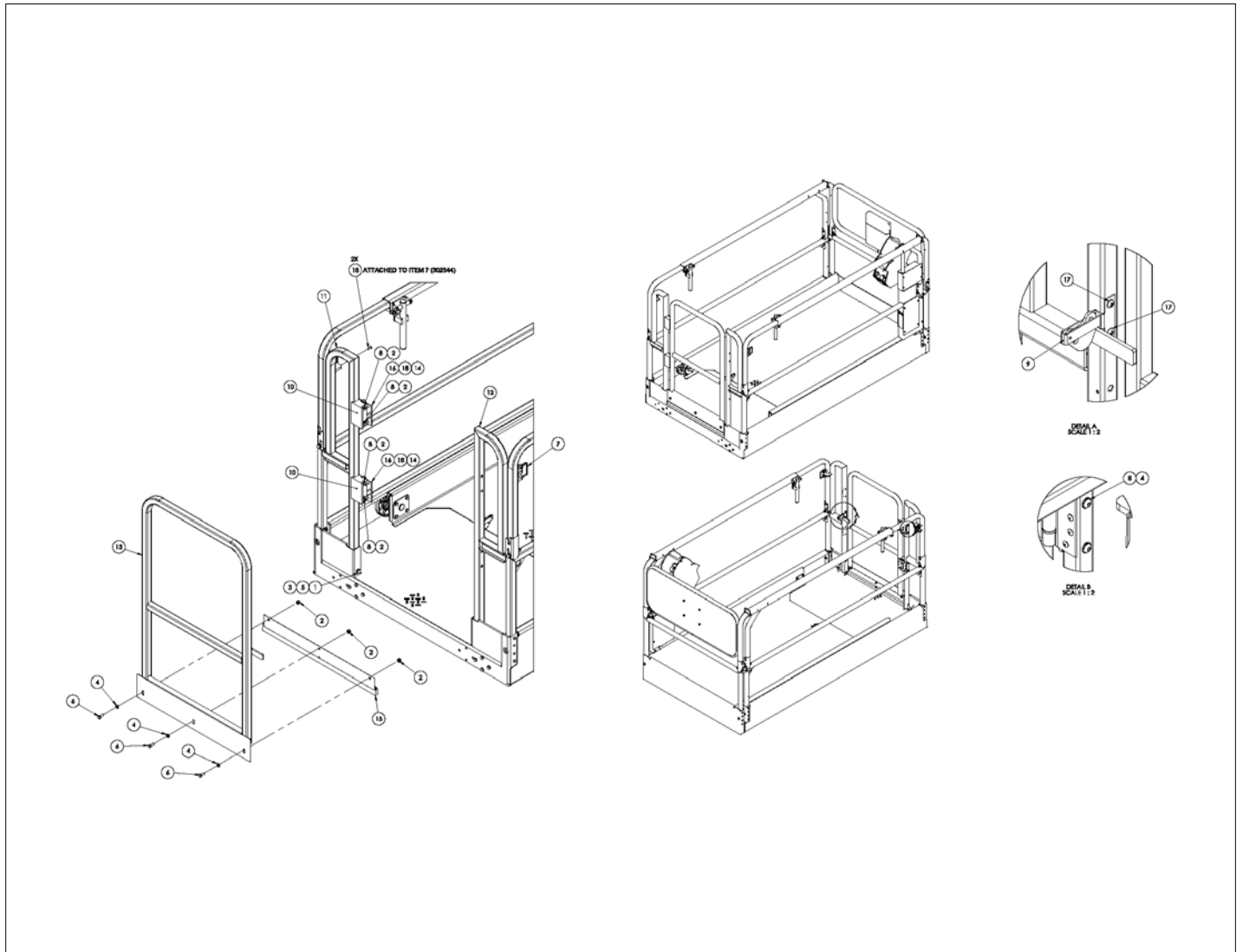
アイテム	部品番号	名前	数量	UOM
	1502699D	SALOON GATES ASSEMBLY CHINA S4726E S4732E		EA
1	056060 110	Bolt, HexBolt DIN931 M10 x 110	2	EA
2	056066 008	NUT NYLOCKNUT DIN985 M8 8.0 ZP	8	EA
3	056066 010	Nut, NylockNut DIN985 M10 8.0ZincPlated	2	EA
4	056069 008	WASHER, STEELFLATWASHER DIN12M8 FLAT WASHER DIN 125	8	EA
5	056069 010	Washer, SteelFlatWasher DIN125A M10 ZincPlated	4	EA
6	302544	Pin & Lock	2	EA
7	500595 075	Bolt, SktButCapScrew DIN9427 M	8	EA
8	1501844	BUMPER, GATES	4	EA
9	1501865	WLDMT, SALOON GATE LH	1	EA
10	1501870	WLDMT, SALOON GATE RH	1	EA
11	1501902	WLDMT, SALOON GATE MNT LH	1	EA
12	1501904	WLDMT, SALOON GATE MNT RH	1	EA
13	1502128	PLT,DOOR STOP SHIM	2	EA
14	5516359	HINGE, SPRING	4	EA
15	5563466	POP RIVET S/SSTEEL MANDREL	1	EA
16	5563973	POP RIVET .188 X .13 .25 ST	34	EA

REPAIR PARTS



アイテム	部品番号	名前	数量	UOM
	1502698 H	SINGLE GATE ASSEMBLY S4726E S4732E		EA
1	056060 110	Bolt, HexBolt DIN931 M10 x 110	2	EA
2	056066 008	NUT NYLOCKNUT DIN985 M8 8.0 ZP	7	EA
3	056066 010	Nut, NylockNut DIN985 M10 8.0ZincPlated	2	EA
4	056069 008	WASHER, STEELFLATWASHER DIN12M8 FLAT WASHER DIN 125	7	EA
5	056069 010	Washer, SteelFlatWasher DIN125A M10 ZincPlated	4	EA
6	058492 020	Bolt HexSetScrew DIN933 M8 x 2	3	EA
7	302544	Pin & Lock	3	EA
8	512602 000	LATCH/STRIKER SET	1	EA
9	1501844	BUMPER, GATES	2	EA
10	1501902	WLDMT, SALOON GATE MNT LH	1	EA
11	1501904	WLDMT, SALOON GATE MNT RH	1	EA
12	1501989	WLDMT, SWING GATE 4726/4732 AU	1	EA
13	1502771	ASSY, BRUSH, 26in	1	EA
14	5516359	HINGE, SPRING	2	EA
15	5563446	1/4 20 PAN HEAD SCREW	2	EA
16	5563973	POP RIVET .188 X .13 .25 ST	19	EA
17	500595 075	Bolt, SktButCapScrew DIN9427 M	4	EA

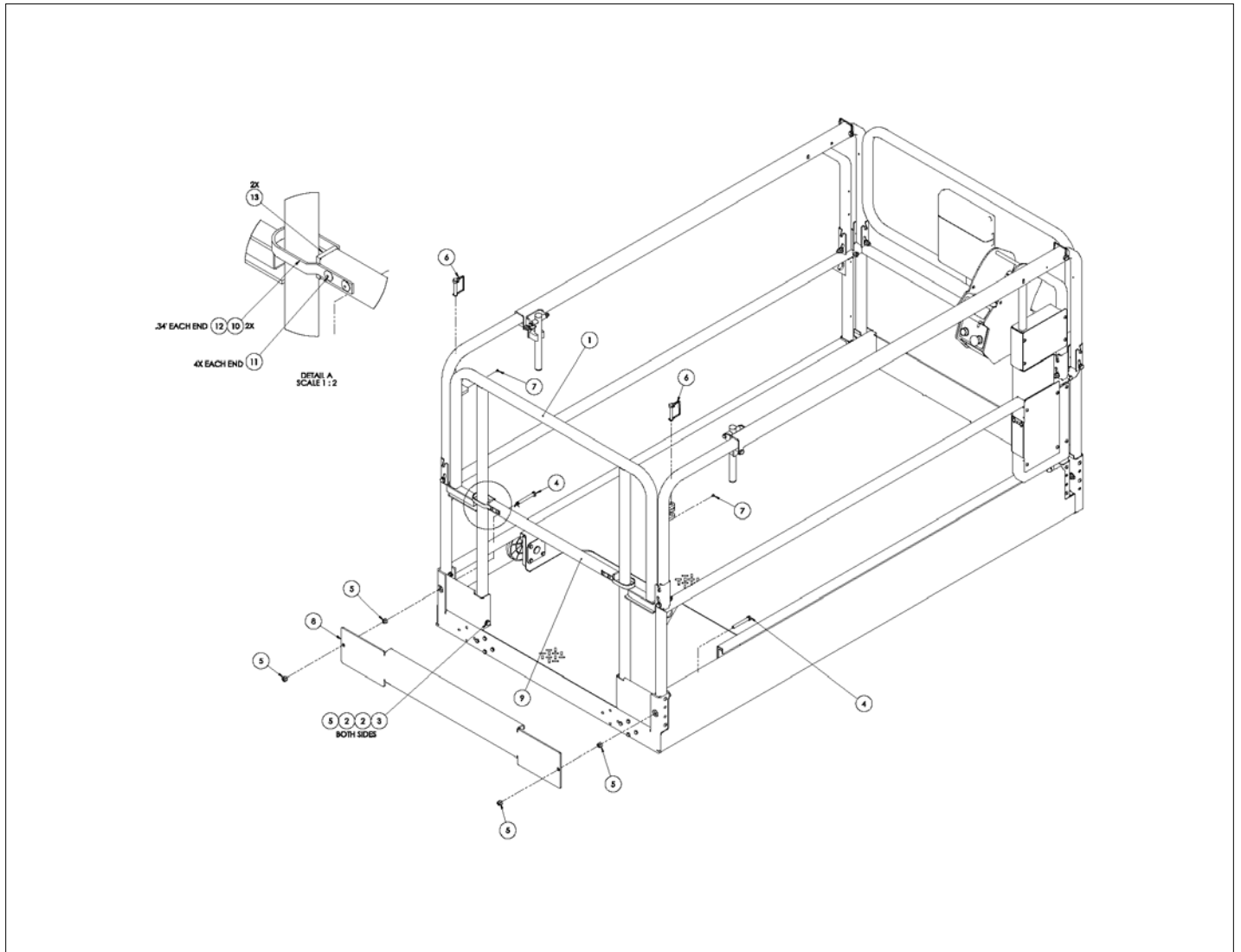
REPAIR PARTS





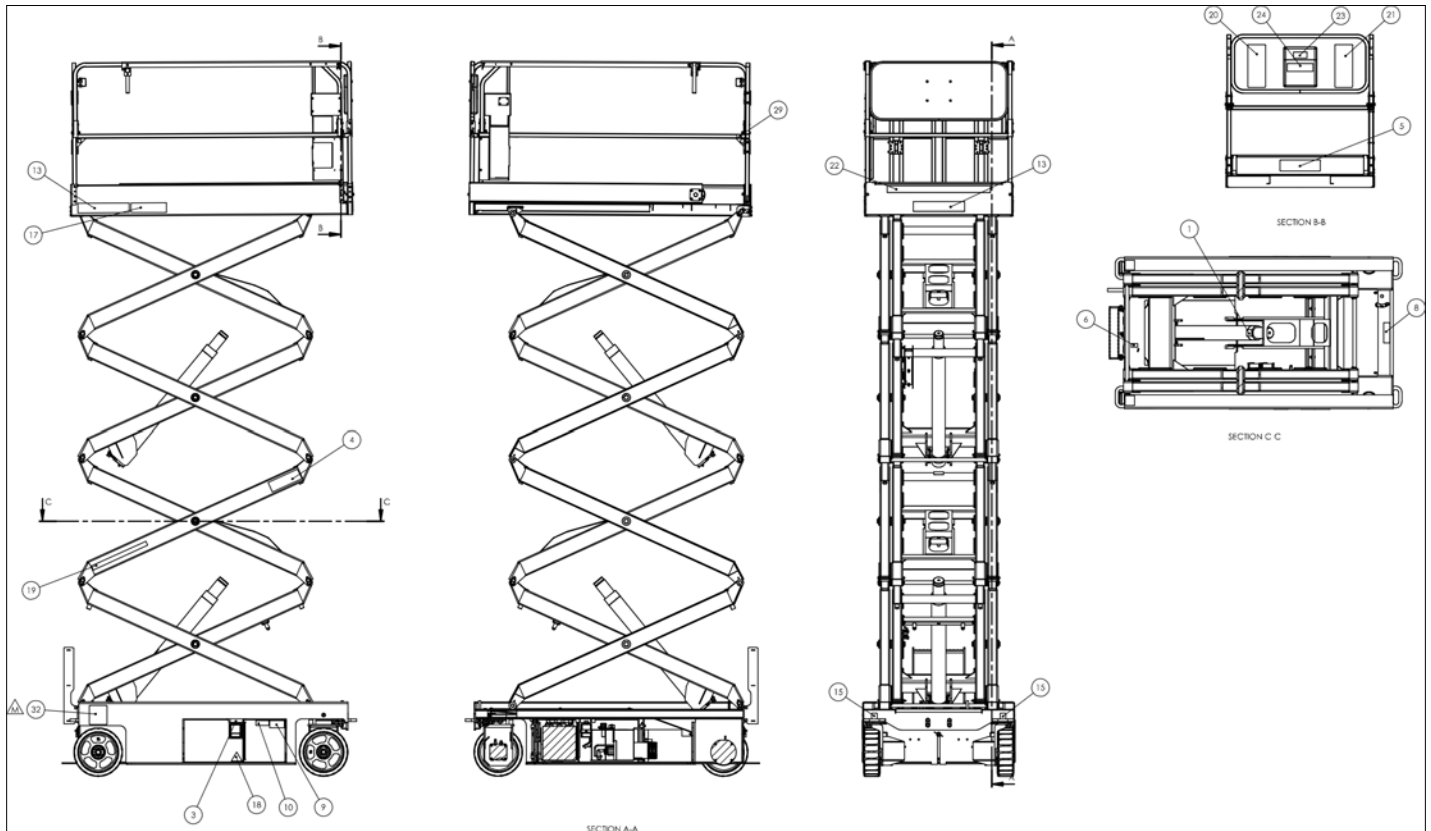
アイテム	部品番号	名前	数量	UOM
	1502698F	SINGLE GATE ASSEMBLY CHINA S4726E S4732E		EA
1	056060 110	Bolt, HexBolt DIN931 M10 x 110	2	EA
2	056066 008	NUT NYLOCKNUT DIN985 M8 8.0 ZP	7	EA
3	056066 010	Nut, NylockNut DIN985 M10 8.0ZincPlated	2	EA
4	056069 008	WASHER, STEELFLATWASHER DIN12M8 FLAT WASHER DIN 125	7	EA
5	056069 010	Washer, SteelFlatWasher DIN125A M10 ZincPlated	4	EA
6	058492 020	Bolt HexSetScrew DIN933 M8 x 2	3	EA
7	302544	Pin & Lock	2	EA
8	500595 075	Bolt, SktButCapScrew DIN9427 M	4	EA
9	512602 000	LATCH/STRIKER SET	1	EA
10	1501844	BUMPER, GATES	2	EA
11	1501902	WLDMT, SALOON GATE MNT LH	1	EA
12	1501904	WLDMT, SALOON GATE MNT RH	1	EA
13	1501989	WLDMT, SWING GATE 4726/4732 AU	1	EA
14	1502128	PLT,DOOR STOP SHIM	2	EA
15	1502771	ASSY, BRUSH, 26in	1	EA
16	5516359	HINGE, SPRING	2	EA
17	5563446	1/4 20 PAN HEAD SCREW	2	EA
18	5563973	POP RIVET .188 X .13 .25 ST	20	EA

REPAIR PARTS

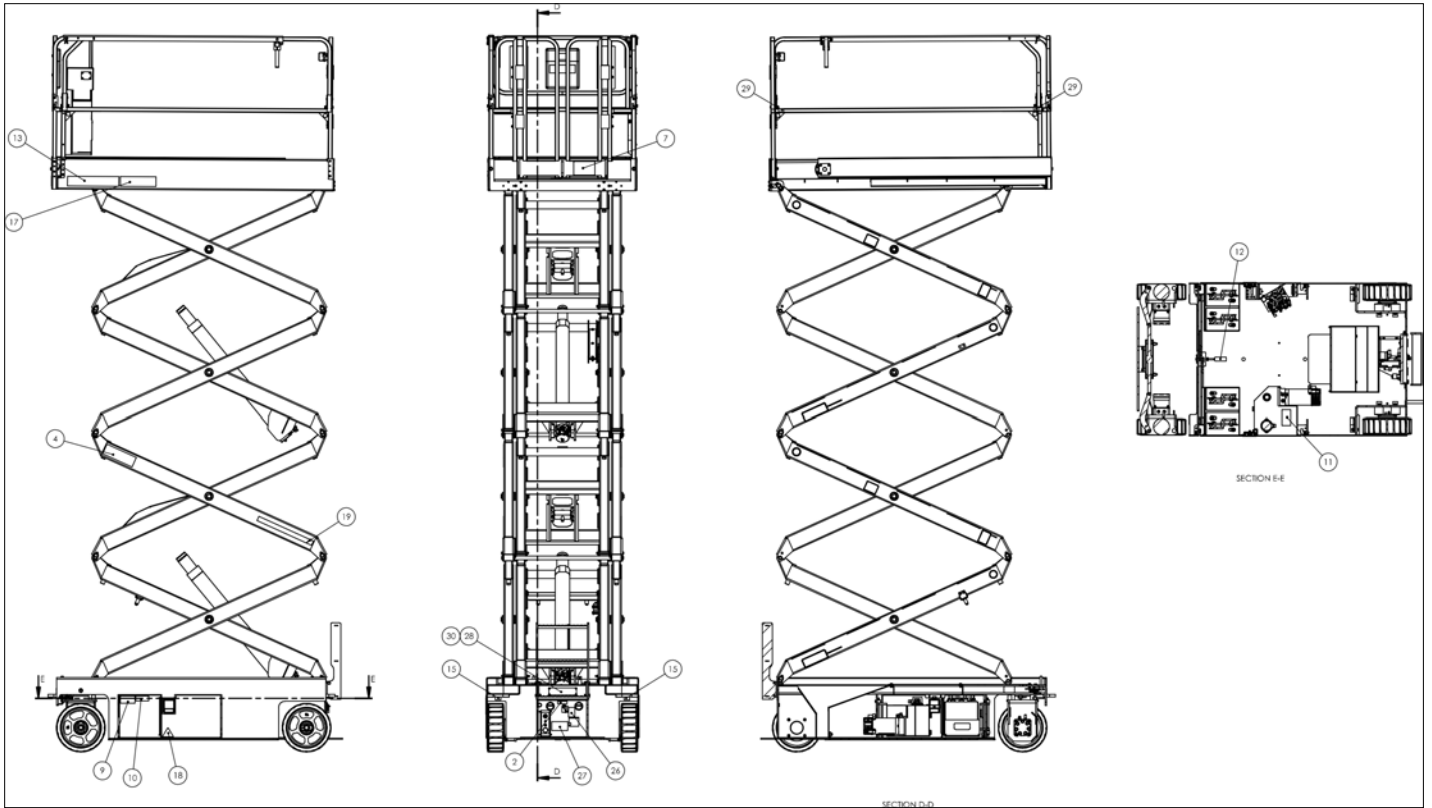


アイテム	部品番号	名前	数量	UOM
	1502929 B	GRAVITY GATE ASSEMBLY S4726E S4732E		EA
1	1502889	WLDMT, GRAVITY GATE ENTRY WIDE	1	EA
2	056069 010	Washer, SteelFlatWasher DIN125A M10 ZincPlated	4	EA
3	056060 110	Bolt, HexBolt DIN931 M10 x 110	2	EA
4	056060 080	Bolt, HexBolt DIN931 M10 x 80m	2	EA
5	056066 010	Nut, NylockNut DIN985 M10 8.0ZincPlated	6	EA
6	302544	Pin & Lock	2	EA
7	5563466	POP RIVET S/SSTEEL MANDREL	2	EA
8	1502893	PLT, TOE KICK WIDE	1	EA
9	1502936	TUBE, DROP GATE WIDE	1	EA
10	508932 000	U BRACKET	2	EA
11	000561 000	RIVET M4 4.8MM X 10MM	8	EA
12	058383 000	PVC SLEEVING	0.67	EA
13	468886	END CAP 1.25 SQ PLASTIC BLACK	2	EA

REPAIR PARTS

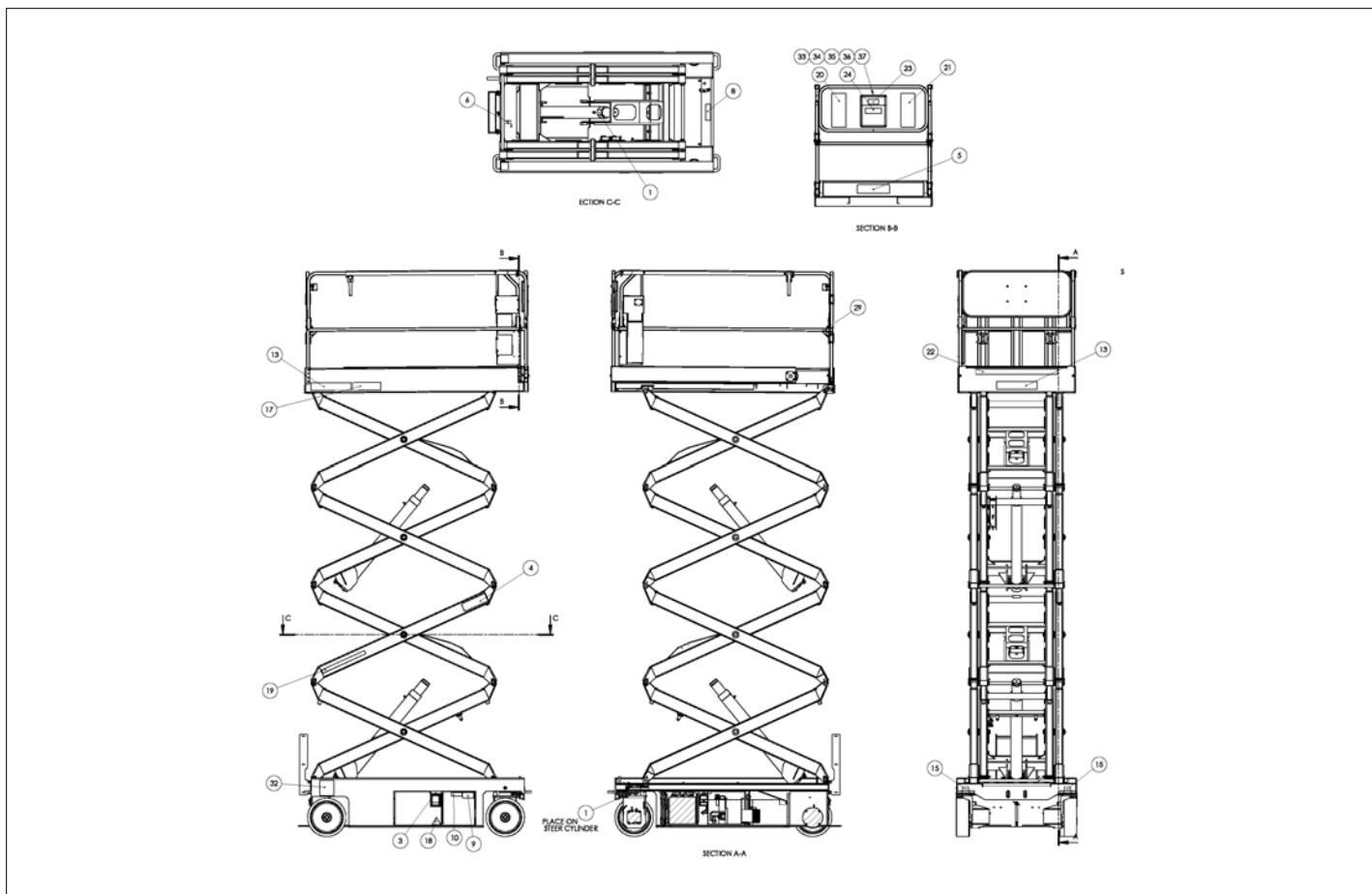


アイテム	部品番号	名前	数量	UOM
*	1501497 M	ANSI DECALS ASSEMBLY S4632E AUGUST 2015 AND AFTER		EA
1	0074311	DECAL DANGER CYLINDER FAILURE	3	EA
2	0150606	Decal, 125 Volts Power To Platform (USA Only)	1	EA
3	0181562	Decal, Amchine Complies With ANSI (USA Only)	1	EA
4	0361259	DECAL DNGR SAFETY PROP	2	EA
5	1501511	DECAL CAP 1000# W/WIND SPEED	1	EA
6	0361533	DECAL EMER BLEED DOWN 1930 PIC	1	EA
7	300699	Decal, Operators Checklist	1	EA
8	300700	Decal, Shearing Hazard	1	EA
9	451726	DECAL CHK BTRY BEFORE CHARGING	2	EA
10	300760	DECAL DNGR TIPOVER HAZARD	2	EA
11	1502586	DECAL, HYDRAULIC FLUID LEVEL	1	EA
12	451986	Decal, Interlocks	1	EA
13	569295	DECAL, SNORKEL BRAND LOGO 3.00	3	EA
14	1500840	DECAL FORKLIFT PHOENIX II	2	EA
15	0083426	Decal, Lifting and Tie Down	4	EA
16	0361367	MANUAL RSPNSBLTY A92.6	1	EA
17	1500839	DECAL S4732E MODEL	2	EA
18	501453 000	Decal, Foot Crush Hazard	2	EA
19	7030068	DECAL, SNORKELLIFTS.COM	2	EA
20	1501475	DECAL DNGR TIPOVER/ELEC HAZARD	1	EA
21	1501476	DECAL DNGR TIPOVER/ELEC HAZARD	1	EA
22	969249	DECAL STRIPE YEL /BLK 1000 INCH	1	EA



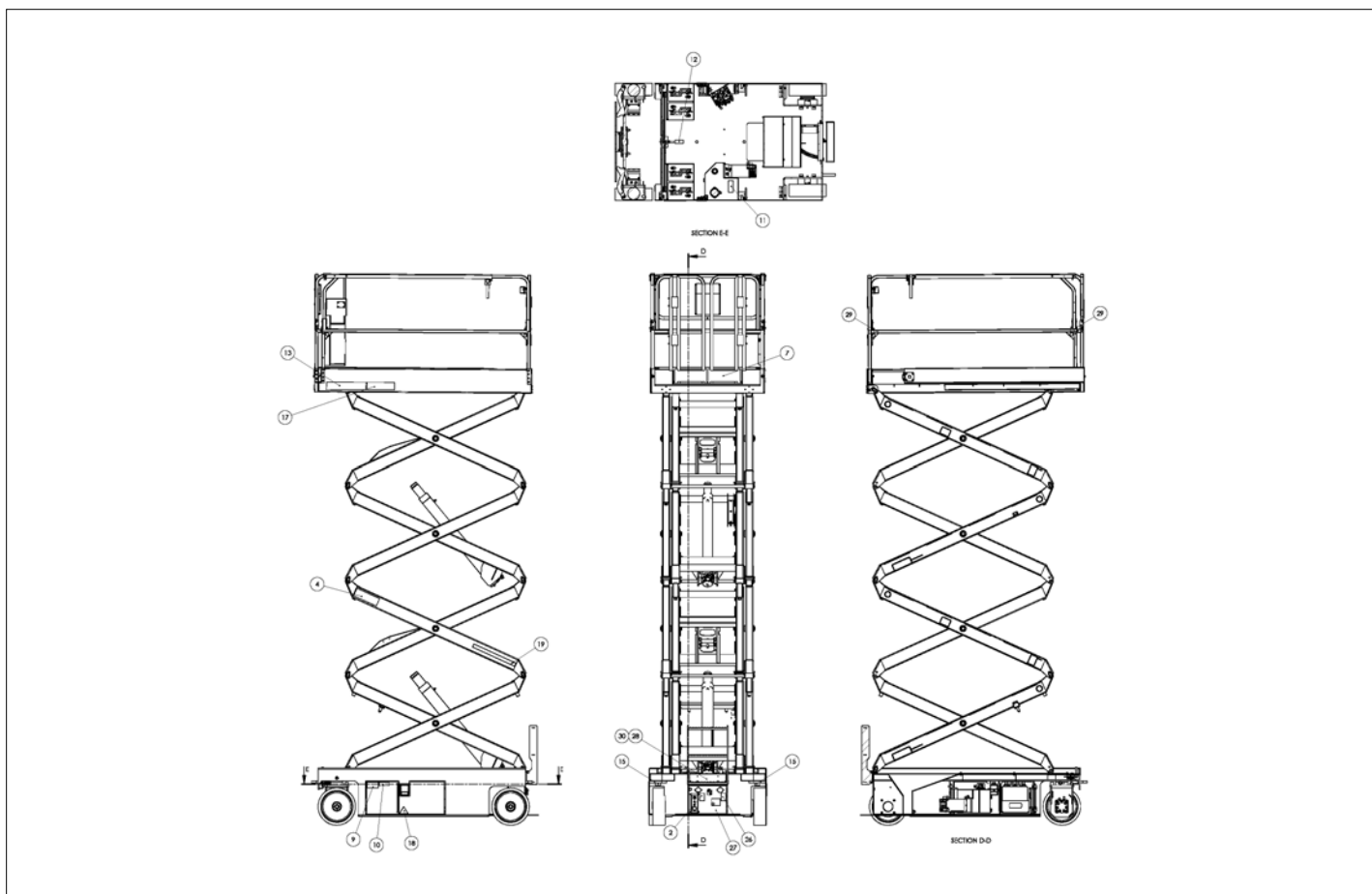
アイテム	部品番号	名前	数量	UOM
23	0073224	DECAL, NOTICE MANUAL REORDER	1	EA
24	0073043	DECAL, OPERATING MANUAL ENCLOS	1	EA
25	1500834	MANUAL, OPERATORS ANSI	1	EA
26	416836	DECAL BATTEY CHARGER PLUG	1	EA
27	1501472	DECAL CHARGER INFO	1	EA
28	1501666	PLACARD S4732E ANSI	1	EA
29	1501676	DECAL, LANYARD ATTACHMENT	3	EA
30	5563454	RIVET, 1/8 X .313/.375 ALUM BLIND	4	EA
31	1501763	DECAL, SAFETY PROP HERE	1	EA
32	1502596	DECAL WARNING TOW INSTRUCTIONS	1	EA
33	1501779	ASSY STANDARD S4732E CE	1	EA

REPAIR PARTS



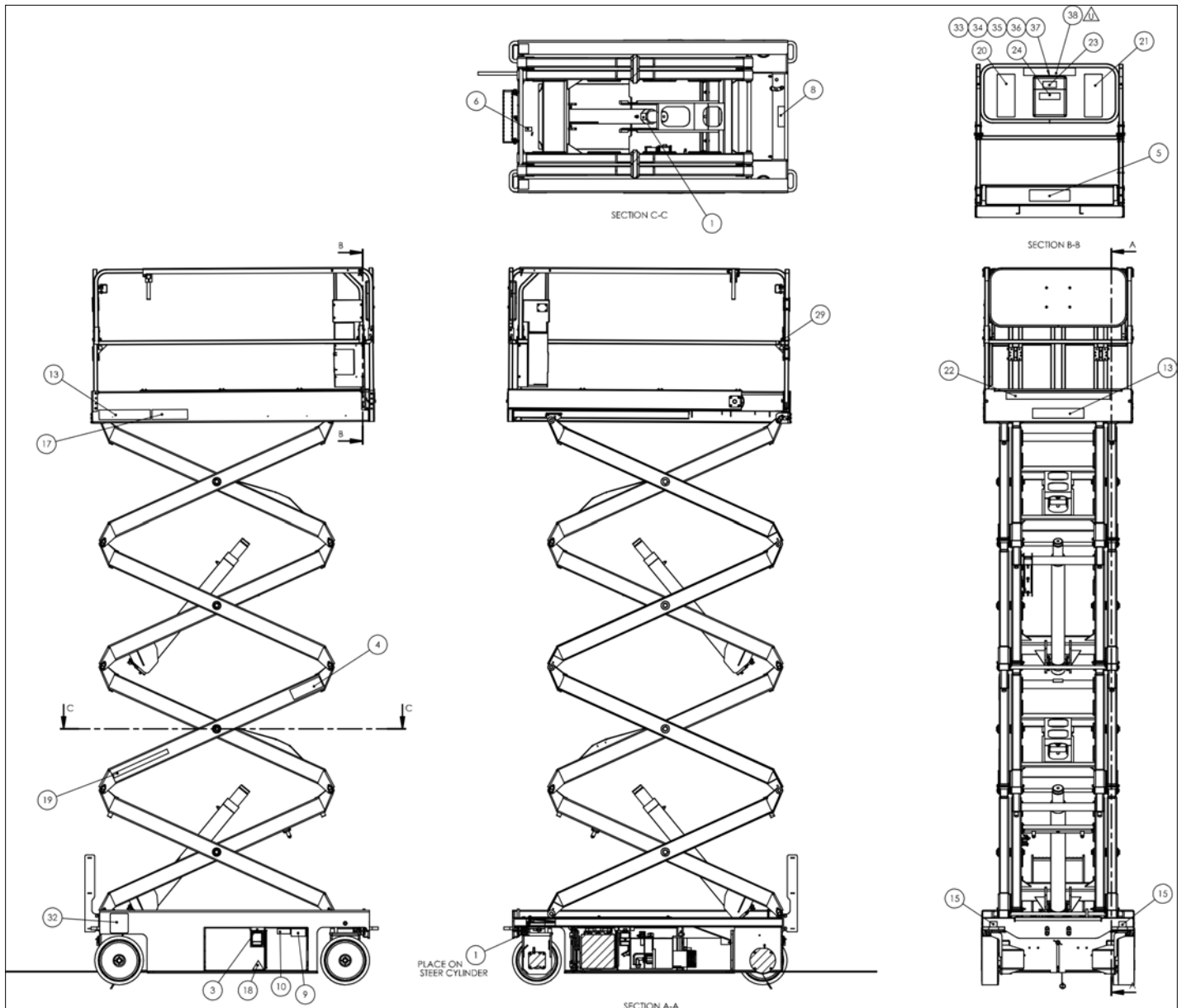


アイテム	部品番号	名前	数量	UOM
	1501497T	S4732T, ANSI DECAL, ASSEMBLY		EA
1	0074311	DECAL DANGER CYLINDER FAILURE	3	EA
2	1502528	DECAL, POWER TO PLATFORM	1	EA
3	0181562	Decal, Amchine Complies With ANSI (USA Only)	1	EA
4	0361259	DECAL DNGR SAFETY PROP	2	EA
5	1501510	DECAL, PLAT CAP 700# W/WIND SP	1	EA
6	0361533	DECAL EMER BLEED DOWN 1930 PIC	1	EA
7	300699	Decal, Operators Checklist	1	EA
8	300700	Decal, Shearing Hazard	1	EA
9	451726	DECAL CHK BTRY BEFORE CHARGING	2	EA
10	300760	DECAL DNGR TIPOVER HAZARD	2	EA
11	1502586	DECAL, HYDRAULIC FLUID LEVEL	1	EA
12	451986	Decal, Interlocks	1	EA
13	569295	DECAL, SNORKEL BRAND LOGO 3.00	3	EA
14	1500840	DECAL FORKLIFT PHOENIX II	2	EA
15	0083427	Decal, Lifting/Tie Down	4	EA
16	0361367	MANUAL RSPNSBLTY A92.6	1	EA
17	1500839	DECAL S4732E MODEL	2	EA
18	501453 000	Decal, Foot Crush Hazard	2	EA
19	7030068	DECAL, SNORKELLIFTS.COM	2	EA
20	1501475	DECAL DNGR TIPOVER/ELEC HAZARD	1	EA
21	1501476	DECAL DNGR TIPOVER/ELEC HAZARD	1	EA
22	969249	DECAL STRIPE YEL /BLK 1000 INCH	47	EA

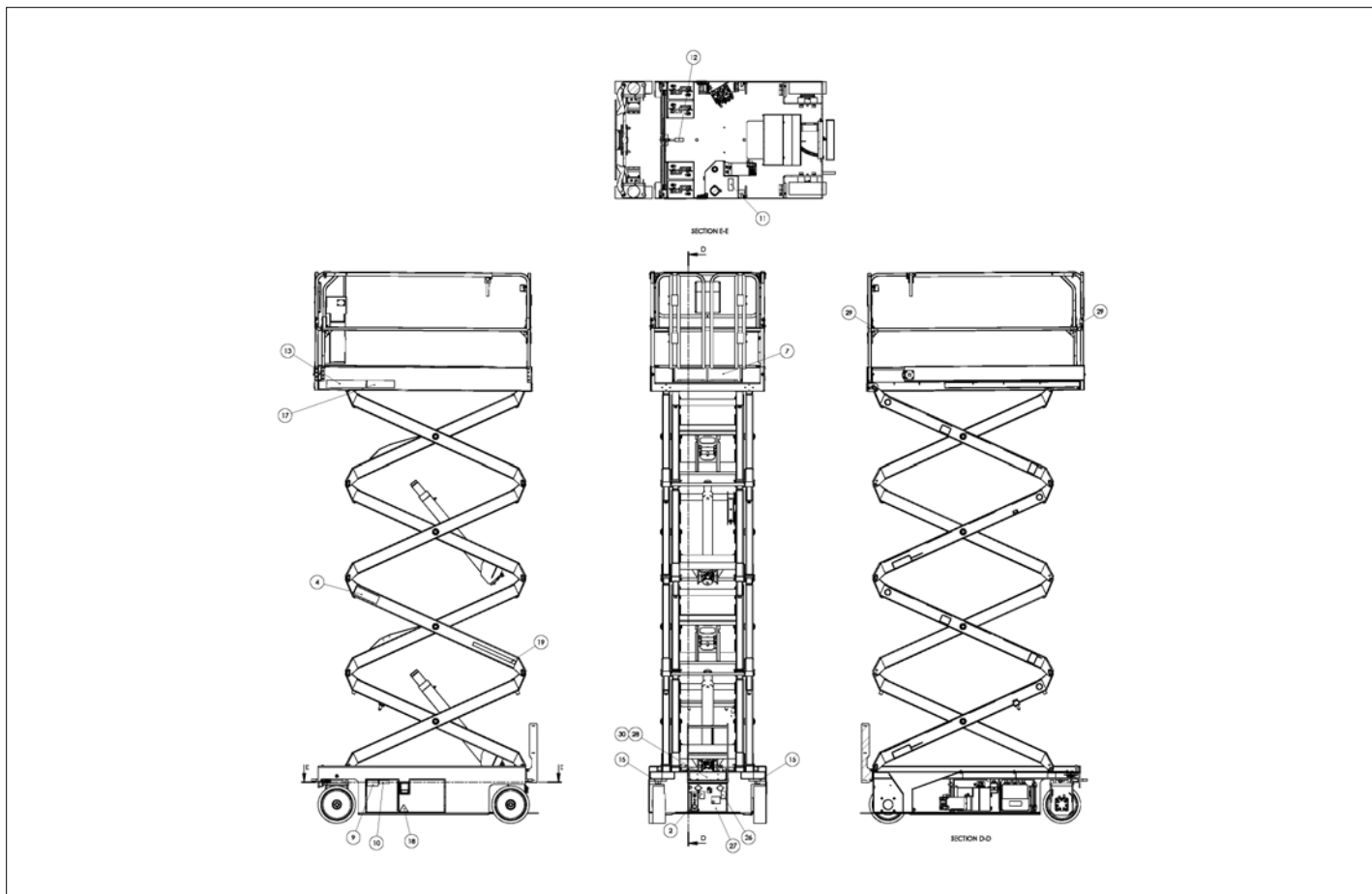


アイテム	部品番号	名前	数量	UOM
23	0073224	DECAL, NOTICE MANUAL REORDER	1	EA
24	0073043	DECAL, OPERATING MANUAL ENCLOS	1	EA
25	1500834	MANUAL, OPERATORS ANSI	1	EA
26	1502529	DECAL, BATTERY CHARGER PLUG	1	EA
27	1502762	DECAL, FAULT CODES	1	EA
28	1502776	PLACARD, S4732E ANSI	1	EA
29	1501676	DECAL, LANYARD ATTACHMENT	3	EA
30	5560656	RVT POP .125 DIA .375 DMD STL	4	EA
31	1501763	DECAL, SAFETY PROP HERE	1	EA
32	1502596	DECAL WARNING TOW INSTRUCTIONS	1	EA
33	7050004	RECORD POUCH, 12 X 15 RECLOSABLE BAG	1	EA
34	8140020	PDI/WARRANTY CARD NORCO PRINTI	1	EA
35	8230187	SNORKEL PRODUCT WARRANTY POLIC	1	EA
36	8230188	WARRANTY ACTIVATION FORM	1	EA
37	8230189	WARRANTY CLAIM FORM	1	EA

REPAIR PARTS

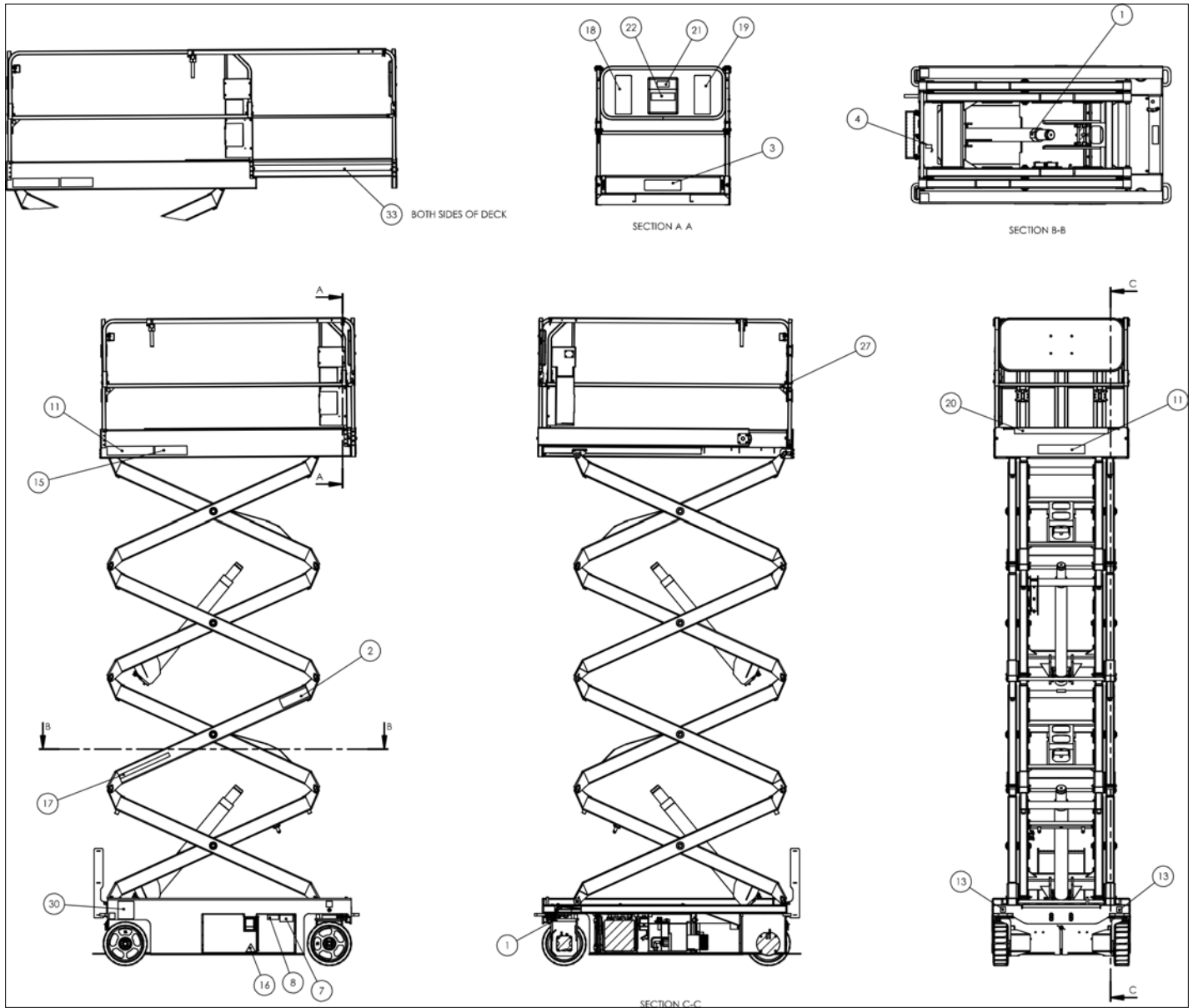


アイテム	部品番号	名前	数量	UOM
	1501497 U	DECAL ASSEMBLY ANSI S4732E OCTOBER 2019E AND AFTER		EA
1	0074311	DECAL DANGER CYLINDER FAILURE	3	EA
2	1502528	DECAL, POWER TO PLATFORM	1	EA
3	0181562	Decal, Amchine Complies With ANSI (USA Only)	1	EA
4	0361259	DECAL DNGR SAFETY PROP	2	EA
5	1501510	DECAL, PLAT CAP 700# W/WIND SP	1	EA
6	0361533	DECAL EMER BLEED DOWN 1930 PIC	1	EA
7	300699	Decal, Operators Checklist	1	EA
8	300700	Decal, Shearing Hazard	1	EA
9	451726	DECAL CHK BTRY BEFORE CHARGING	2	EA
10	300760	DECAL DNGR TIPOVER HAZARD	2	EA
11	1502586	DECAL, HYDRAULIC FLUID LEVEL	1	EA
12	451986	Decal, Interlocks	1	EA
13	569295	DECAL, SNORKEL BRAND LOGO 3.00	3	EA
14	1500840	DECAL FORKLIFT PHOENIX II	2	EA
15	0083427	Decal, Lifting/Tie Down	4	EA
16	0361367	MANUAL RSPNSBLTY A92.6	1	EA
17	1500839	DECAL S4732E MODEL	2	EA
18	501453 000	Decal, Foot Crush Hazard	2	EA
19	7030068	DECAL, SNORKELLIFTS.COM	2	EA
20	1501475	DECAL DNGR TIPOVER/ELEC HAZARD	1	EA
21	1501476	DECAL DNGR TIPOVER/ELEC HAZARD	1	EA
22	969249	DECAL STRIPE YEL /BLK 1000 INCH	47	EA



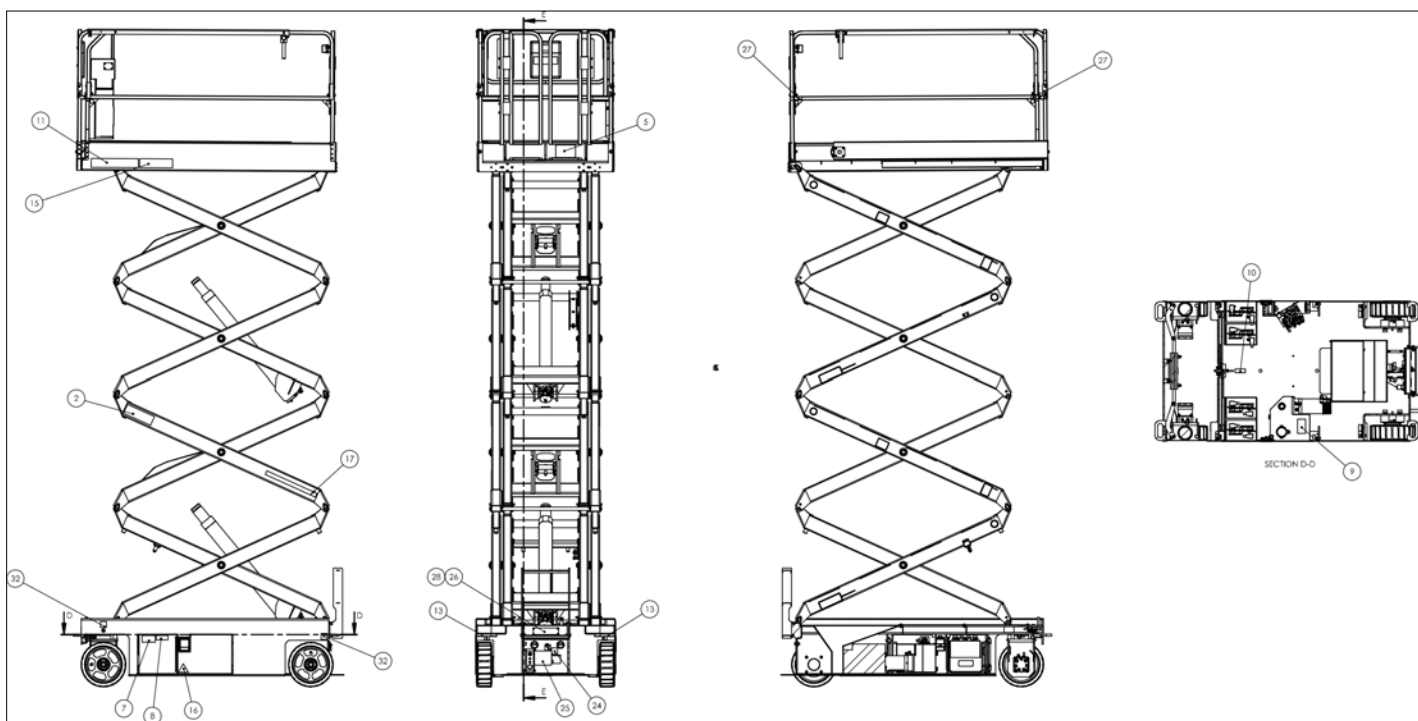
アイテム	部品番号	名前	数量	UOM
23	0073224	DECAL, NOTICE MANUAL REORDER	1	EA
24	0073043	DECAL, OPERATING MANUAL ENCLOS	1	EA
25	1500834	MANUAL, OPERATORS ANSI	1	EA
26	1502529	DECAL, BATTERY CHARGER PLUG	1	EA
27	1502762	DECAL, FAULT CODES	1	EA
28	1502776	PLACARD, S4732E ANSI	1	EA
29	1501676	DECAL, LANYARD ATTACHMENT	3	EA
30	5560656	RVT POP .125 DIA .375 DMD STL	4	EA
31	1501763	DECAL, SAFETY PROP HERE	1	EA
32	1502596	DECAL WARNING TOW INSTRUCTIONS	1	EA
33	7050004	RECORD POUCH, 12 X 15 RECLOSABLE BAG	1	EA
34	8140020	PDI/WARRANTY CARD NORCO PRINTI	1	EA
35	8230187	SNORKEL PRODUCT WARRANTY POLIC	1	EA
36	8230188	WARRANTY ACTIVATION FORM	1	EA
37	8230189	WARRANTY CLAIM FORM	1	EA
38	7030249	Decal, Do Not Operate	1	EA

REPAIR PARTS



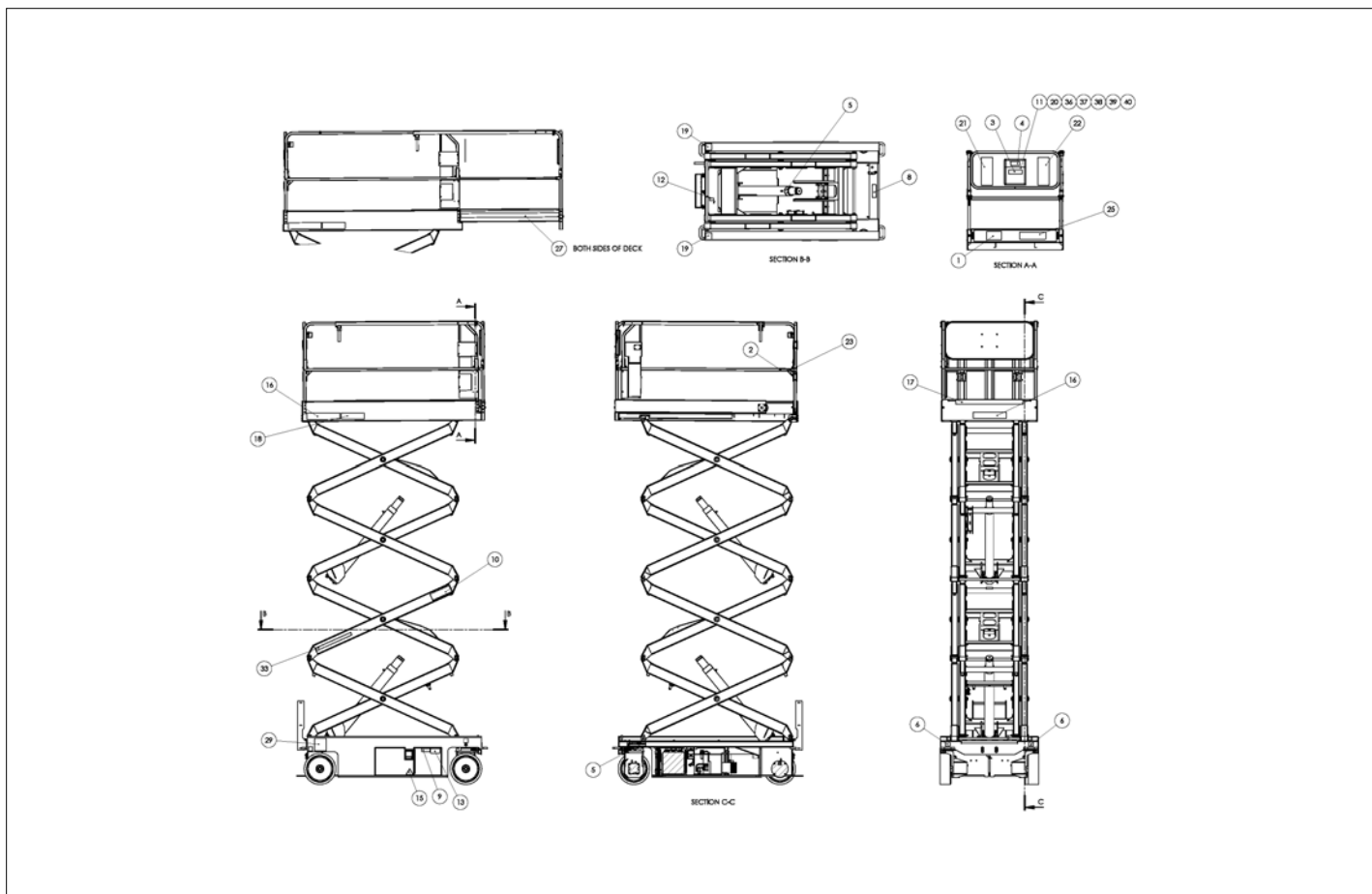


アイテム	部品番号	名前	数量	UOM
*	1502039 G	DECALS S4732E AS ASSEMBLY JUNE 2016 AND AFTER		EA
1	0074311	DECAL DANGER CYLINDER FAILURE	3	EA
2	0361259	DECAL DNGR SAFETY PROP	2	EA
3	1501511	DECAL CAP 1000# W/WIND SPEED	1	EA
4	0361533	DECAL EMER BLEED DOWN 1930 PIC	1	EA
5	300699	Decal, Operators Checklist	1	EA
6	300700	Decal, Shearing Hazard	1	EA
7	451726	DECAL CHK BTRY BEFORE CHARGING	2	EA
8	300760	DECAL DNGR TIPOVER HAZARD	2	EA
9	1502586	DECAL, HYDRAULIC FLUID LEVEL	1	EA
10	451986	Decal, Interlocks	1	EA
11	569295	DECAL, SNORKEL BRAND LOGO 3.00	3	EA
12	1500840	DECAL FORKLIFT PHOENIX II	2	EA
13	0083426	Decal, Lifting and Tie Down	4	EA
14	0361367	MANUAL RSPNSBLTY A92.6	1	EA
15	1500839	DECAL S4732E MODEL	2	EA
16	501453 000	Decal, Foot Crush Hazard	2	EA
17	7030068	DECAL, SNORKELIFTS.COM	2	EA
18	1501475	DECAL DNGR TIPOVER/ELEC HAZARD	1	EA
19	1501476	DECAL DNGR TIPOVER/ELEC HAZARD	1	EA
20	969249	DECAL STRIPE YEL /BLK 1000 INCH	47	EA
21	0073224	DECAL, NOTICE MANUAL REORDER	1	EA
22	0073043	DECAL, OPERATING MANUAL ENCLOS	1	EA

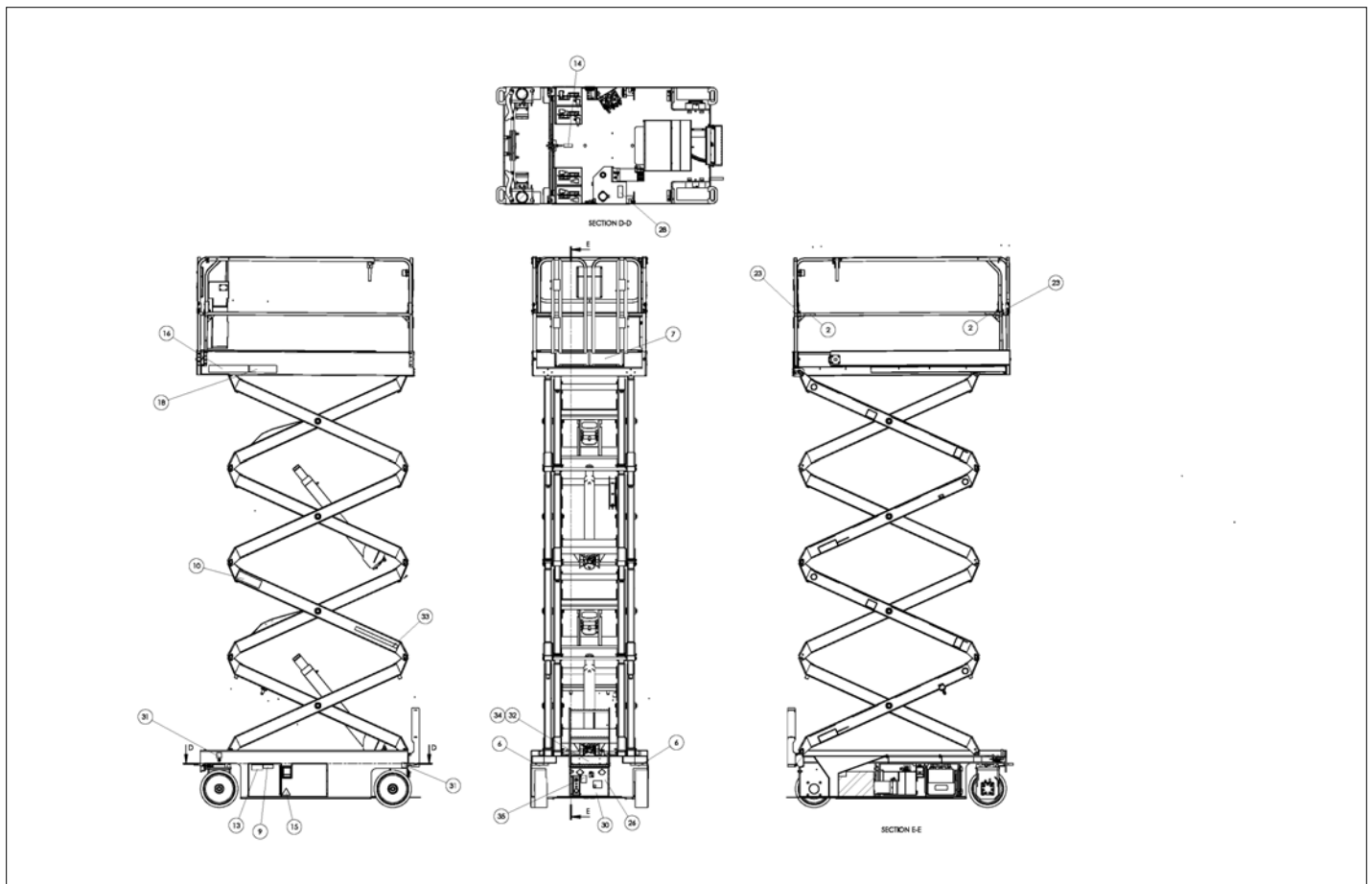


アイテム	部品番号	名前	数量	UOM
23	1500842	MANUAL OPERATORS PHOENIX II CE	1	EA
24	0372063	DECAL BATTERY CHARGER PLUG	1	EA
25	0361562	PLAC BATTERY CHARGER INFO	1	EA
26	1502865	PLACARD S4732E AS	1	EA
27	1501676	DECAL, LANYARD ATTACHMENT	3	EA
28	5563454	RIVET, 1/8 X .313/.375 ALUM BLIND	1	EA
29	1501763	DECAL, SAFETY PROP HERE	1	EA
30	1502596	DECAL WARNING TOW INSTRUCTIONS	1	EA
31	1501779	ASSY STANDARD S4732E CE	1	EA
32	1501790	DECAL WEIGHT BEARING S4732E	4	EA
33	1502545	DECAL BLK/YLLW CAUTION 65.5"	2	EA

REPAIR PARTS

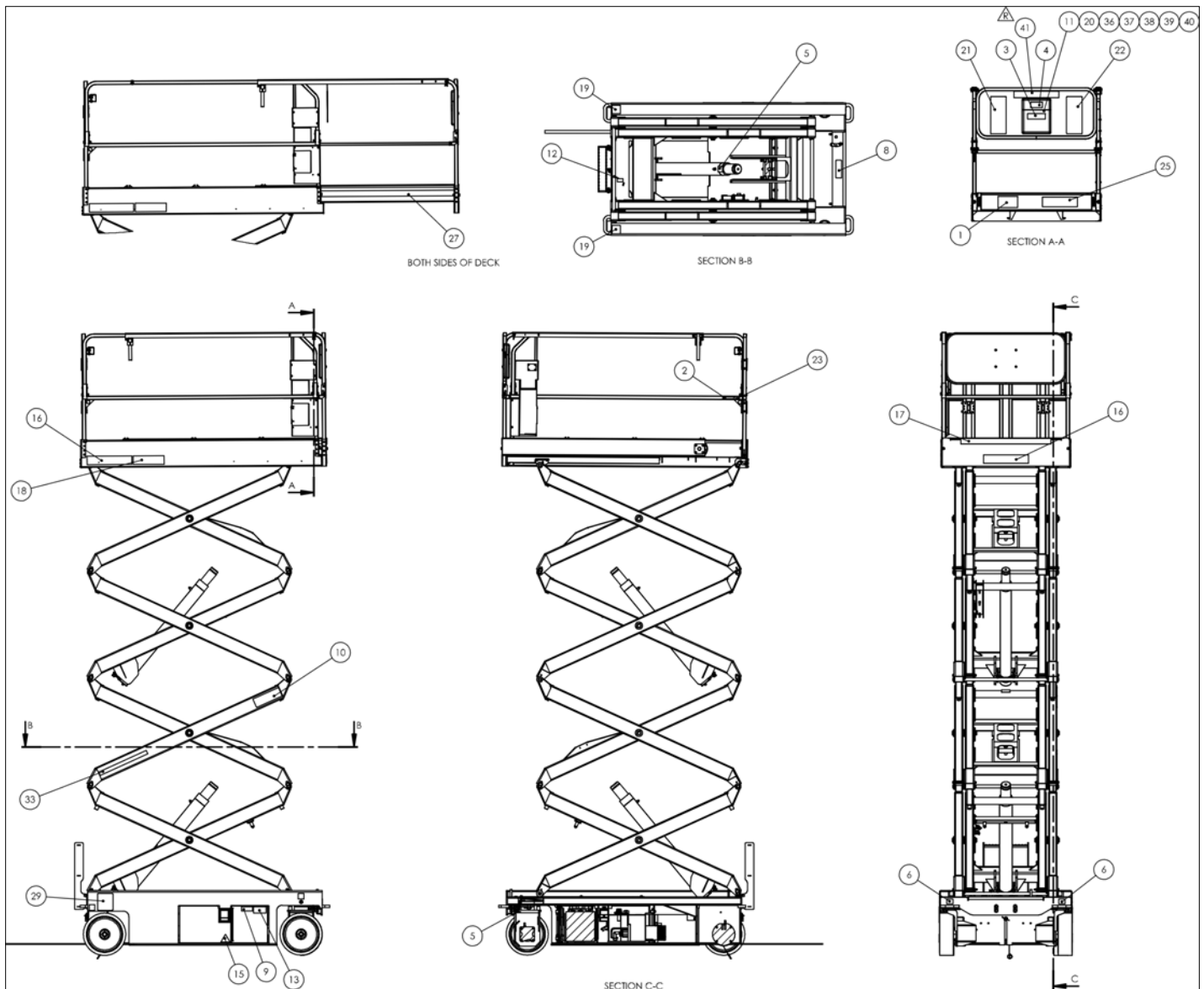


アイテム	部品番号	名前	数量	UOM
	1502039Q	S4732E, AU DECALS, ASSEMBLY		EA
1	1843	Decal, Warning NZ Only	1	EA
2	14092	DECAL FALL RESTRAINT ONLY	3	EA
3	0073043	DECAL, OPERATING MANUAL ENCLOS	1	EA
4	0073224	DECAL, NOTICE MANUAL REORDER	1	EA
5	0074311	DECAL DANGER CYLINDER FAILURE	3	EA
6	0083427	Decal, Lifting/Tie Down	4	EA
7	300699	Decal, Operators Checklist	1	EA
8	300700	Decal, Shearing Hazard	1	EA
9	300760	DECAL DNGR TIPOVER HAZARD	2	EA
10	0361259	DECAL DNGR SAFETY PROP	2	EA
11	0361367	MANUAL RSPNSBLTY A92.6	1	EA
12	0361533	DECAL EMER BLEED DOWN 1930 PIC	1	EA
13	451726	DECAL CHK BTRY BEFORE CHARGING	2	EA
14	451986	Decal, Interlocks	1	EA
15	501453 000	Decal, Foot Crush Hazard	2	EA
16	569295	DECAL, SNORKEL BRAND LOGO 3.00	3	EA
17	969249	DECAL STRIPE YEL /BLK 1000 INCH	47	EA
18	1500839	DECAL S4732E MODEL	2	EA
19	1500840	DECAL FORKLIFT PHOENIX II	2	EA
20	1500842	MANUAL OPERATORS PHOENIX II CE	1	EA
21	1501475	DECAL DNGR TIPOVER/ELEC HAZARD	1	EA
22	1501476	DECAL DNGR TIPOVER/ELEC HAZARD	1	EA
23	1501676	DECAL, LANYARD ATTACHMENT	3	EA



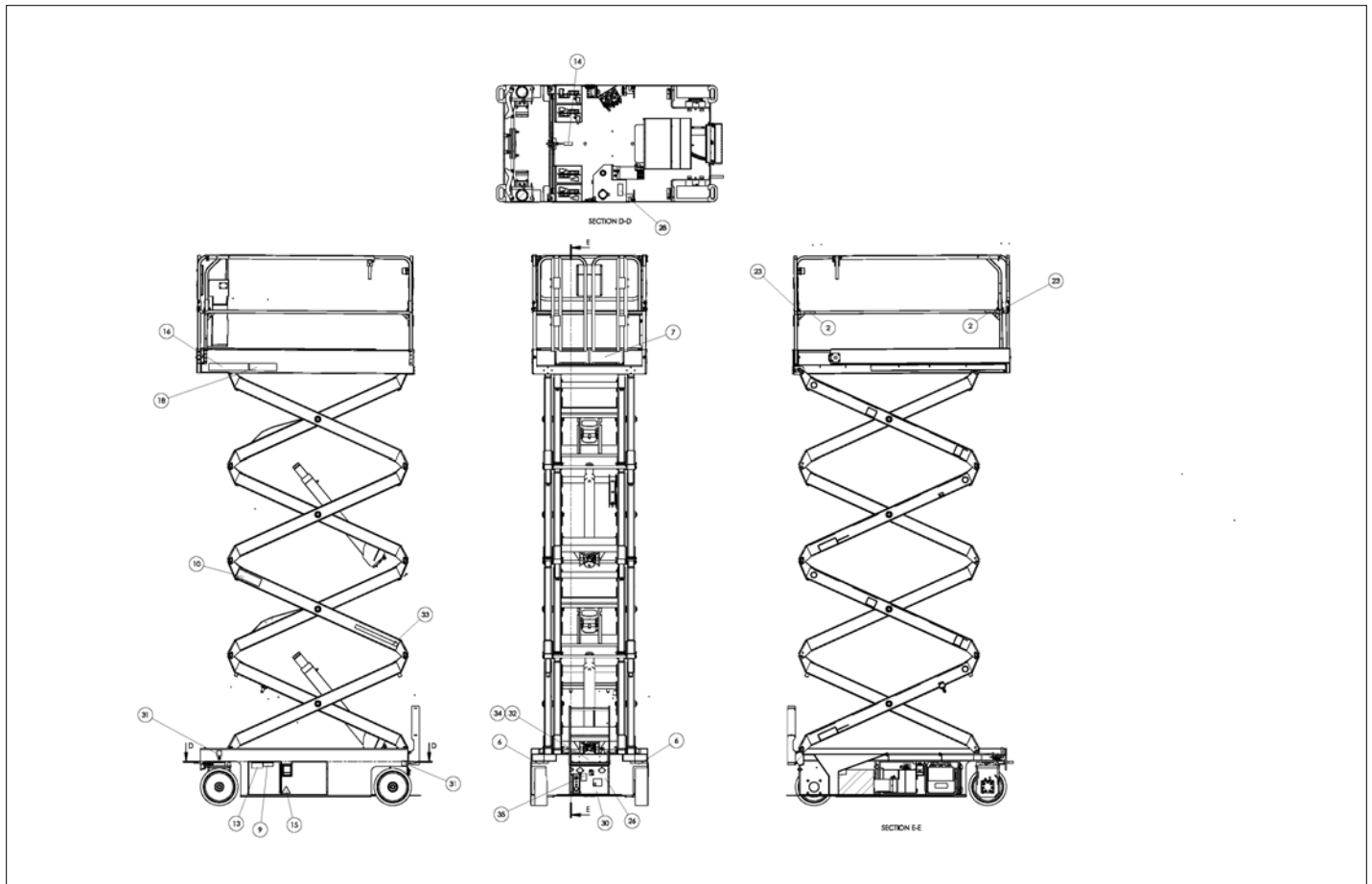
アイテム	部品番号	名前	数量	UOM
24	1501763	DECAL, SAFETY PROP HERE	1	EA
25	1501788	DECAL, PLAT CAP 770# W/WIND SP	1	EA
26	1502529	DECAL, BATTERY CHARGER PLUG	1	EA
27	1502545	DECAL BLK/YLLW CAUTION 65.5"	2	EA
28	1502586	DECAL, HYDRAULIC FLUID LEVEL	1	EA
29	1502596	DECAL WARNING TOW INSTRUCTIONS	1	EA
30	1502762	DECAL, FAULT CODES	1	EA
31	1502816	DECAL, WEIGHT BEARING	4	EA
32	1502865	PLACARD S4732E AS	1	EA
33	7030068	DECAL, SNORKELLIFTS.COM	2	EA
34	5560656	RVT POP .125 DIA .375 DMD STL	4	EA
35	1502528	DECAL, POWER TO PLATFORM	1	EA
36	7050004	RECORD POUCH, 12 X 15 RECLOSABLE BAG	1	EA
37	8140020	PDI/WARRANTY CARD NORCO PRINTI	1	EA
38	8230189	WARRANTY CLAIM FORM	1	EA
39	8230188	WARRANTY ACTIVATION FORM	1	EA
40	8230187	SNORKEL PRODUCT WARRANTY POLIC	1	EA

REPAIR PARTS



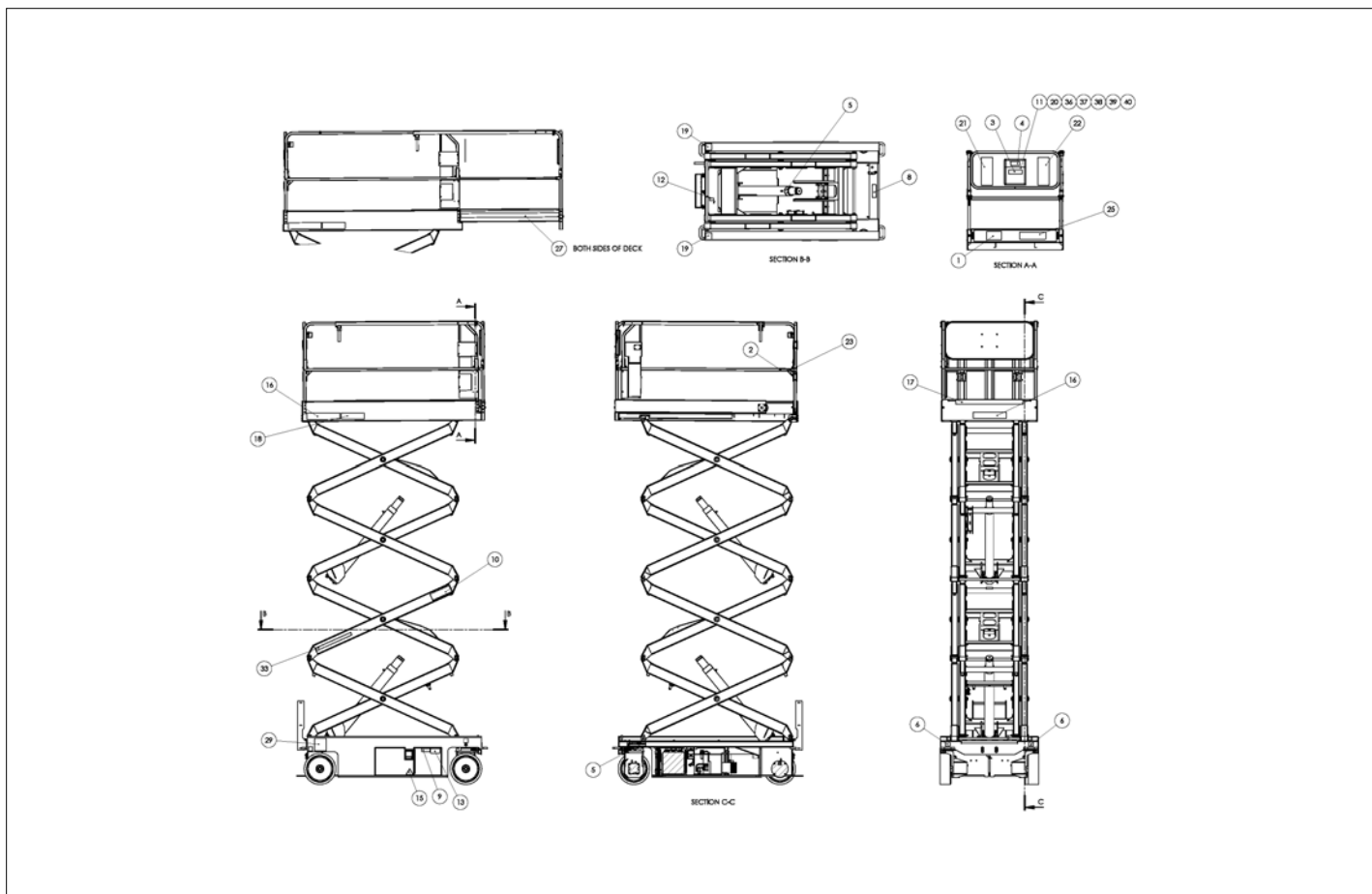


アイテム	部品番号	名前	数量	UOM
	1502039 R	DECAL ASSEMBLY AS S4732E OCTOBER 2019 AND AFTER		EA
1	1843	Decal, Warning NZ Only	1	EA
2	14092	DECAL FALL RESTRAINT ONLY	3	EA
3	0073043	DECAL, OPERATING MANUAL ENCLOS	1	EA
4	0073224	DECAL, NOTICE MANUAL REORDER	1	EA
5	0074311	DECAL DANGER CYLINDER FAILURE	3	EA
6	0083427	Decal, Lifting/Tie Down	4	EA
7	300699	Decal, Operators Checklist	1	EA
8	300700	Decal, Shearing Hazard	1	EA
9	300760	DECAL DNGR TIPOVER HAZARD	2	EA
10	0361259	DECAL DNGR SAFETY PROP	2	EA
11	0361367	MANUAL RSPNSBLTY A92.6	1	EA
12	0361533	DECAL EMER BLEED DOWN 1930 PIC	1	EA
13	451726	DECAL CHK BTRY BEFORE CHARGING	2	EA
14	451986	Decal, Interlocks	1	EA
15	501453 000	Decal, Foot Crush Hazard	2	EA
16	569295	DECAL, SNORKEL BRAND LOGO 3.00	3	EA
17	969249	DECAL STRIPE YEL /BLK 1000 INCH	47	EA
18	1500839	DECAL S4732E MODEL	2	EA
19	1500840	DECAL FORKLIFT PHOENIX II	2	EA
20	1500842	MANUAL OPERATORS PHOENIX II CE	1	EA
21	1501475	DECAL DNGR TIPOVER/ELEC HAZARD	1	EA
22	1501476	DECAL DNGR TIPOVER/ELEC HAZARD	1	EA

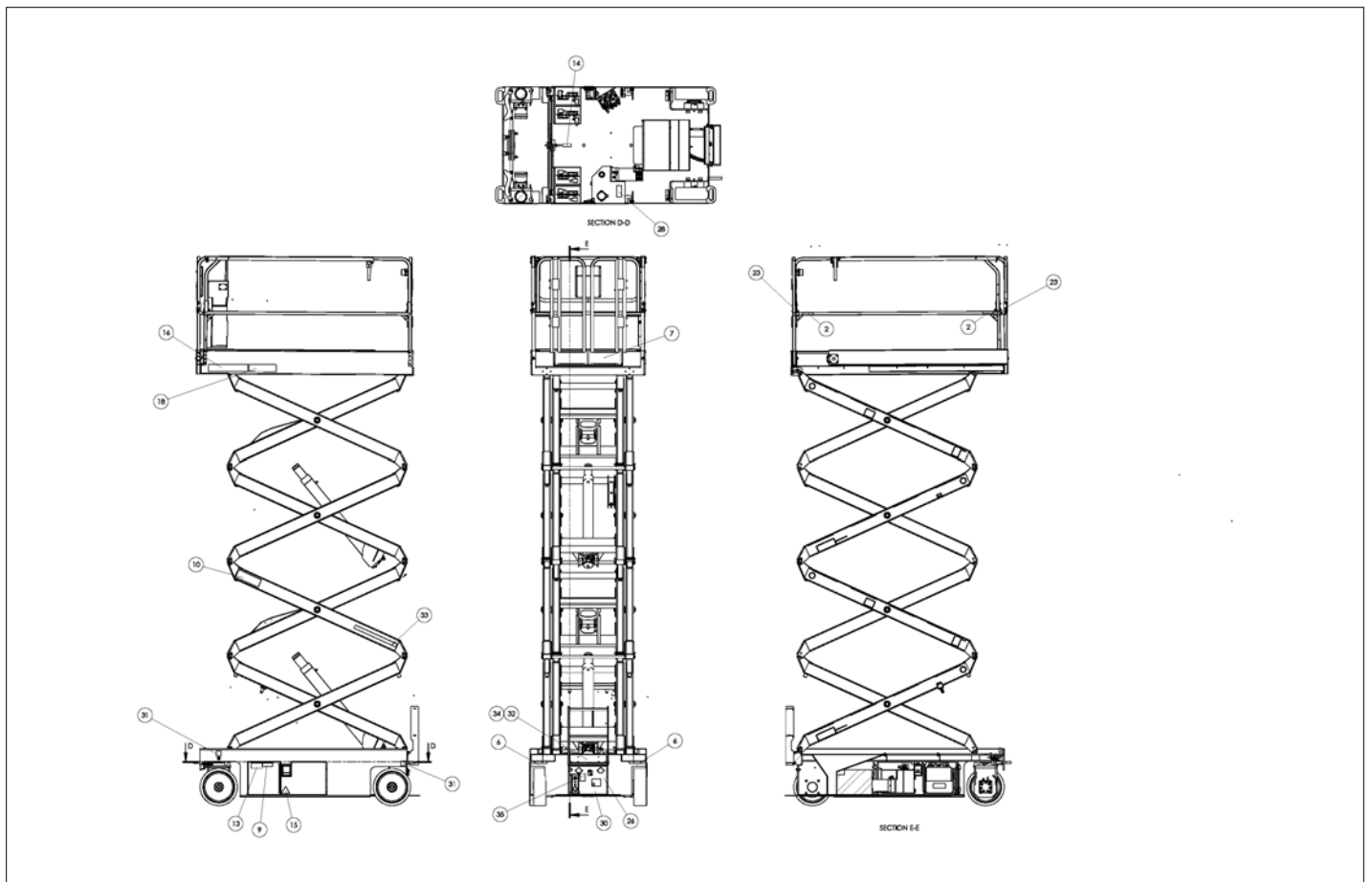


アイテム	部品番号	名前	数量	UOM
23	1501676	DECAL, LANYARD ATTACHMENT	3	EA
24	1501763	DECAL, SAFETY PROP HERE	1	EA
25	1501788	DECAL, PLAT CAP 770# W/WIND SP	1	EA
26	1502529	DECAL, BATTERY CHARGER PLUG	1	EA
27	1502545	DECAL BLK/YLLW CAUTION 65.5"	2	EA
28	1502586	DECAL, HYDRAULIC FLUID LEVEL	1	EA
29	1502596	DECAL WARNING TOW INSTRUCTIONS	1	EA
30	1502762	DECAL, FAULT CODES	1	EA
31	1502816	DECAL, WEIGHT BEARING	4	EA
32	1502865	PLACARD S4732E AS	1	EA
33	7030068	DECAL, SNORKELLIFTS.COM	2	EA
34	5560656	RVT POP .125 DIA .375 DMD STL	4	EA
35	1502528	DECAL, POWER TO PLATFORM	1	EA
36	7050004	RECORD POUCH, 12 X 15 RECLOSABLE BAG	1	EA
37	8140020	PDI/WARRANTY CARD NORCO PRINTI	1	EA
38	8230189	WARRANTY CLAIM FORM	1	EA
39	8230188	WARRANTY ACTIVATION FORM	1	EA
40	8230187	SNORKEL PRODUCT WARRANTY POLIC	1	EA
41	7030249	Decal, Do Not Operate	1	EA

REPAIR PARTS

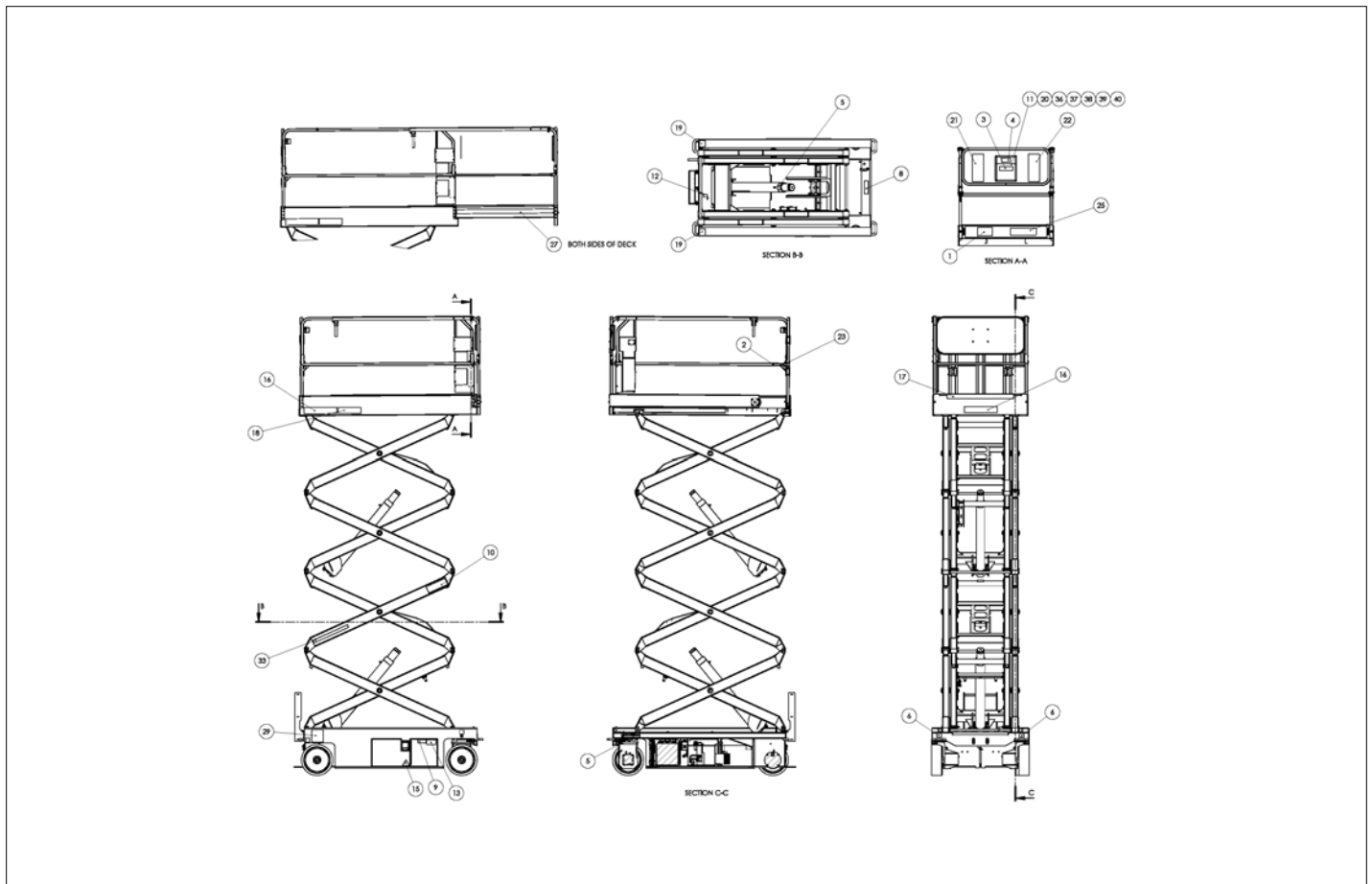


アイテム	部品番号	名前	数量	UOM
	1502039 Q	S4732E, CHINA DECALS, ASSEMBLY		EA
1	1843	Decal, Warning NZ Only	1	EA
2	14092	DECAL FALL RESTRAINT ONLY	3	EA
3	0073043	DECAL, OPERATING MANUAL ENCLOS	1	EA
4	0073224	DECAL, NOTICE MANUAL REORDER	1	EA
5	0074311	DECAL DANGER CYLINDER FAILURE	3	EA
6	0083427	Decal, Lifting/Tie Down	4	EA
7	300699	Decal, Operators Checklist	1	EA
8	300700	Decal, Shearing Hazard	1	EA
9	300760	DECAL DNGR TIPOVER HAZARD	2	EA
10	0361259	DECAL DNGR SAFETY PROP	2	EA
11	0361367	MANUAL RSPNSBLTY A92.6	1	EA
12	0361533	DECAL EMER BLEED DOWN 1930 PIC	1	EA
13	451726	DECAL CHK BTRY BEFORE CHARGING	2	EA
14	451986	Decal, Interlocks	1	EA
15	501453 000	Decal, Foot Crush Hazard	2	EA
16	569295	DECAL, SNORKEL BRAND LOGO 3.00	3	EA
17	969249	DECAL STRIPE YEL /BLK 1000 INCH	47	EA
18	1500839	DECAL S4732E MODEL	2	EA
19	1500840	DECAL FORKLIFT PHOENIX II	2	EA
20	1500842	MANUAL OPERATORS PHOENIX II CE	1	EA
21	1501475	DECAL DNGR TIPOVER/ELEC HAZARD	1	EA
22	1501476	DECAL DNGR TIPOVER/ELEC HAZARD	1	EA



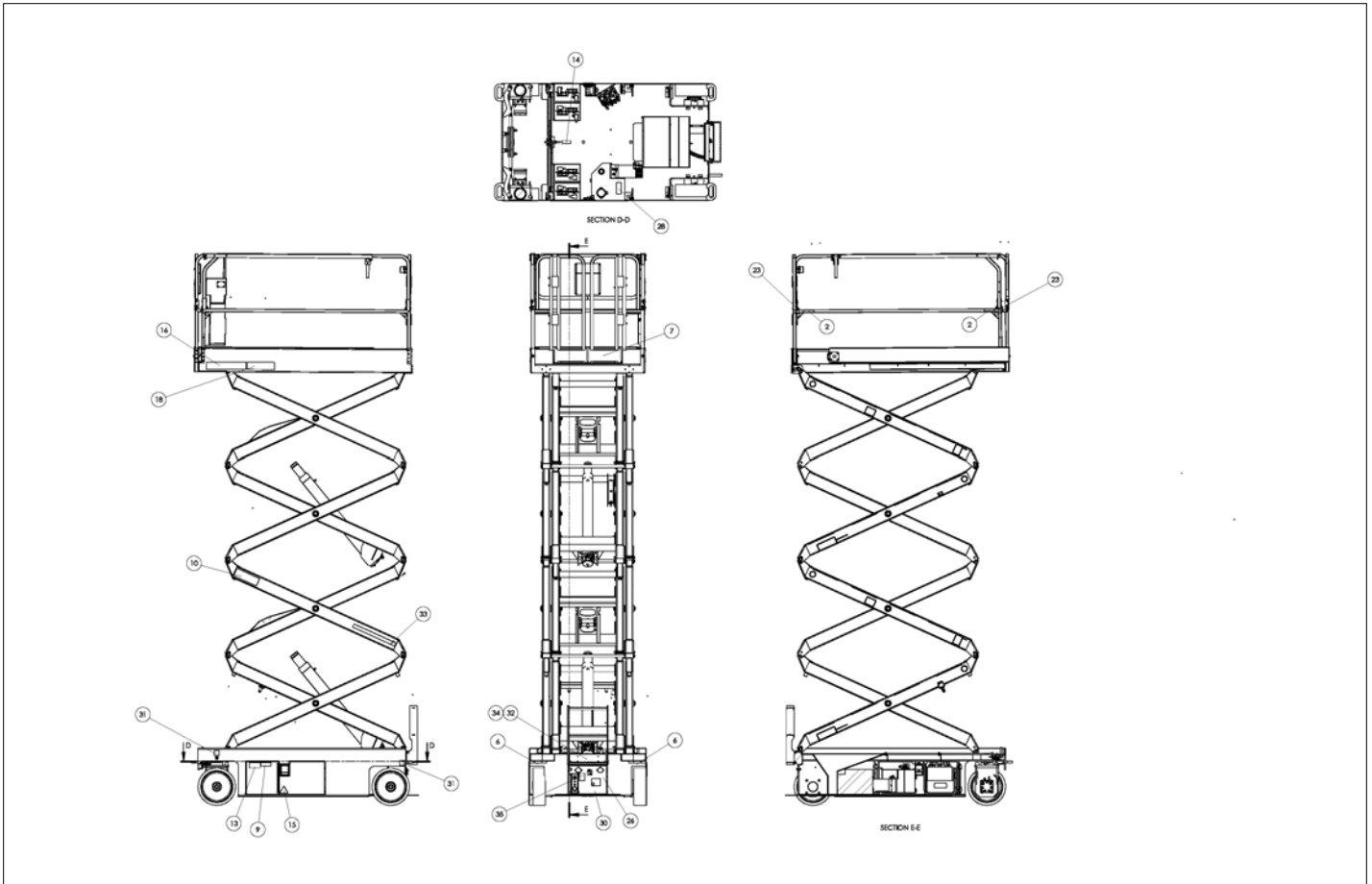
アイテム	部品番号	名前	数量	UOM
23	1501676	DECAL, LANYARD ATTACHMENT	3	EA
24	1501763	DECAL, SAFETY PROP HERE	1	EA
25	1501788	DECAL, PLAT CAP 770# W/WIND SP	1	EA
26	1502529	DECAL, BATTERY CHARGER PLUG	1	EA
27	1502545	DECAL BLK/YLLW CAUTION 65.5"	2	EA
28	1502586	DECAL, HYDRAULIC FLUID LEVEL	1	EA
29	1502596	DECAL WARNING TOW INSTRUCTIONS	1	EA
30	1502762	DECAL, FAULT CODES	1	EA
31	1502816	DECAL, WEIGHT BEARING	4	EA
32	1502865	PLACARD S4732E AS	1	EA
33	7030068	DECAL, SNORKELLIFTS.COM	2	EA
34	5560656	RVT POP .125 DIA .375 DMD STL	4	EA
35	1502528	DECAL, POWER TO PLATFORM	1	EA
36	7050004	RECORD POUCH, 12 X 15 RECLOSABLE BAG	1	EA
37	8140020	PDI/WARRANTY CARD NORCO PRINTI	1	EA
38	8230189	WARRANTY CLAIM FORM	1	EA
39	8230188	WARRANTY ACTIVATION FORM	1	EA
40	8230187	SNORKEL PRODUCT WARRANTY POLIC	1	EA

REPAIR PARTS



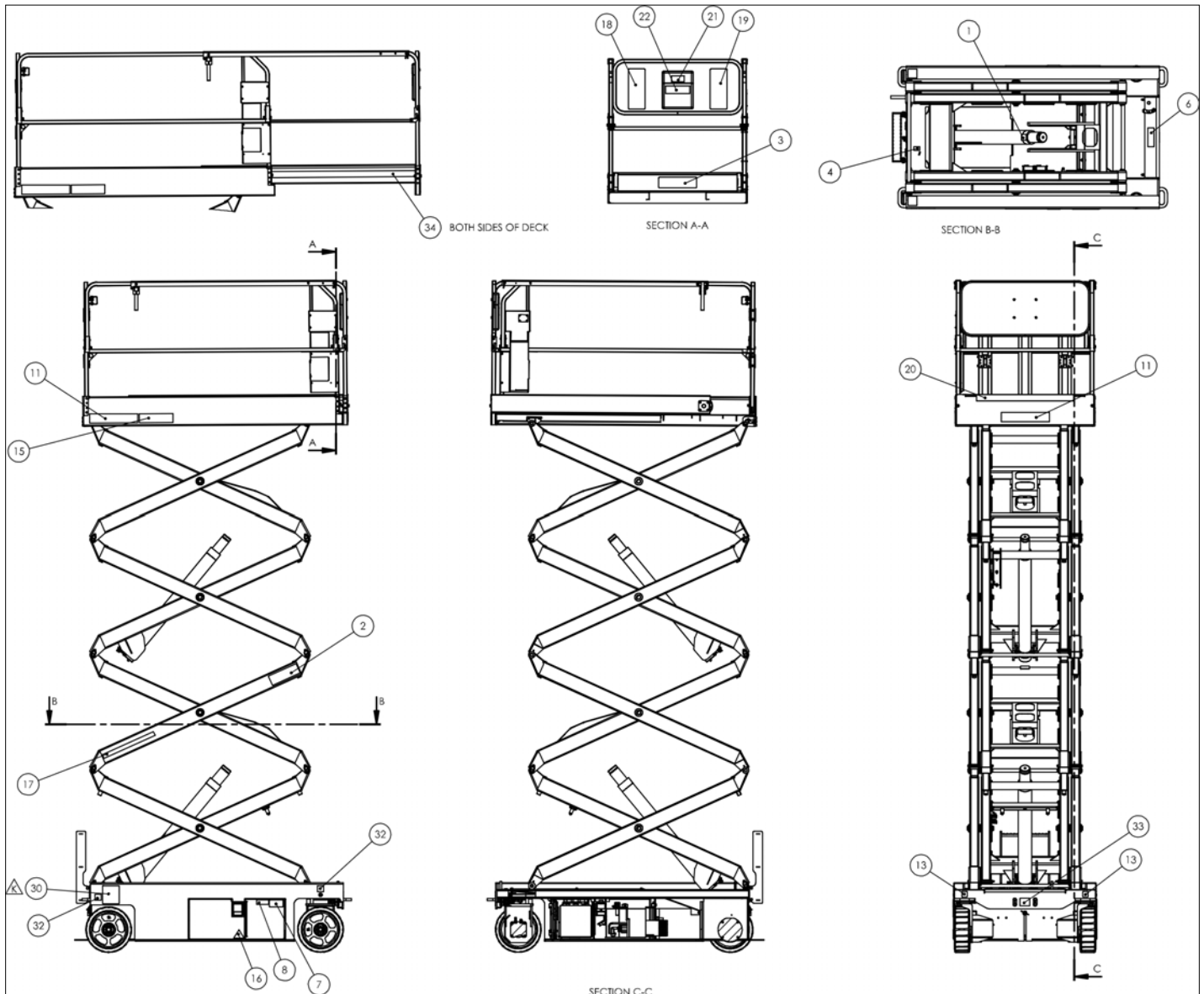


アイテム	部品番号	名前	数量	UOM
	1503147 A	DECALS S4732 ASSEMBLY AS PLATFORM CAPACITY 700#		EA
1	1843	Decal, Warning NZ Only	1	EA
2	14092	DECAL FALL RESTRAINT ONLY	3	EA
3	0073043	DECAL, OPERATING MANUAL ENCLOS	1	EA
4	0073224	DECAL, NOTICE MANUAL REORDER	1	EA
5	0074311	DECAL DANGER CYLINDER FAILURE	3	EA
6	0083427	Decal, Lifting/Tie Down	4	EA
7	300699	Decal, Operators Checklist	1	EA
8	300700	Decal, Shearing Hazard	1	EA
9	300760	DECAL DNGR TIPOVER HAZARD	2	EA
10	0361259	DECAL DNGR SAFETY PROP	2	EA
11	0361367	MANUAL RSPNSBLTY A92.6	1	EA
12	0361533	DECAL EMER BLEED DOWN 1930 PIC	1	EA
13	451726	DECAL CHK BTRY BEFORE CHARGING	2	EA
14	451986	Decal, Interlocks	1	EA
15	501453 000	Decal, Foot Crush Hazard	2	EA
16	569295	DECAL, SNORKEL BRAND LOGO 3.00	3	EA
17	969249	DECAL STRIPE YEL /BLK 1000 INCH	47	EA
18	1500839	DECAL S4732E MODEL	2	EA
19	1500840	DECAL FORKLIFT PHOENIX II	2	EA
20	1500842	MANUAL OPERATORS PHOENIX II CE	1	EA
21	1501475	DECAL DNGR TIPOVER/ELEC HAZARD	1	EA
22	1501476	DECAL DNGR TIPOVER/ELEC HAZARD	1	EA

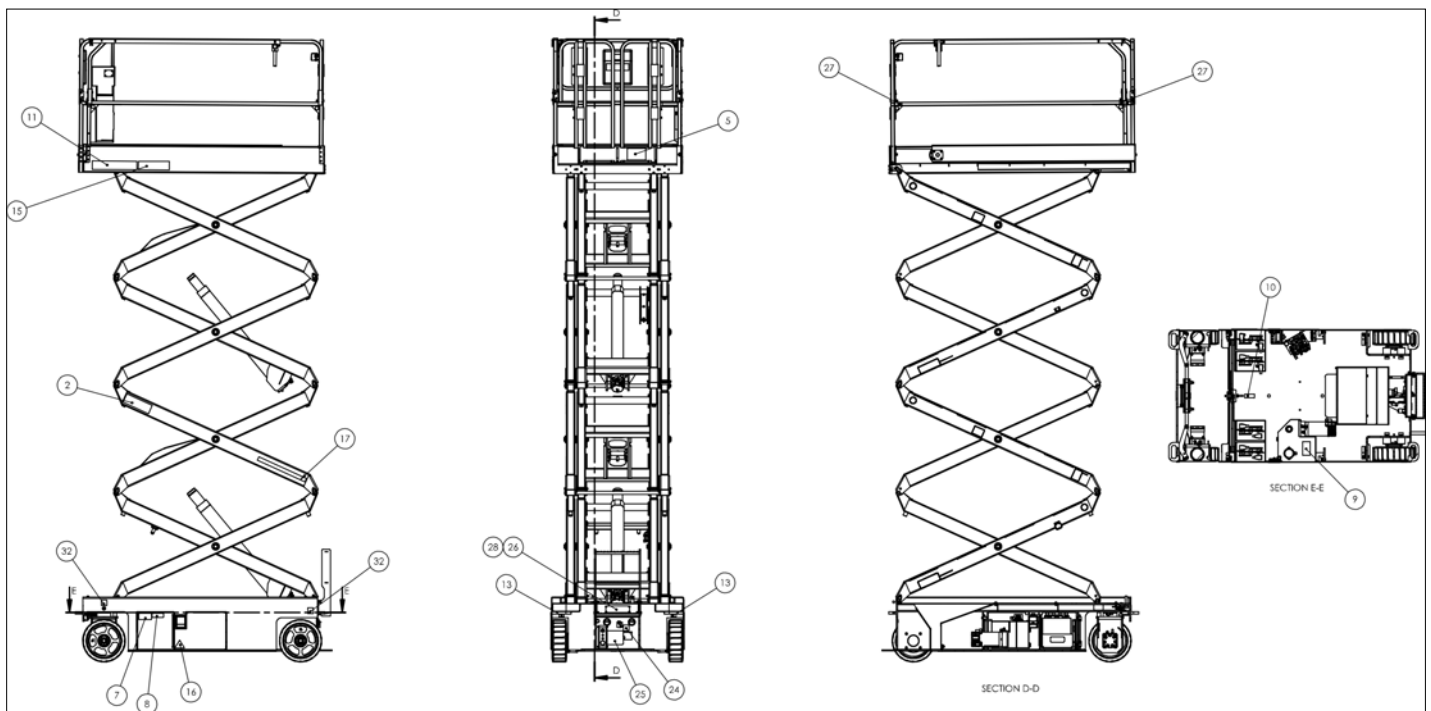


アイテム	部品番号	名前	数量	UOM
23	1501676	DECAL, LANYARD ATTACHMENT	3	EA
24	1501763	DECAL, SAFETY PROP HERE	1	EA
25	1502865	PLACARD S4732E AS	1	EA
26	1502529	DECAL, BATTERY CHARGER PLUG	1	EA
27	1502545	DECAL BLK/YLLW CAUTION 65.5"	2	EA
28	1502586	DECAL, HYDRAULIC FLUID LEVEL	1	EA
29	1502596	DECAL WARNING TOW INSTRUCTIONS	1	EA
30	1502762	DECAL, FAULT CODES	1	EA
31	1502816	DECAL, WEIGHT BEARING	4	EA
32	1503146	PLACARD AU S4732 PLAT CAP 700#	1	EA
33	7030068	DECAL, SNORKELLIFTS.COM	2	EA
34	5560656	RVT POP .125 DIA .375 DMD STL	4	EA
35	1502528	DECAL, POWER TO PLATFORM	1	EA
36	7050004	RECORD POUCH, 12 X 15 RECLOSABLE BAG	1	EA
37	8140020	PDI/WARRANTY CARD NORCO PRINTI	1	EA
38	8230189	WARRANTY CLAIM FORM	1	EA
39	8230188	WARRANTY ACTIVATION FORM	1	EA
40	8230187	SNORKEL PRODUCT WARRANTY POLIC	1	EA

REPAIR PARTS

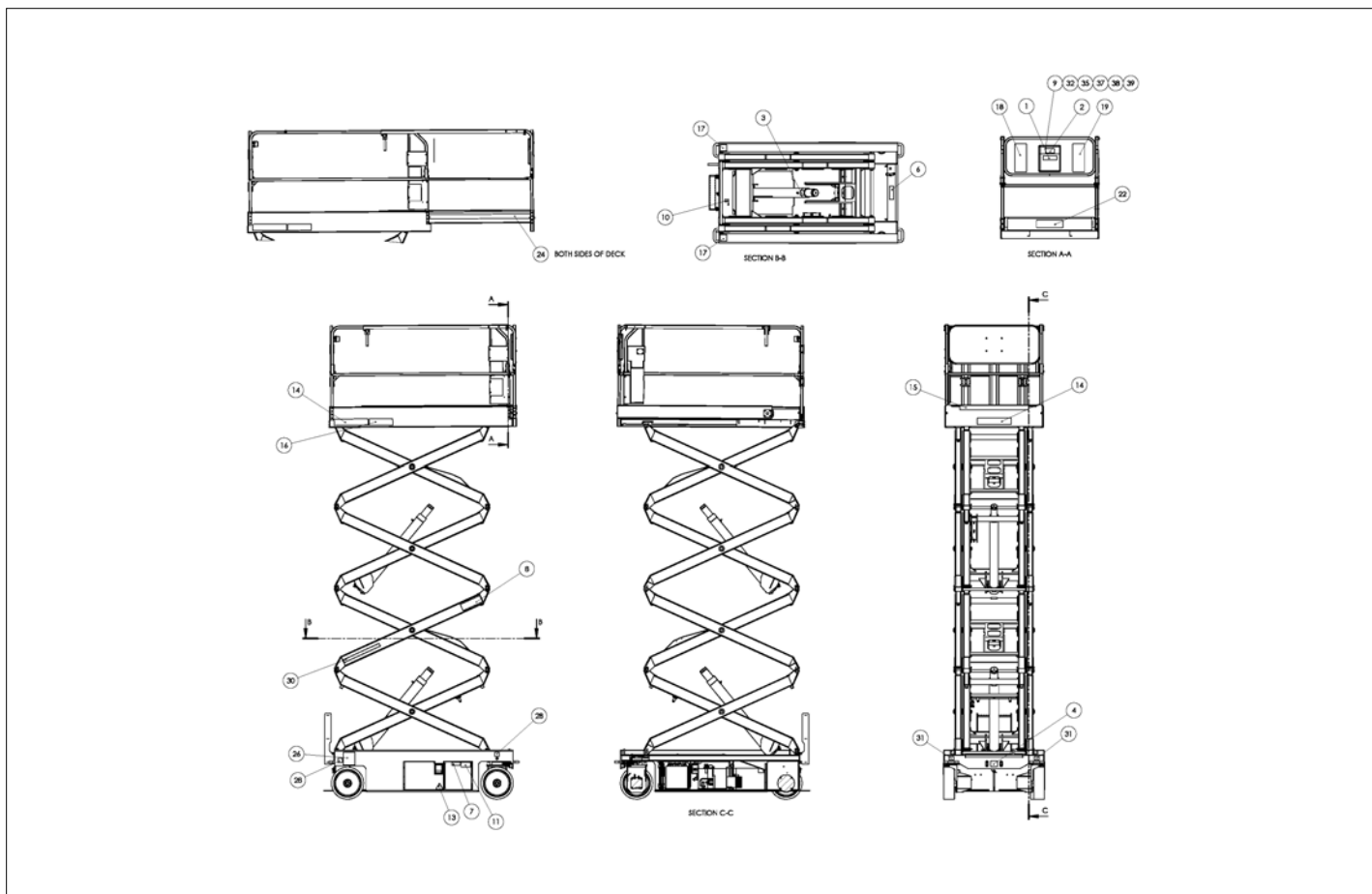


アイテム	部品番号	名前	数量	UOM
*	1501787 K	DECALS S4732E CE ASSEMBLY AUGUST 2015 AND AFTER		EA
1	0074311	DECAL DANGER CYLINDER FAILURE	3	EA
2	0361259	DECAL DNGR SAFETY PROP	2	EA
3	1501511	DECAL CAP 1000# W/WIND SPEED	1	EA
4	0361533	DECAL EMER BLEED DOWN 1930 PIC	1	EA
5	300699	Decal, Operators Checklist	1	EA
6	300700	Decal, Shearing Hazard	1	EA
7	451726	DECAL CHK BTRY BEFORE CHARGING	2	EA
8	300760	DECAL DNGR TIPOVER HAZARD	2	EA
9	1502586	DECAL, HYDRAULIC FLUID LEVEL	1	EA
10	451986	Decal, Interlocks	1	EA
11	569295	DECAL, SNORKEL BRAND LOGO 3.00	3	EA
12	1500840	DECAL FORKLIFT PHOENIX II	2	EA
13	0083426	Decal, Lifting and Tie Down	4	EA
14	0361367	MANUAL RSPNSBLTY A92.6	1	EA
15	1500839	DECAL S4732E MODEL	2	EA
16	501453 000	Decal, Foot Crush Hazard	2	EA
17	7030068	DECAL, SNORKELLIFTS.COM	2	EA
18	1501475	DECAL DNGR TIPOVER/ELEC HAZARD	1	EA
19	1501476	DECAL DNGR TIPOVER/ELEC HAZARD	1	EA
20	969249	DECAL STRIPE YEL /BLK 1000 INCH	47	EA
21	0073224	DECAL, NOTICE MANUAL REORDER	1	EA
22	0073043	DECAL, OPERATING MANUAL ENCLOS	1	EA



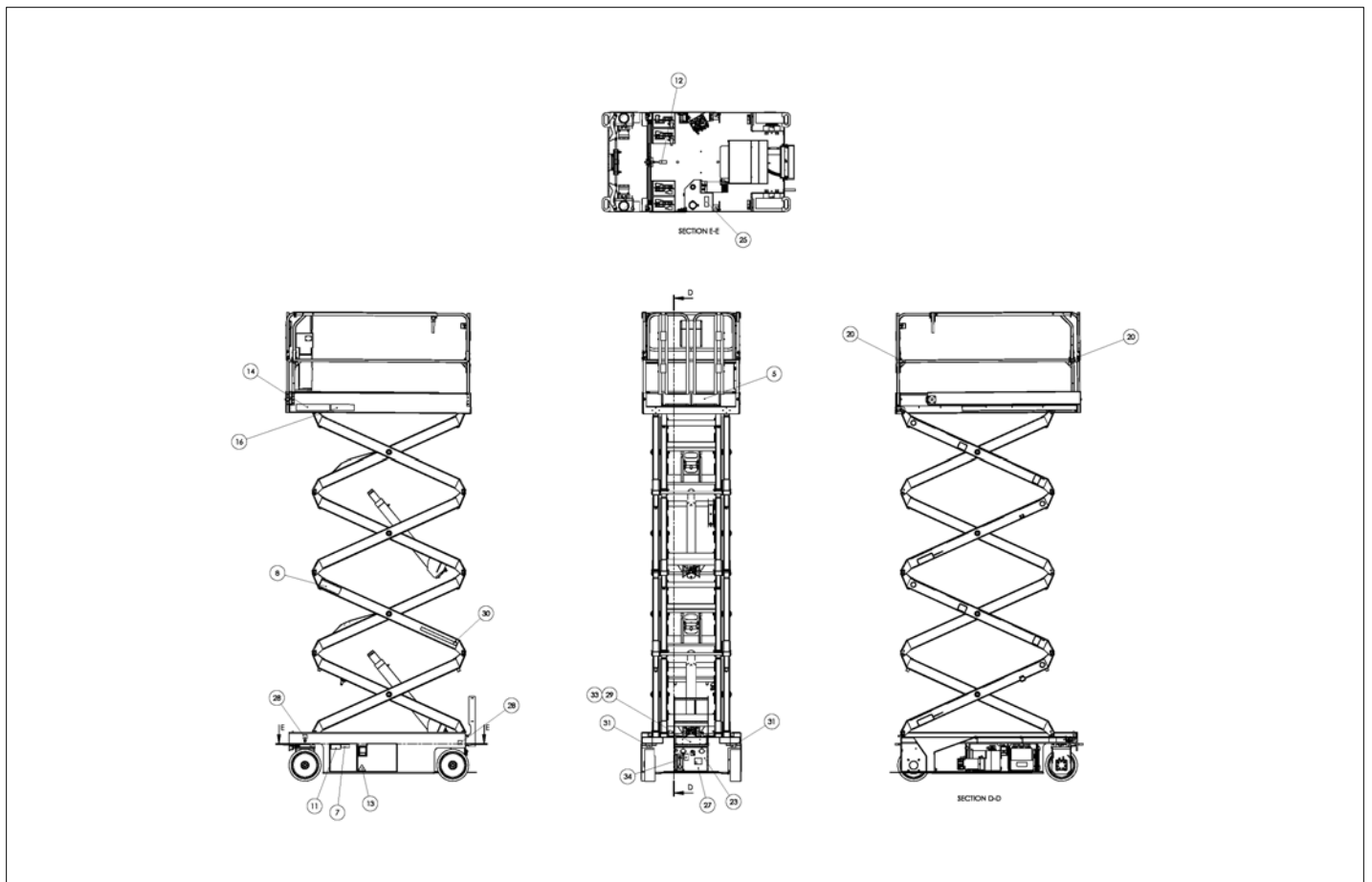
アイテム	部品番号	名前	数量	UOM
23	1500842	MANUAL OPERATORS PHOENIX II CE	1	EA
24	0372063	DECAL BATTERY CHARGER PLUG	1	EA
25	0361562	PLAC BATTERY CHARGER INFO	1	EA
26	1501666	PLACARD S4732E ANSI	1	EA
27	1501676	DECAL, LANYARD ATTACHMENT	3	EA
28	5563454	RIVET, 1/8 X .313/.375 ALUM BLIND	1	EA
29	1501763	DECAL, SAFETY PROP HERE	1	EA
30	1502596	DECAL WARNING TOW INSTRUCTIONS	1	EA
31	1501779	ASSY STANDARD S4732E CE	1	EA
32	1501790	DECAL WEIGHT BEARING S4732E	4	EA
33	0162311	DECAL CE LOGO 3.25 X 2.50 BLAC	1	EA
34	1502545	DECAL BLK/YLLW CAUTION 65.5"	2	EA

REPAIR PARTS



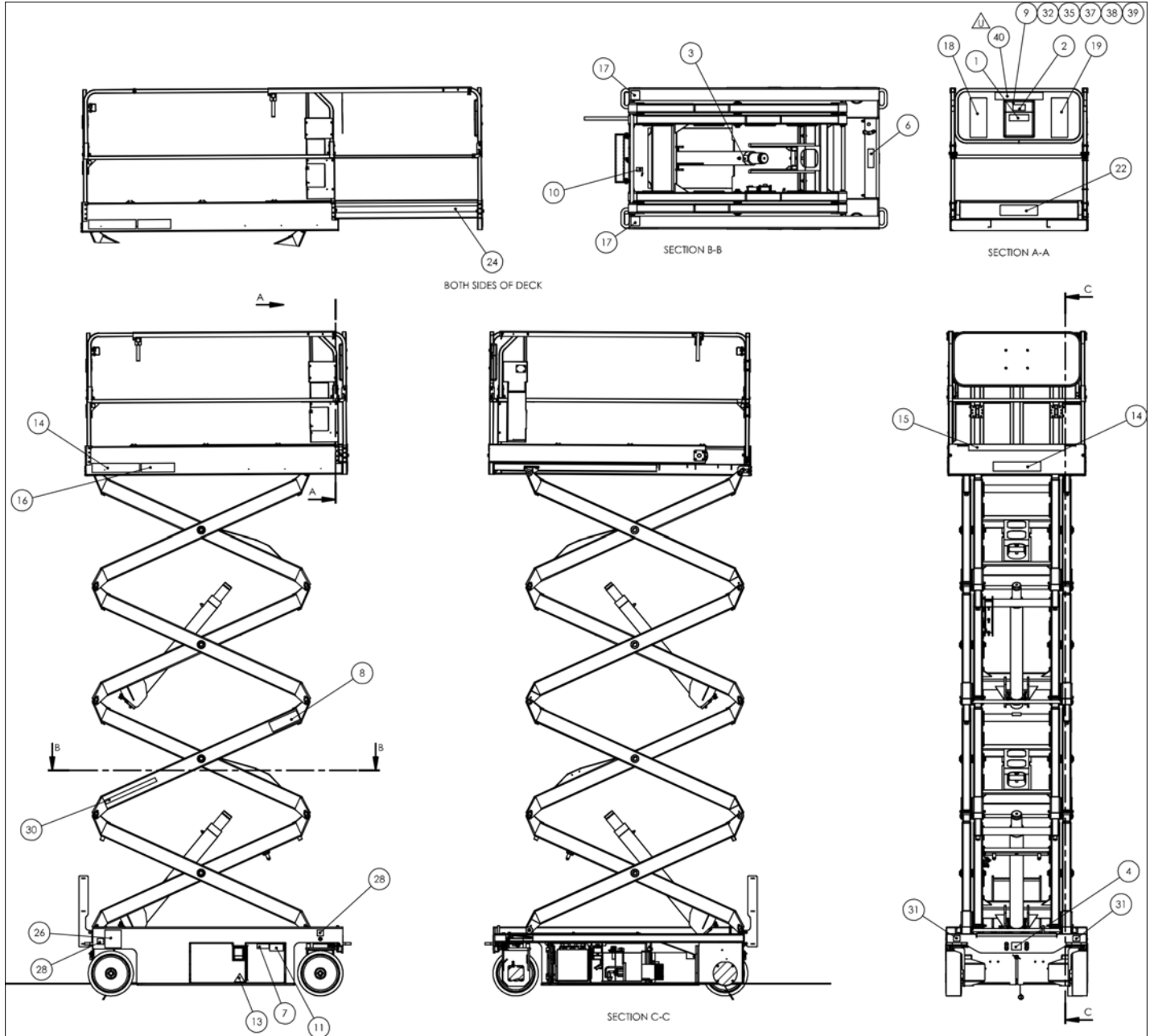


アイテム	部品番号	名前	数量	UOM
	1501787 T	DECALS ASSEMBLY CE S4732E		EA
1	0073043	DECAL, OPERATING MANUAL ENCLOS	1	EA
2	0073224	DECAL, NOTICE MANUAL REORDER	1	EA
3	0074311	DECAL DANGER CYLINDER FAILURE	3	EA
4	0162311	DECAL CE LOGO 3.25 X 2.50 BLAC	1	EA
5	300699	Decal, Operators Checklist	1	EA
6	300700	Decal, Shearing Hazard	1	EA
7	300760	DECAL DNGR TIPOVER HAZARD	2	EA
8	0361259	DECAL DNGR SAFETY PROP	2	EA
9	0361367	MANUAL RSPNSBLTY A92.6	1	EA
10	0361533	DECAL EMER BLEED DOWN 1930 PIC	1	EA
11	451726	DECAL CHK BTRY BEFORE CHARGING	2	EA
12	451986	Decal, Interlocks	1	EA
13	501453 000	Decal, Foot Crush Hazard	2	EA
14	569295	DECAL, SNORKEL BRAND LOGO 3.00	3	EA
15	969249	DECAL STRIPE YEL /BLK 1000 INCH	47	EA
16	1500839	DECAL S4732E MODEL	2	EA
17	1500840	DECAL FORKLIFT PHOENIX II	2	EA
18	1501475	DECAL DNGR TIPOVER/ELEC HAZARD	1	EA
19	1501476	DECAL DNGR TIPOVER/ELEC HAZARD	1	EA
20	1501676	DECAL, LANYARD ATTACHMENT	3	EA
Not Shown	1501763	DECAL, SAFETY PROP HERE	1	EA
22	1501788	DECAL, PLAT CAP 770# W/WIND SP	1	EA

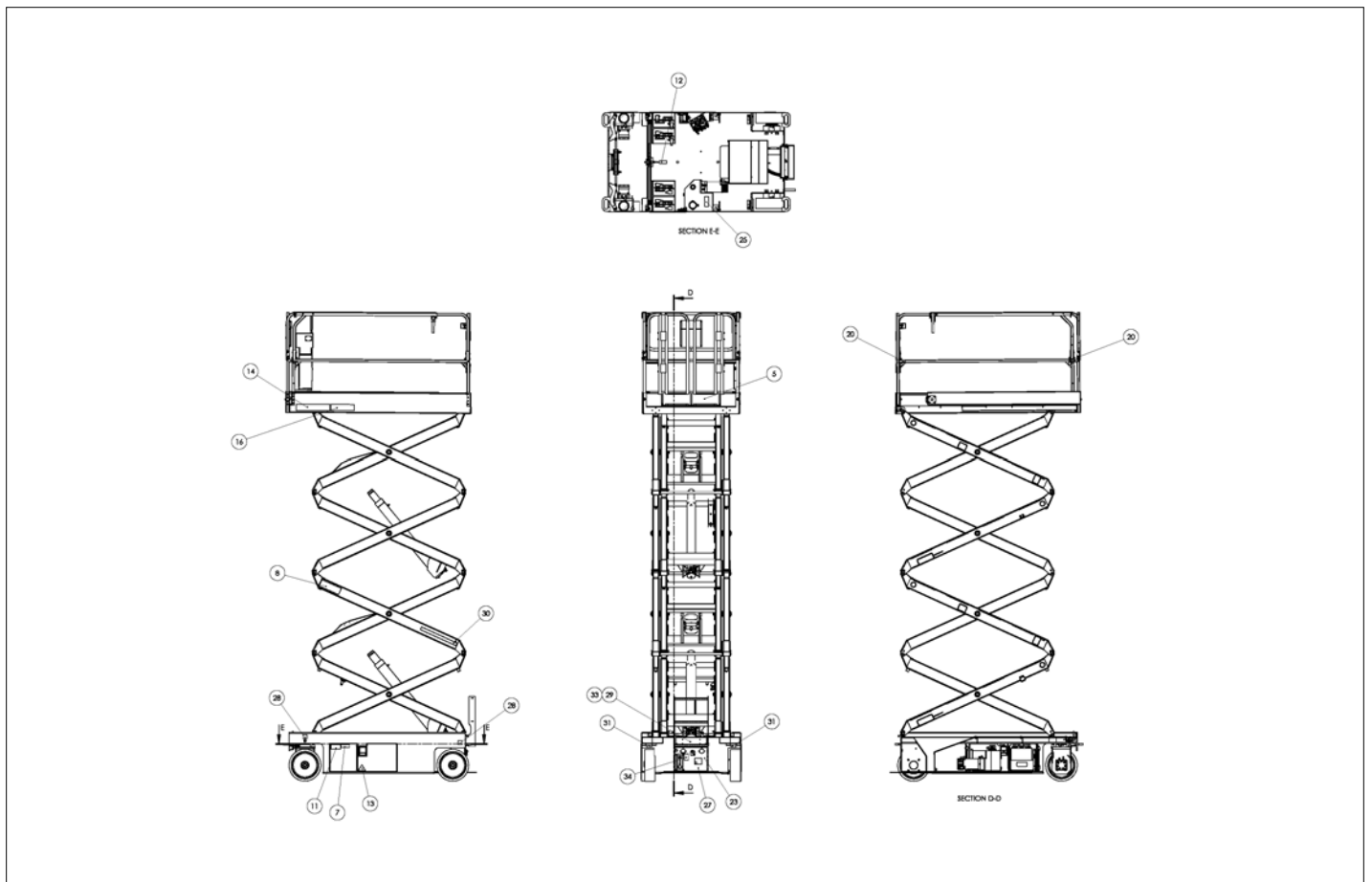


アイテム	部品番号	名前	数量	UOM
23	1502529	DECAL, BATTERY CHARGER PLUG	1	EA
24	1502545	DECAL BLK/YLLW CAUTION 65.5"	2	EA
25	1502586	DECAL, HYDRAULIC FLUID LEVEL	1	EA
26	1502596	DECAL WARNING TOW INSTRUCTIONS	1	EA
27	1502762	DECAL, FAULT CODES	1	EA
28	1502816	DECAL, WEIGHT BEARING	4	EA
29	1502864	PLACARD, CE S4732E	1	EA
30	7030068	DECAL, SNORKELLIFTS.COM	2	EA
31	0083427	Decal, Lifting/Tie Down	4	EA
32	1500842	MANUAL OPERATORS PHOENIX II CE	1	EA
33	5560656	RVT POP .125 DIA .375 DMD STL	4	EA
34	1502528	DECAL, POWER TO PLATFORM	1	EA
35	7050004	RECORD POUCH, 12 X 15 RECLOSABLE BAG	1	EA
Not Shown	8140020	PDI/WARRANTY CARD NORCO PRINTI	1	EA
37	8230189	WARRANTY CLAIM FORM	1	EA
38	8230188	WARRANTY ACTIVATION FORM	1	EA
39	8230187	SNORKEL PRODUCT WARRANTY POLIC	1	EA

REPAIR PARTS



アイテム	部品番号	名前	数量	UOM
	1501787 U	DECALS ASSEMBLY CE S4732E OCTOBER 2019 AND AFTER		EA
1	0073043	DECAL, OPERATING MANUAL ENCLOS	1	EA
2	0073224	DECAL, NOTICE MANUAL REORDER	1	EA
3	0074311	DECAL DANGER CYLINDER FAILURE	3	EA
4	0162311	DECAL CE LOGO 3.25 X 2.50 BLAC	1	EA
5	300699	Decal, Operators Checklist	1	EA
6	300700	Decal, Shearing Hazard	1	EA
7	300760	DECAL DNGR TIPOVER HAZARD	2	EA
8	0361259	DECAL DNGR SAFETY PROP	2	EA
9	0361367	MANUAL RSPNSBLTY A92.6	1	EA
10	0361533	DECAL EMER BLEED DOWN 1930 PIC	1	EA
11	451726	DECAL CHK BTRY BEFORE CHARGING	2	EA
12	451986	Decal, Interlocks	1	EA
13	501453 000	Decal, Foot Crush Hazard	2	EA
14	569295	DECAL, SNORKEL BRAND LOGO 3.00	3	EA
15	969249	DECAL STRIPE YEL /BLK 1000 INCH	47	EA
16	1500839	DECAL S4732E MODEL	2	EA
17	1500840	DECAL FORKLIFT PHOENIX II	2	EA
18	1501475	DECAL DNGR TIPOVER/ELEC HAZARD	1	EA
19	1501476	DECAL DNGR TIPOVER/ELEC HAZARD	1	EA
20	1501676	DECAL, LANYARD ATTACHMENT	3	EA
21	1501763	DECAL, SAFETY PROP HERE	1	EA
22	1501788	DECAL, PLAT CAP 770# W/WIND SP	1	EA



アイテム	部品番号	名前	数量	UOM
23	1502529	DECAL, BATTERY CHARGER PLUG	1	EA
24	1502545	DECAL BLK/YLLW CAUTION 65.5"	2	EA
25	1502586	DECAL, HYDRAULIC FLUID LEVEL	1	EA
26	1502596	DECAL WARNING TOW INSTRUCTIONS	1	EA
27	1502762	DECAL, FAULT CODES	1	EA
28	1502816	DECAL, WEIGHT BEARING	4	EA
29	1502864	PLACARD, CE S4732E	1	EA
30	7030068	DECAL, SNORKELLIFTS.COM	2	EA
31	0083427	Decal, Lifting/Tie Down	4	EA
32	1500842	MANUAL OPERATORS PHOENIX II CE	1	EA
33	5560656	RVT POP .125 DIA .375 DMD STL	4	EA
34	1502528	DECAL, POWER TO PLATFORM	1	EA
35	7050004	RECORD POUCH, 12 X 15 RECLOSABLE BAG	1	EA
36	8140020	PDI/WARRANTY CARD NORCO PRINTI	1	EA
37	8230189	WARRANTY CLAIM FORM	1	EA
38	8230188	WARRANTY ACTIVATION FORM	1	EA
39	8230187	SNORKEL PRODUCT WARRANTY POLIC	1	EA
40	7030249	Decal, Do Not Operate	1	EA

REPAIR PARTS

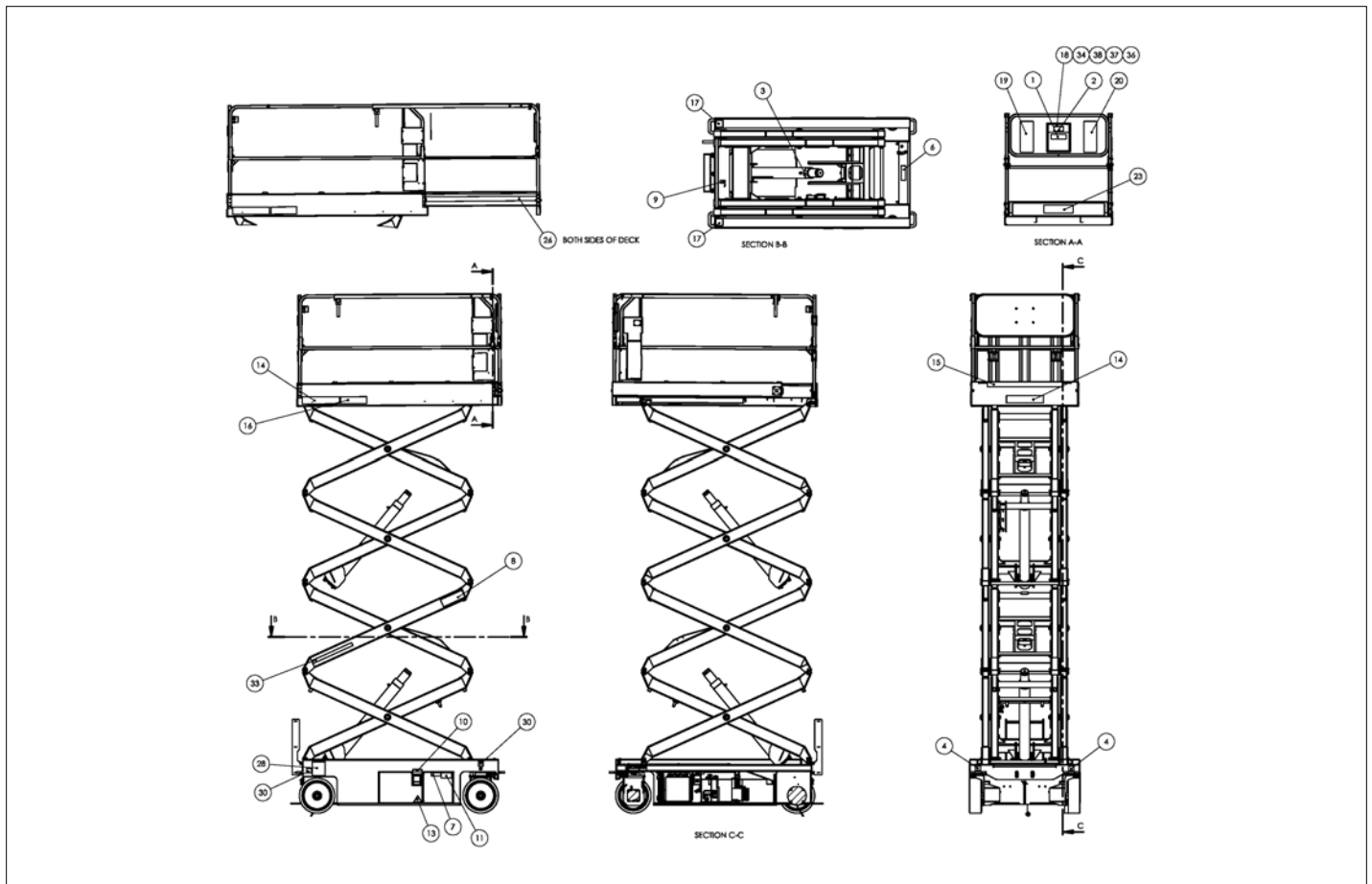
画像が存在しません



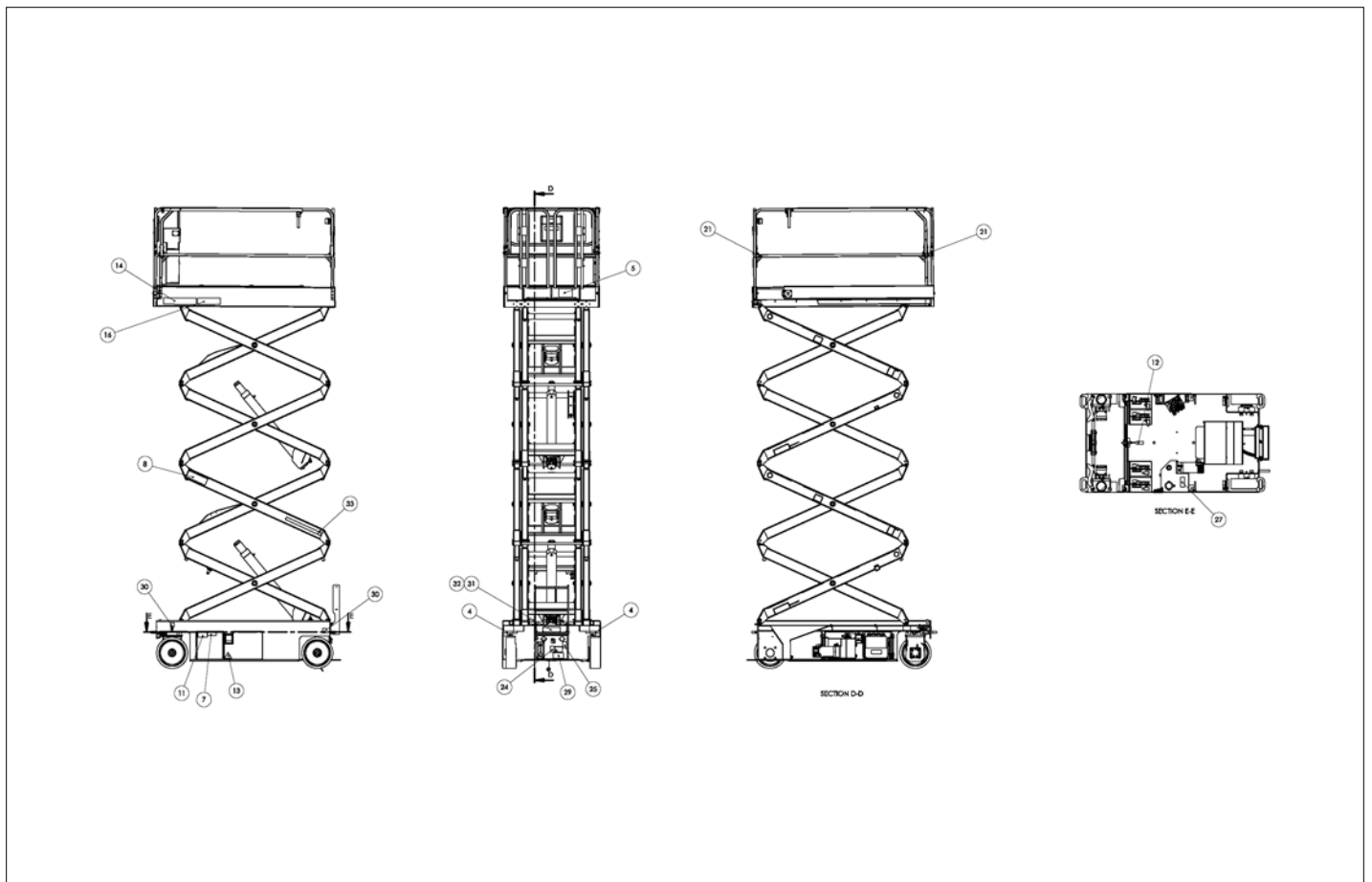
アイテム	部品番号	名前	数量	UOM
	1502953CN	DECALS ASSEMBLY S4732E CE CN (CHINESE LANGUAGE DECALS)		EA
1	0074311CN	DECAL DANGER CYLINDER FAILURE	3	EA
2	0361259CN	DECAL DNGR SAFETY PROP	2	EA
3	0361533	DECAL EMER BLEED DOWN 1930 PIC	1	EA
4	300699CN	DECAL, OPERATORS CHECKLIST	1	EA
5	300700CN	DECAL BEWARE DESCENDING PLAT	1	EA
6	300760CN	DECAL DNGR TIPOVER HAZARD	2	EA
7	451726	DECAL CHK BTRY BEFORE CHARGING	2	EA
8	1502586CN	DECAL, HYDRAULIC FLUID LEVEL	1	EA
9	451986CN	DECAL DNGR DO NOT ALTER SW	1	EA
10	569295	DECAL, SNORKEL BRAND LOGO 3.00	3	EA
11	1500840	DECAL FORKLIFT PHOENIX II	2	EA
12	1500839	DECAL S4732E MODEL	2	EA
13	501453 000	Decal, Foot Crush Hazard	2	EA
14	7030068	DECAL, SNORKEL LIFTS.COM	2	EA
15	1501475CN	DECAL DNGR TIPOVER/ELEC HAZARD	1	EA
16	1501476CN	DECAL DNGR TIPOVER/ELEC HAZARD	1	EA
17	969249	DECAL STRIPE YEL /BLK 1000 INCH	47	EA
18	0073224CN	DECAL, NOTICE MANUAL REORDER	1	EA
19	0073043CN	DECAL, OPERATING MANUAL ENCLOS	1	EA
20	1500842CN	MANUAL OPERATORS PHOENIX II CE	1	EA

アイテム	部品番号	名前	数量	UOM
21	0162311	DECAL CE LOGO 3.25 X 2.50 BLAC	1	EA
22	1501676	DECAL, LANYARD ATTACHMENT	3	EA
23	1501763CN	DECAL, SAFETY PROP HERE	1	EA
24	1501788	DECAL, PLAT CAP 770# W/WIND SP	1	EA
25	1502596CN	DECAL WARNING TOW INSTRUCTIONS	1	EA
26	7050004	RECORD POUCH, 12 X 15 RECLOSABLE BAG	1	EA
27	0083427	Decal, Lifting/Tie Down	4	EA
28	1502545	DECAL BLK/YLLW CAUTION 65.5"	2	EA
29	1502762CN	DECAL, FAULT CODES	1	EA
30	1502529	DECAL, BATTERY CHARGER PLUG	1	EA
31	1502816	DECAL, WEIGHT BEARING	4	EA
32	1502783CN	NAMEPLATE BLANK CE PHOENIX 2	1	EA
33	8230187CN	SNORKEL PRODUCT WARRANTY POLIC	1	EA
34	8230188CN	WARRANTY ACTIVATION FORM	1	EA
35	8230189CN	WARRANTY CLAIM FORM	1	EA
36	8140020CN	PDI/WARRANTY CARD NORCO PRINT	1	EA

REPAIR PARTS

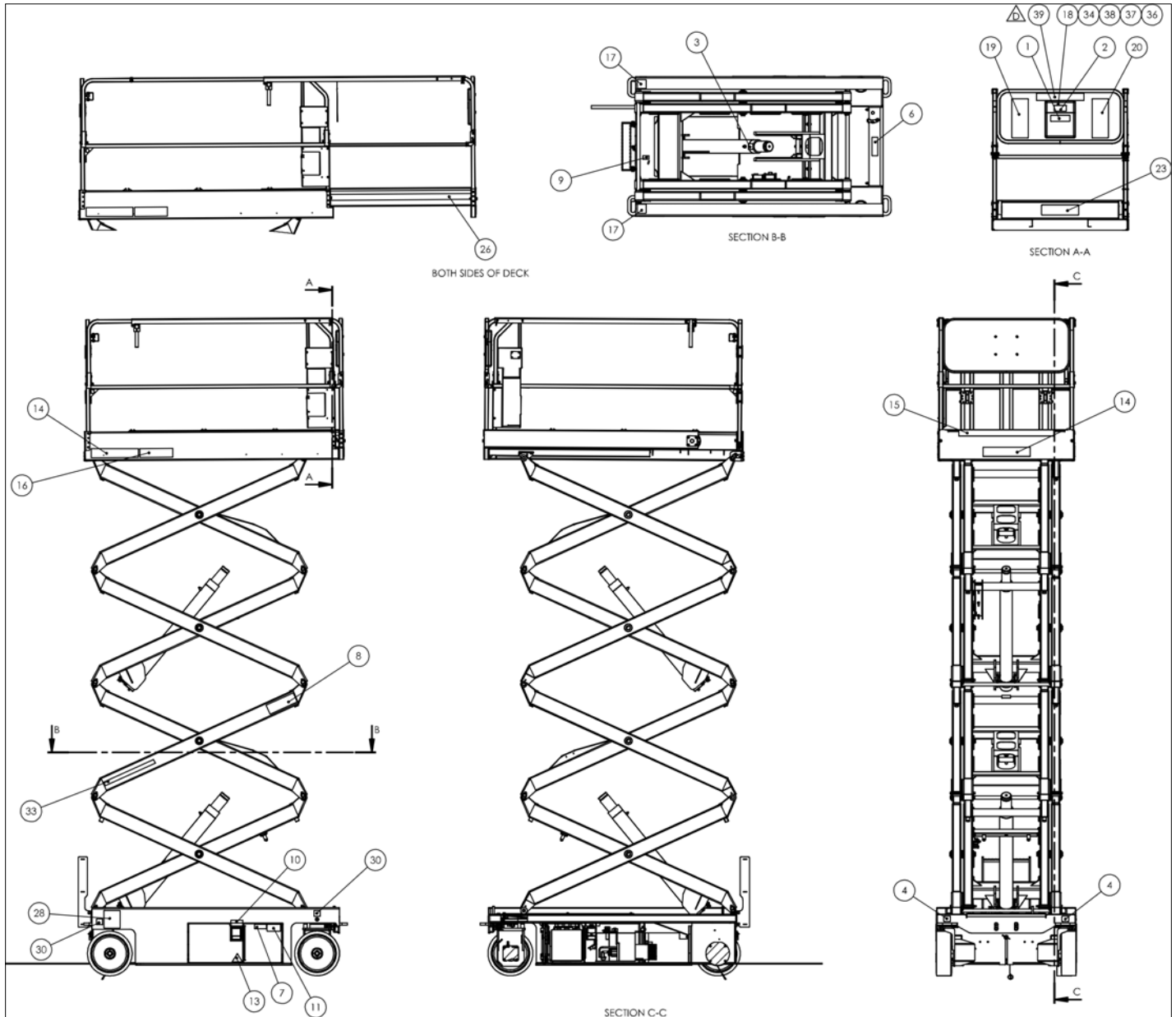


アイテム	部品番号	名前	数量	UOM
*	1503022 C	CSA DECALS S4732E ASSEMBLY		EA
1	0073043	DECAL, OPERATING MANUAL ENCLOS	1	EA
2	0073224	DECAL, NOTICE MANUAL REORDER	1	EA
3	0074311	DECAL DANGER CYLINDER FAILURE	1	EA
4	0083427	Decal, Lifting/Tie Down	4	EA
5	300699	Decal, Operators Checklist	1	EA
6	300700	Decal, Shearing Hazard	1	EA
7	300760	DECAL DNGR TIPOVER HAZARD	2	EA
8	0361259	DECAL DNGR SAFETY PROP	2	EA
9	0361533	DECAL EMER BLEED DOWN 1930 PIC	1	EA
10	0361661	DECAL, ANSI/CSA COMPLAINT	1	EA
11	451726	DECAL CHK BTRY BEFORE CHARGING	2	EA
12	451986	Decal, Interlocks	1	EA
13	501453 000	Decal, Foot Crush Hazard	2	EA
14	569295	DECAL, SNORKEL BRAND LOGO 3.00	3	EA
15	969249	DECAL STRIPE YEL /BLK 1000 INCH	47	EA
16	1500839	DECAL S4732E MODEL	2	EA
17	1500840	DECAL FORKLIFT PHOENIX II	2	EA
18	1500842	MANUAL OPERATORS PHOENIX II CE	1	EA
19	1501475	DECAL DNGR TIPOVER/ELEC HAZARD	1	EA
20	1501476	DECAL DNGR TIPOVER/ELEC HAZARD	1	EA
21	1501676	DECAL, LANYARD ATTACHMENT	3	EA
22	1501763	DECAL, SAFETY PROP HERE	1	EA



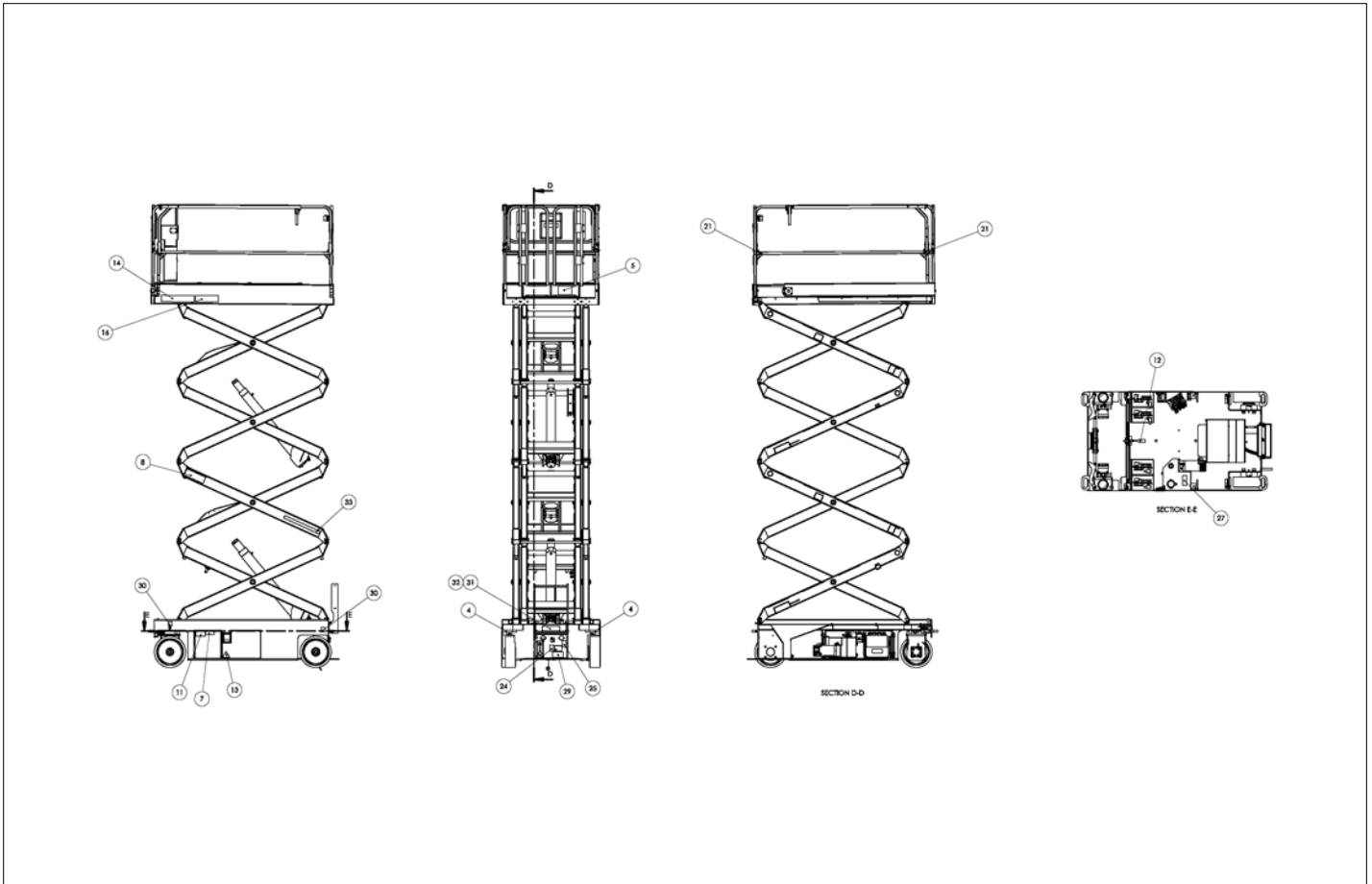
アイテム	部品番号	名前	数量	UOM
23	1501788	DECAL, PLAT CAP 770# W/WIND SP	1	EA
24	1502528	DECAL, POWER TO PLATFORM	1	EA
25	1502529	DECAL, BATTERY CHARGER PLUG	1	EA
26	1502545	DECAL BLK/YLLW CAUTION 65.5"	2	EA
27	1502586	DECAL, HYDRAULIC FLUID LEVEL	1	EA
28	1502596	DECAL WARNING TOW INSTRUCTIONS	1	EA
29	1502762	DECAL, FAULT CODES	1	EA
30	1502816	DECAL, WEIGHT BEARING	4	EA
31	1503128	PLAC, CSA S4732E	1	EA
32	5560656	RVT POP .125 DIA .375 DMD STL	4	EA
33	7030068	DECAL, SNORKELLIFTS.COM	2	EA
34	7050004	RECORD POUCH, 12 X 15 RECLOSABLE BAG	1	EA
35	8140020	PDI/WARRANTY CARD NORCO PRINTI	1	EA
36	8230187	SNORKEL PRODUCT WARRANTY POLIC	1	EA
37	8230188	WARRANTY ACTIVATION FORM	1	EA
38	8230189	WARRANTY CLAIM FORM	1	EA

REPAIR PARTS



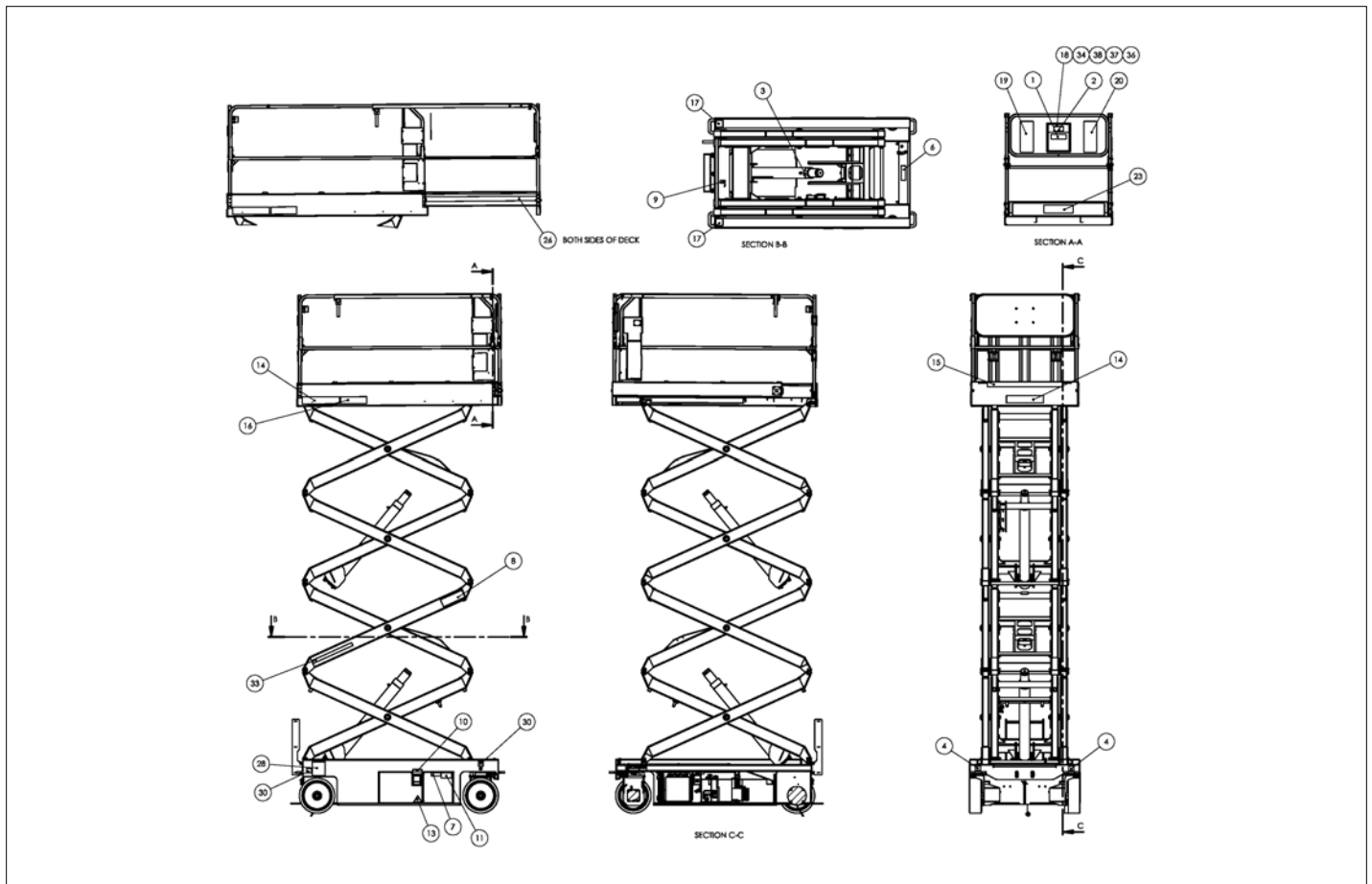
アイテム	部品番号	名前	数量	UOM
*	1503022 D	DECAL ASSEMBLY CSA S4732E OCTOBER 2019 AND AFTER		EA
1	0073043	DECAL, OPERATING MANUAL ENCLOS	1	EA
2	0073224	DECAL, NOTICE MANUAL REORDER	1	EA
3	0074311	DECAL DANGER CYLINDER FAILURE	1	EA
4	0083427	Decal, Lifting/Tie Down	4	EA
5	300699	Decal, Operators Checklist	1	EA
6	300700	Decal, Shearing Hazard	1	EA
7	300760	DECAL DNGR TIPOVER HAZARD	2	EA
8	0361259	DECAL DNGR SAFETY PROP	2	EA
9	0361533	DECAL EMER BLEED DOWN 1930 PIC	1	EA
10	0361661	DECAL, ANSI/CSA COMPLAINT	1	EA
11	451726	DECAL CHK BTRY BEFORE CHARGING	2	EA
12	451986	Decal, Interlocks	1	EA
13	501453 000	Decal, Foot Crush Hazard	2	EA
14	569295	DECAL, SNORKEL BRAND LOGO 3.00	3	EA
15	969249	DECAL STRIPE YEL /BLK 1000 INCH	47	EA
16	1500839	DECAL S4732E MODEL	2	EA
17	1500840	DECAL FORKLIFT PHOENIX II	2	EA
18	1500842	MANUAL OPERATORS PHOENIX II CE	1	EA
19	1501475	DECAL DNGR TIPOVER/ELEC HAZARD	1	EA
20	1501476	DECAL DNGR TIPOVER/ELEC HAZARD	1	EA
21	1501676	DECAL, LANYARD ATTACHMENT	3	EA
22	1501763	DECAL, SAFETY PROP HERE	1	EA



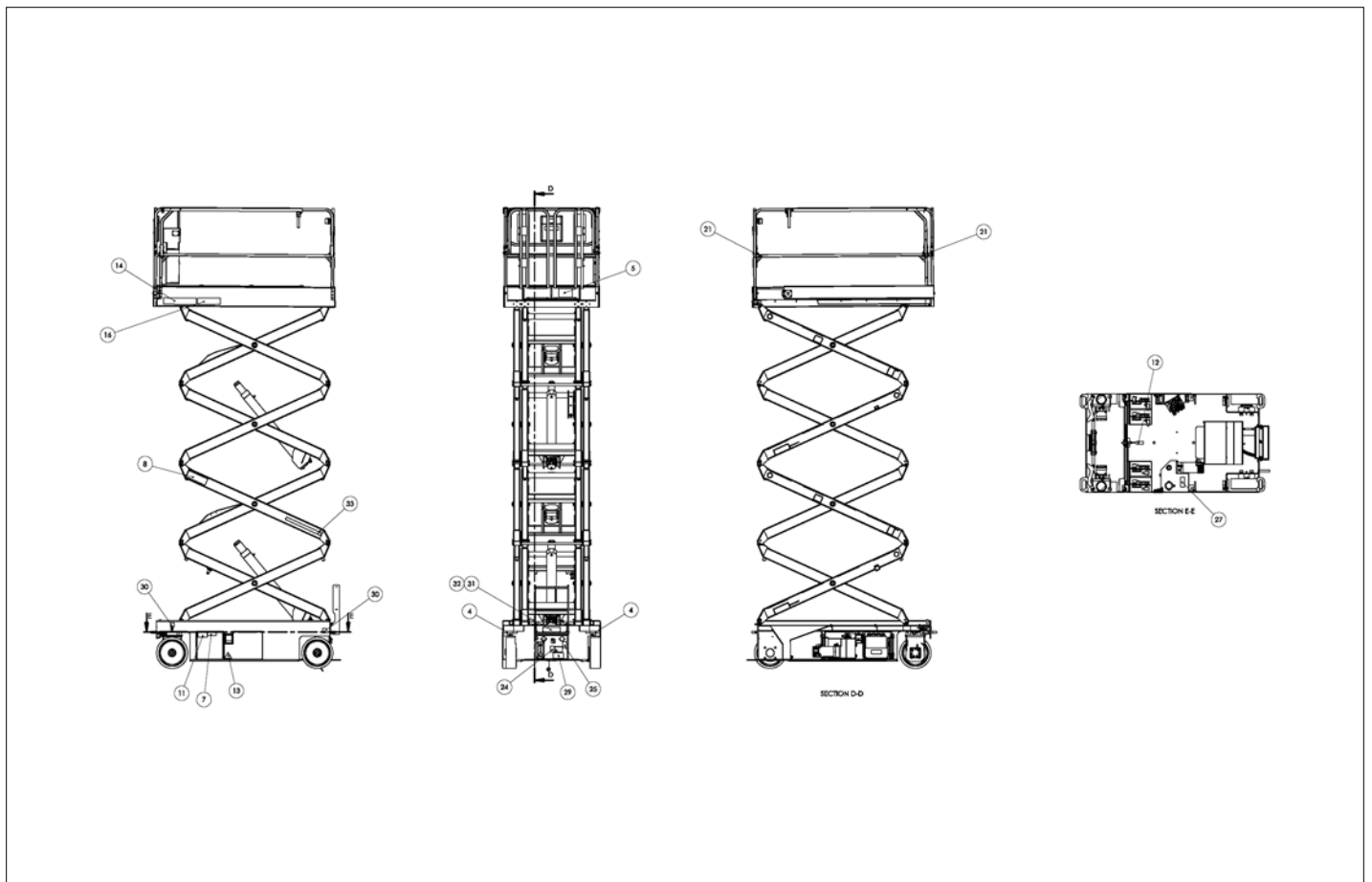


アイテム	部品番号	名前	数量	UOM
23	1501788	DECAL, PLAT CAP 770# W/WIND SP	1	EA
24	1502528	DECAL, POWER TO PLATFORM	1	EA
25	1502529	DECAL, BATTERY CHARGER PLUG	1	EA
26	1502545	DECAL BLK/YLLW CAUTION 65.5"	2	EA
27	1502586	DECAL, HYDRAULIC FLUID LEVEL	1	EA
28	1502596	DECAL WARNING TOW INSTRUCTIONS	1	EA
29	1502762	DECAL, FAULT CODES	1	EA
30	1502816	DECAL, WEIGHT BEARING	4	EA
31	1503128	PLAC, CSA S4732E	1	EA
32	5560656	RVT POP .125 DIA .375 DMD STL	4	EA
33	7030068	DECAL, SNORKELLIFTS.COM	2	EA
34	7050004	RECORD POUCH, 12 X 15 RECLOSABLE BAG	1	EA
35	8140020	PDI/WARRANTY CARD NORCO PRINTI	1	EA
36	8230187	SNORKEL PRODUCT WARRANTY POLIC	1	EA
37	8230188	WARRANTY ACTIVATION FORM	1	EA
38	8230189	WARRANTY CLAIM FORM	1	EA
39	7030249	Decal, Do Not Operate	1	EA

REPAIR PARTS

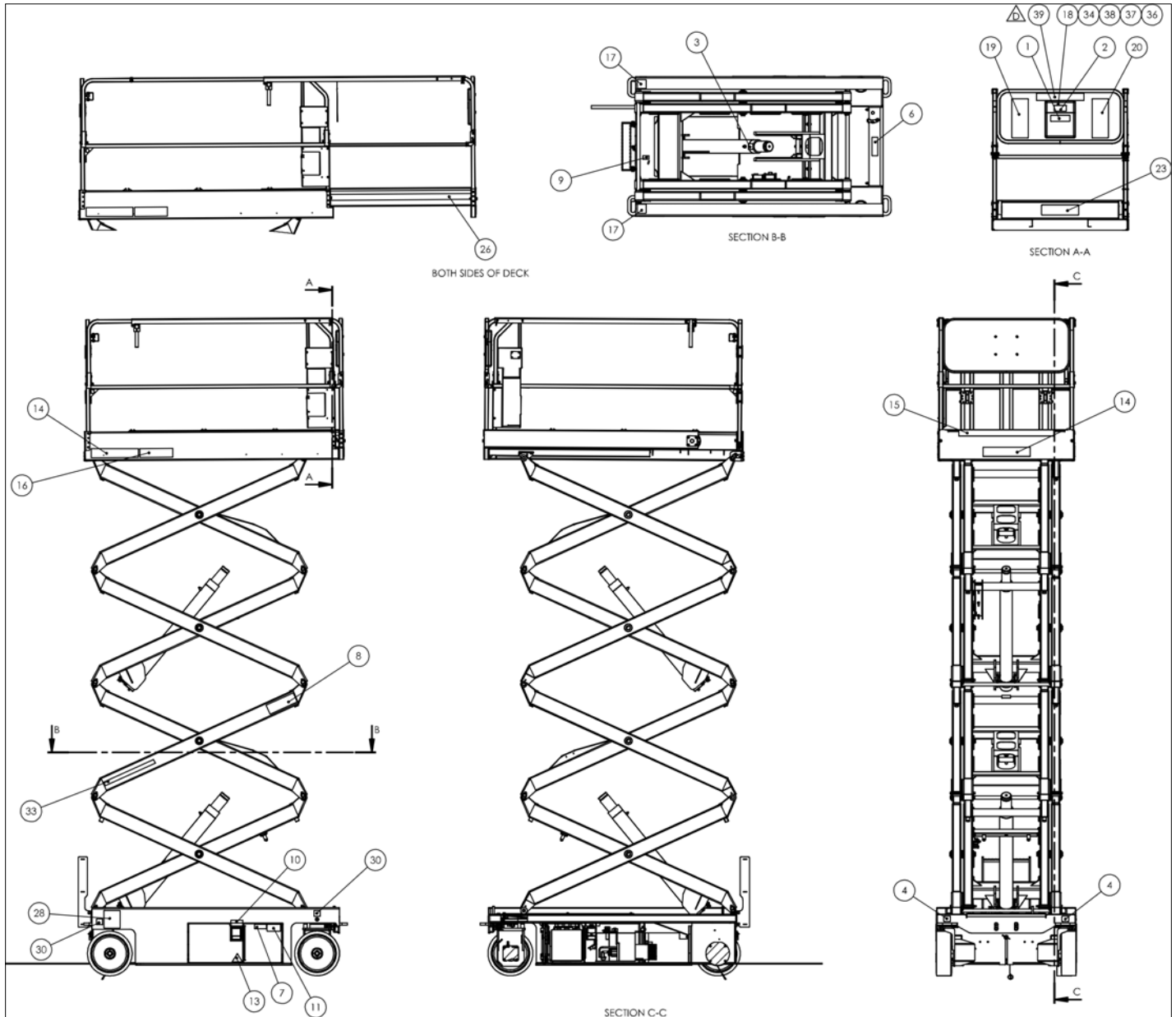


アイテム	部品番号	名前	数量	UOM
*	1503022FR C	CSA DECALS S4732E ASSEMBLY FRENCH		EA
1	0073043FR	DECAL MANUAL HOLDER	1	EA
2	0073224FR	DECAL NOTICE MANUAL RE ORDER	1	EA
3	0074311FR	DECAL DNGR CYLINDER FAILURE	1	EA
4	0083427	Decal, Lifting/Tie Down	4	EA
5	508862 000	DECAL OpreatorsChecklist.pdf FRENCH	1	EA
6	508863 000	DECAL, BEWARE DESCENDING PLAT, FR	1	EA
7	511176 000	DECAL, DNGR TIPOVER HAZARD, FR	2	EA
8	508867 000	DECAL Danger Use of Safety Prop FRENCH	2	EA
9	0361533	DECAL EMER BLEED DOWN 1930 PIC	1	EA
10	0361661FR	DECAL, ANSI/CSA COMPLIANT FREN	1	EA
11	451726FR	DECAL CHK BTRY BEFORE CHARGING	2	EA
12	451986FR	DECAL DNGR DO NOT ALTER SW	1	EA
13	501453 000	Decal, Foot Crush Hazard	2	EA
14	569295	DECAL, SNORKEL BRAND LOGO 3.00	3	EA
15	969249	DECAL STRIPE YEL /BLK 1000 INCH	47	EA
16	1500839	DECAL S4732E MODEL	2	EA
17	1500840	DECAL FORKLIFT PHOENIX II	2	EA
18	1500842FR	MANUAL OPERATORS PHOENIX II CE, FR	1	EA
19	1501475FR	DECAL, DNGR TIPOVER/ELEC HAZARD RH, FR	1	EA
20	1501476FR	DECAL, DNGR TIPOVER/ELEC HAZARD LH, FR	1	EA



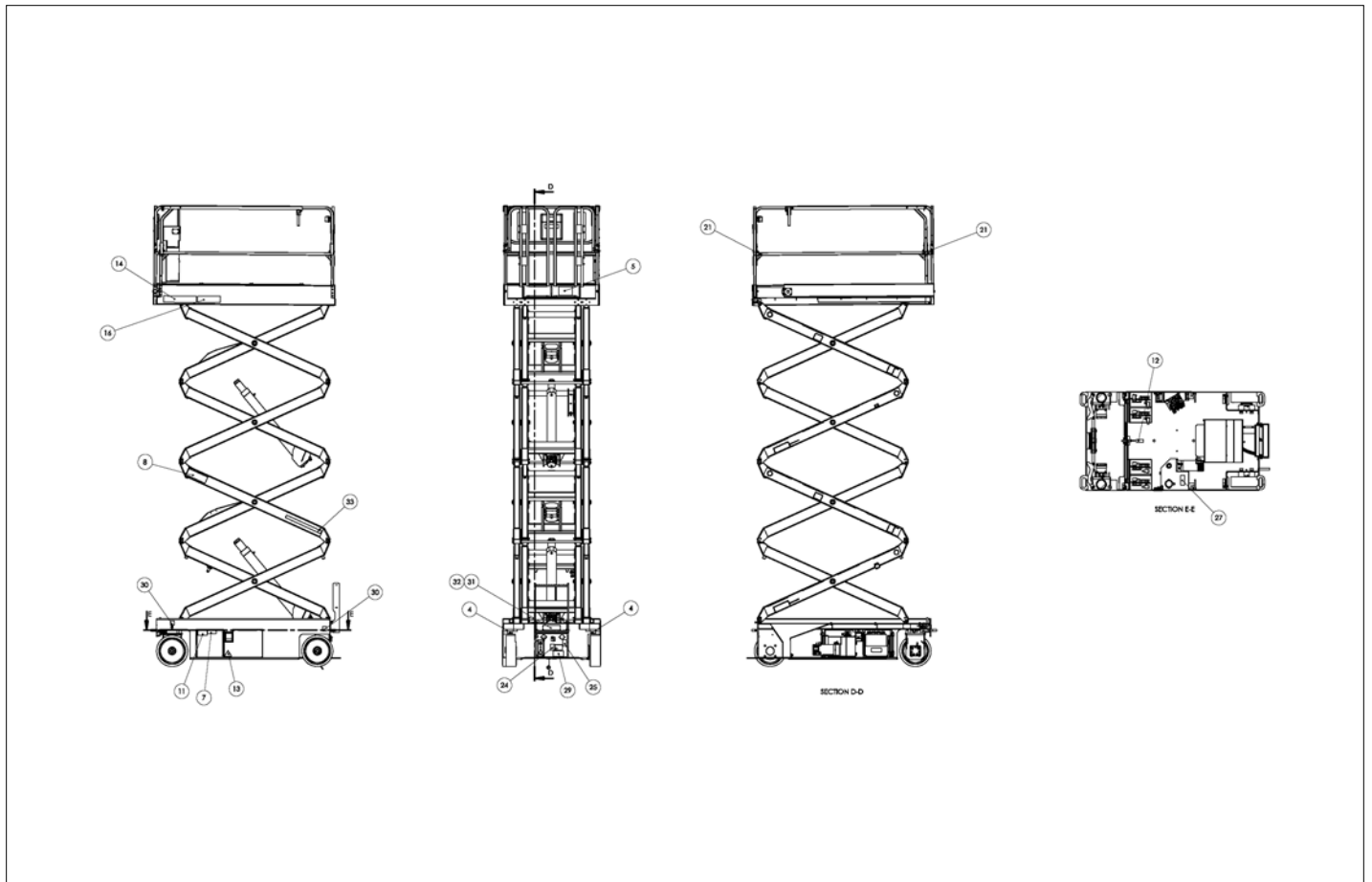
アイテム	部品番号	名前	数量	UOM
21	1501676	DECAL, LANYARD ATTACHMENT	3	EA
22	1501763FR	DECAL, SAFETY PROP HERE, FR	1	EA
23	1501788	DECAL, PLAT CAP 770# W/WIND SP	1	EA
24	1502528	DECAL, POWER TO PLATFORM	1	EA
25	1502529	DECAL, BATTERY CHARGER PLUG	1	EA
26	1502545	DECAL BLK/YLLW CAUTION 65.5"	2	EA
27	1502586FR	DECAL, (FR)HYD FLUID LEVEL	1	EA
28	1502596FR	DECAL WARNING TOW INSTRUCTIONS FRENCH	1	EA
29	1502762FR	DECAL, FAULT CODES, FR	1	EA
30	1502816	DECAL, WEIGHT BEARING	4	EA
31	1503128FR	PLAC, CSA S4732E	1	EA
32	5560656	RVT POP .125 DIA .375 DMD STL	4	EA
33	7030068	DECAL, SNORKELLIFTS.COM	2	EA
34	7050004	RECORD POUCH, 12 X 15 RECLOSABLE BAG	1	EA
35	8140020	PDI/WARRANTY CARD NORCO PRINTI	1	EA
36	8230187FR	SNORKEL PRODUCT WARRANTY POLIC	1	EA
37	8230188FR	WARRANTY ACTIVATION FORM, FR	1	EA
38	8230189FR	WARRANTY CLAIM FORM, FR	1	EA

REPAIR PARTS



アイテム	部品番号	名前	数量	UOM
*	1503022FR D	DECAL ASSEMBLY FRENCH S4732E OCTOBER 2019 AND AFTER		EA
1	0073043FR	DECAL MANUAL HOLDER	1	EA
2	0073224FR	DECAL NOTICE MANUAL RE ORDER	1	EA
3	0074311FR	DECAL DNGR CYLINDER FAILURE	1	EA
4	0083427	Decal, Lifting/Tie Down	4	EA
5	508862 000	DECAL OpreatorsChecklist.pdf FRENCH	1	EA
7	511176 000	DECAL, DNGR TIPOVER HAZARD, FR	2	EA
6	508863 000	DECAL, BEWARE DESCENDING PLAT, FR	1	EA
8	508867 000	DECAL Danger Use of Safety Prop FRENCH	2	EA
9	0361533	DECAL EMER BLEED DOWN 1930 PIC	1	EA
10	0361661FR	DECAL, ANSI/CSA COMPLIANT FREN	1	EA
11	451726FR	DECAL CHK BTRY BEFORE CHARGING	2	EA
12	451986FR	DECAL DNGR DO NOT ALTER SW	1	EA
13	501453 000	Decal, Foot Crush Hazard	2	EA
14	569295	DECAL, SNORKEL BRAND LOGO 3.00	3	EA
15	969249	DECAL STRIPE YEL /BLK 1000 INCH	47	EA
16	1500839	DECAL S4732E MODEL	2	EA
17	1500840	DECAL FORKLIFT PHOENIX II	2	EA
18	1500842FR	MANUAL OPERATORS PHOENIX II CE, FR	1	EA
19	1501475FR	DECAL, DNGR TIPOVER/ELEC HAZARD RH, FR	1	EA
20	1501476FR	DECAL, DNGR TIPOVER/ELEC HAZARD LH, FR	1	EA





アイテム	部品番号	名前	数量	UOM
21	1501676	DECAL, LANYARD ATTACHMENT	3	EA
22	1501763FR	DECAL, SAFETY PROP HERE, FR	1	EA
23	1501788	DECAL, PLAT CAP 770# W/WIND SP	1	EA
24	1502528	DECAL, POWER TO PLATFORM	1	EA
25	1502529	DECAL, BATTERY CHARGER PLUG	1	EA
26	1502545	DECAL BLK/YLLW CAUTION 65.5"	2	EA
27	1502586FR	DECAL, (FR)HYD FLUID LEVEL	1	EA
28	1502596FR	DECAL WARNING TOW INSTRUCTIONS FRENCH	1	EA
29	1502762FR	DECAL, FAULT CODES, FR	1	EA
30	1502816	DECAL, WEIGHT BEARING	4	EA
31	1503128FR	PLAC, CSA S4732E	1	EA
32	5560656	RVT POP .125 DIA .375 DMD STL	4	EA
33	7030068	DECAL, SNORKELLIFTS.COM	2	EA
34	7050004	RECORD POUCH, 12 X 15 RECLOSABLE BAG	1	EA
35	8140020	PDI/WARRANTY CARD NORCO PRINTI	1	EA
36	8230187FR	SNORKEL PRODUCT WARRANTY POLIC	1	EA
37	8230188FR	WARRANTY ACTIVATION FORM, FR	1	EA
38	8230189FR	WARRANTY CLAIM FORM, FR	1	EA
39	7030249	Decal, Do Not Operate	1	EA

REPAIR PARTS

画像が存在しません

アイテム	部品番号	名前	数量	UOM
	1501856 G	SPANISH DECALS ASSEMBLY S4732E		EA
1	0073043P	DECAL RECORD BOX SPANISH	1	EA
2	0073224P	DECAL MANUAL REORDER SPANISH	1	EA
3	0074311P	DECAL DANGER CYLINDER FAILURE	3	EA
4	0181562ES	DECAL MACH COMPLIES WITH ANSI	1	EA
5	0361259P	DECAL DNGR SAFETY PROP SPANISH	2	EA
6	0361367	MANUAL RSPNSBLTY A92.6	1	EA
7	0361533	DECAL EMER BLEED DOWN 1930 PIC	1	EA
8	1501480	MANUAL OPERATORS S3219E SPANISH	1	EA
9	1500839	DECAL S4732E MODEL	2	EA
10	1500840	DECAL FORKLIFT PHOENIX II	2	EA
11	1501475ES	DECAL DNGR TIPOVER/ELEC HAZARD RH SPANISH	1	EA
12	1501476ES	DECAL DNGR TIPOVER/ELEC HAZARD LH SPANISH	1	EA
13	1501510	DECAL, PLAT CAP 700# W/WIND SP	1	EA
14	1501676	DECAL, LANYARD ATTACHMENT	3	EA
15	1501763ES	DECAL SAFETY PROP HERE SPANISH	1	EA
16	300699P	DECAL OPERATORS CHECKLIST SPANISH	1	EA
17	300700P	DECAL BEWARE DESCENDING PLAT SPANISH	1	EA
18	300760P	DECAL DANGER TIP OVER HAZZARD SPANISH	2	EA
19	416836ES	DECAL 110V PLUG FOR CHARGER	1	EA
20	451726P	DECAL CHECK BATTERY BEFORE CHARGING SPANISH	2	EA

アイテム	部品番号	名前	数量	UOM
21	451986P	DECAL DNGR DO NOT ALTER SW SPA	1	EA
22	501453 000	Decal, Foot Crush Hazard	2	EA
23	5563454	RIVET, 1/8 X .313/.375 ALUM BLIND	4	EA
24	569295	DECAL, SNORKEL BRAND LOGO 3.00	3	EA
25	7030068	DECAL, SNORKELLIFTS.COM	2	EA
26	969249	DECAL STRIPE YEL /BLK 1000 INCH	47.000	EA
27	1501474ES	DECAL LOADING CONTROL SPANISH	1	EA
28	7030067	SPANISH SHIPPING INFO	1	EA
29	7050004	RECORD POUCH, 12 X 15 RECLOSABLE BAG	1	EA
30	1502596ES	DECAL WARNING TOW INSTRUCTIONS	1	EA
31	0083427	Decal, Lifting/Tie Down	4	EA
32	1502529	DECAL, BATTERY CHARGER PLUG	1	EA
33	1502586ES	DECAL HYDRAULIC FLUID LEVEL SP	1	EA
34	0083427	Decal, Lifting/Tie Down	4	EA
35	1502762ES	DECAL, FAULT CODES SPANISH	1	EA
36	8230187	SNORKEL PRODUCT WARRANTY POLIC	1	EA
37	8230188	WARRANTY ACTIVATION FORM	1	EA
38	8230189	WARRANTY CLAIM FORM	1	EA
39	8140020	PDI/WARRANTY CARD NORCO PRINTI	1	EA
40	1502863	PLACARD, ANSI S4732E ES	1	EA
41	1502777ES	PLACARD, BLANK ANSI SPANISH	1	EA

REPAIR PARTS



NO IMAGE AVAILABLE  
(BOM FOR REFERENCE ONLY)

アイテム	部品番号	名前	数量	UOM
	1501856 H	DECALS ASSEMBLY SPANISH S4732E OCTOBER 2019 AND AFTER		EA
1	0073043P	DECAL RECORD BOX SPANISH	1	EA
2	0073224P	DECAL MANUAL REORDER SPANISH	1	EA
3	0074311P	DECAL DANGER CYLINDER FAILURE	3	EA
4	0181562ES	DECAL MACH COMPLIES WITH ANSI	1	EA
5	0361259P	DECAL DNGR SAFETY PROP SPANISH	2	EA
6	0361367	MANUAL RSPNSBLTY A92.6	1	EA
7	0361533	DECAL EMER BLEED DOWN 1930 PIC	1	EA
8	1501480	MANUAL OPERATORS S3219E SPANISH	1	EA
9	1500839	DECAL S4732E MODEL	2	EA
10	1500840	DECAL FORKLIFT PHOENIX II	2	EA
11	1501475ES	DECAL DNGR TIPOVER/ELEC HAZARD RH SPANISH	1	EA
12	1501476ES	DECAL DNGR TIPOVER/ELEC HAZARD LH SPANISH	1	EA
13	1501510	DECAL, PLAT CAP 700# W/WIND SP	1	EA
14	1501676	DECAL, LANYARD ATTACHMENT	3	EA
15	1501763ES	DECAL SAFETY PROP HERE SPANISH	1	EA
16	300699P	DECAL OPERATORS CHECKLIST SPANISH	1	EA
17	300700P	DECAL BEWARE DESCENDING PLAT SPANISH	1	EA
18	300760P	DECAL DANGER TIP OVER HAZZARD SPANISH	2	EA
19	416836ES	DECAL 110V PLUG FOR CHARGER	1	EA

アイテム	部品番号	名前	数量	UOM
20	451726P	DECAL CHECK BATTERY BEFORE CHARGING SPANISH	2	EA
21	451986P	DECAL DNGR DO NOT ALTER SW SPA	1	EA
22	501453 000	Decal, Foot Crush Hazard	2	EA
23	5563454	RIVET, 1/8 X .313/.375 ALUM BLIND	4	EA
24	569295	DECAL, SNORKEL BRAND LOGO 3.00	3	EA
25	7030068	DECAL, SNORKELLIFTS.COM	2	EA
26	969249	DECAL STRIPE YEL /BLK 1000 INCH	47.000	EA
27	1501474ES	DECAL LOADING CONTROL SPANISH	1	EA
28	7030067	SPANISH SHIPPING INFO	1	EA
29	7050004	RECORD POUCH, 12 X 15 RECLOSABLE BAG	1	EA
30	1502596ES	DECAL WARNING TOW INSTRUCTIONS	1	EA
31	0083427	Decal, Lifting/Tie Down	4	EA
32	1502529	DECAL, BATTERY CHARGER PLUG	1	EA
33	1502586ES	DECAL HYDRAULIC FLUID LEVEL SP	1	EA
34	0083427	Decal, Lifting/Tie Down	4	EA
35	1502762ES	DECAL, FAULT CODES SPANISH	1	EA
36	8230187	SNORKEL PRODUCT WARRANTY POLIC	1	EA
37	8230188	WARRANTY ACTIVATION FORM	1	EA
38	8230189	WARRANTY CLAIM FORM	1	EA
39	8140020	PDI/WARRANTY CARD NORCO PRINTI	1	EA
40	1502863	PLACARD, ANSI S4732E ES	1	EA
41	1502777ES	PLACARD, BLANK ANSI SPANISH	1	EA
42	7030249	Decal, Do Not Operate	1	EA



REPAIR PARTS

画像が存在しません

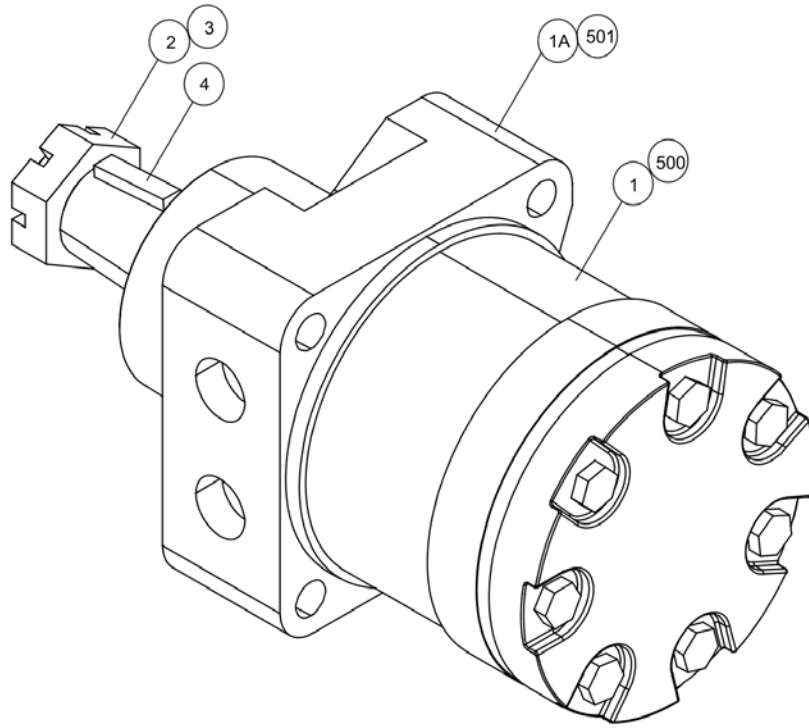
アイテム	部品番号	名前	数量	UOM
	1501800 D	GERMAN DECALS ASSEMBLY S4732E		EA
1	1501787 DE	S4732E GERMAN DECAL SET	1	EA
2	1500839	DECAL S4732E MODEL	2	EA
3	7030160	SHUR STEP 2 in GP 12 in	3	EA
4	969249	DECAL STRIPE YEL /BLK 1000 INCH	47.000	EA
5	5563454	RIVET, 1/8 X .313/.375 ALUM BLIND	4	EA
6	7030068	DECAL, SNORKELLIFTS.COM	1	EA
7	1500842 DE	MANUAL OPERATORS GERMANY	1	EA
8	1501817	DECAL, LOADING CONTROL, GERMAN	1	EA
9	1502864	PLACARD, CE S4732E	1	EA
10	1502777	PLACARD ANSI	1	EA

REPAIR PARTS

NO IMAGE AVAILABLE  
(BOM FOR REFERENCE ONLY)

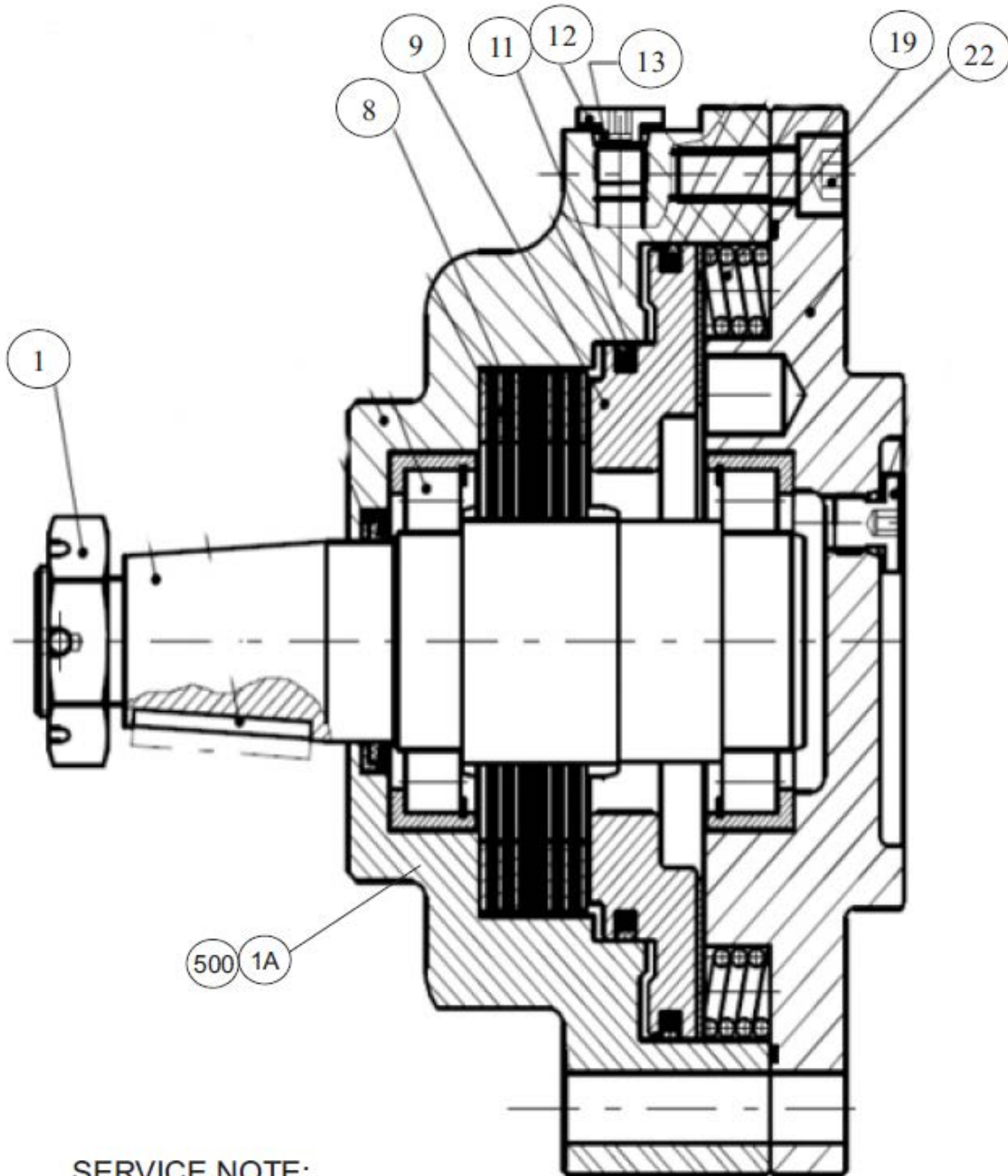
アイテム	部品番号	名前	数量	UOM
	1501800 E	DECALS ASSEMBLY GERMAN S4732E OCTOBER2019 AND AFTER		EA
1	1501787 DE	S4732E GERMAN DECAL SET	1	EA
2	1500839	DECAL S4732E MODEL	2	EA
3	7030160	SHUR STEP 2 in GP 12 in	3	EA
4	969249	DECAL STRIPE YEL /BLK 1000 INCH	47.000	EA
5	5563454	RIVET, 1/8 X .313/.375 ALUM BLIND	4	EA
6	7030068	DECAL, SNORKELLIFTS.COM	1	EA
7	1500842 DE	MANUAL OPERATORS GERMANY	1	EA
8	1501817	DECAL, LOADING CONTROL, GERMAN	1	EA
9	1502864	PLACARD, CE S4732E	1	EA
10	1502777	PLACARD ANSI	1	EA
11	7030249	Decal, Do Not Operate	1	EA

HYDRAULICS



アイテム	部品番号	名前	数量	UOM
	6031630 A	DRIVE MOTOR DALI 300CC MAY 2016 AND AFTER		EA
Not Shown	6031631	SEAL KIT		EA

## HYDRAULICS



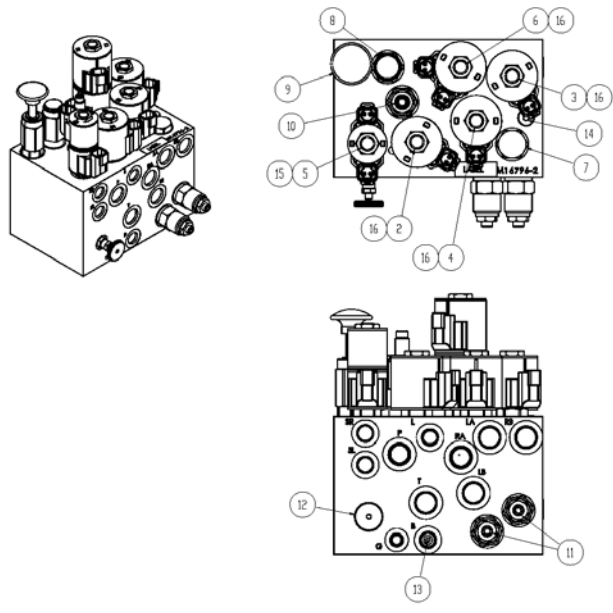
## SERVICE NOTE:

ITEMS #'s 2-7, 10 & 11, 14-18, and 20 ARE NOT AVAILABLE AS REPLACEMENT PARTS. IF REQUIRED, PLEASE CONTACT THE SNORKEL PARTS DEPARTMENT.

アイテム	部品番号	名前	数量	UOM
	6091700A	BRAKE, DALI AFTER S/N S4732E 04 000561		EA
1A	6091700	BRAKE DALI	1	EA
500	6091881	SEAL KIT	1	EA
1	6091874	CASTELLATED NUT	1	EA
2	N/A	NOT SOLD SEPARATELY	1	EA
3	N/A	NOT SOLD SEPARATELY	1	EA
4	N/A	NOT SOLD SEPARATELY	1	EA
5	N/A	NOT SOLD SEPARATELY	1	EA
6	N/A	NOT SOLD SEPARATELY	2	EA
7	N/A	NOT SOLD SEPARATELY	6	EA
8	6091875	BRAKE DISC	7	EA
9	6091876	PISTON	1	EA
10	N/A	NOT SOLD SEPARATELY	1	EA
11	N/A	NOT SOLD SEPARATELY	1	EA
12	6091877	DRAIN PLUG	2	EA
13	6091878	GASKET	2	EA
14	N/A	NOT SOLD SEPARATELY	1	EA
15	N/A	NOT SOLD SEPARATELY	1	EA
16	N/A	NOT SOLD SEPARATELY	1	EA
17	N/A	NOT SOLD SEPARATELY	1	EA
18	N/A	NOT SOLD SEPARATELY	23	EA
19	6091879	O RING	1	EA
20	N/A	NOT SOLD SEPARATELY	4	EA
22	6091800	END COVER	1	EA

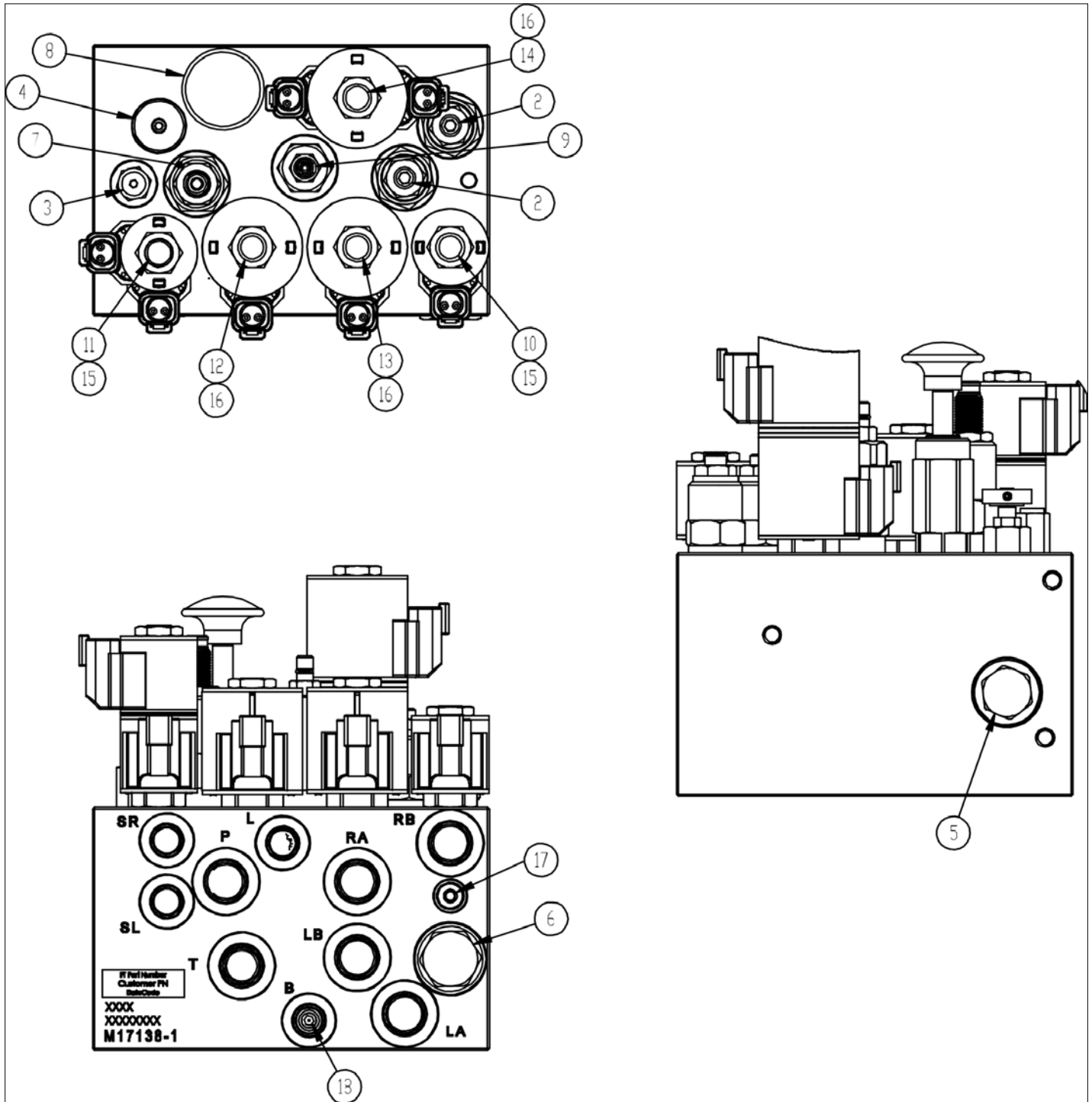


HYDRAULICS



アイテム	部品番号	名前	数量	UOM
	6019378B	SCISSOR TWO SPEED MANIFOLD DECEMBER 2018 AND AFTER		EA
2	6091570	#10 SOLENOID, 2 POSITION 4 WAY	1	EA
3	6091939	#10 4 WAY SOLENOID VALVE	1	EA
4	6019389	#10, SPOOL, 4 WAY, 2 POSITION	1	EA
5	6019032	#8 SPOOL, 4W3P, TANDEM CENTER	1	EA
6	6091576	#10 SPOOL, 4W3P, OPEN CENTER	1	EA
7	561976	FLOW DIVIDER/COMBINER, 12.0 GPM INPUT	1	EA
8	6019394	PRIORITY FLOW REGULATOR W/RELIEF	1	EA
9	6029632	#10 HAND PUMP, 1.36CC, BLACK	1	EA
10	6019391	RELIEF VALVE, DIFFERENTIAL, AREA POPPET, 2000PSI	1	EA
11	501532 000	COUNTERBALANCE VALVE	2	EA
12	6019393	NEEDLE VALVE	1	EA
13	106574 127	1/16" NPT PLUG, .040 DIA ORIFICE	1	EA
14	6019395	1/16" NPT PLUG, .018 DIA ORIFICE	1	EA
15	6019289	COIL 20VDC HYDRAFORCE 4303620	2	EA
Not Shown	104674 123	WASHER	1	EA
16	6019390	E COIL, 20VDC, DEUTSCH DT04 2P	5	EA
Not Shown	104674 125	WASHER	1	EA

HYDRAULICS



アイテム	部品番号	名前	数量	UOM
	6019446 B	MANIFOLD SCISSOR FLUID TECH (AFTER 6019378 MANIFOLD)		EA
2	501532 000	COUNTERBALANCE VALVE		EA
3	6019456	RELIEF VALVE		EA
4	6019457	NEEDLE VALVE		EA
5	104674 107	#08 CHECK VALVE 4 PSI		EA
6	561976	FLOW DIVIDER/COMBINER, 12.0 GPM INPUT		EA
7	6019458	FLOW CONTROL		EA
8	6029632	#10 HAND PUMP, 1.36CC, BLACK		EA
9	6019391	RELIEF VALVE, DIFFERENTIAL, AREA POPPET, 2000PSI		EA
10	6018943	SOLENOID VALVE		EA
11	6019032	#8 SPOOL, 4W3P, TANDEM CENTER		EA
12	6091570	#10 SOLENOID, 2 POSITION 4 WAY		EA
13	6019459	SOLENOID VALVE, 2 POS, 4 WAY		EA
14	6091576	#10 SPOOL, 4W3P, OPEN CENTER		EA
15	6019289	COIL 20VDC HYDRAFORCE 4303620		EA
16	6019390	E COIL, 20VDC, DEUTSCH DT04 2P		EA
17	6019395	1/16" NPT PLUG, .018 DIA ORIFICE		EA
18	6019123	1/16 in NPT PLUG W/.040 ORIFICE FLUIDTECH P/N:		EA

## HYDRAULICS

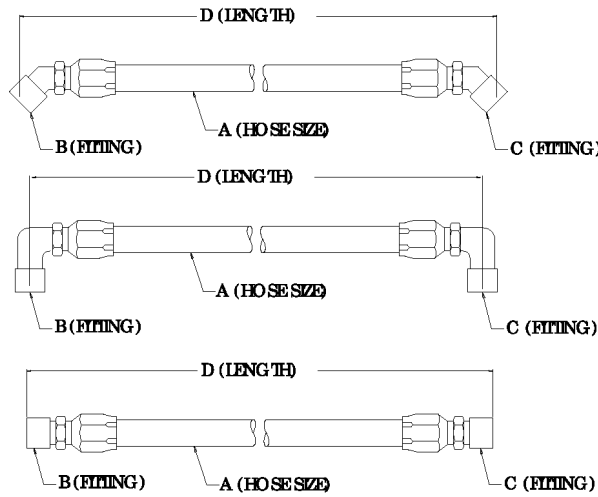
ITEM	PART NO.	REV	DESCRIPTION	QTY	LABEL
1	S018845	B	HOSE, 04 -06FORFF -06FORFF 100R17, 67.5in	1	SL
2	S018845	B	HOSE, 04 -06FORFF -06FORFF 100R17, 67.5in	1	SR
3	S018848	A	HOSE, 06 -06FORFF -06FORFF 100R17 80in	1	L
4	S018849	A	HOSE, 06 -06FORFF -06FORFF 90° 100R17 50in	1	L
5	S018850	A	HOSE, 06 -06FORFF -06FORFF 100R17 222in	1	L
6	S018851	A	HOSE, 08 -08FORFF -08FORFF 100R17 76in	1	T
△E 8	S018894	A	HOSE, 06 -06FORFF90DEG -06FORFF 100R17, 30in	1	LA
7	S018852	A	HOSE, 08 -08FORFF -08FORFF 100R17 69in	1	P
9	S018894	A	HOSE, 06 -06FORFF90DEG -06FORFF 100R17, 30in	1	LB
12	S018854	A	HOSE, 04 -04FORFF -04FORFF 100R17, 51in	1	B
10	S018894	A	HOSE, 06 -06FORFF90DEG -06FORFF 100R17, 30in	1	RA
11	S018894	A	HOSE, 06 -06FORFF90DEG -06FORFF 100R17, 30in	1	RB
△E 13	S018855	A	HOSE, 04 -04FORFF -04FORFF 100R17, 81in	1	B
△E 14	S018903	A	HOSE, 06 -06FORFF -08FORFF 100R17, 56in	1	LA
△E 15	S018903	A	HOSE, 06 -06FORFF -08FORFF 100R17, 56in	1	LB
△E 16	S018903	A	HOSE, 06 -06FORFF -08FORFF 100R17, 56in	1	RA
△E 17	S018903	A	HOSE, 06 -06FORFF -08FORFF 100R17, 56in	1	RB

## NOTES:

1. TAG BOTH ENDS OF HOSE WITH PART NO. AND LABEL.
2. REFERENCE DRAWING A50003A FOR HOSE DRAWINGS.

アイテム	部品番号	名前	数量	UOM
	5018847 E	HOSE ASSEMBLY S4726E S4732E		EA

HYDRAULICS

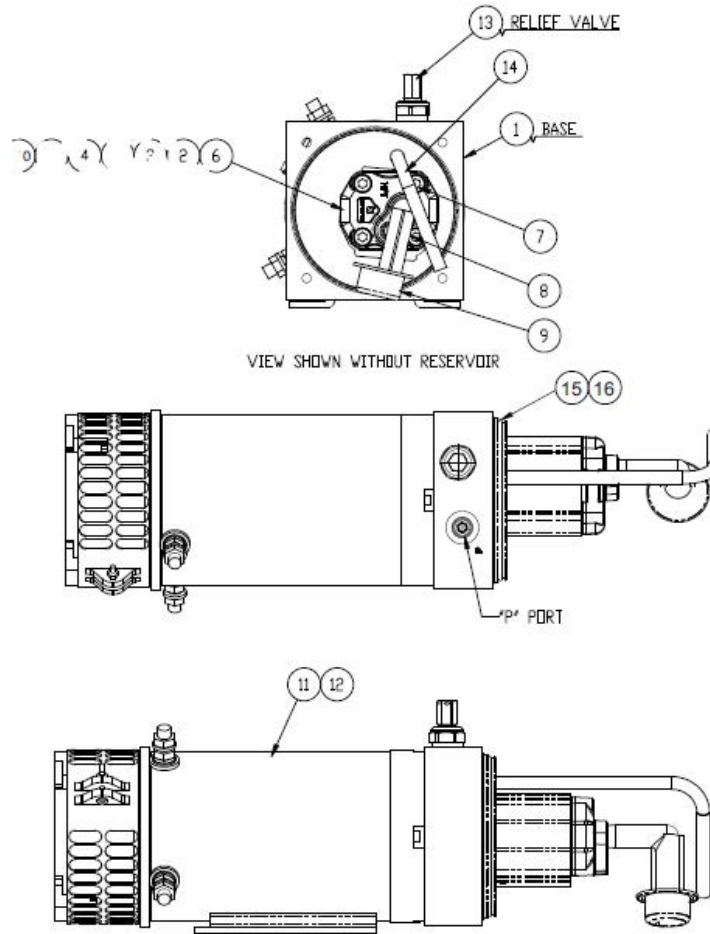


PART#	DESCRIPTION	REV	A	B	C	D
5018841	HOSE 06 -06FO REF -06FO REF 100RI7 180 in	B	-6 100RI7	-6FO REF	-6FO REF	180in
5018842	HOSE 08 -08FO REF -08FO REF 100RI7 63 in	C	-8 100RI7	-8FO REF	-8FO REF	63in
5018843	HOSE 06 -06FO REF -06FO REF 90DEC 100RI7, 78in	D	-6 100RI7	-6FO REF	-6FO REF 90°	78in
5018844	HOSE 04 -04FO REF -04FO REF 100RI7 51 in	C	-4 100RI7	-4FO REF	-4FO REF	51in
5018845	HOSE 04 -06FO REF -06FO REF 100RI7 67.5 in	B	-4 100RI7	-6FO REF	-6FO REF	67.5in
5018848	HOSE 06 -06FO REF -06FO REF 100RI7 80in	A	-6 100RI7	-6FO REF	-6FO REF	80in
5018849	HOSE 06 -06FO REF -06FO REF 90° 100RI7 50in	A	-6 100RI7	-6FO REF	-6FO REF 90°	50in
5018850	HOSE 06 -06FO REF -06FO REF 100RI7 222in	A	-6 100RI7	-6FO REF	-6FO REF	222in
5018851	HOSE 08 -08FO REF -08FO REF 100RI7 76in	A	-8 100RI7	-8FO REF	-8FO REF	76in
5018852	HOSE 08 -08FO REF -08FO REF 100RI7 69in	A	-8 100RI7	-8FO REF	-8FO REF	69in
5018853	HOSE 06 -06FO REF -06FO REF 90° 100RI7 86in	A	-6 100RI7	-6FO REF	-6FO REF 90°	86in
5018854	HOSE 04 -04FO REF -04FO REF 100RI7 51in	A	-4 100RI7	-4FO REF	-4FO REF	51in
5018855	HOSE 04 -04FO REF -04FO REF 100RI7 81in	A	-4 100RI7	-4FO REF	-4FO REF	81in
5018861	HOSE 04 -04FO REF -04FO REF 100RI7 70IN	A	-4 100RI7	-4FO REF	-4FO REF	70in
5018863	HOSE 08 -08FO REF -08FO REF 100RI7 50.5 IN	A	-8 100RI7	-8FO REF	-8FO REF	50.5in
5018864	HOSE 04 -06FO REF -06FO REF 100RI7 63in	A	-4 100RI7	-6FO REF	-6FO REF	63in
5018894	HOSE 06 -06FO REF -06FO REF 90DEC 100RI7 30in	A	-6 100RI7	-6FO REF 90°	-6FO REF	30in
5018895	HOSE 06 -06FO REF -06FO REF 100RI7 42in	A	-6 100RI7	-6FO REF	-6FO REF	42in
5018903	HOSE 06 -06FO REF -08FO REF 100RI7 56in	A	-6 100RI7	-8FO REF	-8FO REF	56in

アイテム	部品番号	名前	数量	UOM
	A50003A J	TABULATED HOSES		EA



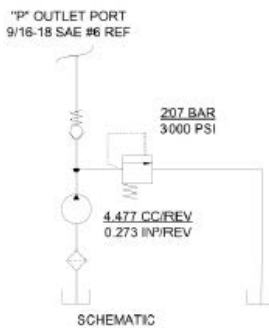
HYDRAULICS



**NOTE:**

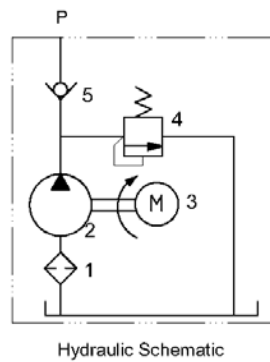
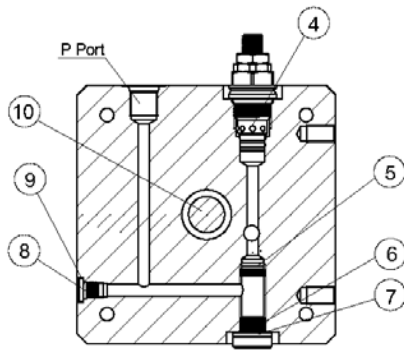
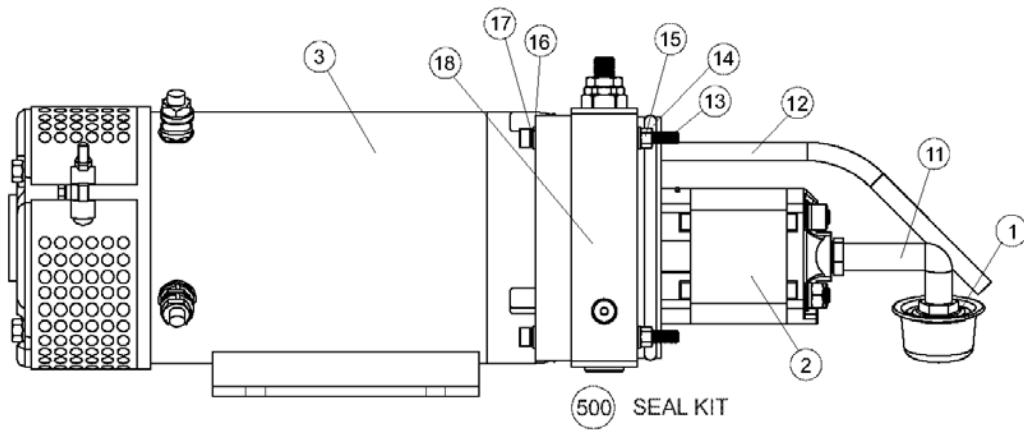
1. BUCHER PUMP ASSEMBLY NO LONGER AVAILABLE. 6029696 WUXI PUMP ASSEMBLY.

2. BUCHER REPLACEMENT PARTS STILL AVAILBLE.



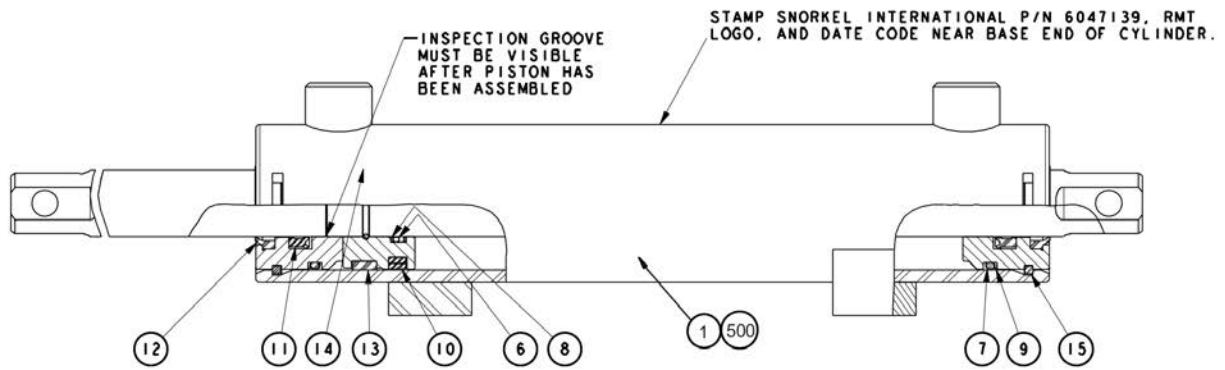
アイテム	部品番号	名前	数量	UOM
	6029678 B	BUCHER PUMP ASSEMBLY		EA
500	6091696	SEAL KIT – INCLUDES ITEMS 15 AND 16	1	EA
1	6029683	BASE ASSEMBLY M3504 STD MTR AP100 VM01	1	EA
2	6029680	PUMP AP100 4.3 PBP NO COVER CW	1	EA
3	6029681	O RING SHAPED REAR COVER AP100	1	EA
4	6029682	O RING SHAPED UP100&UP110	1	EA
5	6029684	PIN DOWEL 5X7 MM AP100	4	EA
6	6029685	COVER REAR AP100 309 .375 NPT	1	EA
7	6029686	V TCEI M008X085 08.8UNI5931 ZG	4	EA
8	6029687	TUBE SUCT 90 H/MT M 400 3/8NPT	1	EA
9	6029688	FILTER SCREEN M SERIES SUCT.	1	EA
10	6029689	SHAFT INTERMEDIATE AP100 DC	1	EA
11	6029690	MOTOR DC 24VOLT 5.0 in EXTND DTY	1	EA
12	6029691	SCREW F HD SOC CAP 1/4 20X 3/4	4	EA
13	6029692	VALVE MAX VM01 HDM10 T.211 320	1	EA
14	6029693	TUBE RETURN 90 DEG 1/8NPT	1	EA
15	6091697	O RING – ALSO INCLUDED IN SEAL KIT	1	EA
16	6091698	O RING – ALSO INCLUDED IN SEAL KIT	1	EA

# HYDRAULICS



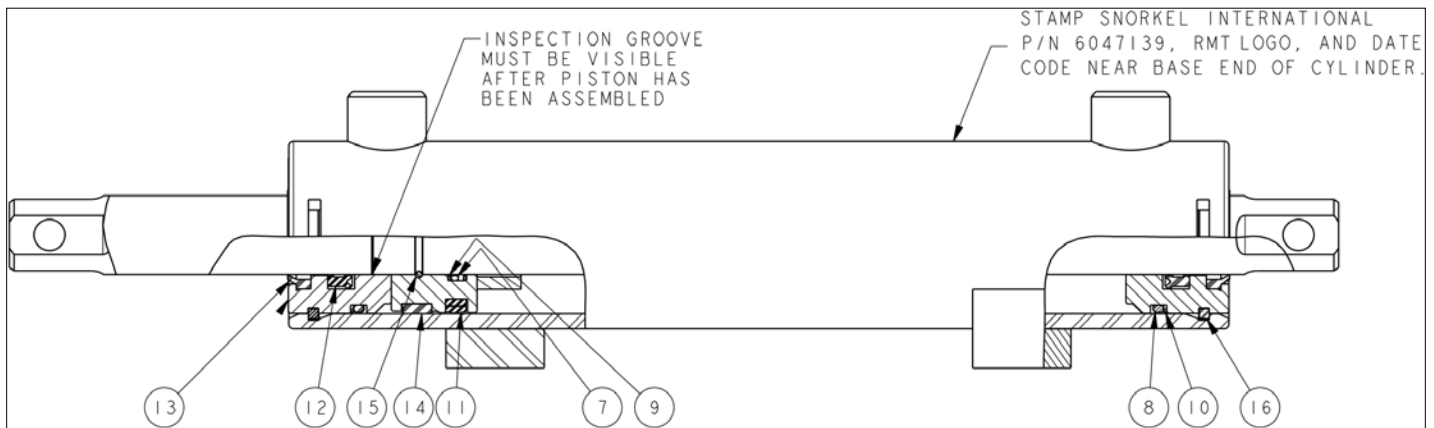
アイテム	部品番号	名前	数量	UOM
	6029696B	PUMP UNIT 24 VDC 4.33CC WUXI DELI	1	EA
500	6091793	SEAL KIT	1	EA
1	6091783	SUCTION FILTER	1	EA
2	6091779	GEAR PUMP	1	EA
3	6091777	DC MOTOR	1	EA
4	6091787	RELIEF VALVE	1	EA
5	6091786	CHECK VALVE	1	EA
6	6091791	PLUG	1	EA
7	6091792	BONDED WASHER	1	EA
8	6091790	PLUG	1	EA
9	6091789	O RING	1	EA
10	6091788	COUPLING	1	EA
11	6091784	SUCTION TUBE	1	EA
12	6091785	RETURN TUBE	1	EA
13	6091781	SOCKET HEAD CAP SCREWS	4	EA
14	6091780	O RING	1	EA
15	6091782	HEXAGON NUT	4	EA
16	056021 006	WASHER SPRING WASHER M6 DIN 127B GR8.8 ZP	4	EA
17	056069 006	WSHR STEELFLATWSHE M6 DIN125A	4	EA
18	6091778	MANIFOLD	1	EA

HYDRAULICS



アイテム	部品番号	名前	数量	UOM
	6047139E	STEER CYLINDER ROSENBOOM AND FISHER		EA
1	6047139	STEER CYLINDER	1	EA
500	6091710	SEAL KIT FISHER, ROSENBOOM AND PB	1	EA
6	KIT ITEM	O RING	1	EA
7	KIT ITEM	O RING	2	EA
8	KIT ITEM	BACKUP RING DYNAMIC	2	EA
9	KIT ITEM	BACKUP RING	2	EA
10	KIT ITEM	DISO PAC	1	EA
11	KIT ITEM	BT U CUP	2	EA
12	KIT ITEM	HD ROD WIPER, SEALED OD	2	EA
13	KIT ITEM	WEARBAND	1	EA
14	KIT ITEM	ROUND WRAP IN WIRE	1	EA
15	KIT ITEM	SQUARE WRAP IN WIRE	2	EA

HYDRAULICS



アイテム	部品番号	名前	数量	UOM
	6047154 D	CYLINDER STEER	1	EA
1	6091710	SEAL KIT FISHER, ROSENBOOM AND PB	1	EA
Not Shown	6047207	SEAL KIT FOR 6047139, 6047154 (PB, RMT)		EA

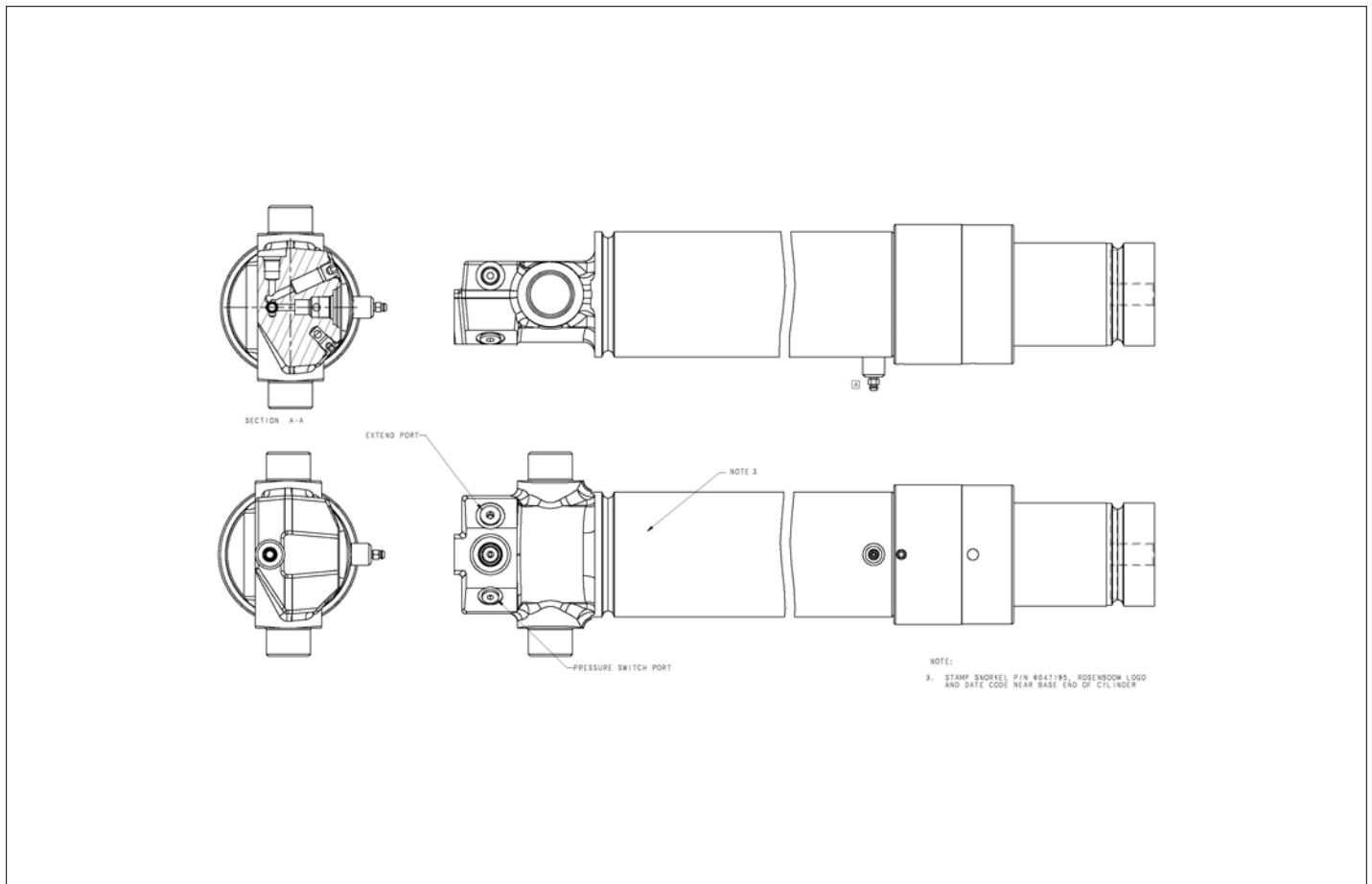


HYDRAULICS

**NO IMAGE AVAILABLE  
(BOM FOR REFERENCE ONLY)**

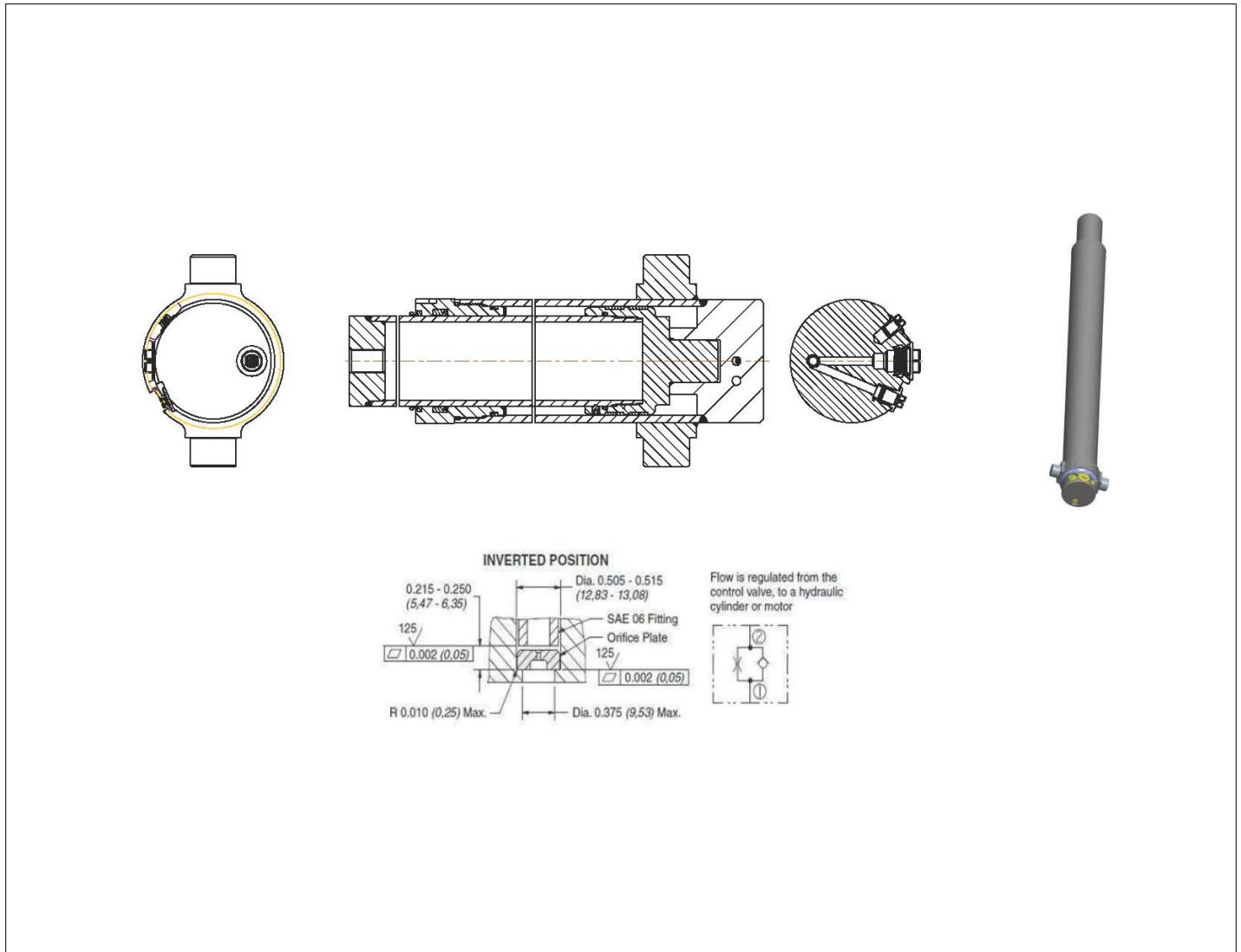
アイテム	部品番号	名前	数量	UOM
	6047196 D	LIFT CYLINDER UPPER ROSENBOOM		EA
	6047202	SEAL KIT	1	EA

HYDRAULICS



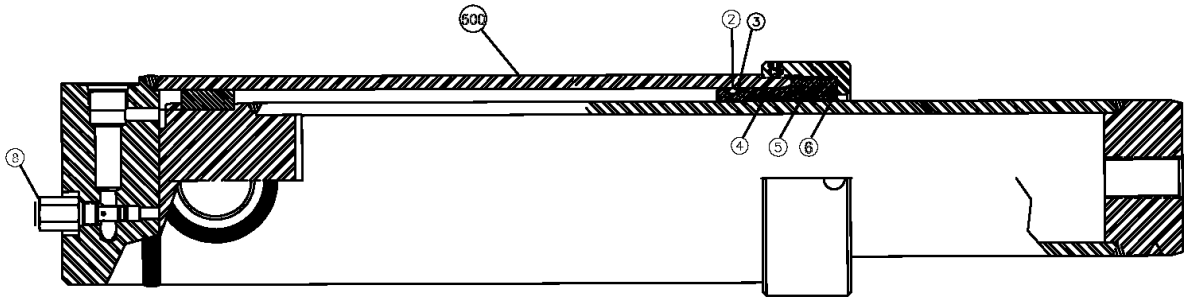
アイテム	部品番号	名前	数量	UOM
	6047195A	LIFT CYLINDER LOWER ROSENBOOM		EA
Not Shown	6047203	SEAL KIT	1	EA
Not Shown	6019280	RELIEF VALVE	1	EA
(if needed)	056069 006	WSHR STEELFLATWSHE M6 DIN125A	2	EA

HYDRAULICS



アイテム	部品番号	名前	数量	UOM
	6047196 A	LIFT CYLINDER PB (VIGO USE ONLY)		EA
Not Shown	6047205	SEAL KIT		EA
(if needed)	056069 006	WSHR STEELFLATWSHE M6 DIN125A	2	EA

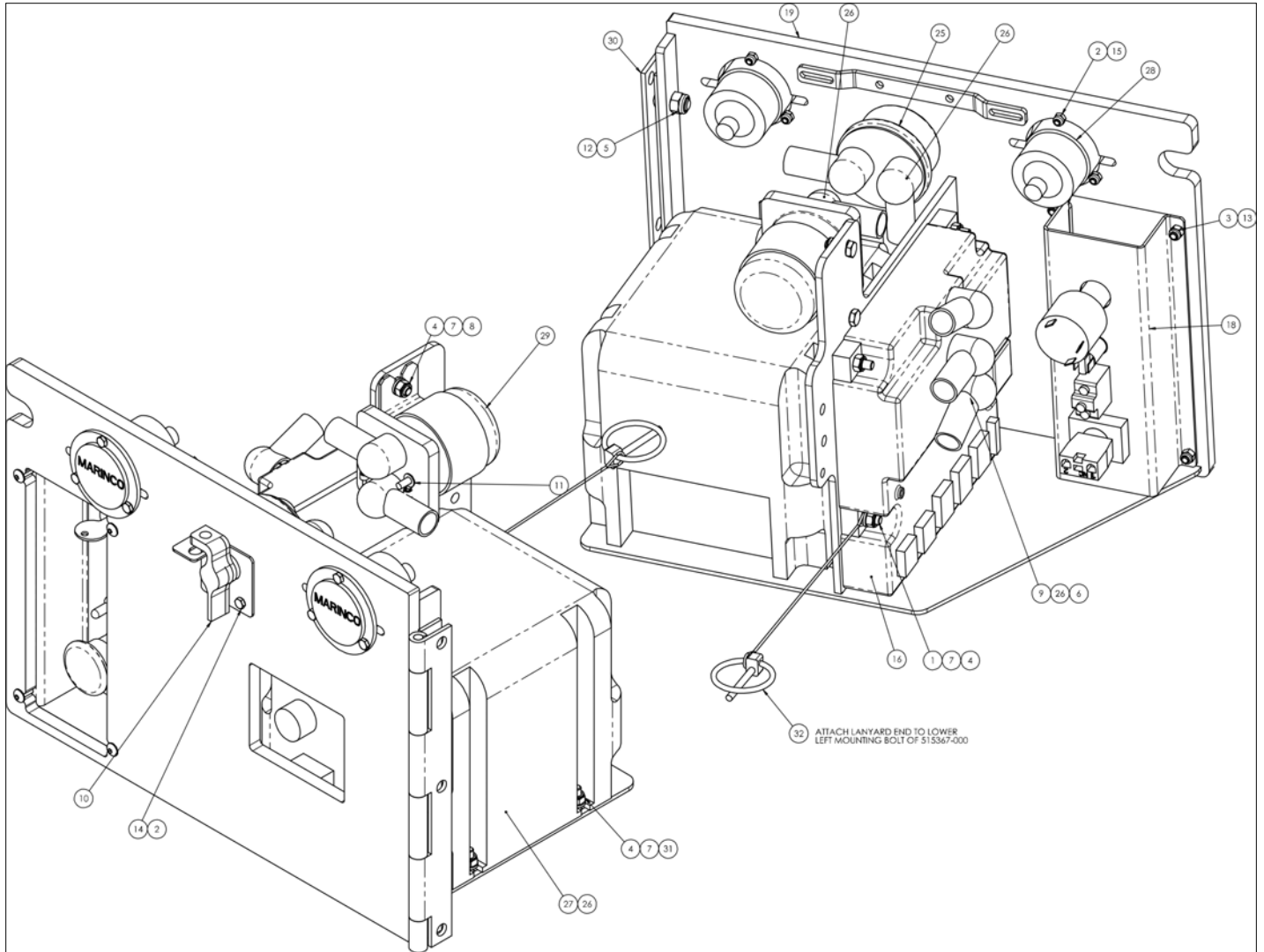
HYDRAULICS



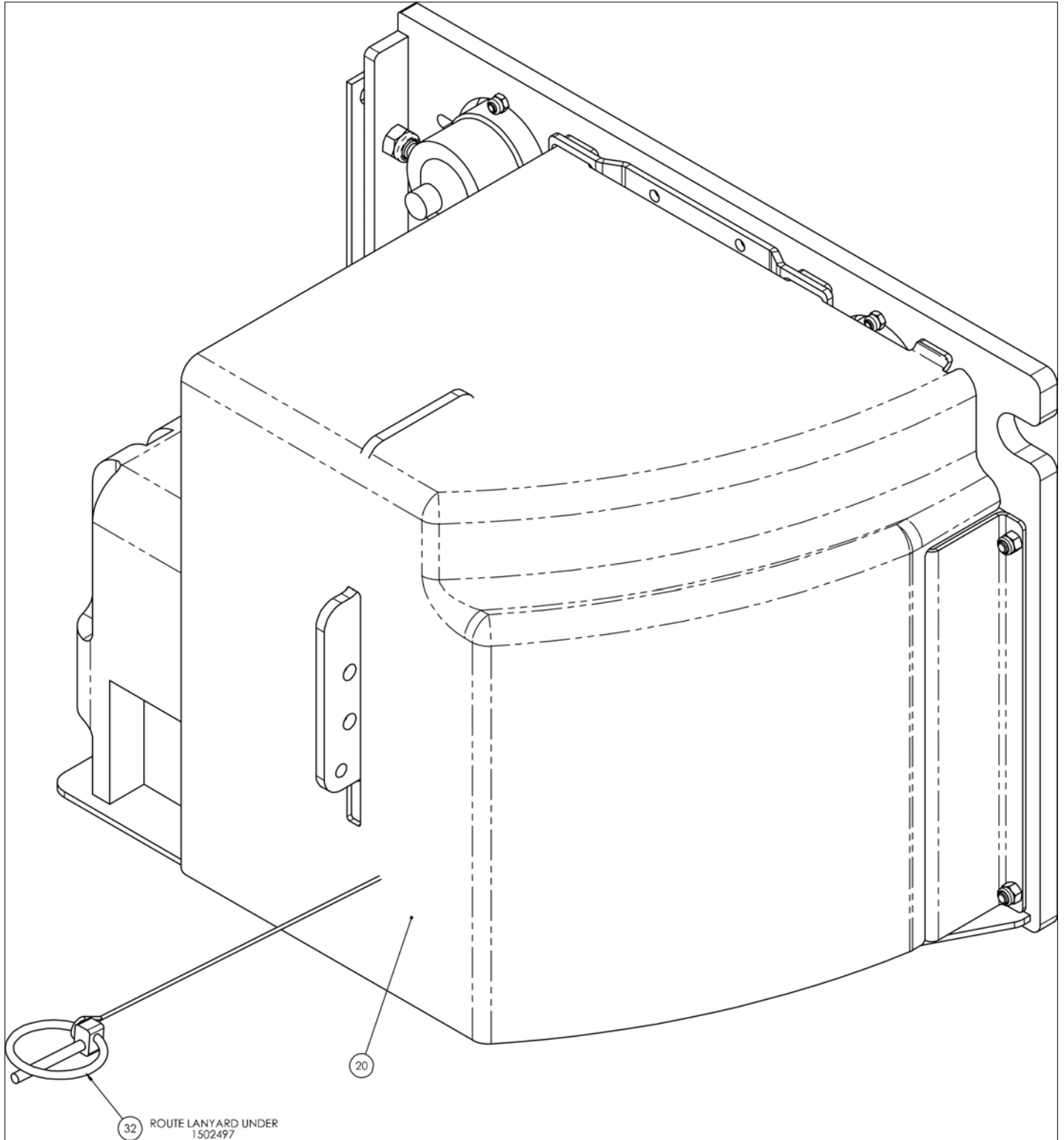
アイテム	部品番号	名前	数量	UOM
	6047137 C	LIFT CYLINDER ASSEMBLY FISHER S3220 04 000024 AND BEFORE		EA
Not Shown	6047137	CYLINDER LIFT 4732 UPPER	1	EA
500	6047148	SEAL KIT	1	EA
2	KIT ITEM	O RING	1	EA
3	KIT ITEM	BACK UP RING	1	EA
4	KIT ITEM	WEAR RING	1	EA
5	KIT ITEM	LOADED U CUP	1	EA
6	KIT ITEM	ROD WIPER	1	EA
Not Shown	6091596	CHECK VALVE POPPET FLOW .052	1	EA
8	6019280	RELIEF VALVE	1	EA



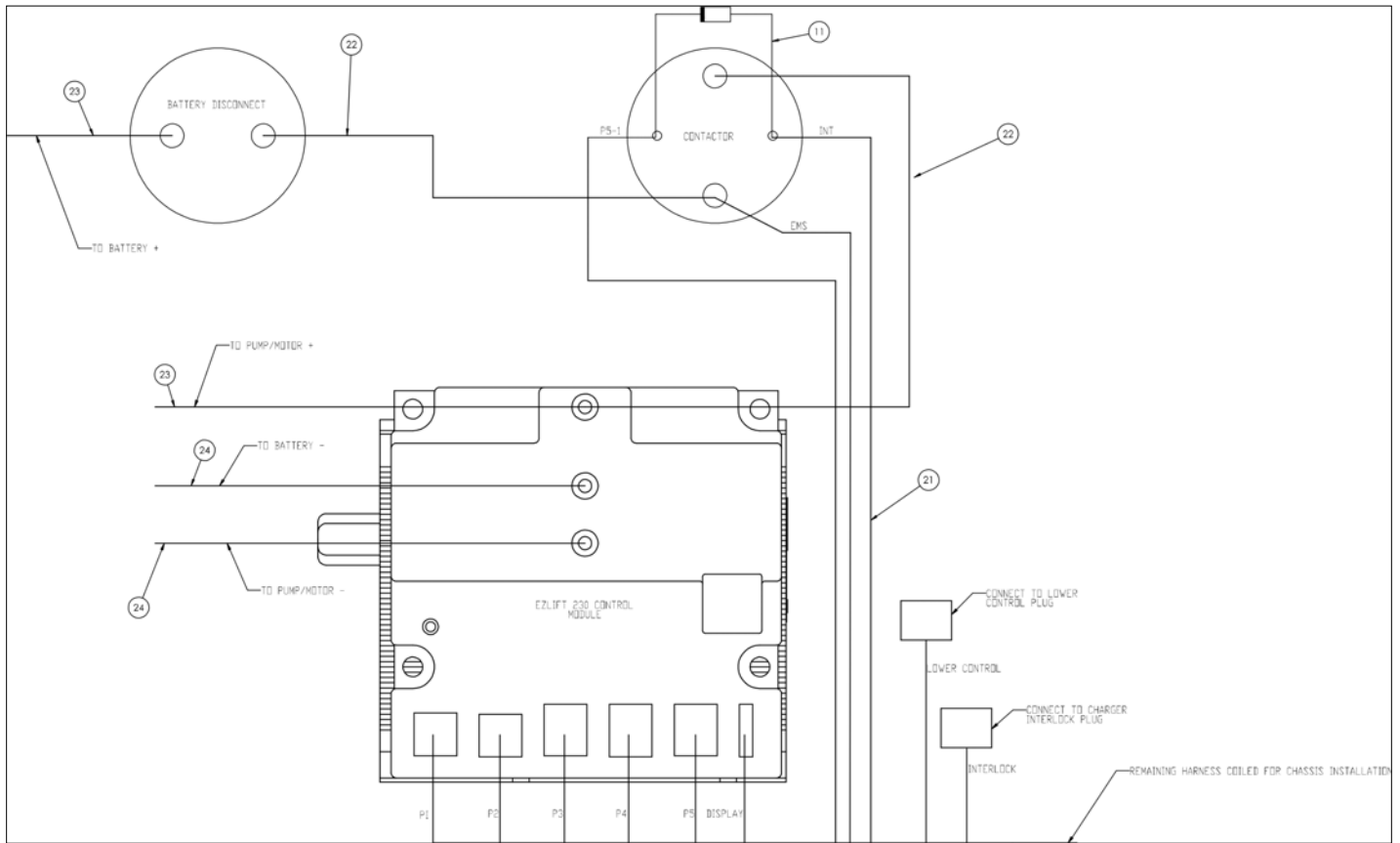
ELECTRICAL



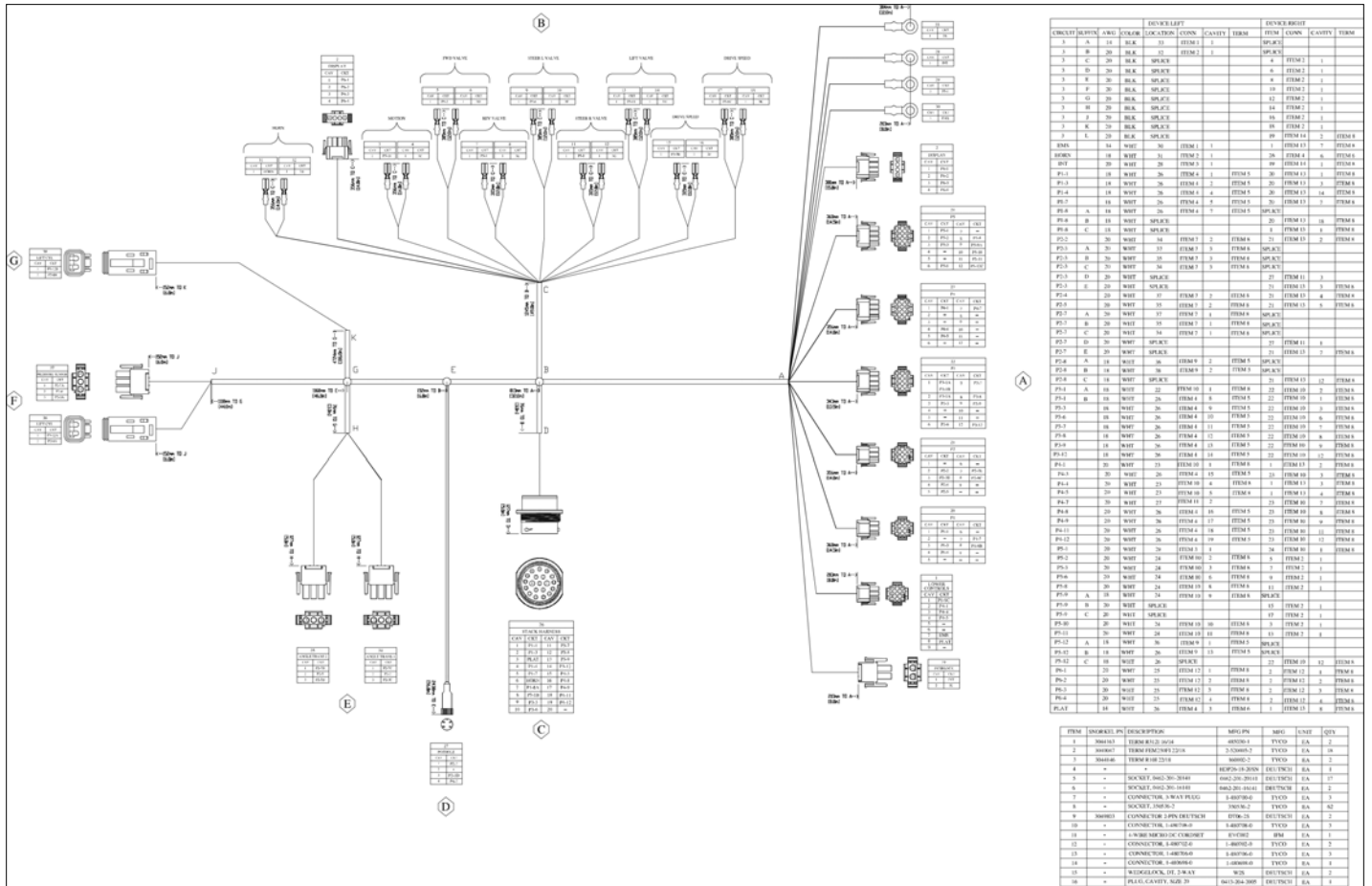
アイテム	部品番号	名前	数量	UOM
*	1503156 A	CONTROL TRAY ANSI CSA ASSEMBLY AUGUST 2019 AND AFTER		EA
1	056058 030	Bolt, HexBolt DIN931 M6 x 30mm	4	EA
2	056066 004	NUT NYLOCK DIN985 M4 8.0 ZP	7	EA
3	056066 005	Nut NylockNut DIN985 M5 8.0 Zi	4	EA
4	056066 006	Nut NylockNut DIN985 M6 8.0 Zi	8	EA
5	056066 008	NUT NYLOCKNUT DIN985 M8 8.0 ZP	3	EA
6	056069 005	Washer SteelFlatWasher DIN125A	3	EA
7	056069 006	WSHR STEELFLATWSHE M6 DIN125A	5	EA
8	058491 016	BOLT HEXSETSCREW DIN933 M6 X 16MM 8.8 ZP	2	EA
9	058492 016	HHCS M8 x 1. 25 X 16GR 8.8 DIN933	3	EA
10	300840	Lock Out Lever Assembly	1	EA
11	0351039	DIODE ASSY R10I R10I SEE DRAWI	1	EA
12	500595 020	Bolt, SktButCapScrew DIN9427 M	3	EA
13	505082 020	Bolt, SktButCapScrew DIN9427 M5 x 20mm 10.9 ZincPlated	4	EA
14	512459 016	BLT HEXHD M4 X 0.7 X 16MM DIN 933 8.8 ZP	1	EA
15	512459 020	BLT HEXHD M4 0.07 X 20MM G8.8	6	EA
16	515367 000	CONTROL MODULE PG	1	EA
17	1450303	AC POWER CORD	1	EA
18	1500662	GROUND CONTROL PANEL ASSEMBLY	1	EA
19	1501010 5	WLDMT REAR TRAY ORN	1	EA
20	1502497	COVER, REAR TRAY	1	EA
21	1503091	HARNESS, CHASSIS S4726/4732	1	EA



アイテム	部品番号	名前	数量	UOM
22	3014743	WIRE 2 R375 R375 13.5 RED	2	EA
23	3014750	WIRE 2 R375 R375 101 RED	2	EA
24	3014751	WIRE 2 R375 R375 122 BLACK	2	EA
25	3020049	Switch, Battery Disconnect	1	EA
26	3040269	Boot Cable Entry Black I/O GA	7	EA
27	3050126	CHARGER, PYLON	1	EA
28	3069521	INLET FLANGE	2	EA
29	3087787	CONTACTOR 24V SEALED	1	EA
30	5516346	HINGE CONTROL TRAY	1	EA
31	501253 020	Bolt, SktButCapScrew DIN9427 M	2	EA
32	5563933	ASSY, LYNCH PIN WITH LANYARD	1	EA

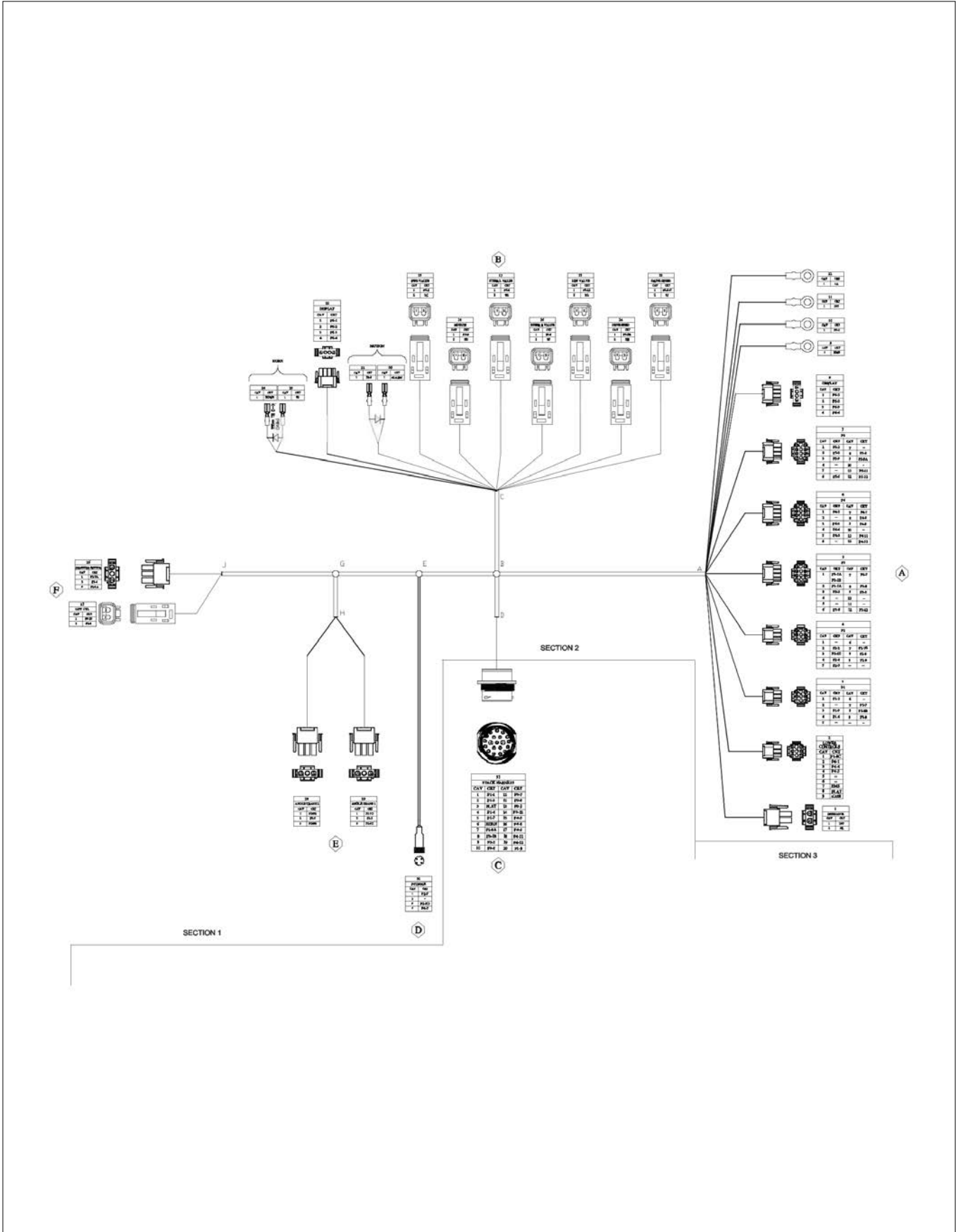


ELECTRICAL



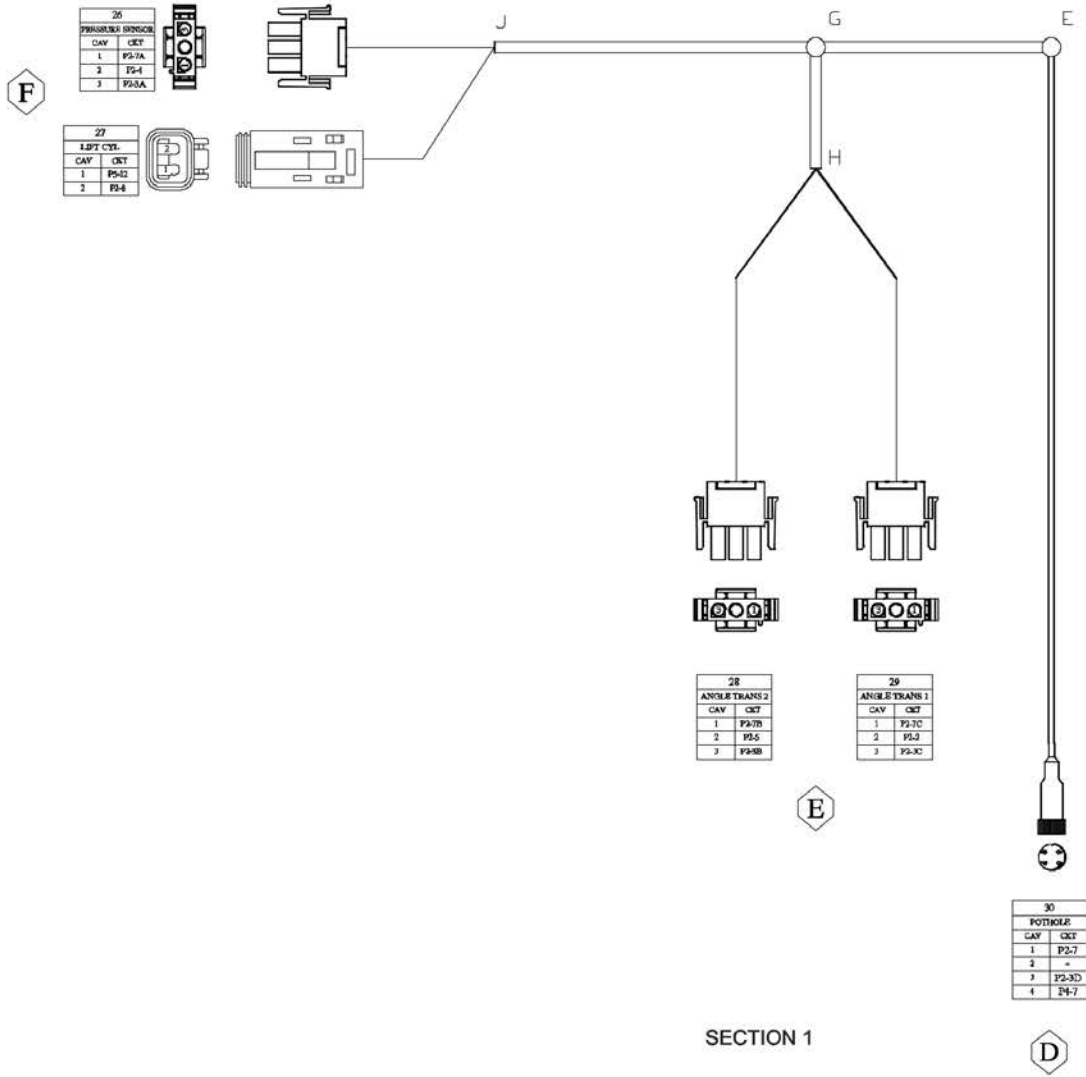
アイテム	部品番号	名前	数量	UOM
*	1501587 B	CHASSIS HARNESS S4732E DECEMBER 2014 AND AFTER		EA

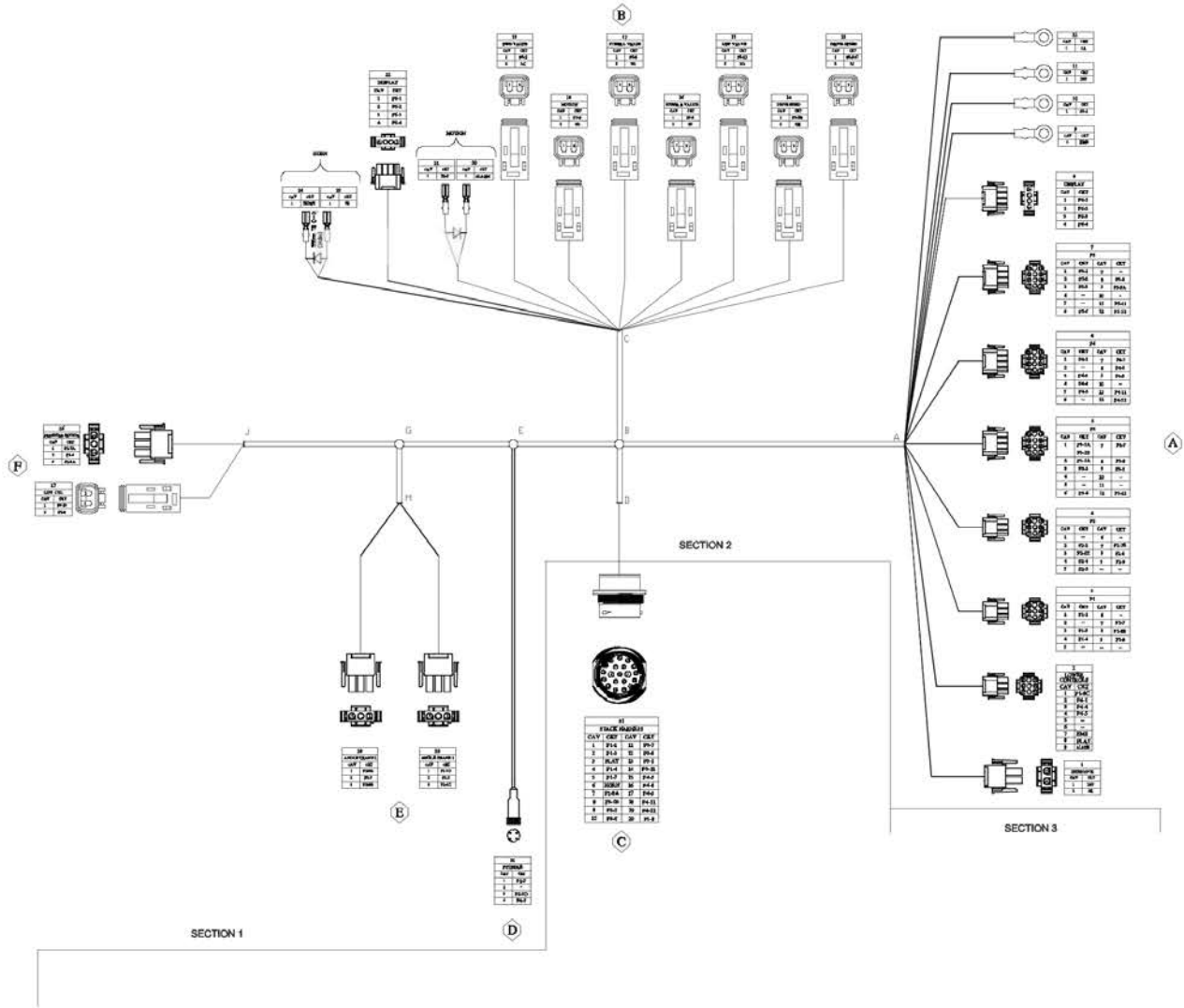
ELECTRICAL

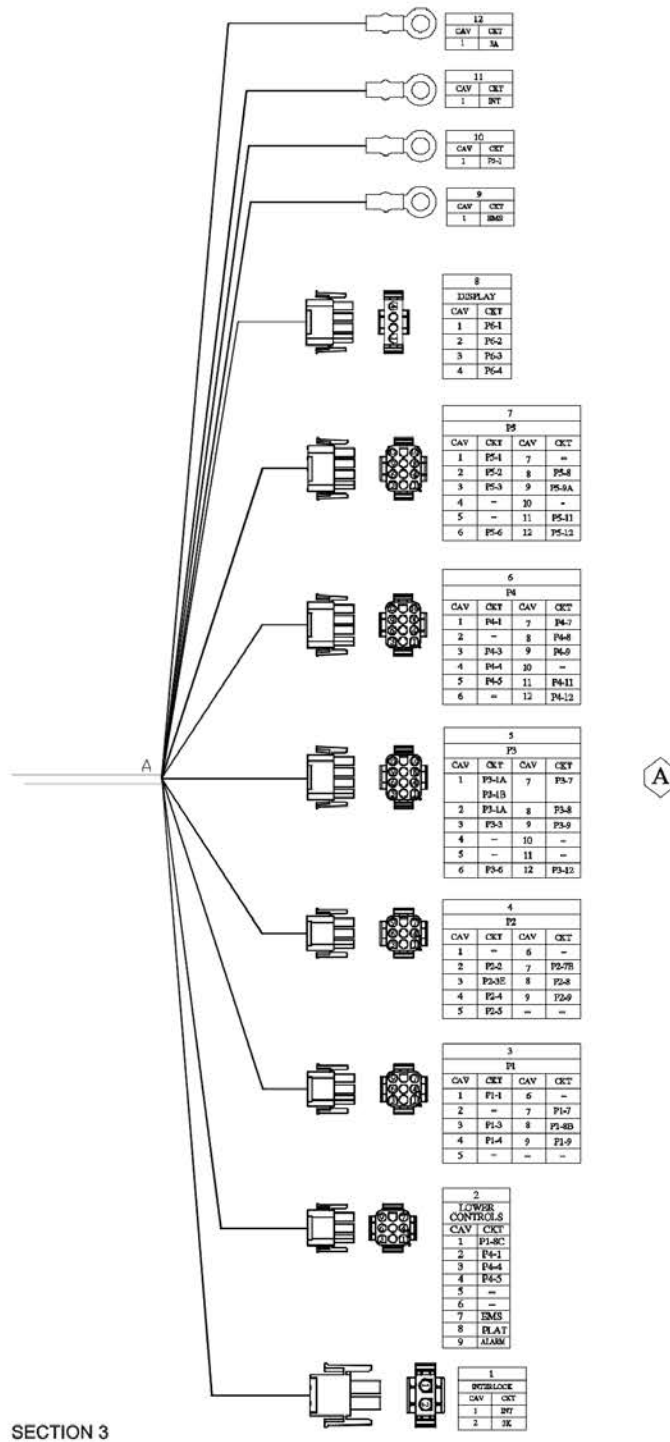




アイテム	部品番号	名前	数量	UOM
*	150198328 A	CHASSIS HARNESS, PHX II		EA
1	3044163	TERM R312I 16/14	2	EA
2	3040047	TERM FEM250FI 22/18	4	EA
3	3044146	TERM R10I 22/18	2	EA
5	3049895	SOCKET CONTACT 20 DEUTSCH P/N	17	EA
9	3049803	CONNECTOR 2 PIN DEUTSCH PLUG	8	EA
16	3220247	WIRE SEAL 2 POS	1	EA
17	3220249	WIRE SEAL, 3 POS	3	EA
18	3220251	WIRE SEAL, 4 POS	2	EA
19	3220253	WIRE SEAL, 9 POS	3	EA
20	3220255	WIRE SEAL, 12 POS	3	EA
21	1502227	DEUTSCH TO FEMALE ADAPTER NOT SHOWN	7	EA



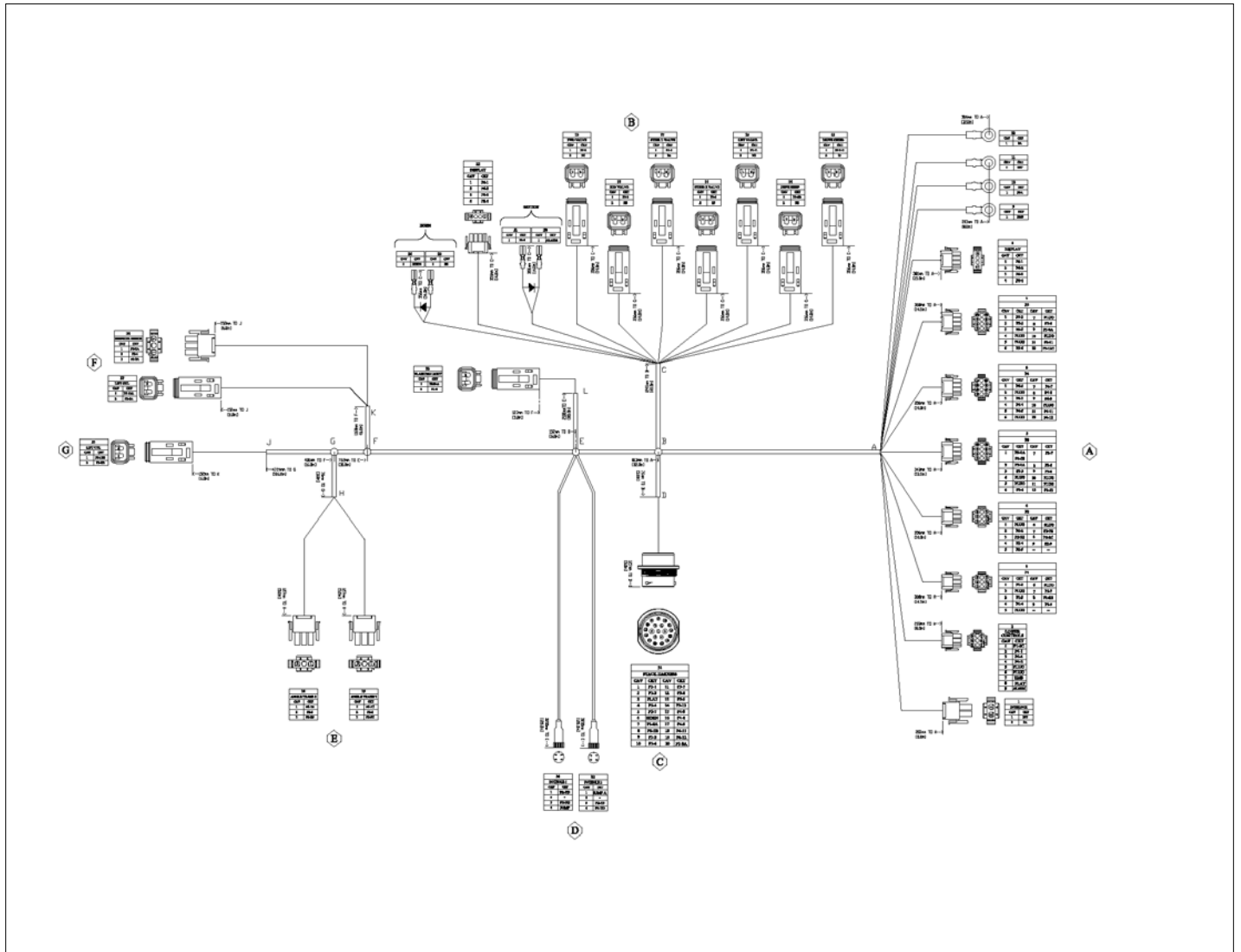




CIRCUIT	SUFFIX	AWG	COLOR	DEVICE LEFT				DEVICE RIGHT			
				LOCATION	CONN	CAVITY	TERM	ITEM	CONN	CAVITY	TERM
3	A	14	BLK	12	ITEM 1	1		SPLICE			
3	B	20	BLK	23	ITEM 2	1		SPLICE			
3	C	20	BLK	SPLICE				19	ITEM 9	2	ITEM 5
3	D	20	BLK	SPLICE				18	ITEM 9	2	ITEM 5
3	E	20	BLK	SPLICE				17	ITEM 9	2	ITEM 5
3	F	20	BLK	SPLICE				16	ITEM 9	2	ITEM 5
3	G	20	BLK	SPLICE				15	ITEM 9	2	ITEM 5
3	H	20	BLK	SPLICE				14	ITEM 9	2	ITEM 5
3	J	20	BLK	SPLICE				13	ITEM 9	2	ITEM 5
3	K	20	BLK	SPLICE				1	ITEM 14	2	ITEM 8
EMS		14	WHT	9	ITEM 1	1		2	ITEM 13	7	ITEM 8
HORN		18	WHT	24	ITEM 2	1		31	ITEM 4	6	ITEM 6
INT		20	WHT	11	ITEM 3	1		1	ITEM 14	1	ITEM 8
ALARM		18	WHT	20	ITEM 2	1		2	ITEM 13	9	ITEM 8
P1-1		18	WHT	31	ITEM 4	1	ITEM 5	3	ITEM 13	1	ITEM 8
P1-3		18	WHT	31	ITEM 4	2	ITEM 5	3	ITEM 13	3	ITEM 8
P1-4		18	WHT	31	ITEM 4	4	ITEM 5	3	ITEM 13	4	ITEM 8
P1-7		18	WHT	31	ITEM 4	5	ITEM 5	3	ITEM 13	7	ITEM 8
P1-8	A	18	WHT	31	ITEM 4	7	ITEM 5	SPLICE			
P1-8	B	18	WHT	SPLICE				3	ITEM 13	18	ITEM 8
P1-8	C	18	WHT	SPLICE				2	ITEM 13	1	ITEM 8
P1-9		18	WHT	31	ITEM 4	20	ITEM 5	3	ITEM 13	9	ITEM 8
P2-2		20	WHT	29	ITEM 7	2	ITEM 8	4	ITEM 13	2	ITEM 8
P2-3	A	20	WHT	26	ITEM 7	3	ITEM 8	SPLICE			
P2-3	B	20	WHT	28	ITEM 7	3	ITEM 8	SPLICE			
P2-3	C	20	WHT	29	ITEM 7	3	ITEM 8	SPLICE			
P2-3	D	20	WHT	SPLICE				30	ITEM 11	3	
P2-3	E	20	WHT	SPLICE				4	ITEM 13	5	ITEM 8
P2-4		20	WHT	26	ITEM 7	2	ITEM 8	4	ITEM 13	4	ITEM 8
P2-5		20	WHT	28	ITEM 7	2	ITEM 8	4	ITEM 13	5	ITEM 8
P2-7	A	20	WHT	26	ITEM 7	1	ITEM 8	SPLICE			
P2-7	B	20	WHT	28	ITEM 7	1	ITEM 8	SPLICE			
P2-7	C	20	WHT	29	ITEM 7	1	ITEM 8	SPLICE			
P2-7	D	20	WHT	SPLICE				30	ITEM 11	1	
P2-7	B	20	WHT	SPLICE				4	ITEM 13	7	ITEM 8
P2-8		18	WHT	27	ITEM 9	2	ITEM 5	4	ITEM 13	8	ITEM 8
P2-9		18	WHT	21	ITEM 2	1		4	ITEM 13	9	ITEM 8
P3-1	A	18	WHT	5	ITEM 10	1	ITEM 8	5	ITEM 10	2	
P3-1	B	18	WHT	31	ITEM 4	8	ITEM 5	5	ITEM 10	1	ITEM 8
P3-3		18	WHT	31	ITEM 4	9	ITEM 5	5	ITEM 10	3	ITEM 8
P3-6		18	WHT	31	ITEM 4	10	ITEM 5	5	ITEM 10	6	ITEM 8
P3-7		18	WHT	31	ITEM 4	11	ITEM 5	5	ITEM 10	7	ITEM 8
P3-8		18	WHT	31	ITEM 4	12	ITEM 5	5	ITEM 10	8	ITEM 8
P3-9		18	WHT	31	ITEM 4	13	ITEM 5	5	ITEM 10	9	ITEM 8
P3-12		18	WHT	31	ITEM 4	14	ITEM 5	5	ITEM 10	12	ITEM 8
P4-1		20	WHT	6	ITEM 10	1	ITEM 8	2	ITEM 13	2	ITEM 8
P4-3		20	WHT	31	ITEM 4	15	ITEM 5	6	ITEM 10	3	ITEM 8
P4-4		20	WHT	6	ITEM 10	4	ITEM 8	2	ITEM 13	3	ITEM 8
P4-5		20	WHT	6	ITEM 10	5	ITEM 8	2	ITEM 13	4	ITEM 8
P4-7		20	WHT	30	ITEM 11	2		6	ITEM 10	7	ITEM 8
P4-8		20	WHT	31	ITEM 4	16	ITEM 5	6	ITEM 10	8	ITEM 8
P4-9		20	WHT	31	ITEM 4	17	ITEM 5	6	ITEM 10	9	ITEM 8
P4-11		20	WHT	31	ITEM 4	18	ITEM 5	6	ITEM 10	11	ITEM 8
P4-12		20	WHT	31	ITEM 4	19	ITEM 5	6	ITEM 10	12	ITEM 8
P5-1		20	WHT	10	ITEM 3	1		7	ITEM 10	1	ITEM 8
P5-2		20	WHT	7	ITEM 10	2	ITEM 8	19	ITEM 9	1	ITEM 5
P5-3		20	WHT	7	ITEM 10	3	ITEM 8	18	ITEM 9	1	ITEM 5
P5-6		20	WHT	7	ITEM 10	6	ITEM 8	17	ITEM 9	1	ITEM 5
P5-8		20	WHT	7	ITEM 10	8	ITEM 8	16	ITEM 9	1	ITEM 5
P5-9	A	18	WHT	7	ITEM 10	9	ITEM 8	SPLICE			
P5-9	B	20	WHT	SPLICE				14	ITEM 9	1	ITEM 5
P5-9	C	20	WHT	SPLICE				13	ITEM 9	1	ITEM 5
P5-11		20	WHT	7	ITEM 10	11	ITEM 8	15	ITEM 9	1	ITEM 5
P5-12		18	WHT	27	ITEM 9	1	ITEM 5	7	ITEM 10	12	ITEM 8
P6-1		20	WHT	8	ITEM 12	1	ITEM 8	22	ITEM 12	1	ITEM 8
P6-2		20	WHT	8	ITEM 12	2	ITEM 8	22	ITEM 12	2	ITEM 8
P6-3		20	WHT	8	ITEM 12	3	ITEM 8	22	ITEM 12	3	ITEM 8
P6-4		20	WHT	8	ITEM 12	4	ITEM 8	22	ITEM 12	4	ITEM 8
PLAT		14	WHT	31	ITEM 4	3	ITEM 6	2	ITEM 13	8	ITEM 8

ITEM	SNORKEL PN	DESCRIPTION	QTY
1	3044163	TERM R3121 16/14	2
2	3040047	TERM PRM25SPL 22/18	4
3	3044146	TERM R101 22/18	2
4	-	-	1
5	-	SOCKET, 0462-201-20141	17
6	-	SOCKET, 0462-201-16141	2
7	-	CONNECTOR, 3-WAY PLUG	3
8	-	SOCKET, 350536-2	64
9	3049803	CONNECTOR 2-PIN DBLT/SCH	8
10	-	CONNECTOR, 1-480708-0	3
11	-	4-WIRE MICRO DC CORDSET	1
12	-	CONNECTOR, 1-480702-0	2
13	-	CONNECTOR, 1-480706-0	3
14	-	CONNECTOR, 1-480698-0	1
15	-	WEDGE LOCK, DT, 2-WAY	8
16	3220247	WIRE SEAL 2 POS	1
17	3220249	WIRE SEAL 3 POS	3
18	3220251	WIRE SEAL 4 POS	2
19	3220253	WIRE SEAL 9 POS	3
20	3220255	WIRE SEAL 12 POS	3

ELECTRICAL



アイテム	部品番号	名前	数量	UOM
	1502309 F	CHASSIS HARNESS S4726E S4732E		EA

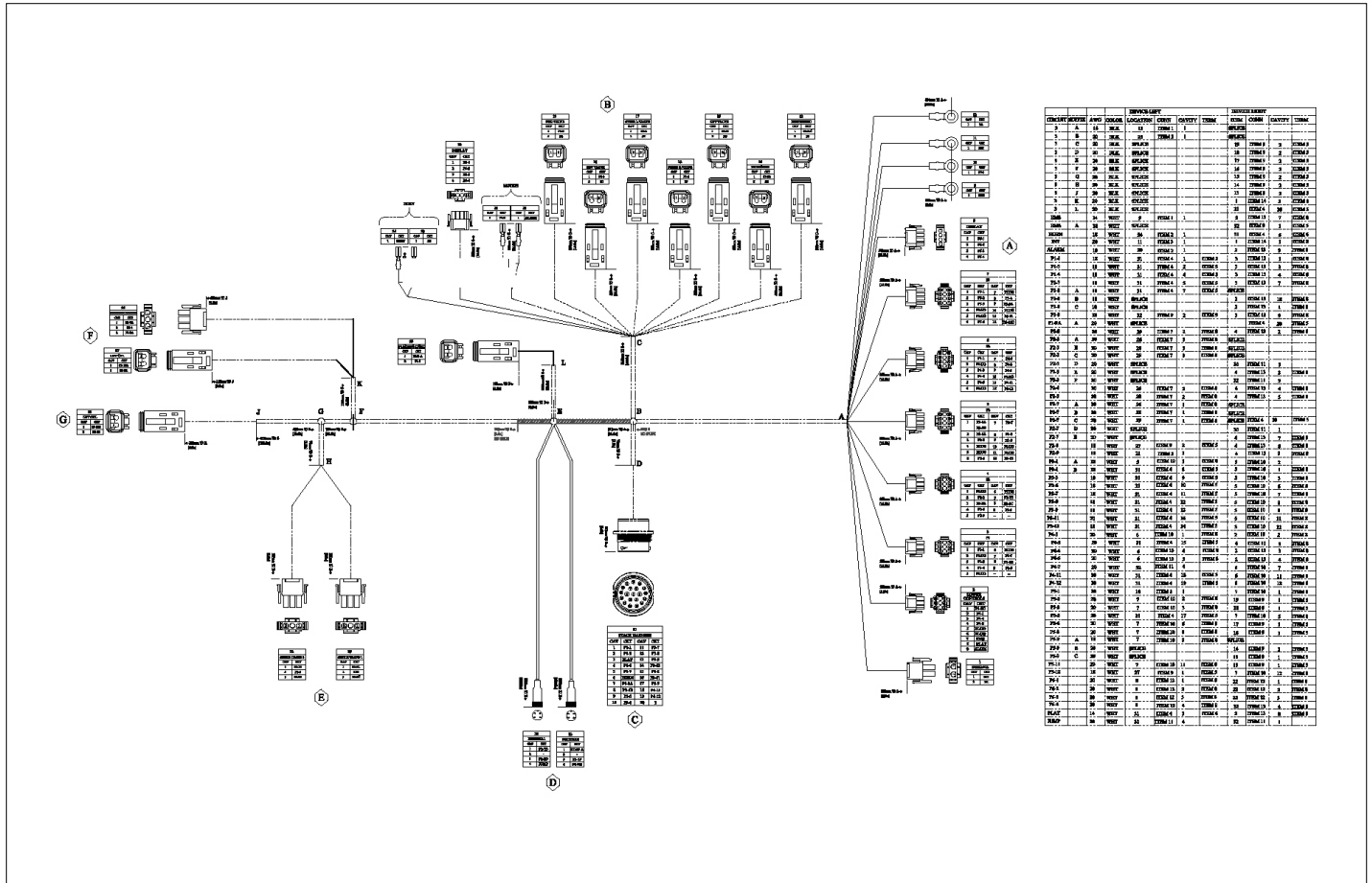
CIRCUIT SUFFIX		AWG		DEVICE LEFT			DEVICE RIGHT		
COLOUR	LOCATION	CONN	CAVITY	ITEM	ITEM	CONN	CAVITY	ITEM	
A	14	BLK	12	ITEM 1	1				
B	20	BLK	18	ITEM 2	1				
C	20	BLK	SPLICE						
D	20	BLK	SPLICE			18	ITEM 9	2	
E	20	BLK	SPLICE			18	ITEM 9	2	
F	20	BLK	SPLICE			17	ITEM 9	2	
G	20	BLK	SPLICE			16	ITEM 9	2	
H	20	BLK	SPLICE			15	ITEM 9	2	
I	20	BLK	SPLICE			14	ITEM 9	2	
J	20	BLK	SPLICE			13	ITEM 9	2	
K	20	BLK	SPLICE			1	ITEM 14	2	
L	20	BLK	SPLICE			2	ITEM 13	2	
M	14	WHY	9	ITEM 1	1	3	ITEM 18	7	
N	14	WHY	SPLICE			33	ITEM 9	1	
O	14	WHY	34	ITEM 2	1	11	ITEM 4	6	
P	20	WHY	11	ITEM 3	1	1	ITEM 14	1	
Q	20	WHY	11	ITEM 3	1	1	ITEM 14	1	
R	20	WHY	11	ITEM 3	1	1	ITEM 14	1	
S	20	WHY	30	ITEM 4	1	2	ITEM 13	8	
T	18	WHY	31	ITEM 4	1	3	ITEM 13	8	
U	18	WHY	31	ITEM 4	2	3	ITEM 13	8	
V	18	WHY	31	ITEM 4	3	3	ITEM 13	8	
W	18	WHY	31	ITEM 4	4	3	ITEM 13	8	
X	18	WHY	31	ITEM 4	5	3	ITEM 13	8	
Y	18	WHY	31	ITEM 4	6	3	ITEM 13	8	
Z	18	WHY	31	ITEM 4	7	3	ITEM 13	8	
AA	18	WHY	31	ITEM 4	8	3	ITEM 13	8	
AB	18	WHY	31	ITEM 4	9	3	ITEM 13	8	
AC	18	WHY	31	ITEM 4	10	3	ITEM 13	8	
AD	18	WHY	31	ITEM 4	11	3	ITEM 13	8	
AE	18	WHY	31	ITEM 4	12	3	ITEM 13	8	
AF	18	WHY	31	ITEM 4	13	3	ITEM 13	8	
AG	18	WHY	31	ITEM 4	14	3	ITEM 13	8	
AH	18	WHY	31	ITEM 4	15	3	ITEM 13	8	
AI	18	WHY	31	ITEM 4	16	3	ITEM 13	8	
AJ	18	WHY	31	ITEM 4	17	3	ITEM 13	8	
AK	18	WHY	31	ITEM 4	18	3	ITEM 13	8	
AL	18	WHY	31	ITEM 4	19	3	ITEM 13	8	
AM	18	WHY	31	ITEM 4	20	3	ITEM 13	8	
AN	18	WHY	31	ITEM 4	21	3	ITEM 13	8	
AO	18	WHY	31	ITEM 4	22	3	ITEM 13	8	
AP	18	WHY	31	ITEM 4	23	3	ITEM 13	8	
AQ	18	WHY	31	ITEM 4	24	3	ITEM 13	8	
AR	18	WHY	31	ITEM 4	25	3	ITEM 13	8	
AS	18	WHY	31	ITEM 4	26	3	ITEM 13	8	
AT	18	WHY	31	ITEM 4	27	3	ITEM 13	8	
AU	18	WHY	31	ITEM 4	28	3	ITEM 13	8	
AV	18	WHY	31	ITEM 4	29	3	ITEM 13	8	
AW	18	WHY	31	ITEM 4	30	3	ITEM 13	8	
AX	18	WHY	31	ITEM 4	31	3	ITEM 13	8	
AY	18	WHY	31	ITEM 4	32	3	ITEM 13	8	
AZ	18	WHY	31	ITEM 4	33	3	ITEM 13	8	
BA	18	WHY	31	ITEM 4	34	3	ITEM 13	8	
BB	18	WHY	31	ITEM 4	35	3	ITEM 13	8	
BC	18	WHY	31	ITEM 4	36	3	ITEM 13	8	
BD	18	WHY	31	ITEM 4	37	3	ITEM 13	8	
BE	18	WHY	31	ITEM 4	38	3	ITEM 13	8	
BF	18	WHY	31	ITEM 4	39	3	ITEM 13	8	
BG	18	WHY	31	ITEM 4	40	3	ITEM 13	8	
BH	18	WHY	31	ITEM 4	41	3	ITEM 13	8	
BI	18	WHY	31	ITEM 4	42	3	ITEM 13	8	
BJ	18	WHY	31	ITEM 4	43	3	ITEM 13	8	
BK	18	WHY	31	ITEM 4	44	3	ITEM 13	8	
BL	18	WHY	31	ITEM 4	45	3	ITEM 13	8	
BM	18	WHY	31	ITEM 4	46	3	ITEM 13	8	
BN	18	WHY	31	ITEM 4	47	3	ITEM 13	8	
BO	18	WHY	31	ITEM 4	48	3	ITEM 13	8	
BP	18	WHY	31	ITEM 4	49	3	ITEM 13	8	
BQ	18	WHY	31	ITEM 4	50	3	ITEM 13	8	
BR	18	WHY	31	ITEM 4	51	3	ITEM 13	8	
BS	18	WHY	31	ITEM 4	52	3	ITEM 13	8	
BT	18	WHY	31	ITEM 4	53	3	ITEM 13	8	
BU	18	WHY	31	ITEM 4	54	3	ITEM 13	8	
BV	18	WHY	31	ITEM 4	55	3	ITEM 13	8	
BW	18	WHY	31	ITEM 4	56	3	ITEM 13	8	
BX	18	WHY	31	ITEM 4	57	3	ITEM 13	8	
BY	18	WHY	31	ITEM 4	58	3	ITEM 13	8	
BZ	18	WHY	31	ITEM 4	59	3	ITEM 13	8	
CA	18	WHY	31	ITEM 4	60	3	ITEM 13	8	
CB	18	WHY	31	ITEM 4	61	3	ITEM 13	8	
CC	18	WHY	31	ITEM 4	62	3	ITEM 13	8	
CD	18	WHY	31	ITEM 4	63	3	ITEM 13	8	
CE	18	WHY	31	ITEM 4	64	3	ITEM 13	8	
CF	18	WHY	31	ITEM 4	65	3	ITEM 13	8	
CG	18	WHY	31	ITEM 4	66	3	ITEM 13	8	
CH	18	WHY	31	ITEM 4	67	3	ITEM 13	8	
CI	18	WHY	31	ITEM 4	68	3	ITEM 13	8	
CJ	18	WHY	31	ITEM 4	69	3	ITEM 13	8	
CK	18	WHY	31	ITEM 4	70	3	ITEM 13	8	
CL	18	WHY	31	ITEM 4	71	3	ITEM 13	8	
CM	18	WHY	31	ITEM 4	72	3	ITEM 13	8	
CN	18	WHY	31	ITEM 4	73	3	ITEM 13	8	
CO	18	WHY	31	ITEM 4	74	3	ITEM 13	8	
CP	18	WHY	31	ITEM 4	75	3	ITEM 13	8	
CQ	18	WHY	31	ITEM 4	76	3	ITEM 13	8	
CR	18	WHY	31	ITEM 4	77	3	ITEM 13	8	
CS	18	WHY	31	ITEM 4	78	3	ITEM 13	8	
CT	18	WHY	31	ITEM 4	79	3	ITEM 13	8	
CU	18	WHY	31	ITEM 4	80	3	ITEM 13	8	
CV	18	WHY	31	ITEM 4	81	3	ITEM 13	8	
CW	18	WHY	31	ITEM 4	82	3	ITEM 13	8	
CX	18	WHY	31	ITEM 4	83	3	ITEM 13	8	
CY	18	WHY	31	ITEM 4	84	3	ITEM 13	8	
CZ	18	WHY	31	ITEM 4	85	3	ITEM 13	8	
DA	18	WHY	31	ITEM 4	86	3	ITEM 13	8	
DB	18	WHY	31	ITEM 4	87	3	ITEM 13	8	
DC	18	WHY	31	ITEM 4	88	3	ITEM 13	8	
DD	18	WHY	31	ITEM 4	89	3	ITEM 13	8	
DE	18	WHY	31	ITEM 4	90	3	ITEM 13	8	
DF	18	WHY	31	ITEM 4	91	3	ITEM 13	8	
DF	18	WHY	31	ITEM 4	92	3	ITEM 13	8	
DF	18	WHY	31	ITEM 4	93	3	ITEM 13	8	
DF	18	WHY	31	ITEM 4	94	3	ITEM 13	8	
DF	18	WHY	31	ITEM 4	95	3	ITEM 13	8	
DF	18	WHY	31	ITEM 4	96	3	ITEM 13	8	
DF	18	WHY	31	ITEM 4	97	3	ITEM 13	8	
DF	18	WHY	31	ITEM 4	98	3	ITEM 13	8	
DF	18	WHY	31	ITEM 4	99	3	ITEM 13	8	
DF	18	WHY	31	ITEM 4	100	3	ITEM 13	8	

ITEM	SNCRKER PN	DESCRIPTION	MFG PN	MFG	UNIT	QTY
1	3044143	TRHM R312116/14	48200-1	TYCO	EA	2
2	3040047	TRHM FEM250PT12/18	5-23040-2	TYCO	EA	4
3	3044146	TRHM R10122/18	14010-3	TYCO	EA	2
4	3220208	CONNECTOR, DEUTSCH	10D26-18-205N	DEUTSCH	EA	1
5	3048965	SOCKET, 0462-201-20141	0463-201-20141	DEUTSCH	EA	20
6	3040342	SOCKET, 0462-201-16141	0463-201-16141	DEUTSCH	EA	2
7	3220199	CONNECTOR, 3-WAY PLUG	1-480706-0	TYCO	EA	3
8	3049986	SOCKET, 502536-2	33636-2	TYCO	EA	59
9	3048905	CONNECTOR 2-PIN DEUTSCH	D706-28	DEUTSCH	EA	10
10	3049995	CONNECTOR, 1-480706-0	1-480706-0	TYCO	EA	3
11	3054760	4-WIRE MICRO DC CONDSRET	EYCO2	TKM	EA	1
12	3220143	CONNECTOR, 1-480706-0	1-480706-0	TYCO	EA	2
13	3220132	CONNECTOR, 1-480706-0	1-480706-0	TYCO	EA	3
14	3220181	CONNECTOR, 1-480696-0	1-480696-0	TYCO	EA	1
15	3049807	WEDGELOCK, DT, 2-WAY	W23	DEUTSCH	EA	9
16	3220247	WIRE SEAL, 2 POS	794270-1	TYCO	EA	1
17	3220249	WIRE SEAL, 3 POS	794270-1	TYCO	EA	3
18	3220251	WIRE SEAL, 4 POS	794270-1	TYCO	EA	2
19	3220253	WIRE SEAL, 9 POS	794270-1	TYCO	EA	3
20	3220255	WIRE SEAL, 12 POS	794280-1	TYCO	EA	3
21	3220293	KEYING PLUG	1-60415-0	TYCO	EA	16

- NOTES
- ALL WIRES SHALL BE MARKED WITH THE CIRCUIT NUMBER, WITHOUT ANY SUFFIX AS DEFINED IN THE WIRES CHART, USING PERMANENT INK. MARKINGS SHALL BE MADE WITHING 50mm(2.0in) FROM THE END OF THE CUT LEAD. NOTE THAT THIS REQUIREMENT DOES NOT APPLY TO WIRE ENDS AT SPLICES.
  - ENV, GPT, OR TXL WIRE MAY BE SUBSTITUTED PROVIDED THE SAME CODE SIZE AND INSULATION COLOR ARE USED. THIS SUBSTITUTION DOES NOT REQUIRE PRIOR AUTHORIZATION.
  - AT A MINIMUM THE HARNESS ID LABEL SHALL CLEARLY SHOW HARNESS PART NUMBER, REVISION LEVEL, MANUFACTURE DATE. THE LABEL MAY BE FLAGGED OR ROLLED.
  - ITEMS 16, 17, 18, 19, 20 NEED TO BE INSTALLED IN ITEMS 14, 7, 12, 13, 10 RESPECTIVELY

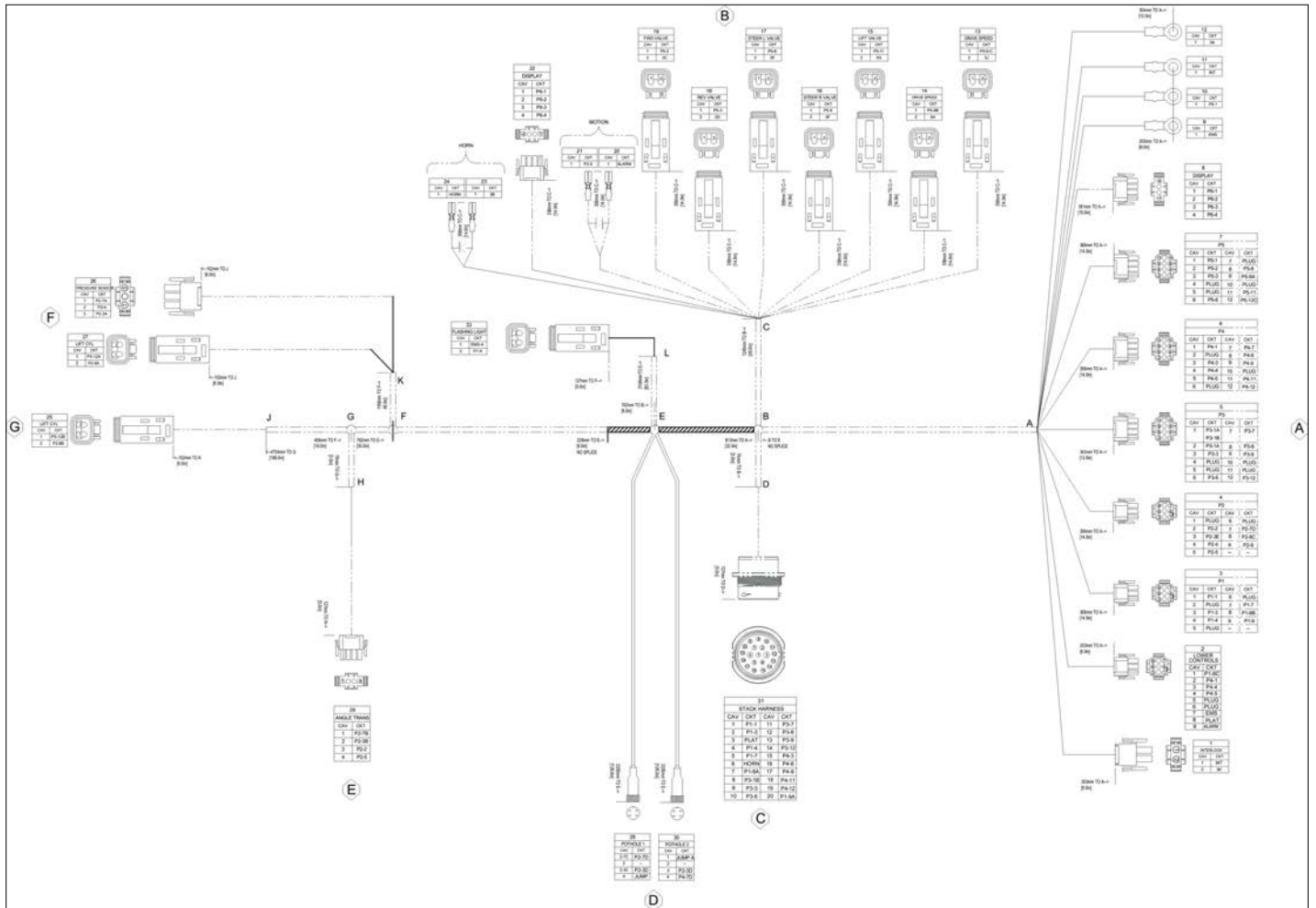


ELECTRICAL



アイテム	部品番号	名前	数量	UOM
	1502974A	CHASSIS HARNESS OCTOBER 2018 and AFTER		EA
1	3044163	TERM R312I 16/14	2	EA
2	3040047	TERM FEM250FI 22/18	4	EA
3	3044146	TERM R10I 22/18	2	EA
4	3220208	CONNECTOR DEUTSCH	1	EA
5	3049893	SOCKET, DEUTSCH	38	EA
6	3040342	SOCKET CONTACT SIZE 16 16/18GA	2	EA
7	3220199	CONNECTOR AMP 3 PIN	2	EA
8	3049986	AMP SOCKET CONTACT	65	EA
9	3049803	CONNECTOR 2 PIN DEUTSCH PLUG	10	EA
10	3049993	CONNECTOR	3	EA
11	3014760	4 WIRE MICRO DC CORDSET	2	EA
12	3220163	CONNECTOR AMP 4 PIN 1 480702 0	2	EA
13	3220132	CONN AMP 9 PIN PLUG	3	EA
14	3220181	CONN AMP 2PIN P/N:1 480698 0	1	EA
15	3049807	LOCK WEDGE 2 PIN DEUTSCH PLUG	9	EA
16	3220247	WIRE SEAL 2 POS	1	EA
17	3220249	WIRE SEAL, 3 POS	3	EA
18	3220251	WIRE SEAL, 4 POS	2	EA
19	3220253	WIRE SEAL, 9 POS	3	EA
20	3220255	WIRE SEAL, 12 POS	3	EA
21	3220293	KEYING PLUG	18	EA

ELECTRICAL



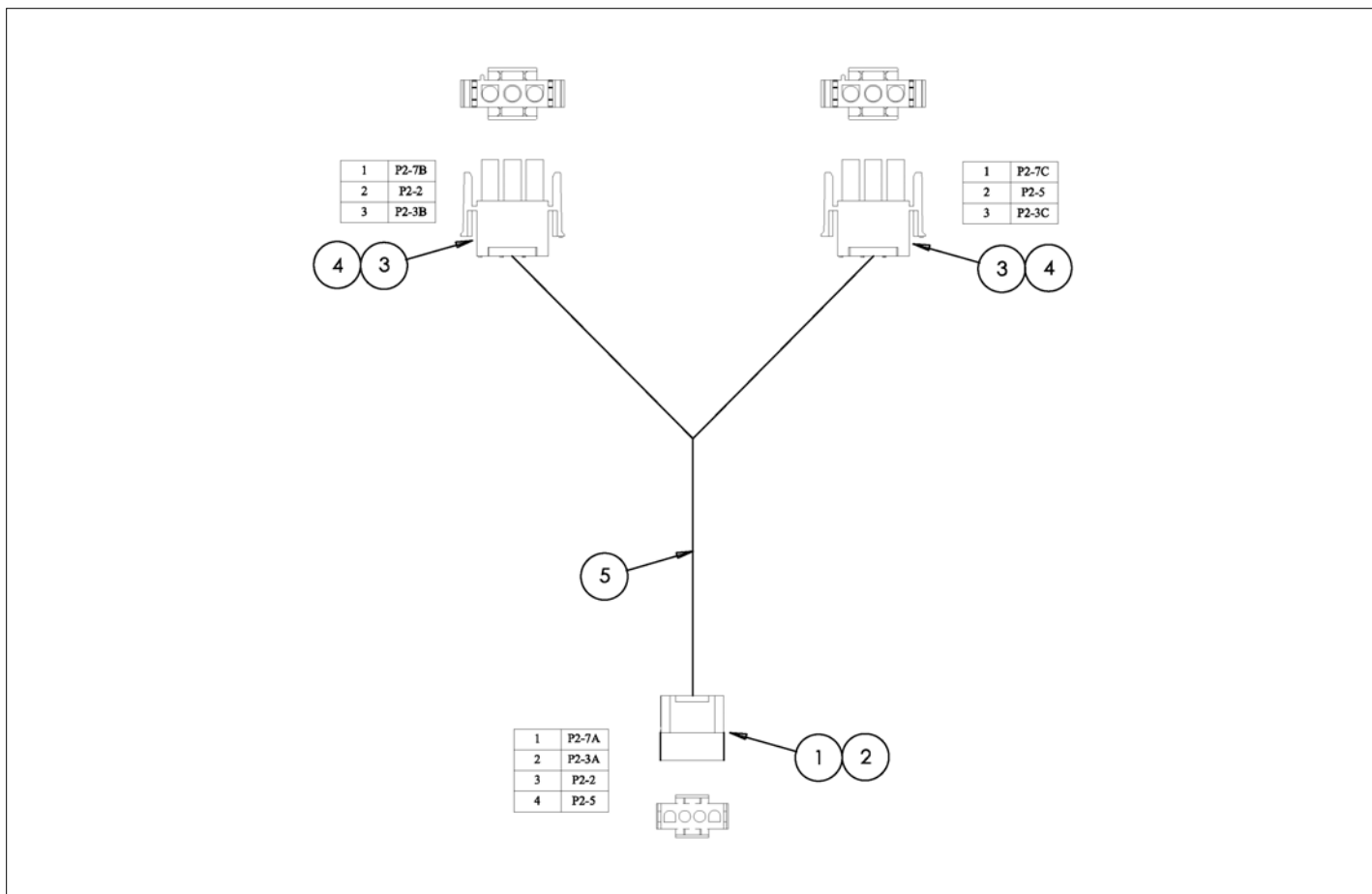
アイテム	部品番号	名前	数量	UOM
	1503091 A	CHASSIS HARNESS S3220E S3226E S4726E JANUARY 2019 AND AFTER S4732E S4740E FEBURARY 2020 AND AFTER		EA

CIRCUIT	SUFFIX	AWG	COLOR	DEVICE LEFT				DEVICE RIGHT					
				LOCATION	CONN	CAVITY	TERM	LOCATION	CONN	CAVITY	TERM		
3	A	14	BLK	12	ITEM 1	1							
3	B	20	BLK	23	ITEM 2	1							
3	C	20	BLK		SPLICE								
3	D	20	BLK		SPLICE								
3	E	20	BLK		SPLICE								
3	F	20	BLK		SPLICE								
3	G	20	BLK		SPLICE								
3	H	20	BLK		SPLICE								
3	J	20	BLK		SPLICE								
3	K	20	BLK		SPLICE								
EMS		14	WHT	9	ITEM 1	1							
EMS	A	18	WHT		SPLICE								
HORN		18	WHT	24	ITEM 2	1							
INT		20	WHT	11	ITEM 3	1							
ALARM		18	WHT	20	ITEM 2	1							
P1-1		18	WHT	31	ITEM 4	1	ITEM 5	3	ITEM 13	1	ITEM 8		
P1-3		18	WHT	31	ITEM 4	2	ITEM 5	3	ITEM 13	3	ITEM 8		
P1-4		18	WHT	31	ITEM 4	4	ITEM 5	3	ITEM 13	4	ITEM 8		
P1-7		18	WHT	31	ITEM 4	5	ITEM 5	3	ITEM 13	7	ITEM 8		
P1-8	A	18	WHT	31	ITEM 4	7	ITEM 5		SPLICE				
P1-8	B	18	WHT		SPLICE								
P1-8	C	18	WHT		SPLICE								
P1-9		18	WHT	32	ITEM 9	2	ITEM 3	3	ITEM 13	9	ITEM 8		
P1-9A	A	20	WHT		SPLICE								
P2-2		20	WHT	29	ITEM 12	2	ITEM 8	4	ITEM 13	2	ITEM 8		
P2-3	A	20	WHT	26	ITEM 7	3	ITEM 8		SPLICE				
P2-3	B	20	WHT	28	ITEM 12	3	ITEM 8		SPLICE				
P2-3	C	20	WHT		SPLICE								
P2-3	D	20	WHT		SPLICE								
P2-3	E	20	WHT		SPLICE								
P2-4		20	WHT	26	ITEM 7	2	ITEM 8	4	ITEM 13	4	ITEM 8		
P2-5		20	WHT	28	ITEM 12	2	ITEM 8	4	ITEM 13	5	ITEM 8		
P2-7	A	20	WHT	26	ITEM 7	1	ITEM 8		SPLICE				
P2-7	B	20	WHT	28	ITEM 12	1	ITEM 8		SPLICE				
P2-7	C	20	WHT	29	ITEM 7	1	ITEM 8		SPLICE				
P2-7	D	20	WHT		SPLICE								
P2-8	A	18	WHT	27	ITEM 9	2	ITEM 5		SPLICE				
P2-8	B	18	WHT	25	ITEM 9	2	ITEM 5		SPLICE				
P2-8	C	18	WHT		SPLICE								
P2-9		18	WHT	21	ITEM 2	1							
P3-1	A	18	WHT	5	ITEM 10	1	ITEM 8	5	ITEM 10	2	ITEM 8		
P3-1	B	18	WHT	31	ITEM 4	8	ITEM 5	5	ITEM 10	1	ITEM 8		
P3-3		18	WHT	31	ITEM 4	9	ITEM 5	5	ITEM 10	3	ITEM 8		
P3-6		18	WHT	31	ITEM 4	10	ITEM 5	5	ITEM 10	6	ITEM 8		
P3-7		18	WHT	31	ITEM 4	11	ITEM 5	5	ITEM 10	7	ITEM 8		
P3-8		18	WHT	31	ITEM 4	12	ITEM 5	5	ITEM 10	8	ITEM 8		
P3-9		18	WHT	31	ITEM 4	13	ITEM 5	5	ITEM 10	9	ITEM 8		
P3-12		18	WHT	31	ITEM 4	14	ITEM 5	5	ITEM 10	12	ITEM 8		
P4-1		20	WHT	6	ITEM 10	1	ITEM 8	2	ITEM 13	2	ITEM 8		
P4-3		20	WHT	31	ITEM 4	15	ITEM 5	6	ITEM 10	3	ITEM 8		
P4-4		20	WHT	6	ITEM 10	4	ITEM 8	2	ITEM 13	3	ITEM 8		
P4-5		20	WHT	6	ITEM 10	5	ITEM 8	2	ITEM 13	4	ITEM 8		
P4-7		20	WHT	32	ITEM 11	4							
P4-8		20	WHT	31	ITEM 4	16	ITEM 5	6	ITEM 10	8	ITEM 8		
P4-9		20	WHT	31	ITEM 4	17	ITEM 5	6	ITEM 10	9	ITEM 8		
P4-11		20	WHT	31	ITEM 4	18	ITEM 5	6	ITEM 10	11	ITEM 8		
P4-12		20	WHT	31	ITEM 4	19	ITEM 5	6	ITEM 10	12	ITEM 8		
P5-1		20	WHT	10	ITEM 3	1							
P5-2		20	WHT	7	ITEM 10	2	ITEM 8	19	ITEM 9	1	ITEM 5		
P5-3		20	WHT	7	ITEM 10	3	ITEM 8	18	ITEM 9	1	ITEM 5		
P5-6		20	WHT	7	ITEM 10	6	ITEM 8	17	ITEM 9	1	ITEM 5		
P5-8		20	WHT	7	ITEM 10	8	ITEM 8	16	ITEM 9	1	ITEM 5		
P5-9	A	18	WHT	7	ITEM 10	9	ITEM 8		SPLICE				
P5-9	B	20	WHT		SPLICE								
P5-9	C	20	WHT		SPLICE								
P5-11		20	WHT	7	ITEM 10	11	ITEM 8	15	ITEM 9	1	ITEM 5		
P5-12	A	18	WHT	27	ITEM 9	1	ITEM 5		SPLICE				
P5-12	B	18	WHT	25	ITEM 9	1	ITEM 5		SPLICE				
P5-12	C	18	WHT		SPLICE								
P6-1		20	WHT	8	ITEM 12	1	ITEM 8	22	ITEM 12	1	ITEM 8		
P6-2		20	WHT	8	ITEM 12	2	ITEM 8	22	ITEM 12	2	ITEM 8		
P6-3		20	WHT	8	ITEM 12	3	ITEM 8	22	ITEM 12	3	ITEM 8		
P6-4		20	WHT	8	ITEM 12	4	ITEM 8	22	ITEM 12	4	ITEM 8		
PLAT		14	WHT	31	ITEM 4	3	ITEM 6	2	ITEM 13	8	ITEM 8		
JUMP		20	WHT	30	ITEM 11	4							

ITEM	SNORKEL PN	DESCRIPTION	MFG PN	MFG	UNIT	QTY
1	3044163	TERM R312I 15/14	455030-1	TYCO	EA	2
2	3040047	TERM FEM25FI 22/18	2-520405-2	TYCO	EA	4
3	3044146	TERM R10I 22/18	160102-2	TYCO	EA	2
4	3220208	CONNECTOR, DEUTSCH	HDP26-18-20SN	DEUTSCH	EA	1
5	3049895	SOCKET, 0462-201-20141	0462-201-20141	DEUTSCH	EA	20
6	3040342	SOCKET, 0462-201-16141	0462-201-16141	DEUTSCH	EA	2
7	3220199	CONNECTOR, 3-WAY PLUG	1-480700-0	TYCO	EA	1
8	3049986	SOCKET, 350536-2	350536-2	TYCO	EA	57
9	3049803	CONNECTOR 2-PIN DEUTSCH	DT06-25	DEUTSCH	EA	10
10	3049993	CONNECTOR, 1-480708-0	1-480708-0	TYCO	EA	3
11	3014760	4-WIRE MICRO DC CORDSET	EVC002	IFM	EA	1
12	3220163	CONNECTOR, 1-480702-0	1-480702-0	TYCO	EA	3
13	3220132	CONNECTOR, 1-480706-0	1-480706-0	TYCO	EA	3
14	3220181	CONNECTOR, 1-480698-0	1-480698-0	TYCO	EA	1
15	3049807	WEDGELOCK, DT, 2-WAY	W2S	DEUTSCH	EA	9
16	3220247	WIRE SEAL 2 POS	794270-1	TYCO	EA	1
17	3220249	WIRE SEAL 3 POS	794272-1	TYCO	EA	3
18	3220251	WIRE SEAL 4 POS	794274-1	TYCO	EA	2
19	3220253	WIRE SEAL 9 POS	794278-1	TYCO	EA	3
20	3220255	WIRE SEAL 12 POS	794280-1	TYCO	EA	3
21	3220293	KEYING PLUG	1-640415-0	TYCO	EA	16

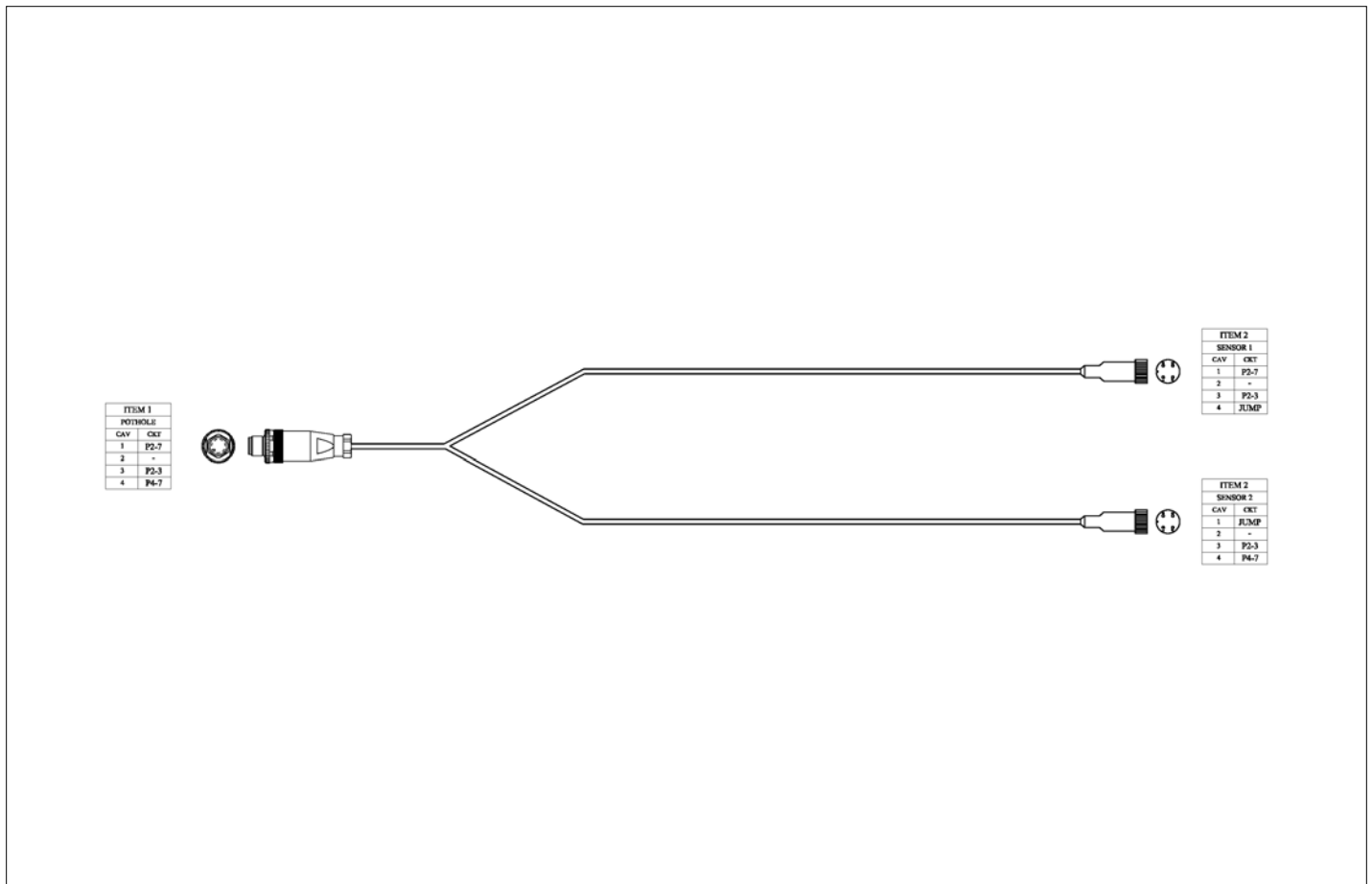
- NOTES:
- ALL WIRES SHALL BE MARKED WITH THE CIRCUIT NUMBER, WITHOUT ANY SUFFIX AS DEFINED IN THE WIRES CHART, USING PERMANENT INK. MARKINGS SHALL BE MADE WITHING 50mm(2.0in) FROM THE END OF THE CUT LEAD. NOTE THAT THIS REQUIREMENT DOES NOT APPLY TO WIRE ENDS AT SPLICES.
  - GXL, GPT, OR TXL WIRE MAY BE SUBSTITUTED PROVIDED THE SAME CORE SIZE AND INSULATION COLOR ARE USED. THIS SUBSTITUTION DOES NOT REQUIRE PRIOR AUTHORIZATION.
  - AT A MINIMUM THE HARNESS ID LABEL SHALL CLEARLY SHOW: HARNESS PART NUMBER, REVISION LEVEL, MANUFACTURER. THE LABEL MAY BE FLAGGED OR ROLLED.
  - ITEMS 16, 17, 18, 19, 20 NEED TO BE INSTALLED IN ITEMS 14, 7, 12, 13, 10 RESPECTIVELY

ELECTRICAL



アイテム	部品番号	名前	数量	UOM
	1503093 A	ANGLE TRANSDUCER JUMPER JANUARY 2019 AND AFTER		EA
1	3220199	CONNECTOR AMP 3 PIN	2	EA
2	3049986	AMP SOCKET CONTACT	6	EA
3	3220376	CONNECTOR AMP FEMALE 4 PIN	1	EA
4	3220377	AMP SOCKET CONTACT	4	EA
5	3011801	WIRE 18GA SINGLE CONDUCTOR WHT	A/R	EA

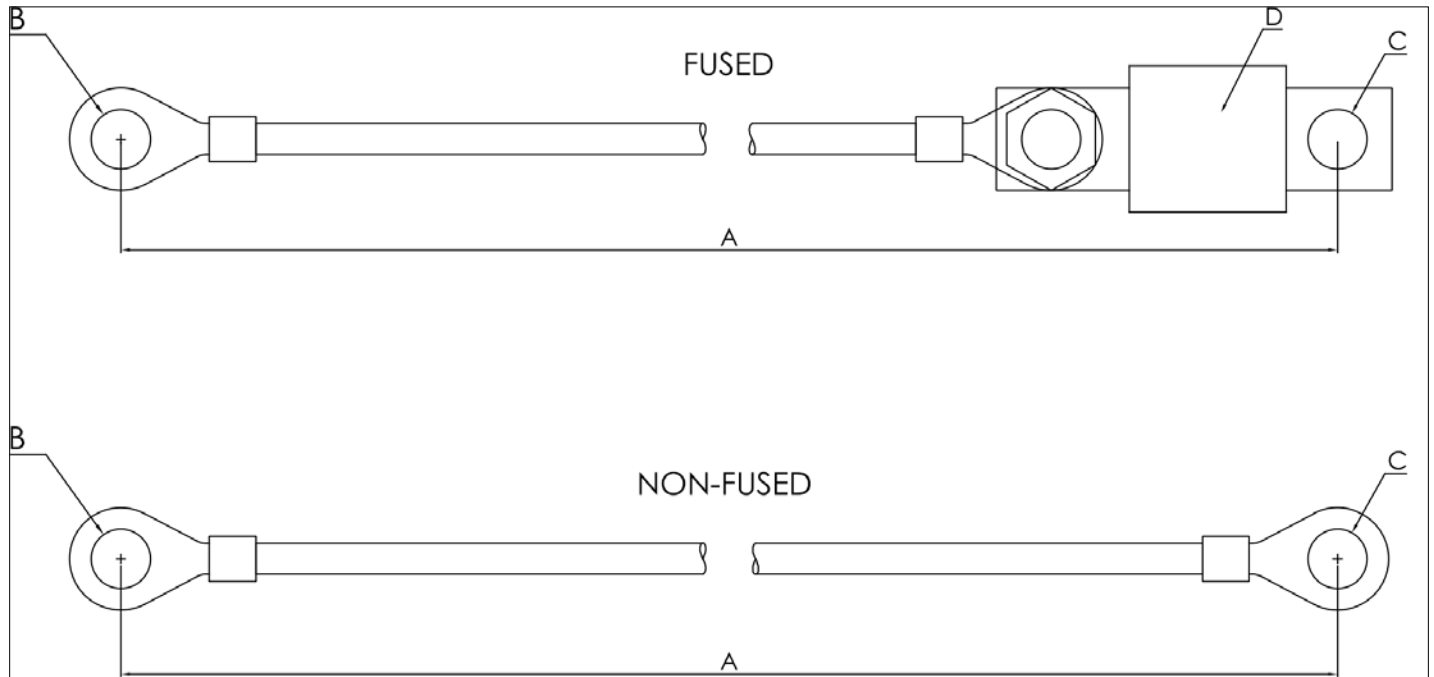
ELECTRICAL





アイテム	部品番号	名前	数量	UOM
	1502306A	HARNESS, DOUBLE PROX SENSOR		EA
1	3014759	CONNECTOR, M12 MALE WIRABLE	1	EA
2	3014753	SNORKEL GUARD SENSOR (CABLE, M12 X 2M L)	2	M

ELECTRICAL



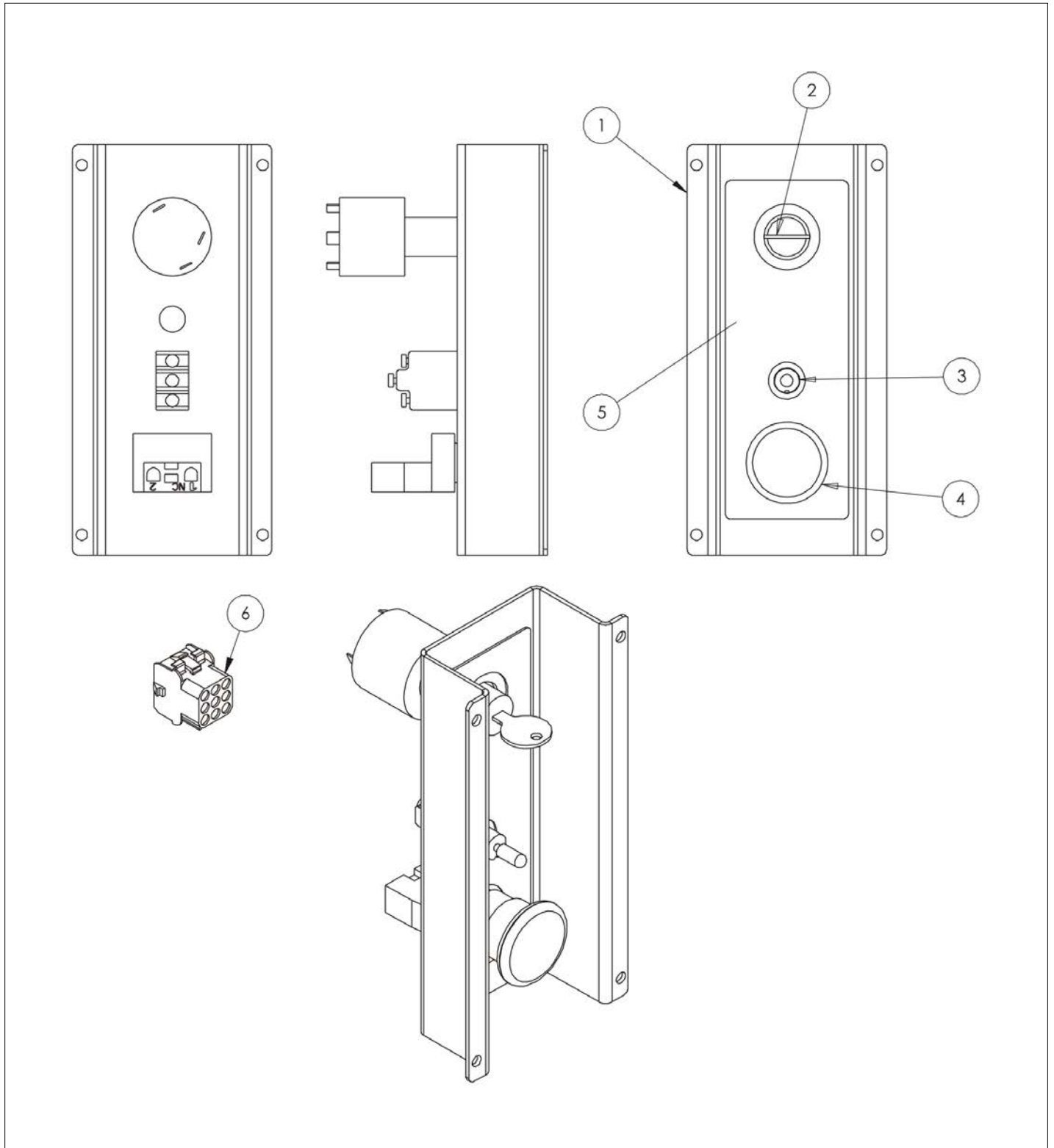
NOTES:

- SHRINK WRAP ALL CONNECTIONS (BLACK).
- MULTI STRAND 2GA WELDING WIRE

PART #	REV	DESCRIPTION	A	B	C	D
3014743	A	WIRE 2 R375 R375 13.5 RED	13.5in	0.375in	0.375in	-
3014744	A	WIRE 2 R375 R375 89 RED	89in	0.375in	0.375in	-
3014745	C	WIRE 2 R375 R375 86 BLACK	86in	0.375in	0.375in	-
3014746	C	WIRE 2 R313 R313 8 BLACK $\triangle$	8in $\triangle$	0.313in	0.313in	-
3014750	A	WIRE 2 R375 R375 101 RED	101in	0.375in	0.375in	-
3014751	C	WIRE 2 R375 R375 122 BLACK	122in	0.375in	0.375in	-
3014756	B	WIRE 2 R313 R313 7 BLACK FUSED	7in	0.313in	0.313in	446076
3014757	C	WIRE 2 R375 R375 49 BLACK	49in	0.375in	0.375in	-
3014806	A	WIRE 2 R375 R375 49 BLACK FUSED	49in	0.375in	0.375in	446076
3014807	A	WIRE 2 R375 R375 86 BLACK FUSED	86in	0.375in	0.375in	446076
3014829	A	WIRE 2 R375 R375 49 BLACK FUSED	49in	0.375in	0.375in	REF DWG
3014830	A	WIRE 2 R375 R375 86 BLACK FUSED	86in	0.375in	0.375in	REF DWG

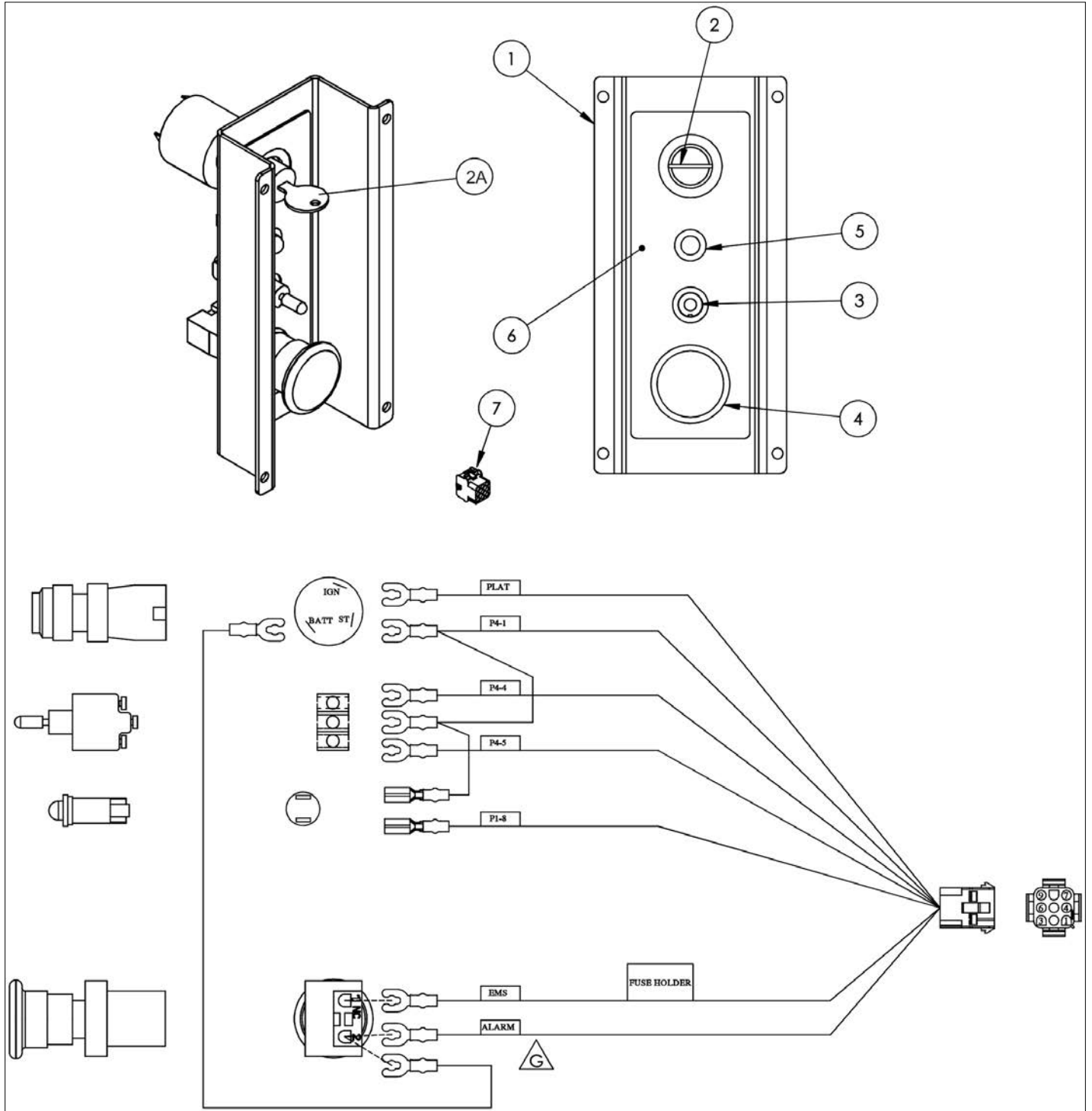
アイテム	部品番号	名前	数量	UOM
	A50004A G	TABULATED BATTERY CABLES MARCH 2019 AND AFTER		EA

ELECTRICAL

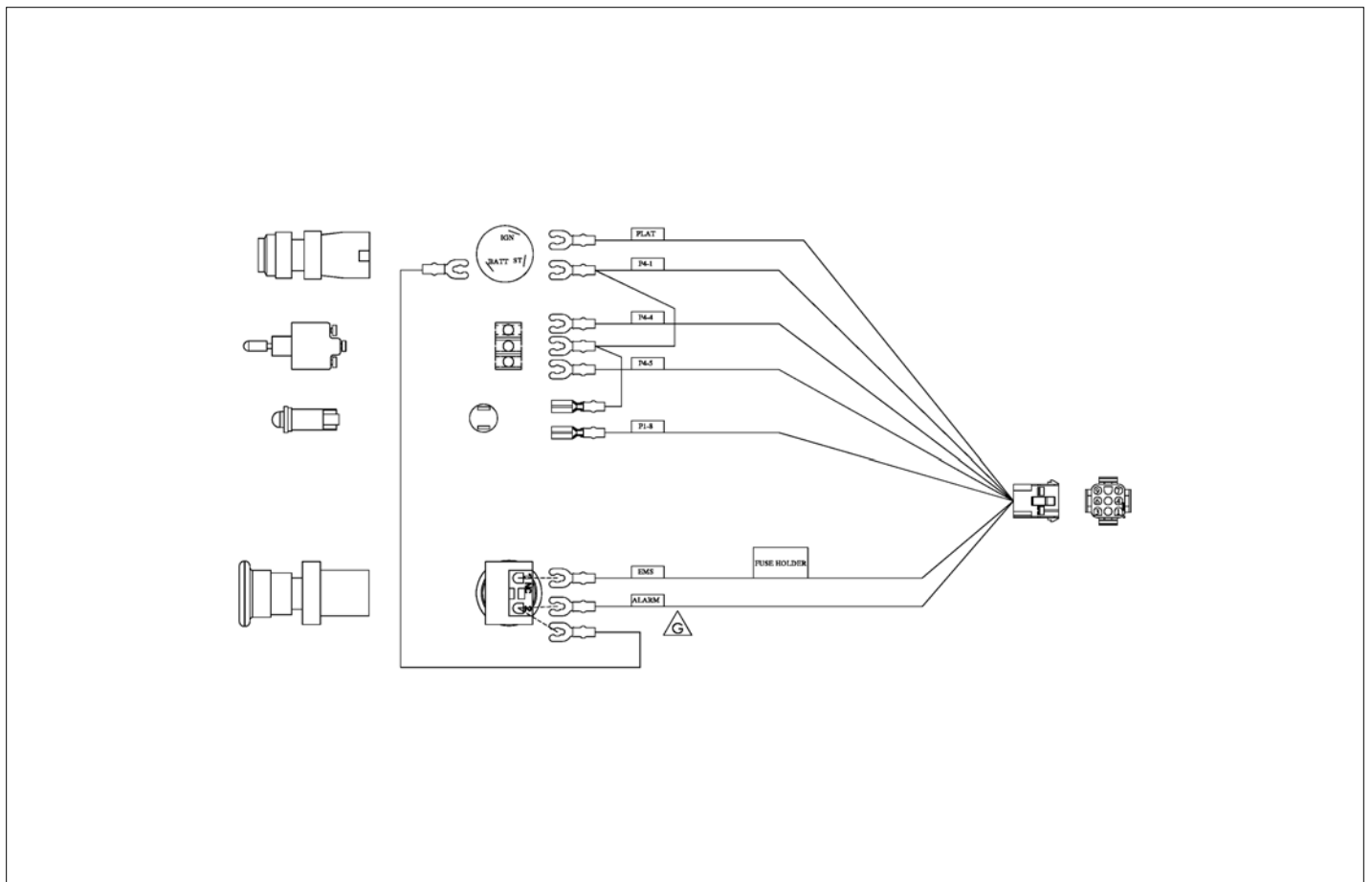


アイテム	部品番号	名前	数量	UOM
	1501687E	GROUND CONTROL PANEL ASSEMBLY ANSI S3215E S3215L S3219E APRIL 2016 AND AFTER S4740 FEBURARY 2020 AND AFTER		EA
1	1500663	PLT GRD CTRL PANEL	1	EA
2	3020087	KEY SWITCH	1	EA
3	3020016	Switch, Toggle Honeywell INTI 7	1	EA
4	3028810	PUSH/PULL EMERGENCY STOP	1	EA
5	1500438	DECAL LOWER CONTROL PANEL	1	EA
6	1501674	HARNESS LOWER CONTROLS	1	EA

ELECTRICAL

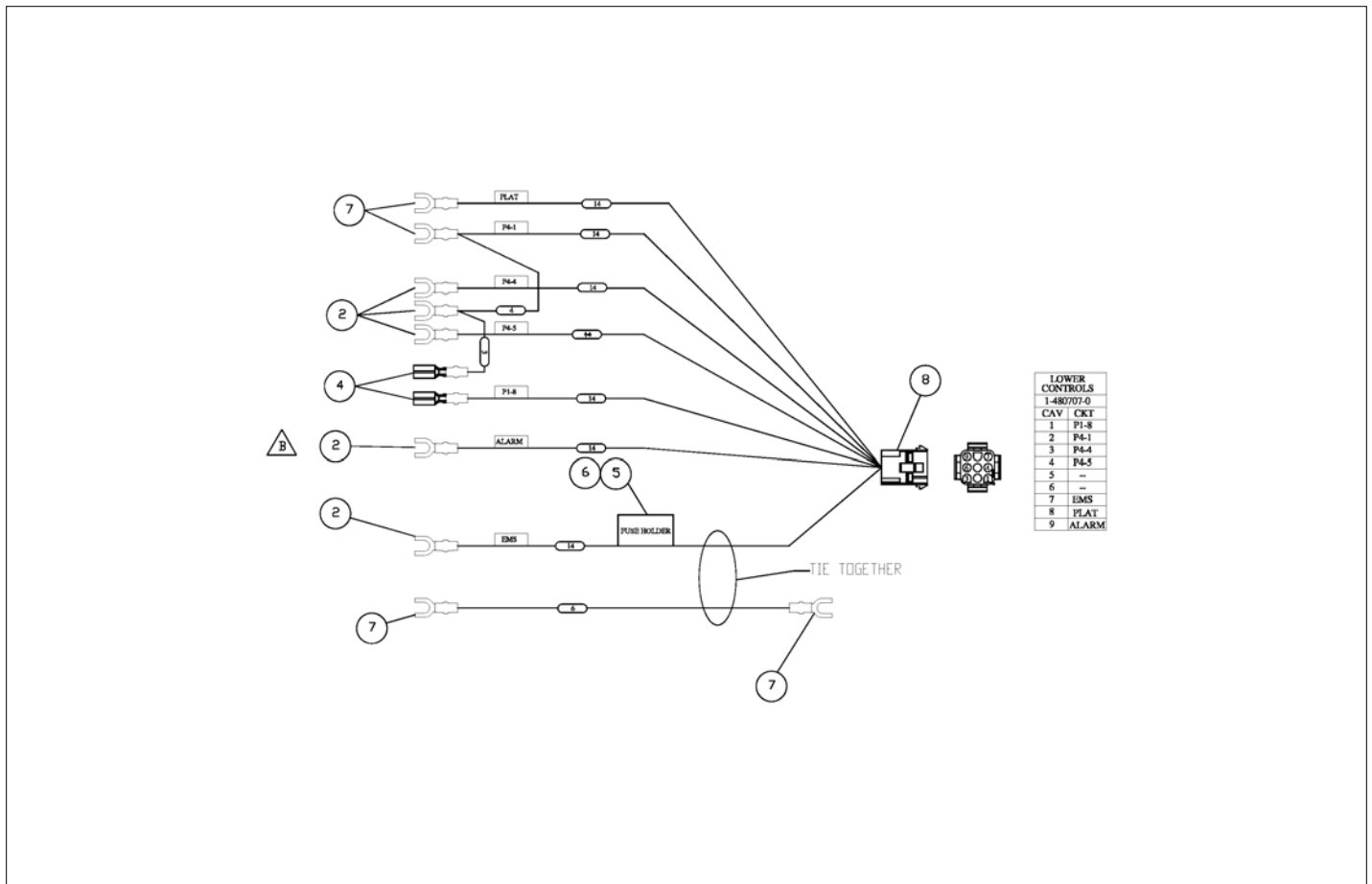


アイテム	部品番号	名前	数量	UOM
	1500662 G	GROUND CONTROL PANEL CE ASSEMBLY APRIL 2016 AND AFTER		EA
1	1500663	PLT GRD CTRL PANEL	1	EA
2	3020087	KEY SWITCH	1	EA
3	3020016	Switch, Toggle Honeywell INTI 7	1	EA
4	3028810	PUSH/PULL EMERGENCY STOP	1	EA
5	510528 000	LED RED	1	EA
6	1500438	DECAL LOWER CONTROL PANEL	1	EA
7	1501674	HARNESS LOWER CONTROLS	1	EA
Not Shown	3220261	AMP CONTACT PIN	7	EA



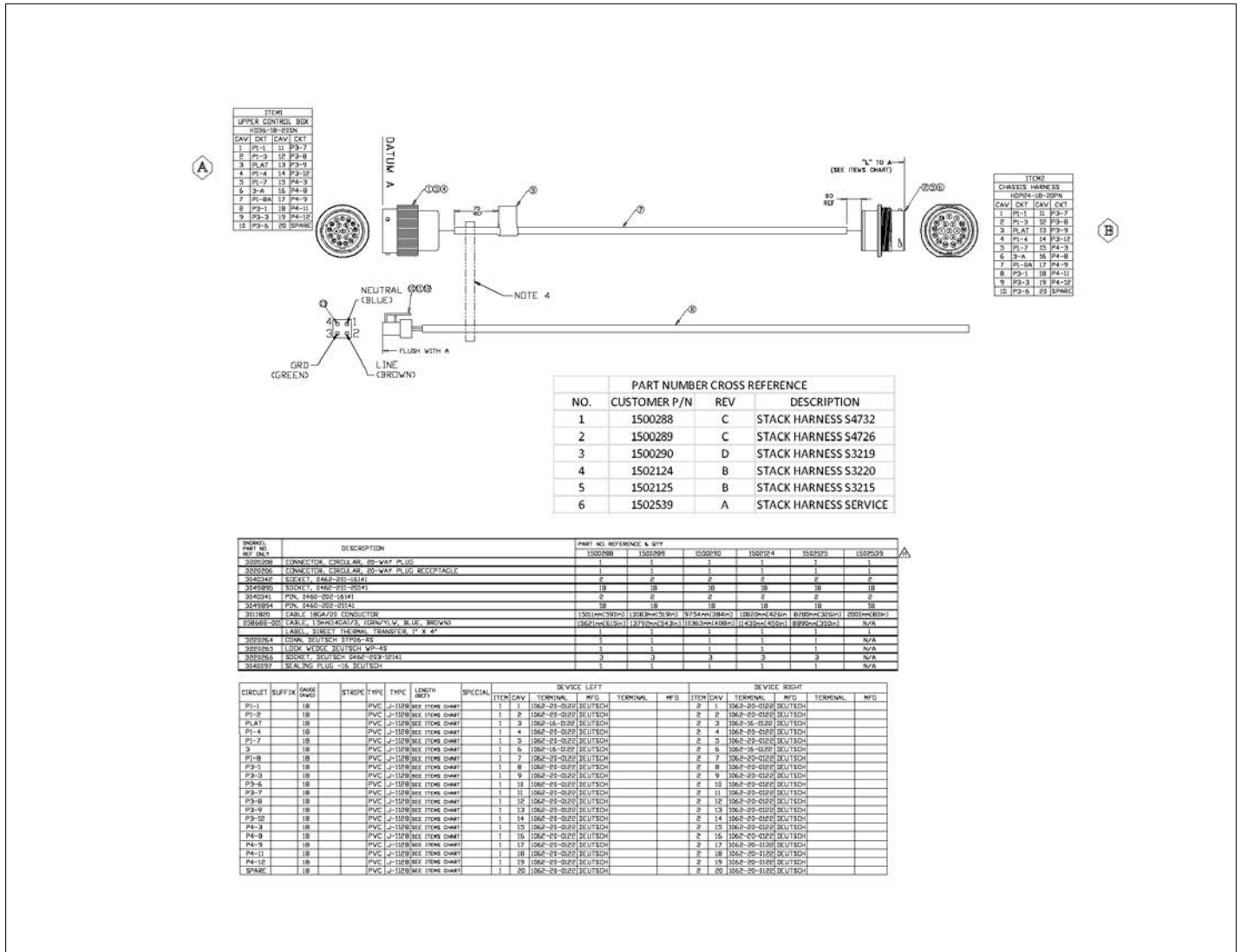


ELECTRICAL



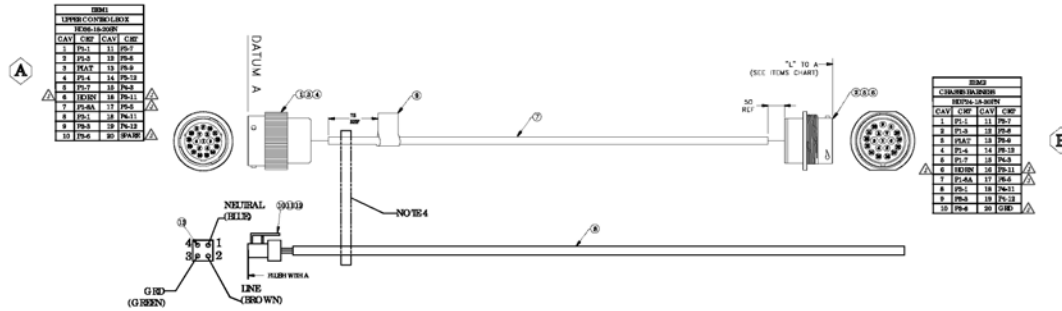
アイテム	部品番号	名前	数量	UOM
	1501674B	HARNESS, LOWER CONTROLS		EA
1	3011641	WIRE 16GA SINGLE CONDUCTOR WHT	A/R	EA
2	32220241	TERM, #6 SINGLE SPADE	6	EA
3	3044161	TERM R10I 16/14	3	EA
4	3046697	TERM FEM188I 16/14GA	2	EA
5	509741 000	FUSE HOLDER	1	EA
6	509740 000	FUSE 20A	1	EA
7	3220240	TERM, 38 SPRING SPADE	3	EA
8	3220218	CONN AMP 9 PIN SOCKET	1	EA
9	3220261	AMP CONTACT PIN	7	EA

ELECTRICAL



アイテム	部品番号	名前	数量	UOM
	A50002A H	STACK HARNESS ASSEMBLY		EA
1	3220208	CONNECTOR DEUTSCH	1	EA
2	3220206	CONNECTOR, CIRCULAR, 20 WAY PLUG RECEPTICAL	1	EA
3	3040342	SOCKET CONTACT SIZE 16 16/18GA	2	EA
4	3049895	SOCKET CONTACT 20 DEUTSCH P/N	18	EA
5	3040341	PIN CONTACT SIZE 16 16/18 GA	2	EA
6	3049894	PIN CONTACT 20 DEUTCH P/N 04	18	EA
7	3011820	CABLE, 18GA / 2 CONDUCTOR	A/R	EA
8	058688 001	CABLE 1.5MM 14GA 1/3 GRN/YLW, BLUE, BROWN	A/R	EA
9	N/A	NOT SOLD SEPARATELY	1	EA
10	3220264	CONN DEUTSCH	1	EA
11	3220265	LOCK WEDGE DEUTSCH	1	EA
12	3220266	SOCKET DEUTSCH	3	EA
13	3040097	SEALING PLUG, 16 DEUTSCH	1	EA

ELECTRICAL



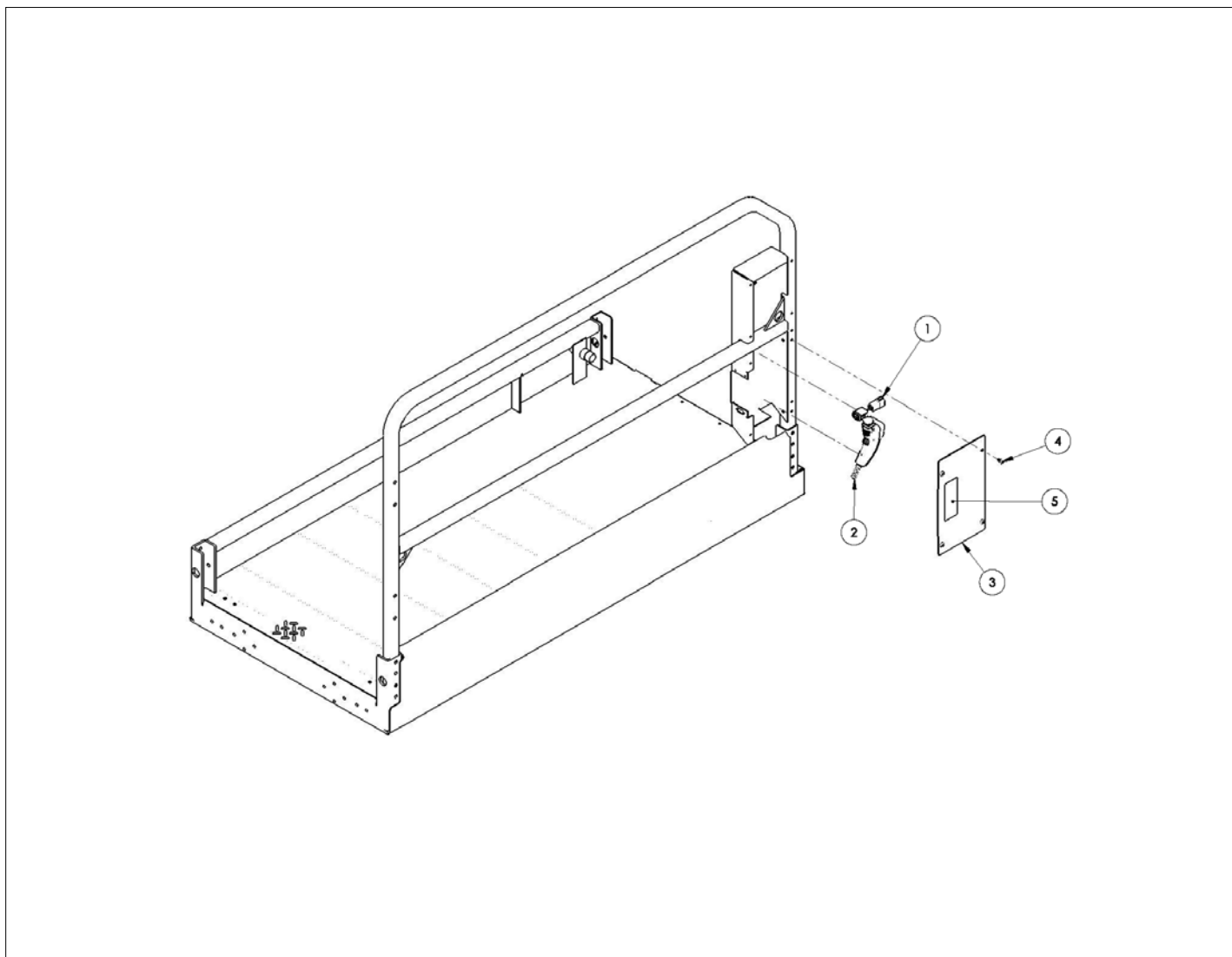
ITEM NO	QTY	DESCRIPTION	DIMENSIONS	PARTS NUMBER & QTY						
				1000000	1000000	1000000	1000000	1000000	1000000	1000000
1	1	CONDUCTOR CIRCULAR, 30-WAY PTD	1.0000	1	1	1	1	1	1	
2	1	CONDUCTOR CIRCULAR, 30-WAY PTD, SHIELDING	1.0000	1	1	1	1	1	1	
3	1	CONDUCTOR CIRCULAR, 30-WAY PTD, SHIELDING	1.0000	1	1	1	1	1	1	
4	1	CONDUCTOR CIRCULAR, 30-WAY PTD, SHIELDING	1.0000	1	1	1	1	1	1	
5	1	CONDUCTOR CIRCULAR, 30-WAY PTD, SHIELDING	1.0000	1	1	1	1	1	1	
6	1	CONDUCTOR CIRCULAR, 30-WAY PTD, SHIELDING	1.0000	1	1	1	1	1	1	
7	1	CONDUCTOR CIRCULAR, 30-WAY PTD, SHIELDING	1.0000	1	1	1	1	1	1	
8	1	CONDUCTOR CIRCULAR, 30-WAY PTD, SHIELDING	1.0000	1	1	1	1	1	1	
9	1	CONDUCTOR CIRCULAR, 30-WAY PTD, SHIELDING	1.0000	1	1	1	1	1	1	
10	1	CONDUCTOR CIRCULAR, 30-WAY PTD, SHIELDING	1.0000	1	1	1	1	1	1	
11	1	CONDUCTOR CIRCULAR, 30-WAY PTD, SHIELDING	1.0000	1	1	1	1	1	1	
12	1	CONDUCTOR CIRCULAR, 30-WAY PTD, SHIELDING	1.0000	1	1	1	1	1	1	
13	1	CONDUCTOR CIRCULAR, 30-WAY PTD, SHIELDING	1.0000	1	1	1	1	1	1	

PARTS NUMBER & QTY			
NO.	DESCRIPTION	QTY	REMARKS
1	CONDUCTOR CIRCULAR, 30-WAY PTD	1	
2	CONDUCTOR CIRCULAR, 30-WAY PTD, SHIELDING	1	
3	CONDUCTOR CIRCULAR, 30-WAY PTD, SHIELDING	1	
4	CONDUCTOR CIRCULAR, 30-WAY PTD, SHIELDING	1	
5	CONDUCTOR CIRCULAR, 30-WAY PTD, SHIELDING	1	
6	CONDUCTOR CIRCULAR, 30-WAY PTD, SHIELDING	1	
7	CONDUCTOR CIRCULAR, 30-WAY PTD, SHIELDING	1	
8	CONDUCTOR CIRCULAR, 30-WAY PTD, SHIELDING	1	
9	CONDUCTOR CIRCULAR, 30-WAY PTD, SHIELDING	1	
10	CONDUCTOR CIRCULAR, 30-WAY PTD, SHIELDING	1	
11	CONDUCTOR CIRCULAR, 30-WAY PTD, SHIELDING	1	
12	CONDUCTOR CIRCULAR, 30-WAY PTD, SHIELDING	1	
13	CONDUCTOR CIRCULAR, 30-WAY PTD, SHIELDING	1	

CABLE	TYPE	MATERIAL	DIA	L	CONDUCTORS				SHIELDS			
					NO	TYPE	NO	TYPE	NO	TYPE	NO	TYPE
PL1	18	PVC	1.1180	1	1	1	1	1	1	1	1	
PL2	18	PVC	1.1180	1	1	1	1	1	1	1	1	
PL3	18	PVC	1.1180	1	1	1	1	1	1	1	1	
PL4	18	PVC	1.1180	1	1	1	1	1	1	1	1	
PL5	18	PVC	1.1180	1	1	1	1	1	1	1	1	
PL6	18	PVC	1.1180	1	1	1	1	1	1	1	1	
PL7	18	PVC	1.1180	1	1	1	1	1	1	1	1	
PL8	18	PVC	1.1180	1	1	1	1	1	1	1	1	
PL9	18	PVC	1.1180	1	1	1	1	1	1	1	1	
PL10	18	PVC	1.1180	1	1	1	1	1	1	1	1	
PL11	18	PVC	1.1180	1	1	1	1	1	1	1	1	
PL12	18	PVC	1.1180	1	1	1	1	1	1	1	1	
PL13	18	PVC	1.1180	1	1	1	1	1	1	1	1	
PL14	18	PVC	1.1180	1	1	1	1	1	1	1	1	
PL15	18	PVC	1.1180	1	1	1	1	1	1	1	1	
PL16	18	PVC	1.1180	1	1	1	1	1	1	1	1	
PL17	18	PVC	1.1180	1	1	1	1	1	1	1	1	
PL18	18	PVC	1.1180	1	1	1	1	1	1	1	1	
PL19	18	PVC	1.1180	1	1	1	1	1	1	1	1	
PL20	18	PVC	1.1180	1	1	1	1	1	1	1	1	

アイテム	部品番号	名前	数量	UOM
	A50002A J	STACK HARNESS		EA
1	3220208	CONNECTOR DEUTSCH	SEE CHART	EA
2	3220206	CONNECTOR, CIRCULAR, 20 WAY PLUG RECEPTICALE	SEE CHART	EA
3	3040342	SOCKET CONTACT SIZE 16 16/18GA	SEE CHART	EA
4	3049895	SOCKET CONTACT 20 DEUTSCH P/N	SEE CHART	EA
5	3040341	PIN CONTACT SIZE 16 16/18 GA	SEE CHART	EA
6	3049894	PIN CONTACT 20 DEUTCH P/N 04	SEE CHART	EA
7	3011820	CABLE, 18GA / 2 CONDUCTOR	SEE CHART	EA
8	058688 001	CABLE 1.5MM 14GA 1/3 GRN/YLW, BLUE, BROWN	SEE CHART	EA
10	3220264	CONN DEUTSCH	SEE CHART	EA
11	3220265	LOCK WEDGE DEUTSCH	SEE CHART	EA
12	3220266	SOCKET DEUTSCH	SEE CHART	EA
13	3040097	SEALING PLUG, 16 DEUTSCH	SEE CHART	EA

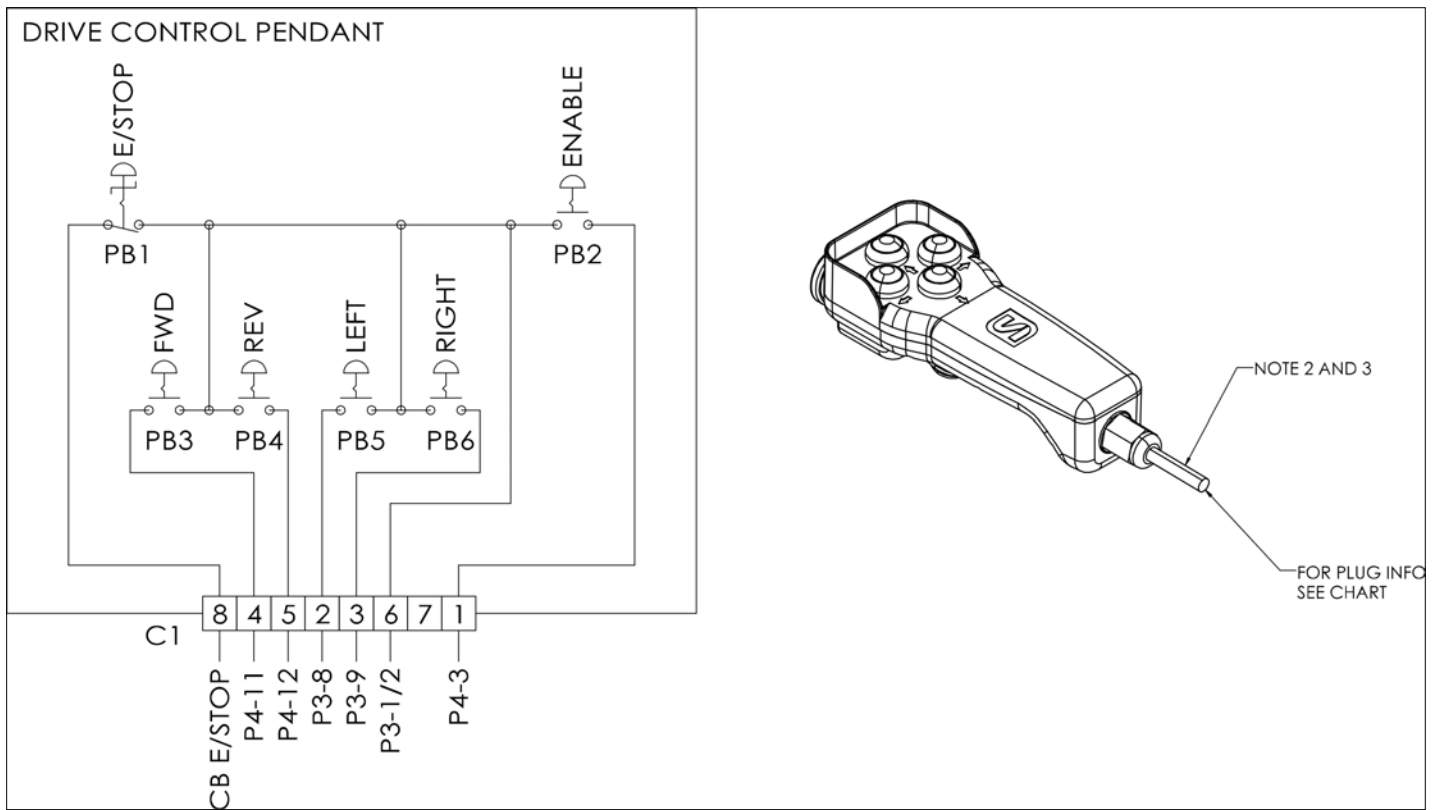
ELECTRICAL



アイテム	部品番号	名前	数量	UOM
	1503029 A	PENDANT CONVERT ASSEMBLY AUGUST 2018 AND AFTER		EA
1	1502991	HARNESS, LOADING CONTROL ADAPT	1	EA
2	1502836	PENDANT, DRIVE CONTROLS JANUARY 2018 AND AFTER	1	EA
3	1501829	PLT, CABLE COVER BOTTOM	1	EA
4	5563446	1/4 20 PAN HEAD SCREW	4	EA
5	1502990	DECAL, PENDANT CONTROLS JUNE 2018 AND AFTER	1	EA

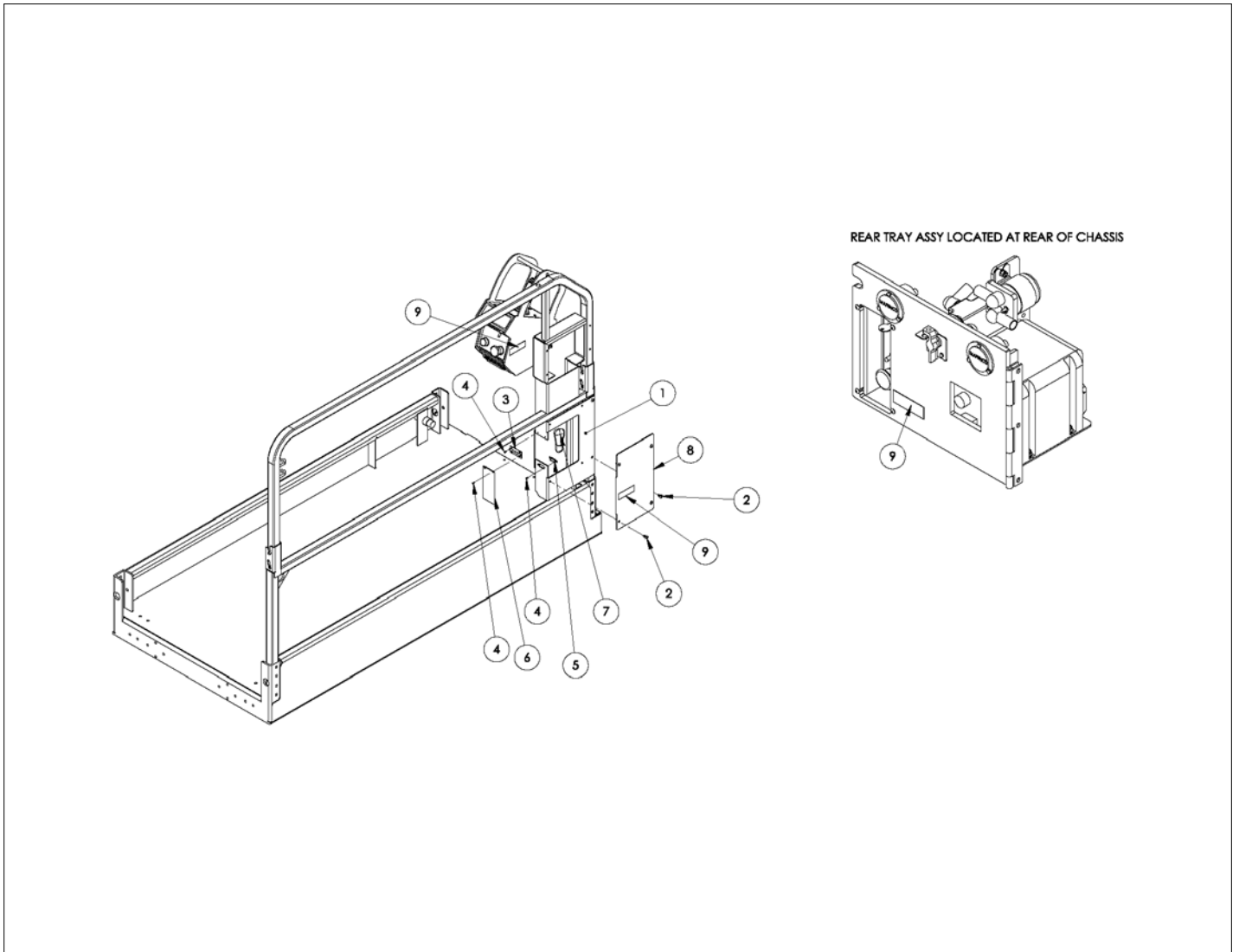


ELECTRICAL



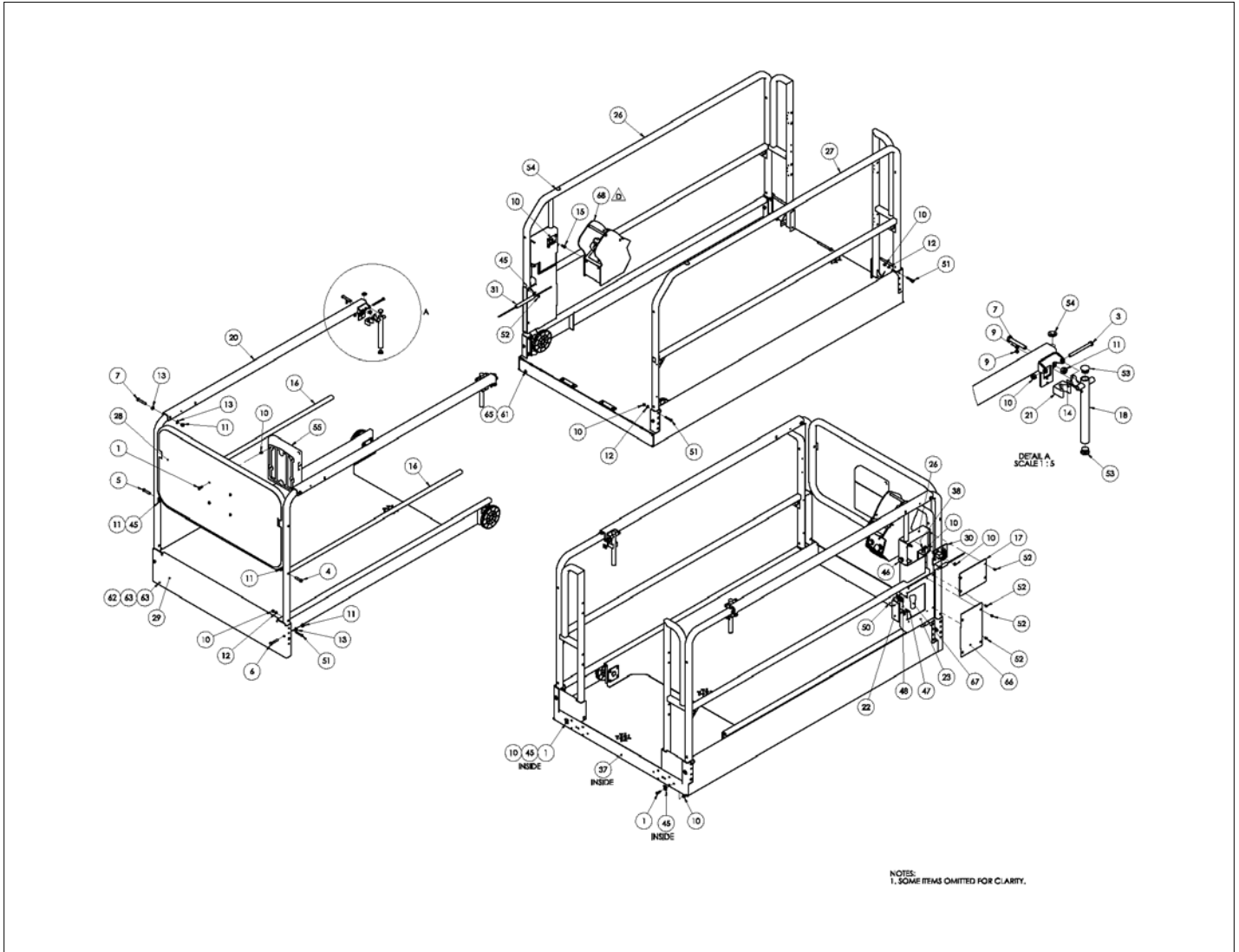
アイテム	部品番号	名前	数量	UOM
	1503200 A	DRIVE CONTROL PENDANT		EA
1	514627 000	CONN, DEUTSCH DT06 8SA	1	EA
2	514629 000	LOCK WEDGE W8P	1	EA
3	12554 024	DEUTSCH CONTACT PIN	7	EA

ELECTRICAL

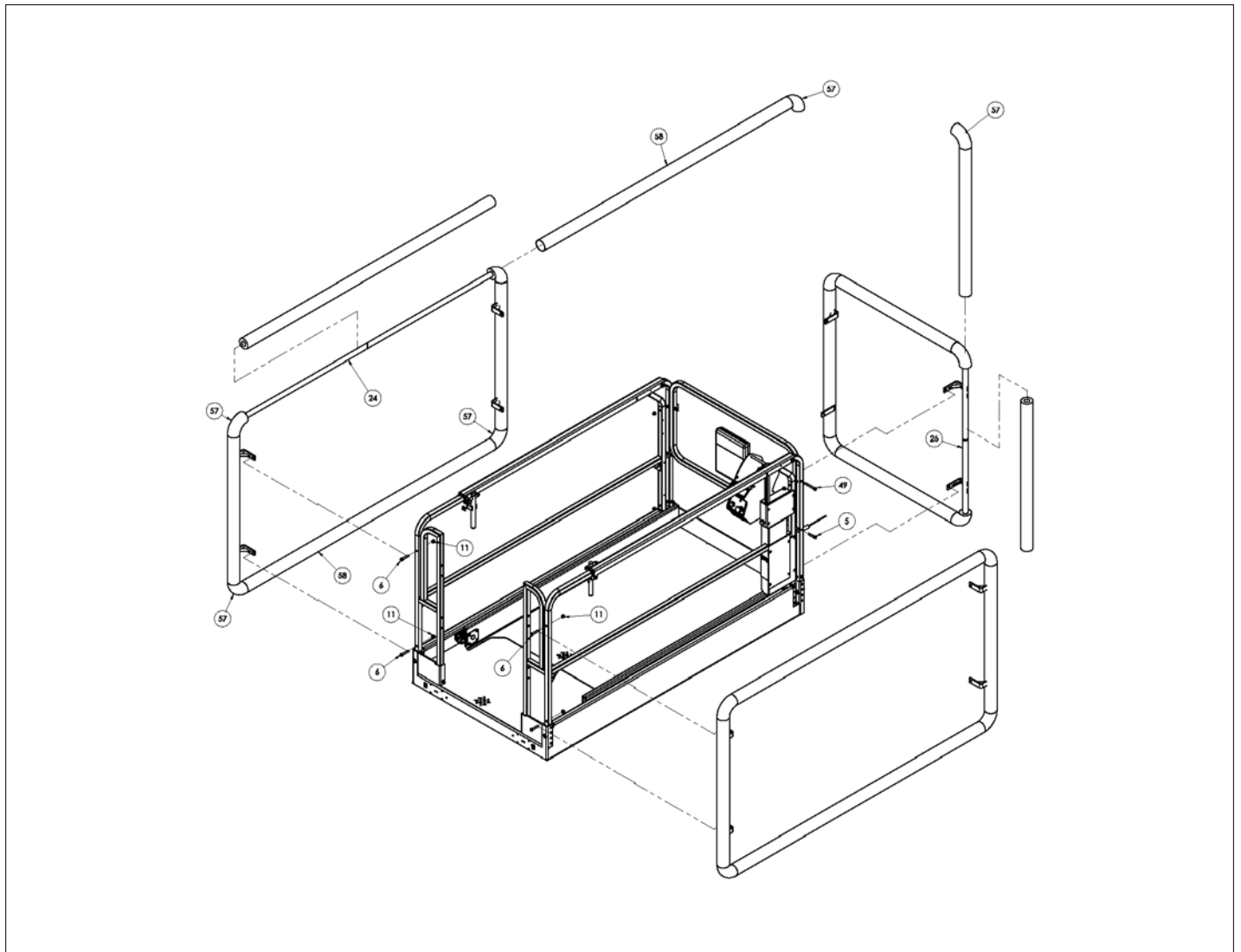


アイテム	部品番号	名前	数量	UOM
	1502538 A	PENDANT CONVERSION CE		EA
1	1502443	WLDMT, WIRE CHASE	1	EA
2	5563446	1/4 20 PAN HEAD SCREW	8	EA
3	5516360	HINGE, DRILLED SIDE DRIVE THIN	1	EA
4	5560659	RVT POP .125 DIA .250 DMD STL	6	EA
5	5516349	MAGNETIC LATCH	1	EA
6	1502442	PLT, SIDE DOOR THIN ORG	1	EA
7	514880 000	PENDANT, DRIVE CONTROLS DECEMBER 2017 AND AFTER	1	EA
8	1501829	PLT, CABLE COVER BOTTOM	1	EA
9	514915 000	DECAL, EM STOP X3	3	EA

ELECTRICAL

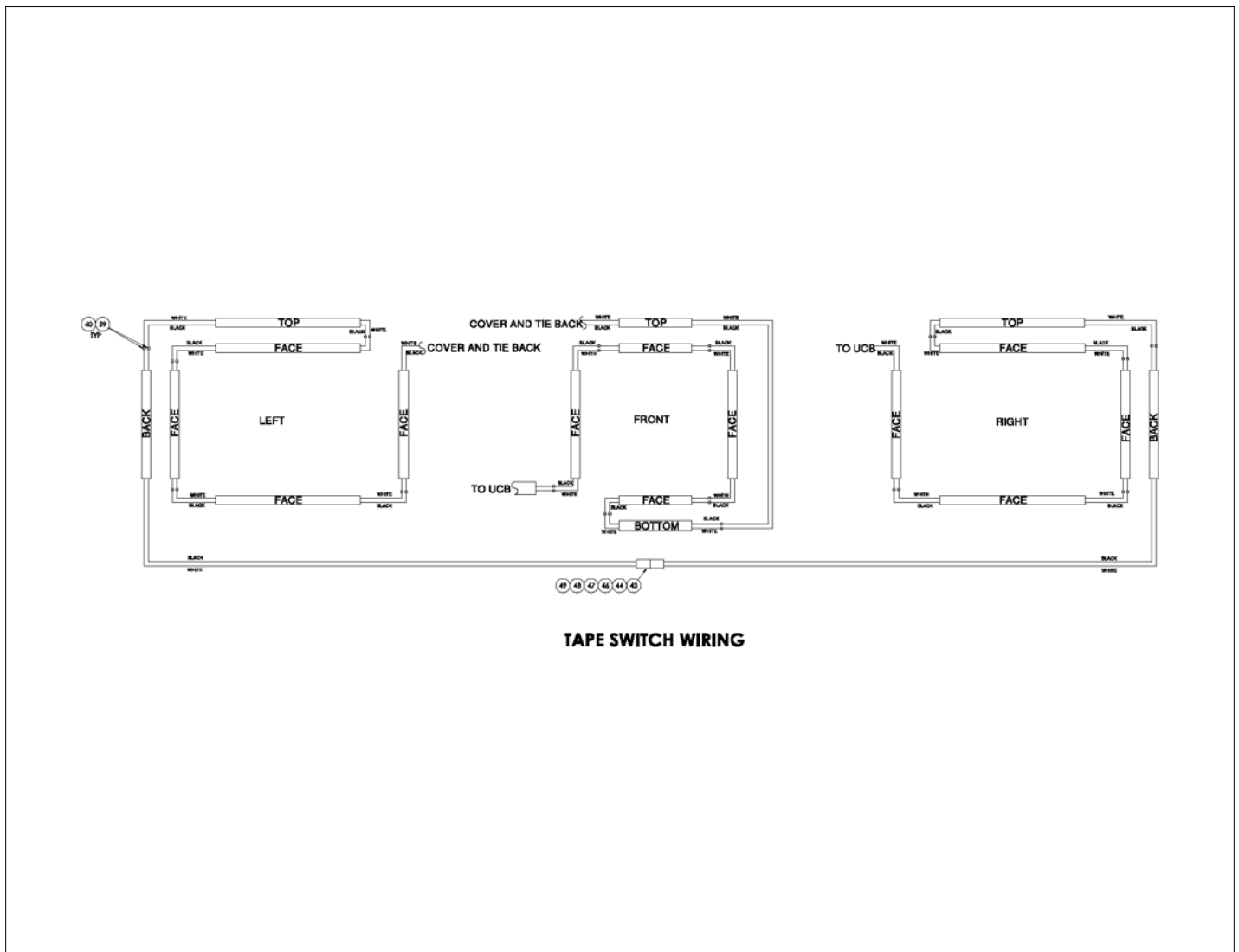


アイテム	部品番号	名前	数量	UOM
	1502734 F	BUMP GUARD ASSEMBLY S4726E S4732E MAY 2018 AND AFTER		EA
1	058492 025	BOLT HEXSETSCREW DIN933 M8 X 25MM 8.8 ZP	6	EA
Not Shown	056059 030	Bolt, HexBolt DIN931 M8 x 30mm	2	EA
3	056059 090	Bolt, HexBolt DIN931 M8 x 90mm 8.8 ZincPlated	2	EA
4	056060 045	Bolt, HexBolt DIN931 M10 x 45mm 8.8 ZincPlated	1	EA
5	056060 050	Bolt, HexBolt DIN931 M10 x 50m	1	EA
6	056060 055	Bolt, HexBolt DIN931 M10 x 55mm 8.8 ZincPlated	16	EA
7	056060 065	Bolt, HexBolt DIN931 M10 x 65mm 8.8 ZincPlated	4	EA
Not Shown	056060 110	Bolt, HexBolt DIN931 M10 x 110	2	EA
9	056066 005	Nut NylockNut DIN985 M5 8.0 Zi	4	EA
10	056066 008	NUT NYLOCKNUT DIN985 M8 8.0 ZP	26	EA
11	056066 010	Nut, NylockNut DIN985 M10 8.0ZincPlated	25	EA
12	056069 008	WASHER, STEELFLATWASHER DIN12M8 FLAT WASHER DIN 125	12	EA
13	056069 010	Washer, SteelFlatWasher DIN125A M10 ZincPlated	12	EA
Not Shown	505082 020	Bolt, SktButCapScrew DIN9427 M5 x 20mm 10.9 ZincPlated	4	EA
15	058492 020	Bolt HexSetScrew DIN933 M8 x 2	2	EA
16	1501395	TUBE HNDRL MID TELESCOPE	2	EA
17	1501397	PLT CONT BOX MNT COVER	1	EA
18	1501525	WLDMT, SLIDE HANDLE	2	EA



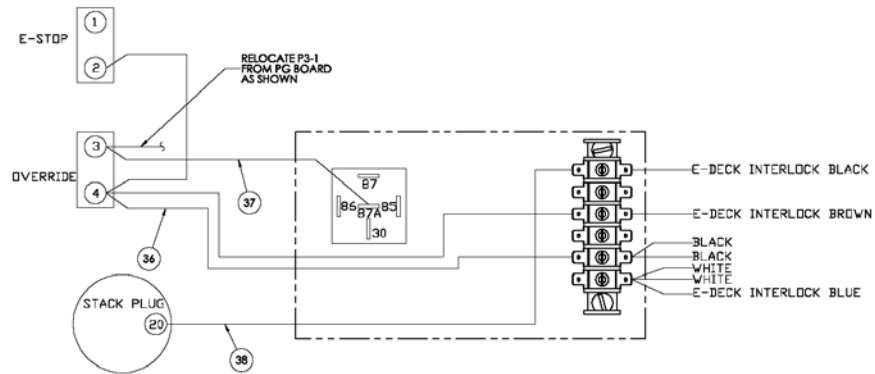
アイテム	部品番号	名前	数量	UOM
Not Shown	1501581	WLDMT, TOP SLIDER LH	1	EA
20	1501582	WLDMT, TOP SLIDER RH	1	EA
21	1501583	CLIP HANDLE 1.00	2	EA
22	1502442	PLT, SIDE DOOR THIN      ORG	1	EA
23	1502443	WLDMT, WIRE CHASE	1	EA
24	1502498	WLDMT, BUMP GUARD SIDE	2	EA
25	1502502	WLDMT, BUMP GUARD FRONT	1	EA
26	1502508	WLDMT, HNDRL OUTER BUMP GUARD	1	EA
27	1502513	WLDMT, HNDRL OUTER LH BUMP GRD	1	EA
28	1502517	WLDMT, HNDRL FRONT BUMP GUARD	1	EA
29	1502693	ASSY PLATFORM S4732E S4726E	1	EA
30	1502731	ASSY, WIRING BUMP GUARD	1	EA
31	1502733	CABLE BUMP GUARD EXT	1	EA
Not Shown	1502735	WIRE 18 SPECIAL	1	EA
Not Shown	1502736	WIRE 18 SPADE6I FEM250FI 9	1	EA
Not Shown	1502737	WIRE 18 PIN SPADE6I 15	1	EA
Not Shown	3040082	TERM MALE250FI 16/14	38	EA
36	3040083	TERM FEM250FI 16/14	38	EA
37	3040113	MOUNTING BASE	1	EA
38	3040300	CONN .500 .188 .313	1	EA
39	3044163	TERM R312I 16/14	1	EA
40	3049803	CONNECTOR 2 PIN DEUTSCH PLUG	1	EA
Not Shown	3049804	CONNECTOR 2 PIN DEUTSCH RECEP	1	EA





**TAPE SWITCH WIRING**

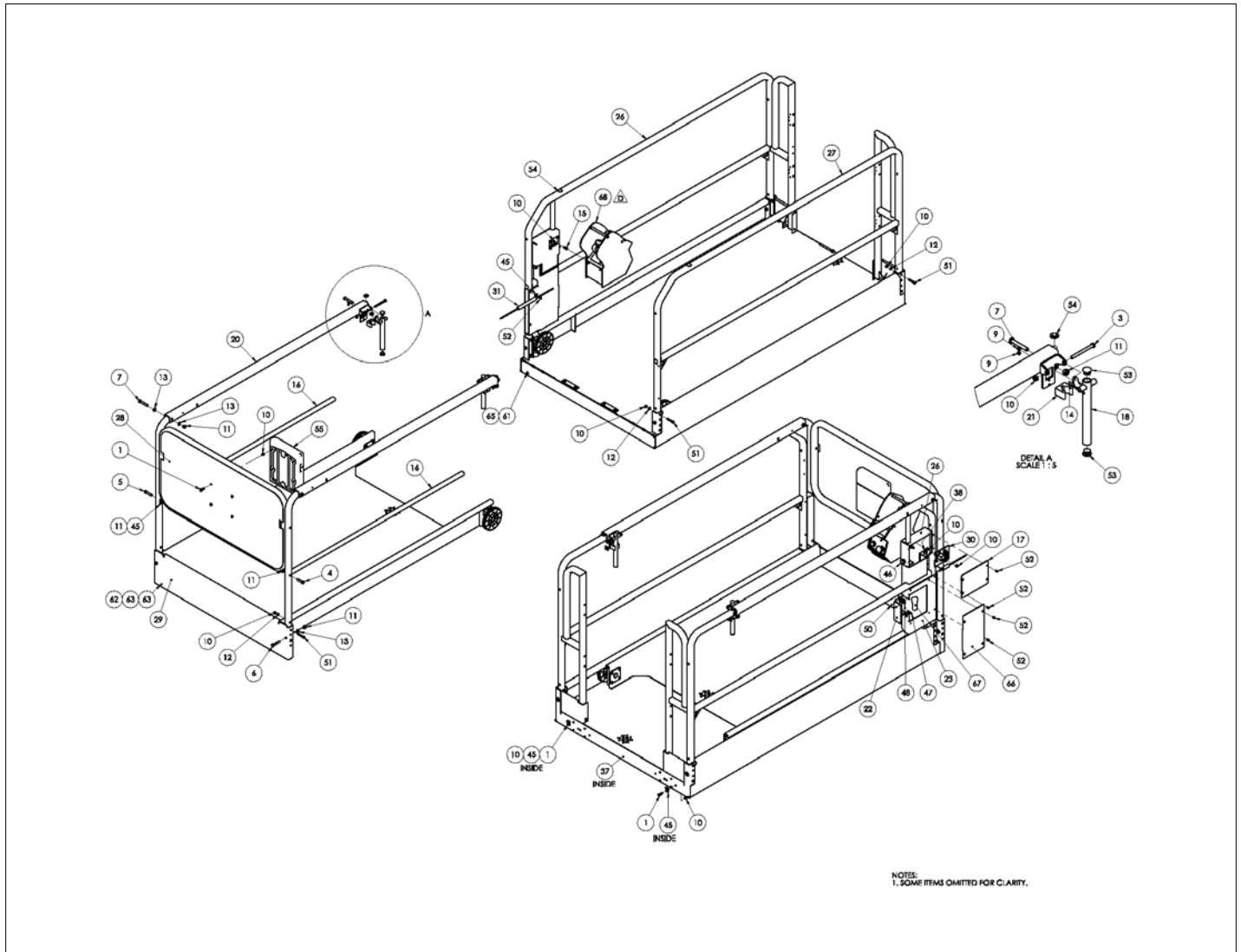
アイテム	部品番号	名前	数量	UOM
42	3049807	LOCK WEDGE 2 PIN DEUTSCH PLUG	1	EA
43	3049808	LOCK WEDGE 2 PIN DEUTSCH RECEP	1	EA
44	3090019	TUBE FLEXGARD .250 ID	14	EA
45	5093018	CLP CUSH .250 VINYL COATED	4	EA
46	510542 000	PUSHBUTTON BLACK C/W 1 N/O CON	1	EA
47	5516349	MAGNETIC LATCH	1	EA
48	5516360	HINGE, DRILLED SIDE DRIVE THIN	1	EA
49	5560653	BLT HEXHD M10 1.50 X 85MM DIN	2	EA
50	5560659	RVT POP .125 DIA .250 DMD STL	6	EA
51	5563304	SBHCS M8 X 1.25 X 50MM GR 1039	12	EA
52	5563446	1/4 20 PAN HEAD SCREW	12	EA
53	5563451	PLUG TUBING 1.00 X .095	4	EA
54	5569973	SLIDE PAD, STICK ON OCTOBER 2017 AND BEFORE	6	EA
55	562386	Literature Compartment	1	EA
Not Shown	9980003	PIPE INSUL CLOSED CELL AP ARMA	674	EA
57	9980007	COV ELB 18OZ COVERLITE YELLOW	12	EA
58	9980008	COV STR 18OZ COVERLITE YELLOW	4	EA
Not Shown	3040342	SOCKET CONTACT SIZE 16 16/18GA	2	EA
Not Shown	3040341	PIN CONTACT SIZE 16 16/18 GA	2	EA
61	3028894	SENSOR MAGNETIC	1	EA
62	3028895	SWNSOR MAG TARGET	1	EA
63	5563871	FSHCS M4 X 0.7 X 25	1	EA



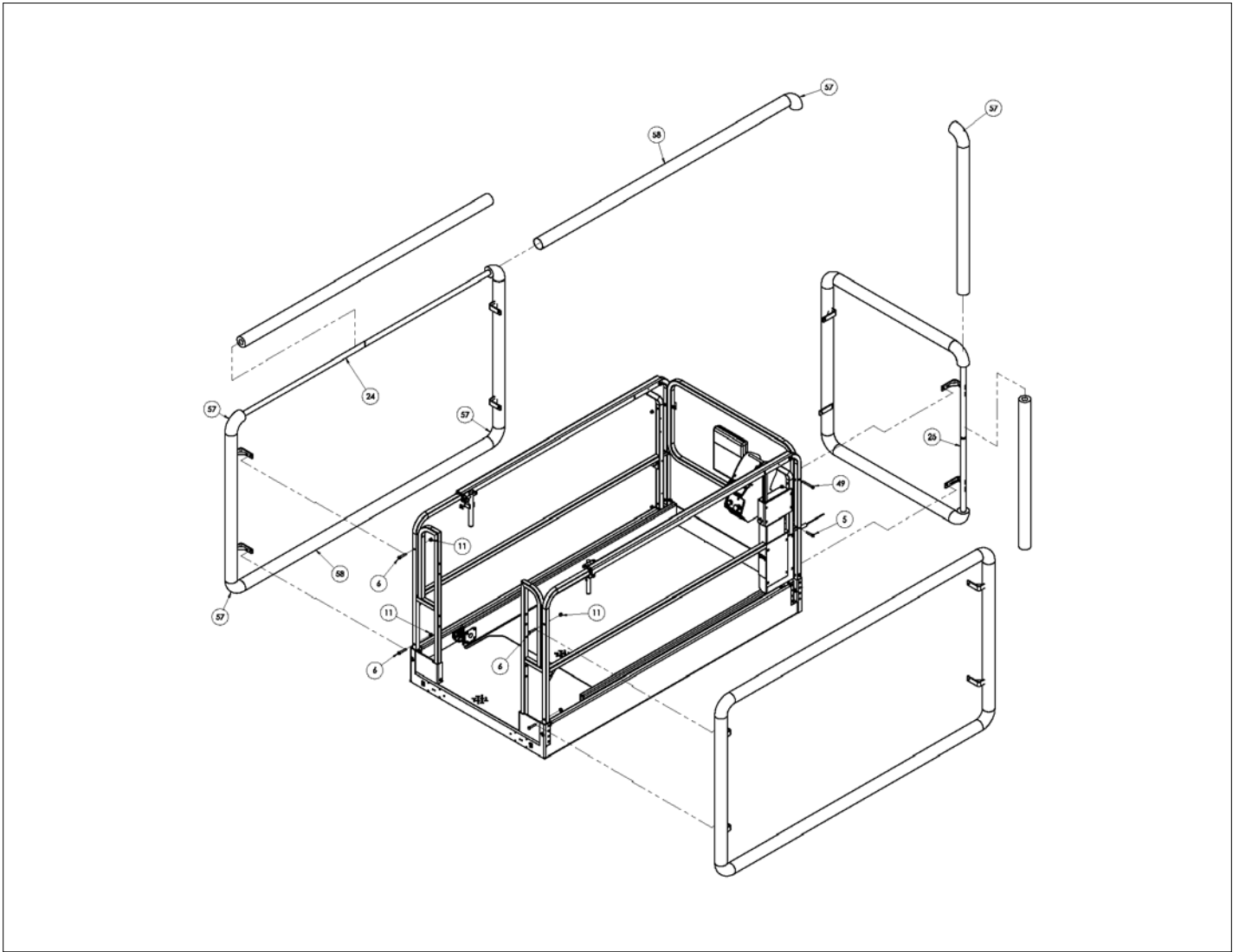
NOTES  
1. REMOVE P1-9 FROM P1 PLUG AND RECONNECT TO  
B- ON PG BOARD USING 3044163.

アイテム	部品番号	名前	数量	UOM
Not Shown	056066 004	NUT NYLOCK DIN985 M4 8.0 ZP	1	EA
65	3028896	CABLE MR 90 ° 2M	1	EA
66	1501829	PLT, CABLE COVER BOTTOM	1	EA
67	1502836	PENDANT, DRIVE CONTROLS JANUARY 2018 AND AFTER	1	EA
68	1502975	ASSY, UCB ANSI 2SPD	1	EA

ELECTRICAL

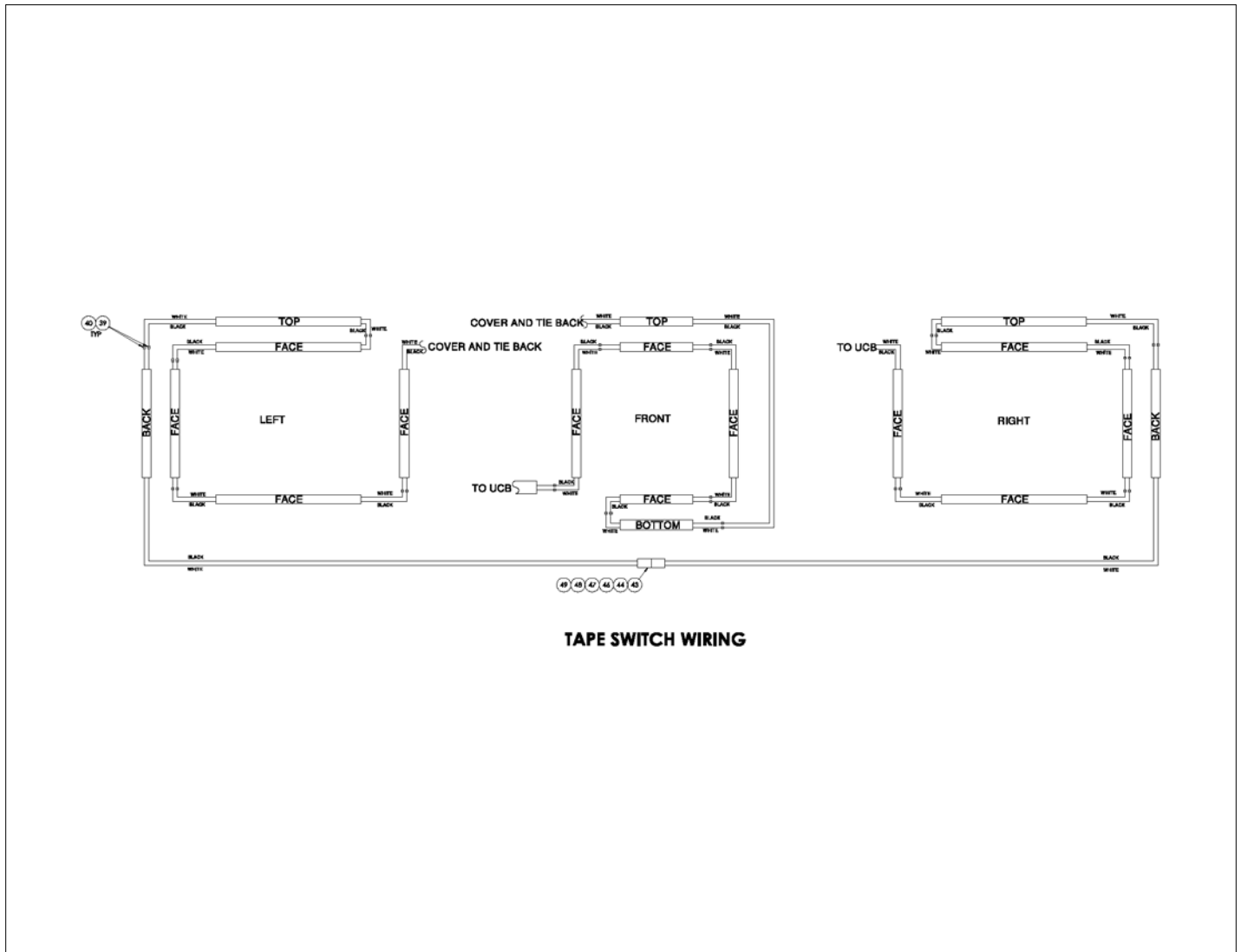


アイテム	部品番号	名前	数量	UOM
	1502734 D	BUMP GUARD ASSEMBLY S4726E S4732E		EA
1	058492 025	BOLT HEXSETSCREW DIN933 M8 X 25MM 8.8 ZP	6	EA
Not Shown	056059 030	Bolt, HexBolt DIN931 M8 x 30mm	2	EA
3	056059 090	Bolt, HexBolt DIN931 M8 x 90mm 8.8 ZincPlated	2	EA
4	056060 045	Bolt, HexBolt DIN931 M10 x 45mm 8.8 ZincPlated	1	EA
5	056060 050	Bolt, HexBolt DIN931 M10 x 50m	1	EA
6	056060 055	Bolt, HexBolt DIN931 M10 x 55mm 8.8 ZincPlated	16	EA
7	056060 065	Bolt, HexBolt DIN931 M10 x 65mm 8.8 ZincPlated	4	EA
Not Shown	056060 110	Bolt, HexBolt DIN931 M10 x 110	2	EA
9	056066 005	Nut NylockNut DIN985 M5 8.0 Zi	4	EA
10	056066 008	NUT NYLOCKNUT DIN985 M8 8.0 ZP	26	EA
11	056066 010	Nut, NylockNut DIN985 M10 8.0ZincPlated	25	EA
12	056069 008	WASHER, STEELFLATWASHER DIN12M8 FLAT WASHER DIN 125	12	EA
13	056069 010	Washer, SteelFlatWasher DIN125A M10 ZincPlated	12	EA
Not Shown	505082 020	Bolt, SktButCapScrew DIN9427 M5 x 20mm 10.9 ZincPlated	4	EA
15	058492 020	Bolt HexSetScrew DIN933 M8 x 2	2	EA
16	1501395	TUBE HNDRL MID TELESCOPE	2	EA
17	1501397	PLT CONT BOX MNT COVER	1	EA
18	1501525	WLDMT, SLIDE HANDLE	2	EA
Not Shown	1501581	WLDMT, TOP SLIDER LH	1	EA

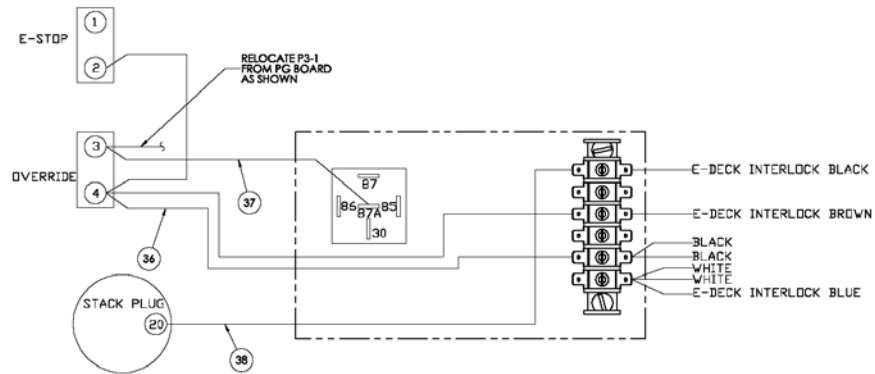


アイテム	部品番号	名前	数量	UOM
20	1501582	WLDMT, TOP SLIDER RH	1	EA
21	1501583	CLIP HANDLE 1.00	2	EA
22	1502442	PLT, SIDE DOOR THIN ORG	1	EA
23	1502443	WLDMT, WIRE CHASE	1	EA
24	1502498	WLDMT, BUMP GUARD SIDE	2	EA
25	1502502	WLDMT, BUMP GUARD FRONT	1	EA
26	1502508	WLDMT, HNDRL OUTER BUMP GUARD	1	EA
27	1502513	WLDMT, HNDRL OUTER LH BUMP GRD	1	EA
28	1502517	WLDMT, HNDRL FRONT BUMP GUARD	1	EA
29	1502693	ASSY PLATFORM S4732E S4726E	1	EA
30	1502731	ASSY, WIRING BUMP GUARD	1	EA
31	1502733	CABLE BUMP GUARD EXT	1	EA
Not Shown	1502735	WIRE 18 SPECIAL	1	EA
Not Shown	1502736	WIRE 18 SPADE6I FEM250FI 9	1	EA
Not Shown	1502737	WIRE 18 PIN SPADE6I 15	1	EA
Not Shown	3040082	TERM MALE250FI 16/14	38	EA
36	3040083	TERM FEM250FI 16/14	38	EA
37	3040113	MOUNTING BASE	1	EA
38	3040300	CONN .500 .188 .313	1	EA
39	3044163	TERM R312I 16/14	1	EA
40	3049803	CONNECTOR 2 PIN DEUTSCH PLUG	1	EA
Not Shown	3049804	CONNECTOR 2 PIN DEUTSCH RECEP	1	EA
42	3049807	LOCK WEDGE 2 PIN DEUTSCH PLUG	1	EA





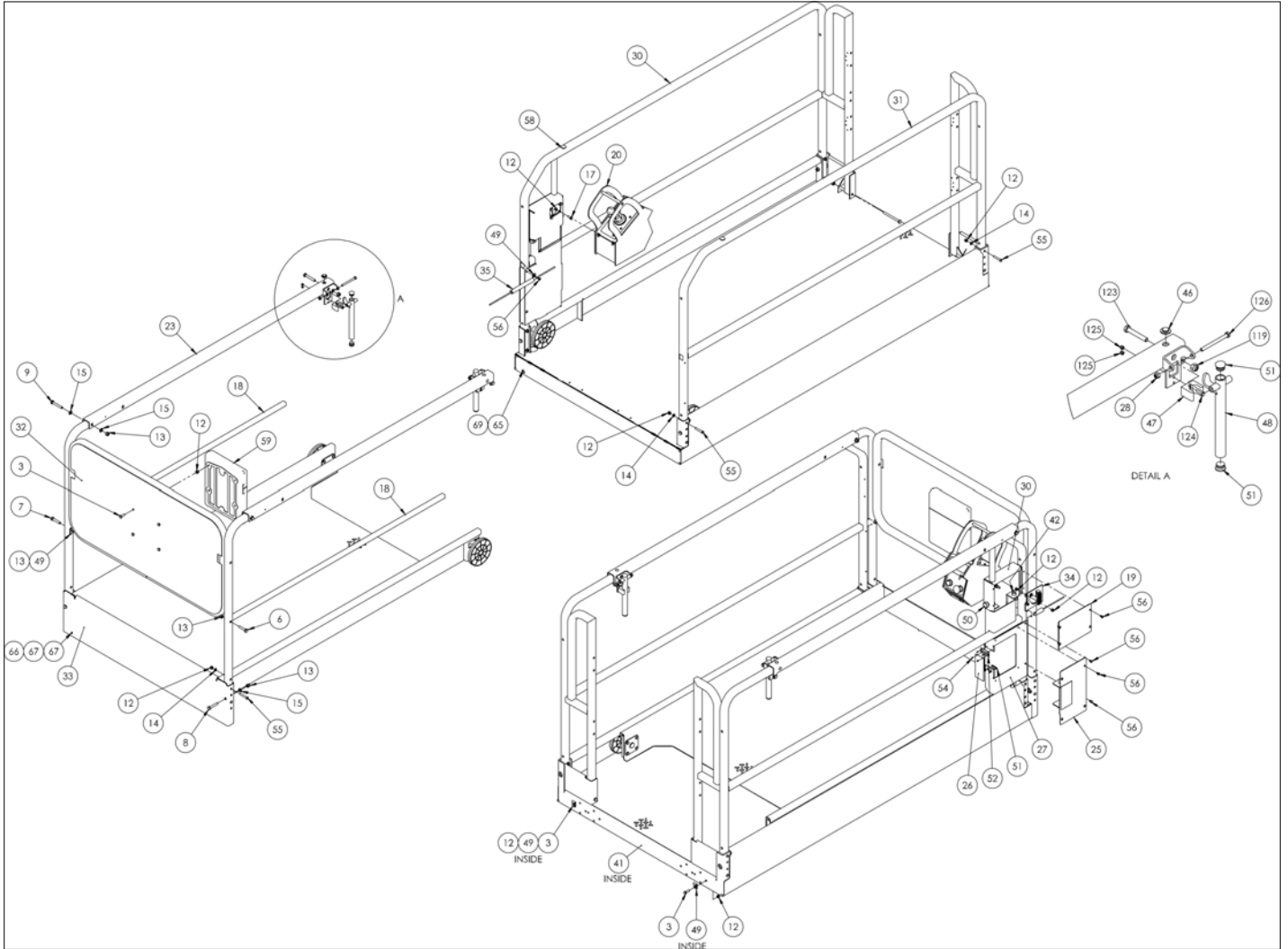
アイテム	部品番号	名前	数量	UOM
43	3049808	LOCK WEDGE 2 PIN DEUTSCH RECEP	1	EA
44	3090019	TUBE FLEXGARD .250 ID	14	EA
45	5093018	CLP CUSH .250 VINYL COATED	4	EA
46	510542 000	PUSHBUTTON BLACK C/W 1 N/O CON	1	EA
47	5516349	MAGNETIC LATCH	1	EA
48	5516360	HINGE, DRILLED SIDE DRIVE THIN	1	EA
49	5560653	BLT HEXHD M10 1.50 X 85MM DIN	2	EA
50	5560659	RVT POP .125 DIA .250 DMD STL	6	EA
51	5563304	SBHCS M8 X 1.25 X 50MM GR 1039	12	EA
52	5563446	1/4 20 PAN HEAD SCREW	12	EA
53	5563451	PLUG TUBING 1.00 X .095	4	EA
54	5569973	SLIDE PAD, STICK ON OCTOBER 2017 AND BEFORE	6	EA
55	562386	Literature Compartment	1	EA
Not Shown	9980003	PIPE INSUL CLOSED CELL AP ARMA	674	EA
57	9980007	COV ELB 18OZ COVERLITE YELLOW	12	EA
58	9980008	COV STR 18OZ COVERLITE YELLOW	4	EA
Not Shown	3040342	SOCKET CONTACT SIZE 16 16/18GA	2	EA
Not Shown	3040341	PIN CONTACT SIZE 16 16/18 GA	2	EA
61	3028894	SENSOR MAGNETIC	1	EA
62	3028895	SWNSOR MAG TARGET	1	EA
63	5563871	FSHCS M4 X 0.7 X 25	1	EA
Not Shown	056066 004	NUT NYLOCK DIN985 M4 8.0 ZP	1	EA



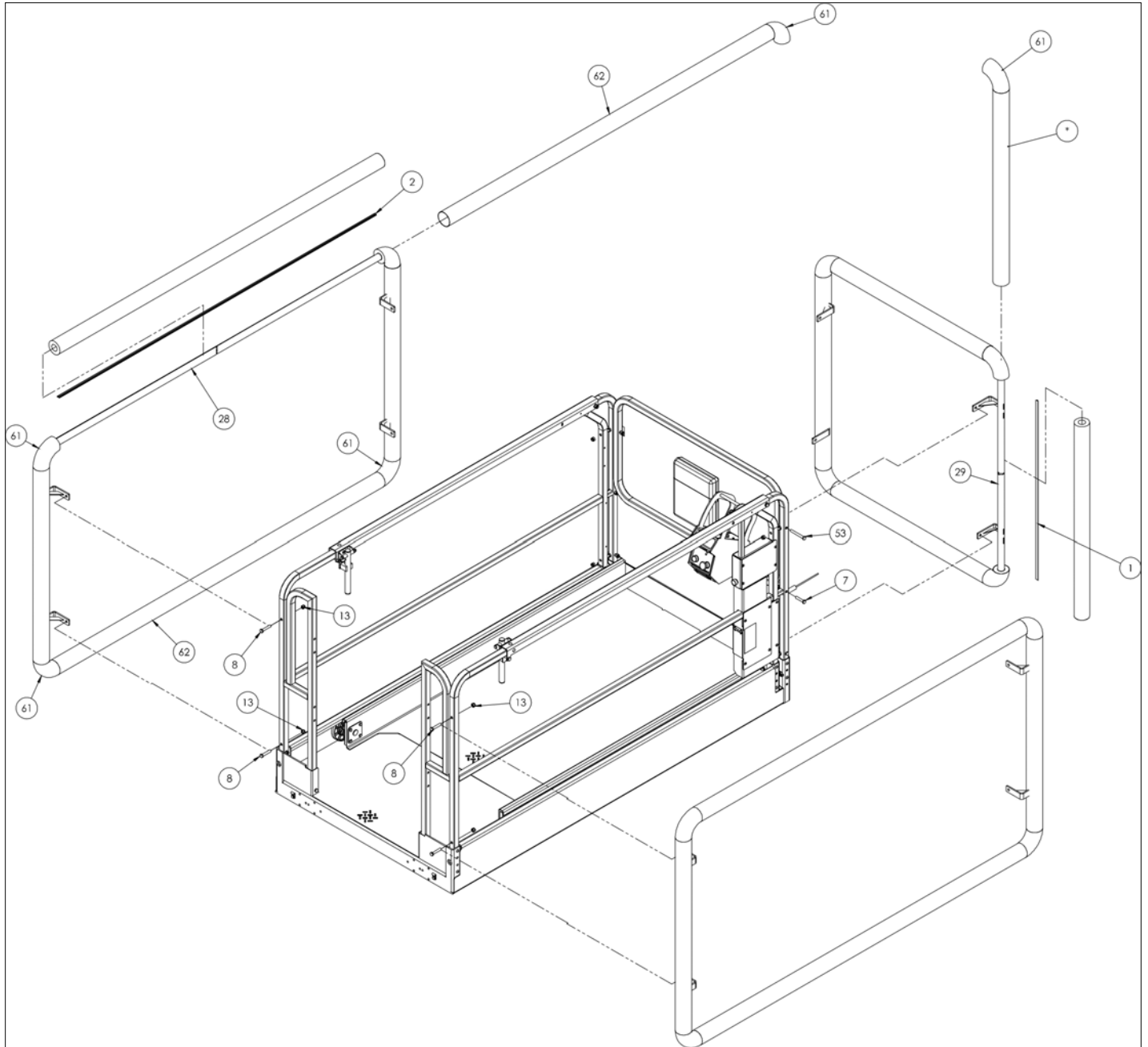
NOTES  
 1. REMOVE P1-9 FROM P1 PLUG AND RECONNECT TO  
 B- ON PG BOARD USING 3044163.

アイテム	部品番号	名前	数量	UOM
65	3028896	CABLE MR 90 ° 2M	1	EA
66	1501829	PLT, CABLE COVER BOTTOM	1	EA
67	1502836	PENDANT, DRIVE CONTROLS JANUARY 2018 AND AFTER	1	EA
68	1502975	ASSY, UCB ANSI 2SPD	1	EA

ELECTRICAL

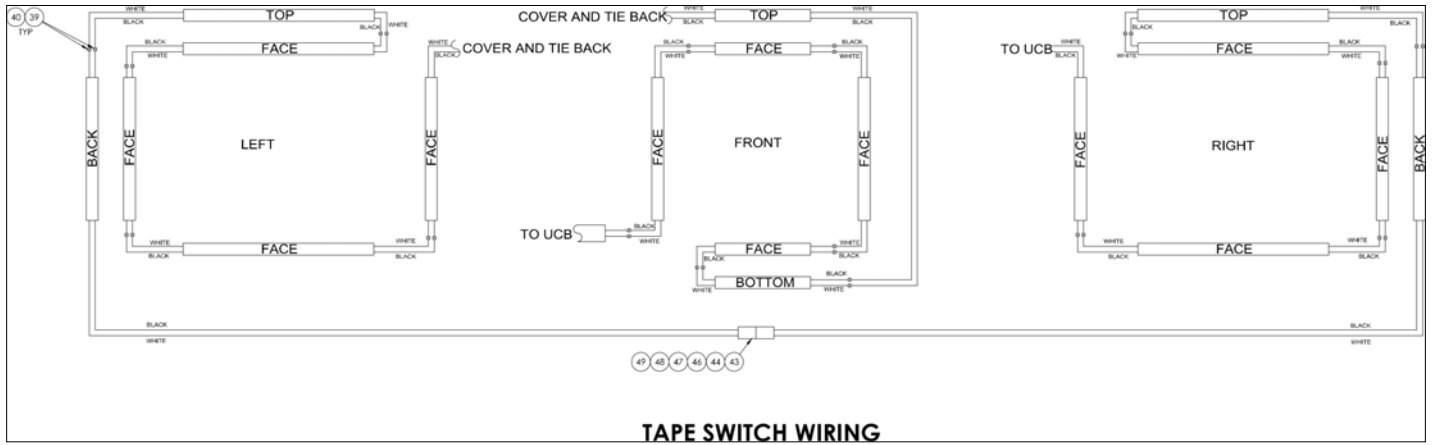


アイテム	部品番号	名前	数量	UOM
	1502734 A	BUMP GUARD ASSEMBLY S4732E S4726E APRIL 2018 AND BEFORE		EA
1	031051 040	TAPE SWITCH	12	EA
2	031051 082	TAPE, SWITCH 82"	8	EA
3	058492 025	BOLT HEXSETSCREW DIN933 M8 X 25MM 8.8 ZP	6	EA
4	056059 030	Bolt, HexBolt DIN931 M8 x 30mm	2	EA
5	056059 090	Bolt, HexBolt DIN931 M8 x 90mm 8.8 ZincPlated	2	EA
6	056060 045	Bolt, HexBolt DIN931 M10 x 45mm 8.8 ZincPlated	1	EA
7	056060 050	Bolt, HexBolt DIN931 M10 x 50m	1	EA
8	056060 055	Bolt, HexBolt DIN931 M10 x 55mm 8.8 ZincPlated	16	EA
9	056060 065	Bolt, HexBolt DIN931 M10 x 65mm 8.8 ZincPlated	4	EA
10	056060 110	Bolt, HexBolt DIN931 M10 x 110	2	EA
11	056066 005	Nut NylockNut DIN985 M5 8.0 Zi	4	EA
12	056066 008	NUT NYLOCKNUT DIN985 M8 8.0 ZP	26	EA
13	056066 010	Nut, NylockNut DIN985 M10 8.0ZincPlated	25	EA
14	056069 008	WASHER, STEELFLATWASHER DIN12M8 FLAT WASHER DIN 125	12	EA
15	056069 010	Washer, SteelFlatWasher DIN125A M10 ZincPlated	12	EA
16	058490 020	Bolt, HexSetScrew DIN933 M5 x	4	EA
17	058492 012	Bolt HexSetScrew DIN933 M8 x 1	2	EA
18	1501395	TUBE HNDRL MID TELESCOPE	2	EA
19	1501397 5	PLT CONT BOX MNT COVER	1	EA
20	1501498	ASSY, UCB ANSI 2SPD AUGUST 2018 AND AFTER	1	EA

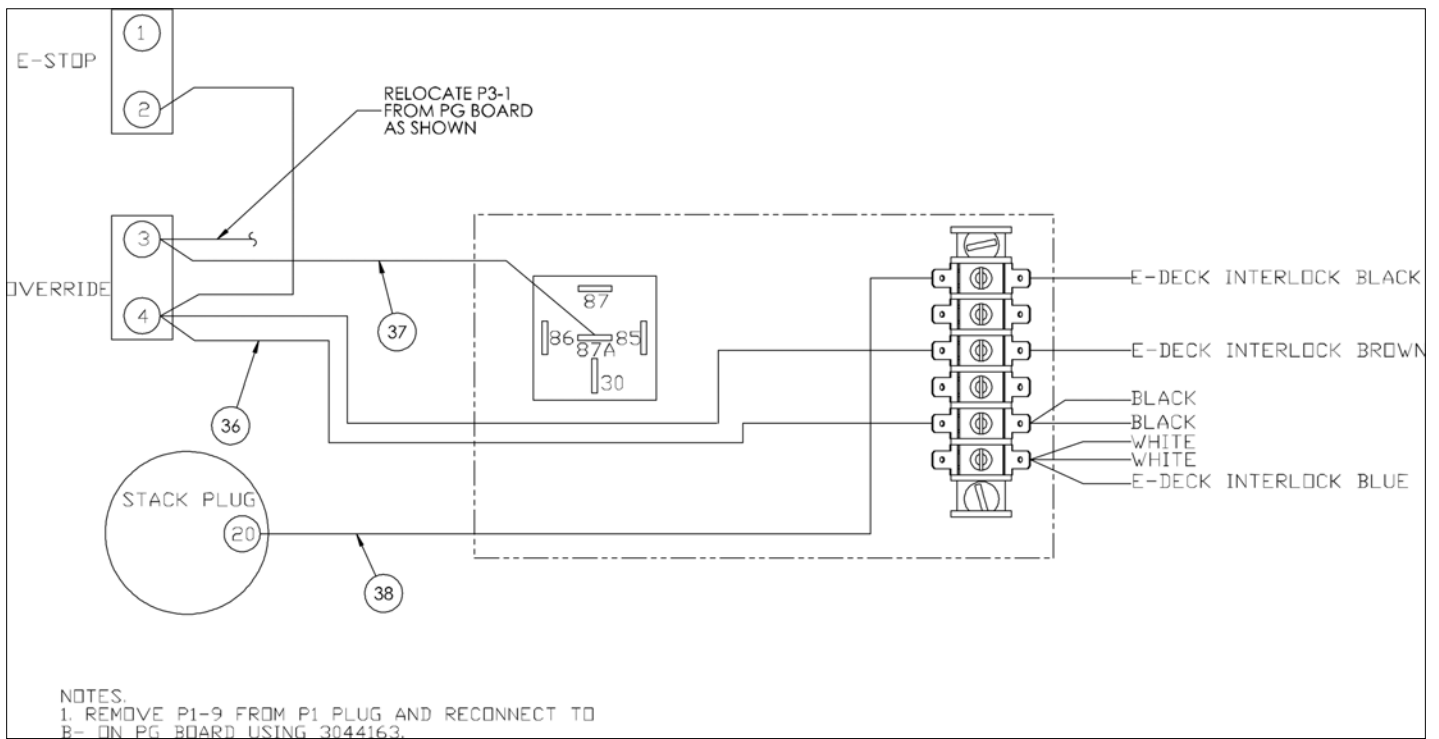


アイテム	部品番号	名前	数量	UOM
21	1501525 4	WLDMT SLIDE HANDLE JUNE 2017 AND AFTER	2	EA
22	1501581 5	WLDMT TOP SLIDER LH	1	EA
23	1501582 5	WLDMT TOP SLIDER RH	1	EA
24	1501583	CLIP HANDLE 1.00	2	EA
25	1502066	ASSY LOADING CONTROL PANEL	1	EA
26	1502442 5	PLT, SIDE DOOR THIN	1	EA
27	1502443 5	WLDMT, WIRE CHASE	1	EA
28	1502498 5	WLDMT, BUMP GUARD SIDE	2	EA
29	1502502 5	WLDMT, BUMP GUARD FRONT	1	EA
30	1502508 5	WLDMT, HNDRL OUTER BUMP GUARD	1	EA
31	1502513 5	WLDMT, HNDRL OUTER LH BUMP GRD	1	EA
32	1502517 5	WLDMT, HNDRL FRONT BUMP GUARD	1	EA
33	1502693	ASSY PLATFORM S4732E S4726E	1	EA
34	1502731	ASSY, WIRING BUMP GUARD	1	EA
35	1502733	CABLE BUMP GUARD EXT	1	EA
36	1502735	WIRE 18 SPECIAL	1	EA
37	1502736	WIRE 18 SPADE6I FEM250FI 9	1	EA
38	1502737	WIRE 18 PIN SPADE6I 15	1	EA
39	3040082	TERM MALE250FI 16/14	38	EA
40	3040083	TERM FEM250FI 16/14	38	EA
41	3040113	MOUNTING BASE	1	EA
42	3040300	CONN .500 .188 .313	1	EA
43	3044163	TERM R312I 16/14	1	EA
44	3049803	CONNECTOR 2 PIN DEUTSCH PLUG	1	EA
45	3049804	CONNECTOR 2 PIN DEUTSCH RECEP	1	EA



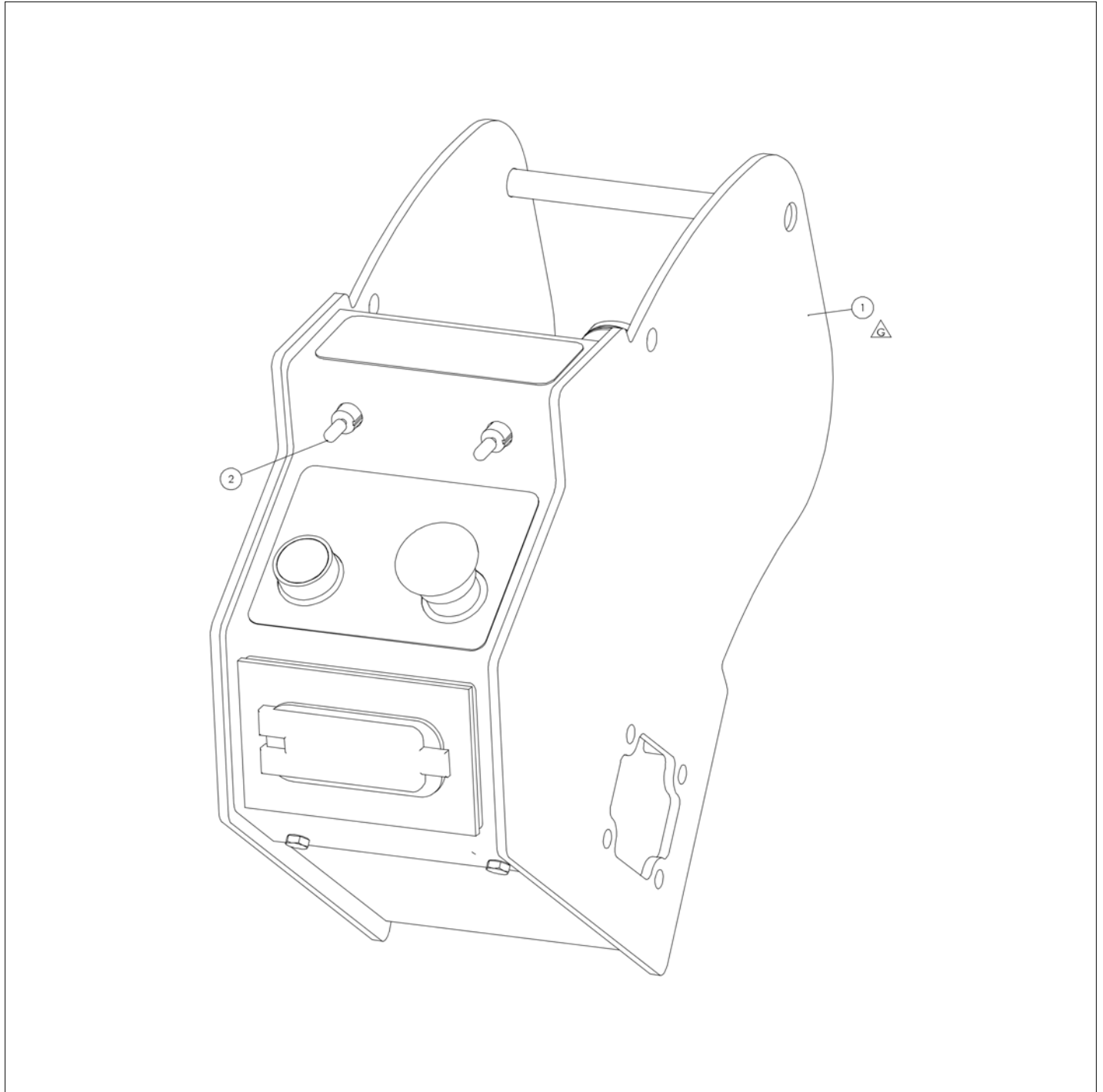


アイテム	部品番号	名前	数量	UOM
46	3049807	LOCK WEDGE 2 PIN DEUTSCH PLUG	1	EA
47	3049808	LOCK WEDGE 2 PIN DEUTSCH RECEP	1	EA
48	3090019	TUBE FLEXGARD .250 ID	14	EA
49	5093018	CLP CUSH .250 VINYL COATED	4	EA
50	510542 000	PUSHBUTTON BLACK C/W 1 N/O CON	1	EA
51	5516349	MAGNETIC LATCH	1	EA
52	5516360	HINGE, DRILLED SIDE DRIVE THIN	1	EA
53	5560653	BLT HEXHD M10 1.50 X 85MM DIN	2	EA
54	5560659	RVT POP .125 DIA .250 DMD STL	6	EA
55	5563304	SBHCS M8 X 1.25 X 50MM GR 1039	12	EA
56	5563446	1/4 20 PAN HEAD SCREW	12	EA
57	5563451	PLUG TUBING 1.00 X .095	4	EA
58	5569973	SLIDE PAD, STICK ON OCTOBER 2017 AND BEFORE	6	EA
59	562386	Literature Compartment	1	EA
60	9980003	PIPE INSUL CLOSED CELL AP ARMA	674	EA
61	9980007	COV ELB 18OZ COVERLITE YELLOW	12	EA
62	9980008	COV STR 18OZ COVERLITE YELLOW	4	EA
63	3040342	SOCKET CONTACT SIZE 16 16/18GA	2	EA
64	3040341	PIN CONTACT SIZE 16 16/18 GA	2	EA
65	3028894	SENSOR MAGNETIC	1	EA
66	3028895	SWNSOR MAG TARGET	1	EA
67	5563871	FSHCS M4 X 0.7 X 25	1	EA

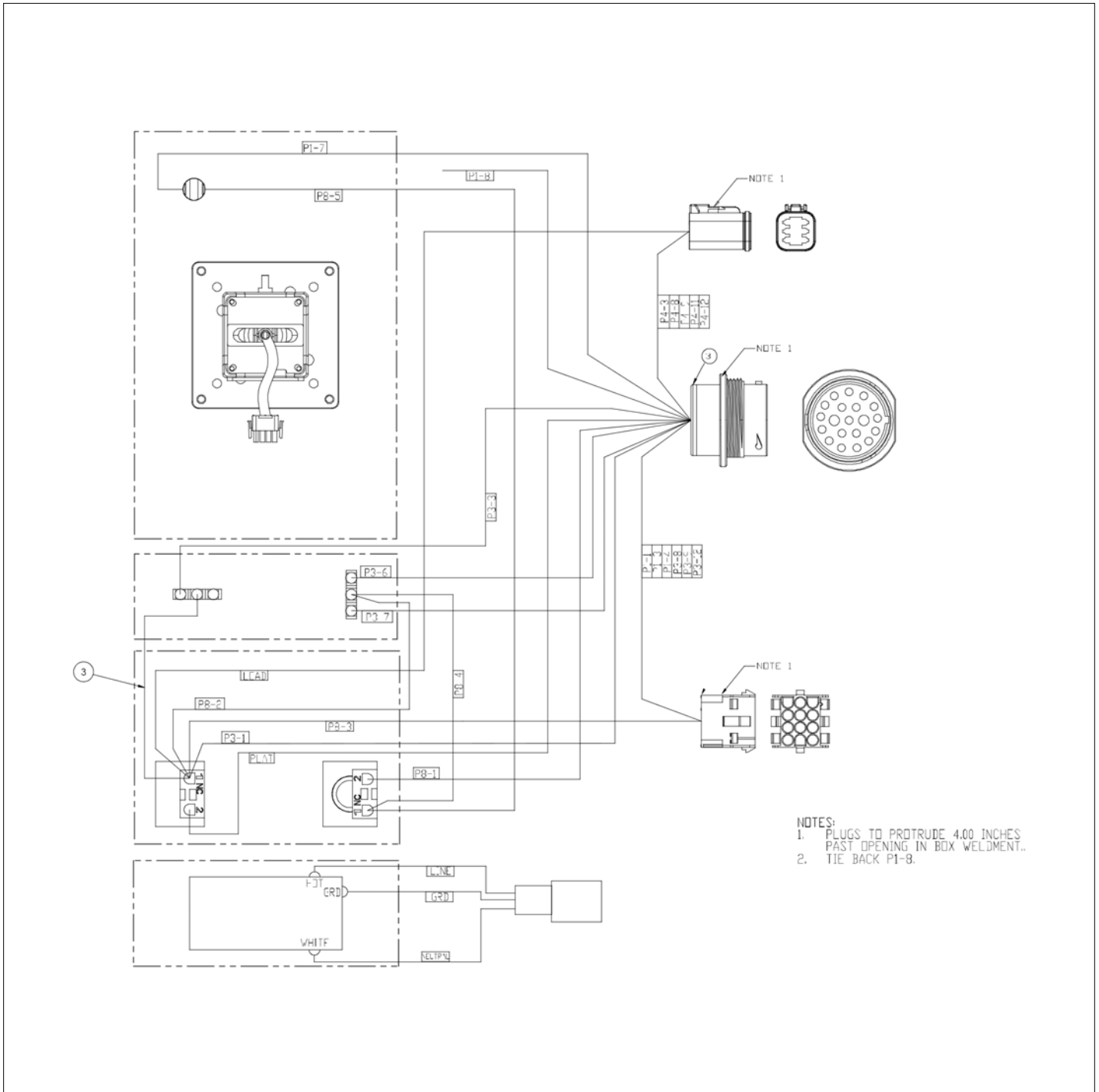


アイテム	部品番号	名前	数量	UOM
68	056066 004	NUT NYLOCK DIN985 M4 8.0 ZP	1	EA
69	3028896	CABLE MR 90 ° 2M	1	EA

ELECTRICAL

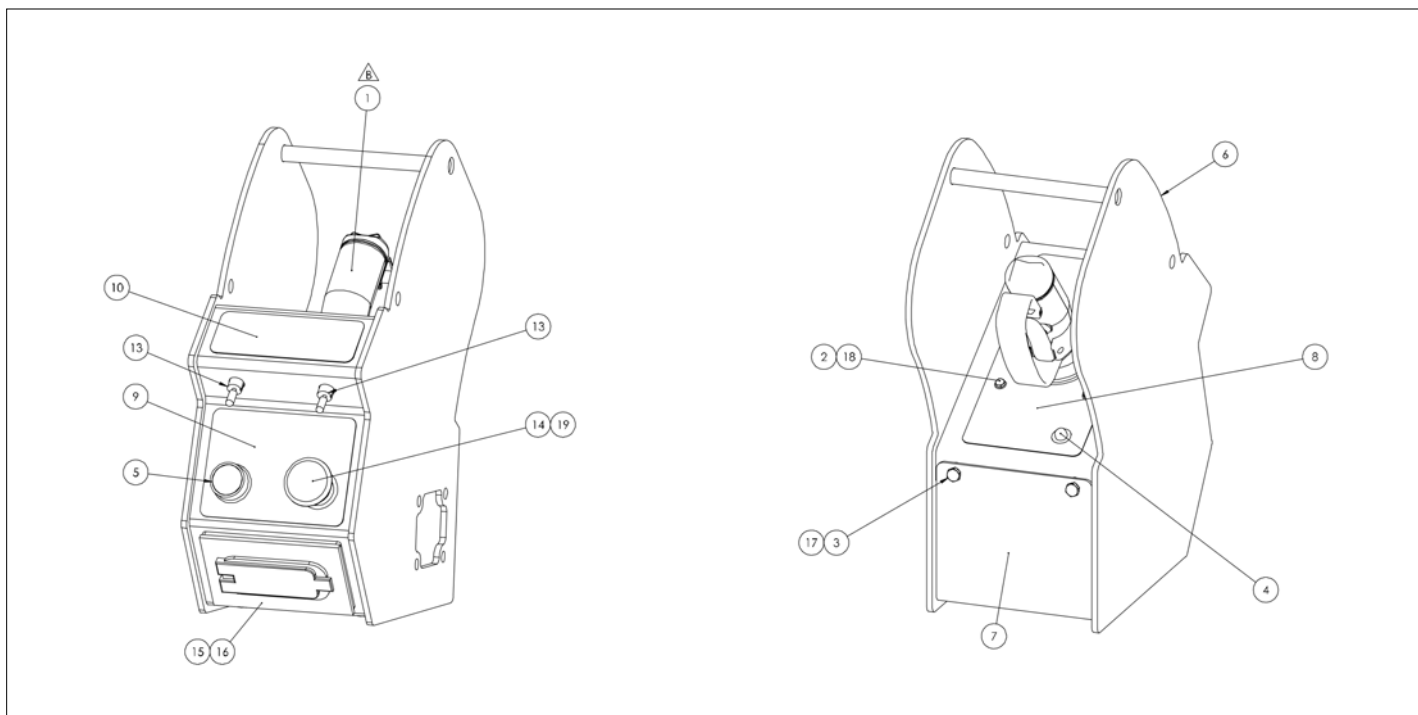


アイテム	部品番号	名前	数量	UOM
	1501498 H	UPPER CONTROL BOX ASSEMBLY TWO SPEED ANSI		EA
1	1501157	ASSY PLATFM CONT BOX	1	EA
2	3020047	Switch, Toggle Honeywell INTI 3	1	EA
3	1501760	WIRE 18 R6I SPADE6I 8	1	EA



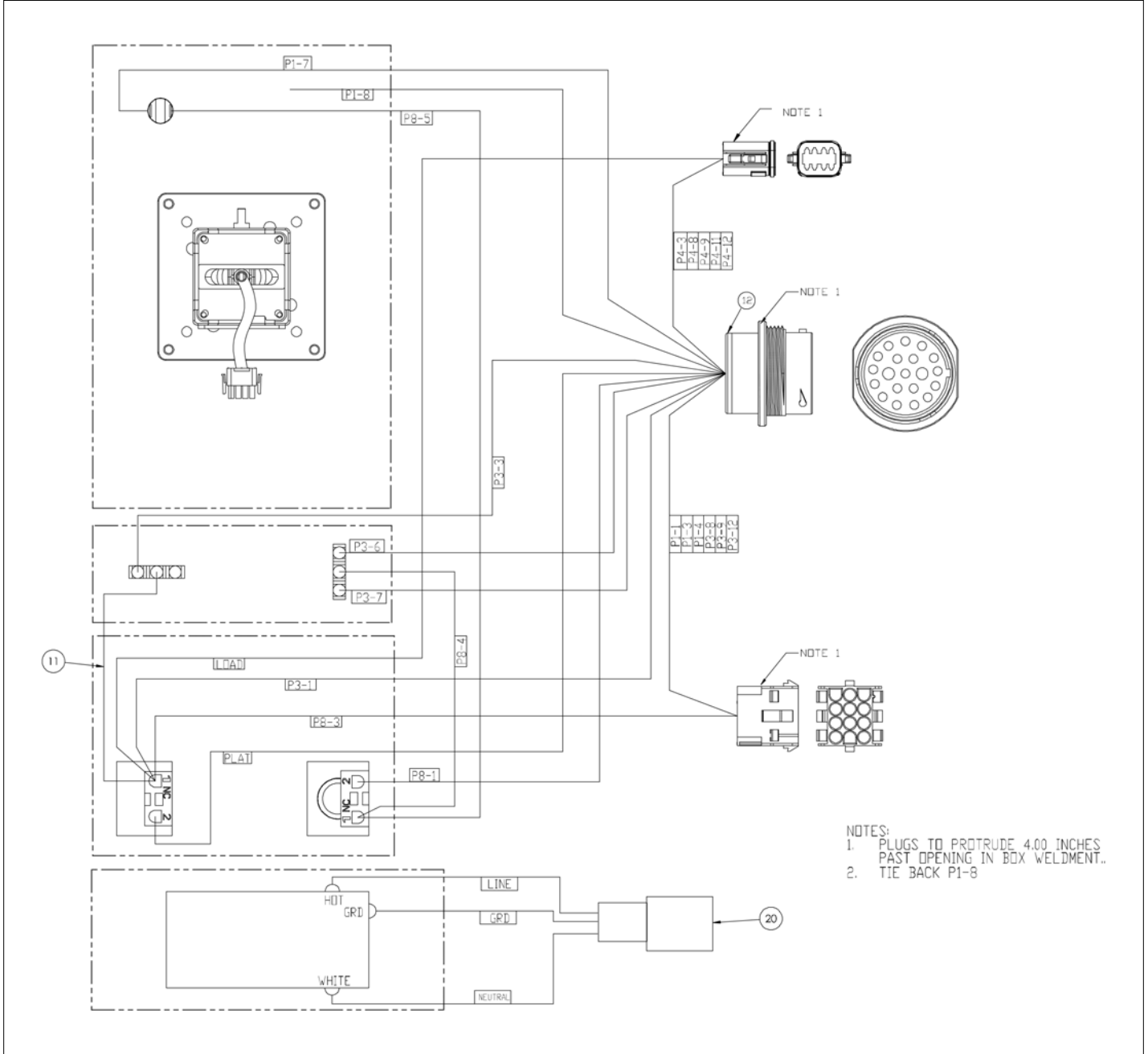
NOTES:  
1. PLUGS TO PROTRUDE 4.00 INCHES PAST OPENING IN BOX WELDMENT.  
2. TIE BACK P1-8.

ELECTRICAL

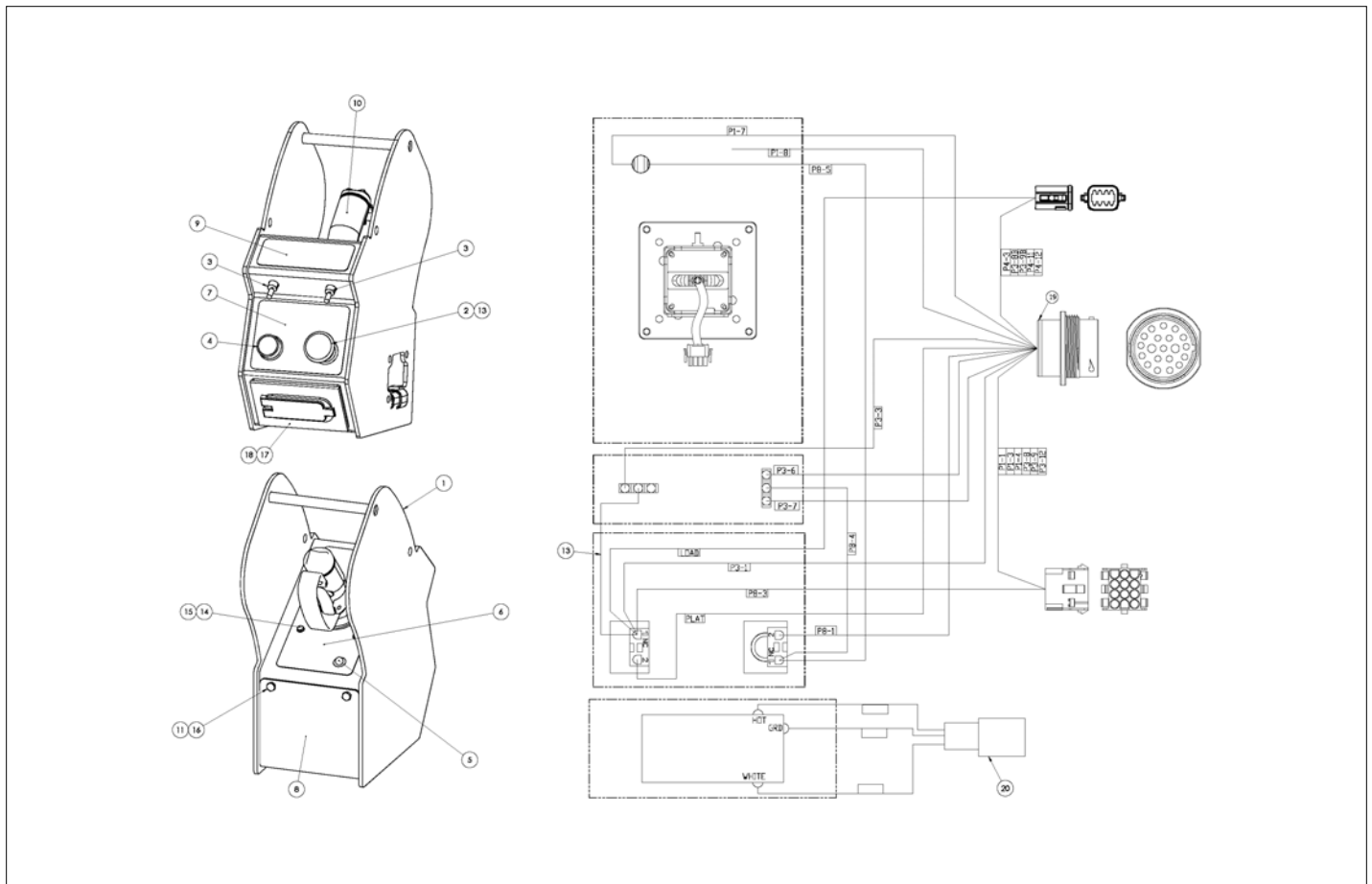




アイテム	部品番号	名前	数量	UOM
	1502872 B	UPPER CONTROL BOX ANSI 2SPD ASSEMBLY MAY 2018 AND AFTER		EA
1	3028933	Joystick 1 Axis, Deadman Guard	1	EA
2	056066 004	NUT NYLOCK DIN985 M4 8.0 ZP	4	EA
3	058491 030	BOLT HEXSETSCREW DIN 933 M6 X 30MM 8.8 ZP	4	EA
4	302829	LIGHT RED 24VDC BEZEL MOUNT	1	EA
5	510542 000	PUSHBUTTON BLACK C/W 1 N/O CON	1	EA
6	1501112	WLDMT, PLATFORM CTRL BOX	1	EA
7	1501116	PLT BOTTOM PLATFORM CONTROL BOX	1	EA
8	1501158	PLAC PLATFM CONT BOX	1	EA
9	1501159	PLAC PLATFM CONT E STOP/HORN	1	EA
10	1501359	PLAC LIFT/DRIVE	1	EA
11	1501760	WIRE 18 R6I SPADE6I 8	1	EA
12	1502871	CONN, ANSI UCB 2 SPEED	1	EA
13	3020047	Switch, Toggle Honeywell INTI 3	2	EA
14	3028810	PUSH/PULL EMERGENCY STOP	1	EA
15	3040624	Recepticle Outlet 20AMP	1	EA
16	3040625	Enclosure Face	1	EA
17	5560067	NUT SPEED U THREADED M6	4	EA
18	5563181	HHCS M4 X 0.7 X 30G8.8 DIN 931	4	EA
19	5563643	WSHR .875ID 1.38OD .045THK	1	EA
20	1502308	HARNESS 110V JUMPER	1	EA

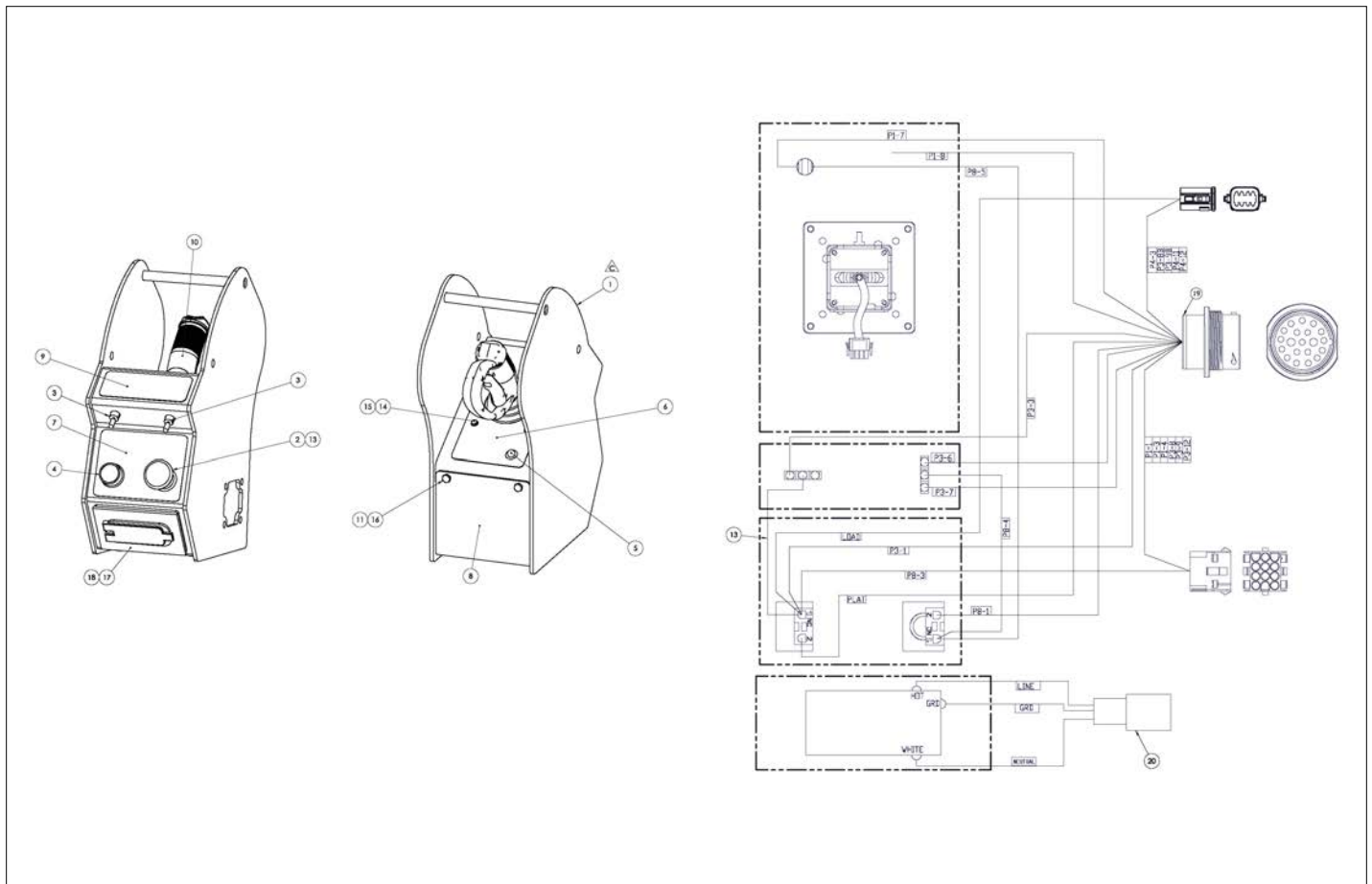


ELECTRICAL



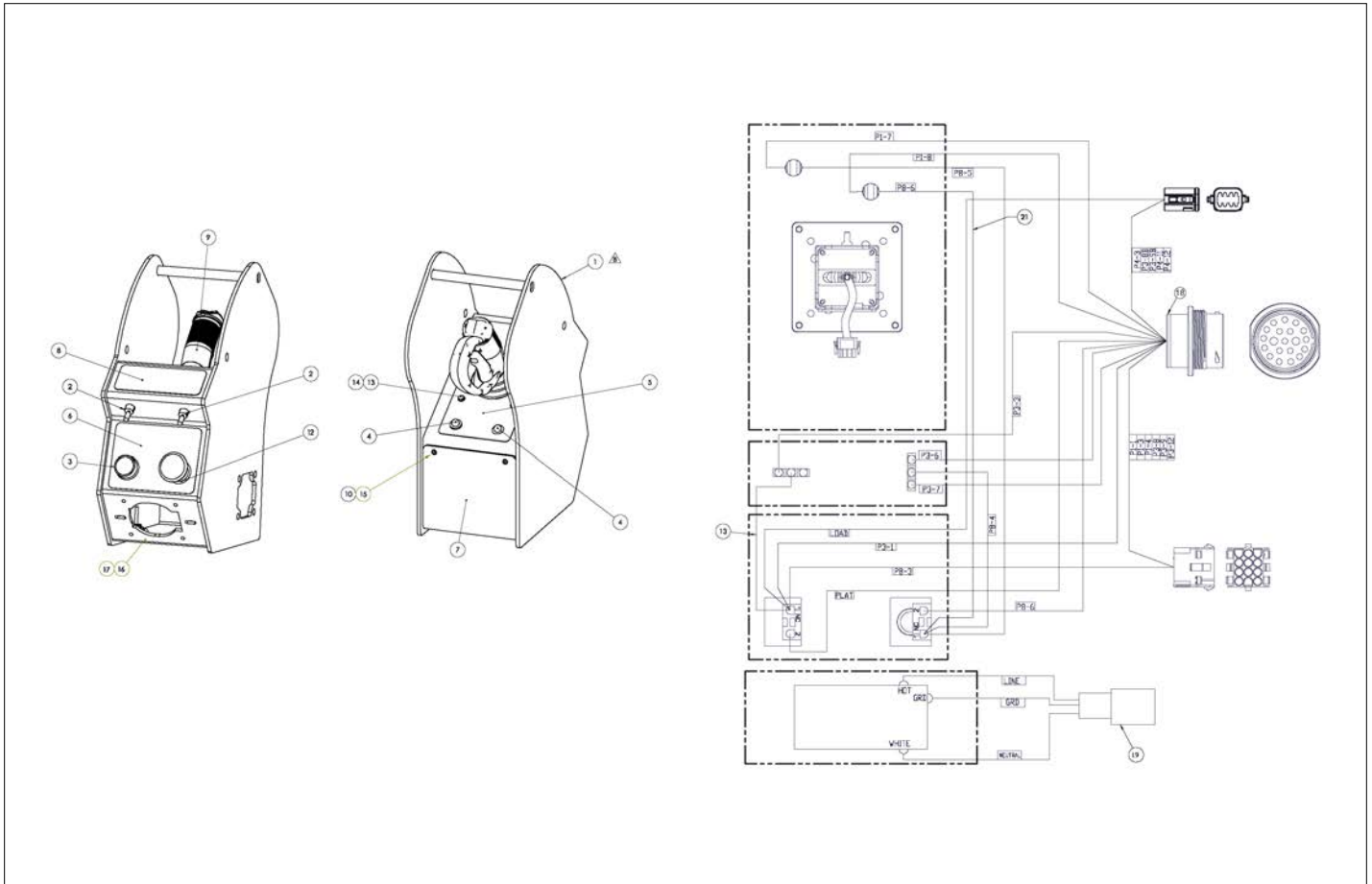
アイテム	部品番号	名前	数量	UOM
Not Shown	1502975A	UPPER CONTROL BOX ASSEMBLY TWO SPEED ANSI SEPTEMBER 2018 AND BEFORE		EA
1	1501112	WLDMT, PLATFORM CTRL BOX	1	EA
2	3028810	PUSH/PULL EMERGENCY STOP	1	EA
3	3020047	Switch, Toggle Honeywell INTI 3	2	EA
4	510542 000	PUSHBUTTON BLACK C/W 1 N/O CON	1	EA
5	302829	LIGHT RED 24VDC BEZEL MOUNT	1	EA
6	1501158	PLAC PLATFM CONT BOX	1	EA
7	1501159	PLAC PLATFM CONT E STOP/HORN	1	EA
8	1501116	PLT BOTTOM PLATFORM CONTROL BOX	1	EA
9	1501359	PLAC LIFT/DRIVE	1	EA
10	3028933	Joystick 1 Axis, Deadman Guard	1	EA
11	5560067	NUT SPEED U THREADED M6	4	EA
12	1501760	WIRE 18 R6I SPADE6I 8	1	EA
13	5563643	WSHR .875ID 1.38OD .045THK	1	EA
14	5563181	HHCS M4 X 0.7 X 30G8.8 DIN 931	4	EA
15	056066 004	NUT NYLOCK DIN985 M4 8.0 ZP	4	EA
16	058491 030	BOLT HEXSETSCREW DIN 933 M6 X 30MM 8.8 ZP	4	EA
17	3040625	Enclosure Face	1	EA
18	3040624	Recepticle Outlet 20AMP	1	EA
19	1502971	CON UCB ANSI 2SPD	1	EA
20	1502308	HARNESS 110V JUMPER	1	EA

ELECTRICAL



アイテム	部品番号	名前	数量	UOM
	1502975 C	UPPER CONTROL BOX ASSEMBLY ANSI 2SPD OCTOBER 2018 AND AFTER		EA
1	1501112	WLDMT, PLATFORM CTRL BOX	1	EA
2	3028810	PUSH/PULL EMERGENCY STOP	1	EA
3	3020047	Switch, Toggle Honeywell INTI 3	2	EA
4	510542 000	PUSHBUTTON BLACK C/W 1 N/O CON	1	EA
5	302829	LIGHT RED 24VDC BEZEL MOUNT	1	EA
6	1501158	PLAC PLATFM CONT BOX	1	EA
7	1501159	PLAC PLATFM CONT E STOP/HORN	1	EA
8	1501116	PLT BOTTOM PLATFORM CONTROL BOX	1	EA
9	1501359	PLAC LIFT/DRIVE	1	EA
10	3028933	Joystick 1 Axis, Deadman Guard	1	EA
11	5560067	NUT SPEED U THREADED M6	4	EA
12	1501760	WIRE 18 R6I SPADE6I 8	1	EA
13	5563643	WSHR .875ID 1.38OD .045THK	1	EA
14	5563181	HHCS M4 X 0.7 X 30G8.8 DIN 931	4	EA
15	056066 004	NUT NYLOCK DIN985 M4 8.0 ZP	4	EA
16	058491 030	BOLT HEXSETSCREW DIN 933 M6 X 30MM 8.8 ZP	4	EA
17	3040625	Enclosure Face	1	EA
18	3040624	Recepticle Outlet 20AMP	1	EA
19	1502971	CON UCB ANSI 2SPD	1	EA
20	1502308	HARNESS 110V JUMPER	1	EA

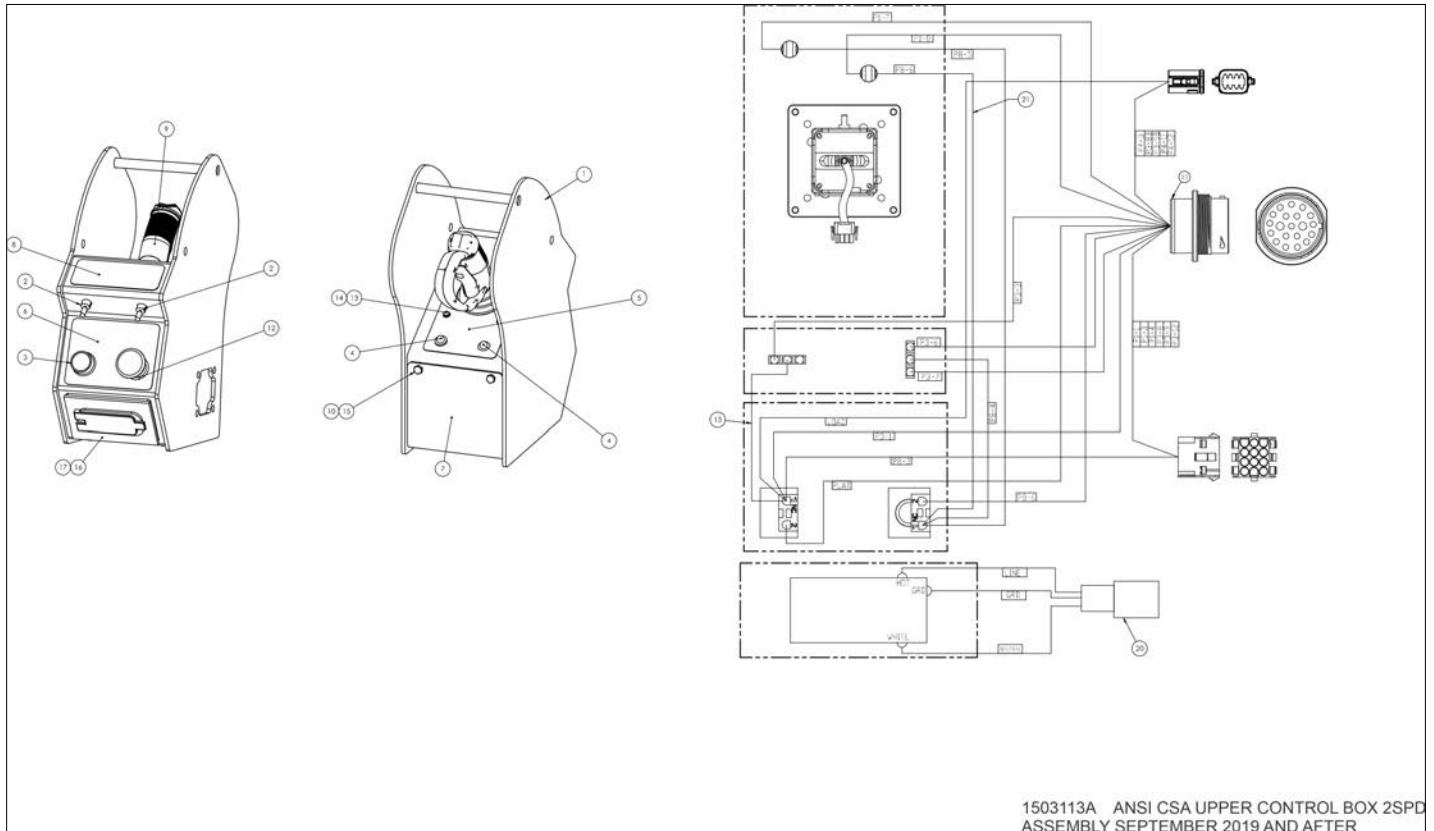
ELECTRICAL



アイテム	部品番号	名前	数量	UOM
*	1503113 B	ANSI CSA UPPER CONTROL BOX ASSEMBLY 2SPD MAY 2019 AND AFTER		EA
1	1501112	WLDMT, PLATFORM CTRL BOX	1	EA
2	3020047	Switch, Toggle Honeywell INTI 3	2	EA
3	510542 000	PUSHBUTTON BLACK C/W 1 N/O CON	1	EA
4	302829	LIGHT RED 24VDC BEZEL MOUNT	1	EA
5	1501158	PLAC PLATFM CONT BOX	1	EA
6	1501159	PLAC PLATFM CONT E STOP/HORN	1	EA
7	1501116	PLT BOTTOM PLATFORM CONTROL BOX	1	EA
8	1501359	PLAC LIFT/DRIVE	1	EA
9	3028933	Joystick 1 Axis, Deadman Guard	1	EA
10	5560067	NUT SPEED U THREADED M6	4	EA
11	1501760	WIRE 18 R6I SPADE6I 8	1	EA
12	5563643	WSHR .875ID 1.38OD .045THK	1	EA
13	5563181	HHCS M4 X 0.7 X 30G8.8 DIN 931	4	EA
14	056066 004	NUT NYLOCK DIN985 M4 8.0 ZP	4	EA
15	3028810	PUSH/PULL EMERGENCY STOP	1	EA
16	1501690	WIRE JUMPER CE OVERLOAD LIGHT	1	EA
17	3040624	Recepticle Outlet 20AMP	1	EA
18	1502971	CON UCB ANSI 2SPD	1	EA
19	1502308	HARNESS 110V JUMPER	1	EA
20	1508810	PUSH/PULL ASSY W/CONTACT	1	EA
21	1501690	WIRE JUMPER CE OVERLOAD LIGHT	1	EA

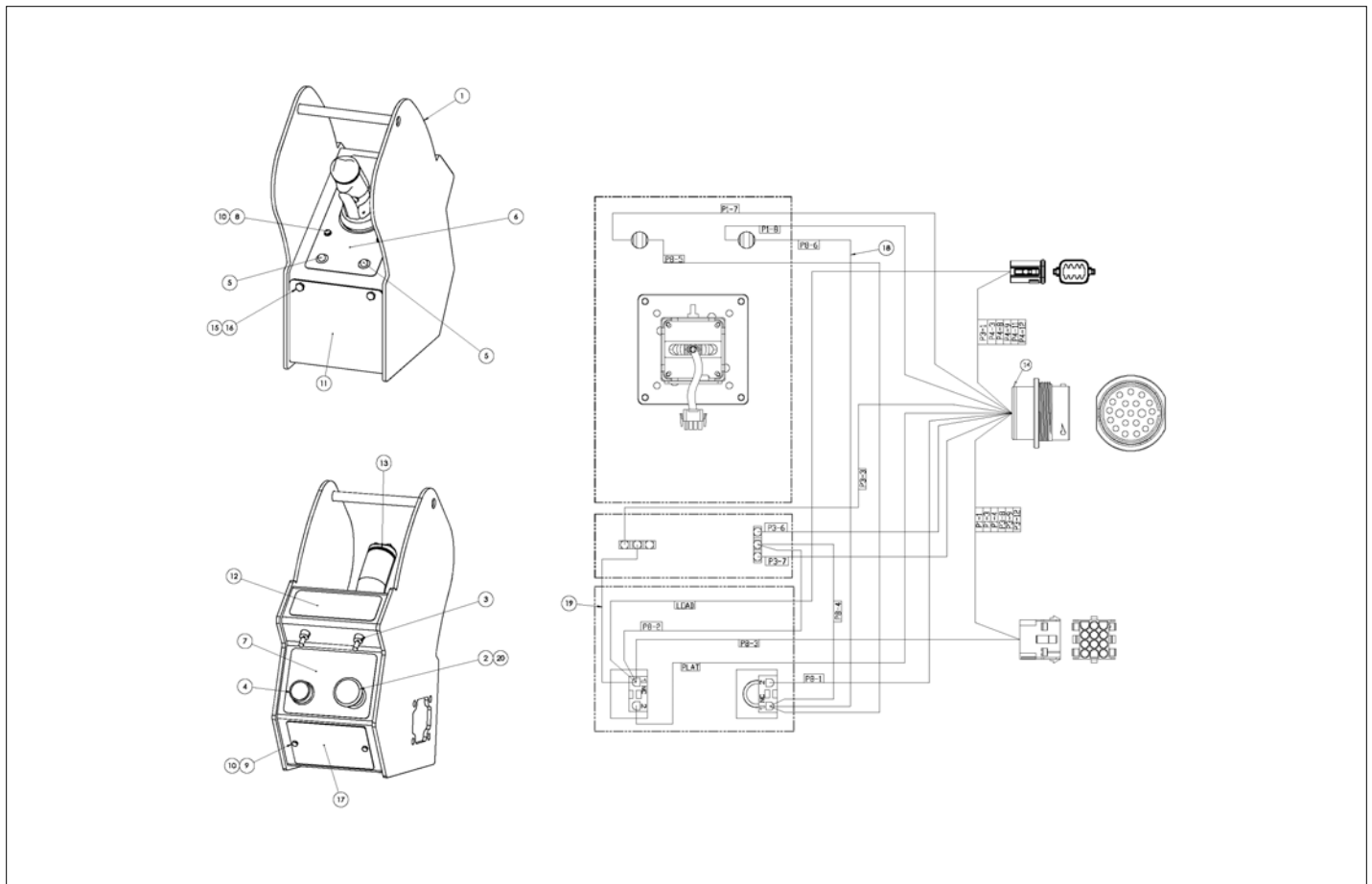


ELECTRICAL



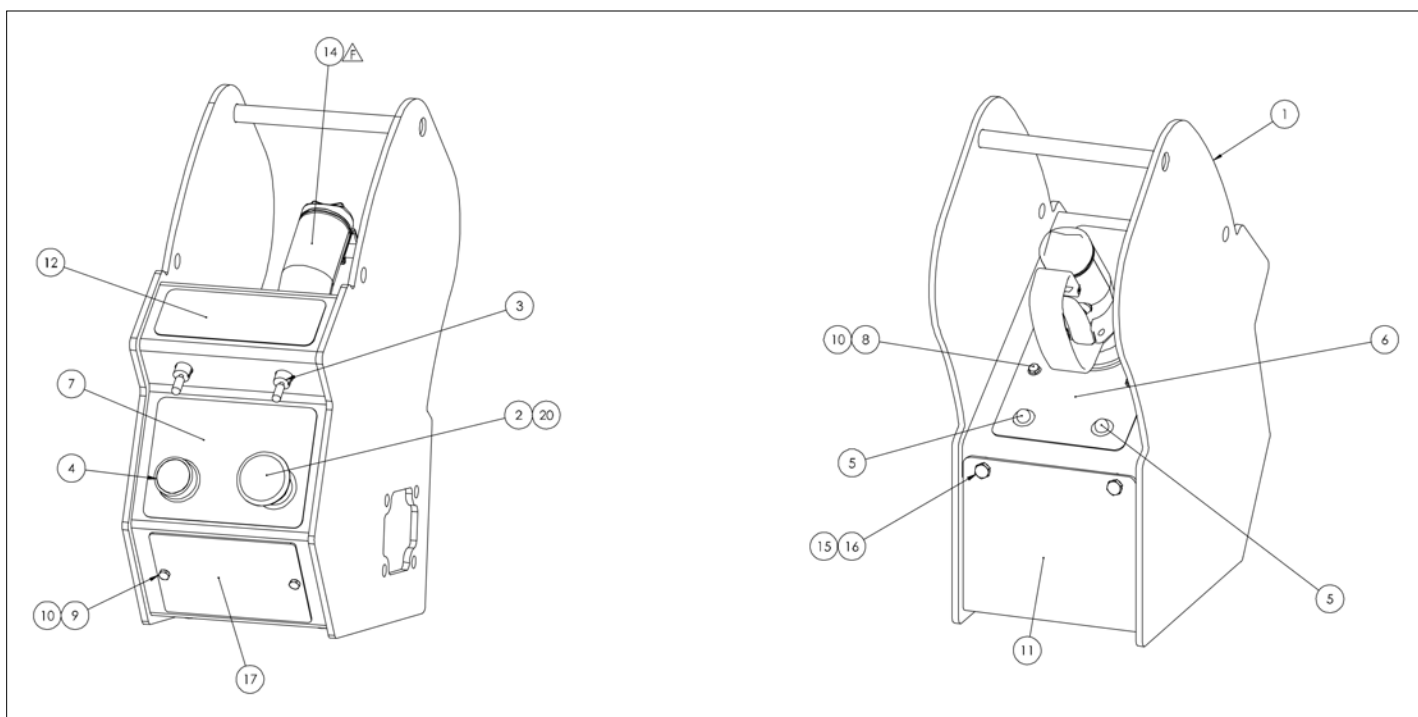
アイテム	部品番号	名前	数量	UOM
*	1503113 A	ANSI CSA UPPER CONTROL BOX 2SPD ASSEMBLY SEPTEMBER 2019 AND AFTER		EA
1	1501112	WLDMT, PLATFORM CTRL BOX	1	EA
2	3020047	Switch, Toggle Honeywell INTI 3	2	EA
3	510542 000	PUSHBUTTON BLACK C/W 1 N/O CON	1	EA
4	302829	LIGHT RED 24VDC BEZEL MOUNT	1	EA
5	1501158	PLAC PLATFM CONT BOX	1	EA
6	1501159	PLAC PLATFM CONT E STOP/HORN	1	EA
7	1501116	PLT BOTTOM PLATFORM CONTROL BOX	1	EA
8	1501359	PLAC LIFT/DRIVE	1	EA
9	3028933	Joystick 1 Axis, Deadman Guard	1	EA
10	5560067	NUT SPEED U THREADED M6	4	EA
11	1501760	WIRE 18 R6I SPADE6I 8	1	EA
12	5563643	WSHR .875ID 1.38OD .045THK	1	EA
13	5563181	HHCS M4 X 0.7 X 30G8.8 DIN 931	4	EA
14	056066 004	NUT NYLOCK DIN985 M4 8.0 ZP	4	EA
15	058491 030	BOLT HEXSETSCREW DIN 933 M6 X 30MM 8.8 ZP	1	EA
16	3040625	Enclosure Face	1	EA
17	3040624	Recepticle Outlet 20AMP	1	EA
18	1502971	CON UCB ANSI 2SPD	1	EA
19	1502308	HARNESS 110V JUMPER	1	EA
20	1508810	PUSH/PULL ASSY W/CONTACT	1	EA
21	1501690	WIRE JUMPER CE OVERLOAD LIGHT	1	EA

ELECTRICAL

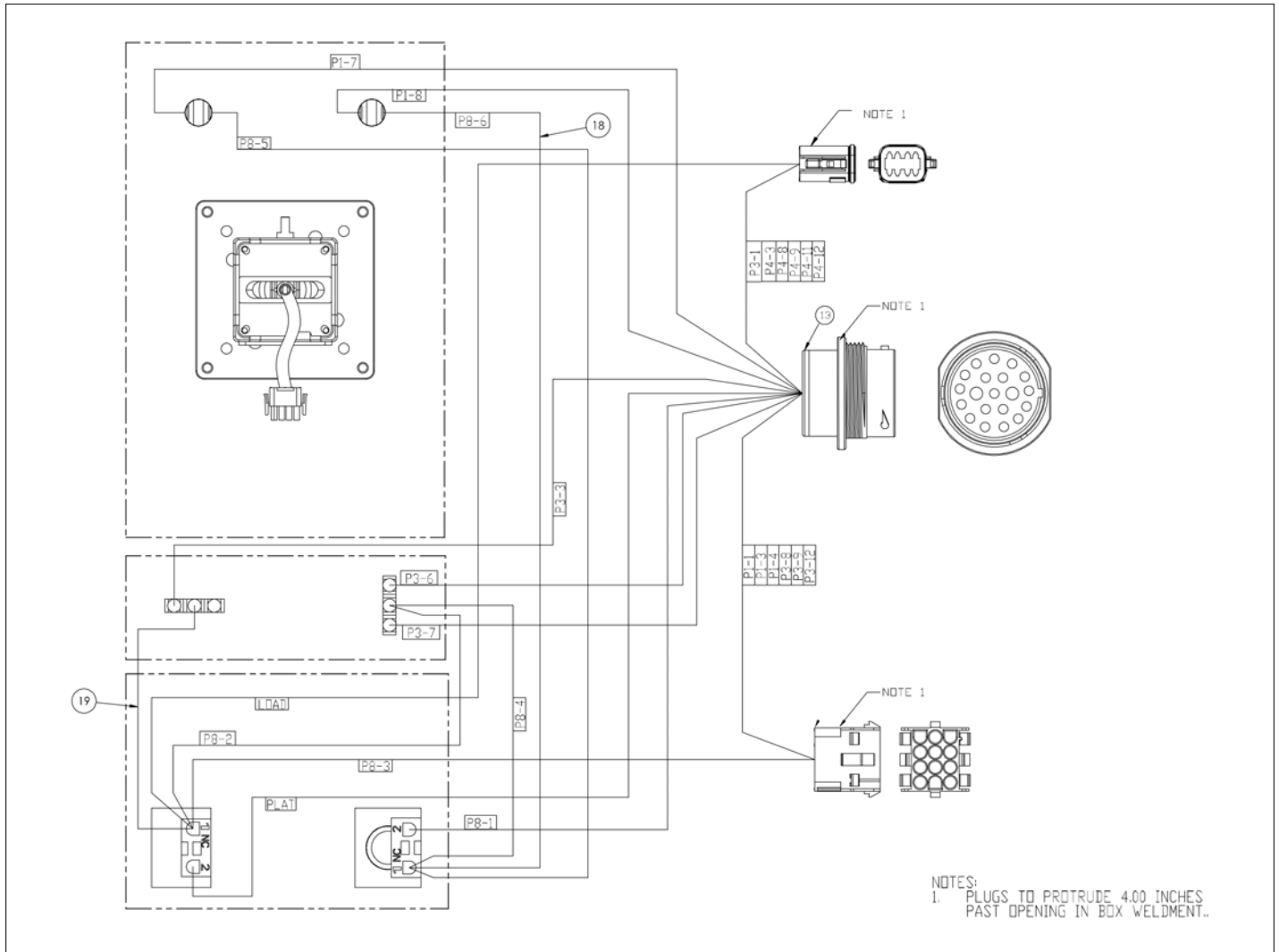


アイテム	部品番号	名前	数量	UOM
	1502336D	ASSEMBLY, CE UCB 2SP		EA
1	1501112	WLDMT, PLATFORM CTRL BOX	1	EA
2	3028810	PUSH/PULL EMERGENCY STOP	1	EA
3	3020047	Switch, Toggle Honeywell INTI 3	2	EA
4	510542 000	PUSHBUTTON BLACK C/W 1 N/O CON	1	EA
5	302829	LIGHT RED 24VDC BEZEL MOUNT	2	EA
6	1501158	PLAC PLATFM CONT BOX	1	EA
7	1501159	PLAC PLATFM CONT E STOP/HORN	1	EA
8	5563181	HHCS M4 X 0.7 X 30G8.8 DIN 931	4	EA
9	512459 016	BLT HEXHD M4 X 0.7 X 16MM DIN 933 8.8 ZP	2	EA
10	056066 004	NUT NYLOCK DIN985 M4 8.0 ZP	6	EA
11	1501116	PLT BOTTOM PLATFORM CONTROL BOX	1	EA
12	1501359	PLAC LIFT/DRIVE	1	EA
13	3087801	JOYSTICK, OEM MARCH 2016 AND AFTER	1	EA
14	1502338	CONN, CE UCB 2SP	1	EA
15	5560067	NUT SPEED U THREADED M6	4	EA
16	058491 030	BOLT HEXSETSCREW DIN 933 M6 X 30MM 8.8 ZP	4	EA
17	1501688	PLT, COVER OUTLET	1	EA
18	1501690	WIRE JUMPER CE OVERLOAD LIGHT	1	EA
19	1501760	WIRE 18 R6I SPADE6I 8	1	EA
20	5563643	WSHR .875ID 1.38OD .045THK	1	EA

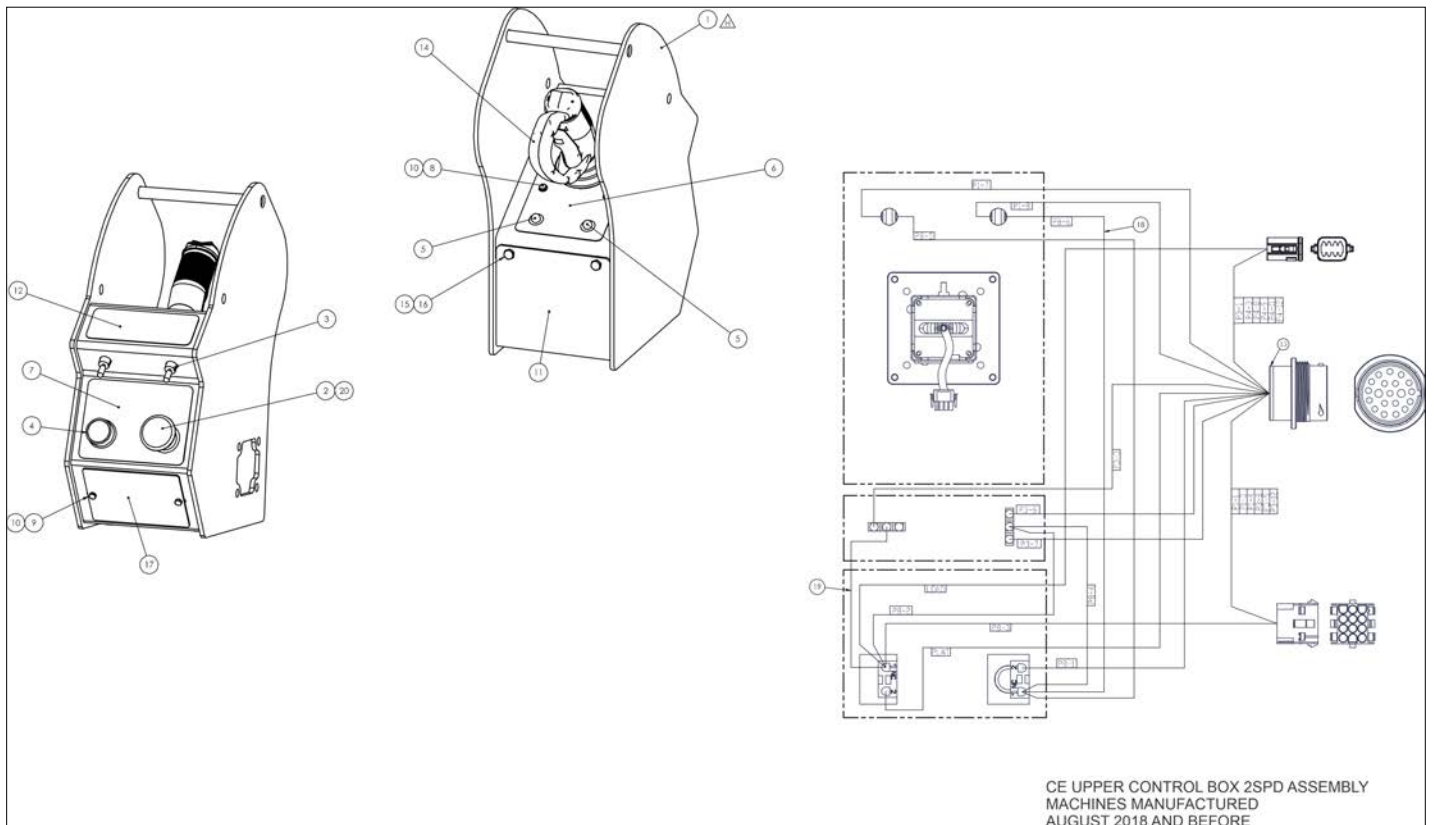
ELECTRICAL



アイテム	部品番号	名前	数量	UOM
	1502336 F	UPPER CONTROL BOX ASSEMBLY TWO SPEED		EA
1	1501112	WLDMT, PLATFORM CTRL BOX	1	EA
2	3028810	PUSH/PULL EMERGENCY STOP	1	EA
3	3020047	Switch, Toggle Honeywell INTI 3	2	EA
4	510542 000	PUSHBUTTON BLACK C/W 1 N/O CON	1	EA
5	302829	LIGHT RED 24VDC BEZEL MOUNT	2	EA
6	1501158	PLAC PLATFM CONT BOX	1	EA
7	1501159	PLAC PLATFM CONT E STOP/HORN	1	EA
8	5563181	HHCS M4 X 0.7 X 30G8.8 DIN 931	4	EA
9	512459 016	BLT HEXHD M4 X 0.7 X 16MM DIN 933 8.8 ZP	2	EA
10	056066 004	NUT NYLOCK DIN985 M4 8.0 ZP	6	EA
11	1501116	PLT BOTTOM PLATFORM CONTROL BOX	1	EA
12	1501359	PLAC LIFT/DRIVE	1	EA
13	1502972	CONN, CE UCB 2SP	1	EA
14	3028933	Joystick 1 Axis, Deadman Guard	1	EA
15	5560067	NUT SPEED U THREADED M6	4	EA
16	058491 030	BOLT HEXSETSCREW DIN 933 M6 X 30MM 8.8 ZP	4	EA
17	1501688	PLT, COVER OUTLET	1	EA
18	1501690	WIRE JUMPER CE OVERLOAD LIGHT	1	EA
19	1501760	WIRE 18 R6I SPADE6I 8	1	EA
20	5563643	WSHR .875ID 1.38OD .045THK	1	EA



ELECTRICAL

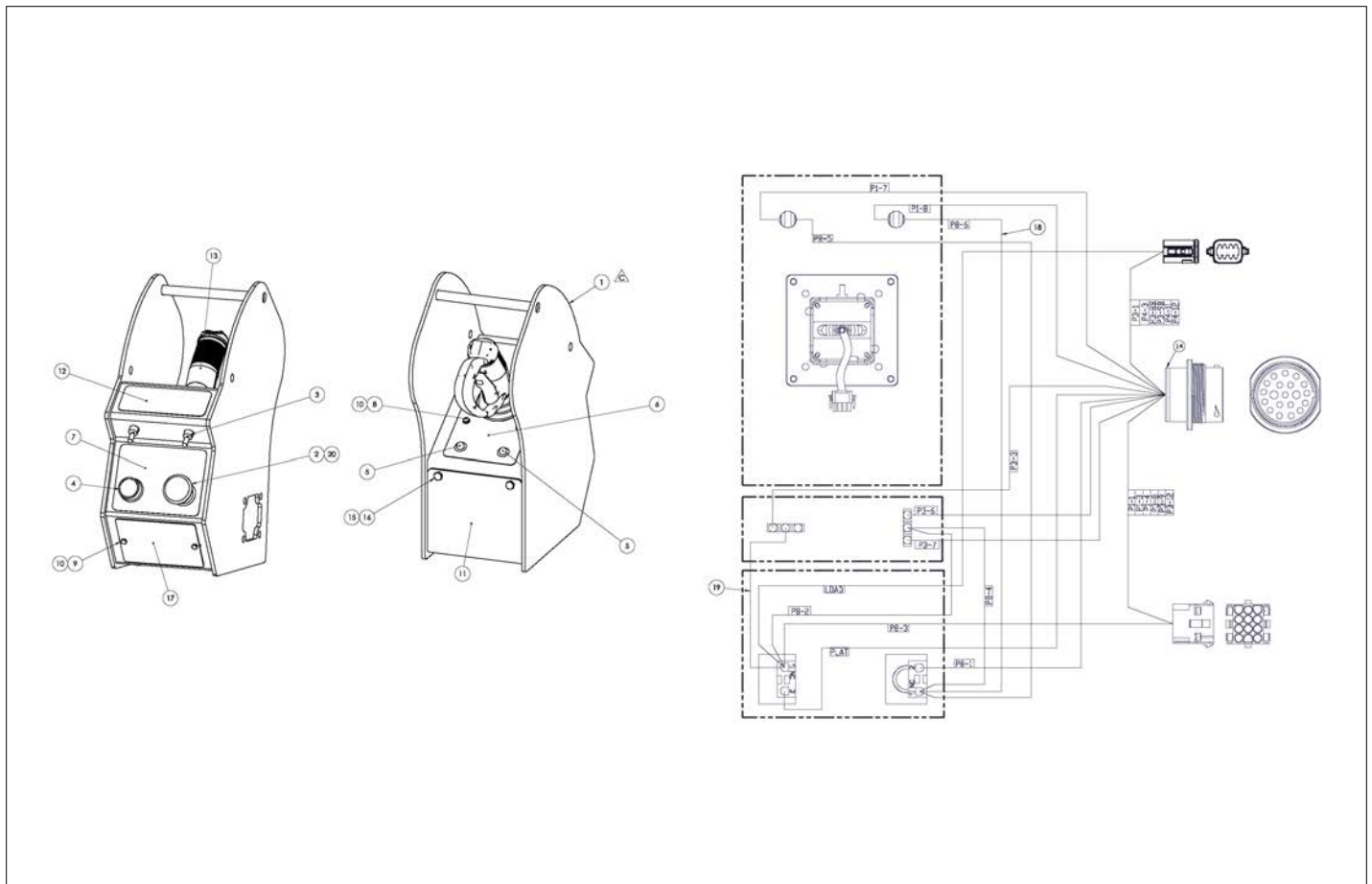


CE UPPER CONTROL BOX 2SPD ASSEMBLY  
MACHINES MANUFACTURED  
AUGUST 2018 AND BEFORE



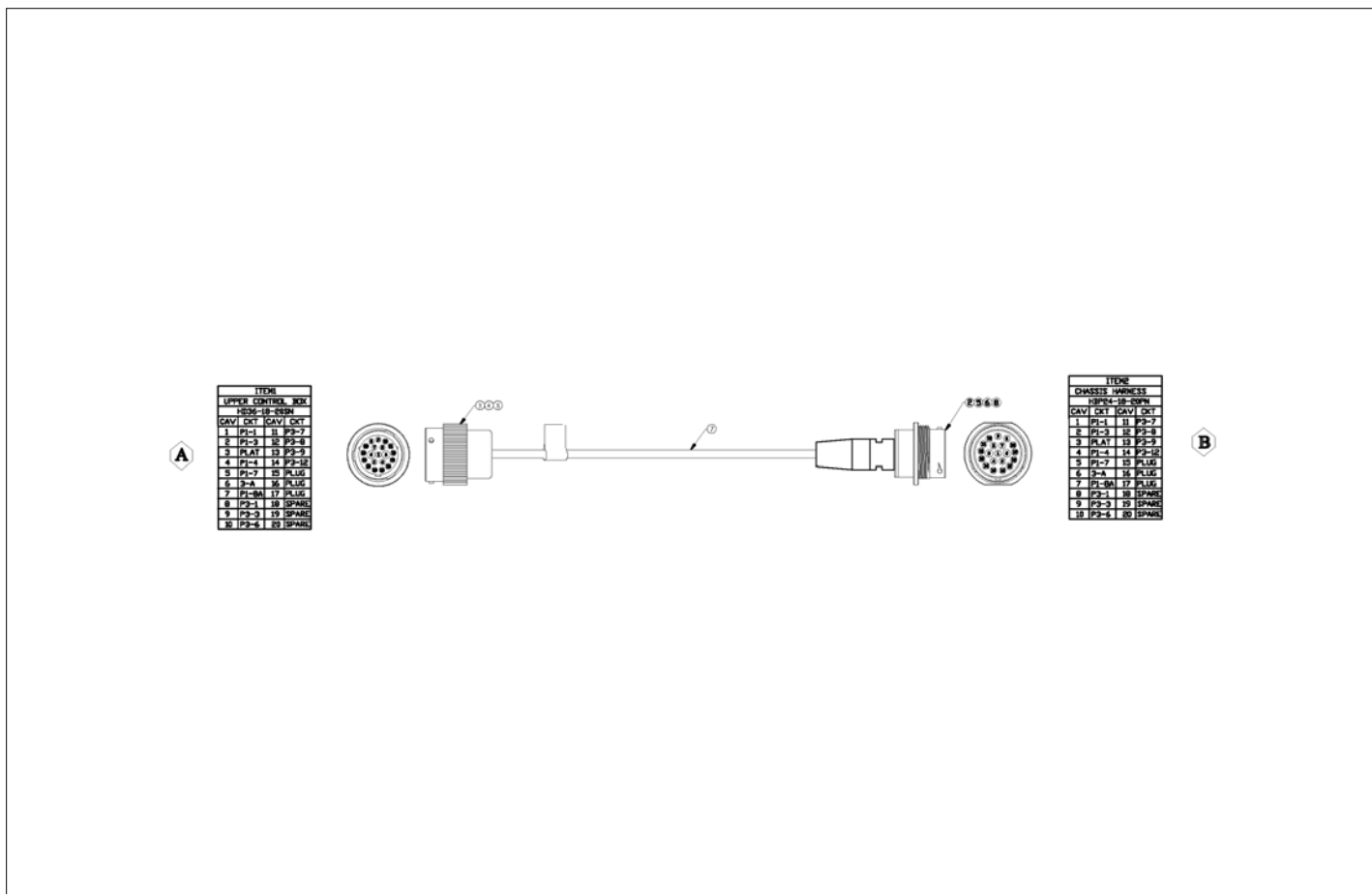
アイテム	部品番号	名前	数量	UOM
*	1502336 H	CE UPPER CONTROL BOX 2SPD ASSEMBLY JUNE 2019 AND AFTER		EA
1	1501112	WLDMT, PLATFORM CTRL BOX	1	EA
2	3028810	PUSH/PULL EMERGENCY STOP	1	EA
3	3020047	Switch, Toggle Honeywell INTI 3	2	EA
4	510542 000	PUSHBUTTON BLACK C/W 1 N/O CON	1	EA
5	302829	LIGHT RED 24VDC BEZEL MOUNT	2	EA
6	1501158	PLAC PLATFM CONT BOX	1	EA
7	1501159	PLAC PLATFM CONT E STOP/HORN	1	EA
8	5563181	HHCS M4 X 0.7 X 30G8.8 DIN 931	4	EA
9	512459 016	BLT HEXHD M4 X 0.7 X 16MM DIN 933 8.8 ZP	2	EA
10	056066 004	NUT NYLOCK DIN985 M4 8.0 ZP	6	EA
11	1501116	PLT BOTTOM PLATFORM CONTROL BOX	1	EA
12	1501359	PLAC LIFT/DRIVE	1	EA
13	1502972	CONN, CE UCB 2SP	1	EA
14	3028933	Joystick 1 Axis, Deadman Guard	1	EA
15	5560067	NUT SPEED U THREADED M6	4	EA
16	058491 030	BOLT HEXSETSCREW DIN 933 M6 X 30MM 8.8 ZP	4	EA
17	1501688	PLT, COVER OUTLET	1	EA
18	1501690	WIRE JUMPER CE OVERLOAD LIGHT	1	EA
19	1501760	WIRE 18 R6I SPADE6I 8	1	EA
20	5563643	WSHR .875ID 1.38OD .045THK	1	EA

ELECTRICAL



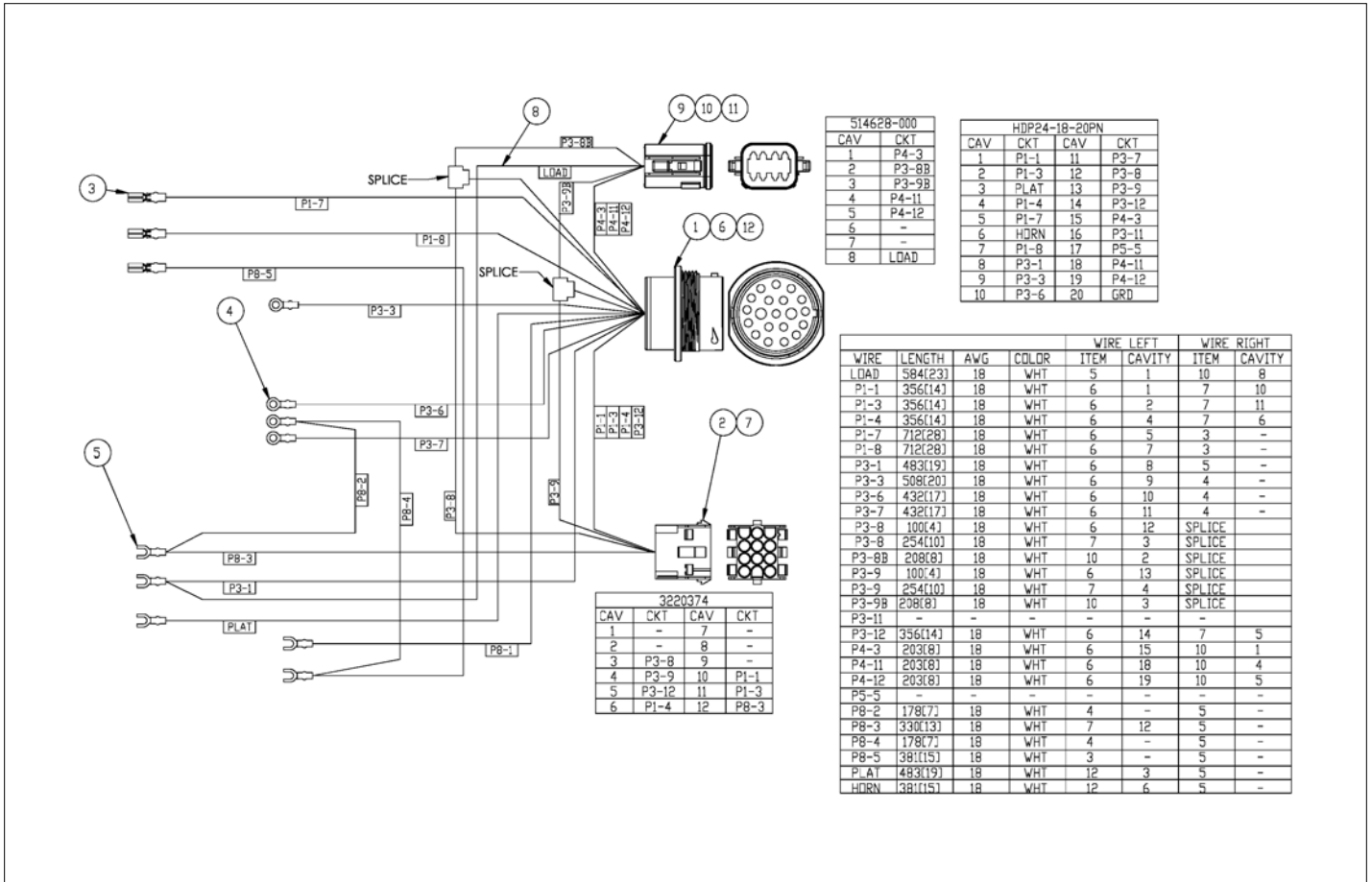
アイテム	部品番号	名前	数量	UOM
	1502976 C	UPPER CONTROL BOX ASSEMBLY CE 2 SPEED AUGUST 2018 AND AFTER		EA
1	1501112	WLDMT, PLATFORM CTRL BOX	1	EA
2	3028810	PUSH/PULL EMERGENCY STOP	1	EA
3	3020047	Switch, Toggle Honeywell INTI 3	2	EA
4	510542 000	PUSHBUTTON BLACK C/W 1 N/O CON	1	EA
5	302829	LIGHT RED 24VDC BEZEL MOUNT	1	EA
6	1501158	PLAC PLATFM CONT BOX	1	EA
7	1501159	PLAC PLATFM CONT E STOP/HORN	1	EA
8	5563181	HHCS M4 X 0.7 X 30G8.8 DIN 931	4	EA
9	512459 016	BLT HEXHD M4 X 0.7 X 16MM DIN 933 8.8 ZP	2	EA
10	056066 004	NUT NYLOCK DIN985 M4 8.0 ZP	4	EA
11	1501116	PLT BOTTOM PLATFORM CONTROL BOX	1	EA
12	1501359	PLAC LIFT/DRIVE	1	EA
13	3028933	Joystick 1 Axis, Deadman Guard	1	EA
14	1502972	CONN, CE UCB 2SP	1	EA
15	5560067	NUT SPEED U THREADED M6	4	EA
16	058491 030	BOLT HEXSETSCREW DIN 933 M6 X 30MM 8.8 ZP	4	EA
17	1501688	PLT, COVER OUTLET	1	EA
18	1501690	WIRE JUMPER CE OVERLOAD LIGHT	1	EA
19	1501760	WIRE 18 R6I SPADE6I 8	1	EA
20	5563643	WSHR .875ID 1.38OD .045THK	1	EA

ELECTRICAL



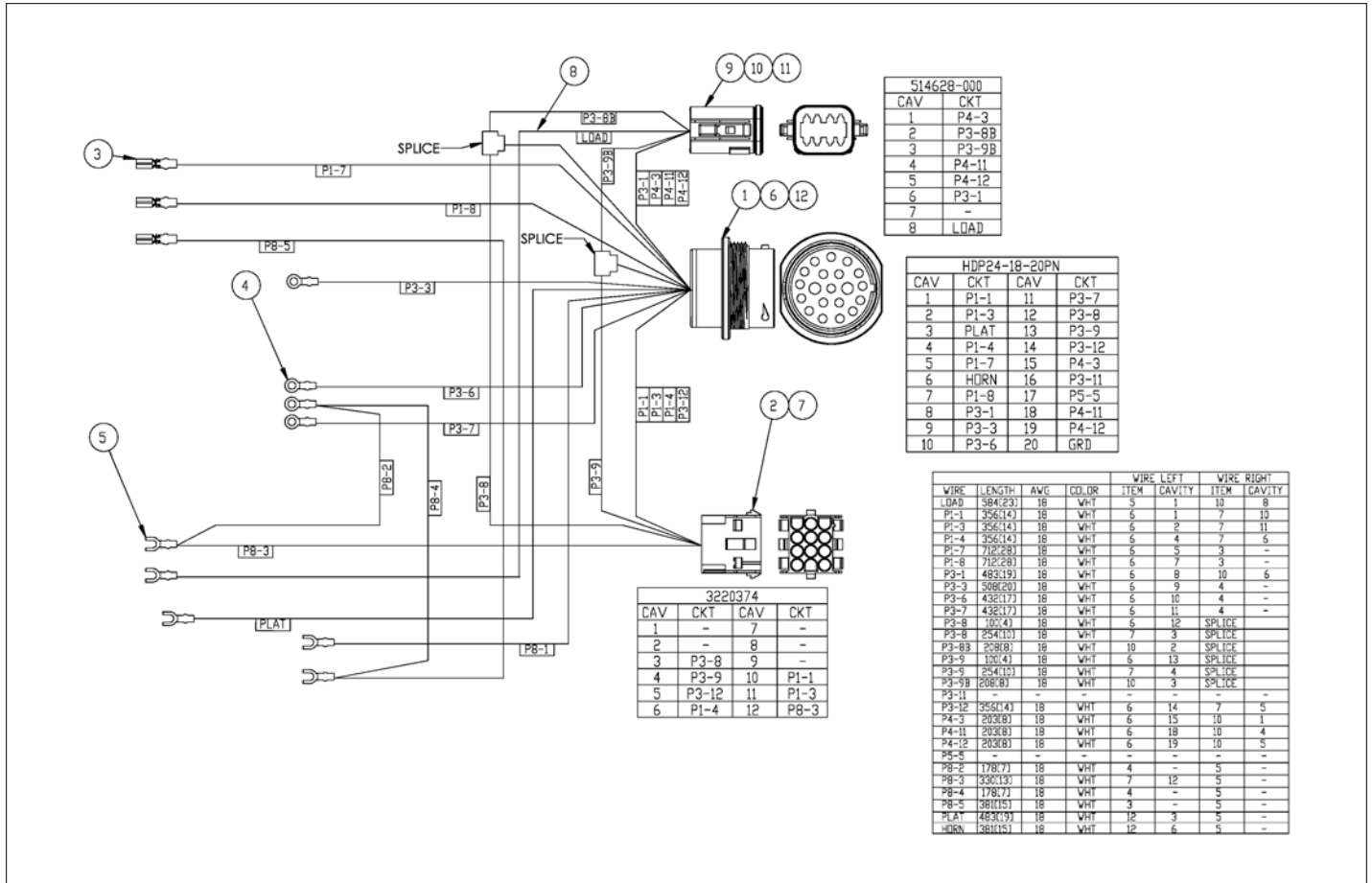
アイテム	部品番号	名前	数量	UOM
	1502468B	UPPER CONTROL BOX HARNESS AUGUST 2016 AND AFTER		EA
2	3220206	CONNECTOR, CIRCULAR, 20 WAY PLUG RECEPTACLE	1	EA
3	3040342	SOCKET CONTACT SIZE 16 16/18GA	2	EA
4	3049895	SOCKET CONTACT 20 DEUTSCH P/N	15	EA
5	3040341	PIN CONTACT SIZE 16 16/18 GA	2	EA
6	3049894	PIN CONTACT 20 DEUTCH P/N 04	15	EA
7	3011817	CABLE 18GA/20 17 CONDUCTOR, PAIGE	60in	EA
8	3040097	SEALING PLUG, 16 DEUTSCH	6	EA

ELECTRICAL



アイテム	部品番号	名前	数量	UOM
	1502971A	CONNECTOR, UCB ANSI 2 SPEED		EA
1	3220274	CONN DEUTSCH	1	EA
2	3220374	CONN AMP 12PIN	1	EA
3	3046972	TERM FEM188I 22/18	3	EA
4	3044158	TERM R6I	4	EA
5	960259	TERM SPADE6I 18 14 GA	5	EA
6	3220177	PIN CONTACT #20 16 18AWG DEUTSCH	18	EA
7	3220225	PIN AMP	7	EA
8	3011801	WIRE 18GA SINGLE CONDUCTOR WHT	A/R	EA
9	514628 000	8 WAY PLUG	1	EA
10	3040342	SOCKET CONTACT SIZE 16 16/18GA	7	EA
11	514630 000	WEDLOCK	1	EA
12	3040341	PIN CONTACT SIZE 16 16/18 GA	2	EA

ELECTRICAL



514628-000	
CAV	CKT
1	P4-3
2	P3-8B
3	P3-9B
4	P4-11
5	P4-12
6	P3-1
7	-
8	LOAD

HDP24-18-20PN			
CAV	CKT	CAV	CKT
1	P1-1	11	P3-7
2	P1-3	12	P3-8
3	PLAT	13	P3-9
4	P1-4	14	P3-12
5	P1-7	15	P4-3
6	HORN	16	P3-11
7	P1-8	17	P5-5
8	P3-1	18	P4-11
9	P3-3	19	P4-12
10	P3-6	20	GRD

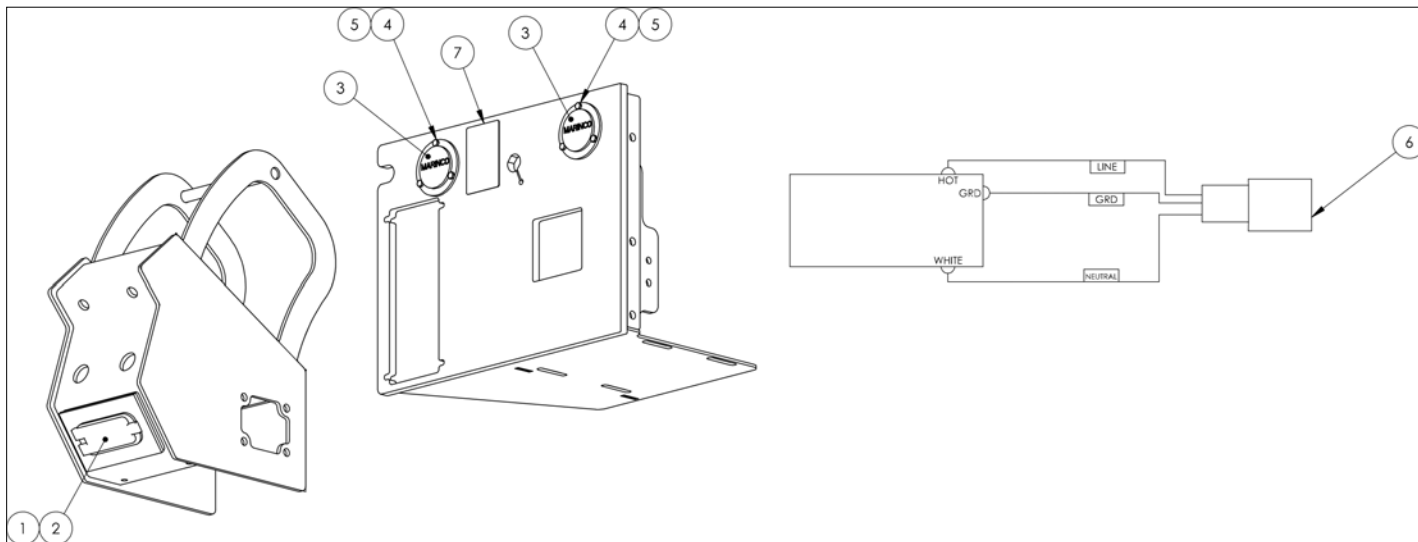
3220374			
CAV	CKT	CAV	CKT
1	-	7	-
2	-	8	-
3	P3-8	9	-
4	P3-9	10	P1-1
5	P3-12	11	P1-3
6	P1-4	12	P8-3

WIRE	LENGTH	AWG	CO. DR	ITEM	CAVITY	ITEM	CAVITY
LOAD	584(23)	18	WHT	5	1	10	8
P1-1	356(14)	18	WHT	5	1	7	10
P1-3	356(14)	18	WHT	5	2	7	11
P1-4	356(14)	18	WHT	5	4	7	5
P1-7	712(28)	18	WHT	5	5	3	-
P1-8	712(28)	18	WHT	5	7	3	-
P3-1	483(19)	18	WHT	5	8	10	5
P3-3	308(12)	18	WHT	5	9	4	-
P3-6	432(17)	18	WHT	5	10	4	-
P3-7	432(17)	18	WHT	5	11	4	-
P3-8	19(4)	18	WHT	5	12	-	SPLICE
P3-8B	254(10)	18	WHT	7	3	-	SPLICE
P3-8B	203(8)	18	WHT	10	2	-	SPLICE
P3-9	120(4)	18	WHT	5	13	-	SPLICE
P3-9	254(10)	18	WHT	7	4	-	SPLICE
P3-9B	203(8)	18	WHT	10	3	-	SPLICE
P3-11	-	-	-	-	-	-	-
P3-12	356(14)	18	WHT	6	14	7	5
P4-3	203(8)	18	WHT	6	15	10	1
P4-11	203(8)	18	WHT	6	18	10	4
P4-12	203(8)	18	WHT	6	19	10	5
P5-5	-	-	-	-	-	-	-
P8-2	178(7)	18	WHT	4	-	5	-
P8-3	330(13)	18	WHT	7	12	5	-
P8-4	178(7)	18	WHT	4	-	5	-
P8-5	381(15)	18	WHT	3	-	5	-
PLAT	483(19)	18	WHT	12	3	5	-
HORN	381(15)	18	WHT	12	6	5	-



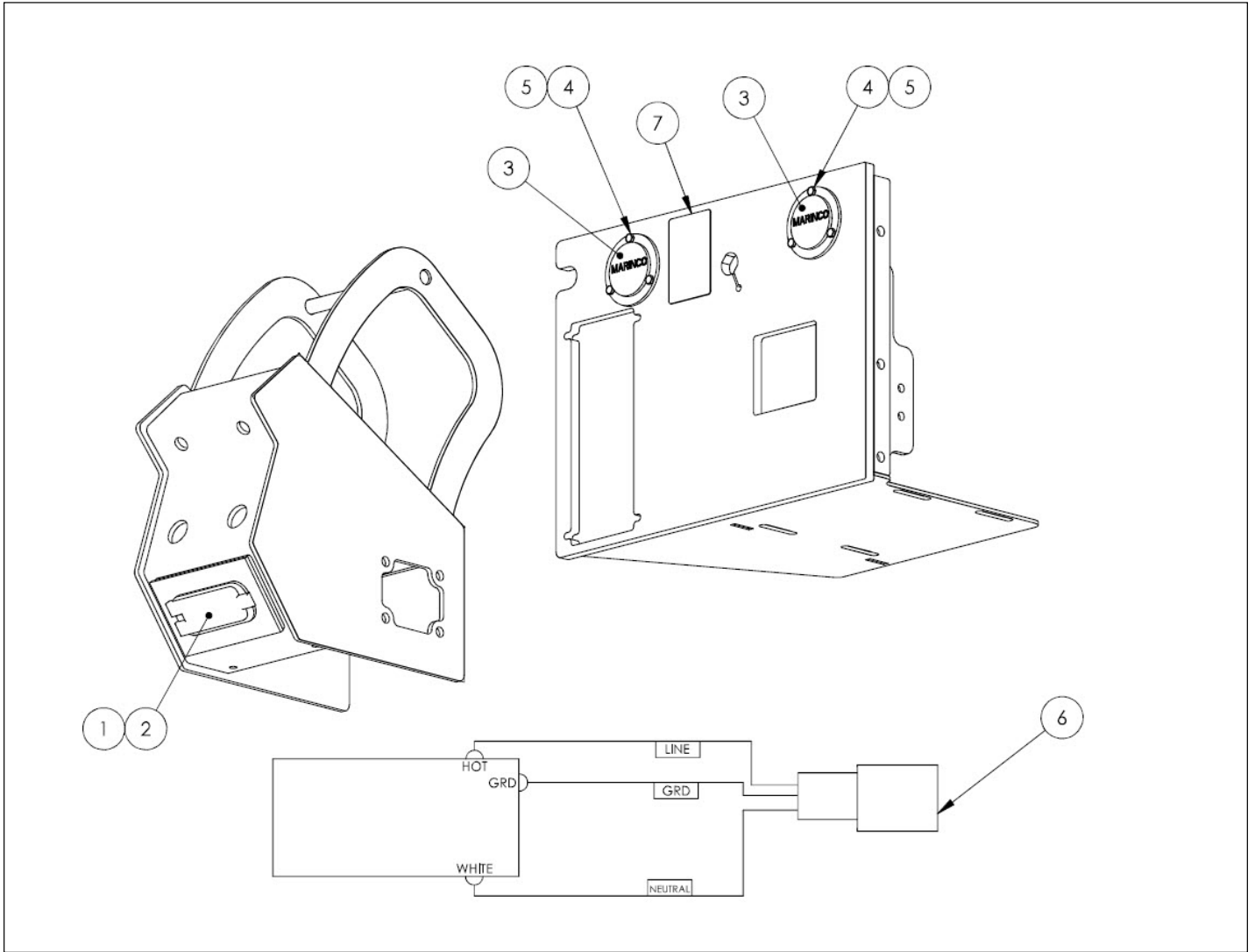
アイテム	部品番号	名前	数量	UOM
	1502972A	CONNECTOR, UCB CE 2SPD		EA
1	3220274	CONN DEUTSCH	1	EA
2	3220374	CONN AMP 12PIN	1	EA
3	3046972	TERM FEM188I 22/18	3	EA
4	3044158	TERM R6I	4	EA
5	960359	TERM SPADE6I 18 14 GA	5	EA
6	3220177	PIN CONTACT #20 16 18AWG DEUTSCH	18	EA
7	3220225	PIN AMP	7	EA
8	3011801	WIRE 18GA SINGLE CONDUCTOR WHT	A/R	EA
9	514628 000	8 WAY PLUG	1	EA
10	3040342	SOCKET CONTACT SIZE 16 16/18GA	7	EA
11	514630 000	WEDLOCK	1	EA
12	3040341	PIN CONTACT SIZE 16 16/18 GA	2	EA

ELECTRICAL



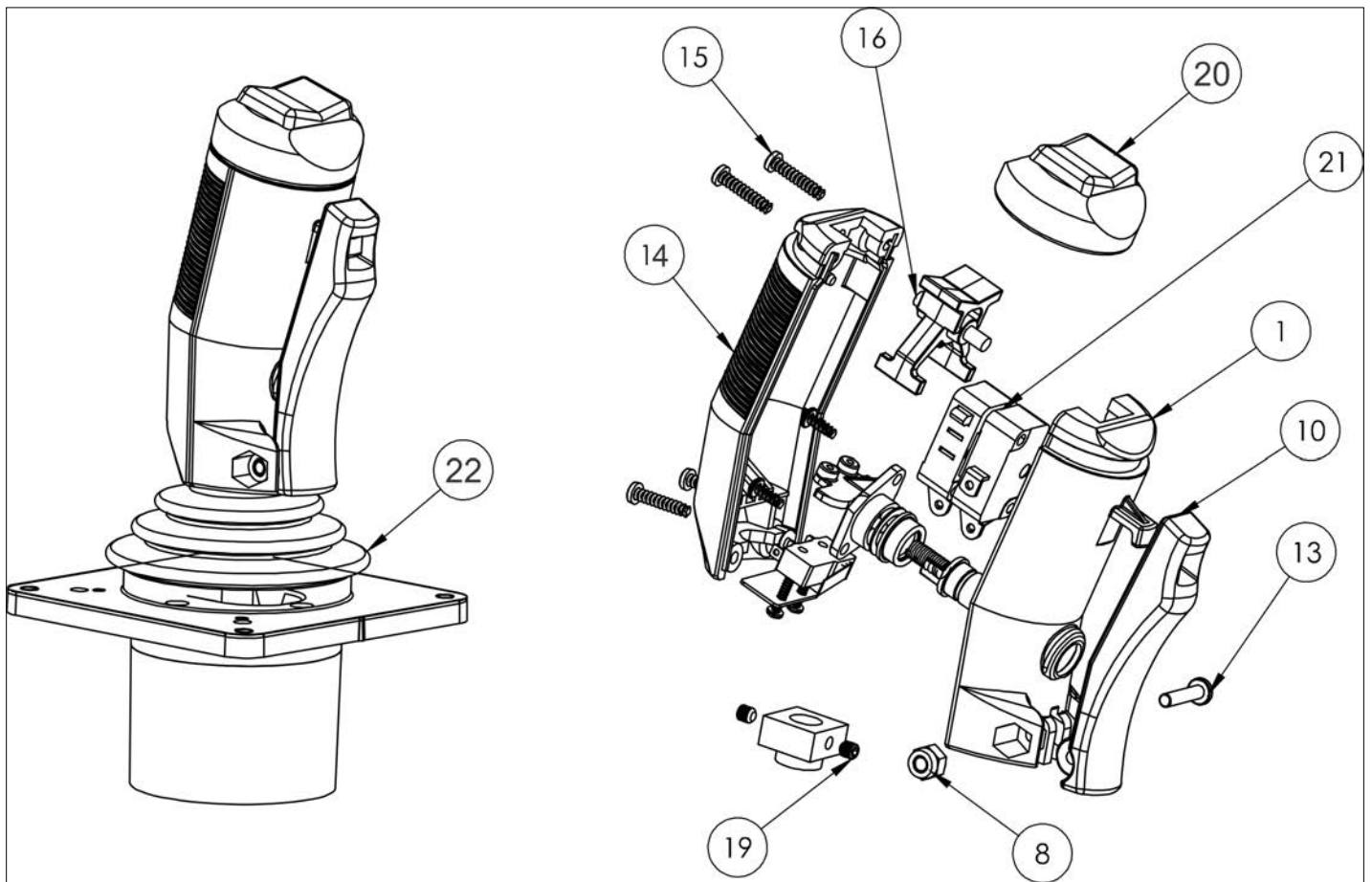
アイテム	部品番号	名前	数量	UOM
	1502763 B	110V OPTION ASSEMBLY		EA
1	3040624	Recepticle Outlet 20AMP	1	EA
2	3040625	Enclosure Face	1	EA
3	3069521	INLET FLANGE	2	EA
Not Shown	3069542	FRONT COVER FOR 3069521	1	EA
4	512459 020	BLT HEXHD M4 0.07 X 20MM G8.8	6	EA
5	056066 004	NUT NYLOCK DIN985 M4 8.0 ZP	6	EA
6	1502308	HARNESS 110V JUMPER	1	EA
7	1502528	DECAL, POWER TO PLATFORM	1	EA

ELECTRICAL



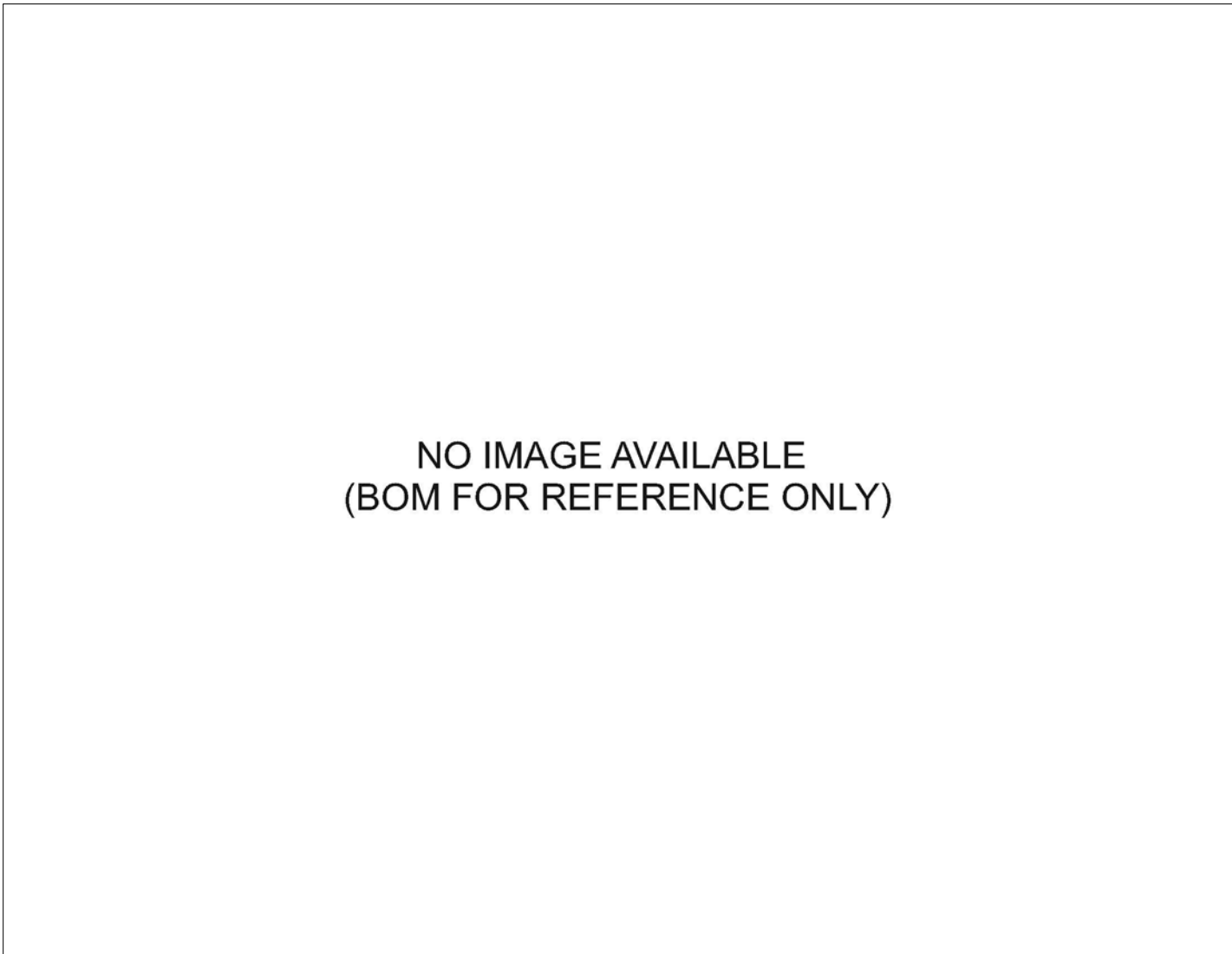
アイテム	部品番号	名前	数量	UOM
	1502763 B	110V OPTION ASSEMBLY		EA
1	3040624	Recepticle Outlet 20AMP	1	EA
2	3040625	Enclosure Face	1	EA
3	3069521	INLET FLANGE	2	EA
Not Shown	3069542	FRONT COVER FOR 3069521	1	EA
4	512459 020	BLT HEXHD M4 0.07 X 20MM G8.8	6	EA
5	056066 004	NUT NYLOCK DIN985 M4 8.0 ZP	6	EA
6	1502308	HARNESS 110V JUMPER	1	EA
7	1502528	DECAL, POWER TO PLATFORM	1	EA

ELECTRICAL



アイテム	部品番号	名前	数量	UOM
*	3087801 E	JOYSTICK		EA
1	3029801	ASSEMBLY SCREW	1	EA
8	5560593	TRIGGER AXEL NUT	1	EA
10	3029802	LEVER	1	EA
13	5560592	TRIGGER AXLE SCREW	1	EA
14	3029801	ASSEMBLY SCREW	1	EA
15	5560594	ASSEMBLY SCREW	4	EA
16	3020187	AXLE ROCKER	1	EA
19	3020182	COUPLING SETSCREW	2	EA
20	3087807	ROCKER BOOT	1	EA
21	3020183	MICROSWITCH	2	EA
22	3087816	BOOT	1	EA

ELECTRICAL





アイテム	部品番号	名前	数量	UOM
	9991350 A	PENDANT SCISSORS PDI JANUARY 2020 AND AFTER		EA
1	9991353	HARNES, SCISSOR PDI PENDANT	1	EA
2	056066 004	NUT NYLOCK DIN985 M4 8.0 ZP	2	EA
3	5563871	FSHCS M4 X 0.7 X 25	2	EA
4	3028895	SWNSOR MAG TARGET	2	EA
5	9991351	DECAL, SCISSOR PDI PENDANT	1	EA
6	3020016	Switch, Toggle Honeywell INTI 7	2	EA
7	9991349	ENCLOSURE, SCISSOR PDI PENDANT	1	EA
8	3028810	PUSH/PULL EMERGENCY STOP	1	EA
9	3040110	NUT LKG HUB .750 SAMEAS 962129	1	EA
10	3040285	CONN .75 .375 .500	1	EA

ELECTRICAL



NO IMAGE AVAILABLE  
(BOM FOR REFERENCE ONLY)

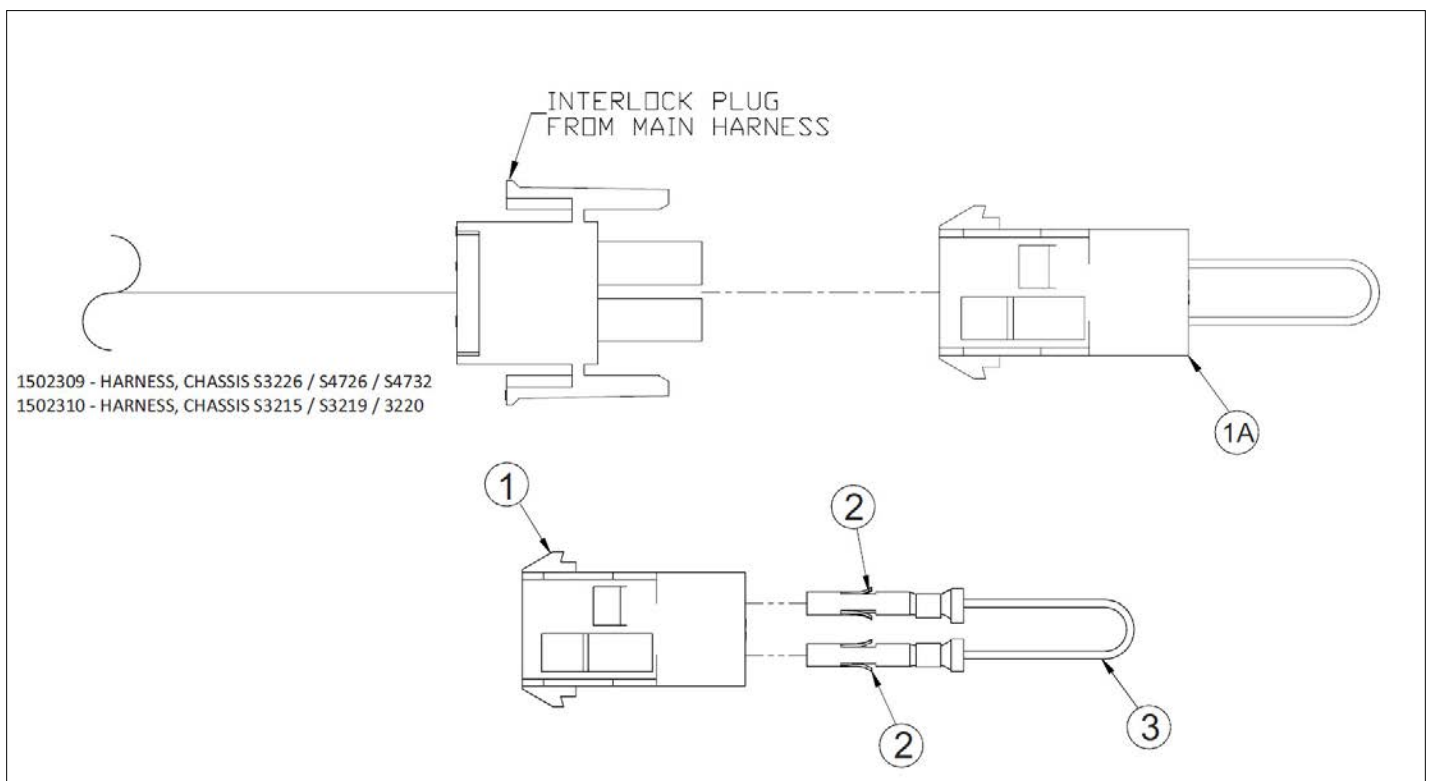
アイテム	部品番号	名前	数量	UOM
	9991353 A	HARNESS SCISSORS PDI PENDANT JANUARY 2020 AND AFTER		EA
1	9991357	CABLE, 6 COND, 18GA	2.5	EA
2	3044161	TERM R10I 16/14	3	EA
3	3220241	TERM, #6 SPRING SPADE	5	EA
4	3011641	WIRE 16GA SINGLE CONDUCTOR WHT	3	EA
5	509471 000	Decal, Snorkel T40RT	1	EA
6	509740 000	FUSE 20A	1	EA
7	3220218	CONN AMP 9 PIN SOCKET	1	EA
8	3220261	AMP CONTACT PIN	6	EA

OPTIONS

**NO IMAGE AVAILABLE  
(BOM FOR REFERENCE ONLY)**

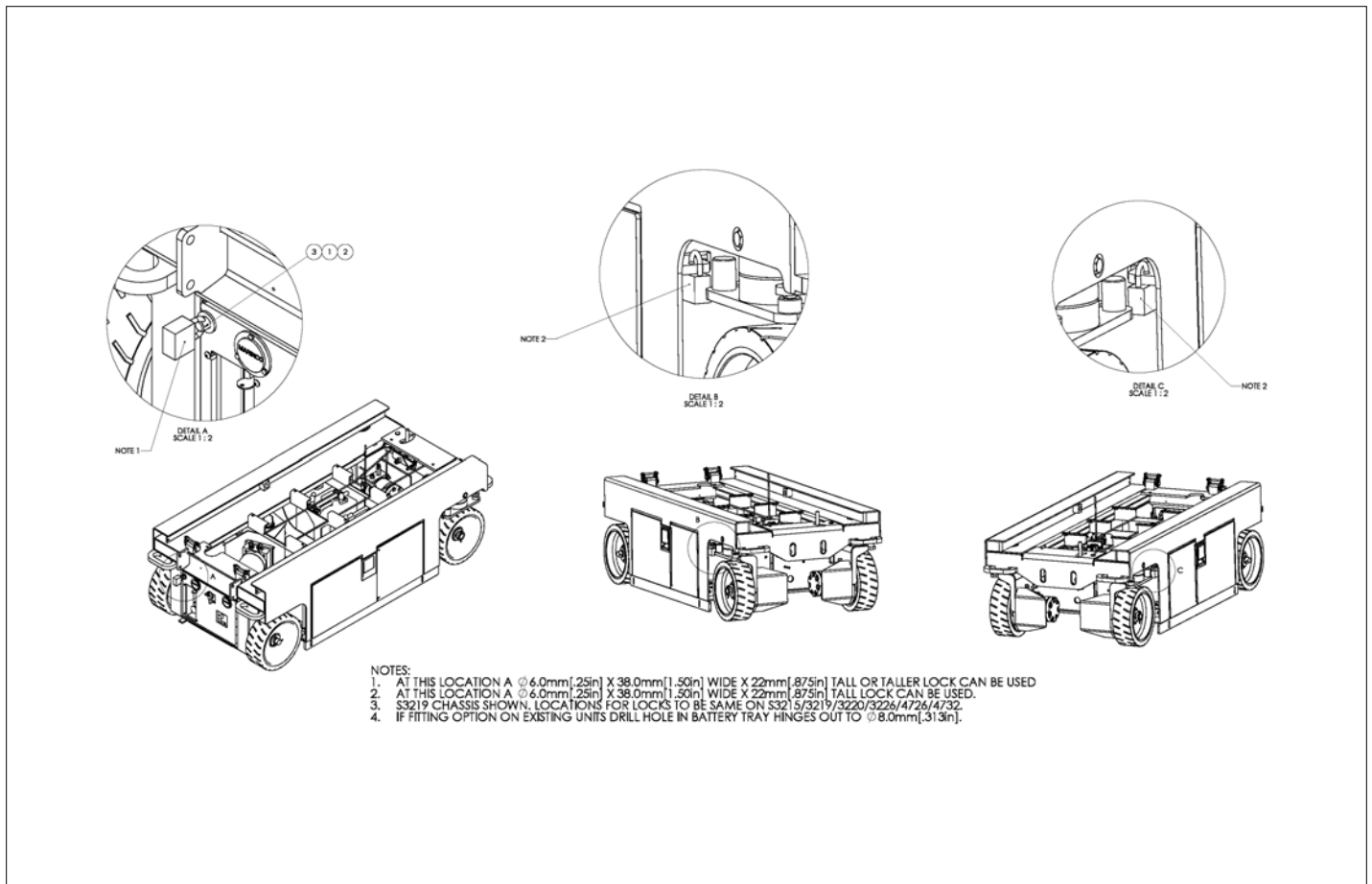
アイテム	部品番号	名前	数量	UOM
	1503098 A	MAINTENANCE FREE BATTERY OPTION		EA
1	3050139	BATTERY, 6V AGM	4	EA

OPTIONS



アイテム	部品番号	名前	数量	UOM
	1502540A	CHARGER INTERLOCK DELETE ANSI		EA
1	3220294	CONN AMP 2PIN	1	EA
1A	1502540	CHARGER INTERLOCK DELETE (COMPLETE)	1	EA
2	3049985	AMP PIN CONTACT 20/14 GA AMP P	2	EA
3	3011641	WIRE 16GA SINGLE CONDUCTOR WHT	3.000	EA
	1502309	HARNESS, CHASSIS S4726/4732	1	EA
	1502310	HARNESS CHASSIS S3215/3219 OCTOBER 2017 AND BEFORE	1	EA

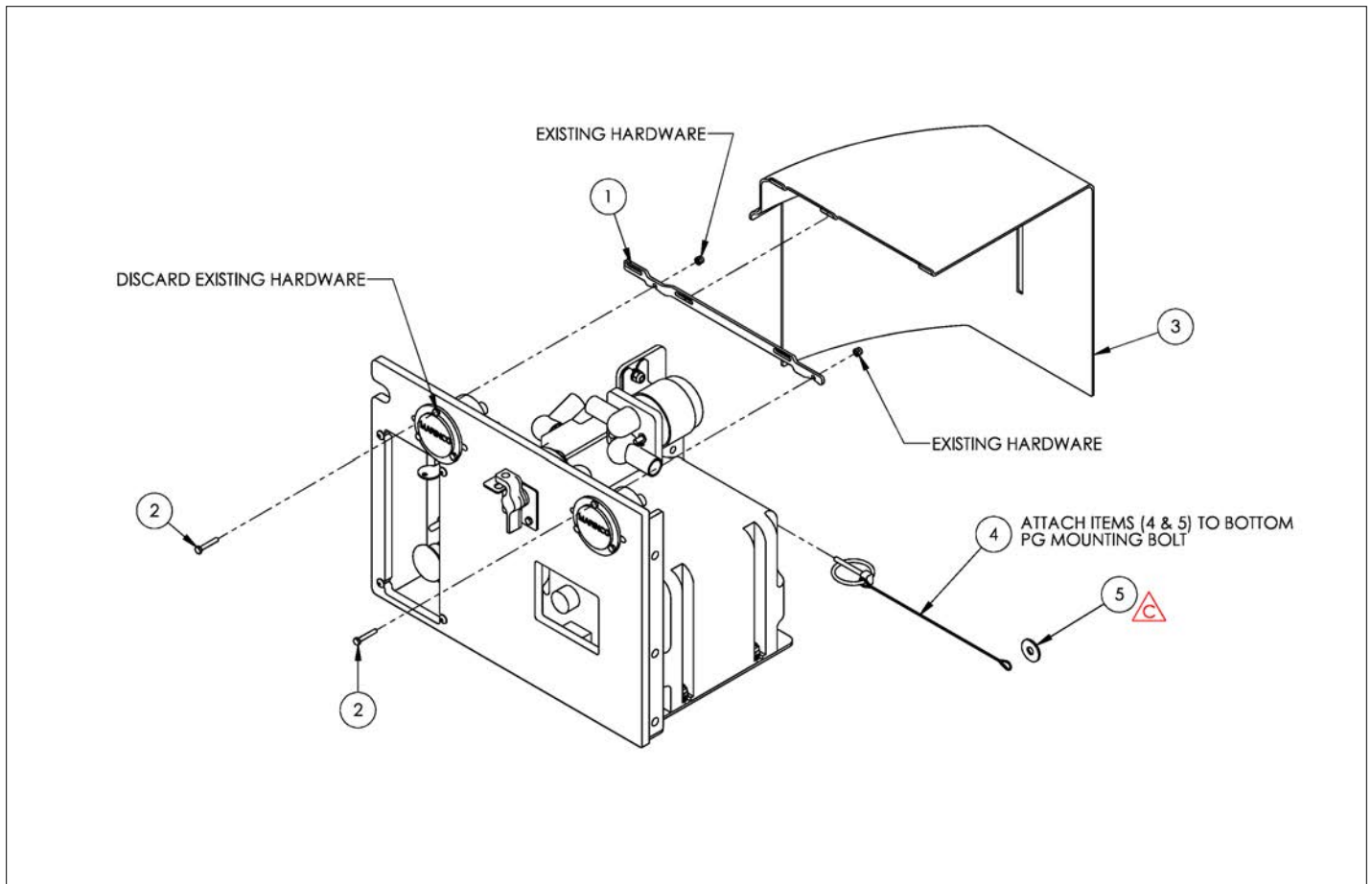
OPTIONS





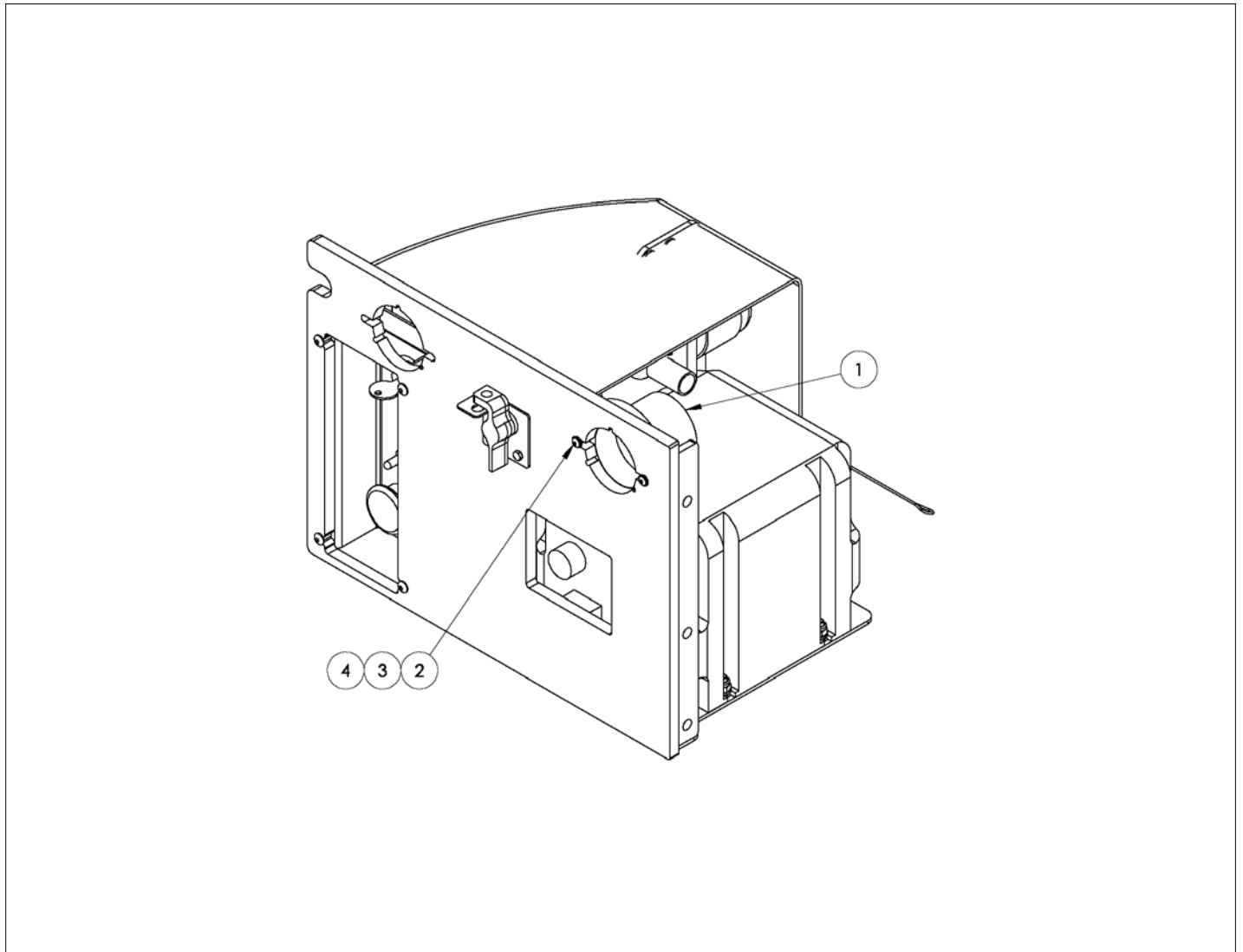
アイテム	部品番号	名前	数量	UOM
	1502307 A	LOCKING BATTERY AND REAR TRAY		EA
1	056069 016	WASHER STEELFLATWASHER M16 DIN	1	EA
2	056067 516	NUT HEX, THIN M16 X 2.0 DIN 936	1	EA
3	1501810	PIN, REAR LATCH	1	EA

OPTIONS



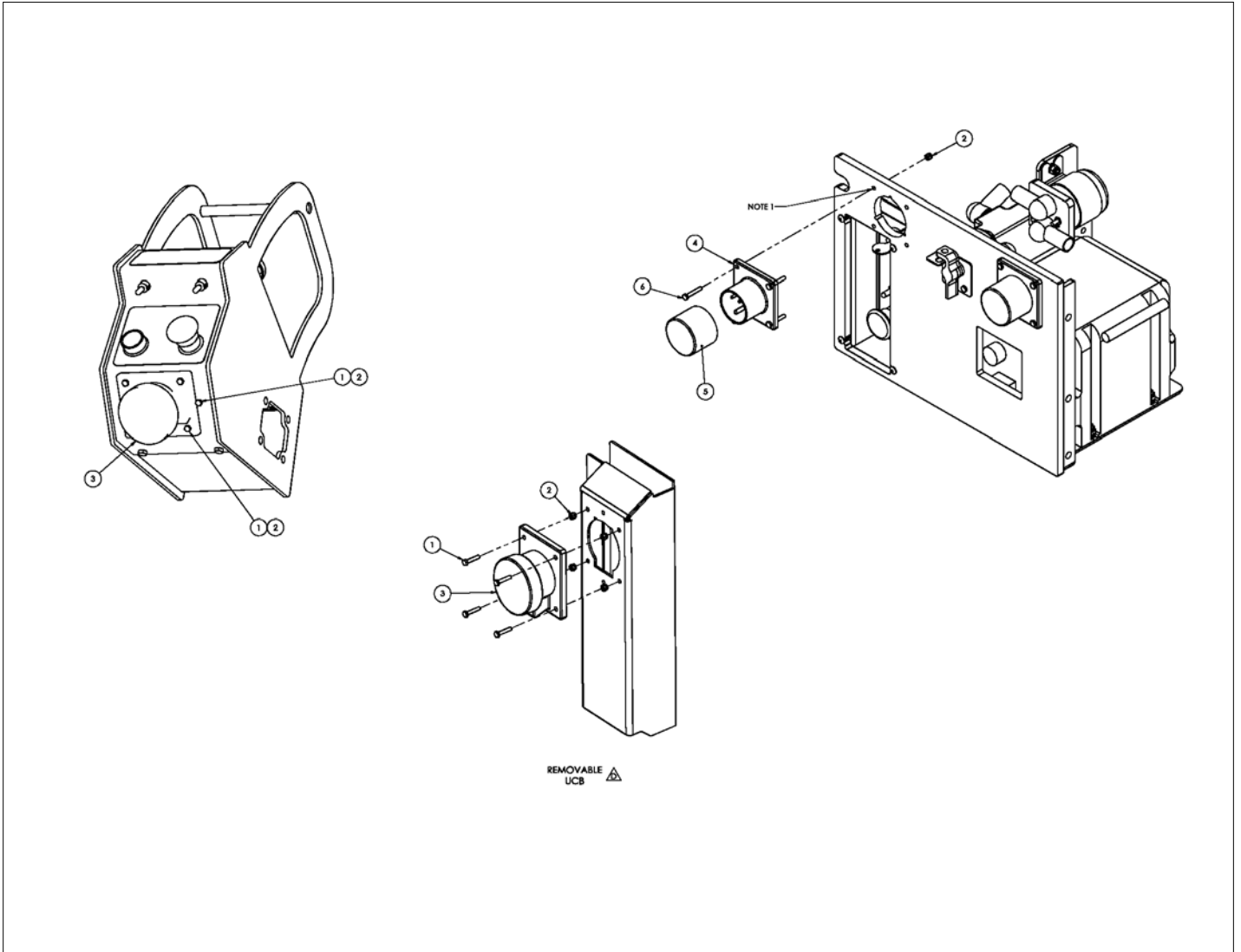
アイテム	部品番号	名前	数量	UOM
	1502807C	REAR TRAY COVER INSTALLATION		EA
1	1502325 4	PLT, REAR COVER MNT	1	EA
2	512714 025	HHCS M4 X 0.7 x 25 G8.8 ISO 4014 DIN 931	2	EA
3	1502497	COVER, REAR TRAY	1	EA
4	5563933	ASSY, LYNCH PIN WITH LANYARD	1	EA
5	508247 008	Washer, pennywasher, DIN9021, M8	1	EA
	NOTE: PLEASE SEE TCB 18.004 FOR INSTALLATION INSTRUCTIONS	null		EA

OPTIONS



アイテム	部品番号	名前	数量	UOM
	1503065 B	AS NZ PLUG		EA
1	9595	AC Inlet 230V	1	EA
2	5563249	SHCS M4 X 0.7X 25 G8.8 ZP BRIG	2	EA
3	056069 004	Wshr, SteelFlatWshr M4 DIN125	2	EA
4	056066 004	NUT NYLOCK DIN985 M4 8.0 ZP	2	EA

OPTIONS



アイテム	部品番号	名前	数量	UOM
*	1502046 D	6H PLUG AND SOCKET		EA
1	512459 020	BLT HEXHD M4 0.07 X 20MM G8.8	5	EA
2	056066 004	NUT NYLOCK DIN985 M4 8.0 ZP	13	EA
3	3069539	RECEPTACLE, 6H 20/16AMP ANGLED	1	EA
4	3069540	INLET, 6H 20/16 AMP	2	EA
5	3069541	COVER, 6H INLET 20/16 AMP	2	EA
6	512714 025	HHCS M4 X 0.7 x 25 G8.8 ISO 4014 DIN 931	8	EA

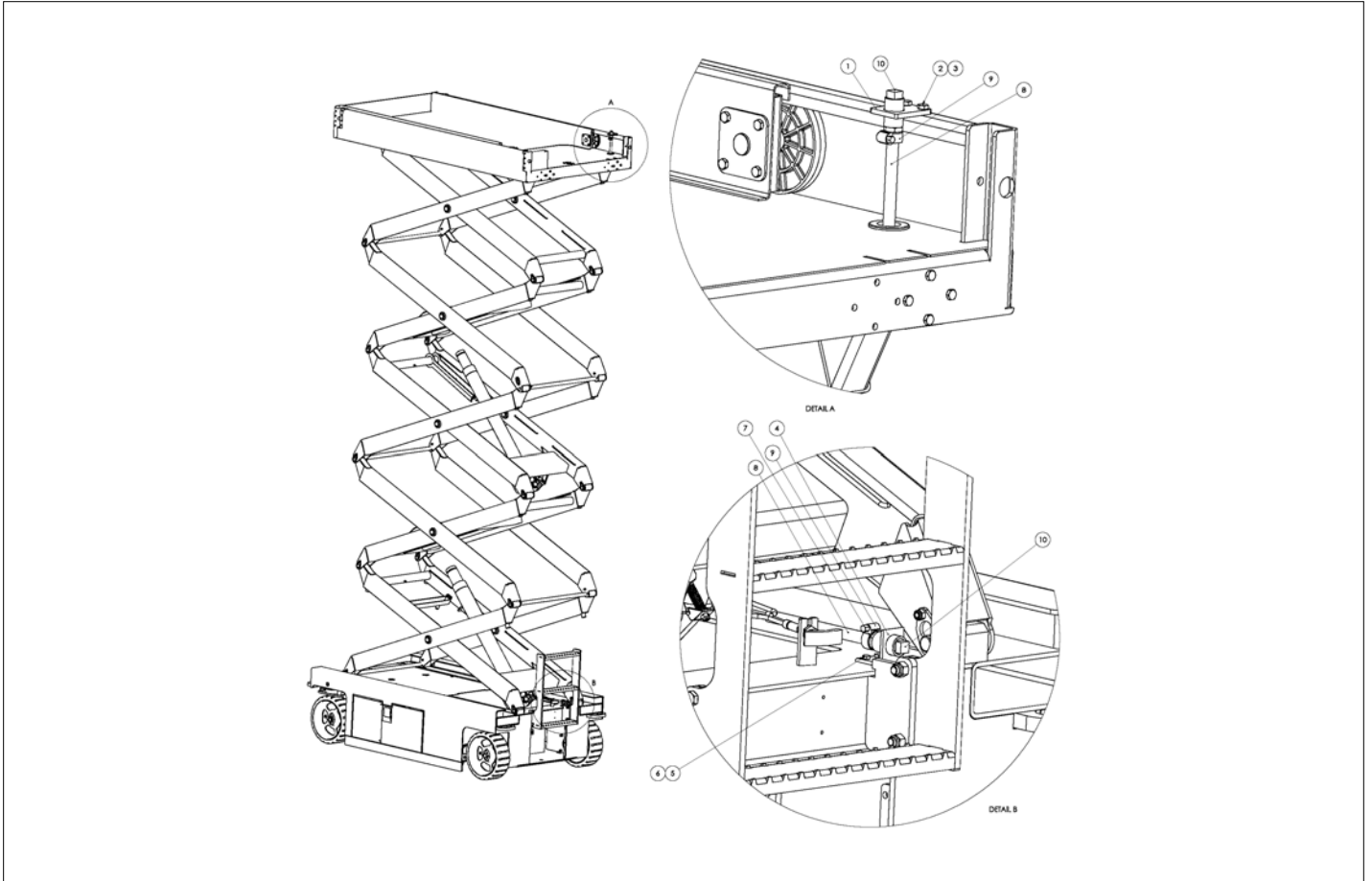
OPTIONS

**NO IMAGE AVAILABLE  
(BOM FOR REFERENCE ONLY)**



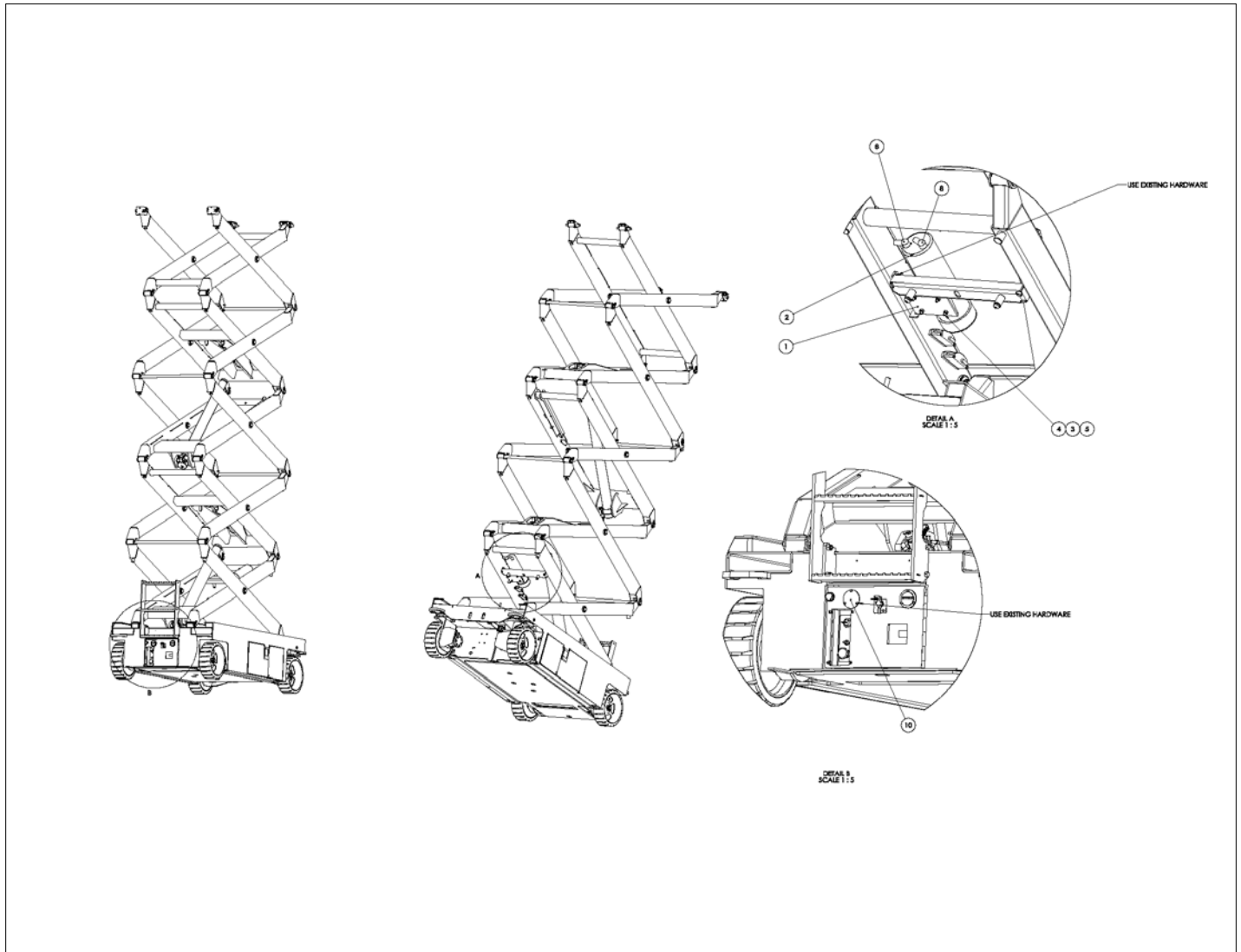
アイテム	部品番号	名前	数量	UOM
	1503094 A	OPTION, ENV OIL S3220/26 S4726		EA
1	8210054	OIL HYDRAULIC BIODEGRABLE	5.00gal	EA
2	7030150	DECAL OIL HYD ENVIRONMENTALLY	1	EA

OPTIONS

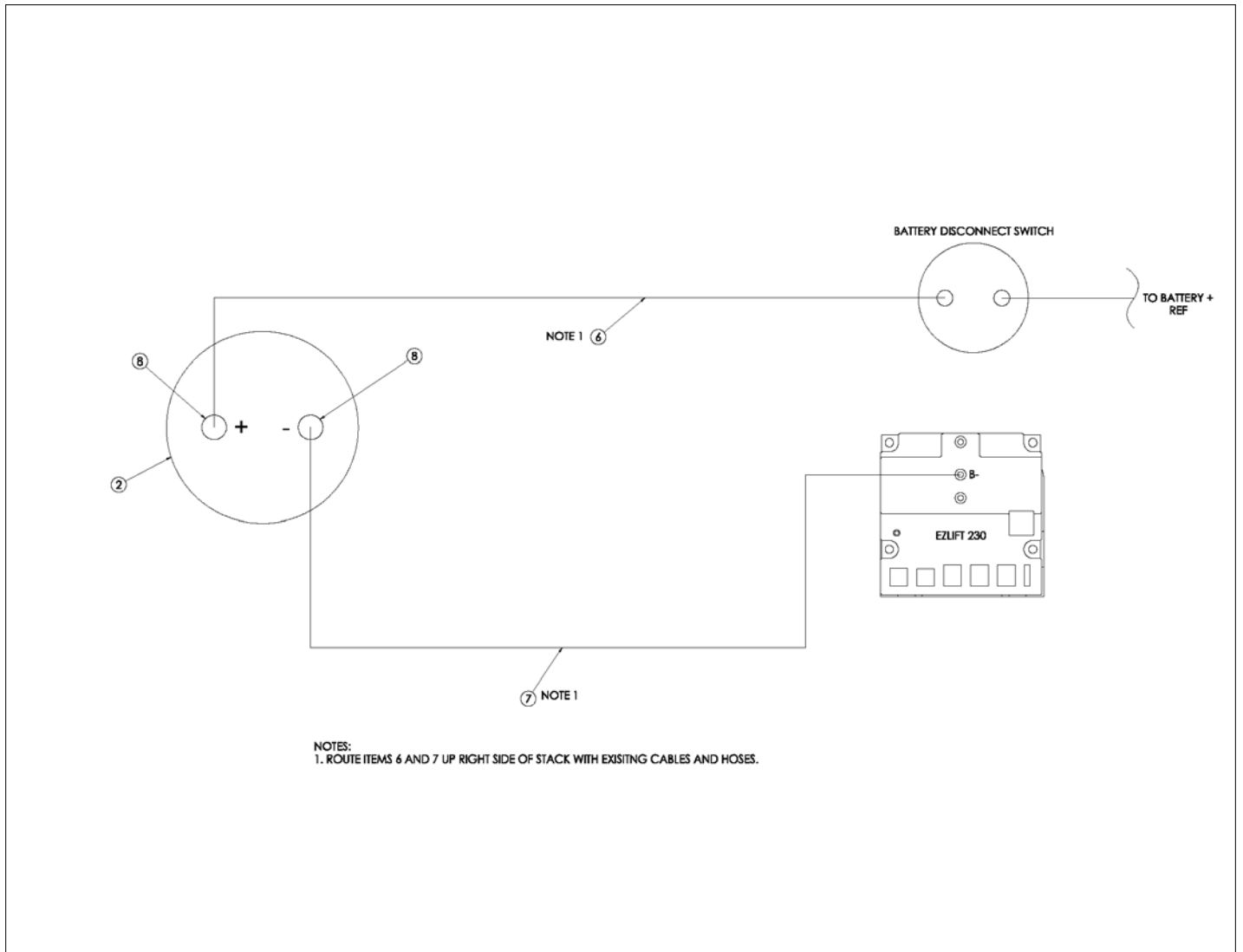


アイテム	部品番号	名前	数量	UOM
	1502305A	OPTION, AIRLINE S4732		EA
1	1502726 4	WLDMT, AIRLINE MNT	1	EA
2	058492 012	Bolt HexSetScrew DIN933 M8 x 1	2	EA
3	056066 008	NUT NYLOCKNUT DIN985 M8 8.0 ZP	2	EA
4	0181276 3	BULKHEAD BRACKET	1	EA
5	0181276	BULKHEAD BRACKET	1	EA
6	058491 025	Bolt HexSetScrew DIN933 M6 x 2	2	EA
7	056066 006	Nut NylockNut DIN985 M6 8.0 Zi	2	EA
8	5260013	FTG ADPTR MALE 8N 8 BARBED	2	EA
9	5010024	HOSE .50 ID AIR HOSE	49.000	EA
10	457406	CLP WORM DRV .50 1.25 SAE#12	2	EA
11	5569998	GROMMET 1.25ID 1.75DIA X .094GRV	1	EA

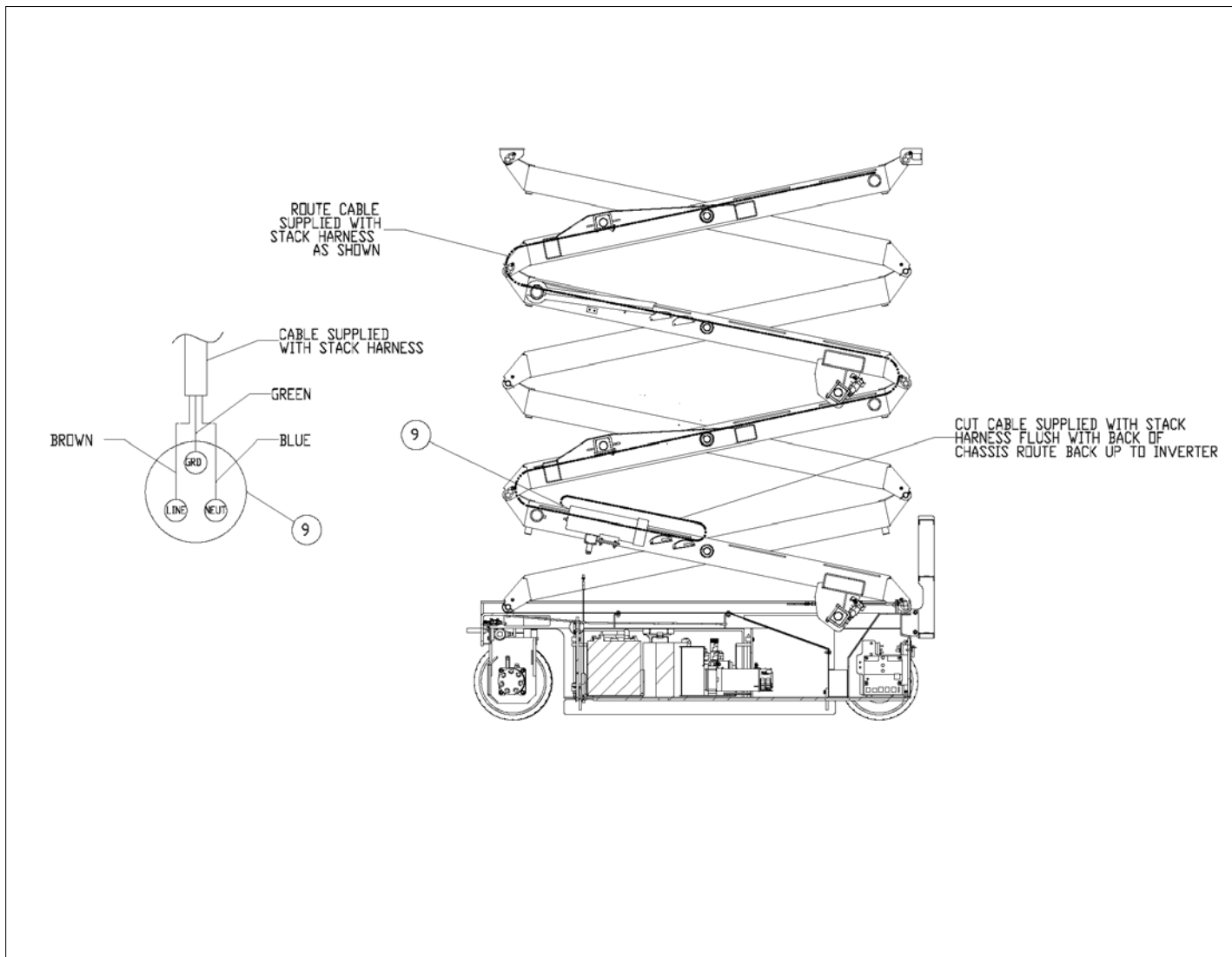
# OPTIONS



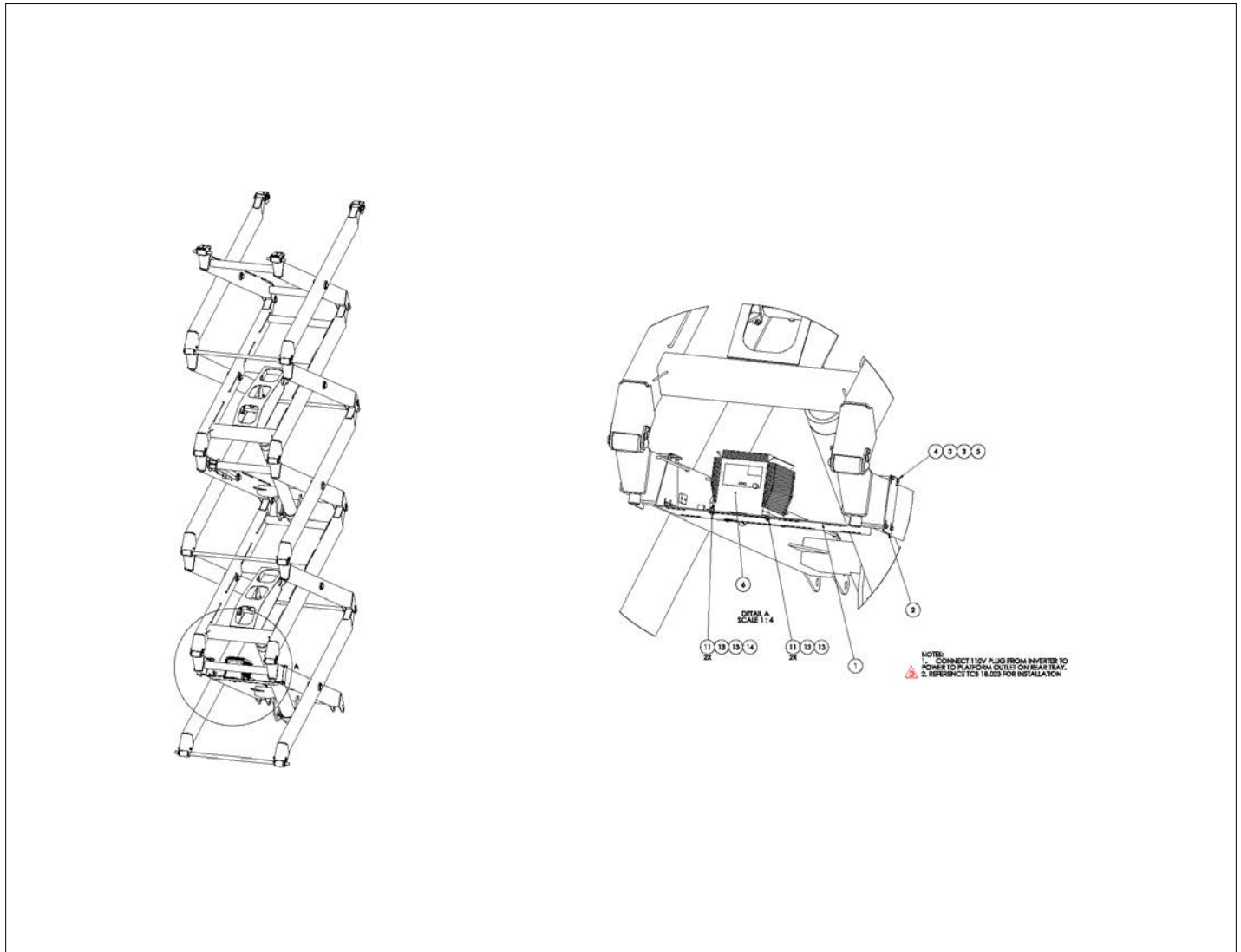
アイテム	部品番号	名前	数量	UOM
	1502494 B	INVERTER OPTION S4726E S4732E		EA
1	1502493	WLDMT, INVERTER MNT S4726/4732	1	EA
2	455536	MTR/GENERATOR	1	EA
3	056069 008	WASHER, STEELFLATWASHER DIN12M8 FLAT WASHER DIN 125	4	EA
4	056059 030	Bolt, HexBolt DIN931 M8 x 30mm	4	EA
5	056066 008	NUT NYLOCKNUT DIN985 M8 8.0 ZP	4	EA
6	3014750	WIRE 2 R375 R375 101 RED	1	EA
7	3014751	WIRE 2 R375 R375 122 BLACK	1	EA
8	3040269	Boot Cable Entry Black I/O GA	2	EA
9	3040219	PLUG MALE CONNECTOR 90D 125VAC	1	EA
10	1502526	PLT, HOLE COVER IR	1	EA



NOTES:  
1. ROUTE ITEMS 6 AND 7 UP RIGHT SIDE OF STACK WITH EXISTING CABLES AND HOSES.

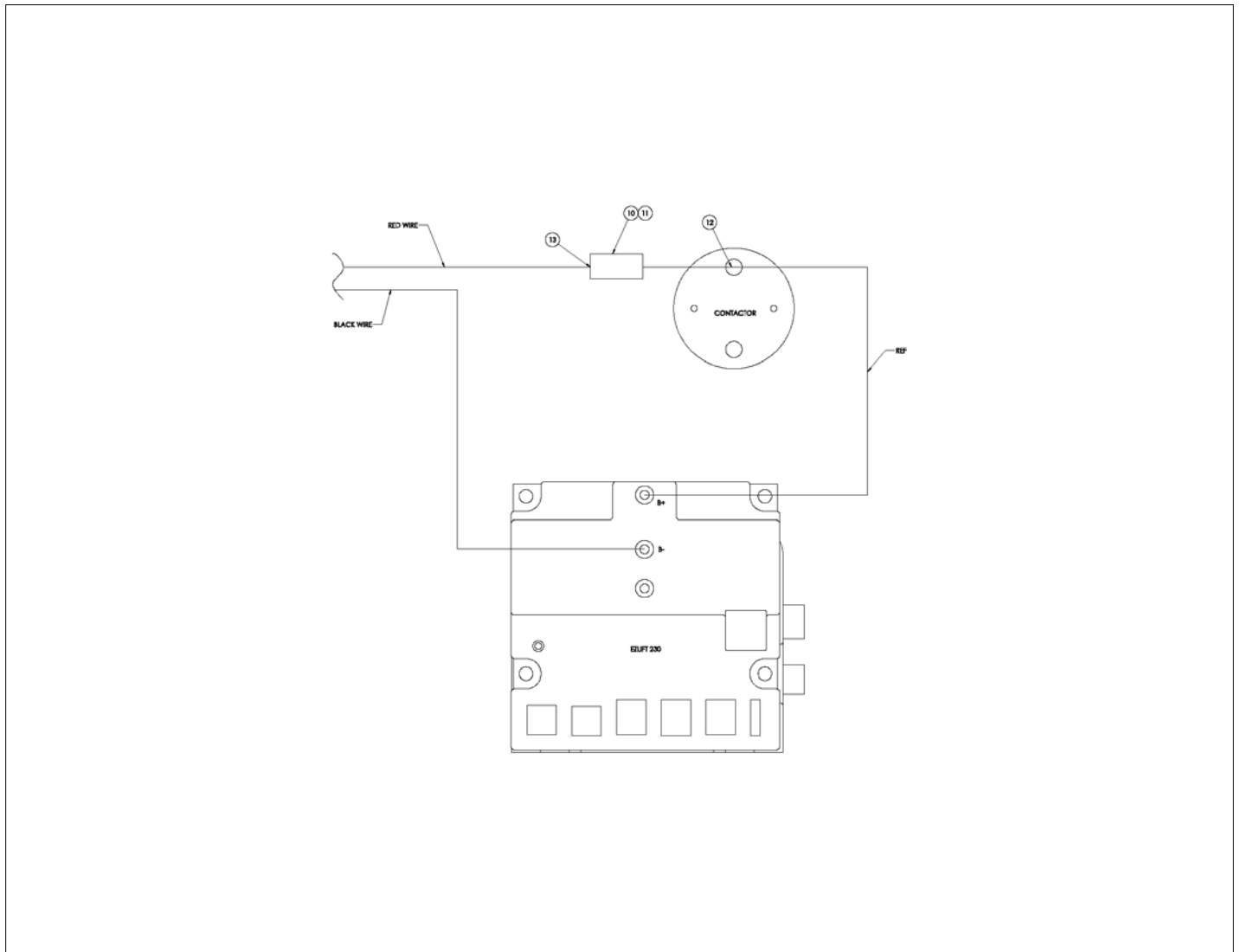


# OPTIONS

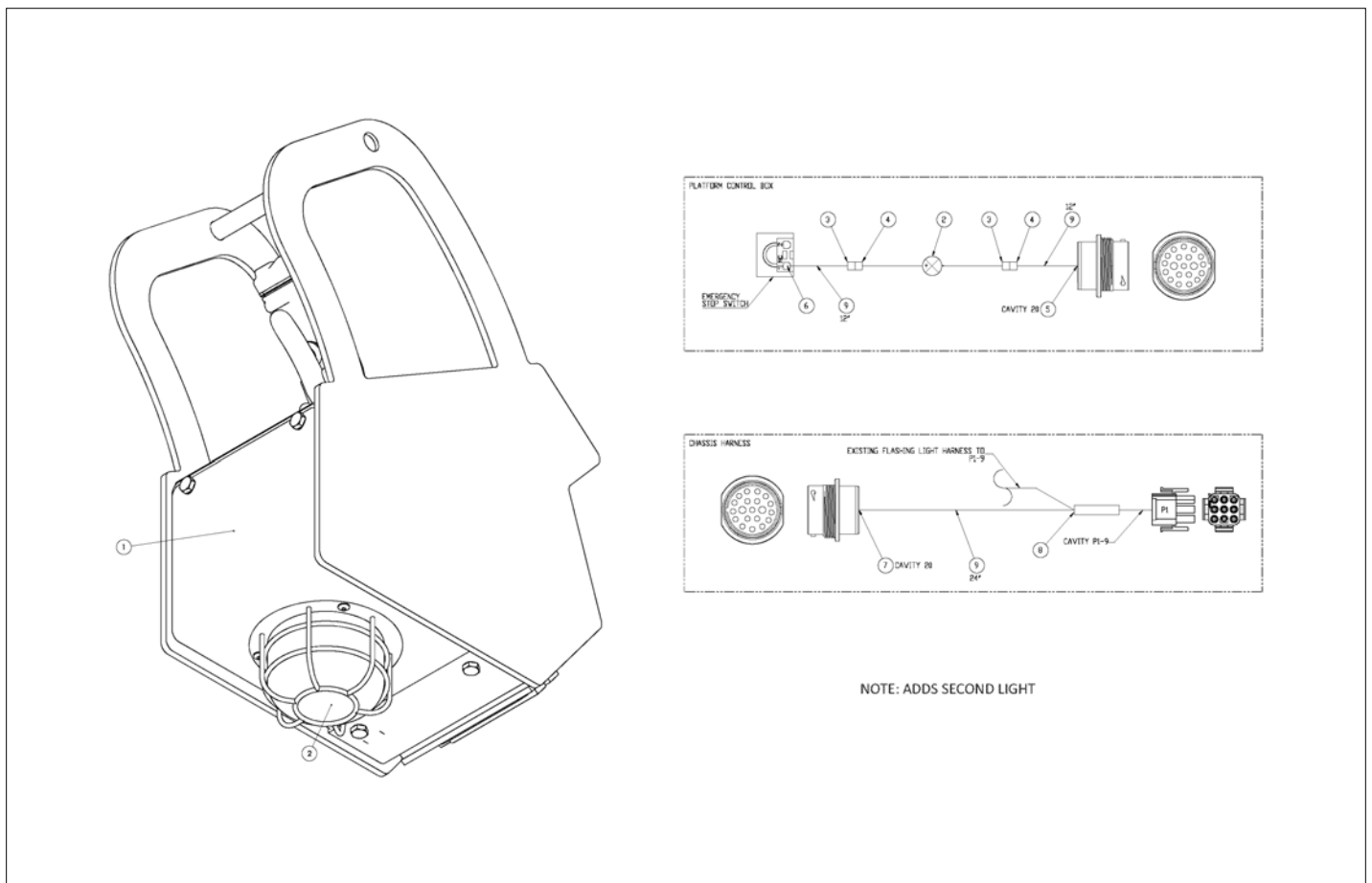




アイテム	部品番号	名前	数量	UOM
	1502967 D	INVERTER ASSEMBLY S4726E S4732E		EA
1	1502963	PLT, INVERTER MOUNT S4726/4732	1	EA
2	1502964	PLT INVERTER MOUNT SIDE	2	EA
3	056069 006	WSHR STEELFLATWSHE M6 DIN125A	16	EA
4	058491 100	BOLT, HEXBOLT DIN 931 M6 X 100	8	EA
5	056066 006	Nut NylockNut DIN985 M6 8.0 Zi	8	EA
6	3087846	INVERTER, SIGNET	1	EA
Not Shown	3220372	FUSE, HOLDER 40 80AMP	1	EA
Not Shown	3220373	FUSE, 50AMP	1	EA
Not Shown	0071584	WIRE 12 R10I R375I 7	1	EA
10	3044854	TERM R10I 12/10	1	EA
11	5563979	BLT BTNHD .250 20 .75 ZP	4	EA
12	3090007	TUBE FLEXGARD .500 ID WAYTEK	1'	EA
13	986019	WSHR FLAT .250	6	EA
14	5560004	NUT LKG .250 20	2	EA

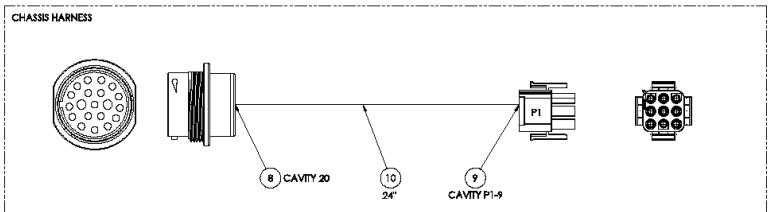
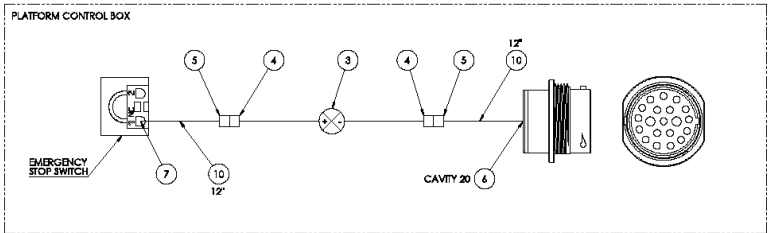
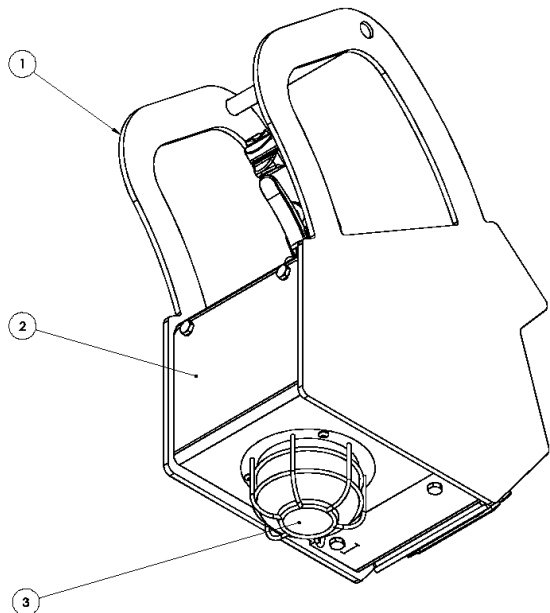


OPTIONS



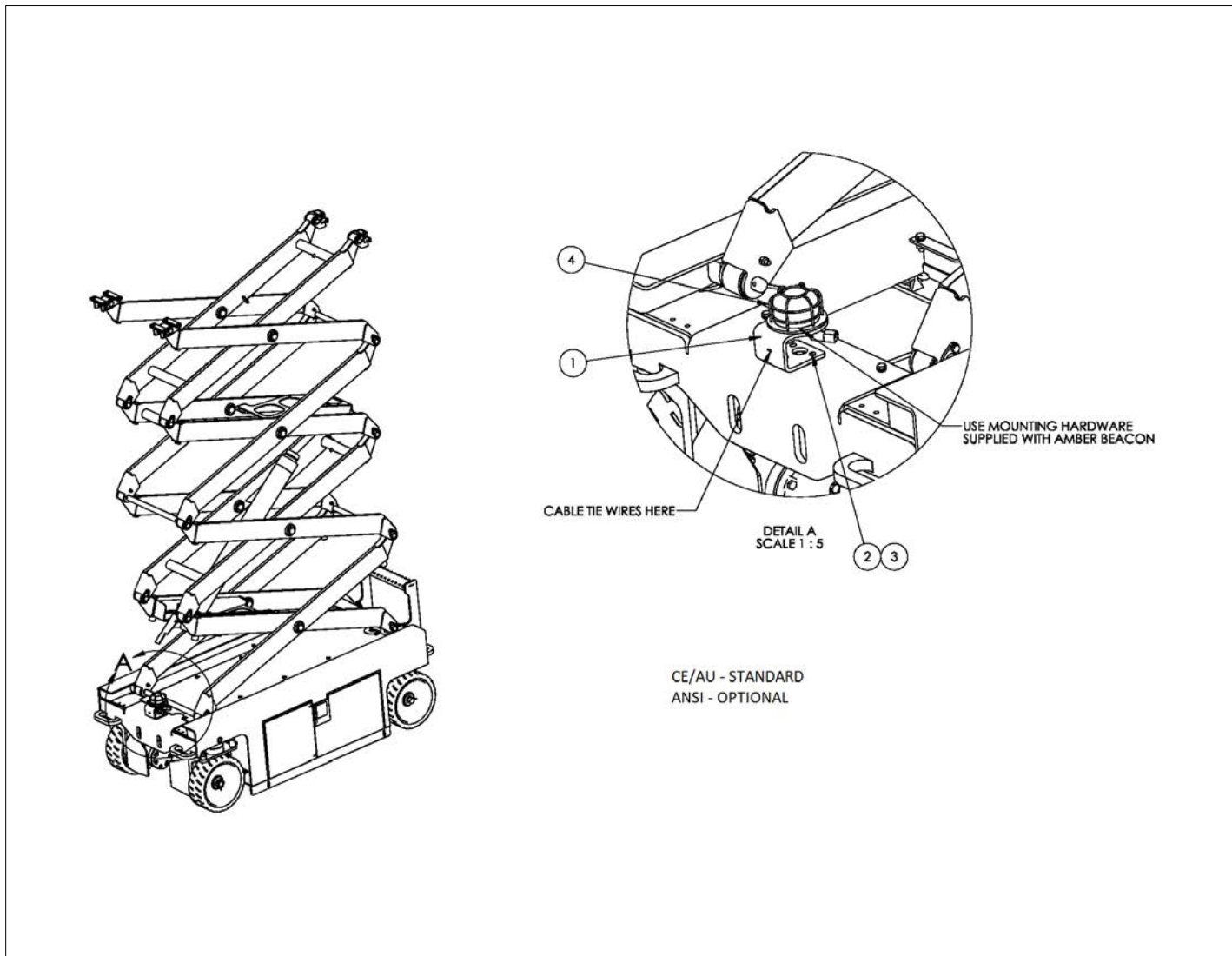
アイテム	部品番号	名前	数量	UOM
	1502759 B	OPTION, DUAL FLASHING LIGHT		EA
1	1501919	PLT FLASHING AMBER BEACON MOUNT	1	EA
2	515611 000	BEACON ASSY AMBER	1	EA
3	3040046	TERM MALE250FI 22/18	2	EA
4	3040047	TERM FEM250FI 22/18	2	EA
5	3049894	PIN CONTACT 20 DEUTCH P/N 04	1	EA
6	3044155	TERM SPADE8I 16/14 3M:B06 503	1	EA
7	3049895	SOCKET CONTACT 20 DEUTSCH P/N	1	EA
8	3044070	TERM BUTT CONN INSUL 22/18	1	EA
9	3011801	WIRE 18GA SINGLE CONDUCTOR WHT	48in	EA

# OPTIONS



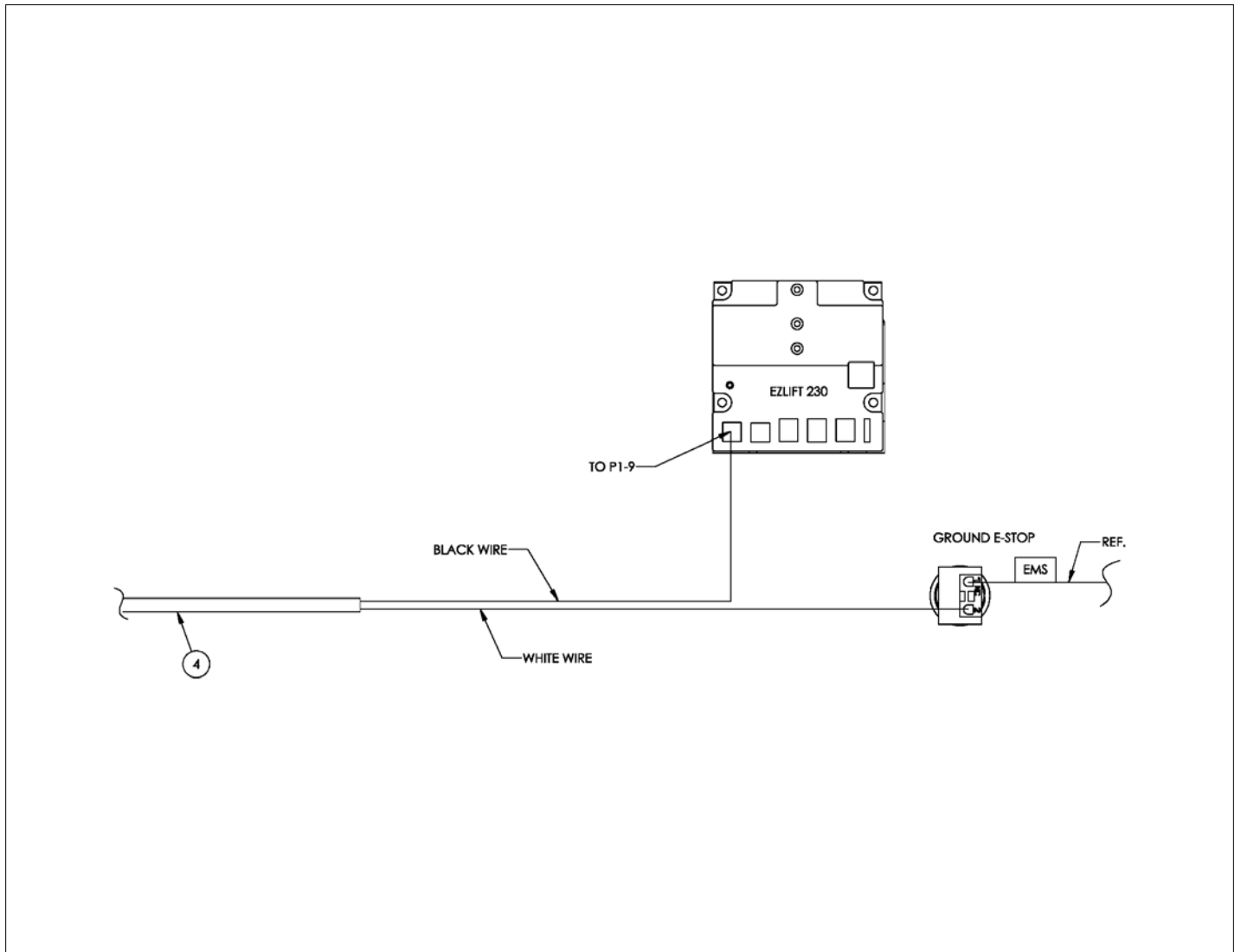
アイテム	部品番号	名前	数量	UOM
	1501918B	AMBER BEACON ASSEMBLY SEPTEMBER 2016 AND BEFORE		EA
1	1502336	ASSY, UCB CE 2SPD SEPTEMBER 2018 AND AEFORÉ	1	EA
2	1501919	PLT FLASHING AMBER BEACON MOUNT	1	EA
3	514404 000	BEACON WITH GUARD ANBER FLASHING	1	EA
4	3040046	TERM MALE250FI 22/18	2	EA
5	3040047	TERM FEM250FI 22/18	2	EA
6	3049894	PIN CONTACT 20 DEUTCH P/N 04	1	EA
7	3044155	TERM SPADE8I 16/14 3M:B06 503	1	EA
8	3049895	SOCKET CONTACT 20 DEUTSCH P/N	1	EA
9	3049986	AMP SOCKET CONTACT	1	EA
10	3011801	WIRE 18GA SINGLE CONDUCTOR WHT	4	EA

OPTIONS

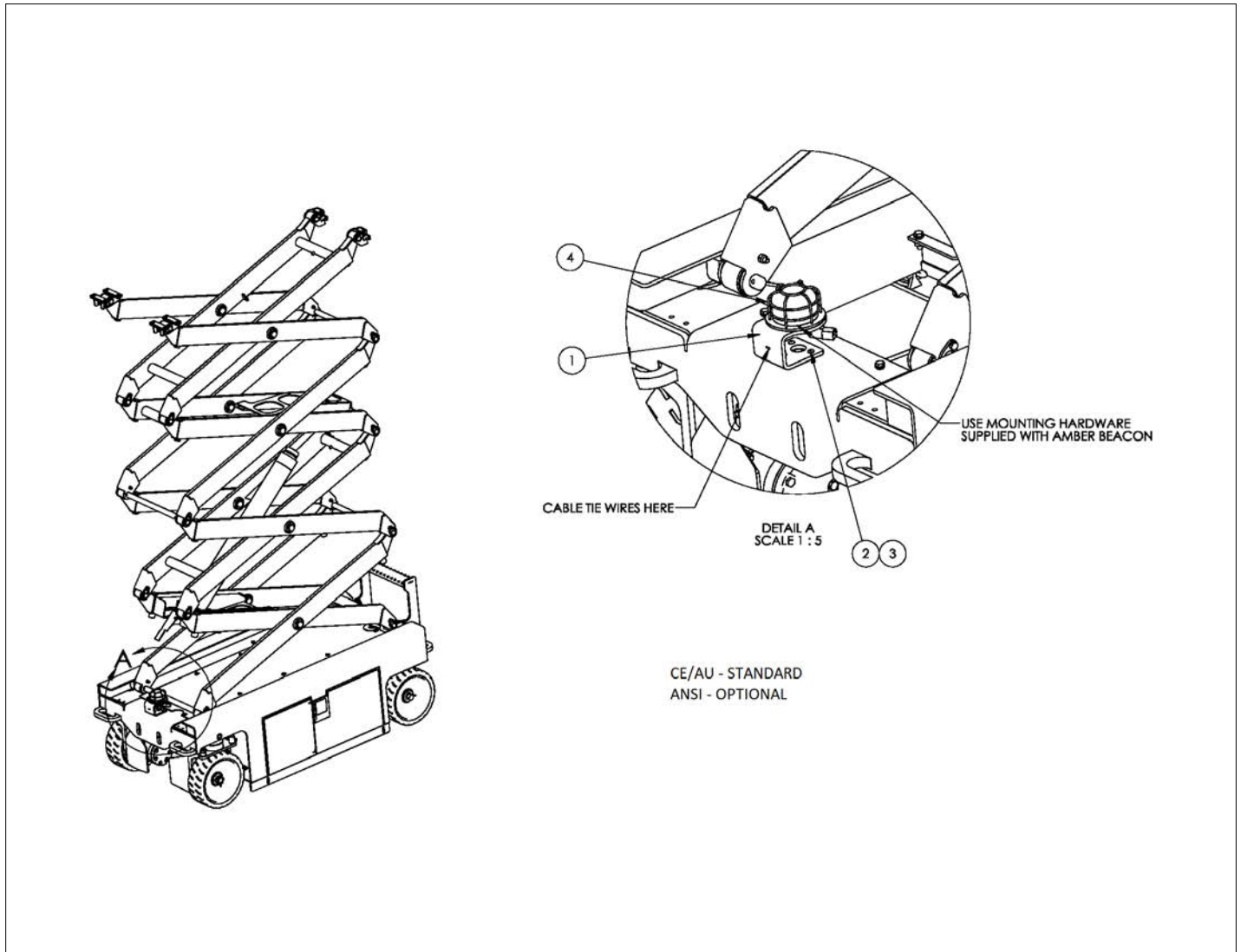


アイテム	部品番号	名前	数量	UOM
	1502492 A	AMBER BEACON		EA
1	1502485	BRKT ANBER BEACON MNT	1	EA
2	514176 030	SBHCS M6 X 1.0 X 30 GR 10.9 BL	3	EA
3	056066 006	Nut NylockNut DIN985 M6 8.0 Zi	3	EA
4	1502490	ASSY, AMBER BEACON	1	EA

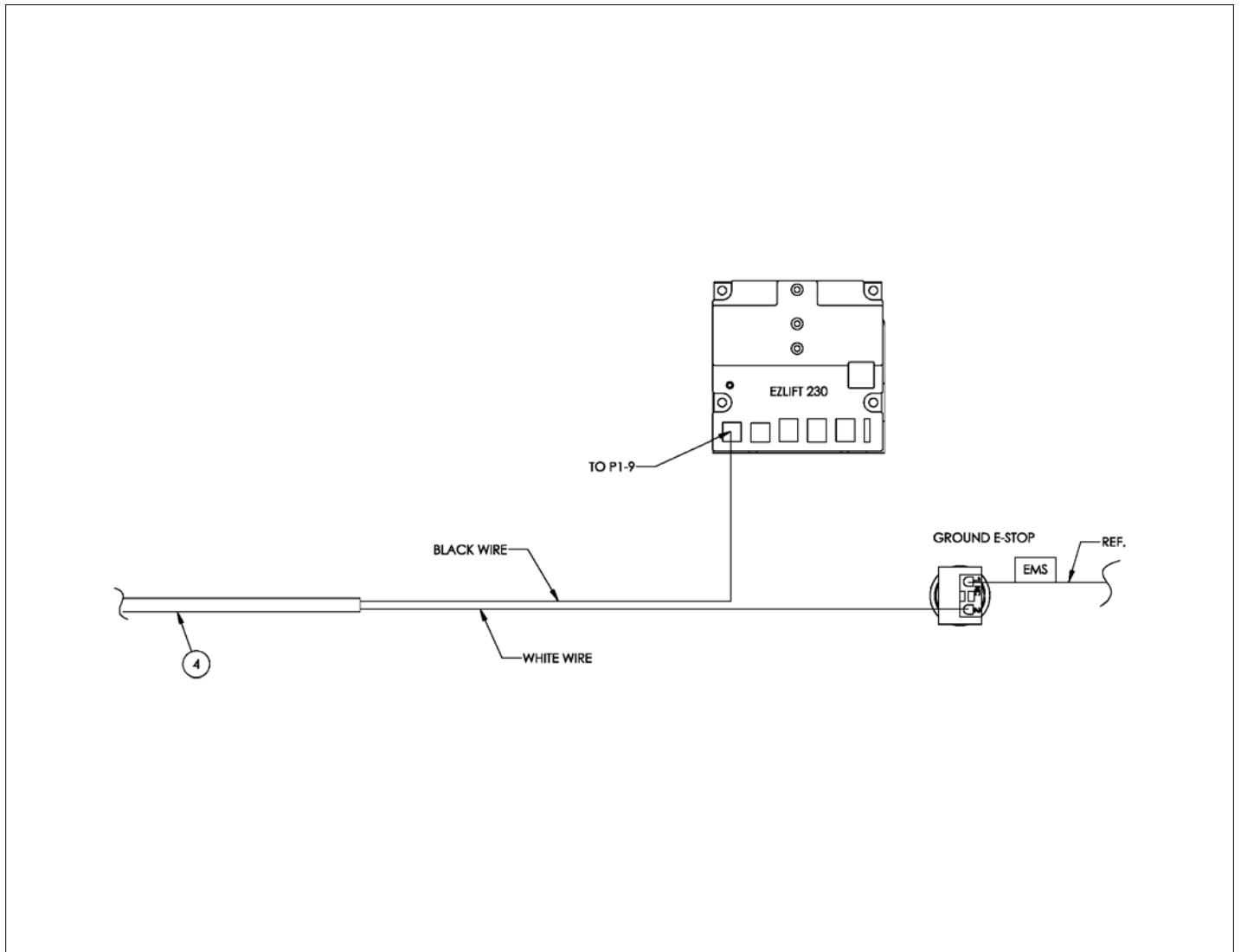




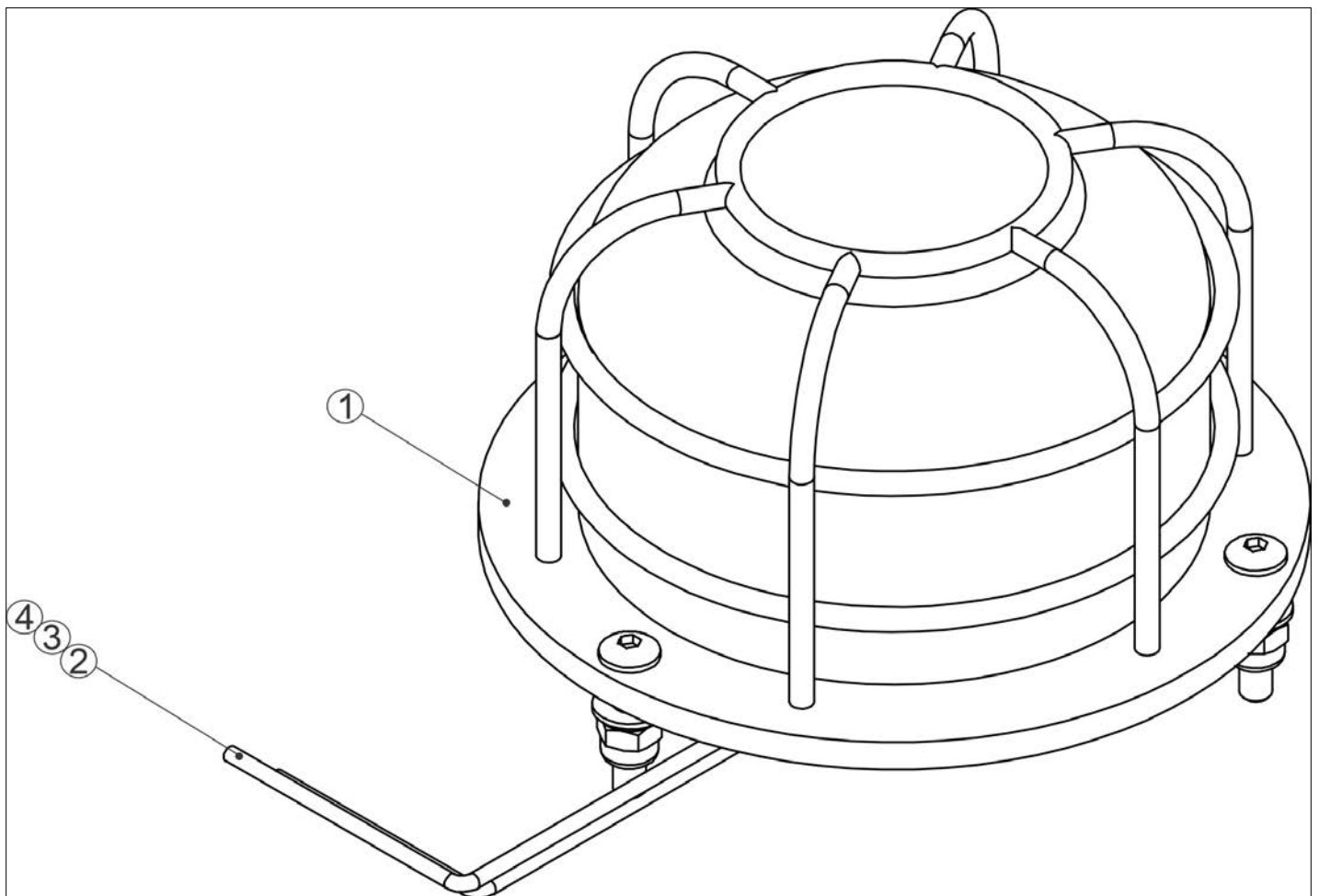
OPTIONS



アイテム	部品番号	名前	数量	UOM
	1502492B	AMBER BEACON		EA
1	1502485	BRKT ANBER BEACON MNT	1	EA
2	514176 030	SBHCS M6 X 1.0 X 30 GR 10.9 BL	3	EA
3	056066 006	Nut NylockNut DIN985 M6 8.0 Zi	3	EA
4	515611 000	BEACON ASSY AMBER	1	EA

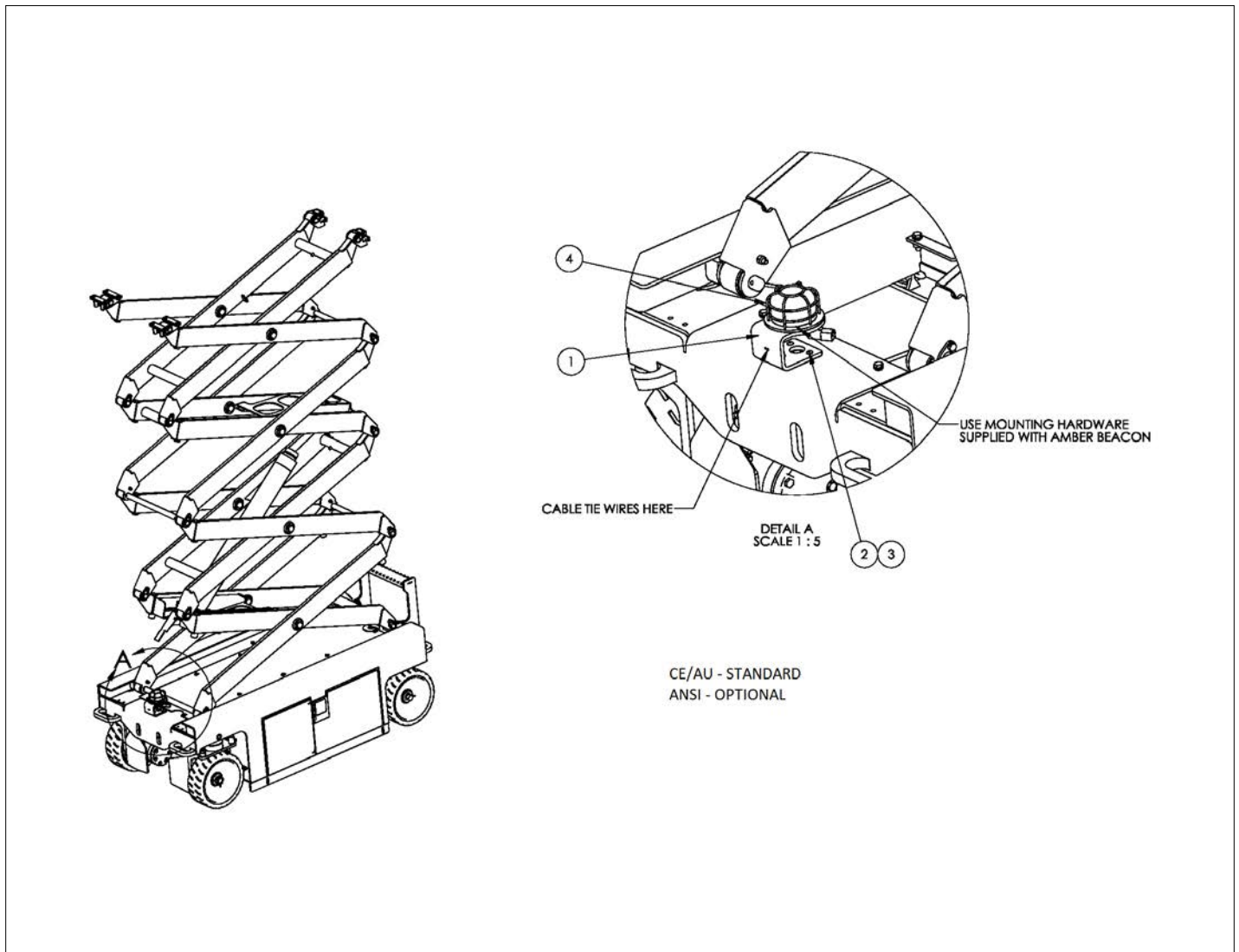


OPTIONS



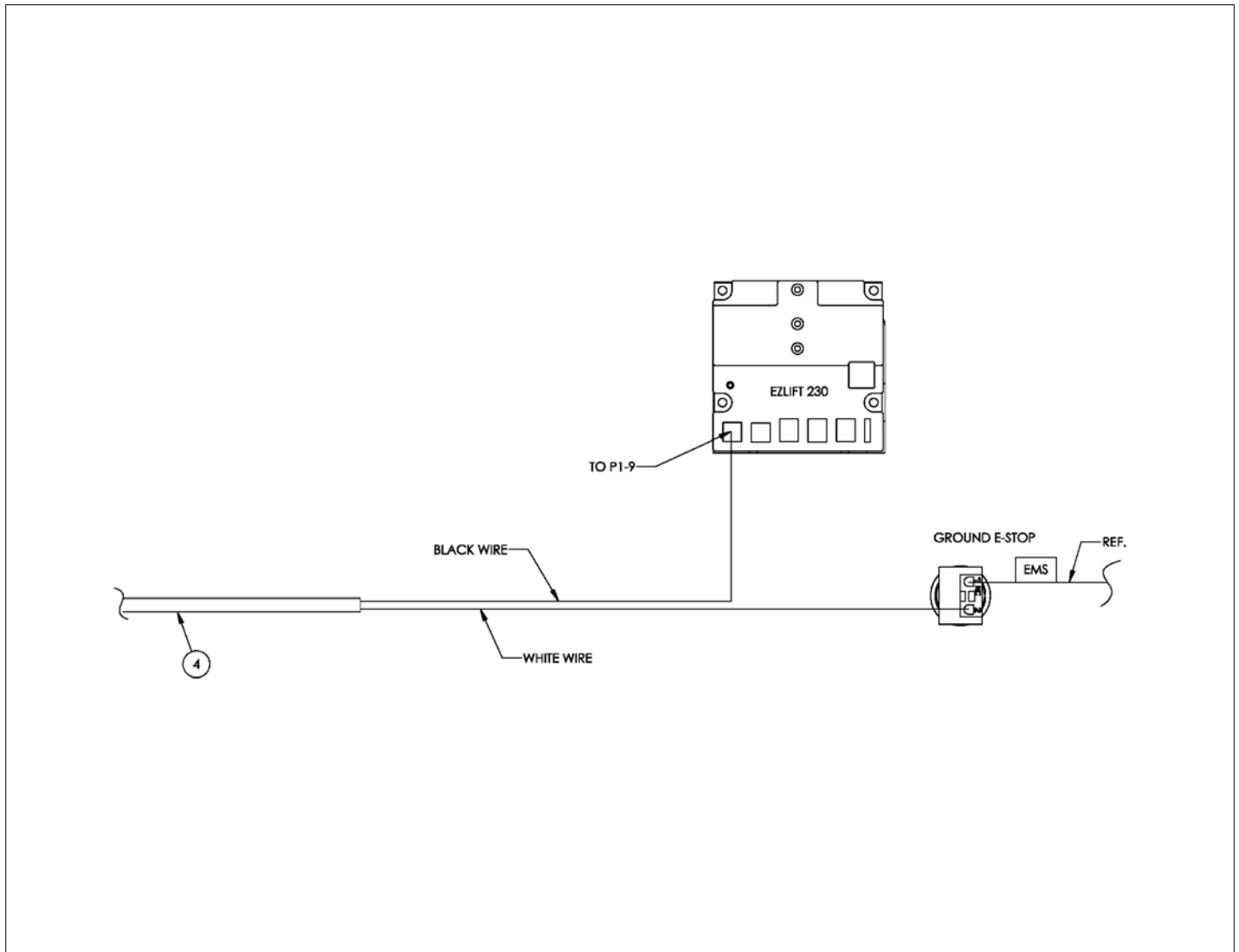
アイテム	部品番号	名前	数量	UOM
*	515611 000 A	AMBER BEACON ASSEMBLY JULY 2018 AND AFTER		EA
1	514404 000	BEACON WITH GUARD ANBER FLASHING	1	EA
2	3049808	LOCK WEDGE 2 PIN DEUTSCH RECEP	1	EA
3	3049804	CONNECTOR 2 PIN DEUTSCH RECEP	1	EA
4	3040341	PIN CONTACT SIZE 16 16/18 GA	2	EA

OPTIONS

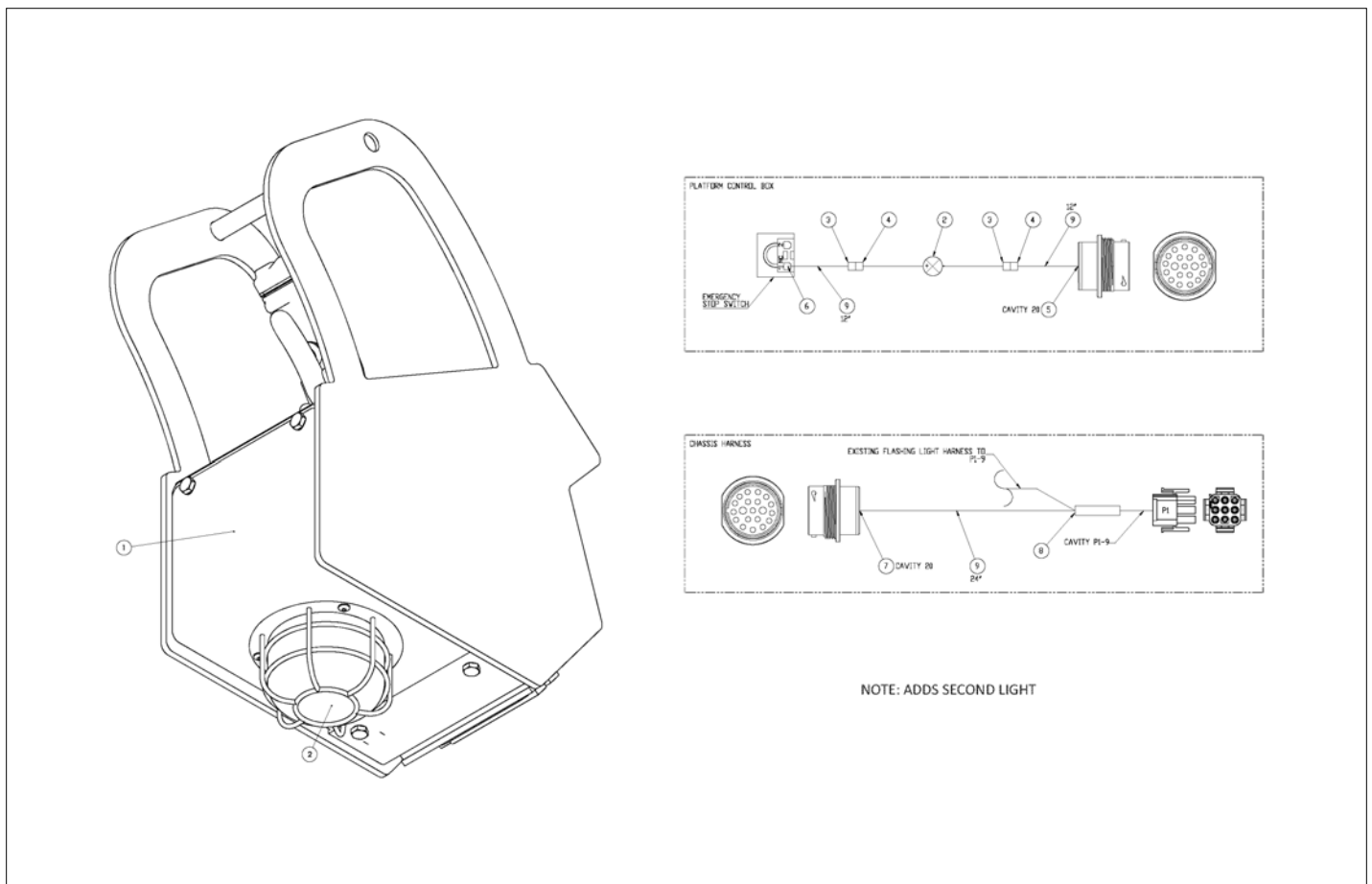


アイテム	部品番号	名前	数量	UOM
	1502492A	AMBER BEACON OPTION CHINA		EA
1	1502485	BRKT ANBER BEACON MNT	1	EA
2	514176 030	SBHCS M6 X 1.0 X 30 GR 10.9 BL	3	EA
3	056066 006	Nut NylockNut DIN985 M6 8.0 Zi	3	EA
4	1502490	ASSY, AMBER BEACON	1	EA



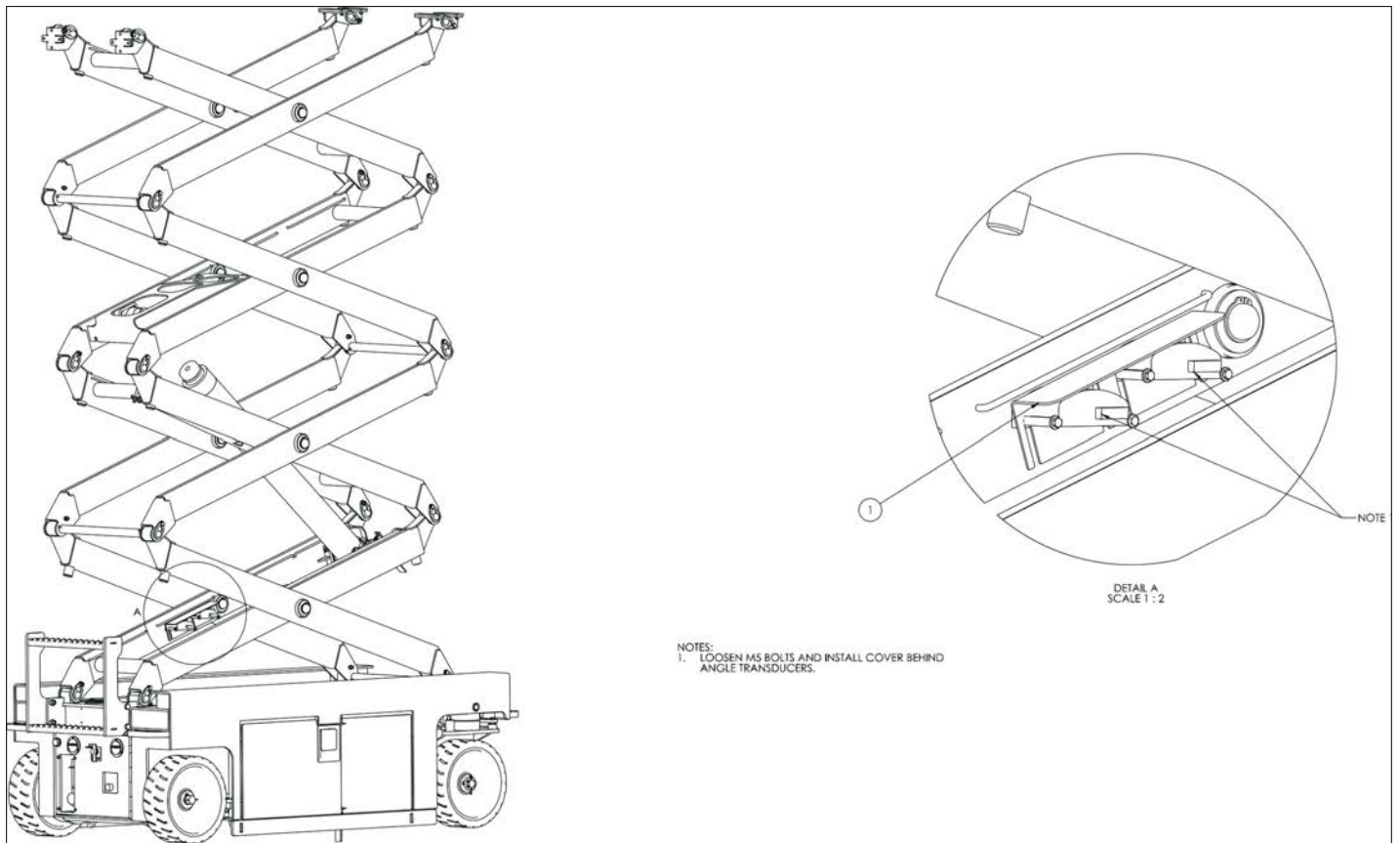


OPTIONS



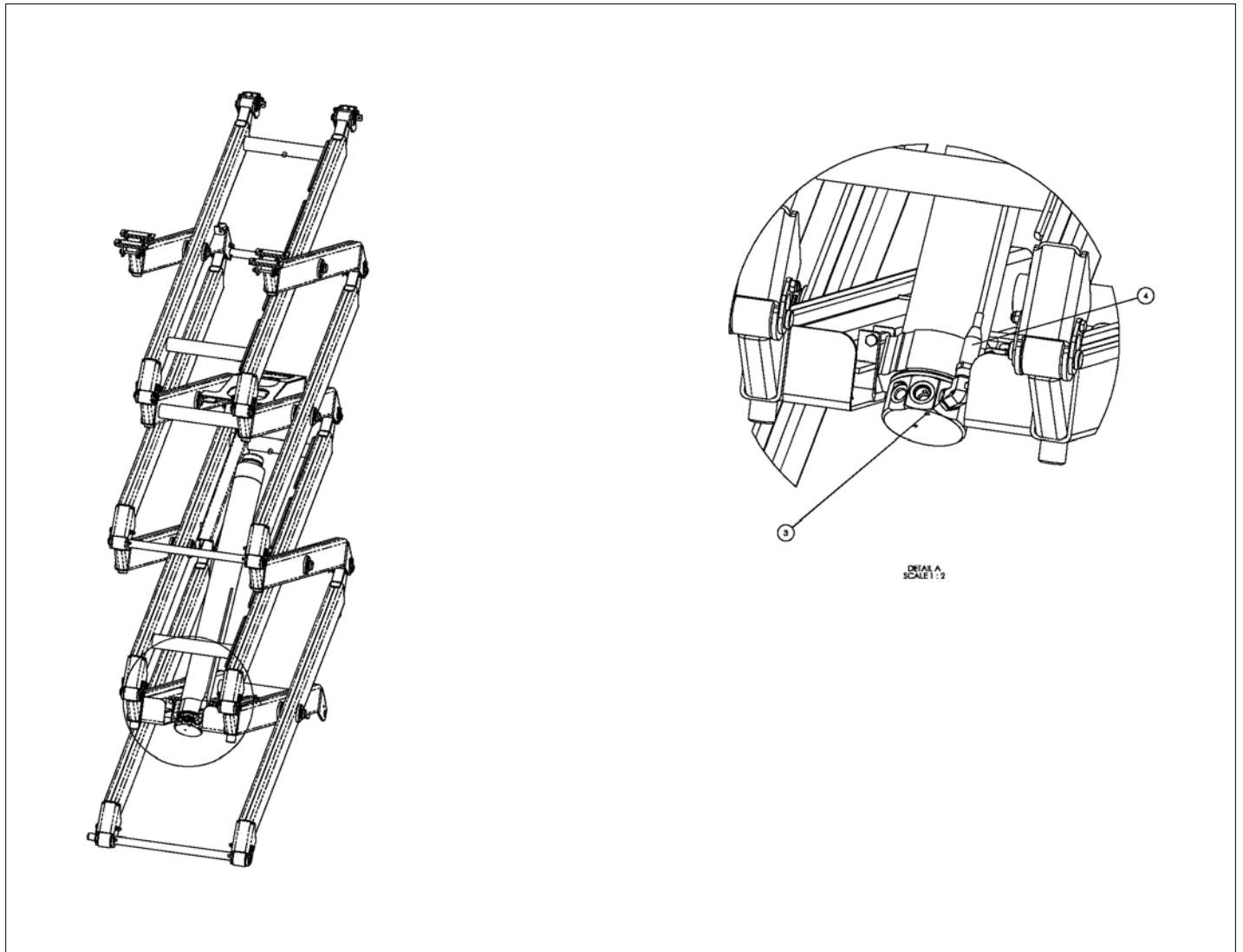
アイテム	部品番号	名前	数量	UOM
	1502759A	OPTION, DUAL FLASHING LIGHT		EA
1	1501919	PLT FLASHING AMBER BEACON MOUNT	1	EA
2	514404 000	BEACON WITH GUARD ANBER FLASHING	1	EA
3	3040046	TERM MALE250FI 22/18	2	EA
4	3040047	TERM FEM250FI 22/18	2	EA
5	3049894	PIN CONTACT 20 DEUTCH P/N 04	1	EA
6	3044155	TERM SPADE8I 16/14 3M:B06 503	1	EA
7	3049895	SOCKET CONTACT 20 DEUTSCH P/N	1	EA
8	3044070	TERM BUTT CONN INSUL 22/18	1	EA
9	3011801	WIRE 18GA SINGLE CONDUCTOR WHT	48in	EA

OPTIONS

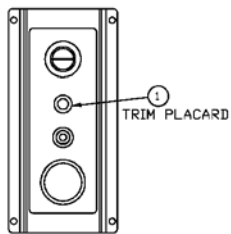


アイテム	部品番号	名前	数量	UOM
	1502571 A	ANGLE TRANSDUCER COVER		EA
1	1502570	PLT, ANGLE TRANSDUCER COVER	1	EA

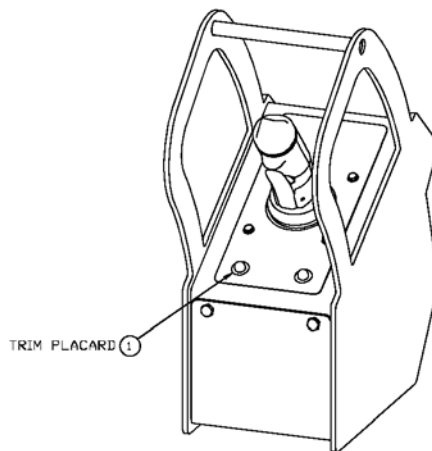
OPTIONS



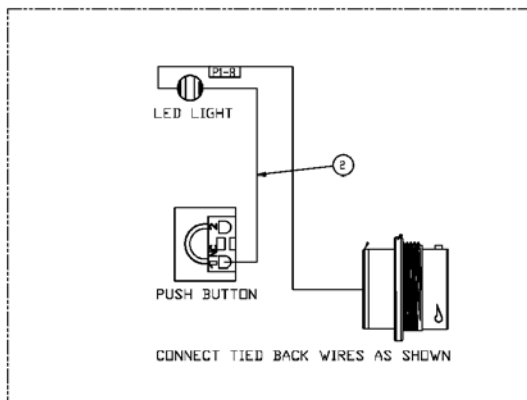
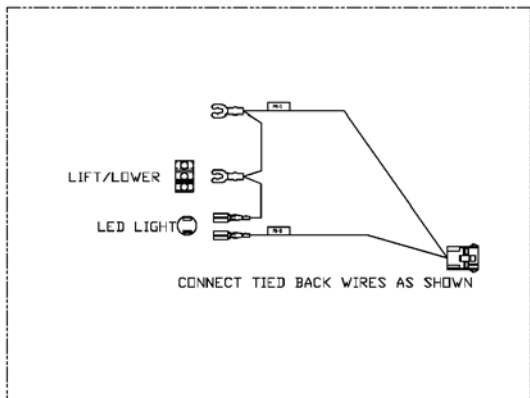
アイテム	部品番号	名前	数量	UOM
*	1502349 B	OVERLOAD OPTION MAY 2016 AND AFTER		EA
1	302829	LIGHT RED 24VDC BEZEL MOUNT	2	EA
2	1501690	WIRE JUMPER CE OVERLOAD LIGHT	1	EA
3	5076527	FTG 4MBX4FB 90	1	EA
4	3030158	Pressure Transducer	1	EA



GROUND CONTROL PANEL

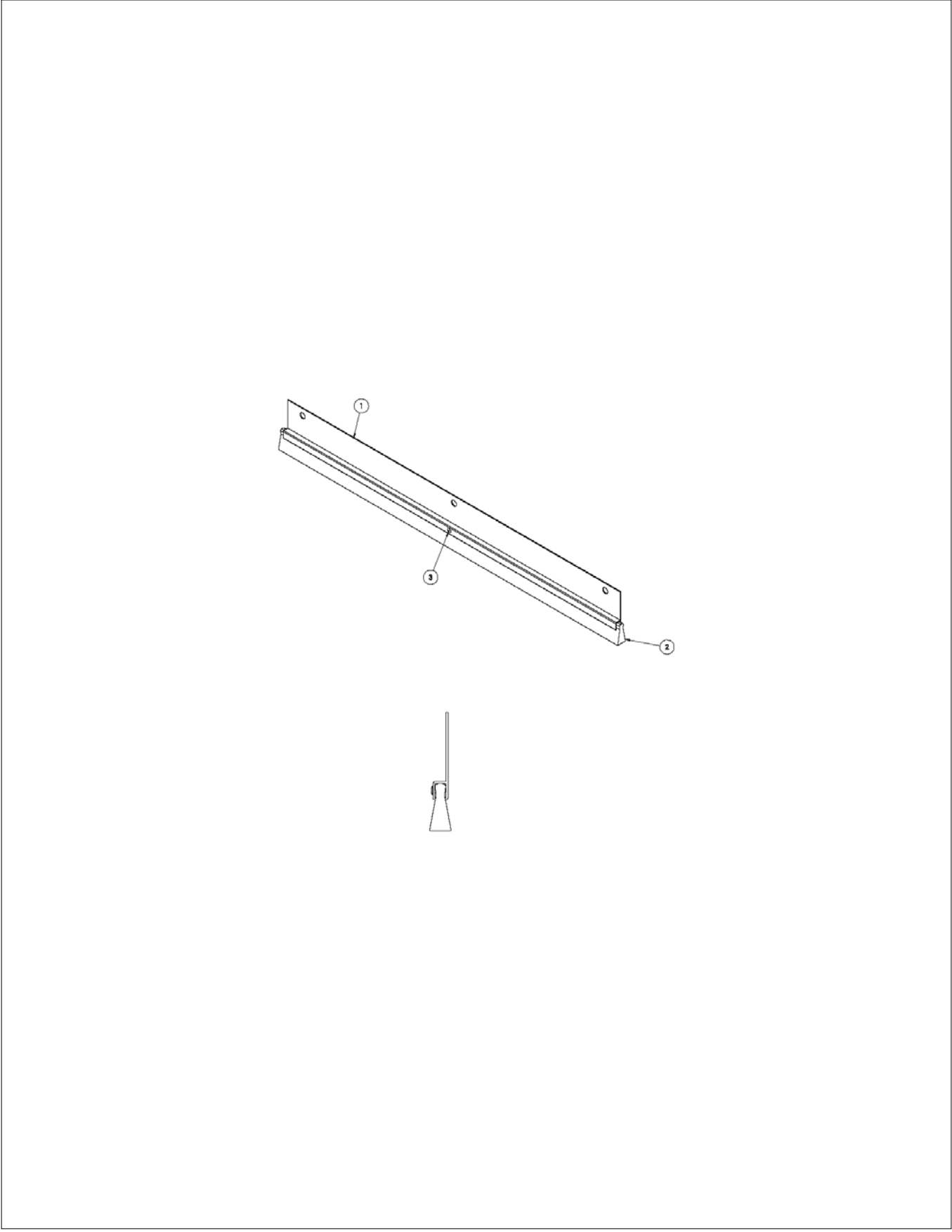


UPPER CONTROL BOX



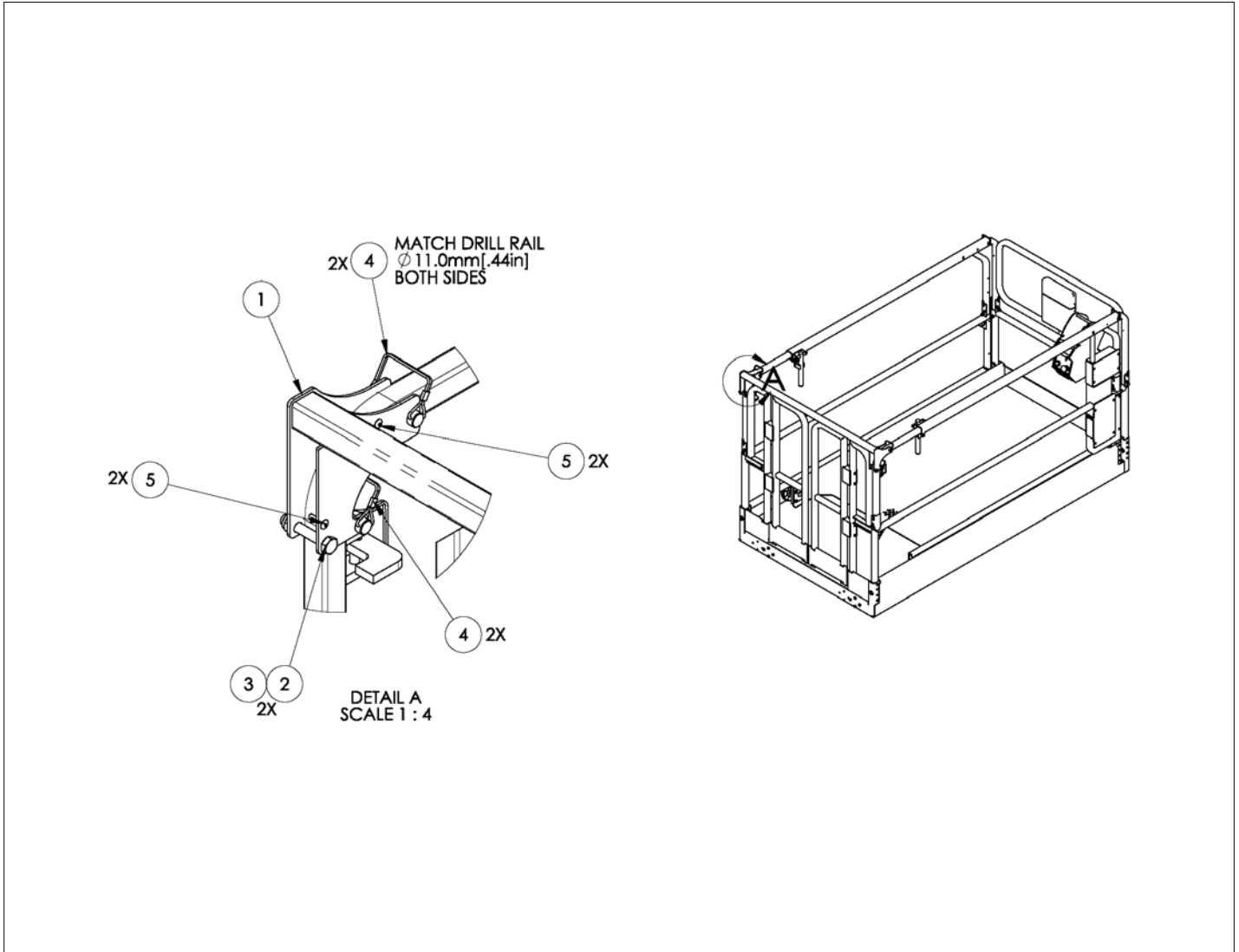


OPTIONS



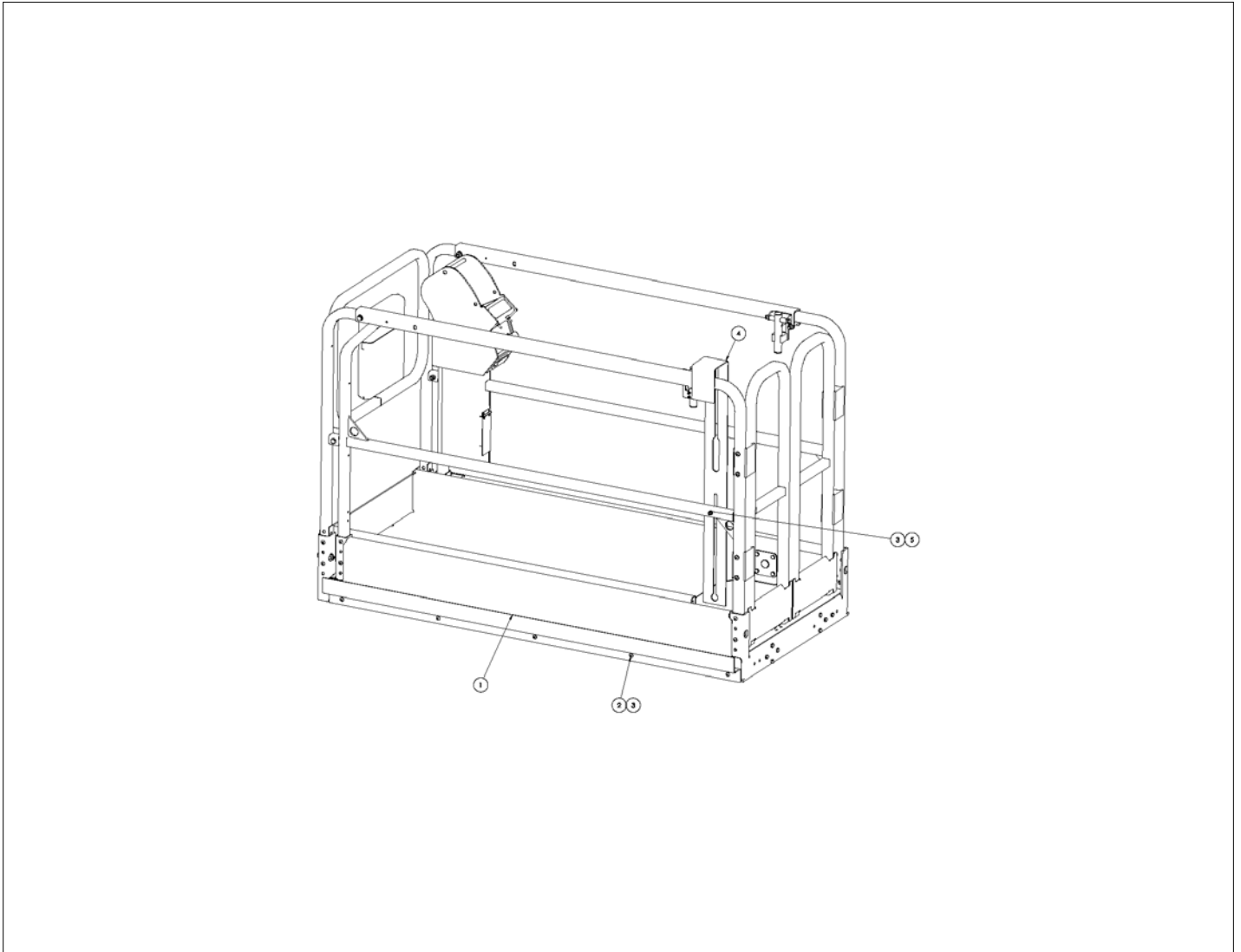
アイテム	部品番号	名前	数量	UOM
	1502771 A	26IN BRUSH ASSEMBLY		EA
1	0084826	BRUSH HOLDER (STRAIGHT)	26	EA
2	0084827	BRUSH	26.5	EA
3	5563454	RIVET, 1/8 X .313/.375 ALUM BLIND	1	EA

OPTIONS



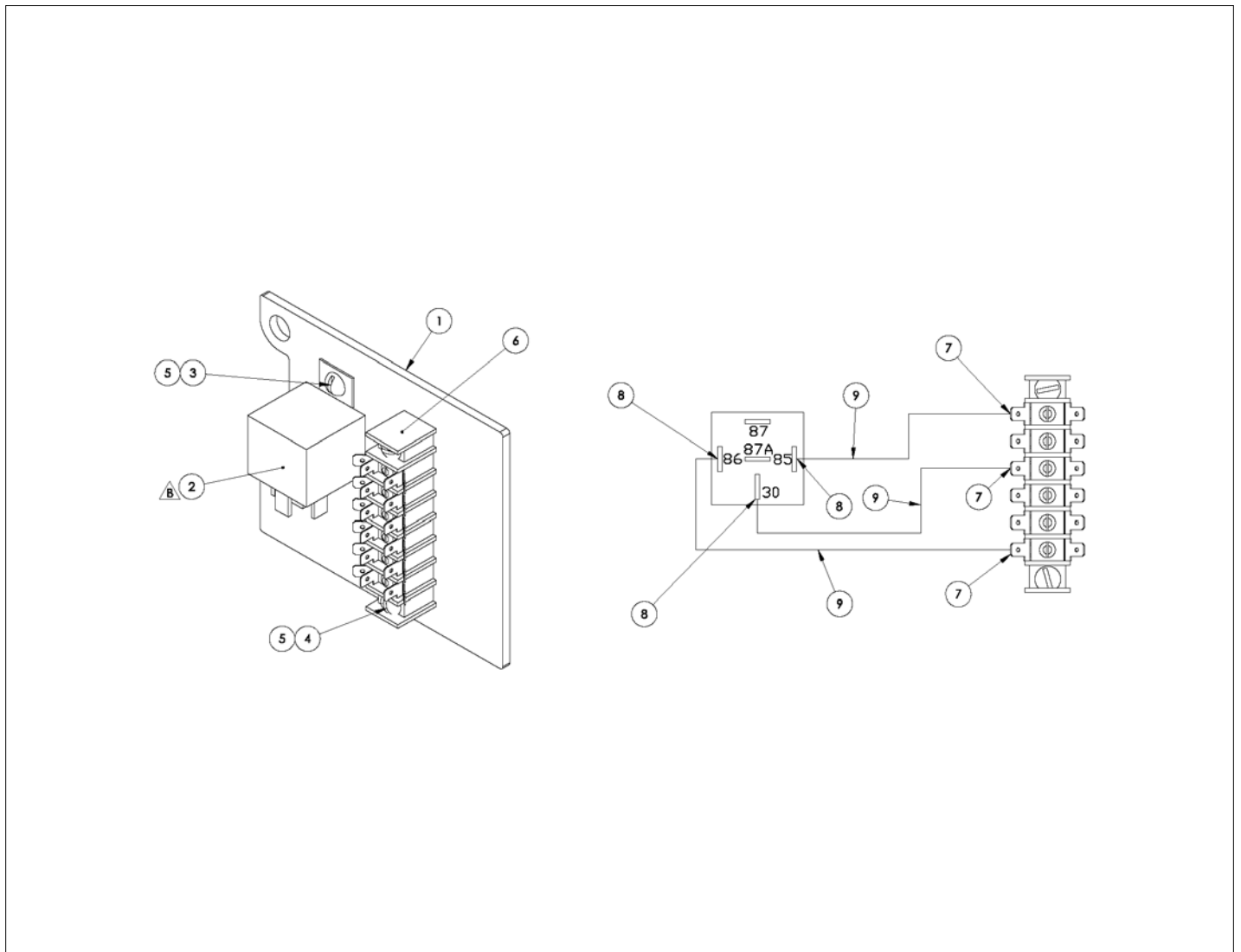
アイテム	部品番号	名前	数量	UOM
	1502956 A	TOP RAIL S4726E S4732E		EA
1	1502918	WLDMT, TOP RAIL WIDE	1	EA
2	056060 060	BOLT HEXHD M10 1.50 X 60 MM DIN 931GR 8.8 ZP	2	EA
3	056066 010	Nut, NylockNut DIN985 M10 8.0ZincPlated	2	EA
4	302544	Pin & Lock	4	EA
5	5563973	POP RIVET .188 X .13 .25 ST	4	EA

OPTIONS



アイテム	部品番号	名前	数量	UOM
	1502723 A	PANEL CARRIER		EA
1	1502721	PLT. PANEL HOLDER	1	EA
2	500595 020	Bolt, SktButCapScrew DIN9427 M	5	EA
3	056066 008	NUT NYLOCKNUT DIN985 M8 8.0 ZP	7	EA
4	1502722	PLT, PANEL HOOK	1	EA
5	5563447	BLT CRG M8 X 1.25 X 45 8.8 CLR ZN	2	EA

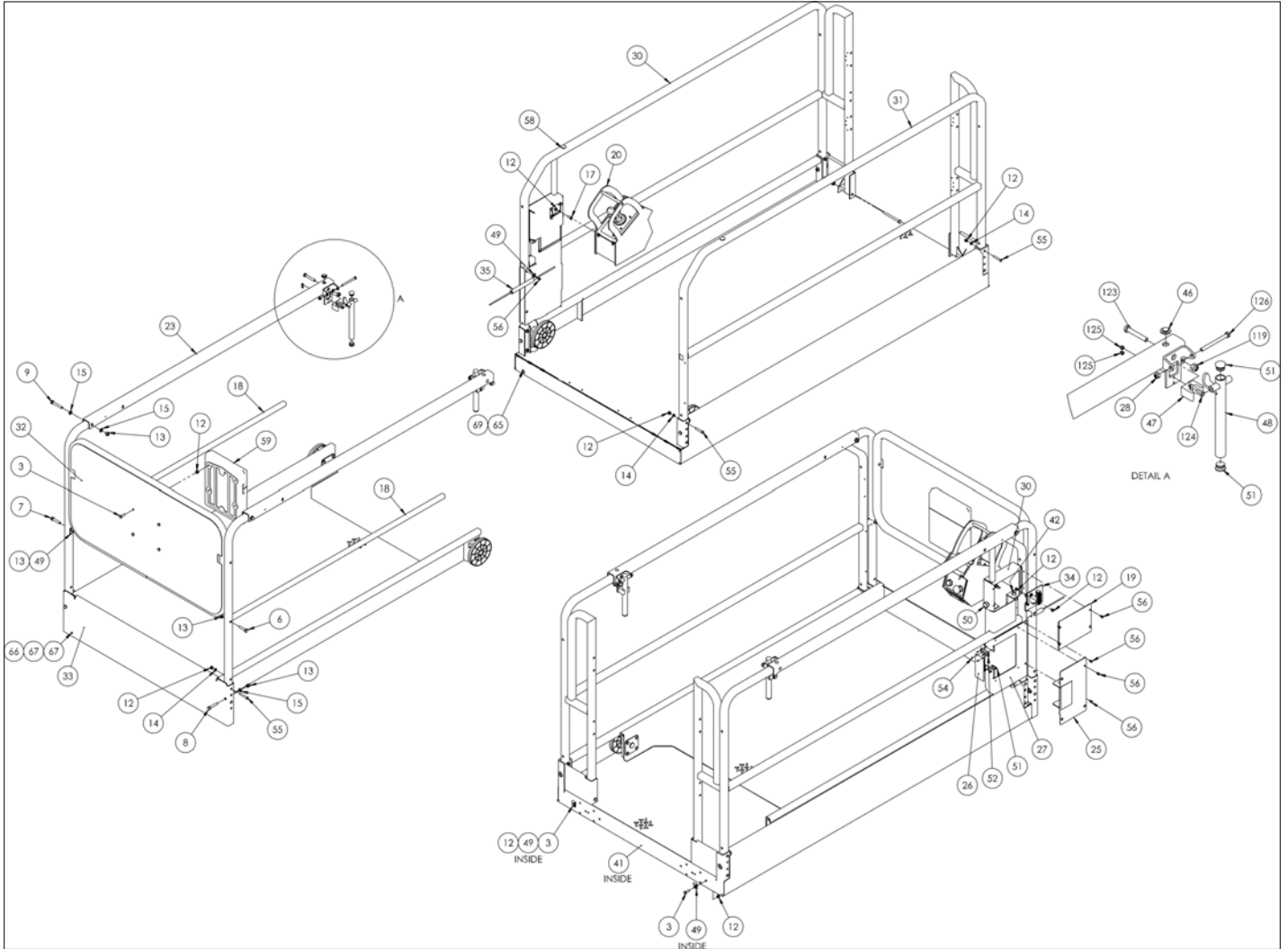
OPTIONS



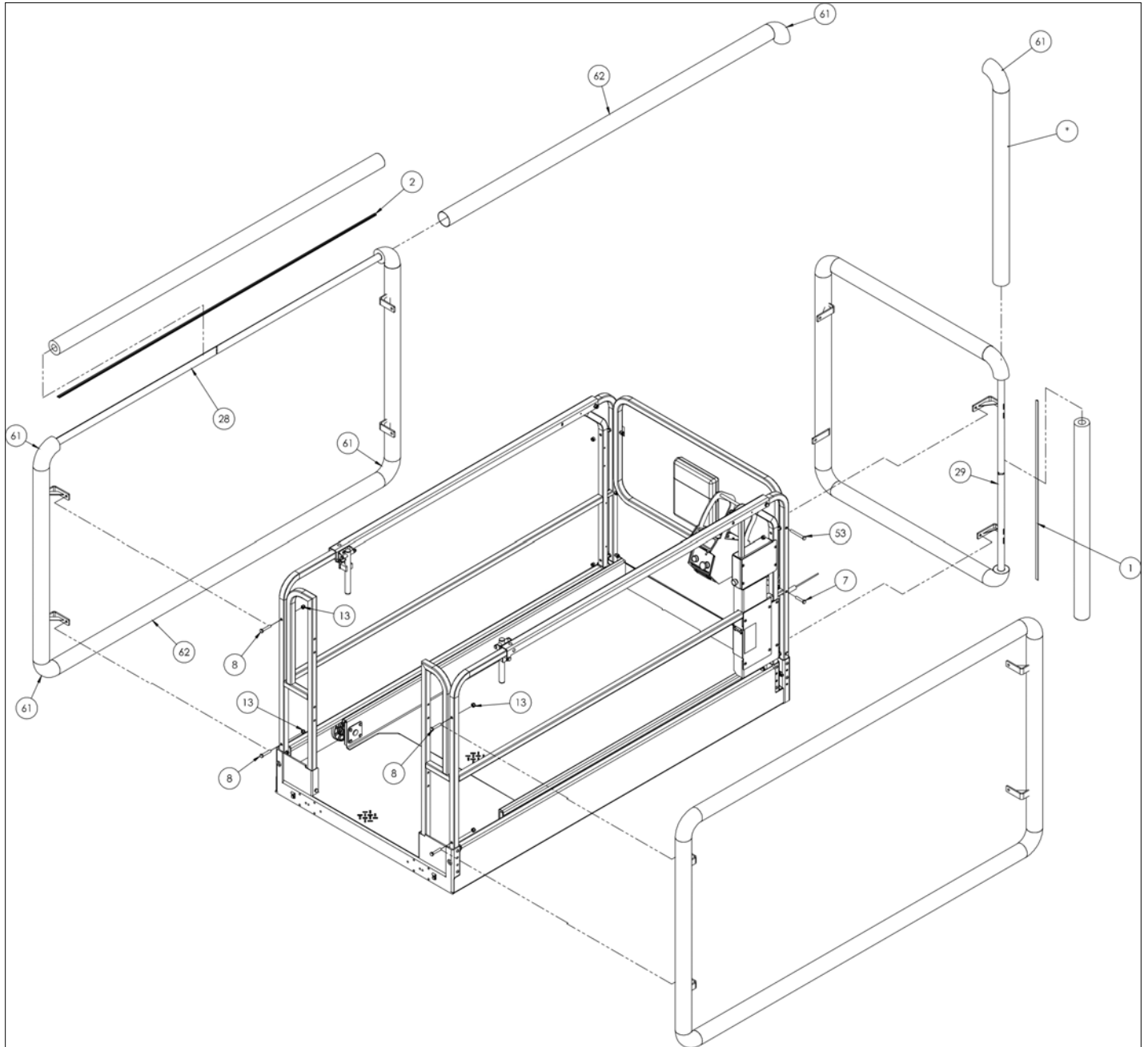
アイテム	部品番号	名前	数量	UOM
	1502731 B	WIRING BUMP GUARD ASSEMBLY		EA
1	1502730	Nut NylockNut DIN985 M5 8.0 Zi	1	EA
2	562846	RELAY 24V 40/30 AMP SPDT	1	EA
3	974639	SCR RDH MACH 10 24 .375	1	EA
4	5560673	SCR TRHD 10 24 1.00	2	EA
5	984049	NUT HEX 10 24	3	EA
6	3040092	TERMINAL STRIP (6) .188 TABS	1	EA
7	3046972	TERM FEM188I 22/18	3	EA
8	3040047	TERM FEM250FI 22/18	3	EA
9	3011801	WIRE 18GA SINGLE CONDUCTOR WHT	11	EA



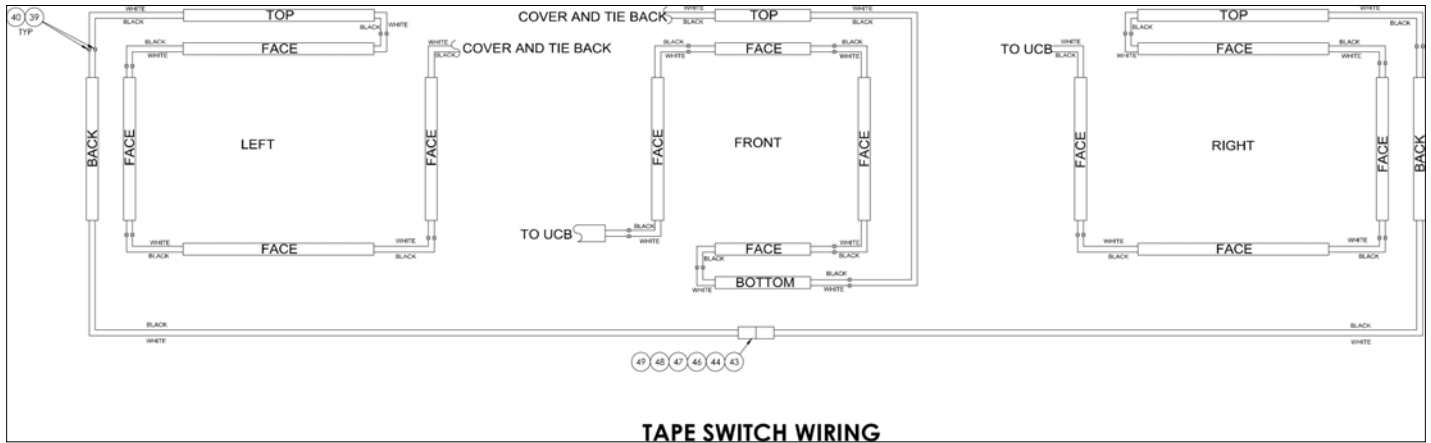
OPTIONS



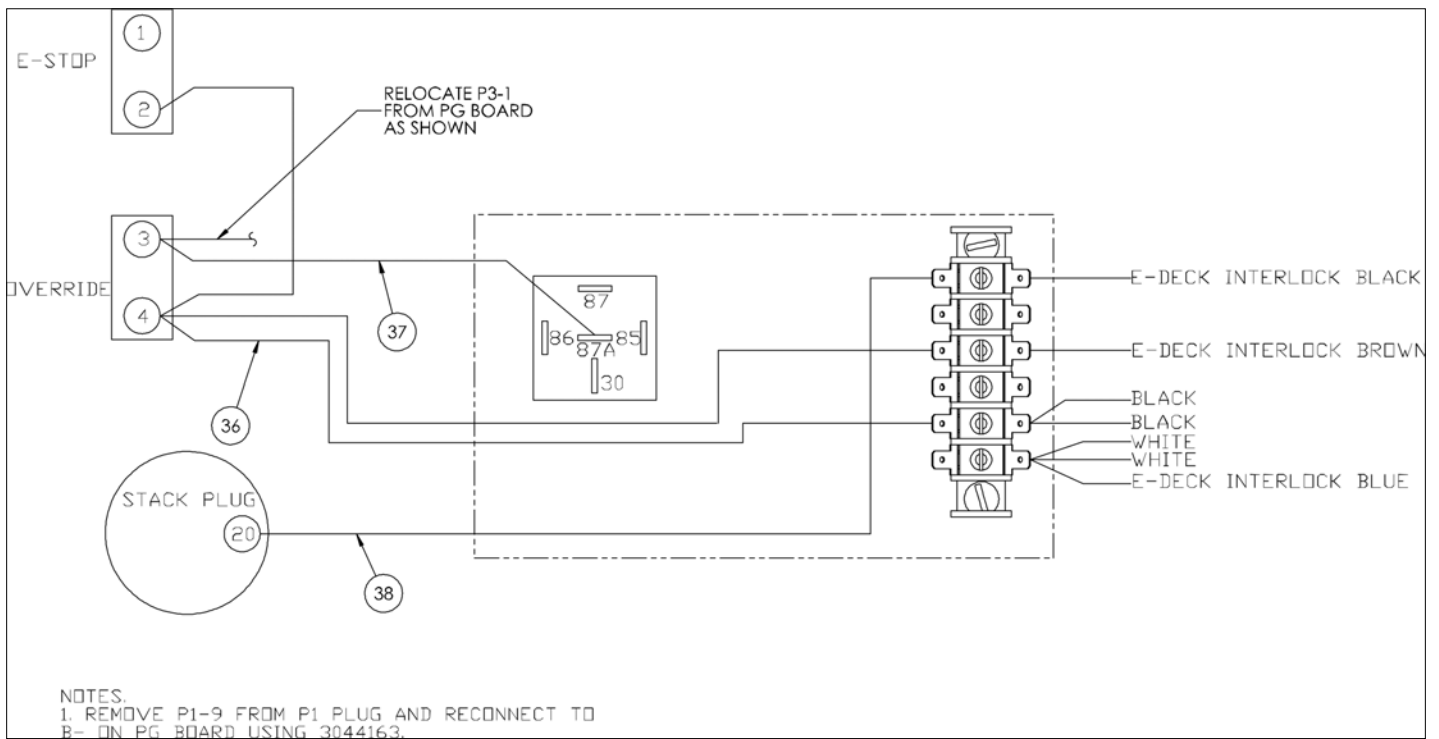
アイテム	部品番号	名前	数量	UOM
	1502734 A	BUMP GUARD ASSEMBLY S4732E S4726E APRIL 2018 AND BEFORE		EA
1	031051 040	TAPE SWITCH	12	EA
2	031051 082	TAPE, SWITCH 82"	8	EA
3	058492 025	BOLT HEXSETSCREW DIN933 M8 X 25MM 8.8 ZP	6	EA
4	056059 030	Bolt, HexBolt DIN931 M8 x 30mm	2	EA
5	056059 090	Bolt, HexBolt DIN931 M8 x 90mm 8.8 ZincPlated	2	EA
6	056060 045	Bolt, HexBolt DIN931 M10 x 45mm 8.8 ZincPlated	1	EA
7	056060 050	Bolt, HexBolt DIN931 M10 x 50m	1	EA
8	056060 055	Bolt, HexBolt DIN931 M10 x 55mm 8.8 ZincPlated	16	EA
9	056060 065	Bolt, HexBolt DIN931 M10 x 65mm 8.8 ZincPlated	4	EA
10	056060 110	Bolt, HexBolt DIN931 M10 x 110	2	EA
11	056066 005	Nut NylockNut DIN985 M5 8.0 Zi	4	EA
12	056066 008	NUT NYLOCKNUT DIN985 M8 8.0 ZP	26	EA
13	056066 010	Nut, NylockNut DIN985 M10 8.0ZincPlated	25	EA
14	056069 008	WASHER, STEELFLATWASHER DIN12M8 FLAT WASHER DIN 125	12	EA
15	056069 010	Washer, SteelFlatWasher DIN125A M10 ZincPlated	12	EA
16	058490 020	Bolt, HexSetScrew DIN933 M5 x	4	EA
17	058492 012	Bolt HexSetScrew DIN933 M8 x 1	2	EA
18	1501395	TUBE HNDRL MID TELESCOPE	2	EA
19	1501397 5	PLT CONT BOX MNT COVER	1	EA
20	1501498	ASSY, UCB ANSI 2SPD AUGUST 2018 AND AFTER	1	EA



アイテム	部品番号	名前	数量	UOM
21	1501525 4	WLDMT SLIDE HANDLE JUNE 2017 AND AFTER	2	EA
22	1501581 5	WLDMT TOP SLIDER LH	1	EA
23	1501582 5	WLDMT TOP SLIDER RH	1	EA
24	1501583	CLIP HANDLE 1.00	2	EA
25	1502066	ASSY LOADING CONTROL PANEL	1	EA
26	1502442 5	PLT, SIDE DOOR THIN	1	EA
27	1502443 5	WLDMT, WIRE CHASE	1	EA
28	1502498 5	WLDMT, BUMP GUARD SIDE	2	EA
29	1502502 5	WLDMT, BUMP GUARD FRONT	1	EA
30	1502508 5	WLDMT, HNDRL OUTER BUMP GUARD	1	EA
31	1502513 5	WLDMT, HNDRL OUTER LH BUMP GRD	1	EA
32	1502517 5	WLDMT, HNDRL FRONT BUMP GUARD	1	EA
33	1502693	ASSY PLATFORM S4732E S4726E	1	EA
34	1502731	ASSY, WIRING BUMP GUARD	1	EA
35	1502733	CABLE BUMP GUARD EXT	1	EA
36	1502735	WIRE 18 SPECIAL	1	EA
37	1502736	WIRE 18 SPADE6I FEM250FI 9	1	EA
38	1502737	WIRE 18 PIN SPADE6I 15	1	EA
39	3040082	TERM MALE250FI 16/14	38	EA
40	3040083	TERM FEM250FI 16/14	38	EA
41	3040113	MOUNTING BASE	1	EA
42	3040300	CONN .500 .188 .313	1	EA
43	3044163	TERM R312I 16/14	1	EA
44	3049803	CONNECTOR 2 PIN DEUTSCH PLUG	1	EA
45	3049804	CONNECTOR 2 PIN DEUTSCH RECEP	1	EA



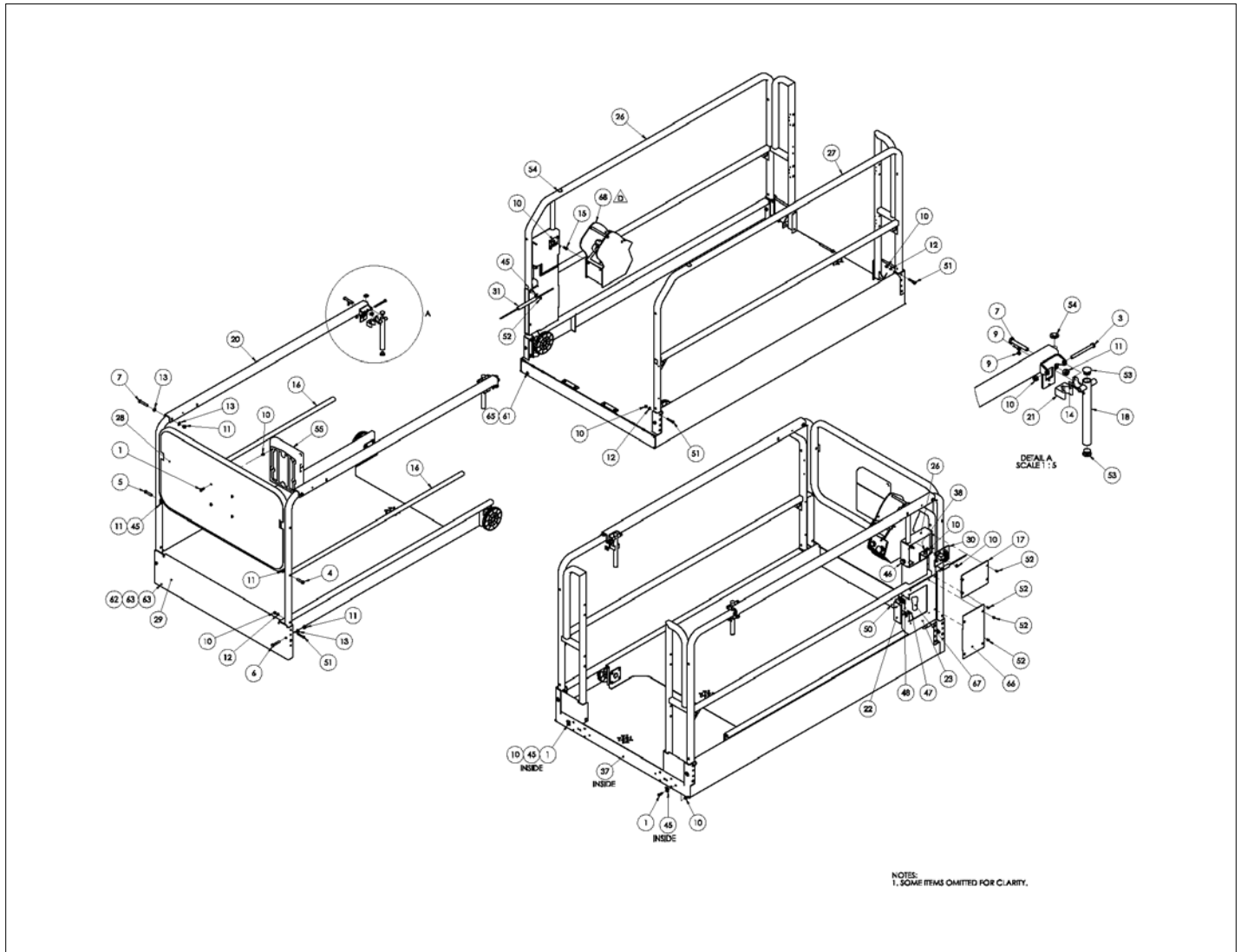
アイテム	部品番号	名前	数量	UOM
46	3049807	LOCK WEDGE 2 PIN DEUTSCH PLUG	1	EA
47	3049808	LOCK WEDGE 2 PIN DEUTSCH RECEP	1	EA
48	3090019	TUBE FLEXGARD .250 ID	14	EA
49	5093018	CLP CUSH .250 VINYL COATED	4	EA
50	510542 000	PUSHBUTTON BLACK C/W 1 N/O CON	1	EA
51	5516349	MAGNETIC LATCH	1	EA
52	5516360	HINGE, DRILLED SIDE DRIVE THIN	1	EA
53	5560653	BLT HEXHD M10 1.50 X 85MM DIN	2	EA
54	5560659	RVT POP .125 DIA .250 DMD STL	6	EA
55	5563304	SBHCS M8 X 1.25 X 50MM GR 1039	12	EA
56	5563446	1/4 20 PAN HEAD SCREW	12	EA
57	5563451	PLUG TUBING 1.00 X .095	4	EA
58	5569973	SLIDE PAD, STICK ON OCTOBER 2017 AND BEFORE	6	EA
59	562386	Literature Compartment	1	EA
60	9980003	PIPE INSUL CLOSED CELL AP ARMA	674	EA
61	9980007	COV ELB 18OZ COVERLITE YELLOW	12	EA
62	9980008	COV STR 18OZ COVERLITE YELLOW	4	EA
63	3040342	SOCKET CONTACT SIZE 16 16/18GA	2	EA
64	3040341	PIN CONTACT SIZE 16 16/18 GA	2	EA
65	3028894	SENSOR MAGNETIC	1	EA
66	3028895	SWNSOR MAG TARGET	1	EA
67	5563871	FSHCS M4 X 0.7 X 25	1	EA



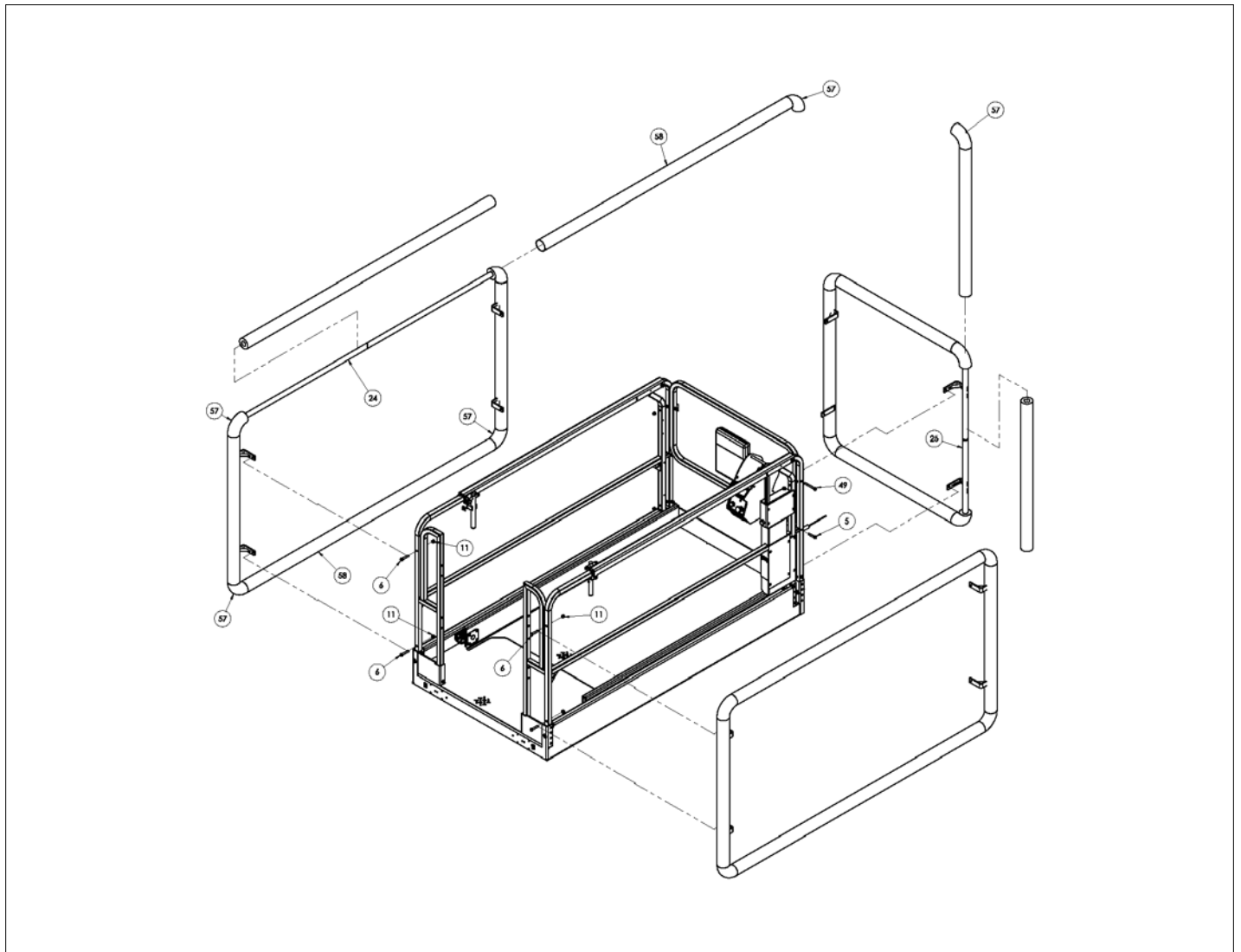
アイテム	部品番号	名前	数量	UOM
68	056066 004	NUT NYLOCK DIN985 M4 8.0 ZP	1	EA
69	3028896	CABLE MR 90 ° 2M	1	EA



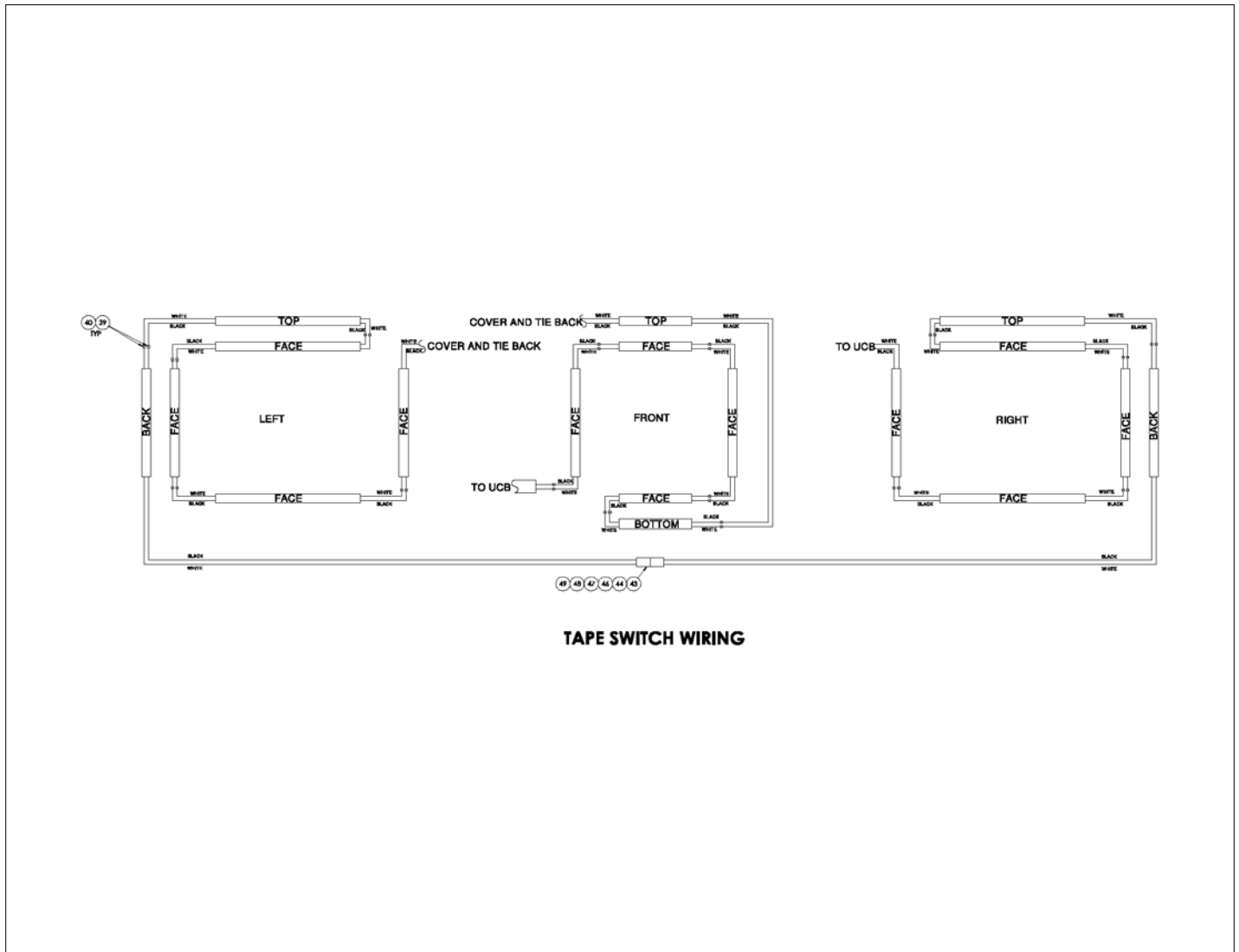
OPTIONS



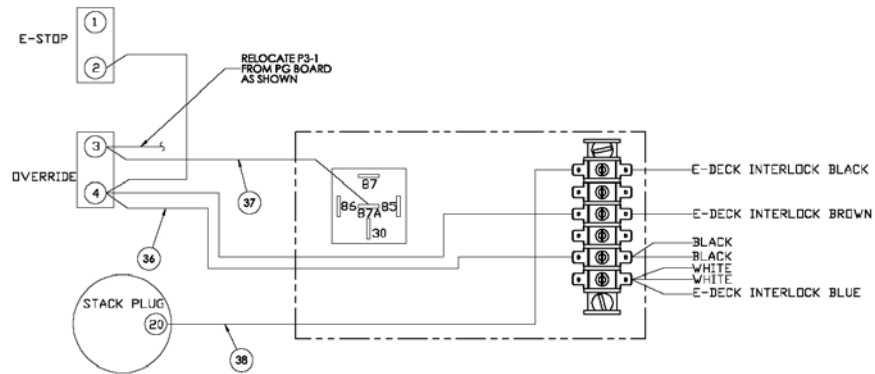
アイテム	部品番号	名前	数量	UOM
	1502734 F	BUMP GUARD ASSEMBLY S4726E S4732E MAY 2018 AND AFTER		EA
1	058492 025	BOLT HEXSETSCREW DIN933 M8 X 25MM 8.8 ZP	6	EA
Not Shown	056059 030	Bolt, HexBolt DIN931 M8 x 30mm	2	EA
3	056059 090	Bolt, HexBolt DIN931 M8 x 90mm 8.8 ZincPlated	2	EA
4	056060 045	Bolt, HexBolt DIN931 M10 x 45mm 8.8 ZincPlated	1	EA
5	056060 050	Bolt, HexBolt DIN931 M10 x 50m	1	EA
6	056060 055	Bolt, HexBolt DIN931 M10 x 55mm 8.8 ZincPlated	16	EA
7	056060 065	Bolt, HexBolt DIN931 M10 x 65mm 8.8 ZincPlated	4	EA
Not Shown	056060 110	Bolt, HexBolt DIN931 M10 x 110	2	EA
9	056066 005	Nut NylockNut DIN985 M5 8.0 Zi	4	EA
10	056066 008	NUT NYLOCKNUT DIN985 M8 8.0 ZP	26	EA
11	056066 010	Nut, NylockNut DIN985 M10 8.0ZincPlated	25	EA
12	056069 008	WASHER, STEELFLATWASHER DIN12M8 FLAT WASHER DIN 125	12	EA
13	056069 010	Washer, SteelFlatWasher DIN125A M10 ZincPlated	12	EA
Not Shown	505082 020	Bolt, SktButCapScrew DIN9427 M5 x 20mm 10.9 ZincPlated	4	EA
15	058492 020	Bolt HexSetScrew DIN933 M8 x 2	2	EA
16	1501395	TUBE HNDRL MID TELESCOPE	2	EA
17	1501397	PLT CONT BOX MNT COVER	1	EA
18	1501525	WLDMT, SLIDE HANDLE	2	EA



アイテム	部品番号	名前	数量	UOM
Not Shown	1501581	WLDMT, TOP SLIDER LH	1	EA
20	1501582	WLDMT, TOP SLIDER RH	1	EA
21	1501583	CLIP HANDLE 1.00	2	EA
22	1502442	PLT, SIDE DOOR THIN      ORG	1	EA
23	1502443	WLDMT, WIRE CHASE	1	EA
24	1502498	WLDMT, BUMP GUARD SIDE	2	EA
25	1502502	WLDMT, BUMP GUARD FRONT	1	EA
26	1502508	WLDMT, HNDRL OUTER BUMP GUARD	1	EA
27	1502513	WLDMT, HNDRL OUTER LH BUMP GRD	1	EA
28	1502517	WLDMT, HNDRL FRONT BUMP GUARD	1	EA
29	1502693	ASSY PLATFORM S4732E S4726E	1	EA
30	1502731	ASSY, WIRING BUMP GUARD	1	EA
31	1502733	CABLE BUMP GUARD EXT	1	EA
Not Shown	1502735	WIRE 18 SPECIAL	1	EA
Not Shown	1502736	WIRE 18 SPADE6I FEM250FI 9	1	EA
Not Shown	1502737	WIRE 18 PIN SPADE6I 15	1	EA
Not Shown	3040082	TERM MALE250FI 16/14	38	EA
36	3040083	TERM FEM250FI 16/14	38	EA
37	3040113	MOUNTING BASE	1	EA
38	3040300	CONN .500 .188 .313	1	EA
39	3044163	TERM R312I 16/14	1	EA
40	3049803	CONNECTOR 2 PIN DEUTSCH PLUG	1	EA
Not Shown	3049804	CONNECTOR 2 PIN DEUTSCH RECEP	1	EA



アイテム	部品番号	名前	数量	UOM
42	3049807	LOCK WEDGE 2 PIN DEUTSCH PLUG	1	EA
43	3049808	LOCK WEDGE 2 PIN DEUTSCH RECEP	1	EA
44	3090019	TUBE FLEXGARD .250 ID	14	EA
45	5093018	CLP CUSH .250 VINYL COATED	4	EA
46	510542 000	PUSHBUTTON BLACK C/W 1 N/O CON	1	EA
47	5516349	MAGNETIC LATCH	1	EA
48	5516360	HINGE, DRILLED SIDE DRIVE THIN	1	EA
49	5560653	BLT HEXHD M10 1.50 X 85MM DIN	2	EA
50	5560659	RVT POP .125 DIA .250 DMD STL	6	EA
51	5563304	SBHCS M8 X 1.25 X 50MM GR 1039	12	EA
52	5563446	1/4 20 PAN HEAD SCREW	12	EA
53	5563451	PLUG TUBING 1.00 X .095	4	EA
54	5569973	SLIDE PAD, STICK ON OCTOBER 2017 AND BEFORE	6	EA
55	562386	Literature Compartment	1	EA
Not Shown	9980003	PIPE INSUL CLOSED CELL AP ARMA	674	EA
57	9980007	COV ELB 18OZ COVERLITE YELLOW	12	EA
58	9980008	COV STR 18OZ COVERLITE YELLOW	4	EA
Not Shown	3040342	SOCKET CONTACT SIZE 16 16/18GA	2	EA
Not Shown	3040341	PIN CONTACT SIZE 16 16/18 GA	2	EA
61	3028894	SENSOR MAGNETIC	1	EA
62	3028895	SWNSOR MAG TARGET	1	EA
63	5563871	FSHCS M4 X 0.7 X 25	1	EA

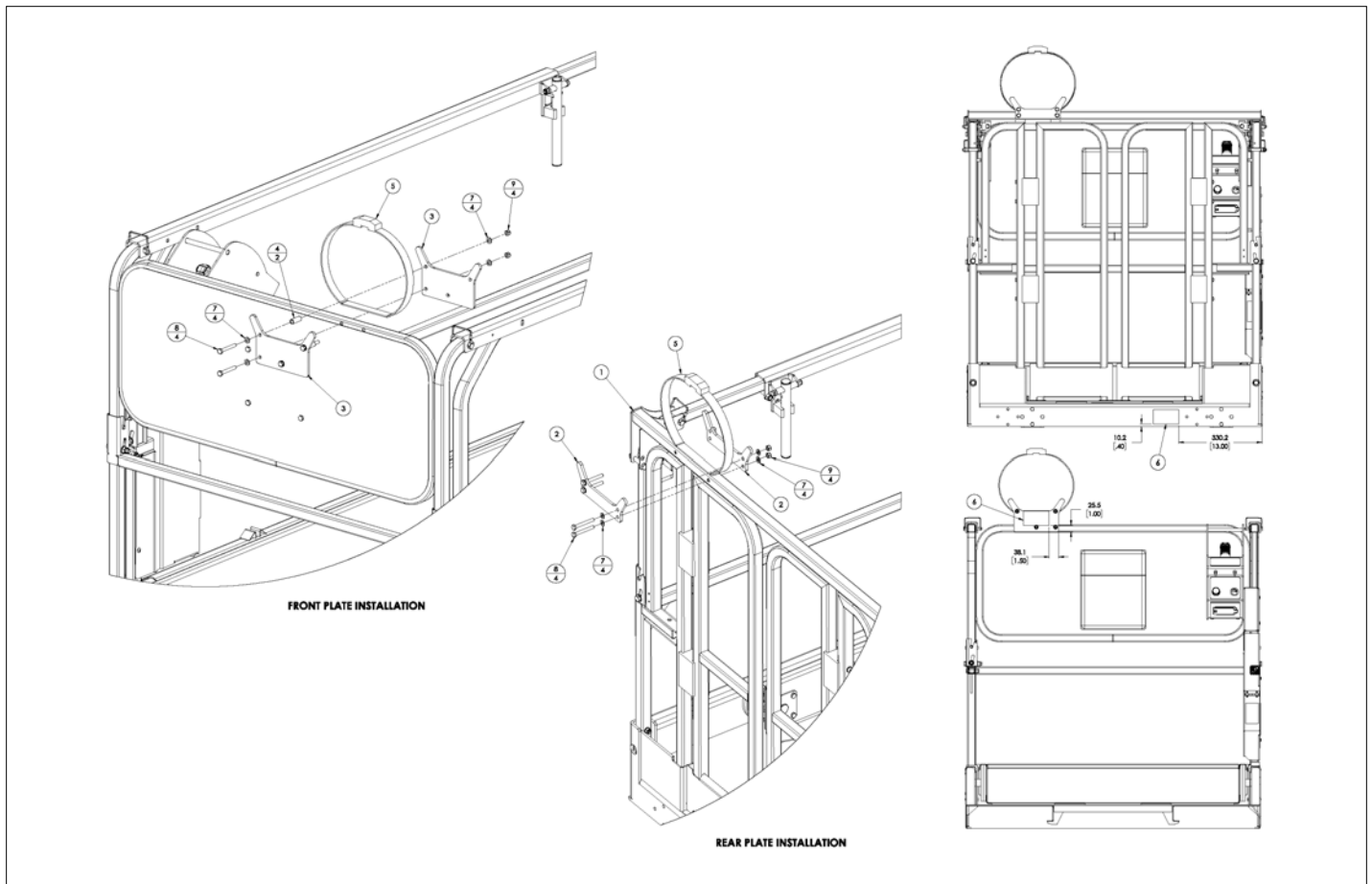


NOTES  
1. REMOVE P1-9 FROM P1 PLUG AND RECONNECT TO B- ON PG BOARD USING 3044163.

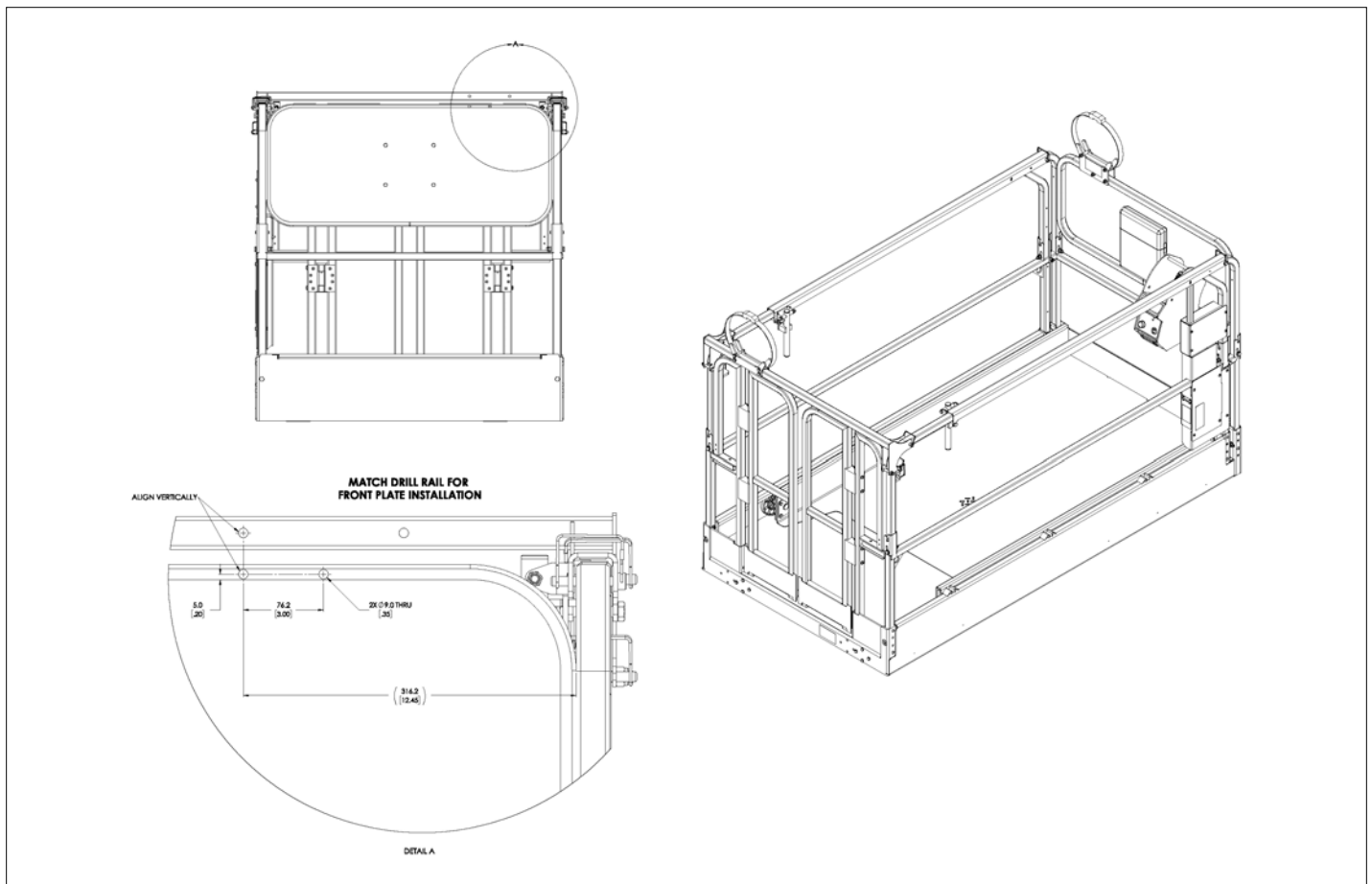
アイテム	部品番号	名前	数量	UOM
Not Shown	056066 004	NUT NYLOCK DIN985 M4 8.0 ZP	1	EA
65	3028896	CABLE MR 90 ° 2M	1	EA
66	1501829	PLT, CABLE COVER BOTTOM	1	EA
67	1502836	PENDANT, DRIVE CONTROLS JANUARY 2018 AND AFTER	1	EA
68	1502975	ASSY, UCB ANSI 2SPD	1	EA



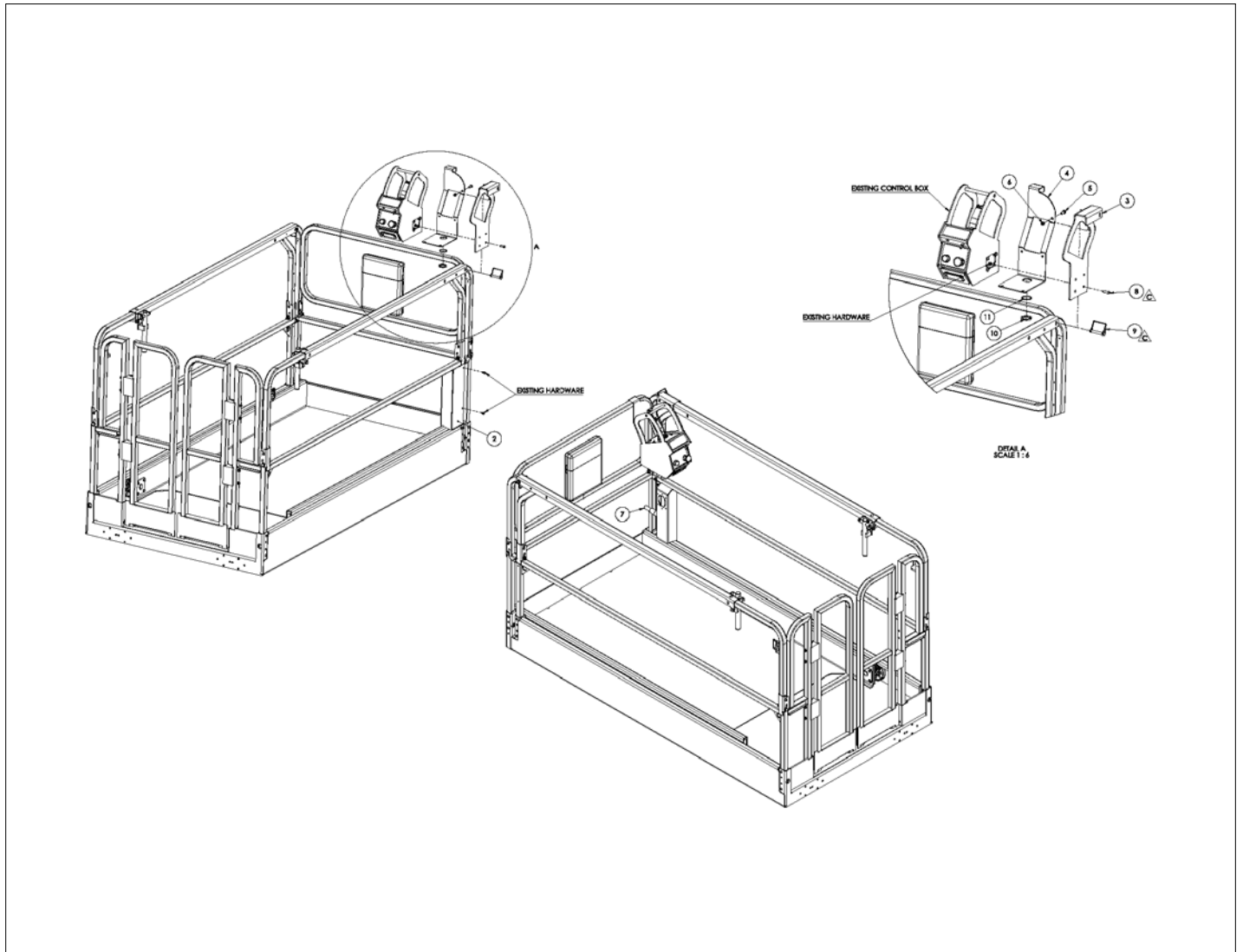
OPTIONS



アイテム	部品番号	名前	数量	UOM
*	1503133 B	PIPE RACK WIDE		EA
1	1502956	OPT, TOP RAIL WIDE	1	EA
2	1503136	PLT, PIPE RACK REAR	2	EA
3	1503135	PLT, PIPE RACK FRONT	2	EA
4	1503138	TUBE, SPACER	2	EA
5	1503141	STRAP	2	EA
6	1503142	DECAL, CAUTION, PIPE RACK	2	EA
7	11015 010	WASHER M8 FLAT	16	EA
8	10404 060	BOLT, M8 1.25MM X 60	8	EA
9	5563555	NUT HEX M8X1.25 YL ZN GR10.9	8	EA

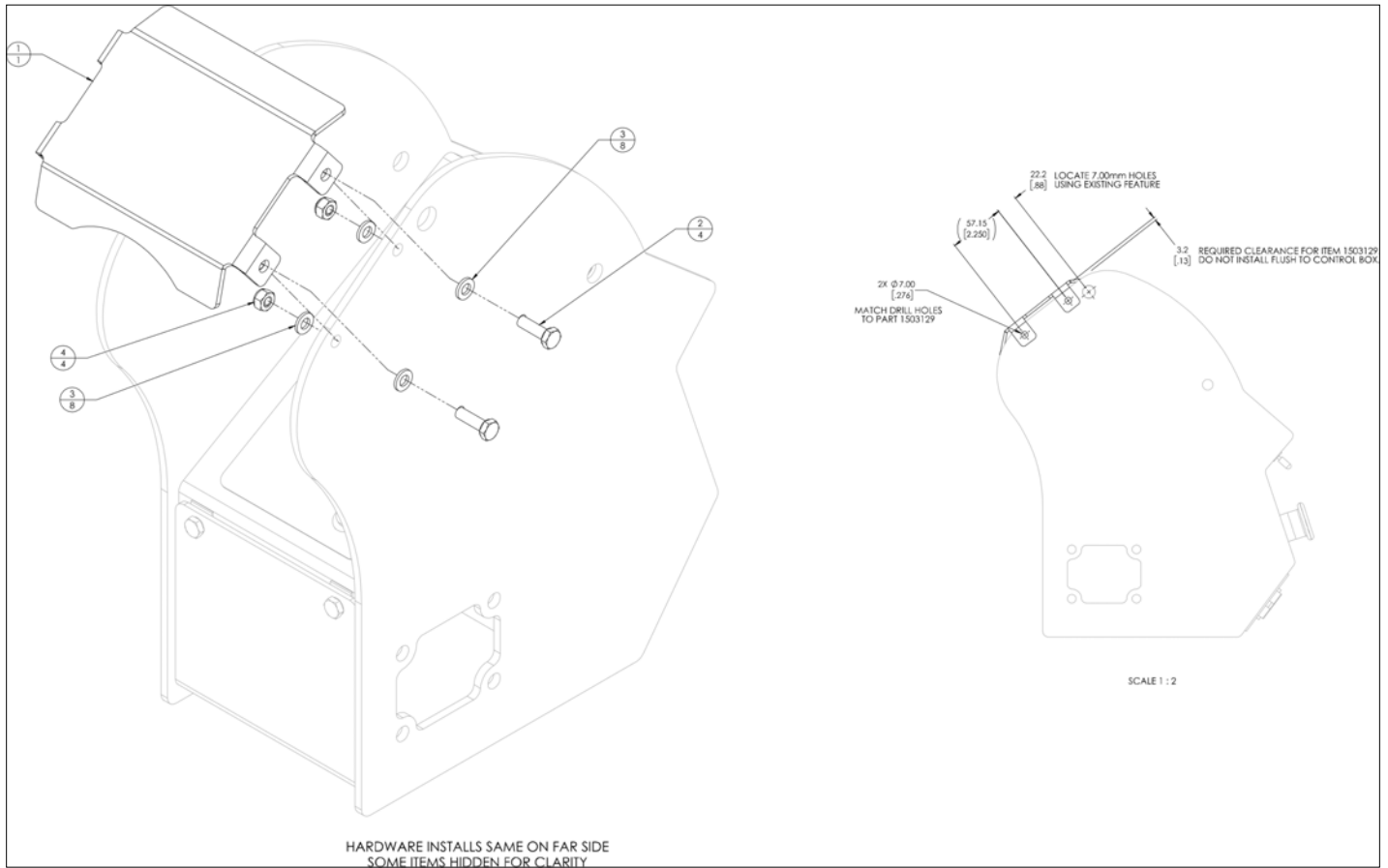


OPTIONS



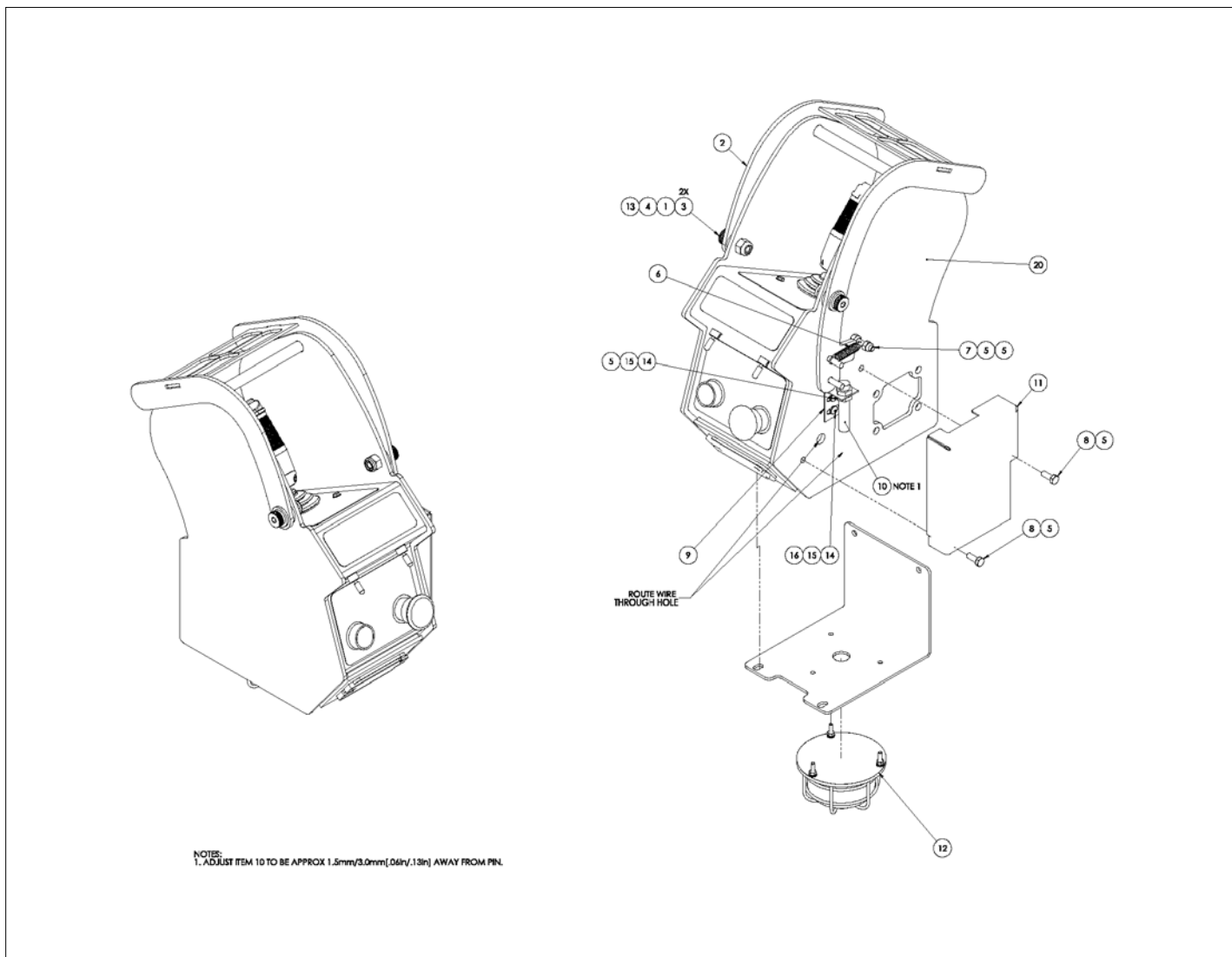
アイテム	部品番号	名前	数量	UOM
	1502478 C	REMOVABLE UPPER CONTROL BOX ANSI/AU S3226E S4732E S4726E		EA
1	1502001	WLDMT, HNDRL TOP LH	1	EA
2	1502471	WLDMT, CHASE REMOVABLE UCB	1	EA
3	1502452	PLT, SIDE REMOVABLE UCB	1	EA
4	1502453	PLT, REMOVABLE UCB BOTTOM	1	EA
5	058492 020	Bolt HexSetScrew DIN933 M8 x 2	1	EA
6	056066 008	NUT NYLOCKNUT DIN985 M8 8.0 ZP	1	EA
7	1502468	HARNES UCB	1	EA
8	500595 025	Bolt, SktButCapScrew DIN9427	4	EA
9	5580020	PIN, SNAPPER .375 X 2.50 W/LAN	1	EA
10	14030	LOCK WASHER HD30, 18 SHELL	1	EA
11	3040208	PANEL NUT ( 18 SHELL)	1	EA

OPTIONS



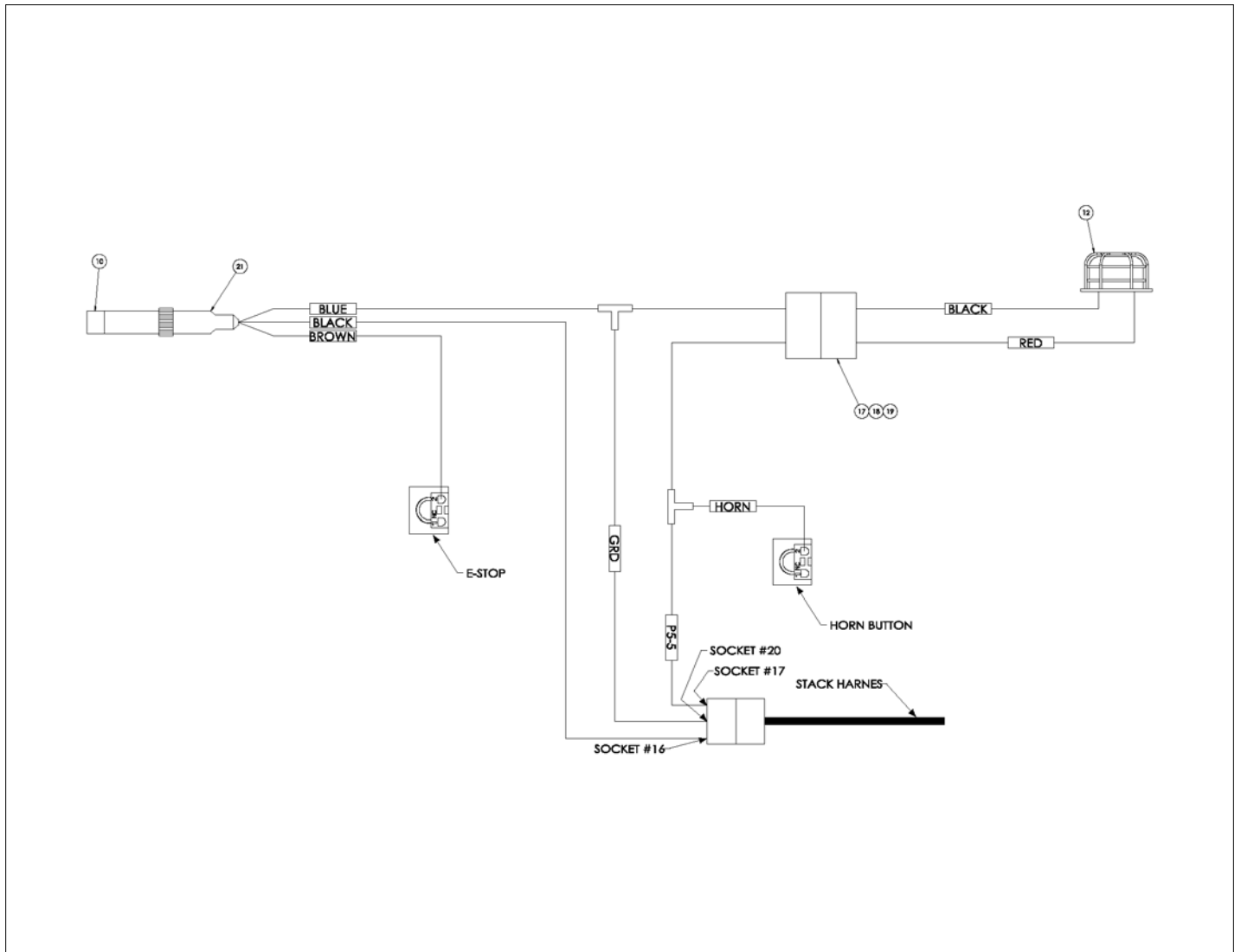
アイテム	部品番号	名前	数量	UOM
	1503130 A	CONTROL BOX WEATHER GUARD		EA
1	1503129	GUARD, UPPER CTRL BOX	1	EA
2	512630 020	HHCS M6 X X 20 G10.9 DIN 933	4	EA
3	056069 006	WSHR STEELFLATWSHE M6 DIN125A	8	EA
4	056064 006	NUT NYLOCK DIN985 M6 10.0 ZP	4	EA

OPTIONS

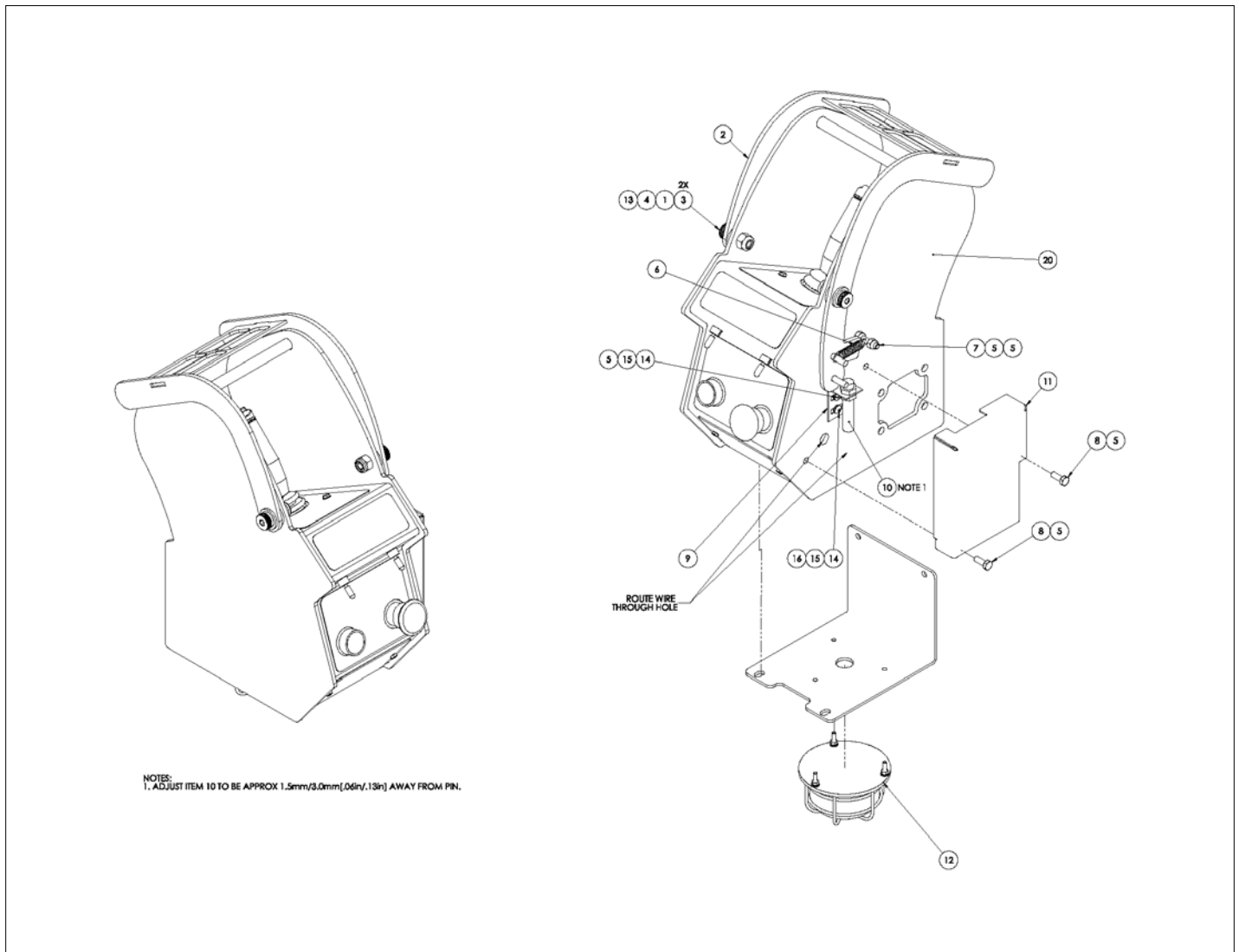




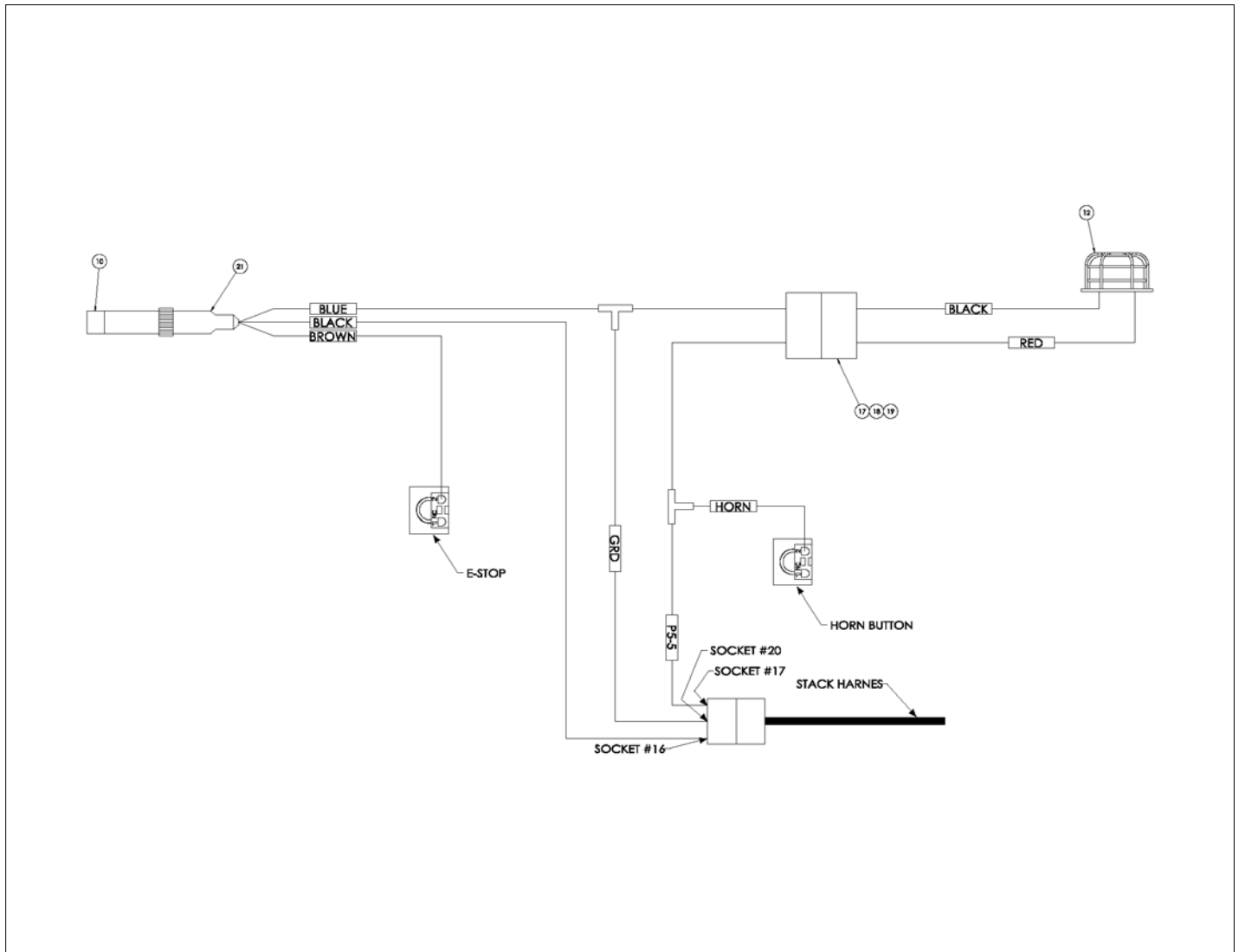
アイテム	部品番号	名前	数量	UOM
	1502979 C	UPPER CONTROL BOX WITH SNORKEL GUARD 2SPD ASSEMBLY AUGUST 2018 AND AFTER		EA
1	1502557	SPCR, SNORKEL GUARD PHXII	2	EA
2	1502548	WLDMT, SNORKEL GUARD PHXII	1	EA
3	512430 012	BLT, SHLDR SKTHD 12MM X 12 X M10 X 1.5	2	EA
4	056069 012	WASHER DIN125A M12 ZP	2	EA
5	056066 006	Nut NylockNut DIN985 M6 8.0 Zi	4	EA
6	1502555	SPRING, SNORKEL GUARD PHXII	1	EA
7	058491 035	BLT HEXHD M6 1.0 X 35MM G8.8 DIN 933 ZP	1	EA
8	058491 016	BOLT HEXSETSCREW DIN933 M6 X 16MM 8.8 ZP	2	EA
9	1502553	BRKT, SNORKEL GUARD PHXII	1	EA
10	3028844	IFS241 (IFM PROXY)	1	EA
11	1502554	COVER, SNORKEL GUARD PHXII	1	EA
12	514404 001	FLASHING BEACON BLUE	1	EA
13	056064 010	Nut NylockNut DIN985 M10 10.0	2	EA
14	505082 020	Bolt, SktButCapScrew DIN9427 M5 x 20mm 10.9 ZincPlated	2	EA
15	056069 005	Washer SteelFlatWasher DIN125A	2	EA
16	056066 005	Nut NylockNut DIN985 M5 8.0 Zi	2	EA
17	3049804	CONNECTOR 2 PIN DEUTSCH RECEP	1	EA
18	3040341	PIN CONTACT SIZE 16 16/18 GA	2	EA
19	3049808	LOCK WEDGE 2 PIN DEUTSCH RECEP	1	EA
20	1502977	ASSY, SNORKEL GUARD PLATF CONT BOX	1	EA
21	1502978	HARNESS, SNORKEL GUARD UCB	1	EA



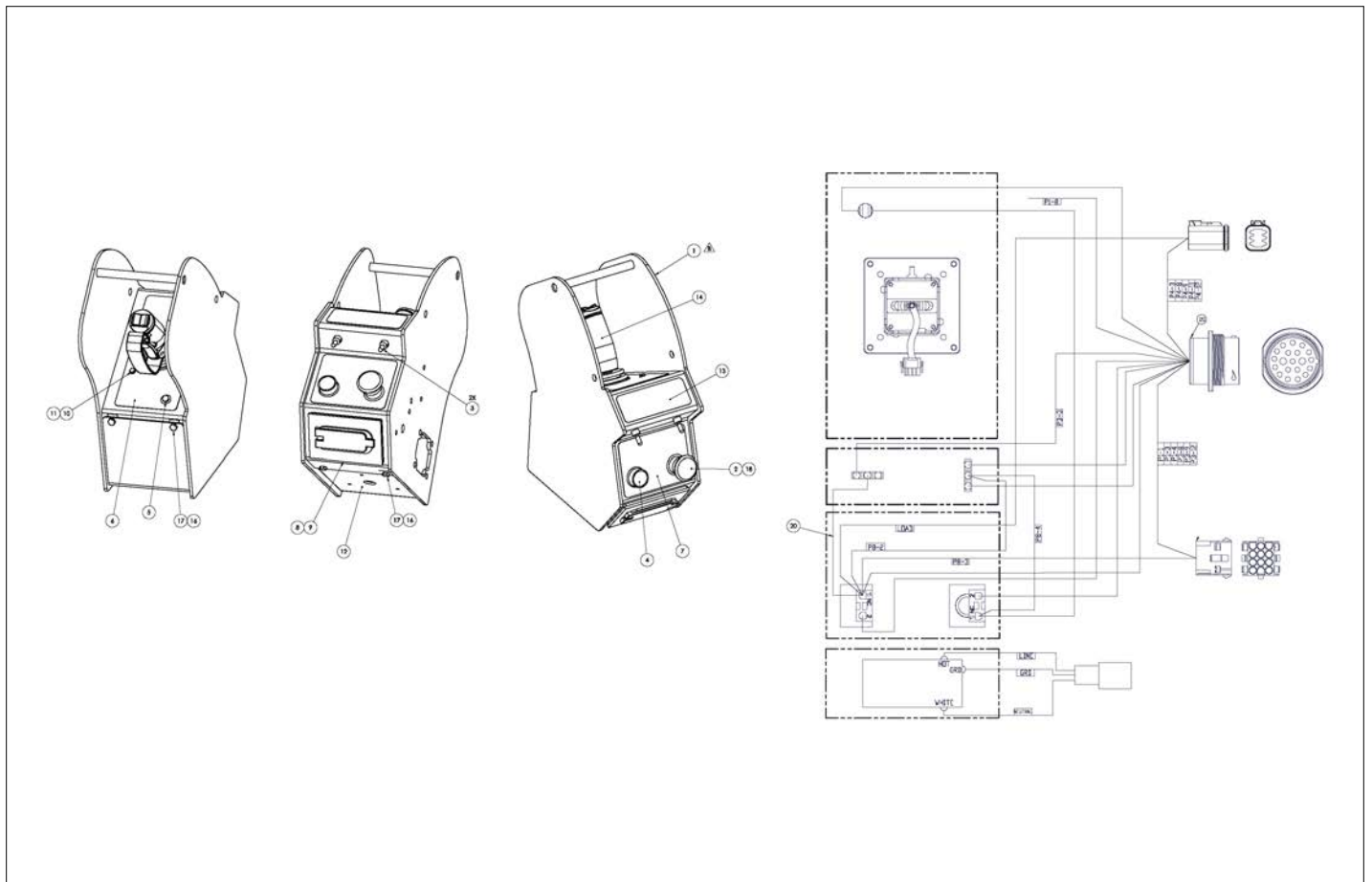
# OPTIONS



アイテム	部品番号	名前	数量	UOM
	1502993 C	UPPER CONTROL BOX WITH SNORKEL GUARD CE ASSEMBLY OCTOBER 2018 AND AFTER		EA
1	1502557	SPCR, SNORKEL GUARD PHXII	2	EA
2	1502548	WLDMT, SNORKEL GUARD PHXII	1	EA
3	512430 012	BLT, SHLDR SKTHD 12MM X 12 X M10 X 1.5	2	EA
4	056069 012	WASHER DIN125A M12 ZP	2	EA
5	056066 006	Nut NylockNut DIN985 M6 8.0 Zi	4	EA
6	1502555	SPRING, SNORKEL GUARD PHXII	1	EA
7	058491 035	BLT HEXHD M6 1.0 X 35MM G8.8 DIN 933 ZP	1	EA
8	058491 016	BOLT HEXSETSCREW DIN933 M6 X 16MM 8.8 ZP	2	EA
9	1502553	BRKT, SNORKEL GUARD PHXII	1	EA
10	3028844	IFS241 (IFM PROXY)	1	EA
11	1502554	COVER, SNORKEL GUARD PHXII	1	EA
12	514404 001	FLASHING BEACON BLUE	1	EA
13	056064 010	Nut NylockNut DIN985 M10 10.0	2	EA
14	505082 020	Bolt, SktButCapScrew DIN9427 M5 x 20mm 10.9 ZincPlated	2	EA
15	056069 005	Washer SteelFlatWasher DIN125A	2	EA
16	056066 005	Nut NylockNut DIN985 M5 8.0 Zi	2	EA
17	3049804	CONNECTOR 2 PIN DEUTSCH RECEP	1	EA
18	3040341	PIN CONTACT SIZE 16 16/18 GA	2	EA
19	3049808	LOCK WEDGE 2 PIN DEUTSCH RECEP	1	EA
20	1502992	ASSY, CE SNORKEL GUARD UCB	1	EA
21	1502978	HARNESS, SNORKEL GUARD UCB	1	EA

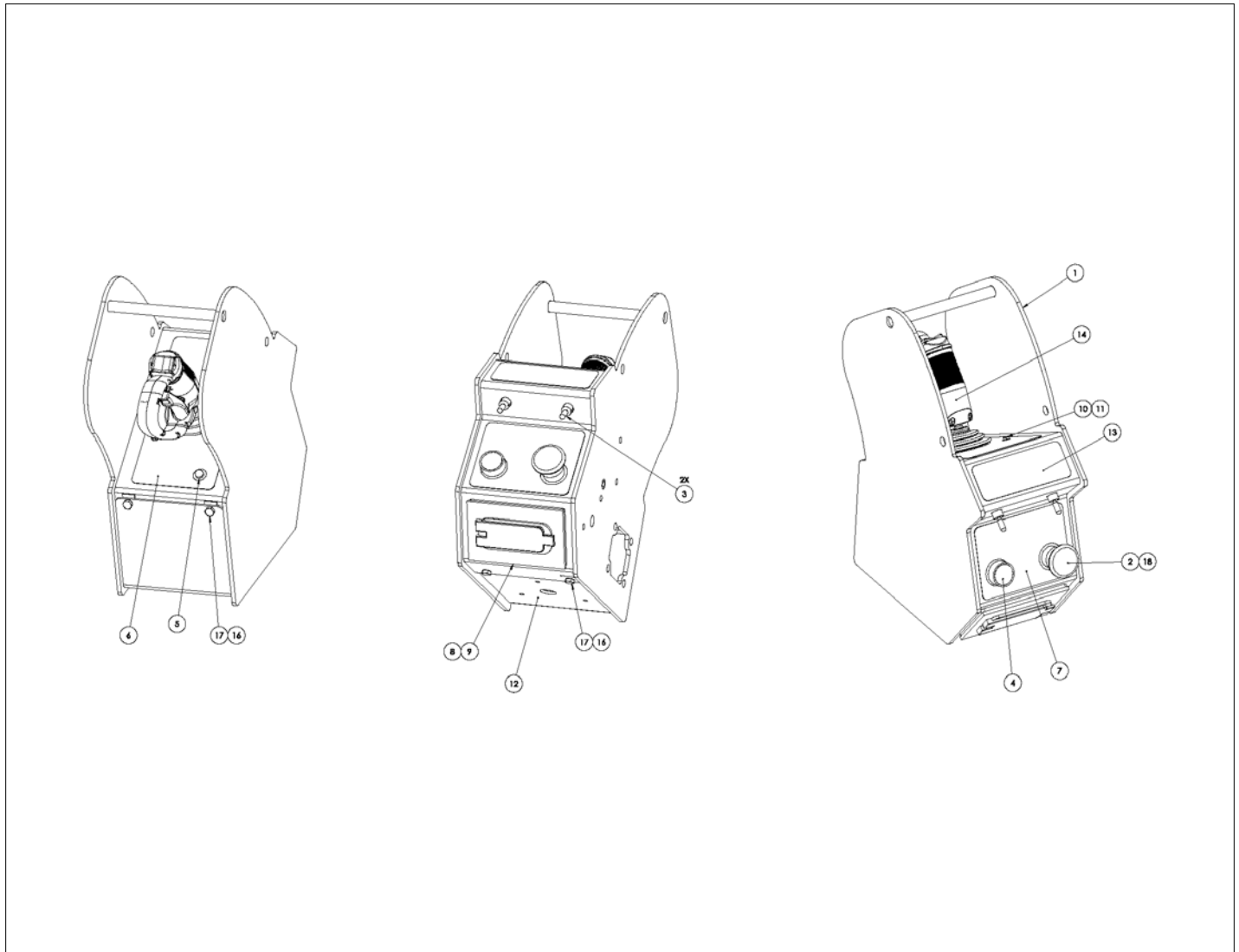


OPTIONS



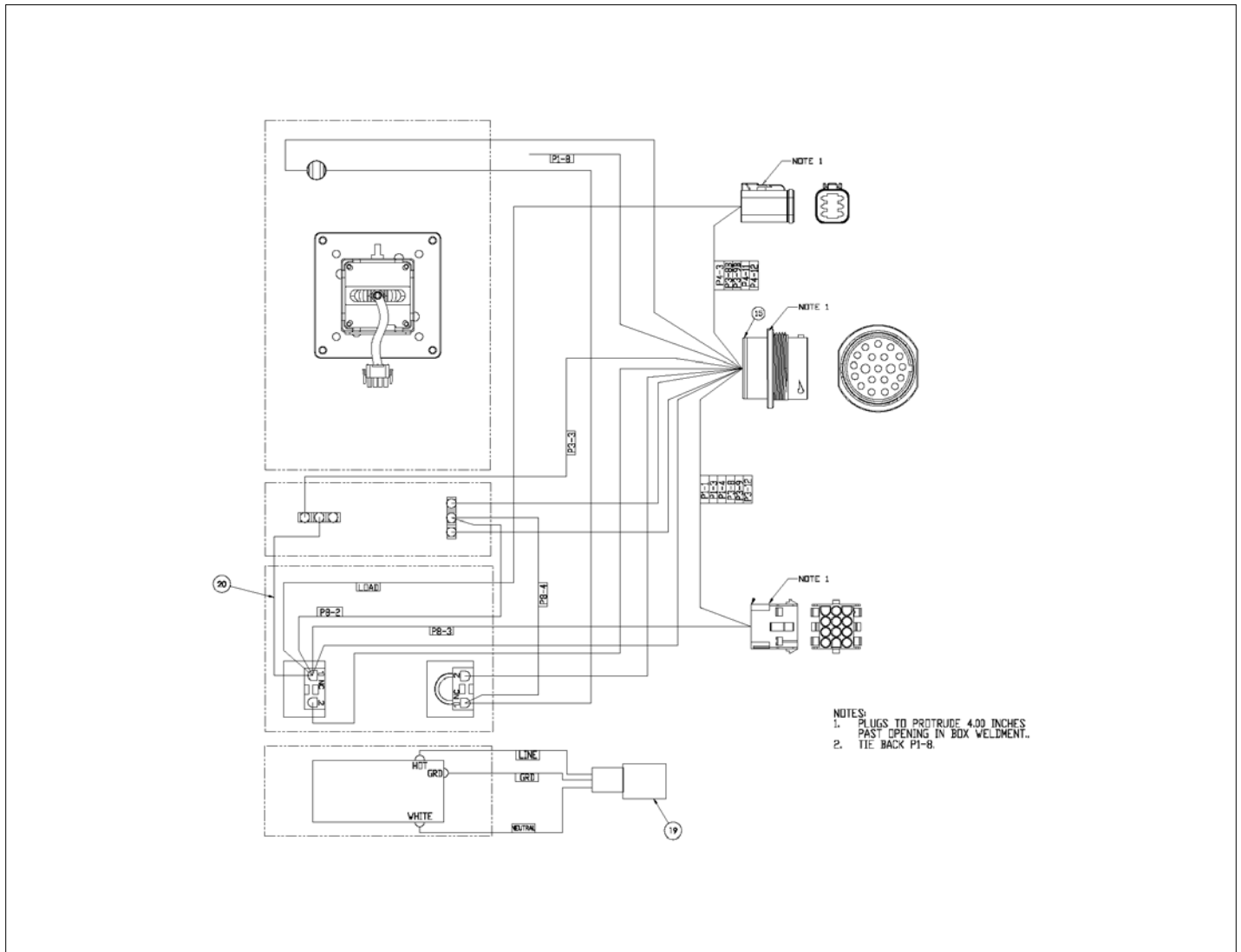
アイテム	部品番号	名前	数量	UOM
*	1502841 B	SNORKEL GUARD PLATFORM CONTROL BOX ASSEMBLY JANUARY 2018 AND AFTER		EA
1	1502837	WLDMT, SNORKEL GUARD PLATF CONT BOX	1	EA
2	3028810	PUSH/PULL EMERGENCY STOP	1	EA
3	3020047	Switch, Toggle Honeywell INTI 3	2	EA
4	510542 000	PUSHBUTTON BLACK C/W 1 N/O CON	1	EA
5	302829	LIGHT RED 24VDC BEZEL MOUNT	1	EA
6	1501158	PLAC PLATFM CONT BOX	1	EA
7	1501159	PLAC PLATFM CONT E STOP/HORN	1	EA
8	3040624	Recepticle Outlet 20AMP	1	EA
9	3040625	Enclosure Face	1	EA
10	5563181	HHCS M4 X 0.7 X 30G8.8 DIN 931	4	EA
11	056066 004	NUT NYLOCK DIN985 M4 8.0 ZP	4	EA
12	1501919	PLT FLASHING AMBER BEACON MOUNT	1	EA
13	1501359	PLAC LIFT/DRIVE	1	EA
14	13888	JOYSTICK, JR MERRITT WITH GUARD (HALL EFFECT) JULY 2017 AND AFTER	1	EA
15	1501298	CONN S3219 PLATFORM CONTROL Box	1	EA
16	5560067	NUT SPEED U THREADED M6	4	EA
17	058491 030	BOLT HEXSETSCREW DIN 933 M6 X 30MM 8.8 ZP	4	EA
18	5563643	WSHR .875ID 1.38OD .045THK	1	EA
19	1502308	HARNESS 110V JUMPER	1	EA
20	1501760	WIRE 18 R6I SPADE6I 8	1	EA

# OPTIONS

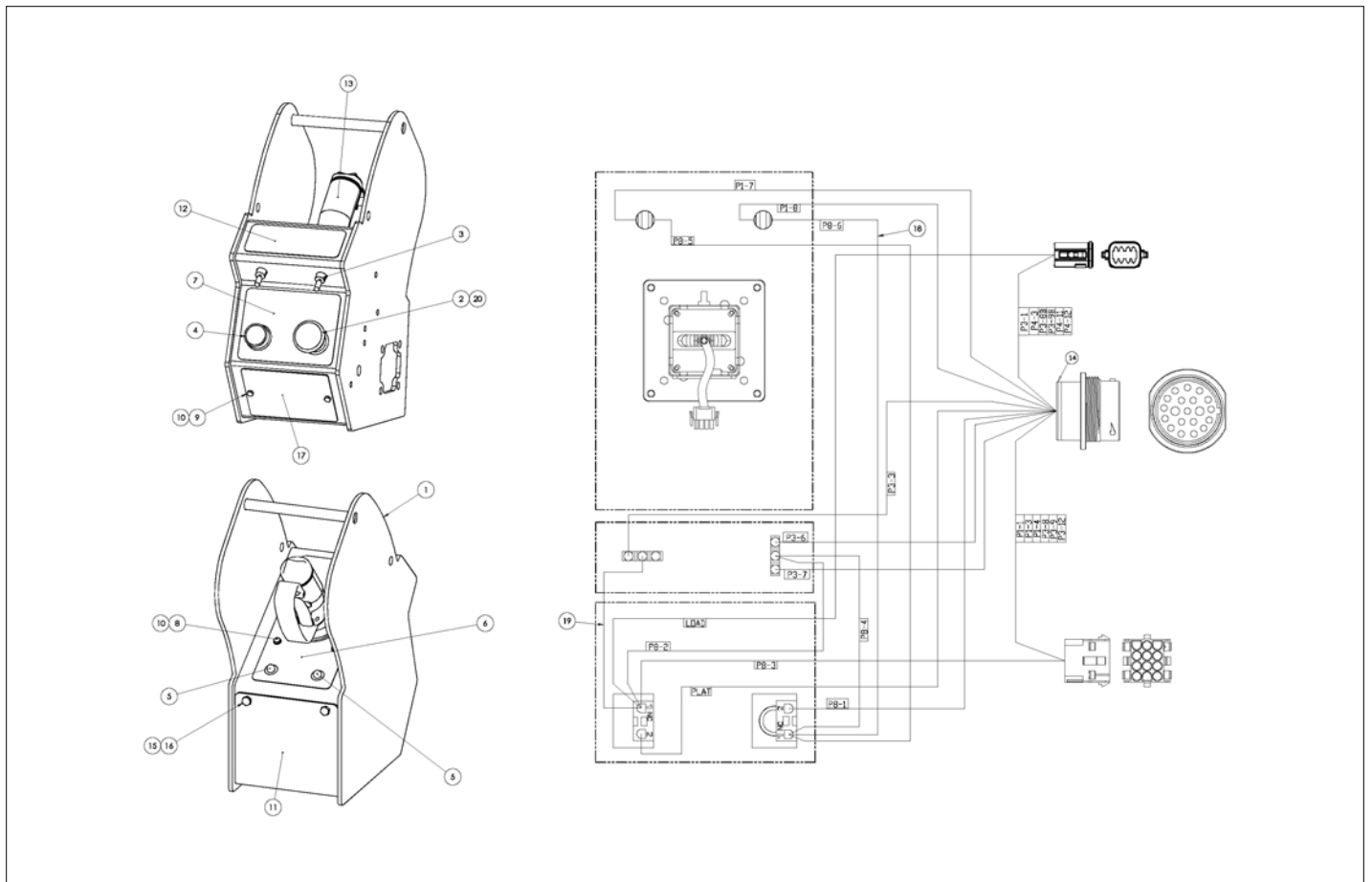




アイテム	部品番号	名前	数量	UOM
	1502977 B	ANSI SNORKEL GUARD UPPER CONTROL BOX 2SPD ASSEMBLY AUGUST 2018 AND AFTER		EA
1	1502837	WLDMT, SNORKEL GUARD PLATF CONT BOX	1	EA
2	3028810	PUSH/PULL EMERGENCY STOP	1	EA
3	3020047	Switch, Toggle Honeywell INTI 3	2	EA
4	510542 000	PUSHBUTTON BLACK C/W 1 N/O CON	1	EA
5	302829	LIGHT RED 24VDC BEZEL MOUNT	1	EA
6	1501158	PLAC PLATFM CONT BOX	1	EA
7	1501159	PLAC PLATFM CONT E STOP/HORN	1	EA
8	3040624	Recepticle Outlet 20AMP	1	EA
9	3040625	Enclosure Face	1	EA
10	5563181	HHCS M4 X 0.7 X 30G8.8 DIN 931	4	EA
11	056066 004	NUT NYLOCK DIN985 M4 8.0 ZP	4	EA
12	1501919	PLT FLASHING AMBER BEACON MOUNT	1	EA
13	1501359	PLAC LIFT/DRIVE	1	EA
14	3028933	Joystick 1 Axis, Deadman Guard	1	EA
15	1502971	CON UCB ANSI 2SPD	1	EA
16	5560067	NUT SPEED U THREADED M6	4	EA
17	058491 030	BOLT HEXSETSCREW DIN 933 M6 X 30MM 8.8 ZP	4	EA
18	5563643	WSHR .875ID 1.38OD .045THK	1	EA
19	1502308	HARNESS 110V JUMPER	1	EA
20	1501760	WIRE 18 R6I SPADE6I 8	1	EA



# OPTIONS

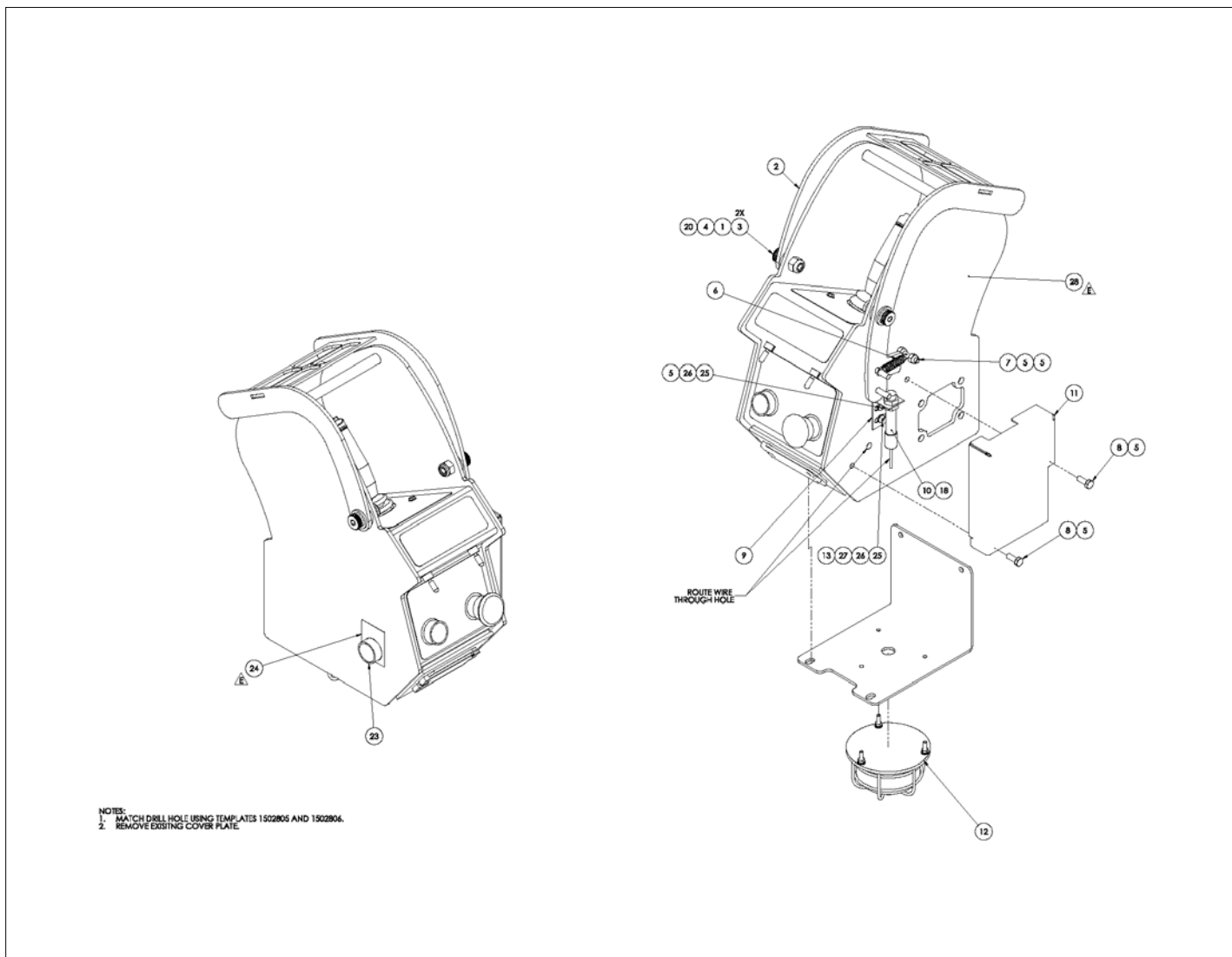


アイテム	部品番号	名前	数量	UOM
	1502992A	ASSEMBLY, CE SNORKELGUARD UCB		EA
1	1502837	WLDMT, SNORKEL GUARD PLATF CONT BOX	1	EA
2	3028810	PUSH/PULL EMERGENCY STOP	1	EA
3	3020047	Switch, Toggle Honeywell INTI 3	2	EA
4	510542 000	PUSHBUTTON BLACK C/W 1 N/O CON	1	EA
5	302829	LIGHT RED 24VDC BEZEL MOUNT	2	EA
6	1501158	PLAC PLATFM CONT BOX	1	EA
7	1501159	PLAC PLATFM CONT E STOP/HORN	1	EA
8	5563181	HHCS M4 X 0.7 X 30G8.8 DIN 931	4	EA
9	512459 016	BLT HEXHD M4 X 0.7 X 16MM DIN 933 8.8 ZP	2	EA
10	056066 004	NUT NYLOCK DIN985 M4 8.0 ZP	6	EA
11	1501919	PLT FLASHING AMBER BEACON MOUNT	1	EA
12	1501359	PLAC LIFT/DRIVE	1	EA
13	3028933	Joystick 1 Axis, Deadman Guard	1	EA
14	1502972	CONN, CE UCB 2SP	1	EA
15	5560067	NUT SPEED U THREADED M6	4	EA
16	058491 030	BOLT HEXSETSCREW DIN 933 M6 X 30MM 8.8 ZP	4	EA
17	1501688	PLT, COVER OUTLET	1	EA
18	1501690	WIRE JUMPER CE OVERLOAD LIGHT	1	EA
19	1501760	WIRE 18 R6I SPADE6I 8	1	EA
20	5563643	WSHR .875ID 1.38OD .045THK	1	EA



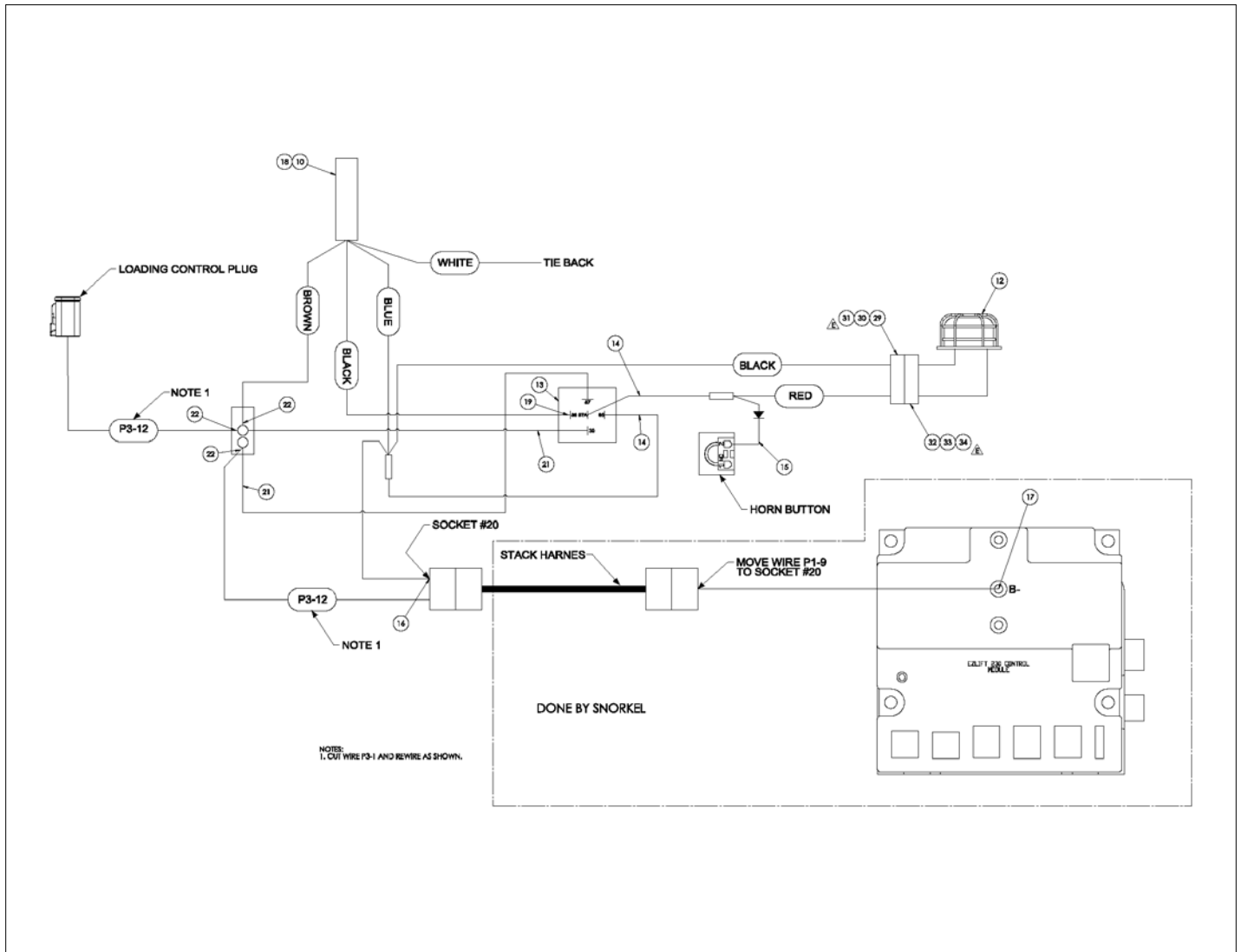
アイテム	部品番号	名前	数量	UOM
	1502992 B	UPPER CONTROL BOX WITH SNORKEL GUARD CE ASSEMBLY OCTOBER 2018 AND AFTER		EA
1	1502837	WLDMT, SNORKEL GUARD PLATF CONT BOX	1	EA
2	3028810	PUSH/PULL EMERGENCY STOP	1	EA
3	3020047	Switch, Toggle Honeywell INTI 3	2	EA
4	510542 000	PUSHBUTTON BLACK C/W 1 N/O CON	1	EA
5	302829	LIGHT RED 24VDC BEZEL MOUNT	2	EA
6	1501158	PLAC PLATFM CONT BOX	1	EA
7	1501159	PLAC PLATFM CONT E STOP/HORN	1	EA
8	5563181	HHCS M4 X 0.7 X 30G8.8 DIN 931	4	EA
9	512459 016	BLT HEXHD M4 X 0.7 X 16MM DIN 933 8.8 ZP	2	EA
10	056066 004	NUT NYLOCK DIN985 M4 8.0 ZP	6	EA
11	1501919	PLT FLASHING AMBER BEACON MOUNT	1	EA
12	1501359	PLAC LIFT/DRIVE	1	EA
13	3028933	Joystick 1 Axis, Deadman Guard	1	EA
14	1502972	CONN, CE UCB 2SP	1	EA
15	5560067	NUT SPEED U THREADED M6	4	EA
16	058491 030	BOLT HEXSETSCREW DIN 933 M6 X 30MM 8.8 ZP	4	EA
17	1501688	PLT, COVER OUTLET	1	EA
18	1501690	WIRE JUMPER CE OVERLOAD LIGHT	1	EA
19	1501760	WIRE 18 R6I SPADE6I 8	1	EA
20	5563643	WSHR .875ID 1.38OD .045THK	1	EA

OPTIONS



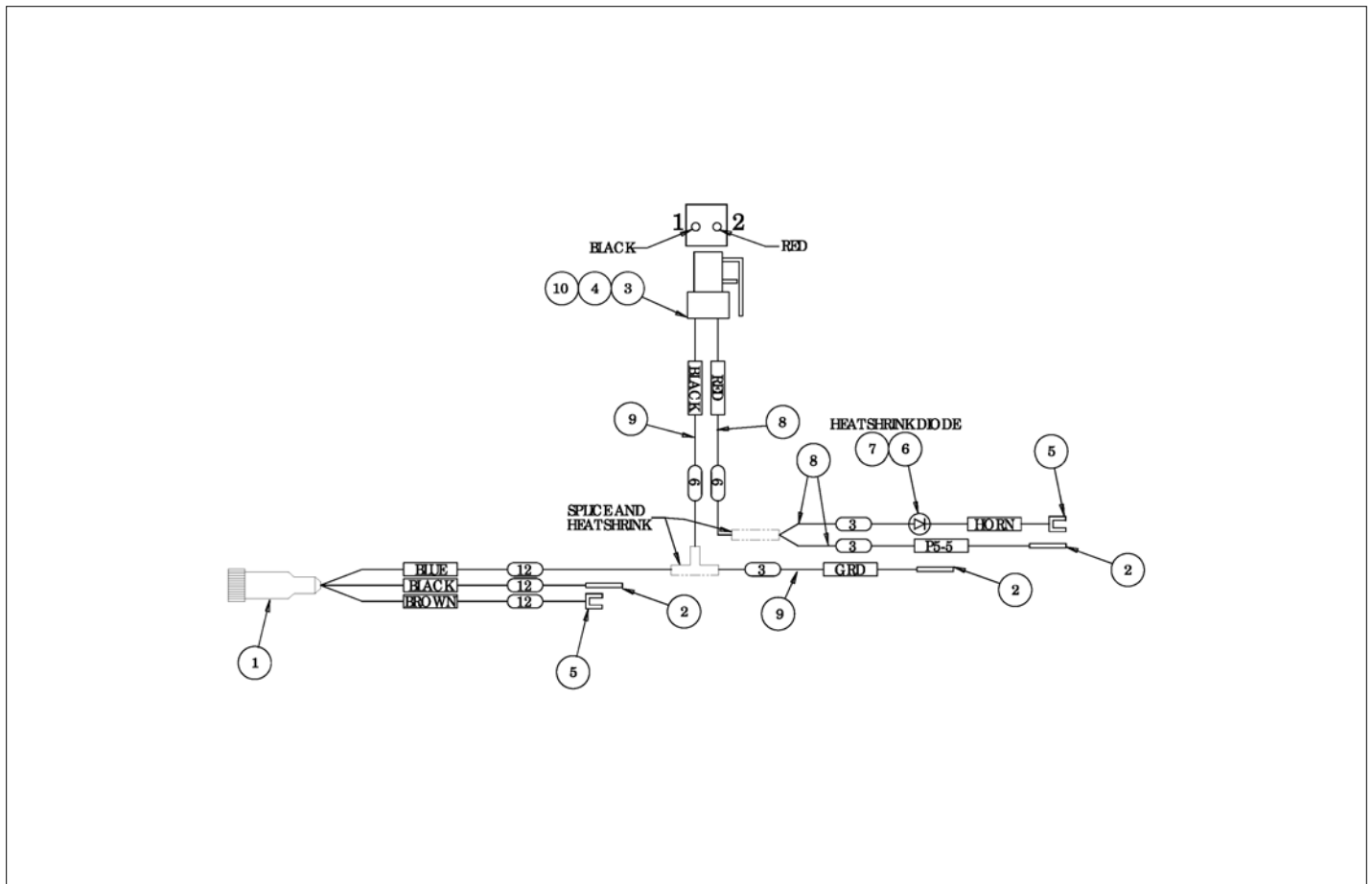
アイテム	部品番号	名前	数量	UOM
*	1502556 E	SNORKEL GUARD ASSEMBLY NOVEMBER 2017 AND AFTER		EA
1	1502557	SPCR, SNORKEL GUARD PHXII	2	EA
2	1502548	WLDMT, SNORKEL GUARD PHXII	1	EA
3	512430 012	BLT, SHLDR SKTHD 12MM X 12 X M10 X 1.5	2	EA
4	056069 012	WASHER DIN125A M12 ZP	2	EA
5	056066 006	Nut NylockNut DIN985 M6 8.0 Zi	4	EA
6	1502555	SPRING, SNORKEL GUARD PHXII	1	EA
7	058491 035	BLT HEXHD M6 1.0 X 35MM G8.8 DIN 933 ZP	1	EA
8	058491 016	BOLT HEXSETSCREW DIN933 M6 X 16MM 8.8 ZP	2	EA
9	1502553	BRKT, SNORKEL GUARD PHXII	1	EA
10	3028844	IFS241 (IFM PROXY)	1	EA
11	1502554	COVER, SNORKEL GUARD PHXII	1	EA
12	514404 001	FLASHING BEACON BLUE	1	EA
13	562846	RELAY 24V 40/30 AMP SPDT	1	EA
14	0410091	WIRE 16 BUTT FEM250 FI 14	2	EA
15	1502802	DIODE JUMPER WIRE	1	EA
16	3220177	PIN CONTACT #20 16 18AWG DEUTSCH	1	EA
17	960589	TERM R375 18 14GA 3/8 in STUDT&B	1	EA
18	3014753	SNORKEL GUARD SENSOR (CABLE, M12 X 2M L)	1	M
19	3040083	TERM FEM250FI 16/14	1	EA
20	056064 010	Nut NylockNut DIN985 M10 10.0	2	EA
21	0101800	WIRE 16 FEM250I NONE 12	2	EA
22	960359	TERM SPADE6I 18 14 GA	5	EA
23	510542 000	PUSHBUTTON BLACK C/W 1 N/O CON	1	EA





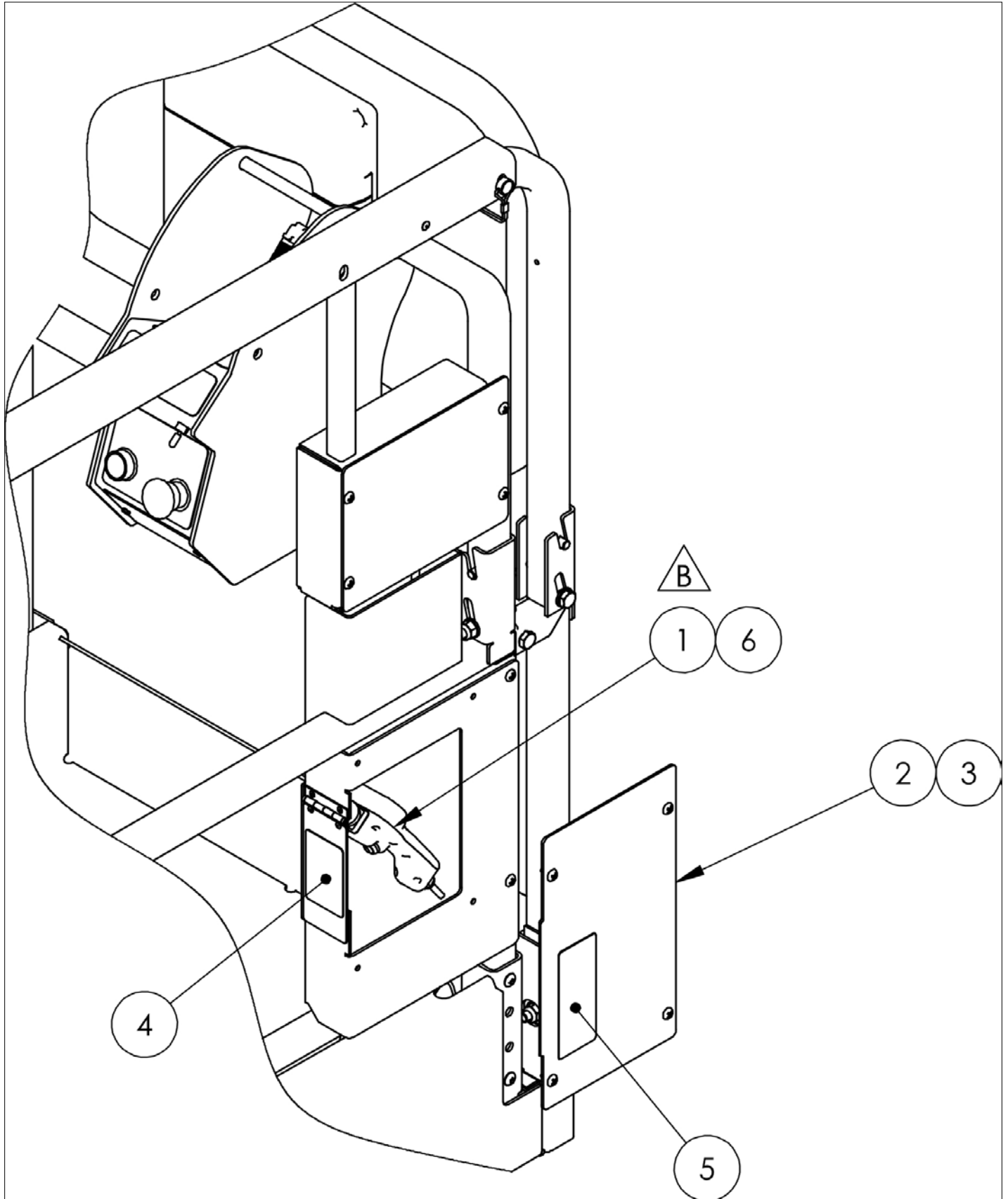
アイテム	部品番号	名前	数量	UOM
24	1502840	DECAL, SNORKEL GUARD OVERRIDE	1	EA
25	505082 020	Bolt, SktButCapScrew DIN9427 M5 x 20mm 10.9 ZincPlated	2	EA
26	056069 005	Washer SteelFlatWasher DIN125A	2	EA
27	056066 005	Nut NylockNut DIN985 M5 8.0 Zi	2	EA
28	1502841	ASSY, SNORKEL GUARD PLTF CONT	1	EA
29	3049807	LOCK WEDGE 2 PIN DEUTSCH PLUG	1	EA
30	3049803	CONNECTOR 2 PIN DEUTSCH PLUG	1	EA
31	3040342	SOCKET CONTACT SIZE 16 16/18GA	2	EA
32	3049804	CONNECTOR 2 PIN DEUTSCH RECEP	1	EA
33	3040341	PIN CONTACT SIZE 16 16/18 GA	2	EA
34	3049808	LOCK WEDGE 2 PIN DEUTSCH RECEP	1	EA

OPTIONS



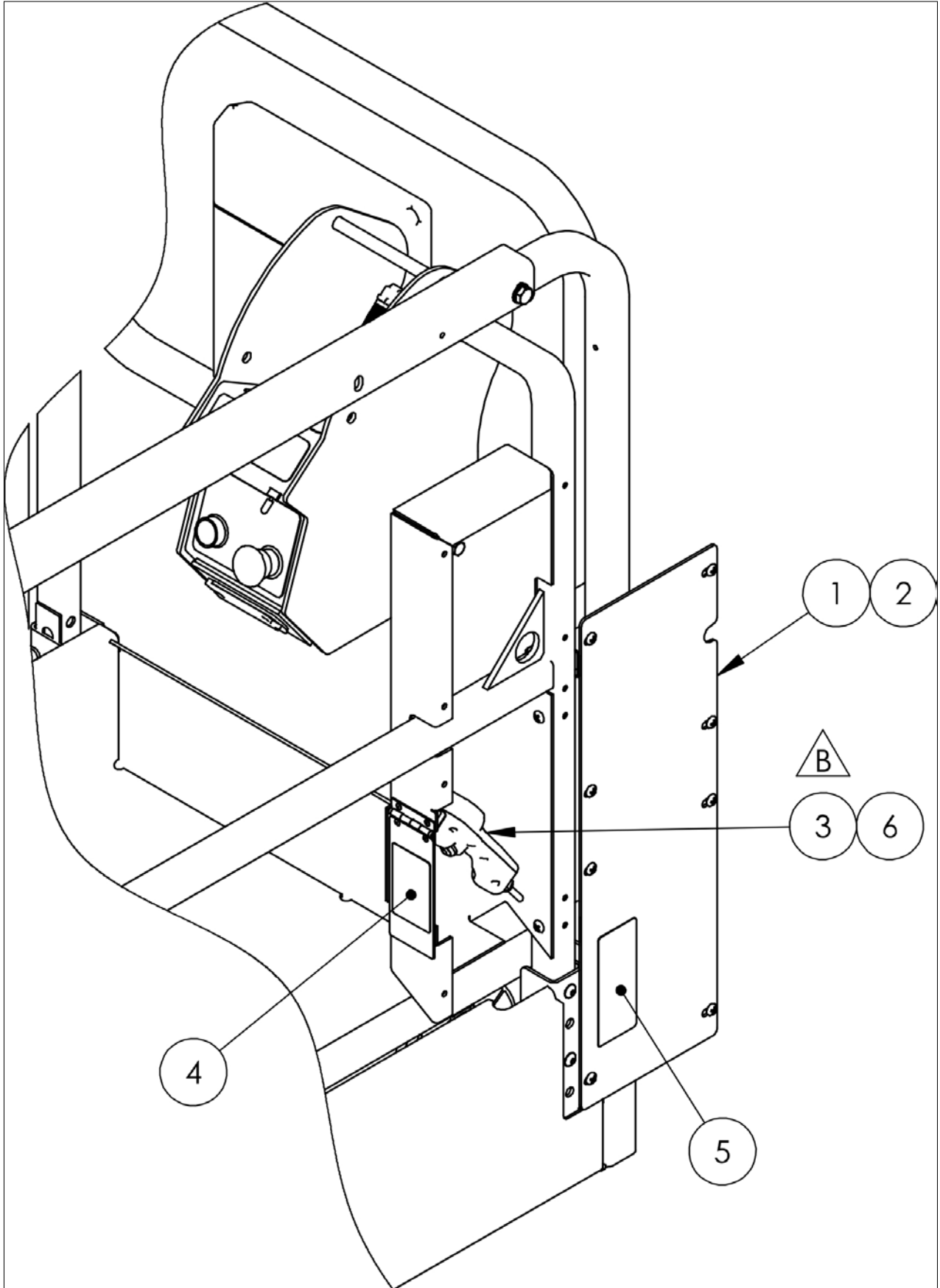
アイテム	部品番号	名前	数量	UOM
	1502978 A	SNORKEL GUARD UPPER CONTROL BOX HARNESS		EA
1	3014753	SNORKEL GUARD SENSOR (CABLE, M12 X 2M L)	1	M
2	3049894	PIN CONTACT 20 DEUTCH P/N 04	3	EA
3	3049803	CONNECTOR 2 PIN DEUTSCH PLUG	1	EA
4	3049807	LOCK WEDGE 2 PIN DEUTSCH PLUG	1	EA
5	960359	TERM SPADE6I 18 14 GA	2	EA
6	3040293	DIODE	1	EA
7	3044070	TERM BUTT CONN INSUL 22/18	1	EA
8	3011801	WIRE 18GA SINGLE CONDUCTOR WHT	AR	EA
9	3011851	WIRE 18GA SINGLE CONDUCTOR BLK	AR	EA
10	3049895	SOCKET CONTACT 20 DEUTSCH P/N	2	EA

OPTIONS



アイテム	部品番号	名前	数量	UOM
	1503145 B	LOADING CONTROL KIT FOLDING RAILS BUILT WITH OUT SIDE DRIVE MAY 2019 AND AFTER		EA
1	1503200	PENDANT, DRIVE CONTROLS SEPTEMBER 2019 AND AFTER		EA
2	1501829 5	PLT, CABLE COVER BOTTOM		EA
3	5563446	1/4 20 PAN HEAD SCREW		EA
4	1503073	DECAL, DRIVE CNTRL E STOP OFF		EA
5	1502990	DECAL, PENDANT CONTROLS JUNE 2018 AND AFTER		EA
6	1503143	HARNESS, LOADING CONTROL ADPTR		EA

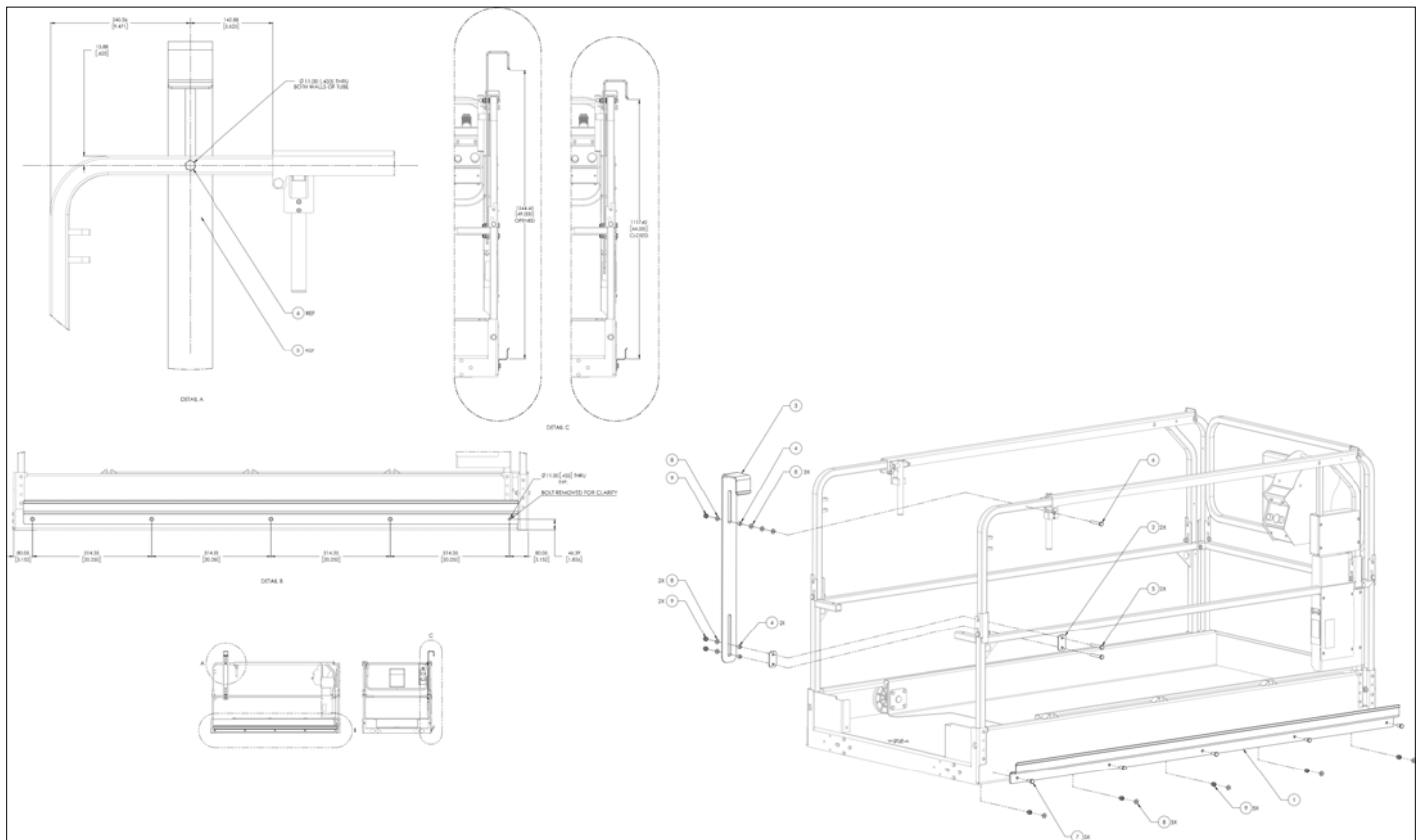
OPTIONS



アイテム	部品番号	名前	数量	UOM
	1503144 B	LOADING CONTROL KIT FIXED HAND RAILS BUILT WITH OUT SIDE DRIVE MAY 2019 AND AFTER		EA
1	1502321 5	PLT, SIDE DRIVE REAR S3219 ANSI		EA
2	5563446	1/4 20 PAN HEAD SCREW		EA
3	1503200	PENDANT, DRIVE CONTROLS SEPTEMBER 2019 AND AFTER		EA
4	1503073	DECAL, DRIVE CNTRL E STOP OFF		EA
5	1502990	DECAL, PENDANT CONTROLS JUNE 2018 AND AFTER		EA
6	1503143	HARNESS, LOADING CONTROL ADPTR		EA



OPTIONS



アイテム	部品番号	名前	数量	UOM
	1503206 B	PANNEL CARRIER S4732E OCTOBER 2019 AND AFTER		EA
1	1503207 5	PLATE, TRAY, 7FT, PANEL CARRIE	1	EA
2	1503202 5	PLATE, CLAMP, PANEL CARRIER	2	EA
3	1503203 5	PLATE, HOOK, PANEL CARRIER	1	EA
4	1503204 5	SPACER UNTHREADED 92871A358	3	EA
5	058509 070	HHCS M10X1.50X70 GR10.9 DIN933	2	EA
6	056060 065	Bolt, HexBolt DIN931 M10 x 65mm 8.8 ZincPlated	1	EA
7	058493 025	HHCS M10 X 25MM GR10.9 DIN933	5	EA
8	5563543	WSHR, FLAT M10 YL ZN GR 10.9	11	EA
9	056064 010	Nut NylockNut DIN985 M10 10.0	8	EA
10	1503299	DECAL PANEL CARRIER	2	EA

# Maintenance

Every person who maintains, inspects, tests, or repairs the aerial platform must be qualified to do so. Maintenance functions must be performed by maintenance personnel who are qualified to work on the aerial platform.

## Caution

**Welding current can be very intense. Damage to electronic components can result. Connect the ground clamp as close as possible to the area being welded. Disconnect battery cables and any microprocessors and engine control modules before welding on the machine.**

If it becomes necessary to weld aerial platform components as a method of repair, take all precautions to prevent damage to electronic circuitry and devices on the machine. This includes, but may not be limited to, disconnecting battery cables and electronic devices.

Do not modify this aerial platform without prior written consent of the Snorkel Engineering Department. Modification may void the warranty, adversely affect stability, or affect the operational characteristics of the aerial platform.

## Maintenance Schedules

Snorkel has established a preventive maintenance schedule to detect any defective, damaged or improperly secured parts and provide information regarding lubrication and other minor maintenance items.

This schedule includes the following:

- Daily Prestart Inspection
- Frequent Inspection and Maintenance  
Every 90 Days or 150 Hours
- Annual Maintenance – Every 500 Hours

The Daily Prestart Inspection must be performed by a trained operator. All other maintenance and inspections must be performed by a trained service technician only. Retain a copy of these forms for your records.

All placards and decals on the machine must be in place and legible. Use the Placards and Decals parts page in the Repair Parts section of this manual to check these placards and decals.

Snorkel recommends that you make additional copies of the Preventive Inspection Maintenance Checklist forms for your use in performing these inspections.

## Warning

**The potential for an accident increases when operating an aerial platform that is damaged or malfunctioning. Death or serious injury can result from such accidents. Do not operate the aerial platform if it is damaged or malfunctioning.**

Repair all defects before returning the machine to service.

## General Information

The parts drawings located in the repair parts sections, are designed for use as a guide for proper disassembly of the machine and components as well as for parts replacement.

## Danger

**Hydraulic fluid escaping under pressure can have enough force to inject fluid into the flesh. Serious infection or reaction will result if medical treatment is not given immediately. In case of injury by escaping hydraulic fluid, seek medical attention at once.**

Always refer to the hydraulic system installation drawings and the electrical wiring diagram before removing or disassembling associated parts.

When disassembling or reassembling components, complete the procedural steps in sequence. Do not partially disassemble or assemble one part, then start on another. Always check your work to assure that nothing has been overlooked.

Keep the following in mind when disassembling or assembling the machine.

- Always be conscious of weight.
- Never attempt to lift heavy objects without the aid of a mechanical device.
- Do not allow heavy objects to rest in an unstable condition.
- Always make sure the work platform is in the stowed position, blocked or the weight removed by a suitable lifting device before removing any components from the scissor stack.
- When raising a portion of the machine, be sure that adequate blocking is properly positioned. Do not depend solely on the lifting device to hold and secure weight.
- If a part resists removal, check to see if all fasteners, electrical wiring, hydraulic lines, etc., have been removed or that other parts are not interfering.

Parts should be thoroughly inspected before restoring to service at the time of reassembly. Burrs, nicks or scratches may be removed from machined surfaces by honing or polishing with #600 crocus cloth, followed by a thorough cleaning in an approved cleaning solvent, and blown dry with compressed air. Do not alter the contour of any part. If this operation does not restore the part to a serviceable condition, replace the part.

Replace all o-rings, seals, and gaskets at reassembly.

Use new roll pins or cotter pins. Dip all packing rings and seals in hydraulic oil before reassembling in cylinders and manifolds. Replace any part having imperfect threads. In general, machines that have been disassembled can be reassembled by reversing the order of disassembly.

The service life of a machine can be increased by keeping dirt and foreign materials out of the vital components. Shields, covers, seals, and filters help to keep air and oil supplies clean. However, these items must be maintained on a scheduled basis in order to function properly.

Clean surrounding areas as well as the opening and fittings before disconnecting air or oil lines. As soon as a line or component is disconnected, cap or cover all openings to prevent the entry of dirt or foreign materials.

New parts should remain in their container until they are ready to be used.

Clearly mark or tag hydraulic lines and electrical wiring connections when disconnecting or removing them from the machine. This will assure that they are correctly reinstalled.

Proper assembly is critical to the successful rebuilding of any machine. Carefully inspect any parts which are to be reused. If in doubt, replace.

“Safety First” is a good slogan.

Replace any guards and protective devices that have been removed to carry out maintenance and repair work.

## Daily Prestart Inspection

Item	Inspect For	OK
<b>Operator's Manual</b>	In manual holder, all pages readable and intact	
<b>Electrical System</b>		
Battery fluid level	Proper level	
Battery terminals	Clean, connectors tight	
Battery charger	Proper operation	
Cables and wiring harness	No wear or physical damage	
<b>Hydraulic System</b>		
Fluid level	Visible on dipstick with platform stowed	
Hoses, tubes and fittings	No leaks, all fittings tight	
Free-wheeling valve	Fully closed – clockwise	
<b>Diagnostic Center Display</b>	Displays operating time/battery power	
<b>Tires and Wheels</b>	Good condition, wheel fasteners tight, retainer pin installed	
<b>Ground Strap</b>	In place and securely fastened	
<b>Lower Control Station</b>		
Operating controls	Proper operation	
Emergency stop	Shuts off lower controls/proper operation	
Lowering alarm – if equipped	Sounds when platform lowers	
<b>Pothole Protection Interlock</b>	Proper operation	
<b>Emergency Lowering</b>	Proper operation	
<b>Safety Prop</b>	No damage or deformation	
<b>Flashing Light – if equipped</b>	Proper operation, no damage or deformation	
<b>Structures</b>		
Weldments – Chassis, scissors, platform, etc.	Welds intact, no damage or deformation	
Platform slide pads/blocks/rollers/spacers	In place, no damage or deformation	
Fasteners	In place, tight, and no damage	
<b>Upper Control Station</b>		
Guardrail system	Welds intact, no damage or deformation All fasteners in place, no loose or missing parts	
Platform floor	No damage or deformation Clean to prevent slip and fall hazards	
Platform extension/latch handles	Proper operation, no damage or deformation	
Swing-down rails – if equipped	Fasteners in place, proper operation	
Lanyard anchors	In place, no deformation or damage	
Entry doors	In place, no deformation or damage, proper operation	
Brakes	Proper operation	
Operating controls	Proper operation	
Emergency stop	Shuts off upper controls	
Lowering alarm – if equipped	Sounds when platform lowers	
Drive motion alarm – if equipped	Sounds when aerial platform drive function is operated	
Electrical power outlet	Proper operation	
Battery condition indicator – LED	Proper operation	
Horn	Sounds when activated	
<b>Placards and Decals</b>	In place and readable	

Performed by: \_\_\_\_\_ Date: \_\_\_\_\_



## Frequent Inspection and Maintenance – Every 90 Days or 150 Hours

Item	Procedure	Information	Ok
<b>Electrical System</b>			
Batteries	Clean terminals, check electrolyte levels and cable connections	Add distilled water if necessary	
Cables and wiring harness	Check for wear and damage		
Battery charger	Check for proper operation	Ensure batteries are fully charged	
<b>Hydraulic System</b>			
Hydraulic fluid condition	Visually inspect a sample taken from the center of the reservoir. Do a lab test if necessary. Flush system and replace fluid as necessary.	Above 10°F (-12°C) ISO VG32 Below 10°F (-12°C) ISO VG15	
Fluid reservoir	Check for leaks		
Return filter	Replace after the first 50 hours, every 90 days or 150 hours thereafter Inspect filter for foreign matter that could indicate component wear		
Hoses, tubes, and fittings	Check for leaks, blistering, cracks, etc.		
Fluid level	Fill with proper fluid, visible in sight glass/on dipstick with platform stowed	See above	
Filler cap	Check for wear and securely fasten		
Free-wheeling valve	Fully closed		
Motor and pump assembly	Check for damage and leaks Check for proper operation		
<b>Structures</b>			
Weldments	Check for damage and cracked welds		
Slide pads/blocks	Check for wear and proper operation	Do not lubricate	
Fasteners	Verify that all fasteners are in place and are tight		
Scissor pins/king pins	Check for damage and cracked welds		
<b>Wheels and Tires</b>			
	Check for wear and damage Retorque castle nuts to 150 ft lb		
<b>Steering Cylinder – Fasteners and Linkage</b>			
	Check for cylinder damage and leaks Check for proper operation		
<b>Scissor Structure</b>			
Pivot pins, snap rings, bolts and nuts	Check for wear and damage, or missing components		
Lift cylinder and valves	Check for wear/damage/leakage and proper operation		
Emergency lowering valve	Check for proper operation		
Hoses, tubes, and fittings	Check for leaks, blistering, cracks, etc.		
Cables and wiring harness	Check for wear and damage		
Safety prop	Check for damage and deformation		
<b>Parking Brakes</b>			
	Check for leaks and proper operation		
<b>Ground Strap</b>			
	In place and securely fastened		
<b>Pothole Protectors</b>			
Interlock and alarm	Check for damage and proper operation		
Linkage/skid pivot points	Check for damage and proper operation		

## Frequent Inspection and Maintenance – Every 90 Days or 150 Hours

Item	Procedure	Information	Ok
<b>Swing-out Trays</b>			
Hinges and latches	Check for damage and proper operation		
<b>Placards and Decals</b>			
	Check for damage and readability		
	Order replacements as necessary	Refer to Parts Manual	
<b>Operator's Manual</b>			
	Proper manual in document holder		
<b>Platform</b>			
Guardrail system	Welds intact, no damage or deformation All fasteners in place, no loose or missing parts		
Platform floor	Check for damage and deformation Clean to prevent slip and fall hazards		
Platform extension	Check for damage and deformation Smooth operation Check for proper operation of latch handles		
Swing-down rails—if equipped	Verify that all fasteners are in place and that the rails fold down properly.		
Entry doors	Check for damage and deformation Check for proper operation		
Lanyard anchors	Check for wear and damage		
<b>Emergency Lowering System</b>			
	Check for proper operation		
<b>Lower Controls</b>			
Operating controls	Check for smooth operation and proper speed	Refer to Operator's Manual for function speeds	
Emergency stop	Shuts off power to lower controls		
Lowering alarm—if equipped	Verify that alarm sounds while the platform is lowering		
Lowering interrupt – CE only	Verify that the platform stops lowering when it reaches about 1.8 m (6')		
Control selector switch	Check for proper operation	In the lower controls position, the upper controls should not be functional.	
Lift capacity	Check lift function at maximum load capacity	Maximum Load S3215E 600 lb (273 kg) S3219E 550 lb (250 kg) S3220E 900 lb (409 kg) S3226E 500 lb (227 kg) S4726E 1000 lb (455 kg) S4732E 700 lb (318 kg)	
	While the platform is loaded, raise the platform and with a pen, mark the chassis next to the slide pad. Mark on the side of the pad toward the front of the chassis. Wait for 15 minutes to determine if the lift cylinder is drifting. If the slide pad covers the mark, the cylinder or holding valve is leaking.	If the cylinder or holding valve leaks, remove the machine from service and correct the cause of the hydraulic leak before further operation.	



## Frequent Inspection and Maintenance – Every 90 Days or 150 Hours

Item	Procedure	Information	Ok
Overload system test CE machines only	Check the lift function at 120% maximum load capacity. Start the test with the platform fully lowered. Verify that the lift function cuts out automatically, the alarm sounds and the red light on the control panel flashes before the platform reaches an elevation of approximately 1.8 m (6').	120% Maximum Load S3215E      327 kg (720 lb) S3219E      300 kg (660 lb) S3220E      490 kg (1080 lb) S3226E      272 kg (600 lb) S4726E      544 kg (1200 lb) S4732E      381 kg (840 lb)	
Battery disconnect switch	Shuts off all controls		
<b>Upper Controls</b>			
Operating controls	Check for smooth operation and proper speed		
Parking brakes	Proper operation		
Emergency stop	Shuts off power to upper controls		
Lowering alarm–if equipped	Verify that alarm sounds while the platform is lowering		
Drive motion alarm –if equipped	Verify that alarm sounds while chassis is in motion		
Electrical power outlet	Check for proper operation of outlet and GFCI		
Travel speed	Verify proper travel speed		
	Low speed – all models 0.4 mph (0.6 km/h)	0.4 mph = 50ft in 85 secs (0.6 km/h = 15.2m in 85 secs)	
	High speed – S3215E 2.4 mph (3.9 km/h)	2.4 mph = 50ft in 14 secs (3.9 km/h = 15.2m in 14 secs)	
	High speed – S3219E 2.0 mph (3.2 km/h)	2.0 mph = 50ft in 17 secs (3.2 km/h = 15.2m in 17 secs)	
	High speed S3220E/S3226E/S4726E/S4732E 2.3 mph (3.7 km/h)	2.3 mph = 50ft in 15 secs (3.7 km/h = 15.2m in 15 secs)	
Horn			
Battery condition indicator	Check for wear and damage		
<b>Options</b>			
Flashing light	Check for proper operation		
<b>Level Sensor Interlock Test</b>			
	Check for proper operation A. Park the machine on a level surface. Place a smart level on the chassis in the front-to-back direction. Zero the level. B. Elevate the front tires to the approximate height as follows: S3215E/S3219E 3 3/8" (86 mm) S3220E/S3226E/S4726E/S4732E 4 3/4" (121 mm) Verify the chassis inclination is no more than 3.7 degrees. Verify the platform will raise and lower through its full range of motion. Continued on next page...		

## Frequent Inspection and Maintenance – Every 90 Days or 150 Hours


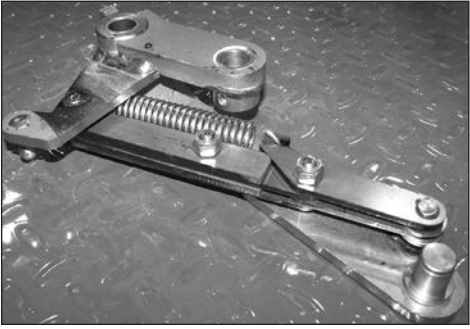
Item	Procedure	Information	Ok
<b>Level Sensor Interlock Test</b>	<p>C. Elevate the front tires to the approximate height as follows:            S3215E/S3219E            4 1/8" (105 mm)            S3220E/S3226E/S4726E/S4732E            6" (152 mm)</p> <p>Verify the chassis inclination is between 4.2 and 4.4 degrees. Verify that the lift function cuts out automatically and the alarm sounds before the platform reaches an elevation of 6' (1.8 m). All drive functions must also cut out.</p> <p>D. Repeat steps B and C elevating the rear tires.</p> <p>E. Place the smart level on the chassis in the side-to-side direction. Zero the level. Elevate the front tires on the right side of the machine to the approximate height as follows:            S3215E/S3219E/S3220E/S3226E            3/4" (19 mm)            S4726E/S4732E            1 1/8" (29 mm)</p> <p>Verify the chassis inclination is no more than 1.8 degrees. Verify the platform will raise and lower through its full range of motion.</p> <p>F. Elevate the front tires on the right side of the machine to the approximate height as follows:            S3215E/S3219E/S3220E/S3226E            1" (25 mm)            S4726E/S4732E            1 3/4" (44 mm)</p> <p>Verify the chassis inclination is between 2.2 and 2.4 degrees. Verify that the lift function cuts out automatically and the alarm sounds before the platform reaches an elevation of 6' (1.8 m). All drive functions must also cut out.</p> <p>G. Repeat steps E and F for the left side of machine.</p> <p>H. Adjust/replace the level sensor as required.</p>		

Performed by: \_\_\_\_\_ Date: \_\_\_\_\_

## Annual Maintenance – Every 500 Hours

Item	Procedure	Information	Ok
<b>Frequent Maintenance Checklist</b>	Complete Frequent Maintenance		
<b>Hydraulic System</b>			
Hydraulic fluid condition	Drain, flush, and clean hydraulic system. Refill with new fluid.	Above 10°F (-12°C) Mobil DTE-13M, ISO VG32  Below 10°F (-12°C) Mobil DTE-11M, ISO VG15	
Return filter	Replace	Refer to Parts Manual for filter part number	
System pressures	Check system relief pressure	System Relief Pressure  2,900 to 3100 psi (200 to 214 bar)	
<b>Machines with Overtravel Linkage Only</b>  <b>Test Pothole Protection Overtravel Assembly</b>	A. Using a forklift capable of supporting the weight of the machine, raise the machine from the rear forklift pockets about 2 feet off the ground.  B. Raise the platform and remove the chassis cover at the front of the machine.  C. Hold a 2x4 approx. 30.5" long for S3219E/S3226E or approx. 46" long for S4726E/S4732E machines between the pothole skids to prevent the skids from retracting.  D. Lower the platform so the stack pushes against the moveable link pin until a "POP" is heard. This will indicate that the overtravel assembly has tripped due to an obstruction between the pothole skids, not allowing them to fully retract. The stack still should be able to be lowered to stowed position.  E. Verify the overtravel linkage has tripped. Refer to Figure 1.  Continued on next page...		

## Annual Maintenance – Every 500 Hours

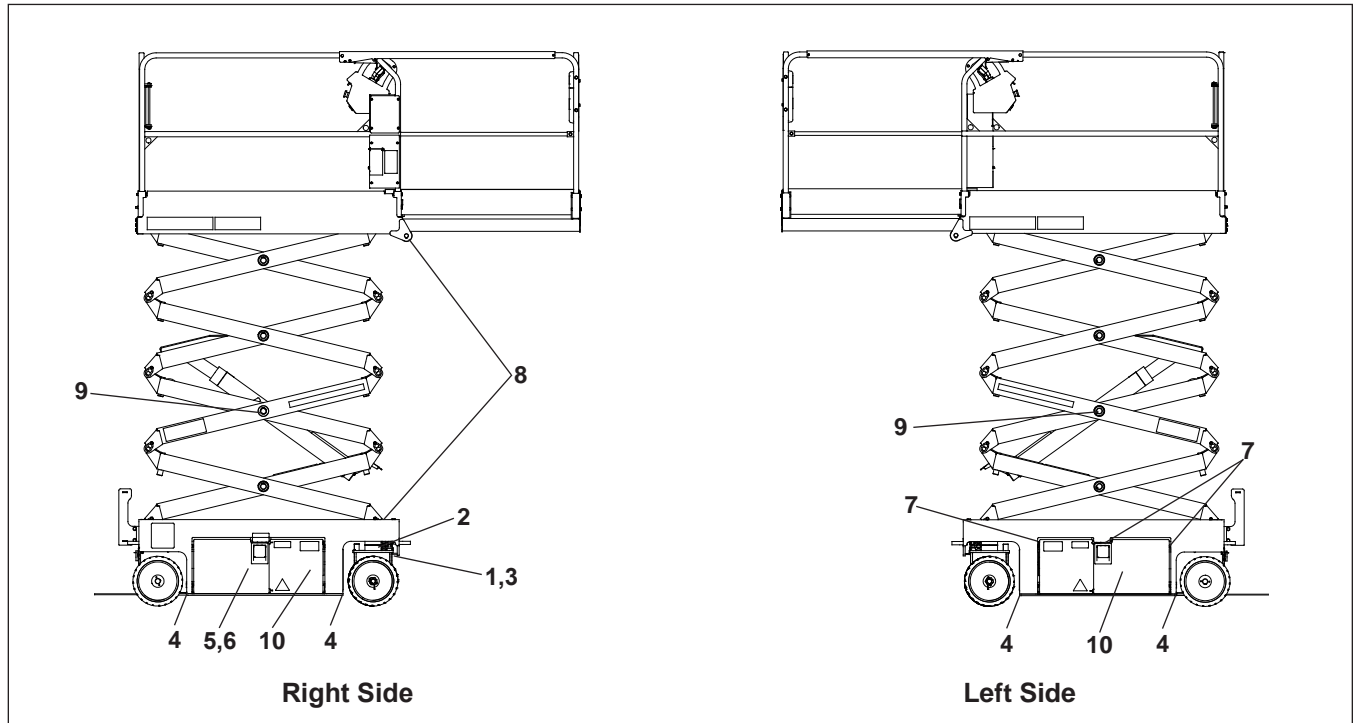
Item	Procedure	Information	Ok
<p><b>Test Pothole Protection Overtravel Assembly</b></p>	<div style="text-align: center;">  <p><b>Figure 1 – Overtravel Linkage Tripped</b></p> </div> <p>F. Slightly raise the stack and remove the 2 x 4. You may hear the same “POP” when the overtravel assembly resets. Refer to Figure 2.</p> <div style="text-align: center;">  <p><b>Figure 2 – Overtravel Linkage Reset</b></p> </div> <p>G. Reinstall the chassis cover, lower the platform, and set the machine on the ground.</p>		

Performed by: \_\_\_\_\_

Date: \_\_\_\_\_







## Lubrication Points

### Lubrication

Specific lubricants as recommended by Snorkel, should be used in maintaining the unit. If in doubt regarding the use of lubricants other than those listed, contact Snorkel Customer Service Department for evaluation and recommendation.

Anytime the aerial platform is elevated to perform maintenance work, properly position the safety prop as outlined on the safety prop decal.

### **⚠ Danger**

**Pinch points exist on the scissors structure. Death or serious injury will result if the scissors structure drops onto personnel working within the scissors arms or under the raised platform. Properly position the safety prop before reaching through the scissors structure.**

Refer to the above lubrication illustration for location of item numbers.

Service all lubrication points as indicated in the Maintenance Schedule and lubrication illustration. Wipe away all excess lubricant from exposed surfaces. Over lubrication can collect dirt and foreign matter which acts as an abrasive. Lubrication of accessory equipment should be in accordance with the manufacturer's recommendations.

### Tie Rods – Item 1

Tie rod bearings are self lubricating. Check bearings for signs of damage and excessive wear as outlined in the maintenance schedule. Do not lubricate tie rod bearings.

### King Pins – Item 2

King pin bearings are self lubricating. Check bearings for signs of damage and excessive wear as outlined in the maintenance schedule. Do not lubricate king pin bearings.

### Steer Cylinder Ends – Item 3

Lubricate using a petroleum based spray lubricant following the Frequent Inspection and Maintenance schedule.

### Pothole Protectors – Item 4

Pothole protector bearings are self lubricating. Check bearings for signs of damage and excessive wear as outlined in the maintenance schedule. Do not lubricate pothole protector bearings.

### Hydraulic Oil Reservoir – Item 5

The fluid must be visible on the reservoir dip stick/visible in the sight glass and should be checked with all cylinders fully retracted.

The interior of the reservoir should be cleaned each time the hydraulic oil is changed.

Any time the hydraulic oil is changed or added, it is absolutely necessary that only clean hydraulic oil is used.

### Note

*If it becomes necessary to add or use an oil other than the recommended fluid, it is important that it be compatible and equivalent to the factory fill. Local oil suppliers can generally furnish this information.*

---

If questions still remain, contact Snorkel Customer Service Department for further information.

### **Return Filter – Item 6**

The hydraulic oil return filter is mounted on the top of the hydraulic oil reservoir.

The filter element is a throwaway type filter and should be changed after the initial break-in period (approximately 50 hours operation time).

Check the filter condition during the Frequent Inspection and Maintenance or more frequently under extreme working conditions.

When changing the filter element, the oil inside of the filter element, should be examined for deposits of metal cuttings, which if present, could indicate excessive wear in some of the system components.

### **Tray Hinges and Latches – Item 7**

Tray hinges bearings are self lubricating. Check bearings for signs of damage and excessive wear as outlined in the maintenance schedule. Do not lubricate tray hinge bearings.

### **Slide Pads/Rollers – Item 8**

Check slide pads and rollers for excessive wear and replace as required. The slide pads and rollers do not require lubrication.

Machines with the platform overload system – lubricate the slide pads with a spray dry-film lubricant as required for smooth operation before overload calibration.

### **Scissor Arm Bearings – Item 9**

Scissor arm bearings are self lubricating. Check bearings for signs of damage and excessive wear as outlined in the maintenance schedule. Do not lubricate scissor arm bearings.

### **Batteries – Item 10**

The batteries and battery cables should be checked to assure that the connections are tight and free of corrosion. Fluid level should be maintained to assure that the batteries will maintain proper charge.

Check the batteries specific gravity per the maintenance schedule.

The batteries are enclosed within a tray located on the side of the machine. For access to the batteries when the machine is lowered, position the machine on a hard level surface, unlatch and open tray.

## **Warning**

**Battery acid can damage the skin and eyes. Serious infection or reaction can result if medical treatment is not given immediately. Wear face and eye protection when working near the batteries.**

Wear rubber gloves and protective clothing to keep acid off skin, if acid contacts skin, wash off immediately with clear water.

Lead-acid batteries produce flammable and explosive gases. Never allow smoking, flames or sparks around batteries.

### **Battery Care and Maintenance**

The following information about battery care and maintenance was supplied by Interstate Batteries and is reprinted here with their permission.

1. New batteries need to be cycled several times before reaching full capacity (20-50 cycles, depending on type). Usage should be limited during this period.
2. Always recharge batteries fully, immediately after use. Batteries perform best when they are fully charged. More capacity and longer life will result from this practice.
3. The deeper the discharge, the fewer number of cycles a lead-acid battery will deliver. Deep discharges deteriorate the battery quicker than lighter shallow cycles.
4. Battery cables should be intact and connectors kept tight at all times. Systematic inspection is recommended.
5. Vent caps should be kept in place and tight during vehicle operation and battery charging.
6. Batteries should be kept clean – free of dirt and corrosion – at all times. Always keep the top of batteries clean. A film on top of the battery can cause the current to migrate between the posts, accelerating self discharge.
7. Never let the electrolyte level of a lead-acid battery fall below the plates. Lack of maintaining the electrolyte in a lead-acid battery causes damage to the exposed portion of the plate which reduces capacity.
8. Always check electrolyte level before charging. Do not add water to individual cells unless plates are exposed. Batteries should be watered after charging unless the plates are exposed before charging. If exposed before charging, the plates should be covered by approximately 1/8" of water. Check water level after charging. Water should be kept 1/4" below the bottom of the fill tube in the cell cover.
9. Water used to replenish batteries should be distilled or treated to not exceed 200 T.D.S. (total dissolved solids... parts per million). Particular care should be taken to avoid metallic solids (iron).
10. A fully charged battery will give you the best and longest service. Be sure the batteries are fully



---

charged before testing or using. A fully charged battery, without a drain or load, after the surface charge has dissipated, is 6.35 volts for a 6 volt battery.

11. Batteries should not be discharged below 20% of capacity (approximately 1.8 volts per cell under normal operating load; 1.98 volts open circuit; 1.145 specific gravity). Proper battery sizing will help avoid excessive discharge.
12. Battery chargers should be sized to fully charge batteries in an eight hour period. Chargers should be kept in proper operating condition.
13. Do not use a mismatched charger of any type; i.e., a 12 volt charger on a 24 volt pack or a 24 volt charger on a 12 volt pack. An undersized charger will never get the job done, no matter how long it tries. An oversized charger will cause excess gassing and heat that could possibly result in a battery meltdown and/or explosion.
14. Never charge a lead-acid battery with a sealed (gel cell) battery charger. The lead-acid battery needs higher voltage to finish its charge. Without it the battery will never come back to 100% and sulfation can occur.
15. Always allow batteries to cool off after charging. The cooling time is very important because heat is generated during the recharge and discharge cycles. Without the cooling time the heat grows, accelerating grid corrosion which is one of the major causes of battery failure. Charging practice should enable batteries to cool before use.
16. Deep cycle batteries need to be equalized periodically. Equalizing is an extended, low current charge performed after the normal charge cycle. It helps keep cells in balance. Actively used batteries should be equalized once per week. Manually timed chargers should have the charge time extended approximately 3 hours. Automatically controlled chargers should be unplugged and reconnected after completing a charge cycle.
17. In situations where multiple batteries are connected in series, parallel or series-parallel, a replacement battery's should be of the same size, age and usage level as the companion batteries. Do not put a new battery in a pack that has 50 or more cycles. Either replace all the batteries with new batteries or install a good used battery's in place of the bad. New batteries should be given a full charge before use.
18. Periodic battery testing is an important preventative maintenance procedure. Hydrometer readings of each cell (fully charged) give an indication of balance and true charge level. Imbalance could mean the need for equalizing and is often a sign of improper charging or a bad cell. Voltage checks (open circuit, charged and discharged) can locate a bad cell or weak battery. Load testing will pick out a bad cell when other methods fail. The point is to look for the abnormal. A weak cell or battery will cause premature failure of companion cells or batteries respectively.
19. As batteries age, their maintenance requirements change, Generally their specific gravity is higher and gassing voltage goes up. This means longer charging time and/or higher finish rate (higher amperage at the end of charge). Usually, older batteries need to be watered more often and their capacity decreases.
20. "Opportunity charging", a short partial charge during an extended duty cycle, is a controversial subject. Generally, the practice is a "crutch" to make up for undersized batteries. The correct approach is to install adequate battery capacity. If this is impossible because of lack of space in the battery compartment or extreme operating conditions (24 hour intermittent use, as an example), "opportunity charging" is better than excessive battery discharging. However, the practice can cause batteries to overheat, require more watering and usually will shorten battery life. "Opportunity charging" is a trade off; something to avoid if possible. One charging cycle per day is preferable.
21. Extreme temperatures can substantially affect battery performance and charging. Cold reduces battery capacity and retards charging. Heat increases water usage and can result in overcharging. Very high temperature can cause "thermal run away" which may lead to an explosion or fire. If extreme temperature is an unavoidable part of an application, consult a battery/charger specialist about ways to deal with the problem.
22. An overly discharged battery might need to be cycled a few times before it can recover fully. If a battery begins to heat before coming up to a full charge, it might be necessary to discharge the battery and recharge it a few times. The charge and discharge cycle might help the current acceptance of the battery and facilitate its recovery to a usable condition.
23. Inactivity can be harmful to deep cycle batteries. If they sit for several months, a "boost" charge should be given – more frequently in warm climate (about once a month) than in cold (every 2-3 months).
24. Never store a battery in a discharged state. The sulfate that forms during discharge can make the battery impossible to recharge fully.

### **Battery Charger**

The aerial platform is equipped with an onboard automatic battery charger. This charger has an electronic circuit that will completely recharge the batteries and automatically turn off after the charge cycle is completed.

---

The charging cycle may last 1 1/2 to 18 hours depending on the state of charge of the batteries. If the charging cycle should exceed 18 hours without the batteries being fully recharged, the charger should be shut off and the batteries should be checked.

#### **General Charging Cautions**





1. Do not recharge batteries unless Electrolyte level has been checked. Operate charger in accordance with the battery charging instructions outline in this manual. Place the battery disconnect switch in the off position before charging batteries.
2. Do not smoke or introduce a flame or spark in the charging area.

#### **Warning**

**Batteries give off hydrogen and oxygen that can combine explosively. Death or serious injury can result from a chemical explosion. Charge the batteries only in a well ventilated area away from sparks or flame.**

3. Use protective face and eye equipment when checking the condition of charging batteries.

## Fastener Torque Chart – Standard System

Bolt Grade	SAE Grade 1 or 2	SAE Grade 5	SAE Grade 6	SAE Grade 8
Marking				
Definition	Indeterminate Quality	Minimum Commercial Quality	Medium Commercial Quality	Best Commercial Quality
Material	Low Carbon Steel	Medium Carbon Steel Tempered	Medium Carbon Steel Quenched and Tempered	Medium Carbon Alloy Steel Quenched and Tempered
Minimum Tensile Strength	64,000 psi.	105,000 psi	133,000 psi.	150,000 psi
Bolt Size	Recommended Torque Value (ft lbs)			
1/4	5	7	10	10.5
5/16	9	14	19	22
3/8	15	25	34	37
7/16	24	40	55	60
1/2	37	60	85	92
9/16	53	88	120	132
5/8	74	120	167	180
3/4	120	200	280	296
7/8	190	302	440	473
1	282	466	660	714

Torque chart information:

- Consult manufacturers' specific recommendations, when available.
- The chart may be used with both coarse and fine thread fasteners lightly lubricated.
- Increase torque by 20% when multiple tapered tooth (shake proof) lock washers are used.
- The torque values are given in foot-pounds.
- Inch/pound equivalent may be obtained by multiplying by 12.

## Fastener Torque Chart – Metric System

Capscrew	Grade 8.8					Grade 10.9				
	In-LBS Dry	In-LBS Lubed	FT-LBS Dry	FT-LBS Lubed	Clamp Load (lb)	In-LBS Dry	In-LBS Lubed	FT-LBS Dry	FT-LBS Lubed	Clamp Load (lb)
M4 - 0.7	27	20			861	36	24			1,173
M5 - 0.8	55	41			1,394	72	60			1,895
M6 - 1.0	93	70			1,971	132	96			2,686
M8 - 1.25	228	168	19	14	3,591	312	228			4,889
M8 - 1.0	240	180	20	15	3,844	336	252			5,232
M10 - 1.5			37	28	5,693			51	38	7,744
M10 - 1.25			39	30	6,008			54	41	8,171
M12 - 1.75			65	49	8,273			89	66	11,257
M12 - 1.25			71	53	9,037			96	72	12,297
M14 - 2.0			103	77	11,285			140	107	15,354
M14 - 1.5			114	85	12,263			155	114	16,691
M16 - 2.0			162	122	15,404			221	166	20,963
M16 - 1.5			173	129	16,388			236	177	22,311
M18 - 2.5			222	167	19,423			235	176	
M18 - 1.5										
M20 - 2.5			317	236	24,042			428	321	32,720
M20 - 1.5			350	262	26,695			479	358	36,316
M22 - 2.5			428	321	30,651			452	339	
M22 - 1.5										
M24 - 3.0			546	409	34,642			745	557	47,141
M24 - 2.0			594	446	37,676			811	605	51,277
M27 - 3.0			796	597	45,039			1,084	811	61,292
M27 - 2.0			863	645	58,785			1,173	848	66,226
M30 - 3.5			1084	811	55,054			1,475	1106	74,915
M30 - 3.0			1121	841	56,908			1,527	1143	77,444
M30 - 2.0			1202	900	60,932			1,630	1224	82,917

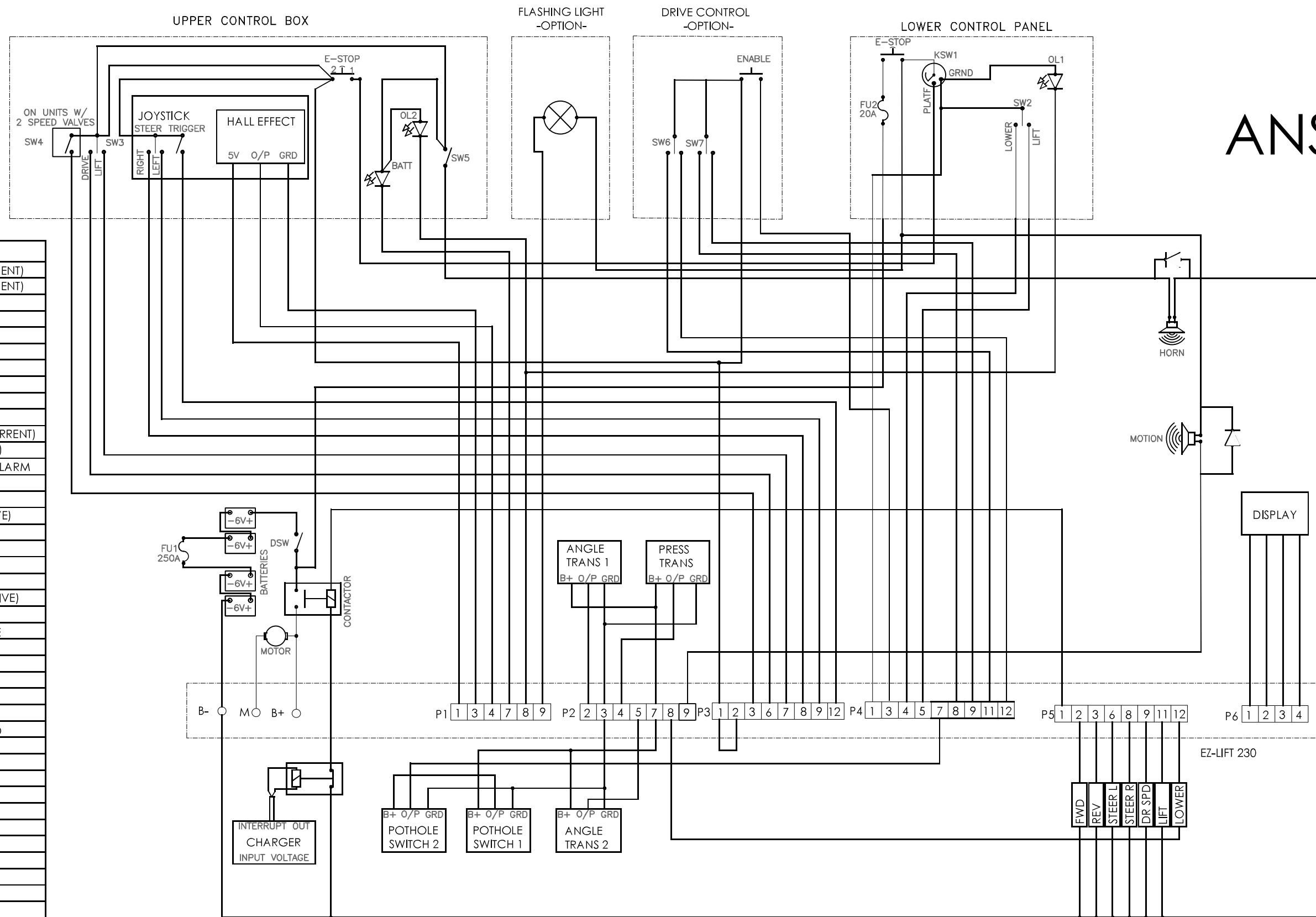
Rev D

Torque chart information:

- Consult manufacturers' specific recommendations, when available.
- The chart may be used with both coarse and fine thread fasteners lightly lubricated.
- Increase torque by 20% when multiple tapered tooth (shake proof) lock washers are used.
- Foot/pound equivalent may be obtained by dividing by 12.
- Inch/pound equivalent may be obtained by multiplying by 12.
- Newton/meter equivalent may be obtained by multiplying inch/pound by 0.1130.
- Newton/meter equivalent may be obtained by multiplying foot/pound by 1.3558.

# ANSI

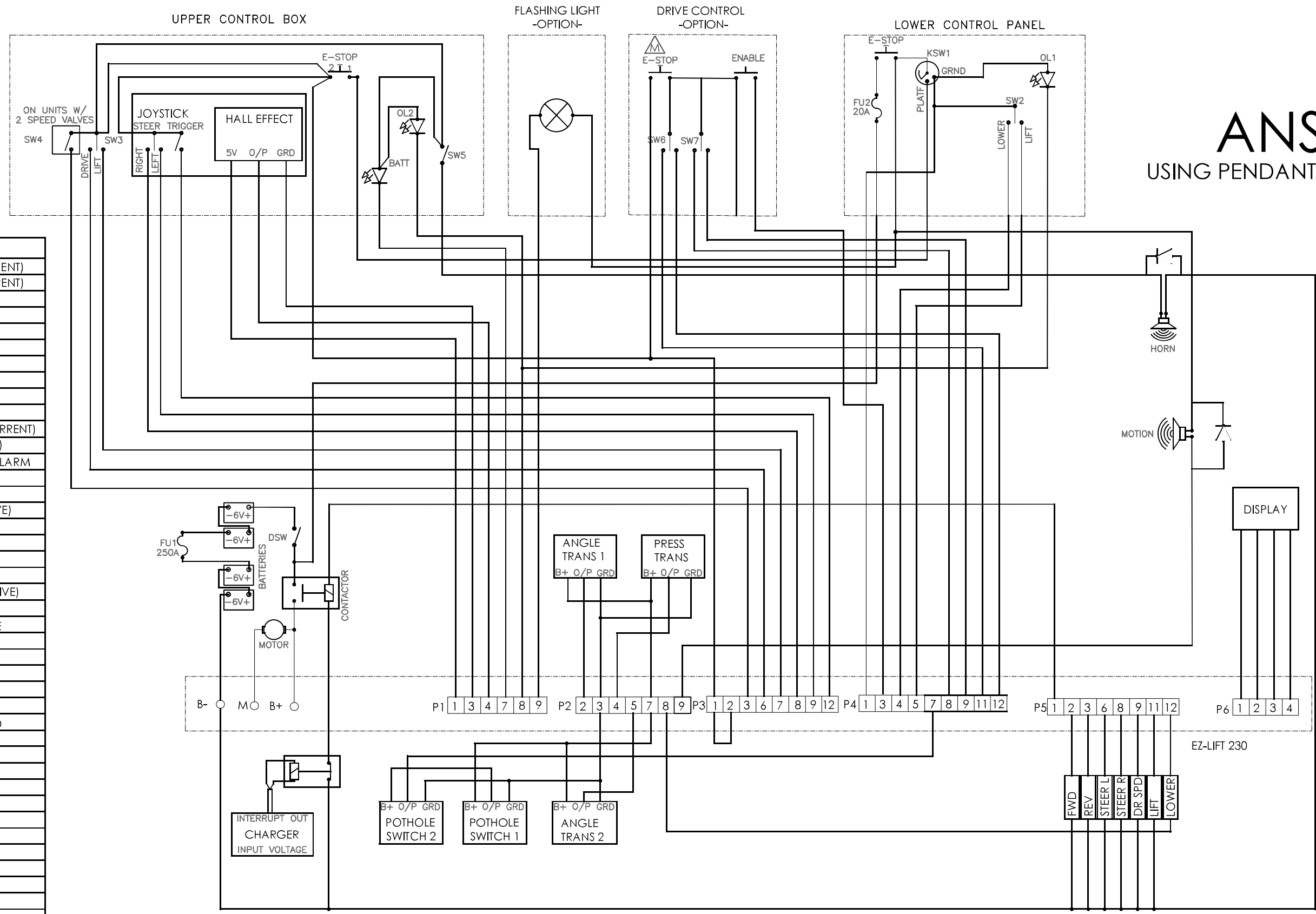
EZ230 CONNECTIONS	
P1-1	5V TO JOYSTICK (LOW CURRENT)
P1-3	0V TO JOYSTICK (LOW CURRENT)
P1-4	Joystick analog input
P1-7	LOW BATTERY LIGHT (0V)
P1-8	OVERLOAD LIGHT (0V)
P1-9	FLASHING LIGHT (0V)
P2-2	ANGLE SENSOR #1 INPUT
P2-3	0V (LOW CURRENT)
P2-4	PRESSURE SENSOR INPUT
P2-5	ANGLE SENSOR #2 INPUT
P2-7	SENSOR VOLTAGE (LOW CURRENT)
P2-8	STACK LOWER (0V = ACTIVE)
P2-9	OVERLOAD AND MOTION ALARM
P3-1	PLATFORM INPUT
P3-2	VALVE SUPPLY
P3-3	2-SPEED SWITCH (B+ = ACTIVE)
P3-6	DRIVE SWITCH (B+ = ACTIVE)
P3-7	LIFT SWITCH (B+ = ACTIVE)
P3-8	STEER RIGHT (B+ = ACTIVE)
P3-9	STEER LEFT (B+ = ACTIVE)
P3-12	JOYSTICK ENABLE (B+ = ACTIVE)
P4-1	GROUND CONTROL INPUT
P4-3	LOADING CONTROL ENABLE
P4-4	GROUND CONTROL LOWER
P4-5	GROUND CONTROL LIFT
P4-7	POTHOLE SENSOR INPUT
P4-8	LOADING - STEER LEFT
P4-9	LOADING - STEER RIGHT
P4-11	LOADING - DRIVE FORWARD
P4-12	LOADING - DRIVE REVERSE
P5-1	CONTACTOR OUTPUT
P5-2	FORWARD VALVE OUTPUT
P5-3	REVERSE VALVE OUTPUT
P5-6	STEER LEFT VALVE OUTPUT
P5-8	STEER RIGHT VALVE OUTPUT
P5-9	2 SPEED VALVE OUTPUT
P5-11	LIFT VALVE OUPUT
P5-12	LOWER VALVE OUTPUT
P6-1	DISPLAY SUPPLY
P6-2	DISPLAY RECEIVE
P6-3	DISPLAY TRANSMIT
P6-4	DISPLAY 0V RETURN



# ANSI

USING PENDANT 1502836

EZ230 CONNECTIONS	
P1-1	5V TO JOYSTICK (LOW CURRENT)
P1-3	0V TO JOYSTICK (LOW CURRENT)
P1-4	Joystick analog input
P1-7	LOW BATTERY LIGHT (0V)
P1-8	OVERLOAD LIGHT (0V)
P1-9	FLASHING LIGHT (0V)
P2-2	ANGLE SENSOR #1 INPUT
P2-3	0V (LOW CURRENT)
P2-4	PRESSURE SENSOR INPUT
P2-5	ANGLE SENSOR #2 INPUT
P2-7	SENSOR VOLTAGE (LOW CURRENT)
P2-8	STACK LOWER (0V = ACTIVE)
P2-9	OVERLOAD AND MOTION ALARM
P3-1	PLATFORM INPUT
P3-2	VALVE SUPPLY
P3-3	2-SPEED SWITCH (B+ = ACTIVE)
P3-6	DRIVE SWITCH (B+ = ACTIVE)
P3-7	LIFT SWITCH (B+ = ACTIVE)
P3-8	STEER RIGHT (B+ = ACTIVE)
P3-9	STEER LEFT (B+ = ACTIVE)
P3-12	JOYSTICK ENABLE (B+ = ACTIVE)
P4-1	GROUND CONTROL INPUT
P4-3	LOADING CONTROL ENABLE
P4-4	GROUND CONTROL LOWER
P4-5	GROUND CONTROL LIFT
P4-7	POTHOLE SENSOR INPUT
P4-8	LOADING - STEER LEFT
P4-9	LOADING - STEER RIGHT
P4-11	LOADING - DRIVE FORWARD
P4-12	LOADING - DRIVE REVERSE
P5-1	CONTACTOR OUTPUT
P5-2	FORWARD VALVE OUTPUT
P5-3	REVERSE VALVE OUTPUT
P5-6	STEER LEFT VALVE OUTPUT
P5-8	STEER RIGHT VALVE OUTPUT
P5-9	2 SPEED VALVE OUTPUT
P5-11	LIFT VALVE OUPUT
P5-12	LOWER VALVE OUTPUT
P6-1	DISPLAY SUPPLY
P6-2	DISPLAY RECEIVE
P6-3	DISPLAY TRANSMIT
P6-4	DISPLAY 0V RETURN

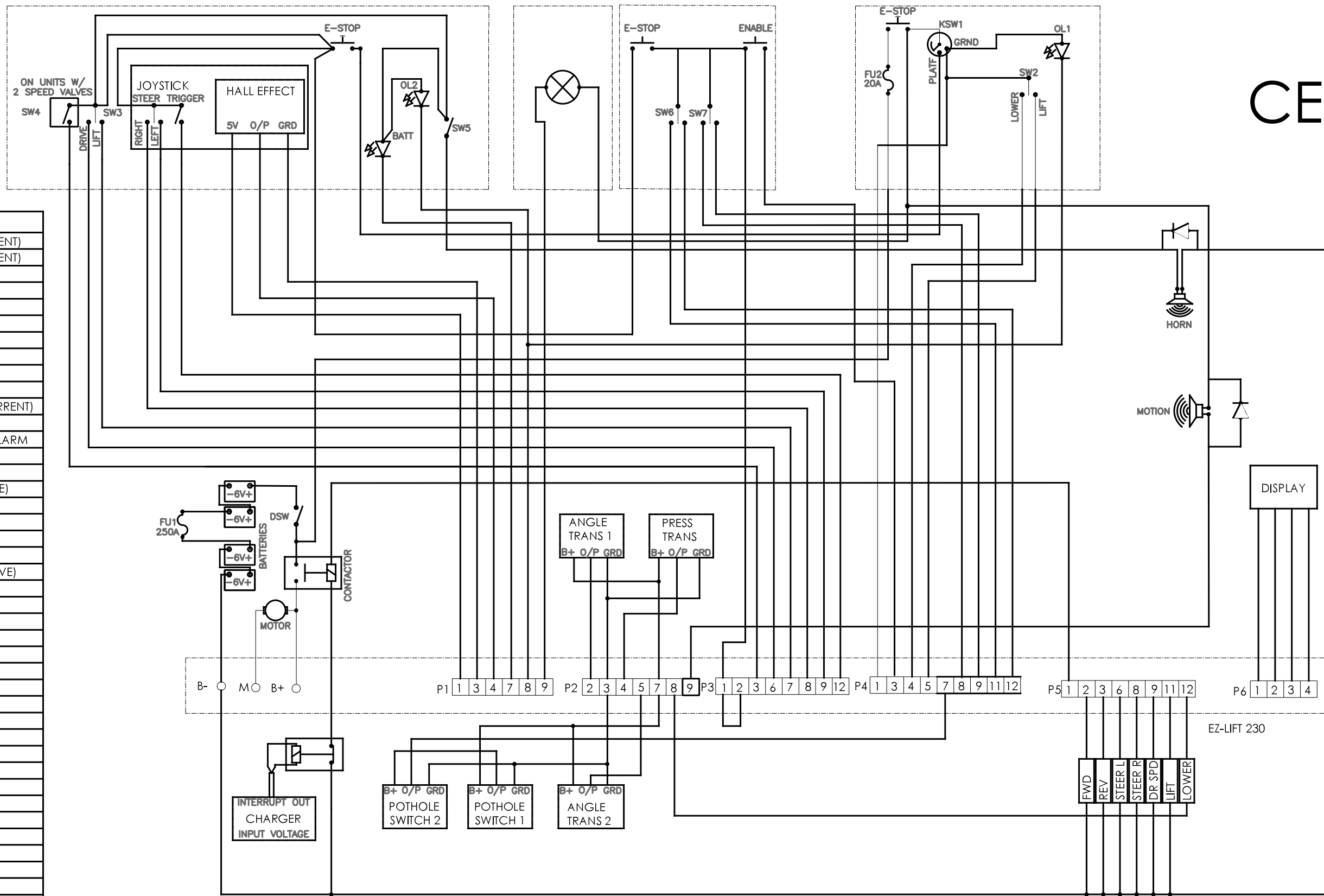


UPPER CONTROL BOX

FLASHING LIGHT  
-OPTION-

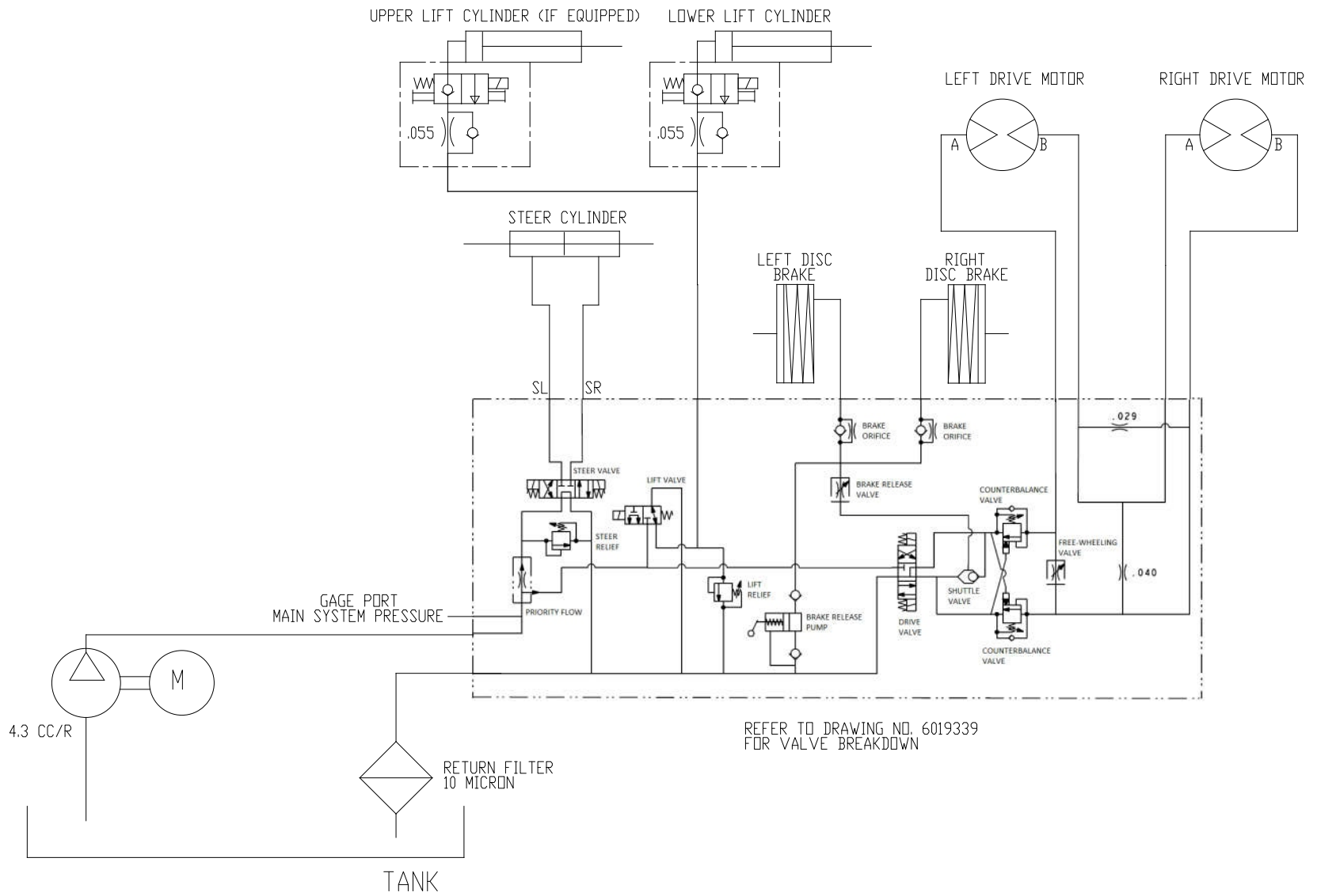
DRIVE CONTROL  
-OPTION-

LOWER CONTROL PANEL

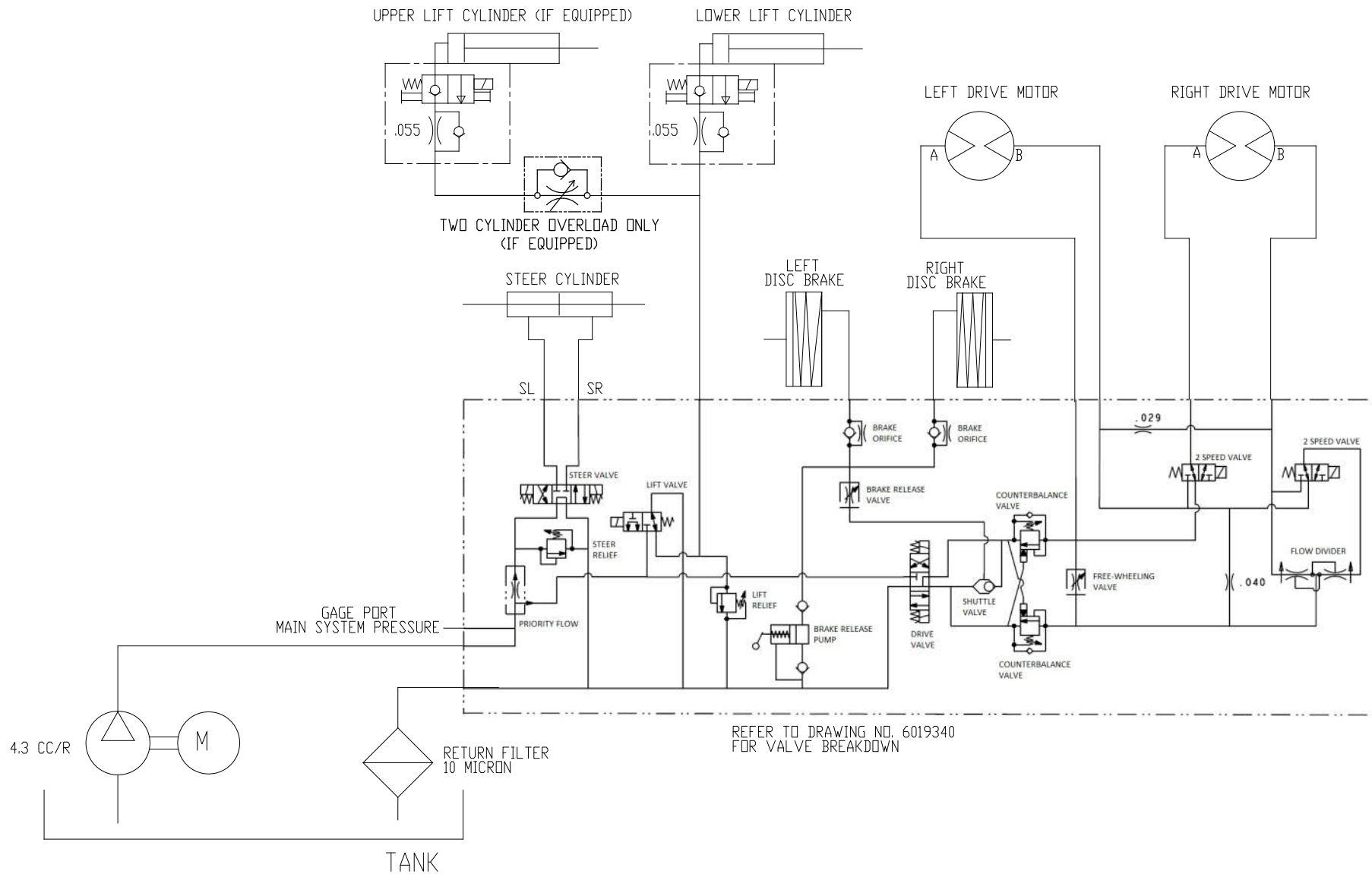


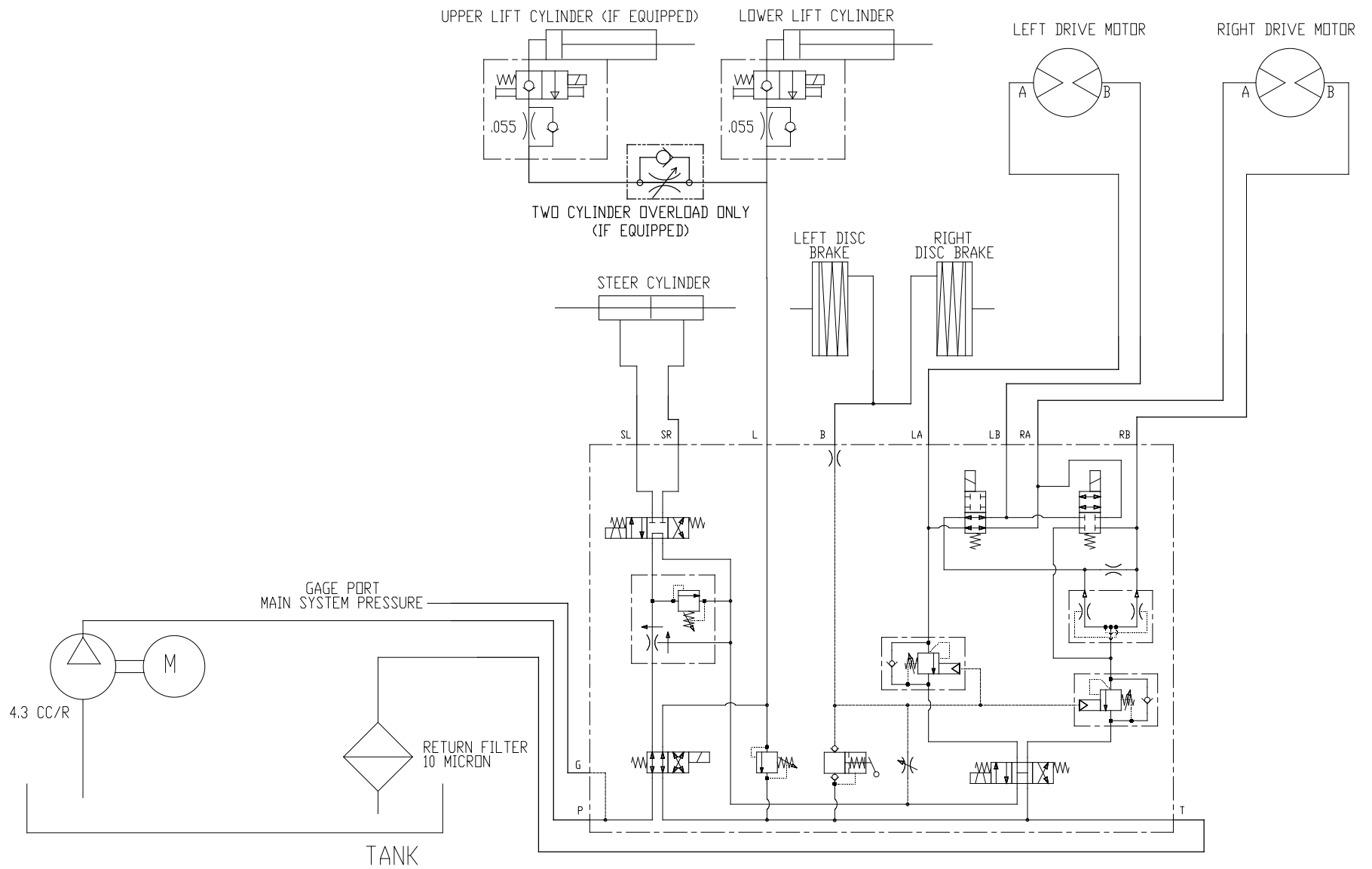
CE

EZ230 CONNECTIONS	
P1-1	5V TO JOYSTICK (LOW CURRENT)
P1-3	0V TO JOYSTICK (LOW CURRENT)
P1-4	Joystick analog input
P1-7	LOW BATTERY LIGHT (0V)
P1-8	OVERLOAD LIGHT (0V)
P1-9	FLASHING LIGHT (0V)
P2-2	ANGLE SENSOR #1 INPUT
P2-3	0V (LOW CURRENT)
P2-4	PRESSURE SENSOR INPUT
P2-5	ANGLE SENSOR #2 INPUT
P2-7	SENSOR VOLTAGE (LOW CURRENT)
P2-8	STACK LOWER (0V = ACTIVE)
P2-9	OVERLOAD AND MOTION ALARM
P3-1	PLATFORM INPUT
P3-2	VALVE SUPPLY
P3-3	2-SPEED SWITCH (B+ = ACTIVE)
P3-6	DRIVE SWITCH (B+ = ACTIVE)
P3-7	LIFT SWITCH (B+ = ACTIVE)
P3-8	STEER RIGHT (B+ = ACTIVE)
P3-9	STEER LEFT (B+ = ACTIVE)
P3-12	JOYSTICK ENABLE (B+ = ACTIVE)
P4-1	GROUND CONTROL INPUT
P4-3	LOADING CONTROL ENABLE
P4-4	GROUND CONTROL LOWER
P4-5	GROUND CONTROL LIFT
P4-7	POTHOLE SENSOR INPUT
P4-8	LOADING - STEER LEFT
P4-9	LOADING - STEER RIGHT
P4-11	LOADING - DRIVE FORWARD
P4-12	LOADING - DRIVE REVERSE
P5-1	CONTACTOR OUTPUT
P5-2	FORWARD VALVE OUTPUT
P5-3	REVERSE VALVE OUTPUT
P5-6	STEER LEFT VALVE OUTPUT
P5-8	STEER RIGHT VALVE OUTPUT
P5-9	2 SPEED VALVE OUTPUT
P5-11	LIFT VALVE OUPUT
P5-12	LOWER VALVE OUTPUT
P6-1	DISPLAY SUPPLY
P6-2	DISPLAY RECEIVE
P6-3	DISPLAY TRANSMIT
P6-4	DISPLAY 0V RETURN









REFER TO DRAWING NO. 6019378 FOR VALVE BREAKDOWN

A	CE AS ASSEMBLY S4732E .....	2-28, 2-29
110 VOLT ASSEMBLY CHINA .....	CHARGER INTERLOCK DELETE ANSI .....	5-2
110 VOLT ASSEMBLY APRIL 2017 AND AFTER .....	CHASSIS ASSEMBLY AUGUST 2015 AND AFTER .	2-1
6H PLUG AND SOCKET .....	CHASSIS ASSEMBLY CHINA S4726E S4732E ...	2-5
AIRLINE S4732E .....	CHASSIS ASSEMBLY S4726E S4732E APRIL 2016 AND AFTER .....	2-3
AMBER BEACON ASSEMBLY ANSI CE	CHASSIS ASSEMBLY S4726E S4732E JANUARY 2016 AND AFTER .....	2-2
AUSTRALIA OCTOBER 2016 AND AFTER	CHASSIS HARNESS OCTOBER S3220E S3226E S4726E S4732E 2018 AND AFTER .....	4-5
12	CHASSIS HARNESS S3220E S3226E S4726E JANUARY 2019 AND AFTER S4732E S4740E	4-6
AMBER BEACON ASSEMBLY ANSI JUNE 2019 AND AFTER .....	FEBURARY 2020 AND AFTER .....	4-6
AMBER BEACON CHINA .....	CHASSIS HARNESS S4726E S4732E APRIL 2016 AND AFTER .....	4-4
AMBER BEACON INSTALLATION ANSI	CHASSIS HARNESS S4726E S4732E BEFORE S4726E-04-000087 AND S4732E-04-000218 .....	4-3
JUNE 2019 AND AFTER .....	CHASSIS HARNESS S4732E DECEMBER 2014 AND AFTER .....	4-2
AMBER BEACON INSTALLATION CE	CHINA ASSEMBLY S4732E .....	2-30
OCTOBER 2016 AND AFTER .....	CONTROL BOX WEATHER GUARD KIT .....	5-28
ANGLE TRANSDUCER COVER .....	CONTROL TRAY ANSI CSA ASSEMBLY AUGUST 2019 AND AFTER .....	2-19, 4-1
ANGLE TRANSDUCER JUMPER JANUARY 2019 AND AFTER .....	CONTROL TRAY ASSEMBLY ANSI CSA FEBURARY 2020 AND BEFORE .....	2-13
ANSI ASSEMBLY S4732E .....	CONTROL TRAY ASSEMBLY CE APRIL 2016 AND AFTER .....	2-16
ANSI CSA ASSEMBLY S4726E S4732E JULY 2019 AND AFTER .....	CONTROL TRAY ASSEMBLY CE APRIL 2019 AND AFTER .....	2-18
2-27	CONTROL TRAY ASSEMBLY CE AUGUST 2015 AND AFTER .....	2-15
ANSI SNORKEL GUARD PLATFORM	CONTROL TRAY ASSEMBLY CE OCTOBER 2018 AND AFTER .....	2-17
CONTROL BOX 2SPD ASSEMBLY AUGUST 2018 AND AFTER .....		
5-32		
AUSTRALIA NEW ZEALAND PLUG .....		
5-5		
BRAKE DALI AFTER S/N S4732E-04-000561 .		
3-2		
BRUSH ASSEMBLY .....		
5-20		
BUMP GUARD ASSEMBLY S4726E S4732E MAY 2018 AND AFTER .....		
4-18, 4-19, 5-25		
BUMP GUARD ASSEMBLY S4732E S4726E APRIL 2018 AND BEFORE .....		
4-20, 5-24		
BUMP GUARD ASSEMBLY WIRING .....		
5-23		

CONTROL TRAY ASSEMBLY MARCH 2020 AND AFTER .....	2-14	2-85
CYLINDER STEER .....	3-10	DECALS ASSEMBLY CSA S4732E .....
DECAL ASSEMBLY ANSI S4732E APRIL 2017 AND AFTER .....	2-72	2-83
DECAL ASSEMBLY ANSI S4732E OCTOBER 2019E AND AFTER .....	2-73	DECALS ASSEMBLY GERMAN S4732E OCTOBER2019 AND AFTER .....
DECAL ASSEMBLY AS S4732E OCTOBER 2019 AND AFTER .....	2-76	2-90
DECAL ASSEMBLY CSA S4732E OCTOBER 2019 AND AFTER .....	2-84	DOUBLE PROX SENSOR HARNESS JANUARY 2016 AND AFTER .....
DECAL ASSEMBLY FRENCH S4732E OCTOBER 2019 AND AFTER .....	2-86	4-8
DECALS ASSEMBLY GERMAN S4732E	2-89	DRIVE CONTROL PENDANT .....
DECALS ASSEMBLY CE S4732E AUGUST 2015 AND AFTER .....	2-79	4-16
DECALS ASSEMBLY SPANISH S4732E	2-87, 2-88	DRIVE MOTOR DALI 300CC .....
DECALS ASSEMBLY ANSI S4732E AUGUST 2015 AND AFTER .....	2-71	3-1
DECALS ASSEMBLY AS S4732E APRIL 2017 AND AFTER .....	2-75	DUAL FLASHING LIGHT .....
DECALS ASSEMBLY AS S4732E JUNE 2016 AND AFTER .....	2-74	5-11, 5-17
DECALS ASSEMBLY AS S4732E PLATFORM CAPACITY 700# .....	2-78	ENVIRONMENTALLY SAFE OIL S3220E S3226E S4726E S4732E .....
DECALS ASSEMBLY CE CHINA S4732E	2-82	5-7
DECALS ASSEMBLY CE S4732E APRIL 2017 AND AFTER .....	2-80	FOLDING HANDRAIL ASSEMBLY WITH FOOT LATCH CSA S4726E S4732E MAY 2019 AND AFTER .....
DECALS ASSEMBLY CE S4732E OCTOBER 2019 AND AFTER .....	2-81	2-64
DECALS ASSEMBLY CHINA S4732E	2-77	FOLDING HANDRAIL FOOT LATCH ANSI CSA ASSEMBLY S4726E S4732E OCTOBER 2019 AND AFTER .....
DECALS ASSEMBLY CSA FRENCH S4732E		2-65
		FOLDING HANDRAILS ASSEMBLY WITH FOOT LATCH CE AS S4726E S4732E MAY 2019 AND AFTER .....
		2-63
		GENERAL INFORMATION .....
		1-1
		GENERIC CHASSIS ASSEMBLY S4726E S4732E MARCH 2017 AND AFTER .....
		2-4
		GRAVITY GATE ASSEMBLY S4726E S4732E
		2-70
		GROUND CONTROL PANEL ASSEMBLY ANSI S3215E S3215L S3219E APRIL 2016 AND AFTER S4740 FEBURARY 2020 AND AFTER .....
		4-10
		GROUND CONTROL PANEL ANSI CE AUSTRALIA S3219E-04-002295 AND BEFORE .....
		4-11
		GROUND CONTROLS HARNESS .....
		4-12
		HANDRAIL ASSEMBLY CSA SEPTEMBER 2019 AND AFTER .....
		2-50
		HANDRAILS ASSEMBLY ANSI MARCH 2017 AND AFTER .....
		2-51

HANDRAILS ASSEMBLY ANSI OCTOBER 2018 AND AFTER .....	2-53	INVERTER ASSEMBLY INSTALLATION S4726E S4732E JUNE 2018 AND AFTER .....	5-10
HANDRAILS ASSEMBLY ANSI/CE OCTOBER 2018 AND AFTER .....	2-52	INVERTER ASSEMBLY INSTALLATION S4726E S4732E SEPTEMBER 2016 AND AFTER .....	5-9
HANDRAILS ASSEMBLY CHINA S4726E S4732E .....	2-58	JOYSTICK .....	4-36
HANDRAILS ASSEMBLY WITH FIXED UPPER CONTROL BOX CE AS S4726E S4732E APTIL 2018 AND BEFORE .....	2-54	LIFT CYLINDER FISHER .....	3-14
HANDRAILS ASSEMBLY WITH FIXED UPPER CONTROL BOX CE AS S4726E S4732E OCTOBER 2018 AND AFTER ..	2-56, 2-57	LIFT CYLINDER LOWER ROSENBOOM .....	3-12
HANDRAILS ASSEMBLY WITH FIXED UPPER CONTROL BOX CE AS S4726E S4732E SEPTEMBER 2018 AND BEFORE .....	2-55	LIFT CYLINDER PB .....	3-13
HANDRAILS ASSEMBLY WITH REMOVABLE UPPER CONTROL BOX ANSI S4726E S4732E APRIL 2018 AND BEFORE ..	2-59	LIFT CYLINDER UPPER ROSENBOOM .....	3-11
HANDRAILS ASSEMBLY WITH REMOVABLE UPPER CONTROL BOX ANSI S4726E S4732E MAY 2018 AND AFTER ..	2-60	LOADING CONTROL KIT FIXED HAND RAILS BUILT WITH OUT SIDE DRIVE MAY 2019 AND AFTER .....	5-38
HANDRAILS ASSEMBLY WITH REMOVABLE UPPER CONTROL BOX CE AS S4726E S4732E OCTOBER 2018 AND AFTER ..	2-62	LOADING CONTROL KIT FOLDING RAILS BUILT WITH OUT SIDE DRIVE MAY 2019 AND AFTER ..	5-37
HANDRAILS ASSEMBLY WITH REMOVABLE UPPER CONTROL BOX CE AS S4726E S4732E NOVEMBER 2017 AND AFTER .....	2-61	LOCKING BATTERY AND REAR TRAY .....	5-3
HARNES SCISSORS PDI PENDANT JANUARY 2020 AND AFTER .....	4-38	LYNCH PIN WITH LANYARD ASSEMBLY ....	2-25
HOSE ASSEMBLY S4726E S4732E .....	3-5	MAINTENANCE .....	6-1
		MAINTENANCE FREE BATTERY OPTION .....	5-1
		MANIFOLD TWO SPEED DECEMBER 2016 AND AFTER .....	3-3
		MANIFOLD TWO SPEED FLUID TECH (AFTER 6019378 MANIFOLD) .....	3-4
		OVERLOAD OPTION MAY 2016 AND AFTER ..	5-19
		OVERTRAVEL ASSEMBLY WIDE MARCH 2015 AND AFTER .....	2-8
		OVERTRAVEL ASSEMBLY WIDE OCTOBER 2015 AND AFTER .....	2-7
		PANEL CARRIER .....	5-22
		PANNEL CARRIER S4732E OCTOBER 2019 AND AFTER .....	5-39
		PENDANT CONVERSION CE .....	4-17
		PENDANT CONVERT ASSEMBLY AUGUST 2018 AND AFTER .....	4-15

PENDANT SCISSORS PDI JANUARY 2020 AND AFTER .....	4-37	SALOON GATES ASSEMBLY CHINA S4726E S4732E .....	2-67
PIPE RACK MAY 2019 AND AFTER .....	5-26	SALOON GATES ASSEMBLY S4726E S4732E ..	2-66
PLATFORM ASSEMBLY ANSI S4726E S4732E MARCH 2017 AND AFTER .....	2-46	SCRATCH GUARD AFTER S3220E-04-000023 S3226E-04-000185 S4726E-04-000362 S4732E-04-	
PLATFORM ASSEMBLY ANSI CE S4726E S4732E AUGUST 2015 AND AFTER .....	2-44	000858 .....	2-6
PLATFORM ASSEMBLY ANSI CE S4726E S4732E JUNE 2016 AND AFTER .....	2-45	SINGLE GATE ASSEMBLY CHINA S4726E S4732E ..	2-69
PLATFORM ASSEMBLY AS S4726E S4732E JUNE 2016 AND AFTER .....	2-48	SINGLE GATE ASSEMBLY S4726E S4732E .....	2-68
PLATFORM ASSEMBLY AS S4726E S4732E SEPTEMBER 2015 AND AFTER .....	2-47	SNORKEL GUARD ASSEMBLY .....	5-35
PLATFORM ASSEMBLY CHINA S4726E S4732E .....	2-49	SNORKEL GUARD PLATFORM CONTROL BOX ASSEMBLY .....	5-31
PUMP UNIT 24 VOLT DC 4.33CC NOVEMBER 2015 AND AFTER .....	3-8	SNORKEL GUARD UPPER CONTROL BOX ASSEMBLY CE OCTOBER 2018 AND AFTER ..	5-34
PUMP UNIT 24VDC 4.3CC DECEMBER 2014 AND AFTER .....	3-7	SNORKEL GUARD UPPER CONTROL BOX ASSEMBLY CE AUGUST 2018 AND AFTER ..	5-33
REAR TRAY COVER INSTALLATION ...	5-4	SNORKEL GUARD UPPER CONTROL BOX HARNESS .....	5-36
REMOVABLE UPPER CONTROL BOX ANSI AS .....	5-27	STACK ASSEMBLY INSTALLATION CHINA S4732E APRIL 2019 AND AFTER .....	2-43
S3215L S3215E S3219E S3220E S3226E S4726E S4732E 2 SPEED HYDRAULIC SCHEMATIC A50005AC 3-22-17 and AFTER .....	7-4	STACK ASSEMBLY INSTALLATION S4726 MARCH 2017 AND BEFORE .....	2-40
S3215L S3215E S3219E S3220E S3226E S4726E S4732E ELECTRICAL SCHEMATIC ANSI WITH PENDANT A50001AM .....	7-2	STACK ASSEMBLY INSTALLATION S4726E APRIL 2017 AND AFTER .....	2-33
S3215L S3215E S3219E S3220E S3226E S4726E S4732E ELECTRICAL SCHEMATIC ANSI WITHOUT PENDANT A50001AM .....	7-1	STACK ASSEMBLY INSTALLATION S4726E APRIL 2019 AND AFTER .....	2-34
S3215L S3215E S3219E S3220E S3226E S4726E S4732E ELECTRICAL SCHEMATIC CE A50001AM .....	7-3	STACK ASSEMBLY INSTALLATION S4732E MARCH 2019 AND BEFORE .....	2-36
		STACK ASSEMBLY CHINA S4732E MARCH 2018 AND AFTER .....	2-42
		STACK ASSEMBLY CHINA S4732E MAY 2019 AND AFTER .....	2-41
		STACK ASSEMBLY INSTALLATION CE S4732E APRIL 2019 AND AFTER .....	2-38

STACK ASSEMBLY INSTALLATION S4732E APRIL 2019 AND AFTER AND AFTER . . .	2-37	UPPER CONTROL BOX ASSEMBLY TWO SPEED ANSI CSA MAY 2019 AND AFTER . . . . .	4-26
STACK ASSEMBLY S4732E . . . . .	2-31	UPPER CONTROL BOX ASSEMBLY TWO SPEED ANSI CSA MAY 2019 AND AFTER . . . . .	4-25
STACK ASSEMBLY S4732E CHINA . . . . .	2-32	UPPER CONTROL BOX ASSEMBLY TWO SPEED ANSI SEPTEMBER 2018 AND BEFORE . . . . .	4-23
STACK HARNESS ASSEMBLY ANSI S3219E- 04-000001 THROUGH CURRENT . . . . .	4-14	UPPER CONTROL BOX ASSEMBLY TWO SPEED CE JULY 2018 AND AFTER . . . . .	4-29
STACK HARNESS ASSEMBLY JULY 2018 AND BEFORE . . . . .	4-13	UPPER CONTROL BOX ASSEMBLY WITH SNORKEL GUARD CE AUGUST 2018 AND AFTER . .	5-30
STACK INSTALLATION CE S4732E . . . . .	2-39	UPPER CONTROL BOX ASSEMBLY WITH SNORKEL GUARD TWO SPEED AUGUST 2018 AND AFTER . . . . .	5-29
STACK INSTALLATION S4732E JANUARY 2017 AND BEFORE . . . . .	2-35	UPPER CONTROL BOX CONNECTOR TWO SPEED ANSI SEPTEMBER 2018 AND AFTER . . . . .	4-32
STEER CYLINDER ROSENBOOM AND FISHER . . . . .	3-9	UPPER CONTROL BOX ASSEMBLY TWO SPEED ANSI MAY 2017 AND AFTER . . . . .	4-21
TABULATED BATTERY CABLES MARCH 2019 AND AFTER . . . . .	4-9	UPPER CONTROL BOX ASSEMBLY TWO SPEED CE AUSTRALIA AUGUST 2017 AND AFTER . .	4-28
TABULATED HOSES . . . . .	3-6	UPPER CONTROL BOX ASSEMBLY TWO SPEED CE JUNE 2016 AND AFTER . . . . .	4-27
TANK TRAY ASSEMBLY S3220E S3226E S4726E S4732E JUNE 2018 AND AFTER . .	2-20	UPPER CONTROL BOX CONNECTOR TWO SPEED CE AUSTRALIA OCTOBER 2018 AND AFTER . .	4-33
TIRE AND WHEEL ASSEMBLY . . . . .	2-9	UPPER CONTROL BOX HARNESS . . . . .	4-31
TOP RAIL S4726E S4732E . . . . .	5-21	VALVE TRAY ASSEMBLY ANSI CE SINGLE SPEED S3219E-04-002295 AND BEFORE . . . . .	2-10
TRAY S INSTALLATION CHINA S4726E S4732E MAY 2017 AND BEFORE . . . . .	2-23	VALVE TRAY ASSEMBLY ANSI CE TWO SPEED S3219E-04-002296 THROUGH CURRENT . . . . .	2-11
TRAYS INSTALLATION ANSI CSA S4726E S4732E SEPTEMBER 2015 AND AFTER . .	2-21	VALVE TRAY ASSEMBLY TWO SPEED DECEMBER 2019 AND AFTER . . . . .	2-12
TRAYS INSTALLATION CE AS S4726E S4732E SEPTEMBER 2015 AND AFTER . .	2-22		
TRAYS INSTALLATION CHINA S4726E S4732E JUNE 2017 AND AFTER . . . . .	2-24		
UPPER CONTROL BOX ANSI 2SPD ASSEMBLY MAY 2018 AND AFTER . . . .	4-22		
UPPER CONTROL BOX ASSEMBLY ANSI 2SPD OCTOBER 2018 AND AFTER . . . . .	4-24		
UPPER CONTROL BOX ASSEMBLY CE 2SPD AUGUST 2018 AND AFTER . . . . .	4-30		

---

B	0181562	2-71, 2-72, 2-73
-	0181562ES	2-87, 2-88
000561-000	031051-040	4-20, 5-24
0071584	031051-082	4-20, 5-24
0073043	0351039	2-13, 2-14, 2-16, 2-17, 2-18, 2-19, 4-1
2-71, 2-72, 2-73, 2-74, 2-75, 2-76, 2-77, 2-78, 2-79, 2-80, 2-81, 2-83, 2-84	0361259	2-71, 2-72, 2-73, 2-74, 2-75, 2-76, 2-77, 2-78, 2-79, 2-80, 2-81, 2-83, 2-84
0073043CN	0361259CN	2-82
0073043FR	0361259P	2-87, 2-88
0073043P	0361367	2-71, 2-72, 2-73, 2-74, 2-75, 2-76, 2-77, 2-78, 2-79, 2-80, 2-81, 2-87, 2-88
0073224	0361533	2-71, 2-72, 2-73, 2-74, 2-75, 2-76, 2-77, 2-78, 2-79, 2-80, 2-81, 2-82, 2-83, 2-84, 2-85, 2-86, 2-87, 2-88
2-71, 2-72, 2-73, 2-74, 2-75, 2-76, 2-77, 2-78, 2-79, 2-80, 2-81, 2-83, 2-84	0361562	2-74, 2-79
0073224CN	0361661	2-83, 2-84
0073224FR	0361661FR	2-85, 2-86
0073224P	0372063	2-74, 2-79
0074311	0410091	5-35
2-71, 2-72, 2-73, 2-74, 2-75, 2-76, 2-77, 2-78, 2-79, 2-80, 2-81, 2-83, 2-84	056021-006	3-8
0074311CN	056057-055	2-31, 2-32
0074311FR	056058-030	2-13, 2-14, 2-15, 2-16, 2-17, 2-18, 2-19, 4-1
0074311P	056059-016	2-10, 2-47
0083426	056059-030	2-1, 4-18, 4-19, 4-20, 5-9, 5-24, 5-25
2-71, 2-74, 2-79	056059-050	2-48
0083427	056059-080	2-44, 2-47
2-72, 2-73, 2-75, 2-76, 2-77, 2-78, 2-80, 2-81, 2-82, 2-83, 2-84, 2-85, 2-86, 2-87, 2-87, 2- 88, 2-88	056059-090	2-45, 2-48, 2-50, 2-51, 2-52, 2-53, 2-54, 2- 55, 2-56, 2-57, 2-58, 2-59, 2-60, 2-61, 2-62, 2-63, 2-64, 2- 65, 4-18, 4-19, 4-20, 5-24, 5-25
0084468	056059-100	2-31, 2-32
0084470	056059-110	2-31, 2-32, 2-33, 2-34, 2-36, 2-37, 2-38, 2- 40, 2-41, 2-42, 2-43
0084826	056059-120	2-35, 2-39
0084827	056060-030	2-1, 2-2, 2-3
009442-003	056060-045	2-2, 2-3, 2-4, 2-5, 2-31, 2-32, 2-44, 2-45, 2- 46, 2-47, 2-48, 2-49, 2-50, 2-51, 2-52, 2-53, 2-54, 2- 55, 2-56, 2-57, 2-58, 2-59, 2-60, 2-61, 2-62, 2-63, 2-64, 2- 65, 4-18, 4-19, 4-20, 5-24, 5-25
2-63, 2-64, 2-65		
010154-000		
2-21, 2-22, 2-24		
0101800		
5-35		
0150606		
2-71		
0162311		
2-79, 2-80, 2-81, 2-82		
0181276		
5-8		
0181276-3		
5-8		

---



---

47, 2-48, 2-50, 2-51, 2-52, 2-53, 2-54, 2-55, 2-56, 2-57, 2-58, 2-59, 2-60, 2-61, 2-62, 2-63, 2-64, 2-65, 4-18, 4-19, 4-20, 5-24, 5-25	5-25, 5-29, 5-30, 5-35
056060-050 . . . 2-47, 4-18, 4-19, 4-20, 5-24, 5-25	056066-006 . 2-3, 2-4, 2-6, 2-7, 2-13, 2-14, 2-15, 2-16, 2-17, 2-18, 2-19, 2-24, 2-28, 2-29, 2-30, 2-31, 2-32, 2-33, 2-34, 2-36, 2-37, 2-38, 2-40, 2-41, 2-42, 2-43, 2-46, 2-49, 4-1, 5-8, 5-10, 5-13, 5-14, 5-16, 5-29, 5-30, 5-35
056060-055 2-44, 2-45, 2-47, 2-48, 2-50, 2-51, 2-52, 2-53, 2-54, 2-55, 2-56, 2-57, 2-58, 2-59, 2-60, 2-61, 2-62, 2-63, 2-64, 2-65, 4-18, 4-19, 4-20, 5-24, 5-25	056066-008 . 2-7, 2-8, 2-13, 2-14, 2-15, 2-16, 2-17, 2-18, 2-19, 2-21, 2-22, 2-26, 2-27, 2-28, 2-29, 2-30, 2-31, 2-32, 2-33, 2-34, 2-35, 2-36, 2-37, 2-38, 2-39, 2-40, 2-41, 2-42, 2-43, 2-44, 2-45, 2-46, 2-47, 2-48, 2-49, 2-50, 2-51, 2-52, 2-53, 2-54, 2-55, 2-56, 2-57, 2-58, 2-59, 2-60, 2-61, 2-62, 2-63, 2-64, 2-65, 2-66, 2-67, 2-68, 2-69, 4-1, 4-18, 4-19, 4-20, 5-8, 5-9, 5-22, 5-24, 5-25, 5-27
056060-060 . . . . . 2-44, 2-45, 2-48, 5-21	056066-010 . 2-2, 2-3, 2-4, 2-5, 2-31, 2-32, 2-45, 2-47, 2-48, 2-50, 2-51, 2-52, 2-53, 2-54, 2-55, 2-56, 2-57, 2-58, 2-59, 2-60, 2-61, 2-62, 2-63, 2-64, 2-65, 2-66, 2-67, 2-68, 2-69, 2-70, 4-18, 4-19, 4-20, 5-21, 5-24, 5-25
056060-065 2-47, 2-50, 2-51, 2-52, 2-53, 2-54, 2-55, 2-56, 2-57, 2-58, 2-59, 2-60, 2-61, 2-62, 2-63, 2-64, 2-65, 4-18, 4-19, 4-20, 5-24, 5-25, 5-39	056066-012 . 2-1, 2-2, 2-3, 2-4, 2-5, 2-33, 2-34, 2-35, 2-36, 2-37, 2-38, 2-39, 2-40, 2-41, 2-42, 2-43
056060-080 . . . . . 2-70	056067-006 . . . . . 2-1, 2-2, 2-3
056060-100 . . . . . 2-47	056067-512 2-1, 2-2, 2-3, 2-33, 2-34, 2-35, 2-36, 2-37, 2-38, 2-39, 2-40, 2-41, 2-42, 2-43
056060-110 2-44, 2-45, 2-48, 2-66, 2-67, 2-68, 2-69, 2-70, 4-18, 4-19, 4-20, 5-24, 5-25	056067-516 . . . . . 5-3
056064-006 . . . . . 2-21, 2-22, 2-27, 5-28	056069-004 . . . . . 5-5
056064-008 . . . . . 2-1	056069-005 2-16, 2-17, 2-18, 2-19, 2-31, 2-32, 2-60, 4-1, 5-29, 5-30, 5-35
056064-010 . . . . 2-1, 2-44, 5-29, 5-30, 5-35, 5-39	056069-006 2-13, 2-14, 2-15, 2-16, 2-17, 2-18, 2-19, 2-20, 2-33, 2-35, 2-36, 2-39, 2-40, 2-42, 2-43, 3-8, 3-12, 3-13, 4-1, 5-10, 5-28
056065-040 2-33, 2-34, 2-36, 2-37, 2-38, 2-40, 2-41, 2-42, 2-43	056069-008 2-26, 2-28, 2-29, 2-30, 2-33, 2-34, 2-35, 2-36, 2-37, 2-38, 2-39, 2-40, 2-41, 2-42, 2-43, 2-44, 2-45, 2-47, 2-48, 2-50, 2-51, 2-52, 2-53, 2-54, 2-55, 2-56, 2-57, 2-58, 2-59, 2-61, 2-62, 2-63, 2-64, 2-65, 2-66, 2-67, 2-68, 2-69, 4-18, 4-19, 4-20, 5-9, 5-24, 5-25
056065-055 . . . . . 2-2, 2-3, 2-40	056069-010 . 2-1, 2-2, 2-3, 2-4, 2-5, 2-7, 2-8, 2-44, 2-45,
056065-070 . . . . . 2-4, 2-5	
056065-075 . . . . . 2-3	
056065-090 . . . . . 2-1, 2-2, 2-3, 2-4, 2-5	
056066-004 2-10, 2-11, 2-12, 2-13, 2-14, 2-15, 2-16, 2-17, 2-18, 2-19, 2-59, 2-60, 2-61, 2-62, 4-1, 4-18, 4-19, 4-20, 4-22, 4-23, 4-24, 4-25, 4-26, 4-27, 4-28, 4-29, 4-30, 4-34, 4-35, 4-37, 5-5, 5-6, 5-24, 5-25, 5-31, 5-32, 5-33, 5-34	
056066-005 2-13, 2-14, 2-15, 2-16, 2-17, 2-18, 2-19, 2-44, 2-45, 2-47, 2-48, 2-50, 2-51, 2-52, 2-53, 2-54, 2-55, 2-56, 2-57, 2-58, 2-59, 2-60, 2-61, 2-62, 2-63, 2-64, 2-65, 4-1, 4-18, 4-19, 4-20, 5-24,	

---

2-47, 2-48, 2-50, 2-51, 2-52, 2-53, 2-54, 2-55, 2-56, 2-57, 2-58, 2-59, 2-60, 2-61, 2-62, 2-63, 2-64, 2-65, 2-66, 2-67, 2-68, 2-69, 2-70, 4-18, 4-19, 4-20, 5-24, 5-25	4-19, 4-20, 5-24, 5-25
056069-012 . . . . . 2-4, 2-5, 5-29, 5-30, 5-35	058493-025 . . . . . 5-39
056069-016 2-1, 2-2, 2-3, 2-4, 2-5, 2-21, 2-22, 2-26, 2-27, 2-28, 2-29, 2-30, 5-3	058494-020 . . . . . 2-3, 2-4, 2-5
056687-045 2-21, 2-22, 2-26, 2-27, 2-28, 2-29, 2-30	058494-035 . . . . . 2-35, 2-39
057352-000 . . . . . 2-20	058494-055 . . . . . 2-1
058383-000 . . . . . 2-70	058509-045 . . . . . 2-1
058490-020 2-44, 2-45, 2-47, 2-48, 2-61, 2-62, 4-20, 5-24	058509-070 . . . . . 5-39
058491-016 2-13, 2-14, 2-15, 2-16, 2-17, 2-18, 2-19, 4-1, 5-29, 5-30, 5-35	058688-001 . . . . . 4-13, 4-14
058491-020 . . . . . 2-47	062642-004 . . . . . 2-1
058491-025 . . . . . 2-21, 2-22, 2-24, 5-8	062642-024 . . . . . 2-2, 2-3, 2-4, 2-5
058491-030 4-22, 4-23, 4-24, 4-26, 4-27, 4-28, 4-29, 4-30, 5-31, 5-32, 5-33, 5-34	068898-002 . . . . . 2-25
058491-035 . . . . . 5-29, 5-30, 5-35	100432-009 2-1, 2-2, 2-3, 2-4, 2-5, 2-11, 2-12, 2-21, 2-22
058491-100 . . . . . 5-10	100432-015 . . . . . 2-11, 2-12, 2-20, 2-21, 2-22
058492-012 . 2-4, 2-33, 2-34, 2-35, 2-36, 2-37, 2-38, 2-39, 2-40, 2-41, 2-42, 2-43, 2-45, 2-48, 4-20, 5-8, 5-24	100433-001 . . . . . 2-1, 2-2, 2-3, 2-4, 2-5
058492-016 2-11, 2-12, 2-13, 2-14, 2-15, 2-16, 2-17, 2-18, 2-19, 2-44, 2-44, 2-46, 2-49, 4-1	100434-008 2-33, 2-34, 2-35, 2-36, 2-37, 2-38, 2-39, 2-40, 2-41, 2-42, 2-43
058492-020 2-3, 2-6, 2-39, 2-47, 2-50, 2-51, 2-52, 2-53, 2-54, 2-55, 2-56, 2-57, 2-58, 2-63, 2-64, 2-65, 2-68, 2-69, 4-18, 4-19, 5-25, 5-27	100434-012 . . . . . 2-20
058492-025 . 2-2, 2-3, 2-4, 2-5, 2-26, 2-28, 2-29, 2-30, 2-33, 2-34, 2-35, 2-36, 2-37, 2-38, 2-39, 2-40, 2-41, 2-42, 2-43, 2-45, 2-46, 2-47, 2-48, 2-49, 2-50, 2-51, 2-52, 2-53, 2-54, 2-55, 2-56, 2-57, 2-58, 2-59, 2-60, 2-61, 2-62, 2-63, 2-64, 2-65, 4-18,	10404-060 . . . . . 5-26
	104674-107 . . . . . 3-4
	104674-123 . . . . . 3-3
	104674-125 . . . . . 3-3
	104773-000 2-33, 2-34, 2-35, 2-36, 2-37, 2-38, 2-39, 2-41, 2-42, 2-43
	104912-000 . . . . . 2-1, 2-2, 2-3, 2-4, 2-5
	106574-127 . . . . . 3-3
	11015-010 . . . . . 5-26
	114067-000 . . . . . 2-20
	12554-024 . . . . . 4-16
	1370248 . . . . . 2-21, 2-22, 2-24
	1370248 A . . . . . 2-9
	13888 . . . . . 5-31
	14030 . . . . . 2-59, 2-60, 2-61, 2-62, 5-27
	14092 . . . . . 2-75, 2-76, 2-77, 2-78

1450029 .....	2-15	1500936 .....	2-1, 2-2, 2-3, 2-4, 2-5
1450303 2-13, 2-14, 2-15, 2-16, 2-17, 2-18, 2-19, 4-1		1500947 .....	2-21, 2-22, 2-24
1500038-5 .....	2-63, 2-64, 2-65	1500948 .....	2-21, 2-22, 2-24
1500081 .....	2-40	1500952 .....	2-1
1500288 .....	2-31, 2-35, 2-39, 2-41, 2-42, 2-43	1500978 .....	2-31, 2-32
1500289 .....	2-40	1500979 .....	2-31, 2-32
1500438 .....	4-10, 4-11	1501007 .....	2-21, 2-22, 2-24
1500662 2-13, 2-14, 2-15, 2-16, 2-17, 2-18, 2-19, 4-1		1501008 .....	2-21, 2-22, 2-24
1500662 G .....	4-11	1501010 .....	2-13, 2-14, 2-15, 2-16, 2-17
1500663 .....	4-10, 4-11	1501010-5 .....	2-18, 2-19, 4-1
1500729 .....	2-1, 2-2, 2-5	1501059 .....	2-21, 2-22, 2-24
1500834 .....	2-71, 2-72, 2-73	1501060 .....	2-32, 2-40
1500839 2-71, 2-72, 2-73, 2-74, 2-75, 2-76, 2-77, 2-78, 2-79, 2-80, 2-81, 2-82, 2-83, 2-84, 2-85, 2-86, 2-87, 2-88, 2-89, 2-90		1501068 .....	2-32
1500840 2-71, 2-72, 2-73, 2-74, 2-75, 2-76, 2-77, 2-78, 2-79, 2-80, 2-81, 2-82, 2-83, 2-84, 2-85, 2-86, 2-87, 2-88		1501073 .....	2-32
1500842 2-74, 2-75, 2-76, 2-77, 2-78, 2-79, 2-80, 2-81, 2-83, 2-84		1501078 .....	2-32
1500842-DE .....	2-89, 2-90	1501079 .....	2-35, 2-36, 2-37, 2-38, 2-39
1500842CN .....	2-82	1501079 ZG .....	2-31
1500842FR .....	2-85, 2-86	1501080 .. 2-31, 2-32, 2-33, 2-34, 2-35, 2-36, 2-37, 2-38, 2-39, 2-41, 2-42, 2-43	
1500879 2-33, 2-34, 2-35, 2-36, 2-37, 2-38, 2-39, 2-40, 2-41, 2-42, 2-43		1501081 .....	2-31, 2-32
1500881 2-31, 2-32, 2-33, 2-34, 2-35, 2-36, 2-37, 2-38, 2-39, 2-41, 2-42, 2-43		1501082 .....	2-31, 2-32
1500888 .....	2-31, 2-32	1501083 .....	2-31, 2-32
1500889 .....	2-31, 2-32	1501084 .....	2-31, 2-32
1500890 .....	2-31, 2-32	1501090 .....	2-31, 2-32
1500892 .....	2-2, 2-3, 2-4, 2-5, 2-31, 2-32	1501098 .....	2-1
1500898 .....	2-31, 2-32, 2-46, 2-49	1501101 .....	2-31
		1501102 .....	2-31, 2-32
		1501108 .....	2-31, 2-32
		1501112 .. 4-22, 4-23, 4-24, 4-25, 4-26, 4-27, 4-28, 4-29, 4-30	
		1501116 .. 4-22, 4-23, 4-24, 4-25, 4-26, 4-27, 4-28, 4-29, 4-30	
		1501140 Q .....	2-1
		1501157 .....	4-21

1501158	4-22, 4-23, 4-24, 4-25, 4-26, 4-27, 4-28, 4-29, 4-30, 5-31, 5-32, 5-33, 5-34	1501381	2-47
1501159	4-22, 4-23, 4-24, 4-25, 4-26, 4-27, 4-28, 4-29, 4-30, 5-31, 5-32, 5-33, 5-34	1501395	2-44, 2-45, 2-47, 2-48, 2-50, 2-51, 2-52, 2-53, 2-54, 2-55, 2-56, 2-57, 2-58, 2-59, 2-60, 2-61, 2-62, 2-63, 2-64, 2-65, 4-18, 4-19, 4-20, 5-24, 5-25
1501189	2-44, 2-47	1501397	2-44, 2-45, 2-48, 2-51, 2-52, 2-53, 2-54, 2-55, 2-56, 2-57, 2-58, 4-18, 4-19, 5-25
1501193	2-1, 2-2	1501397-5	2-47, 2-50, 2-63, 2-64, 2-65, 4-20, 5-24
1501193-5	2-3, 2-4, 2-5	1501403 V	2-45
1501194	2-1, 2-2	1501403P	2-44
1501194-5	2-3, 2-4, 2-5	1501408	2-47
1501195	2-1, 2-2, 2-3, 2-4, 2-5	1501420	2-1, 2-2, 2-3, 2-4, 2-5
1501196	2-1, 2-2, 2-3, 2-4, 2-5	1501446	2-33, 2-34, 2-35, 2-36, 2-37, 2-38, 2-39, 2-40, 2-41, 2-42, 2-43
1501202	2-1	1501472	2-71
1501213	2-1, 2-2, 2-3, 2-4, 2-5	1501474ES	2-87, 2-88
1501219	2-33, 2-34, 2-35, 2-36, 2-37, 2-38, 2-39, 2-40, 2-41, 2-42, 2-43	1501475	2-71, 2-72, 2-73, 2-74, 2-75, 2-76, 2-77, 2-78, 2-79, 2-80, 2-81, 2-83, 2-84
1501235	2-33, 2-34, 2-40	1501475CN	2-82
1501236 W	2-35	1501475ES	2-87, 2-88
1501270	2-1	1501475FR	2-85, 2-86
1501293	2-1	1501476	2-71, 2-72, 2-73, 2-74, 2-75, 2-76, 2-77, 2-78, 2-79, 2-80, 2-81, 2-83, 2-84
1501298	5-31	1501476CN	2-82
1501355	2-31, 2-32, 2-35, 2-39	1501476ES	2-87, 2-88
1501359	4-22, 4-23, 4-24, 4-25, 4-26, 4-27, 4-28, 4-29, 4-30, 5-31, 5-32, 5-33, 5-34	1501476FR	2-85, 2-86
1501360	2-35	1501480	2-87, 2-88
1501360 T	2-21	1501487	2-44
1501361	2-45, 2-48, 2-51, 2-52, 2-53, 2-54, 2-55, 2-56, 2-57, 2-58, 2-59, 2-60, 2-61, 2-62	1501487-4	2-47
1501361-5	2-47, 2-50, 2-63, 2-64, 2-65	1501497 M	2-71
1501366	2-45, 2-48, 2-51, 2-52, 2-53, 2-54, 2-55, 2-56, 2-57, 2-58, 2-59, 2-60, 2-61, 2-62	1501497 U	2-73
1501366-5	2-47, 2-50, 2-63, 2-64, 2-65	1501497T	2-72
1501371	2-45, 2-48, 2-51, 2-52, 2-53, 2-54, 2-55, 2-56, 2-57, 2-58, 2-59, 2-60, 2-61, 2-62	1501498	2-59, 4-20, 5-24
1501371-5	2-47, 2-50, 2-63, 2-64, 2-65	1501498 H	4-21
		1501510	2-72, 2-73, 2-87, 2-88

1501511 .....	2-71, 2-74, 2-79	1501655 .....	2-1
1501521 .....	2-1	1501666 .....	2-71, 2-79
1501525 2-44, 2-45, 2-48, 2-51, 2-52, 2-53, 2-54, 2-55, 2-56, 2-57, 2-58, 2-59, 2-60, 2-61, 2-62, 4-18, 4-19, 5-25		1501668 ..	2-33, 2-34, 2-35, 2-36, 2-37, 2-38, 2-39, 2-40, 2-41, 2-42, 2-43
1501525-4 .....	2-47, 2-50, 4-20, 5-24	1501674 .....	4-10, 4-11
1501542 2-44, 2-45, 2-47, 2-48, 2-51, 2-52, 2-53, 2-54, 2-55, 2-56, 2-57, 2-58, 2-59, 2-60, 2-61, 2-62		1501674B .....	4-12
1501542-5 .....	2-50, 2-63, 2-64, 2-65	1501676 ..	2-71, 2-72, 2-73, 2-74, 2-75, 2-76, 2-77, 2-78, 2-79, 2-80, 2-81, 2-82, 2-83, 2-84, 2-85, 2-86, 2-87, 2-88
1501575 .....	2-44, 2-47	1501687E .....	4-10
1501581 2-44, 2-45, 2-48, 2-51, 2-52, 2-53, 2-54, 2-55, 2-56, 2-57, 2-58, 2-59, 2-60, 2-61, 2-62, 4-18, 4-19, 5-25		1501688 ..	2-59, 2-60, 2-61, 2-62, 4-27, 4-28, 4-29, 4-30, 5-33, 5-34
1501581-5 .	2-47, 2-50, 2-63, 2-64, 2-65, 4-20, 5-24	1501690 ..	4-25, 4-25, 4-26, 4-27, 4-28, 4-29, 4-30, 5-19, 5-33, 5-34
1501582 2-44, 2-45, 2-48, 2-51, 2-52, 2-53, 2-54, 2-55, 2-56, 2-57, 2-58, 2-59, 2-60, 2-61, 2-62, 4-18, 4-19, 5-25		1501724 .....	2-26, 2-28, 2-29, 2-30, 2-39
1501582-5 .	2-47, 2-50, 2-63, 2-64, 2-65, 4-20, 5-24	1501727 .....	2-7, 2-8
1501583 2-44, 2-45, 2-47, 2-48, 2-50, 2-51, 2-52, 2-53, 2-54, 2-55, 2-56, 2-57, 2-58, 2-59, 2-60, 2-61, 2-62, 2-63, 2-64, 2-65, 4-18, 4-19, 4-20, 5-24, 5-25		1501728 .....	2-8
1501585 .....	2-47	1501729 .....	2-8
1501587 B .....	4-2	1501733 .....	2-21, 2-22, 2-24
1501629 .....	2-21	1501760 ..	4-21, 4-22, 4-23, 4-24, 4-25, 4-26, 4-27, 4-28, 4-29, 4-30, 5-31, 5-32, 5-33, 5-34
1501629 Y .....	2-13	1501763 ..	2-71, 2-72, 2-73, 2-74, 2-75, 2-76, 2-77, 2-78, 2-79, 2-80, 2-81, 2-83, 2-84
1501629 Z .....	2-14	1501763CN .....	2-82
1501629ELW .....	2-26	1501763ES .....	2-87, 2-88
1501652 .....	2-10	1501763FR .....	2-85, 2-86
1501652-5 .....	2-11, 2-12	1501766 .....	2-7, 2-8
1501654 .....	2-20	1501768 .....	2-8
		1501769 .....	2-7, 2-8
		1501769-010 .....	2-8
		1501771B .....	2-8
		1501774 .....	2-39
		1501774 M .....	2-22
		1501775 .....	2-22, 2-28, 2-29, 2-30
		1501775 F .....	2-15

1501775 R	2-16	1501904	2-44, 2-45, 2-48, 2-66, 2-67, 2-68, 2-69
1501775 T	2-17	1501904-5	2-47
1501775 W	2-18	1501918B	5-12
1501779	2-71, 2-74, 2-79	1501919	5-11, 5-12, 5-17, 5-31, 5-32, 5-33, 5-34
1501780	2-22	1501975	2-1
1501785 T	2-39	1501983	2-15
1501787 K	2-79	150198328 A	4-3
1501787 T	2-80	1501989	2-48, 2-68, 2-69
1501787 U	2-81	1501989-5	2-47
1501787-DE	2-89, 2-90	1501999 C	2-47
1501788	2-75, 2-76, 2-77, 2-80, 2-81, 2-82, 2-83, 2-84, 2-85, 2-86	1501999 G	2-48
1501790	2-74, 2-79	1502001	2-44, 2-45, 2-48, 2-51, 2-52, 2-53, 2-54, 2-55, 2-56, 2-57, 2-58, 2-59, 2-60, 2-61, 2-62, 5-27
1501800 D	2-89	1502001-5	2-50
1501800 E	2-90	1502002	2-44, 2-45, 2-48, 2-51, 2-52, 2-53, 2-54, 2-55, 2-56, 2-57, 2-58
1501807	2-7	1502002-5	2-50
1501808	2-7	1502018	2-47
1501810	5-3	1502039 G	2-74
1501817	2-89, 2-90	1502039 Q	2-77
1501826	2-44, 2-47	1502039 R	2-76
1501829	2-51, 2-52, 2-53, 2-54, 2-55, 2-56, 2-57, 2-58, 4-15, 4-17, 4-18, 4-19, 5-25	1502039Q	2-75
1501829-5	2-50, 2-63, 2-64, 2-65, 5-37	1502041	2-7
1501842	2-44, 2-45, 2-48, 2-51, 2-52, 2-53, 2-54, 2-55, 2-56, 2-57, 2-58, 2-59, 2-60, 2-61, 2-62	1502042	2-1, 2-7
1501842-4	2-50, 2-63, 2-64, 2-65	1502042B	2-7
1501844	2-44, 2-45, 2-47, 2-48, 2-66, 2-67, 2-68, 2-69	1502046 D	5-6
1501856 G	2-87	1502050	2-44, 2-47, 2-48
1501856 H	2-88	1502066	4-20, 5-24
1501865	2-44, 2-45, 2-66, 2-67	1502067	2-44, 2-47, 2-48
1501870	2-44, 2-45, 2-66, 2-67	1502088	2-47
1501902	2-44, 2-45, 2-48, 2-66, 2-67, 2-68, 2-69	1502126	2-33, 2-34, 2-35, 2-36, 2-37, 2-38, 2-39, 2-40, 2-41, 2-42, 2-43
1501902-5	2-47	1502127	2-33, 2-34, 2-35, 2-36, 2-37, 2-38, 2-39, 2-40, 2-41, 2-42, 2-43

1502128	2-66, 2-67, 2-69	1502306A	4-8
1502148	2-21, 2-22, 2-24	1502307 A	5-3
1502148 C	2-10	1502308	4-22, 4-23, 4-24, 4-25, 4-26, 4-34, 4-35, 5-31, 5-32
1502148 E	2-11	1502309	2-16, 5-2
1502148 G	2-12	1502309 F	4-4
1502150	2-21, 2-22, 2-24	1502310	5-2
1502150 G	2-20	1502312	2-3, 2-4, 2-6
1502152	2-3, 2-4, 2-5	1502313	2-3, 2-4, 2-6
1502152-4	2-2	1502315B	2-6
1502157	2-2, 2-3, 2-4, 2-5	1502321-5	5-38
1502161	2-2	1502325	2-16
1502183	2-2, 2-3, 2-4, 2-5	1502325-4	5-4
1502201	2-33, 2-34, 2-35, 2-36, 2-37, 2-38, 2-39, 2-40, 2-41, 2-42, 2-43	1502336	2-54, 2-55, 2-58, 2-61, 5-12
1502208	2-2, 2-3, 2-4, 2-5	1502336 F	4-28
1502217	2-33, 2-34, 2-35, 2-36, 2-37, 2-38, 2-39, 2-40, 2-41, 2-42, 2-43	1502336 H	4-29
1502221	2-44	1502336D	4-27
1502222	2-44	1502338	4-27
1502223	2-44	1502340	2-3, 2-4, 2-5
1502225A	2-7	1502343	2-3, 2-4, 2-5
1502227	4-3	1502349 B	5-19
1502229	2-3, 2-4, 2-5	1502359	2-28, 2-29, 2-30, 2-39
1502229-4	2-2	1502442	2-45, 2-51, 2-52, 2-53, 2-54, 2-55, 2-56, 2-57, 2-58, 4-17, 4-18, 4-19, 5-25
1502234	2-2	1502442-5	2-50, 2-63, 2-64, 2-65, 4-20, 5-24
1502240	2-21	1502443	2-45, 2-51, 2-52, 2-53, 2-54, 2-55, 2-56, 2-57, 2-58, 4-17, 4-18, 4-19, 5-25
1502240 G	2-3	1502443-5	2-50, 2-63, 2-64, 2-65, 4-20, 5-24
1502240A	2-2	1502452	2-59, 2-60, 2-61, 2-62, 5-27
1502265	2-45, 2-46, 2-48, 2-49	1502453	2-59, 2-60, 2-61, 2-62, 5-27
1502269	2-45, 2-46, 2-48, 2-49	1502468	2-59, 2-60, 2-61, 2-62, 5-27
1502271	2-45, 2-46, 2-48, 2-49	1502468B	4-31
1502281	2-45, 2-46, 2-48, 2-49	1502471	2-59, 2-60, 2-61, 2-62, 5-27
1502305A	5-8	1502478 C	5-27
1502306	2-15		

1502485	2-28, 2-29, 2-30, 5-13, 5-14, 5-16	1502554	5-29, 5-30, 5-35
1502485-4	2-27	1502555	5-29, 5-30, 5-35
1502490	2-28, 2-30, 5-13, 5-16	1502556 E	5-35
1502492 A	5-13	1502557	5-29, 5-30, 5-35
1502492A	5-16	1502570	5-18
1502492B	5-14	1502571 A	5-18
1502493	5-9	1502586	2-71, 2-72, 2-73, 2-74, 2-75, 2-76, 2-77, 2-78, 2-79, 2-80, 2-81, 2-83, 2-84
1502494 B	5-9	1502586CN	2-82
1502497	2-13, 2-14, 2-16, 2-17, 2-18, 2-19, 4-1, 5-4	1502586ES	2-87, 2-88
1502498	4-18, 4-19, 5-25	1502586FR	2-85, 2-86
1502498-5	4-20, 5-24	1502596	2-71, 2-72, 2-73, 2-74, 2-75, 2-76, 2-77, 2-78, 2-79, 2-80, 2-81, 2-83, 2-84
1502502	4-18, 4-19, 5-25	1502596CN	2-82
1502502-5	4-20, 5-24	1502596ES	2-87, 2-88
1502508	4-18, 4-19, 5-25	1502596FR	2-85, 2-86
1502508-5	4-20, 5-24	1502693	4-18, 4-19, 4-20, 5-24, 5-25
1502513	4-18, 4-19, 5-25	1502693 D	2-46
1502513-5	4-20, 5-24	1502693D	2-49
1502517	4-18, 4-19, 5-25	1502694 J	2-51
1502517-5	4-20, 5-24	1502694 L	2-52
1502526	5-9	1502694 M	2-53
1502528	2-72, 2-73, 2-75, 2-76, 2-77, 2-78, 2-80, 2-81, 2-83, 2-84, 2-85, 2-86, 4-34, 4-35	1502695 E	2-54
1502529	2-72, 2-73, 2-75, 2-76, 2-77, 2-78, 2-80, 2-81, 2-82, 2-83, 2-84, 2-85, 2-86, 2-87, 2-88	1502695 H	2-55
1502538 A	4-17	1502695 K	2-56, 2-57
1502540	5-2	1502695E	2-58
1502540A	5-2	1502696 F	2-59
1502541	2-26, 2-27	1502696 H	2-60
1502543	2-59, 2-60, 2-61, 2-62	1502697 G	2-62
1502545	2-74, 2-75, 2-76, 2-77, 2-78, 2-79, 2-80, 2-81, 2-82, 2-83, 2-84, 2-85, 2-86	1502697F	2-61
1502548	5-29, 5-30, 5-35	1502698 H	2-68
1502553	5-29, 5-30, 5-35	1502698F	2-69
		1502699 D	2-66
		1502699D	2-67



1502701 F	2-4	1502763 B	4-34, 4-35
1502702 H	2-24	1502771	2-68, 2-69
1502702D	2-23	1502771 A	5-20
1502704 M	2-33	1502776	2-72, 2-73
1502704 P	2-34	1502777	2-89, 2-90
1502704B	2-40	1502777ES	2-87, 2-88
1502711 K	2-36	1502783CN	2-82
1502711 M	2-37	1502802	5-35
1502711 N	2-38	1502807C	5-4
1502715 C	2-26	1502816	2-75, 2-76, 2-77, 2-78, 2-80, 2-81, 2-82, 2-83, 2-84, 2-85, 2-86
1502717 D	2-28	1502834	2-50, 2-51, 2-52, 2-53, 2-54, 2-55, 2-56, 2-57, 2-58, 2-59, 2-60, 2-61, 2-62, 2-63, 2-64, 2-65
1502717 F	2-29	1502836	2-51, 2-55, 4-15, 4-18, 4-19, 5-25
1502717D	2-30	1502837	5-31, 5-32, 5-33, 5-34
1502721	5-22	1502840	5-35
1502722	5-22	1502841	5-35
1502723 A	5-22	1502841 B	5-31
1502726-4	5-8	1502842	2-3, 2-4
1502730	5-23	1502863	2-87, 2-88
1502731	4-18, 4-19, 4-20, 5-24, 5-25	1502864	2-80, 2-81, 2-89, 2-90
1502731 B	5-23	1502865	2-74, 2-75, 2-76, 2-77, 2-78
1502733	4-18, 4-19, 4-20, 5-24, 5-25	1502871	4-22
1502734 A	4-20, 5-24	1502872	2-51
1502734 D	4-19	1502872 B	4-22
1502734 F	4-18, 5-25	1502874	2-32
1502735	4-18, 4-19, 4-20, 5-24, 5-25	1502889	2-70
1502736	4-18, 4-19, 4-20, 5-24, 5-25	1502893	2-70
1502737	4-18, 4-19, 4-20, 5-24, 5-25	1502918	5-21
1502759 B	5-11	1502924 A	2-5
1502759A	5-17	1502925	2-41, 2-42, 2-43
1502762	2-72, 2-73, 2-75, 2-76, 2-77, 2-78, 2-80, 2-81, 2-83, 2-84	1502925 B	2-32
1502762CN	2-82	1502926 A	2-42
1502762ES	2-87, 2-88	1502926 B	2-43
1502762FR	2-85, 2-86		

---

1502926 C	2-41	1503022 D	2-84
1502929 B	2-70	1503022FR C	2-85
1502936	2-70	1503022FR D	2-86
1502951	2-46, 2-49	1503029 A	4-15
1502953CN	2-82	1503065 B	5-5
1502956	5-26	1503066	2-31
1502956 A	5-21	1503071	2-52, 2-56, 2-64
1502963	5-10	1503072	2-50, 2-56, 2-57, 2-63
1502964	5-10	1503073	2-52, 2-53, 2-64, 2-65, 5-37, 5-38
1502967 D	5-10	1503075-4	2-63, 2-64, 2-65
1502971	4-23, 4-24, 4-25, 4-26, 5-32	1503077-5	2-63, 2-64, 2-65
1502971A	4-32	1503091	2-13, 2-14, 2-18, 2-19, 4-1
1502972	4-28, 4-29, 4-30, 5-33, 5-34	1503091 A	4-6
1502972A	4-33	1503093 A	4-7
1502974	2-17	1503094 A	5-7
1502974A	4-5	1503098 A	5-1
1502975	2-53, 2-60, 2-64, 4-18, 4-19, 5-25	1503108-5	2-63, 2-64, 2-65
1502975 C	4-24	1503111 B	2-63
1502975A	4-23	1503112 A	2-64
1502976	2-56, 2-57, 2-62, 2-63	1503112 C	2-65
1502976 C	4-30	1503113	2-50, 2-52, 2-65
1502977	5-29	1503113 A	4-26
1502977 B	5-32	1503113 B	4-25
1502978	5-29, 5-30	1503128	2-83, 2-84
1502978 A	5-36	1503128FR	2-85, 2-86
1502979 C	5-29	1503129	5-28
1502990	2-50, 2-51, 2-52, 2-53, 2-55, 2-56, 2-57, 2-63, 2-64, 2-65, 4-15, 5-37, 5-38	1503130 A	5-28
1502991	4-15	1503133 B	5-26
1502992	5-30	1503135	5-26
1502992 B	5-34	1503136	5-26
1502992A	5-33	1503138	5-26
1502993 C	5-30	1503140 B	2-50
1503022 C	2-83	1503141	5-26
		1503142	5-26

---

1503143	5-37, 5-38	300760	2-71, 2-72, 2-73, 2-74, 2-75, 2-76, 2-77, 2-78, 2-79, 2-80, 2-81, 2-83, 2-84
1503144 B	5-38	300760CN	2-82
1503145 B	5-37	300760P	2-87, 2-88
1503146	2-78	300840	2-13, 2-14, 2-15, 2-16, 2-17, 2-18, 2-19, 4-1
1503147 A	2-78	3011641	4-12, 4-38, 5-2
1503156	2-27	3011801	4-7, 4-32, 4-33, 5-11, 5-12, 5-17, 5-23, 5-36
1503156 A	2-19, 4-1	3011817	4-31
1503176 A	2-27	3011820	4-13, 4-14
1503200	2-50, 2-53, 2-57, 2-63, 2-65, 5-37, 5-38	3011851	5-36
1503200 A	4-16	3014743	2-13, 2-14, 2-15, 2-16, 2-17, 2-18, 2-19, 4-1
1503202-5	5-39	3014745	2-21, 2-22
1503203-5	5-39	3014746	2-21, 2-22, 2-24
1503204-5	5-39	3014750	2-13, 2-14, 2-15, 2-16, 2-17, 2-18, 2-19, 4-1, 5-9
1503206 B	5-39	3014751	2-13, 2-14, 2-15, 2-16, 2-17, 2-18, 2-19, 4-1, 5-9
1503207-5	5-39	3014753	4-8, 5-35, 5-36
1503299	5-39	3014759	4-8
1506359	2-47	3014760	4-5
1508810	4-25, 4-26	3014807	2-24
15665A314	2-47	3020016	4-10, 4-11, 4-37
1843	2-75, 2-76, 2-77, 2-78	3020047	4-21, 4-22, 4-23, 4-24, 4-25, 4-26, 4-27, 4-28, 4-29, 4-30, 5-31, 5-32, 5-33, 5-34
2500812	2-2, 2-3, 2-4, 2-5	3020049	2-13, 2-14, 2-15, 2-16, 2-17, 2-18, 2-19, 4-1
2500825	2-1, 2-2, 2-3, 2-4, 2-5	3020087	4-10, 4-11
2509816	2-31, 2-32	3020182	4-36
2509823	2-31, 2-32	3020183	4-36
2509827	2-1, 2-2, 2-3, 2-4, 2-5, 2-7	3020187	4-36
2690004	2-1, 2-7	302544	2-44, 2-45, 2-47, 2-48, 2-50, 2-51, 2-52, 2-53, 2-54, 2-55, 2-56, 2-57, 2-58, 2-59, 2-60, 2-61, 2-62, 2-63, 2-64, 2-65, 2-66, 2-67, 2-68, 2-69, 2-70, 5-21
300699	2-71, 2-72, 2-73, 2-74, 2-75, 2-76, 2-77, 2-78, 2-79, 2-80, 2-81, 2-83, 2-84	302829	4-22, 4-23, 4-24, 4-25, 4-26, 4-27, 4-28, 4-29, 4-30, 5-19, 5-31, 5-32, 5-33, 5-34
300699CN	2-82		
300699P	2-87, 2-88		
300700	2-71, 2-72, 2-73, 2-74, 2-75, 2-76, 2-77, 2-78, 2-79, 2-80, 2-81, 2-83, 2-84		
300700CN	2-82		
300700P	2-87, 2-88		

3028810	4-10, 4-11, 4-22, 4-23, 4-24, 4-25, 4-27, 4-28, 4-29, 4-30, 4-37, 5-31, 5-32, 5-33, 5-34	5-31, 5-32
3028844	2-1, 2-2, 2-3, 2-4, 2-5, 5-29, 5-30, 5-35	3040625 .. 4-22, 4-23, 4-24, 4-26, 4-34, 4-35, 5-31, 5-32
3028894	4-18, 4-19, 4-20, 5-24, 5-25	3044070 ..... 5-11, 5-17, 5-36
3028895	4-18, 4-19, 4-20, 4-37, 5-24, 5-25	3044146 ..... 4-3, 4-5
3028896	4-18, 4-19, 4-20, 5-24, 5-25	3044155 ..... 5-11, 5-12, 5-17
3028933	4-22, 4-23, 4-24, 4-25, 4-26, 4-28, 4-29, 4-30, 5-32, 5-33, 5-34	3044158 ..... 4-32, 4-33
3029801	4-36, 4-36	3044161 ..... 4-12, 4-38
3029802	4-36	3044163 ..... 4-3, 4-5, 4-18, 4-19, 4-20, 5-24, 5-25
3030157	2-33, 2-35, 2-36, 2-39, 2-40, 2-42	3044836 ..... 2-13, 2-14
3030158	2-27, 2-28, 2-29, 2-30, 2-39, 5-19	3044854 ..... 5-10
3030187	2-31, 2-32, 2-43	3046697 ..... 4-12
3040046	5-11, 5-12, 5-17	3046972 ..... 4-32, 4-33, 5-23
3040047	4-3, 4-5, 5-11, 5-12, 5-17, 5-23	3049803 4-3, 4-5, 4-18, 4-19, 4-20, 5-24, 5-25, 5-35, 5-36
3040082	4-18, 4-19, 4-20, 5-24, 5-25	3049804 .. 4-18, 4-19, 4-20, 5-15, 5-24, 5-25, 5-29, 5-30, 5-35
3040083	4-18, 4-19, 4-20, 5-24, 5-25, 5-35	3049807 ... 4-5, 4-18, 4-19, 4-20, 5-24, 5-25, 5-35, 5-36
3040092	5-23	3049808 .. 4-18, 4-19, 4-20, 5-15, 5-24, 5-25, 5-29, 5-30, 5-35
3040097	4-13, 4-14, 4-31	3049893 ..... 4-5
3040110	4-37	3049894 ..... 4-13, 4-14, 4-31, 5-11, 5-12, 5-17, 5-36
3040113	4-18, 4-19, 4-20, 5-24, 5-25	3049895 ... 4-3, 4-13, 4-14, 4-31, 5-11, 5-12, 5-17, 5-36
3040126	2-17	3049978 ..... 2-10, 2-24
3040208	2-59, 2-60, 2-61, 2-62, 5-27	3049985 ..... 5-2
3040219	5-9	3049986 ..... 4-5, 4-7, 5-12
3040269	2-13, 2-14, 2-15, 2-16, 2-17, 2-18, 2-19, 2-21, 2-22, 2-24, 4-1, 5-9	3049993 ..... 4-5
3040285	4-37	3050027 ..... 2-21, 2-22, 2-24
3040293	5-36	3050126 ..... 2-13, 2-14, 2-16, 2-18, 2-19, 4-1
3040300	4-18, 4-19, 4-20, 5-24, 5-25	3050139 ..... 5-1
3040341	4-13, 4-14, 4-18, 4-19, 4-20, 4-31, 4-32, 4-33, 5-15, 5-24, 5-25, 5-29, 5-30, 5-35	3069521 ..... 2-13, 2-14, 2-15, 2-19, 4-1, 4-34, 4-35
3040342	4-5, 4-13, 4-14, 4-18, 4-19, 4-20, 4-31, 4-32, 4-33, 5-24, 5-25, 5-35	3069539 ..... 5-6
3040624	4-22, 4-23, 4-24, 4-25, 4-26, 4-34, 4-35,	3069540 ..... 5-6
		3069541 ..... 5-6
		3069542 ..... 4-34, 4-35

3087787	2-13, 2-14, 2-15, 2-16, 2-17, 2-18, 2-19, 4-1	3220372	5-10
3087800	2-15	3220373	5-10
3087801	4-27	3220374	4-32, 4-33
3087801 E	4-36	3220376	4-7
3087803	2-10, 2-11, 2-12	3220377	4-7
3087807	4-36	32220241	4-12
3087816	4-36	3628-06	2-47
3087846	5-10	416836	2-71
3090007	5-10	416836ES	2-87, 2-88
3090019	4-18, 4-19, 4-20, 5-24, 5-25	451726	2-71, 2-72, 2-73, 2-74, 2-75, 2-76, 2-77, 2-78, 2-79, 2-80, 2-81, 2-82, 2-83, 2-84
3220132	4-5	451726FR	2-85, 2-86
3220163	4-5	451726P	2-87, 2-88
3220177	4-32, 4-33, 5-35	451986	2-71, 2-72, 2-73, 2-74, 2-75, 2-76, 2-77, 2-78, 2-79, 2-80, 2-81, 2-83, 2-84
3220181	4-5	451986CN	2-82
3220199	4-5, 4-7	451986FR	2-85, 2-86
3220206	4-13, 4-14, 4-31	451986P	2-87, 2-88
3220208	4-5, 4-13, 4-14	455536	5-9
3220218	4-12, 4-38	457406	5-8
3220225	4-32, 4-33	467966	2-1, 2-2, 2-3, 2-4, 2-5
3220240	4-12	468886	2-70
3220241	4-38	500532-016	2-1
3220247	4-3, 4-5	500532-020	2-31, 2-32, 2-46, 2-49
3220249	4-3, 4-5	500595-020	2-13, 2-14, 2-15, 2-16, 2-17, 2-18, 2-19, 2-21, 2-22, 2-44, 4-1, 5-22
3220251	4-3, 4-5	500595-025	2-7, 2-26, 2-27, 2-28, 2-29, 2-30, 2-59, 2-60, 2-61, 2-62, 5-27
3220253	4-3, 4-5	500595-075	2-45, 2-48, 2-66, 2-67, 2-68, 2-69
3220255	4-3, 4-5	5010024	5-8
3220261	4-11, 4-12, 4-38	501253-020	2-3, 2-4, 2-6, 2-15, 2-16, 2-19, 4-1
3220264	4-13, 4-14	501453-000	2-71, 2-72, 2-73, 2-74, 2-75, 2-76, 2-77, 2-78, 2-79, 2-80, 2-81, 2-82, 2-83, 2-84, 2-85, 2-86, 2-87, 2-88
3220265	4-13, 4-14		
3220266	4-13, 4-14		
3220274	4-32, 4-33		
3220293	4-5		
3220294	5-2		

501532-000	3-3, 3-4	509471-000	4-38
501868-000	2-10, 2-11, 2-12	509740-000	4-12, 4-38
5018845	2-23	509741-000	4-12
5018847	2-21, 2-22, 2-24	5098343	2-24
5018847 E	3-5	510528-000	4-11
5018848	2-23	510542-000	4-18, 4-19, 4-20, 4-22, 4-23, 4-24, 4-25, 4-26, 4-27, 4-28, 4-29, 4-30, 5-24, 5-25, 5-31, 5-32, 5-33, 5-34, 5-35
5018849	2-23	510684-090	2-31, 2-32
5018850	2-23	511176-000	2-85, 2-86
5018851	2-23	512430-012	5-29, 5-30, 5-35
5018852	2-23	512459-016	2-13, 2-14, 2-15, 2-16, 2-17, 2-18, 2-19, 2-59, 2-60, 2-61, 2-62, 4-1, 4-27, 4-28, 4-29, 4-30, 5-33, 5-34
5018853	2-23	512459-020	2-13, 2-14, 2-15, 2-19, 4-1, 4-34, 4-35, 5-6
5018854	2-23	512602-000	2-47, 2-48, 2-68, 2-69
5018855	2-23	512630-020	5-28
502141-000-5	2-63, 2-64, 2-65	512630-025	2-1, 2-21, 2-22
5033053	2-11, 2-12, 2-21, 2-22	512714-025	2-16, 5-4, 5-6
5033056	2-11, 2-12, 2-21, 2-22	512949-008	2-13, 2-14
505082-020	2-13, 2-14, 2-15, 2-16, 2-17, 2-18, 2-19, 2-44, 2-50, 2-51, 2-52, 2-53, 2-54, 2-55, 2-56, 2-57, 2-58, 2-59, 2-60, 2-63, 2-64, 2-65, 4-1, 4-18, 4-19, 5-25, 5-29, 5-30, 5-35	514176-030	2-27, 2-28, 2-29, 2-30, 5-13, 5-14, 5-16
5070006	2-11, 2-12, 2-21, 2-22	514404-000	5-12, 5-15, 5-17
5076527	2-27, 2-28, 2-29, 2-30, 2-39, 5-19	514404-001	5-29, 5-30, 5-35
5076528	2-20	514627-000	4-16
5076529	2-20	514628-000	4-32, 4-33
5076530	2-20	514629-000	4-16
508247-008	5-4	514630-000	4-32, 4-33
508862-000	2-85, 2-86	514880-000	2-54, 2-58, 4-17
508863-000	2-85, 2-86	514915-000	4-17
508867-000	2-85, 2-86	515367-000	2-13, 2-14, 2-16, 2-17, 2-18, 2-19, 4-1
508932-000	2-70	515611-000	2-27, 2-29, 5-11, 5-14
5090034	2-21, 2-22, 2-24	515611-000 A	5-15
5090048	2-33, 2-34, 2-36, 2-37, 2-41, 2-42, 2-43	5260013	5-8
5093009	2-28, 2-29, 2-30	5260045	2-24
5093018	4-18, 4-19, 4-20, 5-24, 5-25		

5516346	2-13, 2-14, 2-15, 2-16, 2-17, 2-18, 2-19, 4-1	5563230	..... 2-24
5516347	..... 2-1	5563249	..... 5-5
5516349	2-44, 2-45, 2-47, 2-48, 2-50, 2-51, 2-52, 2-53, 2-54, 2-55, 2-56, 2-57, 2-58, 2-63, 2-64, 2-65, 4-17, 4-18, 4-19, 4-20, 5-24, 5-25	5563264	..... 2-2, 2-3, 2-4, 2-5
5516353	..... 2-10, 2-11, 2-12, 2-20	5563280	..... 2-20
5516359	2-44, 2-45, 2-48, 2-66, 2-67, 2-68, 2-69	5563283	..... 2-13, 2-14, 2-17, 2-18
5516360	2-44, 2-45, 2-50, 2-51, 2-52, 2-53, 2-54, 2-55, 2-56, 2-57, 2-58, 2-63, 2-64, 2-65, 4-17, 4-18, 4-19, 4-20, 5-24, 5-25	5563285	..... 2-7
5520118	..... 2-1, 2-7	5563293	.. 2-33, 2-34, 2-35, 2-36, 2-37, 2-38, 2-39, 2-40, 2-41, 2-42, 2-43
5534386	..... 2-2, 2-3, 2-4, 2-5	5563299	..... 2-8
5534389	2-33, 2-34, 2-35, 2-36, 2-37, 2-38, 2-39, 2-40, 2-41, 2-42, 2-43	5563304	.. 2-45, 2-50, 2-51, 2-52, 2-53, 2-54, 2-55, 2-56, 2-57, 2-58, 2-59, 2-60, 2-61, 2-62, 2-63, 2-64, 2-65, 4-18, 4-19, 4-20, 5-24, 5-25
5560004	..... 2-10, 2-11, 2-12, 2-20, 5-10	5563305	.. 2-45, 2-50, 2-51, 2-52, 2-53, 2-54, 2-55, 2-56, 2-57, 2-58, 2-59, 2-60, 2-61, 2-62, 2-63, 2-64, 2-65
5560067	4-22, 4-23, 4-24, 4-25, 4-26, 4-27, 4-28, 4-29, 4-30, 5-31, 5-32, 5-33, 5-34	5563311	.. 2-33, 2-34, 2-35, 2-36, 2-37, 2-38, 2-39, 2-40, 2-41, 2-42, 2-43
5560169	..... 2-1	5563446	.. 2-44, 2-45, 2-47, 2-48, 2-50, 2-51, 2-52, 2-53, 2-54, 2-55, 2-56, 2-57, 2-58, 2-59, 2-60, 2-61, 2-62, 2-63, 2-64, 2-65, 2-68, 2-69, 4-15, 4-17, 4-18, 4-19, 4-20, 5-24, 5-25, 5-37, 5-38
5560592	..... 4-36	5563447	..... 2-44, 2-47, 5-22
5560593	..... 4-36	5563451	.. 2-44, 2-45, 2-47, 2-48, 2-50, 2-51, 2-52, 2-53, 2-54, 2-55, 2-56, 2-57, 2-58, 2-59, 2-60, 2-61, 2-62, 2-63, 2-64, 2-65, 4-18, 4-19, 4-20, 5-24, 5-25
5560594	..... 4-36	5563454	.. 2-71, 2-74, 2-79, 2-87, 2-88, 2-89, 2-90, 5-20
5560630	..... 2-1, 2-2	5563459	..... 2-1, 2-2, 2-3, 2-4, 2-5
5560653	..... 4-18, 4-19, 4-20, 5-24, 5-25	5563466	.. 2-44, 2-45, 2-48, 2-50, 2-51, 2-52, 2-53, 2-54, 2-55, 2-56, 2-57, 2-58, 2-59, 2-60, 2-61, 2-62, 2-63, 2-64, 2-65, 2-66, 2-67, 2-70
5560656	2-50, 2-51, 2-52, 2-53, 2-54, 2-55, 2-56, 2-57, 2-58, 2-63, 2-64, 2-65, 2-72, 2-73, 2-75, 2-76, 2-77, 2-78, 2-80, 2-81, 2-83, 2-84, 2-85, 2-86	5563543	..... 5-39
5560659	2-44, 2-45, 2-47, 2-48, 2-50, 2-51, 2-52, 2-53, 2-54, 2-55, 2-56, 2-57, 2-58, 2-63, 2-64, 2-65, 4-17, 4-18, 4-19, 4-20, 5-24, 5-25	5563555	..... 5-26
5560673	..... 5-23	5563643	.. 4-22, 4-23, 4-24, 4-25, 4-26, 4-27, 4-28, 4-29, 4-30, 5-31, 5-32, 5-33, 5-34
5563138	2-33, 2-35, 2-36, 2-39, 2-40, 2-42, 2-43	5563644	..... 2-47
5563181	4-22, 4-23, 4-24, 4-25, 4-26, 4-27, 4-28, 4-29, 4-30, 5-31, 5-32, 5-33, 5-34		

5563650	2-33, 2-34, 2-35, 2-36, 2-37, 2-38, 2-39, 2-40, 2-41, 2-42, 2-43	2-40, 2-41, 2-42, 2-43, 3-3, 3-4
5563737	..... 2-33, 2-34	6019340 ..... 2-10
5563871	..... 4-18, 4-19, 4-20, 4-37, 5-24, 5-25	6019357 .. 2-33, 2-34, 2-35, 2-36, 2-37, 2-38, 2-39, 2-40, 2-41, 2-42
5563932	..... 2-25	6019378 ..... 2-11
5563933	. 2-13, 2-14, 2-16, 2-17, 2-18, 2-19, 4-1, 5-4	6019378B ..... 3-3
5563933 B	..... 2-25	6019382 .. 2-33, 2-34, 2-36, 2-37, 2-38, 2-41, 2-42, 2-43
5563973	..... 2-66, 2-67, 2-68, 2-69, 5-21	6019389 ..... 3-3
5563979	..... 5-10	6019390 ..... 3-3, 3-4
5569941	..... 2-24	6019391 ..... 3-3, 3-4
5569973	2-44, 2-45, 2-47, 2-48, 4-18, 4-19, 4-20, 5-24, 5-25	6019393 ..... 3-3
5569998	..... 2-45, 5-8	6019394 ..... 3-3
5580020	..... 2-59, 2-60, 2-61, 2-62, 5-27	6019395 ..... 3-3, 3-4
5592001	..... 2-1, 2-2, 2-3, 2-4, 2-5	6019446 ..... 2-12
5592015	..... 2-1, 2-2, 2-3, 2-4, 2-5	6019446 B ..... 3-4
5592016	..... 2-2, 2-3, 2-4, 2-5, 2-31, 2-32	6019456 ..... 3-4
5592018	..... 2-7, 2-8	6019457 ..... 3-4
561976	..... 3-3, 3-4	6019458 ..... 3-4
562386	. 2-44, 2-45, 2-47, 2-48, 2-50, 2-51, 2-52, 2-53, 2-54, 2-55, 2-56, 2-57, 2-58, 2-59, 2-60, 2- 61, 2-62, 2-63, 2-64, 2-65, 4-18, 4-19, 4-20, 5-24, 5-25	6019459 ..... 3-4
562846	..... 5-23, 5-35	6029632 ..... 3-3, 3-4
563536	..... 2-27	6029678 B ..... 3-7
569295	. 2-71, 2-72, 2-73, 2-74, 2-75, 2-76, 2-77, 2-78, 2-79, 2-80, 2-81, 2-82, 2-83, 2-84, 2-85, 2- 86, 2-87, 2-88	6029680 ..... 3-7
6018943	..... 3-4	6029681 ..... 3-7
6019032	..... 3-3, 3-4	6029682 ..... 3-7
6019123	..... 3-4	6029683 ..... 3-7
6019280	..... 3-12, 3-14	6029684 ..... 3-7
6019289	2-33, 2-34, 2-35, 2-36, 2-37, 2-38, 2-39,	6029685 ..... 3-7
		6029686 ..... 3-7
		6029687 ..... 3-7
		6029688 ..... 3-7
		6029689 ..... 3-7
		6029690 ..... 3-7
		6029691 ..... 3-7
		6029692 ..... 3-7



---

6029693	3-7	6091777	3-8
6029696	2-20	6091778	3-8
6029696B	3-8	6091779	3-8
6031627	2-1, 2-2	6091780	3-8
6031630	2-3, 2-4, 2-5	6091781	3-8
6031630 A	3-1	6091782	3-8
6031631	3-1	6091783	3-8
6047136	2-39	6091784	3-8
6047137	2-35, 2-39, 3-14	6091785	3-8
6047137 C	3-14	6091786	3-8
6047139	3-9	6091787	3-8
6047139E	3-9	6091788	3-8
6047148	3-14	6091789	3-8
6047154	2-1, 2-2, 2-3, 2-4, 2-5	6091790	3-8
6047154 D	3-10	6091791	3-8
6047195	2-31, 2-32	6091792	3-8
6047195A	3-12	6091793	3-8
6047196	2-31, 2-32	6091800	3-2
6047196 A	3-13	6091874	3-2
6047196 D	3-11	6091875	3-2
6047202	3-11	6091876	3-2
6047203	3-12	6091877	3-2
6047205	3-13	6091878	3-2
6047207	3-10	6091879	3-2
6091501	2-1, 2-2	6091881	3-2
6091570	3-3, 3-4	6091939	3-3
6091576	3-3, 3-4	7030067	2-87, 2-88
6091596	2-35, 2-39, 2-40, 3-14	7030068	2-71, 2-72, 2-73, 2-74, 2-75, 2-76, 2-77, 2-78, 2-79, 2-80, 2-81, 2-82, 2-83, 2-84, 2-85, 2-86, 2-87, 2-88, 2-89, 2-90
6091696	3-7	7030150	5-7
6091697	3-7	7030160	2-89, 2-90
6091698	3-7	7030249	2-73, 2-76, 2-81, 2-84, 2-86, 2-88, 2-90
6091700	2-3, 2-4, 2-5, 3-2	7050004	2-72, 2-73, 2-75, 2-76, 2-77, 2-78, 2-80, 2-81,
6091700A	3-2		
6091710	3-9, 3-10		

---

2-82, 2-83, 2-84, 2-85, 2-86, 2-87, 2-88	9991350 A	4-37
8140020 2-72, 2-73, 2-75, 2-76, 2-77, 2-78, 2-80,	9991351	4-37
2-81, 2-83, 2-84, 2-85, 2-86, 2-87, 2-88	9991353	4-37
8140020CN 2-82	9991353 A	4-38
8210054 5-7	9991357	4-38
8230187 2-72, 2-73, 2-75, 2-76, 2-77, 2-78, 2-80,	A50002A H	4-13
2-81, 2-83, 2-84, 2-87, 2-88	A50002A-J	4-14
8230187CN 2-82	A50003A J	3-6
8230187FR 2-85, 2-86	A50004A G	4-9
8230188 2-72, 2-73, 2-75, 2-76, 2-77, 2-78, 2-80,	N/A 3-2, 3-2, 3-2, 3-2, 3-2, 3-2, 3-2, 3-2, 3-2, 3-2,	
2-81, 2-83, 2-84, 2-87, 2-88	3-2, 3-2, 3-2, 4-13	
8230188CN 2-82	NOTE: PLEASE SEE TCB 18.004 FOR	
8230188FR 2-85, 2-86	INSTALLATION INSTRUCTIONS	5-4
8230189 2-72, 2-73, 2-75, 2-76, 2-77, 2-78, 2-80,		
2-81, 2-83, 2-84, 2-87, 2-88		
8230189CN 2-82		
8230189FR 2-85, 2-86		
9595 5-5		
960259 4-32		
960359 4-33, 5-35, 5-36		
960589 5-35		
969249 2-71, 2-72, 2-73, 2-74, 2-75, 2-76, 2-77,		
2-78, 2-79, 2-80, 2-81, 2-82, 2-83, 2-84, 2-85, 2-		
86, 2-87, 2-88, 2-89, 2-90		
974639 5-23		
984049 5-23		
984339 2-7		
986019 5-10		
988229 2-1, 2-21, 2-22		
988379 2-31, 2-32		
9980003 4-18, 4-19, 4-20, 5-24, 5-25		
9980007 4-18, 4-19, 4-20, 5-24, 5-25		
9980008 4-18, 4-19, 4-20, 5-24, 5-25		
9991349 4-37		