

**TM12 PARTS AND SERVICE
MANUAL**

snorkel

TM12



CE

Inc. Option 2-2 deg

PARTS & SERVICE **MANUAL**

Part Number 514233-200

August 2017

Serial Number 060000 and after
Replaces Nov 2014

GENERAL INFORMATION

INTRODUCTION 1-1
OPERATION & SPECIFICATIONS 1-2
WASTE REMOVAL & DISPOSAL 1-3
CONTACT SNORKEL 1-4

REPAIR PARTS

GENERAL ASSEMBLY 2-1
CHASSIS ASSEMBLY 2-2
ELECTRIC KIT 2-3
LOWER CONTROLS ASSEMBLY 2-4
HYDRAULIC TANK ASSEMBLY 2-5
MAST ASSEMBLY 2-6
HYDRAULIC ASSEMBLY AND HOSE KIT 2-7
PLATFORM ASSEMBLY 2-8
UPPER CONTROLS ASSEMBLY 2-9
POTHOLE CYLINDER ASSEMBLY TYPE A 2-10
POTHOLE CYLINDER ASSEMBLY TYPE B 2-11
STEER BRAKE CYLINDER ASSEMBLY TYPE A 2-12
STEER BRAKE CYLINDER ASSEMBLY TYPE B 2-13
LIFT CYLINDER ASSEMBLY TYPE A AND TYPE B 2-14
LABEL KIT FRENCH 2-15
LABEL KIT CE 2-16
LABEL KIT GERMAN 2-17
LABEL KIT ANSI 2-18

MAINTENANCE

MAINTENANCE 3-1
TROUBLESHOOTING 3-2

SCHEMATICS

ELECTRICAL SCHEMATICS 4-1
HYDRAULIC SCHEMATICS 4-2
A A
B B

TM12

ENGLISH

When contacting Snorkel for service or parts information, be sure to include the model and serial numbers from the equipment name plate. Should the name plate be missing, the serial number is also stamped on top of the chassis above the front axle pivot.

THE SERIAL NUMBER IS ALSO STAMPED ON THE CHASSIS UNDER THE CHASSIS COVER HERE

THE SERIAL NUMBER IS ON THE NAME PLATE HERE

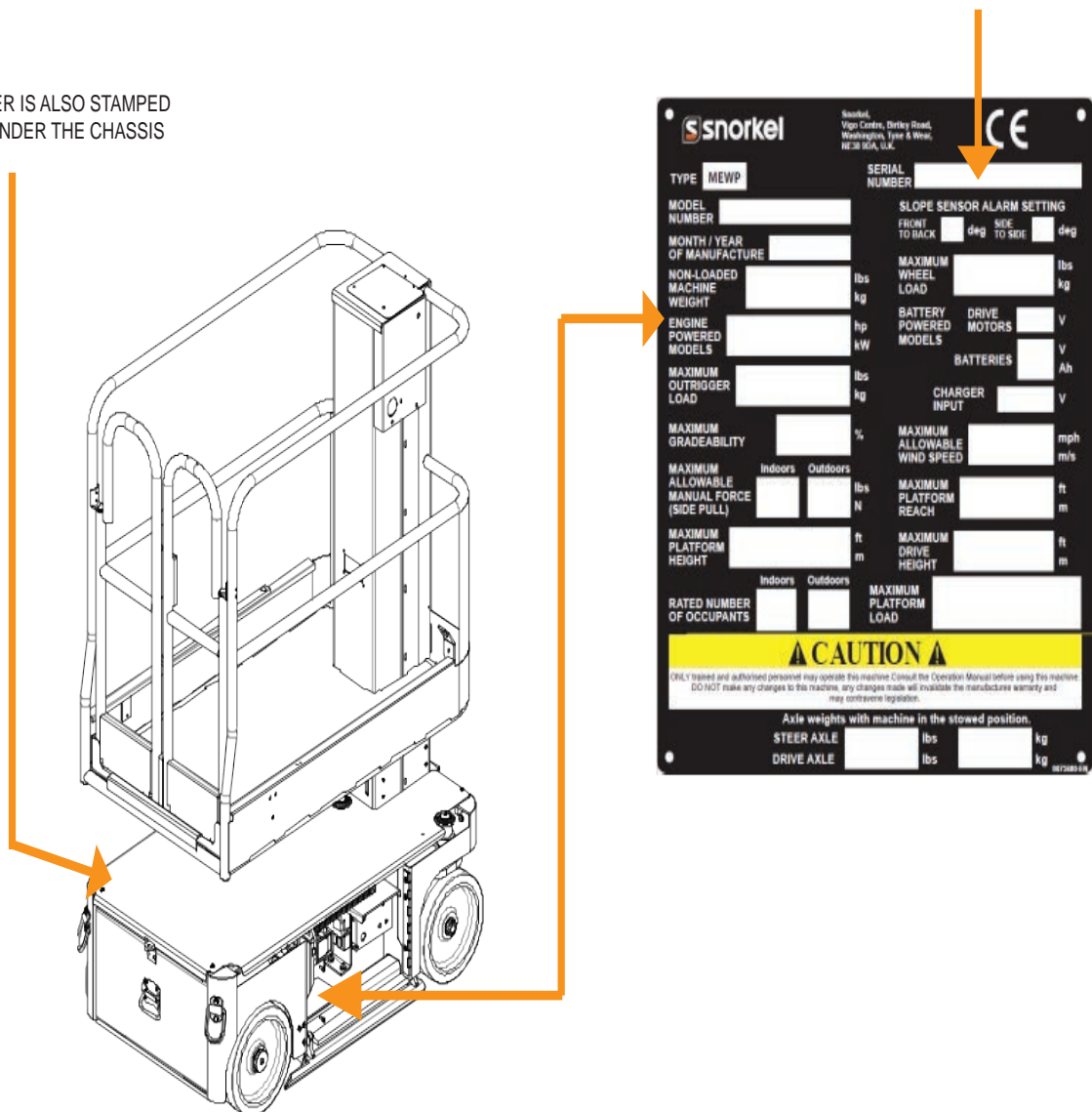


FIGURE 2-1: Serial number location on TM12

TM12 SERVICE AND PARTS MANUAL

FOREWORD

HOW TO USE THIS MANUAL

This manual is divided into six sections.

SECTION 1 INTRODUCTION

General description and machine specifications.

SECTION 2 OPERATION AND SPECIFICATIONS

Information on how to operate the work platform and how to prepare it for operation.

SECTION 3 MAINTENANCE

Preventative maintenance and service information.

SECTION 4 TROUBLESHOOTING

Causes and solutions to typical problems.

SECTION 5 SCHEMATICS

Schematics and valve block diagram with description and location of components. Large schematic drawings may be located in the back of the manual.

SECTION 6 ILLUSTRATED PARTS BREAKDOWN

Complete parts lists with illustrations. Large parts drawings may be located in the back of the manual.

SECTION 7 WASTE REMOVAL AND DISPOSAL

SPECIAL INFORMATION

DANGER

Indicates an imminently hazardous situation which, if not avoided, will result in severe injury or death.

WARNING

Indicates a potentially hazardous situation which, if not avoided, could result in severe injury or death.

CAUTION

Indicates a potentially hazardous situation which, if not avoided, may result in minor or moderate injury.

NOTE: Gives helpful information.

WORKSHOP PROCEDURES

All information contained in this manual is based on the latest product information available at the time of printing. We reserve the right to make changes at any time without notice. No part of this publication may be reproduced, stored in retrieval system, or transmitted, in any form by any means, electronic, mechanical, photocopying, recording, or otherwise, without the prior written permission of the publisher. This includes text, figures, and tables.

CAUTION

Detailed descriptions of standard workshop procedures, safety principles and service operations are not included. Note that this manual does contain warnings and cautions against some specific service methods that could cause personal injury, or could damage a machine or make it unsafe. Please understand that these warnings cannot cover all conceivable ways in which service, whether or not recommended by Snorkel, might be done, or of the possible hazardous consequences of each conceivable way, nor could Snorkel investigate all such ways. Anyone using service procedures or tools, whether or not recommended by Snorkel must satisfy themselves thoroughly that neither personal safety nor machine safety will be jeopardized. When in doubt, contact your local distributor or Snorkel.

INTRODUCTION

1.1 INTRODUCTION

PURPOSE

The purpose of this service and parts manual is to provide instructions and illustrations for the operation and maintenance of the TM12 manufactured by Snorkel.

SCOPE

The manual includes procedures for proper operation, maintenance, adjustment, and repair of the TM12 as well as recommended maintenance schedules and troubleshooting.

1.2 GENERAL DESCRIPTION

The TM12 consists of the platform, controller, elevating assembly, power / control module, and chassis.

! WARNING !

DO NOT use the work platform without guardrails properly assembled and in place.

Figure 1-1: TM12 Work Platform

PLATFORM

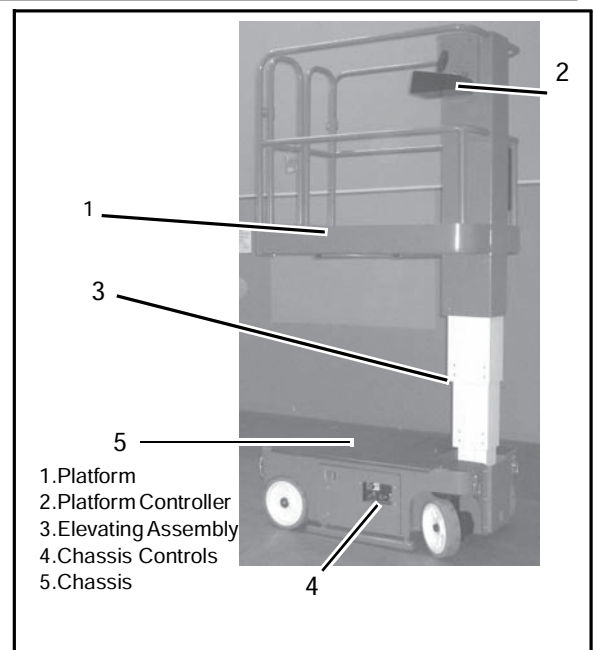
The platform has a reinforced steel floor, 1.11 m (43.75 inch) high guardrails with midrail, 6 inch (152 mm) toeboards, and an entrance gate at the rear of the platform.

PLATFORM CONTROLLER

The platform controller contains the controls to operate the machine. It is located at the front of the platform. A complete explanation of control functions can be found in Section 2.

ELEVATING ASSEMBLY

The platform is raised and lowered by the elevating assembly. The hydraulic pump, driven by an electric motor, powers the cylinder. Solenoid operated valves control raising and lowering.



CHASSIS

The chassis is a structural frame that supports all the components of the TM12 work platform. The platform is raised and lowered using a hydraulically operated mast mechanism incorporating a double acting hydraulic cylinder.

PURPOSE OF EQUIPMENT

The objective of the work platform is to provide a quickly deployable, self-propelled, variable height work platform to elevate personnel and materials to overhead work areas.

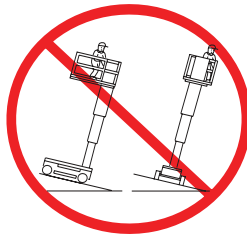
OPERATION MANUAL

SAFETY RULES

WARNING

All personnel shall carefully read, understand and follow all safety rules and operating instructions before operating or performing maintenance on any SNORKEL aerial work platform.

ELECTROCUTION HAZARD TIP OVER HAZARD COLLISION HAZARD FALL HAZARD TRAPPING/CRUSHING HAZARD



THIS MACHINE IS NOT INSULATED	NEVER ELEVATE THE PLATFORM OR DRIVE THE MACHINE WHILE ELEVATED UNLESS THE MACHINE IS ON A FIRM LEVEL SURFACE	NEVER POSITION THE PLATFORM WITHOUT FIRST CHECKING FOR OVERHEAD OBSTRUCTIONS OR OTHER HAZARDS	NEVER CLIMB, STAND OR SIT ON PLATFORM GUARDRAILS OR MIDRAIL	BEWARE OF CRUSHING HAZARD WHEN HOLDING HANDRAILS WHILE THE PLATFORM IS MOVING IN CLOSE PROXIMITY TO OTHER OBJECTS
-------------------------------	--	---	---	---

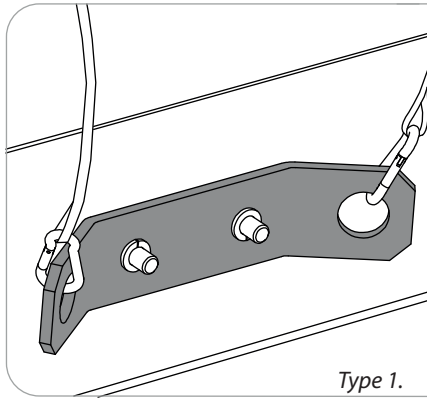
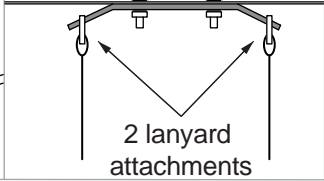
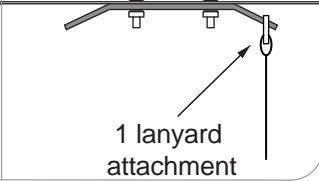
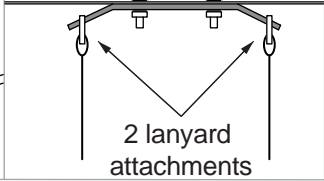
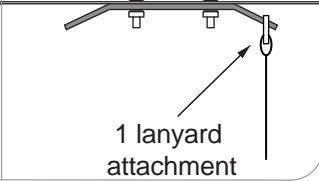
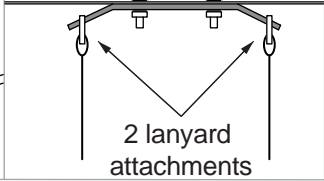
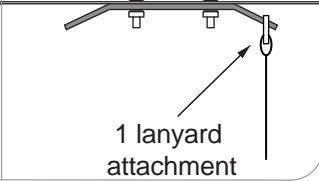
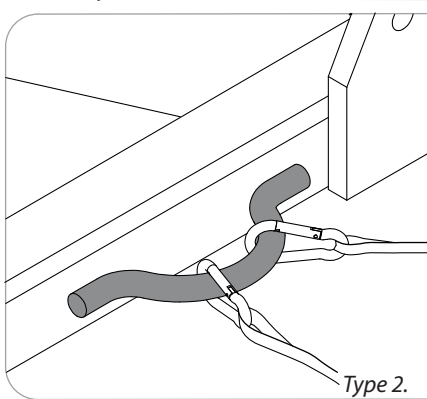
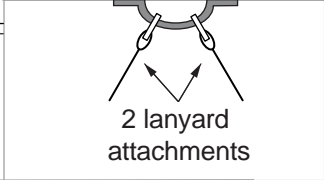
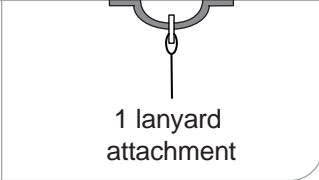
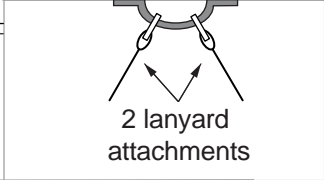
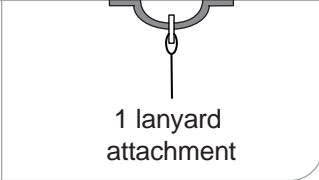
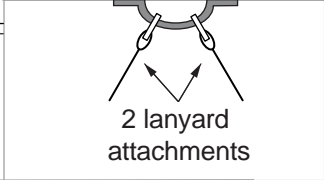
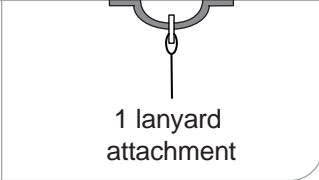
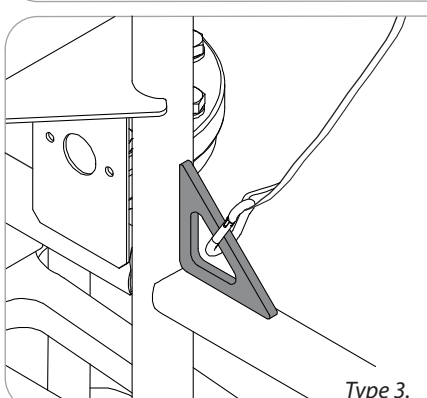
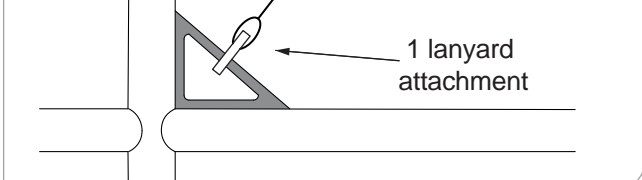
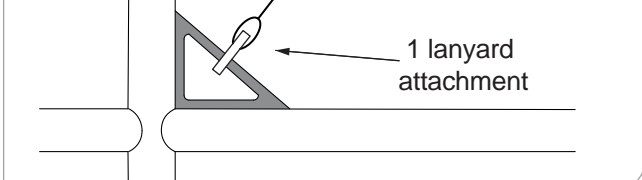
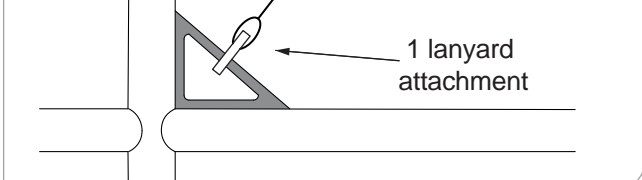
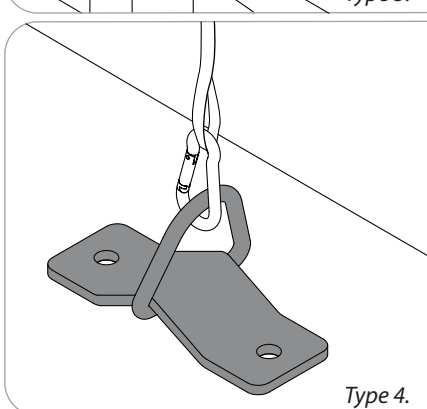
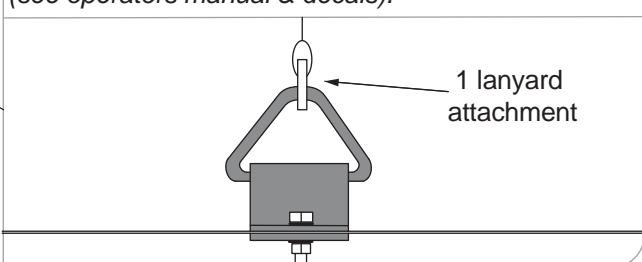
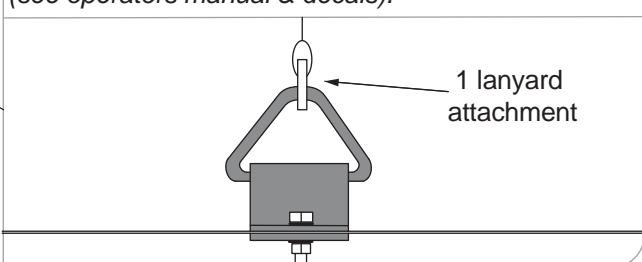
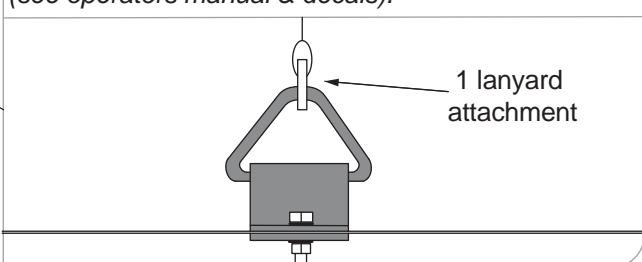
- **USE OF THE AERIAL WORK PLATFORM:** This aerial work platform is intended to lift a person or persons and their tools including material needed for a job. The work platform is designed to be used for repair and assembly jobs **ONLY** at overhead work places (ceilings, cranes, roof structures, buildings, etc.).
The use and operation of the aerial work platform as a lifting tool or a crane is **prohibited!**
Climbing up the railing of the platform, standing on or stepping from the platform unto buildings, steel or prefab concrete structures etc is **prohibited!**
NEVER use the machine if damaged, not functioning properly, has damaged or missing decals.
NEVER attach notice boards etc. to the platform as this will increase the wind loading.
- **INSULATION:** The aerial work platform is not insulated. It is imperative to keep a safe distance from live parts or electrical equipments. **DO NOT** get closer than the minimum distance recommended by the "National Regulations".
- **PLATFORM CAPACITY:** Exceeding the specified permissible maximum load is **prohibited!** Refer to platform capacity on page 24 for details.
- **MANUAL FORCE:** **NEVER** exceed the manual force allowed for this machine. Refer to manual force on page 24 for details.
- **LOAD DISTRIBUTION:** Ensure that all loads are distributed evenly on the platform.
- **SURVEILLANCE:** **NEVER** operate the machine without first surveying the work area for surface hazards such as holes, drop-offs, bumps, curbs or debris and avoiding them.
- **WHEEL LOAD:** **OPERATE** the machine only on surfaces capable of supporting wheel load.
- **WIND SPEED:** **NEVER** operate the machine when the wind speed exceeds the machine's wind speed rating. Refer to the Beaufort scale for details.
- **EMERGENCY STOP:** In case of an emergency, push the **EMERGENCY STOP** switch to de-activate all powered functions.
- **ALARM:** If the alarm sounds while the platform is elevated, **STOP** operation immediately and carefully lower the platform. Move the machine to a firm, level surface.
- **ENTRY GATE:** Dismantling the entry gate or other railing components is **prohibited!** Always make certain that the entry gate is closed and securely locked.
It is **prohibited** to keep the entry gate in an open position when the platform is raised.
Extending the height of the platform by placing ladders, scaffolds or similar devices on the platform is **prohibited!**
- **SERVICING:** **NEVER** perform service on machine while platform is elevated without blocking the elevating assembly. Refer to "maintenance" for details.
- **INSPECT:** the machine thoroughly for cracked welds, loose or missing hardware, hydraulic leaks, loose wire connections and damaged cables or hoses before usage.
- **DECALS:** **VERIFY** that all labels are in place and legible before using the machine.
- **BATTERIES:** **NEVER** charge batteries near sparks or open flame. Charging batteries emit explosive hydrogen gas.
- **STORAGE:** **AFTER USE**, secure the work platform from unauthorised use by turning the key switch off and removing the key.
- **HARNES:** Harness attachment points are provided on the platform and the manufacturer recommends the usage of a fall restraint harness especially where required by national safety regulations.

SAFETY NOTICE

Harness attachment points are provided in the platform and the manufacturer recommends the usage of a fall restraint harness, especially where required by national safety regulations.

All harness attachment points on SNORKEL vehicles have been tested with a force of 3,650 lbs (16.3 KN) per person.

See below examples of harness attachment points used on SNORKEL vehicles with their corresponding rating;

 <p>Type 1.</p>	<p>Harness attachment point Type 1 is rated for one lanyard attachment per loop as shown in the illustrations depending upon platform occupancy rating (see operators manual & decals).</p> <table border="1"> <thead> <tr> <th data-bbox="683 510 1007 584">Top View</th> <th data-bbox="1007 510 1327 584">Top View</th> </tr> </thead> <tbody> <tr> <td data-bbox="683 584 1007 763">  <p>2 lanyard attachments</p> </td> <td data-bbox="1007 584 1327 763">  <p>1 lanyard attachment</p> </td> </tr> </tbody> </table>	Top View	Top View	 <p>2 lanyard attachments</p>	 <p>1 lanyard attachment</p>
Top View	Top View				
 <p>2 lanyard attachments</p>	 <p>1 lanyard attachment</p>				
 <p>Type 2.</p>	<p>Harness attachment point Type 2 is rated for two lanyard attachments per loop as shown in the illustrations depending upon platform occupancy rating (see operators manual & decals).</p> <table border="1"> <thead> <tr> <th data-bbox="683 907 1007 981">Top View</th> <th data-bbox="1007 907 1327 981">Top View</th> </tr> </thead> <tbody> <tr> <td data-bbox="683 981 1007 1160">  <p>2 lanyard attachments</p> </td> <td data-bbox="1007 981 1327 1160">  <p>1 lanyard attachment</p> </td> </tr> </tbody> </table>	Top View	Top View	 <p>2 lanyard attachments</p>	 <p>1 lanyard attachment</p>
Top View	Top View				
 <p>2 lanyard attachments</p>	 <p>1 lanyard attachment</p>				
 <p>Type 3.</p>	<p>Harness attachment point Type 3 is rated for one lanyard attachment per loop as shown in the illustrations depending upon platform occupancy rating (see operators manual & decals).</p> <table border="1"> <thead> <tr> <th data-bbox="683 1303 1007 1377">Front View</th> </tr> </thead> <tbody> <tr> <td data-bbox="683 1377 1327 1556">  <p>1 lanyard attachment</p> </td> </tr> </tbody> </table>	Front View	 <p>1 lanyard attachment</p>		
Front View					
 <p>1 lanyard attachment</p>					
 <p>Type 4.</p>	<p>Harness attachment point Type 4 is rated for one lanyard attachment per loop as shown in the illustrations depending upon platform occupancy rating (see operators manual & decals).</p> <table border="1"> <tbody> <tr> <td data-bbox="683 1702 1327 1962">  <p>1 lanyard attachment</p> </td> </tr> </tbody> </table>	 <p>1 lanyard attachment</p>			
 <p>1 lanyard attachment</p>					

NOTE: There can be more harness attachment points per machine than the maximum number of occupants allowed in a platform. Refer to the platform decal & specifications table listed in the operators manual for the correct occupancy rating before use.

SAFETY NOTICE

NOTE:

1. To bypass any safety equipment is **prohibited** and presents a danger for the person/persons on the aerial work platform and in its working range.
2. Modification to the aerial work platform is **prohibited** or permissible only at the approval of Snorkel.
3. The driving of MEWP'S on the public highway is subject to national traffic regulations.
4. It is important to ensure that the machine meets the requirements of stability during use, transportation, assembly, dismantling when out of service, testing or foreseeable breakdowns.
5. In an event of an accident or breakdown, refer to the "Emergency lowering" on page 16. **DO NOT** operate the aerial work platform if it is damaged or not functioning properly. Qualified maintenance personnel must correct the problem before putting the aerial platform back into service.



TM12

Model
Modello
Modell
Modelo
Modelo

Verticaal model
Malli

Serial number
Matricola
Sarajanumero

Serienummer
Numero de serie
Matricola

Notified body

Notifizierte Stelle
Organisme notife
Organismo notificado
Aangemelde instantie
Myndighet
Avende harmoniserste standarder
Udpeget organ
Asiasta on tehty ilmoitus seuraaville tahoille
Ente Notificatore

Number 0545

Powered Access
Certification Ltd (PAC)
Applethwaite Lodge
Windermere
Cumbria LA23 1JQ
United Kingdom

EC Declaration of Conformity of Machinery 2006/42/EC
EC-Konformitätserklärung für Maschinen 2006/42/EC
Declaration De Conformite CE pour les Machines 2006/42/EC
Declaracion De Conformidad CE Para Maquinaria 2006/42/EC
Dichiarazione Di Conformità CE Per Le Macchine 2006/42/EC
CE Conformiteitsverklaring voor Machinery 2006/42/EC
EU Deklaration Avseende Överensstammelse För Maskinutrustning
2006/42/EC

EF-Samsvarserklæring For Maskiner 2006/42/EC
EF-Overensstemmelseserklæring for Maskiner 2006/42/EC
EU Vaatimustenmukaisuusvakuutus 2006/42/EC

Manufacturer
Hersteller
Fabricant
Fabbicante

Snorkel,
Vigo Centre, Washington
Tyne and Wear, England
Tel: +44 (0) 845 1557 755
FAX: +44 (0) 845 1557 756

Fabrikant
Tillverkare
Produzent
Valmistaja

Authorized Representative

Autorisierte Vertretung
Representant autorise
Representante autorizado
Mandatario
Eikend vertegenwoordiger
Auktoriserad representant
Autorisert representant
Representant
Valtuutettu edustaja

Simon Downes (Global Project Manager)
Vigo Centre, Washington
Tyne and Wear, England
Tel: +44 (0) 845 1557 755
FAX: +44 (0) 845 1557 756

Description

Bezeichnung Aerial Work Platform
Description Arbeitsbühne
Description Plate-forme elevatrice de personnel
Description Plataforma aerea de trabajo con motor
Description Piattaforma di sollevamento motorizzata
Beschrijving Mechanisch aangedreven werkplatform
Beskrivning Höj-och sänkbar arbetsplattform
Beskrivelse Selvgående arbeidsplattform
Kuvaus Motordrevet loftepattform
Konevoimalla toimiva nostolava
Selvgående personarbetslift

Date

Datum
Fecha
Data
Dato
Paivamaara

EC Type Examination **Certificate number**
EC-Typenprüfung Zertifikat-Nr
Examen type CE Numero de Certificat
Inspeccion tipo CE Numero de certificado
Attestato di certificazione CE nr
Onderzoek van het type EC Certificaatnummer
EU typp kontroll Certifieringsnummer
EF-typeproving Sertifikatnummer
EF-typegodkendelse Nummer pa typeattest
EU-tyypitarkastuksen nr.

Signed for Snorkel

Manufacturing Quality Manager



INTRODUCTION

This manual covers all models of the TM12 aerial work platform. This manual must be stored on the machine at all times. Read, understand and follow all safety rules and operating instructions before attempting to operate the machine.

GENERAL DESCRIPTION



COMPONENTS OF THE TM12 SERIES

1. Main Platform
2. Entry gates
3. Elevating mast
4. Platform controls
5. Manual case
6. Chassis controls
7. Hydraulic reservoir
8. Power/Control module, including level sensor (EZlift 230)
9. Battery tray
10. Emergency lowering valve
11. Battery charger
12. Extension deck

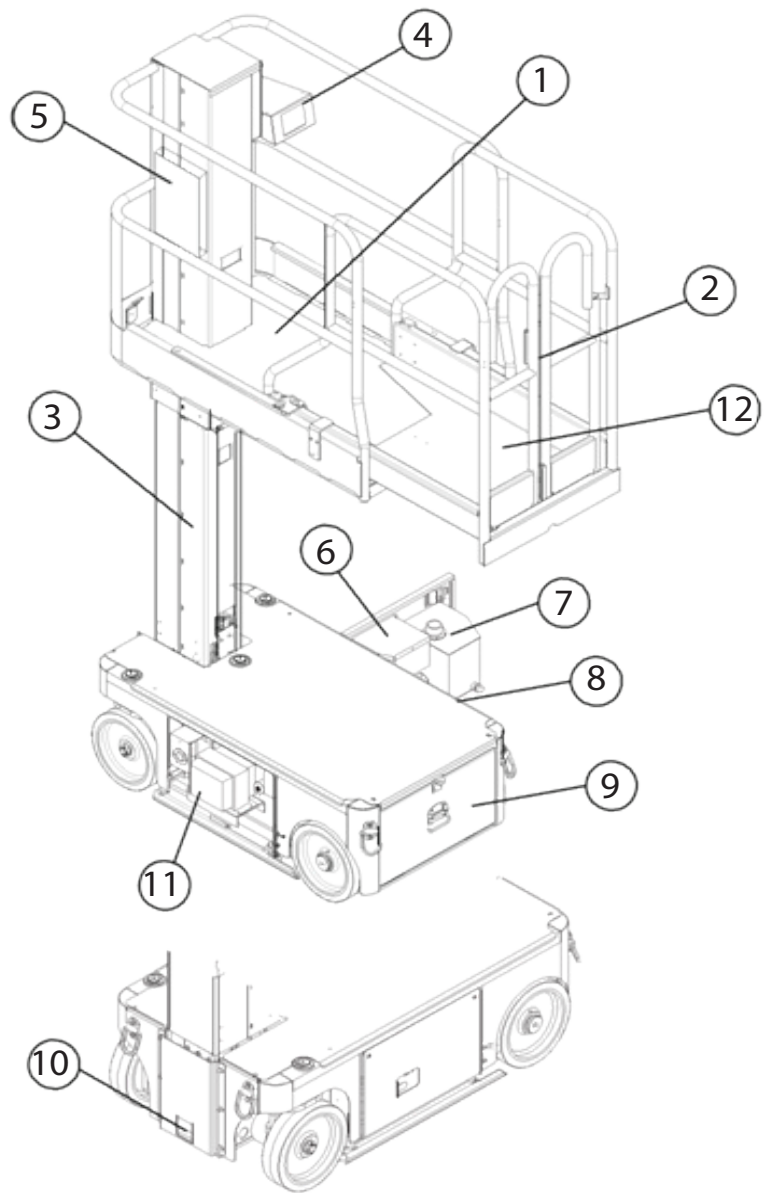
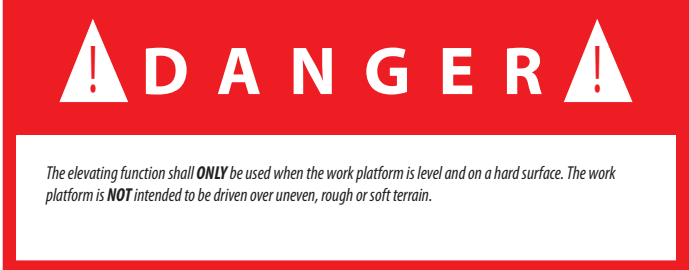


FIGURE 2-2: TM12 Series

SPEED AND ELEVATION

- Travel with the platform raised is limited to a maximum speed of 0.43 km/h (0.27mph)
- Elevating the platform is limited to hard, level surfaces only.



PLATFORM CAPACITY

The maximum platform capacity for the TM12 is 227kg (500lbs). Two people may occupy the platform indoors (only one person on the extension deck) while only one may occupy the platform outdoors.



MANUAL FORCE

Manual force is the force applied by the occupants to objects such as walls or other structures outside the work platform. The maximum allowable manual force is limited to 200N (45 lbs) of force per occupant outdoors, with a maximum of 400N (90 lbs) in total for two occupants indoors.



BEAUFORT SCALE

Never operate the machine when the wind speed exceeds 12.5 m/s (28mph). This falls under the Beaufort rating of 6 as shown on the Beaufort scale in table 2-1.

Beaufort Scale	m/Sec	Ground Conditions
3	3.5-5	Leaves and small twigs in constant motion; wind extends light flag.
4	6-8	Raises dust and loose paper; small branches are moved
5	9-10	Small trees in leaf begin to sway; crested wavelets on inland waterways.
6	11-13	Large branches in motion; umbrellas used with difficulty.
7	14-17	Whole trees in motion; inconvenience felt when walking against wind.
8	18-21	Breaks twigs off trees; generally impedes progress.
9	22-24	Slight structural damage occurs (chimney pots and slates removed)

TABLE 2-1: Beaufort scale

CONTROLS AND INDICATORS

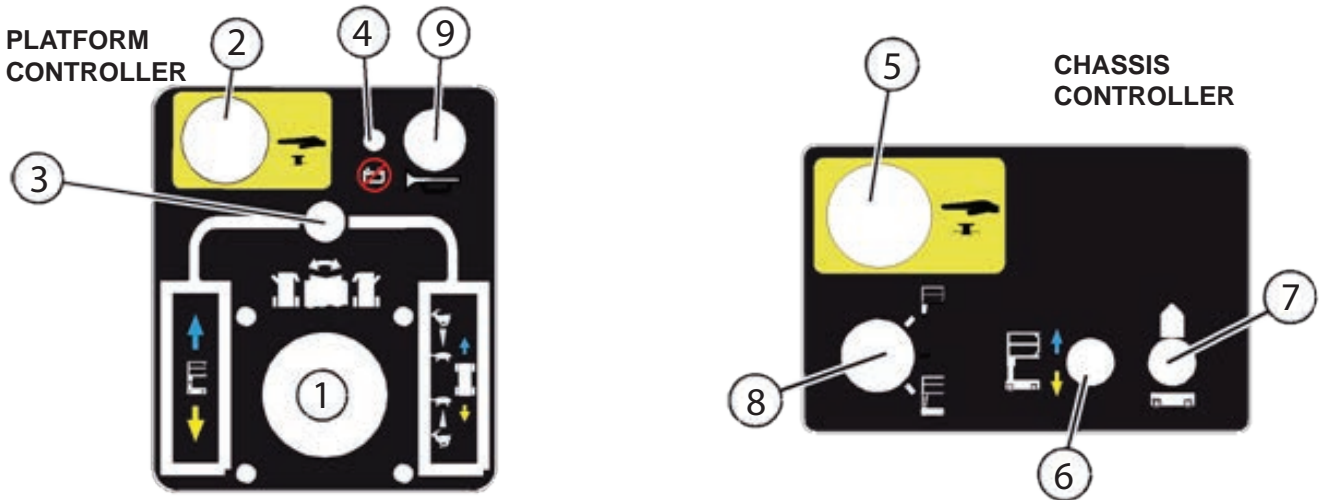


FIGURE 2-3: Controls and indicator locations

KEY			
1	JOYSTICK	6	PLATFORM RAISE/LOWER SWITCH
2	EMERGENCY STOP	7	ENABLE SWITCH
3	LIFT/DRIVE SELECT SWITCH	8	KEYSWITCH
4	LOW BATTERY INDICATOR	9	HORN BUTTON
5	EMERGENCY STOP (CHASSIS)	10	EZcal DISPLAY

PRE-OPERATION AND SAFETY INSPECTION

NOTE: Carefully read, understand and follow all safety rules, operating instructions, labels and National Safety Instructions/Requirements. Perform the following steps each day before use.

1. Open the chassis door and inspect for damage, fluid leaks or missing parts.
2.
 - Make sure the platform is fully lowered before checking the level of hydraulic fluid.
 - Open the chassis door to gain access to the hydraulic tank.
 - Check that the fluid level is between the minimum and maximum level marks indicated on either the side of the hydraulic tank or on the dipstick (if fitted).
 - The dipstick (if fitted) can be found on the bottom of the filling cap.
 - Add recommended hydraulic fluid if necessary using specifications set on page 24.
3. Check that the A.C. extension cord has been disconnected from the chassis outlet.
4. Check that the fluid level in the batteries is correct to that stated under "Battery maintenance" on page 20.
5. Verify that the batteries are charged by checking the % value under BCI on the EZcal display as shown on figure 2-3.
6. Check that all guardrails are in place and all fasteners are correctly tightened.
7. Inspect the machine thoroughly for cracked welds and structural damage, loose or missing hardware, hydraulic leaks, damaged control cable and loose wire connections.

SYSTEM FUNCTION INSPECTION

Refer to figure 2-2 and 2-3 for the locations of various controls and indicators.

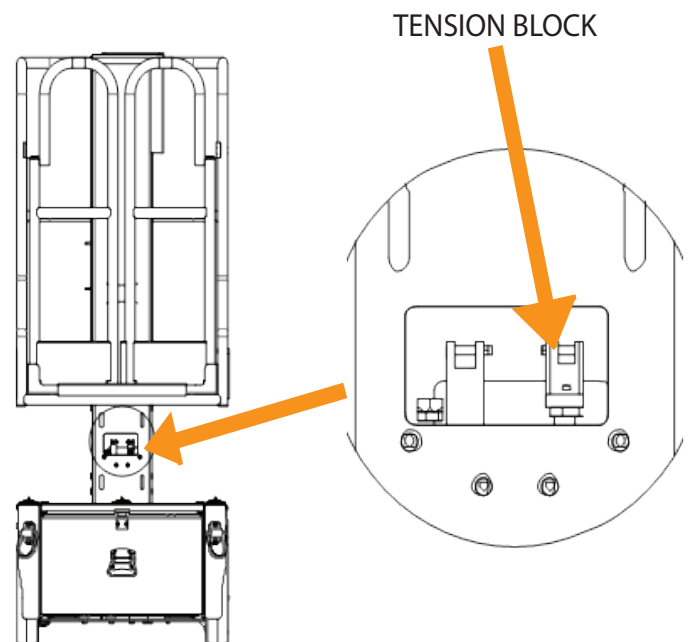
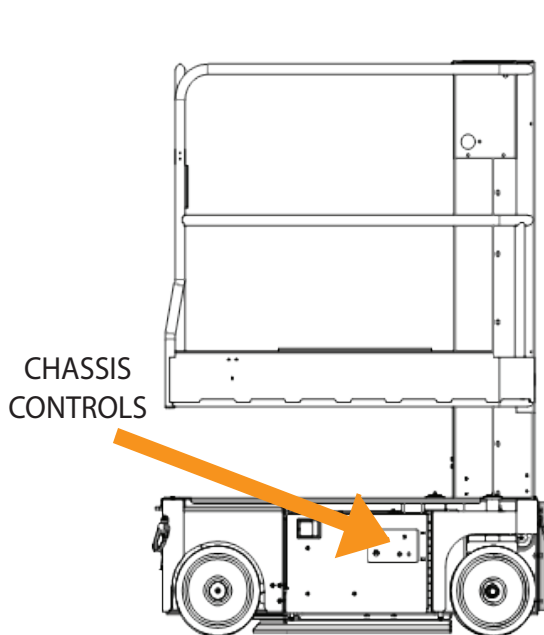


FIGURE 2-4: Chassis control unit

FIGURE 2-5: Tension blocks

1. Move the machine if necessary, to an unobstructed area to allow for full elevation.
2. Turn the chassis and platform emergency stop switches on by twisting clockwise and pulling the buttons out.
3. Check the level sensor operation by positioning the machine off level by more than 1.5 degrees side to side.
4. Raise the platform using the chassis controls. The alarm should sound and the platform should not be higher than 500 mm.
5. Lower the platform by pushing the chassis lift switch to a downwards position while holding the enable switch on and fully elevate the platform.
6. Repeat steps 3 and 4 with the machine off level by more than 2 degrees front to back.
7. Level the machine.
8. Push the chassis lift switch to the upwards position while holding the enable switch on and fully elevate the platform.
9. Visually inspect the mast assembly for damage or erratic operation. Check for missing or loose parts.
10. Refer to figure 2-5;
 - Visually inspect the two chain tensioning bolts on the platform mast and also the second mast to ensure locknuts are not loose.
 - Ensure the bolt thread is visible through the inspection holes in the tension blocks.

SYSTEM FUNCTION INSPECTION

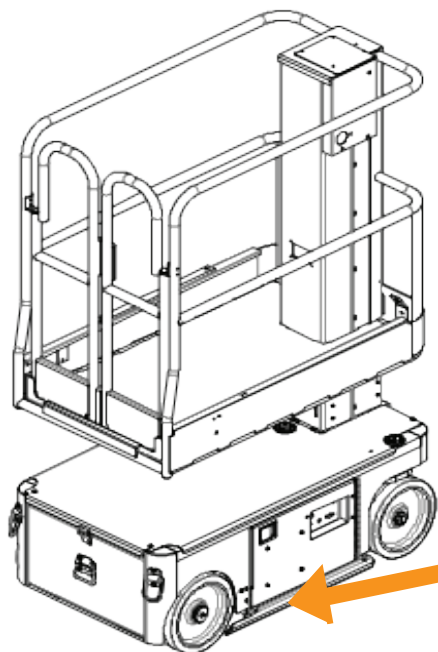


FIGURE 2-6: Pot hole bars

EMERGENCY LOWERING
VALVE

POT HOLE BARS
(1 ON EACH SIDE)



FIGURE 2-7: Emergency lowering valve

11. Verify that the pot hole cylinders have rotated the pot - hole bars into position under the machine.
12. Check to make sure the chassis emergency lowering valve as shown on figure 2-7 is operating correctly using the following procedure:
 - Open the valve by pulling the knob out.
 - Once the platform is fully lowered, close the valve by releasing the knob.
13. Push the chassis emergency stop switch into the off position to check that all machine functions are disabled. Pull out the chassis emergency stop switch to resume.
14. Check that the route is level and capable of supporting the wheel load, clear of holes and drop offs, persons and obstructions.
15. Turn the key switch to platform control and mount the platform.
16. After mounting the platform, ensure gates are closed. Secure gate latch if supplied (Australian machines only).
17. To inspect the platform extension;
 - Inspect the foot lever to ensure that it releases the pin to extend the platform as shown in figure 2-8.
 - While facing the rear of the platform, step down on the foot lever and push the top rail of the extension deck backwards until the pin engages the stop and locates securely.
 - To retract the extension deck, face the rear of the platform. Step down on the foot lever and grasp the top rail of the extension deck pulling backwards to retract the deck until the pin engages the rear stop.
 - Make sure the platform extension deck is locked in position before continuing.
18. Select drive mode.
19. While pressing on the joystick interlock switch, slowly position the joystick to forward and reverse to check for speed and directional control. The further you push or pull the joystick from the centre, the faster the machine will travel.
20. While pressing on the joystick interlock switch, move the steering switch button right and then left to check for steering control.
21. Push the platform emergency stop switch down to the the off position to check that all machine functions are disabled. Twist and pull up the platform emergency switch to enable all machine functions.

Before operating the machine, ensure that the pre-operation safety inspection has been completed and that any deficiencies have been corrected. Never operate a damaged or malfunctioning machine. The operator must be thoroughly trained on this machine.

STEERING

NOTE: Steering is not automatically centred. Wheels must be returned to straight ahead position by operating the steering switch.

1. Select DRIVE mode.
2.
 - While operating the interlock switch, push the steering switch to right or left to turn the wheels in the desired direction.
 - Observe the tyres while manoeuvring the machine to ensure it moves in the correct direction.

ELEVATING PLATFORM

NOTE: If the chasis inclination exceeds the specification maximum inclination value, the tilt alarm will sound and the machine will not lift or drive. If the tilt alarm sounds, the platform must be lowered and the machine moved to a level location before attempting to re-elevate the platform.

1. Check clearances below and to the sides of the platform.
2. Select LIFT mode
3. While operating the joystick interlock switch, push joystick forward to the up position. The further you push the joystick, the faster the platform will elevate.

LOWERING PLATFORM

1. Check clearances below and to the sides of the platform.
2. Select lift mode.
3. While operating the joystick interlock switch, pull back on the joystick.

TRAVEL WITH PLATFORM LOWERED

NOTE: The machine's full travel speed range is enabled when the platform is in the lowered (stowed) configuration.

1. Check that the route is level and capable of supporting the wheel load, clear of holes and drop-offs, persons and obstructions.
2. Verify that the chassis key switch is turned to platform control and the chassis emergency stop switch is on by twisting and pulling the button out.
3. After mounting the platform, ensure gates are close behind you.
4. Check clearances above, below and to the sides of the machine.
5. Be aware of the potential crushing hazards when holding handrails while the platform is moving in close proximity to other objects.
6. Twist and pull the platform controller emergency stops switch up to the on position.
7. Select drive mode.
8.
 - While operating the joystick interlock switch, slowly push or pull the joystick forward or reverse to travel in the desired direction.
 - The further you push or pull the joystick from the centre, the faster the machine will travel.

OPERATION

TRAVEL WITH PLATFORM ELEVATED

NOTE: The machine will travel at reduced speed when the platform is elevated.

1. Check that the route is level and capable of supporting the wheel load, clear of holes and drop-offs, persons and obstructions.
2. Check clearances above, below and to the sides of the platform.
3. Be aware of the potential crushing hazards when holding handrails while the platform is moving in close proximity to other objects.
4. While the machine is elevated above 500mm, select "DRIVE" mode.
5. While operating the joystick interlock switch, push joystick to forward or reverse for desired direction of travel.
6.
 - If the chassis inclination exceeds the specification maximum inclination value, the tilt alarm will sound and the machine will not lift or drive.
 - If the tilt alarm sounds, the platform must be lowered and the machine moved to a level location before attempting to re-elevate the platform.

DRIVE SPEED

The drive speed is proportional to the joystick position. The further the joystick is moved, the faster the machine will travel. Always slow down before travelling over rough terrain or surfaces.

Drive speed ranges are interlocked via a mast proximity switch which senses the platform position (Stowed or Elevated).

- When the platform elevation (platform floor to floor level) is below approximately 750mm (29.5"), the full drive speed range is enabled.
- When the platform elevation (platform floor to floor level) is above approximately 750mm (29.5"), only reduced drive speed range is enabled.



Do not use the aerial platform if it drives faster than 0.43km/h (0.27mph) which is 3600mm (17'9") in 30 seconds when the platform elevation (platform floor to floor level) is above approximately 750mm (29.5").

DRIVE/LIFT LEVEL SENSOR INTERLOCK

When the platform elevation (platform floor to floor level) is approximately 750mm (29.5"), lift and drive functions are interlocked through a level sensor system. If the chassis inclination is greater than 1.5 degrees side to side or 2 degrees front to back, platform raise and drive functions are disabled and an alarm sounds when these controls are activated.

If the drive/lift level sensor interlock shuts off the platform raise and drive functions, lower the platform and drive to a level surface.

EXTENDING THE PLATFORM

! W A R N I N G !

The extension deck is free to move when the foot lever is pressed down on. Personal injury may result from accidentally extending or retracting the deck. Make certain the pin is engaged when the deck is extended in the working position and when it is stowed. **DO NOT** attempt to extend or retract the platform unless the aerial platform is on level surface.

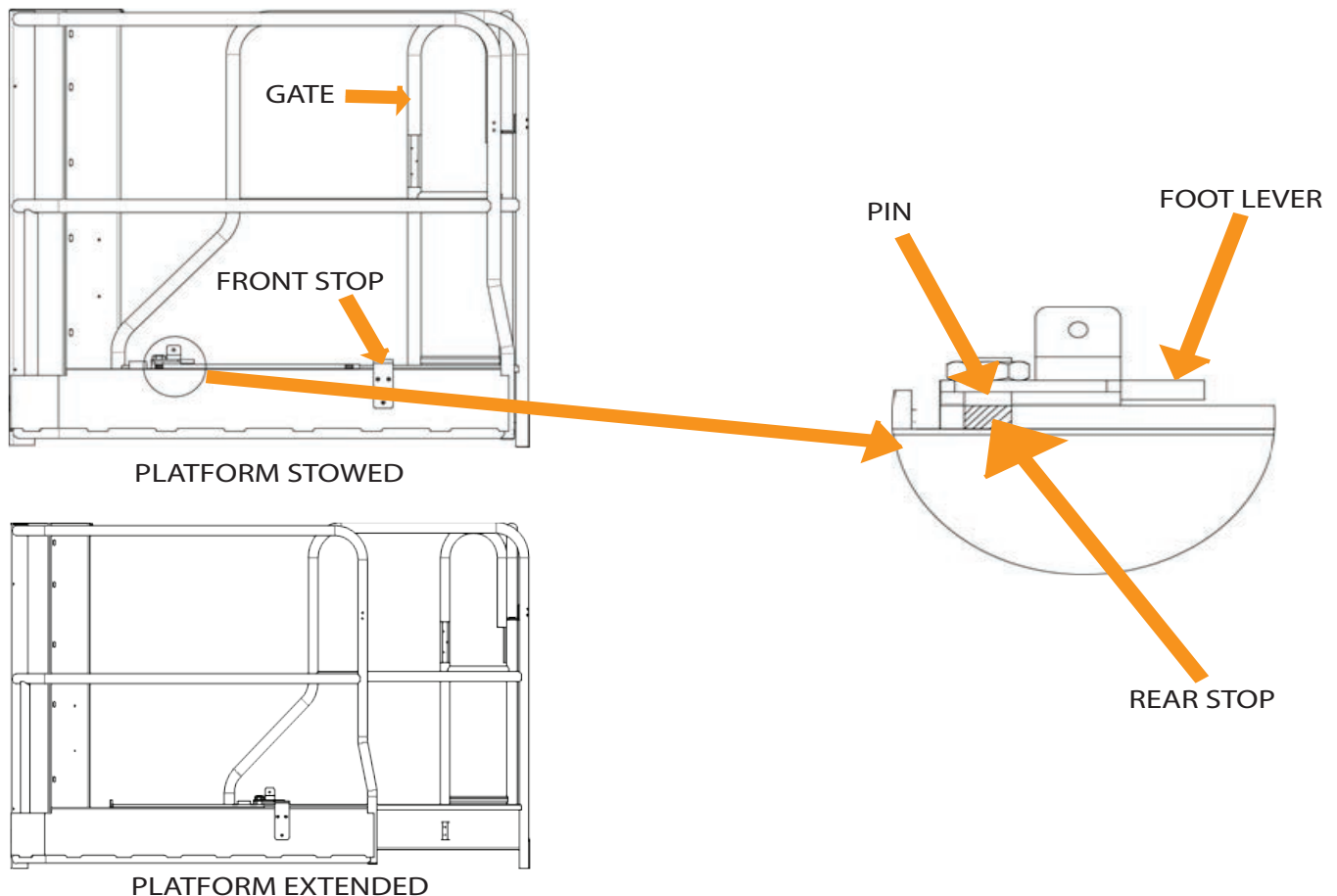


FIGURE 2-8: Platform stowed and extended positions

PLATFORM EXTENSION PROCEDURE

1. Enter the platform, close the gate and secure gate latch if supplied (Australian machines only)
2. While facing the rear of the platform, step down on the foot lever and push the top rail of the extension deck backwards to extend the deck until the pin engages the front stop. Refer to figure 2-8.
3. Try to move the rails back and forth to make sure the platform extension deck is locked in position.

PLATFORM RETRACTION PROCEDURE

1. Enter the platform, close the gate and secure gate latch if supplied (Australian machines only).
2. While facing the rear of the platform, step down on the foot lever and pull the top rail of the extension deck forward until the pin engages the rear stop. Refer to figure 2-8.
3. Try to move the rails back and forth to make sure the platform extension deck is locked in position.

OPERATION

EMERGENCY LOWERING



Ask a person on the ground to open the “Emergency lowering valve” to lower the platform. The “Emergency lowering valve” is located at the front of the chassis as shown on figure 8.

1. Open the “Emergency lowering valve” by pulling the knob out.
2. To close, release the knob.

NOTE: The platform will not elevate if the “Emergency lowering valve” is open.

PARKING BRAKE RELEASE

Perform the following procedure only when the machine will not operate under its own power and it is necessary to move the machine or when winching onto a trailer for transport.

1. Remove the spring compression nut so the spring is loose and the brake bars are away from the tyres.
2. Disconnect the drive motor hydraulic hose from port “D1” on the hydraulic manifold and immediately cap the opening to prevent foreign material from entering. Open the cap from the oil tank and place the end of the hose into the tank. This will allow the drive motors to turn freely and oil from them will be fed back into the tank.
3. The machine will now roll when pushed or pulled.

SPRING COMPRESSION NUT

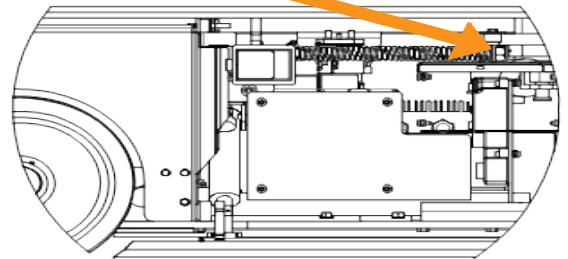


FIGURE 2-9: Parking brake release

After moving the machine and before normal operation:

1. Re-connect the drive motor hose to “D1” on the hydraulic manifold.
2. Ensure Drive/Steer wheels are clear of the ground.
3. Operate drive (fwd or rev), Assistance will be required to complete this process.
4. Adjust spring compression nut until spring is fully compressed.
5. Restore machine to its original position.



After use each day;

1. Ensure that the platform is fully lowered.
2. Park the machine on a firm level surface, preferably under cover, secure against vandals, children and unauthorised operation.
3. Turn the chassis key switch to OFF and remove the key to prevent unauthorised operation.

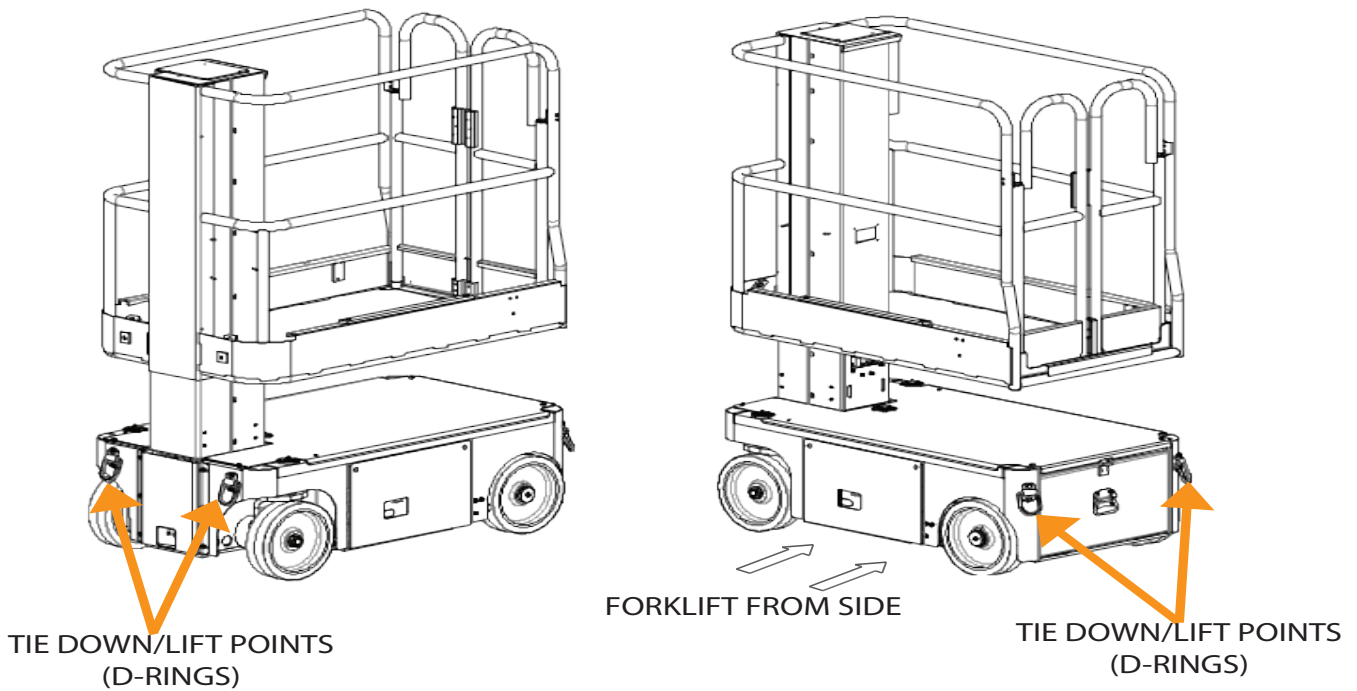


FIGURE 2-10: Safe transportation procedure

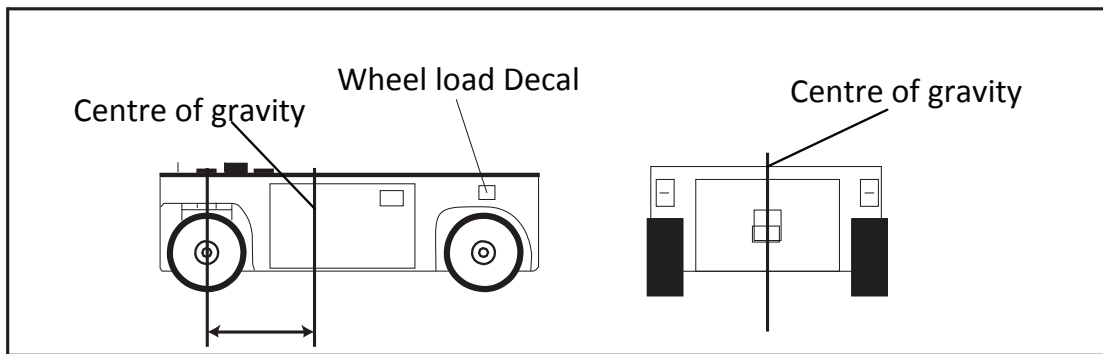


FIGURE 2-11: Centre of gravity when empty

The machine can be transported using any of the procedures stated below.

CRANE

Before lifting with a crane, ensure the straps to chassis lifting/tie down points are securely fastened. A view of the chassis lifting points is shown in figure 2-10.

FORKLIFT

! D A N G E R !

Forklift is for transport only. Refer to specifications for weight of the machine on page 24 and be certain that the forklift is of adequate capacity to lift the machine.

A view of the forklift lifting procedure is shown in figure 2-10.

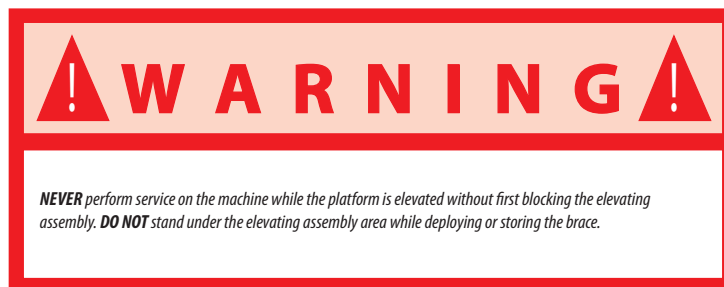
MACHINE TRANSPORTATION

TRUCK

1. Manoeuvre the machine into transport position and chock the wheels.
2. Secure the machine to the transport vehicle with chains or straps of adequate load capacity attached to the chassis lifting/tie down points.



BLOCKING THE ELEVATING ASSEMBLY



Before performing any maintenance operation on the machine (Chassis) which involves the platform in an elevated position, it is important to brace the 2nd mast with a block of wood as shown in figure 2-12.

INSTALLATION PROCEDURE

1. Park the machine on a hard level ground.
2. Verify that the chassis emergency stop switch is on.
3. Switch the key switch to chassis control.
4. Push and hold the enable toggle switch and push the chassis lift/lower toggle switch to the up position to elevate the platform approximately 1.2m (4ft.)
5. Place a solid wood block of size 51mm x 100mm x 450mm (2" x 4" x 18") between the second mast section and chassis just behind the mast assembly.
6. Push and hold the enable toggle switch and push the chassis lift/lower toggle switch to the down position to gradually lower the platform until the second mast section is supported by the block.

REMOVAL PROCEDURE

1. Push and hold the enable toggle switch and push the chassis lift/lower toggle switch to the up position and gradually raise platform until the wood block can be removed.
2. Remove the block.
3. Push and hold the enable toggle switch and push the chassis lift/lower toggle switch to the down position and completely lower the platform.

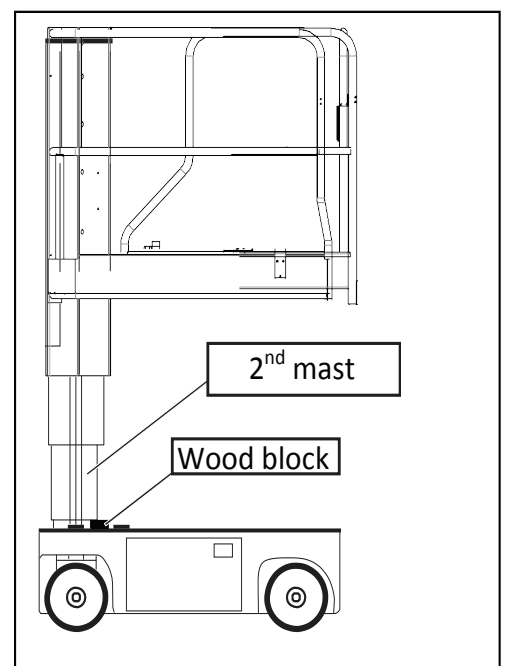


FIGURE 2-12: Supporting the elevated assembly

MAINTENANCE

HYDRAULIC FLUID



The hydraulic fluid reservoir is located on the chassis door as shown in figure 2-13.

HYDRAULIC FLUID CHECK PROCEDURE

1. Make sure that the platform is fully lowered.
2. Open the chassis door.
3. Check that the fluid level is between the minimum and the maximum level marks indicated on either the side of the hydraulic tank or on the dipstick (if fitted). The dipstick if fitted can be found on the bottom of the filling cap.
4. To add hydraulic fluid, remove the filler cap as shown in figure 2-13.
5. Add the recommended hydraulic fluid if necessary using specifications set on page 24

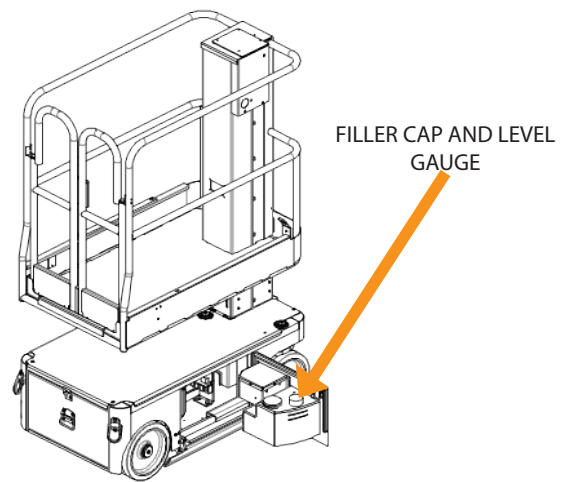


FIGURE 2-13: Hydraulic reservoir

BATTERY MAINTENANCE



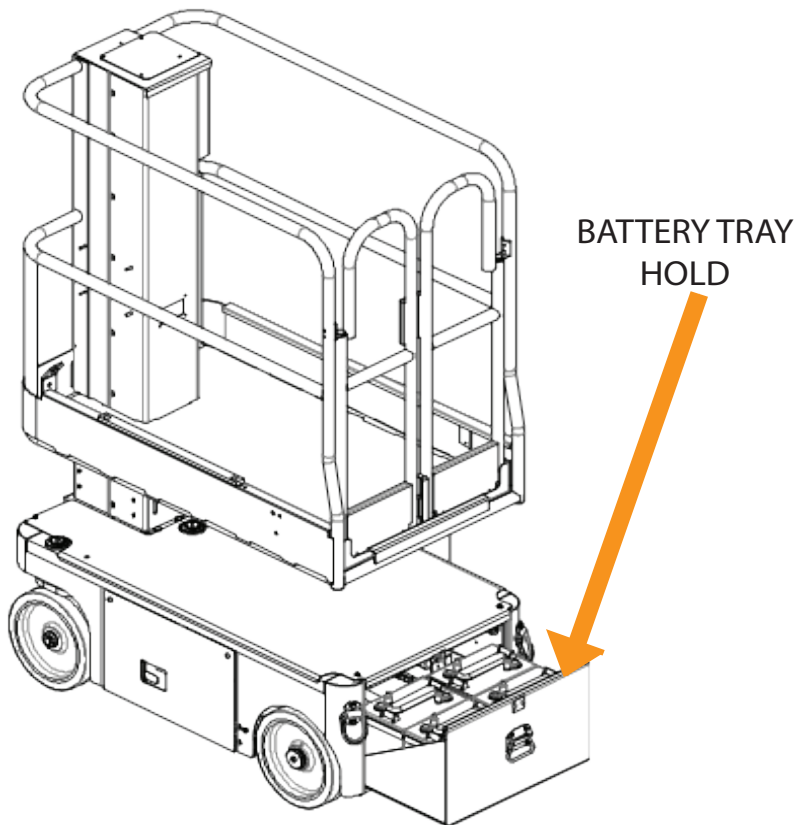


FIGURE 2-14: Battery access

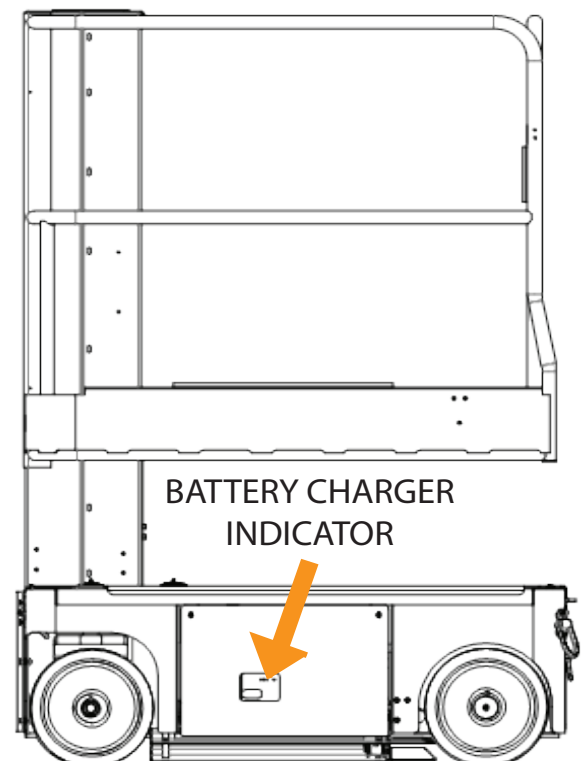


FIGURE 2-15: Battery charge indicator location

Refer to the service manual for complete service instructions to ensure an extended battery life span. The daily maintenance checks needed are;

1. Check the battery fluid level daily, especially if the machine is being used in a warm, dry climate.
2. Keep the terminals and the top of the batteries clean.

BATTERY CHARGING

! W A R N I N G !

*Charge the batteries in a well ventilated area. **DO NOT** charge the batteries when the machine is near a source of sparks or flames. Permanent damage to the batteries will result if the batteries are not immediately re-charged after discharging. **NEVER** leave the battery charger operating for more than two days. **Never** disconnect the cables from the batteries when the charger is operating. Keep the charger dry.*

1. Check the battery fluid level. If the battery fluid level is lower than 10 mm (0.375 in.) above the plates, add distilled water only.
2. Connect an extension cord (1.5mm² [12 gauge] minimum conductor diameter; 15m (50ft.) maximum length) to the charger plug located at the left side of the chassis.

MAINTENANCE

3. The charger turns on automatically after a short delay. Look through the charge indicator cut-out to check the state of charge. The state of charge categories is stated below;
 - 0-50% Charge:
 - First light - BLINKING -
 - Second and Third light - OFF
 - 50% - 75% Charge:
 - First Light - ON
 - Second light - BLINKING -
 - Third light - OFF
 - 75% - 100% Charge:
 - First and Second light - ON
 - Third light - BLINKING -
 - Charge complete
 - All lights - ON

The charger automatically shuts down to low current after charging is complete and all lights turn on. Low current charging (equalizing charge) carries on for 3-4 hours after which the current shuts off completely.

4. Lights remain on until the AC power supply is disconnected.

NOTE: The battery charger circuit must be used with a GFI (Ground fault interrupt) outlet.

NOTE: DO NOT operate the machine while the charger is plugged in.

INSPECTION AND MAINTENANCE SCHEDULE

The complete inspection consists of periodic visual and operational checks along with periodic minor adjustments that assure proper performance. Daily inspection will prevent abnormal wear and prolong the life of all systems. The inspection and maintenance schedule should be performed at the specific intervals or at intervals to suit the relevant national body, whichever is the lesser. Inspection and maintenance shall be performed by personnel who are trained and familiar with mechanical and electrical procedures.



Table 2-2 below is a daily preventative maintenance checklist. The checklist has been designed for the machine service and maintenance. Please photocopy and use the checklist when inspecting the machine.

MAINTENANCE CHECKLIST

DAILY PREVENTATIVE MAINTENANCE SCHEDULE

MAINTENANCE TABLE KEY

Y = Yes/Acceptable
N = No/Not Acceptable
R = Repaired/Acceptable

PREVENTATIVE MAINTENANCE REPORT

Date: _____
 Owner: _____
 Model #: _____
 Serial #: _____
 Serviced by: _____

COMPONENT	INSPECTION OR SERVICES	Y	N	R
Operator's Manual	Check that the operators manual is in the manual holder and all pages are intact and readable			
Labels & Decals	Check that labels and decals are in place, intact and readable			
Entire Unit	Perform pre-operation inspection			
	Check for and repair any damage			
Electrical system	Check cables and wiring harness condition (No wear or physical damage)			
Battery System	Check electrolyte level, (if applicable).			
	Check battery cable condition			
	Check terminals are clean and connectors are tight			
	Check charger condition and operation			
	Charge batteries			
Hydraulic fluid	Check oil level			
Hydraulic system	Check all fittings are tight and there are no leaks			
Drive motors	Check for operation and leaks			
Hydraulic pump	Check fittings are secure and there are no leaks			
Emergency lowering	Check emergency lowering correctly (See emergency lowering procedure)			
Controller	Check condition and operation			
Platform deck and rails	Check fasteners are in place, correctly tightened and not damaged			
	Check the structure and welds for damage, deformation, corrosion and cracks			
	Check condition of deck (no damage, deformation, corrosion or cracks)			
	Check entry gate closure functions correctly			

COMPONENT	INSPECTION OR SERVICES	Y	N	R
Elevating assembly	Inspect for external damage, dents, loose rivets or cracks, loose chain tensioner locknuts			
	Check the structure and welds for damage, deformation, corrosion and cracks			
Chassis	Check cables for pinch or rubbing points			
	Check the structure and welds for damage, deformation, corrosion and cracks			
Lift Cylinder	Check for leaks			
Wheels	Check for loose components			
	Check for damage to tyres			
Harness anchor point	Check fasteners are secure			
	Check for damage, deformation, corrosion and cracks			
System function inspection	Conduct system function inspection (see system function inspection procedure)			
Emergency stops	Check that the emergency stop button on the basket panels operates correctly			
	Check that the emergency stop button on the ground control panel operates correctly			
Brakes	Check that the brakes operate correctly			
Horn	Check that the horn sounds when activated			
Proximity switch and controller	Check armguard lowering functions correctly when the platform is being lowered.			
	Check full drive speed range is enabled when the platform is stowed.			
	Check that only reduced drive speed range is enabled when the platform is elevated.			

Table 2-2: Daily preventative maintenance checklist

*** NOTE: Use ISO #46 during summer and ISO #32 during winter**

SPECIFICATIONS

ITEM	TM12
Platform size	740 mm X 960 mm (29" X 38")
Maximum platform capacity	227 kg (500 lbs)
Maximum number of occupants	2 people indoors/1 person outdoors
Maximum manual force	A) per occupants: 200N (45 lbs) maximum B) two occupants: 400N (90 lbs) maximum
Maximum wind speed	12.5 m/s (28 mph) [Beaufort scale 6]
<u>HEIGHT</u> Working height Maximum platform height Minimum platform height	5600 mm (18ft) 3630 mm (11 ft 11") 4830 mm (19")
<u>DIMENSIONS</u> Weight Overall width Overall height Overall length	780 kg (1719 lbs.)/ with extension deck 830 kg (1829 lbs.) 760 mm (30") 1650 mm (65") 1360 mm (53.5")
<u>DRIVE SPEED</u> Platform lowered Platform raised	3.2 km/h (1.99 mph) 0.43 km/h (0.27 mph)
<u>PLATFORM OPERATION SPEED</u> Platform lowering Platform raise	19 seconds 16 seconds
Energy source	24V battery pack Four 220 ampere hour, 6 volt batteries, min. wt. 26.3 kg (58 lbs) each 4HP DC electric motor
System voltage	24 VDC
Battery charger	25 AMP, 220 V AC 50 Hz
Battery duty cycle	25% for 8 hours
Hydraulic reservoir capacity	7.2 L (1.9 gal)
Maximum hydraulic system pressure	165 bar (2400 psi)
<u>HYDRAULIC FLUID</u> Normal above 32° F [0° C] Low temperature below 32° F [0° C] Below 0° F [-17° C]	ISO #46 ISO #32 ISO #15
Lift system	One single stage lift cylinder
Drive control	Proportional
Control system	Proportional control handle with interlock, selector switch, red mushroom emergency stop switches
Horizontal drive	Dual front wheel
Tyres	305 mm (12") diameter solid rubber, Non - marking
Parking brakes	Dual, spring applied, hydraulic release
Turning radius	370 mm (14.5") inside
Maximum gradeability	14° (25%)
Wheel base	978 mm (38.5")
Guardrails	1100 mm (43")
Toeboard	152 mm (6")
Maximum chassis inclination (see page 19 for 2 degree side to side option)	1.5° side to side 2.0° front to back
Wheel loading no extension deck	325 kg per wheel / 716 lbs per wheel
Wheel loading with Extension deck	370 kg per wheel / 815 lbs per wheel
Machine vibration	Whole body vibration < 0.5 m/s ² , Hand/arm vibration < 2.5 m/s ²
Sound pressure level	< 70dB (A) at Control station
Operating temperature range	-20°C to +50°C

TABLE 2-3: TM12 Specification

NOTE: Specifications are subject to change without notice. Hot weather or heavy use may affect performance. Refer to the service manual for complete parts and service information. This machine meets or exceeds all applicable CE and GS machinery directive requirements.



ITEM	TM12
Platform size	740 mm X 960 mm (29" X 38")
Maximum platform capacity	227 kg (500 lbs)
Maximum number of occupants	2 people indoors/1 person outdoors
Maximum manual force	A) per occupants: 200N (45 lbs) maximum B) two occupants: 400N (90 lbs) maximum
Maximum wind speed	12.5 m/s (28 mph) [Beaufort scale 6]
<u>HEIGHT</u> Working height Maximum platform height Minimum platform height	5600 mm (18ft) 3630 mm (11 ft 11") 4830 mm (19")
<u>DIMENSIONS</u> Weight Overall width Overall height Overall length	912 kg (2010 lbs) 760 mm (30") 1650 mm (65") 1360 mm (53.5")
<u>DRIVE SPEED</u> Platform lowered Platform raised	3.2 km/h (1.99 mph) 0.43 km/h (0.27 mph)
<u>PLATFORM OPERATION SPEED</u> Platform lowering Platform raise	19 seconds 16 seconds
Energy source	24V battery pack Four 220 ampere hour, 6 volt batteries, min. wt. 26.3 kg (58 lbs) each 4HP DC electric motor
System voltage	24 VDC
Battery charger	25 AMP, 220 V AC 50 Hz
Battery duty cycle	25% for 8 hours
Hydraulic reservoir capacity	7.2 L (1.9 gal)
Maximum hydraulic system pressure	165 bar (2400 psi)
<u>HYDRAULIC FLUID</u> Normal above 32° F [0° C] Low temperature below 32° F [0° C] Below 0° F [-17° C]	ISO #46 ISO #32 ISO #15
Lift system	One single stage lift cylinder
Drive control	Proportional
Control system	Proportional control handle with interlock, selector switch, red mushroom emergency stop switches
Horizontal drive	Dual front wheel
Tyres	305 mm (12") diameter solid rubber, Non - marking
Parking brakes	Dual, spring applied, hydraulic release
Turning radius	370 mm (14.5") inside
Maximum gradeability	14° (25%)
Wheel base	978 mm (38.5")
Guardrails	1100 mm (43")
Toeboard	152 mm (6")
Maximum chassis inclination (see page 19 for 2 degree side to side option)	2.0° side to side 2.0° front to back
Wheel loading no extension deck	325 kg per wheel / 716 lbs per wheel
Wheel loading with Extension deck	370 kg per wheel / 815 lbs per wheel

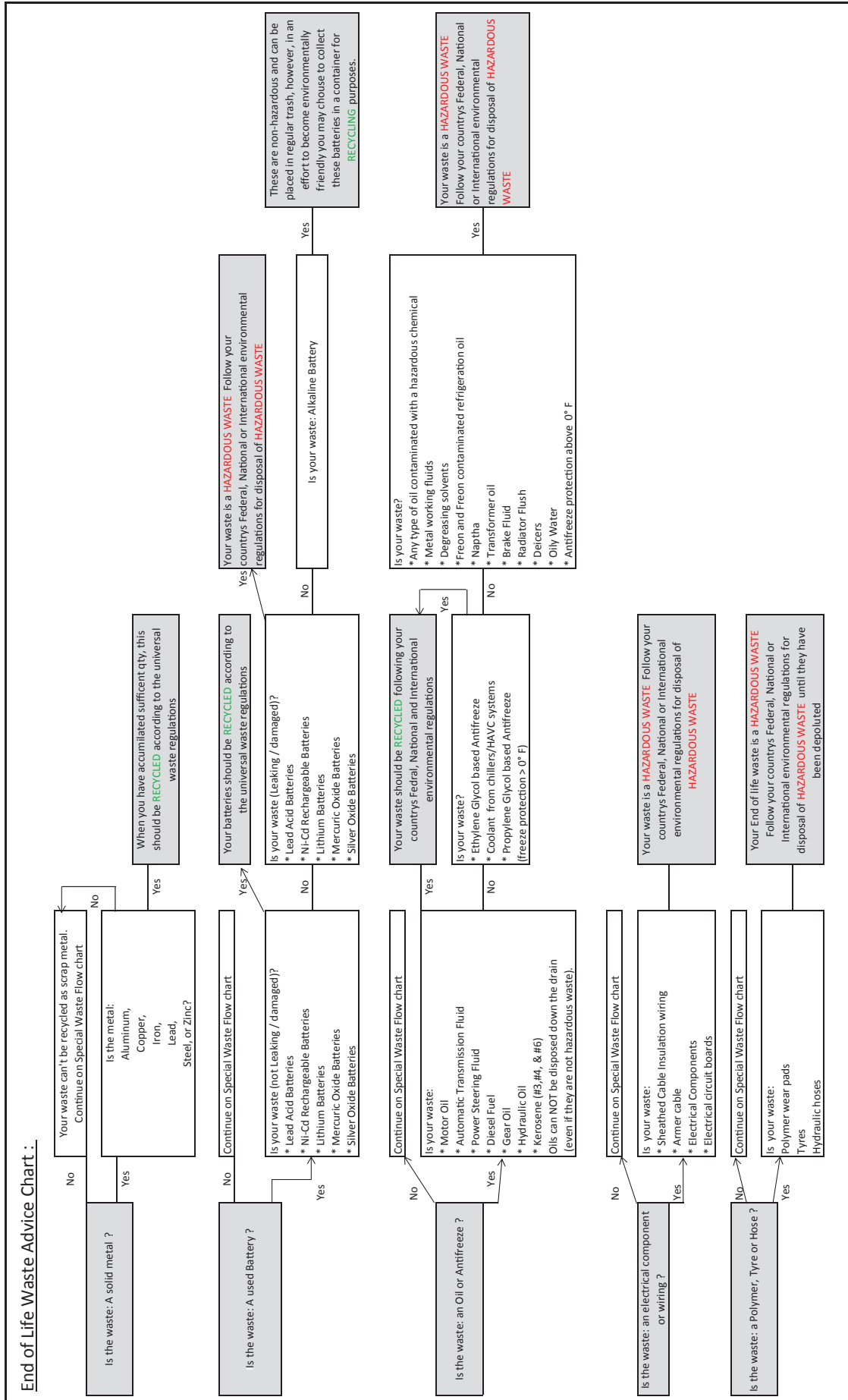
SPECIFICATIONS

Machine vibration	Whole body vibration < 0.5 m/s ² , Hand/arm vibration < 2.5 m/s ²
Sound pressure level	< 70dB (A) at Control station
Operating temperature range	-20°C to +50°C

TABLE 2-4: TM12 Specification for 2° maximum chassis inclination option

NOTE: Specifications are subject to change without notice. Hot weather or heavy use may affect performance. Refer to the service manual for complete parts and service information. This machine meets or exceeds all applicable CE and GS machinery directive requirements.

Section 7



**Local Distributor / Lokaler Vertiebs­händler / Distributeur local
El Distribuidor local / Il Distributore locale**

**EUROPE, MIDDLE EAST
AFRICA & ASIA**

**PHONE: +44 (0) 845 1550 058
FAX: +44 (0) 845 1557 756**

NORTH & SOUTH AMERICA

**PHONE: +1 785 989 3000
TOLL FREE: +1 800 255 0317
FAX: +1 785 989 3070**

AUSTRALIA

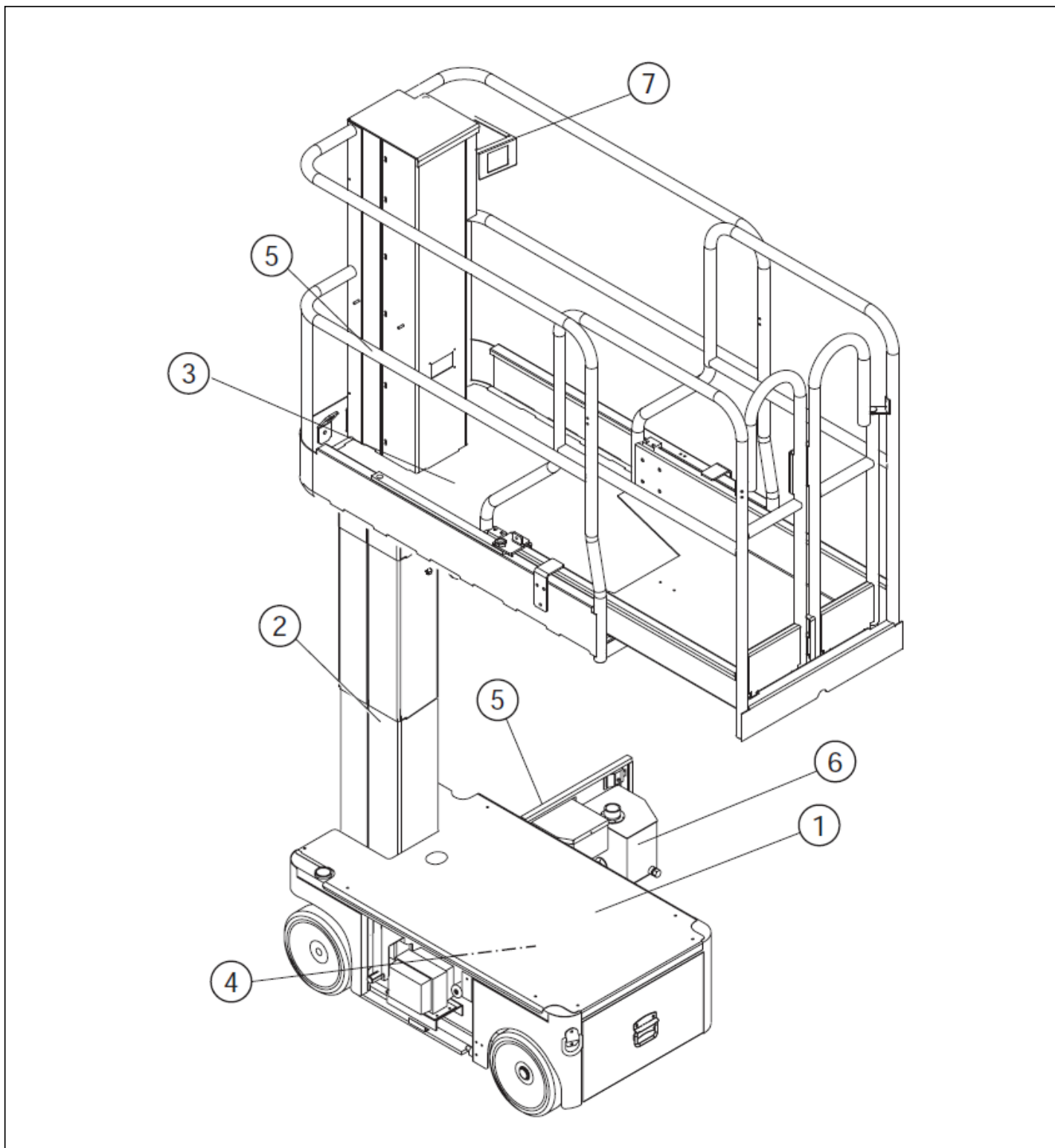
**PHONE: +61 1300 700 450
FAX: +61 2 9609 3057**

NEW ZEALAND

**PHONE: +64 6 3689 168
FAX: +64 6 3689 164**

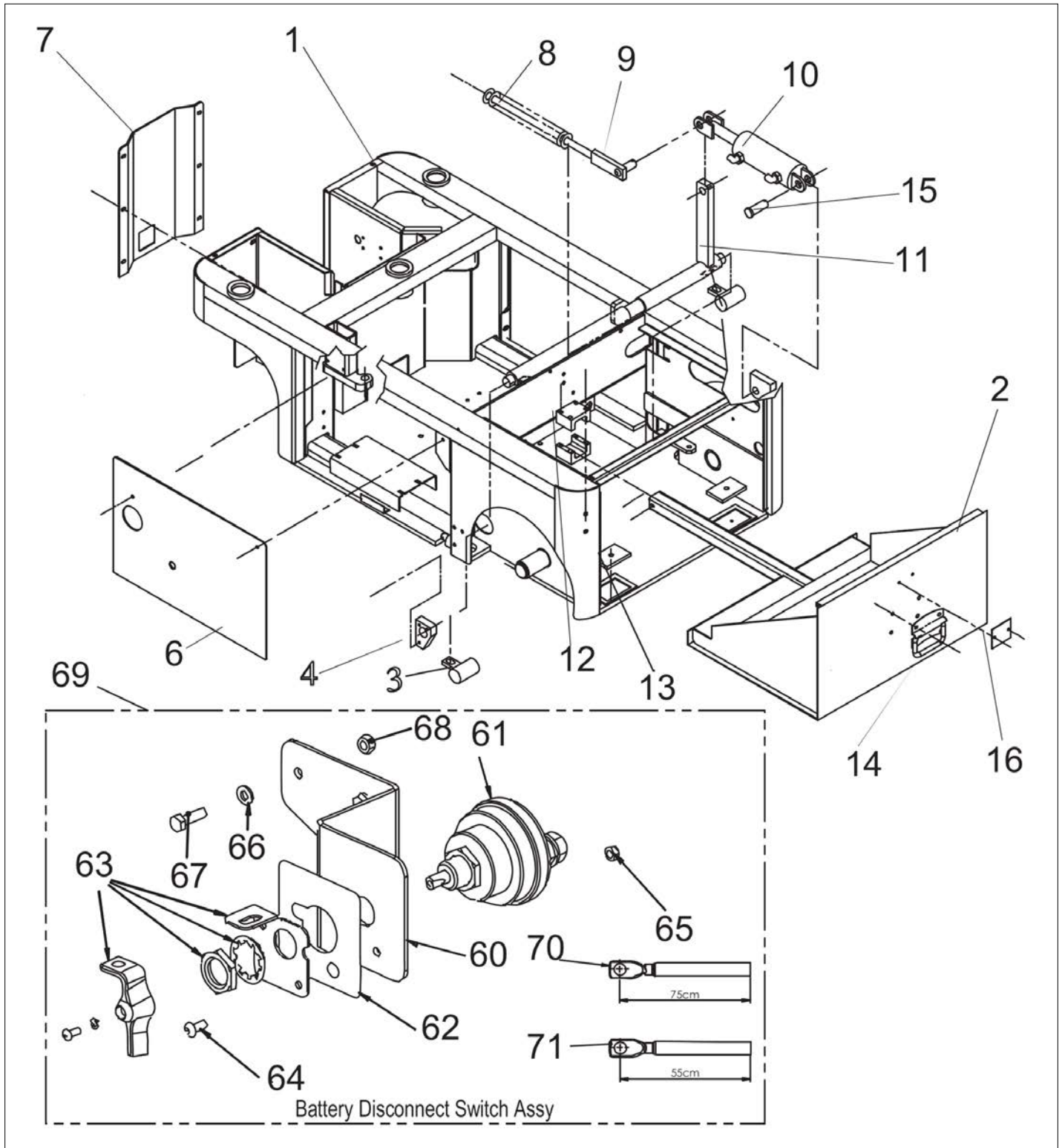
 **snorkel**
www.snorkellifts.com

REPAIR PARTS

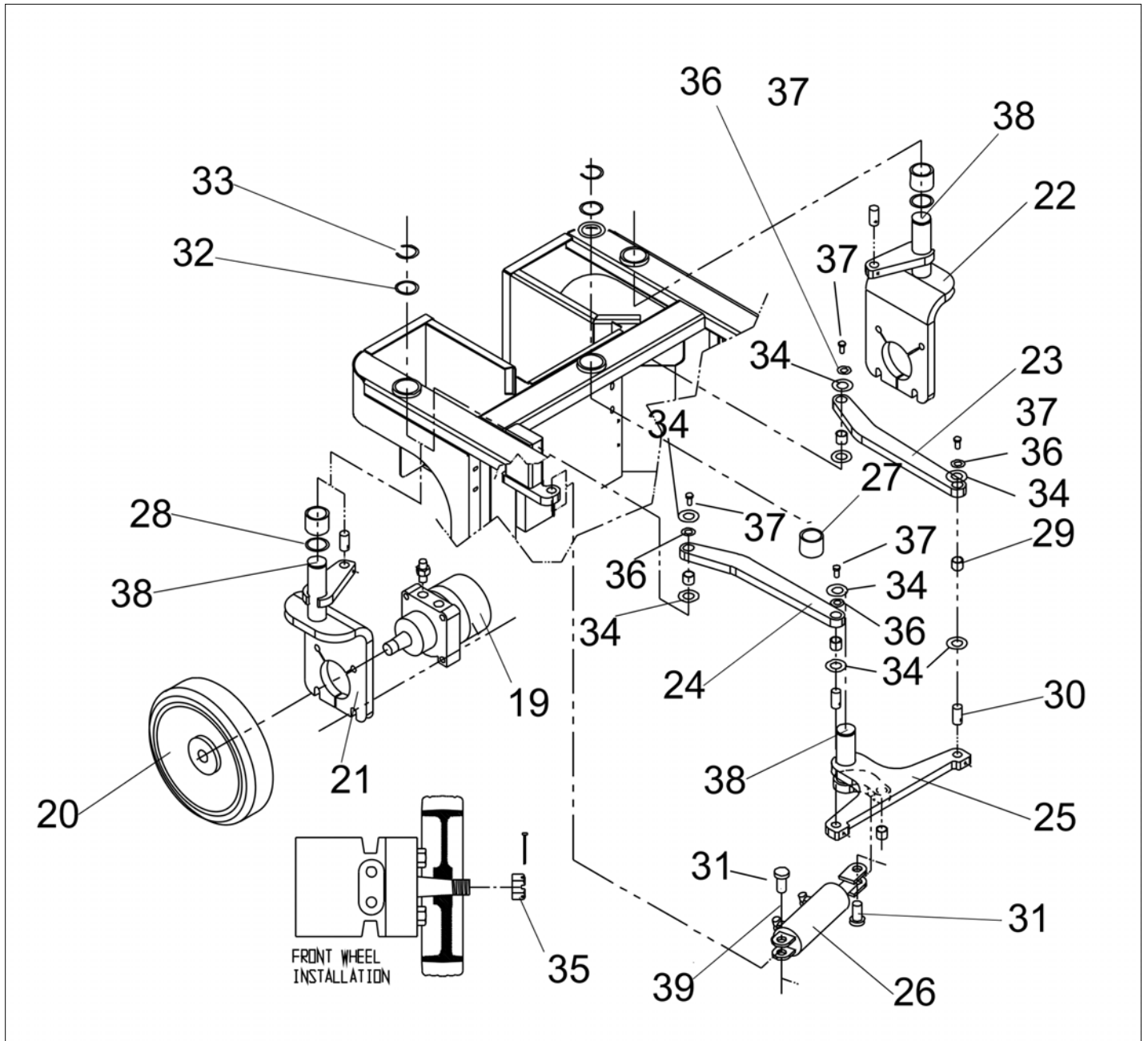


アイテム	部品番号	名前	数量	UOM
1	REF	CHASSIS	1	EA
2	REF	MAST ASSEMBLY	1	EA
3	REF	PLATFORM ASSEMBLY	1	EA
4	REF	CONTROL VALVE ASSEMBLY	1	EA
5	REF	LOWER CONTROLS ASSEMBLY	1	EA
6	REF	HYDRAULIC TANK ASSEMBLY	1	EA
7	REF	UPPER CONTROLS ASSEMBLY	1	EA

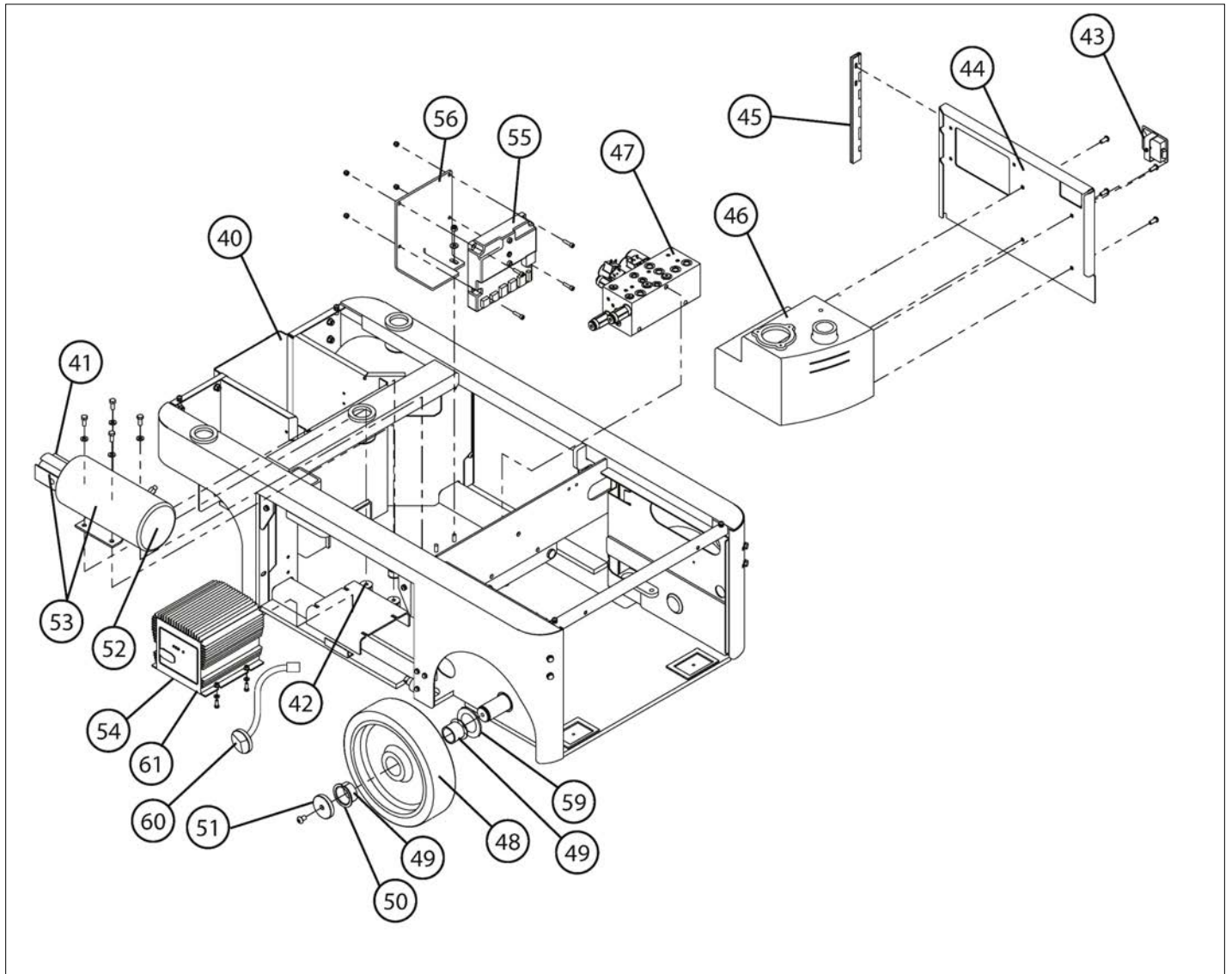
REPAIR PARTS



アイテム	部品番号	名前	数量	UOM
1	512896 000	CHASSIS WELDMENT	1	EA
2	065465 000	BATTERY PAN WELDMENT	1	EA
2	515515 000	BATTERY PAN WELDMEN	1	EA
3	065472 000	SHOE PARK BRAKE	2	EA
4	505031 001	BRAKE BEARING (RH) & (LH), (BEFORE SN 01 XXXX01640)	2	EA
4	505031 003	BRAKE BEARING MOUNT LH, (AFTER SN:01 XXXX01641)	1	EA
4	505031 002	BRAKE BEARING MOUNT RH, (AFTER SN:01 XXXX01641)	1	EA
	058491 020	HHCS M6 X 1 X 20 G8.8 DIN 933	6	EA
	056066 006	Nut NylockNut DIN985 M6 8.0 Zi	6	EA
6	513057 000	CHASSIS ACCESS PANEL (Before SN 01 000001806)	1	EA
6	515512 000	CHASSIS ACCESS PANEL	1	EA
7	065532 000	FRONT COVER	1	EA
8	510931 000	SPRING COMPRESSION	1	EA
9	065474 000	TENSION BAR WELDMENT	1	EA
10	REF	CYLINDER ASSY (BRAKE)	1	EA
	REF	SEAL KIT, CYLINDER	A/R	EA
11	065469 000	BRAKE ACTUATOR WELDMENT	1	EA
12	509413 000	GUIDE PAD	2	EA
13	505030 000	SLIDE PAD	2	EA
14	026541 016	HANDLE	1	EA
15	011848 019	PIVOT PIN, STEERING CYLINDER	1	EA
16	065569 000	SPACER PLATE , BATTERY TRAY SECURING PIN	1	EA
17	065536 000	MAIN CHASSIS COVER (NOT SHOWN)	1	EA
17	OPTION	2 ° SIDE TO SIDE OPTION REPLACES PN : 056536 000		EA



アイテム	部品番号	名前	数量	UOM
17	514747 000	2 ° SIDE TO SIDE OPTION BALLAST (NOT SHOWN OPTION)	1	EA
17	514746 000	2 ° SIDE TO SIDE OPTION CHASSIS COVER (NOT SHOWN OPTION)	1	EA
17	510683 025	M10 X 25 HEX BOLT (NOT SHOWN OPTION)	4	EA
17	510570 010	M10 SPRING WASHER (NOT SHOWN OPTION)	4	EA
19	101125 001	MOTOR HYDRAULIC	2	EA
*	101125 010	SEAL KIT (MOTOR)	2	EA
20	510815 000	WHEEL, DRIVE	2	EA
21	107186 000	WHEEL YOKE, L.H.	1	EA
22	107185 000	WHEEL YOKE, R.H.	1	EA
23	065517 000	STEER LINK RH	1	EA
24	065518 000	STEER LINK LH	1	EA
25	065445 000	BELL CRANK WELDMT	1	EA
26	REF	CYLINDER ASSY, BRAKE/STEER	1	EA
	REF	SEAL KIT, BRAKE/STEER CYLINDER	A/R	EA
27	505043 000	BUSHING, BELL CRANK & STEER YOKE PIVOT	3	EA
28	508108 000	BUSHING (FLAT), STEER YOKE PIVOT	3	EA
29	503673 000	BUSHING, STEERING LINK ARMS & BELL CRANK WELDM	5	EA
30	505034 000	PIVOT PIN, STEERING LINK ARMS	4	EA
31	011848 019	PIVOT PIN, STEERING CYLINDER	2	EA
32	508108 000	BUSHING (FLAT), STEER YOKE PIVOT	2	EA
33	505038 000	CIRCLIP	2	EA
34	505045 000	SPACER (STEERING LINK)	8	EA
35	061817 011	CASTLE NUT, (DRIVE WHEELS)	2	EA



アイテム	部品番号	名前	数量	UOM
36	500509 016	WASHER M6 (STEERING LINKARMS)	4	EA
37	056491 016	M6 X 16 HEX HEAD SCREW	4	EA
38	057048 000	GREASE NIPPLE	3	EA
39	505075 000	SPACER	1	EA
40	512896 000	CHASSIS WELDMENT	A/R	EA
41	514275 001	PUMP	1	EA
42	501814 000	VIBRATION MOUNT	4	EA
43	505024 000	LATCH (HINGING DOOR)	1	EA
44	107149 010	DOOR (HINGED)	1	EA
45	505025 000	HINGE	1	EA
46	REF	TANK, (HYDRAULIC RESERVOIR)	1	EA
47	513615 000	HYDRAULIC MANIFOLD BLOCK (see page 6 12)	1	EA
48	510816 000	IDLER WHEEL	2	EA
58	513048 000	BATTERY CABLE SET (NOT SHOWN, REFER TO SECTION 3 6, SERVICE & REPAIR FOR CABLE LOCATION)	1	EA
49	505041 000	BUSHING, SPACER	4	EA
50	505038 000	CIRCLIP	2	EA
51	505027 000	CIRCLIP COVER	2	EA
52	514275 002	PUMP MOTOR	1	EA
53	514275 000	PUMP / MOTOR ASSY. (MADE FROM ITEM 52 & 41)	A/R	EA
54	1450029	BATTERY CHARGER	1	EA
54	510298 000	BATTERY CHARGER (SN 061028 to 01 01411)	1	EA
54	515098 000	CHARGER 24vdc, PYLON (SN 01 01412)	1	EA
55	3087800	EZ230 CONTROLLER	1	EA
56	510463 000	EZ230 CONTROLLER MOUNT BRACKET	1	EA

アイテム	部品番号	名前	数量	UOM
57	512950 000	WIRING HARNESS (NOT SHOWN, REFER TO ELECTRICAL SCHEMATIC 5.2)	1	EA
59	010092 014	THRUST WASHER	2	EA
72	515098 001	WIRE ASSEM, CHARGER LED, PYLON (SN 01 01412 +)	1	EA
73	514995 000	ADAPTER PLATE ASSY (SN 01 01412 +)	1	EA
60	515513 001	BATTERT DISCONNECT BRACKE	1	EA
61	3020061	Battery Disconnect Nut	1	EA
62	0102006	Decal Battery Disconnect	1	EA
63	300840	Lock Out Lever Assembly	1	EA
64	505082 012	BUTTON HD SCREW M5 x 12 LG	1	EA
65	056066 005	Nut NylockNut DIN985 M5 8.0 Zi	1	EA
66	056069 006	WSHR STEELFLATWSHE M6 DIN125A	2	EA
67	058491 020	HHCS M6 X 1 X 20 G8.8 DIN 933	2	EA
68	056066 006	Nut NylockNut DIN985 M6 8.0 Zi	2	EA
69	515513 000	BATTERY DISCONNECT SW KIT	2	EA
70	515514 001	BATTERY CABLE	1	EA
71	515514 002	BATTERY CABLE	1	EA

REPAIR PARTS

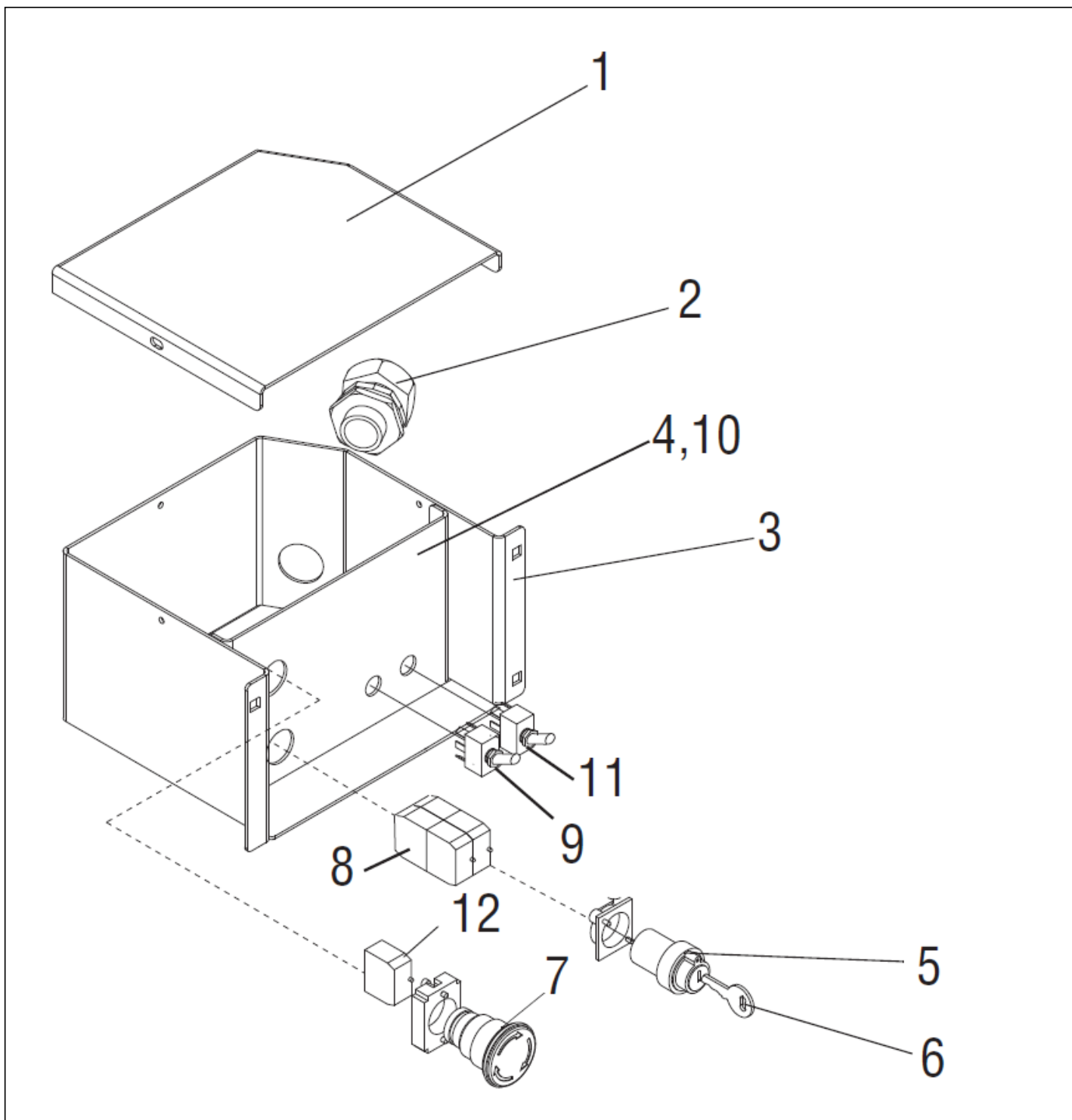
Electric Kit 510520-000

Kit Qty	Part Number	Description
Ground Control Box		
1	510522-000	Toggle Switch SPDT (on)-off-(on)
1	510521-000	Toggle Switch, on-(on)
1	510524-000	Twist to Release Emergency Stop
1	510525-000	Normally Closed Contact Block
2	510527-000	Normally Open Contact Block
Platform Control Box		
1	510541-000	Toggle Switch SPDT on-on
1	510542-000	Black Flush Pushbutton (Horn Pushbutton)
1	510524-000	Twist to Release Emergency Stop
1	510525-000	Normally Closed Contact Block
1	510527-000	Normally Open Contact Block
1	510528-000	Red LED, Prominent 24VDC
External Components		
1	501868-000	Disk Type Horn, High Note Continuous, 24V
1	502494-000	Fork Lift Truck Fuses, 175A
1	446086	Fuseholder
1	502588-000	Continuous Audible Alarm, 80-95dB, 4-28VDC
1	512684-000	Right Angled Bracket, for Mounting Buzzer
1	502489-000	WR DC Solenoid Contactor
3	514182-000	Toggle switch rubber boot

Harness Kit 510950-000

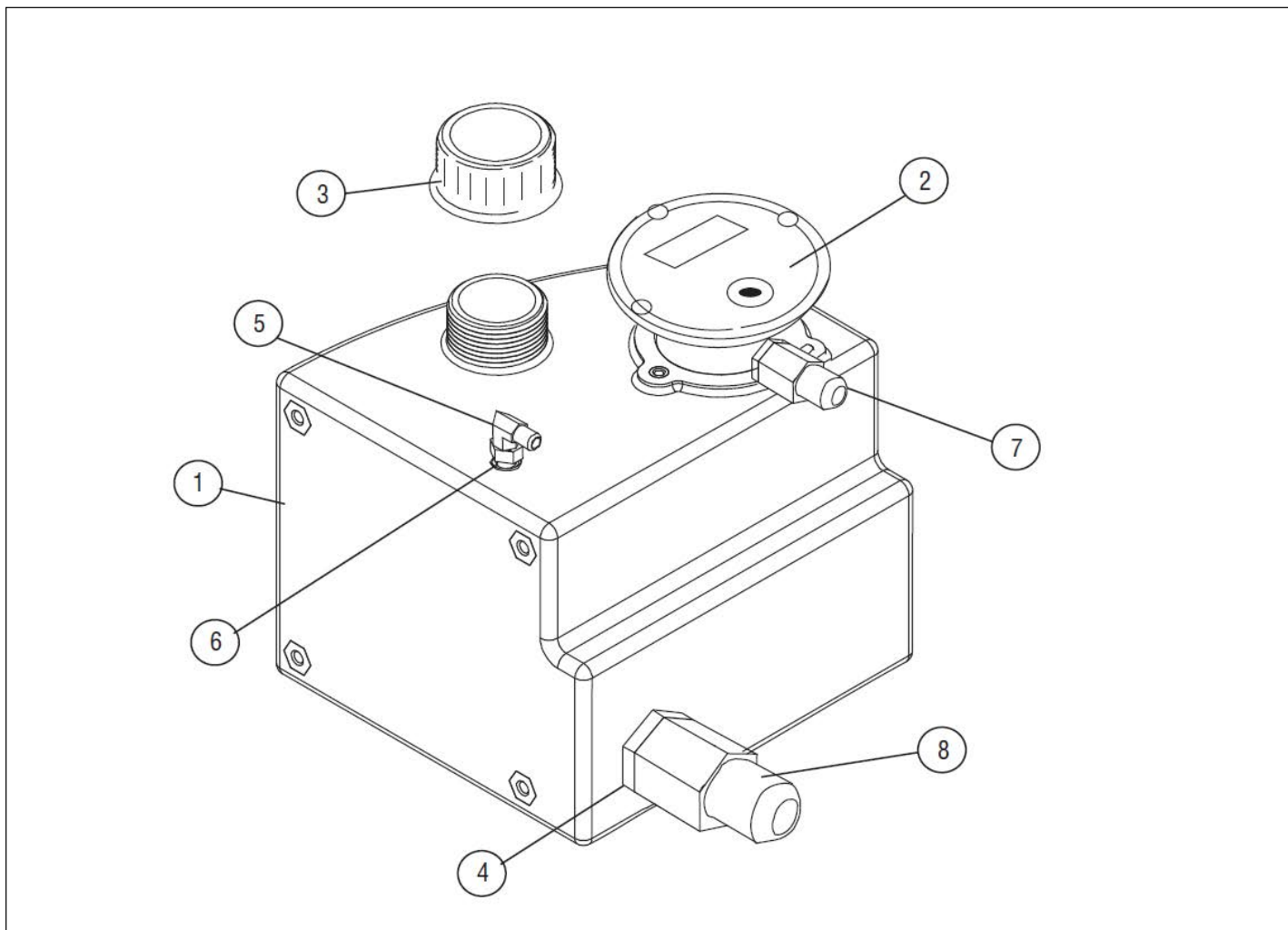
Item	Part No.	Description	Qty per
	512950-001	Platform Loom	1
	512950-002	Ground Control Loom	1
	512950-003	Valve Cables	1

REPAIR PARTS



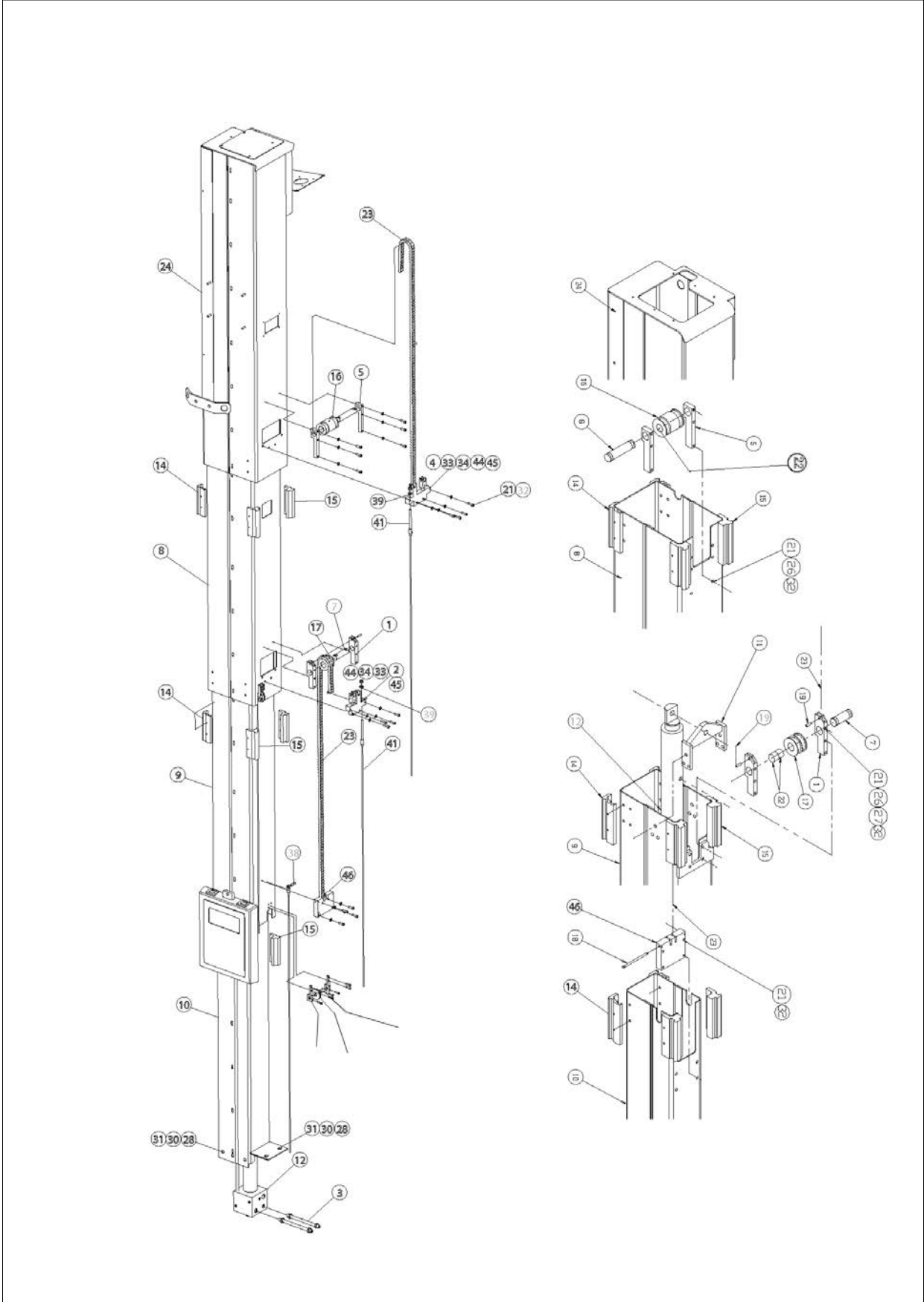
アイテム	部品番号	名前	数量	UOM
1	107148 000	LID, LCB BOX	1	EA
2	505053 000	CABLE GLAND M25 x 1.5 (ANSI ONLY)	1	EA
3	107400 000	LCB BOX (WELDMENT)	1	EA
4	510429 003	LCB OVERLAY	1	EA
5	512543 000	3 POS'N KEY SWITCH STAYPUT	1	EA
6	09 1008	REPLACEMENT KEY	1	EA
7	510524 000	PUSH/PULL SW ASSY W/NC CONTACT	1	EA
8	510527 000	N/O CONTACT BLOCK	4	EA
9	510522 000	TOGGLE SWITCH (RAISE/LOWER)	1	EA
10	510462 001	FRONT PANEL, LCB BOX	1	EA
11	510521 000	GROUND OP SWITCH (ENABLE)	1	EA
12	510525 000	Contact block	1	EA

REPAIR PARTS



アイテム	部品番号	名前	数量	UOM
1	512545 000	TANK (PLASTIC)	1	EA
2	512566 000	RETURN FILTER (ELEMENT 510696 001)	1	EA
3	512565 000	BREATHER CAP	1	EA
4	512575 000	SUCTION STRAINER	1	EA
5	011937 001	ADAPTOR 90 °	1	EA
6	514362 000	STRAIGHT ADAPTOR	1	EA
7	512951 000	STRAIGHT ADAPTOR	1	EA
8	512577 000	STRAIGHT ADAPTOR	1	EA

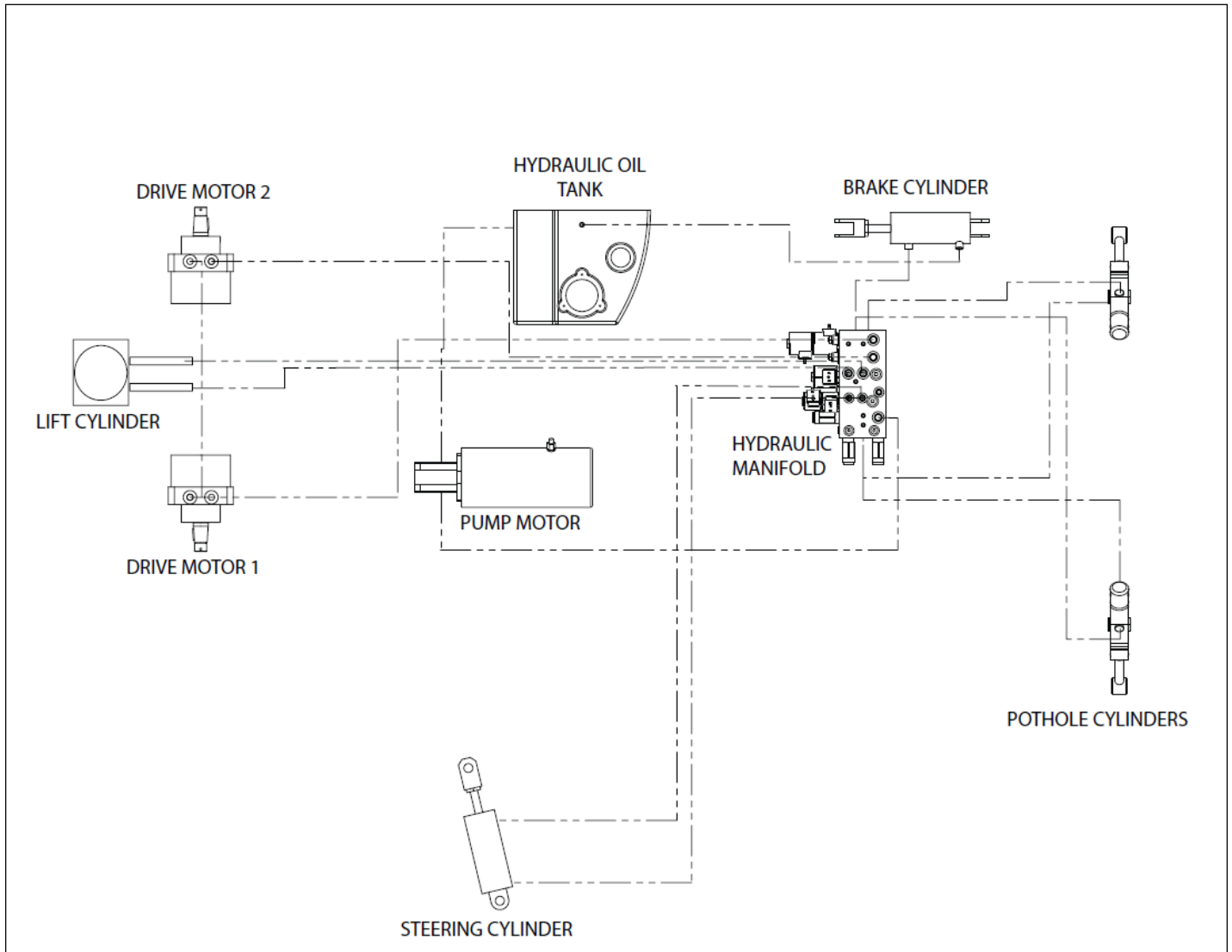
REPAIR PARTS



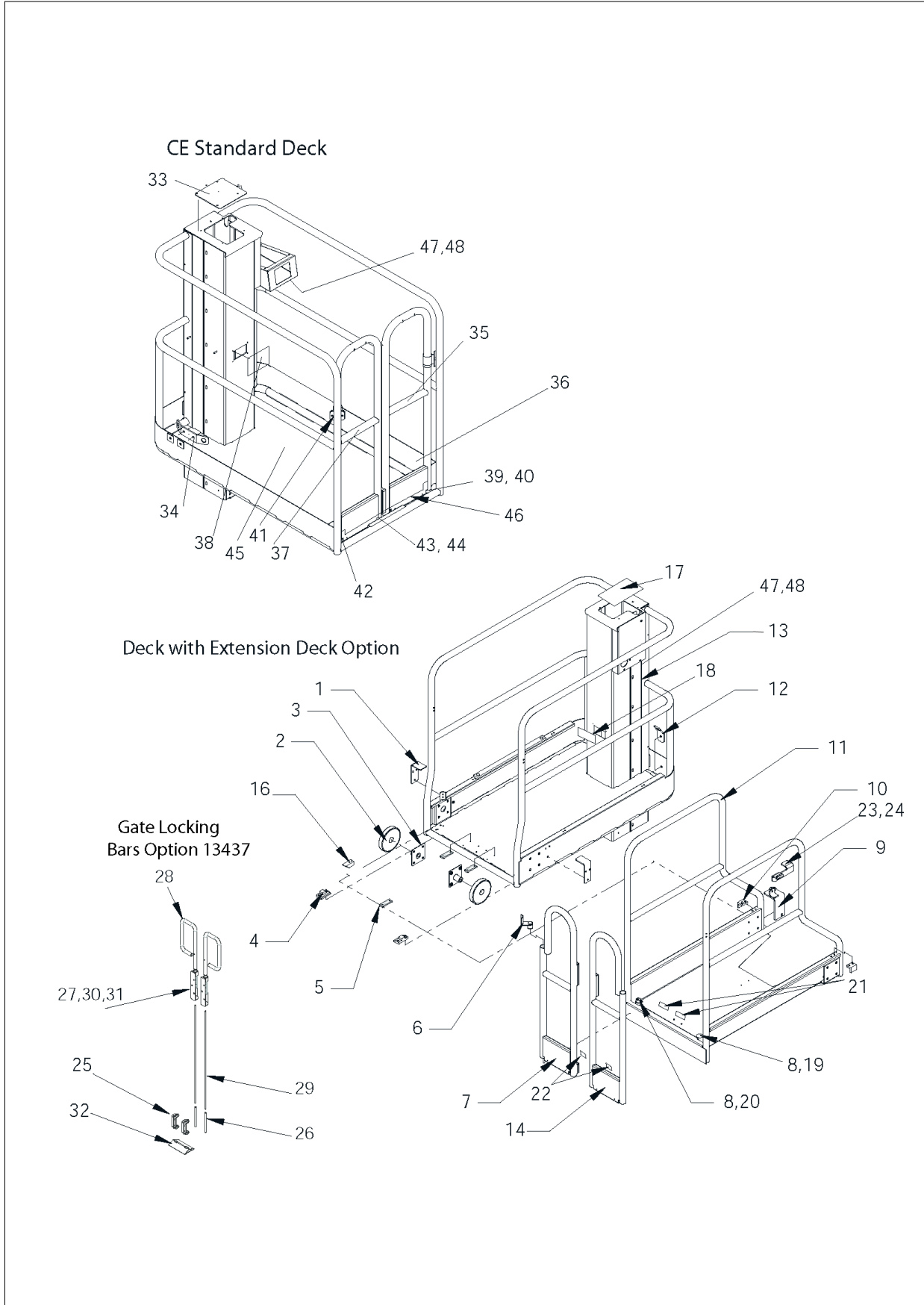
アイテム	部品番号	名前	数量	UOM
1	505066 000	INNER MOUNT	2	EA
2	513524 000	ANCHOR INNE R	2	EA
3	107082 000	STANDPIPE ADDAPTOR	2	EA
4	513523 000	OUTE R ANCHOR	1	EA
5	505063 000	OUTE R MOUNT	2	EA
6	505057 000	OUTE R AXLE	1	EA
7	505056 000	INNER AXLE	1	EA
8	512893 000	SECOND INNER MAST WELDMENT 4M	1	EA
9	512894 000	LOWER INNER MAST WELDMENT	1	EA
10	512895 000	BASE MAST WELDMENT	1	EA
11	065450 001	CYL. BAR & PAD WELDMENT	1	EA
12	512888 000	LIFT CYLINDER ASSY	1	EA
Not Shown	REF	SEAL KIT, LIFT CYLINDE R	R E F	EA
Not Shown	513159 000	VALVE EMERGENCY DOWN	R E F	EA
14	505062 000	FRONT PAD	12	EA
15	512887 000	REAR PAD	12	EA
16	505060 000	PULLEY OUTER	1	EA
17	505059 000	PULLEY INNER	1	EA
18	505054 000	PIN	3	EA
19	505055 000	ANCHOR PIN	2	EA
20	505084 013	HEX HEAD SELF TAPPE R (5.5 X 13)	36	EA
21	058502 020	M6 X 20mm SOCKET HEAD CAP SCREW	18	EA
22	505068 000	BEARING, 2220DU	4	EA
23	505067 000	CHAIN LEAF, BL434 (103 LINKS)	4	EA
24	514184 850	Top Mast (part of platform Assy)	1	EA

アイテム	部品番号	名前	数量	UOM
25	15048	Inductive Prox NO	1	EA
26	058502 035	SHCS M6 X 1 X 35 G12.9 ISO 4762 BLACK OXIDE	4	EA
27	500532 030	M6 X 30 SOCKET HEAD COUNTER SUNK SCREW	2	EA
28	510230 030	M12 HE X HE AD 30mm (GR ADE 10.9)	2	EA
29	510230 030	M12 HE X HE AD 30mm (GR ADE 10.9)	9	EA
30	056064 012	NUT HEX M12 X 1.75 GR 10.9 SELF LOCKING DIN 985	11	EA
31	510231 000	M12 FLAT WAS HE R HAR D/TEMP E R E D (GR ADE 10)	22	EA
32	511155 006	M6 HARDENED WASHERS, USED ON MACHINES 54092 & AFTER	18	EA
33	513525 000	CHAIN TENSIONER	2	EA
34	513526 000	PIN	4	EA
35	512879 000	PULLEY WHEEL	2	EA
36	512880 000	PULLEY WHEEL BRACKET	4	EA
37	512881 000	PULLEY AXLE	2	EA
38	512882 000	PIN	2	EA
39	512883 000	BELVILLE WASHER	10	EA
40	512885 000	BUSH	2	EA
41	512886 000	SEQUENCING ROPE	2	EA
42	512891 000	COUNTER BALANCE VALVE	1	EA
43	513286 000	EMERGENCY DOWN VALVE T HANDLE	1	EA
44	056059 065	BLT HEXSETSCREW SIN933 M8 X 65MM 8.8 ZP	4	EA
45	056067 508	M8 JAM NUT	4	EA
46	512876 000	ANCHOR INNER	1	EA
47	513527 065	M12 x 1.25mm x 65mm SHCS 12.9 SELF COULOURED	2	EA
48	513528 012	M12 x 1.25mm HALF NUT	2	EA

REPAIR PARTS



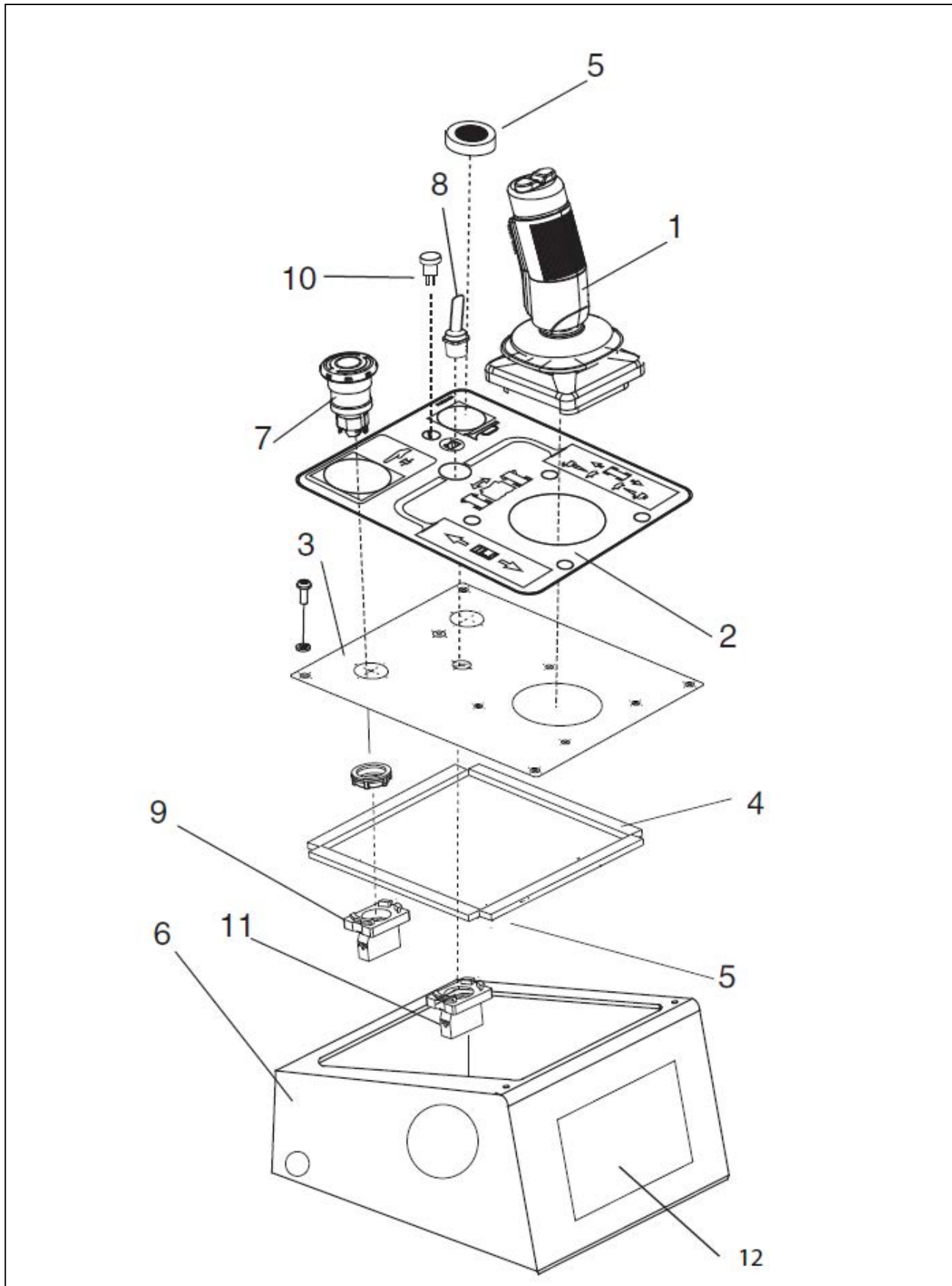
REPAIR PARTS



アイテム	部品番号	名前	数量	UOM
Not Shown	514184 850	Top Mast (part of platform Assy)	1	EA
1	503657 000	EXT DECK RETAINER BRACKET	2	EA
2	502132 001	EXT DECK ROLLER	2	EA
3	502150 000	EXT DECK ROLLER MOUNT	2	EA
4	502131 000	EXT DECK GUIDE	2	EA
5	502148 000	EXT DECK WEAR PAD	3	EA
6	513252 000	HINGE BRACKET	2	EA
7	513227 000	LH GATE	1	EA
8	502206 000	DOOR PIVOT	2	EA
9	502145 000	LEVER PIVOT BRACKET WELDMENT	1	EA
10	502128 000	EXT DECK WEAR PAD	2	EA
11	513226 000	EXT DECK WELDMENT	1	EA
12	057094 002	HARNESS HARDPOINT BRACKET	2	EA
13	513222 000	MAIN PLATFORM	1	EA
14	513228 000	RH GATE	1	EA
15	027966 005	SAFTEY WALK 6 X 24	5	EA
16	502129 000	ROLLER STOP	2	EA
17	065543 000	COVER PLATE (MAST TOP)	1	EA
18	107197 000	INSPECTION COVER	1	EA
19	502204 003	RH SPRING	1	EA
20	502204 002	LH SPRING	1	EA
21	511163 000	MAGNETIC CATCH	2	EA
22	511164 000	STRIKE PLATE	2	EA
23	502141 000	STOP LEVER	2	EA
24	009442 003	SPRING LATCH	1	EA
47	564136	BEACON (Optional)	1	EA
48	487686	CAGE FOR BEACON 1 (OPTIONAL EXTRA)	1	EA

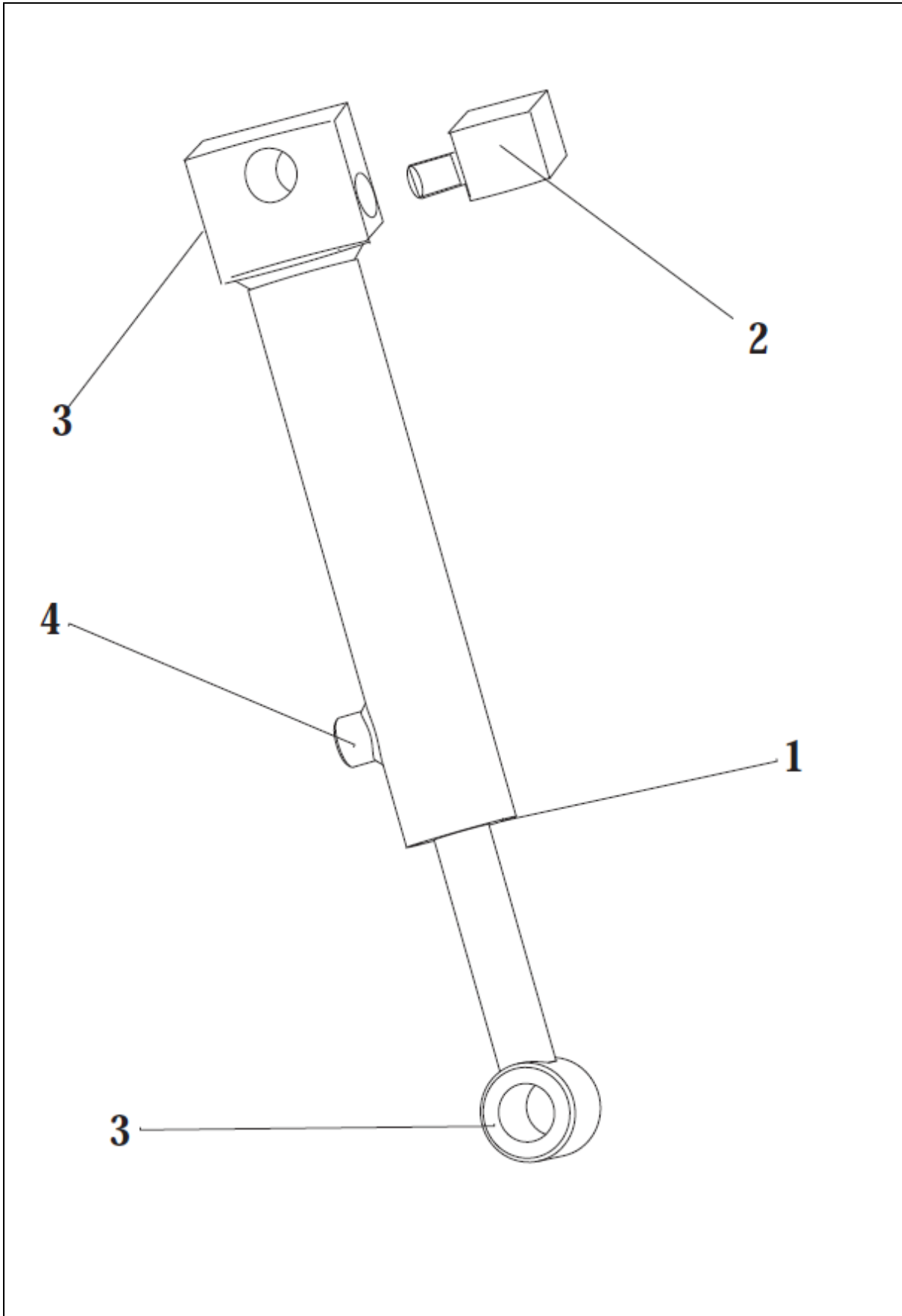
アイテム	部品番号	名前	数量	UOM
Not Shown	13437	GATE LOCKING BARS OPTION	2	EA
25	13437 1	SUPPORT		EA
26	13437 2	LATCH	2	EA
27	13437 3	SPRING	2	EA
28	13437 4	HAND SHANK	2	EA
29	13437 5	CONNECTING ROD	2	EA
30	13437 6	SPACER BUSH	2	EA
31	13437 8	TOP SUPPORT	2	EA
32	513259 000	LATCH STOP	2	EA
Not Shown	PNNA	STANDARD CE PLATFORM	1	EA
33	065543 000	COVER PLATE (MAST TOP)		EA
34	057094 002	HARNESS HARDPOINT BRACKET	1	EA
35	513225 000	RH GATE	2	EA
36	513222 000	MAIN PLATFORM	1	EA
37	513224 000	LH GATE	1	EA
38	107197 000	INSPECTION COVER	1	EA
39	502204 003	RH SPRING	1	EA
40	502206 000	DOOR PIVOT	1	EA
41	513251 000	HINGE BRACKET	2	EA
42	502204 002	LH SPRING	2	EA
43	511163 000	MAGNETIC CATCH	1	EA
44	511164 000	STRIKE PLATE	2	EA
45	027966 005	SAFTEY WALK 6 X 24	2	EA
46	513223 000	KICK PLATE INFILL	5	EA
47	564136	BEACON (Optional)	1	EA
48	487686	CAGE FOR BEACON 1 (OPTIONAL EXTRA)	1	EA

REPAIR PARTS



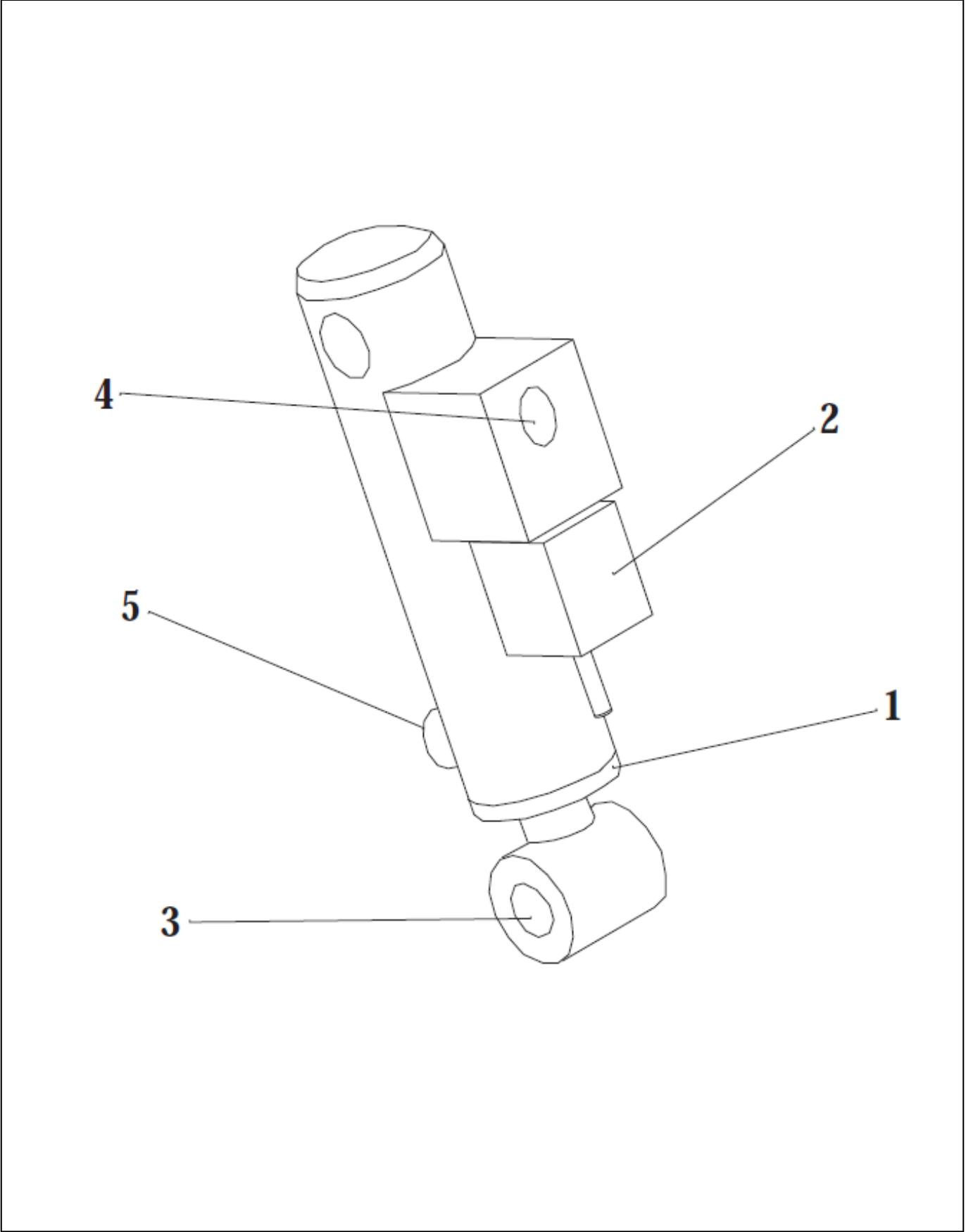
アイテム	部品番号	名前	数量	UOM
Not Shown	502541 002	UPPER CONTROLS ASSY		EA
1	3087801	JOYSTICK, OEM MARCH 2016 AND AFTER	1	EA
2	510428 001	DECAL, UPPER CONTROLS	1	EA
3	510461 000	MOUNTING PLATE	1	EA
4	510645 000	SEAL	0.75	EA
5	510542 000	PUSHBUTTON BLACK C/W 1 N/O CON	1	EA
6	511156 000	UPPER CONTROL BOX (BOX ONLY)	1	EA
7	510524 000	PUSH/PULL SW ASSY W/NC CONTACT	1	EA
8	510541 000	SW TGL SPDT (ON) OFF (ON)	1	EA
9	510525 000	Contact block	1	EA
10	510528 000	LED RED	1	EA
11	510527 000	N/O CONTACT BLOCK	1	EA
12	3087803	EZCal Panel Trionics	1	EA

REPAIR PARTS



アイテム	部品番号	名前	数量	UOM
Not Shown	512638 000	HYDRAULIC CYLINDER ASSEMBLY (POTHOLE) TYPE B		EA
1	512794 000	SEAL KIT, POTHOLE CYLINDER	1	EA
2	512639 000	VALVE M1230E POTHOLE CYLINDER	1	EA
3	510892 000	FITTING, 4 ORB, 4 JICM POS 90	1	EA
4	510892 000	FITTING, 4 ORB, 4 JICM POS 90	1	EA

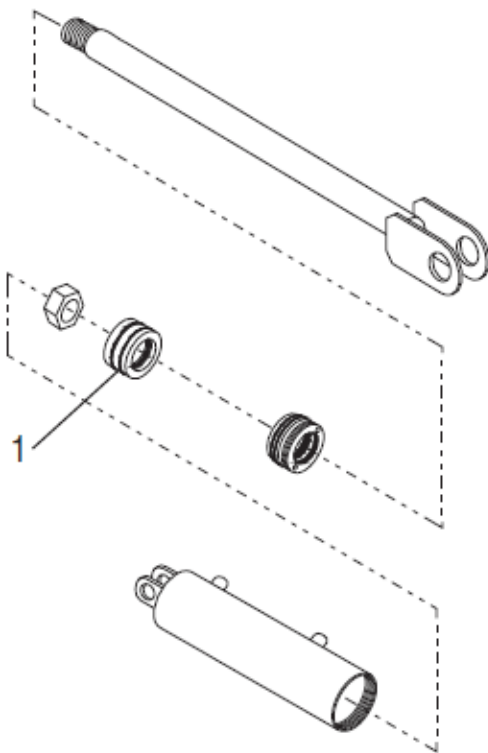
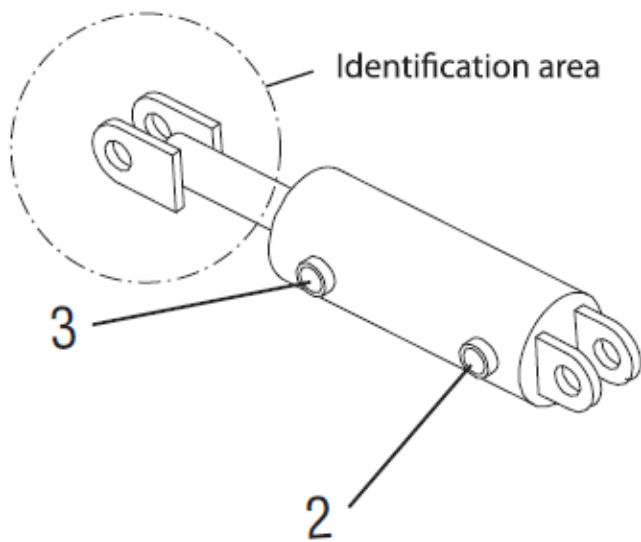
REPAIR PARTS



アイテム	部品番号	名前	数量	UOM
Not Shown	512638 000	HYDRAULIC CYLINDER ASSEMBLY (POTHOLE) TYPE B		EA
1	512638 010	SEAL KIT, POTHOLE CYLINDER	1	EA
2	512639 000	VALVE M1230E POTHOLE CYLINDER	1	EA
3	503760 000	BUSHING	2	EA
4	510892 000	FITTING, 4 ORB, 4 JICM POS 90	1	EA
5	510892 000	FITTING, 4 ORB, 4 JICM POS 90	1	EA

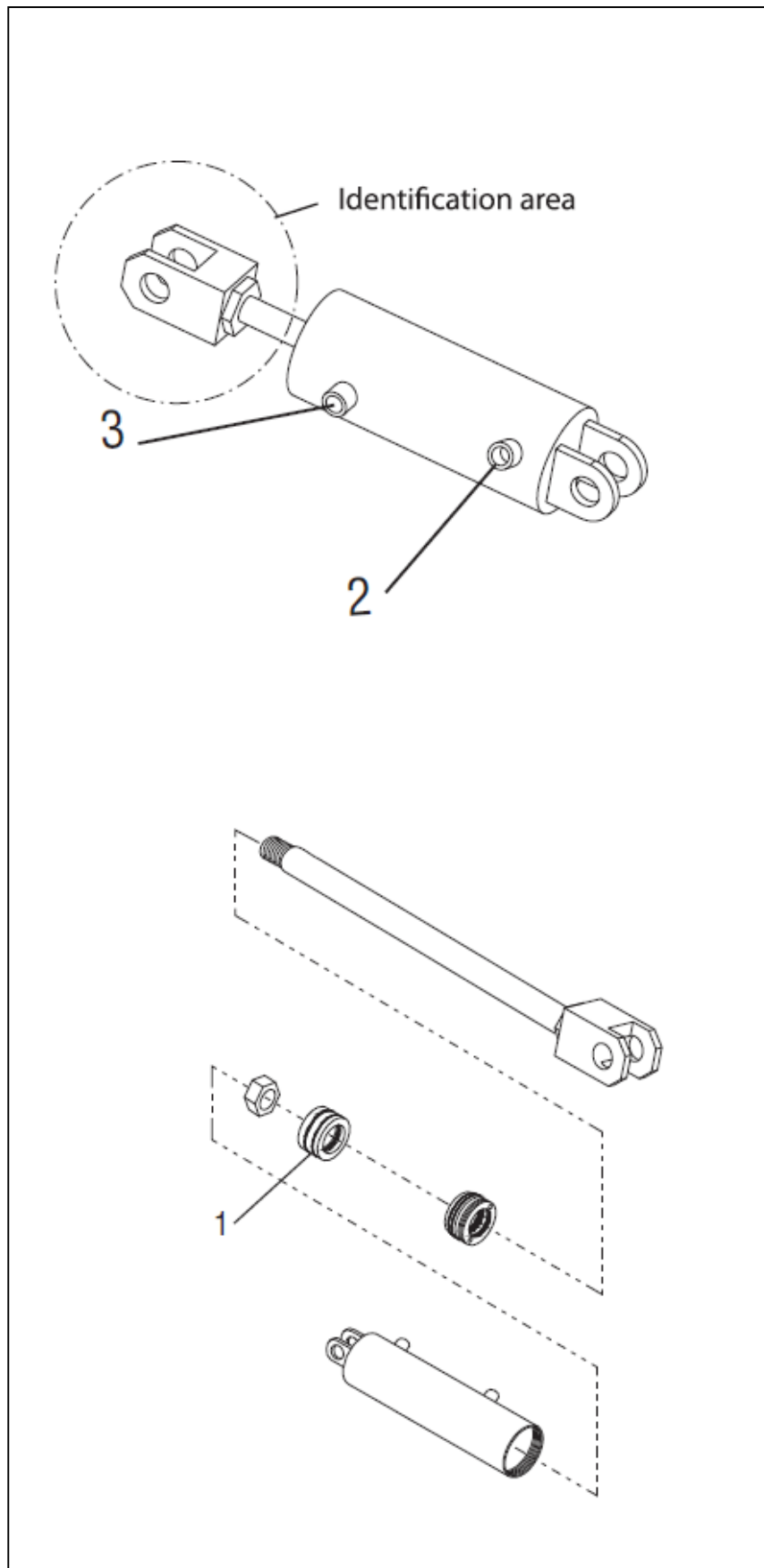
REPAIR PARTS

NOTE: FITTINGS SHOWN APPLY TO STEERING CYLINDER, WHEN FITTING HOSES TO THE BRAKE CYLINDER FIT THE 1/8 M/M TO THE FULL BORE END AND THE 1/8 BLOCK 90 WITH 1/8 M/M TO THE ANNULAR END.



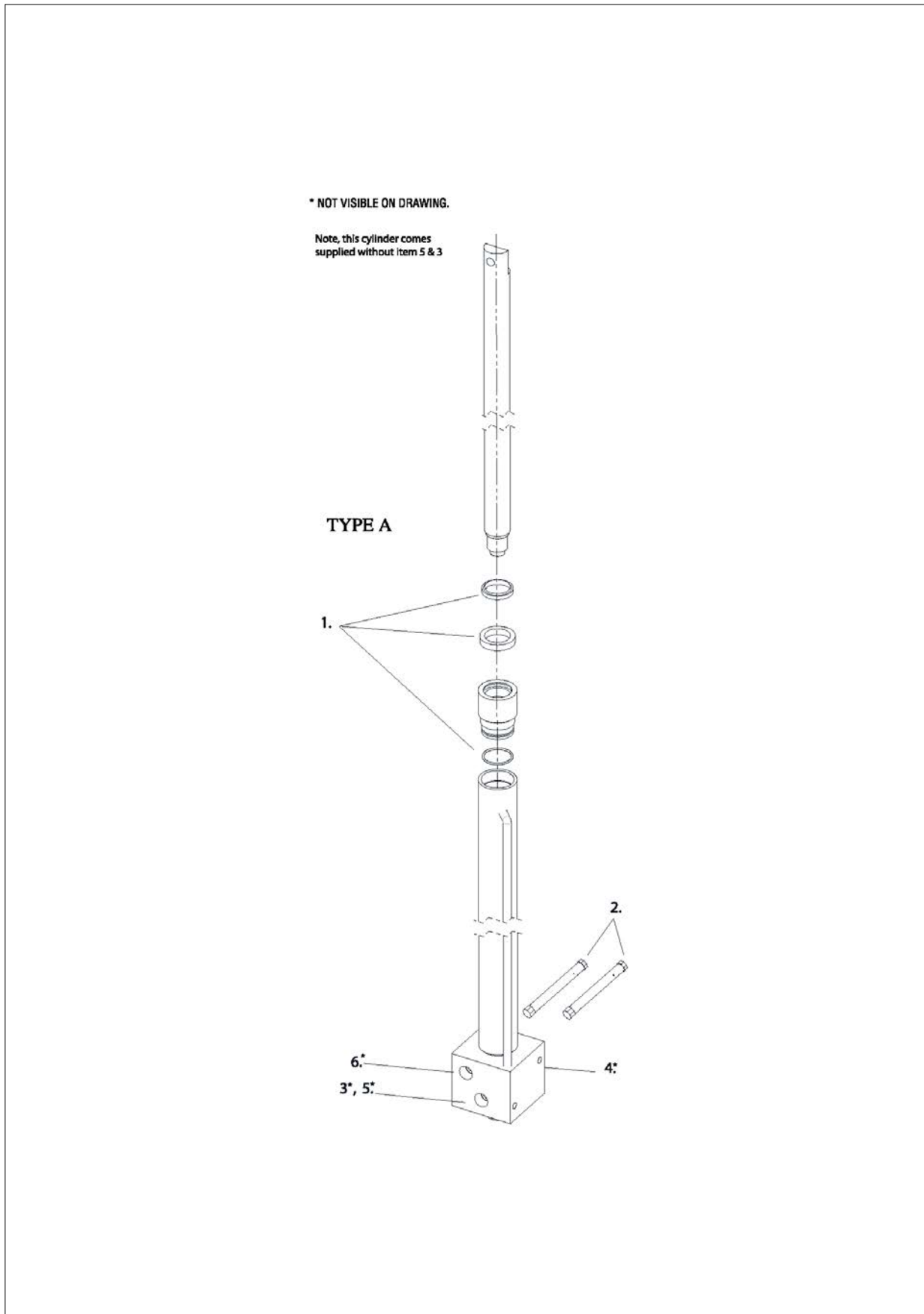
アイテム	部品番号	名前	数量	UOM
Not Shown	510895 000	HYDRAULIC CYLINDER ASSEMBLY (STEER BRAKE) TYPE B		EA
1	505035 010	SEAL KIT, BRAKE/STEER CYLINDER (sn < 054179)	1	EA
1	512795 000	SEAL KIT, BRAKE/STEER CYLINDER (sn 054180 +)	1	EA
2	510893 000	FITTING, 6 ORB, 4 JICM, 90 POS	2	EA
3	510893 000	FITTING, 6 ORB, 4 JICM, 90 POS	1	EA

REPAIR PARTS



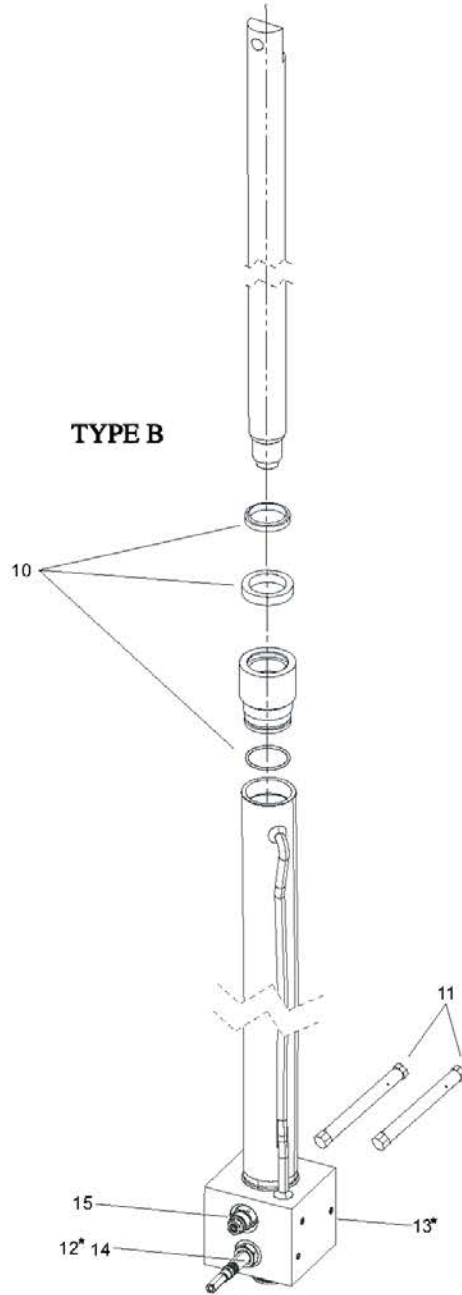
アイテム	部品番号	名前	数量	UOM
Not Shown	510895 000	HYDRAULIC CYLINDER ASSEMBLY (STEER BRAKE) TYPE B		EA
1	510895 010	SEAL KIT, BRAKE/STEER CYLINDER	1	EA
2	510893 000	FITTING, 6 ORB, 4 JICM, 90 POS	2	EA
3	510893 000	FITTING, 6 ORB, 4 JICM, 90 POS	1	EA

REPAIR PARTS

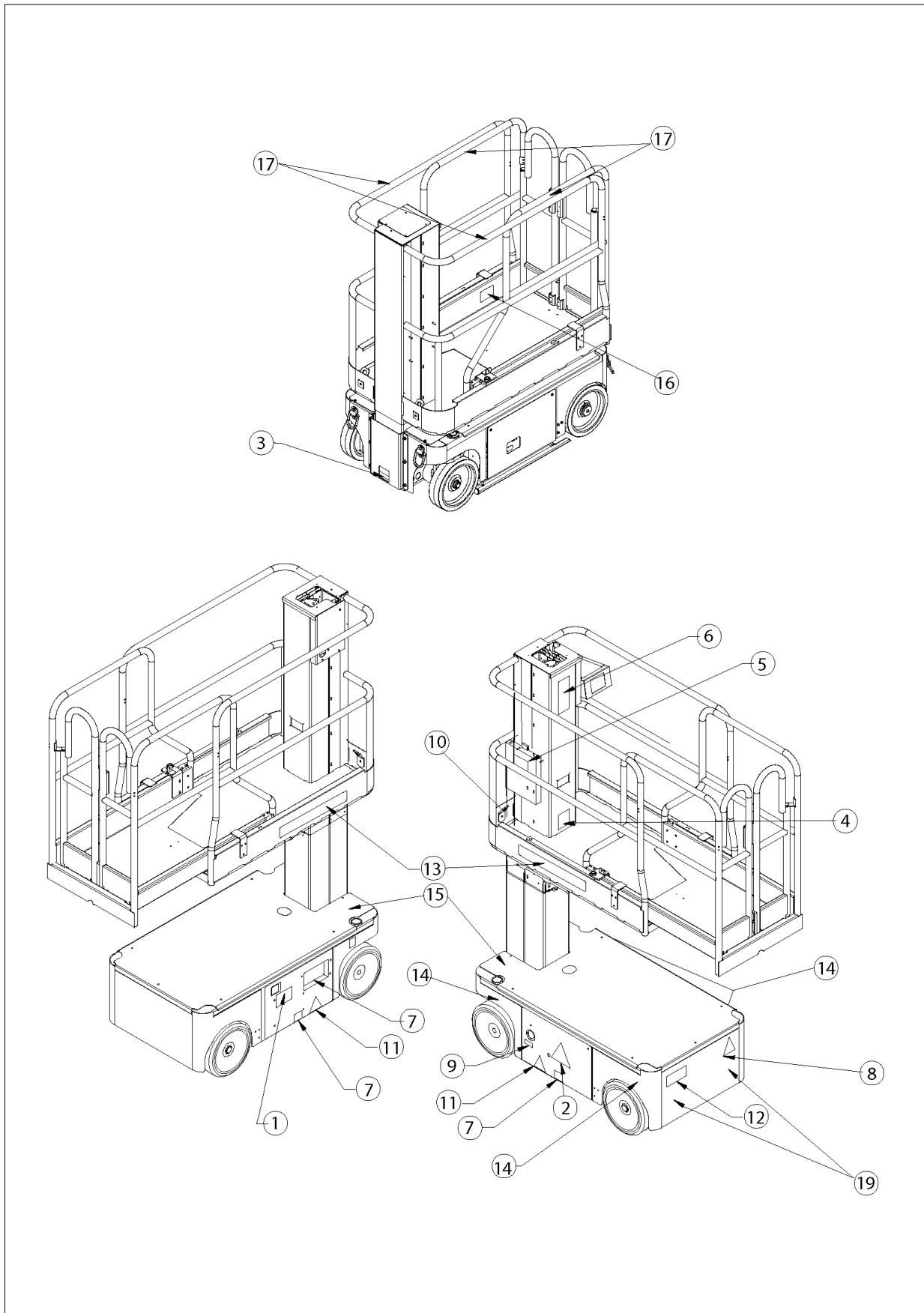


アイテム	部品番号	名前	数量	UOM
Not Shown	512888 000 Type A & Type B	HYDRAULIC LIFT CYLINDER ASSEMBLY		EA
	TYPE A	PAGE 1		EA
1	513077 000	LIFT CYLINDER SEAL KIT	1	EA
2	107082 000	STANDPIPE ADDAPTOR	2	EA
3*	513286 000	EMERGENCY DOWN VALVE T HANDLE	1	EA
4*	510892 000	FITTING, 4 ORB, 4 JICM POS 90	2	EA
5*	512637 000	EMERGENCY DOWN VALVE AND COIL	1	EA
5a	513159 000	VALVE EMERGENCY DOWN	1	EA
5b	513159 001	COIL FOR EMERGENCY DOWN (item 5)	1	EA
6	512891 000	COUNTER BALANCE VALVE	1	EA
	TYPE B	PAGE 2		EA
10	512888 010	LIFT CYLINDER SEAL KIT	1	EA
11	107082 000	STANDPIPE ADDAPTOR	2	EA
12*	513286 000	EMERGENCY DOWN VALVE T HANDLE	1	EA
13*	510892 000	FITTING, 4 ORB, 4 JICM POS 90	2	EA
14	512637 000	EMERGENCY DOWN VALVE AND COIL	1	EA
14a	513159 000	VALVE EMERGENCY DOWN	1	EA
14b	513159 001	COIL FOR EMERGENCY DOWN (item 5)	1	EA
15	512891 000	COUNTER BALANCE VALVE	1	EA

* NOT VISIBLE ON DRAWING.

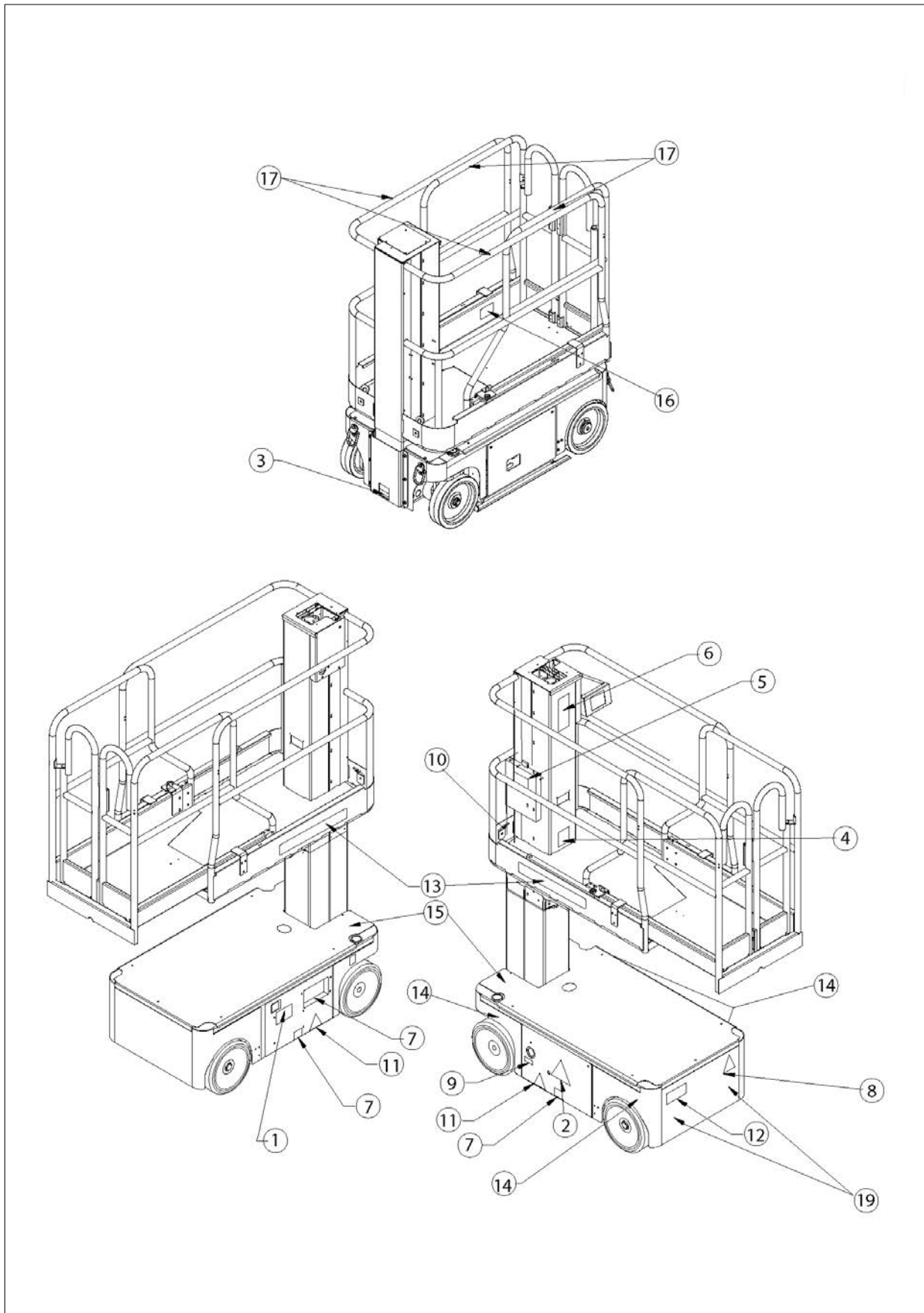


REPAIR PARTS



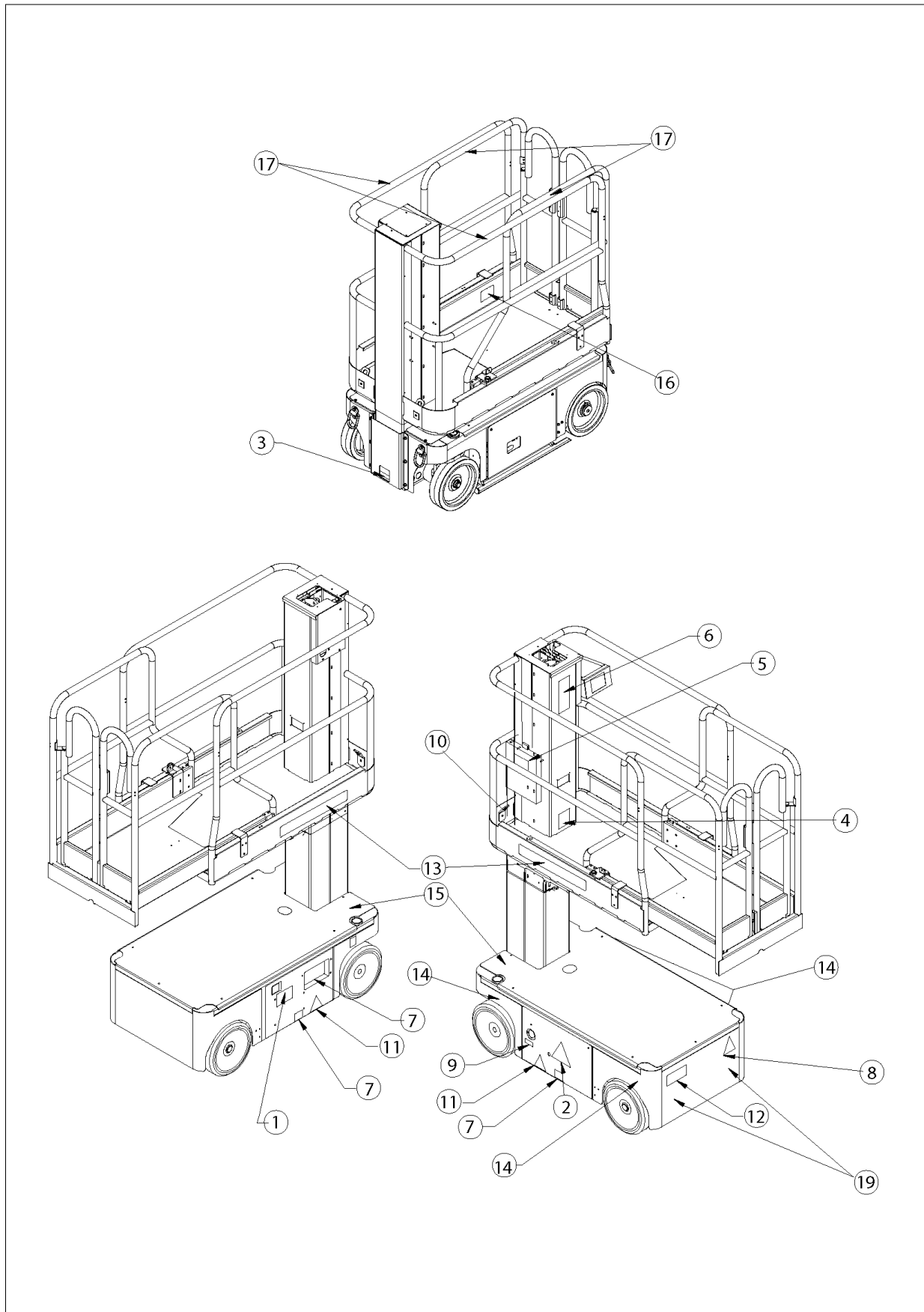
アイテム	部品番号	名前	数量	UOM
Not Shown	513858 002	LABEL KIT FRENCH		EA
1	060197 001	DECAL, HYDRAULIC FLUID	1	EA
2	101210 000	Risk of hydrogen gas and battery leakage	1	EA
3	510280 000	DECAL, IPAf EMERG LWR	1	EA
4	107052 001	DECAL, SAFE WORKING LOAD	1	EA
5	010076 901	DECAL SNORKEL LOGO, 183MM CAP	1	EA
6	514361 002	DECAL, FOUR HAZARDS FRENCH	1	EA
7	014222 903	DECAL, FORKLIFT POINT	2	EA
8	100102 900	DECAL, NOT INSULATED	1	EA
9	066522 900	DECAL, BATTERY SYMBOL	1	EA
10	068635 001	Harness anchor point	1	EA
11	501453 000	Decal, Foot Crush Hazard	2	EA
12	503723 000	DECAL, BATTERY DISCONNECT	1	EA
13	511093 000	DECAL SNORKEL TM12	2	EA
14	512465 000	DECAL, WHEEL LOAD	4	EA
15	512572 000	DECAL, CRUSHING HAZARD	2	EA
16	513859 000	EXT DECK SWL 113kg,	1	EA
17	514360 000	Decal, Hand Trap	4	EA

REPAIR PARTS



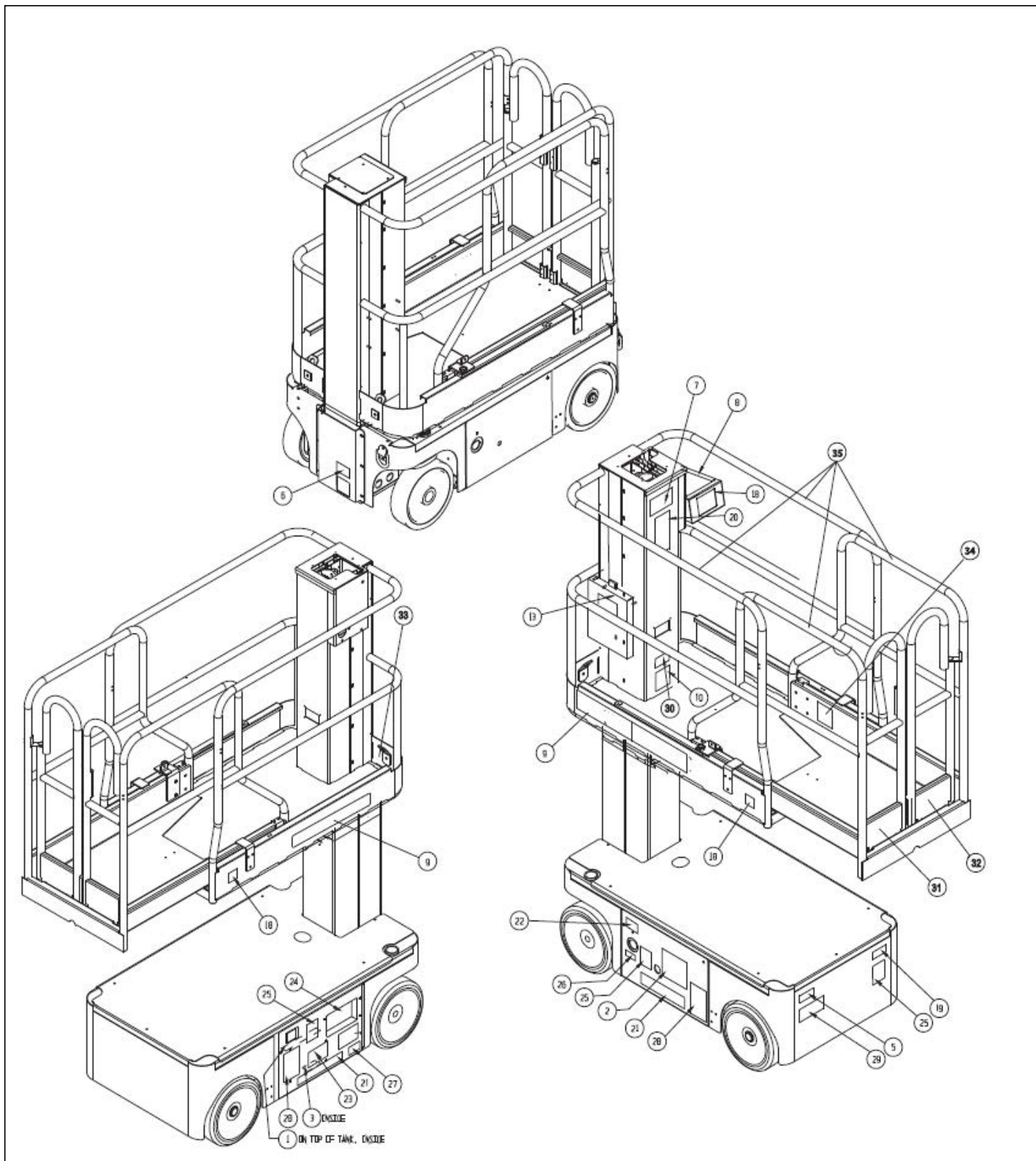
アイテム	部品番号	名前	数量	UOM
Not Shown	513858 000	LABEL KIT, EUROPEAN (ENGLISH)		EA
1	060197 001	DECAL, HYDRAULIC FLUID	1	EA
2	101210 000	Risk of hydrogen gas and battery leakage	1	EA
3	510280 000	DECAL, IPAf EMERG LWR	1	EA
4	107052 001	DECAL, SAFE WORKING LOAD	1	EA
5	010076 901	DECAL SNORKEL LOGO, 183MM CAP	1	EA
6	514361 000	DECAL, FOUR HAZARDS	1	EA
7	014222 903	DECAL, FORKLIFT POINT	2	EA
8	100102 900	DECAL, NOT INSULATED	1	EA
9	066522 900	DECAL, BATTERY SYMBOL	1	EA
10	068635 001	Harness anchor point	1	EA
11	501453 000	Decal, Foot Crush Hazard	2	EA
12	503723 000	DECAL, BATTERY DISCONNECT	1	EA
13	511093 000	DECAL SNORKEL TM12	2	EA
14	512465 000	DECAL, WHEEL LOAD	4	EA
15	512572 000	DECAL, CRUSHING HAZARD	2	EA
16	513859 000	EXT DECK SWL 113kg,	1	EA
17	514360 000	Decal, Hand Trap	4	EA

REPAIR PARTS



アイテム	部品番号	名前	数量	UOM
Not Shown	513858 002	LABEL KIT FRENCH		EA
1	060197 001	DECAL, HYDRAULIC FLUID	1	EA
2	101210 000	Risk of hydrogen gas and battery leakage	1	EA
3	510280 000	DECAL, IPAf EMERG LWR	1	EA
4	107052 001	DECAL, SAFE WORKING LOAD	1	EA
5	010076 901	DECAL SNORKEL LOGO, 183MM CAP	1	EA
6	514361 002	DECAL, FOUR HAZARDS FRENCH	1	EA
7	014222 903	DECAL, FORKLIFT POINT	2	EA
8	100102 900	DECAL, NOT INSULATED	1	EA
9	066522 900	DECAL, BATTERY SYMBOL	1	EA
10	068635 001	Harness anchor point	1	EA
11	501453 000	Decal, Foot Crush Hazard	2	EA
12	503723 000	DECAL, BATTERY DISCONNECT	1	EA
13	511093 000	DECAL SNORKEL TM12	2	EA
14	512465 000	DECAL, WHEEL LOAD	4	EA
15	512572 000	DECAL, CRUSHING HAZARD	2	EA
16	513859 000	EXT DECK SWL 113kg,	1	EA
17	514360 000	Decal, Hand Trap	4	EA

REPAIR PARTS



アイテム	部品番号	名前	数量	UOM
Not Shown	107012 011	LABEL KIT, USA		EA
1	0071927	DECAL, HYDRAULIC OIL	1	EA
2	060197 001	DECAL, HYDRAULIC FLUID	1	EA
3	514232 101	NAME PLATE	1	EA
5	005221 000	DECAL, BATTERY FLUID	1	EA
6	005223 005	DECAL, EMERGENCY DOWN	1	EA
7	066554 000	DECAL, BEFORE OPERATING	1	EA
8	510428 001	DECAL, UPPER CONTROLS	1	EA
9	511093 000	DECAL SNORKEL TM12	2	EA
10	101250 000	DECAL, MAX LOAD 500lbs	3	EA
13	010076 001	DECAL, ATTENTION	1	EA
18	061220 006	DECAL, ANSI	1	EA
19	058534 000	DECAL, BATTERIES	1	EA
20	066550 001	DECAL, DANGER	1	EA
21	014222 003	DECAL, FORK LIFT	2	EA
23	066555 000	DECAL, RELIEF VALVE	1	EA
24	510429 002	DECAL, LOWER CONTROLS	1	EA
25	066556 000	DECAL, COLLISION HAZARD	3	EA
26	066522 000	DECAL, BATTERY CHARGER	1	EA
27	101252 000	DECAL, MAX WHEEL LOAD (675lbs)	1	EA
28	066556 001	DECAL, CRUSHING HAZARD	2	EA
29	107051 000	DECAL, BATTERY DISCONNECT	1	EA
30	300699	Decal, Operators Checklist	1	EA
31	508771 000	DECAL, DO NOT REMOVE COMPONENTS	1	EA
32	308772 000	DECAL, WARNING RESPONSIBILITIES	1	EA
33	068635 001	Harness anchor point	1	EA
34	513859 100	DECAL ,EXT DECK SWL	1	EA

アイテム	部品番号	名前	数量	UOM
35	514360 000	Decal, Hand Trap	4	EA

SERVICE AND REPAIR

This section contains instructions for the maintenance of the Work Platform. Refer to the General Information section for information relevant to all Snorkel work platforms. Referring to the Operator Manual will aid in understanding the operation and function of the various components and systems of the work platform, and help in diagnosing and repair of the machine. Owners of this work platform must set up a maintenance programme and have prepared a safety statement in advance as required by the relevant National Body.

! WARNING !

Be sure to read, understand and follow all information in the Operation Section of this manual before attempting to operate or perform service on any Work Platform.

! DANGER !

*Never perform service on the work platform in the elevating assembly area while platform is elevated without first blocking the elevating assembly.
DO NOT stand in elevating assembly area while deploying or storing brace.*

TABLE OF CONTENTS

3-1 Supporting Elevating Assembly	3-3
Installation	3-3
Removal	3-3
3-2 Preventative Maintenance	3-4
3-3 Preventative Maintenance Check List	3-5
3-4 Parts Location	3-6
3-5 General Lubrication	3-7
3-6 Batteries	3-8
Battery Replacement	3-8
Battery Maintenance	3-8
3-7 Hydraulics	3-9
Hydraulic Oil Tank And Filter	3-9
Hydraulic Pump	3-10
Emergency Down Valve	3-11
Main Hydraulic Manifold	3-12
Setting Hydraulic Manifold Pressures	3-13
3-8 Cylinders	3-15
Depression Cylinder	3-15
Brake Cylinder	3-16
Steering Cylinder	3-17
Lift Cylinder	3-18
3-9 Drive Motors	3-19
Removal	3-19
Installation	3-19

3-10 Elevating Assembly	3-20
Lift Chain Lubrication	3-21
Elevating Assembly Wear Inspection	3-21
Chain Tension Inspection	3-22
Chain Elongation Inspection	3-22
Removal of Elevating Assembly	3-23
Installation of Elevating Assembly	3-23
3-11 Tilt Sensor	3-24
3-12 Controls	3-25
Platform Controls	3-25
Chassis Controls	3-26
3-13 Proximity Switch	3-27
4-1 Trouble Shooting	4-1
Introduction	4-1
General Procedure	4-1
4-2 Trouble Shooting	4-2
Special Tools	4-2
Adjustment Procedure	4-2
Diagnostics Using EZcal	4-3
Replacing The EZ230 Control Module	4-4
4-2 Trouble Shooting Guide	4-5
Electric	4-6
Hydraulic	4-7
5-1 Schematics	5-1
Electric	5-2
Hydraulic	5-3
6-1 Illustrated Parts Breakdown	6-1
Contents	6-1
7-0 Waste Removal and Disposal	7-0

3-1 SUPPORTING ELEVATING ASSEMBLY

⚠ WARNING ⚠

Never perform service on the work platform in the elevating assembly area while platform is elevated without first blocking the elevating assembly.

DO NOT stand in elevating assembly area while deploying or storing brace.

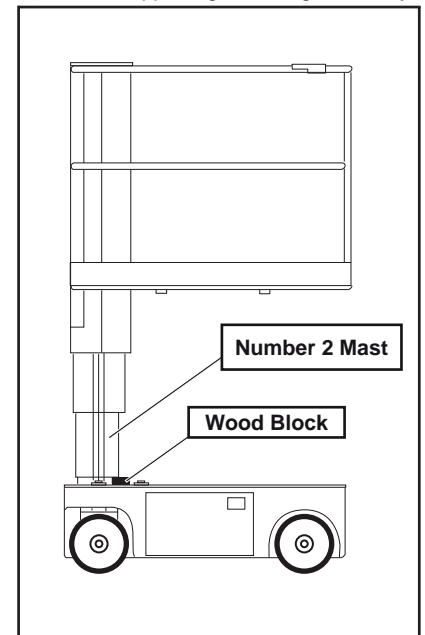
INSTALLATION

1. Park the Work Platform on firm level ground.
2. Verify Chassis Emergency Stop Switch is ON.
3. Switch the Key switch to chassis. control.
4. Push and hold the enable toggle switch and push the Chassis lift/lower toggle switch to the up position to elevate the platform approximately 1.2m (4 feet).
5. Place a wood block, 5cm x 10cm x 46cm (2 in. x 4 in. x 18 in.) long between the #2 Mast and Chassis just behind the Mast Assembly.
6. Push and hold the enable toggle switch and push the Chassis lift/lower toggle switch to the down position and gradually lower the platform until the second mast section is supported by the block.

REMOVAL

1. Push and hold the enable toggle switch and push the Chassis Lift/Lower toggle Switch to UP to gradually raise Platform until the wood block can be removed.
2. Remove block.
3. Push and hold the enable toggle switch and push the Chassis Lift/Lower toggle Switch to the DOWN position and completely lower the Platform

Figure 3-1: Supporting Elevating Assembly



3-2 PREVENTATIVE MAINTENANCE

The complete inspection consists of periodic visual and operational checks, along with periodic minor adjustments to assure proper performance. Daily inspection will prevent abnormal wear and prolong the life of all systems. The inspection and maintenance schedule is to be performed at regular intervals. Inspection and maintenance shall be performed by personnel who are trained and familiar with mechanical and electrical procedures.

! WARNING !

Before performing preventative maintenance, familiarize yourself with the operation of the machine. Always block the elevating assembly whenever it is necessary to work between the platform and the chassis to perform maintenance while the platform is elevated.

The preventative maintenance table has been designed for machine service and maintenance repair. Please photocopy the following page and use the table as a checklist when inspecting the machine for service.

3-3 PREVENTATIVE MAINTENANCE CHECK LIST

PREVENTATIVE MAINTENANCE KEY

Interval

- Daily=each shift or every day
- 50h/30d=every 50 hours or 30 days
- 250h/6m=every 250 hours or 6 months
- 1000h/2y=every 1000 hours or 2 years
- Y=Yes/Acceptable
- N=No/Not Acceptable
- R=Repaired/Acceptable

PREVENTATIVE MAINTENANCE REPORT

Date: _____

Owner: _____

Model No: _____

Serial No: _____

Serviced By: _____

Service Interval: _____

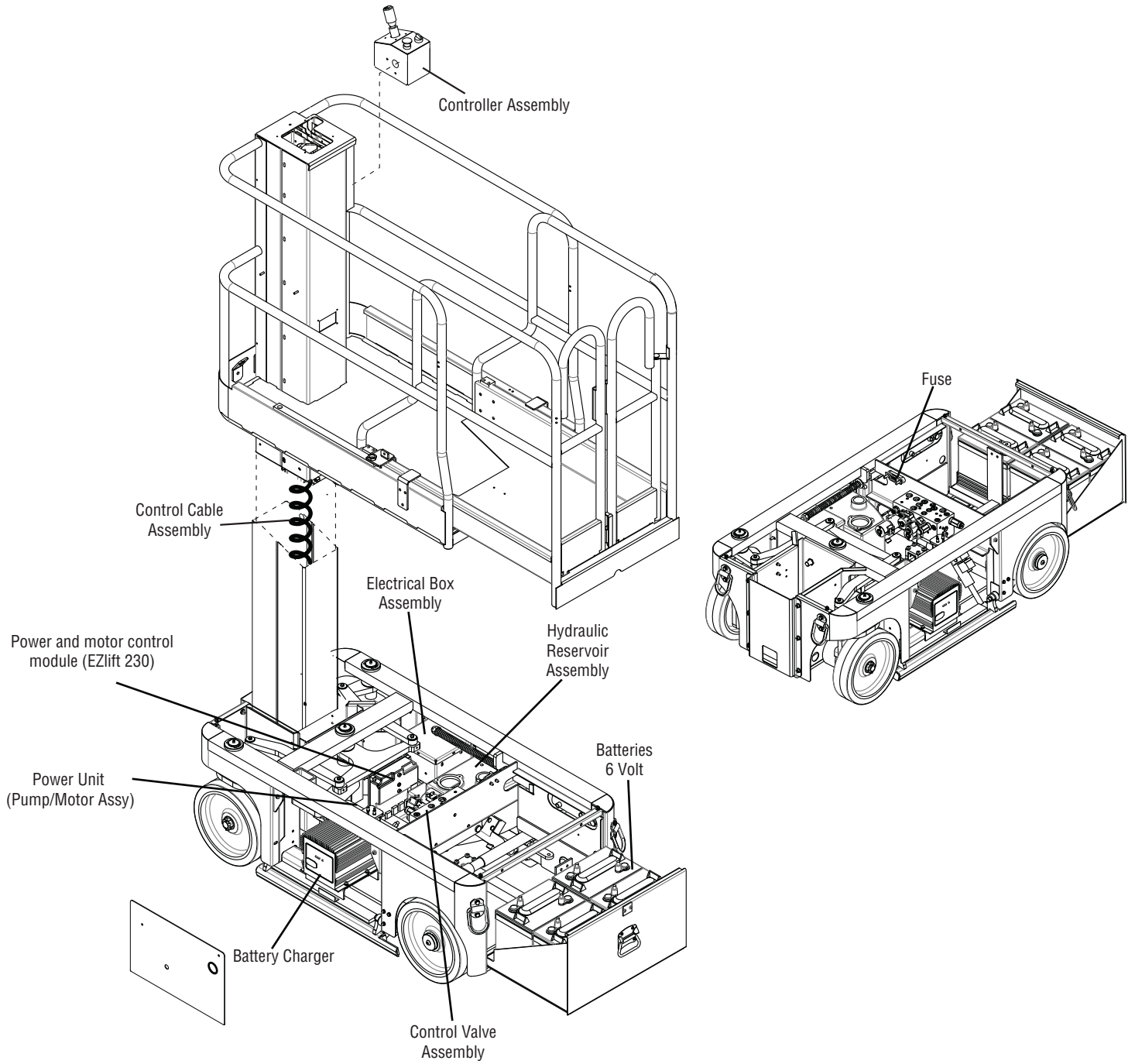
COMPONENT	INSPECTION OR SERVICES	INTERVAL	Y	N	R
Operator Manual	Check that Operator's Manual is in manual holder and all pages are intact and readable	Daily			
Labels and Decals	Check that Labels and Decals are in place,	Daily			
Entire Unit	Perform Pre-Operation inspection	Daily			
	Check for and repair any damage	Daily			
	Lubricate (see Section 3-5)	30d			
	Check fasteners for correct torque	6m			
Electrical System	Check for corrosion; remove and repaint	6m			
	Check cables and wiring harness condition (No wear or physical damage)	Daily			
Battery System	Check electrolyte level	Daily			
	Check battery cable condition	Daily			
	Check terminals are clean and connectors are	Daily			
	Check charger condition and operation	Daily			
	Charge batteries	Daily			
	Check electrolyte specific gravity	6m			
	Clean exterior	6m			
Hydraulic Fluid*	Clean terminals	6m			
	Check oil level	Daily			
	Change Filter	6m			
Hydraulic System	Drain and replace oil	2y			
	Check all fittings are tight and no leaks	Daily			
	Check hose connections (Secure, no leaks, no Damage)	30d			
Drive Motors	Check hoses for exterior wear	30d			
	Check for operation and leaks	Daily			
	Check fittings are secure and no leaks	Daily			
Hydraulic Pump	Wipe clean	30d			
	Check for leaks at mating surfaces	30d			
	Check mounting bolts for correct torque	6m			
Emergency Lowering	Check Emergency Lowering operates correctly (see Emergency Lowering procedure)	Daily			
Controller	Check condition and operation	Daily			
Platform Deck and Rails	Check fasteners are in place, correctly tightened and not damaged.	Daily			
	Check the structure and welds for damage, deformation, corrosion and cracks	Daily			
	Check condition of deck (no damage, deformation, corrosion or cracks)	Daily			
	Check entry gate closure functions correctly	Daily			

COMPONENT	INSPECTION OR SERVICES	INTERVAL	Y	N	R
Elevating Assembly	Inspect for external damage, dents, loose rivets or cracks, loose chain tensioner	Daily			
	Check the structure and welds for damage, deformation, corrosion and cracks	Daily			
	Inspect all elevating assembly components (e.g chains, sheaves, pulleys, chain anchors, pins, etc.) for wear damage, deformation,	6m			
	Lubricate lift chains	6m			
	Check sequence ropes tension	6m			
	Check chain tension	1yr			
Chassis	Remove and inspect chains	5yr			
	Check cables for pinch or rubbing points	Daily			
	Check the structure and welds for damage, deformation, corrosion and cracks	Daily			
Lift Cylinder	Check component mounting for correct	6m			
	Check for leaks	Daily			
Mast	Check for correct torque	6m			
Steering System	Lubricate, see Section 3-5 for application.	3m			
	Oil pivot pins	30d			
	Oil king pins	30d			
Wheels	Check steering cylinder for leaks	30d			
	Check hardware & fittings for correct torque	6m			
	Check for loose components	Daily			
Harness anchor point	Check for damage to tyres	Daily			
	Check Bearings for grease	3m			
System Function Inspection	Check fasteners are secure	Daily			
Emergency Stops	Check for damage, deformation, corrosion	Daily			
	Conduct System Function Inspection (see System Function Inspection procedure)	Daily			
	Check Lower control Emergency Stop operates correctly (shuts off Lower control)	Daily			
Brakes	Check Upper control Emergency Stop operates correctly (shuts off Upper control)	Daily			
	Check that the brakes operate correctly	Daily			
Horn	Check that the horn sounds when activated	Daily			
Proximity Switch and Controller	Check armguard lowering functions correctly when the platform is being lowered.	Daily			
	Check that the level sensor functions correctly (drive and platform raise functions are disabled and only platform lowering enabled) when the chassis inclination	Daily			
	Check full drive speed range is enabled when the platform is stowed.	Daily			
	Check that only reduced drive speed range is enabled when the platform is elevated.	Daily			

* NOTE: Use ISO #46 during summer and ISO #32 during winter.

3-4 PARTS LOCATION

Figure 3-2: Parts Location



3-5 GENERAL LUBRICATION

Mast Lubrication :

Approved Lubricant :

Interflon Fin Lube TF +Teflon

The use of Interflon Fin Lube is recommended as it dries to prevent dirt contamination of lubricated parts unlike other greases and gives excellent long lasting protection against wear.

The use of other types of 'heavy' grease are therefore not recommended.

Application:

Aerosol, Brush or Mist Application.

Lubricant should be applied as a extremely thin coating on the corners of the mast assembly sections where the Nylon Pads slide. It is recommended that the mast sections are cleaned and the Fin Lube TF reapplied at three monthly intervals and at each 6 and/or 12 monthly routine Inspection / Service.

Chain Lubrication (Mast) :

Approved Lubricant :

Interflon Fin Lube TF +Teflon

Application:

See section 3-10, Page 3-21.

Process Instructions

1. Cleaning Application:
Mast must be cleaned first with an organic or Alkaline quick drying cleaning agent.
2. Fin Lube TF préparation:
Shake container gently before use. Provide adequate ventilation.
3. Fin Lube TF Application:
Spray mist Fin Lube TF sparingly onto each of the 3rd Mast.
4. Fin Lube TF Application:
With a clean paper towel /cloth spread the Fin Lube TF down both corners Removing superfluous lubricant.
Note: Fin lube TF works at its optimum with a thin layer rather than a thick layer. Do not use too much.
5. On 2nd and 3rd Mast repeat item 3 & 4
7. Allow 15 minutes for lubricant penetration.
8. Inspection: Check that there is a thin layer present and remove any redundant FIN LUBE TF from the bottom of the mast with a cloth if required.

Additional lubrication :

Rear idler wheel bearing

Apply EP2 lithium grease to each bearing Fig 3-3 item 2 via grease nipple in wheel. See "maintenance check list" on page 3-5 for check frequency.

Bearings.

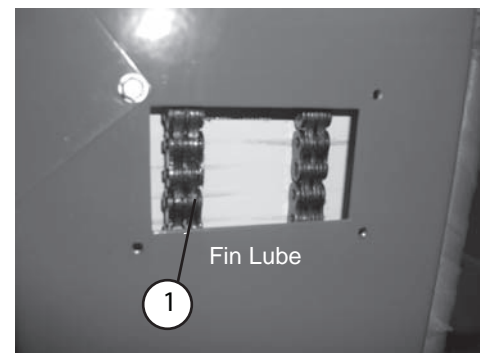
Approved Lubricant : EP.2 Lithium grease

Apply EP.2 Lithium grease to each fitting identified in Fig 3-3 item 3. See "Maintenance Check list" on Page 3-5 for check frequency.

Linkage.

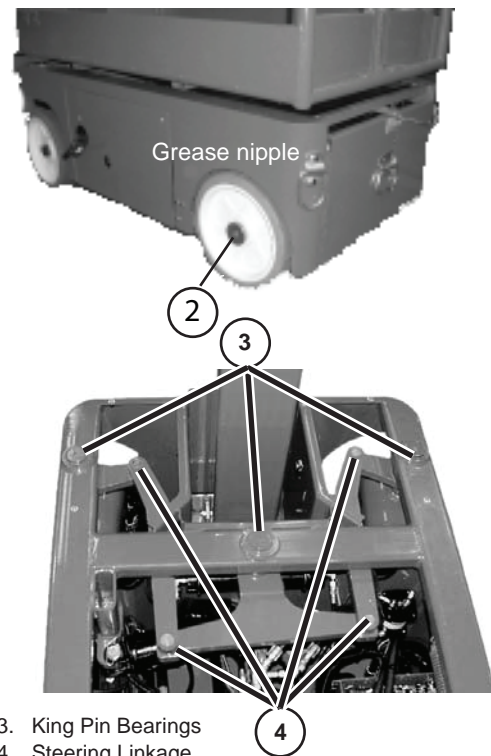
Apply Fin Lube to linkage pins identified in Fig 3-3 item 4. See "Maintenance Check list" on Page 3-5 for check frequency.

Chain Lubrication (Fin Lube)



1. Chain

Figure 3-3: Additional Lubrication



3. King Pin Bearings
4. Steering Linkage

3-6 BATTERIES

Electrical Energy for the motor is supplied by four 6 volt batteries wired in series for 24 volts DC. Proper care and maintenance of the batteries and motor will ensure maximum performance from the work platform.

CAUTION

If battery electrolyte level is not maintained, batteries will not fully charge, creating a low discharge rate.

WARNING

Hazard of explosive gas mixture. Keep sparks, flame and smoking materials away from batteries.

Always wear safety glasses when working with batteries.

Battery fluid is highly corrosive. Thoroughly rinse away any spilled fluid with clean water.

Always replace batteries with Snorkel batteries or manufacturer approved replacements.

Before disconnecting the battery negative (-) lead, make sure all switches are OFF. If ON, a spark will occur at the ground terminal which could cause an explosion if hydrogen gas or fuel vapors are present.

BATTERY REPLACEMENT

The batteries are located in a slide-out tray in the rear of the machine. There are four 6 volt batteries wired in series for 24 volts DC. Battery cables must be installed as shown in the Battery Cable Installation Diagram.

BATTERY MAINTENANCE

Refer to *Section 1: General Information* for complete battery maintenance instructions.

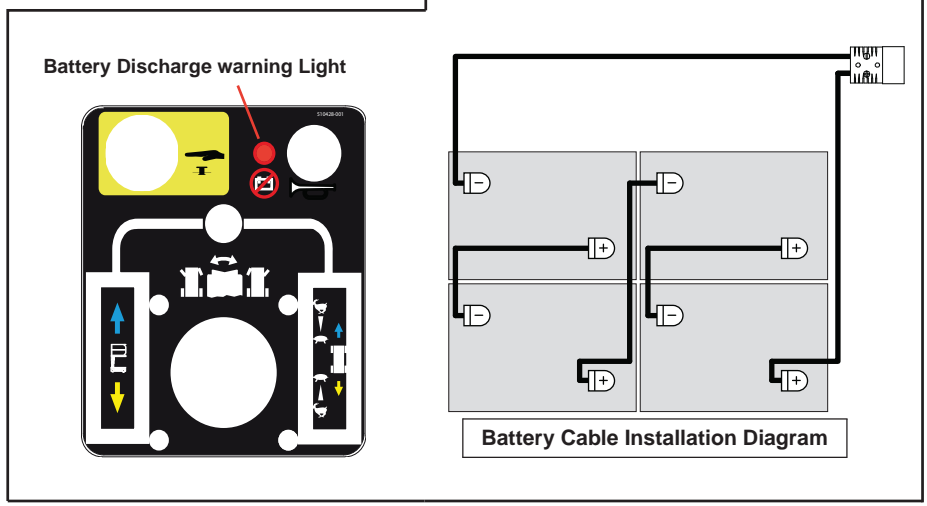
If Battery Discharge warning Light Illuminates (Fig 3-4), recharge batteries fully.

Refer to the *Operation Manual* included in this Service Manual for specific maintenance and charging instructions.

Figure 3-4: Battery Cables



Batteries Installed



Battery Cable Installation Diagram

3-7 HYDRAULICS

HYDRAULIC OIL TANK AND FILTER

FLUID LEVEL

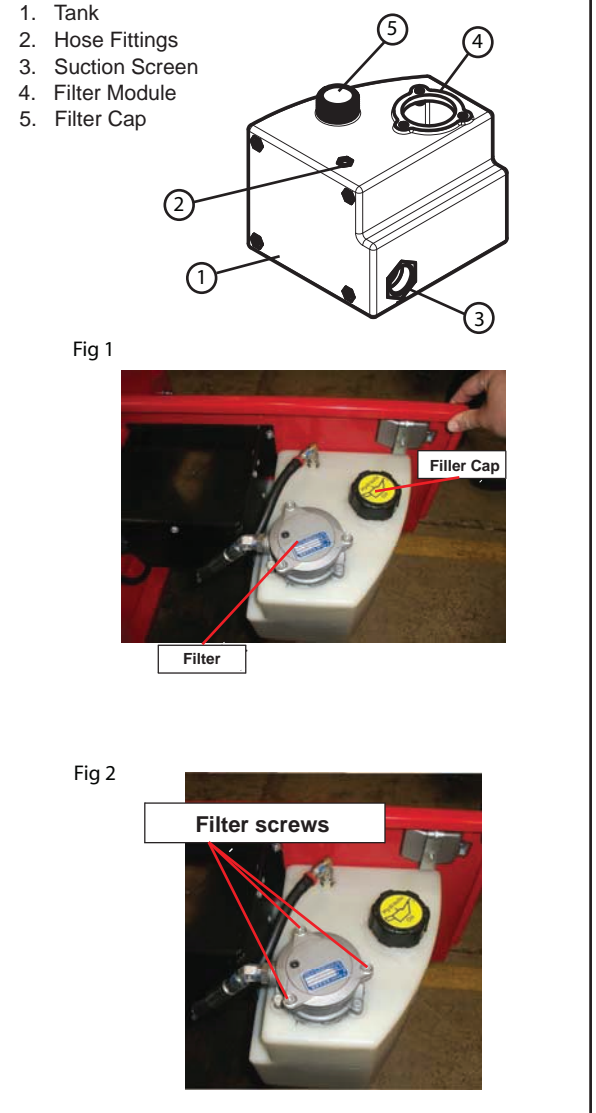
With platform fully lowered, oil should be visible between Max/Min lines on the tank (or on the dip stick (if fitted) which can be found on the bottom of the filling cap). If not, then add or remove oil to adjust the oil level to the correct level.

DO NOT fill above the Max line when the platform is elevated.

OIL AND FILTER REPLACEMENT

1. Operate the work platform for 10-15 minutes to bring the hydraulic oil up to normal operating temperature.
2. Open the chassis door.
3. Remove Hydraulic oil using a suitable pump. The Hydraulic tank has a 7,2 liter (**1.9 US gal.**) capacity.
4. Extract Filter module by removing the 3 screws shown in fig 2.
5. Remove Spring and replace Old filter
6. Ensure the filter is sitting correctly and refit Spring
7. Apply a thin film of clean hydraulic oil (ISO #46) to the 'O' Ring housed in the Filter Lid.
8. Refit the three screws shown in Fig 2.
9. Fill the hydraulic reservoir with hydraulic oil until the oil comes up just past the Min line .
Hydraulic tank has a 7,2 liter (**1.9 US gallon**) capacity.

Figure 3-5: Hydraulic Oil Tank and Filter



⚠ CAUTION ⚠

The hydraulic oil may be of sufficient temperature to cause burns. Wear safety gloves and safety glasses when handling hot oil.

HYDRAULIC PUMP

The Hydraulic Pump is located in the Power Module, and is mounted on the rear of the motor.

REMOVAL

NOTE: If the hydraulic tank has not been drained, suitable means for plugging the hoses should be provided to prevent excessive fluid loss.

1. Mark, disconnect and plug the hose assemblies.
2. Loosen the capscrews and remove the pump assembly from the motor.

INSTALLATION

1. Lubricate the pump shaft with general purpose grease and attach the pump to the motor with the capscrews.
2. Using a crisscross pattern, torque each cap-screw a little at a time until all capscrews are torqued to 27N-m (**20 ft-lbs**).
3. Unplug and reconnect the hydraulic hoses.
4. Check the oil level in the hydraulic tank before operating the work platform.

CYLINDER VALVE ASSEMBLY

Figure 3-6: Hydraulic Pump

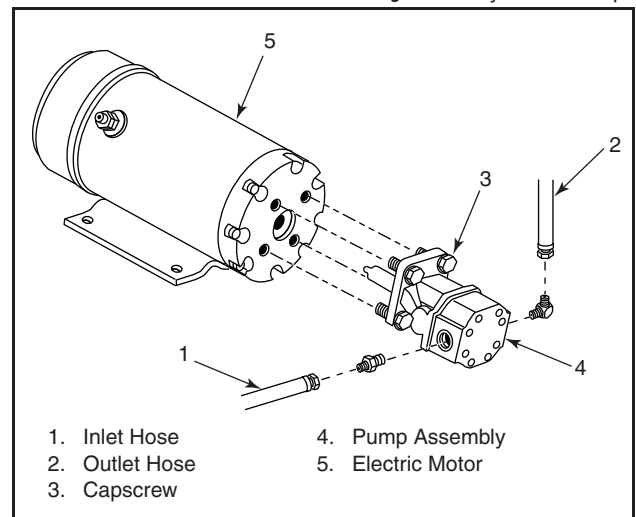
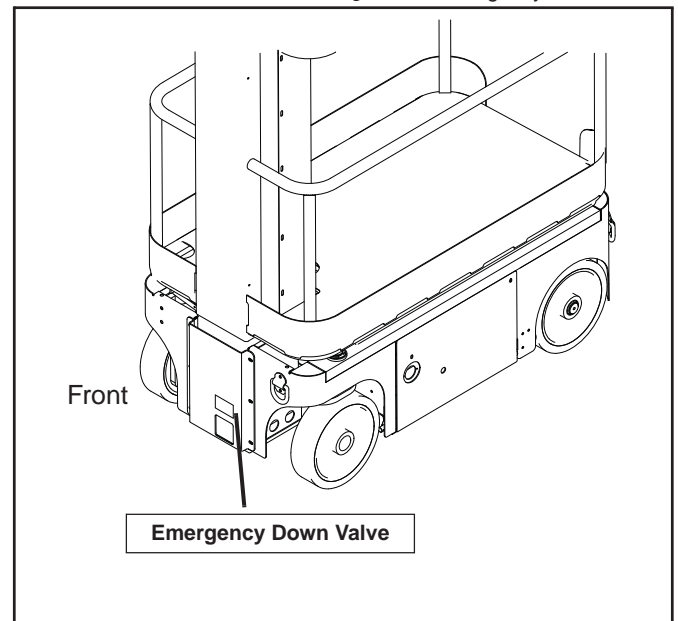


Figure 3-7: Emergency Down Valve

EMERGENCY DOWN VALVE

The Emergency Down Valve is located at the front of the machine and is mounted on the base of the cylinder.

Pull to activate

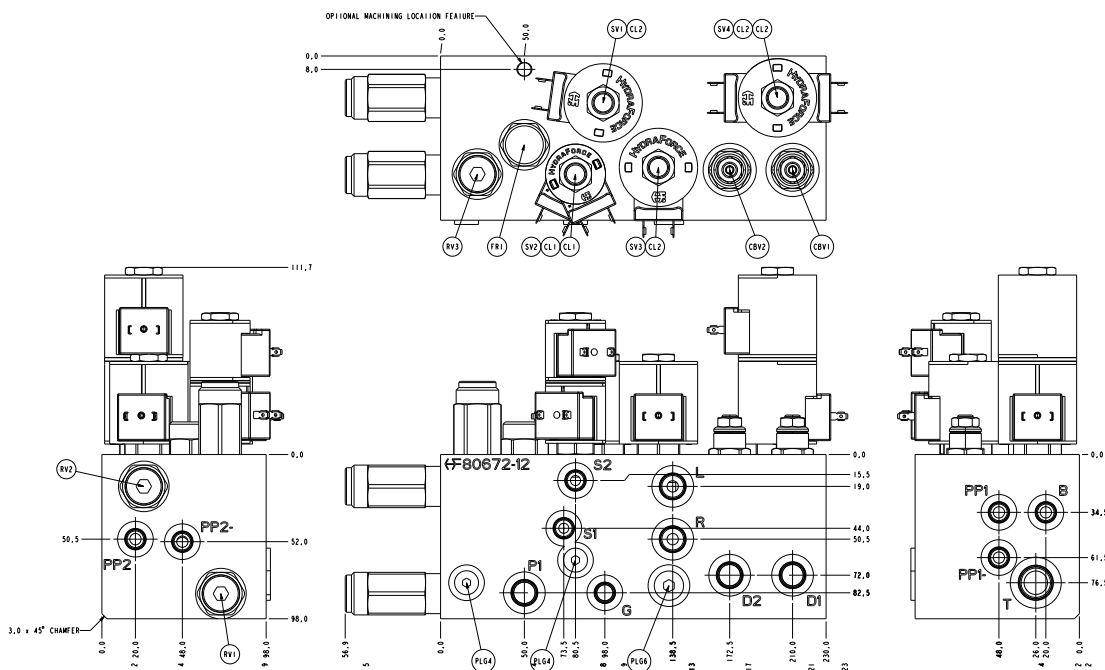


MAIN HYDRAULIC MANIFOLD

Though it is not necessary to remove the manifold to perform all maintenance procedures, a determination should be made prior to beginning as to whether or not the manifold should be removed before maintenance procedures begin.

Figure 3-8: Hydraulic Manifold, Exploded View

SNORKEL PN	PORT LOCATION	ADAPTORS REQUIRED	
		END 'A'	END 'B'
011941-005	D1	9/16" MALE UNF	9/16" MALE ORFS ST
011941-005	D2	9/16" MALE UNF	9/16" MALE ORFS ST
011941-005	R	9/16" MALE UNF	9/16" MALE ORFS ST
011941-005	L	9/16" MALE UNF	9/16" MALE ORFS ST
510695-000	G	7/16" MALE UNF	TEST PORT
514362-000	S1	7/16" MALE UNF	9/16" MALE ORFS ST
514362-000	S2	7/16" MALE UNF	9/16" MALE ORFS ST
104779-000	P1	9/16" MALE UNF	11/16" MALE ORFS POS 90°
514362-000	PP1	7/16" MALE UNF	9/16" MALE ORFS ST
514362-000	PP1-	7/16" MALE UNF	9/16" MALE ORFS ST
514362-000	PP2	7/16" MALE UNF	9/16" MALE ORFS ST
514362-000	PP2-	7/16" MALE UNF	9/16" MALE ORFS ST
512951-000	T	3/4" MALE UNF	11/16" MALE ORFS ST
513054-000	B	7/16" MALE UNF(1mm inline restrictor)	9/16" MALE ORFS ST
SNORKEL PN	VALVE TYPE	VALVE LOCATION	
513145-000	SOLENOID VALVE, SV10-47B, 24V	SV4	
513146-000	SOLENOID VALVE, SV10-40, 24V	SV1, SV3	
513147-000	SOLENOID VALVE, SV08-47A, 24V	SV2	
514384-000	RELIEF VALVE ASSY, RV08-22H, 24V	RV3	
513148-000	RELIEF VALVE ASSY, RV08-20H, 24V	RV2	
513149-000	RELIEF VALVE ASSY, RV08-20H, 24V	RV1	
513150-000	EXPANDER PLUG,	NOT SHOWN	
513151-000	SAE PLUG,	PLG6	
513152-000	SAE PLUG,	PLG4	
513153-000	SOLENOID, 24V	CL2	
513154-000	SOLENOID, 24V	CL1	
514385-000	CARTRIDGE VALVE	FR1	
513156-000	COUNTERBALANCE VALVE	CBV1, CBV2	
514386-000	BLOCK	BLK	



SETTING HYDRAULIC MANIFOLD PRESSURES

⚠ WARNING ⚠

The hydraulic oil may be of sufficient temperature to cause burns. Wear safety gloves and safety glasses when handling hot oil.

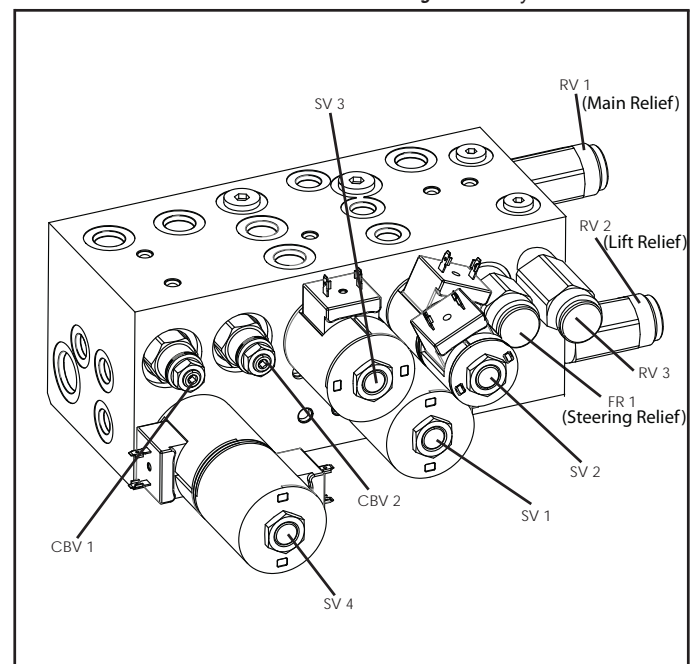
The oil in the hydraulic system is under very high pressure which can easily cause severe cuts. **Obtain medical assistance immediately if cut by hydraulic oil.**

NOTE: Check the hydraulic pressures whenever the pump, manifold or relief valves have been serviced or replaced

LIFT RELIEF VALVE

1. Operate the hydraulic system 10 to 15 minutes to warm the oil.
2. Remove the cap or loosen the locknut on the Lift Relief Valve.
3. Install a 0-207 bar (**0-3000 psi**) pressure gauge to the gauge port.
4. Turn the Chassis Keyswitch to CHASSIS and elevate the machine fully.
5. While holding the Chassis Lift Switch to the UP position, adjust the Lift Relief Valve RV 2 until the pressure gauge reads 115 bar (**1690 psi**).
6. Release the Chassis Lift Switch.
7. Replace the cap, or tighten the locknut on the Lift Relief Valve, and torque to 8N-m (**6 ft-lbs**) and replace the Cap.
8. Lower the platform.

Figure 3-9: Hydraulic Manifold



COUNTERBALANCE VALVES

1. Operate the work platform for 10-15 minutes to bring the hydraulic oil up to normal operating temperature.
2. Remove the gauge port cap and install the pressure gauge assembly.
3. Lift work platform and block front wheels off ground.
4. Loosen the locknuts on Counterbalance Valves.
5. With the machine fully powered up depress the **DRIVE** button on the upper control box, depress the interlock lever and slowly pull the control lever to **REVERSE** to drive the wheels.
6. Adjust the Forward Counterbalance Valve by turning the adjustment screw until the pressure gauge indicates 25 bar (**362.5 psi**).
7. Slowly push the Control Lever to **FORWARD** to drive the wheels.
8. Adjust the Reverse Counterbalance Valve by turning the adjustment screw until the pressure gauge indicates 25 bar (**362.5 psi**).
9. Check the settings by slowly moving the Control Lever **FORWARD**, then **REVERSE**, checking the gauge to ensure pressures are properly set. Re-adjust as needed.
10. Tighten locknuts on valves to 8N-m (**6 ft-lbs**). Remove blocks and lower work platform to ground.
11. Reconnect the red Control Cable wire to terminal #9.
12. Remove the gauge from the gauge port and re-install cap.
13. Check for proper operation of the drive system and brake.

STEERING RELIEF VALVES

1. Operate the work platform for 10-15 minutes to bring the hydraulic oil up to normal operating temperature.
2. Install gauge in the gauge port.
3. Loosen locknut or remove cover on the Steering Relief Valve and turn adjusting screw counter-clockwise two full turns.
4. While one person holds the Steering Switch to steer right or left, slowly turn the Steering Relief Valve adjusting screw clockwise to increase the pressure until the gauge reads 100 bar (**1450 psi**).
5. Tighten locknut or replace Steering Relief Valve cover and torque to 8N-m (**6 ft-lbs**).
6. Remove gauge and replace cap.

3-8 CYLINDERS

DEPRESSION CYLINDER

REMOVAL

1. Mark and disconnect the hose assemblies from the cylinder fittings and immediately cap the openings to prevent foreign material from entering.
2. Place a support under the depression guard.
3. Remove the cotter pins from the pivot pins.
4. Remove the pivot pins while supporting the cylinder.
5. Remove the cylinder.

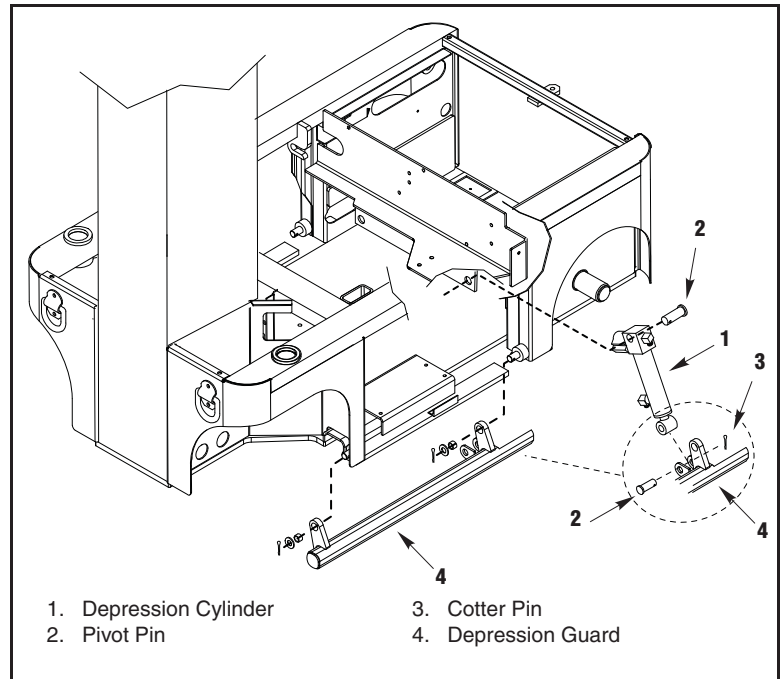
REPAIR

Refer to Cylinder Repair in Section 1 - General Information.

INSTALLATION

Installation is reverse of removal.

Figure 3-10: Depression Cylinder Remove & Replace



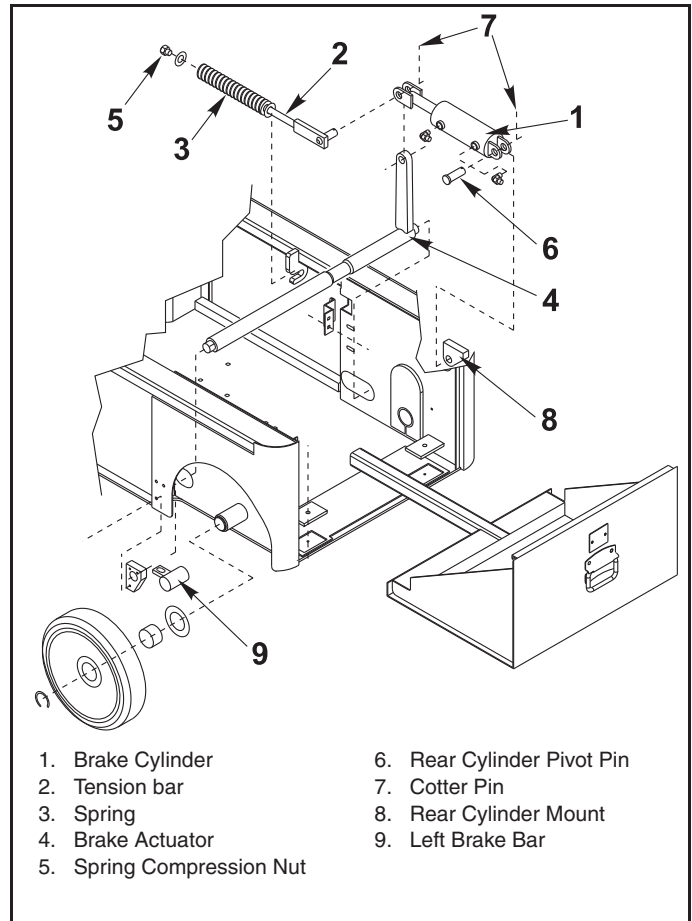
BRAKE CYLINDER

The brake cylinder is located inside the right rear chassis wall above the wheel.

Figure 3-11: Brake Cylinder, Remove & Replace

REMOVAL

1. Block the wheels to prevent the work platform from rolling when the brake is removed.
2. Use a 1000Kg (**one ton**) capacity jack to raise the rear of the machine. Position blocks under the machine to prevent the work platform from falling if the jack fails.
3. Block the front wheels to prevent the machine from rolling.
4. Remove the spring compression nut and flat washer from the tension bar.
5. Remove the retaining ring and right rear wheel.
6. Remove the cotter pin and pivot pin from the rear cylinder mount.
7. Remove the cotter pin from the tension bar pivot allowing the cylinder to be lowered.
8. Disconnect the hose assemblies and cap the openings to prevent foreign material from entering.
9. Remove the cylinder from the chassis.



REPAIR

Refer to Cylinder Repair in Section 1 - General Information.

INSTALLATION

1. Connect the hose assemblies.
2. Install the tension bar pivot through the cylinder clevis and brake actuator and secure with a new cotter pin.
3. Install the pivot pin through the cylinder mounting tabs and rear cylinder mount and secure with a new cotter pin.
4. Install the wheel and retaining ring.
5. Install the flat washer and spring compression nut on the tension bar. Tighten the nut until at least flush with the tension bar shaft or until the brake bar has full engagement with the tire.
6. Lower the machine and operate the drive circuit and check that the brake bars retract and clear the tires when driving and fully engage the tires when stopped. Check for leaks

STEERING CYLINDER

REMOVAL

1. Mark and disconnect the hose assemblies from the cylinder fittings and immediately cap the openings to prevent foreign material from entering.
2. Remove the cotter pins from the pivot pins.
3. Remove the pivot pins while supporting the cylinder. Remove the cylinder.

REPAIR

Refer to Cylinder Repair in Section 1 - General Information.

INSTALLATION

1. Position the cylinder assembly in the chassis and insert pivot pins and secure with new cotter pins.
2. Connect the hose assemblies to the fittings.
3. Operate the steering circuit several times throughout its entire range of travel to expel trapped air and check for leaks.

Figure 3-12: Steering Cylinder Remove & Replace

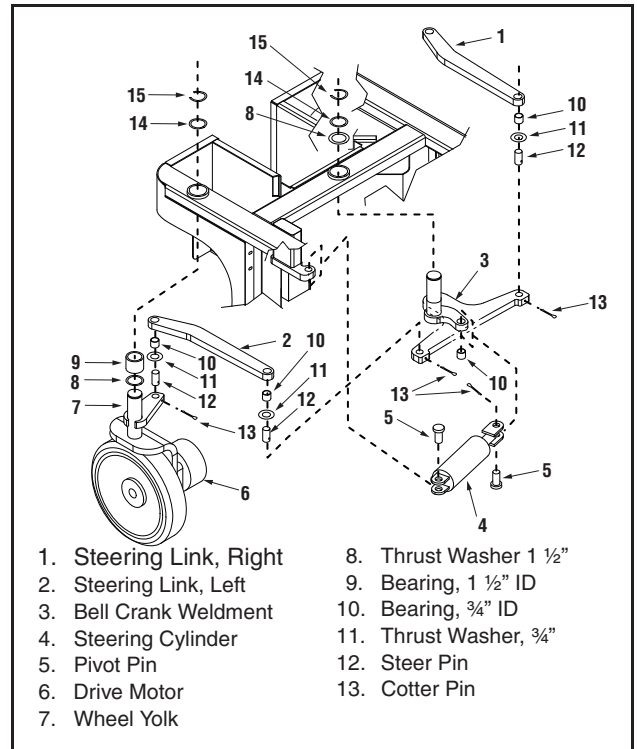
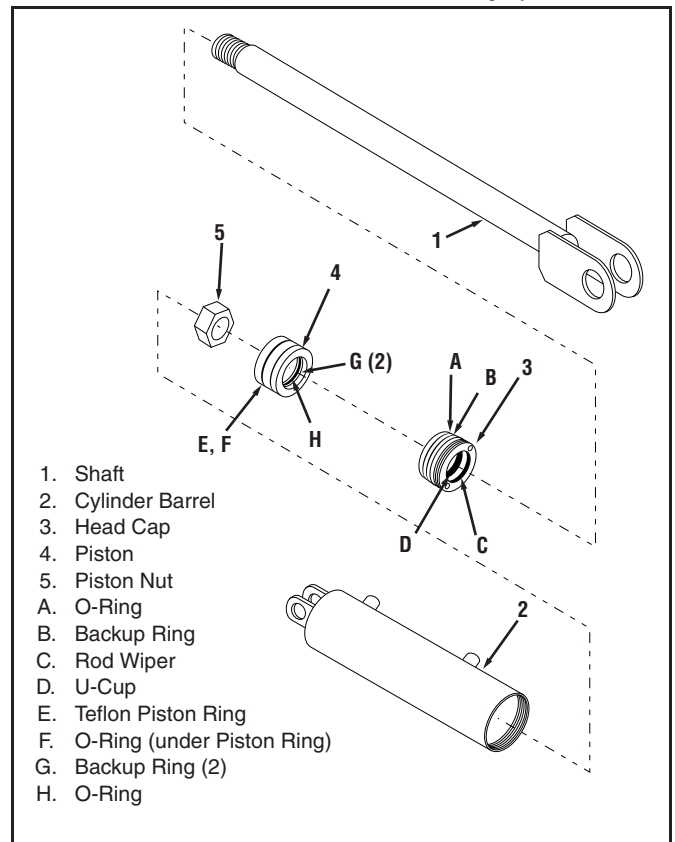


Figure 3-13: Brake and Steering Cylinder Seal Kit



LIFT CYLINDER

REMOVAL

Refer to Figure 3-16: "Elevating Assembly," on page Section 3-20 for details.

1. Fully lower platform.
2. Provide a suitable container to catch the hydraulic fluid, then disconnect the hydraulic hose. Immediately plug hoses to prevent foreign material from entering.
3. Remove the adapter from the base of the cylinder, inside the chassis.
4. Remove the Emergency Lowering Valve Knob from the valve at the base of the cylinder, then remove the Emergency Lowering Valve out the access hole in the bottom of the chassis.
5. Remove the snap ring at the bottom of the cylinder under the chassis.
6. Remove the platform mast cover.
7. Remove the capscrew and locknut securing the cylinder rod to the upper cylinder mount.
9. Attach a suitable hoisting device and sling to the cylinder. Carefully lift the cylinder approximately 0.5 m (18 in.) until you can see the vent line tubing attached near the top of the cylinder barrel. Detach the tubing by depressing the green ring on the fitting at the same time you pull firmly on the tube. Plug the end of the tube and the fitting to prevent contamination.
10. Raise the cylinder the rest of the way through the top of the mast.

INSTALLATION

1. Attach a suitable hoisting device and sling to the cylinder. Carefully lower the cylinder through the top of the mast until you can reattach the vent line tubing. Simply push the tubing into the fitting until it goes no further. Pull firmly to ensure that it is installed correctly.
2. Lower the cylinder the rest of the way, and secure the cylinder to the chassis with the snap ring.
3. Install capscrew, washers and locknut securing cylinder rod to the upper cylinder mount.
4. Install platform mast cover.
5. Install the Emergency Lowering Valve, Knob and adapter to the base of the lift cylinder.
6. Remove the plug from the hydraulic hose and attach it to the adapter.
7. Attach the vent line to the hydraulic tank.
8. Test with weight at rated Platform load to check system operation. Check for leaks

3-9 DRIVE MOTORS

REMOVAL

1. Use a 1000Kg (**one ton**) capacity jack to raise the front of the machine. Position blocks under the machine to prevent the work platform from falling if the jack fails.
2. Block the rear wheels to prevent the machine from rolling.
3. Remove the cotter pin, nut, and washer.
4. Remove the wheel.

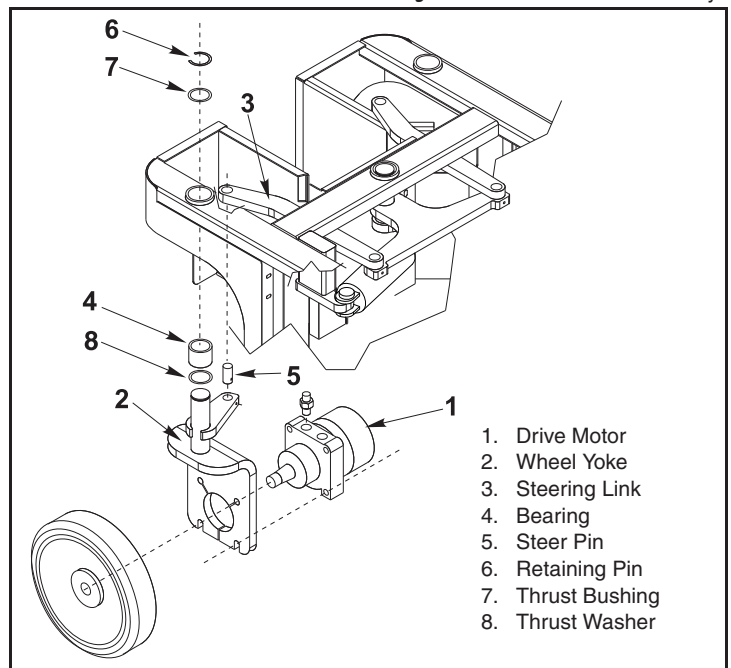
NOTE: Before disconnecting hoses, thoroughly clean off all outside dirt around fittings. (After disconnecting hoses and before removing from vehicle, IMMEDIATELY plug port holes.)

5. Tag, disconnect and plug the hose assemblies to prevent foreign material from entering.
6. Support the drive motor/wheel yoke assembly and remove the retaining ring at the top of the wheel yoke pivot. Remove the drive motor/wheel assembly from the machine.
7. Remove the locknuts, flat washers, capscrews and drive motor from the wheel yoke.

INSTALLATION

1. Position the drive motor in the wheel yoke and secure with capscrews, flat washers and locknuts.
2. Install the drive motor/wheel yoke assembly into the pivot bearing along with the lower thrust washer, thrust bushing, and retaining ring.
3. Align the steer pin with the hole in the steering link.
4. Remove the plugs from the hose assemblies and connect to the drive motor.
5. Install the shaft key, wheel, washer and slotted nut. Torque the locknut to 102 N-m (**75 ft-lbs**). Install a new cotter pin. **DO NOT** back-off the nut to install cotter pin.
6. Remove blocks, lower the jack and remove. Operate the drive system and check for leaks.

Figure 3-15: Drive Motor Assembly



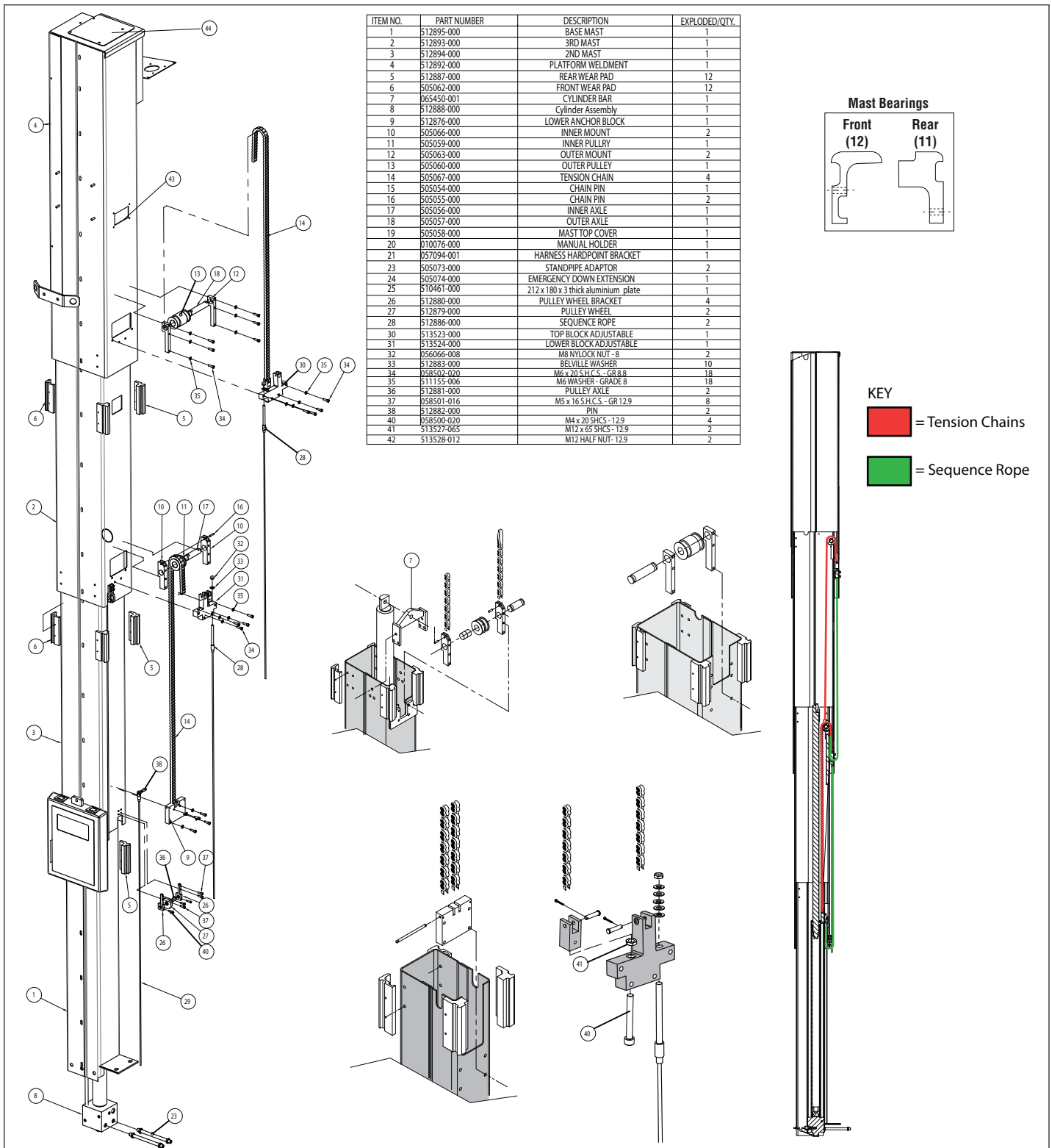
3-10 ELEVATING ASSEMBLY

Maintenance of the elevating assembly consists of four separate tasks and maintenance intervals:

- Chain Lubrication 6 months
- Elevating Assembly Wear Inspection 6 months
- Sequence rope inspection 6 months
- Chain Tension Inspection 1 year
- Chain Elongation Inspection 5 years

All of the tasks except the Elongation Inspection can be done without removing the chains from the assembly.

Figure 3-16: Elevating Assembly



LIFT CHAIN LUBRICATION

Refer to Figure 3-16: "Elevating Assembly," on page Section 3-20.

With platform in the stowed position;

- remove the *platform mast cover* (43).
- apply enough aerosol chain lubricant to the exposed portion of all four chains to allow the lubricant to run down the chains.
- replace the cover.
- remove the chain inspection cover (44).
- raise platform approximately 10cm (4 in.), until the inner set of chains are visible through the chain inspection hole.
- apply enough aerosol chain lubricant to the exposed chain to allow the lubricant to run down the chain.
- replace chain inspection cover.

ELEVATING ASSEMBLY WEAR INSPECTION

Refer to Figure 3-16: "Elevating Assembly," on page Section 3-20.

At the same time as the chain lubrication task, inspect all elevating assembly components for wear.

With the platform in the stowed position;

- inspect the system through the *platform mast cover* (43) to look for worn *pulleys* (11 & 13) or damaged components.
- Inspect the *chain anchors* (7, 10 and 12) and visible portions of lift chain as you lubricate it.
- Look for cracks in the chain links, kinks in any portion of chain, and excessive corrosion.

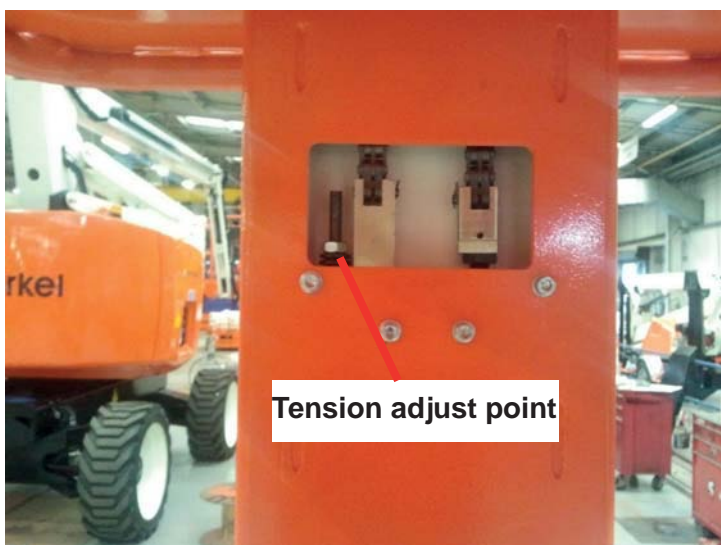
From the lower controls, raise the platform and block the elevating assembly (see Figure 3-1: "Supporting Elevating Assembly," on page Section 3-3).

- Inspect the *inner chain anchors* (9, 30 and 31) and the ends of the chains for damage or worn parts. If damage is present, replace the components.

IMPORTANT: There are two pairs of two chains each, for a total of four chains. If only one chain of either pair is damaged, both chains in the pair must be replaced.

SEQUENCE ROPE TENSION INSPECTION & ADJUSTMENT

1. Elevate the platform and support the elevating assembly, **see section 3.1**.
2. Adjust the tension in the ropes to ensure they will stay seated in their pulley wheels during lift and lowering as shown in the below picture, you should just be able to pull each rope against the outer mast with one finger.
3. Raise the platform to its full height and visually inspect each rope for damage.



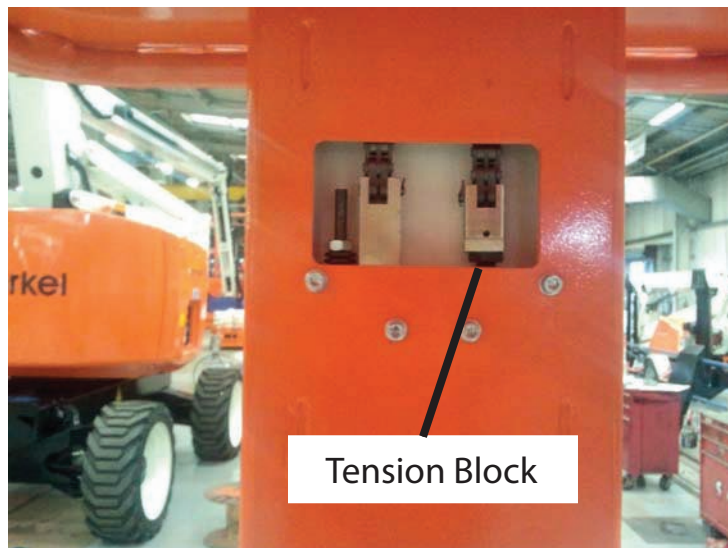
CHAIN TENSION INSPECTION & ADJUSTMENT

Refer to Figure 3-16: "Elevating Assembly," on page Section 3-20.

The lifting chains can be separately adjusted and should always be close to the same tension.

This tension should be checked annually and adjusted if necessary. To do this task a spring scale will be needed with 20kg (**44 lb.**) capacity.

1. Place 227kg (**500 lbs.**) in the platform.
2. Remove the *chain inspection cover* (43) and raise the platform approximately 54cm (**21 in.**) until the outer inspection hole lines up with the inner inspection hole.
3. Attach the spring scale to one of the outer chains and pull until the chain makes contact with the inner surface of the mast section. Note the scale reading.
4. Repeat step 3 on the other outer chain.
5. Compare the scale readings. The readings for each chain in the outer set should be within 20% of each other. If not then carefully adjust the slack chain until the readings are equal. Torque up the locknuts to 25 Nm.
6. Repeat steps 3 - 5 for the inner set of chains. The readings for each chain in the inner set should be within 20% of each other.



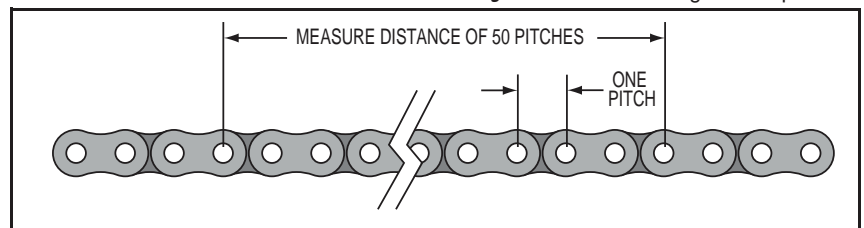
CHAIN ELONGATION INSPECTION

At five-year intervals, the chains should be removed from the mast and the entire length of the chain inspected for excessive wear and elongation. Follow the procedure below to disassemble the elevating assembly. With the lift chains removed, hang them vertically from something capable of holding 100kg (**220 lbs.**). Inspect the chains thoroughly, looking for cracks in the chain links, kinks in any portion of chain, and excessive corrosion. Complete the following elongation test:

1. Attach approximately 25kg (**55 lbs.**) to the lower end of each chain.
2. Measure the distance between 50 pins. This distance should be 64.5cm - 65.5cm (**25 in. - 25¹/₂ in.**).
3. Remove the weight and measure the same on the other three chains.

If the chains have elongated beyond the indicated range, replace the lift chain sets. Before reinstalling the lift chains, take this opportunity to thoroughly clean and lubricate the entire chain. Reassemble the elevating assembly as described below.

Figure 3-17: Chain Elongation Inspection



REMOVAL OF ELEVATING ASSEMBLY

Refer to Figure 3-16: "Elevating Assembly," on page Section 3-20.

1. Elevate the platform and support the elevating assembly, see section 3.1.
2. Disconnect the batteries using the battery disconnect in front of the batteries in the battery tray.
3. Remove the *platform mast cover*, and the *controller cover plate*.
4. Detach the control cable inside the *controller*, remove the cable clamp in the top of the *platform mast* (4), and feed the cable into the *second inner mast* section (2).
5. Disconnect the outer sequence rope from the outer chain anchor.
6. Disconnect the *outer chain anchor* from the *platform mast*, but leave the anchor attached to the chains.
7. Remove the lower mast bearings from the *platform mast*.
8. Raise the *platform mast* straight up and off of the remaining mast sections. using a suitable hoisting device.
9. Lay the chain that was detached from the *platform mast* over the top of the *upper cylinder mount* (7), and place it down inside the *second inner mast* section.
10. Repeat steps 4 - 7 on the *second inner mast* section (3) and inner sequence rope. The lower mast bearings are removed by unscrewing the two screws on each bearing. Note, you will also have to remove the sequence rope pulley wheel assembly.
11. The upper chain set may now be removed by detaching the *upper chain/inner pulley mounts* from the *first inner mast* section (1). Carefully set the chain set aside on a clean surface.
12. Remove the single bolt that attaches the *cylinder* to the *upper cylinder mount* (7).
13. Using a suitable hoisting device, carefully raise the *first inner mast* section (1) up several inches.
14. Lay the remaining chain set over the top of the *cylinder*, and place it down inside the inner mast section.
15. Remove the lower mast bearings from the *first inner mast* section and remove the sequence rope pulley wheel assembly.
16. Raise the *first inner mast* section straight up and off of the remaining *base mast* section.
17. The inner chain set may now be removed.
18. If it is necessary to remove the *base mast* section, remove the nine bolts that secure it to the *chassis*. It may be required to remove the *lift cylinder* to provide easier access to the bolts (see "Lift Cylinder" on page Section 3-18).

INSTALLATION OF ELEVATING ASSEMBLY

Refer to Figure 3-16: "Elevating Assembly," on page Section 3-20.

Installation of the elevating assembly is the reverse of removal.

- Torque the nine bolts that retain the *base mast* section to 68N-m (**50 ft-lbs**).
- For all of the cap screws that attach the chain anchors to the mast sections, apply Loctite 242 to the screw threads and torque to 12N-m (**107 in-lbs**).
- For all of the screws that attach the mast bearings, apply Loctite Retainer #405 to the screw threads. *Do not torque, simply tighten securely.*
- Adjust the chain and sequence rope tensions as described in this section, ensure that the chain tensioner locknuts are correctly tightened and the tensioner bolt threads are visible through the inspection holes in the tensioner blocks.
- Check elevating assembly for proper operation.

3.11 TILT Sensor

TILT SENSOR SWITCH

The tilt sensor is incorporated in the EZ230 Control Module, the switch is activated if machine inclination is greater than 1.5 ° side to side or 2 ° front to back and the Mast Proximity switch is open, this results in a continuous audible alarm and all movement is disabled except for platform lowering. The only way to clear this alarm is to return the machine inclination below 1.5 ° side to side and 2 ° front to back or bring the Mast down to close the Switch. The settings of this limit is preset at the factory and should on no account be adjusted.

SETTING THE TILT SENSOR TO ZERO

⚠ WARNING ⚠

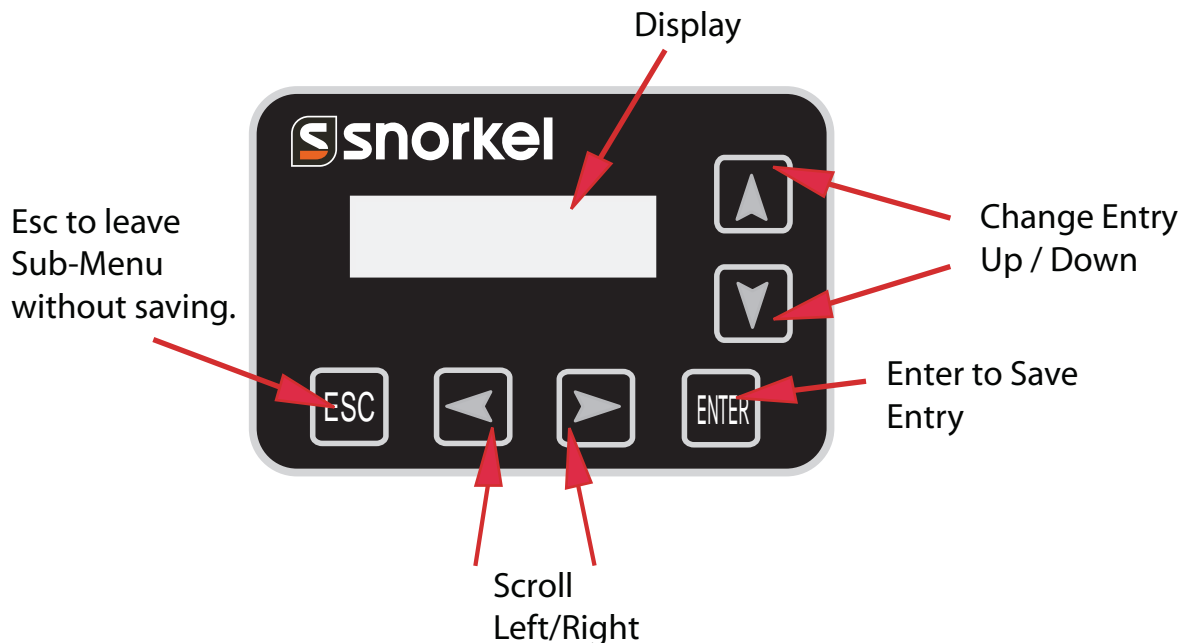
If the EZ230 control module is replaced and/of moved within the machine for any reason the tilt sensor must be reset for zero° using the following procedure. Failure to do so could result in serious injury or death.

To follow this procedure you need to switch the Ezcal display in the Upper Control Box into "Calibration mode".

1. Place the machine on a firm level surface , $\leq 0.25^\circ$
2. Use a Gauge to confirm that the front and rear of the chassis are level to within $\pm 0.25^\circ$ in both directions
3. Switch the machine on, press and hold Esc for 5 seconds until "Ezlift Menu" Appears.
4. Scroll to access level.(Enter)
5. Enter code 2222 for access level 2 .(Enter)
6. Scroll to setups.(Enter)
7. Scroll to tilt setups . (Enter)
8. Calibrate level. (Enter)
9. Enter for yes.

To confirm calibration has worked switch the machine of then back on again.

10. Scroll to Diagnostics. (Enter)
11. System. (Enter)
12. Scroll to tilt, both readings should be below 0.2° if not repeat from 3.

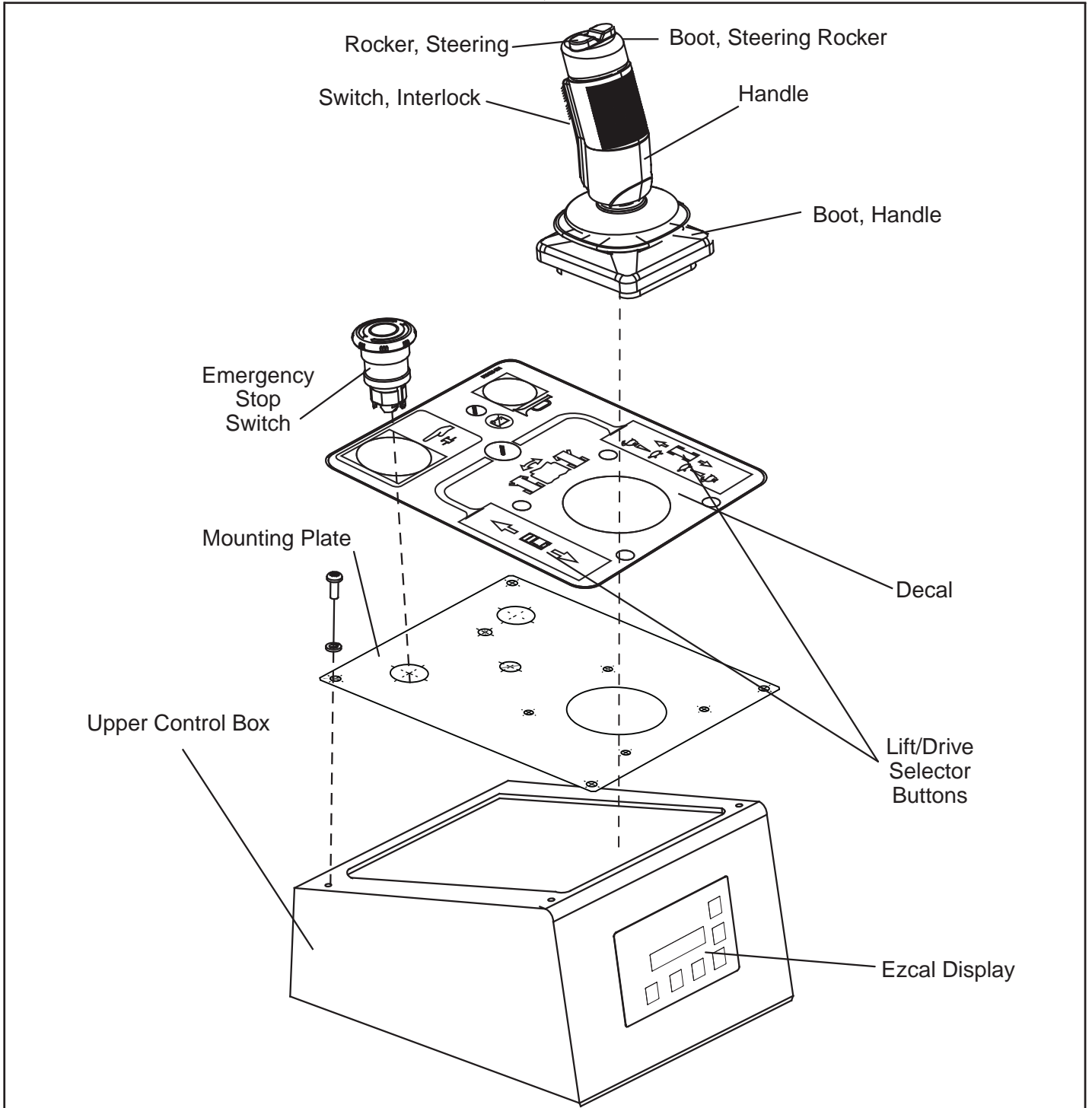


3-12 CONTROLS

PLATFORM CONTROLS

The Platform Controller can be disassembled to replace defective switches. See the Parts Manual for replacement part numbers.

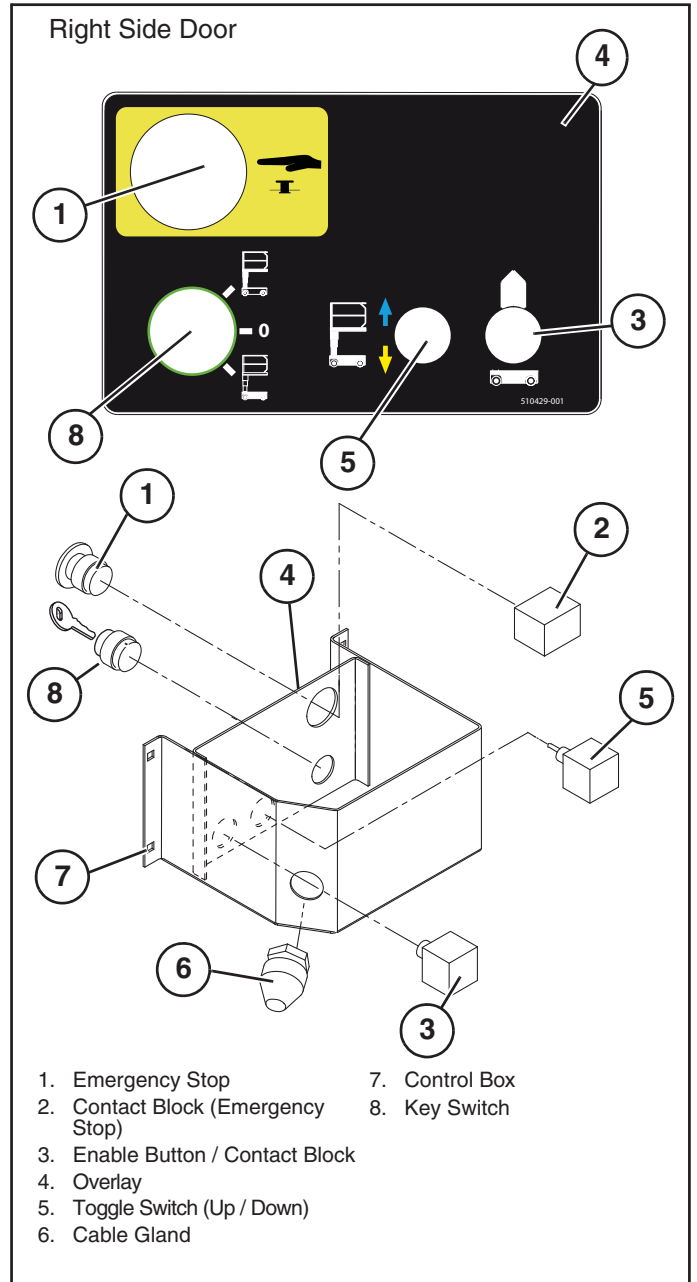
Figure 3-19: Upper Controls



CHASSIS CONTROLS

The chassis control assembly is mounted on the inside of the chassis door, to the left of the Hydraulic tank.

Figure 3-20: Chassis Controls



3-13 PROXIMITY SWITCH

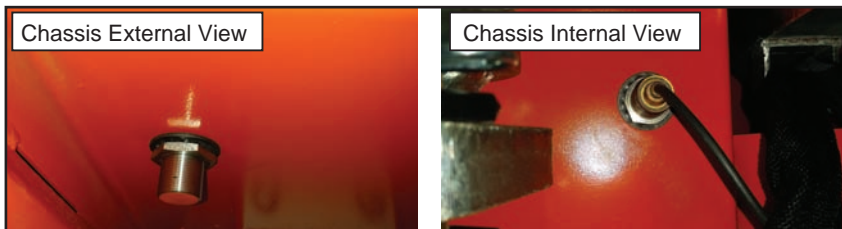
! WARNING !

Never perform work within the elevating assembly area while the platform is elevated without first blocking the elevating assembly, see Section 3-1.

REMOVAL

1. Raise the platform and gain access to the proximity switch located within the chassis on the front bulkhead close to the mast. **See WARNING note above.**
2. Turn the base control key-switch to OFF and press the emergency stop button to OFF.
3. Disconnect the proximity switch plug from the wiring harness proximity switch connector.
4. Remove one nut and one shakeproof washer from the proximity switch and remove the proximity switch (Refer to Figure 3-21).

Figure 3-21 Proximity Switch



INSTALLATION

1. Remove one nut and one shakeproof washer from the proximity switch (Refer to Figure 3-21).
2. Fit the proximity switch into the chassis mounting hole at the front of the machine.
3. Refit the shakeproof washer and the nut.
4. Initially set the proximity switch with the sensing head projecting approximately 20mm externally from the chassis external face and tighten the proximity switch nut.
5. Connect the proximity switch plug into the wiring harness proximity switch connector.
6. Turn base control key-switch to Lower Control and twist and pull the emergency stop button to ON.
7. Remove the supporting block (**see Section 3-1**) prior to operating the mast lowering functions to check that the proximity switch will not foul the mast and that the proximity switch and related functions operate correctly.

To check that the proximity switch will not foul the mast:

8. Slowly lower the mast and ensure/check that the proximity switch will not foul the mast.

To check that the proximity switch position is set correctly and functions operate correctly:

9. Raise the platform floor approximately 500mm above the chassis.
10. Lower the platform and check if the proximity switch activates.
Lowering of the platform will automatically stop (armguard delay) and requires the lowering controls to be released and waiting 3 seconds before the lowering controls can be reactivated to continue the platform lowering operation.
11. With the platform lowered (stowed position or below the proximity switch switching position, i.e. proximity switch is closed) activate the drive function. Check that the depression guard bars (see Figure 3-10) raise and that the full travel speed range is activated.
12. With the platform raised just above the proximity switch switching point i.e. proximity switch is open, activate the drive function. Check that the depression guard bars (see Figure 3-10) are lowered and only reduced travel speed is activated.

If the proximity switch does not activate or the functions do not operate correctly:

13. Raise the platform to gain access to the proximity switch. **See WARNING note above.**
14. Adjust the position of the proximity switch sensing head closer to the mast.
Important: Positional adjustments are to be made in small increments only (approximately 1mm) followed by ensuring/checking that the proximity switch will not foul the mast and that the proximity switch position is set correctly and functions operate correctly (see relevant steps above).

TROUBLESHOOTING

4.1 INTRODUCTION

The following section on troubleshooting provides guidelines on the types of problems users may encounter in the field, helps determine the cause of problems, and suggests corrective actions.

Careful inspection and accurate analysis of the symptoms listed in the Troubleshooting Guide will localize the trouble more quickly than any other method. This manual cannot cover all possible problems that may occur. If a specific problem is not covered in this manual, call our number for service assistance.

Referring to Section 2.0 and 5.0 will aid in understanding the operation and function of the various components and systems and help in diagnosing and repair of the machine.

GENERAL PROCEDURE

Thoroughly study hydraulic and electronic schematics in **Section 5**. Check for loose connections and short circuits. Check/repair/replace each component in the Truth Table that is listed under each machine function that does not operate properly.

Use the charts on the following pages to help determine the cause of a fault.

NOTE: Spike protection diodes at components have been left out of the charts to eliminate confusion.

W A R N I N G

When troubleshooting, ensure that the work platform is resting on a firm, level surface.

When performing any service that requires the platform to be raised, ensure that the platform and the masts are correctly supported, see section 3.1 "Supporting Elevating Assembly".

Unplug the machine or disconnect the battery when replacing or testing the continuity of any electrical component.

4.2 TROUBLESHOOTING

1. Verify your problem.
 - Do a full function test from both the platform and chassis controls, and note all functions that are not operating correctly.
2. Narrow the possible causes of the malfunction.
 - Use the troubleshooting guide to determine which components are common to all circuits that are not functioning correctly.
3. Identify the problem component.
 - Test components that are common to all circuits that are not functioning correctly. Remember to check wires and terminals between suspect components. Be sure to check connections to battery negative.
4. Repair or replace any component found to be faulty.
5. Verify that repair is complete.
 - Do a full function test from both the platform and chassis controls to verify that all functions are operating correctly and that the machine is performing to specified values.

SPECIAL TOOLS

Following is a list of tools which may be required to perform certain maintenance procedures on the TM12 work platforms.

- Flow Meter with Pressure Gauge (P/N 067040-000)
- 0-69 bar (0-1000 psi) Hydraulic Pressure Gauge with Adapter Fittings (P/N 014124-010)
- 0-207 bar (0-3000 psi) Hydraulic Pressure Gauge with Adapter Fittings (P/N 014124-030)
- Adapter Fitting (P/N 063965-002)
- Inclinator (P/N 010119-000)
- Crimping Tool (P/N 028800-009)
- Terminal Removal Tool (P/N 028800-006)

ADJUSTMENT PROCEDURES

Hydraulic settings must be checked whenever a component is repaired or replaced.

Remove counterbalance valves and "bench test" them if they are suspect.

Connect a pressure gauge of appropriate range to the test port located on the hydraulic manifold.

Correct pressure settings are listed in the hydraulic schematic.

CHECKING PUMP PRESSURES

Remove hose from pump port and connect pressure gauge.

DIAGNOSTICS USING EZCAL DISPLAY

The EZcal Display can be switched into calibration mode to become an invaluable tool when troubleshooting on this machine.

Switch the machine on, press and hold Esc for 5 seconds until “Ezlift menu” is displayed then select diagnostics, the following menu’s are available:

1. SYSTEM – MODE : Platform or Ground Controls selected.
 SUPPLY : Displays battery voltage, should be above 18v when the machine is not running.
 VALVE SUPPLY : ON or OFF
 MOTOR V : Supply voltage to motor (0v when motor not running).
 MOTOR I : Supply current to motor (0A when motor not running)
 TEMPERATURE: Control temperature in °c, should be below 60.
 TILT : Displays tilt angle of the machine in X and Y direction, both should be below 2°.
 TILTED : YES or NO

The remaining submenu’s in SYSTEM are not applicable to this machine.

2. PLATFORM - Checks the function of the switches and joystick functions in the platform controller.
3. GROUND - Checks the function of the switches in the ground controller.
4. INPUTS - Displays the condition of all inputs to the EZ230, see the following table and the circuit diagram on page 5.2 for a list of I/O’s.
5. ANALOG - Displays the condition of all analog inputs from the EZ230.
6. OUTPUTS - Displays the condition of all outputs from the EZ230.

I/O PORT	DESCRIPTION
P1-1	5V to Joystick (low current)
P1-3	0V to Joystick (low current)
P1-4	Joystick analog input
P2-7	B+ feed (low current, for switches and sensors only)
P2-8	Lift down valve return (0V=active) CT13
P3-1	EMS Platform (B+ during platform mode)
P3-2	Valve supply (high current B+ during platform mode, supplies all valve outputs) P3-1 P3-2 are connected together
P3-6	Drive select switch (B+=active)
P3-7	Lift select switch (B+=active)
P3-8	Steer right switch (B+=active)
P3-9	Steer left switch (B+=active)
P3-12	Trigger switch (B+=active)
P4-1	EMS Ground (B+ during ground mode)
P4-4	Lift down switch (B+=active in ground mode only)
P4-5	Lift up switch (B+=active in ground mode only)
P4-6	Stack Proximity Switch (B+=lowered, open=elevated)
P4-7	Not used - Connect to P2-7
P5-1	Line contactor output (B+ when active)
P5-2	Forward valve output (B+ when active) CT11A
P5-3	Reverse valve output (B+ when active) CT11B
P5-4	Pothole Retract valve output (B+ when active) CT12
P5-6	Steer left valve output (B+ when active) CT6A
P5-8	Steer right valve output (B+ when active) CT6B
P5-10	Ground Alarm output (B+ when active)
P5-11	Up valve output (B+ when active) CT7
P5-12	Down valve output (B+ when active) CT13

REPLACING THE EZ230 CONTROL MODULE

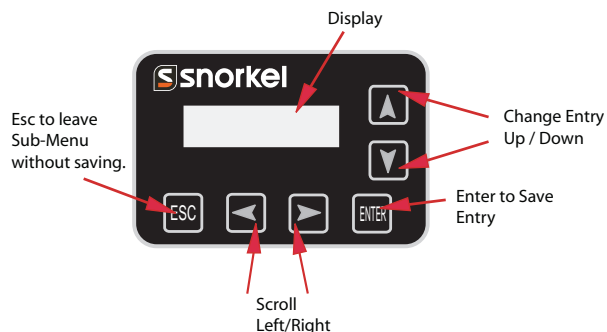
If for any reason you have to replace the EZ230 control module it is important that you complete the following procedures:

! WARNING !

If the EZ230 control module is replaced and/or moved within the machine for any reason the tilt sensor must be reset for zero ° using the following procedure.
Failure to do so could result in serious injury or death.

To follow this procedure you need to switch the Ezcal display in the upper Control box into “calibration mode”.

1. Place the machine on a firm level surface , $\leq 0.25^\circ$
2. Use a Gauge to confirm that the front and rear of the chassis are level to within $\pm 0.25^\circ$ in both directions
3. Switch the machine on and press and hold Esc for 5 Seconds until “Ezlift Menu” is displayed.
4. Scroll to access level.(Enter)
5. Enter code 2222 for access level 2 .(Enter)
6. Scroll to setups.(Enter)
7. Change defaults. (Enter)
8. Select 1= Scissor. (Enter)
9. Scroll to model. (Enter)
10. Select 1 = TM12 (Enter followed by ESC)
11. Scroll to tilt setups . (Enter)
12. Calibrate level. (Enter)
13. Enter for yes.



To confirm calibration has worked switch the machine of then back on again.

14. Scroll to Diagnostics. (Enter)
15. System. (Enter)
16. Scroll to tilt, both readings should be below 0.2° if not repeat from 5.

4.3 TROUBLESHOOTING TABLES

The next step is to refer to the Troubleshooting charts in Tables.

Refer to Hydraulics Section for detailed Troubleshooting information on the Pump/Motor Controller.

Read and understand the Principles of Operation before commencing any trouble shooting.

! WARNING !

RISK of SERIOUS INJURY.

Ensure that the work platform is resting on a firm, level surface.
The elevating assembly must be supported by an overhead hoist when troubleshooting and servicing the electrical/hydraulic system.

4.3 TROUBLESHOOTING GUIDE

TROUBLE	PROBABLE CAUSE	POSSIBLE SOLUTION
All functions inoperable, electric motor does not start.	<ol style="list-style-type: none"> 1. Blown electric motor fuse 2. Faulty battery charger. 3. Faulty battery(ies). 4. Loose or broken battery lead. 5. Emergency Stop switch(es) failed open. 	<p>Check electric motor fuse. Replace if blown.</p> <p>Check the voltage output of the battery charger. If less than 24 VDC, replace battery charger.</p> <p>After completely charging batteries, test each battery. Replace as</p> <p>Check continuity of all battery and motor leads. Replace if necessary.</p> <p>With emergency stop switch in the ON position, check continuity</p>
All functions inoperable. Electric motor starts when control is actuated.	<ol style="list-style-type: none"> 1. Oil level in hydraulic reservoir is low. 2. Faulty hydraulic pump. 	<p>Check hydraulic fluid level, top up as required.</p> <p>Check pressure and delivery of the hydraulic pump. Replace if necessary.</p>
Platform will not elevate or elevates slowly.	<ol style="list-style-type: none"> 1. Emergency Lowering valve open. 2. Platform overloaded. 3. Faulty controller at upper controls. 4. Battery level low. 	<p>Close emergency down valve.</p> <p>Observe maximum load rating. (see Operation section of this manual)</p> <p>Check functionality of controller. Replace if faulty.</p> <p>Check Battery Voltage. Charge if necessary.</p>
Platform drifts down after being elevated	<ol style="list-style-type: none"> 1. Emergency lowering valve open. 2. Leaking piston seals in lift cylinders 	<p>Ensure that emergency lowering valve is completely closed. Replace if necessary.</p> <p>Check for leakage at cylinder return line, replace seals if necessary.</p>

4-6 ELECTRIC

Table 4-1: Electrical Troubleshooting Table

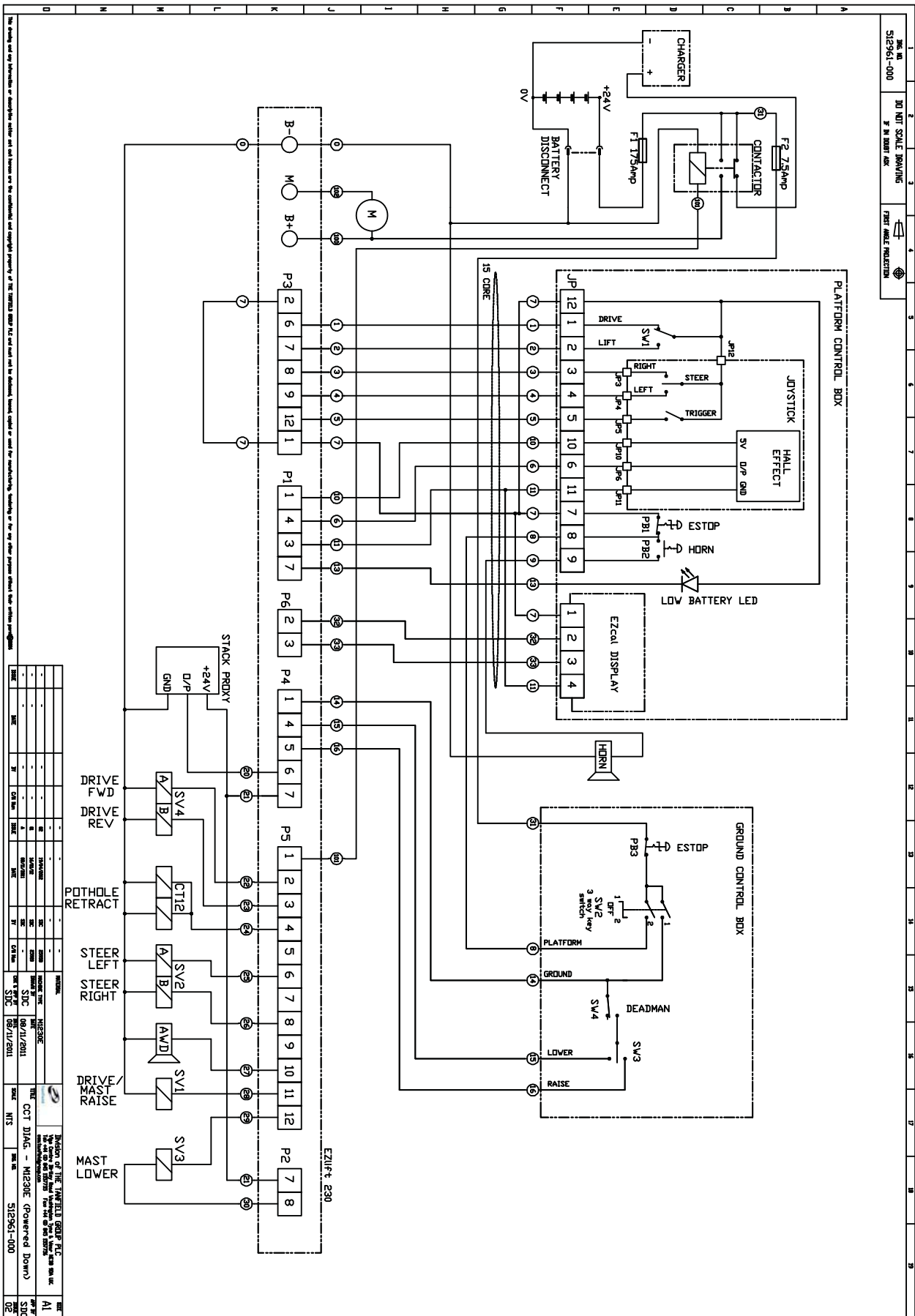
Component	Function	Lower Controls	Upper Controls	Drive Forward	Drive Reverse	High Speed/Creep	Raise Platform	Lower Platform	Steer Left	Steer Right	Depression Mechanism Extend	Depression Mechanism Retract	Brakes	Tilt Alarm	Down Alarm	Battery Charge
Alarm																
Batteries		X	X	X	X	X	X	X	X	X	X	X	X	X	X	
Battery Charger																X
175 AMP Fuse		X	X	X	X	X	X	X	X	X	X	X	X			
EZ230 Controller		X	X	X	X	X	X	X	X	X	X	X	X	X	X	
Motor				X	X	X	X	X	X	X	X	X	X			
Chassis Emergency Stop Switch		X	X	X	X	X	X	X	X	X	X	X	X	X	X	
Chassis Key Switch		X	X	X	X	X	X	X	X	X	X	X	X	X	X	
Platform Emergency Stop Switch		X	X	X	X	X	X	X	X	X	X	X	X	X	X	
Interlock Switch			X	X	X	X	X	X	X							
PQ Control Handle			X	X	X		X	X								
Height Limit Switch							X									
Platform Steering Switch									X	X						
Steering Solenoid (right)										X						
Steering Solenoid (left)									X							
Platform Lift Solenoid							X									
Down Solenoid								X								
Reverse Solenoid					X											
Forward Solenoid				X												

4-7 HYDRAULIC

Table 4-2: Hydraulic Troubleshooting Table

Component	Function	Lift Platform	Lower Platform	Steer Right	Steer Left	Drive Forward	Drive Reverse	Creep	Depression Mechanism Extend	Depression Mechanism Retract	Brakes
Check Valve									X	X	
Steering Cylinder				X	X						
Lift Cylinder--CYL1		X									
Depression Mechanism Cylinder									X	X	
Brake Cylinder											X
Suction Strainer		X		X	X	X	X	X	X	X	
Return Filter		X		X	X	X	X	X	X	X	
Drive Motors (2)						X	X				
Pump		X		X	X	X	X	X	X	X	
Main Relief Valve		X				X	X	X	X	X	X
Steering Relief Valve				X	X						
Lift Relief Valve		X									
Tank											
Steering Right/Left Valve				X	X						
Lift Valve		X									
Down/Emergency Lowering Valve			X								
Forward/Reverse Valve						X	X				
Counterbalance Valve						X	X	X			X

5.2 ELECTRIC



A

CHASSIS ASSEMBLY 2-2

CONTACT SNORKEL 1-4

ELECTRIC KIT 2-3

ELECTRICAL SCHEMATICS 4-1

GENERAL ASSEMBLY 2-1

HYDRAULIC ASSEMBLY AND HOSE KIT 2-7

HYDRAULIC SCHEMATICS 4-2

HYDRAULIC TANK ASSEMBLY 2-5

INTRODUCTION 1-1

LABEL KIT ANSI 2-18

LABEL KIT CE 2-16

LABEL KIT FRENCH 2-15

LABEL KIT GERMAN 2-17

LIFT CYLINDER ASSEMBLY TYPE A AND TYPE B 2-14

LOWER CONTROLS ASSEMBLY 2-4

MAINTENANCE 3-1

MAST ASSEMBLY 2-6

OPERATION & SPECIFICATIONS 1-2

PLATFORM ASSEMBLY 2-8

POTHOLE CYLINDER ASSEMBLY TYPE B . 2-11

POTHOLE CYLINDER ASSEMBLY TYPE A .. 2-10

STEER BRAKE CYLINDER ASSEMBLY TYPE A 2-12

STEER BRAKE CYLINDER ASSEMBLY TYPE B 2-13

TROUBLESHOOTING 3-2

UPPER CONTROLS ASSEMBLY 2-9

WASTE REMOVAL & DISPOSAL 1-3

B		065469-000	2-2
005221-000	2-18	065472-000
005223-005	2-18	065474-000
0071927	2-18	065517-000
009442-003	2-8	065518-000
010076-001	2-18	065532-000
010076-901	2-15, 2-16, 2-17	065536-000
010092-014	2-2	065543-000
0102006	2-2	065569-000
011848-019	2-2, 2-2	066522-000
011937-001	2-5	066522-900
014222-003	2-18	066550-001
014222-903	2-15, 2-16, 2-17	066554-000
026541-016	2-2	066555-000
027966-005	2-8, 2-8	066556-000
056059-065	2-6	066556-001
056064-012	2-6	068635-001
056066-005	2-2	09-1008
056066-006	2-2, 2-2	100102-900
056067-508	2-6	101125-001
056069-006	2-2	101125-010
056491-016	2-2	101210-000
057048-000	2-2	101250-000
057094-002	2-8, 2-8	101252-000
058491-020	2-2, 2-2	107012-011
058502-020	2-6	107051-000
058502-035	2-6	107052-001
058534-000	2-18	107082-000
060197-001	2-15, 2-16, 2-17, 2-18	107148-000
061220-006	2-18	107149-010
061817-011	2-2	107185-000
065445-000	2-2	107186-000
065450-001	2-6	107197-000
065465-000	2-2	107400-000

13437	2-8	503657-000	2-8
13437-1	2-8	503673-000	2-2
13437-2	2-8	503723-000	2-15, 2-16, 2-17
13437-3	2-8	503760-000	2-11
13437-4	2-8	505024-000	2-2
13437-5	2-8	505025-000	2-2
13437-6	2-8	505027-000	2-2
13437-8	2-8	505030-000	2-2
1450029	2-2	505031-001	2-2
15048	2-6	505031-002	2-2
300699	2-18	505031-003	2-2
300840	2-2	505034-000	2-2
3020061	2-2	505035-010	2-12
308772-000	2-18	505038-000	2-2, 2-2
3087800	2-2	505041-000	2-2
3087801	2-9	505043-000	2-2
3087803	2-9	505045-000	2-2
487686	2-8, 2-8	505053-000	2-4
500509-016	2-2	505054-000	2-6
500532-030	2-6	505055-000	2-6
501453-000	2-15, 2-16, 2-17	505056-000	2-6
501814-000	2-2	505057-000	2-6
502128-000	2-8	505059-000	2-6
502129-000	2-8	505060-000	2-6
502131-000	2-8	505062-000	2-6
502132-001	2-8	505063-000	2-6
502141-000	2-8	505066-000	2-6
502145-000	2-8	505067-000	2-6
502148-000	2-8	505068-000	2-6
502150-000	2-8	505075-000	2-2
502204-002	2-8, 2-8	505082-012	2-2
502204-003	2-8, 2-8	505084-013	2-6
502206-000	2-8, 2-8	508108-000	2-2, 2-2
502541-002	2-9	508771-000	2-18

509413-000 2-2	512465-000 2-15, 2-16, 2-17
510230-030 2-6, 2-6	512543-000 2-4
510231-000 2-6	512545-000 2-5
510280-000 2-15, 2-16, 2-17	512565-000 2-5
510298-000 2-2	512566-000 2-5
510428-001 2-9, 2-18	512572-000 2-15, 2-16, 2-17
510429-002 2-18	512575-000 2-5
510429-003 2-4	512577-000 2-5
510461-000 2-9	512637-000 2-14, 2-14
510462-001 2-4	512638-000 2-10, 2-11
510463-000 2-2	512638-010 2-11
510521-000 2-4	512639-000 2-10, 2-11
510522-000 2-4	512794-000 2-10
510524-000 2-4, 2-9	512795-000 2-12
510525-000 2-4, 2-9	512876-000 2-6
510527-000 2-4, 2-9	512879-000 2-6
510528-000 2-9	512880-000 2-6
510541-000 2-9	512881-000 2-6
510542-000 2-9	512882-000 2-6
510570-010 2-2	512883-000 2-6
510645-000 2-9	512885-000 2-6
510683-025 2-2	512886-000 2-6
510815-000 2-2	512887-000 2-6
510816-000 2-2	512888-000 2-6
510892-000	... 2-10, 2-10, 2-11, 2-11, 2-14, 2-14	512888-000 Type A & Type B 2-14
510893-000 2-12, 2-12, 2-13, 2-13	512888-010 2-14
510895-000 2-12, 2-13	512891-000 2-6, 2-14, 2-14
510895-010 2-13	512893-000 2-6
510931-000 2-2	512894-000 2-6
511093-000 2-15, 2-16, 2-17, 2-18	512895-000 2-6
511155-006 2-6	512896-000 2-2, 2-2
511156-000 2-9	512950-000 2-2
511163-000 2-8, 2-8	512951-000 2-5
511164-000 2-8, 2-8	513048-000 2-2

513057-000 2-2	514362-000 2-5
513077-000 2-14	514746-000 2-2
513159-000 2-6, 2-14, 2-14	514747-000 2-2
513159-001 2-14, 2-14	514995-000 2-2
513222-000 2-8, 2-8	515098-000 2-2
513223-000 2-8	515098-001 2-2
513224-000 2-8	515512-000 2-2
513225-000 2-8	515513-000 2-2
513226-000 2-8	515513-001 2-2
513227-000 2-8	515514-001 2-2
513228-000 2-8	515514-002 2-2
513251-000 2-8	515515-000 2-2
513252-000 2-8	564136 2-8, 2-8
513259-000 2-8	OPTION 2-2
513286-000 2-6, 2-14, 2-14	TYPE A 2-14
513523-000 2-6	TYPE B 2-14
513524-000 2-6		
513525-000 2-6		
513526-000 2-6		
513527-065 2-6		
513528-012 2-6		
513615-000 2-2		
513858-000 2-16		
513858-002 2-15, 2-17		
513859-000 2-15, 2-16, 2-17		
513859-100 2-18		
514184-850 2-6, 2-8		
514232-101 2-18		
514275-000 2-2		
514275-001 2-2		
514275-002 2-2		
514360-000 2-15, 2-16, 2-17, 2-18		
514361-000 2-16		
514361-002 2-15, 2-17		