

# snorkel

## TM12E



CE

## REPAIR PARTS MANUAL

Part Number 10016030  
November 2016

Serial number 000000 and after

## GENERAL INFORMATION

GENERAL INFORMATION .....	1-1
---------------------------	-----

## REPAIR PARTS

TM12E ASSEMBLY .....	2-1
CHASSIS ASSEMBLY TM12E .....	2-2
TM12E CHASSIS ASSEMBLY .....	2-3
TM12E CHASSIS ASSEMBLY LOADCELL .....	2-4
CHASSIS TM SEM300 TM SEM300-11-XXXXXX AND AFTER .....	2-5
POTHOLE PLUNGER ASSEMBLY .....	2-6
WHEEL ASSEMBLY 12.72 .....	2-7
REAR WHEEL ASSEMBLY .....	2-8
TRAILER HUB ASSEMBLY .....	2-9
HUB ASSEMBLY .....	2-10
TORQUE HUB .....	2-11
MAST ASSEMBLY TM12E .....	2-12
MAST CONTROL HARNESS ASSEMBLY #2 EIGHT PIN .....	2-13
MAST ASSEMBLY WITH LOAD CELL .....	2-14
MAST WIRE CHASE TM16E TM SEM300 .....	2-15
LOADCELL ASSEMBLY ANSI CE .....	2-16
BEARING MOUNT ASSEMBLY LOADCELL .....	2-17
BEARING MOUNT ASSEMBLY LOADCELL .....	2-18
TOEKICK ASSEMBLY LOADCELL MARCH 2018 AND AFTER .....	2-19
TOEKICK ASSEMBLY LOADCELL DECEMBER 2016 AND BEFORE .....	2-20
PLATFORM ASSEMBLY WITH LOADCELL NOVEMBER 2018 AND BEFORE .....	2-21
PLATFORM LOADCELL ASSEMBLY DECEMBER 2018 AND AFTER .....	2-22
FOOT LATCH ASSEMBLY .....	2-23
PLATFORM EXTENSION ASSEMBLY TM12E .....	2-24
PLATFORM EXTENSION ASSEMBLY TM12E .....	2-25
EXTENSION LOCK ASSEMBLY .....	2-26
SALOON DOOR ASSEMBLY .....	2-27
DECAL KIT ANSI TM12E .....	2-28
DECAL KIT LOADCELL CE TM12E .....	2-29
DECAL KIT SWEDISH TM12E .....	2-30
DECAL KIT CE GERMAN .....	2-31

## HYDRAULICS

HYDRAULIC POWER UNIT .....	3-1
HOSES TM12E .....	3-2
STEER CYLINDER ROSENBOOM .....	3-3
LIFT CYLINDER TM12E ROSENBOOM and PB .....	3-4
HYDRAULIC POWER UNIT WUXI .....	3-5

## ELECTRICAL

STEP ASSEMBLY OCTOBER 2018 AND BEFORE .....	4-1
STEP ASSEMBLY NOVEMBER 2018 AND AFTER .....	4-2

CHASSIS HARNESS AC TM12E TM16E .....	4-3
CHASSIS HARNESS TM12E TM16E WITH OVERLOAD .....	4-4
TM12E TM16E CHASSIS HARNESS UPDATES MADE TO ADD NON-OVERLOAD TO SCHEMATIC .....	4-5
DRIVE HUB 24V (HUB, MOTOR, BRAKE) .....	4-6
110V AC PLUG ASSEMBLY .....	4-7
LOWER CONTROL PANEL ASSEMBLY WITH OVERLOAD TM12E TM16E .....	4-8
LOWER CONTROL PANEL ASSEMBLY NON OVERLOAD TM12E TM16E .....	4-9
HARNESS MAST ASSEMBLY TM12E ANSI .....	4-10
HARNESS MAST ASSEMBLY TM12E CE .....	4-11
MAST HARNESS CONTROL #1 8-PIN .....	4-12
MASTER CONTROL .....	4-13
MAST HARNESS AC TM12E .....	4-14
MAST HARNESS ASSEMBLY AC TM12E .....	4-15
MAST HARNESS AC PIGTAIL TM12E .....	4-16
MAST HARNESS ASSEMBLY OVERLOAD .....	4-17
MAST HARNESS CONTROL #2 8-PIN .....	4-18
PLATFORM CONTROL BOX ASSEMBLY WITH OVERLOAD TM12E TM16E SEPTEMBER 2017 AND BEFORE .....	4-19
PLATFORM CONTROL BOX TM WITH OVERLOAD ASSEMBLY OCTOBER 2017 through FEBRUARY 2019 .....	4-20
PLATFORM CONTROL BOX TM WITH OVERLOAD ASSEMBLY MARCH 2019 AND AFTER ..	4-21
PLATFORM CONTROL BOX CE .....	4-22
UPPER CONTROL BOX ASSEMBLY .....	4-23
JOYSTICK CONTROLS OEM .....	4-24

**OPTIONS**

TOOL TRAY INSTALLATION .....	5-1
SINGLE GATE ASSEMBLY .....	5-2

**SCHEMATICS**

TM12E TM16E ELECTRICAL SCHEMATIC 10001448A WITH OVERLOAD .....	6-1
TM12E TM16E ELECTRICAL SCHEMATIC 10001446A WITH OVERLOAD .....	6-2
TM12E TM16E ELECTRICAL SCHEMATIC 10001446B ADDED BRAKE CONNECTOR NOTE ...	6-3
TM12E TM16E ELECTRICAL SCHEMATIC 10001101B UPPER CONTROLS HARNESS .....	6-4
A .....	A
B .....	B

# DANGER

**The aerial platform is not electrically insulated. Death or serious injury will result from contact with, or inadequate clearance from, an energized conductor.**

**Do not go closer than the Minimum Safe Approach Distance as defined by ANSI standards.**

Regard all conductors as energized.

Allow for electrical wire sag and aerial platform sway.

If the platform, mast, or any part of the aerial platform contacts a high-voltage electrical conductor, the entire machine can become electrically charged.

If that happens, remain on the machine and do not contact any other structure or object. This includes the ground, adjacent buildings, poles, and any other objects that are not part of the aerial platform.

Such contact could make your body a conductor to the other object, creating an electrical shock hazard resulting in death or serious injury.

If an aerial platform is in contact with an energized conductor the platform operator must warn ground personnel in the vicinity to stay away. Their bodies can conduct electricity creating an electrical shock hazard resulting in death or serious injury.

Do not approach or leave the aerial platform until the electricity has been turned off.

Do not attempt to operate the lower controls when the platform, scissors structure, or any part of the aerial platform is in contact with a high-voltage electrical conductor or if there is an immediate danger of such contact.

Personnel on or near an aerial platform must be continuously aware of electrical hazards, recognizing that death or serious injury can result from contact with an energized conductor.

## California

### Proposition 65 Warning

Battery posts, terminals and related accessories contain lead and lead components, chemicals known to the State of California to cause cancer and birth defects or other reproductive harm. Wash hands after handling.



# General Information

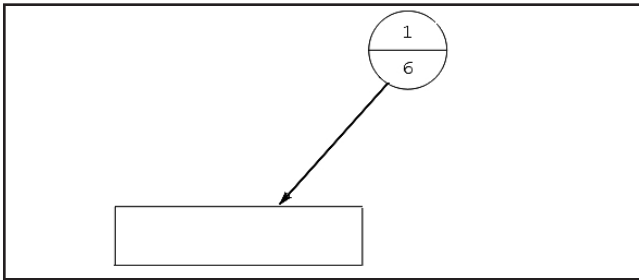
## About This Manual

This manual covers TM12E aerial platforms. Information is included for machines that have been manufactured to conform to all applicable requirements of the following organizations:

- American National Standards Institute (ANSI)
- Canadian Standards Association (CSA)
- European Committee for Standardization (CE)
- Australian Standards (AS) certification

Part pages include a drawing and a bill of material. The bill of material lists the item number that is on the drawing, the Snorkel part number, quantity used and a description of the item.

Some callouts in the drawings may have a balloon with two numbers. The top number is the item number and the bottom number is the quantity of the item at that location.



While Snorkel has attempted in every way to confirm that all information in this manual is correct, improvements are being constantly made to the machine that may not be reflected in this manual.

If you find information in this manual that is not correct or is confusing, you are urged to report your findings to Snorkel for our evaluation. Your input is important to us and will be used in future printings of this manual.

This machine is covered by a limited warranty that specifically identifies items warranted by Snorkel and those items covered by original manufacturer's warranty.

## Repairs and Maintenance

Every person who maintains, inspects, tests or repairs the machine must be qualified and authorized to do so.

### ⚠Caution

**Do not modify this aerial platform without prior written consent of Snorkel Engineering Department. Modification may void the warranty, adversely affect stability or affect the operational characteristics of the aerial platform.**

## Abbreviations

The following abbreviations may be used in this manual.

AC	alternating current
ANSI	American National Standards Institute
AR	as required
CCA	cold cranking amps
cm	centimeter
DC	direct current
ft	feet
GFCI	ground fault circuit interrupter
in	inch
lbs	pounds
mm	millimeter
no	number
NPT	national pipe thread
psi	pounds per square inch
qty	quantity
rpm	revolutions per minute
UL	Underwriters Laboratories Inc.

## Additional Information

All correspondence relative to this machine, such as field reports, discrepancy reports, requests for information, etc., should be directed to one of the following locations:

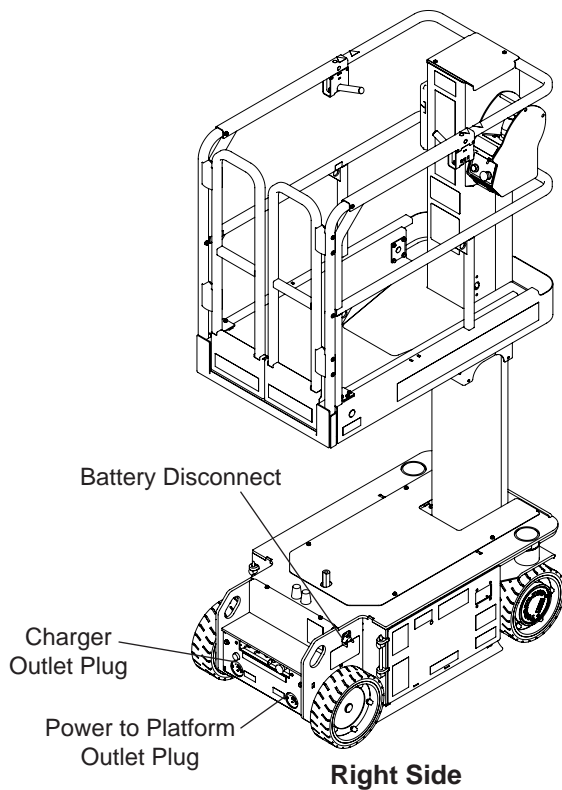
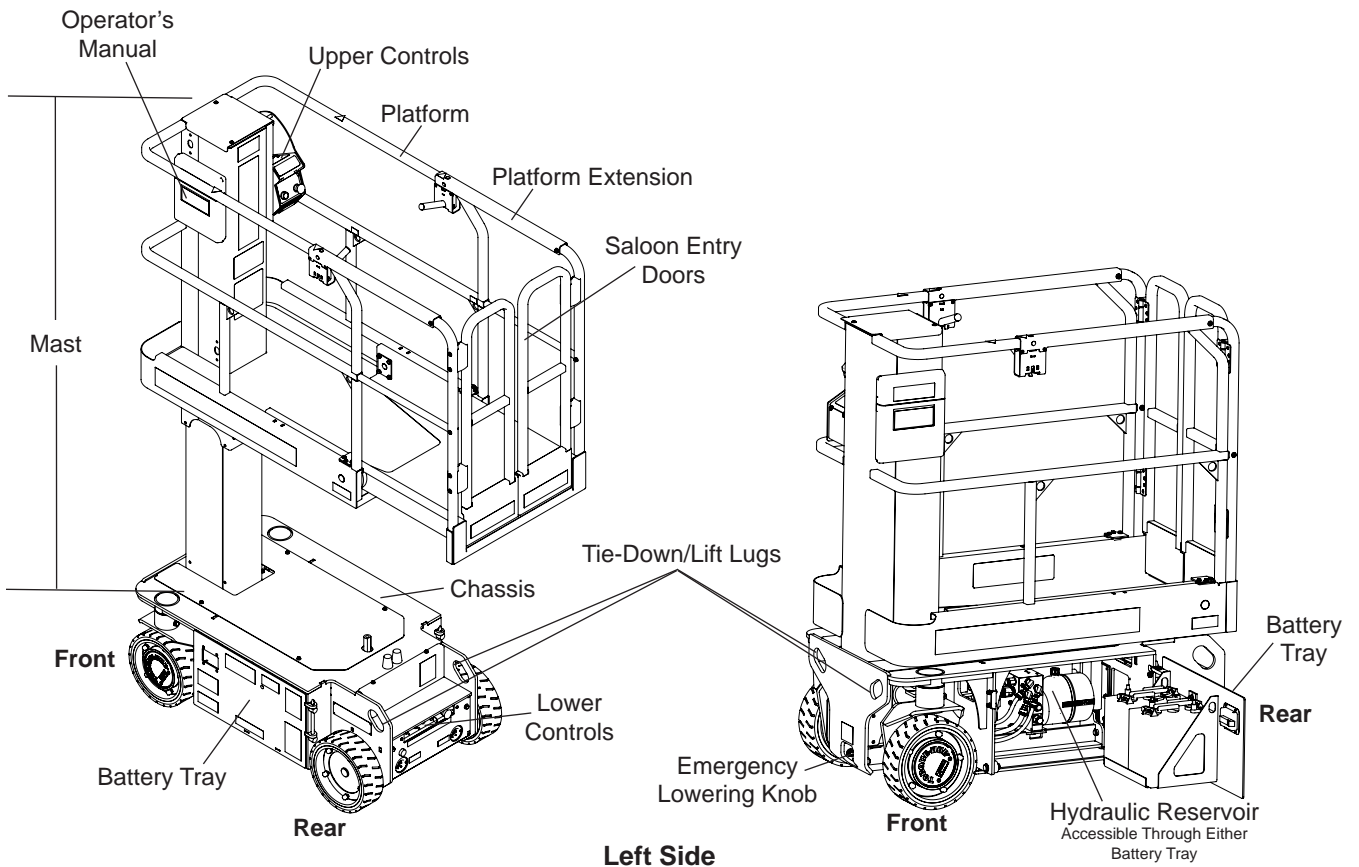
Snorkel  
8350 Eastgate Road  
Henderson, NV 89015 USA  
Phone: 1-702-628-9400

Snorkel  
P.O. Box 1160  
St. Joseph, MO 64502-1160 USA  
Phone: 1-800-255-0317

Snorkel  
Vigo Centre  
Birtley Road  
Washington  
Tyne & Wear  
NE38 9DA  
Phone: +44 (0) 845 1550 058

<http://www.snorkellifts.com>

# Component Identification



# Service and Parts Information

## Ordering Parts

When placing an order for service or repair parts, please have the following machine information readily available.

- Model number
- Serial number
- Snorkel part number
- Description of part
- Quantity of parts required
- Your purchase order number
- Address for order to ship to
- The desired shipment method

If ordering parts off-line, the parts order form on the following page may be mailed or faxed to the attention of the Parts Department at one of the following locations:

Snorkel  
8350 Eastgate Road  
Henderson, NV 89015 USA  
Phone: 1-702-628-9400  
Parts Fax: 1-702-636-4943

Snorkel  
P.O. Box 1160  
St. Joseph, MO 64502-1160 USA  
Phone: 1-800-255-0317  
Parts Fax: 1-785-989-3077

Snorkel  
Vigo Centre  
Birtley Road  
Washington  
Tyne & Wear  
NE38 9DA  
Phone: +44 (0) 845 1550 058  
Parts Fax: +44 (0) 1952 607 678

Attention: Parts Department

For your convenience, our electronic on-line ordering system is available at the following Internet location:

<http://www.snorkellifts.com>

## ANSI and OSHA Compliance

All owners and users of the aerial platform must read, understand and comply with all applicable regulations. Ultimate compliance to OSHA regulations is the responsibility of the user and their employer.

ANSI publications clearly identify the responsibilities of all personnel who may be involved with the aerial platform. A reprint of the "Manual of Responsibilities for Dealers, Owners, Users, Operators, Lessors and Lessees of ANSI/SIA A92.6-2006 Self-Propelled Elevating Work Platforms" is available from Snorkel dealers or from the factory upon request.

Copies are also available from:

Scaffold Industry Association, Inc.  
P.O. Box 20574  
Phoenix, AZ 85036-0574 USA

## Manuals

Manuals are available from Snorkel to support any of the machines that we produce.

The specific manuals for TM12E aerial platforms are as follows:

**TM12E Operator's Manual ANSI**  
Snorkel part number – 10001135

**TM12E Repair Parts Manual**  
Snorkel part number – 10016030

**ANSI Manual of Responsibilities**  
ANSI/SIA A92.6-2006  
Snorkel part number – 0361367

## Machine Information

Model Number: \_\_\_\_\_

Serial Number: \_\_\_\_\_

Date of Purchase: \_\_\_\_\_

Purchased From: \_\_\_\_\_

Snorkel Dealer or Distributor: \_\_\_\_\_

# Parts Order Form

Fill out completely and fax attention Parts Department to:  
 Snorkel Henderson 1-702-636-4946  
 Snorkel Kansas 1-785-989-3077  
 Snorkel Europe +44 (0) 1952 607 678

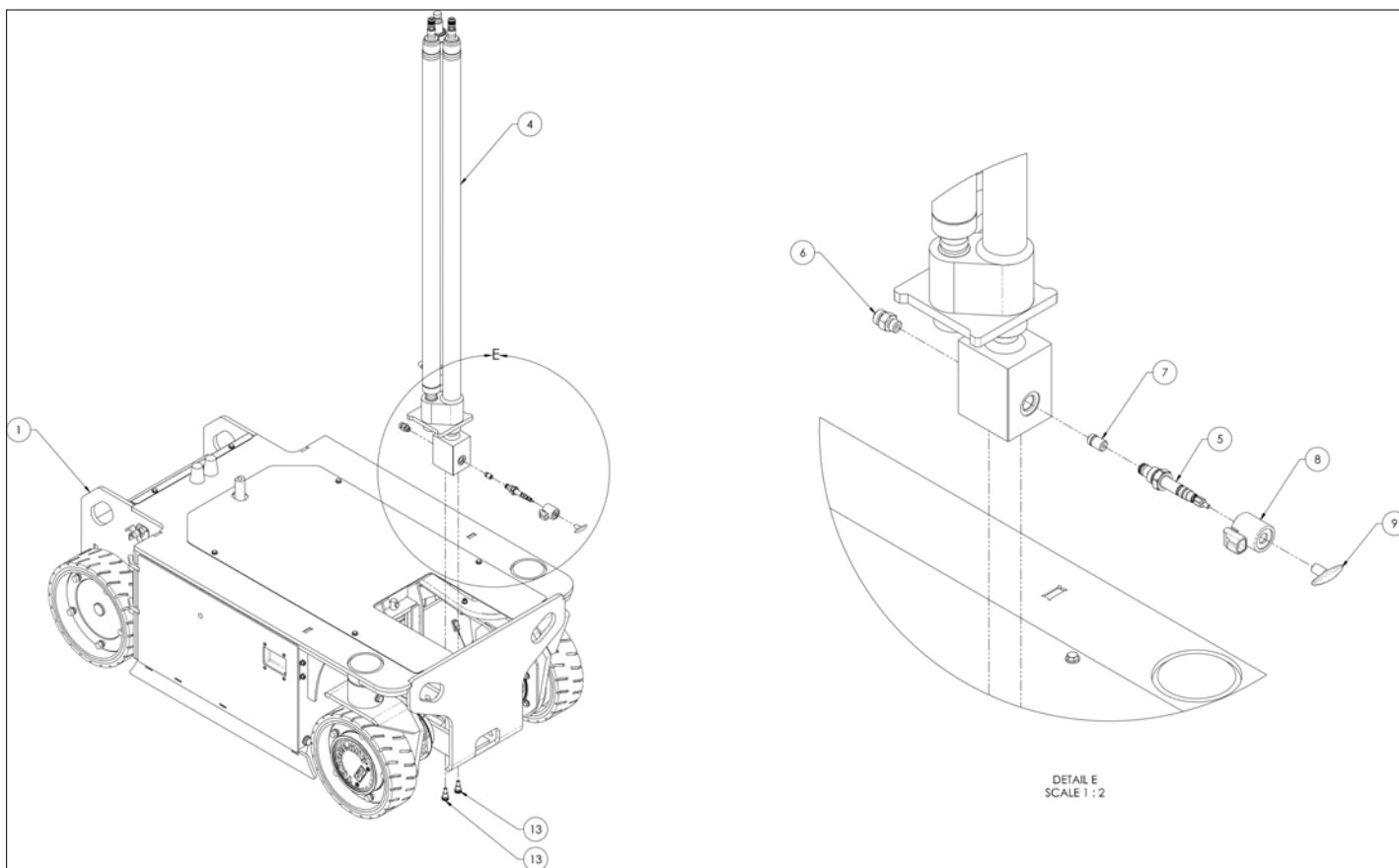
Date: _____	Account Number: _____
Company: _____	Purchase Order Number: _____
Address: _____ _____	Model Number: _____
	Serial Number: _____
Contact Name: _____	Ship To: _____
Phone Number: _____	_____
Fax Number: _____	_____
	Shipping Method: _____

Part Number	Description	Quantity

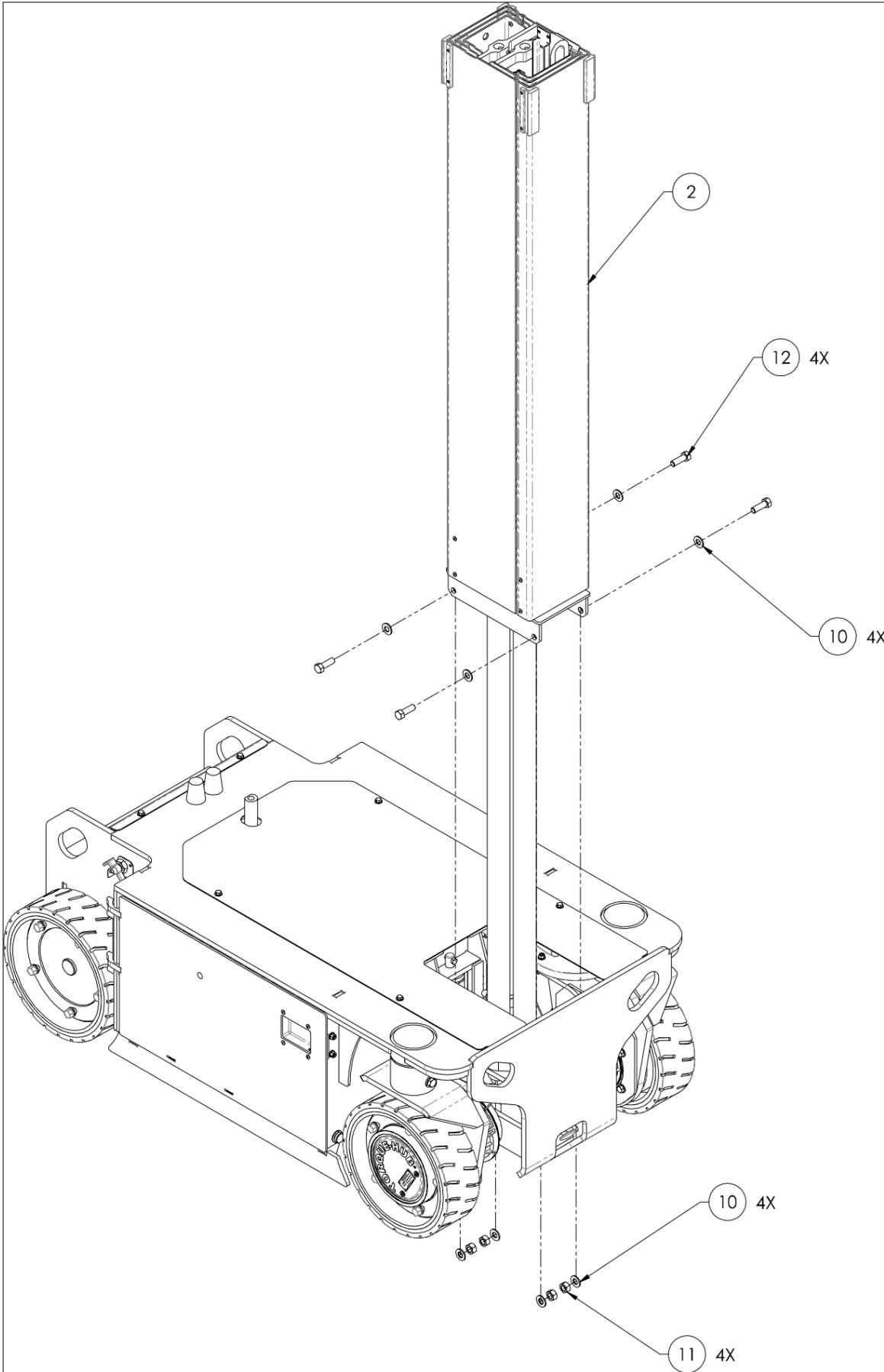
Note: Backordered parts will be shipped as soon as available using the same shipping method as the original order unless otherwise indicated below.

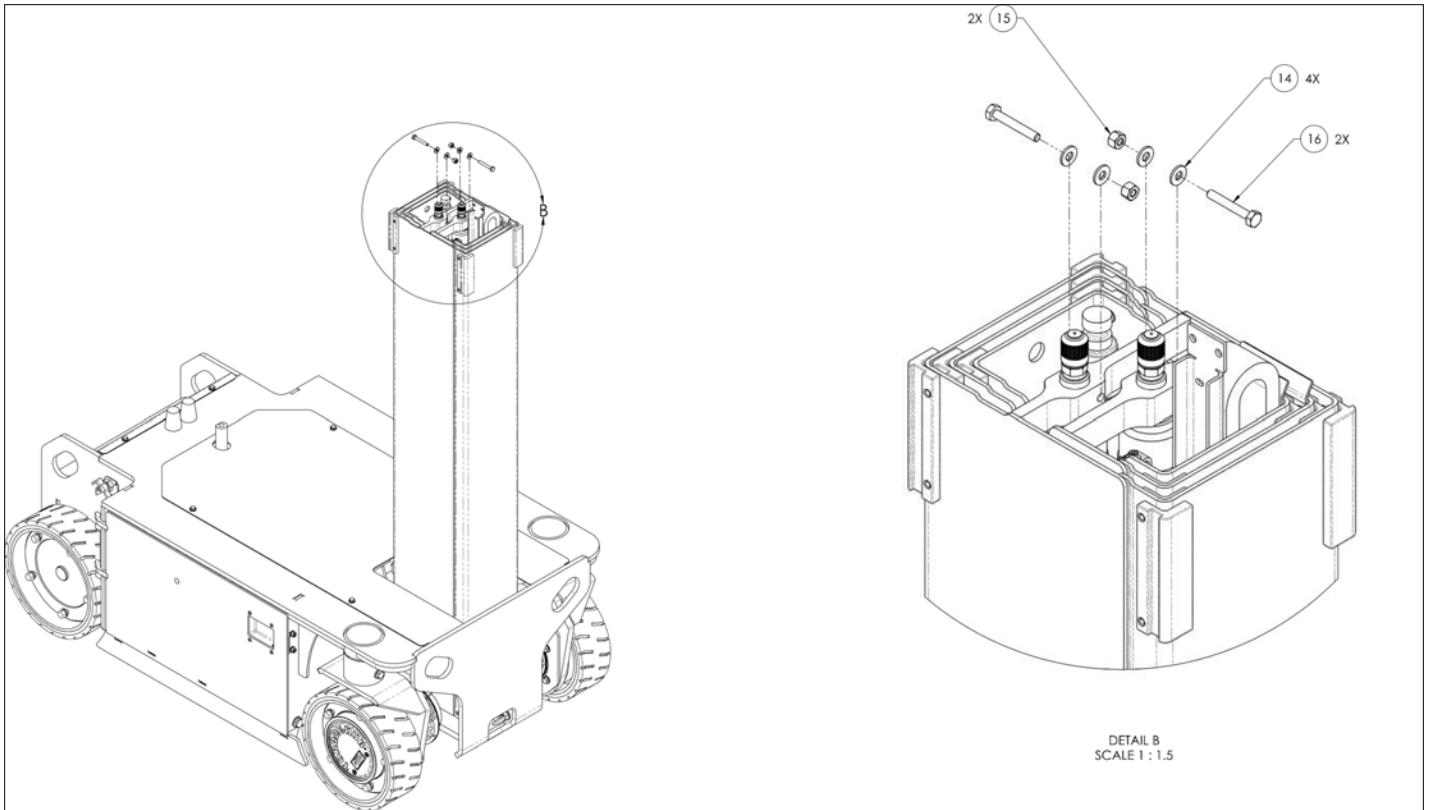
- Ship complete order only. Do not backorder parts.
- Ship all available parts and disposition of backordered parts.
- Other instructions as specified: \_\_\_\_\_

REPAIR PARTS

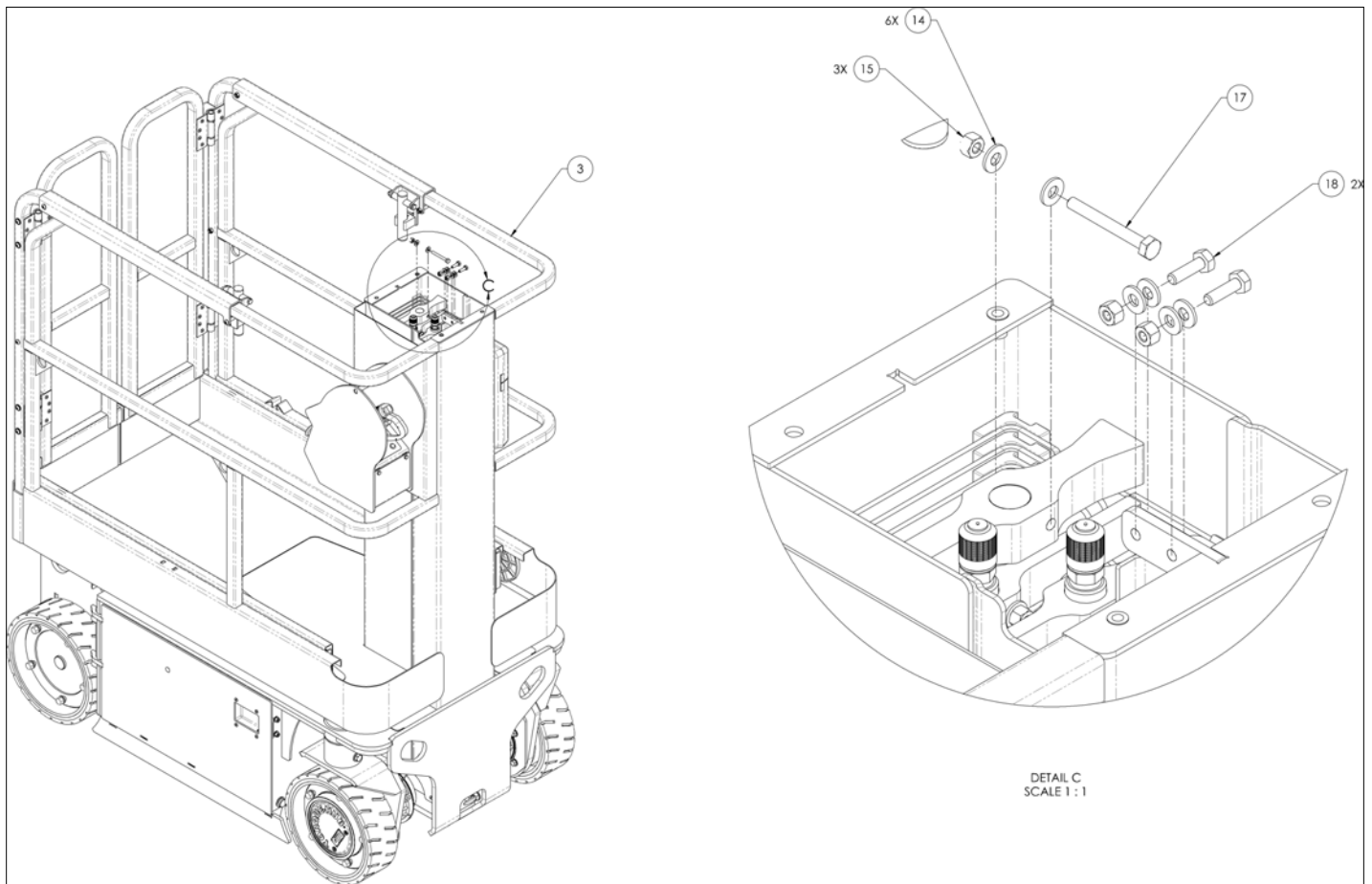


アイテム	部品番号	名前	数量	UOM
	10001135 E	TM12E ASSEMBLY		EA
1	10000001	ASSY, CHASSIS TM12	1	EA
2	10000002	ASSY, MAST TM12	1	EA
3	10001108	ASSY, EXT PLATFORM TM12E	1	EA
4	10000072	CYLINDER, LIFT	1	EA
5	6019281	SOLENOID VALVE	1	EA
6	11700 009	FTNG STR 06MB 06MFS F5OLO	1	EA
7	6091348	CHECK VALVE POPPET FLOW WITH 0	1	EA
8	6019289	COIL 20VDC HYDRAFORCE 4303620	1	EA
9	10001184	HANDLE, ALUM "T" 10 32 THREAD	1	EA
10	11001 008	WASHER 1/2 SAE FLAT ASTM	8	EA
11	10908 008	NUT 1/2 13UNC HEX LOCK REG	4	EA
12	10004 012	SCREW 1/2 13UNC HHC X 1 1/2	4	EA
13	10303 004	SCREW 1/2 SH SHLDR X 1/2	2	EA
14	11001 004	WASHER 1/4 SAE FLAT ASTM*	10	EA
15	10908 004	NUT 1/4 20UNC HEX LOCK REG	5	EA
16	10000 014	SCREW 1/4 20UNC HHC X 1 3/4	2	EA
17	10000 018	SCREW 1/4 20UNC HHC X 2 1/4	1	EA
18	10000 007	SCREW 1/4 20UNCx7/8 HHC G8	2	EA
Not Shown	10001081	SCREW NAIL NO 4X1/4L	4	EA
Not Shown	10001701	KIT, US 110V AC PLUG	1	EA

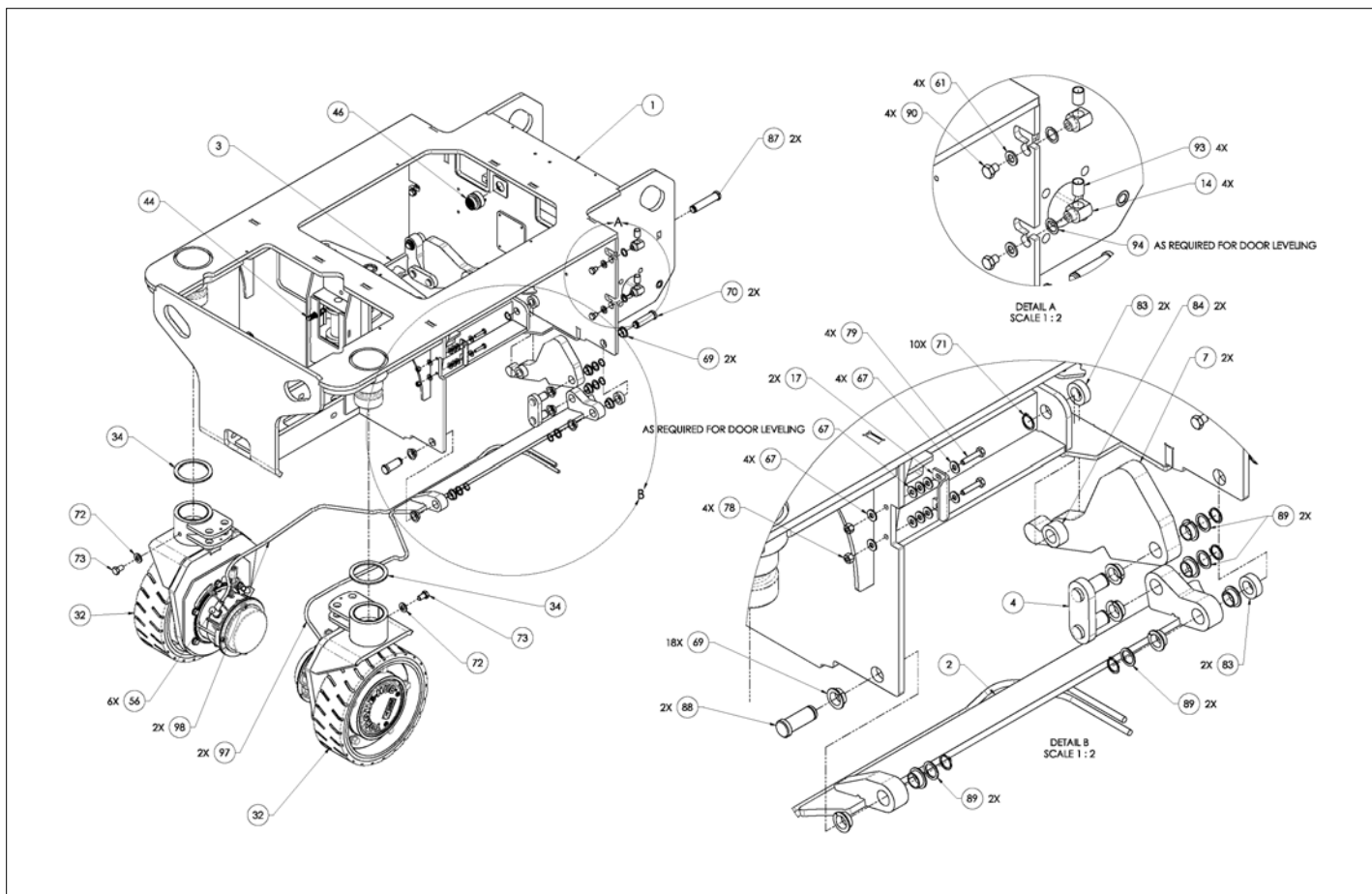




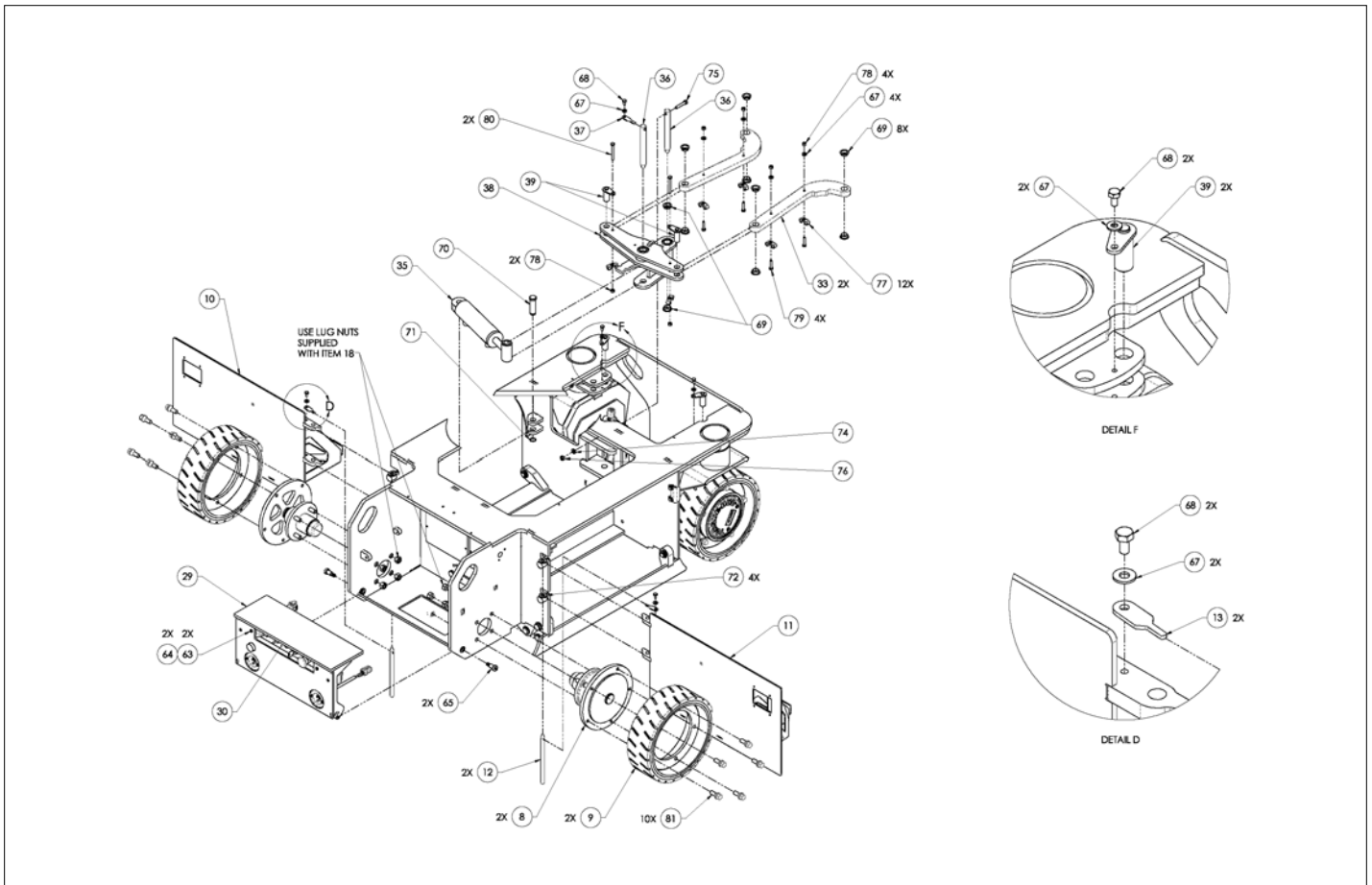




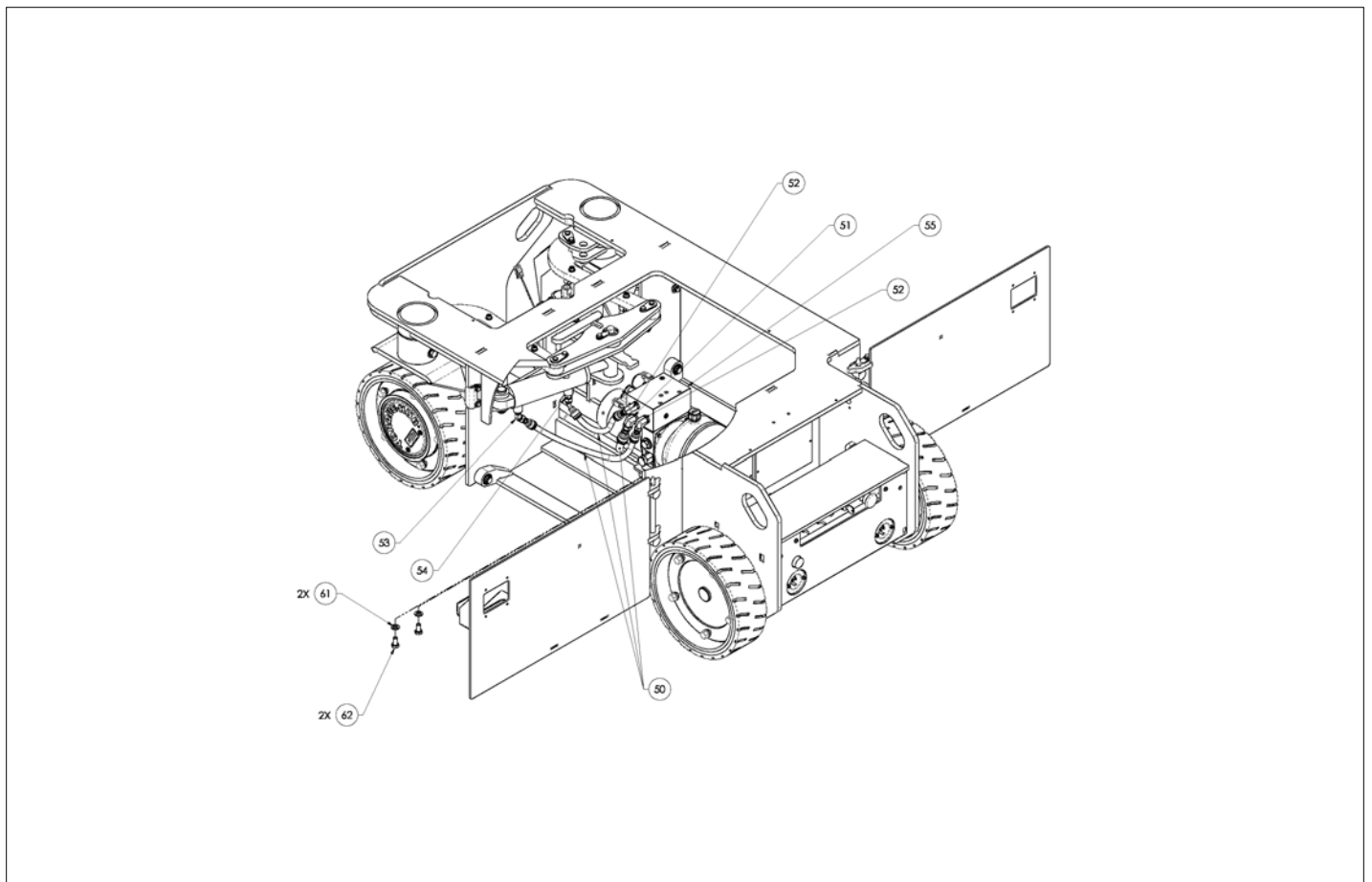
REPAIR PARTS



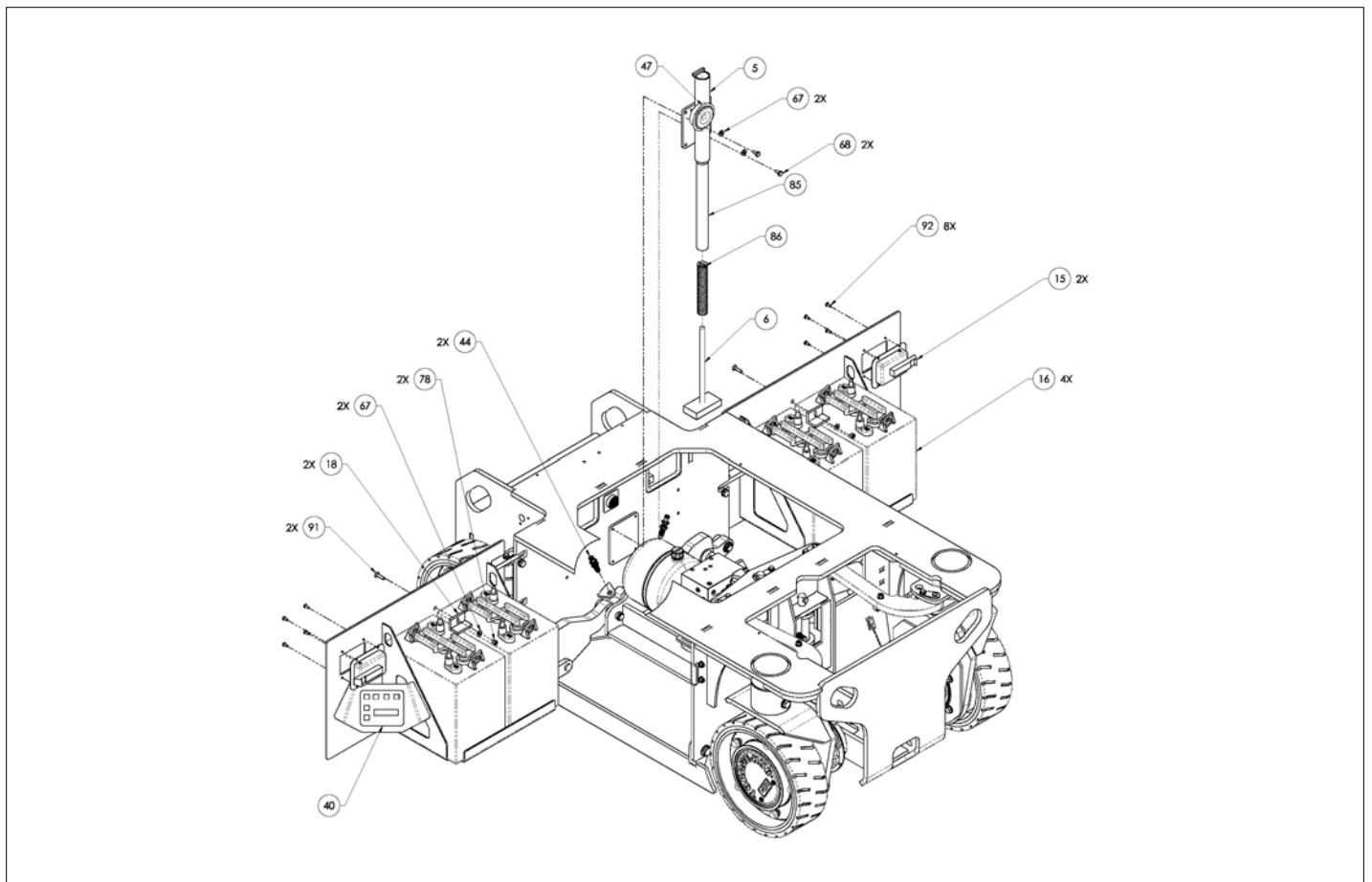
アイテム	部品番号	名前	数量	UOM
	10000001G	TM12E (IMPERIAL) CHASSIS ASSEMBLY		EA
1	10000004	WLDMT, CHASSIS TM12	1	EA
2	10000007	WLDMT, POTHOLE BAR LF	1	EA
3	10000008	WLDMT, POTHOLE BAR RT	1	EA
4	10000009	WLDMT, POTHOLE LINK	2	EA
5	10000010	WLDMT, POTHOLE PLUNGER MT	1	EA
6	10000011	ASSY, POTHOLE PLUNGER	1	EA
7	10000012	CWT, POTHOLE	2	EA
8	41040 000	REAR WHEEL ASSEM	2	EA
9	10000092	ASSY, WHEEL 323MM	2	EA
10	10000025 5	WLDMT, BATTERY DOOR LF	1	EA
11	10000026 5	WLDMT, BATTERY DOOR RT	1	EA
12	10000039	PIN, BATTERY DOOR	2	EA
13	1500948	PLT, TRAY PIN KEEPER	2	EA
14	1501420	HINGE BLOCK, LOWER	4	EA
15	13571 000	LATCH PADDLE ALLEGIS LA1004SS	2	EA
16	3050009	BATTERY, 6v	4	EA
17	10000151	PLATE, DOOR LATCH	2	EA
18	10000152	BRKT, BATTERY BRACE	2	EA
19	10001089	WIRE, LEFT BANK JUMPER	1	EA
20	10001088	WIRE, MAIN GROUND	1	EA
21	10001090	WIRE, PG GND	1	EA
22	10001091	WIRE, PG GND JUMPER	1	EA
23	10001084	WIRE, MAIN POSITIVE	1	EA
24	10001086	WIRE, PG PWR JUMPER	1	EA
25	10001085	WIRE, PG MASTER PWR	1	EA
26	10001087	WIRE, JUMPER	1	EA



アイテム	部品番号	名前	数量	UOM
27	3014756	WIRE 2 R313 R313 7 BLACK FUDED	1	EA
28	010154 000	COVER BATTERY	7	EA
29	10001240	ASSY STEP PYLON	1	EA
30	10001632	ASSY, LWR CTRL PNL, NON OL	1	EA
31	10000038	PLATE, TOE KICK	1	EA
32	10000040	ASSY, HUB	2	EA
33	10000047	PLATE, STEER LINK	2	EA
34	2580430	THRUST BRG, 80mmID 100mmOD 3mm THK	2	EA
35	10000073	CYLINDER, STEER	1	EA
36	10000157	PIN, STEER CYL CENTER	2	EA
37	10000159	PLT, STEER PIN KEEPER	1	EA
38	10000452	WLDMT, TM12 STEER	1	EA
39	10001105	WELD, STEER PIN	4	EA
40	3087803	EZCal Panel Trionics	1	EA
41	10001629	COMPUTER, TS100	2	EA
42	13161 000	SWITCH	1	EA
43	13162 000	SWITCH LOCK	1	EA
44	3028844	IFS241 (IFM PROXY)	3	EA
45	13201 000	RELAY SOLENOID NO SPST 24VDC	1	EA
46	3049978	ALARM BEEPING	1	EA
47	10001095	HORN	1	EA
48	10001096	PLATE, BUSS BAR	1	EA
49	467966	STATIC STRAP RUBBER GRD 30in	1	EA
50	10001363	KIT, HOSE TM100	1	EA
51	11702 006	FITTING ELBOW 90 06MBA 06MFS	1	EA
52	11702 002	FTNG ELBOW 90 06MBA 04MFS	2	EA

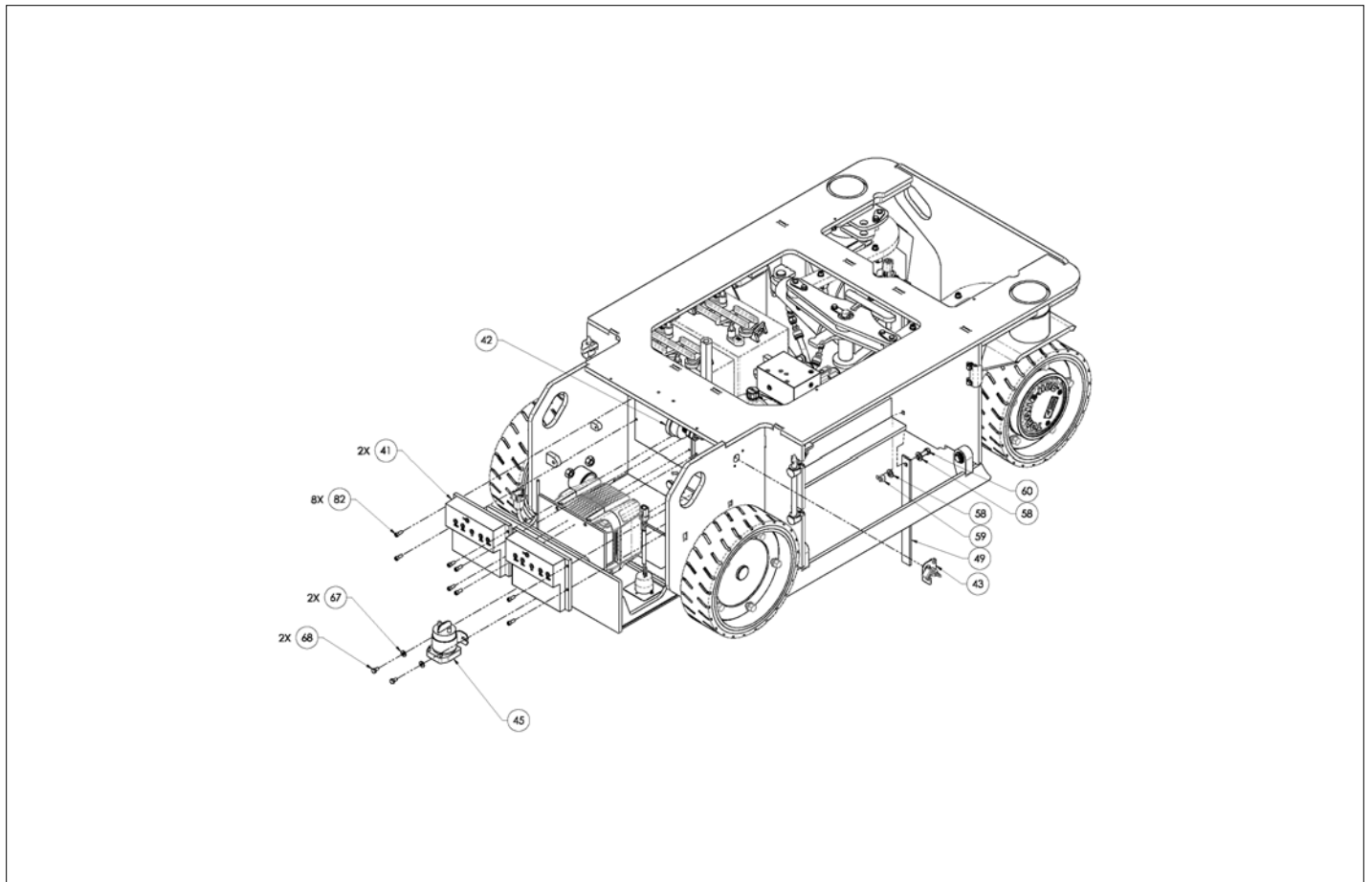


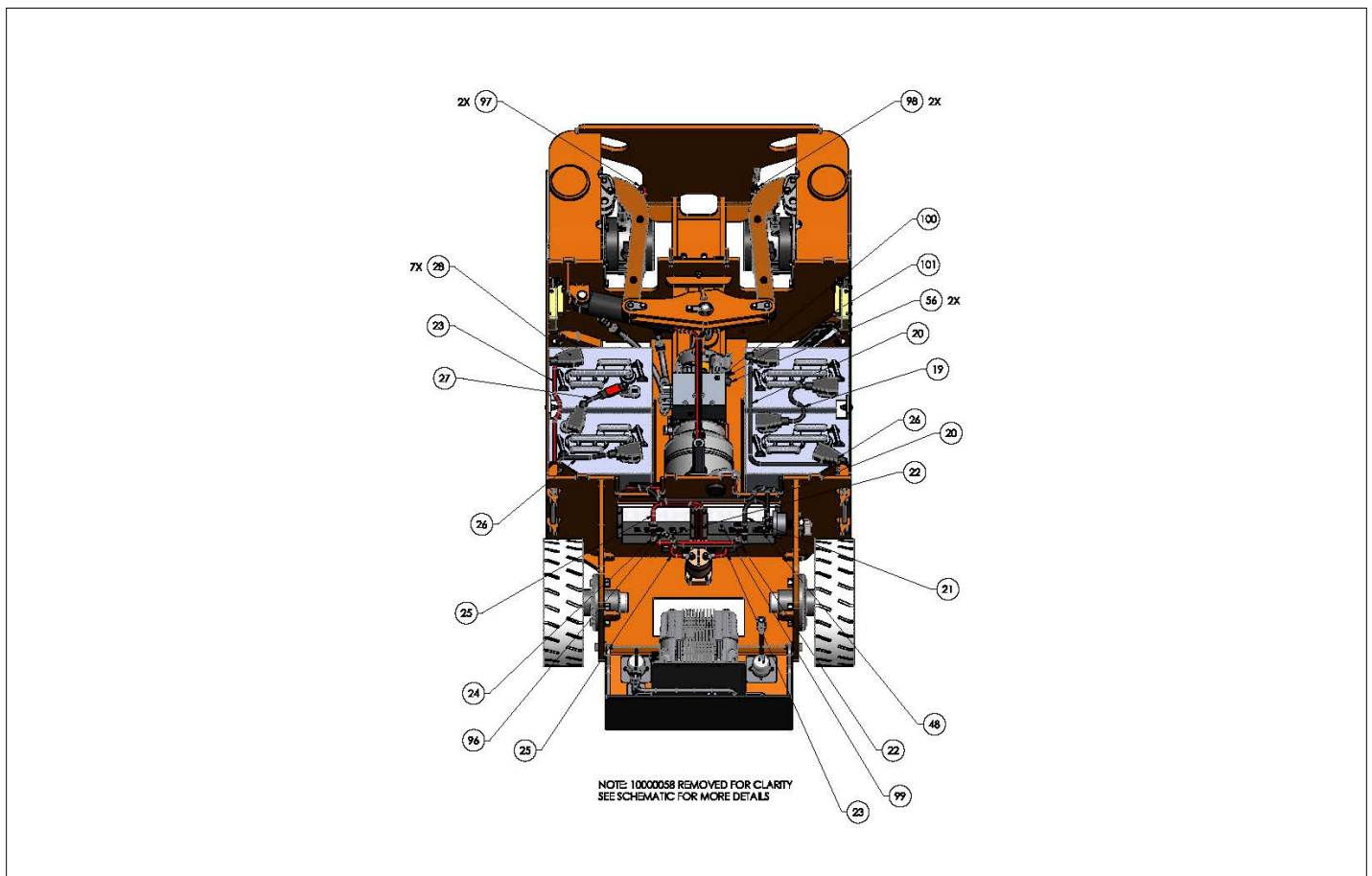
アイテム	部品番号	名前	数量	UOM
53	11705 001	FITTING ELBOW 45 4MBA 4MFS	1	EA
54	11700 001	FITTING STRAIGHT 04MB 04MFS	1	EA
55	10001572	HYD, POWER UNIT, WUXI, TM, 4L	1	EA
56	3040268	BOOT BTRY CABLE END BLK	4	EA
57	10000048	PLATE, CHASSIS TOP COVER	1	EA
58	11001 006	WASHER 3/8 SAE	2	EA
59	10908 006	NUT HEX ESNA LOCK .375 16 UNC GR 8 PLTD	1	EA
60	10002 010	SCREW 3/8 16UNC HHC X 1 1/4	1	EA
61	11015 011	WASHER M10 FLAT METRIC	6	EA
62	10405 020	SCREW M10 1.5 HHC X 20mm	2	EA
63	10501 020	BUTTON HEAD HEX M5 0.8 X 20MM	2	EA
64	11015 007	WASHER M5	2	EA
65	10303 006	SCREW #10 24UNC SBHC X 3/4	2	EA
66	10002 014	SCREW 3/8 16UNC HHC X 1 3/4	2	EA
67	11001 004	WASHER 1/4 SAE FLAT ASTM*	43	EA
68	10000 004	SCREW 1/4 20UNC HHC X 1/2	17	EA
69	10000080	BEARING, FLANGED .750 SHAFT X	30	EA
70	10000076	PIN, CLEVIS, .750 DIA X 2.25 U	3	EA
71	10000079	RETAINING RING, .750 DIA	11	EA
72	11015 012	WASHER M12 FLAT METRIC	6	EA
73	10406 020	SCREW M12 1.75 HHC X 20mm LG	2	EA
74	11001 005	WASHER FW 0.3125	1	EA
75	10001 014	BOLT, 5/16 18 X 1 3/4	1	EA
76	10908 005	NUT 5/16 18 UNC HEX LOCK REG	1	EA
77	11363 002	CLAMP FOR DIPSTICK 3/8 LOOP	12	EA

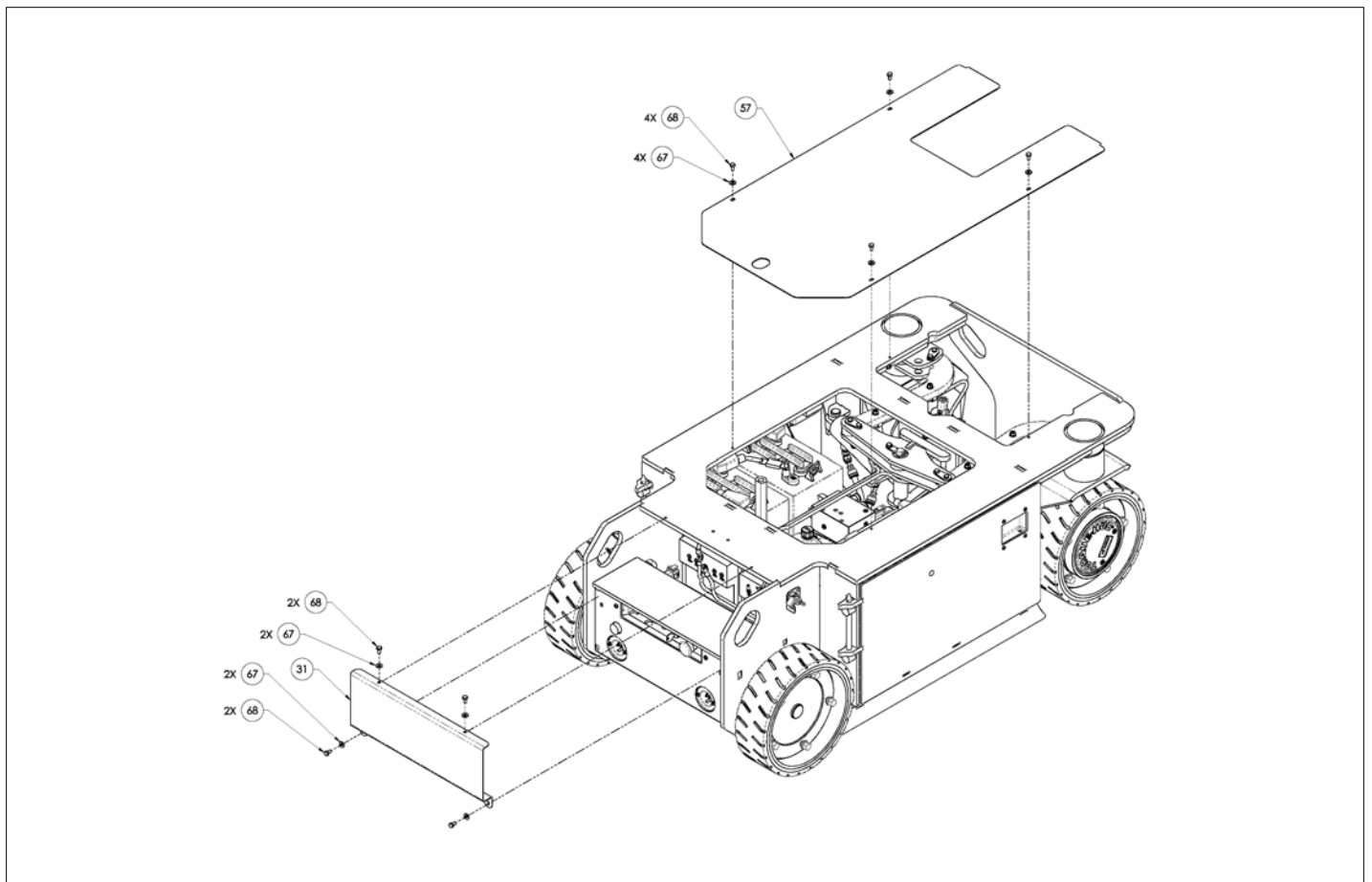


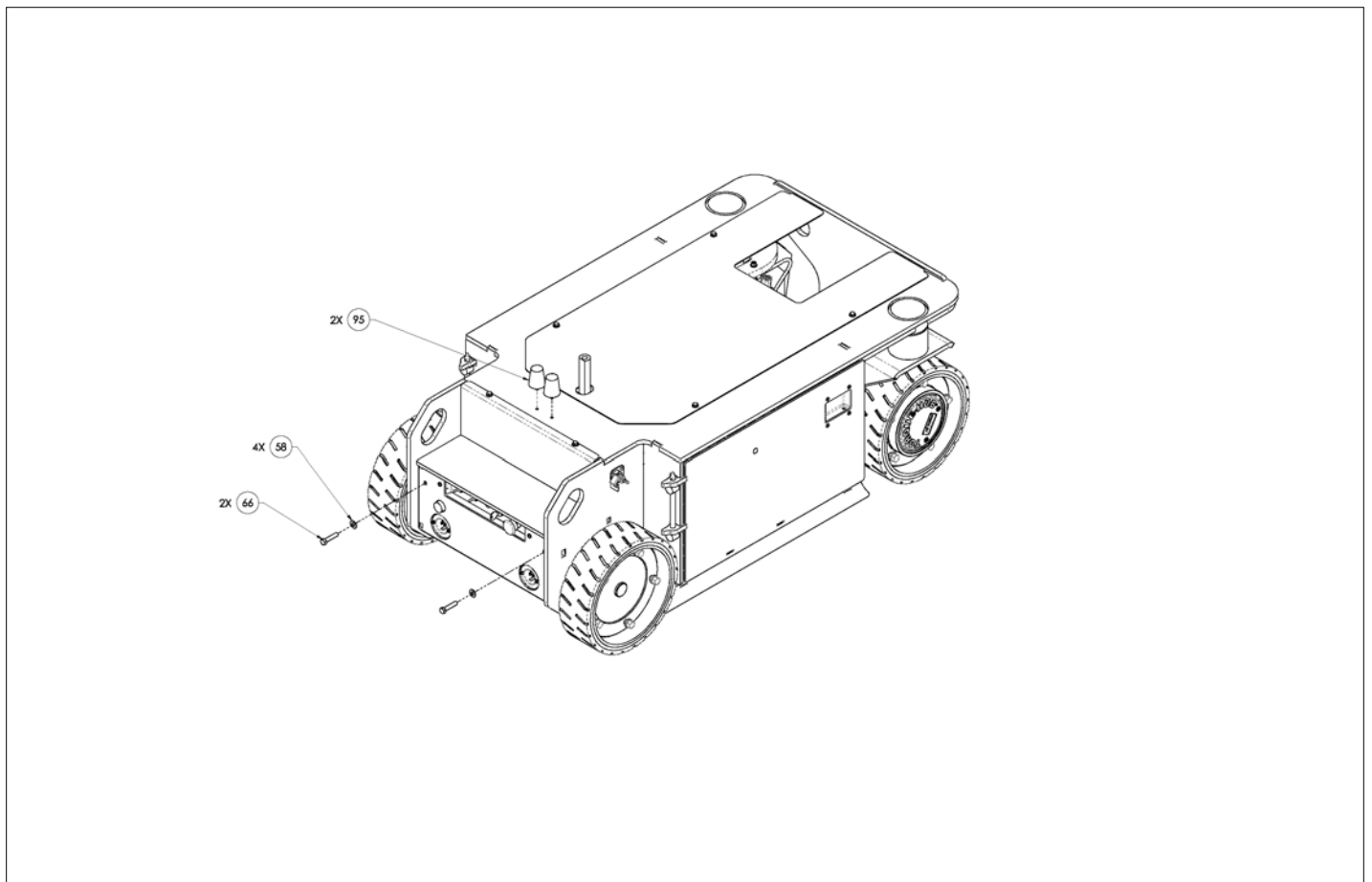


アイテム	部品番号	名前	数量	UOM
78	10908 004	NUT 1/4 20UNC HEX LOCK REG	12	EA
79	10000 010	SCREW 1/4 20UNC HHC X 1 1/4	8	EA
80	10000 020	SCREW 1/4 20UNC HHC X 2 1/2	2	EA
81	10000486	BOLT, WHEEL LUG M12 1.5 X 21MM	10	EA
82	10054 005	SHCR 1/4 20 X .625	8	EA
83	10000013	BUSHING, POTHOLE BAR	4	EA
84	10000268	BUSHING, POTHOLE BAR	2	EA
85	10000014	SLEEVE, POTHOLE PLUNGER	1	EA
86	10001102	SPRING 1 OD X .5 ID X 6 MCM	1	EA
87	10000077	PIN, CLEVIS, .750 DIA X 3.25 U	2	EA
88	10000078	PIN, CLEVIS, .750 DIA X 1.75 U	2	EA
89	10001478	SHIM, 0.060 X 3/4ID X 1.00OD	8	EA
90	10405 012	BOLT, HHCS, M10 1.50mm x 12 CLASS 10.9, DIN 933, PLTD	4	EA
91	10800 008	BLT, 1/4 20UNC CARRAGE X 1	2	EA
92	11111 001	RIVET, 3/16" DIA X 0.126" 0.25"	8	EA
93	2500812	BEARING	4	EA
94	10001059	SHIM .032 THICK 5/8 ID .875 MC	4	EA
95	10000155	BUMPER, RUBBER	2	EA
96	10001630	HARNESS, CHASSIS, TM	1	EA
97	10001211	WIRE, DRIVE ARM PWR	2	EA
98	10001212	WIRE, DRIVE ARM NEG	2	EA
99	10001213	HARNESS, DRIVE FIELD	1	EA
100	10001214	WIRE, HPU POS	1	EA
101	10001215	WIRE, HPU NEG	1	EA

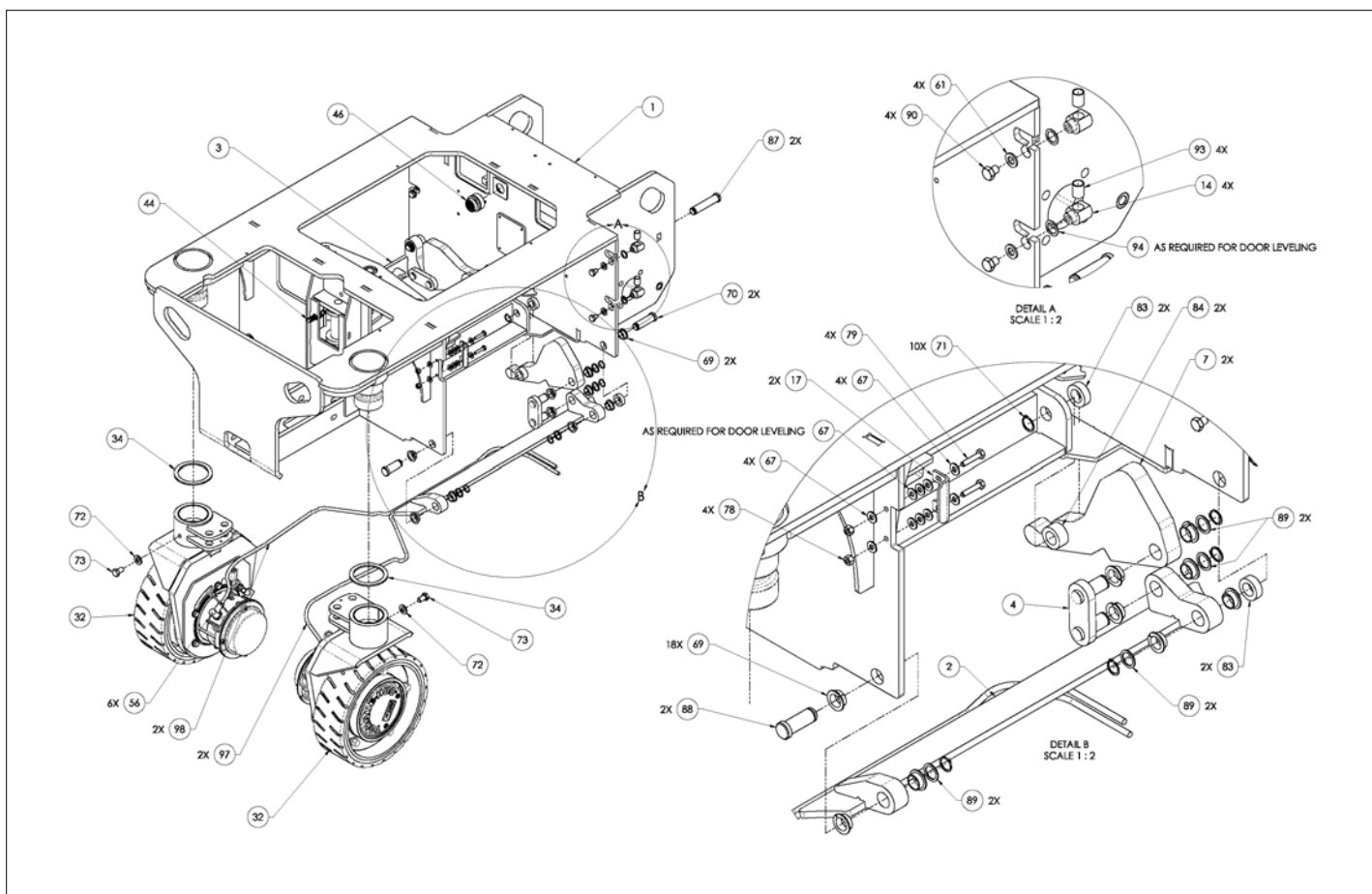




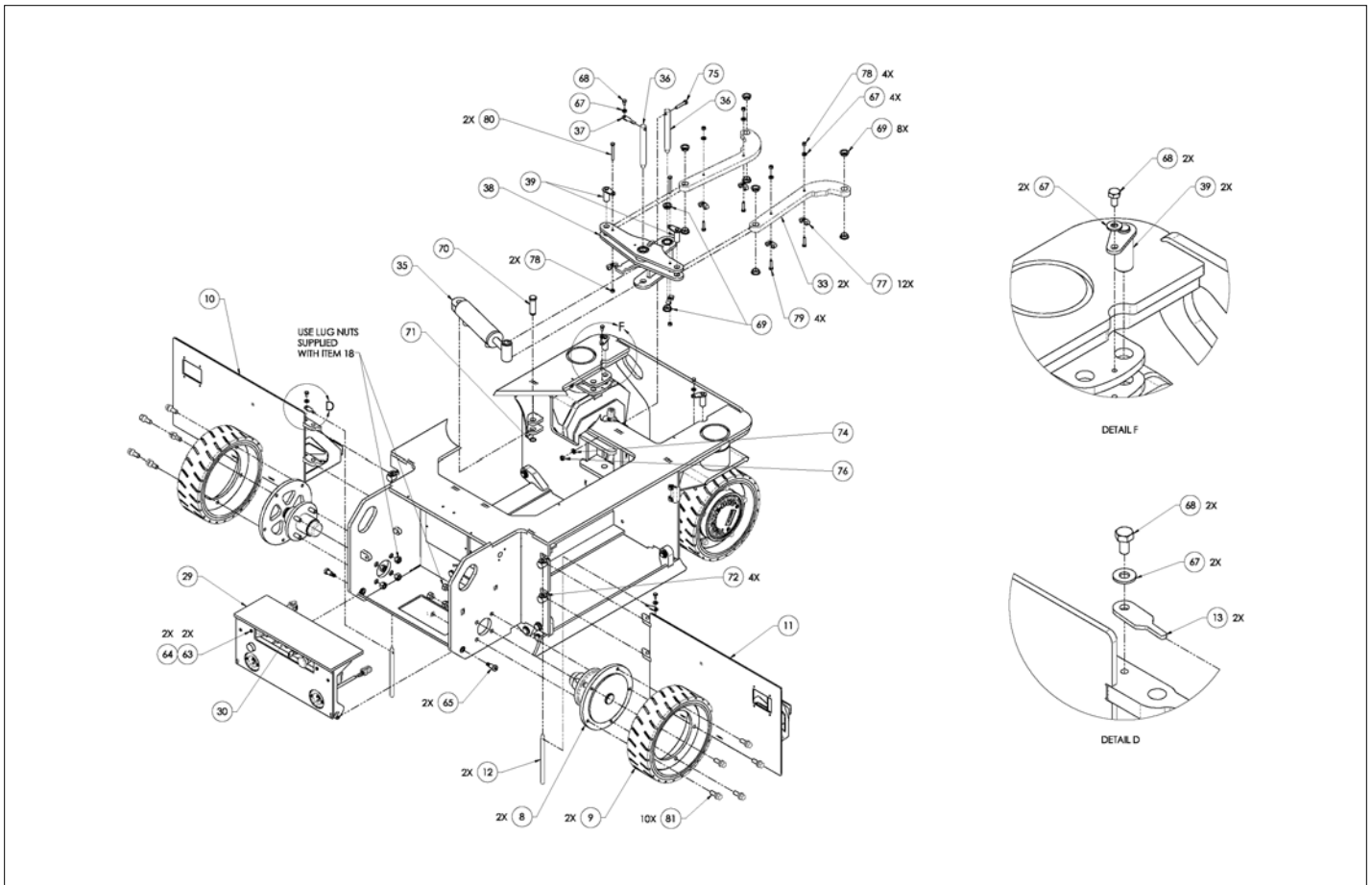




REPAIR PARTS

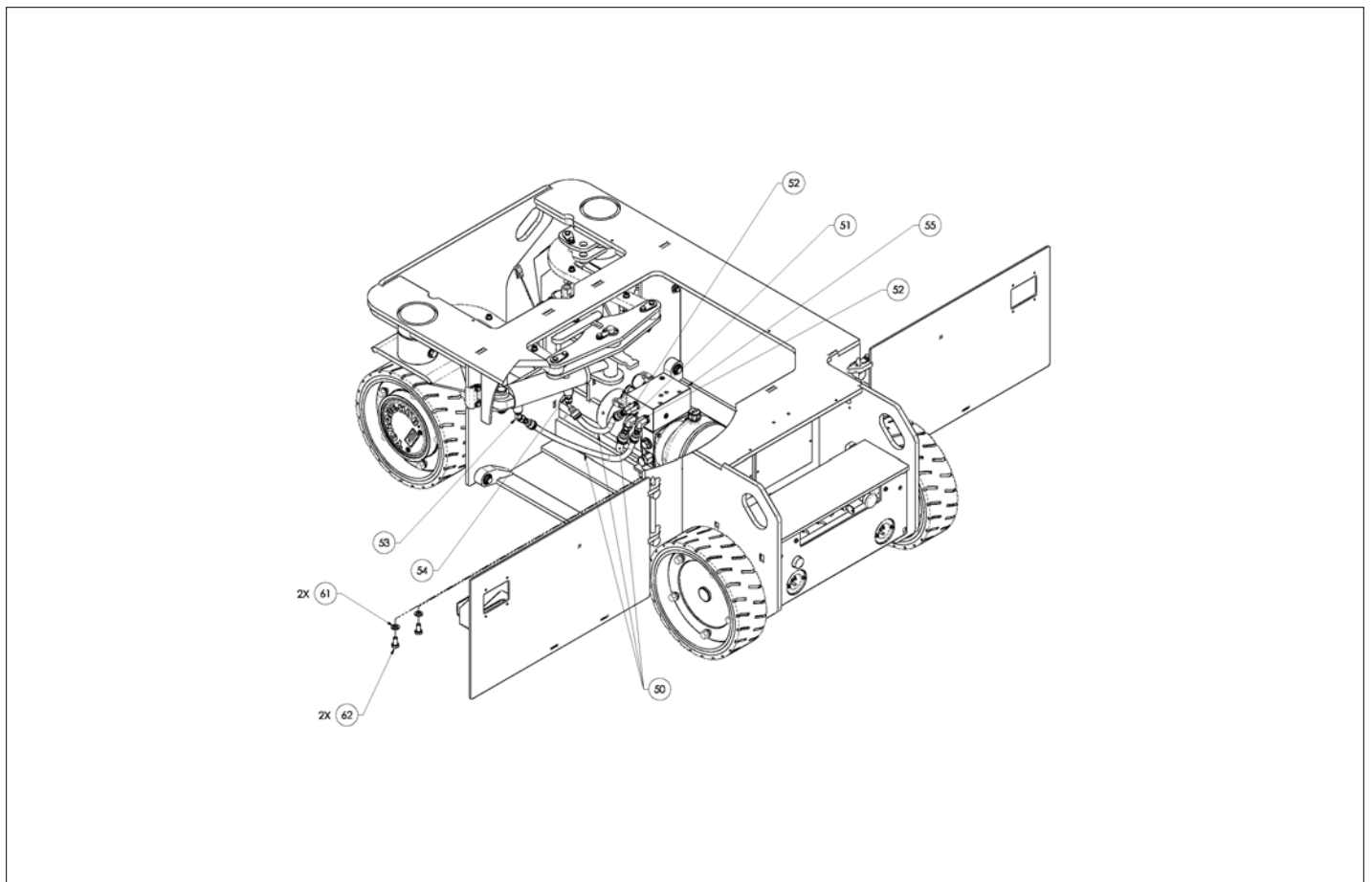


アイテム	部品番号	名前	数量	UOM
	10000001 H	TM12E CHASSIS ASSEMBLY		EA
1	10000004	WLDMT, CHASSIS TM12	1	EA
2	10000007	WLDMT, POTHOLE BAR LF	1	EA
3	10000008	WLDMT, POTHOLE BAR RT	1	EA
4	10000009	WLDMT, POTHOLE LINK	2	EA
5	10000010	WLDMT, POTHOLE PLUNGER MT	1	EA
6	10000011	ASSY, POTHOLE PLUNGER	1	EA
7	10000012	CWT, POTHOLE	2	EA
8	41040 000	REAR WHEEL ASSEM	2	EA
9	10000092	ASSY, WHEEL 323MM	2	EA
10	10000025 5	WLDMT, BATTERY DOOR LF	1	EA
11	10000026 5	WLDMT, BATTERY DOOR RT	1	EA
12	10000039	PIN, BATTERY DOOR	2	EA
13	1500948	PLT, TRAY PIN KEEPER	2	EA
14	1501420	HINGE BLOCK, LOWER	4	EA
15	13571 000	LATCH PADDLE ALLEGIS LA1004SS	2	EA
16	3050009	BATTERY, 6v	4	EA
17	10000151	PLATE, DOOR LATCH	2	EA
18	10000152	BRKT, BATTERY BRACE	2	EA
19	10001089	WIRE, LEFT BANK JUMPER	1	EA
20	10001088	WIRE, MAIN GROUND	1	EA
21	10001090	WIRE, PG GND	1	EA
22	10001091	WIRE, PG GND JUMPER	1	EA
23	10001084	WIRE, MAIN POSITIVE	1	EA
24	10001086	WIRE, PG PWR JUMPER	1	EA
25	10001085	WIRE, PG MASTER PWR	1	EA
26	10001087	WIRE, JUMPER	1	EA
27	3014756	WIRE 2 R313 R313 7 BLACK FUSED	1	EA

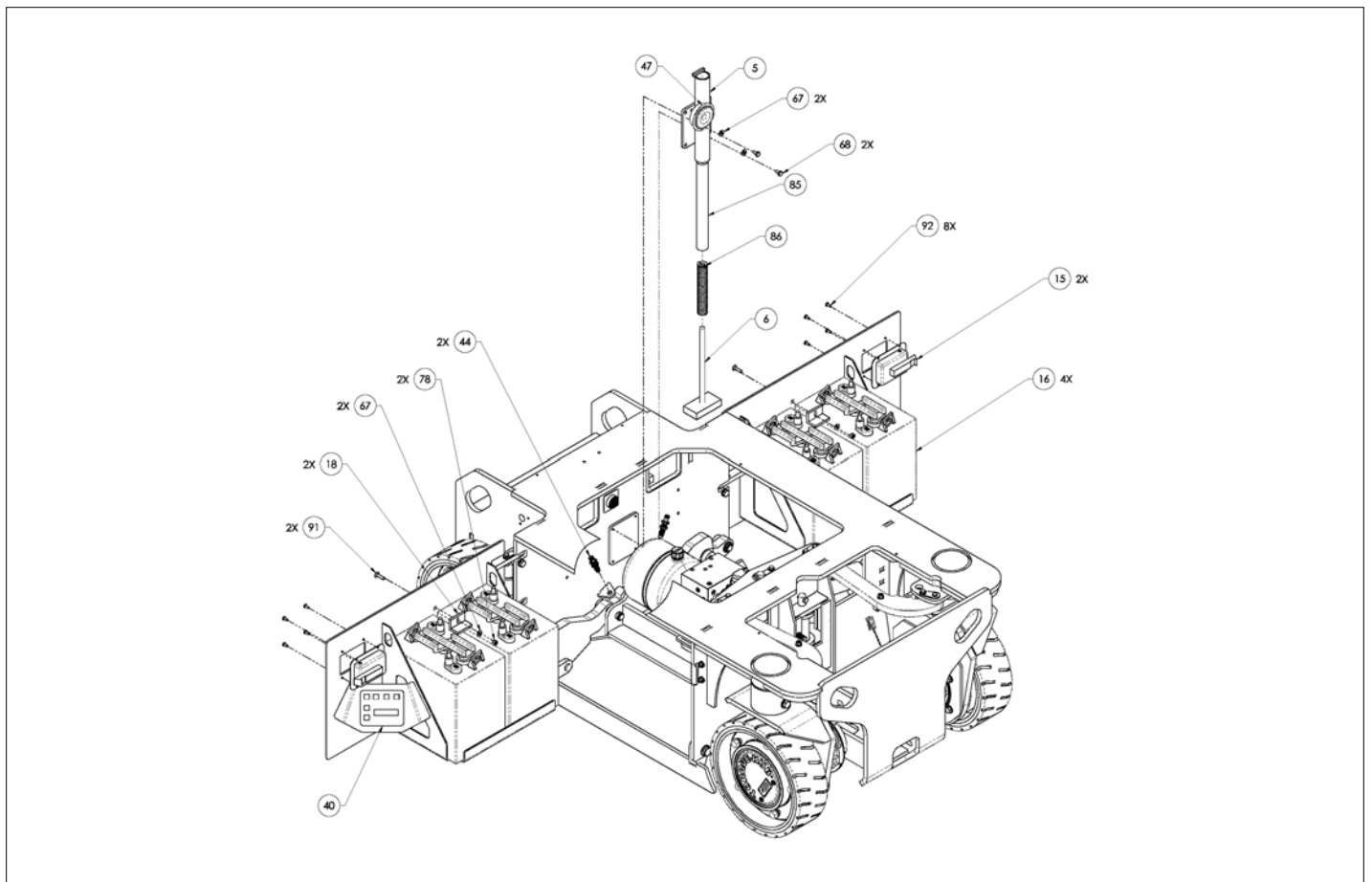




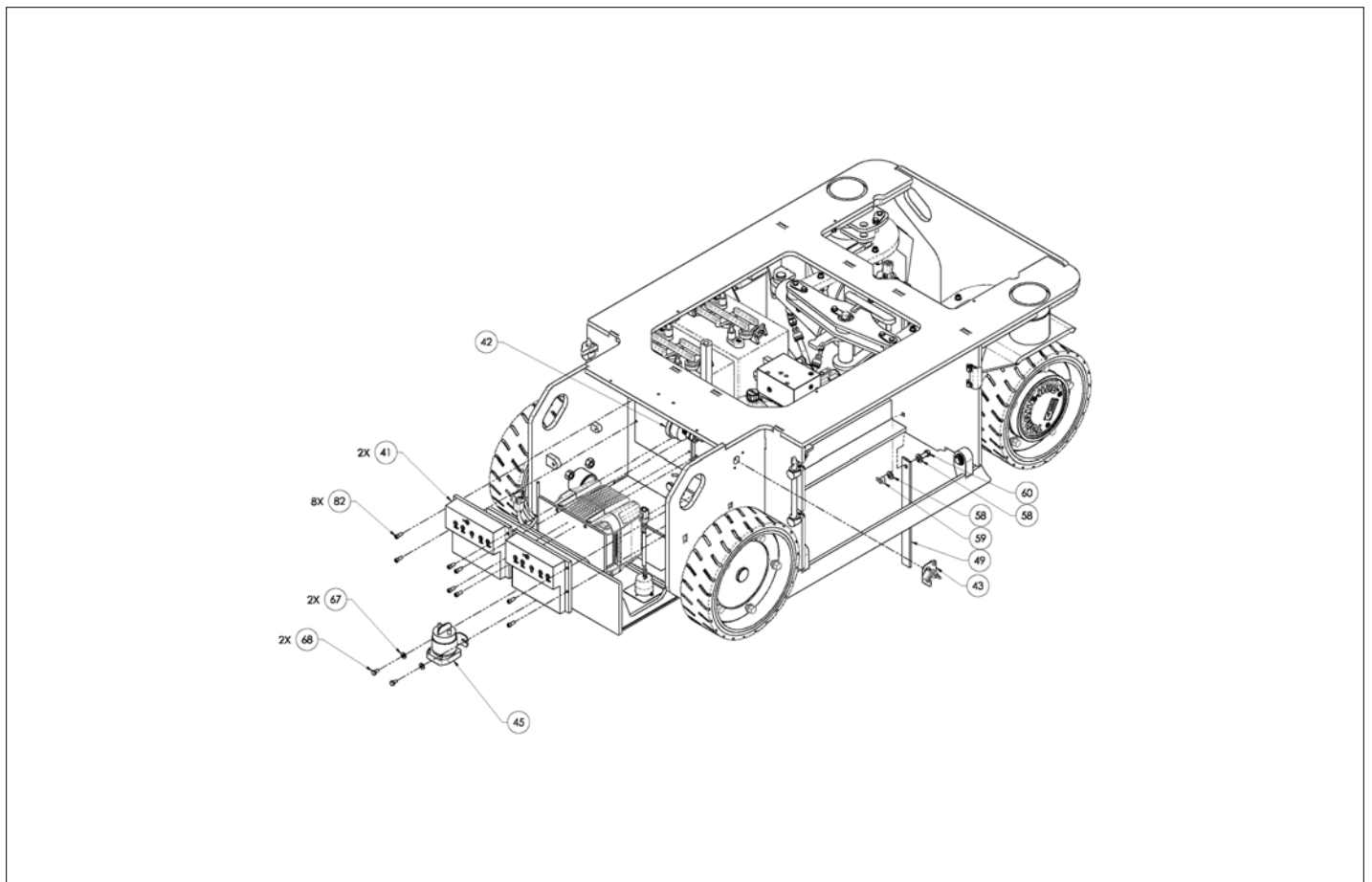
アイテム	部品番号	名前	数量	UOM
28	010154 000	COVER BATTERY	7	EA
29	10001240	ASSY STEP PYLON	1	EA
30	10001632	ASSY, LWR CTRL PNL, NON OL	1	EA
31	10000038	PLATE, TOE KICK	1	EA
32	10000040	ASSY, HUB	2	EA
33	10000047	PLATE, STEER LINK	2	EA
34	2580430	THRUST BRG, 80mmID 100mmOD 3mm THK	2	EA
35	10000073	CYLINDER, STEER	1	EA
36	10000157	PIN, STEER CYL CENTER	2	EA
37	10000159	PLT, STEER PIN KEEPER	1	EA
38	10000452	WLDMT, TM12 STEER	1	EA
39	10001105	WELD, STEER PIN	4	EA
40	3087803	EZCal Panel Trionics	1	EA
41	10001629	COMPUTER, TS100	2	EA
42	13161 000	SWITCH	1	EA
43	13162 000	SWITCH LOCK	1	EA
44	3028844	IFS241 (IFM PROXY)	3	EA
45	13201 000	RELAY SOLENOID NO SPST 24VDC	1	EA
46	3049978	ALARM BEEPING	1	EA
47	10001095	HORN	1	EA
48	10001096	PLATE, BUSS BAR	1	EA
49	467966	STATIC STRAP RUBBER GRD 30in	1	EA
50	10001363	KIT, HOSE TM100	1	EA
51	11702 006	FITTING ELBOW 90 06MBA 06MFS	1	EA
52	11702 002	FTNG ELBOW 90 06MBA 04MFS	2	EA
53	11705 001	FITTING ELBOW 45 4MBA 4MFS	1	EA

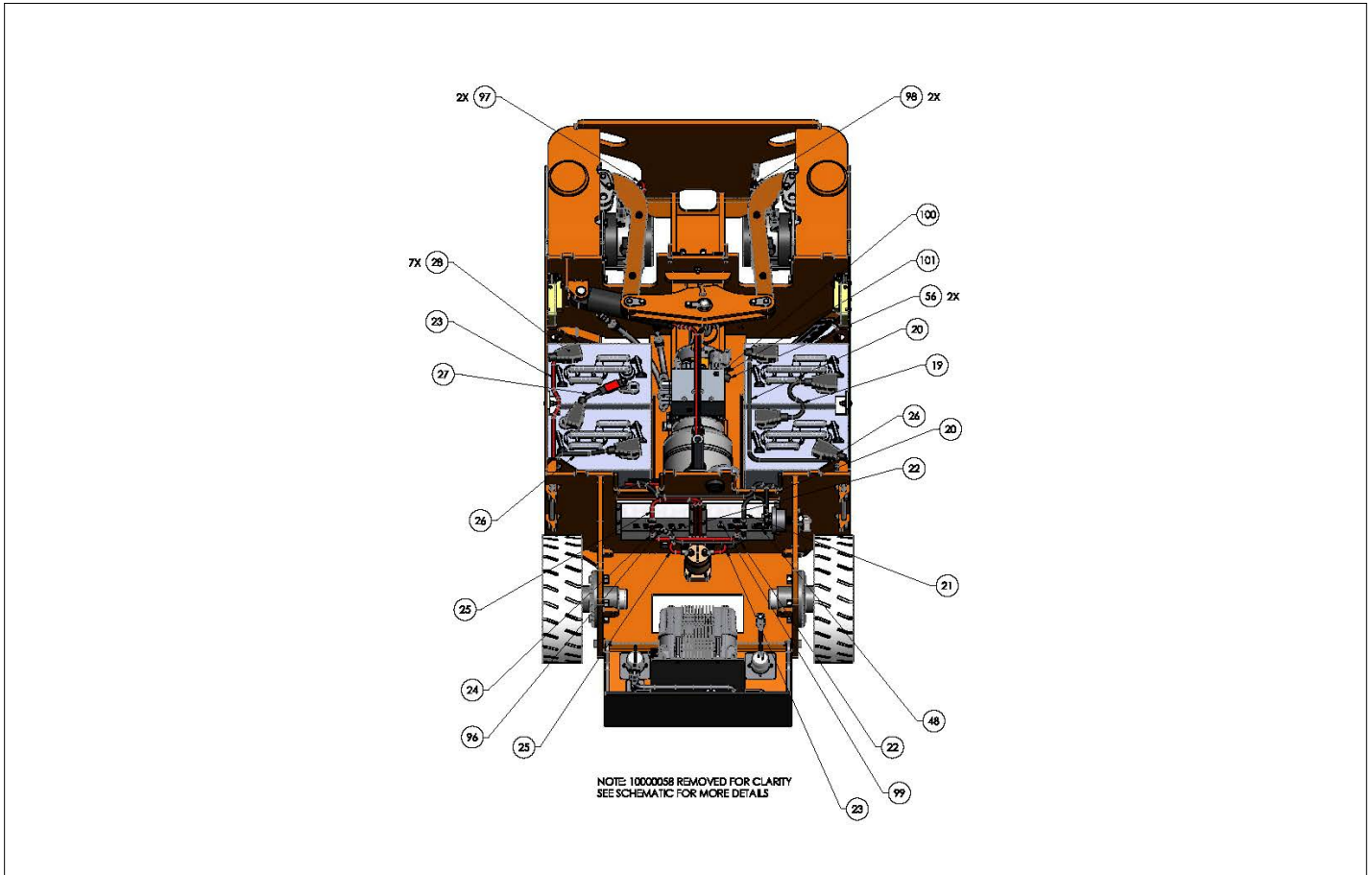


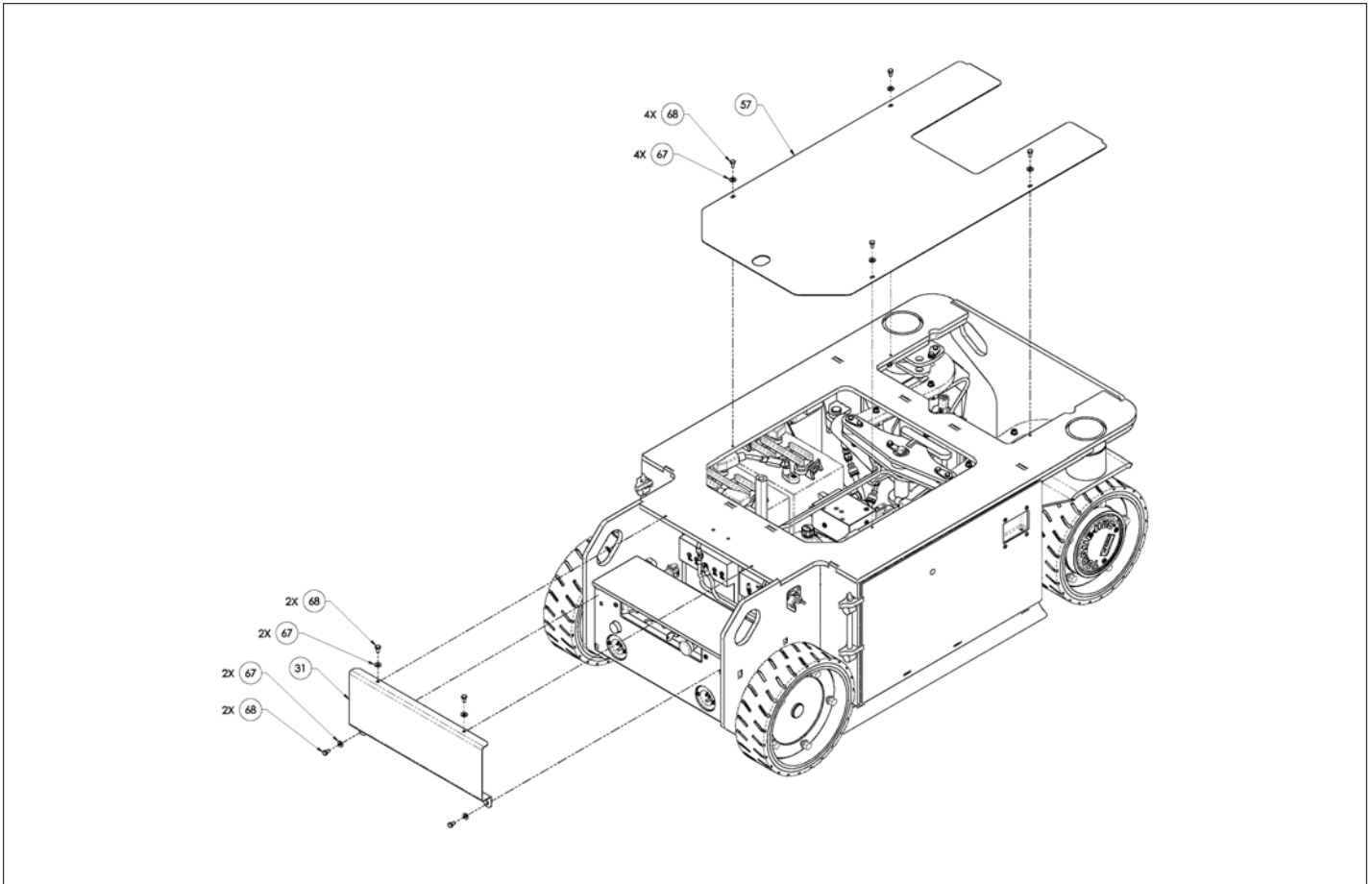
アイテム	部品番号	名前	数量	UOM
54	11700 001	FITTING STRAIGHT 04MB 04MFS	1	EA
55	10001572	HYD, POWER UNIT, WUXI, TM, 4L	1	EA
56	3040268	BOOT BTRY CABLE END BLK	4	EA
57	10000048	PLATE, CHASSIS TOP COVER	1	EA
58	11001 006	WASHER 3/8 SAE	2	EA
59	10908 006	NUT HEX ESNA LOCK .375 16 UNC GR 8 PLTD	1	EA
60	10002 010	SCREW 3/8 16UNC HHC X 1 1/4	1	EA
61	11015 011	WASHER M10 FLAT METRIC	6	EA
62	10405 020	SCREW M10 1.5 HHC X 20mm	2	EA
63	10501 020	BUTTON HEAD HEX M5 0.8 X 20MM	2	EA
64	11015 007	WASHER M5	2	EA
65	10303 006	SCREW #10 24UNC SBHC X 3/4	2	EA
66	10002 014	SCREW 3/8 16UNC HHC X 1 3/4	2	EA
67	11001 004	WASHER 1/4 SAE FLAT ASTM*	43	EA
68	10000 004	SCREW 1/4 20UNC HHC X 1/2	17	EA
69	10000080	BEARING, FLANGED .750 SHAFT X	30	EA
70	10000076	PIN, CLEVIS, .750 DIA X 2.25 U	3	EA
71	10000079	RETAINING RING, .750 DIA	11	EA
72	11015 012	WASHER M12 FLAT METRIC	6	EA
73	10406 020	SCREW M12 1.75 HHC X 20mm LG	2	EA
74	11001 005	WASHER FW 0.3125	1	EA
75	10001 014	BOLT, 5/16 18 X 1 3/4	1	EA
76	10908 005	NUT 5/16 18 UNC HEX LOCK REG	1	EA
77	11363 002	CLAMP FOR DIPSTICK 3/8 LOOP	12	EA
78	10908 004	NUT 1/4 20UNC HEX LOCK REG	12	EA



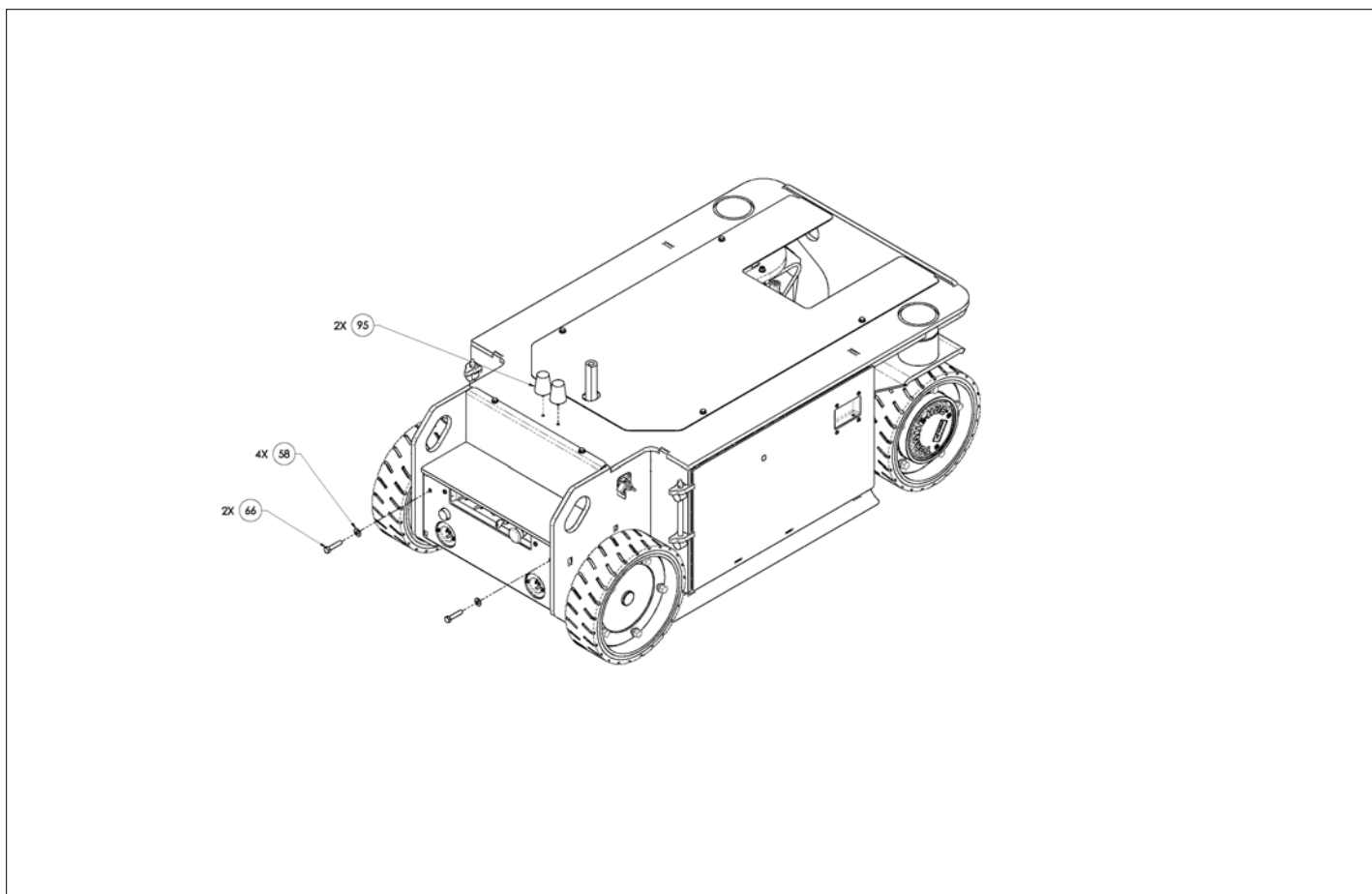
アイテム	部品番号	名前	数量	UOM
79	10000 010	SCREW 1/4 20UNC HHC X 1 1/4	8	EA
80	10000 020	SCREW 1/4 20UNC HHC X 2 1/2	2	EA
81	10000486	BOLT, WHEEL LUG M12 1.5 X 21MM	10	EA
82	10054 005	SHCR 1/4 20 X .625	8	EA
83	10000013	BUSHING, POTHOLE BAR	4	EA
84	10000268	BUSHING, POTHOLE BAR	2	EA
85	10000014	SLEEVE, POTHOLE PLUNGER	1	EA
86	10001102	SPRING 1 OD X .5 ID X 6 MCM	1	EA
87	10000077	PIN, CLEVIS, .750 DIA X 3.25 U	2	EA
88	10000078	PIN, CLEVIS, .750 DIA X 1.75 U	2	EA
89	10001478	SHIM, 0.060 X 3/4ID X 1.00OD	8	EA
90	10405 012	BOLT, HHCS, M10 1.50mm x 12 CLASS 10.9, DIN 933, PLTD	4	EA
91	10800 008	BLT, 1/4 20UNC CARRAGE X 1	2	EA
92	11111 001	RIVET, 3/16" DIA X 0.126" 0.25"	8	EA
93	2500812	BEARING	4	EA
94	10001059	SHIM .032 THICK 5/8 ID .875 MC	4	EA
95	10000155	BUMPER, RUBBER	2	EA
96	10001630	HARNESS, CHASSIS, TM	1	EA
97	10001211	WIRE, DRIVE ARM PWR	2	EA
98	10001212	WIRE, DRIVE ARM NEG	2	EA
99	10001213	HARNESS, DRIVE FIELD	1	EA
100	10001214	WIRE, HPU POS	1	EA
101	10001215	WIRE, HPU NEG	1	EA
102	1610015 000	GUARD PROTECTIVE HEAT SHRINK (NOT SHOWN)	1	EA



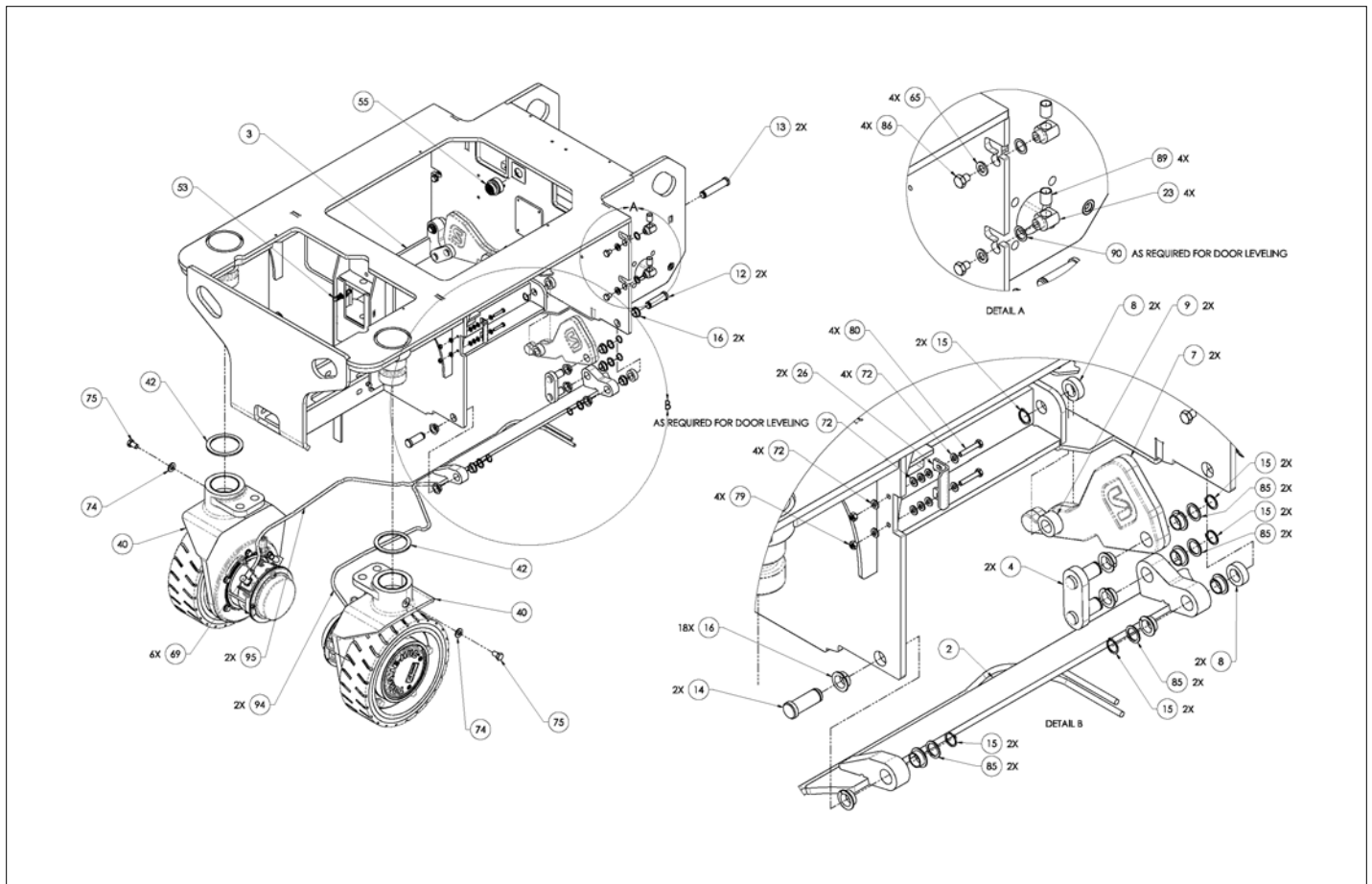




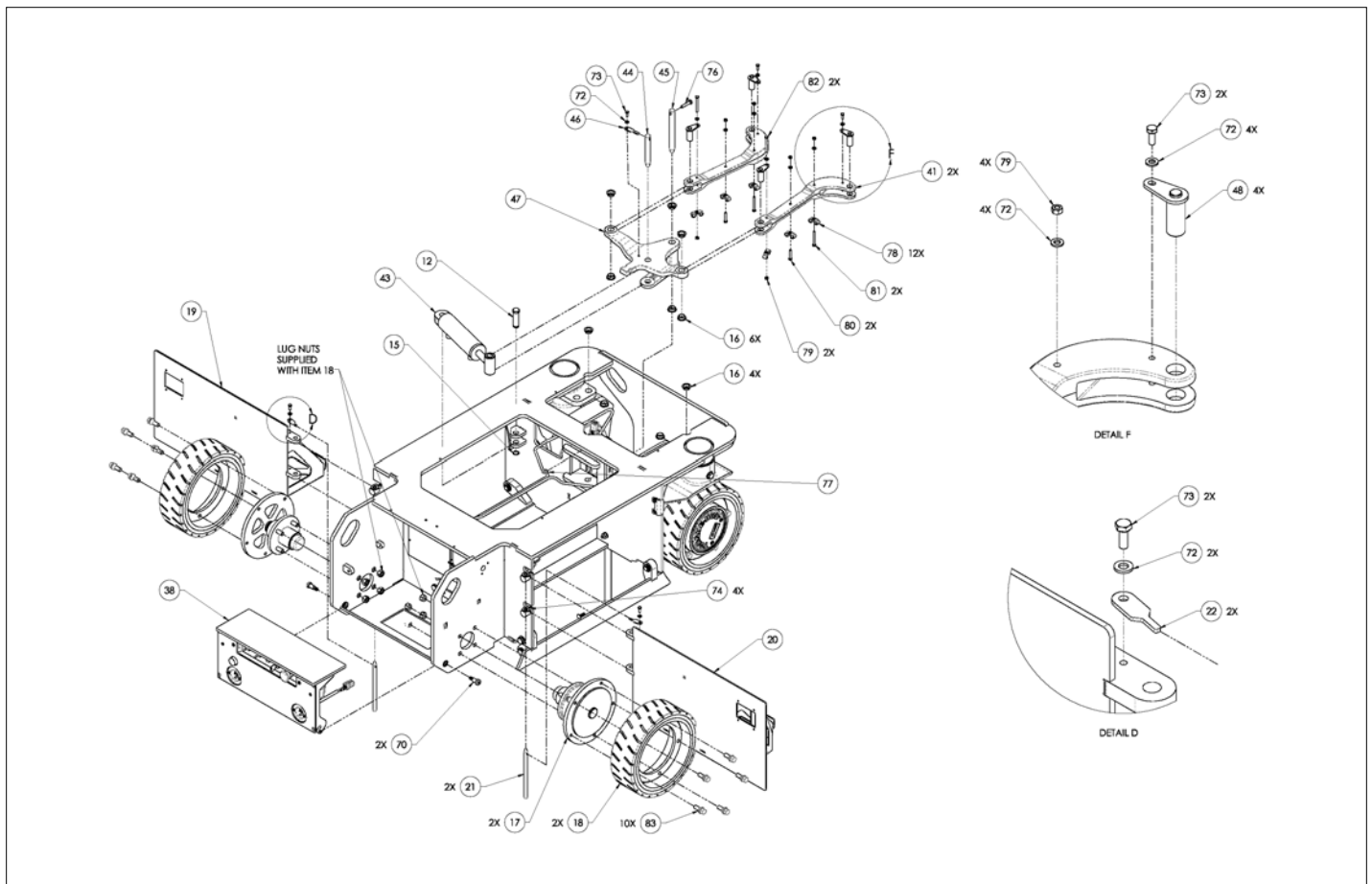




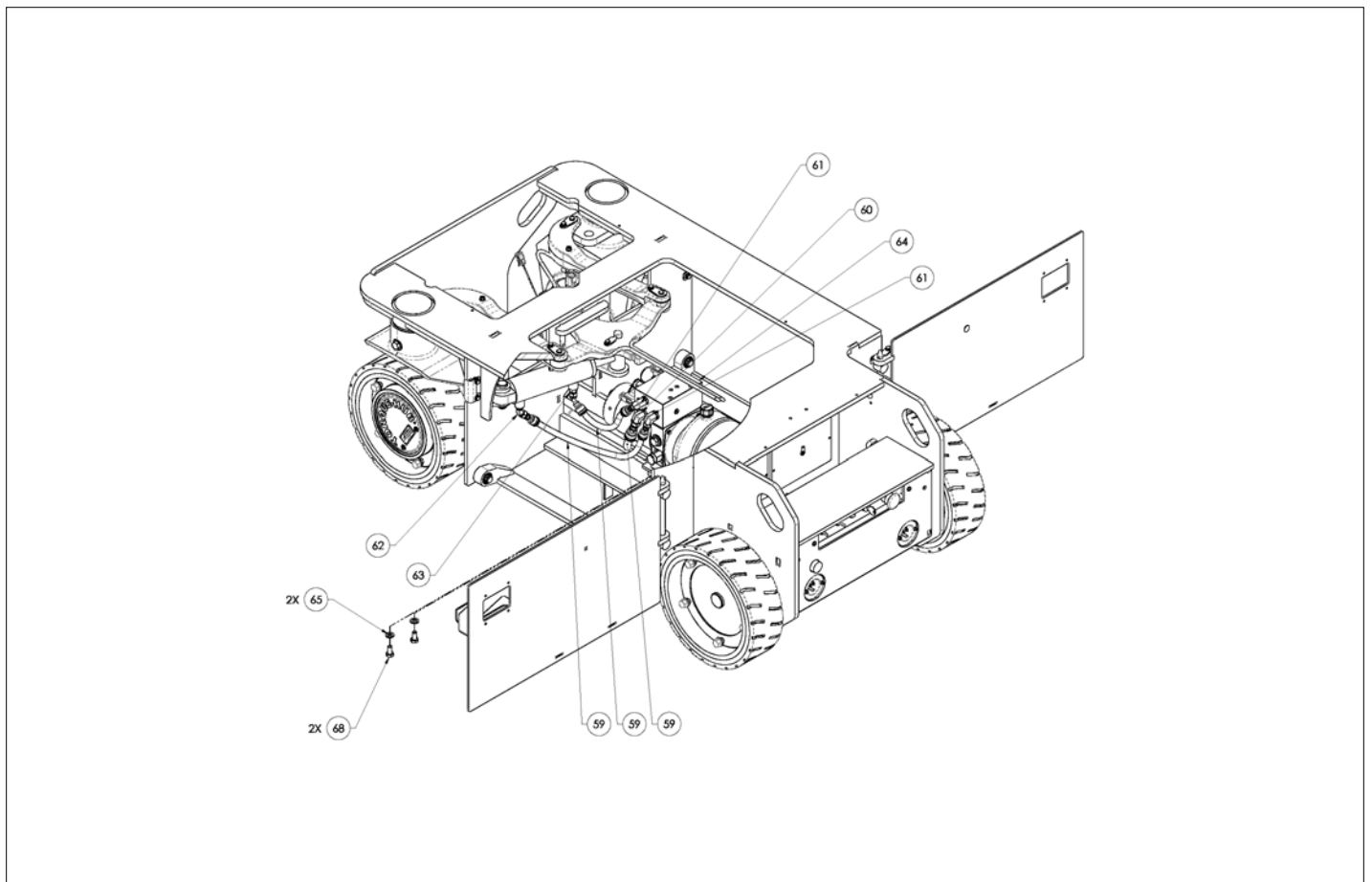
REPAIR PARTS



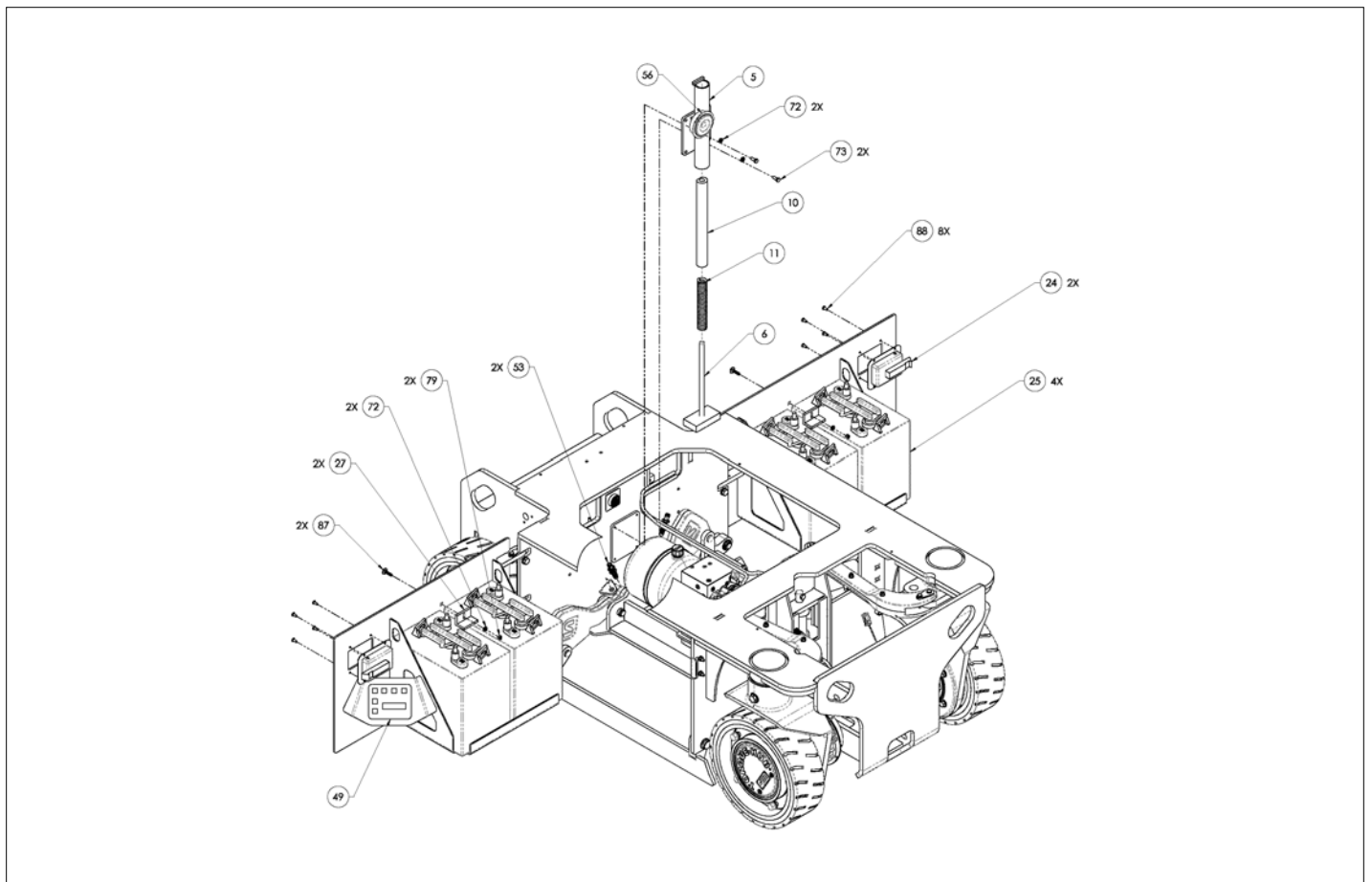
アイテム	部品番号	名前	数量	UOM
	10001419 F	TM12E CHASSIS ASSEMBLY LOADCELL		EA
1	10001189	WLDMT CHASSIS TM12E	1	EA
2	10000007	WLDMT, POTHOLE BAR LF	1	EA
3	10000008	WLDMT, POTHOLE BAR RT	1	EA
4	10000009	WLDMT, POTHOLE LINK	2	EA
5	10000010	WLDMT, POTHOLE PLUNGER MT	1	EA
6	10000011	ASSY, POTHOLE PLUNGER	1	EA
7	10000213	COUNTERWEIGHT, CAST	2	EA
8	10000013	BUSHING, POTHOLE BAR	4	EA
9	10000268	BUSHING, POTHOLE BAR	2	EA
10	10000014	SLEEVE, POTHOLE PLUNGER	1	EA
11	10001102	SPRING 1 OD X .5 ID X 6 MCM	1	EA
12	10000076	PIN, CLEVIS, .750 DIA X 2.25 U	3	EA
13	10000077	PIN, CLEVIS, .750 DIA X 3.25 U	2	EA
14	10000078	PIN, CLEVIS, .750 DIA X 1.75 U	2	EA
15	10000079	RETAINING RING, .750 DIA	11	EA
16	10000080	BEARING, FLANGED .750 SHAFT X	30	EA
17	41040 000	REAR WHEEL ASSEM	2	EA
18	10000092	ASSY, WHEEL 323MM	2	EA
19	10001196	WLDMT BATTERY DOOR LF	1	EA
20	10001197	WLDMT BATTERY DOOR RT	1	EA
21	10000039	PIN, BATTERY DOOR	2	EA
22	1500948	PLT, TRAY PIN KEEPER	2	EA
23	1501420	HINGE BLOCK, LOWER	4	EA
24	13571 000	LATCH PADDLE ALLEGIS LA1004SS	2	EA
25	3050009	BATTERY, 6v	4	EA
26	10000151	PLATE, DOOR LATCH	2	EA



アイテム	部品番号	名前	数量	UOM
27	10000152	BRKT, BATTERY BRACE	2	EA
28	10001089	WIRE, LEFT BANK JUMPER	1	EA
29	10001088	WIRE, MAIN GROUND	1	EA
30	10001090	WIRE, PG GND	1	EA
31	10001091	WIRE, PG GND JUMPER	1	EA
32	10001084	WIRE, MAIN POSITIVE	1	EA
33	10001086	WIRE, PG PWR JUMPER	1	EA
34	10001085	WIRE, PG MASTER PWR	1	EA
35	10001087	WIRE, JUMPER	1	EA
36	3014756	WIRE 2 R313 R313 7 BLACK FUDED	1	EA
	446076	FUSE, 250 AMP, REPLACEMENT	1	EA
37	010154 000	COVER BATTERY	7	EA
38	10001240	ASSY STEP PYLON	1	EA
39	10000038	PLATE, TOE KICK	1	EA
40	10001203	TM12 HUB ASSY	2	EA
41	10000333	STEERING LINK, CAST	2	EA
42	2580430	THRUST BRG, 80mmID 100mmOD 3mm THK	2	EA
43	10000073	CYLINDER, STEER	1	EA
44	10000337	PIN, STEER CYL TEE	1	EA
45	10000157	PIN, STEER CYL CENTER	1	EA
46	10000159	PLT, STEER PIN KEEPER	1	EA
47	10000330	STEERING TEE, CAST	1	EA
48	10001105	WELD, STEER PIN	4	EA
49	3087803	EZCal Panel Trionics	1	EA
50	10001629	COMPUTER, TS100	2	EA
51	13161 000	SWITCH	1	EA
52	13162 000	SWITCH LOCK	1	EA
53	3028844	IFS241 (IFM PROXY)	3	EA

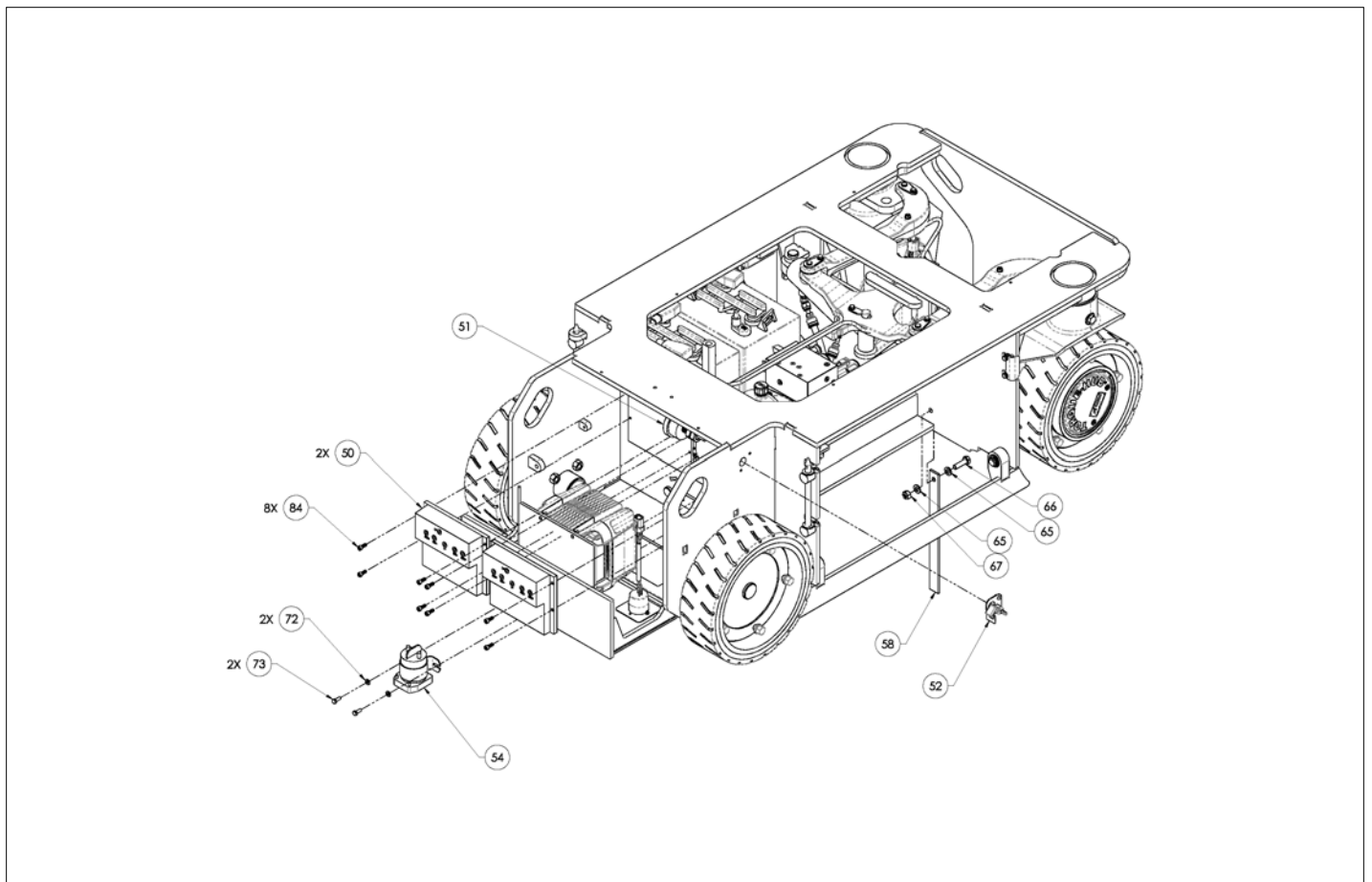


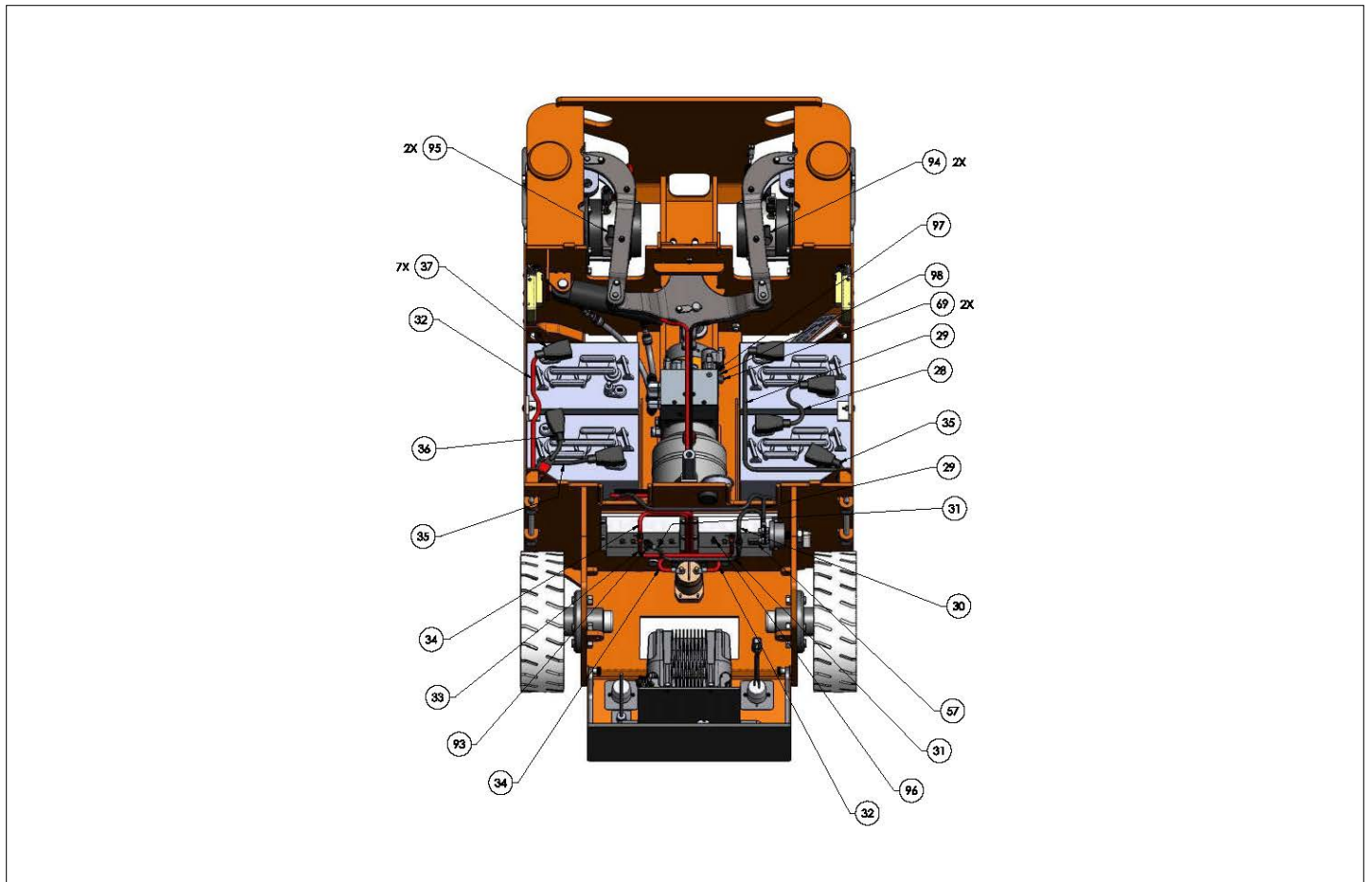
アイテム	部品番号	名前	数量	UOM
54	13201 000	RELAY SOLENOID NO SPST 24VDC	1	EA
55	3049978	ALARM BEEPING	1	EA
56	10001095	HORN	1	EA
57	10001096	PLATE, BUSS BAR	1	EA
58	467966	STATIC STRAP RUBBER GRD 30in	1	EA
59	10001363	KIT, HOSE TM100	1	EA
60	11702 006	FITTING ELBOW 90 06MBA 06MFS	1	EA
61	11702 002	FTNG ELBOW 90 06MBA 04MFS	2	EA
62	11705 001	FITTING ELBOW 45 4MBA 4MFS	1	EA
63	11700 001	FITTING STRAIGHT 04MB 04MFS	1	EA
64	10001572	HYD, POWER UNIT, WUXI, TM, 4L	1	EA
65	11015 011	WASHER M10 FLAT METRIC	8	EA
66	10405 035	SCREW M10 1.5 HHC X 35MM LG	1	EA
67	10939 011	NUT M10 1.50 REG HEX LOCK*****	1	EA
68	10405 020	SCREW M10 1.5 HHC X 20mm	2	EA
69	3040268	BOOT BTRY CABLE END BLK	4	EA
70	10303 006	SCREW #10 24UNC SBHC X 3/4	2	EA
71	10405 045	SCREW, M10 1.5 HHC X 45MM LG	2	EA
72	11015 008	WASHER M6 FLAT METRIC	45	EA
73	10402 016	SCREW M6 1.00 HHC X 16MM LG	17	EA
74	11015 012	WASHER M12 FLAT METRIC	6	EA
75	10406 020	SCREW M12 1.75 HHC X 20mm LG	2	EA

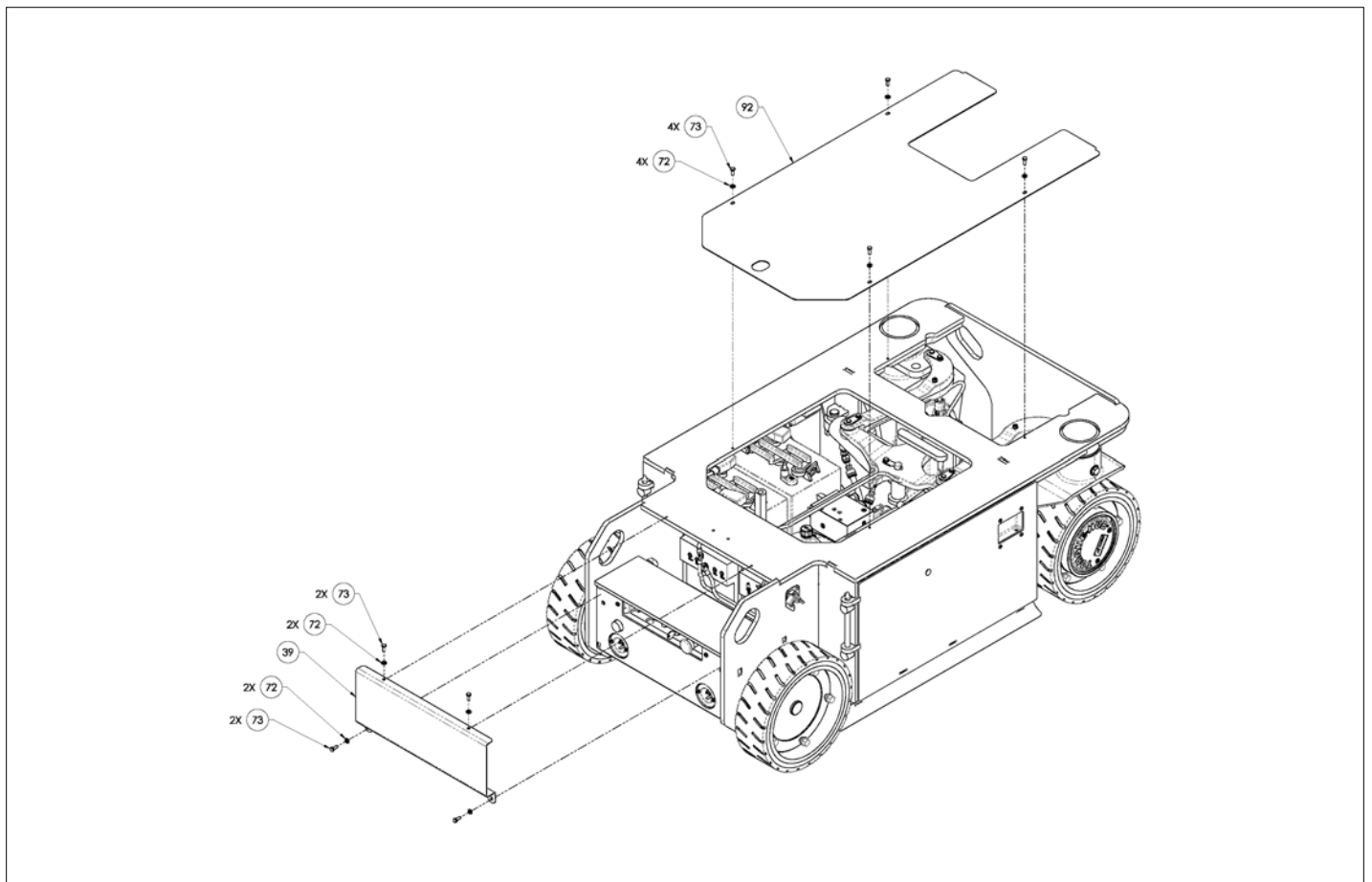


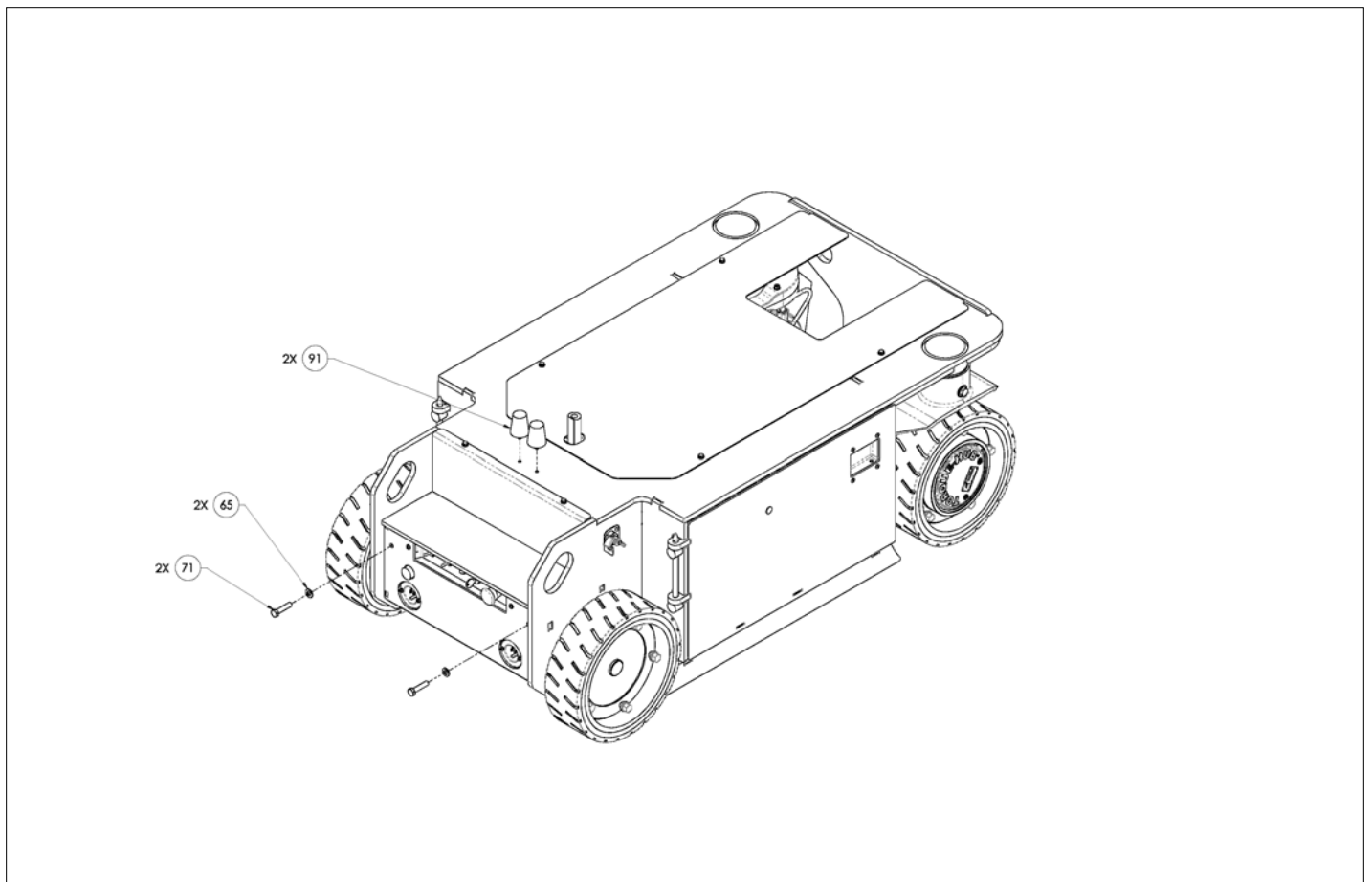


アイテム	部品番号	名前	数量	UOM
76	10404 040	SCREW, M8 1/25 HHC X 40MM LG	1	EA
77	10939 010	LOCK NUT M8	1	EA
78	11363 002	CLAMP FOR DIPSTICK 3/8 LOOP	12	EA
79	10939 008	LOCK NUT M6	12	EA
80	10402 035	SCREW M6 X 1.00 HHC X 35MM LG	6	EA
81	10402 055	SCREW, M6 1.00 HHC X 55MM LG	2	EA
82	10402 060	SCREW, M6 1.00 HHC X 60MM LG	2	EA
83	10000486	BOLT, WHEEL LUG M12 1.5 X 21MM	10	EA
84	10422 016	SCREW, M6 1.0 SHCS X 16MM	8	EA
85	10001478	SHIM, 0.060 X 3/4ID X 1.00OD	8	EA
86	10405 012	BOLT, HHCS, M10 1.50mm x 12 CLASS 10.9, DIN 933, PLTD	4	EA
87	10001217	BOLT M6 1.0X25MM CARRIAGE	2	EA
88	11111 001	RIVET, 3/16" DIA X 0.126" 0.25"	8	EA
89	2500812	BEARING	4	EA
90	10001059	SHIM .032 THICK 5/8 ID .875 MC	4	EA
91	10000155	BUMPER, RUBBER	2	EA
92	10000048	PLATE, CHASSIS TOP COVER	1	EA
93	10001633	ASSY, LWR CTRL PNL, W/OL	1	EA
94	10001211	WIRE, DRIVE ARM PWR	2	EA
95	10001212	WIRE, DRIVE ARM NEG	2	EA
96	10001213	HARNESS, DRIVE FIELD	1	EA
97	10001214	WIRE, HPU POS	1	EA
98	10001215	WIRE, HPU NEG	1	EA
99	1610015 000	GUARD PROTECTIVE HEAT SHRINK (NOT SHOWN)	1	EA

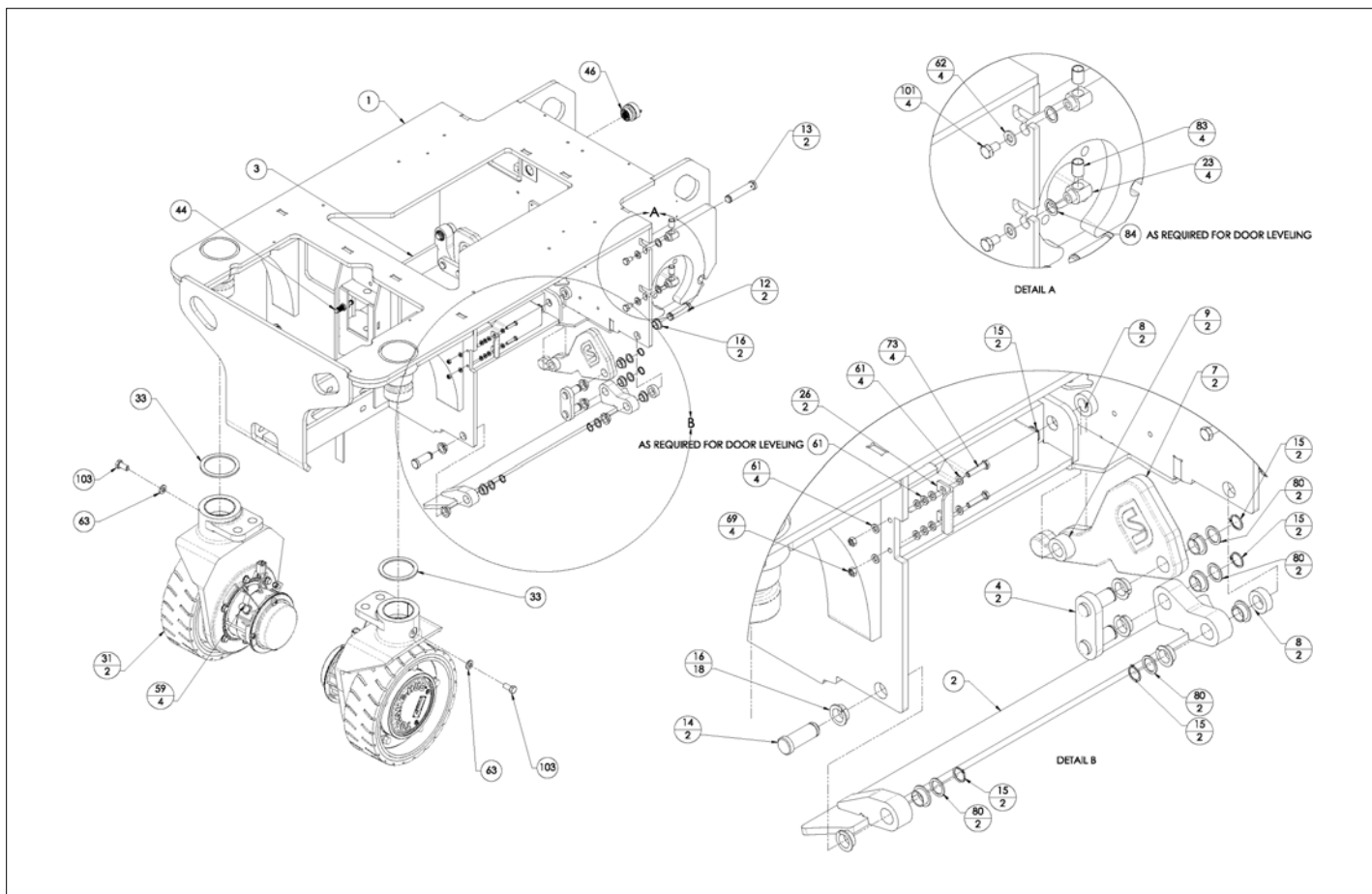




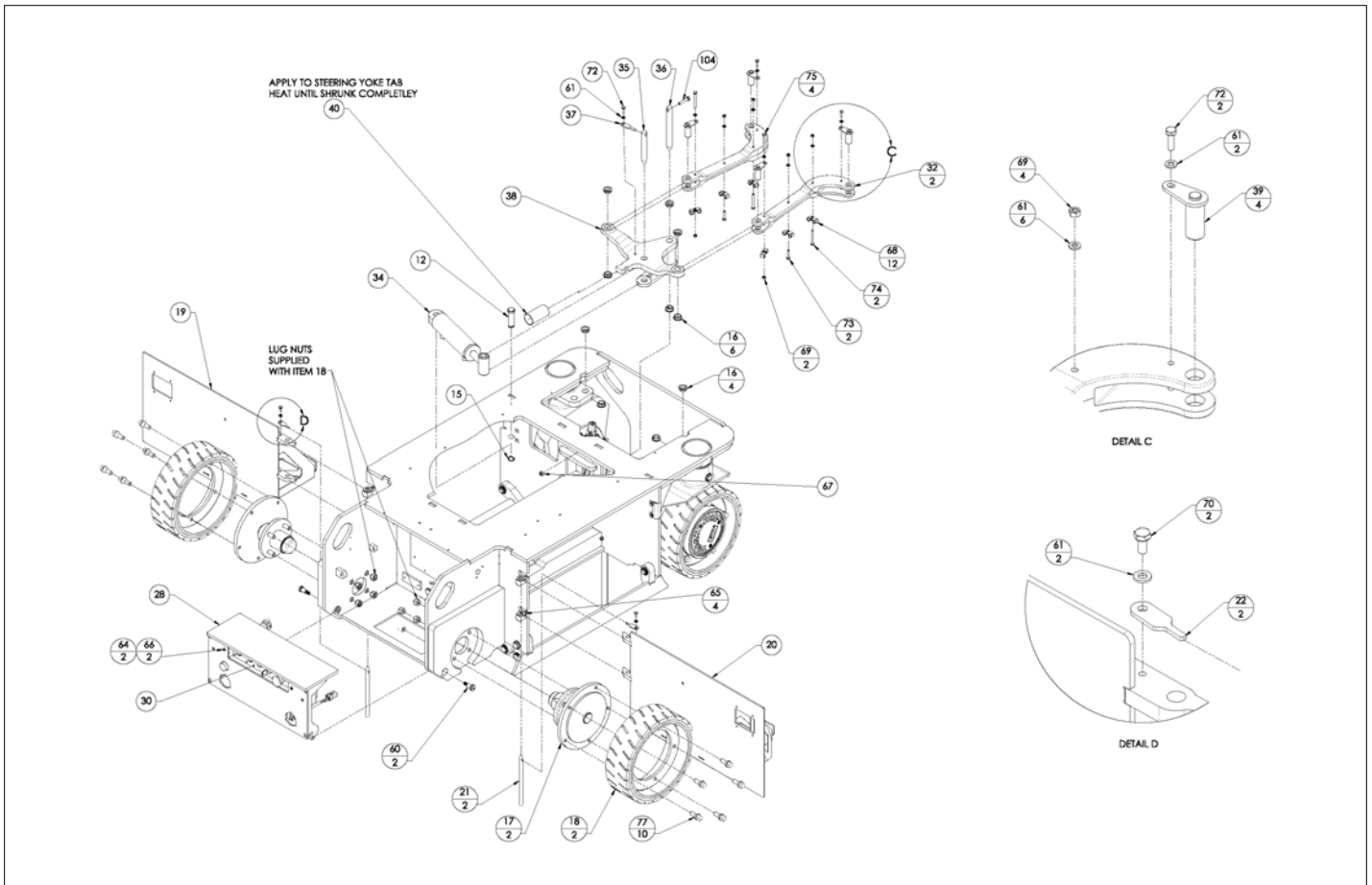




REPAIR PARTS

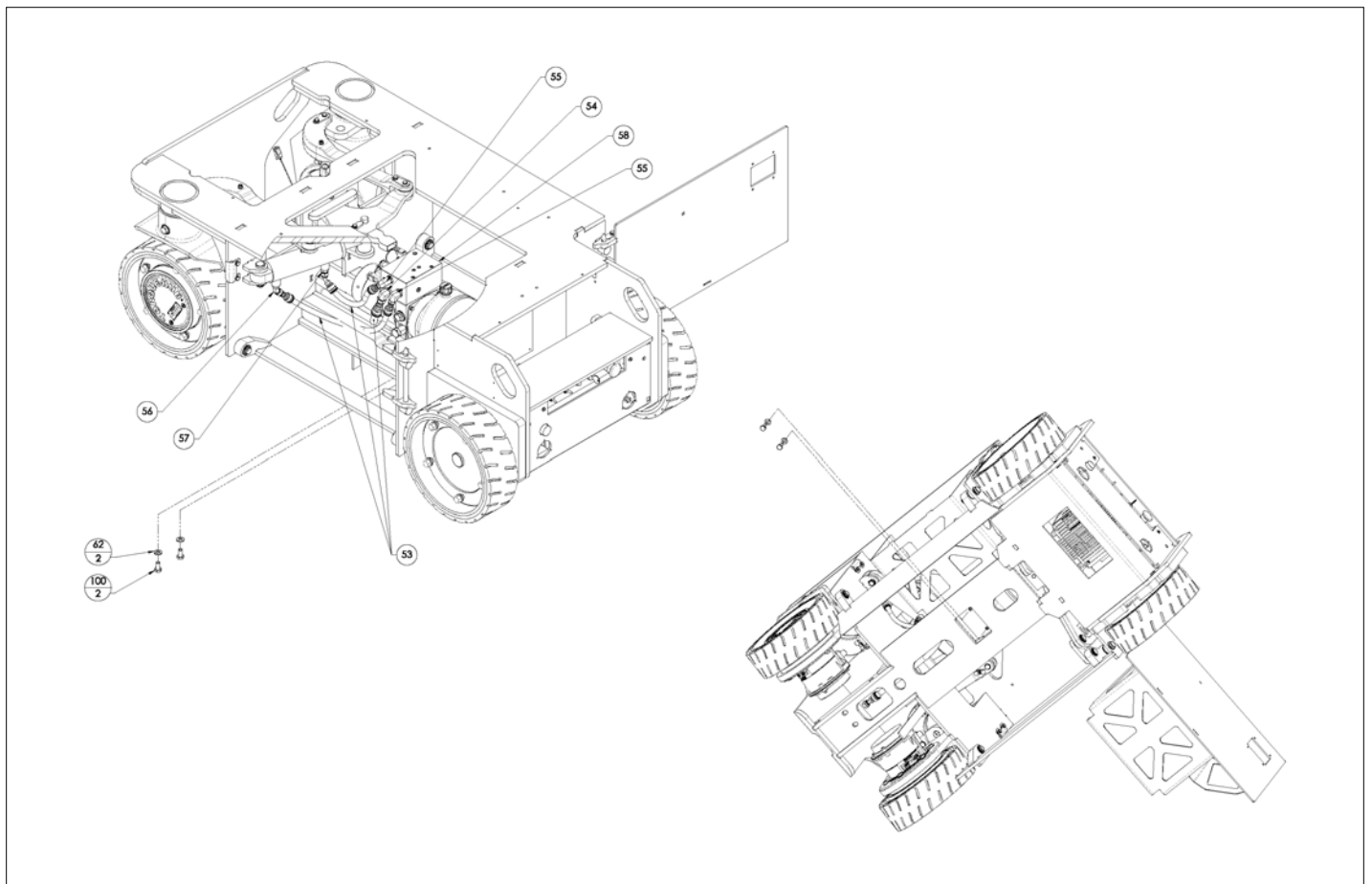


アイテム	部品番号	名前	数量	UOM
*	1610003 000 A	CHASSIS TM SEM300 TM SEM300 11 XXXXXX AND AFTER		EA
1	1610004 000	WLDMT, CHASSIS, TM, SEM300	1	EA
2	10000007	WLDMT, POTHOLE BAR LF	1	EA
3	10000008	WLDMT, POTHOLE BAR RT	1	EA
4	10000009	WLDMT, POTHOLE LINK	2	EA
5	10000010	WLDMT, POTHOLE PLUNGER MT	1	EA
6	10000011	ASSY, POTHOLE PLUNGER	1	EA
7	10000213	COUNTERWEIGHT, CAST	2	EA
8	10000013	BUSHING, POTHOLE BAR	4	EA
9	10000268	BUSHING, POTHOLE BAR	2	EA
10	10000014	SLEEVE, POTHOLE PLUNGER	1	EA
11	10001102	SPRING 1 OD X .5 ID X 6 MCM	1	EA
12	10000076	PIN, CLEVIS, .750 DIA X 2.25 U	3	EA
13	10000077	PIN, CLEVIS, .750 DIA X 3.25 U	2	EA
14	10000078	PIN, CLEVIS, .750 DIA X 1.75 U	2	EA
15	10000079	RETAINING RING, .750 DIA	11	EA
16	10000080	BEARING, FLANGED .750 SHAFT X	30	EA
17	41040 000	REAR WHEEL ASSEM	2	EA
18	10000092	ASSY, WHEEL 323MM	2	EA
19	10001196	WLDMT BATTERY DOOR LF	1	EA
20	10001197	WLDMT BATTERY DOOR RT	1	EA
21	10000039	PIN, BATTERY DOOR	2	EA
22	1500948	PLT, TRAY PIN KEEPER	2	EA
23	1501420	HINGE BLOCK, LOWER	4	EA
24	13571 000	LATCH PADDLE ALLEGIS LA1004SS	2	EA
25	3050009	BATTERY, 6v	4	EA
26	10000151	PLATE, DOOR LATCH	2	EA

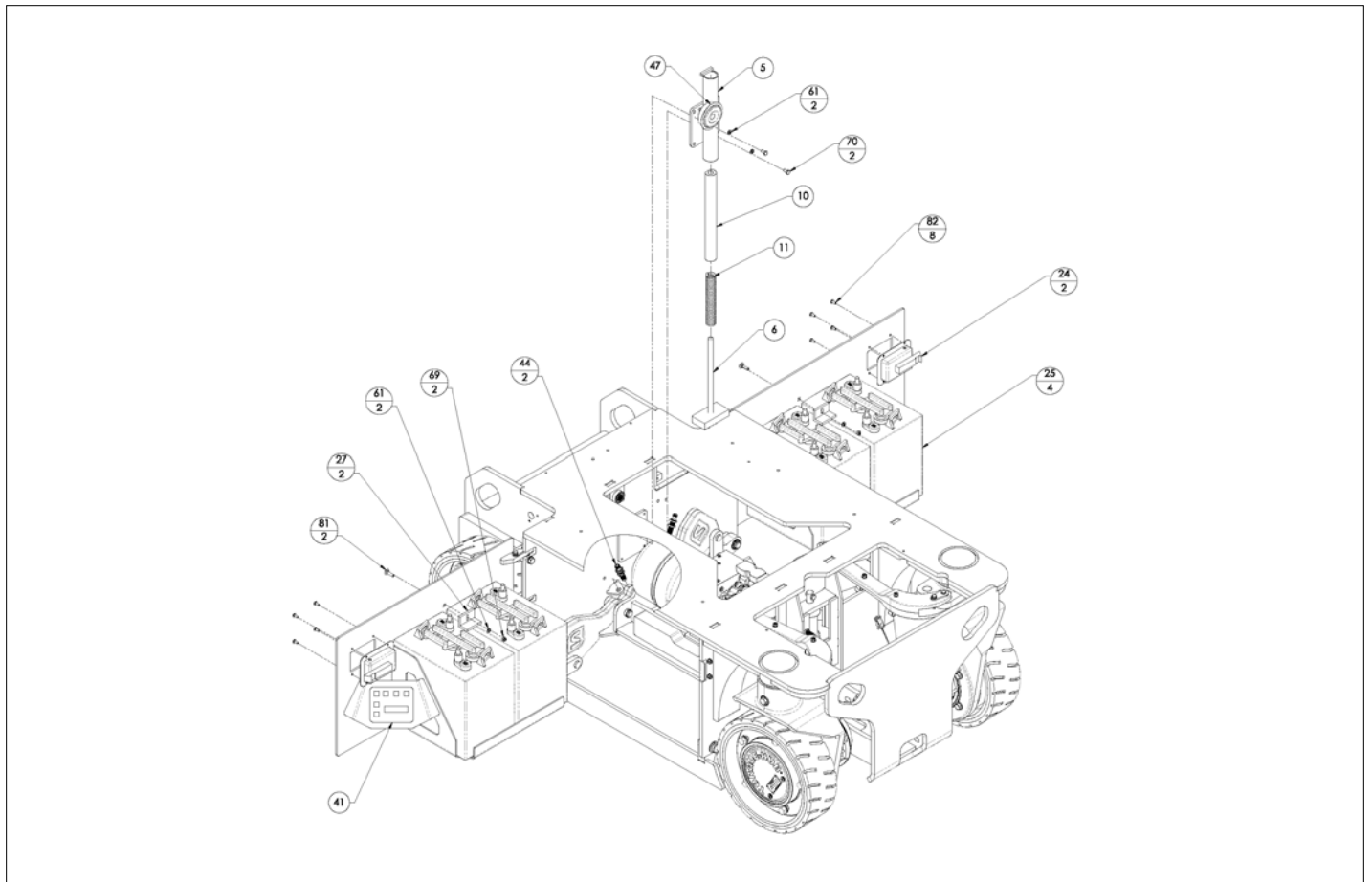




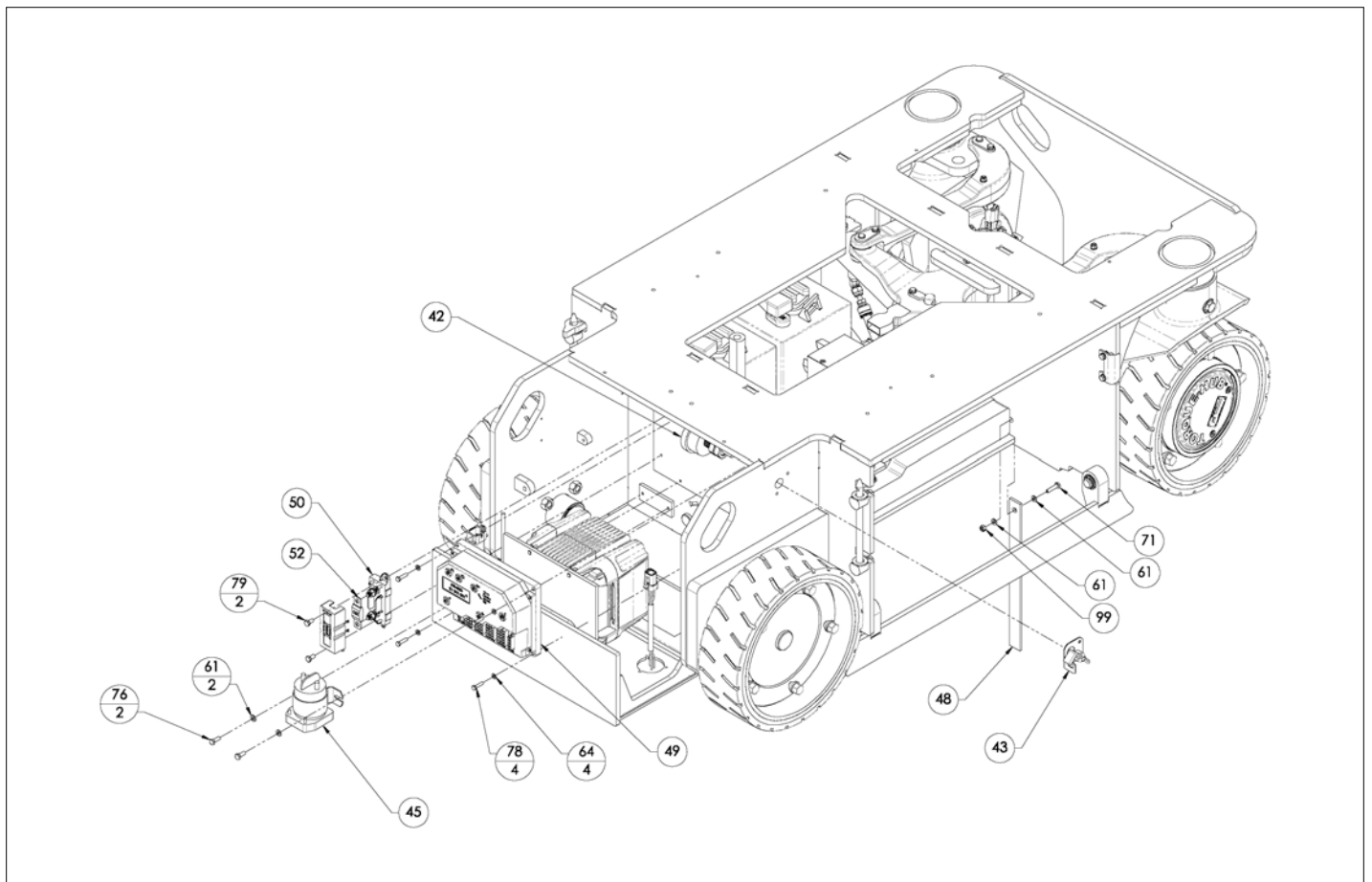
アイテム	部品番号	名前	数量	UOM
27	10000152	BRKT, BATTERY BRACE	2	EA
28	10001240	ASSY STEP PYLON	1	EA
29	10000038	PLATE, TOE KICK	1	EA
30	10001633	ASSY, LWR CTRL PNL, W/OL	1	EA
31	10001203	TM12 HUB ASSY	2	EA
32	10000333	STEERING LINK, CAST	2	EA
33	2580430	THRUST BRG, 80mmID 100mmOD 3mm THK	2	EA
34	10000073	CYLINDER, STEER	1	EA
35	10000337	PIN, STEER CYL TEE	1	EA
36	10000157	PIN, STEER CYL CENTER	1	EA
37	10000159	PLT, STEER PIN KEEPER	1	EA
38	10000330	STEERING TEE, CAST	1	EA
39	10001105	WELD, STEER PIN	4	EA
40	1610015 000	GUARD PROTECTIVE HEAT SHRINK (NOT SHOWN)	1	EA
41	3087803	EZCal Panel Trionics	1	EA
42	13161 000	SWITCH	1	EA
43	13162 000	SWITCH LOCK	1	EA
44	3028844	IFS241 (IFM PROXY)	3	EA
45	13201 000	RELAY SOLENOID NO SPST 24VDC	1	EA
46	3049978	ALARM BEEPING	1	EA
47	10001095	HORN	1	EA
48	467966	STATIC STRAP RUBBER GRD 30in	1	EA
49	1610016 000	CONTROLLER, MODULE, SEM300	1	EA
50	13006 016	FUSE BLOCK BOLT IN LITTLE	1	EA
51	010154 000	COVER BATTERY	8	EA
52	13006 010	MEGA FUSE, 250 AMP	1	EA
53	10001363	KIT, HOSE TM100	1	EA



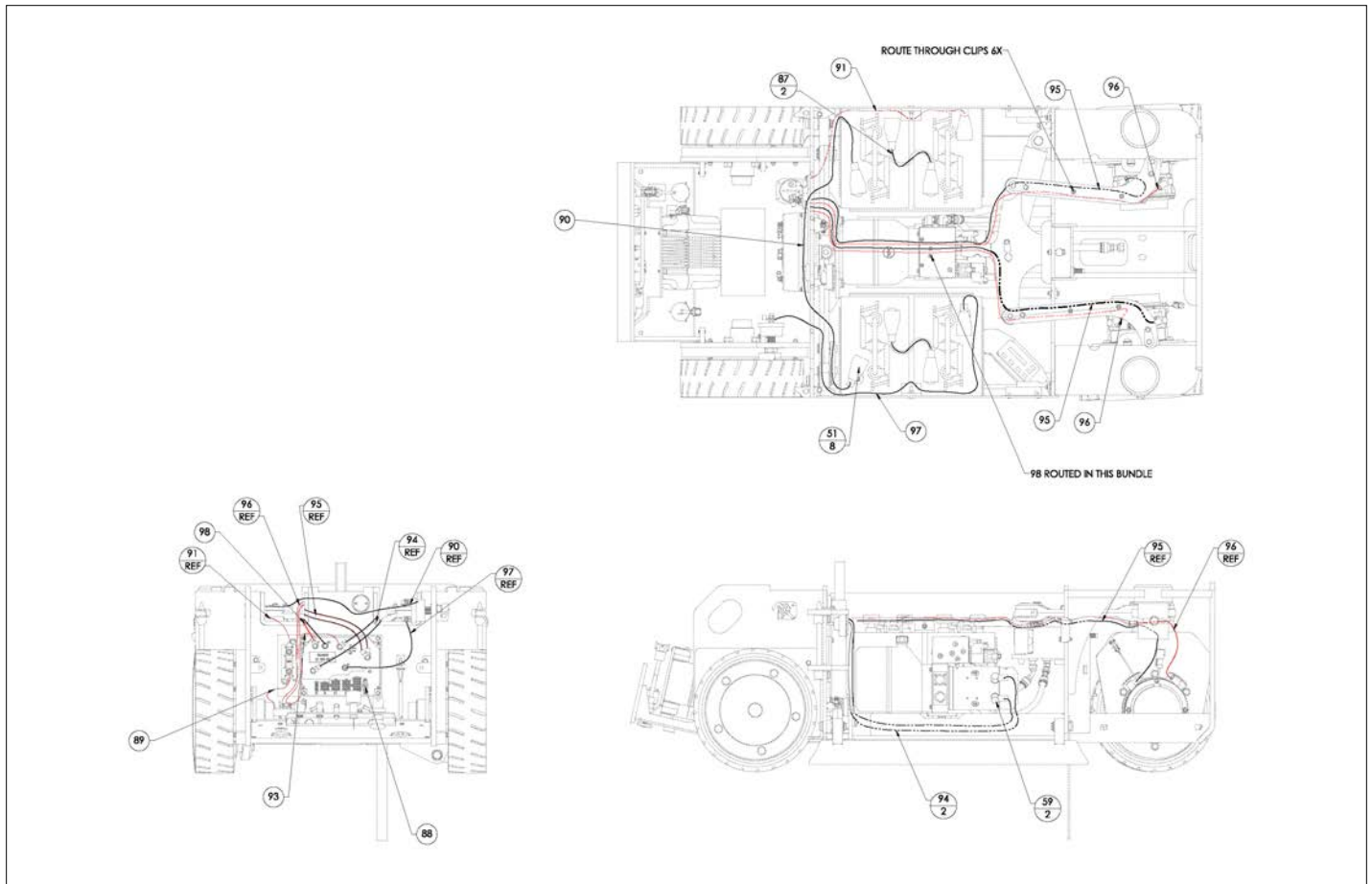
アイテム	部品番号	名前	数量	UOM
54	11702 006	FITTING ELBOW 90 06MBA 06MFS	1	EA
55	11702 002	FTNG ELBOW 90 06MBA 04MFS	2	EA
56	11705 001	FITTING ELBOW 45 4MBA 4MFS	1	EA
57	11700 001	FITTING STRAIGHT 04MB 04MFS	1	EA
58	10001572	HYD, POWER UNIT, WUXI, TM, 4L	1	EA
59	3040268	BOOT BTRY CABLE END BLK	6	EA
60	10303 006	SCREW #10 24UNC SBHC X 3/4	2	EA
61	056069 006	WSHR STEELFLATWSHE M6 DIN125A	53	EA
62	056069 010	Washer, SteelFlatWasher DIN125A M10 ZincPlated	8	EA
63	056069 012	WASHER DIN125A M12 ZP	2	EA
64	056069 005	Washer SteelFlatWasher DIN125A	6	EA
65	056069 014	WASHER STEELFLATWASHER DIN 125	4	EA
66	10501 020	BUTTON HEAD HEX M5 0.8 X 20MM	2	EA
67	5563555	NUT HEX M8X1.25 YL ZN GR10.9	1	EA
68	11363 002	CLAMP FOR DIPSTICK 3/8 LOOP	12	EA
69	10939 008	LOCK NUT M6	12	EA
70	10402 012	BOLT M6 1.0 X 12MM	4	EA
71	10402 025	BOLT M6 1.0 X 25MM	1	EA
72	10402 020	SCREW M6 X 1.0 X 20MMLG	11	EA
73	10402 030	BOLT M6 1.0 X 30MM	6	EA
74	10402 055	SCREW, M6 1.00 HHC X 55MM LG	2	EA
75	10402 060	SCREW, M6 1.00 HHC X 60MM LG	2	EA



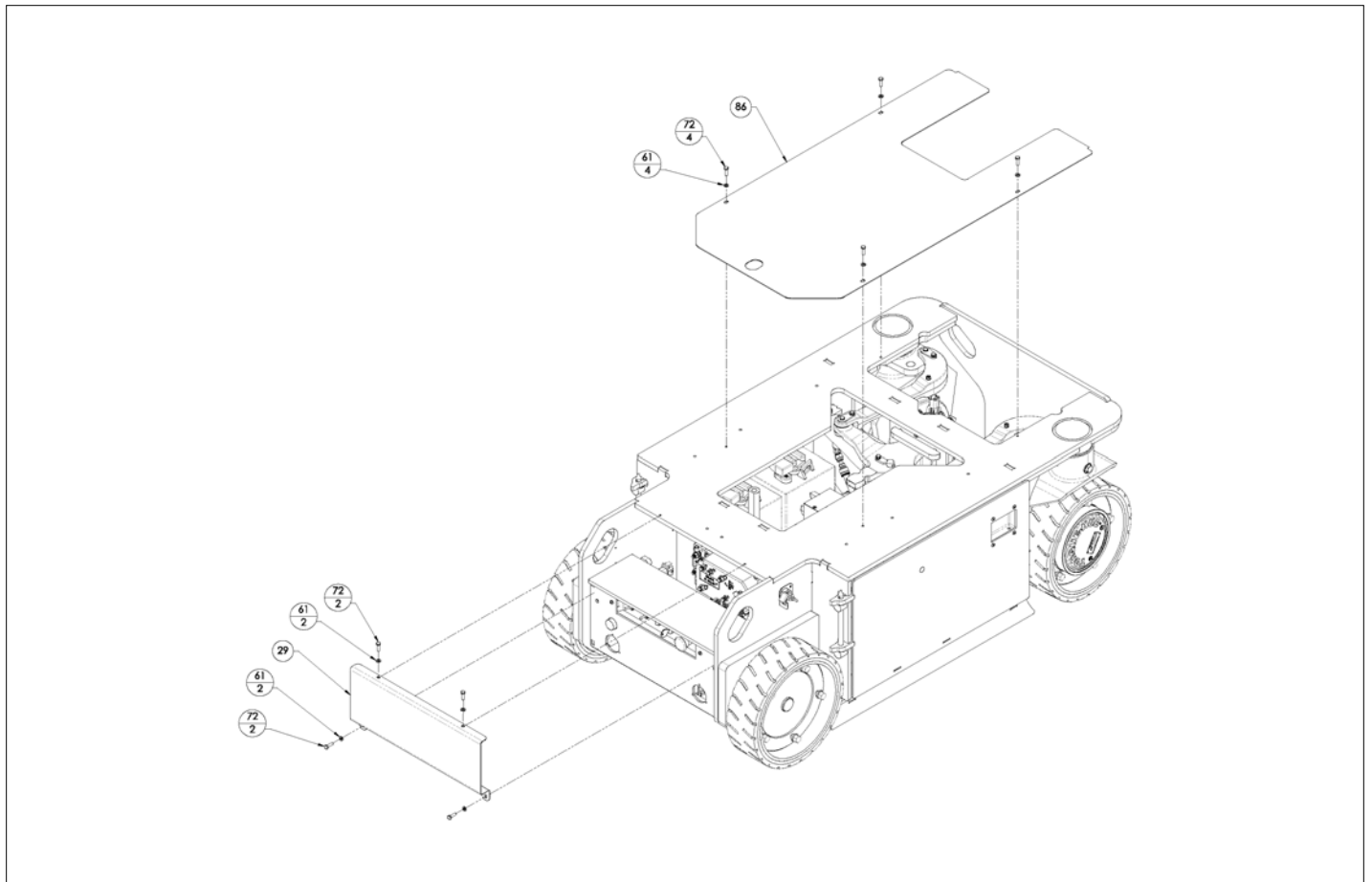
アイテム	部品番号	名前	数量	UOM
76	10402 016	SCREW M6 1.00 HHC X 16MM LG	8	EA
77	10000486	BOLT, WHEEL LUG M12 1.5 X 21MM	10	EA
78	10401 020	BOLT M5 0.80 X 20MM	4	EA
79	058491 012	BLT HEXHD M6 1.0 X 12MM DIN933 GR8.8 ZP	2	EA
80	10001478	SHIM, 0.060 X 3/4ID X 1.00OD	8	EA
81	10807 025	BOLT M6 1.0 X 25MM	2	EA
82	11111 001	RIVET, 3/16" DIA X 0.126" 0.25"	8	EA
83	2500812	BEARING	4	EA
84	10001059	SHIM .032 THICK 5/8 ID .875 MC	4	EA
85	10000155	BUMPER, RUBBER	2	EA
86	10000048	PLATE, CHASSIS TOP COVER	1	EA
87	10001089	WIRE, LEFT BANK JUMPER	2	EA
88	1610017 000	HARNESS, TM, SEM300	1	EA
89	1610019 007	CABLE, CONTACTOR TO FUSE	1	EA
90	1610018 062	JUMPER, LEFT TO RIGHT BANK	1	EA
91	1610019 032	CABLE, BAT+ TO FUSE	1	EA
92	1610020 010	CABLE, DISCON TO SEM300	1	EA
93	1610021 016	CABLE, CONTACTOR TO SEM300	1	EA
94	1610022 039	CABLE, HPU	2	EA
95	1610023 060	CABLE, MOTOR GND	2	EA
96	1610024 060	CABLE, CONTACTOR TO MOTOR	2	EA
97	1610018 039	CABLE, BAT TO DISCON	1	EA
98	1610025 000	HARNESS, MOTOR CONTROL	1	EA
99	5563554	NUT HEX M6X1 YL ZN PLT GR10.9	1	EA
100	10405 020	SCREW M10 1.5 HHC X 20mm	2	EA
101	10405 016	SCREW M10 1.5 HHC X 16mm LG	4	EA

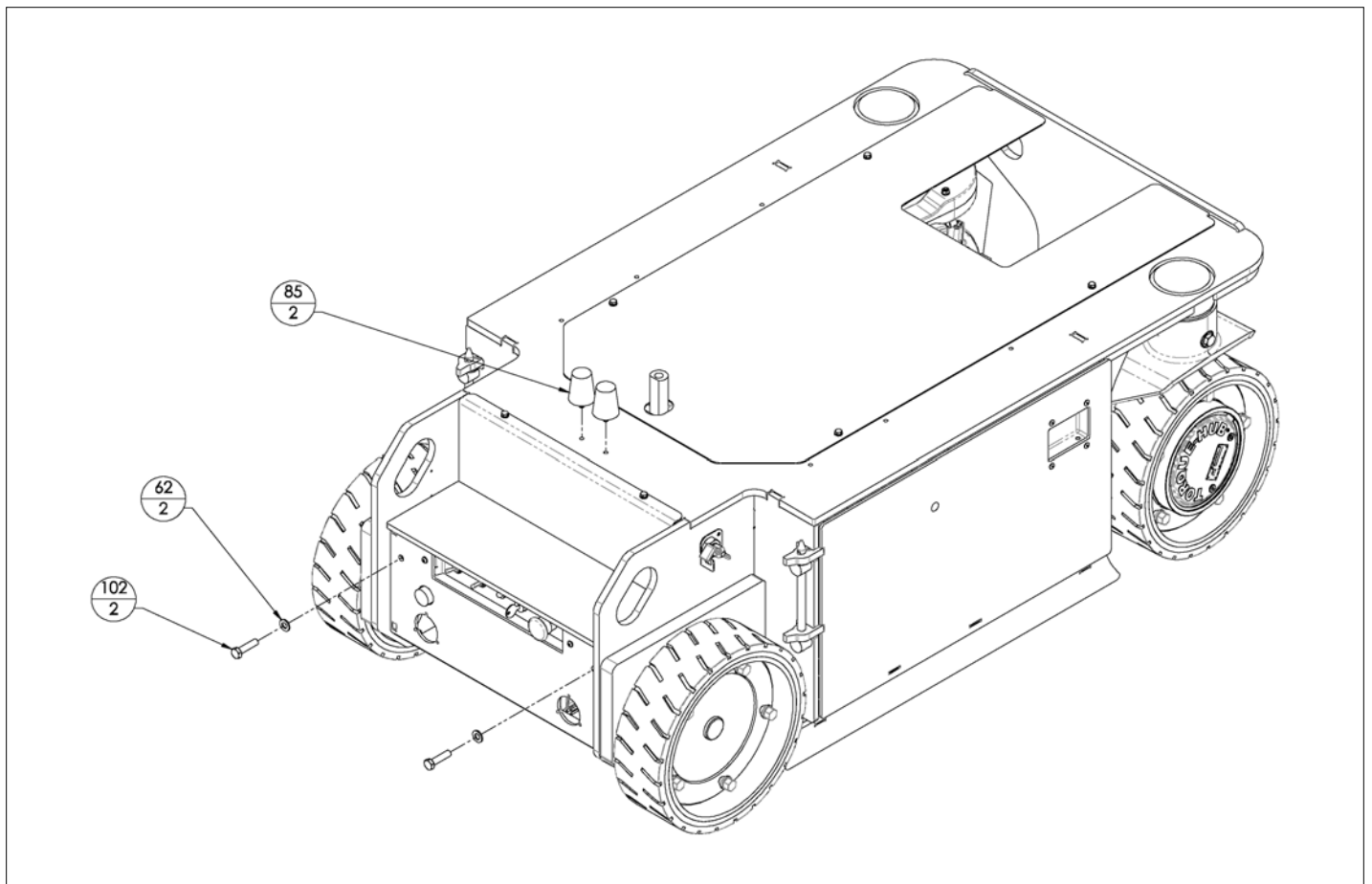


アイテム	部品番号	名前	数量	UOM
102	10405 040	SCREW M10 1.5 HHC X 40MM*****	2	EA
103	10415 025	BOLT M12 1.25 X 25MM	2	EA
104	10404 040	SCREW, M8 1/25 HHC X 40MM LG	1	EA

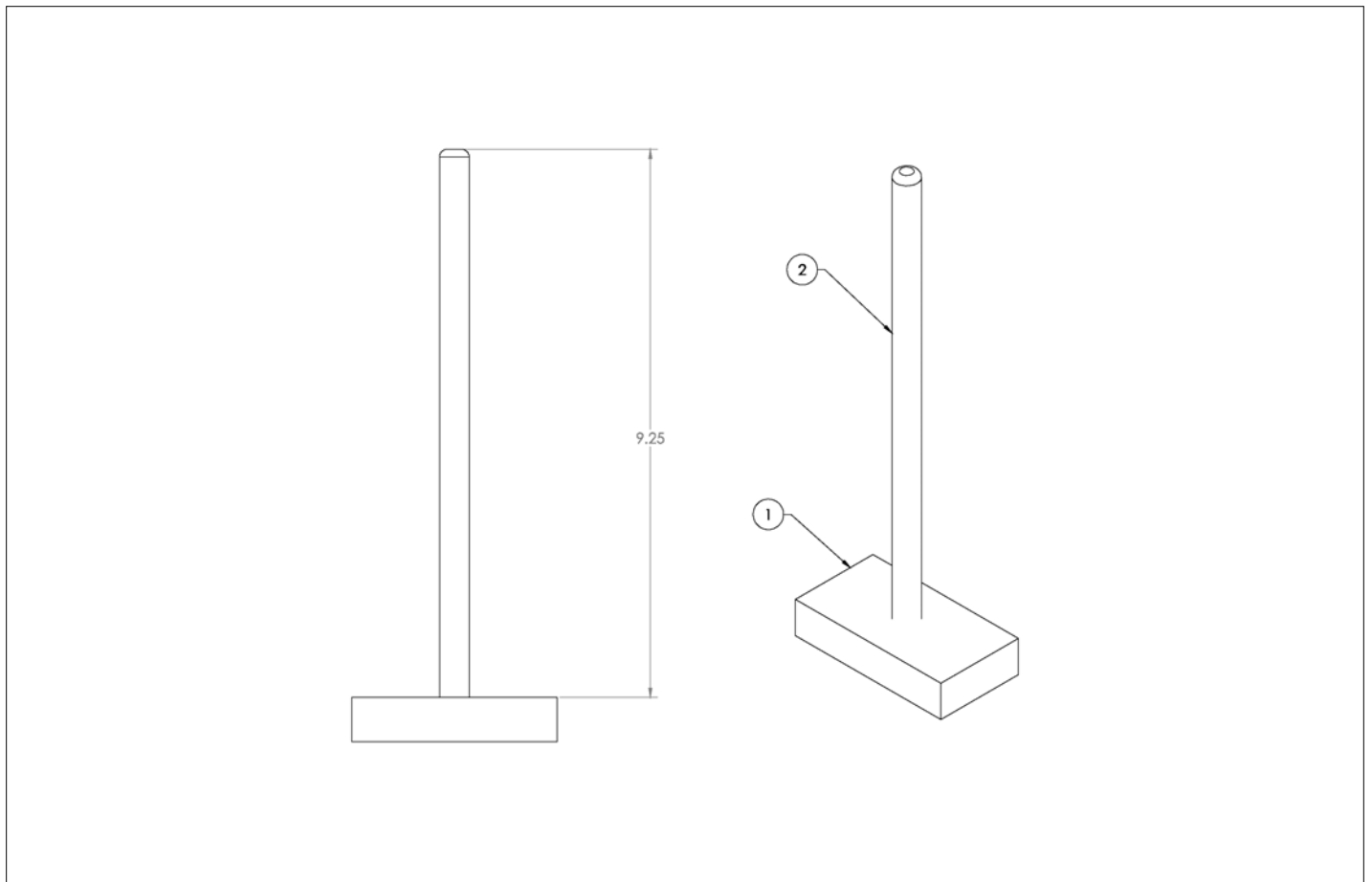






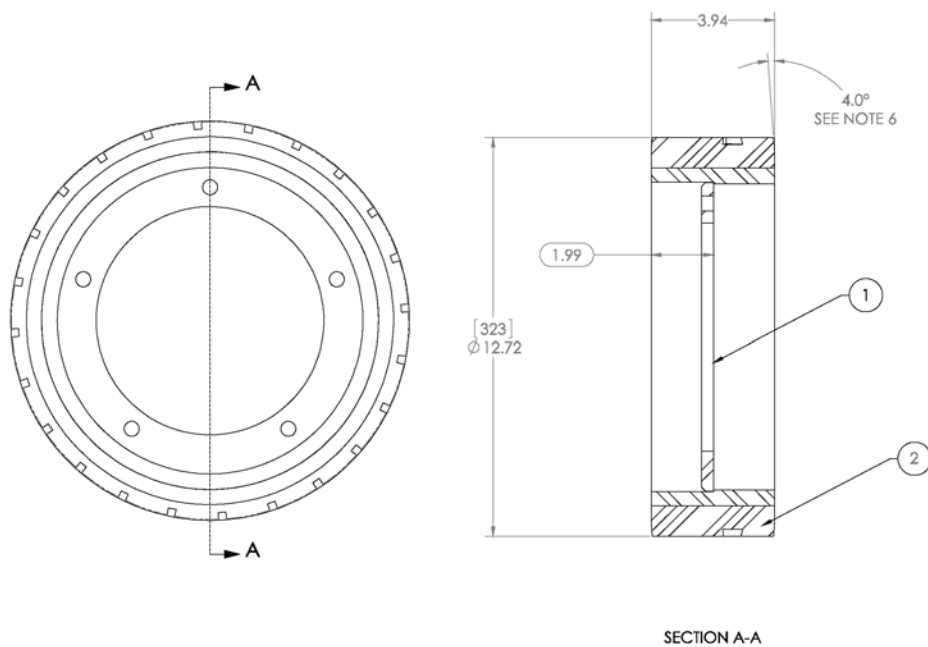


REPAIR PARTS



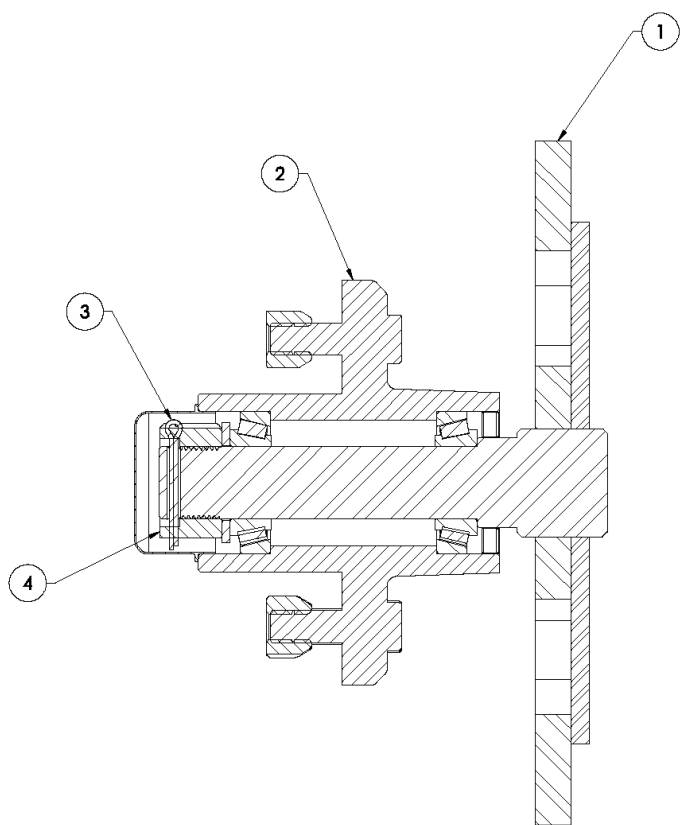
アイテム	部品番号	名前	数量	UOM
*	10000011 A	POTHOLE PLUNGER ASSEMBLY		EA
1	10000023	BLOCK, POTHOLE PLUNGER	1	EA
2	10000024	ROD, POTHOLE PLUNGER	1	EA

REPAIR PARTS



アイテム	部品番号	名前	数量	UOM
*	10000092 A	WHEEL ASSEMBLY 12.72		EA
1	10000093	RIM WELD 12.7	1	EA
2	10000096	RUBBER 12"	1	EA

REPAIR PARTS

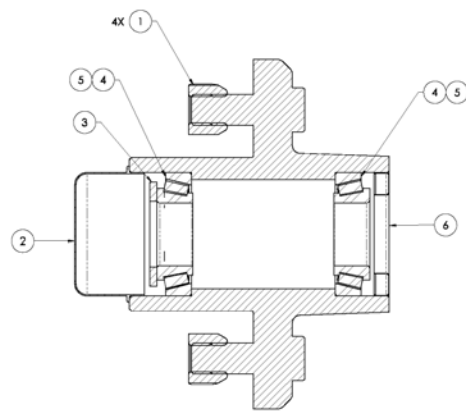


41040-000

アイテム	部品番号	名前	数量	UOM
	41040 000	REAR WHEEL ASSEM		EA
1	41140 001	AXLE SHAFT WELD, 8.5 BC	1	EA
2	1500210	ASSEMBLY, TRAILER HUB	1	EA
3	988199	PIN COT .125DIA 1.500 1/8 X 1	1	EA
4	10000085	CASTLE NUT, 1 14 THREAD, 1 1/2 WIDE	1	EA

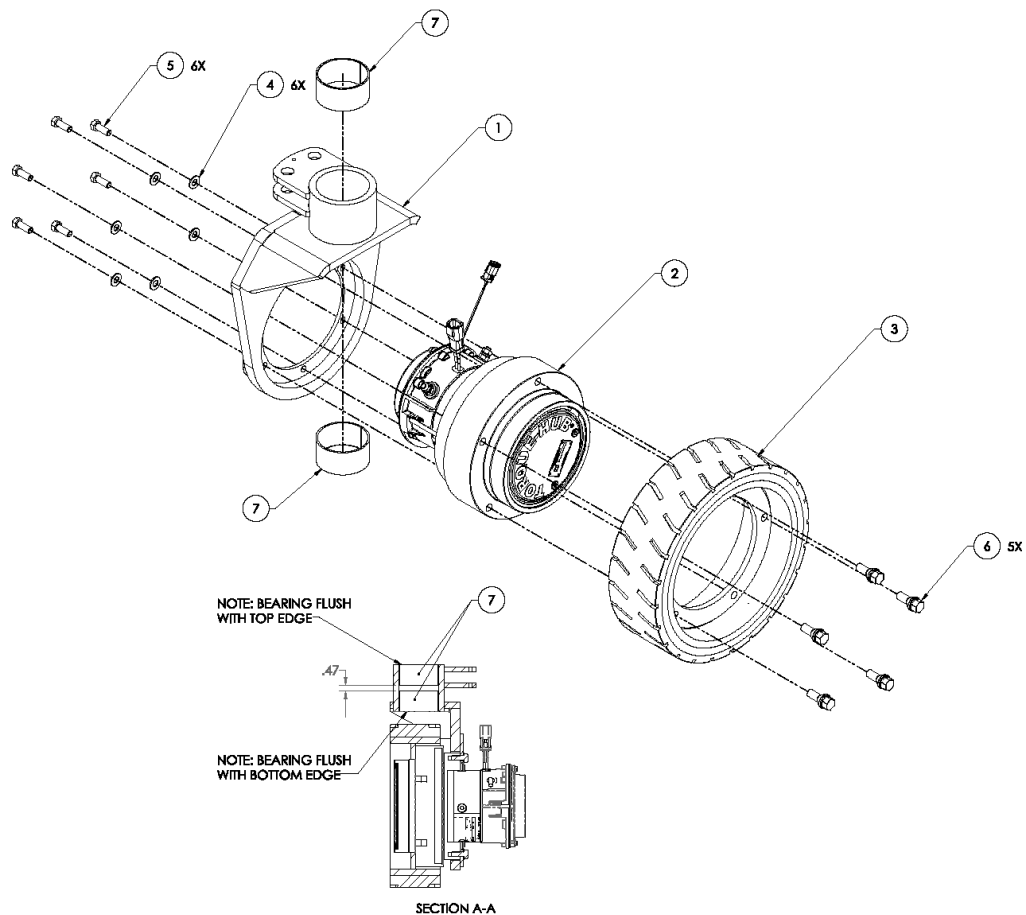


REPAIR PARTS



アイテム	部品番号	名前	数量	UOM
	1500210 B	TRAILER HUB, ASSEMBLY		EA
1	10001255	TRAILER HUB LUG NUT	4	EA
2	10001256	TRAILER HUB DUST CAP	1	EA
3	10001260	TRAILER HUB WASHER	1	EA
4	10001258	TRAILER HUB BEARING	2	EA
5	10001259	TRAILER HUB RACE	2	EA
6	10001257	TRAILER HUB SEAL	1	EA
	TCB 18.019	HUB FIELD KIT	1	EA

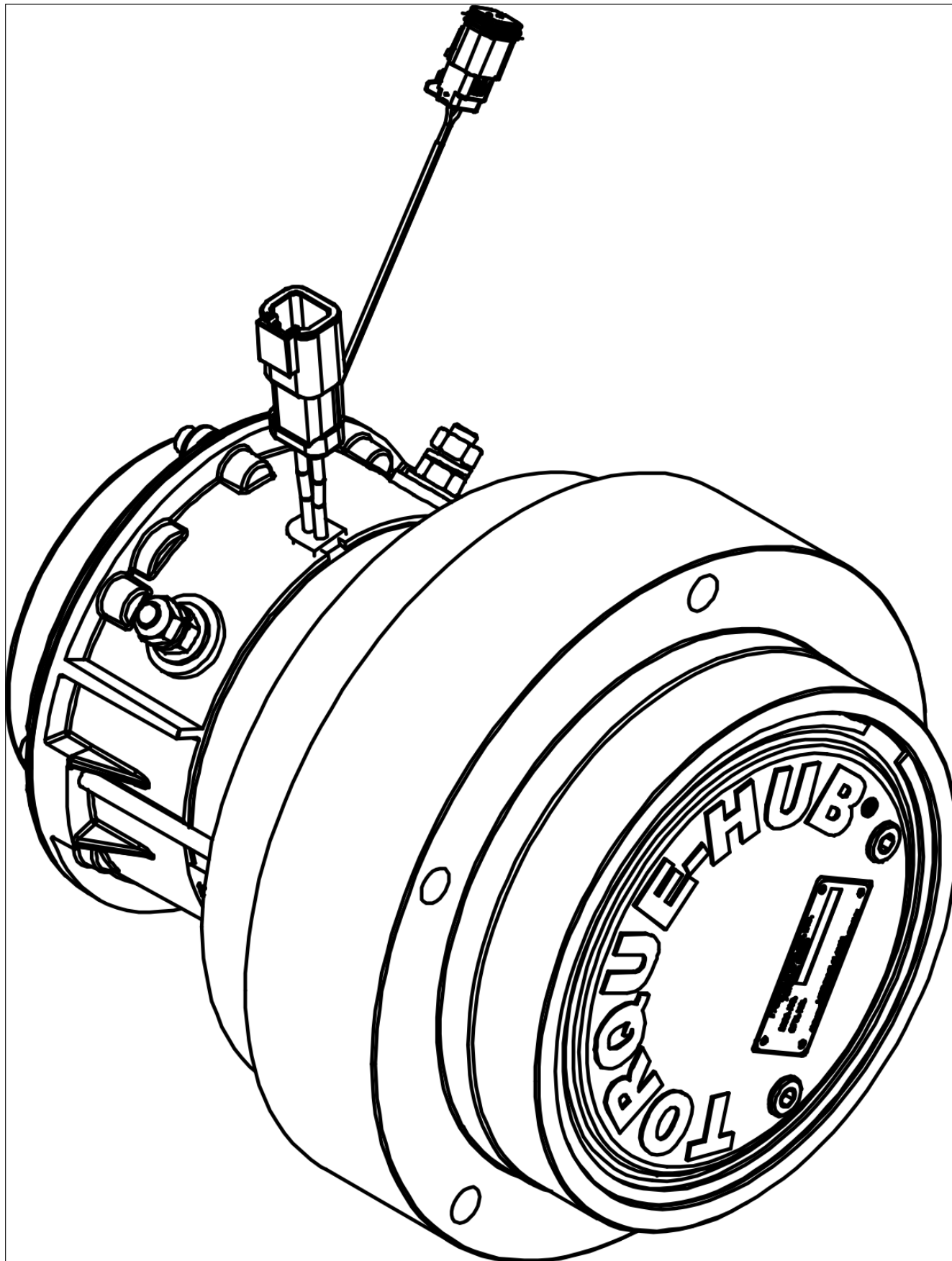
REPAIR PARTS



10000040A

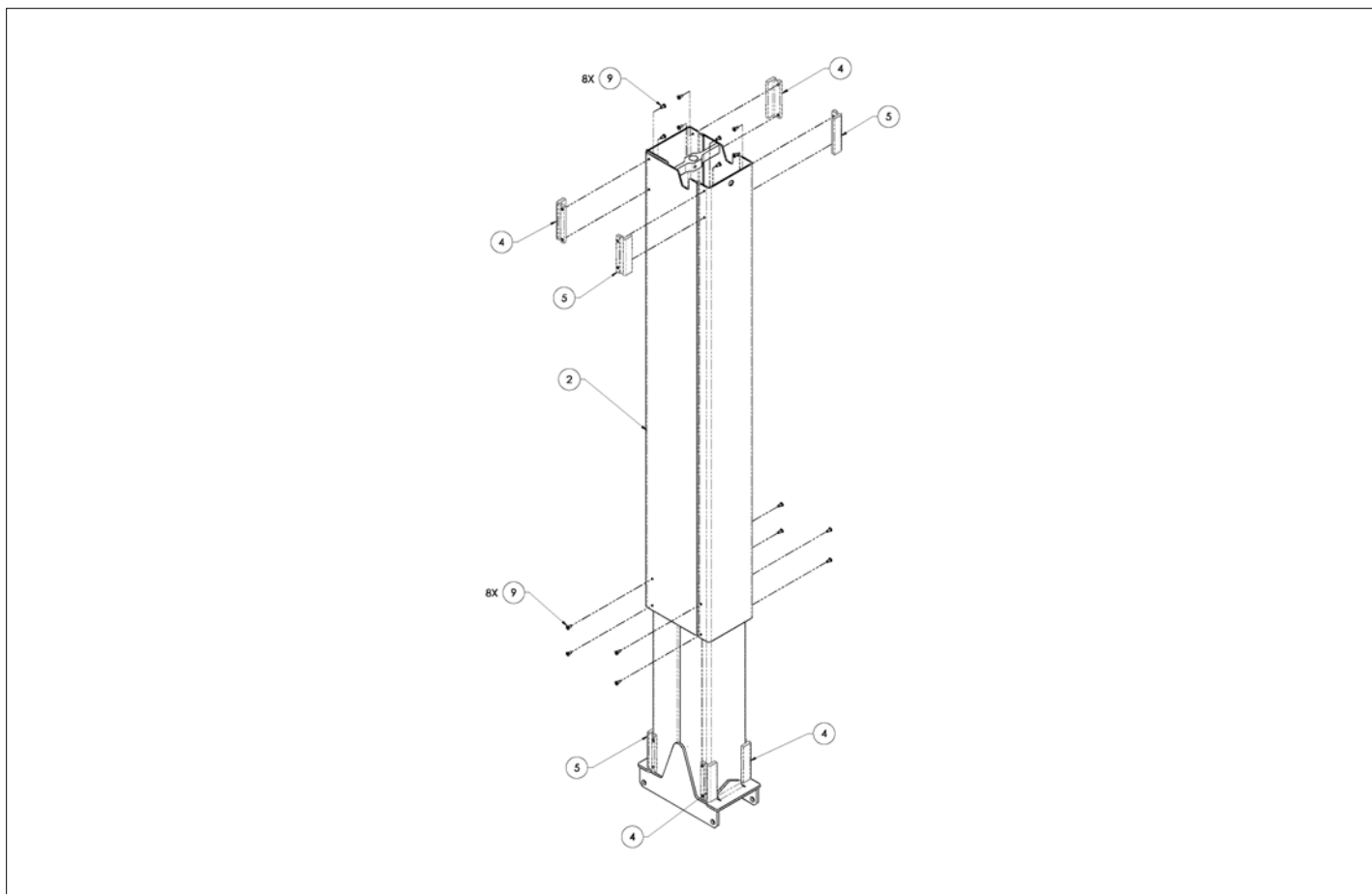
アイテム	部品番号	名前	数量	UOM
	10000040A	HUB ASSEMBLY		EA
1	10000041	WLDMT, HUB MNT	1	EA
2	10000162	24v DRIVE (HUB, MTR, BRAKE) MF	1	EA
3	10000092	ASSY, WHEEL 323MM	1	EA
4	11001 006	WASHER 3/8 SAE	6	EA
5	10002 008	SCREW 3/8 16UNC HHC X 1	6	EA
6	10000486	BOLT, WHEEL LUG M12 1.5 X 21MM	5	EA
7	2509820	BRG 75mmID 80mmOD 40mmL	2	EA

REPAIR PARTS



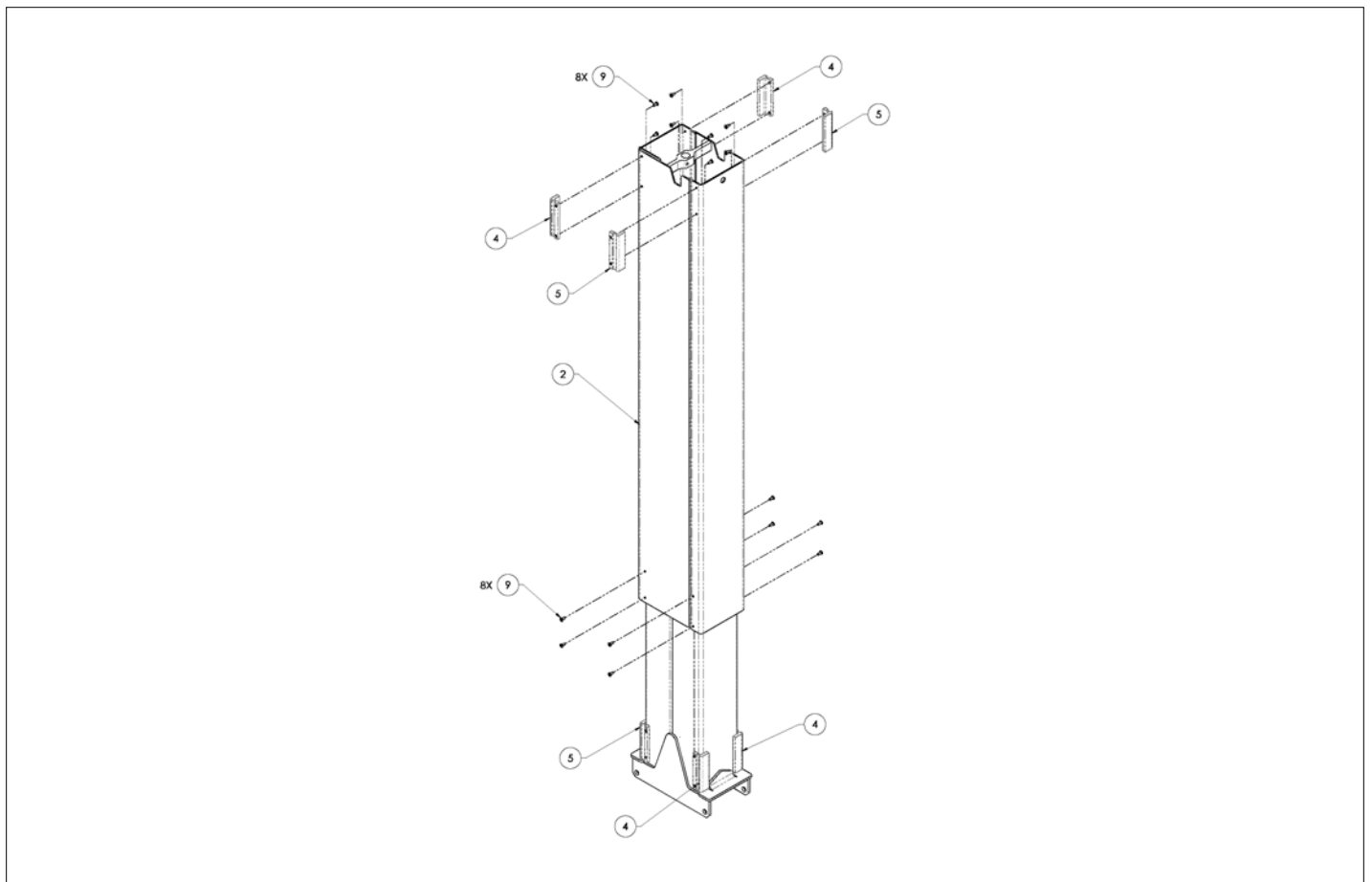
アイテム	部品番号	名前	数量	UOM
Not Shown	10000162 A	DRIVE HUB 24V (HUB, MOTOR, BRAKE)		EA
Not Shown	6091950	SEAL KIT FOR 10000162 TORQUE HUB	1	EA
16	KIT ITEM	SOLD AS KIT	1	EA
17	KIT ITEM	SOLD AS KIT	1	EA
19	KIT ITEM	SOLD AS KIT	1	EA
20	KIT ITEM	SOLD AS KIT	1	EA
27	KIT ITEM	SOLD AS KIT	1	EA
Not Shown	6091951	COVER KIT FOR 10000162 TORQUE HUB	1	EA
11	KIT ITEM	SOLD AS KIT	1	EA
19	KIT ITEM	SOLD AS KIT	1	EA
20	KIT ITEM	SOLD AS KIT	1	EA
21	KIT ITEM	SOLD AS KIT	1	EA
29	KIT ITEM	SOLD AS KIT	1	EA

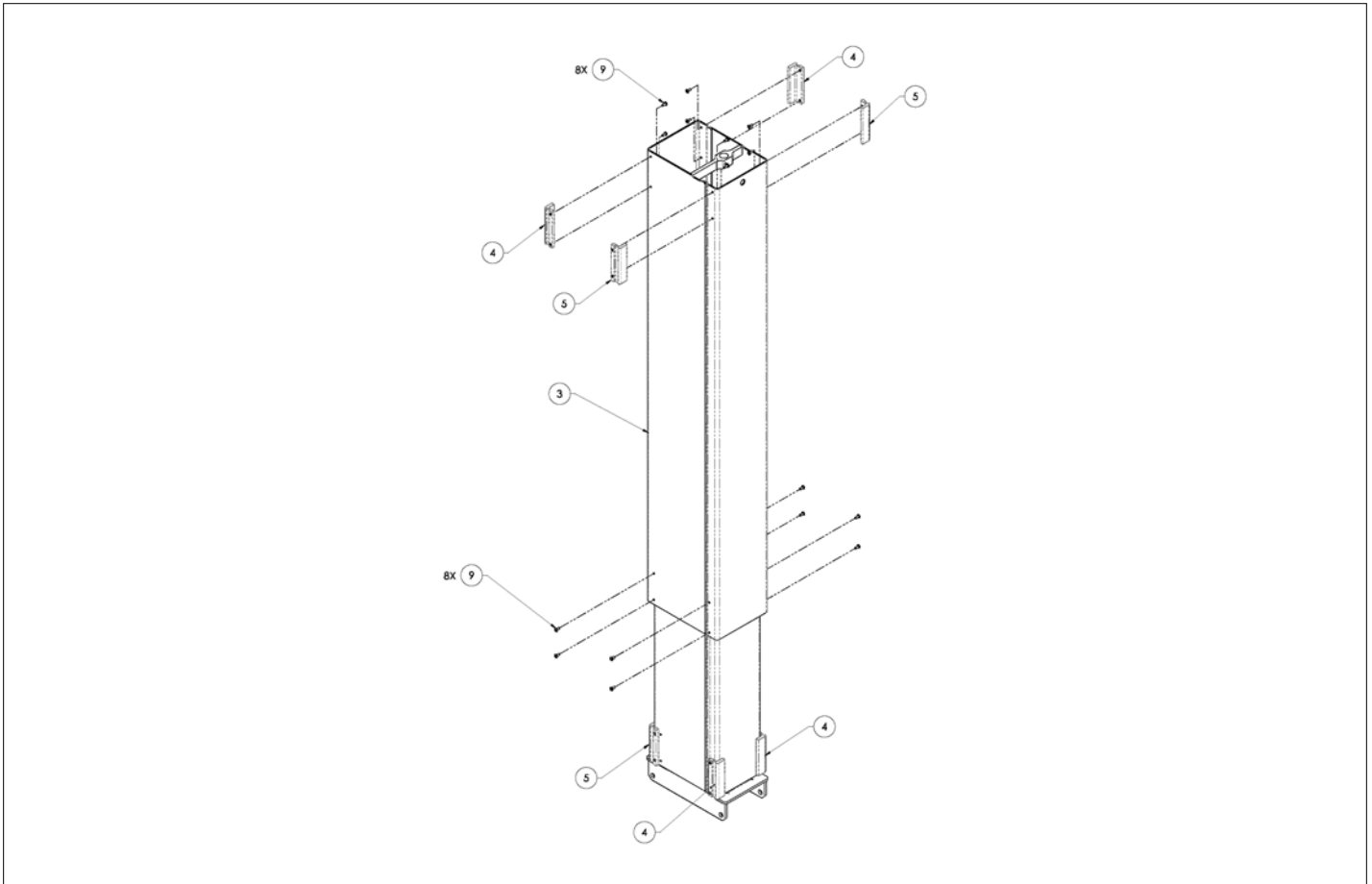
REPAIR PARTS

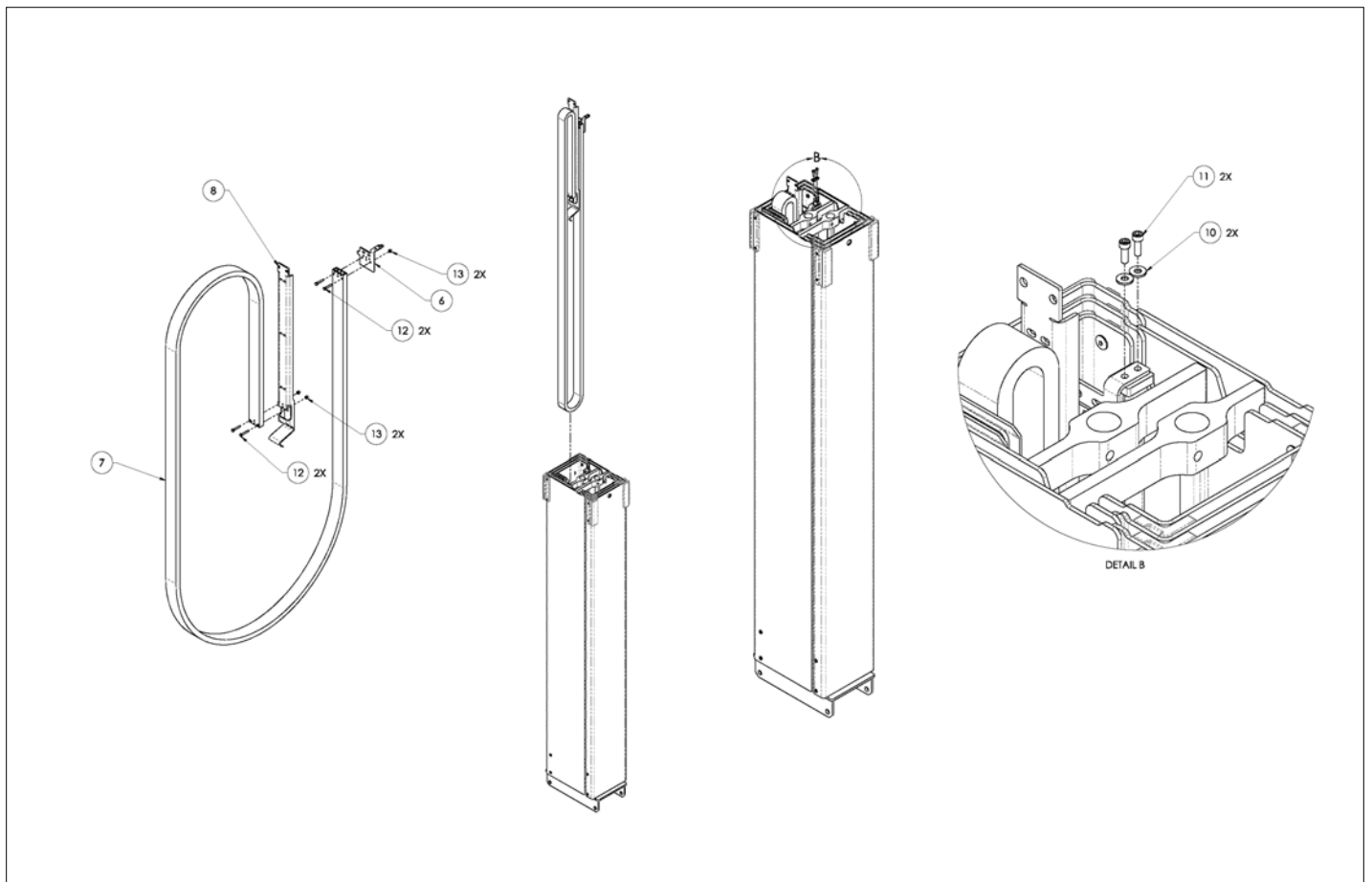


アイテム	部品番号	名前	数量	UOM
	10000002E	TM12E MAST ASSEMBLY		EA
1	10000099	WLDMT, MAST BOTTOM SECTION	1	EA
2	10000100	WLDMT, MAST MIDDLE SECT	1	EA
3	10000101	WLDMT, MAST TOP SECT	1	EA
4	10001462	WEARPAD, MAST WIDE	10	EA
5	10001468	WEARPAD, MAST, SHORT, NARROW	10	EA
6	10001179	BOTTOM MAST CABLE ATCHMT	1	EA
7	10001416	MAST HARNESS ASSEMBLY, TM12E, OL	1	EA
8	10000116	PLATE, CABLE BRACKET	1	EA
9	10000231	RIVET, 1/4 DIA .063 .250 THK	40	EA
10	11001 002	WASHER #8 SAE FLAT ASTM*	2	EA
11	10052 004	SCREW #8 32UNC SHC X 1/2	2	EA
12	512714 025	HHCS M4 X 0.7 x 25 G8.8 ISO 4014 DIN 931	4	EA
13	056066 004	NUT NYLOCK DIN985 M4 8.0 ZP	4	EA

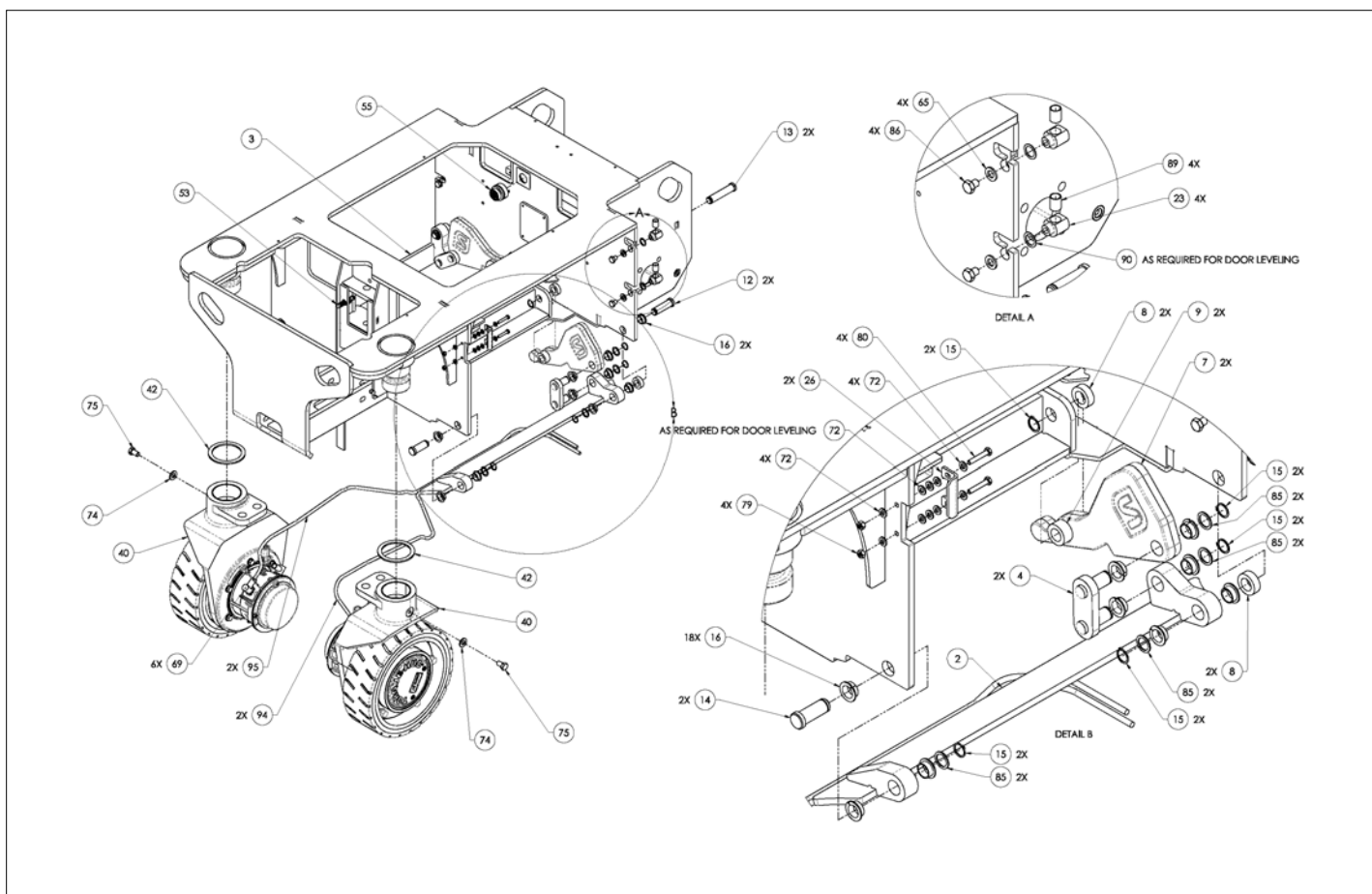




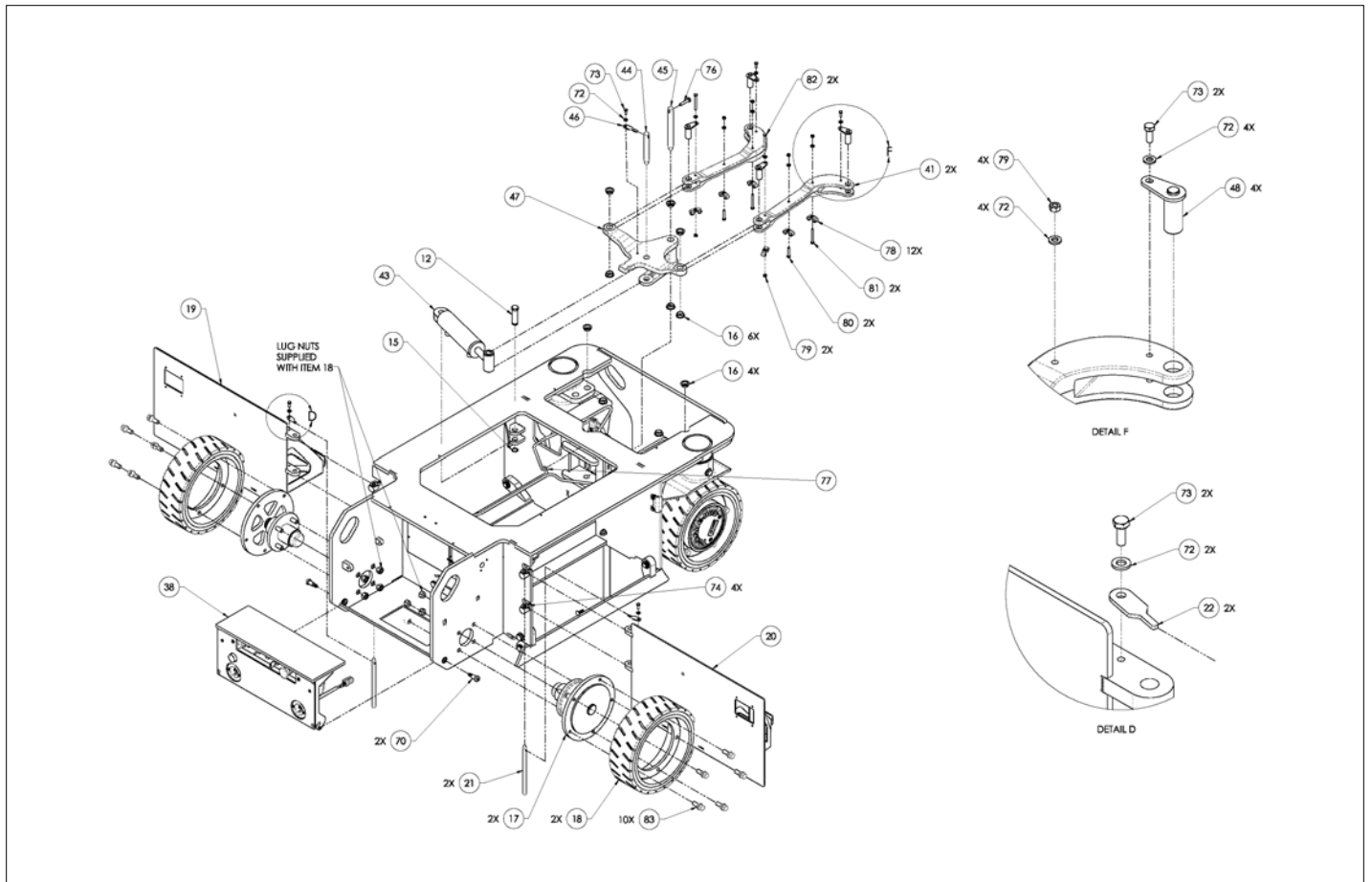




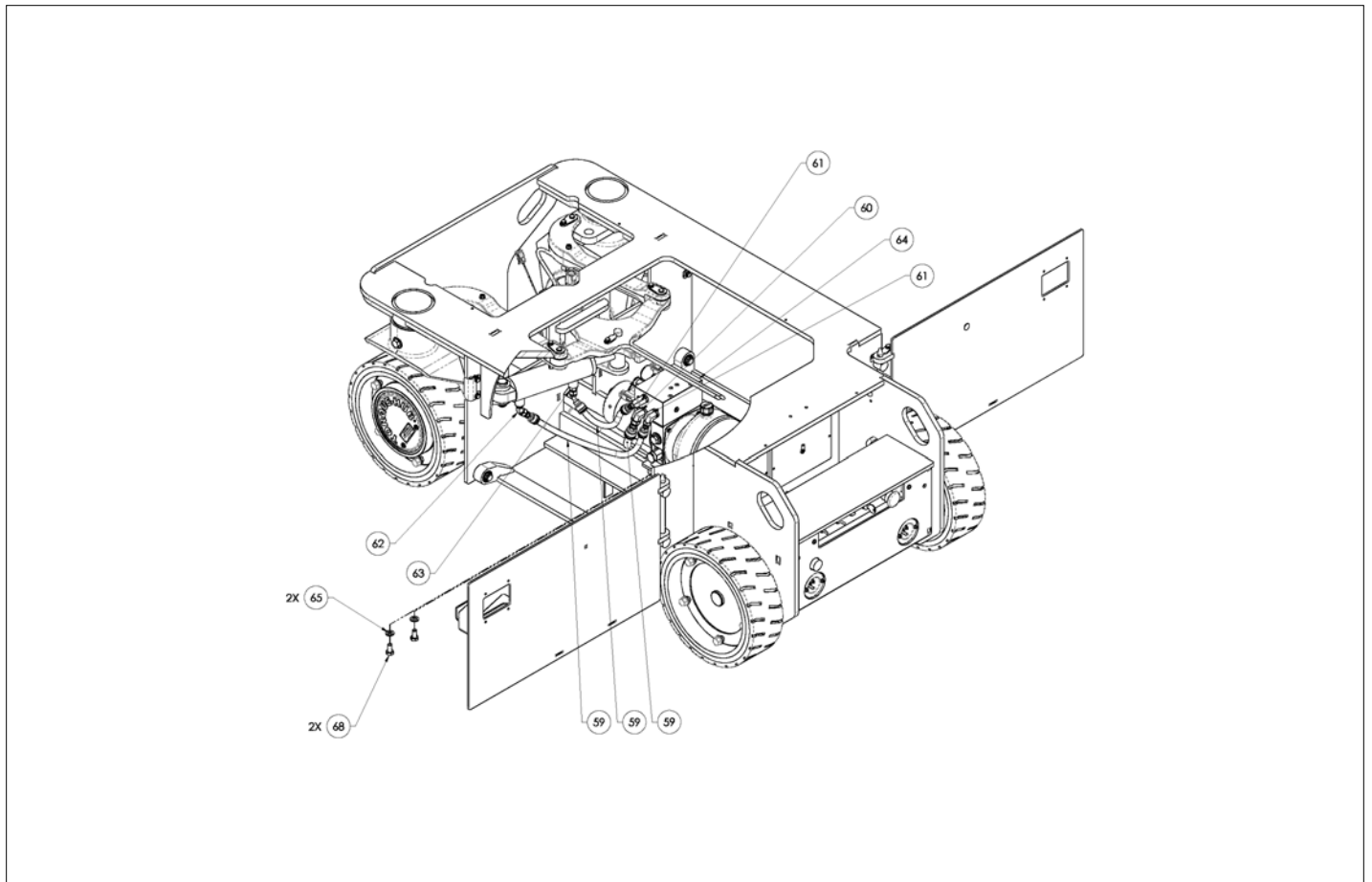
REPAIR PARTS



アイテム	部品番号	名前	数量	UOM
	10001419E	TM12E CHASSIS ASSEMBLY, LOADCELL		EA
1	10001189	WLDMT CHASSIS TM12E	1	EA
2	10000007	WLDMT, POTHOLE BAR LF	1	EA
3	10000008	WLDMT, POTHOLE BAR RT	1	EA
4	10000009	WLDMT, POTHOLE LINK	2	EA
5	10000010	WLDMT, POTHOLE PLUNGER MT	1	EA
6	10000011	ASSY, POTHOLE PLUNGER	1	EA
7	10000213	COUNTERWEIGHT, CAST	2	EA
8	10000013	BUSHING, POTHOLE BAR	4	EA
9	10000268	BUSHING, POTHOLE BAR	2	EA
10	10000014	SLEEVE, POTHOLE PLUNGER	1	EA
11	10001102	SPRING 1 OD X .5 ID X 6 MCM	1	EA
12	10000076	PIN, CLEVIS, .750 DIA X 2.25 U	3	EA
13	10000077	PIN, CLEVIS, .750 DIA X 3.25 U	2	EA
14	10000078	PIN, CLEVIS, .750 DIA X 1.75 U	2	EA
15	10000079	RETAINING RING, .750 DIA	11	EA
16	10000080	BEARING, FLANGED .750 SHAFT X	30	EA
17	41040 000	REAR WHEEL ASSEM	2	EA
18	10000092	ASSY, WHEEL 323MM	2	EA
19	10001196	WLDMT BATTERY DOOR LF	1	EA
20	10001197	WLDMT BATTERY DOOR RT	1	EA
21	10000039	PIN, BATTERY DOOR	2	EA
22	1500948	PLT, TRAY PIN KEEPER	2	EA
23	1501420	HINGE BLOCK, LOWER	4	EA
24	13571 000	LATCH PADDLE ALLEGIS LA1004SS	2	EA
25	3050009	BATTERY, 6v	4	EA
26	10000151	PLATE, DOOR LATCH	2	EA

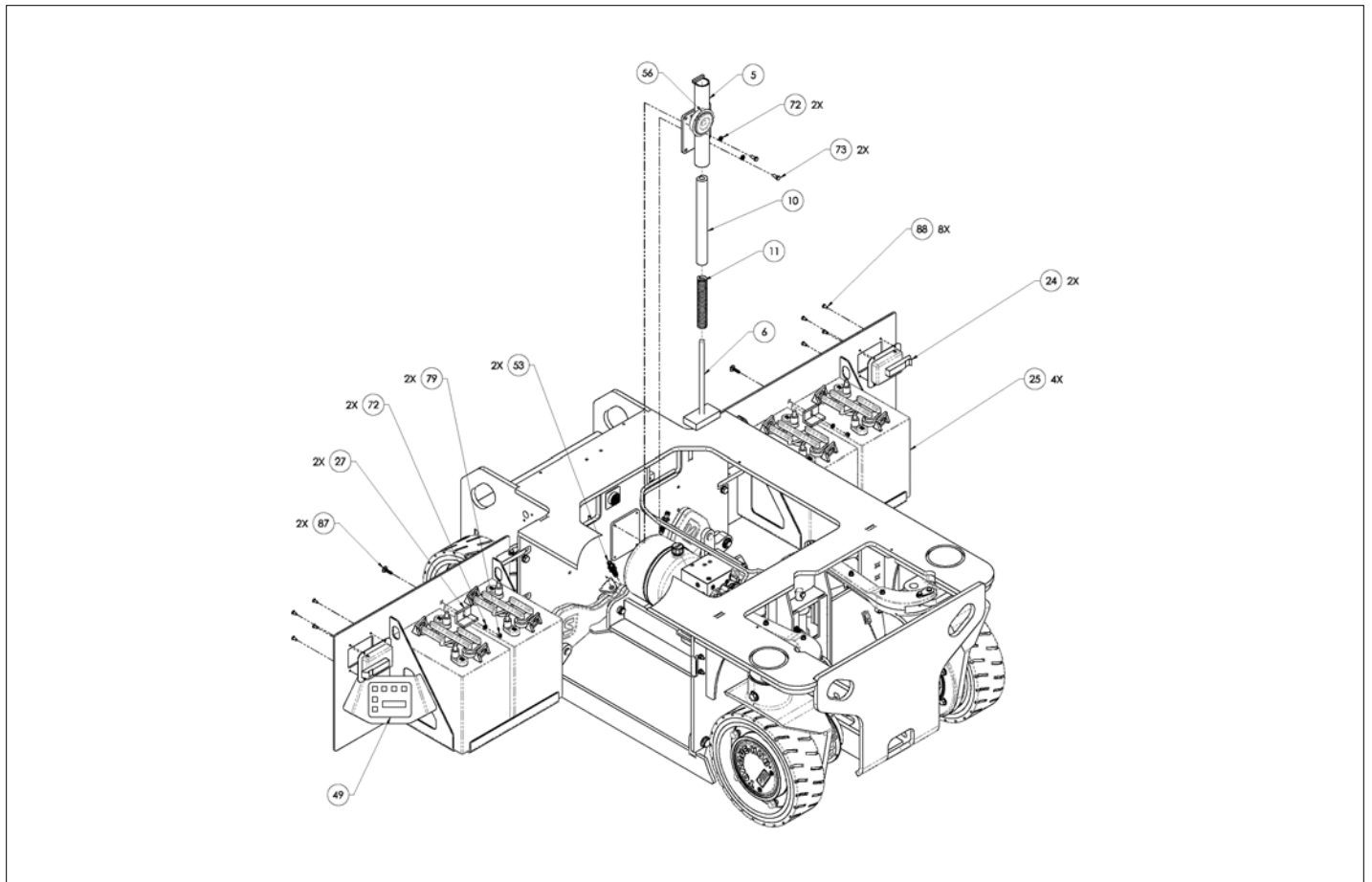


アイテム	部品番号	名前	数量	UOM
27	10000152	BRKT, BATTERY BRACE	2	EA
28	10001089	WIRE, LEFT BANK JUMPER	1	EA
29	10001088	WIRE, MAIN GROUND	1	EA
30	10001090	WIRE, PG GND	1	EA
31	10001091	WIRE, PG GND JUMPER	1	EA
32	10001084	WIRE, MAIN POSITIVE	1	EA
33	10001086	WIRE, PG PWR JUMPER	1	EA
34	10001085	WIRE, PG MASTER PWR	1	EA
35	10001087	WIRE, JUMPER	1	EA
36	3014756	WIRE 2 R313 R313 7 BLACK FUDED	1	EA
	446076	FUSE, 250 AMP, REPLACEMENT	1	EA
37	010154 000	COVER BATTERY	7	EA
38	10001240	ASSY STEP PYLON	1	EA
39	10000038	PLATE, TOE KICK	1	EA
40	10001203	TM12 HUB ASSY	2	EA
41	10000333	STEERING LINK, CAST	2	EA
42	2580430	THRUST BRG, 80mmID 100mmOD 3mm THK	2	EA
43	10000073	CYLINDER, STEER	1	EA
44	10000337	PIN, STEER CYL TEE	1	EA
45	10000157	PIN, STEER CYL CENTER	1	EA
46	10000159	PLT, STEER PIN KEEPER	1	EA
47	10000330	STEERING TEE, CAST	1	EA
48	10001105	WELD, STEER PIN	4	EA
49	3087803	EZCal Panel Trionics	1	EA
50	10001629	COMPUTER, TS100	2	EA
51	13161 000	SWITCH	1	EA
52	13162 000	SWITCH LOCK	1	EA
53	3028844	IFS241 (IFM PROXY)	3	EA

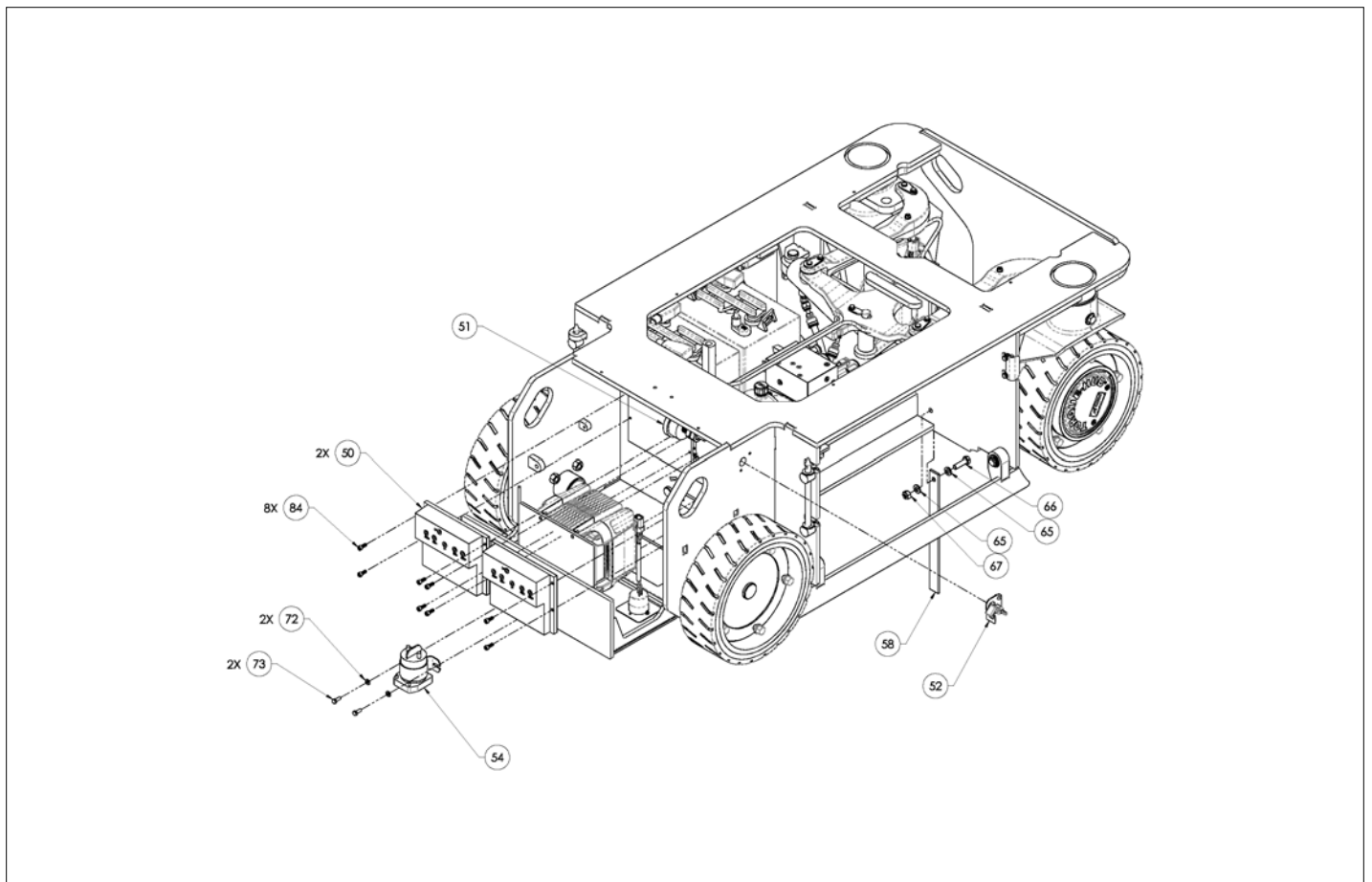


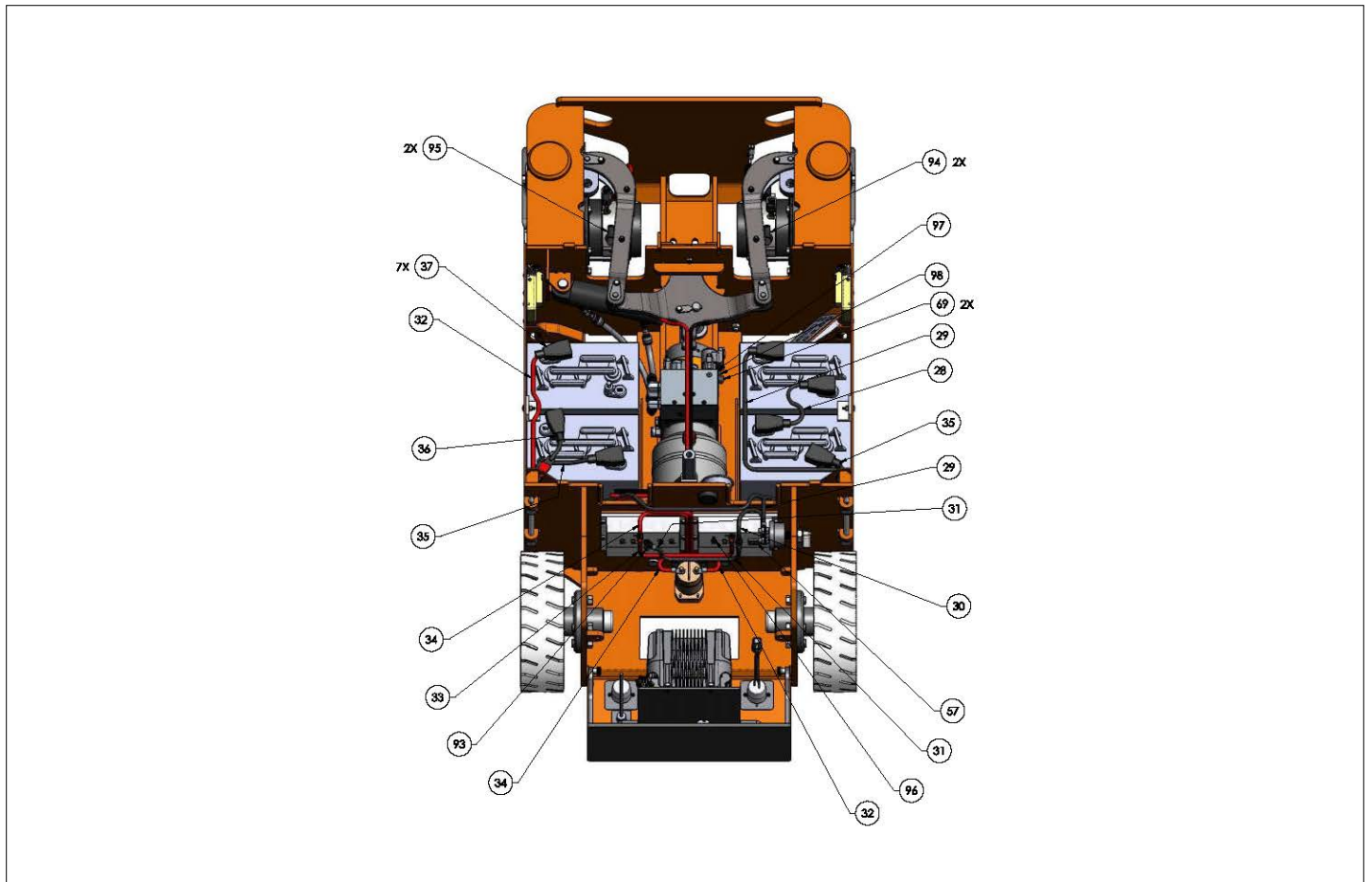


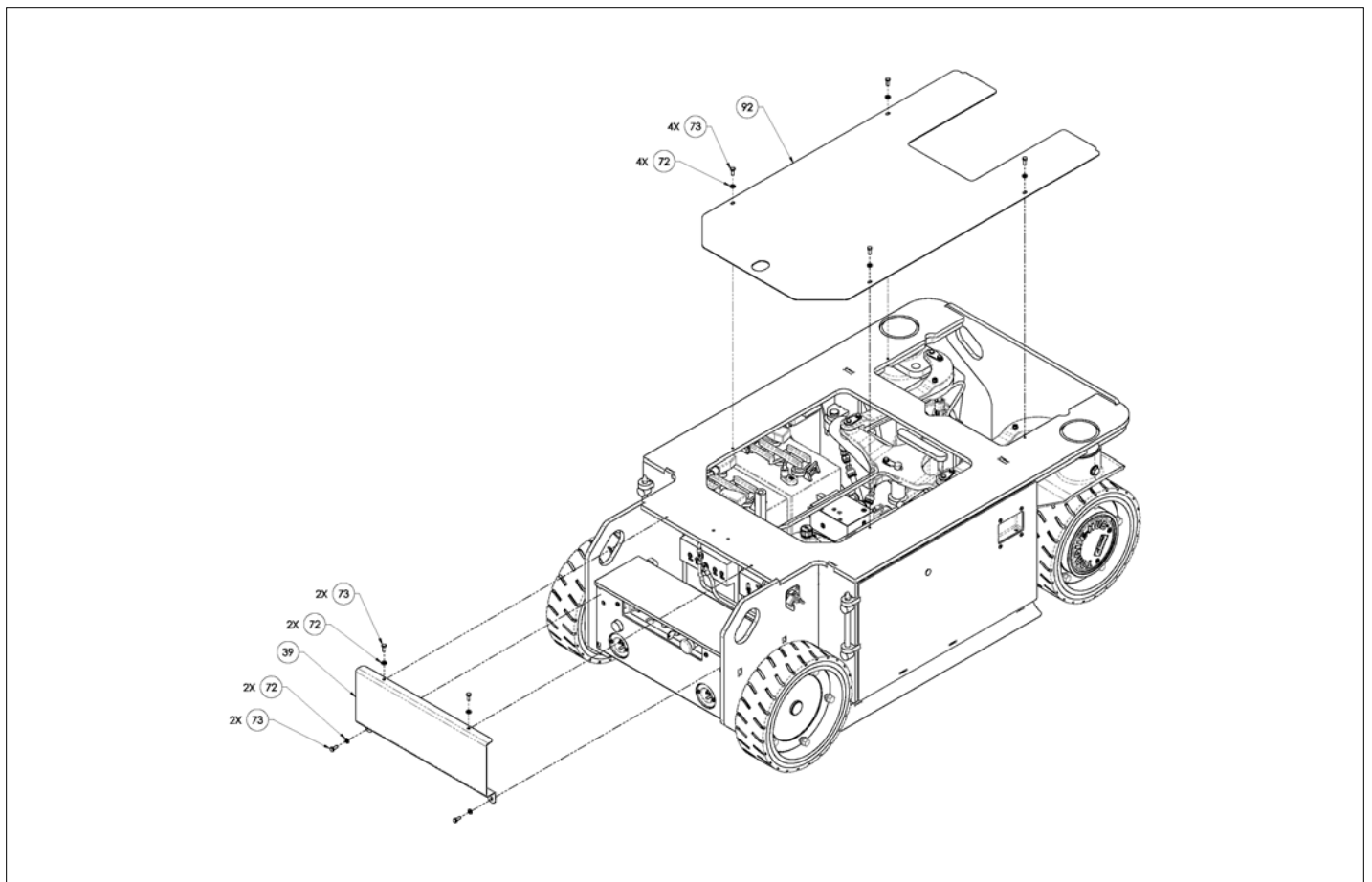
アイテム	部品番号	名前	数量	UOM
54	13201 000	RELAY SOLENOID NO SPST 24VDC	1	EA
55	3049978	ALARM BEEPING	1	EA
56	10001095	HORN	1	EA
57	10001096	PLATE, BUSS BAR	1	EA
58	467966	STATIC STRAP RUBBER GRD 30in	1	EA
59	10001363	KIT, HOSE TM100	1	EA
60	11702 006	FITTING ELBOW 90 06MBA 06MFS	1	EA
61	11702 002	FTNG ELBOW 90 06MBA 04MFS	2	EA
62	11705 001	FITTING ELBOW 45 4MBA 4MFS	1	EA
63	11700 001	FITTING STRAIGHT 04MB 04MFS	1	EA
64	10001572	HYD, POWER UNIT, WUXI, TM, 4L	1	EA
65	11015 011	WASHER M10 FLAT METRIC	8	EA
66	10405 035	SCREW M10 1.5 HHC X 35MM LG	1	EA
67	10939 011	NUT M10 1.50 REG HEX LOCK*****	1	EA
68	10405 020	SCREW M10 1.5 HHC X 20mm	2	EA
69	3040268	BOOT BTRY CABLE END BLK	4	EA
70	10303 006	SCREW #10 24UNC SBHC X 3/4	2	EA
71	10405 045	SCREW, M10 1.5 HHC X 45MM LG	2	EA
72	11015 008	WASHER M6 FLAT METRIC	45	EA
73	10402 016	SCREW M6 1.00 HHC X 16MM LG	17	EA
74	11015 012	WASHER M12 FLAT METRIC	6	EA
75	10406 020	SCREW M12 1.75 HHC X 20mm LG	2	EA

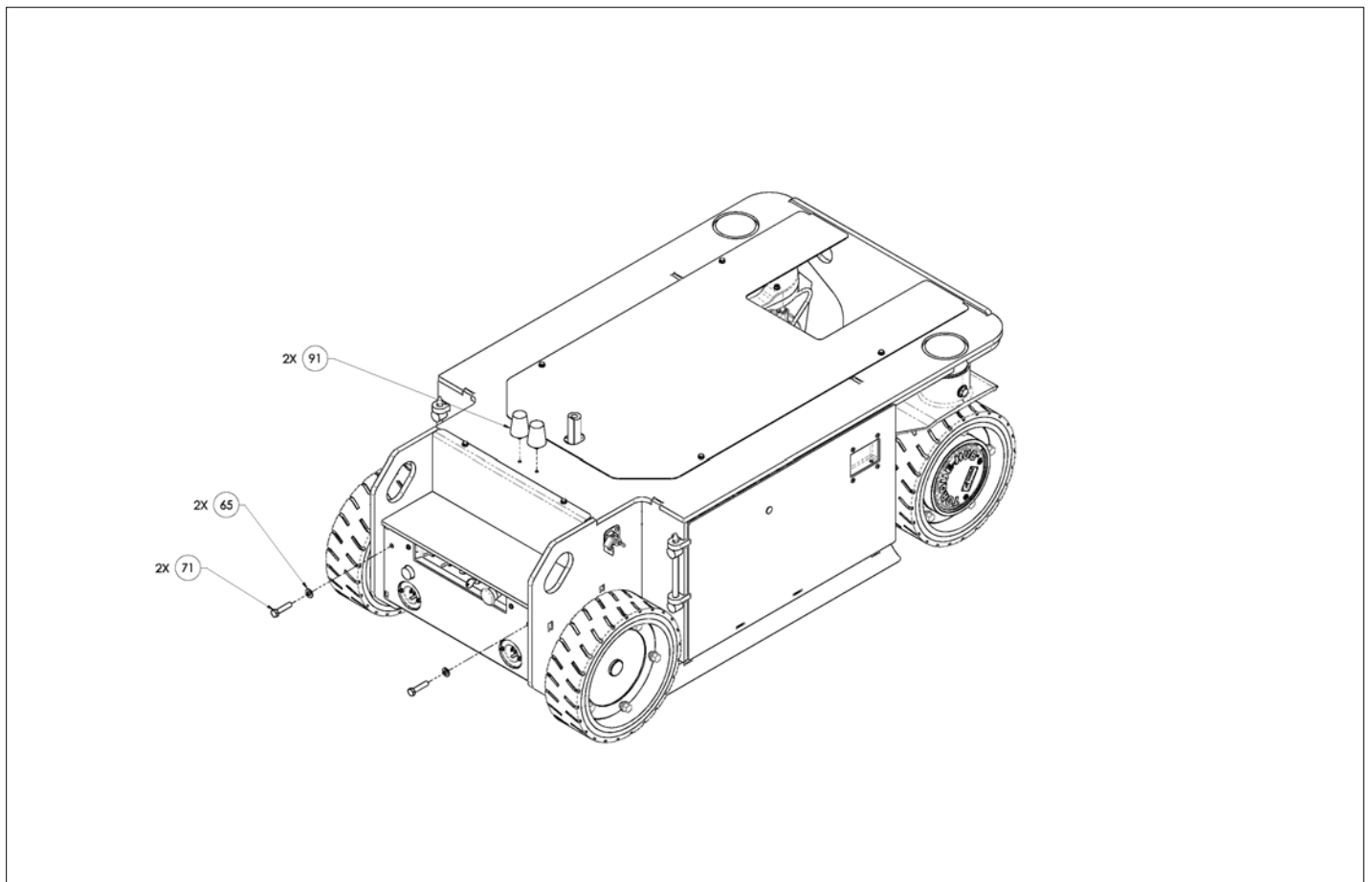


アイテム	部品番号	名前	数量	UOM
76	10404 040	SCREW, M8 1/25 HHC X 40MM LG	1	EA
77	10939 010	LOCK NUT M8	1	EA
78	11363 002	CLAMP FOR DIPSTICK 3/8 LOOP	12	EA
79	10939 008	LOCK NUT M6	12	EA
80	10402 035	SCREW M6 X 1.00 HHC X 35MM LG	6	EA
81	10402 055	SCREW, M6 1.00 HHC X 55MM LG	2	EA
82	10402 060	SCREW, M6 1.00 HHC X 60MM LG	2	EA
83	10000486	BOLT, WHEEL LUG M12 1.5 X 21MM	10	EA
84	10422 016	SCREW, M6 1.0 SHCS X 16MM	8	EA
85	10001478	SHIM, 0.060 X 3/4ID X 1.00OD	8	EA
86	10405 012	BOLT, HHCS, M10 1.50mm x 12 CLASS 10.9, DIN 933, PLTD	4	EA
87	10001217	BOLT M6 1.0X25MM CARRIAGE	2	EA
88	11111 001	RIVET, 3/16" DIA X 0.126" 0.25"	8	EA
89	2500812	BEARING	4	EA
90	10001059	SHIM .032 THICK 5/8 ID .875 MC	4	EA
91	10000155	BUMPER, RUBBER	2	EA
92	10000048	PLATE, CHASSIS TOP COVER	1	EA
93	10001633	ASSY, LWR CTRL PNL, W/OL	1	EA
94	10001211	WIRE, DRIVE ARM PWR	2	EA
95	10001212	WIRE, DRIVE ARM NEG	2	EA
96	10001213	HARNESS, DRIVE FIELD	1	EA
97	10001214	WIRE, HPU POS	1	EA
98	10001215	WIRE, HPU NEG	1	EA

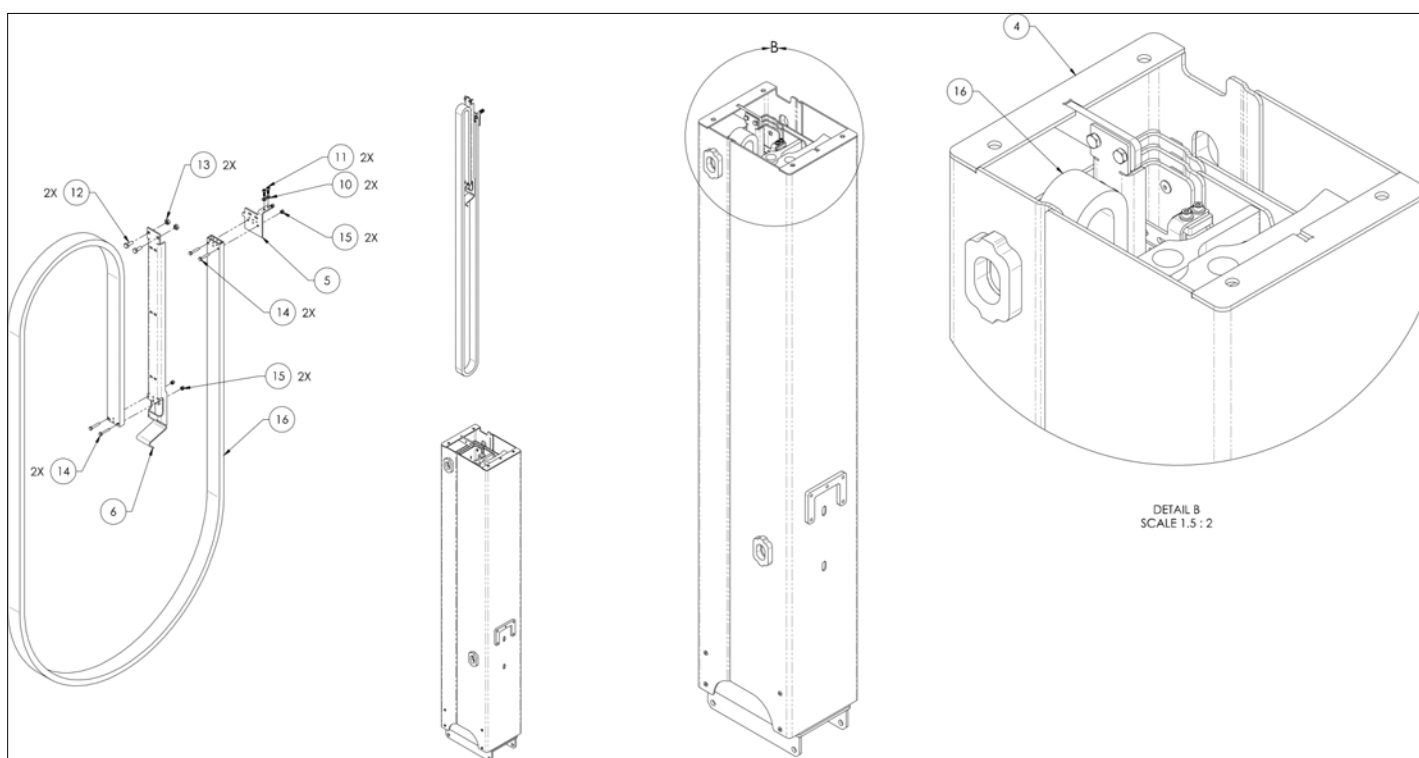






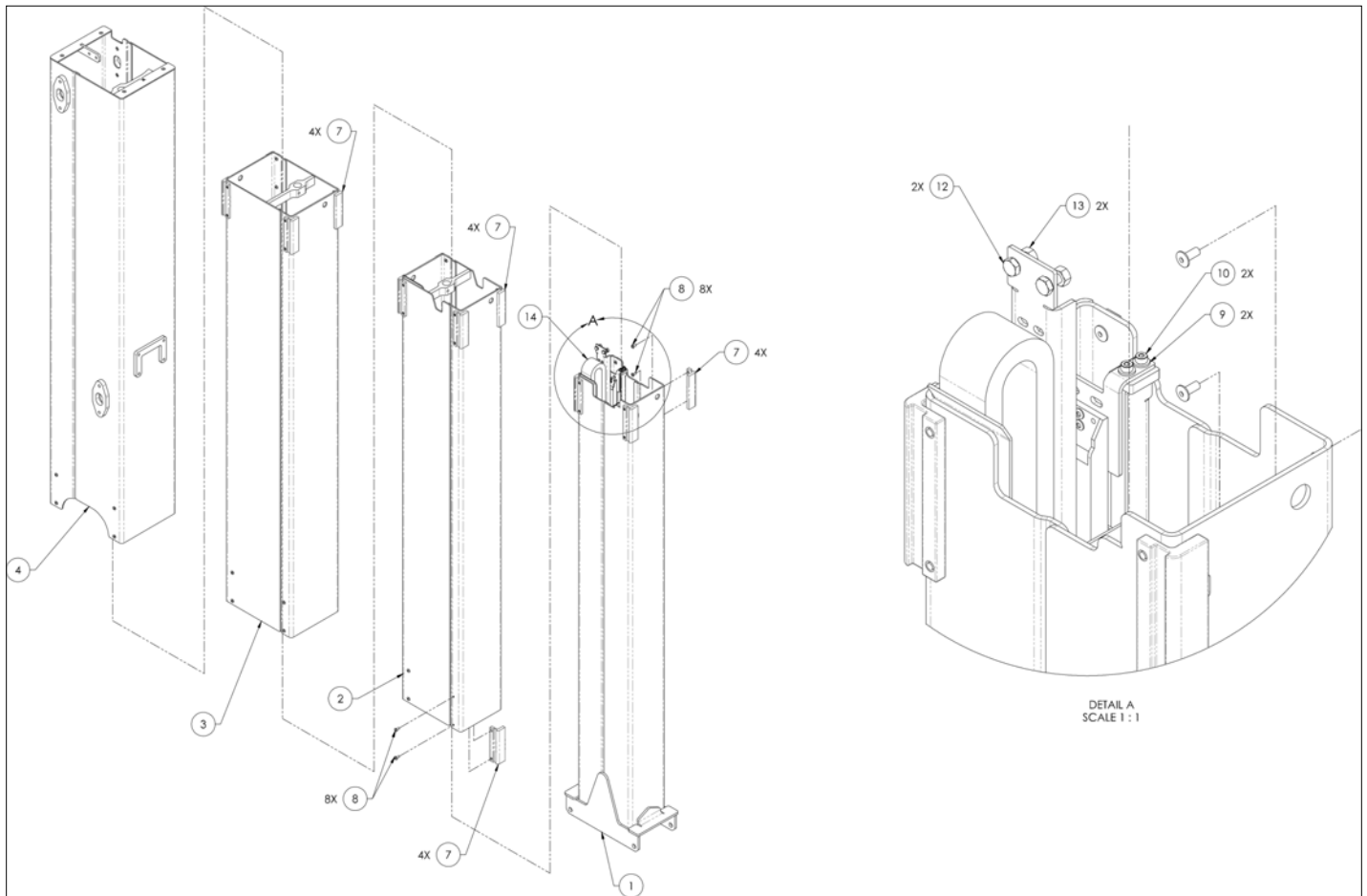


REPAIR PARTS

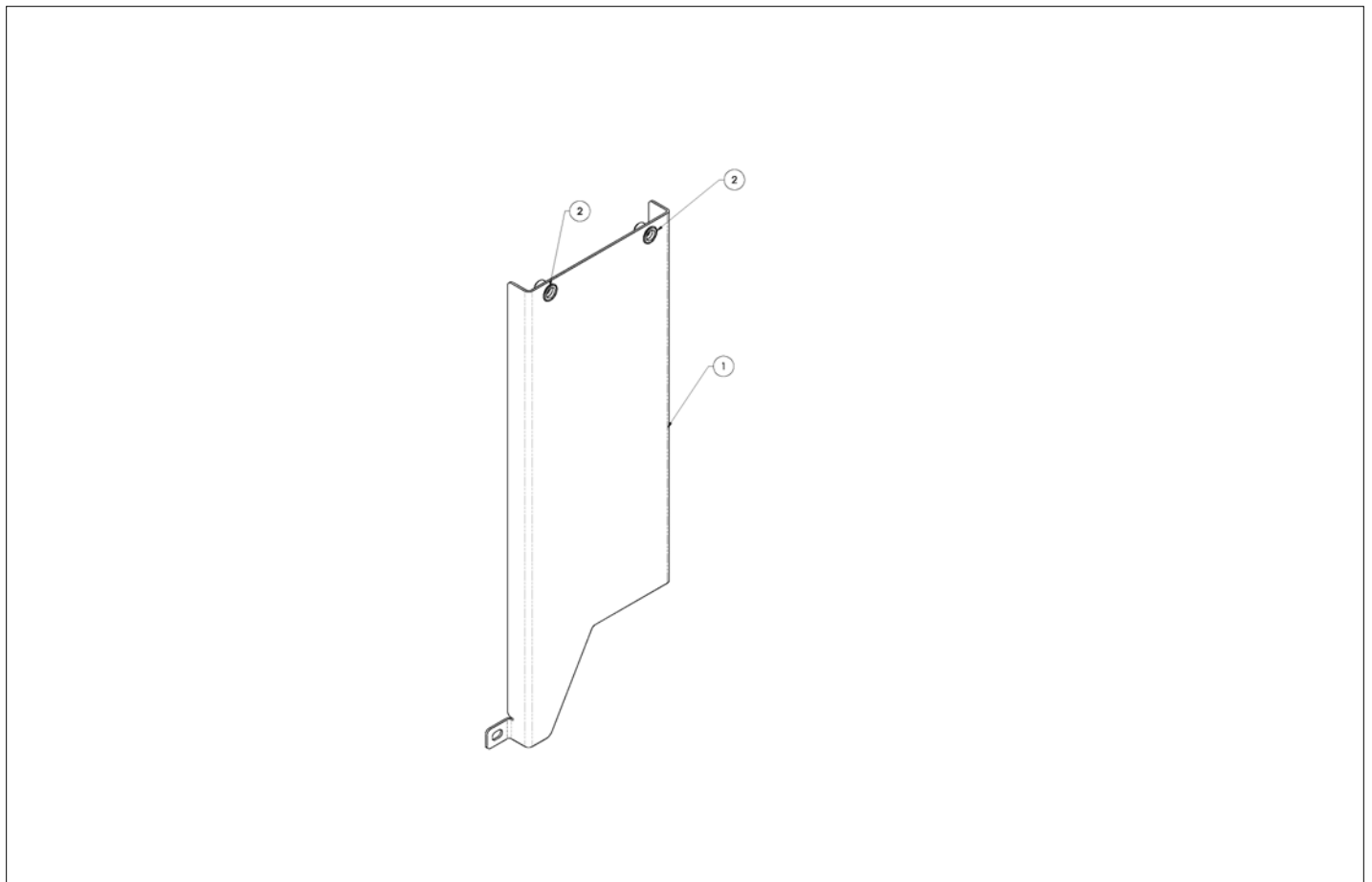




アイテム	部品番号	名前	数量	UOM
	10001379 E	TM12E MAST LOAD CELL ASSEMBLY		EA
1	10001209	WLDMT MAST BOTTOM SECTION	1	EA
2	10000100	WLDMT, MAST MIDDLE SECT	1	EA
3	10000101	WLDMT, MAST TOP SECT	1	EA
4	10001381	WLDMT PLATFORM MAST LOAD CELL	1	EA
5	10001179	BOTTOM MAST CABLE ATCHMT	1	EA
6	10000116	PLATE, CABLE BRACKET	1	EA
7	10001462	WEARPAD, MAST WIDE	12	EA
8	10001468	WEARPAD, MAST, SHORT, NARROW	12	EA
9	10000231	RIVET, 1/4 DIA .063 .250 THK	48	EA
10	11015 006	WASHER M4	2	EA
11	10420 012	SHCS M4 0.7 X 12MM	2	EA
12	10402 016	SCREW M6 1.00 HHC X 16MM LG	2	EA
13	10939 008	LOCK NUT M6	2	EA
14	512714 025	HHCS M4 X 0.7 x 25 G8.8 ISO 4014 DIN 931	4	EA
15	056066 004	NUT NYLOCK DIN985 M4 8.0 ZP	4	EA
16	10001416	MAST HARNESS ASSEMBLY, TM12E, OL	1	EA

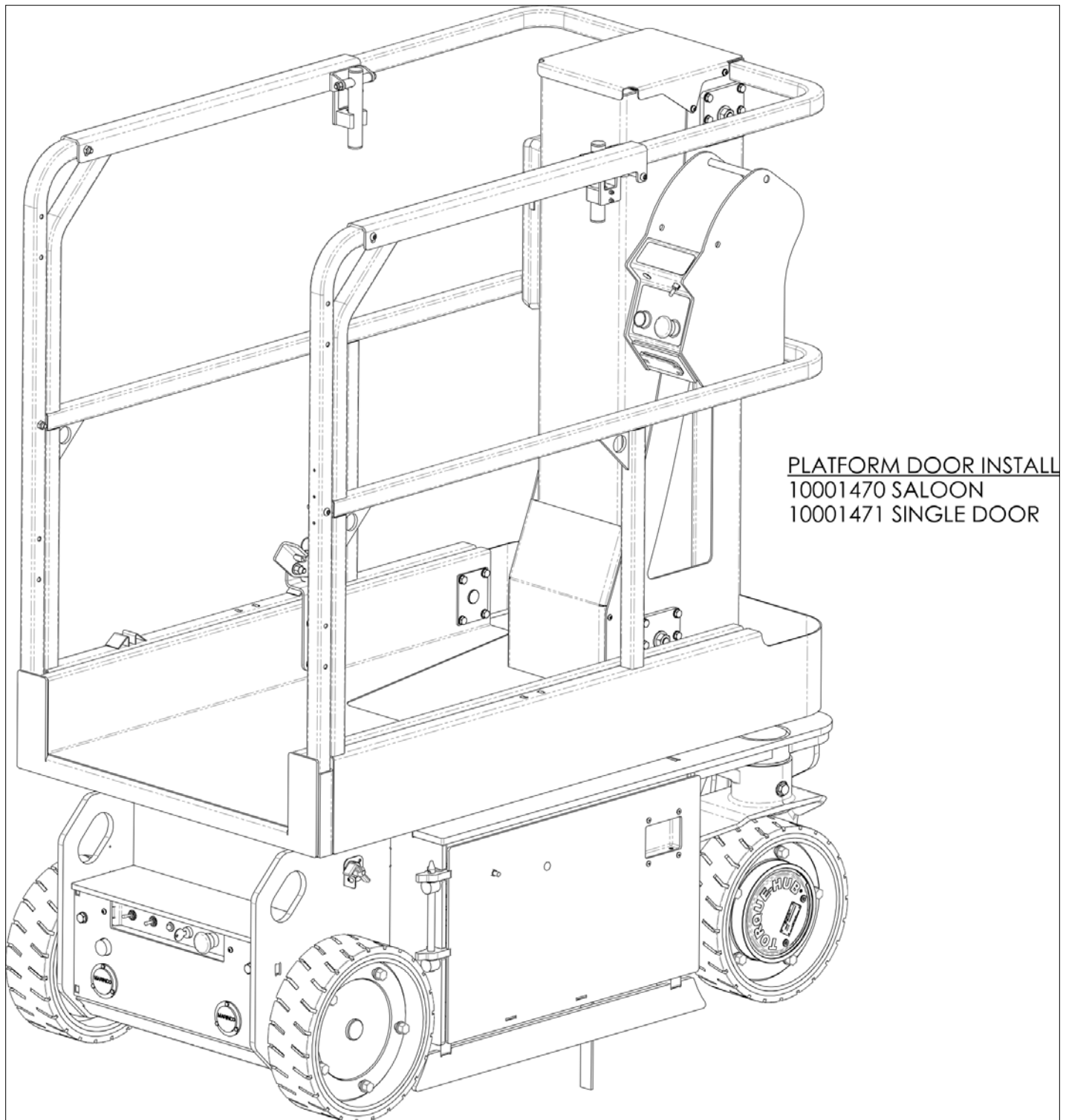


REPAIR PARTS

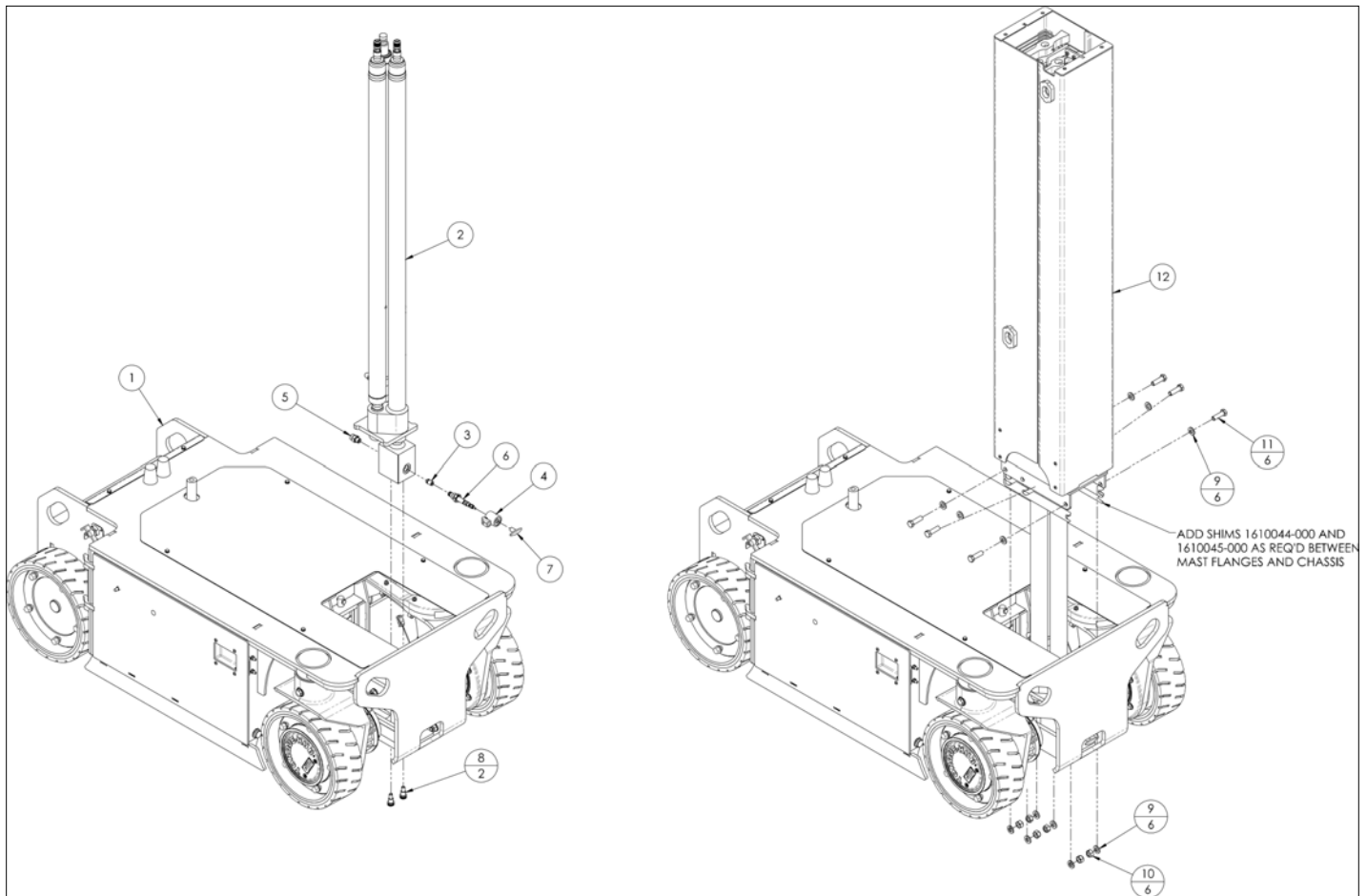


アイテム	部品番号	名前	数量	UOM
	10001466 B	TM16E TM SEM300 MAST WIRE CHASE		EA
1	10001467	PLT, MAST WIRE CHASE, TM16E OL	1	EA
2	10001219	NUTSERT M6 1.0 X 4.2 GRIP	2	EA

REPAIR PARTS

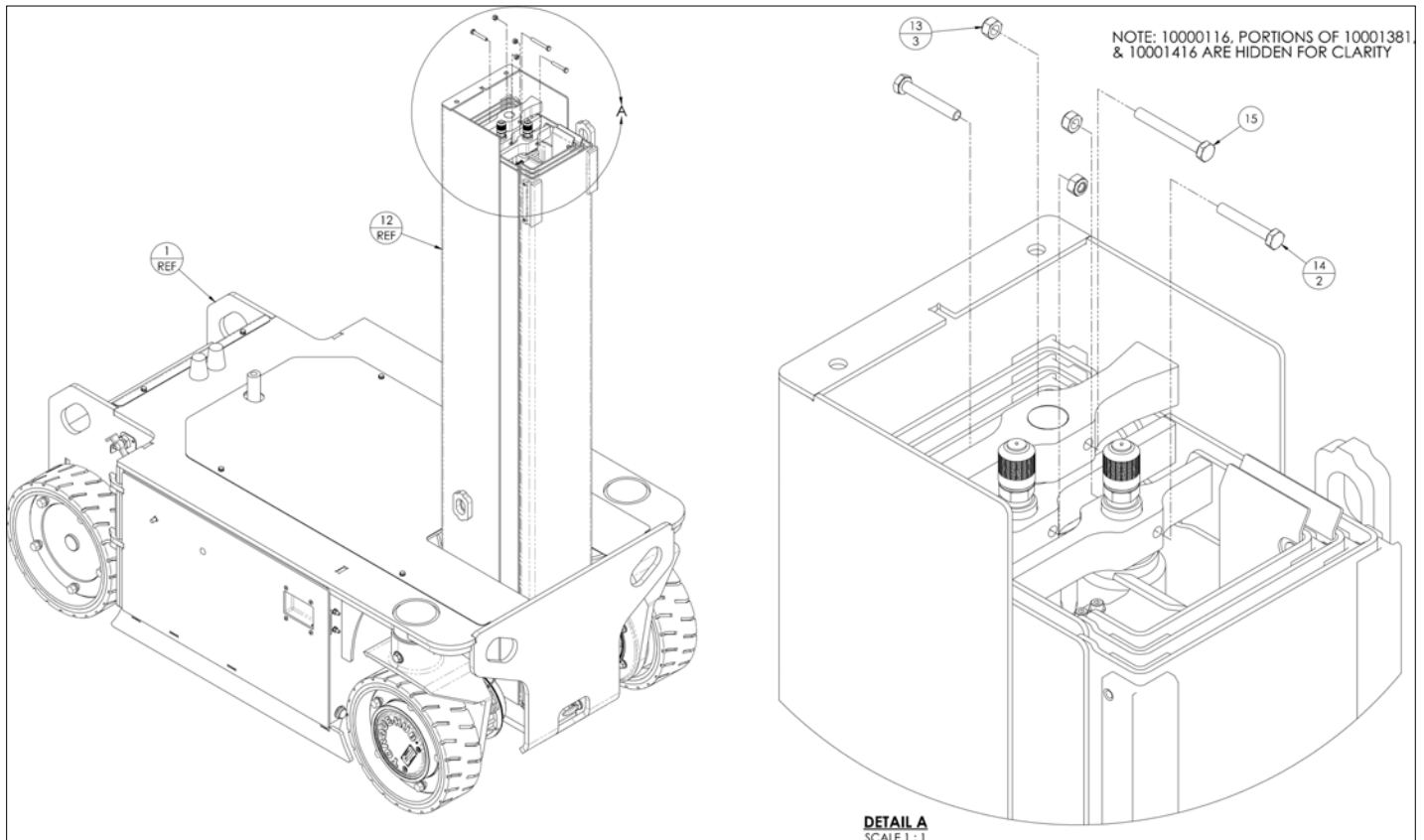


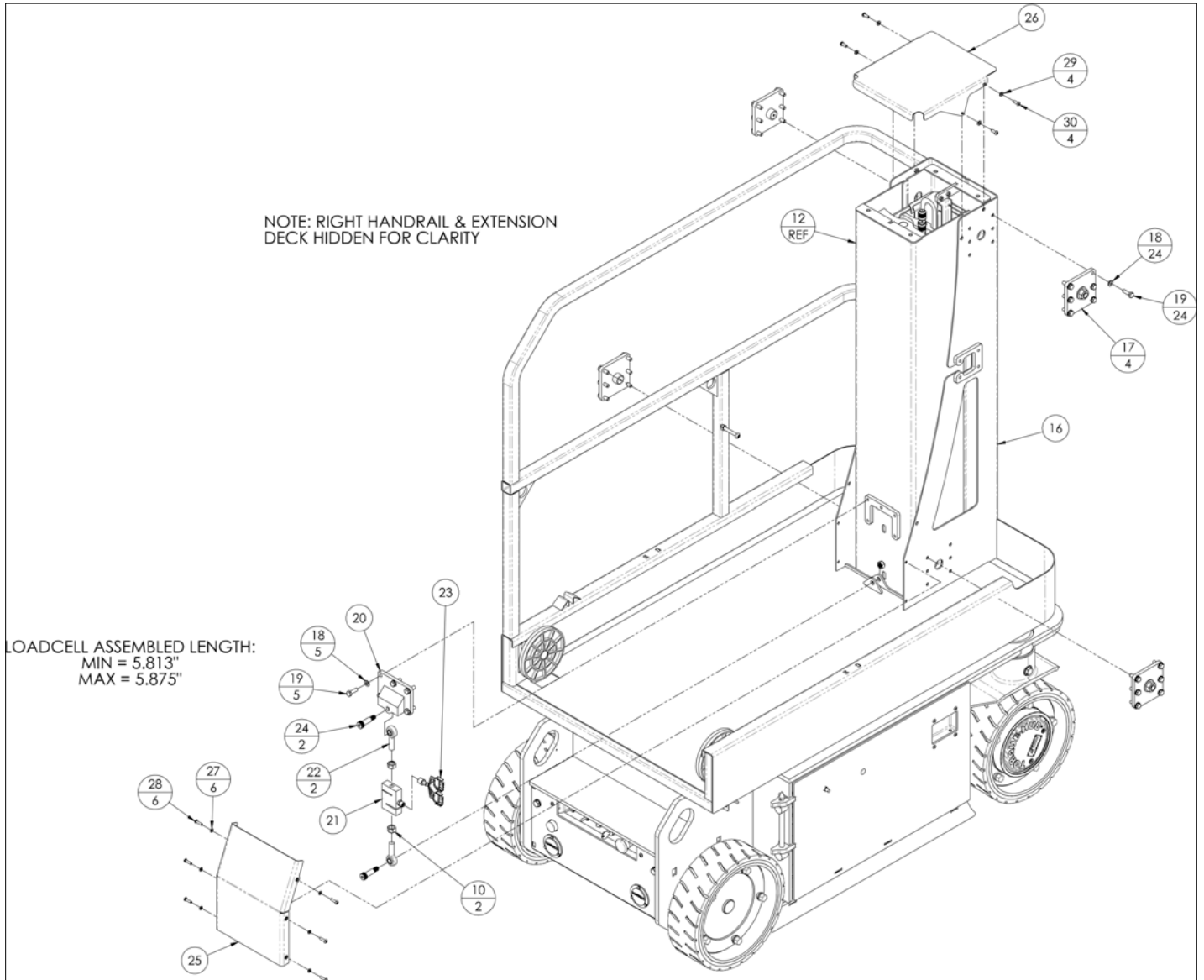
アイテム	部品番号	名前	数量	UOM
	10001378 J	LOADCELL ASSEMBLY ANSI CE		EA
1	10001419	ASSY CHASSIS TM12E LOADCELL	1	EA
2	10000072	CYLINDER, LIFT	1	EA
3	6091348	CHECK VALVE POPPET FLOW WITH 0	1	EA
4	6019289	COIL 20VDC HYDRAFORCE 4303620	1	EA
5	11700 009	FTNG STR 06MB 06MFS F5OLO	1	EA
6	6019281	SOLENOID VALVE	1	EA
7	10001184	HANDLE, ALUM "T" 10 32 THREAD	1	EA
8	10303 004	SCREW 1/2 SH SHLDR X 1/2	2	EA
9	11015 012	WASHER M12 FLAT METRIC	12	EA
10	10939 012	NUT M12 1.75 REG HEX LOCK*****	8	EA
11	10406 040	SCREW M12 1.75 HHC X 40MM LG	6	EA
12	10001379	ASSY TM12E MAST	1	EA
13	10939 008	LOCK NUT M6	3	EA
14	10402 040	BOLT HHCS M6 1.00MM X 40 CLASS 10.9 ISO 4017 DIN 933 PLTD	2	EA
15	10402 050	BOLT M6 1.0 X 50MM	1	EA
16	10001380	ASSY PLATFORM LOADCELL	1	EA
17	10001644	ASSY, BEARING MT, LOADCELL	4	EA
18	11015 010	WASHER M8 FLAT	33	EA
19	10404 025	SCREW M8 1.25 HHC X 25MM LG	29	EA
20	10001625	PLT, LOADCELL UPPER MT	1	EA
21	10001614	LOADCELL, 500KG	1	EA
22	10001640	ROD END, M12, SPHERICAL X 12MM	2	EA
23	10001662	HARNESS, LOAD CELL	1	EA

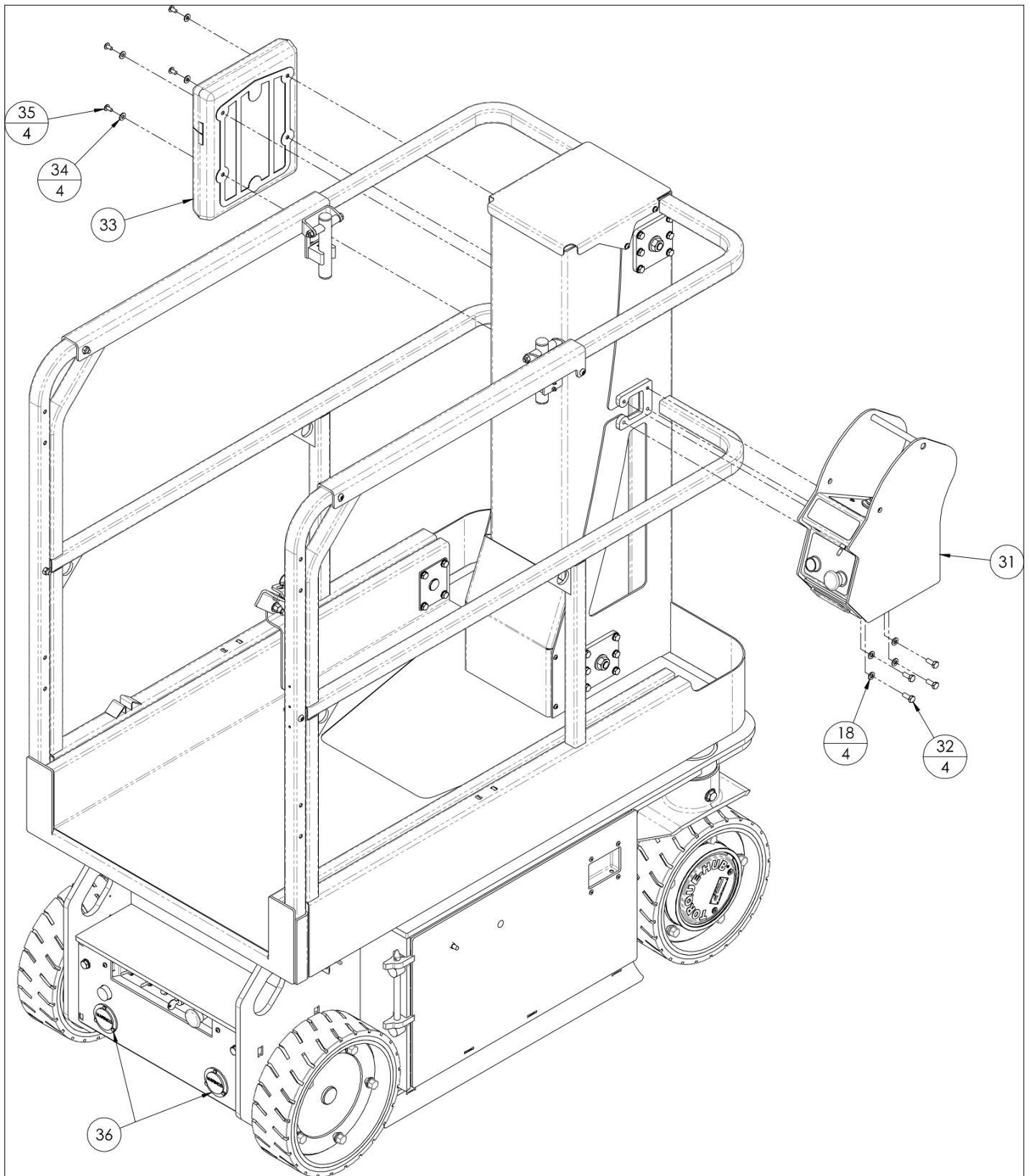


アイテム	部品番号	名前	数量	UOM
24	10001641	SHLDR BOLT, M12x30MMxM10x1.75T	2	EA
25	10001401	ASSY TOWKICK LOADCELL	1	EA
26	10001405	PLT PLATFORM MAST CVR LOADCELL	1	EA
27	11015 007	WASHER M5	6	EA
28	10501 020	BUTTON HEAD HEX M5 0.8 X 20MM	6	EA
29	11015 008	WASHER M6 FLAT METRIC	4	EA
30	10502 016	BUTTON HEAD HEX M6 1.0 X 16MM	4	EA
31	10001447	ASSY PLATFORM CTRL TM W/OL	1	EA
32	10404 020	SCREW M8 1.25 HHC X 20MM LG	4	EA
33	562386	Literature Compartment	1	EA
34	11001 004	WASHER 1/4 SAE FLAT ASTM*	4	EA
35	10000231	RIVET, 1/4 DIA .063 .250 THK	4	EA
36	10001701	KIT, US 110V AC PLUG	1	EA

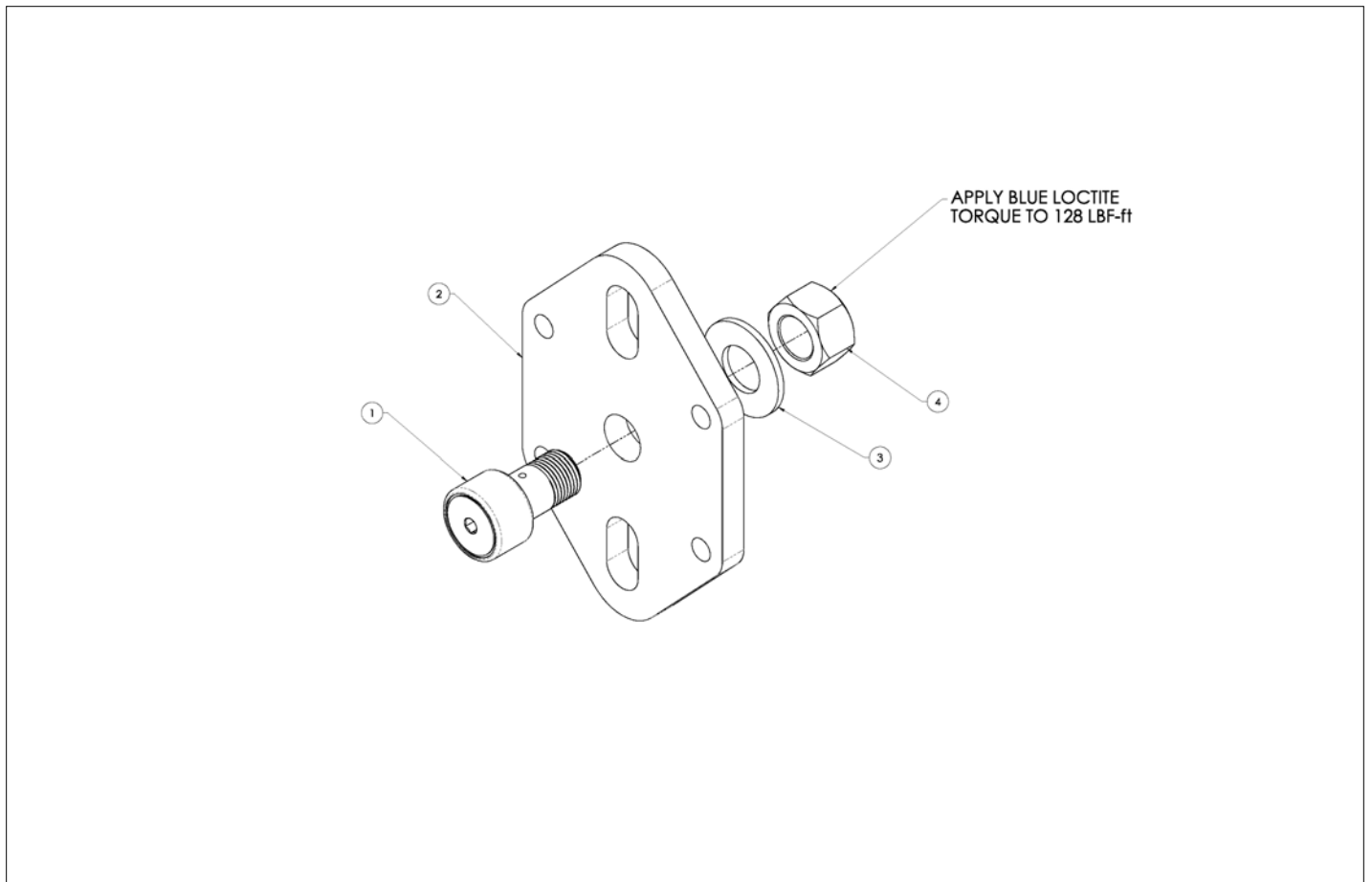






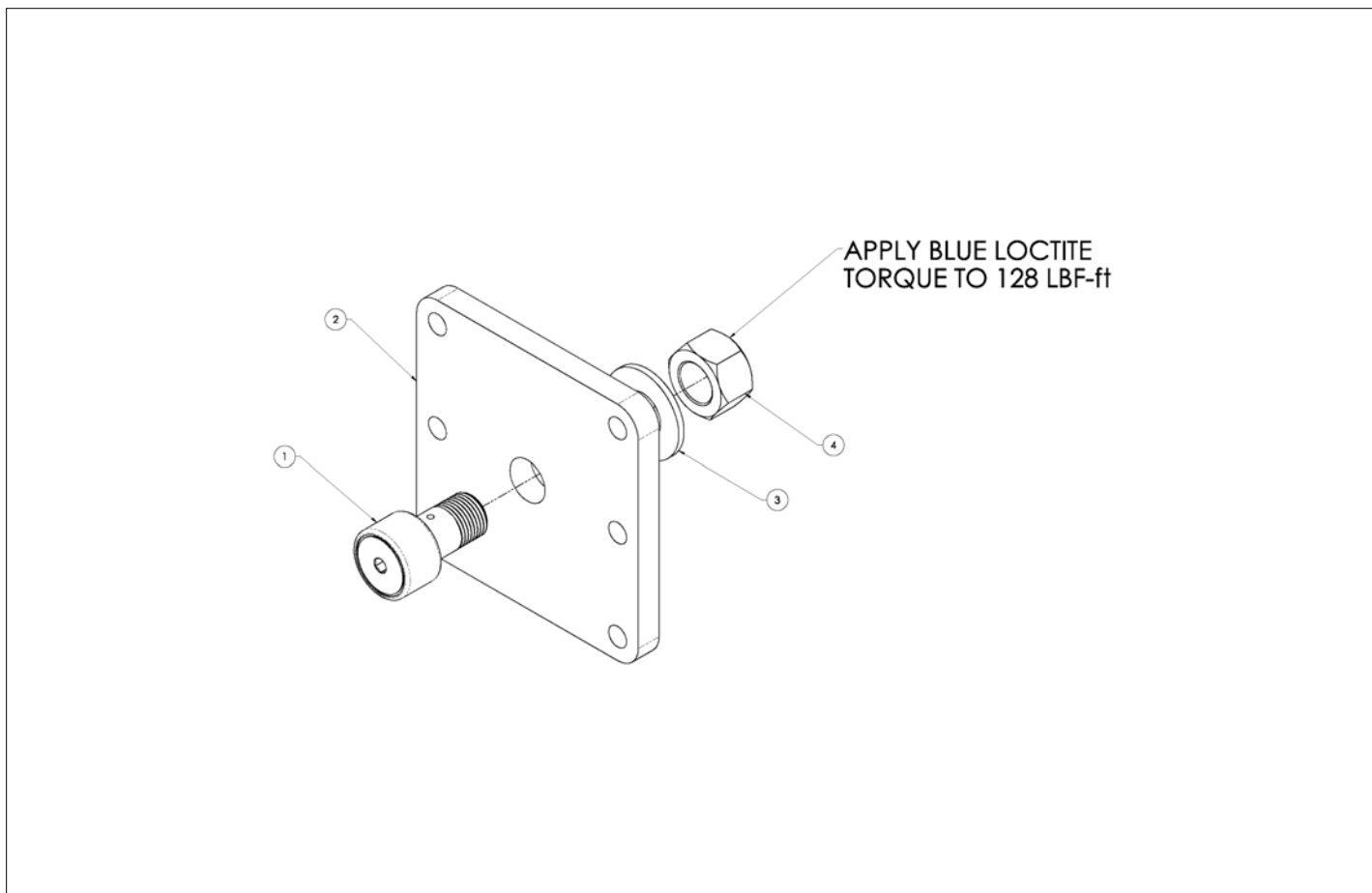


REPAIR PARTS



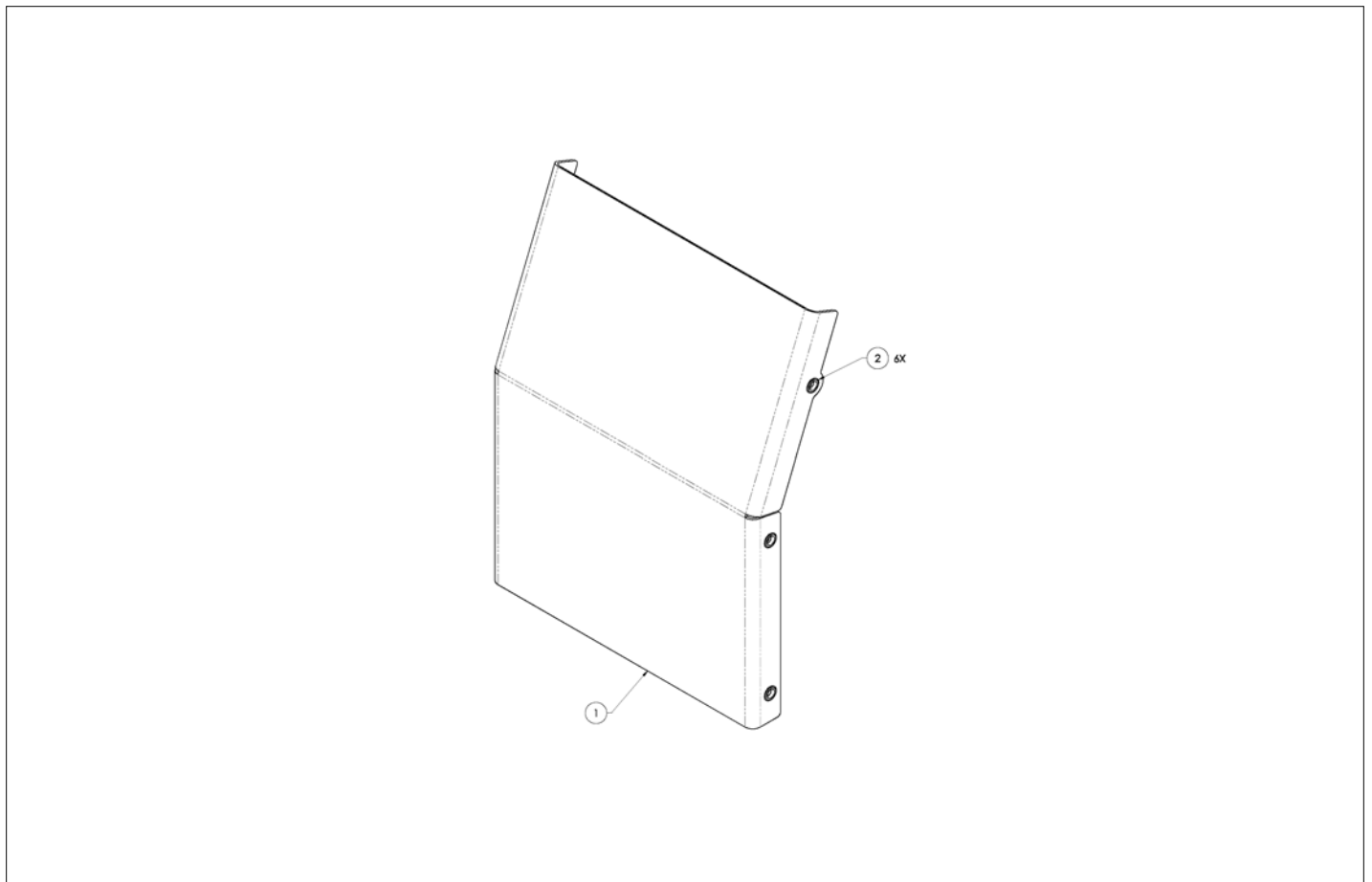
アイテム	部品番号	名前	数量	UOM
	10001385A	ASSEMBLY, BEARING MT, LOADCELL		EA
1	10001404	CAM BEARING 1"ODX5/8W5/8 18X.5	1	EA
2	10001403	PLT, BEARING MT	1	EA
3	11001 010	WASHER 5/8 SAE FLAT	1	EA
4	10901 010	NUT, 5/8 18	1	EA

REPAIR PARTS



アイテム	部品番号	名前	数量	UOM
	10001644A	BEARING MOUNT ASSEMBLY, LOADCELL		EA
1	10001404	CAM BEARING 1"ODX5/8W5/8 18X.5	1	EA
2	10001645	PLT, BEARING MT	1	EA
3	11001 010	WASHER 5/8 SAE FLAT	1	EA
4	10901 010	NUT, 5/8 18	1	EA

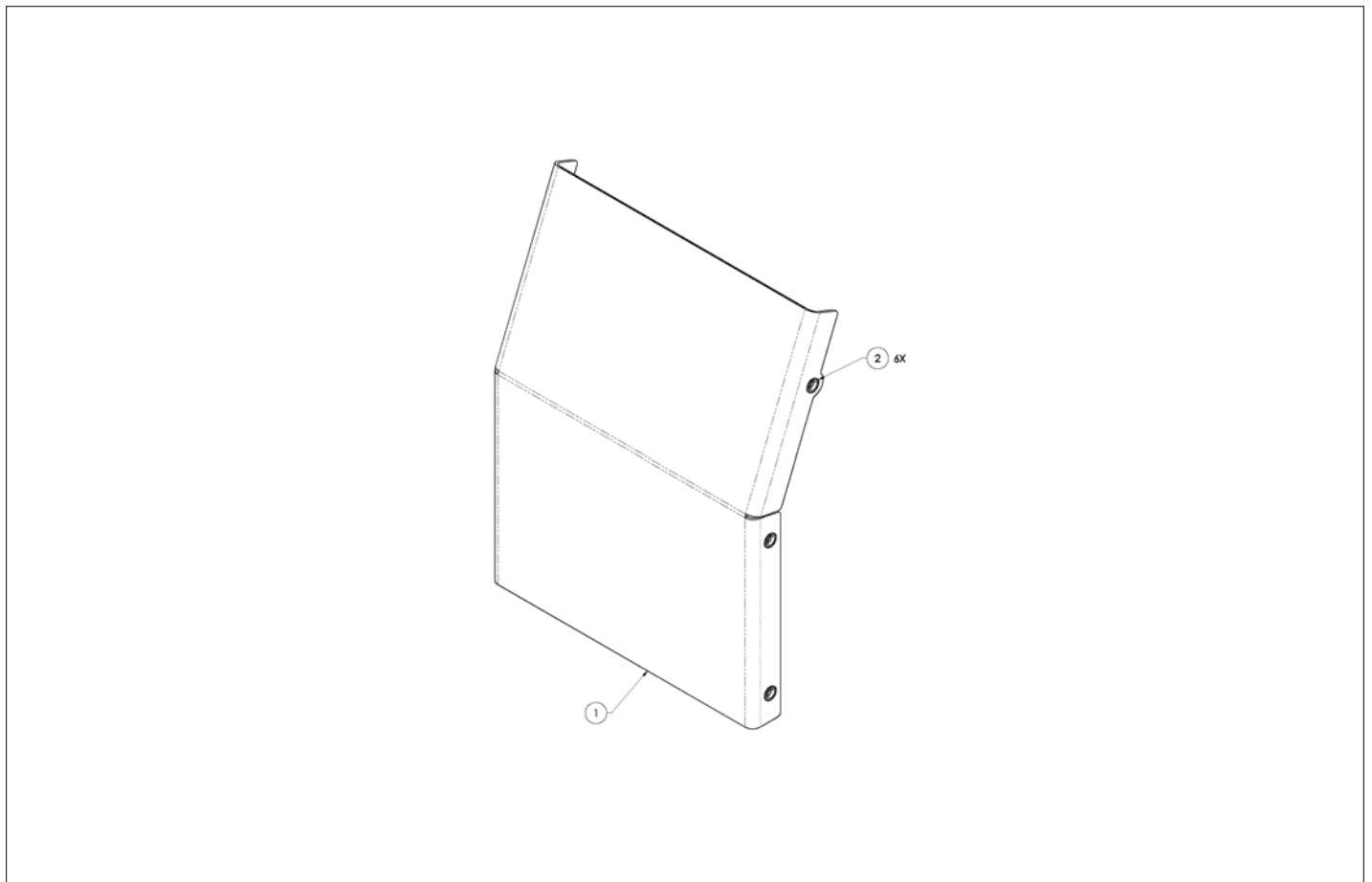
REPAIR PARTS





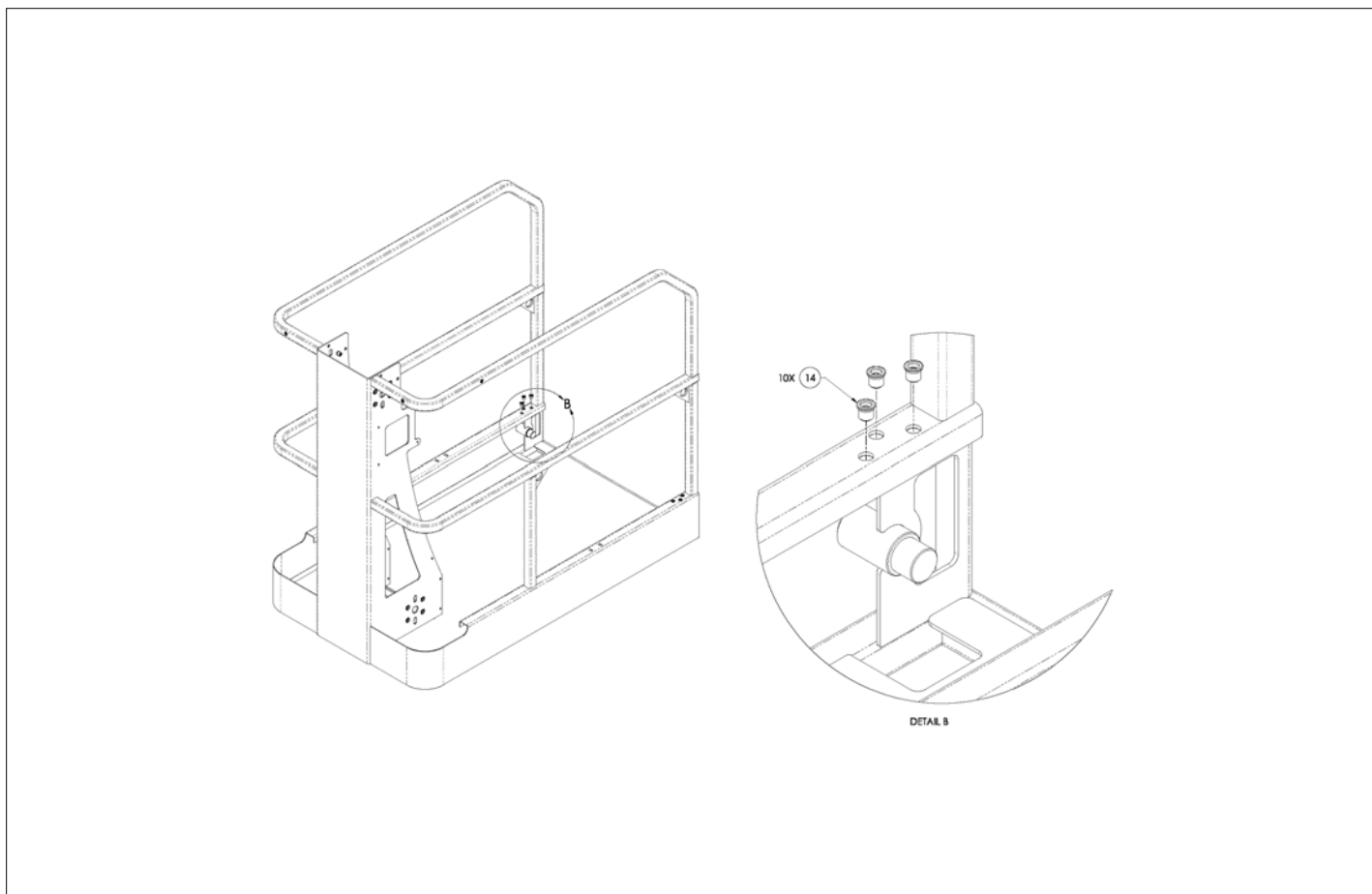
アイテム	部品番号	名前	数量	UOM
	10001401 B	TOEKICK, LOADCELL, ASSEMBLY MARCH 2018 AND AFTER		EA
1	10001402	PLT, TOEKICK, LOADCELL	1	EA
2	10001218	NUTSERT M5 0.8 X 3.3 GRIP	6	EA

REPAIR PARTS

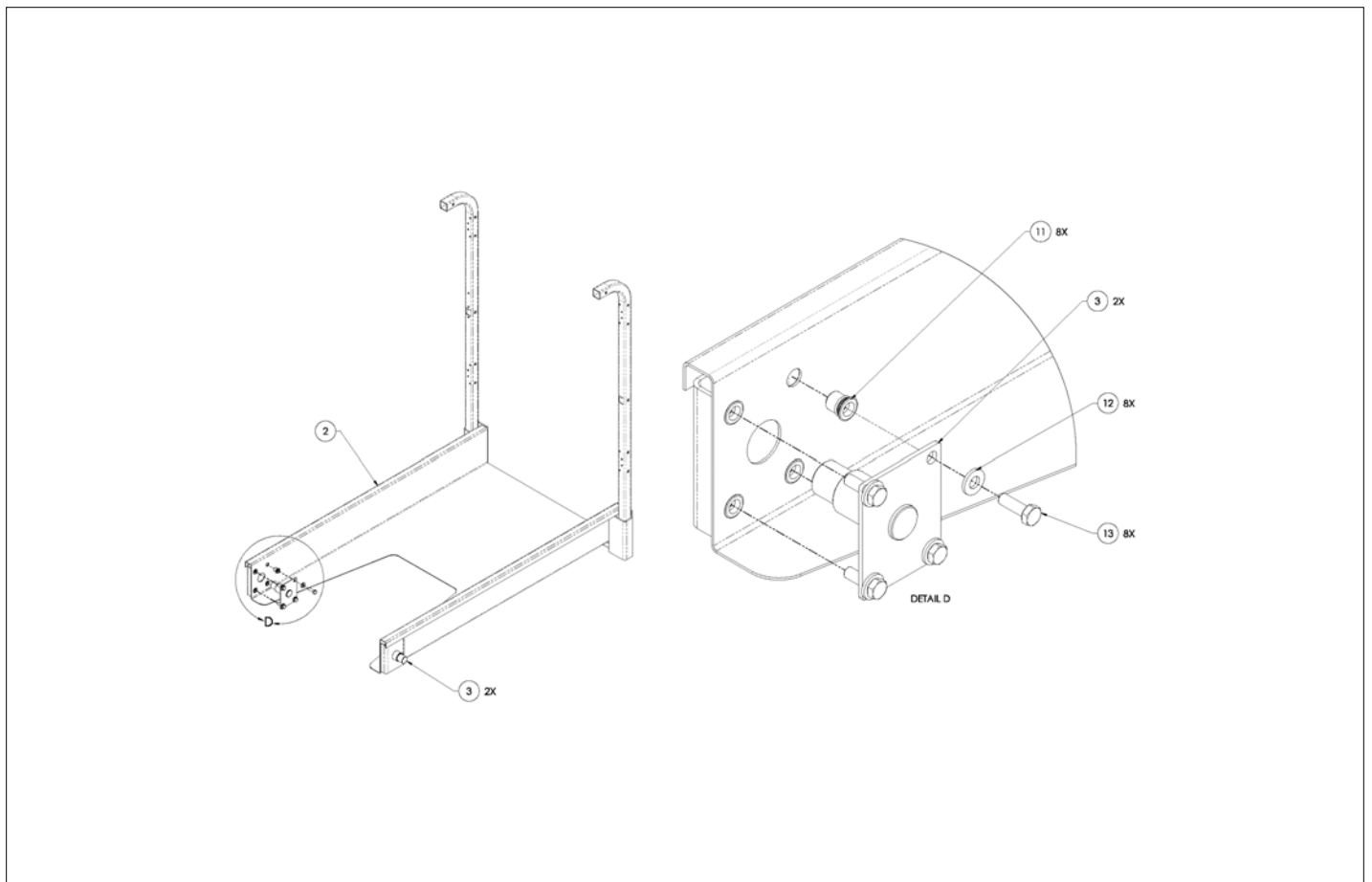


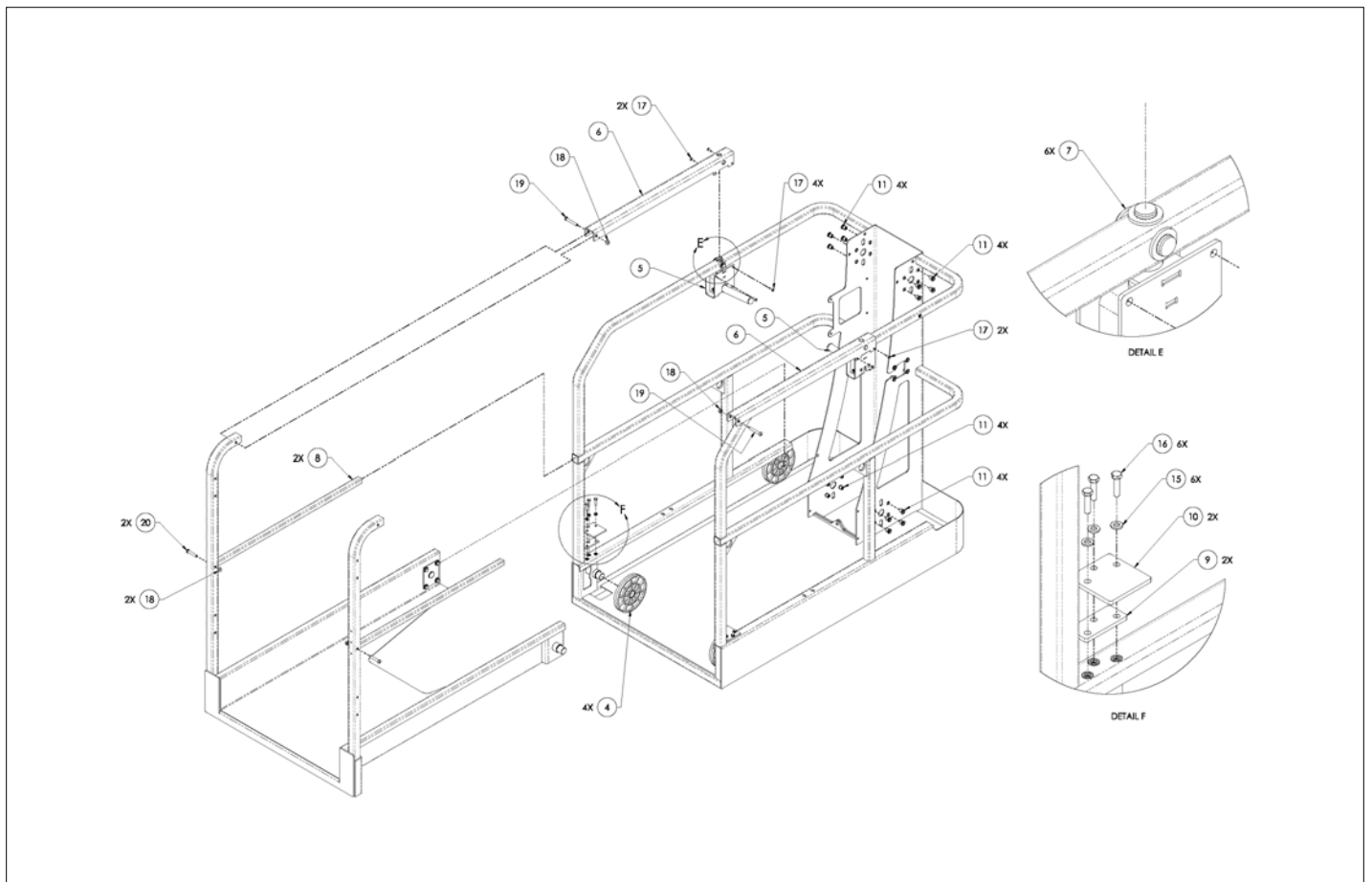
アイテム	部品番号	名前	数量	UOM
	10001401 A	TOEKICK, LOADCELL, ASSEMBLY DECEMBER 2016 AND BEFORE		EA
1	10001402	PLT, TOEKICK, LOADCELL	1	EA
2	10001218	NUTSERT M5 0.8 X 3.3 GRIP	6	EA

REPAIR PARTS

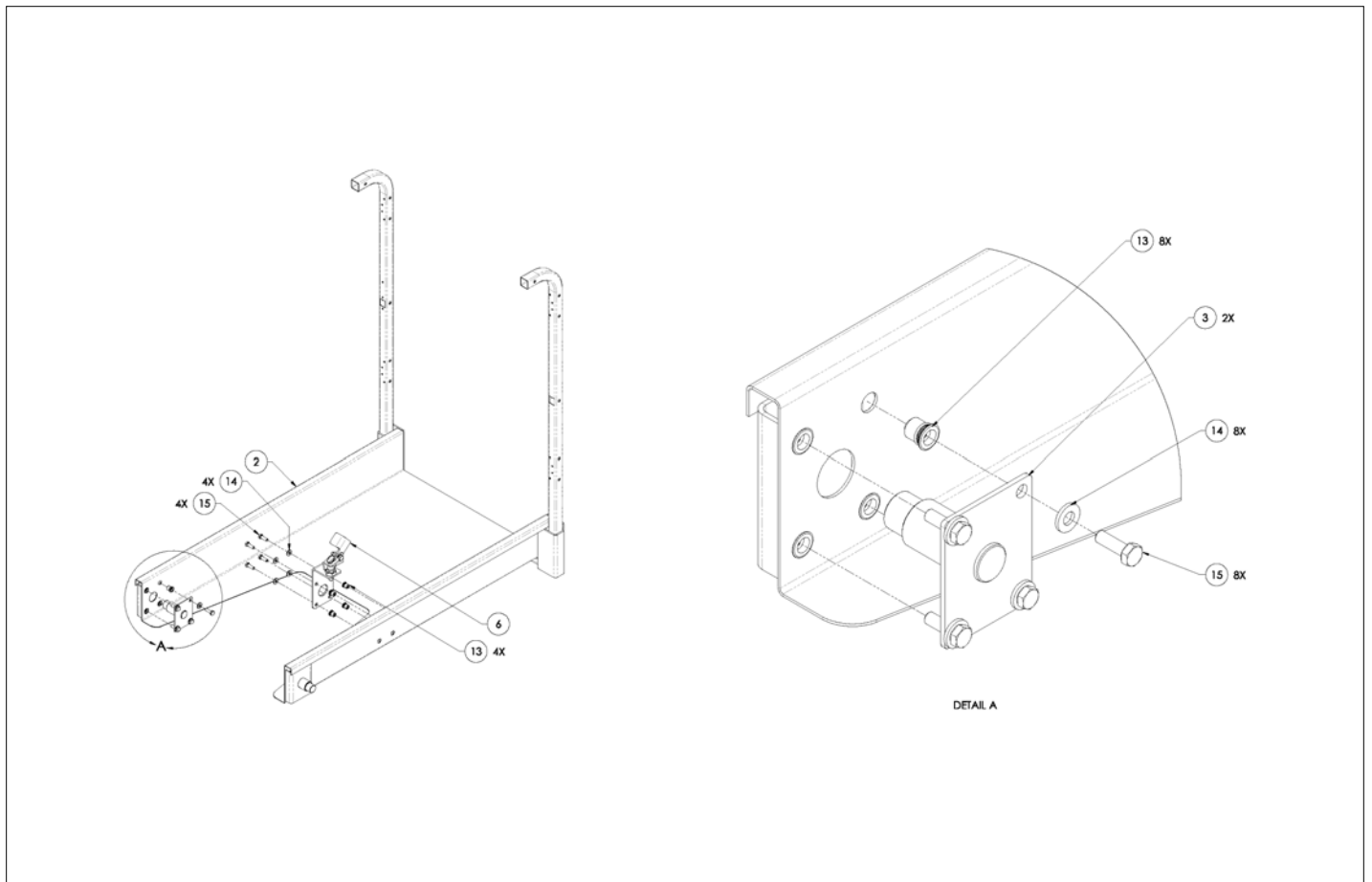


アイテム	部品番号	名前	数量	UOM
	10001380 F	PLATFORM ASSEMBLY LOADCELL NOVEMBER 2018 AND BEFORE		EA
1	10001382	WLDMT PLATFORM LOADCELL	1	EA
2	10001110	WLDMT, PLATFORM EXT TM12E	1	EA
3	10000250	WLDMT, PLATFORM AXLE REAR ORG	2	EA
4	1502269	ROLLER, PLATFORM EXTENSION	4	EA
5	10016000	ASSY, EXTENSION LOCK	2	EA
6	10001131	PLATE, HANDRAIL TOP SLIDE	2	EA
7	5569973	SLIDE PAD, STICK ON OCTOBER 2017 AND BEFORE	6	EA
8	10001132	TUBE, HANDRAIL MID TELESCOPE	2	EA
9	10001062	PLATFORM KEEPER SPACER ORG	2	EA
10	10000256	PLATE PLATFORM KEEPER ORG	2	EA
11	10001220	NUTSERT M8 1.25 X 3.8 GRIP	28	EA
12	11015 010	WASHER M8 FLAT	8	EA
13	10404 025	SCREW M8 1.25 HHC X 25MM LG	8	EA
14	10001219	NUTSERT M6 1.0 X 4.2 GRIP	10	EA
15	11015 008	WASHER M6 FLAT METRIC	6	EA
16	10402 025	BOLT M6 1.0 X 25MM	6	EA
17	10000499	RIVET, 3/16 DIA .251 .375 THK	8	EA
18	10939 010	LOCK NUT M8	4	EA
19	10504 055	BUTTON HEAD HEX M8 1.25 X 55MM	2	EA
20	10504 045	BUTTON HEAD HEX M8 1.25 X 45MM	2	EA



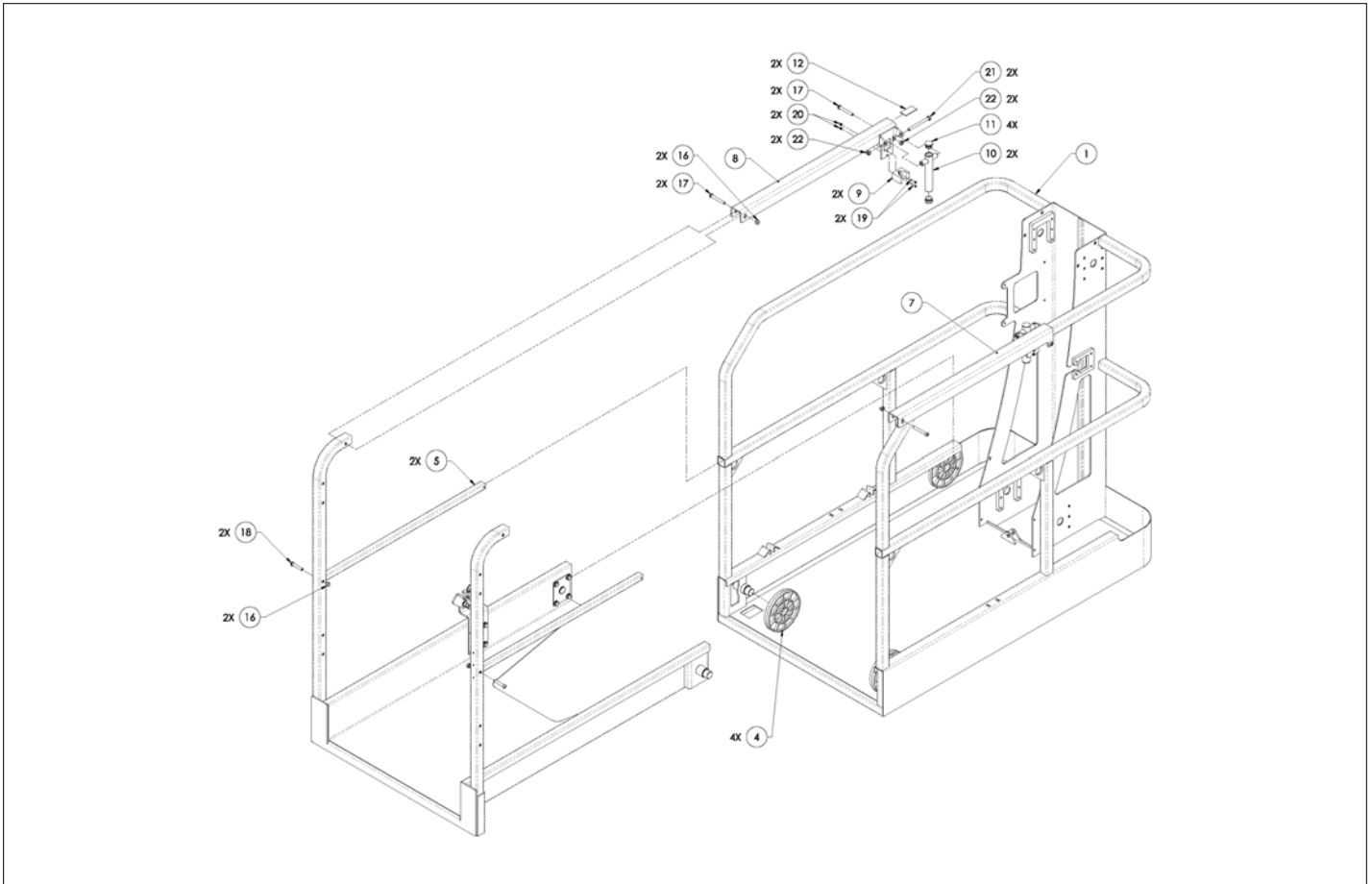


REPAIR PARTS



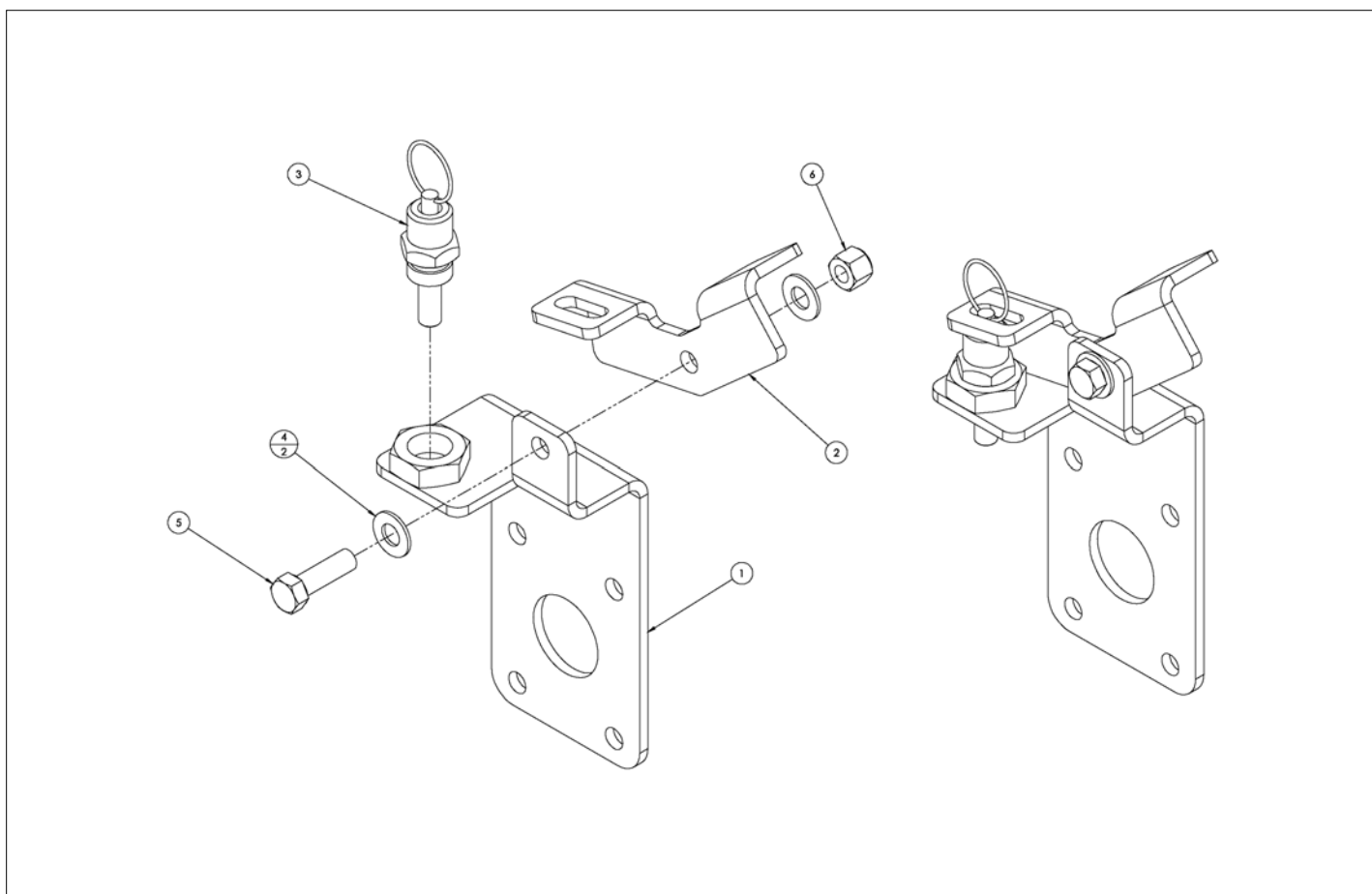


アイテム	部品番号	名前	数量	UOM
*	10001380 G	PLATFORM LOADCELL ASSEMBLY DECEMBER 2018 AND AFTER		EA
1	10001382	WLDMT PLATFORM LOADCELL	1	EA
2	10001110	WLDMT, PLATFORM EXT TM12E	1	EA
3	10000250	WLDMT, PLATFORM AXLE REAR ORG	2	EA
4	1502269	ROLLER, PLATFORM EXTENSION	4	EA
5	10001132	TUBE, HANDRAIL MID TELESCOPE	2	EA
6	10001687	ASSY, FOOT LATCH	1	EA
7	10001697	WLDMT, LH HNDRL TOP SLIDE TME	1	EA
8	10001698	WLDMT, RH HNDRL TOP SLIDE TME	1	EA
9	1501583	CLIP HANDLE 1.00	2	EA
10	1503079	WLDMT, SLIDE HANDLE SHORT	2	EA
11	5563451	PLUG TUBING 1.00 X .095	4	EA
12	1502834	SLIDE PAD, STICK ON NOVEMBER 2017 AND AFTER	2	EA
13	10001220	NUTSERT M8 1.25 X 3.8 GRIP	12	EA
14	11015 010	WASHER M8 FLAT	12	EA
15	10404 025	SCREW M8 1.25 HHC X 25MM LG	12	EA
16	10939 010	LOCK NUT M8	4	EA
17	10504 060	BUTTON HEAD HEX M8 1.25 X 60MM	4	EA
18	10504 045	BUTTON HEAD HEX M8 1.25 X 45MM	2	EA
19	10500 020	BOLT BHCS M4 0.70mmX20 10.9	4	EA
20	5563552	NUT HEX M4X0.7 YLZN PLT GR10.9	4	EA
21	10404 090	SCREW, M8 1.25 HHC x 90MM LG	2	EA



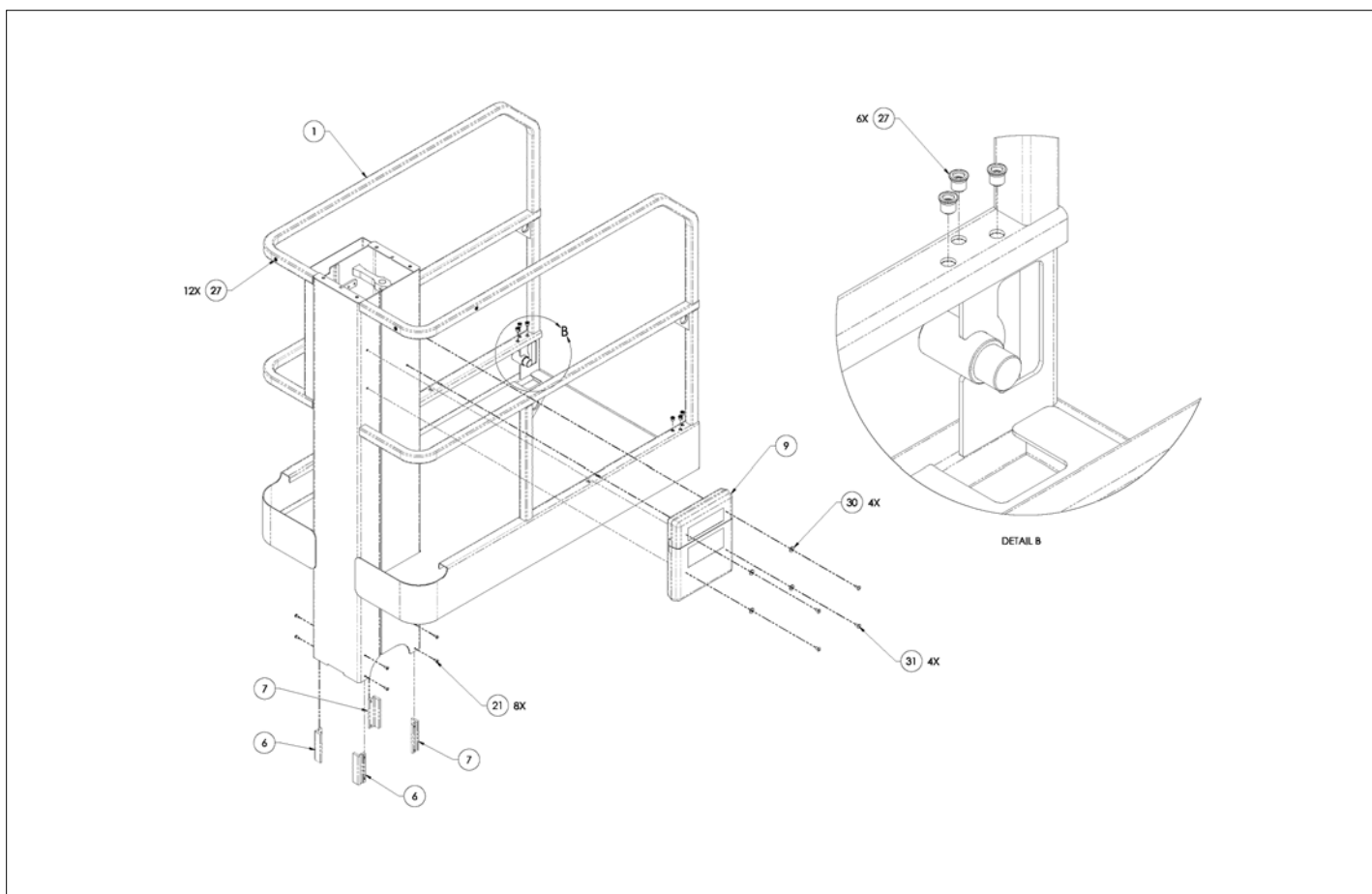
アイテム	部品番号	名前	数量	UOM
22	5563555	NUT HEX M8X1.25 YL ZN GR10.9	4	EA

REPAIR PARTS

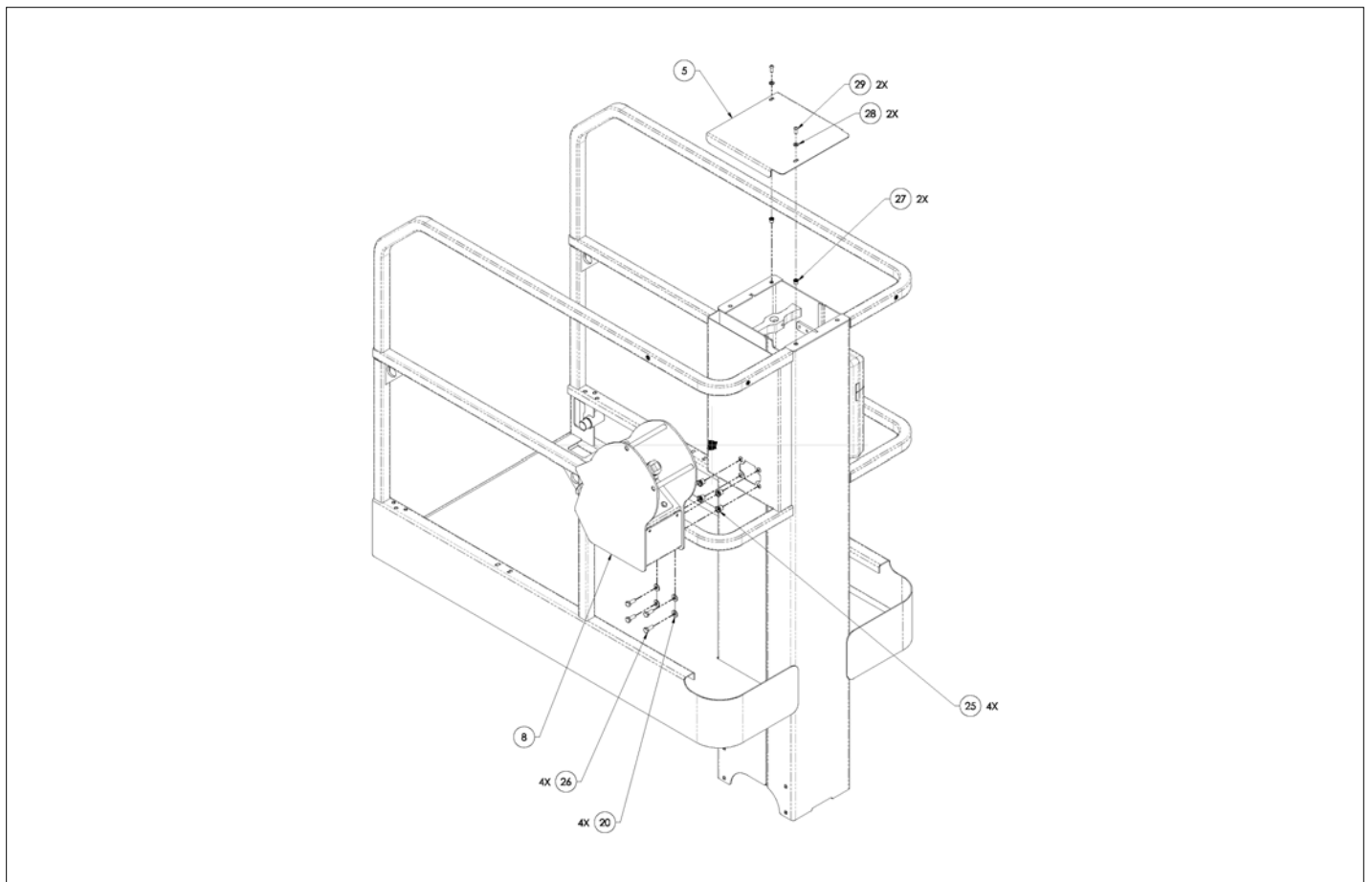


アイテム	部品番号	名前	数量	UOM
	10001687 A	FOOT LATCH ASSEMBLY		EA
1	10001688	WLDMT, LEVER PIVOT BRACKET	1	EA
2	502141 000	STOP LEVER	1	EA
3	009442 003	SPRING LATCH	1	EA
4	11001 006	WASHER 3/8 SAE	2	EA
5	10002 010	SCREW 3/8 16UNC HHC X 1 1/4	1	EA
6	10908 006	NUT HEX ESNA LOCK .375 16 UNC GR 8 PLTD	1	EA

REPAIR PARTS

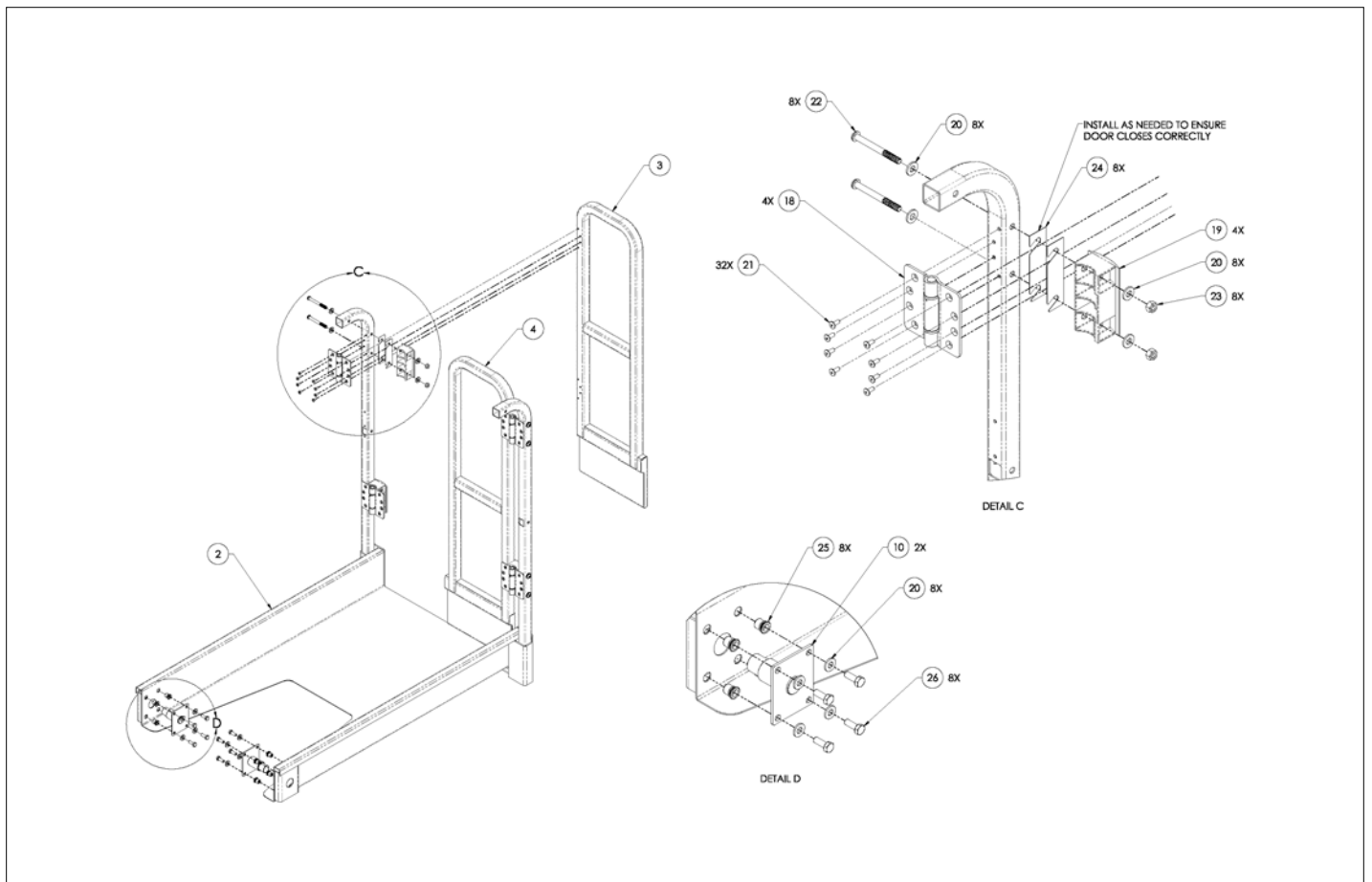


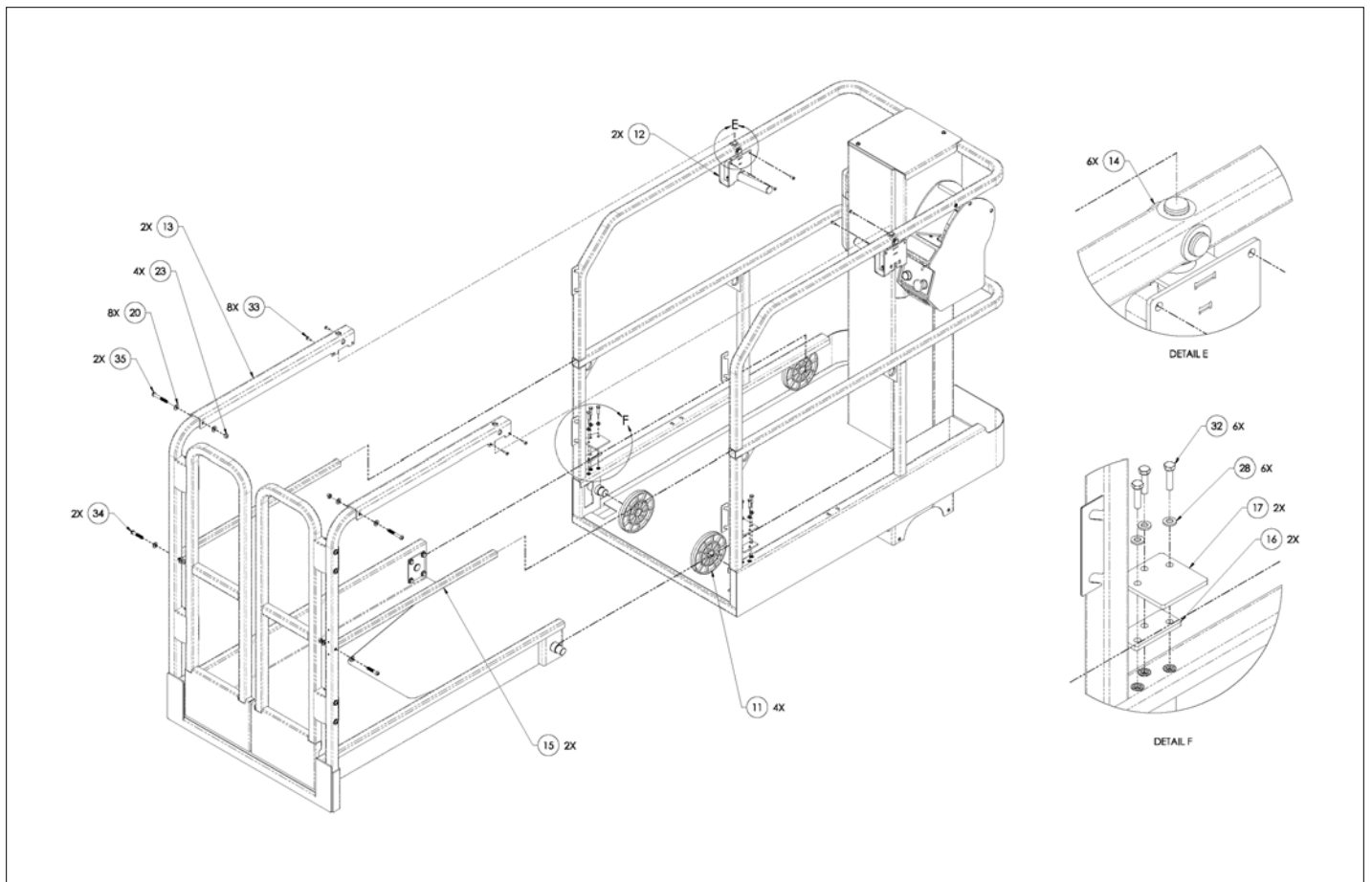
アイテム	部品番号	名前	数量	UOM
	10001188D	TM12E, PLATFORM EXTENSION, ASSEMBLY		EA
1	10001109	WLDMT, PLATFORM BASE TM12E	1	EA
2	10001110	WLDMT, PLATFORM EXT TM12E	1	EA
3	10001113	WLDMT, PLAT DOOR RT TM12E ORG	1	EA
4	10001112	WLDMT, PLAT DOOR LEFT TM12 ORG	1	EA
5	10001164	PLATE, PLATFORM MAST TOP COVER	1	EA
6	10001468	WEARPAD, MAST, SHORT, NARROW	2	EA
7	10001462	WEARPAD, MAST WIDE	2	EA
8	10001374	CONTROL BOX ASSY UPPER	1	EA
9	562386	Literature Compartment	1	EA
10	10000250	WLDMT, PLATFORM AXLE REAR ORG	2	EA
11	1502269	ROLLER, PLATFORM EXTENSION	4	EA
12	10016000	ASSY, EXTENSION LOCK	2	EA
13	10001131	PLATE, HANDRAIL TOP SLIDE	2	EA
14	5569973	SLIDE PAD, STICK ON OCTOBER 2017 AND BEFORE	6	EA
15	10001132	TUBE, HANDRAIL MID TELESCOPE	2	EA
16	10001062	PLATFORM KEEPER SPACER ORG	2	EA
17	10000256	PLATE PLATFORM KEEPER ORG	2	EA
18	5516359	HINGE, SPRING	4	EA
19	1501844	BUMPER, GATES	4	EA
20	11015 010	WASHER M8 FLAT	12	EA
21	10000231	RIVET, 1/4 DIA .063 .250 THK	40	EA



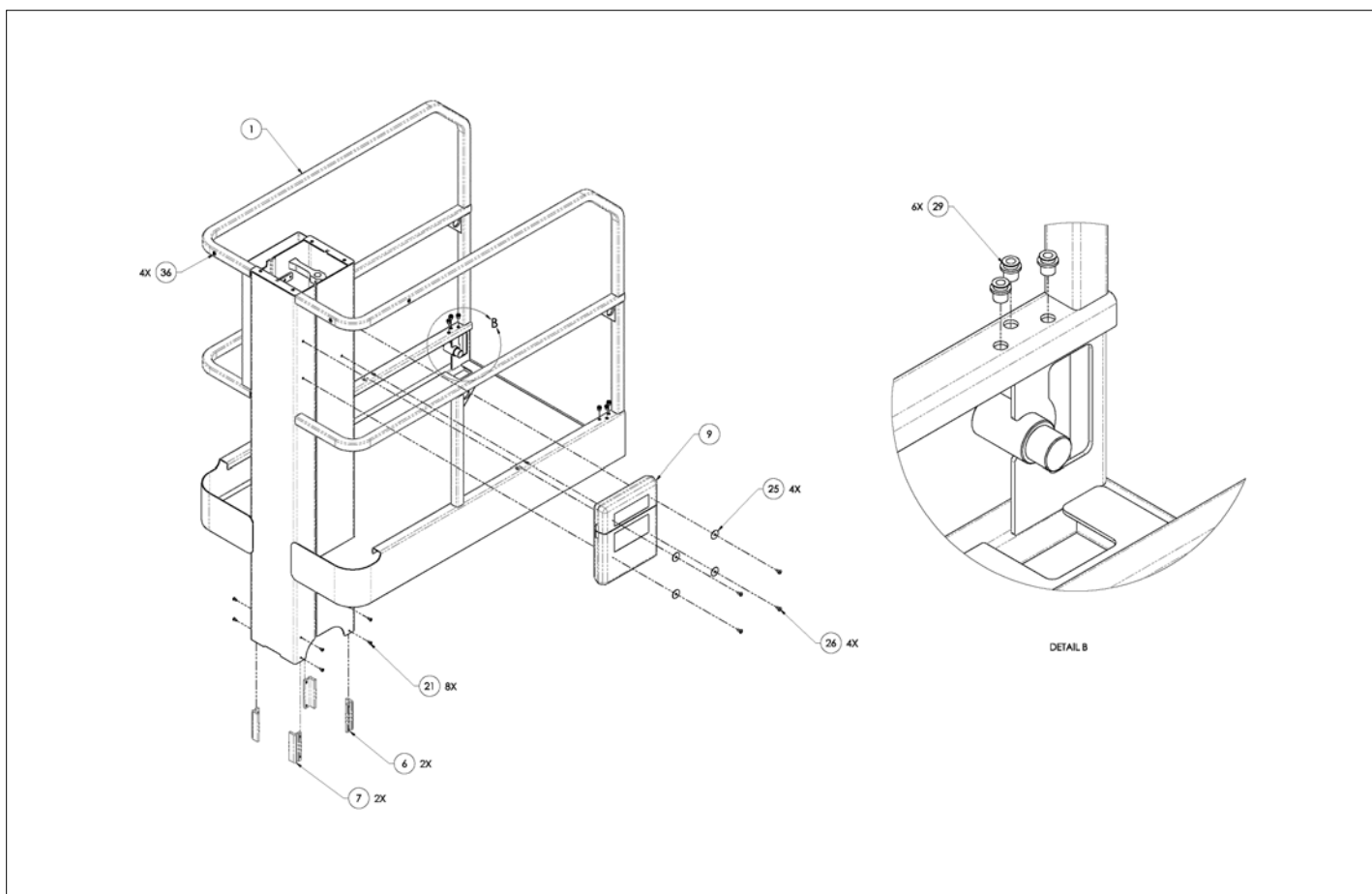


アイテム	部品番号	名前	数量	UOM
22	10504 080	SCREW, M8 1.25 BHCS X 80MM LG	8	EA
23	10939 010	LOCK NUT M8	12	EA
24	1502128	PLT,DOOR STOP SHIM	8	EA
25	10001220	NUTSERT M8 1.25 X 3.8 GRIP	12	EA
26	10404 022	BOLT M8 1.25 X 22MM	12	EA
27	10001219	NUTSERT M6 1.0 X 4.2 GRIP	12	EA
28	11015 008	WASHER M6 FLAT METRIC	8	EA
29	10502 016	BUTTON HEAD HEX M6 1.0 X 16MM	2	EA
30	10001221	WASHER M6 FLAT FENDER	4	EA
31	10000231	RIVET, 1/4 DIA .063 .250 THK	4	EA
32	10402 025	BOLT M6 1.0 X 25MM	6	EA
33	10000499	RIVET, 3/16 DIA .251 .375 THK	8	EA
34	10504 045	BUTTON HEAD HEX M8 1.25 X 45MM	2	EA
35	10504 060	BUTTON HEAD HEX M8 1.25 X 60MM	2	EA

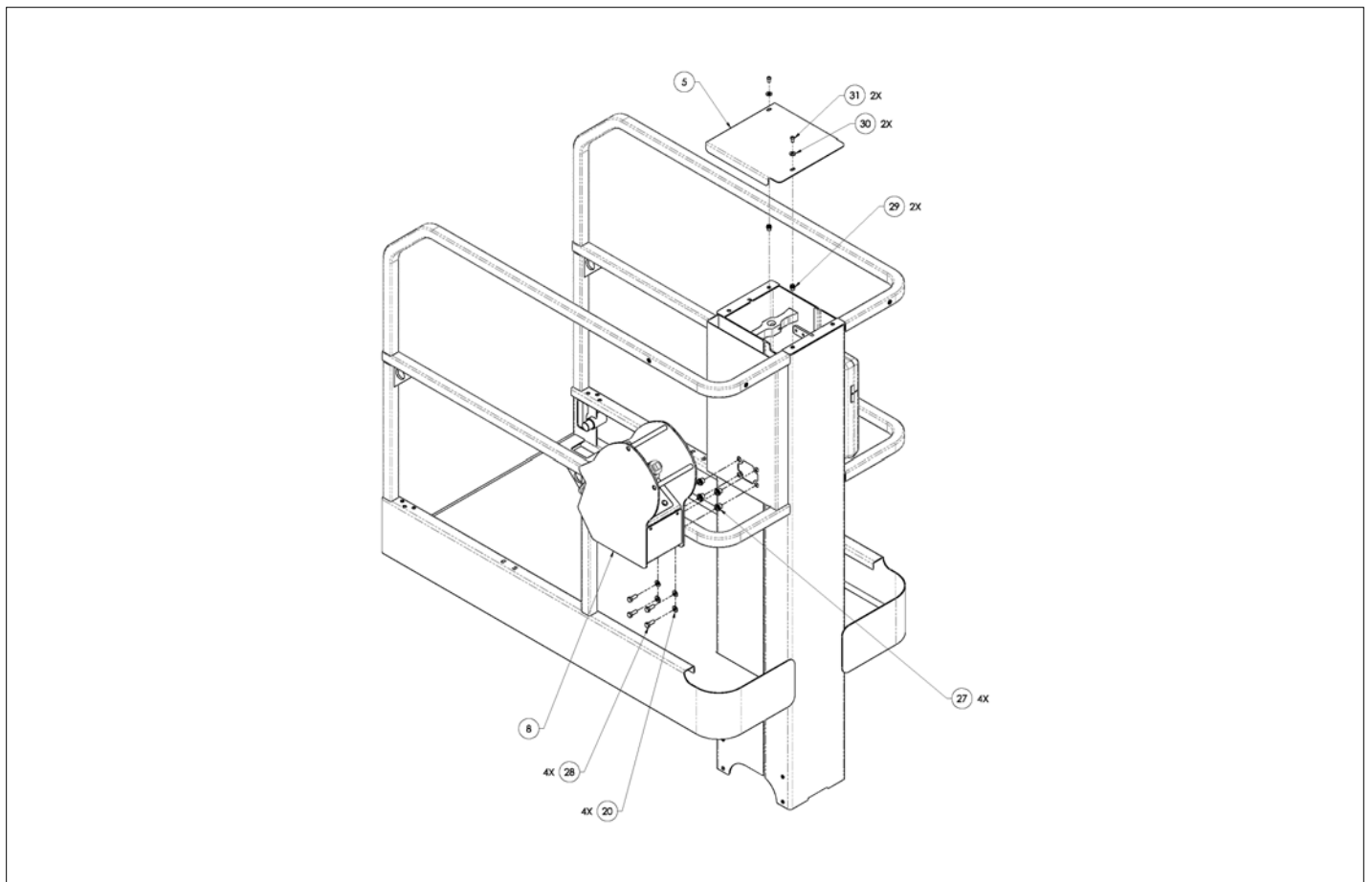




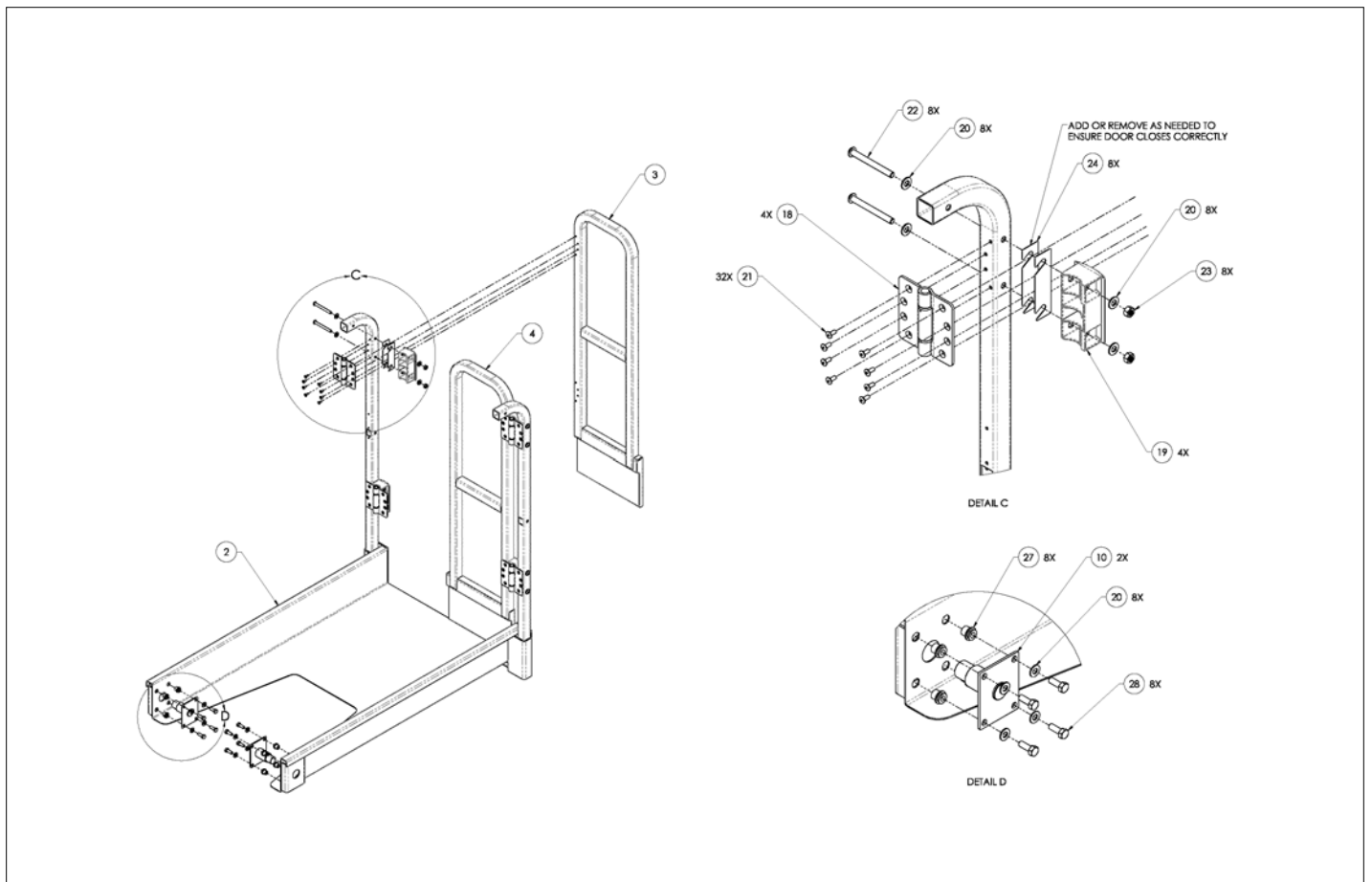
REPAIR PARTS



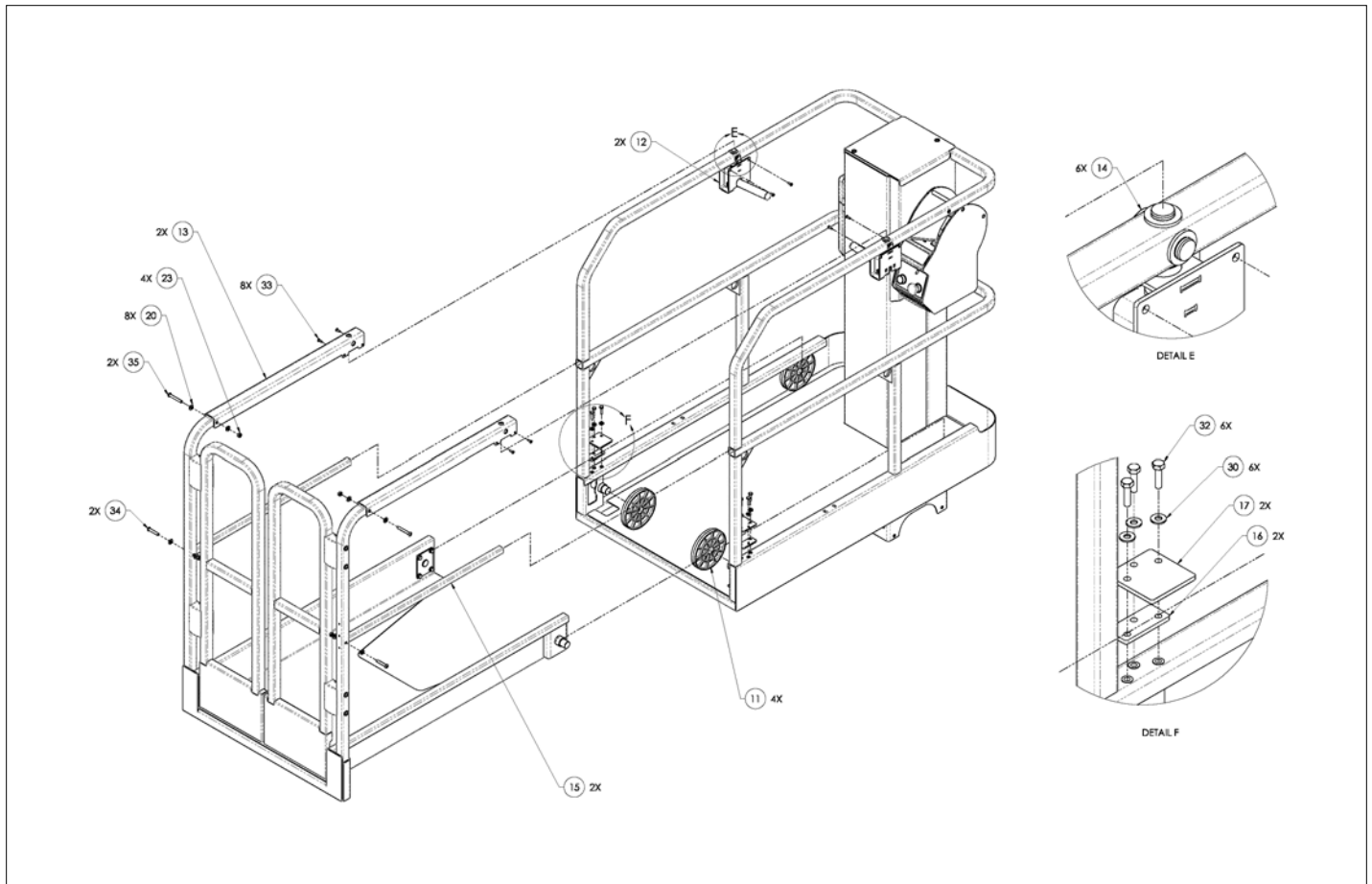
アイテム	部品番号	名前	数量	UOM
	10001108E	TM12E EXTENSION PLATFORM ASSEMBLY		EA
1	10001109	WLDMT, PLATFORM BASE TM12E	1	EA
2	10001110	WLDMT, PLATFORM EXT TM12E	1	EA
3	10001113 5	WLDMT, PLAT DOOR RT TM12E ORG	1	EA
4	10001112 5	WLDMT, PLAT DOOR LEFT TM12 ORG	1	EA
5	10001164	PLATE, PLATFORM MAST TOP COVER	1	EA
6	10001462	WEARPAD, MAST WIDE	2	EA
7	10001468	WEARPAD, MAST, SHORT, NARROW	2	EA
8	10001374	CONTROL BOX ASSY UPPER	1	EA
9	562386	Literature Compartment	1	EA
10	10000250	WLDMT, PLATFORM AXLE REAR ORG	2	EA
11	1502269	ROLLER, PLATFORM EXTENSION	4	EA
12	10016000	ASSY, EXTENSION LOCK	2	EA
13	10001131	PLATE, HANDRAIL TOP SLIDE	2	EA
14	5569973	SLIDE PAD, STICK ON OCTOBER 2017 AND BEFORE	6	EA
15	10001132	TUBE, HANDRAIL MID TELESCOPE	2	EA
16	10001062 5	PLATFORM KEEPER SPACER ORG	2	EA
17	10000256	PLATE PLATFORM KEEPER ORG	2	EA
18	5516359	HINGE, SPRING	4	EA
19	1501844	BUMPER, GATES	4	EA
20	11001 005	WASHER FW 0.3125	36	EA
21	10000231	RIVET, 1/4 DIA .063 .250 THK	40	EA



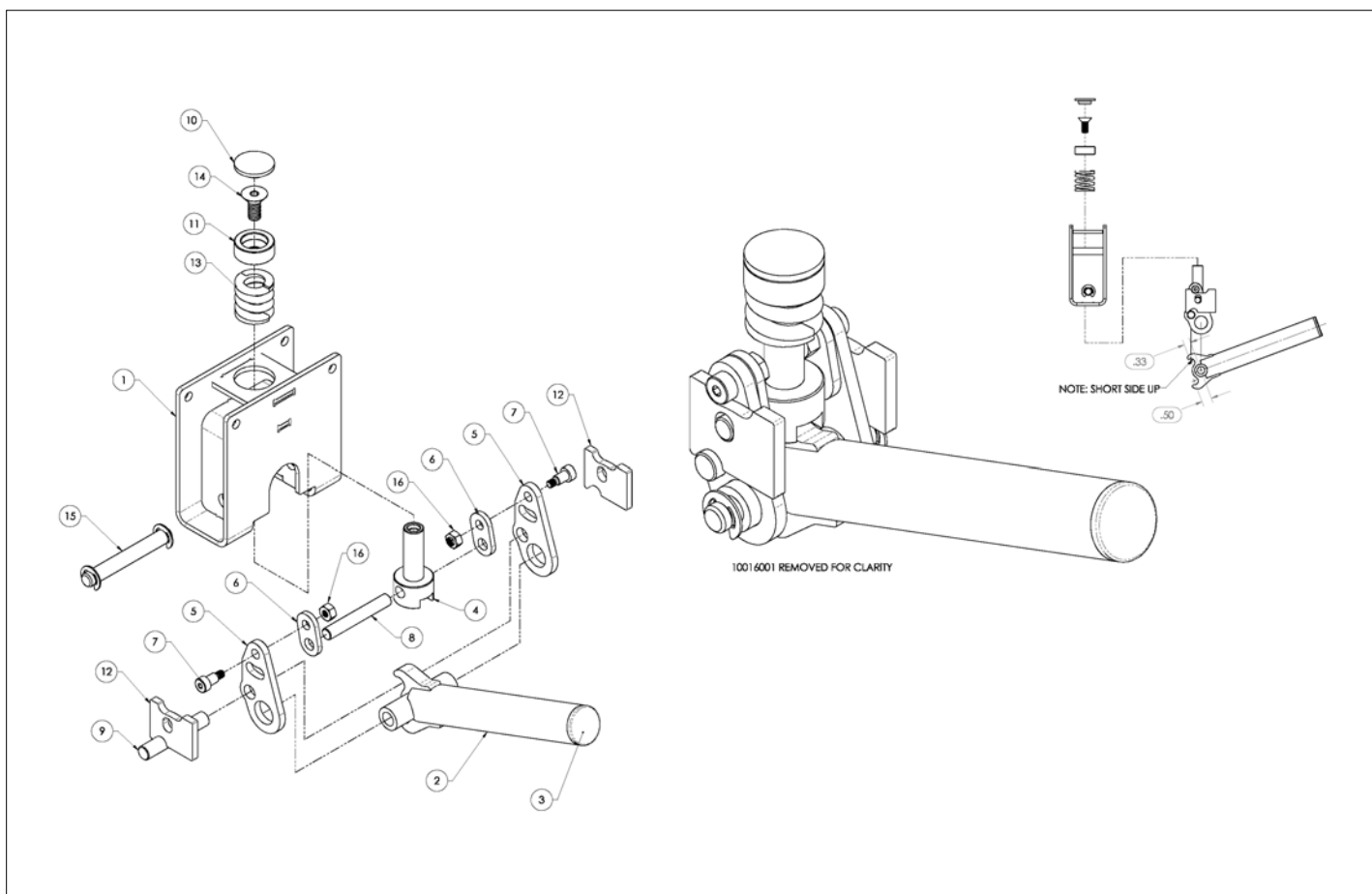
アイテム	部品番号	名前	数量	UOM
22	10102 024	SCREW 5/16 18UNC SBHC X 3.00	8	EA
23	10908 005	NUT 5/16 18 UNC HEX LOCK REG	12	EA
24	1502128	PLT,DOOR STOP SHIM	8	EA
25	11003 004	WASHER 1/4 FLAT FENDER	4	EA
26	10000231	RIVET, 1/4 DIA .063 .250 THK	4	EA
27	10928 009	NUTSERT 5/16 18UNC X .150 GRIP	12	EA
28	10001 007	SCREW 5/16 18UNC HHC X 3/4	12	EA
29	10928 007	NUTSERT 1/4 20UNC X .165	8	EA
30	11001 004	WASHER 1/4 SAE FLAT ASTM*	8	EA
31	10101 004	SCREW 1/4 20UNC SBHC X 1/2	2	EA
32	10000 008	SCREW 1/4 20UNC HHC X 1	6	EA
33	10000499	RIVET, 3/16 DIA .251 .375 THK	8	EA
34	10102 014	SCREW 5/16 18UNC SBHC X 1 3/4	2	EA
35	10102 018	SCREW 5/16 18UNC SBHC X 2 1/4	2	EA
36	10001219	NUTSERT M6 1.0 X 4.2 GRIP	4	EA





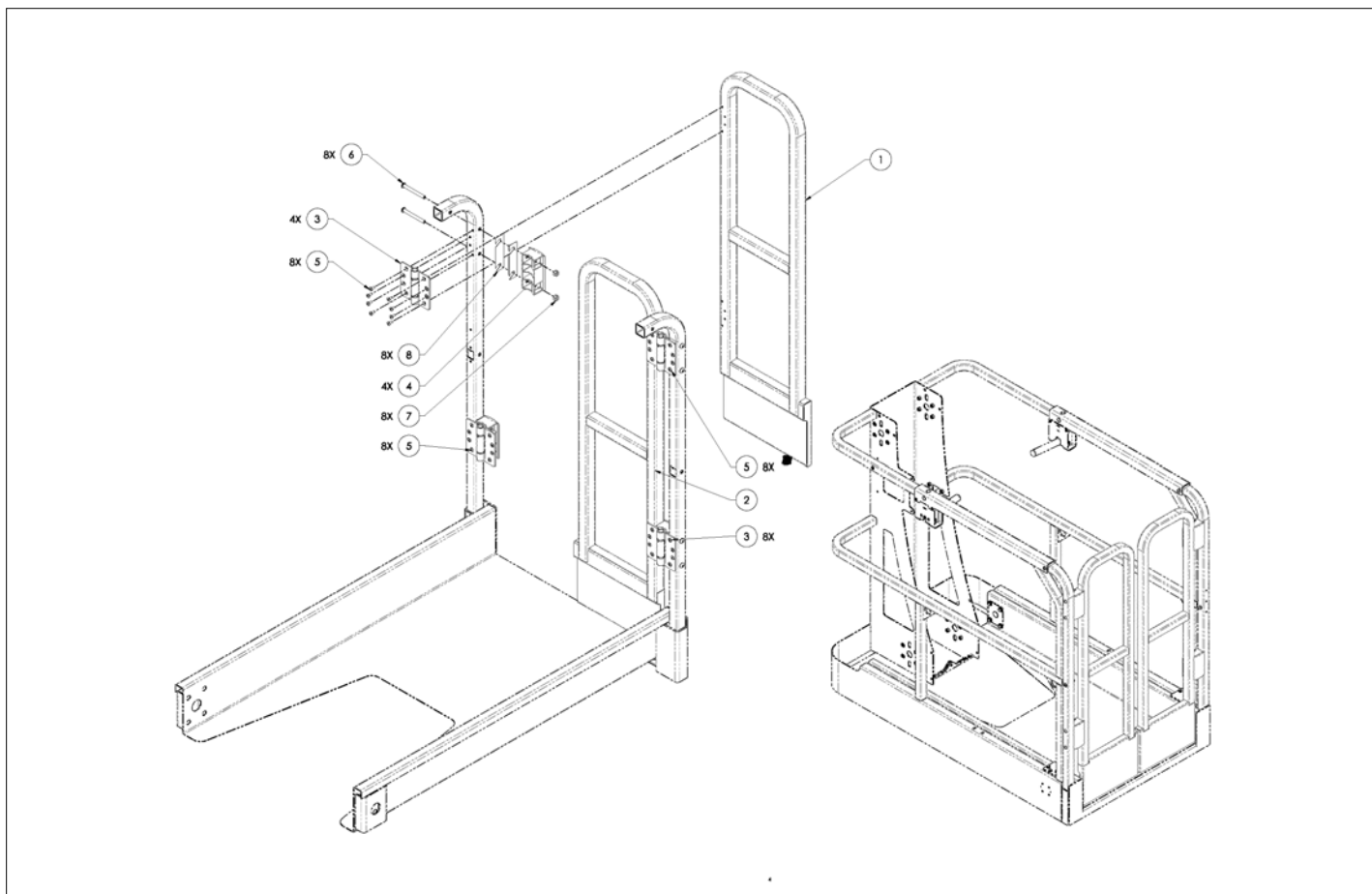


REPAIR PARTS



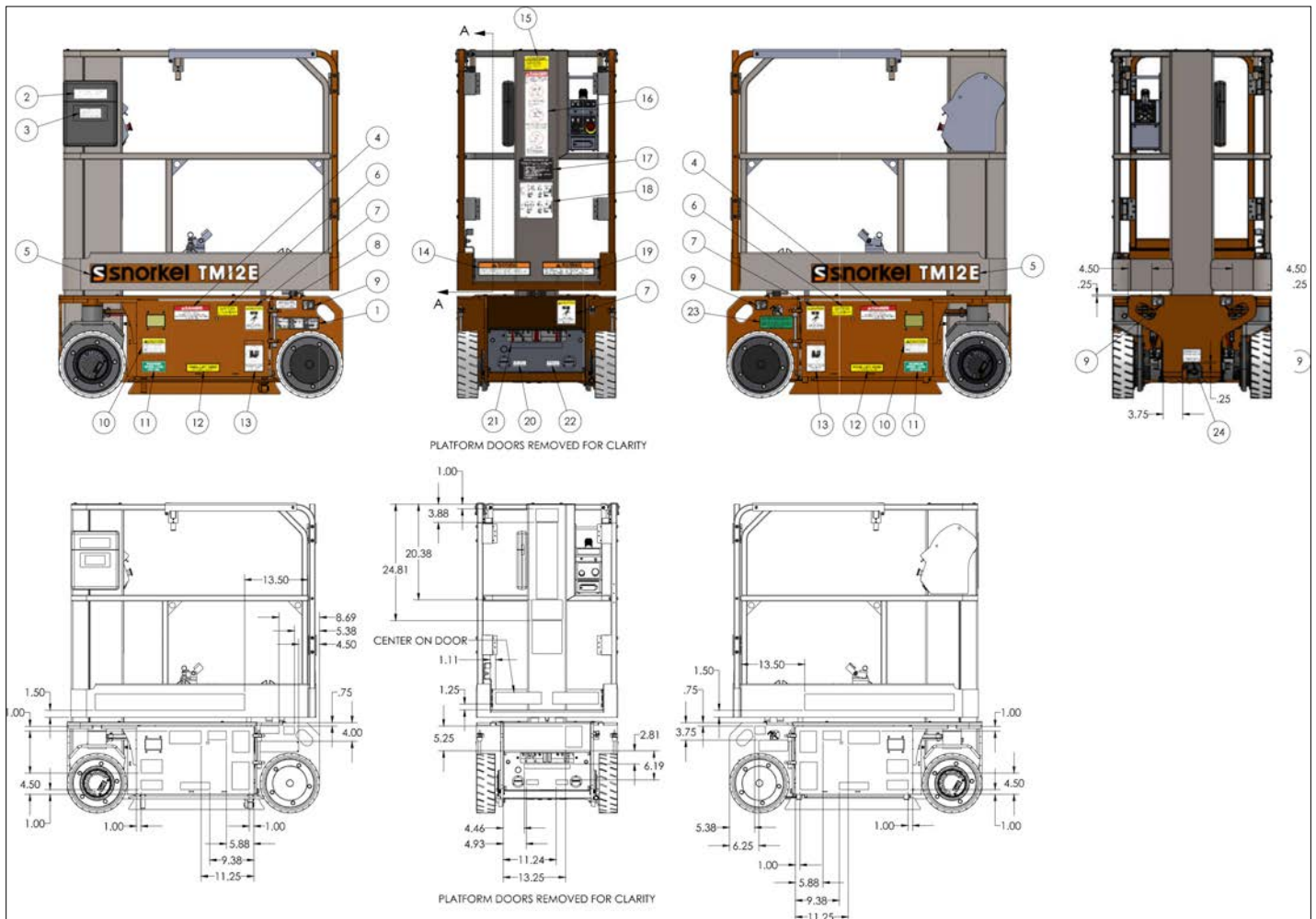
アイテム	部品番号	名前	数量	UOM
	10016000D	EXTENSION LOCK ASSEMBLY		EA
1	10016001	WELD, EXT LOCK MT	1	EA
2	10016002	WELD, EXT LOCK HANDLE	1	EA
3	5563451	PLUG TUBING 1.00 X .095	1	EA
4	10016009	EXT LOCK PLUNGER	1	EA
5	10016010	PLATE, EXT LOCK ROCKER	2	EA
6	10016011	PLATE, EXT LOCK LINK	2	EA
7	10016017	SHOULDER BOLT, 1/4 OD x 22/64L	2	EA
8	10016012	PIN, EXT LOCK PLUNGER	1	EA
9	10016013	PIN, EXT LOCK ROT	1	EA
10	5569973	SLIDE PAD, STICK ON OCTOBER 2017 AND BEFORE	1	EA
11	10016014	FRICTION PAD HOLDER	1	EA
12	10016015	PLATE, EXT LOCK VERT GUIDE	2	EA
13	10016016	SPRING, COMPRESSION, 1" OD x 0	1	EA
14	10016018	SCREW, FLATHEAD, 5/16 18 x 0.7	1	EA
15	10016019	PIN, CLEVIS, 3/8 DIA x 2.5 USA	1	EA
16	10000493	LOCKNUT, 10 32 FLEX TOP EXPAND	2	EA

REPAIR PARTS

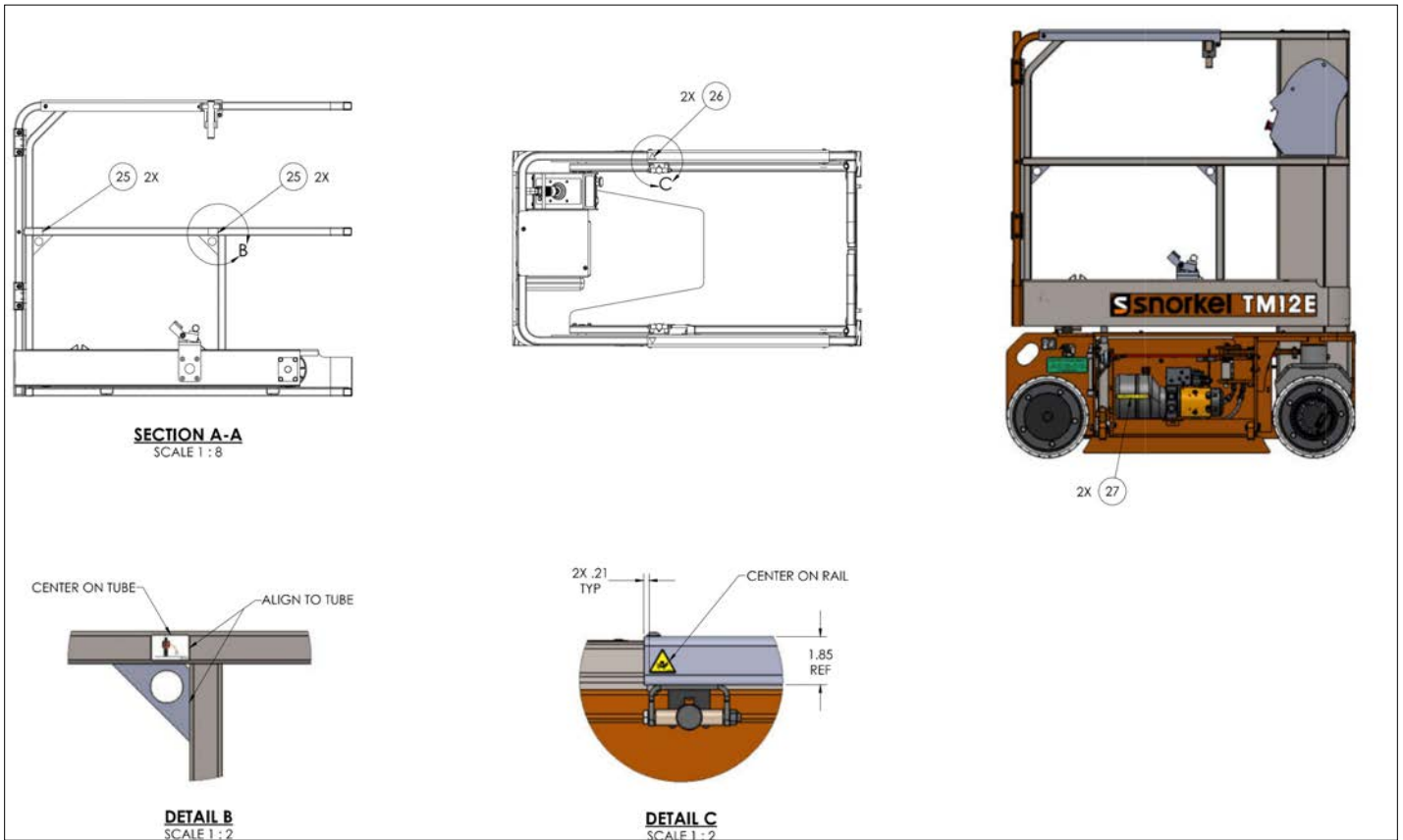


アイテム	部品番号	名前	数量	UOM
	10001470A	SALOON DOOR, ASSEMBLY		EA
1	10001113	WLDMT, PLAT DOOR RT TM12E ORG	1	EA
2	10001112	WLDMT, PLAT DOOR LEFT TM12 ORG	1	EA
3	5516359	HINGE, SPRING	4	EA
4	1501844	BUMPER, GATES	4	EA
5	10000231	RIVET, 1/4 DIA .063 .250 THK	32	EA
6	10504 075	BUTTON HEAD HEX M8 1.25 X 75MM	8	EA
7	10939 010	LOCK NUT M8	8	EA
8	1502128	PLT,DOOR STOP SHIM	8	EA

REPAIR PARTS



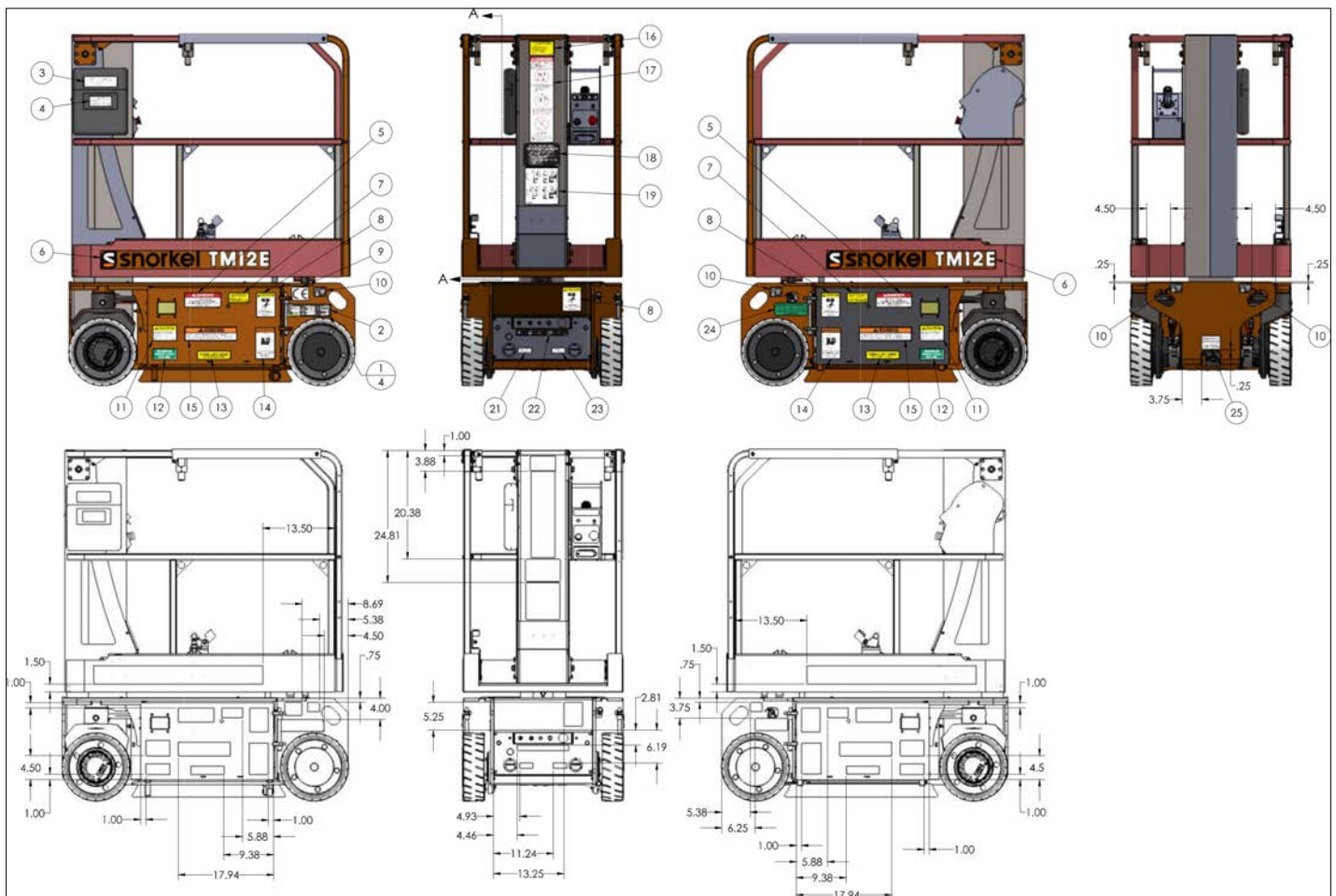
アイテム	部品番号	名前	数量	UOM
	10001083 D	DECAL KIT ANSI TM12E		EA
1	10000483	PLACARD, TM12E	1	EA
2	0073043	DECAL, OPERATING MANUAL ENCLOS	1	EA
3	0073224	DECAL, NOTICE MANUAL REORDER	1	EA
4	058534 000	DECAL, BATTERIES	2	EA
5	10000484	DECAL, LOGO "SNORKEL TM12E"	2	EA
6	005221 000	DECAL, BATTERY FLUID	2	EA
7	066556 000	DECAL, COLLISION HAZARD	3	EA
8	061220 006	DECAL, ANSI	1	EA
9	0083427	Decal, Lifting/Tie Down	4	EA
10	066555 000	DECAL, RELIEF VALVE	2	EA
11	101252 000	DECAL, MAX WHEEL LOAD (675lbs)	2	EA
12	014222 003	DECAL, FORK LIFT	2	EA
13	066556 001	DECAL, CRUSHING HAZARD	2	EA
14	508771 000	DECAL, DO NOT REMOVE COMPONENTS	1	EA
15	066554 000	DECAL, BEFORE OPERATING	1	EA
16	066550 001	DECAL, DANGER	1	EA
17	300699	Decal, Operators Checklist	1	EA
18	513859 102	DECAL, SWL ANSI / CE, PORTRAIT	1	EA
19	508772 000	DECAL, WARNING RESPONSIBILITIES	1	EA
20	066522 000	DECAL, BATTERY CHARGER	1	EA
21	10001368	DECAL LOWER CONTROLS	1	EA
22	10001002	DECAL, POWER TO PLATFORM	1	EA
23	10000485	DECAL, BATTERY DISCONNECT	1	EA
24	005223 005	DECAL, EMERGENCY DOWN	1	EA
25	1501676	DECAL, LANYARD ATTACHMENT	4	EA



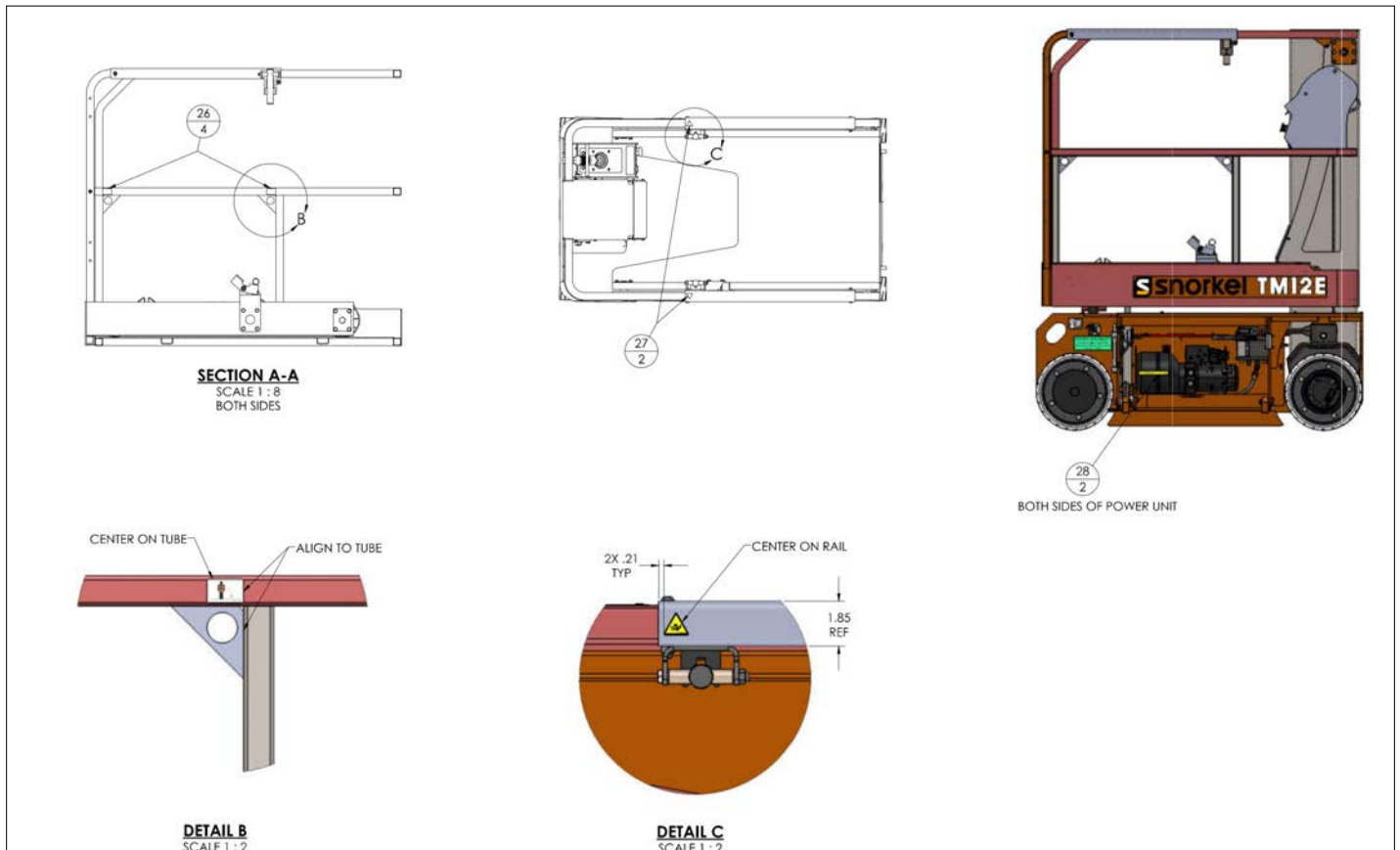


アイテム	部品番号	名前	数量	UOM
26	10001429	DECAL, PINCH POINT	2	EA
27	10001079	DECAL, HYDRAULIC FLUID	2	EA

REPAIR PARTS



アイテム	部品番号	名前	数量	UOM
	10001646 C	DECAL KIT LOADCELL TM12E		EA
1	10001081	SCREW NAIL NO 4X1/4L	4	EA
2	10001637	PLACARD, TM12E CE	1	EA
3	0073043	DECAL, OPERATING MANUAL ENCLOS	1	EA
4	0073224	DECAL, NOTICE MANUAL REORDER	1	EA
5	058534 000	DECAL, BATTERIES	2	EA
6	10000484	DECAL, LOGO "SNORKEL TM12E"	2	EA
7	005221 000	DECAL, BATTERY FLUID	2	EA
8	066556 000	DECAL, COLLISION HAZARD	3	EA
9	0162311	DECAL CE LOGO 3.25 X 2.50 BLAC	1	EA
10	0083427	Decal, Lifting/Tie Down	4	EA
11	066555 000	DECAL, RELIEF VALVE	2	EA
12	101252 000	DECAL, MAX WHEEL LOAD (675lbs)	2	EA
13	014222 003	DECAL, FORK LIFT	2	EA
14	066556 001	DECAL, CRUSHING HAZARD	2	EA
15	508771 000	DECAL, DO NOT REMOVE COMPONENTS	2	EA
16	066554 000	DECAL, BEFORE OPERATING	1	EA
17	066550 001	DECAL, DANGER	1	EA
18	300699	Decal, Operators Checklist	1	EA
19	513859 102	DECAL, SWL ANSI / CE, PORTRAIT	1	EA
20	508772 000	DECAL, WARNING RESPONSIBILITIES	1	EA
21	066522 000	DECAL, BATTERY CHARGER	1	EA
22	10001368	DECAL LOWER CONTROLS	1	EA
23	10001002	DECAL, POWER TO PLATFORM	1	EA
24	10000485	DECAL, BATTERY DISCONNECT	1	EA



アイテム	部品番号	名前	数量	UOM
25	005223 005	DECAL, EMERGENCY DOWN	1	EA
26	1501676	DECAL, LANYARD ATTACHMENT	4	EA
27	10001429	DECAL, PINCH POINT	2	EA
28	10001079	DECAL, HYDRAULIC FLUID	2	EA
29	515375 000	DECAL, GATE ENTRY	1	EA
30	515376 000	DECAL,GATE ENTRY,NO HAND PULL	6	EA



REPAIR PARTS

**NO IMAGE AVAILABLE  
(BOM FOR REFERENCE ONLY)**

アイテム	部品番号	名前	数量	UOM
	10001083SW B	TM 12E, DECAL KIT, SWEDISH		EA
1	10001079SW	DECAL, HYDRAULIC FLUID	2	EA
2	005221 000SW	DECAL, BATTERY FLUID	2	EA
3	005223 005SW	DECAL, EMERGENCY DOWN	1	EA
4	066554 000SW	DECAL, BEFORE OPERATING	1	EA
5	10000484	DECAL, LOGO "SNORKEL TM12E"	2	EA
6	513859 102	DECAL, SWL ANSI / CE, PORTRAIT	1	EA
7	061220 006SW	DECAL, ANSI	1	EA
8	058534 000SW	DECAL, BATTERIES	2	EA
9	066550 001SW	DECAL, DANGER	1	EA
10	014222 003SW	DECAL, FORK LIFT	2	EA
11	066555 000SW	DECAL, RELIEF VALVE	2	EA
12	10001368	DECAL LOWER CONTROLS	1	EA
13	066556 000SW	DECAL, COLLISION HAZARD	3	EA
14	066522 000SW	DECAL, BATTERY CHARGER	1	EA
15	101252 000SW	DECAL, MAX WHEEL LOAD 675 LBS	2	EA
16	066556 001SW	DECAL, CRUSHING HAZARD	2	EA
17	10000485SW	DECAL, BATTERY DISCONNECT	1	EA
18	300699SW	DECAL, OPERATORS CHECKLIST	1	EA
19	508771 000SW	DECAL, DO NOT REMOVE COMPONENTS	1	EA
20	508772 000SW	DECAL, WARNING RESPONSIBILITIES	1	EA
21	1501676	DECAL, LANYARD ATTACHMENT	4	EA
22	10001002SW	DECAL, POWER TO PLATFORM	1	EA
23	10001428SW	DECAL CSA	1	EA
24	10001429	DECAL, PINCH POINT	2	EA
25	0073043SW	DECAL, OPERATING MANUAL ENCLOS	1	EA



アイテム	部品番号	名前	数量	UOM
26	0073224SW	DECAL, NOTICE MANUAL REORDER	1	EA
27	0083427	Decal, Lifting/Tie Down	4	EA
28	10000483	PLACARD, TM12E	1	EA

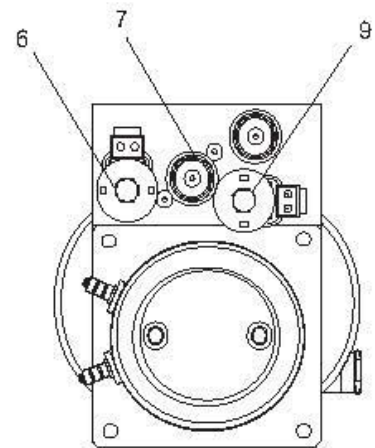
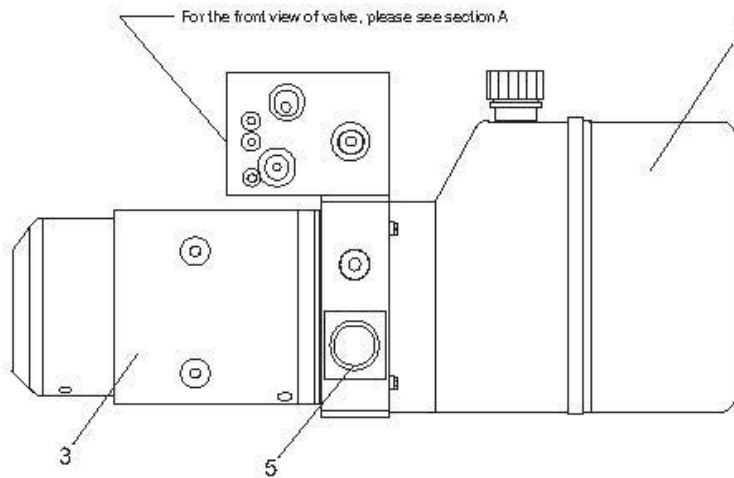
REPAIR PARTS

**NO IMAGE AVAILABLE  
(BOM FOR REFERENCE ONLY)**

アイテム	部品番号	名前	数量	UOM
	10001646DE	DECAL KIT CE GERMAN		EA
1	0083427	Decal, Lifting/Tie Down	4	EA
2	0162311	DECAL CE LOGO 3.25 X 2.50 BLAC	1	EA
3	1501676	DECAL, LANYARD ATTACHMENT	4	EA
4	10000484	DECAL, LOGO "SNORKEL TM12E"	2	EA
5	10001368	DECAL LOWER CONTROLS	1	EA
6	10001429	DECAL, PINCH POINT	2	EA
7	005221 000DE	DECAL, BATTERY FLUID	2	EA
8	005223 005DE	DECAL, EMERGENCY DOWN	1	EA
9	0073043DE	DECAL OPERATING INFORMATION IN	1	EA
10	0073224DE	DECAL, MANUAL REORDER	1	EA
11	014222 003DE	DECAL, FORK LIFT	2	EA
12	058534 000DE	DECAL, BATTERIES	2	EA
13	066522 000DE	DECAL, BATTERY CHARGER	1	EA
14	066550 001DE	DECAL, DANGER	1	EA
15	066554 000DE	DECAL, BEFORE OPERATING	1	EA
16	066555 000DE	DECAL, RELIEF VALVE	2	EA
17	066556 000DE	DECAL, COLLISION HAZZARD	3	EA
18	066556 001DE	DECAL, CRUSHING HAZARD	2	EA
19	10000485DE	DECAL, BATTERY DISCONNECT	1	EA
20	10001002DE	DECAL, POWER TO PLATFORM	1	EA
21	10001079DE	DECAL, HYDRAULIC FLUID	2	EA
22	10001637DE	PLACARD, TM12E CE	1	EA
23	101252 000DE	DECAL, MAX WHEEL LOAD (675LBS)	2	EA
24	300699DE	DECAL, OPERATORS CHECKLIST	1	EA
25	508771 000DE	DECAL, DO NOT REMOVE COMPONENT	1	EA
26	508772 000DE	DECAL, WARNING RESPONSIBILITIE	1	EA

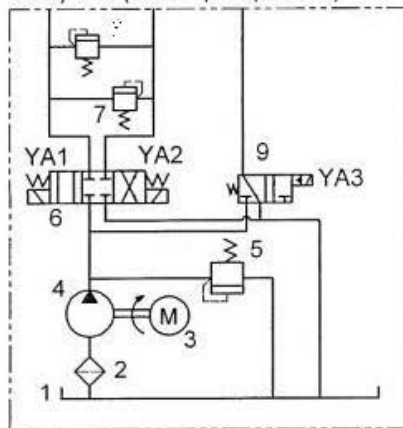
アイテム	部品番号	名前	数量	UOM
27	513859 102	DECAL,SWL ANSI / CE, PORTRAIT	1	EA
28	10016036DE	TM12E/TM16E CE GERMAN OPERATOR	1	EA

HYDRAULICS



SECTION A

A (SAE6#) B (SAE6#) C (SAE6#)



HYDRAULIC SCHEMATIC

10001103 B

アイテム	部品番号	名前	数量	UOM
	10001103 B	HYDRAULIC POWER UNIT		EA
1	10001254	HYDRAULIC TANK, 3L	1	EA
2	10001247	SUCTION FILTER	1	EA
3	10001248	MOTOR, 24VDC	1	EA
4	10001219	NUTSERT M6 1.0 X 4.2 GRIP	1	EA
5	10001250	SYSTEM RELIEF, 2000 PSI	1	EA
6	10001251	SOLENOID VALVE, 4 WAY, 3 POSITION, 24VDC (COIL/CARTRIDGE)	1	EA
	6092090	CARTRIDGE (ONLY)	1	EA
	6092092	COIL 24VDC (ONLY)	1	EA
7	10001252	RELIEF, 800 PSI	2	EA
9	10001253	SOLENOID VALVE, 3 WAY, 2 POSITION, 24VDC (COIL/CARTRIDGE)	1	EA
	6092091	CARTRIDGE (ONLY)	1	EA
	6092092	COIL 24VDC (ONLY)	1	EA

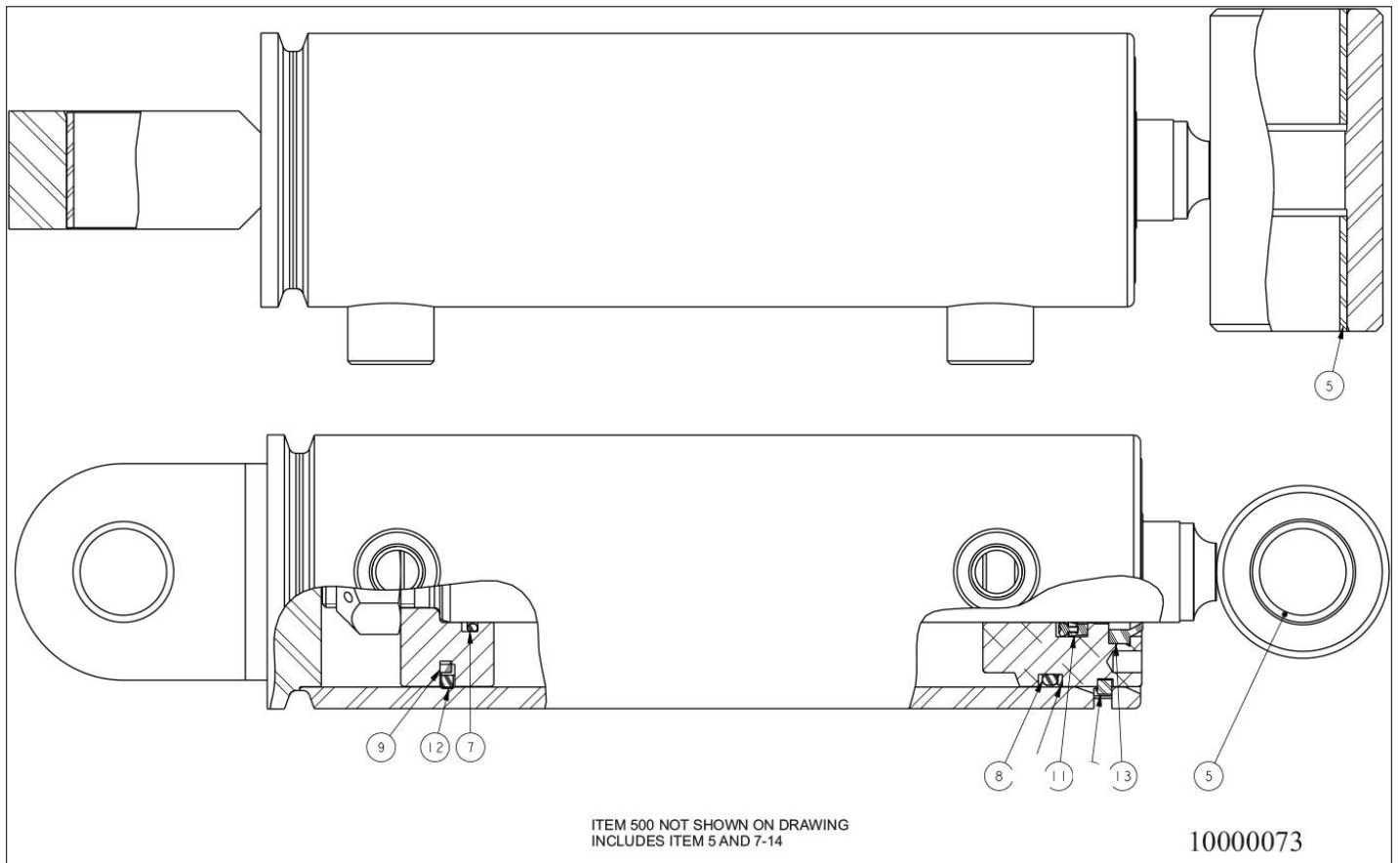
HYDRAULICS

**NO IMAGE AVAILABLE  
(BOM FOR REFERENCE ONLY)**

アイテム	部品番号	名前	数量	UOM
	10001363A	TM HOSES		EA
1	12000 019	HOSE ASSY 4 4STR X 4ST4 X 19	1	EA
2	12001 011	HOSE ASY 4 4/45 X 4STR X 11	1	EA
3	12004 022	HOSE ASY 6 6STR X 6STR X 22	1	EA

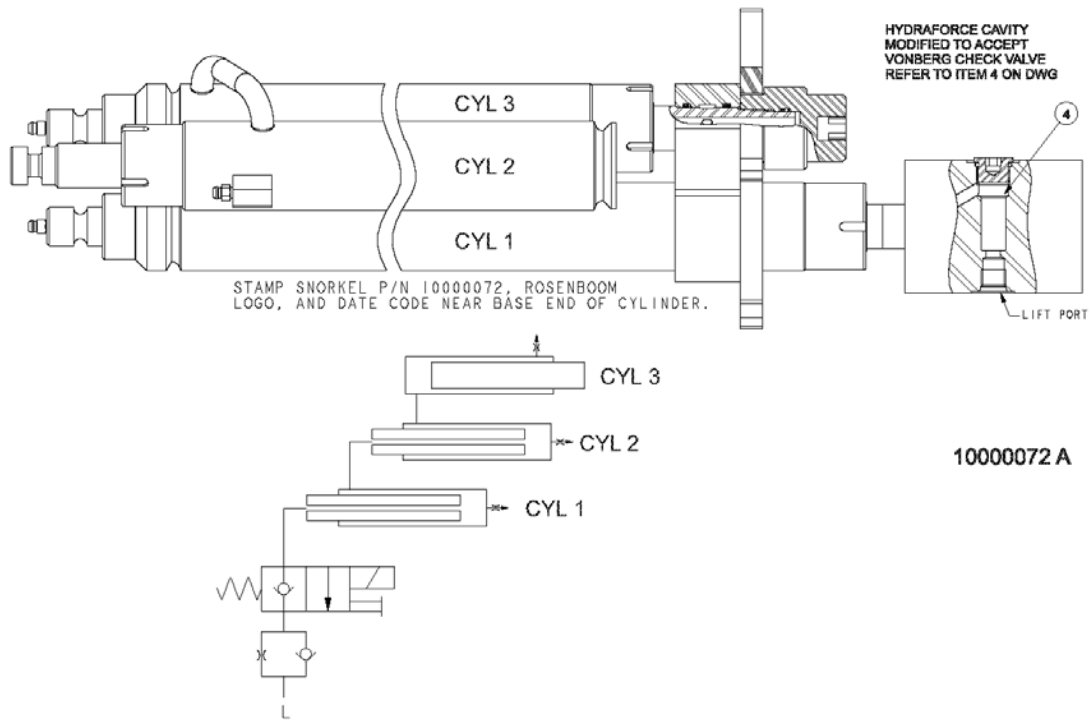


HYDRAULICS



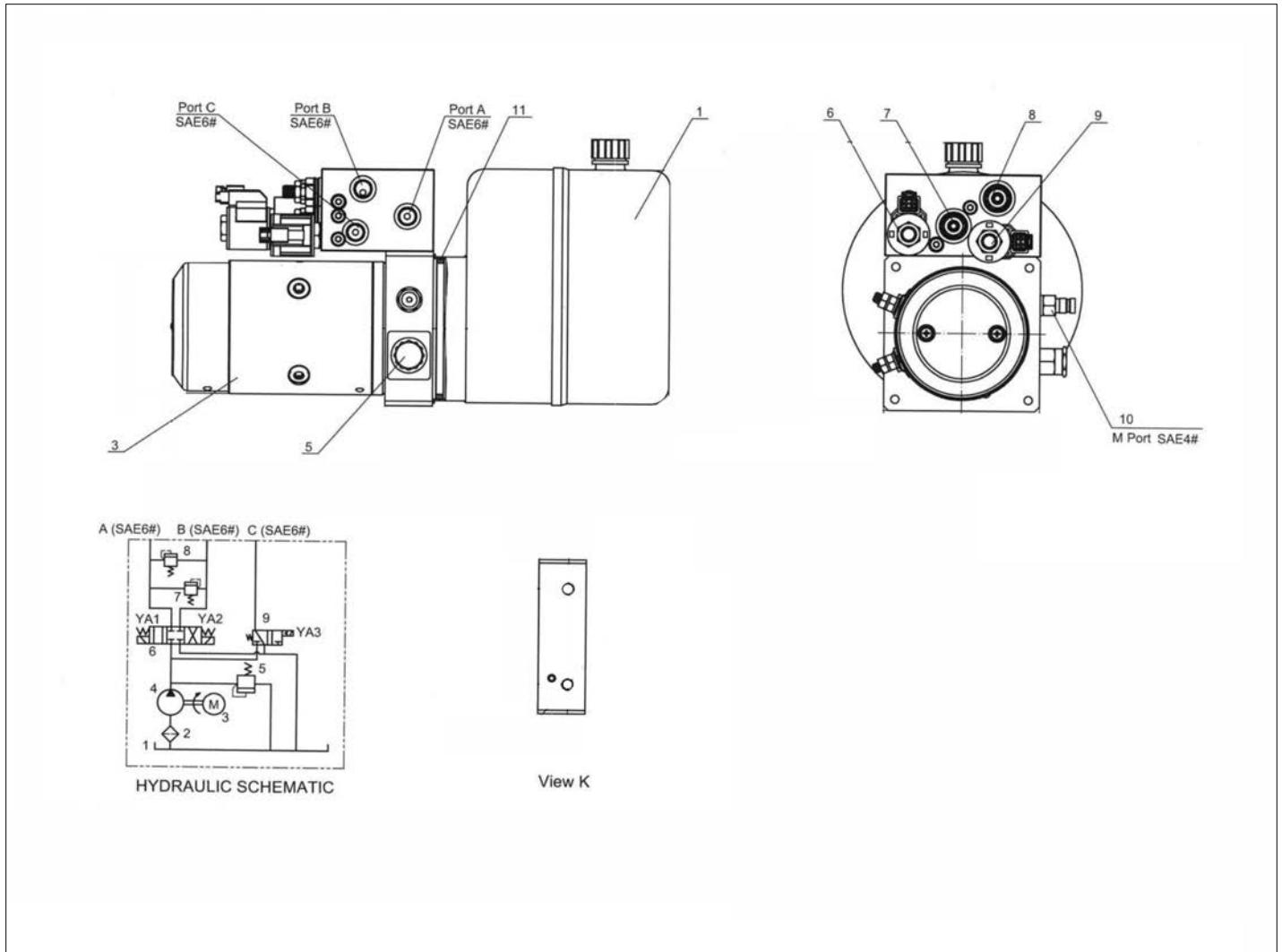
アイテム	部品番号	名前	数量	UOM
	10000073A	CYLINDER, STEER		EA
5	10001246	BUSHING	3	EA
500	10001245	SEAL KIT	1	EA
7	KIT ITEM	O RING	1	EA
8	KIT ITEM	O RING	1	EA
9	KIT ITEM	SQUARE RING	1	EA
10	KIT ITEM	BACKUP RING	1	EA
11	KIT ITEM	DEEP Z SEAL	1	EA
12	KIT ITEM	SQUARE SECTION TEE PISTON SEAL	1	EA
13	KIT ITEM	HD ROD WIPER SEAL	1	EA
14	KIT ITEM	SQUARE WRAP IN WIRE	1	EA

HYDRAULICS



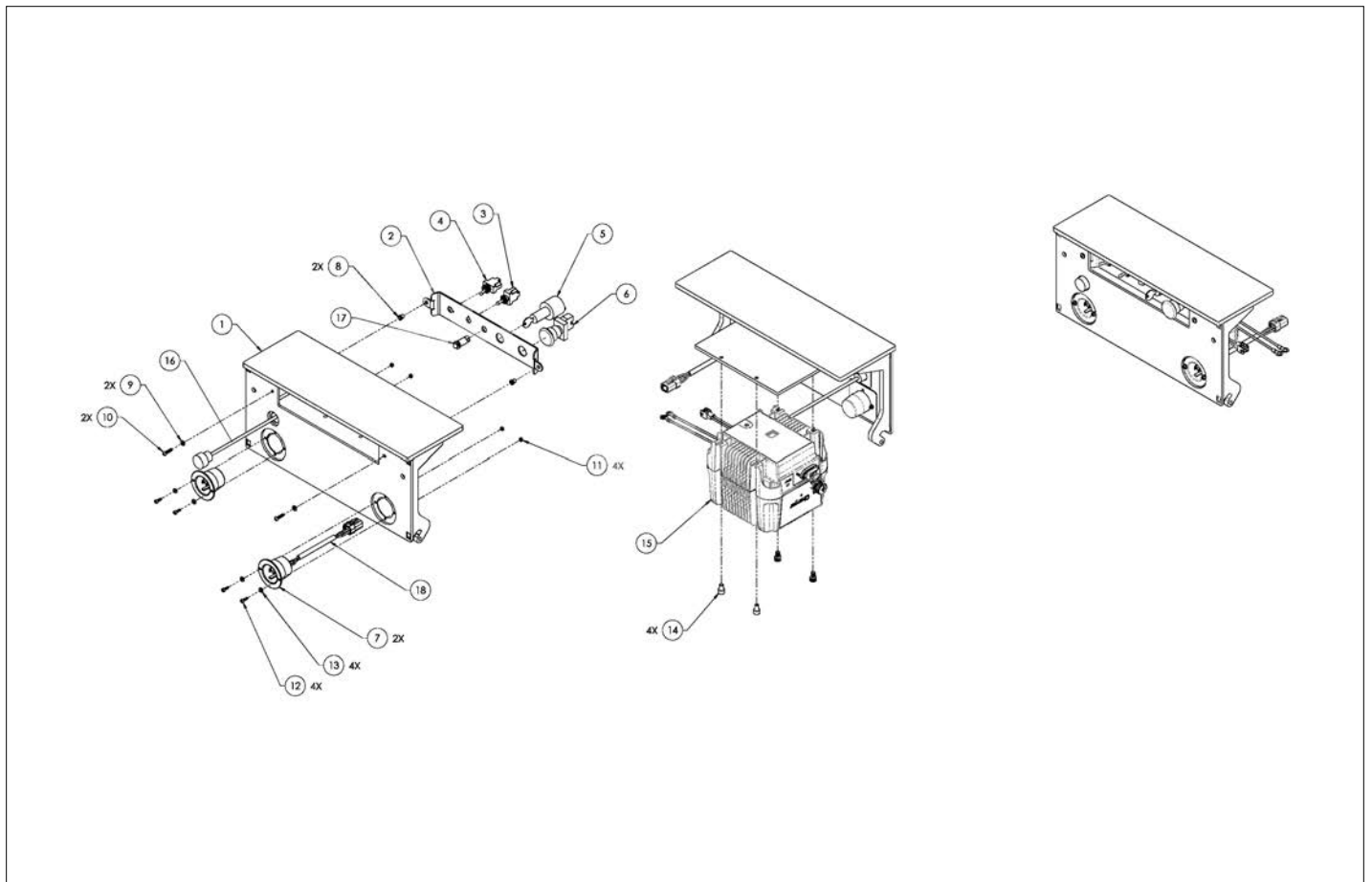
アイテム	部品番号	名前	数量	UOM
	10000072 B	TM12E LIFT CYLINDER		EA
4	10001241	CHECK VALVE CARTRIDGE	1	EA
	10001242	SEAL KIT FOR CYLINDER 2	1	EA
	10001243	SEAL KIT FOR CYLINDER 3	1	EA
	10001244	SEAL KIT FOR ALL THREE CYLINDERS	1	EA

HYDRAULICS



アイテム	部品番号	名前	数量	UOM
	10001572 B	HYDRAULIC POWER UNIT WUXI		EA
1	6092089	STEEL TANK 4L	1	EA
2	10001247	SUCTION FILTER	1	EA
3	10001248	MOTOR, 24VDC	1	EA
4	10001219	NUTSERT M6 1.0 X 4.2 GRIP	1	EA
5	10001250	SYSTEM RELIEF, 2000 PSI	1	EA
6	10001251	SOLENOID VALVE, 4 WAY, 3 POSITION, 24VDC (COIL/CARTRIDGE)	1	EA
Not Shown	6092092	COIL 24VDC (ONLY)	1	EA
Not Shown	6092090	CARTRIDGE (ONLY)	1	EA
7	10001252	RELIEF, 800 PSI	1	EA
8	10001252	RELIEF, 800 PSI	1	EA
9	10001253	SOLENOID VALVE, 3 WAY, 2 POSITION, 24VDC (COIL/CARTRIDGE)	1	EA
Not Shown	6092091	CARTRIDGE (ONLY)	1	EA
Not Shown	6092092	COIL 24VDC (ONLY)	1	EA
10	PNNA	HYDRAULIC OIL RESERVOIR MOUNTING	1	EA
11	7119946	O RING, 10001572	1	EA

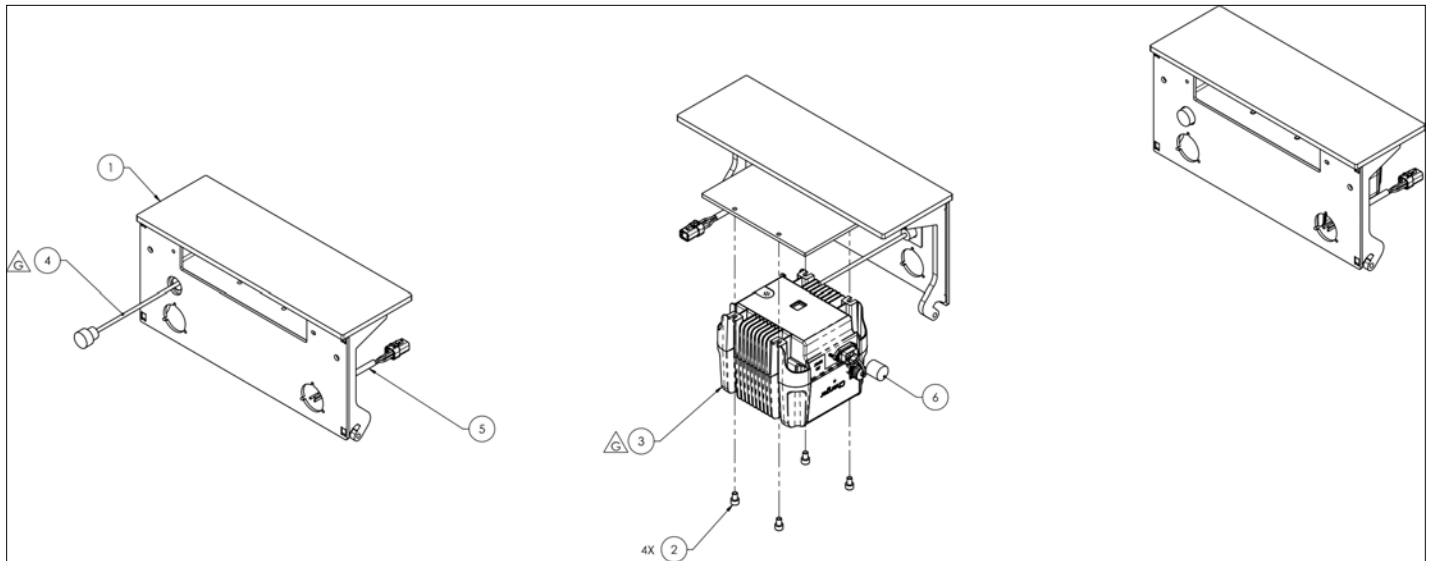
ELECTRICAL



アイテム	部品番号	名前	数量	UOM
	10001240D	STEP ASSEMBLY SEPTEMBER 2017 AND BEFORE		EA
1	10001370	WLDMT, STEP	1	EA
2	10001372	PANEL, STEP CONTROL	1	EA
3	13158 003	SPDT, (MOM OFF MOM), MICRO SW	1	EA
4	13158 005	SPDT, 1NT1 6 (MOM OFF), MICRO SW	1	EA
5	3020087	KEY SWITCH	1	EA
	8030044	REPLACEMENT KEY	1	EA
6	510524 000	PUSH/PULL SW ASSY W/NC CONTACT	1	EA
	09 1933	CONTACT BLOCK (NC)	1	EA
7	12561 000	RECESSED OUTLET	1	EA
8	10001218	NUTSERT M5 0.8 X 3.3 GRIP	3	EA
9	11015 007	WASHER M5	3	EA
10	10501 020	BUTTON HEAD HEX M5 0.8 X 20MM	3	EA
11	10939 006	LOCK NUT, M4	4	EA
12	10420 012	SHCS M4 0.7 X 12MM	4	EA
13	11015 006	WASHER M4	4	EA
14	10424 012	SHCS, M8 1.25 X 12mm	4	EA
15	515098 000	CHARGER 24vdc, PYLON ( SN 01 01412)	1	EA
16	515098 001	WIRE ASSEM, CHARGER LED, PYLON ( SN 01 01412 +)	1	EA
17	302829	LIGHT RED 24VDC BEZEL MOUNT	1	EA
18	10001163	HARNESS, TM CHASSIS AC	1	EA



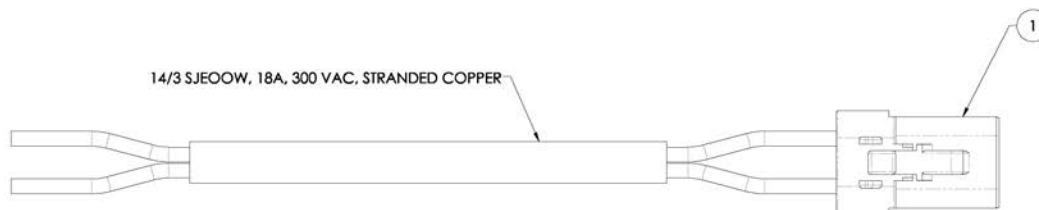
ELECTRICAL



アイテム	部品番号	名前	数量	UOM
	10001240 G	STEP ASSEMBLY NOVEMBER 2018 AND AFTER		EA
1	10001370	WLDMT, STEP	1	EA
2	10424 012	SHCS, M8 1.25 X 12mm	4	EA
3	516175 000	BATTERY CHARGER PYLON	1	EA
4	516175 001	CHARGER DIAL CABLE	1	EA
5	10001463	HARNESS, TM CHASSIS, AC	1	EA
6	1450303	AC POWER CORD	1	EA

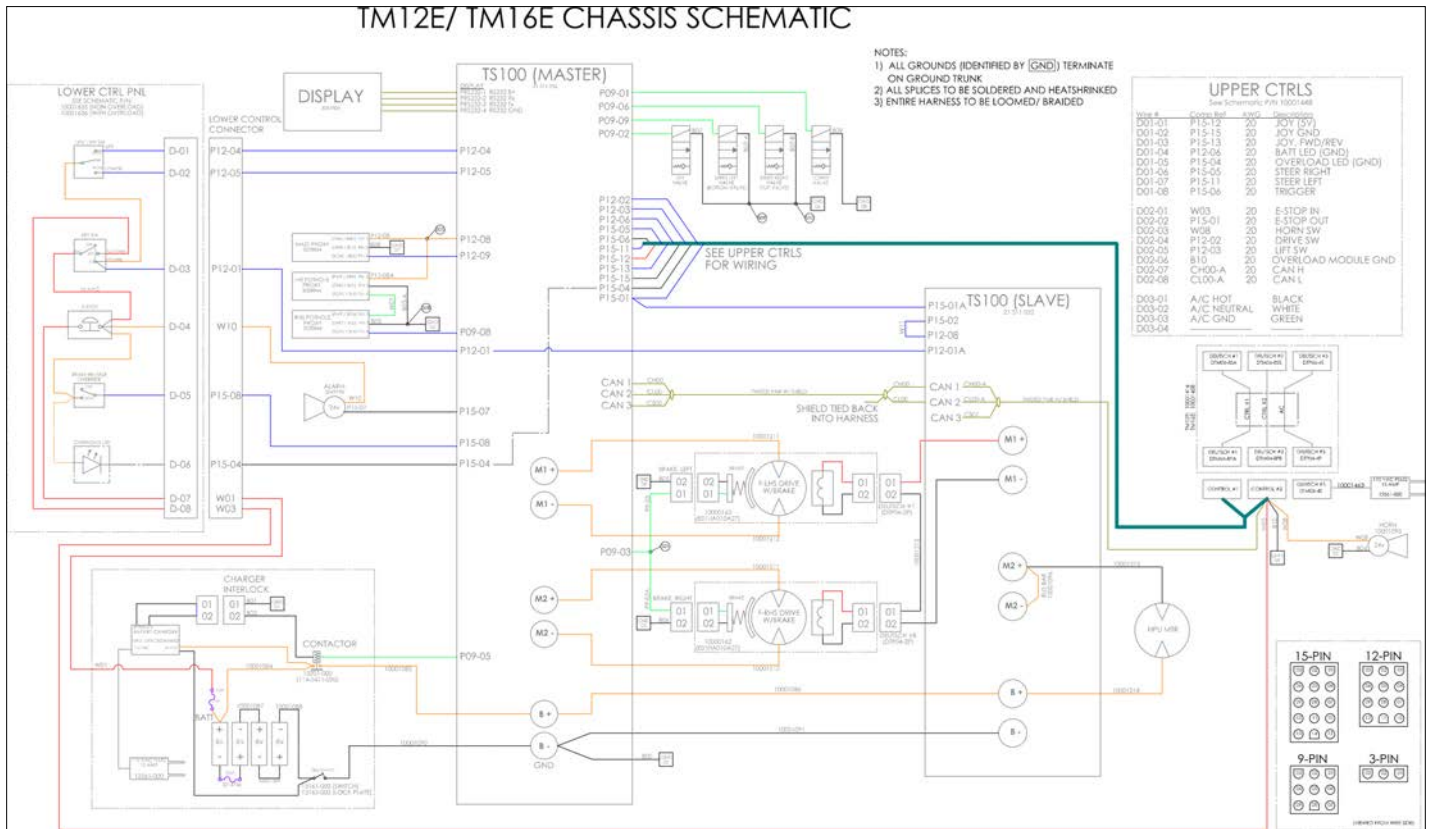
ELECTRICAL

WIRE SPEC		CONNECTOR	
AWG	COLOR	DESCRIPTION	DTP06-4S
14	BLACK	HOT	1
14	WHITE	NEUTRAL	2
14	GREEN	GND	3
-	-	-	4

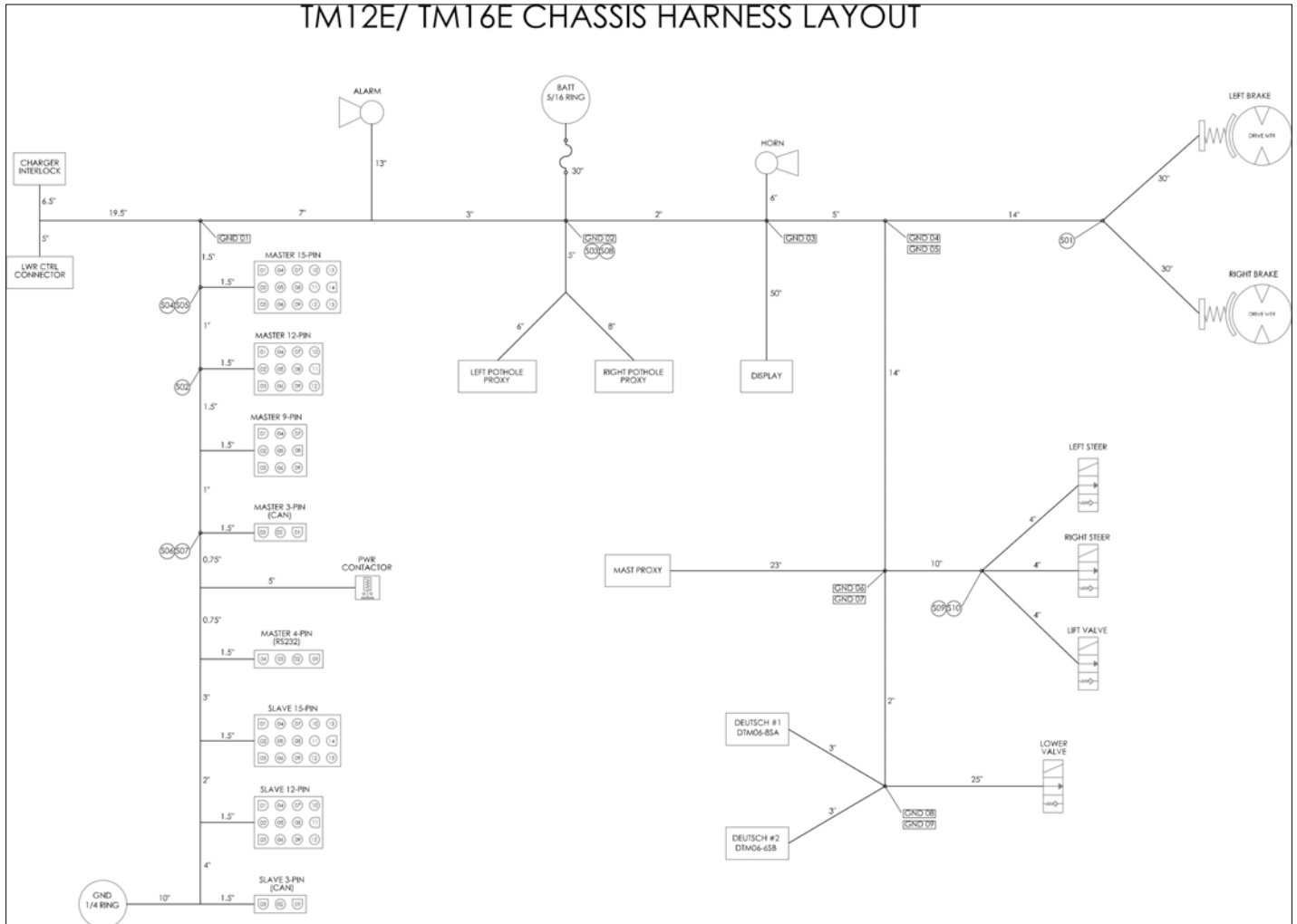


アイテム	部品番号	名前	数量	UOM
	10001463A	TM CHASSIS HARNESS AC		EA
1	12555 011	DEUTSCH, 4 PIN, MALE PLUG	1	EA

ELECTRICAL



アイテム	部品番号	名前	数量	UOM
	10001630 C	CHASSIS HARNESS		EA



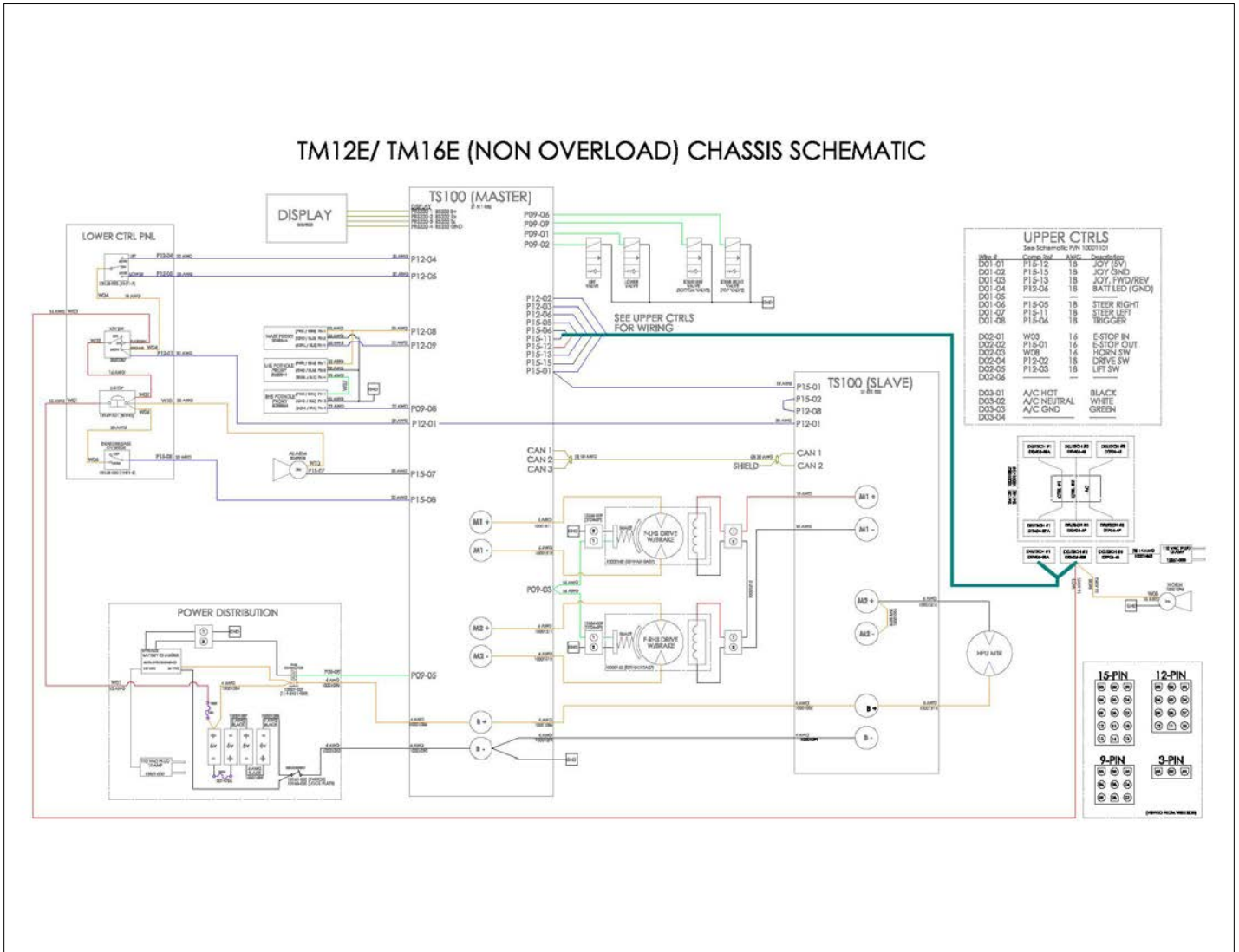
WIRES							
WIRE #	WIRE			CONNECTOR 1		CONNECTOR 2	
	DESCRIPTION	AWG	COLOR	DESCRIPTION	LOC	DESCRIPTION	LOC
W01	PWR, LWR CTRL	12	RED	LOWER CTRL	07	BATT	-
W03	PWR, UPPER CTRL	16	RED	LOWER CTRL	08	CONTROL #2	01
W07	POTHOLE SGNL JUMPER	20	BROWN	POTHOLE PROXY (LEFT)	04	POTHOLE PROXY (RIGHT)	01
W08	HORN SGNL	18	WHITE	CONTROL #2	03	HORN	B+
W10	ALARM POWER	20	RED	LOWER CTRL	04	ALARM	B+
W11	COMPUTER ID	20	WHITE	SLAVE COMPUTER P12	08	SLAVE COMPUTER P15	02
P9-01	LOWER SGNL	20	WHITE	VALVE, LOWER	01	MASTER COMPUTER P9	01
P9-02	LIFT SGNL	20	WHITE	VALVE, LIFT	01	MASTER COMPUTER P9	02
P9-03	BRAKE RELEASE	18	WHITE	BRAKE, LEFT	01	MASTER COMPUTER P9	03
P9-03A	BRAKE RELEASE JUMPER	18	WHITE	SPLICE	01	BRAKE RIGHT	01
P9-05	CONTACTOR SGNL	20	WHITE	CONTACTOR	B+	MASTER COMPUTER P9	05
P9-06	STEER RIGHT SGNL	20	WHITE	VALVE, STEER RIGHT	01	MASTER COMPUTER P9	06
P9-08	POTHOLE PROXY SGNL	20	BLACK	POTHOLE PROXY (RIGHT)	04	MASTER COMPUTER P9	08
P9-09	STEER LEFT SGNL	20	WHITE	VALVE, STEER LEFT	01	MASTER COMPUTER P9	09
P12-01	GROUND SGNL	20	WHITE	LOWER CTRL	03	MASTER COMPUTER P12	01
P12-01A	GROUND SGNL JUMPER	20	WHITE	SPLICE	02	SLAVE COMPUTER P12	01
P12-02	DRIVE SW SGNL	20	WHITE	CONTROL #2	04	MASTER COMPUTER P12	02
P12-03	LIFT SW SGNL	20	WHITE	CONTROL #2	05	MASTER COMPUTER P12	03
P12-04	LIFT SIGNAL	20	WHITE	LOWER CTRL	01	MASTER COMPUTER P12	04
P12-05	LOWER SIGNAL	20	WHITE	LOWER CTRL	02	MASTER COMPUTER P12	05
P12-06	BATT LED SGNL (GND)	20	BLACK	CONTROL #1	04	MASTER COMPUTER P12	06
P12-08	PWR, +5VDC	20	BROWN	MAST PROXY	01	MASTER COMPUTER P12	08
P12-08A	PWR, +5VDC JUMPER	20	BROWN	SPLICE	03	POTHOLE PROXY (LEFT)	01
P12-09	MAST PROXY SGNL	20	BLACK	MAST PROXY	04	MASTER COMPUTER P12	09
P15-01	UPPER CTRL SGNL	20	WHITE	CONTROL #2	02	MASTER COMPUTER P15	01
P15-01A	UPPER CTRL SGNL, JUMPER	20	WHITE	SPLICE	04	SLAVE COMPUTER P15	01
P15-04	OVERLOAD LED LWR	20	BLACK	LOWER CTRL	06	MASTER COMPUTER P15	04
P15-04A	OVERLOAD LED UPPER	20	BLACK	SPLICE	05	CONTROL #1	05
P15-05	STEER RIGHT SW SGNL	20	WHITE	CONTROL #1	06	MASTER COMPUTER P15	05
P15-06	PLATFORM TRIGGER	20	WHITE	CONTROL #1	08	MASTER COMPUTER P15	06
P15-07	ALARM SGNL	20	BLACK	ALARM	B-	MASTER COMPUTER P15	07
P15-08	BRAKE OVERRIDE SGNL	20	WHITE	LOWER CTRL	05	MASTER COMPUTER P15	08
P15-11	STEER LEFT SW SGNL	20	WHITE	CONTROL #1	07	MASTER COMPUTER P15	11
P15-12	JOY (SV)	20	RED	CONTROL #1	01	MASTER COMPUTER P15	12
P15-13	JOY FWD/ REV SGNL	20	WHITE	CONTROL #1	03	MASTER COMPUTER P15	13
P15-15	JOY (GND)	18	BLACK	CONTROL #1	02	MASTER COMPUTER P15	15
PRS232-1	RS232 B+	20	WHITE	DISPLAY	01	MASTER COMPUTER PRS	01
PRS232-2	RS232 Rx	20	WHITE	DISPLAY	02	MASTER COMPUTER PRS	02
PRS232-3	RS232 Tx	20	WHITE	DISPLAY	03	MASTER COMPUTER PRS	03
PRS232-4	RS232 B-	20	WHITE	DISPLAY	04	MASTER COMPUTER PRS	04
CH00	CAN HIGH	20	YELLOW	MASTER COMPUTER CAN	01	SLAVE COMPUTER CAN	01
CH00-A	CAN HIGH, JUMPER	20	YELLOW	SPLICE	06	CONTROL #2	07
CL00	CAN LOW	20	GREEN	MASTER COMPUTER CAN	02	SLAVE COMPUTER CAN	02
CL00-A	CAN LOW JUMPER	20	GREEN	SPLICE	07	CONTROL #2	08
CS00	CAN SHIELD	20	BLACK	MASTER COMPUTER CAN	03	SLAVE COMPUTER CAN	-
CS01	CAN SHIELD JUMPER	20	BLACK	SLAVE COMPUTER CAN	03	CONTROL #2	-
B00	MAIN GROUND TRUNK	10	BLACK	GND TRUNK SPLICE	09	GND, MASTER COMPUTER	B-
B01	CHARGER INTERLOCK GND	18	BLACK	GND TRUNK SPLICE	01	CHARGER INTERLOCK	01
B02	CONTACTOR GND	18	BLACK	CONTACTOR	B-	CHARGER INTERLOCK	02
B03	PROXY GND5	20	BLUE	GND TRUNK SPLICE	02	POTHOLE PROXY (RIGHT)	03
B03-A	PROXY GND JUMPER	20	BLUE	SPLICE	08	POTHOLE PROXY (LEFT)	03
B04	HORN GND	18	BLACK	GND TRUNK SPLICE	03	HORN	B-
B05	LEFT BRAKE GND	18	BLACK	GND TRUNK SPLICE	04	BRAKE, LEFT	02
B06	RIGHT BRAKE GND	18	BLACK	GND TRUNK SPLICE	05	BRAKE, RIGHT	02
B07	LIFT VALVE GND	18	BLACK	GND TRUNK SPLICE	06	LIFT VALVE	02
B07-A	STEER LEFT VALVE GND	18	BLACK	SPLICE	09	LEFT STEER	02
B07-B	STEER RIGHT VALVE GND	18	BLACK	SPLICE	10	RIGHT STEER	02
B08	MAST PROXY GND	20	BLUE	GND TRUNK SPLICE	07	MAST PROXY	03
B09	LOWER VALVE GND	18	BLACK	GND TRUNK SPLICE	08	LOWER VALVE	02
B10	UPPER CONTROLS GND	20	BLACK	GND TRUNK SPLICE	09	CONTROL #2	06

CONNECTORS			
CONNECTOR NAME	SNKL P/N	MFG P/N	DESCRIPTION
ALARM (B+ & B-)	-	-	#6 RING TERMINAL
BRAKE (LEFT & RIGHT)	12556-009	DT04-2P	DEUTSCH, 2-PIN RECEPTACLE, DT SERIES
	12556-016	W2P	DEUTSCH, 2-PIN WEDGELOCK, DT04 SERIES
CHARGER INTERLOCK	12554-025	0460-202-16141	DEUTSCH, PIN, #16
	13495-02	350536-1	MATE-N-LOK HOUSING, 2-PIN SOCKETS
COMPUTER 15-PIN (MASTER & SLAVE)	3220142	1-480710-0	MATE-N-LOK HOUSING, 15-PIN SOCKETS
COMPUTER 12-PIN (MASTER & SLAVE)	3049993	1-480708-0	MATE-N-LOK HOUSING, 12-PIN SOCKETS
	13495-02	350536-1	SOCKETS
COMPUTER 9-PIN	3220132	1-480706-0	MATE-N-LOK HOUSING, 9-PIN SOCKETS
	13495-02	350536-1	SOCKETS
COMPUTER 4-PIN (RS232 & DISPLAY)	13491-04	1-480702-0	MATE-N-LOK HOUSING, 4-PIN SOCKETS
	13495-02	350536-1	SOCKETS
COMPUTER 3-PIN (MASTER & SLAVE)	3220199	1-480700-0	MATE-N-LOK HOUSING, 3-PIN SOCKETS
	13495-02	350536-1	SOCKETS
CONTROL #1	12565-013	DTM06-85A	DEUTSCH, 8-PIN PLUG, DTM SERIES, KEY "A"
	12565-020	WM-85	DEUTSCH, 8-PIN WEDGELOCK, DTM06 SERIES
	12555-032	0462-005-20141	DEUTSCH, SOCKET, #20
CONTACTOR (B+ & B-)	-	-	#8 RING TERMINAL
CONTROL #2	12565-014	DTM06-85B	DEUTSCH, 8-PIN PLUG, DTM SERIES, KEY "B"
	12565-020	WM-85	DEUTSCH, 8-PIN WEDGELOCK, DTM06 SERIES
	12555-032	0462-005-20141	DEUTSCH, SOCKET, #20, 16-18 AWG
GND, MASTER COMPUTER	-	-	1/4" RING TERMINAL
	12557-013	DT06-85	DEUTSCH, 8-PIN PLUG, DT SERIES
LWR CTRL CONNECTOR	12557-020	W85	DEUTSCH, 8-PIN WEDGELOCK, DT06 SERIES
	12555-031	0462-209-16141	DEUTSCH, SOCKET, #16
MAST PROXY	-	RKTS	M12 FEMALE, 4-POLE, STRAIGHT
POTHOLE PROXY (LEFT & RIGHT)	-	RKWTB	M12 FEMALE, 4-POLE, 90DEG
PWR, BATT	-	-	5/16" RING TERMINAL
VALVES (STEER LEFT & RIGHT, LIFT & LOWER)	12557-009	DT06-25	DEUTSCH, 2-PIN PLUG, DT SERIES
	12557-016	W25	DEUTSCH, 2-PIN WEDGELOCK, DT06 SERIES
	12555-031	0462-209-16141	DEUTSCH, SOCKET, #16



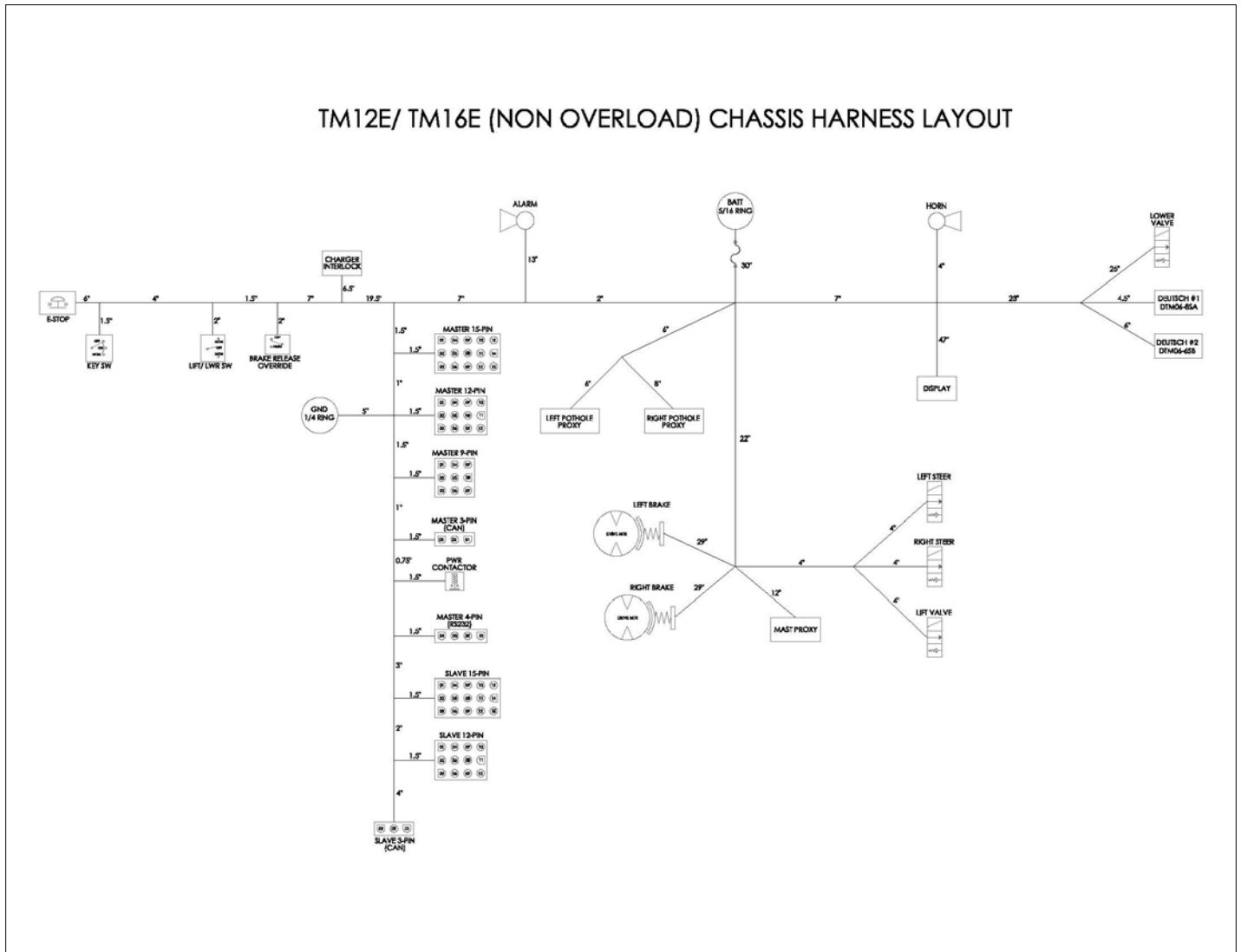
ELECTRICAL

TM12E/ TM16E (NON OVERLOAD) CHASSIS SCHEMATIC

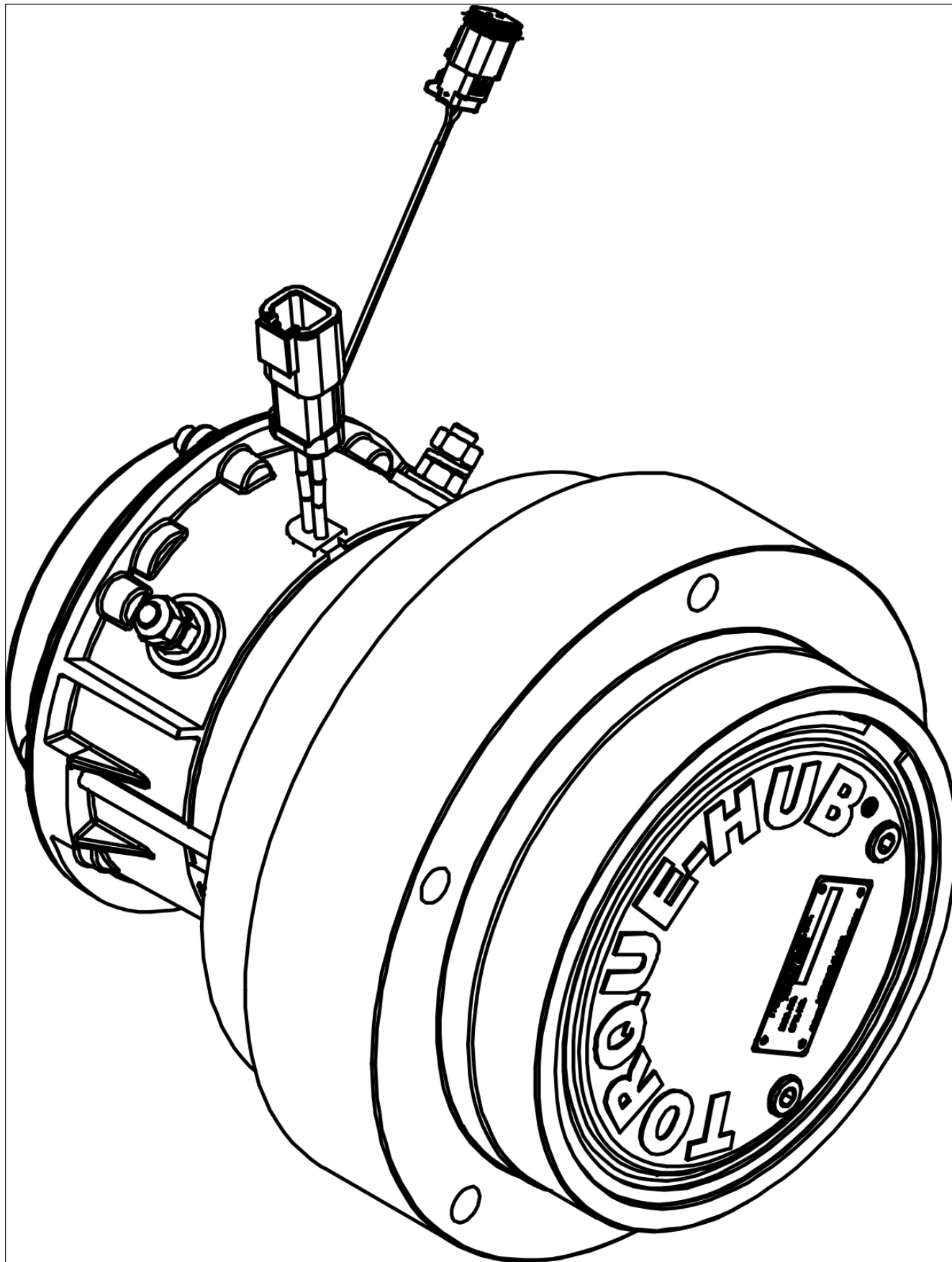


アイテム	部品番号	名前	数量	UOM
	10000320 E	TM12E TM16E CHASSIS HARNESS UPDATES MADE TO ADD NON OVERLOAD TO SCHEMATIC		EA

### TM12E/ TM16E (NON OVERLOAD) CHASSIS HARNESS LAYOUT

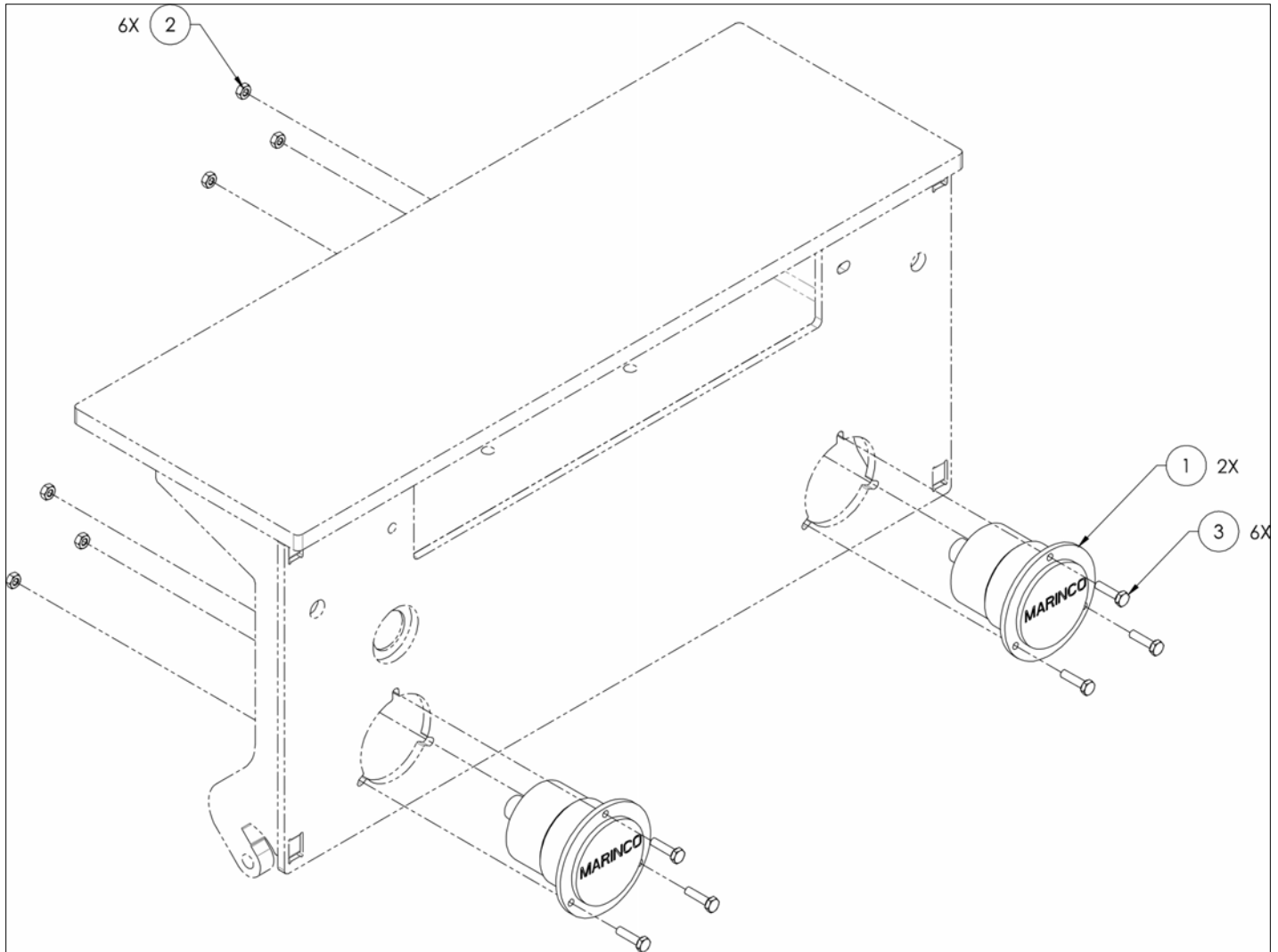


ELECTRICAL



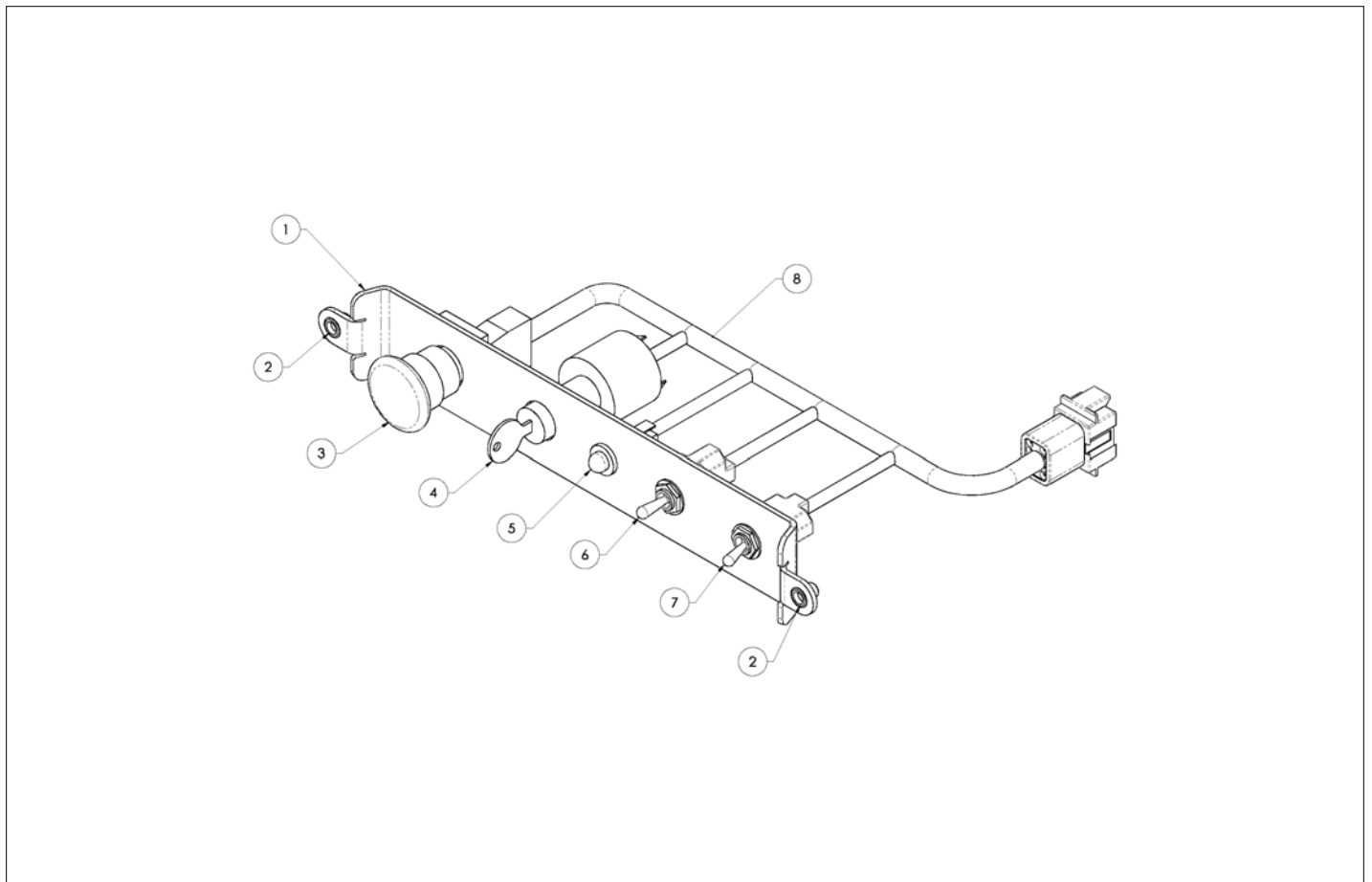
アイテム	部品番号	名前	数量	UOM
	10000162 A	DRIVE HUB 24V (HUB, MOTOR, BRAKE)		EA
Not Shown	6091950	SEAL KIT FOR 10000162 TORQUE HUB	1	EA
Not Shown	6091951	COVER KIT FOR 10000162 TORQUE HUB	1	EA

ELECTRICAL



アイテム	部品番号	名前	数量	UOM
	10001701 A	US 110V AC PLUG		EA
1	3069521	INLET FLANGE	2	EA
2	10939 006	LOCK NUT, M4	6	EA
3	512459 016	BLT HEXHD M4 X 0.7 X 16MM DIN 933 8.8 ZP	6	EA

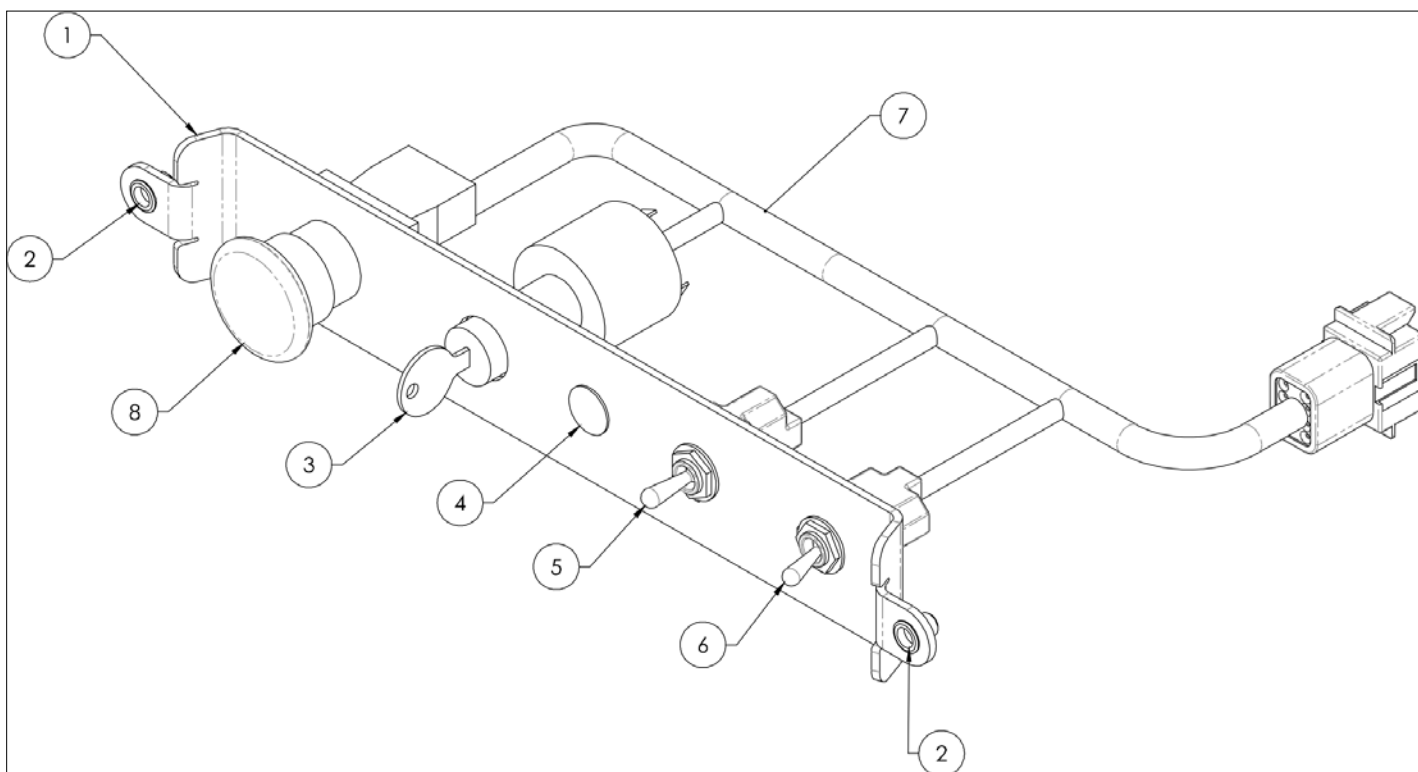
ELECTRICAL





アイテム	部品番号	名前	数量	UOM
*	10001633 NS B	LOWER CONTROL PANEL WITH OVERLOAD TM12E TM16E		EA
1	10001372	PANEL, STEP CONTROL	1	EA
2	10001218	NUTSERT M5 0.8 X 3.3 GRIP	2	EA
3	3028810	PUSH/PULL EMERGENCY STOP	1	EA
Not Shown	09 1933	CONTACT BLOCK (NC)	1	EA
4	3020087	KEY SWITCH	1	EA
Not Shown	8030044	REPLACEMENT KEY	1	EA
5	302829	LIGHT RED 24VDC BEZEL MOUNT	1	EA
6	13158 003	SPDT, (MOM OFF MOM), MICRO SW	1	EA
7	13158 005	SPDT, 1NT1 6 (MOM OFF), MICRO SW	1	EA
8	10001636	HARNESS, LWR CTRL PNL, W/OL	1	EA

ELECTRICAL



アイテム	部品番号	名前	数量	UOM
	10001632 B	LOWER CONTROL PANEL ASSEMBLY NON OVERLOAD		EA
1	10001372	PANEL, STEP CONTROL	1	EA
2	10001218	NUTSERT M5 0.8 X 3.3 GRIP	2	EA
3	3020087	KEY SWITCH	1	EA
4	3040015	HOLE PLUG .50	1	EA
5	13158 003	SPDT, (MOM OFF MOM), MICRO SW	1	EA
6	13158 005	SPDT, 1NT1 6 (MOM OFF), MICRO SW	1	EA
7	10001635	HARNES, LWR CTRL PNL, NON OL	1	EA
8	3028810	PUSH/PULL EMERGENCY STOP	1	EA

ELECTRICAL

**NO IMAGE AVAILABLE  
(BOM FOR REFERENCE ONLY)**

アイテム	部品番号	名前	数量	UOM
*	1000108228 F	HARNESS MAST ASSEMBLY TM12E ANSI		EA
1	10001082	HARNESS, MAST ASSY	1	EA
2	10001463	HARNESS, TM CHASSIS, AC	1	EA
3	10000116	PLATE, CABLE BRACKET	1	EA
4	10001179 1	BOTTOM MAST CABLE ATCHMT WHT	1	EA
5	512714 025	HHCS M4 X 0.7 x 25 G8.8 ISO 4014 DIN 931	5	EA
6	056066 004	NUT NYLOCK DIN985 M4 8.0 ZP	5	EA
Not Shown	*	TIRE AND WHEEL ASSEMBLY GNM OTR	1	EA

ELECTRICAL

**NO IMAGE AVAILABLE  
(BOM FOR REFERENCE ONLY)**

アイテム	部品番号	名前	数量	UOM
*	1000141628 B	HARNESS MAST ASSEMBLY TM12E CE		EA
1	10001416	MAST HARNESS ASSEMBLY, TM12E, OL	1	EA
2	10000116	PLATE, CABLE BRACKET	1	EA
3	10001463	HARNESS, TM CHASSIS, AC	1	EA
4	512714 025	HHCS M4 X 0.7 x 25 G8.8 ISO 4014 DIN 931	5	EA
5	056066 004	NUT NYLOCK DIN985 M4 8.0 ZP	5	EA
6	10001179	BOTTOM MAST CABLE ATCHMT	1	EA
Not Shown	*	TIRE AND WHEEL ASSEMBLY GNM OTR	1	EA

ELECTRICAL

WIRE SPEC		CONNECTOR	
AWG	COLOR	DTM04-08PA	DTM06-08S
18	RED	1	1
18	BLACK	2	2
18	WHITE	3	3
18	BLACK	4	4
18	BLACK	5	5
18	WHITE	6	6
18	WHITE	7	7
18	WHITE	8	8

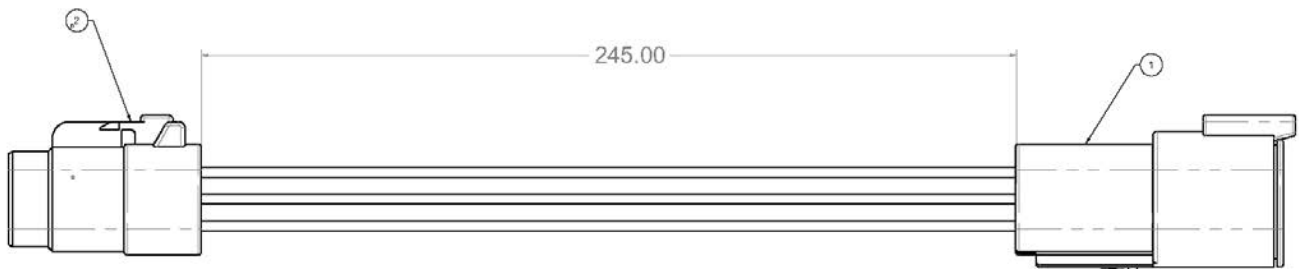




アイテム	部品番号	名前	数量	UOM
	10001098A	MAST CTRL #1, 8 PIN		EA
1	12564 013	DEUTSCH CONNECTOR	1	EA
2	12565 013	DEUTSCH CONNECTOR	1	EA

ELECTRICAL

WIRE SPEC		CONNECTOR	
AWG	COLOR	12564-012	12565-012
16	RED	1	1
16	WHITE	2	2
16	WHITE	3	3
18	WHITE	4	4
18	WHITE	5	5
-	-	6	6

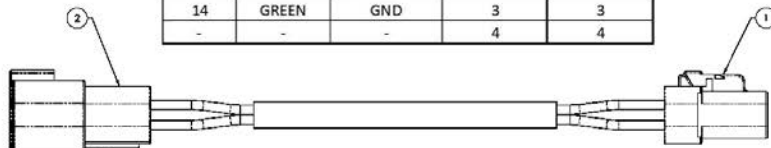


10001099A  
MAST CTRL #2, 6-PIN

アイテム	部品番号	名前	数量	UOM
Not Shown	10001099A	MAST CTRL #2, 6 PIN		EA
1	12564 012	DEUTSCH CONNECTOR	1	EA
2	12565 012	DEUTSCH CONNECTOR	1	EA

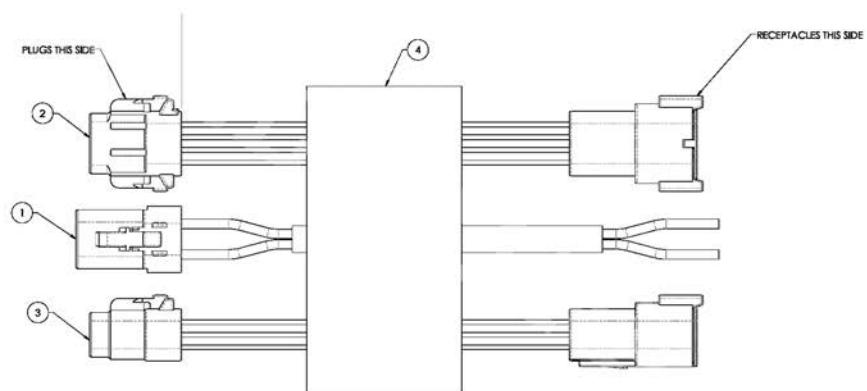
ELECTRICAL

WIRE SPEC			CONNECTOR	
AWG	COLOR	DESCRIPTION	DTP06-4S	DTP04-4S
14	BLACK	HOT	1	1
14	WHITE	NEUTRAL	2	2
14	GREEN	GND	3	3
-	-	-	4	4

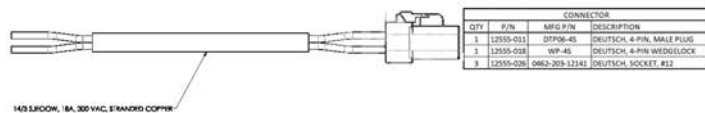


アイテム	部品番号	名前	数量	UOM
	10001100B	TM12E MAST HARNESS, AC		EA
1	12555 011	DEUTSCH, 4 PIN, MALE PLUG	1	EA
2	12554 008	CONNECTOR DEUTSCH DTP04 4P	1	EA

ELECTRICAL



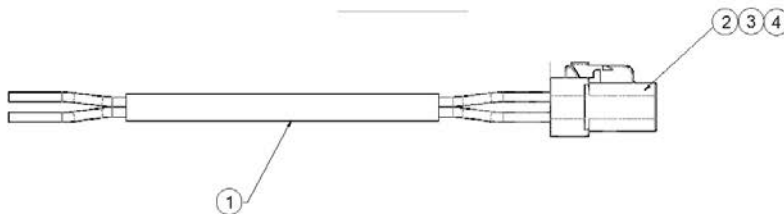
WIRE SPEC		CONNECTOR	
AWG	COLOR	DESCRIPTION	DTP06-4S
14	BLACK	HOT	1
14	WHITE	NEUTRAL	2
14	GREEN	GND	3
-	-	-	4



アイテム	部品番号	名前	数量	UOM
	10001665A	ASSEMBLY, MAST HARNESS, TM12E, AC		EA
1	10001666	HARNESS, TM12E MAST, AC PIGTAIL	1	EA
	12555 011	DEUTSCH, 4 PIN, MALE PLUG	1	EA
	12555 018	DEUTSCH, 4 PIN WEDGELOCK	1	EA
	12555 026	DEUTSCH, SOCKET, #12	3	EA
2	10001098	HARNESS, MAST CTRL 1	1	EA
3	10001099	MAST CTRL #2, 6 PIN	1	EA
4	10001663	CATTRACK, TM12, HEAVY DUTY AFTER S/N TM12 11 00168	1	EA

ELECTRICAL

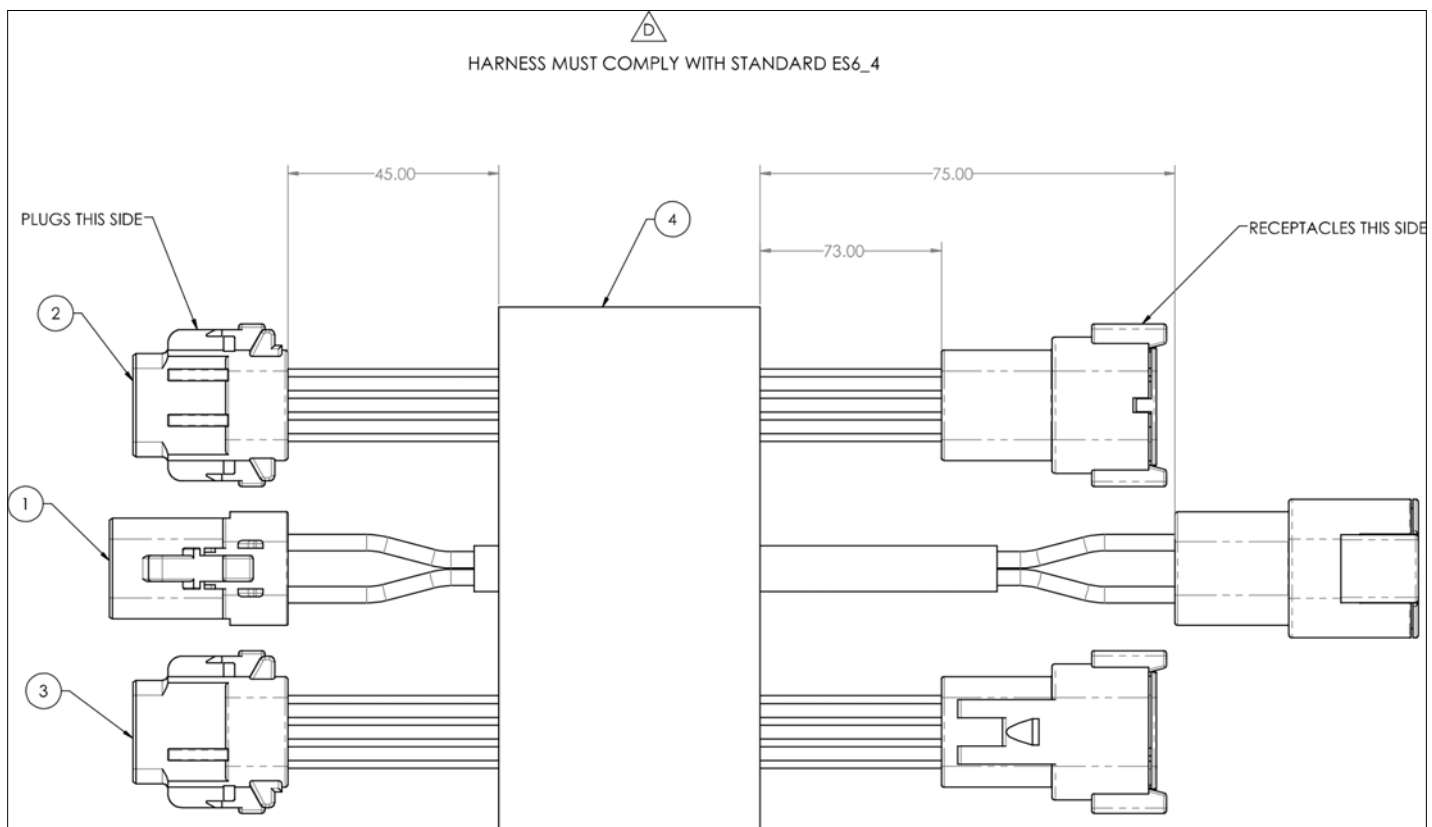
WIRE SPEC		CONNECTOR	
AWG	COLOR	DESCRIPTION	DTP06-4S
14	BLACK	HOT	1
14	WHITE	NEUTRAL	2
14	GREEN	GND	3
-	-	-	4





アイテム	部品番号	名前	数量	UOM
	10001666A	HARNESS, TM12E MAST, AC PIGTAIL		EA
1	10001667	CATTRACK, TM12E HEAVY DUTY	322	EA
2	12555 011	DEUTSCH, 4 PIN, MALE PLUG	1	EA
3	12555 018	DEUTSCH, 4 PIN WEDGELOCK	1	EA
4	12555 026	DEUTSCH, SOCKET, #12	3	EA

ELECTRICAL

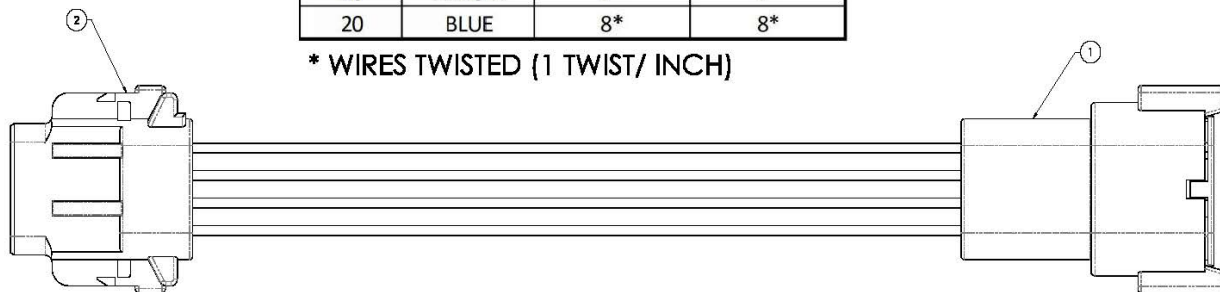


アイテム	部品番号	名前	数量	UOM
	10001416 D	MAST HARNESS ASSEMBLY		EA
1	10001100	HARNESS, MAST AC	1	EA
2	10001098	HARNESS, MAST CTRL 1	1	EA
3	10001417	MAST HARNESS CTRL #2 TM12E OL	1	EA
4	10001663	CATTRACK, TM12, HEAVY DUTY AFTER S/N TM12 11 00168	1	EA

ELECTRICAL

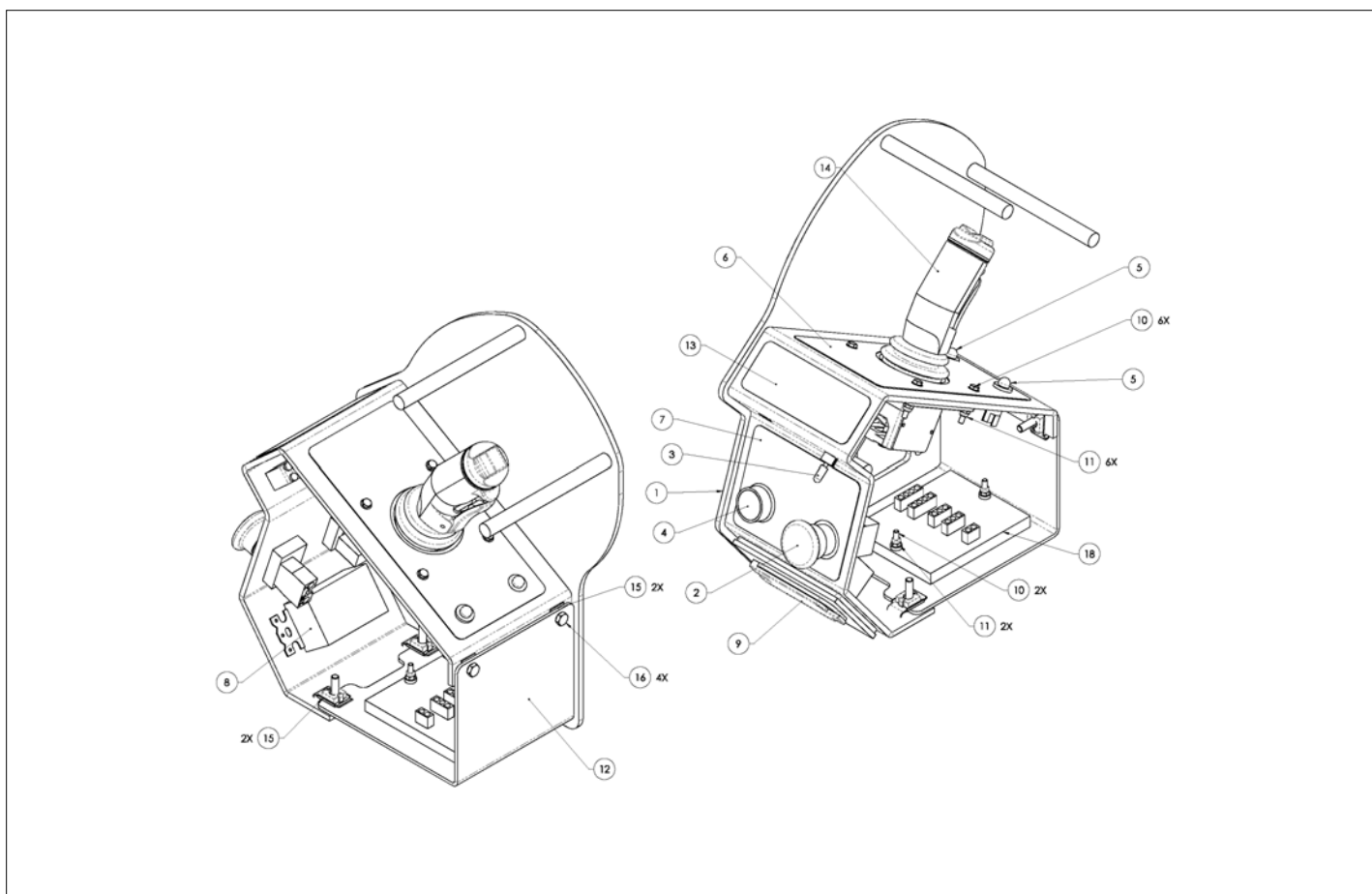
WIRE SPEC		CONNECTOR	
AWG	COLOR	DTM04-08PB	DTM06-08SB
16	RED	1	1
16	WHITE	2	2
16	WHITE	3	3
18	WHITE	4	4
18	WHITE	5	5
18	BLACK	6	6
20	YELLOW	7*	7*
20	BLUE	8*	8*

\* WIRES TWISTED (1 TWIST/ INCH)



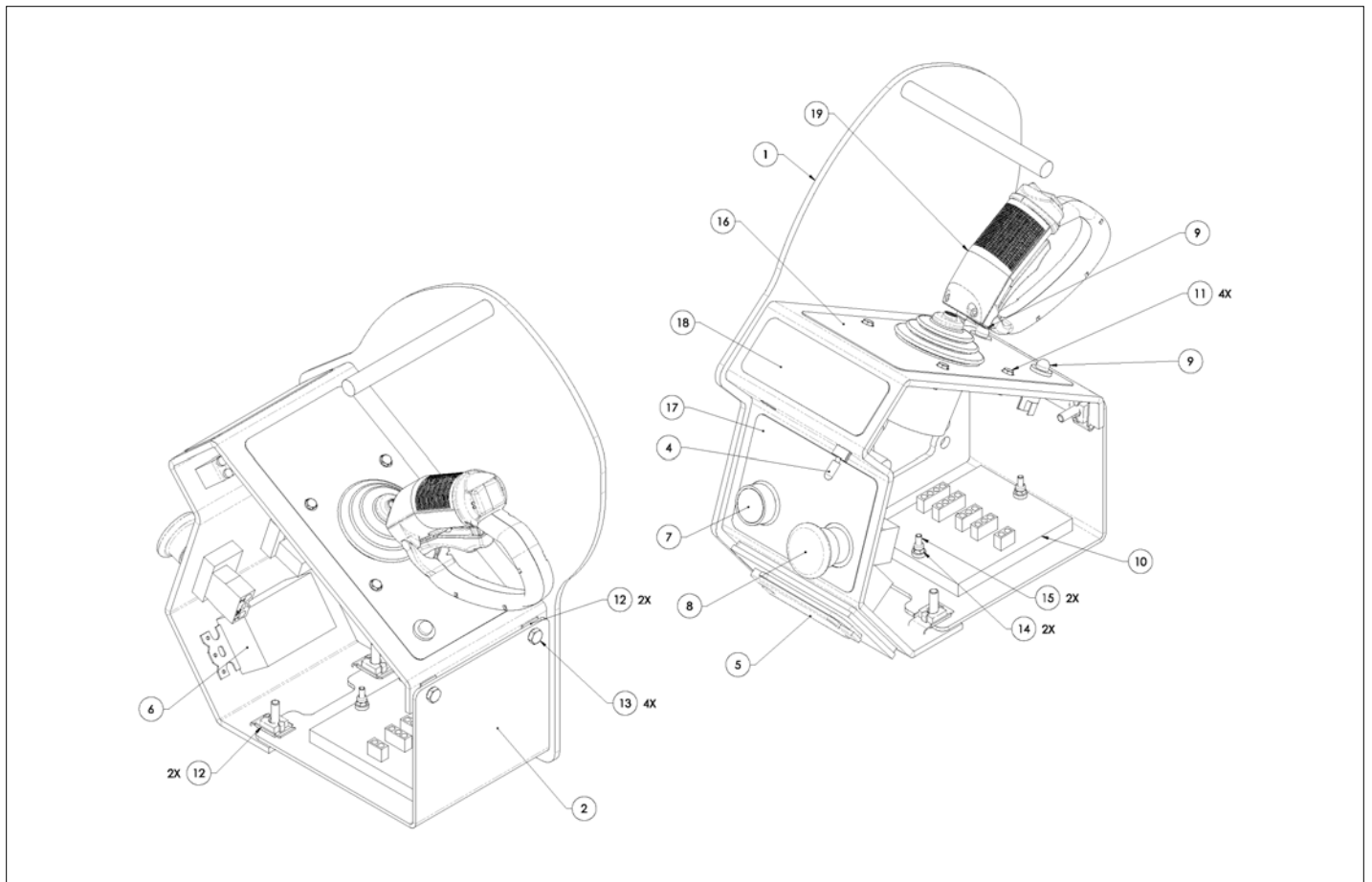
アイテム	部品番号	名前	数量	UOM
	10001417A	MAST HARNESS, CONTROL #2, 8 PIN		EA
1	12564 014	DEUTSCH CONNECTOR	1	EA
2	12565 014	DEUTSCH CONNECTOR	1	EA

ELECTRICAL



アイテム	部品番号	名前	数量	UOM
	10001447 B	PLATFORM CONTROL BOX ASSEMBLY WITH OVERLOAD TM12E TM16E SEPTEMBER 2017 AND BEFORE		EA
1	10001375	WLDMT PLATFORM CTRL BOX TM100	1	EA
2	510524 000	PUSH/PULL SW ASSY W/NC CONTACT	1	EA
3	3020047	Switch, Toggle Honeywell INTI 3	1	EA
4	510542 000	PUSHBUTTON BLACK C/W 1 N/O CON	1	EA
5	302829	LIGHT RED 24VDC BEZEL MOUNT	2	EA
6	1501158	PLAC PLATFM CONT BOX	1	EA
7	1501159	PLAC PLATFM CONT E STOP/HORN	1	EA
8	3040624	Recepticle Outlet 20AMP	1	EA
9	3040625	Enclosure Face	1	EA
10	5563181	HHCS M4 X 0.7 X 30G8.8 DIN 931	4	EA
11	056066 004	NUT NYLOCK DIN985 M4 8.0 ZP	4	EA
12	10001570	PLT, BOTTOM PLAT CTRL BOX W/OL	1	EA
13	1501359	PLAC LIFT/DRIVE	1	EA
14	3087801	JOYSTICK, OEM MARCH 2016 AND AFTER	1	EA
15	5560067	NUT SPEED U THREADED M6	4	EA
16	058491 030	BOLT HEXSETSCREW DIN 933 M6 X 30MM 8.8 ZP	4	EA
17	10001448	HARNESS UPPER CONTROL	1	EA
18	13468 01	Trionics Load Cell Interface	1	EA

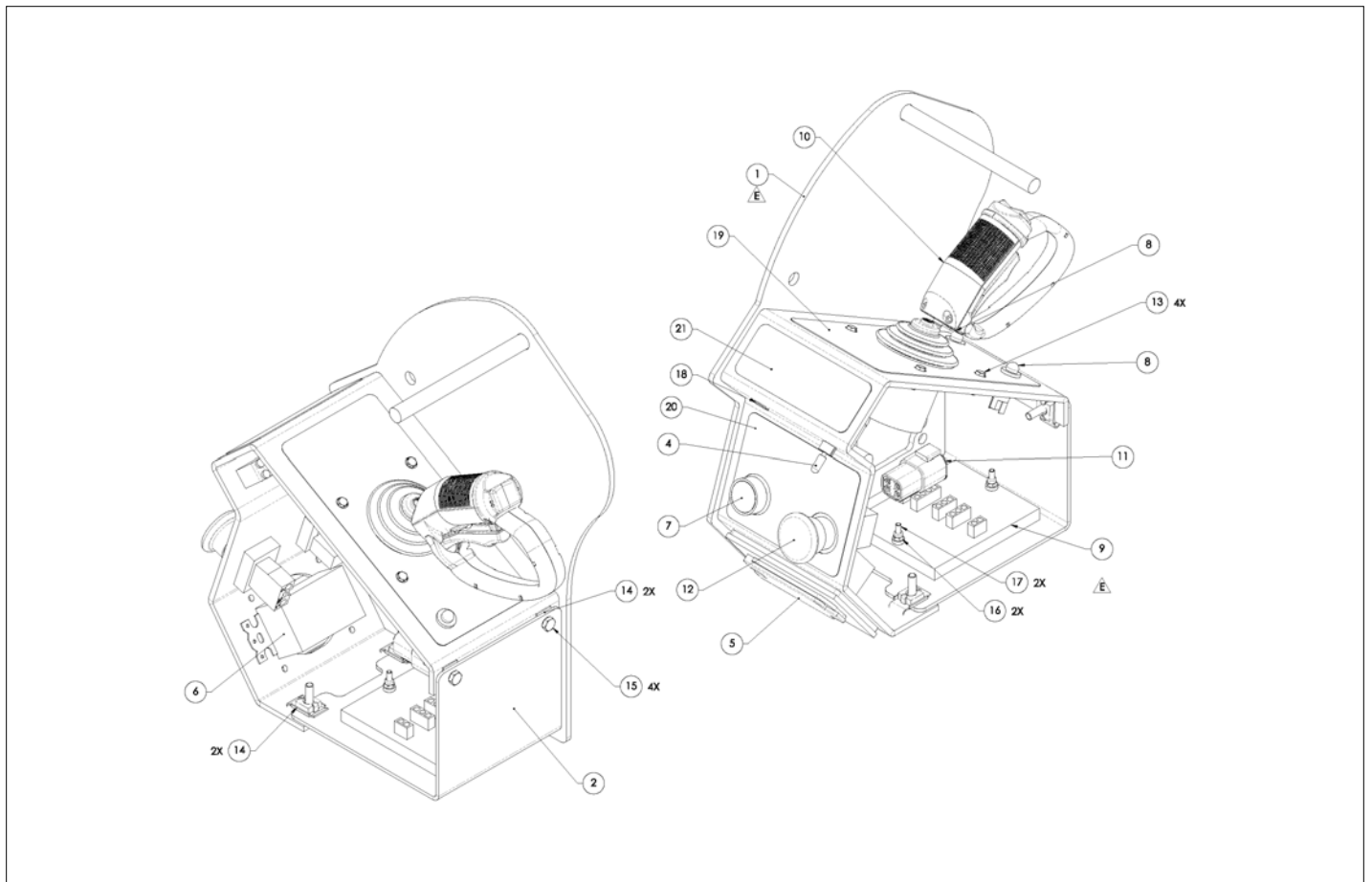
ELECTRICAL





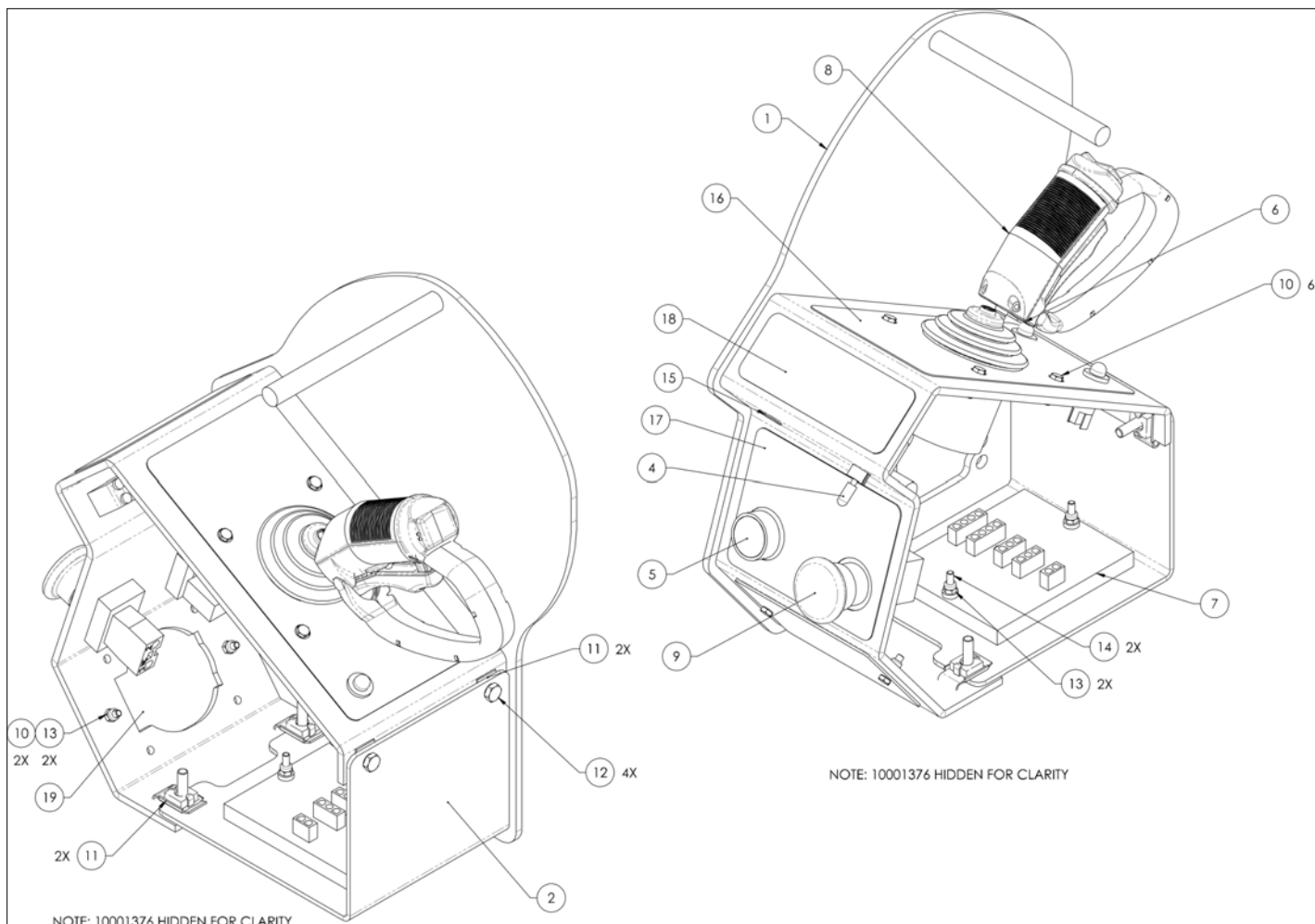
アイテム	部品番号	名前	数量	UOM
*	10001447 C	PLATFORM CONTROL BOX TM WITH OVERLOAD ASSEMBLY OCTOBER 2018 AND AFTER		EA
1	10001375	WLDMT PLATFORM CTRL BOX TM100	1	EA
2	10001570	PLT, BOTTOM PLAT CTRL BOX W/OL	1	EA
3	10001448	HARNESS UPPER CONTROL	1	EA
4	3020047	Switch, Toggle Honeywell INTI 3	1	EA
5	3040625	Enclosure Face	1	EA
6	3040624	Recepticle Outlet 20AMP	1	EA
7	510542 000	PUSHBUTTON BLACK C/W 1 N/O CON	1	EA
8	510524 000	PUSH/PULL SW ASSY W/NC CONTACT	1	EA
9	302829	LIGHT RED 24VDC BEZEL MOUNT	2	EA
10	13468 01	Trionics Load Cell Interface	1	EA
11	512459 016	BLT HEXHD M4 X 0.7 X 16MM DIN 933 8.8 ZP	4	EA
12	5560067	NUT SPEED U THREADED M6	4	EA
13	058491 030	BOLT HEXSETSCREW DIN 933 M6 X 30MM 8.8 ZP	4	EA
14	056066 004	NUT NYLOCK DIN985 M4 8.0 ZP	2	EA
15	5563181	HHCS M4 X 0.7 X 30G8.8 DIN 931	2	EA
16	1501158	PLAC PLATFM CONT BOX	1	EA
17	1501159	PLAC PLATFM CONT E STOP/HORN	1	EA
18	1501359	PLAC LIFT/DRIVE	1	EA
19	3028933	Joystick I Axis, Deadman Guard	1	EA

ELECTRICAL



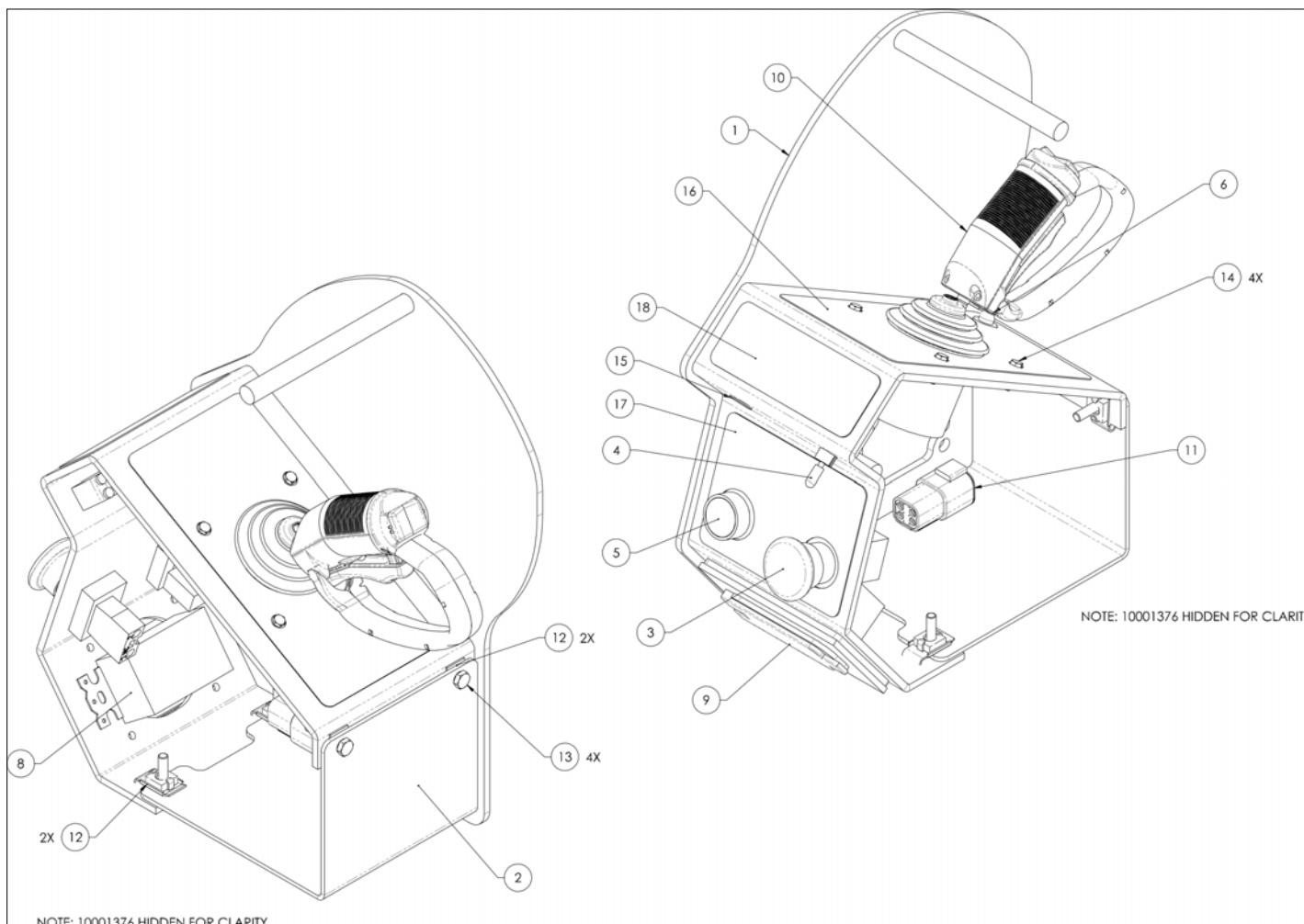
アイテム	部品番号	名前	数量	UOM
*	10001447 E	PLATFORM CONTROL BOX TM WITH OVERLOAD ASSEMBLY MARCH 2019 AND AFTER		EA
1	10001375	WLDMT PLATFORM CTRL BOX TM100	1	EA
2	10001570	PLT, BOTTOM PLAT CTRL BOX W/OL	1	EA
3	10001448	HARNESS UPPER CONTROL	1	EA
4	3020047	Switch, Toggle Honeywell INTI 3	1	EA
5	3040625	Enclosure Face	1	EA
6	3040624	Recepticle Outlet 20AMP	1	EA
7	510542 000	PUSHBUTTON BLACK C/W 1 N/O CON	1	EA
8	302829	LIGHT RED 24VDC BEZEL MOUNT	2	EA
9	13468 01	Trionics Load Cell Interface	1	EA
10	3028933	Joystick I Axis, Deadman Guard	1	EA
11	1502308	HARNESS 110V JUMPER	1	EA
12	3028810	PUSH/PULL EMERGENCY STOP	1	EA
13	512459 016	BLT HEXHD M4 X 0.7 X 16MM DIN 933 8.8 ZP	4	EA
14	5560067	NUT SPEED U THREADED M6	4	EA
15	058491 030	BOLT HEXSETSCREW DIN 933 M6 X 30MM 8.8 ZP	4	EA
16	056066 004	NUT NYLOCK DIN985 M4 8.0 ZP	2	EA
17	5563181	HHCS M4 X 0.7 X 30G8.8 DIN 931	2	EA
18	3040015	HOLE PLUG .50	1	EA
19	1501158	PLAC PLATFM CONT BOX	1	EA
20	1501159	PLAC PLATFM CONT E STOP/HORN	1	EA
21	1501359	PLAC LIFT/DRIVE	1	EA

ELECTRICAL



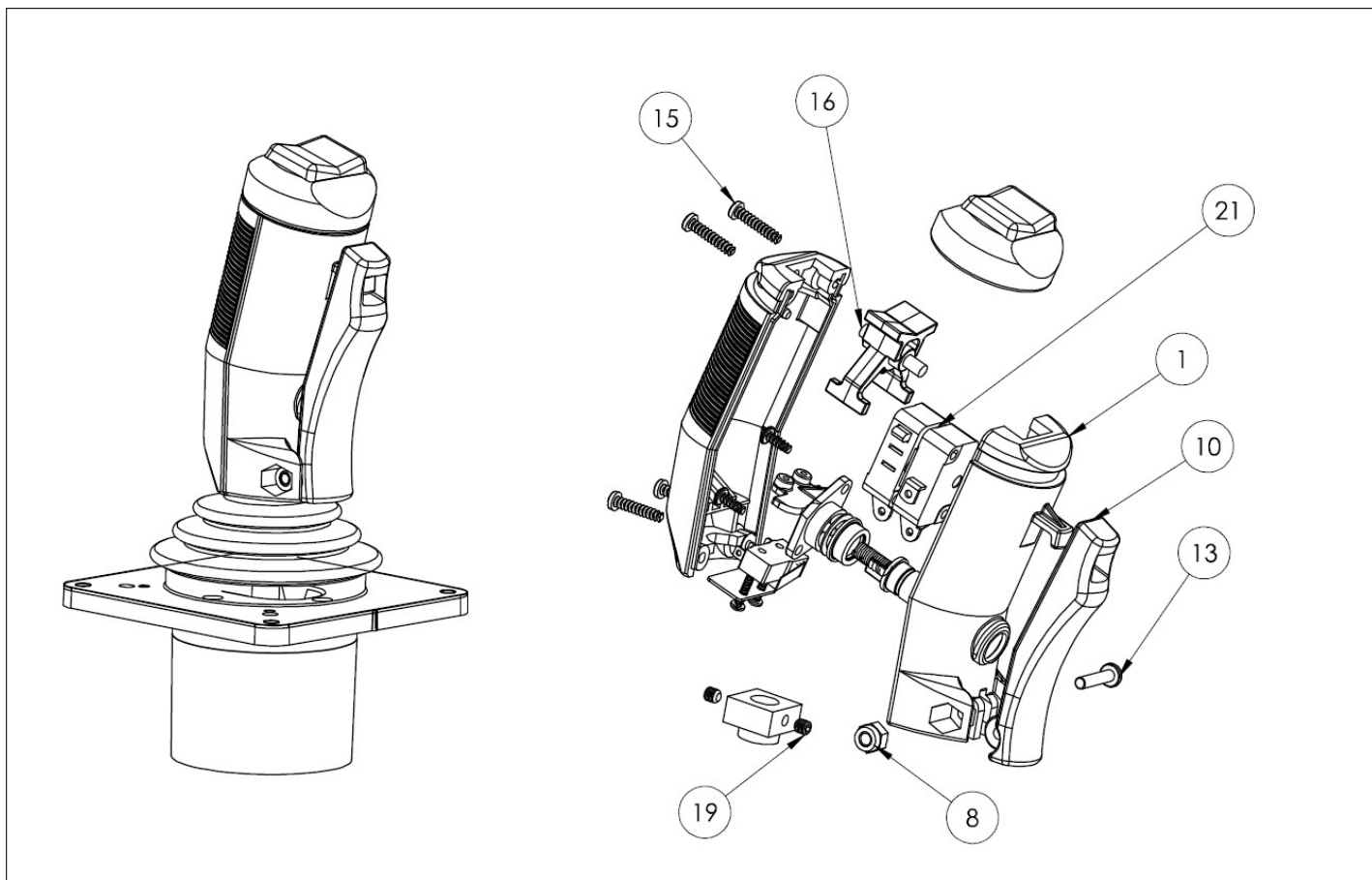
アイテム	部品番号	名前	数量	UOM
	10001631 B	PLATFORM CONTROL BOX ASSEMBLY CE		EA
1	10001375	WLDMT PLATFORM CTRL BOX TM100	1	EA
2	10001570	PLT, BOTTOM PLAT CTRL BOX W/OL	1	EA
Not Shown	10001448	HARNESS UPPER CONTROL	1	EA
4	3020047	Switch, Toggle Honeywell INTI 3	1	EA
5	510542 000	PUSHBUTTON BLACK C/W 1 N/O CON	1	EA
6	302829	LIGHT RED 24VDC BEZEL MOUNT	2	EA
7	13468 01	Trionics Load Cell Interface	1	EA
8	3028933	Joystick I Axis, Deadman Guard	1	EA
9	3028810	PUSH/PULL EMERGENCY STOP	1	EA
10	512459 016	BLT HEXHD M4 X 0.7 X 16MM DIN 933 8.8 ZP	6	EA
11	5560067	NUT SPEED U THREADED M6	4	EA
12	058491 030	BOLT HEXSETSCREW DIN 933 M6 X 30MM 8.8 ZP	4	EA
13	056066 004	NUT NYLOCK DIN985 M4 8.0 ZP	4	EA
14	5563181	HHCS M4 X 0.7 X 30G8.8 DIN 931	2	EA
15	3040015	HOLE PLUG .50	1	EA
16	1501158	PLAC PLATFM CONT BOX	1	EA
17	1501159	PLAC PLATFM CONT E STOP/HORN	1	EA
18	1501359	PLAC LIFT/DRIVE	1	EA
19	1501688	PLT, COVER OUTLET	1	EA

ELECTRICAL



アイテム	部品番号	名前	数量	UOM
	10001374 D	UPPER CONTROL BOX ASSEMBLY		EA
1	10001375	WLDMT PLATFORM CTRL BOX TM100	1	EA
2	1501116	PLT BOTTOM PLATFORM CONTROL BOX	1	EA
3	3028810	PUSH/PULL EMERGENCY STOP	1	EA
4	3020047	Switch, Toggle Honeywell INTI 3	1	EA
5	510542 000	PUSHBUTTON BLACK C/W 1 N/O CON	1	EA
6	302829	LIGHT RED 24VDC BEZEL MOUNT	1	EA
Not Shown	10001101	HARNESS, UPPER CTRL	1	EA
8	3040624	Recepticle Outlet 20AMP	1	EA
9	3040625	Enclosure Face	1	EA
10	3028933	Joystick 1 Axis, Deadman Guard	1	EA
11	1502308	HARNESS 110V JUMPER	1	EA
12	5560067	NUT SPEED U THREADED M6	4	EA
13	058491 030	BOLT HEXSETSCREW DIN 933 M6 X 30MM 8.8 ZP	4	EA
14	512459 016	BLT HEXHD M4 X 0.7 X 16MM DIN 933 8.8 ZP	4	EA
15	3040015	HOLE PLUG .50	1	EA
16	1501158	PLAC PLATFM CONT BOX	1	EA
17	1501159	PLAC PLATFM CONT E STOP/HORN	1	EA
18	1501359	PLAC LIFT/DRIVE	1	EA

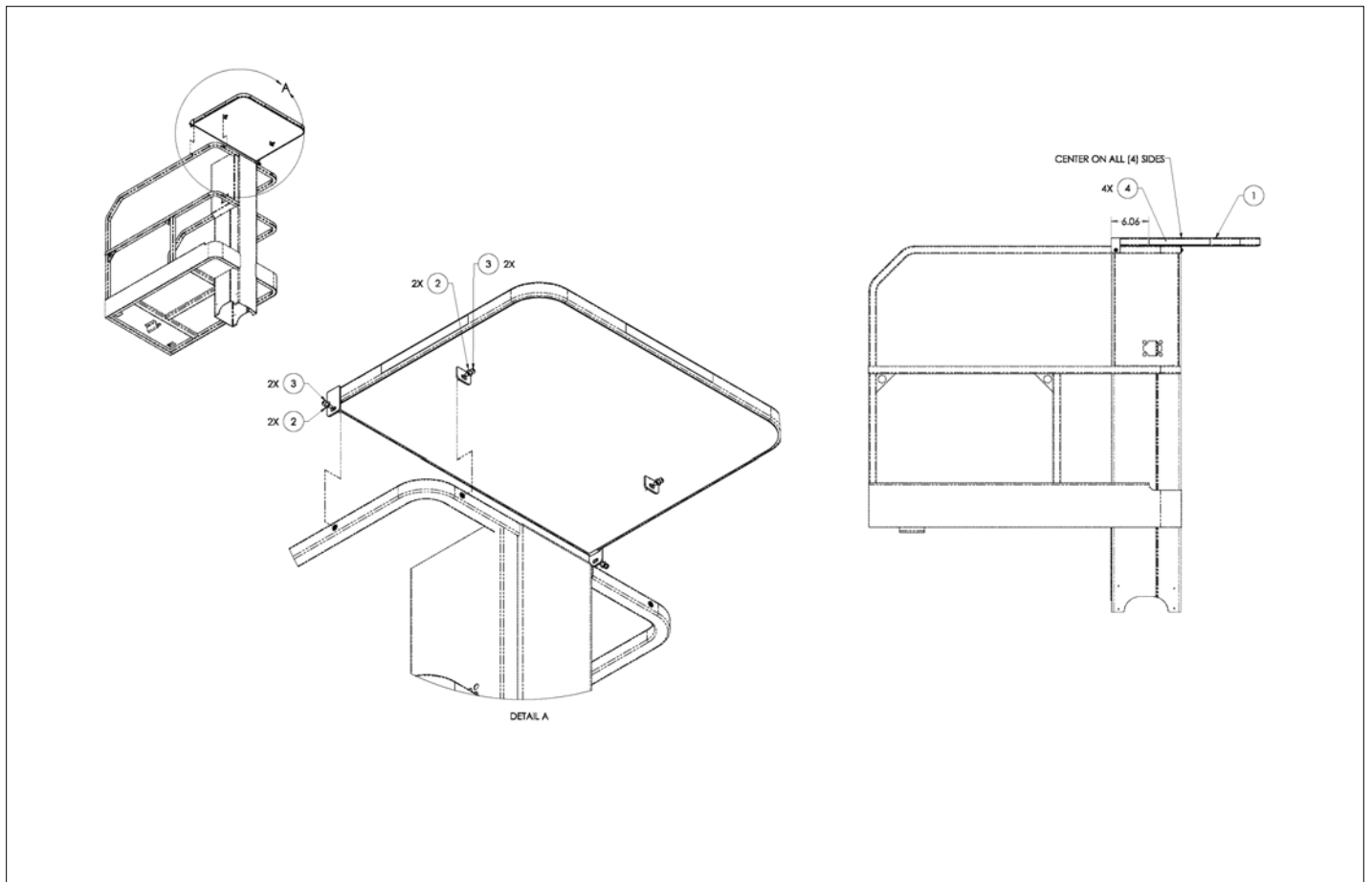
ELECTRICAL





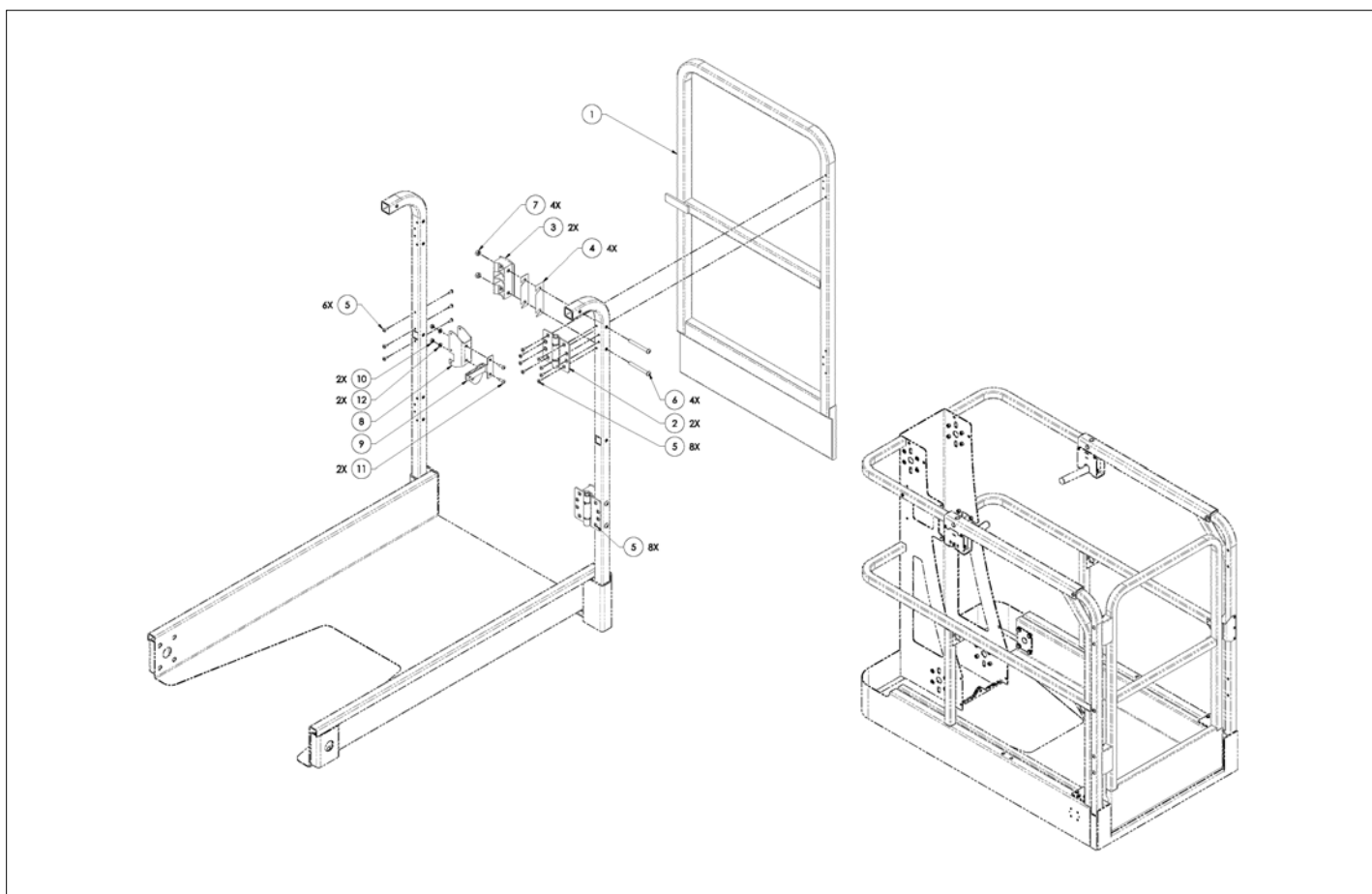
アイテム	部品番号	名前	数量	UOM
	3087801C	JOYSTICK OEM		EA
1	3029801	ASSEMBLY SCREW	1	EA
8	5560593	TRIGGER AXEL NUT	1	EA
10	3029802	LEVER	1	EA
13	5560592	TRIGGER AXLE SCREW	1	EA
15	5560594	ASSEMBLY SCREW	4	EA
16	3020187	AXLE ROCKER	1	EA
19	3020182	COUPLING SETSCREW	2	EA
21	3020183	MICROSWITCH	2	EA

OPTIONS



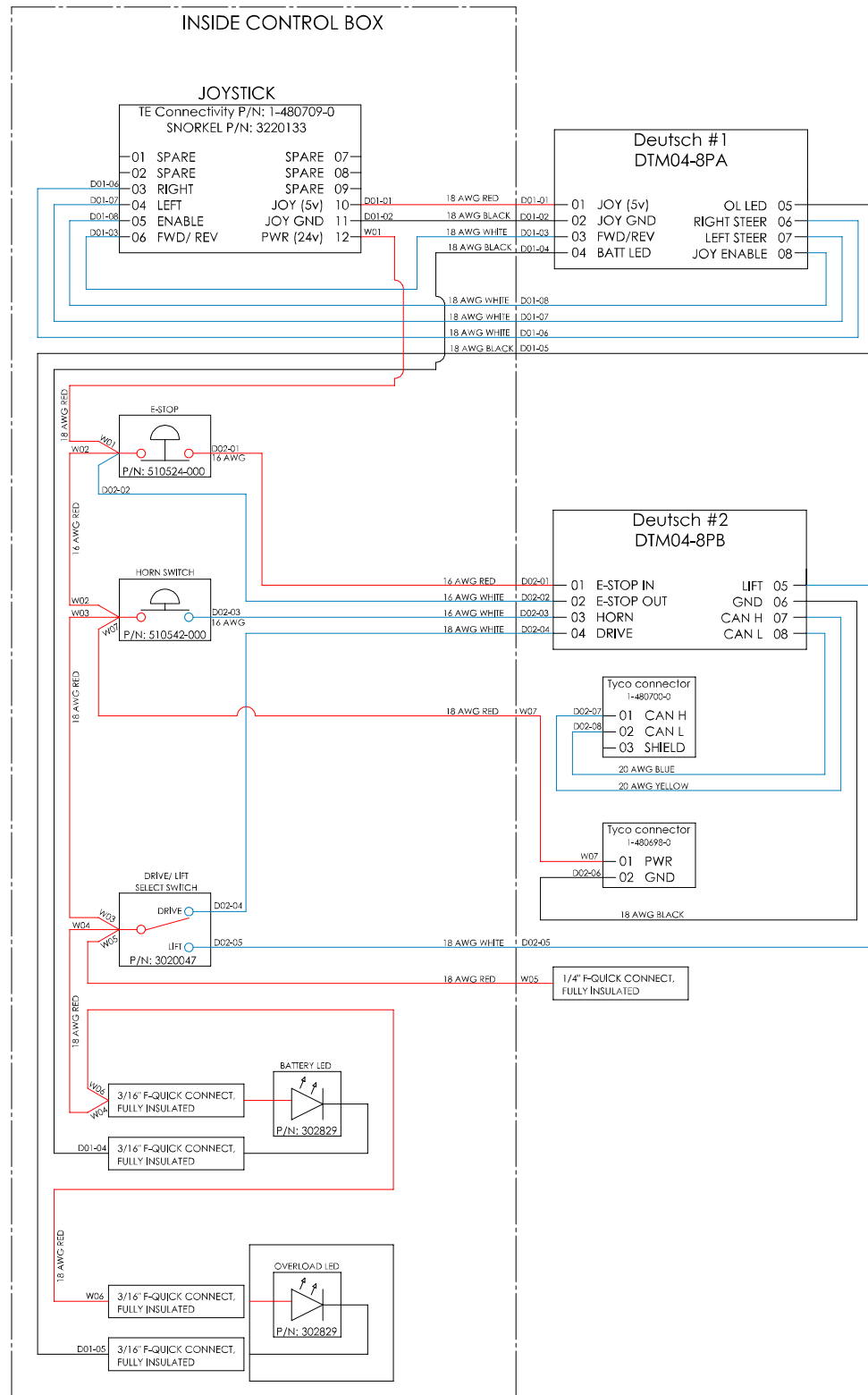
アイテム	部品番号	名前	数量	UOM
	10001430B	INSTALL PARTS TRAY		EA
1	10001431	WELD PARTS TRAY	1	EA
2	11015 008	WASHER M6 FLAT METRIC	4	EA
3	10502 020	SCREW M6 X 1.0 X 20 SBHCS	4	EA
4	10001438	DECAL TRAY MAX WEIGHT	4	EA

OPTIONS

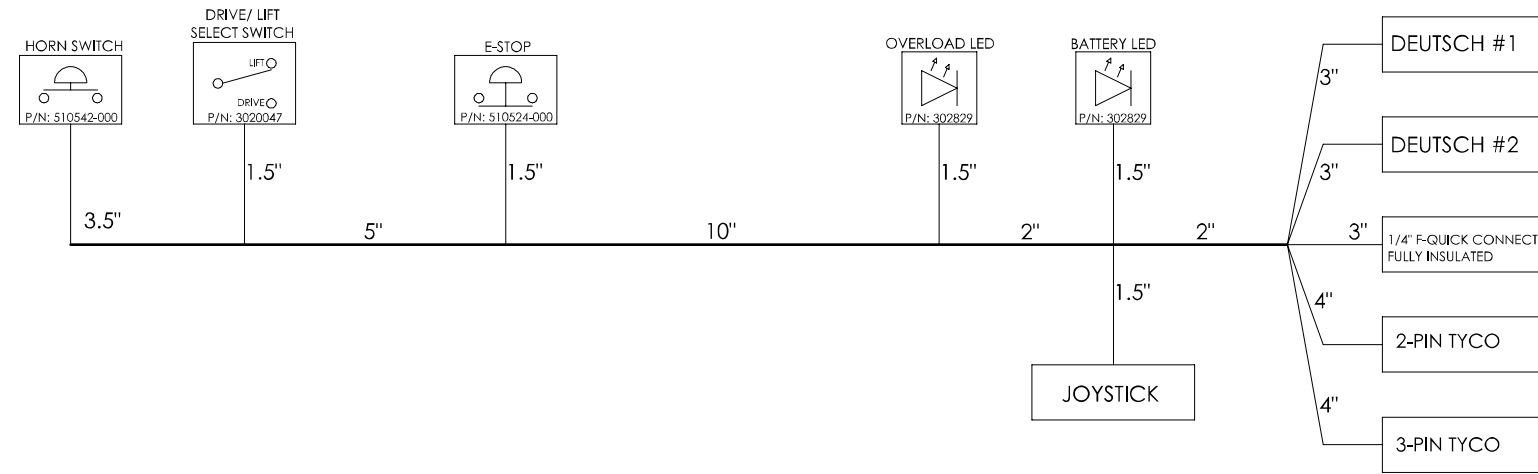


アイテム	部品番号	名前	数量	UOM
	10001471A	ASSEMBLY, OPTION SINGLE DOOR		EA
1	10001472	WLDMT PLATFORM SINGLE DOOR	1	EA
2	5516359	HINGE, SPRING	2	EA
3	1501844	BUMPER, GATES	2	EA
4	1502128	PLT,DOOR STOP SHIM	4	EA
5	10000231	RIVET, 1/4 DIA .063 .250 THK	23	EA
6	10504 075	BUTTON HEAD HEX M8 1.25 X 75MM	4	EA
7	10939 010	LOCK NUT M8	4	EA
8	10001473	PLT LATCH MT	1	EA
9	512602 000	LATCH/STRIKER SET	1	EA
10	10939 008	LOCK NUT M6	2	EA
11	10502 016	BUTTON HEAD HEX M6 1.0 X 16MM	2	EA
12	11015 008	WASHER M6 FLAT METRIC	2	EA

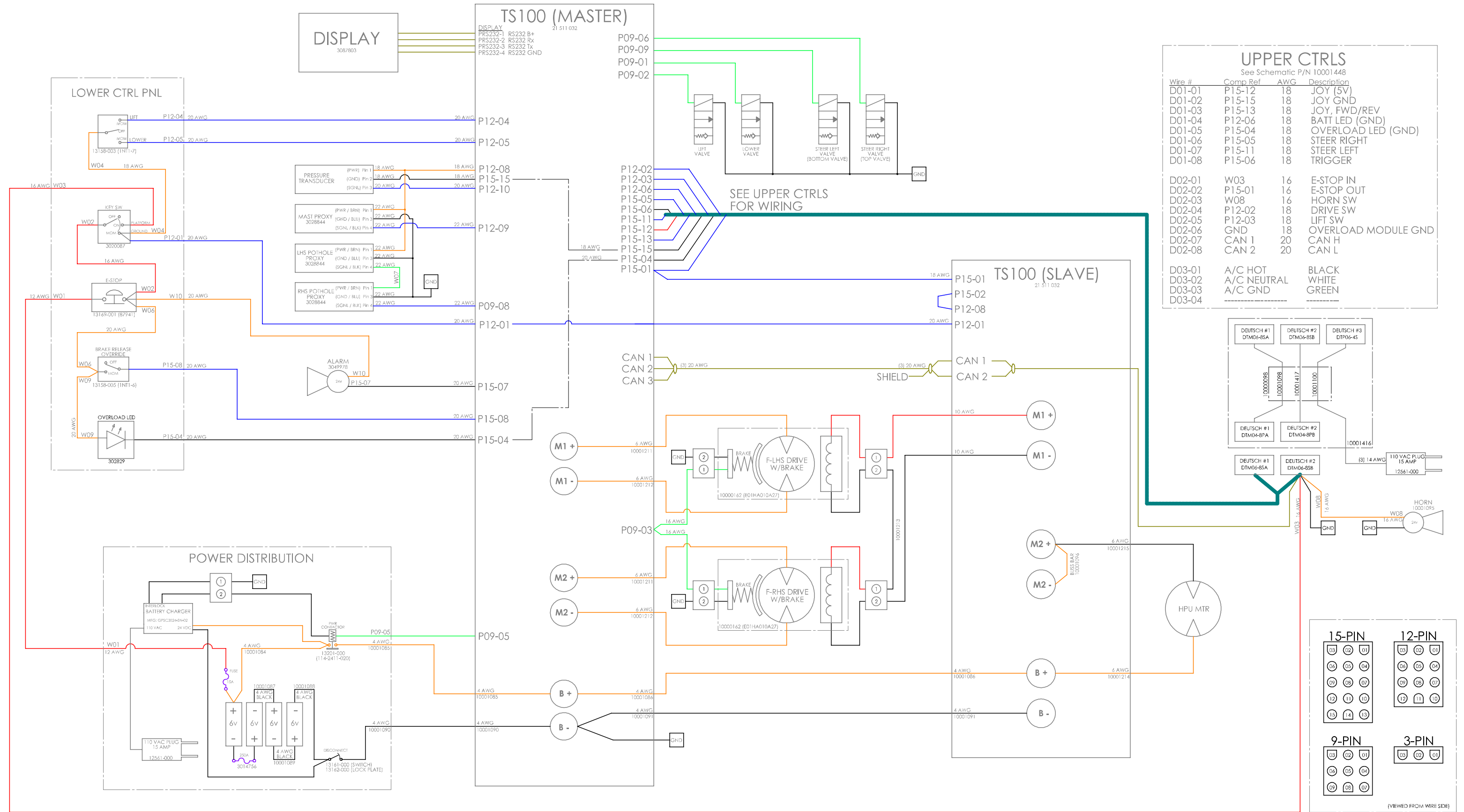
# HARNESS SCHEMATIC



# HARNESS LAYOUT



WIRE					CONNECTOR 1				CONNECTOR 2			
Wire #	DESC.	LENGTH	AWG	COLOR	DESC.	TYPE	SIZE	LOC	DESC.	TYPE	SIZE	LOC
D01-01	JOY (5v)	6.5	18	RED	DEUTSCH 1	0460-010-20141	#20	01	JOYSTICK	PIN	-	10
D01-02	JOY GND	6.5	18	BLACK	DEUTSCH 1	0460-010-20141	#20	02	JOYSTICK	PIN	-	11
D01-03	FWD/ REV	6.5	18	WHITE	DEUTSCH 1	0460-010-20141	#20	03	JOYSTICK	PIN	-	06
D01-04	BATT LED	6.5	18	BLACK	DEUTSCH 1	0460-010-20141	#20	04	BATT LED	F-QUICK CONNECT	3/16	GND
D01-05	OVERLOAD LED	8.5	18	BLACK	DEUTSCH 1	0460-010-20141	#20	05	OL LED	F-QUICK CONNECT	3/16	-
D01-06	RIGHT STEER	6.5	18	WHITE	DEUTSCH 1	0460-010-20141	#20	06	JOYSTICK	PIN	-	03
D01-07	LEFT STEER	6.5	18	WHITE	DEUTSCH 1	0460-010-20141	#20	07	JOYSTICK	PIN	-	04
D01-08	JOY ENABLE	6.5	18	WHITE	DEUTSCH 1	0460-010-20141	#20	08	JOYSTICK	PIN	-	05
D02-01	E-STOP IN	18.5	16	RED	DEUTSCH 2	0460-010-20141	#20	01	E-STOP	SPADE	#6	01
D02-02	E-STOP OUT	18.5	16	WHITE	DEUTSCH 2	0460-010-20141	#20	02	E-STOP	SPADE	#6	02
D02-03	HORN	25.5	16	WHITE	DEUTSCH 2	0460-010-20141	#20	03	HORN	SPADE	#6	02
D02-04	DRIVE SW	23.5	18	WHITE	DEUTSCH 2	0460-010-20141	#20	04	SELECT SW	RING TERMINAL	#6	01
D02-05	LIFT SW	23.5	18	WHITE	DEUTSCH 2	0460-010-20141	#20	05	SELECT SW	RING TERMINAL	#6	03
D02-06	OVERLOAD GND	7	18	BLACK	DEUTSCH 2	0460-010-20141	#20	06	OL MODULE	2-PIN TYCO	-	02
D02-07	CAN H	7	20	YELLOW	DEUTSCH 2	0460-010-20141	#20	07	OL MODULE	3-PIN TYCO	-	01
D02-08	CAN L	7	20	BLUE	DEUTSCH 2	0460-010-20141	#20	08	OL MODULE	3-PIN TYCO	-	02
W01	PWR (24v)	15	18	RED	JOYSTICK	PIN	-	12	E-STOP	SPADE	#6	02
W02	PWR (24v)	10	16	RED	E-STOP	SPADE	#6	02	HORN	SPADE	#6	01
W03	PWR (24v)	5	18	RED	HORN	SPADE	#6	01	SELECT SW	RING TERMINAL	#6	02
W04	PWR (24v)	20	18	RED	SELECT SW	RING TERMINAL	#6	02	BATT LED	F-QUICK CONNECT	3/16	POS
W05	PWR (24v)	23.5	18	RED	SELECT SW	RING TERMINAL	#6	02	LOADING PWR	F-QUICK CONNECT	1/4	-
W06	PWR (24v)	5	18	RED	BATT LED	F-QUICK CONNECT	3/16	POS	OL LED	F-QUICK CONNECT	3/16	-
W07	PWR (24v)	26.5	18	RED	HORN	SPADE	#6	01	OL MODULE	2-PIN TYCO	-	01



**DISPLAY**  
3087803

**TS100 (MASTER)**  
21 511 032

DISPLAY  
PR5232-1 RS232 B+  
PR5232-2 RS232 RX  
PR5232-3 RS232 TX  
PR5232-4 RS232 GND

P09-06  
P09-09  
P09-01  
P09-02

SEE UPPER CTRLS  
FOR WIRING

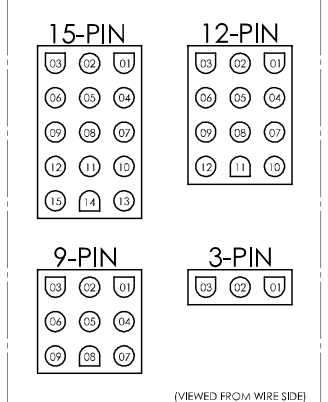
**TS100 (SLAVE)**  
21 511 032

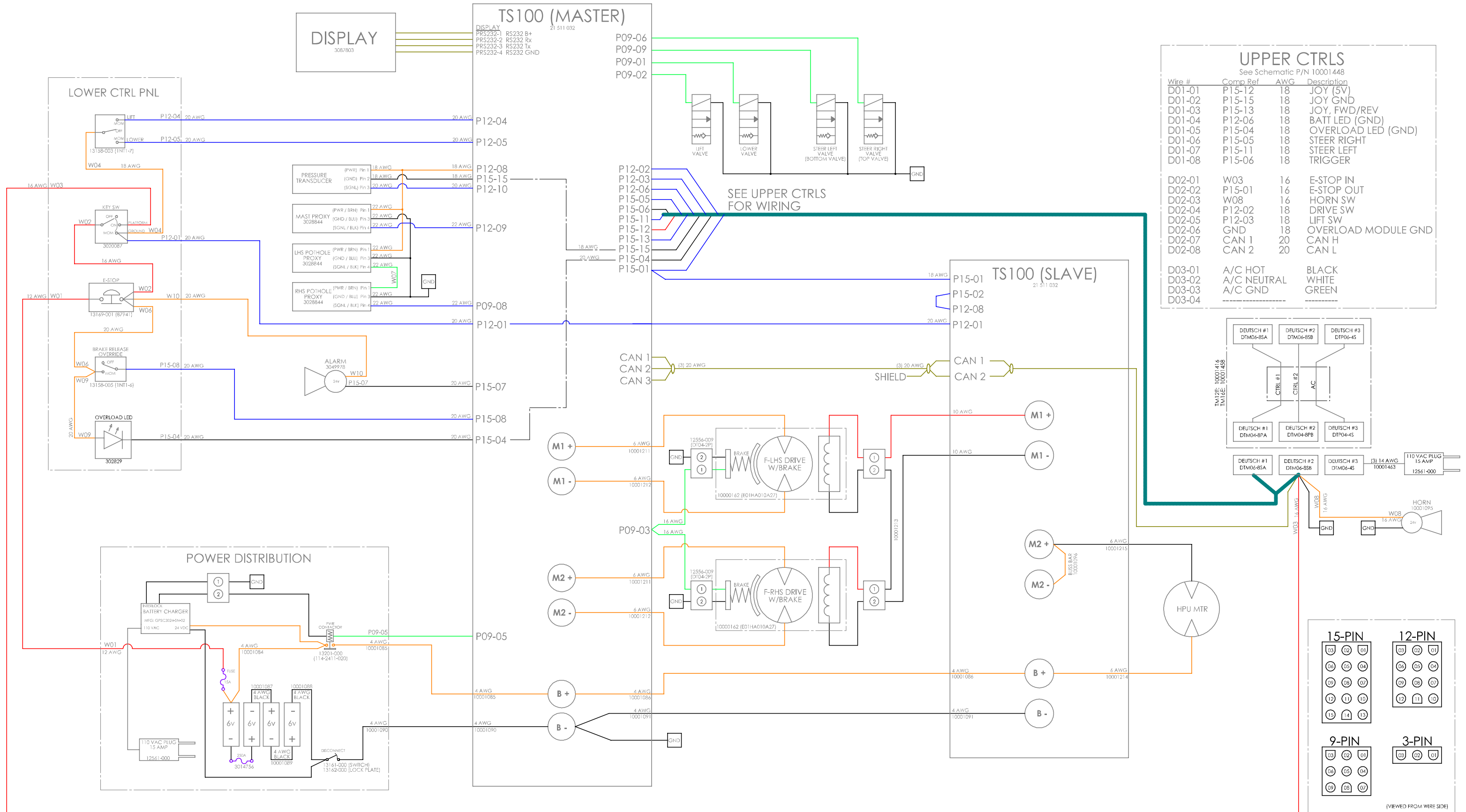
P15-01  
P15-02  
P12-08  
P12-01

**UPPER CTRLS**

See Schematic P/N 10001448

Wire #	Comp Ref	AWG	Description
D01-01	P15-12	18	JOY (5V)
D01-02	P15-15	18	JOY GND
D01-03	P15-13	18	JOY, FWD/REV
D01-04	P12-06	18	BATT LED (GND)
D01-05	P15-04	18	OVERLOAD LED (GND)
D01-06	P15-05	18	STEER RIGHT
D01-07	P15-11	18	STEER LEFT
D01-08	P15-06	18	TRIGGER
D02-01	W03	16	E-STOP IN
D02-02	P15-01	16	E-STOP OUT
D02-03	W08	16	HORN SW
D02-04	P12-02	18	DRIVE SW
D02-05	P12-03	18	LIFT SW
D02-06	GND	18	OVERLOAD MODULE GND
D02-07	CAN 1	20	CAN H
D02-08	CAN 2	20	CAN L
D03-01	A/C HOT		BLACK
D03-02	A/C NEUTRAL		WHITE
D03-03	A/C GND		GREEN
D03-04			

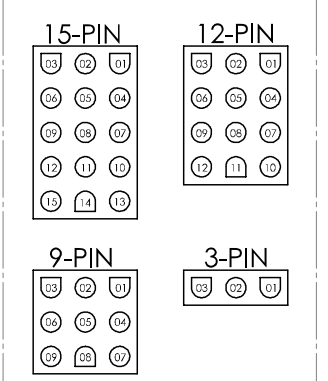
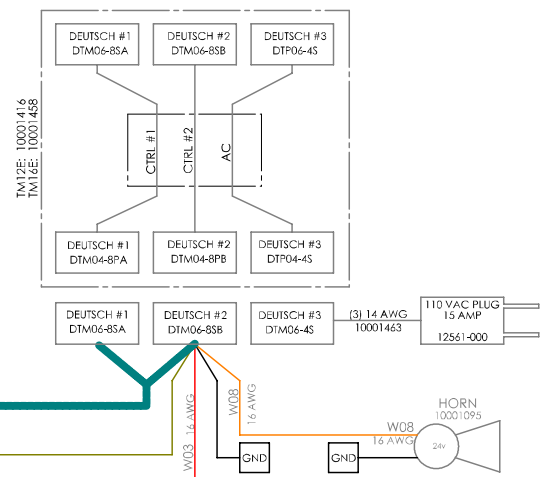




### UPPER CTRLS

See Schematic P/N 10001448

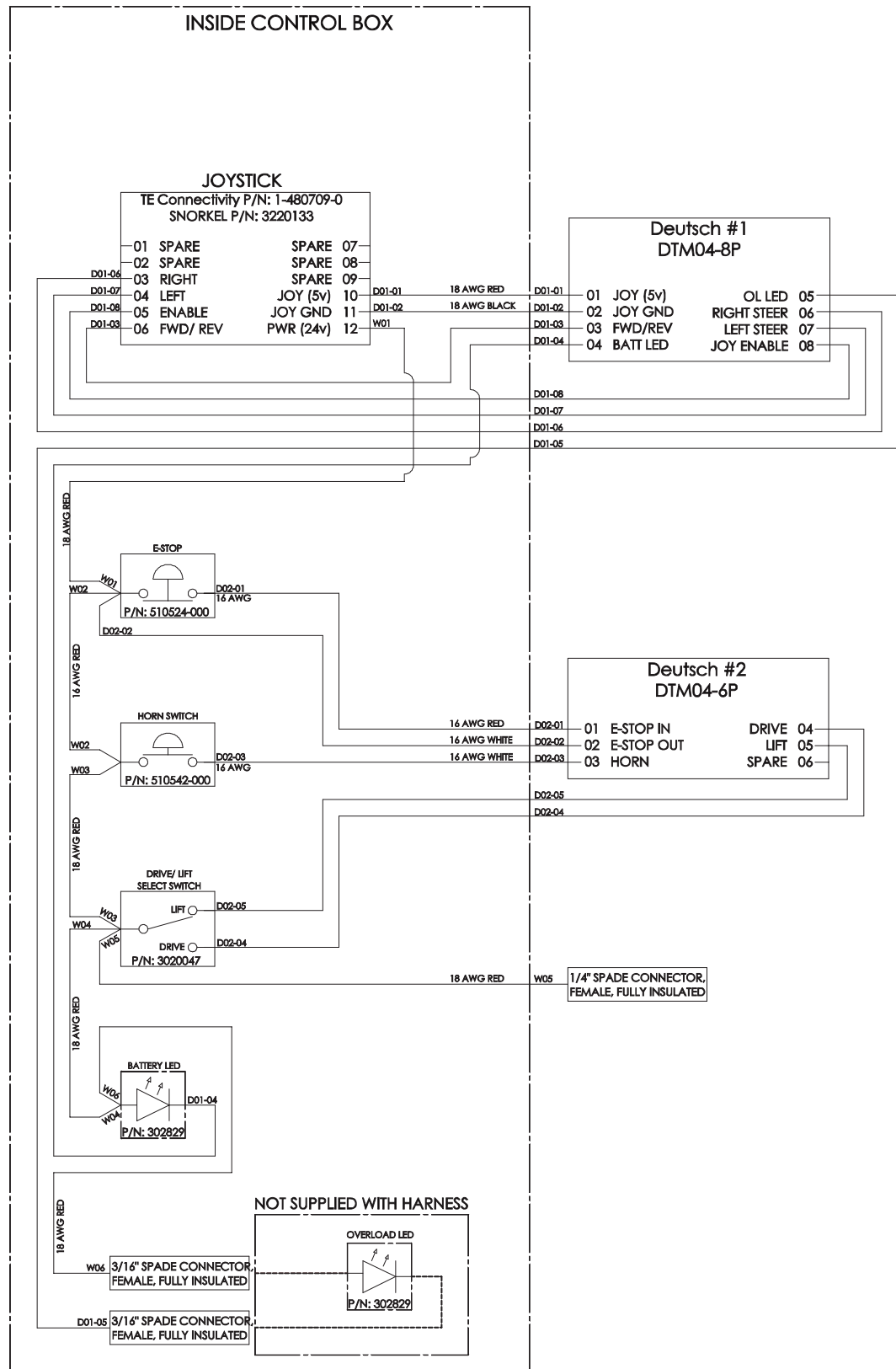
Wire #	Comp Ref	AWG	Description
D01-01	P15-12	18	JOY (5V)
D01-02	P15-15	18	JOY GND
D01-03	P15-13	18	JOY, FWD/REV
D01-04	P12-06	18	BATT LED (GND)
D01-05	P15-04	18	OVERLOAD LED (GND)
D01-06	P15-05	18	STEER RIGHT
D01-07	P15-11	18	STEER LEFT
D01-08	P15-06	18	TRIGGER
D02-01	W03	16	E-STOP IN
D02-02	P15-01	16	E-STOP OUT
D02-03	W08	16	HORN SW
D02-04	P12-02	18	DRIVE SW
D02-05	P12-03	18	LIFT SW
D02-06	GND	18	OVERLOAD MODULE GND
D02-07	CAN 1	20	CAN H
D02-08	CAN 2	20	CAN L
D03-01	A/C HOT		BLACK
D03-02	A/C NEUTRAL		WHITE
D03-03	A/C GND		GREEN



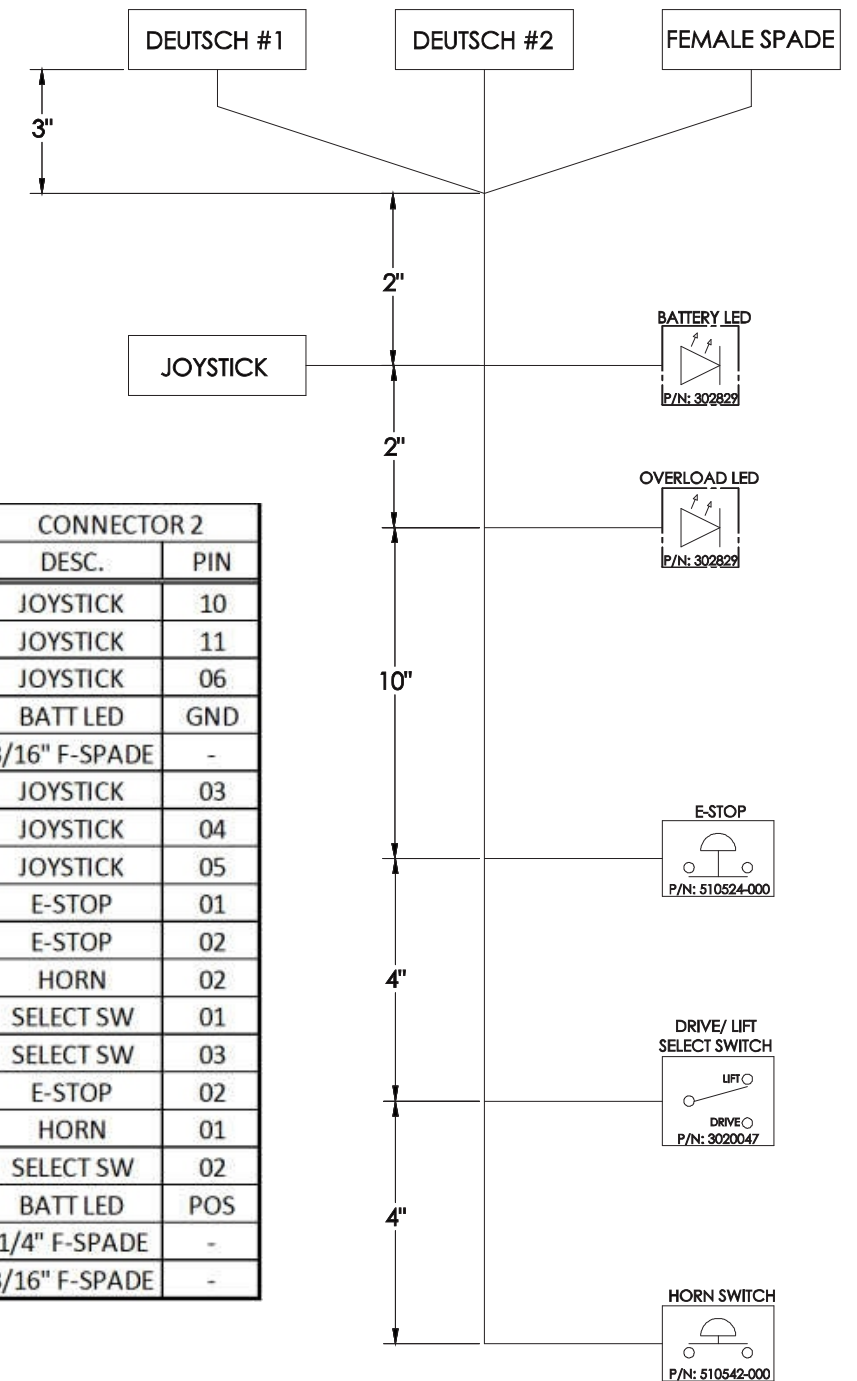
(VIEWED FROM WIRE SIDE)



# HARNESS SCHEMATIC



# HARNESS LAYOUT



Wire #	DESC.	LENGTH	AWG	COLOR	CONNECTOR 1		CONNECTOR 2	
					DESC.	PIN	DESC.	PIN
D01-01	JOY (5v)		18	RED	DEUTSCH 1	01	JOYSTICK	10
D01-02	JOY GND		18	BLACK	DEUTSCH 1	02	JOYSTICK	11
D01-03	FWD/ REV		18	WHITE	DEUTSCH 1	03	JOYSTICK	06
D01-04	BATT LED		18	BLACK	DEUTSCH 1	04	BATT LED	GND
D01-05	OVERLOAD LED		18	BLACK	DEUTSCH 1	05	3/16" F-SPADE	-
D01-06	RIGHT STEER		18	WHITE	DEUTSCH 1	06	JOYSTICK	03
D01-07	LEFT STEER		18	WHITE	DEUTSCH 1	07	JOYSTICK	04
D01-08	JOY ENABLE		18	WHITE	DEUTSCH 1	08	JOYSTICK	05
D02-01	E-STOP IN		16	RED	DEUTSCH 2	01	E-STOP	01
D02-02	E-STOP OUT		16	WHITE	DEUTSCH 2	02	E-STOP	02
D02-03	HORN		16	WHITE	DEUTSCH 2	03	HORN	02
D02-04	DRIVE SW		16	WHITE	DEUTSCH 2	04	SELECT SW	01
D02-05	LIFT SW		16	WHITE	DEUTSCH 2	05	SELECT SW	03
W01	PWR (24v)		18	RED	JOYSTICK	12	E-STOP	02
W02	PWR (24v)		16	RED	E-STOP	02	HORN	01
W03	PWR (24v)		18	RED	HORN	01	SELECT SW	02
W04	PWR (24v)		18	RED	SELECT SW	02	BATT LED	POS
W05	PWR (24v)		18	RED	SELECT SW	02	1/4" F-SPADE	-
W06	PWR (24v)		18	RED	BATT LED	POS	3/16" F-SPADE	-

A	OVERLOAD TM12E TM16E	4-9
110V AC PLUG ASSEMBLY	LOWER CONTROL PANEL ASSEMBLY WITH	
BEARING MOUNT ASSEMBLY LOADCELL	OVERLOAD TM12E TM16E	4-8
2-18	MAST ASSEMBLY TM12E	2-12
BEARING MOUNT ASSEMBLY LOADCELL	MAST ASSEMBLY WITH LOAD CELL	2-14
2-17	MAST CONTROL HARNESS ASSEMBLY #2 EIGHT	
CHASSIS ASSEMBLY TM12E	PIN	2-13
CHASSIS HARNESS AC TM12E TM16E	MAST HARNESS AC TM12E	4-14
CHASSIS HARNESS TM12E TM16E WITH	MAST HARNESS AC PIGTAIL TM12E	4-16
OVERLOAD	MAST HARNESS ASSEMBLY AC TM12E	4-15
CHASSIS TM SEM300 TM SEM300-11-	MAST HARNESS ASSEMBLY OVERLOAD	4-17
XXXXXX AND AFTER	MAST HARNESS CONTROL #1 8-PIN	4-12
DECAL KIT ANSI TM12E	MAST HARNESS CONTROL #2 8-PIN	4-18
DECAL KIT CE GERMAN	MAST WIRE CHASE TM16E TM SEM300	2-15
DECAL KIT LOADCELL CE TM12E	MASTER CONTROL	4-13
DECAL KIT SWEDISH TM12E	PLATFORM ASSEMBLY WITH LOADCELL	
DRIVE HUB 24V (HUB, MOTOR, BRAKE)	NOVEMBER 2018 AND BEFORE	2-21
6	PLATFORM CONTROL BOX ASSEMBLY WITH	
EXTENSION LOCK ASSEMBLY	OVERLOAD TM12E TM16E SEPTEMBER 2017 AND	
FOOT LATCH ASSEMBLY	BEFORE	4-19
GENERAL INFORMATION	PLATFORM EXTENSION ASSEMBLY TM12E	2-25
HARNESS MAST ASSEMBLY TM12E ANSI	PLATFORM CONTROL BOX CE	4-22
4-10	PLATFORM CONTROL BOX TM WITH OVERLOAD	
HARNESS MAST ASSEMBLY TM12E CE	ASSEMBLY MARCH 2019 AND AFTER	4-21
11	PLATFORM CONTROL BOX TM WITH OVERLOAD	
HOSES TM12E	ASSEMBLY OCTOBER 2017 through FEBRUARY	
HUB ASSEMBLY	2019	4-20
HYDRAULIC POWER UNIT	PLATFORM EXTENSION ASSEMBLY TM12E	2-24
HYDRAULIC POWER UNIT WUXI	PLATFORM LOADCELL ASSEMBLY DECEMBER	
JOYSTICK CONTROLS OEM	2018 AND AFTER	2-22
LIFT CYLINDER TM12E ROSENBOOM and	POTHOLE PLUNGER ASSEMBLY	2-6
PB	REAR WHEEL ASSEMBLY	2-8
LOADCELL ASSEMBLY ANSI CE	SALOON DOOR ASSEMBLY	2-27
LOWER CONTROL PANEL ASSEMBLY NON	SINGLE GATE ASSEMBLY	5-2

STEER CYLINDER ROSENBOOM ..... 3-3

STEP ASSEMBLY NOVEMBER 2018 AND  
AFTER ..... 4-2

STEP ASSEMBLY OCTOBER 2018 AND  
BEFORE ..... 4-1

TM12E ASSEMBLY ..... 2-1

TM12E CHASSIS ASSEMBLY ..... 2-3

TM12E CHASSIS ASSEMBLY LOADCELL 2-  
4

TM12E TM16E CHASSIS HARNESS  
UPDATES MADE TO ADD NON-OVERLOAD  
TO SCHEMATIC ..... 4-5

TM12E TM16E ELECTRICAL SCHEMATIC  
10001101B UPPER CONTROLS HARNESS . 6-  
4

TM12E TM16E ELECTRICAL SCHEMATIC  
10001446A WITH OVERLOAD ..... 6-2

TM12E TM16E ELECTRICAL SCHEMATIC  
10001446B ADDED BRAKE CONNECTOR  
NOTE ..... 6-3

TM12E TM16E ELECTRICAL SCHEMATIC  
10001448A WITH OVERLOAD ..... 6-1

TOEKICK ASSEMBLY LOADCELL  
DECEMBER 2016 AND BEFORE ..... 2-20

TOEKICK ASSEMBLY LOADCELL MARCH  
2018 AND AFTER ..... 2-19

TOOL TRAY INSTALLATION ..... 5-1

TORQUE HUB ..... 2-11

TRAILER HUB ASSEMBLY ..... 2-9

UPPER CONTROL BOX ASSEMBLY .... 4-23

WHEEL ASSEMBLY 12.72 ..... 2-7

B	061220-006SW	2-30
* .....	4-10, 4-11	066522-000
005221-000	2-28, 2-29	066522-000DE
005221-000DE	2-31	066522-000SW
005221-000SW	2-30	066550-001
005223-005	2-28, 2-29	066550-001DE
005223-005DE	2-31	066550-001SW
005223-005SW	2-30	066554-000
0073043	2-28, 2-29	066554-000DE
0073043DE	2-31	066554-000SW
0073043SW	2-30	066555-000
0073224	2-28, 2-29	066555-000DE
0073224DE	2-31	066555-000SW
0073224SW	2-30	066556-000
0083427	2-28, 2-29, 2-30, 2-31	066556-000DE
009442-003	2-23	066556-000SW
010154-000	2-2, 2-3, 2-4, 2-5, 2-13	066556-001
014222-003	2-28, 2-29	066556-001DE
014222-003DE	2-31	066556-001SW
014222-003SW	2-30	09-1933
0162311	2-29, 2-31	10000-004
056066-004	2-12, 2-14, 4-10, 4-11, 4-19, 4-20, 4-21, 4-22	10000-007
056069-005	2-5	10000-008
056069-006	2-5	10000-010
056069-010	2-5	10000-014
056069-012	2-5	10000-018
056069-014	2-5	10000-020
058491-012	2-5	10000001
058491-030	4-19, 4-20, 4-21, 4-22, 4-23	10000001 H
058534-000	2-28, 2-29	10000001G
058534-000DE	2-31	10000002
058534-000SW	2-30	10000002E
061220-006	2-28	10000004
		10000007

10000008	2-2, 2-3, 2-4, 2-5, 2-13	10000100	2-12, 2-14
10000009	2-2, 2-3, 2-4, 2-5, 2-13	10000101	2-12, 2-14
10000010	2-2, 2-3, 2-4, 2-5, 2-13	10000116	2-12, 2-14, 4-10, 4-11
10000011	2-2, 2-3, 2-4, 2-5, 2-13	10000151	2-2, 2-3, 2-4, 2-5, 2-13
10000011 A	2-6	10000152	2-2, 2-3, 2-4, 2-5, 2-13
10000012	2-2, 2-3	10000155	2-2, 2-3, 2-4, 2-5, 2-13
10000013	2-2, 2-3, 2-4, 2-5, 2-13	10000157	2-2, 2-3, 2-4, 2-5, 2-13
10000014	2-2, 2-3, 2-4, 2-5, 2-13	10000159	2-2, 2-3, 2-4, 2-5, 2-13
10000023	2-6	10000162	2-10
10000024	2-6	10000162 A	2-11, 4-6
10000025-5	2-2, 2-3	10000213	2-4, 2-5, 2-13
10000026-5	2-2, 2-3	10000231	2-12, 2-14, 2-16, 2-24, 2-24, 2-25, 2-25, 2-27, 5-2
10000038	2-2, 2-3, 2-4, 2-5, 2-13	10000250	2-21, 2-22, 2-24, 2-25
10000039	2-2, 2-3, 2-4, 2-5, 2-13	10000256	2-21, 2-24, 2-25
10000040	2-2, 2-3	10000268	2-2, 2-3, 2-4, 2-5, 2-13
10000040A	2-10	10000320 E	4-5
10000041	2-10	10000330	2-4, 2-5, 2-13
10000047	2-2, 2-3	10000333	2-4, 2-5, 2-13
10000048	2-2, 2-3, 2-4, 2-5, 2-13	10000337	2-4, 2-5, 2-13
10000072	2-1, 2-16	10000452	2-2, 2-3
10000072 B	3-4	10000483	2-28, 2-30
10000073	2-2, 2-3, 2-4, 2-5, 2-13	10000484	2-28, 2-29, 2-30, 2-31
10000073A	3-3	10000485	2-28, 2-29
10000076	2-2, 2-3, 2-4, 2-5, 2-13	10000485DE	2-31
10000077	2-2, 2-3, 2-4, 2-5, 2-13	10000485SW	2-30
10000078	2-2, 2-3, 2-4, 2-5, 2-13	10000486	2-2, 2-3, 2-4, 2-5, 2-10, 2-13
10000079	2-2, 2-3, 2-4, 2-5, 2-13	10000493	2-26
10000080	2-2, 2-3, 2-4, 2-5, 2-13	10000499	2-21, 2-24, 2-25
10000085	2-8	10001-007	2-25
10000092	2-2, 2-3, 2-4, 2-5, 2-10, 2-13	10001-014	2-2, 2-3
10000092 A	2-7	10001002	2-28, 2-29
10000093	2-7	10001002DE	2-31
10000096	2-7	10001002SW	2-30
10000099	2-12		

10001059	2-2, 2-3, 2-4, 2-5, 2-13	10001110	2-21, 2-22, 2-24, 2-25
10001062	2-21, 2-24	10001112	2-24, 2-27
10001062-5	2-25	10001112-5	2-25
10001079	2-28, 2-29	10001113	2-24, 2-27
10001079DE	2-31	10001113-5	2-25
10001079SW	2-30	10001131	2-21, 2-24, 2-25
10001081	2-1, 2-29	10001132	2-21, 2-22, 2-24, 2-25
10001082	4-10	10001135 E	2-1
1000108228 F	4-10	10001163	4-1
10001083 D	2-28	10001164	2-24, 2-25
10001083SW-B	2-30	10001179	2-12, 2-14, 4-11
10001084	2-2, 2-3, 2-4, 2-13	10001179-1	4-10
10001085	2-2, 2-3, 2-4, 2-13	10001184	2-1, 2-16
10001086	2-2, 2-3, 2-4, 2-13	10001188D	2-24
10001087	2-2, 2-3, 2-4, 2-13	10001189	2-4, 2-13
10001088	2-2, 2-3, 2-4, 2-13	10001196	2-4, 2-5, 2-13
10001089	2-2, 2-3, 2-4, 2-5, 2-13	10001197	2-4, 2-5, 2-13
10001090	2-2, 2-3, 2-4, 2-13	10001203	2-4, 2-5, 2-13
10001091	2-2, 2-3, 2-4, 2-13	10001209	2-14
10001095	2-2, 2-3, 2-4, 2-5, 2-13	10001211	2-2, 2-3, 2-4, 2-13
10001096	2-2, 2-3, 2-4, 2-13	10001212	2-2, 2-3, 2-4, 2-13
10001098	4-15, 4-17	10001213	2-2, 2-3, 2-4, 2-13
10001098A	4-12	10001214	2-2, 2-3, 2-4, 2-13
10001099	4-15	10001215	2-2, 2-3, 2-4, 2-13
10001099A	4-13	10001217	2-4, 2-13
10001100	4-17	10001218	2-19, 2-20, 4-1, 4-8, 4-9
10001100B	4-14	10001219	2-15, 2-21, 2-24, 2-25, 3-1, 3-5
10001101	4-23	10001220	2-21, 2-22, 2-24
10001102	2-2, 2-3, 2-4, 2-5, 2-13	10001221	2-24
10001103 B	3-1	10001240	2-2, 2-3, 2-4, 2-5, 2-13
10001105	2-2, 2-3, 2-4, 2-5, 2-13	10001240 G	4-2
10001108	2-1	10001240D	4-1
10001108E	2-25	10001241	3-4
10001109	2-24, 2-25	10001242	3-4

10001243	3-4	10001401	2-16
10001244	3-4	10001401 A	2-20
10001245	3-3	10001401 B	2-19
10001246	3-3	10001402	2-19, 2-20
10001247	3-1, 3-5	10001403	2-17
10001248	3-1, 3-5	10001404	2-17, 2-18
10001250	3-1, 3-5	10001405	2-16
10001251	3-1, 3-5	10001416	2-12, 2-14, 4-11
10001252	3-1, 3-5, 3-5	10001416 D	4-17
10001253	3-1, 3-5	1000141628 B	4-11
10001254	3-1	10001417	4-17
10001255	2-9	10001417A	4-18
10001256	2-9	10001419	2-16
10001257	2-9	10001419 F	2-4
10001258	2-9	10001419E	2-13
10001259	2-9	10001428SW	2-30
10001260	2-9	10001429	2-28, 2-29, 2-30, 2-31
10001363	2-2, 2-3, 2-4, 2-5, 2-13	10001430B	5-1
10001363A	3-2	10001431	5-1
10001368	2-28, 2-29, 2-30, 2-31	10001438	5-1
10001370	4-1, 4-2	10001447	2-16
10001372	4-1, 4-8, 4-9	10001447 B	4-19
10001374	2-24, 2-25	10001447 C	4-20
10001374 D	4-23	10001447 E	4-21
10001375	4-19, 4-20, 4-21, 4-22, 4-23	10001448	4-19, 4-20, 4-21, 4-22
10001378 J	2-16	10001462	2-12, 2-14, 2-24, 2-25
10001379	2-16	10001463	4-2, 4-10, 4-11
10001379 E	2-14	10001463A	4-3
10001380	2-16	10001466 B	2-15
10001380 F	2-21	10001467	2-15
10001380 G	2-22	10001468	2-12, 2-14, 2-24, 2-25
10001381	2-14	10001470A	2-27
10001382	2-21, 2-22	10001471A	5-2
10001385A	2-17	10001472	5-2

10001473	5-2	10001688	2-23
10001478	2-2, 2-3, 2-4, 2-5, 2-13	10001697	2-22
10001570	4-19, 4-20, 4-21, 4-22	10001698	2-22
10001572	2-2, 2-3, 2-4, 2-5, 2-13	10001701	2-1, 2-16
10001572 B	3-5	10001701 A	4-7
10001614	2-16	10002-008	2-10
10001625	2-16	10002-010	2-2, 2-3, 2-23
10001629	2-2, 2-3, 2-4, 2-13	10002-014	2-2, 2-3
10001630	2-2, 2-3	10004-012	2-1
10001630 C	4-4	10016000	2-21, 2-24, 2-25
10001631 B	4-22	10016000D	2-26
10001632	2-2, 2-3	10016001	2-26
10001632 B	4-9	10016002	2-26
10001633	2-4, 2-5, 2-13	10016009	2-26
10001633-NS B	4-8	10016010	2-26
10001635	4-9	10016011	2-26
10001636	4-8	10016012	2-26
10001637	2-29	10016013	2-26
10001637DE	2-31	10016014	2-26
10001640	2-16	10016015	2-26
10001641	2-16	10016016	2-26
10001644	2-16	10016017	2-26
10001644A	2-18	10016018	2-26
10001645	2-18	10016019	2-26
10001646 C	2-29	10016036DE	2-31
10001646DE	2-31	10052-004	2-12
10001662	2-16	10054-005	2-2, 2-3
10001663	4-15, 4-17	10101-004	2-25
10001665A	4-15	10102-014	2-25
10001666	4-15	10102-018	2-25
10001666A	4-16	10102-024	2-25
10001667	4-16	101252-000	2-28, 2-29
10001687	2-22	101252-000DE	2-31
10001687 A	2-23	101252-000SW	2-30



10303-004	..... 2-1, 2-16	10504-045	..... 2-21, 2-22, 2-24
10303-006	..... 2-2, 2-3, 2-4, 2-5, 2-13	10504-055	..... 2-21
10401-020	..... 2-5	10504-060	..... 2-22, 2-24
10402-012	..... 2-5	10504-075	..... 2-27, 5-2
10402-016	..... 2-4, 2-5, 2-13, 2-14	10504-080	..... 2-24
10402-020	..... 2-5	10800-008	..... 2-2, 2-3
10402-025	..... 2-5, 2-21, 2-24	10807-025	..... 2-5
10402-030	..... 2-5	10901-010	..... 2-17, 2-18
10402-035	..... 2-4, 2-13	10908-004	..... 2-1, 2-2, 2-3
10402-040	..... 2-16	10908-005	..... 2-2, 2-3, 2-25
10402-050	..... 2-16	10908-006	..... 2-2, 2-3, 2-23
10402-055	..... 2-4, 2-5, 2-13	10908-008	..... 2-1
10402-060	..... 2-4, 2-5, 2-13	10928-007	..... 2-25
10404-020	..... 2-16	10928-009	..... 2-25
10404-022	..... 2-24	10939-006	..... 4-1, 4-7
10404-025	..... 2-16, 2-21, 2-22	10939-008	..... 2-4, 2-5, 2-13, 2-14, 2-16, 5-2
10404-040	..... 2-4, 2-5, 2-13	10939-010	..... 2-4, 2-13, 2-21, 2-22, 2-24, 2-27, 5-2
10404-090	..... 2-22	10939-011	..... 2-4, 2-13
10405-012	..... 2-2, 2-3, 2-4, 2-13	10939-012	..... 2-16
10405-016	..... 2-5	11001-002	..... 2-12
10405-020	..... 2-2, 2-3, 2-4, 2-5, 2-13	11001-004	..... 2-1, 2-2, 2-3, 2-16, 2-25
10405-035	..... 2-4, 2-13	11001-005	..... 2-2, 2-3, 2-25
10405-040	..... 2-5	11001-006	..... 2-2, 2-3, 2-10, 2-23
10405-045	..... 2-4, 2-13	11001-008	..... 2-1
10406-020	..... 2-2, 2-3, 2-4, 2-13	11001-010	..... 2-17, 2-18
10406-040	..... 2-16	11003-004	..... 2-25
10415-025	..... 2-5	11015-006	..... 2-14, 4-1
10420-012	..... 2-14, 4-1	11015-007	..... 2-2, 2-3, 2-16, 4-1
10422-016	..... 2-4, 2-13	11015-008	..... 2-4, 2-13, 2-16, 2-21, 2-24, 5-1, 5-2
10424-012	..... 4-1, 4-2	11015-010	..... 2-16, 2-21, 2-22, 2-24
10500-020	..... 2-22	11015-011	..... 2-2, 2-3, 2-4, 2-13
10501-020	..... 2-2, 2-3, 2-5, 2-16, 4-1	11015-012	..... 2-2, 2-3, 2-4, 2-13, 2-16
10502-016	..... 2-16, 2-24, 5-2	11111-001	..... 2-2, 2-3, 2-4, 2-5, 2-13
10502-020	..... 5-1	11363-002	..... 2-2, 2-3, 2-4, 2-5, 2-13

11700-001	2-2, 2-3, 2-4, 2-5, 2-13	1501159	4-19, 4-20, 4-21, 4-22, 4-23
11700-009	2-1, 2-16	1501359	4-19, 4-20, 4-21, 4-22, 4-23
11702-002	2-2, 2-3, 2-4, 2-5, 2-13	1501420	2-2, 2-3, 2-4, 2-5, 2-13
11702-006	2-2, 2-3, 2-4, 2-5, 2-13	1501583	2-22
11705-001	2-2, 2-3, 2-4, 2-5, 2-13	1501676	2-28, 2-29, 2-30, 2-31
12000-019	3-2	1501688	4-22
12001-011	3-2	1501844	2-24, 2-25, 2-27, 5-2
12004-022	3-2	1502128	2-24, 2-25, 2-27, 5-2
12554-008	4-14	1502269	2-21, 2-22, 2-24, 2-25
12555-011	4-3, 4-14, 4-15, 4-16	1502308	4-21, 4-23
12555-018	4-15, 4-16	1502834	2-22
12555-026	4-15, 4-16	1503079	2-22
12561-000	4-1	1610003-000 A	2-5
12564-012	4-13	1610004-000	2-5
12564-013	4-12	1610015-000	2-3, 2-4, 2-5
12564-014	4-18	1610016-000	2-5
12565-012	4-13	1610017-000	2-5
12565-013	4-12	1610018-039	2-5
12565-014	4-18	1610018-062	2-5
13006-010	2-5	1610019-007	2-5
13006-016	2-5	1610019-032	2-5
13158-003	4-1, 4-8, 4-9	1610020-010	2-5
13158-005	4-1, 4-8, 4-9	1610021-016	2-5
13161-000	2-2, 2-3, 2-4, 2-5, 2-13	1610022-039	2-5
13162-000	2-2, 2-3, 2-4, 2-5, 2-13	1610023-060	2-5
13201-000	2-2, 2-3, 2-4, 2-5, 2-13	1610024-060	2-5
13468-01	4-19, 4-20, 4-21, 4-22	1610025-000	2-5
13571-000	2-2, 2-3, 2-4, 2-5, 2-13	2500812	2-2, 2-3, 2-4, 2-5, 2-13
1450303	4-2	2509820	2-10
1500210	2-8	2580430	2-2, 2-3, 2-4, 2-5, 2-13
1500210 B	2-9	300699	2-28, 2-29
1500948	2-2, 2-3, 2-4, 2-5, 2-13	300699DE	2-31
1501116	4-23	300699SW	2-30
1501158	4-19, 4-20, 4-21, 4-22, 4-23	3014756	2-2, 2-3, 2-4, 2-13

3020047	4-19, 4-20, 4-21, 4-22, 4-23	512459-016	4-7, 4-20, 4-21, 4-22, 4-23
3020087	4-1, 4-8, 4-9	512602-000	5-2
3020182	4-24	512714-025	2-12, 2-14, 4-10, 4-11
3020183	4-24	513859-102	2-28, 2-29, 2-30, 2-31
3020187	4-24	515098-000	4-1
302829	4-1, 4-8, 4-19, 4-20, 4-21, 4-22, 4-23	515098-001	4-1
3028810	4-8, 4-9, 4-21, 4-22, 4-23	515375-000	2-29
3028844	2-2, 2-3, 2-4, 2-5, 2-13	515376-000	2-29
3028933	4-20, 4-21, 4-22, 4-23	516175-000	4-2
3029801	4-24	516175-001	4-2
3029802	4-24	5516359	2-24, 2-25, 2-27, 5-2
3040015	4-9, 4-21, 4-22, 4-23	5560067	4-19, 4-20, 4-21, 4-22, 4-23
3040268	2-2, 2-3, 2-4, 2-5, 2-13	5560592	4-24
3040624	4-19, 4-20, 4-21, 4-23	5560593	4-24
3040625	4-19, 4-20, 4-21, 4-23	5560594	4-24
3049978	2-2, 2-3, 2-4, 2-5, 2-13	5563181	4-19, 4-20, 4-21, 4-22
3050009	2-2, 2-3, 2-4, 2-5, 2-13	5563451	2-22, 2-26
3069521	4-7	5563552	2-22
3087801	4-19	5563554	2-5
3087801C	4-24	5563555	2-5, 2-22
3087803	2-2, 2-3, 2-4, 2-5, 2-13	5569973	2-21, 2-24, 2-25, 2-26
41040-000	2-2, 2-3, 2-4, 2-5, 2-8, 2-13	562386	2-16, 2-24, 2-25
41140-001	2-8	6019281	2-1, 2-16
446076	2-4, 2-13	6019289	2-1, 2-16
467966	2-2, 2-3, 2-4, 2-5, 2-13	6091348	2-1, 2-16
502141-000	2-23	6091950	2-11, 4-6
508771-000	2-28, 2-29	6091951	2-11, 4-6
508771-000DE	2-31	6092089	3-5
508771-000SW	2-30	6092090	3-1, 3-5
508772-000	2-28, 2-29	6092091	3-1, 3-5
508772-000DE	2-31	6092092	3-1, 3-1, 3-5, 3-5
508772-000SW	2-30	7119946	3-5
510524-000	4-1, 4-19, 4-20	8030044	4-1, 4-8
510542-000	4-19, 4-20, 4-21, 4-22, 4-23	988199	2-8

TCB 18.019 ..... 2-9