

# UpRight



**ULI-25/32/40/48**

**PORTABLE PERSONNEL LIFTS**

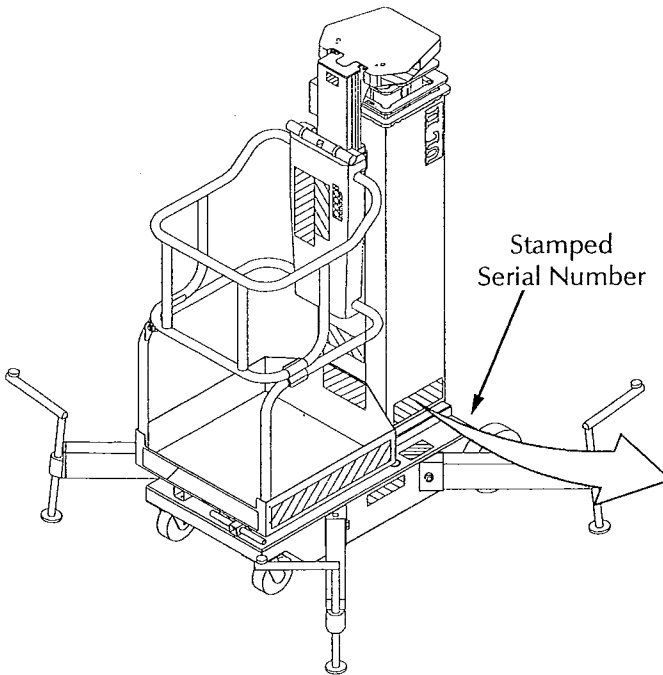
**Service &  
Parts Manual**

# SERVICE & PARTS MANUAL

## ULII-25/33/40/48

### Portable Personnel Lifts

Serial Numbers 15000 to Current



When contacting UpRight for service or parts information, be sure to include the MODEL and SERIAL NUMBERS from the equipment nameplate. Should the nameplate be missing, the SERIAL NUMBER is also stamped on the chassis tube on the right side of the mast.

<b>UpRight, Inc.</b>	
1775 PARK ST. SELMA, CA 93662 USA	
MODEL NO. <input type="text"/>	MAX. PLATFORM HEIGHT <input type="text"/>
SERIAL NO. <input type="text"/>	BATTERY VOLTAGE <input type="text"/>
MAX. DISTRIBUTED LOAD <input type="text"/>	<input type="text"/>
CAUTION: CONSULT OPERATOR'S MANUAL BEFORE USE.	
THIS PLATFORM IS NOT ELECTRICALLY INSULATED	
<small>P/N 61205-000-00</small>	

# UpRight

Call Toll Free in U.S.A.

**1-800-926-LIFT**

For Parts:

**1-888-UR-PARTS**

**UpRight, Inc.**  
1775 Park Street  
Selma, California 93662  
TEL: 209/891-5200  
FAX: 209/896-9012  
PARTSFAX: 209/896-9244

**UpRight, Europe**  
(Europe, Africa & Middle East)  
Pottery Road  
Dun Laoire, Ireland  
TEL: 353/1/285-3333  
FAX: 353/1/284-0015

P/N 068018-000

9/96 D

## Table of Contents

Section Number	Page No.	Section Number	Page No.
<b>1.0 INTRODUCTION &amp; SPECIFICATIONS</b>			
1.0 Introduction .....	1-1		
Purpose of Equipment .....	1-1		
General Description .....	1-1		
Platform .....	1-1		
Mast .....	1-1		
Chassis .....	1-1		
Operator Controls .....	1-1		
<b>2.0 MACHINE PREPERATION</b>			
2.1 Preparation for Use .....	2-1		
2.2 Preparation For Shipment .....	2-1		
2.3 Storage .....	2-2		
Preservation .....	2-2		
Battery .....	2-2		
<b>3.0 OPERATION</b>			
3.0 Introduction .....	3-1		
General Functioning .....	3-1		
Design Features .....	3-1		
3.1 Safety Rules and Precautions .....	3-1		
3.2 Controls and Indicators .....	3-2		
3.4 Safety/Interlock Test .....	3-4		
3.3 Outrigger Installation .....	3-4		
3.5 Operation .....	3-4		
Emergency Lowering .....	3-5		
After Use Each Day .....	3-5		
3.4 Transporting .....	3-6		
UL-25,32,40 Only .....	3-6		
DC Models .....	3-6		
Loading .....	3-6		
Unloading .....	3-7		
DC Models .....	3-7		
UL-48 Only .....	3-7		
DC Models .....	3-7		
Loading .....	3-7		
Securing .....	3-7		
3.5 Tilt Back .....	3-8		
UL-25 (Optional) .....	3-8		
Lowering .....	3-8		
Raising .....	3-8		
UL-32,40 (Standard) .....	3-9		
Lowering .....	3-9		
Raising .....	3-9		
UL-48 (Standard) .....	3-10		
Lowering .....	3-10		
Raising .....	3-11		
<b>4.0 MAINTENANCE</b>			
4.0 Introduction .....	4-1		
Special Tools .....	4-1		
4.1 Preventative Maintenance .....	4-1		
Preventative Maintenance Table Key .....	4-2		
Preventative Maintenance Report .....	4-2		
4.2 Lubrication .....	4-3		
		Rear Wheel Bearings .....	4-3
		Casters .....	4-3
		Chains .....	4-3
		Screw Jacks .....	4-3
		Hydraulic Oil Reservoir (Figure 4-2) .....	4-3
		<b>4.3 Battery Maintenance .....</b>	
		Battery Inspection and Cleaning .....	4-4
		Battery Charging (Figure 4-3) .....	4-4
		Battery Cell Equalization .....	4-5
		<b>4.5 Mast Assembly .....</b>	
		Disassembly .....	4-6
		Platform Assembly Removal .....	4-6
		#6 Mast .....	4-6
		#5 Mast .....	4-6
		#4 Mast .....	4-6
		#3 Mast .....	4-9
		#2 Mast .....	4-9
		#2 Mast .....	4-9
		#3 Mast .....	4-9
		#4 Mast .....	4-9
		#5 Mast .....	4-9
		#6 Mast .....	4-9
		Platform Support Assembly .....	4-10
		Sequencing Strap Installation .....	4-10
		<b>4.6 Cylinder Assembly .....</b>	
		Seal Replacement .....	4-10
		Orifice Valve Cleaning .....	4-12
		Cylinder Removal (Figure 4-9) .....	4-13
		Installation .....	4-13
		<b>4.7 Torque Specifications .....</b>	
		Hydraulic Components .....	4-14
		Fasteners .....	4-14
<b>5.0 TROUBLESHOOTING</b>			
		5.0 Introduction .....	5-1
		General Procedure .....	5-1
<b>6.0 SCHEMATICS</b>			
		6.0 Introduction .....	6-1
		Index .....	6-1
		6.1 Electrical Schematics .....	6-2
		6.2 Hydraulic Schematic .....	6-4
<b>7.0 ILLUSTRATED PARTS BREAKDOWN</b>			
		7.0 Introduction .....	7-1
		7.1 Index .....	7-1
		7.2 Illustrated Parts .....	7-2

## List of Illustrations

## List of Tables

Figure Number		Page No.
1-1	UL Portable Personnel Lifts .....	1-1
2-1	Lifting UL Lifts .....	2-1
2-2	Battery Box .....	2-1
3-1	Controls and Indicators .....	3-3
3-2	Installing Outriggers .....	3-4
3-3	Loader in Load Position .....	3-6
3-4	T-Handle Positioning .....	3-6
3-5	Tilting Machine onto or off of a Vehicle .....	3-7
3-6	Tie Down Points .....	3-7
3-7	Fork Lift Pockets, Winch Point .....	3-7
3-8	Loader Bar / Strut.....	3-8
3-9	Pinning the Strut.....	3-8
3-10	Tilting the Machine Back .....	3-8
3-11	Cylinder Secured with Retaining Pin .....	3-9
3-12	Lowering and Raising with Tilt Back Handle .....	3-9
3-13	Compressing the Cylinder Assembly .....	3-9
3-14	Pinning the Tilt Back Frame in Place .....	3-10
3-15	Compressing the Gas Springs .....	3-10
3-16	Securing the Strut .....	3-10
3-17	Releasing the Strut .....	3-11
3-18	Extending the Gas Springs .....	3-11
3-19	Stowing the Tilt Back Frame .....	3-11
4-1	Lubrication .....	4-3
4-2	Hydraulic Power Unit .....	4-3
4-3	Battery Charger.....	4-5
4-4	System Relief Valve.....	4-5
4-5	Lifting / Lowering UL Lift .....	4-6
4-6	Mast Assembly, Strap and Chain Detail .....	4-7
4-7	Mast Assembly Bearing Detail .....	4-8
4-8	Lift Cylinder.....	4-11
4-9	Chain Tensioning, Cylinder Installation .....	4-13
6-1	Electrical Schematic, AC Models .....	6-3
6-2	Electrical Schematic, DC Models.....	6-3
6-3	Hydraulic Schematic.....	6-4

Table Number		Page No.
1-1	Specifications .....	1-2
3-1	Controls and Indicators.....	3-2
4-1	Preventative Maintenance .....	4-2
5-1	Troubleshooting .....	5-2
6-1	Electrical Schematic Legend, AC .....	6-2
6-2	Electrical Schematic Legend, DC.....	6-2
6-3	Hydraulic Schematic Legend .....	6-4

# Forward

## Introduction

### HOW TO USE THIS MANUAL

This manual is divided into 7 sections. The first page of each section is marked with a black tab that lines up with one of the thumb index tabs on the right side of this page. You can quickly find the first page of each section without looking through the table of contents which follows this page. The section number printed at the top corner of each page can also be used as a quick reference guide.

### SPECIAL INFORMATION

#### **DANGER**

Indicates the hazard or unsafe practice *will* result in severe injury or death.

#### **WARNING**

Indicates the hazard or unsafe practice *could* result in severe injury or death.

#### **CAUTION**

Indicates the hazard or unsafe practice could result in *minor* injury or property damage.

NOTES: Give helpful information.

### WORKSHOP PROCEDURES

**CAUTION:** Detailed descriptions of standard workshop procedures, safety principles and service operations are not included. Please note that this manual does contain warnings and cautions against some specific service methods which could cause personal injury, or could damage a machine or make it unsafe. Please understand that these warnings cannot cover all conceivable ways in which service, whether or not recommended by UpRight, Inc., might be done, or of the possible hazardous consequences of each conceivable way, nor could UpRight Inc. investigate all such ways. Anyone using service procedures or tools, whether or not recommended by UpRight Inc., must satisfy themselves thoroughly that neither personal safety nor machine safety will be jeopardized.

All information contained in this manual is based on the latest product information available at the time of printing. We reserve the right to make changes at any time without notice. No part of this publication may be reproduced, stored in retrieval system, or transmitted, in any form by any means, electronic, mechanical, photocopying, recording, or otherwise, without the prior written permission of the publisher. This includes text, figures and tables.

## Introduction & Specifications

# 1.0

General description and machine specifications.

## Machine Preparation

# 2.0

Information on preparation for use & shipment, forklifting, transporting and storage.

## Operation

# 3.0

Operating instructions and safety rules.

## Maintenance

# 4.0

Preventative maintenance and service information.

## Troubleshooting

# 5.0

Causes and solutions to typical problems.

## Schematics

# 6.0

Schematics and valve block diagram with description and location of components.

## Illustrated Parts Breakdown

# 7.0

Complete parts lists with illustrations.

**Forward**

**NOTES**

Empty rectangular area for notes.

## 1.0 Introduction

### PURPOSE OF EQUIPMENT

The UpRight Personnel Lift is a portable lift designed to elevate personnel and light equipment to work above the ground.

### GENERAL DESCRIPTION

There are four basic UpRight Personnel Lift models: the UL-25, UL-32, UL-40 and the UL-48.

All models consist of a Platform, Mast and Chassis.

The UL-32, UL-40, and UL-48 are equipped with a tilt back mechanism to facilitate passage through a standard 80 inch doorway. This tilt back mechanism is optionally available in a configuration adapted to fit the UL-25.

### Platform

The platform is an aluminum structure supported by a steel cage support attached to the mast. It has 43.5-inch high "clamshell" upper and lower guardrail assembly with gas spring assist for opening and closing, six (6) inch toeboards and integrated midrail.

### Mast

The platform is raised and lowered by a seven stage mast assembly that is driven by a single stage hydraulic lift cylinder and a series of leaf chains. An AC or DC electric motor powers a hydraulic pump which in turn energizes the cylinder. Solenoid operated valves control the raising and lowering of the Platform.

### Chassis

The Chassis is a steel structure that consists of the first stage of the Mast Assembly, control box, battery charger (for DC Models), and AC or DC Motor, hydraulic pump and reservoir, 12v battery (for DC Models), a tilt back assembly (standard on 32', 40', and 48' machines, optional on 25' machines), and four Outriggers. The chassis is equipped with outrigger status lights which indicate that outrigger interlock switches are closed

### Operator Controls

Controls consist of a Lower Emergency Stop Switch, Upper Emergency Stop Switch, Key Switch and three (3) push button controls: Power On, Up, Down. The Power On button must be pushed along with the Up or Down button to operate the machine. An Emergency Lowering Valve is located on the power unit at the base of the machine.

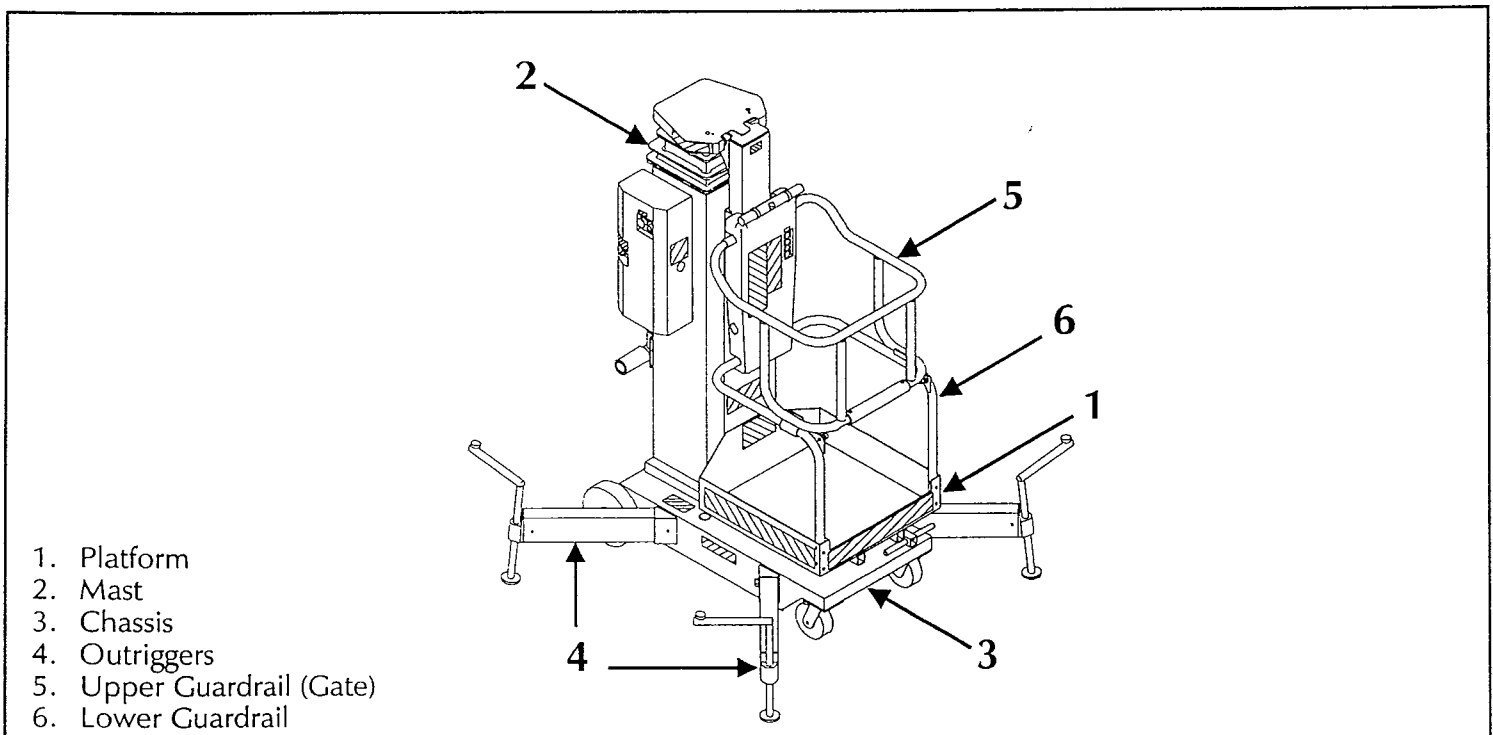


Figure 1-1: UL Portable Personnel Lift

# Introduction & Specifications

**Table 1-1: Specifications**

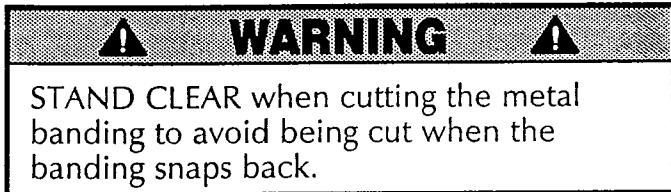
ITEM	UL25	UL32	UL40	UL48
<b>Platform Height</b>				
Maximum	25 ft. (7.62 m)	32 ft. (9.75 m)	40 ft. (12.19 m)	48 ft. (14.63m)
Minimum	15 in. (38 cm)	15 in. (38 cm)	15 in. (38 cm)	15 in. (38cm)
<b>Platform Capacity</b>	350 lbs. (159 kg)	300 lbs. (136 kg)	300 lbs. (136 kg)	250 lbs. (113kg)
<b>Stored Dimensions</b>				
Vertical Height	78 in. (1.98 m)	96 in. (2.44 m)	112 in. (2.84 m)	130 in. (3.3m)
Width	29 in. (74 cm)	29 in. (74 cm)	29 in. (74 cm)	29 in. (74cm)
Depth	49 in. (1.24 m)	49 in. (1.24 m)	49 in. (1.24 m)	49 in. (125cm)
Diagonal Storage Height	-	78 in. (1.98 m)	78 in. (1.98 m)	78 in. (1.98m)
Diagonal Storage Length	-	99.5 in. (2.53 m)	114 in. (2.9 m)	132 in. (3.35m)
<b>Footprint (outriggers extended)</b>				
Width	59 in. (1.5 m)	81 in. (2.06 m)	92 in. (2.34 m)	112 in. (2.84m)
Length	56 in. (1.42 m)	78 in. (1.98 m)	89 in. (2.26 m)	105 in. (2.67m)
<b>Weight-overall</b>				
w/ Outriggers & Screwjacks	760 lbs. (345 kg)	860 lbs. (390 kg)	930 lbs. (422 kg)	1190 lbs. (544kg)
Set of Outriggers & Screwjacks	714 lbs. (324 kg)	806 lbs. (366 kg)	864 lbs. (392 kg)	1118 lbs. (507kg)
Add'l Weight for D.C. Option	46 lbs. (21 kg)	54 lbs. (25 kg)	66 lbs. (30 kg)	72 lbs. (33kg)
	64 lbs. (29 kg)	64 lbs. (29 kg)	64 lbs. (29 kg)	
Guardrail Height	43.5 in. (1.1 m)	43.5 in. (1.1 m)	43.5 in. (1.1 m)	43.5 in. (110cm)
Toe Board Height	6 in. (152 mm)	6 in. (152 mm)	6 in. (152 mm)	6 in. (15cm)
<b>Max. System Voltage</b>	120 VAC 60 Hz or 220 VAC 50/60 Hz 1-12 Volt Battery, Grp. 27 105 Amp/Hrs., Min. Wt. 52 lbs. (23.6 kg)			
AC Electric Motor				
DC Electric Power Source				
<b>Battery Charger</b>	Automatic, 120 VAC 60 Hz or 220 VAC 50 Hz Output: 10 Amps, 12 Volts D.C.			
<b>Maximum Hydraulic System Pressure</b>	2400 PSI (165 bar)			

\*Specifications subject to change without notice.



Read, understand and follow all safety rules and operating instructions before attempting to operate the machine.

## 2.1 Preparation for Use



1. Remove the metal banding securing the battery box (DC machines only) and the machine to the crate.
2. Remove the battery box from the crate (DC machines only).
3. Disassemble the crate.
4. Remove any other banding or straps from the machine.
5. Using a forklift, raise the machine up far enough to remove the base of the crate (Figure 2-1). Lower the machine.
6. Attach a lifting strap behind the cage support assembly and to a suitable lifting device. With the lifting device, raise the machine to its vertical position.

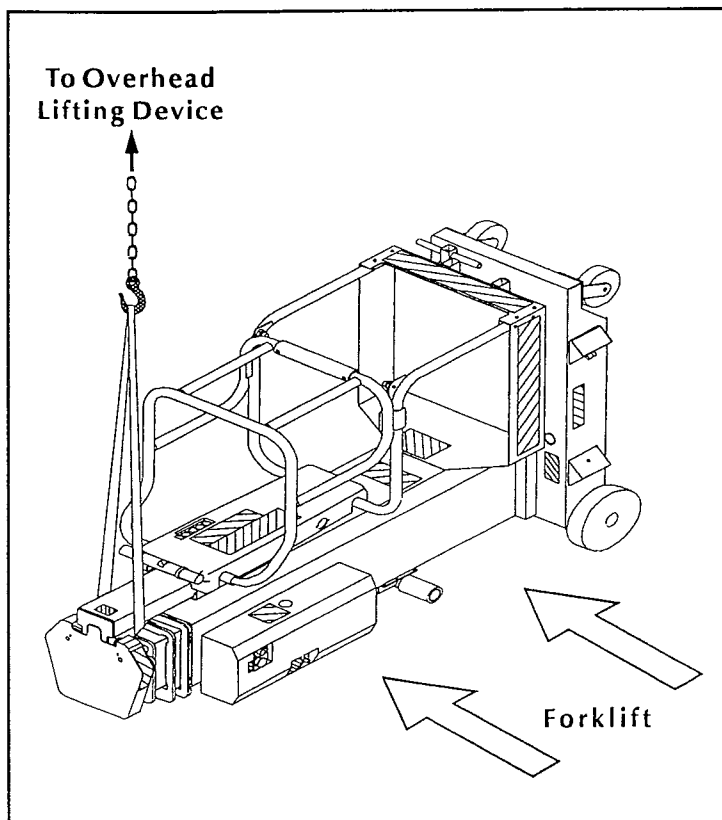


Figure 2-1: Lifting UL Lifts

7. For DC machines, hang the battery box on the pegs provided on the back of the mast and connect the battery quick connector. If necessary plug the Battery Charger cord into a grounded AC outlet of proper voltage and frequency to charge the battery.

## 2.2 Preparation For Shipment

The following instructions are for shipping the machine by a freight carrier.

For instructions on transporting UL Lifts short distances by pick-up or small flat bed truck see Section 3.5.

1. Fully lower the Platform.
2. Disconnect the battery quick connector and remove the battery box from the rear of the mast assembly (Figure 2-3).
3. Band the Platform Assembly to the Chassis.
4. Attach a lifting strap behind the cage support assembly and a to suitable lifting device (Figure 2-1). Lower the machine with the lifting device to the horizontal position.
5. Using a forklift, raise the machine up far enough to place the base of the crate under the machine. Lower the machine onto the base of the crate.
6. Band the machine and the battery box to the base of the crate.
7. Assemble the rest of the crate around the machine and band together.

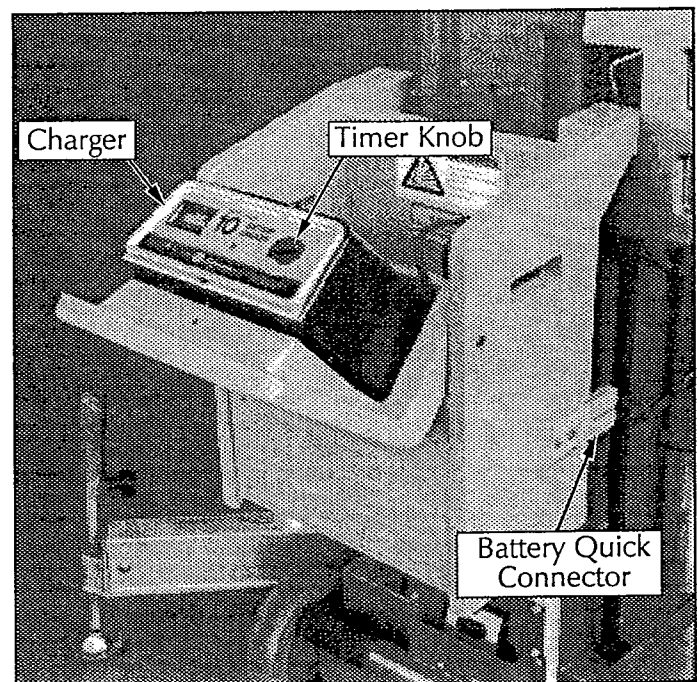


Figure 2-2: Battery Box

**2.3 Storage**

No preparation is required for normal storage. Regular maintenance per Table 4-1 should be performed. If the Lift is to be placed in long term storage (dead storage) use the following preservation procedure.

**PRESERVATION**

1. Clean painted surfaces. If the paint surface is damaged, repaint.
2. Check the level of the hydraulic oil with the cage fully lowered. Unscrew the reservoir cap/dipstick; oil should be visible on the dipstick. Add ISO #46 hydraulic oil if necessary.

**BATTERY**

Remove the battery and place in alternate service.

## 3.0 Introduction

### GENERAL FUNCTIONING

The AC or DC electric motor directly drives a hydraulic pump and is energized only when all four outriggers are set, closing the outrigger limit switches, and powering the outrigger relays.

The oil flow is normally allowed to return to the reservoir through the lift valve until it is energized by depressing the lift button and the power button simultaneously with the keyswitch on and both emergency stop buttons pulled out. Oil is then diverted to the lift cylinder until the lift function is stopped by the operator or until pressure in the system reaches the relief setting and is bypassed to the reservoir through the relief valve.

When lowering, oil is allowed to flow out of the lift cylinder through an orifice located in its base (limiting the decent speed) and through the down valve when it is energized by depressing the down button and the power button simultaneously with the keyswitch on and both emergency stop switches pulled out. In case of powered function failure, the unit may be lowered by turning the manual release on the down valve.

### DESIGN FEATURES

The UL - Series Lifts have the following features to ensure safe operation:

- Interlocks are provided on each outrigger socket that prevent Platform elevation if the Outriggers are improperly installed.
- The Power and UP or Down buttons must be depressed for the controls to operate, preventing inadvertent actuation of the controls.
- The Chassis and Platform Controls are equipped with an Emergency Stop Button for stopping all powered functions.
- An Emergency Lowering Valve is provided to lower the Platform in the event electrical power is lost.
- Dual chain lift system for added safety.
- An Orbit Level is provided on the Chassis Base so the machine can be properly leveled.

## 3.1 Safety Rules and Precautions

<b>⚠ WARNING ⚠</b>
All personnel shall carefully read, understand and follow all safety rules, operating instructions and the Scaffold Industry Association's MANUAL OF RESPONSIBILITIES before performing maintenance on or operating any UpRight Aerial Work Platform. The UL 48 model is intended for indoor use only.

### Before using the UL-Series Lift:

**NEVER** elevate Platform unless all four (4) Outriggers have been properly installed. All outrigger screwjack pads must be in solid contact with a firm surface before the Platform is elevated.

**NEVER** attempt to move the UpRight Lift with people or materials on the Platform or with the Platform elevated.

**NEVER** operate the machine within ten feet of power lines. **THIS MACHINE IS NOT INSULATED.**

**NEVER** sit, climb, or stand on the Platform guardrails or midrail.

**NEVER** elevate Platform without first leveling the base.

**NEVER** use ladders, planks or other devices to increase the height of the Platform.

**NEVER** attach overhanging loads to the Platform or increase the Platform size.

**NEVER** elevate the Platform if it contains more than one person or more than the rated load of 300 pounds.

**LOOK** up, down and around for overhead obstructions and electrical conductors.

**NEVER** change operating or safety systems.

**NEVER** use Outriggers from any other machine.

**CLOSE** and secure the gate after entering Platform. Verify that the locking pin is fully engaged.

**INSPECT** the machine thoroughly for cracked welds, loose or missing hardware, hydraulic leaks, damaged control or power cables and loose wire connections.

**NEVER** use the UpRight Lift as a freight or personnel elevator.

**NEVER** recharge batteries near sparks or open flame; batteries that are being charged emit highly explosive hydrogen gas.

**AFTER USE** secure the work Platform against unauthorized use by turning key switch off and removing key.

**NEVER** replace any component or part with anything other than original UpRight replacement parts without the manufacturer's consent.

**NEVER** use the UL48 out of doors.

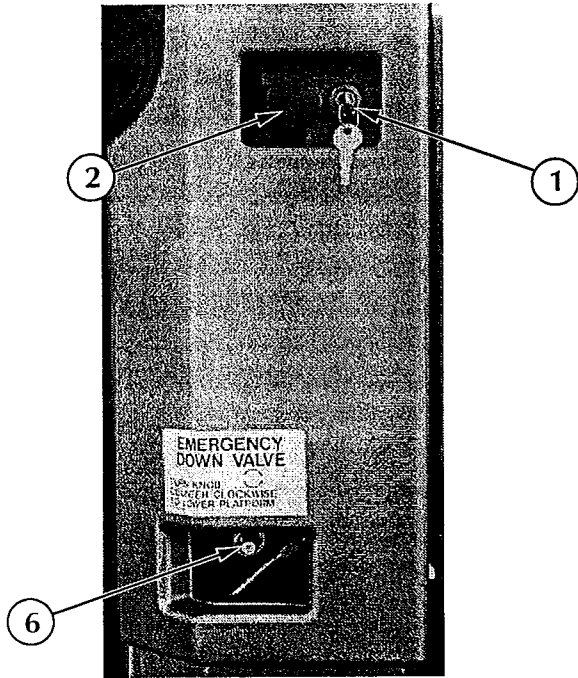
### 3.2 Controls and Indicators

The controls and indicators for operation of the UL-Series Lifts are shown in Figure 3-1. The names and functions of the controls and indicators are listed in Table 3-1. The index numbers in the figure correspond to the index numbers in the table. **The operator shall know the location of each control and indicator and have a thorough knowledge of the function and operation of each before attempting to operate the unit.**

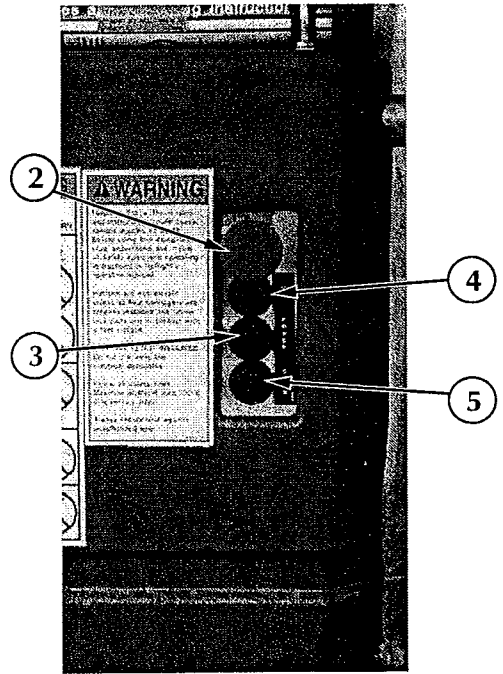
Table 3-1: Controls and Indicators

INDEX NO.	NAME	FUNCTION
1	Key Switch	Turn switch to <b>ON</b> to provide power to the Controls and to <b>OFF</b> to cut power to the Controls.
2	Emergency Stop Switch	Push red button in to cut off power to all functions (OFF). Pull red button up to provide power (ON).
3	Power On Button	Push this button along with either the Up or Down Button to lift or lower the Platform.
4	Up Button	Push this button along with the Power Button to lift the Platform.
5	Down Button	Push this button along with the Power Button to lower the Platform.

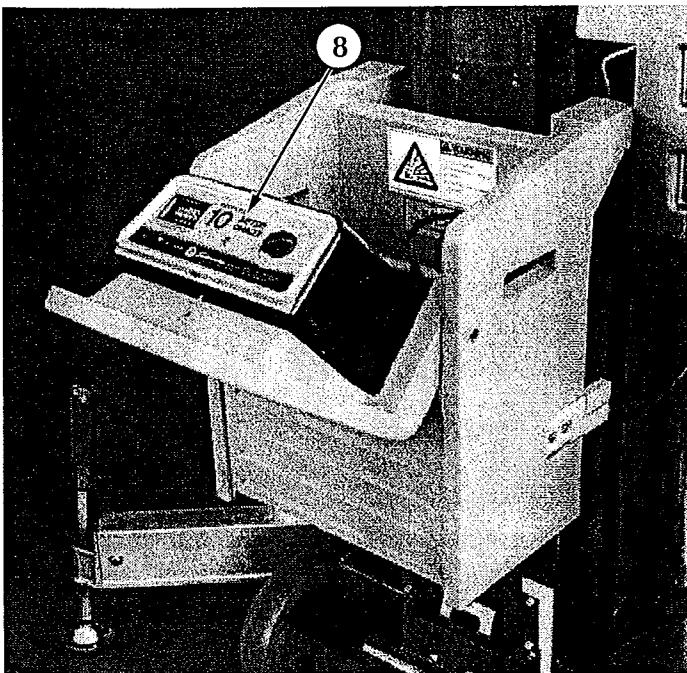
INDEX NO.	NAME	FUNCTION
6	Emergency Lowering Valve	Turn the knob counterclockwise to open the valve and lower the Platform. Turn the knob clockwise to close the valve for normal operation.
7	Orbit Level	After properly installing the Outriggers, level the base of the machine by adjusting the Outriggers until the bubble is within the center circle.
8	Battery Charger	After plugging the charger in, turn the timer dial to 12; the ammeter will indicate DC charging current. Charger turns off when the timer returns to 0. <b>Do not turn the dial to HOLD or select 6 Volt with the Voltage selector Switch.</b>
9	Outrigger Indicator Lights	Indicate that outrigger interlock switches are engaged.



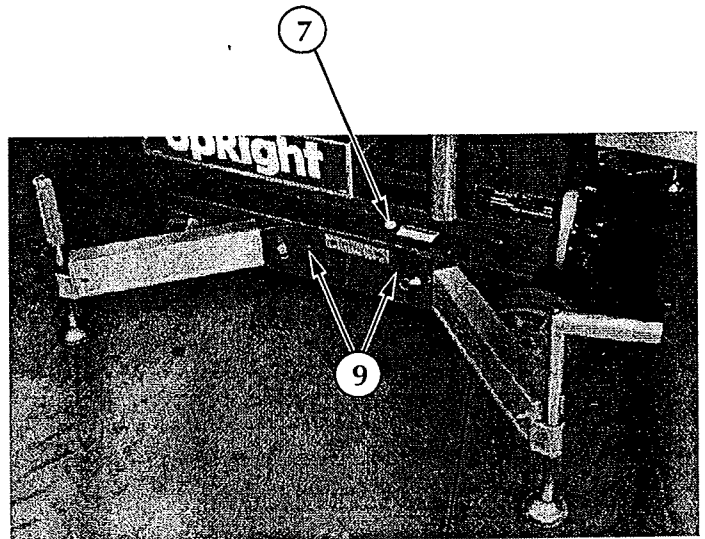
Chassis Controls



Platform Controls



Battery Charger (DC Models)



Outrigger Indicators and Orbit Level

Figure 3-1: Controls and Indicators

### 3.3 Outrigger Installation

1. Remove the outriggers from storage locations on sides of mast.
2. Insert each into outrigger socket in base (fig. 3-2).
3. Push in until locking pin engages hole in end of outrigger. Pull outward on outrigger to ensure engagement.
4. Repeat the above steps for all other outriggers. Make sure all four (4) locking pins are engaged.
5. Level the base, centering the bubble in the orbit level on the base by adjusting the screwjacks at the end of each outrigger (fig. 3-2). **DO NOT** release the tension on an outrigger, by turning counterclockwise, to level base.
6. **All four (4) screwjack pads must be in solid contact with a firm surface and each outrigger indicator light must be lit before the platform is elevated.**

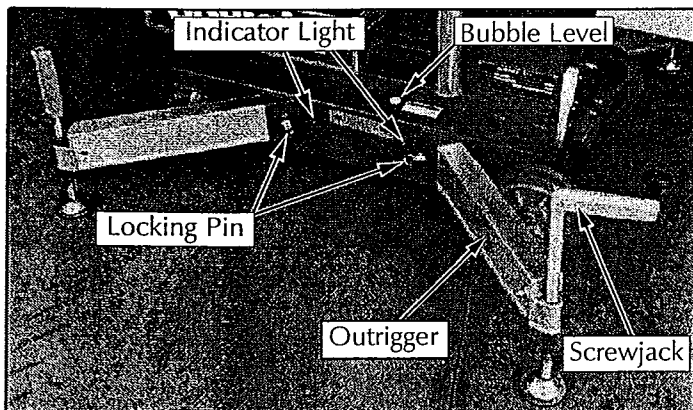


Figure 3-2: Installing Outriggers

### 3.4 Safety/Interlock Test



**DANGER**



Never perform these tests from the Platform.  
Keep clear of the Platform as it raises and lowers.

1. Properly install all four (4) Outriggers and level base.
2. While standing on the ground, attempt to raise the Platform with first the Chassis Emergency Stop Switch and then the Platform Emergency Stop Switch in the **OFF** position. The Platform should **not** elevate.
3. While standing on the ground, elevate the Platform slightly and then open the Emergency Lowering Valve to verify its operation. Close the Emergency Lowering Valve.

4. Release the tension on one (1) Outrigger by turning the screwjack counterclockwise, until the screwjack pad is off the ground.
5. While standing on the ground, activate the control panel to elevate the Platform. Machine should not elevate.
6. Re-level the base with all four (4) Outriggers, then repeat step 2 with another Outrigger.
7. Repeat steps 4 , 5 & 6 until all four (4) Outriggers have been tested.

**DO NOT use a machine that elevates when: either Emergency Stop Switch is in the OFF position; the tension has been released on an Outrigger or will not lower with the Emergency Lowering Valve. Machine must be repaired before using.**

### 3.5 Operation

Before operating UL Lift insure that: the operator has been thoroughly trained on this machine, the operator has read, fully understands and follows the instructions contained in the Operator Manual and the Scaffold Industry Association's MANUAL OF RESPONSIBILITIES, the unit has been properly set up with all four (4) outriggers properly installed and the base leveled, and the machine has passed the Safety Interlock Test (Section 3.4).

**Note: Platform will not elevate unless all four outriggers are properly installed with screwjack pads firmly in contact with floor and each outrigger indicator lamp lit.**

1. Check for external damage to the mast.
2. For AC units connect power unit plug to extension cord (12 ga. (1.5 mm<sup>2</sup>) conductor minimum and 50 ft. (15 m) in length maximum). Connect extension cord to properly grounded outlet of proper voltage and frequency.
3. Turn Key to **ON**, Key Switch is located on the left side of the mast (fig. 3-1).
4. Pull out on Lower Emergency Stop Button, located on the left side of the mast (fig. 3-1), to turn switch **ON**. In the event of an emergency push the button in to cut power to all controls.
5. Enter the platform by pulling out on the locking pin and lifting up on the upper half of the cage.
6. Lower upper half of the cage after entering platform making sure locking pin is engaged.
7. Check that the area above the platform is clear before elevating the platform.

8. Pull out on Emergency Stop Button, located on platform control panel (fig. 3-1). In the event of an emergency push the button in to cut power to all controls.
9. Push both the middle and top buttons (POWER and UP), on the Control Box (fig. 3-1), at the same time to elevate the platform. Release the buttons to stop.
10. Check that the area below the platform is clear before lowering the platform.
11. Push both the middle and bottom buttons (POWER and DOWN) at the same time to lower the platform. Release the buttons to stop.
12. After use, secure unit from unauthorized use by turning Key Switch to **OFF** and remove key.

## ***EMERGENCY LOWERING***

### **⚠ WARNING ⚠**

If the Platform should fail to lower, NEVER climb down the Mast.

Ask a person on the ground to open the Emergency Lowering Valve to lower the Platform. This valve is located on the power unit mounted on the Mast.

1. Open the Emergency Lowering Valve by turning the knob counterclockwise.
2. To close, turn the Emergency Lowering Valve clockwise.

Once the Platform is fully lowered, be certain that the Emergency Lowering Valve is closed again. The Platform will not elevate if the Emergency Lowering Valve has not been closed.

## ***AFTER USE EACH DAY***

1. Ensure that the Platform is fully lowered.
2. Park the machine on level ground, preferably under cover.
3. Secure against vandals, children or unauthorized operation by turning the Key Switch to OFF and removing the key.

## 3.4 Transporting

### UL-25,32,40 ONLY

**Note:** The loading instructions that follow are to be used for UL-25,32, and 40. The UL-48 is not equipped with a loader (see next page for UL-48 transportation instructions).

### DC Models

Disconnect the plug from the battery box and remove the battery box from the rear of the machine (fig. 3-1).

<b>⚠ CAUTION ⚠</b>
The battery box is heavy, 52 lbs. (23.6 kg), lift properly (or have someone help you) to prevent back injury.

<b>⚠ WARNING ⚠</b>
Make sure loader fully engages tailgate or vehicle bed.

### Loading

1. Raise the loader support bracket and engage the retaining pin in the top hole of the loader channel (fig. 3-3).
2. Secure the loader to the loader support bracket with the gravity hook (fig. 3-3).
3. Position the unit so the back of the machine comes in contact with the vehicle bed or tailgate.
4. Release the gravity hook and slide the loader down until it comes into contact with the vehicle bed or tailgate (fig. 3-3). Then reposition the loader support bracket so the retaining pin is in the **first** available hole above the loader.

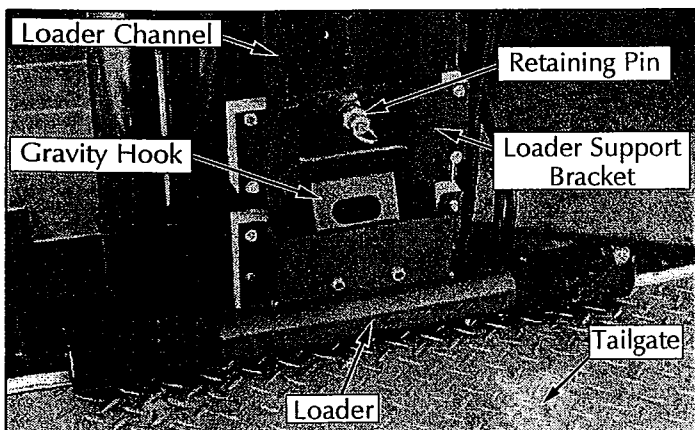


Figure 3-3: Loader in load position

5. Release the locking pin and pull the T-handle out until the locking pin engages the hole in the end of the T-handle (fig. 3-4).
6. Lift up on the T-handle, using the loader as a pivot, until the unit rotates to a horizontal position in the vehicle bed (fig. 3-5).
7. Push the base of the unit towards the front of the vehicle bed. The machine will slide on the loader until the rear wheels are on the bed. The unit may then be rolled on the rear wheels and upper casters.
8. Return the T-handle to the stored position, making sure the locking pin engages the T-handle.
9. Secure the unit with suitable strength rope or tie straps using the forklift pockets located under the base of the unit and either the upper caster axle on UL25 models or the tilt back frame on UL32 and UL40 models.

<b>⚠ CAUTION ⚠</b>
To prevent damage to the mast assembly, do not place rope or tie straps across the mast assembly when securing the unit for transportation. <b>DO NOT</b> overtighten the rope or tie straps, damage to the machine will result.

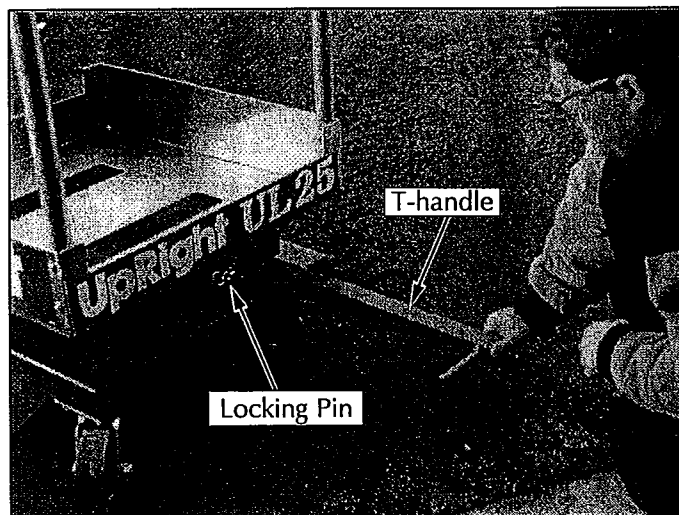


Figure 3-4: T-handle positioning



## Unloading

1. Unsecure the unit.
2. Release the locking pin and pull the T-handle out until the locking pin engages the hole in the end of the T-handle.
3. Roll the unit back until the rear wheels are off the edge of the tailgate or vehicle bed.
4. Pull downward on the T-handle, allowing the unit to slide on the loader. As the unit stops sliding on the loader, it will pivot on the loader to an upright position. Gradually counterbalance the unit's weight by applying an upward force on the T-handle. This allows the unit to settle gently on the wheels, avoiding undue impact on the unit.
5. Return the T-handle to the stored position, making sure the locking pin engages the T-handle.

## DC Models

Replace the battery and reconnect the battery box plug making certain it is fully engaged.

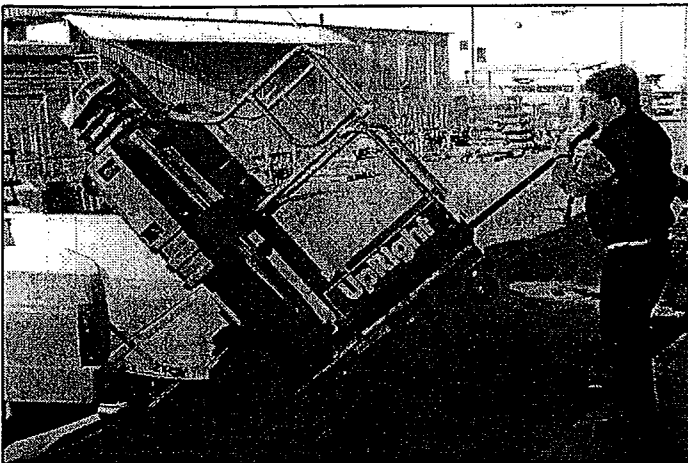


Figure 3-5: Tilting machine onto or off of a vehicle

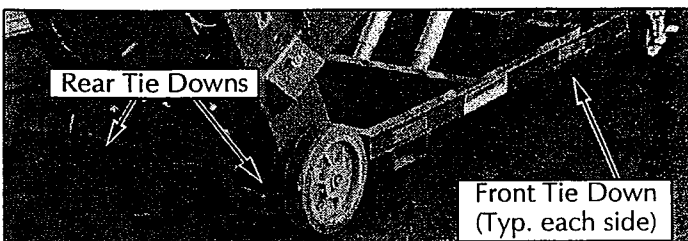
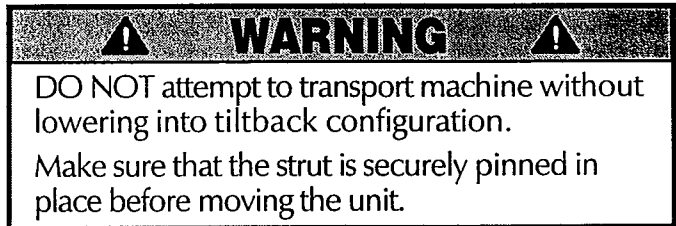
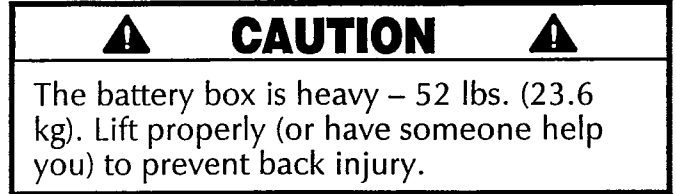


Figure 3-6: Tie Down Points

## UL-48 ONLY

### DC Models

Remove the battery box from the rear of the machine and disconnect the plug from the battery box.



## Loading

Follow instructions for "tiltback" on page 3-10 to lower the machine for transportation.

Unit may be loaded onto a trailer or flatbed truck by forklift. Lift machine onto trailer or flatbed truck only by using forklift pockets found on the Tilt Back Frame (fig. 3-7).

When using a winch to load onto tilt-bed, attach winch cable to winch point (fig. 3-8). Winch slowly.

## Securing

Secure unit to the trailer or flatbed truck with chains/straps sufficient to keep the machine from moving during transportation. Use tie-down points (fig. 3-6) to attach chains/straps to unit. Lock casters in forward position and set caster brakes.

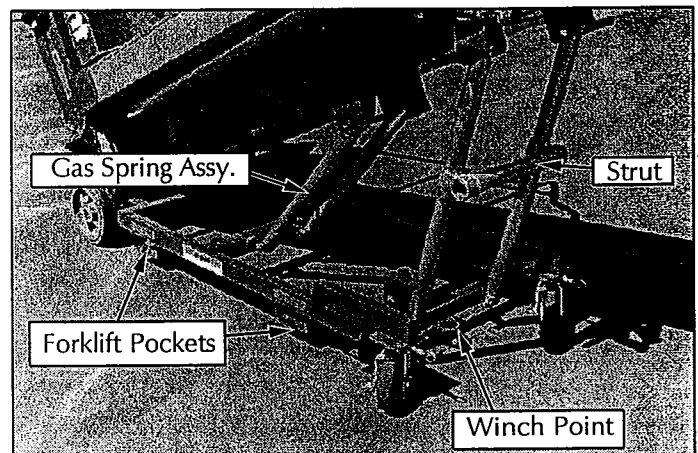


Figure 3-7: Forklift Pockets, Winch Point

## 3.5 Tilt Back

### UL-25 (OPTIONAL)

**WARNING**

Before tilting the machine onto the Tilt Back Frame, insure that both the upper and lower Retaining Pins are fully inserted, and the Hair Pin Retainers are secure and properly installed.

**DO NOT** drop the Tilt Back Frame.

Keep out from under the Tilt Back Frame and the machine when tilting.

### Lowering

1. Be sure area is clear of personnel and obstructions.
2. Release the gravity hook and lower the Loader Bar (fig. 3-8).
3. Unpin the top of the Strut and remove it from the storage pocket on the Tilt Back Frame (fig. 3-8)
4. Insert the Strut between the upper Retaining Pin, and the body of the machine. Slide the Strut downward until the bottom end aligns with the lower attachment point. Insert the Retaining Pin into the lower attachment point, and secure with the Hair Pin Retainer (fig. 3-9).
7. While supporting the Tilt Back Frame, remove the hair pin retainer and the Retaining Pin from the upper attachment point.
8. Lower the Tilt Back Frame until the holes in the top of the Strut align with the upper attachment point. Insert the Retaining Pin and secure with the Hair Pin Retainer. Check to insure that both of the Retaining Pins are properly installed and secure (fig. 3-9).
9. Extend the Tilt Back Handle by pulling on the Locking Pin to release it and pulling out on the handle until it locks in place.

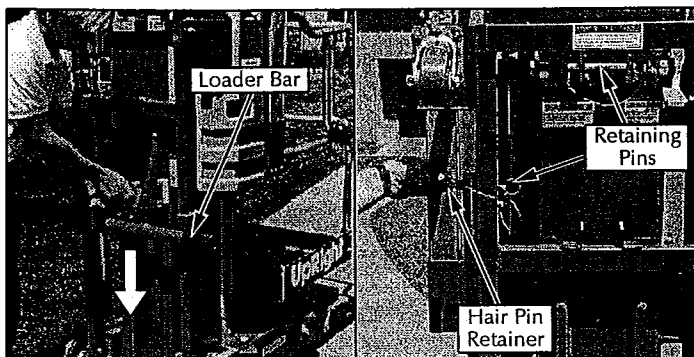


Figure 3-8: Loader Bar / Strut



Figure 3-9: Pining the Strut

10. Pull downward on the Tilt Back Handle and lower the machine gently onto the Tilt Back Frame. As the mast tilts backward, the weight of the machine will transfer onto the Tilt Back Frame. Remember to support this weight and **DO NOT** allow the machine to drop onto the Tilt Back Frame (fig. 3-10).
11. Release the Tilt Back Handle by pulling on the Locking Pin and push the handle back into the Tilt Back Frame until it locks in place.

### Raising

1. Extend the Tilt Back Handle by pulling on the Locking Pin to release it and pulling out on the handle until it locks in place.
2. Lift upwards on the Tilt Back Handle and raise the machine gently into the upright position.
3. Retract the Tilt Back Handle by pulling on the Locking Pin to release it, and pushing in on the handle until it locks into place.
3. While supporting the Tilt Back Frame, unpin the Strut from the upper attachment point, and raise the Tilt Back Frame to its storage position. Insert the Retaining Pin into the upper attachment point, through the holes in the Tilt Back Frame, and secure with the Hair Pin Retainer.
4. Unpin the lower end of the Strut and return it to its storage pocket. Insert the lower Retaining Pin into the upper end of the Strut and secure it with the Hair Pin Retainer, wrapping the cable around the leg of the Tilt Back Frame (fig. 3-8).

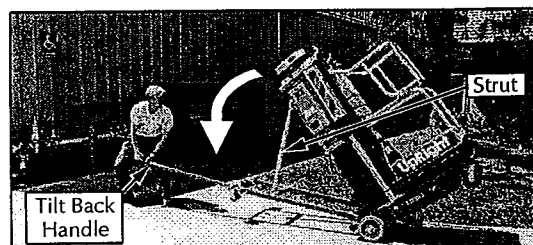


Figure 3-10: Tilting the Machine Back

## UL-32,40 (STANDARD)

The UL32 and UL40 are equipped with a castered rear Tilt Back assembly. When the unit is tilted back onto this support frame, the overall height is reduced to allow the unit to pass through a standard doorway.

### Lowering

#### ⚠ CAUTION ⚠

Before tilting the machine onto the rear Tilt Back assembly be sure the retaining pin is fully inserted with the hair pin retainer installed and the cylinder assembly is fully extended.

DO NOT drop Tilt Back frame.

Keep out from under Tilt Back frame and machine when tilting.

1. Be sure area is clear of personnel and obstructions.
2. While holding Tilt Back frame, remove the hair pin retainer and the retaining pin (fig. 3-11).
3. Lower the Tilt Back frame until the hole in the cylinder assembly aligns with the upper mounting bracket pin hole. Secure the cylinder assembly to the upper mounting bracket using retaining pin and hair pin retainer (fig. 3-11).
4. Extend Tilt Back Handle to the tilt/lift position by releasing locking pin and pulling handle out of the Tilt Back assembly until the locking pin engages (fig. 3-12).
5. Push down on the Tilt Back Handle until the unit comes to rest on the Tilt Back frame. As the mast tilts back, counterbalance the machine's weight by increasing upward force on end of Tilt Back Handle (fig. 3-12). This allows machine to gently come to rest on Tilt Back casters.

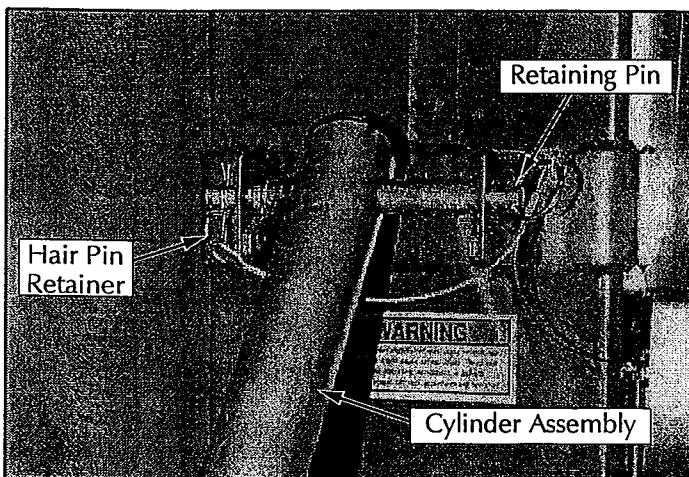


Figure 3-11: Cylinder secured with retaining pin

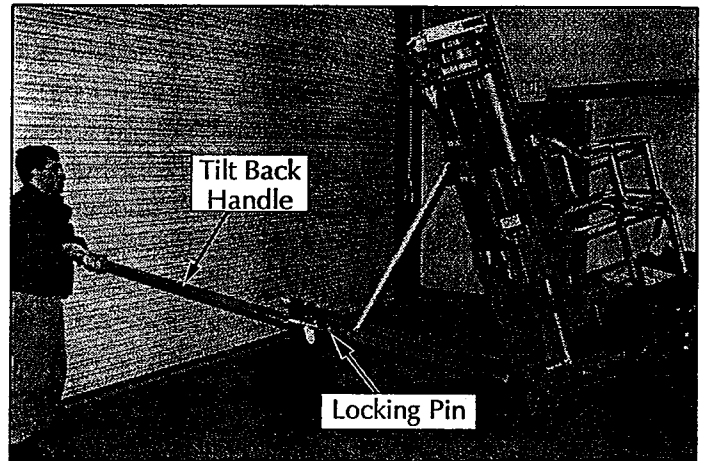


Figure 3-12: Lowering and raising with Tilt Back Handle

6. Pull down on the handle on the back of the mast to compress the cylinder assembly (fig. 3-13).
7. Return Tilt Back Handle to storage position making sure locking pin engages handle.

### Raising

1. Lift up on mast handle to extend cylinder assembly.
2. Fully extend the Tilt Back Handle until the locking pin engages.
3. Lift up on the Tilt Back Handle. As the mast approaches vertical, counterbalance machine's weight by increasing the downward force on end of Tilt Back Handle (fig. 3-12). This allows machine to settle gently on the front casters.
4. Return Tilt Back Handle to storage position making sure locking pin engages handle.
5. While holding Tilt Back frame, remove retaining pin and raise Tilt Back assembly to the stowed position. Secure with the retaining pin, making sure pin is fully inserted and hair pin retainer installed.

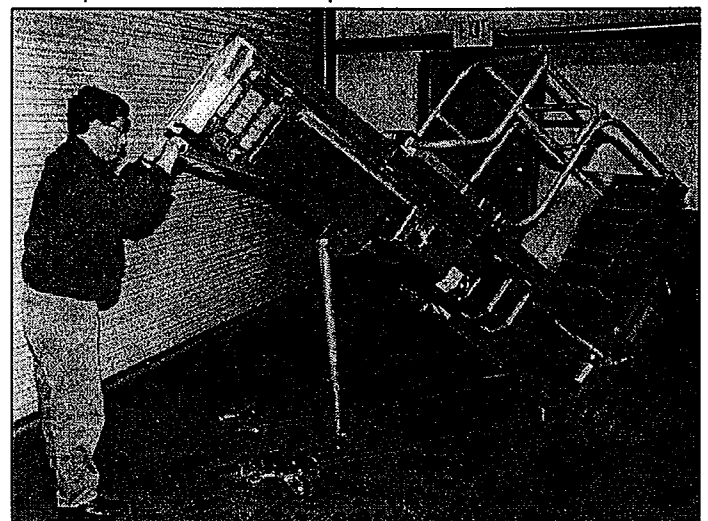


Figure 3-13: Compressing cylinder assembly

## 3.6 Tilt Back (Cont.)

### UL-48 (STANDARD)

The UL48 is equipped with a castered rear Tilt Back assembly. When the unit is tilted back onto this support frame, the overall height is reduced to allow the unit to pass through a standard doorway.

### Lowering

**⚠ CAUTION ⚠**

Tilt back operation should **only** be performed by two people.

Before tilting the machine onto the Tilt Back Frame, be sure: the retaining pin is fully inserted with the hair - pin retainer installed and the Gas Spring assembly is fully extended.

DO NOT drop Tilt Back Frame.

Keep out from under Tilt Back frame and machine when tilting.

1. Be sure area is clear of personnel and obstructions.
2. DC models – remove battery box and disconnect cable.
3. Remove one outrigger from the storage pocket and install in the lifting pocket at the front of the machine. Slide outrigger in until it locks in place.
4. While another person supports the Tilt Back Frame, remove the retaining pin from the gas spring assembly by unfastening the hair - pin retainer and pulling the pin out.

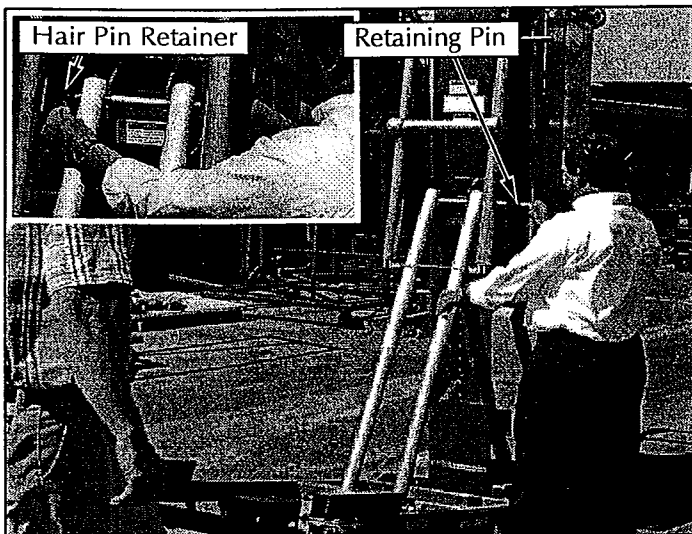


Figure 3-14: Pinning the Tilt Back Frame in Place

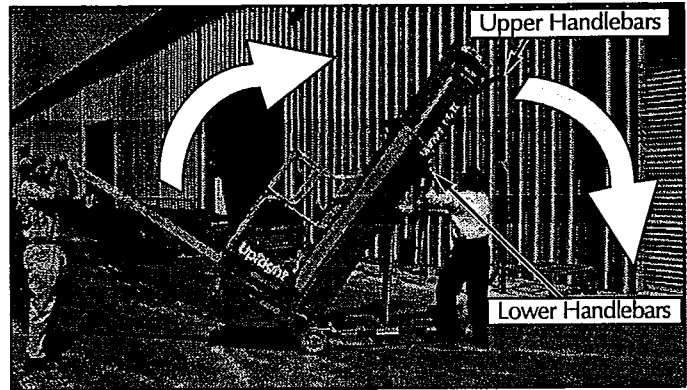


Figure 3-15: Compressing the Gas Springs

5. Lower the Tilt Back Frame until the top of the gas spring assembly reaches the upper attachment point and insert the retaining pin through the top of the gas spring assembly. Lock the retaining pin securely with the hair - pin retainer (fig. 3-14).
6. Lower the unit **gently** onto the Tilt Back Frame by lifting up on the outrigger. DO NOT allow the machine to fall onto the Tilt Back Frame.
7. Set the caster brakes by stepping on the caster brake lever. Check to insure that the Tilt Back Frame does not roll.
8. While another person lifts up on the outrigger, pull down first on the lower handle bars, then on the upper handle bars to lower the unit until the gas spring assembly is compressed (fig. 3-15). **DO NOT** stand under the machine while performing this operation.
9. While another person lifts up slightly on the upper handle bars, align the free end of the strut with the locking tabs on the Tilt Back frame and lock the strut into place by pulling on the cable connecting the two locking pins (fig. 3-16). Check the strut to insure that both pins are securely locked in place.

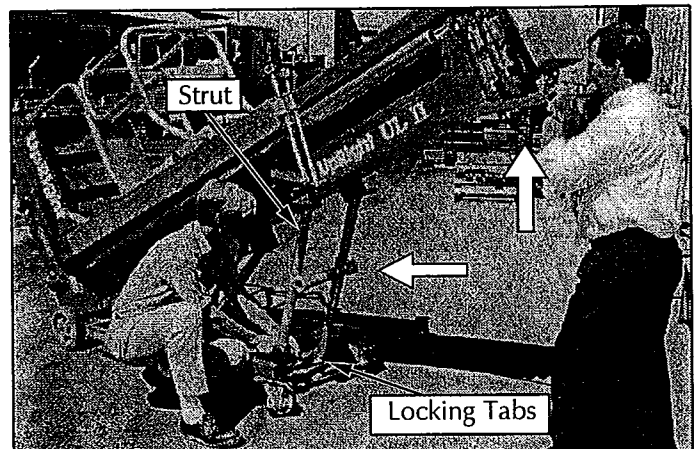


Figure 3-16: Securing the Strut

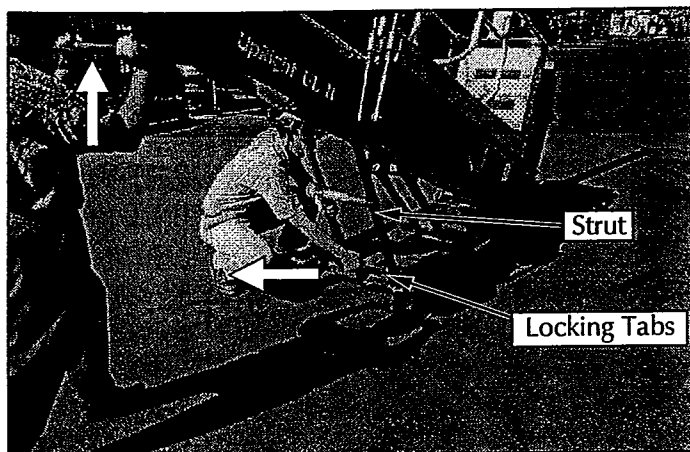


Figure 3-17: Releasing the Strut

## Raising

1. Set the caster brakes by stepping on the caster brake lever. Check to insure that the Tilt Back Frame does not roll.
2. Remove one outrigger from its storage pocket and install it in the lifting pocket at the front of the machine. Slide outrigger in until it locks in place.
3. While another person lifts up slightly on the upper handle bars, release the strut from the locking tabs by pulling on the cable connecting the two locking pins (fig. 3-17).
4. Push up first on the upper handle bars, then on the lower handle bars while another person receives the outrigger and pulls it downward until the gas spring assembly is fully extended (fig. 3-18). **DO NOT** stand under the outrigger when performing this operation.
5. Pull downward on the outrigger until the machine comes to rest in the full upright position. The Tilt Back Frame should be raised off of the ground at this point.

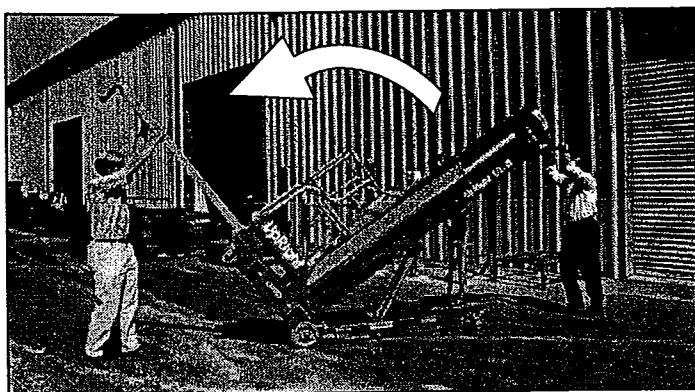


Figure 3-18: Extending the Gas Springs

6. While another person supports the Tilt Back Frame, release the hair - pin retainer and pull out the retaining pin. Raise the Tilt Back Frame to its stowed position and replace the retaining pin and hair - pin retainer (fig. 3-19). Check to make sure that the Tilt Back Frame and gas spring assembly are securely locked in place.
7. Pull the locking pin on the lifting pocket upward and remove the outrigger from the front of the machine. Return it to its storage pocket.

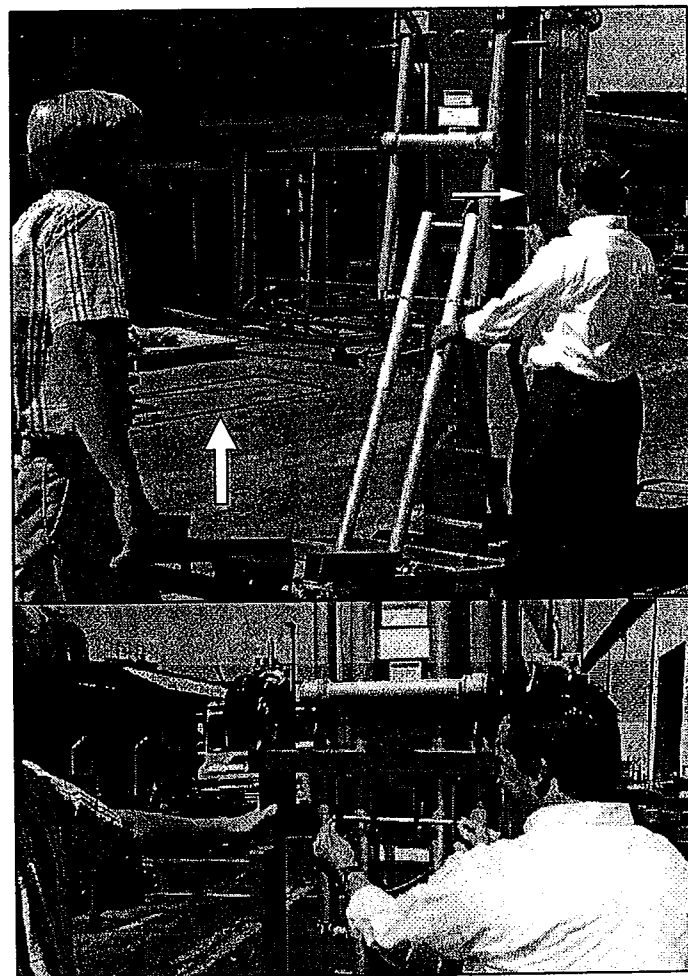


Figure 3-19: Stowing the Tilt Back Frame

**NOTES:**

## 4.0 Introduction

This section contains instructions for the maintenance of the UL-Series Lifts. Procedures for the operational checkout adjustment, scheduled maintenance, and repair/removal are included.

Referring to *Section 3.0* will aid in understanding the operation and function of the various components and systems of the UL-Series Lifts and help in diagnosing and repair of the machine.

### SPECIAL TOOLS

The following is a list of special tools that are required to perform certain maintenance procedures. These tools may be purchased from your dealer.

Description	Part Number
Spanner Wrench	XXXXX-XXX
Strap Wrench	62482-000
Tie Rod Tensioner (2 req'd.)	62738-000
Tensioner Bracket (2 req'd.)	62739-000

## 4.1 Preventative Maintenance (Table 4-1)

The complete inspection consists of periodic visual and operational checks, together with all necessary adjustments to assure proper performance. Daily inspection will prevent abnormal wear and prolong the life of all systems. The inspection and maintenance schedule is to be performed at regular intervals. Inspection and maintenance shall be performed by personnel who are trained and familiar with mechanical and electrical procedures. Complete descriptions of the procedures are in the text following the table.

<b>⚠ WARNING ⚠</b>	
Before performing preventative maintenance, familiarize yourself with the operation of the machine.	
Never enter the area below the Platform when the Platform is elevated.	

The Preventative Maintenance Table has been designed to be used for machine service and maintenance repair. **Please copy the following page and use the Preventative Maintenance Table as a checklist when inspecting a machine for service.**

# Maintenance

## Preventative Maintenance Table Key

### Interval

- Daily=each shift or every day
- 30d=every month or 30 days
- 3m=every 3 months
- 1y=every year

**Y**=Yes/Acceptable

**N**=No/Not Acceptable

**R**=Repaired/Acceptable

## Preventative Maintenance Report

Date: _____
Owner: _____
Model No: _____ Serial No: _____
Serviced By: _____
Service Interval: _____

**Table 4-1: Preventative Maintenance**

COMPONENT	INSPECTION OR SERVICES	INTERVAL	Y	N	R
Battery System (DC Units only)	Check electrolyte level	Daily			
	Check battery cable condition	Daily			
	Charge batteries	Daily			
	Check charger condition & operation	Daily			
	Check specific gravity	30d			
	Clean exterior	3m			
Hydraulic Oil	Clean terminals	3m			
	Check oil level	Daily			
Hydraulic System	Drain and replace oil (ISO #46)	1y			
	Check for leaks	Daily			
	Check line connections	30d			
Emergency Hydraulic System	Check for exterior wear	30d			
	Open the emergency lowering valve and check for serviceability	Daily			
Hydraulic Pump	Check for fitting leaks	Daily			
	Wipe clean	30d			
	Check for leaks at mating surfaces	30d			
	Check mounting bolts for proper torque	30d			
Controls	Check condition & operation	Daily			
Control Cable	Check the exterior of the cable for pinching, binding or wear	Daily			
Platform Deck and Rails	Check fasteners for proper torque	Daily			
	Check welds for cracks	Daily			
	Check condition of deck	Daily			
	Check entry way closure	Daily			
Elevating Assembly	Inspect for external damage, dents, loose rivets or cracks	Daily			
	Check chains and sheaves for wear	3m			
	Inspect and adjust sequence straps	30d			
Chassis	Check cables for pinch or rubbing points	Daily			
	Check welds for cracks	Daily			
	Check casters for damage	Daily			
	Check component mounting for proper torque	3m			
Lift Cylinder	Check for leaks	Daily			
	Check fitting for proper torque	30d			
Entire Unit	Perform pre-operation inspection	Daily			
	Check for and repair collision damage	Daily			
	Lubricate	3m			
	Check fasteners for proper torque	3m			
	Check for corrosion; remove and repaint	3m			
Labels	Check for peeling, missing, or unreadable labels & replace	Daily			



## 4.2 Lubrication

Refer to Figure 4-1 for location of items that require lubrication service. Use an aerosol chain lubricant for all components to be lubricated that require oil.

### REAR WHEEL BEARINGS

Apply lubricant into bearing area.

### CASTERS

Using a grease gun, apply 1 or 2 shots of multi-purpose bearing grease to each zerk fitting. Swivel casters have two zerk fittings, one at the wheel bearing and one at the swivel.

### CHAINS

1. Ensure that Platform is fully lowered.
2. Apply enough aerosol chain lubricant to exposed section of chain to allow lubricant to run down chain.

### SCREW JACKS

Apply a moderate amount of aerosol chain lubricant to each screwjack assembly.

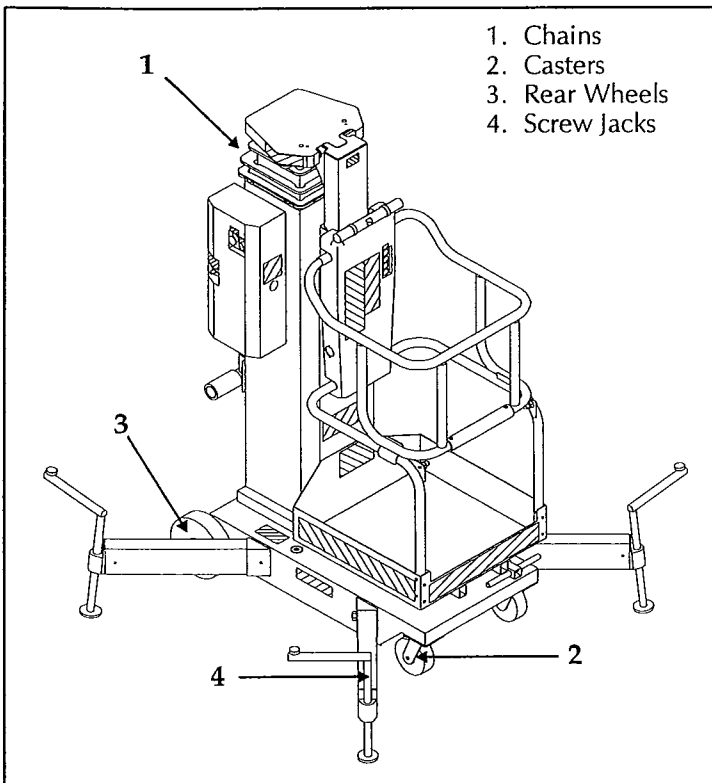


Figure 4-1: Lubrication

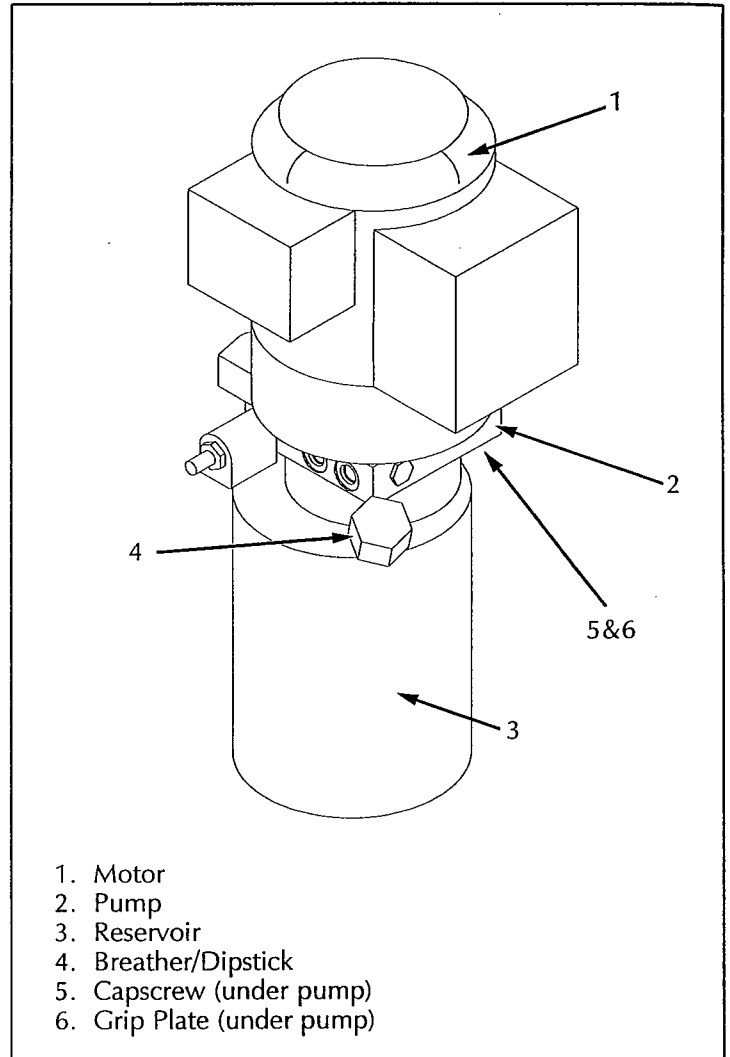


Figure 4-2: Hydraulic Power Unit

### HYDRAULIC OIL RESERVOIR (Figure 4-2)

Verify that Platform is fully lowered.

1. Remove hydraulic reservoir from pump by removing four screws and four grip plates.
2. Provide a suitable container (reservoir has a 1.5 gallon (5.7 l) capacity) and dispose of hydraulic fluid properly; contact your local oil recycler.

**Note: Ensure o-ring is in place on pump when installing hydraulic reservoir.**

3. Reinstall hydraulic reservoir to pump assembly with grip plates and screws.
4. Fill hydraulic reservoir through the dipstick hole with ISO #46 hydraulic fluid. Hydraulic reservoir has a 1.5 gallon (5.7 l) capacity.

### 4.3 Battery Maintenance (DC units only)

Electrical energy for the motor is supplied by a 12-volt battery. Proper care and maintenance of the battery and motor will ensure maximum performance from the lift.

#### ⚠ WARNING ⚠

Hazard of explosive gas mixture. Keep sparks, flame and smoking materials away from batteries.

Always wear safety glasses when working with batteries.

Battery fluid is highly corrosive. Rinse away any spilled fluid thoroughly with clear water.

### BATTERY INSPECTION AND CLEANING

Check battery fluid level daily, especially if work platform is being used in a warm, dry climate. If required, add distilled water only; use of tap water with high mineral content will shorten battery life.

#### ⚠ CAUTION ⚠

If battery water level is not maintained, battery will not fully charge, creating a low discharge rate which will damage Motor/Pump unit and void warranty.

Battery should be inspected periodically for signs of cracks in the cases, electrolyte leakage and corrosion of the terminals. Inspect cables for worn spots or breaks in the insulation and for broken cable terminals.

Clean battery that shows signs of corrosion at the terminals or onto which electrolyte has overflowed during charging. Use a baking soda solution to clean the battery, taking care not to get the solution inside the cells. Rinse thoroughly with clear water. Clean battery and cable contact surfaces to a bright metal finish whenever a cable is removed.

### BATTERY CHARGING (Figure 4-3)

Charge battery at end of each work shift or sooner if battery has been discharged.

#### ⚠ CAUTION ⚠

Charge battery in a well-ventilated area.

Do not charge battery when the lift is in an area containing sparks or flames.

Permanent damage to battery will result if battery is not immediately recharged after discharging.

Never leave charger operating unattended for more than two days.

Never disconnect cables from battery when charger is operating.

Keep charger dry.

When night air temperatures fall below 65°F (18°C) a battery charged in an unheated area should be placed on charger as soon after use as possible. Under such conditions a 4 hour equalize charge once a week in the early afternoon will improve state of charge and battery life.

1. Check battery fluid level. If electrolyte level is lower than  $\frac{3}{8}$  in. (10 mm) above plates add distilled water only.
2. The battery charger is located on the left side of the mast. Connect extension cord (12 gauge conductor minimum and 50 ft. (15 m) in length maximum) to the charger plug. Connect other end of extension cord to properly grounded outlet of proper voltage and frequency.
3. Turn the timer dial fully clockwise to "12"; the ammeter will indicate DC charging current. Charger turns off when the timer returns to "0".

**Do not turn the dial to HOLD or select 6 Volt with the Voltage Selector Switch.**

To determine if the battery is fully charged, turn the timer dial clockwise until the charger comes on. The ammeter should indicate a charging rate of one (1) amp or less for a fully charged battery.

## BATTERY CELL EQUALIZATION

The specific gravity of the electrolyte in the battery cells should be equalized monthly. To do this, charge batteries as outlined in Battery Charging. After this initial charge, check the electrolyte level in all cells and add distilled water as necessary. Then, turn the charger on for an additional eight hours. During this time, the charging current will be low (four amps) as cells are equalizing.

After equalization, the specific gravity of all cells should be checked with a hydrometer. The temperature corrected specific gravity in this state should be 1.260. If any corrected readings are below 1.230, the battery should be replaced.

Do not check the specific gravity in a cell to which water has just been added. If there is not enough electrolyte in a fully charged cell to obtain a sample for the hydrometer, add water and continue charging for one to two hours to adequately mix the water and electrolyte.

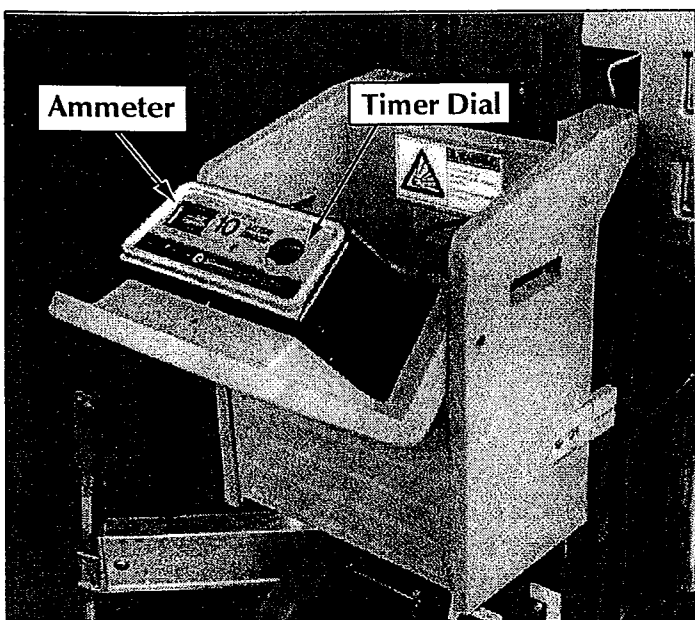
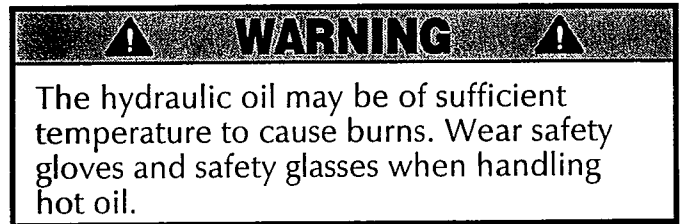


Figure 4-3: Battery Charger

## 4.4 Setting System Relief Valve (Figure 4-4)

**Check the hydraulic system pressure whenever the pump or relief valve has been serviced or replaced.**



1. Install outriggers and level unit as normal, (see section 3 for operating instructions), and operate the hydraulic system for 5-10 minutes to warm the hydraulic oil.
2. Remove Cover from Power Unit Assembly
3. Remove the four screws holding the Control Box Assembly to the Mounting Bracket.
3. Open the Control Box by removing the four cover screws.
4. Place rated load on the platform (see table 1-1 for specifications). **Do Not** use live weight for this procedure.
5. Remove the cap from the System Relief Valve, and turn the adjustment screw counterclockwise two full turns.
6. Place a jumper wire from terminal #9 to terminal #10 in the control box. **This will start the motor.**
7. Turn the System Relief Valve Clockwise until the machine begins to rise.
8. Disconnect jumper wire, replace cap on System Relief Valve, reassemble Control Box and Cover.

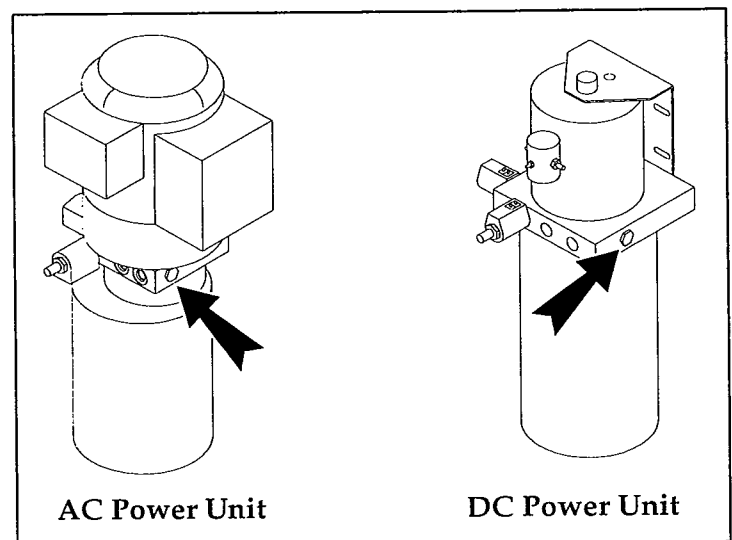


Figure 4-4: System Relief Valve

## 4.5 Mast Assembly (Figure 4-6,7)

### DISASSEMBLY

Using a suitable lifting device, lower the work platform into a horizontal position (Figure 4-5). If possible, place the machine onto a sturdy work table using a forklift.

#### WARNING

Never attempt to lower lift into a horizontal position without the use of a suitable lifting device; bodily injury or damage to the machine may result.

**NOTE:** Mark all components as they are removed so they can be reinstalled in the correct sequence and location.

### Platform Assembly Removal (Figure 4-6)

1. Extend elevating assembly far enough to expose the eight screws attaching the cage support assembly to stage 6 by opening the emergency lowering valve and pulling on the cage guardrail.
2. Remove cover from front of platform assembly.

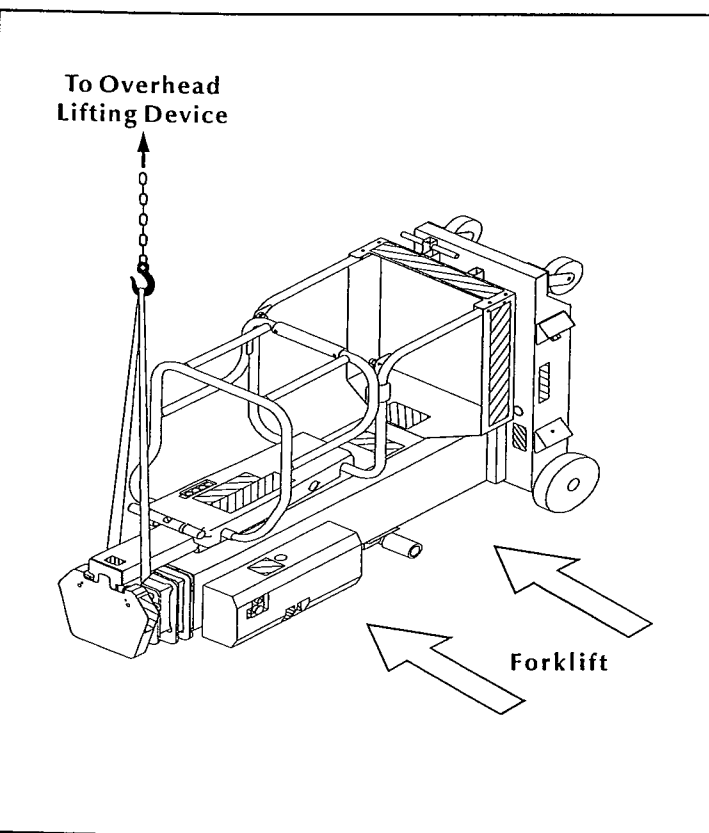


Figure 4-5: Lifting/Lowering UL Lift

3. Remove cotter pins, and drive out chain retaining pins from the top front of stage 5.
4. Loosen screws from strap retainer on stage 5 top casting. Pull strap free of retainer.
5. Remove cage support screws, slide the cage support out of the sixth stage mast and set aside. It should not be necessary to remove the pinch shield. Be careful not to damage the control cable.

**Note:** to remove the platform assembly from the cage support assembly, follow steps 6-10 below.

6. Remove cable sheaves from cage support weldment, and strain reliefs from stage 5 top casting.
7. Loosen screws from strap retainer on platform assembly weldment and free strap from retainer.
8. Remove two screws and washers holding stop bracket located at top of platform assembly weldment. Remove the stop bracket.
9. Slide the cage support weldment out of the top of the platform assembly weldment.
10. Slide bearings in platform assembly may now be inspected / replaced if necessary.

### #6 Mast

1. Remove sequence strap retainer on the top of #4 mast.
2. Remove the Allen head screws holding the top mast bearings between the #5 and #6 mast. Remove the top mast bearings.
3. Slide #6 mast out of #5 mast. As mast is removed, the bottom four mast bearings will fall out; note their orientation for re-assembly.
4. Disconnect chain from top of #4 mast.

### #5 Mast

1. Remove sequence strap retainer on the top of #3 mast.
2. Remove the Allen head screws holding the top mast bearings between the #4 and #5 mast. Remove the top mast bearings.
3. Slide #5 mast out of #4 mast. As mast is removed, the bottom four mast bearings will fall out; note their orientation for re-assembly.
4. Disconnect chain from top of #3 mast.

### #4 Mast

1. Remove sequence strap retainer on the top of #2 mast.
2. Remove the Allen head screws holding the top mast bearings between the #3 and #4 mast. Remove the top mast bearings.
3. Slide #4 mast out of #3 mast. As mast is removed, the bottom four mast bearings will fall out; note their orientation for re-assembly.

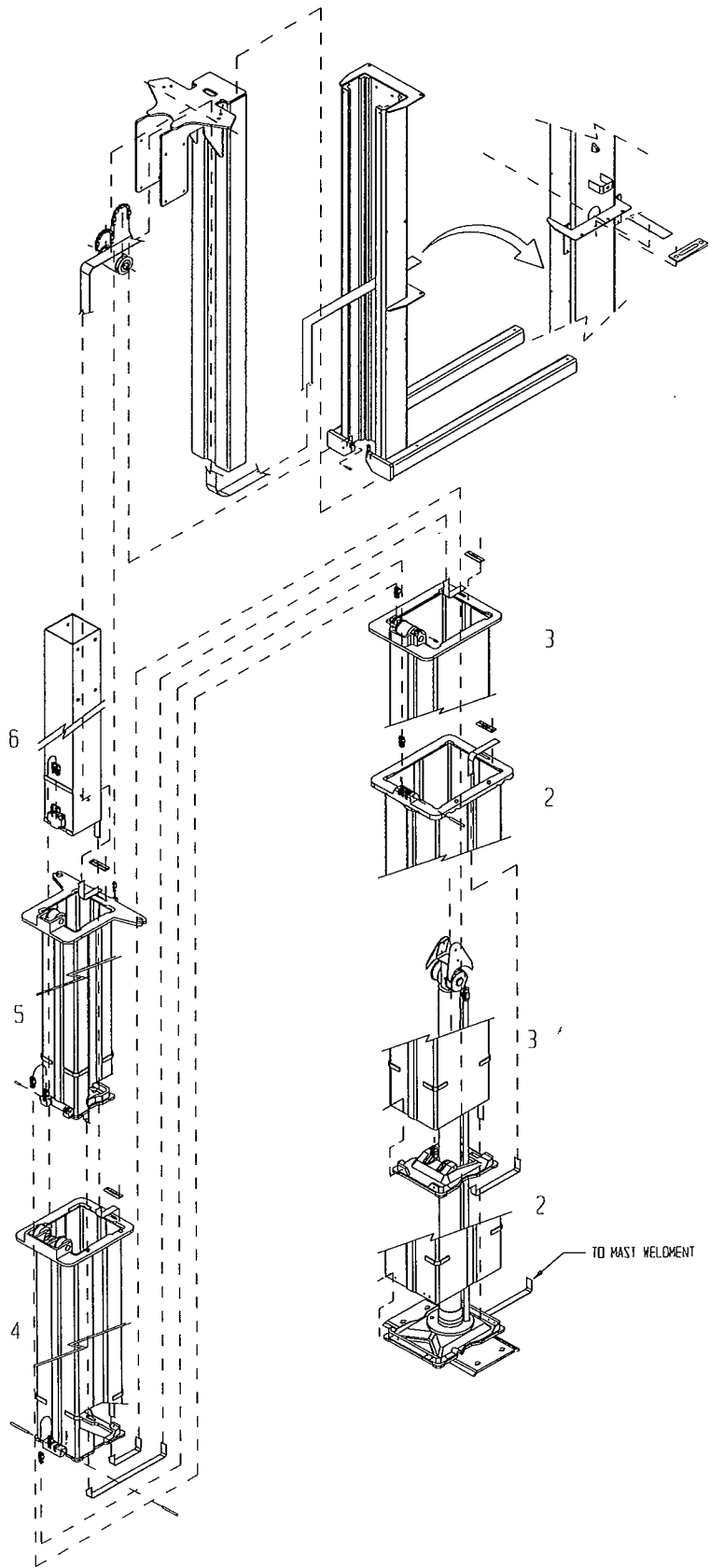


Figure 4-6: Mast Assembly, Strap and Chain Detail

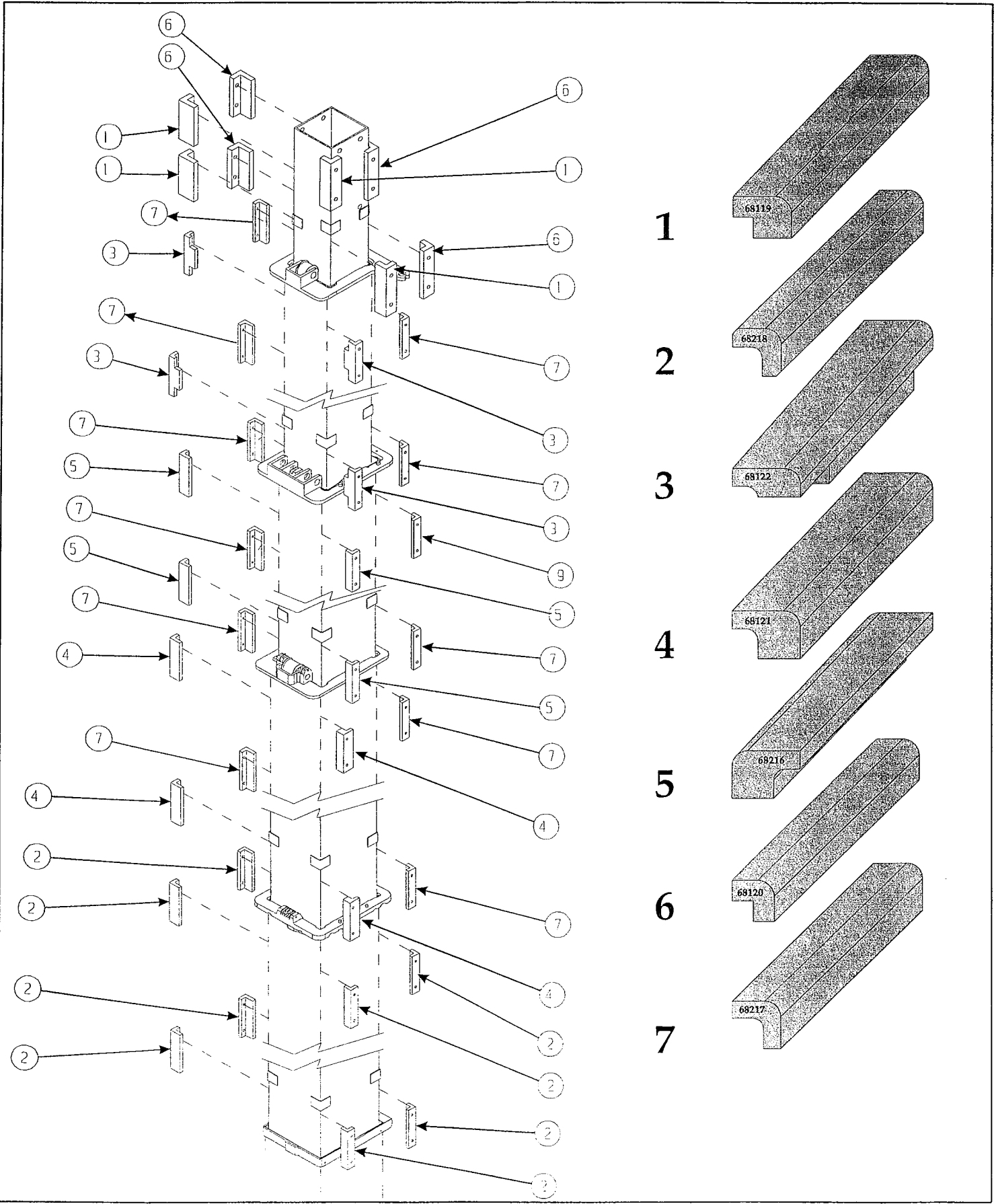


Figure 4-7: Mast Assembly, Bearing Detail

## 4.5 Mast Assembly (Cont.)

4. Disconnect chain from top of #2 mast.
5. Remove cylinder by following instructions in *Section 4.7*.

### #3 Mast

1. Remove sequence strap retainer on the top of #1 mast.
2. Remove the Allen head screws holding the top mast bearings between the #2 and #3 mast. Remove the top mast bearings.
3. Slide #3 mast out of #2 mast. As mast is removed, the bottom four mast bearings will fall out; note their orientation for re-assembly.

### #2 Mast

1. Remove the Allen head screws holding the top mast bearings between the #1 and #2 mast. Remove the top mast bearings.
2. Slide #2 mast out of #1 mast. As mast is removed, the bottom four mast bearings will fall out; note their orientation for re-assembly.

## ASSEMBLY (Figure 4-7)

**Note:** Use WD-40 lubricant as necessary to aid in reassembly.

### #2 Mast

1. Set #2 mast in place.
2. Install bottom lower bearings.
3. Install bottom upper bearings.
4. Slide #2 mast in all the way except 12-15" (30 -38 cm).
5. Install top bearings and secure with retaining screws using Loctite® 242 or equivalent on the threads.
6. Slide #2 mast in completely.

### #3 Mast

1. Set #3 mast in place with the sequencing strap inside.
2. Install bottom lower bearings.
3. Install bottom upper bearings.
4. Slide #3 mast in all the way except 12-15" (30 -38 cm).
5. Install top bearings and secure with retaining screws using Loctite® 242 or equivalent on the threads.
6. Place a 10" (25 cm) long wood block between #3 and #2 masts, slide #3 mast down tight against block. Pull sequencing strap completely out of the bottom of assembly.
7. Install cylinder assembly by following instructions in section 4.6.

### #4 Mast

1. Set #4 mast in place with the sequencing strap inside and the chains on the bottom.
2. Install bottom lower bearings.
3. Install bottom upper bearings.
4. Slide mast #4 in, make sure chains are not twisted.
5. Install top bearings and secure with retaining screws using Loctite® 242 or equivalent on the threads.
6. Install chains around #3 sheave and down through #3 casting, secure to #2 casting with new roll pins.
7. Use a center punch to dimple pin hole after roll pins are installed.

### #5 Mast

1. Set #5 mast in place with the sequencing strap inside.
2. Install bottom lower bearings.
3. Install bottom upper bearings.
4. Slide #5 mast in, make sure chains are not twisted.
5. Install top bearings and secure with retaining screws using Loctite® 242 or equivalent on the threads.
6. Install chains around #4 sheaves and down through #4 casting, secure to #3 casting with new roll pins.
7. Use a center punch to dimple pin holes after all roll pins are installed.
8. Slide mast in, leaving 10" (25 cm) exposed.

### #6 Mast

1. Set #6 mast in place with the sequencing strap inside.
2. Run the remaining sequencing strap (from platform assembly) through the slot in the bottom of stage #6 and up through the inside. Leave just enough slack on the outside to reach the attachment point at the top of stage #5.
3. Install bottom lower bearings.
4. Install bottom upper bearings.
5. Slide #6 mast in, make sure chains are not twisted.
6. Install top bearings and secure with retaining screws using Loctite® 242 or equivalent on the threads.
7. Install #6 chain around #5 sheave and through casting, secure to #4 casting with new roll pins.
8. Use a center punch to dimple pin holes after all roll pins are installed.
9. Pull the sequencing strap attached to the bottom of mast #6 out through the bottom of the mast assembly. Be sure not to pull the strap that is attached to the top of mast #5.

## 4.5 Mast Assembly (Cont.)

### Platform Support Assembly

1. Slide cage support weldment into the top of the platform assembly weldment.
2. Install stop bracket and retaining screws / washers.
3. Feed chains over sheave.
4. Install cable sheaves with cables to the top of cage support weldment.
5. Feed sequencing strap from inside mast #6 over sheave and out through the slot in the top of the cage support weldment.
6. Install cage support weldment to mast #6 using eight screws, tighten.
7. Attach chains to #5 casting front using new cotter pins.

### Sequencing Strap Installation

**When installing straps, make sure they are not twisted.**

1. Feed fish tape up through the bottom slot in cage support weldment and out through the top slot.
2. Attach strap to fish tape and pull out through bottom slot. Be sure that the edging grommet is installed under the strap to protect it from wear.
3. Feed fish tape down through the opening in the front of the platform support weldment and out through the bottom of the platform support weldment.
4. Attach strap to fish tape and pull out through opening. Attach strap to platform support weldment, pull tightly and secure with strap clamp and screws using Loctite® 242 or equivalent on the threads.
5. Fish #6 strap up through mast between fourth and fifth stages with fish tape.
6. Fish #5 strap up through mast between third and fourth stages with fish tape.
7. Fish #4 strap up through mast between third and second stages with fish tape.
8. Fish #3 strap up through mast between first and second stages with fish tape.
9. Install strap #6 to #4 top casting.
10. Install strap #5 to #3 top casting.
11. Install strap #4 to #2 top casting.
12. Install strap #3 to top of #1 mast weldment.
13. Install the strap clamps and retaining screws using Loctite® 242 or equivalent on the threads. Pull straps tight while tightening retaining screws.

## 4.6 Cylinder Assembly

### SEAL REPLACEMENT (Figure 4-8)

**Note: The Lift Cylinder Seal can be accessed from the bottom of the Lift without removing the Cylinder Assembly.**

Using a suitable lifting device, lower the work platform into a horizontal position (Figure 4-5). If possible, place the machine onto a sturdy work table using a forklift.

#### ⚠ WARNING ⚠

Never attempt to lower lift into a horizontal position without the use of a suitable lifting device; bodily injury or damage to the machine may result.

1. Remove cylinder mounting plate fasteners and retaining ring.
2. Remove tie rod nuts, count the number of turns required to bring the nut flush with the tie rod end and record for reference during installation. The tension on the tie rods maintains the left / right positioning of the cylinder within the mast assembly, reinstalling the nuts with the proper tension will speed up adjustment later.
3. Remove the cylinder mounting plate. Be careful not to allow the tie rods to suck back inside of the mast assembly, replace the nuts on the tie rod ends temporarily to prevent this.
4. Remove hydraulic line from the cylinder fitting and cap the cylinder fitting to prevent contaminants from entering the cylinder.

#### ⚠ CAUTION ⚠

Marring the surface of the cylinder rod will damage cylinder seals and cause leakage. Use a strap wrench to prevent rod damage.

5. Extend cylinder rod at least twelve inches by hand. Apply heat to rod near end cap to loosen Loc-tite®.

#### ⚠ WARNING ⚠

Wear safety glasses and heat resistant gloves when operating torch. Do not touch hot surfaces without proper protection.

6. Using a Strap Wrench, 62482-000, to secure the cylinder rod, unscrew the cylinder rod end. If necessary, thread a 9/16 x 18 bolt into end cap port to use as a lever. Remove rod end cap and orifice / bleeder tube assembly.



7. Remove the seal retainer, using the spanner wrench, XXXXX-XXX.
8. Clean all sealing surfaces with solvent. Inspect cylinder rod for excessive wear, replace if necessary.
9. Remove all seals from seal retainer, rod end cap and discard.

**Note: Apply clean hydraulic fluid to new cylinder seal, threads and all sliding surfaces prior to assembly. If necessary, soften new seals with warm water (180°F [82°C]) to aid in installation.**

10. Twist the pressure seal into a 'C' shape and snap into seal groove in seal retainer, making sure the lip of the seal is facing inward.
11. Using the same method, install the rod wiper into the seal retainer outer groove, making sure that the blade of the seal is facing outward from the seal retainer.
12. Replace static seals in rod end cap and seal retainer by stretching them into place. Be carefull not to cut the seal during installation.
13. Install the seal retainer onto rod using a sharp blow from a hard rubber mallet to overcome seal squeeze. Slide seal retainer into place and tighten using the spanner wrench.
14. Rod and rod end threads must be absolutely clean. Spray threads with Loctite® primer #7471, allow to dry for five minutes. Coat threads liberally with Loctite® #242. Thread rod end cap onto rod, tighten using strap wrench to hold rod.
15. Push rod back into cylinder for reassembly.
16. Reconnect hydraulic line.

17. Remove nuts from tie rod ends and set the cylinder mounting plate into place. Secure mounting plate with fasteners.
18. Install tie rod nuts flush with tie rod ends, torque each nut the exact number of turns used to remove it.
19. Reinstall retaining ring.
20. Using a suitable lifting device, raise the lift to its normal vertical position.
22. Bleed air from cylinder by cycling the mast to full extension several times. The cylinder is self bleeding; air will be forced out of the cylinder during the lowering cycle.
23. If necessary, remove pinch shield and check alignment of cylinder within mast assembly by peering down the mast with a flashlight. The cylinder may be moved left or right by tightening one or the other of the tie rod nuts.

**CAUTION**

If cylinder is not centered, mast may "hang" when lowering.

**WARNING**

Keep hands clear of the mast assembly when the pinch shield is removed for inspection purposes; pinching injury to hands may result .

Never operate a machine with the pinch shield removed, except for inspection.

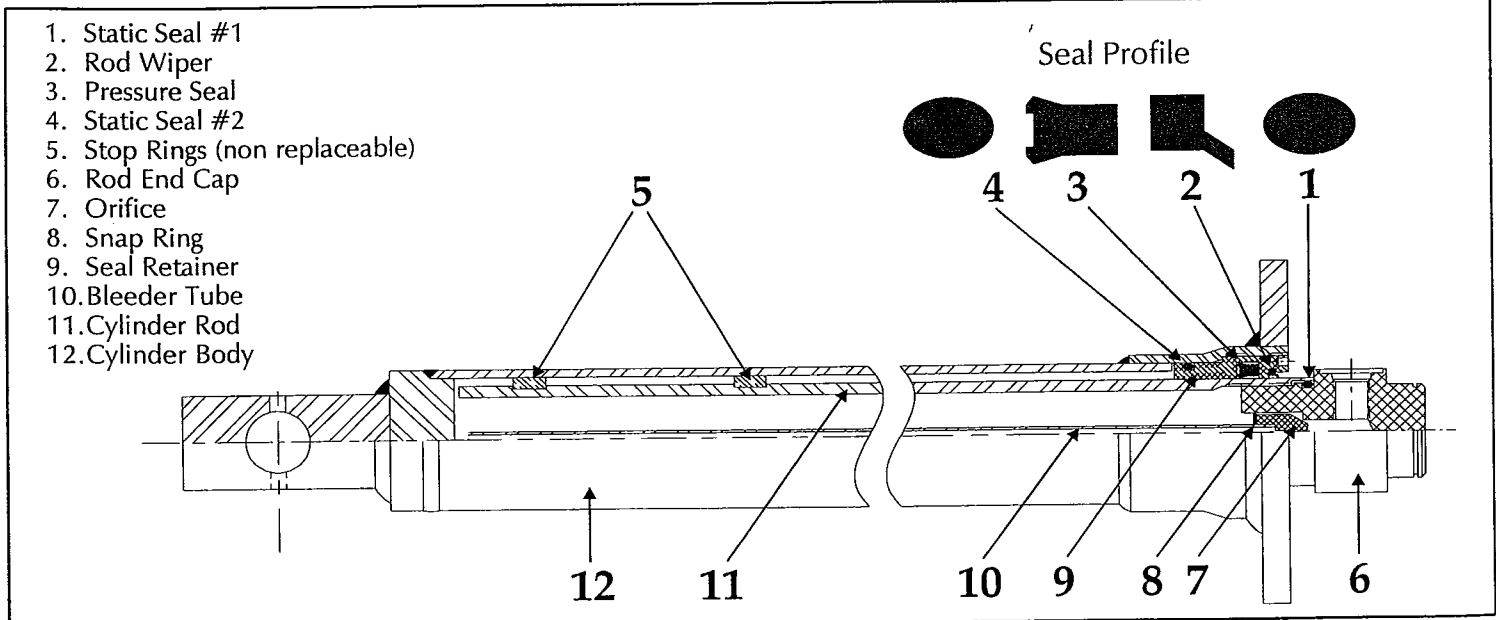


Figure 4-8: lift Cylinder

## 4.6 Cylinder Assembly (Cont.)

### ORIFICE VALVE CLEANING

Using a suitable lifting device, lower the work platform into a horizontal position (Figure 4-5). If possible, place the machine onto a sturdy work table using a forklift.

#### ⚠ WARNING ⚠

Never attempt to lower lift into a horizontal position without the use of a suitable lifting device; bodily injury or damage to the machine may result.

1. Remove cylinder mounting plate fasteners and retaining ring.
2. Remove tie rod nuts, count the number of turns required to bring the nut flush with the tie rod end and record for reference during installation. The tension on the tie rods maintains the left / right positioning of the cylinder within the mast assembly, reinstalling the nuts with the proper tension will speed up adjustment later.
3. Remove the cylinder mounting plate. Be careful not to allow the tie rods to suck back inside of the mast assembly, replace the nuts on the tie rod ends temporarily to prevent this.
4. Remove hydraulic line from the cylinder fitting and cap the cylinder fitting to prevent contaminants from entering the cylinder.

#### ⚠ CAUTION ⚠

Marring the surface of the cylinder rod will damage cylinder seals and cause leakage. Use a strap wrench to prevent rod damage.

5. Extend cylinder rod at least twelve inches by hand. Apply heat to rod near end cap to loosen Loc-tite®.

#### ⚠ WARNING ⚠

Wear safety glasses and heat resistant gloves when operating torch. Do not touch hot surfaces without proper protection.

6. Using a Strap Wrench, 62482-000, to secure the cylinder rod, unscrew the cylinder rod end. If necessary, thread a 9/16 x 18 bolt into end cap port to use as a lever. Remove rod end cap and orifice / bleeder tube assembly.
7. Remove snap ring to release orifice / bleeder tube from rod end cap.

8. Clean orifice valve hole with a straight pin. Flush with solvent to remove any contamination that may remain in bleeder tube.
9. Reinstall orifice / bleeder tube into rod end cap and secure with snap ring.
10. Replace static seal on red end. Existing seal may have been damaged by heating rod.
11. Rod and rod end threads must be absolutely clean. Spray threads with Loctite® primer #7471, allow to dry for five minutes. Coat threads liberally with Loctite® #242. Thread rod end cap onto rod, tighten using strap wrench to hold rod.
12. Push rod back into cylinder for reassembly.
13. Reconnect hydraulic line.
14. Remove nuts from tie rod ends and set the cylinder mounting plate into place. Secure mounting plate with fasteners.
15. Install tie rod nuts flush with tie rod ends, torque each nut the exact number of turns used to remove it.
16. Reinstall retaining ring.
17. Using a suitable lifting device, raise the lift to its normal vertical position.
18. Bleed air from cylinder by cycling the mast to full extension several times. The cylinder is self bleeding; air will be forced out of the cylinder during the lowering cycle.
19. If necessary, remove pinch shield and check alignment of cylinder within mast assembly by peering down the mast with a flashlight. The cylinder guide bearings must not be touching the inside surface of #6 mast. The cylinder may be moved left or right by tightening the left or right tie rod nuts respectively.

#### ⚠ CAUTION ⚠

If cylinder is not centered, mast may "hang" when lowering.

#### ⚠ WARNING ⚠

Keep hands clear of the mast assembly when the pinch shield is removed for inspection purposes; pinching injury to hands may result .

Never operate a machine with the pinch shield removed, except for inspection.

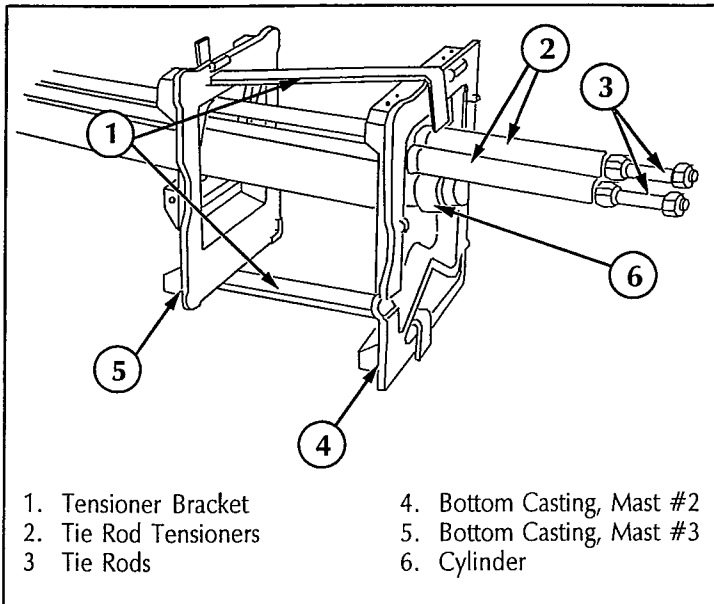


Figure 4-9: Cylinder Assembly Installation

## CYLINDER REMOVAL (Figure 4-9)

Using a suitable lifting device, lower the work platform into a horizontal position (Figure 4-5). If possible, place the machine onto a sturdy work table using a forklift.

**⚠ WARNING ⚠**

Never attempt to lower lift into a horizontal position without the use of a suitable lifting device; bodily injury or damage to the machine may result.

1. Remove cylinder mounting plate fasteners and retaining ring.
2. Remove tie rod nuts, count the number of turns required to bring the nut flush with the tie rod end and record for reference during installation. The tension on the tie rods maintains the left / right positioning of the cylinder within the mast assembly, reinstalling the nuts with the proper tension will speed up adjustment later.
3. Remove the cylinder mounting plate. Be careful not to allow the tie rods to suck back inside of the mast assembly, replace the nuts on the tie rod ends temporarily to prevent this.
4. Remove hydraulic line from the cylinder fitting and cap the cylinder fitting to prevent contaminants from entering the cylinder.
5. Remove sequence strap retainers on the top of #3 and #2 masts.
6. Remove front and rear mast access plates from the bottom of the #1 mast.

7. Remove the screws and washers, attaching the #2 and #3 bottom castings to the #2 and #3 mast assemblies.
8. While keeping tension on the tie rods, slide the cylinder and #2 and #3 bottom castings out the bottom of the UL Lift far enough to expose both castings.
9. Install cylinder Tensioner Brackets, 62739-000 on #2 and #3 bottom castings. Remove tie rod nuts and install the Tie Rod Tensioners, 62738-000. Remove all slack from the chains with the Tie Rod Tensioners.
10. Remove cylinder assembly from mast assembly.

## INSTALLATION

**NOTE: Cylinder assembly must have Tension Brackets, Tensioner Spacer and Tie Rod Tensioners installed to remove slack from chain.**

1. Slide cylinder assembly into mast assembly until #3 bottom casting is at the bottom of the mast assembly.
2. Install the screws and washers attaching the #3 bottom casting to the #3 mast assembly.
3. Remove cylinder Tensioner Brackets from #2 and #3 bottom castings and Tie Rod Tensioners from tie rods. Install tie rod nuts finger tight.
4. While maintaining tension on the tie rods to keep slack out of the chains, slide cylinder assembly completely into the mast assembly.
5. Install the screws and washers attaching the #2 bottom casting to the #2 mast assembly.
6. Install front and rear mast cover plates on the bottom of #1 mast.
7. Fish #4 strap between #3 and #2 mast with fish tape.
8. Slide #4 strap through #2 casting.
9. Fish #3 strap between #2 and #1 mast with fish tape.
10. Install strap #4 to #2 top casting.
11. Install strap #3 to #1 top casting.
12. While maintaining tension on the sequencing straps, install strap retainers using Loctite® 242 or equivalent on the threads of the retainer screws.
13. Reconnect hydraulic line.
14. Remove nuts from tie rod ends and set the cylinder mounting plate into place. Secure mounting plate with fasteners.
15. Install tie rod nuts flush with tie rod ends, torque each nut the exact number of turns used to remove it.
16. Reinstall retaining ring.

## 4.6 Cylinder Assembly (Cont.)

### INSTALLATION (CONT.)

17. Using a suitable lifting device, raise the lift to its normal vertical position.
18. Bleed air from cylinder by cycling the mast to full extension several times. The cylinder is self bleeding; air will be forced out of the cylinder during the lowering cycle.
19. If necessary, remove pinch shield and check alignment of cylinder within mast assembly by peering down the mast with a flashlight. The cylinder guide bearings must not be touching the inside surface of #6 mast. The cylinder may be moved left or right by tightening the left or right tie rod nuts respectively.

<b>⚠ WARNING ⚠</b>
<p>Keep hands clear of the mast assembly when the pinch shield is removed for inspection purposes; pinching injury to hands may result .</p> <p>Never operate a machine with the pinch shield removed, except for inspection.</p>

## 4.7 Torque Specifications

### HYDRAULIC COMPONENTS

Use the following values to torque hydraulic components used on UpRight Work Platforms.

**Note: Always lubricate threads with clean hydraulic oil prior to installation.**

**Table 4-2: Hydraulic Component Torque**

TYPE: SAE PART SERIES	CARTRIDGE POPPET		FITTINGS		HOSES	
	(Ft/Lbs	Nm)	(Ft/Lbs	Nm)	(In/Lbs	Nm)
#4	N/A	N/A	N/A	N/A	135-145	15-16
#6	N/A	N/A	10-20	14-27	215-245	24-28
#8	25-30	34-41	25-30	34-41	430-470	49-53
#10	35-40	47-54	35-40	47-54	680-750	77-85
#12	85-90	115-122	85-90	115-122	950-1050	107-131
#16	130-140	176-190	130-140	176-190	1300-1368	147-155

Coil nuts: 30 In/Lbs (3 Nm)

### FASTENERS

Use the following values to torque fasteners used on UpRight Work Platforms unless a specific torque value is called out for the part being installed.

**Table 4-3: Bolt Torque**

THREAD SIZE <small>American National Standard-UNF (fine)</small>	WIDTH ACROSS FLATS	TORQUE VALUE	
		ENGLISH	METRIC
$\frac{1}{4}$	$\frac{7}{16}$	110 In/Lbs	12 Nm
$\frac{5}{16}$	$\frac{1}{2}$	190 In/Lbs	22 Nm
$\frac{3}{8}$	$\frac{9}{16}$	30 Ft/Lbs	41 Nm
$\frac{7}{16}$	$\frac{5}{8}$	50 Ft/Lbs	68 Nm
$\frac{1}{2}$	$\frac{3}{4}$	75 Ft/Lbs	102 Nm
$\frac{5}{8}$	$\frac{15}{16}$	150 Ft/Lbs	203 Nm
$\frac{3}{4}$	$1 \frac{1}{8}$	250 Ft/Lbs	339 Nm
$\frac{7}{8}$	$1 \frac{5}{16}$	400 Ft/Lbs	542 Nm
1	$1 \frac{1}{2}$	600 Ft/Lbs	813 Nm

## 5.0 Introduction

Table 5-1 provides a logical sequence of tests that are designed to isolate problems with the UpRight Lift. This table includes a list of probable causes and remedies.



### **WARNING**



When troubleshooting, ensure that the work platform is resting on a firm, level surface.

When performing any service which requires the Platform to be raised, ensure that all four (4) outriggers are properly installed.

Unplug the machine or disconnect the battery when replacing or testing the continuity of any electrical component.

## *GENERAL PROCEDURE*

Troubleshooting should be carried out in two steps. First, thoroughly study both hydraulic and electric schematics to determine possible causes. Loose terminal connections and short circuits are always a potential cause when troubleshooting. Second, check suspect components electrically, hydraulically and mechanically to determine if they are at fault. Refer to Tables 6-1 and 6-2 for Reference Designations used in Table 5-1.

# Troubleshooting

Table 5-1: Troubleshooting

TROUBLE	PROBABLECAUSE	REMEDY
Lift Function inoperable, electric motor does not start.	<ol style="list-style-type: none"> <li>1. Extension cord too long or insufficient capacity.</li> <li>2. Not plugged in or faulty connection (AC only).</li> <li>3. No power at wall outlet (AC only).</li> <li>4. Faulty Battery Charger (DC only).</li> <li>5. Faulty Battery (BAT).</li> <li>6. Key Switch (S2), Emergency Stop Switch (S1, S3) or Push-button Switch (S4, S5) failed open.</li> <li>7. Outrigger Interlock Switch (S7,S8, 9,S10).</li> <li>8. Faulty outrigger relay (R1,R2,R3,R4).</li> <li>9. Open circuit in cable to motor control box.</li> <li>10. Faulty motor contactor (R5).</li> <li>11. Faulty Electric Motor (M1).</li> </ol>	<p>Use minimum 12 ga. cord of 50 feet (16m) or less in length.</p> <p>Check all AC plugs and cords used.</p> <p>Check power output at wall outlet.</p> <p>Check the voltage output of the Battery Charger. If less than 12 VDC, repair or replace.</p> <p>After completely charging Battery, test Battery. Replace as required.</p> <p>With the switch in the ON position, check continuity across the contacts. If none, replace.</p> <p>Make sure all four outriggers are in firm contact with floor. Check continuity of interlock switches.</p> <p>Test for continuity across relay contacts.</p> <p>Test for continuity through cable assembly and repair or replace.</p> <p>While operating the Lift function, check the voltage across the Relay Coil. If voltage is present, and contactor does not close, replace motor contactor.</p> <p><b>WARNING: DO NOT touch motor contacts or any portion of the high voltage circuit while machine is plugged in. AC current can cause serious injury or death.</b></p> <p>While operating the Lift function, check the voltage to the Electric Motor. If voltage is present (12VDC or 120/240VAC), replace the motor. In case of low AC voltage, see #1.</p>
Lift function inoperable, Electric Motor starts when control is activated.	<ol style="list-style-type: none"> <li>1. Emergency Lowering Valve (V2) open.</li> <li>2. Hydraulic Reservoir Low.</li> <li>3. Down Valve (V2) stuck.</li> <li>4. Relief Valve (RV) out of adjustment or faulty.</li> <li>5. Lift Valve (V1) faulty.</li> <li>6. Faulty Hydraulic Pump (P).</li> </ol>	<p>Close valve.</p> <p>Check hydraulic fluid level, top off as required.</p> <p>Check or replace Down Valve (V2).</p> <p>Adjust the Relief Valve (RV). If not adjustable, replace.</p> <p>Check or replace Lift Valve (V1). Check pressure and delivery of the Hydraulic Pump. Replace if required.</p>

TROUBLE	PROBABLECAUSE	REMEDY
Platform does not lower using electrical switches. (Will lower using emergency lowering valve.)	<ol style="list-style-type: none"> <li>1. Down Valve Solenoid (SOL1) faulty.</li> <li>2. Electrical malfunction.</li> </ol>	<p>Test for continuity across Solenoid. Repair or replace.</p> <p>Check all AC plugs and cords used (AC only). Check power output at wall outlet (AC only).</p> <p>With each switch (S1,S2,S3,S4,S6) in the ON position, check continuity across the contacts. If none, replace.</p>
Platform does not lower or lowers very slowly.	<ol style="list-style-type: none"> <li>1. Down Orifice (ORF) plugged.</li> <li>2. Down Valve (V2) blocked or stuck closed.</li> <li>2. Mechanical interference.</li> </ol>	<p>Remove and clean Down Orifice check valve.</p> <p>Check function / clear blockage of Down Valve.</p> <p>Inspect Mast Assembly, correct interference.</p>
Platform continues to lower when controls are released.	<ol style="list-style-type: none"> <li>1. Down Valve (V1) stuck open.</li> </ol>	<p>Clean or replace Down Valve.</p>

## 6.0 Introduction

This section contains electrical and hydraulic power schematics and associated information for maintenance purposes.

The diagrams are to be used in conjunction with *Table 5-1: Troubleshooting Guide*. They allow understanding of the makeup and functions of the systems for checking, tracing, and faultfinding during troubleshooting analysis.

The components that comprise the electrical and hydraulic systems are given a reference designation and are explained as to function and location in the following tables.

### INDEX

Figure	Page
Figure 6-1: Electrical Schematic, AC Models .....	6-3
Figure 6-2: Electrical Schematic, DC Models .....	6-3
Figure 6-3: Hydraulic Schematic.....	6-4

## 6.1 Electrical Schematics

Table 6-1: Electrical Schematic Legend AC

REFERENCE DESIGNATION	NAME	FUNCTION	LOCATION
BR	Bridge Rectifier	Converts AC to DC for control circuit.	In Control Box.
C1-4	Relay Contacts Norm. Open for R1-4.	Completes ground circuit to motor and Lift Valve when R1-4 are energized.	In Control Box.
L1-4	Indicator Light Interlock Switches	Lights when Outrigger socket are closed.	On chassis next to
M1	Electric Motor	Supplies power to drive hydraulic pump.	Upper portion of Power Unit.
R1-4	Relay Coil	When energized closes relay contacts 1-4.	In Control Box.
R5	Motor Contactor	Switches power to Electric Motor.	In Control Box.
S1	Switch, Chassis Emergency Stop	Control circuit shut off.	In Control Box.
S2	Switch, Key	Provides power to upper controls.	In Control Box.
S3	Switch, Platform Emergency Stop	Control Circuit shut off.	In Control Box.
S4	Switch. Power On	Supplies power to either Up or Down Switch.	Center button of platform controls.
S5	Switch, Lift	Supplies power to up circuit.	Upper button of platform controls.
S6	Switch, Lower	Supplies power to down circuit.	Lower button of platform controls.
S7-10	Switch, Outrigger Interlock	Supplies power to L1-L4 and R1-R4.	In Outrigger Sockets.
SOL1	Solenoid, Lower (coil)	Opens down valve.	Power Unit front.
SOL2	Solenoid, Lift (coil)	Opens Up Valve.	Power Unit left hand side.
T1	Transformer	Steps down AC voltage.	Inside electrical Control Box.

Table 6-2: Electrical Schematic Legend DC

REFERENCE DESIGNATION	NAME	FUNCTION	LOCATION
BAT	Battery	Supplies current to circuit.	In Power Module.
CH	Charger	Maintains Charge level in Battery.	In Power Module.
C1-4	Relay Contacts Norm. Open for R1-4.	Completes ground circuit to motor and Lift Valve when R1-4 are energized.	In Control Box.
L1-4	Indicator Light Interlock Switches	Lights when Outrigger socket are closed.	On chassis next to
M1	Electric Motor	Supplies power to drive hydraulic pump.	Upper portion of Power Unit.
R1-4	Relay Coil	When energized closes relay contacts 1-4.	In Control Box.
R5	Relay, Motor	Supplies power to Motor.	Lower Power Module.
S1	Switch, Chassis Emergency Stop	Control circuit shut off.	In Control Box.
S2	Switch, Key	Provides power to upper controls.	In Control Box.
S3	Switch, Platform Emergency Stop	Control Circuit shut off.	In Control Box.
S4	Switch. Power On	Supplies power to either Up or Down Switch.	Center button of platform controls.
S5	Switch, Lift	Supplies power to up circuit.	Upper button of platform controls.
S6	Switch, Lower	Supplies power to down circuit.	Lower button of platform controls.
S7-10	Switch, Outrigger Interlock	Supplies power to L1-L4 and R1-R4.	In Outrigger Sockets.
SOL1	Solenoid, Lower (coil)	Opens down valve.	Power Unit front.
SOL2	Solenoid, Lift (coil)	Opens Up Valve.	Power Unit left hand side.



# Schematics

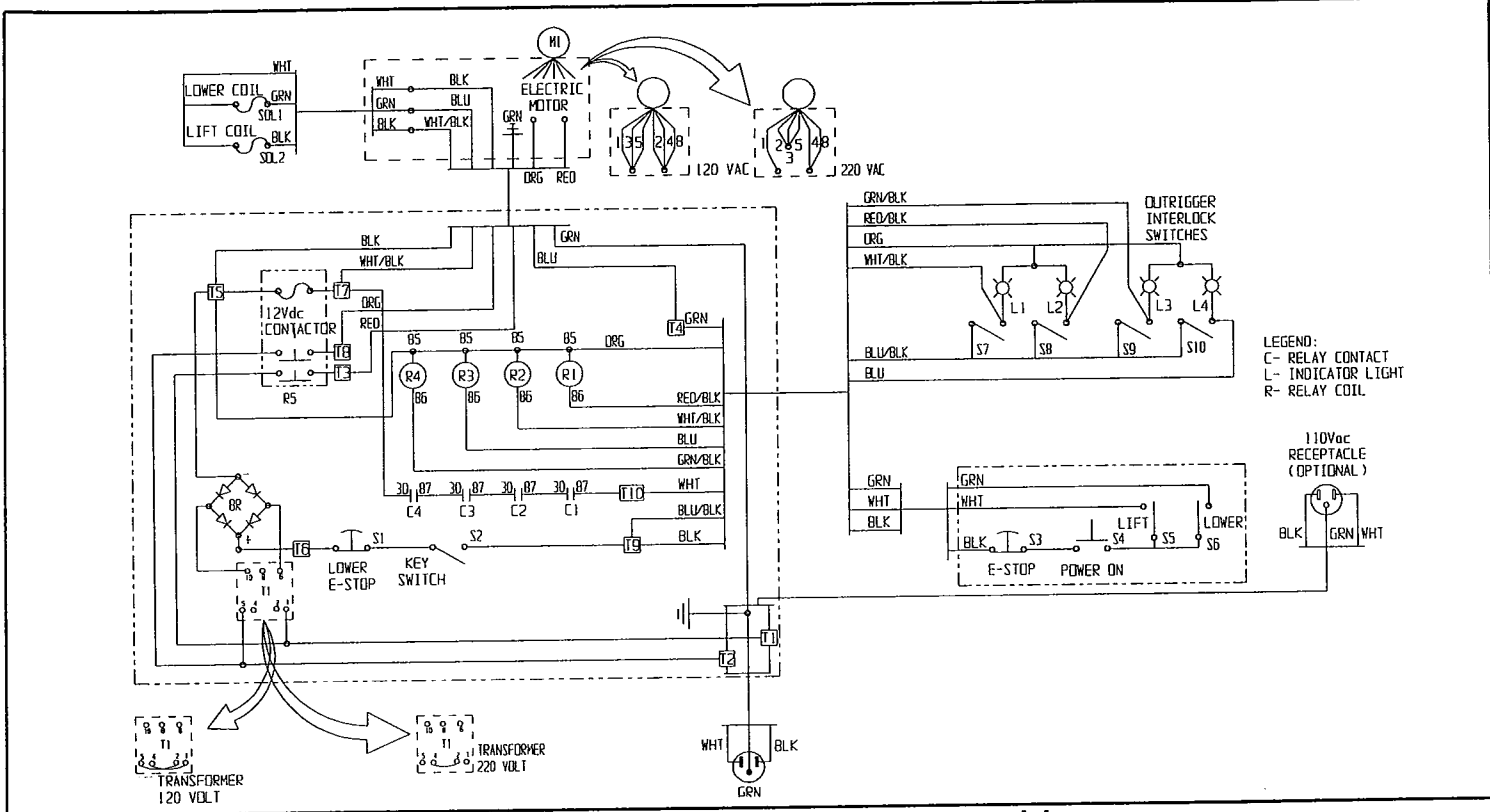


Figure 6-1: Electrical Schematic, AC Models

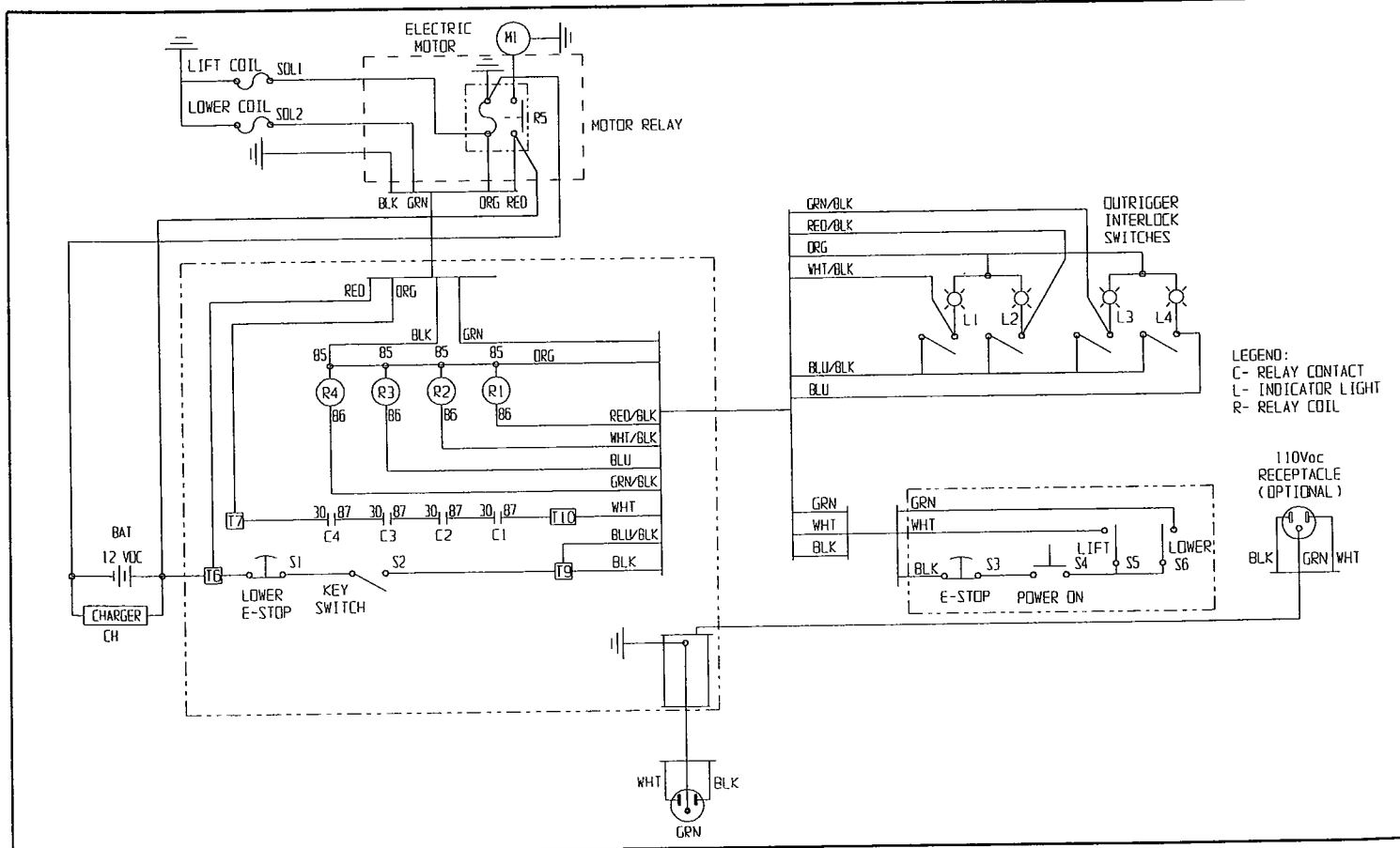


Figure 6-2: Electrical Schematic, DC Models

## 6.2 Hydraulic Schematic

Table 6-3: Hydraulic Schematic Legend

REFERENCE DESIGNATION	NAME	FUNCTION	LOCATION
CV	Valve, Check	Allows flow in one direction.	Inline with CYL.
CYL	Cylinder	Operates Lift	On lift assembly.
FLT	Filter	Seperates matter held in suspension from fluid.	Inline with Pump.
ORF	Orifice	Controls flow out of CYL.	Inline with CYL.
P	Pump	Supplies hydraulic pressure to system.	Lower Power Module.
RV	Relief Valve	Limits maximum pressure by releasing oil.	Valve Assembly Lower Power Module.
V1	Valve, Two-Way Norm. Closed	Allows flow when energized.	Valve Block Assembly.
V2	Valve, Two-Way Norm. Open	Stops flow when energized.	Valve Block Assembly.

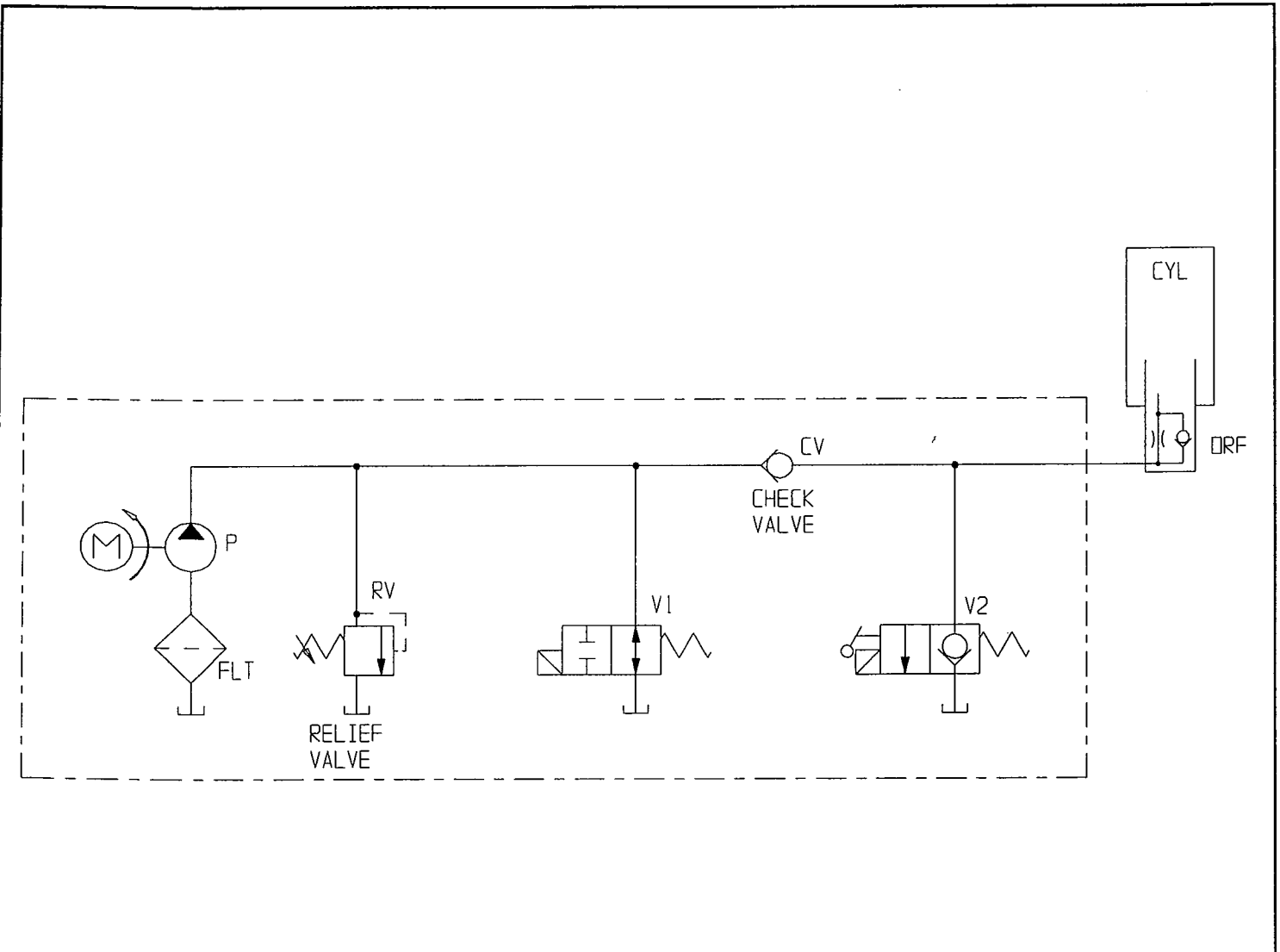


Figure 6-3: Hydraulic Schematic

## 7.0 Introduction

This section lists and illustrates the replaceable assemblies and parts of the UL-25/32/40/48 Portable Personnel Lifts, as manufactured by UpRight, Inc. Each parts list contains the component parts for that assembly indented to show relationship where applicable.

## 7.1 Index

ASSEMBLY	PAGE NO.
<b>Final Assembly</b>	
UL-25 AC: 68001-000 .....	7-2
UL-32 AC: 68002-000 .....	7-2
UL-40 AC: 68002-000 .....	7-2
UL-48 AC: 68004-000 .....	7-2
UL-25 DC: 68001-001 .....	7-2
UL-32 DC: 68002-001 .....	7-2
UL-40 DC: 68002-001 .....	7-2
UL-48 DC: 68002-001 .....	7-2
<b>Basic Assembly</b>	
UL-25: 68006-001 .....	7-4
UL-32: 68006-002 .....	7-4
UL-40: 68006-003 .....	7-4
UL-48: 68006-004 .....	7-4
<b>Control Box Assembly, DC</b>	
68007-001 .....	7-8
<b>Control Box Assembly, AC</b>	
68007-000 .....	7-10
<b>Power Option Assembly, AC</b>	
UL-48: 68008-003 .....	7-12
UL-25/32/40: 68008-000 .....	7-14
<b>Power Option Assembly, DC</b>	
UL-48: 68009-003 .....	7-16
UL-25/32/40: 68009-000 .....	7-18
<b>Second Stage Mast Assembly</b>	
68050-001, 002, 003, 004 .....	7-20
<b>Third Stage Mast Assembly</b>	
68056-001,002,003,004 .....	7-21
<b>Fourth Stage Mast Assembly</b>	
68061-001, 002, 003, 004 .....	7-22
<b>Fifth Stage Mast Assembly</b>	
68066-001,002,003,004 .....	7-23
<b>Sixth Stage Mast Assembly</b>	
68070-001, 002, 003, 004 .....	7-24
<b>Lift Cylinder Assembly</b>	
68074-001, 002, 003, 004 .....	7-26
<b>Cage Support Assembly</b>	
68160-001, 002, 003, 004 .....	7-28
<b>Platform Assembly</b>	
68179-000 .....	7-30
<b>Outrigger Assembly</b>	
68157-000, 001, 002, 003 .....	7-32
<b>Loader Bar Assembly</b>	
UL-32/40: 68180-000 .....	7-33

ASSEMBLY	PAGE NO.
<b>Tilt Back Assembly</b>	
UL-25 (Optional): 68200-003 .....	7-34
UL-32: 68200-000 .....	7-36
UL-40: 68200-001 .....	7-36
UL-48: 68200-002 .....	7-38
<b>Label Kit Installation</b>	
UL-25: 68013-000 .....	7-40
UL-32: 68014-000 .....	7-42
UL-40: 68015-000 .....	7-44
UL-48: 68016-000/001 .....	7-46
<b>Auditorium Kit Option</b>	
UL-25,32,40: 68600-000 .....	7-48
<b>Narrow Cage Option</b>	
68242-000 .....	7-52
<b>Flourescent Tube Caddy</b>	
68239-000-00 .....	7-53

**Section 7.2** **Illustrated Parts Breakdown**

**FINAL ASSEMBLY**  
**UL-25 AC**  
 68001-000

ITEM	PART	DESCRIPTION	QTY.
1	68006-001	BASIC ASSY	1
2	68008-000	POWER OPTION AC. DOM	1
3	68013-000	LABEL KIT/INST.	1

**FINAL ASSEMBLY**  
**UL-25 DC**  
 68001-001

ITEM	PART	DESCRIPTION	QTY.
1	68006-001	BASIC ASSY	1
2	68009-000	POWER OPTION DC. DOM	1
3	68013-001	LABEL KIT/INST.	1

**FINAL ASSEMBLY**  
**UL-32 AC**  
 68002-000

ITEM	PART	DESCRIPTION	QTY.
1	68006-002	BASIC ASSY	1
2	68008-000	POWER OPTION AC. DOM	1
3	68014-000	LABEL KIT/INST.	1

**FINAL ASSEMBLY**  
**UL-32 DC**  
 68002-001

ITEM	PART	DESCRIPTION	QTY.
1	68006-002	BASIC ASSY	1
2	68009-000	POWER OPTION DC. DOM	1
3	68014-001	LABEL KIT/INST.	1

**FINAL ASSEMBLY**  
**UL-40 AC**  
 68002-000

ITEM	PART	DESCRIPTION	QTY.
1	68006-003	BASIC ASSY	1
2	68008-000	POWER OPTION AC. DOM	1
3	68015-000	LABEL KIT/INST.	1

**FINAL ASSEMBLY**  
**UL-40 DC**  
 68002-001

ITEM	PART	DESCRIPTION	QTY.
1	68006-003	BASIC ASSY	1
2	68009-000	POWER OPTION DC. DOM	1
3	68015-001	LABEL KIT/INST.	1

**FINAL ASSEMBLY**  
**UL-48 AC**  
 68004-000

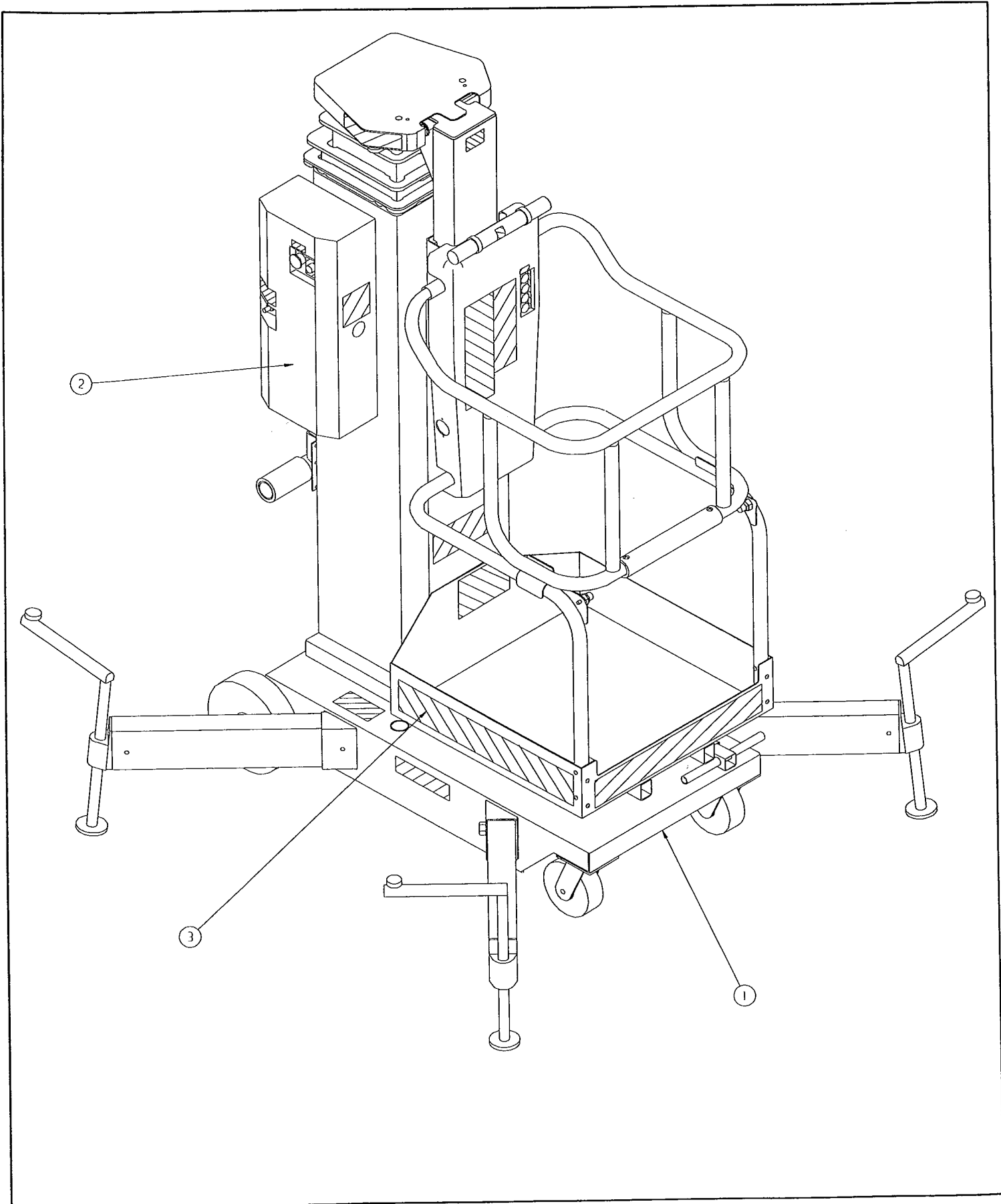
ITEM	PART	DESCRIPTION	QTY.
1	68006-004	BASIC ASSY	1
2	68008-003	POWER OPTION AC. DOM	1
3	68016-000	LABEL KIT/INST.	1

**FINAL ASSEMBLY**  
**UL-48 DC**  
 68002-001

ITEM	PART	DESCRIPTION	QTY.
1	68006-004	BASIC ASSY	1
2	68009-003	POWER OPTION DC. DOM	1
3	68016-001	LABEL KIT/INST.	1

# Illustrated Parts Breakdown

Section  
7.2



# Illustrated Parts Breakdown

## BASIC ASSEMBLY, UL II

UL-25: 68006-001

UL-32: 68006-002

UL-25: 68006-001

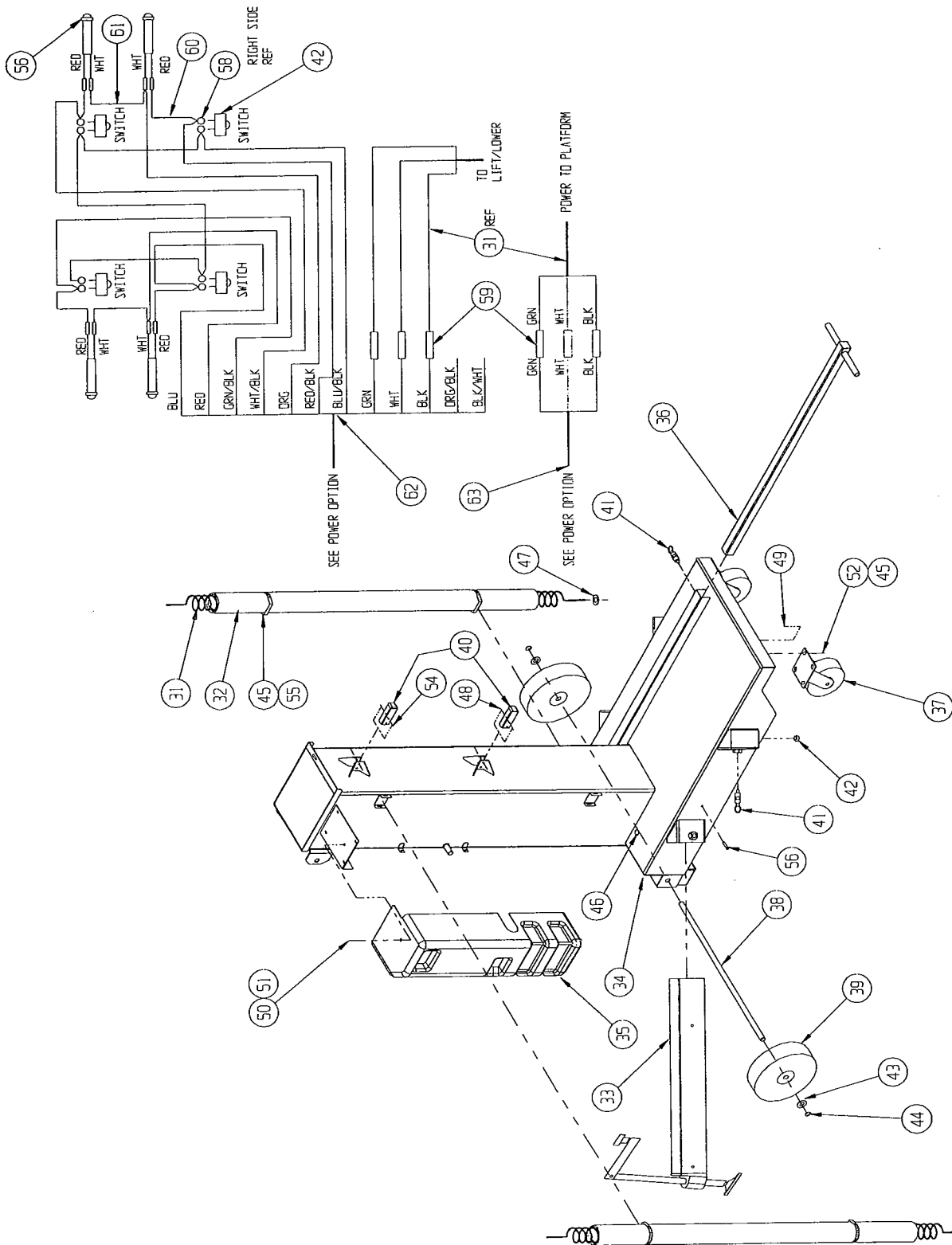
UL-32: 68006-002

ITEM	PART	DESCRIPTION	QTY. 25	QTY. 32	QTY. 40	QTY. 48
1	68074-001	LIFT CYLINDER ASSY	1			
	68074-002	LIFT CYLINDER ASSY		1		
	68074-003	LIFT CYLINDER ASSY			1	
	68074-004	LIFT CYLINDER ASSY				1
2	68050-001	2 ND STAGE MAST ASSY	1			
	68050-002	2 ND STAGE MAST ASSY		1		
	68050-003	2 ND STAGE MAST ASSY			1	
	68050-004	2 ND STAGE MAST ASSY				1
3	68056-001	3 RD STAGE MAST ASSY	1			
	68056-002	3 RD STAGE MAST ASSY		1		
	68056-003	3 RD STAGE MAST ASSY			1	
	68056-004	3 RD STAGE MAST ASSY				1
4	68061-001	4 TH STAGE MAST ASSY	1			
	68061-002	4 TH STAGE MAST ASSY		1		
	68061-003	4 TH STAGE MAST ASSY			1	
	68061-004	4 TH STAGE MAST ASSY				1
5	68066-001	5 TH STAGE MAST ASSY	1			
	68066-002	5 TH STAGE MAST ASSY		1		
	68066-003	5 TH STAGE MAST ASSY			1	
	68066-004	5 TH STAGE MAST ASSY				1
6	68070-001	6 TH STAGE MAST ASSY	1			
	68070-002	6 TH STAGE MAST ASSY		1		
	68070-003	6 TH STAGE MAST ASSY			1	
	68070-004	6 TH STAGE MAST ASSY				1
7	68160-001	CAGE SUPPORT ASSY	1			
	68160-002	CAGE SUPPORT ASSY		1		
	68160-003	CAGE SUPPORT ASSY			1	
	68160-004	CAGE SUPPORT ASSY				1
8	68218-000	MAST BEARING	8	8	8	8
9	68217-000	MAST BEARING	12	12	12	12
10	68216-000	MAST BEARING	4	4	4	4
11	68122-000	MAST BEARING	4	4	4	4
12	68121-000	MAST BEARING	4	4	4	4
13	68120-000	MAST BEARING	4	4	4	4
14	68119-000	MAST BEARING	4	4	4	4
15	68143-000	PIN CHAIN	2	2	2	2
16	11238-006	WASHER SPLIT 3/8	8	8	8	8
17	12553-005	SCREW SOC HD 1/4-20UNC X 5/8	40	40	40	40
18	11823-005	SCREW BUTT HD 3/8-16 X 5/8	8	8	8	8
19	12553-006	SCKEW SOC HD 1/4-20 UNC X 3/4	10	10	10	10
20	62129-000	STRAP RETAINER	5	5	5	5
21	11735-020	ROLL PIN	2	2	2	2
22	68145-000	PIN LEAF CHAIN	2	2	2	2
23	68141-000	PIN CHAIN	1	1	1	1
24	29925-002	CABLE CONNECTOR	2	2	2	2
25	11256-014	SCREW 1/2-13 UNC X 1 3/4	4	4	4	4
26	11240-008	WASHER 1/2 STD FLAT	4	4	4	4
27	11248-008	NUT HEX ESNA 1/2-13 UNC	4	4	4	4
28	63926-007	PLUG	2	2	2	2
*	68194-000	LOADER ASSY	1			
	68180-000	LOADER ASSY		1	1	

\*Not Shown

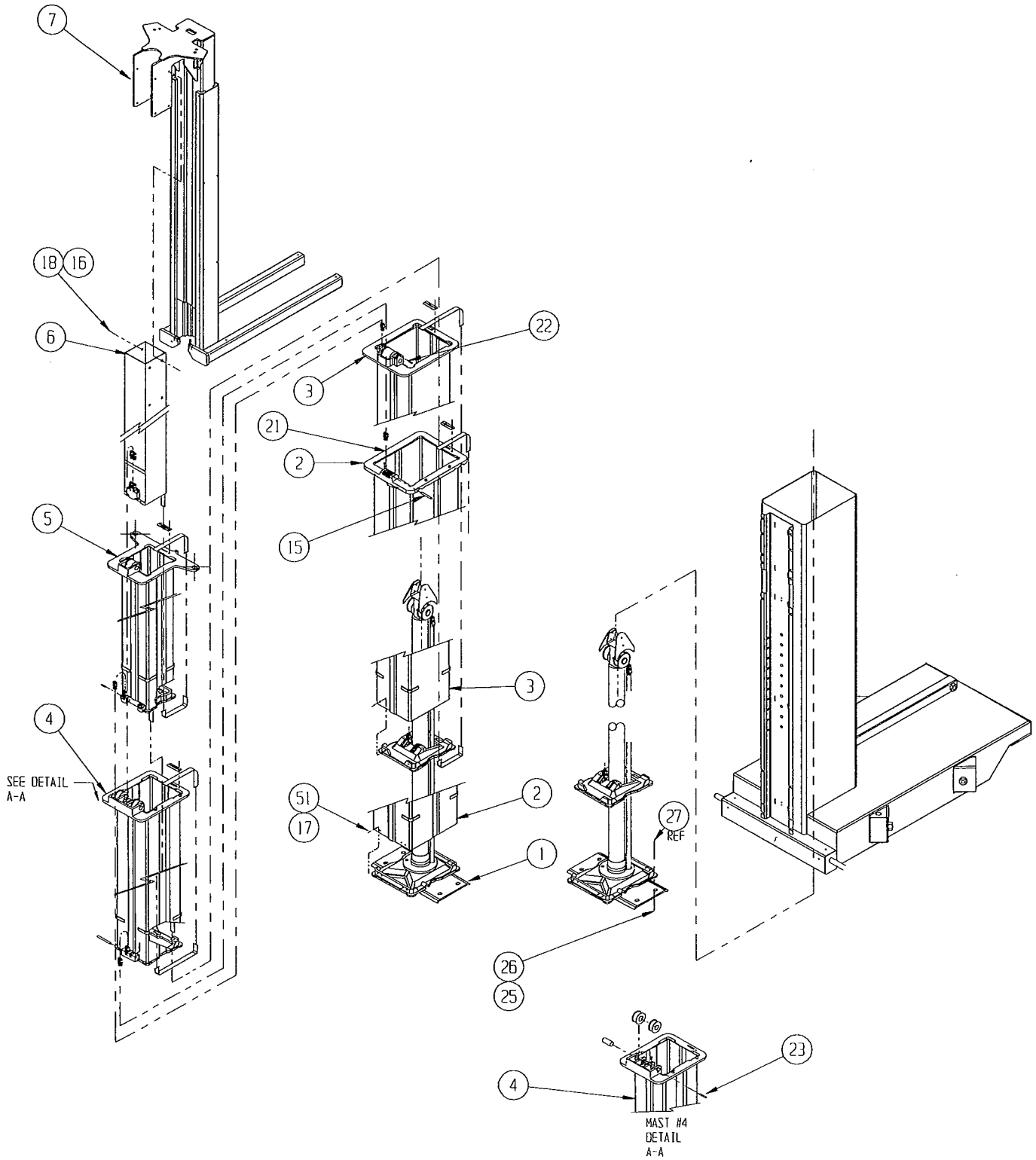
ITEM	PART	DESCRIPTION	QTY. 25	QTY. 32	QTY. 40	QTY. 48
*	68200-003	TILTBACK ASSY (OPTIONAL)	1			
	68200-000	TILTBACK ASSY		1		
	68200-001	TILTBACK ASSY			1	
	68200-002	TILTBACK ASSY				1
31	62945-001	RETRACTILE COARD	2			
	62945-003	RETRACTILE COARD		2		
	62945-004	RETRACTILE COARD			2	
	62945-005	RETRACTILE COARD				2
	62226-002	CABLE STORAGE TUBE	2			
32	62226-003	CABLE STORAGE TUBE		2		
	62226-004	CABLE STORAGE TUBE			2	
	62226-005	CABLE STORAGE TUBE				2
	68157-000	OUTRIGGER ASSY	4			
33	68157-001	OUTRIGGER ASSY		4		
	68157-002	OUTRIGGER ASSY			4	
	68157-003	OUTRIGGER ASSY				4
34	68020-000	CHASSIS WELDMENT	1			
	68021-000	CHASSIS WELDMENT		1		
	68022-000	CHASSIS WELDMENT			1	
	68023-000	CHASSIS WELDMENT				1
	*	30652-000	HANDLE BAR REPAIR KIT	-	-	-
35	68215-000	MOTOR COVER	1	1	1	1
36	68195-000	TEE HANDLE	1	1	1	1
37	68221-000	CASTER	2	2	2	2
38	68198-000	REAR AXLE	1	1	1	1
39	68222-000	WHEEL 10 X 2 1/2	2	2	2	2
40	68158-000	#1 SECTION SLIDE	2	2	2	2
41	03570-000	RETAINING PIN	5	5	5	5
42	62881-000	SWITCH	4	4	4	4
43	11240-012	WASHER FLAT 3/4	2	2	2	2
44	11764-012	RETAINING RING	2	2	2	2
45	15963-099	TIE STRAP	4'	4'	4'	4'
46	61796-099	GROMMET	1'	1'	1'	1'
47	12956-014	GROMMET	2	2	2	2
48	11252-010	SCREW HHC 1/4-20UNC X 1 1/4	4	4	4	4
49	11254-006	SCREW HHC 3/8-16 X 3/4	8	8	8	8
50	11825-004	SCREW MRH 1/4-20	3	3	3	3
51	11240-004	WASHER 1/4 STD FLAT	20	20	20	20
52	11240-006	WASHER 3/8 STD FLAT	16	16	16	16
53	11248-006	NUT HEX ESNA 3/816UNC	8	8	8	8
54	11248-004	NUT HHC 1/4-20UNC	6	6	6	6
55	15964-000	STRAP HEAD	4	4	4	4
56	68133-000	LIGHT INDICATOR	4	4	4	4
57	14066-004	SCREW HWH SLFTP 1/4 X 1/2	4	4	4	4
58	29601-013	CONN RING #10	8	8	8	8
59	29620-002	CONN BUTT 16-14	6	6	6	6
60	29454-099	WIRE 16AWG RED	6	6	6	6'
61	29451-099	WIRE 16AWG WHT	6	6	6	6'
62	29448-099	WIRE 16AWG 7 COND.	8	8	8	8'
63	29493-099	WIRE 16AWG 3 COND.	6	6	6	6'

# Illustrated Parts Breakdown



**BASIC ASSEMBLY, ULII**  
Drawing 1 of 3

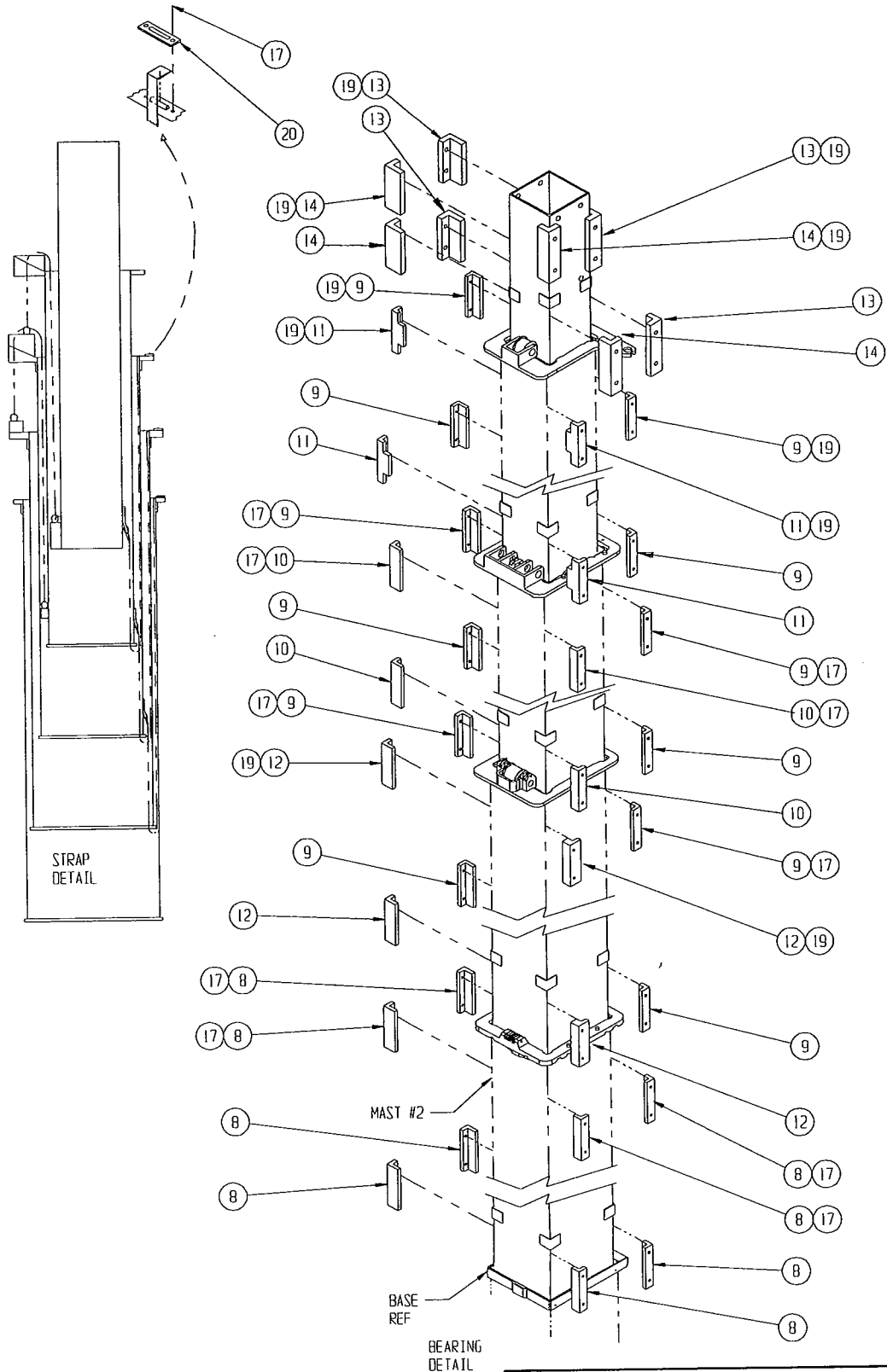
# Illustrated Parts Breakdown



**BASIC ASSEMBLY, ULII**  
Drawing 2 of 3



# Illustrated Parts Breakdown



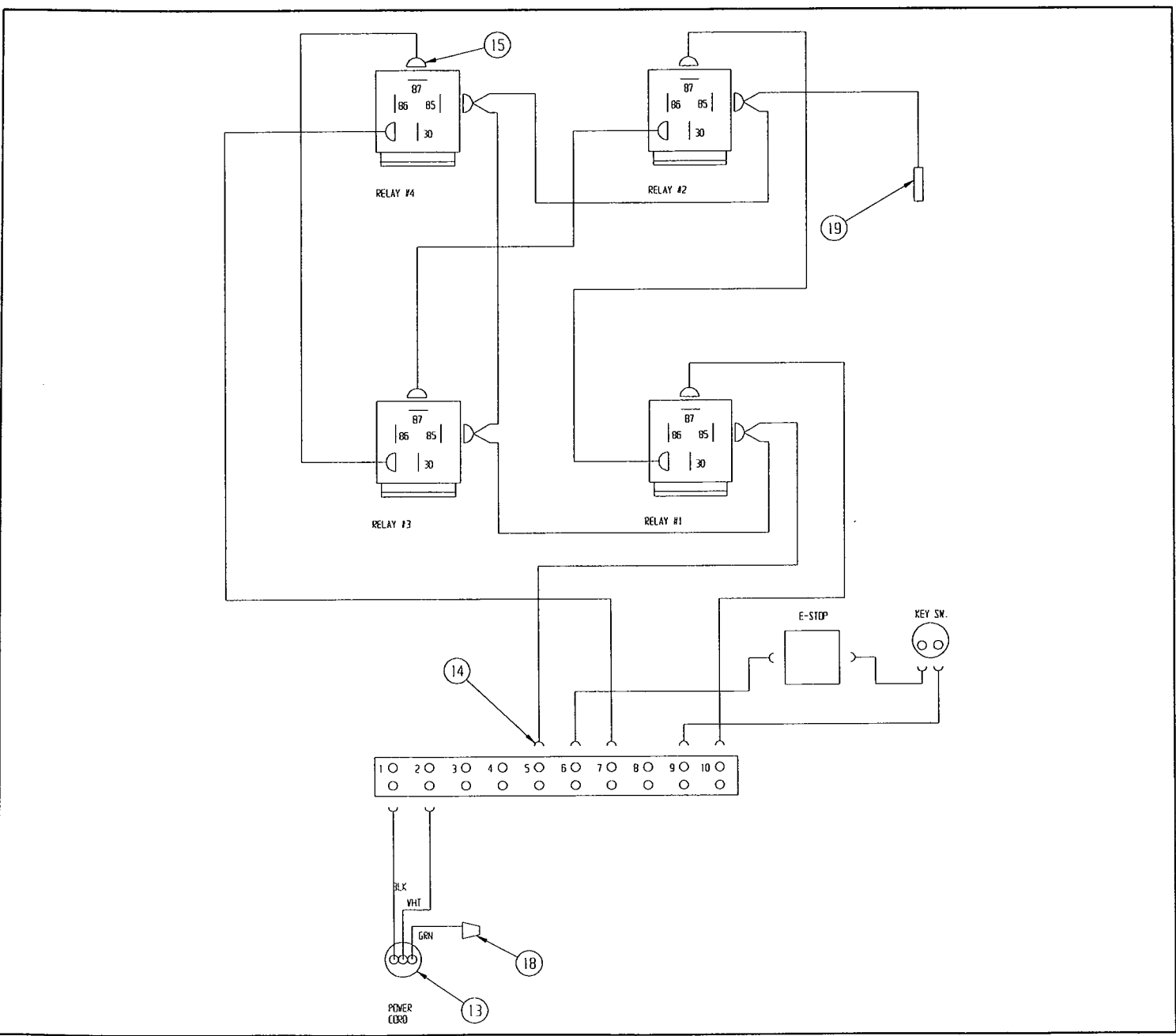
**BASIC ASSEMBLY, ULII**  
Drawing 3 of 3

Section **7.2** **Illustrated Parts Breakdown**

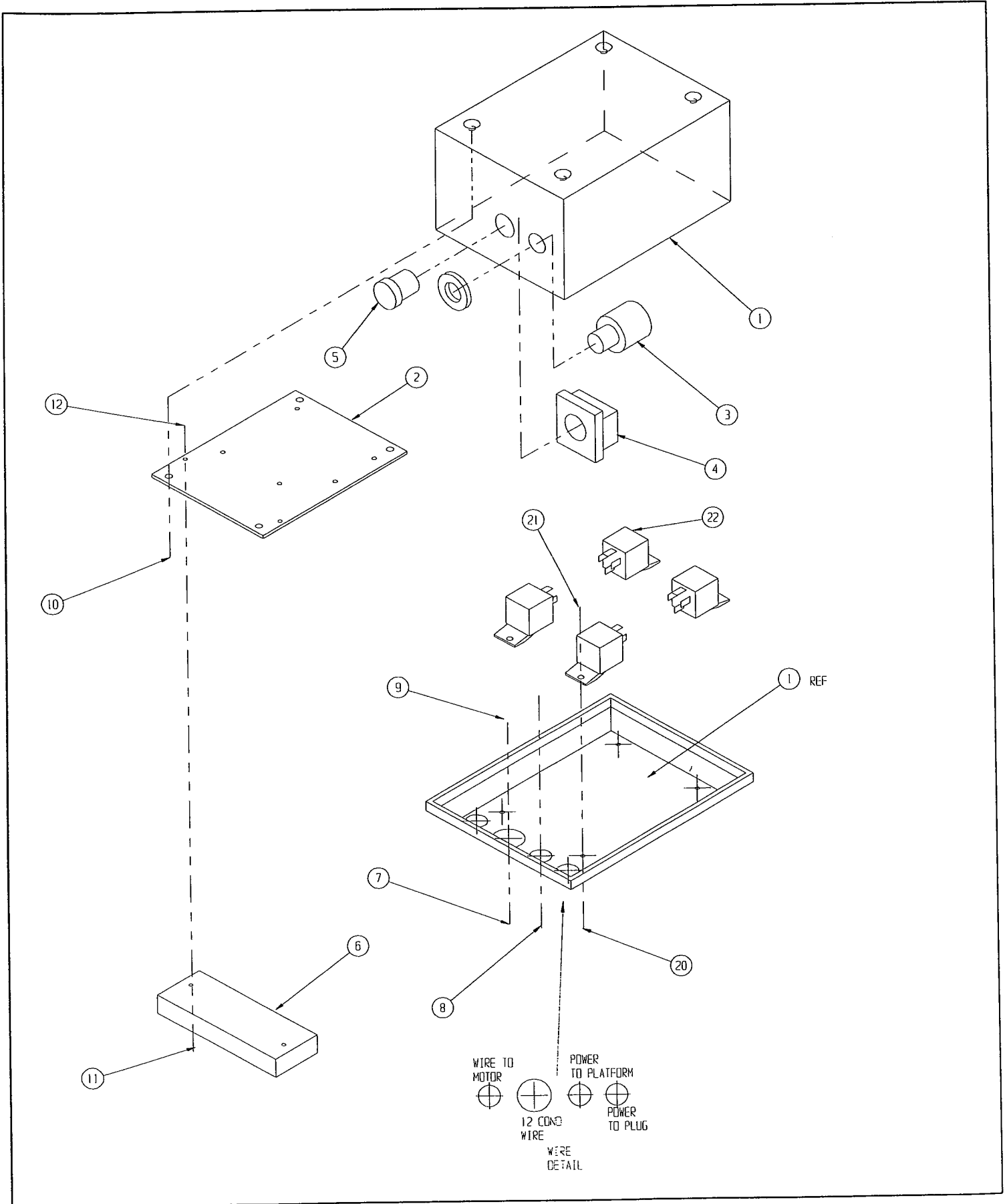
**CONTROL BOX ASSEMBLY, DC**  
**UL-25/32/40/48**  
**68007-001**

ITEM	PART	DESCRIPTION	QTY.
1	68228-000	CONTROL BOX	1
2	68224-000	CONTROL COVER	1
3	05440-000	KEY SWITCH	1
4	67028-000	CONTACT BLOCK	1
5	62799-008	SWITCH PUSH	1
6	29928-010	TERM BLOCK	1
7	29925-000	STRAIN RELIEF	1
8	11868-011	STRAIN RELIEF	3
9	29939-002	LOCKNUT 1/2NPT	1
10	11703-006	SCREW HEX STSOC 1/4-20UNC X 3/8	4
11	11715-006	SCREW MRHD 6-32UNC X 3/4	2

ITEM	PART	DESCRIPTION	QTY.
12	11248-047	NUT HEX ESNA 6-32UNC	2
13	62179-000	POWER COARD X 51"	1
14	29610-002	CONN TERM 16-14 X #8	9
15	29931-003	CONN TERM F PUSH 16-14	12
16	29452-099	WIRE 16AWG BLK	2'
17	29451-099	WIRE 16AWG WHT	2'
18	13540-001	WIRE NUT 12-18	1
19	29620-002	CONN BUTT 16-14	1
20	11708-004	SCREW MACH RD HD 8-32 X 1/2	4
21	11248-002	NUT HEX ESNA 8-32	4
22	68132-000	RELAY	4



# Illustrated Parts Breakdown

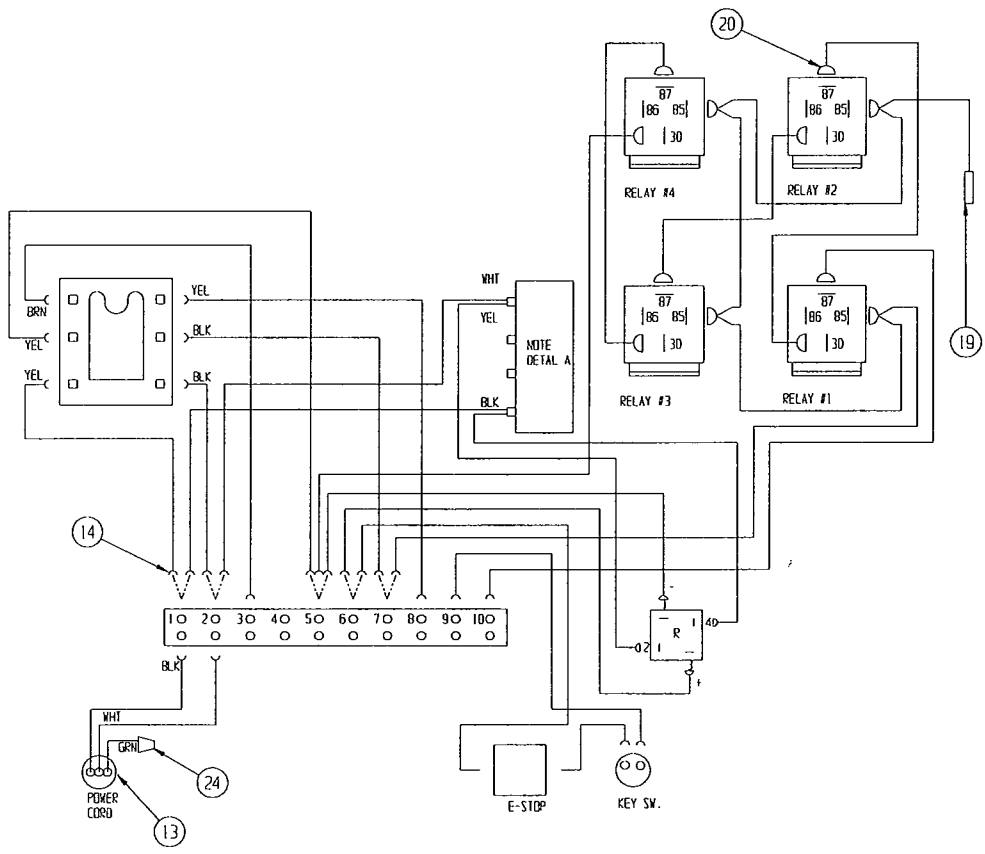


# Illustrated Parts Breakdown

## CONTROL BOX ASSEMBLY, AC UL-25/32/40/48 68007-000

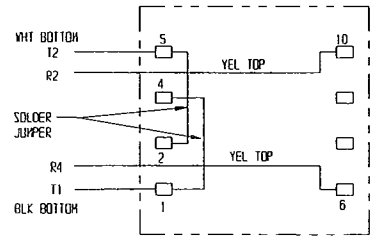
ITEM	PART	DESCRIPTION	QTY.
1	68228-000	CONTROL BOX	1
2	68224-000	CONTROL COVER	1
3	05440-000	KEY SWITCH	1
4	67028-000	CONTACT BLOCK	1
5	62799-008	SWITCH PUSH	1
6	29928-010	TERM BLOCK	1
7	29925-000	STRAIN RELIEF	1
8	11868-011	STRAIN RELIEF	3
9	29939-002	LOCKNUT 1/2NPT	1
10	11703-006	SCREW HEX STSOC 1/4-20UNC X 3/8	4
11	11715-006	SCREW MRHD 6-32UNC X 3/4	7
12	11248-047	NUT HEX ESNA 6-32UNC	7
13	62179-000	POWER CORD X 51"	1

ITEM	PART	DESCRIPTION	QTY.
14	29610-002	CONN TERM 16-14 X #8	24
15	29456-099	WIRE 16AWG YEL	4'
16	29452-099	WIRE 16AWG BLK	1'
17	29451-099	WIRE 16AWG WHT	1'
18	29455-099	WIRE 16AWG BRN	1'
19	29620-002	CONN BUTT 16-14	1
20	29931-003	CONN F PUSH 16-14 X .25	16
21	29977-001	TRANSFORMER	1
22	62525-002	CONTACTOR	1
23	68134-000	RECTIFIER, BRIDGE	1
24	13540-001	WIRE NUT 12-18	1
25	11708-004	SCREW MACH RD HD 8-32 X 1/2	4
26	11248-002	NUT HEX ESNA 8-32	4
27	68132-000	SWITCH AUTO	4

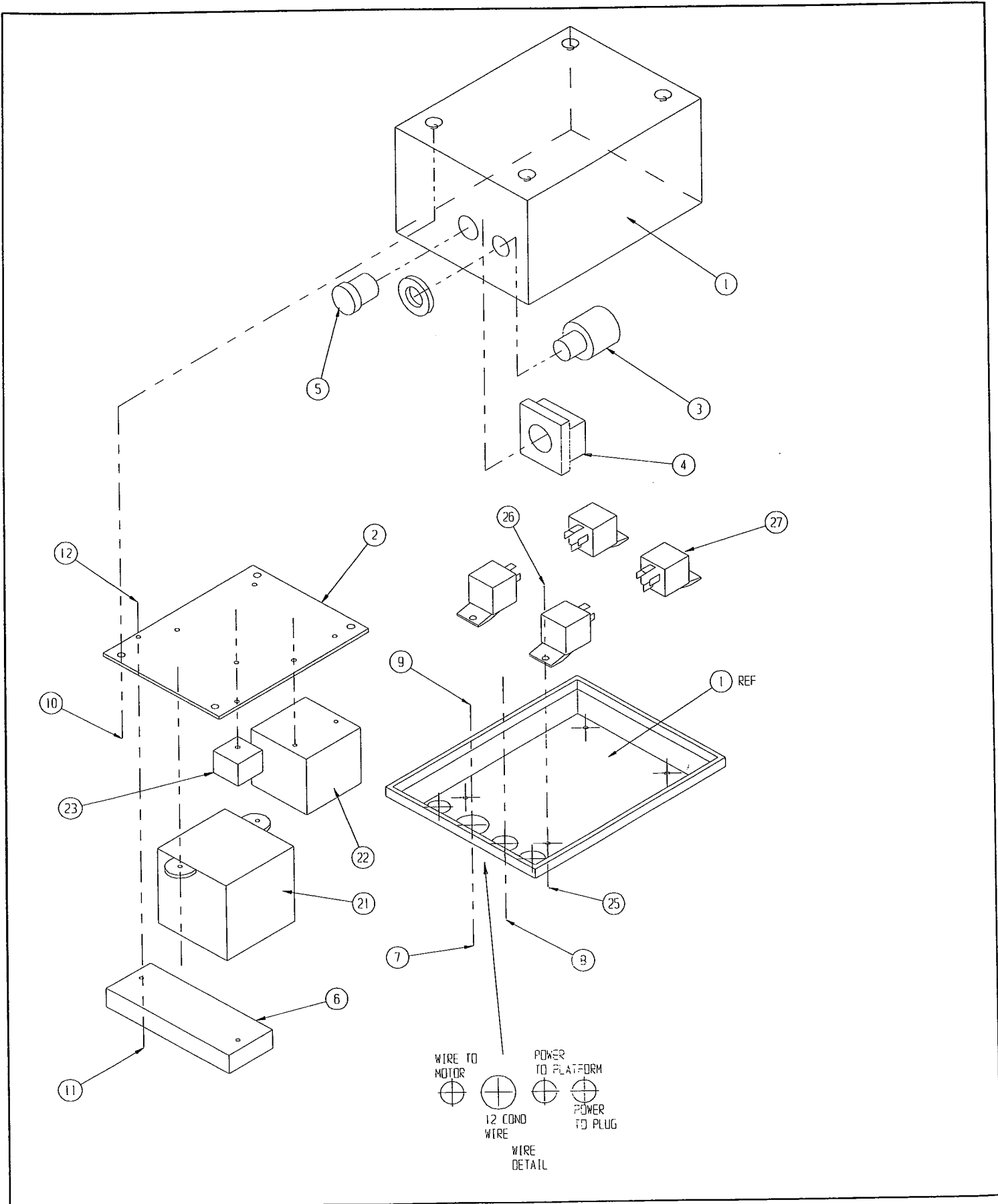


DETAIL A

110 VOLT FOR 60HZ  
U.S. & JAPAN



# Illustrated Parts Breakdown

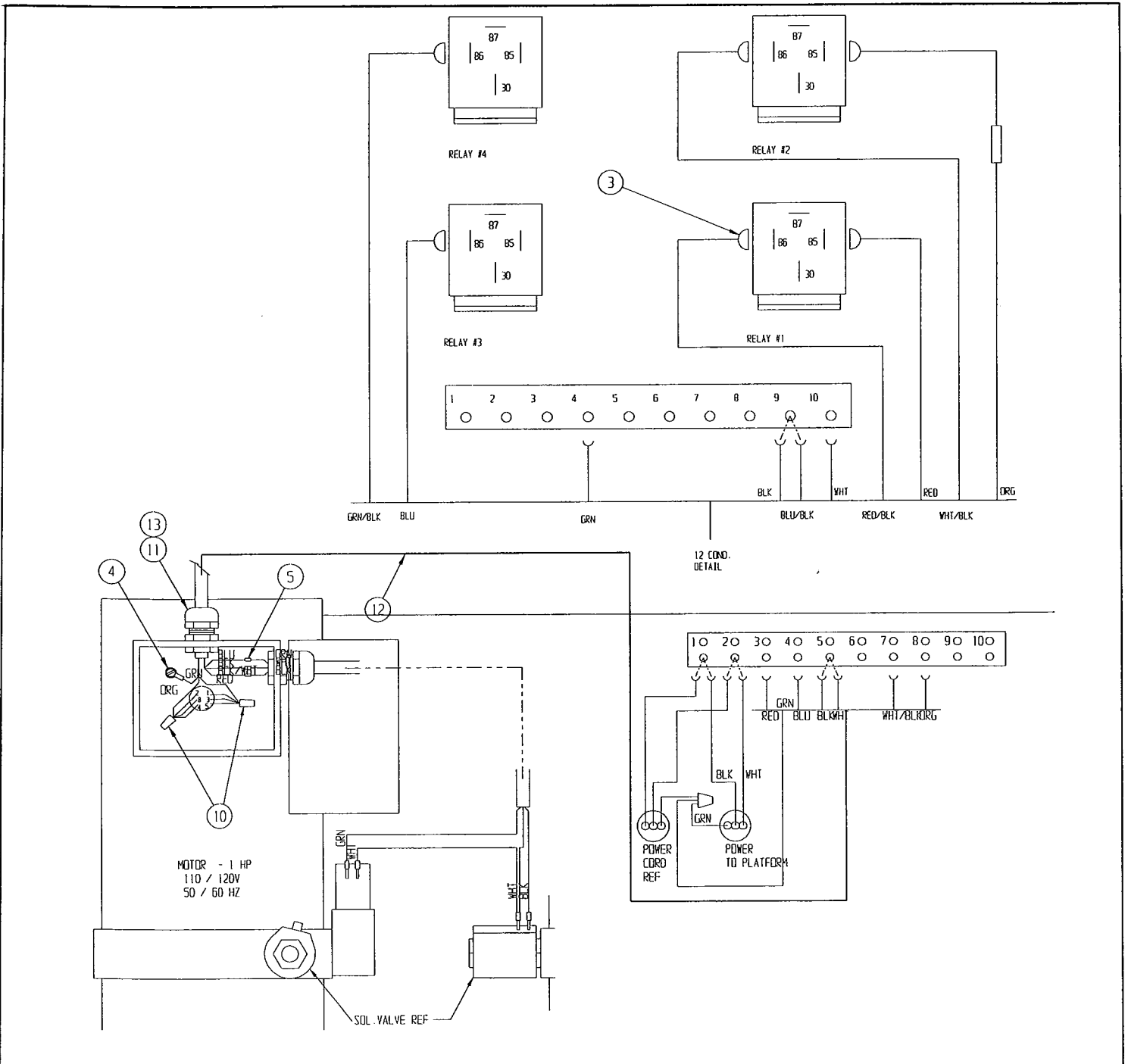


# Illustrated Parts Breakdown

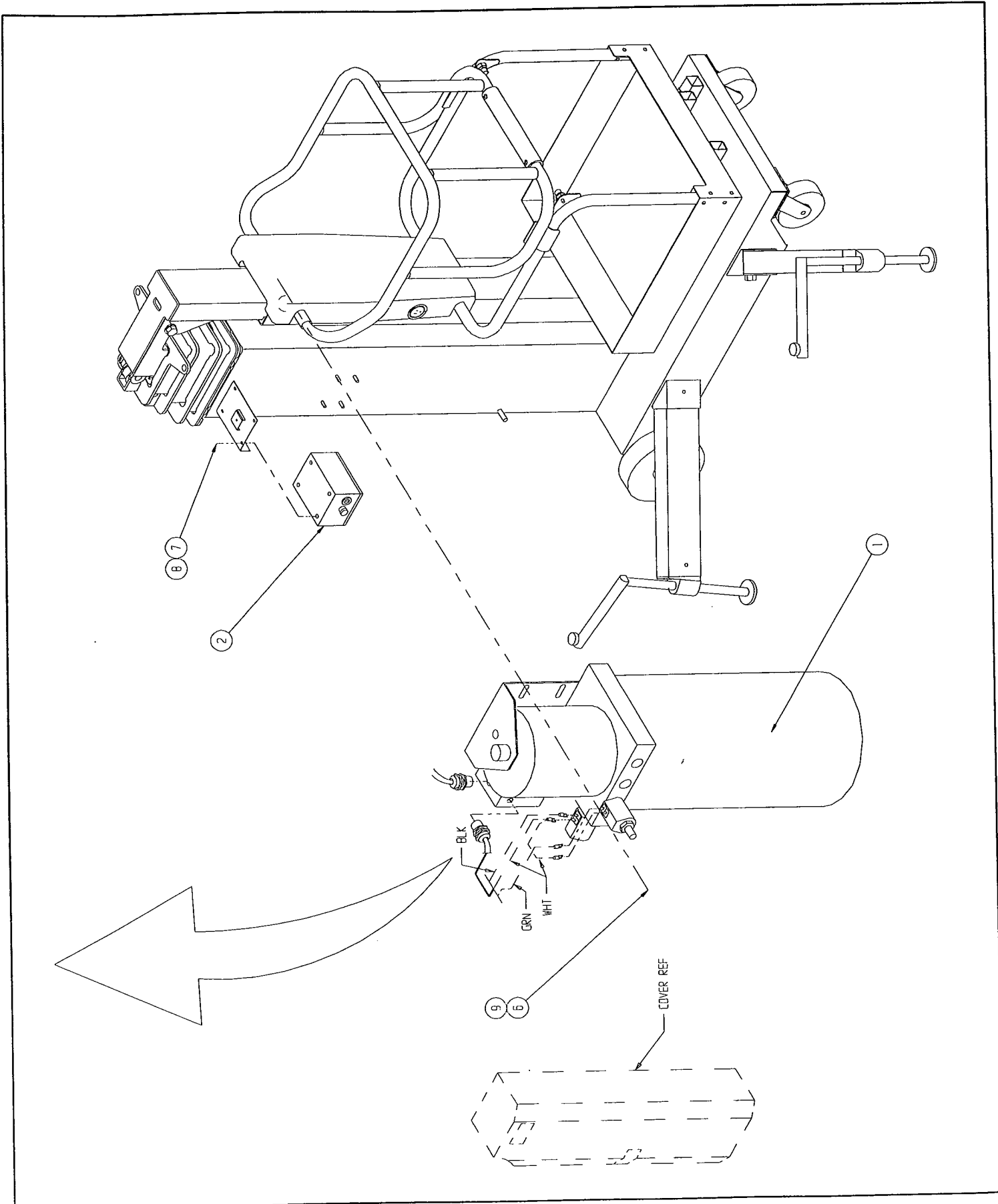
## POWER OPTION ASSEMBLY, AC UL-48 68008-003

ITEM	PART	DESCRIPTION	QTY.
1	68117-000	POWER UNIT	1
2	68007-000	CONTROL BOX	1
3	29931-003	CONN F PUSH TERM 16-14	10
4	29601-013	CONN RING TERM #10 16-14	1
5	29620-002	CONN. BUTT 14-16	3
6	11240-005	WASHER 5/16 FLAT	4
7	11240-004	WASHER 1/4 FLAT	4

ITEM	PART	DESCRIPTION	QTY.
8	11252-004	SCREW HHC 1/4-20 X 1/2	4
9	11248-005	NUT 5/16-18 ESNA	4
10	13540-001	WIRE NUT 12-10	2
11	29925-000	STRAIN RELIEF	2
12	29448-099	CABLE 7 COND	2'
13	29929-004	LOCKNUT 1/2 NPT	2



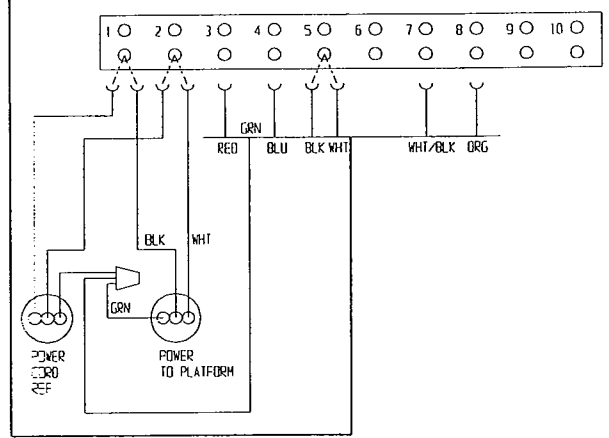
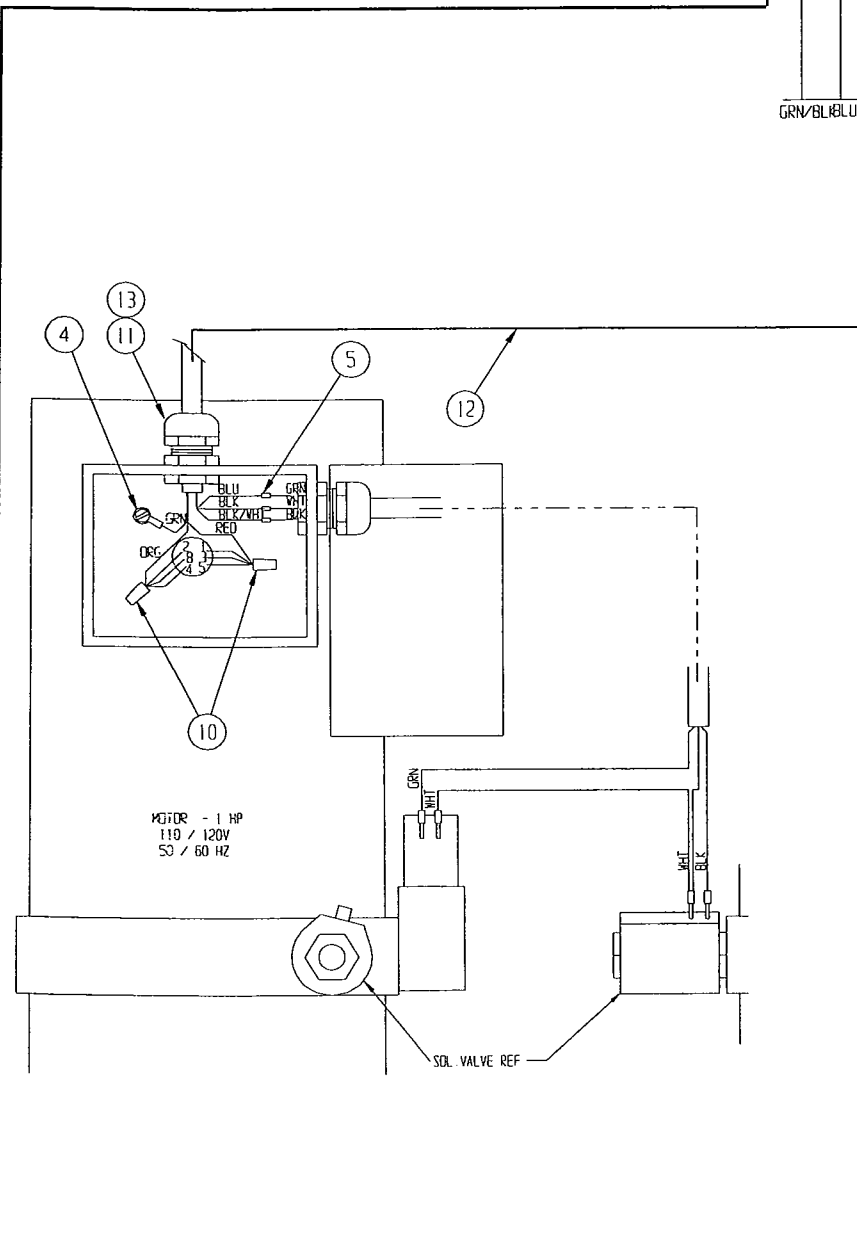
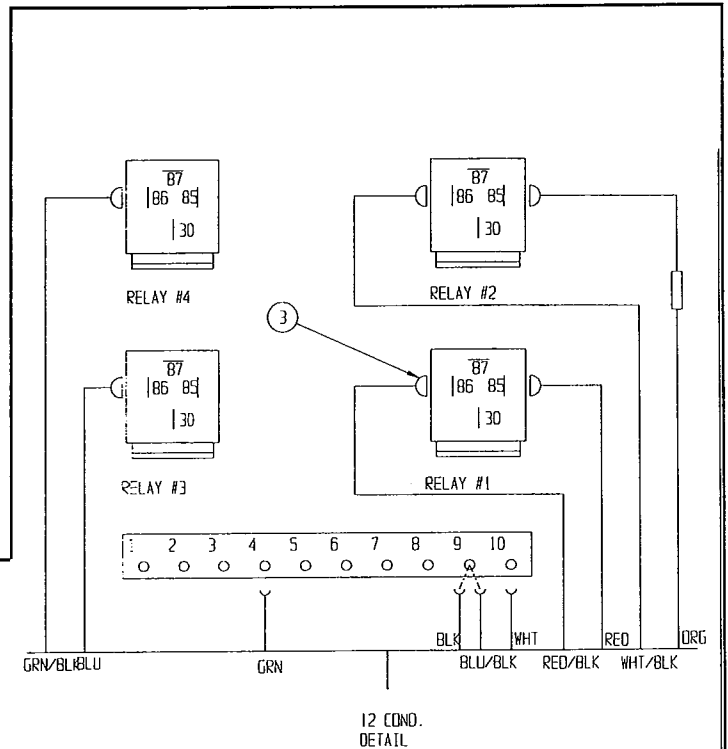
# Illustrated Parts Breakdown



# Illustrated Parts Breakdown

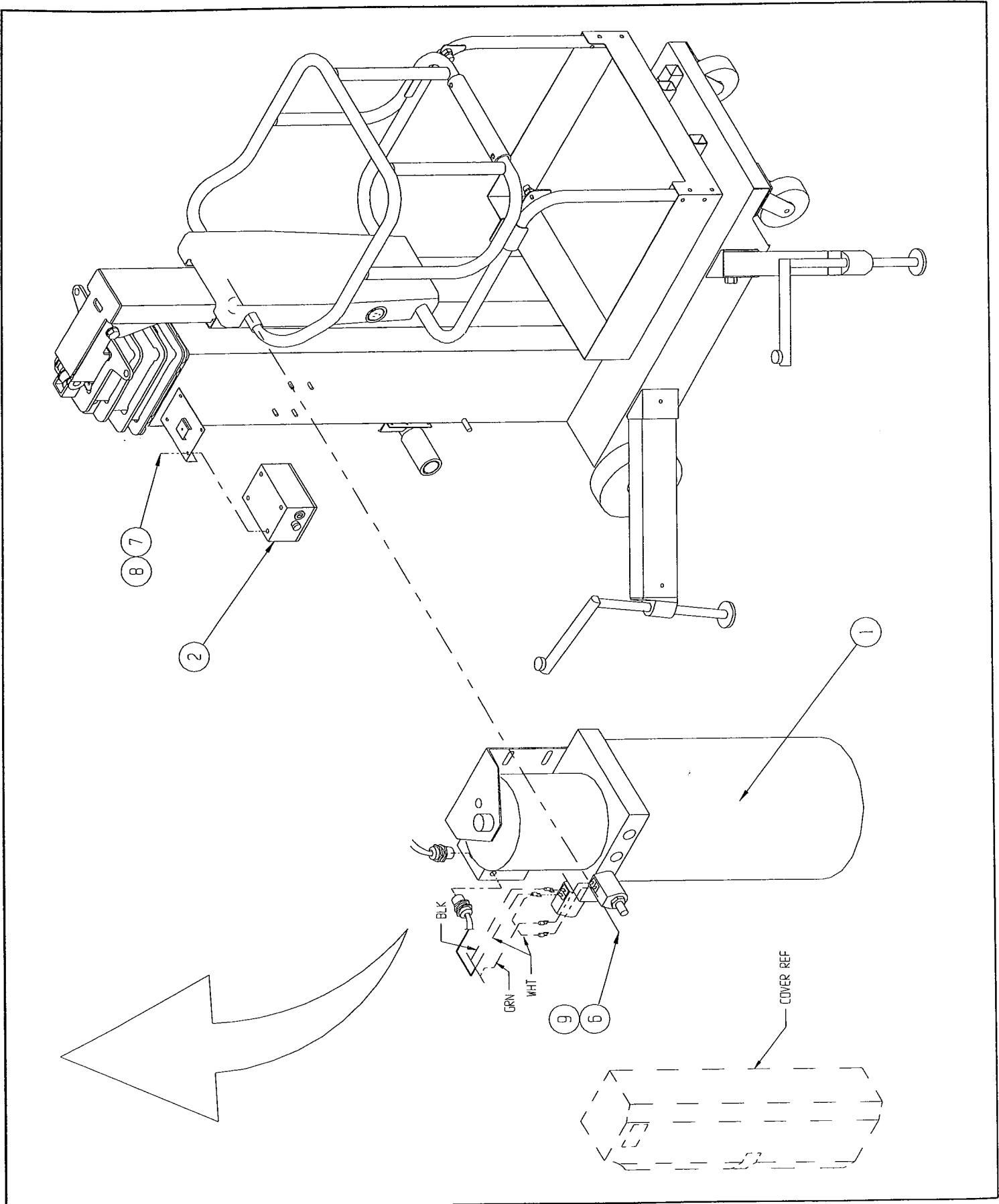
## POWER OPTION ASSEMBLY, AC UL-25/32/40 68008-000

ITEM	PART	DESCRIPTION	QTY.
1	68115-000	POWER UNIT	1
2	68007-000	CONTROL BOX	1
3	29931-003	CONN F PUSH TERM 16-14	10
4	29601-013	CONN RING TERM #10 16-14	1
5	29620-002	CONN. BUTT 14-16	3
6	11240-005	WASHER 5/16 FLAT	4
7	11240-004	WASHER 1/4 FLAT	4
8	11252-004	SCREW HHC 1/4-20 X 1/2	4
9	11248-005	NUT 5/16-18 ESNA	4
10	13540-001	WIRE NUT 12-10	2
11	29925-000	STRAIN RELIEF	2
12	29448-099	CABLE 7 COND	3'
13	29929-004	LOCKNUT 1/2 NPT	2





# Illustrated Parts Breakdown



# Illustrated Parts Breakdown

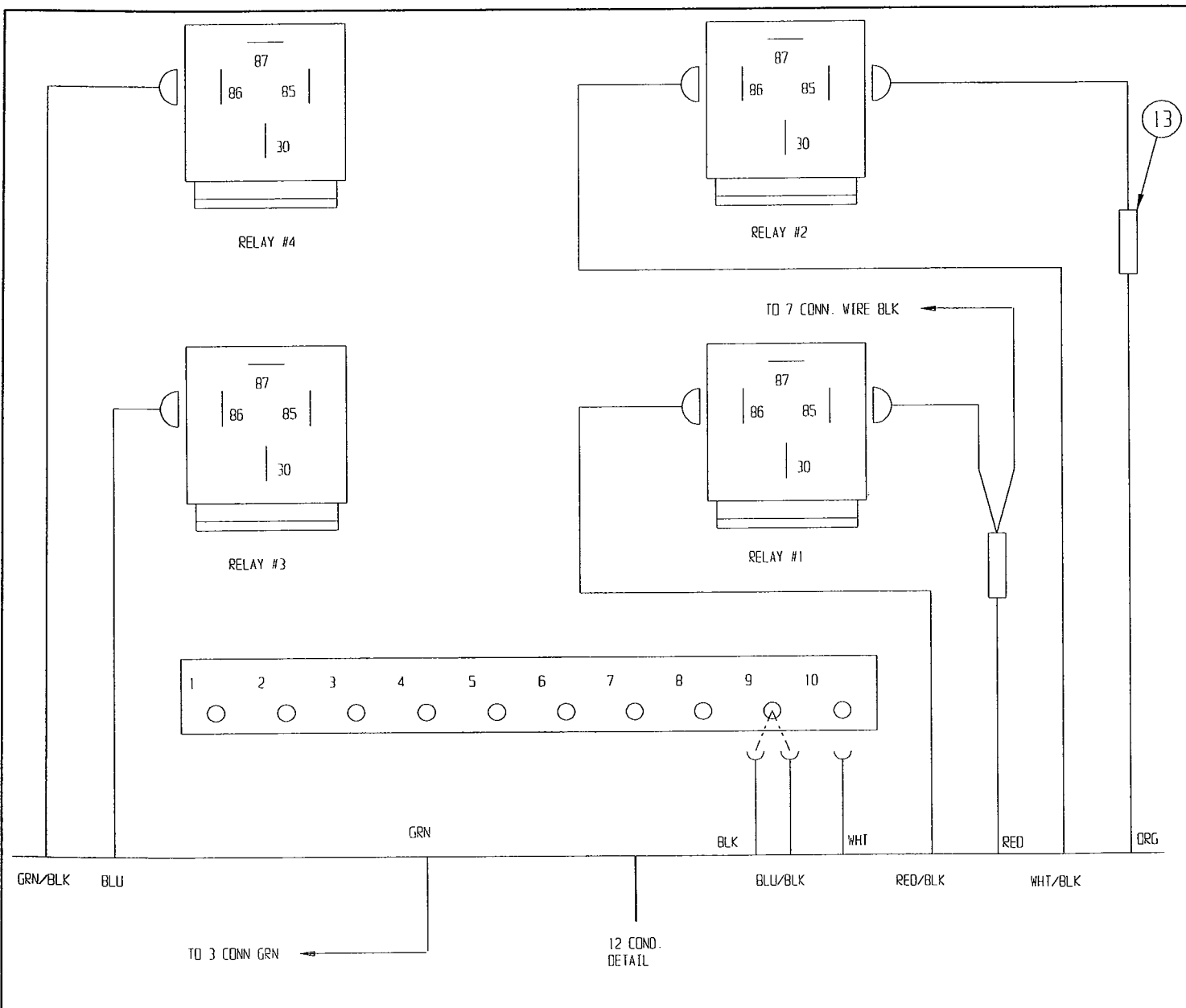
## POWER OPTION ASSEMBLY, DC

UL-48

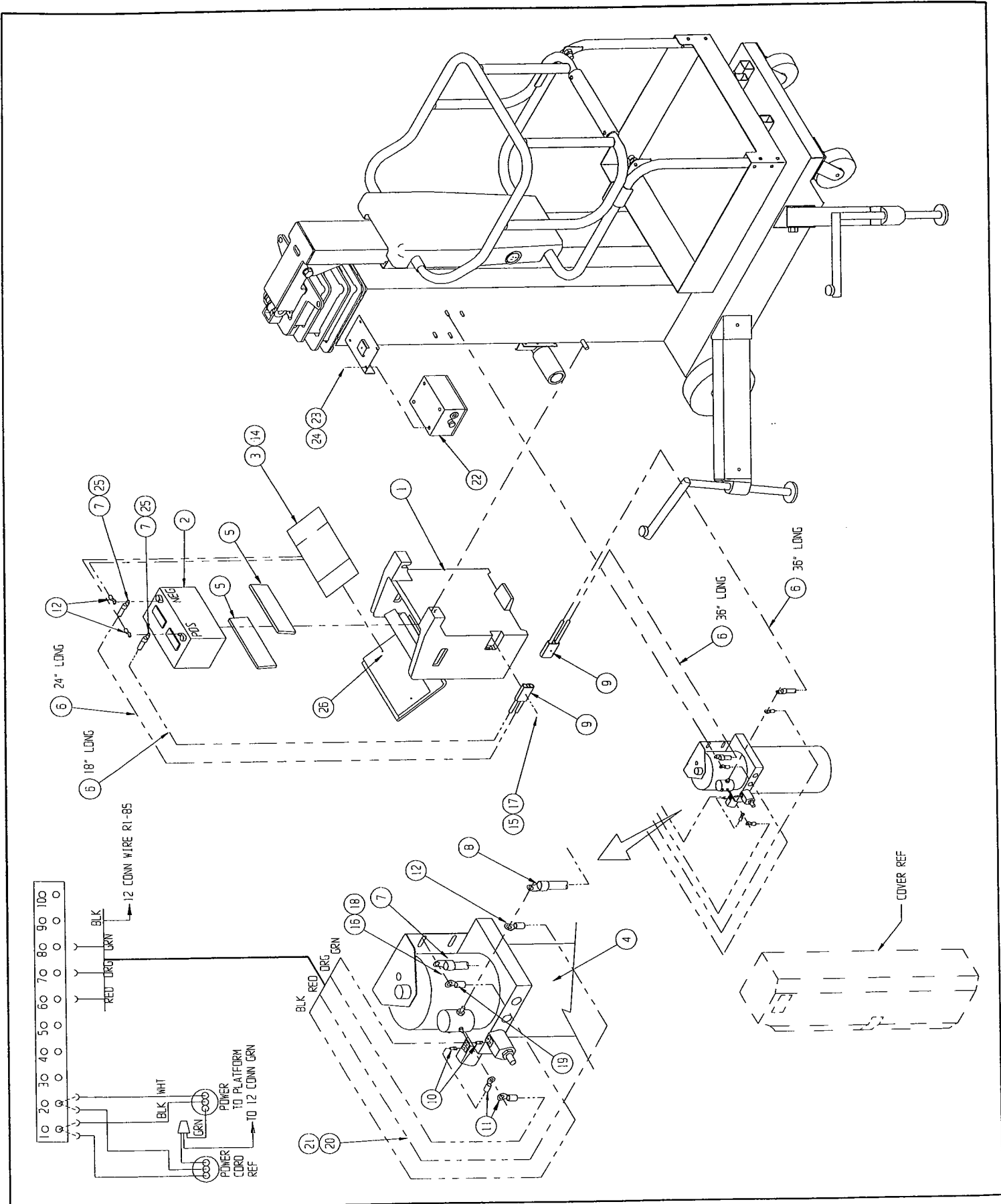
68009-003

ITEM	PART	DESCRIPTION	QTY.
1	68214-000	BATTERY BOX	1
2	62299-001	BATTERY	1
3	62143-000	CHARGER	1
4	68116-000	POWER UNIT	1
5	24611-007	PLYWOOD 1/2 EXT AC 3 1/2 X 12	2
6	29431-099	CABLE, #2 AWG WELDING	10'
7	29602-025	RING TERM #2 - 5/16 DIA	3
8	29602-026	RING TERM #2 - 3/8 DIA	1
9	29902-000	CONN 175 AMP	2
10	29931-003	CONN F PUSH TERM 16-14	8
11	29601-013	CONN RING TERM #10 16-14	2
12	29601-015	CONN RING TERM 3/8 DIA 16-14	3
13	29620-002	CONN BUTT 16-14	1

ITEM	PART	DESCRIPTION	QTY.
14	11252-008	SCREW HHC 1/4-20 X 1	2
15	11252-012	SCREW HHC 1/4-20 X 1 1/2	2
16	11240-005	WASHER 5/16 FLAT	4
17	11248-004	NUT 1/4-20 ESNA	2
18	11248-005	NUT 5/16-18 ESNA	4
19	29601-040	CONN RING 5/16 16-14	1
20	29610-002	CONN TERM #8 16-14	8
21	29448-099	CABLE 4 COND	2'
22	68007-000	CONTROL BOX	1
23	11240-004	WASHER 1/4 FLAT	4
24	11252-004	SCREW HHC 1/4-20 X 1/2	4
25	10154-000	COVER, BATTERY TERMINAL	2
26	14252-004	NUTSERT 1/4-20	2



# Illustrated Parts Breakdown

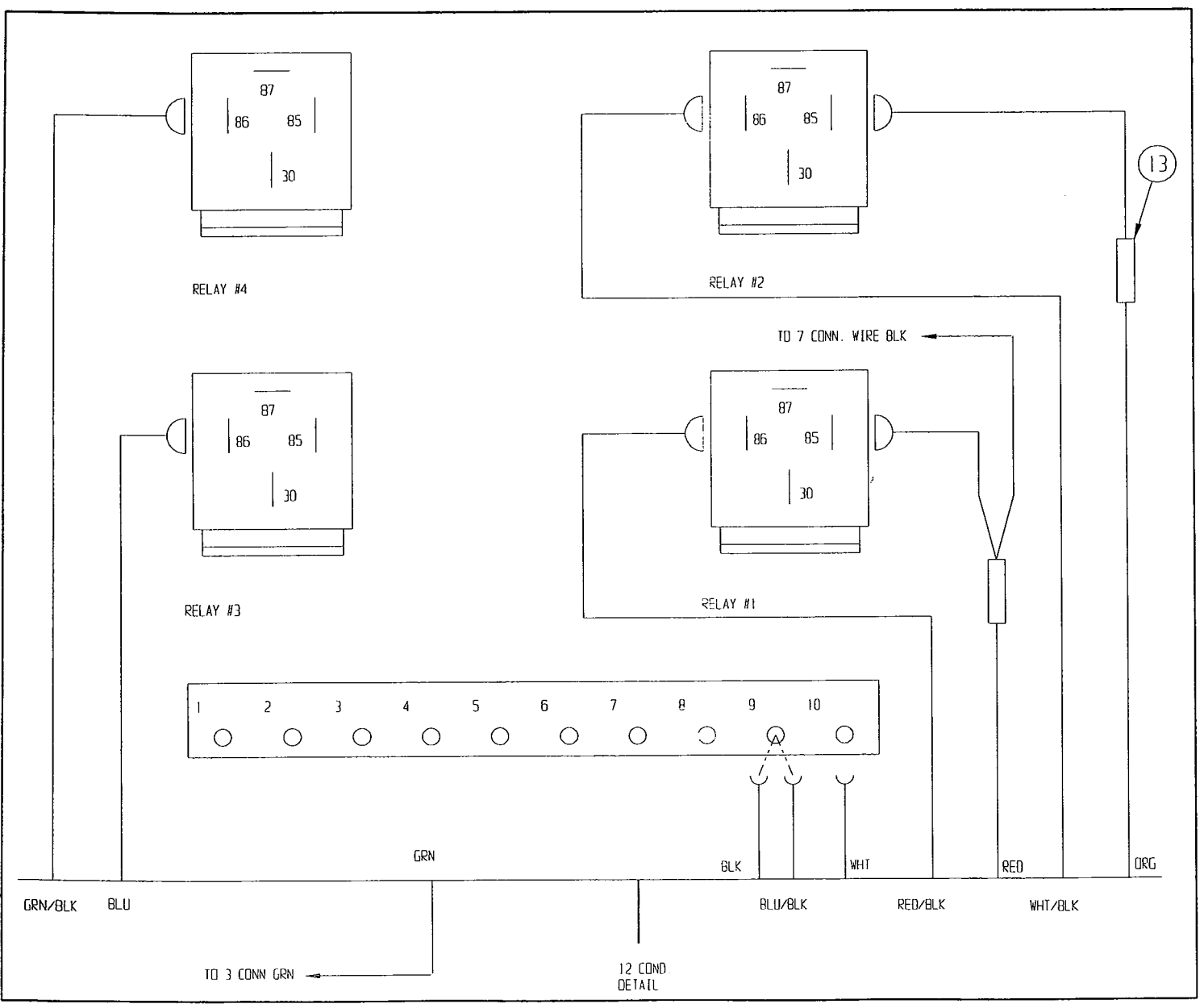


# Illustrated Parts Breakdown

**POWER OPTION ASSEMBLY, DC**  
**UL-25/32/40**  
**68009-000**

ITEM	PART	DESCRIPTION	QTY.
1	68214-000	BATTERY BOX	1
2	62299-001	BATTERY	1
3	62143-000	CHARGER	1
4	68116-000	POWER UNIT	1
5	24611-007	PLYWOOD 1/2 EXT AC 3 1/2 X 12	2
6	29431-099	CABLE, #2 AWG WELDING	10'
7	29602-025	RING TERM #2 - 5/16 DIA	3
8	29602-026	RING TERM #2 - 3/8 DIA	1
9	29902-000	CONN 175 AMP	2
10	29931-003	CONN F PUSH TERM 16-14	8
11	29601-013	CONN RING TERM #10 16-14	2
12	29601-015	CONN RING TERM 3/8 DIA 16-14	3
13	29620-002	CONN BUTT 16-14	1

ITEM	PART	DESCRIPTION	QTY.
14	11252-008	SCREW HHC 1/4-20 X 1	2
15	11252-012	SCREW HHC 1/4-20 X 1 1/2	2
16	11240-005	WASHER 5/16 FLAT	4
17	11248-004	NUT 1/4-20 ESNA	2
18	11248-005	NUT 5/16-18 ESNA	4
19	29601-040	CONN RING 5/16 16-14	1
20	29610-002	CONN TERN #8 16-14	8
21	29448-099	CABLE 4 COND	2'
22	68007-000	CONTROL BOX	1
23	11240-004	WASHER 1/4 FLAT	4
24	11252-004	SCREW HHC 1/4-20 X 1/2	4
25	10154-000	COVER, BATTERY TERMINAL	2
26	14252-004	NUTSERT 1/4-20	2





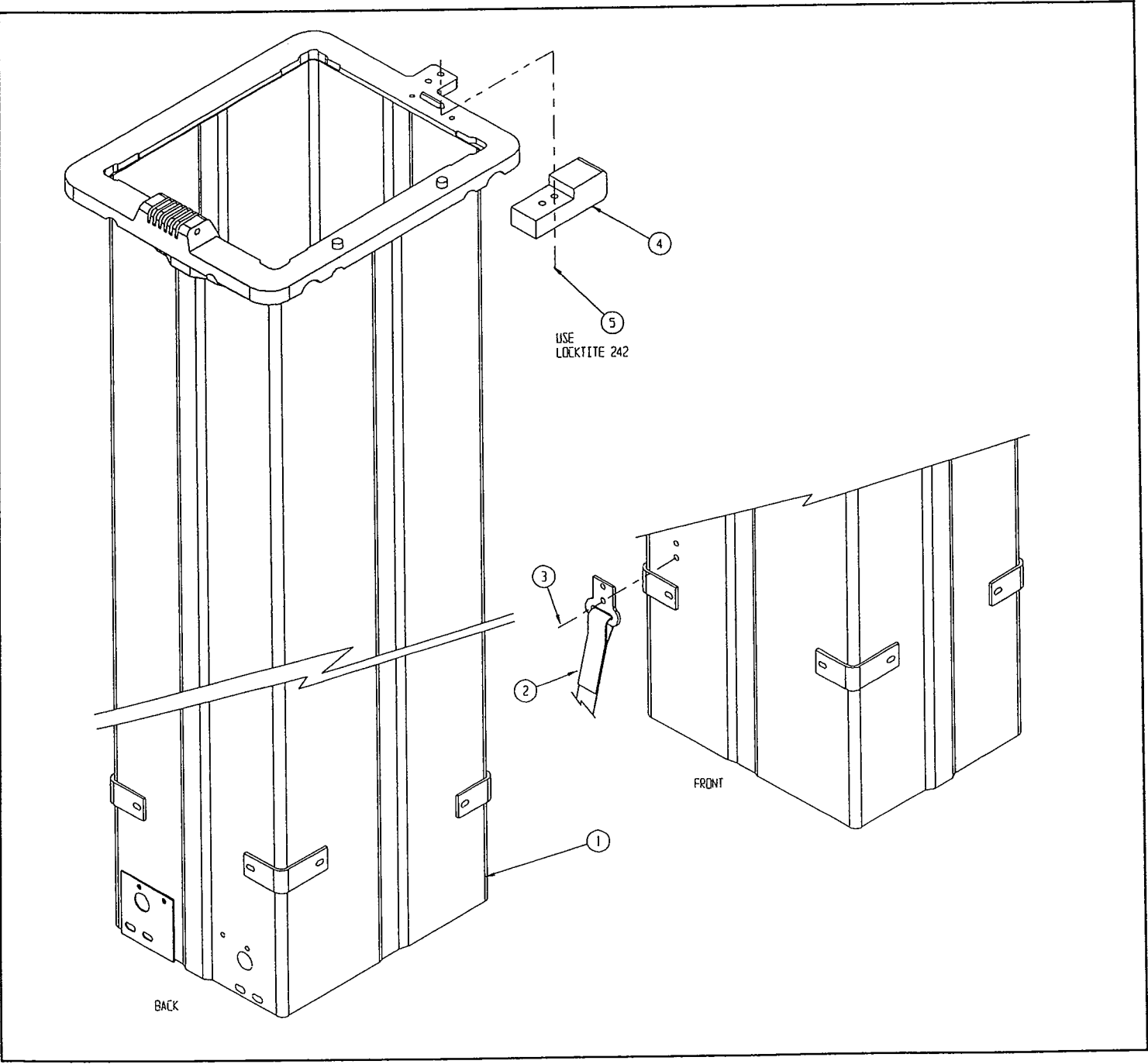
# Illustrated Parts Breakdown

## SECOND STAGE MAST ASSEMBLY

UL-25/32/40/48

68050-001, 002, 003, 004

ITEM	PART	DESCRIPTION	QTY.	QTY.	QTY.	QTY.
			25	38	40	48
1	68055-001	2 ND STAGE MAST ASSY	1			
	68055-002	2 ND STAGE MAST ASSY		1		
	68055-003	2 ND STAGE MAST ASSY			1	
	68055-004	2 ND STAGE MAST ASSY				1
2	62753-000	STRAP ASSY	1	1	1	1
3	26553-002	RIVET 3/16	2	2	2	2
4	68053-000	#2 SECTION SLIDE	1	1	1	1
5	11703-008	SET SCREW 1/4-20UNC X 1	2	2	2	2

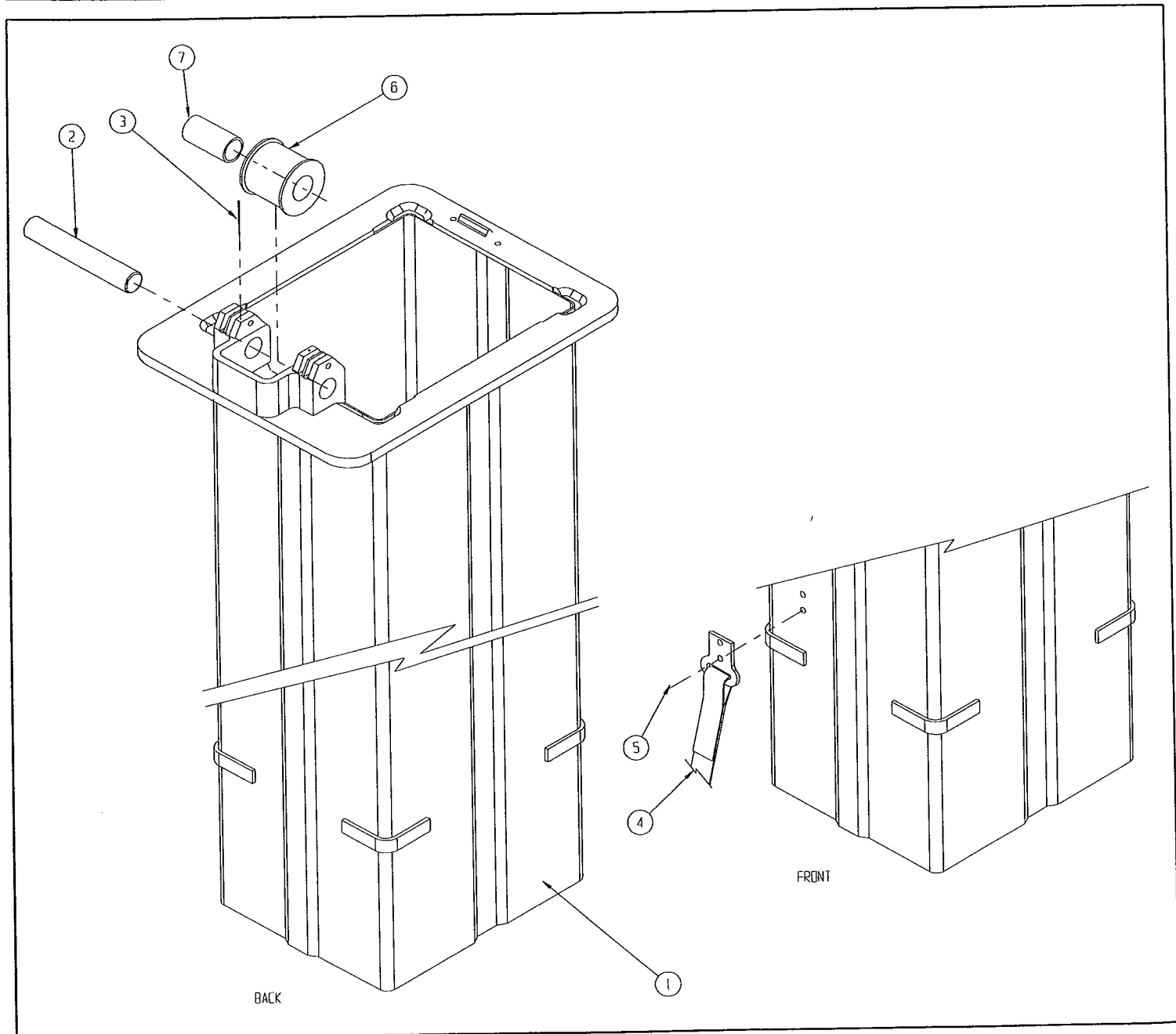


# Illustrated Parts Breakdown

## THIRD STAGE MAST ASSEMBLY

68056-001,002,003,004

ITEM	PART	DESCRIPTION	QTY.	QTY.	QTY.	QTY.
			25	38	40	48
1	68060-001	3 TH STAGE MAST ASSY	1			
	68060-002	3 TH STAGE MAST ASSY		1		
	68060-003	3 TH STAGE MAST ASSY			1	
	68060-004	3 TH STAGE MAST ASSY				1
2	68139-000	SHAFT	1	1	1	1
3	11735-012	ROLL PIN	1	1	1	1
4	62753-000	STRAP ASSY	1	1	1	1
5	26553-002	RIVET 3/16	2	2	2	2
6	68137-000	SHEAVE	1	1	1	1
7	62642-016	BEARING	1	1	1	1



# Illustrated Parts Breakdown

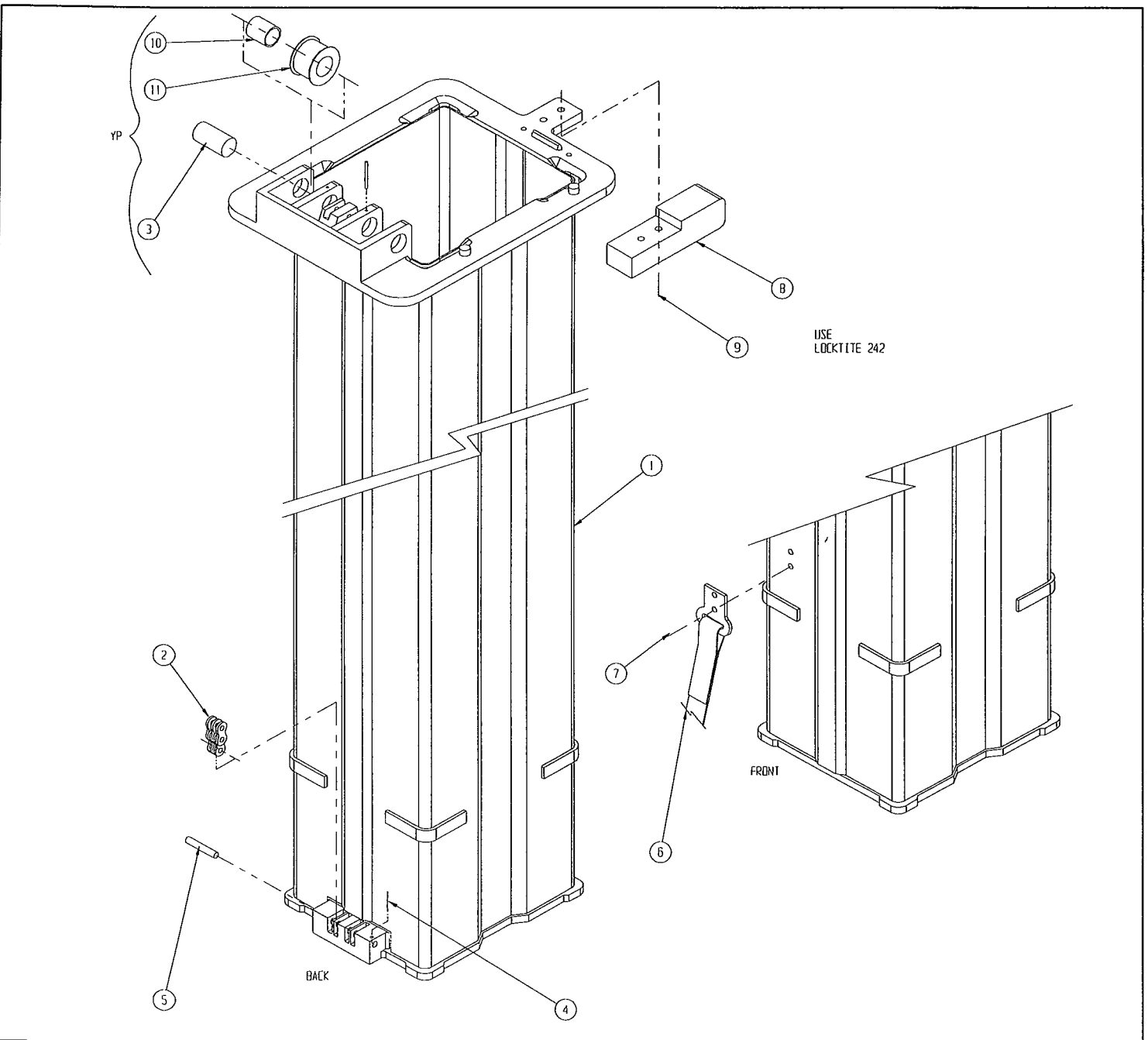
## FOURTH STAGE MAST ASSEMBLY

UL-25/32/40/48

68061-001, 002, 003, 004

ITEM	PART	DESCRIPTION	QTY.	QTY.	QTY.	QTY.
			25	38	40	48
1	68064-001	4 TH STAGE MAST ASSY	1			
	68064-002	4 TH STAGE MAST ASSY		1		
	68064-003	4 TH STAGE MAST ASSY			1	
	68064-004	4 TH STAGE MAST ASSY				1
2	62168-113	CHAIN	2			
	62168-139	CHAIN		2		
	62168-165	CHAIN			2	
	62168-193	CHAIN				2

ITEM	PART	DESCRIPTION	QTY.	QTY.	QTY.	QTY.
			25	38	40	48
3	68138-000	SHAFT	2	2	2	2
4	11753-020	COTTER PIN	2	2	2	2
5	68146-000	PIN	1	1	1	1
6	62753-000	STRAP ASSY	1	1	1	1
7	26553-002	RIVET 3/16	2	2	2	2
8	68065-000	#4 SECTION SLIDE	1	1	1	1
9	11703-008	SET SCREW	1	1	1	1
10	62642-016	BEARING	2	2	2	2
11	68136-000	SHEAVE	2	2	2	2





# Illustrated Parts Breakdown

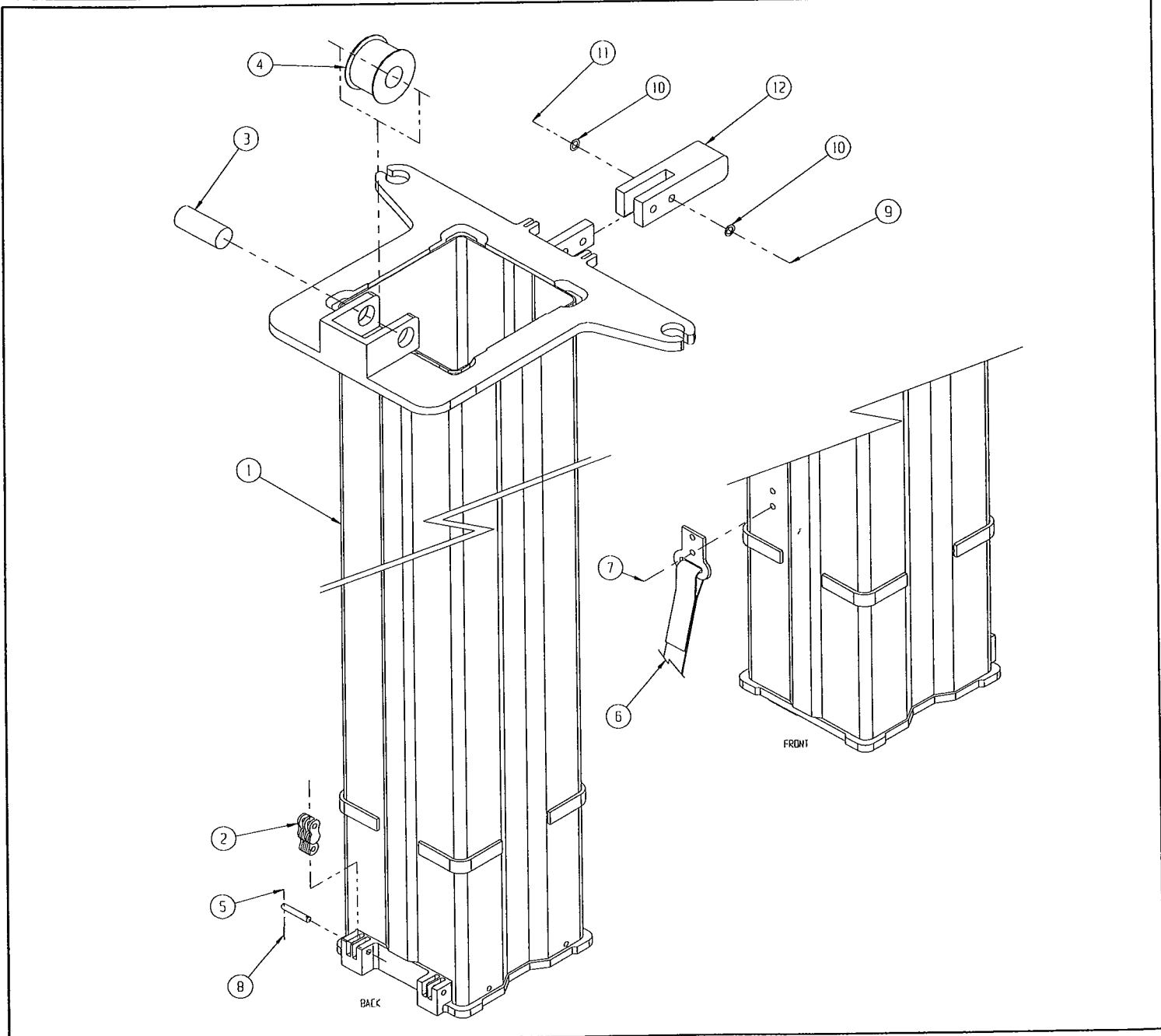
## FIFTH STAGE MAST ASSEMBLY

UL-25/32/40/48

68066-001,002,003,004

ITEM	PART	DESCRIPTION	QTY. 25	QTY. 38	QTY. 40	QTY. 48
1	68069-001	5 TH STAGE MAST ASSY	1			
	68069-002	5 TH STAGE MAST ASSY		1		
	68069-003	5 TH STAGE MAST ASSY			1	
	68069-004	5 TH STAGE MAST ASSY				1
2	62167-141	CHAIN	2			
	62167-181	CHAIN		2		
	62167-213	CHAIN			2	
	62167-249	CHAIN				2
3	68138-000	SHAFT	1	1	1	1

ITEM	PART	DESCRIPTION	QTY. 25	QTY. 38	QTY. 40	QTY. 48
4	68135-000	SHEAVE, 5 STAGE TOP	1	1	1	1
5	68140-000	PIN	2	2	2	2
6	62753-000	STRAP ASSY	1	1	1	1
7	26553-002	RIVET 3/16	2	2	2	2
8	11751-004	PIN, COTTER 1/16 X 1/2	4	4	4	4
9	11252-016	SCREW HHC 1/4-20 X 2	2	2	2	2
10	11240-004	WASHER 1/4 STD FLAT	4	4	4	4
11	11248-004	NUT 1/4-20 UNC ESNA	2	2	2	2
12	68097-000	5TH STAGE GUIDE	1	1	1	1



# Illustrated Parts Breakdown

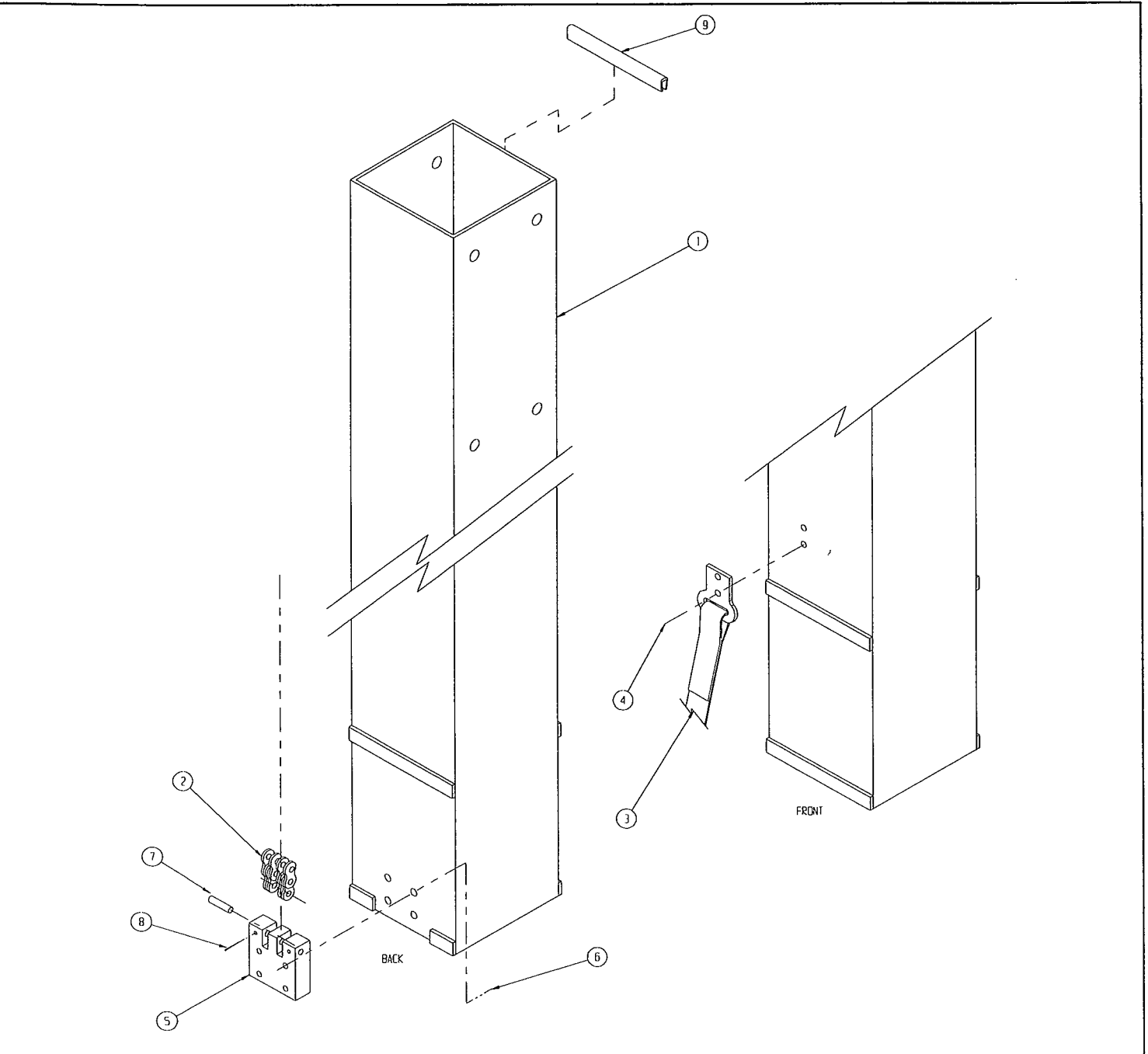
## SIXTH STAGE MAST ASSEMBLY

UL-25/32/40/48

68070-001, 002, 003, 004

ITEM	PART	DESCRIPTION	QTY.	QTY.	QTY.	QTY.
			25	38	40	48
1	68071-001	6 TH STAGE WELDMENT	1			
	68071-002	6 TH STAGE WELDMENT		1		
	68071-003	6 TH STAGE WELDMENT			1	
	68071-004	6 TH STAGE WELDMENT				1
2	62166-181	CHAIN	2			
	62166-213	CHAIN		2		
	62166-249	CHAIN			2	
	62166-141	CHAIN				2

ITEM	PART	DESCRIPTION	QTY.	QTY.	QTY.	QTY.
			25	38	40	48
3	62753-000	STRAP ASSY	1	1	1	1
4	26553-006	RIVET 3/16 .375-.500 GRIP	2	2	2	2
5	68073-000	CHAIN BLOCK	1	1	1	1
6	11821-005	SCREW BUTT HD 1/4-20UNC	4	4	4	4
7	68144-000	CLEVIS PIN 6B	2	2	2	2
8	11735-005	ROLL PIN 1/8 DIA X 5/8 LG	2	2	2	2
9	68219-099	UHMW WEAR STRIP X 1 1/2	0.25'	0.25'	0.25'	0.25'



# Illustrated Parts Breakdown

Section  
7.2

*NOTES*

# Illustrated Parts Breakdown

## LIFT CYLINDER ASSEMBLY

UL-25/32/40/48

68074-001, 002, 003, 004

ITEM	PART	DESCRIPTION	QTY.	QTY.	QTY.	QTY.
			25	32	40	48
1	68129-000	3 RD STAGE BOTTOM CASTING	1	1	1	1
2	68128-000	2 ND STAGE BOTTOM CASTING	1	1	1	1
3	68113-001	LIFT CYLINDER	1			
	68113-002	LIFT CYLINDER		1		
	68113-003	LIFT CYLINDER			1	
	68113-004	LIFT CYLINDER				1
4	68076-000	CYLINDER SHEAVE	2	2	2	2
5	62164-000	CHAIN	2			
	62164-123	CHAIN		2		
	62164-149	CHAIN			2	
	62164-175	CHAIN				2
6	68089-000	CYLINDER MOUNT	1	1	1	1
7	68080-001	TIE RODS	2			
	68080-002	TIE RODS		2		
	68080-003	TIE RODS			2	
	68080-004	TIE RODS				2
8	11248-010	LOCKNUT 5/8-11 UNC	2	2	2	2
9	68079-000	CYLINDER GUIDE BEARING	2	2	2	2
10	11737-010	ROLLPIN	1	1	1	1
11	68081-000	PIN CYLINDER	1	1	1	1
12	11764-023	RETAINING RING	1	1	1	1
13	62642-022	BEARING	2	2	2	2
14	62169-004	MASTER LINK	1	1	1	1
15	62655-001	CHAIN GUARD	2	2	2	2
16	11941-001	FITTING	1	1	1	1
17	11828-006	SCREW	2	2	2	2
18	11240-002	WASHER #8 FLAT	4	4	4	4
19	26553-008	RIVET 3/16	4	4	4	4
20	68075-001	HYD TUBE	1			
	68075-000	HYD TUBE		1	1	
	68075-002	HYD TUBE				1



# Illustrated Parts Breakdown

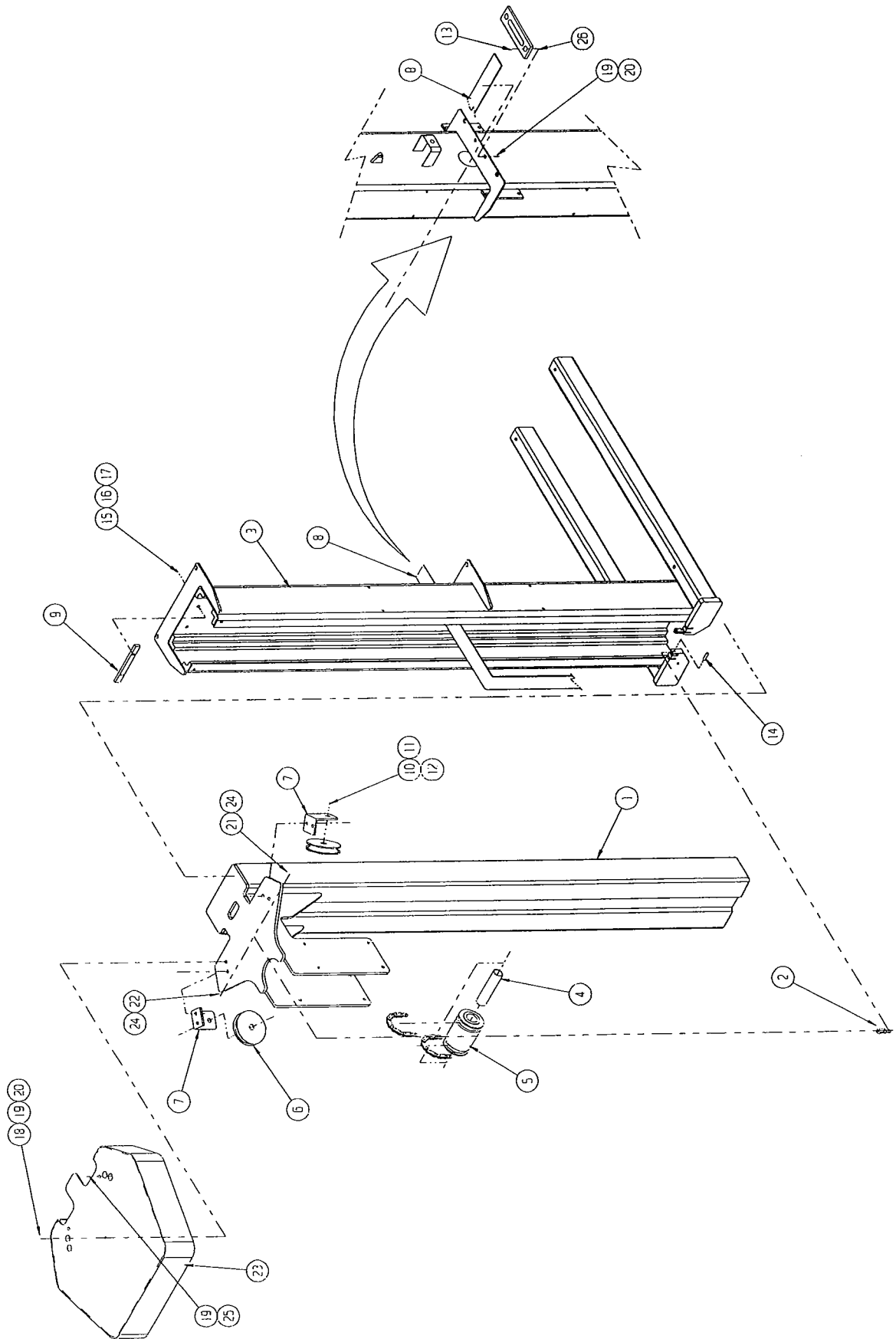
## CAGE SUPPORT ASSEMBLY

UL-25/32/40/48

68160-001, 002, 003, 004

ITEM	PART	DESCRIPTION	QTY. 25	QTY. 32	QTY. 40	QTY. 48
1	68163-001	CAGE SUPPORT WELDMENT	1			
	68163-002	CAGE SUPPORT WELDMENT		1		
	68163-003	CAGE SUPPORT WELDMENT			1	
	68163-004	CAGE SUPPORT WELDMENT				1
2	62165-133	CHAIN	1			
	62165-169	CHAIN		1		
	62165-201	CHAIN			1	
	62165-237	CHAIN				1
3	68179-000	PLATFORM ASSY	1	1	1	1
4	68092-000	SHEAVE SPANNER TUBE	1	1	1	1
5	68093-000	SHEAVE	1	1	1	1
6	68094-000	CONTROL CABLE SHEAVE	1	1	1	1
7	68162-000	CONTROL CABLE SHEAVE BKT.	2	2	2	2
8	62753-001	STRAP ASSY	1	1	1	1
9	68049-000	CONTROL BRACKET	1	1	1	1
10	11254-010	SCREW HHC 3/8-16UNC X 1 1/4	2	2	2	2
11	11240-006	WASHER 3/8 STD FLAT	2	2	2	2
12	11250-006	NUT HEX ESNA 3/8-16UNC	2	2	2	2
13	12553-005	SCREW SOC HD 1/4-20UNC X 5/8	2	2	2	2
14	68142-000	CHAIN PIN	2	2	2	2
15	11253-006	SCREW HHC 5/16-18UNC X 3/4	2	2	2	2
16	11240-005	WASHER 5/16 STD FLAT	2	2	2	2
17	11250-005	NUT HEX ESNA 5/16-18UNC	2	2	2	2
18	11252-004	SCREW HHC 1/4-20UNC X 1	4	4	4	4
19	11240-004	WASHER 1/4 STD FLAT	8	8	8	8
20	11248-004	NUT HEX ESNA 1/4-20UNC	6	6	6	6
21	14099-044	SCREW HHC 3/4-10UNC X 5 1/2	1	1	1	1
22	11248-012	NUT HEX ESNA 3/4-10UNC	1	1	1	1
23	68231-000	PINCH SHIELD	1	1	1	1
24	11240-012	WASHER STD FLAT 3/4	2	2	2	2
25	11252-003	SCREW HHC 1/4-20 UNC X 3/8	2	2	2	2
26	62129-000	STRAP RETAINER	1	1	1	1

# Illustrated Parts Breakdown



# Illustrated Parts Breakdown

## PLATFORM ASSEMBLY

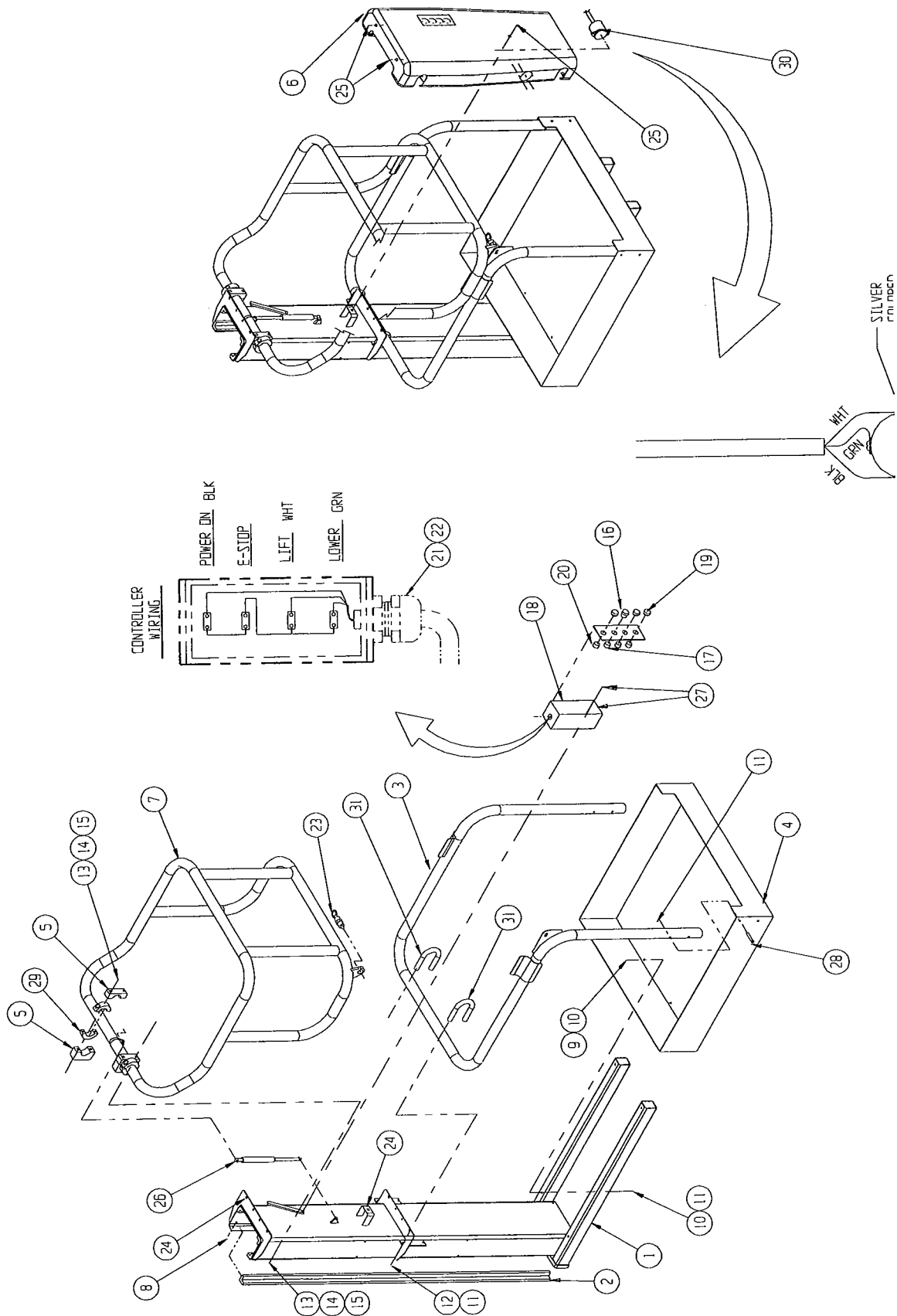
UL-25/32/40/48

68179-000

ITEM	PART	DESCRIPTION	QTY.
1	68082-000	CAGE SUPPORT WELDMENT	1
2	68123-000	SLIDE ANGLE	4
3	68150-000	MIDRAIL WELDMENT	1
4	68149-000	CAGE PAN	1
5	68196-000	RAIL BEARING, TOP	4
6	68147-000	FRONT COVER	1
7	68171-000	UPPER GUARDRAIL WELDMENT	1
8	26525-003	SCREW SLFTP #8 HWH X 3/8	16
9	11252-022	SCREW HHC 1/4-20UNC X 2 3/4	4
10	11240-004	WASHER 1/4 STD	10
11	11248-004	NUT HEX ESNA 1/4-20UNC	12
12	11252-016	SCREW HHC 1/4-20UNC X 2	2
13	11264-022	SCREW HHC 5/16-18UNC X 2 3/4	4
14	11240-005	WASHER 5/16 STD	4
15	11246-010	NUT HEX ESNA 5/16-18UNC	4
16	63667-001	BUTTON PUSH	1
17	63667-003	CONTACT BLOCK, N.C.	1
18	62799-011	ENCLOSURE BOX & COVER	1
19	62799-002	SWITCH OPERATOR COVER	3
20	62799-003	CONTACT BLOCK N.O.	3
21	29925-000	STRAIN RELIEF	1
22	29939-002	LOCKNUT 1/2 NPT	1
23	03570-000	RETAINING PIN	1
24	14252-004	NUT SERT 1/4-20UNC	3
25	11825-004	SCREW RND HD 1/4-20UNC X 1/2	3
26	63650-012	GAS SPRING	1
27	11708-003	SCREW RD HD MACH #8-32 X 1/2	2
28	11252-014	SCREW HHC 1/4-20UN X 1 3/4	4
29	13906-022	SPLIT COLLAR	2
30	29961-002	INLET FLANGE FM	1
31	14924-008	U-BOLT	2



# Illustrated Parts Breakdown



# Illustrated Parts Breakdown

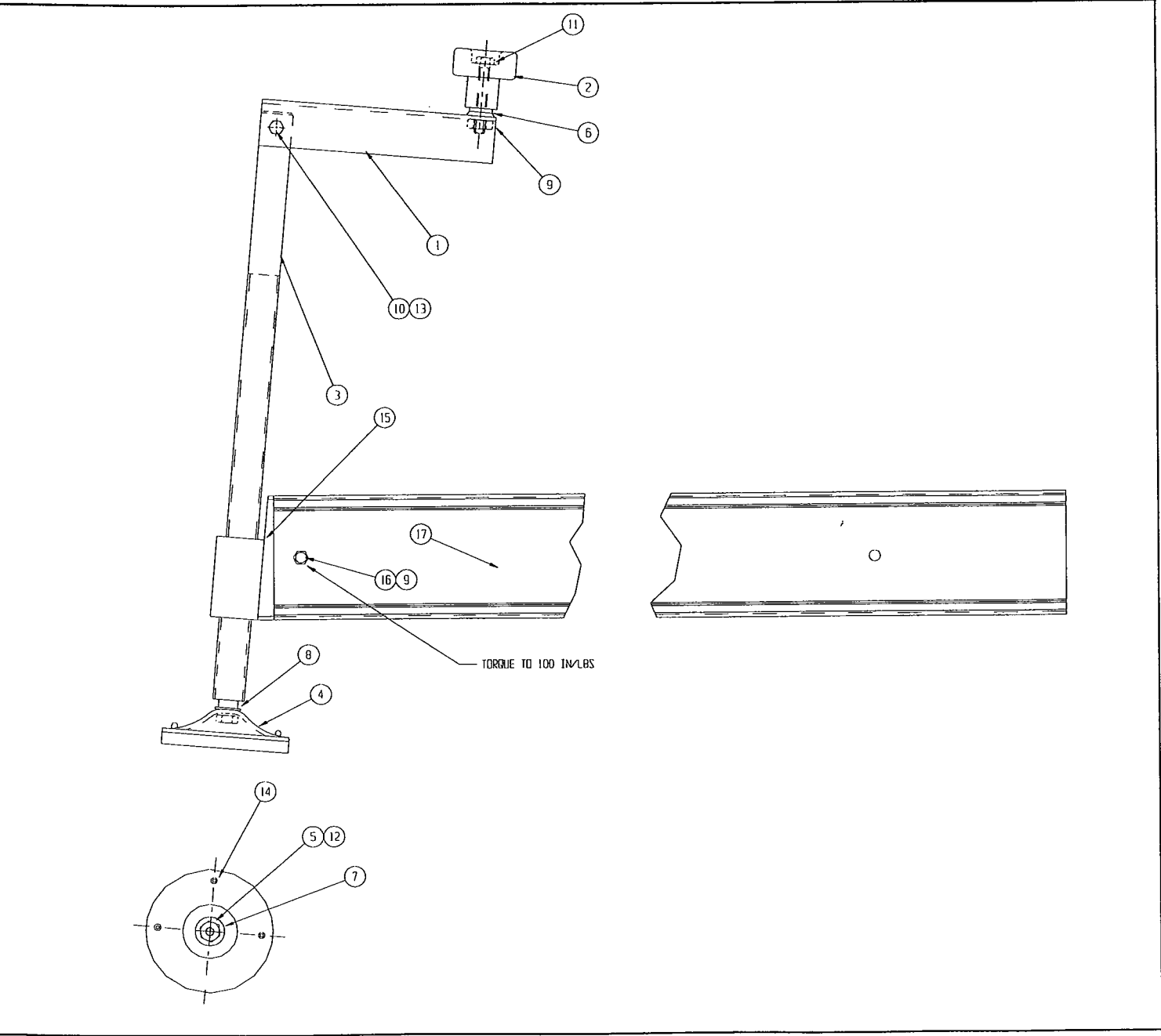
## OUTRIGGER ASSEMBLY

UL-25/32/40/48

68157-000, 001, 002, 003

ITEM	PART	DESCRIPTION	QTY.	QTY.	QTY.	QTY.
			25	32	40	48
1	03471-000	HANDLE ARM	1	1	1	1
2	03508-000	KNOB	1	1	1	1
3	62636-000	SCREW	1	1	1	1
4	03532-000	PAD ASSEMBLY	1	1	1	1
5	11238-005	WASHER SPLIT LOCK 5/16	1	1	1	1
6	11240-004	WASHER 1/4 FLAT	2	2	2	2
7	11240-005	WASHER 5/16 FLAT	1	1	1	1
8	14996-010	WASHER 5/8 SAE FLAT	1	1	1	1
9	11248-004	NUT HEX ESNA 1/4-20UNC	2	2	2	2
10	11248-005	NUT HEX ESNA 5/16-18UNC	1	1	1	1

ITEM	PART	DESCRIPTION	QTY.	QTY.	QTY.	QTY.
			25	32	40	48
11	11252-018	SCREW HHC 1/4-20UNC X 2 1/4	1	1	1	1
12	11253-008	SCREW HHC 5/16-18UNC X 1	1	1	1	1
13	11253-014	SCREW HHC 5/16-18UNC X 1-3/4	1	1	1	1
14	26553-005	RIVET POP 3/16 X 3/8	4	4	4	4
15	68148-000	SCREW CASTING	1	1	1	1
16	11252-024	SCREW HHC 1/420UNC X 3	1	1	1	1
17	68102-000	OUTRIGGER TUBE	1			
	68102-001	OUTRIGGER TUBE		1		
	68102-002	OUTRIGGER TUBE			1	
	68103-000	OUTRIGGER TUBE				1



# Illustrated Parts Breakdown

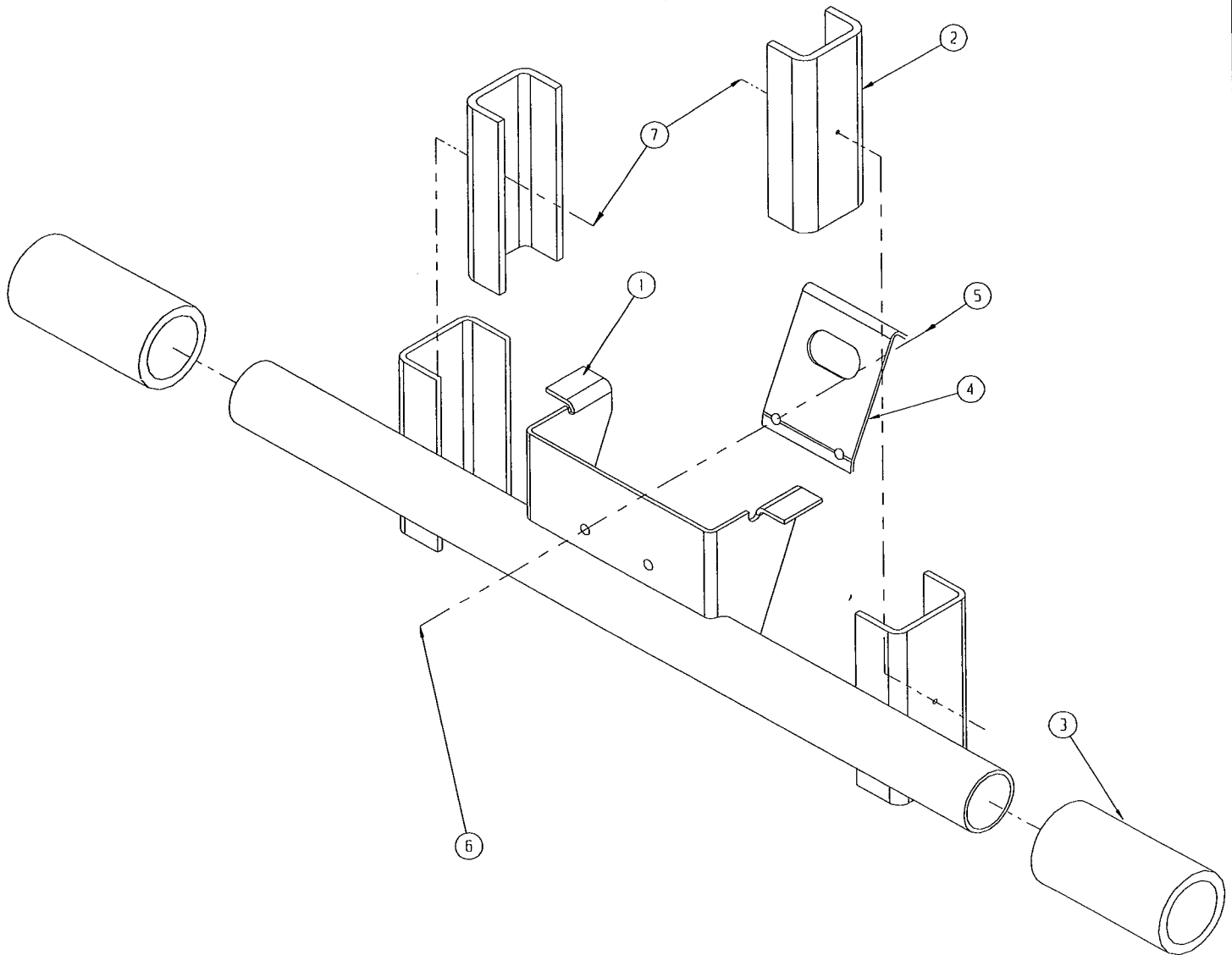
Section  
7.2

## LOADER BAR ASSEMBLY

UL-25/32/40/\*

68180-000

ITEM	PART	DESCRIPTION	QTY.
1	68181-000	LOADER BAR WELDMENT	1
2	68185-000	LOADER BEARING	2
3	61694-005	HOSE 2 5/8 OD X 2 ID X 5	2
4	68184-000	LOADER HANGER	1
5	15936-003	BOLT SHOULDER 5/16-18UNC	2
6	11248-005	NUT HEX ESNA 5/16-18UNC	2
7	26551-003	RIVET POP	2



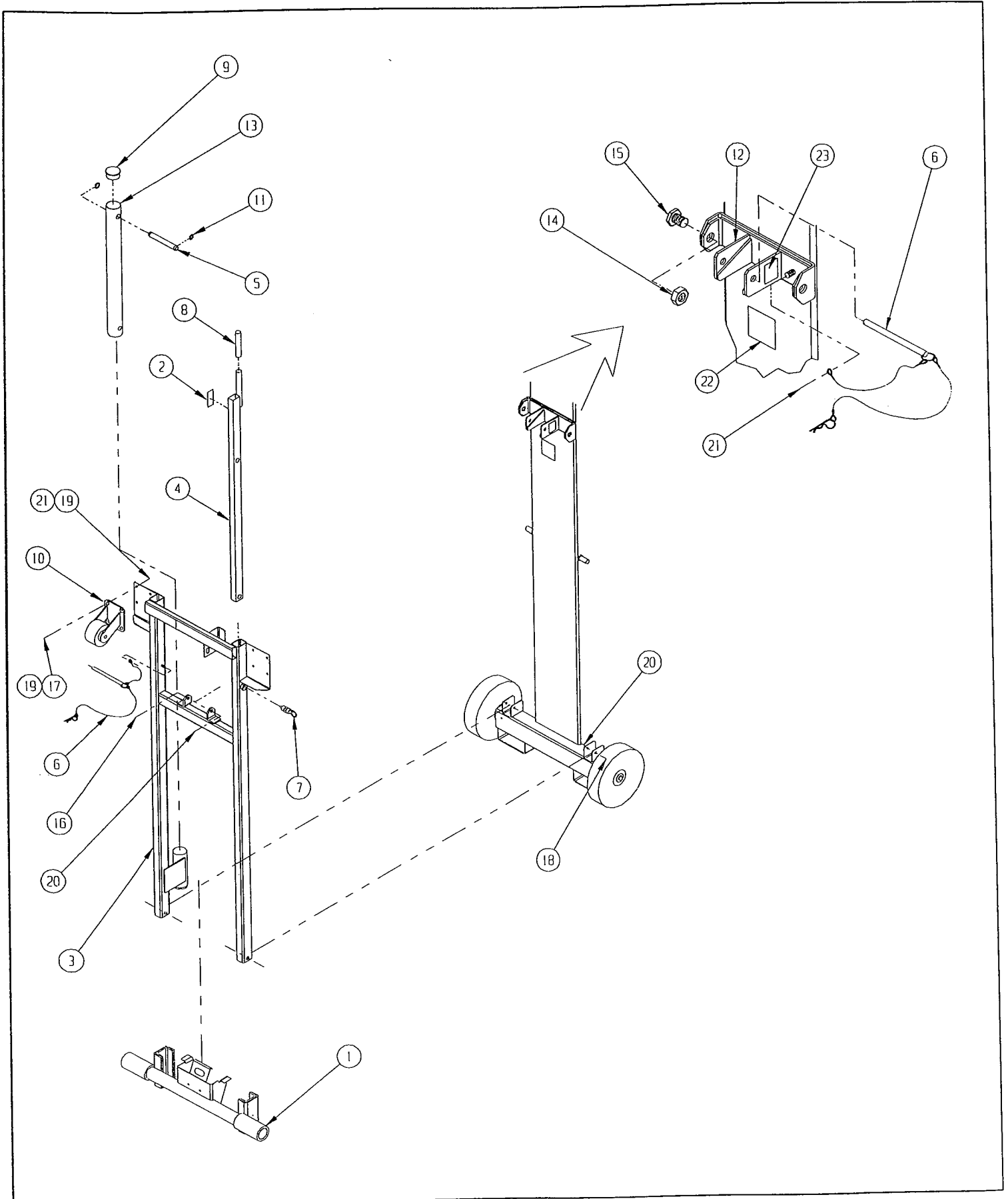
\*NOTE: USE THIS LOADER FOR UL 32, 40 AND 25 WITH  
OPTIONAL TILT BACK ASSY ONLY

**TILT BACK ASSEMBLY  
UL-25 (OPTIONAL)  
68200-003**

ITEM	PART	DESCRIPTION	QTY.
1	68180-000	LOADER BAR ASSY	1
2	62876-000	LABEL LEVER	1
3	68201-002	TILT BACK WELDMENT 25	1
4	62844-000	TILTBAR WELDMENT	1
5	62846-001	TUBE CYLINDER MOUNT	1
6	62891-001	LANYARD ASSY	2
7	03570-000	PIN RETAINING	1
8	62843-001	GRIP	1
9	63926-004	CAPLUG	1
10	62784-004	CASTER	2
11	11764-012	RING RETAINING	2
12	68264-000	BRACKET WELDMENT	1
13	68265-000	STRUT	1
14	11248-012	NUT HEX ESNA 3/4-10	2
15	11258-008	SCREW HHC 3/4-10 X 1	2
16	11256-008	SCREW HHC 1/2-13 X 1 1/2	2
17	11253-008	SCREW HHC 5/16-18 X 1	8
18	11256-022	SCREW HHC 1/2-13 2 3/4	2
19	11240-005	WASHER 5/16 FLAT	16
20	11238-008	NUT HEX ESNA 1/2-13	4
21	11248-005	NUT HEX ESNA 5/16-18	10
22	62466-002	LABEL BEFORE TILTING	1
23	62814-000	LABEL INSERT PIN	1

# Illustrated Parts Breakdown

Section  
7.2



## TILT BACK ASSEMBLY

UL-32

68200-000

ITEM	PART	DESCRIPTION	QTY.
1	68180-000	LOADER BAR ASSY	1
2	68201-000	TILT BACK WELDMENT 32-40	1
3	62844-000	TILTBAR WELDMENT	1
4	62846-001	TUBE CYLINDER MOUNT	1
5	68196-000	INNER TUBE 32	1
6	62884-002	TUBE CYLINDER OUTER	1
7	62885-001	FITTING CYLINDER END	1
8	62886-000	FITTING CYLINDER END	1
9	62887-000	PIN CYLINDER MOUNT	1
10	62891-001	LANYARD ASSY	1
11	03570-000	PIN RETAINING	1
12	63650-003	GAS SPRING	1
13	62843-001	GRIP	1
14	63926-004	CAPLUG	1
15	62888-001	PIN 3/4 X 5	1
16	11786-005	BUSHING	2
17	62784-004	CASTER	2
18	11764-012	RING RETAINING	2
19	11753-012	PIN COTTER 1/8 X 1/2	2
20	11256-008	SCREW HHC 1/2-13 X 1 1/2	2
21	11253-008	SCREW HHC 5/16-18 X 1	8
22	11256-022	SCREW HHC 1/2-13 2 3/4	2
23	11240-005	WASHER 5/16 FLAT	16
24	11238-008	NUT HEX ESNA 1/2-13	4
25	11248-005	NUT HEX ESNA 5/16-18	8
26	62466-002	LABEL BEFORE TILTING	1
27	62814-000	LABEL INSERT PIN	1
28	62876-000	LABEL LEVER	1
29	16590-001	PIPE 3/4 SCHED 40 ALUM X 3/8	2

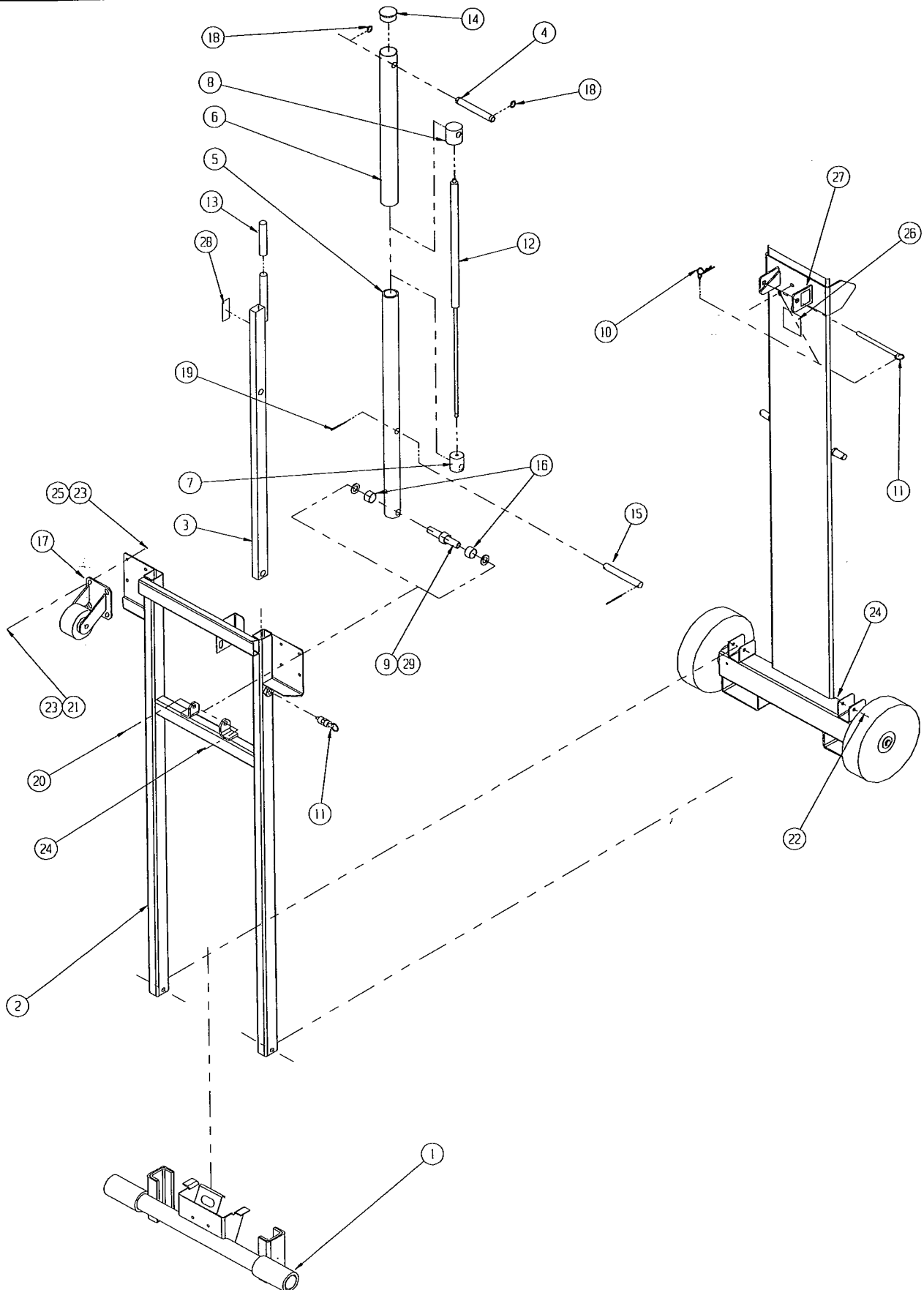
## TILT BACK ASSEMBLY

UL-40

68200-001

ITEM	PART	DESCRIPTION	QTY.
1	68180-000	LOADER BAR ASSY	1
2	68201-000	TILT BACK WELDMENT 32-40	1
3	62844-000	TILTBAR WELDMENT	1
4	62846-001	TUBE CYLINDER MOUNT	1
5	68196-000	INNER TUBE 32	1
6	62884-001	TUBE CYLINDER OUTER	1
7	62885-001	FITTING CYLINDER END	1
8	62886-001	FITTING CYLINDER END	1
9	62887-000	PIN CYLINDER MOUNT	1
10	62891-001	LANYARD ASSY	1
11	03570-000	PIN RETAINING	1
12	63650-013	GAS SPRING	1
13	62843-001	GRIP	1
14	63926-004	CAPLUG	1
15	62888-001	PIN 3/4 X 5	1
16	11786-005	BUSHING	2
17	62784-004	CASTER	2
18	11764-012	RING RETAINING	2
19	11753-012	PIN COTTER 1/8 X 1/2	2
20	11256-008	SCREW HHC 1/2-13 X 1 1/2	2
21	11253-008	SCREW HHC 5/16-18 X 1	8
22	11256-022	SCREW HHC 1/2-13 2 3/4	2
23	11240-005	WASHER 5/16 FLAT	16
24	11238-008	NUT HEX ESNA 1/2-13	4
25	11248-005	NUT HEX ESNA 5/16-18	8
26	62466-002	LABEL BEFORE TILTING	1
27	62814-000	LABEL INSERT PIN	1
28	62876-000	LABEL LEVER	1
29	16590-001	PIPE 3/4 SCHED 40 ALUM X 3/8	2

# Illustrated Parts Breakdown



## TILT BACK ASSEMBLY

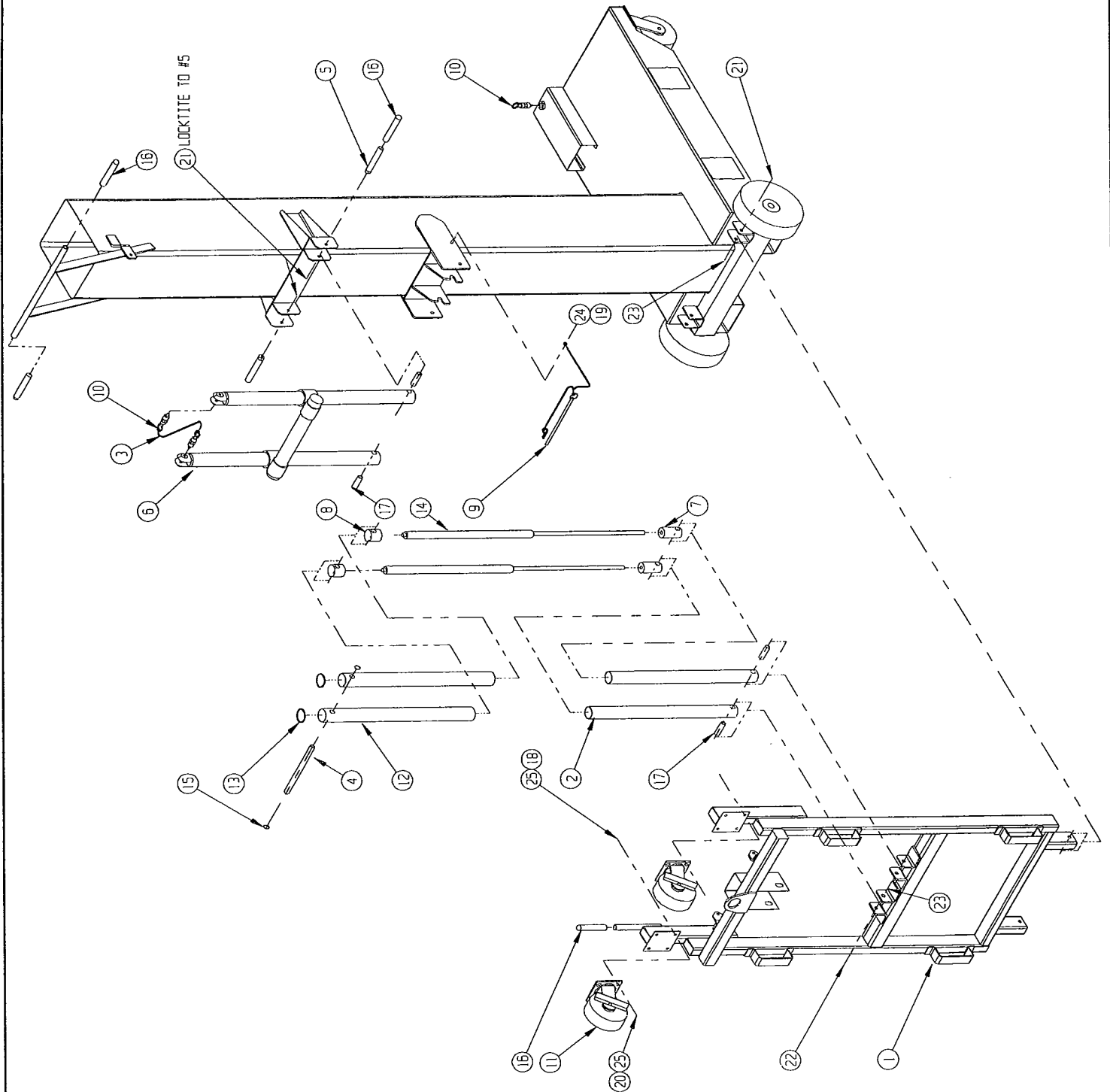
UL-48

68200-002

ITEM	PART	DESCRIPTION	QTY.
1	68201-001	TILTBACK WELDMENT	1
2	68248-000	INNER TUBE	2
3	63783-001	LANYAD ASSY X 12	1
4	68255-000	TUBE LOCK	1
5	68256-000	UPPER HANDLE WELDMENT	2
6	68235-000	STRUT WELDMENT	1
7	62885-002	END FITTING INNER	2
8	62886-001	FITTING CYLINDER END	2
9	62891-002	LANYARD ASSY	1
10	03570-000	PIN RETAINING	3
11	62784-000	CASTER	2
12	62884-001	GAS SPRING TUBE OUTER	2
13	63926-004	CAP PLUG	2
14	63650-002	GAS SPRING	2
15	11764-012	RING RETAINING	2
16	62843-001	GRIP	5
17	18081-011	TUBE $\varnothing$ 3/4 OD X .120 WALL X 2 9/32	4
18	11248-006	NUT HEX ESNA 3/8-16	8
19	11248-005	NUT HEX ESNA 5/16-18	1
20	11254-008	SCREW HHC 3/8-16 X 1	8
21	11256-022	SCREW HHC 1/2-13 X 2 3/4	4
22	11256-028	SCREW HHC 1/2-13 X 3 1/2	4
23	11248-008	NUT HEX ESNA 1/2-13	6
24	11240-005	WASHER 5/16 STD FLAT	1
25	11240-006	WASHER 3/8 STD FLAT	16



# Illustrated Parts Breakdown



# Illustrated Parts Breakdown

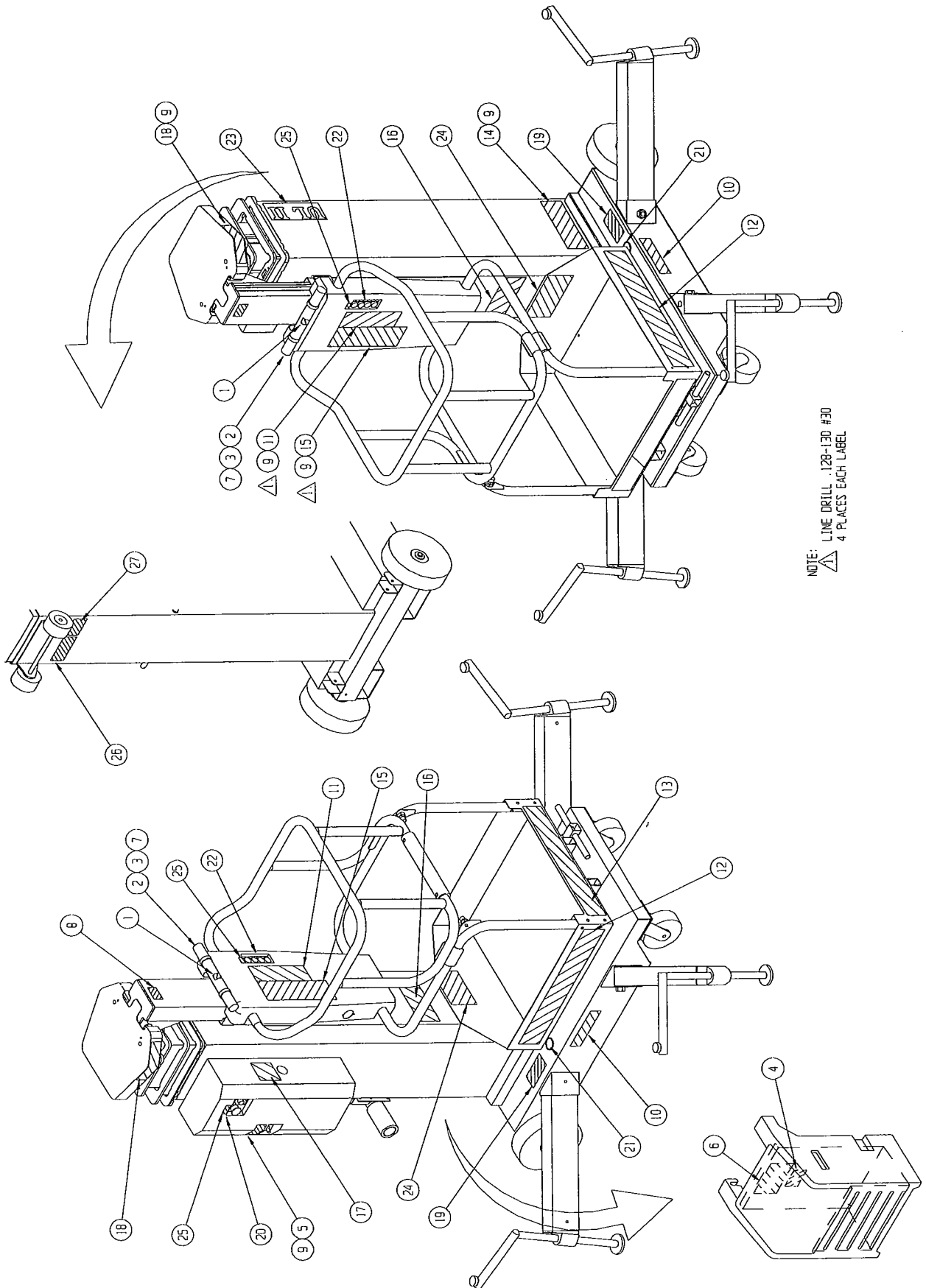
## LABEL KIT INSTALLATION

UL-25

68013-000

ITEM	PART	DESCRIPTION	QTY.
1	03610-000	LABEL, OPERATING INSTRUCTIONS	1
2	65099-000	INSTRUCTION TUBE ASS'Y	1
3	68017-000	USER MANUAL	1
4	05221-000	LABEL, BATTERY FLUID	1
5	05223-003	LABEL, EMERGENCY DOWN	1
6	66552-000	LABEL, WARNING HYDROGEN GAS	1
7	60577-001	ANSI MANUAL	1
8	64444-000	LABEL, USA	1
9	26551-004	RIVET, POP 1/8 .126-.187 GRIP	24
10	62218-001	LABEL, INSERT OUTRIGGER	2
11	66554-002	LABEL, WARNING USE	1
12	61683-008	LABEL, UPRIGHT	2
13	68212-001	LABEL, UL25	1
14	61205-000	NAME PLATE	1
15	66550-010	LABEL, WARNING BEFORE USING	1
16	66557-011	LABEL, WARNING MAX LOAD 350 LBS	1
17	62217-000	LABEL, HUDRAULIC FLUID	1
18	66553-002	LABEL, WARNING PINCH POINT	2
19	66551-005	LABEL, WARNING CENTER BUBBLE	2
20	62322-000	LABEL, CONTROL SWITCH	1
28	00942-000	ORBIT LEVEL	2
22	62840-000	LABEL, CONTROLS	1
23	68213-002	LABEL, ULII	1
24	62821-002	LABEL, WARNING TIPPING HAZARD	1
25	62792-000	LABEL, EMERGENCY STOP	2
26	62725-002	LABEL, WARNING LOADER	1
27	62575-001	LABEL, WARNING DO NOT LOWER	1

# Illustrated Parts Breakdown



# Illustrated Parts Breakdown

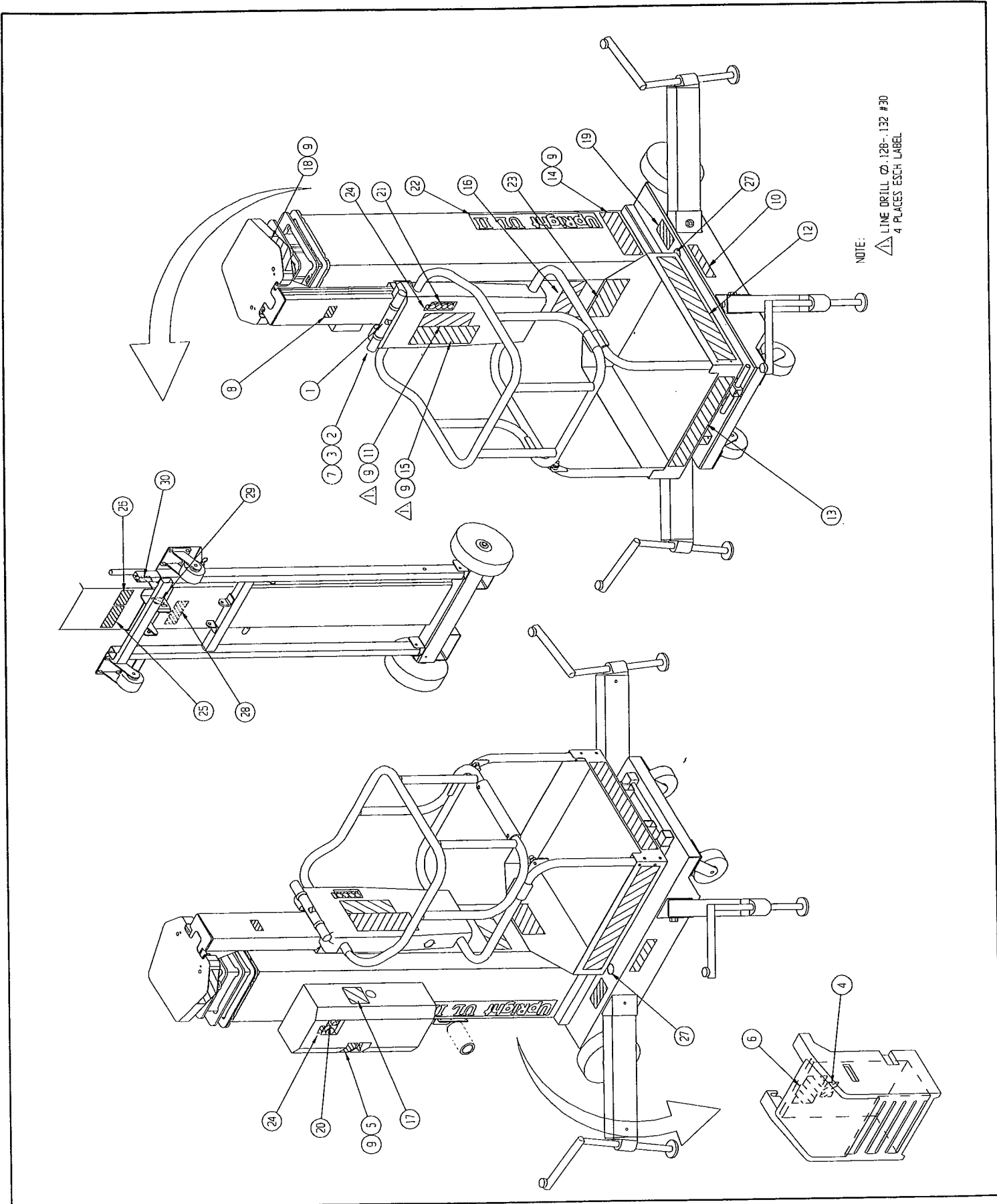
## LABEL KIT INSTALLATION

UL-32

68014-000

ITEM	PART	DESCRIPTION	QTY.
1	03610-000	LABEL, OPERATING INSTRUCTIONS	1
2	65099-000	INSTRUCTION TUBE ASSY	1
3	68017-000	USER MANUAL	1
4	05221-000	LABEL, BATTERY FLUID	1
5	05223-003	LABEL, EMERGENCY DOWN	1
6	66552-000	LABEL, WARNING HYDROGEN GAS	1
7	60577-001	ANSI MANUAL	1
8	64444-000	LABEL, USA	1
9	26551-004	RIVET, POP 1/8 .126-.187 GRIP	24
10	62218-001	LABEL, INSERT OUTRIGGER	2
11	66554-002	LABEL, WARNING USE	1
12	61683-008	LABEL, UPRIGHT	2
13	68212-002	LABEL, UL32	1
14	61205-000	NAME PLATE	1
15	66550-010	LABEL, WARNING BEFORE USING	1
16	66557-009	LABEL, WARNING MAX LOAD 300LBS	1
17	62217-000	LABEL, HUDRAULIC FLUID	1
18	66553-002	LABEL, WARNING PINCH POINT	2
19	66551-005	LABEL, WARNING CENTER BUBBLE	2
20	62322-000	LABEL, CONTROL SWITCH	1
21	62840-000	LABEL, CONTROLS	1
22	68213-001	LABEL, ULII	2
23	62821-002	LABEL, WARNING TIPPING HAZARD	1
24	62792-000	LABEL, EMERGENCY STOP	2
25	62725-002	LABEL, WARNING LOADER	1
26	62575-001	LABEL, WARNING DO NOT LOWER	1
27	00942-000	ORBIT LEVEL	2
28	62466-000	LABEL, BEFORE TILTING	1
29	62814-000	LABEL, INSERT PIN	1
30	62876-000	LABEL, LEVER	1

# Illustrated Parts Breakdown



# Illustrated Parts Breakdown

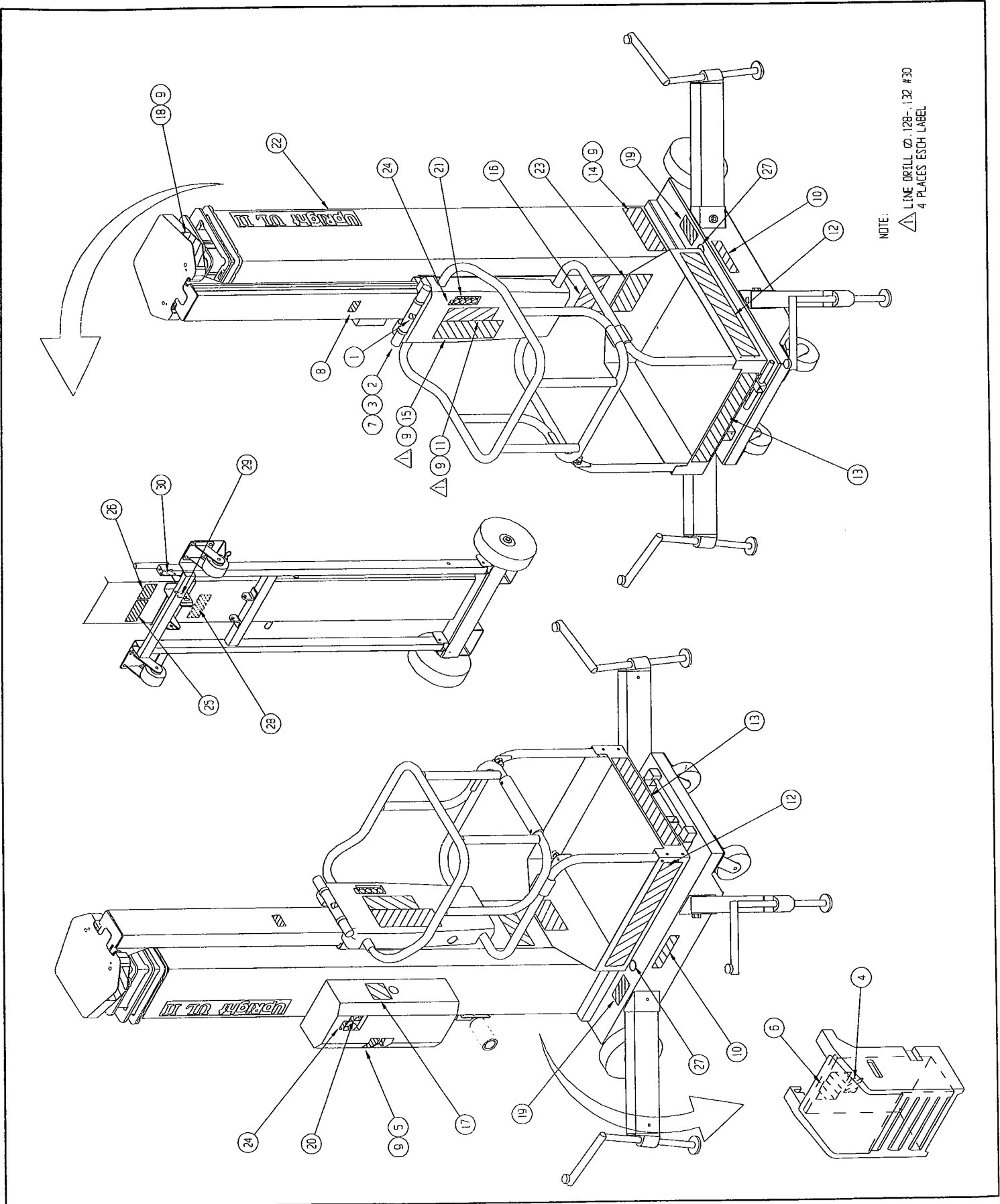
## LABEL KIT INSTALLATION

### UL-40

### 68015-000

ITEM	PART	DESCRIPTION	QTY.
1	03610-000	LABEL, OPERATING INSTRUCTIONS	1
2	65099-000	INSTRUCTION TUBE ASSY	1
3	68017-000	USER MANUAL	1
4	05221-000	LABEL, BATTERY FLUID	1
5	05223-003	LABEL, EMERGENCY DOWN	1
6	66552-000	LABEL, WARNING HYDROGEN GAS	1
7	60577-001	ANSI MANUAL	1
8	64444-000	LABEL, USA	1
9	26551-004	RIVET, POP 1/8 .126-.187 GRIP	24
10	62218-001	LABEL, INSERT OUTRIGGER	2
11	66554-002	LABEL, WARNING USE	1
12	61683-008	LABEL, UPRIGHT	2
13	68212-003	LABEL, UL40	1
14	61205-000	NAME PLATE	1
15	66550-010	LABEL, WARNING BEFORE USING	1
16	66557-009	LABEL, WARNING MAX LOAD 300LBS	1
17	62217-000	LABEL, HYDRAULIC FLUID	1
18	66553-002	LABEL, WARNING PINCH POINT	2
19	66551-005	LABEL, WARNING CENTER BUBBLE	2
20	62322-000	LABEL, CONTROL SWITCH	1
21	62840-000	LABEL, CONTROLS	1
22	68213-001	LABEL, ULII	2
23	62821-002	LABEL, WARNING TIPPING HAZARD	1
24	62792-000	LABEL, EMERGENCY STOP	2
25	62725-002	LABEL, WARNING LOADER	1
26	62575-001	LABEL, WARNING DO NOT LOWER	1
27	00942-000	ORBIT LEVEL	2
28	62466-000	LABEL, BEFORE TILTING	1
29	62814-000	LABEL, INSERT PIN	1
30	62876-000	LABEL, LEVER	1

# Illustrated Parts Breakdown



# Illustrated Parts Breakdown

## LABEL KIT INSTALLATION

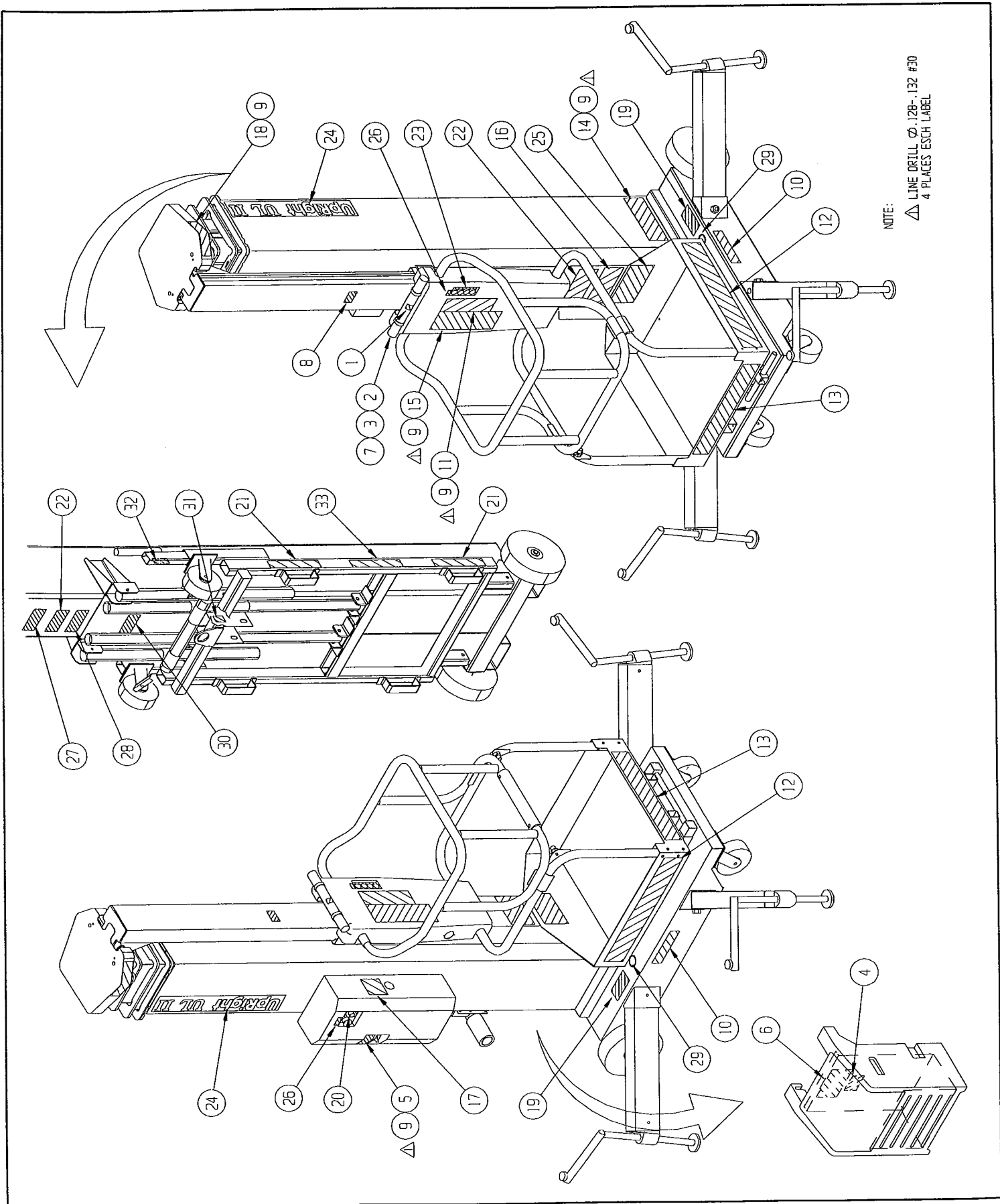
UL-48 AC/DC

68016-000/001

ITEM	PART	DESCRIPTION	QTY.	
			48 AC	48 DC
1	03610-000	LABEL, OPERATING INSTRUCTIONS	1	1
2	65099-000	INSTRUCTION TUBE ASSEMBLY	1	1
3	68017-000	USER MANUAL	1	1
4	05221-000	LABEL, BATTERY FLUID		1
5	05223-003	LABEL, EMERGENCY DOWN	1	1
6	66552-000	LABEL, WARNING HYDROGEN GAS		1
7	60577-001	ANSI MANUAL	1	1
8	64444-000	LABEL, USA	1	1
9	26551-004	RIVET, POP 1/8 .126-.187 GRIP	24	24
10	62218-001	LABEL, INSERT OUTRIGGER	2	2
11	66554-002	LABEL, WARNING USE	1	1
12	61683-008	LABEL, UPRIGHT	2	2
13	68212-004	LABEL, UL48	1	1
14	61205-000	NAME PLATE	1	1
15	66550-010	LABEL, WARNING BEFORE USING	1	1
16	66557-008	LABEL, WARNING MAX LOAD 250 LBS	1	1
17	62217-000	LABEL, HYDRAULIC FLUID	1	1
18	66553-002	LABEL, WARNING PINCH POINT	2	2
19	66551-005	LABEL, WARNING CENTER BUBBLE	2	2
20	62322-000	LABEL, CONTROL SWITCH	1	1
21	14222-003-99	LABEL, FORKLIFT HERE	4	4
22	68260-000	LABEL, TIPPING HAZARD	2	2
23	62840-000	LABEL, CONTROLS	1	1
24	68213-001	LABEL, ULII	2	2
25	62821-002	LABEL, WARNING TIPPING HAZARD	1	1
26	62792-000	LABEL, EMERGENCY STOP	2	2
27	62725-002	LABEL, WARNING LOADER	1	1
28	62575-001	LABEL, WARNING DO NOT LOWER	1	1
29	00942-000	ORBIT LEVEL	2	2
30	62466-002	LABEL, WARNING PIN INSTALLATION	1	1
31	62814-000	LABEL, INSERT PIN	1	1
32	68276-000	LABEL, TILTBACK LEVER	1	1
33	68261-000	LABEL, LIFT/TRANSPORT	2	2



# Illustrated Parts Breakdown

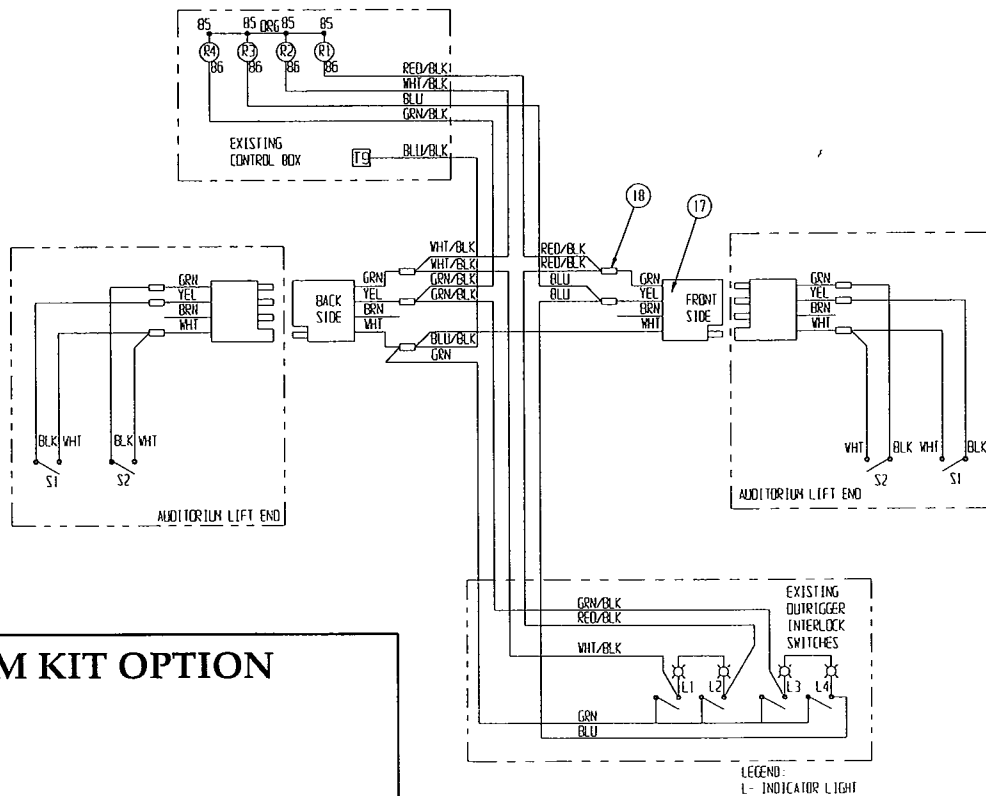


# Illustrated Parts Breakdown

## AUDITORIUM KIT OPTION UL-25,32,40 68600-000

ITEM	PART	DESCRIPTION	QTY.
1	014066-006	SCREW SLFTP HWH 1/4-AB X 3/4	2
2	003610-000	LABEL OPERATING INST.	1
3	068602-000	OUTRIGGER TUBE WELDMENT	4
4	068628-000	OUTRIGGER TUBE WELDMENT	2
5	065099-000	LABEL INST TUBE ASSY	1
6	061517-000	LABEL UP-RIGHT	4
7	062218-000	LABEL INST.	4
9	066548-000	LABEL WARNING	2
10	066546-000	LABEL WARNING	4
11	062304-001	USER MANUAL	1
13	066547-000	LABEL WARNING	2
14	060577-001	ANSI MANUAL	1
15	061205-000	NAME PLATE	1
16	065368-000	TACK	4
17	68619-001	TRAILER PLUG FM	2
18	29620-002	CONN. BUTT 16-14	6
19	62881-000	SWITCH	2
20	29601-013	CONN RING 14-16 #10	4
21	62880-004	FITTING 1 1/4 NPT X 1/2 RED.	2
22	03570-000	PIN RETAINING	2
23	11240-004	WASHER $\varnothing$ 1/4 STD FLAT	4
24	29925-000	CONN CABLE	2
25	11240-006	WASHER $\varnothing$ 3/8 STD FLAT	24
26	29489-099	WIRE 16 AEG 2 COND.	FT 20
27	11248-004	LOCKNUT 1/4-20UNC HEX	8
28	11248-006	LOCKNUT 3/8-16UNC HEX	18
29	11248-008	LOCKNUT 1/2-13UNC HEX	2
30	11252-006	SCRW 1/4-20UNC HHC X 3/4	2
31	11254-008	SCRW 3/8-16UNC HHC X 1	8

ITEM	PART	DESCRIPTION	QTY.
32	11254-024	SCRW 3/8-16UNC HHC X 3	2
33	11254-030	SCRW 3/8-16 HHC X 3 3/4	8
34	11256-040	SCRW 1/2-13UNC X 5	2
35	11828-006	SCRW 1/4-20 FLT HD SOC X 3/4	
36	12610-000	WINCH	1
37	17408-004	PIPE $\varnothing$ 3/8 SCH 80 X 3 1/2	8
38	17416-004	PIPE $\varnothing$ 3/4 SHC 80 X 3 3/8	8
39	60643-001	PAD ROUND	8
40	14066-006	SCREW SLFTP 1/4 X 3/4	3
41	10414-004	PIN ASSY	4
42	62330-001	PIN ASSY	2
43	62344-000	CASTER	2
44	68608-000	BEARING PLATE WELDMENT	1
45	68609-000	BEARING PLATE	2
46	68611-000	SUPPORT TUBE WELDMENT	2
47	68603-000	END COLUMN WELDMENT	1
48	62383-000	CABLE ASSY	1
49	62346-000	STRAP NYLON	1
50	11239-005	WASHER $\varnothing$ 5/16 ASTM FLAT	1
51	13919-013	HOSE CLAMP	2
52	26553-004	RIVET POP $\varnothing$ 3/16 .25-.375 GRIP	1
53	68619-001	TRAILER PLUG M	1
54	29976-099	TUBE HEAT SHRINK 1/2	FT 5
55	68613-000	LADDER SUPPORT WELDMENT	1
56	62385-000	LADDER WELDMENT	1
57	11254-008	SCREW HHC 3/8-16UNC X 1	2
58	11240-006	WASHER 3/8 DIA STD FLAT	4
59	11248-006	LOCKNUT HEX 3/8-16UNC	2

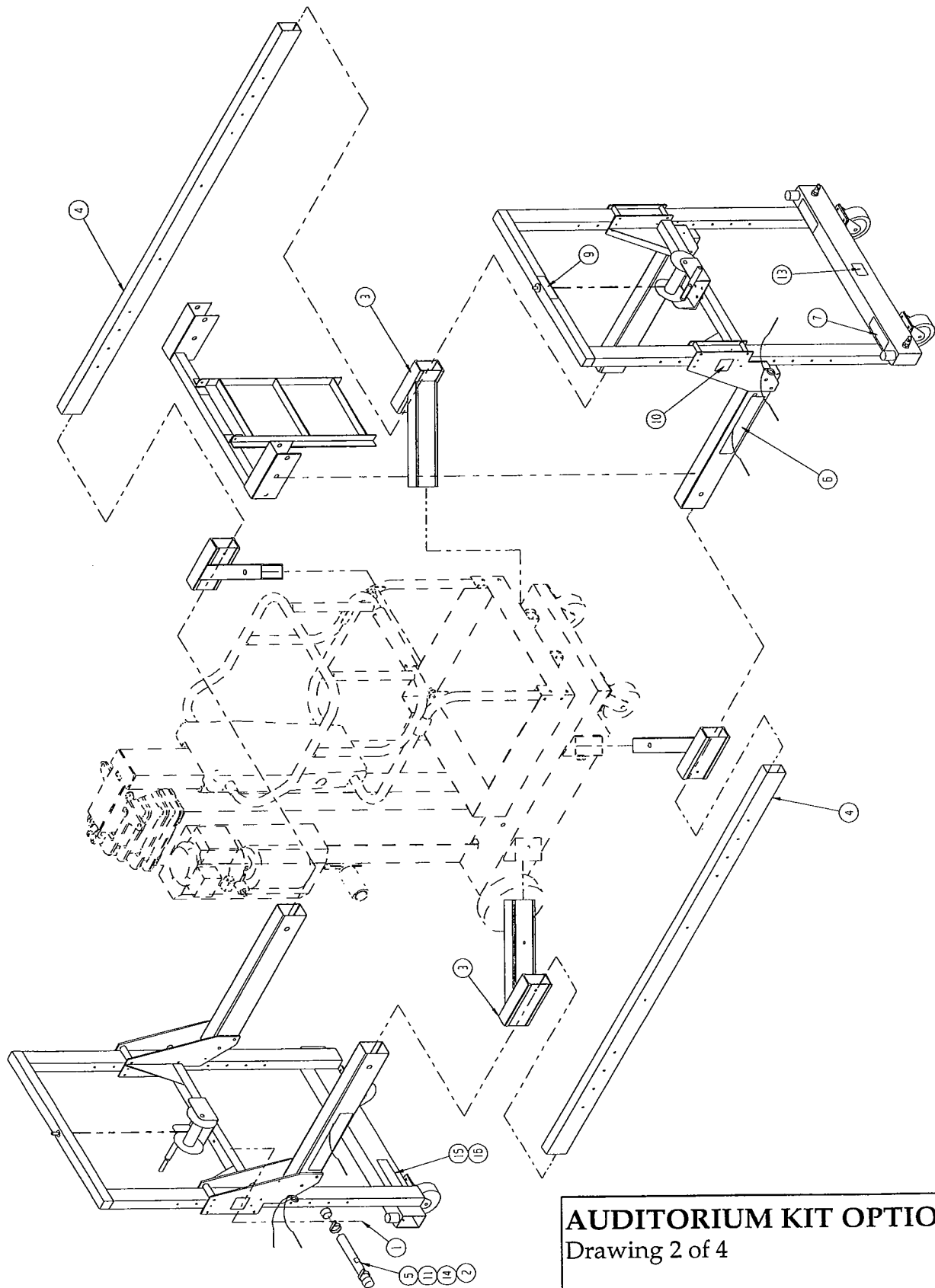


AUDITORIUM KIT OPTION  
Drawing 1 of 4

LEGEND:  
L- INDICATOR LIGHT

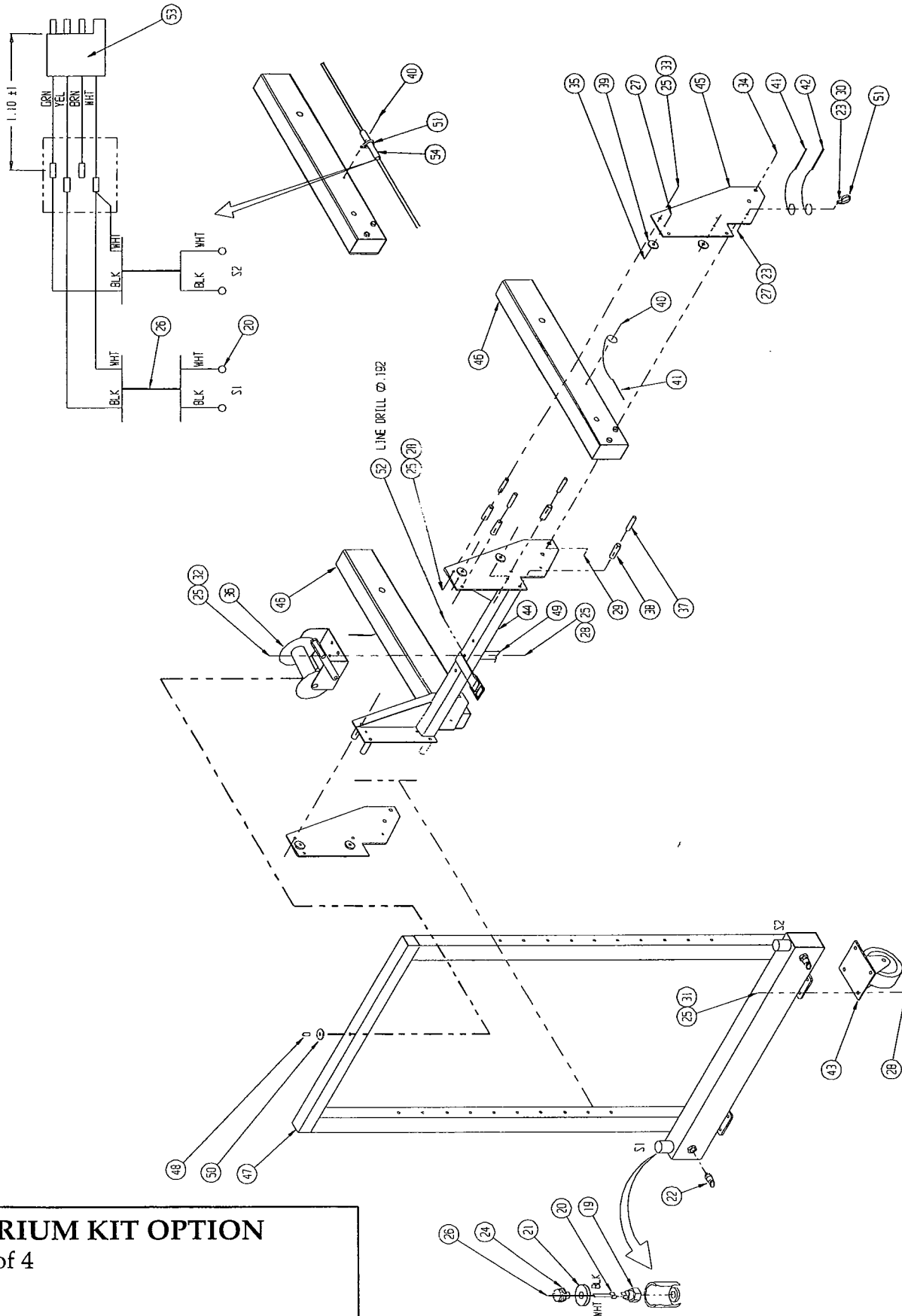
# Illustrated Parts Breakdown

Section  
7.2



**AUDITORIUM KIT OPTION**  
Drawing 2 of 4

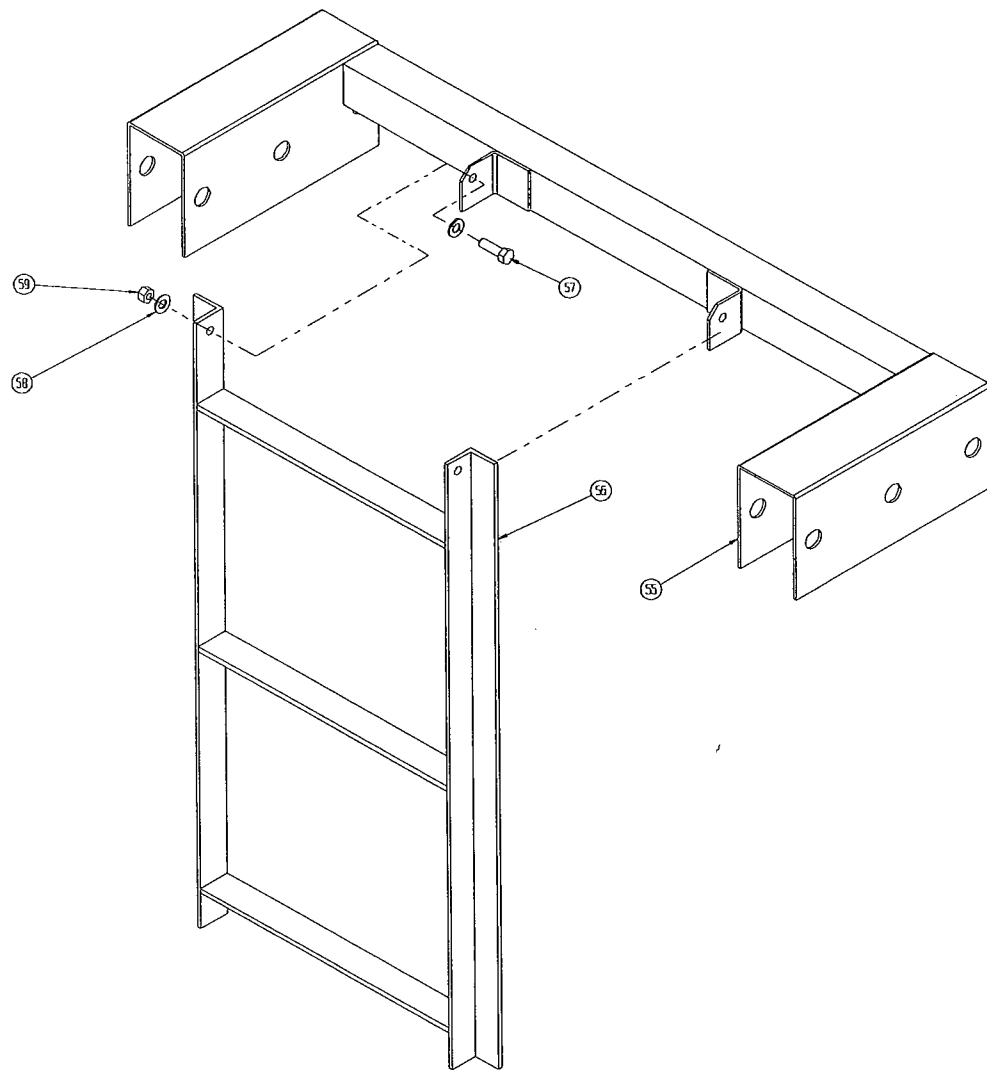
# Illustrated Parts Breakdown



**AUDITORIUM KIT OPTION**  
Drawing 3 of 4

# Illustrated Parts Breakdown

Section  
7.2

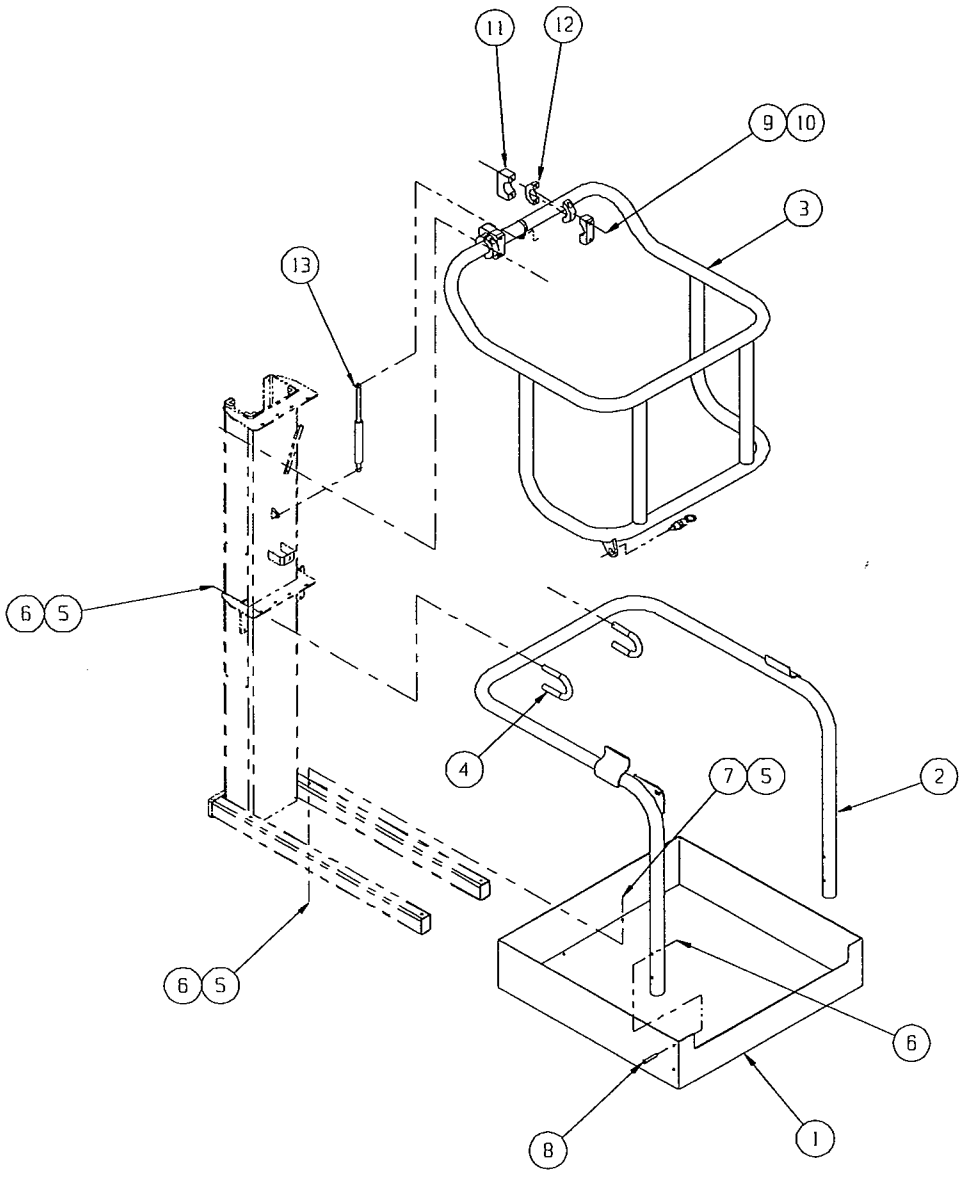


**BASIC ASSEMBLY, ULII**  
Drawing 4 of 4

# Illustrated Parts Breakdown

**NARROW CAGE OPTION**  
**UL-25,32,40,48**  
 68242-000

ITEM	PART	DESCRIPTION	QTY.
1	68149-001	CAGE PAN (NARROW)	1
2	68150-001	MIDRAIL WELDMENT (NARROW)	1
3	68171-001	UPPER GUARDRAIL WELDMENT (NARROW)	1
4	14924-008	U-BOLT	2
5	11240-004	WASHER 1/4" STD.	12
6	11248-004	LOCKNUT, ESNA 1/4-20 UNC	12
7	11252-022	SCREW, HHC 1/4-20 UNC X 2 3/4	4
8	11252-014	SCREW, HHC 1/4-20 UNC X 1 3/4	4
9	11240-005	WASHER, 5/16 STD.	8
10	11264-022	SCREW, HHC 5/16-18 UNC X 2 3/4	4
11	68096-000	RAIL BEARING, TOP	4
12	13906-022	SPLIT COLLAR SET	2
13	63650-012	GAS SPRING	1



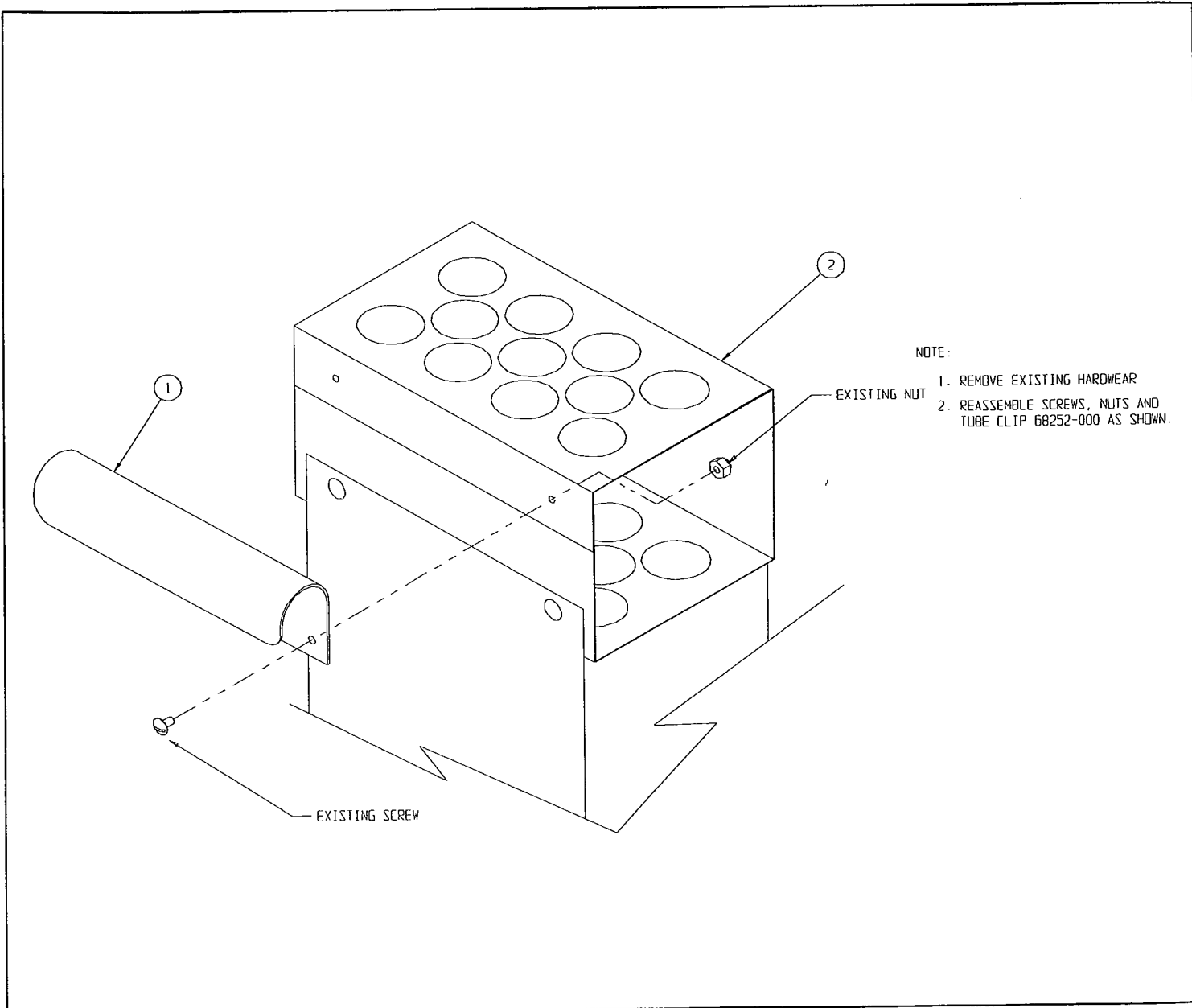
# Illustrated Parts Breakdown

## FLUORESCENT TUBE CADDY

UL-25,32,40,48

68239-000-00

ITEM	PART	DESCRIPTION	QTY.
1	68252-000	TUBE CLIP	1
2	68240-000	FLUORESCENT TUBE CADDY HOLDER	1



## NOTES





# UpRight

Call Toll Free in U.S.A.

**1-800-926-LIFT**

For Parts:

**1-888-UR-PARTS**

**UpRight, Inc.**  
1775 Park Street  
Selma, California 93662  
TEL: 209/891-5200  
FAX: 209/896-9012  
PARTSFAX: 209/896-9244

**UpRight, Europe**  
(Europe, Africa & Middle East)  
Pottery Road  
Dun Laoire, Ireland  
TEL: 353/1/285-3333  
FAX: 353/1/284-0015

**P/N 068018-000**

9/96 D