

Parts Manual

LX31/41/50

Dual Fuel and Diesel Models

Serial Numbers 4022 - Current

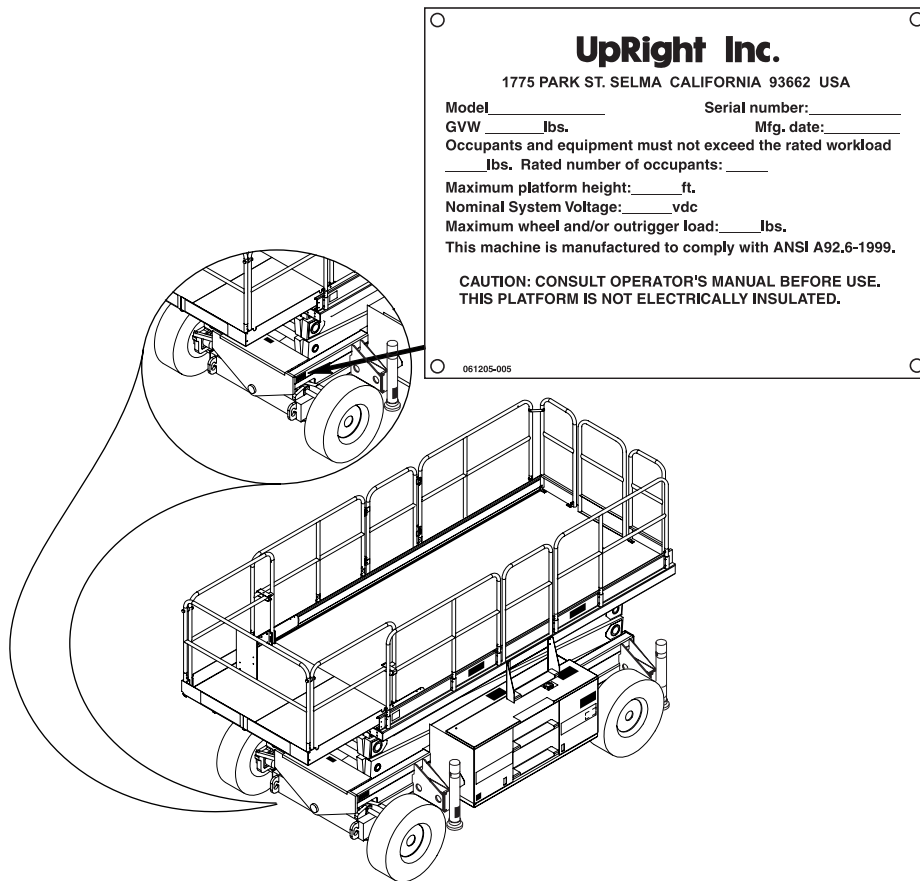
Publication Number: 108049-008

UpRight

LX31/41/50

Dual Fuel and Diesel Models Serial Numbers 4022 - Current

When contacting UpRight for service or parts information, be sure to include the MODEL and SERIAL NUMBERS from the equipment nameplate. Should the nameplate be missing, the SERIAL NUMBER is also stamped on top of the chassis above the left front axle pivot.



UpRight, Inc.

801 South Pine Street
Madera, California 93637

TEL: 559-662-3900

FAX: 559-673-6184

PARTS: 1-888-UR-PARTS

PARTS FAX: 1-800-669-9884

UpRight

Call Toll Free in U.S.A.

1-800-926-LIFT

UpRight

Unit S1, Park West Industrial Park
Friel Avenue
Nangor Road
Dublin 12, Ireland

TEL: +353 1 620 9300

FAX: +353 1 620 9301

PARTS MANUAL

This document lists and illustrates the replaceable assemblies and parts of this product, as manufactured by UpRight, Inc. Each parts list contains the component parts for that assembly.

TABLE OF CONTENTS

Final Assembly, LX31 - Two Wheel Drive, Dual Fuel 067501-020	3	Upper Controller Wiring Diagram, LX Diesel/Dual Fuel 108044-000	40
Final Assembly, LX31 - Four Wheel Drive, Dual Fuel 067504-020	4	Control Module Assembly, LX31/41 - Two Wheel Drive, Dual Fuel 067521-024	42
Final Assembly, LX31 - Two Wheel Drive, Diesel 067502-020	5	Control Module Assembly, LX31/41 - Four Wheel Drive, Dual Fuel 067521-026	46
Final Assembly, LX31 - Four Wheel Drive, Diesel 067505-020	6	Control Module Assembly, LX31/41 - Two Wheel Drive, Diesel 067521-025	50
Final Assembly, LX41 - Two Wheel Drive, Dual Fuel 067541-020	7	Control Module Assembly, LX31/41 - Four Wheel Drive, Diesel 067521-027	54
Final Assembly, LX41 - Four Wheel Drive, Dual Fuel 067544-020	8	Control Module Assembly, LX50 - Two Wheel Drive, Dual Fuel 067521-028	58
Final Assembly, LX41 - Two Wheel Drive, Diesel 067542-020	9	Control Module Assembly, LX50 - Four Wheel Drive, Dual Fuel 067521-030	62
Final Assembly, LX41 - Four Wheel Drive, Diesel 067545-020	10	Control Module, LX50 - Two Wheel Drive, Diesel 067521-029	66
Final Assembly, LX50 - Two Wheel Drive, Dual Fuel 067546-020	11	Control Module, LX50 - Four Wheel Drive, Diesel 067521-031	70
Final Assembly, LX50 - Four Wheel Drive, Dual Fuel 067548-020	12	Control Cable Assembly, LX31/41/50 067536-010, -011, -012	73
Final Assembly, LX50 - Two Wheel Drive, Diesel 067547-020	13	Lower Control Box, Dual Fuel - Without Outriggers 067491-001	74
Final Assembly, LX50 - Four Wheel Drive, Diesel 067549-020	14	Lower Control Box, Diesel - Without Outriggers 067491-002	76
Final Assembly Wiring Diagram - Dual Fuel 108042-	16	Lower Control Box, Dual Fuel - With Outriggers 067491-003	78
Final Assembly Wiring Diagram - Diesel 108043-	18	Lower Control Box, Diesel - With Outriggers 067491-004	80
Basic Assembly, LX31 - Two Wheel Drive 067510-021	20	Power Module Assembly, LX31/41/50 - Two Wheel Drive, Dual Fuel 067522-010	82
Basic Assembly, LX41 - Two Wheel Drive 067512-021	20	Power Module Assembly, LX31/41/50 - Four Wheel Drive, Dual Fuel 067522-011	84
Basic Assembly, LX31 - Four Wheel Drive 067511-021	21	Power Module Assembly, LX31/41/50 - Two Wheel Drive, Diesel 067522-012	86
Basic Assembly, LX41 - Four Wheel Drive 067513-021	21	Power Module Assembly, LX31/41/50 - Four Wheel Drive, Diesel 067522-013	88
Basic Assembly, LX50 - Two Wheel Drive 067508-021	22	Engine Assembly, LX31/41/50 - Dual Fuel 067523-010	90
Basic Assembly, LX50 - Four Wheel Drive 067509-021	22	Engine Assembly, LX31/41/50 - Diesel 067523-011	94
Chassis Assembly, LX31/41 - Two Wheel Drive 067518-010	24	Power to Platform, LX31/41/50 067907-010	97
Chassis Assembly, LX31/41 - Four Wheel Drive 067519-010	26	Fuel Tank Assembly, Gas 067485-000	98
Chassis Assembly, LX50 - Two Wheel Drive 067518-011	28	Fuel Tank Assembly, Diesel 067485-001	98
Chassis Assembly, LX50 - Four Wheel Drive 067519-011	30		
Scissor Linkage Assembly, LX31 067422-000	32		
Scissor Linkage Assembly, LX41 067423-000	34		
Scissor Linkage Assembly, LX50 067424-000	36		
Controller Assembly, LX31/41/50 067528-010	38		

Hose Installation, LX31/41 - Two Wheel Drive 067533-020	99	Mercury Switch Installation Serial #4275 - Current - LX50 Only 108041-010	115
Hose Installation, LX31/41 - Four Wheel Drive 067533-026	100	Horn Option 067908-001	116
Hose Installation, LX50 - Two Wheel Drive 067533-022	101	Motion Alarm Settings 067909-010	117
Hose Installation, LX50 - Four Wheel Drive 067533-027	102	Electric Emergency Lowering, LX50 108038-000	118
Valve Block, LX31/41/50 - Two Wheel Drive 067489-000	104	Front Roll Out Deck 067866-017	119
Valve Block LX31/41/50 - Four Wheel Drive 067489-001	104	Rear Roll Out Deck Option, LX31 067866-018	120
Guardrail Installation, LX 030867-301	106	Rear Roll Out Deck Option, LX41 067866-019	121
Axle Pivot Cylinder Assembly 108060-000	107	Rear Roll Out Deck Option, LX50 067866-022	122
Front Tire & Wheel Assembly, Air Filled, LX31/41 -Two Wheel Drive 067665-000, -001	108	Outrigger Brackets 030929-000	123
Front Tire & Wheel Assembly, Air Filled, LX31/41 - Four Wheel Drive 067664-000, -001	109	Outrigger Option, LX 067950-022	124
Rear Tire & Wheel Assembly, Air Filled, LX31/41 - Two Wheel Drive/Four Wheel Drive 067666-004, -005	110	Controller Assembly - Outrigger Option 067528-012	128
Front Tire & Wheel Assembly, Poly Filled, LX50 - Two Wheel Drive 067665-002, -003	111	Outrigger Control Cable Assembly, Option 067479-000	130
Front Tire & Wheel Assembly, Poly-Filled, LX50 - Four Wheel Drive 067664-002, -003	112	Hose Installation, LX Outrigger Option 067953-010	131
Rear Tire & Wheel Assembly, Poly-Filled, LX50 - Two Wheel Drive/Four Wheel Drive 067666-006, -007	113	Removable Controller Option, LX 061898-011	132
Proximity Switch Installation Serial #4022 - 4274 108040-000	114	Generator Option, LX Dual Fuel 067848-000	134
Proximity Switch Installation Serial #4275 - Current 108040-010	114	Generator Option, LX Diesel 067849-000	136
Mercury Switch Installation Serial #4022 - 4274 108041-000	115	Amber Beacon Option 067947-010	138
		Label Kit, LX31 108055-000, -001, -002, -003	140
		Label Kit, LX41 108055-004, -005, -006, -007	142
		Label Kit, LX50 108055-008, -009, -010, -011	144

Final Assembly, LX31 - Two Wheel Drive, Dual Fuel

067501-020

ITEM	PART NO.	PART/MATERIAL DESCRIPTION	QTY.
1	067510-021	BASIC ASSY	1
2	067528-010	CONTROLLER ASSY	1
3	067536-010	CONTROL CABLE ASSY	1
*4	108055-000	LABEL-KIT	1
*5	067533-020	HOSE-KIT	1
6	030867-301	GUARDRAIL	1
7	067522-010	POWER MODULE ASSEMBLY	1
8	067521-024	CONTROL MODULE ASSEMBLY	1
9	067534-010	HYDRAULIC SCHEMATIC	REF
10	067535-050	ELECTRICAL SCHEMATIC	REF
12	067866-017	FRONT ROLL OUT DECK	1
14	029945-013	LEVEL SENSOR	1
15	011252-006	SCRW, 1/4-20 X 3/4	2
16	011248-004	LOCKNUT, 1/4-20 UNC	3
*17	108040-000	PROXIMITY SW. INSTALL Serial # 4022-4274	1

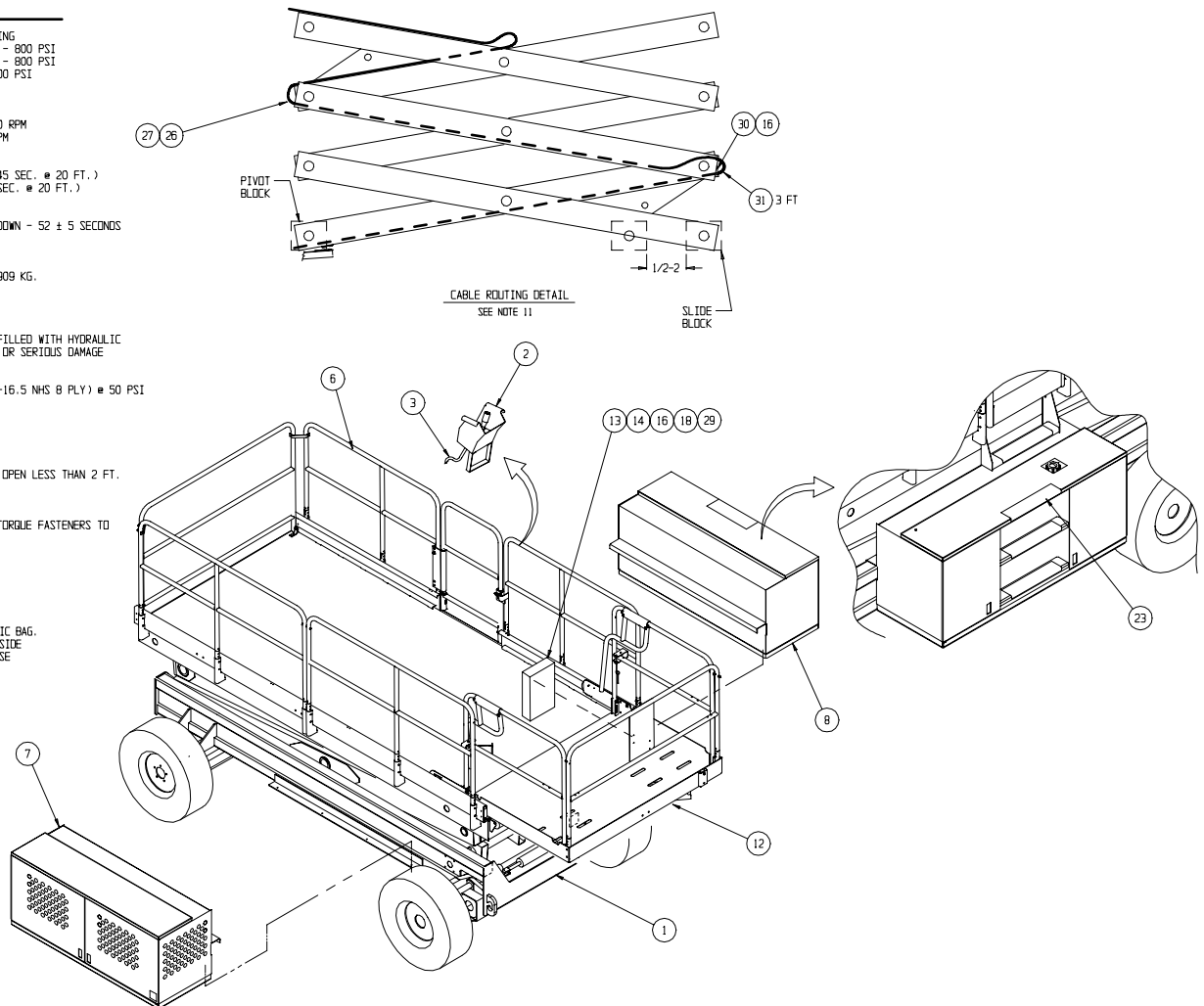
ITEM	PART NO.	PART/MATERIAL DESCRIPTION	QTY.
*17	108040-010	PROXIMITY SW. INSTALL Serial # 4275-Current	1
*18	108041-000	MERCURY SW. INSTALL Serial # 4022-4274	1
*19	108042-001	FINAL ASSY WIRING	1
*20	108044-000	UPPER CONTROLLER WIRING	1
21	060540-001	DOCUMENTATION KIT	1
22	067904-008	SERVICE MANUAL	1
	108049-008	PARTS MANUAL	1
26	012865-099	WIRE LOOM 3/4 DIA	8 FT
*27	013283-002	CABLE MOUNT	4
30	020398-012	CLAMP, CUSHIONED, Ø 1 1/2	2
31	067758-099	NYLON HOSE GUARD	4 FT
*32	067907-010	POWER TO PLATFORM	1

* Not shown

NOTES:

- HYDRAULIC PRESSURE SETTING
FORWARD COUNTER BALANCE - 800 PSI
REVERSE COUNTER BALANCE - 800 PSI
DRIVE MOTOR RELIEF - 3000 PSI
STEERING - 1500 PSI
- ENGINE SPEED
FULL THROTTLE - 3400 ±50 RPM
IDLE SPEED - 1350 ±50 RPM
- DRIVE SPEED
SLOW - 30-35 MPH (38-45 SEC. @ 20 FT.)
MAXIMUM 3.1 MPH (4.4-6 SEC. @ 20 FT.)
- LIFT SPEED
UP - 40 ± 5 SECONDS DOWN - 52 ± 5 SECONDS
- PROOF LOAD - 3000 LBS.
- RATED LOAD - 2000 LBS./909 KG.
- GRADABILITY 30% MIN.
- CAUTION:
MAKE SURE THAT PUMP IS FILLED WITH HYDRAULIC OIL PRIOR TO OPERATION, OR SERIOUS DAMAGE WILL OCCUR.
- CHECK TIRE PRESSURE (10-16.5 NIS 8 PLY) @ 50 PSI
-
-
- SET PROXIMITY SWITCH TO OPEN LESS THAN 2 FT.
- BLEED AIR OUT OF BRAKES.
- UNLESS OTHERWISE NOTED TORQUE FASTENERS TO UPRIGHT SPEC. #105.

15 SEAL DOCUMENTS IN A PLASTIC BAG.
PLACE BAGGED DOCUMENTS INSIDE MANUAL CASE AND SECURE CASE WITH A TY-WRAP.



Final Assembly, LX31 - Four Wheel Drive, Dual Fuel

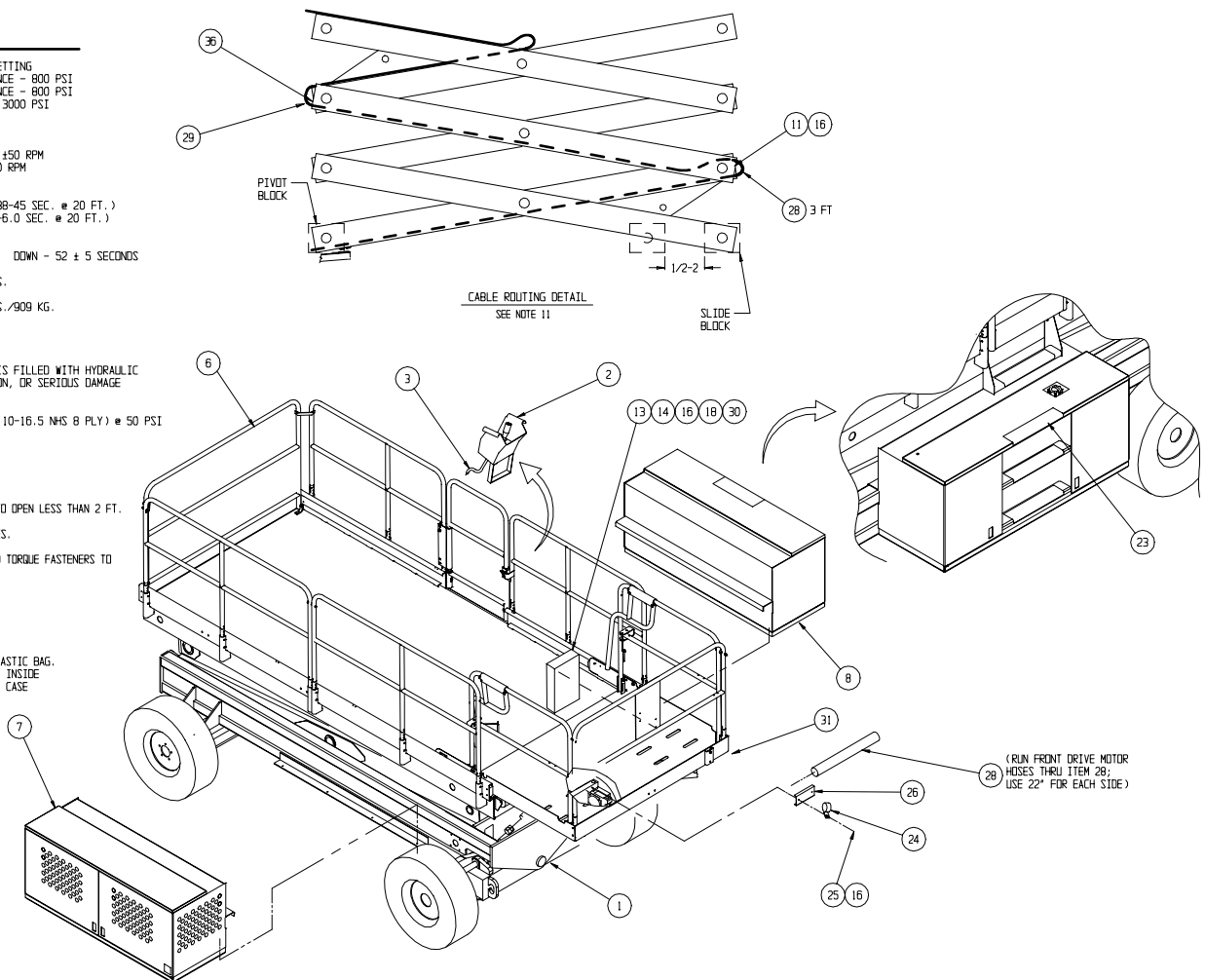
067504-020

ITEM	PART NO.	PART/MATERIAL DESCRIPTION	QTY.	ITEM	PART NO.	PART/MATERIAL DESCRIPTION	QTY.
1	067511-021	BASIC ASSY	1	*18	108041-000	MERCURY SW. INSTALL Serial # 4022-4274	1
2	067528-010	CONTROLLER ASSY	1	*19	108042-002	FINAL ASSY WIRING	1
3	067536-010	CONTROL CABLE ASSY	1	*20	108044-000	UPPER CONTROLLER WIRING	1
*4	108055-002	LABEL-KIT	1	21	060540-001	DOCUMENTATION KIT	1
*5	067533-026	HOSE-KIT	1	22	067904-008	SERVICE MANUAL	1
6	030867-301	GUARDRAIL	1		108049-008	PARTS MANUAL	1
7	067522-011	POWER MODULE ASSEMBLY	1	24	013919-013	CLAMP	4
8	067521-026	CONTROL MODULE ASSEMBLY	1	25	014996-004	WASHER, 1/4 SAE FLAT	8
*9	067534-011	HYDRAULIC SCHEMATIC	REF	26	067699-000	HOSE CLAMP CHANNEL	2
*10	067535-052	ELECTRICAL SCHEMATIC	REF	*27	013283-002	CABLE MOUNT	4
11	020398-012	CLAMP, CUSHIONED, Ø 1 1/2	2	28	067758-000	NYLON HOSE GUARD	8 FT.
14	029945-013	LEVEL SENSOR	1	29	012865-099	WIRE LOOM 3/4 DIA	8 FT
15	011252-006	SCRW, 1/4-20 X 3/4	2	31	067866-017	FRONT ROLL OUT DECK	1
16	011248-004	LOCKNUT, 1/4-20 UNC	4	36	067907-010	POWER TO PLATFORM	1
*17	108040-000	PROXIMITY SW. INSTALL Serial # 4022-4274	1	* Not shown			
*17	108040-010	PROXIMITY SW. INSTALL Serial # 4275-Current	1				

NOTES:

1. HYDRAULIC PRESSURE SETTING
FORWARD COUNTER BALANCE - 800 PSI
REVERSE COUNTER BALANCE - 800 PSI
DRIVE MOTOR RELIEF - 3000 PSI
STEERING - 1500 PSI
2. ENGINE SPEED
FULL THROTTLE - 3400 ±50 RPM
IDLE SPEED - 1350 ±50 RPM
3. DRIVE SPEED
SLOW - 30-35 MPH (38-45 SEC. @ 20 FT.)
MAXIMUM 3.1 MPH (4.4-6.0 SEC. @ 20 FT.)
4. LIFT SPEED
UP - 40 ± 5 SECONDS DOWN - 52 ± 5 SECONDS
5. PROOF LOAD - 3000 LBS.
6. RATED LOAD - 2000 LBS./909 KG.
7. GRADABILITY 35% MIN.
8. CAUTION:
MAKE SURE THAT PUMP IS FILLED WITH HYDRAULIC OIL PRIOR TO OPERATION, OR SERIOUS DAMAGE WILL OCCUR.
9. CHECK TIRE PRESSURE (10-16.5 NMS 8 PLY) @ 50 PSI
- 10.
- 11.
12. SET PROXIMITY SWITCH TO OPEN LESS THAN 2 FT.
13. BLEED AIR OUT OF BRAKES.
14. UNLESS OTHERWISE NOTED TORQUE FASTENERS TO UPRIGHT SPEC. #105.

15. SEAL DOCUMENTS IN A PLASTIC BAG.
PLACE BAGGED DOCUMENTS INSIDE
MANUAL CASE AND SECURE CASE
WITH A TY-WRAP.



Final Assembly, LX31 - Two Wheel Drive, Diesel

067502-020

ITEM	PART NO.	PART/MATERIAL DESCRIPTION	QTY.
1	067510-021	BASIC ASSY	1
2	067528-010	CONTROLLER ASSEMBLY	1
3	067536-010	CONTROL CABLE ASSEMBLY	1
*4	108055-001	LABEL-KIT (DOM)	1
*5	067533-020	HOSE-KIT	1
6	030867-301	GUARDRAIL	1
7	067522-012	POWER MODULE ASSEMBLY	1
8	067521-025	CONTROL MODULE ASSEMBLY	1
*9	067534-010	HYDRAULIC SCHEMATIC	REF
*10	067535-051	ELECTRICAL SCHEMATIC (DOM)	REF
12	029945-013	LEVEL SENSOR	1
13	011252-006	SCRW, 1/4-20 X 3/4	2
14	011248-004	LOCKNUT, 1/4-20 UNC	4
*15	108040-000	PROXIMITY SW. INSTALL Serial # 4022-4274	1

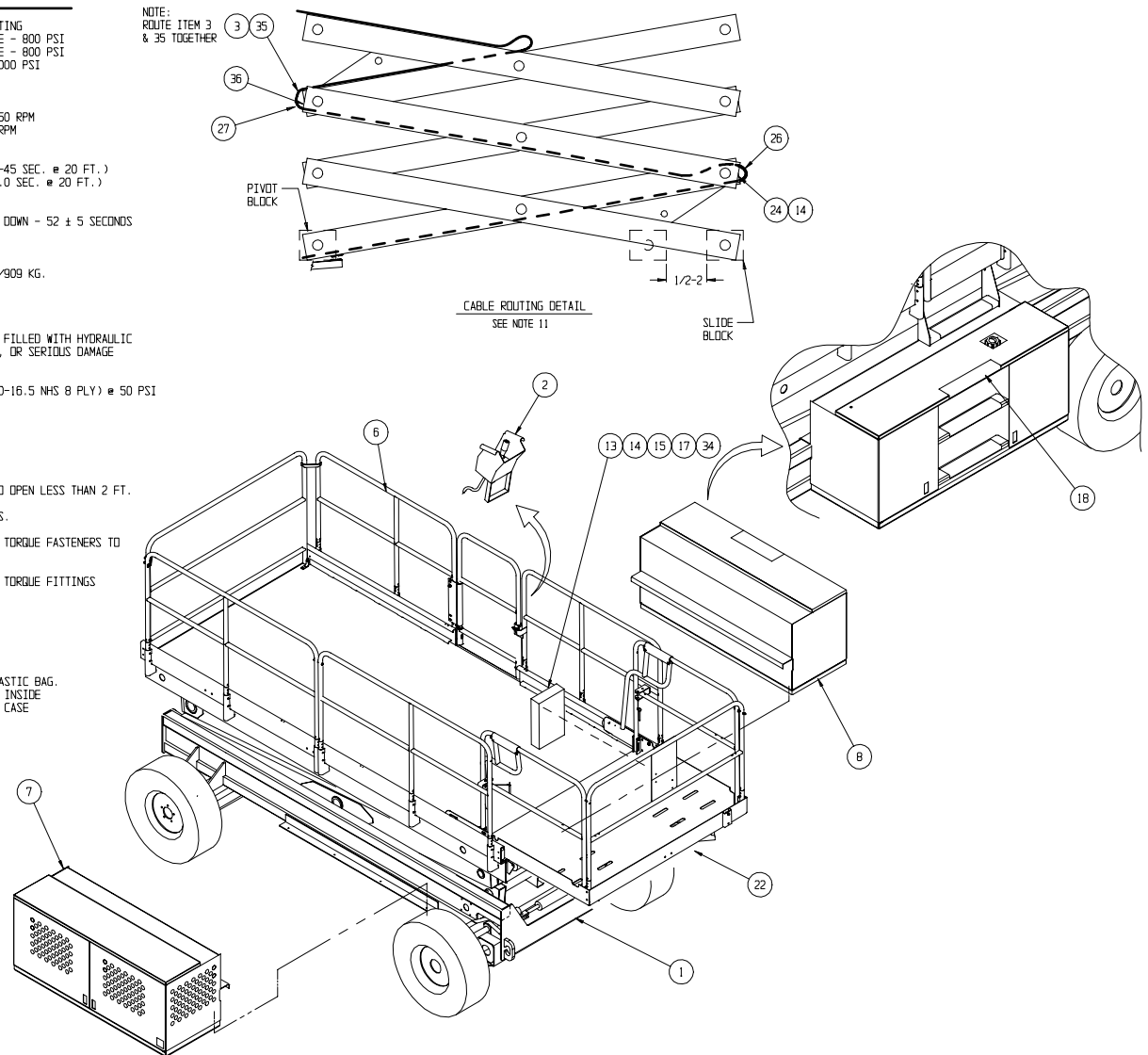
ITEM	PART NO.	PART/MATERIAL DESCRIPTION	QTY.
*15	108040-010	PROXIMITY SW. INSTALL Serial # 4275-Current	1
*17	108041-000	MERCURY SW. INSTALL Serial # 4022-4274	1
20	067904-008	SERVICE MANUAL	1
	108049-008	PARTS MANUAL	1
22	067866-017	FRONT ROLL OUT DECK	1
24	020398-012	CLAMP, CUSHIONED, Ø 1 1/2	2
*25	013283-002	CABLE MOUNT	4
26	067758-099	NYLON HOSE GUARD	4 FT
27	012865-099	WIRE LOOM 3/4 DIA	8 FT
*28	108043-001	FINAL ASSY WIRING (DOM.)	1
*30	108044-000	UPPER CONTROLLER WIRING	1
36	067907-010	POWER TO PLATFORM	1

* Not shown

NOTES:

- HYDRAULIC PRESSURE SETTING
FORWARD COUNTER BALANCE - 800 PSI
REVERSE COUNTER BALANCE - 800 PSI
DRIVE MOTOR RELIEF - 3000 PSI
STEERING - 1500 PSI
- ENGINE SPEED
FULL THROTTLE - 3000 ±50 RPM
IDLE SPEED - 1350 ±50 RPM
- DRIVE SPEED
SLOW - 30-35 MPH (38-45 SEC. @ 20 FT.)
MAXIMUM 3.1 MPH (4.4-6.0 SEC. @ 20 FT.)
- LIFT SPEED
UP - 40 ± 5 SECONDS DOWN - 52 ± 5 SECONDS
- PROOF LOAD - 3000 LBS.
- RATED LOAD - 2000 LBS./909 KG.
- GRADABILITY 30% MIN.
- CAUTION:
MAKE SURE THAT PUMP IS FILLED WITH HYDRAULIC OIL PRIOR TO OPERATION, OR SERIOUS DAMAGE WILL OCCUR.
- CHECK TIRE PRESSURE (10-16.5 NHS 8 PLY) @ 50 PSI
-
-
- SET PROXIMITY SWITCH TO OPEN LESS THAN 2 FT.
- BLEED AIR OUT OF BRAKES.
- UNLESS OTHERWISE NOTED TORQUE FASTENERS TO UPRIGHT SPEC. #105.
- UNLESS OTHERWISE NOTED TORQUE FITTINGS TO UPRIGHT SPEC. #106.

18. SEAL DOCUMENTS IN A PLASTIC BAG.
PLACE BAGGED DOCUMENTS INSIDE
MANUAL CASE AND SECURE CASE
WITH A TY-WRAP.



Final Assembly, LX31 - Four Wheel Drive, Diesel

067505-020

ITEM	PART NO.	PART/MATERIAL DESCRIPTION	QTY.
1	067511-021	BASIC ASSY	1
2	067528-010	CONTROLLER ASSEMBLY	1
3	067536-010	CONTROL CABLE ASSEMBLY	1
*4	108055-003	LABEL-KIT (DOM)	1
*5	067533-026	HOSE-KIT	1
6	030867-301	GUARDRAIL	1
7	067522-013	POWER MODULE ASSEMBLY	1
8	067521-027	CONTROL MODULE ASSEMBLY	1
*9	067534-011	HYDRAULIC SCHEMATIC	REF
*10	067535-053	ELECTRICAL SCHEMATIC (DOM)	REF
14	029945-013	LEVEL SENSOR	1
15	011252-006	SCRW, 1/4-20 X 3/4	2
16	011248-004	LOCKNUT, 1/4-20 UNC	4
*17	108040-000	PROXIMITY SW. INSTALL Serial # 4022-4274	1
*17	108040-010	PROXIMITY SW. INSTALL Serial # 4275-Current	1
*18	108041-000	MERCURY SW. INSTALL Serial # 4022-4274	1

ITEM	PART NO.	PART/MATERIAL DESCRIPTION	QTY.
21	060540-001	DOCUMENTATION KIT	1
22	067904-008	SERVICCE MANUAL	1
	108049-008	PARTS MANUAL	1
23	067866-017	FRONT ROLL OUT DECK	1
24	013919-013	CLAMP	3
25	014996-004	WASHER, 1/4 SAE FLAT	8
26	067699-000	HOSE CLAMP CHANNEL	2
27	013283-002	CABLE MOUNT	4
28	067758-099	NYLON HOSE GUARD	8 FT
29	012865-099	WIRE LOOM 3/4 DIA	8 FT
*30	108043-003	FINAL ASSY WIRING (DOM.)	1
*32	108044-000	UPPER CONTROLLER WIRING	1
37	020398-012	CLAMP, CUSHIONED. Ø 1 1/2	2
39	067907-010	POWER TO PLATFORM	1

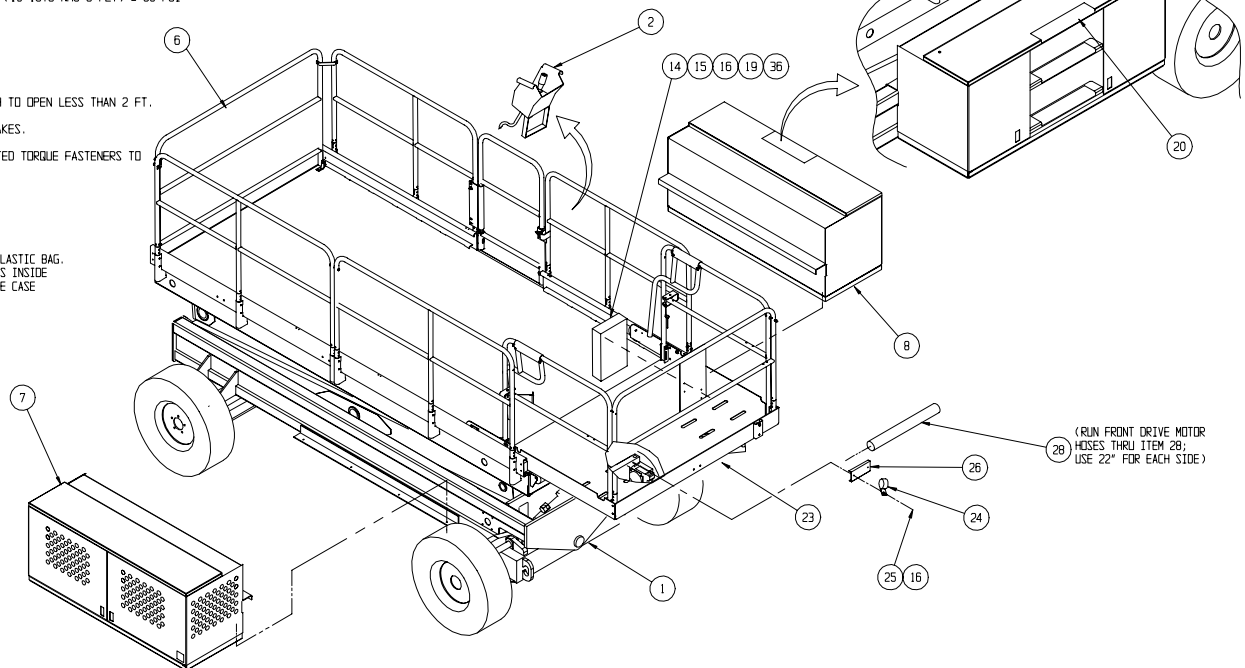
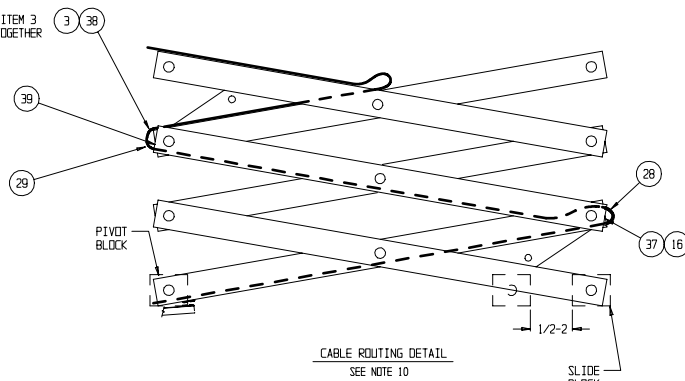
* Not shown

NOTES:

1. HYDRAULIC PRESSURE SETTING
FORWARD COUNTER BALANCE - 600 PSI
REVERSE COUNTER BALANCE - 800 PSI
DRIVE MOTOR RELIEF - 3000 PSI
STEERING - 1500 PSI
2. ENGINE SPEED
FULL THROTTLE - 3000 ±50 RPM
IDLE SPEED - 1350 ±50 RPM
3. DRIVE SPEED
SLOW - .30- .35 MPH (38-45 SEC. @ 20 FT.)
MAXIMUM 3.1 MPH (4.4-6.0 SEC. @ 20 FT.)
4. LIFT SPEED
UP - 40 ± 5 SECONDS DOWN - 52 ± 5 SECONDS
5. PROOF LOAD - 3000 LBS.
6. RATED LOAD - 2000 LBS./909 KG.
7. GRADABILITY 35% MIN.
8. CAUTION:
MAKE SURE THAT PUMP IS FILLED WITH HYDRAULIC OIL PRIOR TO OPERATION, OR SERIOUS DAMAGE WILL OCCUR.
9. CHECK TIRE PRESSURE (10-16.5 NHS 8 PLY) @ 50 PSI
- 10.
- 11.
12. SET PROXIMITY SWITCH TO OPEN LESS THAN 2 FT.
13. BLEED AIR OUT OF BRAKES.
14. UNLESS OTHERWISE NOTED TORQUE FASTENERS TO UPRIGHT SPEC. #105.

15 SEAL DOCUMENTS IN A PLASTIC BAG.
PLACE BAGGED DOCUMENTS INSIDE
MANUAL CASE AND SECURE CASE
WITH A TY-WRAP.

NOTE:
ROUTE ITEM 3
& 38 TOGETHER



Final Assembly, LX41 - Two Wheel Drive, Dual Fuel

067541-020

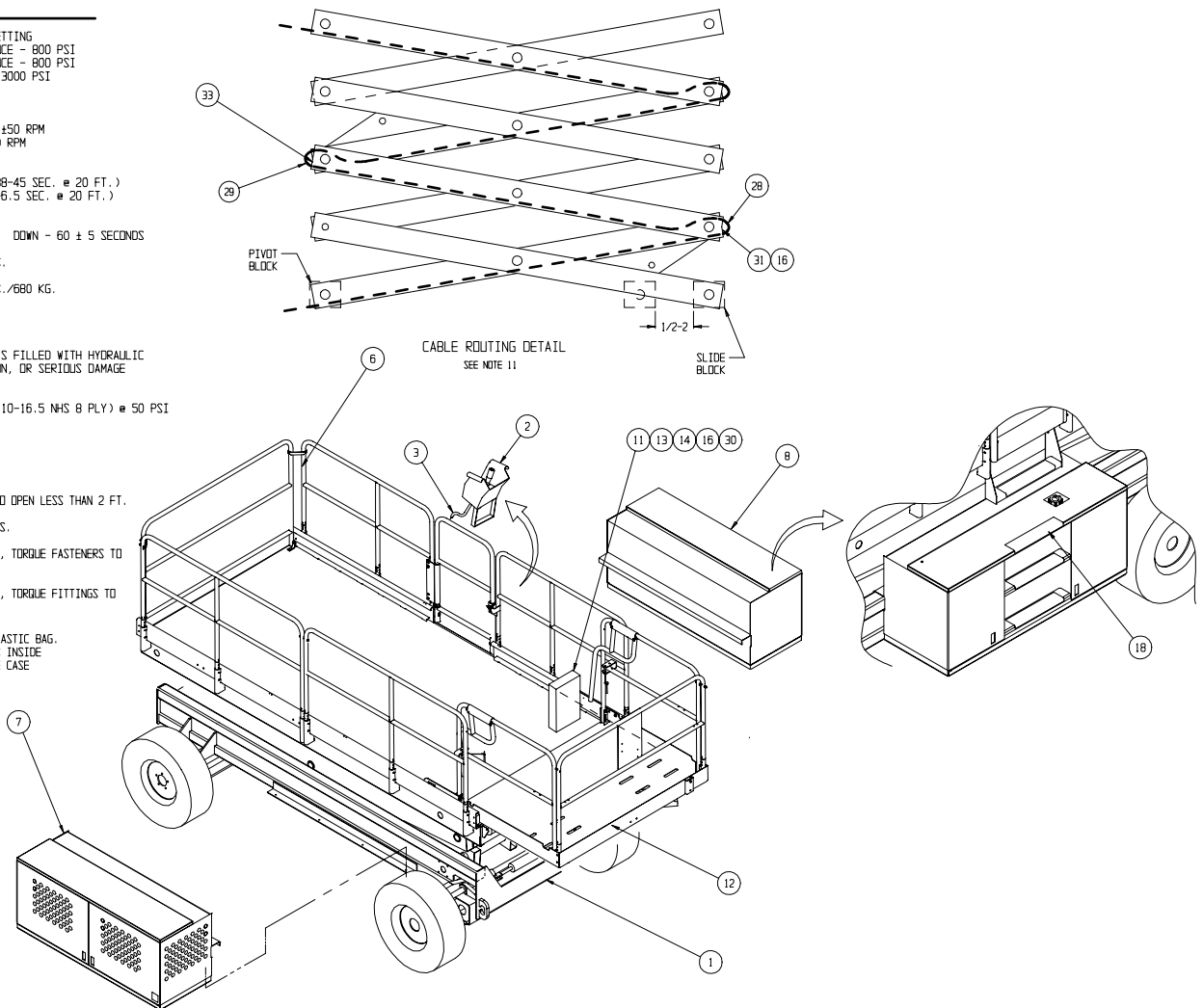
ITEM	PART NO.	PART/MATERIAL DESCRIPTION	QTY.	ITEM	PART NO.	PART/MATERIAL DESCRIPTION	QTY.
1	067512-021	BASIC ASSY	1	*17	108040-010	PROXIMITY SW. INSTALL Serial # 4275-Current	1
2	067528-010	CONTROLLER ASSY	1	*18	108041-000	MERCURY SW. INSTALL Serial # 4022-4274	1
3	067536-011	CONTROL CABLE ASSY	1	*19	108042-003	FINAL ASSY WIRING	1
*4	108055-004	LABEL-KIT	1	*20	108044-000	UPPER CONTROLLER WIRING	1
*5	067533-020	HOSE-KIT	1	21	060540-001	DOCUMENTATION KIT	1
6	030867-301	GUARDRAIL	1	22	067904-008	SERVICE MANUAL	1
7	067522-010	POWER MODULE ASSEMBLY	1		108049-008	PARTS MANUAL	1
8	067521-024	CONTROL MODULE ASSEMBLY	1	25	014996-004	WASHER, 1/4 SAE FLAT	4
9	067534-010	HYDRAULIC SCHEMATIC	REF	*27	013283-002	CABLE MOUNT	4
10	067535-050	ELECTRICAL SCHEMATIC	REF	28	067758-099	NYLON HOSE GUARD	4 FT
12	067866-017	ROLL OUT DECK - FRONT	1	29	012865-099	WIRE LOOM 3/4 DIA	8 FT
14	029945-013	LEVEL SENSOR	1	31	020398-012	CLAMP, CUSHIONED, Ø 1 1/2	2
15	011252-006	SCRW, 1/4-20 X 3/4	2	33	067907-011	POWER TO PLATFORM	1
16	011248-004	LOCKNUT, 1/4-20 UNC	4				
*17	108040-000	PROXIMITY SW. INSTALL Serial # 4022-4274	1				

* Not shown

NOTES:

- HYDRAULIC PRESSURE SETTING
FORWARD COUNTER BALANCE - 800 PSI
REVERSE COUNTER BALANCE - 800 PSI
DRIVE MOTOR RELIEF - 3000 PSI
STEERING - 1500 PSI
- ENGINE SPEED
FULL THROTTLE - 3400 ±50 RPM
IDLE SPEED - 1350 ±50 RPM
- DRIVE SPEED
SLOW - .30-.35 MPH (38-45 SEC. @ 20 FT.)
MAXIMUM 3.1 MPH (4.4-6.5 SEC. @ 20 FT.)
- LIFT SPEED
UP - 45 ± 5 SECONDS DOWN - 60 ± 5 SECONDS
- PROOF LOAD - 2250 LBS.
- RATED LOAD - 1500 LBS./680 KG.
- GRADABILITY 30% MIN.
- CAUTION:
MAKE SURE THAT PUMP IS FILLED WITH HYDRAULIC OIL PRIOR TO OPERATION, OR SERIOUS DAMAGE WILL OCCUR.
- CHECK TIRE PRESSURE (10-16.5 NHS 8 PLY) @ 50 PSI
-
-
- SET PROXIMITY SWITCH TO OPEN LESS THAN 2 FT.
- BLEED AIR OUT OF BRAKES.
- UNLESS OTHERWISE NOTED, TORQUE FASTENERS TO UPRIGHT SPEC. #105.
- UNLESS OTHERWISE NOTED, TORQUE FITTINGS TO UPRIGHT SPEC. #106.

16. SEAL DOCUMENTS IN A PLASTIC BAG. PLACE BAGGED DOCUMENTS INSIDE MANUAL CASE AND SECURE CASE WITH A TY-WRAP.



Final Assembly, LX41 - Four Wheel Drive, Dual Fuel

067544-020

ITEM	PART NO.	PART/MATERIAL DESCRIPTION	QTY.
1	067513-021	BASIC ASSY	1
2	067528-010	CONTROLLER ASSY	1
3	067536-011	CONTROL CABLE ASSY	1
*4	108055-006	LABEL-KIT	1
*5	067533-026	HOSE-KIT	1
6	030867-301	GUARDRAIL	1
7	067522-011	POWER MODULE ASSEMBLY	1
8	067521-026	CONTROL MODULE ASSEMBLY	1
9	067534-011	HYDRAULIC SCHEMATIC	REF
10	067535-052	ELECTRICAL SCHEMATIC	REF
11	020398-012	CLAMP, CUSHIONED, Ø 1 1/2	2
12	067866-017	ROLL OUT DECK - FRONT	1
14	029945-013	LEVEL SENSOR	1
15	011252-006	SCRW, 1/4-20 X 3/4	2
16	011248-004	LOCKNUT, 1/4-20 UNC	4
*17	108040-000	PROXIMITY SW. INSTALL Serial # 4022-4274	1

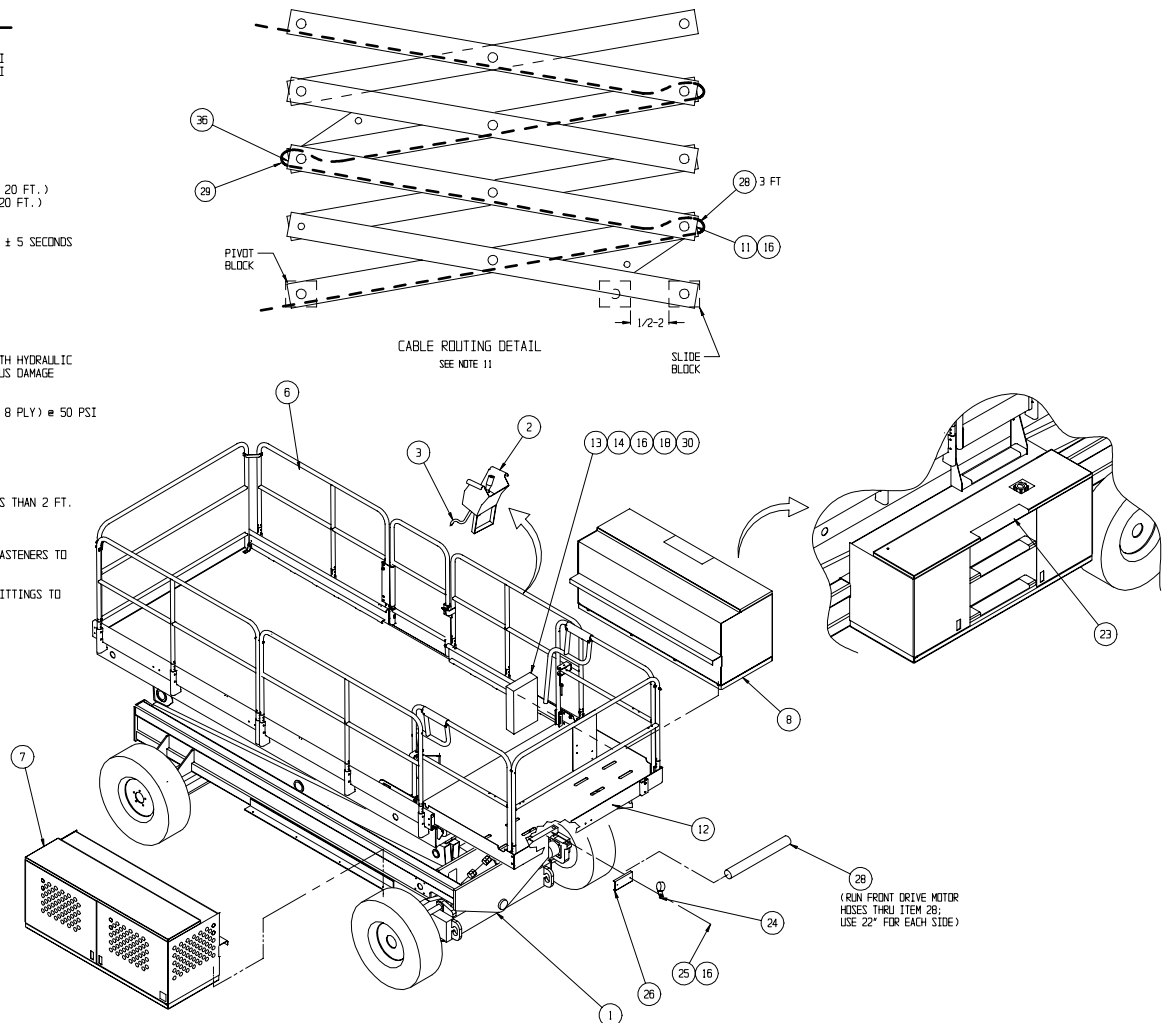
ITEM	PART NO.	PART/MATERIAL DESCRIPTION	QTY.
*17	108040-010	PROXIMITY SW. INSTALL Serial # 4275-Current	1
*18	108041-000	MERCURY SW. INSTALL Serial # 4022-4274	1
*19	108042-004	FINAL ASSY WIRING	1
*20	108044-000	UPPER CONTROLLER WIRING	1
21	060540-001	DOCUMENTATION KIT	1
22	067904-008	SERVICE MANUAL	1
	108049-008	PARTS MANUAL	1
24	013919-013	CLAMP	4
25	014996-004	WASHER, 1/4 SAE FLAT	8
26	067699-000	HOSE CLAMP CHANNEL	2
*27	013283-002	CABLE MOUNT	2
28	067758-099	NYLON HOSE GUARD	8 FT
29	012865-099	WIRE LOOM 3/4 DIA	8 FT
36	067907-011	POWER TO PLATFORM	1

* Not shown

NOTES:

1. HYDRAULIC PRESSURE SETTING
FORWARD COUNTER BALANCE - 800 PSI
REVERSE COUNTER BALANCE - 800 PSI
DRIVE MOTOR RELIEF - 3000 PSI
STEERING - 1500 PSI
2. ENGINE SPEED
FULL THROTTLE - 3400 ±50 RPM
IDLE SPEED - 1350 ±50 RPM
3. DRIVE SPEED
SLOW - .30-.35 MPH (38-45 SEC. @ 20 FT.)
MAXIMUM 3.1 MPH (4.4-6.5 SEC. @ 20 FT.)
4. LIFT SPEED
UP - 45 ± 5 SECONDS DOWN - 60 ± 5 SECONDS
5. PROOF LOAD - 2250 LBS.
6. RATED LOAD - 1500 LBS./909 KG.
7. GRADABILITY 35% MIN.
8. CAUTION:
MAKE SURE THAT PUMP IS FILLED WITH HYDRAULIC OIL PRIOR TO OPERATION, OR SERIOUS DAMAGE WILL OCCUR.
9. CHECK TIRE PRESSURE (10-16.5 NHS 8 PLY) @ 50 PSI
- 10.
- 11.
12. SET PROXIMITY SWITCH TO OPEN LESS THAN 2 FT.
13. BLEED AIR OUT OF BRAKES.
14. UNLESS OTHERWISE NOTED, TORQUE FASTENERS TO UPRIGHT SPEC. #105.
15. UNLESS OTHERWISE NOTED, TORQUE FITTINGS TO UPRIGHT SPEC. #106.

16. SEAL DOCUMENTS IN A PLASTIC BAG.
PLACE BAGGED DOCUMENTS INSIDE
MANUAL CASE AND SECURE CASE
WITH A TY-WRAP.



Final Assembly, LX41 - Two Wheel Drive, Diesel

067542-020

ITEM	PART NO.	PART/MATERIAL DESCRIPTION	QTY.
1	067512-021	BASIC ASSY	1
2	067528-010	CONTROLLER ASSEMBLY	1
3	067536-011	CONTROL CABLE ASSEMBLY	1
*4	108055-005	LABEL-KIT (DOM)	1
*5	067533-020	HOSE-KIT	1
6	030867-301	GUARDRAIL	1
7	067522-012	POWER MODULE ASSEMBLY	1
8	067521-025	CONTROL MODULE ASSEMBLY	1
9	067535-070	067534-010	9
*9	067534-010	HYDRAULIC SCHEMATIC	REF
*10	067535-051	ELECTRICAL SCHEMATIC (DOM)	REF
12	029945-013	LEVEL SENSOR	1
13	011252-006	SCRW, 1/4-20 X 3/4	2
14	011248-004	LOCKNUT, 1/4-20 UNC	3
*15	108040-000	PROXIMITY SW. INSTALL Serial # 4022-4274	1
*15	108040-010	PROXIMITY SW. INSTALL Serial # 4275-Current	1

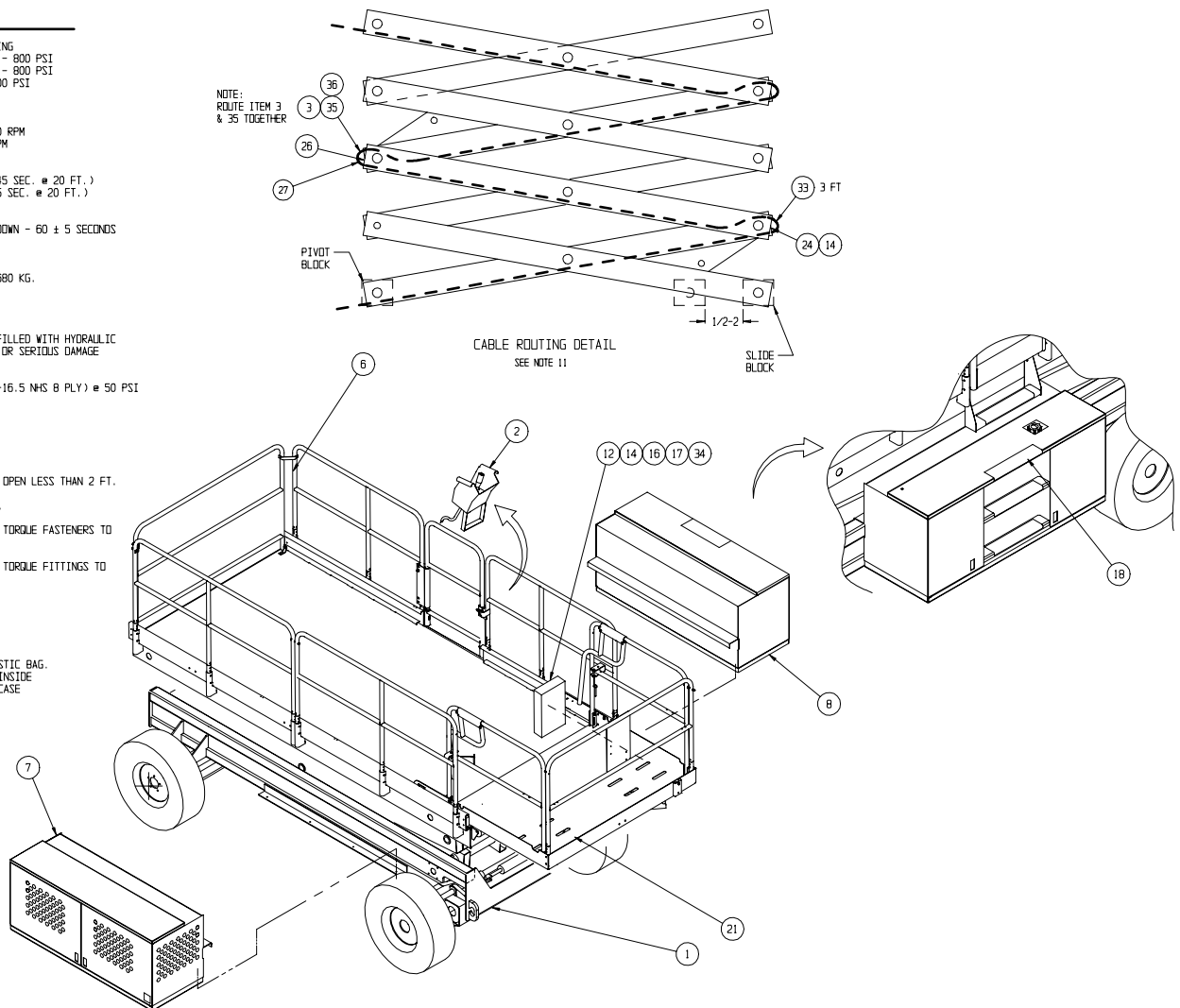
ITEM	PART NO.	PART/MATERIAL DESCRIPTION	QTY.
*17	108041-000	MERCURY SW. INSTALL Serial # 4022-4274	1
19	060540-001	DOCUMENTATION KIT	1
20	067904-008	SERVICE MANUAL	1
	108049-008	PARTS MANUAL	1
21	067866-017	ROLL OUT DECK EXTENSION - FRONT	1
23	014996-004	WASHER, 1/4 SAE FLAT	4
24	020398-012	CLAMP, CUSHIONED, Ø 1 1/2	2
*25	013283-002	CABLE MOUNT	2
27	012865-099	WIRE LOOM 3/4 DIA	8 FT
*28	108043-005	FINAL ASSY WIRING (DOM.)	1
*30	108044-000	UPPER CONTROLLER WIRING	1
33	067758-099	NYLON HOSE GUARD	4 FT
36	067907-011	POWER TO PLATFORM	1

* Not shown

NOTES:

- HYDRAULIC PRESSURE SETTING
FORWARD COUNTER BALANCE - 800 PSI
REVERSE COUNTER BALANCE - 800 PSI
DRIVE MOTOR RELIEF - 3000 PSI
STEERING - 1500 PSI
- ENGINE SPEED
FULL THROTTLE - 3000 ±50 RPM
IDLE SPEED - 1350 ±50 RPM
- DRIVE SPEED
SLOW - .30-.35 MPH (38-45 SEC. @ 20 FT.)
MAXIMUM 3.1 MPH (4.4-6.5 SEC. @ 20 FT.)
- LIFT SPEED
UP - 45 ± 5 SECONDS DOWN - 60 ± 5 SECONDS
- PROOF LOAD - 2250 LBS.
- RATED LOAD - 1500 LBS./680 KG.
- GRADABILITY 30% MIN.
- CAUTION:
MAKE SURE THAT PUMP IS FILLED WITH HYDRAULIC OIL PRIOR TO OPERATION, OR SERIOUS DAMAGE WILL OCCUR.
- CHECK TIRE PRESSURE (10-16.5 NHS 8 PLY) @ 50 PSI
-
-
- SET PROXIMITY SWITCH TO OPEN LESS THAN 2 FT.
- BLEED AIR OUT OF BRAKES.
- UNLESS OTHERWISE NOTED, TORQUE FASTENERS TO UPRIGHT SPEC. #105.
- UNLESS OTHERWISE NOTED, TORQUE FITTINGS TO UPRIGHT SPEC. #106.

16. SEAL DOCUMENTS IN A PLASTIC BAG.
PLACE BAGGED DOCUMENTS INSIDE
MANUAL CASE AND SECURE CASE
WITH A TY-WRAP.



Final Assembly, LX41 - Four Wheel Drive, Diesel

067545-020

ITEM	PART NO.	PART/MATERIAL DESCRIPTION	QTY.
1	067513-021	BASIC ASSY	1
2	067528-010	CONTROLLER ASSEMBLY	1
3	067536-011	CONTROL CABLE ASSEMBLY	1
*4	108055-007	LABEL-KIT (DOM)	1
*5	067533-026	HOSE-KIT	1
6	030867-301	GUARDRAIL	1
7	067522-013	POWER MODULE ASSEMBLY	1
8	067521-027	CONTROL MODULE ASSEMBLY	1
*9	067534-011	HYDRAULIC SCHEMATIC	REF
*10	067535-053	ELECTRICAL SCHEMATIC (DOM)	REF
11	020398-012	CLAMP, CUSHIONED, Ø 1 1/2	2
12	067866-017	ROLL OUT DECK - FRONT	1
14	029945-013	LEVEL SENSOR	1
15	011252-006	SCREW, 1/4-20 X 3/4	2
16	011248-004	LOCKNUT, 1/4-20 UNC	4
*17	108040-000	PROXIMITY SW. INSTALL Serial # 4022-4274	1

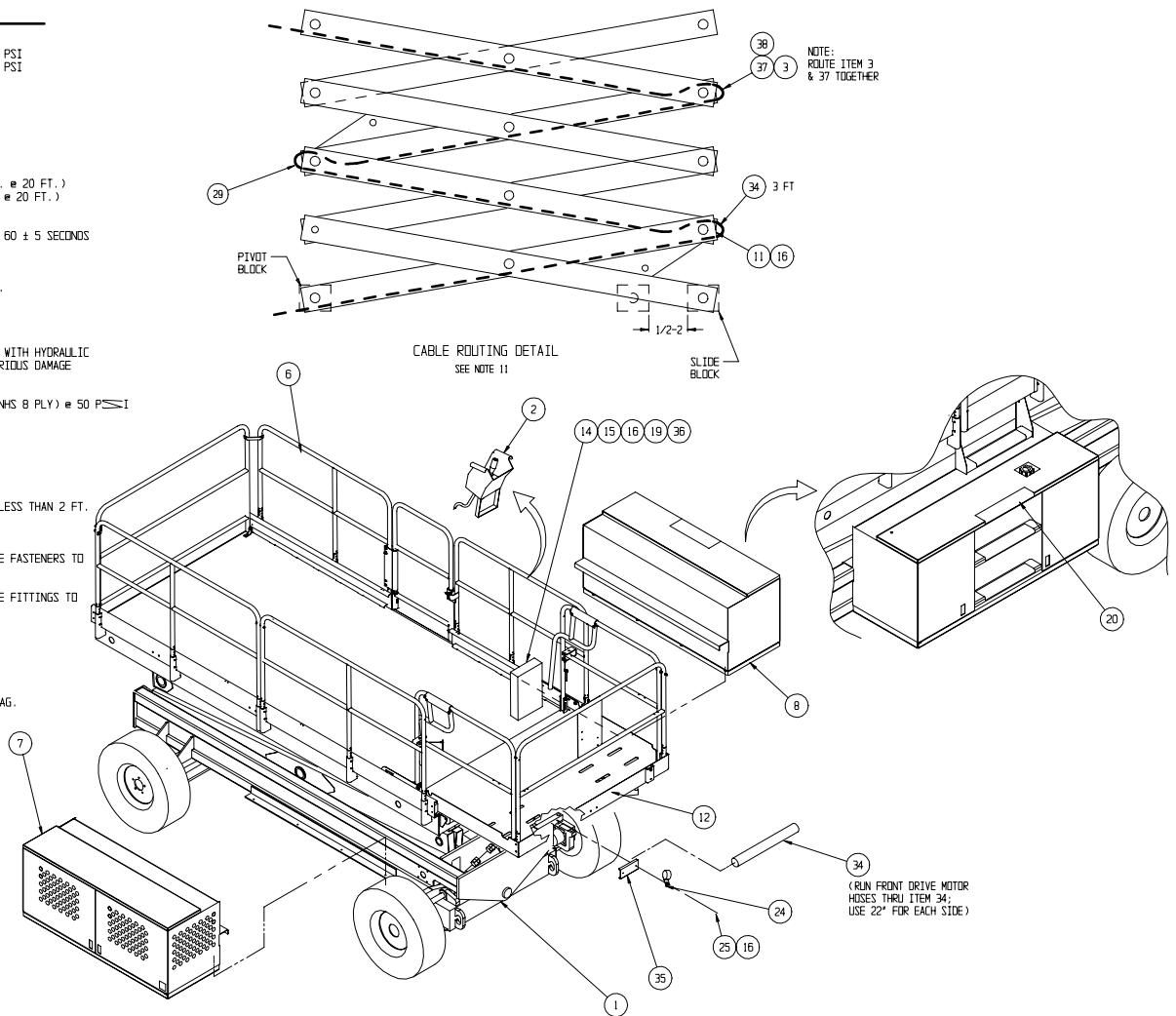
ITEM	PART NO.	PART/MATERIAL DESCRIPTION	QTY.
*17	108040-010	PROXIMITY SW. INSTALL Serial # 4275-Current	1
*18	108041-000	MERCURY SW. INSTALL Serial # 4022-4274	1
21	060540-001	DOCUMENTATION KIT	1
22	067904-008	SERVICE MANUAL	1
	108049-008	PARTS MANUAL	1
24	013919-013	CLAMP	3
25	014996-004	WASHER, 1/4 SAE FLAT	8
*26	013283-002	CABLE MOUNT	4
29	012865-099	WIRE LOOM 3/4 DIA	8
*30	108043-007	FINAL ASSY WIRING (DOM.)	1
*32	108044-000	UPPER CONTROLLER WIRING	1
34	067758-099	NYLON HOSE GUARD	8 FT
35	067699-000	HOSE CLAMP CHANNEL	2
38	067907-011	POWER TO PLATFORM	1

* Not shown

NOTES:

- HYDRAULIC PRESSURE SETTING
FORWARD COUNTER BALANCE - 800 PSI
REVERSE COUNTER BALANCE - 800 PSI
DRIVE MOTOR RELIEF - 3000 PSI
STEERING - 1500 PSI
- ENGINE SPEED
FULL THROTTLE - 3000 ±50 RPM
IDLE SPEED - 1350 ±50 RPM
- DRIVE SPEED
SLOW - .30-.35 MPH (38-45 SEC. @ 20 FT.)
MAXIMUM 3.1 MPH (4.4-6.5 SEC. @ 20 FT.)
- LIFT SPEED
UP - 45 ± 5 SECONDS DOWN - 60 ± 5 SECONDS
- PROOF LOAD - 2250 LBS.
- RATED LOAD - 1500 LBS./680 KG.
- GRADABILITY 35% MIN.
- CAUTION:
MAKE SURE THAT PUMP IS FILLED WITH HYDRAULIC OIL PRIOR TO OPERATION, OR SERIOUS DAMAGE WILL OCCUR.
- CHECK TIRE PRESSURE (10-16.5 NHS 8 PLY) @ 50 PSI
-
-
- SET PROXIMITY SWITCH TO OPEN LESS THAN 2 FT.
- BLEED AIR OUT OF BRAKES.
- UNLESS OTHERWISE NOTED, TORQUE FASTENERS TO UPRIGHT SPEC. #105.
- UNLESS OTHERWISE NOTED, TORQUE FITTINGS TO UPRIGHT SPEC. #106.

SEAL DOCUMENTS IN A PLASTIC BAG.
PLACE BAGGED DOCUMENTS INSIDE
MANUAL CASE AND SECURE CASE
WITH A TY-WRAP.



Final Assembly, LX50 - Two Wheel Drive, Dual Fuel

067546-020

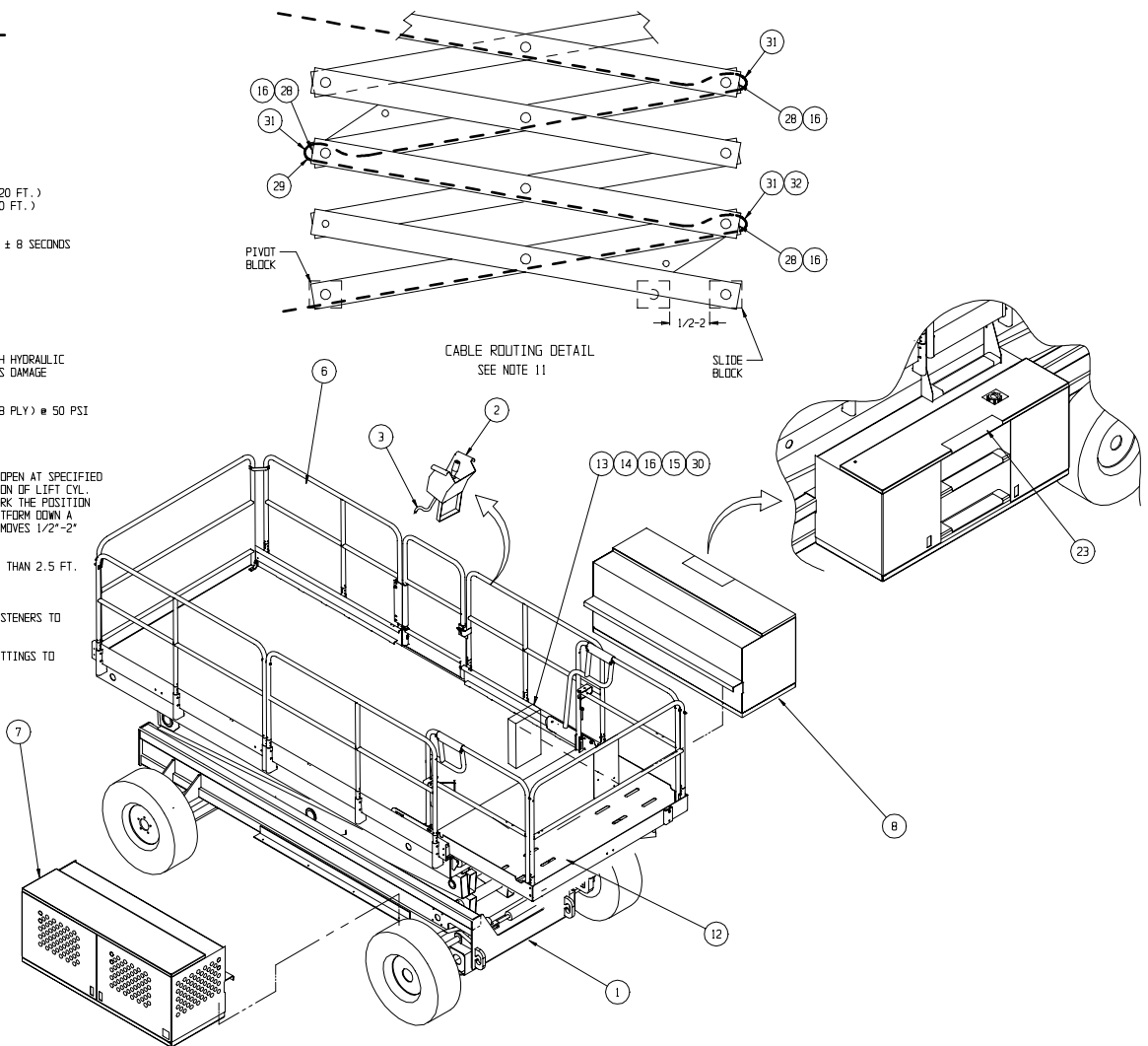
ITEM	PART NO.	PART/MATERIAL DESCRIPTION	QTY.
1	067508-021	BASIC ASSY	1
2	067528-010	CONTROLLER ASSY	1
3	067536-012	CONTROL CABLE ASSY	1
*4	108055-008	LABEL-KIT	1
*5	067533-022	HOSE-KIT	1
6	030867-301	GUARDRAIL	1
7	067522-010	POWER MODULE ASSEMBLY	1
8	067521-028	CONTROL MODULE ASSEMBLY	1
*9	067534-014	HYDRAULIC SCHEMATIC	REF
*10	067535-054	ELECTRICAL SCHEMATIC	REF
12	067866-017	ROLL OUT DECK - FRONT	1
14	029945-013	LEVEL SENSOR	1
15	011252-006	SCRW, 1/4-20 X 3/4	2
16	011248-004	LOCKNUT, 1/4-20 UNC	6
*17	108040-000	PROXIMITY SW. INSTALL Serial # 4022-4274	1

ITEM	PART NO.	PART/MATERIAL DESCRIPTION	QTY.
*17	108040-010	PROXIMITY SW. INSTALL Serial # 4275-Current	1
*18	108041-000	MERCURY SW. INSTALL Serial # 4022-4274	1
*18	108041-010	MERCURY SW. INSTALL Serial # 4275-Current	1
*19	108042-005	FINAL ASSY WIRING	1
*20	108044-000	UPPER CONTROLLER WIRING	1
21	060540-001	DOCUMENTATION KIT	1
22	067904-008	SERVICE MANUAL	1
	018049-008	PARTS MANUAL	1
25	014996-004	WASHER, 1/4 SAE FLAT	4
*27	013283-002	CABLE MOUNT	4
28	020398-012	CLAMP, CUSHIONED, Ø 1 1/2	4
29	012865-099	WIRE LOOM 3/4 DIA	8 FT
31	067758-099	NYLON HOSE GUARD	15 FT
32	067907-012	POWER TO PLATFORM	1

* Not shown

NOTES:

- HYDRAULIC PRESSURE SETTING
FORWARD COUNTER BALANCE - 800 PSI
REVERSE COUNTER BALANCE - 800 PSI
DRIVE MOTOR RELIEF - 3000 PSI
STEERING - 1500 PSI
 - ENGINE SPEED
FULL THROTTLE - 3400 ±50 RPM
IDLE SPEED - 1350 ±50 RPM
 - DRIVE SPEED
SLOW - 30-35 MPH (38-45 SEC. @ 20 FT.)
MAXIMUM 3.1 MPH (4.4-6.5 SEC. @ 20 FT.)
 - LIFT SPEED
UP - 80 ± 8 SECONDS DOWN - 112 ± 8 SECONDS
 - PROOF LOAD - 1500 LBS.
 - RATED LOAD - 1000 LBS./455 KG.
 - GRADABILITY 24% MIN.
 - CAUTION:
MAKE SURE THAT PUMP IS FILLED WITH HYDRAULIC OIL PRIOR TO OPERATION, OR SERIOUS DAMAGE WILL OCCUR.
 - CHECK TIRE PRESSURE (10-16.5 NHS @ PLY) @ 50 PSI
 -
 - SET MERCURY SWITCH (UP LIMIT) TO OPEN AT SPECIFIED DIMENSION TO PREVENT FULL EXTENSION OF LIFT CYL. RAISE PLATFORM ALL THE WAY UP, MARK THE POSITION OF THE SLIDE BLOCK, LOWER THE PLATFORM DOWN A DISTANCE SO THAT THE SLIDE BLOCK MOVES 1/2"-2" FROM THE MARKED POSITION.
 - SET PROXIMITY SWITCH TO OPEN LESS THAN 2.5 FT.
 - BLEED AIR OUT OF BRAKES.
 - UNLESS OTHERWISE NOTED, TORQUE FASTENERS TO UPRIGHT SPEC. #105.
 - UNLESS OTHERWISE NOTED, TORQUE FITTINGS TO UPRIGHT SPEC. #106.
16. SEAL DOCUMENTS IN A PLASTIC BAG. PLACE BAGGED DOCUMENTS INSIDE MANUAL CASE AND SECURE CASE WITH A TY-WRAP.



Final Assembly, LX50 - Four Wheel Drive, Dual Fuel

067548-020

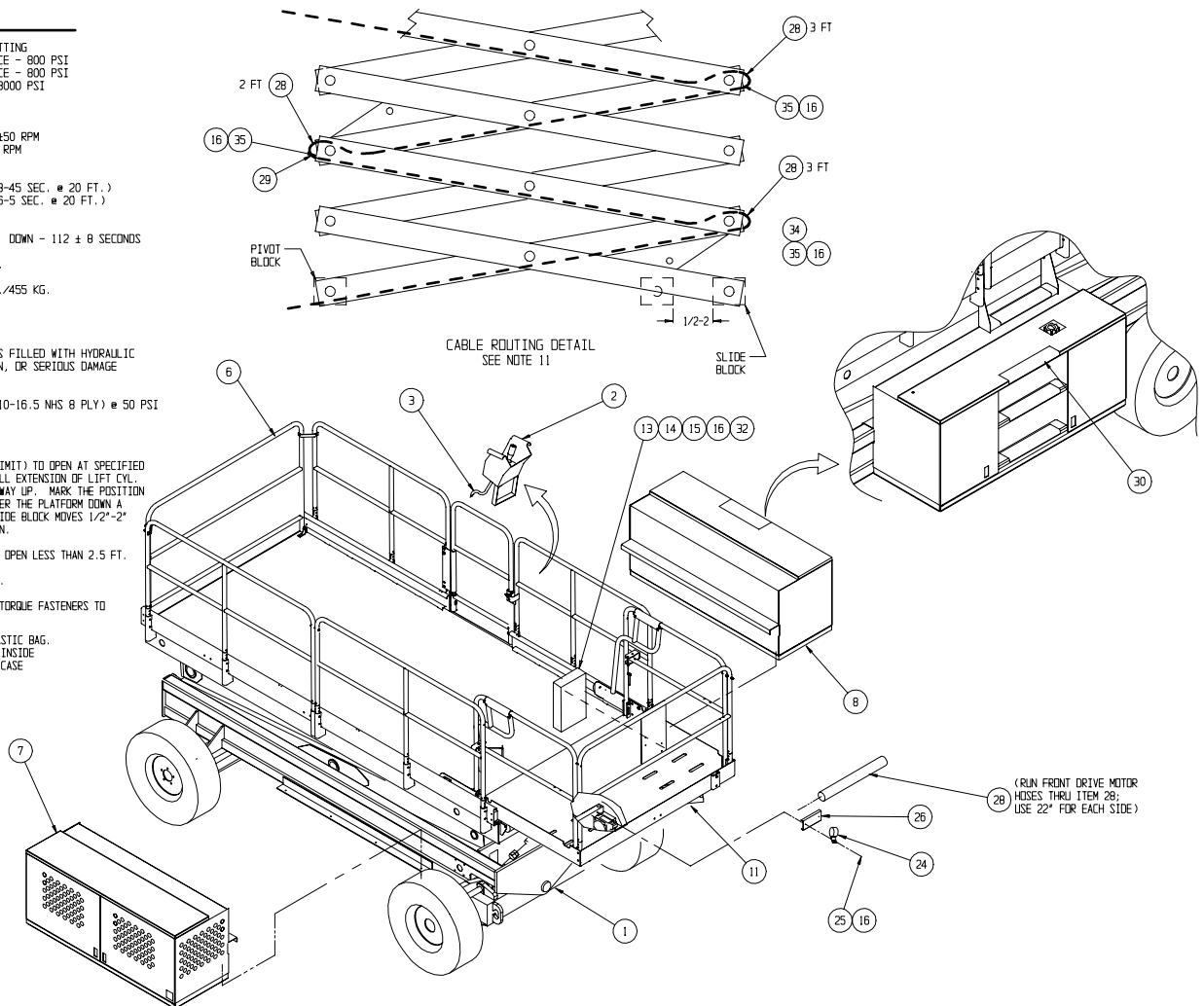
ITEM	PART NO.	PART/MATERIAL DESCRIPTION	QTY.
1	067509-021	BASIC ASSY	1
2	067528-010	CONTROLLER ASSY	1
3	067536-012	CONTROL CABLE ASSY	1
*4	108055-010	LABEL-KIT	1
*5	067533-027	HOSE-KIT	1
6	030867-301	GUARDRAIL	1
7	067522-011	POWER MODULE ASSEMBLY	1
8	067521-030	CONTROL MODULE ASSEMBLY	1
*9	067534-015	HYDRAULIC SCHEMATIC	REF
*10	067535-056	ELECTRICAL SCHEMATIC	REF
11	067866-017	FRONT ROLL OUT DECK	1
14	029945-013	LEVEL SENSOR	1
15	011252-006	SCRW, 1/4-20 X 3/4	2
16	011248-004	LOCKNUT, 1/4-20 UNC	6
*17	108040-000	PROXIMITY SW. INSTALL Serial # 4022-4274	1
*17	108040-010	PROXIMITY SW. INSTALL Serial # 4275-Current	1

ITEM	PART NO.	PART/MATERIAL DESCRIPTION	QTY.
*18	108041-000	MERCURY SW. INSTALL Serial # 4022-4274	1
*18	108041-010	MERCURY SW. INSTALL Serial # 4275-Current	1
*19	108042-006	FINAL ASSY WIRING	1
*20	108044-000	UPPER CONTROLLER WIRING	1
21	060540-001	DOCUMENTATION KIT	1
22	067904-008	SERVICE MANUAL	1
	108049-008	PARTS MANUAL	1
24	013919-013	CLAMP	3
25	014996-004	WASHER, 1/4 SAE FLAT	8
26	067699-000	HOSE CLAMP CHANNEL	2
*27	013283-002	CABLE MOUNT	4
28	067758-099	NYLON HOSE GUARD	19 FT
29	012865-099	WIRE LOOM 3/4 DIA	8 FT
34	067907-012	POWER TO PLATFORM	1
35	020398-012	CLAMP, CUSHIONED, Ø 1 1/2	4

* Not shown

NOTES:

- HYDRAULIC PRESSURE SETTING
FORWARD COUNTER BALANCE - 800 PSI
REVERSE COUNTER BALANCE - 800 PSI
DRIVE MOTOR RELIEF - 3000 PSI
STEERING - 1500 PSI
- ENGINE SPEED
FULL THROTTLE - 3400 ±50 RPM
IDLE SPEED - 1350 ±50 RPM
- DRIVE SPEED
SLOW - .30-.35 MPH (38-45 SEC. @ 20 FT.)
MAXIMUM-3.1 MPH (4.4-6-5 SEC. @ 20 FT.)
- LIFT SPEED
UP - 80 ± 8 SECONDS DOWN - 112 ± 8 SECONDS
- PROOF LOAD - 1500 LBS.
- RATED LOAD - 1000 LBS./455 KG.
- GRADABILITY 24% MIN.
- CAUTION:
MAKE SURE THAT PUMP IS FILLED WITH HYDRAULIC OIL PRIOR TO OPERATION, OR SERIOUS DAMAGE WILL OCCUR.
- CHECK TIRE PRESSURE (10-16.5 NHS 8 PLY) @ 50 PSI
-
- SET MERCURY SWITCH (UP LIMIT) TO OPEN AT SPECIFIED DIMENSION TO PREVENT FULL EXTENSION OF LIFT CYL. RAISE PLATFORM ALL THE WAY UP. MARK THE POSITION OF THE SLIDE BLOCK, LOWER THE PLATFORM DOWN A DISTANCE SO THAT THE SLIDE BLOCK MOVES 1/2"-2" FROM THE MARKED POSITION.
- SET PROXIMITY SWITCH TO OPEN LESS THAN 2.5 FT.
- BLEED AIR OUT OF BRAKES.
- UNLESS OTHERWISE NOTED TORQUE FASTENERS TO UPRIGHT SPEC. #105.
- SEAL DOCUMENTS IN A PLASTIC BAG. PLACE BAGGED DOCUMENTS INSIDE MANUAL CASE AND SECURE CASE WITH A TY-WRAP.



Final Assembly, LX50 - Two Wheel Drive, Diesel

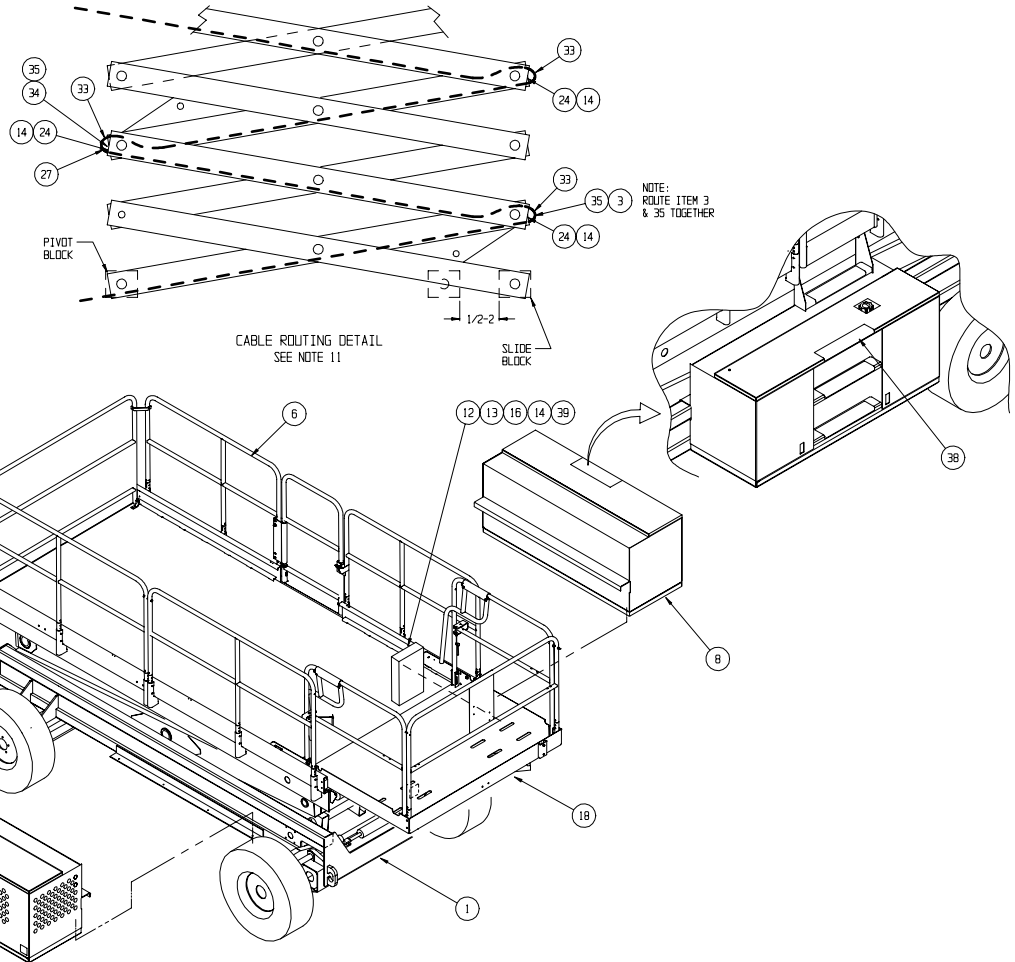
067547-020

ITEM	PART NO.	PART/MATERIAL DESCRIPTION	QTY.	ITEM	PART NO.	PART/MATERIAL DESCRIPTION	QTY.
1	067508-021	BASIC ASSY	1	*15	108040-010	PROXIMITY SW. INSTALL Serial # 4275-Current	1
2	067528-010	CONTROLLER ASSEMBLY	1	*17	108041-000	MERCURY SW. INSTALL Serial # 4022-4274	1
3	067536-012	CONTROL CABLE ASSEMBLY	1	18	067866-001	FRONT ROLL OUT DECK	1
*4	108055-009	LABEL-KIT (DOM)	1	23	014996-004	WASHER, 1/4 SAE FLAT	4
*5	067533-022	HOSE-KIT	1	24	020398-012	CLAMP, CUSHIONED, Ø 1 1/2	4
6	030867-301	GUARDRAIL	1	*25	013283-002	CABLE MOUNT	4
7	067522-012	POWER MODULE ASSEMBLY	1	27	012865-099	WIRE LOOM 3/4 DIA	8
8	067521-029	CONTROL MODULE ASSEMBLY	1	*28	108043-009	FINAL ASSY WIRING (DOM.)	1
9	067534-014	HYDRAULIC SCHEMATIC	REF	*30	108044-000	UPPER CONTROLLER WIRING	1
10	067535-055	ELECTRICAL SCHEMATIC	REF	33	067758-099	NYLON HOSE GUARD	15 FT
12	029945-013	LEVEL SENSOR	1	34	067907-012	POWER TO PLATFORM	1
13	011252-006	SCRW, 1/4-20 X 3/4	2				
14	011248-004	LOCKNUT, 1/4-20 UNC	6				
*15	108040-000	PROXIMITY SW. INSTALL Serial # 4022-4274	1				

* Not shown

NOTES:

- HYDRAULIC PRESSURE SETTING
FORWARD COUNTER BALANCE - 800 PSI
REVERSE COUNTER BALANCE - 800 PSI
DRIVE MOTOR RELIEF - 3000 PSI
STEERING - 1500 PSI
- ENGINE SPEED
FULL THROTTLE - 3000 ±50 RPM
IDLE SPEED - 1350 ±50 RPM
- DRIVE SPEED
SLOW - .30-.35 MPH (38-45 SEC. @ 20 FT.)
MAXIMUM 3.1 MPH (4.4-6.5 SEC. @ 20 FT.)
- LIFT SPEED
UP - 60 ± 8 SECONDS DOWN - 112 ± 8 SECONDS
- PROOF LOAD - 1500 LBS.
- RATED LOAD - 1000 LBS./455 KG.
- GRADABILITY 24% MIN.
- CAUTION:
MAKE SURE THAT PUMP IS FILLED WITH HYDRAULIC OIL PRIOR TO OPERATION, OR SERIOUS DAMAGE WILL OCCUR.
- CHECK TIRE PRESSURE (10-16.5 NMS Ø PLY) @ 50 PSI
-
- SET MERCURY SWITCH (UP-LIMIT) TO OPEN DIMENSION TO PREVENT FULL EXTENSION OF LIFT CYL. RAISE PLATFORM ALL THE WAY UP, MARK THE POSITION OF THE SLIDE BLOCK, LOWER THE PLATFORM DOWN A DISTANCE SO THAT THE SLIDE BLOCK MOVES 1/2"-2" FROM THE MARKED POSITION.
- SET PROXIMITY SWITCH TO OPEN LESS THAN 2.5 FT.
- BLEED AIR OUT OF BRAKES.
- UNLESS OTHERWISE NOTED TORQUE FASTENERS TO UPRIGHT SPEC. #105.
- SEAL DOCUMENTS IN A PLASTIC BAG.
PLACE BAGGED DOCUMENTS INSIDE MANUAL CASE AND SECURE CASE WITH A TY-WRAP.



Final Assembly, LX50 - Four Wheel Drive, Diesel

067549-020

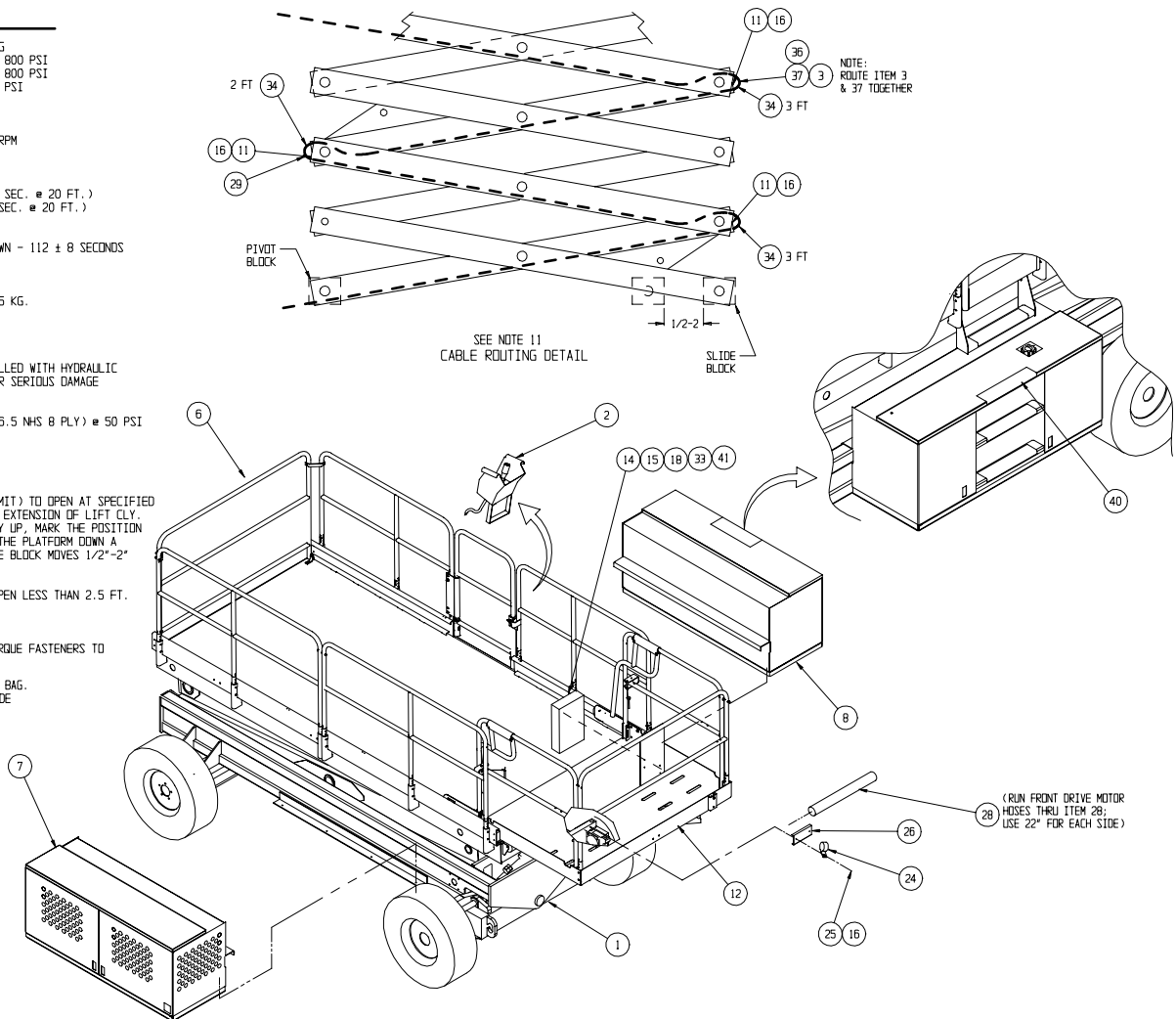
ITEM	PART NO.	PART/MATERIAL DESCRIPTION	QTY
1	067509-021	BASIC ASSY	1
2	067528-010	CONTROLLER ASSEMBLY	1
3	067536-012	CONTROL CABLE ASSEMBLY	1
*4	108055-011	LABEL-KIT (DOM)	1
*5	067533-027	HOSE-KIT	1
6	030867-301	GUARDRAIL	1
7	067522-013	POWER MODULE ASSEMBLY	1
9	067534-017	HYDRAULIC SCHEMATIC	REF
10	067535-057	ELECTRICAL SCHEMATIC (DOM)	REF
11	020398-012	CLAMP, CUSHIONED, Ø 1 1/2	4
12	067866-017	FRONT ROLL OUT DECK	1
14	029945-013	LEVEL SENSOR	1
15	011252-006	SCRW, 1/4-20 X 3/4	2
16	011248-004	LOCKNUT, 1/4-20 UNC	6
*17	108040-000	PROXIMITY SW. INSTALL Serial # 4022-4274	1
*17	108040-010	PROXIMITY SW. INSTALL Serial # 4275-Current	1

ITEM	PART NO.	PART/MATERIAL DESCRIPTION	QTY
*18	108041-000	MERCURY SW. INSTALL Serial # 4022-4274	1
21	060540-001	DOCUMENTATION KIT	1
22	067904-008	SERVICE ALARM	1
	108049-008	PARTS MANUAL	1
24	013919-013	CLAMP	3
25	014996-004	WASHER, 1/4 SAE FLAT	8
*26	013283-002	CABLE MOUNT	4
29	012865-099	WIRE LOOM 3/4 DIA	8 FT
*30	108043-011	FINAL ASSY WIRING (DOM.)	1
*32	108044-000	UPPER CONTROLLER WIRING	1
34	067758-099	NYLON HOSE GUARD	19 FT
35	067699-000	HOSE CLAMP CHANNEL	2
36	067907-012	POWER TO PLATFORM	1

* Not shown

NOTES:

- HYDRAULIC PRESSURE SETTING
FORWARD COUNTER BALANCE - 800 PSI
REVERSE COUNTER BALANCE - 800 PSI
DRIVE MOTOR RELIEF - 3000 PSI
STEERING - 1500 PSI
- ENGINE SPEED
FULL THROTTLE - 3000 ±50 RPM
IDLE SPEED - 1350 ±50 RPM
- DRIVE SPEED
SLOW - .30-.35 MPH (38-45 SEC. @ 20 FT.)
MAXIMUM 3.1 MPH (4.4-6.5 SEC. @ 20 FT.)
- LIFT SPEED
UP - 80 ± 8 SECONDS DOWN - 112 ± 8 SECONDS
- PROOF LOAD - 1500 LBS.
- RATED LOAD - 1000 LBS./455 KG.
- GRADABILITY 24% MIN.
- CAUTION:
MAKE SURE THAT PUMP IS FILLED WITH HYDRAULIC OIL PRIOR TO OPERATION, OR SERIOUS DAMAGE WILL OCCUR.
- CHECK TIRE PRESSURE (10-16.5 NHS 8 PLY) @ 50 PSI
-
- SET MERCURY SWITCH (UP LIMIT) TO OPEN AT SPECIFIED DIMENSION TO PREVENT FULL EXTENSION OF LIFT CLY. RAISE PLATFORM ALL THE WAY UP, MARK THE POSITION OF THE SLIDE BLOCK LOWER THE PLATFORM DOWN A DISTANCE SO THAT THE SLIDE BLOCK MOVES 1/2"-2" FROM THE MARKED POSITION.
- SET PROXIMITY SWITCH TO OPEN LESS THAN 2.5 FT.
- BLEED AIR OUT OF BRAKES.
- UNLESS OTHERWISE NOTED TORQUE FASTENERS TO UPRIGHT SPEC. #105.
- SEAL DOCUMENTS IN A PLASTIC BAG.
PLACE BAGGED DOCUMENTS INSIDE MANUAL CASE AND SECURE CASE WITH A TY-WRAP.



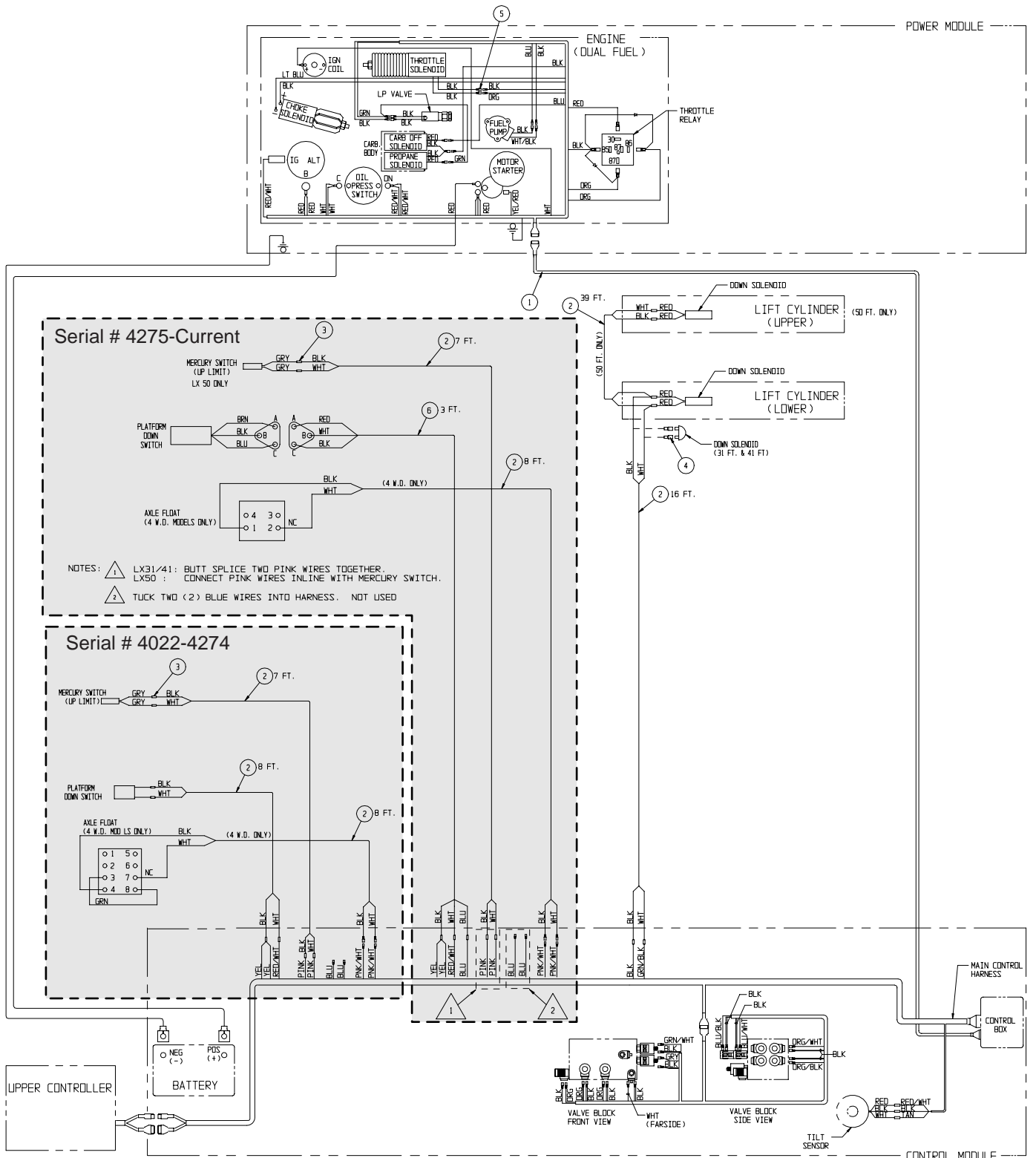
NOTES:

Final Assembly Wiring Diagram - Dual Fuel**108042-****SERIAL # 4022-4274**

ITEM	PART NO.	PART/MATERIAL DESCRIPTION	-001	-002	-003	-004	-005	-006
			LX31 2WD	LX31 4WD	LX41 2WD	LX41 4WD	LX50 2WD	LX50 4WD
			QTY.	QTY.	QTY.	QTY.	QTY.	QTY.
1	067492-003	WIRE HARNESS, ENGINE	1	1	1	1	1	1
2	029490-099	2 CONDUCTOR, 16 GA. CABLE	31 FT	39 FT	31 FT	39 FT	78 FT	86 FT
3	029620-002	CONNECTOR, BUTT 16-14 GA.	11	11	11	11	15	15
4	029931-003	CONNECTOR, FEMALE PUSH 16-14 GA. .25 TAB	2	2	2	2	2	2
5	014914-001	CONNECTOR, MALE PUSH 16-14 GA. .25 TAB	2	2	2	2	2	2

SERIAL # 4275-CURRENT

ITEM	PART NO.	PART/MATERIAL DESCRIPTION	-001	-002	-003	-004	-005	-006
			LX31 2WD	LX31 4WD	LX41 2WD	LX41 4WD	LX50 2WD	LX50 4WD
			QTY.	QTY.	QTY.	QTY.	QTY.	QTY.
1	067492-003	WIRE HARNESS, ENGINE	1	1	1	1	1	1
2	029490-099	2 CONDUCTOR, 16 GA. CABLE	16 FT	39 FT	16 FT	24 FT	54 FT	54 FT
3	029620-002	CONNECTOR, BUTT 16-14 GA.	11	11	11	11	15	15
4	029931-003	CONNECTOR, FEMALE PUSH 16-14 GA. .25 TAB	2	2	2	2	2	2
5	014914-001	CONNECTOR, MALE PUSH 16-14 GA. .25 TAB	2	2	2	2	2	2
6	026447-099	CABLE 3 COND 16 GA	8 FT	8 FT	8 FT	8 FT	8 FT	8 FT



Final Assembly Wiring Diagram - Diesel

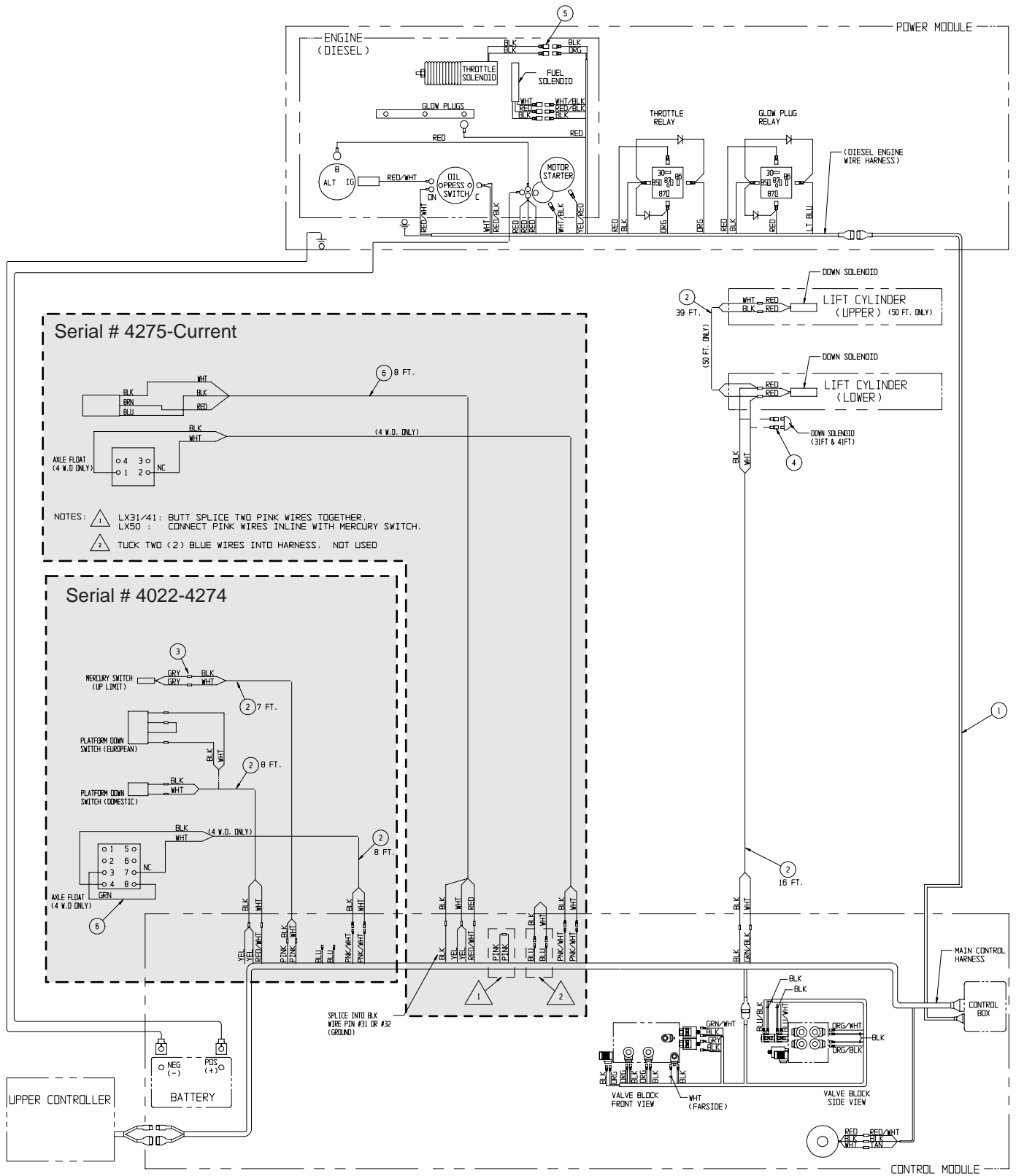
108043-

SERIAL # 4022-4274

ITEM	PART NO.	PART/MATERIAL DESCRIPTION	-001	-003	-005	-007	-009	-011
			LX31	LX31	LX41	LX41	LX50	LX50
			2WD	4WD	2WD	4WD	2WD	4WD
			QTY.	QTY.	QTY.	QTY.	QTY.	QTY.
1	067492-003	WIRE HARNESS, ENGINE	1	1	1	1	1	1
2	029490-099	2 CONDUCTOR, 16 GA. CABLE	31 FT	39 FT	31 FT	39 FT	78 FT	86 FT
3	029620-002	CONNECTOR, BUTT 16-14 GA.	11	11	11	11	15	15
4	029931-003	CONNECTOR, FEM. PUSH 16-14 GA. .25 TAB	2	2	2	2	2	2
5	014914-001	CONNECTOR, MALE PUSH 16-14 GA. .25 TAB	3	3	3	3	3	3
6	029457-099	WIRE, 16 AWG GREEN		.2 FT		.2 FT		2 FT

SERIAL # 4275-CURRENT

ITEM	PART NO.	PART/MATERIAL DESCRIPTION	-001	-002	-003	-004	-005	-006
			LX31	LX31	LX41	LX41	LX50	LX50
			2WD	4WD	2WD	4WD	2WD	4WD
			QTY.	QTY.	QTY.	QTY.	QTY.	QTY.
1	067492-003	WIRE HARNESS, ENGINE	1	1	1	1	1	1
2	029490-099	2 CONDUCTOR, 16 GA. CABLE	16 FT	24 FT	24 FT	24 FT	54 FT	54 FT
3	029620-002	CONNECTOR, BUTT 16-14 GA.	11	11	11	11	15	15
4	029931-003	CONNECTOR, FEMALE PUSH 16-14 GA. .25 TAB	2	2	2	2	2	2
5	014914-001	CONNECTOR, MALE PUSH 16-14 GA. .25 TAB	2	2	2	2	2	2
6	029447-099	CABLE 3 COND 16 GA	8	8	8	8	8	8



Basic Assembly, LX31 - Two Wheel Drive

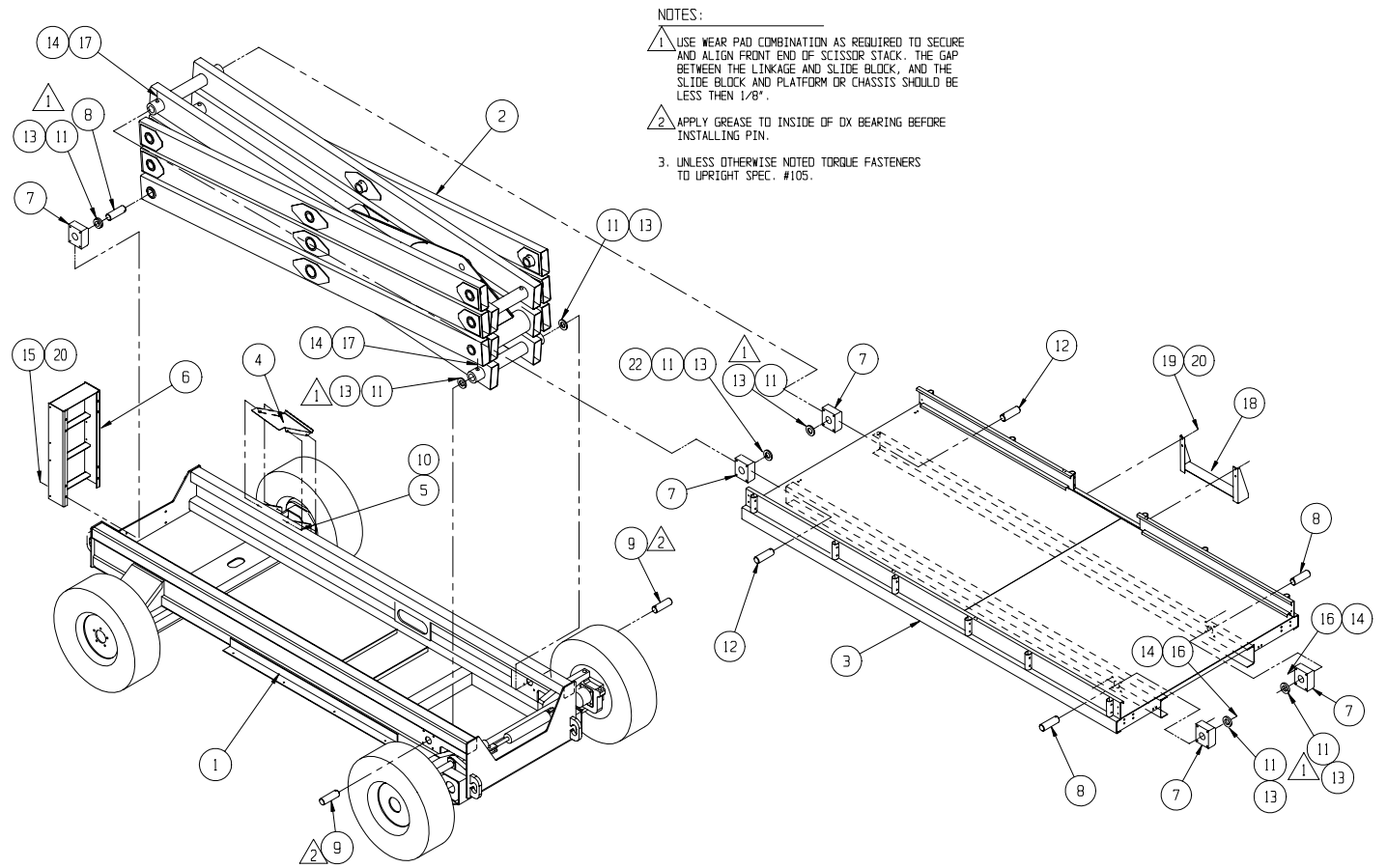
067510-021

ITEM	PART NO.	PART/MATERIAL DESCRIPTION	QTY.
1	067518-010	CHASSIS ASSEMBLY	1
2	067422-000	SCISSOR LINKAGE	1
3	030841-101	PLATFORM WELDMENT	1
4	067879-000	MOTOR COVER	2
5	011253-008	SCR HHC 5/16 X 1	
6	067935-001	LADDER WELDMENT	1
7	067738-000	SLIDE BLOCK	6
8	067852-000	PIN	4
9	067853-000	PIN	2
10	014996-005	WASHER 5/16 DIA	8
11	066189-000	SPACER 1/4	A/R
12	067853-001	PIN	2
13	066189-004	SPACER 1/8	A/R
14	011248-008	NUT 1/2-13 ESNA	16
15	011256-012	SCREW HHC 1/2-13 X 1 1/2	4
16	011256-028	SCREW HHC 1/2-13 X 3 1/2	8
17	014033-032	SCREW HHC 1/2-13 X 4 GR8	8
18	030841-050	LADDER WELDMENT	1
19	011254-020	SCREW HHC 3/8-16 X 2 1/2	4
20	011248-006	NUT 3/8-16 ESNA	4
22	066189-001	SPACER 3/8"	A/R

Basic Assembly, LX41 - Two Wheel Drive

067512-021

ITEM	PART NO.	PART/MATERIAL DESCRIPTION	QTY.
1	067518-010	CHASSIS ASSEMBLY	1
2	067423-000	SCISSOR LINKAGE	1
3	030841-101	PLATFORM WELDMENT	1
4	067879-000	MOTOR COVER	2
5	011253-008	SCR HHC 5/16 X 1	8
6	067935-000	LADDER WELDMENT	1
7	067738-000	SLIDE BLOCK	6
8	067852-000	PIN	4
9	067853-000	PIN	2
10	014996-005	WASHER 5/16 DIA	8
11	066189-000	SPACER 1/4	A/R
12	067853-001	PIN	2
13	066189-004	SPACER 1/8	A/R
14	011248-008	NUT 1/2-13 ESNA	16
15	011256-012	SCREW HHC 1/2-13 X 1 1/2	4
16	011256-028	SCREW HHC 1/2-13 X 3 1/2	8
17	014033-032	SCREW HHC 1/2-13 X 4	8
18	030841-050	LADDER WELDMENT	1
19	011254-020	SCREW HHC 3/8-16 X 2 1/2	4
20	011248-006	NUT 3/8-16 ESNA	4
22	066189-001	SPACER 3/8"	A/R



Basic Assembly, LX31 - Four Wheel Drive

067511-021

ITEM	PART NO.	PART/MATERIAL DESCRIPTION	QTY.
1	067519-010	CHASSIS ASSEMBLY	1
2	067422-000	SCISSOR LINKAGE	1
3	030841-101	PLATFORM WELDMENT	1
4	067879-000	MOTOR COVER	2
5	011253-008	SCR HHC 5/16 X 1	8
6	067935-001	LADDER WELDMENT	1
7	067738-000	SLIDE BLOCK	6
8	067852-000	PIN	4
9	067853-000	PIN	2
10	014996-005	WASHER, 5/16 DIA	8
11	066189-000	SPACER 1/4	A/R
12	067853-001	PIN	2
13	066189-004	SPACER 1/8	A/R
14	011248-008	NUT 1/2-13 ESNA	16
15	011256-012	SCREW HHC 1/2-13 X 1 1/2	4
16	011256-028	SCREW HHC 1/2-13 X 3 1/2	8
17	014033-032	SCREW HHC 1/2-13 X 4 GR8	8
18	030841-050	LADDER WELDMENT	1
19	011254-020	SCREW HHC 3/8-16 X 2 1/2	4
20	011248-006	NUT 3/8-16 ESNA	4
22	066189-001	SPACER 3/8"	A/R

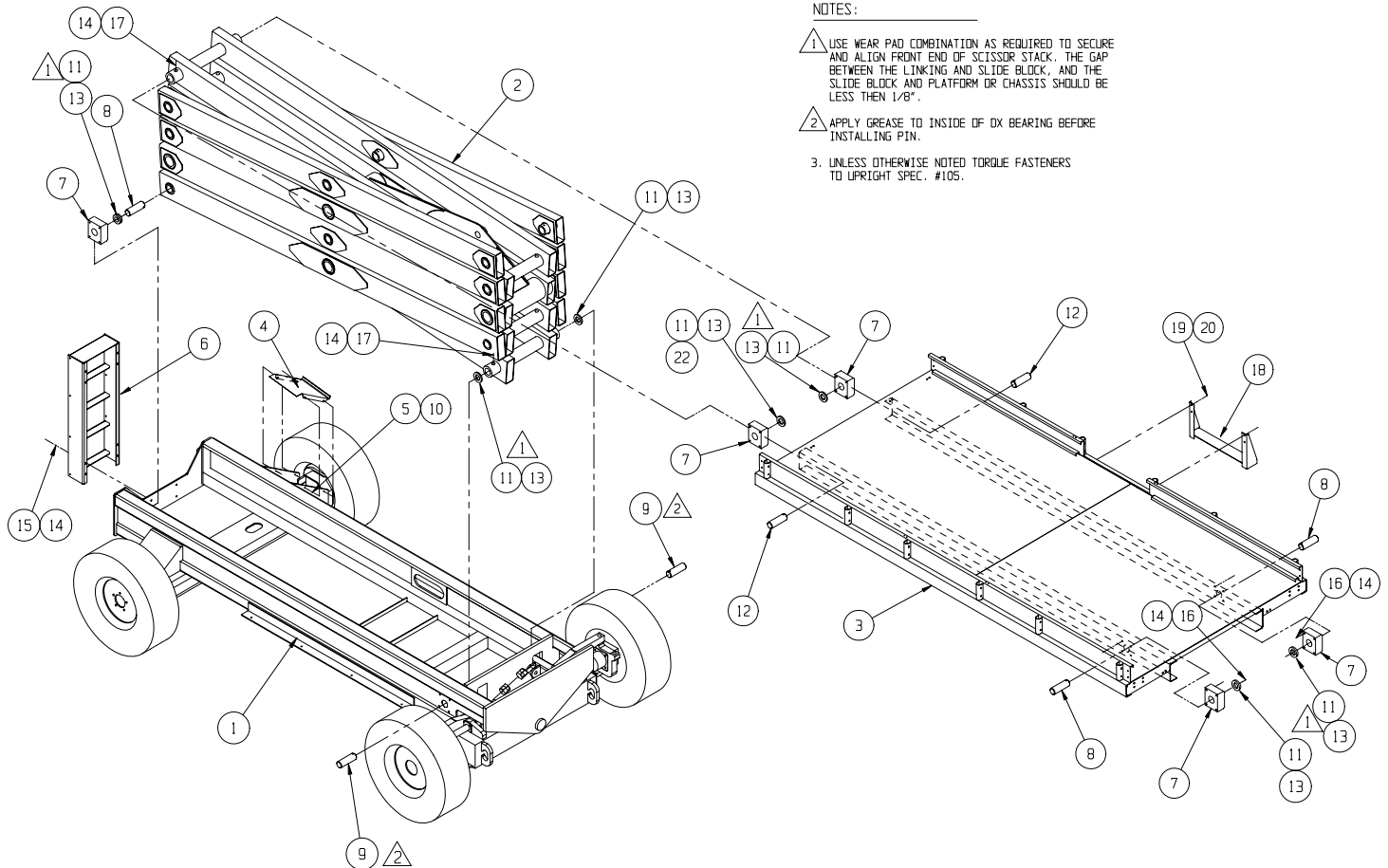
Basic Assembly, LX41 - Four Wheel Drive

067513-021

ITEM	PART NO.	PART/MATERIAL DESCRIPTION	QTY.
1	067519-010	CHASSIS ASSEMBLY	1
2	067423-000	SCISSOR LINKAGE	1
3	030841-101	PLATFORM WELDMENT	1
4	067879-000	MOTOR COVER	2
5	011253-008	SCR HHC 5/16 X 1	8
6	067935-000	LADDER WELDMENT	1
7	067738-000	SLIDE BLOCK	6
8	067852-000	PIN	4
9	067853-000	PIN	2
10	014996-005	WASHER 5/16 DIA	8
11	066189-000	SPACER 1/4	A/R
12	067853-001	PIN	2
13	066189-004	SPACER 1/8	A/R
14	011248-008	NUT 1/2-13 ESNA	16
15	011256-012	SCREW 1/2-13 X 1 1/2	4
16	011256-028	SCREW HHC 1/2-13 X 3 1/2	8
17	014033-032	SCREW HHC 1/2-13 X 4	8
18	030841-050	LADDER WELDMENT	1
19	011254-020	SCREW HHC 3/8-16 X 2 1/2	4
20	011248-006	NUT 3/8-16 ESNA	4
22	066189-001	SPACER 3/8"	A/R

NOTES:

- 1 USE WEAR PAD COMBINATION AS REQUIRED TO SECURE AND ALIGN FRONT END OF SCISSOR STACK. THE GAP BETWEEN THE LINKING AND SLIDE BLOCK, AND THE SLIDE BLOCK AND PLATFORM OR CHASSIS SHOULD BE LESS THAN 1/8".
- 2 APPLY GREASE TO INSIDE OF OX BEARING BEFORE INSTALLING PIN.
- 3 UNLESS OTHERWISE NOTED TORQUE FASTENERS TO UPRIGHT SPEC. #105.



Basic Assembly, LX50 - Two Wheel Drive

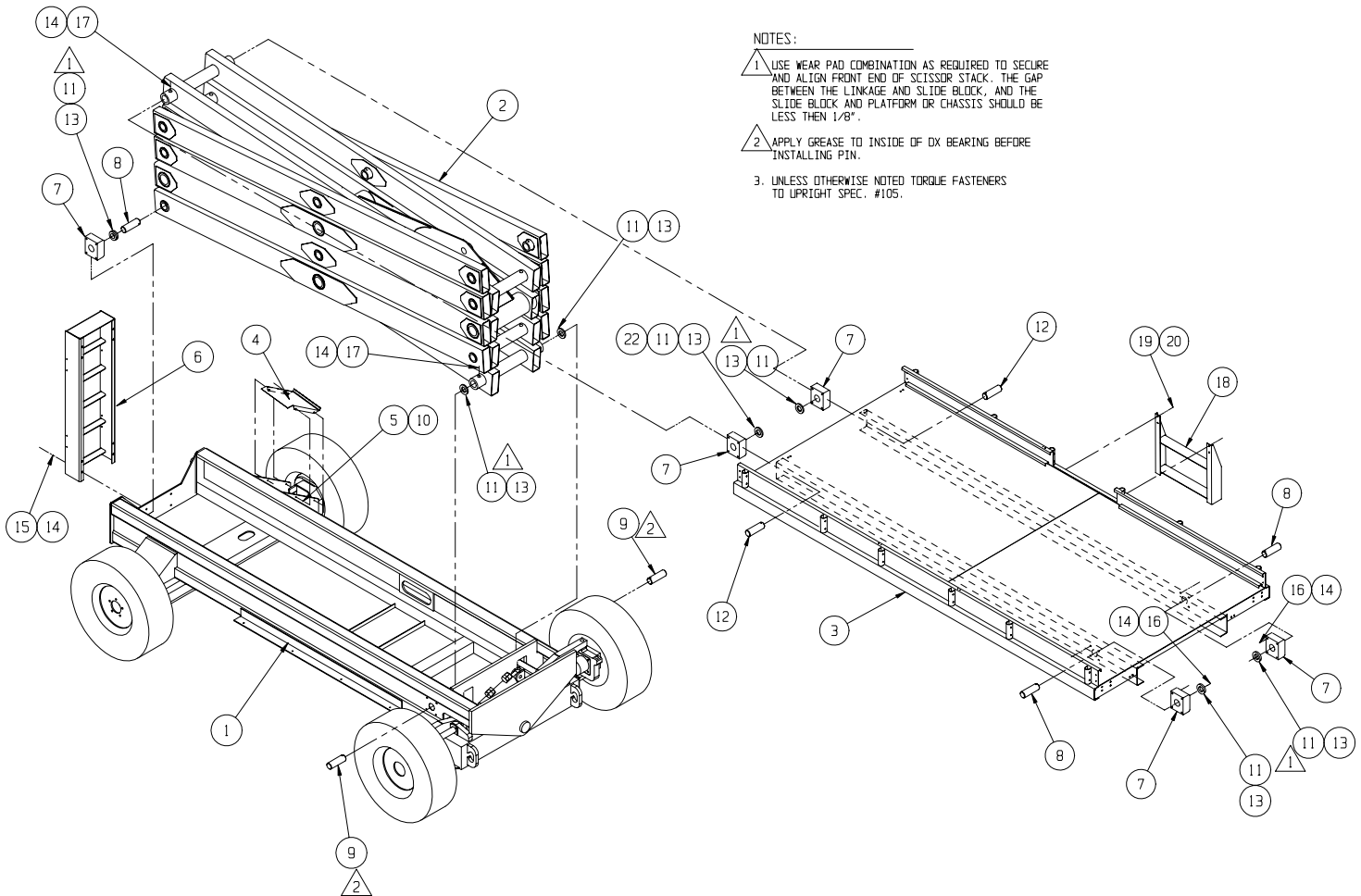
067508-021

Basic Assembly, LX50 - Four Wheel Drive

067509-021

ITEM	PART NO.	PART/MATERIAL DESCRIPTION	QTY.
1	067518-011	CHASSIS ASSEMBLY	1
2	067424-000	SCISSOR LINKAGE	1
3	030841-101	PLATFORM WELDMENT	1
4	067879-000	MOTOR COVER	2
5	011253-008	SCR HHC 5/16 X 1	8
6	067935-002	LADDER WELDMENT	1
7	067738-000	SLIDE BLOCK	6
8	067852-000	PIN	4
9	067853-000	PIN	2
10	014996-005	WASHER 5/16 DIA	8
11	066189-000	SPACER 1/4	A/R
12	067853-001	PIN	2
13	066189-004	SPACER 1/8	A/R
14	011248-008	NUT 1/2-13 ESNA	16
15	011256-012	SCREW HHC 1/2-13 X 1 1/2	4
16	011256-028	SCREW HHC 1/2-13 X 3 1/2	8
17	014033-032	SCREW HHC 1/2-13 X 4 GR.8	8
18	030841-040	LADDER WELDMENT	1
19	011254-020	SCREW HHC 3/8-16 X 2 1/2	4
20	011248-006	NUT 3/8-16 ESNA	4
22	066189-001	SPACER 3/8"	A/R

ITEM	PART NO.	PART/MATERIAL DESCRIPTION	QTY.
1	067519-011	CHASSIS ASSEMBLY	1
2	067424-000	SCISSOR LINKAGE	1
3	030841-101	PLATFORM WELDMENT	1
4	067879-000	MOTOR COVER	2
5	011253-008	SCR HHC 5/16 X 1	8
6	067935-002	LADDER WELDMENT	1
7	067738-000	SLIDE BLOCK	6
8	067852-000	PIN	4
9	067853-000	PIN	2
10	014996-005	WASHER 5/16 DIA	8
11	066189-000	SPACER 1/4	A/R
12	067853-001	PIN	2
13	066189-004	SPACER 1/8	A/R
14	011248-008	NUT 1/2-13 ESNA	16
15	011256-012	SCREW 1/2-13 X 1 1/2	4
16	011256-028	SCREW HHC 1/2-13 X 3 1/2	8
17	014033-032	SCREW HHC 1/2-13 X 4	8
18	030841-040	LADDER WELDMENT	1
19	011254-020	SCREW HHC 3/8-16 X 2 1/2	4
20	011248-006	NUT 3/8-16 ESNA	4
22	066189-001	SPACER 3/8"	A/R



NOTES:

- 1 USE WEAR PAD COMBINATION AS REQUIRED TO SECURE AND ALIGN FRONT END OF SCISSOR STACK. THE GAP BETWEEN THE LINKAGE AND SLIDE BLOCK, AND THE SLIDE BLOCK AND PLATFORM OR CHASSIS SHOULD BE LESS THAN 1/8".
- 2 APPLY GREASE TO INSIDE OF OX BEARING BEFORE INSTALLING PIN.
3. UNLESS OTHERWISE NOTED TORQUE FASTENERS TO UPRIGHT SPEC. #105.

NOTES:

Chassis Assembly, LX31/41 - Two Wheel Drive

067518-010

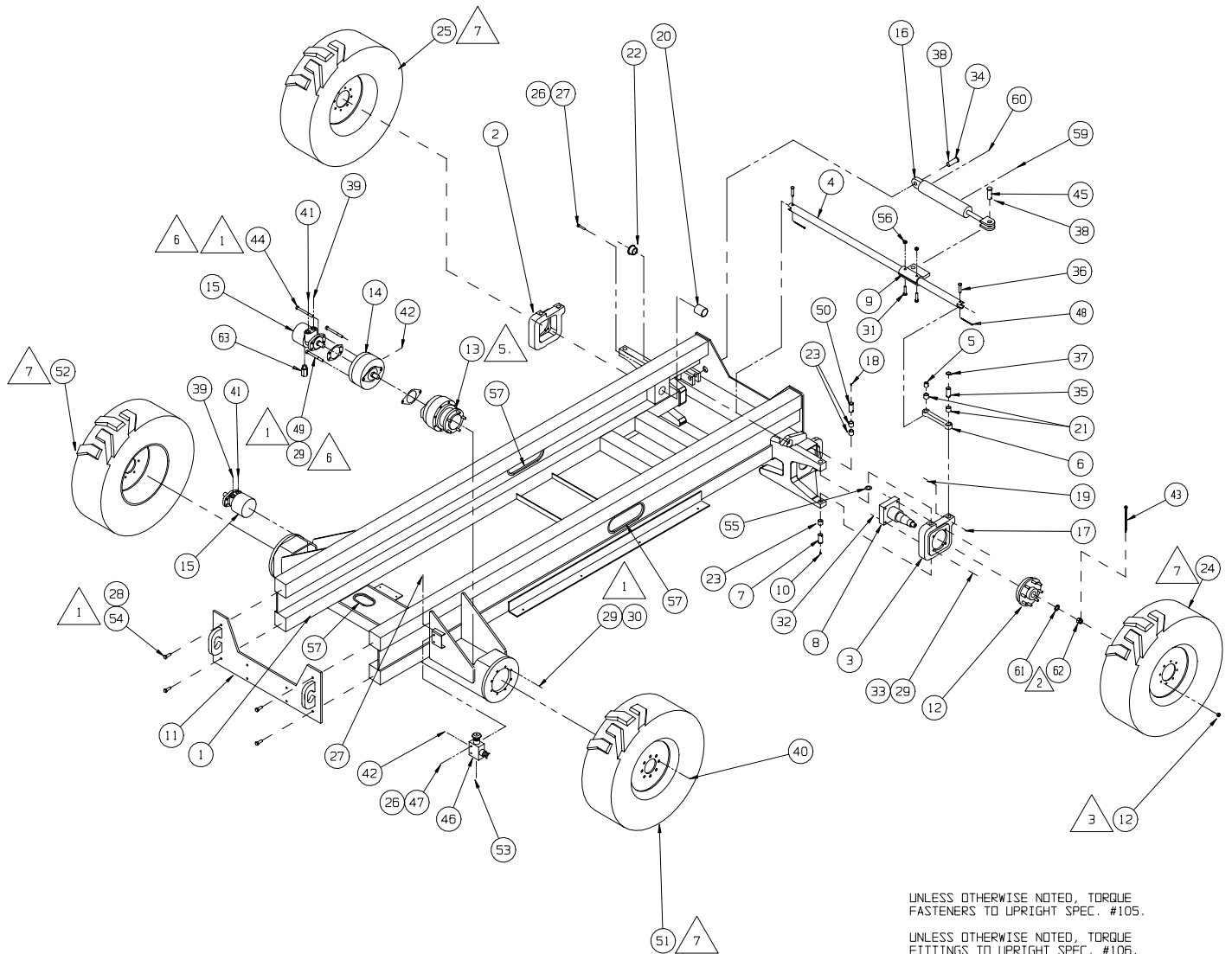
ITEM	PART NO.	PART/MATERIAL DESCRIPTION	QTY.
1	067715-000	CHASSIS WELDMNT (FIXED AXLE)	1
2	067743-000	TRUNNION (L.H.)	1
3	067742-000	TRUNNION (R.H.)	1
4	067739-000	STEERING LINK	1
5	067812-000	BUSHING, STEERING	2
6	067813-000	CONNECTING LINK	2
7	067746-000	TRUNNION PIN LOWER	2
8	067833-000	SPINDLE WELDMNT	2
9	067748-000	STEERING CLAMP	1
10	013336-003	GREASE FITTING 1/8" 90°	2
11	067816-000	PLATE WELDMNT	1
12	067613-000	HUB, 8 BOLT ON 8" B.C.	2
*	067613-010	GREASE SEAL	2
*	067613-011	INNER CUP	2
*	067613-012	OUTER CUP	2
*	067613-013	INNER CONE	2
*	067613-014	OUTER CONE	2
*	067613-015	DUST CAP	2
*	067613-016	STUD	16
13	067600-002	TORQUE HUB	2
14	067603-002	BRAKE	2
*	067603-011	SEAL KIT	1
15	067601-003	HYDRAULIC MOTOR (W/O RELIEF)	2
*	061817-010	SEAL KIT	1
16	067633-000	STEERING CYLINDER	1
*	067633-010	STEERING CYLINDER SEAL KIT	1
17	011252-020	SCREW HHC 1/4-20 X 2 1/2	6
18	013336-001	GREASE FIG 1/8" STR	2
19	011248-004	NUT 1/4-20 HEX ESNA	6
20	067606-021	BEARING, SCISSOR PIVOT	2
21	062642-020	BUSHING 16DU16	4
22	062649-020	BEARING, STEERING ROD	2
23	067606-010	BEARING, 16DX16	6
24	067665-000	TIRE & WHEEL ASSY FRONT RHD	1
25	067665-001	TIRE & WHEEL ASSY FRONT LHD	1
26	011254-018	SCREW HHC 3/8-16 X 2 1/4	6
27	011248-006	NUT 3/8-16 HEX ESNA	6
28	011258-012	SCREW HHC 3/4-10 X 1 1/2	4
29	011238-008	WASHER 1/2 SPLIT LOCK	28

ITEM	PART NO.	PART/MATERIAL DESCRIPTION	QTY.
30	011256-012	SCREW HHC 1/2-13 X 1 1/2	16
31	011257-028	SCREW HHC 5/8-11 X 3 1/2	2
32	011248-008	NUT 1/2-13 HEX ESNA	8
33	011256-028	SCREW HHC 1/2-13 X 3 1/2	8
34	011848-050	PIN CLEVIS 1 X 2 3/4	1
35	067746-001	PIN STEERING LINK	2
36	011848-030	CLEVIS PIN 1/2 X 2	2
37	013315-011	RETAINING "E" RING	2
38	062889-012	PIN, HAIR COTTER .177 X 3 1/2	2
39	011935-006	FITTING 10 MB - 10 MJ 45°	2
40	011469-005	LUG NUT 9/16-18	16
41	011934-011	FITTING, 10 MB - 10 MJ 90°	2
42	011934-001	FITTING, 4 MB - 4 MJ 90°	2
43	011754-014	COTTER PIN 7/32 X 1.75	1
44	012030-010	SCRW SOC HD CAP 1/2-13 X 1-1/4	8
45	011848-051	PIN CLEVIS 1 DIA. X 2	1
46	063978-000	HAND PUMP	1
47	011240-006	WASHER 3/8 STD	2
48	011757-005	COTTER PIN	2
49	012030-038	SCRW SOC HD CAP 1/2-13 X 4 3/4	4
50	067746-002	PIN TRUNNION UPPER	2
51	067666-004	TIRE/WHEEL ASSY REAR RHD	1
52	067666-005	TIRE/WHEEL ASSY REAR LHD	1
53	011941-001	FITTING 4MB-4MJ STR	1
54	011238-012	WASHER SPLIT LOCK 3/4	4
55	064279-000	THRUST WASHER	2
56	011248-010	NUT 5/8-11 HEX ESNA	2
57	067805-099	GROMMET MATL	FT 7.00
58	024501-003	SHEET 1/8 RUBBER 3 X 48	1
59	011935-003	FITTING 6MB-6MJ 45°	1
60	011941-005	FITTING 6MB-6MJ STR	1
61	067613-017	WASHER	REF
62	015945-016	SPINDLE NUT	REF
63	012877-008	BIDIRECTIONAL RELIEF VALVE 3000 PSI	2
64	067603-013	GASKET	REF

* Not shown

NOTES:

- ▲ USE LOCTITE BLUE #242
- ▲ SPINDLE NUT AND WASHER SUPPLIED WITH SPINDLE
- ▲ WHEEL NUTS SUPPLIED WITH FRONT HUB - TORQUE NUTS TO 150 FT/LBS, FRONT & REAR. REFER TO SERVICE INFORMATION #SI 98.1
- ▲ GREASE TRUNNION BEARINGS (16DX16-6) LIBERALLY BEFORE INSTALLING TRUNNION PINS.
- ▲ FILL WITH SAE 90W GEAR OIL.
- ▲ TORQUE TO 75 FT-LBS.
- ▲ NOTE TIRE LUG ORIENTATION FOR EACH WHEEL.



UNLESS OTHERWISE NOTED, TORQUE FASTENERS TO UPRIGHT SPEC. #105.

UNLESS OTHERWISE NOTED, TORQUE FITTINGS TO UPRIGHT SPEC. #106.

Chassis Assembly, LX31/41 - Four Wheel Drive

067519-010

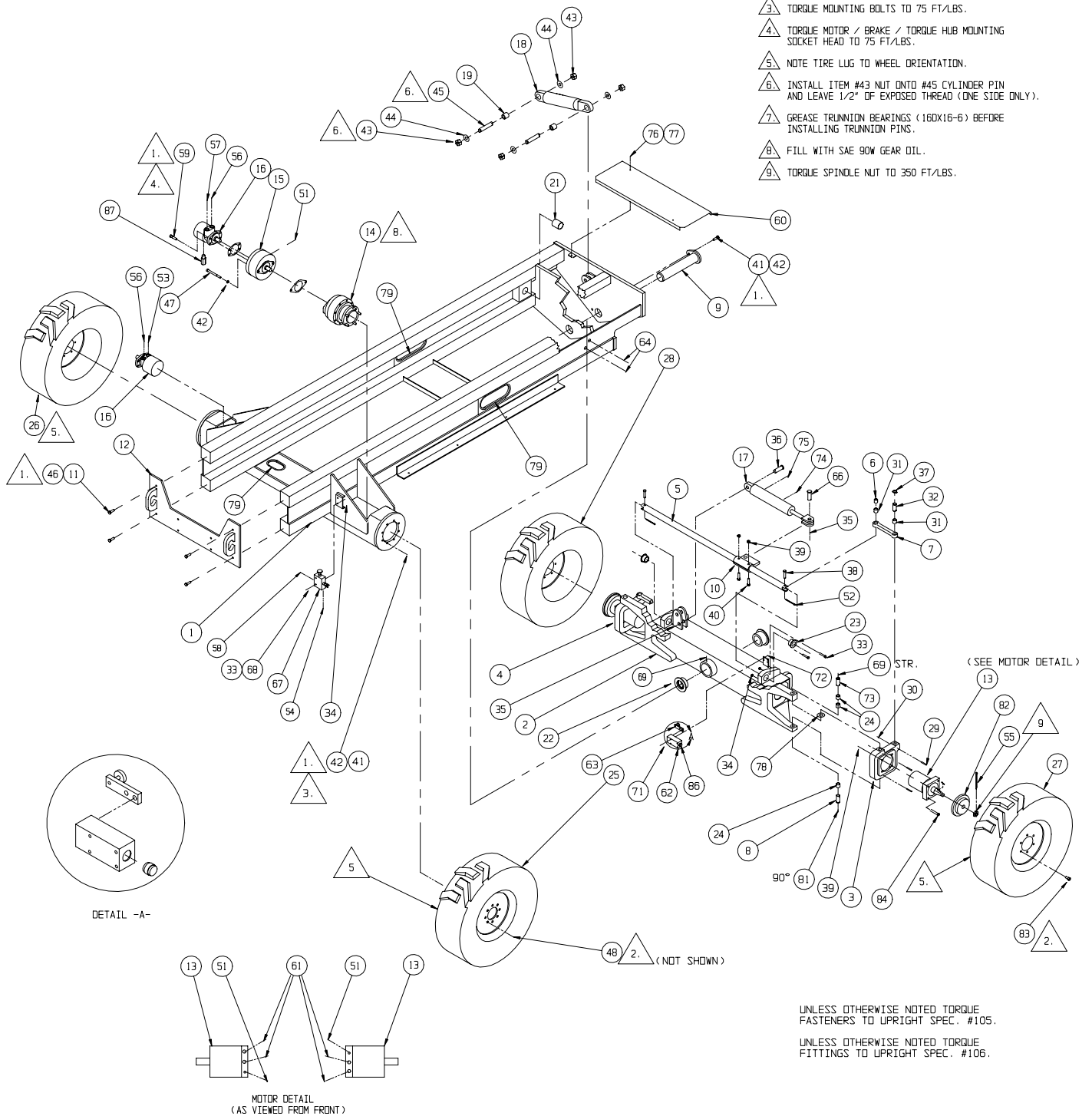
ITEM	PART NO.	PART/MATERIAL DESCRIPTION	QTY.
1	067729-000	CHASSIS WELDMENT	1
2	067700-000	AXLE WELDMENT	1
3	067743-000	TRUNNION (L.H.)	1
4	067742-000	TRUNNION (R.H.)	1
5	067739-000	STEERING LINK	1
6	067812-000	BUSHING, STEERING	2
7	067813-000	CONNECTING LINK	2
8	067746-000	TRUNNION PIN	2
9	067814-000	PIVOT SHAFT, FRONT AXLE	1
10	067748-000	STEERING CLAMP	1
11	011238-012	LOCKWASHER SPLIT 3/4	4
12	067816-000	PLATE WELDMENT	1
13	067607-003	HYDRAULIC MOTOR (FRONT)	2
*	067607-010	HYDRAULIC MOTOR SEAL KIT	1
14	067600-002	TORQUE HUB	2
15	067603-002	BRAKE	2
*	067603-011	SEAL KIT	1
16	067601-003	HYDRAULIC MOTOR(NO RELIEF VLV)	2
*	061817-010	SEAL KIT	1
17	067633-000	STEERING CYLINDER	1
*	067633-010	STEERING CYLINDER SEAL KIT	1
18	108060-000	AXLE PIVOT CYLINDER ASSY	1
*	108058-000	AXLE PIVOT CYLINDER	1
*	108050-010	AXLE PIVOT CYLINDER SEAL KIT	1
19	067637-000	PIVOT BUSHING	2
21	067606-021	BEARING, SCISSOR PIVOT	2
22	064298-005	BEARING, AXLE PIVOT	2
23	062649-020	BEARING, STEERING ROD	2
24	067606-010	BEARING 16DX16	6
25	067666-004	TIRE & WHEEL - RH	1
26	067666-005	TIRE & WHEEL - LH	1
27	067664-000	TIRE & WHEEL - RH 4WD FRONT	1
28	067664-001	TIRE & WHEEL - LH 4WD FRONT	1
29	011252-020	SCREW, HHC 1/4-20UNC X 2-1/2	6
30	011248-004	NUT, HEX 1/4-20 ESNA	6
31	062642-020	BEARING, 16 DU 12	4
32	067746-001	STEERING LINK PIN	2
33	011254-018	SCREW, HHC 3/8-16UNC X 2-1/4	6
34	011248-006	NUT, HEX 3/8-16UNC ESNA	6
35	062889-012	PIN, HAIR COTTER .177 X 3-1/2	2
36	011848-050	PIN, CLEVIS 1 X 2-3/4	1
37	013315-011	RETAINING "E" RING	2
38	011848-030	CLEVIS PIN 1/2 X 2	2
39	011248-008	NUT, HEX 1/2-13UNC ESNA	9
40	011256-028	SCREW, HHC 1/2-13UNC X 3-1/2	2

ITEM	PART NO.	PART/MATERIAL DESCRIPTION	QTY.
41	011256-012	SCREW, HHC 1/2-13UNC X 1-1/2	16
42	011238-008	LOCKWASHER, SPLIT 1/2	29
43	011249-016	LOCKNUT, HEX 1-14UNF ESNA	4
44	011297-016	WASHER, BELL 1"	4
45	064370-001	CYLINDER PIN 1 X 5-1/4	2
46	011258-012	SCREW, HHC 3/4-10UNC X 1-1/2	4
47	012030-038	SCREW, SOC HD 1/2-13UNC X 4 3/4	8
48	011469-005	LUG NUT, 9/16-18 90°	16
51	011934-001	FITTING, 90° 4MB - 4MJ	4
52	011757-005	COTTER PIN	1
53	015961-010	FITTING, TEE 10MB - 10MJ-10MJ	1
54	011941-001	FITTING-4MB-4MJ	1
55	011754-012	COTTER PIN 5/32 X 1-1/2	2
56	011935-006	FITTING, 45° 10MB - 10MJ	2
57	011934-011	FITTING, 90° 10MB - 10MJ	1
58	011934-003	FITTING, 90° 6MB - 4MJ	2
59	012030-010	SCREW SOC HD 1/2-13 X 1-1/4	8
60	067878-000	AXLE COVER 4WD	1
61	067674-008	FITTING 45° 12MB-8MJ	4
62	064296-004	LIMIT SWITCH	1
63	064294-005	CLAMP LEVER	1
64	012002-010	FITTING 10MJ - 10MJ 90°	4
66	011848-051	CLEVIS PIN 1" DIA. X 2"	1
67	063978-000	PUMP HAND (BRAKE)	1
68	011240-006	WASHER 3/8 STD	6
69	013336-001	FITTING, LOSE STR	3
71	011709-018	SCREW MACH RD HD 10-24 X 2-1/4	4
72	011248-003	NUT HEX ESNA 10-24	4
73	067746-002	TRUNNION PIN UPPER	2
74	011935-003	FITTING 6MB - 6MJ 45°	1
75	011941-005	FITTING 6MB - 6MJ STR	1
76	011252-004	SCREW HHC 1/4-20 X 1/2	2
77	011240-004	WASHER 1/4 FLAT STD	2
78	064279-000	THRUST WASHER	2
79	067805-099	GROMMET MATL	FT 7.00
80	024501-003	SHEET 1/8 RUBBER 3 X 48	1
81	013336-003	FITTING LUBE 90°	2
82	067865-000	WHEEL HUB	2
83	014122-001	WHEEL BOLT	12
84	012030-024	SCREW, SOC HD 1/2-13 X 3	8
85	067603-013	GASKET	REF
86	029925-000	CABLE, CONNECTOR 1/2"	1
87	012877-009	BIDIRECTIONAL RELIEF VALVE 1800 PSI	2

* Not shown

NOTES:

- 1. APPLY LOCTITE 242 TO THREADS.
- 2. TORQUE WHEEL NUTS TO 150 FT/LBS. FRONT AND REAR. REFER TO SERVICE INFORMATION #SI 98.1.
- 3. TORQUE MOUNTING BOLTS TO 75 FT/LBS.
- 4. TORQUE MOTOR / BRAKE / TORQUE HUB MOUNTING SOCKET HEAD TO 75 FT/LBS.
- 5. NOTE TIRE LUG TO WHEEL ORIENTATION.
- 6. INSTALL ITEM #43 NUT ONTO #45 CYLINDER PIN AND LEAVE 1/2" OF EXPOSED THREAD (ONE SIDE ONLY).
- 7. GREASE TRUNNION BEARINGS (16DX16-6) BEFORE INSTALLING TRUNNION PINS.
- 8. FILL WITH SAE 90W GEAR OIL.
- 9. TORQUE SPINDLE NUT TO 350 FT/LBS.



UNLESS OTHERWISE NOTED TORQUE FASTENERS TO UPRIGHT SPEC. #105.
UNLESS OTHERWISE NOTED TORQUE FITTINGS TO UPRIGHT SPEC. #106.

Chassis Assembly, LX50 - Two Wheel Drive

067518-011

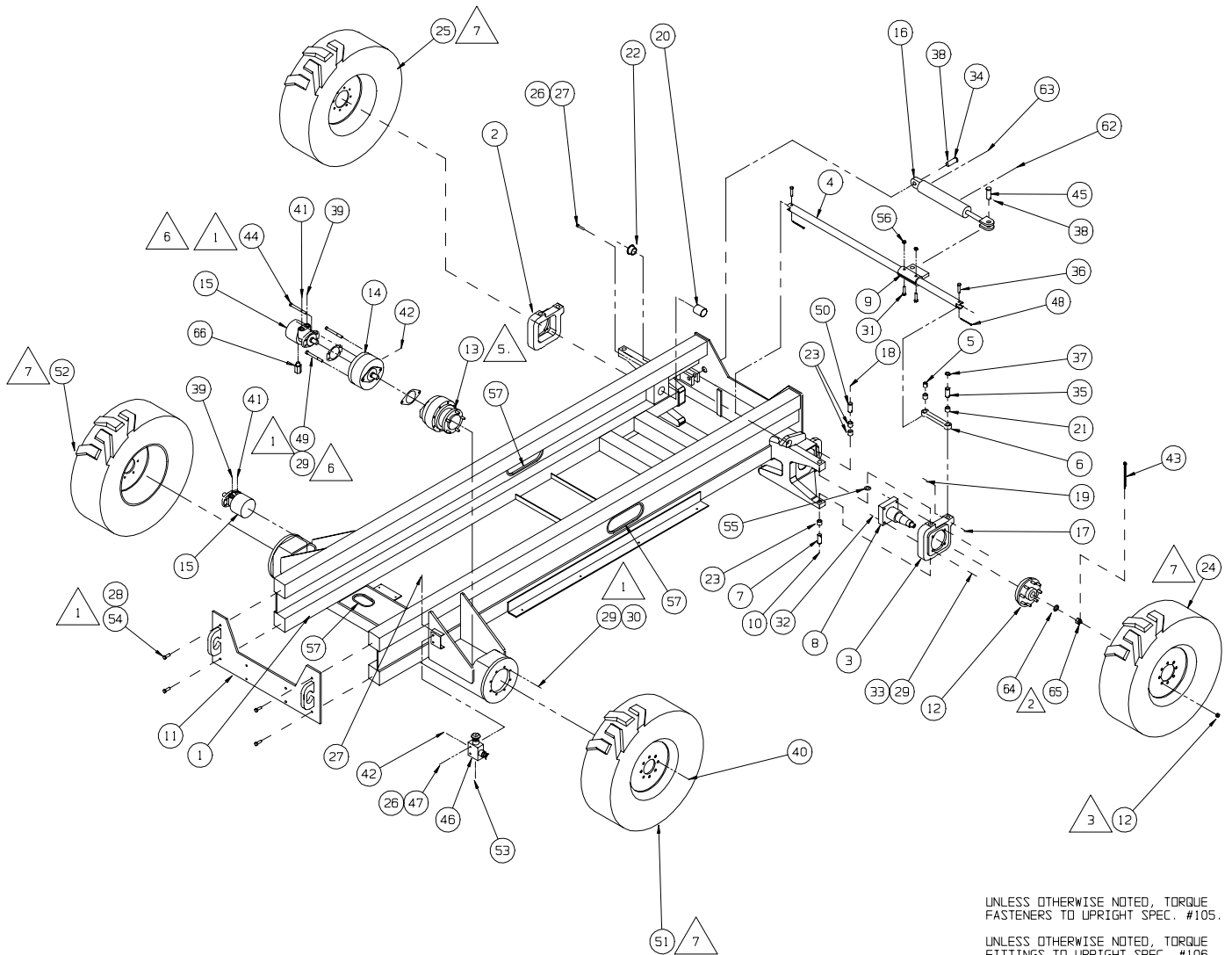
ITEM	PART NO.	PART/MATERIAL DESCRIPTION	QTY.
1	067715-000	CHASSIS WELDMNT (FIXED AXLE)	1
2	067743-000	TRUNNION (L.H.)	1
3	067742-000	TRUNNION (R.H.)	1
4	067739-000	STEERING LINK	1
5	067812-000	BUSHING, STEERING	2
6	067813-000	CONNECTING LINK	2
7	067746-000	TRUNNION PIN LOWER	2
8	067833-000	SPINDLE WELDMNT	2
9	067748-000	STEERING CLAMP	1
10	013336-000	GREASE FIG 90°	2
11	067816-000	PLATE WELDMNT	1
12	067613-000	HUB, 8 BOLT ON 8" B.C.	2
*	067613-010	GREASE SEAL	2
*	067613-011	INNER CUP	2
*	067613-012	OUTER CUP	2
*	067613-013	INNER CONE	2
*	067613-014	OUTER CONE	2
*	067613-015	DUST CAP	2
*	067613-016	STUD	16
13	067600-002	TORQUE HUB	2
14	067603-002	BRAKE	2
*	067603-011	SEAL KIT	1
15	067601-003	HYDRAULIC MOTOR (W/O RELIEF)	2
*	061817-010	SEAL KIT	1
16	067633-000	STEERING CYLINDER	1
*	067633-010	STEERING CYLINDER SEAL KIT	1
17	011252-020	SCREW HHC 1/4-20 X 2 1/2	4
18	013336-001	GREASE FIG STR	2
19	011248-004	NUT 1/4-20 HEX ESNA	4
20	067606-021	BEARING, SCISSOR PIVOT	2
21	062642-020	BUSHING 16DU16	4
22	062649-020	BEARING, STEERING ROD	2
23	067606-010	BEARING, 16DX16	6
24	067665-002	TIRE & WHEEL ASSY FRONT RHD	1
25	067665-003	TIRE & WHEEL ASSY FRONT LHD	1
26	011254-018	SCREW HHC 3/8-16 X 2 1/4	6
27	011248-006	NUT 3/8-16 HEX ESNA	6
28	011258-012	SCREW HHC 3/4-10 X 1 1/2	4

ITEM	PART NO.	PART/MATERIAL DESCRIPTION	QTY.
29	011238-008	WASHER 1/2 SPLIT LOCK	28
30	011256-012	SCREW HHC 1/2-13 X 1 1/2	16
31	011257-028	SCREW HHC 5/8-11 X 3 1/2	2
32	011248-008	NUT 1/2-13 HEX ESNA	8
33	011256-028	SCREW HHC 1/2-13 X 3 1/2	8
34	011848-050	PIN CLEVIS 1 X 2 3/4	1
35	067746-001	PIN STEERING LINK	2
36	011848-030	CLEVIS PIN 1/2 X 2	2
37	013315-011	RETAINING "E" RING	2
38	062889-012	PIN, HAIR COTTER .177 X 3 1/2	2
39	011935-006	FITTING 10 MB - 10 MJ 45°	2
40	011469-005	LUG NUT 9/16-18	16
41	011934-011	FITTING, 10 MB - 10 MJ 90°	2
42	011934-001	FITTING, 4 MB - 4 MJ 90°	2
43	011754-014	COTTER PIN 7/32 X 1.75	1
44	012030-010	SCRW SOC HD CAP 1/2-13 X 1-1/4	8
45	011848-051	PIN CLEVIS 1 DIA. X 2	1
46	063978-000	HAND PUMP	1
47	011240-006	WASHER 3/8 STD	2
48	011757-005	COTTER PIN	2
49	012030-038	SCRW SOC HD CAP 1/2-13 X 4 3/4	4
50	067746-002	PIN TRUNNION UPPER	2
51	067666-006	TIRE/WHEEL ASSY REAR RHD	1
52	067666-007	TIRE/WHEEL ASSY REAR LHD	1
53	011941-001	FITTING 4MB-4MJ STR	1
54	011238-012	WASHER SPLIT LOCK 3/4	4
55	064279-000	THRUST WASHER	2
56	011248-010	NUT 5/8-11 HEX ESNA	2
57	067805-099	GROMMET MATL	FT 7.00
58	024501-003	SHEET 1/8 RUBBER 3 X 48	1
62	011935-003	FITTING 6MB-6MJ 45°	1
63	011941-005	FITTING 6MB-6MJ STR	1
64	067613-017	WASHER	REF
65	015945-016	SPINDLE NUT	REF
66	012877-008	BIDIRECTIONAL RELIEF VALVE 3000 PSI	2
67	067603-013	GASKET	REF

* Not shown

NOTES:

- ▲ USE LOCTITE BLUE #242
- ▲ SPINDLE NUT AND WASHER SUPPLIED WITH SPINDLE
- ▲ WHEEL NUTS SUPPLIED WITH FRONT HUB - TORQUE NUTS TO 150 FT/LBS, FRONT & REAR. REFER TO SERVICE INFORMATION #SI 98.1
- ▲ GREASE TRUNNION BEARINGS (160X16-6) LIBERALLY BEFORE INSTALLING TRUNNION PINS.
- ▲ FILL WITH SAE 90W GEAR OIL.
- ▲ TORQUE TO 75 FT-LBS.
- ▲ NOTE TIRE LUG ORIENTATION FOR EACH WHEEL.



UNLESS OTHERWISE NOTED, TORQUE FASTENERS TO UPRIGHT SPEC. #105.
UNLESS OTHERWISE NOTED, TORQUE FITTINGS TO UPRIGHT SPEC. #106.

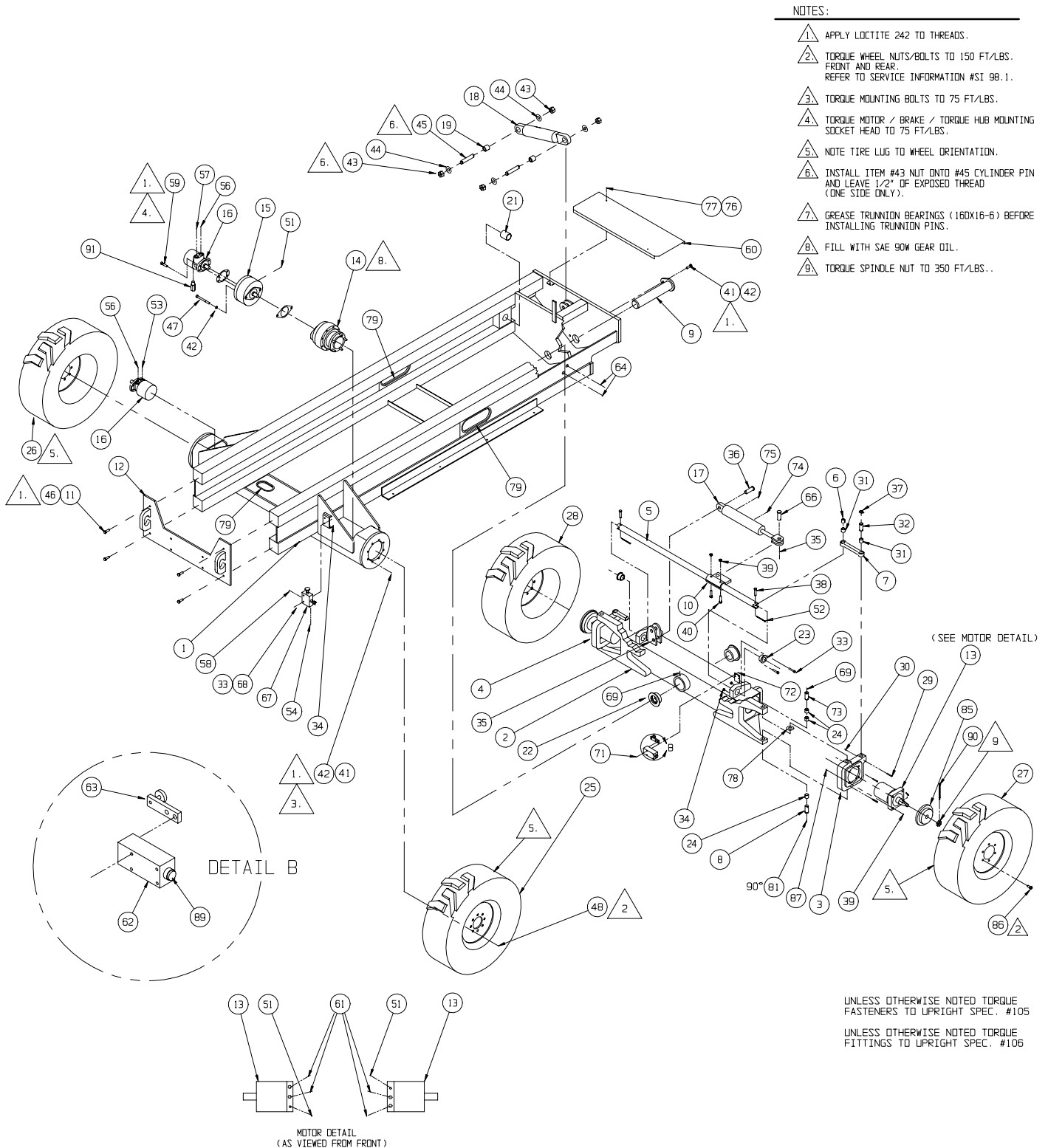
Chassis Assembly, LX50 - Four Wheel Drive

067519-011

ITEM	PART NO.	PART/MATERIAL DESCRIPTION	QTY.
1	067729-000	CHASSIS WELDMENT	1
2	067700-000	AXLE WELDMENT	1
3	067743-000	TRUNNION (L.H.)	1
4	067742-000	TRUNNION (R.H.)	1
5	067739-000	STEERING LINK	1
6	067812-000	BUSHING, STEERING	2
7	067813-000	CONNECTING LINK	2
8	067746-000	TRUNNION PIN	2
9	067814-000	PIVOT SHAFT, FRONT AXLE	1
10	067748-000	STEERING CLAMP	1
11	011238-012	LOCKWASHER SPLIT 3/4	4
12	067816-000	PLATE WELDMENT	1
13	067607-003	HYDRAULIC MOTOR (FRONT)	2
*	067607-010	HYDRAULIC MOTOR SEAL KIT	1
14	067600-002	TORQUE HUB	2
15	067603-002	BRAKE	2
*	067603-011	SEAL KIT	1
16	067601-003	HYDRAULIC MOTOR(NO RELIEF VLV)	2
*	061817-010	HYDRAULIC MOTOR SEAL KIT	1
17	067633-000	STEERING CYLINDER	1
*	067633-010	STEERING CYLINDER SEAL KIT	1
18	108060-000	AXLE PIVOT CYLINDER ASSY	1
*	108058-000	AXLE PIVOT CYLINDER	
*	108050-010	AXLE PIVOT CYLINDER SEAL KIT	1
19	067637-000	PIVOT BUSHING	2
21	067606-021	BEARING, SCISSOR PIVOT	2
22	064298-005	BEARING, AXLE PIVOT	2
24	067606-010	BEARING 16DX16	6
23	062649-020	BEARING, STEERING ROD	2
25	067666-006	TIRE & WHEEL - RH	1
26	067666-007	TIRE & WHEEL - LH	1
27	067664-002	TIRE & WHEEL - RH 4WD FRONT	1
28	067664-003	TIRE & WHEEL - LH 4WD FRONT	1
29	011252-020	SCREW, HHC 1/4-20UNC X 2-1/2	6
30	011248-004	NUT, HEX 1/4-20 ESNA	6
31	062642-020	BEARING, 16 DU 12	4
32	067746-001	STEERING LINK PIN	2
33	011254-018	SCREW, HHC 3/8-16UNC X 2-1/4	6
34	011248-006	NUT, HEX 3/8-16UNC ESNA	6
35	062889-012	PIN, HAIR COTTER .177 X 3-1/2	2
36	011848-050	PIN, CLEVIS 1 X 2-3/4	1
37	013315-011	RETAINING "E" RING	2
38	011848-030	CLEVIS PIN 1/2 X 2	2
39	011248-008	NUT, HEX 1/2-13UNC ESNA	17
40	011256-028	SCREW, HHC 1/2-13UNC X 3-1/2	2
41	011256-012	SCREW, HHC 1/2-13UNC X 1-1/2	16
42	011238-008	LOCKWASHER, SPLIT 1/2	29

ITEM	PART NO.	PART/MATERIAL DESCRIPTION	QTY.
43	011249-016	LOCKNUT, HEX 1-14UNF ESNA	4
44	011297-016	WASHER, BELL 1"	4
45	064370-001	SCREW, HHC 3/4-10UNC X 1-1/2	2
45	064370-001	CYLINDER PIN 1 X 5-1/4	2
45	064370-001	CYLINDER PIN 1 X 5-1/4	2
46	011258-012	SCREW, HHC 3/4-10UNC X 1-1/2	4
47	012030-038	SCREW, SOC HD 1/2-13UNC X 4 3/4	8
48	011469-005	LUG NUT, 9/16-18 90°	16
51	011934-001	FITTING, 90° 4MB - 4MJ	4
52	011757-005	COTTER PIN	1
53	015961-010	FITTING, TEE 10MB - 10MJ-10MJ	1
54	011941-001	FITTING, 4MB-4MJ	1
55	011941-014	FITTING, 12MB - 8MJ	2
56	011935-006	FITTING, 45° 10MB - 10MJ	2
57	011934-011	FITTING, 90° 10MB - 10MJ	1
58	011934-003	FITTING, 90° 6MB - 4MJ	2
59	012030-010	SCREW SOC HD 1/2-13 X 1-1/4	8
60	067878-000	AXLE COVER 4WD	1
61	067674-008	FITTING 45° 12MB-8MJ	4
62	064296-004	LIMIT SWITCH	1
63	064294-005	CLAMP LEVER	1
64	012002-010	FITTING 10MJ - 10MJ 90°	4
66	011848-051	CLEVIS PIN 1" DIA. X 2"	1
67	063978-000	PUMP HAND (BRAKE)	1
68	011240-006	WASHER 3/8 STD	6
69	013336-001	FITTING, LUBE STR	3
71	011709-018	SCREW MACH RD HD 10-24 X 2-1/4	4
72	011248-003	NUT HEX ESNA 10-24	4
73	067746-002	TRUNNION PIN UPPER	2
74	011935-003	FITTING 6MB - 6MJ 45°	1
75	011941-005	FITTING 6MB - 6MJ STR	1
76	011252-004	SCREW HHC 1/4-20 X 1/2	2
77	011240-004	WASHER 1/4 FLAT STD	2
78	064279-000	THRUST WASHER	2
79	067805-099	GROMMET MATL	FT 7.00
80	024501-003	SHEET 1/8 RUBBER 3 X 48	1
81	013336-003	FITTING LUBE 90°	2
85	067865-000	WHEEL HUB	2
86	014122-001	WHEEL BOLT	12
87	012030-024	SCREW SOC HD 1/2-13 X 3	8
88	067603-013	GASKET	REF
89	029925-000	CABLE, CONNECTOR 1/2"	1
90	011754-012	COTTER PIN 5/32 X 1-1/2	2
91	012877-009	BIDIRECTIONAL RELIEF VALVE 1800 PSI	2

* Not shown

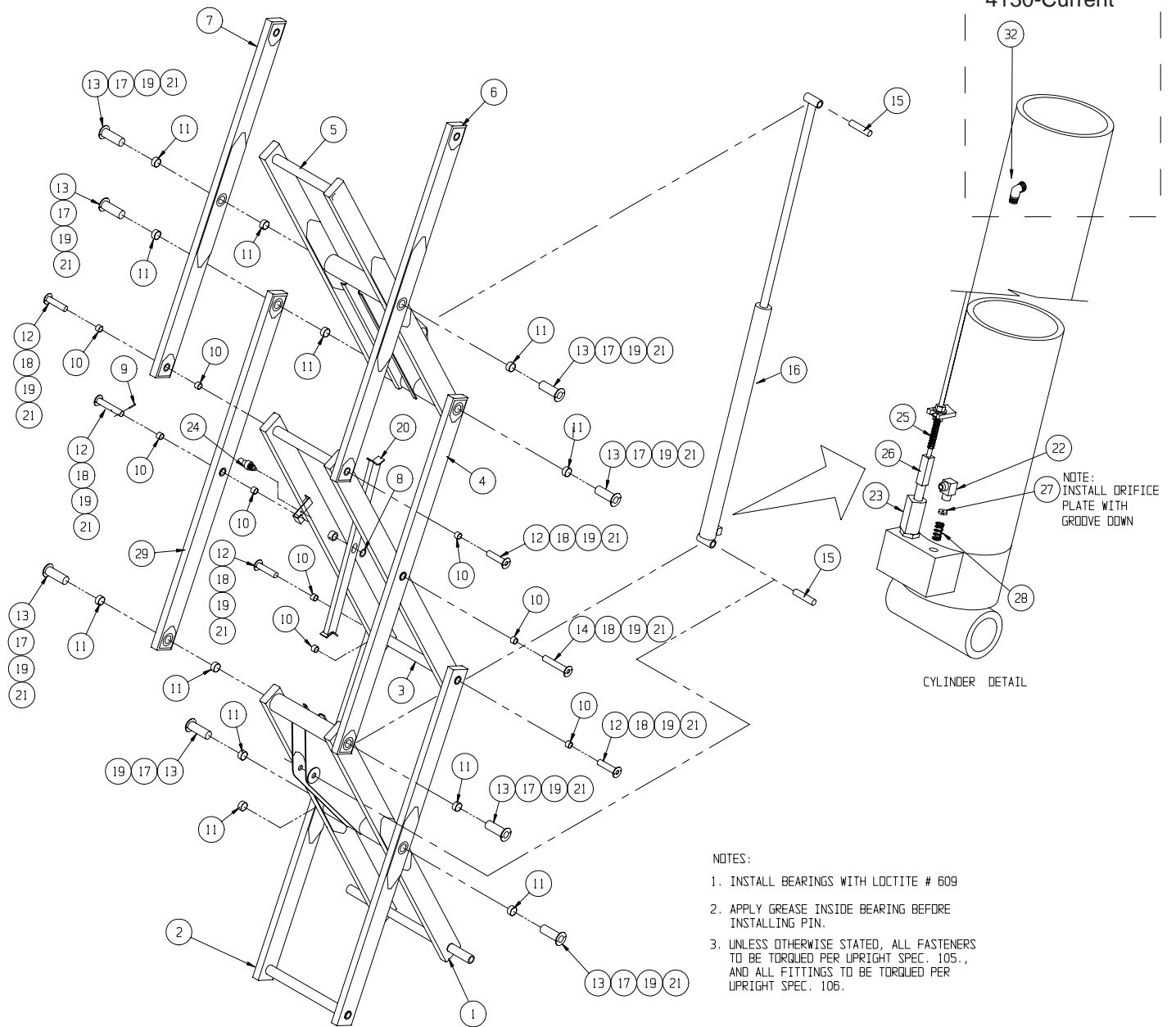


Scissor Linkage Assembly, LX31

067422-000

ITEM	PART NO.	PART/MATERIAL DESCRIPTION	QTY.
1	067550-001	ARM WELDMENT	1
2	067551-002	ARM WELDMENT	1
3	067552-000	ARM WELDMENT	1
4	067593-001	ARM WELDMENT	1
5	067828-001	ARM WELDMENT	1
6	067830-000	ARM WELDMENT	1
7	067832-000	ARN WELDMENT	1
8	011786-017	MACHINERY BUSHING, 2" ID X 14 GA.	1
9	011757-028	COTTER PIN 3/8 DIA X 3-1/2	1
10	067606-020	BEARING, 2" I.D. X 1 1/2" LG.	12
11	067606-030	BEARING, 3" I.D. X 1 1/2" LG.	16
12	067583-000	PIN WELDMENT	5
13	067580-000	PIN WELDMENT	8
14	067585-000	PIN WELDMENT	1
15	067586-000	PIN, CYLINDER	2
16	067635-000	LIFT CYLINDER Serial # 4022-4129	1
*	067635-010	LIFT CYLINDER SEAL KIT	
16	067635-020	LIFT CYLINDER Serial # 4130-4269	1

ITEM	PART NO.	PART/MATERIAL DESCRIPTION	QTY.
*	067635-030	LIFT CYLINDER SEAL KIT	1
16	067635-021	LIFT CYLINDER Serial # 4270-Current	1
*	067635-031	LIFT CYLINDER SEAL KIT	1
17	014033-048	H.H.C.S. 1/2-13 UNC X 6 GR. 8	8
18	014033-032	H.H.C.S. 1/2-13 UNC X 4 GR. 8	6
19	011248-008	HEX LOCK NUT 1/2-13 UNC	14
20	067591-000	SUPPORT WELDMENT	1
21	013336-001	GREASE FITTING	14
22	011934-004	ADAPTER 90° #6	1
23	063925-003	DOWN VALVE	1
24	03570-001	RETAINING PIN ASSLY	1
25	067659-000	CABLE ASSY	1
26	067877.000	COUPLER	1
27	015919-006	ORIFICE PLATE	1
28	05133-000	SPRING	1
29	067593-010	ARM WELDMENT	1
32	011940-006	FITTING 4MP-6MJ 90° Serial # 4130-Current	1



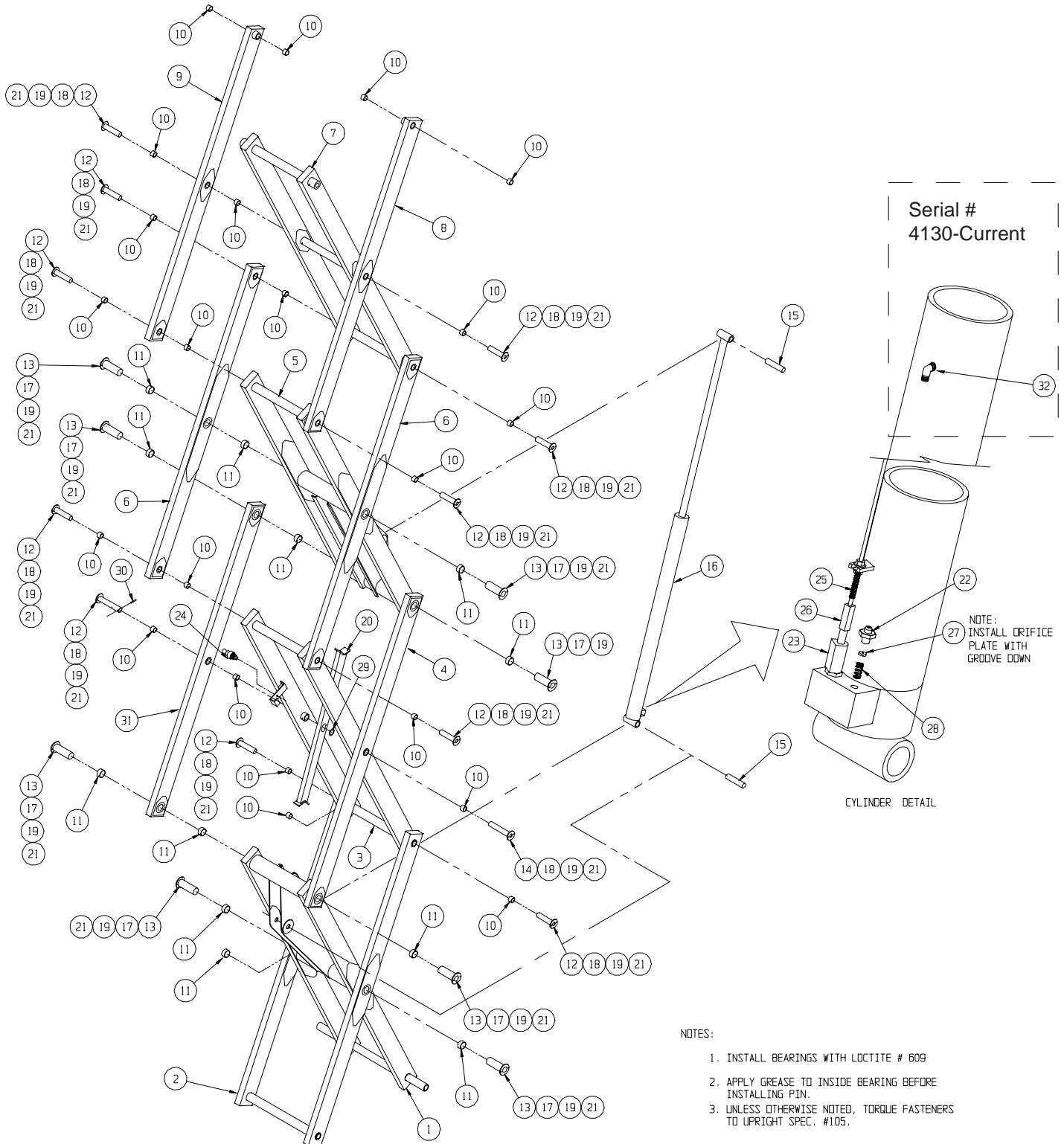
- NOTES:
1. INSTALL BEARINGS WITH LOCTITE # 609
 2. APPLY GREASE INSIDE BEARING BEFORE INSTALLING PIN.
 3. UNLESS OTHERWISE STATED, ALL FASTENERS TO BE TORQUED PER UPRIGHT SPEC. 105., AND ALL FITTINGS TO BE TORQUED PER UPRIGHT SPEC. 106.

Scissor Linkage Assembly, LX41

067423-000

ITEM	PART NO.	PART/MATERIAL DESCRIPTION	QTY.
1	067550-001	ARM WELDMENT	1
2	067551-002	ARM WELDMENT	1
3	067552-000	ARM WELDMENT	1
4	067593-001	ARM WELDMENT	1
5	067553-001	ARM WELDMENT	1
6	067554-000	ARM WELDMENT	2
7	067555-000	ARM WELDMENT	1
8	067556-000	ARM WELDMENT	1
9	067557-000	ARM WELDMENT	1
10	067606-020	BEARING, 2" I.D. X 1 1/2" LG.	28
11	067606-030	BEARING, 3" I.D. X 1 1/2" LG.	16
12	067583-000	PIN WELDMENT	11
13	067580-000	PIN WELDMENT	8
14	067585-000	PIN WELDMENT	1
15	067586-000	PIN, CYLINDER	2
16	067635-000	LIFT CYLINDER Serial # 4022-4129	1
*	067635-010	LIFT CYLINDER SEAL KIT	1
16	067635-020	LIFT CYLINDER Serial # 4130-4269	1
*	067635-030	LIFT CYLINDER SEAL KIT	1

ITEM	PART NO.	PART/MATERIAL DESCRIPTION	QTY.
16	067635-021	LIFT CYLINDER Serial # 4270-Current	1
*	067635-031	LIFT CYLINDER SEAL KIT	1
17	014033-048	H.H.C.S. 1/2-13 UNC X 7 1/2 GR. 8	8
18	014033-032	H.H.C.S. 1/2-13 UNC X 4 1/2 GR. 8	12
19	011248-008	HEX LOCK NUT 1/2-13 UNC	20
20	067591-000	SUPPORT WELDMENT	1
21	013336-001	GREASE FITTING	20
22	011941-005	STRAIGHT ADAPTER #6	1
23	063925-003	DOWN VALVE	1
24	03570-001	RETAINING PIN ASSLY	1
25	067659-000	CABLE ASSLY	1
26	067877-000	COUPLER	1
27	15919-003	ORIFICE PLATE	1
28	05133-000	SPRING	1
29	011786-017	MACHINERY BUSHING, 2" ID X 14 GA.	1
30	011757-028	COTTER PIN 3/8 DIA X 3-1/2	1
31	067593-010	ARM WELDMENT	1
32	011940-006	FITTING 4MP-6MJ 90° Serial # 4130-Current	1

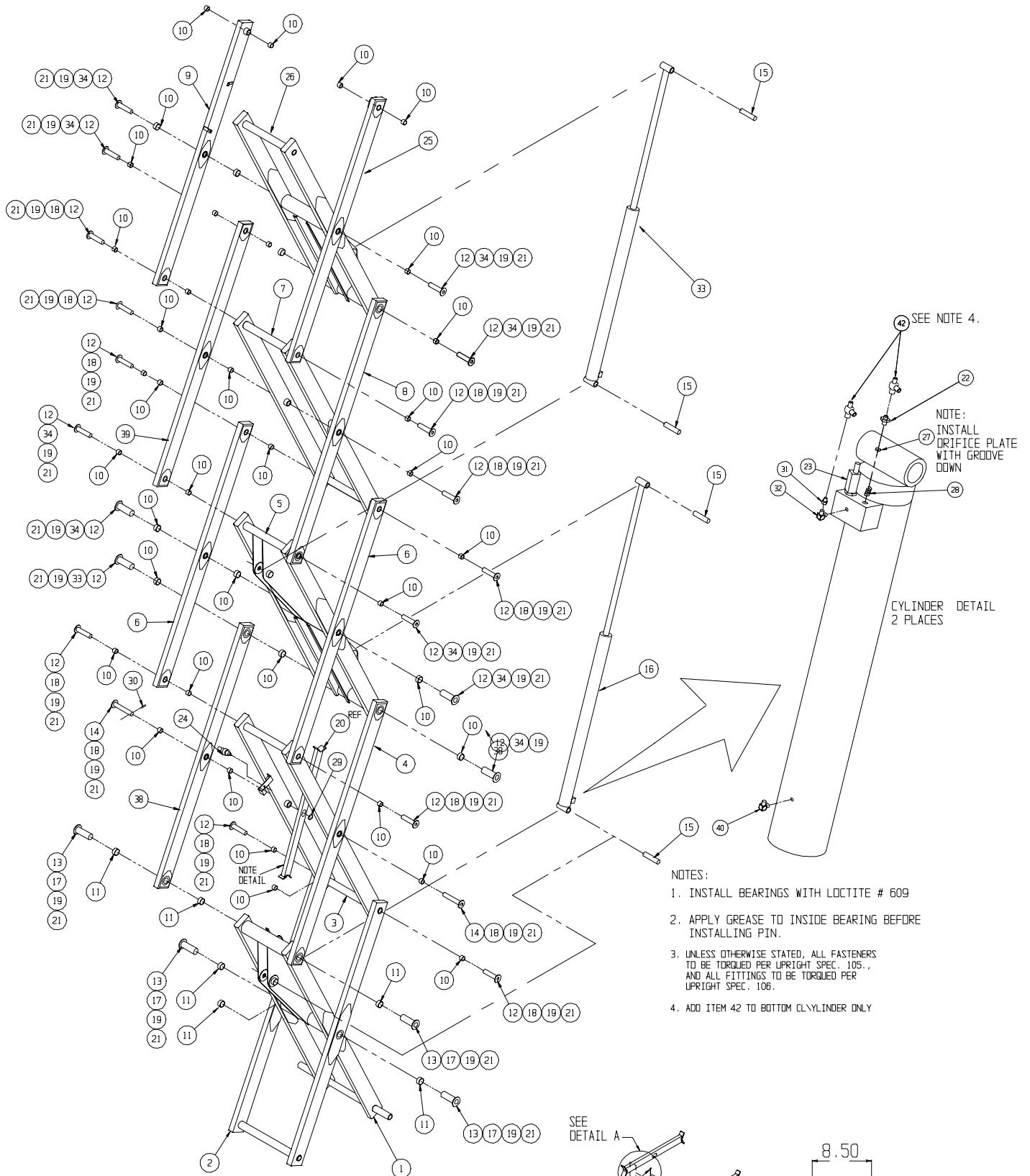


Scissor Linkage Assembly, LX50

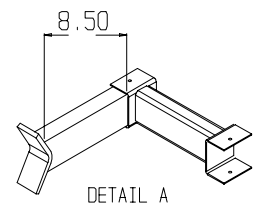
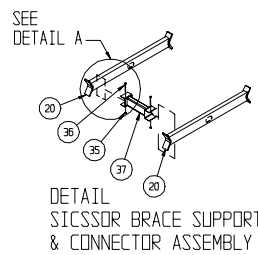
067424-000

ITEM	PART NO.	PART/MATERIAL DESCRIPTION	QTY.
1	067968-001	ARM WELDMENT	1
2	067969-001	ARM WELDMENT	1
3	067970-000	ARM WELDMENT	1
4	067971-001	ARM WELDMENT	1
5	067972-001	ARM WELDMENT	1
6	067973-000	ARM WELDMENT	2
7	067974-000	ARM WELDMENT	1
8	067975-000	ARM WELDMENT	1
9	067557-010	ARM WELDMENT	1
10	067606-020	BEARING, 2" I.D. X 1 1/2" LG.	44
11	067606-030	BEARING, 3" I.D. X 1 1/2" LG.	8
12	067583-000	PIN WELDMENT	20
13	067580-000	PIN WELDMENT	4
14	067585-000	PIN WELDMENT	2
15	067586-000	PIN, CYLINDER	4
16	067635-005	LIFT CYLINDER Serial # 4022-4269	1
*	067635-015	LIFT CYLINDER SEAL KIT	1
16	067635-025	LIFT CYLINDER Serial # 4270-Current	1
*	067635-035	LIFT CYLINDER SEAL KIT	1
17	014033-048	SCREW 1/2-13 UNC X 6 GR. 8	4
18	014033-032	SCREW HHC 1/2-13 UNC X 4 GR. 8	12
19	011248-008	HEX LOCK NUT 1/2-13 UNC	26
20	067591-000	SUPPORT WELDMENT	2
21	013336-001	GREASE FITTING	26

ITEM	PART NO.	PART/MATERIAL DESCRIPTION	QTY.
22	011941-005	STRAIGHT ADAPTER #6	2
23	060291-000	DOWN VALVE	2
24	003570-002	RETAINING PIN ASSLY	1
25	067556-000	ARM WELDMENT	1
26	067976-001	ARM WELDMENT	1
27	015919-003	ORIFICE PLATE	2
28	005133-000	SPRING	2
29	011786-017	MACHINERY BUSHING, 2" ID X 14 GA.	2
30	011757-028	COTTER PIN 3/8 DIA X 3-1/2	2
31	014693-005	FITTING 10FJ-6MJ	2
32	067981-000	FITTING	2
33	067635-004	LIFT CYLINDER Serial # 4022-4278	1
*	067635-014	LIFT CYLINDER SEAL KIT	1
33	067635-024	LIFT CYLINDER Serial # 4279-Current	1
*	067635-034	LIFT CYLINDER SEAL KIT	
34	011256-036	SCREW HHC 1/2-13UNC X 4 1/2	10
35	011248-004	NUT HEX ESNA 1/4-20UNC	2
36	011252-040	SCREW HEX 1/4-20UNC X 5	1
36	011252-040	SCREW HEX 1/4-20UNC X 5	2
37	067979-000	SCISSOR BRACE CONNECTOR WELDMENT	1
38	067971-010	ARM WELDMENT	1
39	067975-010	ARM WELDMENT	1
40	011940-006	FITTING, 6MJ-4MP 90	2
42	020733-002	FITTING TEE 6FJX-6MJ-6MJ	2



- NOTES:
1. INSTALL BEARINGS WITH LOCTITE # 609
 2. APPLY GREASE TO INSIDE BEARING BEFORE INSTALLING PIN.
 3. UNLESS OTHERWISE STATED, ALL FASTENERS TO BE TORQUED PER UPRIGHT SPEC. 105., AND ALL FITTINGS TO BE TORQUED PER UPRIGHT SPEC. 106.
 4. ADD ITEM 42 TO BOTTOM CYLINDER ONLY

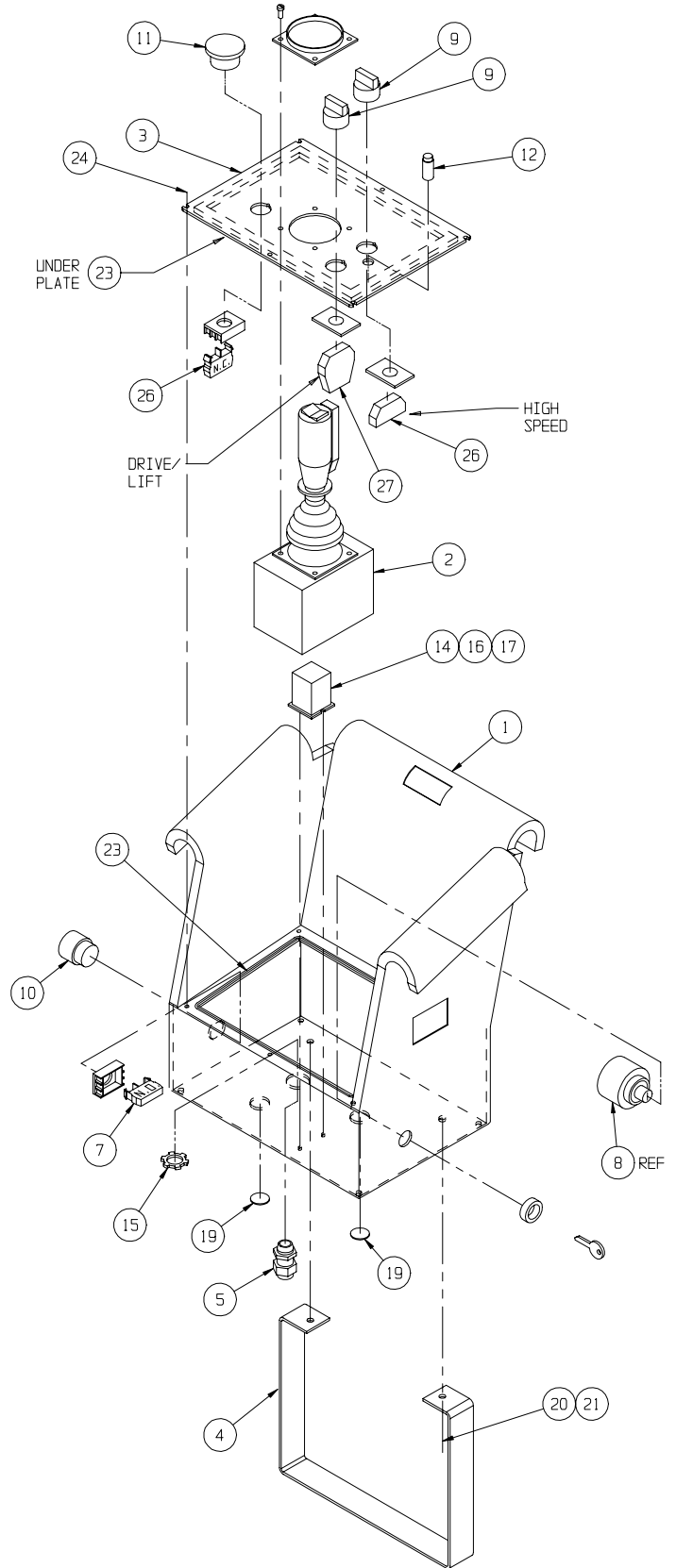


Controller Assembly, LX31/41/50

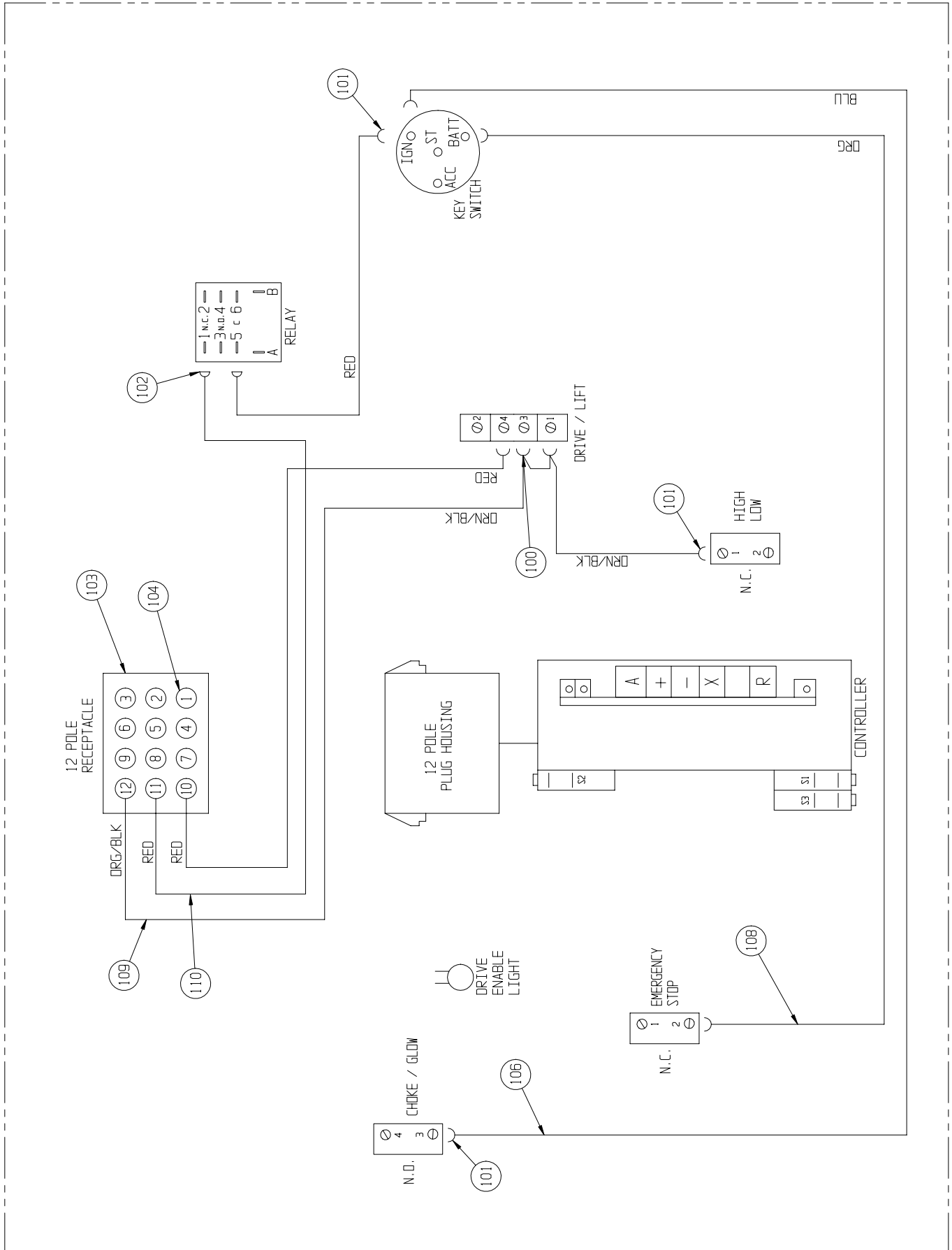
067528-010

ITEM	PART NO.	PART/MATERIAL DESCRIPTION	QTY.
1	067487-000	LX CONTROL BOX	1
2	067643-001	CONTROLLER, PROPORTIONAL 12V	1
*	015772-001	MICRO SWITCH	1
*	066544-014	STEERING SWITCH	1
*	063913-003	BOOT, STEERING SWITCH	1
*	063913-004	ROCKER ASSEMBLY	1
*	066544-010	HANDLE, 2 PIECE	1
*	066544-011	LEVER, INTERLOCK	1
*	066544-012	SWITCH, INTERLOCK	1
*	066544-013	BOOT, CONTROL HANDLE SHAFT	1
*	066544-015	FLANGE, CONTROLLER MOUNTING	1
3	067486-002	COVER PLATE, CONTROLLER BOX	1
4	067483-000	CONTROLLER SUPPORT	1
5	029925-010	CABLE CONNECTOR, 3/4"	1
7	066805-010	CONTACT BLOCK, N.O.	1
8	064666-000	KEY SWITCH	1
*	005442-000	KEY	1
9	066805-002	SELECTOR SWITCH	2
10	066805-018	PUSH BUTTON	1
11	066805-006	MUSHROOM BUTTON	1
12	068133-000	INDICATOR LIGHT	1
14	063951-001	RELAY	1
15	029939-003	CONDUIT NUT, 3/4"	1
16	011248-047	LOCKNUT, #6-32	2
17	011715-004	SCREW, #6-32 X 1/2	2
19	063926-011	CAP PLUG	2
20	011252-006	SCREW, 1/4-20 UNC, HEX HD CAP X 3/4	2
21	011248-004	LOCKNUT, 1/4-20 UNC, HEX	2
23	068889-099	WEATHERSTRIP 1/2 X 3/6 FOAM	3 FT.
24	010952-004	SCREW, BUTT. HD, TORX, 10-24 UNC X 1/2	6
26	066805-011	CONTACT BLOCK N.C.	2
27	066805-012	CONTACT BLOCK, DOUBLE, N.C.-N.O.	1
100	029610-018	CONNECTOR FORK TERM 12-10 GA. #8	2
101	029610-002	CONNECTOR FORK TERM 16-14 GA. #8	7
102	029615-002	CONNECTOR FEMALE PUSH 16-14 GA.	2
103	063956-003	PLUG, HOUSING	1
104	063956-010	PIN, CONTACT MALE	3
105	029452-099	WIRE 16 GA. BLACK	2 FT
106	029450-099	WIRE 16 GA. BLUE	3 FT
108	029453-099	WIRE 16 GA. ORG	1 FT
109	029477-099	WIRE 16 GA. ORG/BLK	1 FT
110	029454-099	WIRE 16 GA. RED	2 FT

* Not shown

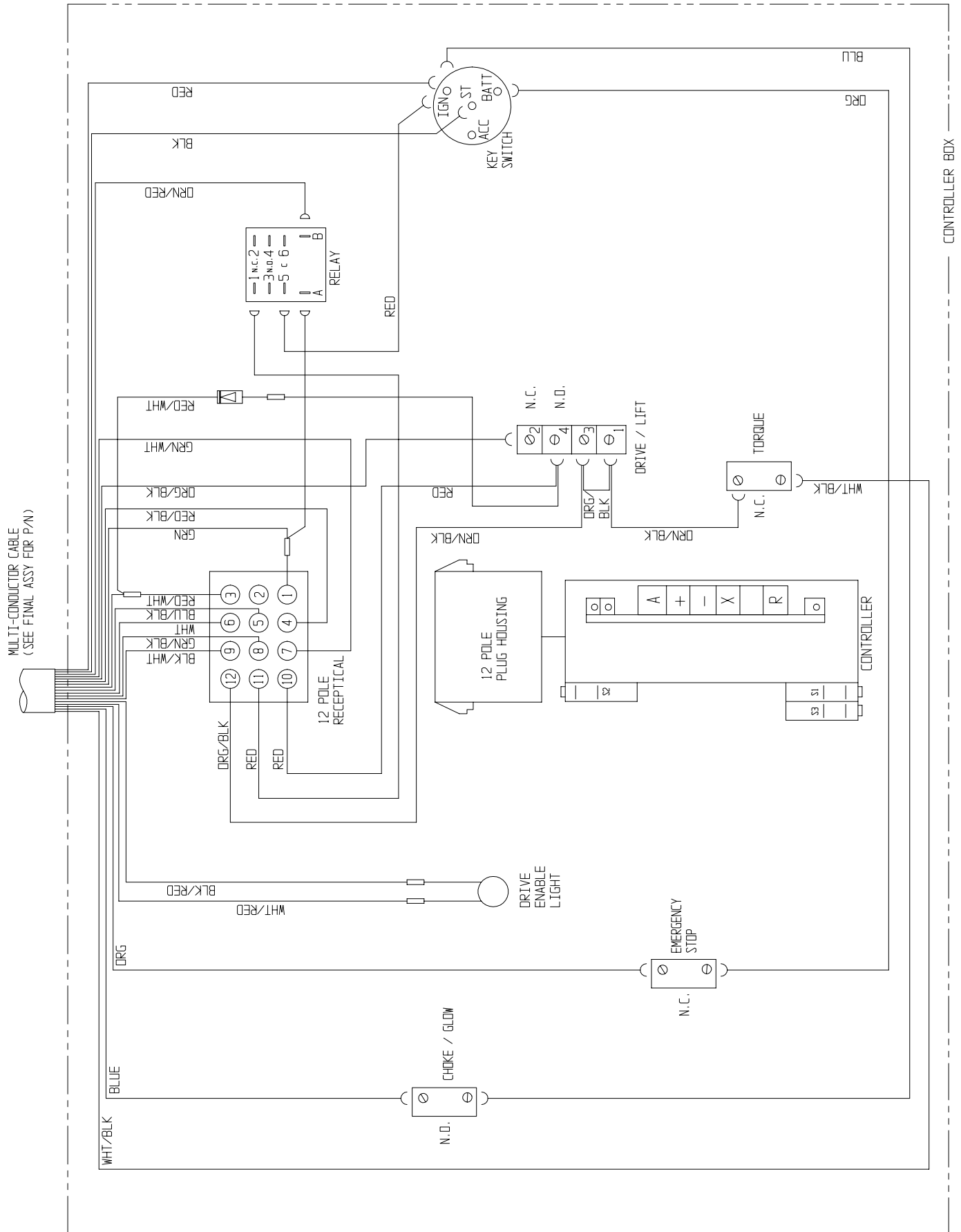


Drawing # 1 of 2



CONTROLLER BOX

Upper Controller Wiring Diagram, LX Diesel/Dual Fuel 108044-000



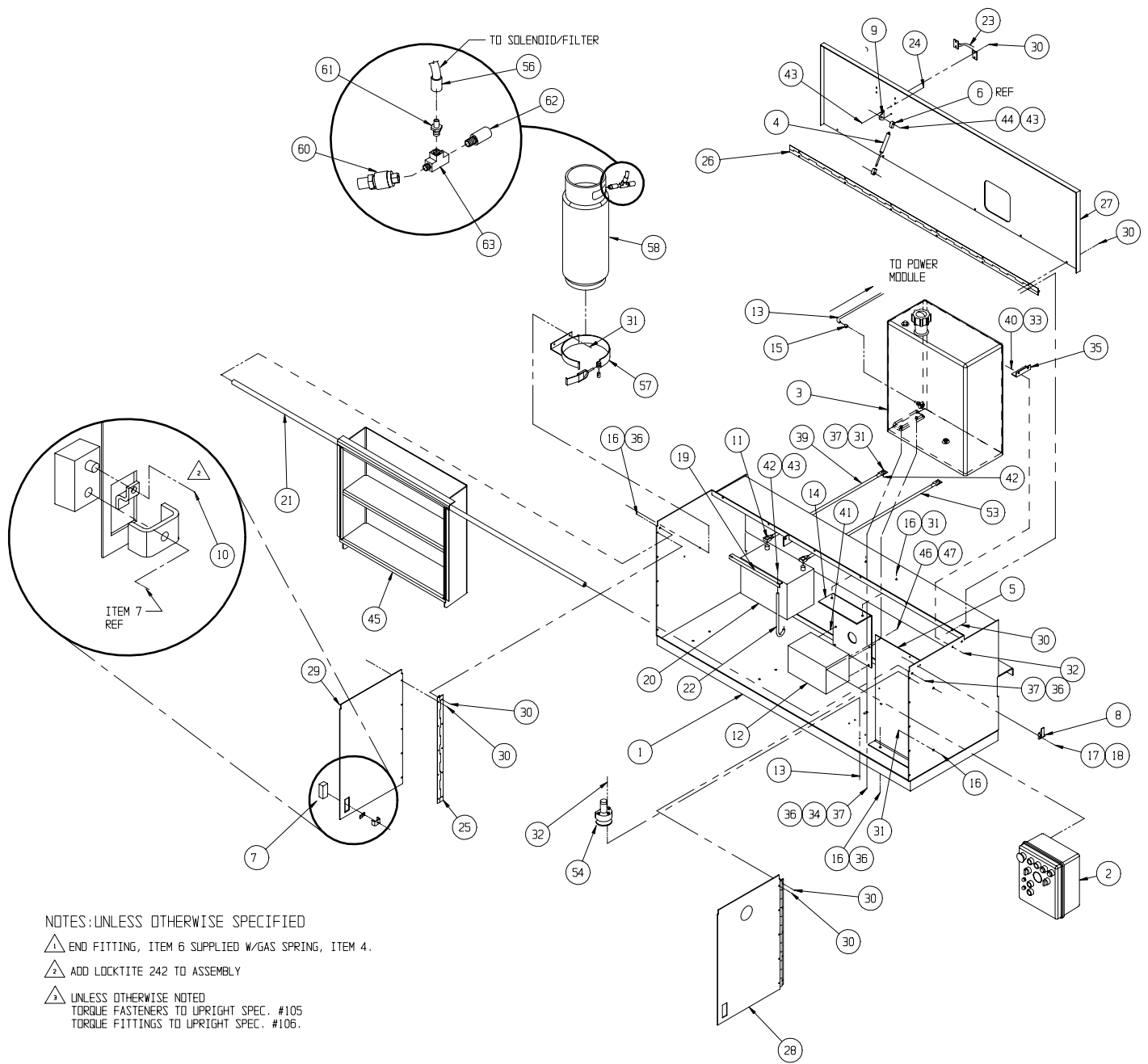
NOTES:

Control Module Assembly, LX31/41 - Two Wheel Drive, Dual Fuel

067521-024

ITEM	PART NO.	PART/MATERIAL DESCRIPTION	QTY.
1	067810-003	CONTROL MODULE WELDMENT	1
2	067491-001	CONTROL BOX , D/F	1
*	067491-011	PC BOARD WITHOUT OUTRIGGER	1
*	067491-012	PC BOARD WITH OUTRIGGER	1
3	067485-000	FUEL TANK, ASSEMBLY, GAS	1
4	063650-012	GAS SPRING	1
5	067484-000	CONTROL BOX MOUNT	1
6	067648-008	END FITTING, GAS SPRING	REF
7	067629-000	LATCH, FLUSH LIFT & TURN	2
8	05299-000	LATCH, TOGGLE	2
9	067902-000	BRACKET, GAS SPRING	1
10	063947-008	NUT HEX ESNA M8	2
11	014435-001	TERMINAL, BATTERY	2
12	067489-000	VALVE BLOCK ASSY. (2WD)	1
13	012739-099	HOSE, 1/4 I.D.	11 FT
14	067892-000	BRACKET, VALVE BLOCK	1
15	020541-001	HOSE CLAMP	1
16	011254-008	SCRW HHC GR5 3/8-16UNC X 1	12
17	011708-004	SCRW MACH RD HD 8-32UNC X 1/2	4
18	011248-002	LOCK NUT, ESMA 8-32UNC	4
19	064040-000	ANGLE, BATTERY HOLD DOWN	1
20	062299-002	BATTERY, 12 VDC GROUP-27C	1
21	067856-000	WELDMENT, STIFFENER	1
22	012039-000	ROD, BATTERY HOLD DOWN	2
23	025427-002	HANDLE	1
24	011253-006	SCR HHC 5/16-18 X 3/4	2
25	067808-000	HINGE, 1 1/2 X 23 7/8	2
26	067809-002	HINGE, 1 1/2 X 65	1
27	067799-008	MODULE COVER / CONTROL	1
28	030841-031	MODULE DOOR, R.H.	1
29	030841-032	MODULE DOOR, L.H.	1

ITEM	PART NO.	PART/MATERIAL DESCRIPTION	QTY.
30	026554-002	POP RIVET, 1/4 DIA (.251-.375 GRIP)	36
31	011248-006	NUT, 3/8-16 ESNA	11
32	011252-006	SCREW, HHC 1/4-20 X 3/4	2
33	011248-004	NUT, 1/4-20 ESNA	4
34	011239-006	WASHER, 3/8", SPLIT LOCK	2
35	067854-001	ANGLE, FUEL TANK MOUNT	1
36	011240-006	WASHER, 3/8", STD, FLT	6
37	011254-006	SCREW HHC 3/8-16 X 3/4	2
39	062125-084	CABLE, BATTERY X 84	1
40	011240-004	WASHER 1/4 FLAT	4
41	011254-004	SCRW HHC GR5 3/8-16UNC X 1/2	4
42	011237-006	WASHER, 3/8 STAR	1
43	011248-005	NUT, HEX 5/16-18 ESNA	4
44	015936-004	SCR, SHOULDER 3/8 DIA. X 1/2	2
45	030841-030	WELDMENT, STAIR	1
46	011275-006	SCREW HHC 10-32UNF X 3/4"	4
47	011238-002	WASHER SPLIT-LOCK #10	4
48	067492-001	WIRE HARNESS, MAIN CONTROL	1
49	067492-002	WIRE HARNESS, VALVE BLOCK	1
50	029931-003	CONN. FEMALE PUSH, 16-14 AWG, .250 TAB	4
51	029454-099	WIRE 16 AWG THN STRD COP RED	6 IN.
52	062125-004	CABLE, BATTERY X 18 FOR SHIPPING	1
53	062125-096	CABLE, BATTERY X 96	1
56	067615-049	HOSE ASSY X 100"	1
57	027823-000	TANK MOUNTING BRACKET	1
58	027934-009	FUEL TANK, PROPANE	1
60		FEMALE ADAPTER (PROPANE TANK)	1
61	Supplied with engine	FITTING,STR 2MP-6MJ BRASS	1
62		RELIEF VALVE 400 PSI	1
63		FITTING 2-2-2 STR TEE BRASS	1



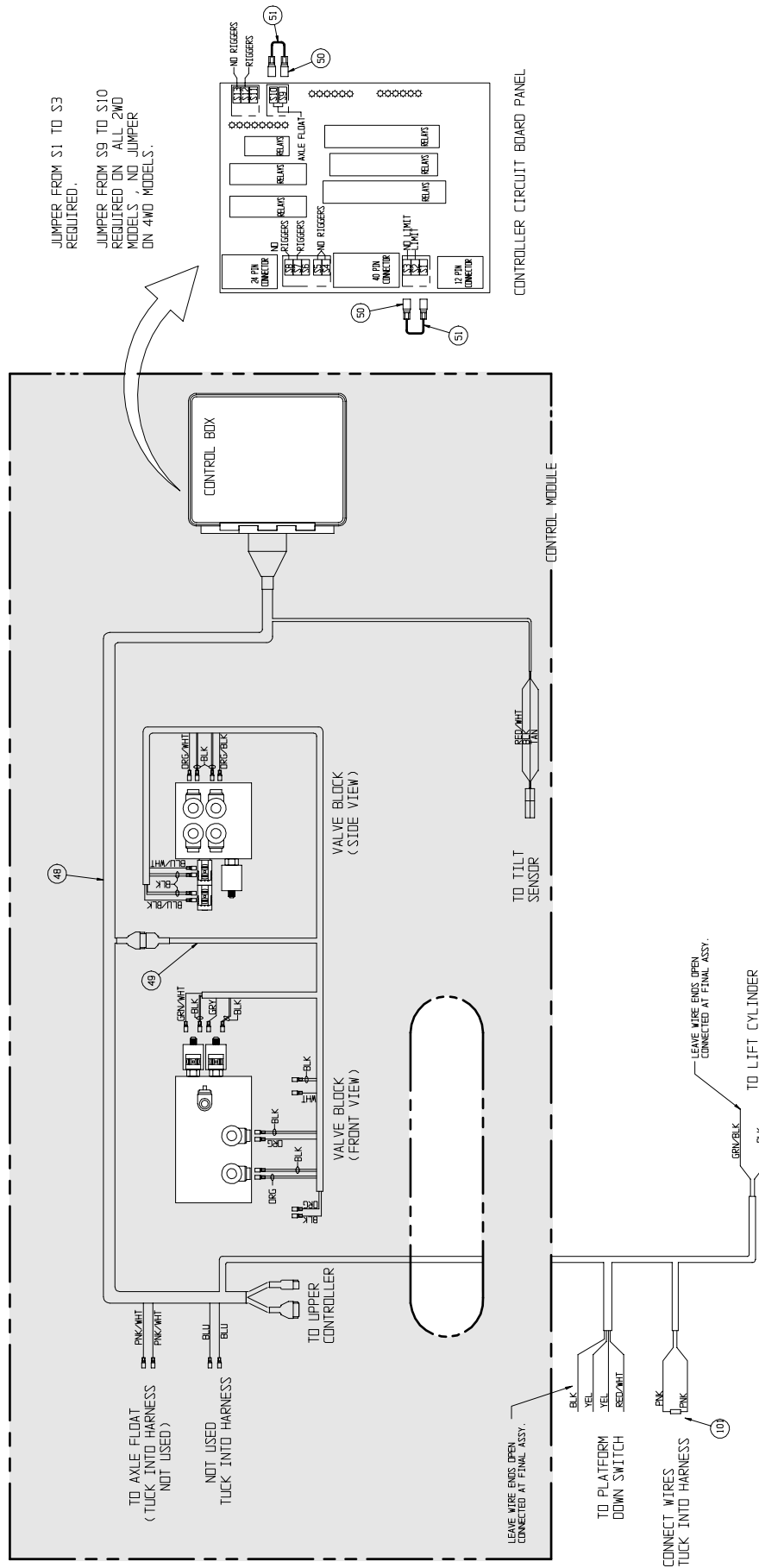
NOTES: UNLESS OTHERWISE SPECIFIED

1. END FITTING, ITEM 6 SUPPLIED W/GAS SPRING, ITEM 4.

2. ADD LOCKTITE 242 TO ASSEMBLY

3. UNLESS OTHERWISE NOTED
TORQUE FASTENERS TO UPRIGHT SPEC. #105
TORQUE FITTINGS TO UPRIGHT SPEC. #106.

Drawing # 1 of 2



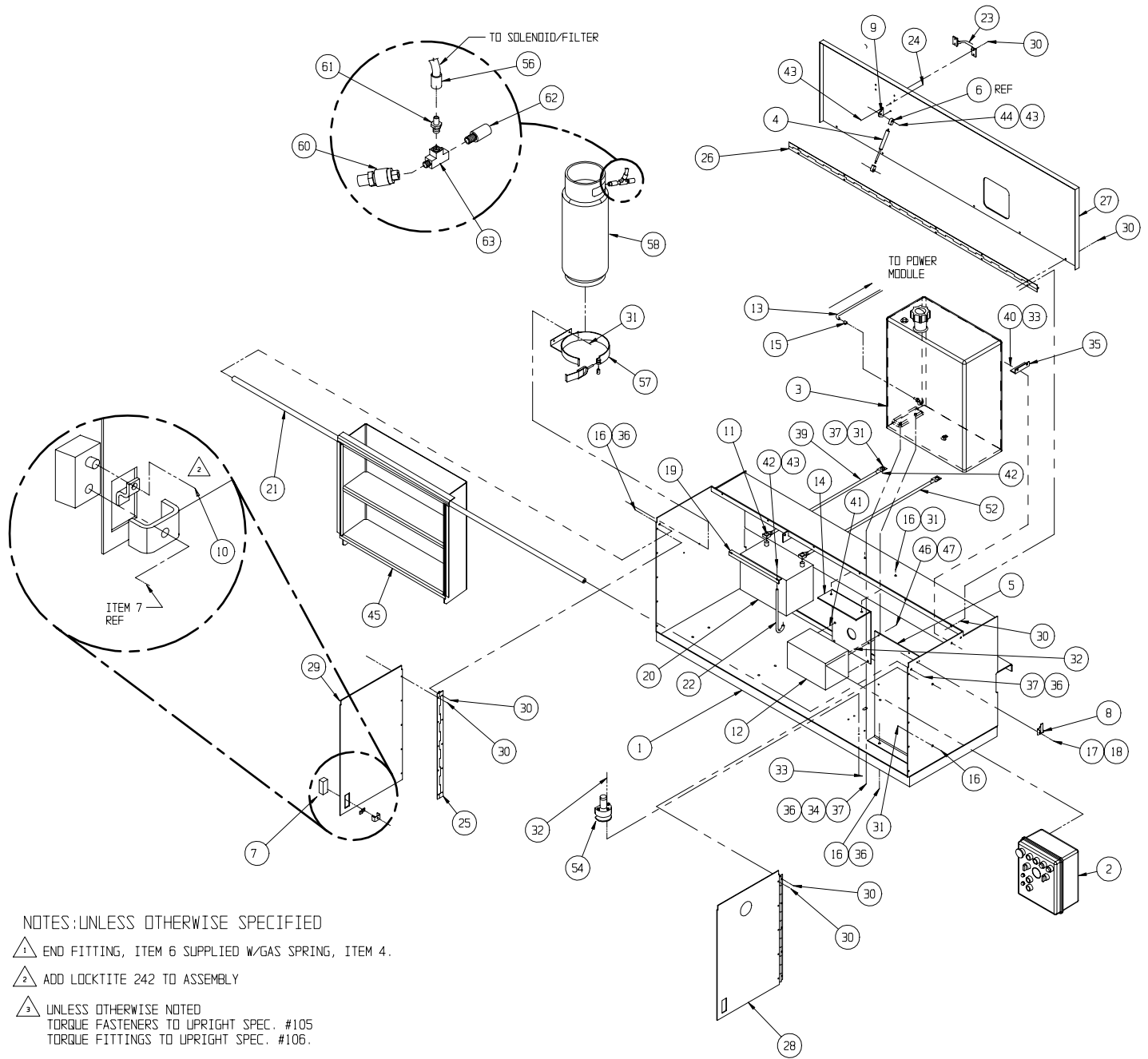
Drawing # 2 of 2

NOTES:

Control Module Assembly, LX31/41 - Four Wheel Drive, Dual Fuel 067521-026

ITEM	PART NO.	PART/MATERIAL DESCRIPTION	QTY.
1	067810-003	CONTROL MODULE WELDMENT	1
2	067491-001	CONTROL BOX , D/F	1
*	067491-011	PC BOARD WITHOUT OUTRIGGER	1
*	067491-012	PC BOARD WITH OUTRIGGER	1
3	067485-000	FUEL TANK, ASSEMBLY, GAS	1
4	063650-012	GAS SPRING	1
5	067484-000	CONTROL BOX MOUNT	1
6	067648-008	END FITTING, GAS SPRING	REF
7	067629-000	LATCH, FLUSH LIFT & TURN	2
8	05299-000	LATCH, TOGGLE	2
9	067902-000	BRACKET, GAS SPRING	1
10	063947-008	NUT HEX ESNA M8	2
11	014435-001	TERMINAL, BATTERY	2
12	067489-001	VALVE BLOCK ASSY. (4WD)	1
13	012739-099	HOSE, 1/4 I.D.	11 FT
14	067892-000	BRACKET, VALVE BLOCK	1
15	020541-001	HOSE CLAMP	1
16	011254-008	SCRW HHC GR5 3/8-16UNC X 1	12
17	011708-004	SCRW MACH RD HD 8-32UNC X 1/2	4
18	011248-002	LOCK NUT, ESMA 8-32UNC	4
19	064040-000	ANGLE, BATTERY HOLD DOWN	1
20	062299-002	BATTERY, 12 VDC GROUP-27C	1
21	067856-000	WELDMENT, STIFFENER	1
22	012039-000	ROD, BATTERY HOLD DOWN	2
23	025427-002	HANDLE	1
24	011253-006	SCR HHC 5/16-18 X 3/4	2
25	067808-000	HINGE, 1 1/2 X 23 7/8	2
26	067809-002	HINGE, 1 1/2 X 65	1
27	067799-008	MODULE COVER / CONTROL	1
28	030841-031	MODULE DOOR, R.H.	1
29	030841-032	MODULE DOOR, L.H.	1

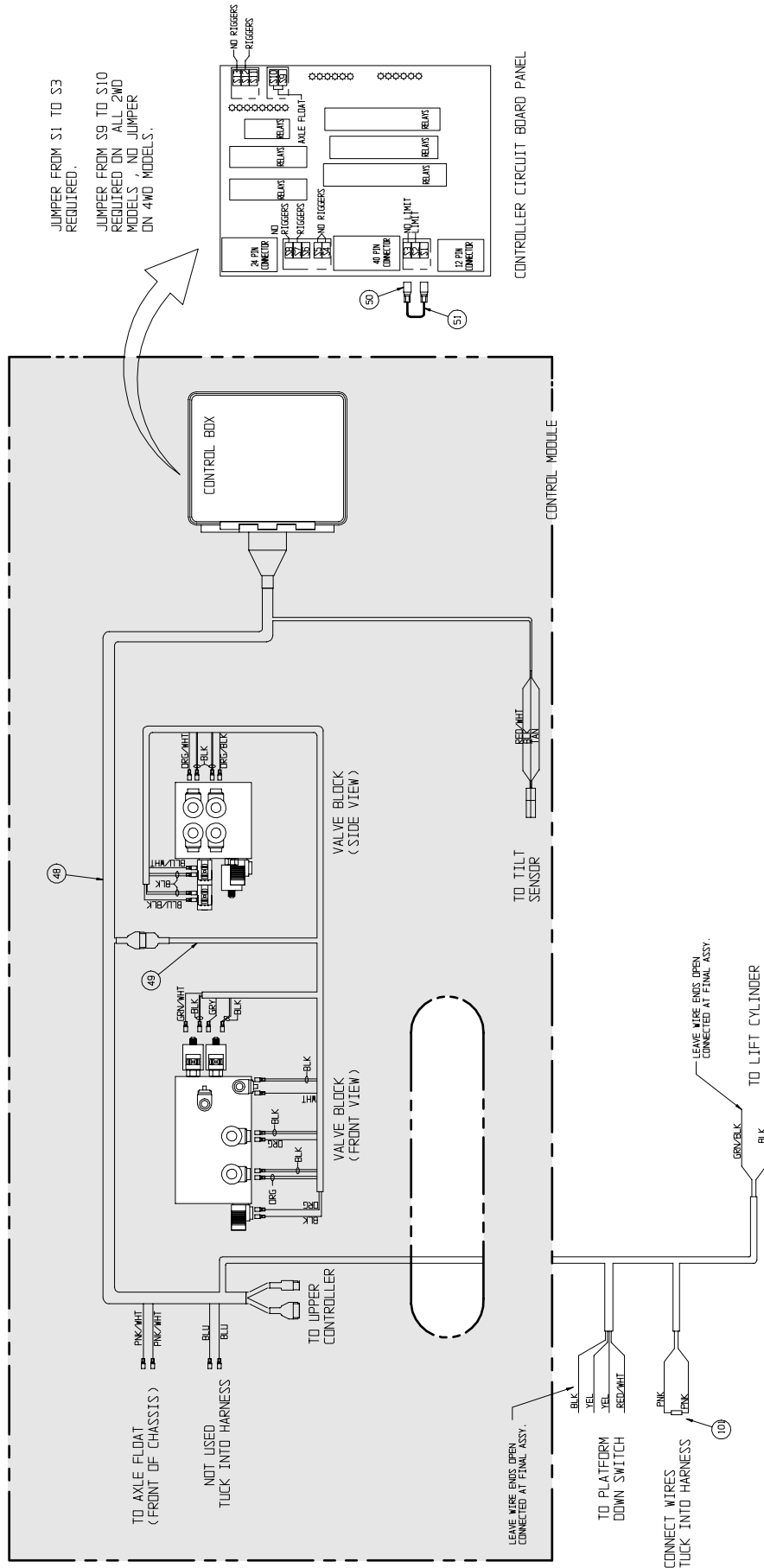
ITEM	PART NO.	PART/MATERIAL DESCRIPTION	QTY.
30	026554-002	POP RIVET, 1/4 DIA (.251-.375 GRIP)	36
31	011248-006	NUT, 3/8-16 ESNA	11
32	011252-006	SCREW, HHC 1/4-20 X 3/4	2
33	011248-004	NUT, 1/4-20 ESNA	4
34	011239-006	WASHER, 3/8", SPLIT LOCK	2
35	067854-001	ANGLE, FUEL TANK MOUNT	1
36	011240-006	WASHER, 3/8", STD, FLT	6
37	011254-006	SCREW HHC 3/8-16 X 3/4	2
39	062125-084	CABLE, BATTERY X 84	1
40	011240-004	WASHER 1/4 FLAT	4
41	011254-004	SCRW HHC GR5 3/8-16UNC X 1/2	4
42	011237-006	WASHER, 3/8 STAR	1
43	011248-005	NUT, HEX 5/16-18 ESNA	4
44	015936-004	SCR, SHOULDER 3/8 DIA. X 1/2	2
45	030841-030	WELDMENT, STAIR	1
46	011275-006	SCREW HHC 10-32UNF X 3/4"	4
47	011238-002	WASHER SPLIT-LOCK #10	4
48	067492-001	WIRE HARNESS, MAIN CONTROL	1
49	067492-002	WIRE HARNESS, VALVE BLOCK	1
50	029931-003	CONN. FEMALE PUSH, 16-14 AWG, .250 TAB	4
51	029454-099	WIRE 16 AWG THHN STRD COP RED	6 IN.
52	062125-004	CABLE, BATTERY X 18 FOR SHIPPING	1
53	062125-096	CABLE, BATTERY X 96	1
56	067615-049	HOSE ASSY X 100"	1
57	027823-000	TANK MOUNTING BRACKET	1
58	027934-009	FUEL TANK, PROPANE	1
60		FEMALE ADAPTER (PROPANE TANK)	1
61	Supplied with engine	FITTING,STR 2MP-6MJ BRASS	1
62		RELIEF VALVE 400 PSI	1
63		FITTING 2-2-2 STR TEE BRASS	1



NOTES: UNLESS OTHERWISE SPECIFIED

- △ END FITTING, ITEM 6 SUPPLIED W/GAS SPRING, ITEM 4.
- △ ADD LOCKTITE 242 TO ASSEMBLY
- △ UNLESS OTHERWISE NOTED
TORQUE FASTENERS TO UPRIGHT SPEC. #105
TORQUE FITTINGS TO UPRIGHT SPEC. #106.

Drawing # 1 of 2



Drawing # 2 of 2

NOTES:

Control Module Assembly, LX31/41 - Two Wheel Drive, Diesel

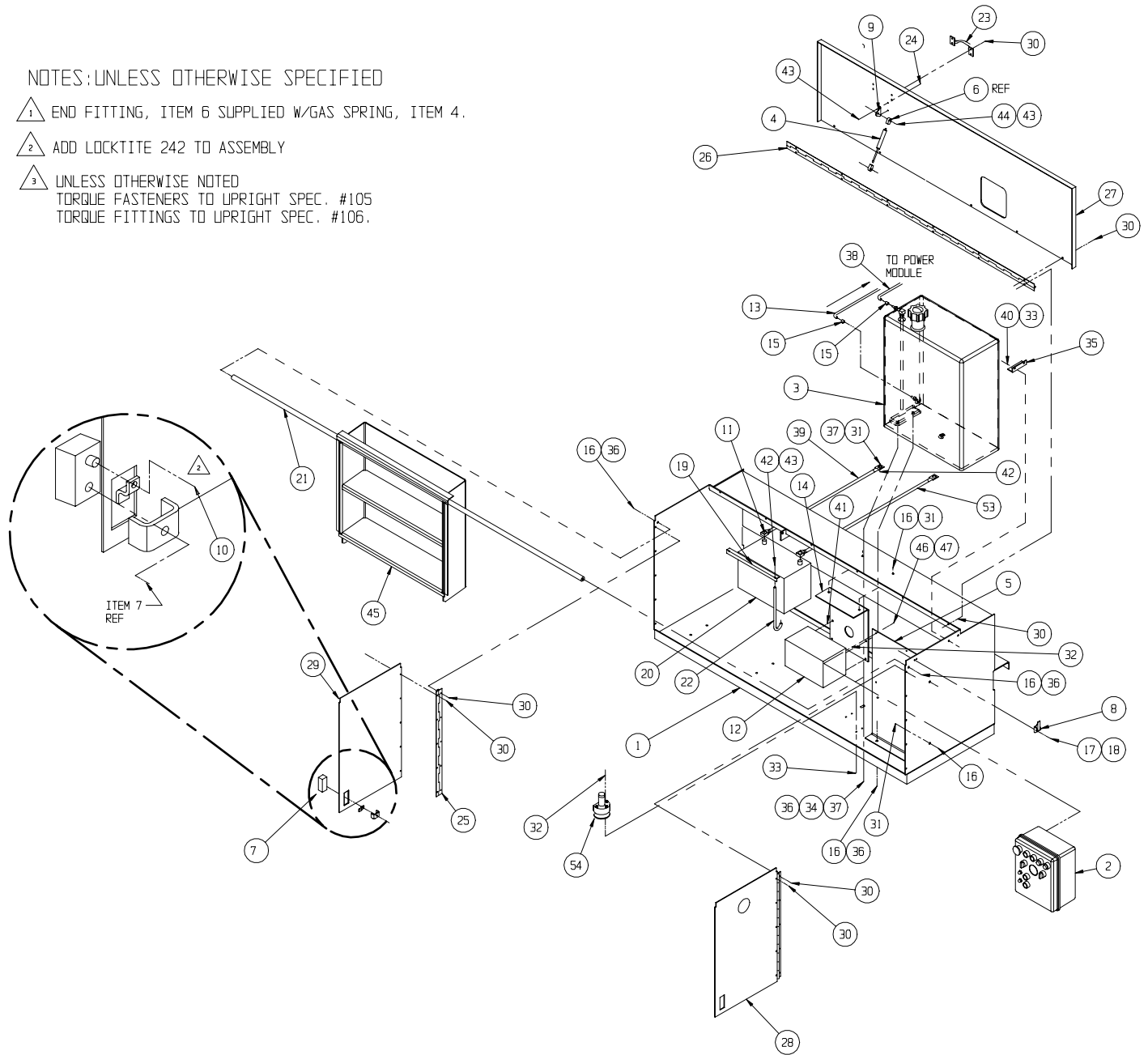
067521-025

ITEM	PART NO.	PART/MATERIAL DESCRIPTION	QTY.
1	067810-003	CONTROL MODULE WELDMENT	1
2	067491-002	CONTROL BOX , DIESEL	1
3	067485-001	FUEL TANK, ASSEMBLY, DIESEL	1
4	063650-012	GAS SPRING	1
5	067484-000	CONTROL BOX MOUNT	1
6	067648-008	END FITTING, GAS SPRING	REF
7	067629-000	LATCH, FLUSH LIFT & TURN	2
8	05299-000	LATCH, TOGGLE	2
9	067902-000	BRACKET, GAS SPRING	1
10	063947-008	NUT HEX ESNA M8	2
11	014435-001	TERMINAL, BATTERY	2
12	067489-000	VALVE BLOCK ASSY. (2WD)	1
13	012739-099	HOSE, 1/4 I.D.	11 FT
14	067892-000	BRACKET, VALVE BLOCK	1
15	020541-001	HOSE CLAMP	2
16	011254-008	SCRW HHC GR5 3/8-16UNC X 1	8
17	011708-004	SCRW MACH RD HD 8-32UNC X 1/2	4
18	011248-002	LOCK NUT, ESMA 8-32UNC	4
19	064040-000	ANGLE, BATTERY HOLD DOWN	1
20	062299-002	BATTERY, 12 VDC GROUP-27C	1
21	067856-000	WELDMENT, STIFFENER	1
22	012039-000	ROD, BATTERY HOLD DOWN	2
23	025427-002	HANDLE	1
24	011253-006	SCR HHC 5/16-18 X 3/4	2
25	067808-000	HINGE, 1 1/2 X 23 7/8	2
26	067809-002	HINGE, 1 1/2 X 65	1
27	067799-008	MODULE COVER / CONTROL	1

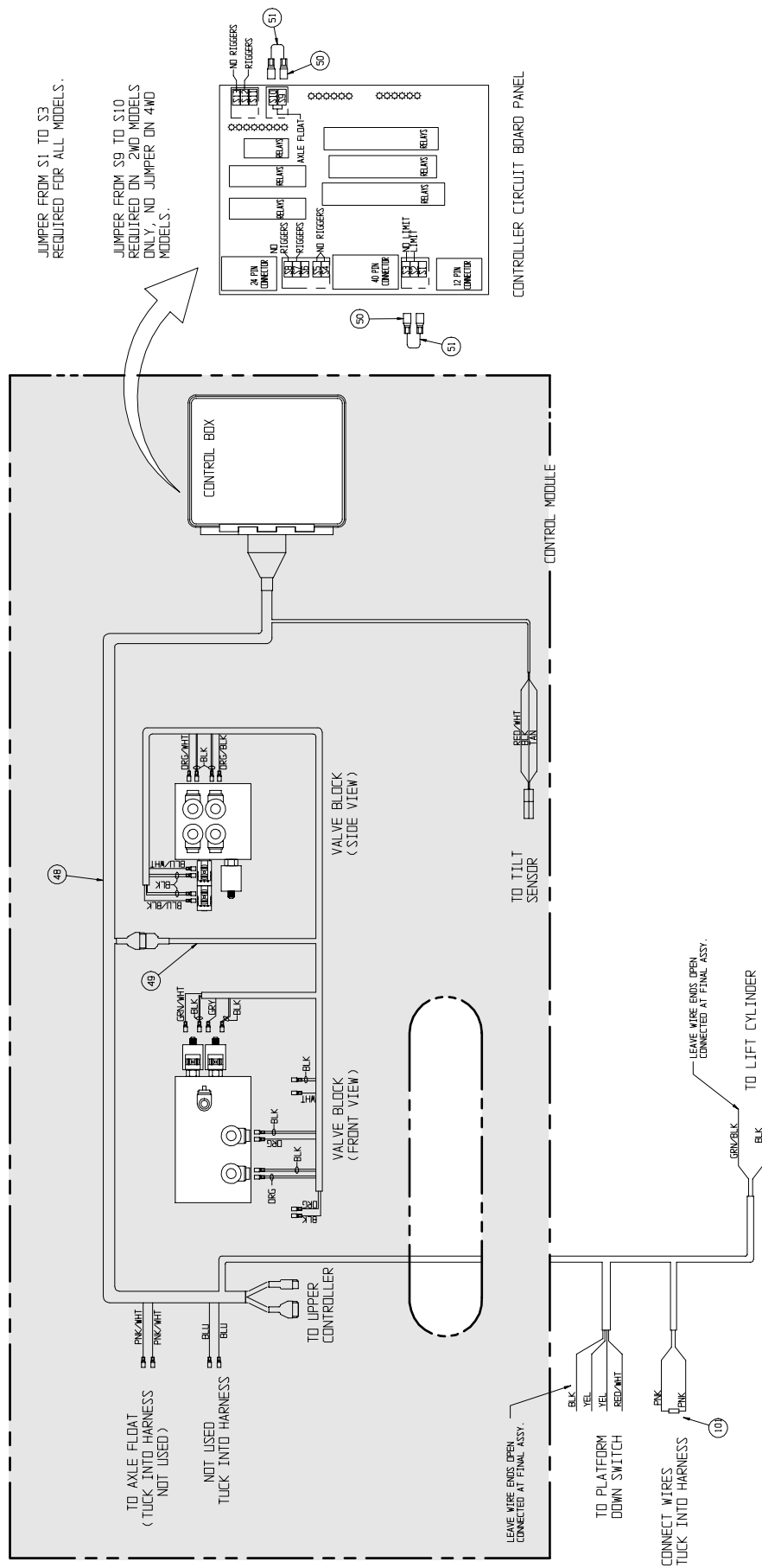
ITEM	PART NO.	PART/MATERIAL DESCRIPTION	QTY.
28	030841-031	MODULE DOOR, R.H.	1
29	030841-032	MODULE DOOR, L.H.	1
30	026554-002	POP RIVET, 1/4 DIA (.251-.375 GRIP)	36
31	011248-006	NUT, 3/8-16 ESNA	7
32	011252-006	SCREW, HHC 1/4-20 X 3/4	2
33	011248-004	NUT, 1/4-20 ESNA	4
34	011239-006	WASHER, 3/8", SPLIT LOCK	2
35	067854-001	ANGLE, FUEL TANK MOUNT	1
36	011240-006	WASHER, 3/8", STD, FLT	6
37	011254-006	SCREW HHC 3/8-16 X 3/4	2
38	012736-099	HOSE, 3/16 ID	11 FT
39	062125-084	CABLE, BATTERY X 84	1
40	011240-004	WASHER 1/4 FLAT	4
41	011254-004	SCRW HHC GR5 3/8-16UNC X 1/2	4
42	011237-006	WASHER, 3/8 STAR	1
43	011248-005	NUT, HEX 5/16-18 ESNA	4
44	015936-004	SCR, SHOULDER 3/8 DIA. X 1/2	2
45	030841-030	WELDMENT, STAIR	1
46	011275-006	SCREW HHC 10-32UNF X 3/4"	4
47	011238-002	WASHER SPLIT-LOCK #10	4
48	067492-001	WIRE HARNESS, MAIN CONTROL	1
49	067492-002	WIRE HARNESS, VALVE BLOCK	1
50	029931-003	CONN. FEMALE PUSH, 16-14 AWG, .250 TAB	4
51	029454-099	WIRE 16 AWG THHN STRD COP RED	6 IN.
52	062125-004	CABLE, BATTERY X 18 FOR SHIPPING	1
53	062125-096	CABLE, BATTERY X 96	1

NOTES: UNLESS OTHERWISE SPECIFIED

- 1 END FITTING, ITEM 6 SUPPLIED W/GAS SPRING, ITEM 4.
- 2 ADD LOCKTITE 242 TO ASSEMBLY
- 3 UNLESS OTHERWISE NOTED
TORQUE FASTENERS TO UPRIGHT SPEC. #105
TORQUE FITTINGS TO UPRIGHT SPEC. #106.



Drawing # 1 of 2



Drawing # 2 of 2

NOTES:

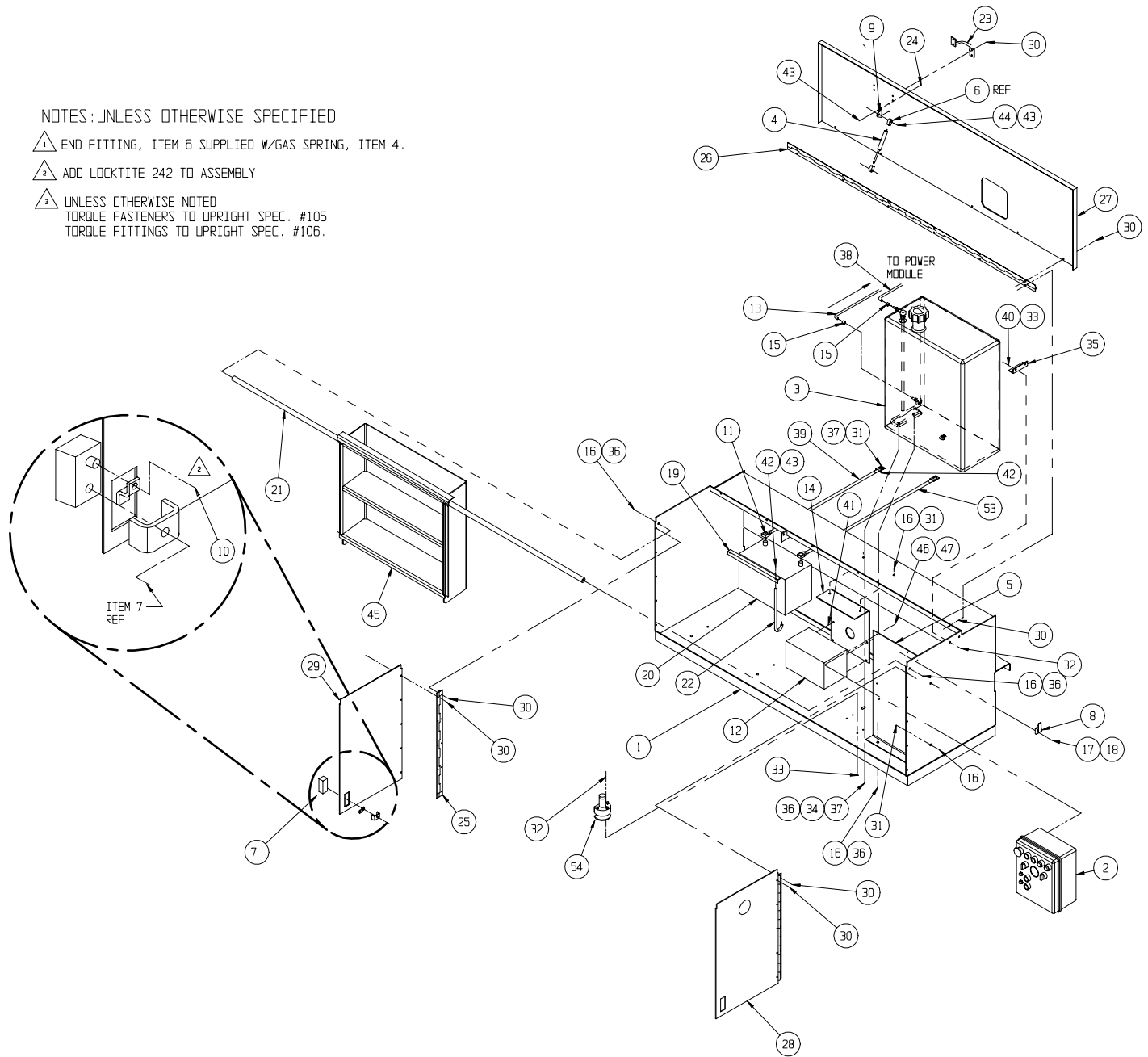
Control Module Assembly, LX31/41 - Four Wheel Drive, Diesel 067521-027

ITEM	PART NO.	PART/MATERIAL DESCRIPTION	QTY.
1	067810-003	CONTROL MODULE WELDMENT	1
2	067491-002	CONTROL BOX , DIESEL	1
3	067485-001	FUEL TANK, ASSEMBLY, DIESEL	1
4	063650-012	GAS SPRING	1
5	067484-000	CONTROL BOX MOUNT	1
6	067648-008	END FITTING, GAS SPRING	REF
7	067629-000	LATCH, FLUSH LIFT & TURN	2
8	05299-000	LATCH, TOGGLE	2
9	067902-000	BRACKET, GAS SPRING	1
10	063947-008	NUT HEX ESNA M8	2
11	014435-001	TERMINAL, BATTERY	2
12	067489-001	VALVE BLOCK ASSY. (4WD)	1
13	012739-099	HOSE, 1/4 I.D.	11 FT
14	067892-000	BRACKET, VALVE BLOCK	1
15	020541-001	HOSE CLAMP	2
16	011254-008	SCRW HHC GR5 3/8-16UNC X 1	8
17	011708-004	SCRW MACH RD HD 8-32UNC X 1/2	4
18	011248-002	LOCK NUT, ESMA 8-32UNC	4
19	064040-000	ANGLE, BATTERY HOLD DOWN	1
20	062299-002	BATTERY, 12 VDC GROUP-27C	1
21	067856-000	WELDMENT, STIFFENER	1
22	012039-000	ROD, BATTERY HOLD DOWN	2
23	025427-002	HANDLE	1
24	011253-006	SCR HHC 5/16-18 X 3/4	2
25	067808-000	HINGE, 1 1/2 X 23 7/8	2
26	067809-002	HINGE, 1 1/2 X 65	1
27	067799-008	MODULE COVER / CONTROL	1

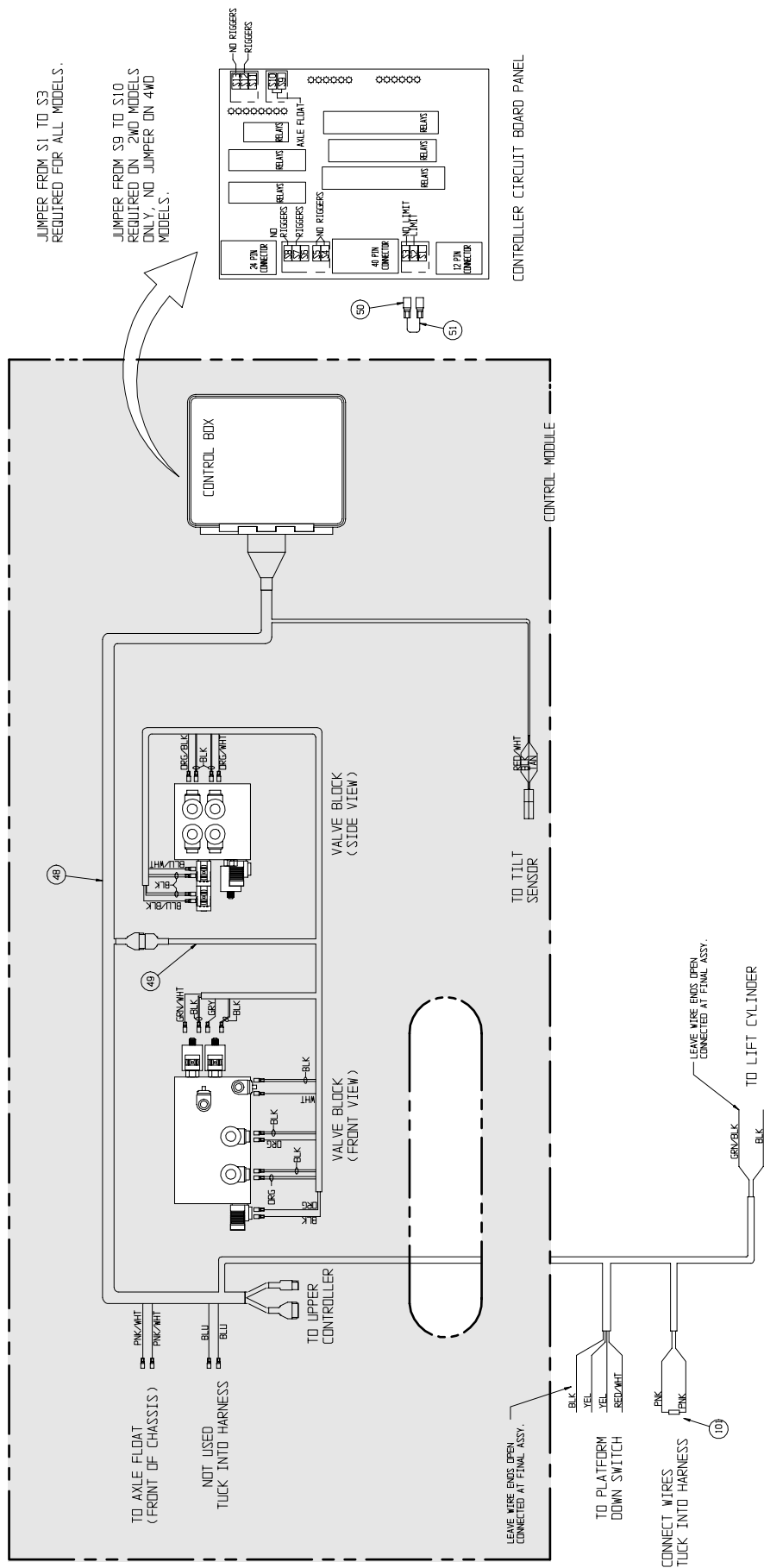
ITEM	PART NO.	PART/MATERIAL DESCRIPTION	QTY.
28	030841-031	MODULE DOOR, R.H.	1
29	030841-032	MODULE DOOR, L.H.	1
30	026554-002	POP RIVET, 1/4 DIA (.251-.375 GRIP)	36
31	011248-006	NUT, 3/8-16 ESNA	7
32	011252-006	SCREW, HHC 1/4-20 X 3/4	2
33	011248-004	NUT, 1/4-20 ESNA	4
34	011239-006	WASHER, 3/8", SPLIT LOCK	2
35	067854-001	ANGLE, FUEL TANK MOUNT	1
36	011240-006	WASHER, 3/8", STD, FLT	6
37	011254-006	SCREW HHC 3/8-16 X 3/4	2
38	012736-099	HOSE, 3/16 ID	11 FT
39	062125-084	CABLE, BATTERY X 84	1
40	011240-004	WASHER 1/4 FLAT	4
41	011254-004	SCRW HHC GR5 3/8-16UNC X 1/2	4
42	011237-006	WASHER, 3/8 STAR	1
43	011248-005	NUT, HEX 5/16-18 ESNA	4
44	015936-004	SCR, SHOULDER 3/8 DIA. X 1/2	2
45	030841-030	WELDMENT, STAIR	1
46	011275-006	SCREW HHC 10-32UNF X 3/4"	4
47	011238-002	WASHER SPLIT-LOCK #10	4
48	067492-001	WIRE HARNESS, MAIN CONTROL	1
49	067492-002	WIRE HARNESS, VALVE BLOCK	1
50	029931-003	CONN. FEMALE PUSH, 16-14 AWG, .250 TAB	4
51	029454-099	WIRE 16 AWG THHN STRD COP RED	6 IN.
52	062125-004	CABLE, BATTERY X 18 FOR SHIPPING	1
53	062125-096	CABLE, BATTERY X 96	1
54	029945-032	LEVEL SENSOR, BI-DIRECTIONAL	1

NOTES: UNLESS OTHERWISE SPECIFIED

- 1 END FITTING, ITEM 6 SUPPLIED W/GAS SPRING, ITEM 4.
- 2 ADD LOCKTITE 242 TO ASSEMBLY
- 3 UNLESS OTHERWISE NOTED
TORQUE FASTENERS TO UPRIGHT SPEC. #105
TORQUE FITTINGS TO UPRIGHT SPEC. #106.



Drawing # 1 of 2



Drawing # 2 of 2

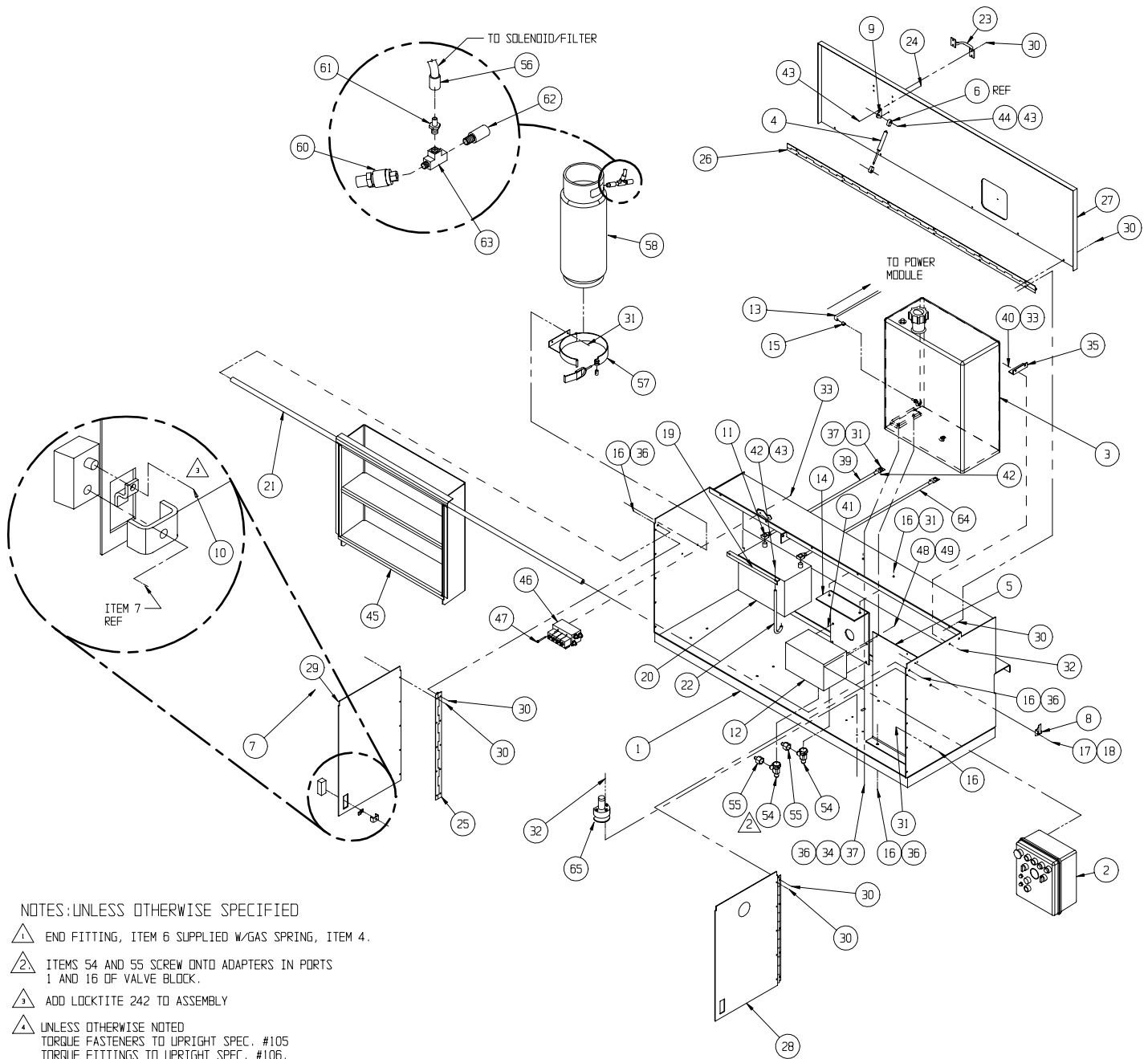
NOTES:

Control Module Assembly, LX50 - Two Wheel Drive, Dual Fuel

067521-028

ITEM	PART NO.	PART/MATERIAL DESCRIPTION	QTY.
1	067810-003	CONTROL MODULE WELDMENT	1
2	067491-003	CONTROL BOX , D/F, W/OUTRIGGER	1
3	067485-000	FUEL TANK, ASSEMBLY, GAS	1
4	063650-012	GAS SPRING	1
5	067484-000	CONTROL BOX MOUNT	1
6	067648-008	END FITTING, GAS SPRING	REF
7	067629-000	LATCH, FLUSH LIFT & TURN	2
8	05299-000	LATCH, TOGGLE	2
9	067902-000	BRACKET, GAS SPRING	1
10	063947-008	NUT HEX ESNA M8	2
11	014435-001	TERMINAL, BATTERY	2
12	067489-000	VALVE BLOCK ASSY. (2 W.D.)	1
13	012739-099	HOSE, 1/4 I.D.	11 FT
14	067892-000	BRACKET, VALVE BLOCK	1
15	020541-001	HOSE CLAMP	1
16	011254-008	SCRW HHC GR5 3/8-16UNC X 1	12
17	011708-004	SCRW MACH RD HD 8-32UNC X 1/2	4
18	011248-002	LOCK NUT, ESMA 8-32UNC	4
19	064040-000	ANGLE, BATTERY HOLD DOWN	1
20	062299-002	BATTERY, 12 VDC GROUP-27C	1
21	067856-000	WELDMENT, STIFFENER	1
22	012039-000	ROD, BATTERY HOLD DOWN	2
23	025427-002	HANDLE	1
24	011253-006	SCR HHC 5/16-18 X 3/4	2
25	067808-000	HINGE, 1 1/2 X 23 7/8	2
26	067809-002	HINGE, 1 1/2 X 65	1
27	067799-008	MODULE COVER / CONTROL	1
28	030841-031	MODULE DOOR, R.H.	1
29	030841-032	MODULE DOOR, L.H.	1
30	026554-002	POP RIVET, 1/4 DIA (.251-.375 GRIP)	36
31	011248-006	NUT, 3/8-16 ESNA	11
32	011252-006	SCREW, HHC 1/4-20 X 3/4	2

ITEM	PART NO.	PART/MATERIAL DESCRIPTION	QTY.
33	011248-004	NUT, 1/4-20 ESNA	6
34	011239-006	WASHER, 3/8", SPLIT LOCK	2
35	067854-001	ANGLE, FUEL TANK MOUNT	1
36	011240-006	WASHER, 3/8", STD, FLT	6
37	011254-006	SCREW HHC 3/8-16 X 3/4	2
39	062125-084	CABLE, BATTERY X 84	1
40	011240-004	WASHER 1/4 FLAT	4
41	011254-004	SCRW HHC GR5 3/8-16UNC X 1/2	4
42	011237-006	WASHER, 3/8 STAR	1
43	011248-005	NUT, HEX 5/16-18 ESNA	4
44	015936-004	SCR, SHOULDER 3/8 DIA. X 1/2	2
45	030841-030	WELDMENT, STAIR	1
46	067490-000	VALVE BLOCK, OUTRIGGER CONTROL	1
47	011252-032	SCREW HHC 1/4-20UNC X 4"	2
48	011275-006	SCREW HHC 10-32UNF X 3/4"	4
49	011238-002	WASHER SPLIT-LOCK #10	4
50	067492-001	WIRE HARNESS, MAIN CONTROL	1
51	067492-002	WIRE HARNESS, VALVE BLOCK	1
52	029931-003	CONN. FEMALE PUSH, 16-14 AWG, .250 TAB	4
53	029454-099	WIRE 16 AWG THHN STRD COP RED	6 IN.
54	020733-005	TEE 12FJ-12MJ-12MJ	2
55	014693-003	ADAPTER, 12FJ-6MJ	2
56	067615-049	HOSE ASSY X 100"	1
57	027823-000	TANK MOUNTING BRACKET	1
58	027934-009	FUEL TANK, PROPANE	1
59	062125-004	CABLE, BATTERY X 18 FOR SHIPPING	1
60		FEMALE ADAPTER (PROPANE TANK)	1
61	Supplied with engine	FITTING,STR 2MP-6MJ BRASS	1
62		RELIEF VALVE 400 PSI	1
63		FITTING 2-2-2 STR TEE BRASS	1
64	062125-096	CABLE, BATTERY X 96	1



NOTES: UNLESS OTHERWISE SPECIFIED

- ▲ END FITTING, ITEM 6 SUPPLIED W/GAS SPRING, ITEM 4.
- ▲ ITEMS 54 AND 55 SCREW ONTO ADAPTERS IN PORTS 1 AND 16 OF VALVE BLOCK.
- ▲ ADD LOCKTITE 242 TO ASSEMBLY
- ▲ UNLESS OTHERWISE NOTED, TORQUE FASTENERS TO UPRIGHT SPEC. #105, TORQUE FITTINGS TO UPRIGHT SPEC. #106.

Drawing # 1 of 2

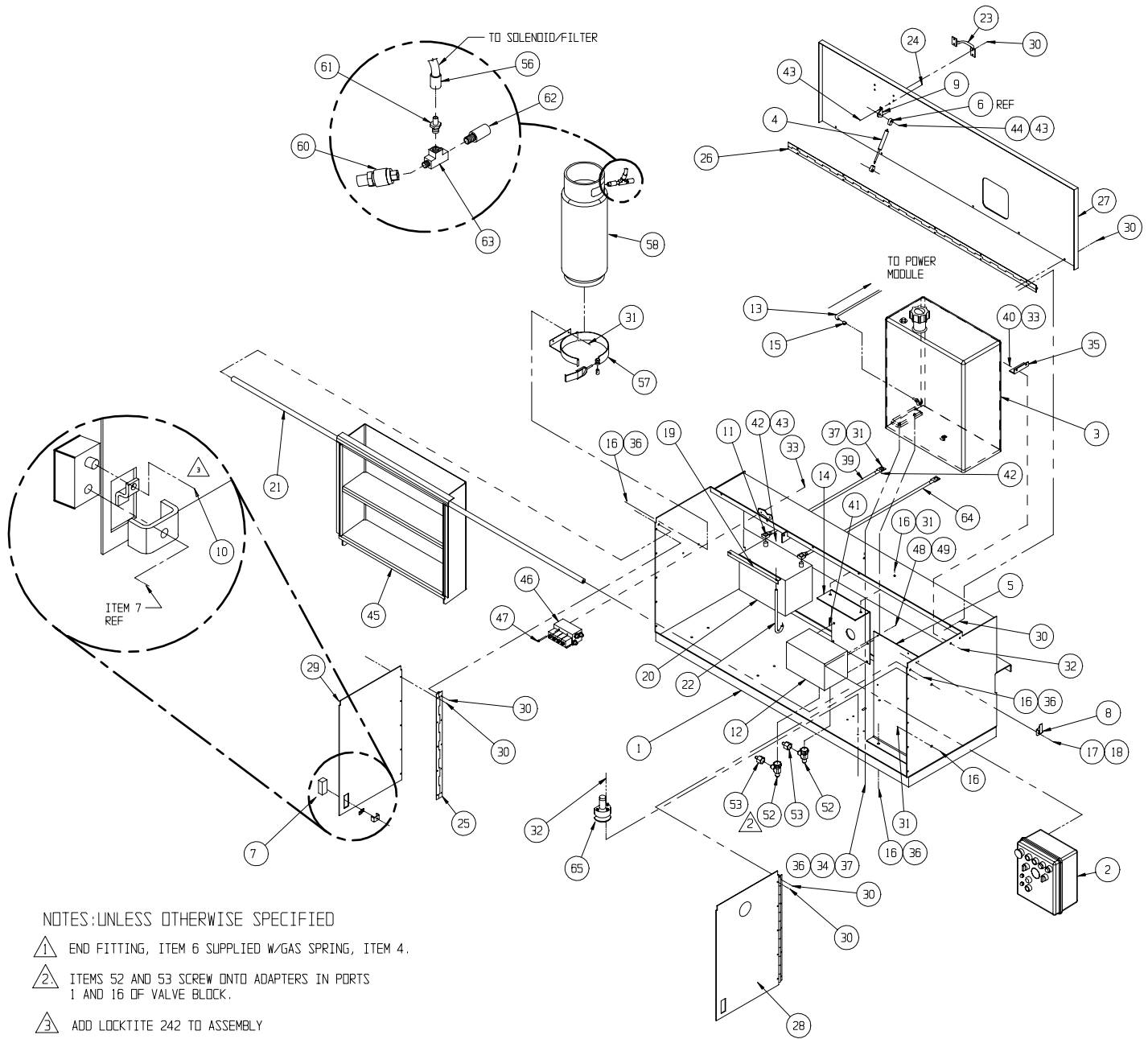
NOTES:

Control Module Assembly, LX50 - Four Wheel Drive, Dual Fuel

067521-030

ITEM	PART NO.	PART/MATERIAL DESCRIPTION	QTY.
1	067810-003	CONTROL MODULE WELDMENT	1
2	067491-003	CONTROL BOX , D/F, W/OUTRIGGER	1
3	067485-000	FUEL TANK, ASSEMBLY, GAS	1
4	063650-012	GAS SPRING	1
5	067484-000	CONTROL BOX MOUNT	1
6	067648-008	END FITTING, GAS SPRING	REF
7	067629-000	LATCH, FLUSH LIFT & TURN	2
8	05299-000	LATCH, TOGGLE	2
9	067902-000	BRACKET, GAS SPRING	1
10	063947-008	NUT HEX ESNA M8	2
11	014435-001	TERMINAL, BATTERY	2
12	067489-001	VALVE BLOCK ASSY. (4 W.D.)	1
13	012739-099	HOSE, 1/4 I.D.	11 FT
14	067892-000	BRACKET, VALVE BLOCK	1
15	020541-001	HOSE CLAMP	1
16	011254-008	SCRW HHC GR5 3/8-16UNC X 1	12
17	011708-004	SCRW MACH RD HD 8-32UNC X 1/2	4
18	011248-002	LOCK NUT, ESMA 8-32UNC	4
19	064040-000	ANGLE, BATTERY HOLD DOWN	1
20	062299-002	BATTERY, 12 VDC GROUP-27C	1
21	067856-000	WELDMENT, STIFFENER	1
22	012039-000	ROD, BATTERY HOLD DOWN	2
23	025427-002	HANDLE	1
24	011253-006	SCR HHC 5/16-18 X 3/4	2
25	067808-000	HINGE, 1 1/2 X 23 7/8	2
26	067809-002	HINGE, 1 1/2 X 65	1
27	067799-008	MODULE COVER / CONTROL	1
28	030841-031	MODULE DOOR, R.H.	1
29	030841-032	MODULE DOOR, L.H.	1
30	026554-002	POP RIVET, 1/4 DIA (.251-.375 GRIP)	36
31	011248-006	NUT, 3/8-16 ESNA	11
32	011252-006	SCREW, HHC 1/4-20 X 3/4	2

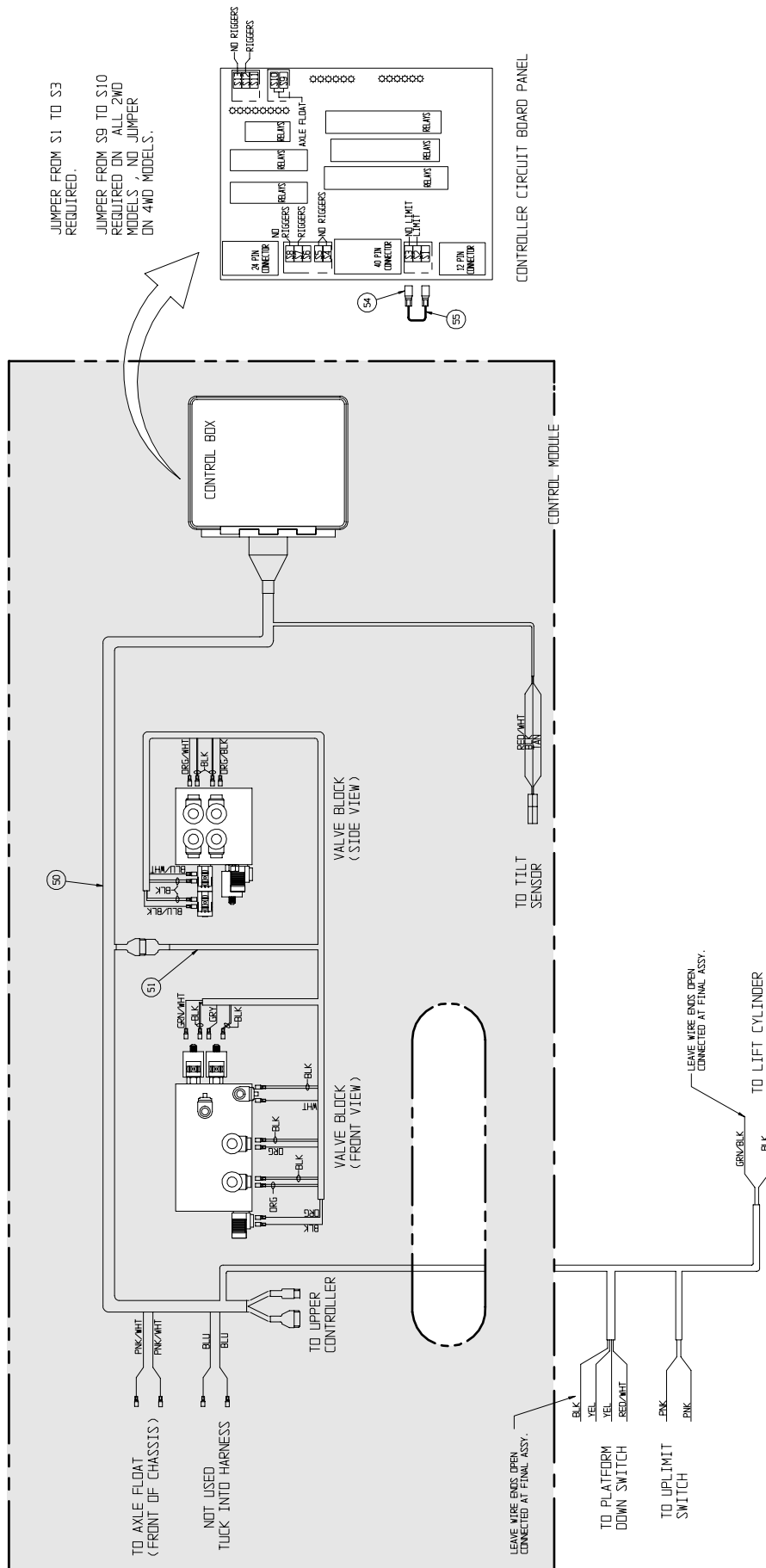
ITEM	PART NO.	PART/MATERIAL DESCRIPTION	QTY.
33	011248-004	NUT, 1/4-20 ESNA	6
34	011239-006	WASHER, 3/8", SPLIT LOCK	2
35	067854-001	ANGLE, FUEL TANK MOUNT	1
36	011240-006	WASHER, 3/8", STD, FLT	6
37	011254-006	SCREW HHC 3/8-16 X 3/4	2
39	062125-084	CABLE, BATTERY X 84	1
40	011240-004	WASHER 1/4 FLAT	4
41	011254-004	SCRW HHC GR5 3/8-16UNC X 1/2	4
42	011237-006	WASHER, 3/8 STAR	1
43	011248-005	NUT, HEX 5/16-18 ESNA	4
44	015936-004	SCR, SHOULDER 3/8 DIA. X 1/2	2
45	030841-030	WELDMENT, STAIR	1
46	067490-000	VALVE BLOCK, OUTRIGGER CONTROL	1
47	011252-032	SCREW HHC 1/4-20UNC X 4"	2
48	011275-006	SCREW HHC 10-32UNF X 3/4"	4
49	011238-002	WASHER SPLIT-LOCK #10	4
50	067492-001	WIRE HARNESS, MAIN CONTROL	1
51	067492-002	WIRE HARNESS, VALVE BLOCK	1
52	020733-005	TEE 12FJ-12MJ-12MJ	2
53	014693-003	ADAPTER, 12FJ-6MJ	2
54	029931-003	CONN. FEMALE PUSH, 16-14 AWG, .250 TAB	4
55	029454-099	WIRE 16 AWG THHN STRD COP RED	6 IN.
56	067615-049	HOSE ASSY X 100"	1
57	027823-000	TANK MOUNTING BRACKET	1
58	027934-009	FUEL TANK, PROPANE	1
59	062125-004	CABLE, BATTERY X 18 FOR SHIPPING	1
60		FEMALE ADAPTER (PROPANE TANK)	1
61	Supplied with engine	FITTING,STR 2MP-6MJ BRASS	1
62		RELIEF VALVE 400 PSI	1
63		FITTING 2-2-2 STR TEE BRASS	1
64	062125-096	CABLE, BATTERY X 96	1



NOTES: UNLESS OTHERWISE SPECIFIED

- ① END FITTING, ITEM 6 SUPPLIED W/GAS SPRING, ITEM 4.
- ② ITEMS 52 AND 53 SCREW ONTO ADAPTERS IN PORTS 1 AND 16 OF VALVE BLOCK.
- ③ ADD LOCKTITE 242 TO ASSEMBLY
- ④ UNLESS OTHERWISE NOTED TORQUE FASTENERS TO UPRIGHT SPEC. #105 TORQUE FITTINGS TO UPRIGHT SPEC. #106.

Drawing # 1 of 2



Drawing # 2 of 2

NOTES:

Control Module, LX50 - Two Wheel Drive, Diesel

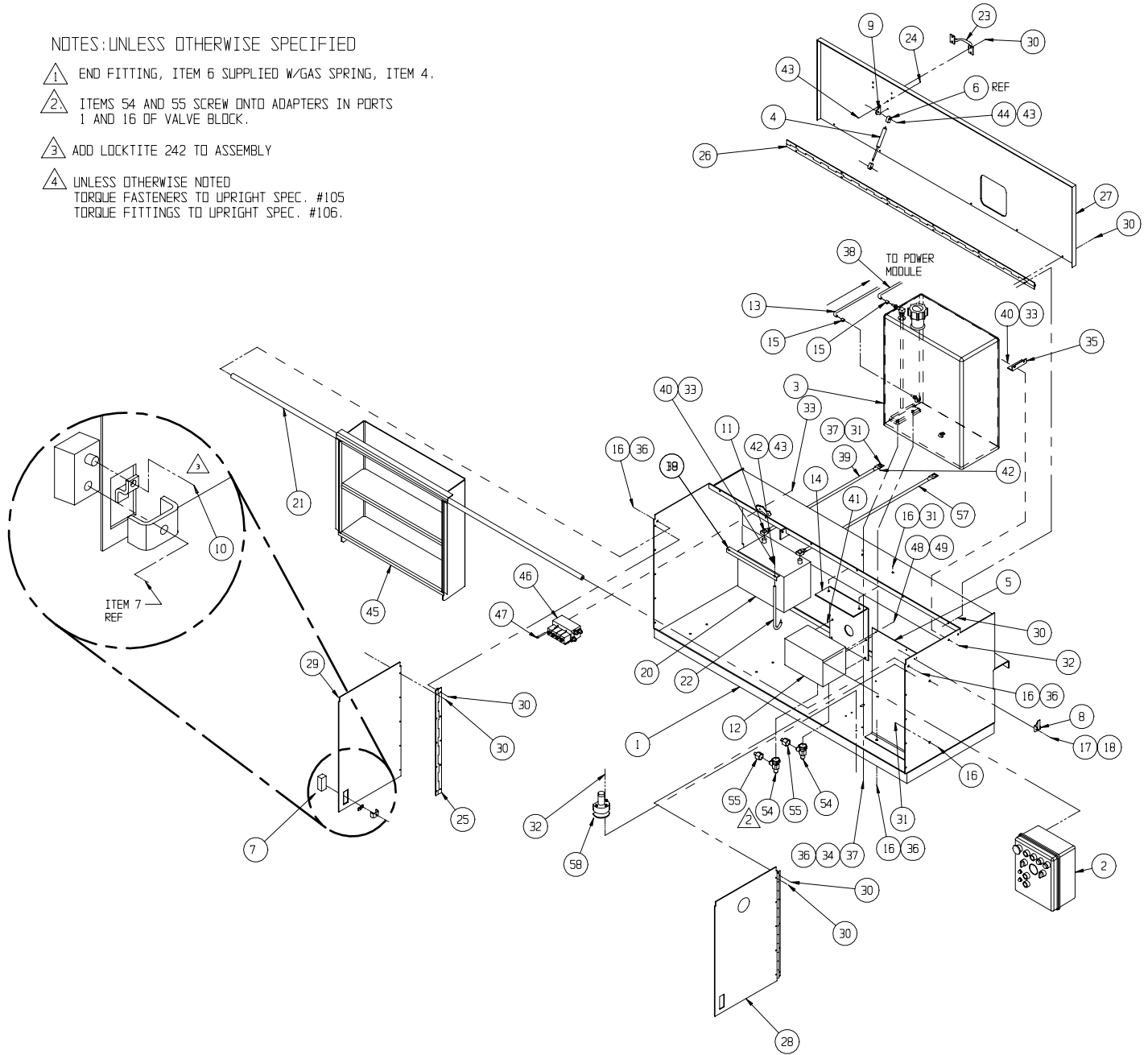
067521-029

ITEM	PART NO.	PART/MATERIAL DESCRIPTION	QTY.
1	067810-003	CONTROL MODULE WELDMENT	1
2	067491-004	CONTROL BOX , DIESEL, W/OUTRIGGER	1
3	067485-001	FUEL TANK, ASSEMBLY, DIESEL	1
4	063650-012	GAS SPRING	1
5	067484-000	CONTROL BOX MOUNT	1
6	067648-008	END FITTING, GAS SPRING	REF
7	067629-000	LATCH, FLUSH LIFT & TURN	2
8	05299-000	LATCH, TOGGLE	2
9	067902-000	BRACKET, GAS SPRING	1
10	063947-008	NUT HEX ESNA M8	2
11	014435-001	TERMINAL, BATTERY	2
12	067489-000	VALVE BLOCK ASSY. (2 W.D.)	1
13	012739-099	HOSE, 1/4 I.D.	11 FT
14	067892-000	BRACKET, VALVE BLOCK	1
15	020541-001	HOSE CLAMP	2
16	011254-008	SCRW HHC GR5 3/8-16UNC X 1	8
17	011708-004	SCRW MACH RD HD 8-32UNC X 1/2	4
18	011248-002	LOCK NUT, ESMA 8-32UNC	4
19	064040-000	ANGLE, BATTERY HOLD DOWN	1
20	062299-002	BATTERY, 12 VDC GROUP-27C	1
21	067856-000	WELDMENT, STIFFENER	1
22	012039-000	ROD, BATTERY HOLD DOWN	2
23	025427-002	HANDLE	1
24	011253-006	SCR HHC 5/16-18 X 3/4	2
25	067808-000	HINGE, 1 1/2 X 23 7/8	2
26	067809-002	HINGE, 1 1/2 X 65	1
27	067799-008	MODULE COVER / CONTROL	1
28	030841-031	MODULE DOOR, R.H.	1
29	030841-032	MODULE DOOR, L.H.	1

ITEM	PART NO.	PART/MATERIAL DESCRIPTION	QTY.
30	026554-002	POP RIVET, 1/4 DIA (.251-.375 GRIP)	36
31	011248-006	NUT, 3/8-16 ESNA	7
32	011252-006	SCREW, HHC 1/4-20 X 3/4	2
33	011248-004	NUT, 1/4-20 ESNA	6
34	011239-006	WASHER, 3/8", SPLIT LOCK	2
35	067854-001	ANGLE, FUEL TANK MOUNT	1
36	011240-006	WASHER, 3/8", STD, FLT	6
37	011254-006	SCREW HHC 3/8-16 X 3/4	2
38	012736-099	HOSE, 3/16 ID	11 FT
39	062125-084	CABLE, BATTERY X 84	1
40	011240-004	WASHER 1/4 FLAT	4
41	011254-004	SCRW HHC GR5 3/8-16UNC X 1/2	4
42	011237-006	WASHER, 3/8 STAR	1
43	011248-005	NUT, HEX 5/16-18 ESNA	4
44	015936-004	SCR, SHOULDER 3/8 DIA. X 1/2	2
45	030841-030	WELDMENT, STAIR	1
46	067490-000	VALVE BLOCK, OUTRIGGER CONTROL	1
47	011252-032	SCREW HHC 1/4-20UNC X 4"	2
48	011275-006	SCREW HHC 10-32UNF X 3/4"	4
49	011238-002	WASHER SPLIT-LOCK #10	4
50	067492-001	WIRE HARNESS, MAIN CONTROL	1
51	067492-002	WIRE HARNESS, VALVE BLOCK	1
52	029931-003	CONN. FEMALE PUSH, 16-14 AWG, .250 TAB	4
53	029454-099	WIRE 16 AWG THHN STRD COP RED	6 IN.
54	020733-005	TEE 12FJ-12MJ-12MJ	2
55	014693-003	ADAPTER, 12FJ-6MJ	2
56	062125-004	CABLE, BATTERY X 18 FOR SHIPPING	1
57	062125-096	CABLE, BATTERY X 96	1
58	029945-032	LEVEL SENSOR, BI-DIRECTIONAL	1

NOTES: UNLESS OTHERWISE SPECIFIED

- 1 END FITTING, ITEM 6 SUPPLIED W/GAS SPRING, ITEM 4.
- 2 ITEMS 54 AND 55 SCREW ONTO ADAPTERS IN PORTS 1 AND 16 OF VALVE BLOCK.
- 3 ADD LOCKTITE 242 TO ASSEMBLY
- 4 UNLESS OTHERWISE NOTED
TORQUE FASTENERS TO UPRIGHT SPEC. #105
TORQUE FITTINGS TO UPRIGHT SPEC. #106.



Drawing # 1 of 2

NOTES:

Control Module, LX50 - Four Wheel Drive, Diesel

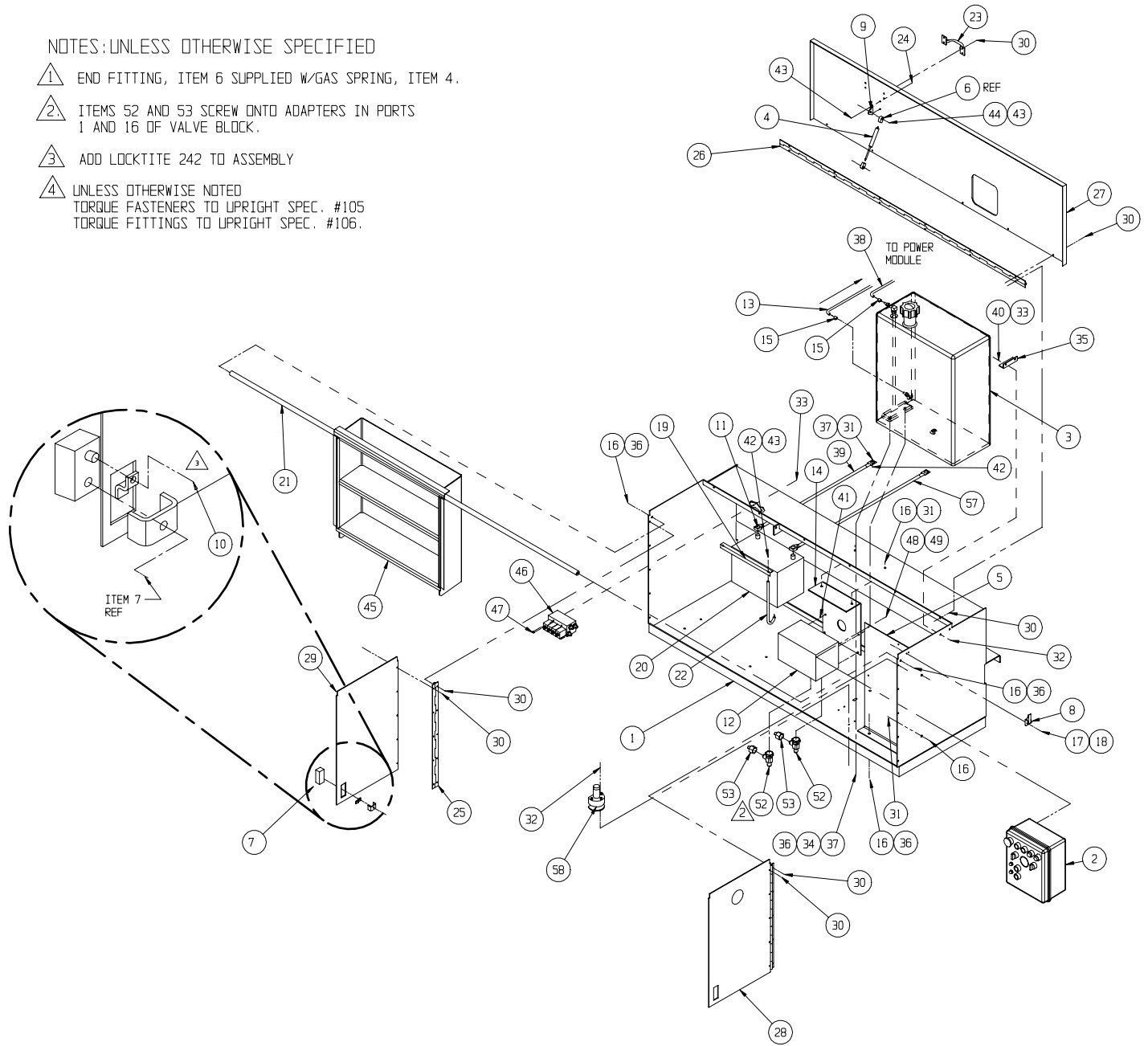
067521-031

ITEM	PART NO.	PART/MATERIAL DESCRIPTION	QTY.
1	067810-003	CONTROL MODULE WELDMENT	1
2	067491-004	CONTROL BOX , DIESEL, W/OUTRIGGER	1
3	067485-001	FUEL TANK, ASSEMBLY, DIESEL	1
4	063650-012	GAS SPRING	1
5	067484-000	CONTROL BOX MOUNT	1
6	067648-008	END FITTING, GAS SPRING	REF
7	067629-000	LATCH, FLUSH LIFT & TURN	2
8	05299-000	LATCH, TOGGLE	2
9	067902-000	BRACKET, GAS SPRING	1
10	063947-008	NUT HEX ESNA M8	2
11	014435-001	TERMINAL, BATTERY	2
12	067489-001	VALVE BLOCK ASSY. (4 W.D.)	1
13	012739-099	HOSE, 1/4 I.D.	11 FT
14	067892-000	BRACKET, VALVE BLOCK	1
15	020541-001	HOSE CLAMP	2
16	011254-008	SCRW HHC GR5 3/8-16UNC X 1	8
17	011708-004	SCRW MACH RD HD 8-32UNC X 1/2	4
18	011248-002	LOCK NUT, ESMA 8-32UNC	4
19	064040-000	ANGLE, BATTERY HOLD DOWN	1
20	062299-002	BATTERY, 12 VDC GROUP-27C	1
21	067856-000	WELDMENT, STIFFENER	1
22	012039-000	ROD, BATTERY HOLD DOWN	2
23	025427-002	HANDLE	1
24	011253-006	SCR HHC 5/16-18 X 3/4	2
25	067808-000	HINGE, 1 1/2 X 23 7/8	2
26	067809-002	HINGE, 1 1/2 X 65	1
27	067799-008	MODULE COVER / CONTROL	1
28	030841-031	MODULE DOOR, R.H.	1
29	030841-032	MODULE DOOR, L.H.	1

ITEM	PART NO.	PART/MATERIAL DESCRIPTION	QTY.
30	026554-002	POP RIVET, 1/4 DIA (.251-.375 GRIP)	36
31	011248-006	NUT, 3/8-16 ESNA	7
32	011252-006	SCREW, HHC 1/4-20 X 3/4	2
33	011248-004	NUT, 1/4-20 ESNA	6
34	011239-006	WASHER, 3/8", SPLIT LOCK	2
35	067854-001	ANGLE, FUEL TANK MOUNT	1
36	011240-006	WASHER, 3/8", STD, FLT	6
37	011254-006	SCREW HHC 3/8-16 X 3/4	2
38	012736-099	HOSE, 3/16 ID	11 FT
39	062125-084	CABLE, BATTERY X 84	1
40	011240-004	WASHER 1/4 FLAT	4
41	011254-004	SCRW HHC GR5 3/8-16UNC X 1/2	4
42	011237-006	WASHER, 3/8 STAR	1
43	011248-005	NUT, HEX 5/16-18 ESNA	4
44	015936-004	SCR, SHOULDER 3/8 DIA. X 1/2	2
45	030841-030	WELDMENT, STAIR	1
46	067490-000	VALVE BLOCK, OUTRIGGER CONTROL	1
47	011252-032	SCREW HHC 1/4-20UNC X 4"	2
48	011275-006	SCREW HHC 10-32UNF X 3/4"	4
49	011238-002	WASHER SPLIT-LOCK #10	4
50	067492-001	WIRE HARNESS, MAIN CONTROL	1
51	067492-002	WIRE HARNESS, VALVE BLOCK	1
52	020733-005	TEE 12FJ-12MJ-12MJ	2
53	014693-003	ADAPTER, 12FJ-6MJ	2
54	029931-003	CONN. FEMALE PUSH, 16-14 AWG, .250 TAB	4
55	029454-099	WIRE 16 AWG THHN STRD COP RED	6 IN.
56	062125-004	CABLE, BATTERY X 18 FOR SHIPPING	1
57	062125-096	CABLE, BATTERY X 96	1
58	029945-032	LEVEL SENSOR, BI-DIRECTIONAL	1

NOTES: UNLESS OTHERWISE SPECIFIED

- ① END FITTING, ITEM 6 SUPPLIED W/GAS SPRING, ITEM 4.
- ② ITEMS 52 AND 53 SCREW ONTO ADAPTERS IN PORTS 1 AND 16 OF VALVE BLOCK.
- ③ ADD LOCKTITE 242 TO ASSEMBLY
- ④ UNLESS OTHERWISE NOTED TORQUE FASTENERS TO UPRIGHT SPEC. #105 TORQUE FITTINGS TO UPRIGHT SPEC. #106.

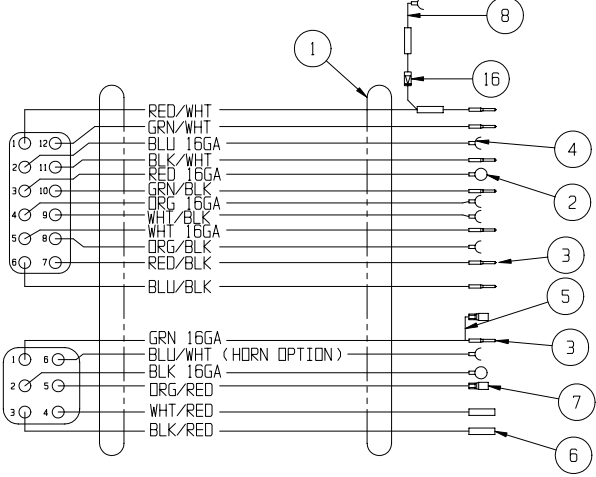
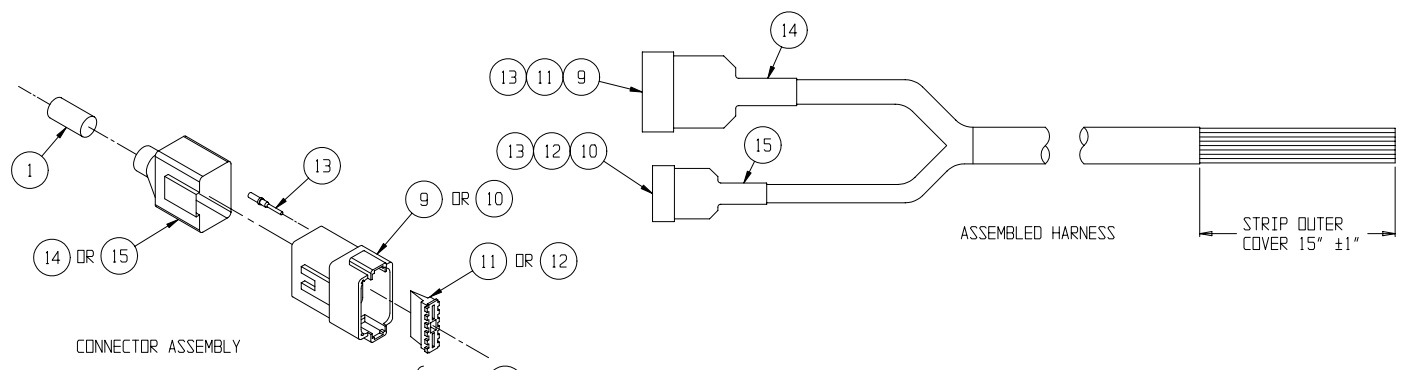


Drawing # 1 of 2

Control Cable Assembly, LX31/41/50

067536-010, -011, -012

ITEM	PART NO.	PART/MATERIAL DESCRIPTION	-010 LX31	-011 LX41	-012 LX50
			QTY.	QTY.	QTY.
1	067645-099	CABLE, 16/6, 18/12 MULTICONDUCTOR	62 FT	72 FT	90 FT
2	029601-013	CONN RING TERM 16-14 GA #10	2	2	2
3	063956-002	PIN, CONTACT MALE 20-14 GA	8	8	8
4	029610-002	CONN FORK TERM 16-14 GA #8	6	6	6
5	029457-099	WIRE, 16GA GRN X 12 IN	1 FT	1 FT	1 FT
6	029620-002	CONN, BUTT 16-14GA	4	4	4
7	029616-001	CONN, FEMALE PUSH 16-14GA X .188	2	2	2
8	029483-099	WIRE 16 GA RD/WHT X 14 IN	1.2 FT	1.2 FT	1.2 FT
9	068760-001	DT CONNECTOR, RECEPTACLE, # DT04-12P	1	1	1
10	067990-001	DT CONNECTOR, RECEPTACLE, # DT04 6P	1	1	1
11	068761-000	LOCKING WEDGE, RECEPTACLE, # W12P	1	1	1
12	067990-003	LOCKING WEDGE, RECEPTACLE, # W6P	1	1	1
13	015790-004	CONTACT PIN, 16-18 AWG	18	18	18
14	068908-001	BOOT ELECT. RECEPTACLE, # DT-12-P-BT	1	1	1
15	068908-002	BOOT ELECT. RECEPTACLE, # DT-6-P-BT	1	1	1
16	029825-002	DIODE, 5 AMP, 400 V.	1	1	1



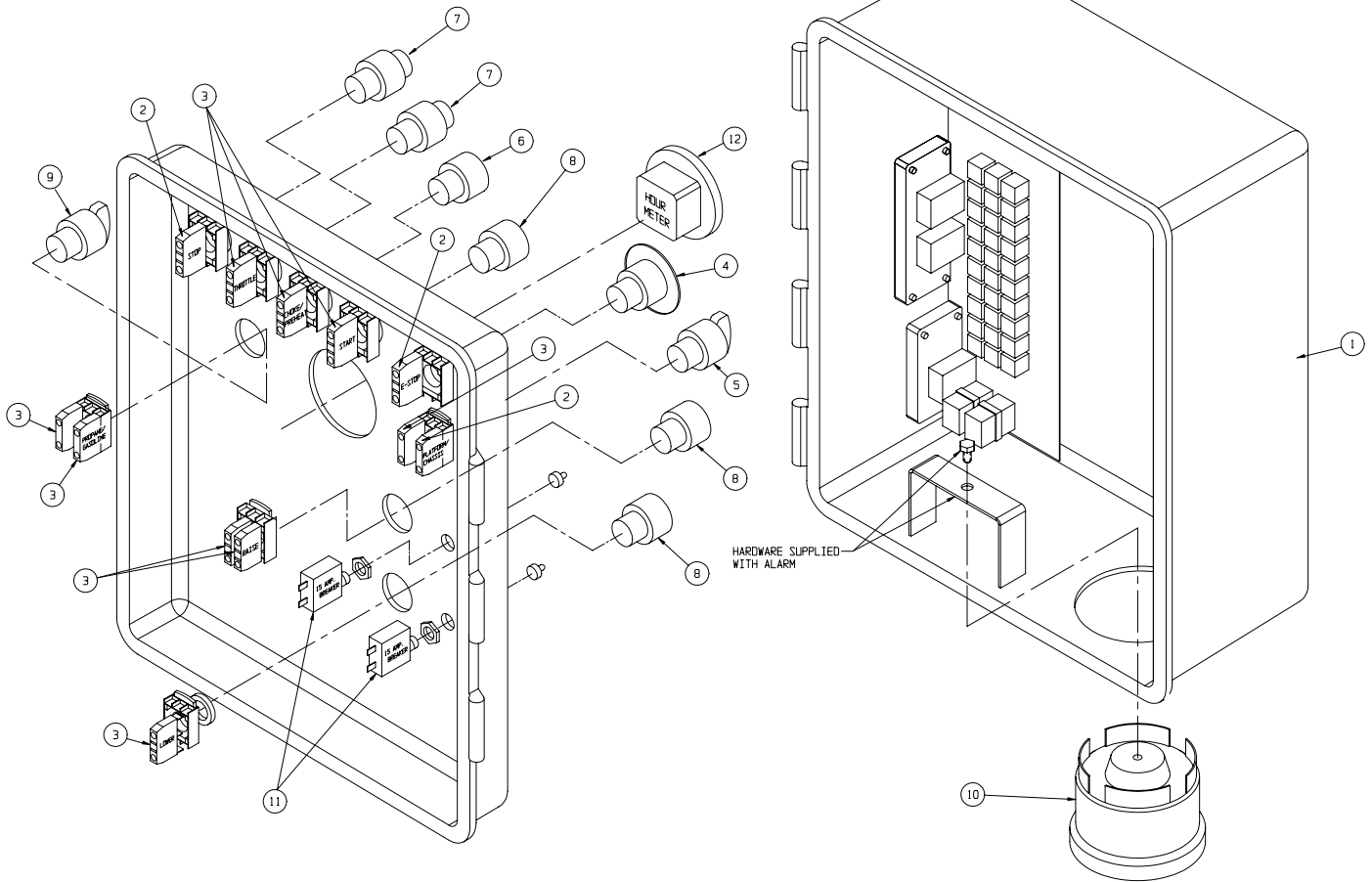
NOTES: UNLESS OTHERWISE SPECIFIED
 1. CRIMP ON PINS AND CONNECTORS ARE INSTALLED (AFTER) CABLES ARE ROUTED THRU SCISSOR ARMS AND INTO CONTROL BOXES.

Lower Control Box, Dual Fuel - Without Outriggers

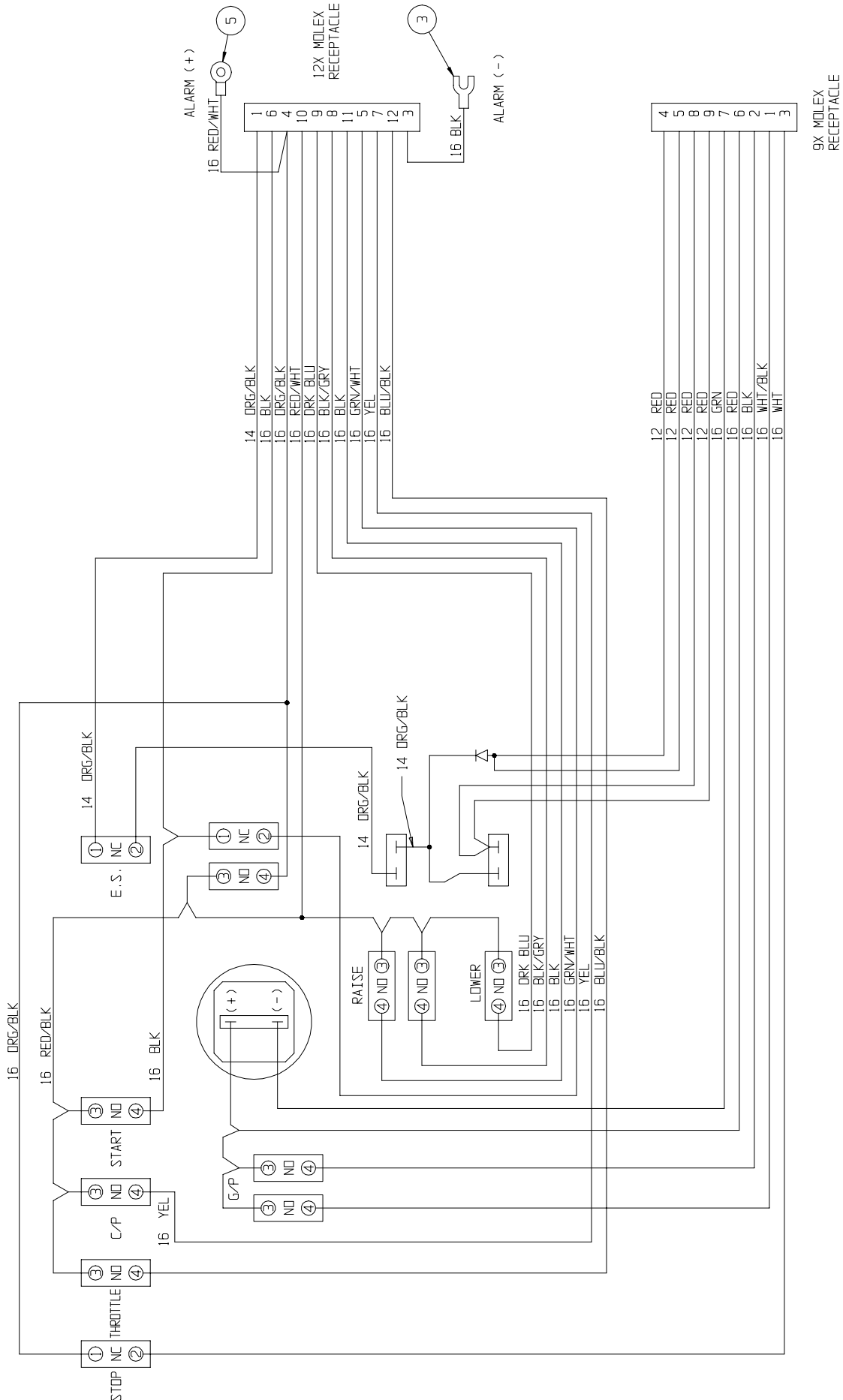
067491-001

ITEM	PART NO.	PART/MATERIAL DESCRIPTION	QTY.
Lower Control Box (Drawing 1 of 2)			
1	069140-001	ENCLOSURE LX BOX	1
*	067491-011	PC BOARD	1
2	066805-011	CONTACT BLOCK N.C.	3
3	066805-010	CONTACT BLOCK N.O.	9
4	066805-006	EMERGENCY STOP	1
5	066805-002	2 POSITION SELECTOR SWITCH	1
6	066805-018	BLK STANDARD PUSH BUTTON	1
7	066805-017	RED STANDARD PUSH BUTTON	2
8	066805-016	GRN STANDARD PUSH BUTTON	3
9	066805-003	3 POSITION SELECTOR	1
10	066807-001	ALARM, 107DB	1
11	029868-007	15 AMP-CIRCUIT BREAKER	2
12	015752-000	HOUR-METER	1
Wiring Diagram (Drawing 2 of 2)			
1	029616-002	CONN. FEMALE PUSH 16-14 .25 TAB	12
2	029616-003	CONN. FEMALE PUSH 10-12 .25 TAB	2

ITEM	PART NO.	PART/MATERIAL DESCRIPTION	QTY.
3	029610-002	CONN. FORK 16-14 #8	21
5	029601-012	CONN. RING TERM 16-14 #8	1
6	029470-099	WIRE, 12 AWG RED	5 FT
7	029457-099	WIRE, 16 AWG GREEN	1.5 FT
8	029454-099	WIRE, 16 AWG RED	1.5 FT
9	029452-099	WIRE, 16 AWG BLACK	5 FT
10	029479-099	WIRE, 16 AWG WHITE/BLACK	1.5 FT
11	029451-099	WIRE, 16 AWG WHITE	1.5 FT
12	029352-099	WIRE, 16 AWG RED/WHITE	2.5 FT
13	-	WIRE, 14 AWG ORANGE/BLACK	2.5 FT
14	029450-099	WIRE, 16 AWG DARK BLUE	1.5 FT
15	029477-099	WIRE, 16 AWG ORANGE/BLACK	3 FT
16	-	WIRE, 16 AWG BLACK/GREY	1.5 FT
17	029353-099	WIRE, 16 AWG GREEN/WHITE	1.5 FT
18	029456-099	WIRE, 16 AWG YELLOW	1.5 FT
19	029475-099	WIRE, 16 AWG BLUE/BLACK	1.5 FT



Drawing # 1 of 2



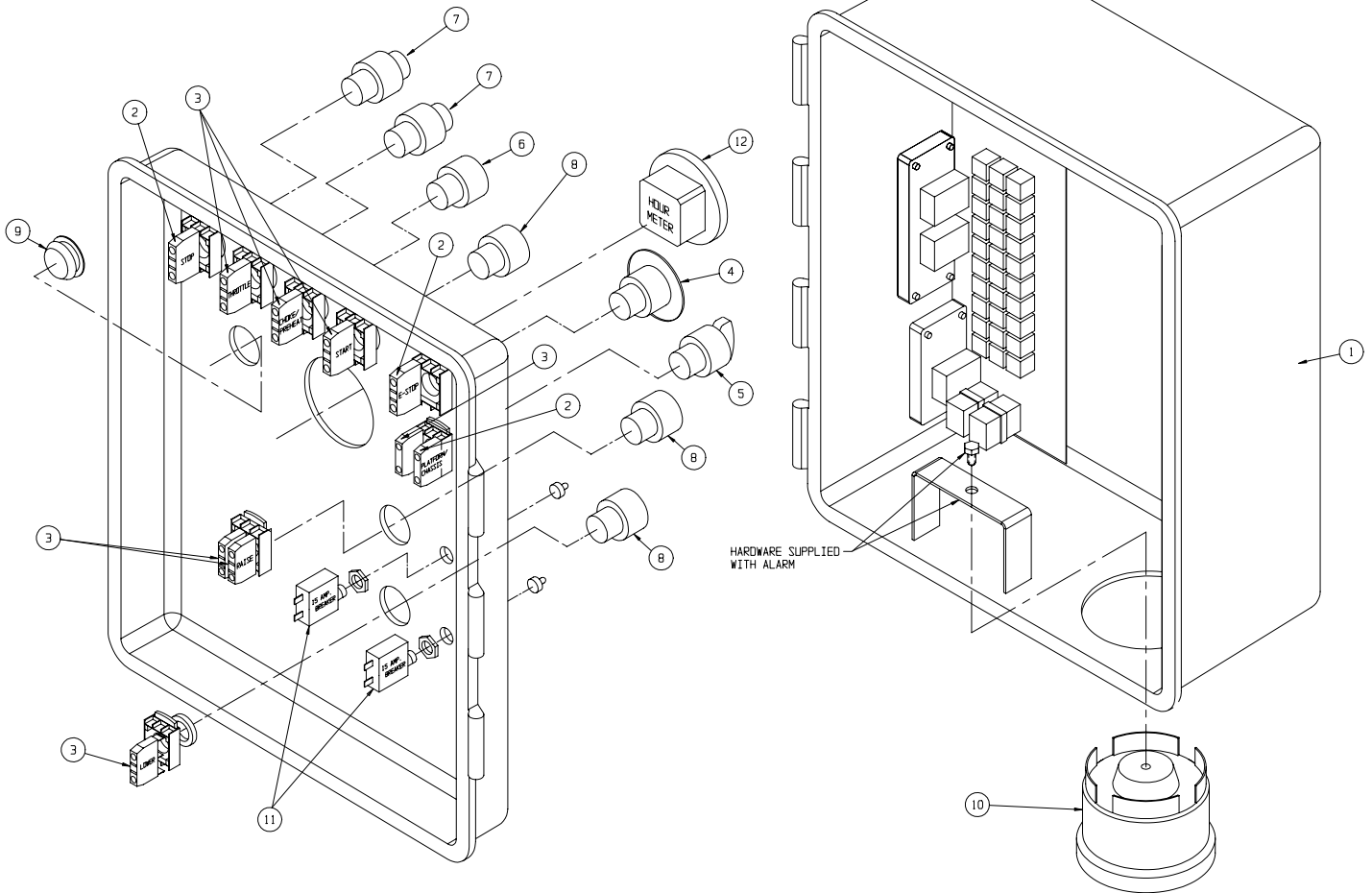
Drawing # 2 of 2

Lower Control Box, Diesel - Without Outriggers

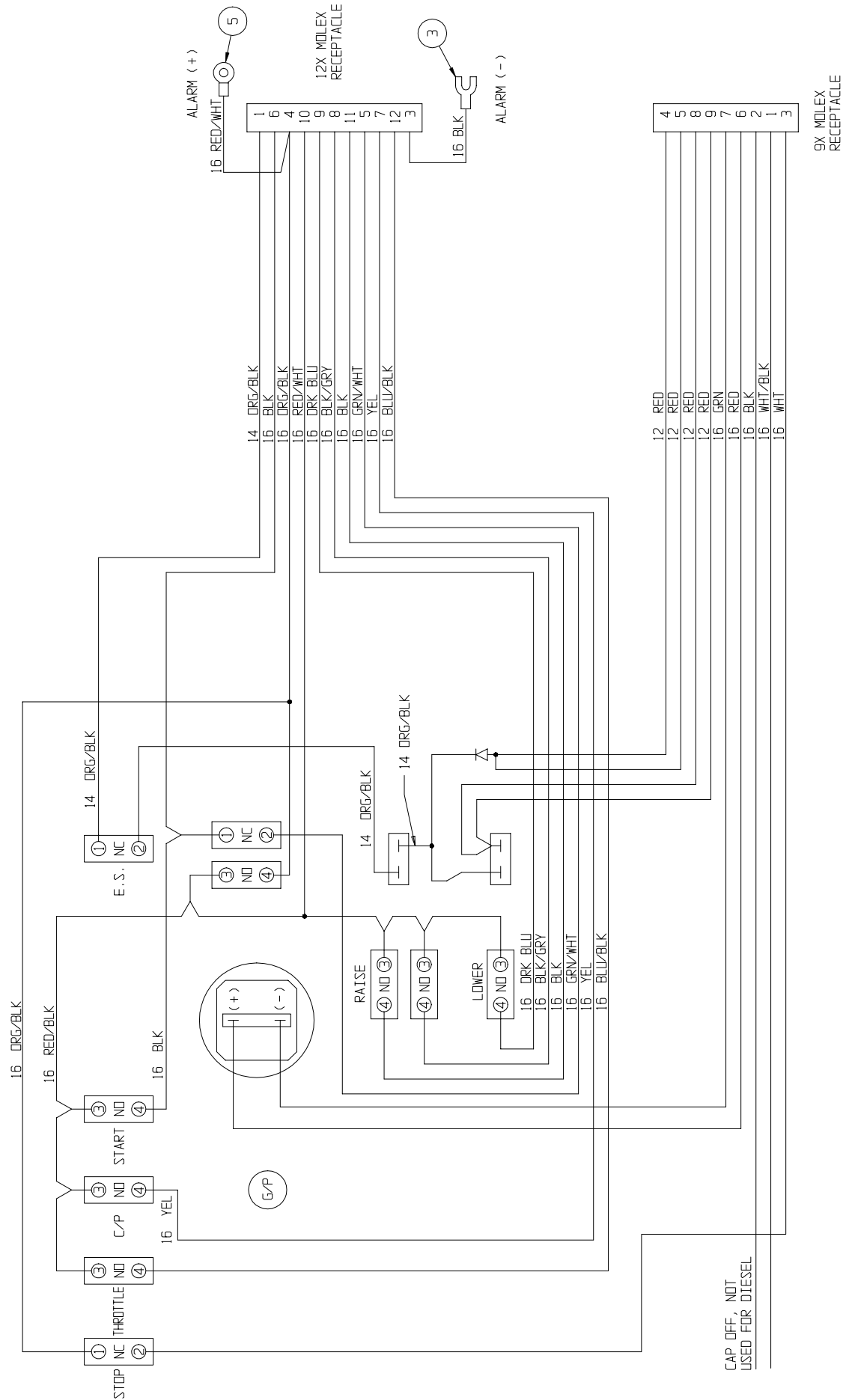
067491-002

ITEM	PART NO.	PART/MATERIAL DESCRIPTION	QTY.
Lower Control Box (Drawing 1 of 2)			
1	069140-001	ENCLOSURE LX BOX	1
*	067491-011	PC BOARD	1
2	066805-011	CONTACT BLOCK N.C.	3
3	066805-010	CONTACT BLOCK N.O.	7
4	066805-006	EMERGENCY STOP	1
5	066805-002	2 POSITION SELECTOR SWITCH	1
6	066805-018	BLK STANDARD PUSH BUTTON	1
7	066805-017	RED STANDARD PUSH BUTTON	2
8	066805-016	GRN STANDARD PUSH BUTTON	3
9	064462-007	CAP PLUG, Ø 7/8	1
10	066807-001	ALARM, 107DB	1
11	029868-007	15 AMP-CIRCUIT BREAKER	2
12	015752-000	HOUR-METER	1
Wiring Diagram (Drawing 2 of 2)			
1	029616-002	CONN. FEMALE PUSH 16-14 .25 TAB	12
2	029616-003	CONN. FEMALE PUSH 10-12 .25 TAB	2

ITEM	PART NO.	PART/MATERIAL DESCRIPTION	QTY.
3	029610-002	CONN. FORK 16-14 #8	21
5	029601-012	CONN. RING TERM 16-14 #8	1
6	029470-099	WIRE, 12 AWG RED	5 FT
7	029457-099	WIRE, 16 AWG GREEN	1.5 FT
8	029454-099	WIRE, 16 AWG RED	1.5 FT
9	029452-099	WIRE, 16 AWG BLACK	5 FT
10	029479-099	WIRE, 16 AWG WHITE/BLACK	1.5 FT
11	029451-099	WIRE, 16 AWG WHITE	1.5 FT
12	029352-099	WIRE, 16 AWG RED/WHITE	2.5 FT
13	-	WIRE, 14 AWG ORANGE/BLACK	2.5 FT
14	029450-099	WIRE, 16 AWG DARK BLUE	1.5 FT
15	029477-099	WIRE, 16 AWG ORANGE/BLACK	3 FT
16	-	WIRE, 16 AWG BLACK/GREY	1.5 FT
17	029353-099	WIRE, 16 AWG GREEN/WHITE	1.5 FT
18	029456-099	WIRE, 16 AWG YELLOW	1.5 FT
19	029475-099	WIRE, 16 AWG BLUE/BLACK	1.5 FT



Drawing # 1 of 2



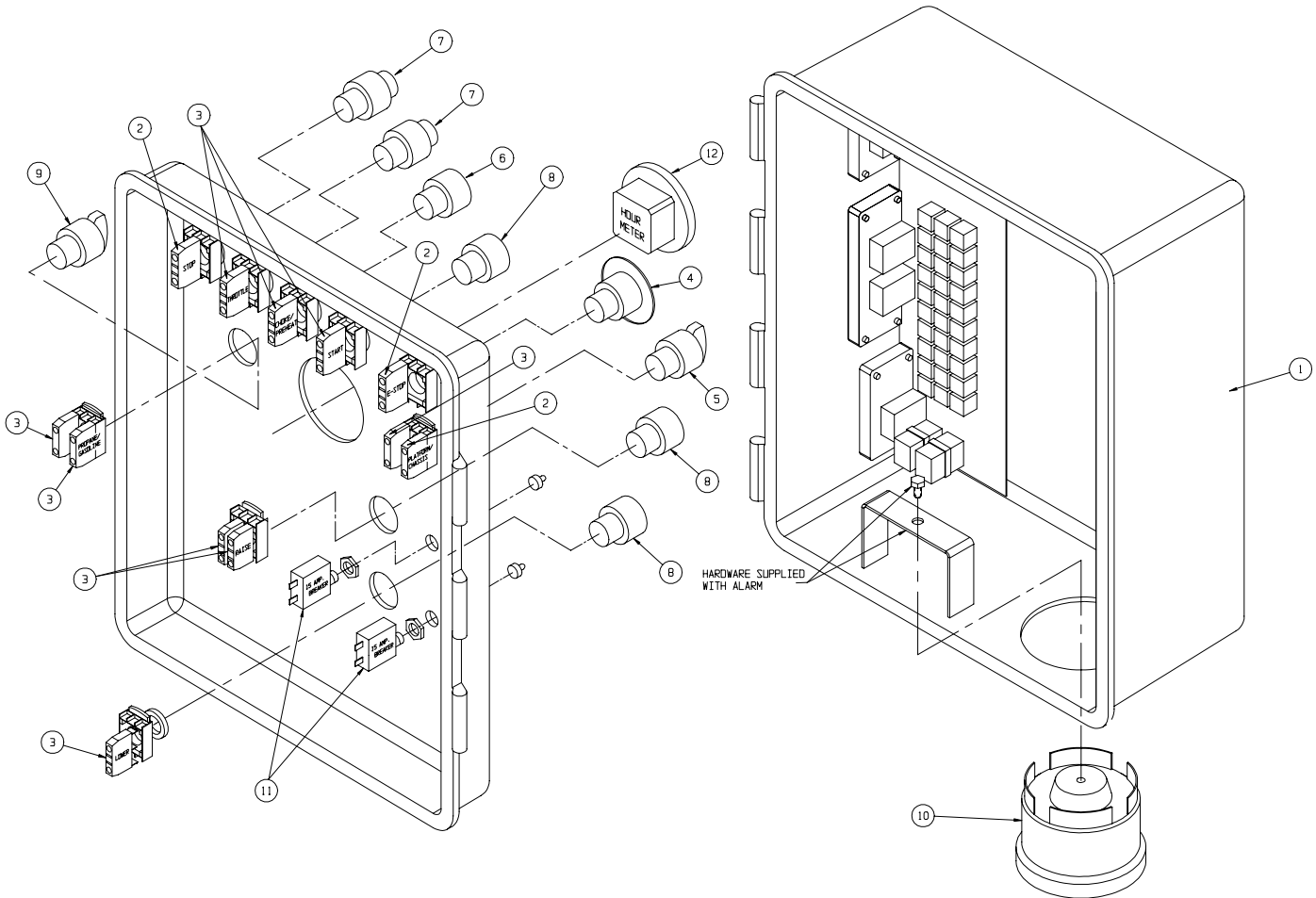
Drawing # 2 of 2

Lower Control Box, Dual Fuel - With Outriggers

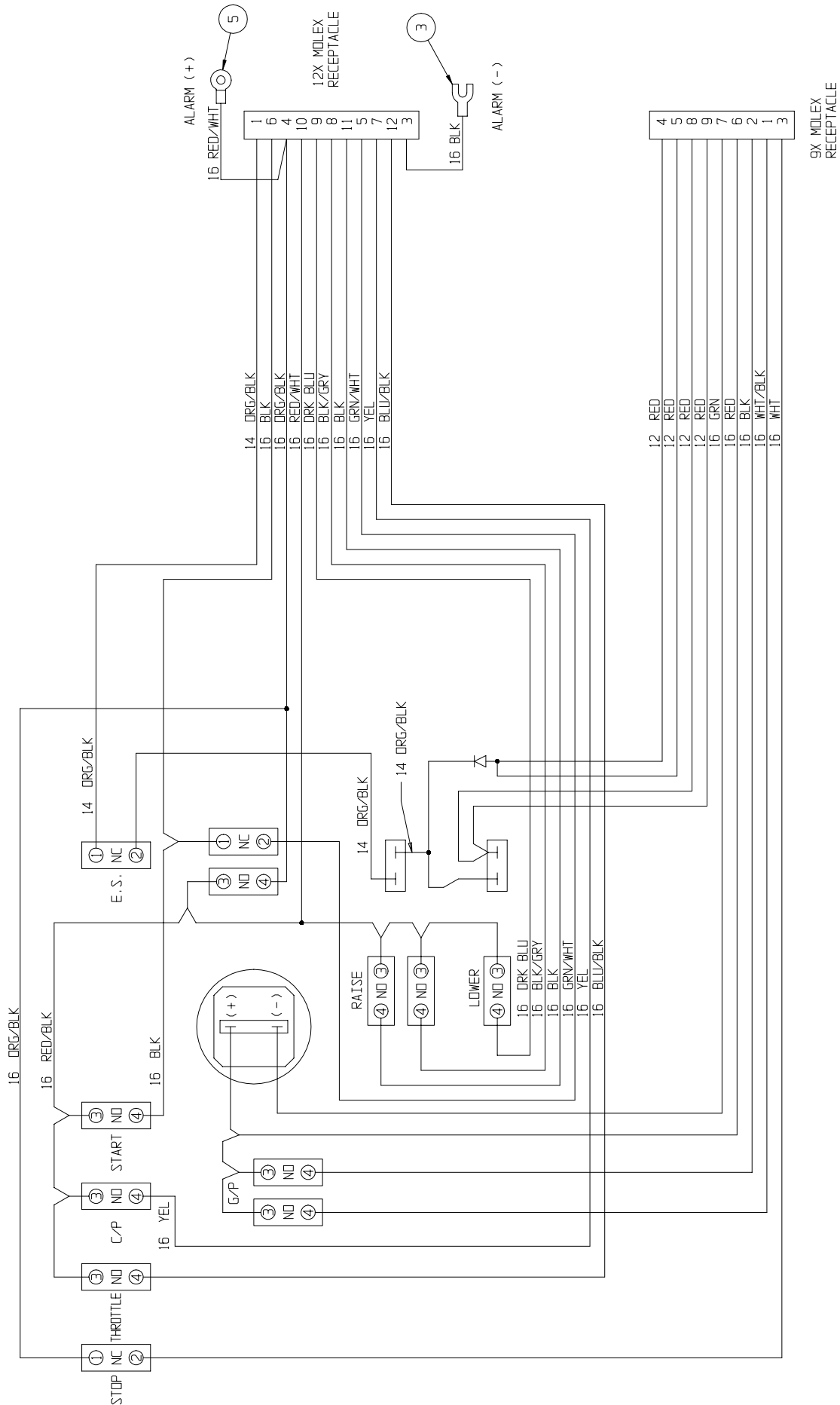
067491-003

ITEM	PART NO.	PART/MATERIAL DESCRIPTION	QTY.
Lower Control Box (Drawing 1 of 2)			
1	069140-001	ENCLOSURE LX BOX	1
*	067491-012	PC BOARD	1
2	066805-011	CONTACT BLOCK N.C.	3
3	066805-010	CONTACT BLOCK N.O.	9
4	066805-006	EMERGENCY STOP	1
5	066805-002	2 POSITION SELECTOR SWITCH	1
6	066805-018	BLK STANDARD PUSH BUTTON	1
7	066805-017	RED STANDARD PUSH BUTTON	2
8	066805-016	GRN STANDARD PUSH BUTTON	3
9	066805-003	3 POSITION SELECTOR SWITCH	1
10	066807-001	ALARM, 107DB	1
11	029868-007	15 AMP-CIRCUIT BREAKER	2
12	015752-000	HOUR-METER	1
Wiring Diagram (Drawing 2 of 2)			
1	029616-002	CONN. FEMALE PUSH 16-14 .25 TAB	12
2	029616-003	CONN. FEMALE PUSH 10-12 .25 TAB	2

ITEM	PART NO.	PART/MATERIAL DESCRIPTION	QTY.
3	029610-002	CONN. FORK 16-14 #8	21
5	029601-012	CONN. RING TERM 16-14 #8	1
6	029470-099	WIRE, 12 AWG RED	5 FT
7	029457-099	WIRE, 16 AWG GREEN	1.5 FT
8	029454-099	WIRE, 16 AWG RED	1.5 FT
9	029452-099	WIRE, 16 AWG BLACK	5 FT
10	029479-099	WIRE, 16 AWG WHITE/BLACK	1.5 FT
11	029451-099	WIRE, 16 AWG WHITE	1.5 FT
12	029352-099	WIRE, 16 AWG RED/WHITE	2.5 FT
13	-	WIRE, 14 AWG ORANGE/BLACK	2.5 FT
14	029450-099	WIRE, 16 AWG DARK BLUE	1.5 FT
15	029477-099	WIRE, 16 AWG ORANGE/BLACK	3 FT
16	-	WIRE, 16 AWG BLACK/GREY	1.5 FT
17	029353-099	WIRE, 16 AWG GREEN/WHITE	1.5 FT
18	029456-099	WIRE, 16 AWG YELLOW	1.5 FT
19	029475-099	WIRE, 16 AWG BLUE/BLACK	1.5 FT



Drawing # 1 of 2



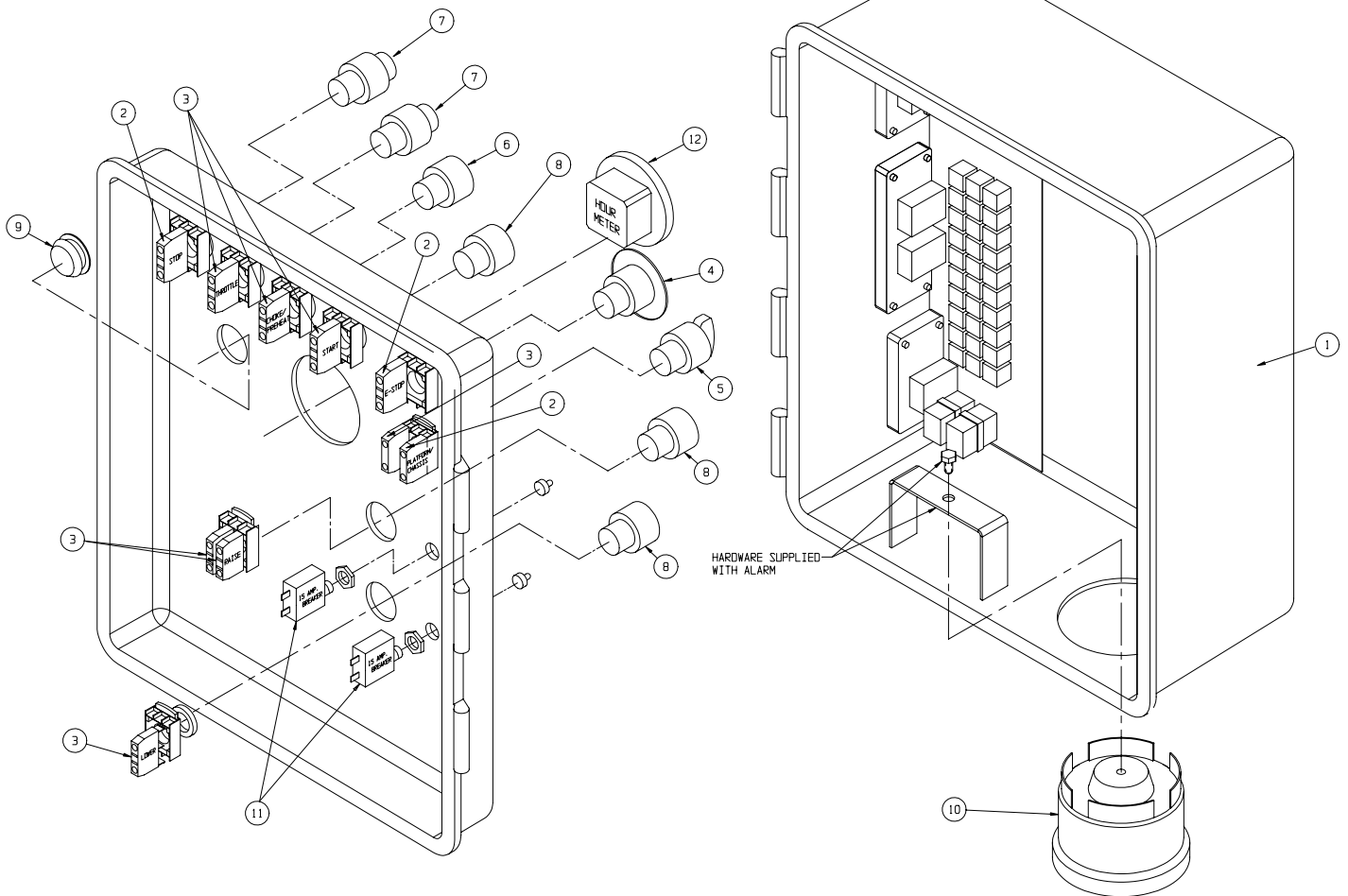
Drawing # 2 of 2

Lower Control Box, Diesel - With Outriggers

067491-004

ITEM	PART NO.	PART/MATERIAL DESCRIPTION	QTY.
Lower Control Box (Drawing 1 of 2)			
1	069140-001	ENCLOSURE LX BOX	1
*	067491-012	PC BOARD	1
2	066805-011	CONTACT BLOCK N.C.	3
3	066805-010	CONTACT BLOCK N.O.	7
4	066805-006	EMERGENCY STOP	1
5	066805-002	2 POSITION SELECTOR SWITCH	1
6	066805-018	BLK STANDARD PUSH BUTTON	1
7	066805-017	RED STANDARD PUSH BUTTON	2
8	066805-016	GRN STANDARD PUSH BUTTON	3
9	064462-007	CAP PLUG, Ø 7/8	1
10	066807-001	ALARM, 107DB	1
11	029868-007	15 AMP-CIRCUIT BREAKER	2
12	015752-000	HOUR-METER	1
Wiring Diagram (Drawing 2 of 2)			
1	029616-002	CONN. FEMALE PUSH 16-14 .25 TAB	12
2	029616-003	CONN. FEMALE PUSH 10-12 .25 TAB	2

ITEM	PART NO.	PART/MATERIAL DESCRIPTION	QTY.
3	029610-002	CONN. FORK 16-14 #8	21
5	029601-012	CONN. RING TERM 16-14 #8	1
6	029470-099	WIRE, 12 AWG RED	5 FT
7	029457-099	WIRE, 16 AWG GREEN	1.5 FT
8	029454-099	WIRE, 16 AWG RED	1.5 FT
9	029452-099	WIRE, 16 AWG BLACK	5 FT
10	029479-099	WIRE, 16 AWG WHITE/BLACK	1.5 FT
11	029451-099	WIRE, 16 AWG WHITE	1.5 FT
12	029352-099	WIRE, 16 AWG RED/WHITE	2.5 FT
13	-	WIRE, 14 AWG ORANGE/BLACK	2.5 FT
14	029450-099	WIRE, 16 AWG DARK BLUE	1.5 FT
15	029477-099	WIRE, 16 AWG ORANGE/BLACK	3 FT
16	-	WIRE, 16 AWG BLACK/GREY	1.5 FT
17	029353-099	WIRE, 16 AWG GREEN/WHITE	1.5 FT
18	029456-099	WIRE, 16 AWG YELLOW	1.5 FT
19	029475-099	WIRE, 16 AWG BLUE/BLACK	1.5 FT



Drawing # 1 of 2

Power Module Assembly, LX31/41/50 - Two Wheel Drive, Dual Fuel

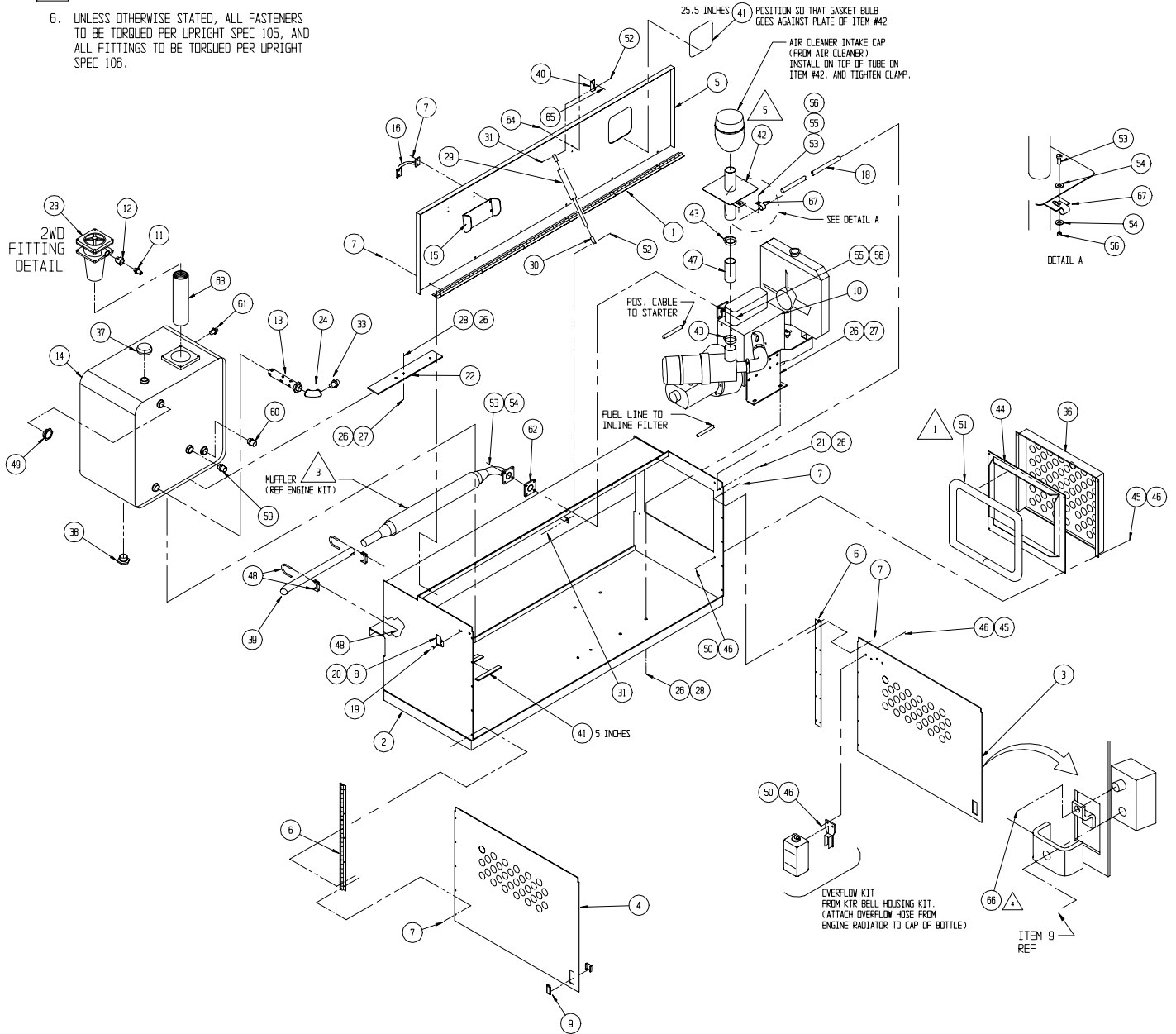
067522-010

ITEM	PART NO.	PART/MATERIAL DESCRIPTION	QTY.
1	067809-002	HINGE, 2 X 65	1
2	067811-002	POWER MODULE WELDMENT	1
3	67800-001	MODULE DOOR, R.H.	1
4	067801-001	MODULE DOOR, L.H.	1
5	067799-006	MODULE COVER	1
6	067808-000	HINGE, 2 X 22	2
7	026554-002	POP RIVET, 1/4 DIA. (.251 - .375 GRIP)	36
8	05299-000	LATCH, TOGGLE	2
9	067629-000	LATCH, FLUSH LIFT & TURN	2
10	067523-010	ENGINE ASSY, DUAL FUEL KUBOTA	1
11	011939-021	FITTING 12MP-12MJ	1
12	014220-009	FITTING 16MP-12FP	1
13	063935-001	SUCTION SCREEN	1
14	067841-000	TANK, HYDRAULIC	1
15	064798-000	DOOR BRACKET	1
16	025427-002	HANDLE	1
18	067856-000	STIFFENER BAR	1
19	011708-004	SCREW RD HD 8-32 X 1/2	4
20	011248-002	NUT HEX 8-32 ESNA	4
21	011254-006	SCREW HHC 3/8-16 X 3/4	2
22	064039-001	HYDRAULIC TANK MOUNTING TAB	1
23	067624-000	HYDRAULIC FILTER	1
24	011916-011	ELBOW 90° 20FP-20FP (1-1/4 NPT)	1
26	011240-006	WASHER 3/8 FLAT STD	16
27	011254-008	SCREW HHC 3/8-16 X 1	7
28	011248-006	NUT HEX 3/8-16 ESNA	9
29	063650-012	SPRING, PRESSURIZED GAS	1
30	067648-008	END FITTING, GAS SPRING	REF
31	015936-004	SCREW SHOULDER 3/8 X 1/2	2
33	011939-030	FITTING 20MP-20MJ	1

ITEM	PART NO.	PART/MATERIAL DESCRIPTION	QTY.
36	067898-000	RADIATOR COVER	1
37	063930-001	BREATHER/FILLER CAP	1
38	021305-007	PLUG, MAGNETIC	1
39	067696-000	EXHAUST TUBE, DUAL FUEL	1
40	067902-000	BRACKET, GAS SPRING	1
41	010070-099	SEAL STRIP GASKET	FT 2.54
42	067691-001	SNORKEL WELDMENT, DUAL FUEL	1
43	013259-007	MUFFLER CLAMP 1 3/4	1
44	067697-000	BREATHER SPACER (RADIATOR)	1
45	011252-008	SCREW HHC 1/4-20 X 1	10
46	011240-004	WASHER FLAT STD 1/4	10
48	013259-006	CLAMP, MUFFLER 1-1/2"	2
49	063979-006	GAGE, LUBE SIGHT	1
50	011248-004	NUT HEX ESNA 1/4-20	6
51	066697-099	PIPE INSULATION 1-3/8Ø	1
52	011248-005	NUT HEX 5/16-18 ESNA	2
53	011253-007	SCREW HHC 5/16-18 X 7/8	5
54	011240-005	WASHER 5/16 FLAT STD	6
55	011238-005	WASHER LOCK 5/16	4
56	011250-005	NUT HEX 5/16-18	5
59	011939-013	FITTING 8MP-4MJ	1
60	011939-015	FITTING 8MP-8MJ	1
61	011939-014	FITTING 8MP-6MJ	1
62	063936-024	MUFFLER GASKET	1
63	067765-000	TUBE EXTENSION	1
64	011253-008	SCREW, HHC 5/16-18 X 1	2
65	011248-005	NUT, HEX 5/16-18 ESNA	2
66	063947-008	NUT HEX ESNA M8	2
67	013919-010	CLAMP	1

NOTES: UNLESS OTHERWISE SPECIFIED

1. INSTALL PIPE INSULATION TO ITEM 44, PLACING THE SLIT ON THE INSULATION OVER THE TABS ON ITEM 44.
2. END FITTING, ITEM 30 SUPPLIED WITH GAS SPRING, ITEM 29.
3. MOUNTING HARDWARE AND MUFFLER ARE PROVIDED WITH ENGINE.
4. ADD LOCKTITE 242 TO ASSEMBLY
5. ADJUST ITEM #42 TO SEAL AGAINST ITEM #41
6. UNLESS OTHERWISE STATED, ALL FASTENERS TO BE TORQUED PER UPRIGHT SPEC 105, AND ALL FITTINGS TO BE TORQUED PER UPRIGHT SPEC 106.



Power Module Assembly, LX31/41/50 - Four Wheel Drive, Dual Fuel

067522-011

ITEM	PART NO.	PART/MATERIAL DESCRIPTION	QTY.
1	067809-002	HINGE, 2 X 65	1
2	067811-002	POWER MODULE WELDMENT	1
3	67800-001	MODULE DOOR, R.H.	1
4	067801-001	MODULE DOOR, L.H.	1
5	067799-006	MODULE COVER	1
6	067808-000	HINGE, 2 X 22	2
7	026554-002	POP RIVET, 1/4 DIA. (.251 - .375 GRIP)	36
8	05299-000	LATCH, TOGGLE	2
9	067629-000	LATCH, FLUSH LIFT & TURN	2
10	067523-010	ENGINE ASSY, DUAL FUEL KUBOTA	1
11	011939-021	FITTING 12MP-12MJ	1
12	014220-009	FITTING 16MP-12FP	1
13	063935-001	SUCTION SCREEN	1
14	067841-000	TANK, HYDRAULIC	1
15	064798-000	DOOR BRACKET	1
16	025427-002	HANDLE	1
18	067856-000	STIFFENER BAR	1
19	011708-004	SCREW RD HD 8-32 X 1/2	4
20	011248-002	NUT HEX 8-32 ESNA	4
21	011254-006	SCREW HHC 3/8-16 X 3/4	2
22	064039-001	HYDRAULIC TANK MOUNTING TAB	1
23	067624-000	HYDRAULIC FILTER	1
24	011916-011	ELBOW 90° 20FP-20FP (1-1/4 NPT)	1
26	011240-006	WASHER 3/8 FLAT STD	16
27	011254-008	SCREW HHC 3/8-16 X 1	7
28	011248-006	NUT HEX 3/8-16 ESNA	9
29	063650-012	SPRING, PRESSURIZED GAS	1
30	067648-008	END FITTING, GAS SPRING	REF
31	015936-004	SCREW SHOULDER 3/8Ø X 1/2	2
32	014902-005	FITTING TEE 12MP-12FP	1
33	011939-030	FITTING 20MP-20MJ	1

ITEM	PART NO.	PART/MATERIAL DESCRIPTION	QTY.
34	011923-008	FITTING 12MP-6FP	1
35	011940-008	FITTING 90° 6MP-4MJ	1
36	067898-000	RADIATOR COVER	1
37	063930-001	BREATHER/FILLER CAP	1
38	021305-007	PLUG, MAGNETIC	1
39	067696-000	EXHAUST TUBE, DUAL FUEL	1
40	067902-000	BRACKET, GAS SPRING	1
41	010070-099	SEAL STRIP GASKET	FT 2.54
42	067691-001	SNORKEL WELDMENT, DUAL FUEL	1
43	013259-007	MUFFLER CLAMP 1 3/4	1
44	067697-000	BREATHER SPACER (RADIATOR)	1
45	011252-008	SCREW HHC 1/4-20 X 1	10
46	011240-004	WASHER FLAT STD 1/4	10
48	013259-006	CLAMP, MUFFLER 1-1/2"	2
49	063979-006	GAGE, LUBE SIGHT	1
50	011248-004	NUT HEX ESNA 1/4-20	6
51	066697-099	PIPE INSULATION 1-3/8Ø	1
52	011248-005	NUT HEX 5/16-18 ESNA	2
53	011253-007	SCREW HHC 5/16-18 X 7/8	5
54	011240-005	WASHER 5/16 FLAT STD	6
55	011238-005	WASHER LOCK 5/16	4
56	011250-005	NUT HEX 5/16-18	5
59	011939-013	FITTING 8MP-4MJ	1
60	011939-015	FITTING 8MP-8MJ	1
61	011939-014	FITTING 8MP-6MJ	1
62	063936-024	MUFFLER GASKET	1
63	067765-000	TUBE EXTENSION	1
64	011253-008	SCREW, HHC 5/16-18 X 1	2
65	011248-005	NUT, HEX 5/16-18 ESNA	2
66	063947-008	NUT HEX ESNA M8	2
67	013919-010	CLAMP	1

Power Module Assembly, LX31/41/50 - Two Wheel Drive, Diesel

067522-012

ITEM	PART NO.	PART/MATERIAL DESCRIPTION	QTY.
1	067809-002	HINGE, 2 X 65	1
2	067811-002	POWER MODULE WELDMENT	1
3	67800-001	MODULE DOOR, R.H.	1
4	067801-001	MODULE DOOR, L.H.	1
5	067799-007	MODULE COVER	1
6	067808-000	HINGE, 2 X 22	2
7	026554-002	POP RIVET, 1/4 DIA. (.251 - .375 GRIP)	32
8	05299-000	LATCH, TOGGLE	2
9	067629-000	LATCH, FLUSH LIFT & TURN	2
10	067523-021	ENGINE ASSY, DIESEL KUBOTA	1
11	011939-021	FITTING 12MP-12MJ	1
12	014220-009	FITTING 16MP-12FP	1
13	063935-001	SUCTION SCREEN	1
14	067841-000	TANK, HYDRAULIC	1
15	064798-000	DOOR BRACKET	1
16	025427-002	HANDLE	1
17	026554-002	RIVET POP,1/4 (.25)-.375 GRIP	4
18	067856-000	STIFFENER BAR	1
19	011708-004	SCREW RD HD 8-32 X 1/2	4
20	011248-002	NUT HEX 8-32 ESNA	4
21	011254-006	SCREW HHC 3/8-16 X 3/4	2
22	064039-001	HYDRAULIC TANK MOUNTING TAB	1
23	067624-000	HYDRAULIC FILTER	1
24	011916-011	ELBOW 90° 20FP-20FP (1-1/4 NPT)	1
26	011240-006	WASHER 3/8 FLAT STD	16
27	011254-008	SCREW HHC 3/8-16 X 1	7
28	011248-006	NUT HEX 3/8-16 ESNA	9
29	063650-012	SPRING, PRESSURIZED GAS	1
30	067648-008	END FITTING, GAS SPRING	REF
31	015936-004	SCREW SHOULDER Ø 3/8 X 1/2	2
33	011939-030	FITTING 20MP-20MJ	1

ITEM	PART NO.	PART/MATERIAL DESCRIPTION	QTY.
34	011923-008	FITTING 12MP-6FP	1
35	011940-008	FITTING 90° 6MP-4MJ	1
36	067898-000	RADIATOR COVER	1
37	063930-001	BREATHER/FILLER CAP	1
38	021305-007	PLUG, MAGNETIC	1
39	067696-001	EXHAUST TUBE, DIESEL	1
40	067902-000	BRACKET, GAS SPRING	1
41	010070-099	SEAL STRIP GASKET	2.54 FT
42	067691-000	SNORKEL WELDMENT, DIESEL	1
43	013259-008	MUFFLER CLAMP 2"	1
44	067697-001	BREATHER SPACER (RADIATOR)	1
45	011252-008	SCREW HHC 1/4-20 X 1	10
46	011240-004	WASHER FLAT STD 1/4	10
48	013259-006	CLAMP, MUFFLER 1-1/2"	2
49	063979-006	GAGE, LUBE SIGHT	1
50	011248-004	NUT HEX ESNA 1/4-20	6
51	066697-099	PIPE INSULATION 1-3/8Ø	1
52	011248-005	NUT HEX 5/16-18 ESNA	2
53	011253-007	SCREW HHC 5/16-18 X 7/8	5
54	011240-005	WASHER 5/16 FLAT STD	6
55	011238-005	WASHER LOCK 5/16	4
56	011250-005	NUT HEX 5/16-18	5
59	011939-013	FITTING 8MP-4MJ	1
60	011939-015	FITTING 8MP-8MJ	1
61	011939-014	FITTING 8MP-6MJ	1
62	063936-024	MUFFLER GASKET	1
63	067765-000	TUBE EXTENSION	1
64	011253-008	SCREW, HHC 5/16-18 X 1	2
65	011248-005	NUT, HEX 5/16-18 ESNA	2
66	063947-008	NUT HEX ESNA M8	2
67	013919-010	CLAMP	1

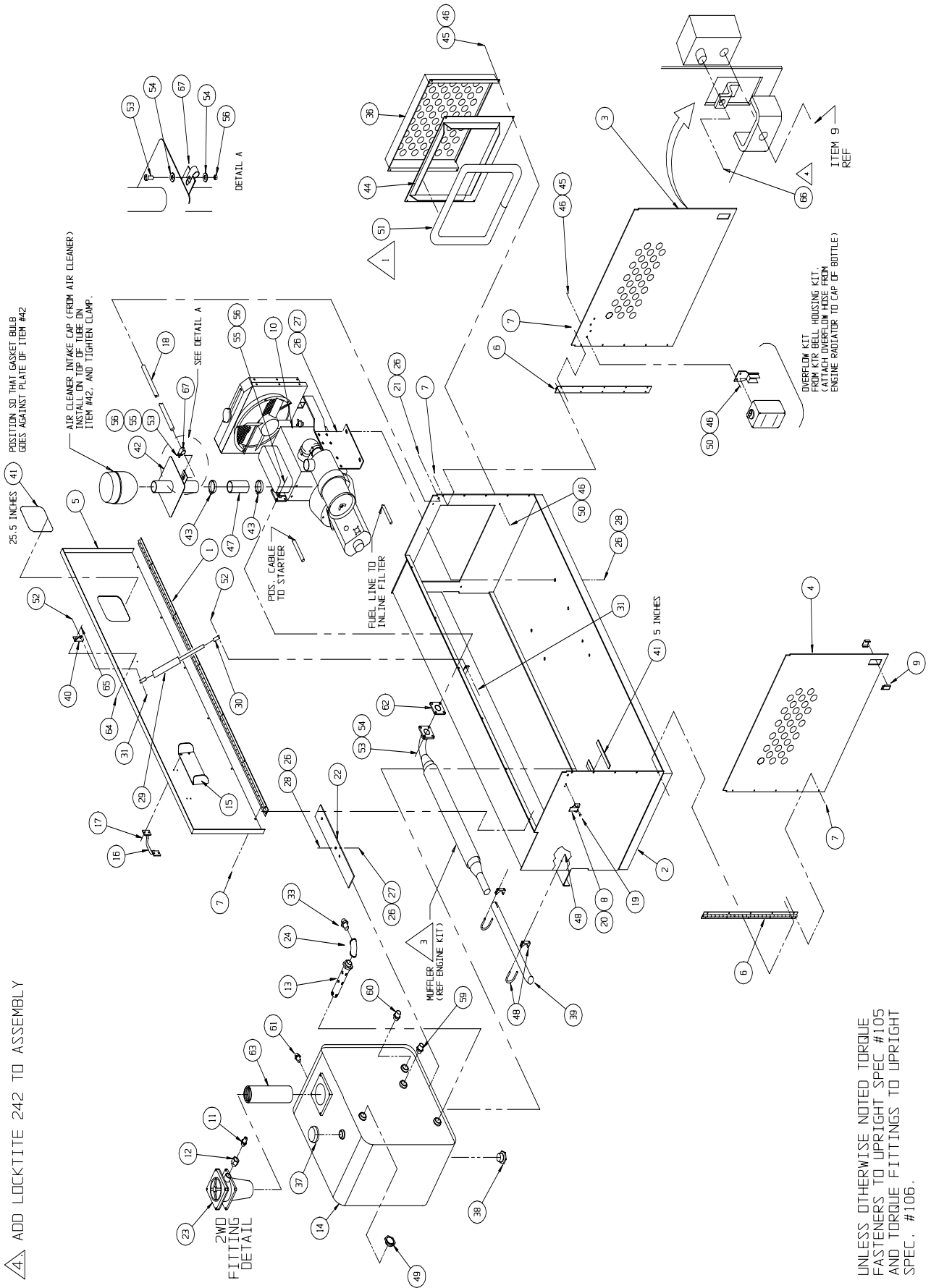
NOTES: UNLESS OTHERWISE SPECIFIED

1. INSTALL PIPE INSULATION TO ITEM 44, PLACING THE SLIT ON THE INSULATION OVER THE TABS ON ITEM 44.

2. END FITTING, ITEM 30 SUPPLIED WITH GAS SPRING, ITEM 29.

3. MOUNTING HARDWARE AND MUFFLER ARE PROVIDED WITH ENGINE.

4. ADD LOCKTITE 242 TO ASSEMBLY



UNLESS OTHERWISE NOTED TORQUE FASTENERS TO UPRIGHT SPEC #105 AND TORQUE FITTINGS TO UPRIGHT SPEC. #106.

Power Module Assembly, LX31/41/50 - Four Wheel Drive, Diesel

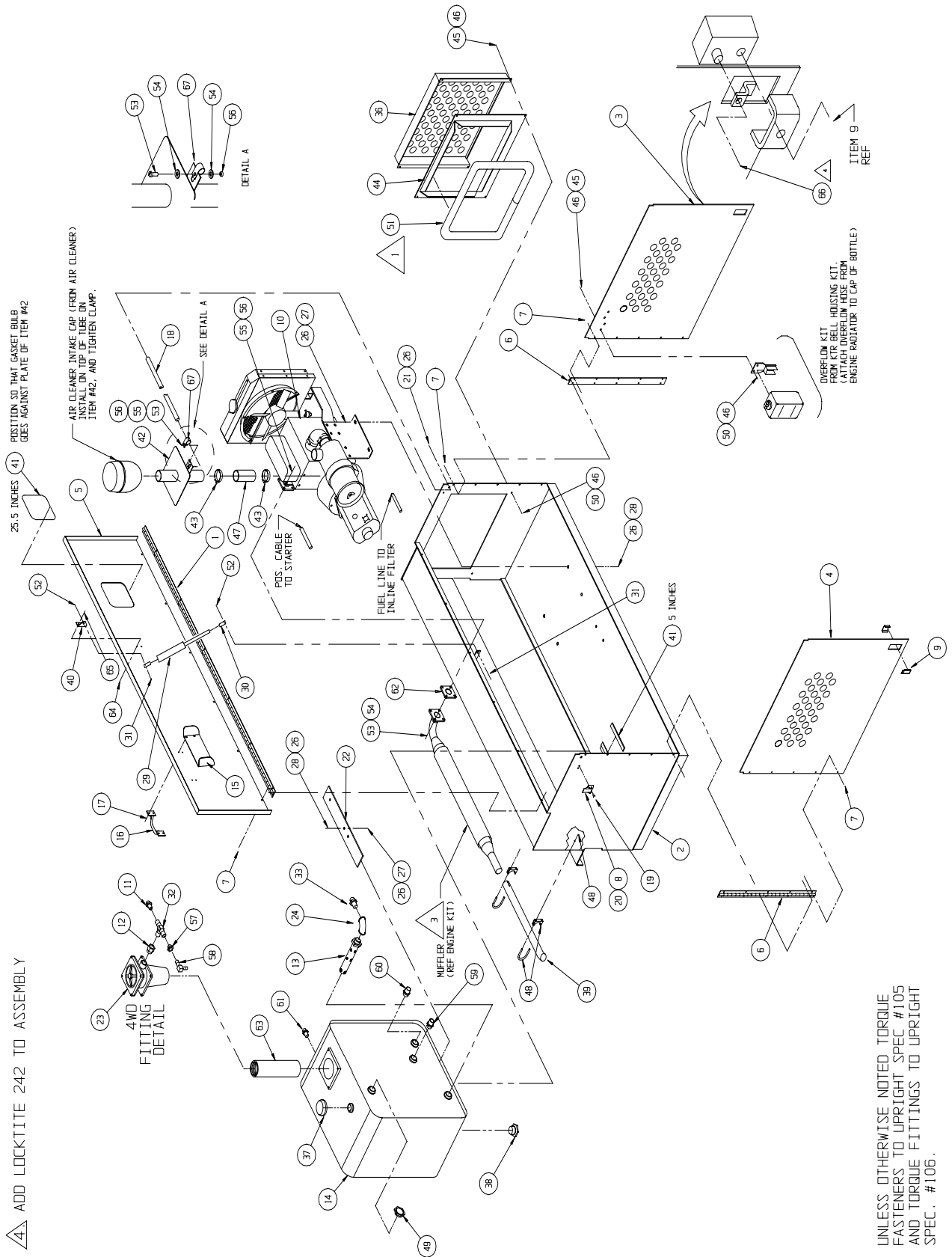
067522-013

ITEM	PART NO.	PART/MATERIAL DESCRIPTION	QTY.
1	067809-002	HINGE, 2 X 65	1
2	067811-002	POWER MODULE WELDMENT	1
3	67800-001	MODULE DOOR, R.H.	1
4	067801-001	MODULE DOOR, L.H.	1
5	067799-007	MODULE COVER	1
6	067808-000	HINGE, 2 X 22	2
7	026554-002	POP RIVET, 1/4 DIA. (.251 - .375 GRIP)	32
8	05299-000	LATCH, TOGGLE	2
9	067629-000	LATCH, FLUSH LIFT & TURN	2
10	067523-021	ENGINE ASSY, DIESEL KUBOTA	1
11	011939-021	FITTING 12MP-12MJ	1
12	014220-009	FITTING 16MP-12FP	1
13	063935-001	SUCTION SCREEN	1
14	067841-000	TANK, HYDRAULIC	1
15	064798-000	DOOR BRACKET	1
16	025427-002	HANDLE	1
17	026554-002	RIVET POP,1/4 (.25)-.375 GRIP	4
18	067856-000	STIFFENER BAR	1
19	011708-004	SCREW RD HD 8-32 X 1/2	4
20	011248-002	NUT HEX 8-32 ESNA	4
21	011254-006	SCREW HHC 3/8-16 X 3/4	2
22	064039-001	HYDRAULIC TANK MOUNTING TAB	1
23	067624-000	HYDRAULIC FILTER	1
24	011916-011	ELBOW 90° 20FP-20FP (1-1/4 NPT)	1
26	011240-006	WASHER 3/8 FLAT STD	16
27	011254-008	SCREW HHC 3/8-16 X 1	7
28	011248-006	NUT HEX 3/8-16 ESNA	9
29	063650-012	SPRING, PRESSURIZED GAS	1
30	067648-008	END FITTING, GAS SPRING	REF
31	015936-004	SCREW SHOULDER Ø 3/8 X 1/2	2
32	014902-005	FITTING TEE 12MP-12FP	1
33	011939-030	FITTING 20MP-20MJ	1
34	011923-008	FITTING 12MP-6FP	1

ITEM	PART NO.	PART/MATERIAL DESCRIPTION	QTY.
35	011940-008	FITTING 90° 6MP-4MJ	1
36	067898-000	RADIATOR COVER	1
37	063930-001	BREATHER/FILLER CAP	1
38	021305-007	PLUG, MAGNETIC	1
39	067696-001	EXHAUST TUBE, DIESEL	1
40	067902-000	BRACKET, GAS SPRING	1
41	010070-099	SEAL STRIP GASKET	2.54 FT
42	067691-000	SNORKEL WELDMENT, DIESEL	1
43	013259-008	MUFFLER CLAMP 2"	1
44	067697-001	BREATHER SPACER (RADIATOR)	1
45	011252-008	SCREW HHC 1/4-20 X 1	10
46	011240-004	WASHER FLAT STD 1/4	10
48	013259-006	CLAMP, MUFFLER 1-1/2"	2
49	063979-006	GAGE, LUBE SIGHT	1
50	011248-004	NUT HEX ESNA 1/4-20	6
51	066697-099	PIPE INSULATION 1-3/8Ø	1
52	011248-005	NUT HEX 5/16-18 ESNA	2
53	011253-007	SCREW HHC 5/16-18 X 7/8	5
54	011240-005	WASHER 5/16 FLAT STD	6
55	011238-005	WASHER LOCK 5/16	4
56	011250-005	NUT HEX 5/16-18	5
57	011923-007	FITTING 12MP-4FP	1
58	011940-004	FITTING 90°-4MP-4MJ	1
59	011939-013	FITTING 8MP-4MJ	1
60	011939-015	FITTING 8MP-8MJ	1
61	011939-014	FITTING 8MP-6MJ	1
62	063936-024	MUFFLER GASKET	1
63	067765-000	TUBE EXTENSION	1
64	011253-008	SCREW, HHC 5/16-18 X 1	2
65	011248-005	NUT, HEX 5/16-18 ESNA	2
66	063947-008	NUT HEX ESNA M8	2
67	013919-010	CLAMP	1

NOTES: UNLESS OTHERWISE SPECIFIED

1. INSTALL PIPE INSULATION TO ITEM 44, PLACING THE SLIT ON THE INSULATION OVER THE TABS ON ITEM 44.
2. END FITTING, ITEM 30 SUPPLIED WITH GAS SPRING, ITEM 29.
3. MOUNTING HARDWARE AND MUFFLER ARE PROVIDED WITH ENGINE.
4. ADD LOCKTITE 242 TO ASSEMBLY



UNLESS OTHERWISE NOTED TORQUE FASTENERS TO UPRIGHT SPEC #105 AND TORQUE FITTINGS TO UPRIGHT SPEC. #106.

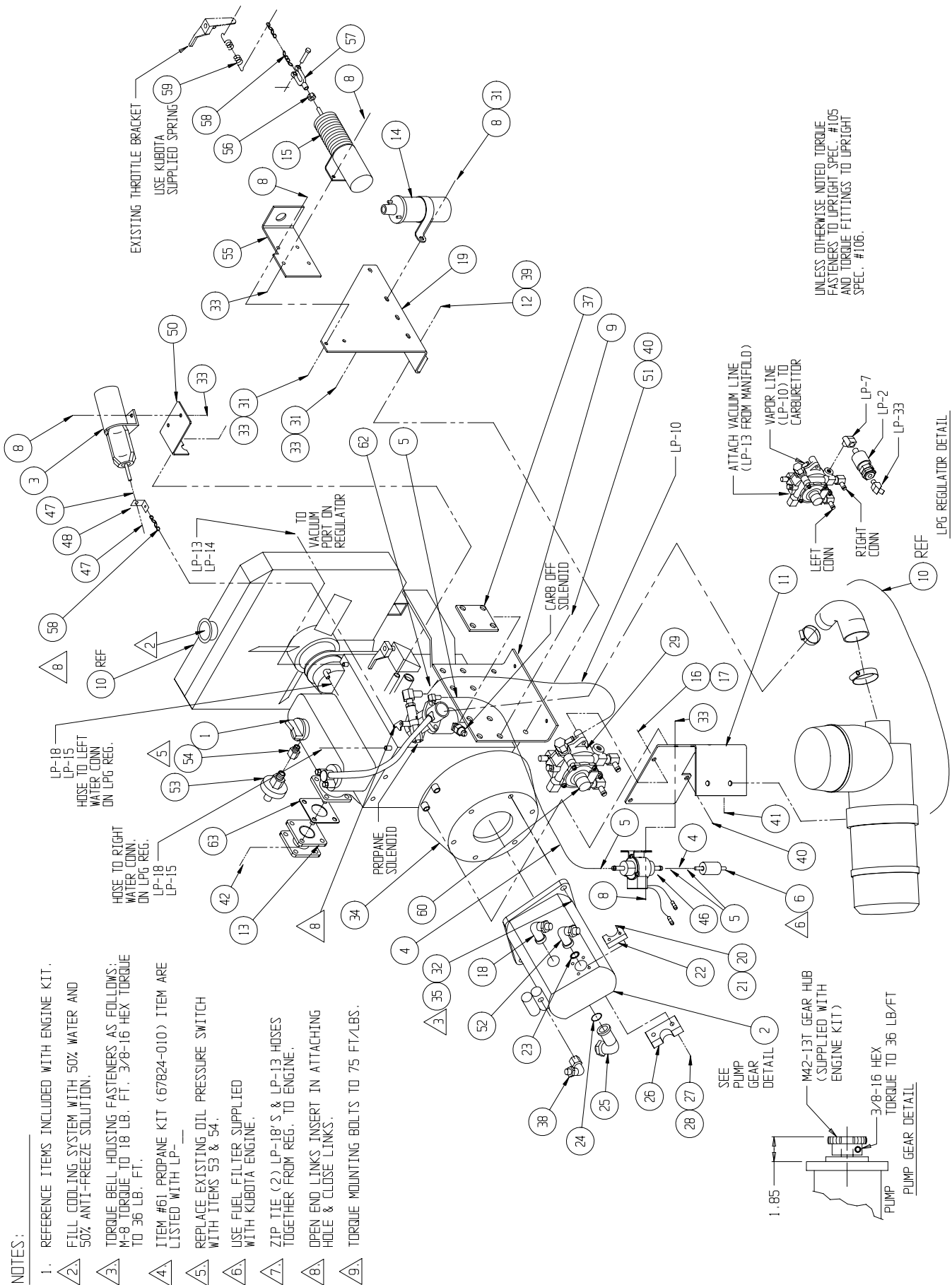
Engine Assembly, LX31/41/50 - Dual Fuel

067523-010

ITEM	PART NO.	PART/MATERIAL DESCRIPTION	QTY.
1	067614-000	ENGINE, KUBOTA DIESEL D905	1
*	067614-033	AIR CLEANER KIT/ASSY	1
*	067614-004	OIL FILTER ELEMENT	1
*	067614-005	AIR FILTER ELEMENT	
*	067614-026	FUEL PUMP, LIFT	1
*	067614-009	INJECTION PUMP	1
*	067614-010	INJECTOR NOZZLE	3
*	067614-011	GLOW PLUG	3
*	067614-012	RADIATOR	1
*	067614-013	RADIATOR CAP	1
*	067614-014	THERMOSTAT	1
*	067614-015	WATER PUMP W/GSKT	1
*	067614-018	FAN BELT	1
*	067614-019	ALTERNATOR	1
*	067614-020	VOLTAGE REGULATOR	1
*	067614-022	STARTER	1
*	067614-023	OIL PRESSURE SWITCH	1
*	067614-024	KUBOTA D905 ENGINE PARTS MANUAL	1
*	067614-025	KUBOTA D905 ENGINE SERVICE MANUAL	1
*	067614-027	FUEL SHUT-OFF SOLENOID	1
2	067608-000	PUMP, VARIABLE DISPLACEMENT	1
3	067599-000	SOLENOID, THROTTLE	1
4	012733-099	HOSE, FUEL LINE Ø 5/16	10 FT
5	020541-001	HOSE CLAMP	6
6	067614-007	FUEL FILTER, INLINE	1
7	063945-001	OIL PRESSURE SWITCH	1
8	067492-005	WIRE HARNESS, DIESEL ENGINE	1
9	064180-001	ENGINE MOUNT BRACKET	2
10	REF	FUEL FILTER MOUNT - SPIN ON	1
11	067859-000	BRACKET, AIR CLEANER	1
12	067614-054	FUEL FILTER - SPIN ON	1
13	064177-004	WELDMENT, MUFFLER SPACER	1
15	067870-000	BRACKET, DIESEL FUEL FILTER	1
16	064423-000	INLINE SWIVEL - 1/4	1
17	011760-004	ROD END BEARING - 1/4-28	1

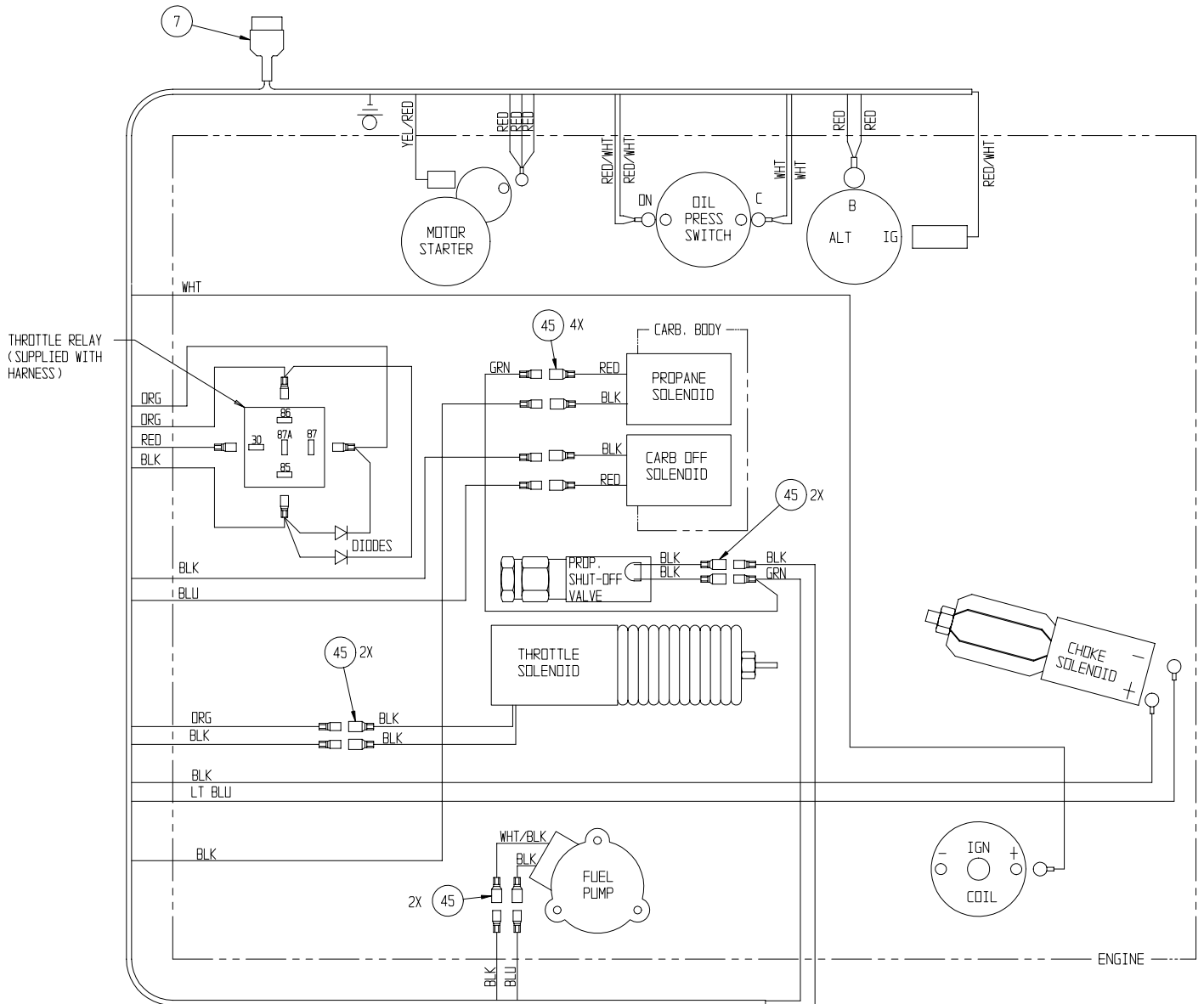
ITEM	PART NO.	PART/MATERIAL DESCRIPTION	QTY.
18	011935-004	FITTING 8MBH-8MJ 45°	1
19	014338-002	FITTING SPLIT FLANGE - 12MJ 90°	1
20	011254-010	SCREW HHC 3/8-16UNC X 1-1/4	4
21	011238-006	LOCKWASHER, SPLIT 3/8	4
22	067670-012	SPLIT FLANGE - HALF 3/4	2
23	067671-012	"O"-RING	1
24	067671-020	"O"-RING	1
25	014338-008	FITTING SPLIT FLANGE - 20MJ 90°	1
26	067670-020	SPLIT FLANGE - 1-1/4	2
27	011255-010	SCREW HHC 7/16-14UNC X 1-1/4	4
28	011238-007	LOCK WASHER SPLIT 7/16	4
29	011252-004	SCREW HHC 1/4-20UNC X 1/2	4
30	011252-008	SCREW HHC 1/4-20UNC X 1	3
31	011240-004	WASHER FLAT STD 1/4	2
32	011238-004	WASHER SPLIT LOCK 1/2	2
33	011248-004	NUT HEX 1/4 ESNA	7
34	067617-000	KTR BELL HOUSING KIT	1
35	011256-010	SCREW HHC 1/2-13UNC X 1-1/4	2
37	064183-000	SPACER, ENGINE	2
38	011934-001	FITTING 90° 4MB-4MJ	1
39	011708-006	SCRW MACH RD HD 8-32 UNC X 3/4	2
40	063946-030	SCREW HHC M10 X 1.25 GR5 X 30MM	16
41	REF	SCREW (SUPPLIED W/AIR CLEANER)	2
42	REF	SCREW MANIFOLD (SUPPLIED W/ENGINE)	4
43	03142-001	ADAPTER, 2MP-2FP	1
44	029601-039	CONN. RING, 12-10GA., 5/16Ø	1
45	011248-002	NUT ESNA HEX 8-32 UNC	2
46	011240-007	WASHER FLAT STD 7/16	16
47	029416-099	WIRE, 12AWG, RED	1 FT
48	029601-020	CONN. RING, 12-10GA., 1/4Ø	1
49	014914-001	CONN. MALE PUSH, 16-14 AWG, .25 TAB	5
50	067468-000	RELAY MOUNT BRACKET	1
51	063936-024	MUFFLER, GASKET	1

* Not shown



NOTES:

1. REFERENCE ITEMS INCLUDED WITH ENGINE KIT.
2. FILL COOLING SYSTEM WITH 50% WATER AND 50% ANTI-FREEZE SOLUTION.
3. TORQUE BELL HOUSING FASTENERS AS FOLLOWS: N-8, TORQUE TO 18 LB. FT. 3/8-16 HEX TORQUE TO 36 LB. FT.
4. ITEM #61 PROPANE KIT (67824-010) ITEM ARE LISTED WITH LP-__
5. REPLACE EXISTING OIL PRESSURE SWITCH WITH ITEMS 53 & 54.
6. USE FUEL FILTER SUPPLIED WITH KUBOTA ENGINE.
7. ZIP TIE (2) LP-18'S & LP-13 HOSES TOGETHER FROM REG. TO ENGINE.
8. OPEN END LINKS INSERT IN ATTACHING HOLE & CLOSE LINKS.
9. TORQUE MOUNTING BOLTS TO 75 FT./LBS.



Drawing # 2 of 2

NOTES:

Engine Assembly, LX31/41/50 - Diesel

067523-011

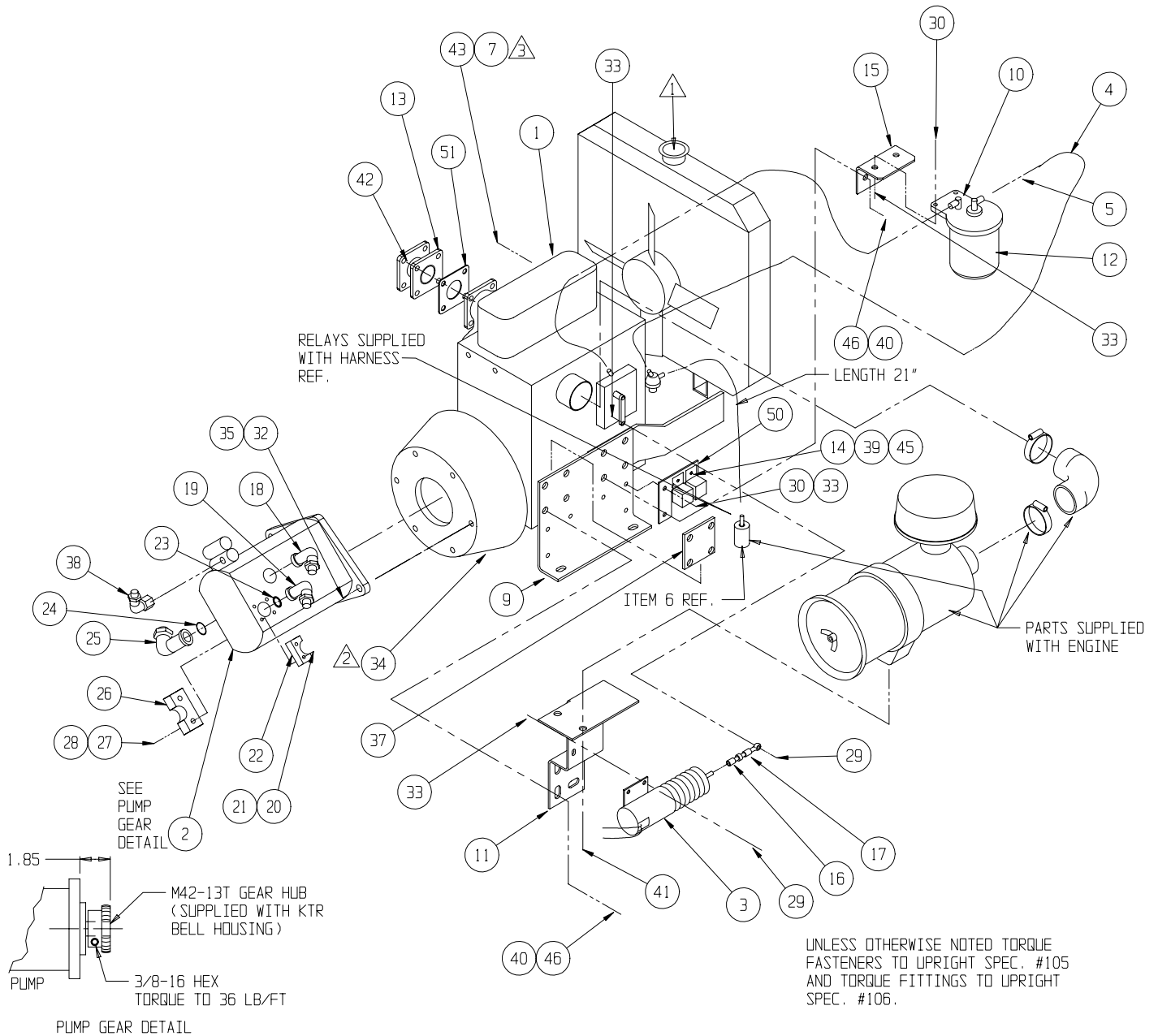
ITEM	PART NO.	PART/MATERIAL DESCRIPTION	QTY.
1	067614-000	ENGINE, KUBOTA DIESEL D905	1
*	067614-033	AIR CLEANER KIT/ASSY	1
*	067614-004	OIL FILTER ELEMENT	1
*	067614-005	AIR FILTER ELEMENT	
*	067614-026	FUEL PUMP, LIFT	1
*	067614-009	INJECTION PUMP	1
*	067614-010	INJECTOR NOZZLE	3
*	067614-011	GLOW PLUG	3
*	067614-012	RADIATOR	1
*	067614-013	RADIATOR CAP	1
*	067614-014	THERMOSTAT	1
*	067614-015	WATER PUMP W/GSKT	1
*	067614-018	FAN BELT	1
*	067614-019	ALTERNATOR	1
*	067614-020	VOLTAGE REGULATOR	1
*	067614-022	STARTER	1
*	067614-023	OIL PRESSURE SWITCH	1
*	067614-024	KUBOTA D905 ENGINE PARTS MANUAL	1
*	067614-025	KUBOTA D905 ENGINE SERVICE MANUAL	1
*	067614-027	FUEL SHUT-OFF SOLENOID	1
2	067608-000	PUMP, VARIABLE DISPLACEMENT	1
3	067599-000	SOLENOID, THROTTLE	1
4	012733-099	HOSE, FUEL LINE Ø 5/16	10 FT
5	020541-001	HOSE CLAMP	6
6	067614-007	FUEL FILTER, INLINE	1
7	063945-001	OIL PRESSURE SWITCH	1
8	067492-005	WIRE HARNESS, DIESEL ENGINE	1
9	064180-001	ENGINE MOUNT BRACKET	2
10	REF	FUEL FILTER MOUNT - SPIN ON	1
11	067859-000	BRACKET, AIR CLEANER	1
12	067614-054	FUEL FILTER - SPIN ON	1
13	064177-004	WELDMENT, MUFFLER SPACER	1
15	067870-000	BRACKET, DIESEL FUEL FILTER	1
16	064423-000	INLINE SWIVEL - 1/4	1
17	011760-004	ROD END BEARING - 1/4-28	1

ITEM	PART NO.	PART/MATERIAL DESCRIPTION	QTY.
18	011935-004	FITTING 8MBH-8MJ 45°	1
19	014338-002	FITTING SPLIT FLANGE - 12MJ 90°	1
20	011254-010	SCREW HHC 3/8-16UNC X 1-1/4	4
21	011238-006	LOCKWASHER, SPLIT 3/8	4
22	067670-012	SPLIT FLANGE - HALF 3/4	2
23	067671-012	"O"-RING	1
24	067671-020	"O"-RING	1
25	014338-008	FITTING SPLIT FLANGE - 20MJ 90°	1
26	067670-020	SPLIT FLANGE - 1-1/4	2
27	011255-010	SCREW HHC 7/16-14UNC X 1-1/4	4
28	011238-007	LOCK WASHER SPLIT 7/16	4
29	011252-004	SCREW HHC 1/4-20UNC X 1/2	4
30	011252-008	SCREW HHC 1/4-20UNC X 1	3
31	011240-004	WASHER FLAT STD 1/4	2
32	011238-004	WASHER SPLIT LOCK 1/2	2
33	011248-004	NUT HEX 1/4 ESNA	7
34	067617-000	KTR BELL HOUSING KIT	1
35	011256-010	SCREW HHC 1/2-13UNC X 1-1/4	2
37	064183-000	SPACER, ENGINE	2
38	011934-001	FITTING 90° 4MB-4MJ	1
39	011708-006	SCRW MACH RD HD 8-32 UNC X 3/4	2
40	063946-030	SCREW HHC M10 X 1.25 GR5 X 30MM	16
41	REF	SCREW (SUPPLIED W/AIR CLEANER)	2
42	REF	SCREW MANIFOLD (SUPPLIED W/ENGINE)	4
43	03142-001	ADAPTER, 2MP-2FP	1
44	029601-039	CONN. RING, 12-10GA., 5/16Ø	1
45	011248-002	NUT ESNA HEX 8-32 UNC	2
46	011240-007	WASHER FLAT STD 7/16	16
47	029416-099	WIRE, 12AWG, RED	1 FT
48	029601-020	CONN. RING, 12-10GA., 1/4Ø	1
49	014914-001	CONN. MALE PUSH, 16-14 AWG, .25 TAB	5
50	067468-000	RELAY MOUNT BRACKET	1
51	063936-024	MUFFLER, GASKET	1

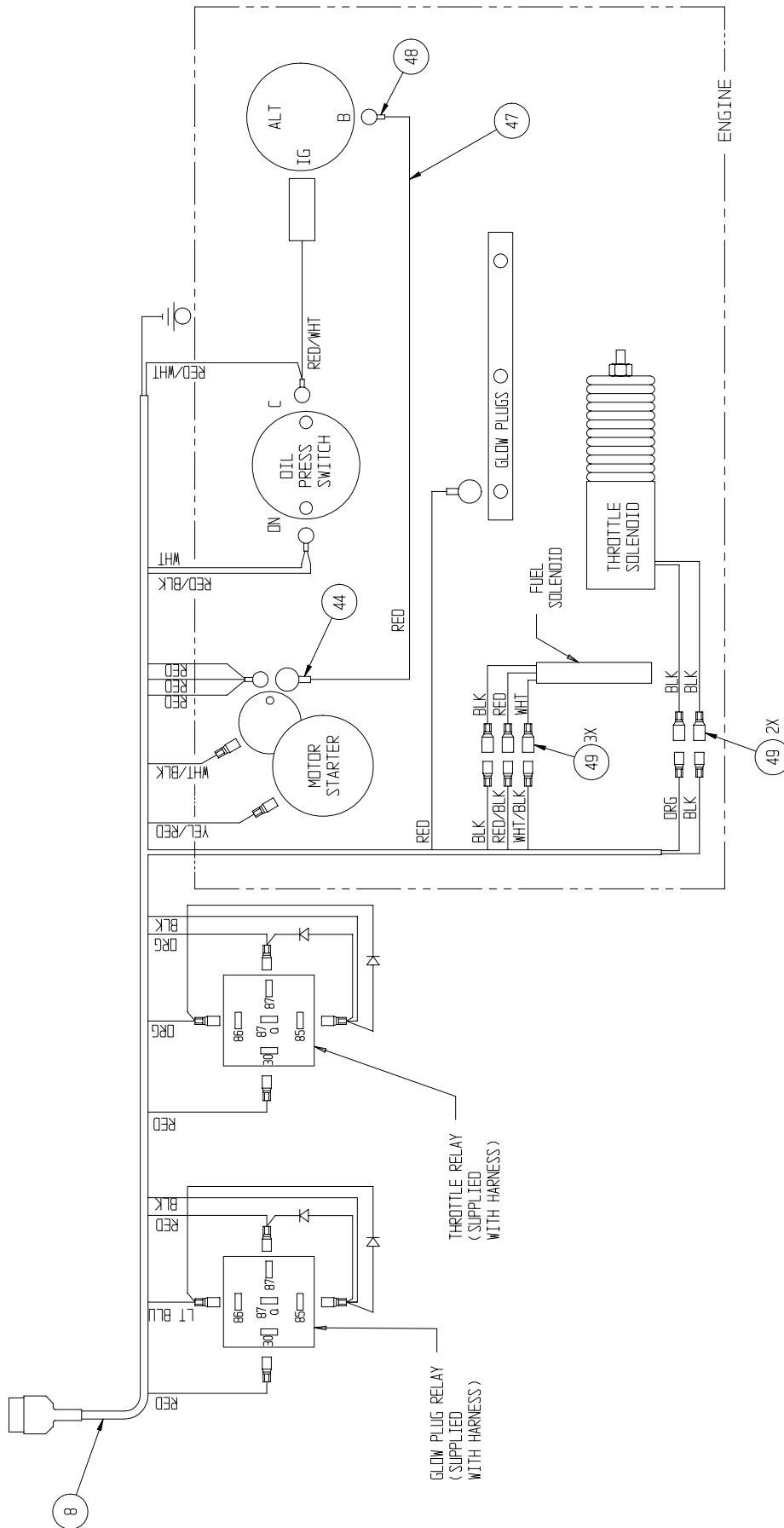
* Not shown

NOTES: UNLESS OTHERWISE SPECIFIED

1. FILL COOLING SYSTEM WITH 50% WATER AND 50% ANTIFREEZE SOLUTION.
2. TORQUE BELL HOUSING FASTENERS AS FOLLOWS: M-10 TORQUE TO 36 LB. FT., M-8 TORQUE TO 18 LB. FT., & 3/8-16 TORQUE TO 36 LB. FT.
3. REPLACE EXISTING OIL PRESSURE SWITCH WITH 63945-001 & FITTING
4. REFERENCE ITEMS SUPPLIED WITH ENGINE KIT.
5. TORQUE MOUNTING BOLTS TO 75 FT/LBS.



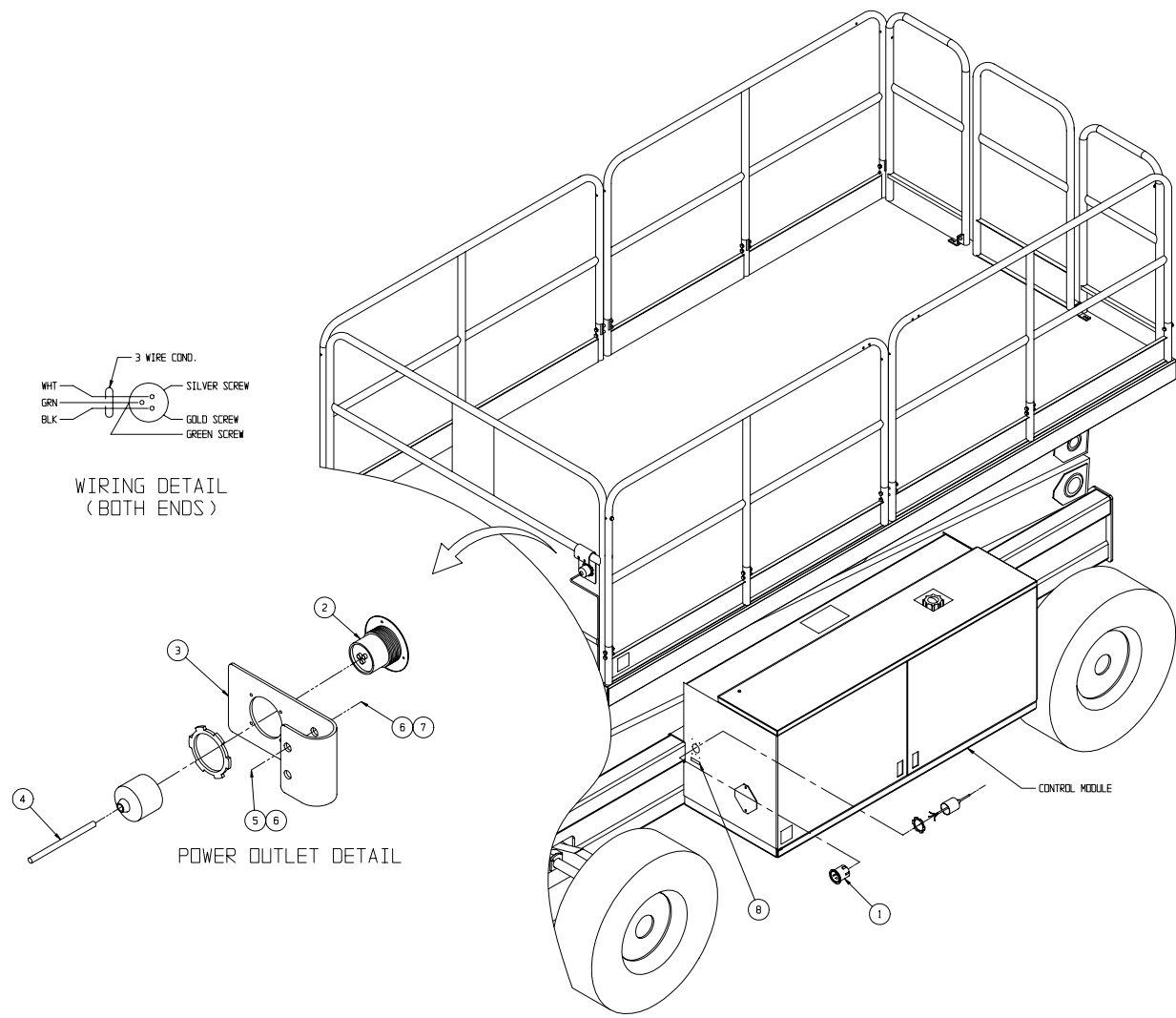
Drawing # 1 of 2



Power to Platform, LX31/41/50

067907-010

ITEM	PART NO.	PART/MATERIAL DESCRIPTION	LX31	LX41	LX50
			067907-010	067907-011	067907-012
			QTY.	QTY.	QTY.
1	067336-000	PLUG INLET W/BOOT, MALE	1	1	1
2	067336-001	PLUG INLET W/BOOT, FEMALE	1	1	1
3	030719-004	110 VAC BRACKET	1	1	1
4	029495-099	WIRE 14 GA 3-COND	60FT		
	029495-099	WIRE 14 GA 3-COND		72FT	
	029495-099	WIRE 14 GA 3-COND			84FT
5	011254-020	SCREW, HHC GRD5 3/8-16UNC X 2 1/2	2	2	2
6	011240-006	WASHER, 3/8, STD FLAT	4	4	4
7	011248-006	NUT, HEX, ESNA, 3/8-16	2	2	2
8	068639-000	LABEL-POWER TO PLATFORM	1	1	1

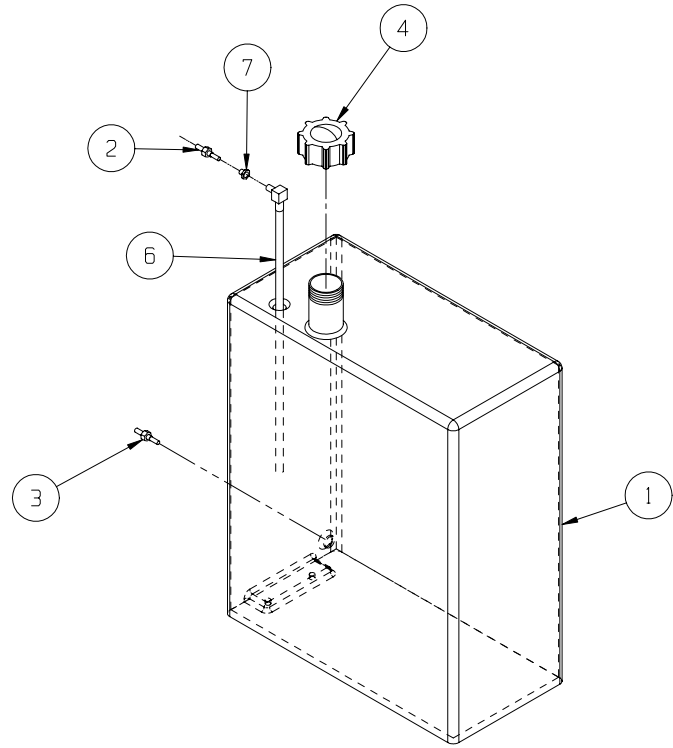
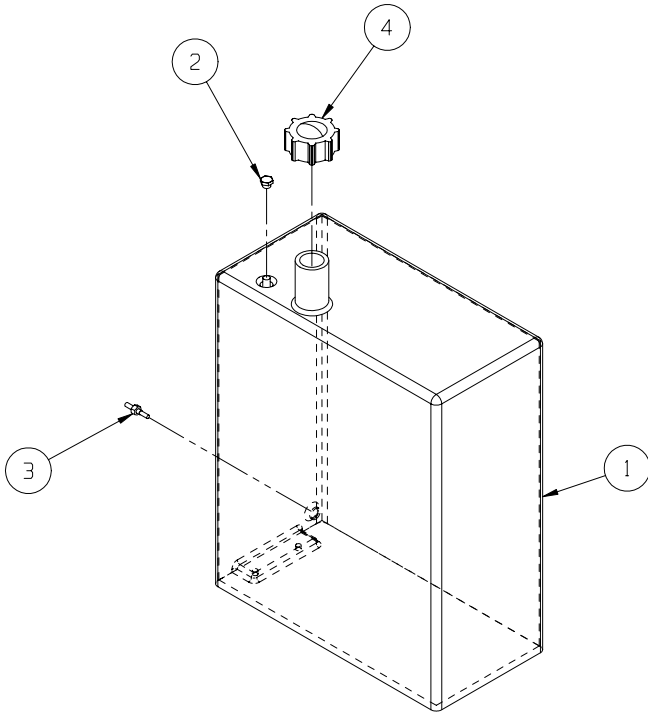


Fuel Tank Assembly, Gas 067485-000

Fuel Tank Assembly, Diesel 067485-001

ITEM	PART NO.	PART/MATERIAL DESCRIPTION	QTY.
1	067837-000	ROTOMOLDED FUEL TANK	1
2	011919-002	PLUG FITTING, MP #4	1
3	010178-003	BARBED FITTING, 1/4	1
4	068982-002	FUEL CAP	1

ITEM	PART NO.	PART/MATERIAL DESCRIPTION	QTY.
1	067837-000	ROTOMOLDED FUEL TANK	1
2	010178-001	BARBED FITTING, 3/16	1
3	010178-003	BARBED FITTING, 1/4	1
4	068982-000	FUEL CAP	1
6	067488-000	WITHDRAWAL TUBE WLDMT	1
7	03556-001	BUSHING, 2FP-4MP	1

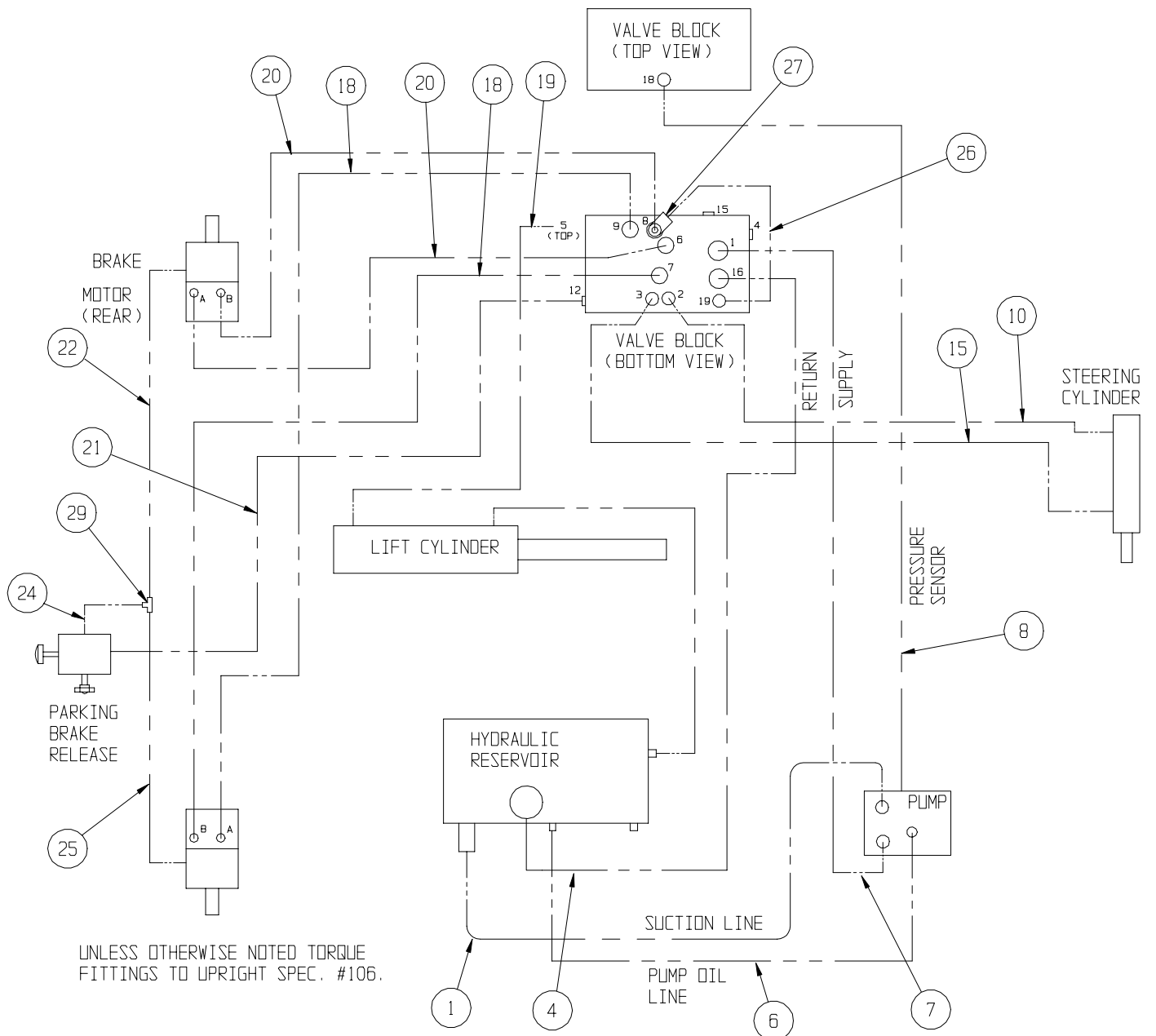


Hose Installation, LX31/41 - Two Wheel Drive

067533-020

ITEM	PART NO.	PART/MATERIAL DESCRIPTION	QTY.
1	067680-027	1-1/4 HOSE ASSY X 27 20FJX-20FJX 90°	1
3	067857-334	3/8 HOSE ASSY X 334 6FJX-6FJX 90°	1
4	067676-131	3/4 HOSE ASSY X 131 12FJX-12FJX 90°	1
6	067682-026	1/2 HOSE ASSY X 26 8FJX-8FJX 90°	1
7	067858-108	3/4 HOSE ASSY X 108 12FJX-12FJX	1
8	065234-096	1/4 HOSE ASSY X 96 4FJX-4FJX	1
10	067683-080	3/8 HOSE ASSY X 80 6F JX-6F JX 45°	1
15	067683-090	3/8 HOSE ASSY X 90 6FJX-6FJX45°	1
18	067677-144	5/8 HOSE ASSY X 144 10FJX-10FJX90°	2

ITEM	PART NO.	PART/MATERIAL DESCRIPTION	QTY.
19	067684-200	3/8 HOSE ASSY X 200 6FJX-6FJX90°	1
20	067677-112	5/8 HOSE ASSY X 112 10FJX-10FJX90°	2
21	065234-152	1/4 HOSE ASSY X 152 4FJX-4FJX	1
22	065234-014	1/4 HOSE ASSY X 46.5 4FJX-4FJX	1
24	065234-032	1/4 HOSE ASSY X 32 4FJX-4FJX	1
25	065234-001	1/4 HOSE ASSY X 20 4FJX-4FJX	1
26	068740-030	1/2 HOSE ASSY X 30 10FJX-8FJX	1
27	020733-004	TEE FITTING 10FJX-10MJX-10MJX	1
29	020032-001	FITTING 4MJ-4MJ TEE	REF

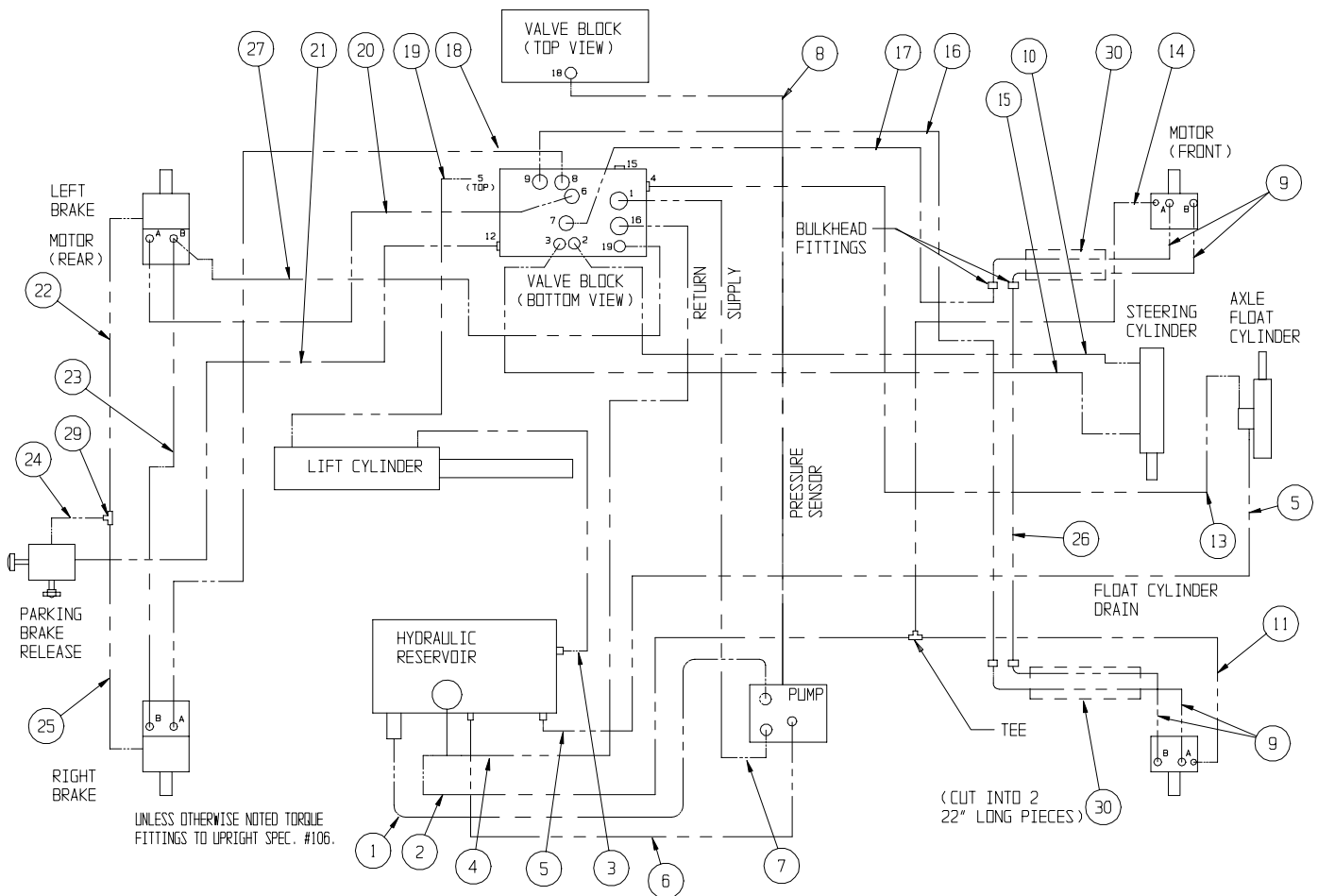


Hose Installation, LX31/41 - Four Wheel Drive

067533-026

ITEM	PART NO.	PART/MATERIAL DESCRIPTION	QTY.
1	067680-027	1-1/4 HOSE ASSY X 27 20FJX-20FJX 90°	1
2	062192-009	1/4 HOSE ASSY X 65 4FJX-4FJX	1
3	067857-334	3/8 HOSE ASSY X 334 6FJX-6FJX90°	1
4	067676-131	3/4 HOSE ASSY X 131 12FJX-12FJX 90°	1
5	067681-120	1/4 HOSE ASSY X 120 4FJX-4FJX 90°	1
6	067682-026	1/2 HOSE ASSY X 26 8FJX-8FJX 90°	1
7	067858-108	3/4 HOSE ASSY X 108 12FJX-12FJX	1
8	065234-096	1/4 HOSE ASSY X 96 4FJX-4FJX	1
9	067679-044	1/2 HOSE ASSY X 44 10FJX-8FJX 45°	4
10	067683-080	3/8 HOSE ASSY X 80 6F JX-6F JX 45°	1
11	067681-080	1/4 HOSE ASSY X 80 4FJX-4FJX 90°	1
13	065234-100	1/4 HOSE ASSY X 100 4FJX-4FJX	1
14	067681-110	1/4 HOSE ASSY X 110 4FJX-4FJX 90°	1
15	067683-090	3/8 HOSE ASSY X 90 6FJX-6FJX 45°	1

ITEM	PART NO.	PART/MATERIAL DESCRIPTION	QTY.
16	067677-095	5/8 HOSE ASSY X 95 10FJX-10FJX 90°	1
17	067677-060	5/8 HOSE ASSY X 60 10FJX-10FJX 90°	1
18	067677-144	5/8 HOSE ASSY X 144 10FJX-10FJX 90°	1
19	067684-200	3/8 HOSE ASSY X 200 6FJX-6FJX 90°	1
20	067677-112	5/8 HOSE ASSY X 112 10FJX-10FJX 90°	
21	065234-152	1/4 HOSE ASSY X 152 4FJX-4FJX	1
22	065234-014	1/4 HOSE ASSY X 46.5 4FJX-4FJX	1
23	067687-061	5/8 HOSE ASSY X 61 10FJX90-10FJX90	1
24	065234-032	1/4 HOSE ASSY X 32 4FJX-4FJX	1
25	065234-001	1/4 HOSE ASSY X 20 4FJX-4FJX	1
26	067687-100	5/8 HOSE ASSY X 100 10FJX90-10FJX90	1
27	068740-120	1/2 HOSE ASSY X 120 10FJX-8FJX	1
29	020032-001	FITTING 4MJ-4MJ TEE	REF
30	067758-099	HOSE GUARD - NYLON	REF

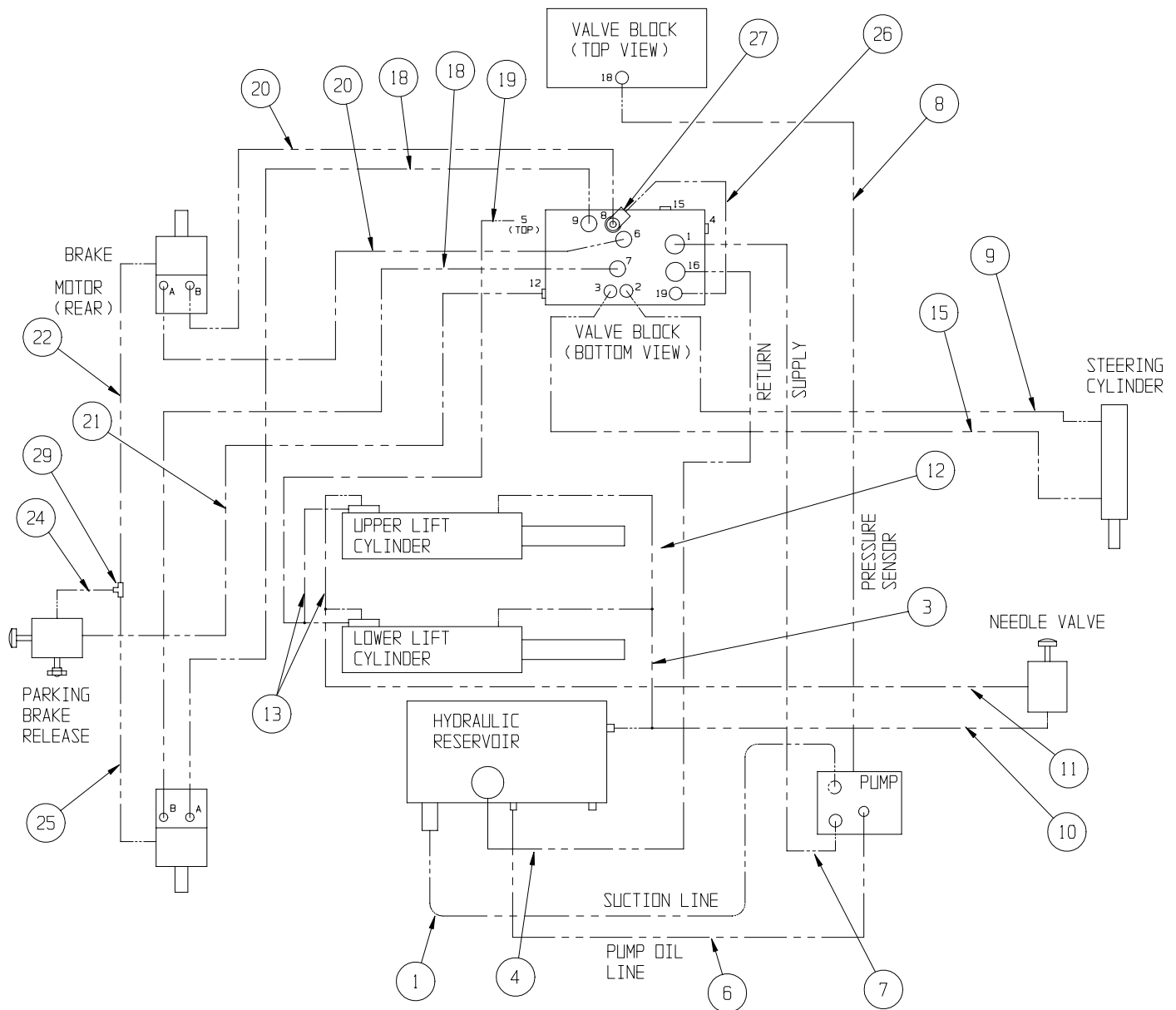


Hose Installation, LX50 - Two Wheel Drive

067533-022

ITEM	PART NO.	PART/MATERIAL DESCRIPTION	QTY.
1	067680-027	1-1/4 HOSE ASSY X 27 20FJX-20FJX 90°	1
3	067857-334	3/8 HOSE ASSY X 334 6FJX-6FJX 90°	1
4	067676-131	3/4 HOSE ASSY X 131 12FJX-12FJX 90°	1
6	067682-026	1/2 HOSE ASSY X 26 8FJX-8FJX 90°	1
7	067858-108	3/4 HOSE ASSY X 108 12FJX-12FJX	1
8	065234-096	1/4 HOSE ASSY X 96 4FJX-4FJX	1
9	067683-080	3/8 HOSE ASSY X 80 6F JX-6F JX 45°	1
12	060861-102	3/8 HOSE ASSY X 529 6FJX-6FJX	1
13	060861-103	3/8 HOSE ASSY X 370 6FJX-6FJX	1
15	067683-090	3/8 HOSE ASSY X 90 6FJX-6FJX45°	1

ITEM	PART NO.	PART/MATERIAL DESCRIPTION	QTY.
18	067677-144	5/8 HOSE ASSY X 144 10FJX-10FJX90°	2
19	067684-200	3/8 HOSE ASSY X 200 6FJX-6FJX90°	1
20	067677-112	5/8 HOSE ASSY X 112 10FJX-10FJX90°	2
21	065234-152	1/4 HOSE ASSY X 152 4FJX-4FJX	1
22	065234-014	1/4 HOSE ASSY X 46.5 4FJX-4FJX	1
24	065234-032	1/4 HOSE ASSY X 32 4FJX-4FJX	1
25	065234-001	1/4 HOSE ASSY X 20 4FJX-4FJX	1
26	068740-030	1/2 HOSE ASSY X 30 10FJX-8FJX	1
27	020733-004	TEE FITTING 10FJX-10MJX-10MJX	1
29	020032-001	FITTING 4MJ-4MJ TEE	REF

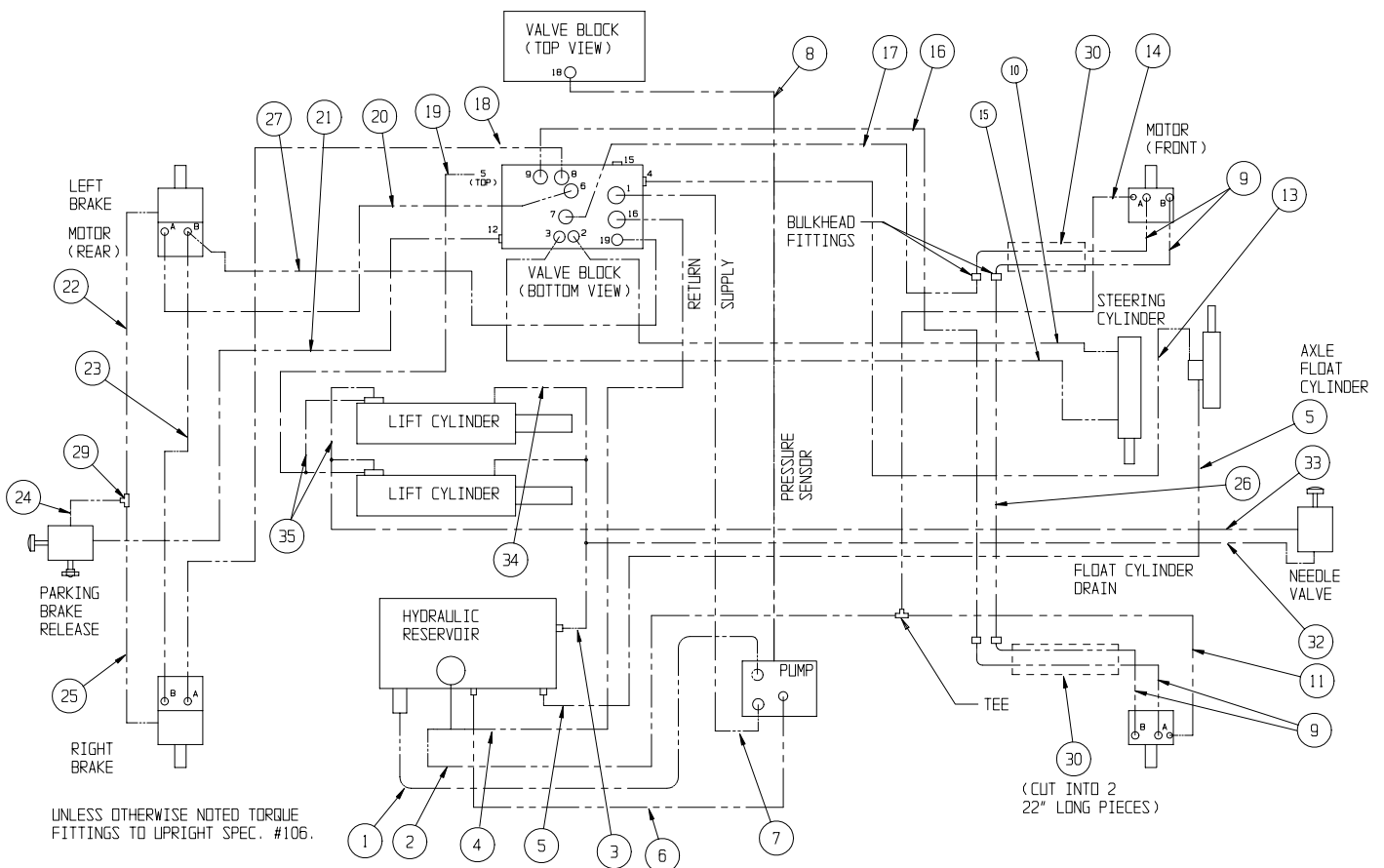


Hose Installation, LX50 - Four Wheel Drive

067533-027

ITEM	PART NO.	PART/MATEIAL DESCRIPTION	QTY.
1	067680-027	1-1/4 HOSE ASSY X 27 20FJX-20FJX 90°	1
2	062192-009	1/4 HOSE ASSY X 65 4FJX-4FJX	1
3	067857-334	3/8 HOSE ASSY X 334 6FJX-6FJX90°	1
4	067676-131	3/4 HOSE ASSY X 131 12FJX-12FJX 90°	1
5	067681-120	1/4 HOSE ASSY X 120 4FJX-4FJX 90°	1
6	067682-026	1/2 HOSE ASSY X 26 8FJX-8FJX 90°	1
7	067858-108	3/4 HOSE ASSY X 108 12FJX-12FJX	1
8	065234-096	1/4 HOSE ASSY X 96 4FJX-4FJX	1
9	067679-044	1/2 HOSE ASSY X 44 10FJX-8FJX 45°	4
10	067683-080	3/8 HOSE ASSY X 80 6FJX-6FJX 45°	1
11	067681-080	1/4 HOSE ASSY X 80 4FJX-4FJX 90°	1
13	065234-100	1/4 HOSE ASSY X 100 4FJX-4FJX	1
14	067681-110	1/4 HOSE ASSY X 110 4FJX-4FJX 90°	1
15	067683-090	3/8 HOSE ASSY X 90 6FJX-6FJX 45°	1
16	067677-095	5/8 HOSE ASSY X 95 10FJX-10FJX 90°	1

ITEM	PART NO.	PART/MATEIAL DESCRIPTION	QTY.
17	067677-060	5/8 HOSE ASSY X 60 10FJX-10FJX 90°	1
18	067677-144	5/8 HOSE ASSY X 144 10FJX-10FJX J90°	1
19	067684-200	3/8 HOSE ASSY X 200 6FJX-6FJX 90°	1
20	067677-112	5/8 HOSE ASSY X 112 10FJX-10FJX 90°	1
21	065234-152	1/4 HOSE ASSY X 152 4FJX-4FJX	1
22	065234-014	1/4 HOSE ASSY X 46.5 4FJX-4FJX	1
23	067687-061	5/8 HOSE ASSY X 61 10FJX90-10FJX90	1
24	065234-032	1/4 HOSE ASSY X 32 4FJX-4FJX	1
25	065234-001	1/4 HOSE ASSY X 20 4FJX-4FJX	1
26	067687-100	5/8 HOSE ASSY X 100 10FJX90-10FJX90	1
27	068740-120	1/2 HOSE ASSY X 120 10FJX-8FJX	1
29	020032-001	FITTING 4MJ-4MJ TEE	REF
30	067758-099	HOSE GUARD - NYLON	REF
34	060861-102	3/8 HOSE ASSY X 529 6FJX-6FJX	1
35	060861-103	3/8 HOSE ASSY X 370 6FJX-6FJX	1



NOTES:

Valve Block, LX31/41/50 - Two Wheel Drive

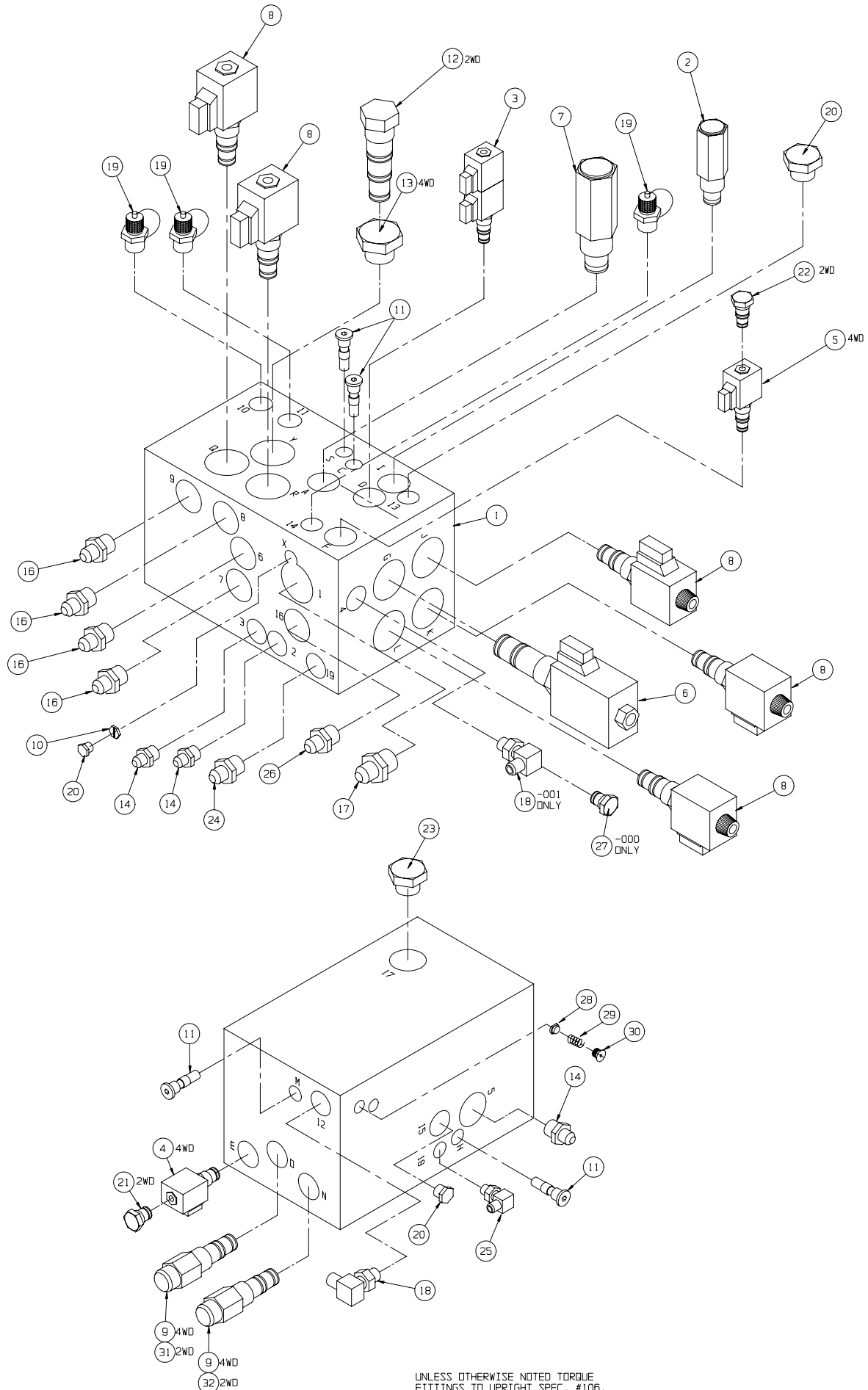
067489-000

ITEM	PART NO.	PART/MATERIAL DESCRIPTION	QTY.
1	067489-015	VALVE BLOCK	1
2	067489-003	VALVE, BI-DIRECTIONAL RELIEF	1
3	067489-004	VALVE, 3 POS - 4 WAY	1
6	067489-007	VALVE, PROPORTIONAL	1
7	067489-008	VALVE, RELIEF	1
8	067489-009	VALVE, SOL. 2 POS 3 WAY	5
10	067489-011	ORIFICE (.060 DIA.)	1
11	067489-012	VALVE, SHUTTLE	4
12	067489-013	VALVE, FLOW DIVDER/COMBINER	1
14	011941-005	ADAPTER, #6 MB - #6 MJ	3
16	011941-015	ADAPTER, #10 MB - #10 MJ	4
17	011941-020	ADAPTER, #12 MB - #12 MJ	1
18	011934-003	ADAPTER, 90° #6 MB - #4 MJ	1
19	063965-001	PLUG, GUAGE PORT	3
20	020021-004	PLUG, #4 MB	2
21	063955-010	PLUG, CAVITY #8 2 WAY	1
22	063955-009	PLUG, CAVITY #8 - 3 WAY	1
23	020021-010	PLUG #10MB	1
24	011941-006	ADAPTER, #6 MB - #8 MJ	1
25	011934-026	ADAPTER, 90° #4 MB - #6 MJ	1
26	011941-016	ADAPTER, #10 MB - #12 MJ	1
27	067489-024	HEX PLUG 320032	1
28	067489-026	ORIFICE (.020)	1
29	067489-025	SPRING	1
30	067489-029	PLUG, #6 SAE	1
31	067489-028	VALVE, COUNTERBALANCE	2

Valve Block LX31/41/50 - Four Wheel Drive

067489-001

ITEM	PART NO.	PART/MATERIAL DESCRIPTION	QTY.
1	067489-015	VALVE BLOCK	1
2	067489-003	VALVE, BI-DIRECTIONAL RELIEF	1
3	067489-004	VALVE, 3 POS - 4 WAY	1
4	067489-005	VALVE, 2 WAY N.C.	1
5	067489-006	VALVE, 2 POS - 3 WAY	1
6	067489-007	VALVE, PROPORTIONAL	1
7	067489-008	VALVE, RELIEF	1
8	067489-009	VALVE, SOL. 2 POS 3 WAY	5
9	067489-027	VALVE, COUNTERBALANCE 4WD	2
10	067489-011	ORIFICE (.060 DIA.)	1
11	067489-012	VALVE, SHUTTLE	4
13	020021-012	PLUG, #12 MB	1
14	011941-005	ADAPTER, #6 MB - #6 MJ	3
16	011941-015	ADAPTER, #10 MB - #10 MJ	4
17	011941-020	ADAPTER, #12 MB - #12 MJ	1
18	011934-003	ADAPTER, 90° #6 MB - #4 MJ	2
19	063965-001	PLUG, GUAGE PORT	3
20	020021-004	PLUG, #4 MB	2
23	020021-010	PLUG #10MB	1
24	011941-006	ADAPTER, #6 MB - #8 MJ	1
25	011934-026	ADAPTER, 90° #4 MB - #6 MJ	1
26	011941-016	ADAPTER, #10 MB - #12 MJ	1
28	067489-026	ORIFICE (.020)	1
29	067489-025	SPRING	1
30	067489-029	PLUG, #6 SAE	1



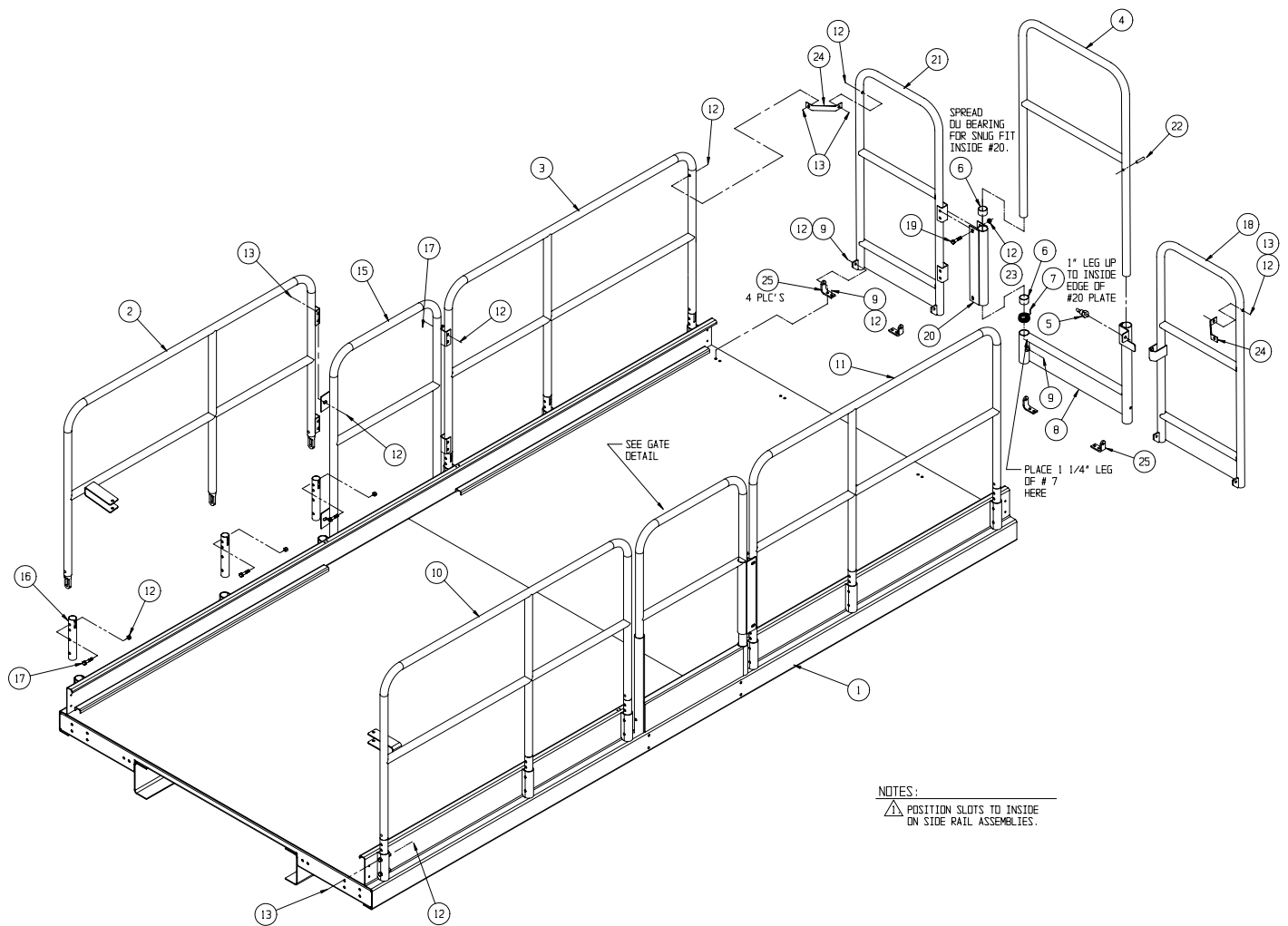
UNLESS OTHERWISE NOTED TORQUE FITTINGS TO UPRIGHT SPEC. #106.

Guardrail Installation, LX

030867-301

ITEM	PART NO.	PART/MATERIAL DESCRIPTION	QTY.
1	030841-101	PLATFORM WELDMENT	REF
2	030841-018	GUARDRAIL WELDMENT	1
3	108053-001	GUARDRAIL WELDMENT	1
4	067883-000	GATE WELDMENT	2
5	003570-000	RETAINING PIN ASSY	2
6	062642-026	BEARING	4
7	066526-004	TORSION SPRING	2
8	067764-001	GATE KICKRAIL WELDMENT	2
9	011254-008	SCREW HHC 3/8-16UNC X 1	13
10	030841-020	GUARDRAIL WELDMENT 3	1
11	108053-002	GUARDRAIL WELDMENT 4	1
12	011248-006	NUT HEX ESNA 3/8-16UNC	50

ITEM	PART NO.	PART/MATERIAL DESCRIPTION	QTY.
13	011254-018	SCREW HHC 3/8-16UNC X 2 1/4	18
15	030841-054	CENTER GUARDRAIL WELDMENT	1
16	067755-001	SWING TUBE	12
17	011254-016	SCREW HHC 3/8-16UNC X 1 3/4	16
18	067881-001	GUARDRAIL WELDMENT	1
19	011254-020	SCR HHC 3/8-16 X 2-1/2	4
20	030841-013	PIVOT TUBE WELDMENT	2
21	067880-002	GUARDRAIL WELDMENT	1
22	011739-014	ROLLPIN 3/8D X 1 3/4	2
23	011240-006	WASHER, FLAT STD 3/8	8
24	067463-000	BRACKET	2
25	064046-000	BRACKET RAIL MOUNT	4

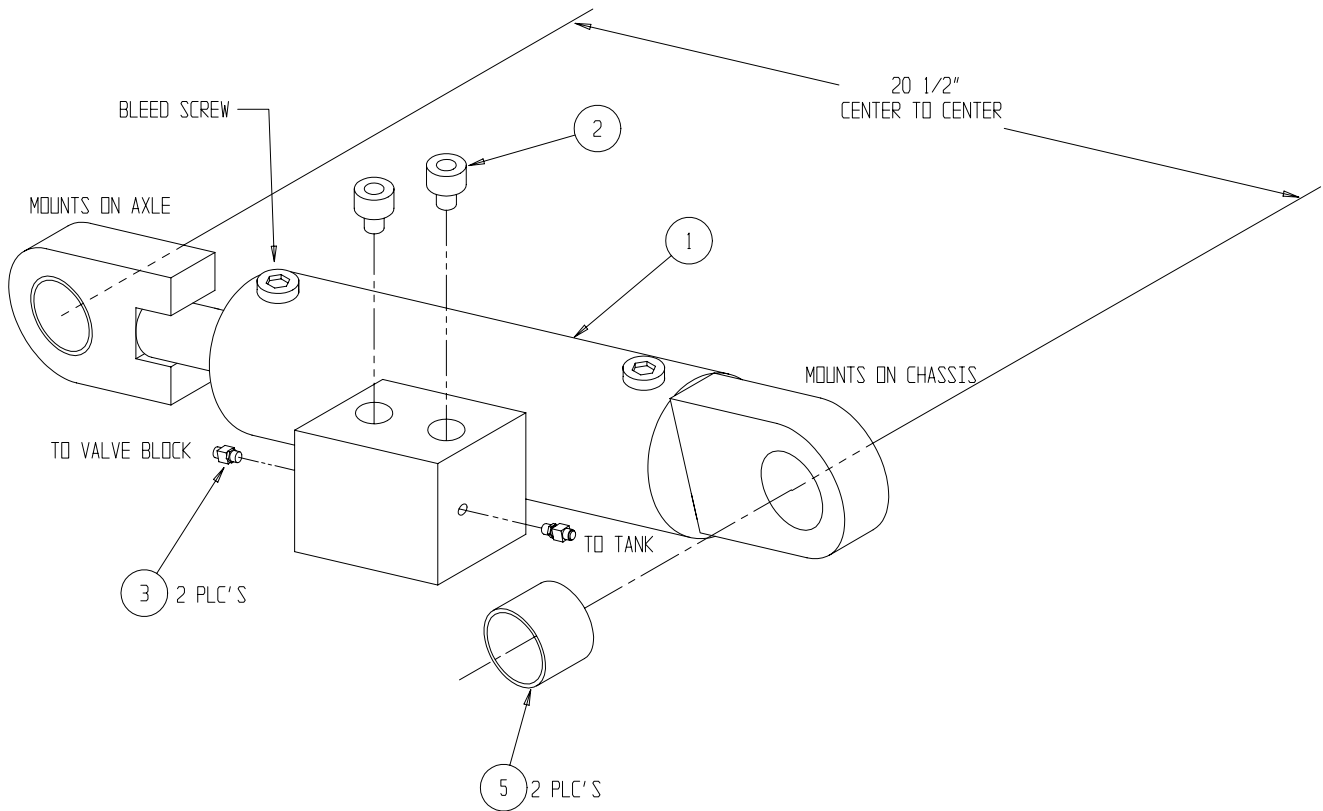


NOTES:
 ▲ POSITION SLOTS TO INSIDE ON SIDE RAIL ASSEMBLIES.

Axle Pivot Cylinder Assembly

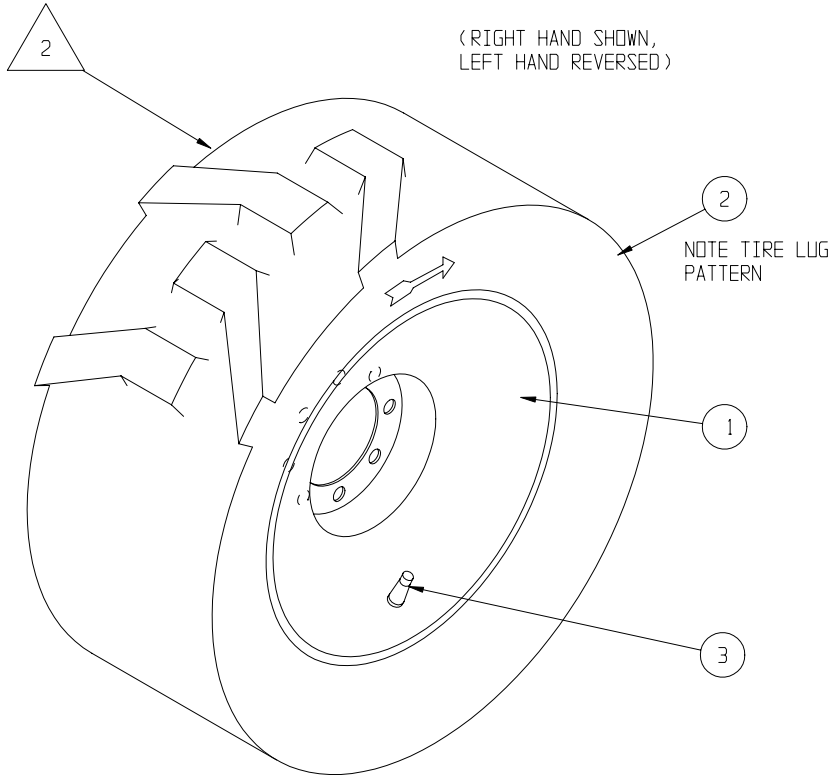
108060-000

ITEM	PART NO.	PART/MATERIAL DESCRIPTION	QTY.
1	108058-000	AXLE PIVOT CYLINDER	1
*	108058-010	AXLE PIVOT CYLINDER SEAL KIT	1
2	064297-003	CHECK VALVE CP450-2L-B-0-030-0	2
3	011941-001	FITTING, 4MB-4MJ	2
5	027931-057	BEARING, #AA-1704-11	2



Front Tire & Wheel Assembly, Air Filled, LX31/41 -Two Wheel Drive 067665-000, -001

ITEM	PART NO.	PART/MATERIAL DESCRIPTION	-000 RIGHT FRONT	-001 LEFT FRONT
			QTY.	QTY.
1	067609-001	WHEEL, 16.5 X 8.25 8 HOLE, 8 BC	1	1
2	067610-000	TIRE, 10-16.5 NHS 8 PLY	1	1
3	012282-001	VALVE STEM	1	1



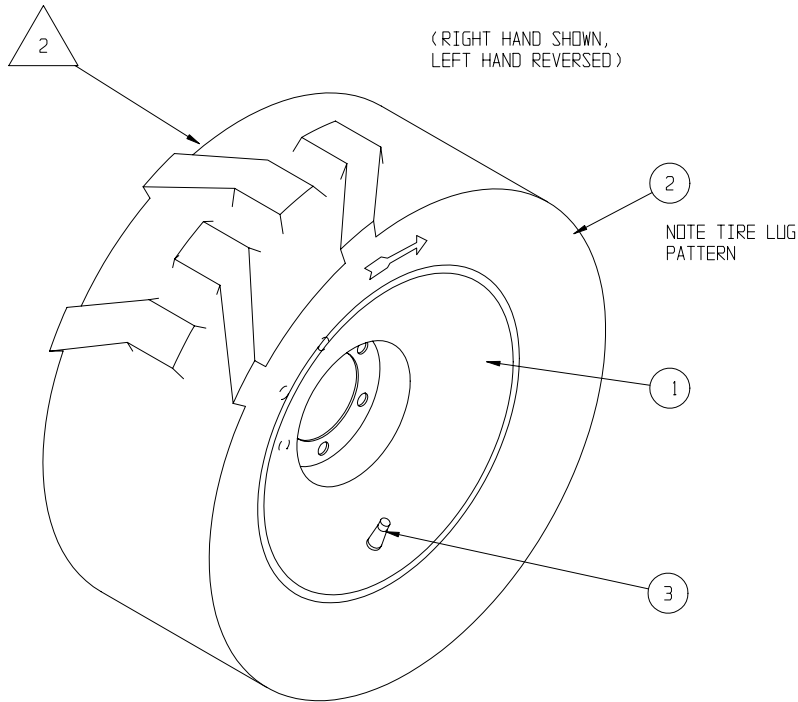
NOTES:

1. FILL TIRE & WHEEL ASSY WITH 60-64 FL. OZ. OF TRAC SEAL (OR EQUIV) TIRE SEALANT. INFLATE TO 50 PSI MIN TIRE PRESSURE. -TRAC SEAL REQ. WT.= 6.5 LBS (REF)

2. BRAND BACKSIDE OF TIRE/WHEEL ASSY AS FOLLOWS:
"UPRIGHT 6KT"
SPACE TIRE SEALANT
LAST DIGIT OF YEAR WHEN TIRE WAS FILLED. LETTER CORRESPONDING TO MONTH: (JAN=A ETC)

Front Tire & Wheel Assembly, Air Filled, LX31/41 - Four Wheel Drive 067664-000, -001

ITEM	PART NO.	PART/MATERIAL DESCRIPTION	-000 RIGHT FRONT	-001 LEFT FRONT
			QTY.	QTY.
1	067609-000	WHEEL, 16.5 X 8.25 6 HOLE, 6 BC	1	1
2	067610-000	TIRE, 10-16.5 NHS 8 PLY	1	1
3	012282-001	VALVE STEM	1	1



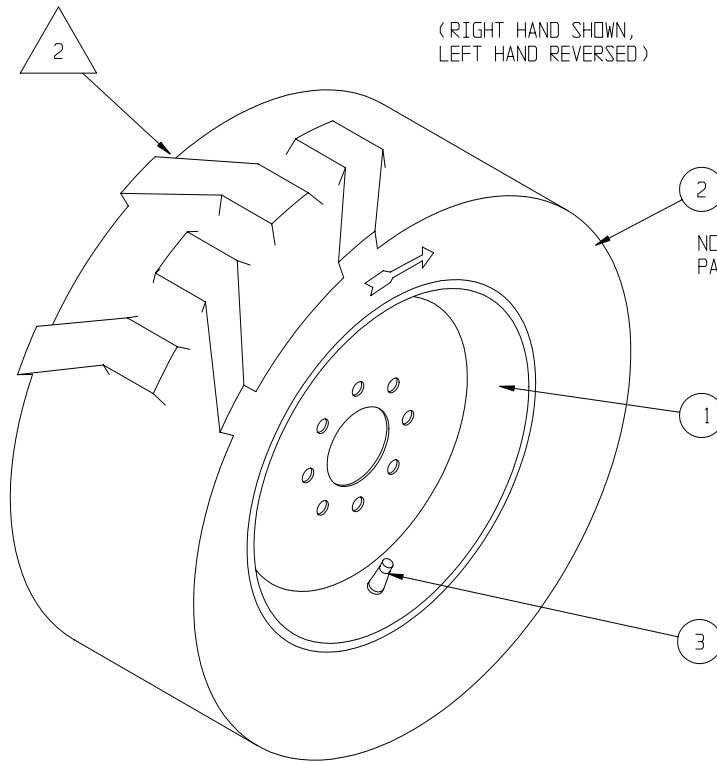
NOTES:

1. FILL TIRE & WHEEL ASSY WITH 60-64 FL. OZ. OF TRAC SEAL (OR EQUIV) TIRE SEALANT. INFLATE TO 50 PSI MIN TIRE PRESSURE. -75 PSI MAX TIRE PRESSURE. -TRAC SEAL REQ. WT.= 6.5 LBS (REF)

2. BRAND BACKSIDE OF TIRE/WHEEL ASSY AS FOLLOWS:
 "UPRIGHT 0KT"
 SPACE TIRE SEALANT
 LAST DIGIT OF YEAR WHEN TIRE WAS FILLED. LETTER CORRESPONDING TO MONTH: (JAN=A ETC)

Rear Tire & Wheel Assembly, Air Filled, LX31/41 - Two Wheel Drive/Four Wheel Drive 067666-004, -005

ITEM	PART NO.	PART/MATERIAL DESCRIPTION	-004 RIGHT REAR	-005 LEFT REAR
			QTY.	QTY.
1	067605-006	WHEEL, 16.5 X 8.25 8 HOLE, 5.5" BC	1	1
2	067610-000	TIRE, 10-16.5 NHS 8 PLY	1	1
3	012282-001	VALVE STEM	1	1



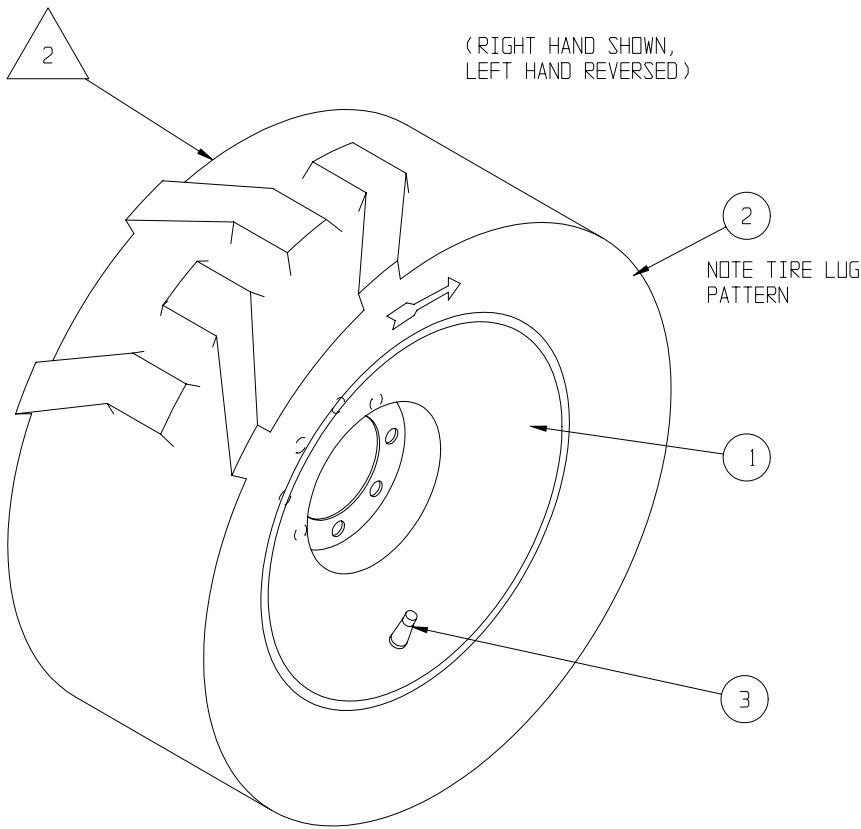
NOTES:

1. FILL TIRE & WHEEL ASSY WITH 60-64 FL. OZ. OF TRAC SEAL (OR EQUIV) TIRE SEALANT. INFLATE TO 50 PSI MIN TIRE PRESSURE. -75 PSI MAX TIRE PRESSURE. -TRAC SEAL REQ. WT.=6.5 LBS (REF)

2. BRAND BACKSIDE OF TIRE/WHEEL ASSY AS FOLLOWS:
"UPRIGHT 6KT"
SPACE TIRE SEALANT
LAST DIGIT OF YEAR WHEN TIRE WAS FILLED. LETTER CORRESPONDING TO MONTH: (JAN=A ETC)

Front Tire & Wheel Assembly, Poly Filled, LX50 - Two Wheel Drive 067665-002, -003

ITEM	PART NO.	PART/MATERIAL DESCRIPTION	-002 RIGHT FRONT	-003 LEFT FRONT
			QTY.	QTY.
1	067609-001	WHEEL, 16.5 X 8.25 8 HOLE, 8 BC	1	1
2	067610-000	TIRE, 10-16.5 NHS 8 PLY	1	1
3	012282-001	VALVE STEM	1	1



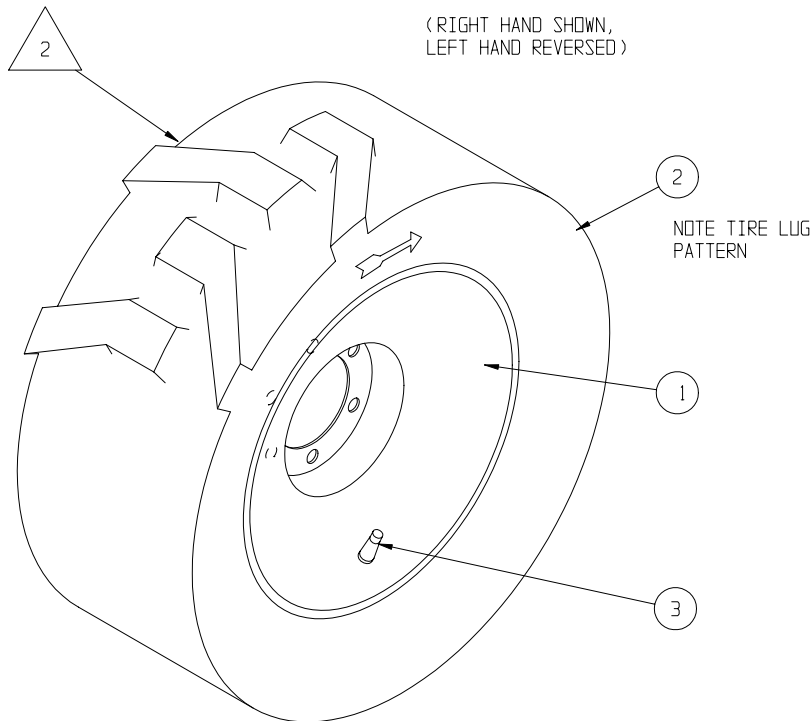
NOTES:

1. FILL TIRE/WHEEL ASSY WITH 110 LBS MIN TO 120 LBS MAX OF POLYFILL OR EQUIVALENT.

2. BRAND BACKSIDE OF TIRE/WHEEL ASSY AS FOLLOWS:
 "UPRIGHT 6KP"
 SPACE TIRE SEALANT
 LAST DIGIT OF YEAR WHEN TIRE WAS FILLED LETTER CORRESPONDING TO MONTH:
 JAN=1=A
 FEB=2=B
 ECT.

Front Tire & Wheel Assembly, Poly-Filled, LX50 - Four Wheel Drive 067664-002, -003

ITEM	PART NO.	PART/MATERIAL DESCRIPTION	-002 RIGHT FRONT	-003 LEFT FRONT
			QTY.	QTY.
1	067609-000	WHEEL, 16.5 X 8.25 6 HOLE, 6 BC	1	1
2	067610-000	TIRE, 10-16.5 NHS 8 PLY	1	1
3	012282-001	VALVE STEM	1	1

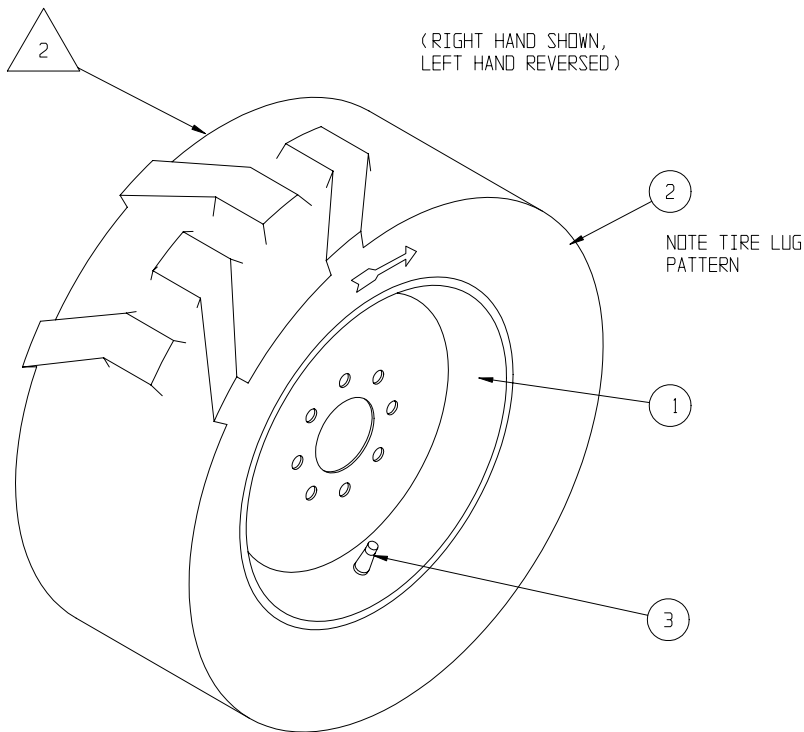


NOTES:

- FILL TIRE/WHEEL ASSY WITH 110 LBS MIN TO 120 LBS MAX OF POLYFILL OR EQUIVALENT.
- BRAND BACKSIDE OF TIRE/WHEEL ASSY AS FOLLOWS:
 "UPRIGHT 6KP"
 TIRE SEALANT
 LETTER CORRESPONDING TO MONTH:
 JAN=1=A
 FEB=2=B
 ECT.
 SPACE
 LAST DIGIT OF YEAR WHEN TIRE WAS FILLED

Rear Tire & Wheel Assembly, Poly-Filled, LX50 - Two Wheel Drive/Four Wheel Drive 067666-006, -007

ITEM	PART NO.	PART/MATERIAL DESCRIPTION	-006 RIGHT REAR	-007 LEFT REAR
			QTY.	QTY.
1	067605-006	WHEEL, 16.5 X 8.25 8 HOLE, 5.5" BC	1	1
2	067610-000	TIRE, 10-16.5 NHS 8 PLY	1	1
3	012282-001	VALVE STEM	1	1



NOTES:

1. FILL TIRE/WHEEL ASSY WITH 110 LBS MIN TO 120 LBS MAX OF POLYFILL OR EQUIVALENT.

2. BRAND BACKSIDE OF TIRE/WHEEL ASSY AS FOLLOWS:
 "UPRIGHT GKP"
 SPACE TIRE SEALANT
 LAST DIGIT OF YEAR WHEN TIRE WAS FILLED LETTER CORRESPONDING TO MONTH:
 JAN=1=A
 FEB=2=B
 ECT.

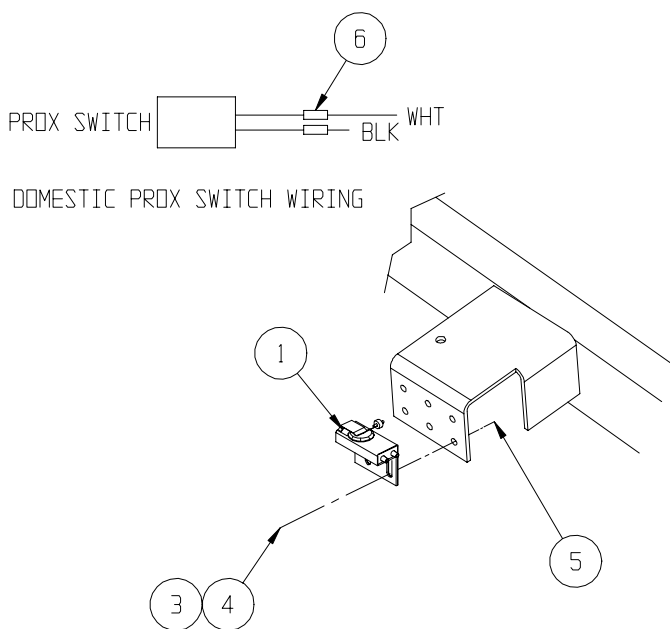
Proximity Switch Installation

Serial #4022 - 4274

108040-000

ITEM	PART NO.	PART/MATERIAL DESCRIPTION	QTY
1	066490-000	SWITCH, SINGLE	1
3	011709-008	SCREW, RD. HD. #10-24 UNC X 1	2
4	011240-003	WASHER, FLAT #10	2
5	011248-003	LOCKNUT, #10-24 UNC ESNA	2
6	029620-002	CONNECTOR, BUTT 16-14 GA	2

NOTE: ADJUST SWITCHES TO OPEN AT LESS THAN 2 FEET OF PLATFORM LIFT



Proximity Switch Installation

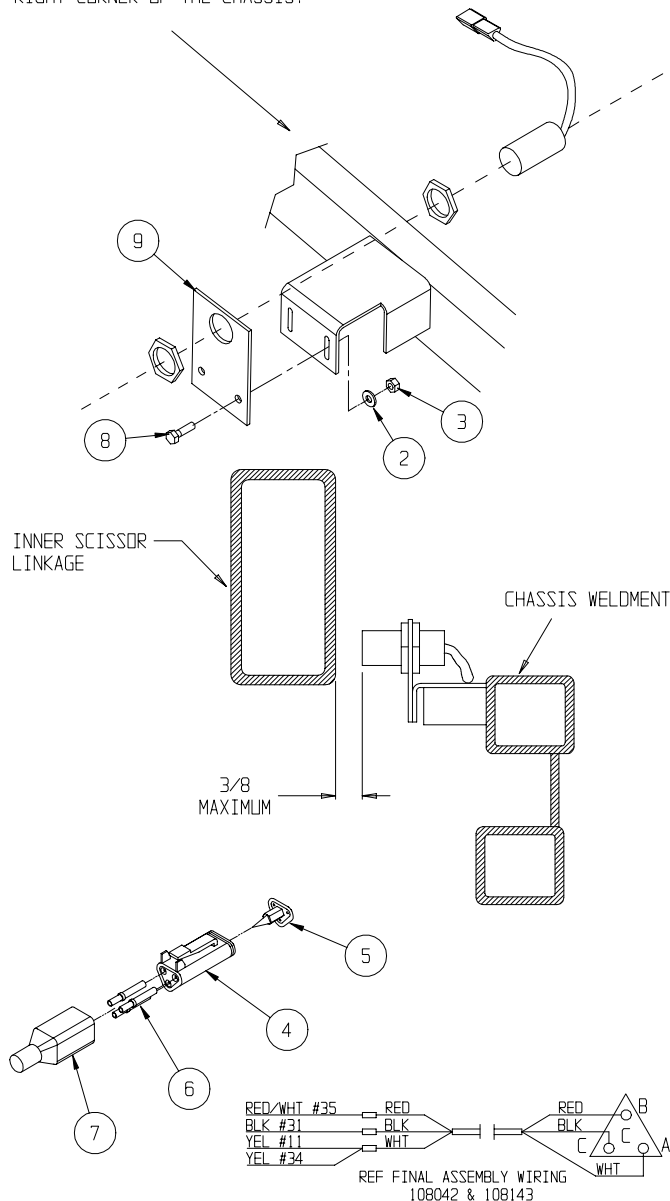
Serial #4275 - Current

108040-010

ITEM	PART NO.	PART/MATERIAL DESCRIPTION	QTY
1	067193-001	IND. PROX. SWITCH TURK#BI10-M30-VP4X	1
2	014996-004	WASHER - 1/4" FLAT	2
3	011248-004	LOCKNUT 1/4-20 UNC ESNA	2
4	067456-001	RECEPTACLE 3 PIN DT04-3P-E004	1
5	067456-003	WEDGE LOCKING W3P-P012	1
6	068762-000	PIN CONTACT 0460-215-16141	3
7	068908-005	BOOT 3 PIN DT 3P-BT	1
8	011252-008	SCREW - 1/4-20 UNC X 1" LG.	2
9	108141-001	BRACKET - PROX. DOWN SWITCH	1

NOTE: ADJUST SWITCH TO OPEN AT LESS THAN 2 FEET OF PLATFORM LIFT

LOCATION: UNDER SCISSOR STACK NEAR THE FRONT RIGHT CORNER OF THE CHASSIS.



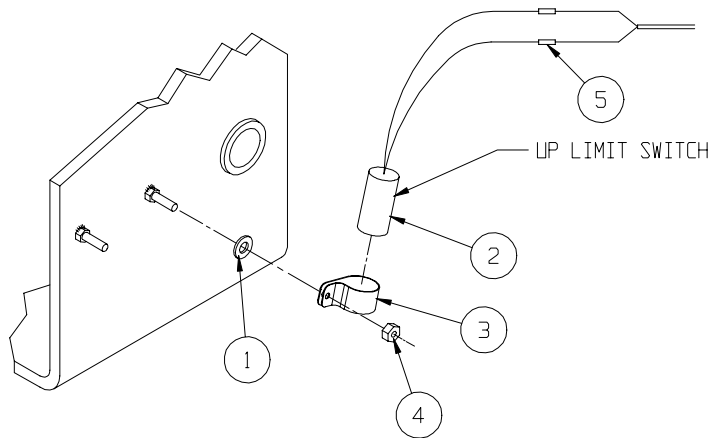
Mercury Switch Installation Serial #4022 - 4274 108041-000

ITEM	PART NO.	PART/MATERIAL DESCRIPTION	QTY.
1	011240-006	3/8 FLAT WASHER	1
2	063497-001	MERCURY SWITCH	1
3	013919-013	CLAMP	1
4	011248-006	LOCKNUT, 3/8-16 UNC ESNA	1
5	029620-002	CONNECTOR, BUTT 16-14 GA.	2

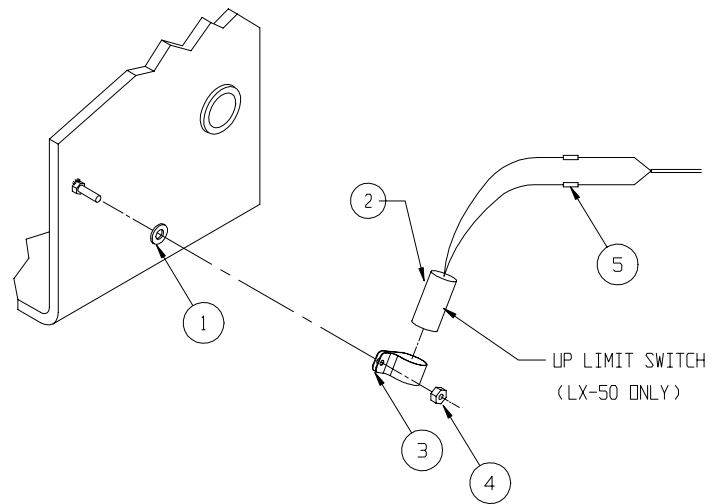
Mercury Switch Installation Serial #4275 - Current - LX50 Only 108041-010

ITEM	PART NO.	PART/MATERIAL DESCRIPTION	QTY.
1	011240-006	3/8 FLAT WASHER	1
2	063497-001	MERCURY SWITCH	1
3	013919-013	CLAMP	1
4	011248-006	LOCKNUT, 3/8-16 UNC ESNA	1
5	029620-002	CONNECTOR, BUTT 16-14 GA.	2

NOTE: SEE FINAL ASSY SPECIFICATION FOR SWITCH ADJUSTMENT



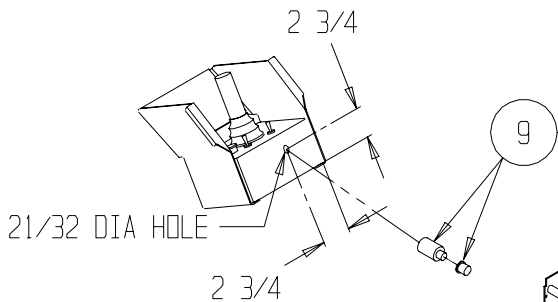
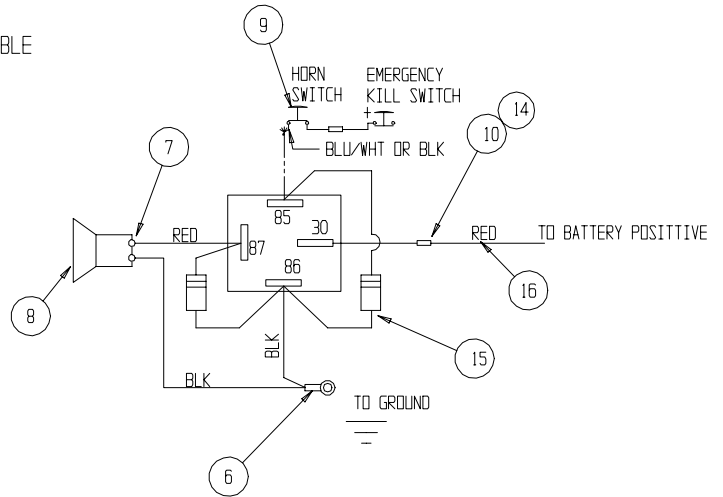
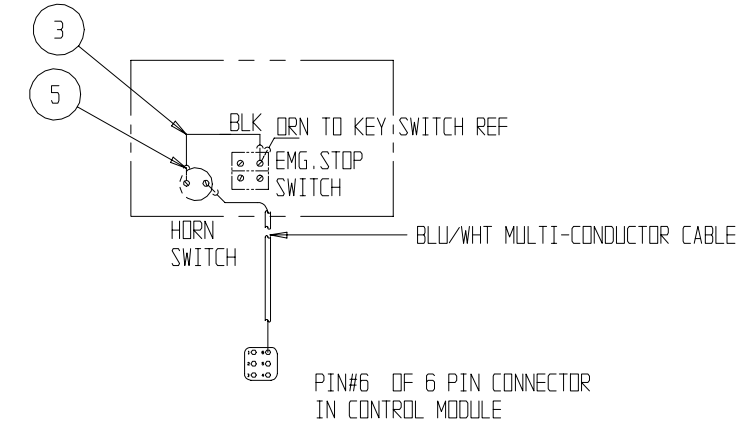
NOTE: SEE FINAL ASSY SPECIFICATION FOR SWITCH ADJUSTMENT



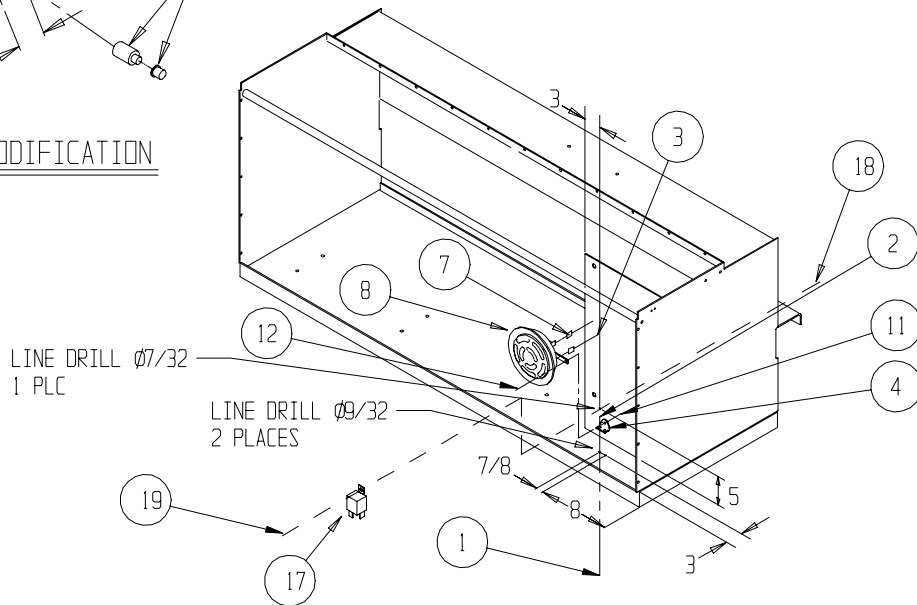
Horn Option 067908-001

ITEM	PART NO.	PART/MATERIAL DESCRIPTION	QTY.
1	011252-008	SCREW HHC 1/4-20 X 1	2
2	011248-004	NUT HEX 1/4-20	2
3	029452-099	WIRE 16 GA BLACK	FT 75
4	067902-000	BRACKET, GAS SPRING	1
5	029610-002	CONNECTOR FORK	3
6	029601-014	CONNECTOR RING	2
7	029615-002	CONNECTOR PUSH	2
8	029958-001	HORN 12VDC	1
9	063917-000	SWITCH PUSHBUTTON	1

ITEM	PART NO.	PART/MATERIAL DESCRIPTION	QTY.
10	029704-007	FUSE, 7-1/2 AMP	1
11	011248-005	NUT HEX ESNA 5/16-18	1
12	011253-008	SCREW HHC 5/16-18UNC X 1	1
14	029702-000	FUSE HOLDER	1
15	029825-002	DIODE, 5 AMP 400V	2
16	029454-099	WIRE 16 GA RED	FT 3
17	068132-001	RELAY, AUTOMOTIVE	1
18	011249-003	LOCKNUT HEX 10-32	1
19	011826-005	SCREW RND HD 10-32	1

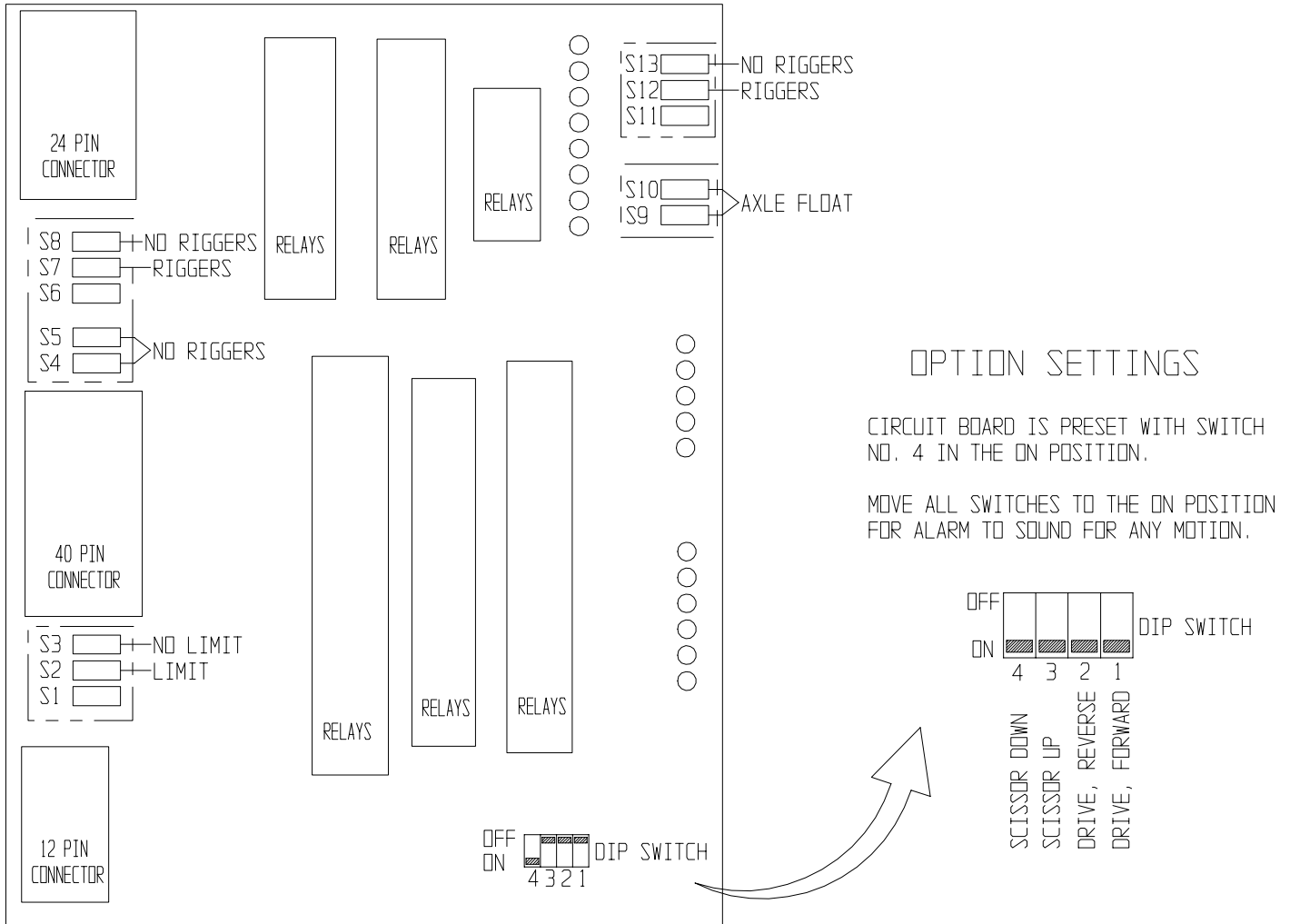


CONTROLLER MODIFICATION



Motion Alarm Settings

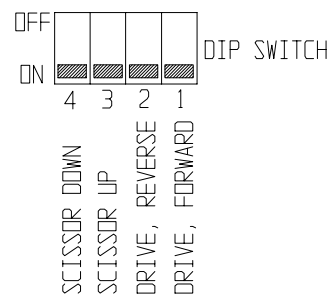
067909-010



OPTION SETTINGS

CIRCUIT BOARD IS PRESET WITH SWITCH NO. 4 IN THE ON POSITION.

MOVE ALL SWITCHES TO THE ON POSITION FOR ALARM TO SOUND FOR ANY MOTION.



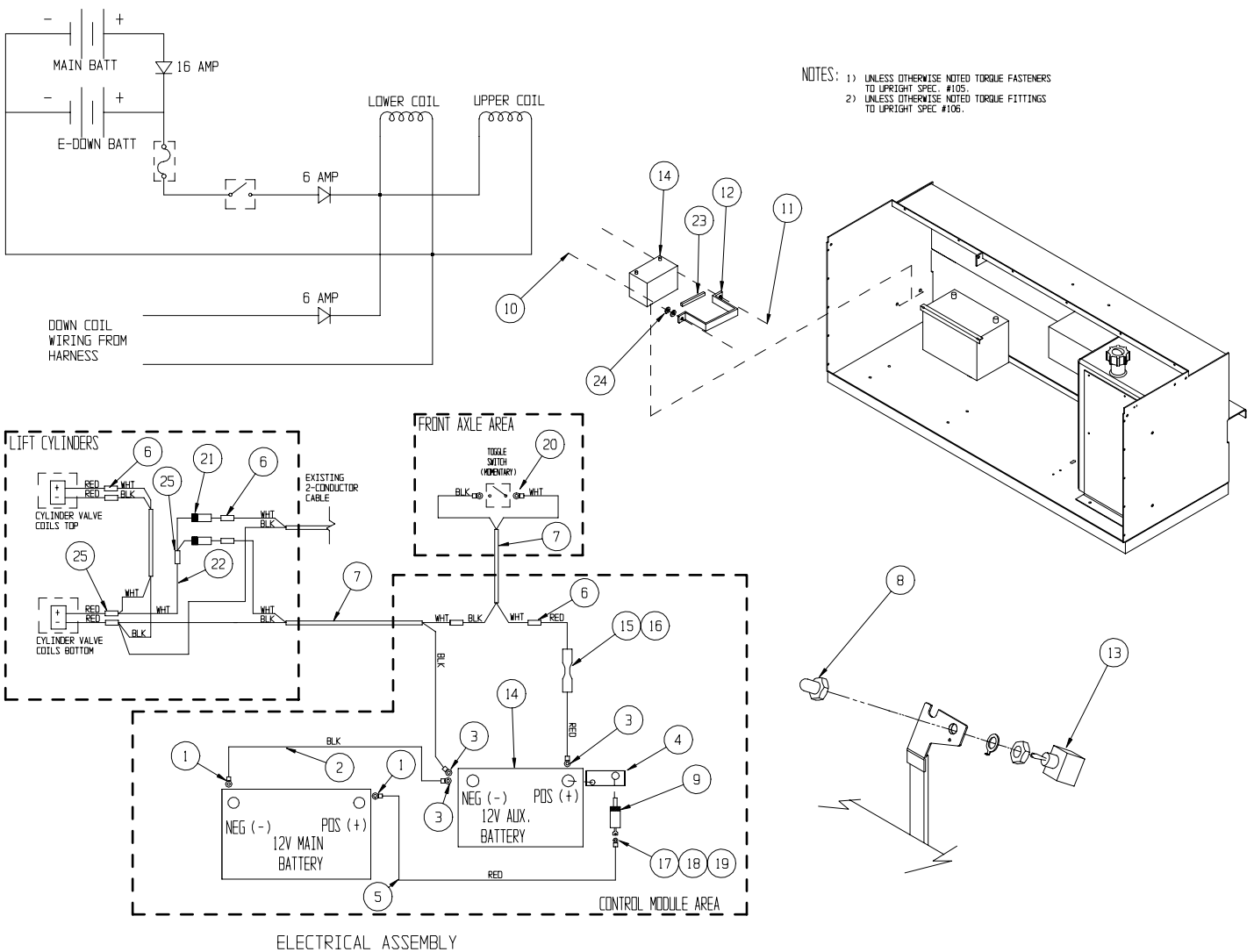
LOWER CONTROL BOX CIRCUIT BOARD

Electric Emergency Lowering, LX50

108038-000

ITEM	PART NO.	PART/MATERIAL DESCRIPTION	QTY.
1	029601-040	5/16" RING TERM - 16 AWG	2
2	029452-099	WIRE 16 AWG BLACK	3 FT
3	029601-013	#10 RING TERM - 16 AWG	3
4	066630-012	BUSS BAR - COPPER	1
5	029454-099	WIRE 16 GA - RED	3 FT
6	029620-002	CONN BUTT 16-14 GA INSL	6
7	029496-099	WIRE 16 GA 2-COND	75 FT
8	029872-001	BOOT - RED	1
9	066630-013	DIODE - 16 AMP	1
10	011252-012	HHC 1/4-20 UNC X 1-1/2	2
11	011248-004	LOCKNUT, 1/4-20 UNC HEX	2
12	066630-011	BRACKET - BATTERY HOLD DOWN	1
13	012798-003	SWITCH, TOGGLE MOMENTARY	1

ITEM	PART NO.	PART/MATERIAL DESCRIPTION	QTY.
14	066630-010	BATTERY - 5 AMP SIEBERT	1
15	029702-000	HOLDER, FUSE LITTLEFUSE #155100	1
16	029704-007	FUSE, 7-1/2 AMP	1
17	029601-012	#8 RING TERM - 16 AWG	1
18	011708-004	SCREW - MACH #8-32 UNC X 1/2" LG	1
19	011248-002	NUT - ESNA #8-32 UNC	1
20	029601-011	#6 RING TERM - 16 AWG	2
21	029825-002	DIODE - 6 AMP	2
22	029451-099	WIRE 16 GA WHITE	3 FT
23	068889-099	WEATHERSTRIP - 1/2 X 3/16 FOAM	.5 FT
24	014996-004	WASHER - 1/4" FLAT	4
25	029620-003	CONN - BUTT 12-10 GA INSL	3

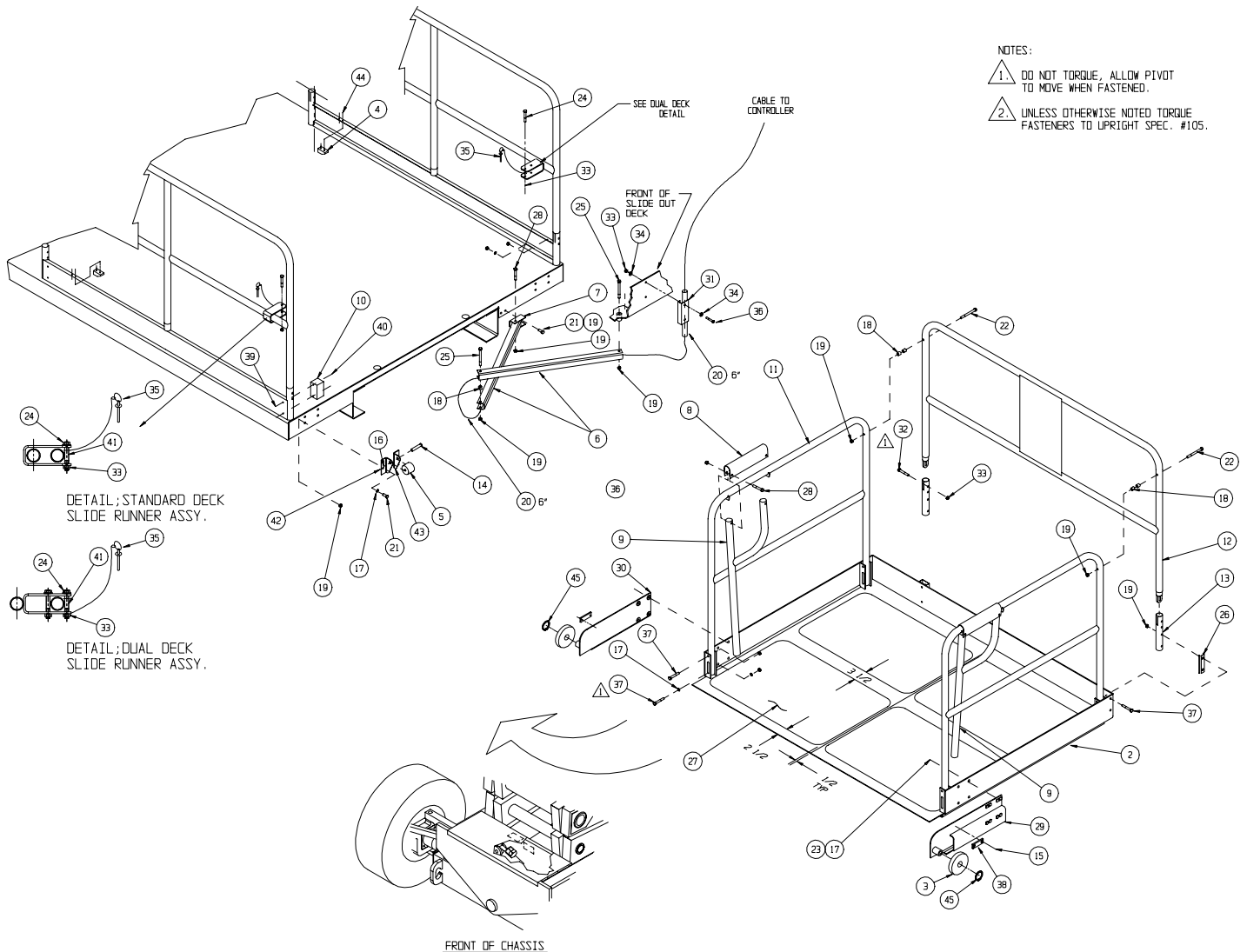


Front Roll Out Deck

067866-017

ITEM	PART NO.	PART/MATERIAL DESCRIPTION	QTY.
2	067787-001	ROLL OUT DECK WELDMENT	1
3	067760-002	WHEEL, ROLL OUT DECK	2
4	066192-000	SLIDE BLOCK	2
5	067720-000	ROLLER	2
6	067818-001	ARM, CABLE GUIDE	2
7	067786-001	BRACKET, CABLE GUIDE	1
8	067761-000	PIVOT, PUSH BAR	2
9	067862-003	HANDLE WELDMENT	2
10	066170-002	WEAR PAD	2
11	067776-001	GUARDRAIL WELDMENT	2
12	067778-000	GUARDRAIL WELDMENT	1
13	067755-001	SWING TUBE	2
14	011848-038	CLEVIS PIN, 1/2" DIA. X 2-1/2	2
15	026553-008	RIVET POP Ø3/16 X .50-.63 GRIP	4
16	011757-005	COTTER PIN, RUE RING	2
17	014996-006	WASHER, FLAT 3/8" DIA	17
18	067695-000	SPACER	
19	011248-006	LOCKNUT, 3/8-16 UNC ESNA	29
20	012865-099	LOOM, WIRE 3/4"	8
21	011254-008	SCR. HHC 3/8-16 UNC X 1	10
22	011254-034	SCR. HHC 3/8-16 UNC X 4 1/2	3
23	011254-006	SCR. HHC 3/8-16 UNC X 3/4	8

ITEM	PART NO.	PART/MATERIAL DESCRIPTION	QTY.
24	015936-020	SCR. SHOU SS 3/8-16 UNC X 2.5"	4
25	011254-032	SCR. HHC 3/8-16 UNC X 4	1
26	067920-000	SPACER, GUARDRAIL	2
27	060086-000	SAFETY WALK (20 X 32)	4
28	011254-018	SCR. HHC 3/8-16 UNC X 2 1/4"	5
29	067867-001	ROLLER BRACKET REAR WELDMENT L.H.	1
30	067867-000	ROLLER BRACKET REAR WELDMENT R.H.	1
31	063666-004	WIRE CHANNEL	1
32	011253-016	SCR. HHC 5/16-18 X 2"	2
33	011248-005	NUT HEX 5/16-18 ESNA	12
34	011238-006	WASHER 3/8 SPLIT LOCK WASHER	8
35	010414-006	LOCKING PIN ASSY 3/8 X 2	2
36	011253-014	SCR. HHC 5/16-18 X 1 3/4"	2
37	011254-020	SCR. HHC 3/8-16 UNC X 2 1/2"	4
38	066198-000	WEAR PAD	2
39	011252-012	SCR. HH 1/4-20 X 1-1/2	4
40	011248-004	1/4-20 ESNA NUT	4
41	067364-001	TUBING, 3/8 I.D. X 2" LG	4
42	067783-003	ROLLER BRACKET RH	2
43	067783-004	ROLLER BRACKET LH	2
44	026553-012	POP RIVET, Ø 3/16 X 1.125 GRIP	4
45	011765-020	RETAINING RING	2

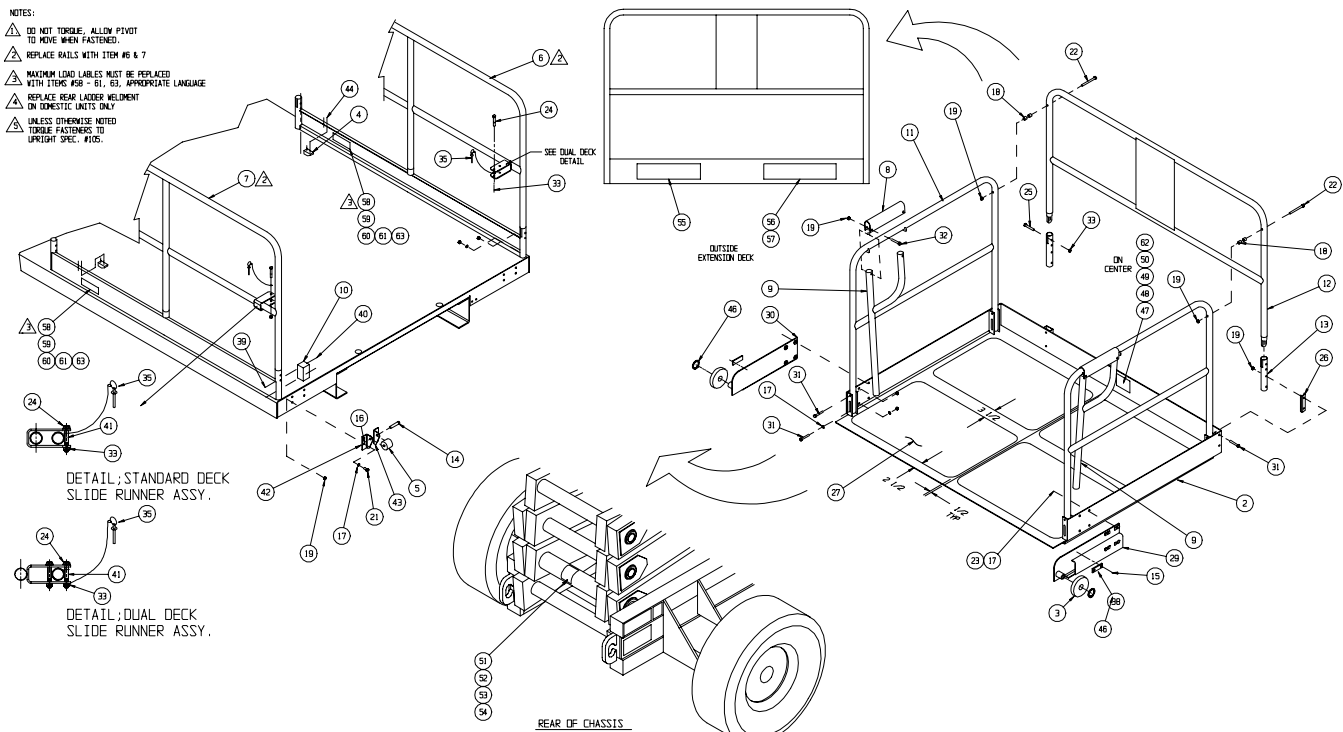


Rear Roll Out Deck Option, LX31

067866-018

ITEM	PART NO.	PART/MATERIAL DESCRIPTION	QTY.
2	067787-001	ROLL OUT DECK WELDMENT	1
3	067760-002	WHEEL, ROLL OUT DECK	2
4	066192-000	SLIDE BLOCK	2
5	067720-000	ROLLER	2
6	030841-019	GUARDRAIL WELDMENT	1
7	030841-021	GUARDRAIL WELDMENT	1
8	067761-000	PIVOT, PUSH BAR	2
9	067862-003	HANDLE WELDMENT	2
10	066170-002	WEAR PAD	2
11	067776-001	GUARDRAIL WELDMENT	2
12	067778-000	GUARDRAIL WELDMENT	1
13	067755-001	SWING TUBE	2
14	011848-038	CLEVIS PIN, 1/2" DIA. X 2-1/2	2
15	026553-008	RIVET POP ØØ3/16 X .5-.63 GRIP	4
16	011757-005	COTTER PIN, RUE RING	2
17	014996-006	WASHER, FLAT 3/8" DIA	39
18	067695-000	SPACER	4
19	011248-006	LOCKNUT, 3/8-16 UNC ESNA	27
21	011254-008	SCR. HHC 3/8-16 UNC X 1	4
22	011254-034	SCR. HHC 3/8-16 UNC X 4 1/2	2
23	011254-006	SCR. HHC 3/8-16 UNC X 3/4	8
24	015936-020	SCR. SHOU SS 3/8-16 UNC X 2.5" LG	4
25	011253-016	SCR. HHC 5/16-18 UNC X 2" LG	2
26	067920-000	SPACER, GUARDRAIL	2
27	060086-000	SAFETY WALK (20 X 32)	4
29	067867-001	ROLLER BRACKET REAR WELDMENT L.H.	1
30	067867-000	ROLLER BRACKET REAR WELDMENT R.H.	1
31	011254-020	SCR. HHC 3/8-16 UNC X 2 1/2"	12
32	011254-018	SCR. HHC 3/8-16 UNC X 2 1/4"	4

ITEM	PART NO.	PART/MATERIAL DESCRIPTION	QTY.
33	011248-005	NUT, ESNA 5/16-18	6
35	010414-006	LOCKING PIN ASSY 3/8 X 2	2
38	066198-000	WEAR PAD	2
39	011252-012	SCR. HH 1/4-20 X 1-1/2	4
40	011248-004	1/4-20 ESNA NUT	4
41	067364-000	TUBING 3/8 I.D. X 1-1/2 LG	4
42	067783-003	ROLLER BRACKET RH	2
43	067783-004	ROLLER BRACKET LH	2
44	026553-012	POP RIVET, Ø 3/16 X 1.125 GRIP	4
45	014023-016	SCR. HHC SS 3/8-16 UNC X 2	4
46	011765-020	RETAINING RING	2
47	101251-001	LABEL, DANGER, MAX LOAD DOM	1
48	066551-201	LABEL, WARNING GERMAN	1
49	066551-301	LABEL, WARNING FRENCH	1
50	066551-401	LABEL, WARNING SPANISH	1
51	066556-000	LABEL, CAUTION DESEND PLTFM	1
52	066556-200	LABEL, CAUTION GERMAN	1
53	066556-300	LABEL, CAUTION FRENCH	1
54	066556-400	LABEL, CAUTION SPANISH	1
55	061683-005	LABEL, UPRIGHT 4 1/2	1
56	067644-002	LABEL, LX 2WD	1
57	067644-006	LABEL, LX 4WD	1
58	101250-010	LABEL, MAX LOAD 1750 lbs DOM	2
59	064910-016	LABEL, MAX LOAD 795 kg GER	2
60	066557-313	LABEL, MAX LOAD 795 kg FRN	2
61	066557-413	LABEL, MAX LOAD 795 kg SPN	2
62	066551-051	LABEL, MAX LOAD ROLL OUT EUR	1
63	066557-063	LABEL, MAX LOAD PLATFORM EUR	2

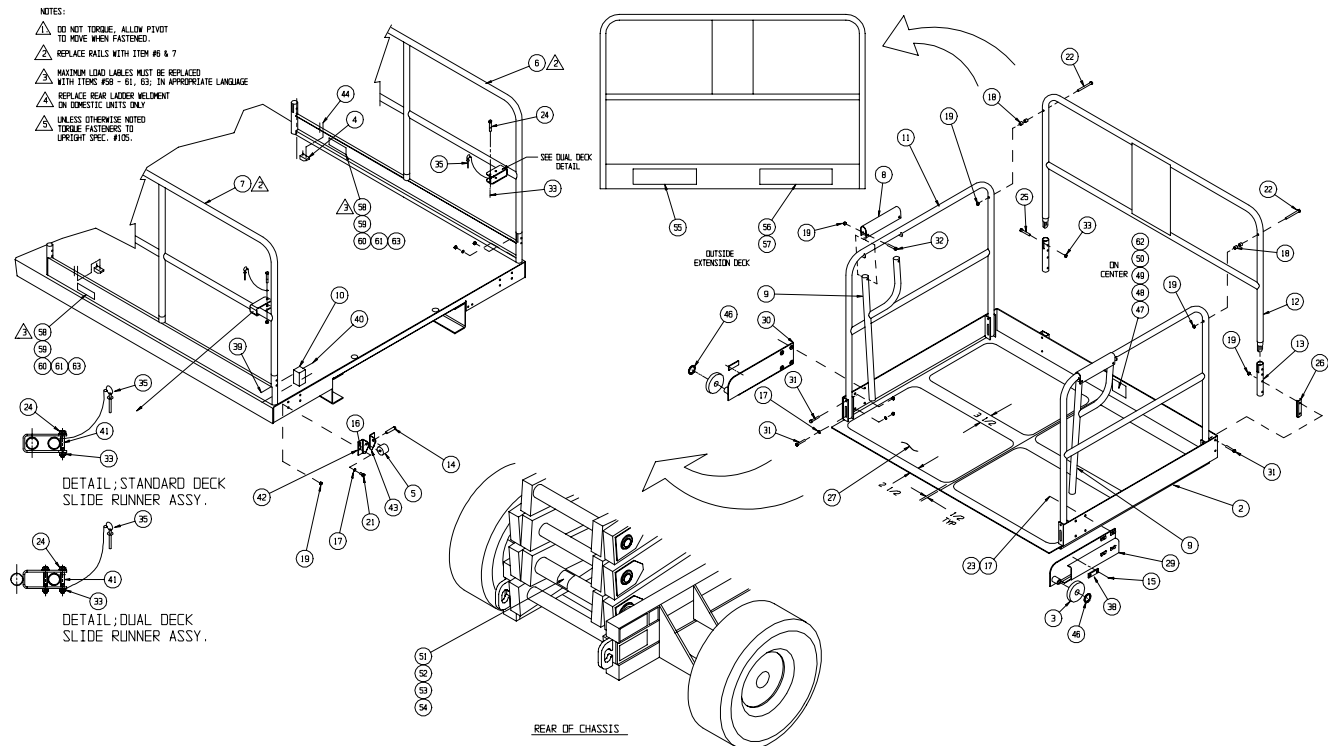


Rear Roll Out Deck Option, LX41

067866-019

ITEM	PART NO.	PART/MATERIAL DESCRIPTION	QTY.
2	067787-001	ROLL OUT DECK WELDMENT	1
3	067760-002	WHEEL, ROLL OUT DECK	2
4	066192-000	SLIDE BLOCK	2
5	067720-000	ROLLER	2
6	030841-019	GUARDRAIL WELDMENT	1
7	030841-021	GUARDRAIL WELDMENT	1
8	067761-000	PIVOT, PUSH BAR	2
9	067862-003	HANDLE WELDMENT	2
10	066170-002	WEAR PAD	2
11	067776-001	GUARDRAIL WELDMENT	2
12	067778-000	GUARDRAIL WELDMENT	1
13	067755-001	SWING TUBE	2
14	011848-038	CLEVIS PIN, 1/2" DIA. X 2-1/2	2
15	026553-008	RIVET POP ØØ3/16 X .5-.63 GRIP	4
16	011757-005	COTTER PIN, RUE RING	2
17	014996-006	WASHER, FLAT 3/8" DIA	39
18	067695-000	SPACER	4
19	011248-006	LOCKNUT, 3/8-16 UNC ESNA	27
21	011254-008	SCR. HHC 3/8-16 UNC X 1	4
22	011254-034	SCR. HHC 3/8-16 UNC X 4 1/2	2
23	011254-006	SCR. HHC 3/8-16 UNC X 3/4	8
24	015936-020	SCR. SHOU SS 3/8-16 UNC X 2.5" LG	4
25	011253-016	SCR. HHC 5/16-18 UNC X 2" LG	2
26	067920-000	SPACER, GUARDRAIL	2
27	060086-000	SAFETY WALK (20 X 32)	4
29	067867-001	ROLLER BRACKET REAR WELDMENT L.H.	1
30	067867-000	ROLLER BRACKET REAR WELDMENT R.H.	1
31	011254-020	SCR. HHC 3/8-16 UNC X 2 1/2"	12
32	011254-018	SCR. HHC 3/8-16 UNC X 2 1/4"	4

ITEM	PART NO.	PART/MATERIAL DESCRIPTION	QTY.
33	011248-005	NUT, ESNA 5/16-18	6
35	010414-006	LOCKING PIN ASSY 3/8 X 2	2
38	066198-000	WEAR PAD	2
39	011252-012	SCR. HH 1/4-20 X 1-1/2	4
40	011248-004	1/4-20 ESNA NUT	4
41	067364-000	TUBING 3/8 I.D. X 1-1/2 LG	4
42	067783-003	ROLLER BRACKET RH	2
43	067783-004	ROLLER BRACKET LH	2
44	026553-012	POP RIVET, Ø 3/16 X 1.125 GRIP	4
45	014023-016	SCR. HHC SS 3/8-16 UNC X 2	4
46	011765-020	RETAINING RING	2
47	101251-001	LABEL, DANGER, MAX LOAD DOM	1
48	066551-201	LABEL, WARNING GERMAN	1
49	066551-301	LABEL, WARNING FRENCH	1
50	066551-401	LABEL, WARNING SPANISH	1
51	066556-000	LABEL, CAUTION DESEND PLTFM	1
52	066556-200	LABEL, CAUTION GERMAN	1
53	066556-300	LABEL, CAUTION FRENCH	1
54	066556-400	LABEL, CAUTION SPANISH	1
55	061683-005	LABEL, UPRIGHT 4 1/2	1
56	067644-004	LABEL, LX 2WD	1
57	067644-008	LABEL, LX 4WD	1
58	101250-011	LABEL, MAX LOAD 1250 lbs DOM	2
59	064910-010	LABEL, MAX LOAD 567 kg GER	2
60	066557-306	LABEL, MAX LOAD 567 kg FRN	2
61	066557-406	LABEL, MAX LOAD 567 kg SPN	2
62	066551-051	LABEL, MAX LOAD ROLL OUT EUR	1
63	066557-056	LABEL, MAX LOAD PLATFORM EUR	2



Rear Roll Out Deck Option, LX50

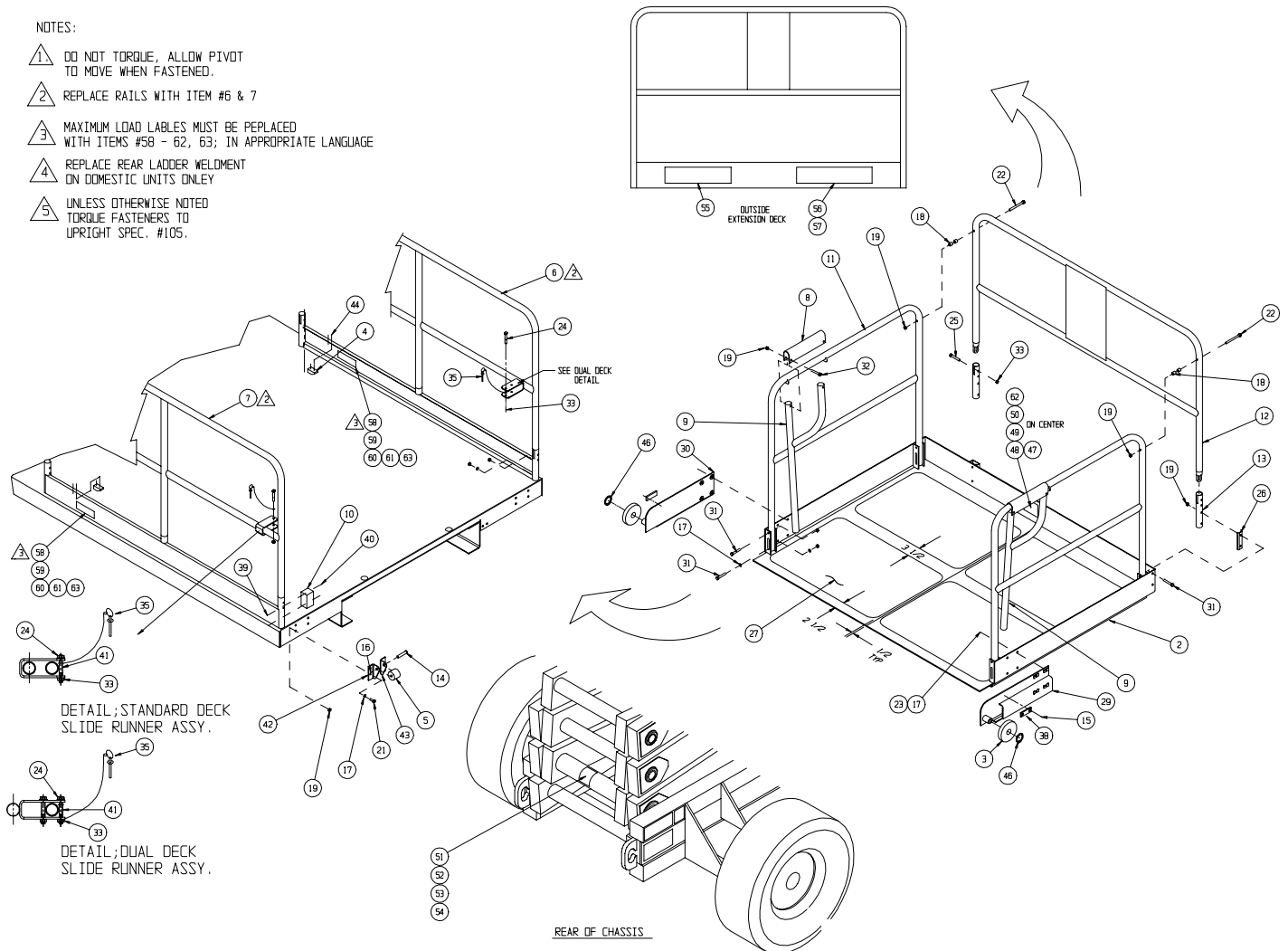
067866-022

ITEM	PART NO.	PART/MATERIAL DESCRIPTION	QTY.
2	067787-001	ROLL OUT DECK WELDMENT	1
3	067760-002	WHEEL, ROLL OUT DECK	2
4	066192-000	SLIDE BLOCK	2
5	067720-000	ROLLER	2
6	030841-019	GUARDRAIL WELDMENT	1
7	030841-021	GUARDRAIL WELDMENT	1
8	067761-000	PIVOT, PUSH BAR	2
9	067862-003	HANDLE WELDMENT	2
10	066170-002	WEAR PAD	2
11	067776-001	GUARDRAIL WELDMENT	2
12	067778-000	GUARDRAIL WELDMENT	1
13	067755-001	SWING TUBE	2
14	011848-038	CLEVIS PIN, 1/2" DIA. X 2-1/2	2
15	026553-008	RIVET POP ØØ3/16 X .5-.63 GRIP	4
16	011757-005	COTTER PIN, RUE RING	2
17	014996-006	WASHER, FLAT 3/8" DIA	39
18	067695-000	SPACER	4
19	011248-006	LOCKNUT, 3/8-16 UNC ESNA	27
21	011254-008	SCR. HHC 3/8-16 UNC X 1	4
22	011254-034	SCR. HHC 3/8-16 UNC X 4 1/2	2
23	011254-006	SCR. HHC 3/8-16 UNC X 3/4	8
24	015936-020	SCR. SHOU SS 3/8-16 UNC X 2.5" LG	4
25	011253-016	SCR. HHC 5/16-18 UNC X 2" LG	2
26	067920-000	SPACER, GUARDRAIL	2
27	060086-000	SAFETY WALK (20 X 32)	4

ITEM	PART NO.	PART/MATERIAL DESCRIPTION	QTY.
28	067950-022	OUTRIGGER OPTION	1
29	067867-001	ROLLER BRACKET REAR WELDMENT L.H.	1
30	067867-000	ROLLER BRACKET REAR WELDMENT R.H.	1
31	011254-020	SCR. HHC 3/8-16 UNC X 2 1/2"	12
32	011254-018	SCR. HHC 3/8-16 UNC X 2 1/4"	4
33	011248-005	NUT, ESNA 5/16-18	6
35	010414-006	LOCKNG PIN ASSY W/WASHR 3/8 X 2	2
38	066198-000	WEAR PAD	2
39	011252-012	SCR. HH 1/4-20 X 1-1/2	4
40	011248-004	1/4-20 ESNA NUT	4
41	067364-000	TUBING 3/8 I.D. X 1-1/2 LG	4
42	067783-003	ROLLER BRACKET RH	2
43	067783-004	ROLLER BRACKET LH	2
44	026553-012	POP RIVET, Ø 3/16 X 1.125 GRIP	4
45	014023-016	SCR. HHC SS 3/8-16 UNC X 2	4
46	011765-020	RETAINING RING	2
51	066556-000	LABEL, CAUTION DOM/EUR	1
55	061683-005	LABEL, UPRIGHT 4 1/2	1
56	067644-019	LABEL, LX 2WD	1
57	067644-020	LABEL, LX 4WD	1
59	064910-006	LABEL, MAX LOAD 340 kg GER	2
60	066557-300	LABEL, MAX LOAD 340 kg FRN	2
62	066551-051	LABEL, MAX LOAD ROLL OUT EURO	2
63	066557-050	LABEL, MAX LOAD 340 kg EURO	2

NOTES:

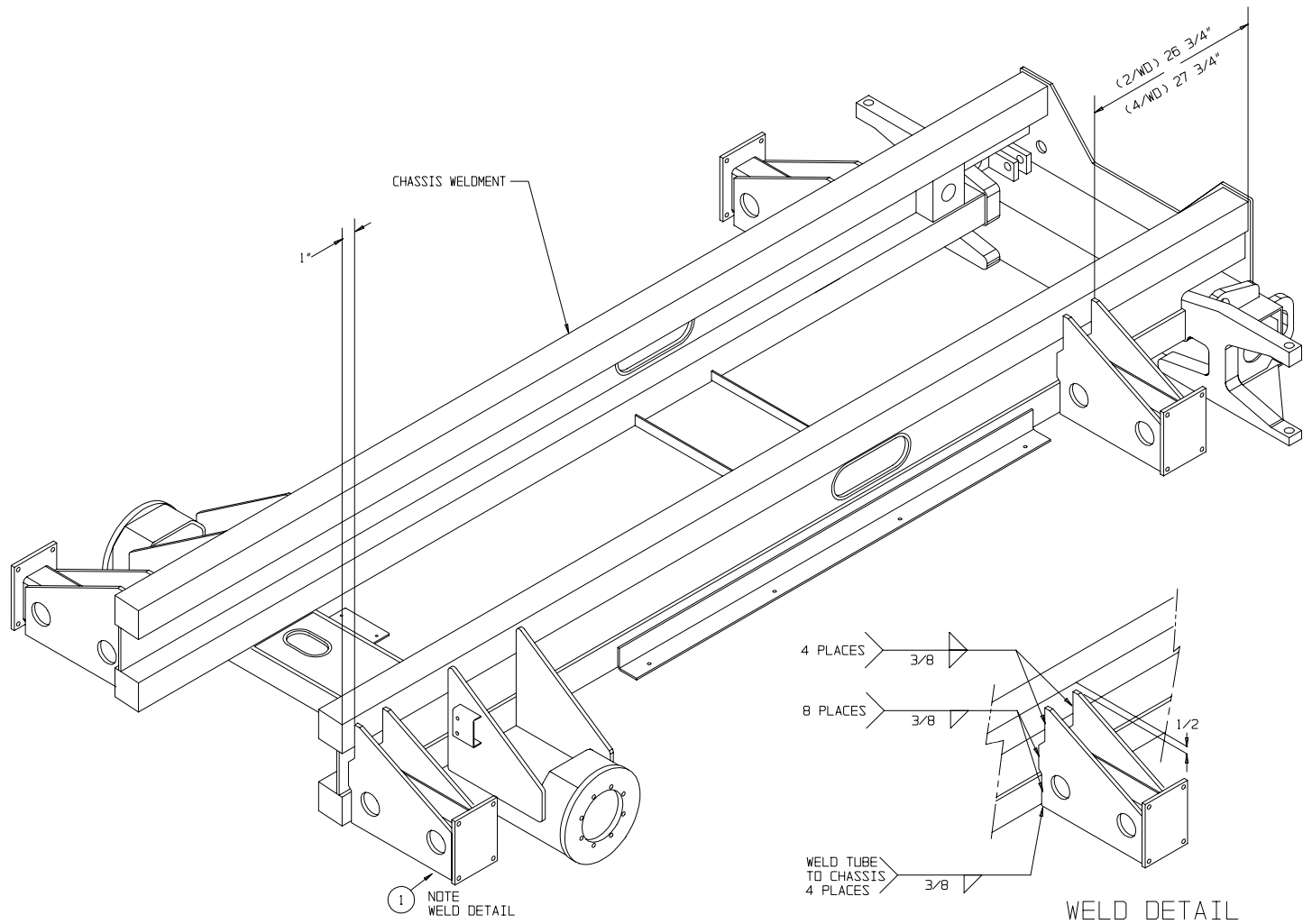
- 1 DO NOT TORQUE, ALLOW PIVOT TO MOVE WHEN FASTENED.
- 2 REPLACE RAILS WITH ITEM #6 & 7
- 3 MAXIMUM LOAD LABLES MUST BE REPLACED WITH ITEMS #58 - 62, 63; IN APPROPRIATE LANGUAGE
- 4 REPLACE REAR LADDER WELDMENT ON DOMESTIC UNITS ONLY
- 5 UNLESS OTHERWISE NOTED TORQUE FASTENERS TO UPRIGHT SPEC. #105.



Outrigger Brackets

030929-000

ITEM	PART NO.	PART/MATERIAL DESCRIPTION	QTY.
1	067844-000	OUTRIGGER SUPPORT WELDMENT	4



Outrigger Option, LX

067950-022

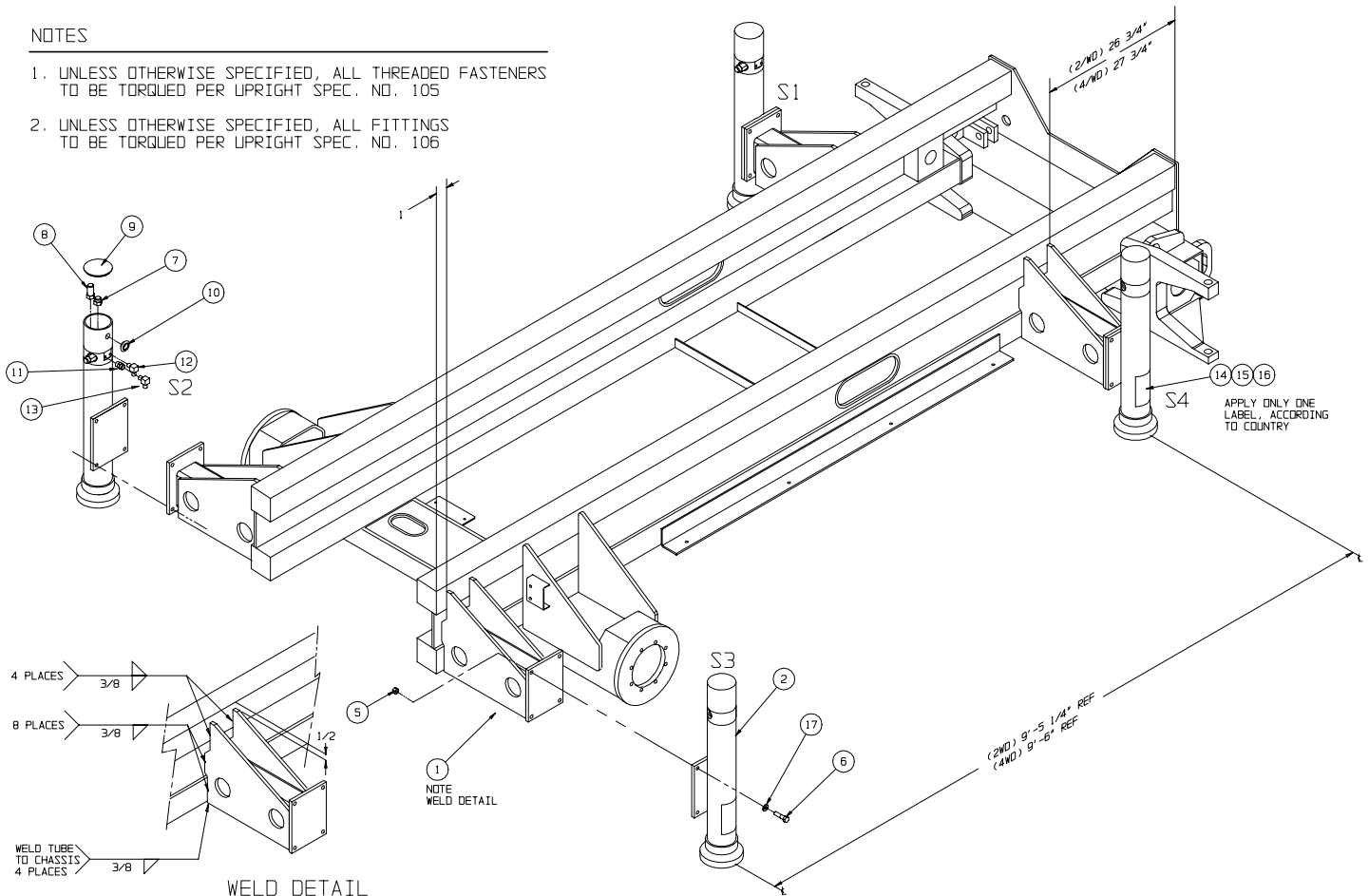
ITEM	PART NO.	PART/MATERIAL DESCRIPTION	QTY.
1	067844-000	OUTRIGGER SUPPORT WELDMENT	REF
2	067840-000	OUTRIGGER CYL.	4
*	067840-010	SEAL KIT	-
3	067953-010	HOSE INSTALLATION, LX OUTRIGGER	1
5	011248-008	NUT HEX ESNA 1/2-13 UNC	16
6	011256-016	SCREW HHC 1/2-13UNC X 2	16
7	062881-000	SWITCH BALL	REF
8	063921-006	SWITCH PRESS.	REF
9	066516-004	PLUG	4
10	069218-000	GROMMET, CAPLUG #GRO-1/2-UL	4
11	011941-005	FITTING 6MB-6MJ	4
12	011934-004	FITTING 6MBH-6MJ 90	4
13	011937-003	FITTING 6FJX-6MJ 90	4
14	066556-001	LABEL CAUTION (DOMESTIC)	4
15	066556-201	LABEL CAUTION (GERMAN)	4
16	066556-301	LABEL CAUTION (FRENCH)	4
17	011240-008	WASHER 1/2 FLAT STD	16
202	067491-004	CONTROLLER ASSY (DIESEL)	1
203	067528-010	UPPER CONTROLLER ASSY (W/LIGHTS)	1
204	067490-000	OUTRIGGER VALVE BLOCK ASSY	1
205	011252-032	SCREW, HHC, 1/4-20 X 4	2
206	011248-004	NUT, 1/4-20, ESNA	6
207	000942-000	ORBIT LEVEL	1

ITEM	PART NO.	PART/MATERIAL DESCRIPTION	QTY.
208	005133-000	SPRING	3
209	011721-008	SCREW, RND HD, MACH., 4-40 X 1	3
211	014924-008	U-BOLT	2
212	011248-049	NUT, HEX, 4-40, ESNA	3
213	020733-005	TEE, 12FJ-12MJ-6MJ	2
214	014693-003	ADAPTER, 12FJ-6MJ	2
215	011941-001	4MB-4MJ	1
216	067642-009	LABEL-CONTROLLER (DOMESTIC)	1
217	067642-209	LABEL-CONTROLLER (GERMAN)	1
218	067642-309	LABEL-CONTROLLER (FRENCH)	1
219	067480-001	LABEL-LED CODES (DOMESTIC)	1
220	067480-201	LABEL-LED CODES (GERMAN)	1
221	067480-301	LABEL-LED CODES (FRENCH)	1
222	066551-003	LABEL-DANGER TIPPING (DOMESTIC)	1
223	066551-203	LABEL-DANGER TIPPING (GERMAN)	1
224	066551-303	LABEL-DANGER TIPPING (FRENCH)	1
225	067479-000	OUTRIGGER CONTROL CABLE ASSY	1
226	064794-000	LEVEL MOUNT	1
301	067492-014	WIRE HARNESS, OUTRIGGER	1
302	014914-001	CONN. MALE PUSH, 16-14 GA., .25 TAB	8
303	067479-001	WIRE HARNESS, OUTRIGGER LIGHT	1

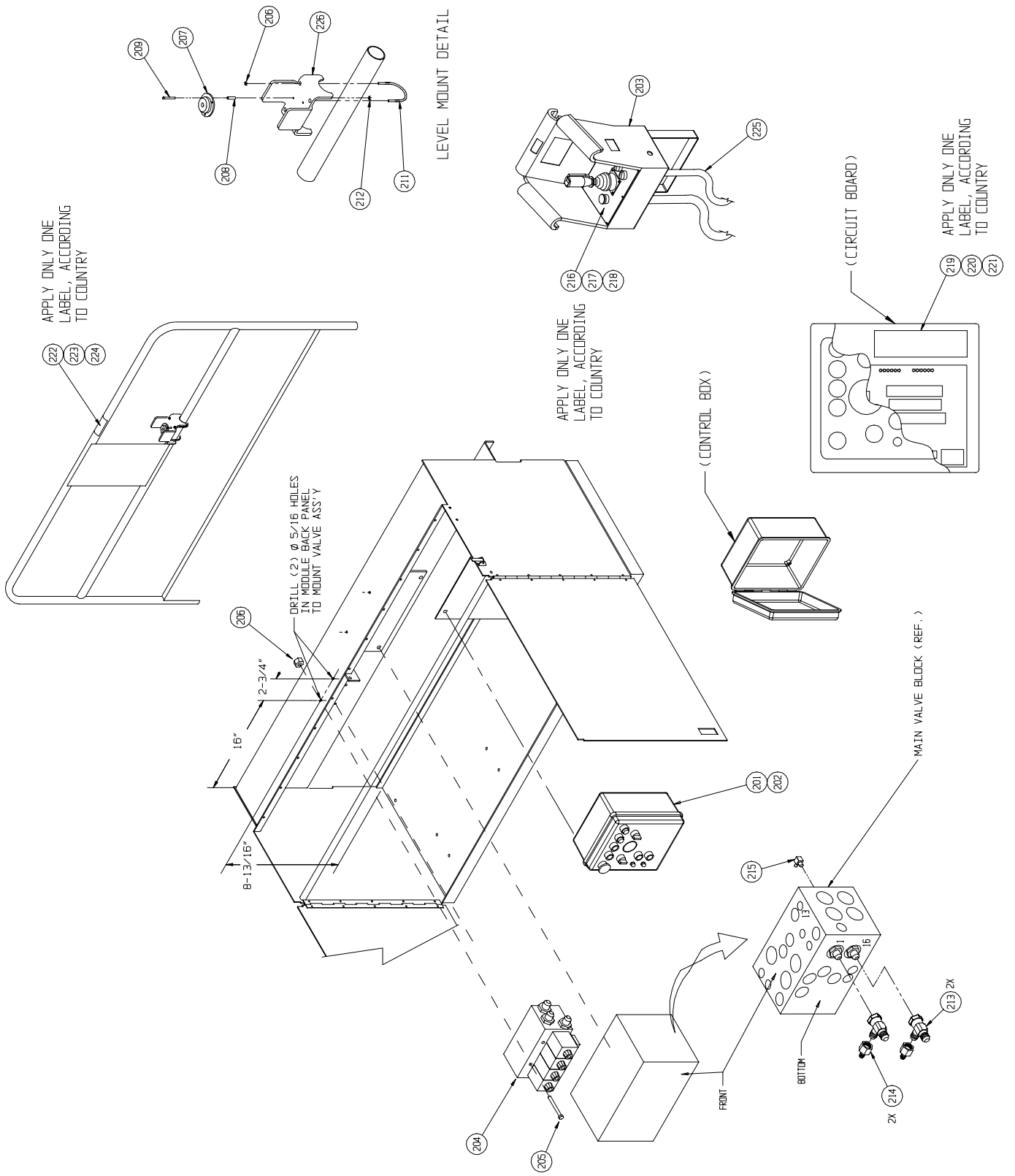
* Not shown

NOTES

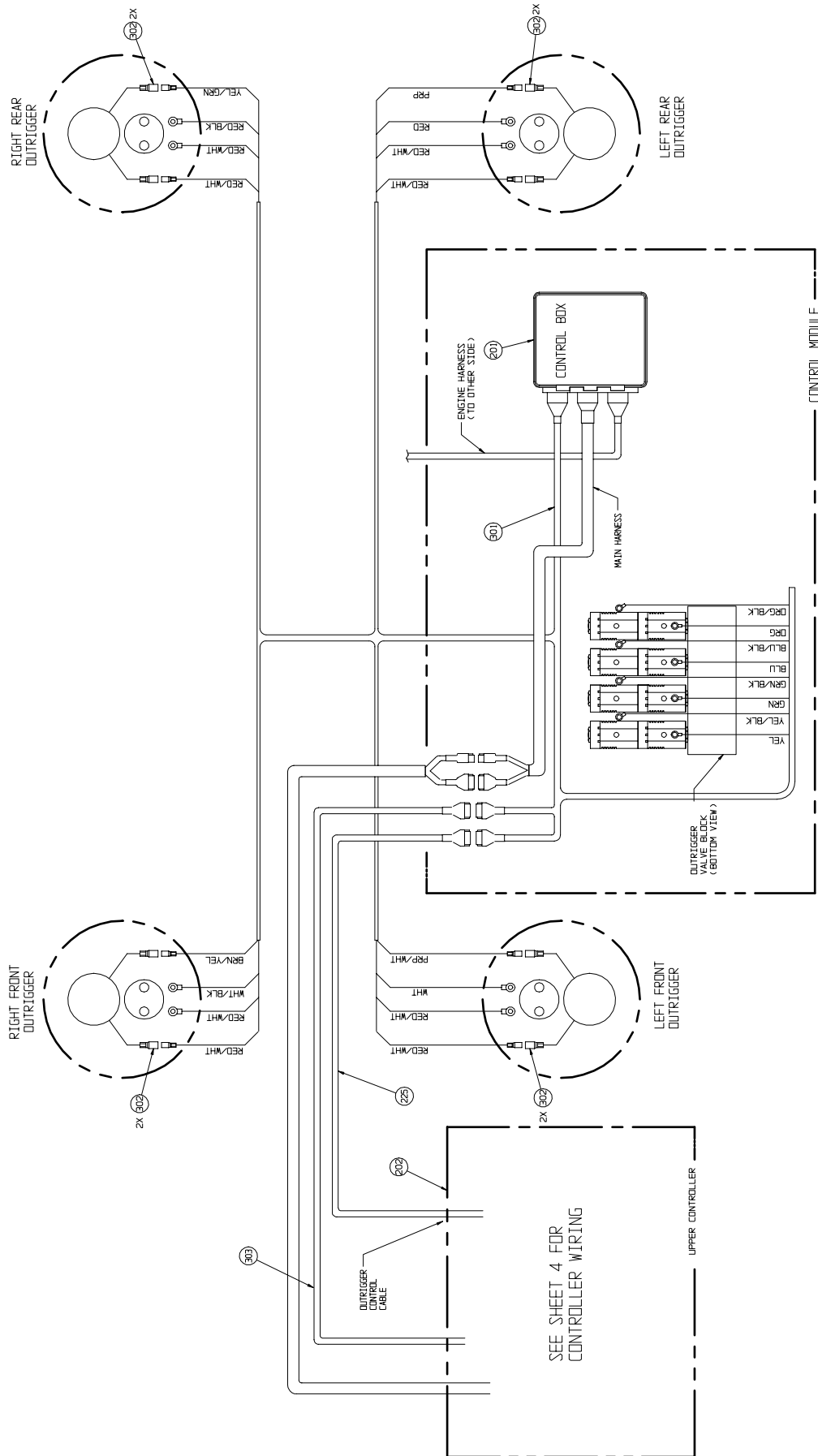
1. UNLESS OTHERWISE SPECIFIED, ALL THREADED FASTENERS TO BE TORQUED PER UPRIGHT SPEC. NO. 105
2. UNLESS OTHERWISE SPECIFIED, ALL FITTINGS TO BE TORQUED PER UPRIGHT SPEC. NO. 106



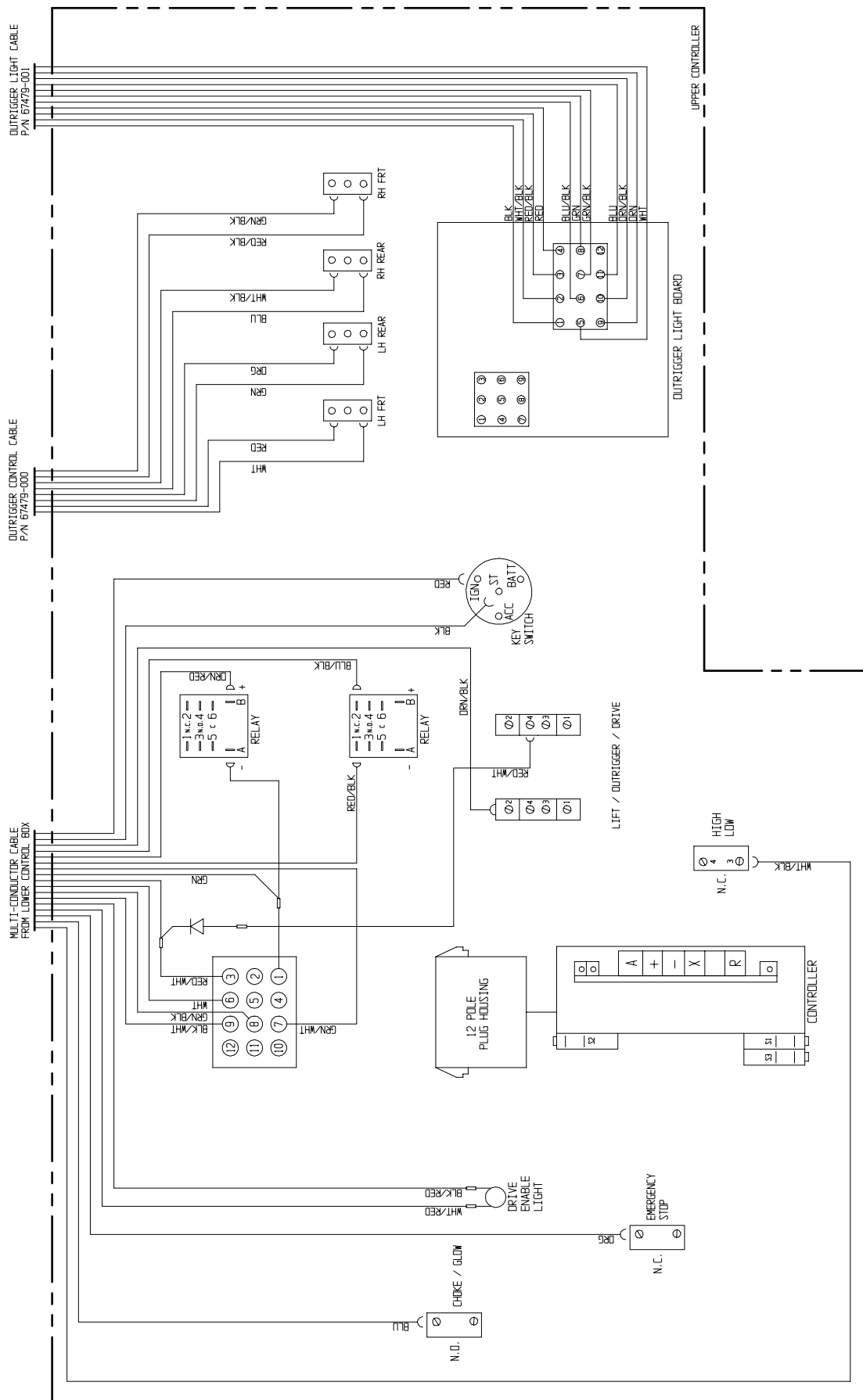
Drawing # 1 of 4



NOTES: OUTRIGGER TOGGLE SWITCH ORIENTATION IS VIEWED WITH THE BOTTOM OF THE TOP COVER PLATE FACING UP.



Drawing # 3 of 4



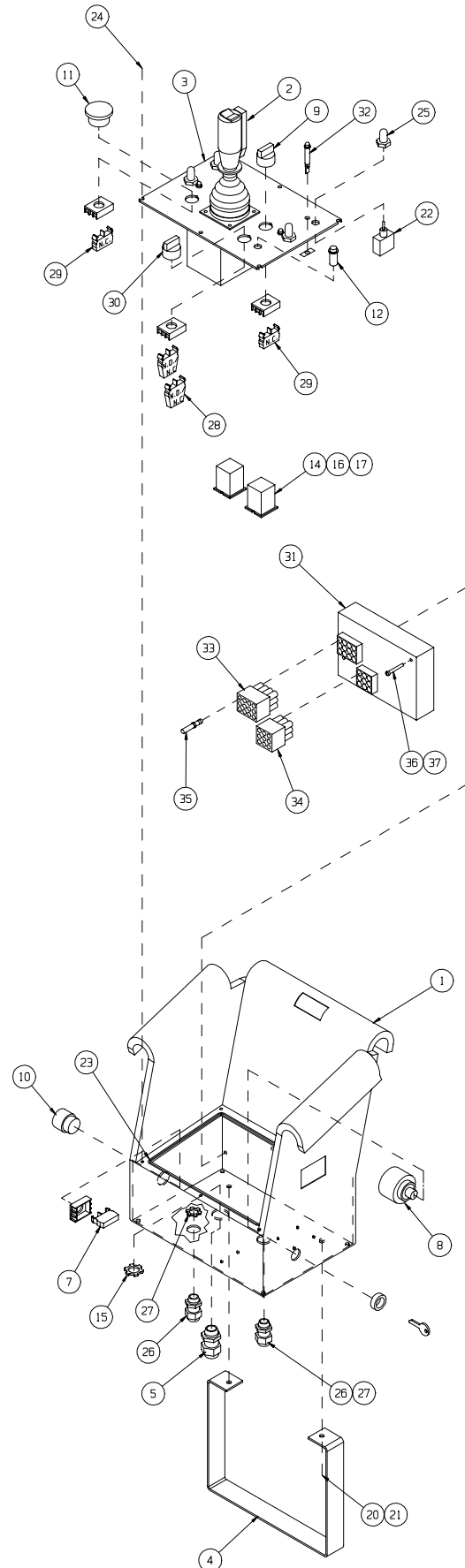
Drawing # 4 of 4

Controller Assembly - Outrigger Option

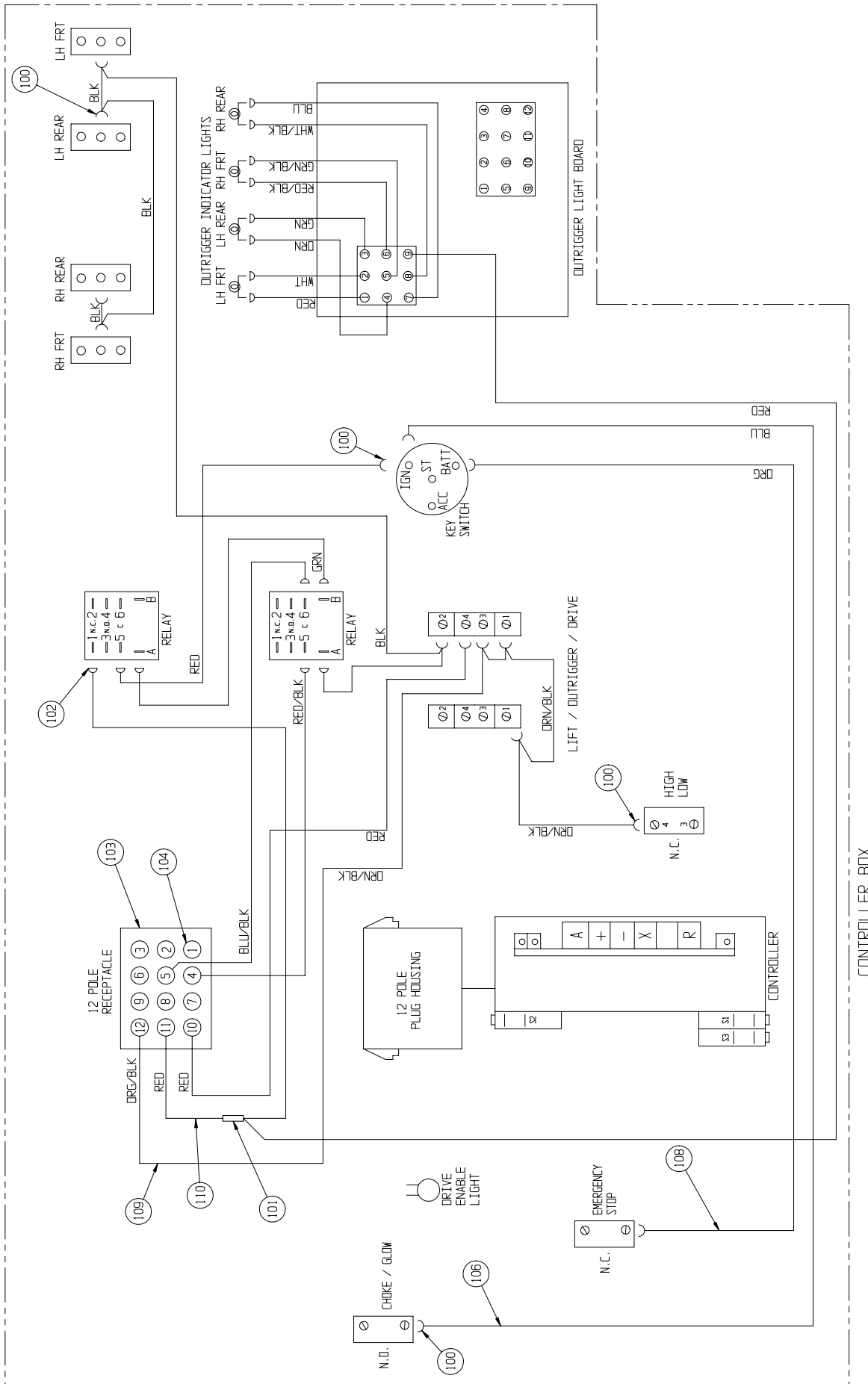
067528-012

ITEM	PART NO.	PART/MATERIAL DESCRIPTION	QTY.
1	067487-000	LX CONTROL BOX	1
2	067643-001	CONTROLLER, PROPORTIONAL 12V	1
*	015772-001	SWITCH, MICRO	3
*	066544-014	SWITCH, STEERING	2
*	063913-003	BOOT, STEERING SWITCH	1
*	063913-004	ROCKER ASSEMBLY	1
*	066544-010	HANDLE, 2 PIECE	1
*	066544-011	LEVER, INTERLOCK	1
*	066544-013	BOOT, JOYSTICK SHAFT	1
*	066544-015	FLANGE, CONTROLLER MOUNTING	1
3	067486-001	COVER PLATE, CONTROLLER BOX	1
4	067483-000	CONTROLLER SUPPORT	1
5	029925-010	CABLE CONNECTOR, 3/4"	1
7	066805-010	CONTACT BLOCK, N.O.	1
8	064666-000	KEY SWITCH	1
9	066805-002	SELECTOR SWITCH	1
10	066805-018	PUSH BUTTON MOM. BLK.	1
11	066805-006	MUSHROOM BUTTON	1
12	068133-000	INDICATOR LIGHT	1
14	063951-001	RELAY	2
15	029939-003	CONDUIT NUT, 3/4"	1
16	011248-047	LOCKNUT, #6-32	2
17	011715-004	SCREW, #6-32 X 1/2	2
20	011252-006	SCREW, 1/4-20 UNC, HEX HD CAP X 3/4	2
21	011248-004	LOCKNUT, 1/4-20 UNC, HEX	2
22	012798-000	TOGGLE SWITCH SPOT-MOMENTARY	4
23	068889-099	WEATHERSTRIP 1/2 X 3/16 FOAM	3 FT.
24	010952-004	SCREW, BUTT. HD, TORX, 10-24 UNC X 1/2	6
25	029872-000	SWITCH BOOT	4
26	029925-000	CABLE CONNECTOR, 1/2, NPT	2
27	029939-002	NUT, LOCK, 1/2, NPT	2
28	066805-012	CONTACT BLOCK N.O. / N.C.	2
29	066805-011	CONTACT BLOCK N.C.	2
30	066805-019	SELECTOR SWITCH 3 POS.	1
31	108052-001	OUTRIGGER LIGHT BOARD-12V	1
32	102294-002	INDICATOR LIGHT W/CLIP	4
33	063956-003	PLUG, 12 POSITION	1
34	063956-001	PLUG, 9 POSITION	1
35	063956-012	SOCKET, CONTACT 20-14 GA.	21
36	011709-012	SCR, RD HD #10-24 UNC X 1-1/2	2
37	011248-003	LOCKNUT, HEX #10-24 UNC ESNA	2
100	029610-004	CONNECTOR FORK TERM 12-10 GA. #10	16
101	029620-002	CONNECTOR, BUTT. 16-14 GA.	1
102	029615-002	CONNECTOR FEMALE PUSH 16-14 GA.	14
103	063956-003	PLUG, HOUSING	1
104	063956-010	PIN, CONTACT MALE	3
105	029452-099	WIRE 16 GA. BLACK	2 FT
106	029450-099	WIRE 16 GA. BLUE	3 FT
107	029451-099	WIRE 16 GA. WHITE	3 FT
108	029453-099	WIRE 16 GA. ORG	1 FT
109	029477-099	WIRE 16 GA. ORG/BLK	1 FT
110	029454-099	WIRE 16 GA. RED	2 FT
111	029457-099	WIRE 16 GA. GREEN	3 FT
112	029478-099	WIRE 16 GA. RED/GREEN	3 FT
113	05491-099	WIRE 16 GA. GREEN/BLACK	3 FT
114	029479-099	WIRE 16 GA. WHITE/BLACK	3 FT

* Not shown



Drawing # 1 of 2



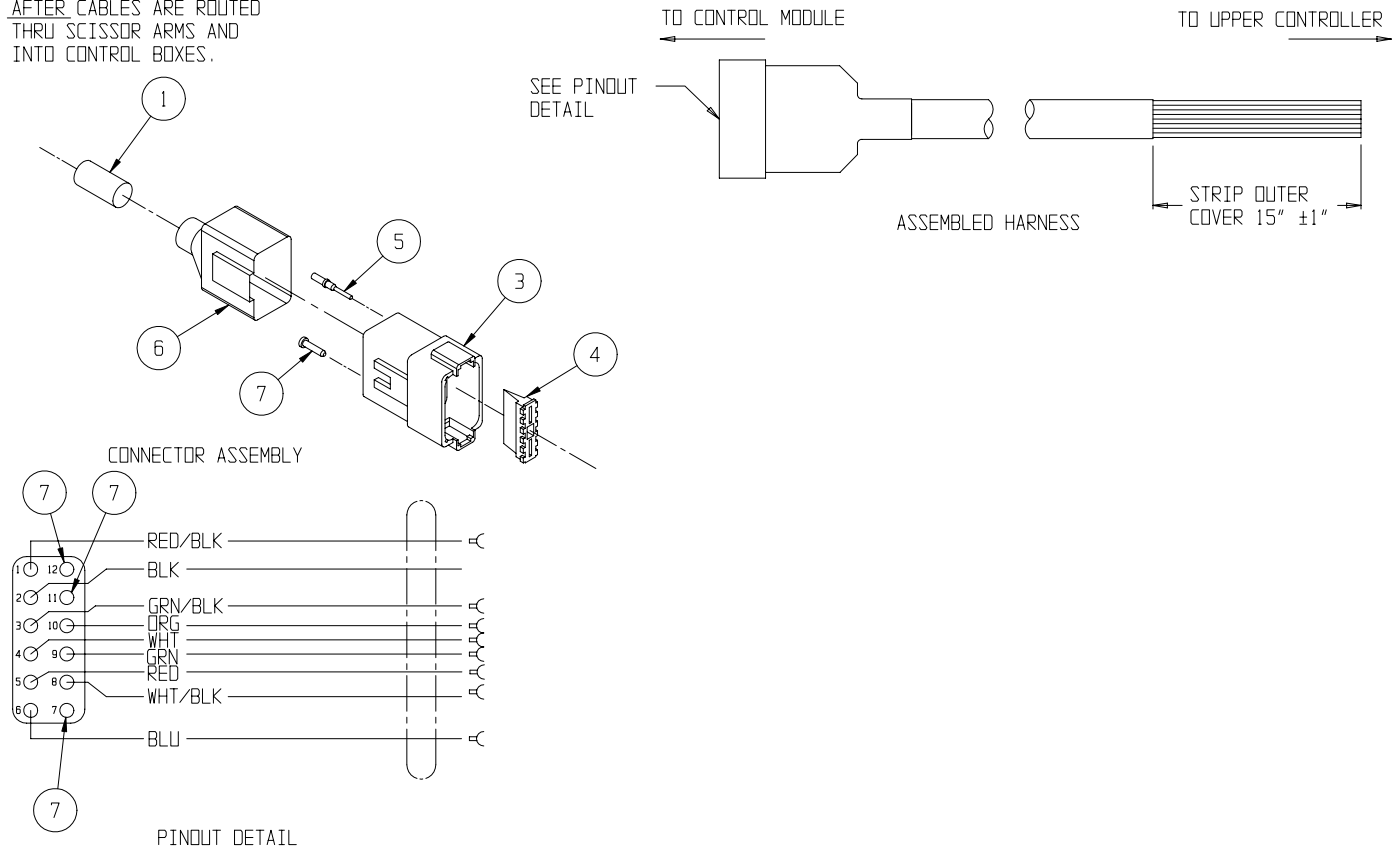
Drawing # 2 of 2

Outrigger Control Cable Assembly, Option 067479-000

ITEM	PART NO.	PART/MATERIAL DESCRIPTION	QTY.
1	005469-099	CABLE, 16/9 CONDUCTOR	90 FT
2	029610-012	CONN FORK TERM 16-14 GA #8	8
3	068760-001	DT CONNECTOR, RECEPTACLE, # DT04-12P	1
4	068761-000	LOCKING WEDGE, RECEPTACLE, # W12P	1
5	015790-004	CONTACT PIN, 16-18 AWG	9
6	068908-001	BOOT ELECT. RECEPTACLE, # DT-12-P-BT	1
7	068764-000	PLUG-CONNECTOR SEAL	3

NOTES: UNLESS OTHERWISE SPECIFIED

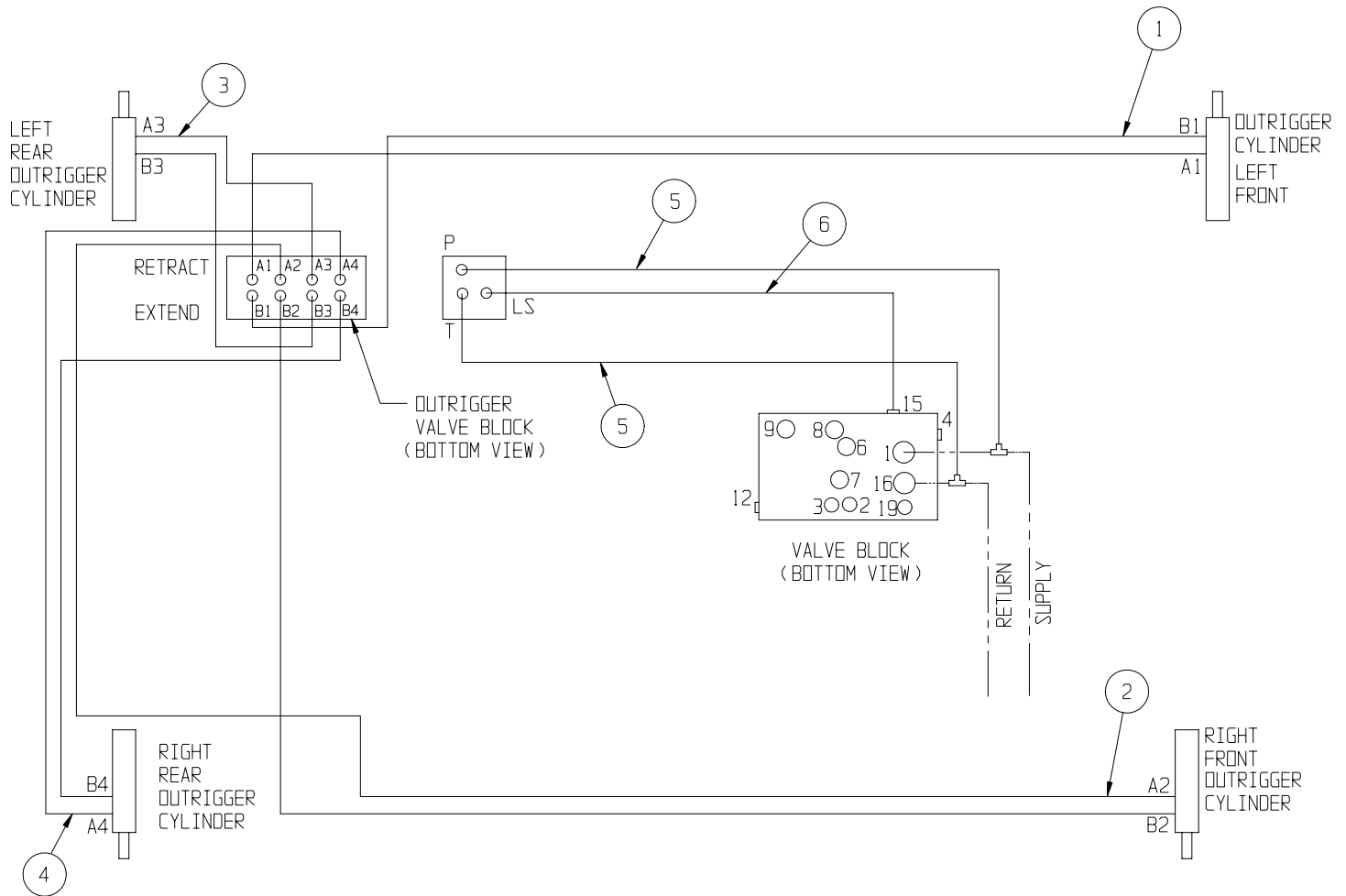
1. CRIMP ON PINS AND CONNECTORS ARE INSTALLED AFTER CABLES ARE ROUTED THRU SCISSOR ARMS AND INTO CONTROL BOXES.



Hose Installation, LX Outrigger Option

067953-010

ITEM	PART NO.	PART/MATERIAL DESCRIPTION	QTY.
1	062192-033	1/4 HOSE ASSY X 80 6FJX-6FJX	2
2	062192-034	1/4 HOSE ASSY X 118 6FJX-6FJX	2
3	062192-035	1/4 HOSE ASSY X 137 6FJX-6FJX	2
4	062192-036	1/4 HOSE ASSY X 176 6FJX-6FJX	2
5	062192-032	1/4 HOSE ASSY X 24 6FJX-6FJX	2
6	065234-005	1/4 HOSE ASSY X 26 4FJX-4FJX	1



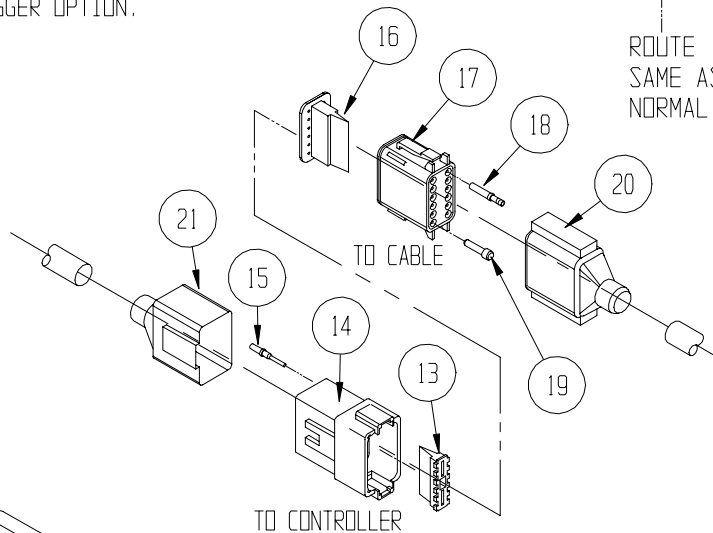
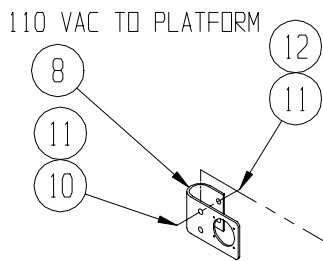
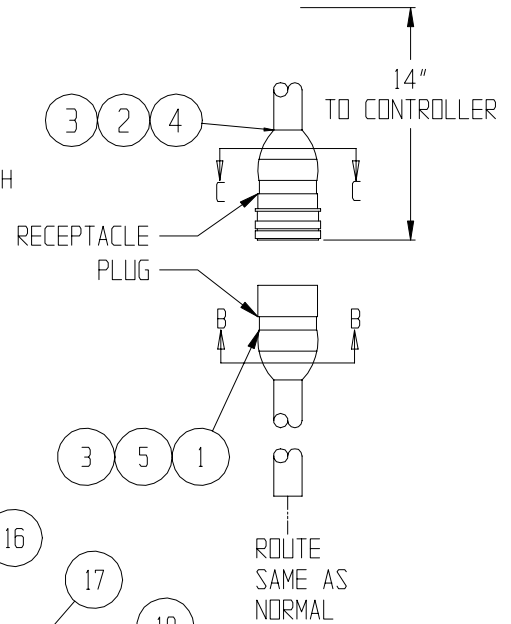
Removable Controller Option, LX

061898-011

ITEM	PART NO.	PART/MATERIAL DESCRIPTION	QTY.
1	065926-010	PLUG CONNECTOR	1
2	068762-000	PIN CONTACT	15
3	068764-000	PLUG SEALING	16
4	065926-015	RECEPTACLE CONNECTOR	1
5	068762-001	SOCKET CONTACT	15
8	030719-001	110 VAC BRACKET	1
10	011254-020	SCREW HHC GRD5 3/8-16UNC X 2 1/2	2
11	011240-006	WASHER 3/8 STD FLAT	4
12	011248-006	NUT HEX ESNA 3/8-16	2

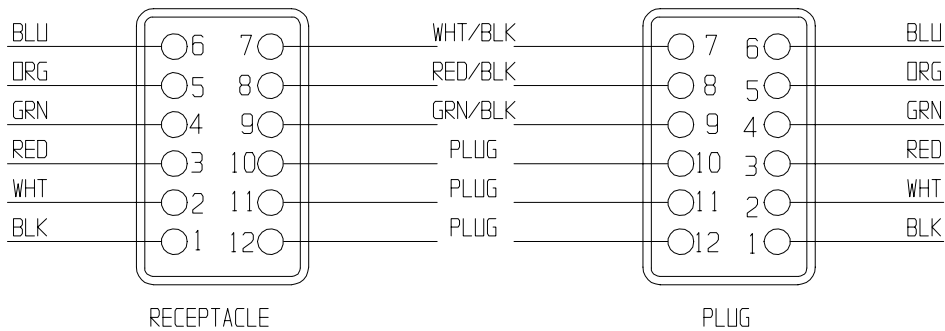
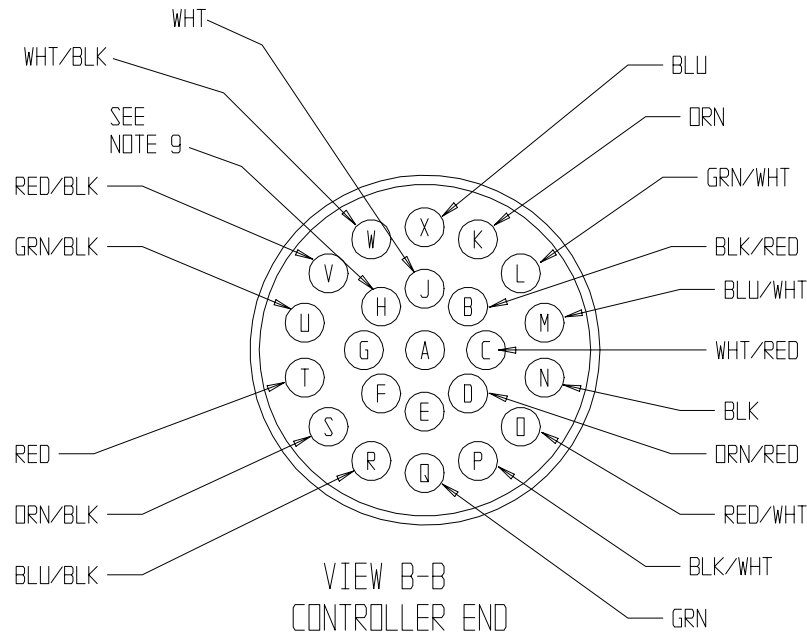
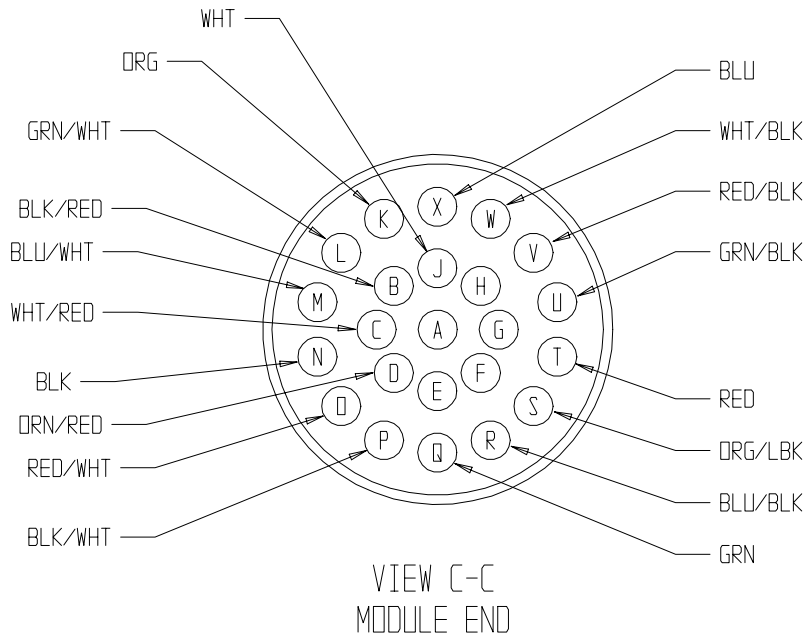
ITEM	PART NO.	PART/MATERIAL DESCRIPTION	QTY.
13	068761-000	LOCKING WEDGE-CONN	1
14	068760-001	CONNECTOR-RECEPTACLE	1
15	068762-000	PIN-CONTACT	9
16	068761-001	LOCKING WEDGE -CONN	1
17	068760-000	PLUG - CONNECTOR	1
18	068762-001	SOCKET-CONTACT	9
19	068764-000	PLUG-CONNECTOR	6
20	068908-000	BOOT ELECT. PLUG	1
21	068908-001	BOOT ELECT. RECEPTACLE	1

- CUT OFF CONTROL CABLE 14 INCHES BELOW STRAIN RELIEF ON CONTROLLER.
- CUT OUTER CABLE COVER OF LINKAGE CABLE BACK APPROXIMATELY 1-1/2 INCH AND STRIP APPROXIMATELY 1/4 INCH OF EACH END.
- CRIMP SOCKETS (ITEM 5) ONTO WIRE ENDS AND INSERT INTO PLUG. REF. VIEW B-B.
- CUT OUTER CABLE COVER OF CONTROLLER END BACK APPROXIMATELY 1-1/2 INCH AND STRIP APPROXIMATELY 1/4 INCH OF EACH END.
- SLIDE BOOT AND CLAMP ONTO CABLE.
- CRIMP PINS (ITEM 2) ONTO WIRE ENDS AND INSERT INTO RECEPTACLE. REF. VIEW C-C.
- CLAMP BOOT TO CONNECTOR.
- CONNECT CONTROLLER AND TEST MACHINE FOR PROPER FUNCTION.
- USE TERMINAL " H " FOR HORN OPTION OR IF AUX WIRE IS REQUIRED.
- ITEM #8 THRU 12 REQD ONLY FOR 110 VAC.
- ITEM # 13 THRU 21 REQD ONLY WITH OUTRIGGER OPTION.



NOTE: USE DEUTSCH #HDT-48-00 HAND CRIMPER FOR WIRE TO PIN/SOCKET. USE #DT-RT1 TOOL TO REMOVE WEDGES IN PLUG & RECEPTACLE.

Drawing # 1 of 2



OUTRIGGER
OPTION

Generator Option, LX Dual Fuel

067848-000

ITEM	PART NO.	PART/MATERIAL DESCRIPTION	QTY.
1	-	MODULE TRAY WELDMENT	REF
2	-	FUEL TANK	REF
3	-	ENGINE	REF
4	027979-000	GENERATOR	1
5	064212-000	CORD ASSY	1
6	063949-045	SHEAVE, WOODS AK46 WITH 5/8 BORE	1
7	011675-070	V-BELT 4L370	1
8	067528-000	CONTROLLER	REF
9	012797-000	SWITCH, TOGGLE	1
10	08271-000	SWITCH GUARD	1
11	064211-000	DECAL, ON-OFF	1
12	011254-010	BOLT 3/8-16 X 1 1/4	10
13	011248-006	ESNT 3/8-16	10
14	064793-000	RADIATOR BRACKET	1
15	065916-000	MOUNTING PLATE, GENERATOR	1

ITEM	PART NO.	PART/MATERIAL DESCRIPTION	QTY.
16	029610-004	CONN FORK 16-14 #10	3
17	029825-002	DIODE, 3 AMP	2
18	029620-002	CONN, BUTT 16 GA	3
19	029483-099	WIRE 16 GA RED/WHT	1 FT
20	063956-002	PIN, MALE CONTACT	1
21	029454-099	WIRE, 16 GA	1 FT
22	067907-	POWER TO PLATFORM OPT. (NOT SHOWN)	REF.
23	063969-001	PULLEY, IDLER	1
24	063969-002	PULLEY MOUNT, ECCENTRIC	1
25	011266-008	SCREW HHC 1/2-20 UNF X 1	1
26	064792-000	IDLER BRACKET	1
27	064791-000	SHEAVE	1
28	063961-030	SCREW HHC M8-1.25 X 30	3
29	011238-005	WASHER 5/16 SPLIT LOCK	3
30	011240-006	WASHER 3/8 FLAT	10

NOTES:

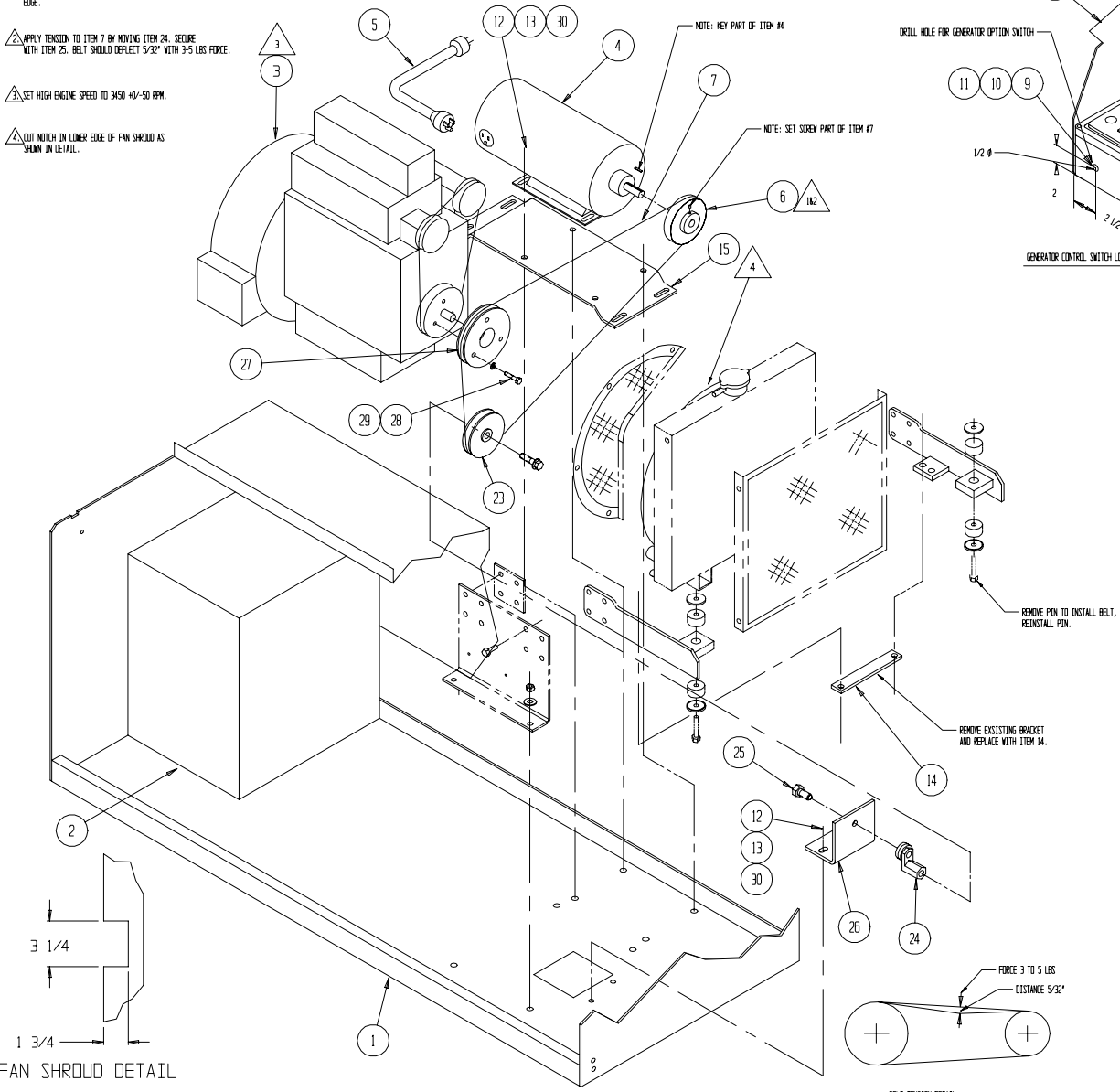
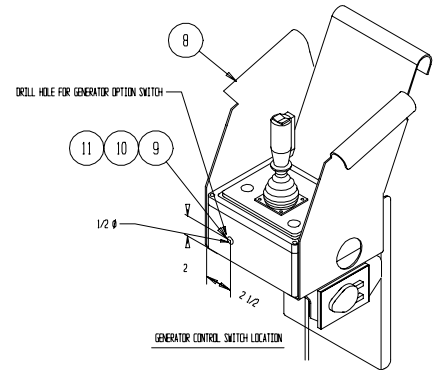
1. INSTALL ITEMS AS SHOWN AND CHECK ALIGNMENT OF ITEMS 6 AND 23 BEFORE INSTALLING ITEM 7. ITEM 6 SHOULD BE PARALLEL AND IN-LINE USING A STRAIGHT EDGE.

2. APPLY TENSION TO ITEM 7 BY MOVING ITEM 24. SECURE WITH ITEM 25. BELT SHOULD DEFLECT 5/32" WITH 3-5 LBS FORCE.

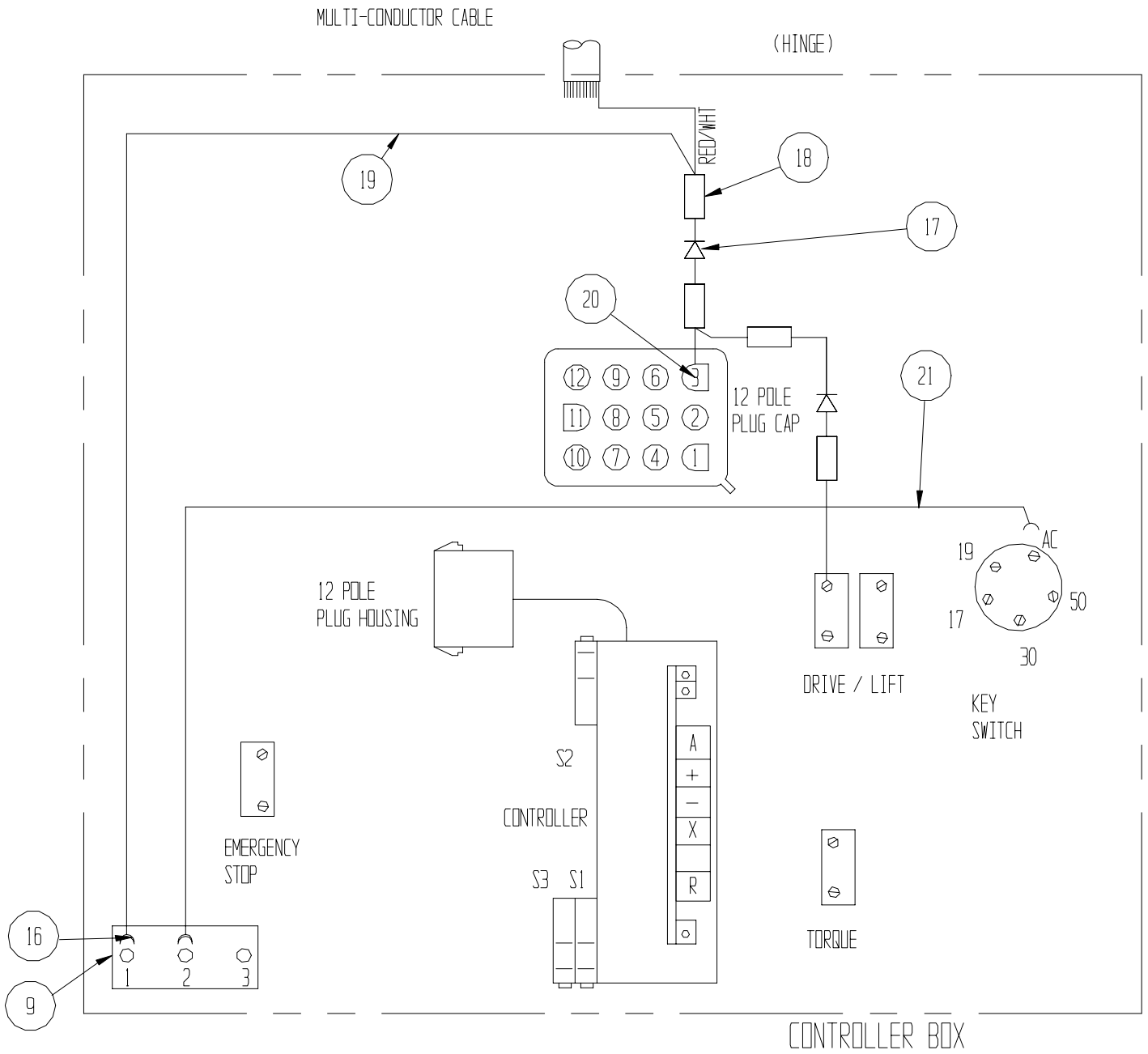
3. SET HIGH ENGINE SPEED TO 3450 RPM.

4. CUT NOTCH IN LOWER EDGE OF FAN SHROUD AS SHOWN IN DETAIL.

NOTE: KEY PART OF ITEM #4
NOTE: SET SCREW PART OF ITEM #7



Drawing # 1 of 2



WIRING DIAGRAM

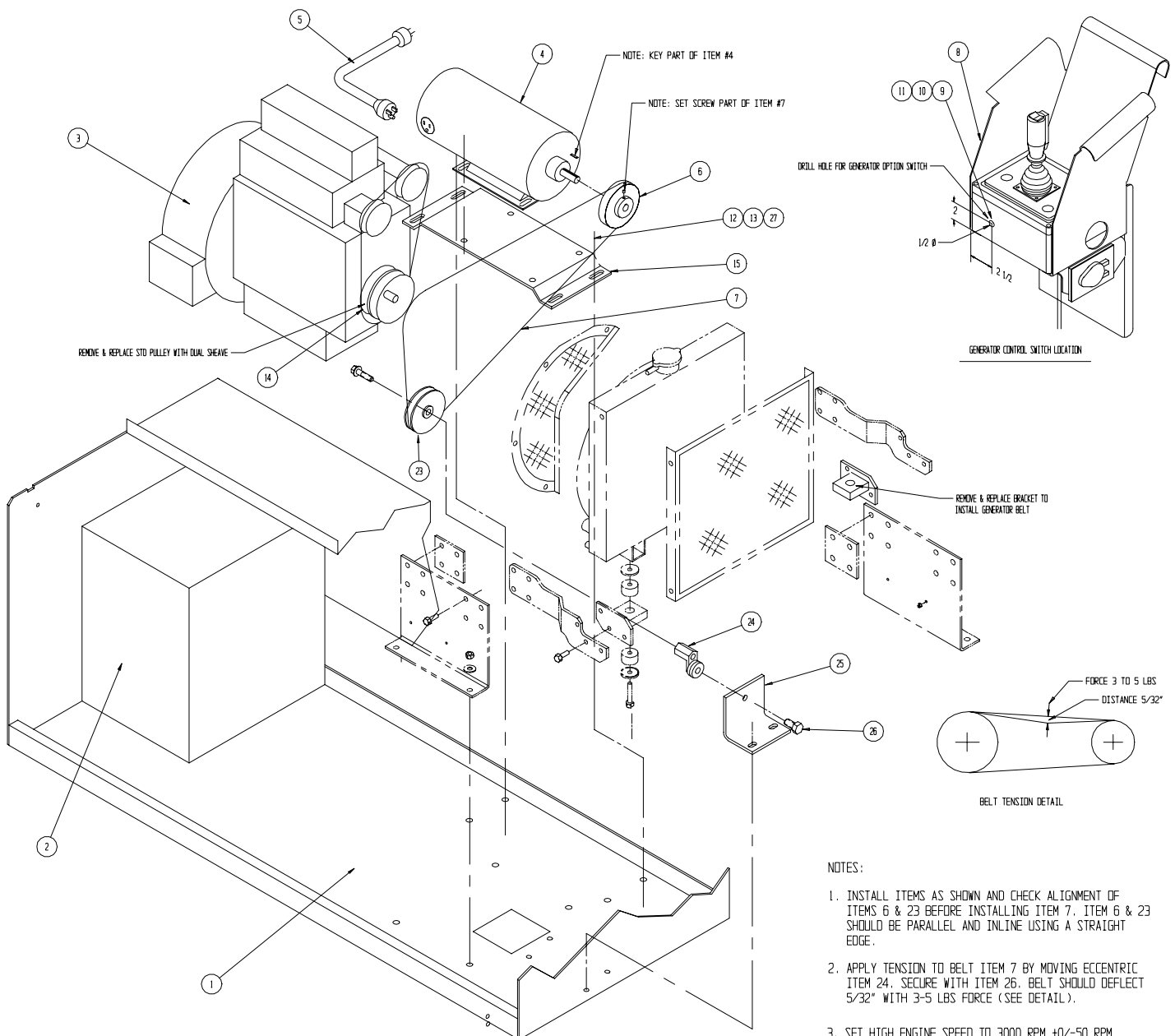
Drawing # 2 of 2

Generator Option, LX Diesel

067849-000

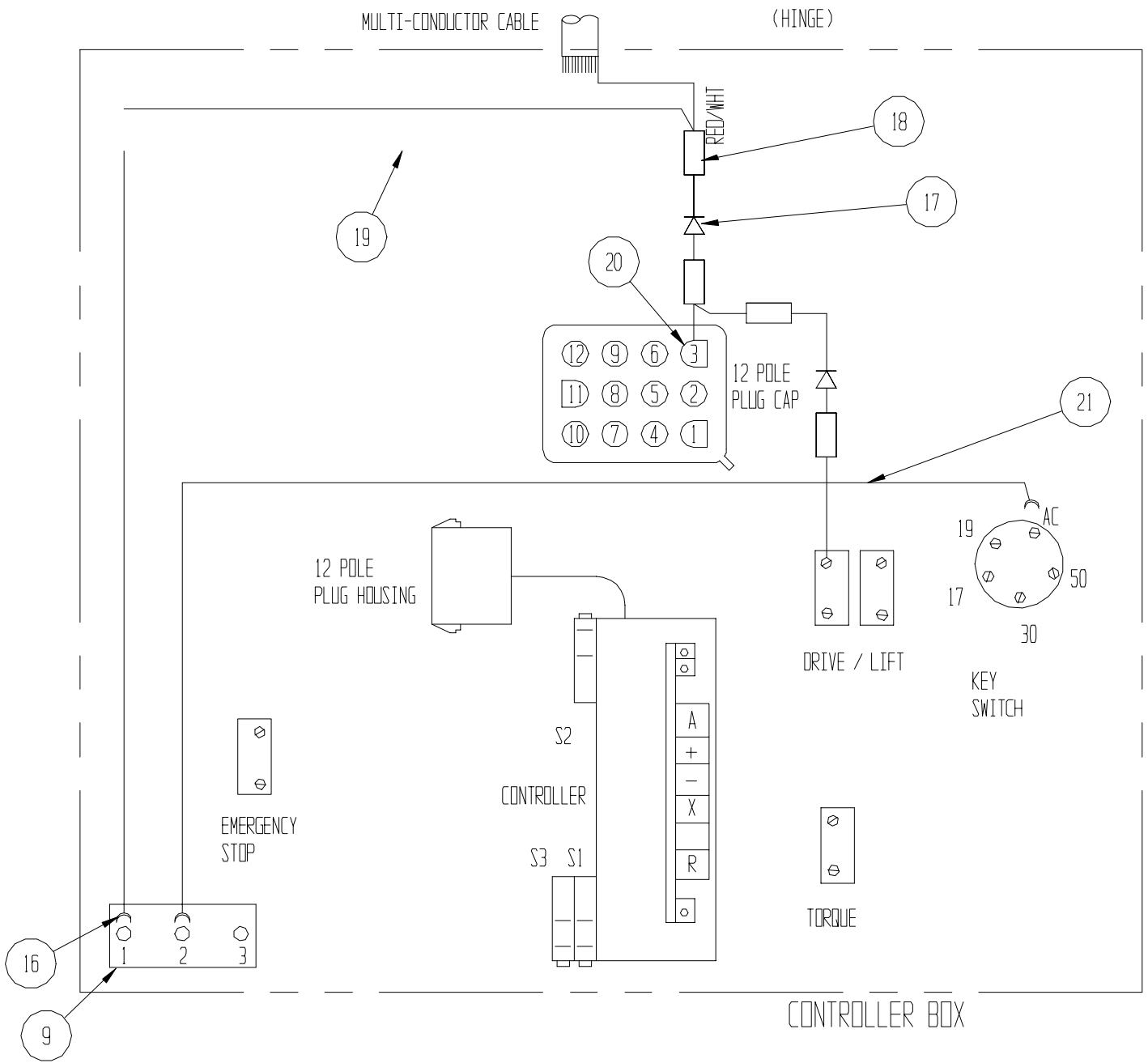
ITEM	PART NO.	PART/MATERIAL DESCRIPTION	QTY.
1	-	MODULE TRAY WELDMENT	REF
2	-	FUEL TANK	REF
3	067614-000	ENGINE	REF
4	027979-000	WINCO GENERATOR	1
5	064212-000	CORD ASSY	1
6	063949-042	SHEAVE, GENERATOR- WOODS AC 40- 5/8 BORE	1
7	011994-011	V-BELT 3L-360	1
8	067528-001	CONTROLLER	REF
9	012797-000	SWITCH, TOGGLE	1
10	08271-000	SWITCH GUARD	1
11	064211-000	DECAL, ON-OFF	1
12	011254-010	BOLT 3/8-16 X 1 1/4	10
13	011248-006	ESNT 3/8-16	10
14	067614-021	DUAL SHEAVE - KUBOTA #17213-74281	1

ITEM	PART NO.	PART/MATERIAL DESCRIPTION	QTY.
15	065916-000	MOUNTING PLATE, GENERATOR	1
16	029610-004	CONN FORK 16-14 #10	3
17	029825-002	DIODE, 3 AMP	2
18	029620-002	CONN, BUTT 16 GA	3
19	029483-099	WIRE 16 GA, RED WHT	1 FT
20	063956-002	PIN, MALE CONTACT	1
21	029454-099	WIRE, 16 GA RED	1 FT
22	067907-	POWER TO PLATFORM OPT. (NOT SHOWN)	REF
23	063969-001	PULLEY, IDLER	1
24	063969-002	PULLEY MOUNT, ECCENTRIC	1
25	064792-000	IDLER BRACKET	1
26	011266-008	SCREW HHC 1/2-20 UNF X 1	1
27	011240-006	WASHER 3/8 FLAT	10



NOTES:

1. INSTALL ITEMS AS SHOWN AND CHECK ALIGNMENT OF ITEMS 6 & 23 BEFORE INSTALLING ITEM 7. ITEM 6 & 23 SHOULD BE PARALLEL AND IN-LINE USING A STRAIGHT EDGE.
2. APPLY TENSION TO BELT ITEM 7 BY MOVING ECCENTRIC ITEM 24. SECURE WITH ITEM 26. BELT SHOULD DEFLECT 5/32" WITH 3-5 LBS FORCE (SEE DETAIL).
3. SET HIGH ENGINE SPEED TO 3000 RPM +/-50 RPM



WIRING DIAGRAM

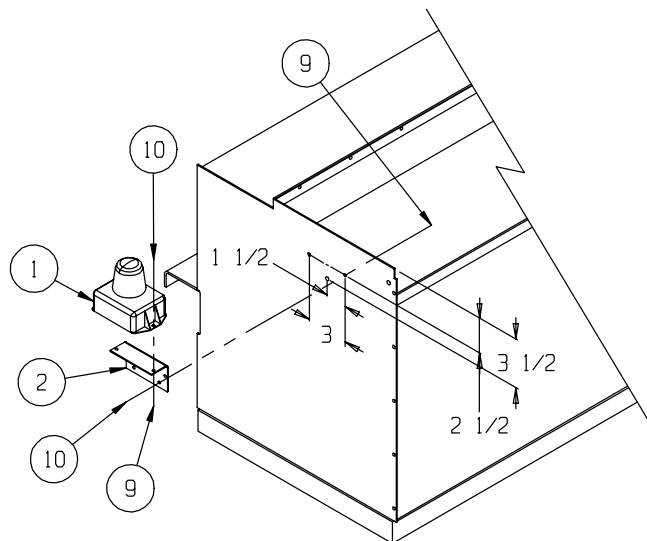
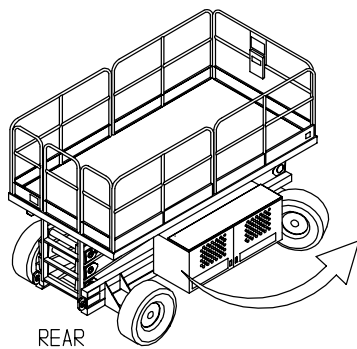
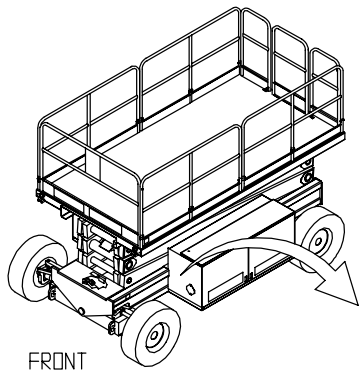
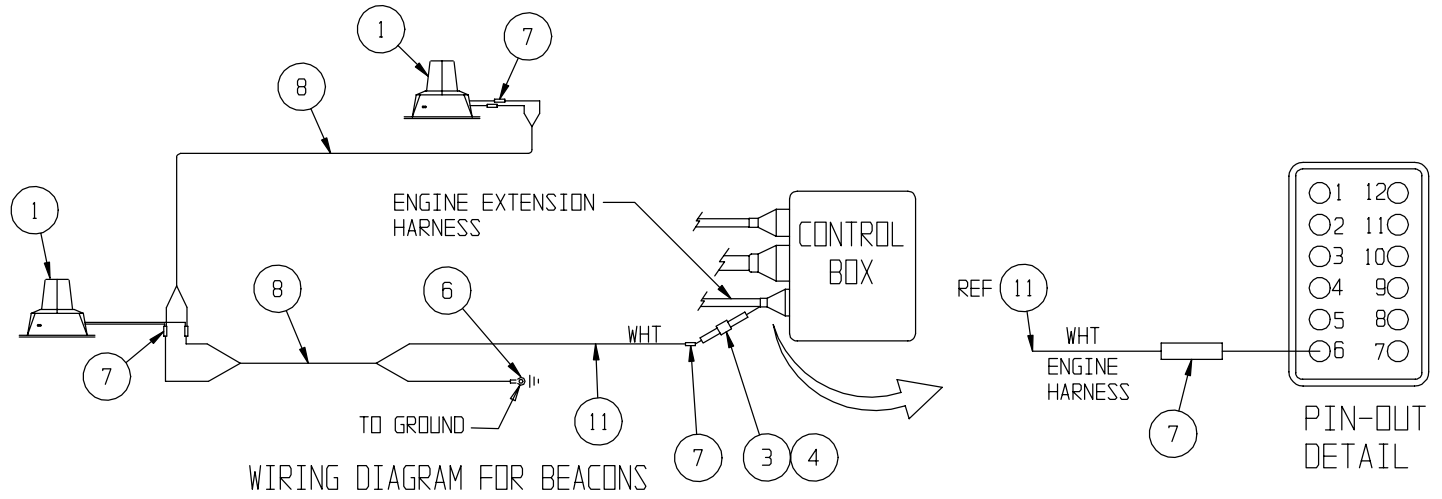
Drawing # 2 of 2

Amber Beacon Option

067947-010

ITEM	PART NO.	PART/MATERIAL DESCRIPTIN	QTY.
1	012848-004	LIGHT 12-24 VOLT	2
2	063193-000	LIGHT BRACKET	2
3	029702-000	FUSE HOLDER	1
4	029704-002	FUSE 2 AMP	1
6	029601-013	CONN RING 16-14 #10	1

ITEM	PART NO.	PART/MATERIAL DESCRIPTIN	QTY.
7	029620-002	CONN BUTT 16-14	6
8	029496-099	WIRE 16 AWG 2 COND	18 FT
9	011249-003	NUT HEX ESNA #10-32	4
10	011826-004	SCREW MACH.RD.HD. #10-32 X 1/2	4
11	029451-099	WIRE, 16 GA., WHITE	6 FT

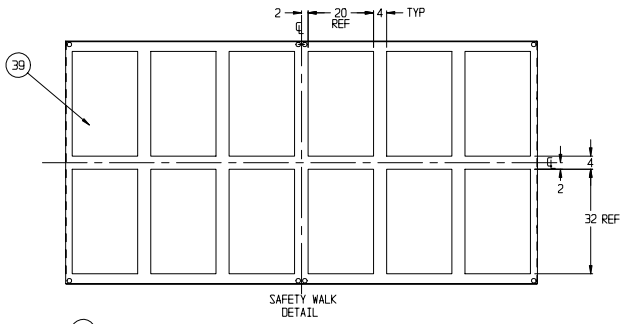


NOTES:

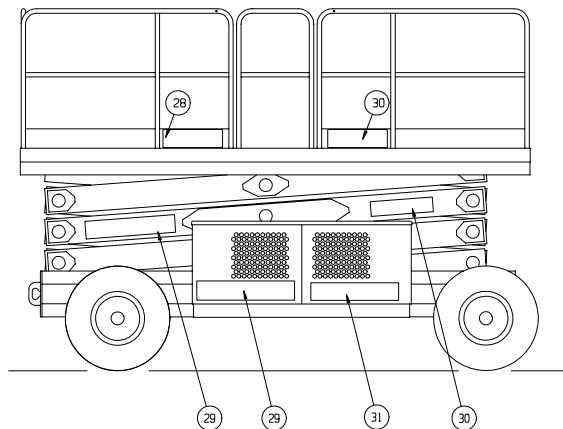
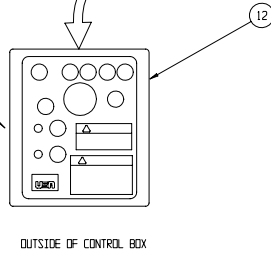
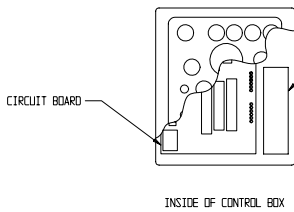
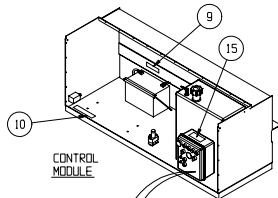
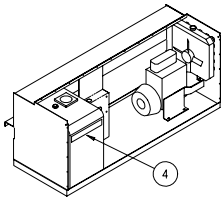
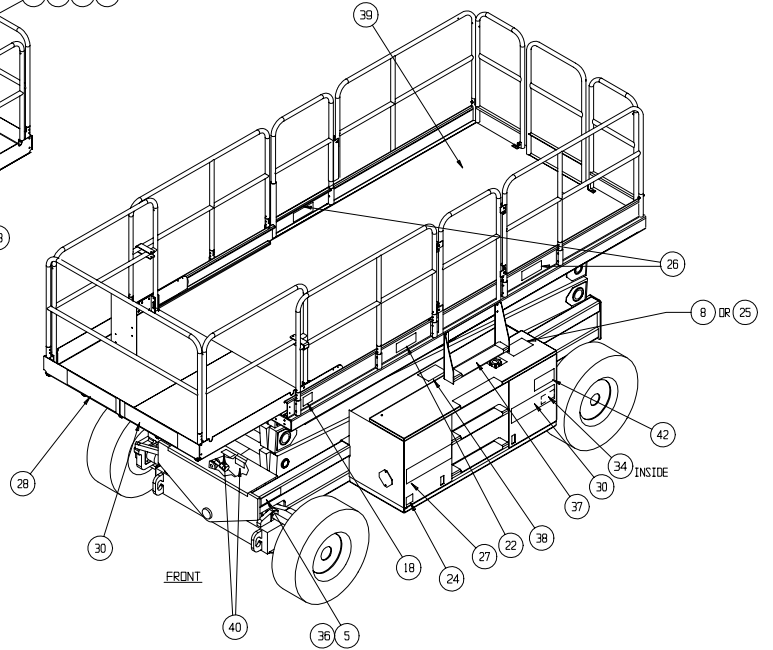
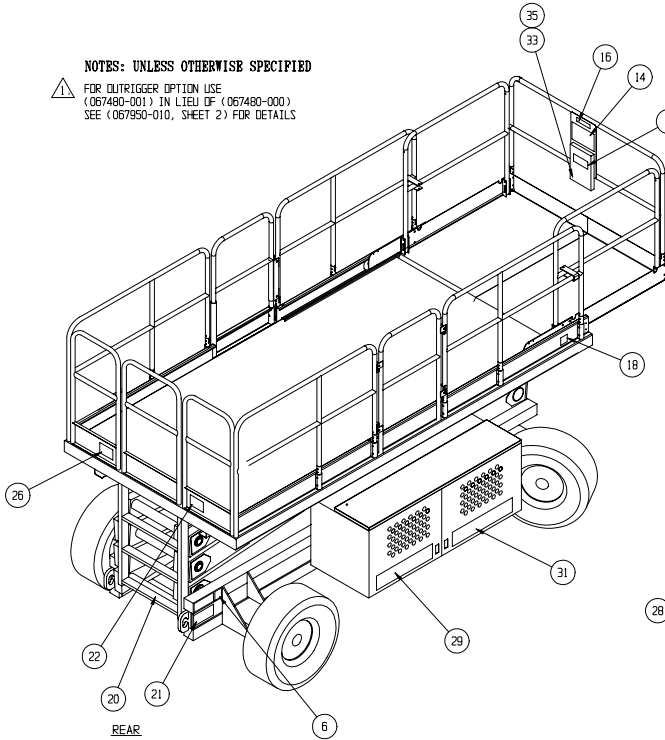
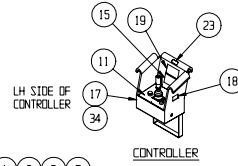
Label Kit, LX31**108055-000, -001, -002, -003**

NOTE: Options may require special labels. Refer to the option drawing.

ITEM	PART NO.	PART/MATERIAL DESCRIPTION	2WD DUAL FUEL	2WD DIESEL	4WD DUAL FUEL	4WD DIESEL
			108055-000	108055-001	108055-002	108055-003
			QTY.	QTY.	QTY.	QTY.
1	010076-000	MANUAL CASE	1	1	1	1
2	010076-001	LABEL-ATTENTION	1	1	1	1
3	067903-004	USER MANUAL LX-SERIES	1	1	1	1
4	060197-000	LABEL-HYD. FLUID	1	1	1	1
5	061205-005	NAME PLATE	1	1	1	1
6	061220-002	LABEL-ANSI	1	1	1	1
7	060577-004	ANSI MANUAL	1	1	1	1
8	064166-000	LABEL-UNLEADED FUEL	1	1	1	1
9	066552-000	LABEL-WARNING BATTERY	1	1	1	1
10	064189-001	LABEL-LIQUID WITHDRAWAL	1	1	1	1
11	067642-003	LABEL-CONTROLLER	1	1	1	1
12	067481-000	LABEL - LOWER CONTROLS, DUAL/FUEL	1		1	
	067481-001	LABEL - LOWER CONTROLS, DIESEL		1		1
13	067480-000	LABEL - LED CODES	1	1	1	1
14	066550-009	LABEL-DANGER	1	1	1	1
15	067478-000	LABEL-NOTICE	2	2	2	2
16	066551-003	LABEL-DANGER TIPPING	1	1	1	1
17	030624-024	LABEL-CHOKE	1		1	
	067822-000	LABEL-GLOW PLUG		1		1
18	064444-000	LABEL-USA	3	3	3	3
19	066554-000	LABEL-READ	1	1	1	1
20	060830-000	SAFETY WALK	5	5	5	5
21	063423-000	LABEL-BRAKE RELEASE	1	1	1	1
22	066562-000	LABEL-TIRE PSI 50	2	2	2	2
23	061515-000	LABEL-LIFT HERE	1	1	1	1
24	066568-000	LABEL-WARNING	1	1	1	1
25	027898-000	LABEL-DIESEL FUEL		1		1
26	101250-009	LABEL-MAX LOAD 2000 LBS	3	3	1	1
27	061683-004	LABEL-UPRIGHT 2 1/2	1	1	1	1
28	061683-005	LABEL-UPRIGHT 4 1/2	2	2	2	2
29	061683-007	LABEL-UPRIGHT 5 1/2	3	3	3	3
30	067644-006	LABEL-LX31 4WD			4	4
	067644-002	LABEL-LX31 2WD	4	4		
31	067644-005	LABEL LX31 4WD			1	1
	067644-001	LABEL-LX31 2WD	1	1		
33	011248-004	NUT HEX ESNA 1/4-20UNC	4	4	4	4
34	067822-001	LABEL ATTENTION GLOW PLUGS		2		2
35	011252-008	SCREW HHC 1/4-20UNC X 1	4	4	4	4
36	065368-000	TACK	4	4	4	4
37	060830-001	SAFETY WALK 4 X 20	4	4	4	4
38	066561-001	LABEL, MAINT. BRACE	1	1	1	1
39	060086-000	SAFETY WALK 20 X 32	12	12	12	12
40	066558-000	LABEL, EMERG. LOWERING	2	2	2	2
42	101252-013	LABEL, MAX WHEEL LOAD 3900lbs	1	1	1	1



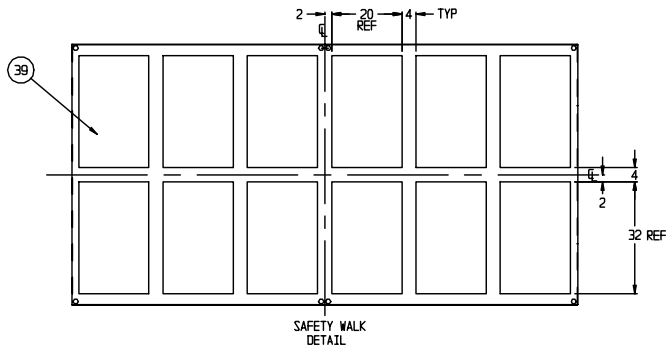
NOTES: UNLESS OTHERWISE SPECIFIED
 ▲ FOR OUTRIGGER OPTION USE
 (067480-001) IN LIEU OF (067480-000)
 SEE (067950-010, SHEET 2) FOR DETAILS



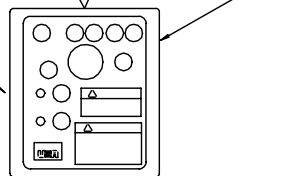
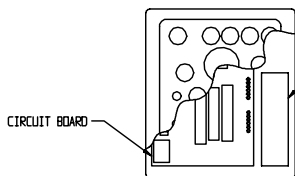
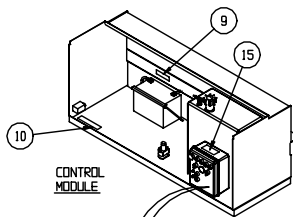
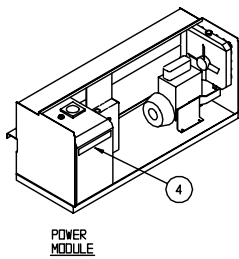
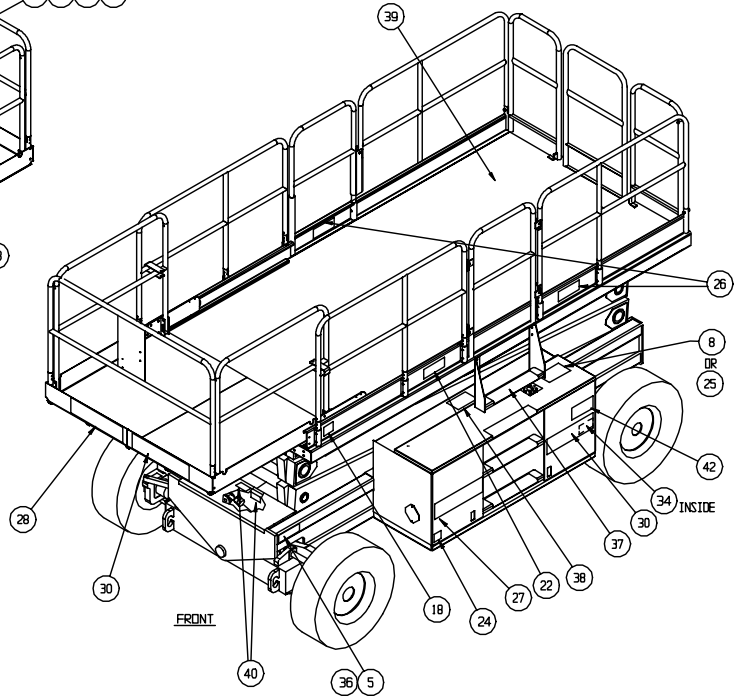
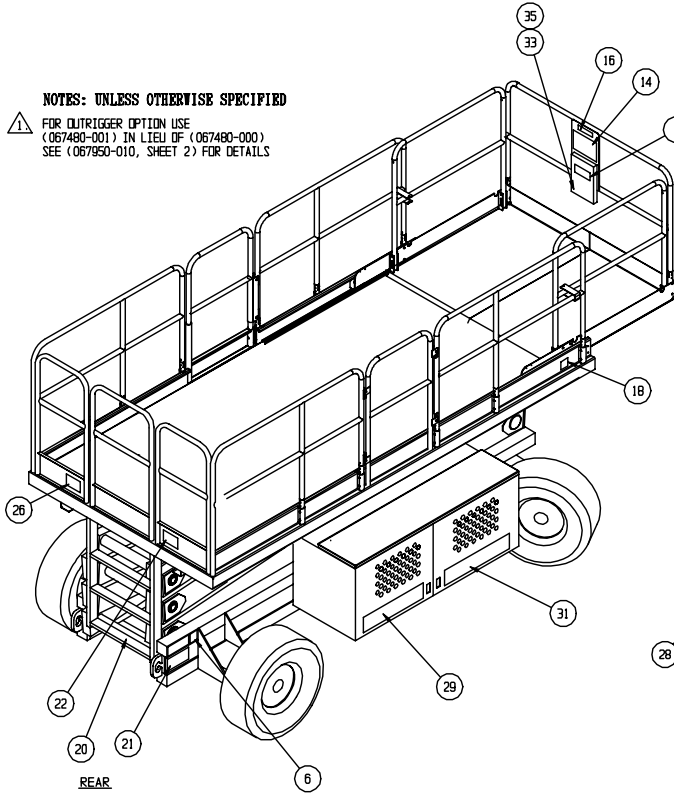
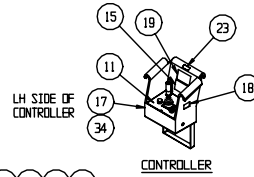
Label Kit, LX41**108055-004, -005, -006, -007**

NOTE: Options may require special labels. Refer to the option drawing.

ITEM	PART NO.	PART/MATERIAL DESCRIPTION	2WD DUAL FUEL	2WD DIESEL	4WD DUAL FUEL	4WD DIESEL
			108055-004	108055-005	108055-006	108055-007
			QTY.	QTY.	QTY.	QTY.
1	010076-000	MANUAL CASE	1	1	1	1
2	010076-001	LABEL-ATTENTION	1	1	1	1
3	067903-004	USER MANUAL LX-SERIES	1	1	1	1
4	060197-000	LABEL-HYD. FLUID	1	1	1	1
5	061205-005	NAME PLATE	1	1	1	1
6	061220-002	LABEL-ANSI	1	1	1	1
7	060577-004	ANSI MANUAL	1	1	1	1
8	064166-000	LABEL-UNLEADED FUEL	1	1	1	1
9	066552-000	LABEL-WARNING BATTERY	1	1	1	1
10	064189-001	LABEL-LIQUID WITHDRAWAL	1	1	1	1
11	067642-003	LABEL-CONTROLLER	1	1	1	1
12	067481-000	LABEL-LOWER CONTROLS, DUAL FUEL	1		1	
	067481-001	LABEL-LOWER CONTROLS, DIESEL		1		1
13	067480-000	LABEL-LED CODES	1	1	1	1
14	066550-009	LABEL-DANGER	1	1	1	1
15	067478-000	LABEL-NOTICE	2	2	2	2
16	066551-003	LABEL-DANGER TIPPING	1	1	1	1
17	030624-024	LABEL-CHOKE	1		1	
	067822-000	LABEL-GLOW PLUG		1		1
18	064444-000	LABEL-USA	3	3	3	3
19	066554-000	LABEL-READ	1	1	1	1
20	060830-000	SAFETY WALK	5	5	5	5
21	063423-000	LABEL-BRAKE RELEASE	1	1	1	1
22	066562-000	LABEL-TIRE PSI 50	2	2	2	2
23	061515-000	LABEL-LIFT HERE	1	1	1	1
24	066568-000	LABEL-WARNING	1	1	1	1
25	027898-000	LABEL-DIESEL FUEL	1	1	1	1
26	101250-008	LABEL-MAX LOAD 1500 LBS	3	3	3	3
27	061683-004	LABEL-UPRIGHT 2 1/2	1	1	1	1
28	061683-005	LABEL-UPRIGHT 4 1/2	2	2	2	2
29	061683-007	LABEL-UPRIGHT 5 1/2	3	3	3	3
30	067644-008	LABEL-LX41 4WD			4	4
	067644-004	LABEL-LX41 2WD	4	4		
31	067644-007	LABEL LX41 4WD			1	1
	067644-003	LABEL-LX41 2WD	1	1		
33	011248-004	NUT HEX ESNA 1/4-20UNC	4	4	4	4
34	067822-001	LABEL ATTENTION GLOW PLUGS		2		2
35	011252-008	SCREW HHC 1/4-20UNC X 1	4	4	4	4
36	065368-000	TACK	4	4	4	4
37	060830-001	SAFETY WALK 4 X 20	4	4	4	4
38	066561-001	LABEL, MAINT. BRACE	1	1	1	1
39	060086-000	SAFETY WALK 20 X 32	12	12	12	12
40	066558-000	LABEL, EMERG. LOWERING	2	2	2	2
42	101252-014	LABEL, MAX WHEEL LOAD 4200lbs	1	1	1	1

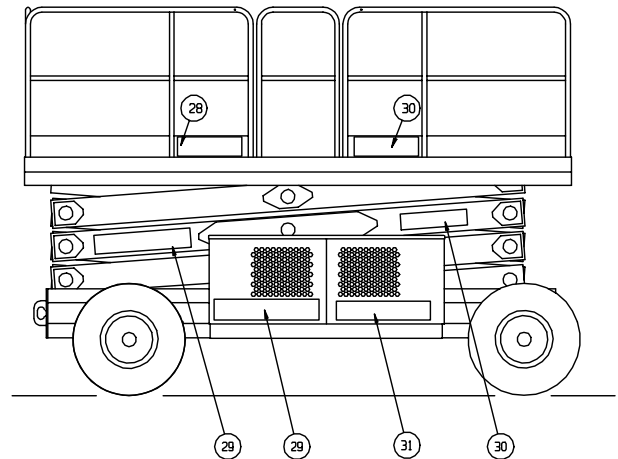


NOTES: UNLESS OTHERWISE SPECIFIED
 ⚠ FOR OUTRIGGER OPTION USE
 (067490-001) IN LIEU OF (067490-000)
 SEE (067950-010, SHEET 2) FOR DETAILS



INSIDE OF CONTROL BOX

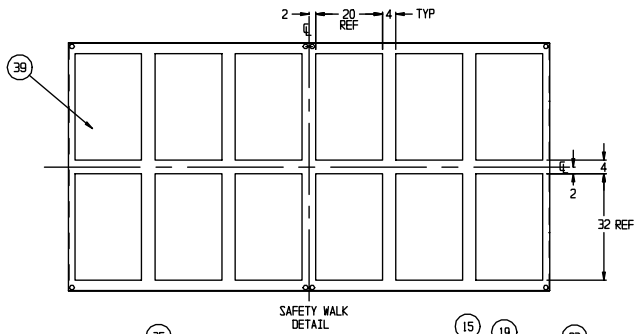
OUTSIDE OF CONTROL BOX



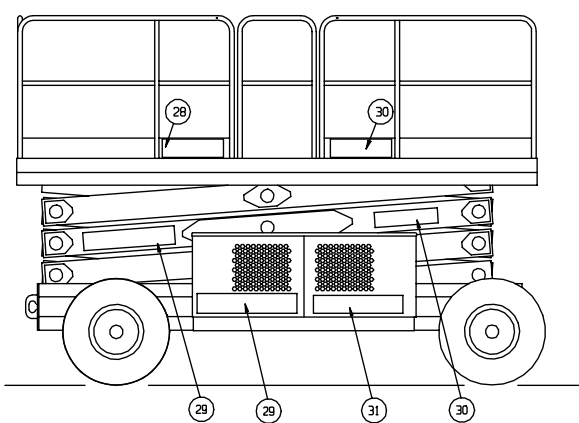
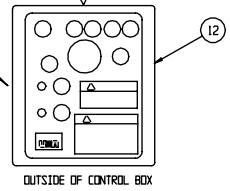
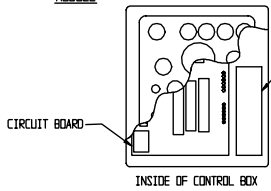
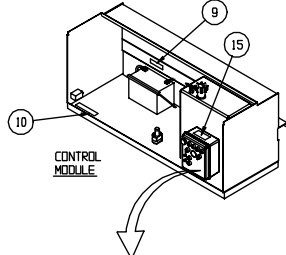
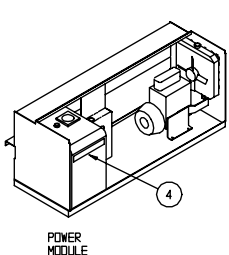
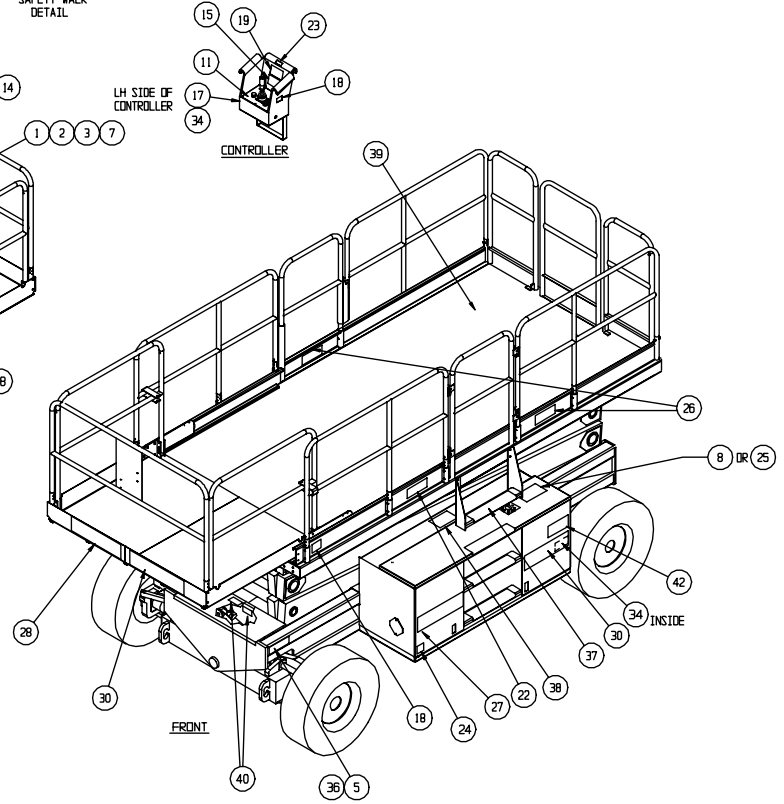
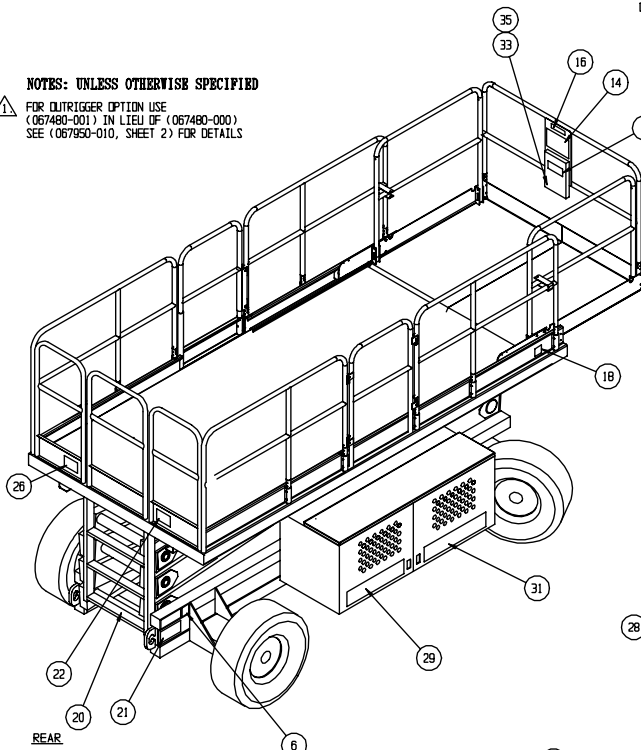
Label Kit, LX50**108055-008, -009, -010, -011**

NOTE: Options may require special labels. Refer to the option drawing.

ITEM	PART NO.	PART/MATERIAL DESCRIPTION	2WD DUAL FUEL	2WD DIESEL	4WD DUAL FUEL	4WD DIESEL
			108055-008	108055-009	108055-010	108055-011
			QTY.	QTY.	QTY.	QTY.
1	010076-000	MANUAL CASE	1	1	1	1
2	010076-001	LABEL-ATTENTION	1	1	1	1
3	067903-004	USER MANUAL LX-SERIES	1	1	1	1
4	060197-000	LABEL-HYD. FLUID	1	1	1	1
5	061205-005	NAME PLATE	1	1	1	1
6	061220-002	LABEL-ANSI	1	1	1	1
7	060577-004	ANSI MANUAL	1	1	1	1
8	064166-000	LABEL-UNLEADED FUEL	1	1	1	1
9	066552-000	LABEL-WARNING BATTERY	1	1	1	1
10	064189-001	LABEL-LIQUID WITHDRAWAL	1	1	1	1
11	067642-003	LABEL-CONTROLLER	1	1	1	1
12	067481-000	LABEL-LOWER CONTROLS, DUAL FUEL	1		1	
	067481-001	LABEL-LOWER CONTROLS, DIESEL		1		1
13	067480-000	LABEL-LED CODES	1	1	1	1
14	066550-009	LABEL-DANGER	1	1	1	1
15	067478-000	LABEL-NOTICE	2	2	2	2
16	066551-003	LABEL-DANGER TIPPING	1	1	1	1
17	030624-024	LABEL-CHOKE	1		1	
	067822-000	LABEL-GLOW PLUG		1		1
18	064444-000	LABEL- USA	4	4	4	4
19	066554-000	LABEL-READ	1	1	1	1
20	064444-000	LABEL-USA	3	3	3	3
21	063423-000	LABEL-BRAKE RELEASE	1	1	1	1
22	066562-003	LABEL-POLY FILLED TIRES	2	2	2	2
23	061515-000	LABEL-LIFT HERE	1	1	1	1
24	066568-000	LABEL-WARNING	1	1	1	1
25	027898-000	LABEL-DIESEL FUEL	1	1	1	1
26	101250-003	LABEL-MAX LOAD 1000 LB.	3	3	3	3
27	061683-004	LABEL-UPRIGHT 2-1/2	1	1	1	1
28	061683-005	LABEL-UPRIGHT 4 1/2	2	2	2	2
29	061683-007	LABEL-UPRIGHT 5 1/2	3	3	3	3
30	067644-020	LABEL-LX50 4WD			4	4
	067644-019	LABEL-LX50 2WD	4	4		
31	067644-015	LABEL LX50 4WD			1	1
	067644-013	LABEL-LX50 2WD	1	1		
32	060830-000	SAFETY WALK	6	6	6	6
33	011248-004	NUT HEX ESNA 1/4-20UNC	4	4	4	4
34	067822-001	LABEL ATTENTION GLOW PLUGS		2		2
35	011252-008	SCREW HHC 1/4-20UNC X 1	4	4	4	4
36	065368-000	TACK	4	4	4	4
37	060830-001	SAFETY WALK 4 X 20	4	4	4	4
38	066561-001	LABEL, MAINT. BRACE	1	1	1	1
39	060086-000	SAFETY WALK 20 X 32	12	12	12	12
40	066558-000	LABEL, EMERG. LOWERING	2	2	2	2
42	101252-015	LABEL, MAX WHEEL LOAD 4600lbs	1	1	1	1



NOTES: UNLESS OTHERWISE SPECIFIED
 ⚠ FOR OUTRIGGER OPTION USE (067480-001) IN LIEU OF (067480-000) SEE (067950-010, SHEET 2) FOR DETAILS



NOTES:

UpRight

Call Toll Free in U.S.A.
1-800-926-LIFT

UpRight, Inc.

801 South Pine Street
Madera, California 93637

TEL: 559-662-3900

FAX: 559-673-6184

PARTS: 1-888-UR-PARTS

PARTS FAX: 1-800-669-9884

UpRight

Call Toll Free in U.S.A.

1-800-926-LIFT

108049-008

07-02

UpRight

Unit S1, Park West Industrial Park
Friel Avenue
Nangor Road
Dublin 12, Ireland

TEL: +353 1 620 9300

FAX: +353 1 620 9301