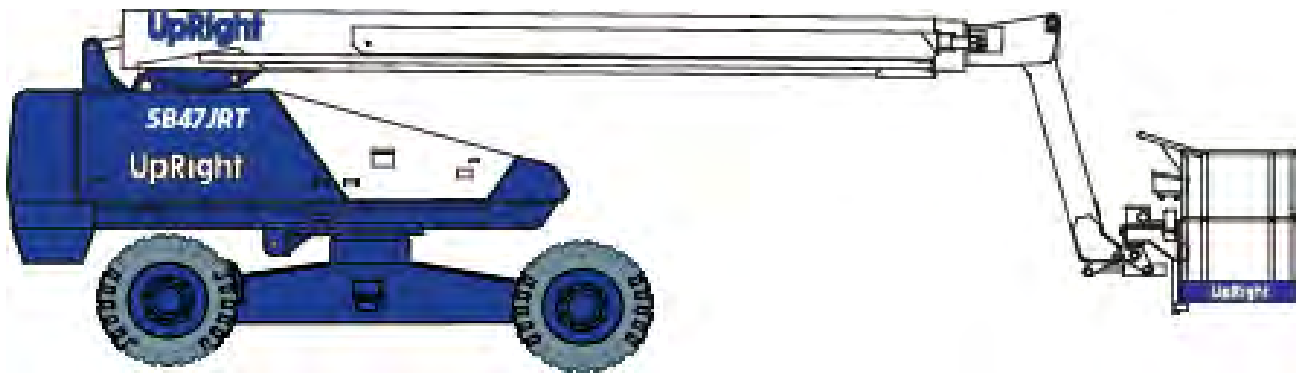


UpRight

POWERED ACCESS



SB47JRT

WORK PLATFORM

Please note:

The Upright SB47JRT is also sold as the Snorkel TB47J in some regions.

Therefore any reference to the Snorkel TB47J also applies to the UpRight SB47JRT.

UpRight Powered Access HQ
Vigo Centre
Birtley Road
Washington
Tyne & Wear
NE38 9DA

Snorkel

Europe

TEL: +44 (0) 845 1550 058
FAX: +44 (0) 195 2299 948

UpRight
POWERED ACCESS

USA

TEL: +1 (785) 989 3000
FAX: +1 (785) 989 3070

www.upright.com

DANGER

The aerial platform is not electrically insulated. Death or serious injury will result from contact with, or inadequate clearance from, an energized conductor.

Do not go closer than the Minimum Safe Approach Distance as defined by ANSI standards.

Regard all conductors as energized.

Allow for electrical wire sag and aerial platform sway.

If the platform, boom structure, or any part of the aerial platform contacts a high-voltage electrical conductor, the entire machine can become electrically charged.

If that happens, remain on the machine and do not contact any other structure or object. This includes the ground, adjacent buildings, poles, and any other objects that are not part of the aerial platform.

Such contact could make your body a conductor to the other object, creating an electrical shock hazard resulting in death or serious injury.

If an aerial platform is in contact with an energized conductor the platform operator must warn ground personnel in the vicinity to stay away. Their bodies can conduct electricity creating an electrical shock hazard resulting in death or serious injury.

Do not approach or leave the aerial platform until the electricity has been turned off.

Do not attempt to operate the lower controls when the platform, scissors structure, or any part of the aerial platform is in contact with a high-voltage electrical conductor or if there is an immediate danger of such contact.

Personnel on or near an aerial platform must be continuously aware of electrical hazards, recognizing that death or serious injury can result from contact with an energized conductor.

California

Proposition 65 Warning

Battery posts, terminals and related accessories contain lead and lead components, chemicals known to the State of California to cause cancer and birth defects or other reproductive harm. Wash hands after handling.

California

Proposition 65 Warning

Diesel and gasoline engine exhaust and some of its constituents are known by the State of California to cause cancer, birth defects or other reproductive harm.

Table of Contents

Electrical Hazard	Inside front cover
California Proposition 65	Inside front cover

General Information

About This Manual	i
Repairs and Maintenance	i
Abbreviations	i
Additional Information	i

Service and Parts Information

Ordering Parts	ii
ANSI and OSHA Compliance	ii
Manuals	ii
Machine Information	ii
Parts Order Form	iii

Section 1 – Repair Parts

Chassis/Turntable	3
Drive	5
Steering	7
Lift and Swing	11
Swing Drive	15
Fuel Tank Mounting – Deutz, Cummins and Ford ...	17
Fuel Tank Mounting – GM	19
Hydraulic Oil Reservoir	21
Booms and Hose Carrier – TB42/TB50	23
Booms, Hose Carrier and Jib – TB47J	27
Booms – TB42/TB50	31
Booms – TB47J	35
Jib, Platform Mounting and Rotator – TB47J	39
Extension Cylinder	41
Hose Carrier	45
Platform Mounting – TB42	49
Platform Mounting – TB50	51
Platform Gate	53
Platform Rotator – TB42	55
Platform Rotator – TB50	57
Platform Rotator – TB47J	59
Engine Mounting – Cummins 3.3	61
Engine – Cummins 3.3	65
Engine Mounting – Deutz	69
Engine – Deutz	73
Engine Mounting – Ford	77
Engine – Ford	81
Engine Mounting – GM	85
Engine – GM	89
Exhaust and Air Cleaner – Deutz	93
Exhaust and Air Cleaner – Ford	95
Exhaust and Air Cleaner – GM	97
Plastic Cowling	99
Placards and Decals – TB42/TB50	103
Placards and Decals – TB47J	109
Gear Hub – Auburn Gear	115
Swing Drive – Auburn Gear	117
Swing Drive – Perfection	119
Tires and Wheels	121

Section 2 – Hydraulics

Chassis Hydraulics, 2 Wheel Drive	3
Chassis Hydraulics, 4 Wheel Drive	7
Turntable Hydraulics	11
Turntable Hydraulic Hoses	15
Hydraulic Oil Reservoir	19
Drive Motor	21
Drive Motor with Brake	23
Drive/Motion Control Valve	25
Proportional Valve	27
Non-Proportional Valve	29
Range Valve	31
Check Valve Manifold Assembly	33
Accumulator	35
AC Generator Valve	37
Centerpost	39
Extension Cylinder and Support Bracket	41
Cylinder, Extend – Rosenboom – TB42/TB47J	43
Cylinder, Extend – Rosenboom – TB50	45
Cylinder, Lift – GBI	47
Cylinder, Master Level – Rosenboom – TB42/TB50 ..	49
Cylinder, Master Level – Green – TB47J	51
Slave Level Cylinder	53
Cylinder, Slave Level – Rosenboom – TB42/50	55
Cylinder, Slave Level – Green – TB47J	57
Cylinder, Steering – Rosenboom	59
Cylinder, Jib – Green – TB47J	61
Drive Valve	63
Dual Holding Valve	65
Emergency Power Unit	67
Hydraulic Pump and Fittings – Deutz and Cummins ..	69
Hydraulic Pump and Fittings – Ford and GM	71
Hydraulic Warm Up Valve	73
Motion Control Valve, Drive	75
Motion Control Valve, Turntable Swing	77
Platform Rotator – Parker – TB42/50	79
Platform Rotator – TB47J	81
Sense Line Dump Valve	83

Section 3 – Electrical

Electrical Components, Deutz and Cummins Engines – TB42/TB50	3
Electrical Components, Ford Engine – TB42/TB50 ...	9
Electrical Components, GM Engine – TB42/TB50 ..	15
Electrical Components, Deutz and Cummins Engines – TB47J	21
Electrical Components, Ford Engine – TB47J	27
Electrical Components, GM Engine – TB47J	33
Engine Electrical, Cummins Engine – TB42/TB50 ..	39
Engine Electrical, Deutz Engine – TB42/TB50	43
Engine Electrical, Ford Engine – TB42/TB50	47
Engine Electrical, GM Engine – TB42/TB50	51
Engine Electrical, Cummins Engine – TB47J	55
Engine Electrical, Deutz Engine – TB47J	59
Engine Electrical, Ford Engine – TB47J	63
Engine Electrical, GM Engine – TB47J	67

Platform Foot Switch	71
Lower Controls, Cummins and Deutz Engines	
– TB42/TB50	73
Lower Controls, Ford Engine – TB42/TB50.....	77
Lower Controls, GM Engine – TB42/TB50	81
Lower Controls, Cummins and Deutz Engines	
– TB47J	85
Lower Controls, Ford Engine – TB47J	89
Lower Controls, GM Engine – TB47J	93
Wiring Box, Cummins and Deutz Engines.....	97
Wiring Box, Ford Engine.....	101
Wiring Box, GM Engine	105
Wiring Box Panel, All Engines	109
Upper Control Box – TB42/TB50.....	113
Upper Control Box – TB47J.....	117
Boom Switch, Drive Speed.....	121
Controller, Drive/Steer	123
Controller, Lift/Swing.....	125
GFCI 110 Volt Power	127

Section 4 – Options

AC Generator Mounting.....	3
Air Line to Platform	7
LP Fuel – Ford Engine.....	11
Air Inlet Heater – Deutz	15
Engine Block Heater	17
Hydraulic Warm Up	19
Tow Package	23

Headlights.....	27
Horn.....	29
Isolation Valve	31
Motion Alarm, Drive	33
Spark Arrestor Muffler – Deutz	35
Taillights.....	37
Upper Control Box Cover	39
Upper Control Box Lights	41
Warning Light, Single Beacon	43
Work Lights	45
Motion Alarm, All Motion.....	47
Sandblast Kit	49

Section 5 – Maintenance

Maintenance	3
Daily Prestart Inspection.....	5
Frequent Inspection and Maintenance	7
Frequent Maintenance.....	11
Annual Maintenance.....	13
Major Repairs	15
Lubrication Points	17
Fastener Torque Chart.....	21

Appendix

Electrical Schematics	
Hydraulic Schematics	

Limited Warranty

General Information

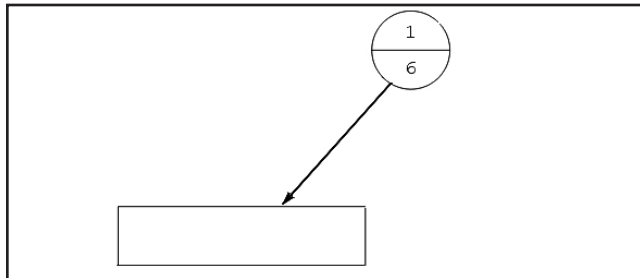
About This Manual

This manual covers TB42, TB50 and TB47J aerial platforms. Information is included for machines that have been manufactured to conform to all applicable requirements of the following organizations:

- American National Standards Institute (ANSI)
- Canadian Standards Association (CSA)
- European Committee for Standardization (CE)

Part pages include a drawing and a bill of material. The bill of material lists the item number that is on the drawing, the Snorkel part number, quantity used and a description of the item.

Some callouts in the drawings may have a balloon with two numbers. The top number is the item number and the bottom number is the quantity of the item at that location.



While Snorkel has attempted in every way to confirm that all information in this manual is correct, improvements are being constantly made to the machine that may not be reflected in this manual.

If you find information in this manual that is not correct or is confusing, you are urged to report your findings to Snorkel for our evaluation. Your input is important to us and will be used in future printings of this manual.

This machine is covered by a limited warranty that specifically identifies items warrantied by Snorkel and those items covered by original manufacturer's warranty. A copy of the Snorkel Limited Warranty is located on the inside of the back cover of this manual.

Repairs and Maintenance

Every person who maintains, inspects, tests or repairs the machine must be qualified and authorized to do so.

Caution

Do not modify this aerial platform without prior written consent of Snorkel Engineering Department. Modification may void the warranty, adversely affect stability or affect the operational characteristics of the aerial platform.

Abbreviations

The following abbreviations may be used in this manual.

AC	alternating current
ANSI	American National Standards Institute
AR	as required
CCA	cold cranking amps
cm	centimeter
DC	direct current
GFCI	ground fault circuit interruptor
mm	millimeter
ft	feet
in	inch
lbs	pounds
no	number
NPT	national pipe thread
psi	pounds per square inch
qty	quantity
UL	Underwriters Laboratories Inc.

Additional Information

All correspondence relative to this machine, such as field reports, discrepancy reports, requests for information, etc., should be directed to:

Snorkel International, Inc.
P.O. Box 1160
St. Joseph, MO 64502-1160 USA
Phone: 1-800-255-0317

<http://www.snorkelusa.com>

Service and Parts Information

Ordering Parts

When placing an order for service or repair parts, please have the following machine information readily available.

- Model number
- Serial number
- Snorkel part number
- Description of part
- Quantity of parts required
- Your purchase order number
- Address for order to ship to
- The desired shipment method

The parts order form on the following page may be mailed or faxed to the attention of the Parts Department at the following location:

Snorkel International, Inc.
P.O. Box 1160
St. Joseph, MO 64502-1160 USA

Phone: 1-800-255-0317
Parts Fax: 1-785-989-3077

Attention: Parts Department

For your convenience, our electronic on-line ordering system is available at the following Internet location:

<http://www.snorkelusa.com>

ANSI and OSHA Compliance

All owners and users of the aerial platform must read, understand and comply with all applicable regulations. Ultimate compliance to OSHA regulations is the responsibility of the user and their employer.

ANSI publications clearly identify the responsibilities of all personnel who may be involved with the aerial platform. A reprint of the "Manual of Responsibilities for Dealers, Owners, Users, Operators, Lessors and Lessees of ANSI/SIA A92.5-2006 Boom-Supported Elevating Work Platforms" is available from Snorkel dealers or from the factory upon request.

Copies are also available from:

Scaffold Industry Association, Inc.
P.O. Box 20574
Phoenix, AZ 85036-0574 USA

Manuals

Manuals are available from Snorkel to support any of the machines that we produce.

The specific manuals for TB42, TB50 and TB47J aerial platforms are as follows:

TB42/50 Operator's Manual
Snorkel part number – 0074923

TB47J Operator's Manual
Snorkel part number – 0075182

TB42/50/47J Repair Parts Manual
Snorkel part number – 0075237

ANSI Manual of Responsibilities
ANSI/SIA A92.5-2006
Snorkel part number – 0084053

Machine Information

Model Number: _____

Serial Number: _____

Date of Purchase: _____

Purchased From: _____

Snorkel Dealer or Distributor: _____

Parts Order Form

Fill out completely and fax to 1-785-989-3077, attention Parts Department.

Date: _____ Account Number: _____

Company: _____ Purchase Order Number: _____

Address: _____ Model Number: _____

Serial Number: _____

Ship To: _____

Contact Name: _____

Phone Number: _____

Fax Number: _____

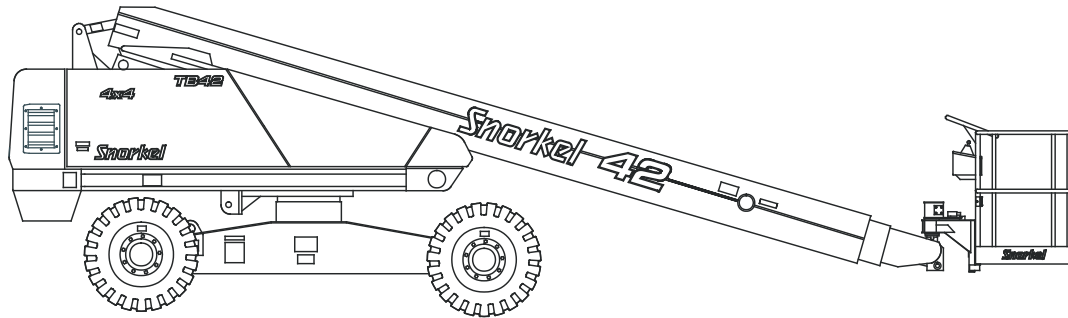
Shipping Method: _____

Part Number	Description	Quantity

Note: Backordered parts will be shipped as soon as available using the same shipping method as the original order unless otherwise indicated below.

- Ship complete order only. Do not backorder parts.
- Ship all available parts and disposition of backordered parts.
- Other instructions as specified: _____

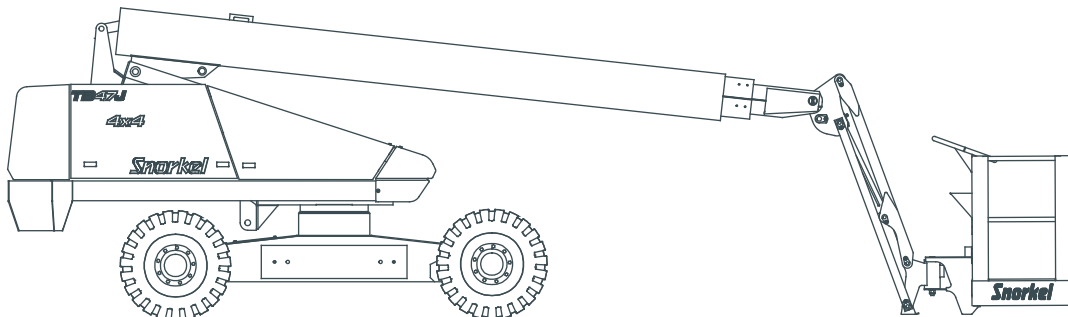
Repair Parts



TB42

TB50

Manufactured 02-05 and after
With Simplified Hydraulics

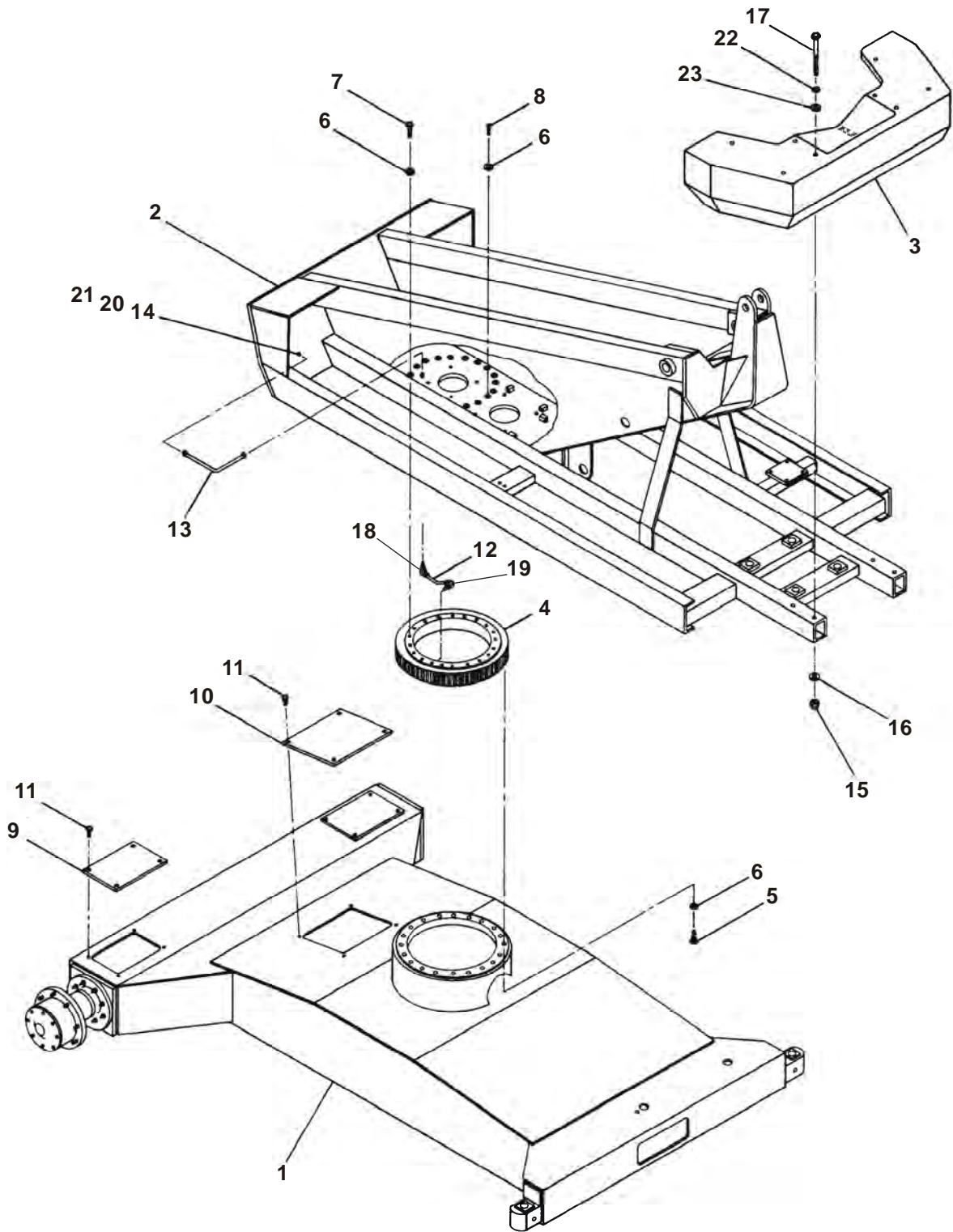


TB47J

With Simplified Hydraulics

Snorkel
INTERNATIONAL

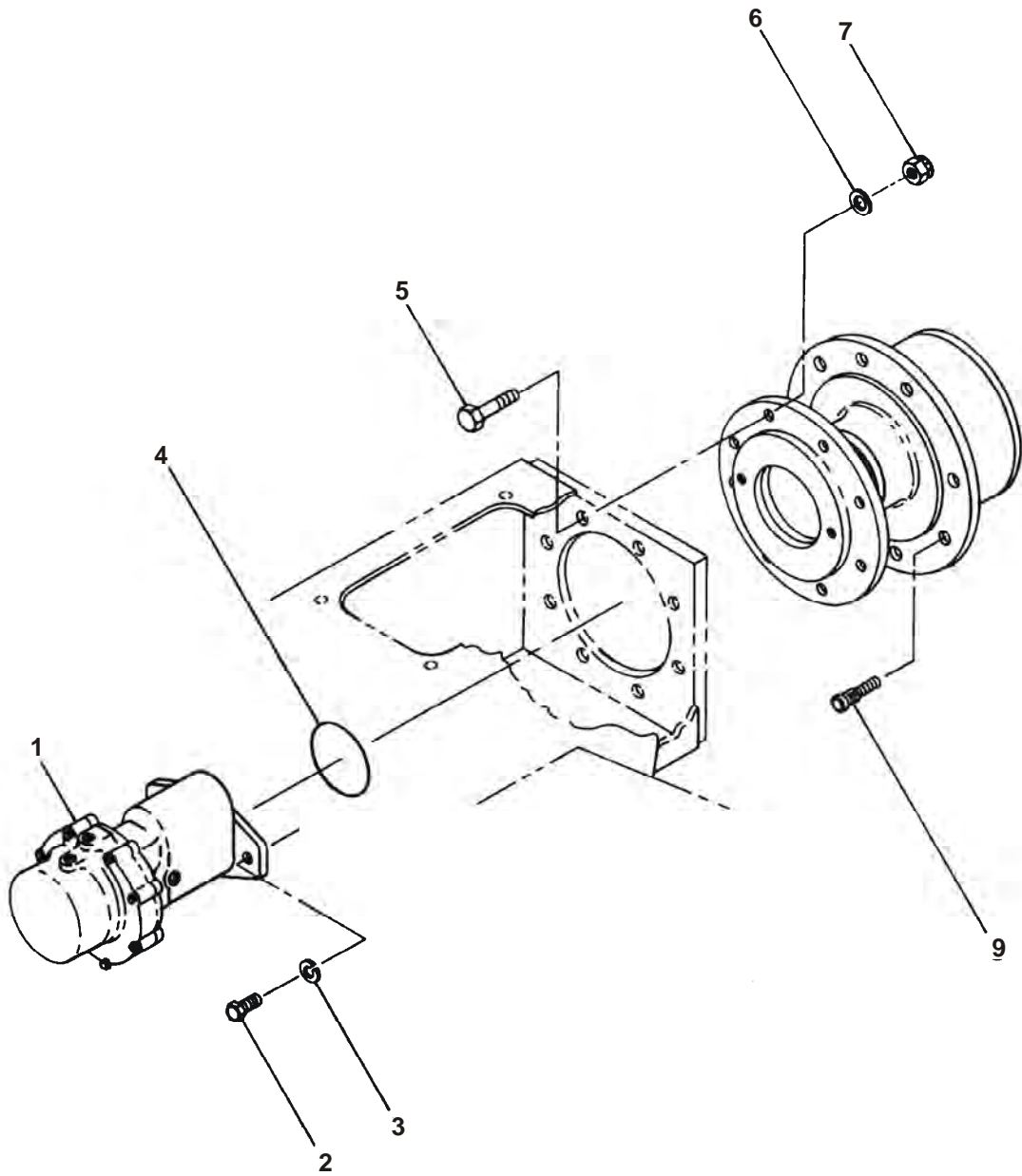
Chassis/Turntable



Chassis/Turntable

Item	Part No.	Qty.	Description
1		1	CHASSIS - (CONSULT FACTORY)
2		1	TURNABLE - (CONSULT FACTORY)
3		1	COUNTERWEIGHT - (CONSULT FACTORY)
4	0070021	1	ROTATION BEARING GEAR
5	5560149	20	CAPSCREW SPECIAL 5/8-11 SELF LOCKING
6	5560169	40	WASHER 5/8 HARD FLAT ASTM-F436
7	5560051	18	CAPSCREW 5/8-11 SELF LOCKING
8	5560063	2	CAPSCREW 5/8-11 X 1-1/4 INCH LONG SOCKET HEAD
9	0070224	2	ACCESS COVER, DRIVE
10	0070328	1	ACCESS COVER, CHASSIS
11	970449	12	CAPSCREW 3/8-16 X 3/4 INCH LONG HEX HEAD GRADE 5
12	0070553	1	LUBRICATION TUBE, 1/4 INCH COPPER TUBE
13	0040276	1	LUBRICATION HOSE
14	5570001	1	GREASE FITTING, 1/8 NPT STRAIGHT
15	5560039	4	NUT 1/2-13 SELF LOCKING
16	0070148	8	ENGINE MOUNT WASHER
17	5560709	4	CAPSCREW 1/2-13 X 7-1/2 INCH LONG HEX HEAD GRADE 8
18	5033704	1	MALE 90° ELBOW
19	5033703	1	MALE 90° ELBOW
20	5037102	1	BULKHEAD CONNECTOR
21	5074401	1	BULKHEAD LOCKNUT
22	5560168	4	WASHER 1/2 HARD FLAT ASTM-F436
23	986359	4	WASHER 1/2 MEDIUM FLAT

Drive

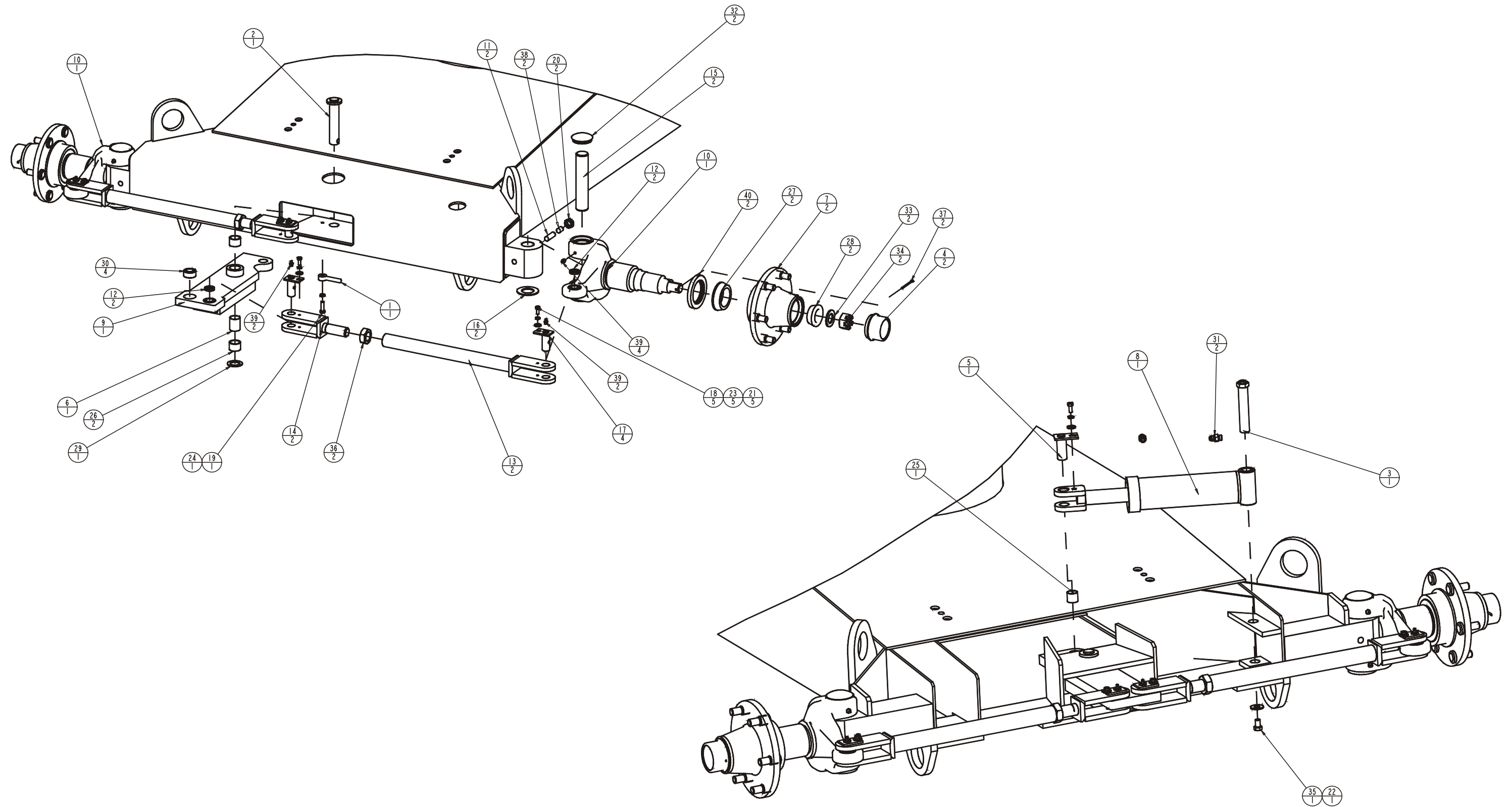


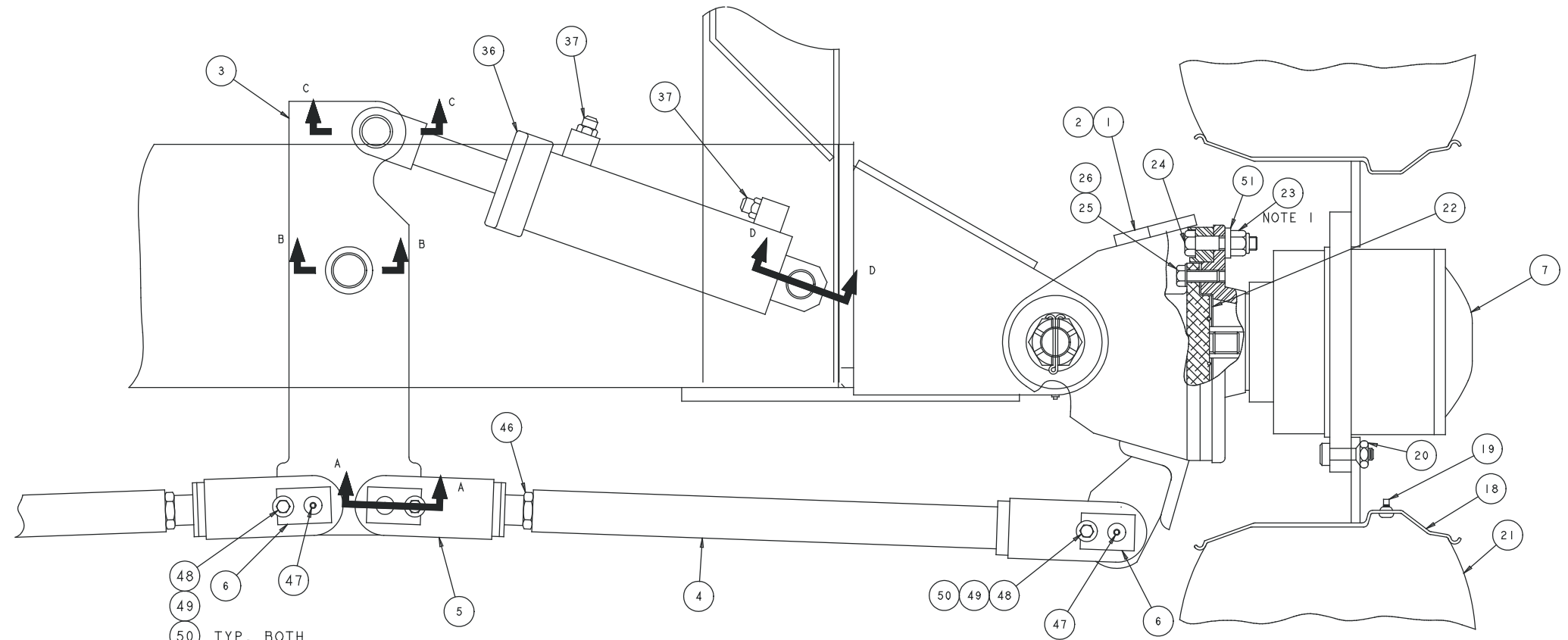
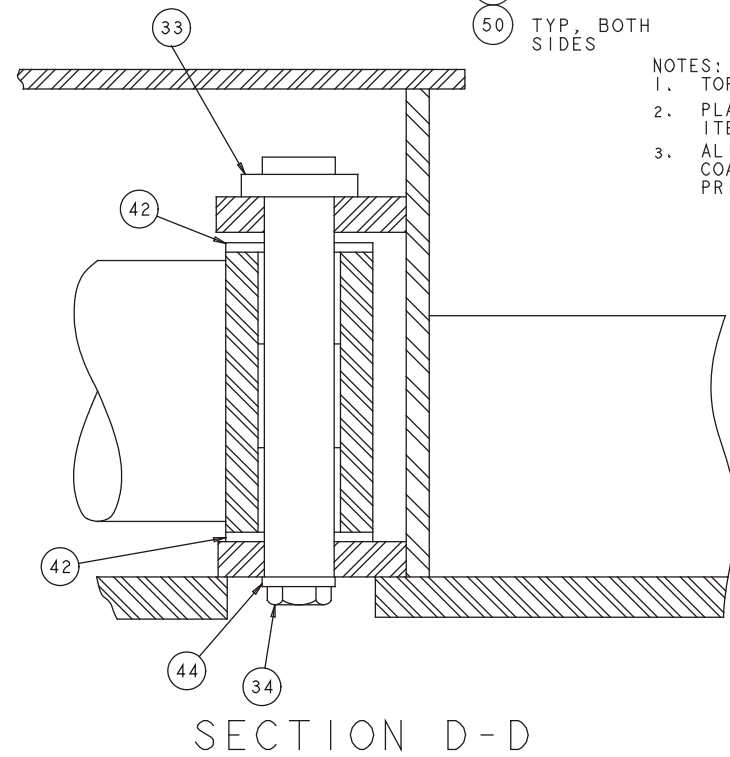
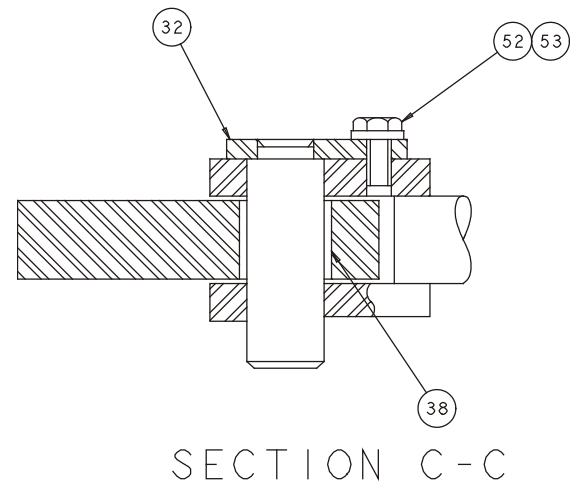
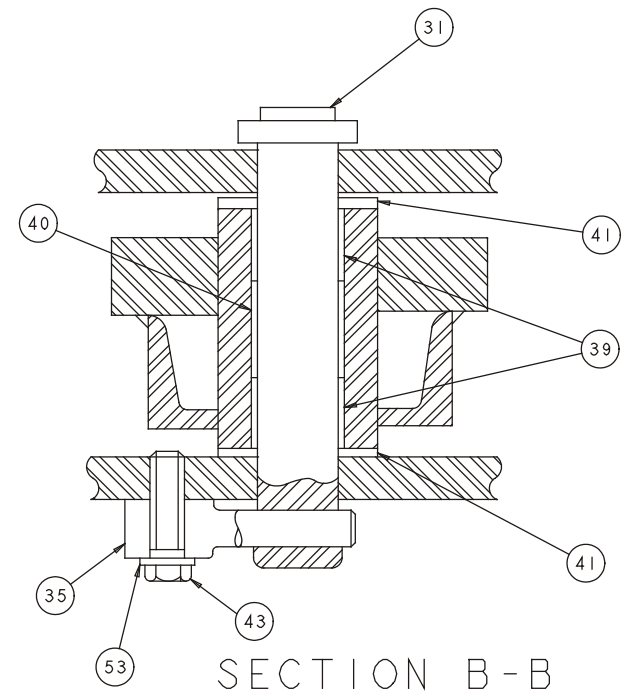
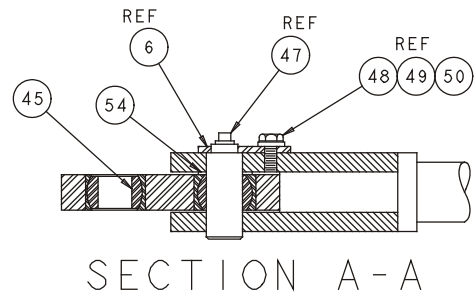
AW0070556

Drive

Item	Part No.	Qty.	Description
1	6030040	2	DRIVE MOTOR WITH BRAKE - (SEE HYDRAULICS PAGE 23 FOR PARTS BREAKDOWN)
2	5560078	4	CAPSCREW 1/2-13 X 1-1/2 INCH LONG HEX HEAD GRADE 8
3	987139	4	WASHER 1/2 MEDIUM LOCK
4	7110242	2	O-RING
5	5560195	16	CAPSCREW 5/8-11 X 2-1/2 INCH LONG HEX HEAD GRADE 5
6	5560168	16	WASHER 1/2 HARD FLAT ASTM-F436
7	5560131	16	NUT 5/8-11 SELF LOCKING
8	0070012	2	GEAR HUB - (SEE PAGE 107 FOR PARTS BREAKDOWN)

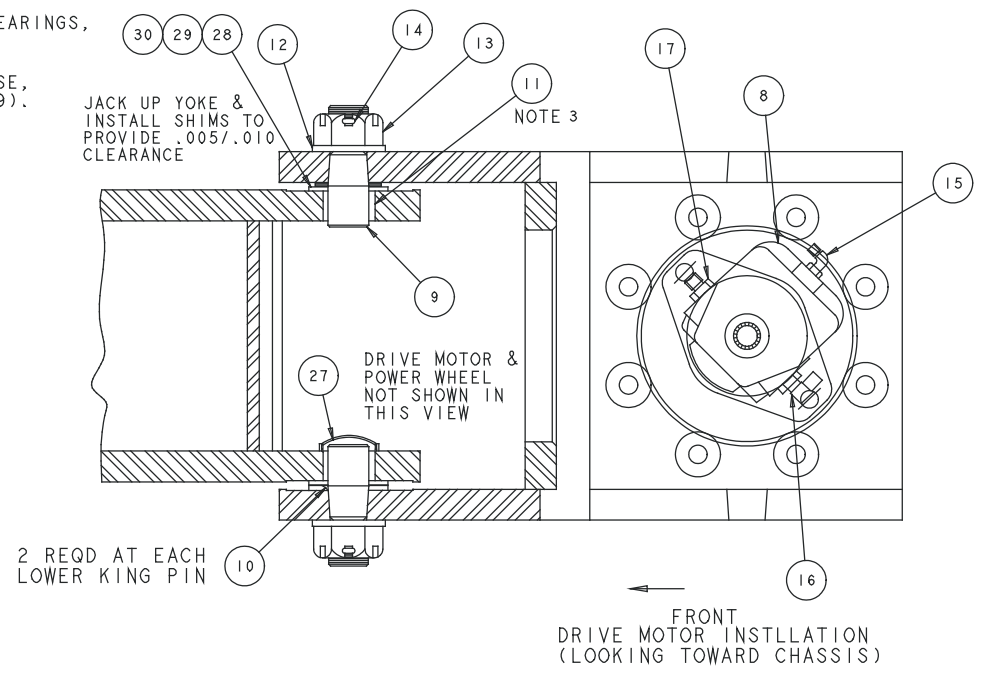
F
E
D
C
B
A





48
49
50 TYP, BOTH SIDES

- NOTES:
1. TORQUE POWER WHEEL MOUNTING BOLTS TO 180 FT/LBS.
 2. PLACE MACHINE BUSHING, ITEM 28, BETWEEN THRUST BEARINGS, ITEMS 10.
 3. ALIGN HOLE IN BEARING WITH HOLE IN CHASSIS. COAT THE INSIDE SURFACE OF THE BEARING WITH GREASE, PRIOR TO THE INSTALLATION OF THE KING PIN (ITEM 9).



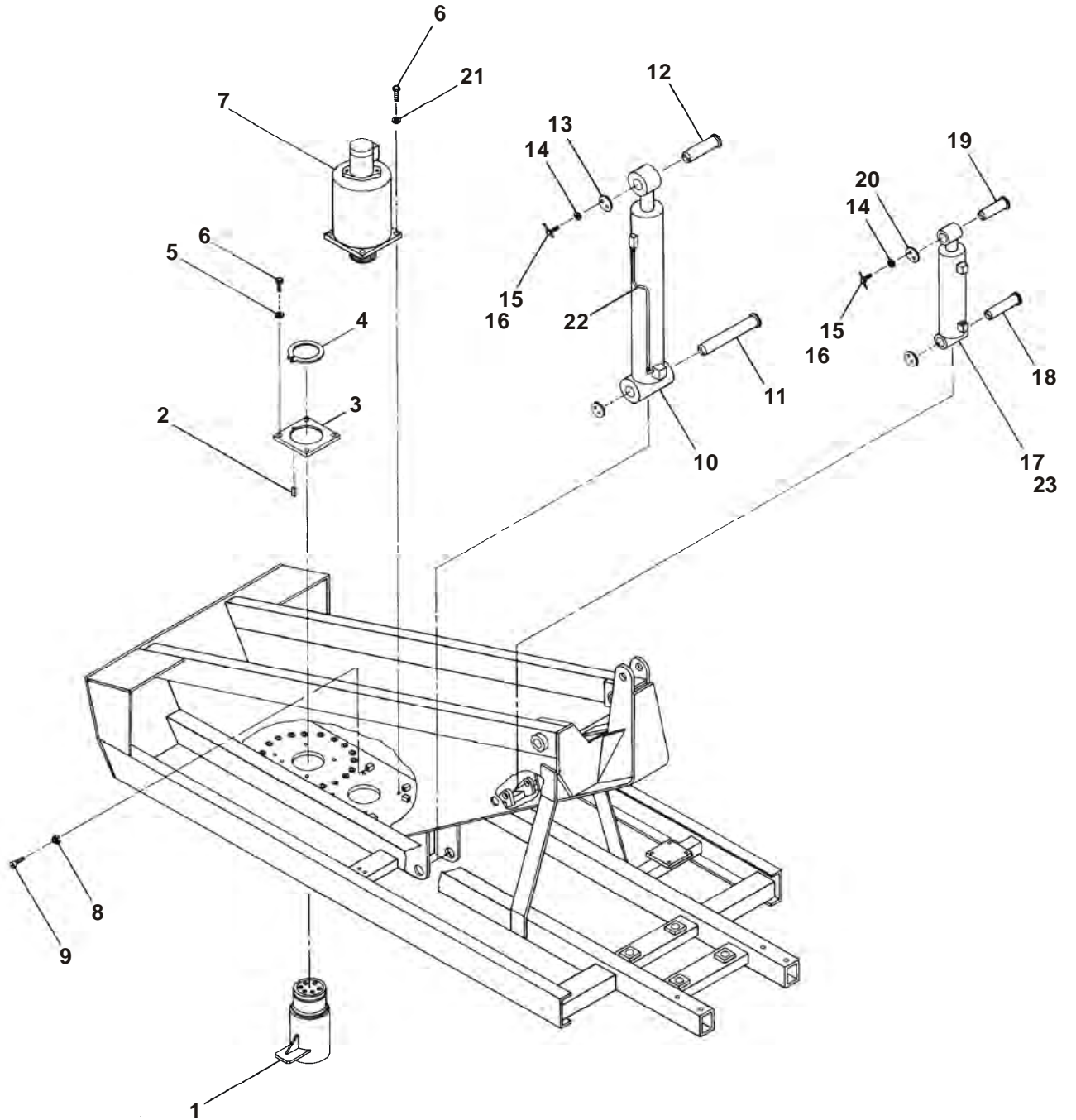
Steering, 2 Wheel Drive

Item	Part No.	Qty.	Description
1	0020256	1	BUCKEYE
2	0070449	1	PIN STRG ARM
3	0070452	1	PIN STRG CYL MTG
4	0070856	2	GREASE CAP
5	0071494	1	PIN STRG ARM
6	0071627	1	SPCR 1.34ID 1.38OD 1.69 STL
7	0072969	2	HUB SUBASSY
	0071633	1	HUB
	2540001	1	INNER BEARING CUP
	2540002	1	INNER BEARING CUP
	7280012	6	WHEEL BOLT
8	0074732	1	CYL 3.00 7.00 1.50 STEER
9	0074738	1	WLDMT STEERING ARM
10	0074796	1	WLDMT STEER YOKE LEFT HAND
	0074797	1	WLDMT STEER YOKE RIGHT HAND
11	0080183	2	PIN LOCK
12	0080348	4	SPCR 1.05ID 1.32OD .219 STL
13	0083416	2	WLDMT TIE ROD
14	0083418	2	WLDMT TIE ROD END
15	0090834	2	PIN KING 1.625 DIA
16	0090840	2	BRG THR 1.63ID 2.88OD .125
17	0110320	4	WELDMT PIN STEERING YOKE
18	970239	5	BLT .313-18 .750 GR5
19	970419	1	BLT .375-16 1.25 GR5
20	984469	2	JAM NUT .750-10
21	986269	5	WSHR FLAT .313
22	986359	1	WSHR FLAT .500
23	987109	5	WSHR LOCK .313
24	987119	1	WSHR LOCK .375
25	2501616	2	BRG 1.00ID 1.13OD 1.00
26	2502016	1	BRG 1.25ID 1.41OD 1.00
27	2560001	2	BRG CONE
28	2560002	2	BRG CONE 1.80ID
29	2580015	1	WSHR THRUST 1.25ID 2.00
30	2690001	4	BRG SPHER 1.00ID
31	5065707	2	FTG ADPTR STRTHD-6B-6S STL
32	5070026	2	DUST CAP
33	5560017	2	WSHR 1.27ID 2.25OD .238 SP
34	5560118	2	BLT HEXHD M14 100 DR
35	5560079	1	BLT HEXHD LKG .500-13 .75 GR5
36	5560202	2	NUT HEX JAM 1.250-12 GR8
37	5560714	2	PIN COTTER .188 DIA 2.50
38	5569830	1	SCR SKT SET .75-10 1.25 GR8
39	5570001	8	GREASE FTG 1/8-27NPT STR
40	7150001	2	GREASE SEAL HUB COMPLETE

Steering, 4 Wheel Drive

Item	Part No.	Qty.	Description
1	0074736	1	WLDMT YOKE-RH
2	0074735	1	WLDMT YOKE-LH
3	0074738	1	WLDMT STEERING ARM
4	0083416	2	WLDMT TIE ROD
5	0083418	2	WLDMT TIE ROD END
6	0110320	4	WELDMT PIN STEERING YOKE
7	0070012	2	GEARHUB 24.53:1 RATIO
8	6030018	2	VR FRONT DRIVE MTR 4X4
9	0072437	4	KING PIN
10	0070862	4	BRG THR 1.25ID 2.38OD .125
11	2500069	4	BRG 1.38ID 1.54OD 1.00
12	0072438	4	WSHR 1.27ID 2.25OD .250
13	5560018	4	NUT HEX SLTD 1.25-12
14	988229	4	COTTER PIN .25 X 2.50 STL
15	5035305	2	FTG ELB90STRTHD-6B-6S STL
16	5035317	2	FTG ELB90STRTHD-12B-10S STL
17	5065713	2	FTG ADPTR STRTHD-12B-10S STL
18	0070489	REF	DRIVE WHEEL
19	7280005	REF	RIM VALVE STEM
20	7280001	REF	LUG NUT 9/16-18 RH 90DEG 1" HEX
21		REF	TIRE
22	7110242	2	O-RING
23	5560131	16	NUT HEX LKG .625-11
24	5560195	16	BLT HEXHD .625-11 2.50 GR8
25	5560078	16	BLT HEXHD LKG .500-13 1.50 GR8
26	987139	4	WSHR LOCK .500 MDM
27	0071274	2	CAP KING PIN
28	5560121	2	BSHG MCHRY 1.38ID 2.50OD 14GA
29	5560072	2	SHIM .500ID 2.12OD .031
30	5560071	2	SHIM 1.50ID 2.12OD .015
31	0070449	1	PIN STRG ARM
32	0071494	1	PIN STRG ARM
33	0070452	1	PIN STRG CYL MTG
34	5560079	1	BLT HEXHD LKG .500-13 .75 GR5
35	0020256	1	BUCKEYE
36	0074732	1	CYL 3.00 7.00 1.50 STEER
37	5065707	2	FTG ADPTR STRTHD-6B-6S STL
38	2501616	2	BRG 1.00ID 1.13OD 1.00
39	2502016	2	BRG 1.25ID 1.41OD 1.00
40	0071627	1	SPCR 1.34ID 1.38OD 1.69 STL
41	5560712	2	MACH BHNG 1.25 ID 1.88 OD 14 GA
42	5560713	2	MACH BHNG 1.0 ID 2.0 OD 14 GA
43	970419	1	BLT HEXHD .375-16 1.25 GR5
44	986359	1	WSHR FLAT .500
45	2690001	4	BRG SPHER 1.00ID
46	5560202	2	NUT HEX JAM 1.250-12 GR8
47	5570001	8	GREASE FTG 1/8-27NPT
48	970239	4	BLT HEXHD .313-18 .725 GR5
49	987109	4	WSHR LOCK .313 MDW
50	986269	4	WSHR FLAT .313
51	5560169	16	WSHR .625 HARD F-436
52	970449	2	BLT HEXHD .375-16 .75 GR5
53	987119	2	WSHR LOCK .375 MDM
54	0080348	4	SPCR 1.05ID 1.32OD .219 STL

Lift and Swing



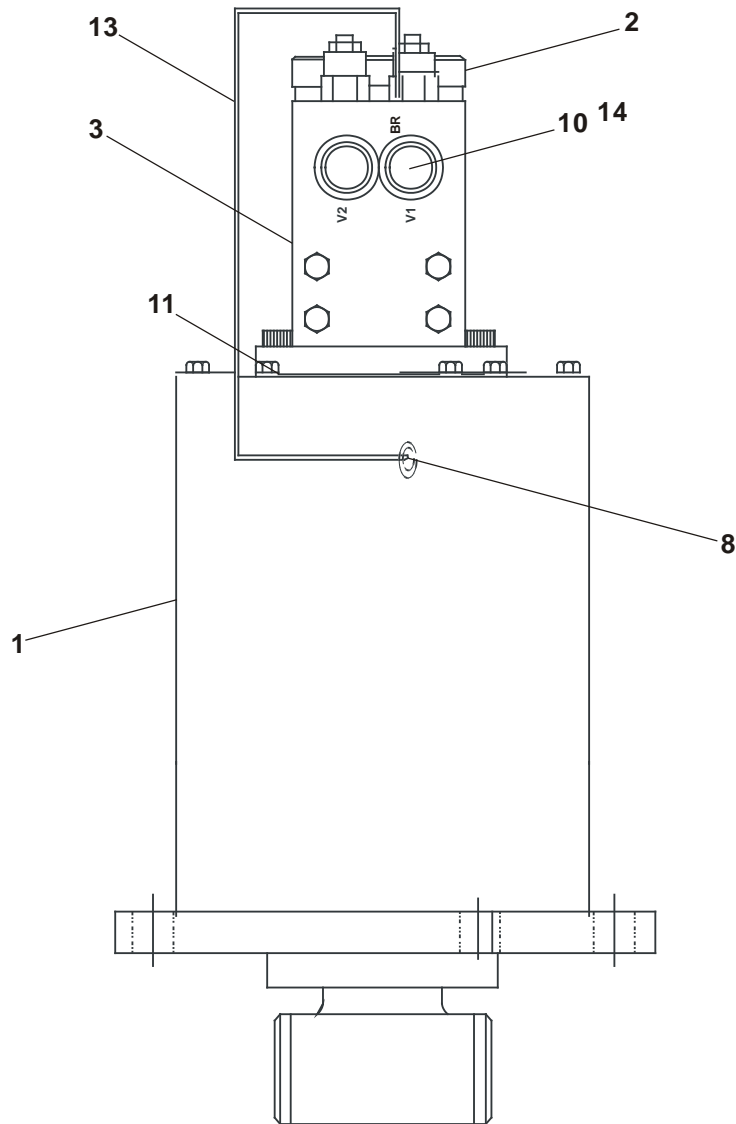
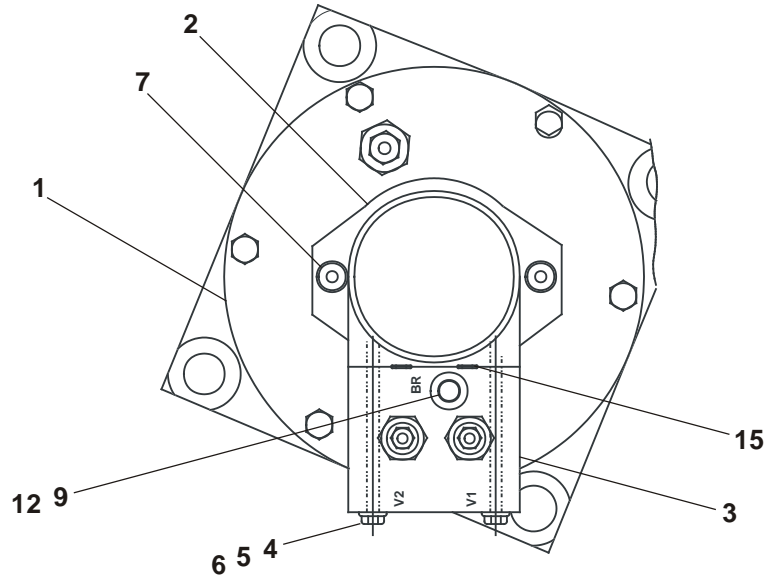
Lift and Swing – TB42/TB50

Item	Part No.	Qty.	Description
1	0110465	1	CENTERPOST AND MANIFOLD - (SEE HYDRAULICS PAGE 32 FOR PARTS BREAKDOWN)
2	0070472	1	KEY
3	0070256	1	ADAPTER PLATE, CENTERPOST
4	5090003	1	RETAINING RING
5	987159	4	WASHER 5/8 MEDIUM LOCK
6	5560051	8	CAPSCREW 5/8-11 SELF LOCKING
7	0073026	1	SWING DRIVE - (SEE PAGE 15 FOR PARTS BREAKDOWN)
8	5560710	6	NUT 7/16-14 HEX JAM
9	5560010	6	ADJUSTMENT BOLT
10	0070993	1	LIFT CYLINDER - (SEE HYDRAULICS PAGE 47 FOR PARTS BREAKDOWN)
11	0070445	1	PIN, LIFT CYLINDER BASE END
12	0070446	1	PIN, LIFT CYLINDER ROD END
13	0070132	2	PIN LOCK
14	987109	8	WASHER 5/16 MEDIUM LOCK
15	0070473	8	CAPSCREW 5/16-18 DRILLED HEAD
16	9980012	1	.040 INCH DIAMETER STAINLESS STEEL SAFETY LOCKWIRE - (SOLD IN 1 LB CAN)
17	0074799	1	CYLINDER, MASTER LEVEL - (SEE HYDRAULICS PAGE 49-51 FOR PARTS BREAKDOWN)
18	0070442	1	PIN, MASTER LEVEL CYLINDER BASE END
19	0070444	1	PIN, MASTER LEVEL CYLINDER ROD END
20	0070033	2	PIN LOCK
21	5560169	4	WASHER 5/8 HARD FLAT ASTM-F436
22	0070994	1	3/8 INCH HYDRAULIC TUBE - (USED ON GBI CYLINDER ONLY)
23	5065707	2	STRAIGHT THREAD ADAPTER

Lift and Swing – TB47J

Item	Part No.	Qty.	Description
1	0110465	1	CENTERPOST AND MANIFOLD - (SEE HYDRAULICS PAGE 32 FOR PARTS BREAKDOWN)
2	0070472	1	KEY
3	0070256	1	ADAPTER PLATE, CENTERPOST
4	5090003	1	RETAINING RING
5	987159	4	WASHER 5/8 MEDIUM LOCK
6	5560051	8	CAPSCREW 5/8-11 SELF LOCKING
7	0073026	1	SWING DRIVE - (SEE PAGE 15 FOR PARTS BREAKDOWN)
8	5560710	6	NUT 7/16-14 HEX JAM
9	5560010	6	ADJUSTMENT BOLT
10	0070993	1	LIFT CYLINDER - (SEE HYDRAULICS PAGE 47 FOR PARTS BREAKDOWN)
11	0070445	1	PIN, LIFT CYLINDER BASE END
12	0070446	1	PIN, LIFT CYLINDER ROD END
13	0070132	2	PIN LOCK
14	987109	8	WASHER 5/16 MEDIUM LOCK
15	0070473	8	CAPSCREW 5/16-18 DRILLED HEAD
16	9980012	1	.040 INCH DIAMETER STAINLESS STEEL SAFETY LOCKWIRE - (SOLD IN 1 LB CAN)
17	0172223	1	CYLINDER, MASTER LEVEL - (SEE HYDRAULICS PAGE 49-51 FOR PARTS BREAKDOWN)
18	0070442	1	PIN, MASTER LEVEL CYLINDER BASE END
19	0070444	1	PIN, MASTER LEVEL CYLINDER ROD END
20	0070033	2	PIN LOCK
21	5560169	4	WASHER 5/8 HARD FLAT ASTM-F436
22	0070994	1	3/8 INCH HYDRAULIC TUBE - (USED ON GBI CYLINDER ONLY)
23	5065707	2	STRAIGHT THREAD ADAPTER

Swing Drive



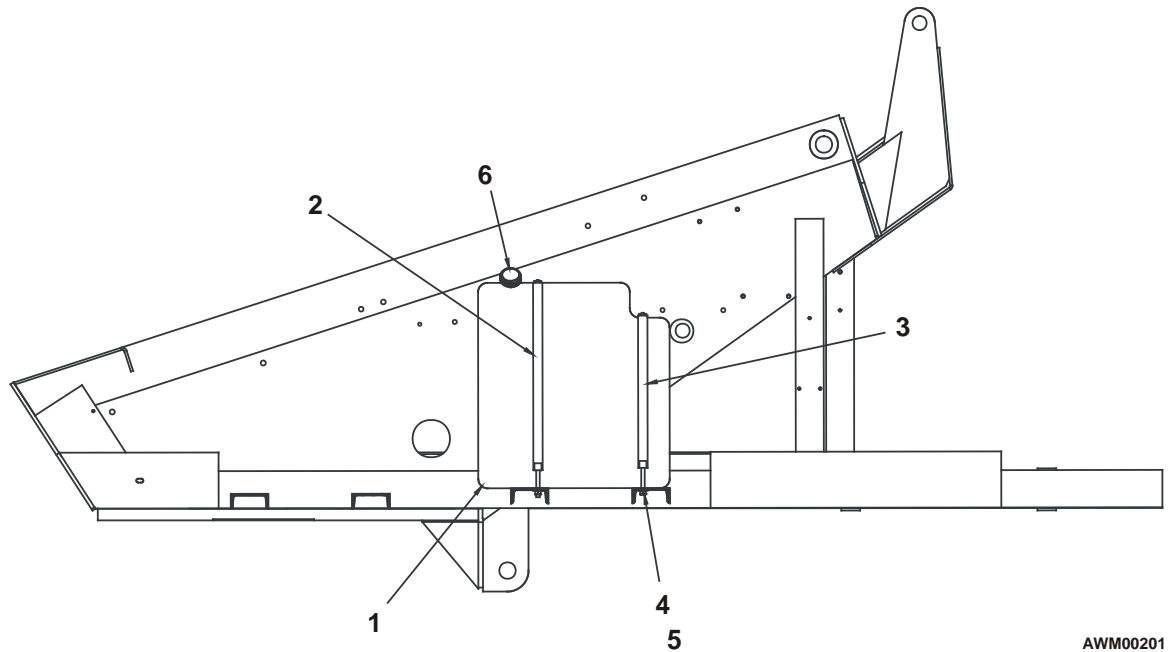
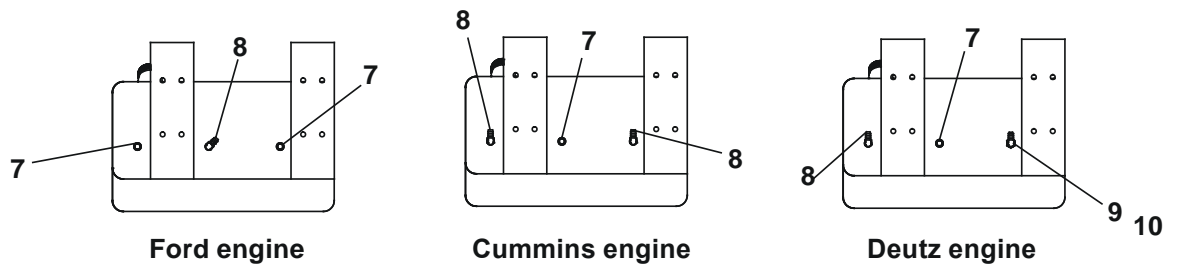
Swing Drive

Item	Part No.	Qty.	Description
	0073026	1	SWING DRIVE, COMPLETE
1	0070047	1	SWING DRIVE - (SEE PAGE 109 FOR PARTS BREAKDOWN)
2	6030020	1	MOTOR, SWING DRIVE
	8200004	1	SEAL REPAIR KIT - ROSS/TRW MOTOR
	0090352	1	SEAL REPAIR KIT - CHARLYNN/EATON MOTOR
	0073359	1	SEAL REPAIR KIT - WHITE/ROLLER STATOR MOTOR
3	6010250	1	MOTION CONTROL VALVE, SWING - (SEE HYDRAULICS PAGE 77 FOR PARTS BREAKDOWN)
4	5560641	4	CAPSCREW 5/16-18 X 3-1/2 INCH LONG HEX HEAD GRADE 5
5	986269	4	WASHER 5/16 MEDIUM FLAT
6	987109	4	WASHER 5/16 MEDIUM LOCK
7	5560087	2	CAPSCREW SPECIAL SELF LOCKING
8	5035303	1	STRAIGHT THREAD 90° ELBOW
9	5065703	1	STRAIGHT THREAD ADAPTER
10	5065726	1	STRAIGHT THREAD ADAPTER
11	8120064	1	SWING DRIVE GASKET COMPOUND
12	5037003	1	SWIVEL NUT 90° ELBOW
13	0020283	1	1/4 INCH HYDRAULIC HOSE
14	5036905	2	SWIVEL NUT 45° ELBOW
15	7110112	2	O-RING

Fuel Tank Mounting – Deutz, Cummins and Ford

Item	Part No.	Qty.	Description
1	0074744	1	FUEL TANK, PLASTIC 20 GALLON CAPACITY
2	0074679	1	FUEL TANK STRAP
3	0074680	1	FUEL TANK STRAP
4	986299	4	WASHER 3/8 MEDIUM FLAT
5	5560033	4	NUT 3/8-16 SELF LOCKING
6	9940021	1	FUEL TANK CAP
7	7714203	1	PIPE PLUG 3/8 NPT SQUARE HEAD - (CUMMINS AND DEUTZ)
7	7714203	2	PIPE PLUG 3/8 NPT SQUARE HEAD - (FORD)
8	5093038	2	ELBOW 90° MALE BRASS - (CUMMINS)
8	5093039	1	ELBOW 90° MALE BRASS - (DEUTZ AND FORD)
9	5076407	1	REDUCING ADAPTER - (DEUTZ)
10	5093040	1	ELBOW 90° MALE BRASS - (DEUTZ)

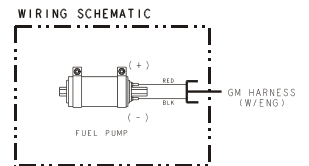
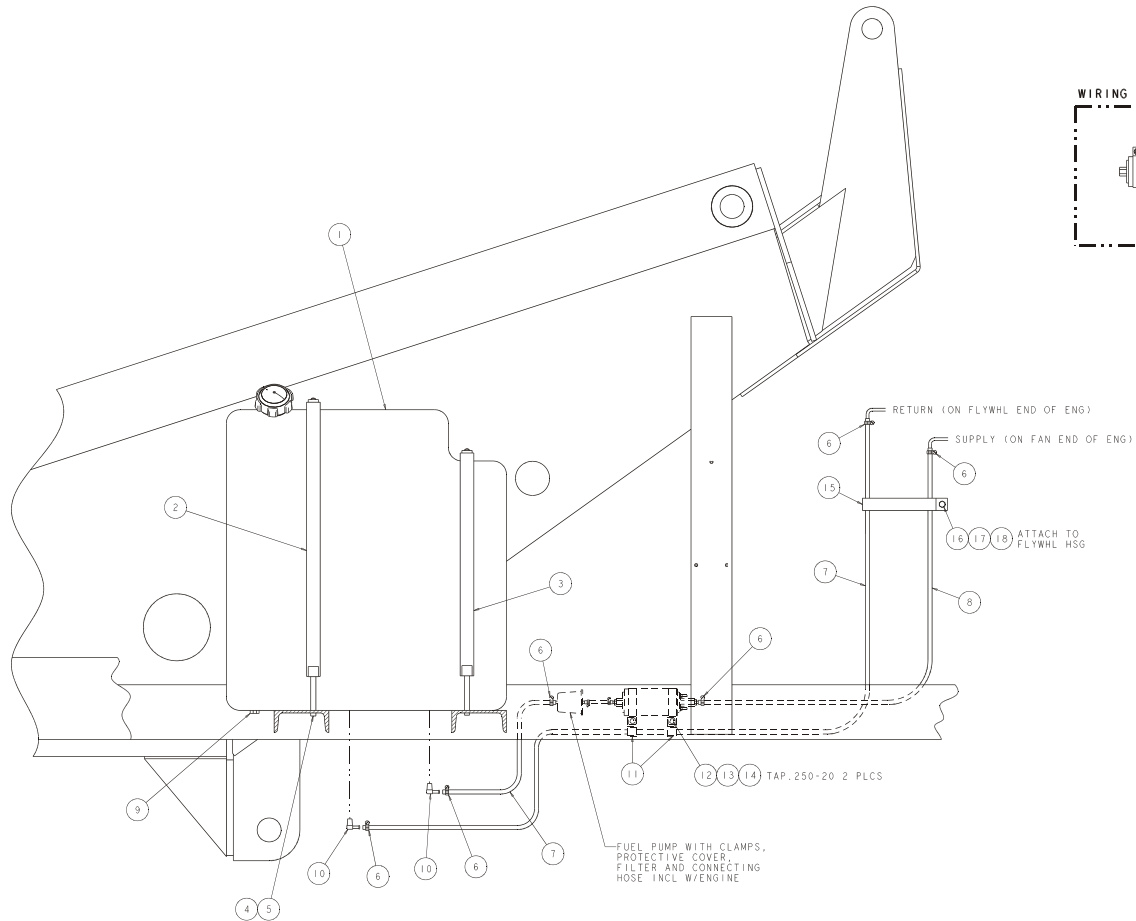
Fitting location in bottom of tank



AWM00201

Fuel Tank Mounting – GM

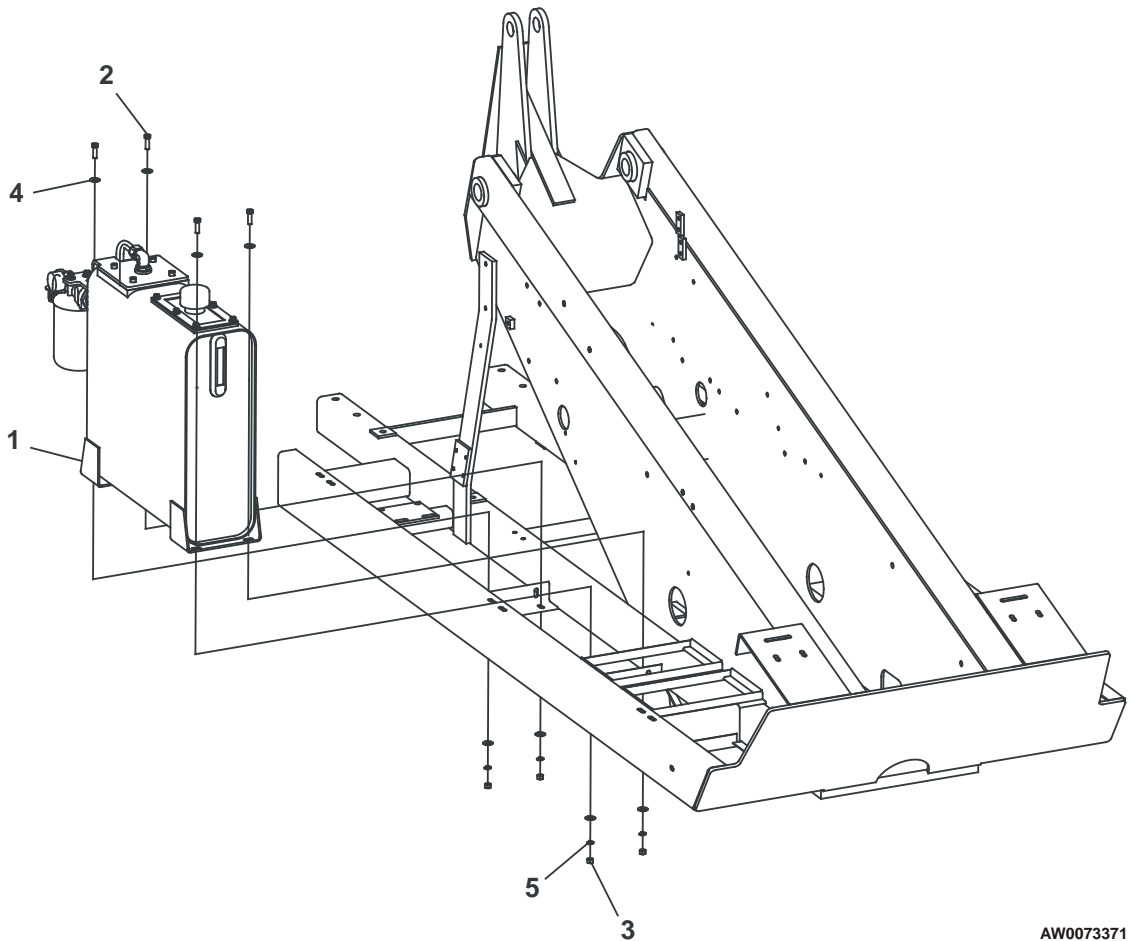
Item	Part No.	Qty.	Description
1	0074744	1	FUEL TANK, PLASTIC 20 GALLON CAPACITY
2	0074679	1	FUEL TANK STRAP
3	0074680	1	FUEL TANK STRAP
4	986299	4	WASHER 3/8 MEDIUM FLAT
5	5560033	4	NUT 3/8-16 SELF LOCKING
6	9940021	1	FUEL TANK CAP
7	7714203	1	PIPE PLUG 3/8 NPT SQUARE HEAD - (CUMMINS AND DEUTZ)
	7714203	2	PIPE PLUG 3/8 NPT SQUARE HEAD - (FORD)
8	5093038	2	ELBOW 90° MALE BRASS - (CUMMINS)
	5093039	1	ELBOW 90° MALE BRASS - (DEUTZ AND FORD)
9	5076407	1	REDUCING ADAPTER - (DEUTZ)
10	5093040	1	ELBOW 90° MALE BRASS - (DEUTZ)



0075262

Hydraulic Oil Reservoir

Item	Part No.	Qty.	Description
1	0075121	1	HYDRAULIC OIL RESERVOIR - (SEE HYDRAULICS PAGE 19 FOR PARTS BREAKDOWN)
2	970479	4	CAPSCREW 3/8-16 X 1-1/4 INCH LONG HEX HEAD GRADE 5
3	984109	4	NUT 3/8-16 HEX
4	986299	8	WASHER 3/8 MEDIUM FLAT
5	987119	4	WASHER 3/8 MEDIUM LOCK



AW0073371

F

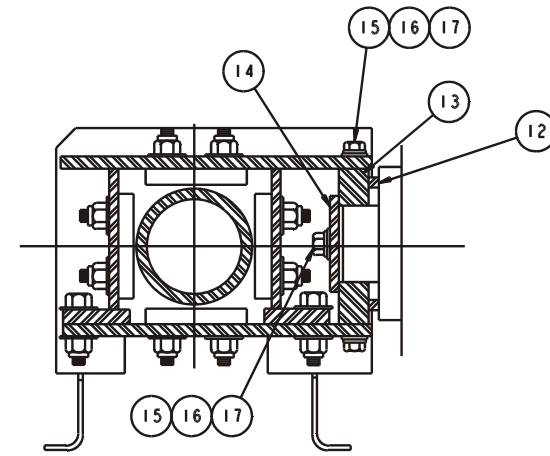
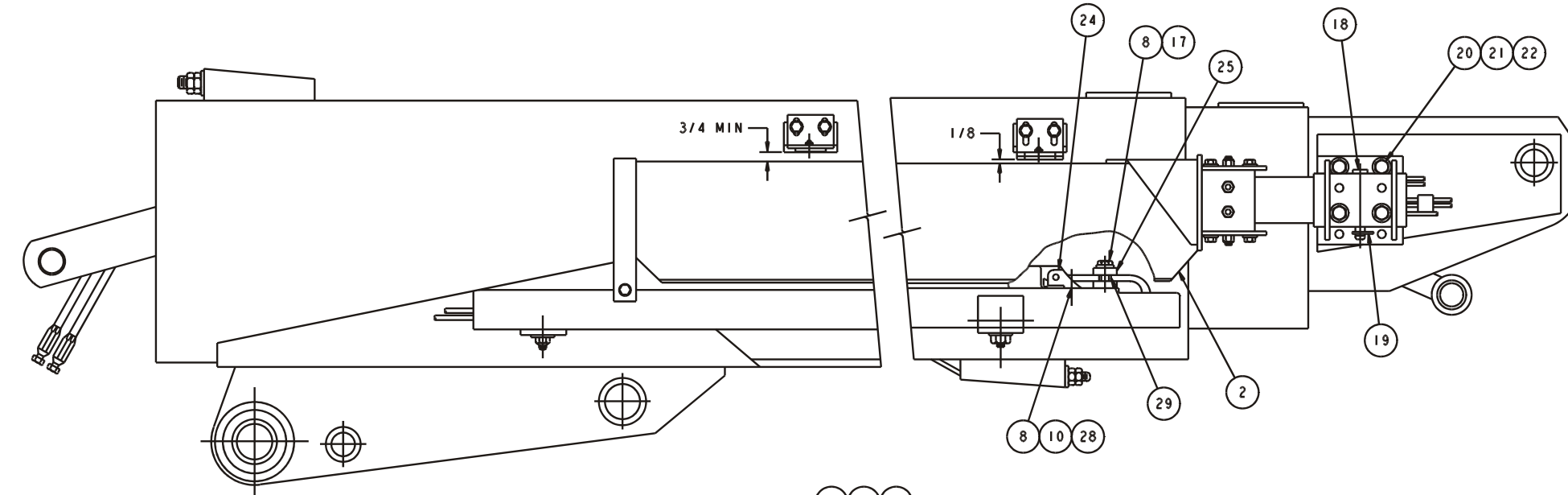
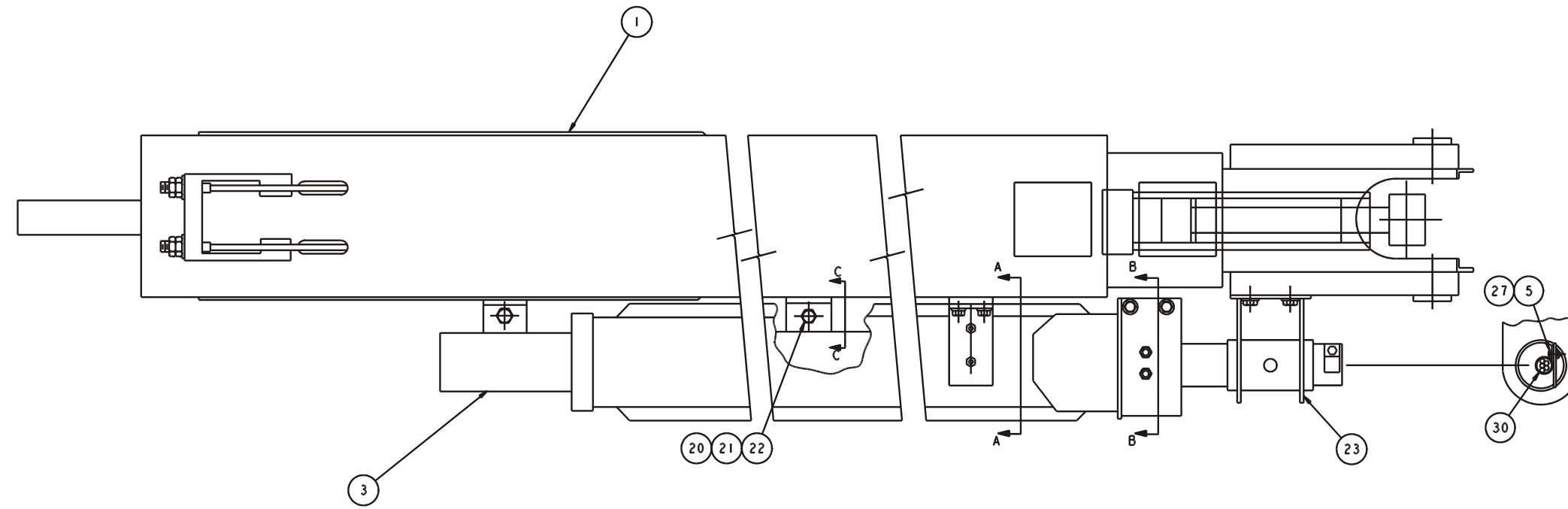
E

D

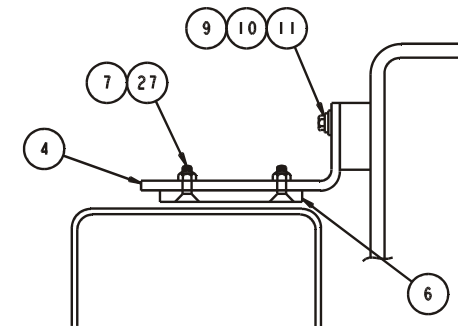
C

B

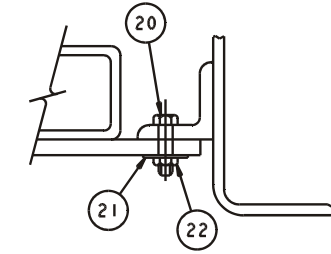
A



SECTION B-B



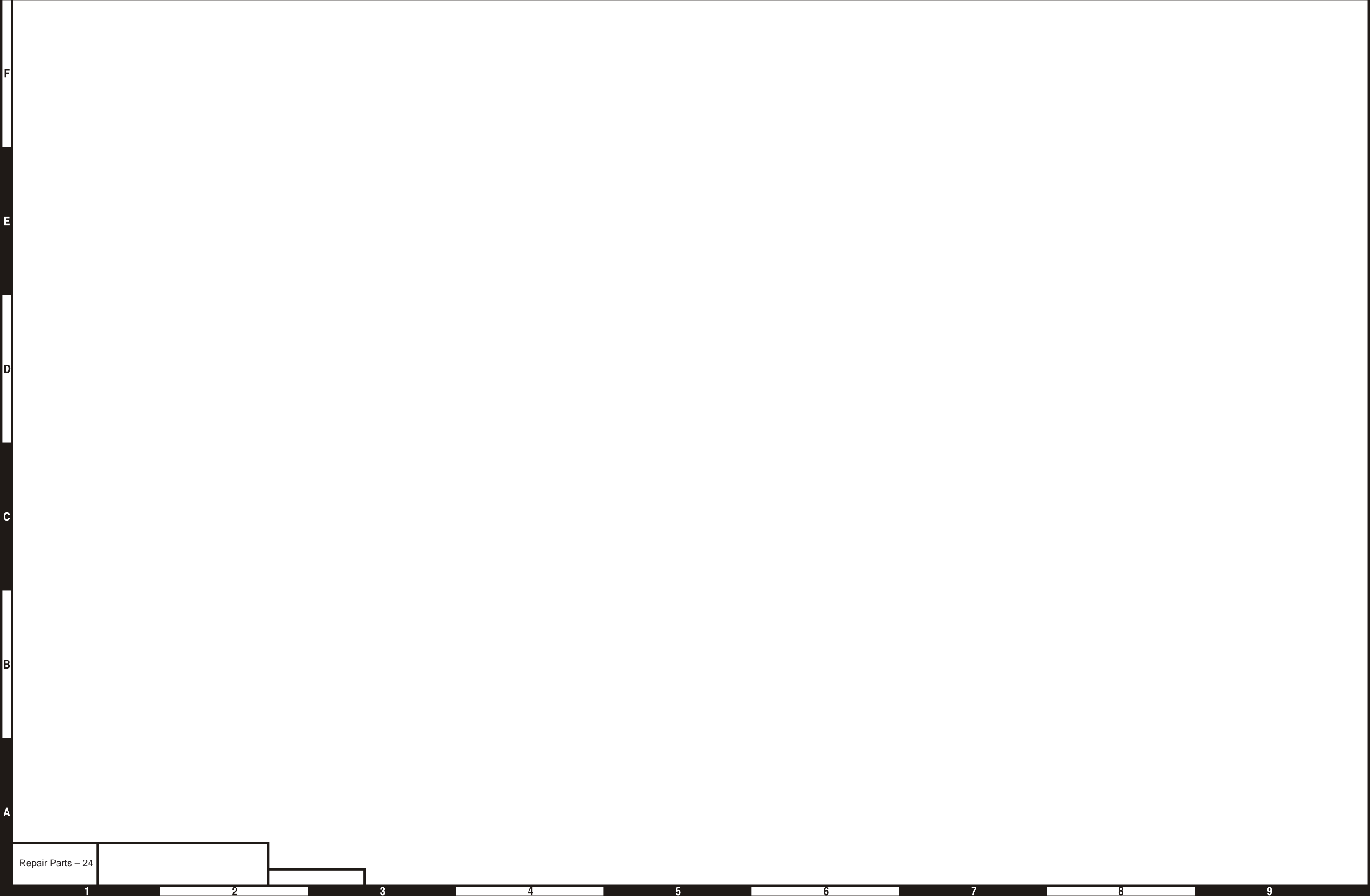
SECTION A-A



SECTION C-C

NOTES:

1. CLAMP 3 WIRES & ROTATOR HOSES. DO NOT CLAMP LEVEL HOSES. PULL SLACK OUT OF WIRES AND HOSES BEFORE CLAMPING. WHEN CLAMPING, DO NOT APPLY TENSION TO WIRES & HOSES.



F

E

D

C

B

A

Repair Parts – 24

1

2

3

4

5

6

7

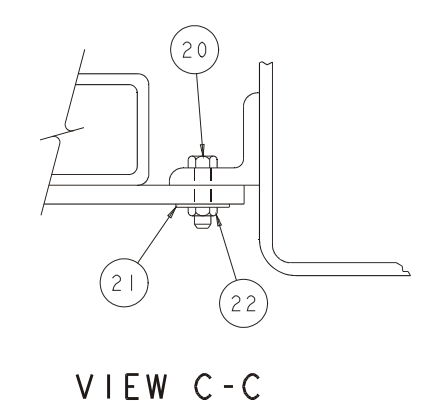
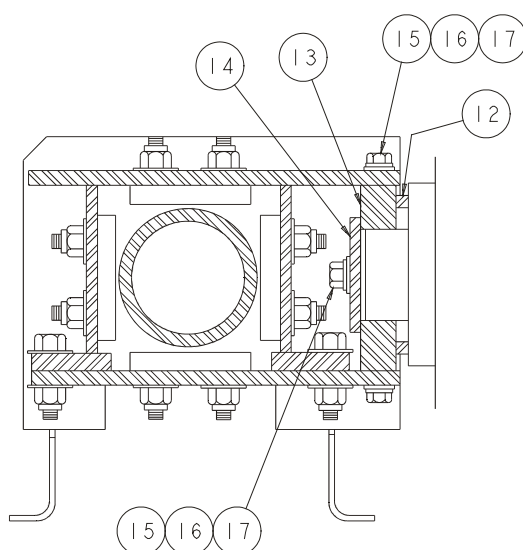
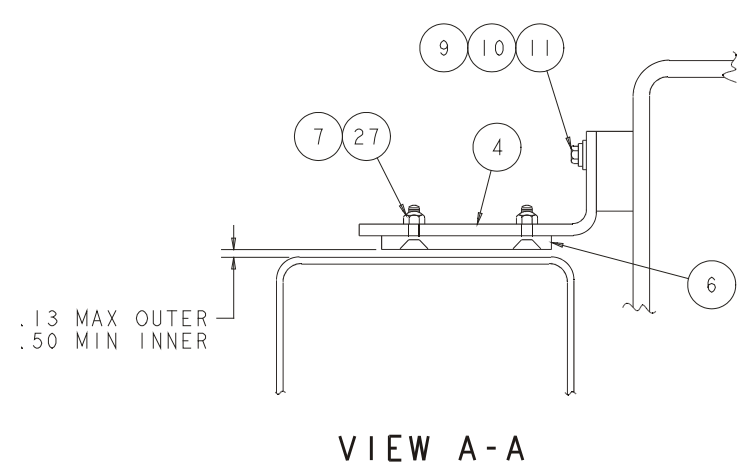
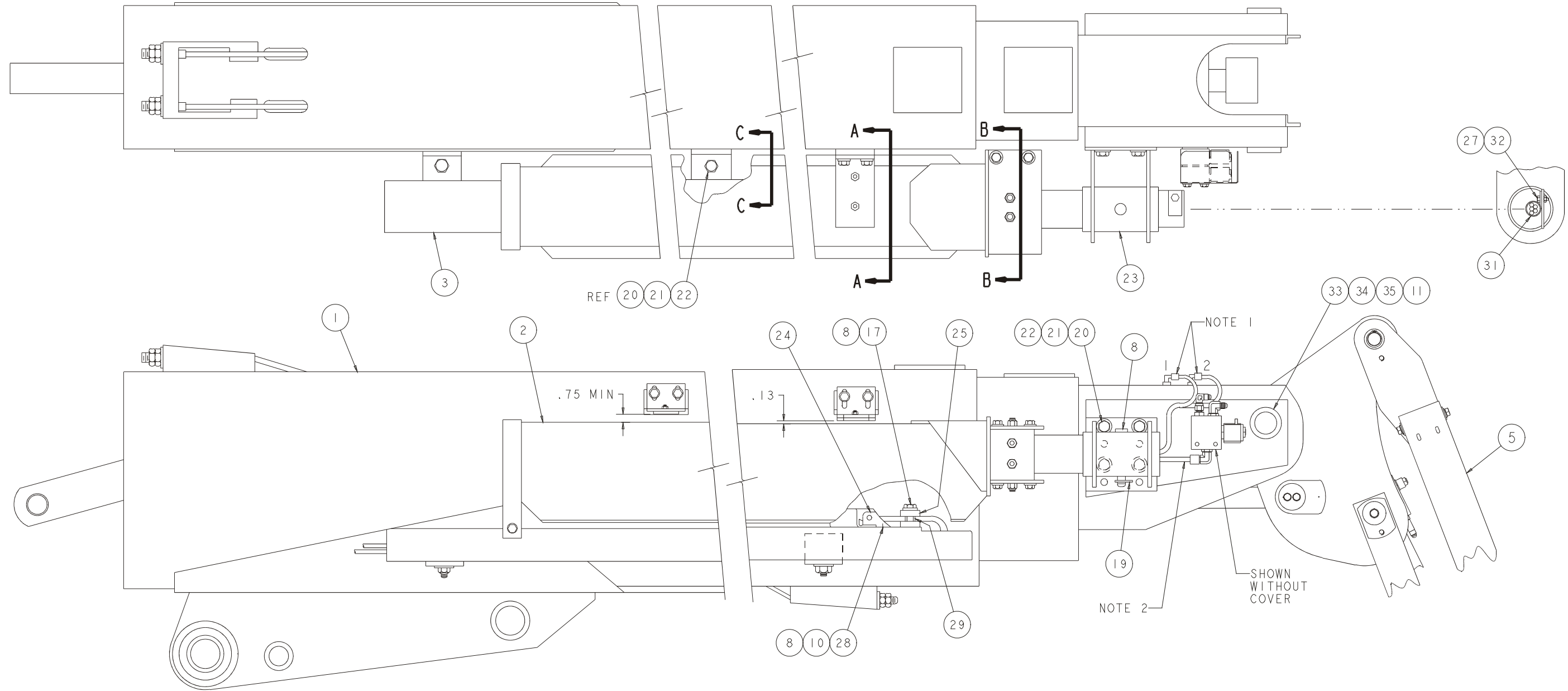
8

9

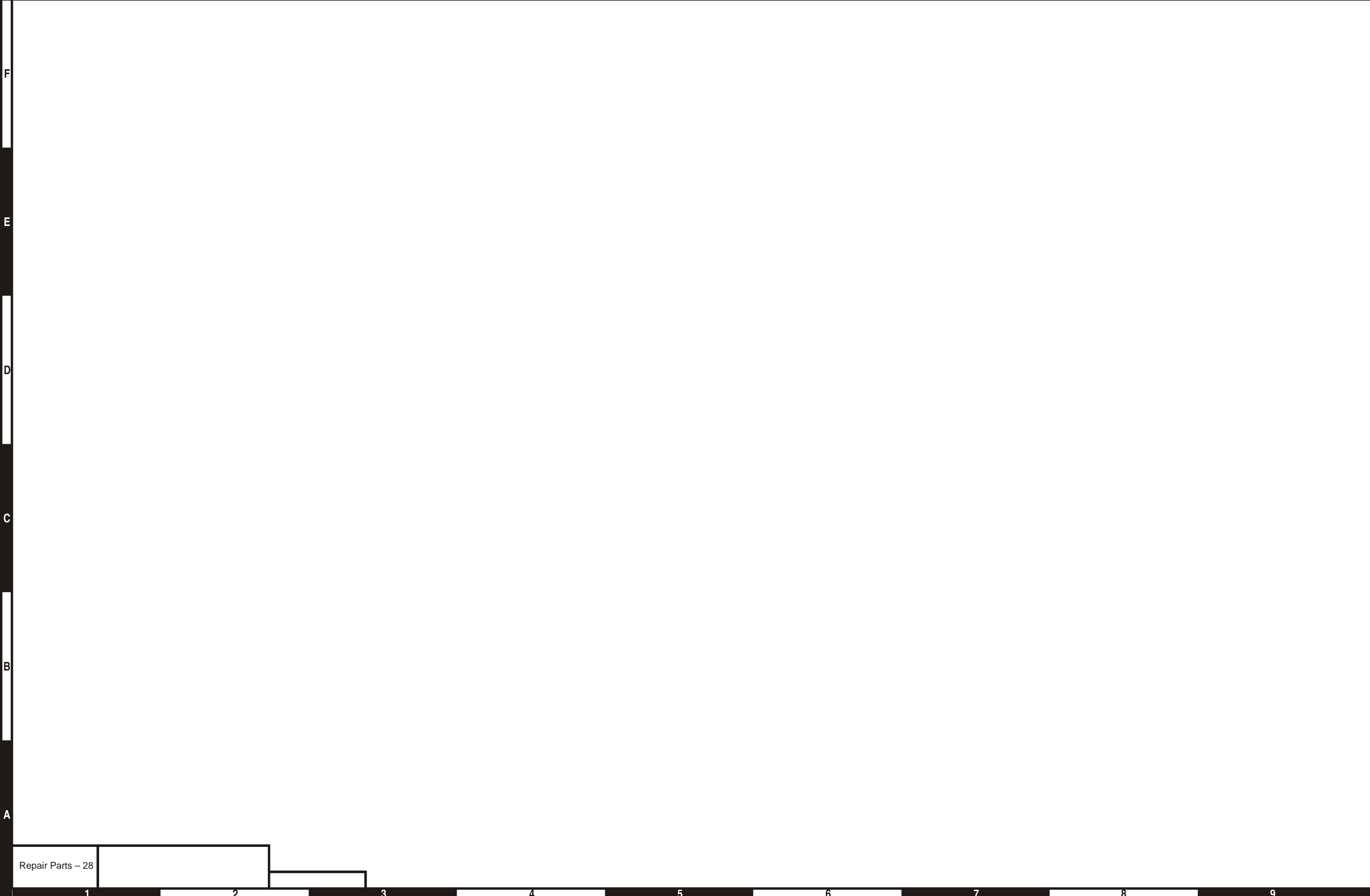
Booms and Hose Carrier – TB42/TB50

Item	Part No.	Qty.	Description
1	0075186	1	BOOM ASSY TB42 SIMHYD
2	0072722	1	HOSE CARRIER
3	0072733	1	WLDMT SUPPORT TUBE
4	0072951	2	GUIDE BAR
5	970489	1	CAPSCREW, 3/8-16 X 1.5 HEX HD GR.5
6	0070029	2	SL PAD 2.00 4.00 .330
7	972469	4	CAPSCREW, 3/8 - 16 X 1" LG., SCKT. FH
8	970029	4	CAPSCREW 1/4-20 X .75" LG HEX HD GR.5
9	970259	4	CAPSCREW 5/16 - 18 X 1" LG HEX HD GR.5
10	986019	6	WASHER, 1/4 MEDIUM FLAT
11	987109	4	WASHER, 5/16 MEDIUM LOCK
12	5560717	2	BUSHING, 3.25 X 2.25 X .13 THK
13	0070504	1	PIN JOINT PLATE - UNPAINTED
14	0070506	1	PIN LOCK
15	970426	6	CAPSCREW 3/8 - 16 X 7/8" LG HEX HD GR.5
16	986299	6	WASHER, 3/8 MEDIUM FLAT
17	987119	8	WASHER, 3/8 MEDIUM LOCK
18	0072015	1	PIN CLV MOD-5/8 X 4 CLEVIS PIN MACH
19	5560014	1	PIN HAIRPIN CLIP .625-LEITZKE P/N 21-07
20	970849	8	CAPSCREW 1/2 - 13 X 1.25" LG HEX HD GR.5
21	986359	8	WASHER, 1/2 MEDIUM FLAT
22	5560039	8	SELF-LOCKING NUT 1/2 - 13
23	0082023	1	WLDMT TUBE BRACKET
24	9920016	1	END BRKT HOSE CARRIER
25	0072937	1	CLAMP BAR UPPER
27	5560033	5	SELF-LOCKING NUT 3/8 - 16
28	5560004	2	SELF-LOCKING NUT 1/4 - 20
29	0110581	2	SPACER
30	5093027	1	CLP CUSH 1.187

F
E
D
C
B
A



- NOTES:
1. CONNECT HOSES TO PORTS ON TIP BOOM. HOSE FROM TIP BOOM PORT "1" TO CONNECT TO HOLDING VALVE PORT "C1" & FROM TIP BOOM PORT "2" TO HOLDING VALVE PORT "C2. CONNECTION TO BE FREE OF DIRT & CONTAMINATION PRIOR TO CONNECTING.
 2. CONNECT "DN/CW" HOSE TO NEAR SELECTOR VALVE. CONNECT "UP/CCW" HOSE TO FAR SELECTOR VALVE.



F

E

D

C

B

A

1

2

3

4

5

6

7

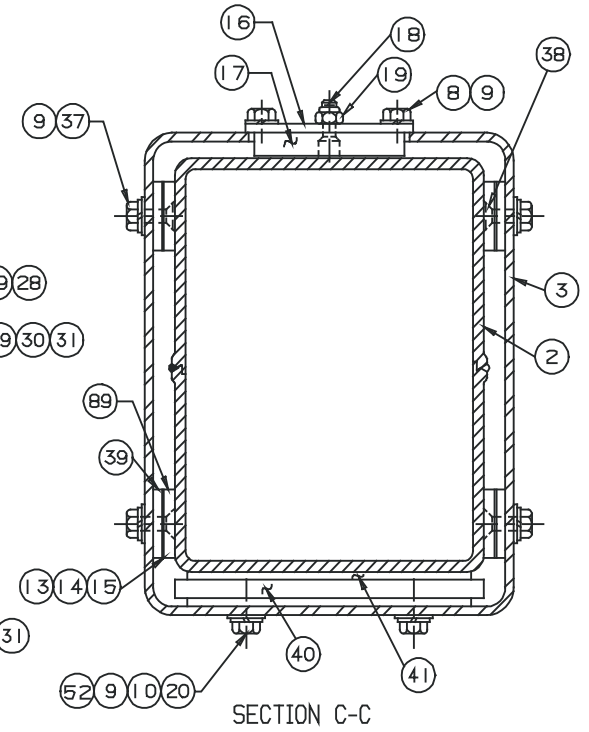
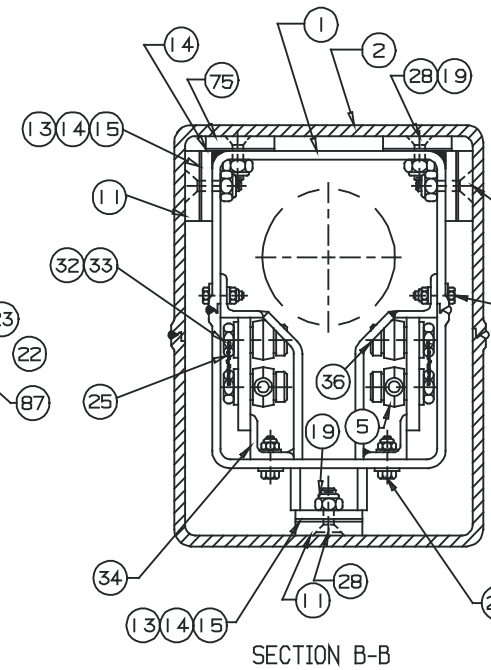
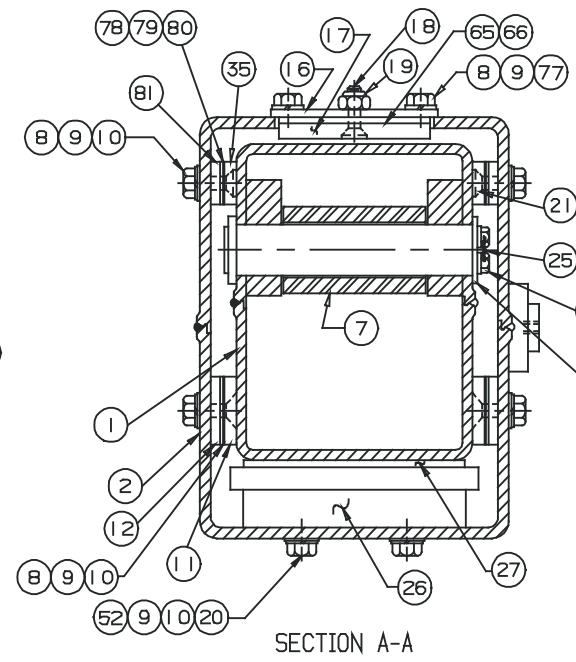
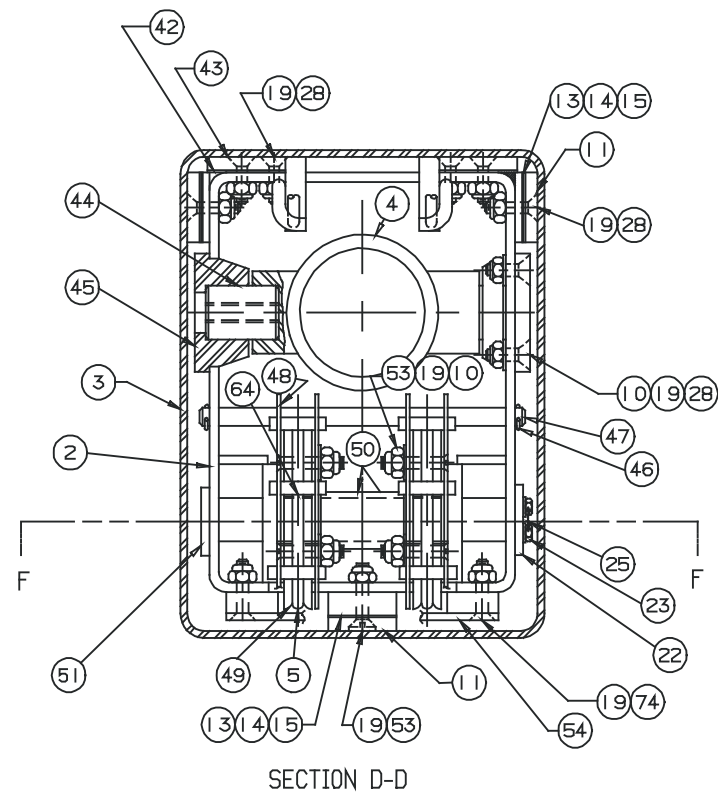
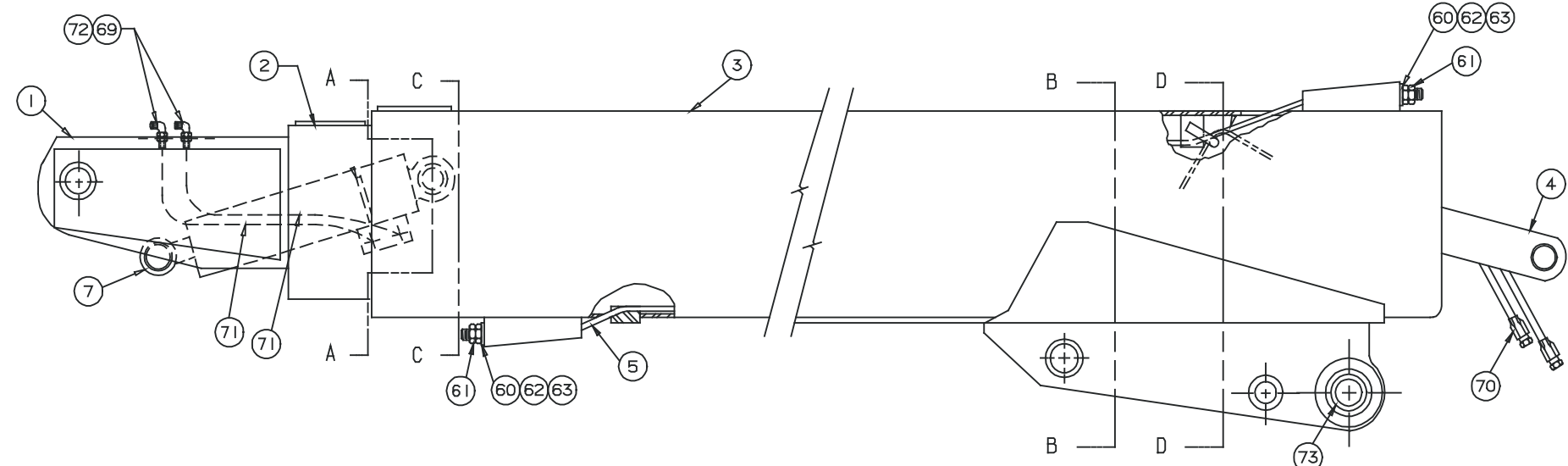
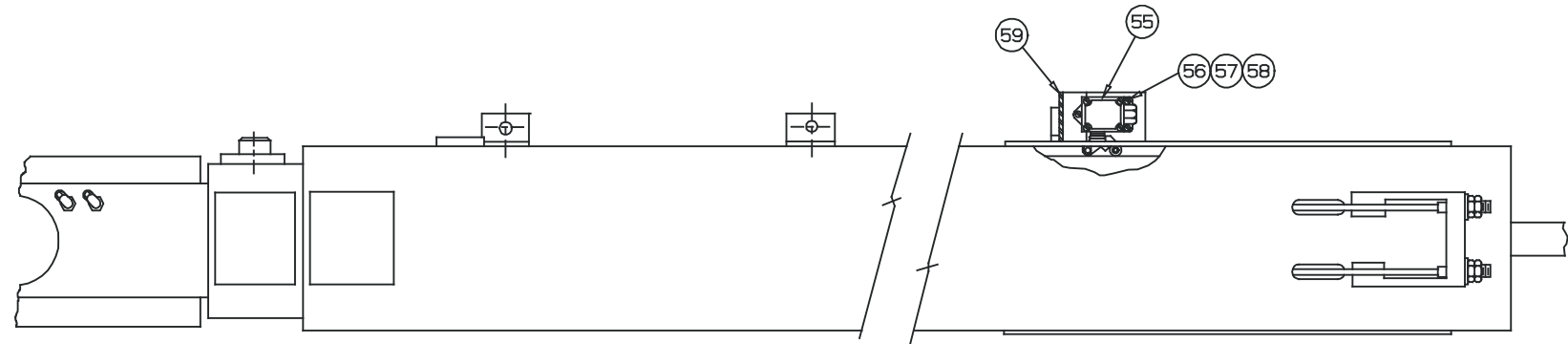
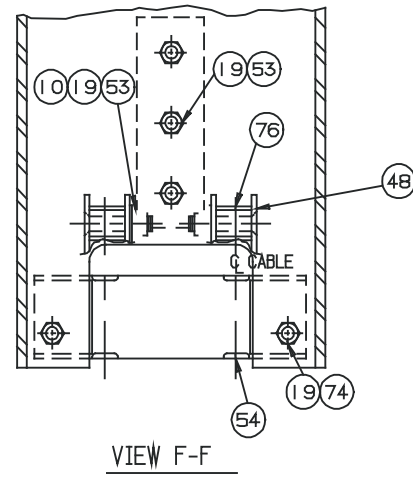
8

9

Repair Parts - 28

Boom, Hose Carrier and Jib – TB47J

Item	Part No.	Qty.	Description
1	0075099	1	BOOMS ASSY 47J
2	0075114	1	HOSE CARRIER ASSY TB47J
3	0072733	1	WLDMT SUPPORT TUBE
4	0072951	2	GUIDE BAR
5	0172220	1	JIB/ROTATOR ASSY
6	0070029	2	SL PAD 2.00 4.00 .330
7	972469	4	CAPSCREW, 3/8-16 X 1" LG., SCKT. FH.
8	970029	2	CAPSCREW, 1/4-20 X 75" LG., HEX. HD GR.5
9	970239	4	CAPSCREW, 5/16-18 X 1" LG., HEX. HD. GR.5
10	986019	12	WASHER, 1/4 MEDIUM FLAT
11	987109	4	WASHER, 5/16 MEDIUM LOCK
12	5560717	2	BUSHING, 3.25 X 2.25 X .13 THK
13	0070504	1	PIN JOINT PLATE - UNPAINTED
14	0070506	1	PIN LOCK
15	970426	6	CAPSCREW, 3/8-16 X 7/8" LG., HEX. HD. GR.5
16	986299	4	WASHER, 3/8 MEDIUM FLAT
17	987119	8	WASHER, 3/8 MEDIUM LOCK
18	0072015	1	PIN CLV MOD-5/8 X 4 CLEVIS PIN
19	5560014	1	PIN HAIRPIN CLIP .625
20	970849	7	CAPSCREW, 1/2-13 X 1.25" LG., HEX. HD. GR.5
21	986359	7	WASHER, 1/2 MEDIUM FLAT
22	5560039	7	SELF-LOCKING NUT, 1/2-13
23	0082023	1	WLDMT TUBE BRACKET
24	9920016	1	END BRKT HOSE CARRIER
25	0072937	1	CLAMP BAR UPPER
26	972509	2	CAPSCREW, 3/8-16 X 2" LG., SCKT.FH.CAD.PLD.
27	5560033	5	SELF-LOCKING NUT, 3/8-16
28	5560004	2	SELF-LOCKING NUT, 1/4-20
29	0110581	2	SPACER
31	5093027	1	CLP CUSH 1.187
32	970489	1	CAPSCREW, 3/8-16 X 1.5" LG., HEX.HD. GR.5
33	0070446	1	PIN LIFT CYL TO BASEBOOM
34	0070132	1	PIN LOCK 1.75 O. D. PIN
35	0070673	2	BLOT 5/16-18 .75 DRILLED HD



AW0072754

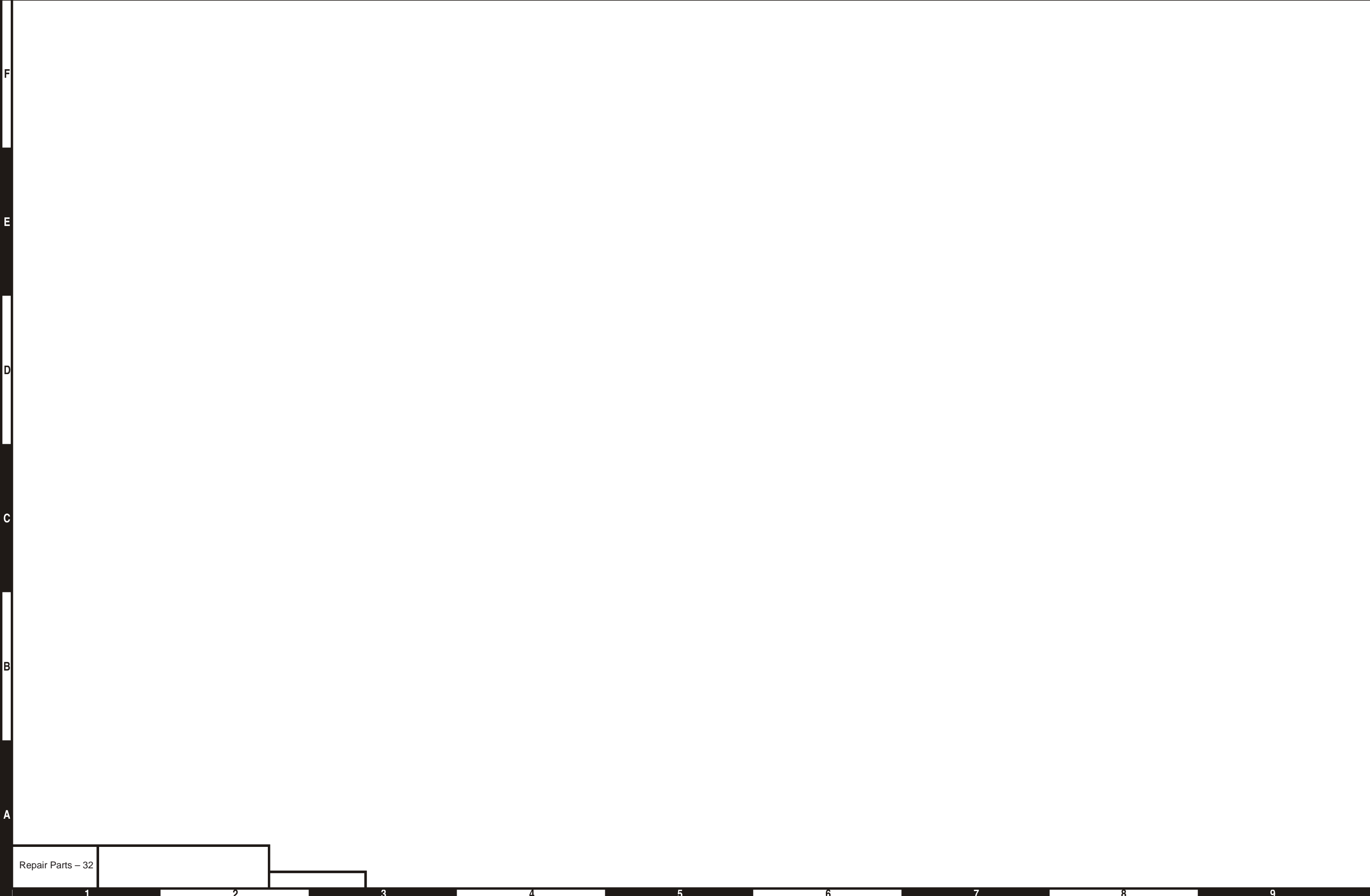
Booms
TB42/TB50

Repair Parts - 31

AW0072754

F
E
D
C
B
A

1 2 3 4 5 6 7 8 9



F

E

D

C

B

A

Repair Parts - 32

1

2

3

4

5

6

7

8

9

Booms – TB42/TB50

Item	Part No.	Qty.	Description
1	0072870	1	BOOMS, TB42
	0072872	1	BOOMS, TB50
2	0072671	1	TIP BOOM, TB42
	0072672	1	TIP BOOM, TB50
3	0072695	1	INTERMEDIATE BOOM, TB42
	0072696	1	INTERMEDIATE BOOM, TB50
4	0072715	1	BASE BOOM, TB42
	0072718	1	BASE BOOM, TB50
5	0070009	2	EXTENSION CYLINDER - (SEE HYDRAULICS PAGE 41 FOR PARTS BREAKDOWN)
6	0070942	2	WIRE ROPE, RETRACT - TB42
	0070443	2	WIRE ROPE, RETRACT - TB50
7	0070443	1	PIN, LEVEL CYLINDER TO BOOM
8	0080399	1	SLAVE LEVEL CYLINDER - (SEE HYDRAULICS SECT FOR MAKE AND PARTS), TB42
	0074733	1	SLAVE LEVEL CYLINDER - (SEE HYDRAULICS SECT FOR MAKE AND PARTS), TB50
9	5560683	12	CAPSCREW 3/8-16 X 5/8 INCH LONG HEX HEAD GRADE 5
10	987119	40	WASHER 3/8 MEDIUM LOCK
11	986299	28	WASHER 3/8 MEDIUM FLAT
12	0080293	6	SLIDE PAD
13	0070485	2	SLIDE PAD SPACER
14	0070030	16	SLIDE PAD SHIM, .030 INCH THICK
15	0072567	18	SLIDE PAD SHIM, .063 INCH THICK
16	0090141	16	SLIDE PAD SHIM, .090 INCH THICK
17	0072681	2	SLIDE PAD MOUNT
18	0072682	2	SLIDE PAD
19	972469	8	CAPSCREW 3/8-16 X 1 INCH LONG SOCKET FLAT HEAD
20	5560033	56	NUT 3/8-16 SELF LOCKING
21	970426	12	CAPSCREW 3/8-16 X 7/8 INCH LONG HEX HEAD GRADE 5
22	970439	12	CAPSCREW 3/8-16 X 5/8 INCH LONG SOCKET FLAT HEAD
23	0070033	2	PIN LOCK
24	0070473	4	CAPSCREW 5/16-18 DRILLED HEAD
25	987109	8	WASHER 5/16 MEDIUM LOCK
26	9980012	1	.040 INCH DIAMETER STAINLESS STEEL SAFETY LOCKWIRE - (SOLD IN 1 LB CAN)
27	0072688	1	SLIDE PAD PLATE
28	0072690	1	SLIDE PAD
29	5560644	39	CAPSCREW 3/8-16 X 1-1/4 INCH LONG SOCKET FLAT HEAD
30	970259	8	CAPSCREW 5/16-18 X 1 INCH LONG HEX HEAD GRADE 5
31	986269	8	WASHER 5/16 MEDIUM FLAT
32	5560031	8	NUT 5/16-18 SELF LOCKING
33	986359	4	WASHER 1/2 MEDIUM FLAT
34	5560053	4	HEX JAM NUT, DRILLED
35	0070025	2	WIRE ROPE ANCHOR
36	0080294	2	SLIDE PAD
37	5560005	4	ANCHOR BOLT
38	5560683	8	CAPSCREW 3/8-16 X 5/8 INCH LONG HEX HEAD GRADE 5
39	972429	12	CAPSCREW 3/8-16 X 1/2 INCH LONG SOCKET FLAT HEAD
40	0070486	1	SLIDE PAD SPACER
41	0072689	1	SLIDE PAD PLATE
42	0072691	1	SLIDE PAD
43	0072680	2	SLIDE PAD SHIM
44	0070639	2	SLIDE PAD
45	0070390	2	CYLINDER ANCHOR PIN
46	0072751	2	CYLINDER ANCHOR
47	988179	1	COTTER PIN 1/8 INCH DIAMETER X 1 INCH LONG
48	0070448	2	PIN, CABLE RETAINER
49	0073515	2	SHEAVE CAGE
50	0073981	1	CABLE SHEAVE
51	2500035	2	BEARING
52	0070439	1	PIN, RETRACT SHEAVE
	5560015	12	THREAD INSERT 3/8-16

Booms – TB42/TB50

Item	Part No.	Qty.	Description
53	972509	6	CAPSCREW 3/8-16 X 2 INCH LONG SOCKET FLAT HEAD
54	0073520	1	CABLE RETAINER
55	0071801	1	BOOM SWITCH, DRIVE SPEED - (SEE ELECTRICAL PAGE 121 FOR PARTS BREAKDOWN)
56	5560649	1	MACHINE SCREW #10-24 X 1 INCH LONG TRUSS HEAD
57	986009	6	WASHER #10 MEDIUM FLAT
58	5560034	3	NUT #10-24 SELF LOCKING
59	0071216	3	GUARD, BOOM SWITCH
60	5560169	8	WASHER 5/8 HARD FLAT ASTM-F436
61	984449	8	NUT 5/8-11 HEX JAM
62	0073275	4	SPACER, LONG
63	0073274	4	SPACER, SHORT
64	2502028	2	BEARING
65	0072683	2	SLIDE PAD SPACER, 1/4 INCH THICK
66	0073111	2	SLIDE PAD SPACER, 1/8 INCH THICK
67	5560674	2	CAPSCREW 5/16-18 X 1-1/2 INCH LONG HEX HEAD GRADE 5
68	984089	2	NUT 5/16-18 HEX
69	5034501	2	BULKHEAD STRAIGHT THREAD 90° ELBOW
70	0073128	2	3/8 INCH HYDRAULIC HOSE
71	0070768	2	1/4 INCH HYDRAULIC HOSE
72	5074401	2	BULKHEAD LOCKNUT
73	2502836	2	BEARING
74	5560680	2	CAPSCREW 3/8-16 X 1-3/4 INCH LONG SOCKET FLAT HEAD
75	0070031	2	SLIDE PAD
76	0073519	2	SLIDE PAD
77	5560126	6	THREADED INSERT 3/8-16 THREAD
78	0070043	2	SLIDE PAD SHIM, .030 INCH THICK
79	0073342	2	SLIDE PAD SHIM, .063 INCH THICK
80	0073343	2	SLIDE PAD SHIM, .090 INCH THICK
81	0073340	2	SLIDE PAD SPACER, 1/4 INCH THICK
82	986269	2	WASHER 5/16 MEDIUM FLAT

F

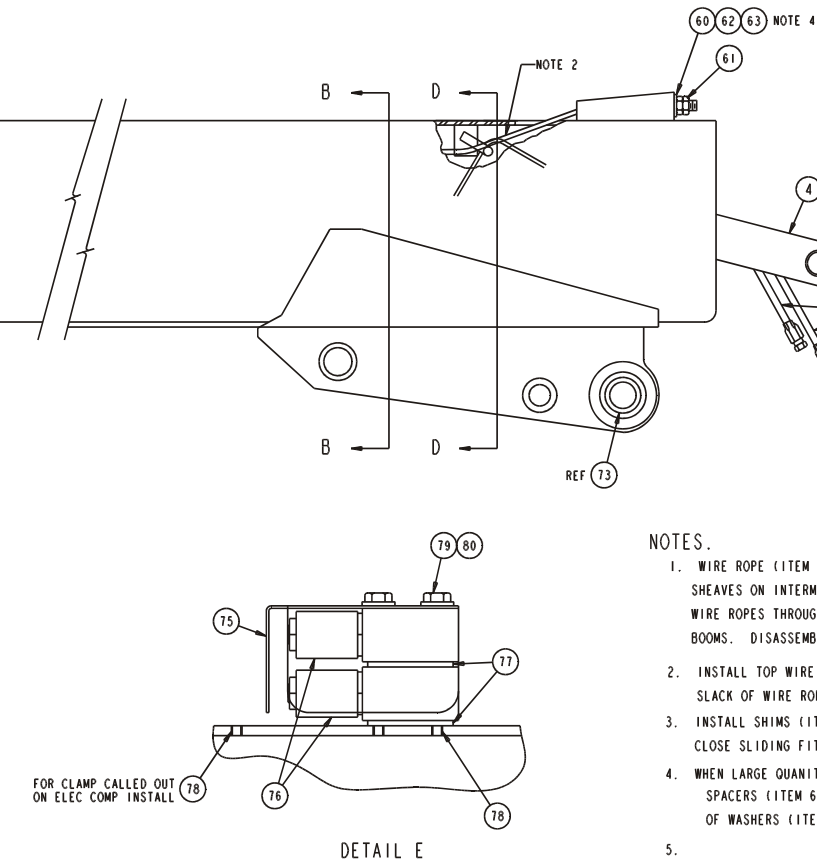
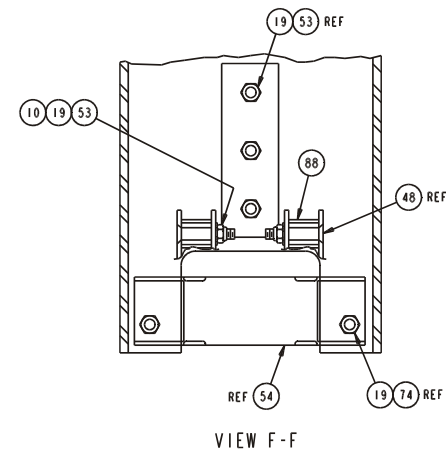
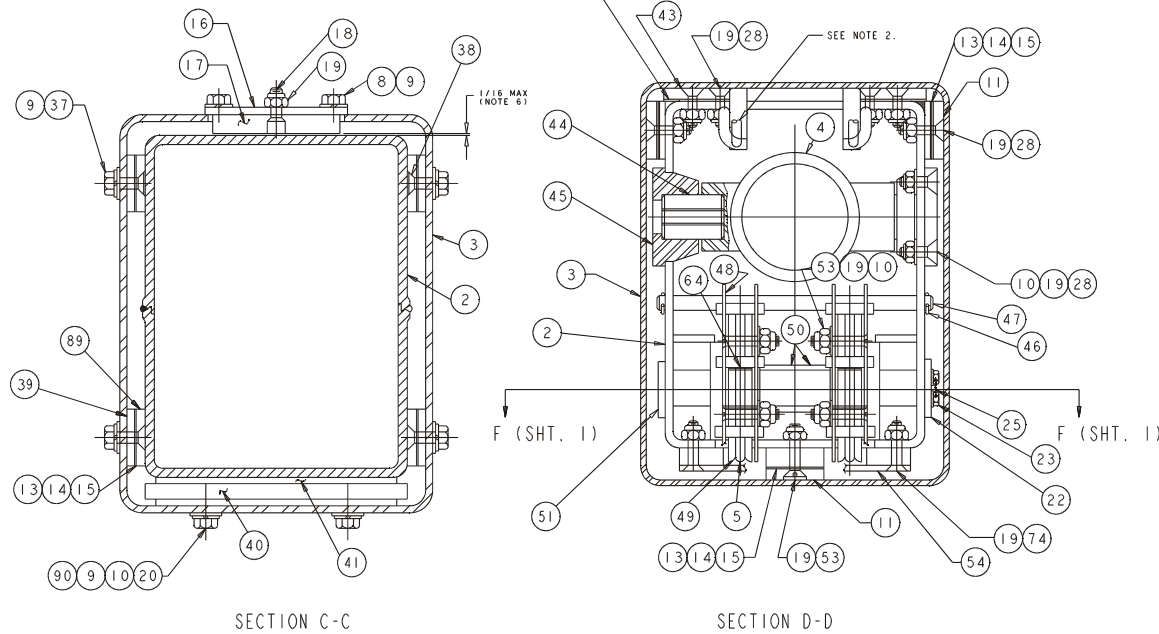
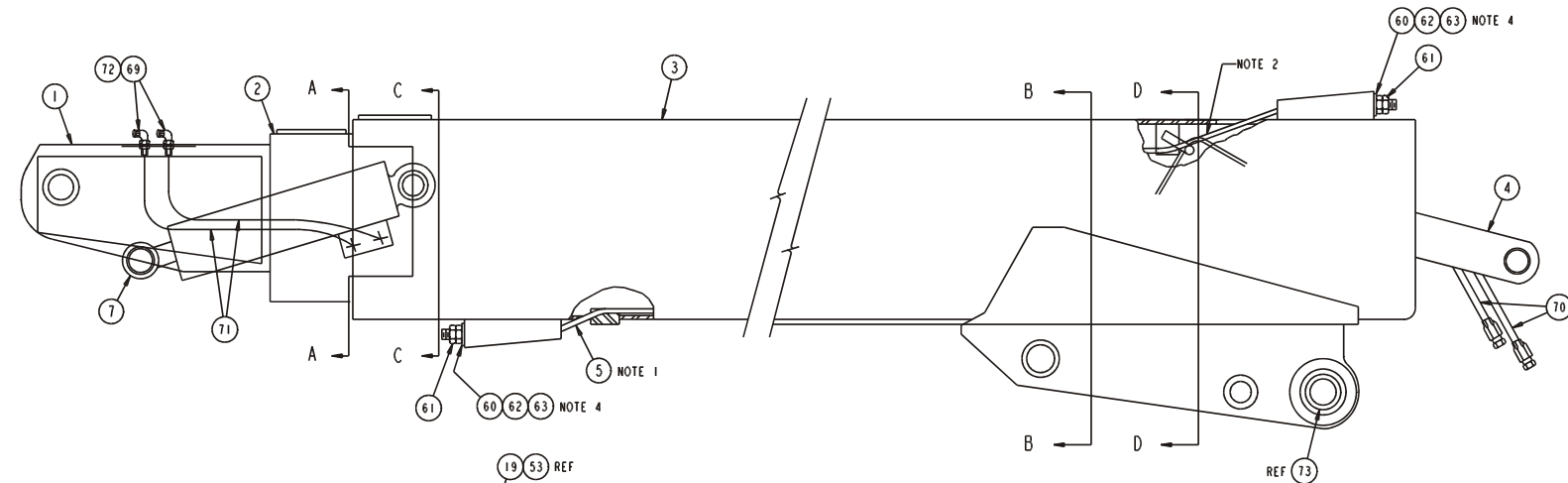
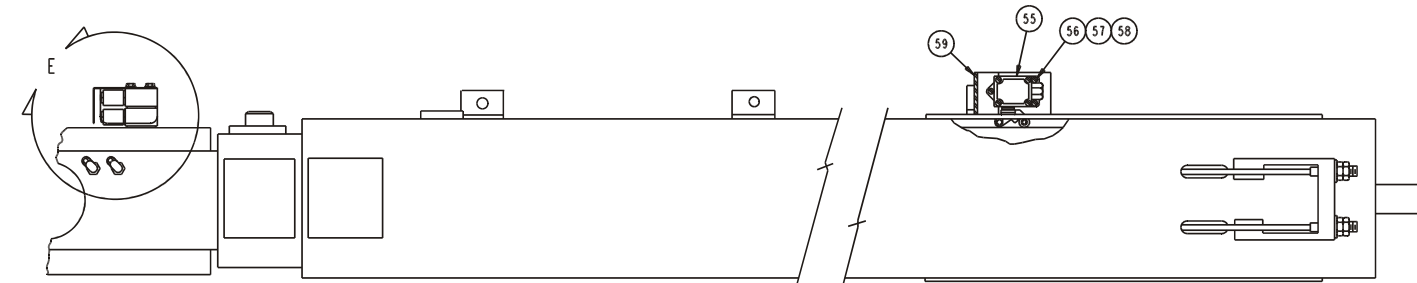
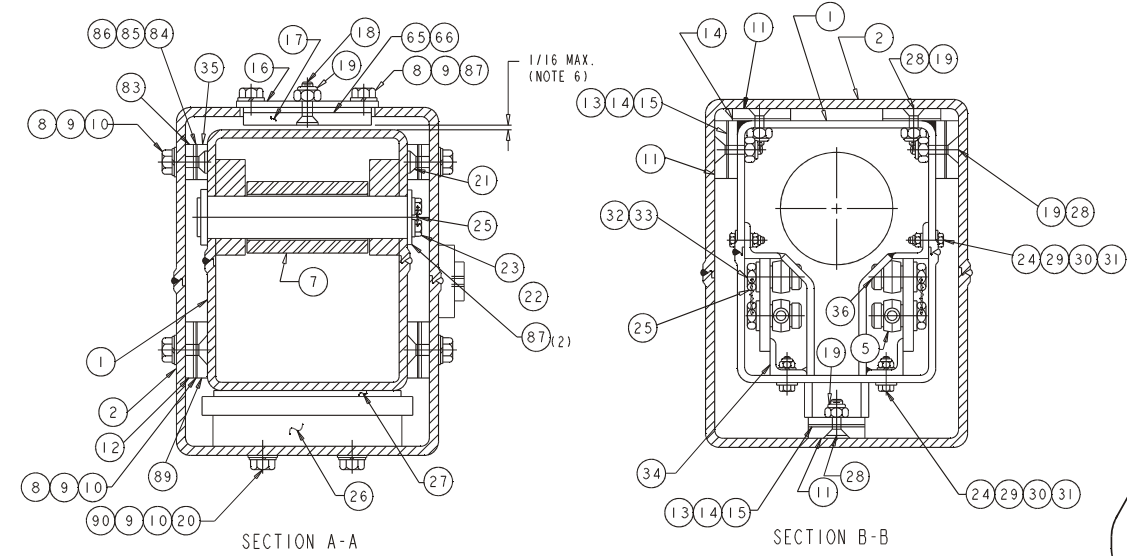
E

D

C

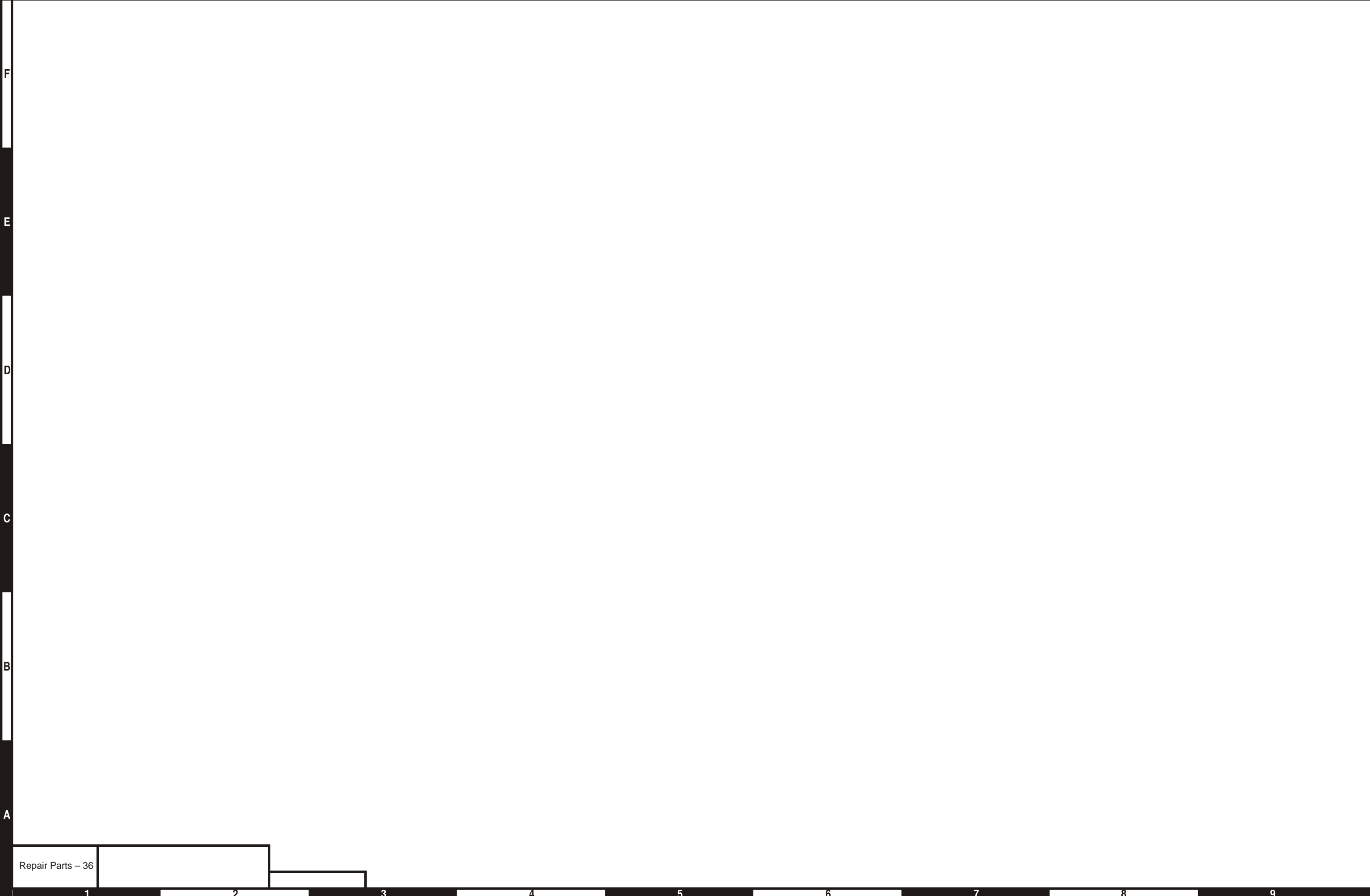
B

A



NOTES.

1. WIRE ROPE (ITEM 5) TO REMAIN OUTSIDE BASE BOOM UNTIL SHEAVES ON INTERMEDIATE BOOM PASS BEYOND SLOT PULL WIRE ROPES THROUGH SLOTS AND HOLD SNUG WHILE ASSEMBLING BOOMS. DISASSEMBLE IN OPPOSITE MANNER.
2. INSTALL TOP WIRE ROPE IN GUIDE WHILE AREA IS CLEAR. ALLOW SLACK OF WIRE ROPE TO FORM "S" CURVE TO SLIDE BY KEEPER.
3. INSTALL SHIMS (ITEM 13, 14, 15, 84, 85, 86) AS REQUIRED TO PROVIDE CLOSE SLIDING FIT BETWEEN BOOMS.
4. WHEN LARGE QUANTITY OF ITEMS 60 IS REQUIRED, USE SPACERS (ITEM 62 OR 63) AS REQUIRED TO KEEP QUANTITY OF WASHERS (ITEM 58) TO A MINIMUM.
- 5.
6. USE SPACERS 0072683 (1/4") OR 0073111 (1/8") TO PROVIDE 1/16" MAX GAP ABOVE TIP AND INTER BOOMS AS NOTED. (FLATWASHERS UNDER MOUNT PLATES, ITEM 16, MAY BE USED WHEN NEEDED.)
- 7.
- 8.
9. USE ALTERNATE SPACER 0090138 (3/8") OR 0090444 (1/2")



F

E

D

C

B

A



Repair Parts - 36

1

2

3

4

5

6

7

8

9

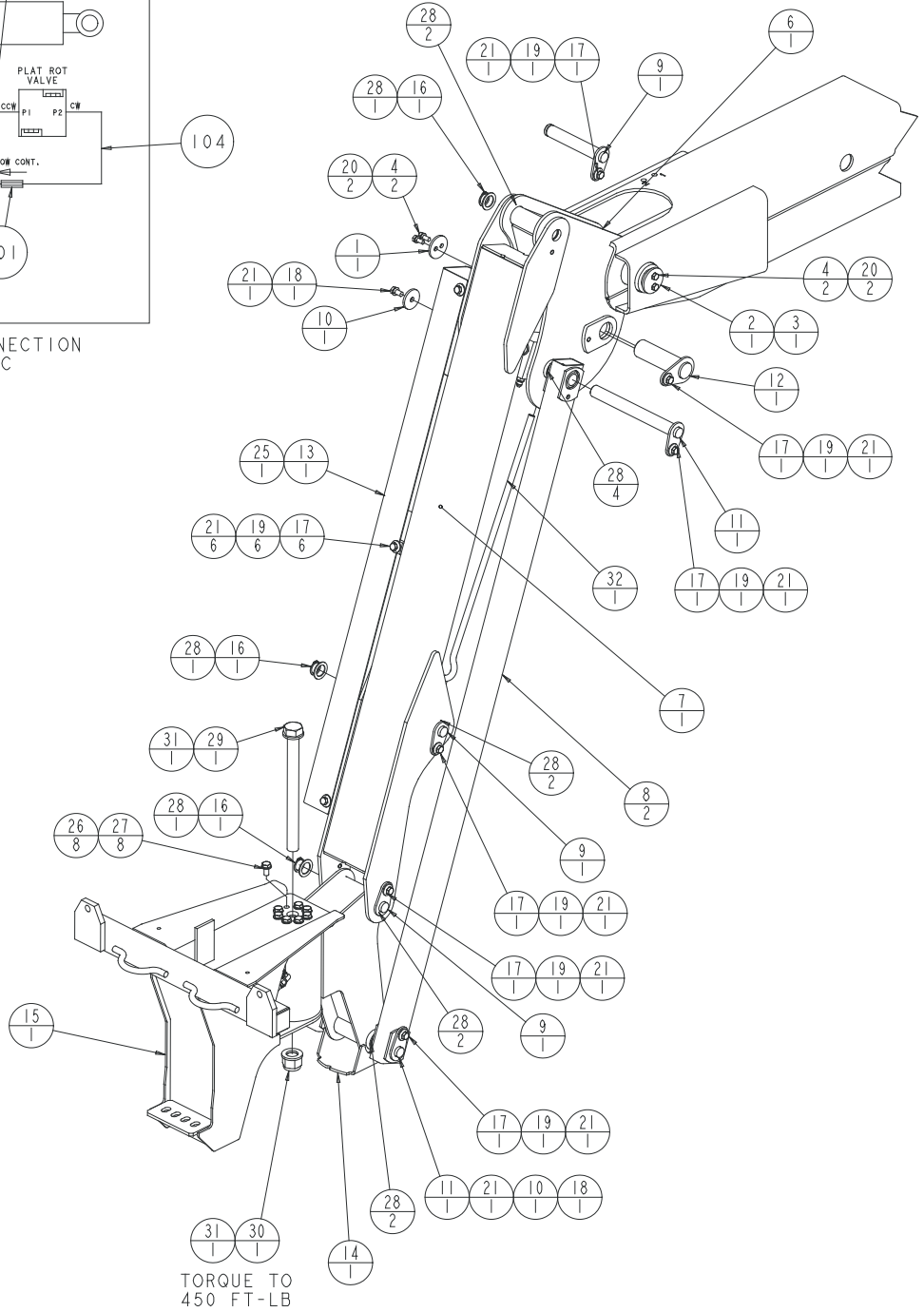
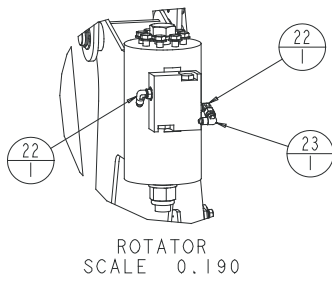
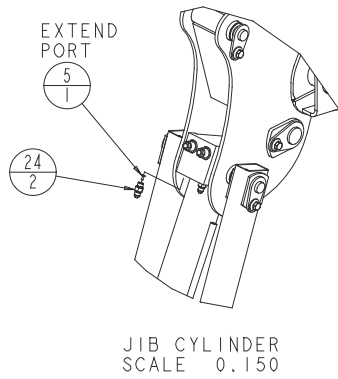
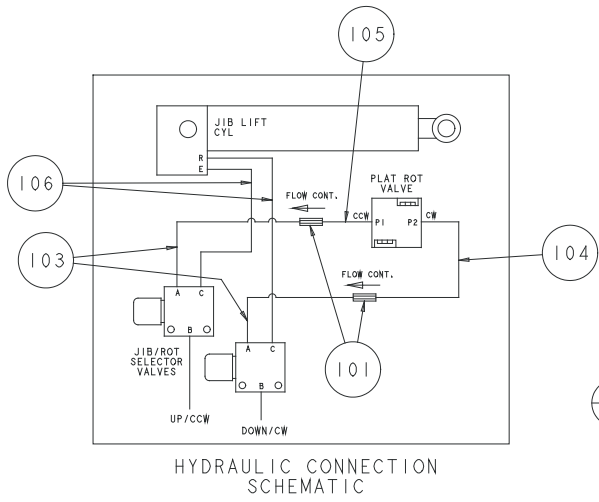
Booms – TB47J

Item	Part No.	Qty.	Description
1	0072671	1	WLDMT TIP BOOM
2	0072695	1	WLDMT INTERMEDIATE BOOM
3	0072715	1	WLDMT BASE BOOM TB42
4	0072855	1	EXT CYL ASSY
5	0070009	2	WIRE ROPE ASSY RETRACT
6	0070443	1	PIN LVL CYL TO TIP BOOM
7	0172230	1	SLAVE LEVEL CYL ASSY
8	5560683	12	CAPSCREW 3/8-16 X 5/8 LG HEX HD GR 5
9	987119	40	WASHER MEDIUM LOCK
10	986299	28	WASHER 3/8 MEDIUM FLAT
11	0080293	8	SL PAD 2.00 6.00 .38
12	0070485	2	SPACER-5/16-SLIDE PAD
13	0070030	16	SHIM 2.00 5.88 .030
14	0072567	18	SL PAD 2.00 5.88 .063
15	0090141	16	SHIM SLIDE PAD .090 THK
16	0072681	2	SLIDE PAD MOUNT
17	0072682	2	SL PAD 4.50 DIA .625
18	972469	8	CAPSCREW 3/8-16 X 1 LG. SKT FH, CAD PL
19	5560033	56	SELF LOCKING NUT 3/8-16
20	970426	12	CAPSCREW 3/8-16 X 7/8 LG HEX HD GR 5
21	970439	12	CAPSCREW 3/8-16 X 5/8 LG. SKT FH. CAD PL
22	0070033	2	PIN LOCK-2 X 7 GA FLATWASHER
23	0070473	4	BLT DRH .313-18
24	987109	8	WASHER 5/16 MEDIUM LOCK
25	9980012	1	.040 DIA. SS SAFETY LOCKWIRE
26	0072688	1	WLDMT PAD PLATE
27	0072690	1	SL PAD 6.00 6.438 .50
28	5560644	39	CAPSCREW 3/18-16 X 1 1/4 LG SKT FH, CAD
29	970259	8	CAPSCREW 5/16-18 X 1 LG. HEX HD GR 5
30	986269	8	WASHER 5/16 MEDIUM FLAT
31	5560031	8	SELF-LOCKING NUT 5/16-18
32	986359	4	WASHER 1/2 MEDIUM FLAT
33	5560053	4	NUT HEX JAM .500 DRILLED FOR TIE WIRE
34	0070025	2	WIRE ROPE ANCHOR WLDMT
35	0080294	2	SL PAD 1.25 6.00 .38
36	5560005	4	BLT SHLDR .625-5/8 X 3/4 SHOULDER BOLT
37	5560683	8	CAPSCREW 3/8-16 X 5/8 LG HEX HD GR 5
38	972429	12	CAPSCREW 3/8-16 X 1/2 LG SKT FH. CAD
39	0070486	4	SPACER-1/4-SIDE PAD
40	0072689	1	WLDMT PAD PLATE
41	0072691	1	SL PAD 6.00 8.438 .50
42	0072680	2	SHIM 3X6 SLIDE PAD
43	0070639	2	SL PAD 3.00 6.00 .38
44	0070390	2	PIN CYL AHR
45	0072751	2	CYL. ANCHOR
46	988179	1	COTTER PIN 1/8 X 1
47	0070448	1	PIN CAB RET
48	0073515	2	SHEAVE CAGE
49	0073981	2	SHEAVE EXTEND/RETRACT
50	2500035	2	BEARING 1.25ID 1.50OD 1.25LG
51	0070439	1	PIN RETR SHV
53	972509	6	CAPSCREW 3/8-16 X 2 LG SKT FH, CAD PL
54	0073520	1	WLDMT RETAINER
55	0075119	1	BOOM SWITCH ASSY TB42/50/47J
56	5560649	3	MACH SCREW #10-24 X 1 LG TRUSS HD PLTD
57	986009	6	WASHER #10 MEDIUM FLAT PLTD
58	5560034	3	NUT #10-24 HEX PLTD ESNA
59	0071216	1	GUARD-BOOM SWITCH
60	5560169	8	WASHER 5/8 HARDENED FLAT
61	984449	8	NUT 5/8-11 HEX JAM

Booms – TB47J

Item	Part No.	Qty.	Description
62	0073275	4	SPACER
63	0073274	4	SPACER
64	2502028	2	BEARING 1.25ID 1.75OD 1.00LG
65	0072683	1	SLIDE PAD SPACER
66	0073111	1	SLIDE PAD SPACER
69	5034501	2	FTG ELB90BHD-4S-4S STL
70	0361353	2	HOSE - 6-6S-6S 84 100R17
71	0070768	2	HOSE-4-4S-4S 18.5 100R1
72	5074401	2	FTG LKNT BHD-4 STL
73	2502836	2	BEARING
74	5560680	2	CSCREW, 3/8-16 X 1 3/4" LG, SFHD CAD PL
75	0172313	1	COVER, 3 WAY VALVES
76	0172298	2	SELECTOR VALVE ASSY, BOOMS TB42J
77	0172299	2	SPACER, SELECTOR VALVES
78	5560603	3	NUT SERT .250-20GRIP .260-.390
79	970129	2	BLT .250-20 X 3.00 LG HH
80	986019	2	WSHR FLAT .25
82	986269	2	WASHER, 5/16 MED FLAT
83	0073340	2	SPACER
84	0070043	2	SHIM 1.25 5.88 .030
85	0073342	2	SHIM .063
86	0073343	2	SHIM .090
87	5560126	6	THREAD INSERT LKG .375
88	0074639	2	SL PAD 1.00 3.563 1.00
89	0070031	6	SL PAD 2.00 6.00 .330
90	5560015	12	THREAD INSERT SCREW LOCK .375

Jib, Platform Mounting and Rotator – TB47J

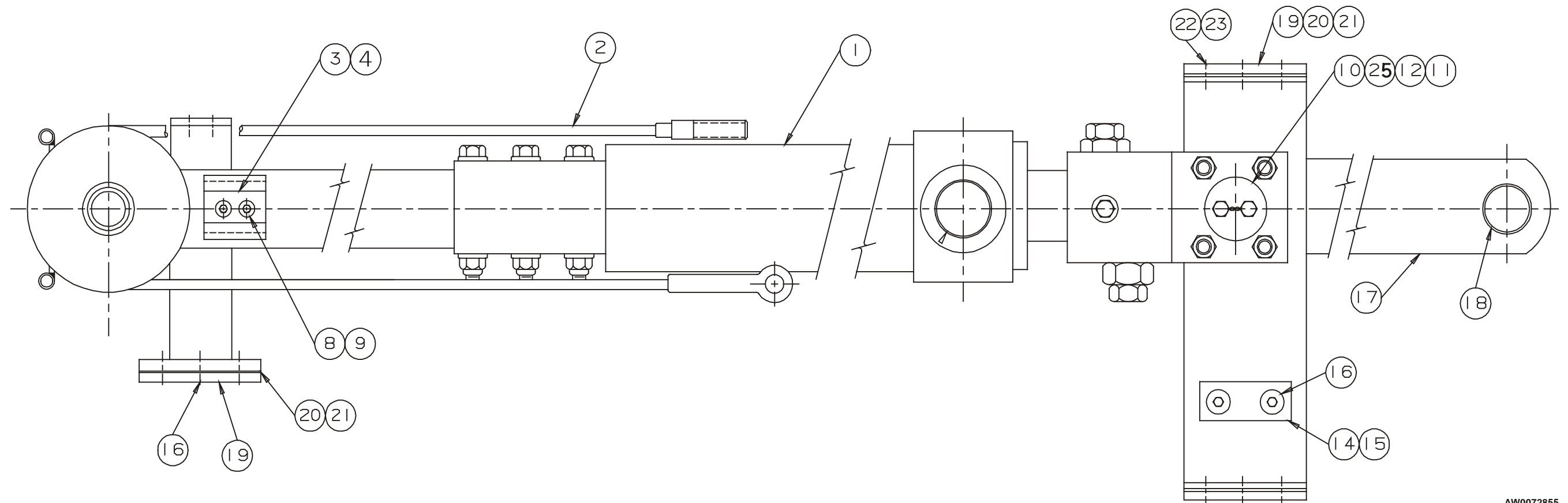
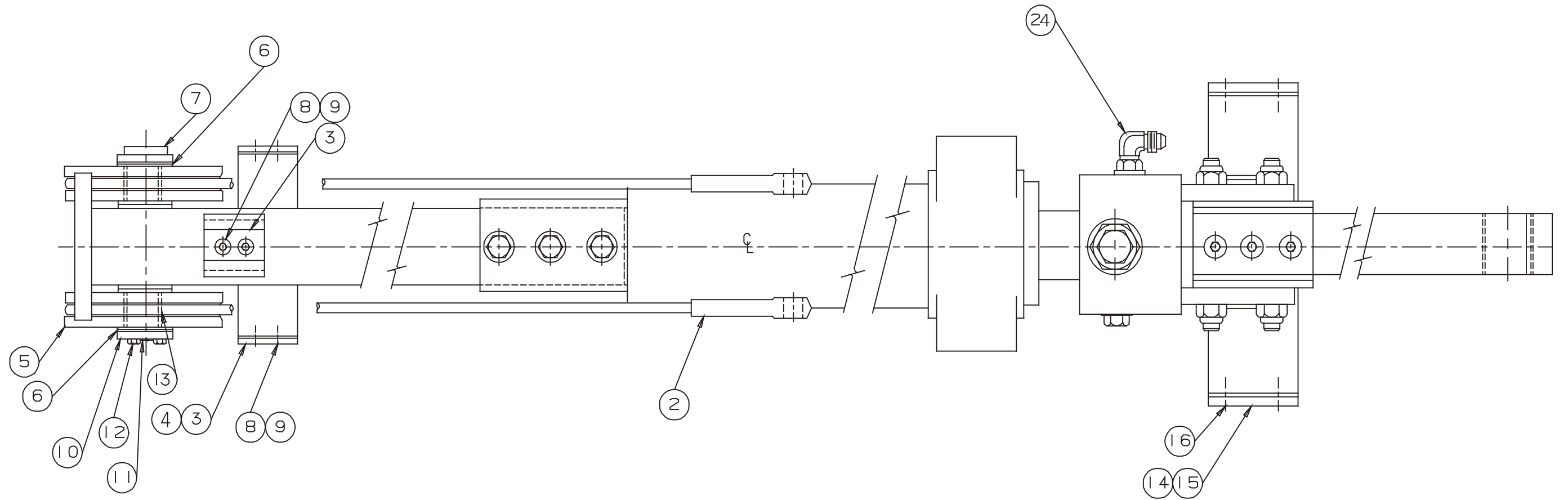


0172220

Jib, Platform Mounting and Rotator – TB47J

Item	Part No.	Qty.	Description
1	0070033	1	PIN LOCK-2 X 7 GA FLATWASHER
2	0070132	1	PIN LOCK-2-1/4 X 3/16 F/W
3	0070446	1	PIN LIFT CYL TO BASEBOOM
4	0070473	4	BLT .313-18 0.75 GR5 DRILLED HEAD
5	0151918	1	ORIFICE .035
6	0172187	1	WLDMT, JIB INNER QUADRANT
7	0172195	1	WLDMT, UPPER JIB ARM
8	0172199	2	WLDMT, LOWER JIB STRUT
9	0172213	3	WLDMT, PIN 1.0 DIA X 5.79 GRIP
10	0172214	2	END CAP 1.0 DIA PIN
11	0172216	2	WLDMT, PIN 1.0 DIA X 9.43 GRIP
12	0172228	1	WLDMT,PIN 1.50 DIA X 4.88 GRIP
13	0172231	1	COVER, HOSE 5' JIB
14	0172233	1	WLDMT, ROTATOR
15	0172307	1	WLDMT, BASKET MTG BRKT
16	300542	3	SNAP RING 1.00 ID HEAVY DUTY
17	970439	12	BLT .375-16 .625
18	970449	2	BLT .375-16 .750 GR5
19	986299	12	WSHR FLAT .38
20	987109	4	WSHR LOCK .313
21	987119	14	WSHR LOCK .375
22	5035303	2	FTG ELB90STRTHD-4B-4S STL
23	5037003	1	FTG ELB90SWVL-4S-4S STL
24	5065703	2	FTG ADPTR STRTHD-4B-4S STL
25	5560083	2	HOSE GUIDE .125 RUBBER EDGE
26	5560222	8	WASHER HARD FLAT .375 SP
27	5560625	8	BLT 10MM 1.50P 20MM
28	5560689	15	BSHG MCHRY 1.00ID 1.50OD 14GA
29	5569989	1	BLT HEXHD M24-3.0X280MM GR8.8
30	5569990	1	NUT LKG M24-3.0P
31	5569991	2	WSHR HARD FLAT M24
32	6047114	1	JIB CYLINDER, 31.53LG X 24.45ST X 2.50BR
101	6019067	2	VALVE, CHECK 0.015 DIA ORIFICE
103	0050137	2	HOSE-4-4S-4S 36 100R1
104	0322684	1	HOSE-4-4S-4S 60 SP
105	0100269	1	HOSE-4-4S-4S 55 100R1
106	0070772	2	HOSE-4-4S-4S 54 100R1

F
E
D
C
B
A



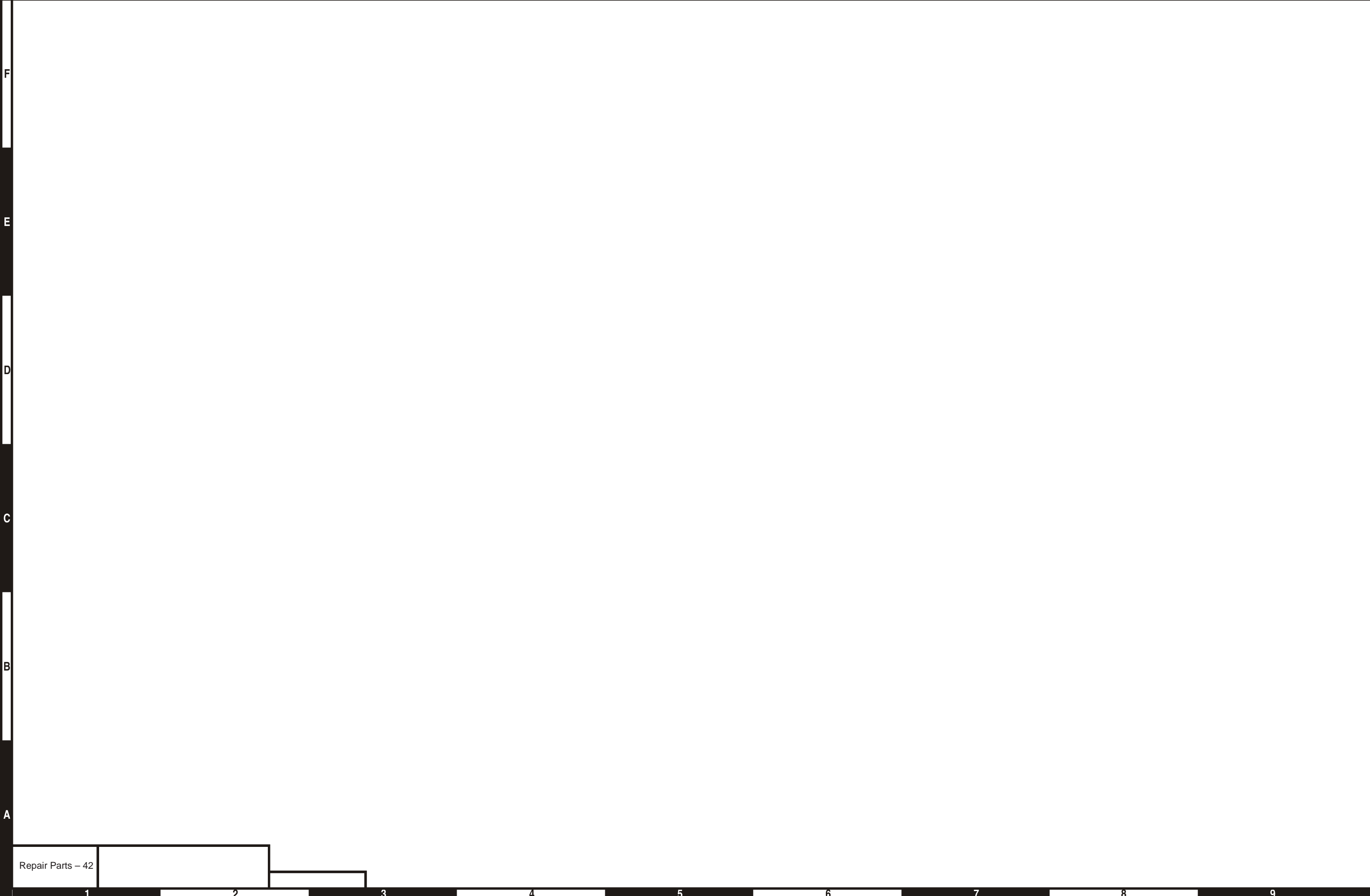
AW0072855

AW0072855

Extension Cylinder

Repair Parts - 41

1 2 3 4 5 6 7 8 9



F

E

D

C

B

A

Repair Parts - 42

1

2

3

4

5

6

7

8

9

Extension Cylinder

Item	Part No.	Qty.	Description
	007285528	1	EXTENSION CYLINDER TB42, TB47J
	007285628	1	EXTENSION CYLINDER TB50
1	0072853	1	EXTEND CYLINDER AND SUPPORT BRACKET TB42, TB47J
	0072854	1	EXTEND CYLINDER AND SUPPORT BRACKET TB50
2	0070010	2	WIRE ROPE, TB42
	0070943	2	WIRE ROPE, TB50
3	0060089	3	SLIDE PAD
4	0071342	2	SHIM
5	0073981	2	CABLE SHEAVE
6	5560254	7	THRUST WASHER
7	0070438	1	PIN, EXTEND SHEAVE
8	5560331	6	CAPSCREW 1/4-20 X 1 INCH LONG SOCKET FLAT HEAD
9	5560004	6	NUT 1/4-20 SELF LOCKING
10	0070033	2	PIN LOCK
11	9980012	1	.040 INCH DIAMETER STAINLESS STEEL SAFETY LOCKWIRE - (SOLD IN 1 LB CAN)
12	0070473	4	CAPSCREW 5/16-18 DRILLED HEAD
13	2502028	2	BEARING
14	0070141	2	SLIDE PAD
15	0071341	2	SLIDE PAD SHIM, .063 INCH THICK
16	972449	7	CAPSCREW 3/8-16 X 3/4 INCH LONG SOCKET FLAT HEAD
17	0070016	1	LINK
18	2502432	2	BEARING
19	0070029	3	SLIDE PAD
20	0070838	3	SLIDE PAD SHIM, .030 INCH THICK
21	0071272	3	SLIDE PAD SHIM, .063 INCH THICK
22	5560644	6	CAPSCREW 3/8-16 X 1-1/4 INCH LONG SOCKET FLAT HEAD
23	5560033	6	NUT 3/8-16 SELF LOCKING
24	5035305	2	STRAIGHT THREAD 90° ELBOW
25	0070440	1	LINK PIN

F

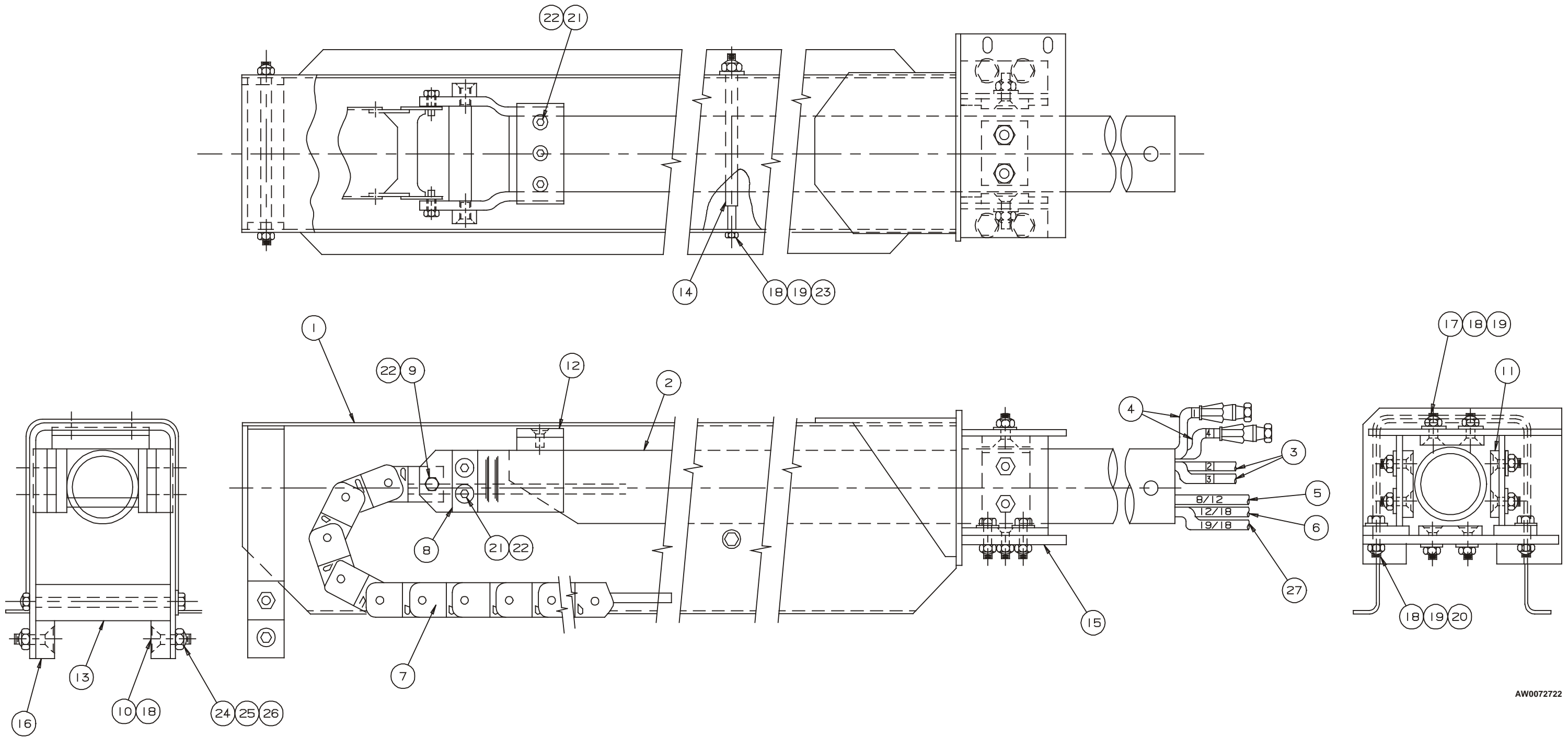
E

D

C

B

A



AW0072722

AW0072722

Hose Carrier TB42/TB50

Repair Parts - 45

1 2 3 4 5 6 7 8 9

F

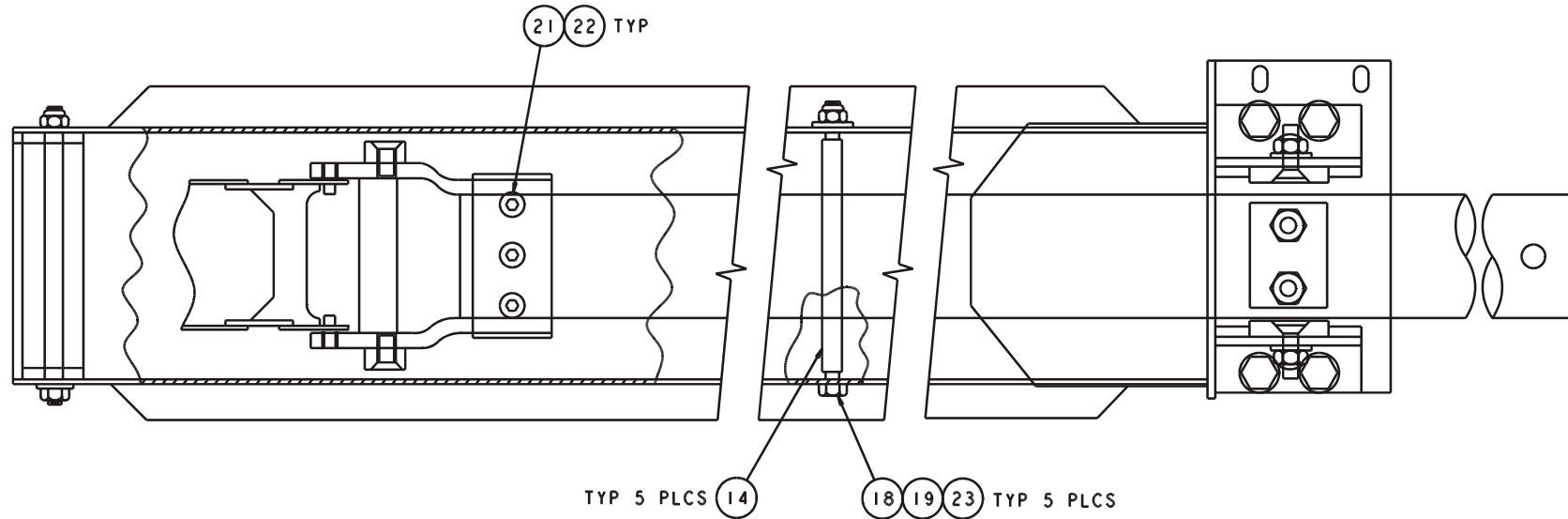
E

D

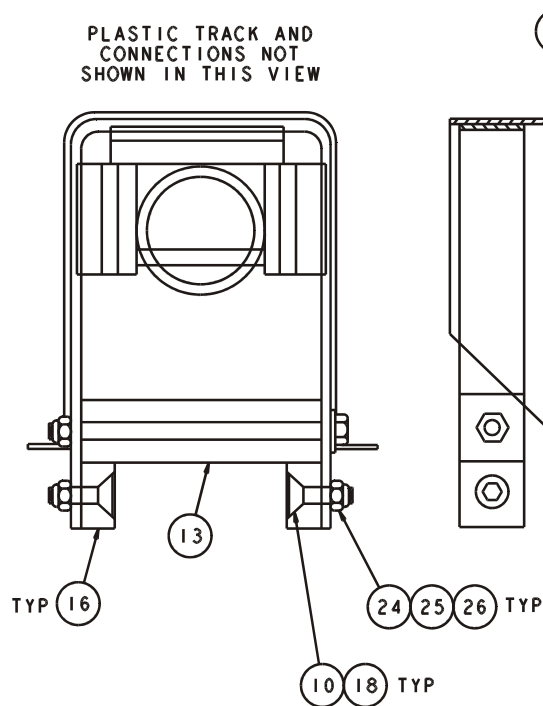
C

B

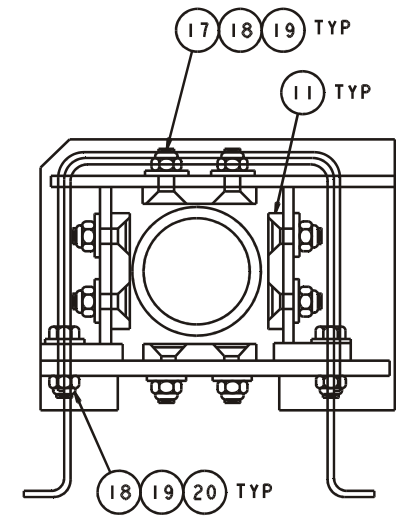
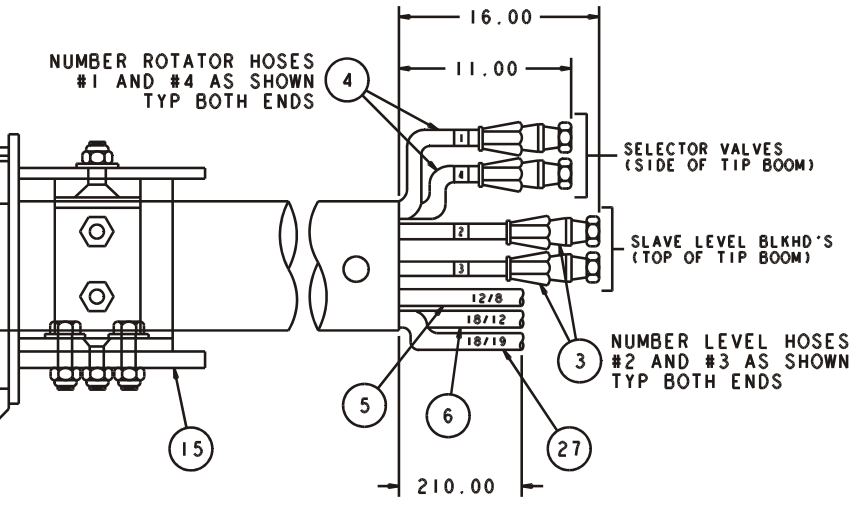
A



PLASTIC TRACK AND CONNECTIONS NOT SHOWN IN THIS VIEW



NUMBER ROTATOR HOSES #1 AND #4 AS SHOWN TYP BOTH ENDS



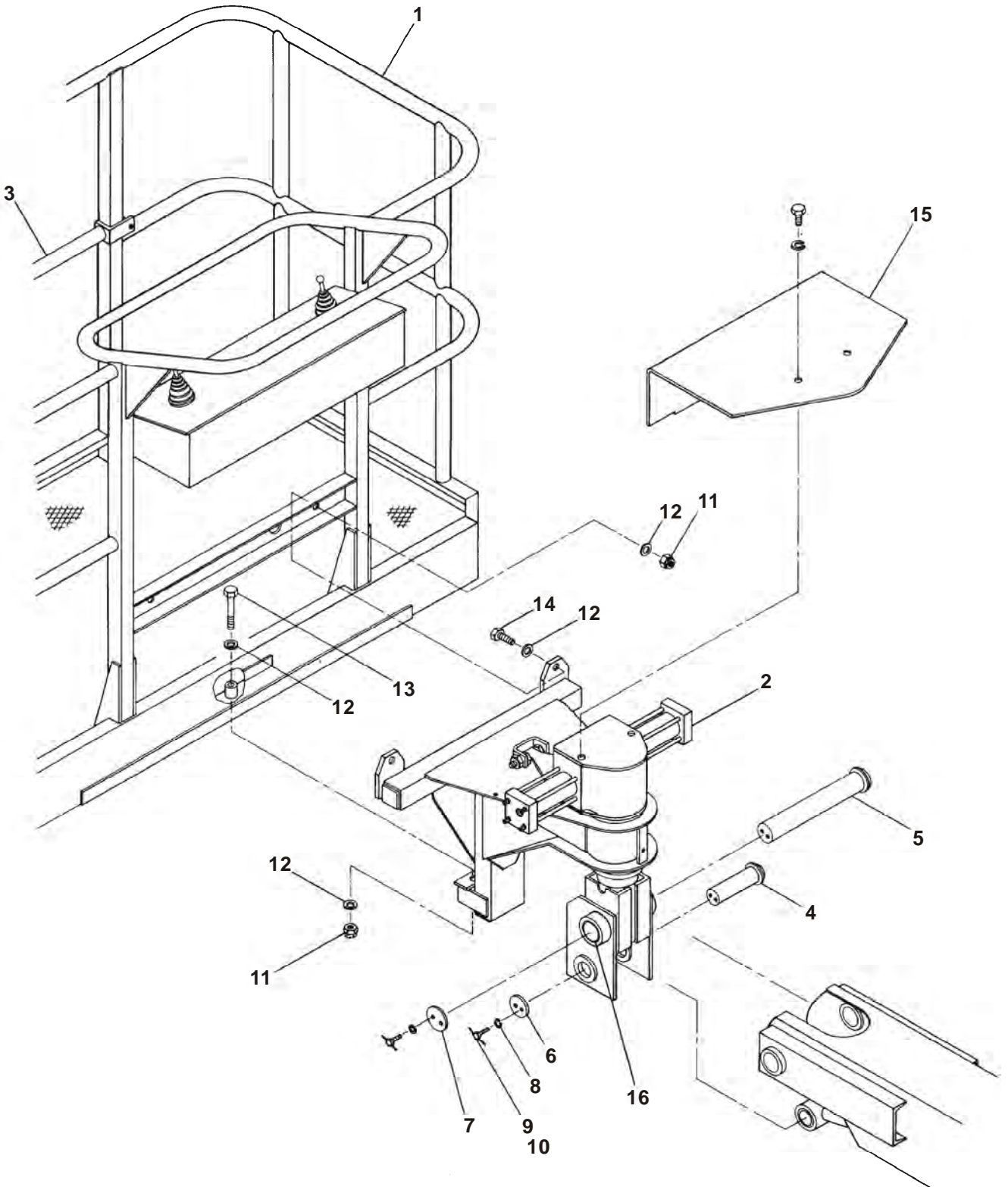
Hose Carrier – TB42/TB50

Item	Part No.	Qty.	Description
1	007272228	1	HOSE CARRIER, COMPLETE - TB42
	007272528	1	HOSE CARRIER, COMPLETE - TB50
2	0072741	1	HOSE CARRIER, TB42
	0072742	1	HOSE CARRIER, TB50
3	0072734	1	CARRIER TUBE, TB42
	0072736	1	CARRIER TUBE, TB50
4	0073120	2	3/16 INCH HYDRAULIC HOSE, TB42 (LEVELING)
	0073121	2	3/16 INCH HYDRAULIC HOSE, TB50 (LEVELING)
5	0073122	2	3/16 INCH HYDRAULIC HOSE, TB42 (ROTATING)
	0073119	2	3/16 INCH HYDRAULIC HOSE, TB50 (LEVELING)
6	3010006	1	POWER WIRE TB42, 12 GA/8 CON X 57 FT (TERMINALS NOT INCLUDED)
	3044854		REPLACEMENT TERMINAL
7	3010006	1	POWER WIRE TB50, 12 GA/8 CON X 63 FT (TERMINALS NOT INCLUDED)
	3044854		REPLACEMENT TERMINAL
8	3010009	1	CONTROL WIRE #1 TB42, 18 GA/19 CON X 57 FT (TERMINALS NOT INCLUDED)
	3046972		REPLACEMENT TERMINAL
9	3010009	1	CONTROL WIRE #1 TB50, 18 GA/19 CON X 63 FT (TERMINALS NOT INCLUDED)
	3046972		REPLACEMENT TERMINAL
10	9920014	75	PLASTIC TRACK LINK, TB42
	9920014	89	PLASTIC TRACK LINK, TB50
11	0072934	2	SLIDE PAD
12	0072910	2	CAPSCREW, SPECIAL
13	978409	2	CAPSCREW 3/8-16 X 1-1/2 INCH LONG SOCKET FLAT HEAD
14	0100105	4	SLIDE PAD
15	0070029	1	SLIDE PAD
16	0072936	1	SLIDE PAD
17	0080284	5	SPACER
18	0110610	1	ANCHOR PLATE
19	0072935	2	SLIDE PAD
20	5560644	8	CAPSCREW 3/8-16 X 1-1/4 INCH LONG SOCKET FLAT HEAD
21	5560033	19	NUT 3/8-16 SELF LOCKING
22	986299	26	WASHER 3/8 MEDIUM FLAT
23	970489	4	CAPSCREW 3/8-16 X 1-1/2 INCH LONG HEX HEAD GRADE 5
24	970449	7	CAPSCREW 3/8-16 X 3/4 INCH LONG HEX HEAD GRADE 5
25	5560126	9	THREADED INSERT 3/8-16 THREAD
26	5560605	5	CAPSCREW 3/8-16 X 7 INCH LONG HEX HEAD GRADE 5
27	5560606	1	CAPSCREW 1/2-13 X 7 INCH LONG HEX HEAD GRADE 5
28	986359	2	WASHER 1/2 MEDIUM FLAT
29	5560039	1	NUT 1/2-13 SELF LOCKING
30	3010005	1	CONTROL WIRE #2 TB42, 18 GA/19 CON X 57 FT (TERMINALS NOT INCLUDED)
	3046972		REPLACEMENT TERMINAL
31	3010005	1	CONTROL WIRE #2 TB50, 18 GA/19 CON X 63 FT (TERMINALS NOT INCLUDED)
	3046972		REPLACEMENT TERMINAL

Hose Carrier – TB47J

Item	Part No.	Qty.	Description
1	0072741	1	HOSECARRIER
2	0072734	1	WLDMT CARRIER TUBE
3	0073120	2	HOSE-3-4S-4S 510
4	0075115	2	HOSE-4-4S-4S 532
5	3010006	62	CONTROL CABLE #12-8-1.14
6	3010009	62	CONTROL CABLE #18-12
7	9920014	75	POWER TRAK
8	0072934	2	SL PAD 1.25 2.50 .50
9	0072910	2	BLT PLSTC TRK-3/8-16 X 3/4 HHCS
10	978109	2	CAPSCREW, 3/8-16 X 1.5" LG., FHDSKT
11	0100105	4	SL PAD 2.00 2.50 .375
12	0070029	1	SL PAD 2.00 4.00 .330
13	0072936	1	SL PAD 1.50 5.625 1.50
14	0080284	5	SPACER
15	0110610	1	ANCHOR PLATE BOTTOM
16	0072935	2	SL PAD 1.50 1.50 .75
17	5560644	8	CAPSCREW, 3/8-16 X 1.25" LG., FHDSKT.PLD
18	5560033	19	NUT, 3/8-16 ESNA
19	986299	26	WASHER, 3/8 FLAT
20	970489	4	CAPSCREW, 3/8-16 X 1.5"LG., HEX.HD GR.5
21	970449	7	CAPSCREW, 3/8-16 X 3/4" LG, FL.HD SCKT
22	5560126	9	THREAD INSERT LKG .375 HELI-COIL
23	5560605	5	CAPSCREW, 3/8-16 X 7" LG., HEX. HD GR.5
24	5560606	1	CAPSCREW, 1/2-13 X 7" LG., HEX HD. GR.5
25	986359	2	WASHER, 1/2 FLAT
26	5560039	1	NUT, 1/2-13 ESNA
27	3010005	62	CONTROL CABLE #18-19

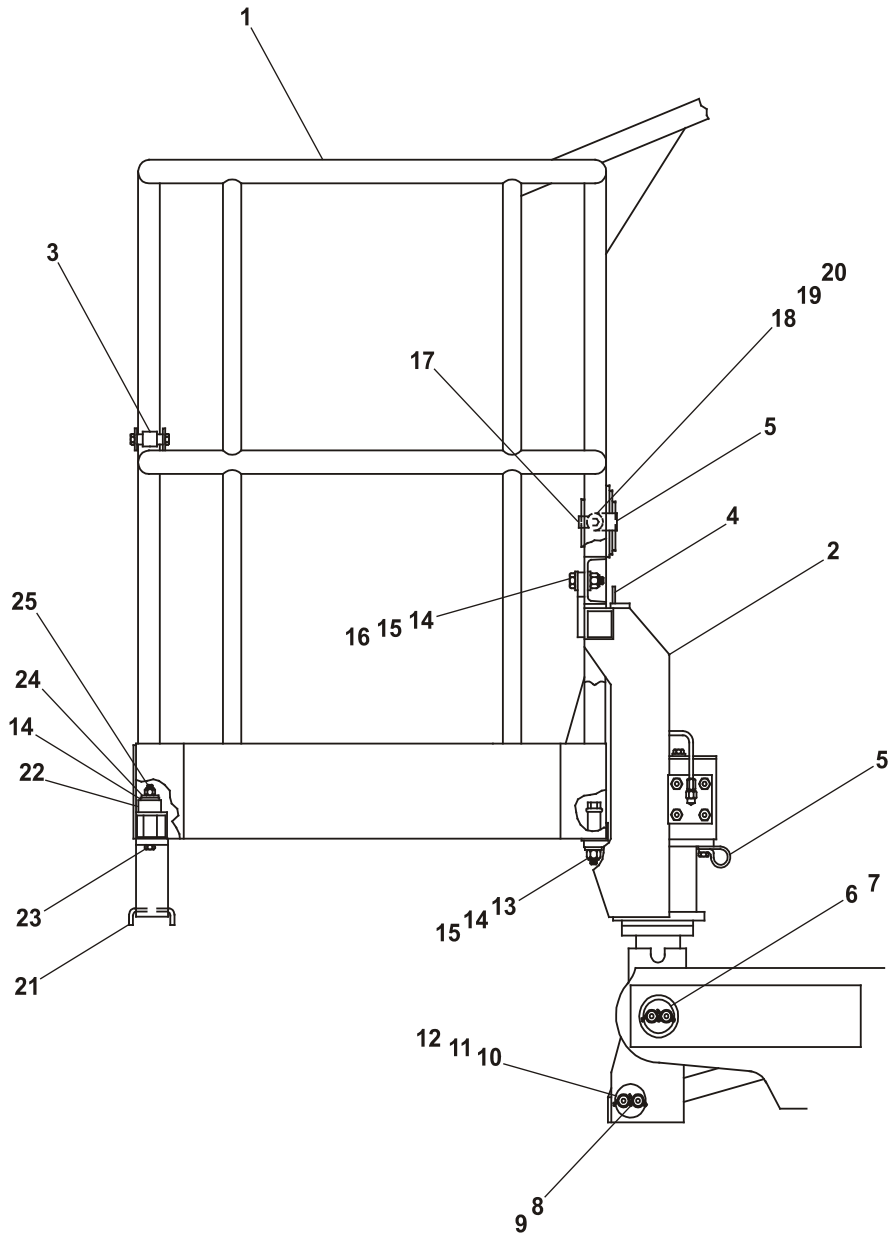
Platform Mounting – TB42



Platform Mounting – TB42

Item	Part No.	Qty.	Description
1		1	PLATFORM - (CONSULT FACTORY)
2	007255228	1	PLATFORM ROTATOR - (SEE PAGE 55 FOR PARTS BREAKDOWN)
3		1	PLATFORM GATE - (SEE PAGE 53 FOR PROPER PLATFORM GATE)
4	0070441	1	PIN, SLAVE LEVEL CYLINDER TO PLATFORM
5	0070446	1	PIN, PLATFORM TO TIP BOOM
6	0070033	1	PIN LOCK
7	0070132	1	PIN LOCK
8	987109	4	WASHER 5/16 MEDIUM LOCK
9	0070473	4	CAPSCREW 5/16-18 DRILLED HEAD
10	9980012	1	.040 INCH DIAMETER STAINLESS STEEL SAFETY LOCKWIRE - (SOLD IN 1 LB CAN)
11	5560039	4	NUT 1/2-13 SELF LOCKING
12	986359	8	WASHER 1/2 MEDIUM FLAT
13	971009	2	CAPSCREW 1/2-13 X 4 INCH LONG HEX HEAD GRADE 5
14	970909	2	CAPSCREW 1/2-13 X 1-1/2 INCH LONG HEX HEAD GRADE 5
15	0070874	1	COVER, PLATFORM ROTATOR
16	2502832	2	BEARING

Platform Mounting – TB50

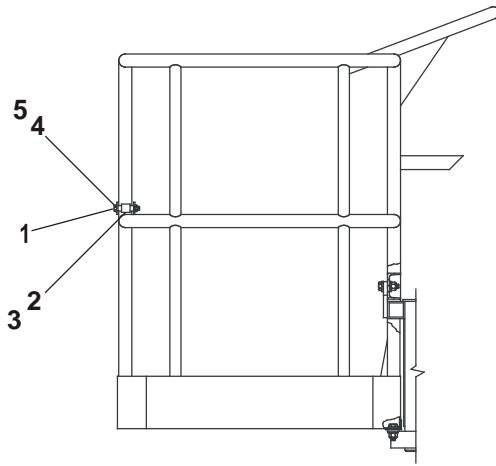


AWM00204

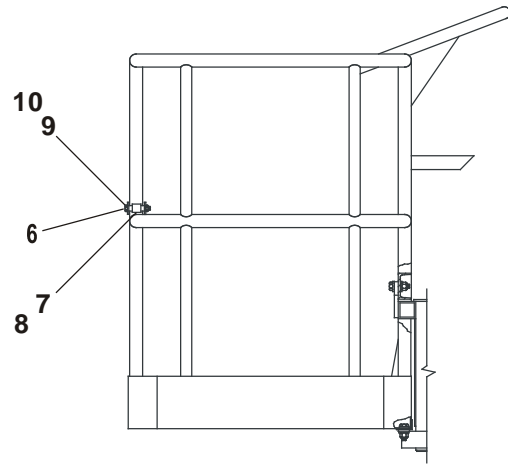
Platform Mounting – TB50

Item	Part No.	Qty.	Description
1		1	PLATFORM - (CONSULT FACTORY)
2	014025628	1	PLATFORM ROTATOR TB50 - (SEE PAGE 57 FOR PARTS BREAKDOWN)
3		1	PLATFORM GATE - (SEE PAGE 53 FOR PROPER PLATFORM GATE)
4	0140392	1	PLATFORM STOP
5	5093027	2	CLAMP
6	0070446	1	PIN, PLATFORM TO TIP BOOM
7	0070132	1	PIN LOCK
8	0070441	1	PIN, SLAVE LEVEL CYLINDER TO PLATFORM
9	0070033	1	PIN LOCK
10	0070473	4	CAPSCREW 5/16-18 DRILLED HEAD
11	987109	4	WASHER 5/16 MEDIUM LOCK
12	9980012	1	.040 INCH DIAMETER STAINLESS STEEL SAFETY LOCKWIRE - (SOLD IN 1 LB CAN)
13	5560711	2	CAPSCREW 1/2-13 X 4-1/2 INCH LONG HEX HEAD GRADE 5
14	986359	10	WASHER 1/2 MEDIUM FLAT
15	5560039	4	NUT 1/2-13 SELF LOCKING
16	970909	2	CAPSCREW 1/2-13 X 1-1/2 INCH LONG HEX HEAD GRADE 5
17	5093004	1	CLAMP
18	970029	1	CAPSCREW 1/4-20 X 3/4 INCH LONG HEX HEAD GRADE 5
19	986019	1	WASHER 1/4 MEDIUM FLAT
20	987099	1	WASHER 1/4 MEDIUM LOCK
21	0073147	1	STEP
22	0073130	2	SPACER
23	971009	2	CAPSCREW 1/2-13 X 4 INCH LONG HEX HEAD GRADE 5
24	987139	2	WASHER 1/2 MEDIUM LOCK
25	984149	2	NUT 1/2-13 HEX

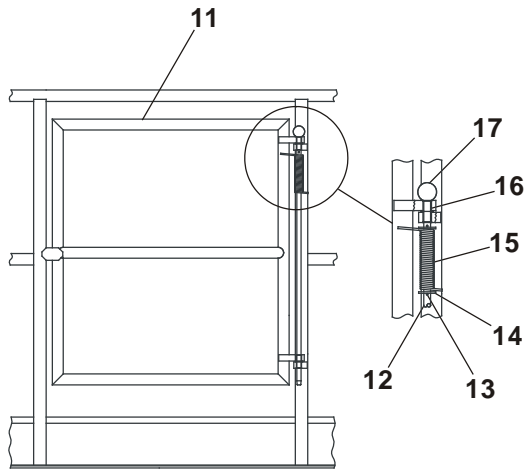
Platform Gate



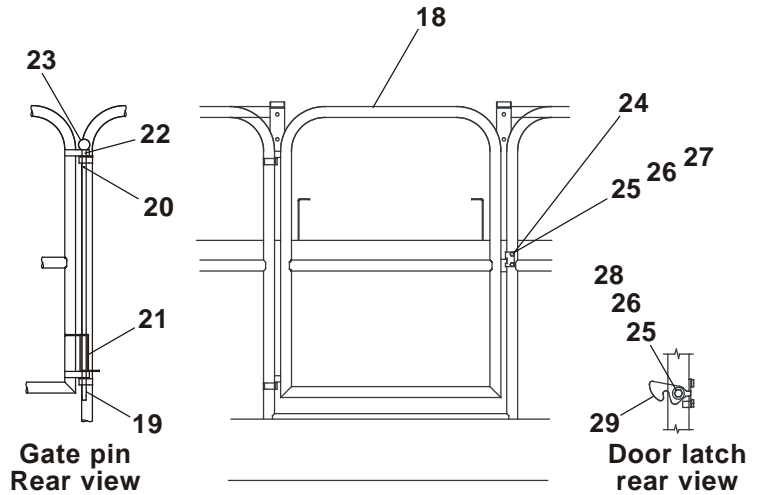
Gravity gate, steel platform



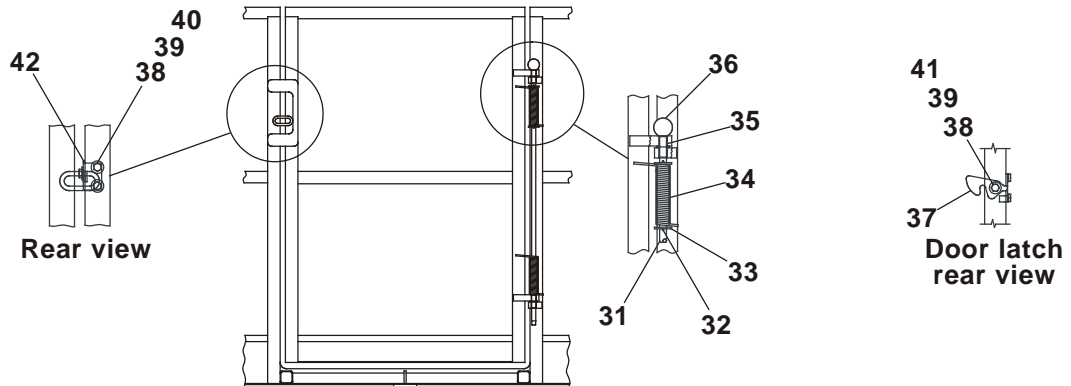
Gravity gate, aluminum platform



Swinging gate, steel platform



Swinging gate, aluminum platform

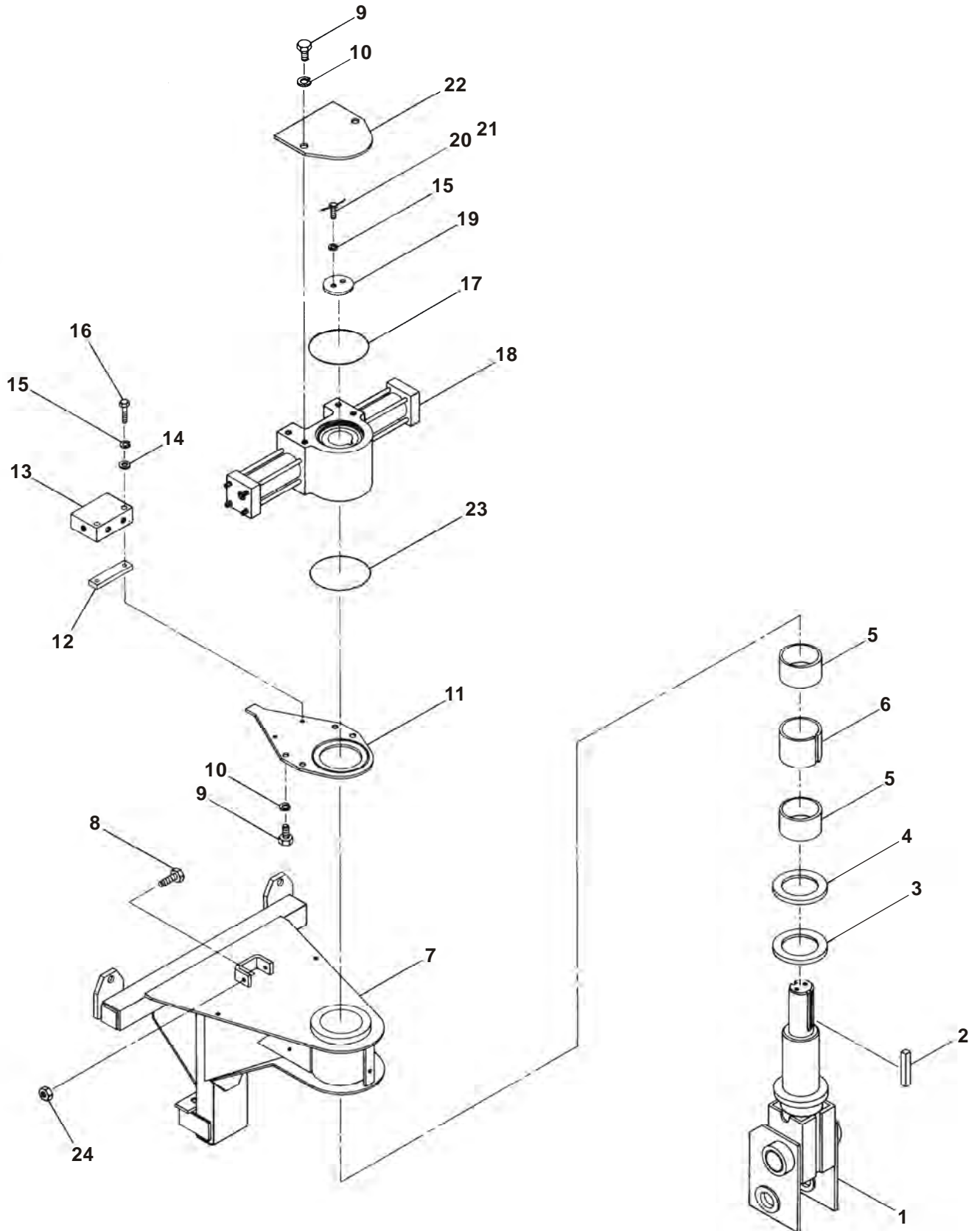


Full height swinging gate, steel platform

Platform Gate

Item	Part No.	Qty.	Description
	0071954		GRAVITY GATE ASSEMBLY FOR 5 FT AND 8 FT STEEL PLATFORMS INCLUDES ITEMS 1 THROUGH 5
1	0071951	1	GRAVITY GATE, STEEL PLATFORM
2	0150509	2	ROLLER, STEEL GRAVITY GATE
3	0071953	2	ROLLER SPACER, STEEL GRAVITY GATE
4	970529	2	CAPSCREW 3/8-16 X 2-1/2 INCH LONG HEX HEAD GRADE 5
5	5560033	2	NUT 3/8-16 SELF LOCKING
			GRAVITY GATE FOR 5 FT AND 8 FT ALUMINUM PLATFORMS
	016117728	1	GRAVITY GATE SERVICE KIT - (KIT INCLUDES ITEMS 6 THROUGH 10)
6	0161177	1	GRAVITY GATE, ALUMINUM PLATFORM
7	0161182	2	ROLLER, ALUMINUM GRAVITY GATE
8	0161184	2	ROLLER SPACER, ALUMINUM GRAVITY GATE
9	970889	2	CAPSCREW 1/2-13 X 1 INCH LONG HEX HEAD GRADE 5
10	5560039	2	NUT 1/2-13 SELF LOCKING
			SWINGING GATE FOR 5 FT AND 8 FT STEEL PLATFORMS
11	0071834	1	SWINGING GATE, STEEL PLATFORM
12	0322724	1	PIN, GATE HINGE
13	988179	2	COTTER PIN 1/8 INCH DIAMETER X 1 INCH LONG
14	986359	2	WASHER 1/2 MEDIUM FLAT
15	0071837	1	SPRING, TORSION
16	2570002	2	BEARING
17	2667500	1	KNOB, GATE HINGE PIN
			SWINGING GATE FOR 5 FT AND 8 FT ALUMINUM PLATFORMS
18	0160970	1	SWINGING GATE, ALUMINUM PLATFORM
19	0322724	1	PIN, GATE HINGE
20	5560056	1	ROLL PIN 1/8 INCH DIAMETER X 1 INCH LONG
21	0071837	1	SPRING, TORSION
22	2570002	2	BEARING
23	2667500	1	KNOB, GATE HINGE PIN
24	0161472	1	LATCH STOP
25	970099	3	CAPSCREW 1/4-20 X 5/8 INCH LONG HEX HEAD GRADE 5
26	984529	3	NUT SERT 1/4-20
27	987099	2	WASHER 1/4 MEDIUM LOCK
28	986019	1	WASHER 1/4 MEDIUM FLAT
29	300891	1	DOOR LATCH
			FULL HEIGHT SWINGING GATE FOR 8 FT STEEL PLATFORMS
30	0074468	1	FULL HEIGHT SWINGING GATE, STEEL PLATFORM
31	0322724	1	PIN, GATE HINGE
32	988179	2	COTTER PIN 1/8 INCH DIAMETER X 1 INCH LONG
33	986359	2	WASHER 1/2 MEDIUM FLAT
34	0071837	1	SPRING, TORSION
35	2570002	2	BEARING
36	2667500	1	KNOB, GATE HINGE PIN
37	300891	1	DOOR LATCH
38	984529	3	NUT SERT 1/4-20
39	970099	3	CAPSCREW 1/4-20 X 5/8 INCH LONG HEX HEAD GRADE 5
40	987099	2	WASHER 1/4 MEDIUM LOCK
41	986019	1	WASHER 1/4 MEDIUM FLAT

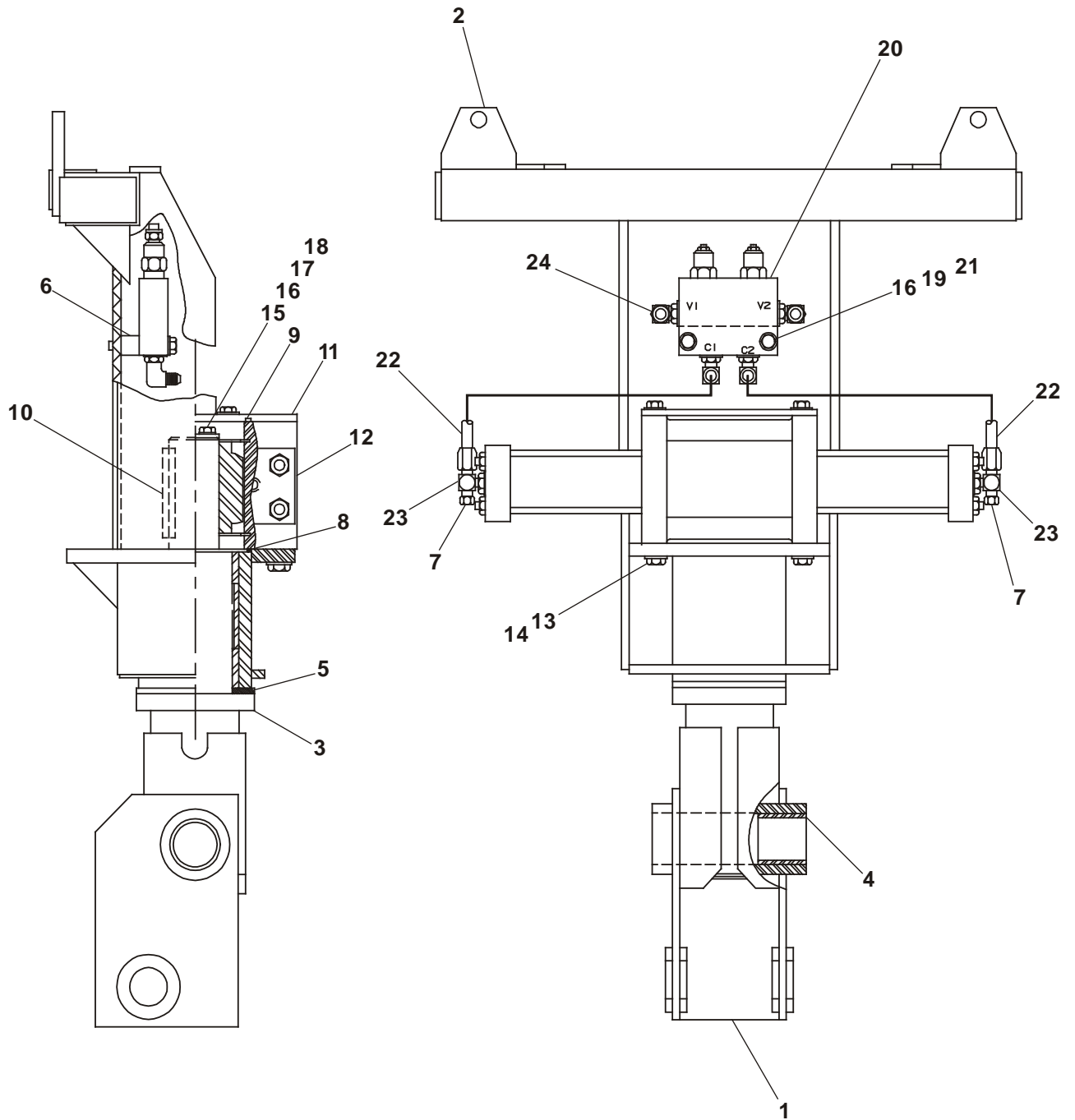
Platform Rotator – TB42



Platform Rotator – TB42

Item	Part No.	Qty.	Description
	007255228	1	PLATFORM ROTATOR
1	0072553	1	PYLON, PLATFORM ROTATOR - (REQUIRES 0072555 COLLAR)
2	0070916	1	KEY
3	0072555	1	COLLAR
4	0072561	1	THRUST BEARING
5	2504856	2	BEARING
6	0072562	1	BEARING SPACER
7	0072556	1	MOUNTING FRAME, PLATFORM ROTATOR
8	970919	2	CAPSCREW 1/2-13 X 1-3/4 INCH LONG HEX HEAD GRADE 5
9	970849	6	CAPSCREW 1/2-13 X 1-1/4 INCH LONG HEX HEAD GRADE 5
10	987139	6	WASHER 1/2 MEDIUM LOCK
11	0072818	1	TORQUE PLATE, PLATFORM ROTATOR
12	0073783	1	VALVE SPACER
13	6010628	1	DUAL HOLDING VALVE, PLATFORM ROTATION
14	986269	2	WASHER 5/16 MEDIUM FLAT
15	987109	4	WASHER 5/16 MEDIUM LOCK
16	970349	2	CAPSCREW 5/16-18 X 2-3/4 INCH LONG HEX HEAD GRADE 5
17	7110348	1	O-RING
18	0070570	1	PLATFORM ROTATOR, PARKER - SEE PAGE FOR PARTS BREAKDOWN)
19	0070132	1	PIN LOCK
20	0070473	2	CAPSCREW 5/16-18 DRILLED HEAD
21	9980012	1	.040 INCH DIAMETER STAINLESS STEEL SAFETY LOCKWIRE - (SOLD IN 1 LB CAN)
22	0072508	1	COVER PLATE, PLATFORM ROTATOR
23	7110348	1	O-RING
24	984409	2	NUT 1/2-13 HEX JAM

Platform Rotator – TB50



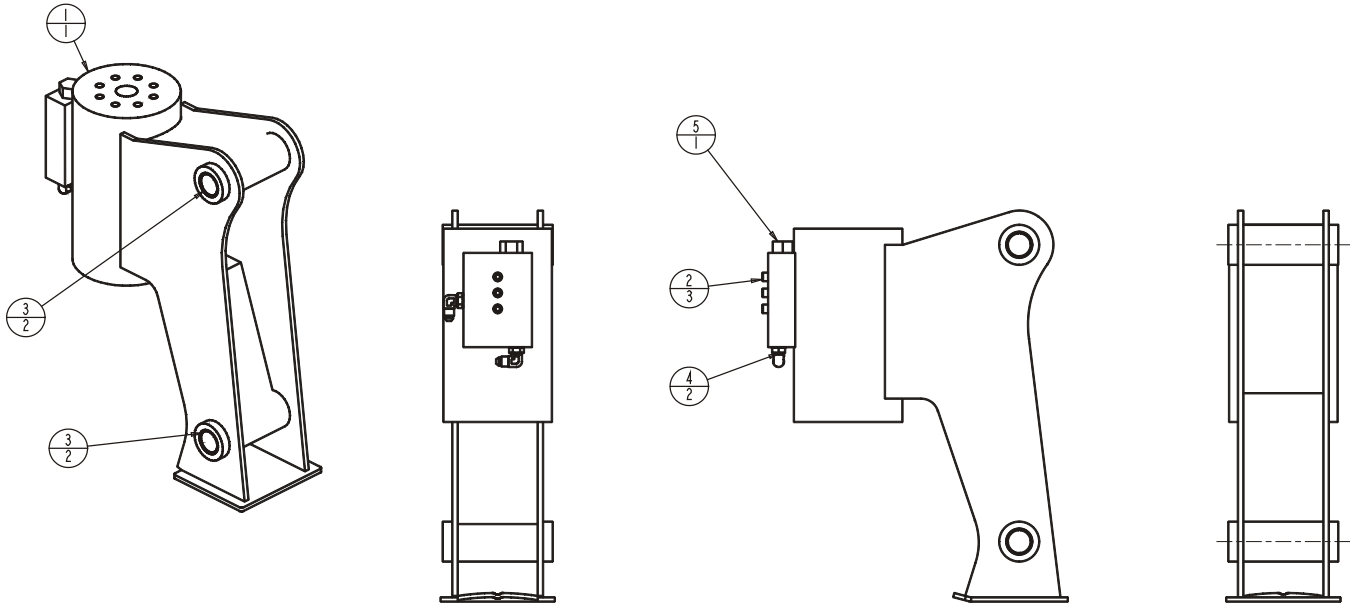
AW0140256

Platform Rotator – TB50

Item	Part No.	Qty.	Description
	014025628	1	PLATFORM ROTATOR, TB50
1	0072553	1	PYLON, PLATFORM ROTATOR - (REQUIRES 0072555 COLLAR)
2	0140226	1	MOUNTING FRAME
	2504856	1	REPLACEMENT BEARING - (2 BEARINGS REQUIRED)
	0072562	1	REPLACEMENT BEARING SPACER
3	0072555	1	COLLAR
4	2502832	2	BEARING
5	0072561	1	THRUST BEARING
6	0140495	1	SPACER
7	5063701	1	CAP
8	7110345	1	O-RING
9	7110348	1	O-RING
10	0070916	1	KEY
11	0072508	1	COVER PLATE, PLATFORM ROTATOR
12	0140370	1	PLATFORM ROTATOR, PARKER - (SEE PAGE FOR PARTS BREAKDOWN)
13	970889	4	CAPSCREW 1/2-13 X 1 INCH LONG HEX HEAD GRADE 5
14	987139	4	WASHER 1/2 MEDIUM LOCK
15	0070132	1	PIN LOCK
16	987109	4	WASHER 5/16 MEDIUM LOCK
17	0070473	2	CAPSCREW 5/16-18 DRILLED HEAD
18	9980012	1	.040 INCH DIAMETER STAINLESS STEEL SAFETY LOCKWIRE - (SOLD IN 1 LB CAN)
19	987109	2	WASHER 5/16 MEDIUM LOCK
20	6010528	1	DUAL HOLDING VALVE, PLATFORM ROTATION
21	970319	2	CAPSCREW 5/16-18 X 2-1/2 INCH LONG HEX HEAD GRADE 5
22	0020283	2	1/4 INCH HYDRAULIC HOSE
23	5036503	2	STRAIGHT THREAD BRANCH TEE
24	5035318	4	STRAIGHT THREAD 90° ELBOW

Platform Rotator – TB47J

Item	Part No.	Qty.	Description
1	017223328	1	PLATFORM ROTATOR, TB47J - (ITEMS 1 THROUGH 5)
	0172188	1	HELAC ROTATOR
	8080152		SEAL KIT
	8080153		BEARING KIT
	8080154		HARDWARE KIT
	8080155		STOP TUBE
	8080156		COUNTERBALANCE VALVE ASSEMBLY
2	978419	3	BOLT SKTHD .25 - 20 1.50
3	2500060	4	BEARING 1.0 ID X 1.120 OD X 1.00 LG
4	5035303	2	FITTING ELBOW 90 STRTHD-4B-4S STL
5	6019089	1	VALVE DUAL COUNTERBALANCE



0172233

F

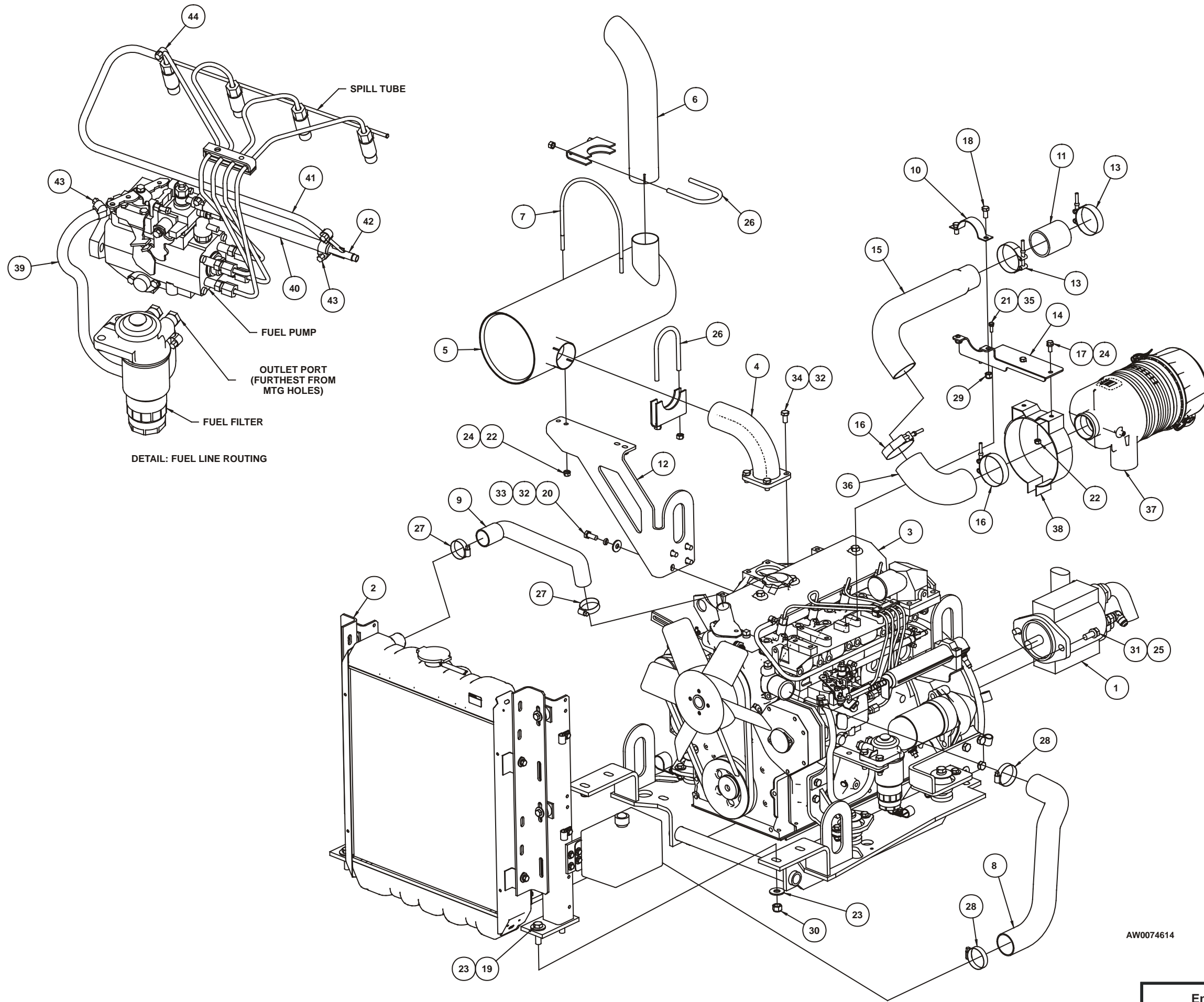
E

D

C

B

A



AW0074614

Engine Mounting
Cummins 3.3

Repair Parts - 61

1

2

3

4

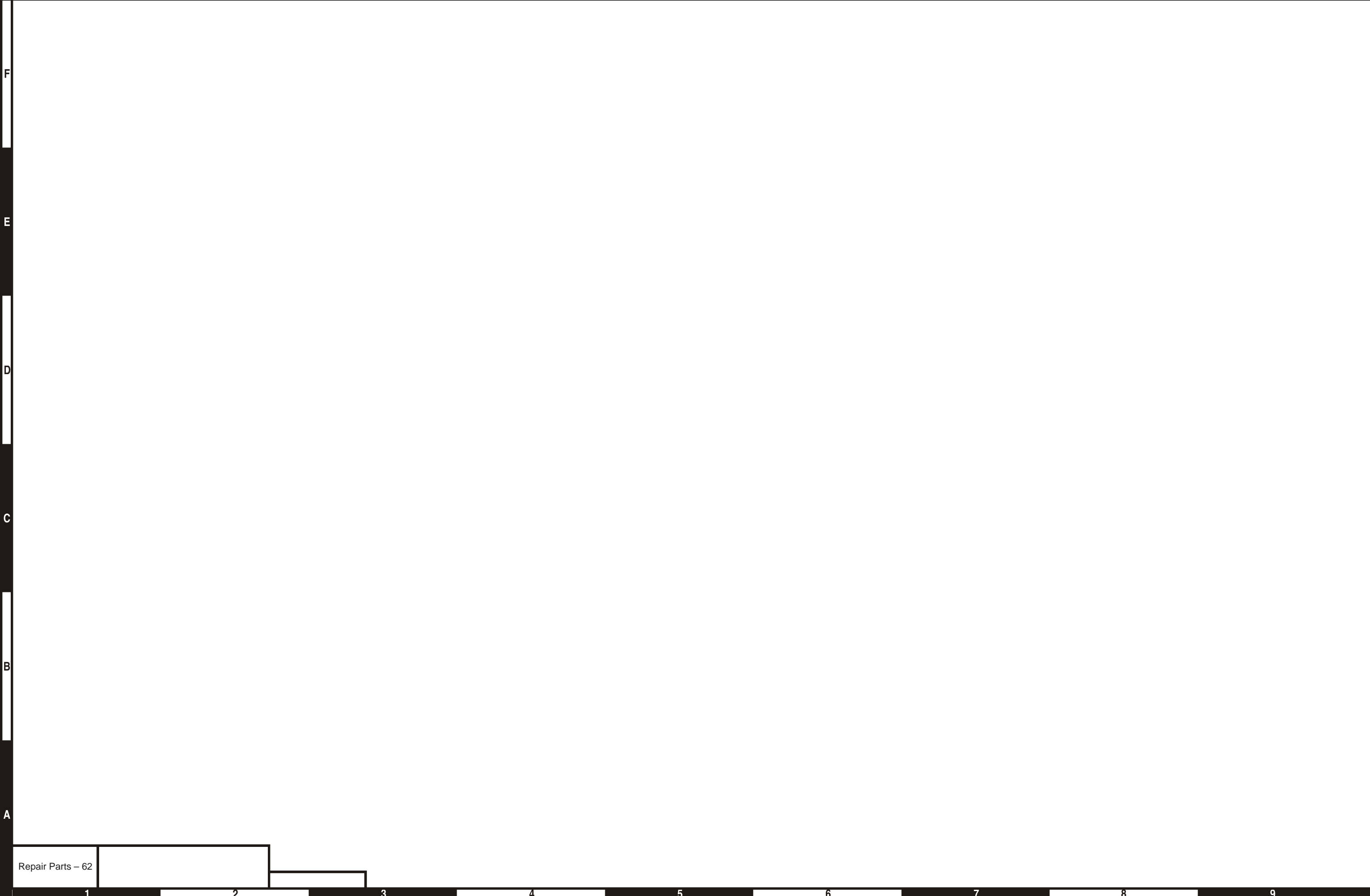
5

6

7

8

9



F

E

D

C

B

A

Repair Parts - 62

1

2

3

4

5

6

7

8

9

Engine Mounting – Cummins

Item	Part No.	Qty.	Description
1	0073496	1	HYDRAULIC PUMP AND FITTINGS - (SEE HYDRAULICS PAGE 69 FOR PARTS BREAKDOWN)
2	0074634	1	RADIATOR, CUMMINS 3.3
3	0074635	1	ENGINE, CUMMINS 3.3 - (SEE PAGE 65 FOR PARTS BREAKDOWN)
4	0074794	1	EXHAUST ELBOW
5	0074644	1	MUFFLER, STANDARD
6	0074645	1	TAIL PIPE
7	0074664	1	MUFFLER CLAMP
8	0074684	1	LOWER RADIATOR HOSE
9	0074685	1	UPPER RADIATOR HOSE
10	0074687	1	AIR INTAKE TUBE CLAMP
11	0074688	1	AIR INTAKE HOSE ADAPTER
12	0074786	1	MUFFLER SUPPORT BRACKET
13	0083165	2	CLAMP, T-BOLT
14	0083167	1	AIR CLEANER MOUNT BRACKET
15	0083175	1	AIR CLEANER HOSE COUPLER
16	0083544	2	CLAMP
17	970239	2	CAPSCREW 5/16-18 X 3/4 INCH LONG HEX HEAD GRADE 5
18	970449	2	CAPSCREW 3/8-16 X 3/4 INCH LONG HEX HEAD GRADE 5
19	970919	4	CAPSCREW 1/2-13 X 1-3/4 INCH LONG SOCKET FLAT HEAD
20	972019	4	CAPSCREW METRIC M10-1.5 X 25MM LONG HEX HEAD
21	975209	2	CAPSCREW METRIC M6-1.00 X 18MM LONG HEX HEAD
22	984089	4	NUT 5/16-18 HEX
23	986359	8	WASHER 1/2 MEDIUM FLAT
24	987109	4	WASHER 5/16 MEDIUM LOCK
25	987139	2	WASHER 1/2 MEDIUM LOCK
26	5550026	2	CLAMP
27	5550038	2	CLAMP
28	5550040	2	CLAMP
29	5560033	2	NUT 3/8-16 SELF LOCKING
30	5560039	4	NUT 1/2-13 SELF LOCKING
31	5560136	2	CAPSCREW 1/2-13 SELF LOCKING DRILLED HEAD
32	5560356	8	WASHER METRIC M10 LOCK
33	5560364	4	WASHER METRIC M10 FLAT
34	5560625	4	CAPSCREW METRIC M10-1.5 X 20MM LONG HEX HEAD
35	5560664	2	WASHER METRIC M6 LOCK
36	7630015	1	ELBOW, 90° RUBBER
37	7630755	1	AIR CLEANER
	8140011	1	REPLACEMENT PRIMARY FILTER ELEMENT
	8140012	1	REPLACEMENT DUST EJECTOR
	8140013	1	REPLACEMENT COVER
	8140014	2	REPLACEMENT CLIP
38	7630759	1	AIR CLEANER BRACKET
39	5010005	1	HOSE 3/8 INCH DIAMETER X 33 INCH LONG
40	5010005	1	HOSE 3/8 INCH DIAMETER X 9 INCH LONG
41	5010027	1	FUEL HOSE 3/16 INCH DIAMETER X 24 INCH LONG
42	5093044	1	NYLON TEE
43	5550006	4	CLAMP
44	5550028	2	CLAMP

F

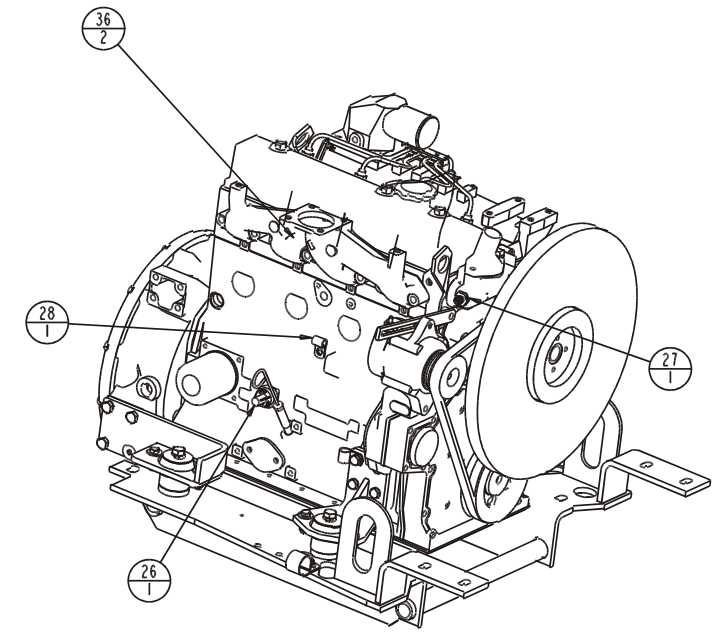
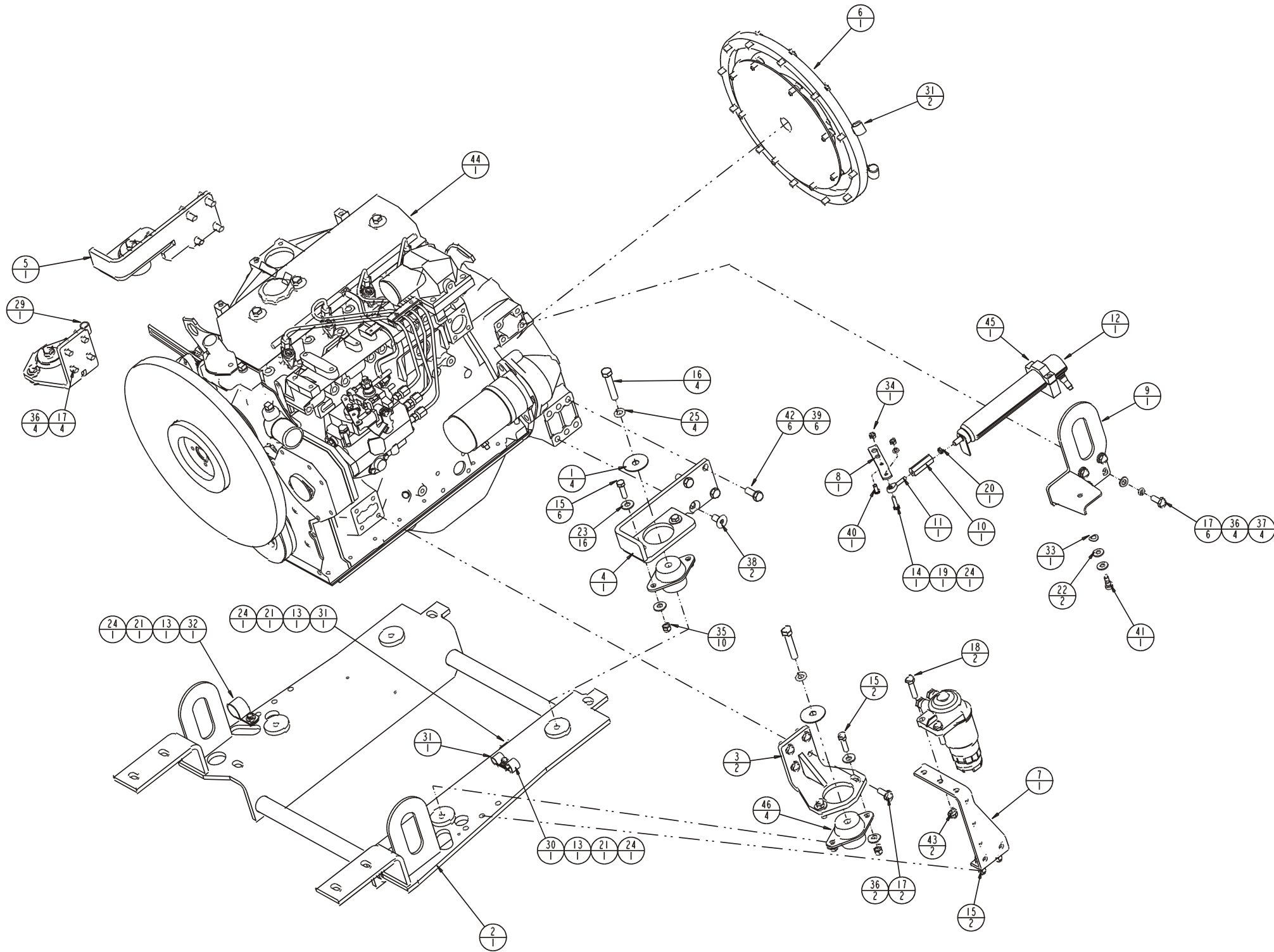
E

D

C

B

A



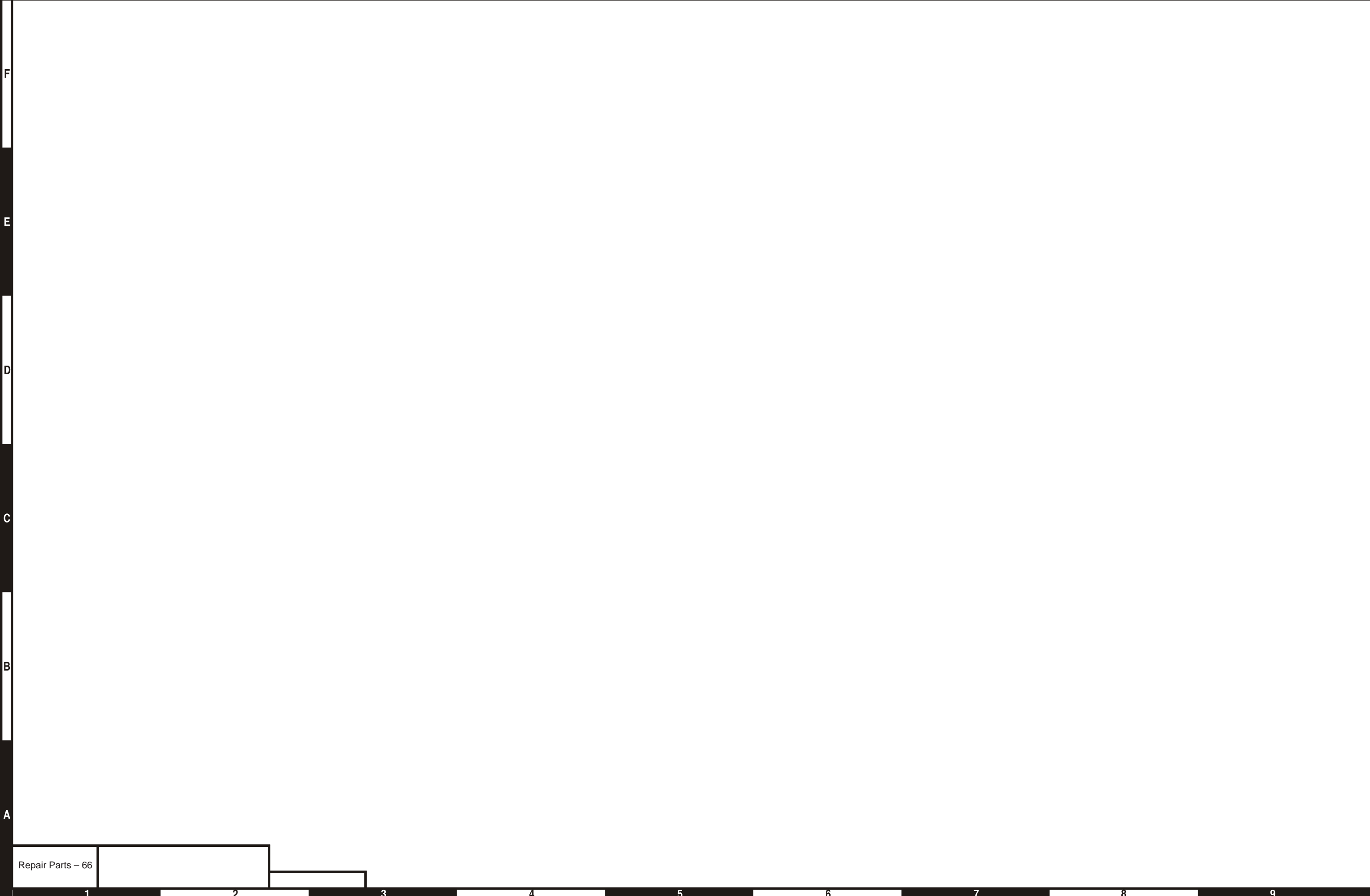
SCALE 0.190

0074635

Engine
Cummins 3.3

Repair Parts - 65

1 2 3 4 5 6 7 8 9



F

E

D

C

B

A

Repair Parts - 66

1

2

3

4

5

6

7

8

9

Engine – Cummins

Item	Part No.	Qty.	Description
1	0070148	4	WSHR .531ID 2.00OD .063 SP
2	0074615	1	TRAY WELDMENT
3	0074622	2	WELDMENT FRONT BRKT
4	0074625	1	WELDMENT LEFT REAR BRKT
5	0074628	1	WELDMENT RIGHT REAR BRACKET
6	0074690	1	KIT CPLG/FLYWHEEL CU TB42/50-
7	0074972	1	BRKT, FUEL FILTER (CU)
8	0083155	1	THROTTLE LEVER EXTENSION
9	0083570	1	BRKT THROTTLE ACTUATOR W/LUG
10	0083586	1	THROTTLE ACTUATOR COUPLER
11	0083587	1	ROD END - LEFT HAND THREADS
12	016269828	1	ACTUATOR SUB ASSY
13	970029	3	BOLT, .25-20 .750 GR5
14	970049	1	BOLT, .25-20 1.00 GR5
15	970419	10	BOLT, .375-16 1.25 GR5
16	970949	4	BOLT, .500-13 2.50 GR5
17	972019	12	BOLT, 10MM-1.50P 25MM GR5
18	972049	2	BOLT, 10MM-1.50P 40MM GR8
19	984069	1	NUT HEX .250-20
20	984329	1	NUT JAM .250-20
21	986019	3	WASHER, FLAT .250
22	986269	2	WASHER, FLAT .313
23	986299	16	WASHER, FLAT .38
24	987099	4	WASHER, LOCKING .250
25	987139	4	WASHER, LOCKING .500
26	3020095	1	SWITCH PRESSURE 6 PSI
27	3070037	1	TEMP SENSOR 1/2NPT HIGH
28	5093000	1	CLP CUSH .438 VINYL COATED
29	5093002	1	CLP CUSH .562 VINYL COATED
30	5093004	1	CLP CUSH .750 VINYL COATED
31	5093021	4	CLP CUSH .625 VINYL COATED
32	5093024	1	CLP CUSH 1.25 VINYL COATED
33	5530017	1	WASHER, SRING CURVE .375
34	5560004	1	NUT, LOCKING .250-20
35	5560033	10	NOT, LOCKING .375-16
36	5560356	12	WASHER, LOCKING M10
37	5560364	4	WASHER, FLAT M10
38	5560598	2	BLT FLSKTHD M12 1.75 25.0 GR8
39	5560614	6	WASHER, LOCKING M12
40	5560615	1	BOLT, BTNHD .25-20 .625
41	5560618	1	BOLT, SHLDR .375 .375
42	5560631	6	BOLT, 12MM-1.75P 30MM
43	5560719	2	NUT, LOCKING M10-1.50
44	7620064	1	ENGINE CUMMINS 3.3 (65 HP)
45	7630323	1	CLAMP ACTUATOR 0012409
46	7630707	4	ENGINE ISOLATOR
	7630770	1	OIL FILTER – NOT SHOWN
	7630771	1	FUEL FILTER CARTRIDGE – NOT SHOWN

F

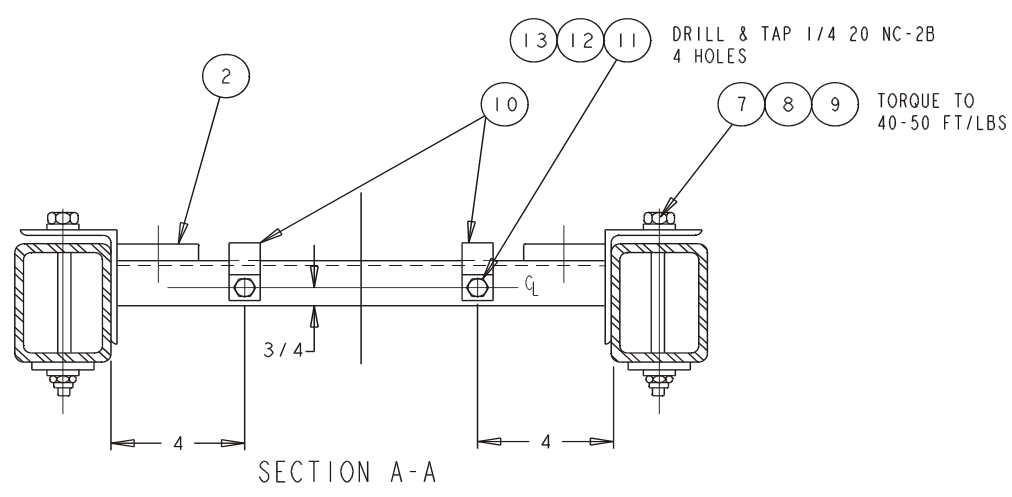
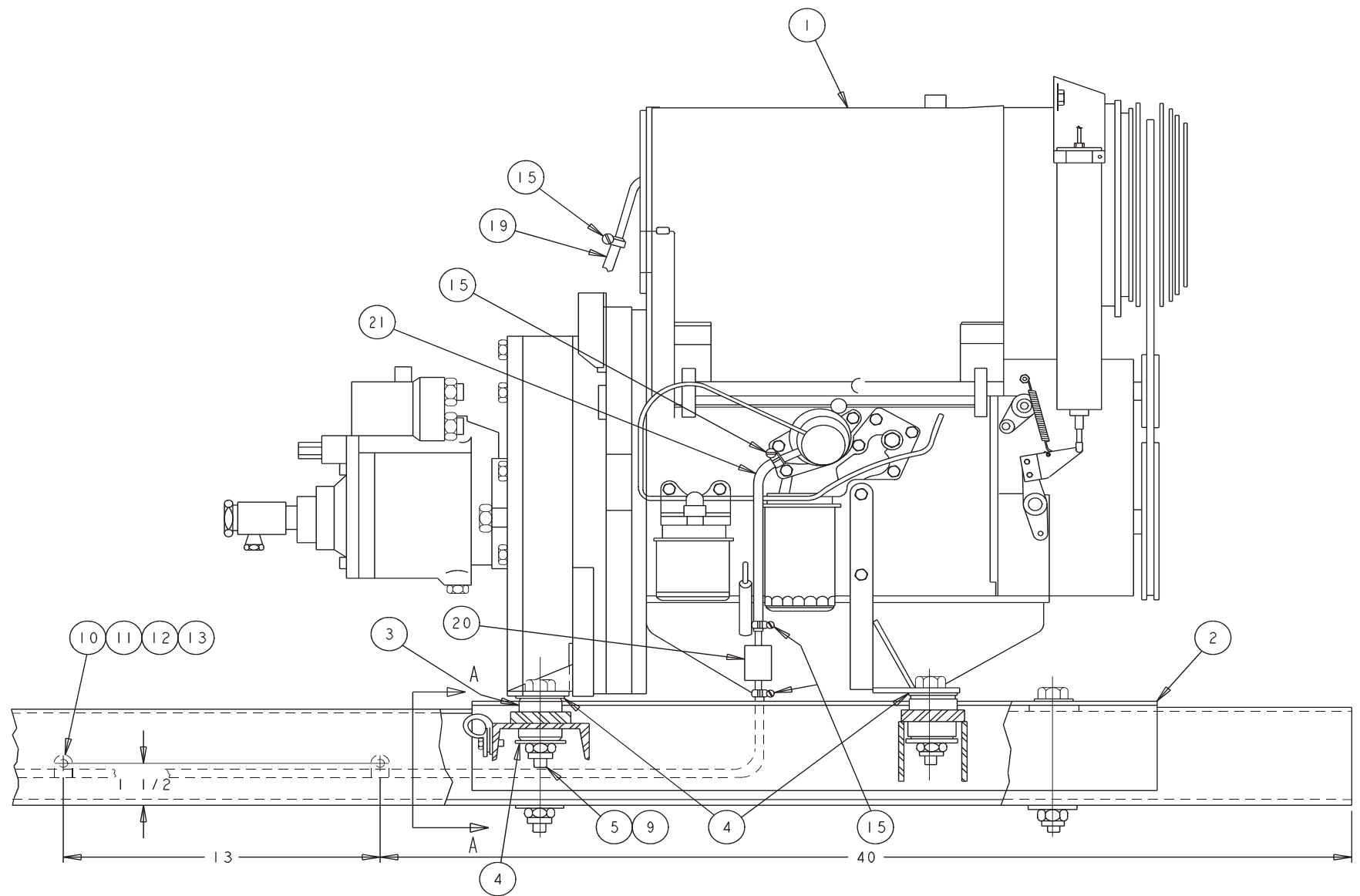
E

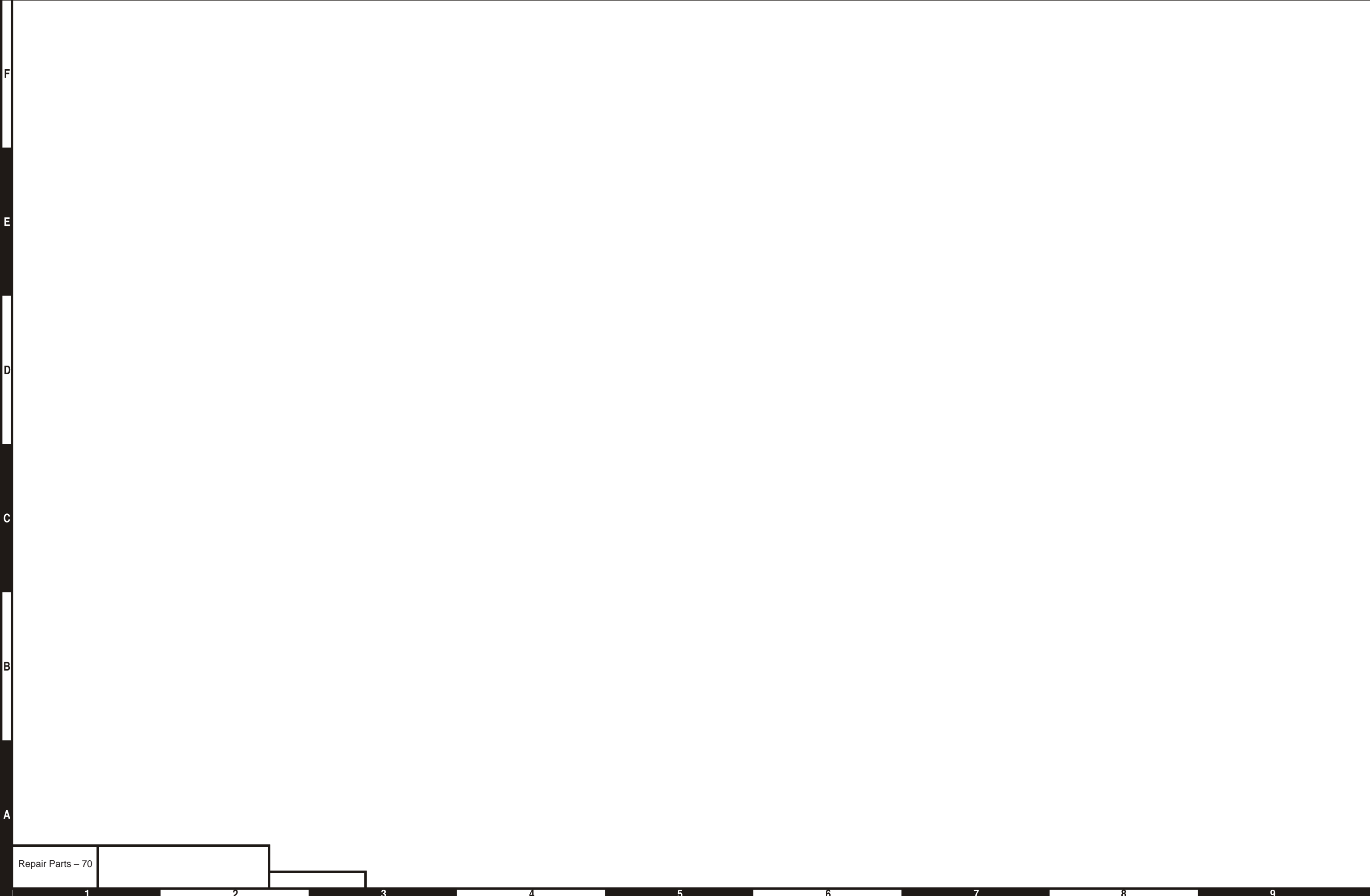
D

C

B

A





F

E

D

C

B

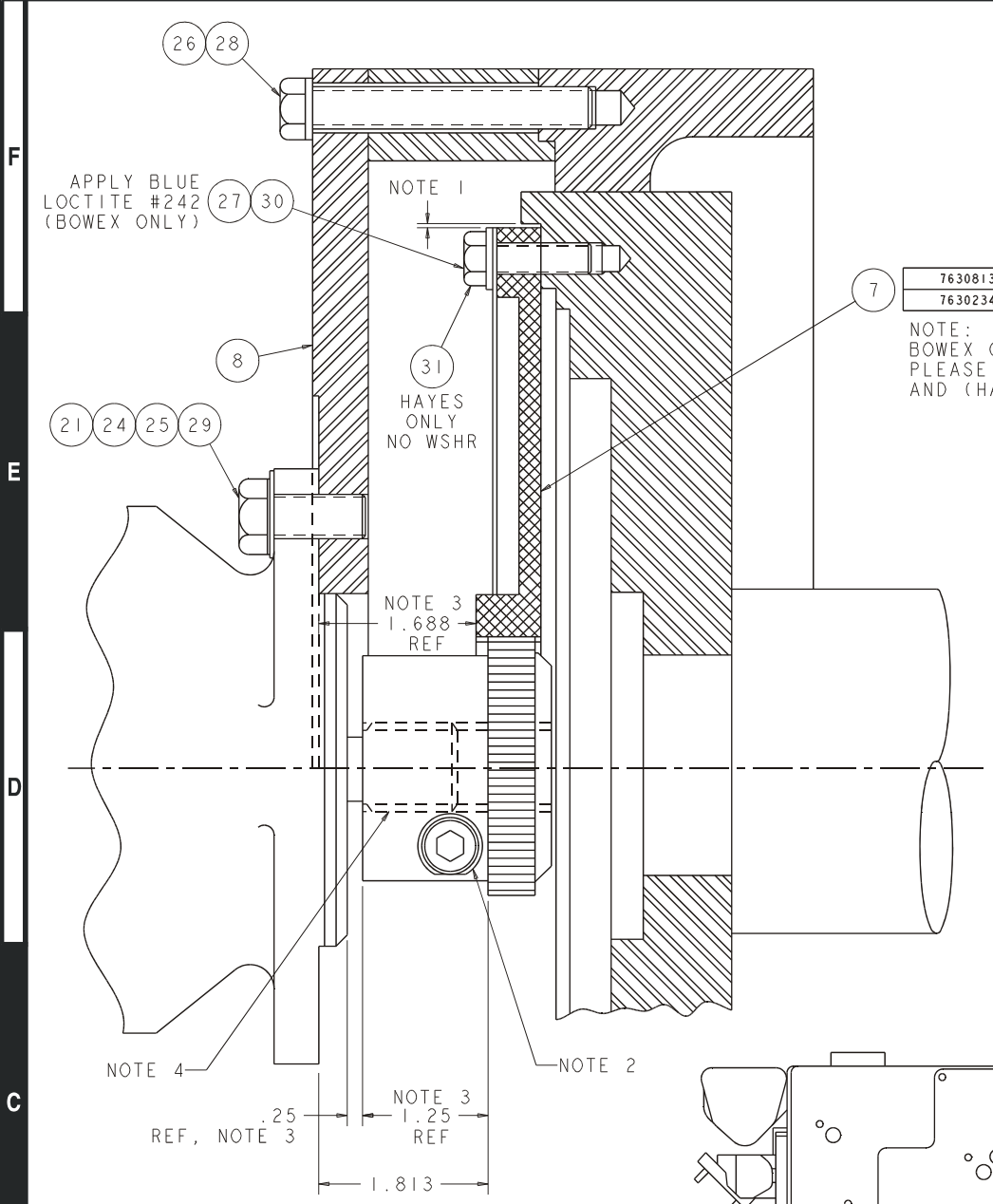
A

Repair Parts - 70

1 2 3 4 5 6 7 8 9

Engine Mounting – Deutz

Item	Part No.	Qty.	Description
1	0075196	1	ENGINE SUB ASSY TB42 DZ
2	0073876	1	WLDMT ENG MTG FRAME DZ 1011
3	7630001	4	MOUNT,ENGINE-BARRY
4	0070148	8	WSHR .531ID 2.00OD .063 SP
5	970989	4	BLT HEXHD .500-13 3.50 GR5
7	5560208	4	BLT HEXHD .500-13 5.50 GR5
8	986359	8	WSHR 1/2 FLAT
9	5560039	8	NUT 1/2-13 ESNA
10	5093000	6	CLAMP
11	970029	4	BLT HEXHD .250-20 .75 GR5
12	986019	4	WSHR 1/4 FLAT
13	987099	4	WSHR 1/4 MED LOCK
15	5550028	6	CLP WORM DRV .25-.63 .31 BAND
19	967299	78 IN	HOSE,SAE30R2-04 TYPE 3 1/4"ID
20	7630286	1	FILTER IN-LINE FUEL-
21	5010011	7 FT	HOSE SAE30R2-05 .312 FUEL

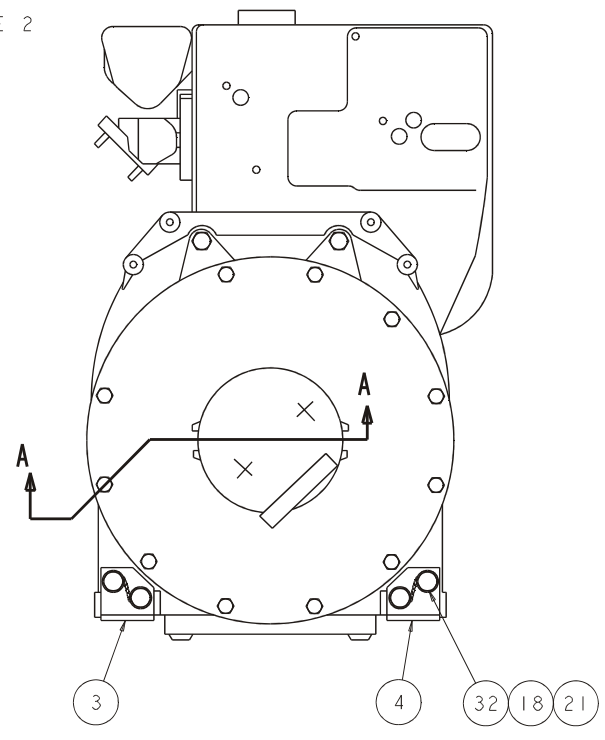
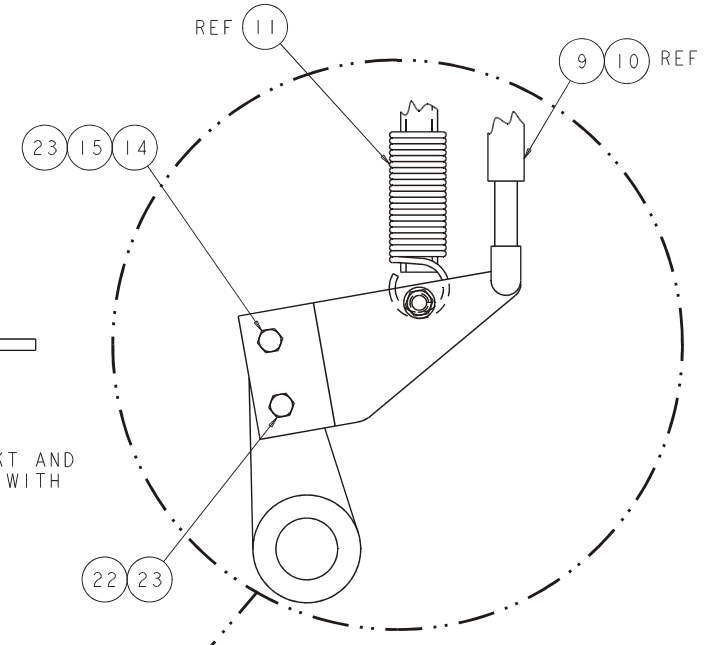
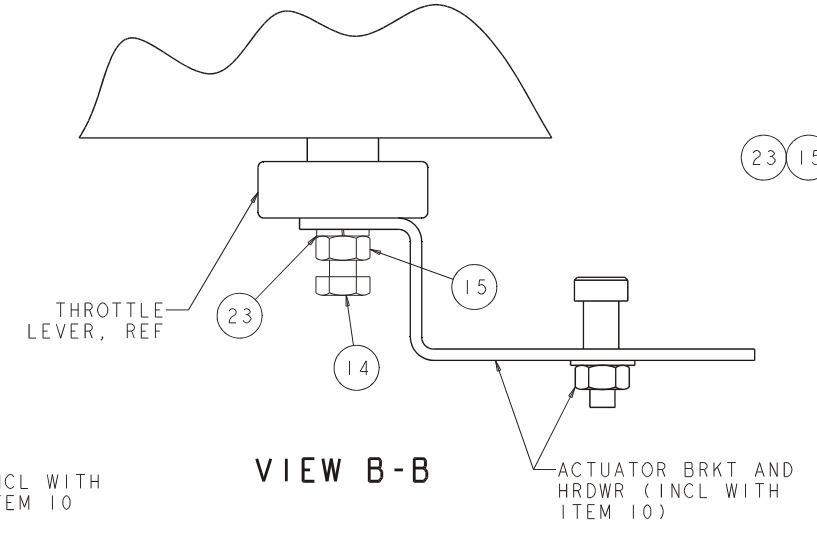
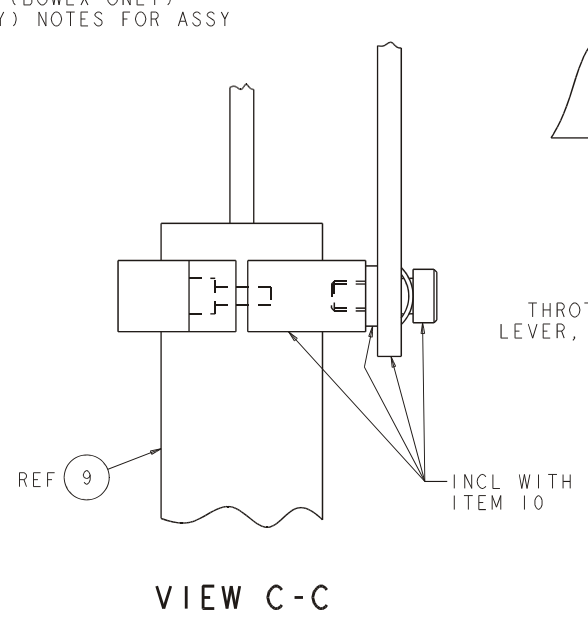


SECTION A-A

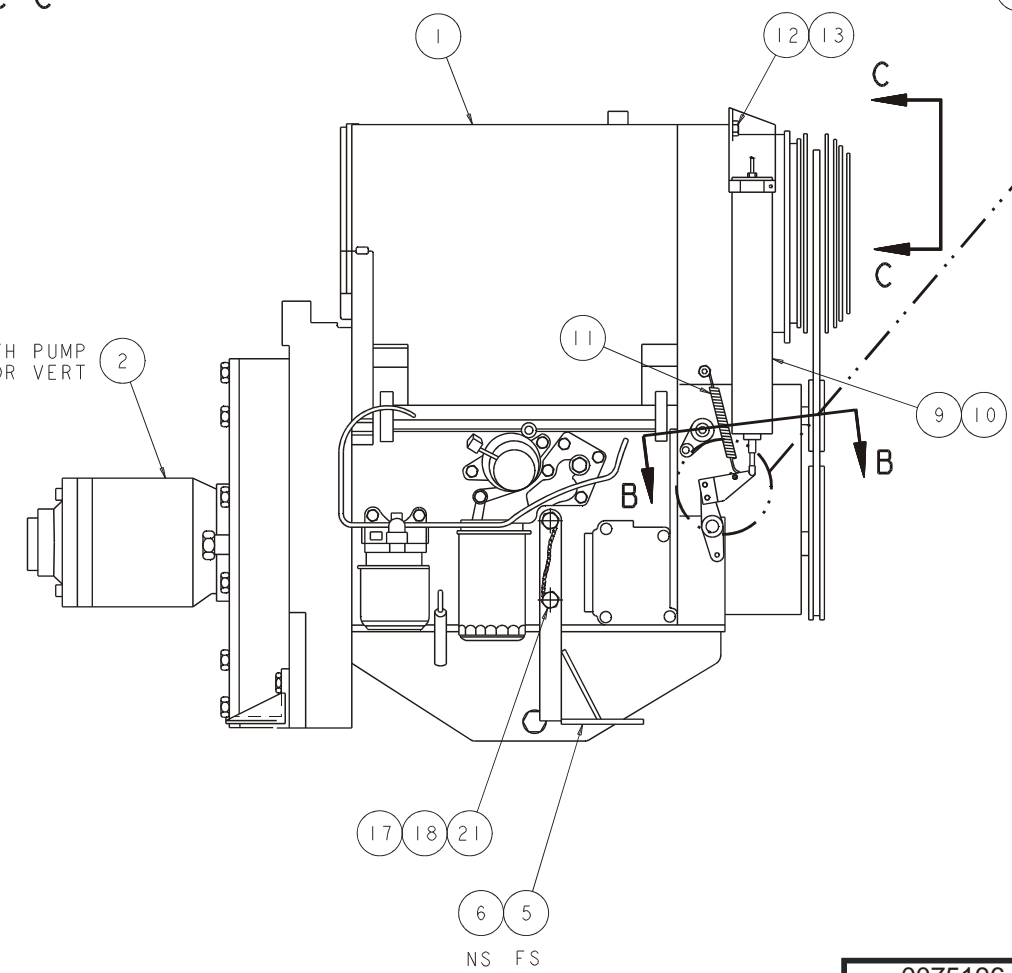
7630813	BOWEX COUPLING
7630234	HAYES COUPLING

NOTE:
BOWEX CPLG SHOWN.
PLEASE OBSERVE (BOWEX ONLY)
AND (HAYES ONLY) NOTES FOR ASSY

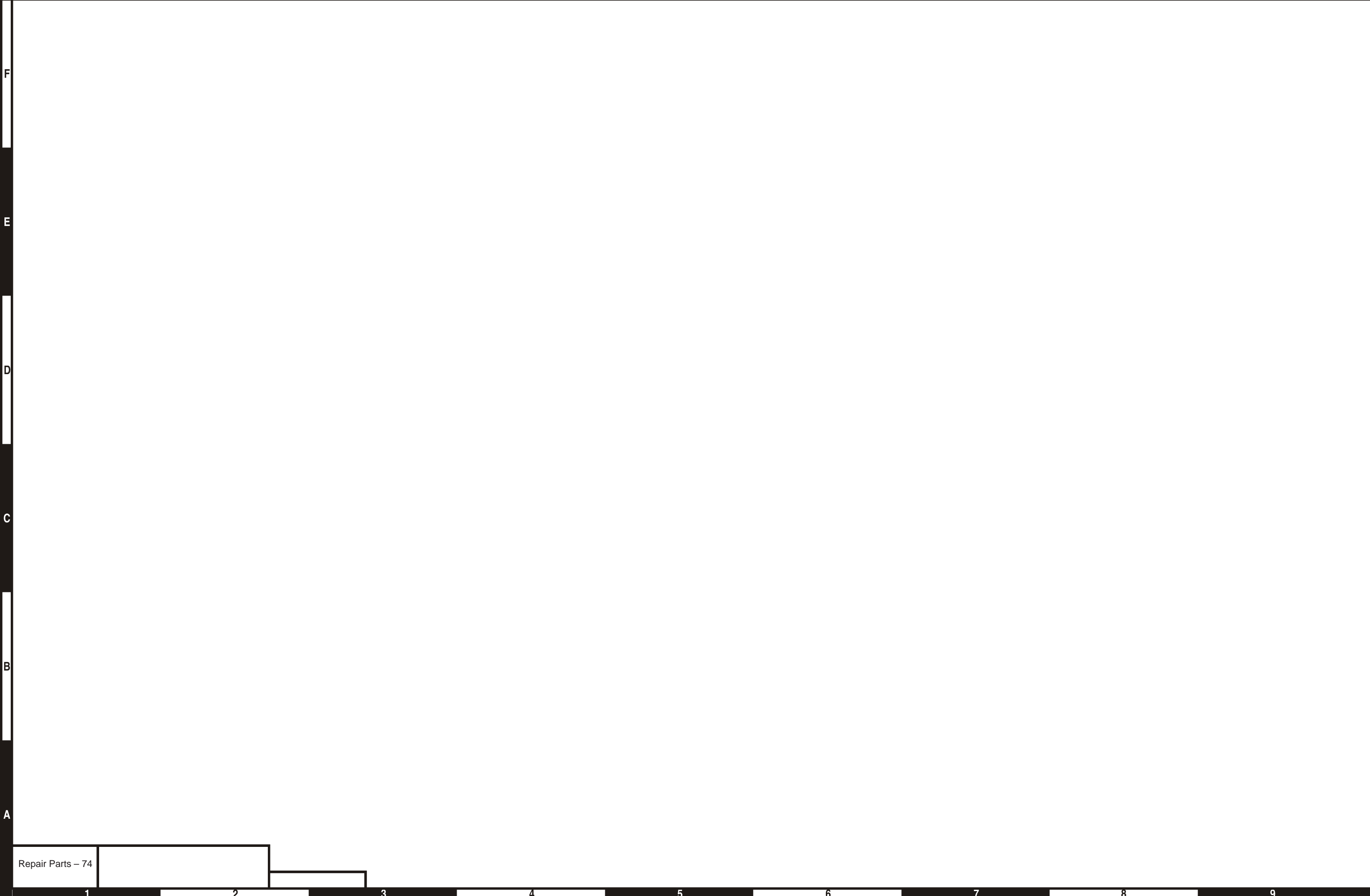
- NOTES:
1. ANY CLEARANCE SHALL BE EQUALIZED ON OPPOSITE SIDES OF FLANGE WITH A FEELER GAUGE. CLEARANCE SHALL NOT EXCEED .005.
 2. APPLY BLUE LOCTITE #242 TO HUB THREADS FOR CROSSBOLT. TORQUE 3/8-16 X 1.25 CROSSBOLT 50 FT/LBS. (BOWEX ONLY).
 3. INDICATED "REF" DIMENSIONS TO BE CHECKED AT ASSEMBLY TO VERIFY CORRECT PARTS AND ENGAGEMENT.
 4. APPLY RED LOCTITE #272 TO PUMP SPLINES BEFORE INSTALLING HUB (BOWEX ONLY), APPLY MOLY-PASTE TO CPLG AND PUMP SPLINES (HAYES ONLY).



MOUNT WITH PUMP COMPENSATOR VERT



F
E
D
C
B
A



F

E

D

C

B

A

Repair Parts - 74

1 2 3 4 5 6 7 8 9

Engine – Deutz

Item	Part No.	Qty.	Description
1	7624751	1	ENGINE, DIESEL DEUTZ F3L-2011F
2	007508228	1	ASSY, PUMP TB42/47J/50
3	0170589	1	ENGINE MOUNT
4	0170588	1	ENGINE MOUNT
5	0170593	1	MOTOR MOUNT FRT L.H
6	0170594	1	MOTOR MOUNT FRT R.H
7	7630813	1	COUPLING (BOWEX ONLY)
	7630234	1	COUPLING (HAYES ONLY)
8	0081226	1	PLATE ENGINE ADAPTER
9	008204528	1	ACTUATOR SUB ASSY
10	7630311	1	KIT, ACTUATOR MOUNT
11	007519928	1	SPRING/HOSE ASSY, ADDCO ACT
12	5560638	2	BLT HH M8-1.25 X 16MM
13	5560355	2	WSHR LOCK M8
14	5560628	1	BLT M6-1.0 X 12MM HH
15	984169	1	NUT HEX M6-1.0
17	5560228	4	BLT HEXHD M14 2MM 50MM DR
18	5560377	8	WSHR M14 LOCK
21	9980012	1	.040 S.S. SAFETY LOCKWIRE
22	975209	1	BLT HH M6 X 1.00 X 18MM
23	5560664	1	WSHR, M6 LOCK
24	5560136	2	BLT LKG .500-13 1.25 GR5 DRILL
25	5560168	2	WSHR 1/2 HARD. FLAT
26	5560653	8	CAPSCREW M10 X 1.5 X 85MM LG CL B.8
27	5560626	6	CAPSCREW M10 X 1.5 X 30MM LG CL B.8 (HAYES ONLY)
28	5560356	8	WSHR M10 LOCK
29	987139	2	WSHR 1/2 MED LOCK
30	986299	6	WSHR 3/8 FLAT (BOWEX ONLY)
31	5560625	6	CAPSCREW M10 X 1.5 X 20MM LG CL B.8 (BOWEX ONLY)
32	5560207	4	BLT HEXHD M14-2.00 30MM DR
	8040170	1	MUFFLER – NOT SHOWN
	8040165	3	EXHAUST GASKET – NOT SHOWN
	8040149	1	OIL FILTER – NOT SHOWN
	8040155	1	FUEL FILTER CARTRIDGE – NOT SHOWN

F

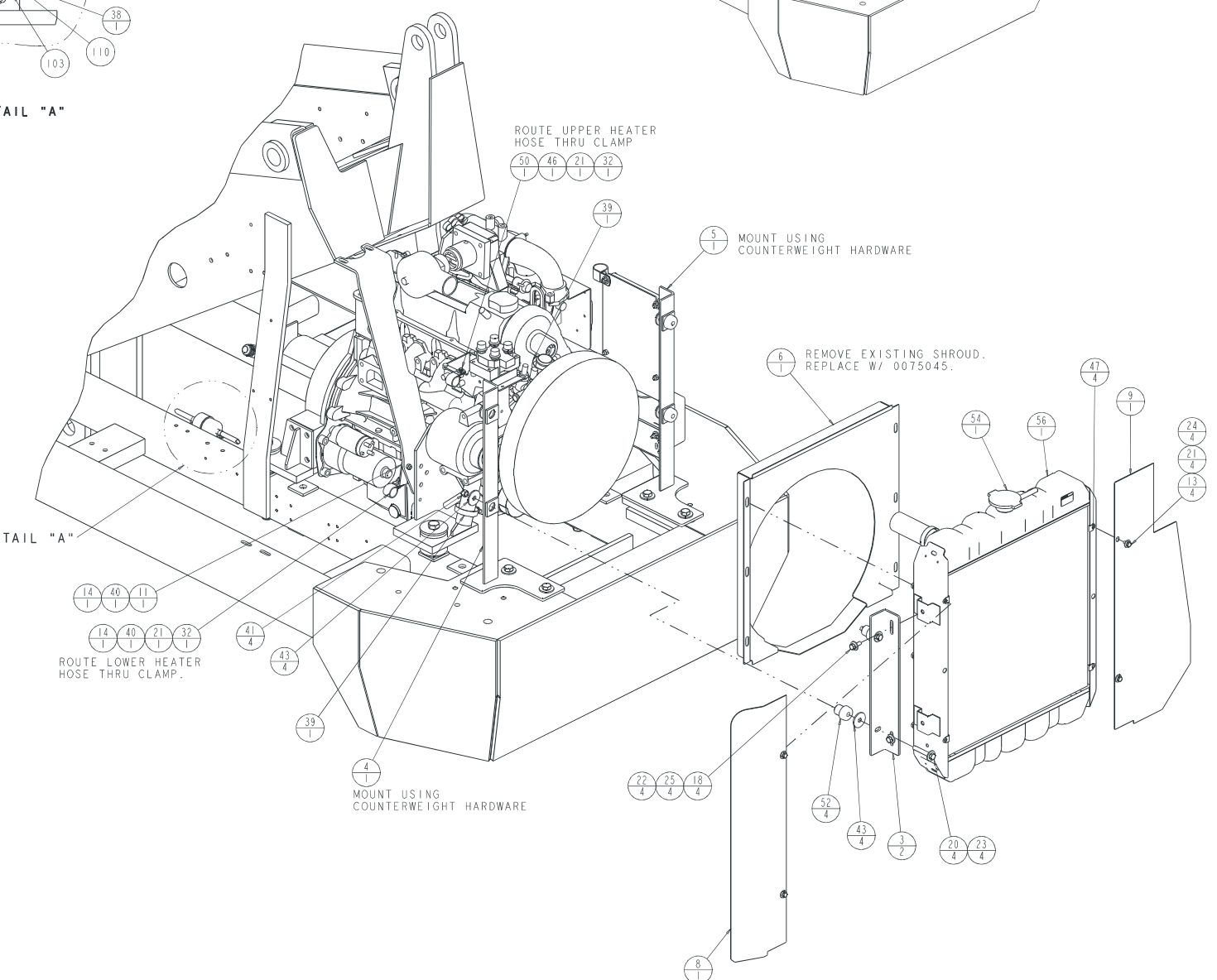
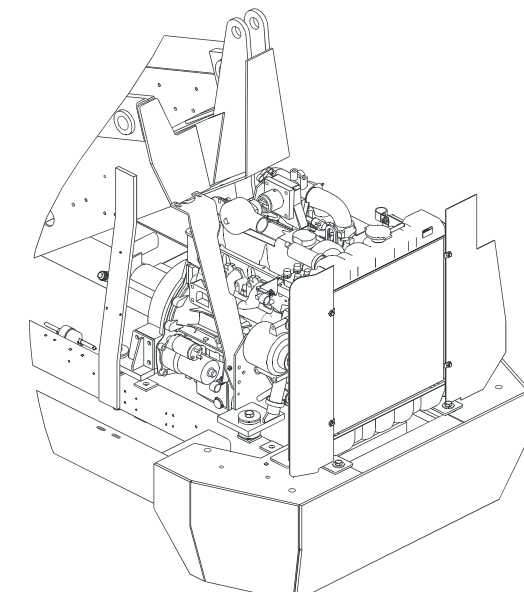
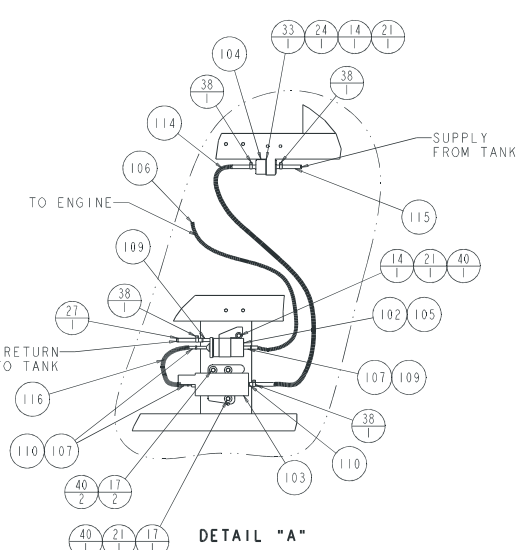
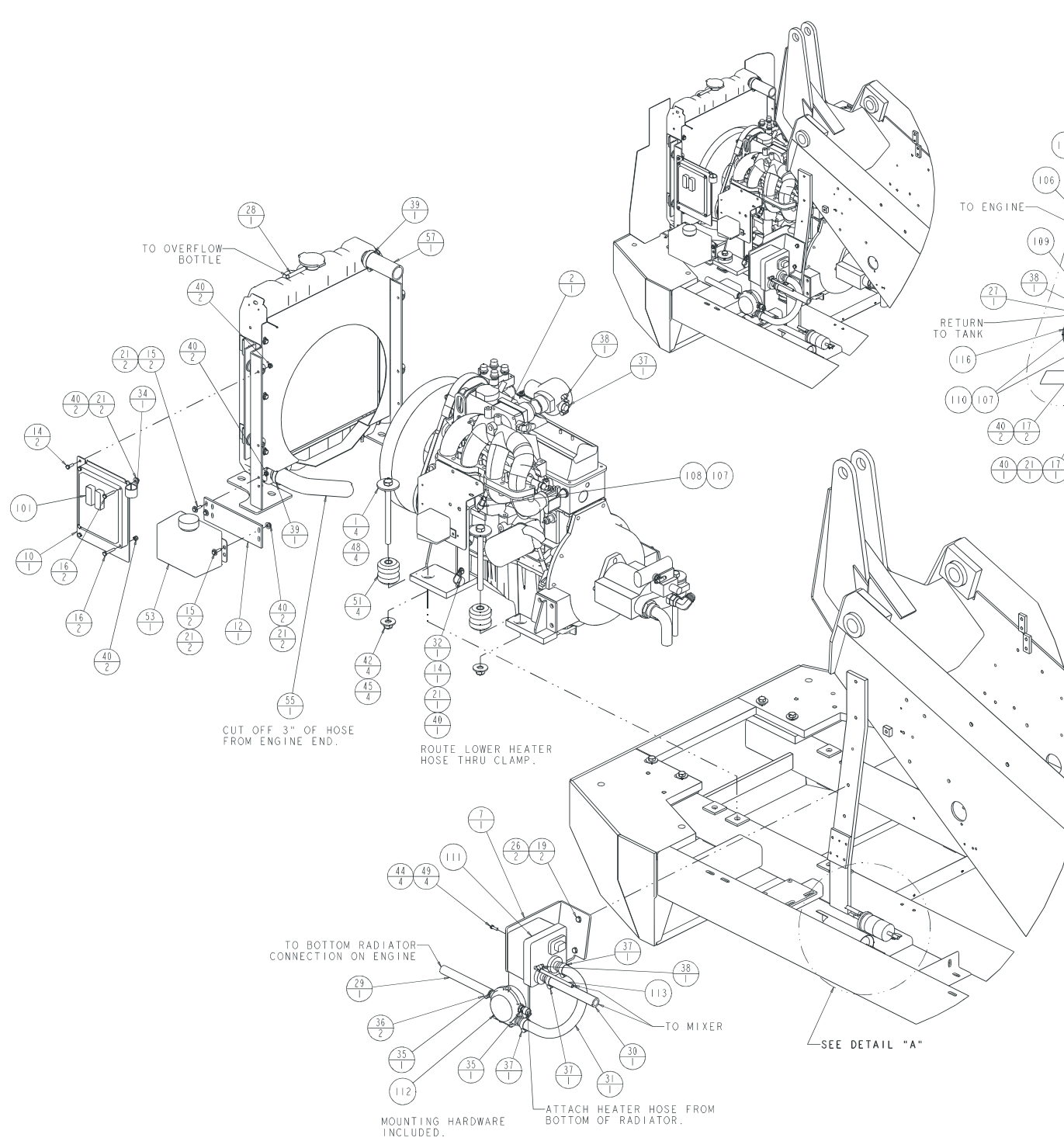
E

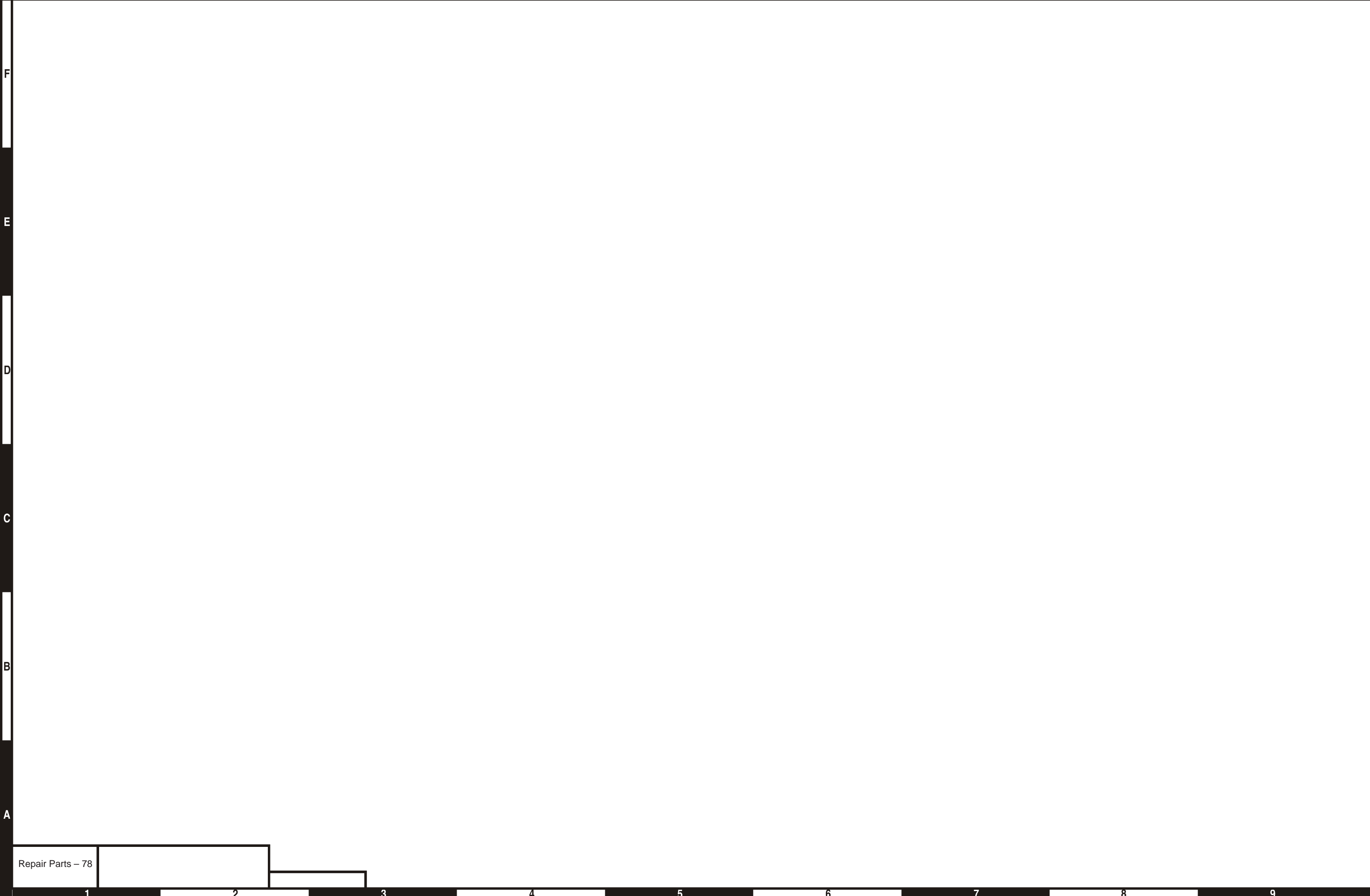
D

C

B

A





F

E

D

C

B

A

Repair Parts - 78

1

2

3

4

5

6

7

8

9

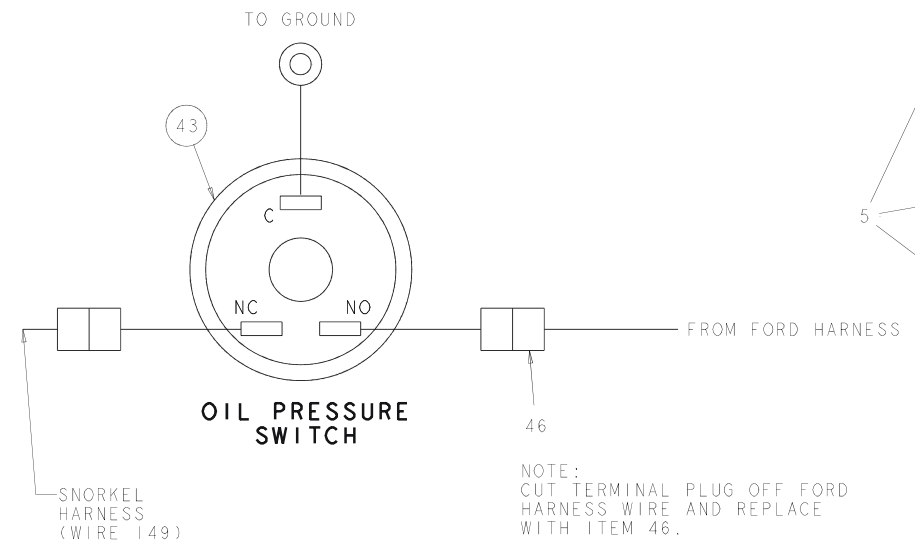
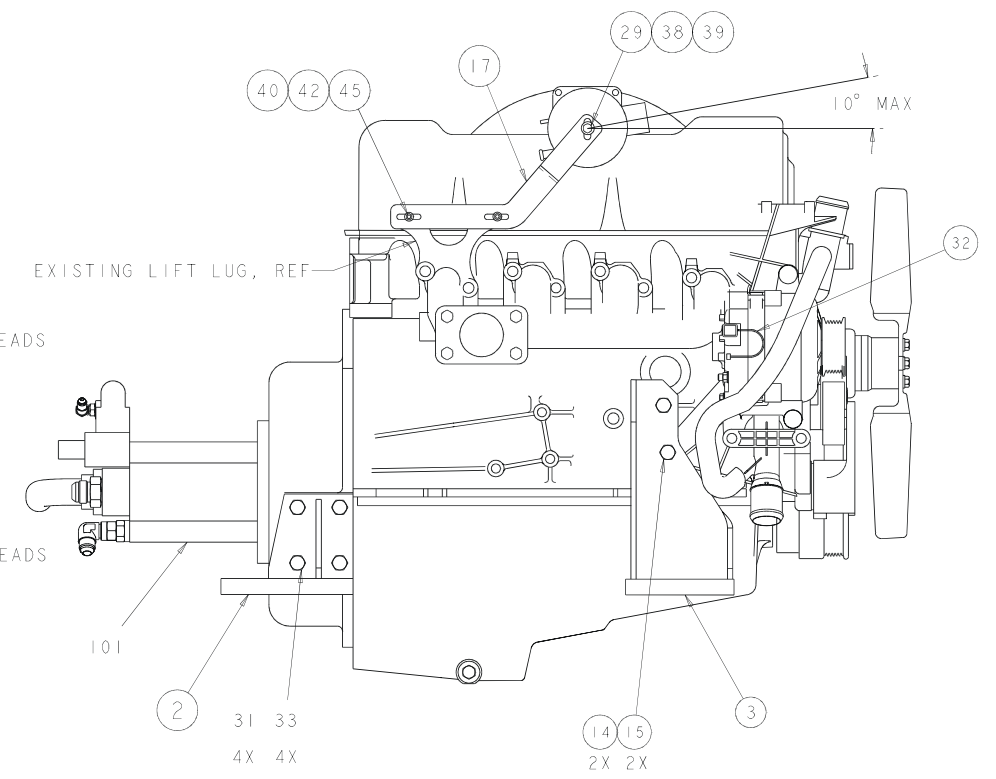
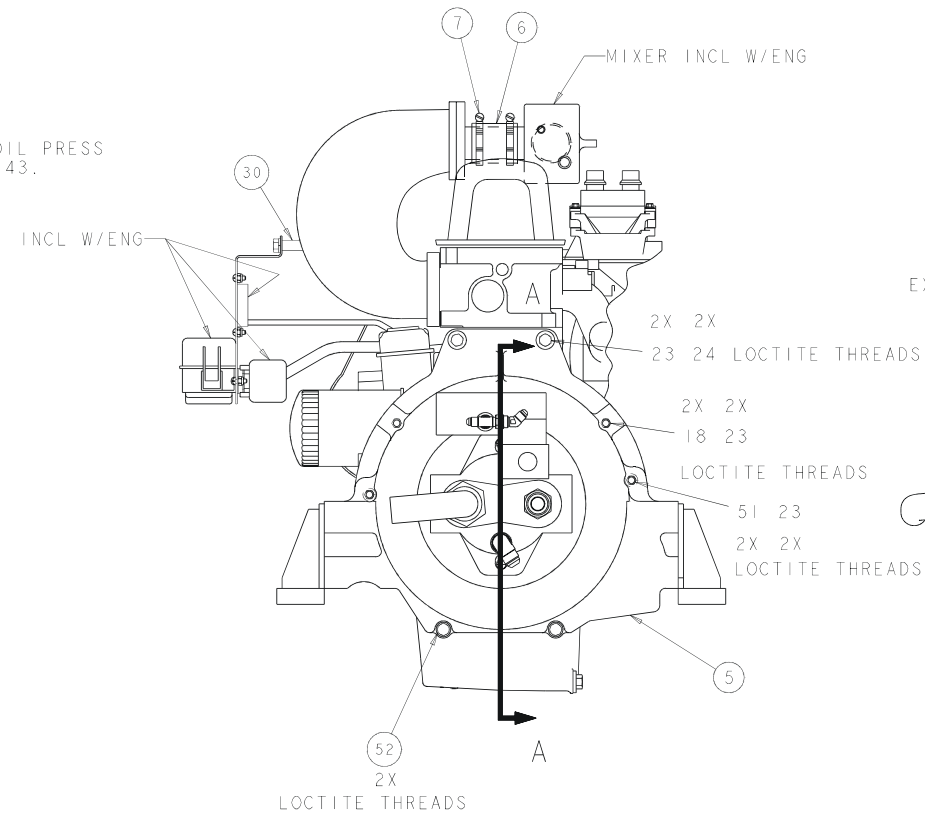
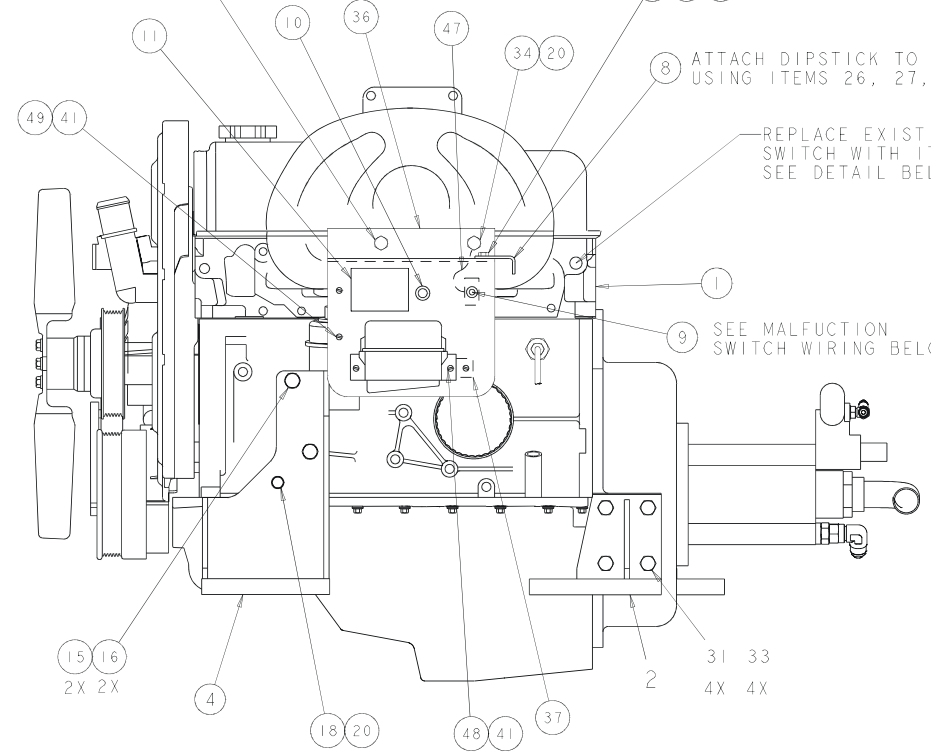
Engine Mounting – Ford

Item	Part No.	Qty.	Description
1	0071599	8	WASHER ENG MTG
2	007502028	1	ASSY, ENGINE (FO) TB42/50
3	0075039	2	ANGLE, RADIATOR MOUNT FORD
4	0075040	1	WLDMT, RADIATOR MOUNT RH
5	0075043	1	WLDMT, RADIATOR MOUNT LH
6	0075045	1	WLDMT, RADIATOR FAN SHROUD
7	0075049	1	WLDMT, DUAL FUEL BRKT
8	0075088	1	SHROUD, HEAT RH
9	0075089	1	SHROUD, HEAT LH
10	0083783	1	MOUNT PLATE, EPM (FO)
11	0083929	1	BRKT, DIPSTICK BRACE (FO)
12	0180832	1	MTG PLATE OVERFLOW
13	970009	4	BLT .25-20 .500 GR5
14	970029	7	BLT .25-20 .750 GR5
15	970049	4	BLT .25-20 1.00 GR5
16	970059	4	BLT .25-20 1.50 GR5
17	970069	3	BLT .25-20 1.25 GR5
18	970249	4	BLT .313-18 875
19	970469	2	BLT .375-16 1.00 GR5
20	970519	4	BLT .375-16 2.25 GR5
21	986019	18	WSHR FLAT .250
22	986269	4	WSHR FLAT .313
23	986299	4	WSHR FLAT .38
24	987099	5	WSHR LOCK .250
25	987109	4	WSHR LOCK .313
26	987119	2	WSHR LOCK .375
27	5010011	42"	HOSE SAE30R2-05 .312 FUEL
28	5010011	11	HOSE SAE30R2-05 .312 FUEL
29	5010020	4	HOSE .625ID 16MM
30	5018829	19"	HOSE, .75 ID LPG
31	5018829	5	HOSE, .75 ID LPG
32	5093006	3	CLP CUSH .937
33	5093012	1	CLP CUSH 1.75
34	5093024	1	CLP CUSH 1.25
35	5098335	2	FTG STR HOSE BEAD-10-6N BR
36	5550010	2	CLP WORM DRV
37	5550020	4	CLP WORM DRV
38	5550028	6	CLP WORM DRV
39	5550030	4	CLP WORM DRV
40	5560004	17	NUT LKG .250-20
41	5560033	4	NUT LKG .375-16
42	5560036	4	NUT LKG .625-11
43	5560179	8	WASHER SPCL FLAT
44	5560664	4	WSHR LOCK M6
45	5560678	4	WSHR FLAT .625
46	5569887	A	WSHR FLAT M4
47	5569945	4	NUT SPEED .250-20 J-STYLE CAGE
48	5569983	4	BLT .625-11 8.00 GR5
49	5569985	4	BLT 6MM-100P 20MM GR5
50	5569987	1	BLT 5MM-.80P
51	7630117	4	MOUNT,ENGINE
52	7630180	4	RADIATOR CUSHION
53	7630227	1	OVERFLOW BOTTLE 2QT
54	7630239	1	RADIATOR CAP 13 PSI
55	7630332	1	HOSE LOWER RADIATOR FO LRG423
56	7630756	1	RADIATOR
57	7630809	1	HOSE,RADIATOR 17.5 FLEX
101		1	ENGINE PERFORMANCE MODULE – CONSULT ENGINE DISTRIBUTOR
102	7630681	1	FUEL PRESSURE REGULATOR/FILTER
103	7630682	1	FUEL PUMP

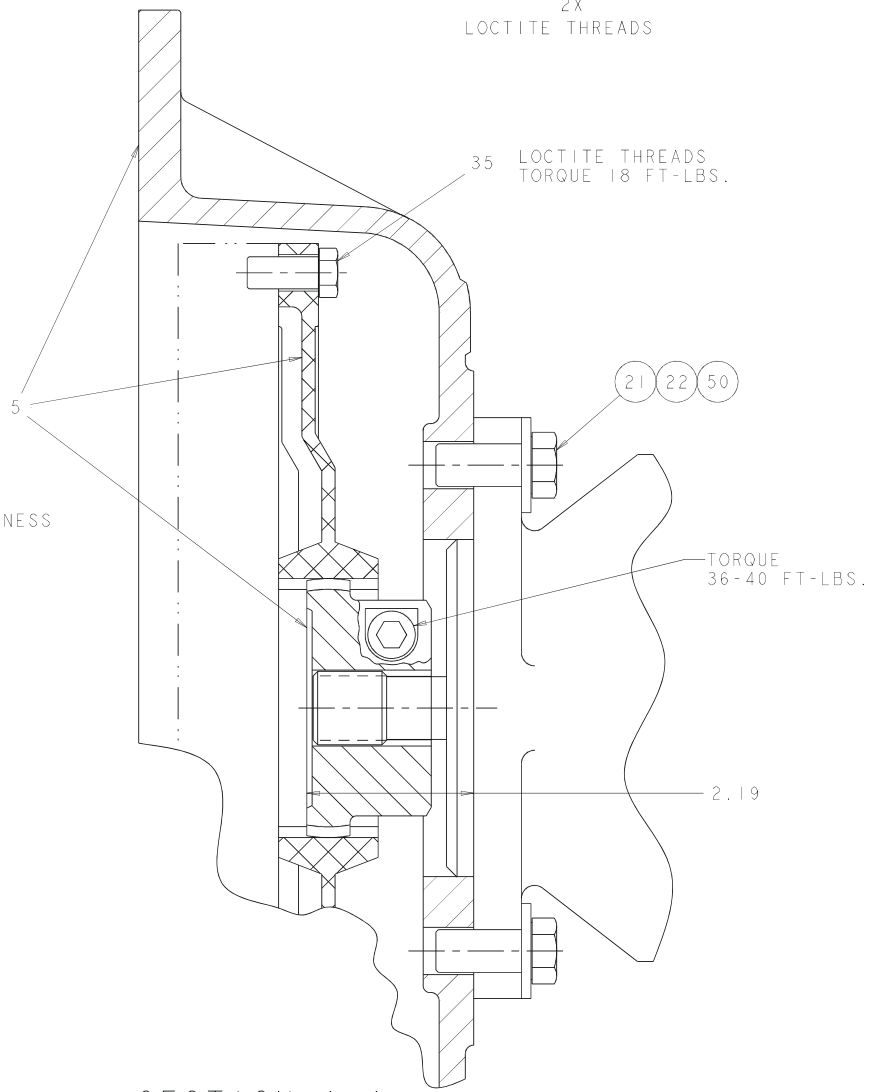
Engine Mounting – Ford

Item	Part No.	Qty.	Description
104	7630683	1	FUEL FILTER
105	7630685	1	FUEL PRESSURE REGULATOR CLAMP
106	7630686	48"	HIGH PRESSURE FUEL HOSE
107	7630691	1	HIGH PRESSURE FUEL LINE CLAMP
108	7630680	1	FUEL LINE CNCTR (INJECTOR RAIL)
109	7630679	2	FUEL LINE CONNECTOR (5/16)
110	7630678	4	FUEL LINE CONNECTOR (1/4)
111		1	MEGAJECTOR – CONSULT ENGINE DISTRIBUTOR
112		1	VAPORIZER – CONSULT ENGINE DISTRIBUTOR
113	5010006	45"	HOSE VACUUM .25 1D
114	5010011	48"	HOSE SAE30R2-50 .312 FUEL
115	5010011	33"	HOSE SAE30R2-50 .312 FUEL
116	7630686	16"	HIGH PRESSURE FUEL HOSE

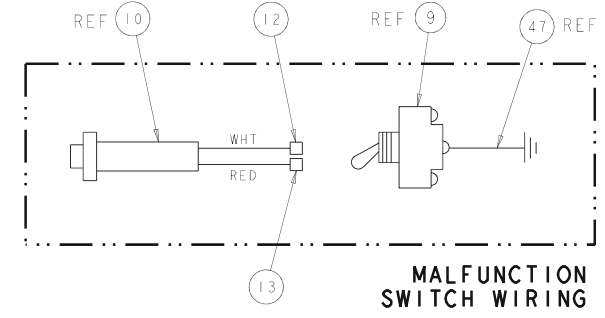
USE EXISTING MANIFOLD BOLT



NOTE:
CUT TERMINAL PLUG OFF FORD HARNESS WIRE AND REPLACE WITH ITEM 46.



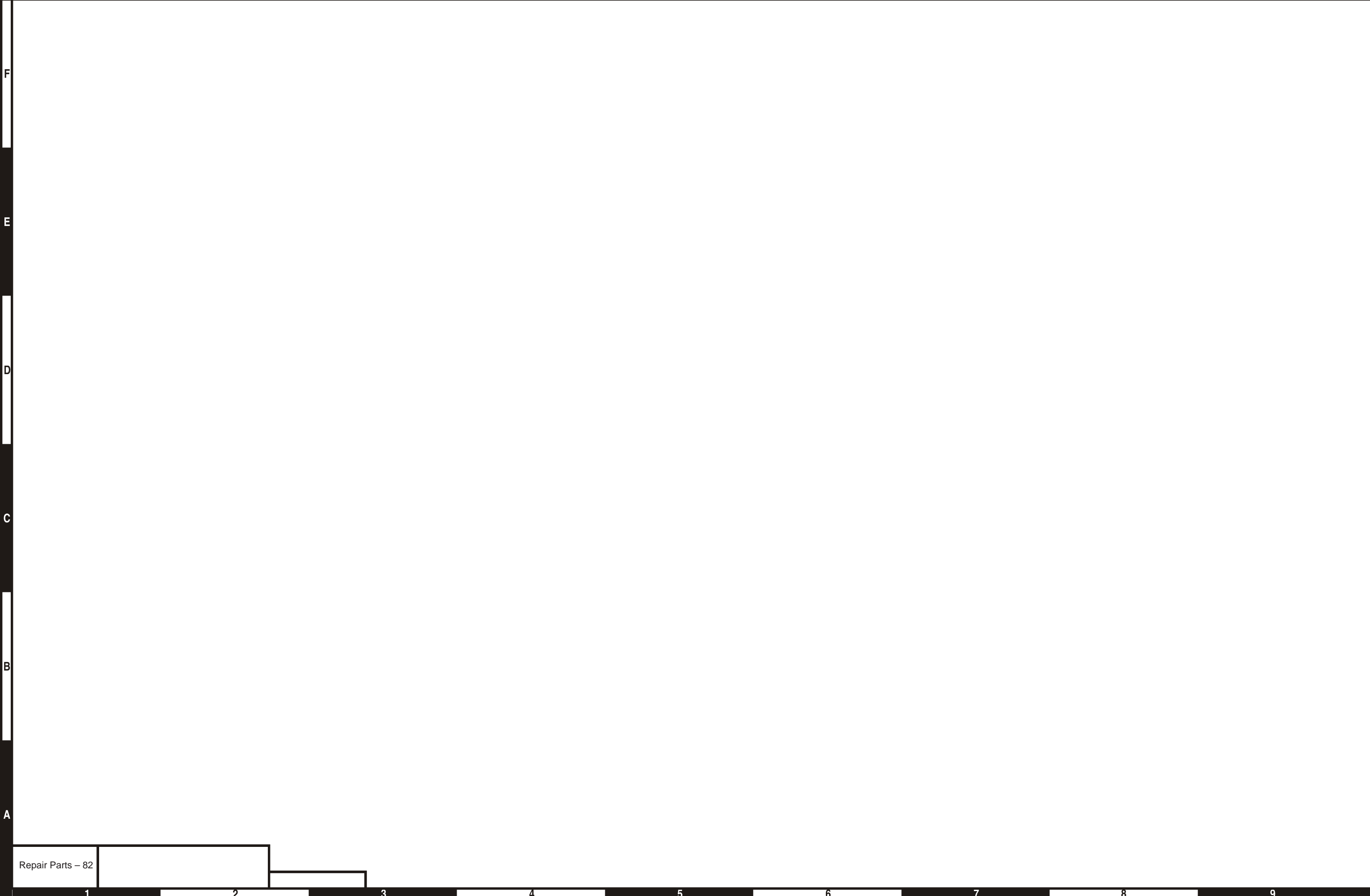
SECTION A-A



MALFUNCTION SWITCH WIRING

F
E
D
C
B
A

1 2 3 4 5 6 7 8 9



F

E

D

C

B

A

Repair Parts – 82

1

2

3

4

5

6

7

8

9

Engine – Ford

Item	Part No.	Qty.	Description
1	7624754	1	ENGINE, FORD LRG425, DF WO HSG
2	0075034	2	WLDMT, MTR MT REAR FORD
3	0075027	1	WLDMT, MTR MOUNT RH FORD
4	0075028	1	WLDMT, MTR MOUNT LH FORD
5	7630804	1	KIT, COUPLER & BELL HOUSING
	7630805	1	BELL HOUSING – INCLUDED IN KIT
	7630806	1	HUB COUPLING – INCLUDED IN KIT
	7630807	1	FLANGE COUPLING – INCLUDED IN KIT
6	7630327	0	HOSE, 2" ID FLAME RESISTANT
7	5550040	2	CLP WORM DRV
8	0083929	1	BRKT, DIPSTICK BRACE (FO)
9	3020080	1	SW TGL SPDT (M/NONE/ON) SEALED
10	7630688	1	INDICATOR LAMP
11	0112092	1	DECAL ENG DIGN TROUBLE CODE
12	3040046	1	TERM MALE250FI 22/18
13	3040047	1	TERM FEM250FI 22/18
14	5560652	2	BLT HEXHD M10 X 1.5 70 MM CLS 8.8
15	5560356	4	WSHR LOCK M10
16	972019	2	BLT HEXHD M10 X 1.5 25 MM CLS 8.8
17	0083948	1	BRACE, MIXER (FO)
18	972049	2	BLT HEXHD M10 X 1.50 40MM CLS 8.8
19	972009	4	BLT HEXHD M10-1.50P X 16MM
20	987079	3	WSHR LOCK MB
21	5560136	2	BLT LKG .500-13 1.25 GR5 DRILL
22	5560168	2	WASHER HARD FLAT .500 SP
23	5560364	6	WSHR FLAT M10
24	5560617	2	BLT HEXHD M10-1.50P X 35MM
25	987119	14	WSHR LOCK .375 MDM
26	970256	2	BLT .313-18 X 1.00 LG HH
27	5560031	2	NUT LKG .313-18
28	987269	2	WSHR FLAT .313
29	970009	1	BLT HEXHD .250-20 X 50 LG GR5
30	0083908	1	SPACER, .63 OD X 13GA X 1.00
31	970849	8	BLT HEXHD .50-13 X 1.25
32	0111869	1	ALTERNATOR WIRE ASSY
33	987139	8	WSHR LOCK .50
34	982049	1	BLT HEXHD 8MM-1.25P X 40MM CLS 8.8
35	5560357	3	BLT HEXHD 8MM-1.25P X 25MM
36	0083907	1	COVER PLATE
37	0112087	1	ENGINE HARNESS BRACKET
38	986019	1	WASHER FLAT .25
39	987099	1	WASHER LOCK .25
40	5560034	2	NUT HEX M5-8
41	984049	5	NUT HEXHD #10-24 LKG
42	5563020	2	WASHER FLAT M5
43	007508328	1	ASSY, OIL PRESSURE SENSOR FORD
45	5563019	2	WASHER LOCK M5
46	3040083	1	TERM FEM250F1 16/14
48	5560609	3	SC TRSHD #10-24 .5 LG PLATED
49	5560610	2	SCR TRSHD #10-24 1.25 LG PLATE
50	9980012	AR	.040 SS SAFETY LOCKWIRE
51	5560627	2	BLT HEXHD M10-1.50 X 50 MM
52	972049	2	BLT SKTHD M10-1.50 X 40
101	007508228	1	ASSY, PUMP TB42/50 FORD
	0071563	2	WIRE 16 R8I R313I 7
	7630722	1	OIL FILTER – NOT SHOWN
	7630331	1	STARTER – NOT SHOWN

F

E

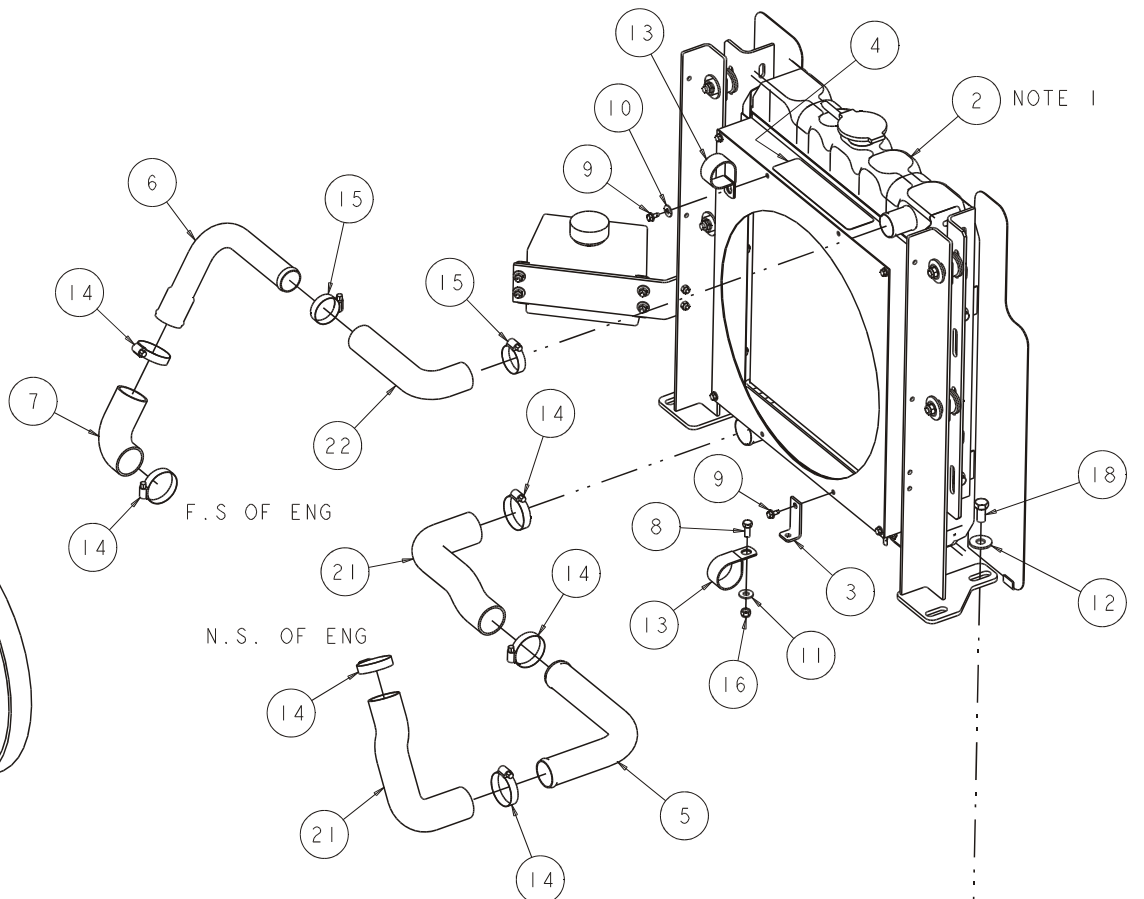
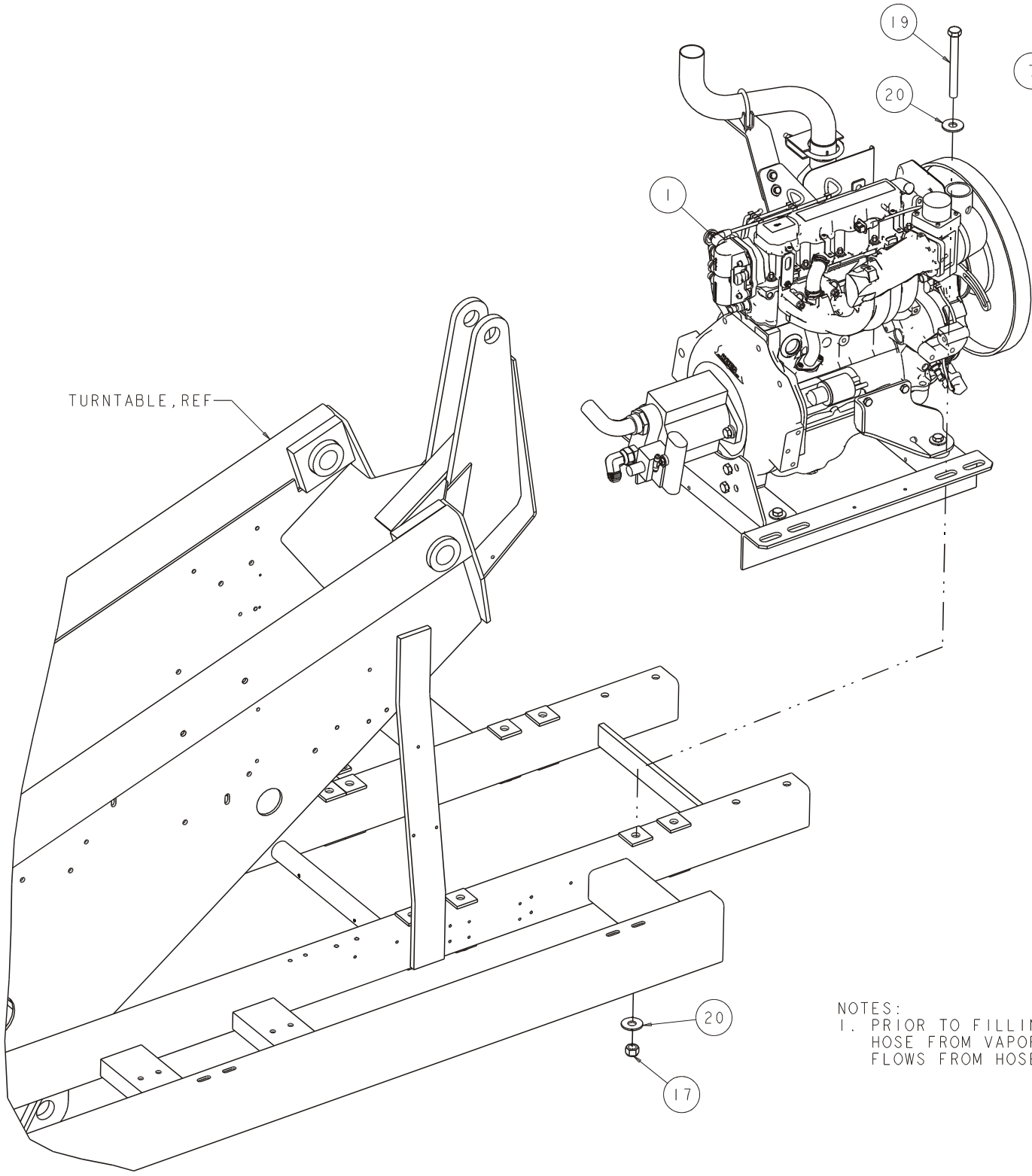
D

C

B

A

TURNTABLE, REF



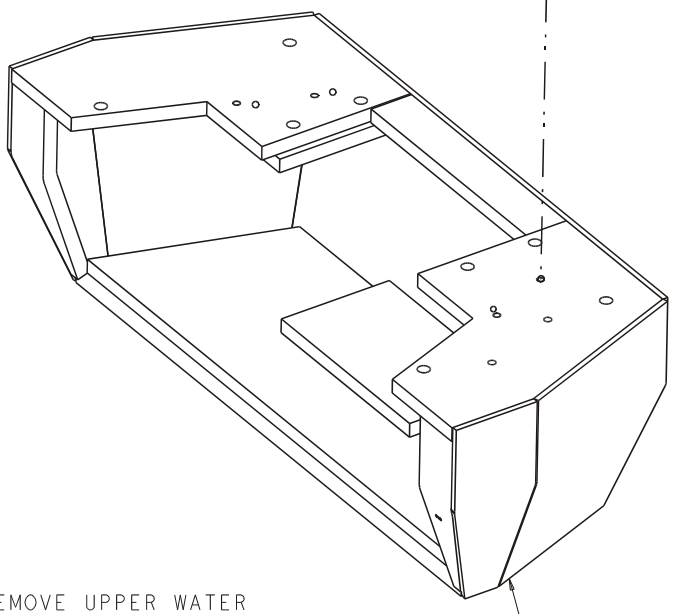
NOTE 1

F.S. OF ENG

N.S. OF ENG

NOTES:
 1. PRIOR TO FILLING RADIATOR WITH COOLANT REMOVE UPPER WATER HOSE FROM VAPORIZER. FILL RADIATOR WITH COOLANT UNTIL IT FLOWS FROM HOSE. RE-INSTALL HOSE AND TIGHTEN CLAMP.

COUNTERWEIGHT, REF

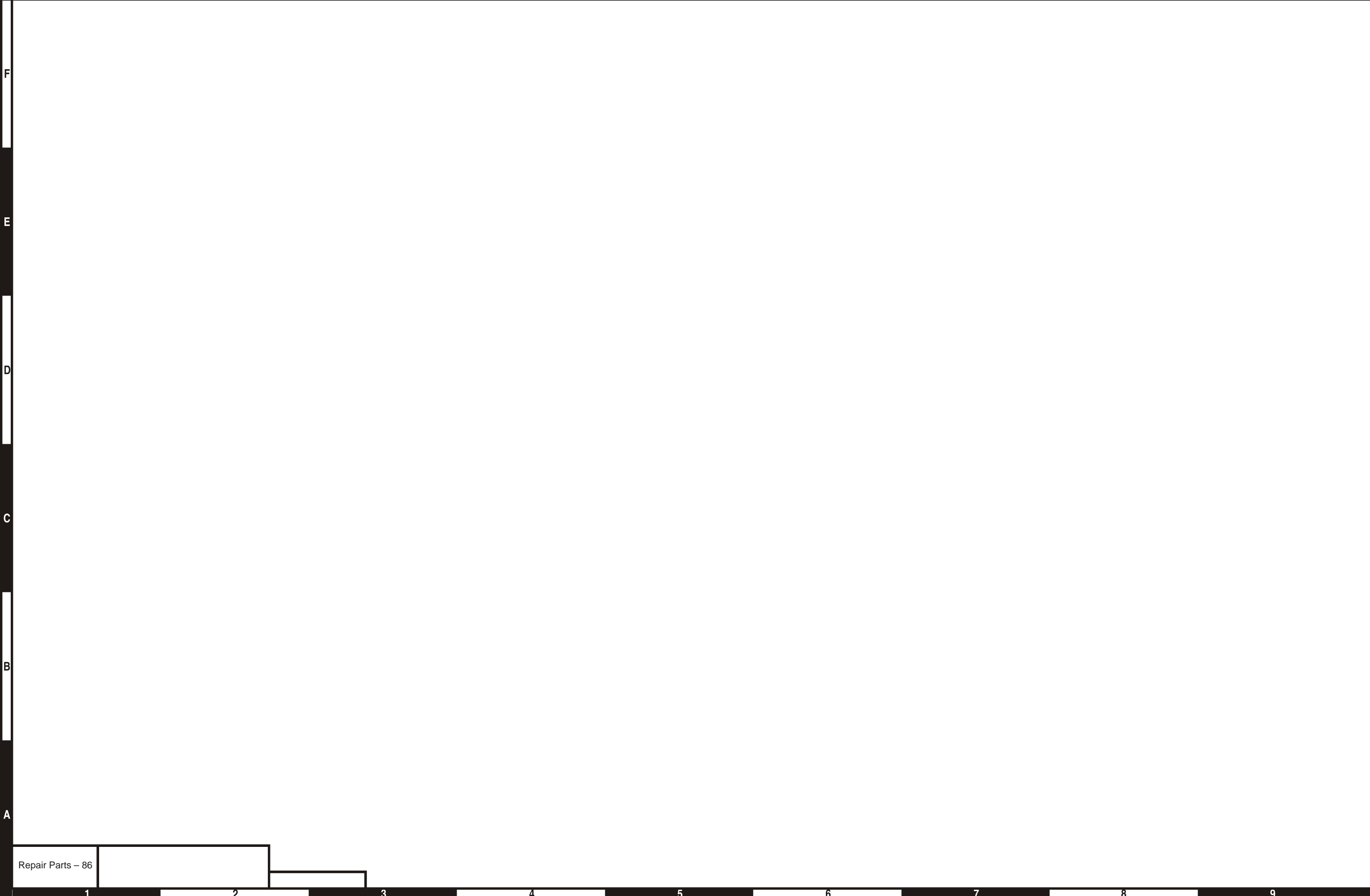


Engine Mounting
GM

0075300

Repair Parts - 85

1 2 3 4 5 6 7 8 9



F

E

D

C

B

A

Repair Parts – 86

1

2

3

4

5

6

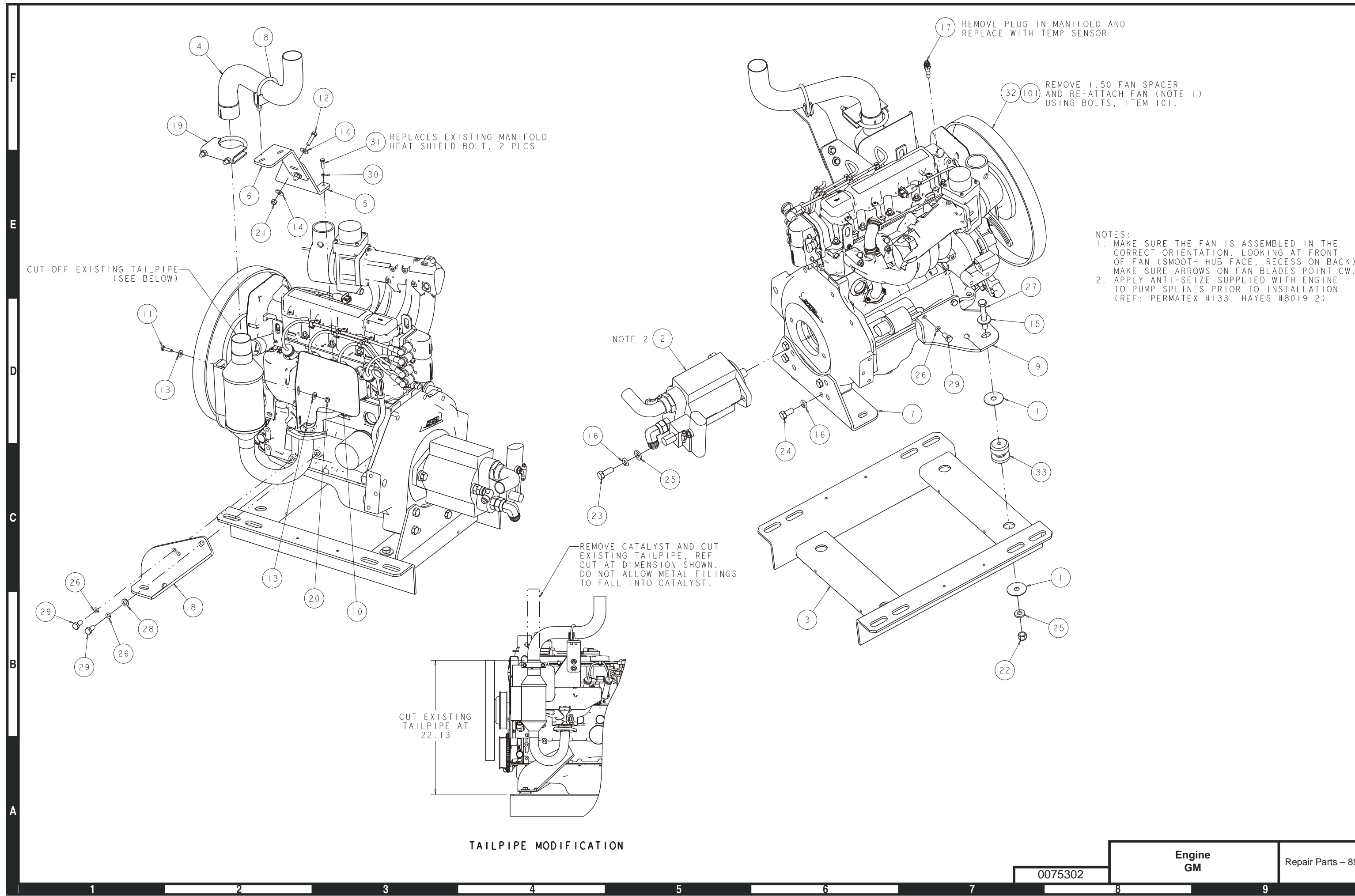
7

8

9

Engine Mounting – GM

Item	Part No.	Qty.	Description
1	007530228	1	ENG SUB ASSY-GM
2	007530728	1	RADIATOR ASSY-GM TB42/50
3	0083929	1	BRKT, DIPSTICK BRACE (FO)
4	0163367	1	DECAL, COOLANT FILLING
5	0172414	1	TUBE, RAD 1.75 OD 90
6	0172431	1	TUBE, UPPER RAD 1.50
7	0172432	1	ELB, MOD 1.75 ID 90 DEG
8	970239	1	BLT .313-18 .750 GR5
9	978629	2	BLT HEXHD SLFTPG .250-20 .500-
10	986019	1	WSHR FLAT .250
11	986269	1	WSHR FLAT .313
12	986359	4	WSHE FLAT .500
13	5093012	2	CLP CUSH 1.75 VINYL COATED
14	5550030	6	CLP WORM DRV 1.50-2.50 SAE#32
15	5550038	2	CLP WORM DRV 1.25-2.25 SAE#28
16	5560031	1	NUT LKG .313-18
17	5560036	4	NUT LKG .625-11
18	5560138	4	BLT .500-13 1.00 GR5
19	5560401	4	BLT HEXHD .625-11 X 6.00 GR5
20	5560678	8	WSHR FLAT .625
21	7630820	2	ELB 1.75 ID 90 DEG W/OFFSET
22	7630821	1	ELB 1.50 ID 90 DEG



31 REPLACES EXISTING MANIFOLD
HEAT SHIELD BOLT, 2 PLCS

CUT OFF EXISTING TAILPIPE
(SEE BELOW)

NOTE 2

REMOVE CATALYST AND CUT
EXISTING TAILPIPE. REF
CUT AT DIMENSION SHOWN.
DO NOT ALLOW METAL FILINGS
TO FALL INTO CATALYST.

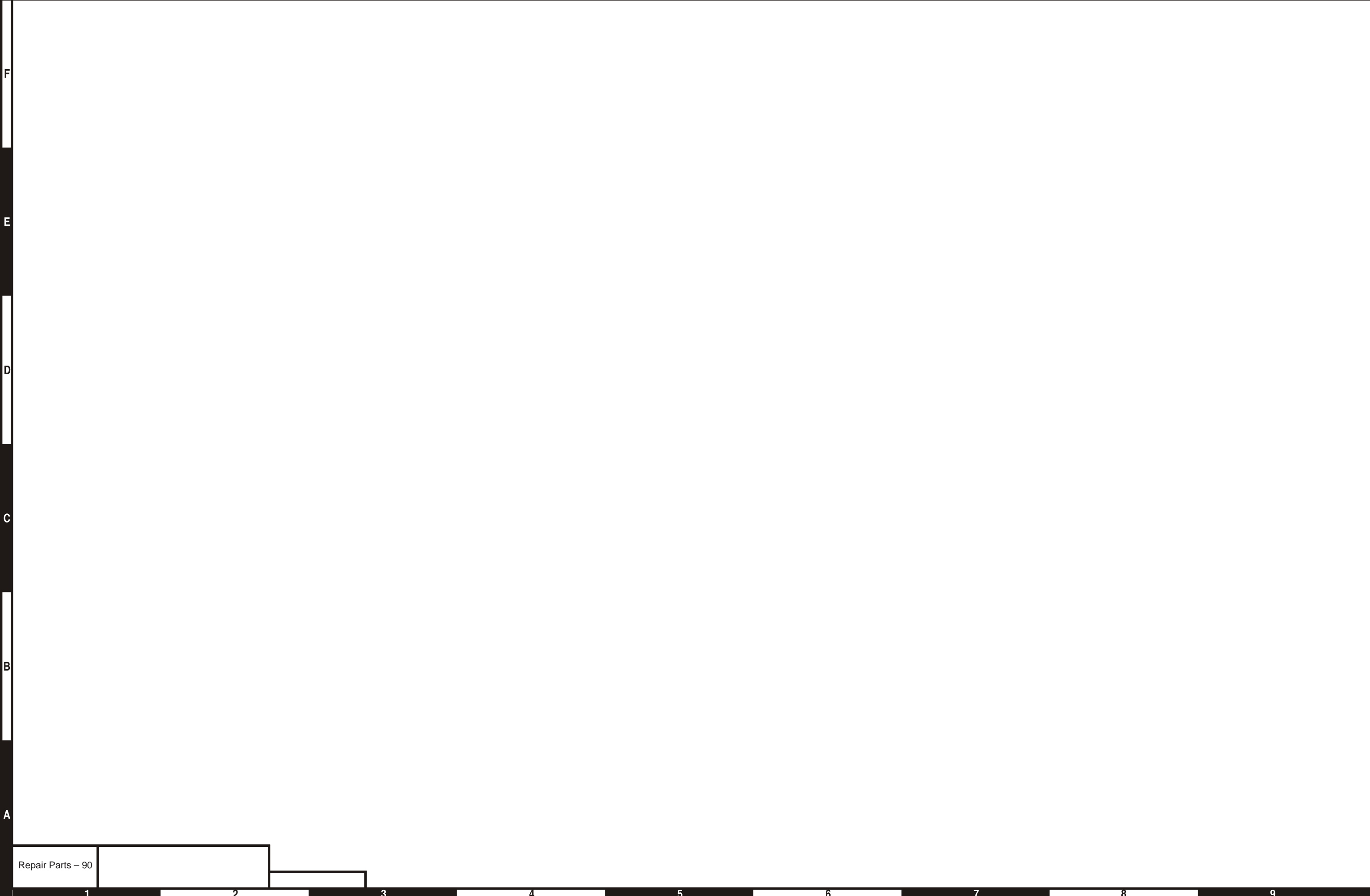
CUT EXISTING
TAILPIPE AT
22.13

TAILPIPE MODIFICATION

17 REMOVE PLUG IN MANIFOLD AND
REPLACE WITH TEMP SENSOR

32 101 REMOVE 1.50 FAN SPACER
AND RE-ATTACH FAN (NOTE 1)
USING BOLTS, ITEM 101.

- NOTES:
1. MAKE SURE THE FAN IS ASSEMBLED IN THE CORRECT ORIENTATION. LOOKING AT FRONT OF FAN (SMOOTH HUB FACE, RECESS ON BACK). MAKE SURE ARROWS ON FAN BLADES POINT CW.
 2. APPLY ANTI-SEIZE SUPPLIED WITH ENGINE TO PUMP SPLINES PRIOR TO INSTALLATION. (REF: PERMATEx #133. HAYES #801912)



F

E

D

C

B

A

Repair Parts - 90

1

2

3

4

5

6

7

8

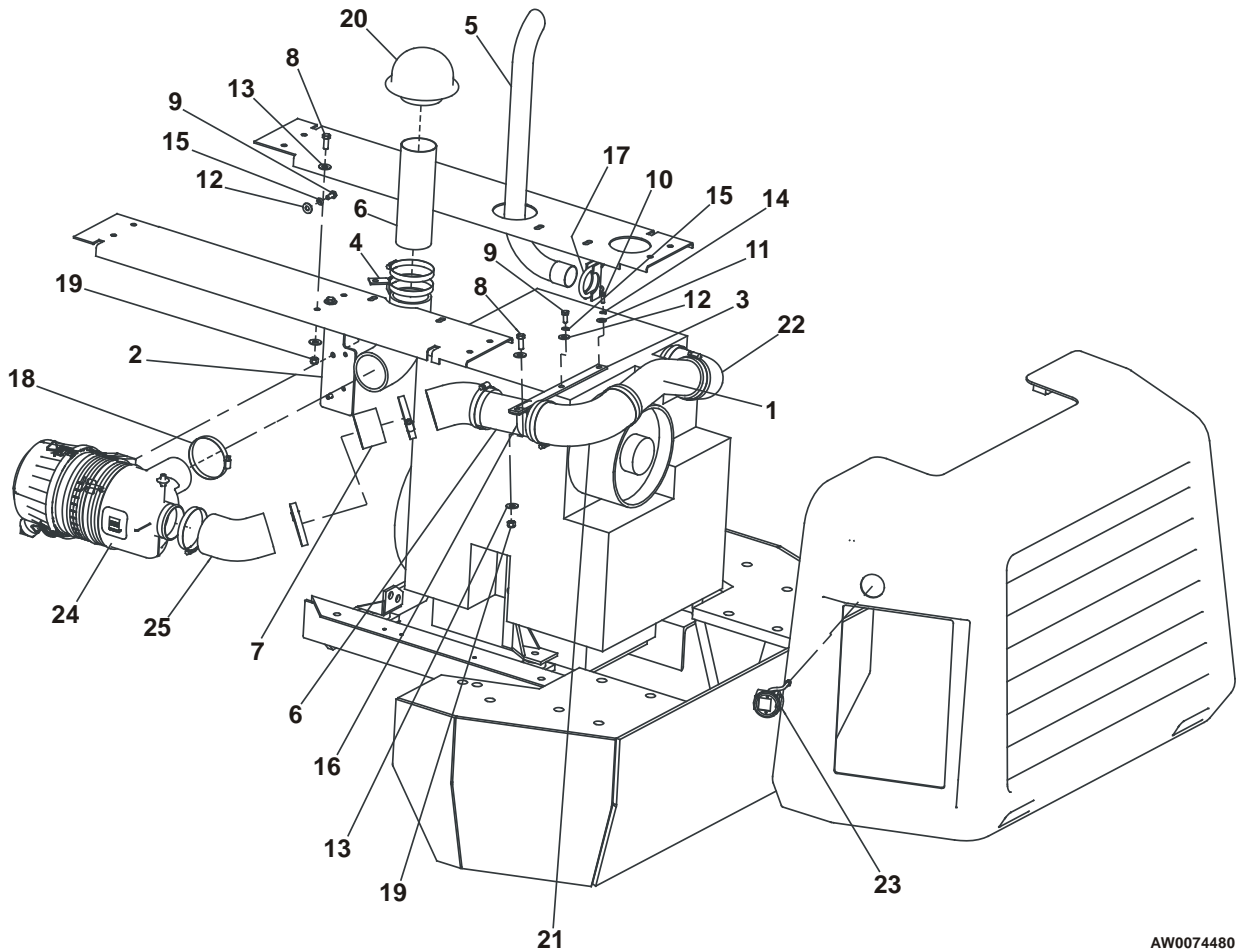
9

Engine – GM

Item	Part No.	Qty.	Description
1	0070148	8	WSHR .531ID 2.00OD .063 SP
2	007508228	1	ASSY, PUMP TB42/47J/50
3	0075310	1	WLDMT, ENGINE FRAME-GM
4	0075319	1	TAILPIPE-GM
5	0075320	1	TAILPIPE SUPPORT-LOWER GM
6	0075321	1	TAILPIPE SUPPORT-UPPER GM
7	0172372	1	MOTOR MOUNT-REAR (GM)
8	0172373	1	MOTOR MOUNT-FRONT LH (GM)
9	0172374	1	MOTOR MOUNT-FRONT RH (GM)
10	0172437	1	HEAT SHIELD, RAD HOSE
11	970049	2	BLT .25-20 1.00 GR5
12	970269	2	BLT .313-18 1.25 GR5
13	986019	4	WSHR FLAT .250
14	986269	4	WSHR FLAT .313
15	986359	4	WSHR FLAT .500
16	987139	6	WSHR LOCK .500
17	3070035	1	TEMP SENSOR 1/8NPT HIGH
18	5550014	1	2" EXHAUST CLAMP
19	5550027	1	EXHAUST CLAMP-2 1/8" EXHAUST C
20	5560004	2	NUT LKG .250-20
21	5560031	2	NUT LKG .313-18
22	5560039	4	NUT LKG .500-13
23	5560136	2	BLT .500-13 1.25 GR5 NYLOCK DRLD
24	5560138	4	BLT .500-13 1.00 GR5
25	5560168	6	WSHR HARD FLAT .500 SP
26	5560356	4	WSHR LOCK M10
27	5560362	4	BLT .500-13 3.25 GR5
28	5560364	1	WSHR FLAT M10
29	5560625	4	BLT 10MM-1.50P 20MM
30	5560664	2	WSHR LOCK M6
31	5569985	2	BLT HEXHD M6-1.00 20MM
32	7624758	1	ENGINE, GM 1.6L
33	7630001	4	MOUNT,ENGINE-BARRY
101	5560597	3	BLT HEXHD .313-18 1.00 GR8-BLT
102	0075254	1	EXTENSION, POWER STUD
103	5560357	1	BLT HEXHD M8-1.25 25MM
104	0075415	1	INSULATOR TUBE
	8113642	1	OIL FILTER – NOT SHOWN
	8113643	1	FUEL FILTER – NOT SHOWN
	8113645	1	OIL PRESSURE SWITCH – NOT SHOWN
	8113646	1	COOLANT TEMPERATURE – NOT SHOWN
	8113655	1	THERMOSTAT – NOT SHOWN

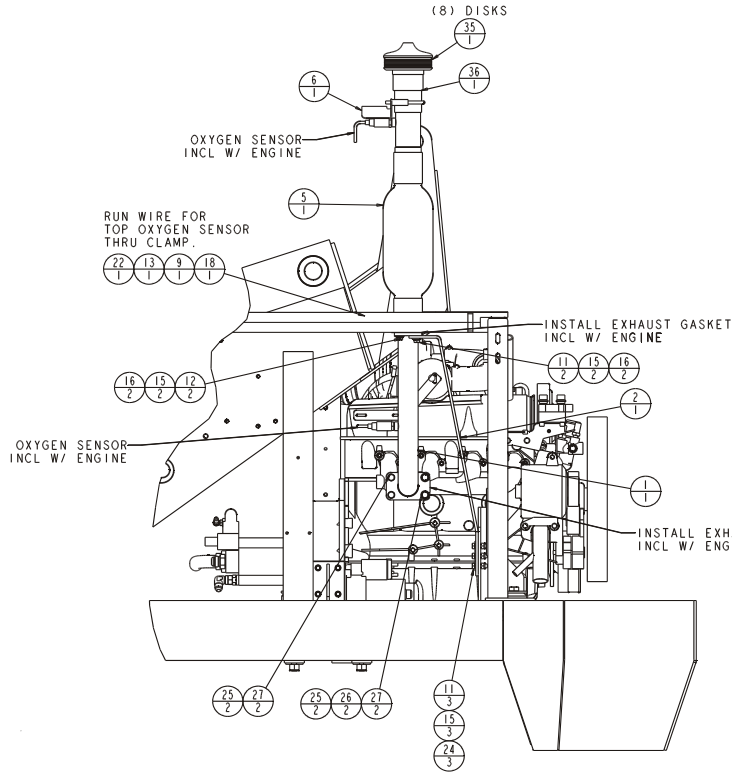
Exhaust and Air Cleaner – Deutz

Item	Part No.	Qty.	Description
1	0073877	1	AIR INTAKE TUBE
2	0074505	1	AIR CLEANER MOUNT
3	0074507	1	SUPPORT STRAP
4	0074632	1	ANGLE SUPPORT
5	0074743	1	EXHAUST PIPE
6	0190689	2	AIR INLET TUBE
7	0190805	1	AIR INLET TUBE
8	970469	3	CAPSCREW 3/8-16 X 1 INCH LONG HEX HEAD GRADE 5
9	972029	3	CAPSCREW METRIC M8-1.25 X 20MM LONG HEX HEAD
10	975209	1	CAPSCREW METRIC M6-1.00 X 18MM LONG HEX HEAD
11	986019	1	WASHER 1/4 MEDIUM FLAT
12	986269	3	WASHER 5/16 MEDIUM FLAT
13	986299	5	WASHER 3/8 MEDIUM FLAT
14	987099	1	WASHER 1/4 MEDIUM LOCK
15	987109	3	WASHER 5/16 MEDIUM LOCK
16	5093016	1	CLAMP
17	5550007	1	CLAMP
18	5550050	11	CLAMP
19	5560033	3	NUT 3/8-16 SELF LOCKING
20	7630004	1	AIR INLET HOOD
21	7630016	2	ELBOW, 3 INCH 90° RUBBER
22	7630129	1	ELBOW 90° RUBBER REDUCING
23	7630140	1	FILTER CONDITION INDICATOR
24	7630689	1	AIR CLEANER
	8140006	1	REPLACEMENT PRIMARY FILTER ELEMENT
25	7630743	2	ELBOW 3 INCH 90° RUBBER

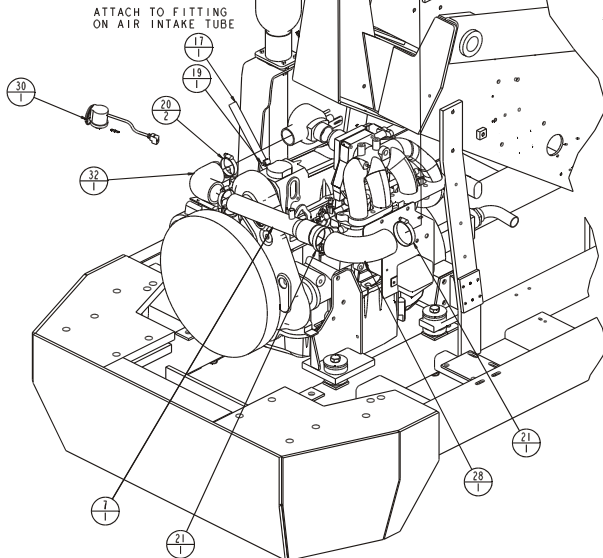
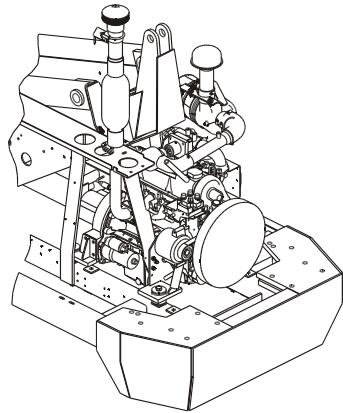
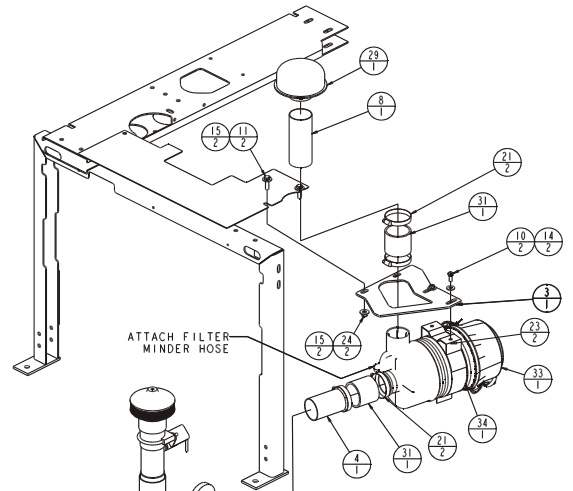
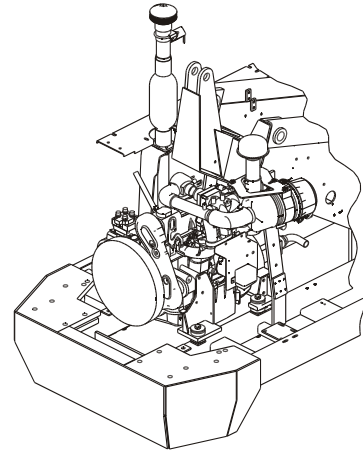


AW0074480

Exhaust and Air Cleaner – Ford



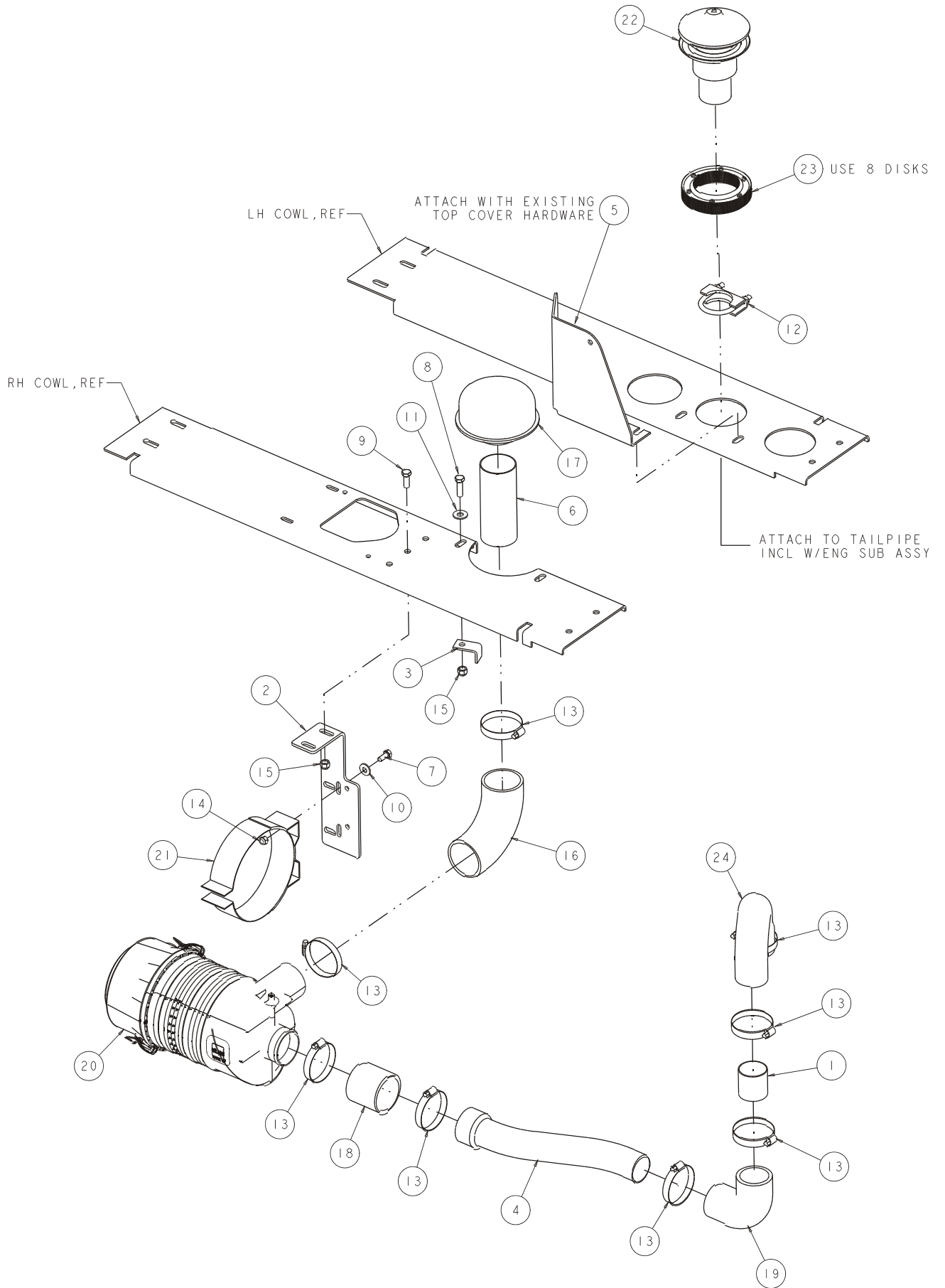
NOTES:
1. APPLY ANTI-SEIZE TO ALL
EXHAUST FASTENERS.



Exhaust and Air Cleaner – Ford

Item	Part No.	Qty.	Description
1	0075047	1	WLDMT, EXHAUST PIPE
2	0075054	1	BRKT, EXHAUST SUPPORT
3	0075055	1	BRKT, AIR CLEANER MTG
4	0075084	1	TUBE, AIR INLET
5	0083919	1	WELDMT, CATALYTIC CONVRTR (FO)
6	0083946	1	COVER, OXYGEN SENSOR (FO)
7	0170721	1	TUBE RDCR 2.50-2.00 13.00LG SP
8	0182043	1	TUBE, AIR INLET AB60J FO
9	970029	1	BLT .25-20 .750 GR5
10	970239	2	BLT .313-18 .750 GR5
11	970419	7	BLT .375-16 1.25 GR5
12	970469	2	BLT .375-16 1.00 GR5
13	986019	1	WSHR FLAT .250
14	986269	2	WSHR FLAT .313
15	986299	11	WSHR FLAT .38
16	987119	4	WSHR LOCK .375
17	5010020	3	HOSE .625ID 16MM PH #831-10
18	5093001	1	CLP CUSH .50
19	5550010	1	CLP WORM DRV #10
20	5550040	2	CLP WORM DRV #40
21	5550050	4	CLP WORM DRV #52
22	5560004	1	NUT LKG .250-20
23	5560031	2	NUT LKG .313-18
24	5560033	5	NUT LKG .375-16
25	5560356	4	WSHR LOCK M10
26	5560364	2	WSHR FLAT M10
27	5560625	4	BLT 10MM-1.50P 20MM
28	7630015	1	ELBOW 90' 2.5
29	7630024	1	HOOD,AIR INLET FOR AIR CLEANER
30	7630140	1	FILTER MINDER GAUGE
31	7630158	5	HOSE RADIATOR 2.5 ID BULK
32	7630197	1	ELBOW 2" 90 RUBBER
33	7630755	1	AIR CLEANER
	8140011	1	ELEMENT – NOT SHOWN
	8140012	1	DUST EJECTOR – NOT SHOWN
	8140013	1	COVER – NOT SHOWN
	8140014	2	COVER CLIP – NOT SHOWN
34	7630759	1	MTG BRKT 6.50" AIR CLEANER
35	7630796	1	DIFFUSER DISCS
36	7630797	1	MUFFLER ADAPTER

Exhaust and Air Cleaner – GM



Exhaust and Air Cleaner – GM

Item	Part No.	Qty.	Description
1	0074153	1	TUBE 2"OD 2"LG
2	0074505	1	AIR CLEANER MOUNT
3	0074632	1	ANGLE BRACE
4	0075325	1	TUBE, AIR INLET
5	0075367	1	HEAT SHIELD-GM EXHAUST
6	0182043	1	TUBE, AIR INLET AB60J FO
7	970239	2	BLT .313-18 .750 GR5
8	970419	1	BLT .375-16 1.25 GR5
9	970469	2	BLT .375-16 1.00 GR5
10	986269	2	WSHR FLAT .313
11	986299	1	WSHR FLAT .38
12	5550014	1	2" EXHAUST CLAMP
13	5550050	6	CLP WORM DRV 2.75-3.75 SAE#64
14	5560031	2	NUT LKG .313-18
15	5560033	3	NUT LKG .375-16
16	7630015	1	ELBOW 90' 2.5
17	7630024	1	HOOD,AIR INLET FOR AIR CLEANER
18	7630158	1	HOSE RADIATOR 2.5 ID BULK
19	7630197	1	ELBOW 2" 90 RUBBER
20	7630755	1	AIR CLEANER
	8140011	1	ELEMENT – NOT SHOWN
	8140012	1	DUST EJECTOR – NOT SHOWN
	8140013	1	COVER – NOT SHOWN
	8140014	2	COVER CLIP – NOT SHOWN
21	7630759	1	MTG BRKT 6.50" AIR CLEANER
22	7630795	1	MUFFLER ADAPTER
23	7630796	8	DIFFUSER DISCS, (12 DISC PER PACKAGE)
24	7630823	1	ELB 2.25/2.00 180 DEG

F

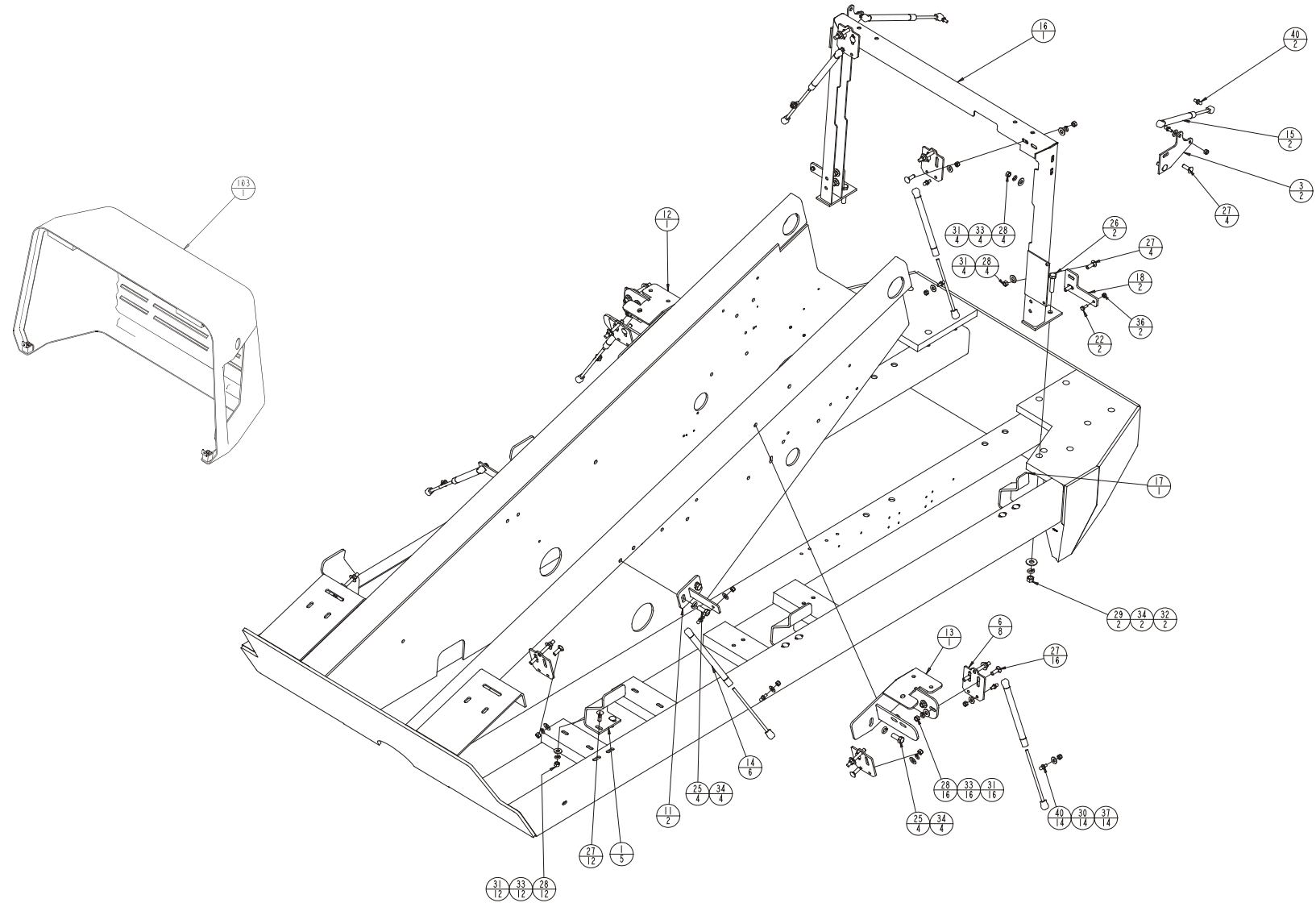
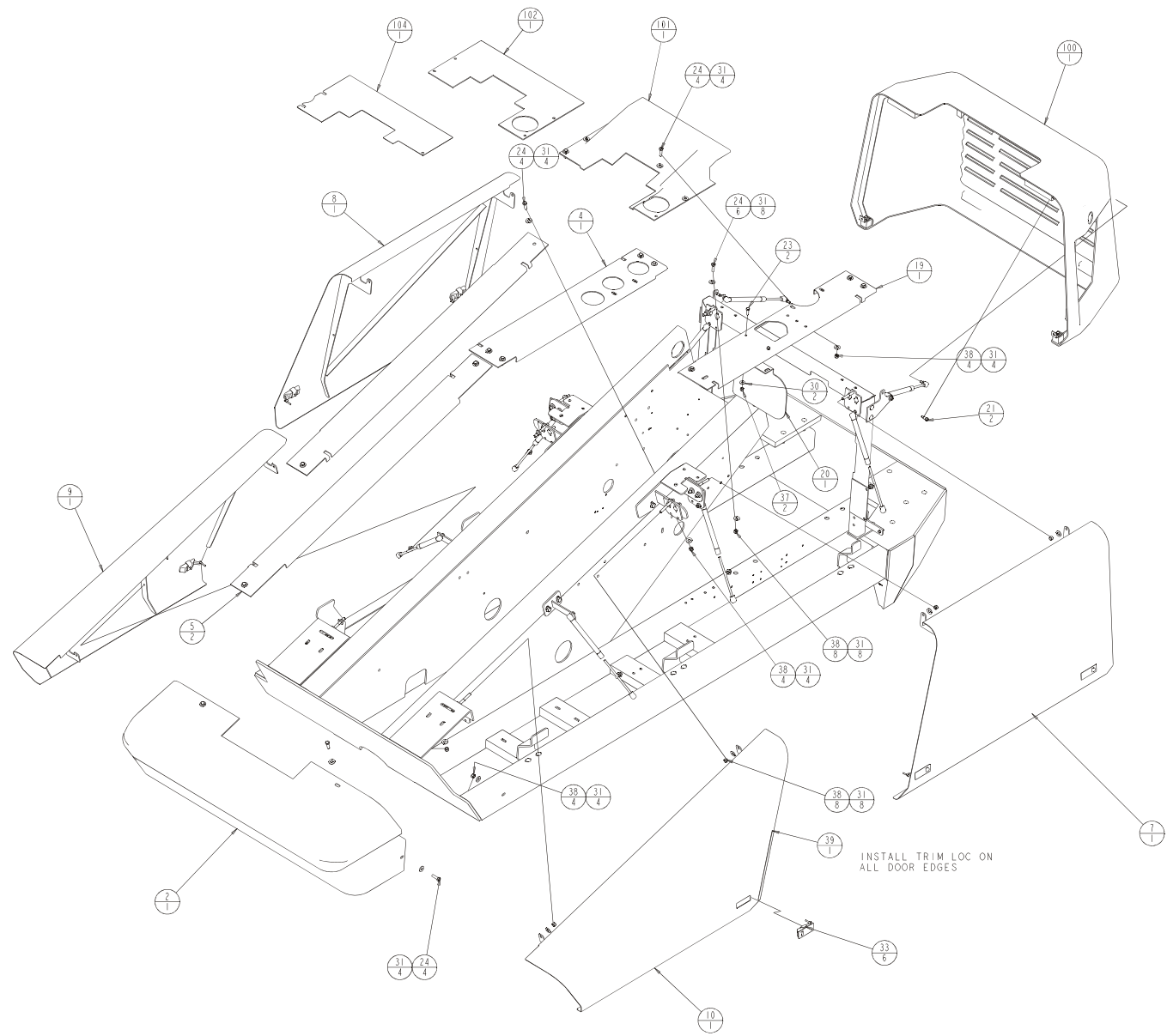
E

D

C

B

A



1

2

3

4

5

6

7

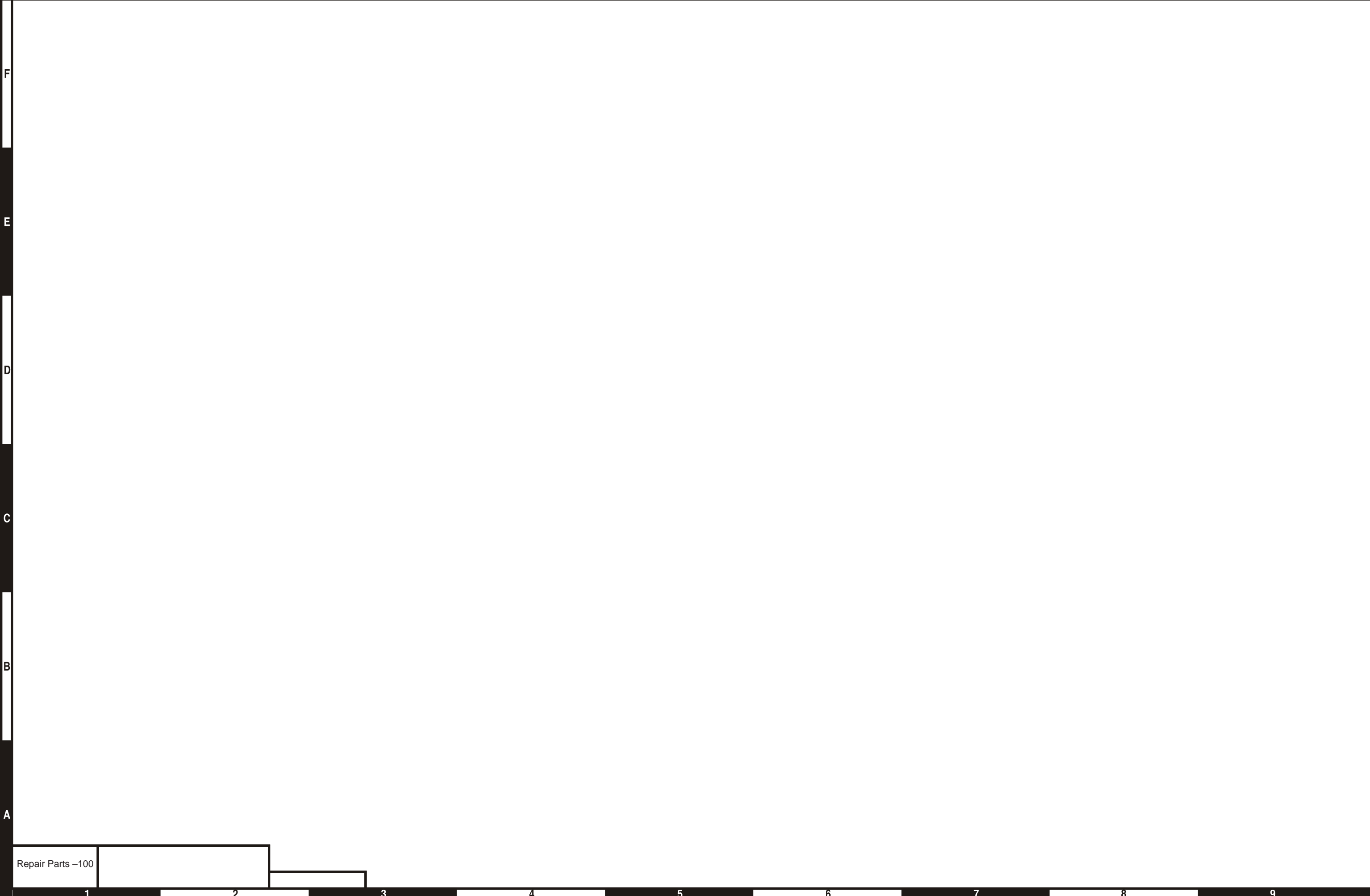
8

9

A07050G

Plastic Cowling

Repair Parts - 99



F

E

D

C

B

A



1

2

3

4

5

6

7

8

9

Plastic Cowling

Item	Part No.	Qty.	Description
1	0074392	5	DOOR STOP
2	0074393	1	REAR COVER TB42/50/47J
3	0074394	2	PLATE HINGE
4	0074396	1	COWLING TOP LEFT TB42/50
5	0074397	2	COWLING SIDE
6	0074408	8	HINGE DOOR
7	0074411	1	WLDMT RHF DOOR TB42/50
8	0074413	1	WLDMT LHF DOOR TB42/50
9	0074418	1	WLDMT LHR DOOR TB42/50
10	0074420	1	WLDMT RHR DOOR TB42/50
11	0074423	2	WLDMT GAS SPRING MOUNT
12	0074428	1	WLDMT COWLING MOUNT LH
13	0074429	1	WLDMT COWLING MOUNT RH
14	0074460	6	GAS SPRING
15	0074461	2	GAS SPRING
16	0074437	1	WLDMT COWLING SUPPORT
17	0074506	1	DOOR STOP
18	0074574	2	PLATE
19	0074773	1	COWLING TOP RIGHT TB42/50
20	301403	2	BLT SHLDR .375 .500 GR5
21	970029	2	BLT .25-20 .750 GR5
22	970419	18	BLT .375-16 1.25 GR5
23	970849	8	BLT .500-13 1.25 GR5
24	970939	2	BLT .500-13 2.25
25	972439	36	BLT CRG .375-16 1.25
26	984109	36	NUT HEX .375-16
27	984149	2	NUT HEX .500-13
28	986269	14	WSHR FLAT .313
29	986299	84	WSHR FLAT .38
30	986359	2	WSHR FLAT .500
31	987119	32	WSHR LOCK .375
32	987139	10	WSHR LOCK .500
33	5510022	6	ADJUSTABLE LEVER LATCH
34	5560004	2	NUT LKG .250-20
35	5560031	14	NUT LKG .313-18
36	5560033	28	NUT LKG .375-16
37	5560083	22	HOSE GUIDE .125 RUBBER EDGE
38	5560311	16	BALLSTUD GAS SPRING
100	0074433	1	FRONT COVER ASSM TB42/50 DZ
101	0074462	1	ENGINE COVER DEUTZ
102	0074477	1	ENGINE COVER TB42-50 (CU)
103	0074479	1	FRONT COVER TB42-50 (FO, CU, GM)
104	0075056	1	ENGINE COVER FORD 425, GM 2.1

F

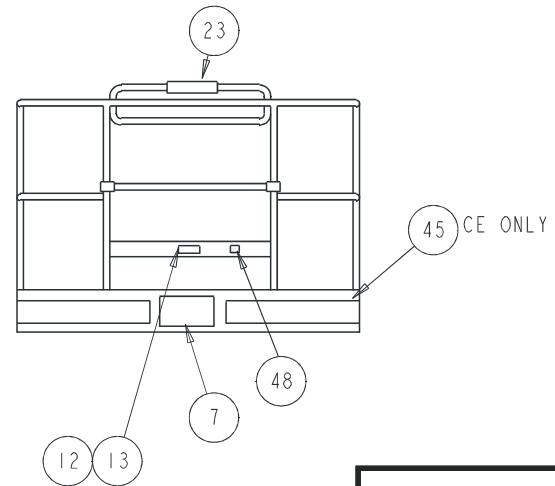
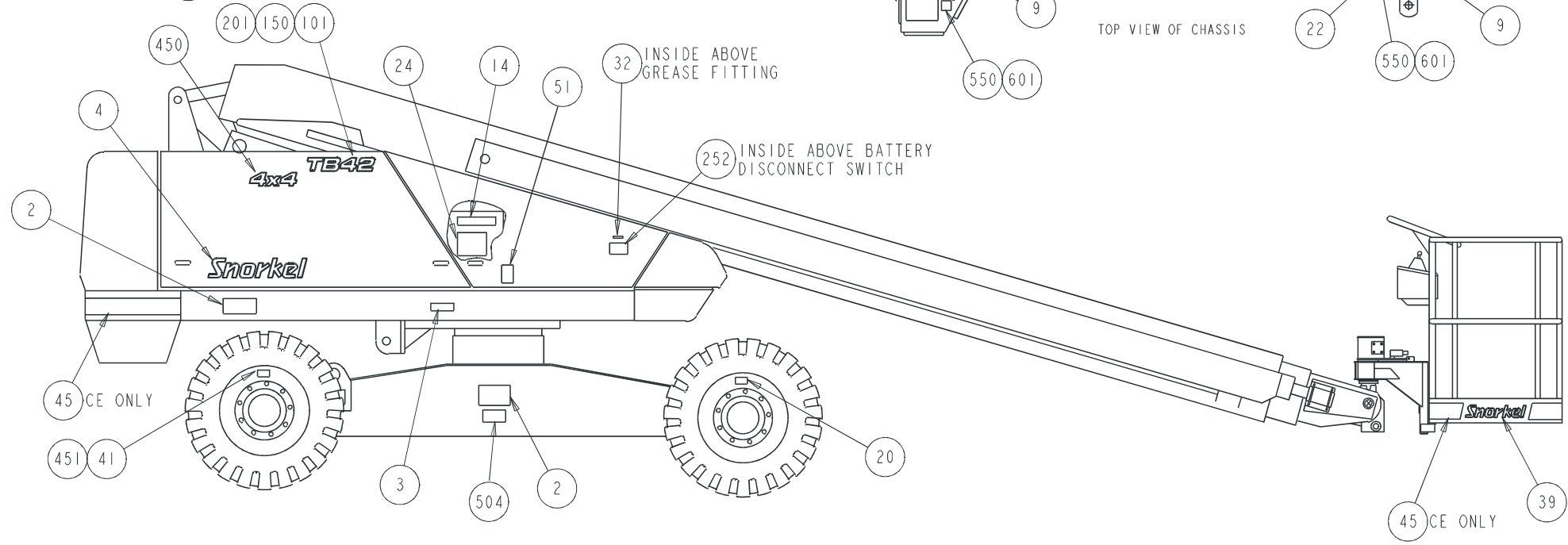
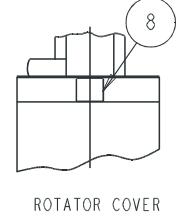
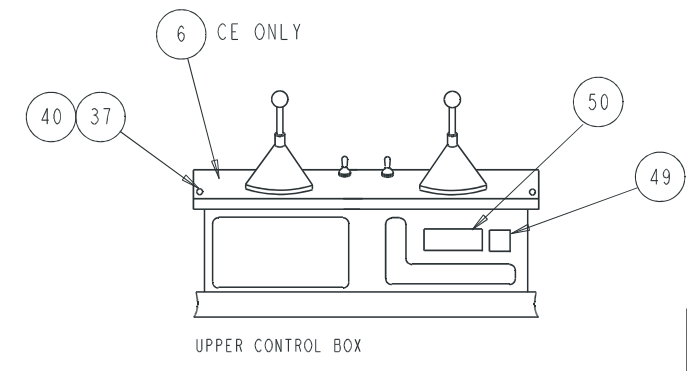
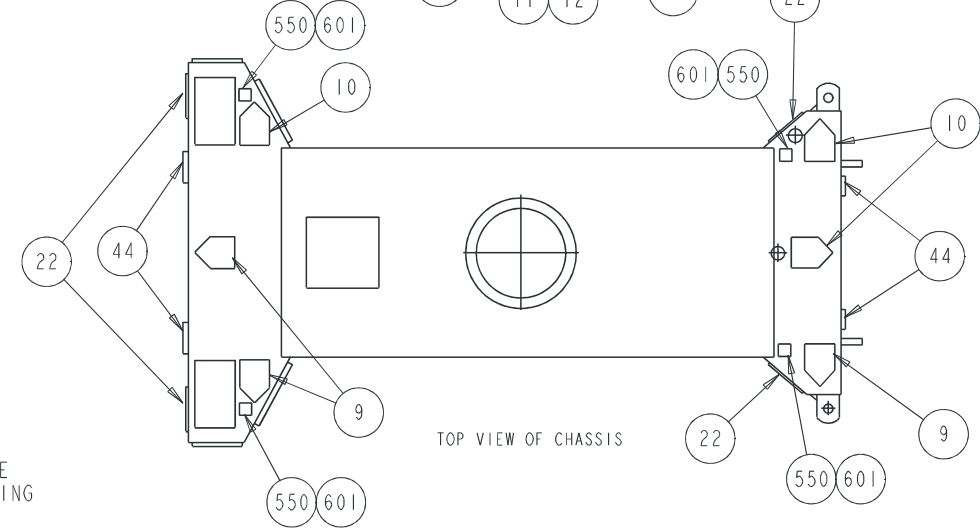
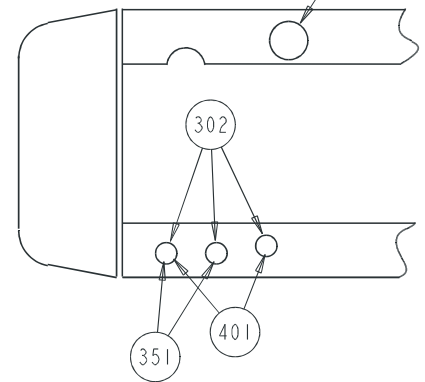
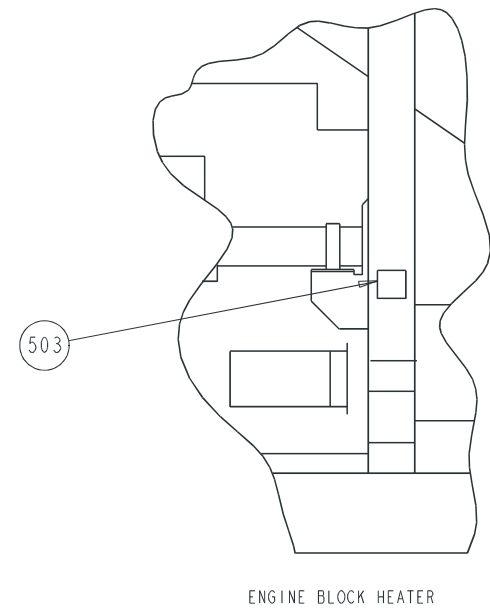
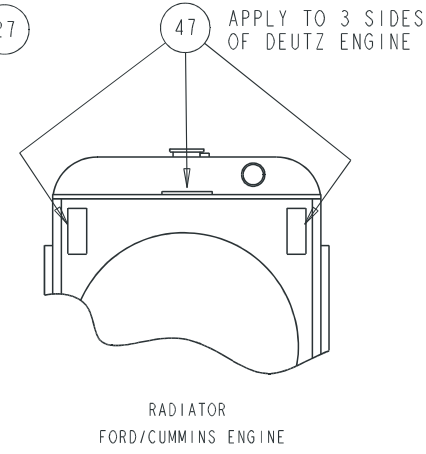
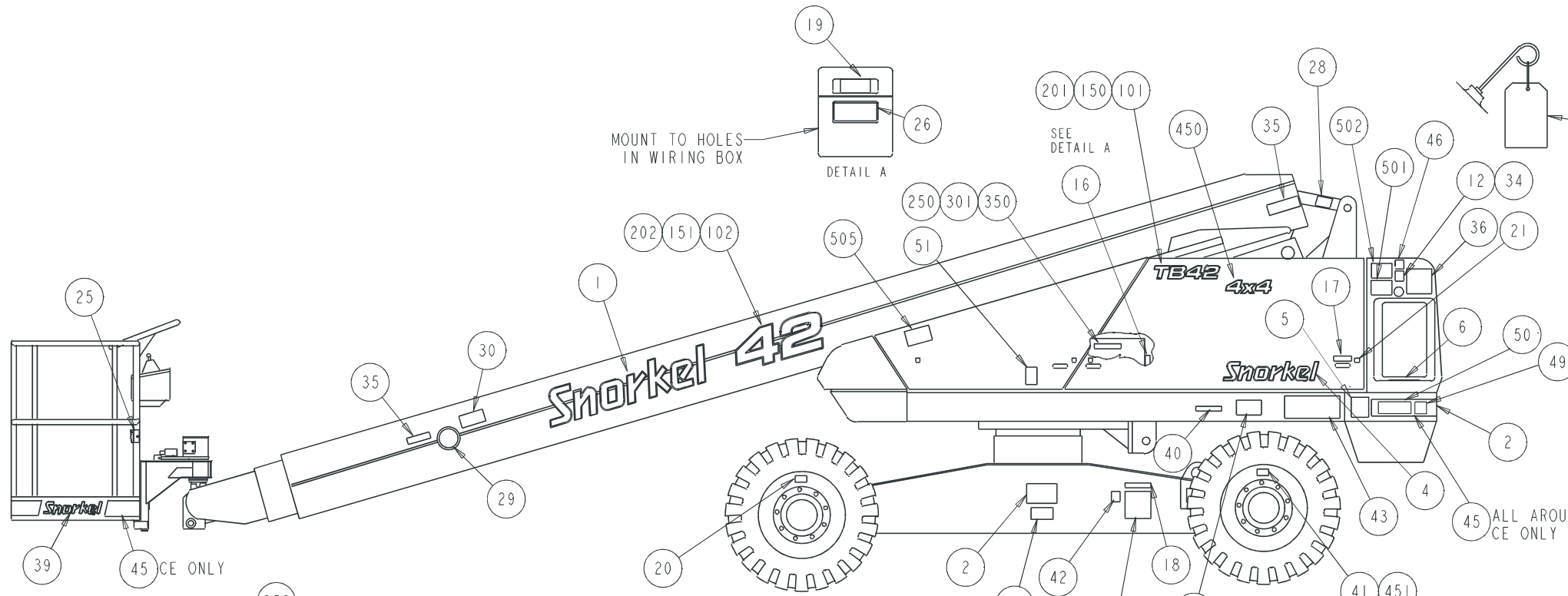
E

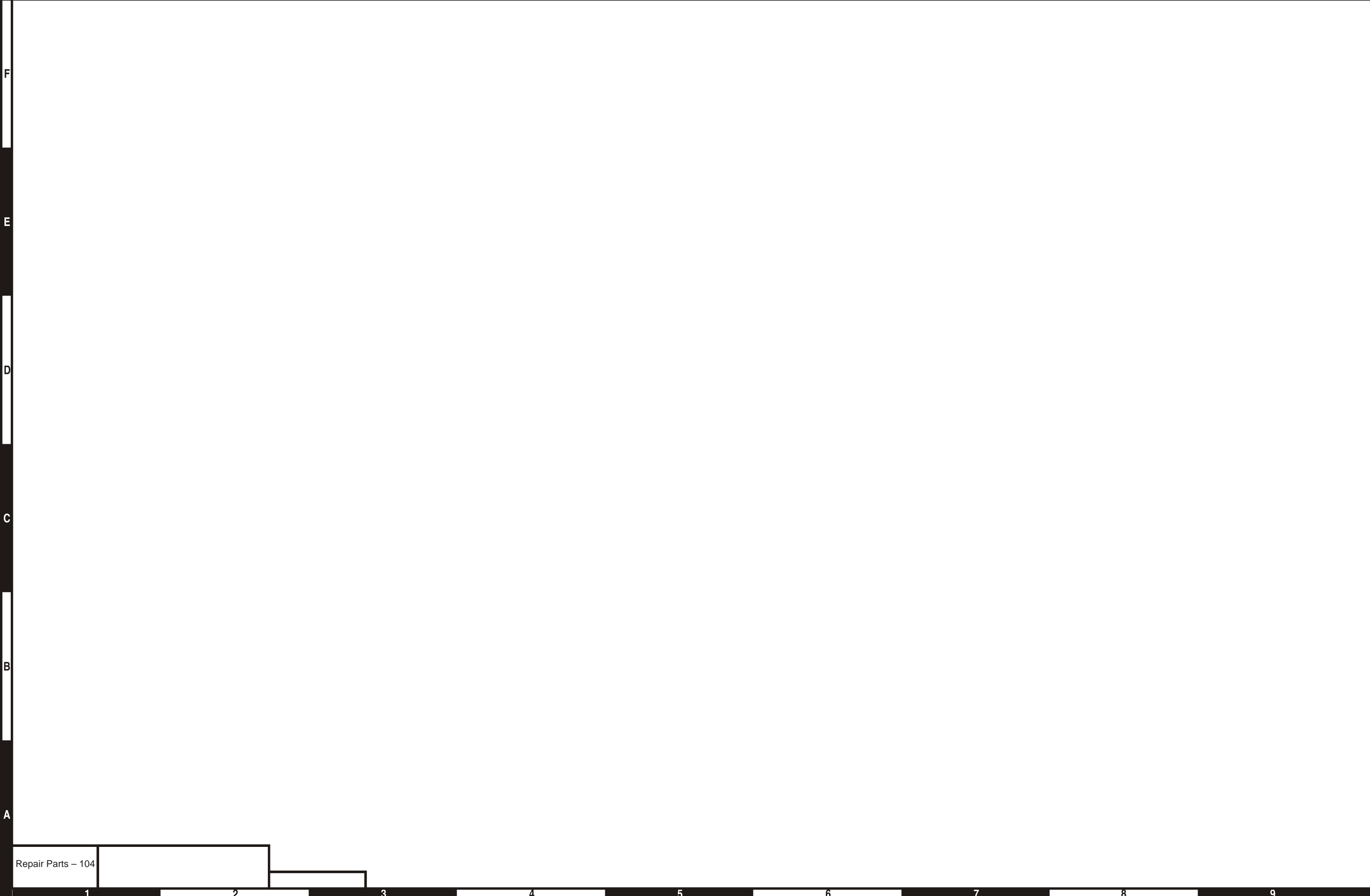
D

C

B

A





F

E

D

C

B

A

Repair Parts - 104

1

2

3

4

5

6

7

8

9

Placards and Decals – TB42/TB50

Item	Part No.	Qty.	Description
1	0083727	1	DECAL SNORKEL BRAND LOGO 8.00
2	0323896	5	DECAL DNGR ELEC HAZARD
	0162336E	5	DECAL DNGR ELEC HAZARD - CE ONLY
	01623366	5	DECAL DNGR ELEC HAZARD - CE ONLY
	0162336F	5	DECAL DNGR ELEC HAZARD - FRENCH ONLY
	01623366	5	DECAL DNGR ELEC HAZARD - FRENCH ONLY
	0162336P	5	DECAL DNGR ELEC HAZARD - SPANISH ONLY
	01623366	5	DECAL DNGR ELEC HAZARD - SPANISH ONLY
	0162336W	5	DECAL DNGR ELEC HAZARD - SWEDISH ONLY
	01623366	5	DECAL DNGR ELEC HAZARD - SWEDISH ONLY
	0162336D	5	DECAL DNGR ELEC HAZARD - DUTCH ONLY
	01623366	5	DECAL DNGR ELEC HAZARD - DUTCH ONLY
	0162336G	5	DECAL DNGR ELEC HAZARD - GERMAN ONLY
	01623366	5	DECAL DNGR ELEC HAZARD - GERMAN ONLY
3	0070420	1	DECAL EMER BLEED DOWN VALVE
4	0074908	2	DECAL SNORKEL BRAND LOGO 5.00
5	0323897	1	DECAL DNGR YOU MUST NOT OPR
6	0074209	1	DECAL PRE-START INSTR
	0162329E	1	DECAL PRE-START INSTR - CE ONLY
	0162328E	1	DECAL PRE-START INSTR - CE ONLY
	0162329F	1	DECAL PRE-START INSTR - FRENCH ONLY
	0162328F	1	DECAL PRE-START INSTR - FRENCH ONLY
	0162329P	1	DECAL PRE-START INSTR - SPANISH ONLY
	0162328P	1	DECAL PRE-START INSTR - SPANISH ONLY
	0162329W	1	DECAL PRE-START INSTR - SWEDISH ONLY
	0162328W	1	DECAL PRE-START INSTR - SWEDISH ONLY
	0162329D	1	DECAL PRE-START INSTR - DUTCH ONLY
	0162328D	1	DECAL PRE-START INSTR - DUTCH ONLY
	0162329G	1	DECAL PRE-START INSTR - GERMAN ONLY
	0162328G	1	DECAL PRE-START INSTR - GERMAN ONLY
7			PLACARD, PLATFORM CAPACITY – CONSULT FACTORY
8	0323899	1	DECAL DNGR ELEC HAZARD
	01623366	1	DECAL DNGR ELEC HAZARD - CE ONLY
	0162336E	1	DECAL DNGR ELEC HAZARD - CE ONLY
	01623366	1	DECAL DNGR ELEC HAZARD - FRENCH ONLY
	0162336F	1	DECAL DNGR ELEC HAZARD - FRENCH ONLY
	01623366	1	DECAL DNGR ELEC HAZARD - SPANISH ONLY
	0162336P	1	DECAL DNGR ELEC HAZARD - SPANISH ONLY
	01623366	1	DECAL DNGR ELEC HAZARD - SWEDISH ONLY
	0162336W	1	DECAL DNGR ELEC HAZARD - SWEDISH ONLY
	01623366	1	DECAL DNGR ELEC HAZARD - DUTCH ONLY
	0162336D	1	DECAL DNGR ELEC HAZARD - DUTCH ONLY
	01623366	1	DECAL DNGR ELEC HAZARD - GERMAN ONLY
	0162336G	1	DECAL DNGR ELEC HAZARD - GERMAN ONLY
9	0070540	3	DECAL YELLOW ARROW
10	0070541	3	DECAL BLUE ARROW
11	0070901	1	PLAC CAUTN SERIAL NUMBER
12	5560655	12	POP RIVET
13	0071425	1	PLAC PLATF IDENTIFICATION
14	0071927	1	DECAL HYDRAULIC OIL
16	562386	1	COMPARTMENT LITERATURE 8.5X11
17	0073491	1	DECAL SAFE OPERATION INFO
18	0181562	1	DECAL MACH COMPLIES WITH ANSI
19	0073224	1	DECAL NOTICE MANUAL RE-ORDER
20	0072277	2	DECAL LUG NUT TRQ 200-225FT LB
21	5560080	8	BUMPER ADHESIVE BACK
22	0080650	4	DECAL LIFT
23	0072531	1	DECAL DNGR ELEC HAZARD
			<i>CONTINUED ON NEXT PAGE...</i>

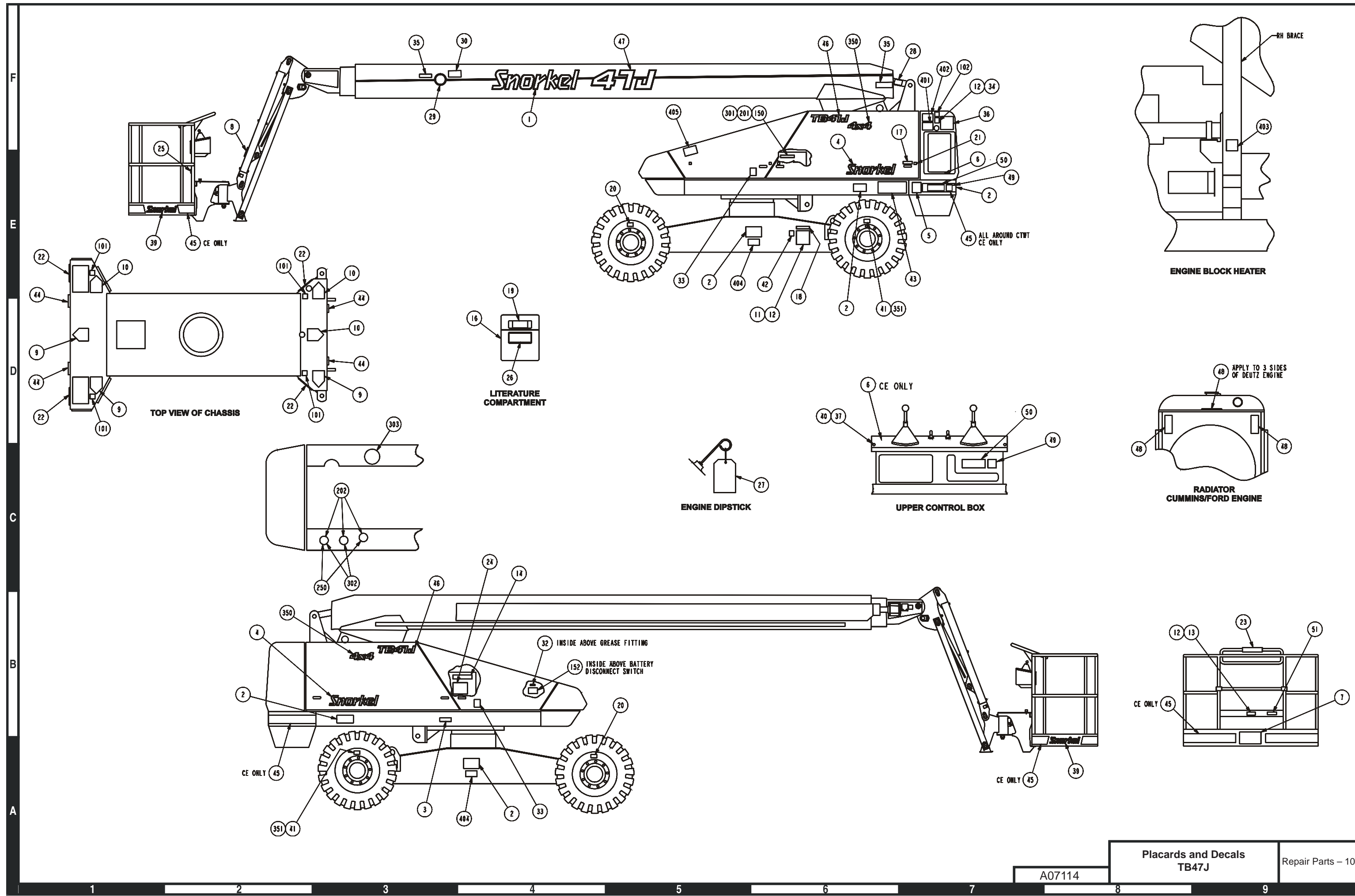
Placards and Decals – TB42/TB50

Item	Part No.	Qty.	Description
24	7030003	1	DECAL LUBE RECOMMENDATIONS
25	0070921	1	DECAL 125 VOLTS 15 AMPS
26	0073043	1	DECAL MANUAL HOLDER
27	0073139	1	TAG CRANKCASE OIL TAG
28	0074311	5	DECAL DNGR CYLINDER FAILURE – ONE PER CYLINDER
29	9980013	2	CAP 5" DIA.,WHITE
30	0190989	1	DECAL DNGR DO NOT REACH
	0190989E	1	DECAL DNGR DO NOT REACH - CE ONLY
32	0073492	1	DECAL ROTATE WHILE GREASING
	0073492F	1	DECAL ROTATE WHILE GREASING - FRENCH ONLY
	0073492P	1	DECAL ROTATE WHILE GREASING - SPANISH ONLY
	0073492W	1	DECAL ROTATE WHILE GREASING - SWEDISH ONLY
	0073492D	1	DECAL ROTATE WHILE GREASING - DUTCH ONLY
	0073492G	1	DECAL ROTATE WHILE GREASING - GERMAN ONLY
34	0074372	1	PLACARD ENGINE RPM
	0074372F	1	PLACARD ENGINE RPM - FRENCH ONLY
	0074372P	1	PLACARD ENGINE RPM - SPANISH ONLY
	0074372W	1	PLACARD ENGINE RPM - SWEDISH ONLY
	0074372D	1	PLACARD ENGINE RPM - DUTCH ONLY
	0074372G	1	PLACARD ENGINE RPM - GERMAN ONLY
35	0073667	2	DECAL INSPECT WIRE ROPES
36	0074210	1	DECAL DNGR ELEC/TIPPING HAZARD
37	5560004	2	NUT .250-20 ESNA
39	569295	2	DECAL SNORKEL BRAND LOGO 3.00
40	970009	2	BOLT .25-20 X .5 HH GR5
41	0072276	2	DECAL LUG NUT TRQ 450-500FT LB
42	0162311	1	DECAL, CE LOGO - CE ONLY
43	0074669	1	DECAL LIFT/TIE DN LCTN TB42-50
44	0083426	4	DECAL TIE DOWN SYMBOL
45	7030001	25 IN	WARNING STRIPE - CE ONLY
46	0182077E	1	DECAL NOISE LEVEL - CE ONLY
47	0151410	3	DECAL DNGR ROTATING PARTS
	0151410E		DECAL DNGR ROTATING PARTS - CE ONLY
	0151410F		DECAL DNGR ROTATING PARTS - FRENCH ONLY
	0151410P		DECAL DNGR ROTATING PARTS -SPANISH ONLY
	0151410W		DECAL DNGR ROTATING PARTS - SWEDISH ONLY
	0151410D		DECAL DNGR ROTATING PARTS - DUTCH ONLY
	0151410G		DECAL DNGR ROTATING PARTS - GERMAN ONLY
48	0172451	1	DECAL ATTACH MAX TWO LANYARDS
49	0075235	2	DECAL SIDE LOAD 150 LB - US ONLY
50		2	DECAL PLATFORM CAPACITY - US ONLY CONSULT FACTORY
51	0073585	2	DECAL MADE IN THE USA
101	0074911	2	DECAL TB42 LOGO
102	0074909	1	DECAL 42 LOGO
150	0074912	2	DECAL TB50 LOGO
151	0074910	1	DECAL 50 LOGO
201	0074956	2	DECAL TB420 LOGO
202	0074957	1	DECAL TB420 LOGO
250	0071925	1	DECAL GASOLINE FUEL - GAS ENGINES ONLY
252	0074316	1	DECAL CAUTN GOVERNOR DAMAGE - GAS ENGINES ONLY
301	0071926	1	DECAL DIESEL FUEL - DIESEL ENGINES ONLY
302	9980021	3	PLUG, HOLE 3.50 DIA PLASTICL - CUMMINS ENGINES ONLY
350	0071926	1	DECAL DIESEL FUEL - DIESEL ENGINES ONLY
351	9980021	2	PLUG, HOLE 3.50 DIA PLASTIC - DEUTZ ENGINES ONLY
352	9980251	1	PLUG, HOLE 5.00 DIA PLASTIC - DEUTZ ENGINES ONLY
401	9980021	2	PLUG, HOLE 3.50 DIA PLASTIC - GM ENGINES ONLY
450	0074913	2	DECAL 4X4 LOGO - 4X4 ONLY
451	0072277	2	DECAL LUG NUT TRQ 200-225FT LB - 4X4 ONLY

CONTINUED ON NEXT PAGE...

Placards and Decals – TB42/TB50

Item	Part No.	Qty.	Description
501	0081377	1	DECAL LPS LOGO - LP FUEL ONLY OPTION
502	0071793	1	DECAL HYDRAULIC WARMUP INSTRUCTIONS - HYD WARMUP OPTION ONLY
503	0181634	1	DECAL ENGINE BLOCK HEATER - OPTION
504	0073298	2	PLACARD DANGER FOAM FILLED TIRES - OPTION
	0073298F		PLACARD DANGER FOAM FILLED TIRES - FRENCH ONLY OPTION
	0073298P		PLACARD DANGER FOAM FILLED TIRES - SPANISH ONLY OPTION
	0073298W		PLACARD DANGER FOAM FILLED TIRES - SWEDISH ONLY OPTION
	0073298D		PLACARD DANGER FOAM FILLED TIRES - DUTCH ONLY OPTION
	0073298G		PLACARD DANGER FOAM FILLED TIRES -GERMAN ONLY OPTION
505	0081441	1	DECAL CAUTION LIQUID WITHDRAWL - LPG ENGINES ONLY
550	0075243E	4	DECAL WHEEL LOADING TB42 - CE ONLY
601	0075244E	4	DECAL WHEEL LOADING TB50 - CE ONLY



TOP VIEW OF CHASSIS

LITERATURE COMPARTMENT

ENGINE DIPSTICK

UPPER CONTROL BOX

RADIATOR CUMMINS/FORD ENGINE

ENGINE BLOCK HEATER

48 APPLY TO 3 SIDES OF DEUTZ ENGINE

CE ONLY

CE ONLY

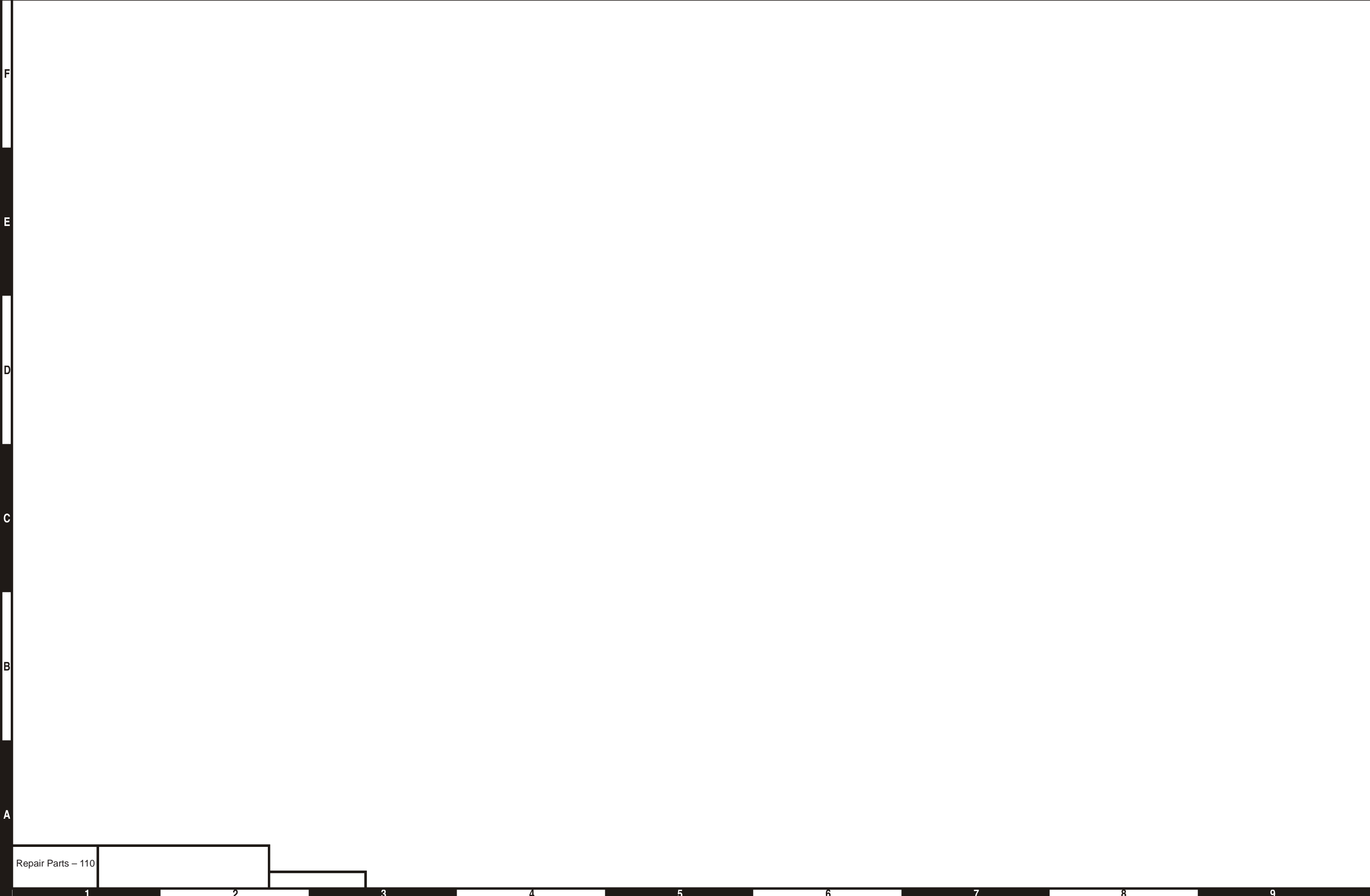
CE ONLY

32 INSIDE ABOVE GREASE FITTING

152 INSIDE ABOVE BATTERY DISCONNECT SWITCH

F
E
D
C
B
A

1 2 3 4 5 6 7 8 9



F

E

D

C

B

A

Repair Parts – 110

1

2

3

4

5

6

7

8

9

Placards and Decals – TB47J

Item	Part No.	Qty.	Description
1	0083727	1	DECAL SNORKEL BRAND LOGO 8.00
2	0323896	5	DECAL DNGR ELEC HAZARD
	0162336E	5	DECAL DNGR ELEC HAZARD - CE ONLY
	01623366	5	DECAL DNGR ELEC HAZARD - CE ONLY
	0162336F	5	DECAL DNGR ELEC HAZARD - FRENCH ONLY
	01623366	5	DECAL DNGR ELEC HAZARD - FRENCH ONLY
	0162336P	5	DECAL DNGR ELEC HAZARD - SPANISH ONLY
	01623366	5	DECAL DNGR ELEC HAZARD - SPANISH ONLY
	0162336W	5	DECAL DNGR ELEC HAZARD - SWEDISH ONLY
	01623366	5	DECAL DNGR ELEC HAZARD - SWEDISH ONLY
	0162336D	5	DECAL DNGR ELEC HAZARD - DUTCH ONLY
	01623366	5	DECAL DNGR ELEC HAZARD - DUTCH ONLY
	0162336G	5	DECAL DNGR ELEC HAZARD - GERMAN ONLY
	01623366	5	DECAL DNGR ELEC HAZARD - GERMAN ONLY
3	0070420	1	DECAL EMER BLEED DOWN VALVE
4	0074908	2	DECAL SNORKEL BRAND LOGO 5.00
5	0323897	1	DECAL DNGR YOU MUST NOT OPR
6	0074209	1	DECAL PRE-START INSTR
	0162329E	1	DECAL PRE-START INSTR - CE ONLY
	0162328E	1	DECAL PRE-START INSTR - CE ONLY
	0162329F	1	DECAL PRE-START INSTR - FRENCH ONLY
	0162328F	1	DECAL PRE-START INSTR - FRENCH ONLY
	0162329P	1	DECAL PRE-START INSTR - SPANISH ONLY
	0162328P	1	DECAL PRE-START INSTR - SPANISH ONLY
	0162329W	1	DECAL PRE-START INSTR - SWEDISH ONLY
	0162328W	1	DECAL PRE-START INSTR - SWEDISH ONLY
	0162329D	1	DECAL PRE-START INSTR - DUTCH ONLY
	0162328D	1	DECAL PRE-START INSTR - DUTCH ONLY
	0162329G	1	DECAL PRE-START INSTR - GERMAN ONLY
	0162328G	1	DECAL PRE-START INSTR - GERMAN ONLY
7			PLACARD, PLATFORM CAPACITY – CONSULT FACTORY
8	0323899	1	DECAL DNGR ELEC HAZARD
	01623366	1	DECAL DNGR ELEC HAZARD - CE ONLY
	0162336E	1	DECAL DNGR ELEC HAZARD - CE ONLY
	01623366	1	DECAL DNGR ELEC HAZARD - FRENCH ONLY
	0162336F	1	DECAL DNGR ELEC HAZARD - FRENCH ONLY
	01623366	1	DECAL DNGR ELEC HAZARD - SPANISH ONLY
	0162336P	1	DECAL DNGR ELEC HAZARD - SPANISH ONLY
	01623366	1	DECAL DNGR ELEC HAZARD - SWEDISH ONLY
	0162336W	1	DECAL DNGR ELEC HAZARD - SWEDISH ONLY
	01623366	1	DECAL DNGR ELEC HAZARD - DUTCH ONLY
	0162336D	1	DECAL DNGR ELEC HAZARD - DUTCH ONLY
	01623366	1	DECAL DNGR ELEC HAZARD - GERMAN ONLY
	0162336G	1	DECAL DNGR ELEC HAZARD - GERMAN ONLY
9	0070540	3	DECAL YELLOW ARROW
10	0070541	3	DECAL BLUE ARROW
11	0070901	1	PLAC CAUTN SERIAL NUMBER
12	5560655	12	POP RIVET
13	0071425	1	PLAC PLATF IDENTIFICATION
14	0071927	1	DECAL HYDRAULIC OIL
16	562386	1	COMPARTMENT LITERATURE 8.5X11
17	0073491	1	DECAL SAFE OPERATION INFO
18	0181562	1	DECAL MACH COMPLIES WITH ANSI
19	0073224	1	DECAL NOTICE MANUAL RE-ORDER
20	0072277	2	DECAL LUG NUT TRQ 200-225FT LB
21	5560080	8	BUMPER ADHESIVE BACK
22	0080650	4	DECAL LIFT
23	0072531	1	DECAL DNGR ELEC HAZARD
			<i>CONTINUED ON NEXT PAGE...</i>

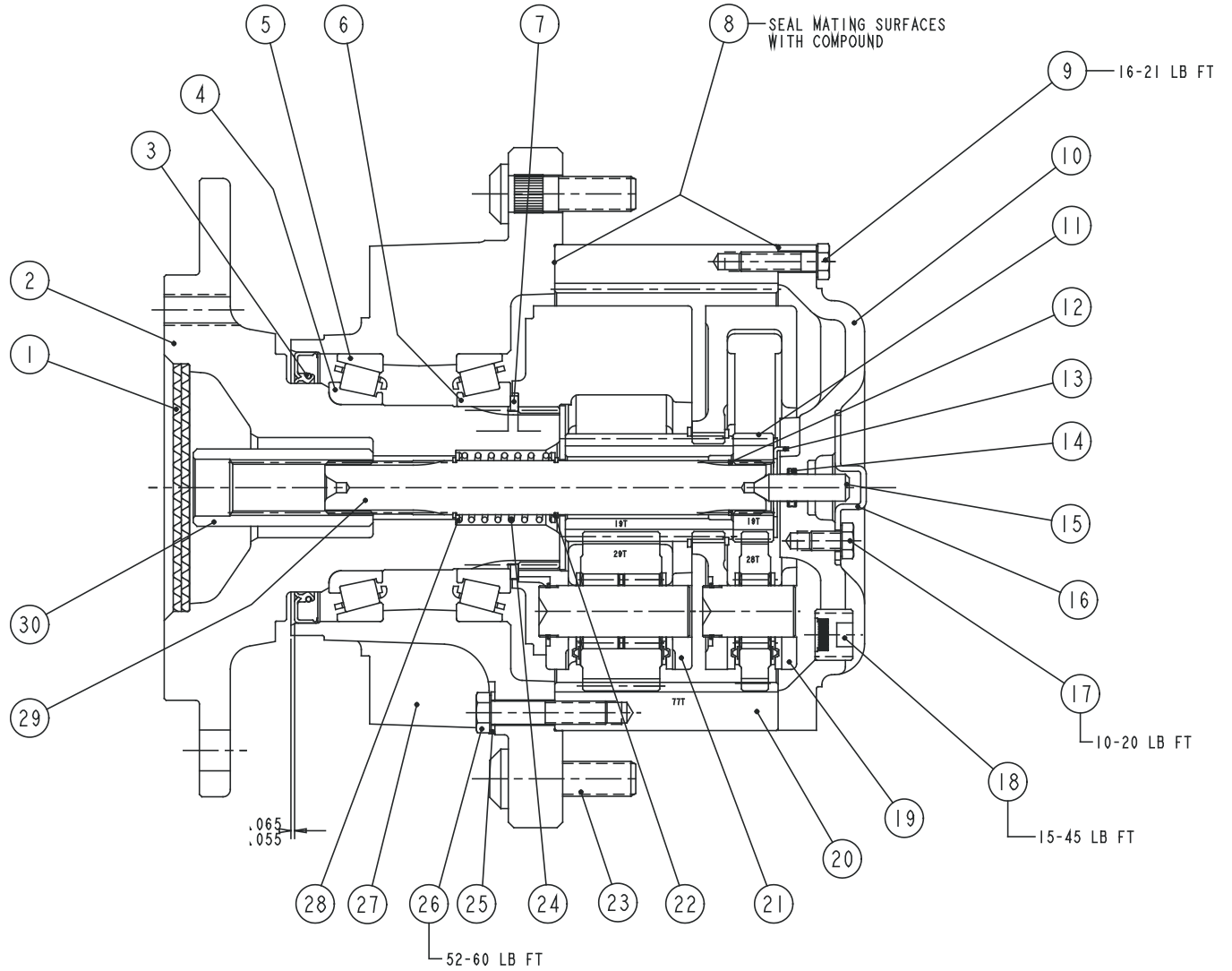
Placards and Decals – TB47J

Item	Part No.	Qty.	Description
24	7030003	1	DECAL LUBE RECOMMENDATIONS
25	0070921	1	DECAL 125 VOLTS 15 AMPS
26	0073043	1	DECAL MANUAL HOLDER
27	0073139	1	TAG CRANKCASE OIL TAG
28	0074311	5	DECAL DNGR CYLINDER FAILURE – ONE PER CYLINDER
29	9980013	2	CAP 5" DIA.,WHITE
30	0190989	1	DECAL DNGR DO NOT REACH
	0190989E	1	DECAL DNGR DO NOT REACH - CE ONLY
32	0073492	1	DECAL ROTATE WHILE GREASING
	0073492F	1	DECAL ROTATE WHILE GREASING - FRENCH ONLY
	0073492P	1	DECAL ROTATE WHILE GREASING - SPANISH ONLY
	0073492W	1	DECAL ROTATE WHILE GREASING - SWEDISH ONLY
	0073492D	1	DECAL ROTATE WHILE GREASING - DUTCH ONLY
	0073492G	1	DECAL ROTATE WHILE GREASING - GERMAN ONLY
33	0073585	2	DECAL MADE IN THE USA
34	0074372	1	PLACARD ENGINE RPM
	0074372F	1	PLACARD ENGINE RPM - FRENCH ONLY
	0074372P	1	PLACARD ENGINE RPM - SPANISH ONLY
	0074372W	1	PLACARD ENGINE RPM - SWEDISH ONLY
	0074372D	1	PLACARD ENGINE RPM - DUTCH ONLY
	0074372G	1	PLACARD ENGINE RPM - GERMAN ONLY
35	0073667	2	DECAL INSPECT WIRE ROPES
36	0074210	1	DECAL DNGR ELEC/TIPPING HAZARD
37	5560004	2	NUT .250-20 ESNA
39	569295	2	DECAL SNORKEL BRAND LOGO 3.00
40	970009	2	BOLT .25-20 X .5 HH GR5
41	0072276	2	DECAL LUG NUT TRQ 450-500FT LB
42	0162311	1	DECAL, CE LOGO - CE ONLY
43	0074669	1	DECAL LIFT/TIE DN LCTN TB42-50
44	0083426	4	DECAL TIE DOWN SYMBOL
45	7030001	25 IN	WARNING STRIPE - CE ONLY
46	0172326	2	DECAL TB47J LOGO
47	0172327	1	DECAL 47J LOGO
48	0151410	3	DECAL DNGR ROTATING PARTS
	0151410E		DECAL DNGR ROTATING PARTS - CE ONLY
	0151410F		DECAL DNGR ROTATING PARTS - FRENCH ONLY
	0151410P		DECAL DNGR ROTATING PARTS -SPANISH ONLY
	0151410W		DECAL DNGR ROTATING PARTS - SWEDISH ONLY
	0151410D		DECAL DNGR ROTATING PARTS - DUTCH ONLY
	0151410G		DECAL DNGR ROTATING PARTS - GERMAN ONLY
49	0075235	2	DECAL SIDE LOAD 150 LB - US ONLY
50		2	DECAL PLATFORM CAPACITY - US ONLY CONSULT FACTORY
51	0172451	1	DECAL ATTACH MAX TWO LANYARDS
101	0075242E	4	DECAL WHEEL LOADING TB47J - CE ONLY
102	0182077E	1	DECAL NOISE LEVEL - CE ONLY
150	0071925	1	DECAL GASOLINE FUEL - GAS ENGINES ONLY
152	0074316	1	DECAL CAUTN GOVERNOR DAMAGE - GAS ENGINES ONLY
201	0071926	1	DECAL DIESEL FUEL - DIESEL ENGINES ONLY
202	9980021	3	PLUG, HOLE 3.50 DIA PLASTIC - CUMMINS ENGINES ONLY
250	9980021	2	PLUG, HOLE 3.50 DIA PLASTIC - GM ENGINES ONLY
301	0071926	1	DECAL DIESEL FUEL - DIESEL ENGINES ONLY
302	9980021	2	PLUG, HOLE 3.50 DIA PLASTIC - DEUTZ ENGINES ONLY
303	9980251	1	PLUG, HOLE 5.00 DIA PLASTIC - DEUTZ ENGINES ONLY
350	0074913	2	DECAL 4X4 LOGO - 4X4 ONLY
351	0072277	2	DECAL LUG NUT TRQ 200-225FT LB - 4X4 ONLY
401	0081377	1	DECAL LPS LOGO - LP FUEL ONLY OPTION
402	0071793	1	DECAL HYDRAULIC WARMUP INSTRUCTIONS - HYD WARMUP OPTION ONLY
403	0181634	1	DECAL ENGINE BLOCK HEATER - OPTION
			CONTINUED ON NEXT PAGE...

Placards and Decals – TB47J

Item	Part No.	Qty.	Description
404	0073298 0073298F 0073298P 0073298W 0073298D 0073298G	2	PLACARD DANGER FOAM FILLED TIRES - OPTION PLACARD DANGER FOAM FILLED TIRES - FRENCH ONLY OPTION PLACARD DANGER FOAM FILLED TIRES - SPANISH ONLY OPTION PLACARD DANGER FOAM FILLED TIRES - SWEDISH ONLY OPTION PLACARD DANGER FOAM FILLED TIRES - DUTCH ONLY OPTION PLACARD DANGER FOAM FILLED TIRES -GERMAN ONLY OPTION
405	0081441	1	DECAL CAUTION LIQUID WITHDRAWAL - LPG ENGINES ONLY

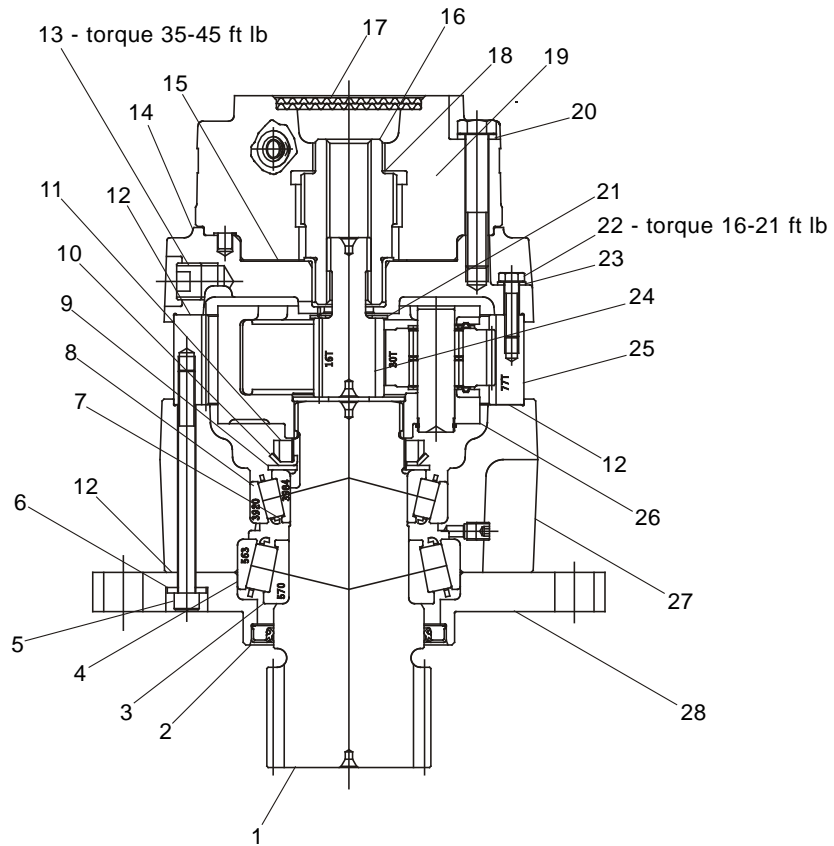
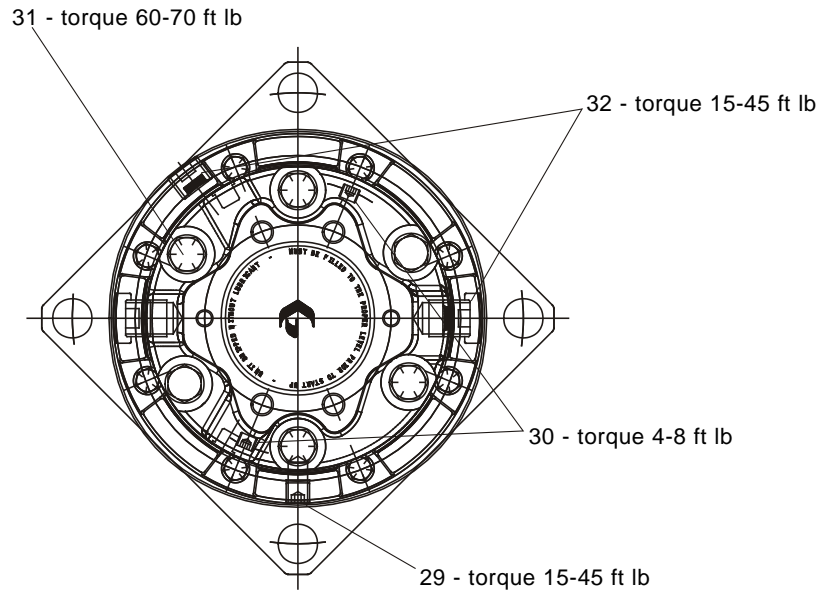
Gear Hub – Auburn Gear



Gear Hub – Auburn Gear

Item	Part No.	Qty.	Description
	0070012	1	GEAR HUB, AUBURN GEAR
1	6091162	1	SHIPPING PLUG
2	0074689	1	SPINDLE
3	8010026	1	OIL SEAL
4	8010023	1	BEARING CONE
5	8010024	2	BEARING CUP
6	8010022	1	BEARING CONE
7	8010098	1	RETAINING RING
8	6091151	1	SEALING COMPOUND, 2 PLACES
9	6091147	8	HEX HEAD BOLT
10	8010137	1	COVER
11	8010130	1	PRIMARY SUN GEAR
12	8010076	1	RETAINING RING
13	8010075	1	THRUST WASHER
14	8010149	1	O-RING
15	8010143	1	PLUNGER
16	8010080	1	DISENGAGE COVER
17	8010168	2	CAPSCREW HEX HEAD
18	8010028	1	MAGNETIC PLUG
19	8010133	1	PRIMARY CARRIER
20	8010126	1	RING GEAR
21	8010134	1	SECONDARY CARRIER
22	8010148	2	RETAINING RING
23	5560721	9	WHEEL BOLT
24	8010014	1	DISENGAGE SPRING
25	8010105	12	FLAT WASHER
26	8010070	12	HEX HEAD BOLT
27	8010132	1	HUB
28	8010043	2	THRUST WASHER
29	8010171	1	INPUT SHAFT
30	8010013	1	COUPLING

Swing Drive – Auburn Gear

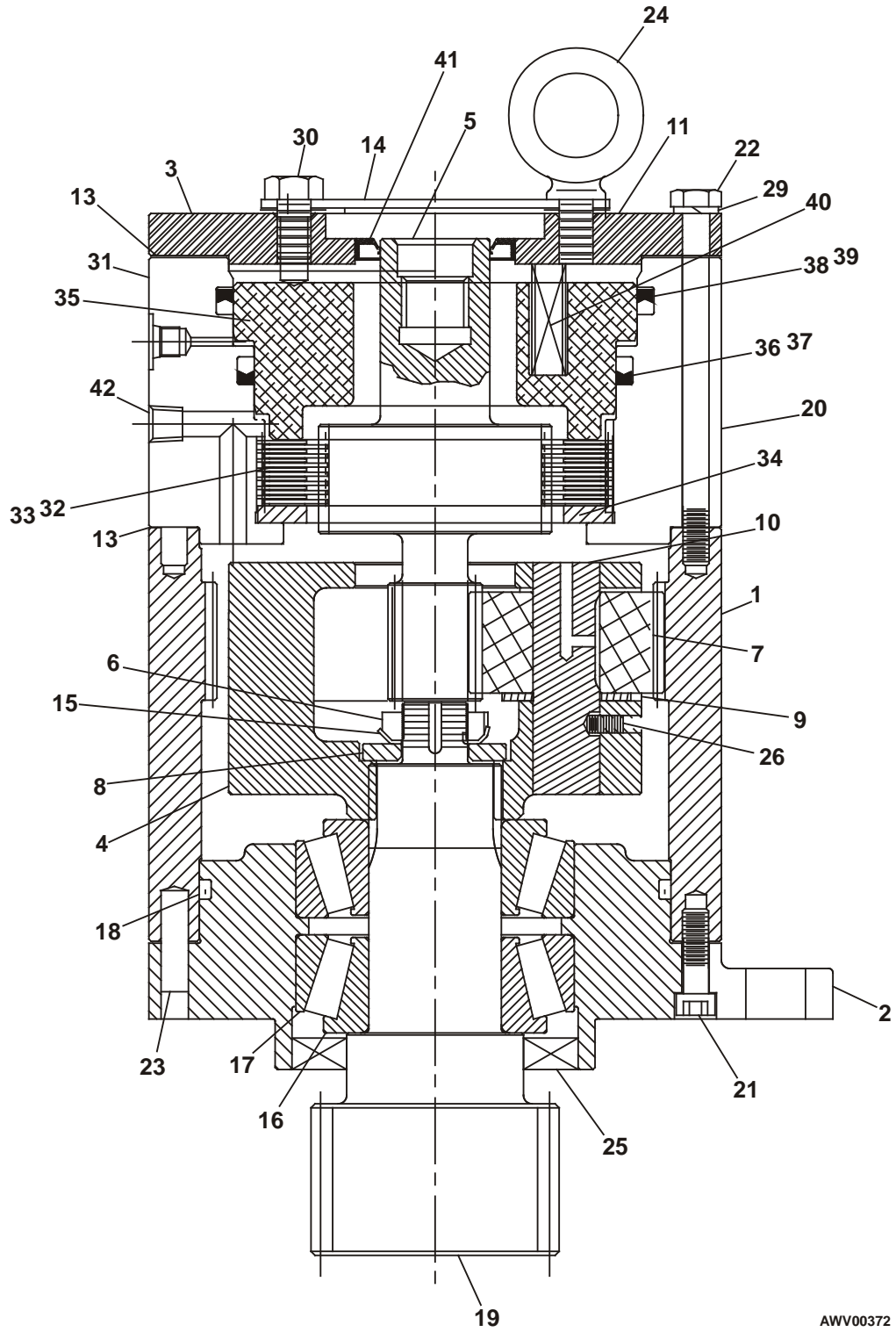


AMV00200

Swing Drive – Auburn Gear

Item	Part No.	Qty.	Description
	0070047	1	Swing drive, Auburn Gear
1	8010232	1	Output shaft
2	8010026	1	Oil seal
3	8010227	1	Bearing cone
4	8010226	1	Bearing cup
5	8010235	12	Capscrew, socket head
6	8010221	12	Washer, flat
7	8010225	1	Bearing cone
8	8010224	1	Bearing cup
9	8010236	1	Thrust washer
10	8010222	1	Washer, lock
11	8010229	1	Nut, lock
12	8010261	3	Sealing compound
13	8010262	1	Pipe plug
14	8010219	1	Cover
15	8010263	1	Gasket
16	8010238	1	Adapter, spline
17	8010264	1	Shipping plug
18	8010223	1	Bearing, flange sleeve
19	8010265	1	Brake
	8010247	1	Seal repair kit - Q series
20	8010266	4	Washer, flat
21	8010217	1	Thrust washer
22	8010267	8	Bolt, hex head
23	8010220	8	Washer, flat
24	8010231	1	Gear, sun
25	8010230	1	Gear, ring
26	8010237	1	Carrier
27	8010233	1	Hub
28	8010218	1	Hub flange
29	8010268	1	Pipe plug
30	8010269	2	Pipe plug
31	8010270	4	Bolt, hex head
32	8010271	2	Pipe plug
			Not Shown
	8010319		Friction disc kit (includes springs) - Q Series
	8010320		O-ring/gasket kit - Q Series

Swing Drive – Perfection



AWV00372

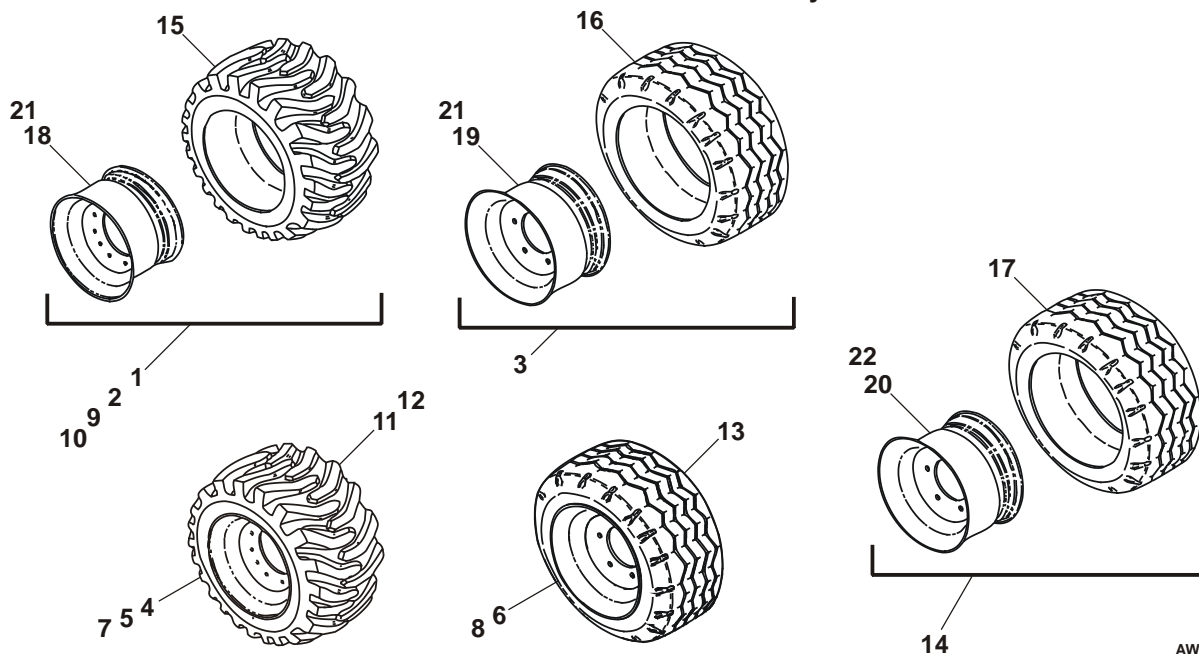
Swing Drive – Perfection

Item	Part No.	Qty.	Description
	0070047	1	Swing drive, Perfection
	0074837	1	Seal and shim repair kit #1 - (kit includes items 11, 18, 25 and 41)
	0074838	1	Brake repair kit - (kit includes items 32, 33 and 40)
	0074839	1	Seal and shim repair kit #2 - (kit includes items 11, 36, 37, 38 and 39)
1	0074800	1	Housing
2	0074801	1	Mounting flange
3	0074802	1	Motor adapter
4	0074803	1	Planetary carrier
5	0074804	1	Input pinion
6	0074805	1	Lock nut
7	0074806	3	Spur gear
8	0074807	1	Washer
9	0074808	3	Washer idler
10	0074809	3	Idler pin
11	Kit item	1	Hydraulic motor gasket - (not sold separately)
12	0172054	1	Reducer bushing
13	0074836	2	Brake gasket
14	0074811	1	Hydraulic motor cover
15	0074812	1	Lock washer
16	0074813	2	Bearing cup
17	0074814	2	Bearing cone
18	Kit item	1	O-ring - (not sold separately)
19	0074816	1	Output shaft
20	0172053	1	Pressure vent plug
21	0071817	8	Bolt 3/8-16 x 1-1/4
22	0074818	6	Bolt 3/8-16 x 5-1/4
23	0074819	3	Dowel pin
24	0074820	1	Eyebolt
25	Kit item	1	Oil seal - (not sold separately)
26	0074822	3	Screw
27	0074823	1	Bushing
28	0074824	2	Nut, hex 1/2-13
29	0074825	6	Lock washer
30	0074826	2	Bolt
31	0074827	1	Housing brake
32	Kit item	7	Pressure disc (thin) - (not sold separately)
33	Kit item	7	Friction disc
34	0074830	1	Pressure disc (thick)
35	0074831	1	Piston
36	Kit item	1	O-ring - (not sold separately)
37	Kit item	1	O-ring plate - (not sold separately)
38	Kit item	1	O-ring - (not sold separately)
39	Kit item	1	O-ring plate - (not sold separately)
40	Kit item	24	Spring - (not sold separately)
41	Kit item	1	Oil seal - (not sold separately)
42	0172050	5	Pipe plug

Tires and Wheels

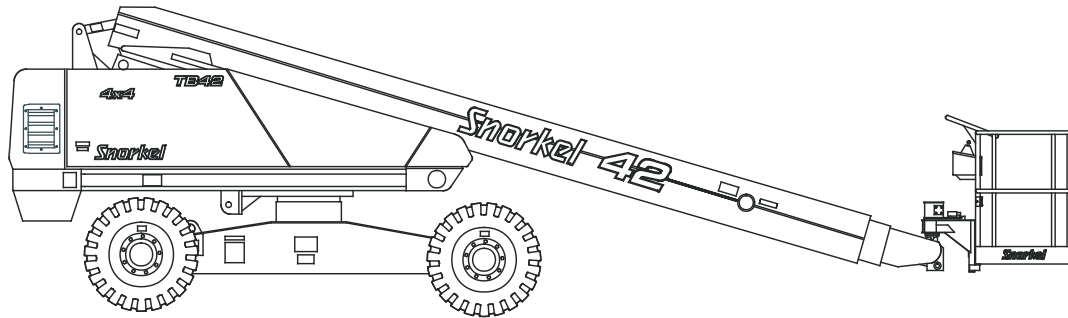
Item	Part No.	Qty.	Description
1	0074161	1	STANDARD ON 4X2, 12-16.5 AIR FILLED TIRES AND WHEELS
2	0074171	1	TIRE AND WHEEL, RIGHT HAND DRIVE - (INCLUDES ITEMS 15, 18 AND 21)
3	0074163	2	TIRE AND WHEEL, LEFT HAND DRIVE - (INCLUDES ITEMS 15, 18 AND 21)
			TIRE AND WHEEL, STEER - (INCLUDES ITEMS 16, 19 AND 21)
4	0090340	1	OPTIONAL ON 4X2, 12-16.5 FOAM FILLED TIRES AND WHEELS
5	0090341	1	TIRE AND WHEEL, FOAM FILLED RIGHT HAND DRIVE
6	0090339	2	TIRE AND WHEEL, FOAM FILLED LEFT HAND DRIVE
			TIRE AND WHEEL, FOAM FILLED STEER
7	0074144	2	OPTIONAL ON 4X2, 12-16.5 ROAD TIRES AND WHEELS
8	0090339	2	TIRE AND WHEEL, FOAM FILLED DRIVE
			TIRE AND WHEEL, FOAM FILLED STEER
9	0074161	2	STANDARD ON 4X4, 12-16.5 AIR FILLED TIRES AND WHEELS
10	0074171	2	TIRE AND WHEEL, RIGHT HAND DRIVE - (INCLUDES ITEMS 15, 18 AND 21)
			TIRE AND WHEEL, LEFT HAND DRIVE - (INCLUDES ITEMS 15, 18 AND 21)
11	0090340	2	OPTIONAL ON 4X4, 12-16.5 FOAM FILLED TIRES AND WHEELS
12	0090341	2	TIRE AND WHEEL, FOAM FILLED RIGHT HAND DRIVE
			TIRE AND WHEEL, FOAM FILLED LEFT HAND DRIVE
13	0074144	4	OPTIONAL ON 4X4, 12-16.5 ROAD TIRES AND WHEELS
			TIRE AND WHEEL, FOAM FILLED DRIVE
14	0074570	4	OPTIONAL ON 4X2 AND 4X4, AIR FILLED SAND/FLOTATION TIRES AND WHEELS
			TIRE AND WHEEL, SAND/FLOTATION - (INCLUDES ITEMS 17, 20 AND 22)
15	7280027	1	TIRE, 12-16.5 10 PLY BAR LUG
16	7280007	1	TIRE, 12-16.5 10 PLY FRONT
17	7280074	1	TIRE, 33/16LL-16.1 10 PLY SURF SAVER
18	0070489	1	DRIVE WHEEL
19	0070490	1	FRONT WHEEL-NON DRIVE
20	0074571	1	WHEEL, 16.1 X 14
21	7280005	1	RIM VALVE
22	7280054	1	RIM VALVE

Note: Do not mix tire sizes or brands on any one machine.



AWM00222

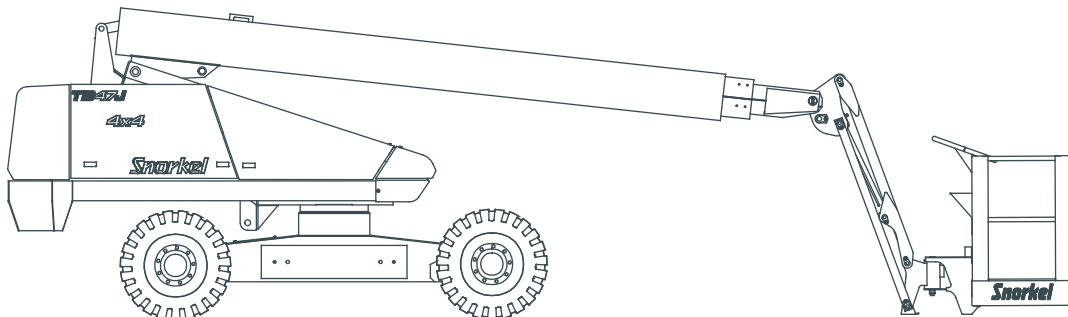
Hydraulics



TB42

TB50

Manufactured 02-05 and after
With Simplified Hydraulics



TB47J

With Simplified Hydraulics

Snorkel
INTERNATIONAL

F

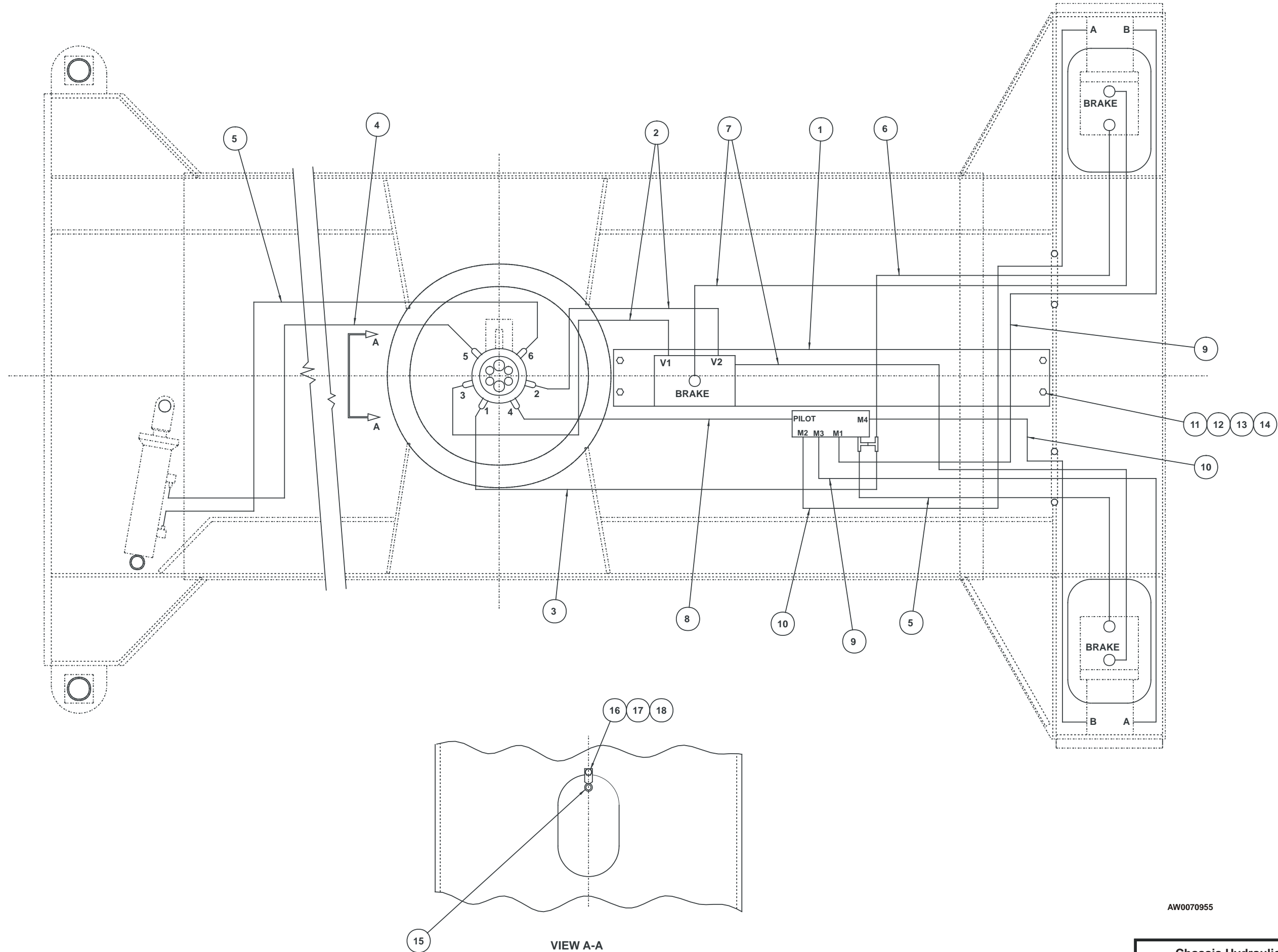
E

D

C

B

A



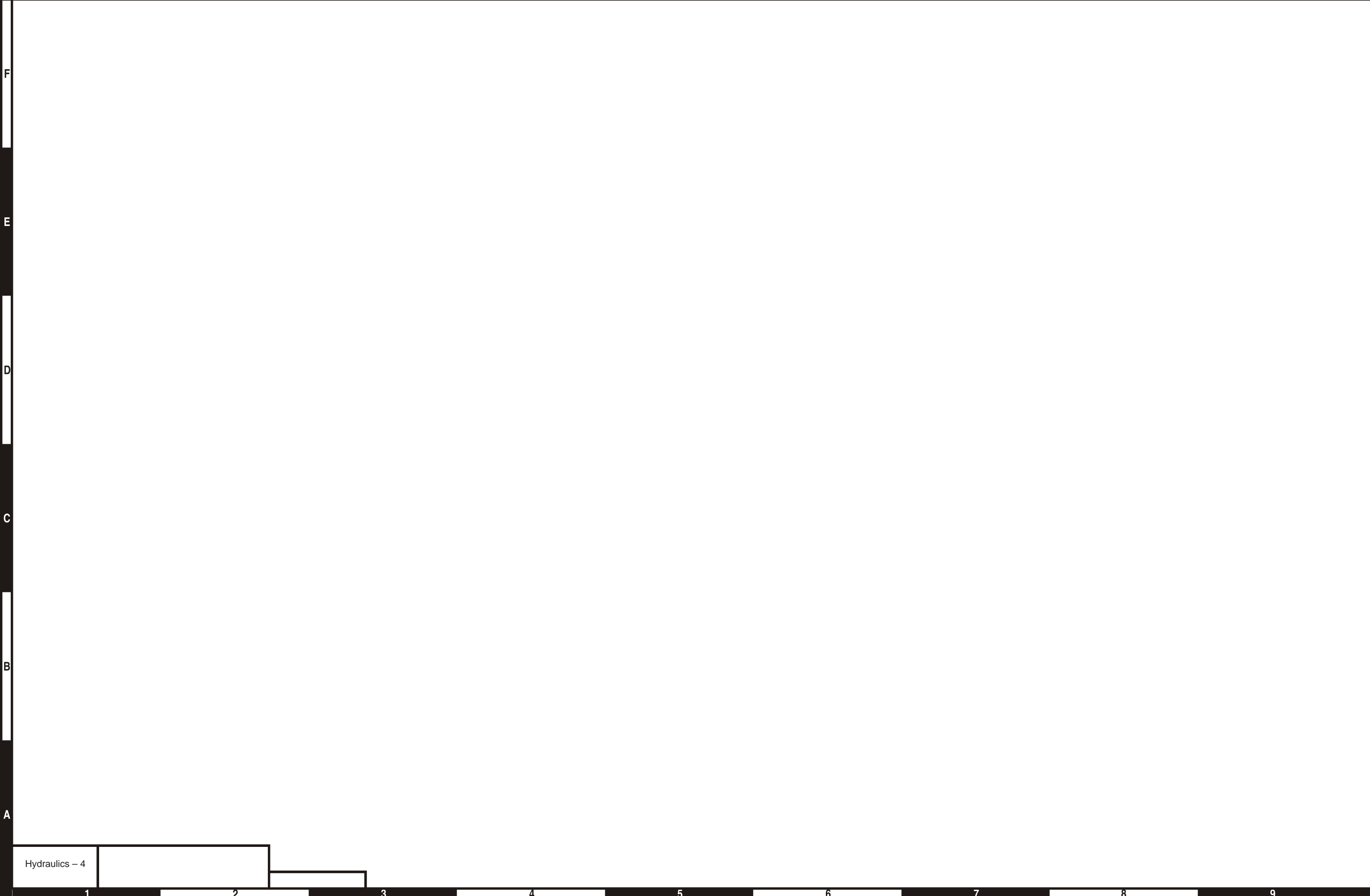
AW0070955

AW0070955

**Chassis Hydraulics
2 Wheel Drive**

Hydraulics – 3

1 2 3 4 5 6 7 8 9



F

E

D

C

B

A

Hydraulics - 4

1

2

3

4

5

6

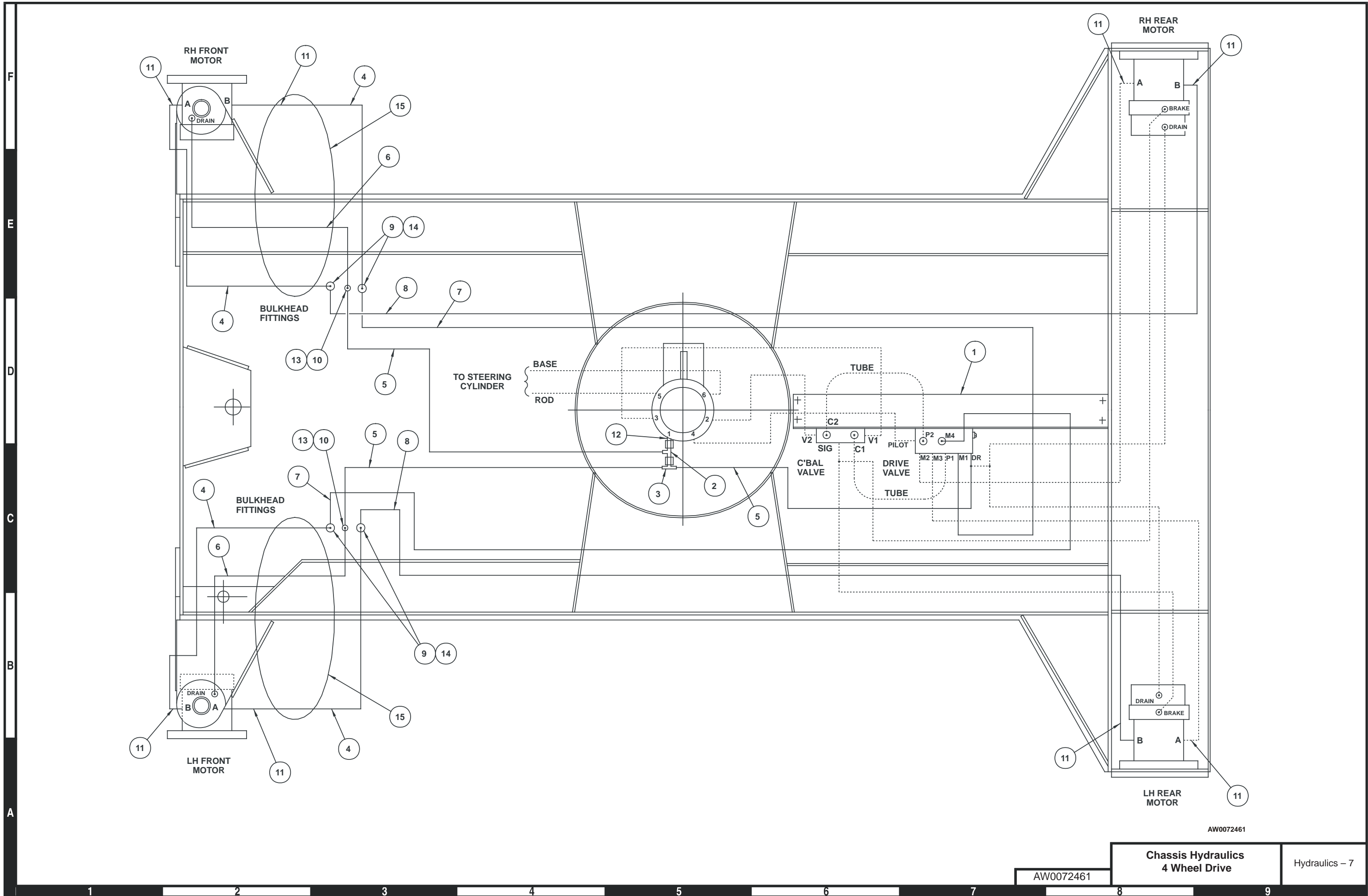
7

8

9

Chassis Hydraulics, 2 Wheel Drive

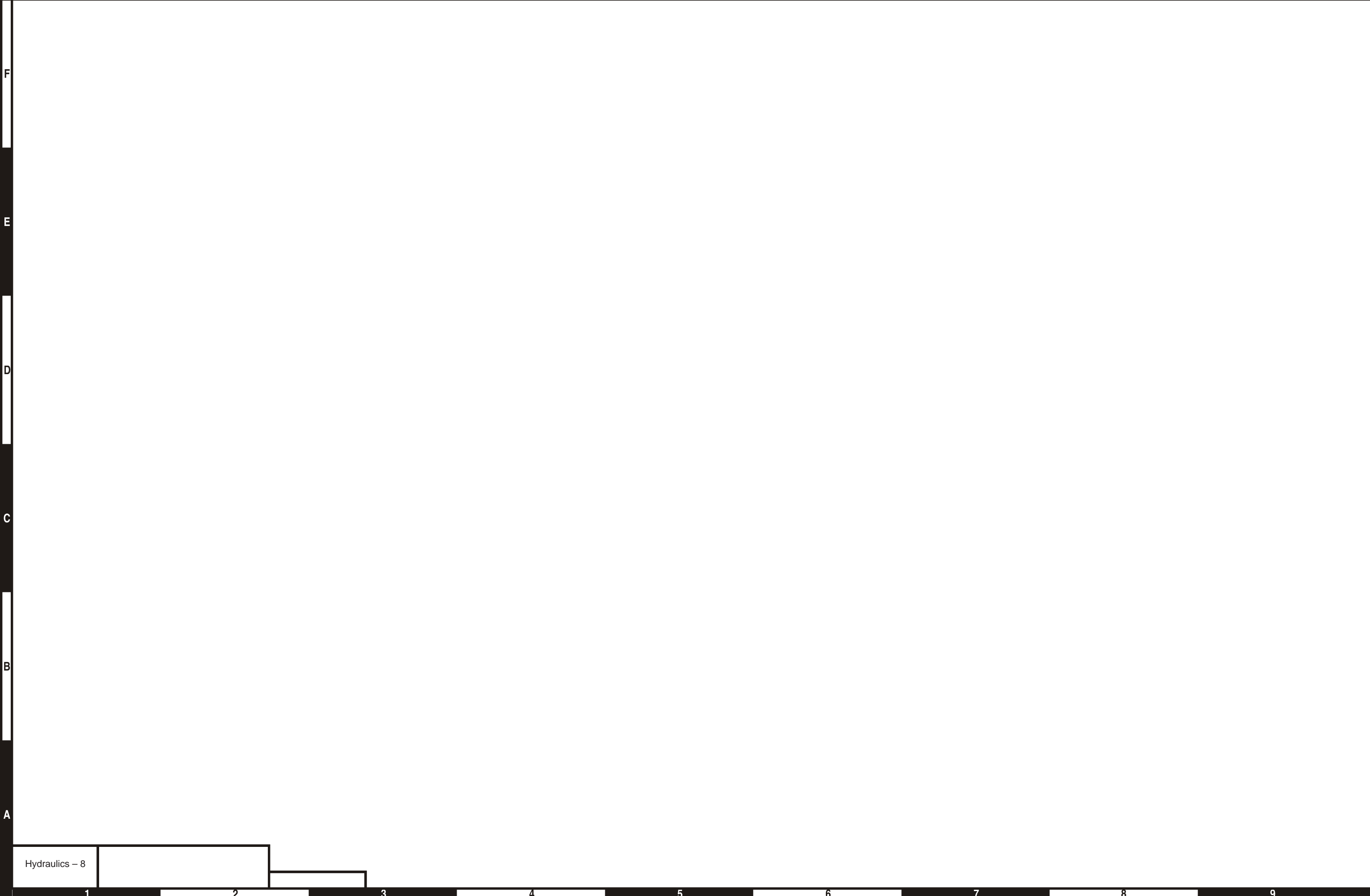
Item	Part No.	Qty.	Description
1	0072994	1	DRIVE/MOTION CONTROL VALVE - (SEE PAGE 63 FOR PARTS BREAKDOWN)
2	0400508	2	1/2 INCH HYDRAULIC HOSE
3	0070953	1	3/8 INCH HYDRAULIC HOSE
4	0070782	1	1/4 INCH HYDRAULIC HOSE
5	0070781	2	1/4 INCH HYDRAULIC HOSE
6	0070780	1	1/4 INCH HYDRAULIC HOSE
7	0070772	2	1/4 INCH HYDRAULIC HOSE
8	0050137	1	1/4 INCH HYDRAULIC HOSE
9	0040278	2	1/2 INCH HYDRAULIC HOSE
10	0400485	2	1/2 INCH HYDRAULIC HOSE
11	970479	4	CAPSCREW 3/8-16 X 1-1/4 INCH LONG HEX HEAD GRADE 5
12	987119	4	WASHER 3/8 MEDIUM LOCK
13	986299	4	WASHER 3/8 MEDIUM FLAT
14	984109	4	NUT 3/8-16 HEX
15	5093027	1	CLAMP
16	970049	1	CAPSCREW 1/4-20 X 1 INCH LONG HEX HEAD GRADE 5
17	986019	1	WASHER 1/4 MEDIUM FLAT
18	5560004	1	NUT 1/4-20 SELF LOCKING



AW0072461

**Chassis Hydraulics
4 Wheel Drive**

AW0072461



F

E

D

C

B

A

1

2

3

4

5

6

7

8

9

Hydraulics - 8

Chassis Hydraulics, 4 Wheel Drive

Item	Part No.	Qty.	Description
1	0072994	1	DRIVE/MOTION CONTROL VALVE - (SEE PAGE 63 FOR PARTS BREAKDOWN)
2	5036705	1	SWIVEL NUT RUN TEE
3	5036805	4	SWIVEL NUT BRANCH TEE
4	0072569	3	1/2 INCH HYDRAULIC HOSE
5	0070781	2	1/4 INCH HYDRAULIC HOSE
6	0072570	2	1/4 INCH HYDRAULIC HOSE
7	0070793	2	1/2 INCH HYDRAULIC HOSE
8	0100276	2	1/2 INCH HYDRAULIC HOSE
9	5034504	4	BULKHEAD STRAIGHT THREAD 90° ELBOW
10	5034502	2	BULKHEAD STRAIGHT THREAD 90° ELBOW
11	5080019	8	FILTER, LAST CHANCE
12	5035305	1	STRAIGHT THREAD 90° ELBOW
13	5074403	2	BULKHEAD LOCKNUT
14	5074405	4	BULKHEAD LOCKNUT
15	5550030	2	CLAMP
16	5035315	1	STRAIGHT THREAD 90° ELBOW
17	0070953	1	3/8 INCH HYDRAULIC HOSE
18	0040278	1	1/2 INCH HYDRAULIC HOSE
19	0400485	1	1/2 INCH HYDRAULIC HOSE

F

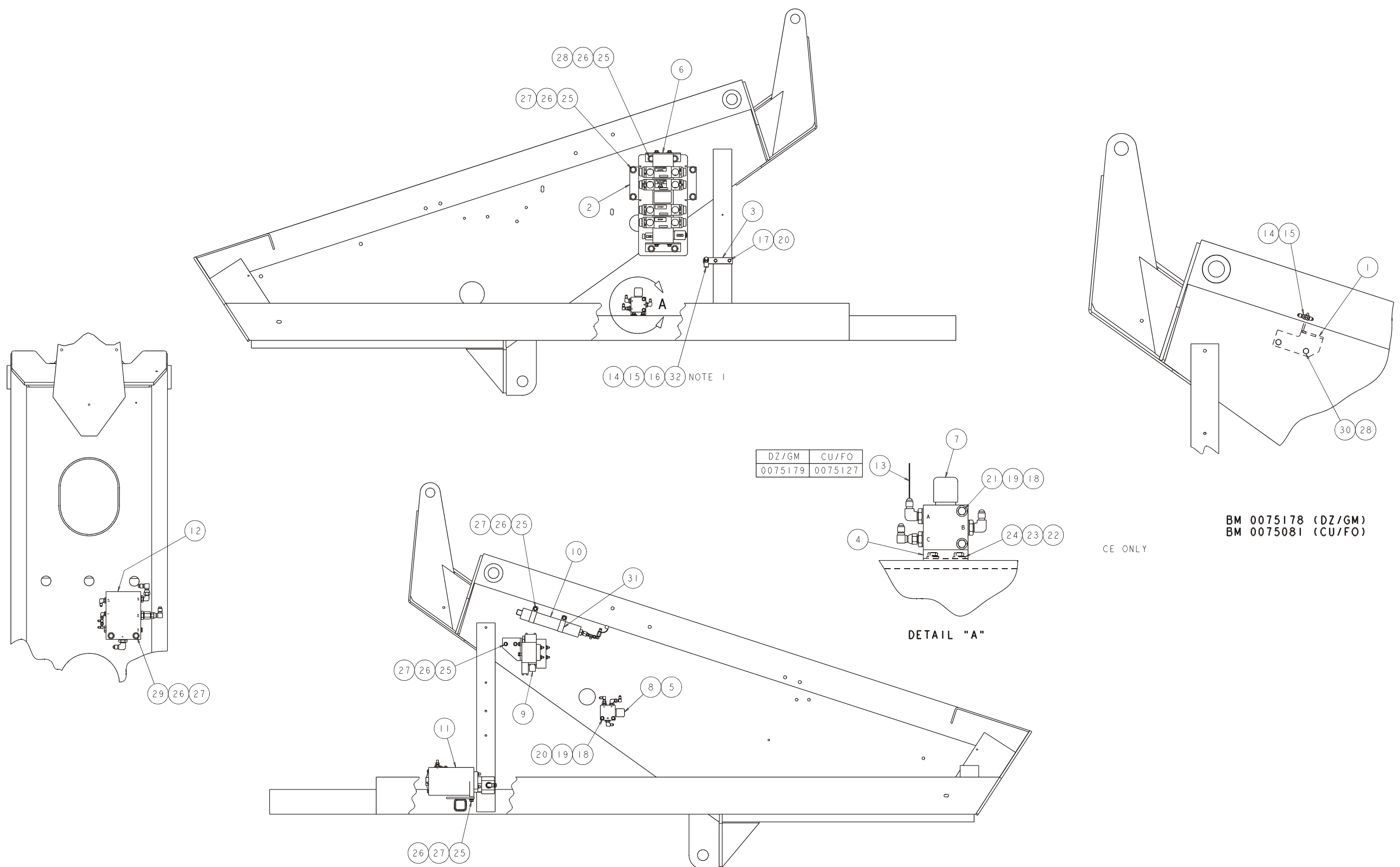
E

D

C

B

A



A07110C

Turntable Hydraulics

Hydraulics - 11

1

2

3

4

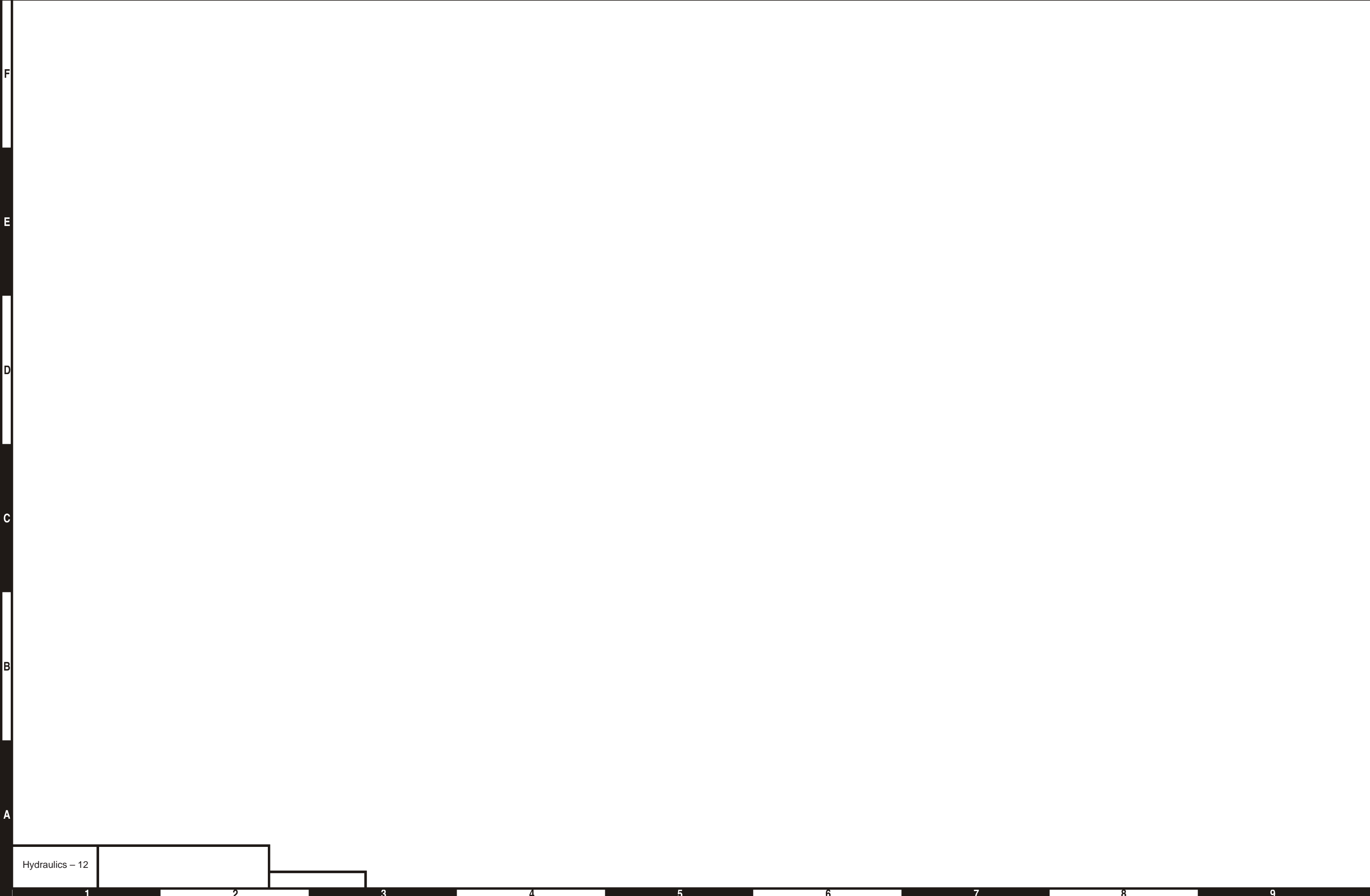
5

6

7

8

9



F

E

D

C

B

A

Hydraulics – 12

1

2

3

4

5

6

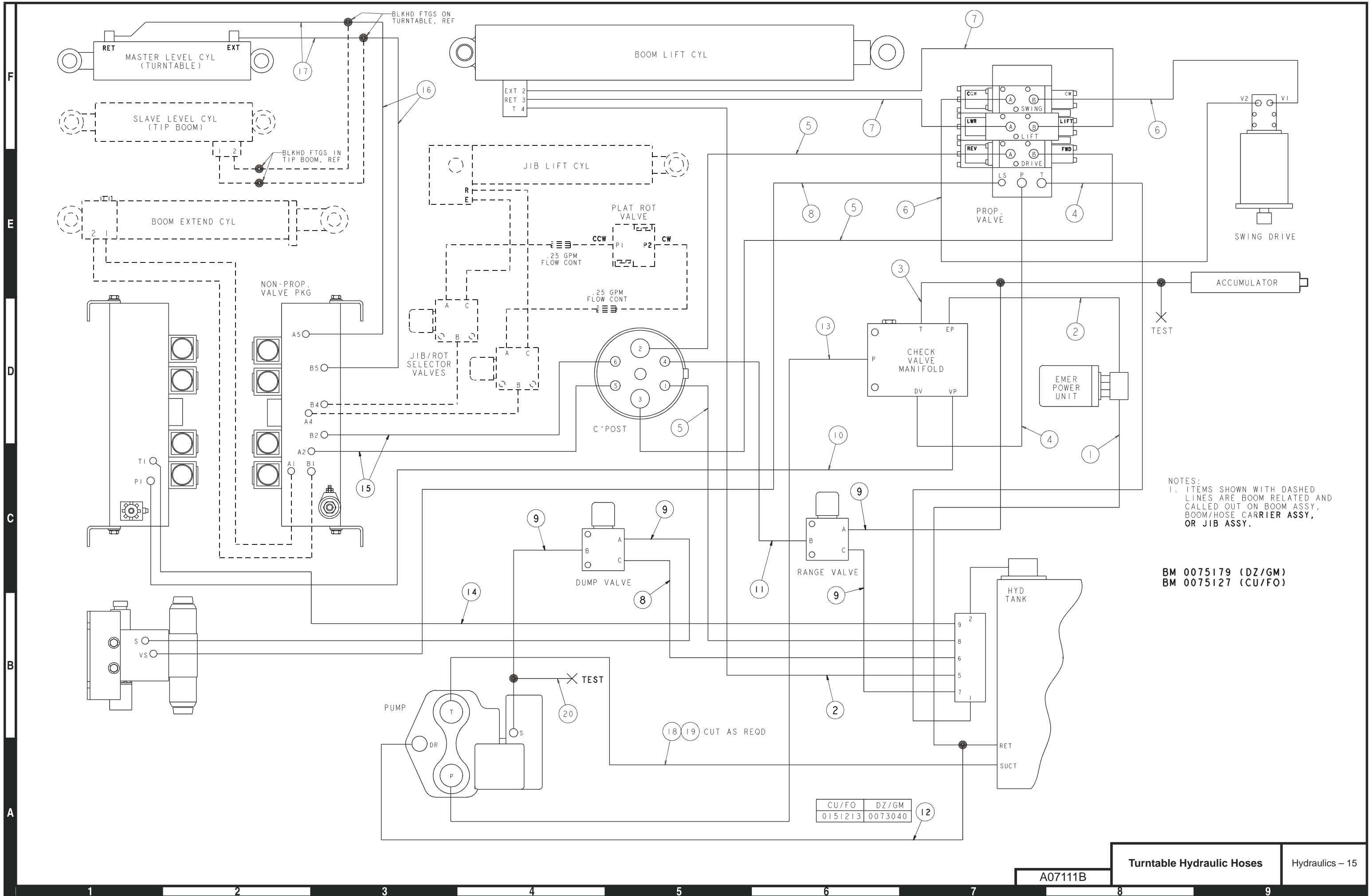
7

8

9

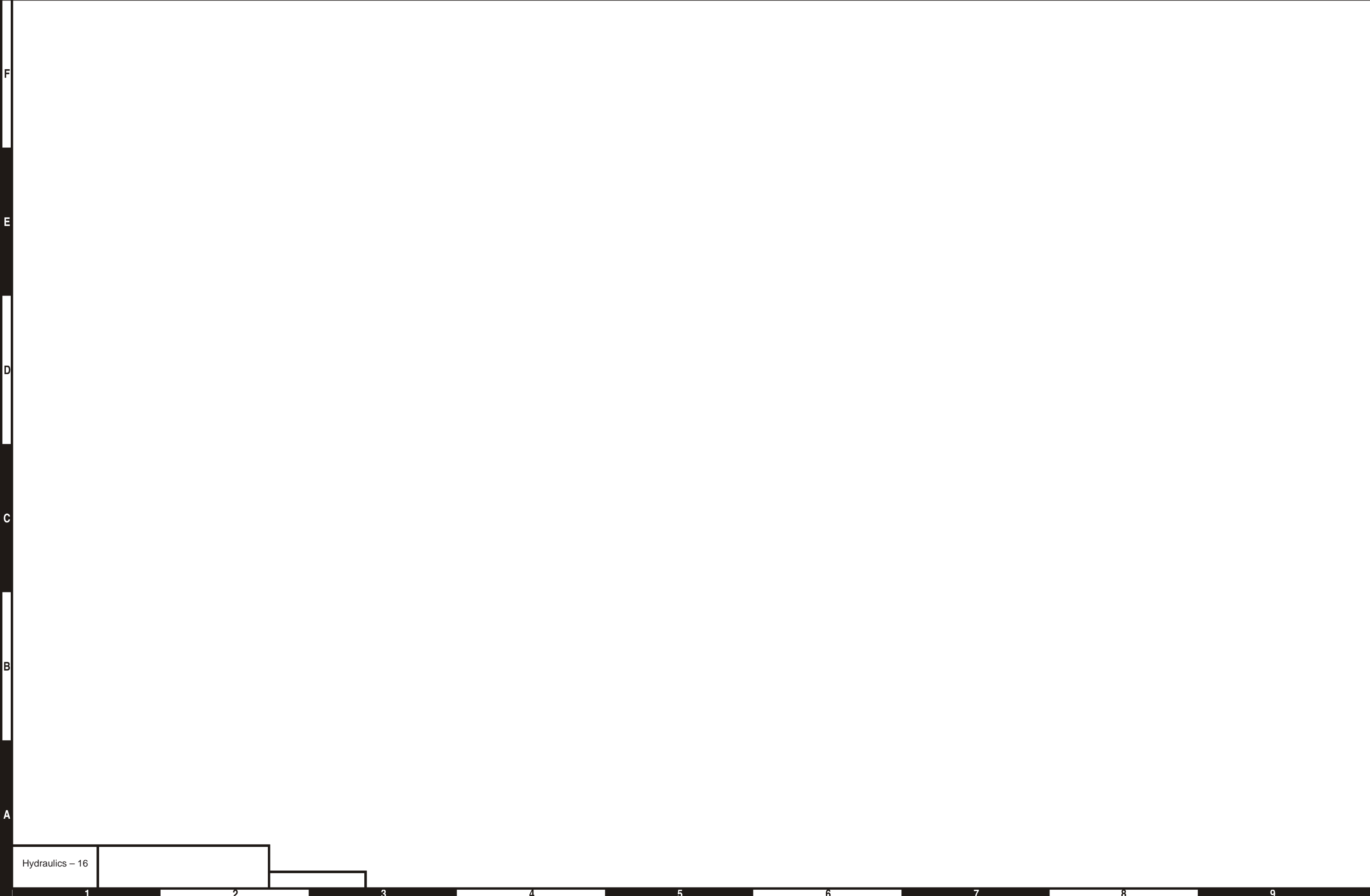
Turntable Hydraulics

Item	Part No.	Qty.	Description
1	0075116	1	BRKT, BLKHD FTGS
2	0075117	1	BRKT, PROP. VALVE MNTG
3	0110717	1	BAR-TEST PORT-ADD PLATING NOTE
4	0071805	1	BRKT SENSE LINE DUMP VALVE
5	0172299	1	SPACER, SELECTOR VALVES
6	007512228	1	NON-PROP VALVE ASSY
7	007512328	1	DUMP VALVE ASSY TB42/47J
8	007512428	1	RANGE VALVE ASSY TB42/47J
9	007512628	1	PROP VALVE ASSY TB42/47J
10	007518028	1	ACCUMULATOR ASSY TB47J
11	007294028	1	EM. POWER UNIT S/A
12	007512528	1	CHECK VALVE MANIFOLD ASSY TB42/47J
13	0075127	1	HYD HOSE INSTALL - CUMMINS/FORD
	0075179	1	HYD HOSE INSTALL - DEUTZ/GM
14	5034401	3	FTG BLKHD STR - 4
15	5074401	3	FTG LKNT BHD-4 STL
16	5070005	1	NIPPLE DIAGNOSTIC
17	970029	2	BLT .250-20 X .75 HH
18	970169	4	BLT .250-20 X 2.00 HH
19	986019	4	WSHR FLAT .25
20	987099	4	WSHR LOCK .25
21	5560004	2	NUT LKG .250-20
22	970239	2	BLT .313-18 X .75 HH
23	986269	2	WSHR FLAT .313
24	987109	2	WSHR LOCK .313
25	970469	14	BLT .375-16 X 1.0 HH
26	986299	20	WSHR FLAT .375
27	987119	12	WSHR LOCK .375
28	5560003	6	NUT LKG .375-16
29	970539	2	BLT .375-16 X 2.75 HH
30	970479	2	BLT .375-16 X 1.25 HH
31	5093014	2	CLP CUSH 2.25



NOTES:
 1. ITEMS SHOWN WITH DASHED LINES ARE BOOM RELATED AND CALLED OUT ON BOOM ASSY, BOOM/HOSE CARRIER ASSY, OR JIB ASSY.

BM 0075179 (DZ/GM)
 BM 0075127 (CU/FO)



F

E

D

C

B

A

Hydraulics – 16

1

2

3

4

5

6

7

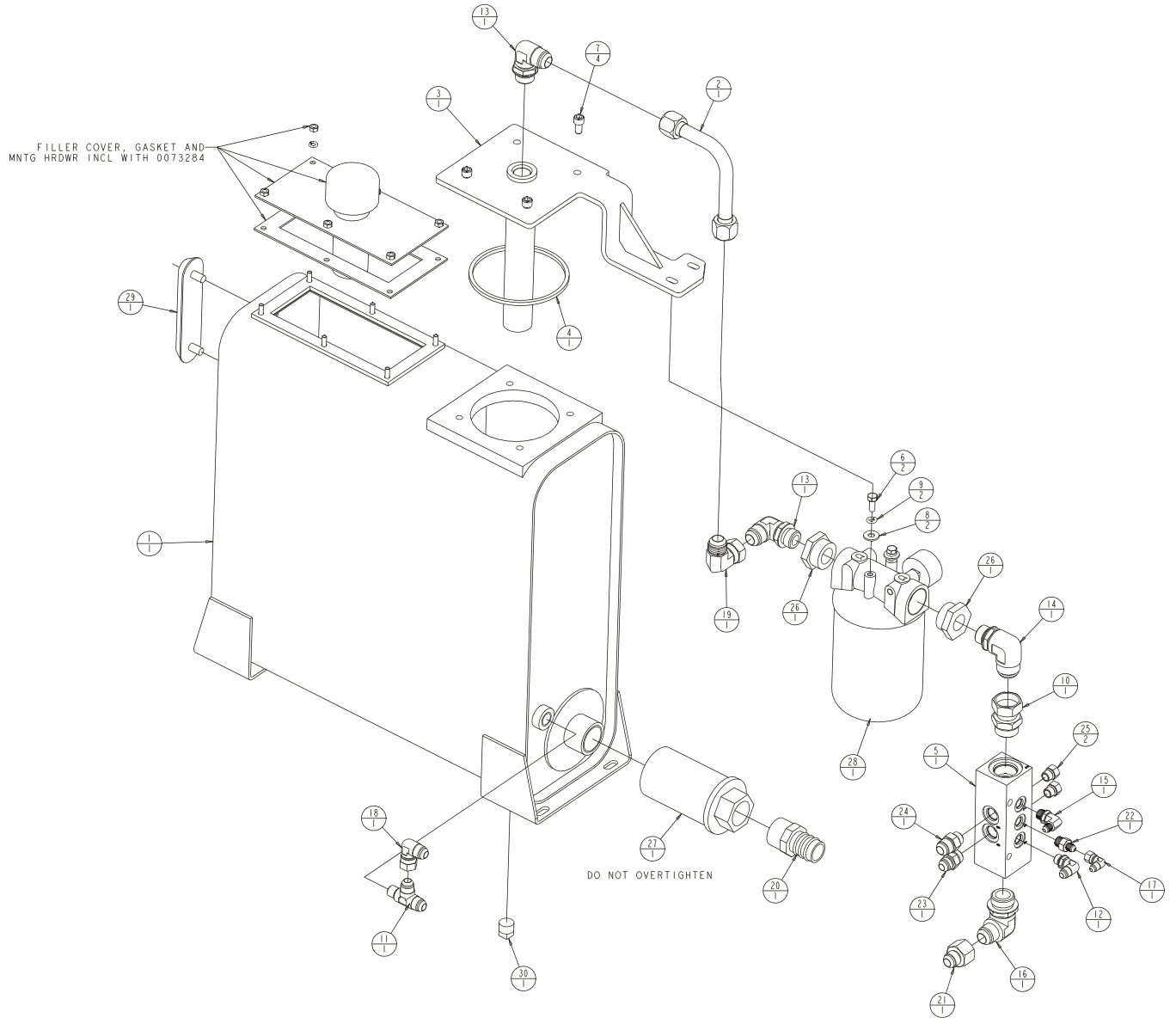
8

9

Turntable Hydraulic Hoses

Item	Part No.	Qty.	Description
1	0101247	1	HOSE-8-8S-8S 18 SEE DWG
2	0020273	2	HOSE-6-6S-6S 35.5 100R2
3	0020280	1	HOSE-4-4S-4S 23.5 100R2
4	0180777	2	HOSE-10-10S-10S 28.5
5	0180784	3	HOSE-8-8S-8S 72
6	0081080	2	HOSE-6-6S-6S 65 100R2
7	0050401	2	HOSE-6-6S-6S 43 100R2
8	0050137	2	HOSE-4-4S-4S 36 100R1
9	0181161	4	HOSE-4-4S-4S 15.25 100R2
10	0073040	1	HOSE-8-8S-8S 28 100R2
11	0070772	1	HOSE-4-4S-4S 54 100R1
12	0151213	1	HOSE-8-8S-8S 16 100R2-CUMMINS/FORD
	0073040	1	HOSE-8-8S-8S 16 100R2-DEUTZ/GM
13	0323804	1	HOSE-12-12S-12S 24 100R2
14	0020371	1	HOSE-8-10S-10S 44 100R2
15	0070789	2	HOSE-6-6S-6S 75.5 100R2
16	0100278	2	HOSE-4-4S-4S 43 100R1
17	0080359	2	HOSE-4-4S-6S 23.5 100R1
18	0073038	1	HOSE SUCTION 1.25 ID
19	5058820	2	HOSE CLAMP
20	0070768	1	HOSE-4-4S-4S 18.5 100R1

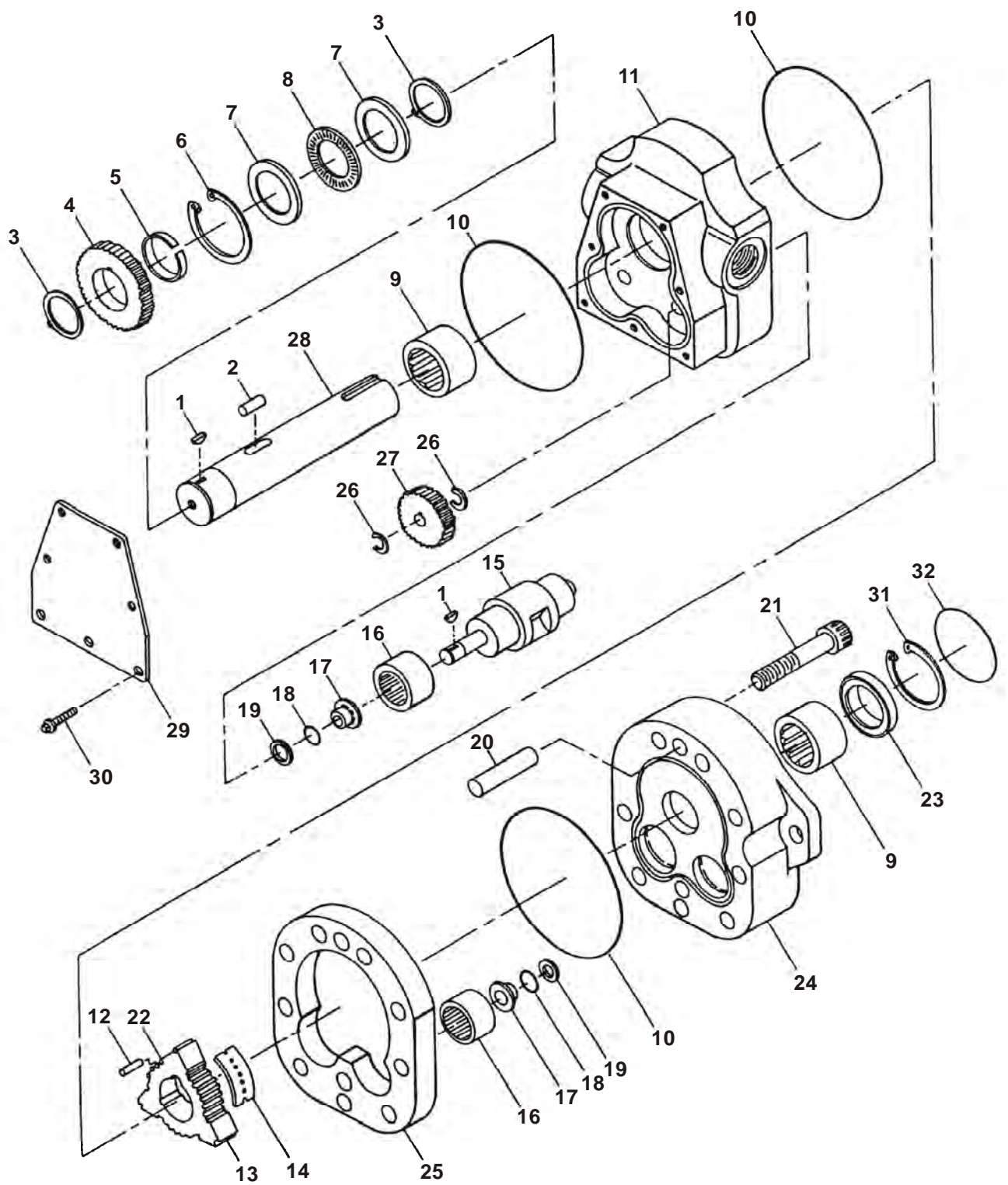
Hydraulic Oil Reservoir



Hydraulic Oil Reservoir

Item	Part No.	Qty.	Description
1	0073284	1	HYDR OIL RSVR
2	0074671	1	FILTER RETURN LINE
3	0074673	1	WLDMT HYD RETURN TANK
4	0074710	1	O-RING, SQUARE CUT
5	0110156	1	PRESSURE MANIFOLD
6	970239	2	BLT .313-18 .750 GR5
7	978329	4	BLT SKTHD .375-16 .750
8	986269	2	WSHR FLAT .313
9	987109	2	WSHR LOCK .313
10	5025002	1	FTG ADPTR SWVL-16B-16S STL
11	5033810	1	FTG TEE MALE RUN-8N-8S STL
12	5035305	1	FTG ELB90STRTHD-6B-6S STL
13	5035308	2	FTG ELB90STRTHD-12B-12S STL
14	5035311	1	FTG ELB90STRTHD-12B-16S STL
15	5035318	1	FTG ELB90STRTHD-6B-4S STL
16	5035319	1	FTG ELB90STRTHD-16B-12S STL
17	5037003	1	FTG ELB90SWVL-4S-4S STL
18	5037006	1	FTG ELB90SWVL-8S-8S STL
19	5037008	1	FTG ELB90SWVL-12S-12S STL
20	5037301	1	FTG ADPTR MALE-20N-20H STL
21	5064011	1	FTG RDCR TUBE END-12S-10S
22	5065705	1	FTG ADPTR STRTHD-6B-4S STL
23	5065709	1	FTG ADPTR STRTHD-8B-8S STL
24	5075205	2	FTG PL HEX HD-6B STL
25	5076001	1	FTG RDCR/EXP-20B-12S STL
26	5080004	1	FILTER SUMP STRAINER
27	5080067	1	FILTER ASSY, 3 MIC SPIN-ON
	5080068		FILTER ELEMENT
28	5090007	1	GAUGE LIQUID LEVEL W/THERM
29	7714204	1	PIPE PLUG, 1/2"NPT SQ.HD BLK

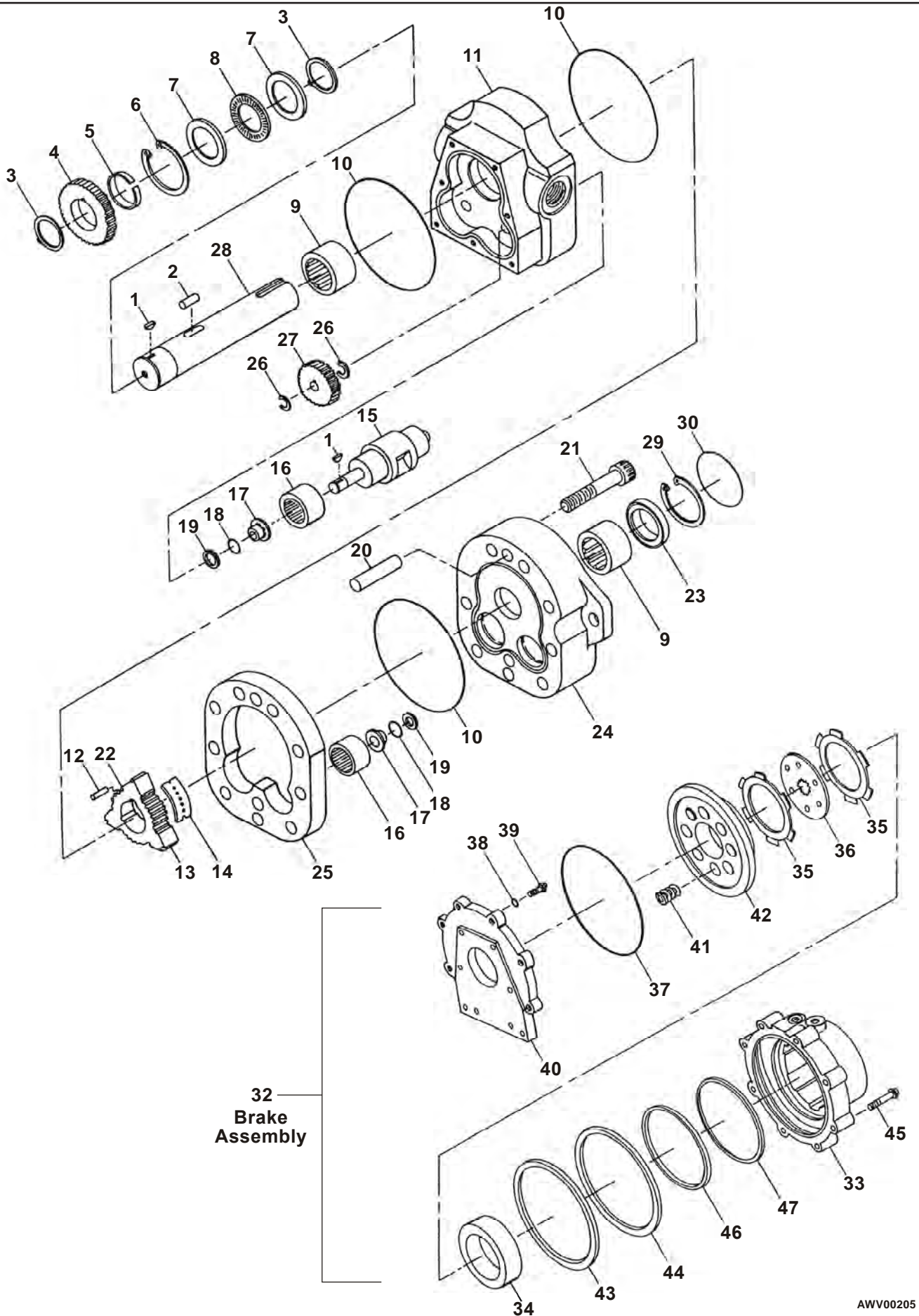
Drive Motor



Drive Motor

Item	Part No.	Qty.	Description
	6030018	1	DRIVE MOTOR
	0071092	1	SEAL REPAIR KIT - (KIT INCLUDES ITEMS 10, 18, 19, 23 AND 31)
1	8220126	3	WOODRUFF KEY
2	8220127	1	DRIVE PIN
3	8220005	2	RETAINING RING
4	8220128	1	GEAR DRIVE
5	8220129	1	SPACER WASHER
6	8220130	1	RETAINING RING
7	8220006	2	THRUST BEARING RACE
8	8220007	1	THRUST BEARING
9	8220027	2	NEEDLE BEARING
10	8220131	3	OIL SEAL
11	8220132	1	REAR END CAP
12	8220133	3	TIP SEAL ROLLER
13	8220134	1	ROTOR
14	8220020	3	SEAL PLATE
15	8220135	2	ABUTMENT VALVE
16	8220028	4	NEEDLE BEARING
17	28220030	4	STEP BEARING
18	8220136	4	O-RING
19	8220137	4	BACK-UP RING
20	8220138	4	DOWEL PIN
21	8220139	9	CAPSCREW
22	8220140	18	BODY SEAL ROLLER
23	8220146	1	SHAFT SEAL
24	8220031	1	FRONT END CAP
25	8220141	1	DISPLACEMENT HOUSING
26	8220142	4	RETAINING RING
27	8220143	2	GEAR PINION (STD)
28	8220156	1	S-SHAFT
29	8220147	1	GEAR COVER
30	8220148	7	CAPSCREW
31	8220144	1	RETAINING RING
32	8220145	1	O-RING
33	8220117	1	FRONT SEALING CAP

Drive Motor with Brake

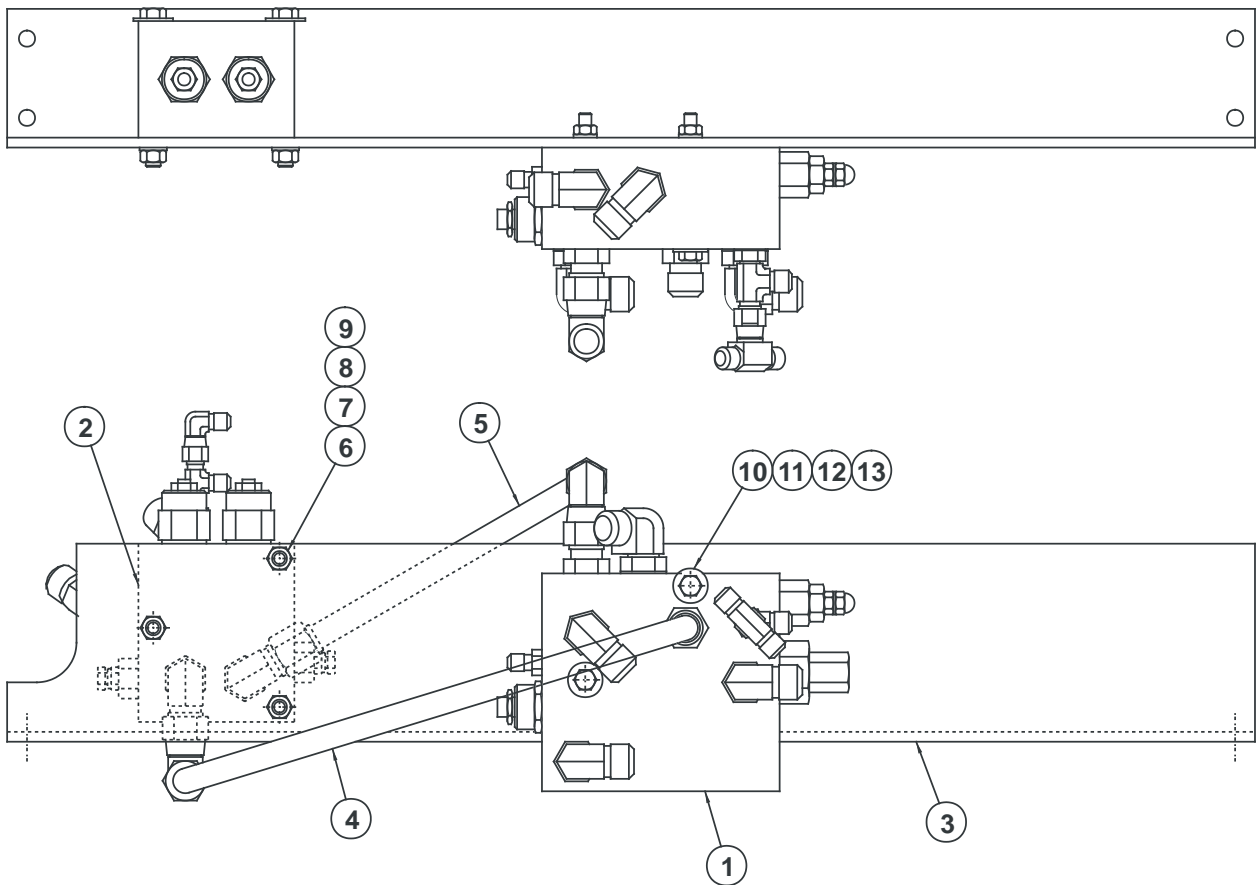


Drive Motor with Brake

Item	Part No.	Qty.	Description
	6030040	1	DRIVE MOTOR WITH BRAKE
	0071092	1	SEAL REPAIR KIT, DRIVE MOTOR - (KIT INCLUDES ITEMS 10, 18, 19, 23 AND 31)
	8220149	1	SEAL REPAIR KIT, DRIVE MOTOR BRAKE - (KIT INCLUDES ITEMS 40, 43, 44, 46 AND 47)
1	8220126	3	WOODRUFF KEY
2	8220127	1	DRIVE PIN
3	8220005	2	RETAINING RING
4	8220128	1	GEAR DRIVE
5	8220129	1	SPACER WASHER
6	8220130	1	RETAINING RING
7	8220006	2	THRUST BEARING RACE
8	8220007	1	THRUST BEARING
9	8220027	2	NEEDLE BEARING
10	KIT ITEM	3	OIL SEAL - (NOT SOLD SEPARATELY)
11	8220132	1	REAR END CAP
12	8220133	3	TIP SEAL ROLLER
13	8220134	1	ROTOR
14	8220020	3	SEAL PLATE
15	8220135	2	ABUTMENT VALVE
16	8220028	4	NEEDLE BEARING
17	28220030	4	STEP BEARING
18	KIT ITEM	4	O-RING - (NOT SOLD SEPARATELY)
19	KIT ITEM	4	BACK-UP RING - (NOT SOLD SEPARATELY)
20	8220138	4	DOWEL PIN
21	8220139	9	CAPSCREW
22	8220140	18	BODY SEAL ROLLER
23	KIT ITEM	1	SHAFT SEAL - (NOT SOLD SEPARATELY)
24	8220031	1	FRONT END CAP
25	8220141	1	DISPLACEMENT HOUSING
26	8220142	4	RETAINING RING
27	8220143	2	GEAR PINION (STD)
28	8220017	1	S-SHAFT FOR BRAKE
29	8220144	1	RETAINING RING
30	8220145	1	O-RING
31	KIT ITEM	1	FRONT SEALING CAP - (NOT SOLD SEPARATELY)
32	8220155	1	DRIVE MOTOR BRAKE, 4 CUBIC INCH - (COMPLETE BRAKE, INCLUDES ITEMS 33 THROUGH 47)
	8220038	1	BRAKE REPLACEMENT KIT - (INCLUDES ITEMS 33, 40 AND 45)
33	KIT ITEM	1	HOUSING - (NOT SOLD SEPARATELY)
34	8220150	1	SPACER RING
35	8220014	5	FRICTION DISC
36	8220015	4	DRIVER PLATE
37	8220010	1	O-RING
38	8220011	7	BRASS WASHER
39	8220148	7	CAPSCREW SELF TAPPING
40	KIT ITEM	1	ADAPTER PLATE - (NOT SOLD SEPARATELY)
41	8220025	8	DIE SPRING
42	8220153	1	PRESSURE PLATE
43	KIT ITEM	1	BACK-UP RING - (NOT SOLD SEPARATELY)
44	KIT ITEM	1	O-RING - (NOT SOLD SEPARATELY)
45	8220154	8	CAPSCREW
46	KIT ITEM	1	O-RING - (NOT SOLD SEPARATELY)
47	KIT ITEM	2	BACK-UP RING - (NOT SOLD SEPARATELY)

Drive/Motion Control Valve

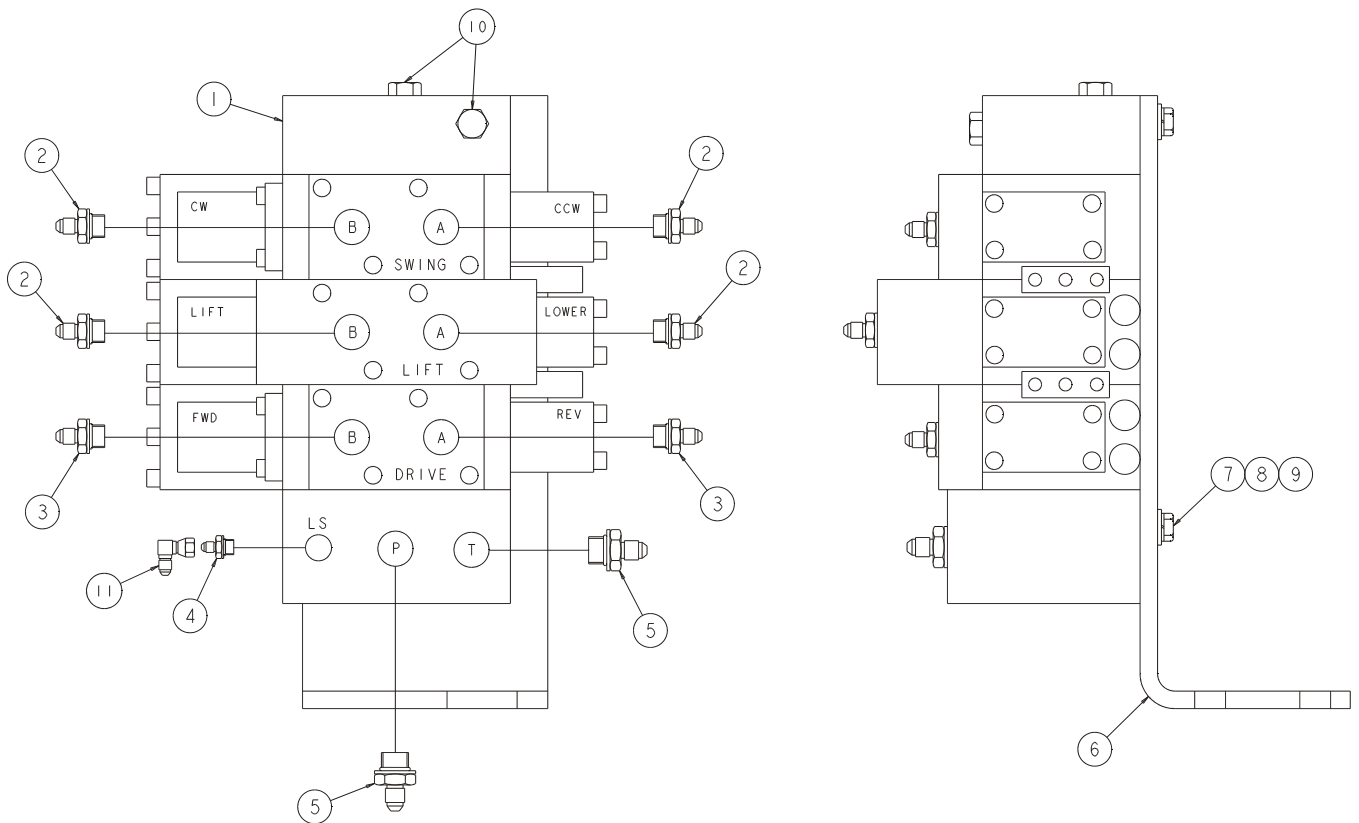
Item	Part No.	Qty.	Description
	0170273	1	CHASSIS DRIVE VALVE
1	017037828	1	DRIVE CONTROL VALVE - (SEE HYDRAULICS PAGE 63 FOR PARTS BREAKDOWN)
2	017029528	1	COUNTERBALANCE VALVE
3	0170376	1	5/8 INCH HYDRAULIC TUBE
4	0170377	1	5/8 INCH HYDRAULIC TUBE
5	5569857	2	CAPSCREW 5/16-18 X 3-1/2 INCH LONG SOCKET HEAD
6	987109	2	WASHER 5/16 MEDIUM LOCK
7	984089	2	NUT 5/16-18 HEX
8	970529	2	CAPSCREW 3/8-16 X 2-1/2 INCH LONG HEX HEAD GRADE 5
9	987119	2	WASHER 3/8 MEDIUM LOCK
10	984109	2	NUT 3/8-16 HEX
11	0170294	1	MOUNT CHANNEL



AW0072994

Proportional Valve

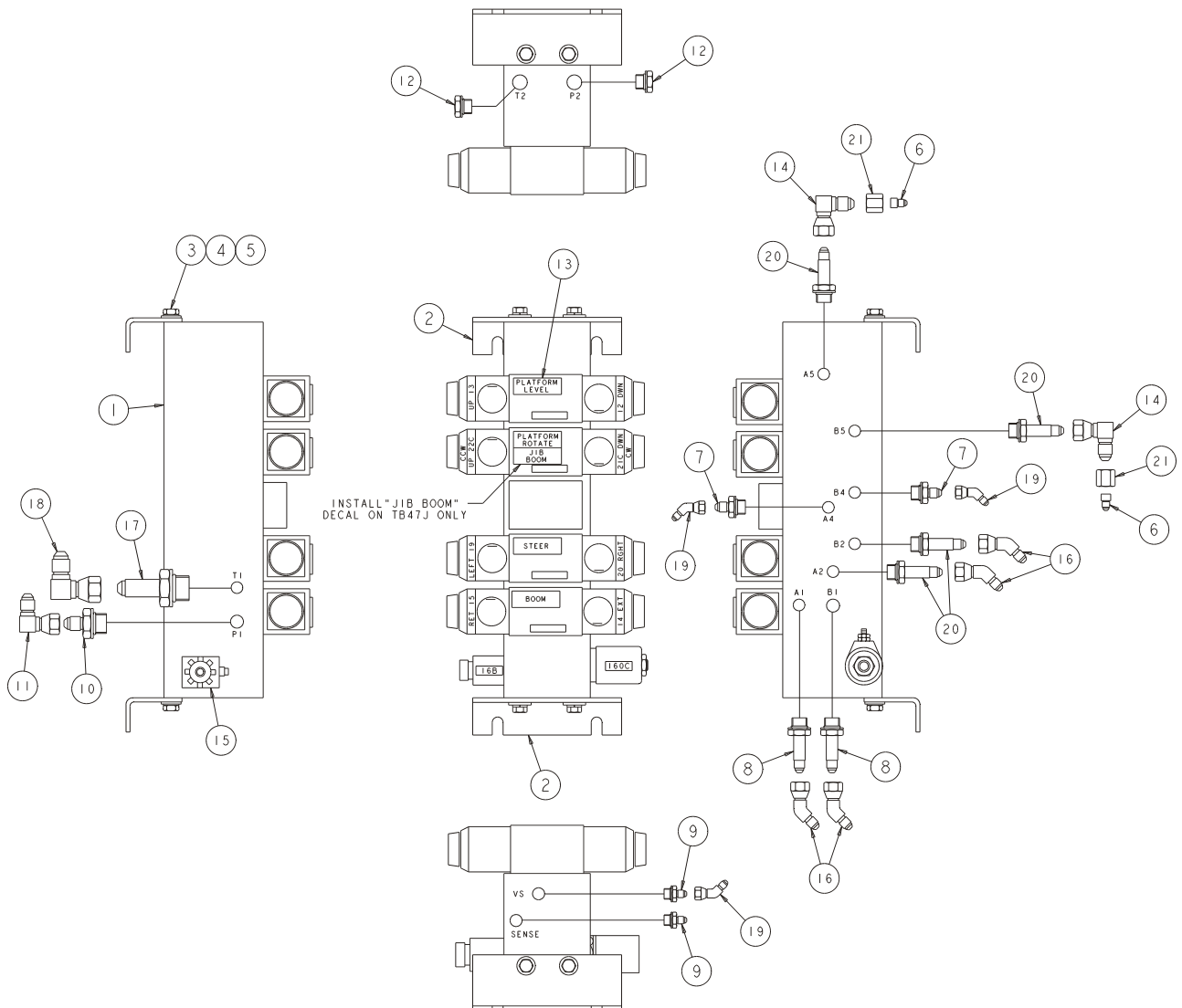
Item	Part No.	Qty.	Description
1	6019057	1	VALVE, 3-SECTION PROP
2	5065708	4	FTG ADPTR STRTHD-8B-6S STL
3	5065709	2	FTG ADPTR STRTHD-8B-8S STL
4	5065703	1	FTG ADPTR STRTHD-4B-4S STL
5	5065729	2	FTG ADPTR STRTHD-8B-10S STL
6	0172263	1	BRKT, PROP. VALVE
7	5560638	4	BLT HEXHD M8 16MM GR8
8	5560613	4	WASHER FLAT M8
9	5560355	4	WASHER LOCK M8
10	5075206	2	FTG PL HEX HD-8B STL
11	5037003	1	FTG ELB90SWVL-4S-4S STL



0075126

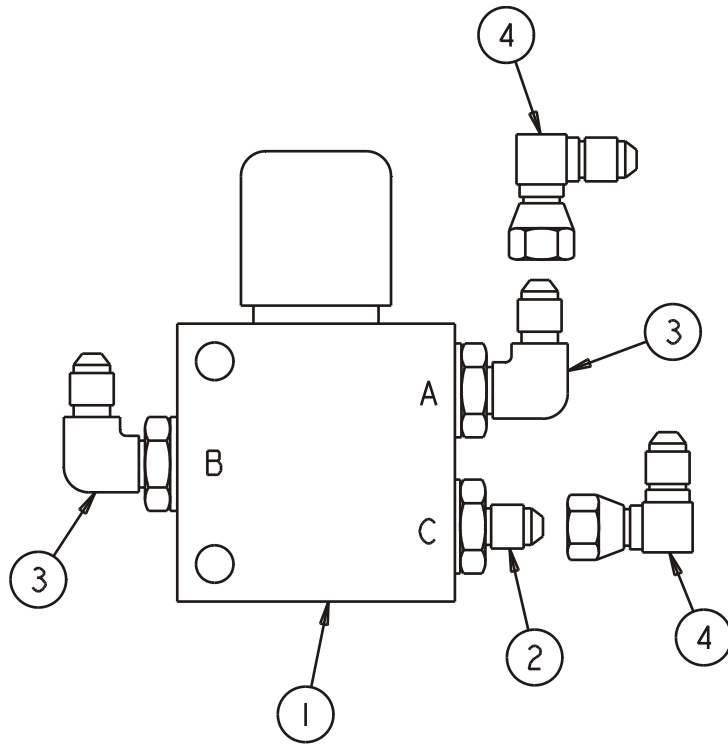
Non-Proportional Valve

Item	Part No.	Qty.	Description
1	6010844	1	NON PROP VALVE
2	0181449	2	ANGLE
3	970239	4	BLT HEXHD .313-18 X .75 LG
4	986269	4	WASHER .313 FLAT
5	987109	4	WASHER .313 LOCK
6	5064001	2	FTG RDCR TUBE END-6S-4S
7	5065705	2	FTG ADPTR STRTHD-6B-4S STL
8	5065815	2	FTG ADPTR STRTHD-LG -8B-6S STL
9	5065703	2	FTG ADPTR STRTHD-4B-4S STL
10	5065710	1	FTG ADPTR STRTHD-10B-8S STL
11	5037006	1	FTG ELB90SWVL-8S-8S STL
12	5075205	2	FTG PL HEX HD-6B STL
13	0082010	1	DECAL SET PACKAGE VALVE
14	5037005	2	FTG ELB90SWVL-6S-6S STL
15	6010591	1	SOLENOID VALVE CARTRIDGE
16	5036905	2	FTG ELB45SWVL-6S-6S STL
17	5065807	1	FTG ADPTR STRTHD-LG -10B-10S
18	5037007	1	FTG ELB90SWVL-10S-10S STL
19	5036903	3	FTG ELB45SWVL-4S-4S STL
20	5065805	4	FTG ADPTR STRTHD-LG -6B-6S STL
21	5063905	2	FTG NUT-6S STL



Range Valve

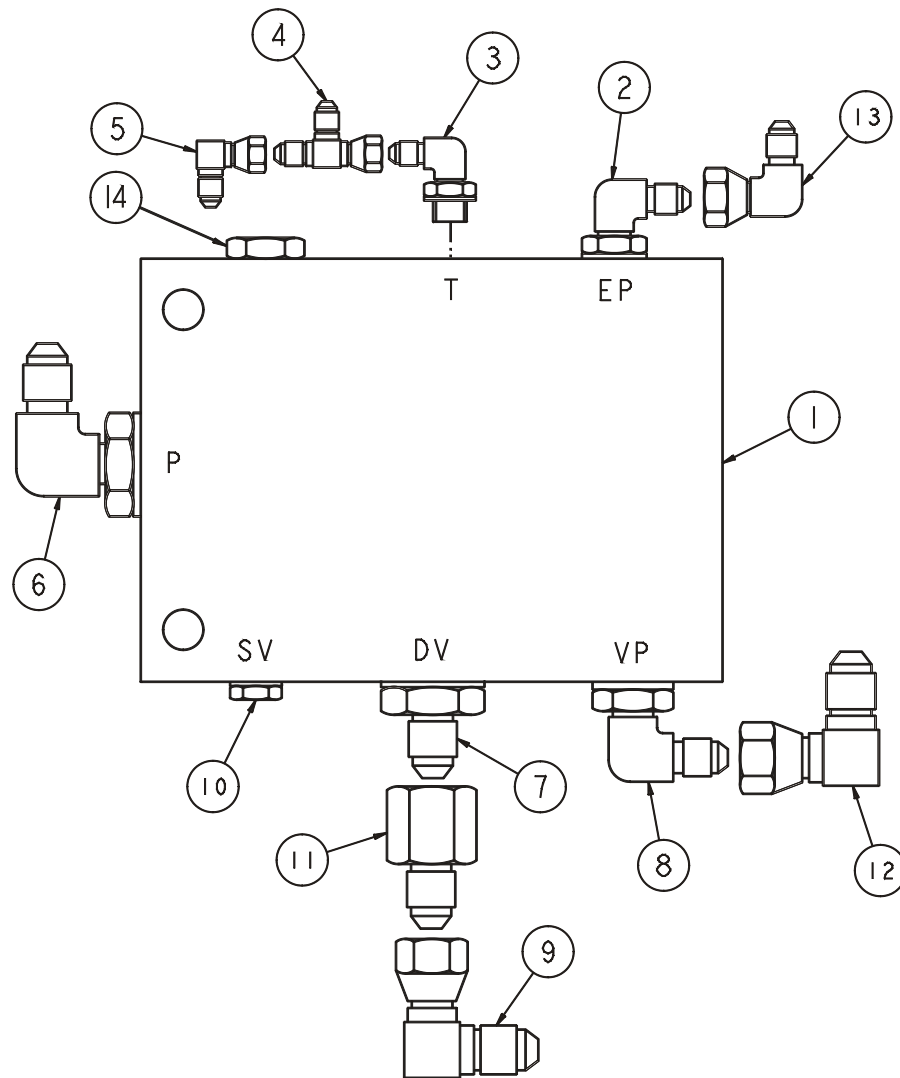
Item	Part No.	Qty.	Description
1	6010499	1	VALVE ASSY 3WAY 10 VOLT SINGLE FLUID TECH
	6010500	1	VALVE 3 WAY CARTRIDGE WITH 10 VOLT COIL HYDRAFORCE
	0073620	1	SEAL KIT
	3040473	1	COIL ONLY, 10 VOLT DC
	6010472	1	VALVE 3 WAY CARTRIDGE ONLY
2	5065705	1	FTG ADPTR STRTHD-6B-4S STL
3	5035318	2	FTG ELB90STRTHD-6B-4S STL
4	5037003	2	FTG ELB90SWVL-4S-4S STL



0075124

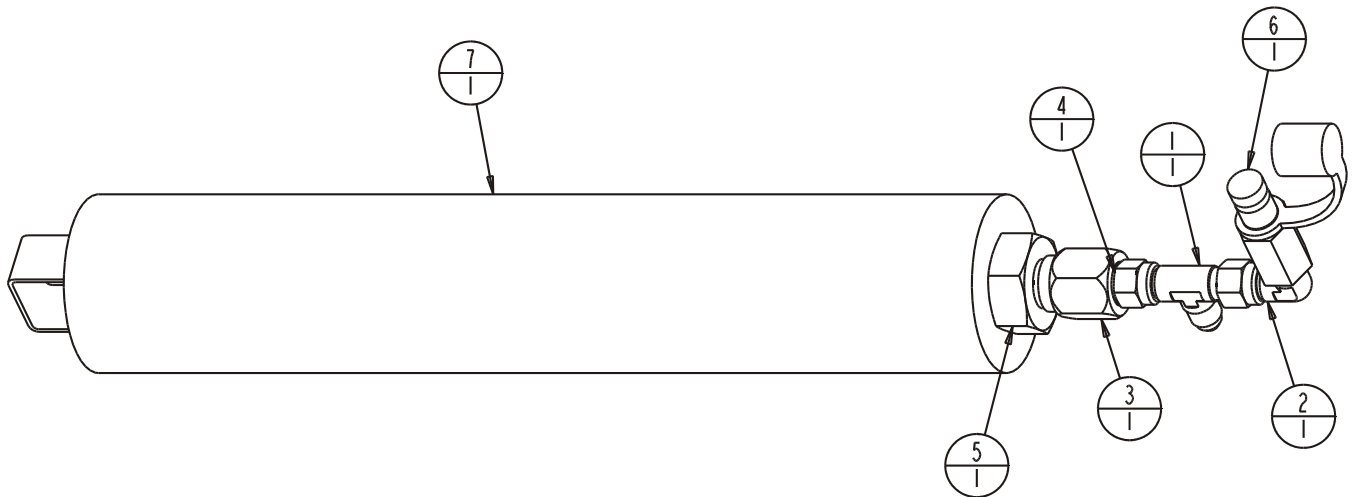
Check Valve Manifold Assembly

Item	Part No.	Qty.	Description																															
1	6010579	1	CHECK VALVE MANIFOLD																															
2	5035305	1	FTG ELB90STRTHD-6B-6S STL																															
3	5035303	1	FTG ELB90STRTHD-4B-4S STL																															
4	5036703	1	FTG TEE SWVL RUN-4S-4S STL																															
5	5037003	1	FTG ELB90SWVL-4S-4S STL																															
6	5035319	1	FTG ELB90STRTHD-16B-12S STL																															
7	5065715	1	FTG ADPTR STRTHD-16B-12S STL																															
8	5035306	1 <td FTG ELB90STRTHD-8B-8S STL	9	5037007	1	FTG ELB90SWVL-10S-10S STL	10	5075205	1	FTG PL HEX HD-6B STL	11	5064011	1	FTG RDCR TUBE END-12S-10S STL	12	5037006	1	FTG ELB90SWVL-8S-8S STL	13	5037005	1	FTG ELB90SWVL-6	14	6010565	1	CARTRIDGE CHECK VALVE		6010605	1	SEAL KIT-SWAN		8080126	1	SEAL KIT-HYDRAFORCE
9	5037007	1	FTG ELB90SWVL-10S-10S STL																															
10	5075205	1	FTG PL HEX HD-6B STL																															
11	5064011	1	FTG RDCR TUBE END-12S-10S STL																															
12	5037006	1	FTG ELB90SWVL-8S-8S STL																															
13	5037005	1	FTG ELB90SWVL-6																															
14	6010565	1	CARTRIDGE CHECK VALVE																															
	6010605	1	SEAL KIT-SWAN																															
	8080126	1	SEAL KIT-HYDRAFORCE																															



Accumulator

Item	Part No.	Qty.	Description
1	5036703	1	FTG TEE SWVL RUN-4S-4S STL
2	5037003	1	FTG ELB90SWVL-4S-4S STL
3	5063906	1	FTG NUT-8S STL
4	5064002	1	FTG RDCR TUBE END-8S-4S STL
5	5065711	1	FTG ADPTR STRTHD-12B-8S STL
6	5070005	1	NIPPLE DIAGNOSTIC -4JIC FEM
7	6070005	1	ACCUMULATOR, 29-30 CU INCH UNCHARGED
	007518028	1	ACCUMULATOR ASSEMBLY CHARGED
	0073325		SEAL KIT PARKER



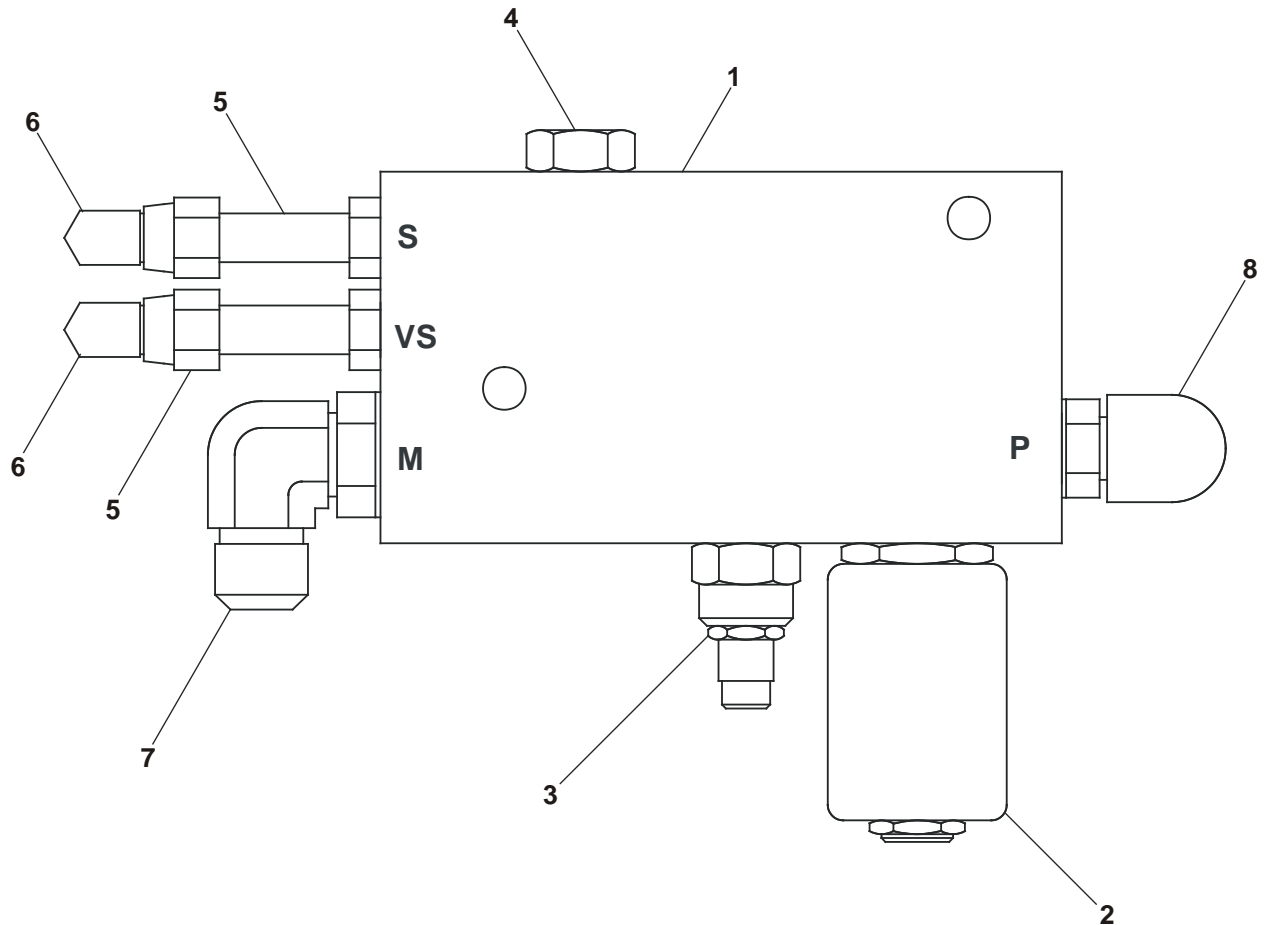
NOTES:

1. CHARGE ITEM 7 TO 750 PSI WITH DRY NITROGEN.
2. LEAVE SWIVELS LOOSE UNTIL FINAL ASSY.

0075180

AC Generator Valve

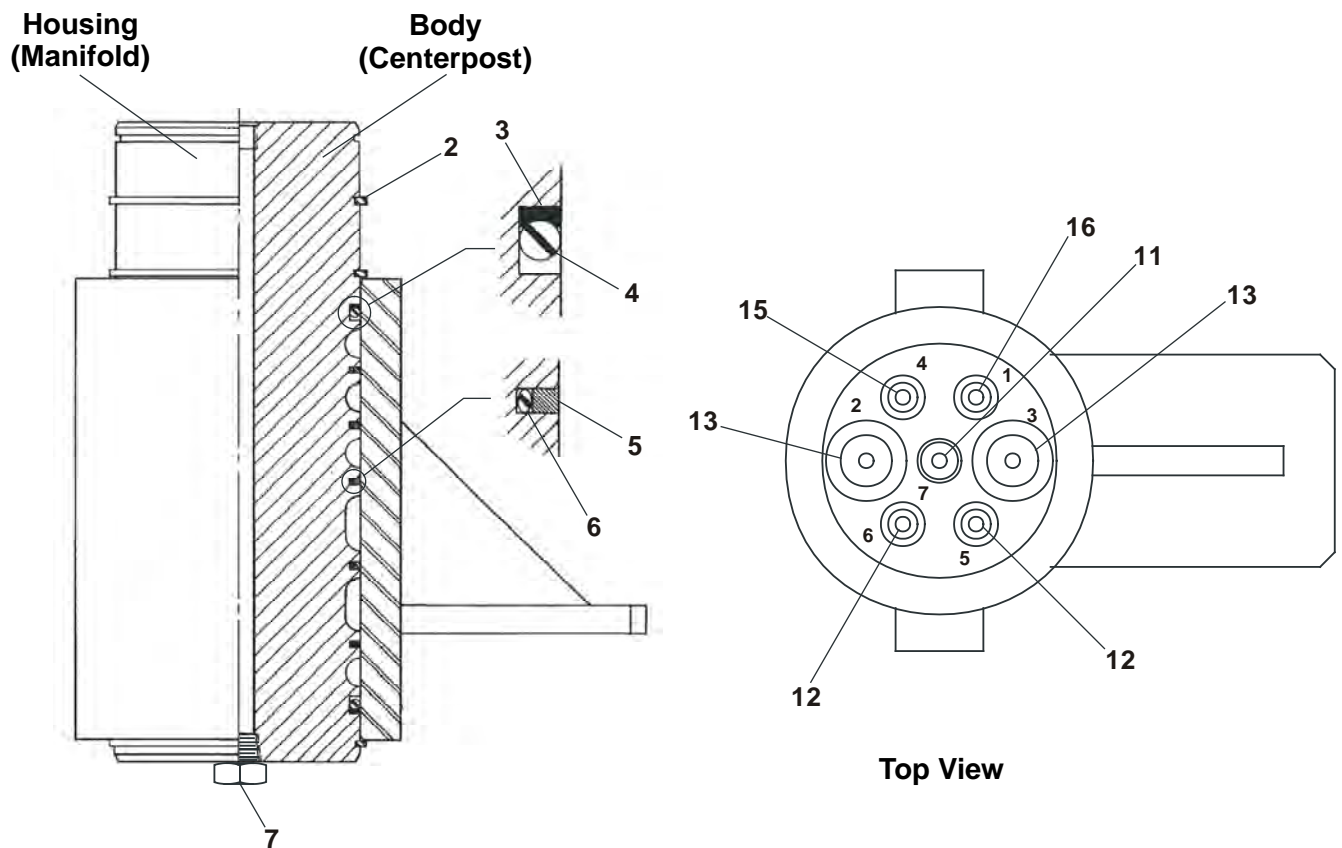
Item	Part No.	Qty.	Description
	015283128	1	AC GENERATOR VALVE
1	6010489	1	AC GENERATOR VALVE - (INCLUDES ITEMS 2, 3 AND 4 - VALVE IS NOT PRESET)
2	6010508	1	CARTRIDGE VALVE WITH COIL
	6010509	1	REPLACEMENT CARTRIDGE VALVE WITHOUT COIL
	3040457	1	REPLACEMENT COIL, 12 VOLT DC
3	6018901	1	FLOW CONTROL VALVE CARTRIDGE
4	6010510	1	SHUTTLE VALVE CARTRIDGE
5	5065803	2	LONG STRAIGHT THREAD ADAPTER
6	5037003	2	SWIVEL NUT 90° ELBOW
7	5035306	1	STRAIGHT THREAD 90° ELBOW
8	5035320	1	STRAIGHT THREAD 90° ELBOW



AW0152831

Centerpost

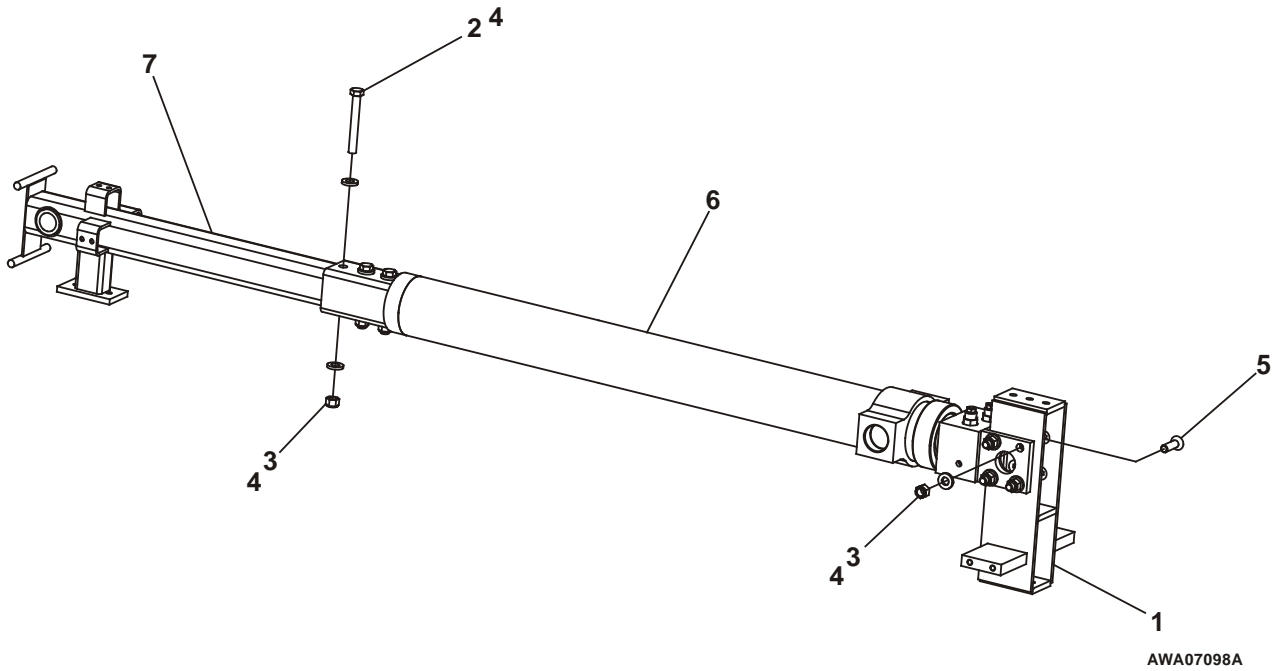
Item	Part No.	Qty.	Description
1	0110465	1	CENTERPOST - (INCLUDES ITEMS 2 THROUGH 6)
	0070991	1	SEAL REPAIR KIT - (KIT INCLUDES ITEMS 3, 4, 5 AND 6)
2	5590003	3	RETAINING RING
3	KIT ITEM	2	PARBAK SEAL - (NOT SOLD SEPARATELY)
4	KIT ITEM	2	O-RING - (NOT SOLD SEPARATELY)
5	KIT ITEM	5	SEAL RING - (NOT SOLD SEPARATELY)
6	KIT ITEM	5	O-RING - (NOT SOLD SEPARATELY)
7	7714203	1	HEX HEAD PLUG
			HOUSING AND BODY PORT FITTINGS - (FITTINGS NOT SHOWN, PORTS MARKED ON PARTS)
8	5035308	2	STRAIGHT THREAD 90° ELBOW - (HOUSING PORTS NO 2 AND NO 3)
9	5035316	1	STRAIGHT THREAD 90° ELBOW - (HOUSING PORT NO 1)
10	5035318	1	STRAIGHT THREAD 90° ELBOW - (HOUSING PORT NO 4)
11	5020001	1	90° SWIVEL ELBOW - (BODY PORT NO 7)
12	5065707	2	STRAIGHT THREAD ADAPTER - (BODY PORTS NO 5 AND NO 6)
13	5065714	2	STRAIGHT THREAD ADAPTER - (BODY PORTS NO 2 AND NO 3)
14	5035305	2	STRAIGHT THREAD 90° ELBOW - (HOUSING PORTS NO 5 AND NO 6)
15	5065705	1	STRAIGHT THREAD ADAPTER - (BODY PORT NO 4)
16	5065728	1	STRAIGHT THREAD ADAPTER - (BODY PORT NO 1)
	5075205	2	HEX HEAD PLUG - (HOUSING PORTS NO 8 AND NO 9)



AW0110465

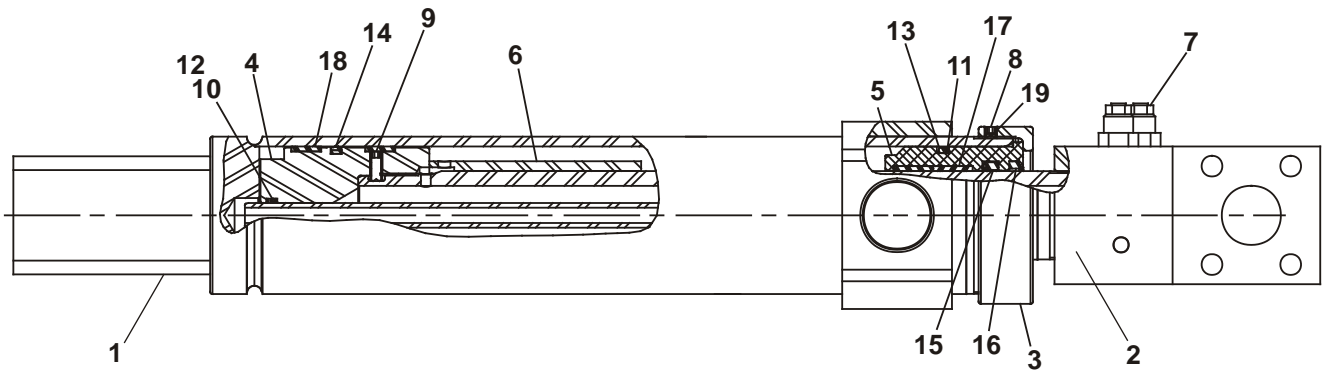
Extension Cylinder and Support Bracket

Item	Part No.	Qty.	Description
	007285328	1	EXTEND CYLINDER AND SUPPORT BRACKET TB42/47J
	007285428	1	EXTEND CYLINDER AND SUPPORT BRACKET TB50
1	0072848	1	SUPPORT BRACKET, ROD END
2	971009	3	CAPSCREW 1/2-13 X 4 INCH LONG HEX HEAD GRADE 5
3	5560039	11	NUT 1/2-13 SELF LOCKING
4	5560168	14	WASHER 1/2 HARD FLAT ASTM-F436
5	5560718	8	CAPSCREW SCREW 1/2-13 X 1-3/4 INCH LONG SOCKET FLAT HEAD
6	0074900	1	CYLINDER, EXTEND TB42/47J - (SEE HYDRAULICS PAGE 43 FOR PARTS BREAKDOWN)
	0074906	1	CYLINDER, EXTEND TB50 - (SEE HYDRAULICS PAGE 45 FOR PARTS BREAKDOWN)
7	0071318	1	SUPPORT BRACKET, BASE END



Cylinder, Extend – Rosenboom – TB42/TB47J

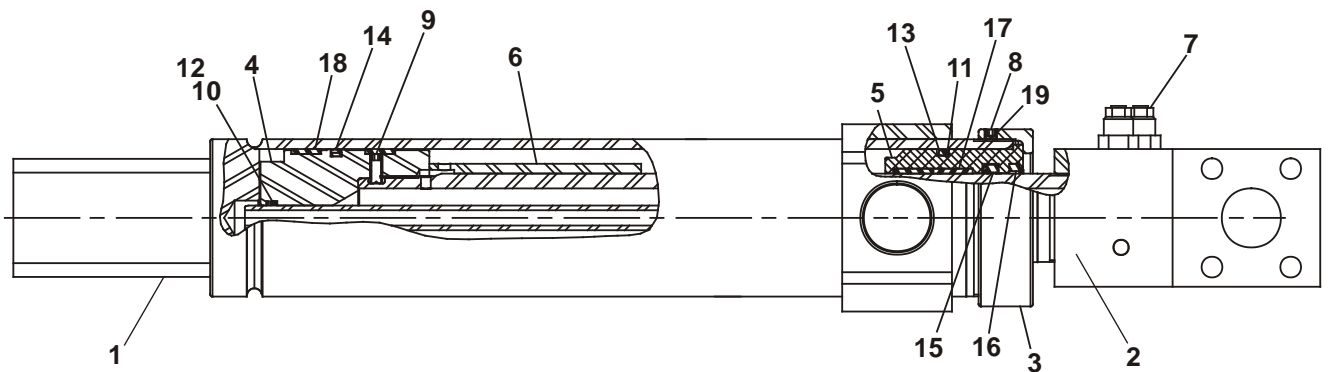
Item	Part No.	Qty.	Description
	0074900	1	CYLINDER, EXTEND TB42/47J - ROSENBOOM
	6091266	1	SEAL REPAIR KIT - (KIT INCLUDES ITEMS 10 THROUGH 19)
1		1	TUBE - (NOT SOLD SEPARATELY)
2	6091385	1	ROD
3	6091255	1	HEAD GLAND CAP
4	6091262	1	PISTON
5	6091263	1	HEAD GLAND
6	6091264	1	ROD SPACER
7	6091314	2	COUNTERBALANCE HOLDING VALVE - (PRESET BY FACTORY, DO NOT RESET)
8	5569835	1	SET SCREW 5/16-18 X 1/4 INCH LONG
9	975729	1	SET SCREW 5/16-18 X 3/4 INCH LONG
10	KIT ITEM	1	O-RING - (NOT SOLD SEPARATELY)
11	KIT ITEM	1	O-RING - (NOT SOLD SEPARATELY)
12	KIT ITEM	2	BACK-UP - (NOT SOLD SEPARATELY)
13	KIT ITEM	1	BACK-UP - (NOT SOLD SEPARATELY)
14	KIT ITEM	1	DISO-PAC - (NOT SOLD SEPARATELY)
15	KIT ITEM	1	U-CUP - (NOT SOLD SEPARATELY)
16	KIT ITEM	1	ROD WIPER - (NOT SOLD SEPARATELY)
17	KIT ITEM	2	WEARBAND - (NOT SOLD SEPARATELY)
18	KIT ITEM	2	WEARBAND - (NOT SOLD SEPARATELY)
19	KIT ITEM	1	LOCKING INSERT - (NOT SOLD SEPARATELY)



AWV00380

Cylinder, Extend – Rosenboom – TB50

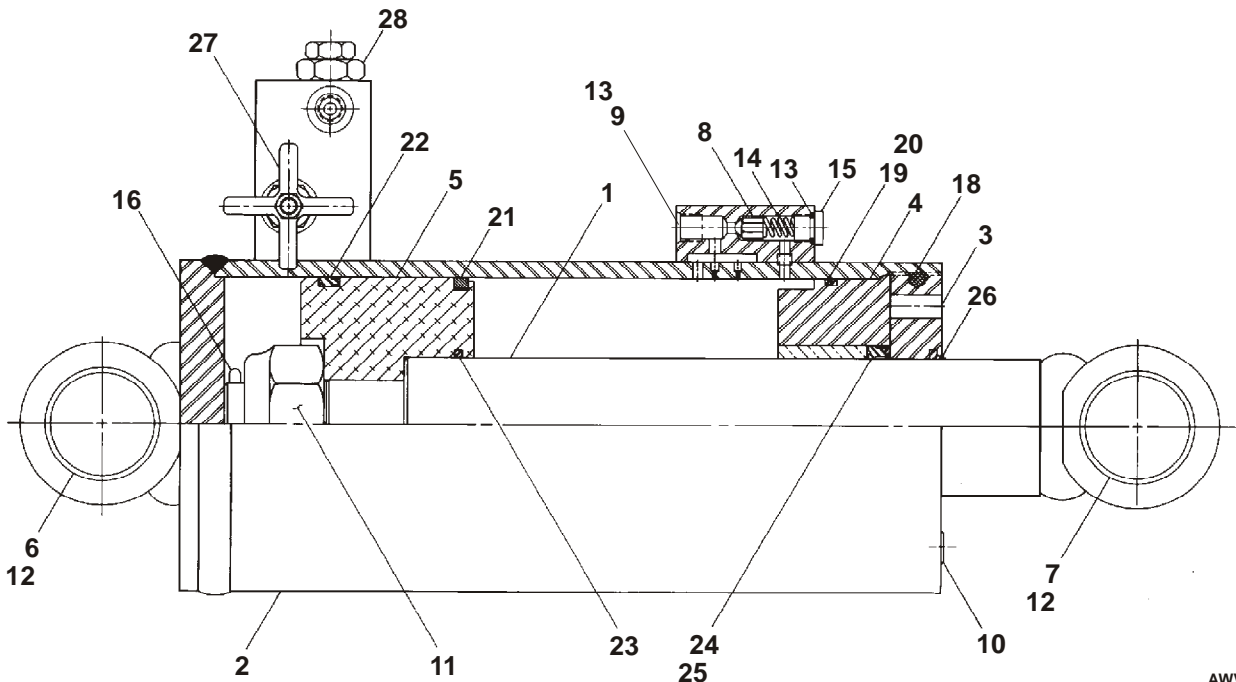
Item	Part No.	Qty.	Description
	0074906	1	CYLINDER, EXTEND TB50 - ROSENBOOM
	6091266	1	SEAL REPAIR KIT - (KIT INCLUDES ITEMS 10 THROUGH 19)
1		1	TUBE - (NOT SOLD SEPARATELY)
2	6091387	1	ROD
3	6091255	1	HEAD GLAND CAP
4	6091262	1	PISTON
5	6091263	1	HEAD GLAND
6	6091264	1	ROD SPACER
7	6091314	2	COUNTERBALANCE HOLDING VALVE - (PRESET BY FACTORY, DO NOT RESET)
8	5569835	1	SET SCREW 5/16-18 X 1/4 INCH LONG
9	975729	1	SET SCREW 5/16-18 X 3/4 INCH LONG
10	KIT ITEM	1	O-RING - (NOT SOLD SEPARATELY)
11	KIT ITEM	1	O-RING - (NOT SOLD SEPARATELY)
12	KIT ITEM	2	BACK-UP - (NOT SOLD SEPARATELY)
13	KIT ITEM	1	BACK-UP - (NOT SOLD SEPARATELY)
14	KIT ITEM	1	DISO-PAC - (NOT SOLD SEPARATELY)
15	KIT ITEM	1	U-CUP - (NOT SOLD SEPARATELY)
16	KIT ITEM	1	ROD WIPER - (NOT SOLD SEPARATELY)
17	KIT ITEM	2	WEARBAND - (NOT SOLD SEPARATELY)
18	KIT ITEM	2	WEARBAND - (NOT SOLD SEPARATELY)
19	KIT ITEM	1	LOCKING INSERT - (NOT SOLD SEPARATELY)



AWV00380

Cylinder, Lift – GBI

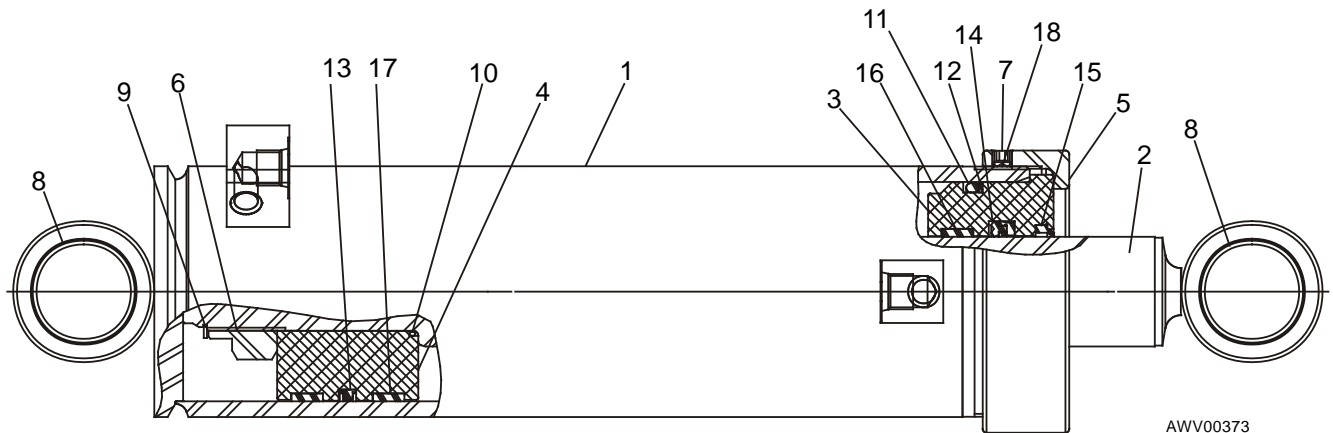
Item	Part No.	Qty.	Description
	0070992	1	CYLINDER, LIFT - GBI
	0073857	1	SEAL REPAIR KIT - (KIT INCLUDES ITEMS 16 THROUGH 26)
1	8070610	1	ROD
2		1	TUBE - (NOT SOLD SEPARATELY)
3	8070029	1	RETAINER
4	8070607	1	BEARING
5	8070136	1	PISTON
6	8070197	1	SPACER
7	8070604	1	SPACER
8	8070012	1	POPPET
9	8070564	1	PORT PLUG - (USED FOR SHIPPING ONLY)
10	8070014	1	PIPE PLUG
11	8070130	1	NUT
12	8070601	4	BUSHING
13	8070561	1	O-RING - (USED FOR SHIPPING ONLY)
14	8070017	1	SPRING
15	8070015	1	PORT PLUG
16	KIT ITEM	1	COTTER PIN - (NOT SOLD SEPARATELY)
17	KIT ITEM	1	O-RING - (NOT SOLD SEPARATELY)
18	KIT ITEM	1	NYLON PLUG - (NOT SOLD SEPARATELY)
19	KIT ITEM	1	BACK-UP - (NOT SOLD SEPARATELY)
20	KIT ITEM	1	O-RING - (NOT SOLD SEPARATELY)
21	KIT ITEM	1	C. I. RING - (NOT SOLD SEPARATELY)
22	KIT ITEM	1	T-RING - (NOT SOLD SEPARATELY)
23	KIT ITEM	1	O-RING - (NOT SOLD SEPARATELY)
24	KIT ITEM	1	BACK-UP - (NOT SOLD SEPARATELY)
25	KIT ITEM	1	U-RING - (NOT SOLD SEPARATELY)
26	KIT ITEM	1	WIPER - (NOT SOLD SEPARATELY)
27	6010115	1	CARTRIDGE NEEDLE VALVE
	0071845	1	SEAL REPAIR KIT
28	6010116	1	CARTRIDGE HOLDING VALVE - (PRESET BY FACTORY, DO NOT RESET)
	0071918	1	SEAL REPAIR KIT



AWV00233

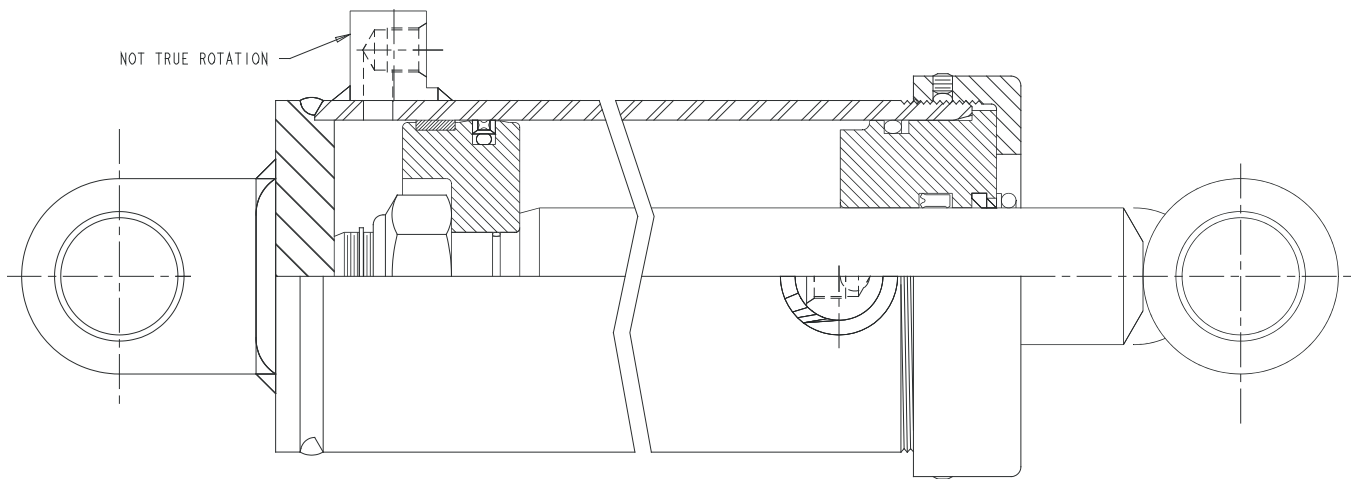
Cylinder, Master Level – Rosenboom – TB42/TB50

Item	Part No.	Qty.	Description
	0074799	1	Cylinder, master level - Rosenboom
	6091260	1	Seal repair kit - (kit includes items 9 through 18)
1		1	Tube - (not sold separately)
2	6091374	1	Rod
3	6091257	1	Head gland
4	6091256	1	Piston
5	6091250	1	Head gland cap
6	6091259	1	Lock nut
7	5569835	1	Set screw
8	2502416	4	Bearing
9	Kit item	1	Snap ring - (not sold separately)
10	Kit item	1	O-ring - (not sold separately)
11	Kit item	1	O-ring - (not sold separately)
12	Kit item	1	Back-up - (not sold separately)
13	Kit item	1	Capped T-seal - (not sold separately)
14	Kit item	1	Deep Z-seal - (not sold separately)
15	Kit item	1	Rod wiper - (not sold separately)
16	Kit item	1	Wearband - (not sold separately)
17	Kit item	2	Wearband - (not sold separately)
18	Kit item	1	Locking insert - (not sold separately)



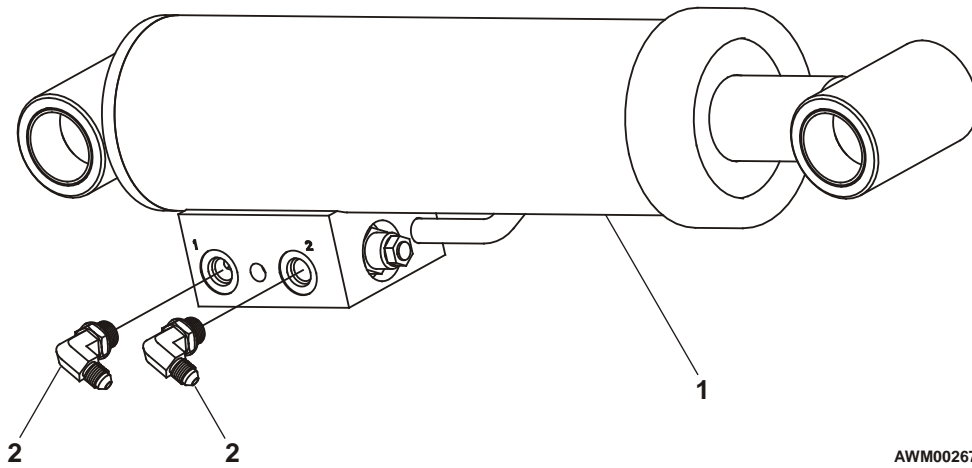
Cylinder, Master Level – Green – TB47J

Item	Part No.	Qty.	Description
	0172223	1	CYLINDER, MASTER LEVEL – GREEN
	8071007	1	SEAL KIT



Slave Level Cylinder

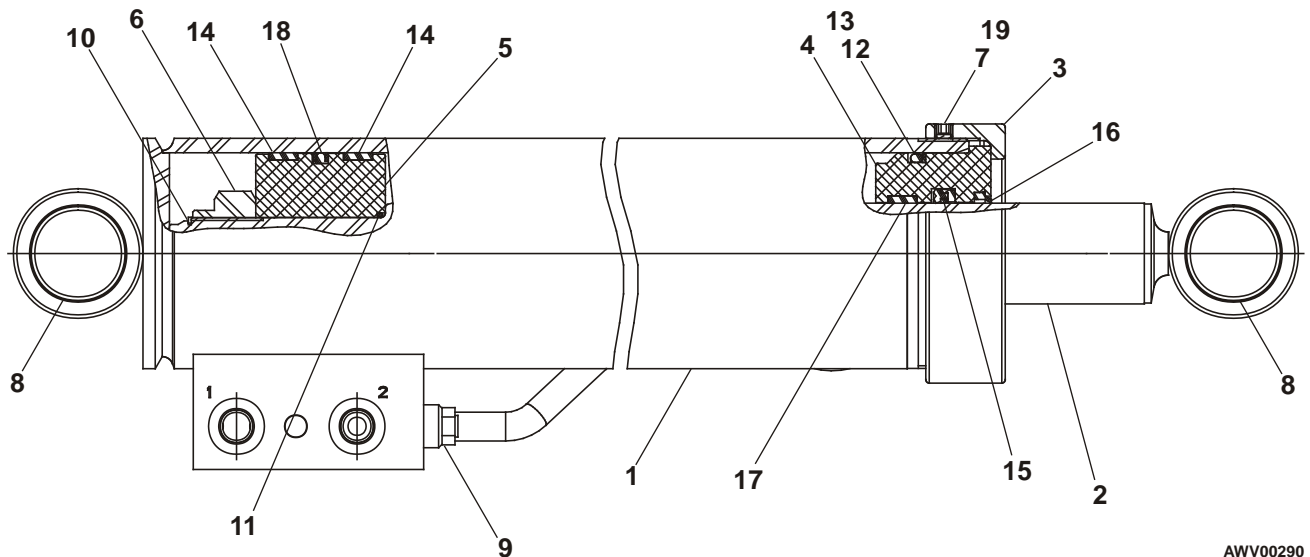
Item	Part No.	Qty.	Description
1	0080399	1	SLAVE LEVEL CYLINDER – TB42/TB50
2	0074713	1	CYLINDER, SLAVE LEVEL - (SEE HYDRAULICS PAGE 55 FOR PARTS BREAKDOWN)
2	5035318	2	STRAIGHT THREAD 90° ELBOW
1	0172230	1	SLAVE LEVEL CYLINDER – TB47J
1	0172224	1	CYLINDER, SLAVE LEVEL - (SEE HYDRAULICS PAGE 57 FOR PARTS BREAKDOWN)
2	5035318	2	STRAIGHT THREAD 90° ELBOW



AWM00267

Cylinder, Slave Level – Rosenboom – TB42/TB50

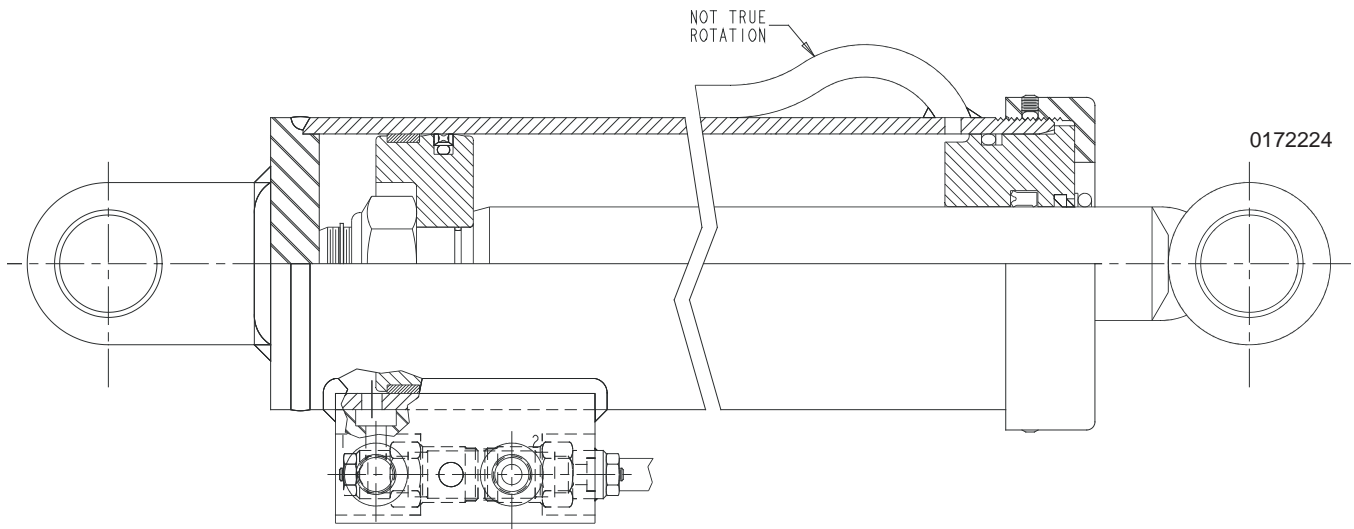
Item	Part No.	Qty.	Description
	0074713	1	CYLINDER, SLAVE LEVEL - ROSENBOOM
	6091260	1	SEAL REPAIR KIT - (KIT INCLUDES ITEMS 10 THROUGH 19)
1		1	CYLINDER TUBE - (NOT SOLD SEPARATELY)
2	6091258	1	ROD
3	6091255	1	HEAD GLAND CAP
4	6091257	1	HEAD GLAND
5	6091256	1	PISTON
6	6091259	1	LOCK NUT
7	5569835	1	SET SCREW 5/16-18 X 1/4 INCH LONG
8	2502416	4	BUSHING
9	6010794	2	CARTRIDGE HOLDING VALVE - (FACTORY PRESET, DO NOT RESET)
	0150563	1	SEAL REPAIR KIT
10	KIT ITEM	1	EXTERNAL SNAP RING - (NOT SOLD SEPARATELY)
11	KIT ITEM	1	O-RING - (NOT SOLD SEPARATELY)
12	KIT ITEM	1	O-RING - (NOT SOLD SEPARATELY)
13	KIT ITEM	1	BACK-UP RING - (NOT SOLD SEPARATELY)
14	KIT ITEM	1	T-SEAL - (NOT SOLD SEPARATELY)
15	KIT ITEM	1	DEEP Z-SEAL - (NOT SOLD SEPARATELY)
16	KIT ITEM	1	ROD WIPER - (NOT SOLD SEPARATELY)
17	KIT ITEM	1	WEARBAND - (NOT SOLD SEPARATELY)
18	KIT ITEM	2	WEARBAND - (NOT SOLD SEPARATELY)
19	KIT ITEM	1	LOCKING INSERT - (NOT SOLD SEPARATELY)



AWV00290

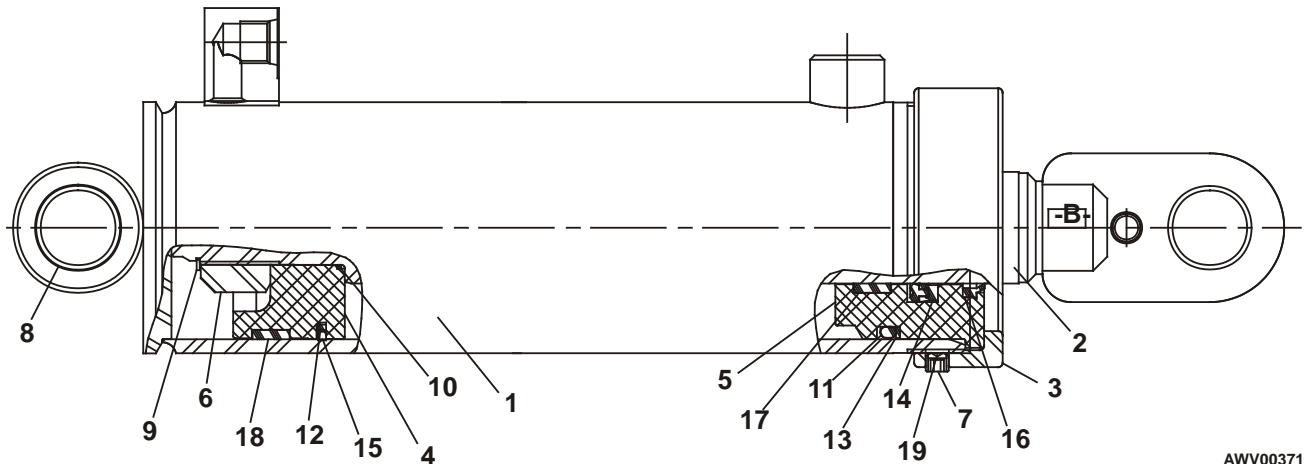
Cylinder, Slave Level – Green – TB47J

Item	Part No.	Qty.	Description
	0172224	1	CYLINDER, SLAVE LEVEL – GREEN
	8071007	1	SEAL KIT
	5035318	2	FTG ELB 90 STRTHD-6B-4S STL
	6019068	2	CARTRIDGE, COUNTERBALANCE



Cylinder, Steering – Rosenboom

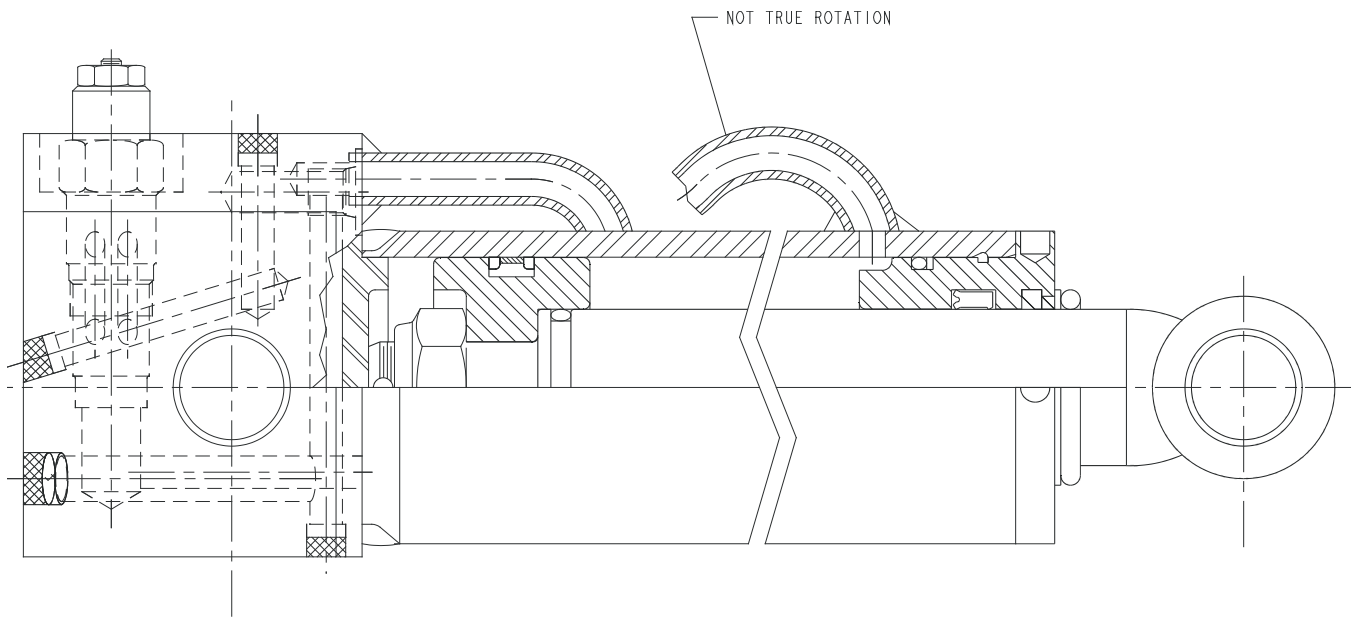
Item	Part No.	Qty.	Description
	0074732	1	CYLINDER, STEERING - ROSENBOOM
	6091313	1	SEAL REPAIR KIT - (KIT INCLUDES ITEMS 9 THROUGH 19)
1		1	TUBE - (NOT SOLD SEPARATELY)
2	6091309	1	ROD
3	6091312	1	HEAD GLAND CAP
4	6091310	1	PISTON
5	6091290	1	HEAD GLAND
6	6091237	1	LOCKING NUT
7	5569835	1	SET SCREW 5/16-18 X 1/4 INCH LONG
8	2501616	2	BUSHING
9	KIT ITEM	1	SNAP RING - (NOT SOLD SEPARATELY)
10	KIT ITEM	1	O-RING - (NOT SOLD SEPARATELY)
11	KIT ITEM	1	O-RING - (NOT SOLD SEPARATELY)
12	KIT ITEM	1	SQUARE RING - (NOT SOLD SEPARATELY)
13	KIT ITEM	1	BACK-UP - (NOT SOLD SEPARATELY)
14	KIT ITEM	1	DEEP Z-SEAL - (NOT SOLD SEPARATELY)
15	KIT ITEM	1	PISTON SEAL - (NOT SOLD SEPARATELY)
16	KIT ITEM	1	ROD WIPER - (NOT SOLD SEPARATELY)
17	KIT ITEM	1	WEARBAND - (NOT SOLD SEPARATELY)
18	KIT ITEM	1	WEARBAND - (NOT SOLD SEPARATELY)
19	KIT ITEM	1	LOCKING INSERT - (NOT SOLD SEPARATELY)



AWV00371

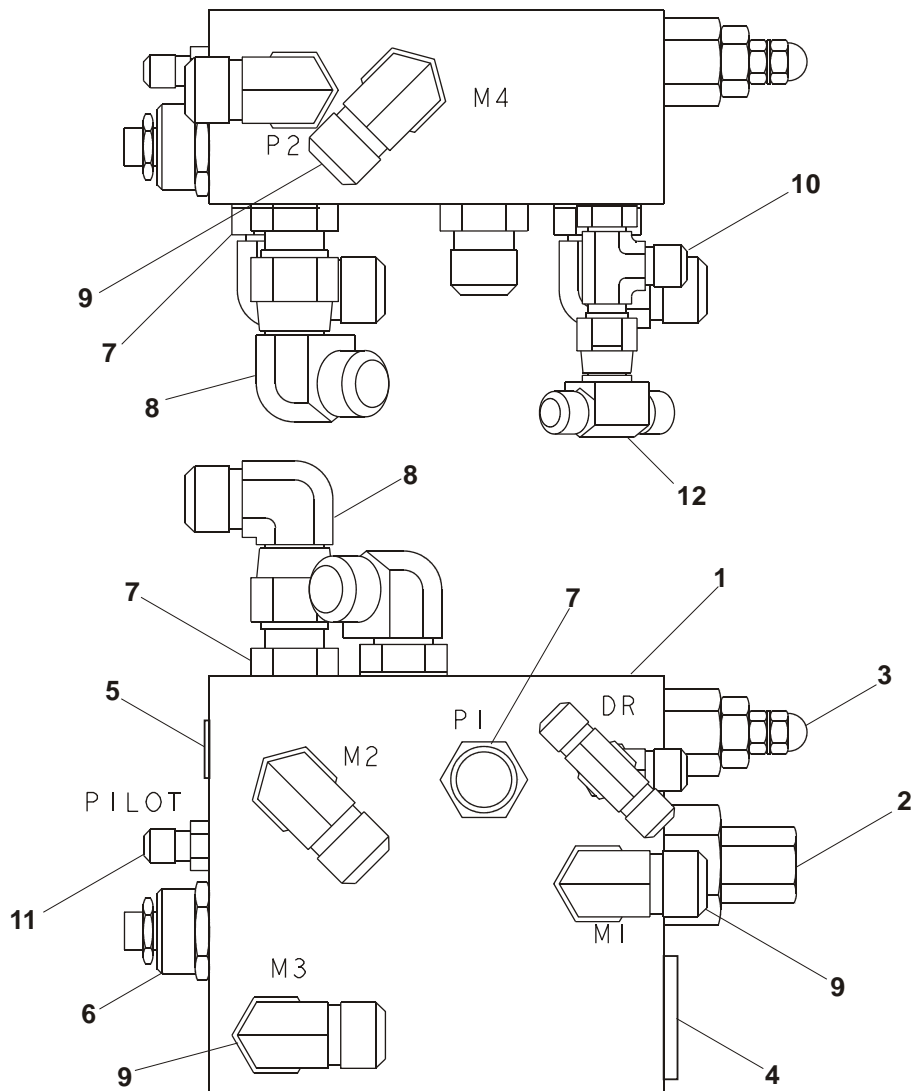
Cylinder, Jib – Green – TB47J

Item	Part No.	Qty.	Description
	6047114	1	CYLINDER, JIB – GREEN
	8071006	1	SEAL KIT
	6010606	2	CARTRIDGE, COUNTERBALANCE



Drive Valve

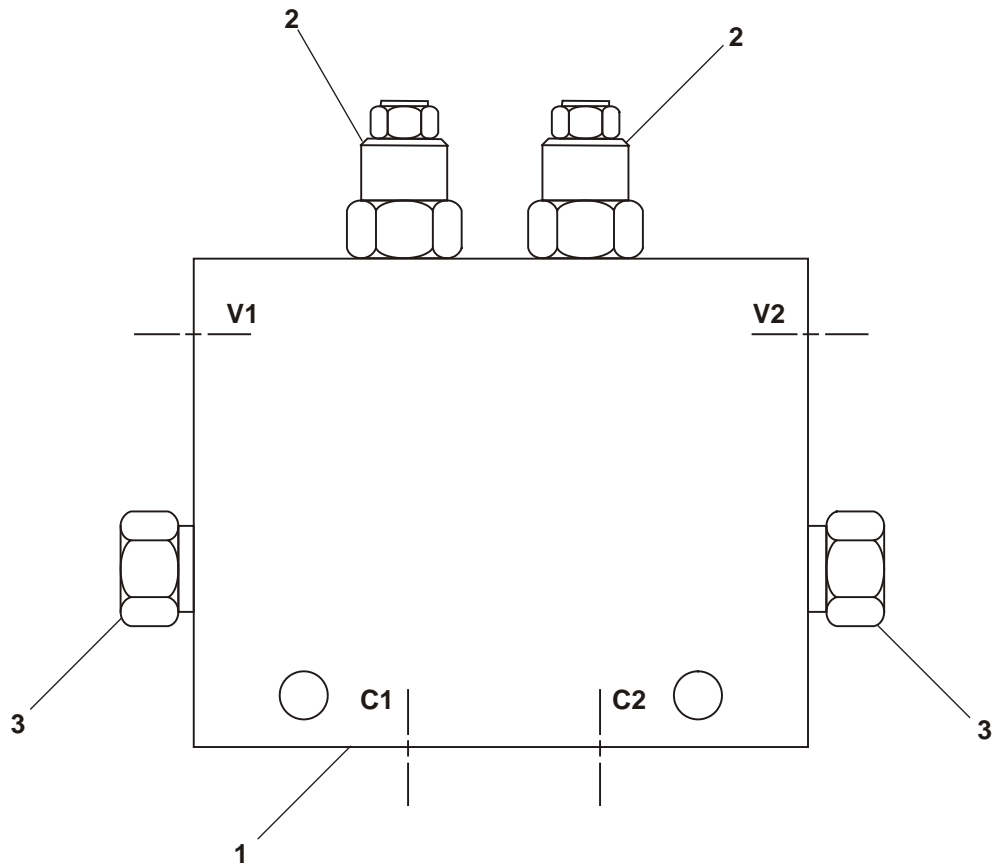
Item	Part No.	Qty.	Description
1	007095428	1	DRIVE VALVE
	6010102	1	VALVE, DRIVE CONTROL - (INCLUDES ITEMS 2, 3, 4, 5 AND 6)
	8160028	1	SEAL REPAIR KIT
2	8160029	1	FLOW DIVIDER/COMBINER
3	8160027	1	CARTRIDGE VALVE, 5 WAY
4	8160032	1	CARTRIDGE RELIEF VALVE - (PRESET BY FACTORY, DO NOT RESET)
5	8160030	1	FLOW CONTROL VALVE
6	8160031	1	CHECK VALVE
7	5065712	3	STRAIGHT THREAD ADAPTER
8	5037007	2	SWIVEL NUT 90° ELBOW
9	5035307	3	STRAIGHT THREAD 90° ELBOW
10	5036105	1	STRAIGHT THREAD RUN TEE
11	5065703	1	STRAIGHT THREAD ADAPTER
12	5036805	1	SWIVEL NUT BRANCH TEE



AW0070954

Dual Holding Valve

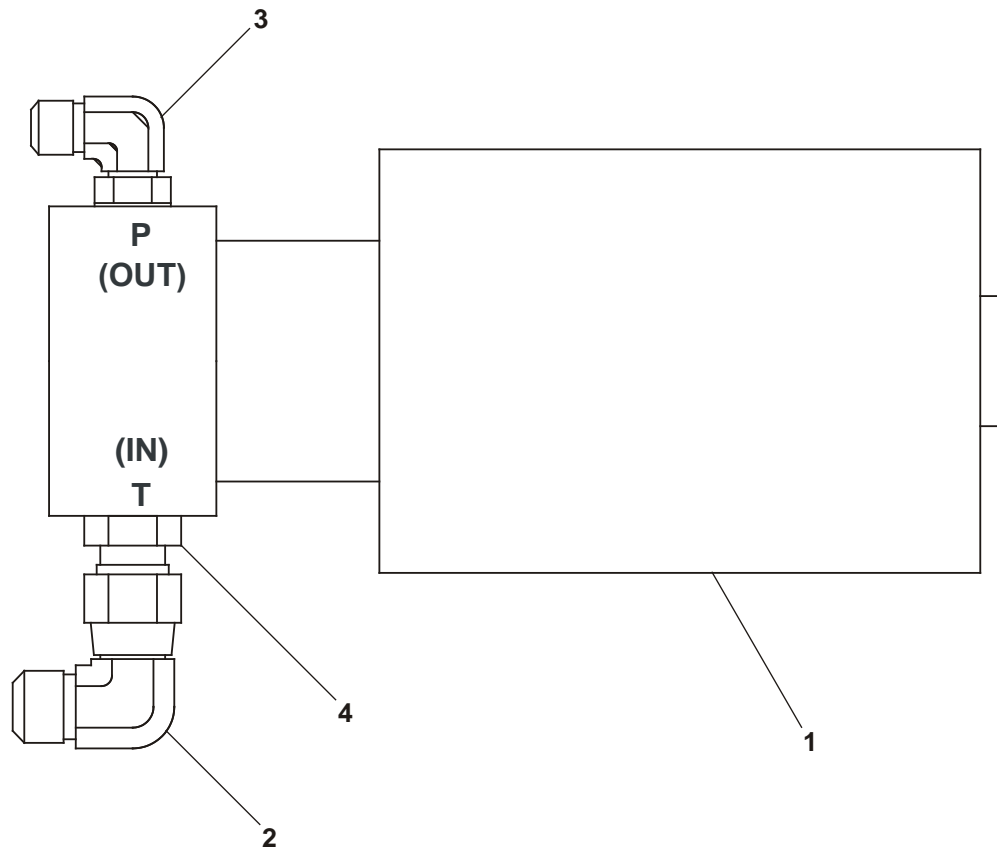
Item	Part No.	Qty.	Description
1	6010628	1	DUAL HOLDING VALVE, PLATFORM ROTATION
2	6010794	2	CARTRIDGE HOLDING VALVE - (PRESET BY FACTORY, DO NOT RESET)
	0150563	1	SEAL REPAIR KIT
3	6010640	2	FLOW CONTROL CARTRIDGE



AWV00209

Emergency Power Unit

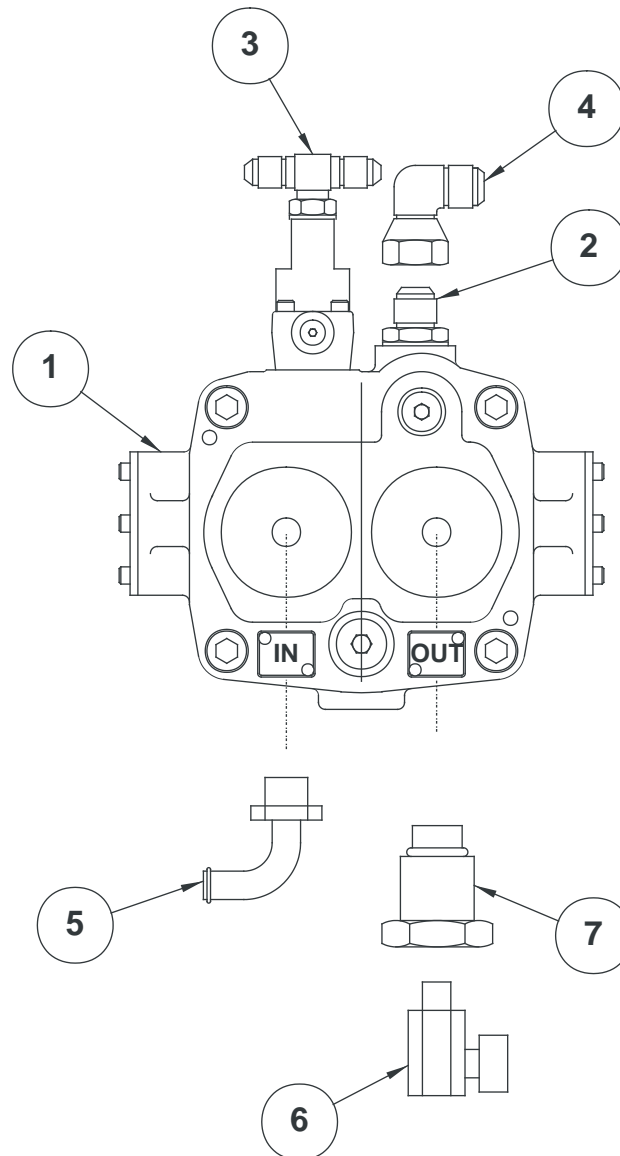
Item	Part No.	Qty.	Description
1	017228428	1	EMERGENCY POWER UNIT
1	6020058	1	EMERGENCY POWER MOTOR/PUMP
2	5035306	1	SWIVEL NUT 90° ELBOW
3	5035305	1	STRAIGHT THREAD 90° ELBOW
4	5065709	1	STRAIGHT THREAD ADAPTOR



AW0072940

Hydraulic Pump and Fittings – Deutz and Cummins Engines

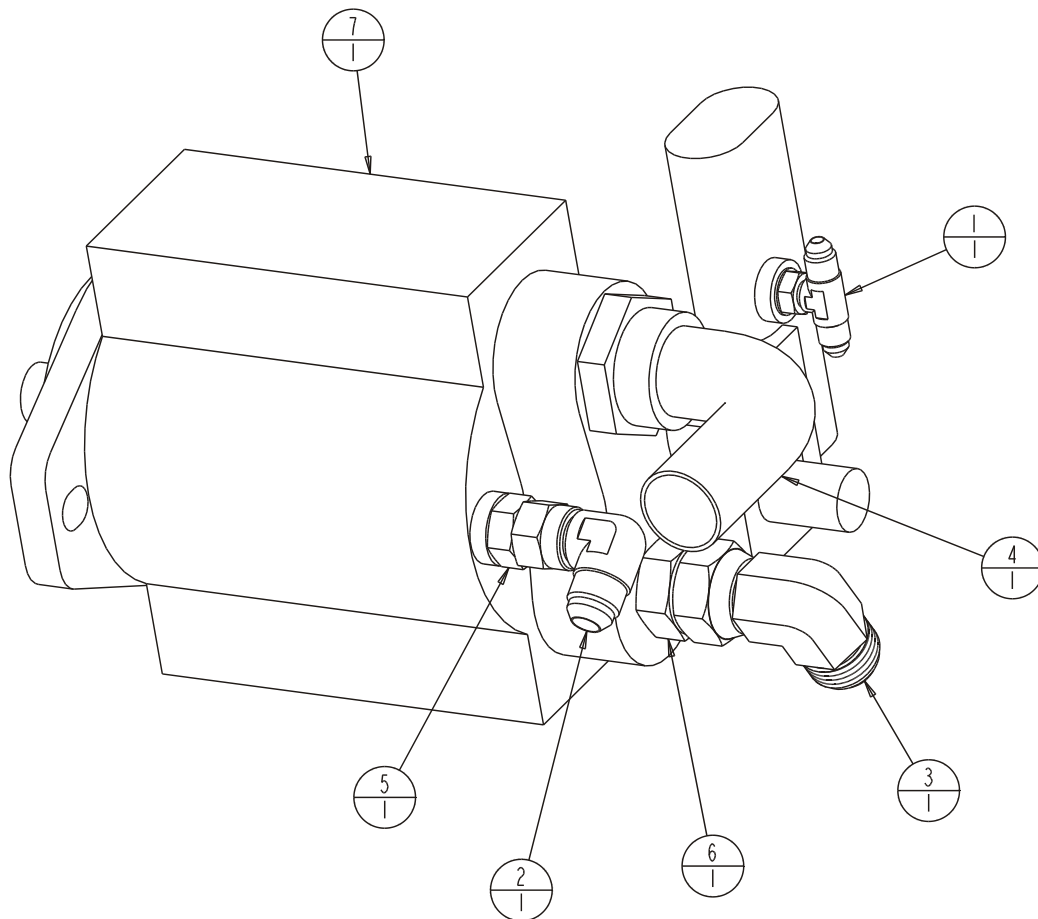
Item	Part No.	Qty.	Description
1	007349628	1	HYDRAULIC PUMP AND FITTINGS
	6020056	1	HYDRAULIC PUMP
	8160071	1	SEAL REPAIR KIT, PARKER PUMP
	8180017	1	SEAL REPAIR KIT, REXROTH PUMP
	8220082	1	SEAL REPAIR KIT, VICKERS PUMP
	8220090	1	REPLACEMENT COMPENSATOR - VICKERS PUMP
	8180019	1	REPLACEMENT COMPENSATOR - REXROTH PUMP
	6090021	1	REPLACEMENT COMPENSATOR - SUNSTRAND PUMP
2	5065709	1	STRAIGHT THREAD ADAPTER
3	5036503	1	STRAIGHT THREAD BRANCH TEE
4	5037006	1	SWIVEL NUT 90° ELBOW
5	5038001	1	BEADED 90° ELBOW
6	5021504	1	UNION CHECK VALVE
7	5076106	1	PIPE THREAD ADAPTER - (PARKER AND VICKERS PUMPS ONLY)



AW0073496

Hydraulic Pump and Fittings – Ford and GM Engines

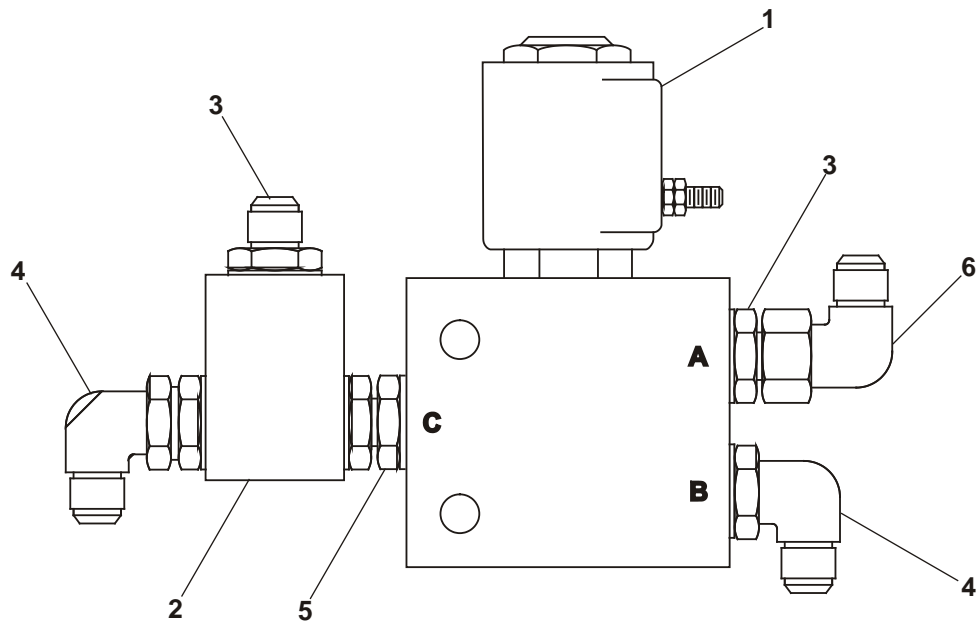
Item	Part No.	Qty.	Description
1	5036503	1	FTG TEE STRTHD BR-4B-4S STL
2	5037006	1	FTG ELB90SWVL-8S-8S STL
3	5037008	1	FTG ELB90SWVL-12S-12S STL
4	5038001	1	FTG ELB90BEADED-20H-20B STL
5	5065709	1	FTG ADPTR STRTHD-8B-8S STL
6	5065714	1	FTG ADPTR STRTHD-12B-12S STL
7	6020056	1	PUMP, PISTON, 1.5-2.0 CIR



0075082

Hydraulic Warm Up Valve

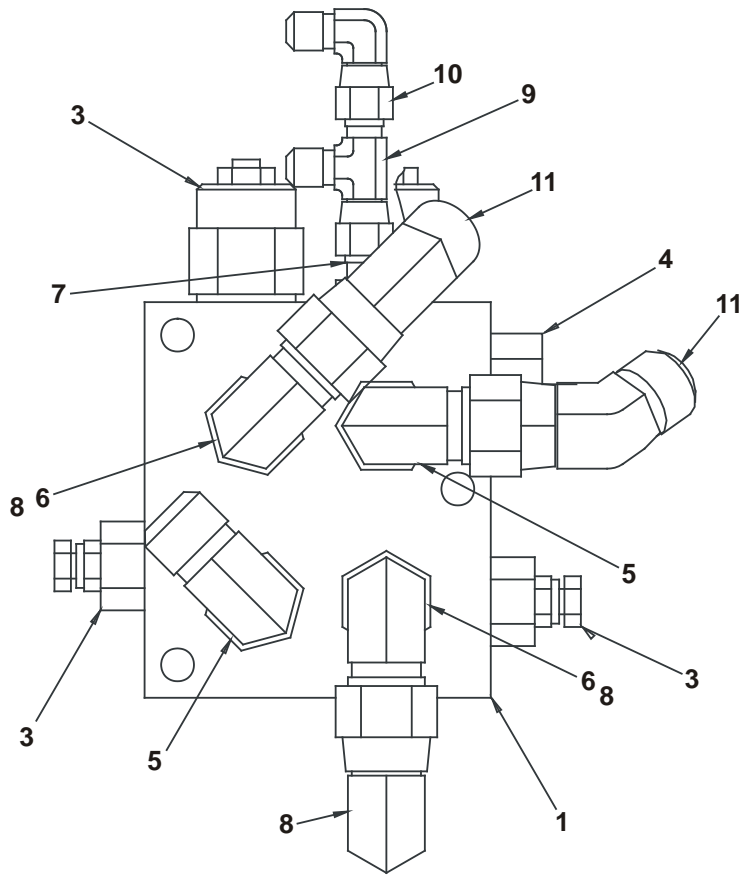
Item	Part No.	Qty.	Description
1	0073072	1	HYDRAULIC WARM-UP VALVE
	6010499	1	SOLENOID VALVE
	0073620	1	SEAL REPAIR KIT
	6010472	1	REPLACEMENT CARTRIDGE
	3040473	1	REPLACEMENT SOLENOID, 10 VOLT DC
2	6010083	1	SHUTTLE VALVE
3	5065705	2	STRAIGHT THREAD ADAPTER
4	5035318	2	STRAIGHT THREAD 90° ELBOW
5	5076301	1	UNION
6	5037003	1	SWIVEL NUT 90° ELBOW



AW0073072

Motion Control Valve, Drive

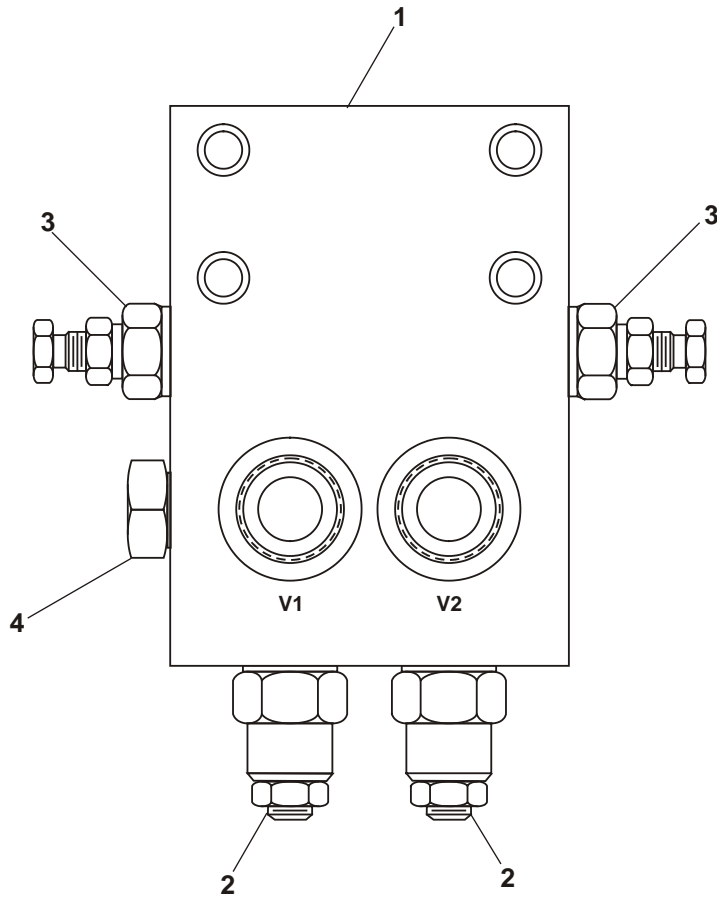
Item	Part No.	Qty.	Description
1	007302328	1	MOTION CONTROL VALVE, DRIVE
	6010251	1	VALVE, DRIVE MOTION CONTROL - (INCLUDES ITEMS 2, 3, AND 4)
	0073273	1	SEAL REPAIR KIT
2	6010496	2	COUNTERBALANCE CARTRIDGE - (FACTORY PRESET, DO NOT RESET)
3	6010497	2	SEQUENCE VALVE CARTRIDGE - (FACTORY PRESET, DO NOT RESET)
4	6010531	1	SHUTTLE VALVE
	0150562	1	SEAL REPAIR KIT
5	5035307	2	STRAIGHT THREAD 90° ELBOW
6	5065712	2	STRAIGHT THREAD ADAPTER
7	5065703	1	STRAIGHT THREAD ADAPTER
8	5037007	3	SWIVEL NUT 90° ELBOW
9	5036703	1	SWIVEL NUT RUN TEE
10	5037003	1	SWIVEL NUT 90° ELBOW
11	5036907	2	SWIVEL NUT 45° ELBOW



AW0073023

Motion Control Valve, Turntable Swing

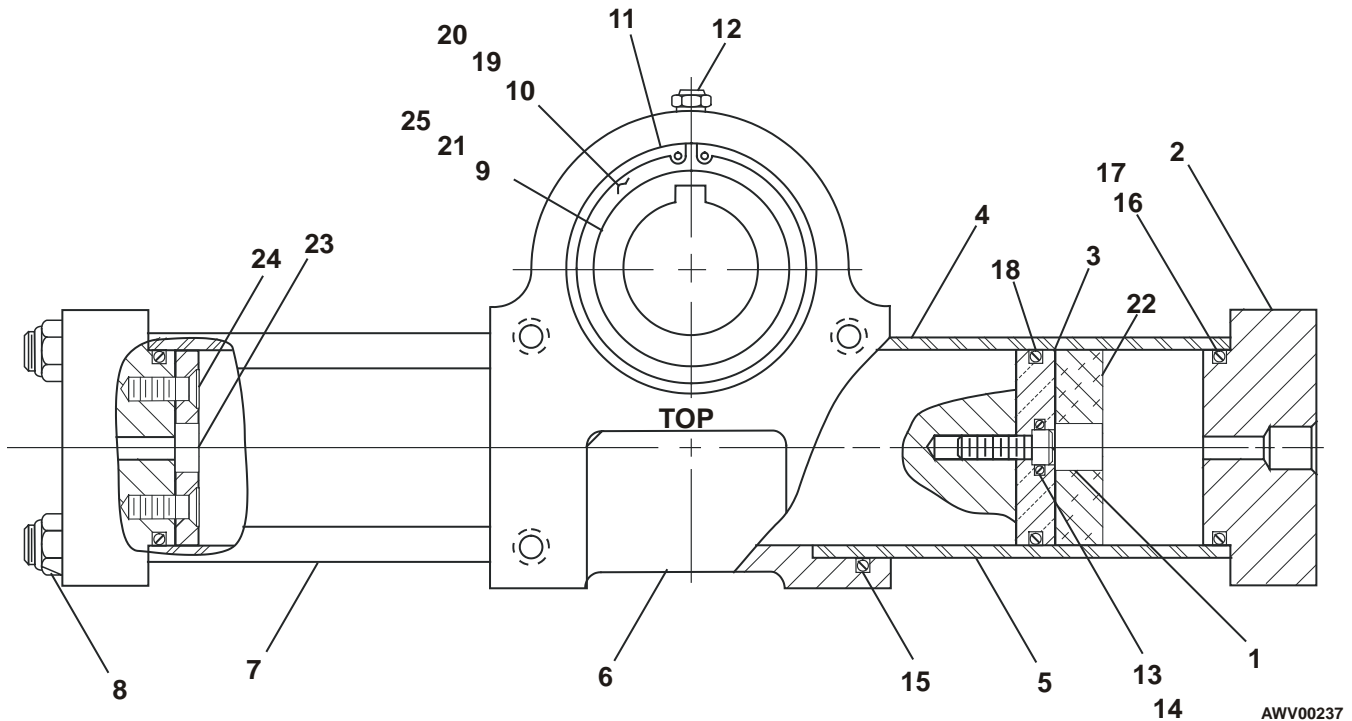
Item	Part No.	Qty.	Description
1	6010250	1	MOTION CONTROL VALVE, TURNTABLE SWING
2	6010256	2	COUNTERBALANCE VALVE CARTRIDGE - (PRESET BY FACTORY, DO NOT RESET)
3	6010321	2	CARTRIDGE RELIEF VALVE - (PRESET BY FACTORY, DO NOT RESET)
	0150563	1	SEAL REPAIR KIT
4	6010531	1	SHUTTLE VALVE
	0150562	1	SEAL REPAIR KIT



AWV00210

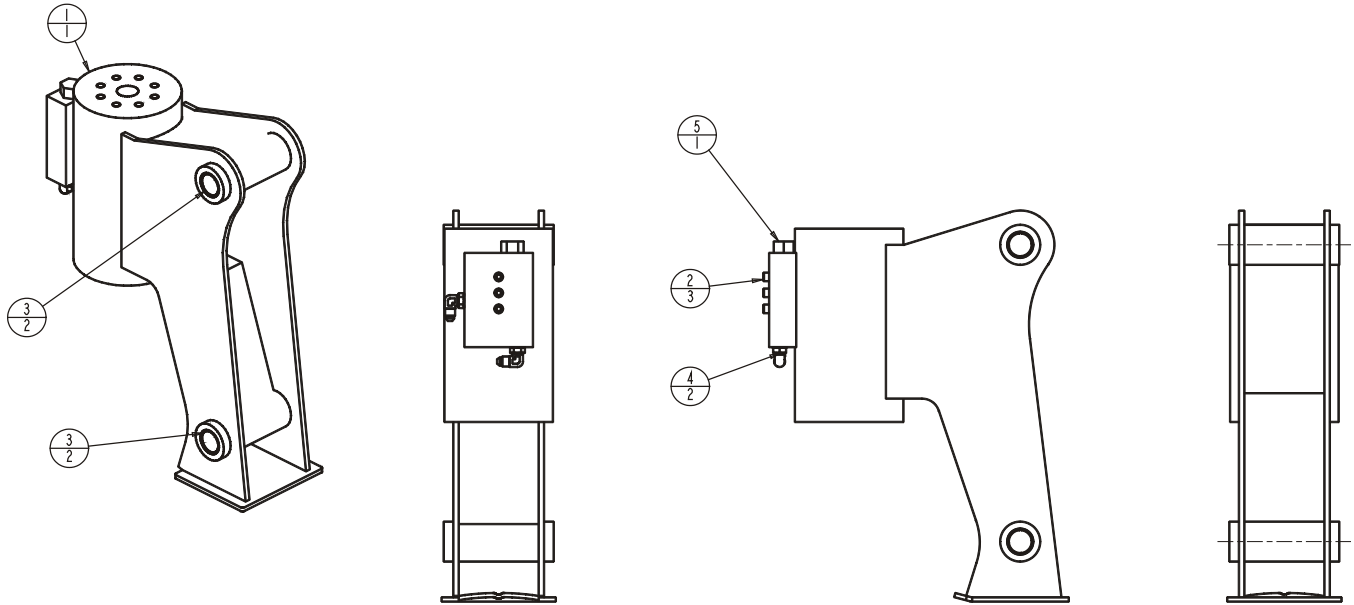
Platform Rotator – Parker – TB42/TB50

Item	Part No.	Qty.	Description
	0070570	1	PLATFORM ROTATOR, TB42 - (ITEMS 1 THROUGH 21)
	014037028	1	PLATFORM ROTATOR, TB50 - (ITEMS 1 THROUGH 24)
	0071275		SEAL REPAIR KIT - (KIT INCLUDES ITEMS 13 THROUGH 21)
1	8080018	2	RACK BOLT
2	8080016	2	END CAP
3	8080015	2	PISTON
4	8080040	2	CYLINDER
5	8080060	1	RACK
6	8080039	1	HOUSING
7	0073281	8	TIE ROD
8	8080041	8	LOCK NUT
9	8080061	1	PINION
10	8080038	2	PINION BUSHING
11	8080062	2	SNAP RING
12	8080064	1	RELIEF VALVE
13	KIT ITEM	2	O-RING - (NOT SOLD SEPARATELY)
14	KIT ITEM	2	PARBAT SEAL - (NOT SOLD SEPARATELY)
15	KIT ITEM	2	O-RING - (NOT SOLD SEPARATELY)
16	KIT ITEM	2	O-RING - (NOT SOLD SEPARATELY)
17	KIT ITEM	2	PARBAT SEAL - (NOT SOLD SEPARATELY)
18	KIT ITEM	2	POLYPAK SEAL - (NOT SOLD SEPARATELY)
19	KIT ITEM	2	O-RING - (NOT SOLD SEPARATELY)
20	KIT ITEM	2	PARBAT SEAL - (NOT SOLD SEPARATELY)
21	KIT ITEM	1	O-RING - (NOT SOLD SEPARATELY)
22	0072521	1	STROKE LIMITER (TB50 ONLY)
23	0140492	1	SPACER (TB50 ONLY)
24	5560331	2	CAPSCREW 1/4-20 X 1 INCH LONG SOCKET FLAT HEAD
25	0074371	2	THRUST RING (ON EACH END OF PINION)



Platform Rotator – TB47J

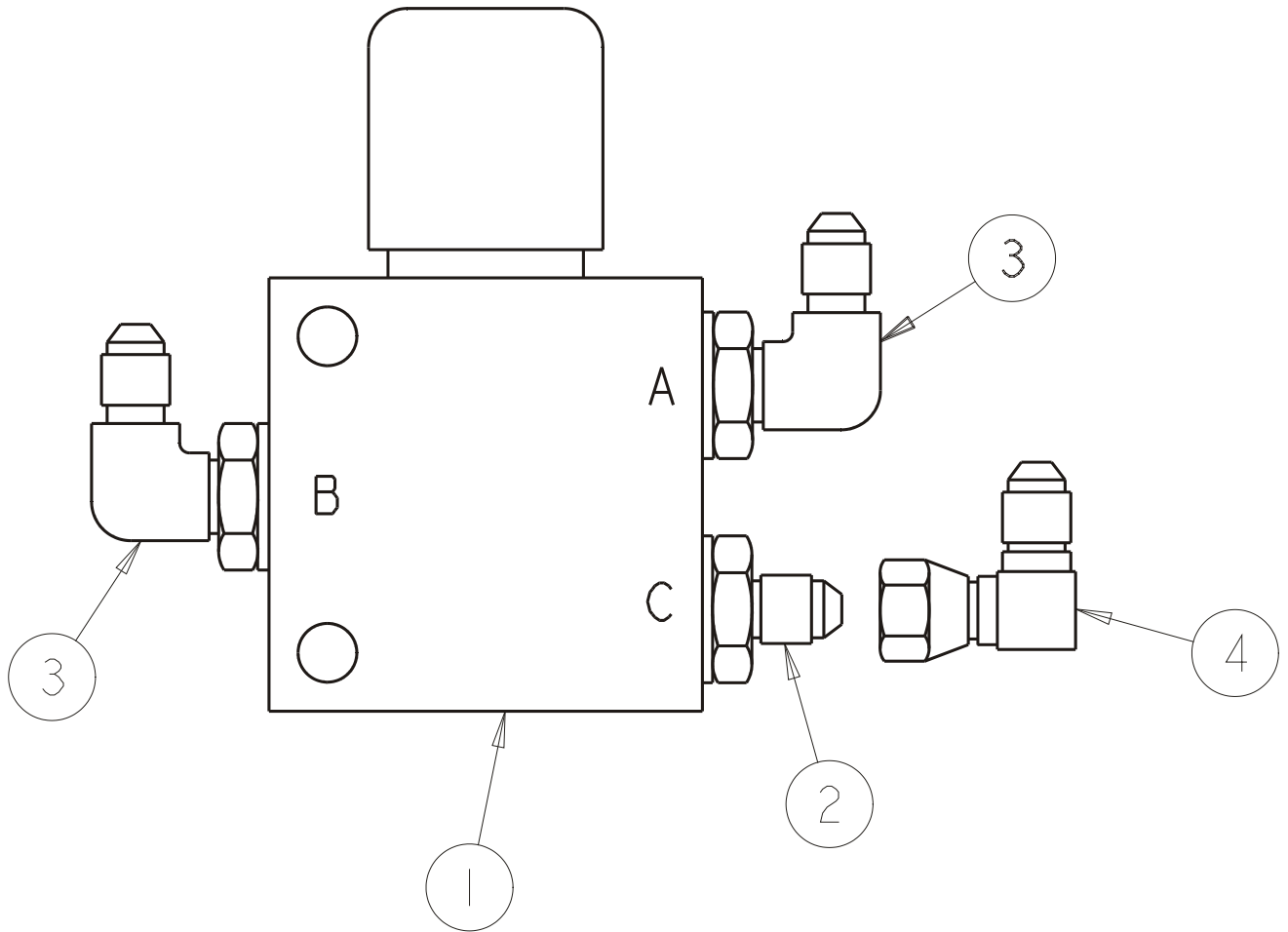
Item	Part No.	Qty.	Description
1	017223328	1	PLATFORM ROTATOR, TB47J - (ITEMS 1 THROUGH 5)
	0172188	1	HELAC ROTATOR
	8080152		SEAL KIT
	8080153		BEARING KIT
	8080154		HARDWARE KIT
	8080155		STOP TUBE
	8080156		COUNTERBALANCE VALVE ASSEMBLY
2	978419	3	BOLT SKTHD .25 - 20 1.50
3	2500060	4	BEARING 1.0 ID X 1.120 OD X 1.00 LG
4	5035303	2	FITTING ELBOW 90 STRTHD-4B-4S STL
5	6019089	1	VALVE DUAL COUNTERBALANCE



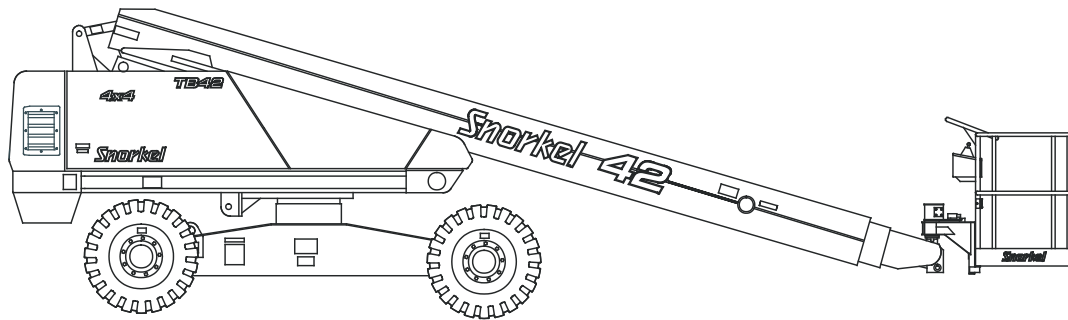
0172233

Sense Line Dump Valve

Item	Part No.	Qty.	Description
1	6010499	1	VALVE ASSY 3WAY 10 VOLT SINGLE FLUID TECH
	6010500	1	VALVE 3 WAY CARTRIDGE WITH 10 VOLT COIL HYDRAFORCE
	0073620	1	SEAL KIT
	3040473	1	COIL ONLY, 10 VOLT DC
	6010472	1	VALVE 3 WAY CARTRIDGE ONLY
2	5065705	1	FTG ADPTR STRTHD-6B-4S STL
3	5035318	2	FTG ELB90STRTHD-6B-4S STL
4	5037003	1	FTG ELB90SWVL-4S-4S STL

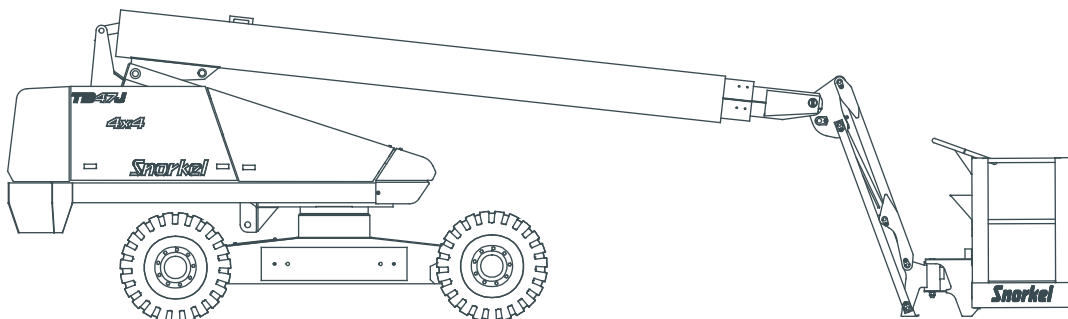


Electrical



TB42 TB50

Manufactured 02-05 and after
With Simplified Hydraulics



TB47J

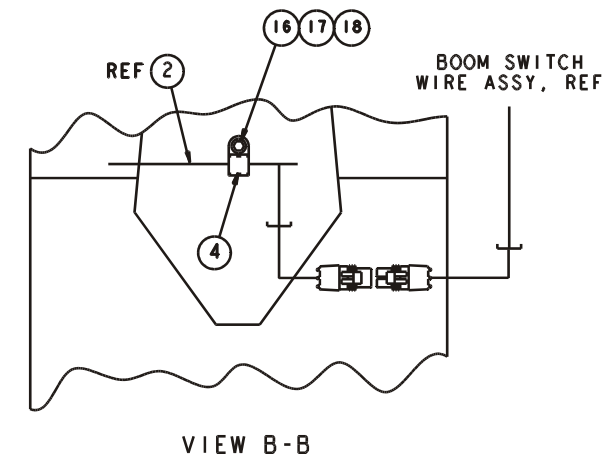
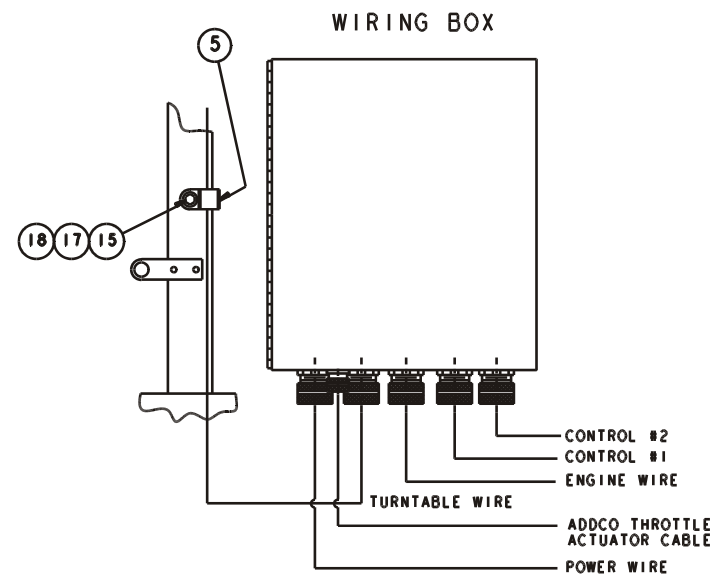
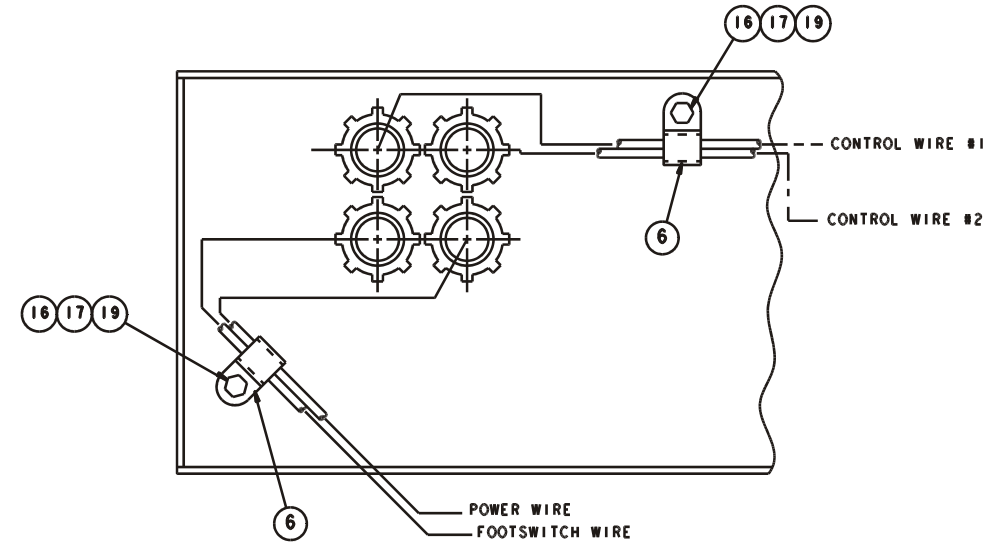
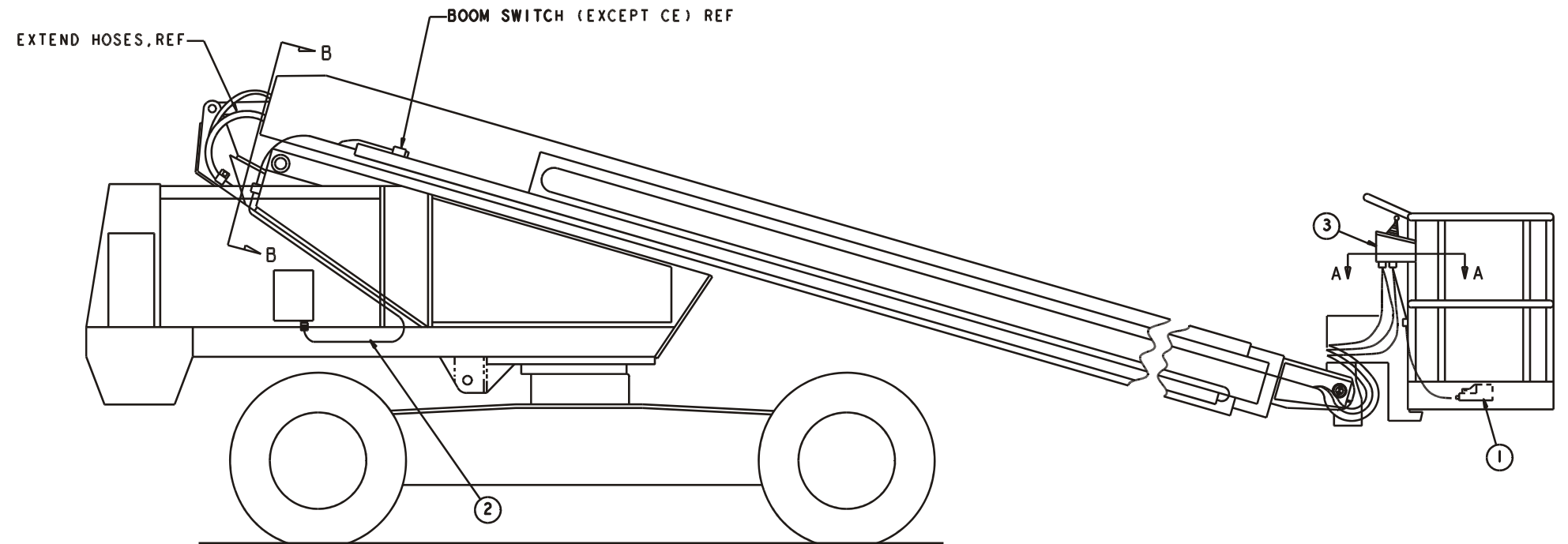
With Simplified Hydraulics

Snorkel
INTERNATIONAL

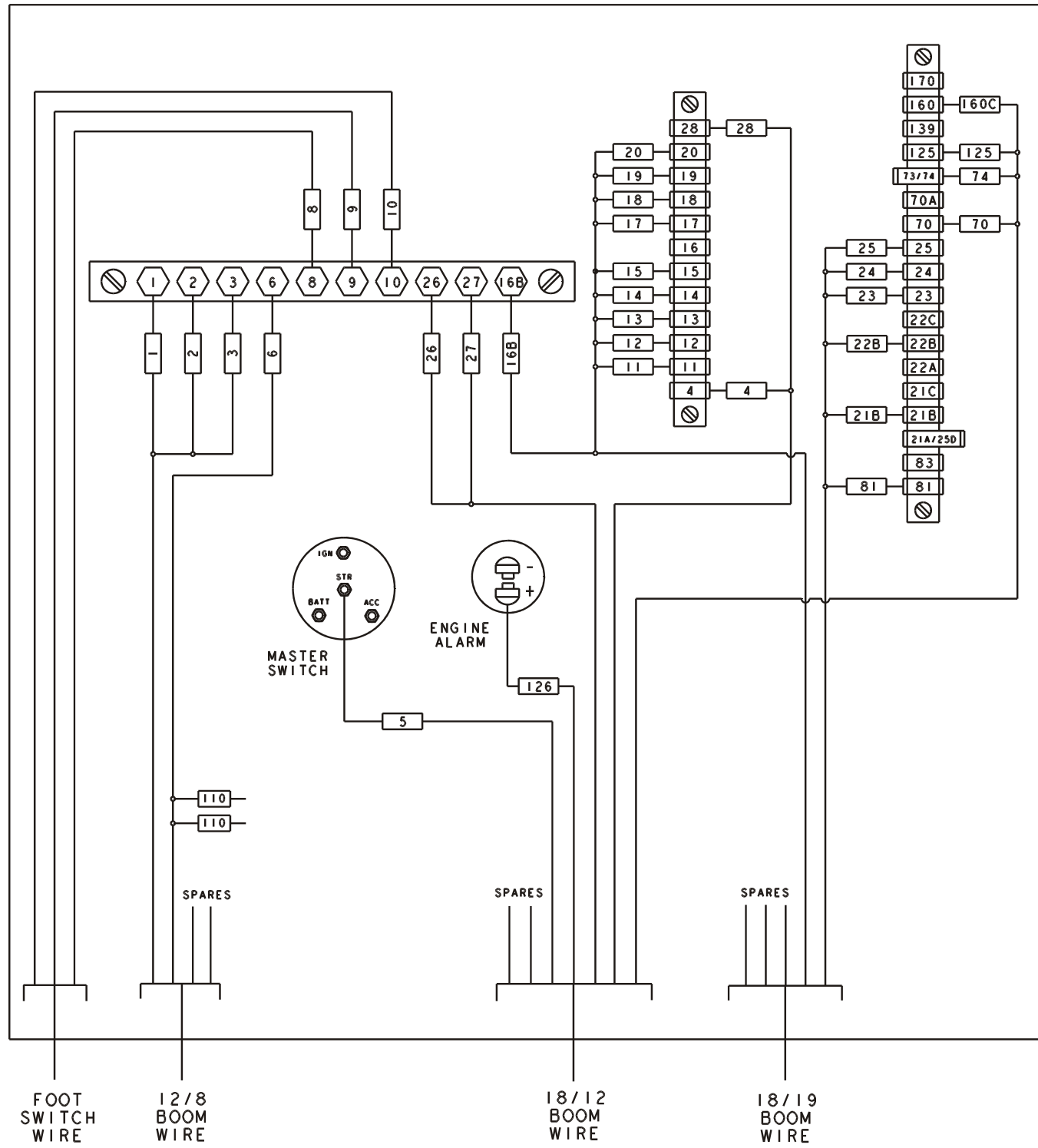
12/8 POWER WIRE				
WIRE NO.	BRAND REX WIRE COLOR	FUNCTION	WIRING BOX TERMINALS	PLT. BOX TERMINALS
1	RED	PWR TO PLATFORM	ITEM 11	ITEM 11
2	RED/BLK	PWR TO PLATFORM	ITEM 11	ITEM 11
3	BLACK	GROUND	ITEM 11	ITEM 11
6	ORANGE	EMER. POWER	ITEM 11	ITEM 11
110	BLUE	110- POWER	NONE	NONE
110	BROWN	110- NEUTRAL	NONE	NONE
	YELLOW	SPARE		
	BLUE/BLK	SPARE		

18/12 CONTROL WIRE NO. 1				
WIRE NO.	BRAND REX WIRE COLOR	FUNCTION	WIRING BOX TERMINALS	PLT. BOX TERMINALS
4	BLACK	RUN-FROM PLAT	ITEM 10	ITEM 14
5	BROWN/BLK	START-FROM PLAT	ITEM 10	ITEM 10
26	YELLOW	PLAT ROT-CW	ITEM 14	ITEM 10
27	BLUE	PLAT ROT-CCW	ITEM 14	ITEM 10
28	BLK/RED	SENSE LINE DUMP	ITEM 14	ITEM 14
70	RED	HI/LO SPD SIGNAL	ITEM 14	ITEM 14
74	BLUE/BLK	TILT ALARM-POWER	ITEM 14	ITEM 14
125	RED/BLK	THROTTLE-HI	ITEM 10	ITEM 14
126	ORANGE	ENGINE KILL SIGNAL	ITEM 10	ITEM 13
160C	ORANGE/BLK	HYD VALVE SIGNAL	ITEM 14	ITEM 14
	BROWN	SPARE		
	YELLOW/BLK	SPARE		

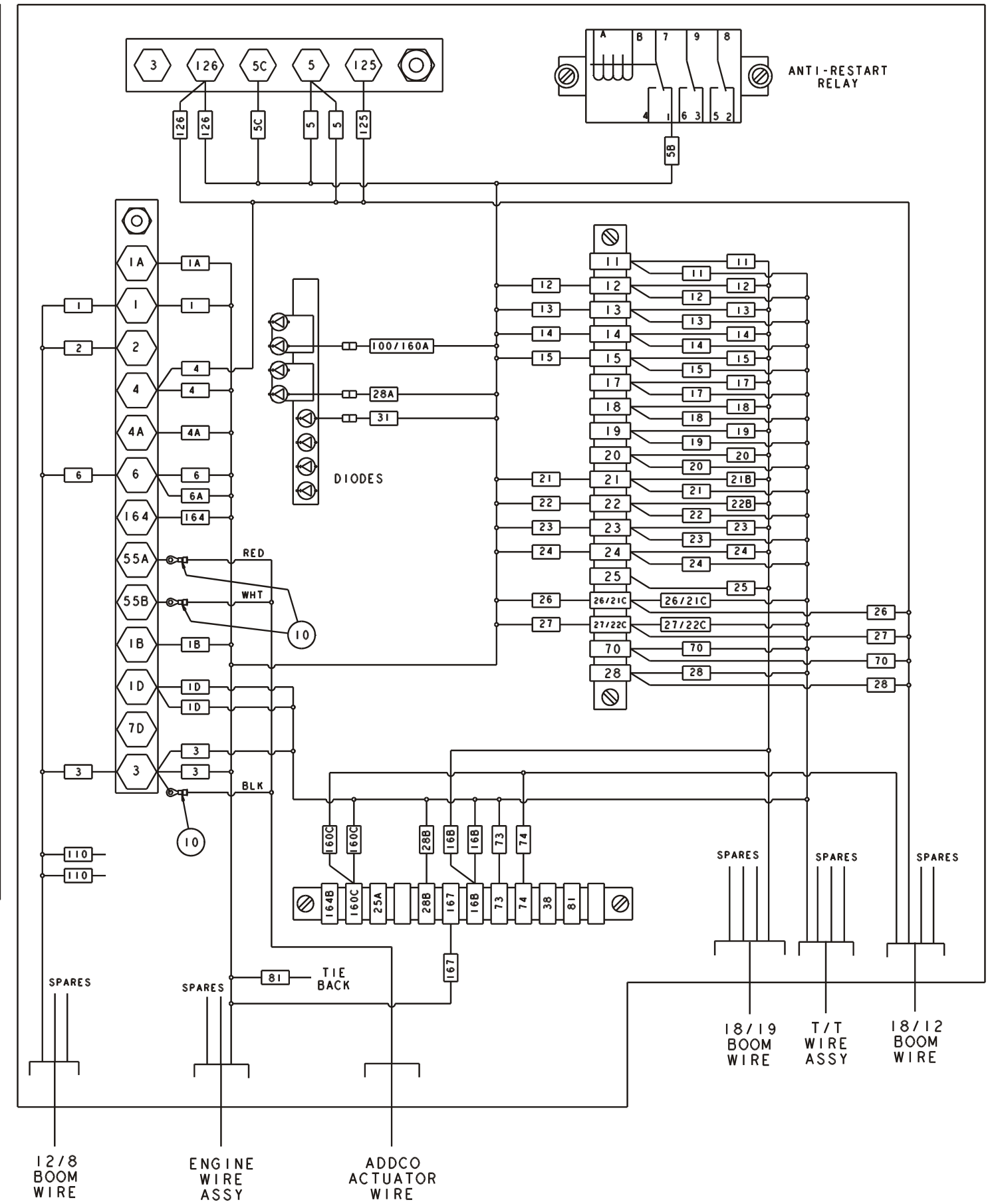
18/19 CONTROL WIRE NO. 2				
WIRE NO.	BRAND REX WIRE COLOR	FUNCTION	WIRING BOX TERMINALS	PLT. BOX TERMINALS
11	BLACK/RED	RANGE	ITEM 14	ITEM 14
12	BLUE/RED	LEVEL-DN	ITEM 14	ITEM 14
13	ORANGE/RED	LEVEL-UP	ITEM 14	ITEM 14
14	YELLOW/RED	BOOM-EXT	ITEM 14	ITEM 14
15	BROWN	BOOM-RET	ITEM 14	ITEM 14
16B	BLUE	SPD TO WIRING BOX	ITEM 14	ITEM 10
17	ORANGE	DRIVE-FWD	ITEM 14	ITEM 14
18	YELLOW/BLK	DRIVE-REV	ITEM 14	ITEM 14
19	BROWN/RED	STEER-LEFT	ITEM 14	ITEM 14
20	BLUE/BLK	STEER-RIGHT	ITEM 14	ITEM 14
21B	ORNG/BLUE	MAIN BOOM-DN	ITEM 14	ITEM 14
22B	RED/BLK	MAIN BOOM-UP	ITEM 14	ITEM 14
23	BLK/BLUE	SWING-CCW	ITEM 14	ITEM 14
24	BROWN/BLK	SWING-CW	ITEM 14	ITEM 14
25	BLACK	THROTTLE-MED	ITEM 14	ITEM 14
	ORANGE/BLK	SPARE		
	RED	SPARE		
	YELLOW	SPARE		
	RED/BLUE	SPARE		



PLATFORM BOX



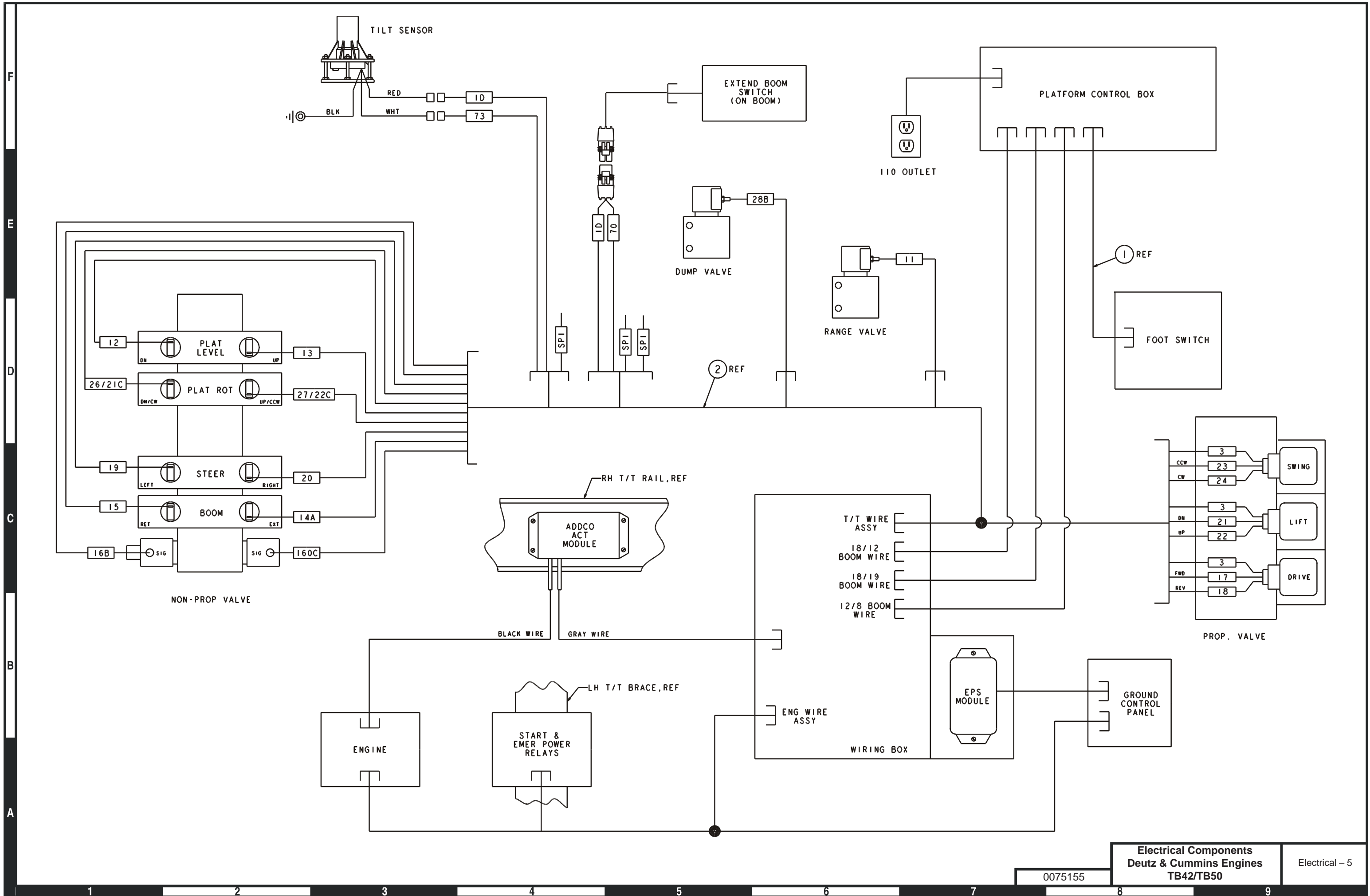
WIRING BOX

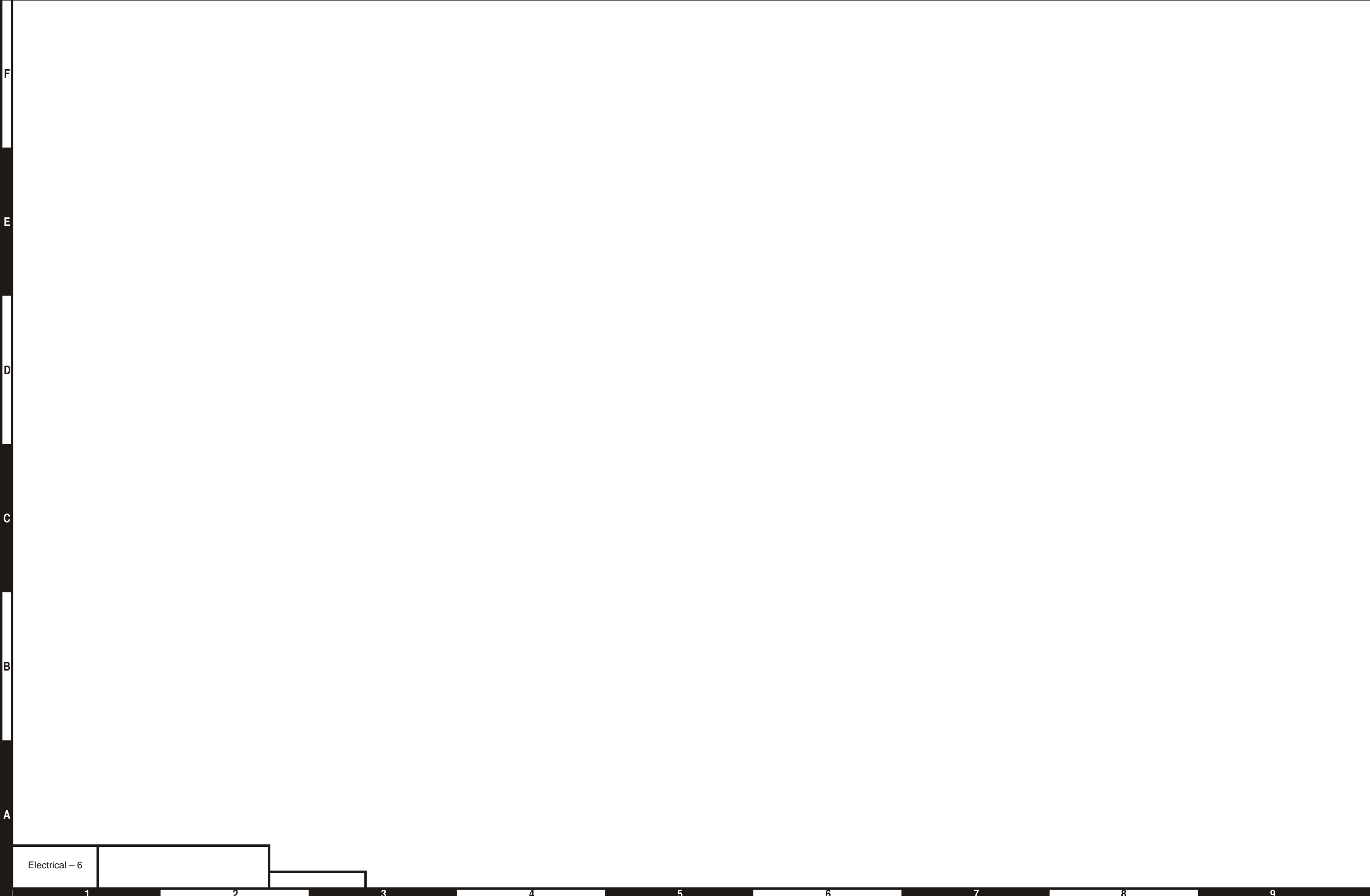


F
E
D
C
B
A

FOOT SWITCH WIRE
12/8 BOOM WIRE
18/12 BOOM WIRE
18/19 BOOM WIRE

12/8 BOOM WIRE
ENGINE WIRE ASSY
ADDCO ACTUATOR WIRE
18/19 BOOM WIRE
T/T WIRE ASSY
18/12 BOOM WIRE





F

E

D

C

B

A

Electrical - 6

1

2

3

4

5

6

7

8

9

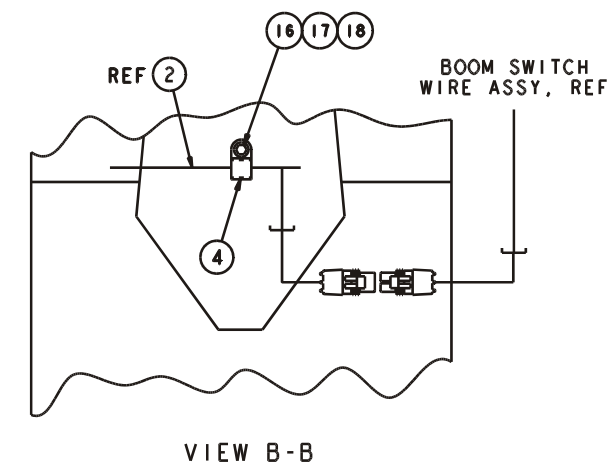
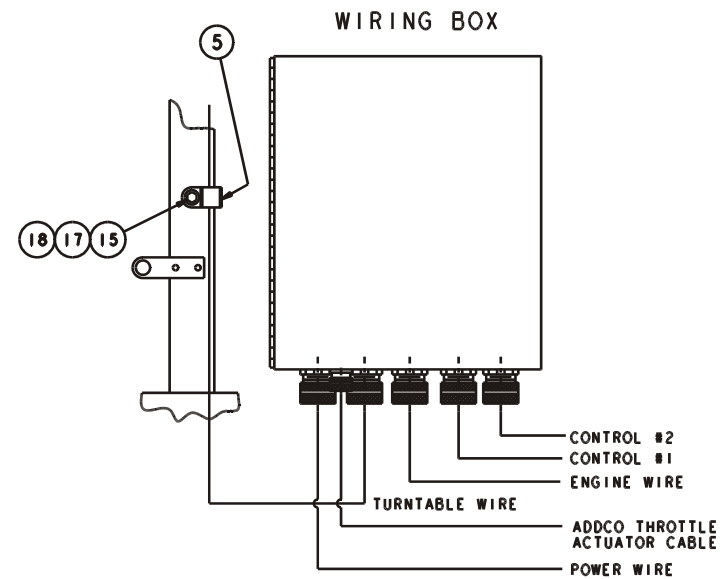
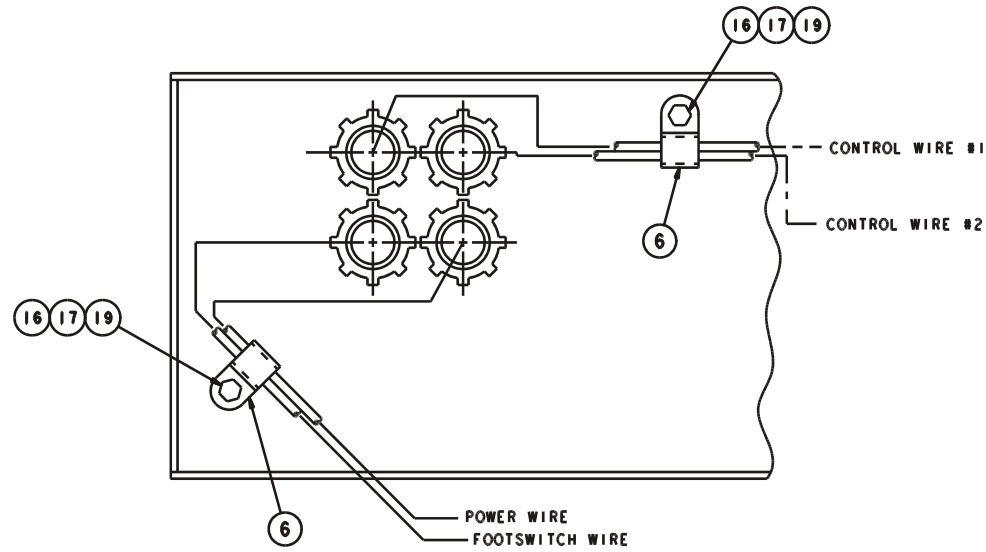
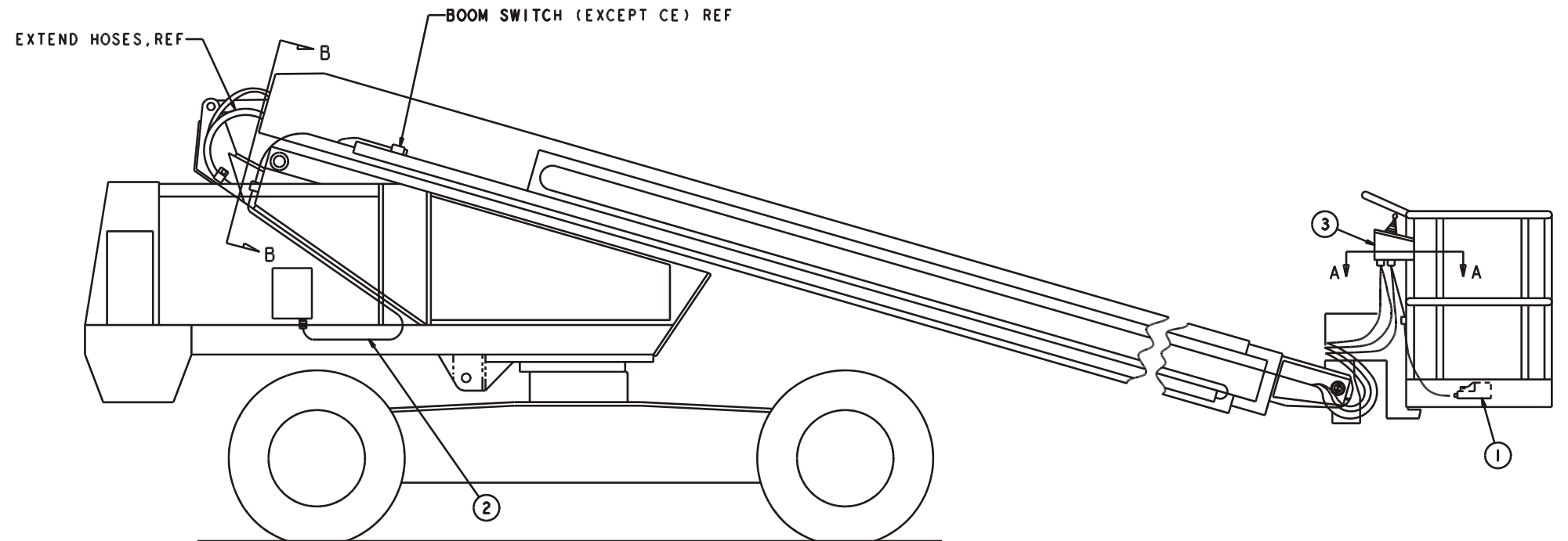
Electrical Components, Deutz and Cummins Engines – TB42/TB50

Item	Part No.	Qty.	Description
1	007180028	1	FOOT SWITCH ASSEMBLY
2	0075112	1	TURNTABLE WIRE ASSY TB47J
3	0075156	1	PLAT BOX ASSY - SIM HYD
4	5093012	1	CLP CUSH 1.75
5	5093010	1	CLP CUS 1.50
6	5093008	2	CLP CUSH 1.06
10	3044146	10	TERM R10I 22/18
11	3044854	9	TERM R10I 12/10
13	3044142	1	TERM R6I 22/18
14	3046972	42	TERM FEM188I 22/18
15	970029	1	BLT .250-20 X .75 HH
16	970049	3	BLT .250-20 X 1.00 HH
17	986019	4	WSHR FLAT .25
18	987099	2	WSHR LOCK .25
19	5560004	2	NUT LKG. 250-20

12/8 POWER WIRE				
WIRE NO.	BRAND REX WIRE COLOR	FUNCTION	WIRING BOX TERMINALS	PLT. BOX TERMINALS
1	RED	PWR TO PLATFORM	ITEM 11	ITEM 11
2	RED/BLK	PWR TO PLATFORM	ITEM 11	ITEM 11
3	BLACK	GROUND	ITEM 11	ITEM 11
6	ORANGE	EMER. POWER	ITEM 11	ITEM 11
110	BLUE	110- POWER	NONE	NONE
110	BROWN	110- NEUTRAL	NONE	NONE
	YELLOW	SPARE		
	BLUE/BLK	SPARE		

18/12 CONTROL WIRE NO. 1				
WIRE NO.	BRAND REX WIRE COLOR	FUNCTION	WIRING BOX TERMINALS	PLT. BOX TERMINALS
4	BLACK	RUN-FROM PLAT	ITEM 7	ITEM 14
5	BROWN/BLK	START-FROM PLAT	ITEM 10	ITEM 10
26	YELLOW	PLAT ROT-CW	ITEM 14	ITEM 10
27	BLUE	PLAT ROT-CCW	ITEM 14	ITEM 10
28	BLK/RED	SENSE LINE DUMP	ITEM 14	ITEM 14
70	RED	HI/LO SPD SIGNAL	ITEM 14	ITEM 14
74	BLUE/BLK	TILT ALARM-POWER	ITEM 14	ITEM 14
125	RED/BLK	THROTTLE-HI	ITEM 10	ITEM 14
126	ORANGE	ENGINE KILL SIGNAL	ITEM 10	ITEM 13
160C	ORANGE/BLK	HYD VALVE SIGNAL	ITEM 14	ITEM 14
	BROWN	SPARE		
	YELLOW/BLK	SPARE		

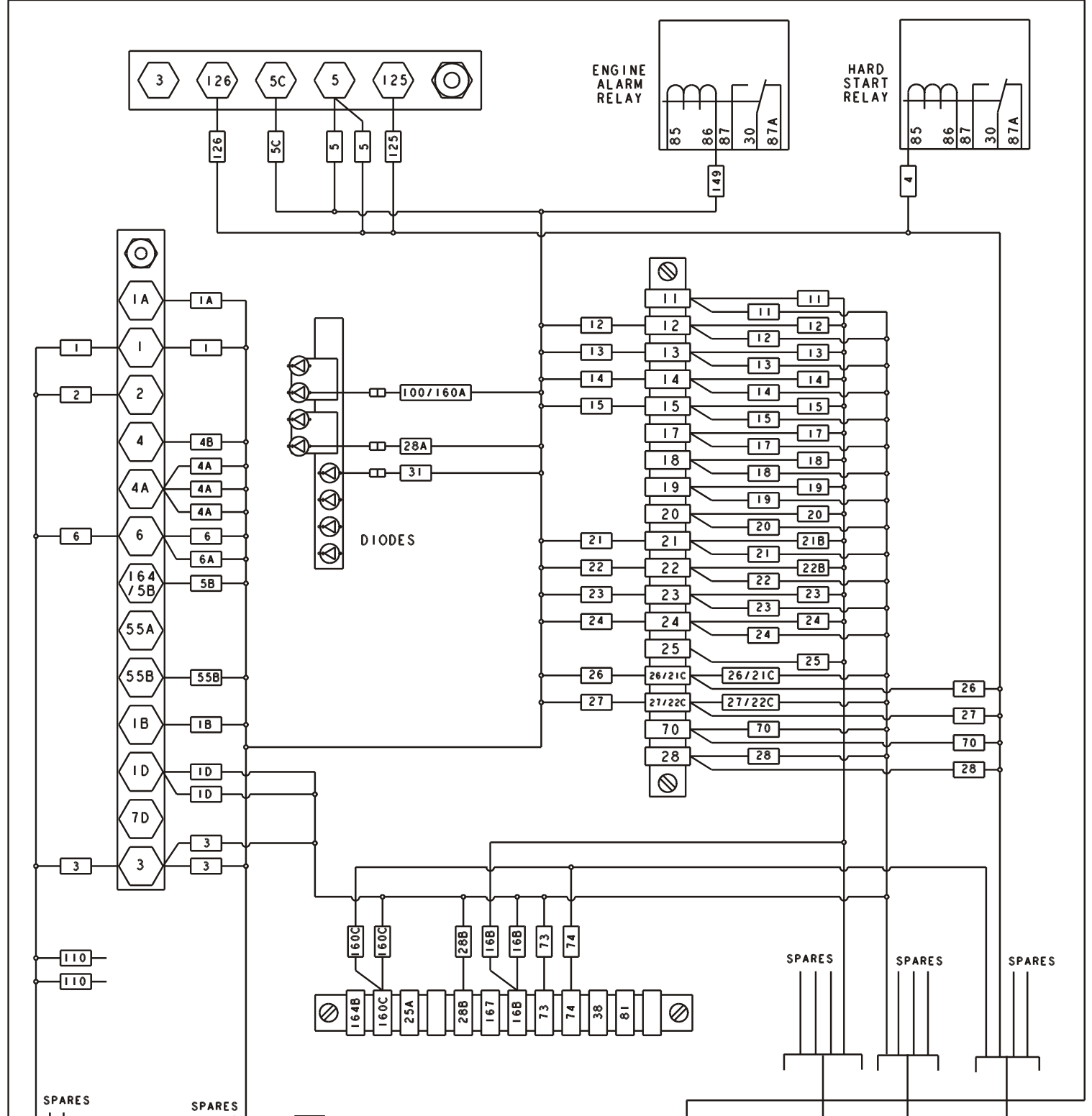
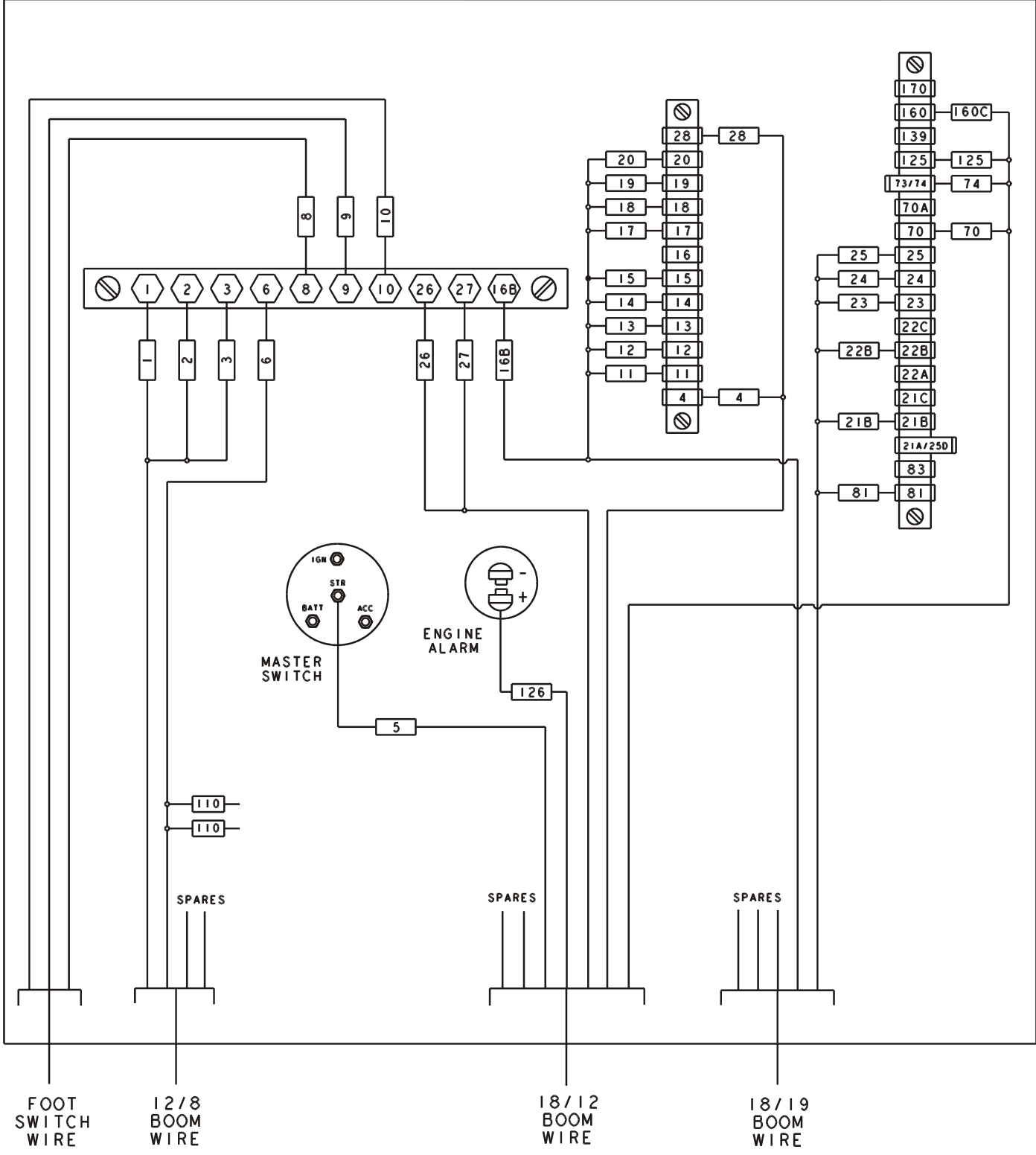
18/19 CONTROL WIRE NO. 2				
WIRE NO.	BRAND REX WIRE COLOR	FUNCTION	WIRING BOX TERMINALS	PLT. BOX TERMINALS
11	BLACK/RED	RANGE	ITEM 14	ITEM 14
12	BLUE/RED	LEVEL-DN	ITEM 14	ITEM 14
13	ORANGE/RED	LEVEL-UP	ITEM 14	ITEM 14
14	YELLOW/RED	BOOM-EXT	ITEM 14	ITEM 14
15	BROWN	BOOM-RET	ITEM 14	ITEM 14
16B	BLUE	SPD TO WIRING BOX	ITEM 14	ITEM 10
17	ORANGE	DRIVE-FWD	ITEM 14	ITEM 14
18	YELLOW/BLK	DRIVE-REV	ITEM 14	ITEM 14
19	BROWN/RED	STEER-LEFT	ITEM 14	ITEM 14
20	BLUE/BLK	STEER-RIGHT	ITEM 14	ITEM 14
21B	ORNG/BLUE	MAIN BOOM-DN	ITEM 14	ITEM 14
22B	RED/BLK	MAIN BOOM-UP	ITEM 14	ITEM 14
23	BLK/BLUE	SWING-CCW	ITEM 14	ITEM 14
24	BROWN/BLK	SWING-CW	ITEM 14	ITEM 14
25	BLACK	THROTTLE-MED	ITEM 14	ITEM 14
	ORANGE/BLK	SPARE		
	RED	SPARE		
	YELLOW	SPARE		
	RED/BLUE	SPARE		



PLATFORM BOX

A SEE SHEET ONE JR HHH 2-22-05 2005-0044

WIRING BOX

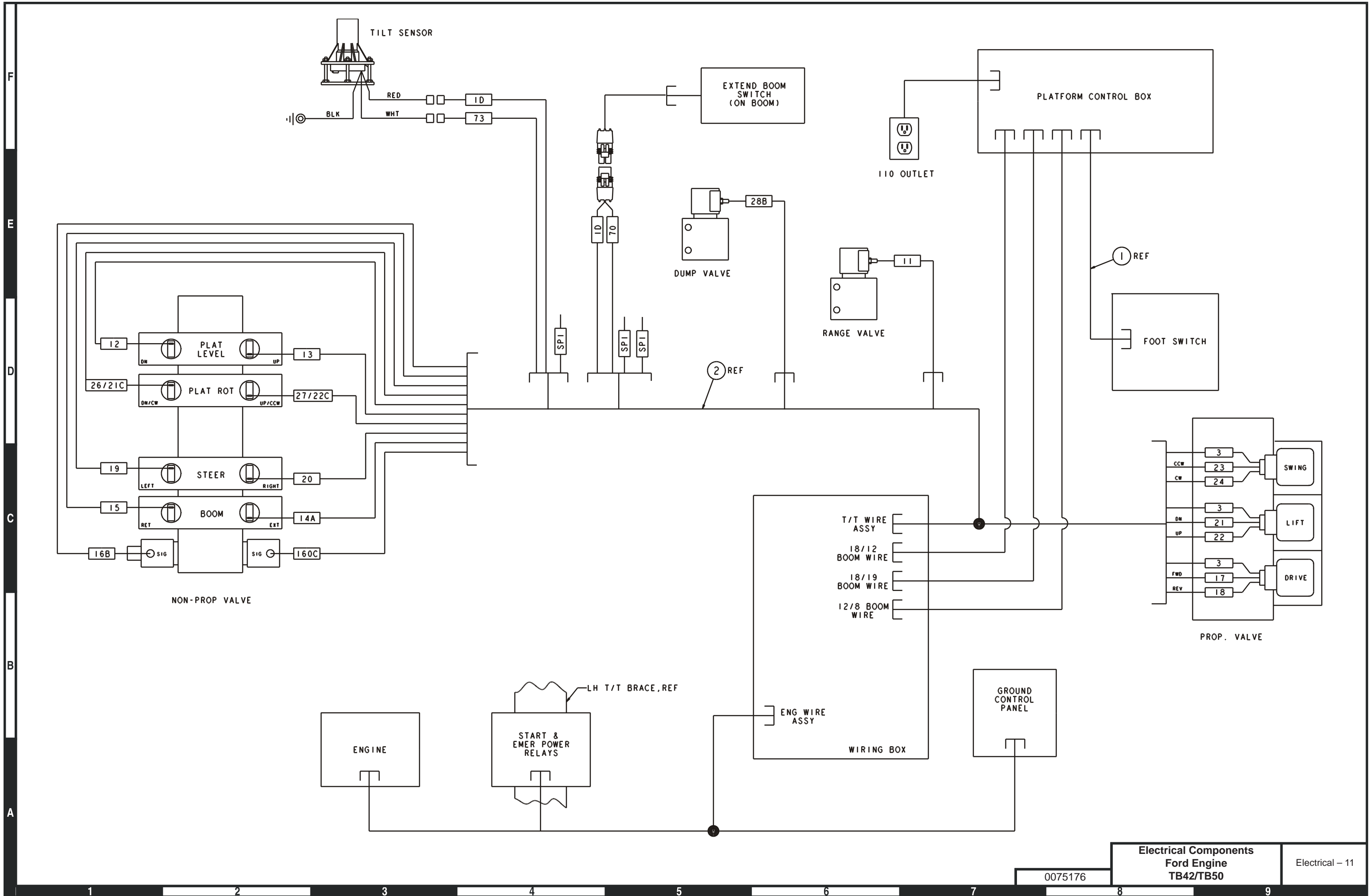


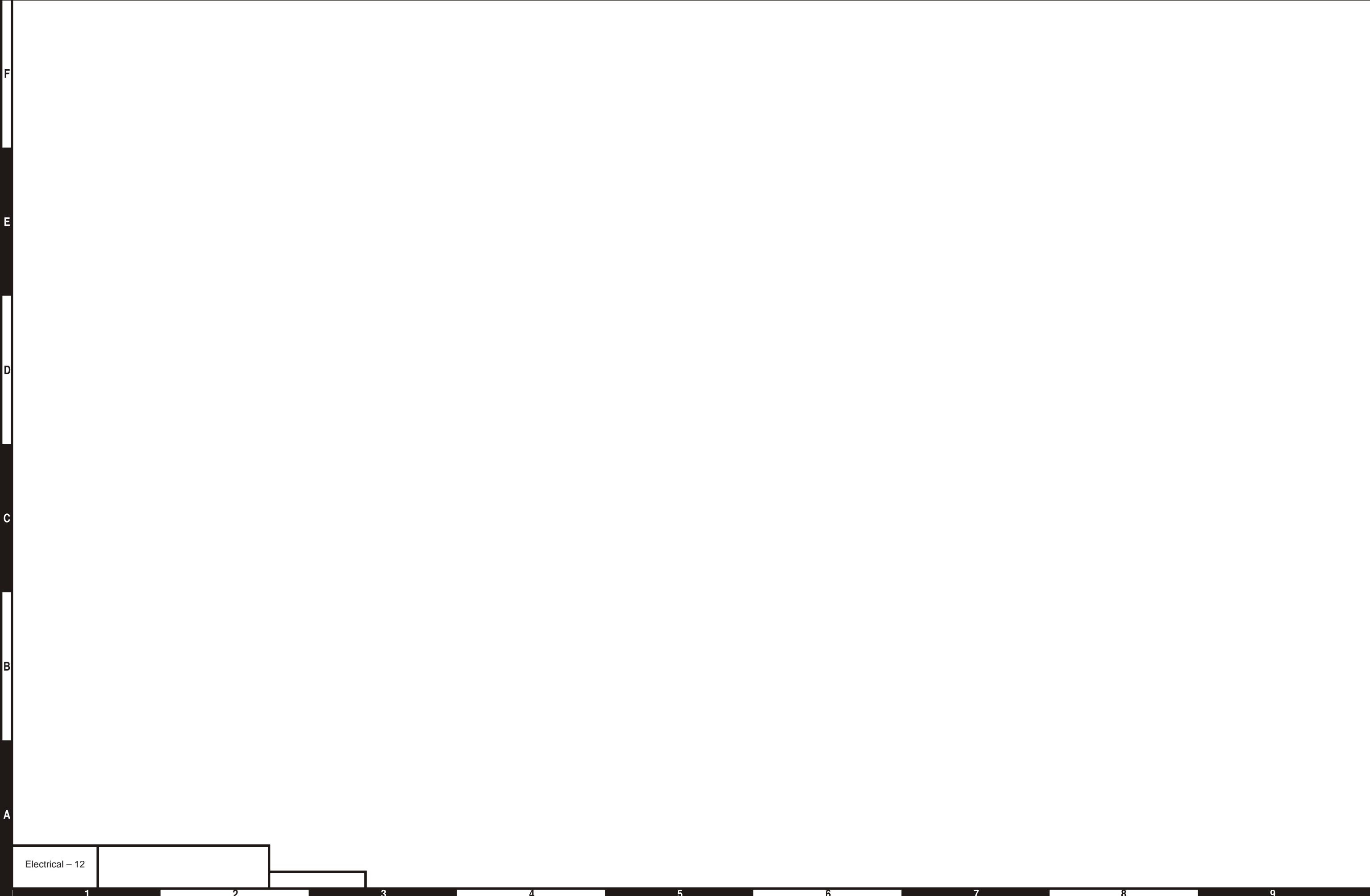
FOOT SWITCH WIRE
12/8 BOOM WIRE
18/12 BOOM WIRE
18/19 BOOM WIRE

12/8 BOOM WIRE
ENGINE WIRE ASSY
18/19 BOOM WIRE
T/T WIRE ASSY
18/12 BOOM WIRE

F
E
D
C
B
A

1 2 3 4 5 6 7 8 9





F

E

D

C

B

A

Electrical - 12

1

2

3

4

5

6

7

8

9

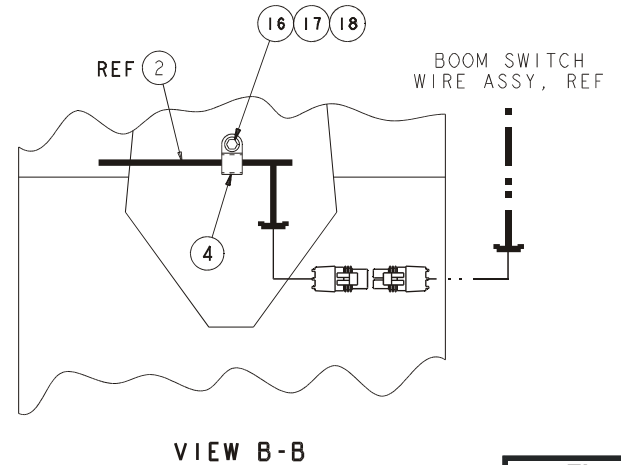
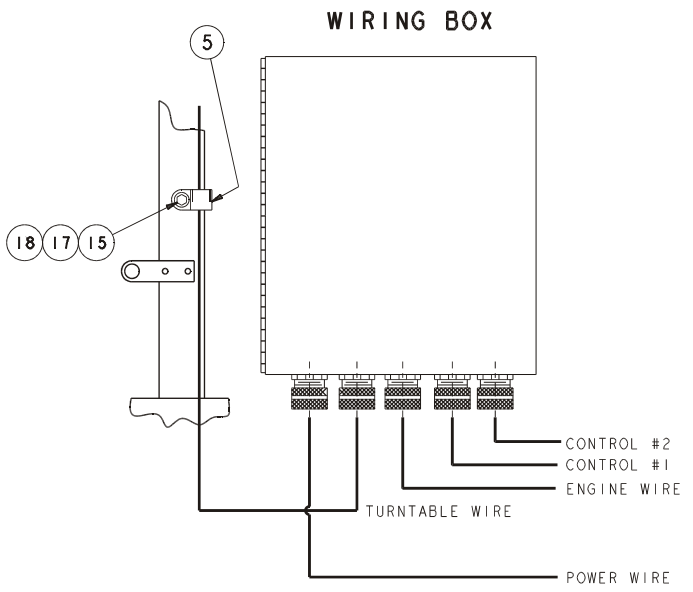
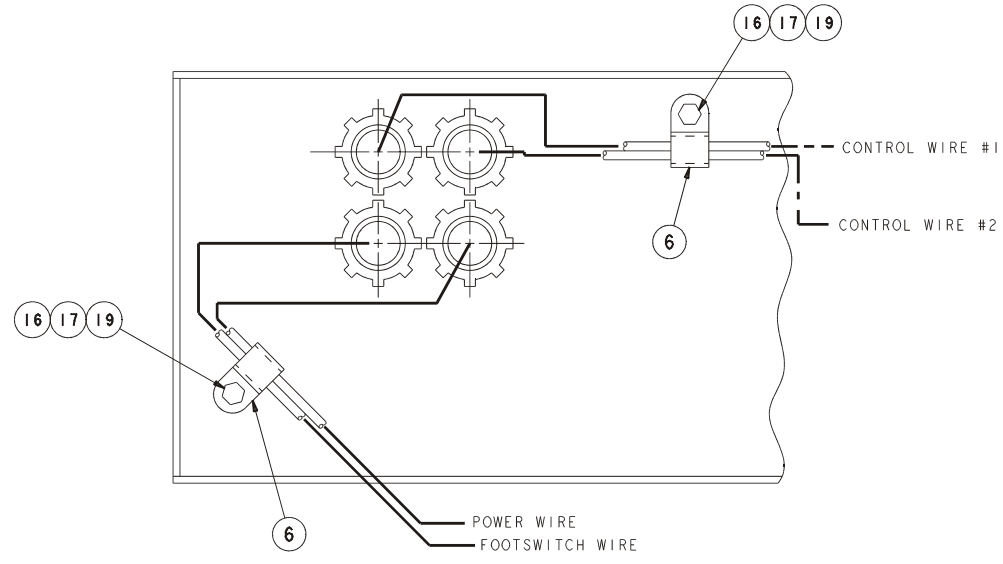
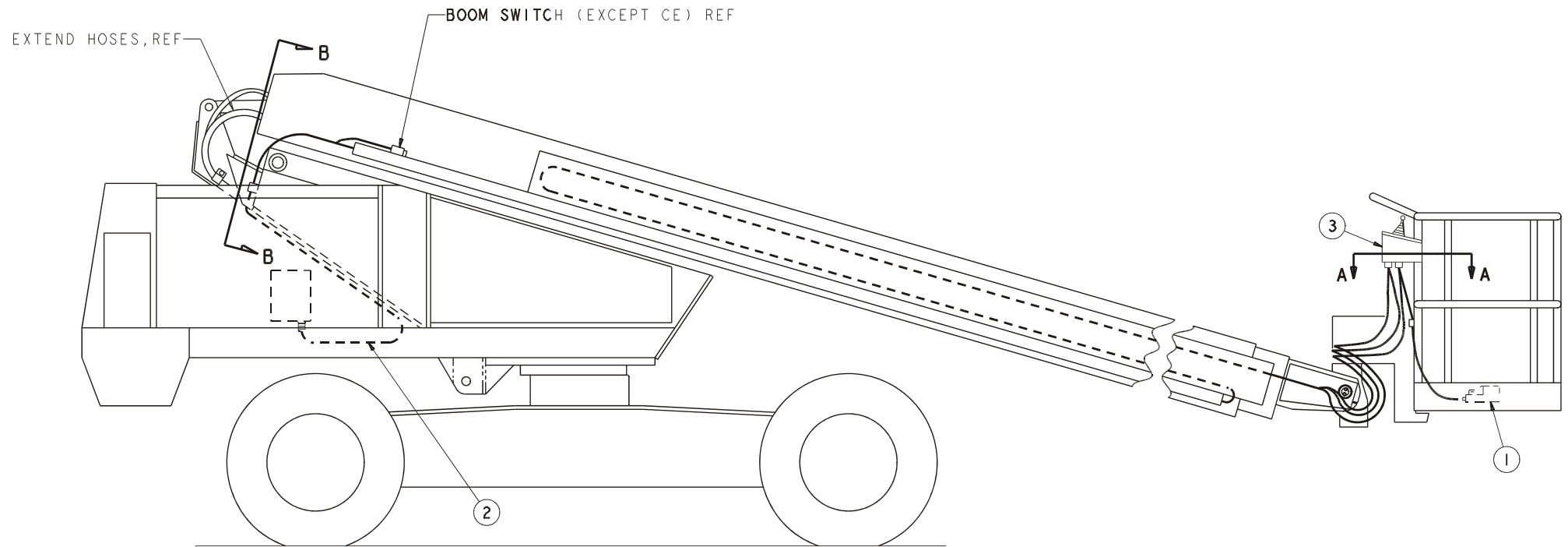
Electrical Components, Ford Engine – TB42/TB50

Item	Part No.	Qty.	Description
1	007180028	1	FOOT SWITCH ASSEMBLY
2	0075112	1	TURNTABLE WIRE ASSY TB47J
3	0075156	1	PLAT BOX ASSY - SIM HYD
4	5093012	1	CLP CUSH 1.75
5	5093010	1	CLP CUS 1.50
6	5093008	2	CLP CUSH 1.06
7	3040047	1	TERM FEM250F1 22/18
10	3044146	10	TERM R10I 22/18
11	3044854	9	TERM R10I 12/10
13	3044142	1	TERM R6I 22/18
14	3046972	42	TERM FEM188I 22/18
15	970029	1	BLT. .250-20 X .75 HH
16	970049	3	BLT. .250-20 X 1.00 HH
17	986019	4	WSHR FLAT .25
18	987099	2	WSHR LOCK .25
19	5560004	2	NUT LKG .250-20

12/8 POWER WIRE				
WIRE NO.	BRAND REX WIRE COLOR	FUNCTION	WIRING BOX TERMINALS	PLT. BOX TERMINALS
1	RED	PWR TO PLATFORM	ITEM 11	ITEM 11
2	RED/BLK	PWR TO PLATFORM	ITEM 11	ITEM 11
3	BLACK	GROUND	ITEM 11	ITEM 11
6	ORANGE	EMER. POWER	ITEM 11	ITEM 11
110	BLUE	110- POWER	NONE	NONE
110	BROWN	110- NEUTRAL	NONE	NONE
	YELLOW	SPARE		
	BLUE/BLK	SPARE		

18/12 CONTROL WIRE NO. 1				
WIRE NO.	BRAND REX WIRE COLOR	FUNCTION	WIRING BOX TERMINALS	PLT. BOX TERMINALS
4	BLACK	RUN-FROM PLAT	ITEM 10	ITEM 14
5	BROWN/BLK	START-FROM PLAT	ITEM 10	ITEM 10
26	YELLOW	PLAT ROT-CW	ITEM 14	ITEM 10
27	BLUE	PLAT ROT-CCW	ITEM 14	ITEM 10
28	BLK/RED	SENSE LINE DUMP	ITEM 14	ITEM 14
70	RED	HI/LO SPD SIGNAL	ITEM 14	ITEM 14
74	BLUE/BLK	TILT ALARM-POWER	ITEM 14	ITEM 14
125	RED/BLK	THROTTLE-HI	ITEM 10	ITEM 14
126	ORANGE	ENGINE KILL SIGNAL	ITEM 10	ITEM 13
160C	ORANGE/BLK	HYD VALVE SIGNAL	ITEM 14	ITEM 14
	BROWN	SPARE		
	YELLOW/BLK	SPARE		

18/19 CONTROL WIRE NO. 2				
WIRE NO.	BRAND REX WIRE COLOR	FUNCTION	WIRING BOX TERMINALS	PLT. BOX TERMINALS
11	BLACK/RED	RANGE	ITEM 14	ITEM 14
12	BLUE/RED	LEVEL-DN	ITEM 14	ITEM 14
13	ORANGE/RED	LEVEL-UP	ITEM 14	ITEM 14
14	YELLOW/RED	BOOM-EXT	ITEM 14	ITEM 14
15	BROWN	BOOM-RET	ITEM 14	ITEM 14
16B	BLUE	SPD TO WIRING BOX	ITEM 14	ITEM 10
17	ORANGE	DRIVE-FWD	ITEM 14	ITEM 14
18	YELLOW/BLK	DRIVE-REV	ITEM 14	ITEM 14
19	BROWN/RED	STEER-LEFT	ITEM 14	ITEM 14
20	BLUE/BLK	STEER-RIGHT	ITEM 14	ITEM 14
21B	ORNG/BLUE	MAIN BOOM-DN	ITEM 14	ITEM 14
22B	RED/BLK	MAIN BOOM-UP	ITEM 14	ITEM 14
23	BLK/BLUE	SWING-CCW	ITEM 14	ITEM 14
24	BROWN/BLK	SWING-CW	ITEM 14	ITEM 14
25	BLACK	THROTTLE-MED	ITEM 14	ITEM 14
	ORANGE/BLK	SPARE		
	RED	SPARE		
	YELLOW	SPARE		
	RED/BLUE	SPARE		

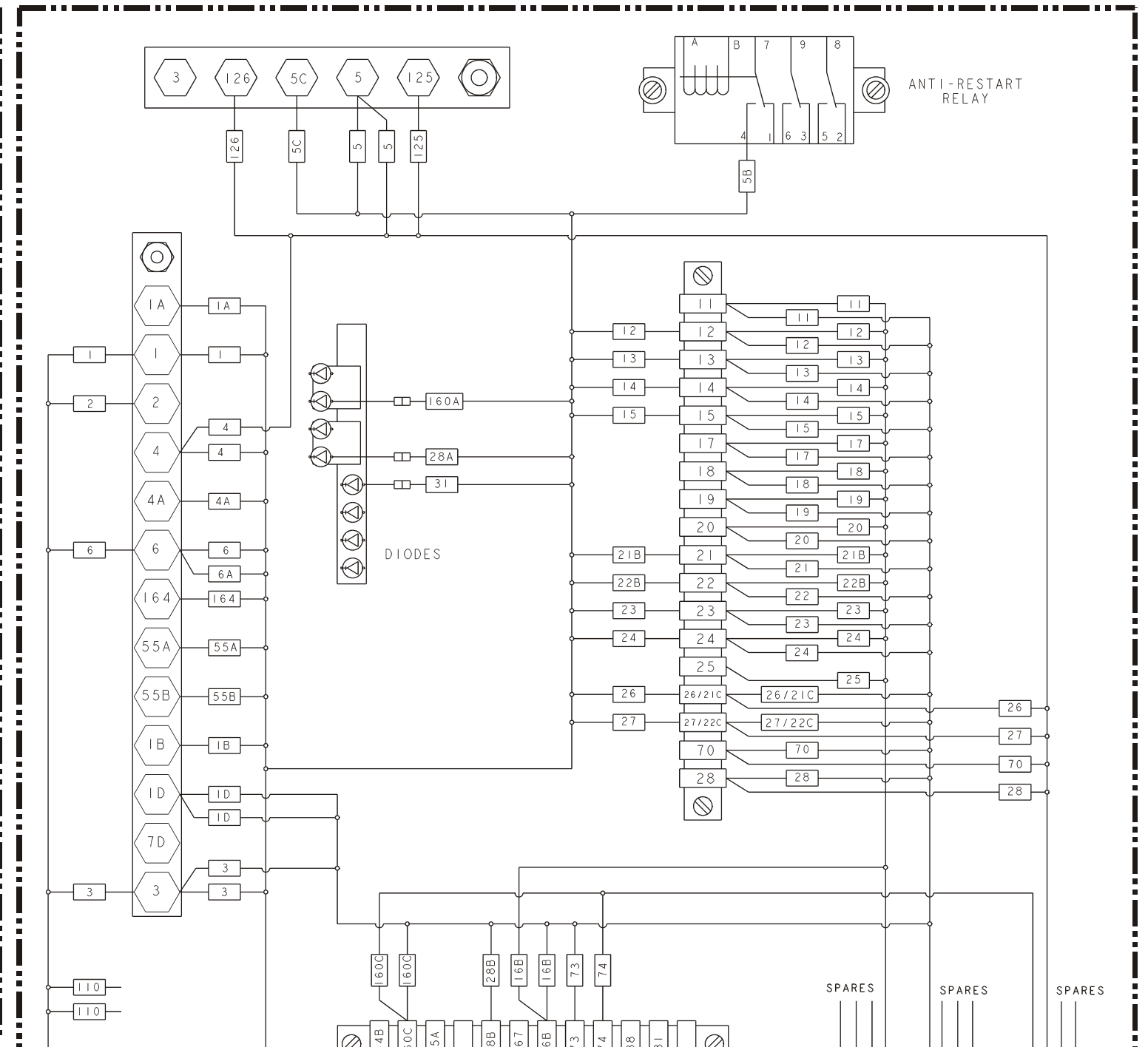
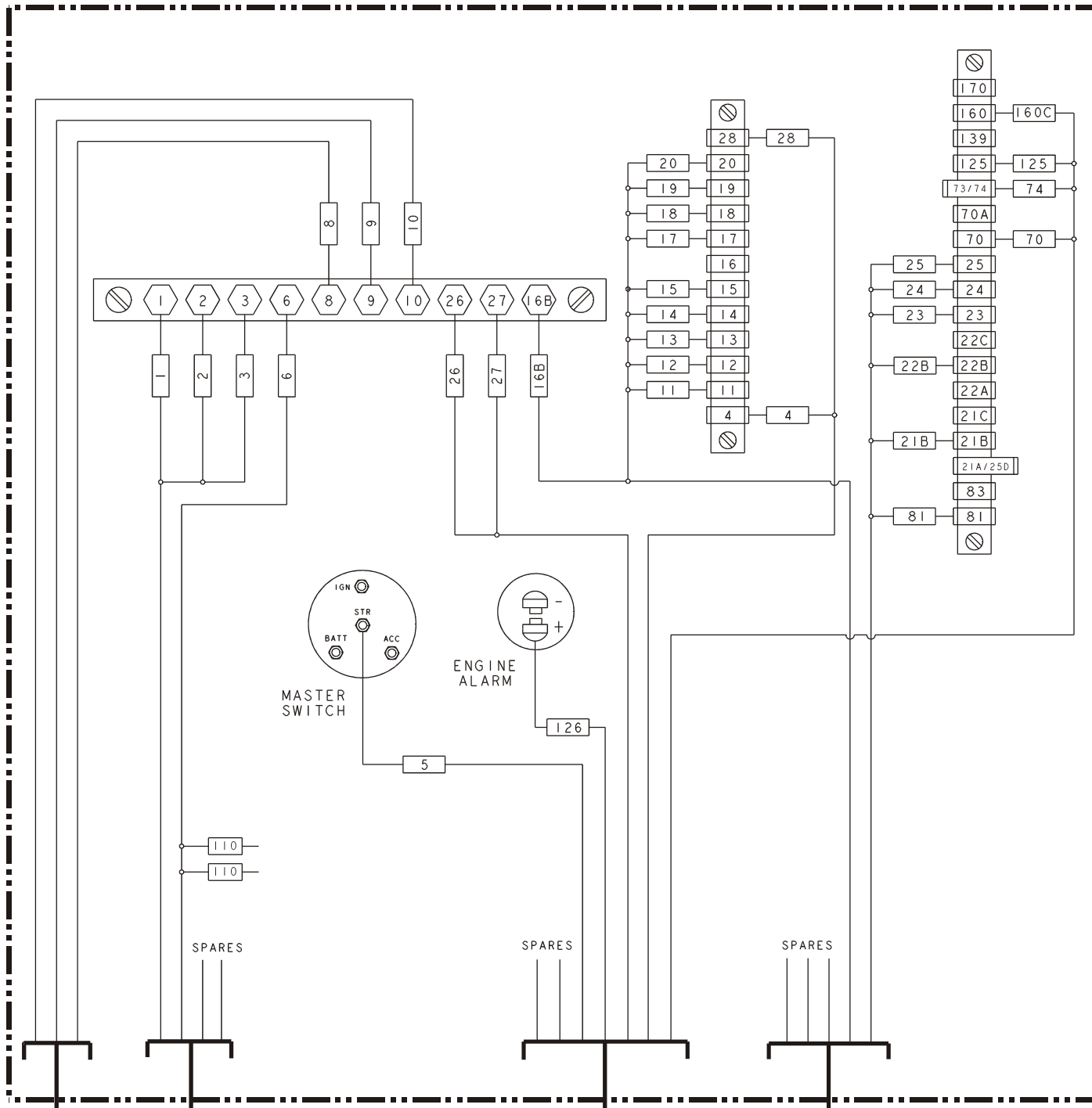


F
E
D
C
B
A

1 2 3 4 5 6 7 8 9

PLATFORM BOX

WIRING BOX



FOOT SWITCH WIRE
 12/8 BOOM WIRE
 SPARES
 18/12 BOOM WIRE
 18/19 BOOM WIRE

12/8 BOOM WIRE
 ENGINE WIRE ASSY
 TIE BACK
 SPARE
 SPARES
 SPARES
 SPARES
 18/19 BOOM WIRE
 T/T WIRE ASSY
 SPARES
 18/12 BOOM WIRE

F
 E
 D
 C
 B
 A

1 2 3 4 5 6 7 8 9

F

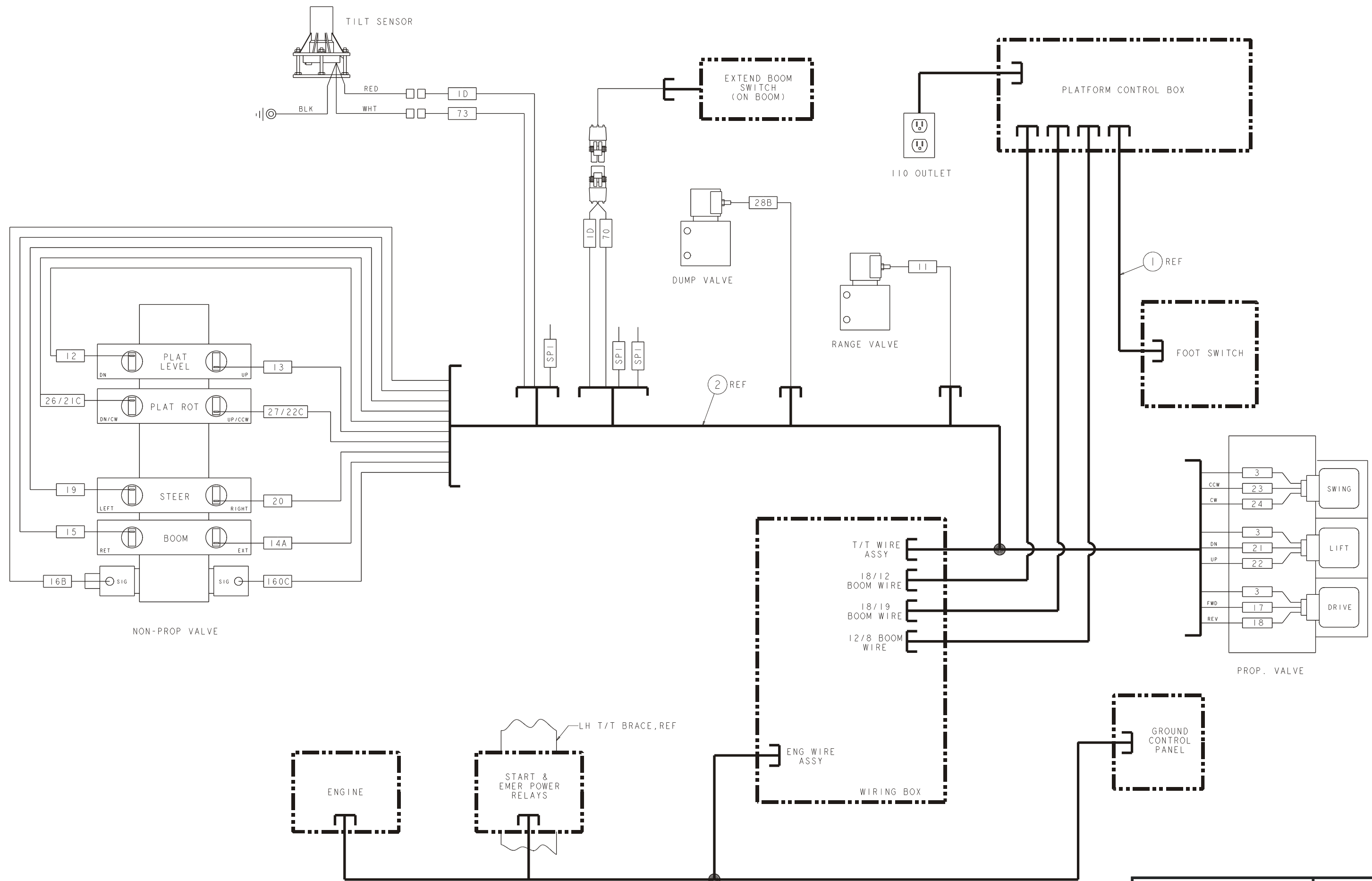
E

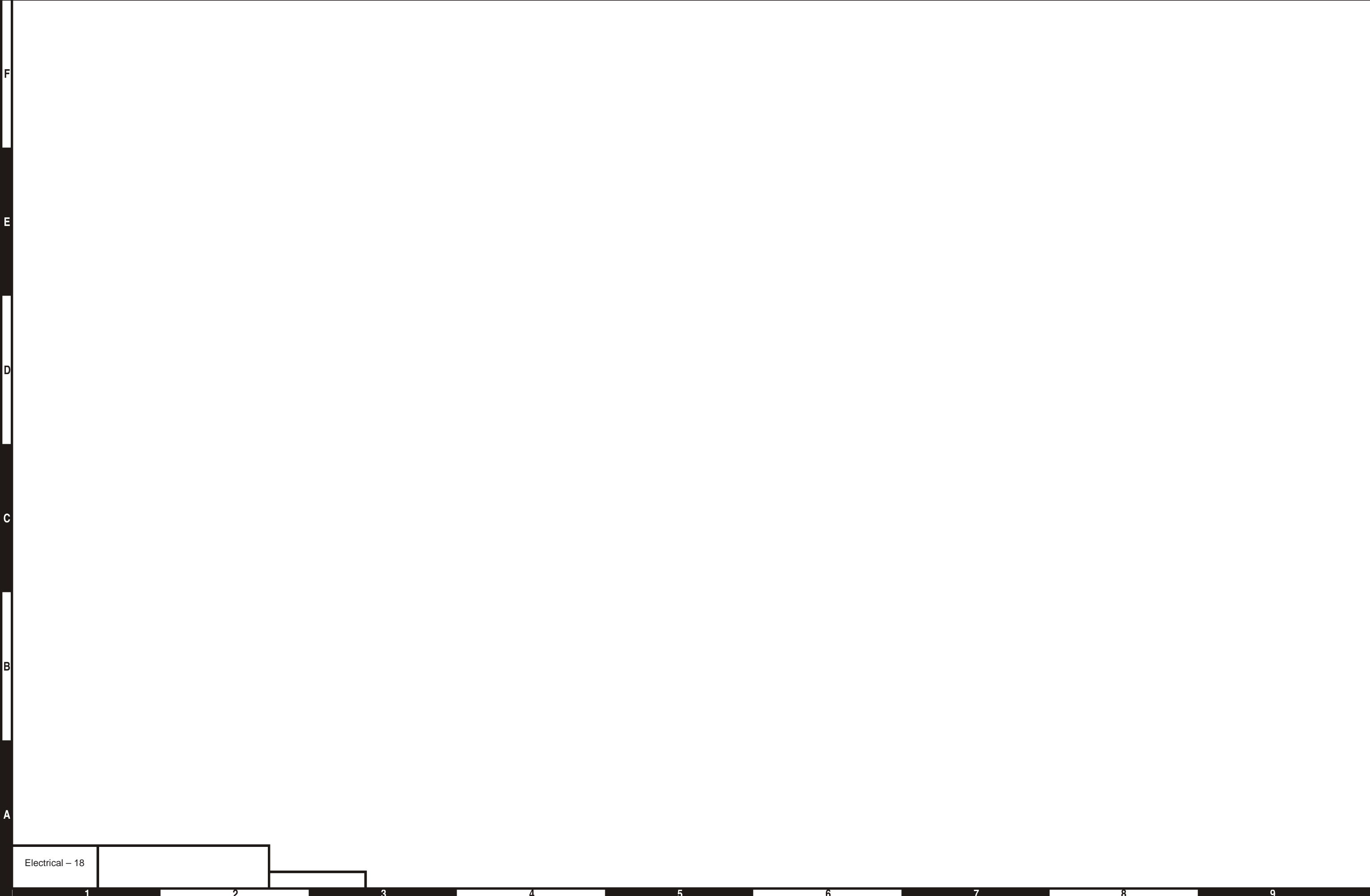
D

C

B

A





F

E

D

C

B

A

Electrical - 18

1

2

3

4

5

6

7

8

9

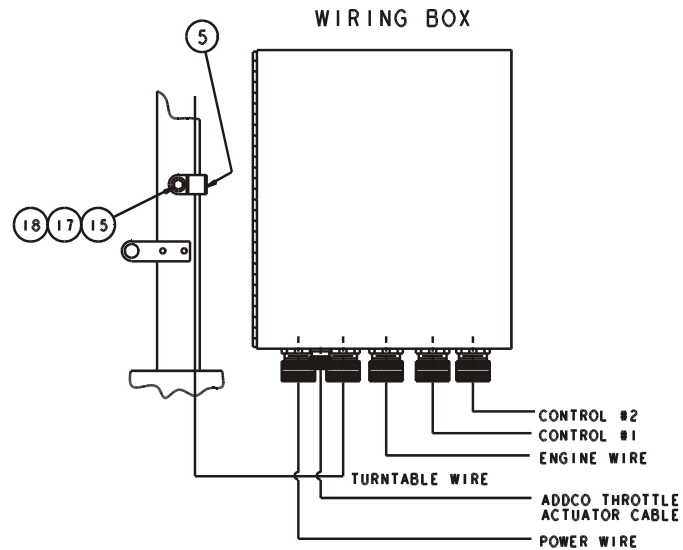
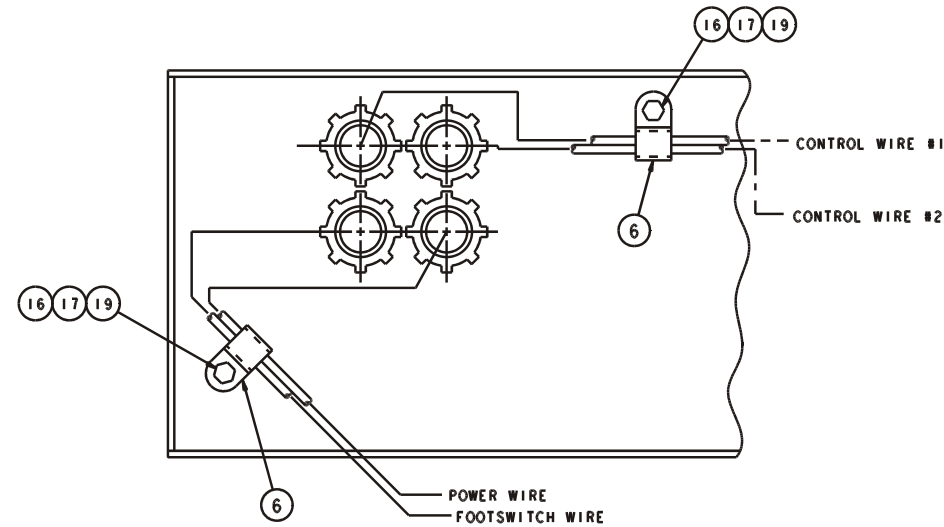
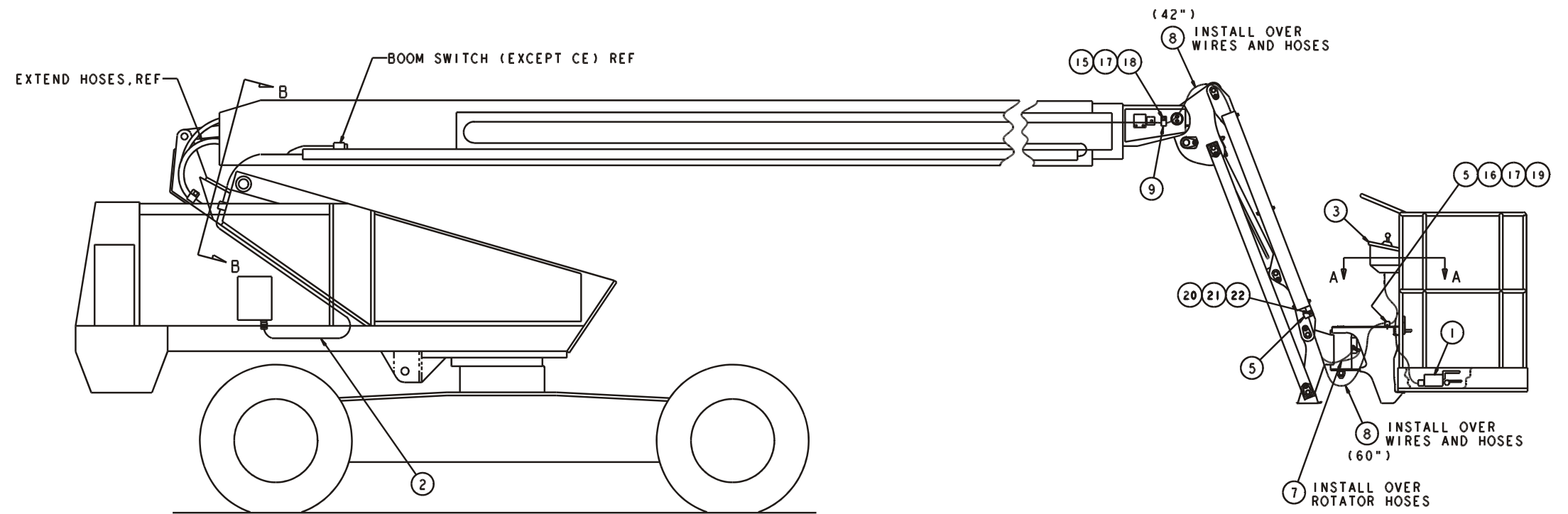
Electrical Components, GM Engine – TB42/TB50

Item	Part No.	Qty.	Description
1	007180028	1	FOOT SWITCH ASSEMBLY
2	0075112	1	TURNTABLE WIRE ASSY TB47J
3	0075156	1	PLAT BOX ASSY - SIM HYD
4	5093012	1	CLP CUSH 1.75 VINYL COATED
5	5093010	1	CLP CUSH 1.50 VINYL COATED
6	5093008	2	CLP CUSH 1.06 VINYL COATED
10	3044146	8	TERM R10I 22/18-
11	3044854	8	TERM R10I 12/10
13	3044142	1	TERM R6I 22/18-PN18-6R-C
14	3046972	41	TERM FEM188I 22/18
15	970029	1	BLT .250-20 X .75 HH
16	970049	3	BLT .250-20 X 1.00 HH
17	986019	4	WSHR FLAT .25
18	987099	2	WSHR LOCK .25
19	5560004	2	NUT LKG .250-20

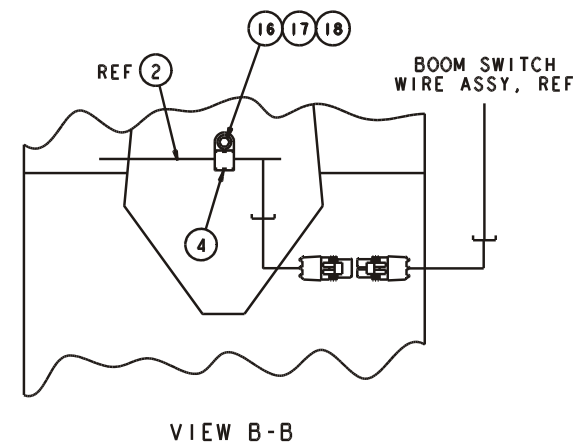
12/8 POWER WIRE				
WIRE NO.	BRAND REX WIRE COLOR	FUNCTION	WIRING BOX TERMINALS	PLT. BOX TERMINALS
1	RED	PWR TO PLATFORM	ITEM 11	ITEM 11
2	RED/BLK	PWR TO PLATFORM	ITEM 11	ITEM 11
3	BLACK	GROUND	ITEM 11	ITEM 11
6	ORANGE	EMER. POWER	ITEM 11	ITEM 11
110	BLUE	110- POWER	NONE	NONE
110	BROWN	110- NEUTRAL	NONE	NONE
	YELLOW	SPARE		
	BLUE/BLK	SPARE		

18/12 CONTROL WIRE NO. 1				
WIRE NO.	BRAND REX WIRE COLOR	FUNCTION	WIRING BOX TERMINALS	PLT. BOX TERMINALS
4	BLACK	RUN-FROM PLAT	ITEM 10	ITEM 14
5	BROWN/BLK	START-FROM PLAT	ITEM 10	ITEM 10
26	YELLOW	PLT ROT-CW/JIB-DN	ITEM 14	ITEM 10
27	BLUE	PLT ROT-CCW/JIB-UP	ITEM 14	ITEM 10
28	BLK/RED	SENSE LINE DUMP	ITEM 14	ITEM 14
70	RED	HI/LO SPD SIGNAL	ITEM 14	ITEM 14
74	BLUE/BLK	TILT ALARM-POWER	ITEM 14	ITEM 14
125	RED/BLK	THROTTLE-HI	ITEM 10	ITEM 14
126	ORANGE	ENGINE KILL SIGNAL	ITEM 10	ITEM 13
160C	ORANGE/BLK	HYD VALVE SIGNAL	ITEM 14	ITEM 14
	BROWN	SPARE		
	YELLOW/BLK	SPARE		

18/19 CONTROL WIRE NO. 2				
WIRE NO.	BRAND REX WIRE COLOR	FUNCTION	WIRING BOX TERMINALS	PLT. BOX TERMINALS
11	BLACK/RED	RANGE	ITEM 14	ITEM 14
12	BLUE/RED	LEVEL-DN	ITEM 14	ITEM 14
13	ORANGE/RED	LEVEL-UP	ITEM 14	ITEM 14
14	YELLOW/RED	BOOM-EXT	ITEM 14	ITEM 14
15	BROWN	BOOM-RET	ITEM 14	ITEM 14
16B	BLUE	SPD TO WIRING BOX	ITEM 14	ITEM 10
17	ORANGE	DRIVE-FWD	ITEM 14	ITEM 14
18	YELLOW/BLK	DRIVE-REV	ITEM 14	ITEM 14
19	BROWN/RED	STEER-LEFT	ITEM 14	ITEM 14
20	BLUE/BLK	STEER-RIGHT	ITEM 14	ITEM 14
21B	ORNG/BLUE	MAIN BOOM-DN	ITEM 14	ITEM 14
22B	RED/BLK	MAIN BOOM-UP	ITEM 14	ITEM 14
23	BLK/BLUE	SWING-CCW	ITEM 14	ITEM 14
24	BROWN/BLK	SWING-CW	ITEM 14	ITEM 14
25	BLACK	THROTTLE-MED	ITEM 14	ITEM 14
81	ORANGE/BLK	6-WAY VALVE	ITEM 14	ITEM 14
	RED	SPARE		
	YELLOW	SPARE		
	RED/BLUE	SPARE		

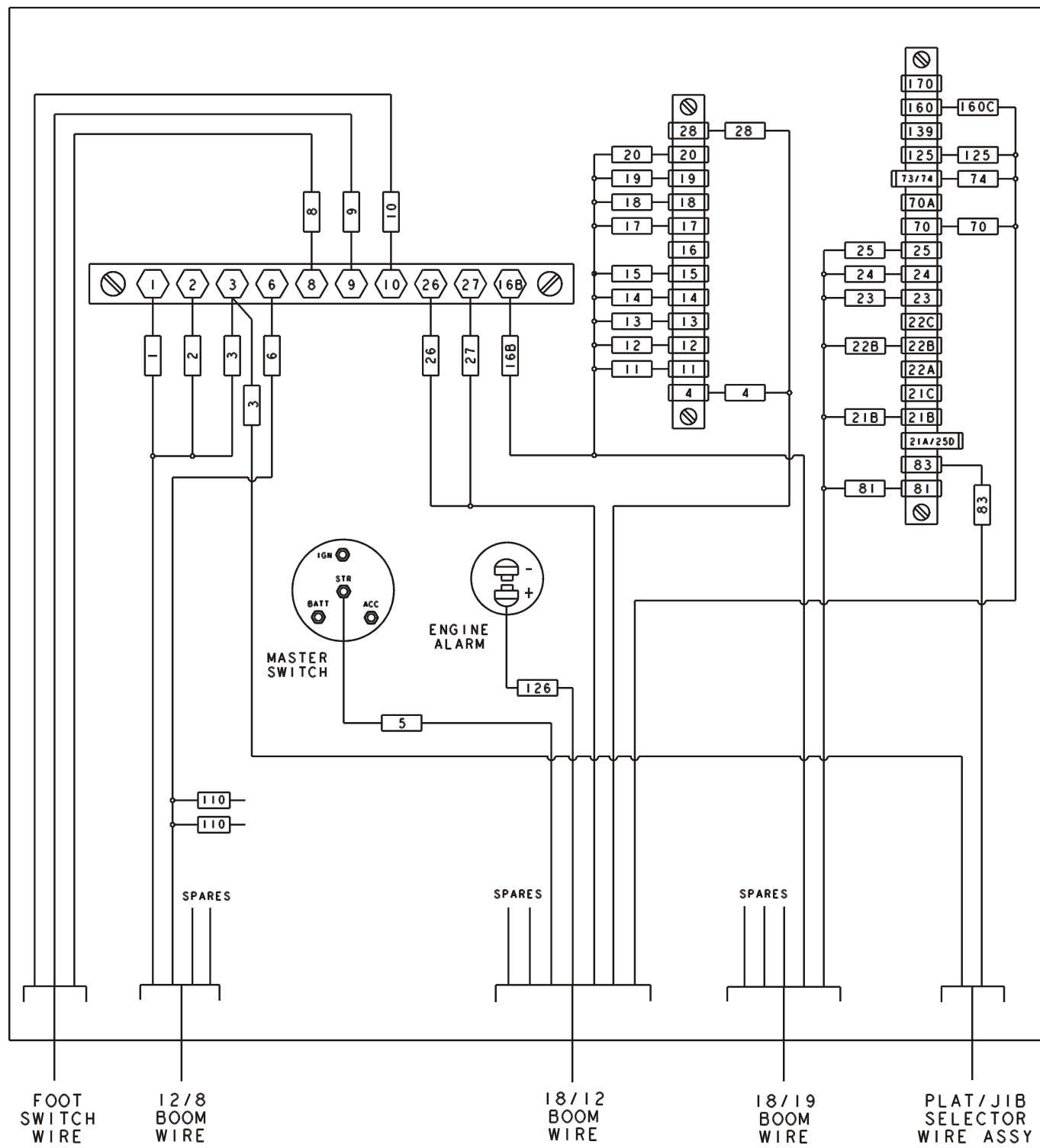


SECTIONAL VIEW A-A



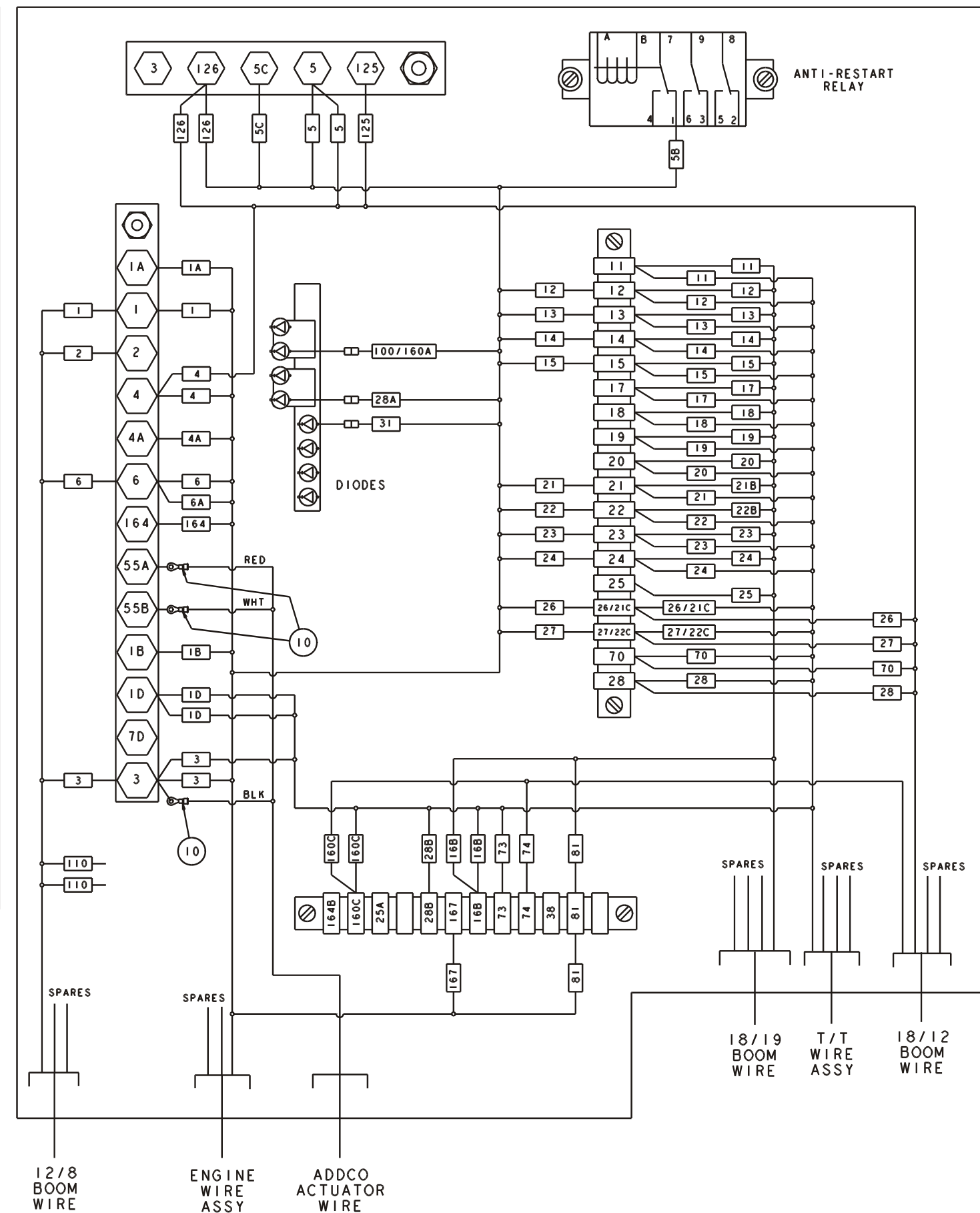
VIEW B-B

PLATFORM BOX

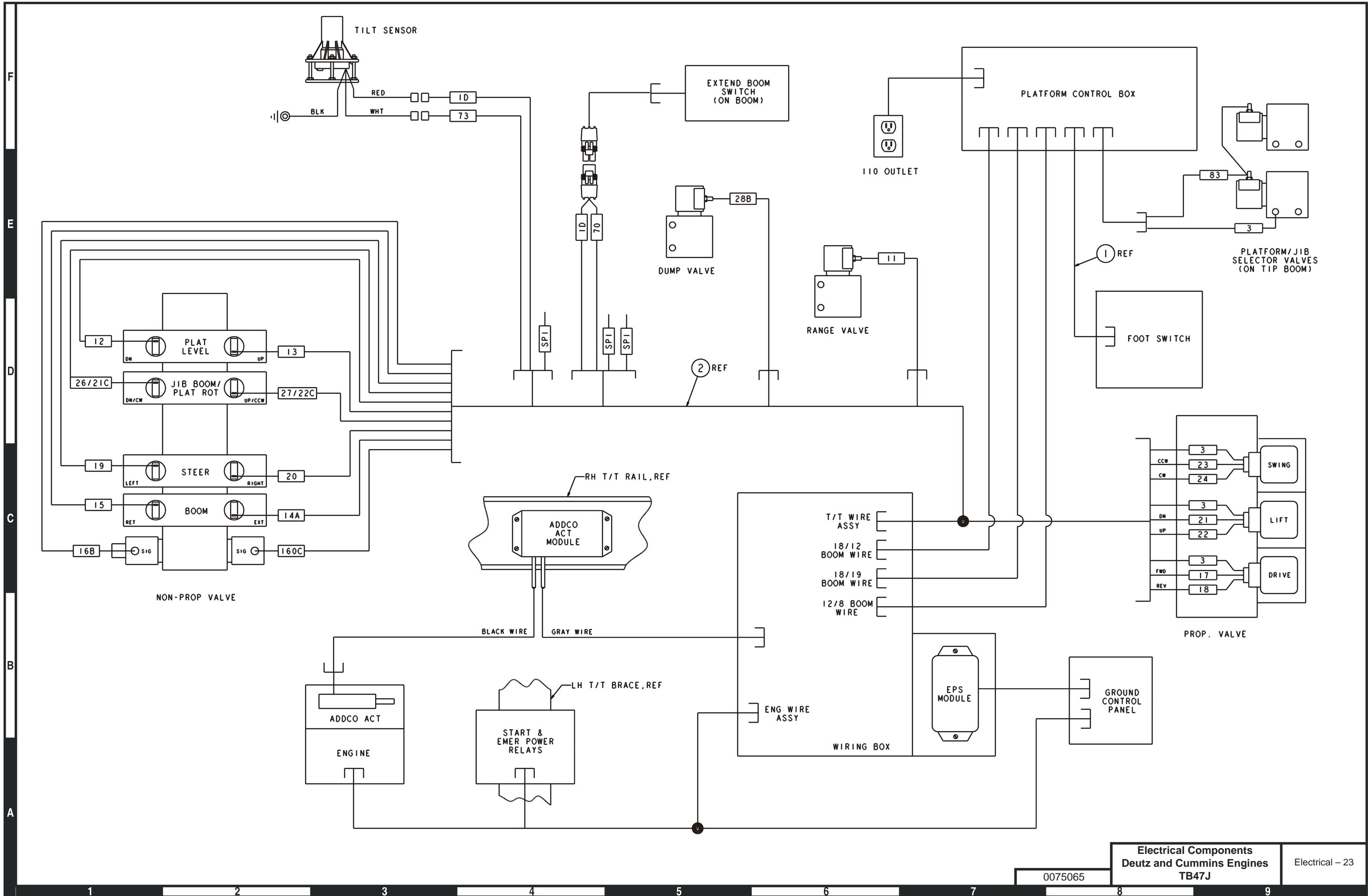


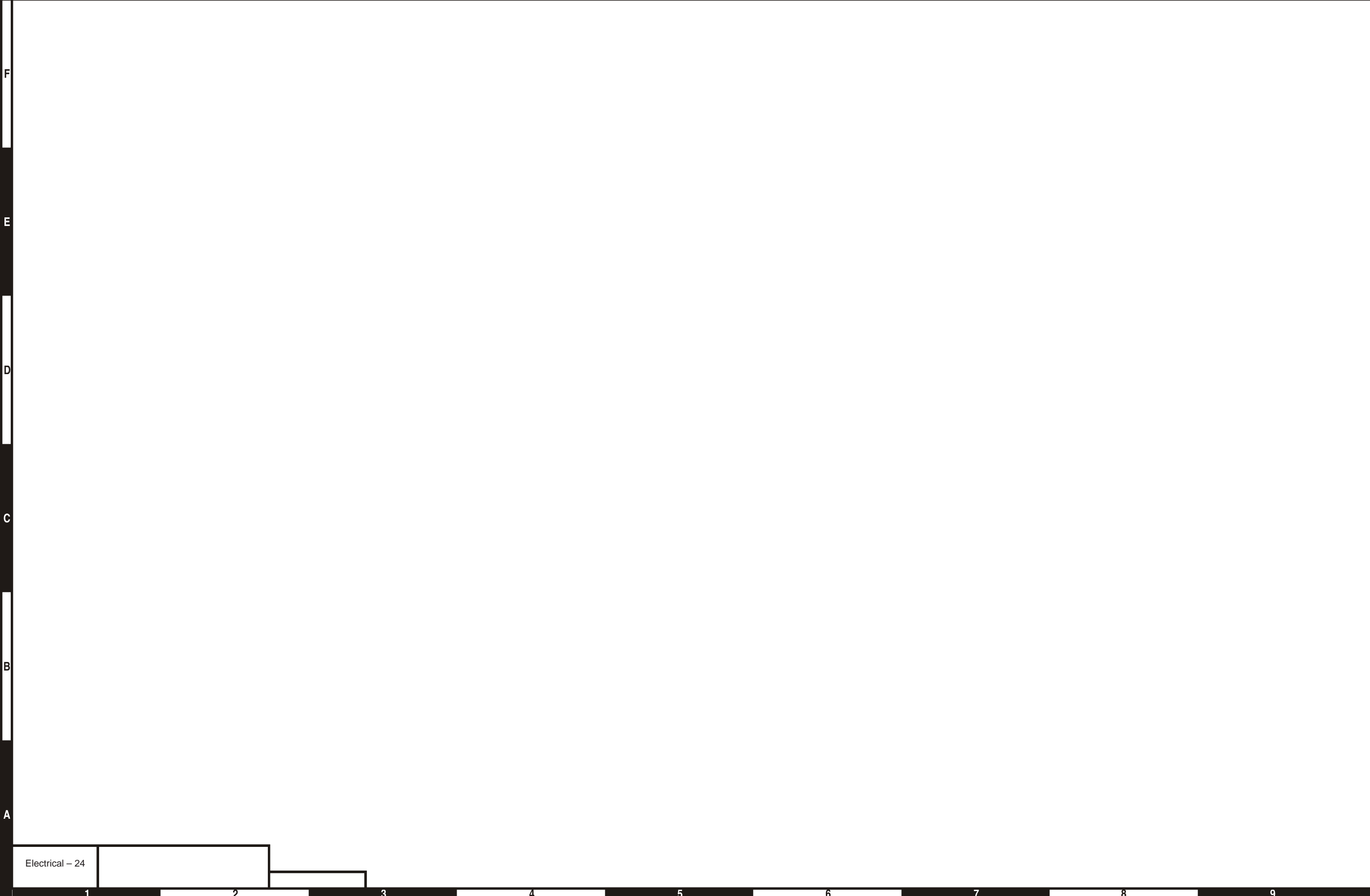
FOOT SWITCH WIRE
12/8 BOOM WIRE
18/12 BOOM WIRE
18/19 BOOM WIRE
PLAT/JIB SELECTOR WIRE ASSY

WIRING BOX



12/8 BOOM WIRE
ENGINE WIRE ASSY
ADDCO ACTUATOR WIRE
18/19 BOOM WIRE
T/T WIRE ASSY
18/12 BOOM WIRE





F

E

D

C

B

A

Electrical - 24

1

2

3

4

5

6

7

8

9

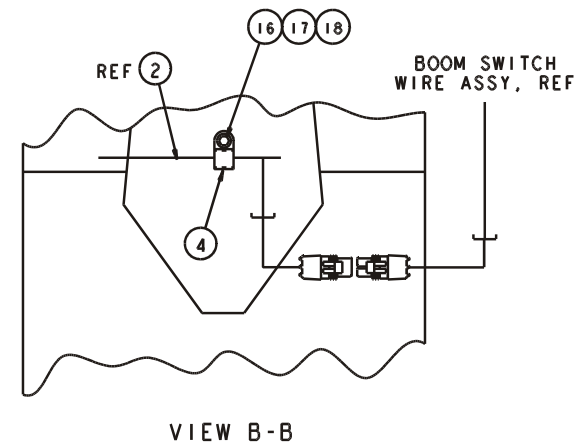
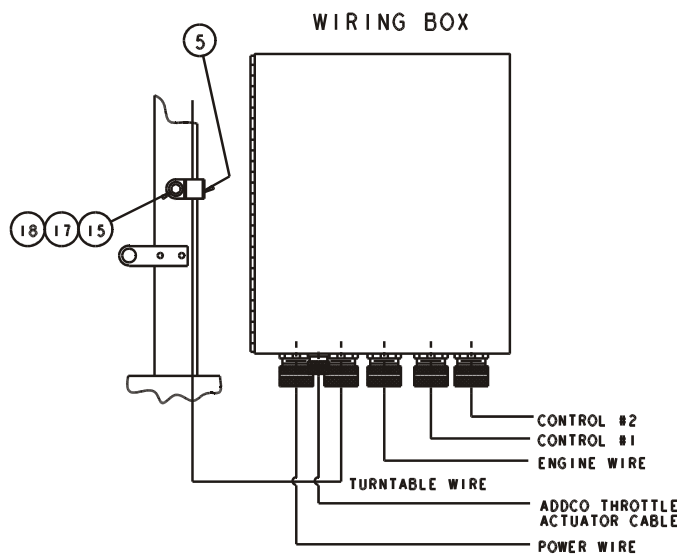
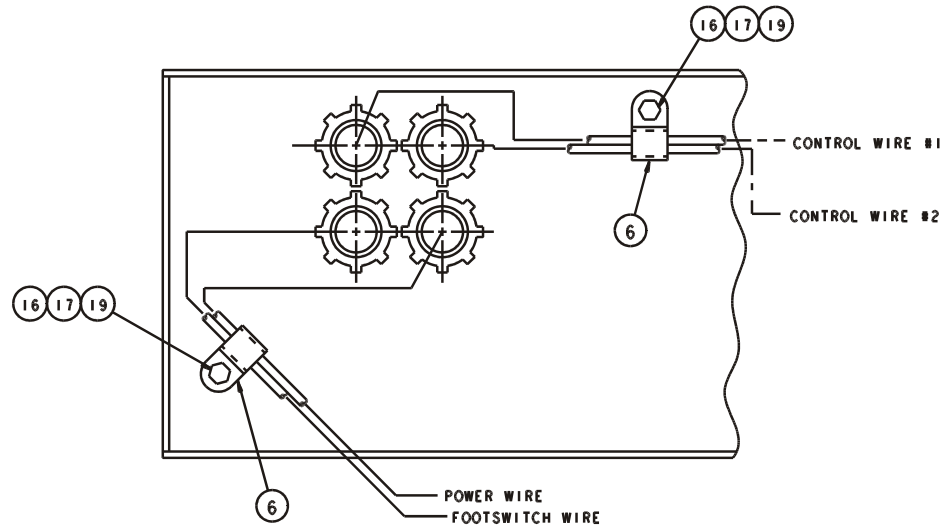
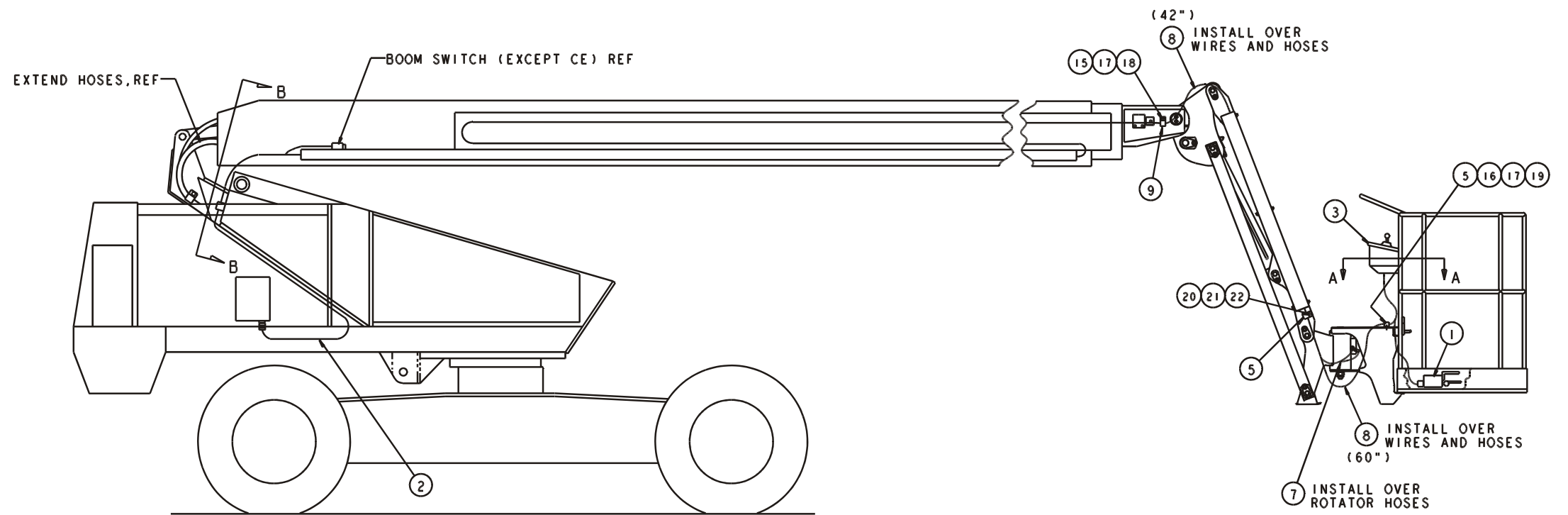
Electrical Components, Deutz and Cummins Engines – TB47J

Item	Part No.	Qty.	Description
1	007180028	1	FOOT SWITCH ASSEMBLY
2	0075112	1	TURNTABLE WIRE ASSY TB47J
3	0075067	1	PLAT CONT BOX ASSY TB47J
4	5093012	1	CLP CUSH 1.75
5	5093010	3	CLP CUS 1.50
6	5093008	2	CLP CUSH 1.06
7	563536	12	HOSE GUARD, SPIRAL 3/4"ID
8	5090034	9	SLEEVE HOSE ABRASION
9	5093024	1	CLP CUSH 1.25
10	3044146	10	TERM R10I 22/18
11	3044854	9	TERM R10I 12/10
13	3044142	1	TERM R6I 22/18
14	3046972	42	TERM FEM188I 22/18
15	970029	2	BLT .250-20 X .75 HH
16	970049	5	BLT .250-20 X 1.00 HH
17	986019	7	WSHR FLAT .25
18	987099	3	WSHR LOCK .25
19	5560004	4	NUT LKG .250-20
20	970449	1	BLT .375-16 X .75 HH
21	986299	1	WSHR FLAT .375
22	987119	1	WSHR LOCK .375

12/8 POWER WIRE				
WIRE NO.	BRAND REX WIRE COLOR	FUNCTION	WIRING BOX TERMINALS	PLT. BOX TERMINALS
1	RED	PWR TO PLATFORM	ITEM 11	ITEM 11
2	RED/BLK	PWR TO PLATFORM	ITEM 11	ITEM 11
3	BLACK	GROUND	ITEM 11	ITEM 11
6	ORANGE	EMER. POWER	ITEM 11	ITEM 11
110	BLUE	110- POWER	NONE	NONE
110	BROWN	110- NEUTRAL	NONE	NONE
	YELLOW	SPARE		
	BLUE/BLK	SPARE		

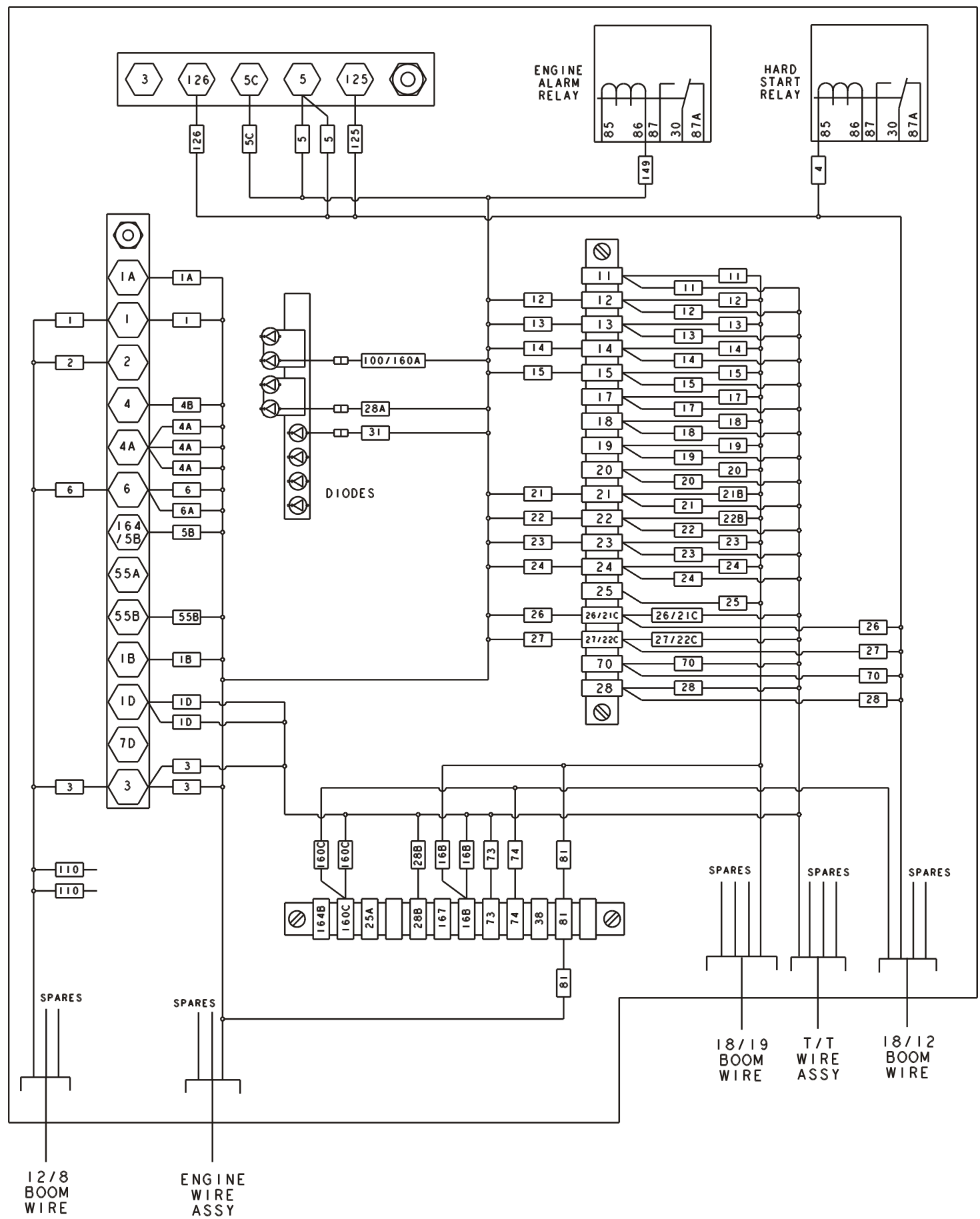
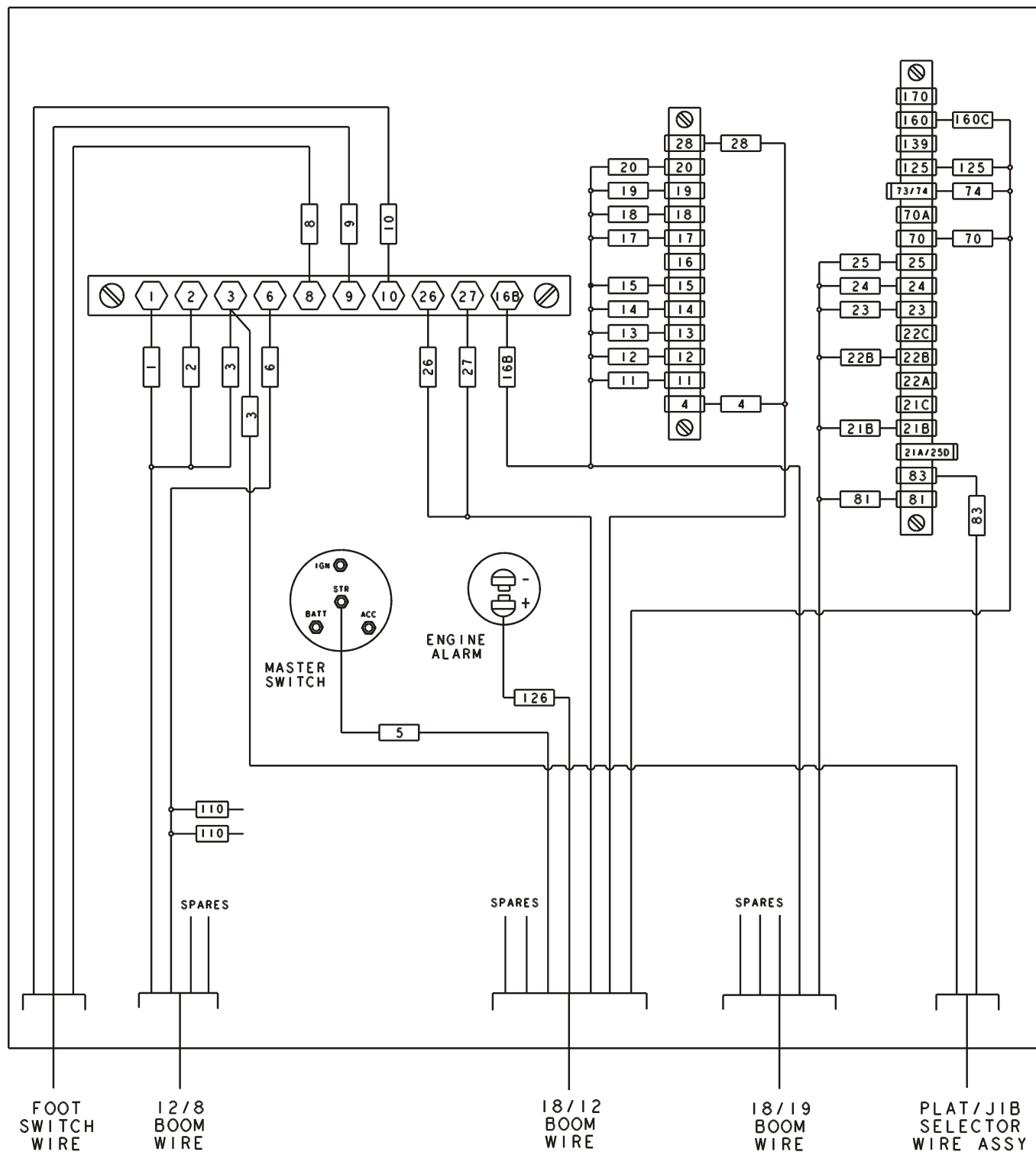
18/12 CONTROL WIRE NO. 1				
WIRE NO.	BRAND REX WIRE COLOR	FUNCTION	WIRING BOX TERMINALS	PLT. BOX TERMINALS
4	BLACK	RUN-FROM PLAT	ITEM 23	ITEM 14
5	BROWN/BLK	START-FROM PLAT	ITEM 10	ITEM 10
26	YELLOW	PLT ROT-CW/JIB-DN	ITEM 14	ITEM 10
27	BLUE	PLT ROT-CCW/JIB-UP	ITEM 14	ITEM 10
28	BLK/RED	SENSE LINE DUMP	ITEM 14	ITEM 14
70	RED	HI/LO SPD SIGNAL	ITEM 14	ITEM 14
74	BLUE/BLK	TILT ALARM-POWER	ITEM 14	ITEM 14
125	RED/BLK	THROTTLE-HI	ITEM 10	ITEM 14
126	ORANGE	ENGINE KILL SIGNAL	ITEM 10	ITEM 13
160C	ORANGE/BLK	HYD VALVE SIGNAL	ITEM 14	ITEM 14
	BROWN	SPARE		
	YELLOW/BLK	SPARE		

18/19 CONTROL WIRE NO. 2				
WIRE NO.	BRAND REX WIRE COLOR	FUNCTION	WIRING BOX TERMINALS	PLT. BOX TERMINALS
11	BLACK/RED	RANGE	ITEM 14	ITEM 14
12	BLUE/RED	LEVEL-DN	ITEM 14	ITEM 14
13	ORANGE/RED	LEVEL-UP	ITEM 14	ITEM 14
14	YELLOW/RED	BOOM-EXT	ITEM 14	ITEM 14
15	BROWN	BOOM-RET	ITEM 14	ITEM 14
16B	BLUE	SPD TO WIRING BOX	ITEM 14	ITEM 10
17	ORANGE	DRIVE-FWD	ITEM 14	ITEM 14
18	YELLOW/BLK	DRIVE-REV	ITEM 14	ITEM 14
19	BROWN/RED	STEER-LEFT	ITEM 14	ITEM 14
20	BLUE/BLK	STEER-RIGHT	ITEM 14	ITEM 14
21B	ORNG/BLUE	MAIN BOOM-DN	ITEM 14	ITEM 14
22B	RED/BLK	MAIN BOOM-UP	ITEM 14	ITEM 14
23	BLK/BLUE	SWING-CCW	ITEM 14	ITEM 14
24	BROWN/BLK	SWING-CW	ITEM 14	ITEM 14
25	BLACK	THROTTLE-MED	ITEM 14	ITEM 14
81	ORANGE/BLK	6-WAY VALVE	ITEM 14	ITEM 14
	RED	SPARE		
	YELLOW	SPARE		
	RED/BLUE	SPARE		



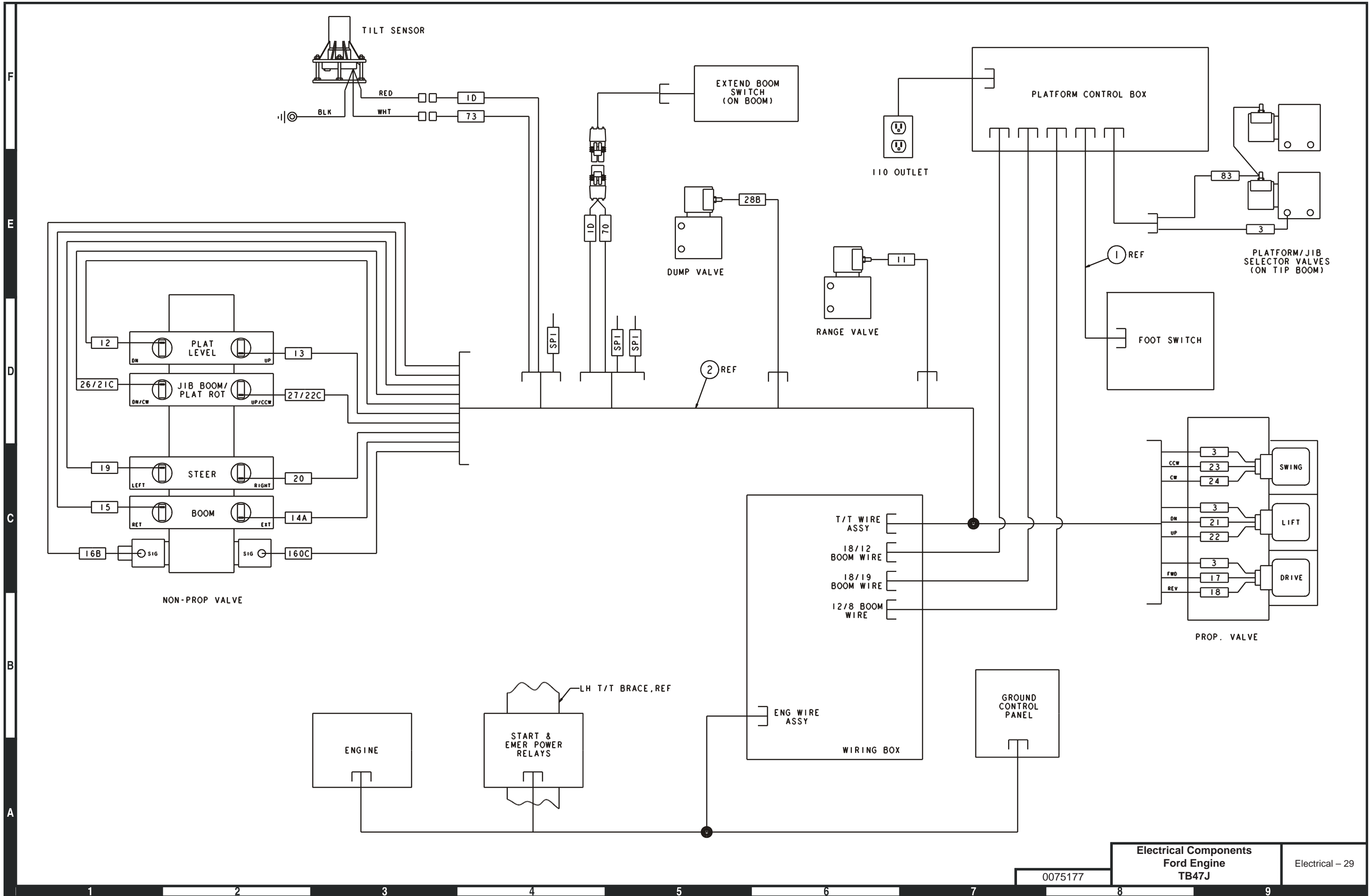
PLATFORM BOX

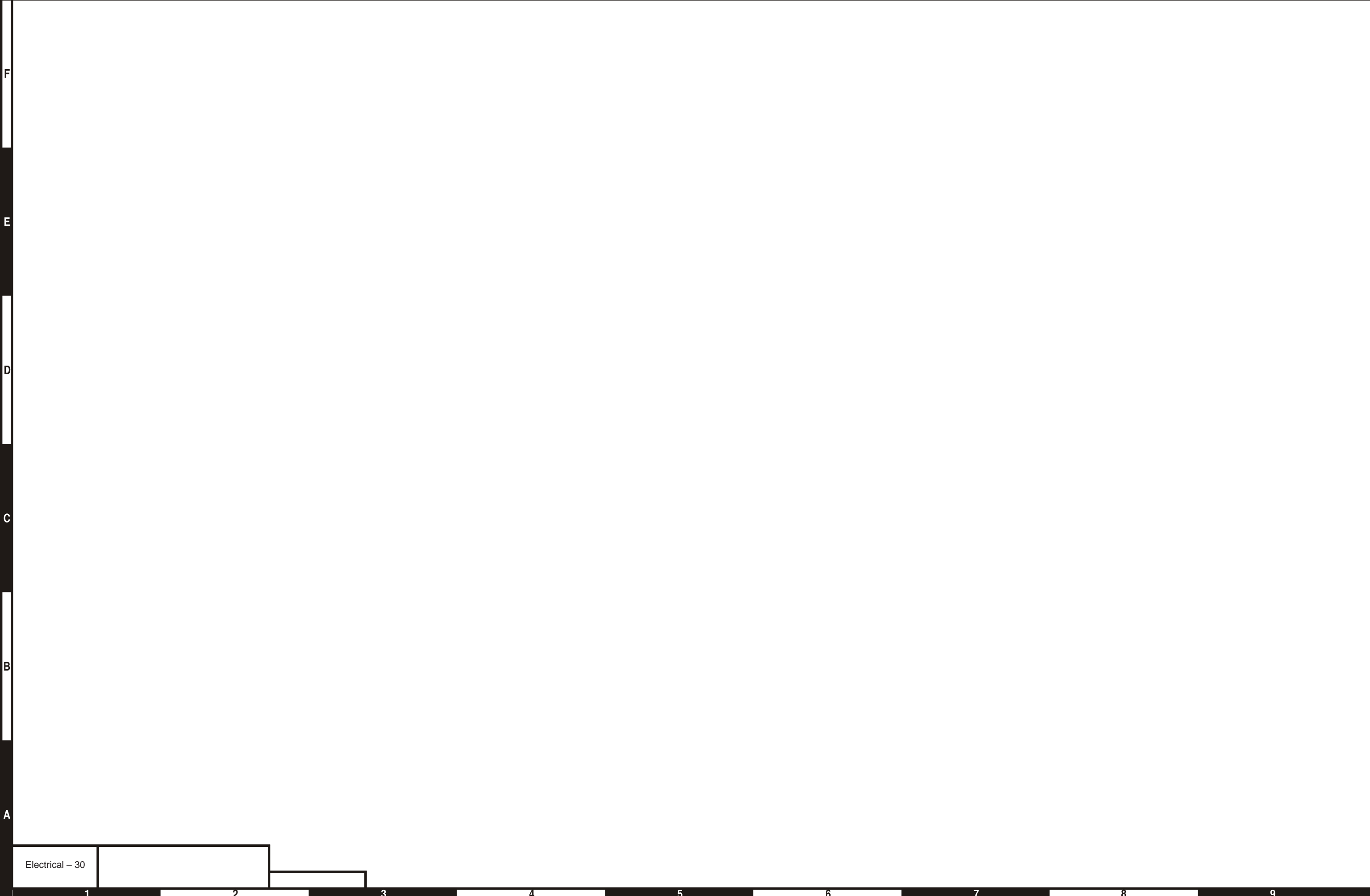
WIRING BOX



F
E
D
C
B
A

1 2 3 4 5 6 7 8 9





F

E

D

C

B

A

Electrical - 30

1

2

3

4

5

6

7

8

9

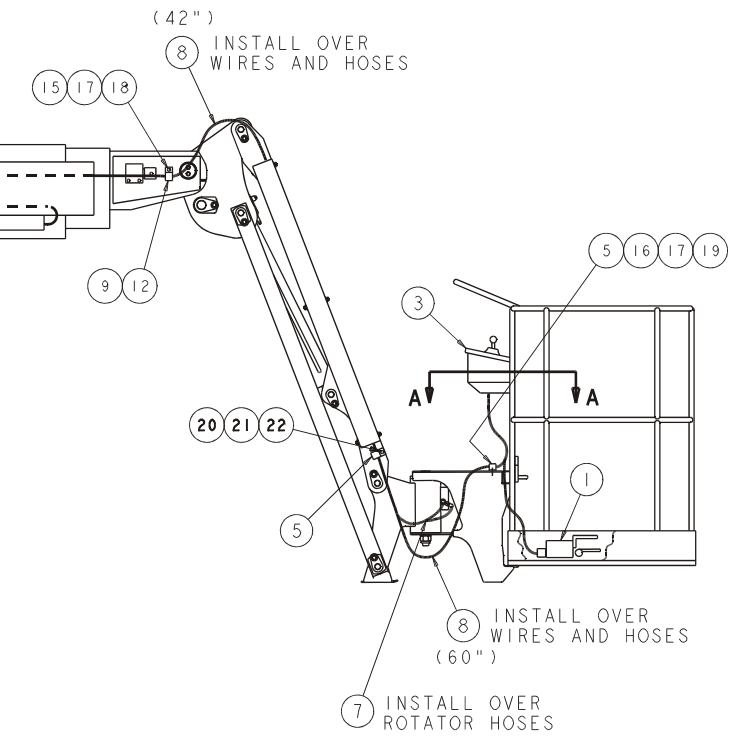
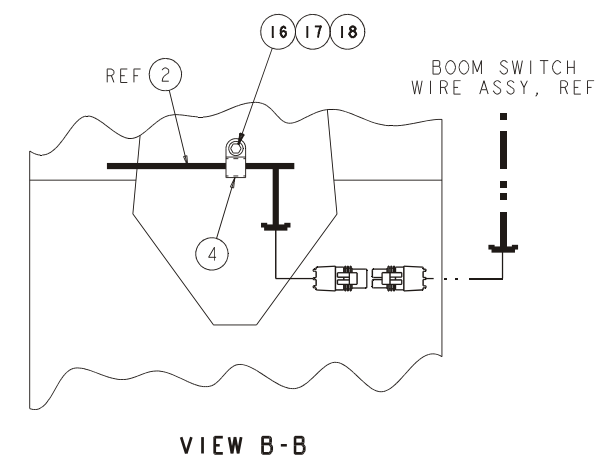
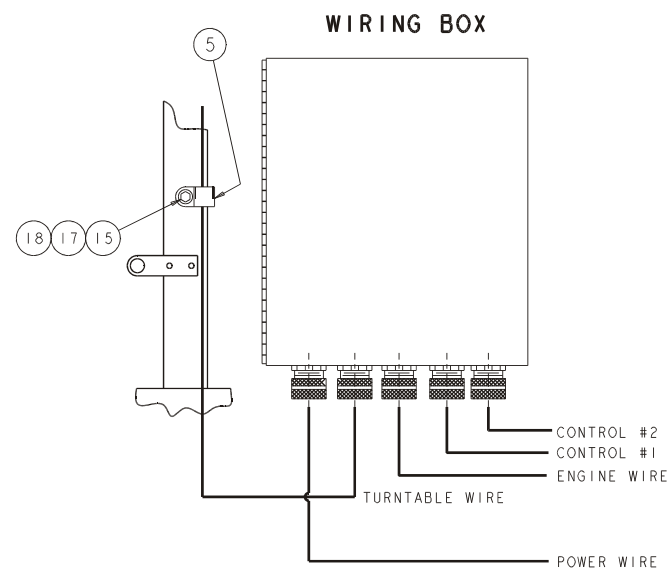
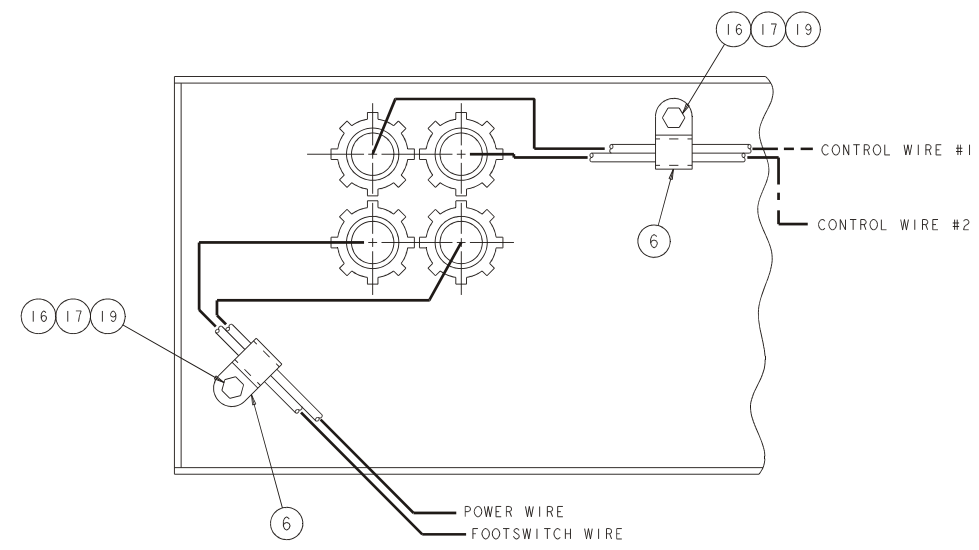
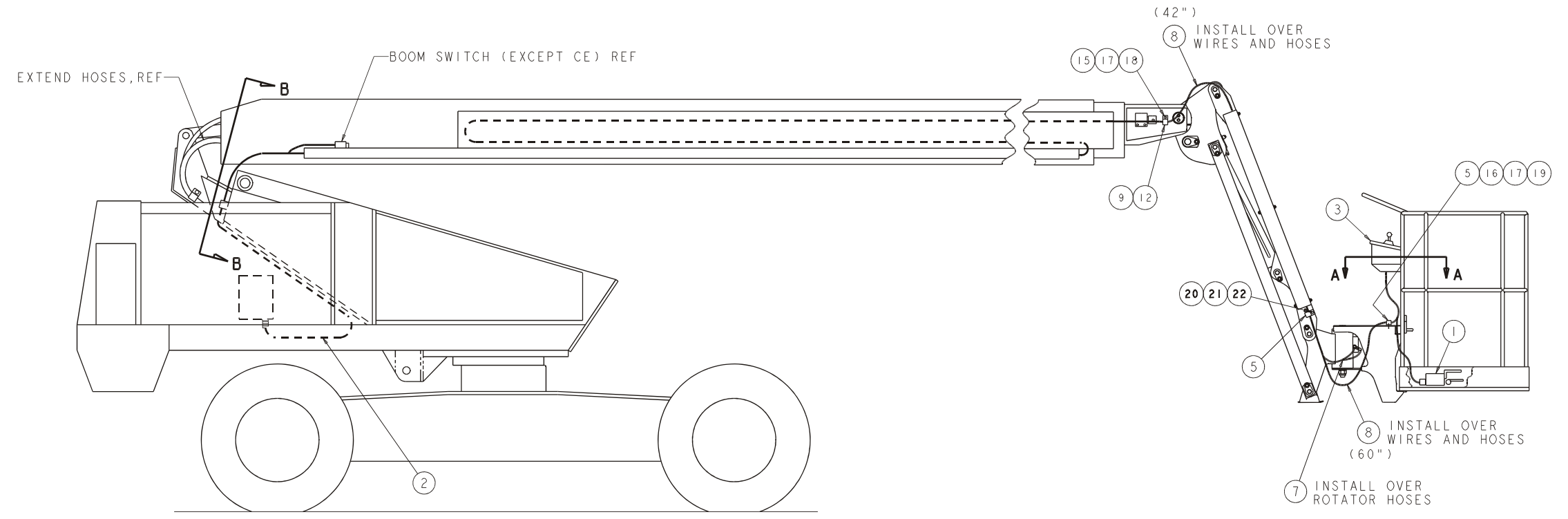
Electrical Components, Ford Engine – TB47J

Item	Part No.	Qty.	Description
1	007180028	1	FOOT SWITCH ASSEMBLY
2	0075112	1	TURNTABLE WIRE ASSY TB47J
3	0075067	1	PLAT CONT BOX ASSY TB47J
4	5093012	1	CLP CUSH 1.75
5	5093010	3	CLP CUS 1.50
6	5093008	2	CLP CUSH 1.06
7	563536	12	HOSE GUARD, SPIRAL 3/4"ID
8	5090034	9	SLEEVE HOSE ABRASION
9	5093024	1	CLP CUSH 1.25
10	3044146	7	TERM R10I 22/18
11	3044854	8	TERM R10I 12/10
13	3044142	1	TERM R6I 22/18
14	3046972	43	TERM FEM188I 22/18
15	970029	2	BLT .250-20 X .75 HH
16	970049	5	BLT .250-20 X 1.00 HH
17	986019	7	WSHR FLAT .25
18	987099	3	WSHR LOCK .25
19	5560004	4	NUT LKG .250-20
20	970449	1	BLT .375-16 X .75 HH
21	986299	1	WSHR FLAT .375
22	987119	1	WSHR LOCK .375
23	3040047	1	TERM FEM250FI 22/18

12/8 POWER WIRE				
WIRE NO.	BRAND REX WIRE COLOR	FUNCTION	WIRING BOX TERMINALS	PLT. BOX TERMINALS
1	RED	PWR TO PLATFORM	ITEM 11	ITEM 11
2	RED/BLK	PWR TO PLATFORM	ITEM 11	ITEM 11
3	BLACK	GROUND	ITEM 11	ITEM 11
6	ORANGE	EMER. POWER	ITEM 11	ITEM 11
110	BLUE	110- POWER	NONE	NONE
110	BROWN	110- NEUTRAL	NONE	NONE
	YELLOW	SPARE		
	BLUE/BLK	SPARE		

18/12 CONTROL WIRE NO. 1				
WIRE NO.	BRAND REX WIRE COLOR	FUNCTION	WIRING BOX TERMINALS	PLT. BOX TERMINALS
4	BLACK	RUN-FROM PLAT	ITEM 10	ITEM 14
5	BROWN/BLK	START-FROM PLAT	ITEM 10	ITEM 10
26	YELLOW	PLT ROT-CW/JIB-DN	ITEM 14	ITEM 10
27	BLUE	PLT ROT-CCW/JIB-UP	ITEM 14	ITEM 10
28	BLK/RED	SENSE LINE DUMP	ITEM 14	ITEM 14
70	RED	HI/LO SPD SIGNAL	ITEM 14	ITEM 14
74	BLUE/BLK	TILT ALARM-POWER	ITEM 14	ITEM 14
125	RED/BLK	THROTTLE-HI	ITEM 10	ITEM 14
126	ORANGE	ENGINE KILL SIGNAL	ITEM 10	ITEM 13
160C	ORANGE/BLK	HYD VALVE SIGNAL	ITEM 14	ITEM 14
	BROWN	SPARE		
	YELLOW/BLK	SPARE		

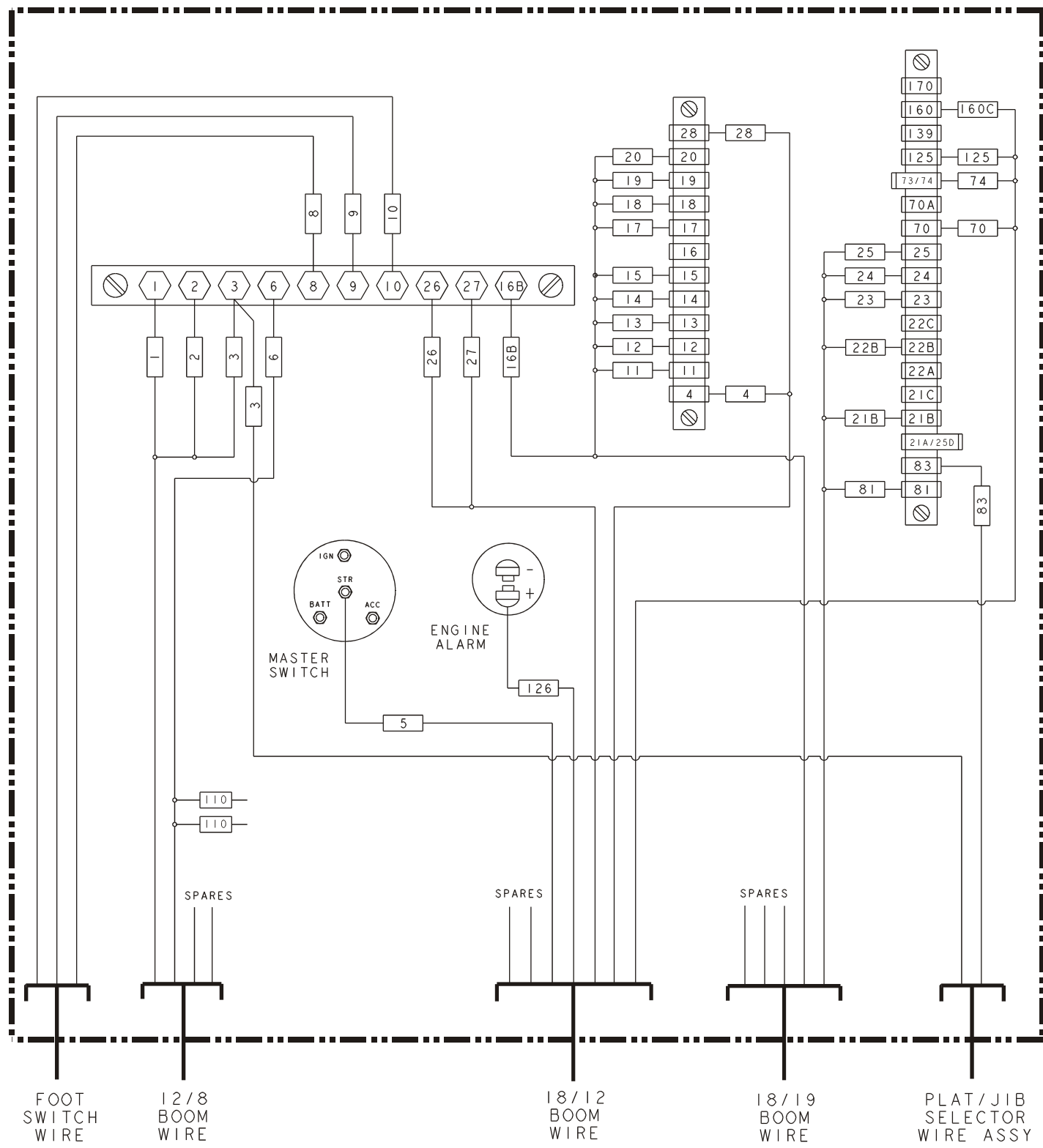
18/19 CONTROL WIRE NO. 2				
WIRE NO.	BRAND REX WIRE COLOR	FUNCTION	WIRING BOX TERMINALS	PLT. BOX TERMINALS
11	BLACK/RED	RANGE	ITEM 14	ITEM 14
12	BLUE/RED	LEVEL-DN	ITEM 14	ITEM 14
13	ORANGE/RED	LEVEL-UP	ITEM 14	ITEM 14
14	YELLOW/RED	BOOM-EXT	ITEM 14	ITEM 14
15	BROWN	BOOM-RET	ITEM 14	ITEM 14
16B	BLUE	SPD TO WIRING BOX	ITEM 14	ITEM 10
17	ORANGE	DRIVE-FWD	ITEM 14	ITEM 14
18	YELLOW/BLK	DRIVE-REV	ITEM 14	ITEM 14
19	BROWN/RED	STEER-LEFT	ITEM 14	ITEM 14
20	BLUE/BLK	STEER-RIGHT	ITEM 14	ITEM 14
21B	ORNG/BLUE	MAIN BOOM-DN	ITEM 14	ITEM 14
22B	RED/BLK	MAIN BOOM-UP	ITEM 14	ITEM 14
23	BLK/BLUE	SWING-CCW	ITEM 14	ITEM 14
24	BROWN/BLK	SWING-CW	ITEM 14	ITEM 14
25	BLACK	THROTTLE-MED	ITEM 14	ITEM 14
81	ORANGE/BLK	6-WAY VALVE	ITEM 14	ITEM 14
	RED	SPARE		
	YELLOW	SPARE		
	RED/BLUE	SPARE		



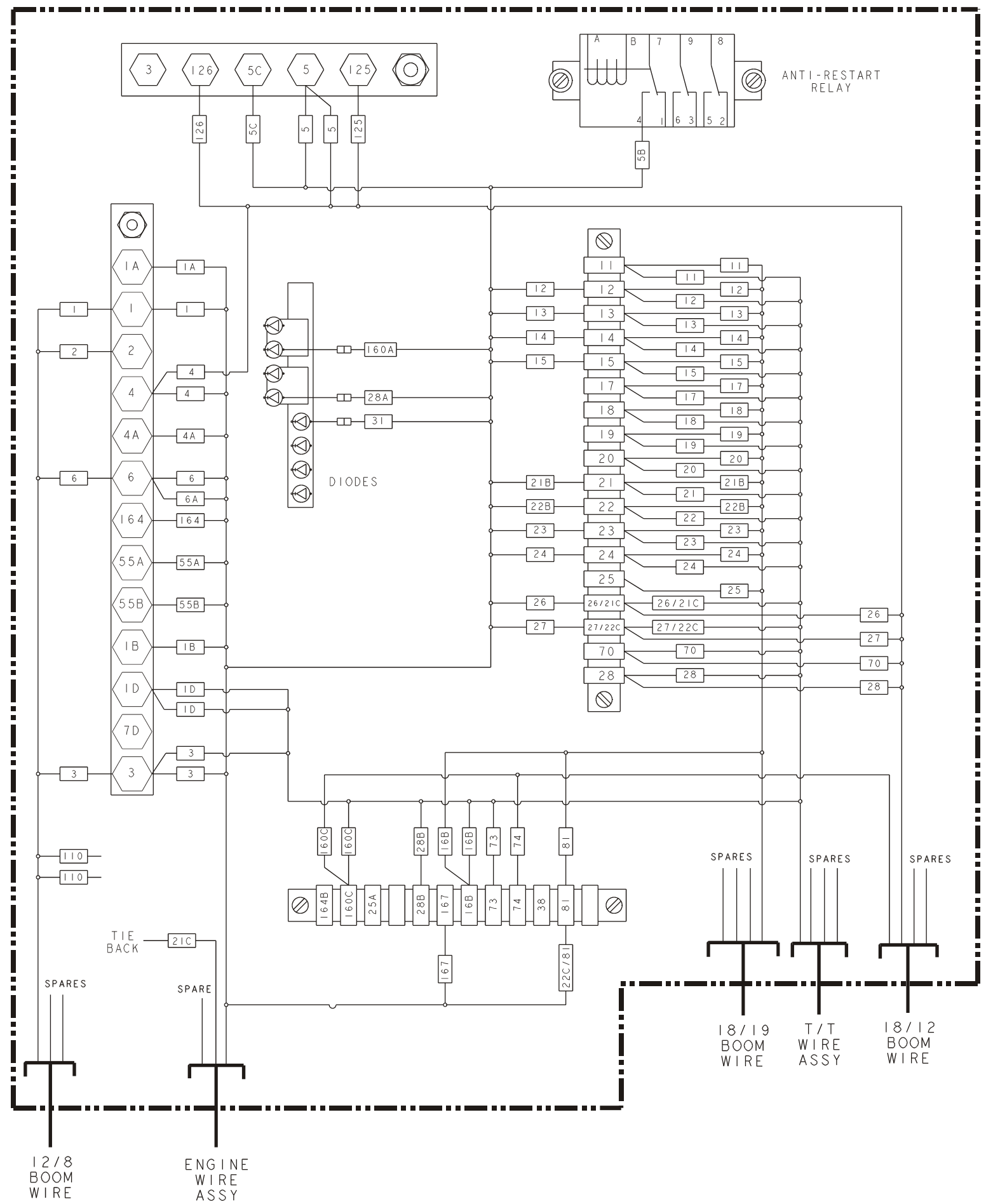
F
E
D
C
B
A

1 2 3 4 5 6 7 8 9

PLATFORM BOX



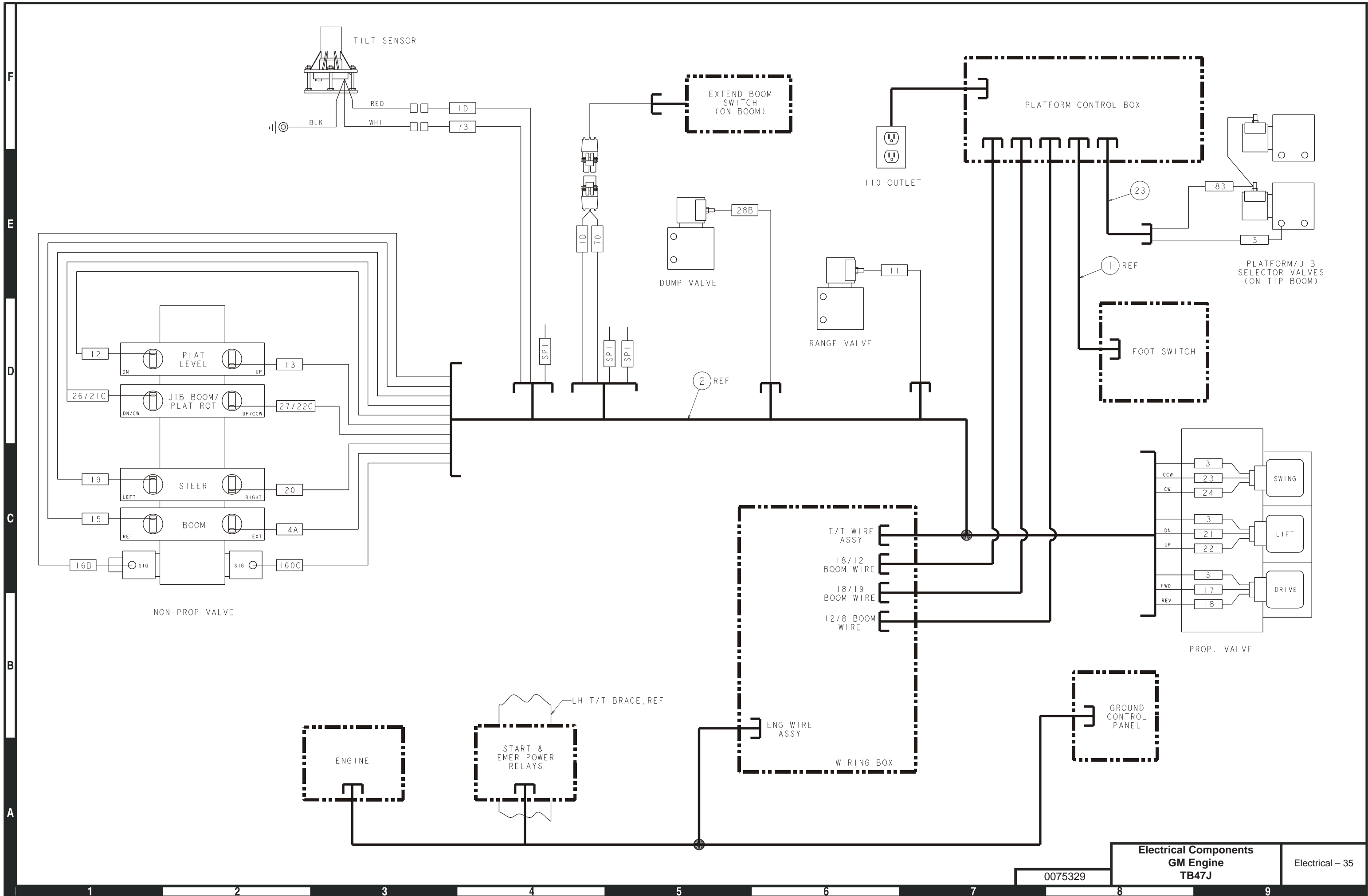
WIRING BOX

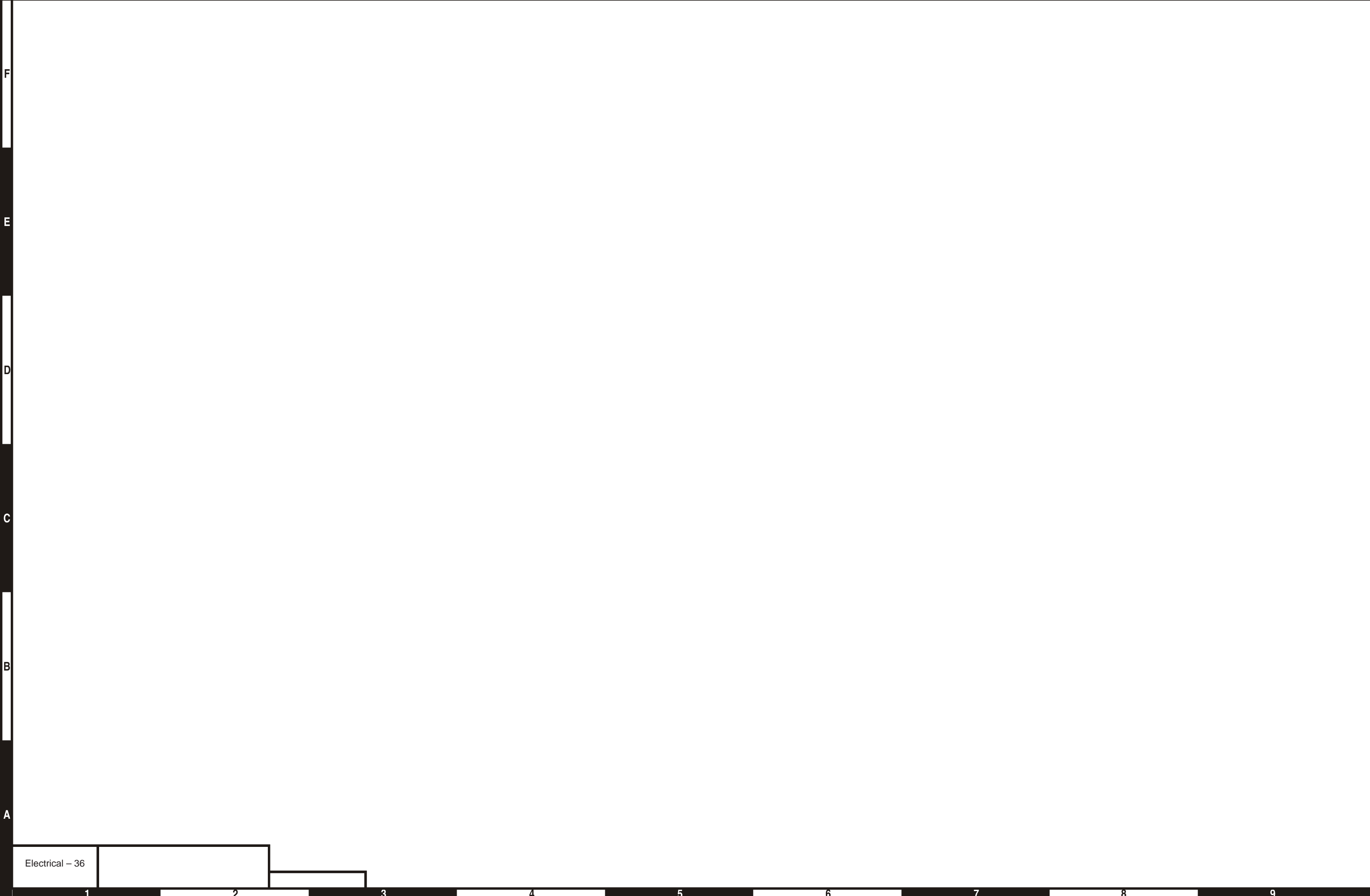


F
E
D
C
B
A

FOOT SWITCH WIRE 12/8 BOOM WIRE 18/12 BOOM WIRE 18/19 BOOM WIRE PLAT/JIB SELECTOR WIRE ASSY

12/8 BOOM WIRE ENGINE WIRE ASSY 18/19 BOOM WIRE T/T WIRE ASSY 18/12 BOOM WIRE





F

E

D

C

B

A

Electrical - 36

1

2

3

4

5

6

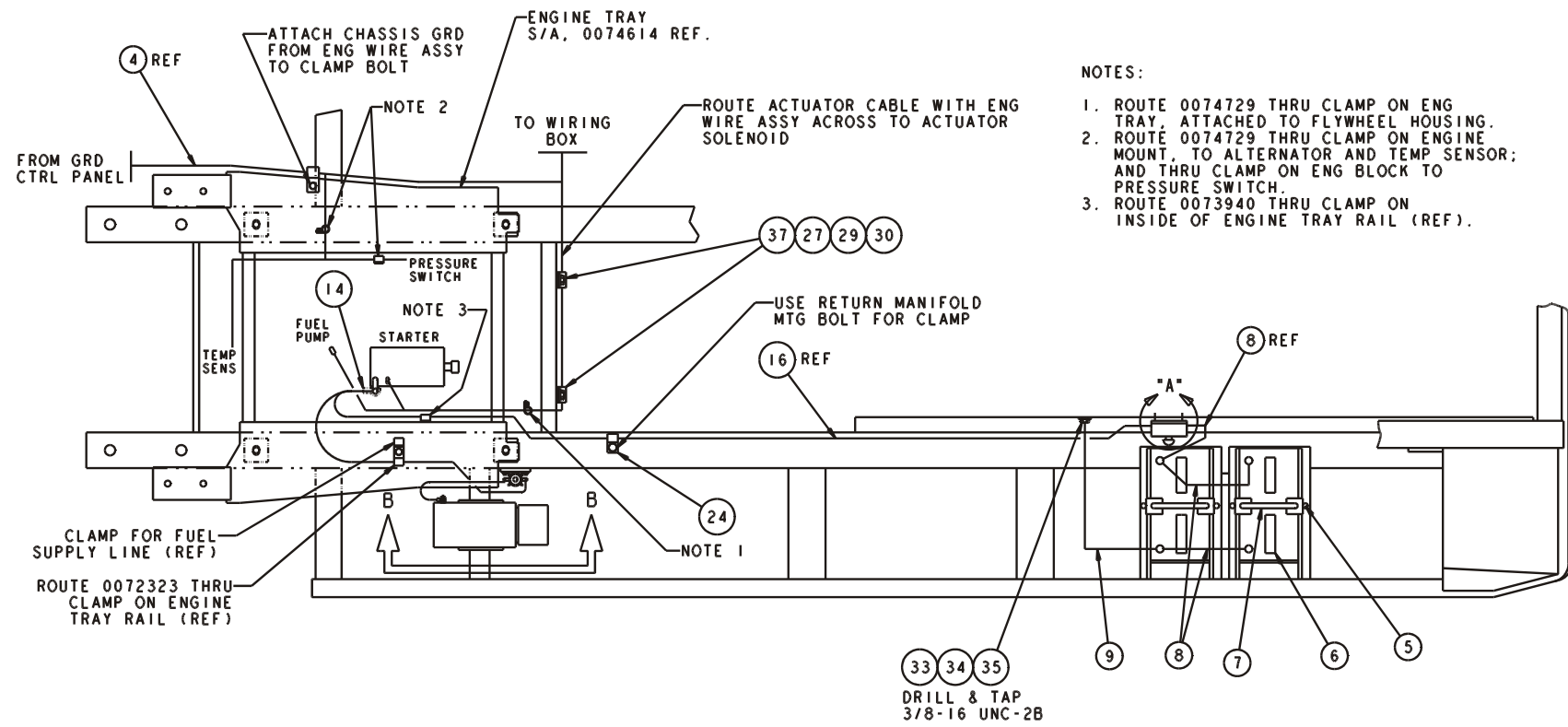
7

8

9

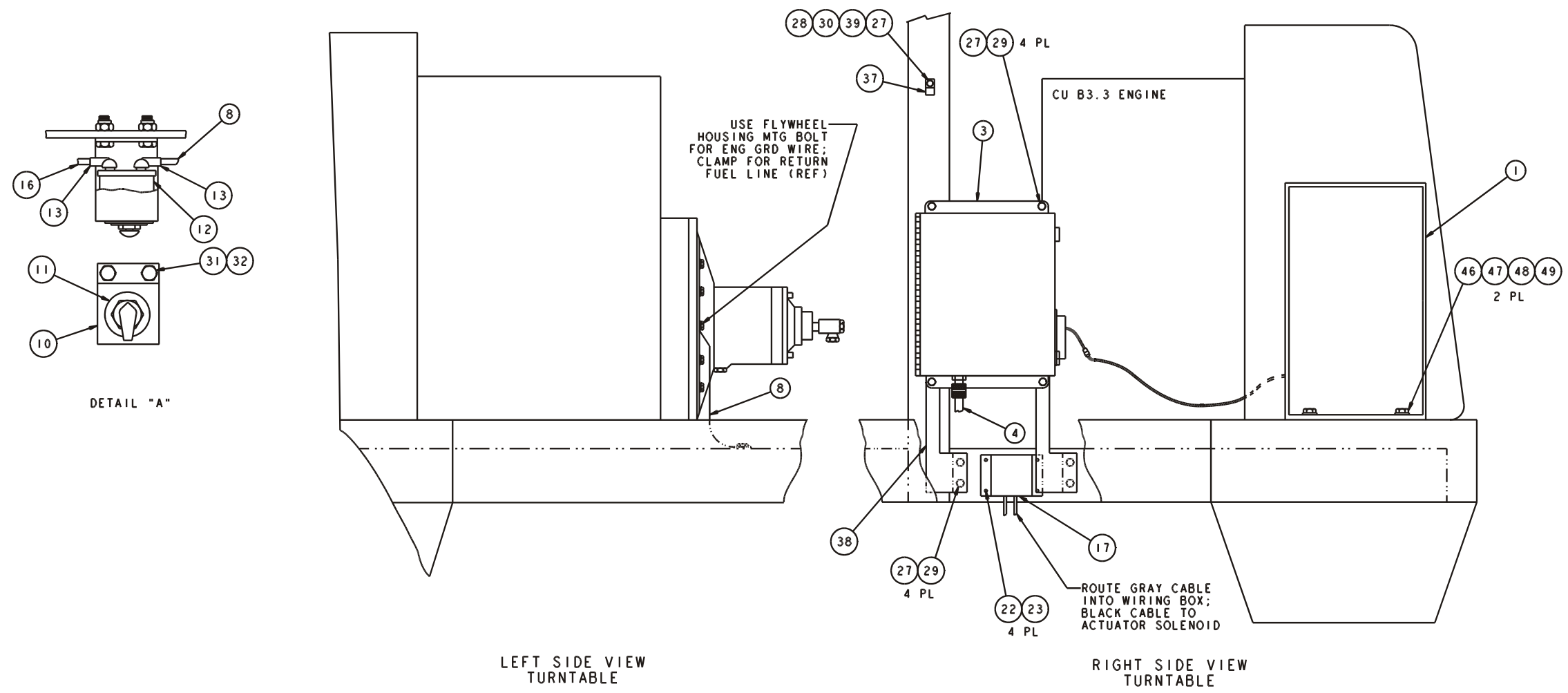
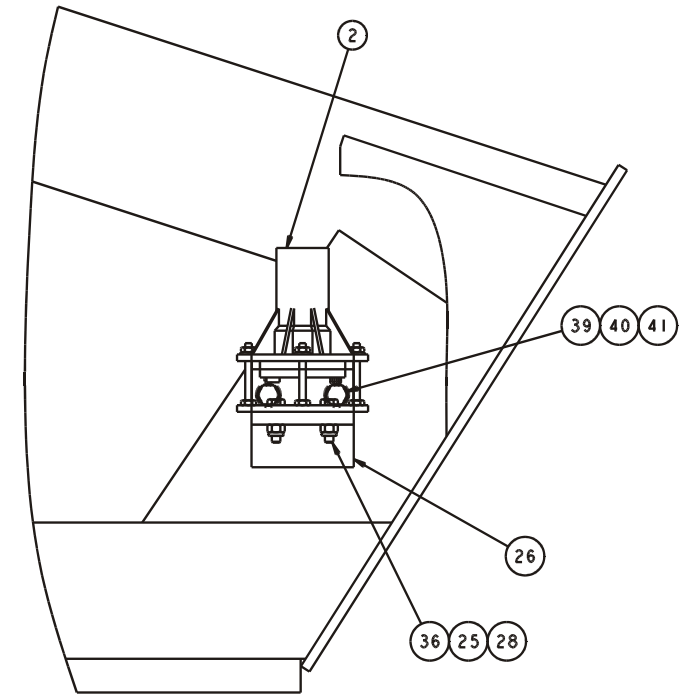
Electrical Components, GM Engine – TB47J

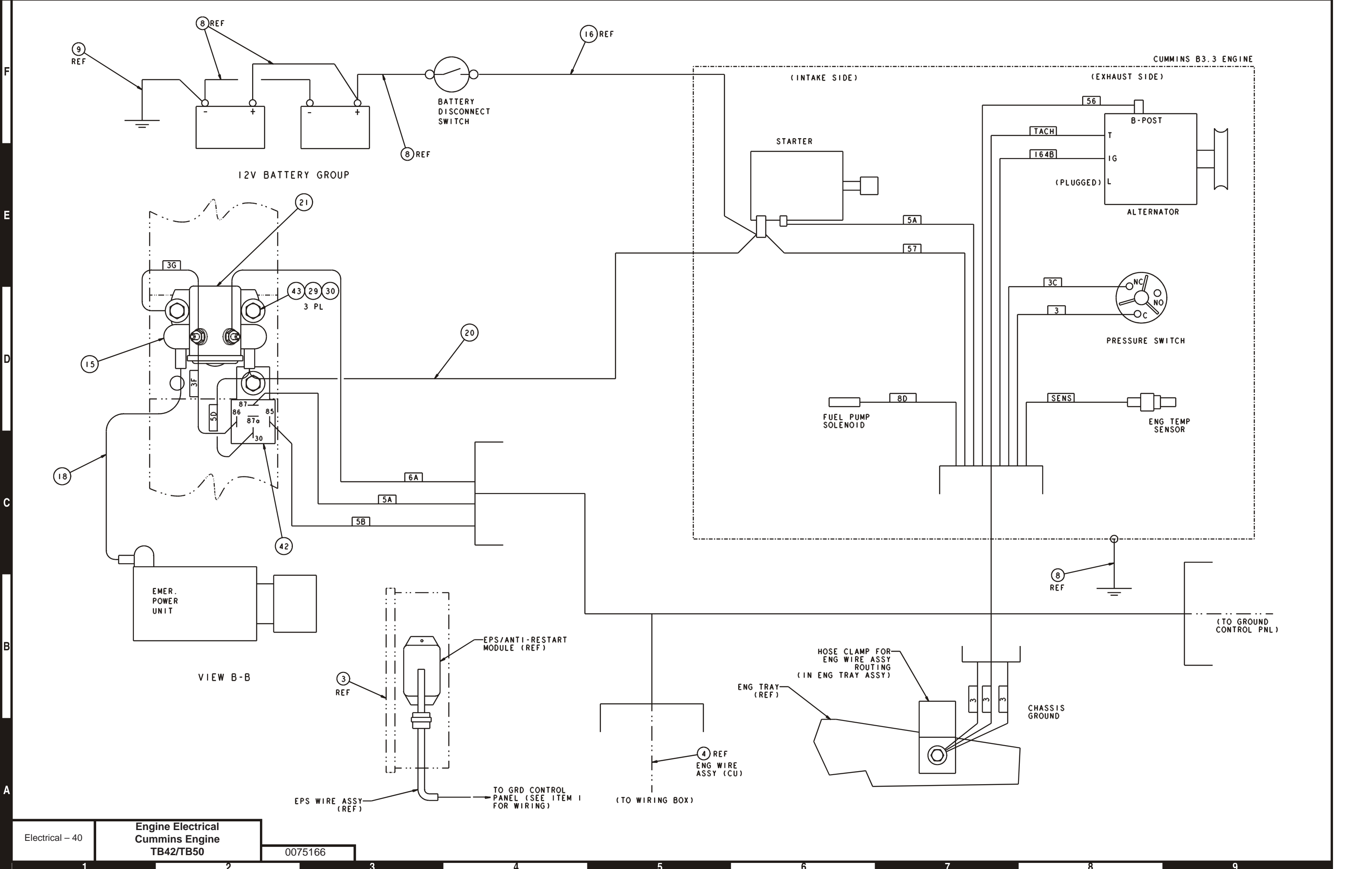
Item	Part No.	Qty.	Description
1	007180028	1	FOOT SWITCH ASSEMBLY
2	0075112	1	TURNTABLE WIRE ASSY TB47J
3	0075067	1	PLAT CONT BOX ASSY TB47J
4	5093012	1	CLP CUSH 1.75 VINYL COATED
5	5093010	3	CLP CUSH 1.50 VINYL COATED
6	5093008	2	CLP CUSH 1.06 VINYL COATED
7	563536	12 IN	HOSE GUARD, SPIRAL 3/4"ID
8	5090034	8.5 FT	SLEEVE,HOSE ABRASION GRD 1.81"
9	5093024	1	CLP CUSH 1.25 VINYL COATED
10	3044146	8	TERM R10I 22/18-
11	3044854	8	TERM R10I 12/10
12	0172452	1	SPCR .875 OD.375 ID.75 STL
13	3044142	1	TERM R6I 22/18-PN18-6R-C
14	3046972	43	TERM FEM188I 22/18
15	970029	2	BLT .250-20 X .75 HH
16	970049	5	BLT .250-20 X 1.00 HH
17	986019	7	WSHR FLAT .25
18	987099	3	WSHR LOCK .25
19	5560004	4	NUT LKG .250-20
20	970449	1	BLT .375-16 X .75 HH
21	986299	1	WSHR FLAT .375
22	987119	1	WSHR LOCK .375
23	0172311	1	PLAT/JIB SELECTOR WIRE ASSY



NOTES:

1. ROUTE 0074729 THRU CLAMP ON ENG TRAY, ATTACHED TO FLYWHEEL HOUSING.
2. ROUTE 0074729 THRU CLAMP ON ENGINE MOUNT, TO ALTERNATOR AND TEMP SENSOR; AND THRU CLAMP ON ENG BLOCK TO PRESSURE SWITCH.
3. ROUTE 0073940 THRU CLAMP ON INSIDE OF ENGINE TRAY RAIL (REF).





F
E
D
C
B
A

1 2 3 4 5 6 7 8 9

Engine Electrical, Cummins Engine – TB42/TB50

Item	Part No.	Qty.	Description
1	007516728	1	GRD CONT PANEL ASSY-CU SIM HYD
2	3020040	1	LEVEL SENSOR 5 DEGREE
3	007511328	1	WIRING BOX, TB47J, CU & DZ
4	0074729	1	ENG WIRE ASSY TB42/50 CU
5	3050004	4	BLT BTRY HLDN .375-16 X 10
6	3050002	2	BTRY 12V BCI GRP 27 12-V
7	3050008	2	BATTERY HOLD DOWN
8	0080484	4	WIRE 2/0 R375 R375 13
9	0080483	1	WIRE 2/0 R375 R375 28
10	0073051	1	WLDMT BATTERY SWITCH BRACKET
11	0073089	1	PLAC BATTERY DISCONNECT SWITCH
12	3020049	1	SW BATTERY DISCONNECT
13	3040269	2	BOOT BTRY CABLE END BLK 1/0 GA
14	3040270	1	BOOT BTRY CABLE END Y-TYPE
15	3040268	2	BOOT BTRY CABLE END BLACK 4GA
16	0073940	1	WIRE 2/0 R375 R375 80
17	008204628	1	ACTUATOR MODULE SUB ASSY
18	0090430	1	WIRE 4 R313I R375I 15
19	0071568	1	WIRE 12 R10I R250I 4
20	0072323	1	WIRE 4 R313I R375I 28
21	3040506	1	SOLENOID, 12V 150
22	974659	4	SCR RHD 10-24 .50
23	987089	4	WSHR LOCK #10
24	5093006	4	CLP CUSH .937
25	5560341	4	WASHER, 1/4 STAR TOOTH LOCK
26	0181503	1	BRKT TILT ALARM
27	970029	11	BLT HEX HD .25-20 X .75 GR5
28	5560004	5	NUT, 1/4-20 ESNA
29	987099	14	WASHER, 1/4 MEDIUM LOCK
30	986019	14	WASHER, 1/4 FLAT
31	970469	2	BLT HEX HD .38-16 X 1.00 GR5
32	5560003	2	NUT, 3/8-16 ESNA
33	970449	1	BLT HEX HD .38-16 X .75 GR5
34	987119	1	WSHR LOCK .38 MDM
35	986299	1	WSHR FLAT .38
36	970049	4	BLT HEX HD .25-20 X 1.00 GR5
37	5093004	3	CLP CUSH .75
38	0074730	2	BRKT WIRING BOX CU
39	970259	2	BLT HEX HD .313-18 X 1.00 GR5
40	986269	2	WASHER, 5/16 FLAT
41	987109	2	WASHER, 5/16 MEDIUM LOCK
42	3040469	1	RELAY SPDT 12V 30AM P
43	970219	3	BLT HEX HD .25-20 X .50 GR5
44	0081559	1	WIRE 16 R10I FEM250FI
45	0150545	1	WIRE 16 R313I FEM250FI 9.5
46	970939	2	BLT. 500-13 2.25
47	986359	4	WSHR. 500 FLAT
48	987139	2	WASHER LOCK .500
49	984149	2	NUT .500-13

F

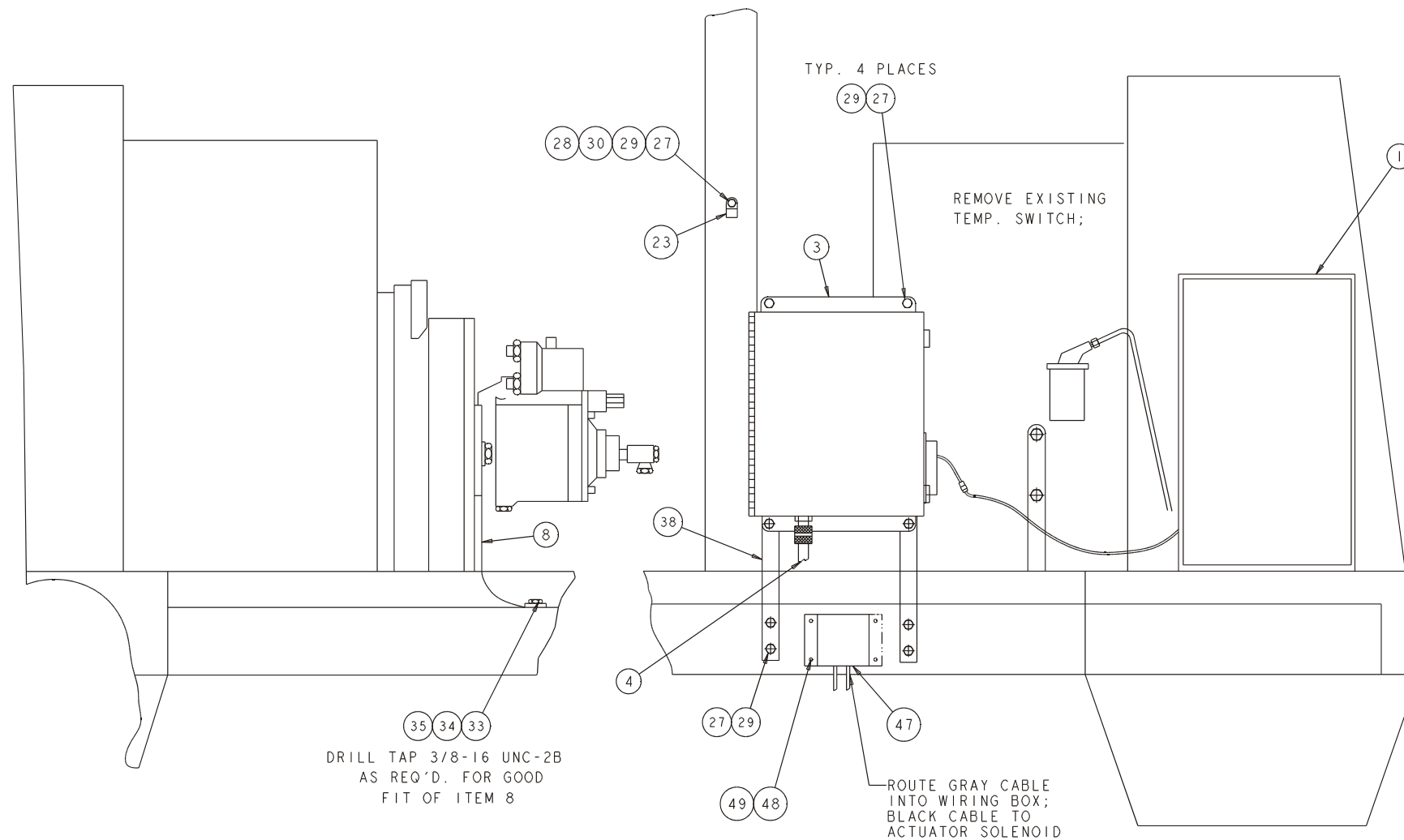
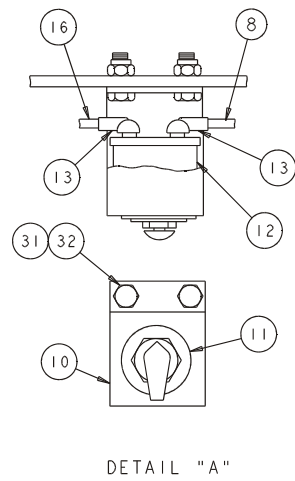
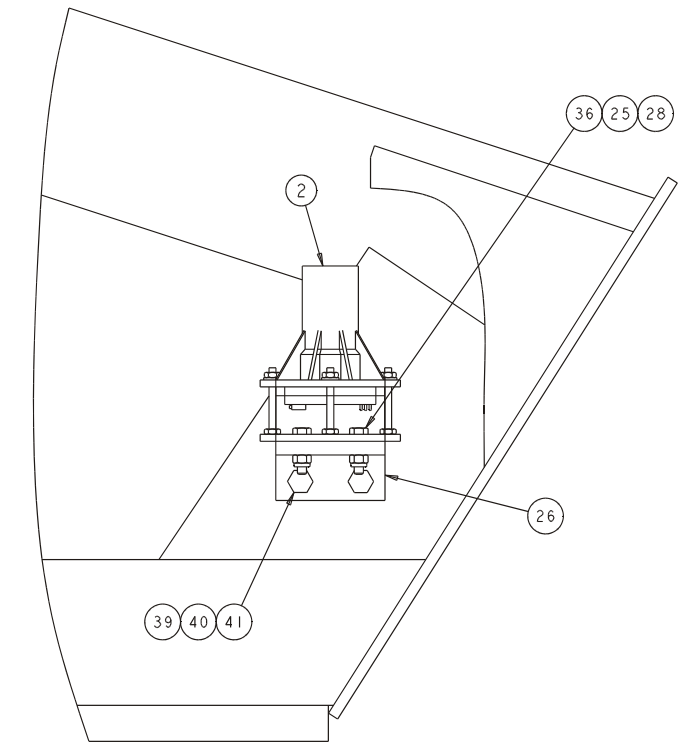
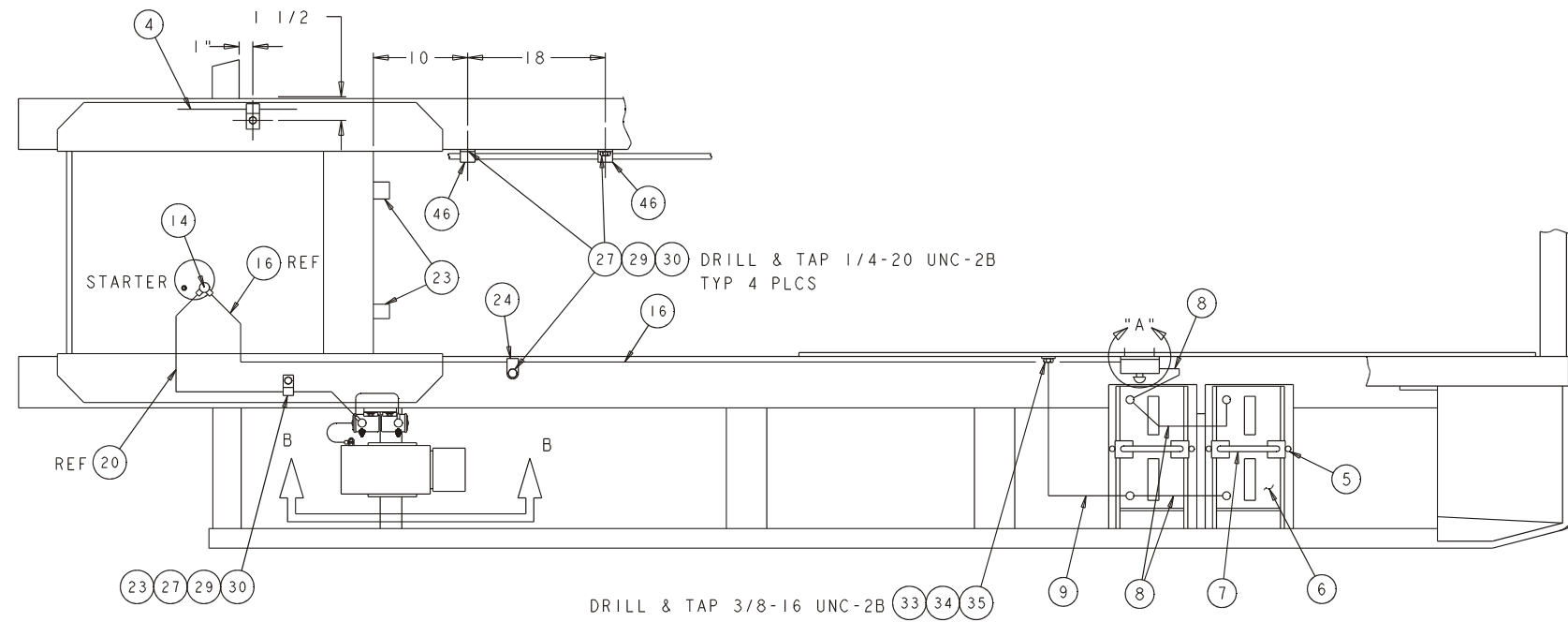
E

D

C

B

A



0075158

Engine Electrical
Deutz Engine
TB42/TB50

Electrical - 43

1 2 3 4 5 6 7 8 9

F

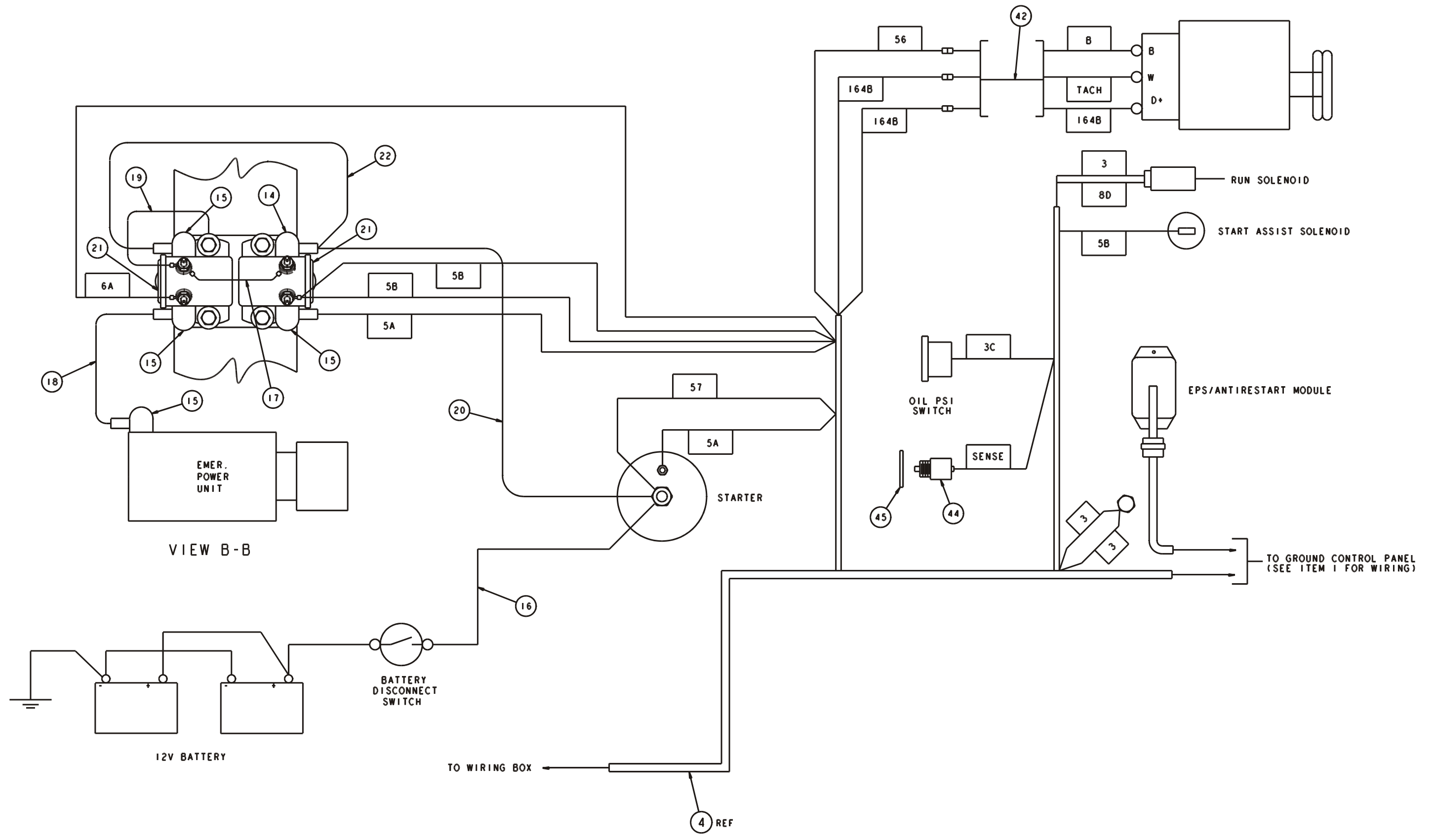
E

D

C

B

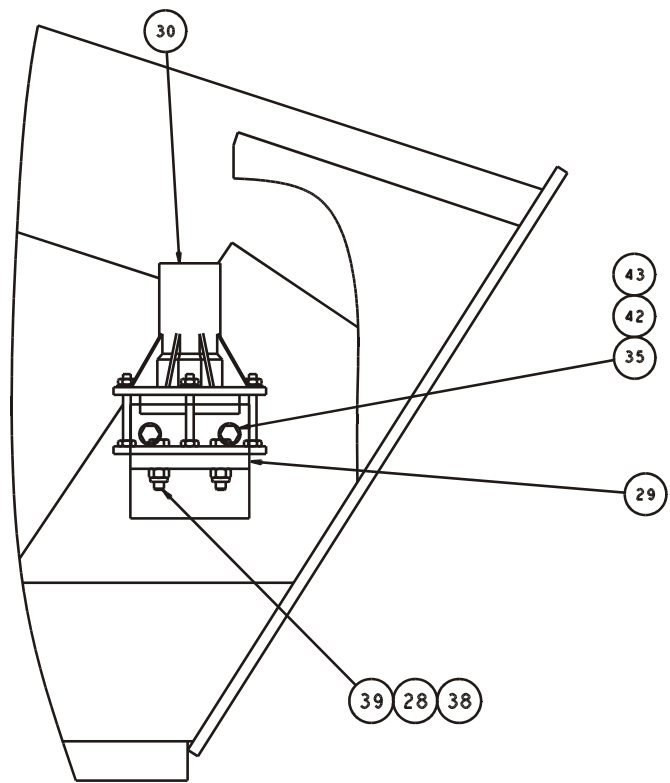
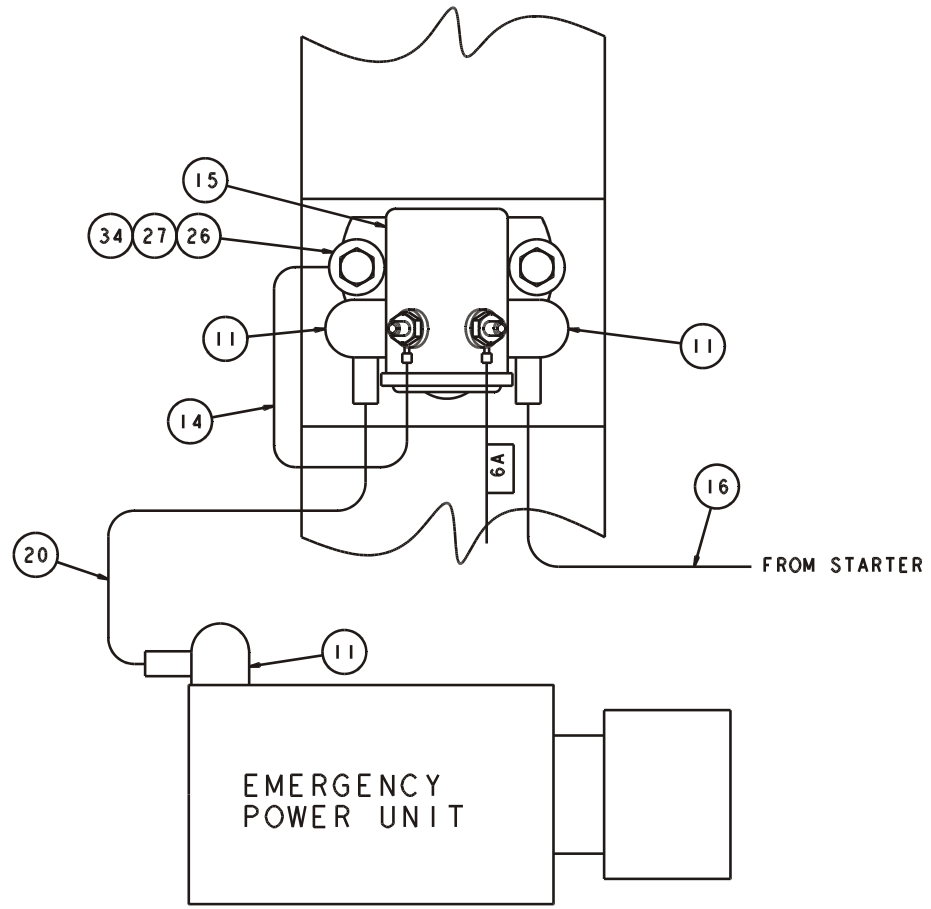
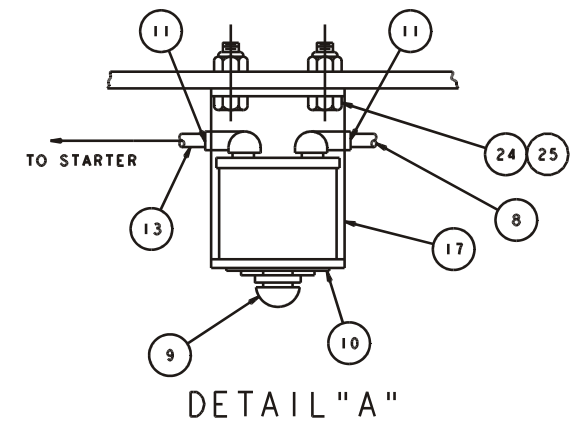
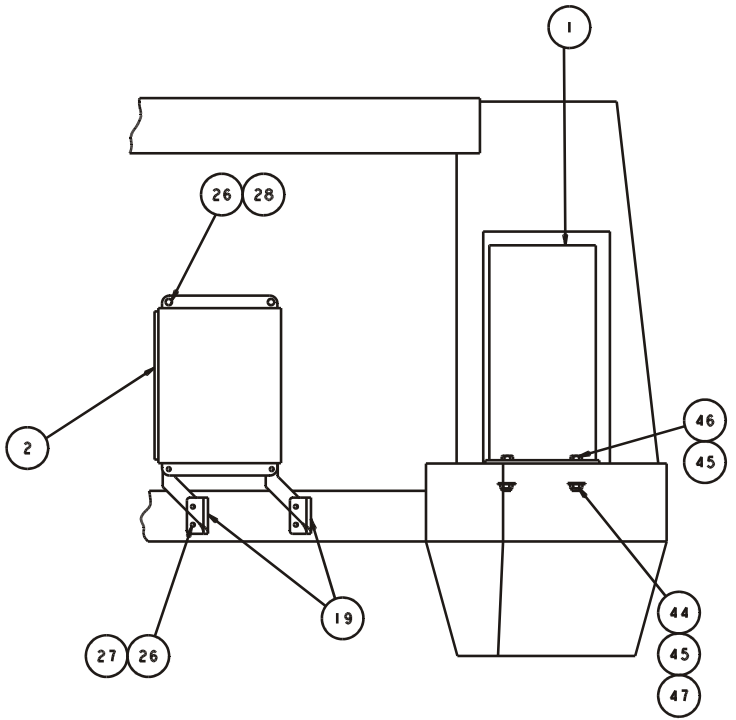
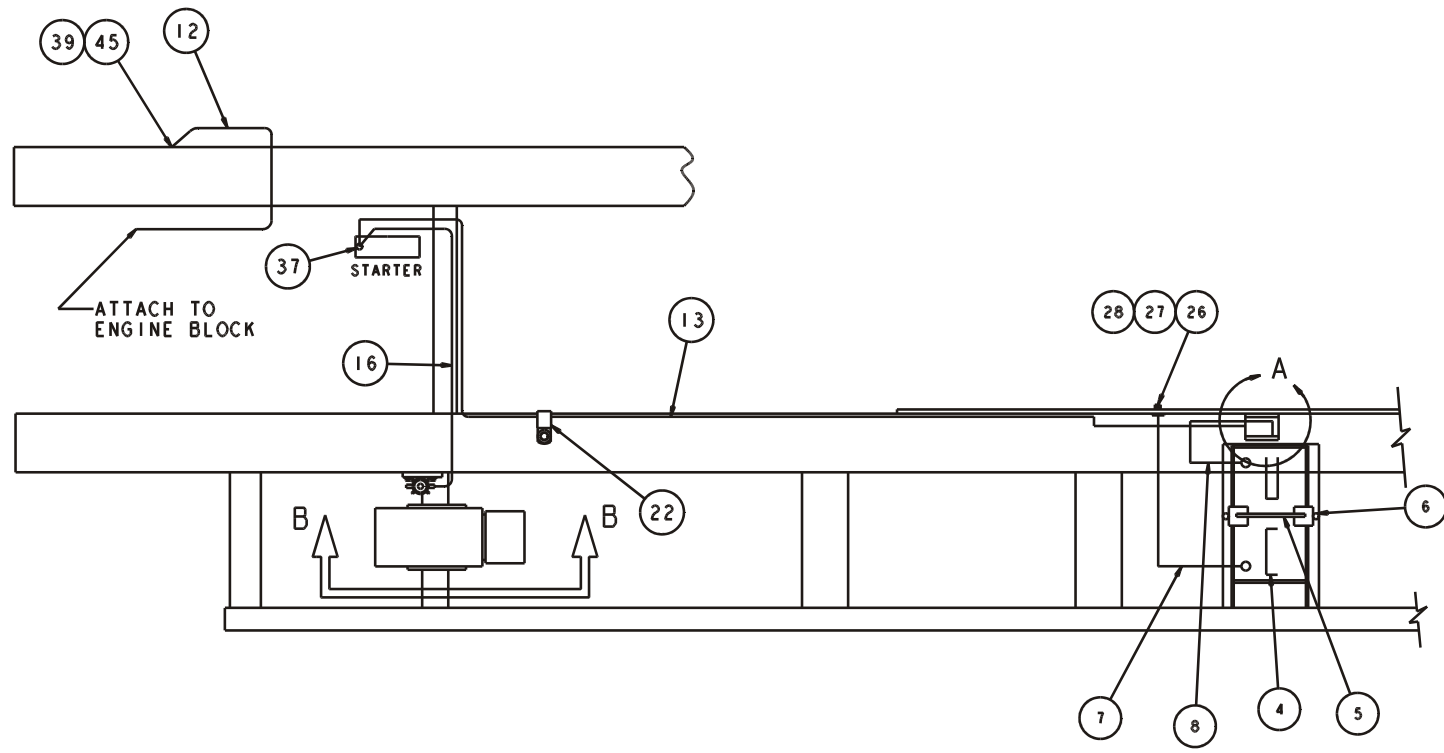
A

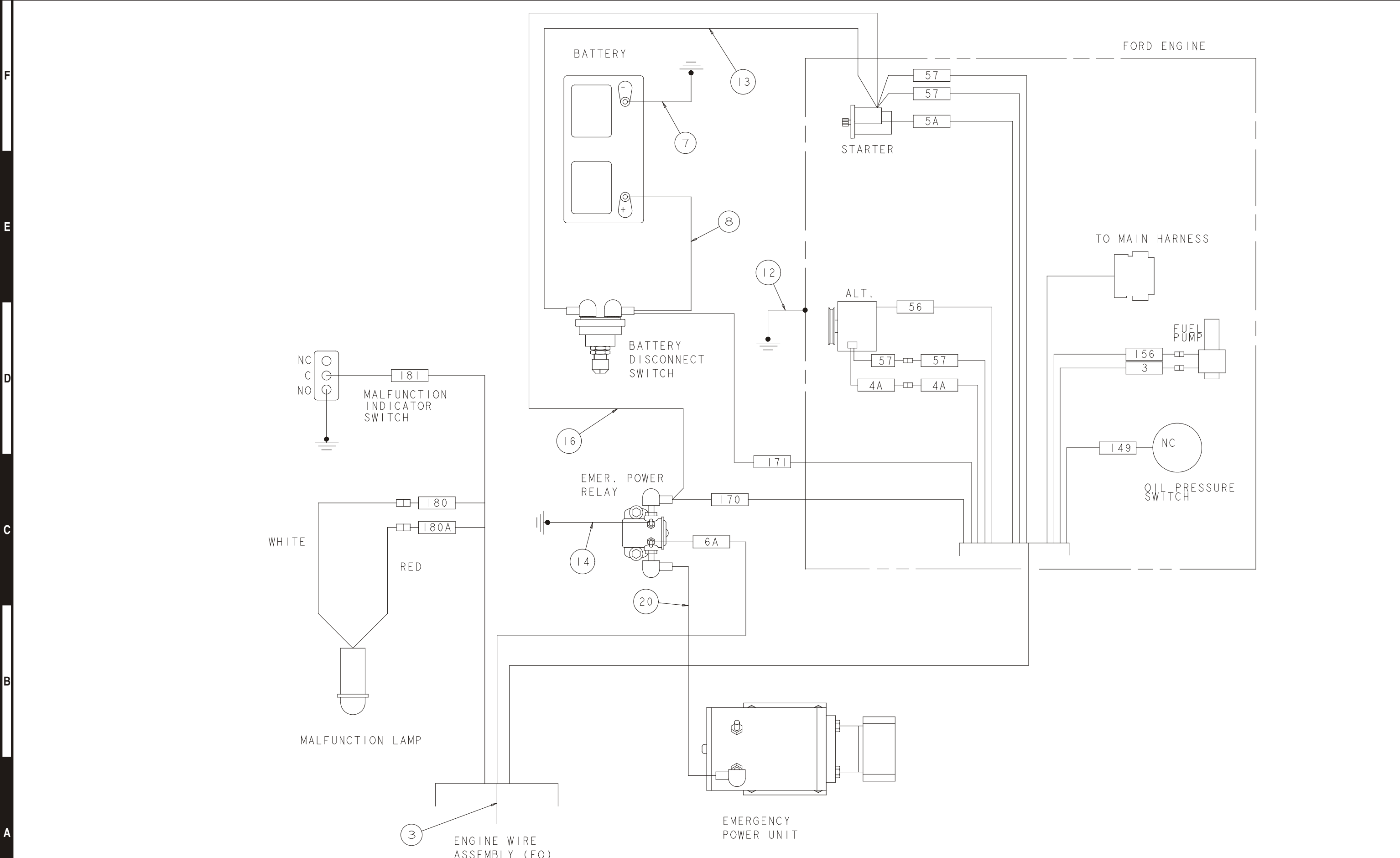


Engine Electrical, Deutz Engine – TB42/TB50

Item	Part No.	Qty.	Description
1	007515928	1	GRD CONT PANEL ASSY-DZ SIM HYD
2	3020040	1	LEVEL SENSOR 5 DEGREE
3	007511328	1	WIRING BOX, TB47J, CU & DZ
4	0074580	1	ENGINE WIRE ASSY TB 42/50 DZ
5	3050004	4	BLT BTRY HLDN .375-16 X 10
6	3050002	2	BTRY 12V
7	3050008	2	BATTERY HOLD DOWN
8	0080484	4	WIRE 2/0 R375 R375 13
9	0080483	1	WIRE 2/0 R375 R375 28
10	0073051	1	WLDMT BATTERY SWITCH BRACKET
11	0073089	1	PLAC BATTERY DISCONNECT SWITCH
12	3020049	1	SW BATTERY DISCONNECT
13	3040269	2	BOOT BTRY CABLE END BLK 1/0 GA
14	3040270	2	BOOT BTRY CABLE END Y-TYPE
15	3040268	4	BOOT BTRY CABLE END BLACK 4GA
16	0073940	1	WIRE 2/0 R375 R375 80
17	0151371	1	WIRE 16 R10 R10 5
18	0090430	1	WIRE 4 R313I R375I 15
19	0071568	1	WIRE 12 R10I R250I 4
20	0072323	1	WIRE 4 R313I R375I 28
21	3040506	2	SOLENOID, 12V 150
22	0090319	1	WIRE 4 R375I R313I 8 RED
23	5093004	4	CLP CUSH .75
24	5093006	2	CLP CUSH .937
25	5560341	4	WASHER, 1/4 STAR TOOTH LOCK
26	0181503	1	BRACKET, TILT SENSOR MOUNTING
27	970029	11	BLT HEX HD .25-20 X .75 GR5
28	5560004	9	NUT, 1/4-20 ESNA
29	987099	11	WASHER, 1/4 MEDIUM LOCK
30	986019	11	WASHER, 1/4 FLAT
31	970469	2	BLT HEX HD .38-16 X 1.00 GR5
32	5560033	2	NUT, 3/8-16 ESNA
33	970449	2	BLT HEX HD .38-16 X .75 GR5
34	987119	2	WSHR LOCK .38 MDM
35	986299	2	WSHR FLAT .38
36	970049	4	BLT HEX HD .25-20 X 1.00 GR5
37	5093000	2	CLP CUSH .437
38	0070518	2	BRACKET - WIRING BOX
39	970259	2	BLT HEX HD .313-18 X 1.00 GR5
40	986269	2	WASHER, 5/16 FLAT
41	987109	2	WASHER, 5/16 MEDIUM LOCK
42	0074579	1	ALTERNATOR WIRE ASSY
44	3070039	1	TEMP SENSOR M18 X 1.5 HIGH
45	5569837	1	WASHER FLAT M18 COPPER
46	5093027	2	CLP CUSH 1.187
47	008204628	1	ACTUATOR MODULE SUB ASSY
48	974659	4	SCR #10-24 X .50 RDHD
49	5560654	4	WSHR LOCK #10

F
E
D
C
B
A





Engine Electrical, Ford Engine – TB42/TB50

Item	Part No.	Qty.	Description
1	007516328	1	GRD CONT PANEL ASSY TB42 (FO) SIM HYD
2	007517128	1	WIRING BOX ASSY (FO) TB42/50/47J SIM HYD
3	0075024	1	HARNESS, FORD ENG WIRE
4	3050002	1	BTRY 12V
5	3050008	1	BATTERY HOLD DOWN
6	3050004	2	BLT BTRY HLDN .375-16 X 10
7	0070698	1	WIRE 4 R313I R313I 25 BLK
8	0090317	1	WIRE 4 R375I R375I 9 RED
9	3020049	1	SW BATTERY DISCONNECT
10	0073089	1	PLAC BATTERY DISCONNECT SWITCH
11	3040268	6	BOOT BTRY CABLE END BLACK 4GA
12	0080483	1	WIRE 2/0 R375 R375 28
13	0073940	1	WIRE 2/0 R375 R375 80
14	0071568	1	WIRE 12 R10I R250I 4
15	3040506	1	SOLENOID, 12V 150 AMP
16	0151160	1	WIRE 4 R313 R375 36 RED
17	0073051	1	WLDMT BATTERY SWITCH BRACKET
19	0074730	2	BRKT WIRING BOX CU
20	0090430	1	WIRE 4 R313I R375I 15
22	5093002	1	CLP CUSH .562
24	970469	2	BLT HEX HD .375-16 X 1.00 GR5
25	5560033	2	NUT LKG .375-16
26	970029	11	BLT HEX HD .25-20 .75 GR5
27	987099	7	WSHR LOCK .25 MDM
28	5560004	8	NUT LKG .25-20
29	0181503	1	BRKT TILT ALARM
30	3020040	1	LEVEL SENSOR 5 DEGREE
31	0074583	1	ALTERNATOR CONN ASSY
32	3049947	1	TERM R313I 22/18
33	3040046	2	TERM MALE250FI 22/18
34	986019	6	WSHR FLAT .25
35	970259	2	BLT HEX HD .313-18 1.00 GR5
37	3040270	1	BOOT BTRY CABLE END Y
38	5560341	1	WSHR LOCK .25 STARTOOTH
39	970049	5	BLT HEX HD .25-20 1.00 GR5
42	987109	2	WSHR LOCK .313 MDM
43	986269	2	WSHR FLAT .313
44	984149	2	NUT .500-13
45	986359	5	WASHER, 1/2 FLAT
46	970939	2	BLT .500-13 2.25
47	987139	2	WSHR LOCK .500
49	3040452	1	BOOT BTRY CABLE UL RED 10GA

F

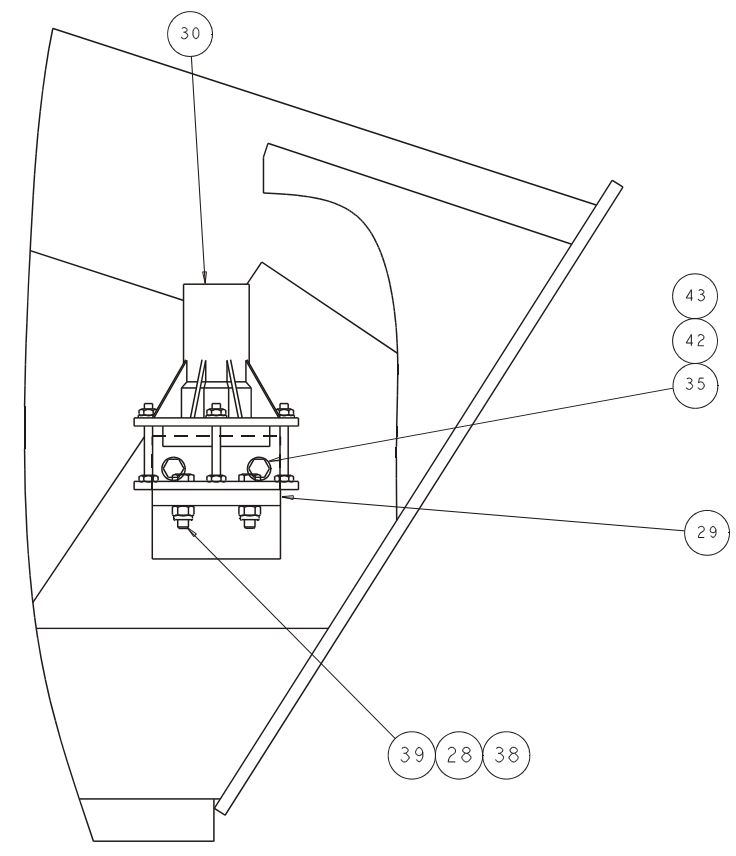
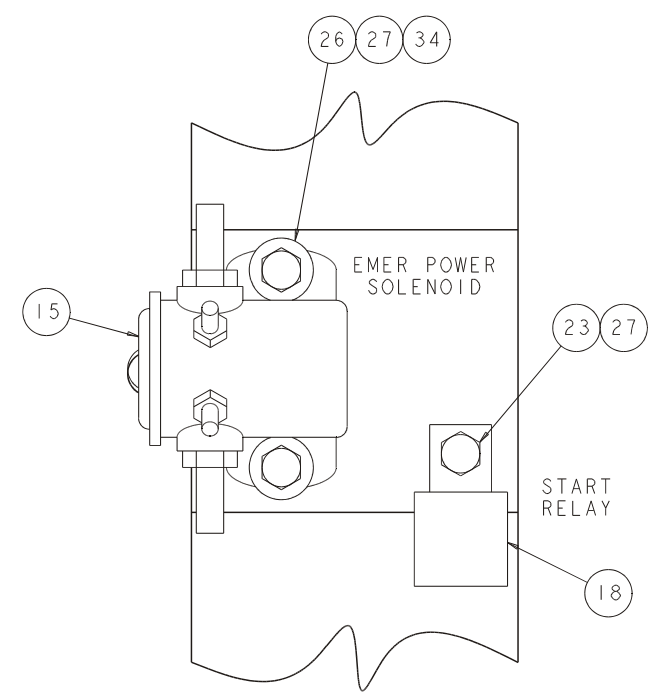
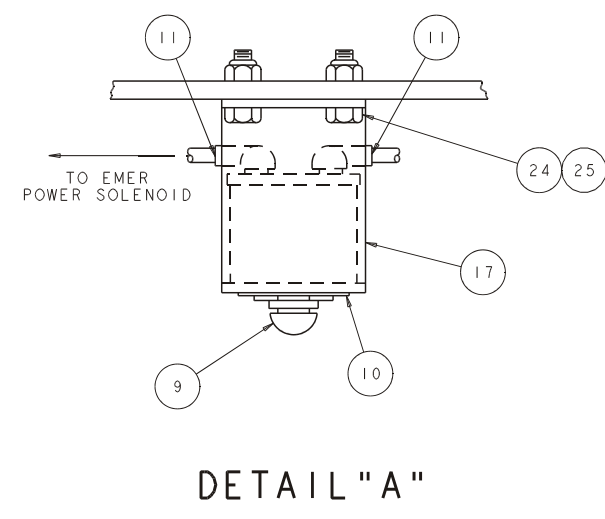
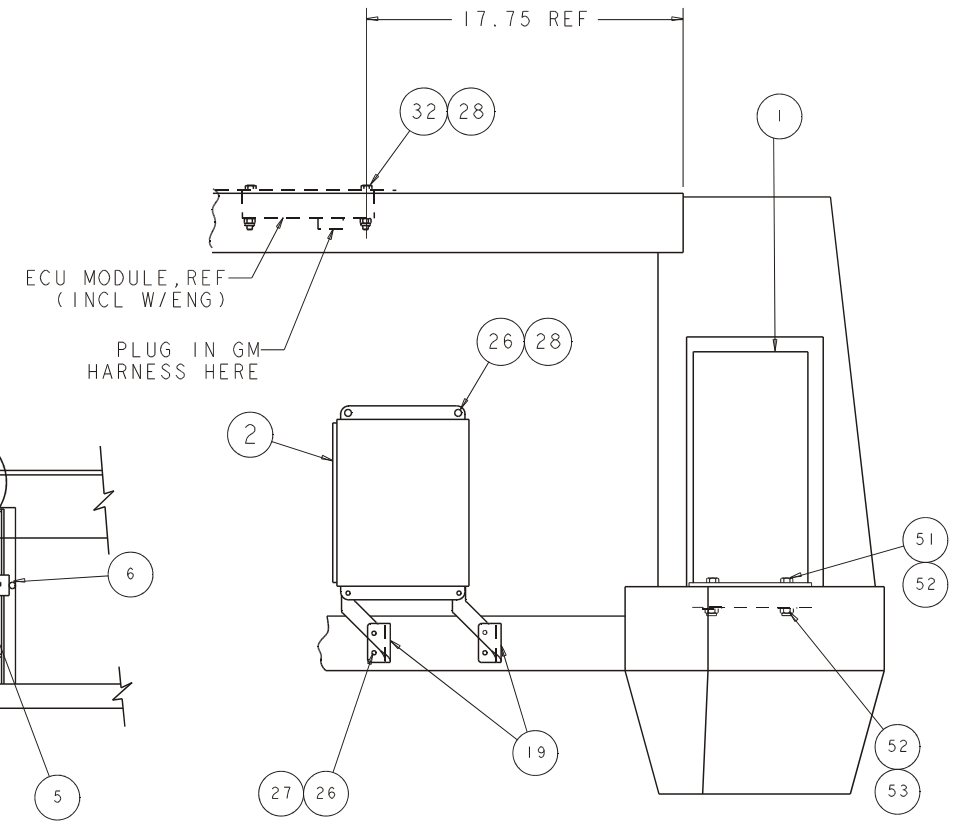
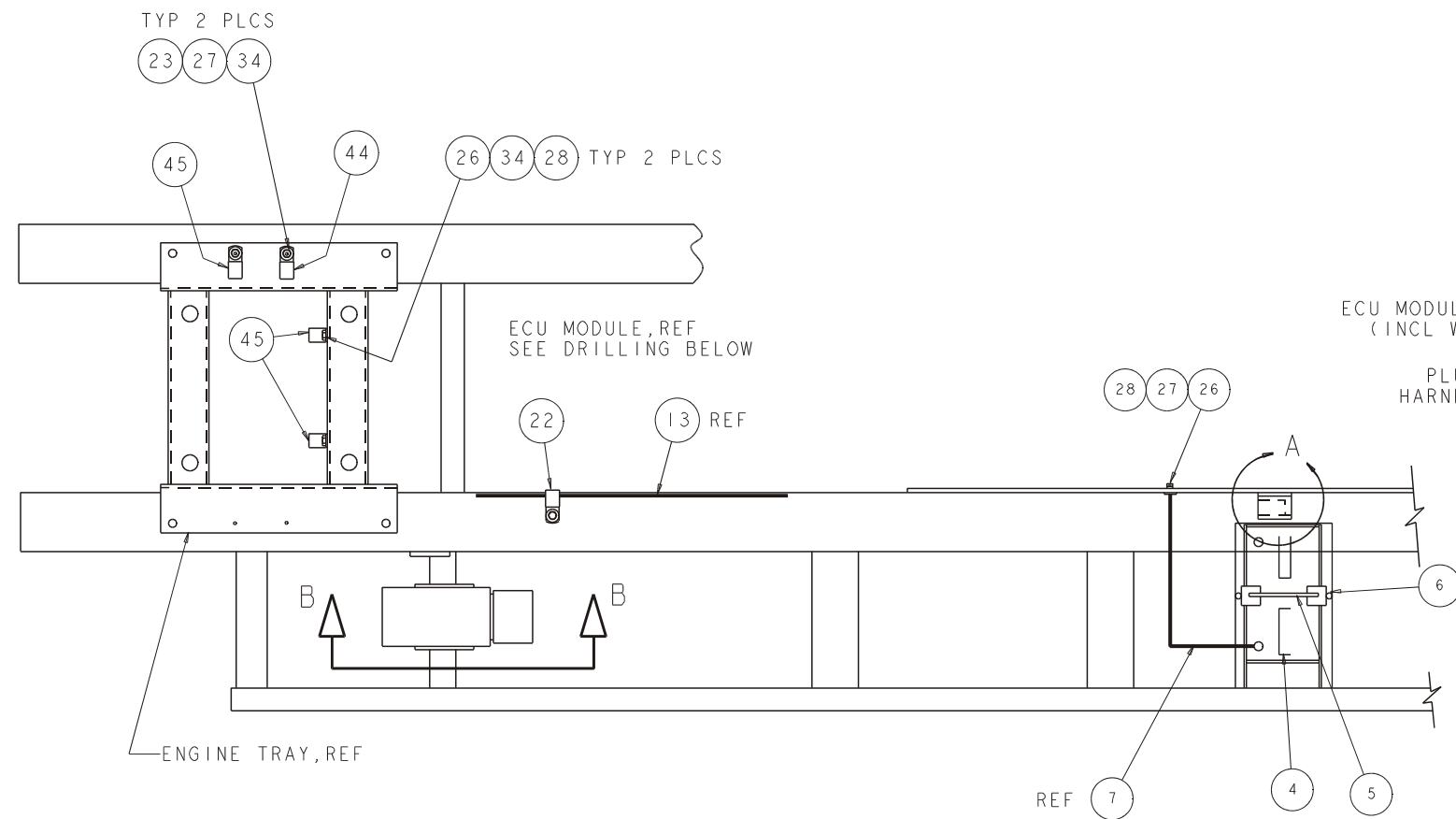
E

D

C

B

A



F

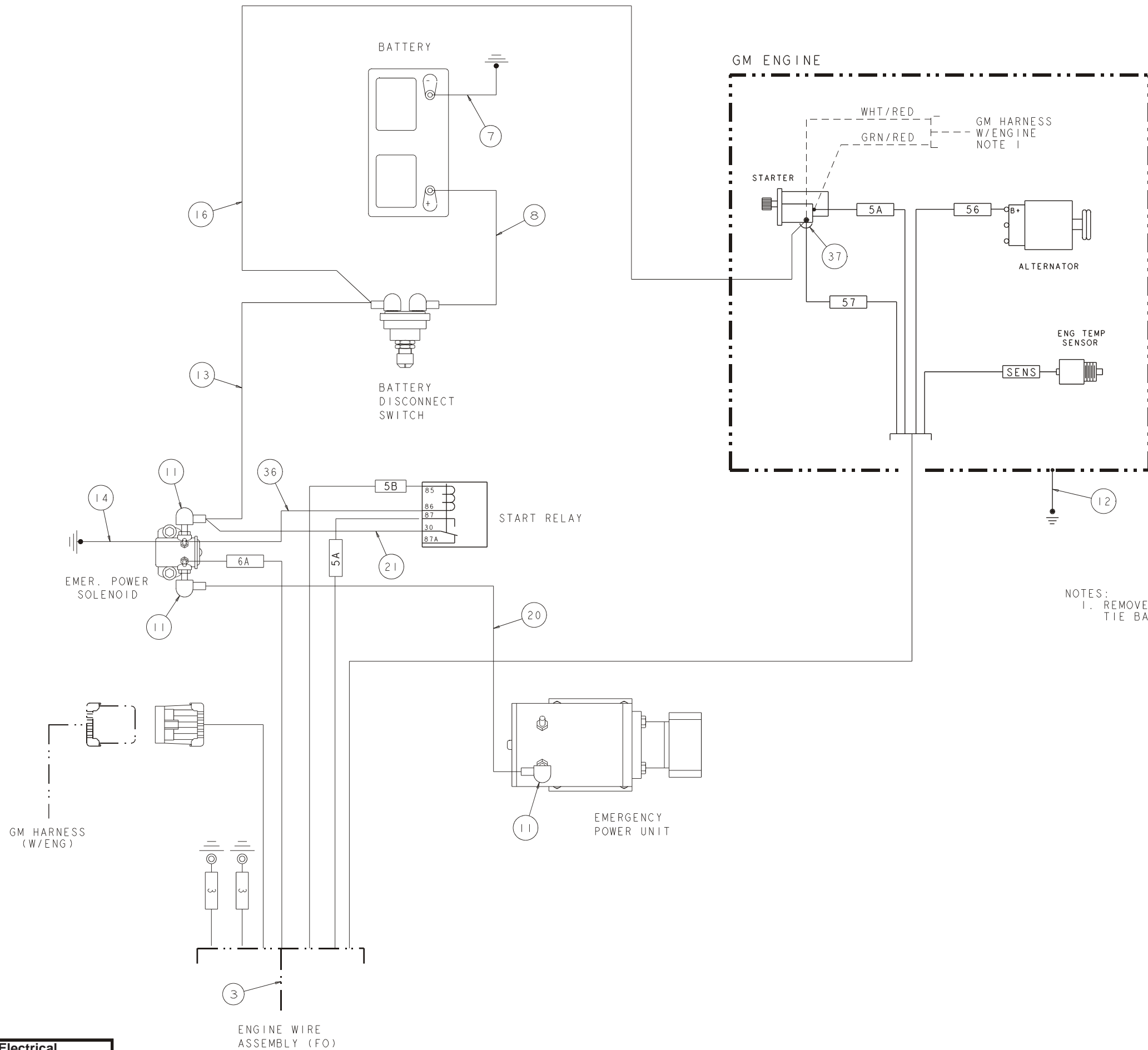
E

D

C

B

A



NOTES:
 1. REMOVE TERMINALS, INSULATE AND TIE BACK GM HARNESS WIRES INDICATED

Engine Electrical, GM Engine – TB42/TB50

Item	Part No.	Qty.	Description
1	007530428	1	ASSY, GROUND CONT-GM
2	007533128	1	WIRING BOX ASSY-GM
3	0075303	1	ENGINE HARNESS-GM 1.6
4	3050002	1	BTRY 12V
5	3050008	1	BATTERY HOLD DOWN
6	3050004	2	BLT BTRY HLDN .375-16 X 10
7	0070698	1	WIRE 4 R313I R313I 25 BLK
8	0080484	1	WIRE 2/0 R375 R375 13 RED
9	3020049	1	SW BATTERY DISCONNECT
10	0073089	1	PLAC BATTERY DISCONNECT SWITCH
11	3040268	6	BOOT BTRY CABLE END BLACK
12	0080483	1	WIRE 2/0 R375 R375 28 BLACK
13	0070704	1	WIRE 4 R375I R313I 60 RED-COLO
14	0071568	1	WIRE 12 R10I R250I 4
15	3040506	1	SOLENOID, 12V 150
16	300189	1	WIRE 2 R375I R312I 102 RED
17	0073051	1	WLDMT BATTERY SWITCH BRACKET
18	3040469	1	RELAY SPDT 12V 30AMP
19	0074730	2	BRKT WIRING BOX CU
20	0090430	1	WIRE 4 R313I R375I 15
21	0151818	1	WIRE 12 R101FEM250F1 10
22	5093002	1	CLP CUSH .562 VINYL COATED
23	970009	3	BLT HEXHD .25-20 50 GR5
24	970469	2	BLT HEXHD .375-16 X 1.00 GR5
25	5560033	2	NUT LKG .375-16
26	970029	13	BLT HEXHD .25-20 .75 GR5
27	987099	12	WSHR LOCK .25 MDM
28	5560004	12	NUT LKG .25-20
29	0181503	1	BRKT TILT ALARM
30	3020040	1	LEVEL SENSOR 5 DEGREE
32	969999	2	BLT HEXHD .250-20 X 2.25 LG GR5
34	986019	10	WSHR FLAT .25
35	970369	2	BLT HEXHD .313-18 1.00 GR5
36	0150545	1	WIRE 16 R313FEM250F1 9.5
37	3040270	1	BOOT BTRY CABLE END Y-TYPE
38	5560341	1	WSHR LOCK .25 STARTOOTH
39	970049	5	BLT HEXHD .25-20 1.00 GR5
42	986109	2	WSHR LOCK .313 MDM
43	986269	2	WSHR FLAT .313
44	5093004	1	CLAMP
45	5093006	3	CLAMP
47	987139	2	WSHR LOCK .500
51	970519	2	BLT HEXHD 3/8-16 X 2.225 GR5
52	5560179	4	WSHR .421ID 1.50OD .120 SP
53	5560033	2	3/8-16 ESNA

F

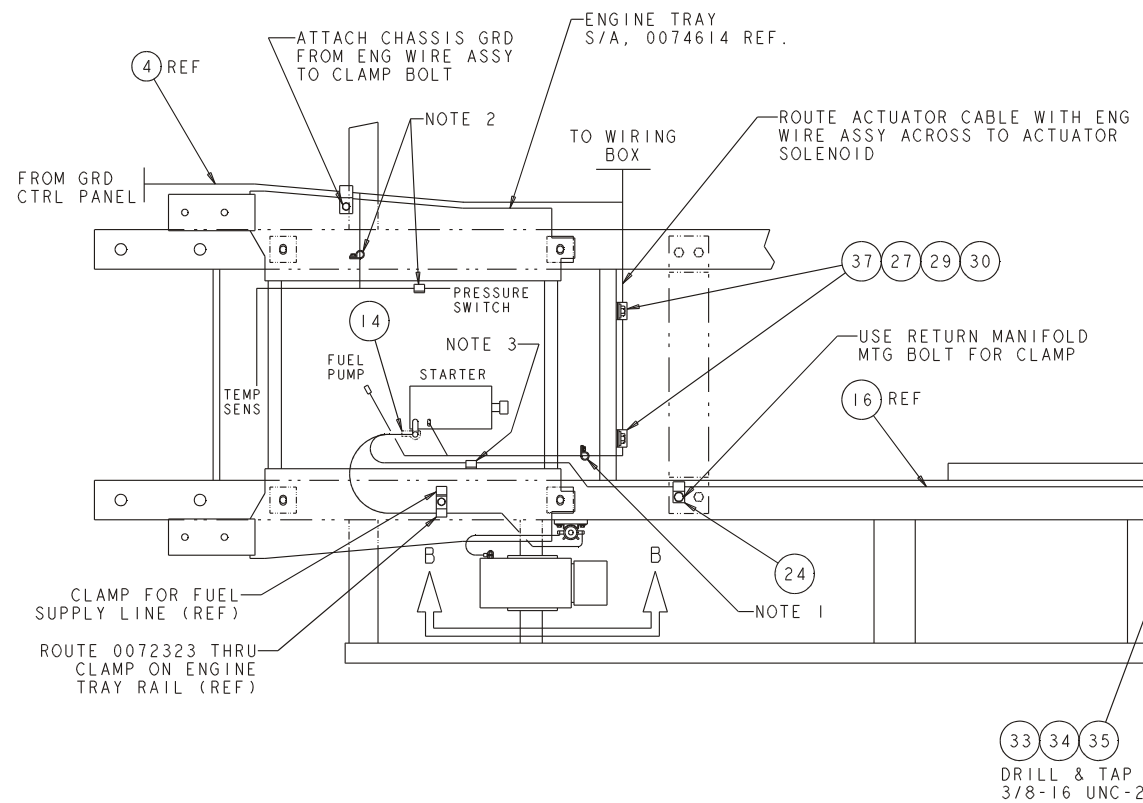
E

D

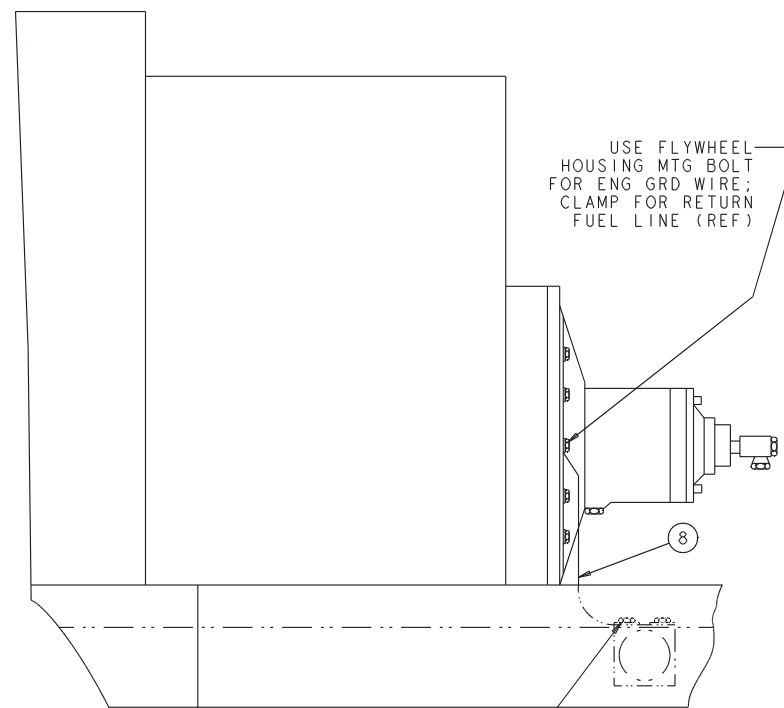
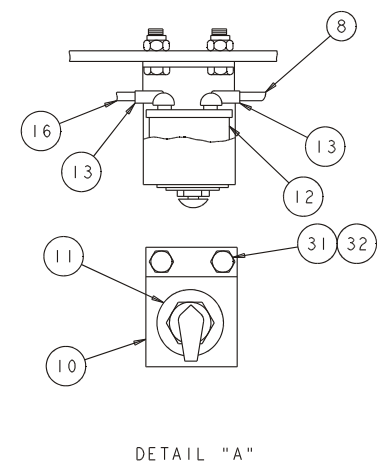
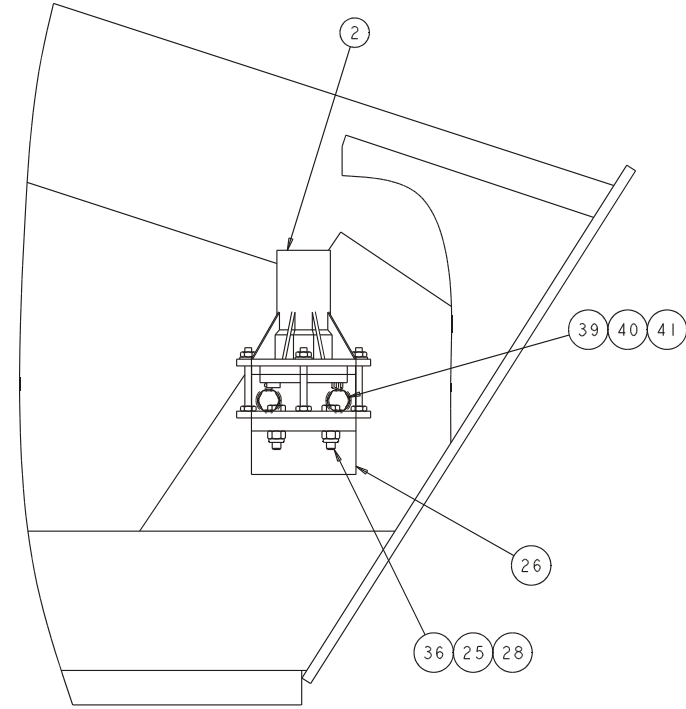
C

B

A

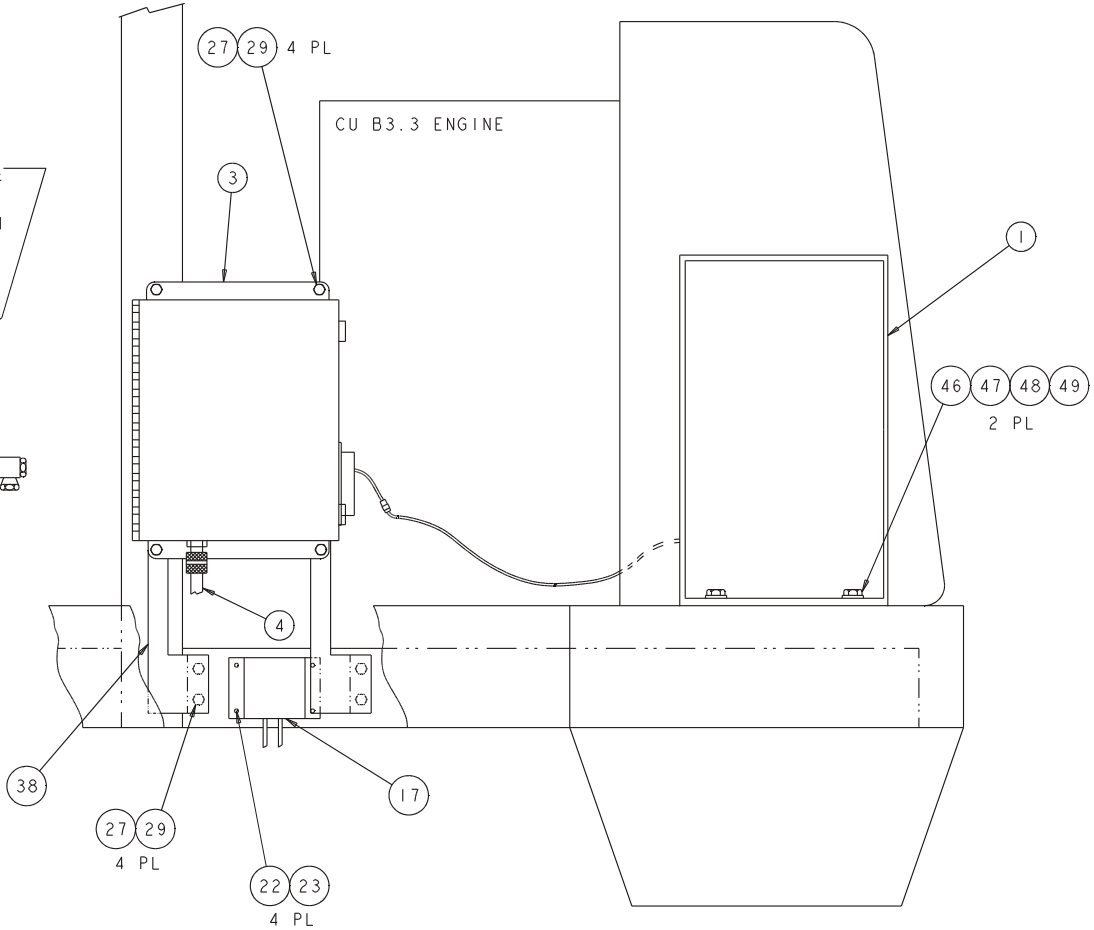


- NOTES:
1. ROUTE 0074729 THRU CLAMP ON ENG TRAY, ATTACHED TO FLYWHEEL HOUSING.
 2. ROUTE 0074729 THRU CLAMP ON ENGINE MOUNT, TO ALTERNATOR AND TEMP SENSOR; AND THRU CLAMP ON ENG BLOCK TO PRESSURE SWITCH.
 3. ROUTE 0073940 THRU CLAMP ON INSIDE OF ENGINE TRAY RAIL (REF).

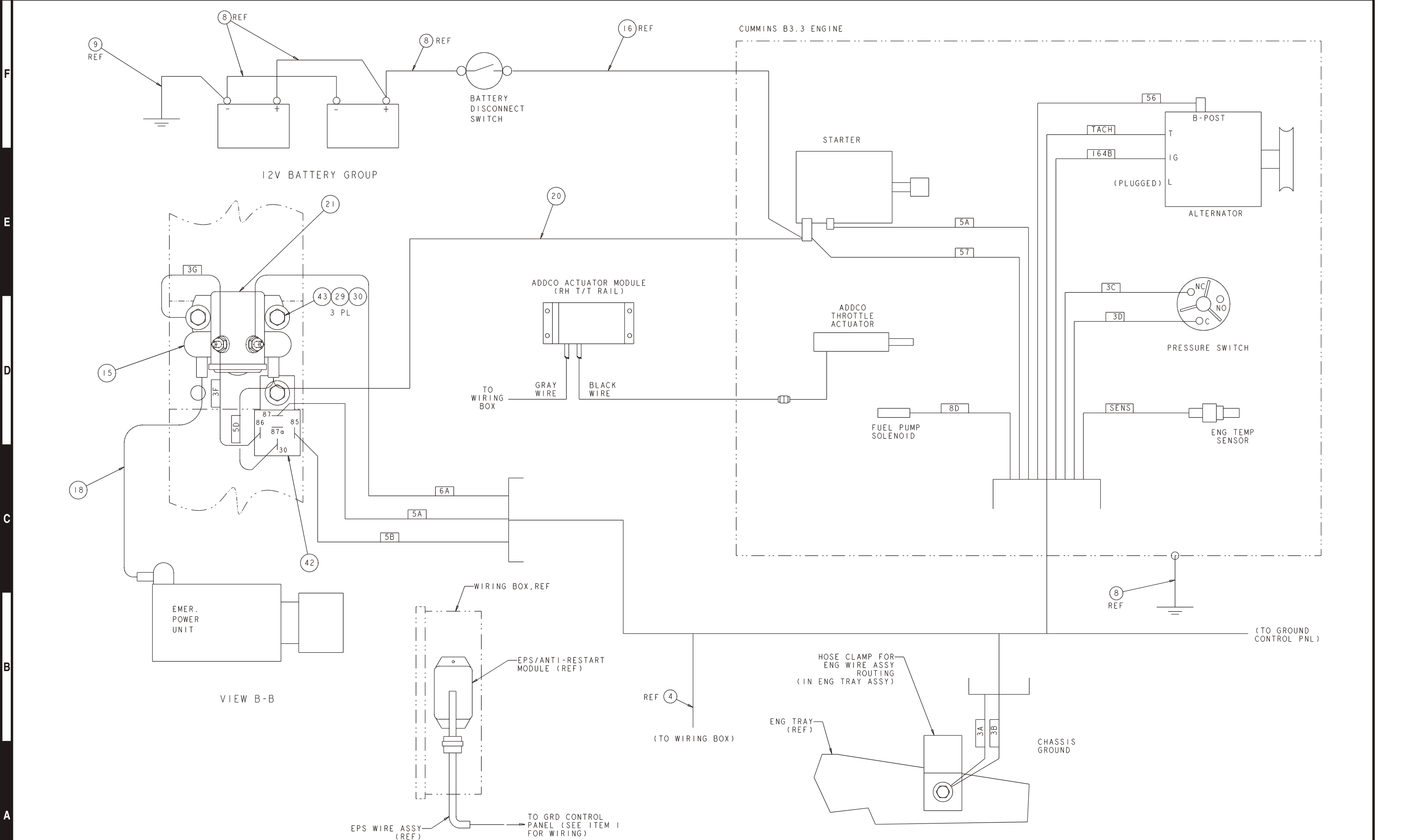


USE RETURN MANIFOLD
MTG BOLT FOR ENG
GROUND, 0080484

LEFT SIDE VIEW
TURNABLE



RIGHT SIDE VIEW
TURNABLE



Engine Electrical, Cummins Engine – TB47J

Item	Part No.	Qty.	Description
1	007507828	1	GRD CONT PANEL ASSY TB47J (CU)
2	3020040	1	LEVEL SENSOR 5 DEGREE
3	007511328	1	WIRING BOX, TB47J, CU & DZ
4	0074729	1	ENG WIRE ASSY TB42/50 CU
5	3050004	4	BLT BTRY HLDN .375-16 X 10
6	3050002	2	BTRY 12V
7	3050008	2	BATTERY HOLD DOWN
8	0080484	4	WIRE 2/0 R375 R375 13
9	0080483	1	WIRE 2/0 R375 R375 28
10	0073051	1	WLDMT BATTERY SWITCH BRACKET
11	0073089	1	PLAC BATTERY DISCONNECT SWITCH
12	3020049	1	SW BATTERY DISCONNECT
13	3040269	2	BOOT BTRY CABLE END BLK 1/0 GA
14	3040270	1	BOOT BTRY CABLE END Y-TYPE}
15	3040268	2	BOOT BTRY CABLE END BLACK 4GA
16	0073940	1	WIRE 2/0 R375 R375 80
17	008204628	1	ACTUATOR MODULE SUB ASSY
18	0090430	1	WIRE 4 R313I R375I 15
19	0071568	1	WIRE 12 R10I R250I 4
20	0072323	1	WIRE 4 R313I R375I 28
21	3040506	1	SOLENOID, 12V 150 AMP
22	974659	4	SCR RHD 10-24 .50
23	987089	4	WSHR LOCK #10
24	5093006	4	CLP CUSH .937
25	5560341	4	WASHER, 1/4 STAR TOOTH LOCK
26	0181503	1	BRKT TILT ALARM
27	970029	10	BLT HEX HD .25-20 X .75 GR5
28	5560004	4	NUT, 1/4-20 ESNA
29	987099	13	WASHER, 1/4 MEDIUM LOCK
30	986019	13	WASHER, 1/4 FLAT
31	970469	2	BLT HEX HD .38-16 X 1.00 GR5
32	5560033	2	NUT, 3/8-16 ESNA
33	970449	1	BLT HEXHD .38-16 X .75 GR5
34	987119	1	WSHR LOCK .38 MDM
35	986299	1	WSHR FLAT .38
36	970049	4	BLT HEXHD .25-20 X 1.00 GR5
37	5093000	2	CLP CUSH .437
38	0074730	2	BRKT WIRING BOX CU
39	970259	2	BLT HEX HD .313-18 X 1.00 GR5
40	986269	2	WASHER, 5/16 FLAT
41	987109	2	WASHER, 5/16 MEDIUM LOCK
42	3040469	1	RELAY SPDT 12V 30AMP
43	970219	3	BLT HEX HD .25-20 X .50 GR5
44	0081559	1	WIRE 16 R10I FEM250FI
45	0150545	1	WIRE 16 R313I FEM250FI 9.5
46	970939	2	BLT .500-13 2.25
47	986359	4	WSHR. .500 FLAT
48	987139	2	WASHER LOCK .500
49	984149	2	NUT .500-13

F

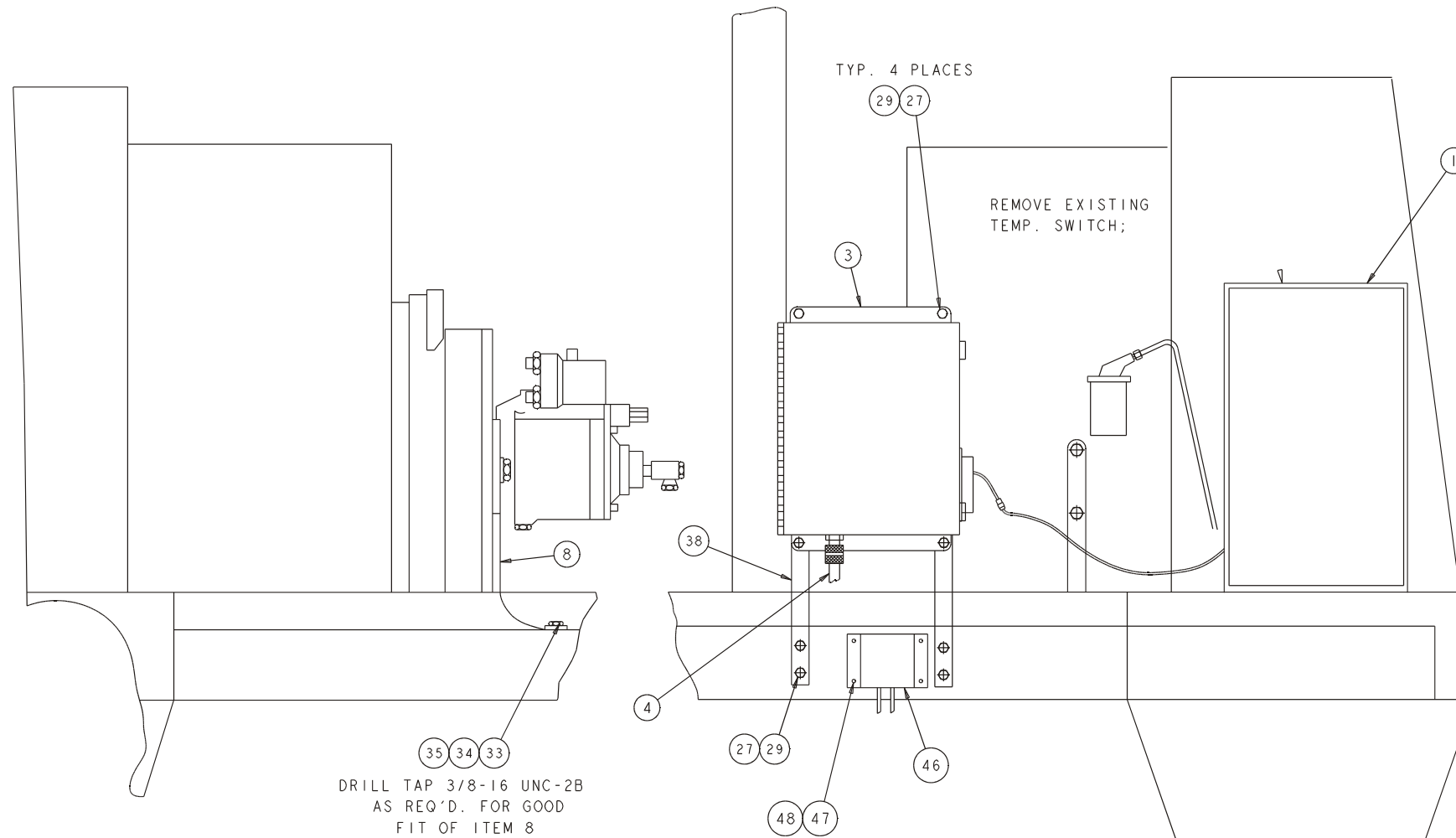
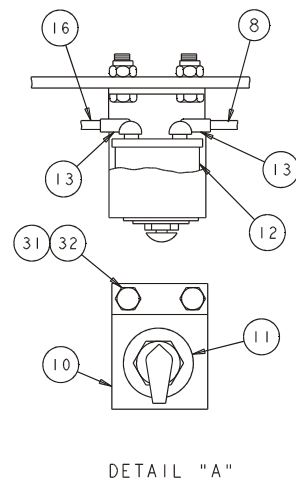
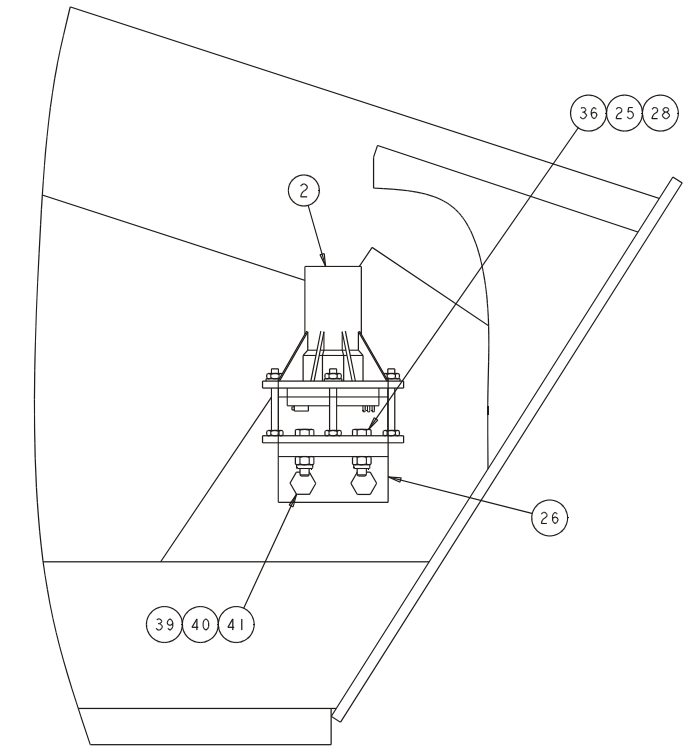
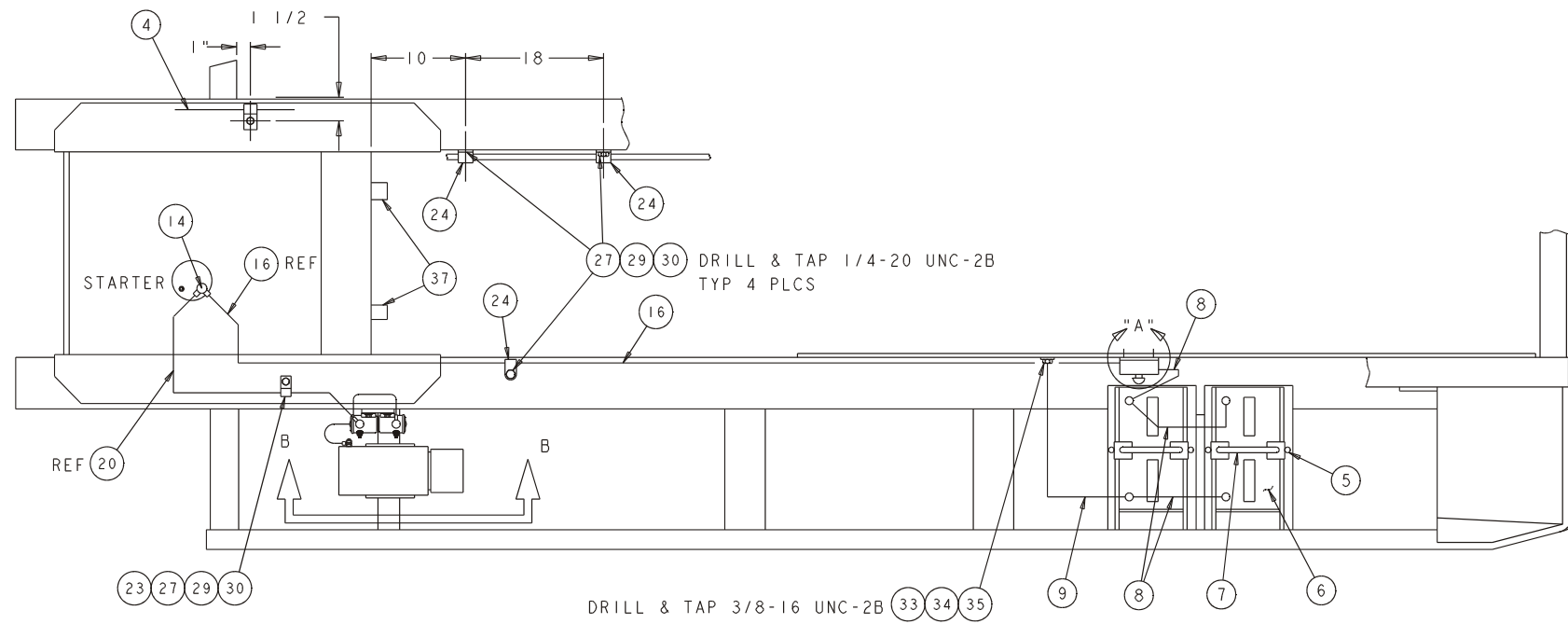
E

D

C

B

A



F

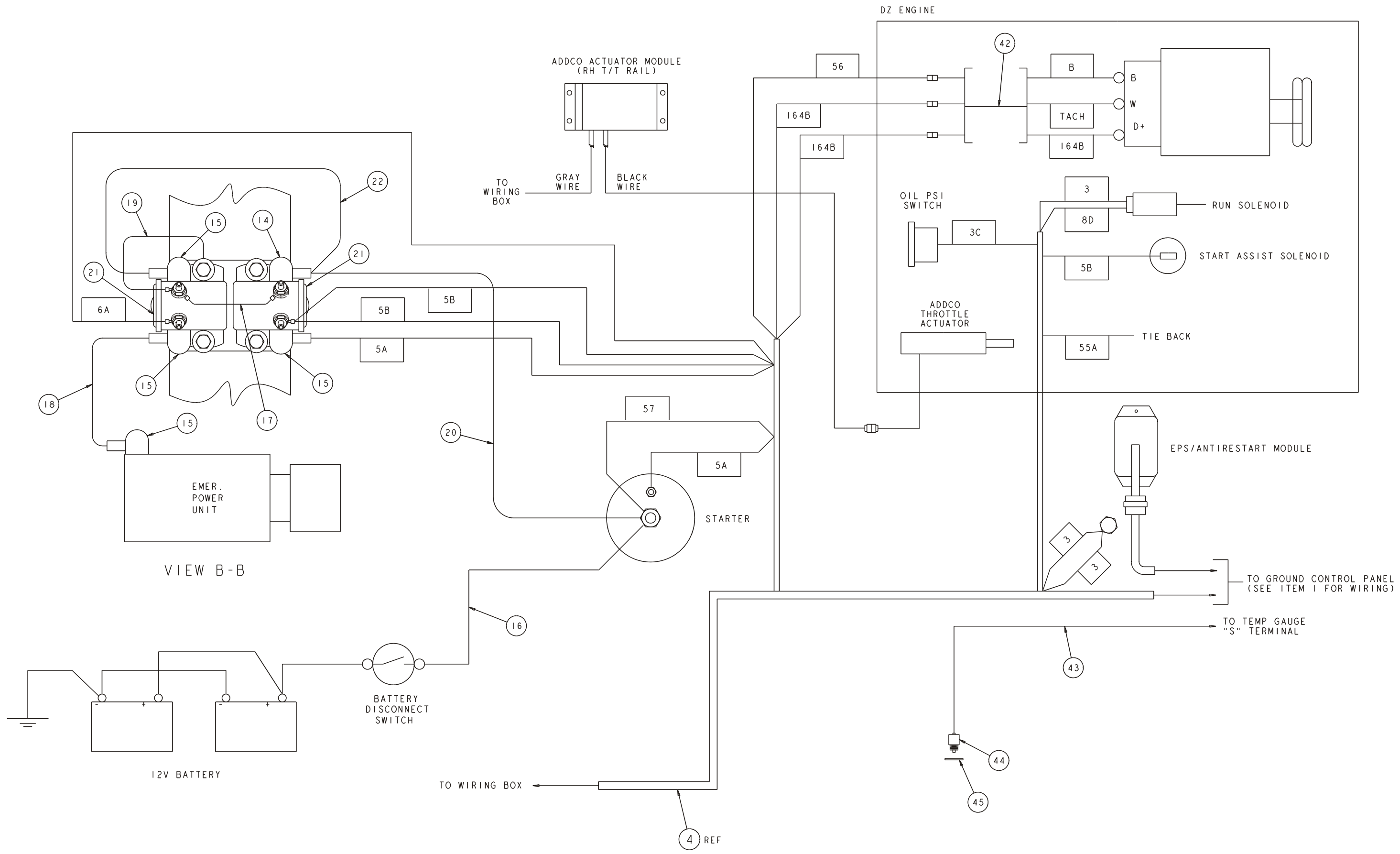
E

D

C

B

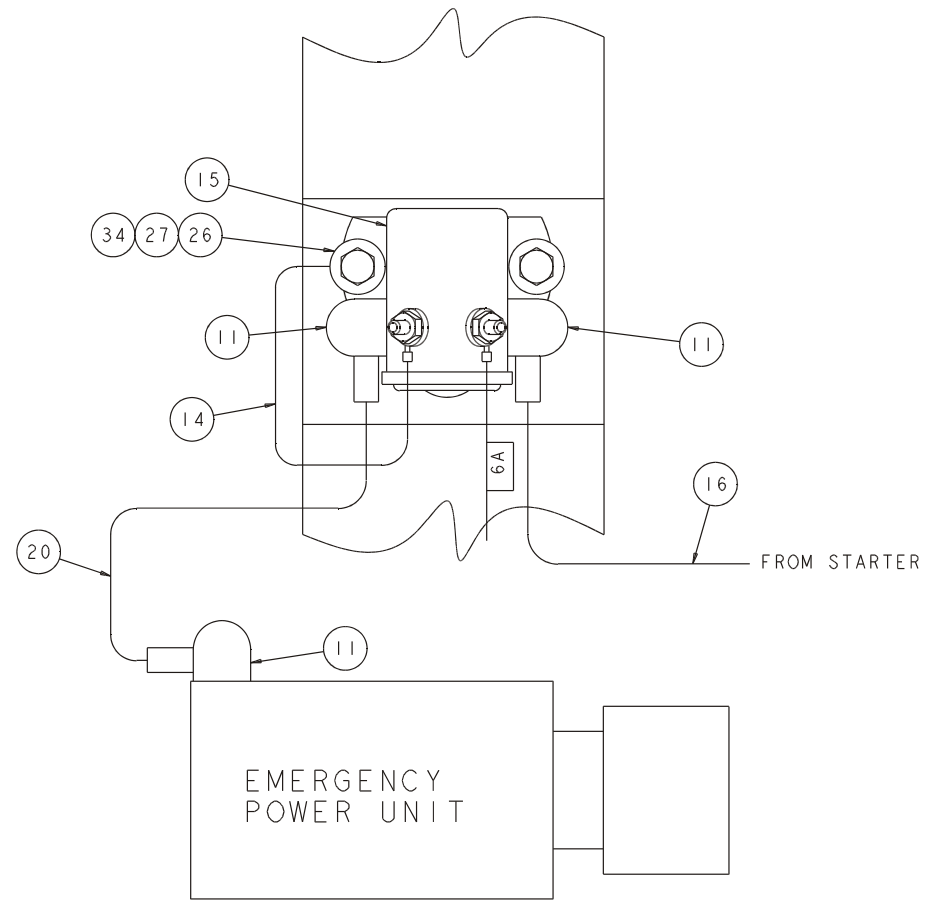
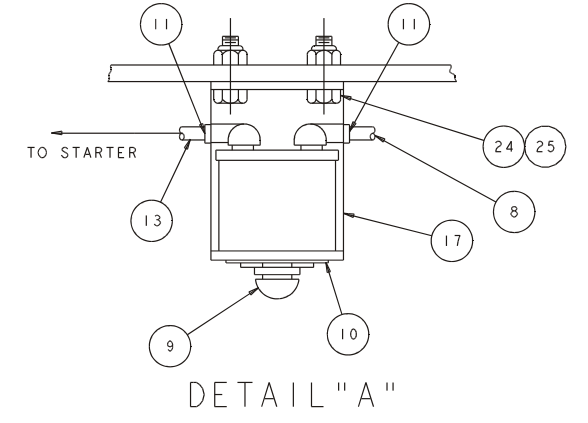
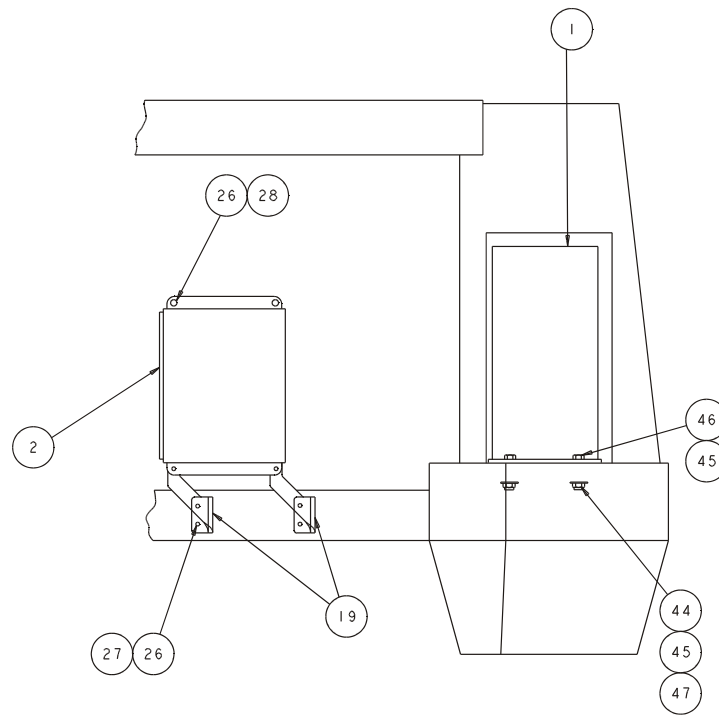
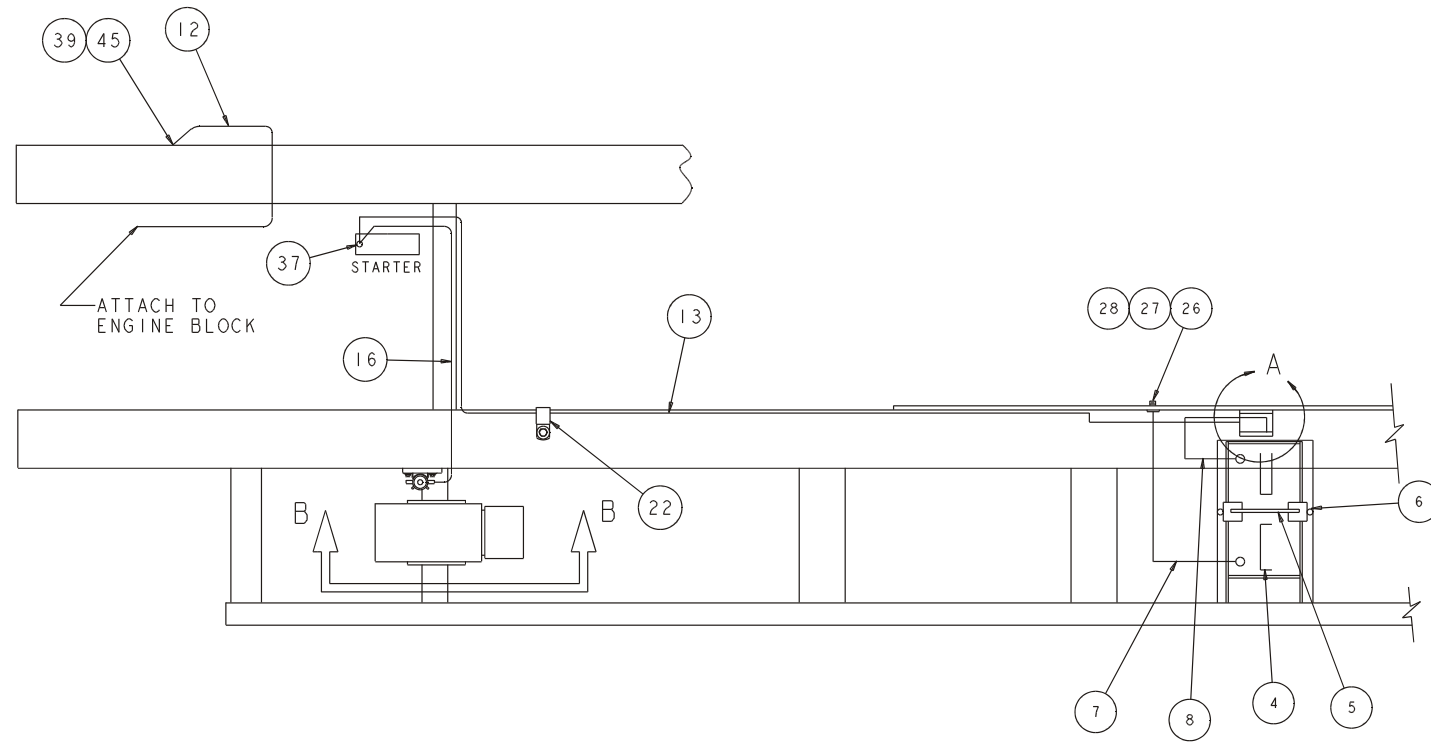
A



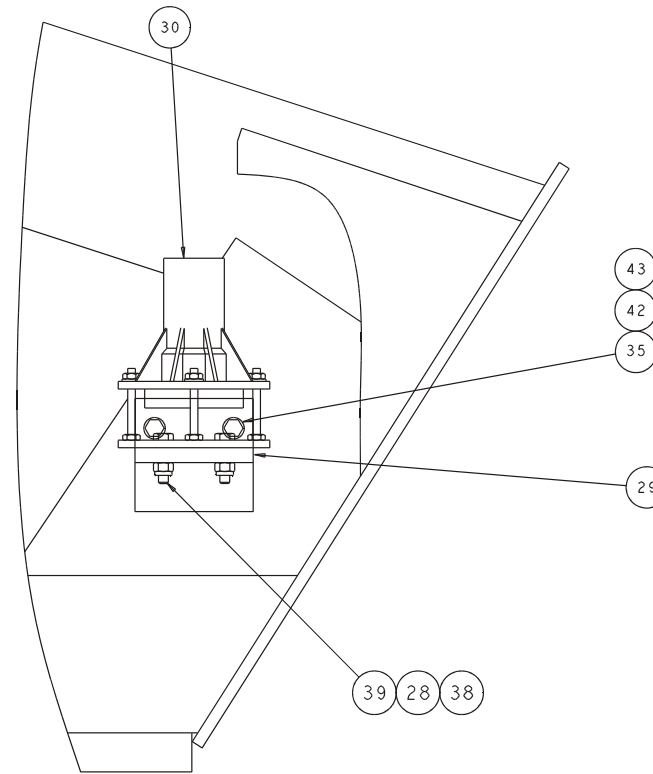
Engine Electrical, Deutz Engine – TB47J

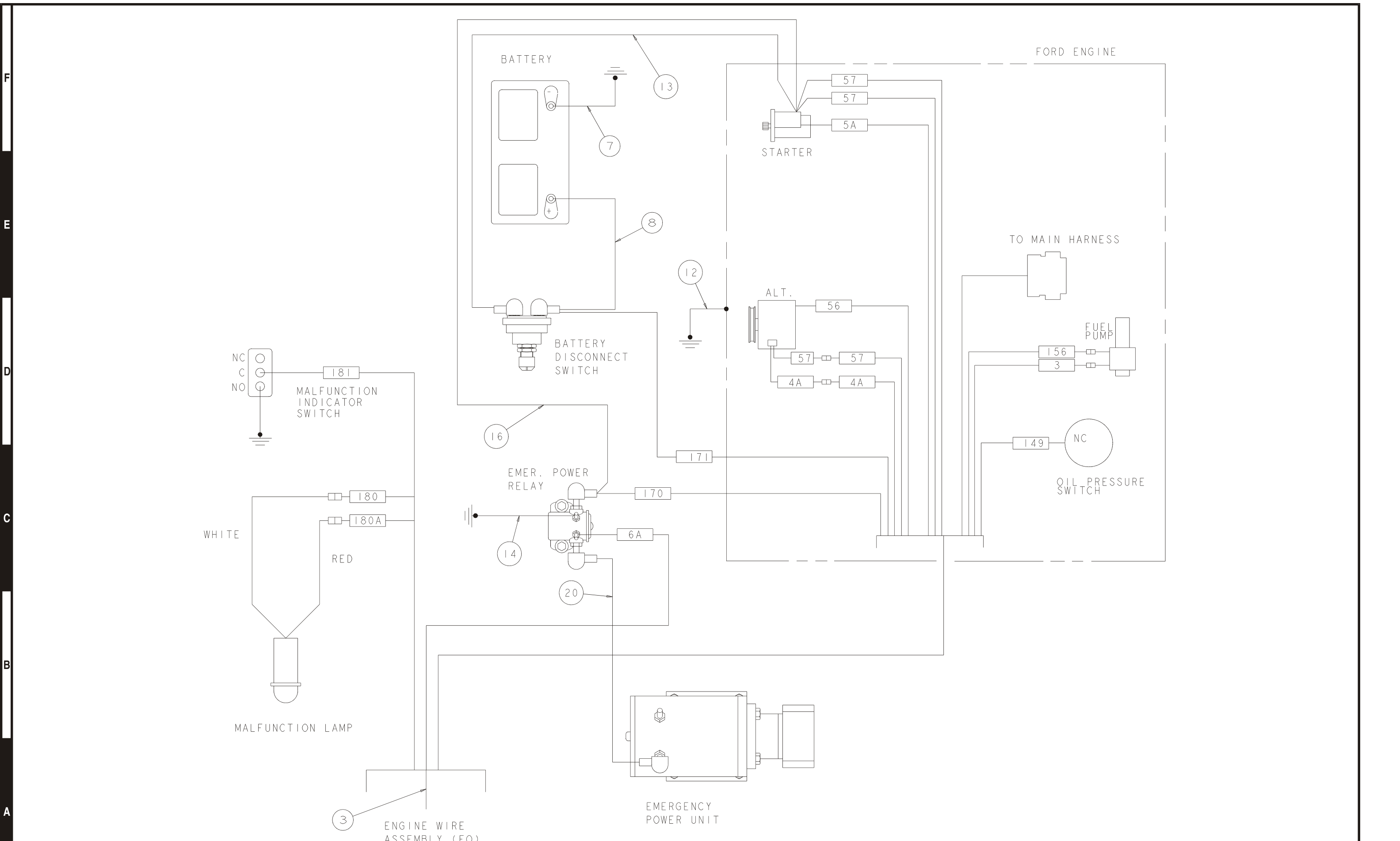
Item	Part No.	Qty.	Description
1	007507728	1	GRD CONT PANEL ASSY TB47J (DZ)
2	3020040	1	LEVEL SENSOR 5 DEGREE
3	0075113	1	WIRING BOX, TB47J, CU & DZ
4	0074580	1	ENGINE WIRE ASSY TB 42/50 DZ
5	3050004	4	BLT BTRY HLDN .375-16 X 10
6	3050002	2	BTRY 12V
7	3050008	2	BATTERY HOLD DOWN
8	0080484	4	WIRE 2/0 R375 R375 13
9	0080483	1	WIRE 2/0 R375 R375 28
10	0073051	1	WLDMT BATTERY SWITCH BRACKET
11	0073089	1	PLAC BATTERY DISCONNECT SWITCH
12	3020049	1	SW BATTERY DISCONNECT
13	3040269	2	BOOT BTRY CABLE END BLK 1/0 GA
14	3040270	2	BOOT BTRY CABLE END Y-TYPE
15	3040268	4	BOOT BTRY CABLE END BLACK 4GA
16	0073940	1	WIRE 2/0 R375 R375 80
17	0151371	1	WIRE 16 R10 R10 5
18	0090430	1	WIRE 4 R313I R375I 15
19	0071568	1	WIRE 12 R10I R250I 4
20	0072323	1	WIRE 4 R313I R375I 28
21	3040506	2	SOLENOID, 12V 150
22	0090319	1	WIRE 4 R375I R313I 8 RED
23	5093004	1	CLP CUSH .75
24	5093006	4	CLP CUSH .937
25	5560341	4	WASHER, 1/4 STAR TOOTH LOCK
26	0181503	1	BRKT TILT ALARM
27	970029	10	BLT HEX HD .25-20 X .75 GR5
28	5560004	8	NUT, 1/4-20 ESNA
29	987099	10	WASHER, 1/4 MEDIUM LOCK
30	986019	10	WASHER, 1/4 FLAT
31	970469	2	BLT HEX HD .38-16 X 1.00 GR5
32	5560033	2	NUT, 3/8-16 ESNA
33	970449	2	BLT HEX HD .38-16 X .75 GR5
34	987119	2	WSHR LOCK .38 MDM
35	986299	2	WSHR FLAT .38
36	970049	4	BLT HEX HD .25-20 X 1.00 GR5
37	5093000	2	CLP CUSH .437
38	0070518	2	BRACKET - WIRING BOX
39	970259	2	BLT HEX HD .313-18 X 1.00 GR5
40	986269	2	WASHER, 5/16 FLAT
41	987109	2	WASHER, 5/16 MEDIUM LOCK
42	0074579	1	ALTERNATOR WIRE ASSY
43	0074578	1	WIRE 16 R10I R8I 72 RED
44	3070039	1	TEMP SENSOR M18 X 1.5 HIGH
45	5569837	1	WASHER FLAT M18 COPPER
46	008204628	1	ACTUATOR MODULE SUB ASSY
47	974659	4	SCR #10-24 X .50 RD HD
48	5560654	4	WSHR LOCK #10

F
E
D
C
B
A



VIEW B-B





Engine Electrical, Ford Engine – TB47J

Item	Part No.	Qty.	Description
1	007507628	1	GRD CONT PANEL ASSY TB47J(FO) SIM HYD
2	007517128	1	WIRING BOX ASSY (FO)TB42/50/47J SIM HYD
3	0075024	1	HARNESS, FORD ENG WIRE
4	3050002	1	BTRY 12V
5	3050008	1	BATTERY HOLD DOWN
6	3050004	2	BLT BTRY HLDN .375-16 X 10
7	0070698	1	WIRE 4 R313I R313I 25 BLK
8	0090317	1	WIRE 4 R375I R375I 9 RED
9	3020049	1	SW BATTERY DISCONNECT
10	0073089	1	PLAC BATTERY DISCONNECT SWITCH
11	3040268	6	BOOT BTRY CABLE END BLACK 4GA
12	0080483	1	WIRE 2/0 R375 R375 28
13	0073940	1	WIRE 2/0 R375 R375 80
14	0071568	1	WIRE 12 R10I R250I 4
15	3040506	1	SOLENOID, 12V 150 AMP
16	0151160	1	WIRE 4 R313 R375 36 RED
17	0073051	1	WLDMT BATTERY SWITCH BRACKET
19	0074730	2	BRKT WIRING BOX CU
20	0090430	1	WIRE 4 R313I R375I 15
22	5093002	1	CLP CUSH .562
24	970469	2	BLT HEX HD .375-16 X 1.00 GR5
25	5560033	2	NUT LKG .375-16
26	970029	11	BLT HEX HD .25-20 .75 GR5
27	986099	7	WSHR LOCK .25 MDM
28	5560004	8	NUT LKG .25-20
29	0181503	1	BRKT TILT ALARM
30	3020040	1	LEVEL SENSOR 5 DEGREE
31	0074583	1	ALTERNATOR CONN ASSY
32	3049947	1	TERM R313I 22/18
33	3040046	2	TERM MALE250FI 22/18
34	986019	6	WSHR FLAT .25
35	970259	2	BLT HEX HD .313-18 1.00 GR5
37	3040270	1	BOOT BTRY CABLE END Y-TYPE
38	5560341	1	WSHR LOCK .25 STARTOOTH
39	970049	5	BLT HEX HD .25-20 1.00 GR5
42	987109	2	WSHR LOCK .313 MDM
43	986269	2	WSHR FLAT .313
44	984149	2	NUT .500-13
45	9860939	5	WASHER, 1/2 FLAT
46	970939	2	BLT .500-13 2.25
47	987139	2	WSHR LOCK .500
49	3040452	1	BOOT BTRY CABLE UL RED 10GA

F

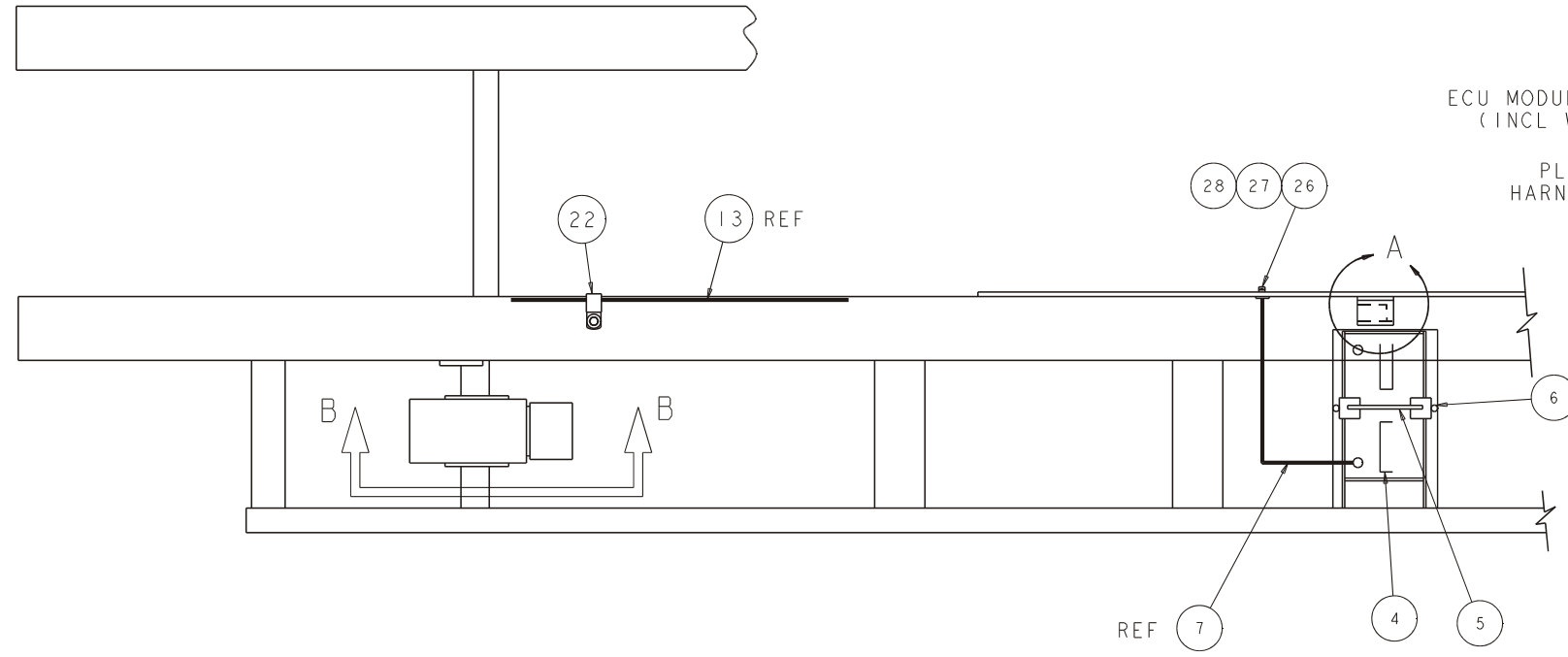
E

D

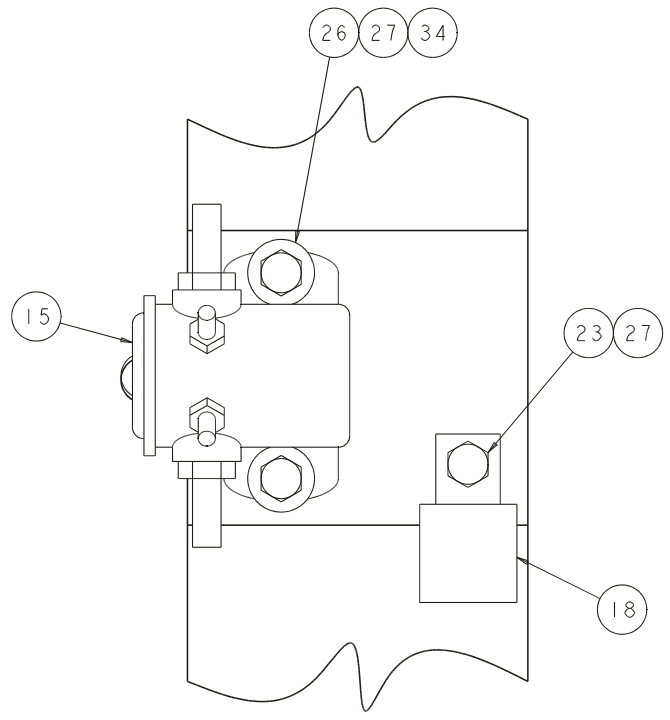
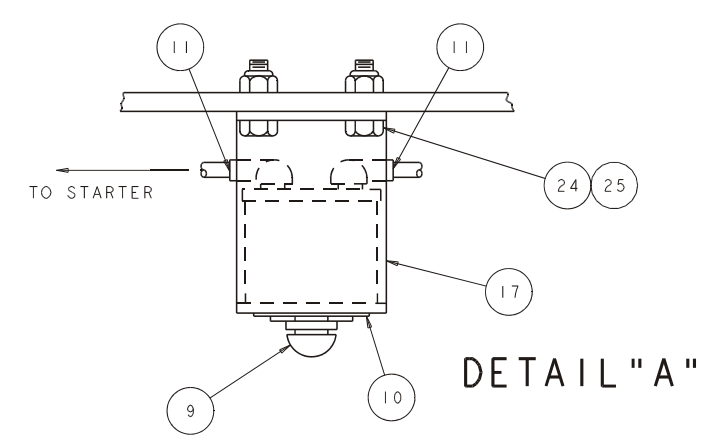
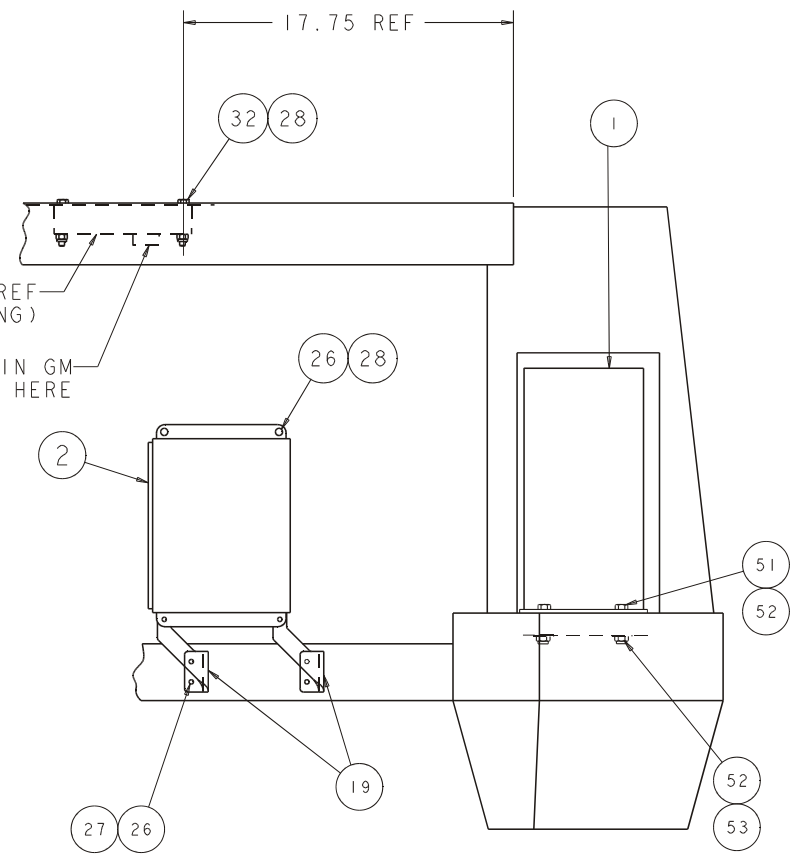
C

B

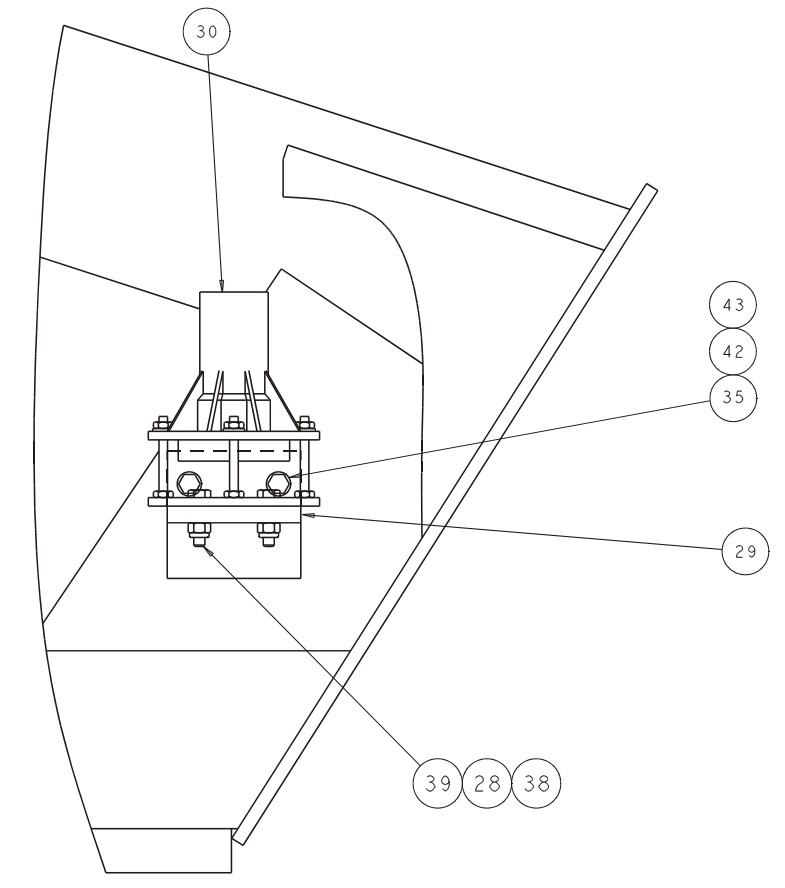
A



ECU MODULE, REF
(INCL W/ENG)
PLUG IN GM
HARNESS HERE



VIEW B-B



0075322

Engine Electrical
GM Engine
TB47J

Electrical - 67

1 2 3 4 5 6 7 8 9

F

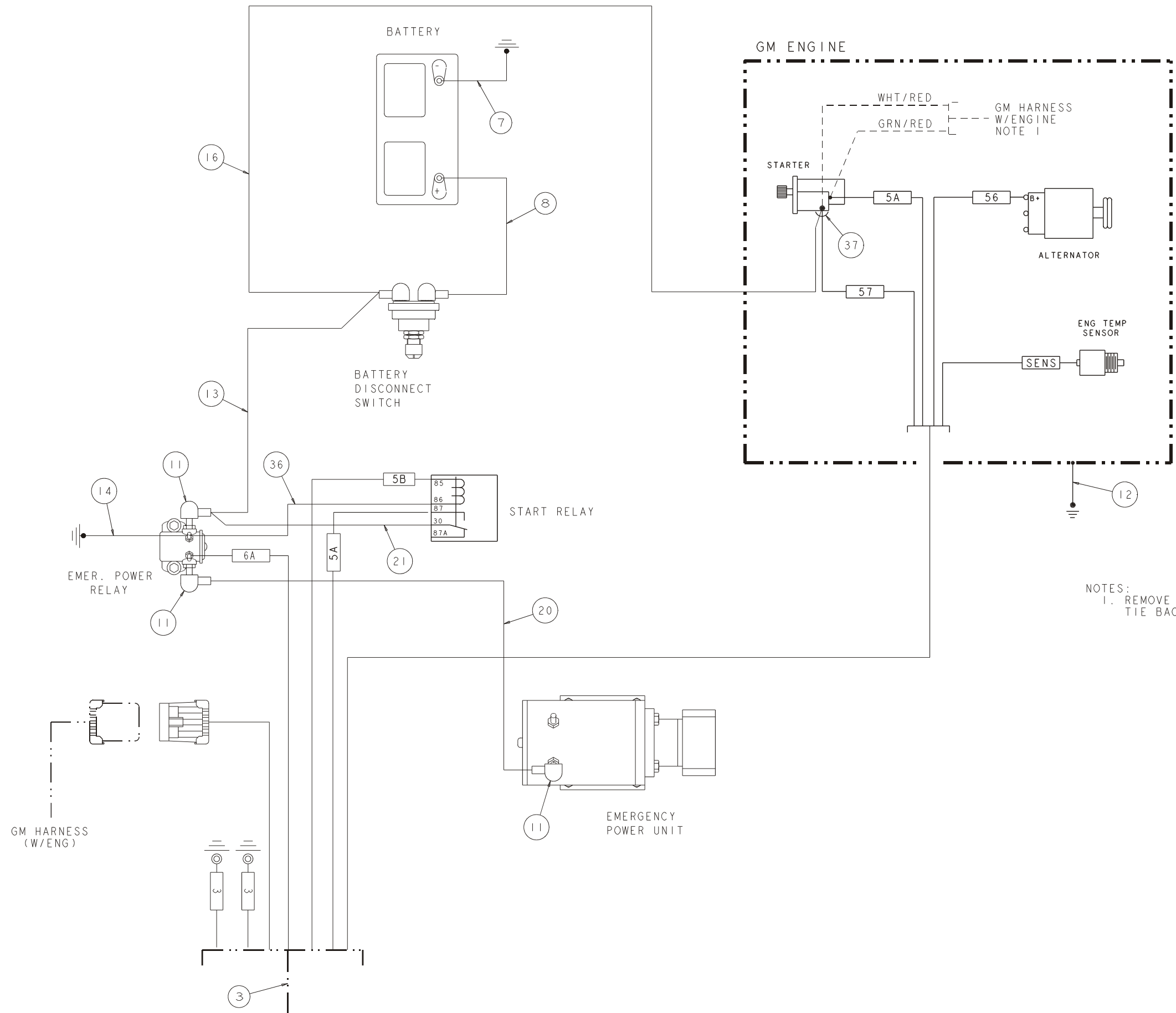
E

D

C

B

A



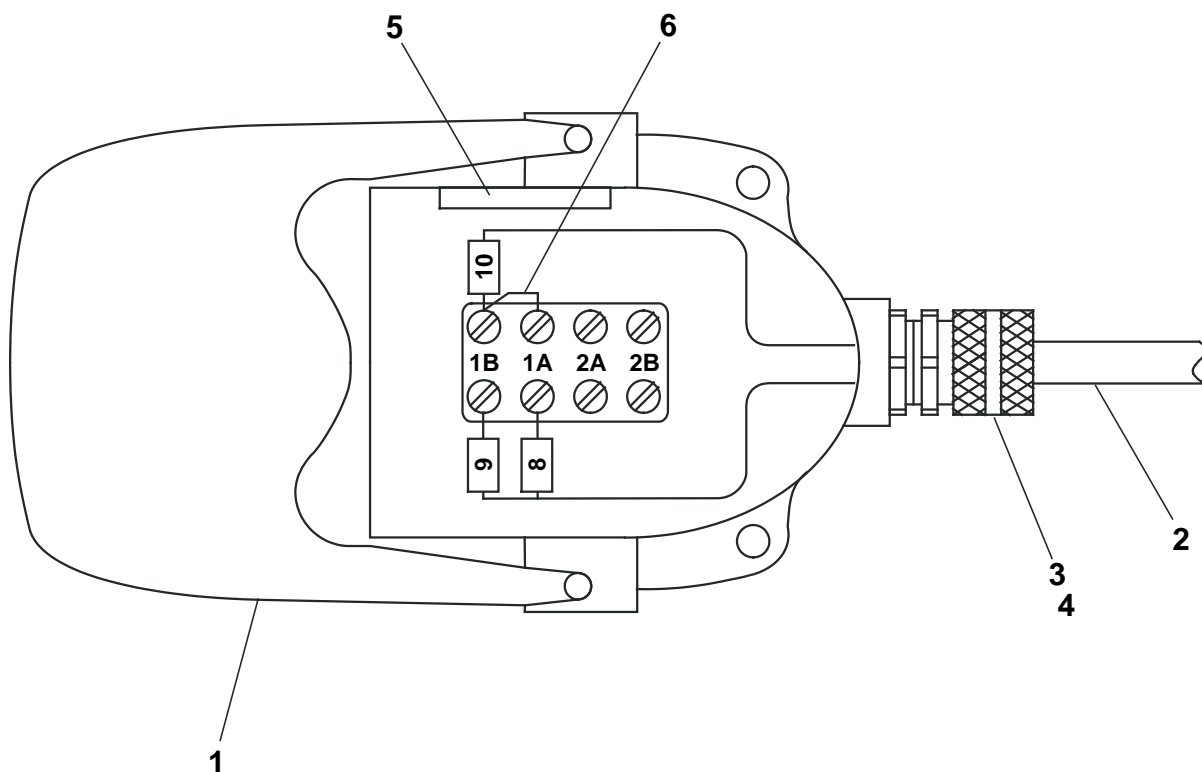
NOTES:
 1. REMOVE TERMINALS, INSULATE AND
 TIE BACK GM HARNESS WIRES INDICATED

Engine Electrical, GM Engine – TB47J

Item	Part No.	Qty.	Description
1	007532428	1	GRD CONT PANEL ASSY TB47J (GM)
2	007533128	1	WIRING BOX ASSY-GM
3	0075303	1	ENGINE HARNESS-GM 1.6
4	3050002	1	BTRY 12V
5	3050008	1	BATTERY HOLD DOWN
6	3050004	2	BLT BTRY HLDN .375-16 X 10-
7	0070698	1	WIRE 4 R313I R313I 25 BLK
8	0080484	1	WIRE 2/0 R375 R375 13 RED
9	3020049	1	SW BATTERY DISCONNECT
10	0073089	1	PLAC BATTERY DISCONNECT SWITCH
11	3040268	6	BOOT BTRY CABLE END BLACK
12	0080483	1	WIRE 2/0 R375 R375 28 BLACK
13	0070704	1	WIRE 4 R375I R313I 60 RED-COLO
14	0071568	1	WIRE 12 R10I R250I 4
15	3040506	1	SOLENOID, 12V 150
16	300189	1	WIRE 2 R375I R312I 102 RED
17	0073051	1	WLDMT BATTERY SWITCH BRACKET
18	3040469	1	RELAY SPDT 12V 30AMP
19	0074730	2	BRKT WIRING BOX CU
20	0090430	1	WIRE 4 R313I R375I 15
22	5093002	1	CLP CUSH .562 VINYL COATED
23	970009	1	BLT HEXHD .25-20 50 GR5
24	970469	2	BLT HEXHD .375-16 X 1.00 GR5
25	5560033	2	NUT LKG .375-16
26	970029	11	BLT HEXHD .25-20 .75 GR5
27	987099	8	WSHR LOCK .25 MDM
28	5560004	10	NUT LKG .25-20
29	0181503	1	BRKT TILT ALARM
30	3020040	1	LEVEL SENSOR 5 DEGREE
32	969999	2	BLT HEXHD .250-20 X 2.25 GR5
34	986019	6	WSHR FLAT .25
35	970369	2	BLT HEXHD .313-18 1.00 GR5
37	3040270	1	BOOT BTRY CABLE END Y-TYPE
38	5560341	1	WSHR LOCK .25 STARTOOTH
39	970049	5	BLT HEXHD .25-20 1.00 GR5
42	986109	2	WSHR LOCK .313 MDM
43	986269	2	WSHR FLAT .313
47	987139	2	WSHR LOCK .500
51	970519	2	BLT HEXHD 3/8-16 X 2.225 GR5
52	5560179	4	WSHR .421ID 1.50OD .120 SP
53	5560033	2	3/8-18 ESNA

Platform Foot Switch

Item	Part No.	Qty.	Description
1	007180028	1	PLATFORM FOOT SWITCH
	3020021	1	FOOT SWITCH
	3020037	1	REPLACEMENT SWITCH, SQUARE D SWITCH, 4 POLE – NOT SHOWN
	3020113	1	REPLACEMENT SWITCH, SQUARE D SWITCH, 8 POLE
2	0070596	1	WIRE HARNESS, PLATFORM FOOT SWITCH
3	3040116	1	CONNECTOR
4	3040110	1	CONNECTOR LOCKNUT
5	0070967	1	CORROSION INHIBITOR
6	0060373	1	JUMPER STRAP - (USED ON SQUARE D SWITCH ONLY)

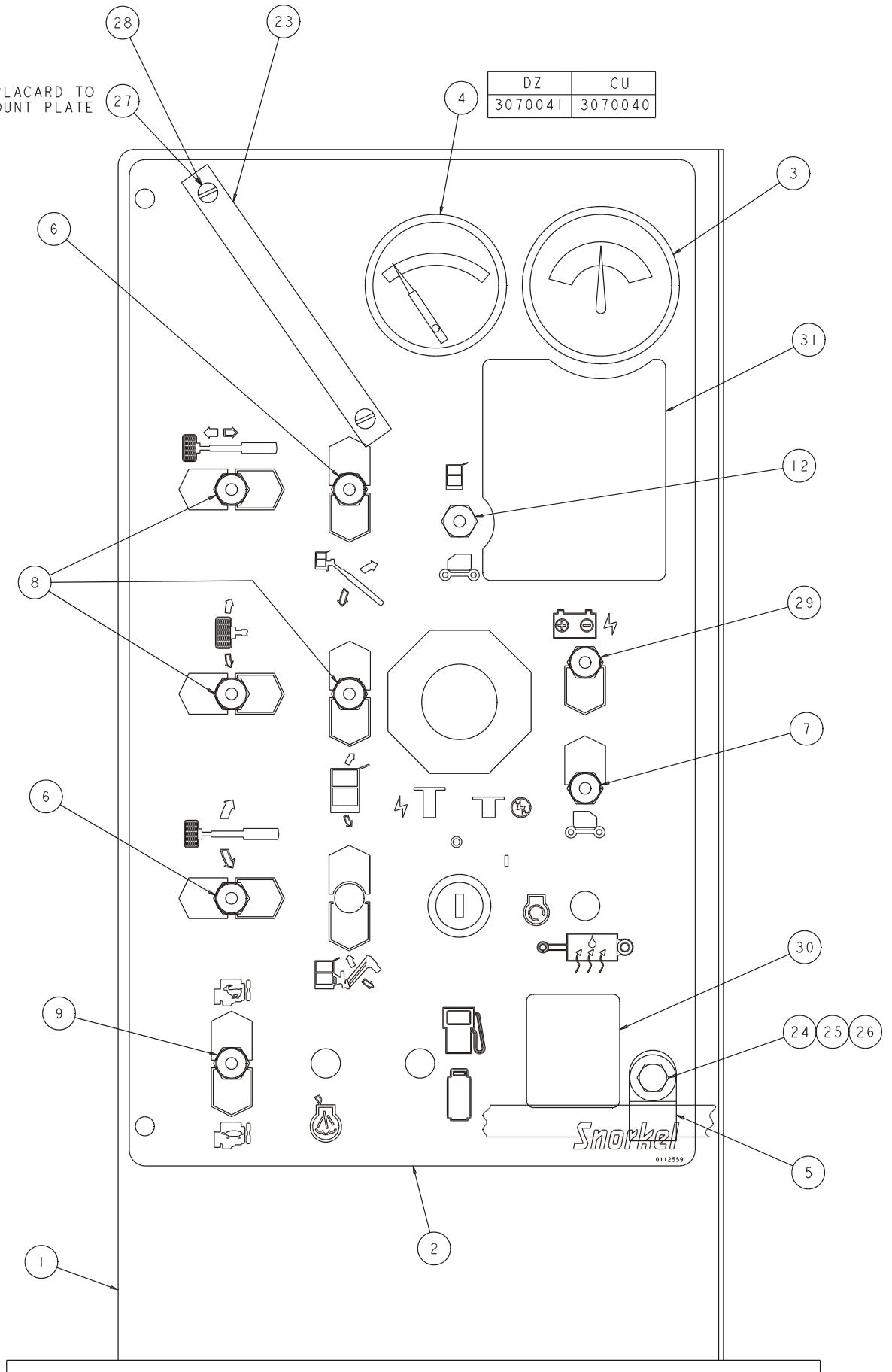


AW0071800

Lower Controls, Cummins and Deutz Engines – TB42/TB50

MATCH DRILL PLACARD TO HOLES IN MOUNT PLATE

DZ	CU
3070041	3070040

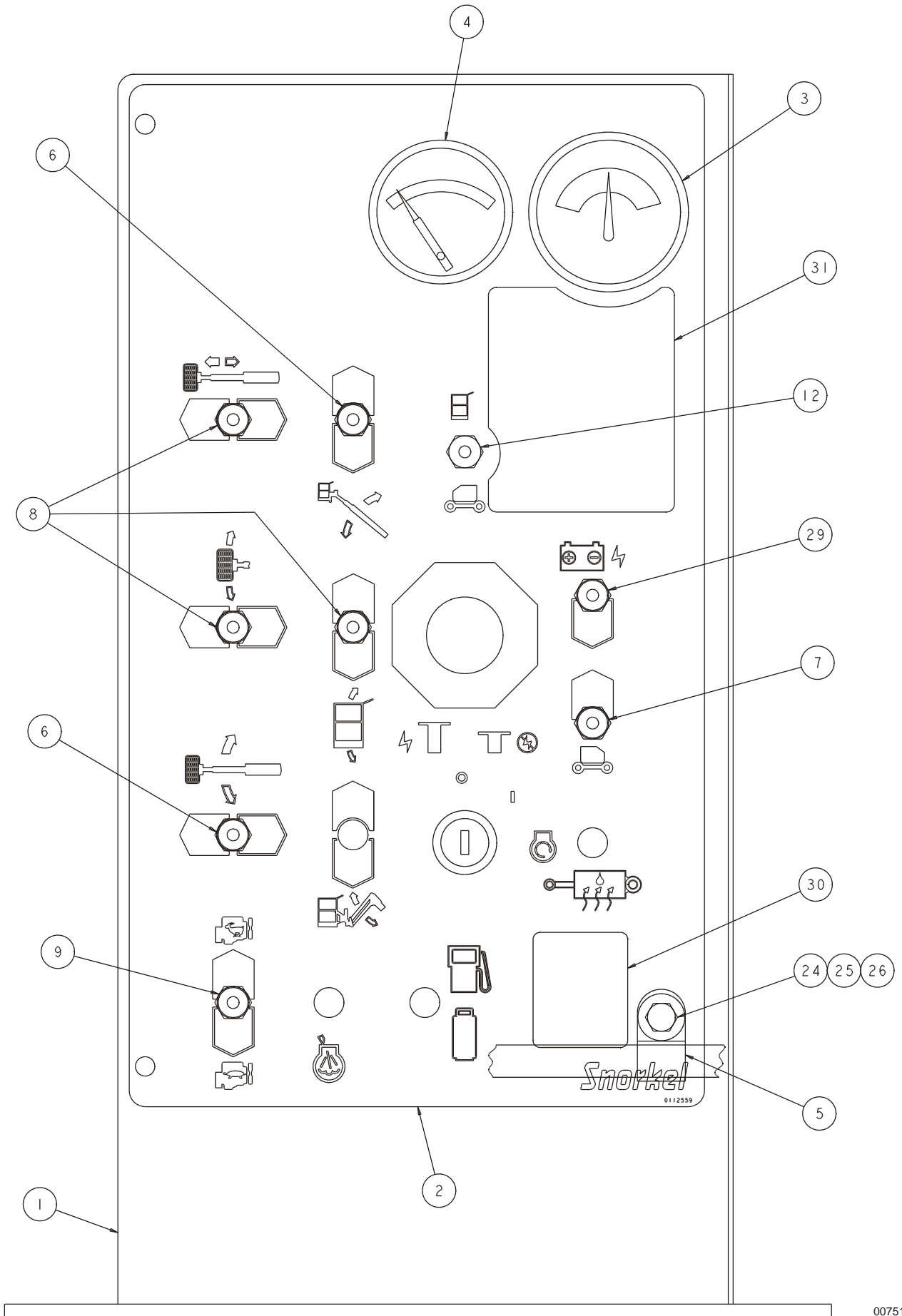


A07104C

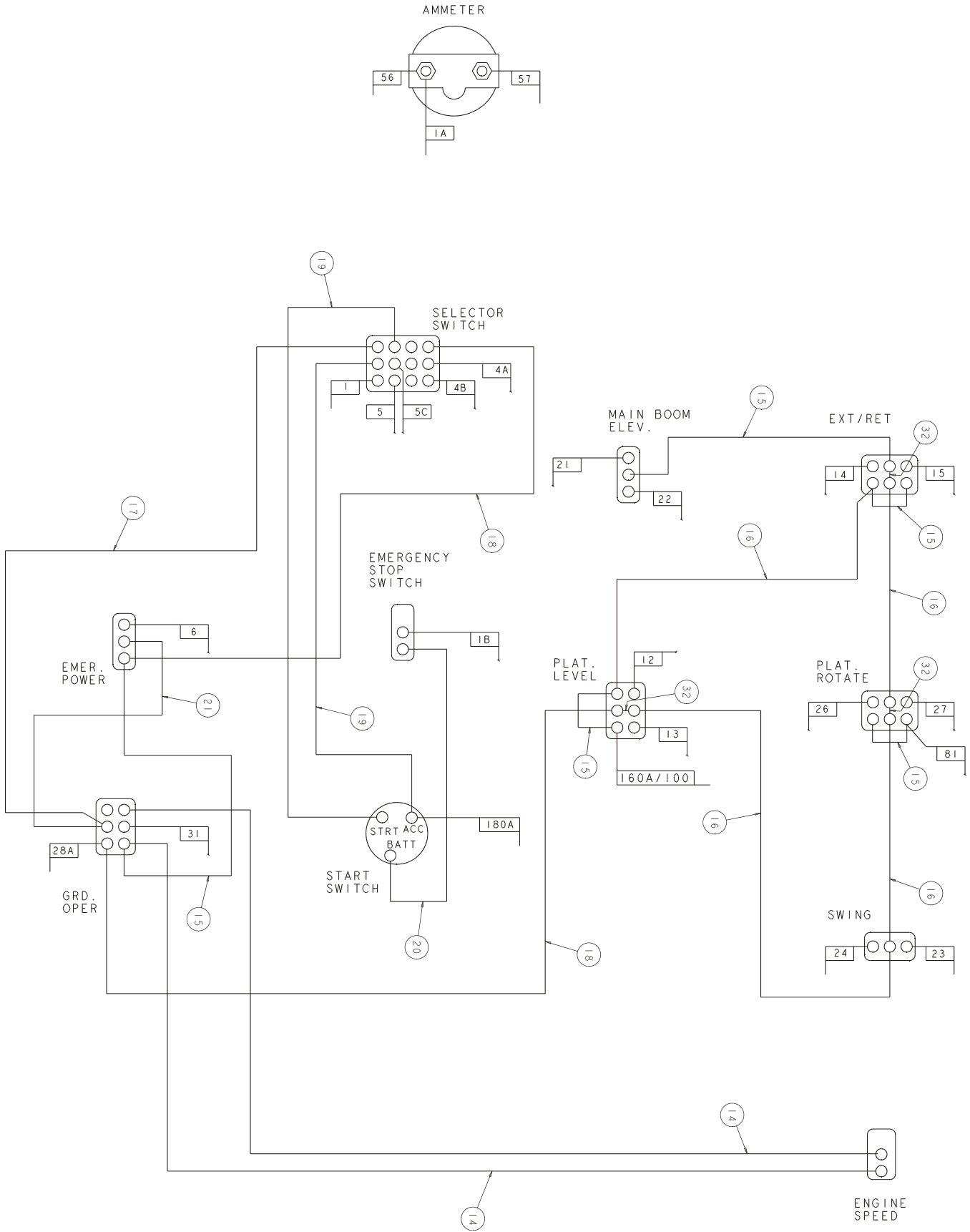
Lower Controls, Cummins and Deutz Engines – TB42/TB50

Item	Part No.	Qty.	Description
1	0074405	1	WLDMT MOUNT BOX
2	0112559	1	PLAC GROUND CONT PANEL
3	3070003	1	AMMETER
4	3070040	1	GAUGE TEMP (Cummins engine)
	3070041	1	GAUGE TEMP (Deutz engine)
5	5093004	1	CLP CUSH .75
6	3020016	2	SW TGL SPDT (M/OFF/M)
7	3020081	1	SW TGL DPDT (M/ON) SEALED
8	3020018	3	SW TGL DPDT (M/OFF/M)
9	3020013	1	SW TGL SPST ON OFF SEALED
10	3020087	1	KEY SWITCH SINGLE CODE
11	3020020	1	SW EMER STOP PUSH/PULL
12	3020048	1	SW TGL 4PDT (ON/ON)SEALED
14	0070753	2	WIRE 16 R6I R6I 12
15	0070747	5	WIRE 16 R6I R6I 3
16	0070730	3	WIRE 16 R6I R6I 5.5
17	0070742	1	WIRE 12 R6I R6I 8
18	0070746	2	WIRE 16 R6I R6I 9
19	0071541	2	WIRE 12 R6I R10I 14
20	0070735	1	WIRE 12 R6I R10I 24
21	0181104	1	WIRE 12 R6 R6 6
22	0074577	1	EPS WIRE ASSY
23	300489	1	TERMINAL STRIP #10 STUD 6 CIR
24	970029	1	BLT HEX HD .25-20 .75 GR5
25	986019	1	WSHR FLAT .25
26	5560004	1	NUT LKG .25-20
27	5560649	2	SCR TRHD #10-24 1.00
28	5560034	2	NUT LKG #10-24
29	3020080	1	SW TGL SPDT (M/NONE/ON) SEALED
30	0191287	1	PLAC BLANK 1.75 X 2.13 BLACK
31	0075111	1	PLAC BLANK 3.00 X 3.63 BLACK
32	0060373	3	JUMPER, SWITCH TERMINAL STRAP

Lower Controls, Ford Engine – TB42/TB50



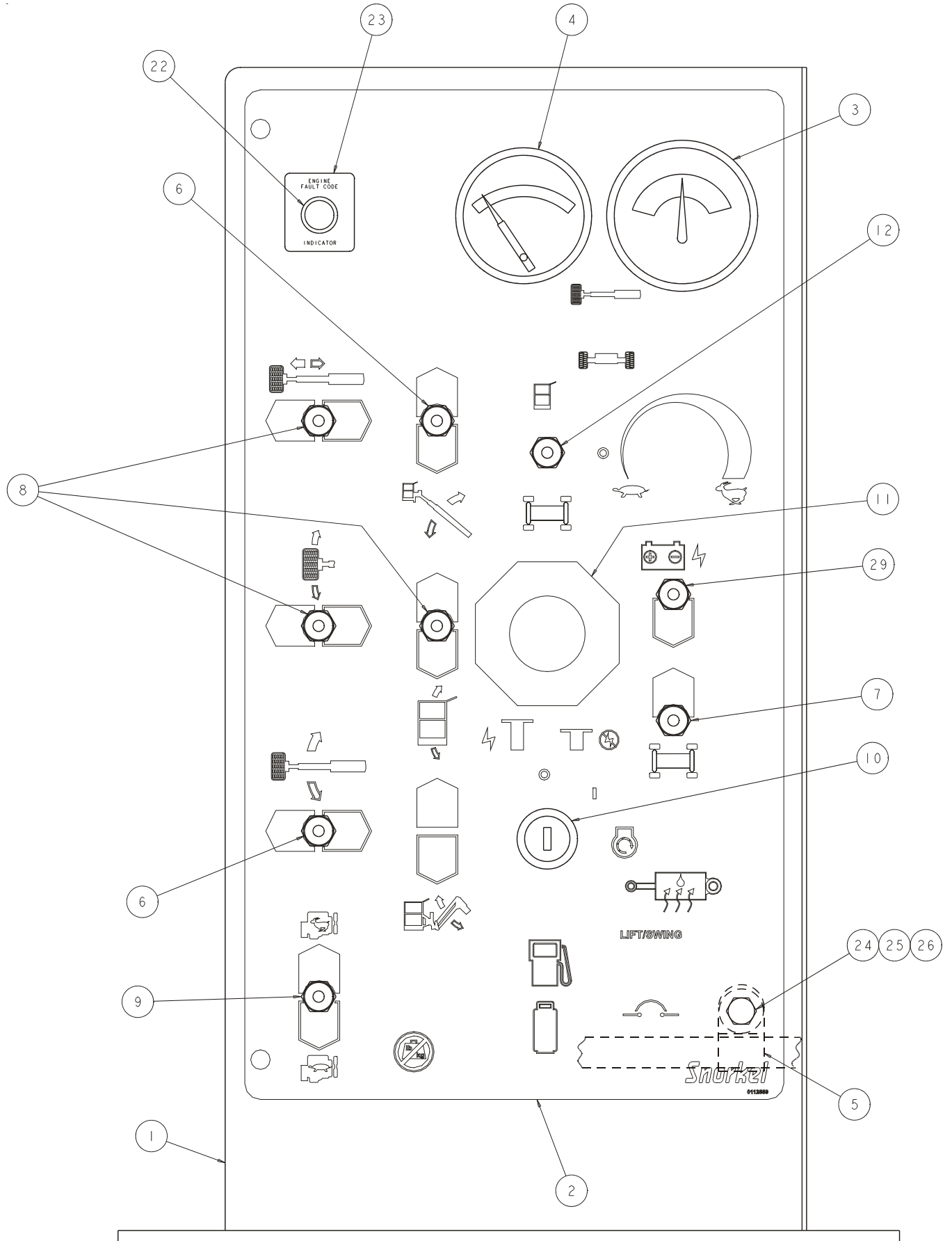
Lower Controls, Ford Engine – TB42/TB50



Lower Controls, Ford Engine – TB42/TB50

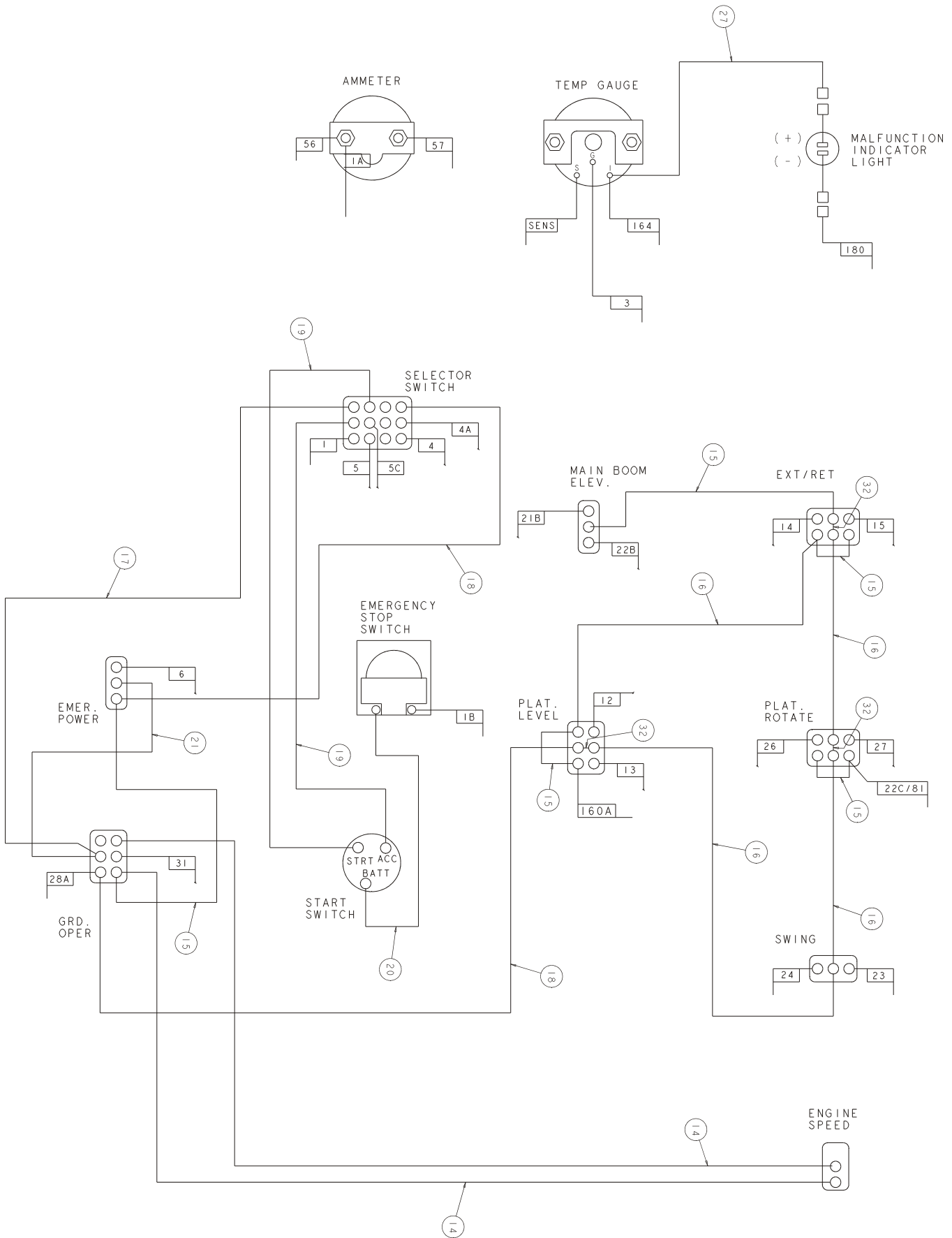
Item	Part No.	Qty.	Description
1	0074405	1	WLDMT MOUNT BOX
2	0112559	1	PLAC GROUND CONT PANEL
3	3070003	1	AMMETER
4	3070021	1	TEMP GAUGE 250 DEG
5	5093004	1	CLP CUSH .75
6	3020016	2	SW TGL SPDT (M/OFF/M)
7	3020081	1	SW TGL DPDT (M/ON) SEALED
8	3020018	3	SW TGL DPDT (M/OFF/M)
9	3020013	1	SW TGL SPST ON OFF SEALED
10	3020087	1	KEY SWITCH SINGLE CODE
11	3020020	1	SW EMER STOP PUSH/PULL
12	3020048	1	SW TGL 4PDT (ON/ON)SEALED
14	0070753	2	WIRE 16 R6I R6I 12
15	0070747	5	WIRE 16 R6I R6I 3
16	0070730	4	WIRE 16 R6I R6I 5.5
17	0070742	1	WIRE 12 R6I R6I 8
18	0070746	2	WIRE 16 R6I R6I 9
19	0071541	2	WIRE 12 R6I R10I 14
20	0070735	1	WIRE 12 R6I R10I 24
21	0181104	1	WIRE 12 R6 R6 6
24	970029	1	BLT HEX HD .25-20 .75 GR5
25	986019	1	WSHR FLAT .25
26	5560004	1	NUT LKG .25-20
29	3020080	1	SW TGL SPDT (M/NONE/ON) SEALED
30	0191287	1	PLAC BLANK 1.75 X 2.13 BLACK
31	0075111	1	PLAC BLANK 3.00 X 3.63 BLACK
32	0060373	3	JUMPER, SWITCH TERMINAL STRAP

Lower Controls, GM Engine – TB42/TB50



0075304

Lower Controls, GM Engine – TB42/TB50



0075304

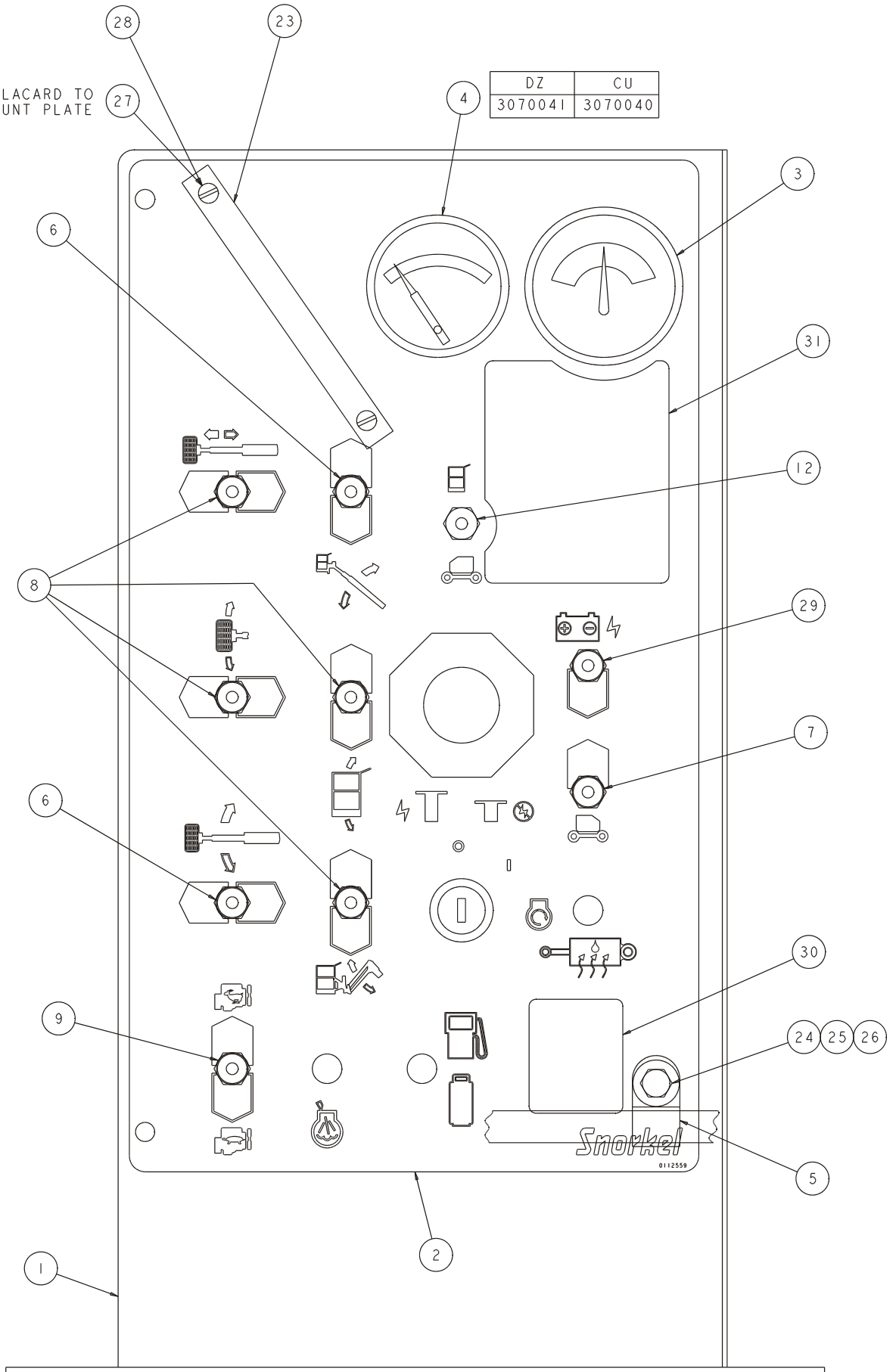
Lower Controls, GM Engine – TB42/TB50

Item	Part No.	Qty.	Description
1	0074405	1	WLDMT MOUNT BOX
2	0112559	1	PLAC GROUND CONT PANEL
3	3070003	1	AMMETER
4	3070040	1	TEMP GAUGE
5	5093004	1	CLP CUSH .75
6	3020016	2	SW TGL SPDT (M/OFF/M)
7	3020081	1	SW TGL DPDT (M/ON) SEALED
8	3020018	3	SW TGL DPDT (M/OFF/M)
9	3020013	1	SW TGL SPST ON OFF SEALED
10	3020087	1	KEY SWITCH SINGLE CODE
11	3020020	1	SW EMER STOP PUSH/PULL
12	3020048	1	SW TGL 4PDT (ON/ON)SEALED
14	0070753	2	WIRE 16 R6I R6I 12
15	0070747	5	WIRE 16 R6I R6I 3
16	0070730	4	WIRE 16 R6I R6I 5.5
17	0070742	1	WIRE 12 R6I R6I 8
18	0070746	2	WIRE 16 R6I R6I 9
19	0071541	2	WIRE 12 R6I R10I 14
20	0070735	1	WIRE 12 R6I R10I 24
21	0181104	1	WIRE 12 R6 R6 6
22	0192176	1	ASSY, MALFUNCTION LIGHT
23	0172446	1	PLACARD, FAULT CODE INDICATOR
24	970029	1	BLT HEX HD .25-20 .75 GR5
25	986019	1	WSHR FLAT .25
26	5560004	1	NUT LKG .25-20
27	300804	1	WIRE 18 FEM250FI R81 G
29	3020080	1	SW TGL SPDT (M/NONE/ON) SEALED
32	0060373	3	JUMPER, SWITCH TERMINAL STRAP

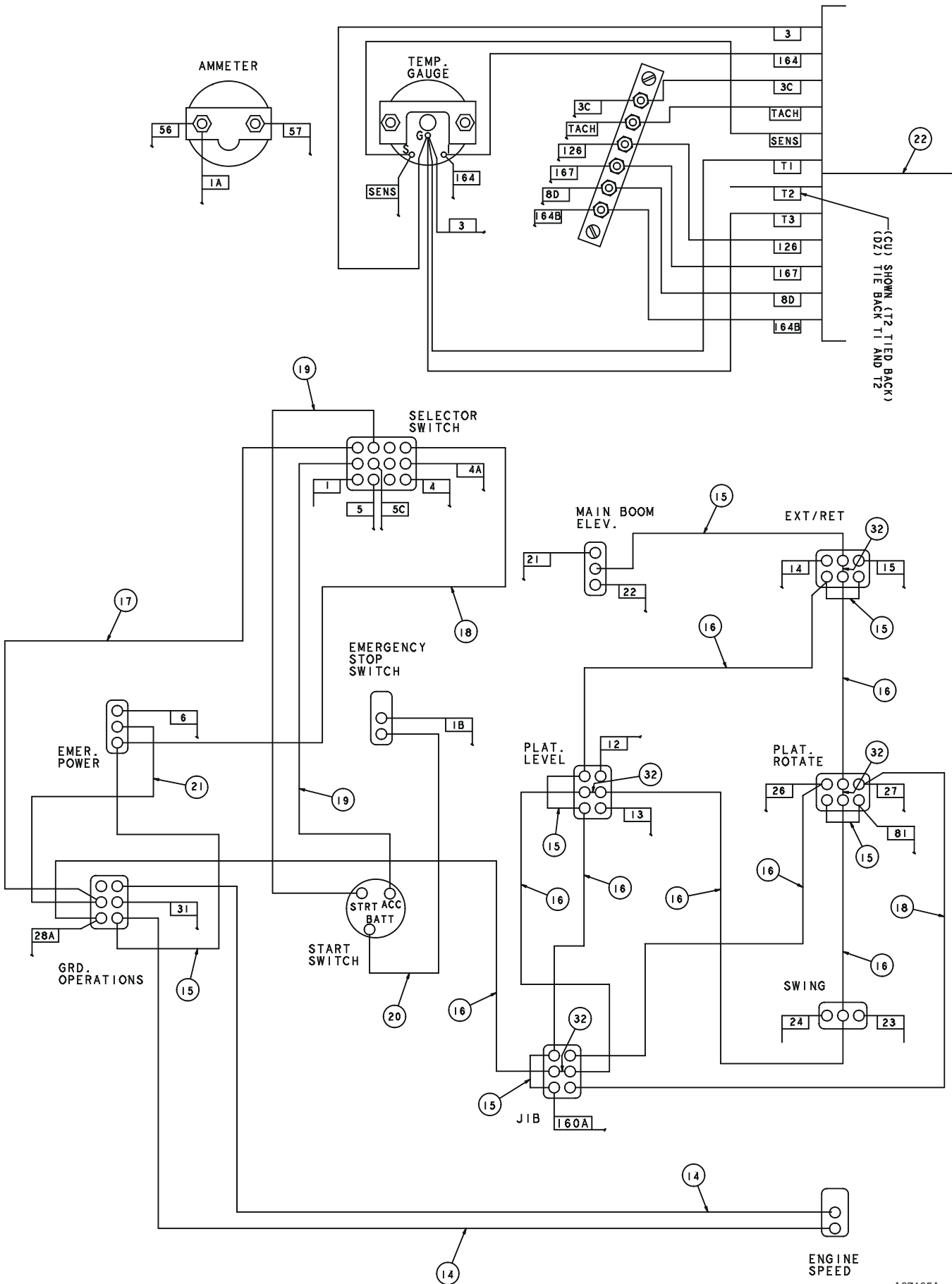
Lower Controls, Cummins and Deutz Engines – TB47J

MATCH DRILL PLACARD TO HOLES IN MOUNT PLATE

DZ	CU
3070041	3070040



Lower Controls, Cummins and Deutz Engines – TB47J

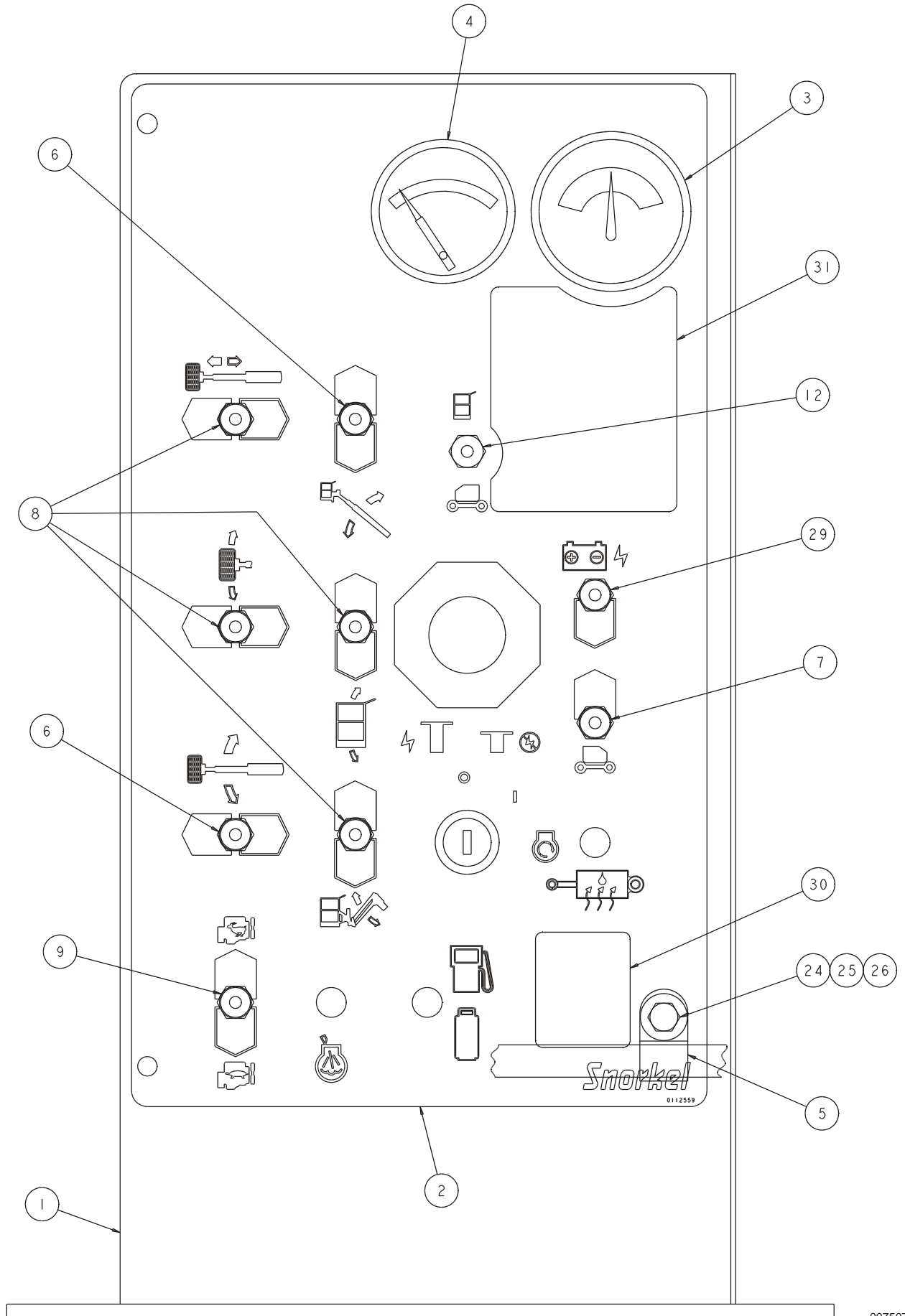


A07105A

Lower Controls, Cummins and Deutz Engines – TB47J

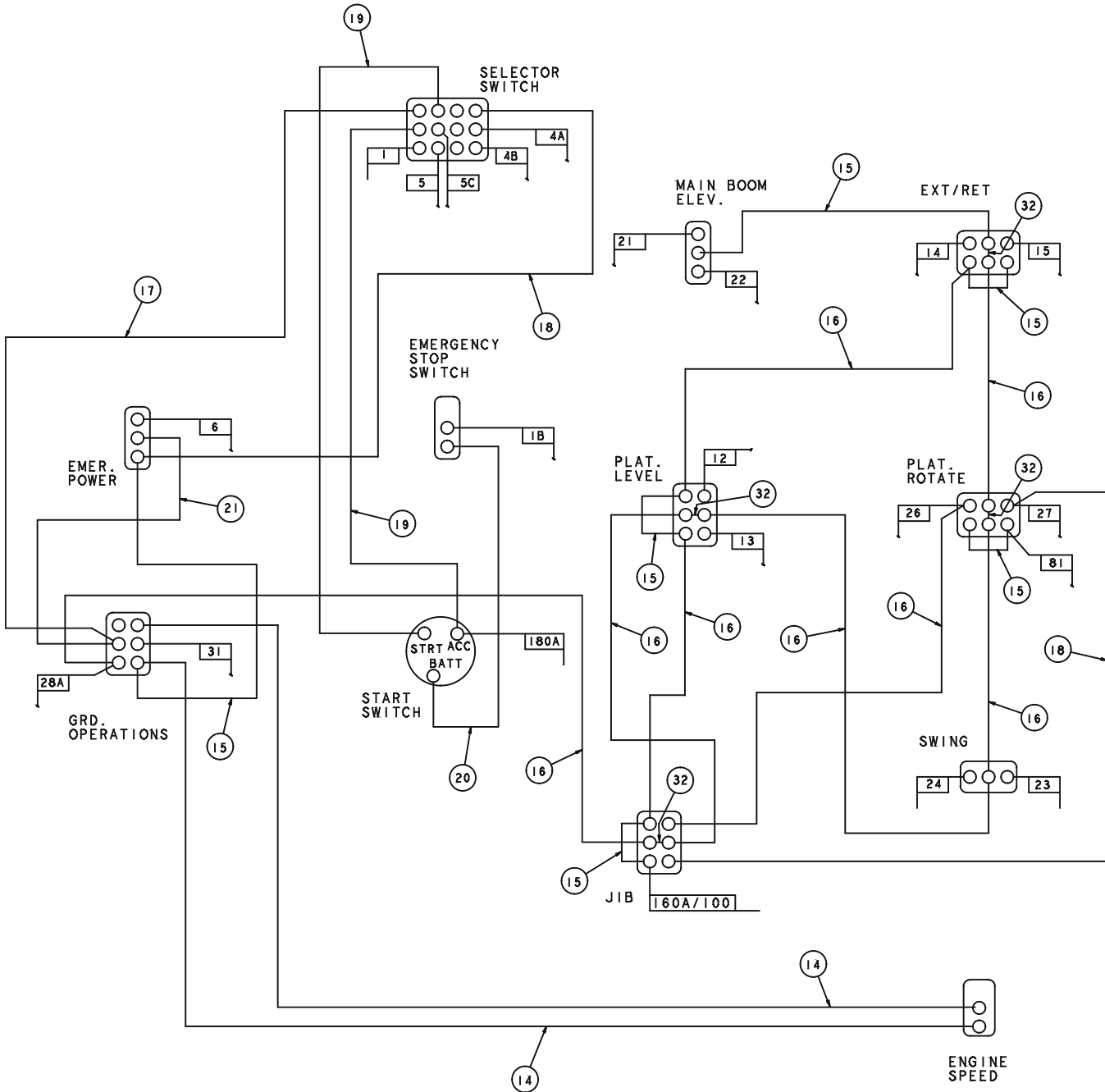
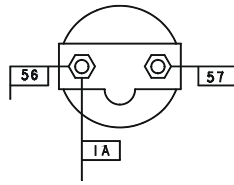
Item	Part No.	Qty.	Description
1	0074405	1	WLDMT MOUNT BOX
2	0112559	1	PLAC GROUND CONT PANEL
3	3070003	1	AMMETER
4	3070040	1	GAUGE TEMP (Cummins Engine)
	3070041	1	GAUGE TEMP (Deutz Engine)
5	5093004	1	CLP CUSH .75
6	3020016	2	SW TGL SPDT (M/OFF/M)
7	3020081	1	SW TGL DPDT (M/ON) SEALED
8	3020018	4	SW TGL DPDT (M/OFF/M)
9	3020013	1	SW TGL SPST ON OFF SEALED
10	3020087	1	KEY SWITCH SINGLE CODE
11	3020020	1	SW EMER STOP PUSH/PULL
12	3020048	1	SW TGL 4PDT (ON/ON)SEALED
14	0070753	2	WIRE 16 R6I R6I 12
15	0070747	6	WIRE 16 R6I R6I 3
16	0070730	8	WIRE 16 R6I R6I 5.5
17	0070742	1	WIRE 12 R6I R6I 8
18	0070746	2	WIRE 16 R6I R6I 9
19	0071541	2	WIRE 12 R6I R10I 14
20	0070735	1	WIRE 12 R6I R10I 24
21	0181104	1	WIRE 12 R6 R6 6
22	0074577	1	EPS WIRE ASSY
23	300489	1	TERMINAL STRIP #10 STUD 6 CIR
24	970029	1	BLT HEX HD .25-20 .75 GR5
25	986019	1	WSHR FLAT .25
26	5560004	1	NUT LKG .25-20
27	5560649	2	SCR TRHD #10-24 1.00
28	5560034	2	NUT LKG #10-24
29	3020080	1	SW TGL SPDT (M/NONE/ON) SEALED
30	0191287	1	PLAC BLANK 1.75 X 2.13 BLACK
31	0075111	1	PLAC BLANK 3.00 X 3.63 BLACK
32	0060373	4	JUMPER, SWITCH TERMINAL STRAP

Lower Controls, Ford Engine – TB47J



Lower Controls, Ford Engine – TB47J

AMMETER

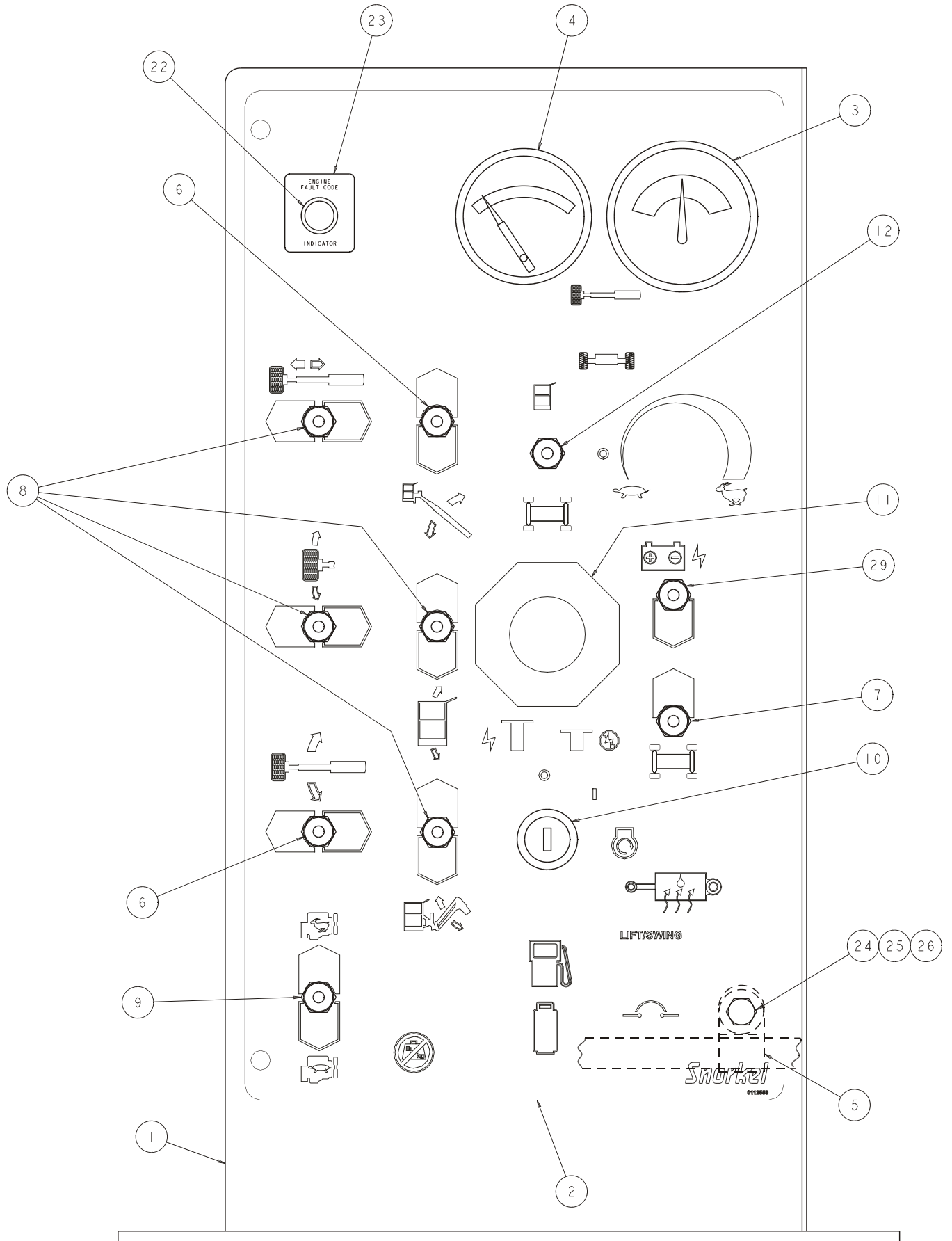


0075076

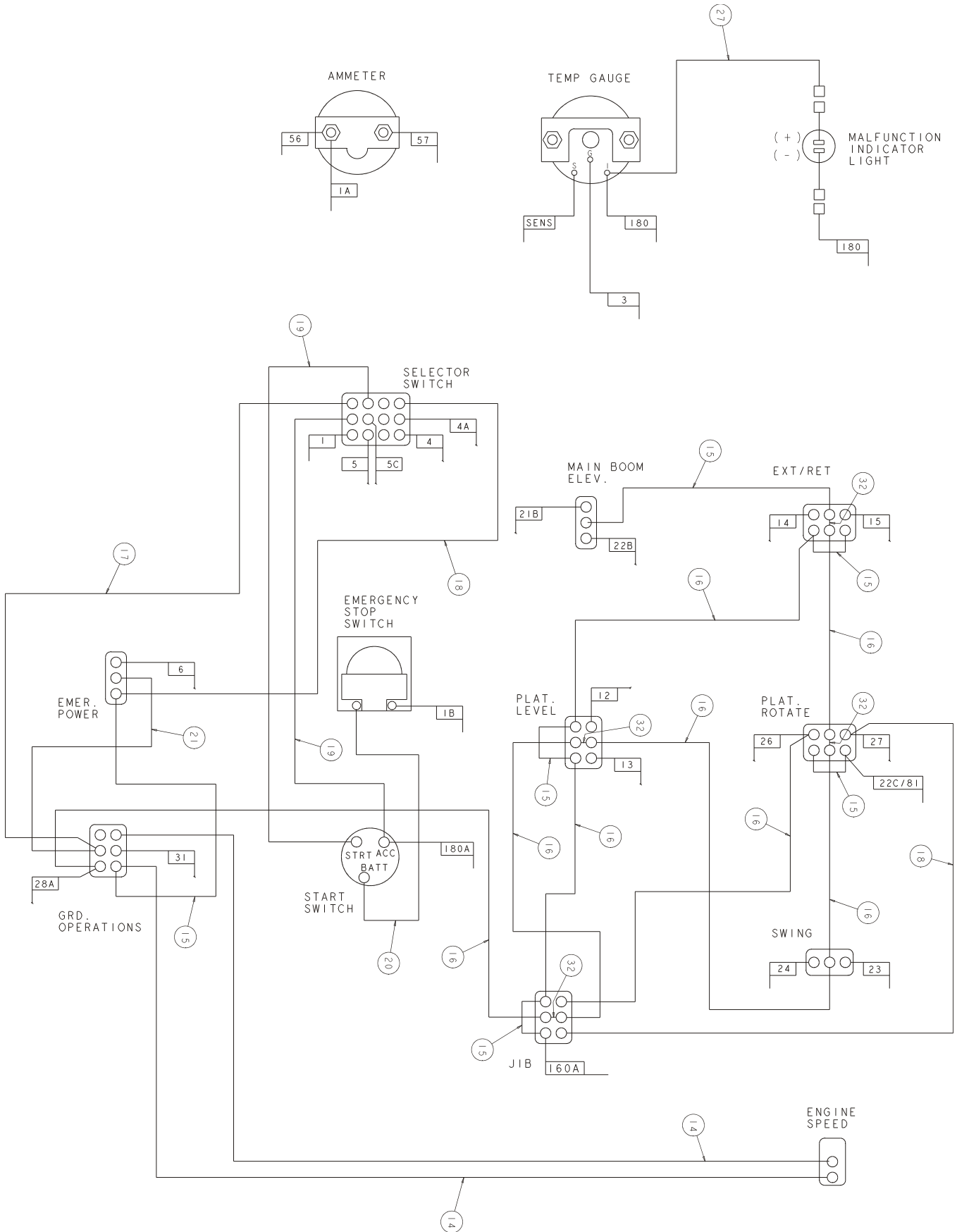
Lower Controls, Ford Engine – TB47J

Item	Part No.	Qty.	Description
1	0074405	1	WLDMT MOUNT BOX
2	0112559	1	PLAC GROUND CONT PANEL
3	3070003	1	AMMETER
4	3070021	1	TEMP GAUGE
5	5093004	1	CLP CUSH .75
6	3020016	2	SW TGL SPDT (M/OFF/M)
7	3020081	1	SW TGL DPDT (M/ON) SEALED
8	3020018	4	SW TGL DPDT (M/OFF/M)
9	3020013	1	SW TGL SPST ON OFF SEALED
10	3020087	1	KEY SWITCH SINGLE CODE
11	3020020	1	SW EMER STOP PUSH/PULL
12	3020048	1	SW TGL 4PDT (ON/ON)SEALED
14	0070753	2	WIRE 16 R6I R6I 12
15	0070747	6	WIRE 16 R6I R6I 3
16	0070730	8	WIRE 16 R6I R6I 5.5
17	0070742	1	WIRE 12 R6I R6I 8
18	0070746	2	WIRE 16 R6I R6I 9
19	0071541	2	WIRE 12 R6I R10I 14
20	0070735	1	WIRE 12 R6I R10I 24
21	0181104	1	WIRE 12 R6 R6 6
24	970029	1	BLT HEX HD .25-20 .75 GR5
25	986019	1	WSHR FLAT .25
26	5560004	1	NUT LKG .25-20
29	3020080	1	SW TGL SPDT (M/NONE/ON) SEALED
30	0191287	1	PLAC BLANK 1.75 X 2.13 BLACK
31	0075111	1	PLAC BLANK 3.00 X 3.63 BLACK
32	0060373	4	JUMPER, SWITCH TERMINAL STRAP

Lower Controls, GM Engine – TB47J



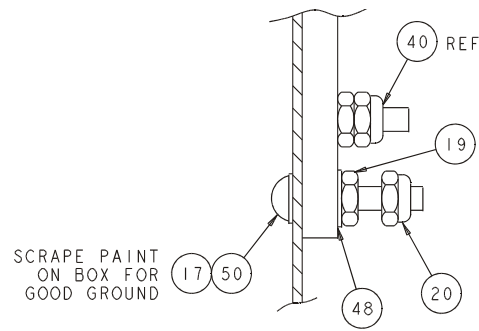
Lower Controls, GM Engine – TB47J



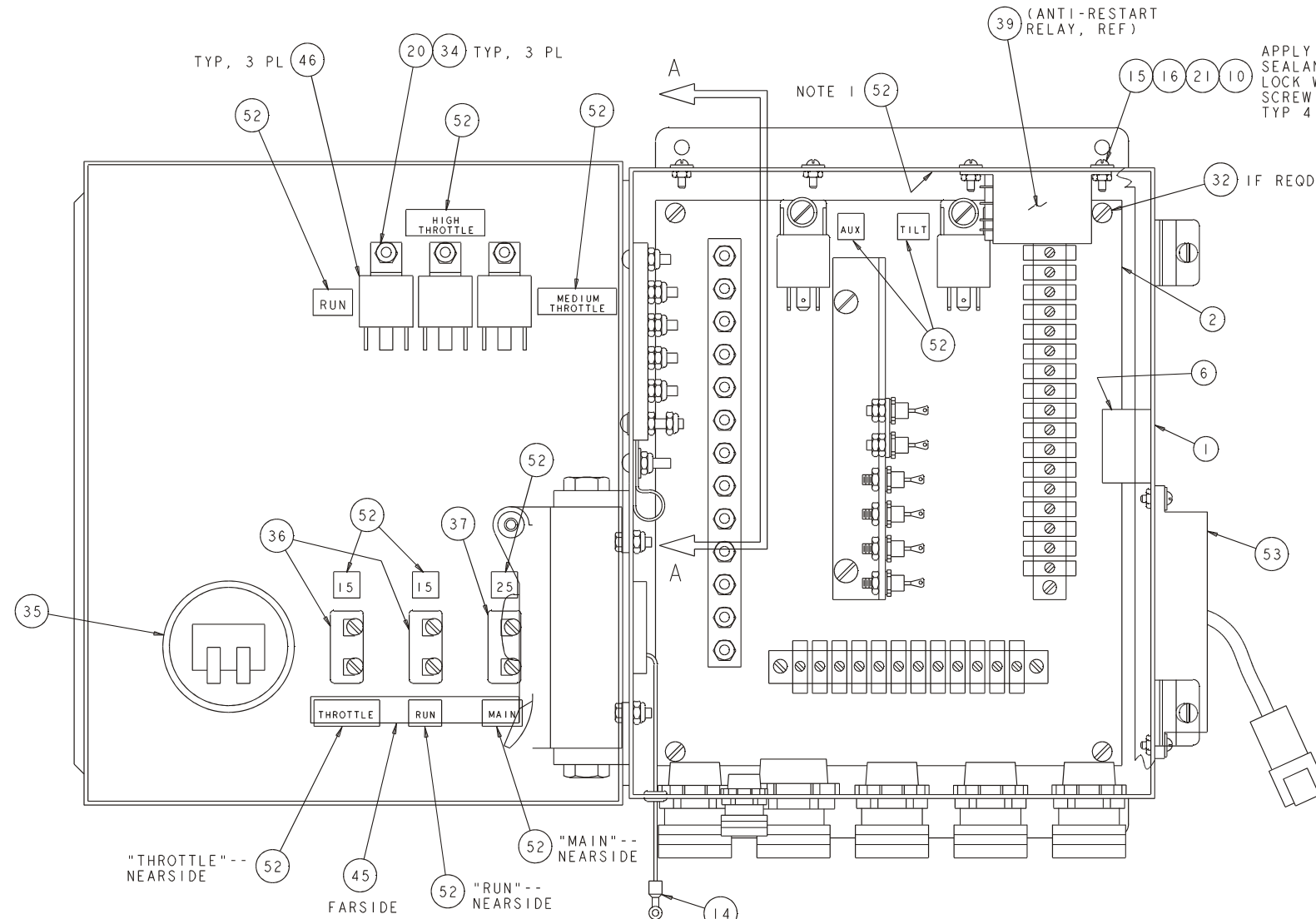
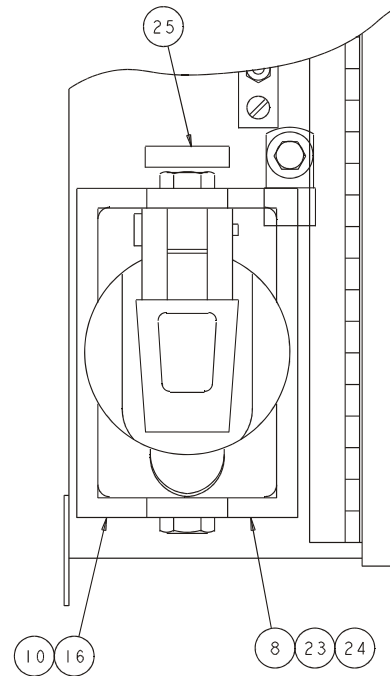
0075324

Lower Controls, GM Engine – TB47J

Item	Part No.	Qty.	Description
1	0074405	1	WLDMT MOUNT BOX
2	0112559	1	PLAC GROUND CONT PANEL
3	3070003	1	AMMETER
4	3070040	1	GAUGE TEMP
5	5093004	1	CLP CUSH .75
6	3020016	2	SW TGL SPDT (M/OFF/M)
7	3020081	1	SW TGL DPDT (M/ON) SEALED
8	3020018	4	SW TGL DPDT (M/OFF/M)
9	3020013	1	SW TGL SPST ON OFF SEALED
10	3020087	1	KEY SWITCH SINGLE CODE
11	3020020	1	SW EMER STOP PUSH/PULL
12	3020048	1	SW TGL 4PDT (ON/ON)SEALED
14	0070753	2	WIRE 16 R6I R6I 12
15	0070747	6	WIRE 16 R6I R6I 3
16	0070730	8	WIRE 16 R6I R6I 5.5
17	0070742	1	WIRE 12 R6I R6I 8
18	0070746	2	WIRE 16 R6I R6I 9
19	0071541	2	WIRE 12 R6I R10I 14
20	0070735	1	WIRE 12 R6I R10I 24
21	0181104	1	WIRE 12 R6 R6 6
22	0192176	1	ASSY, MALFUNCTION LIGHT
23	0172446	1	PLACARD, FAULT CODE INDICATOR
24	970029	1	BLT HEX HD .25-20 .75 GR5
25	986019	1	WSHR FLAT .25
26	5560004	1	NUT LKG .25-20
27	300804	1	WIRE 18 FEM250FI R81 6
29	3020080	1	SW TGL SPDT (M/NONE/ON) SEALED
32	0060373	4	JUMPER, SWITCH TERMINAL STRAP

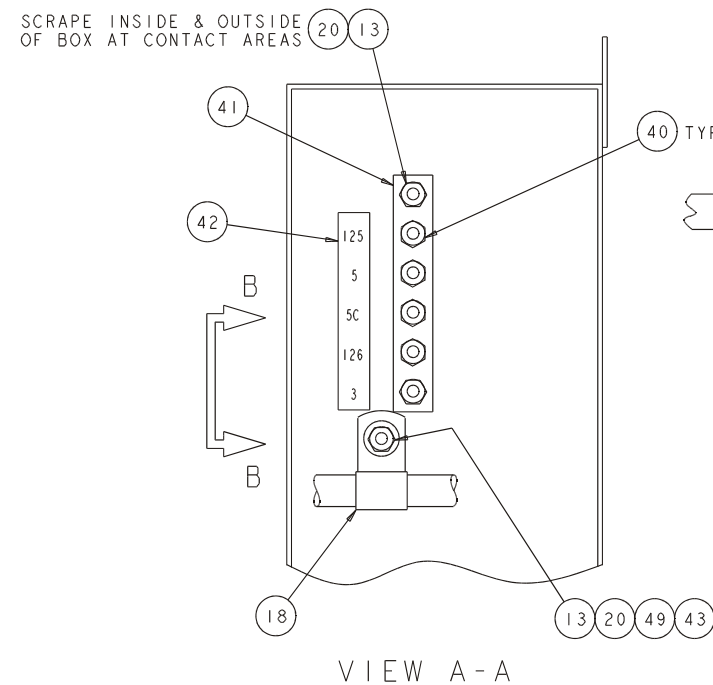


VIEW B-B

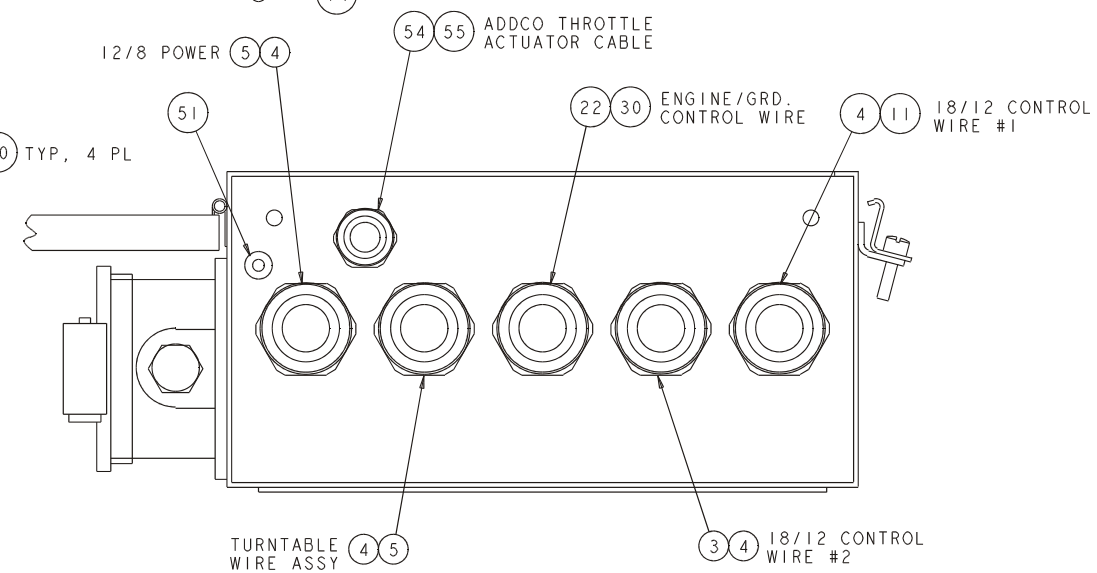


APPLY SILICONE SEALANT UNDER LOCK WASHER AND SCREW HEAD -- TYP 4 PL

NOTES:
1. ATTACH DECAL, "ANTI-RESTART" ON BOX INTERIOR WALL ADJACENT TO RELAY. (REF ITEM 52, P/N 0074384).

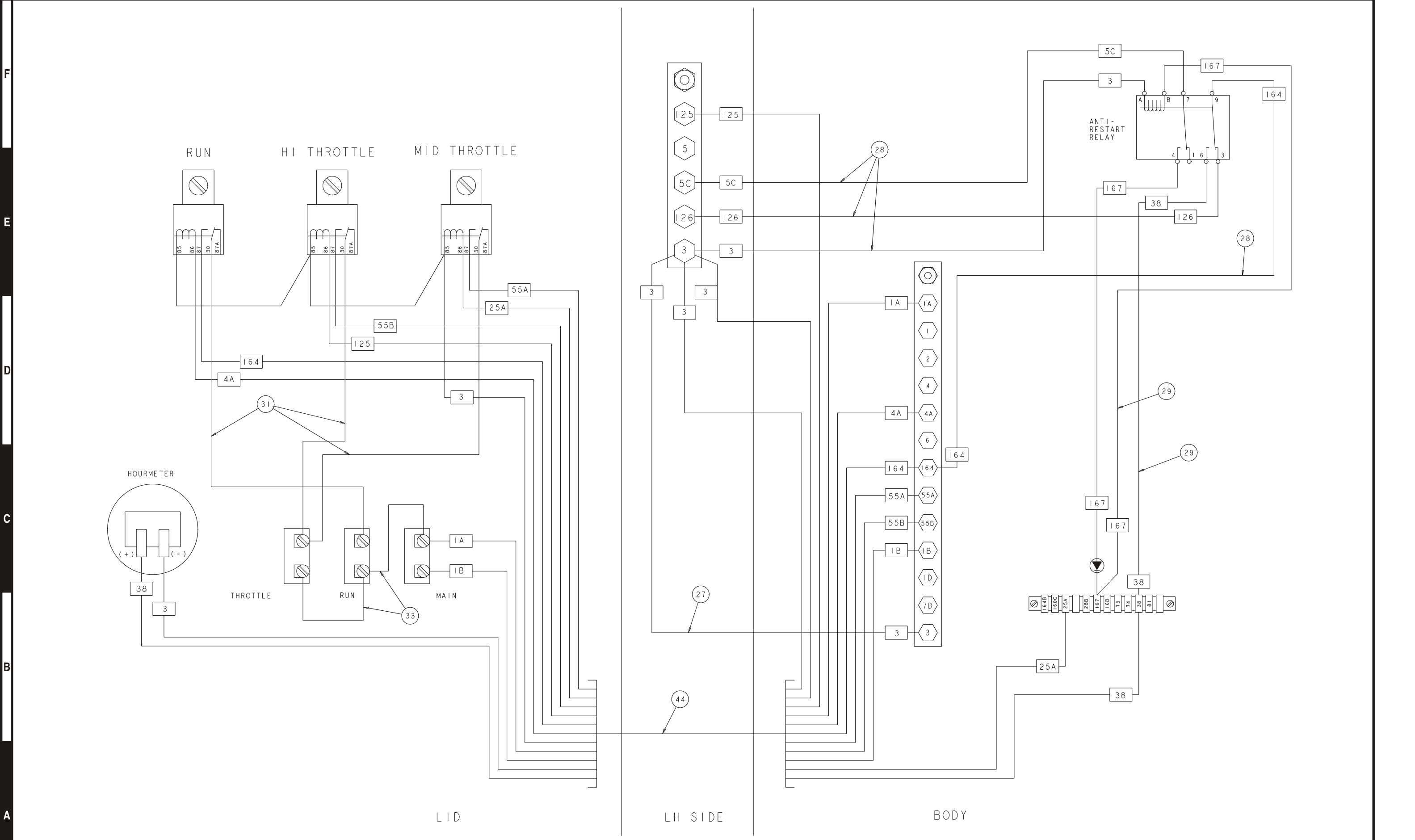


VIEW A-A



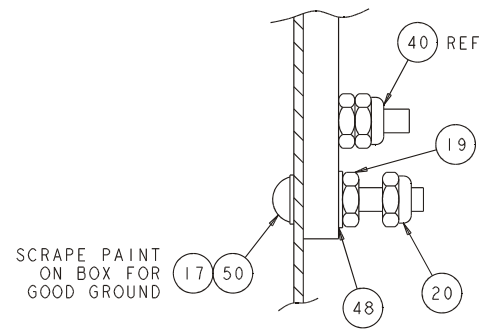
F
E
D
C
B
A

1 2 3 4 5 6 7 8 9

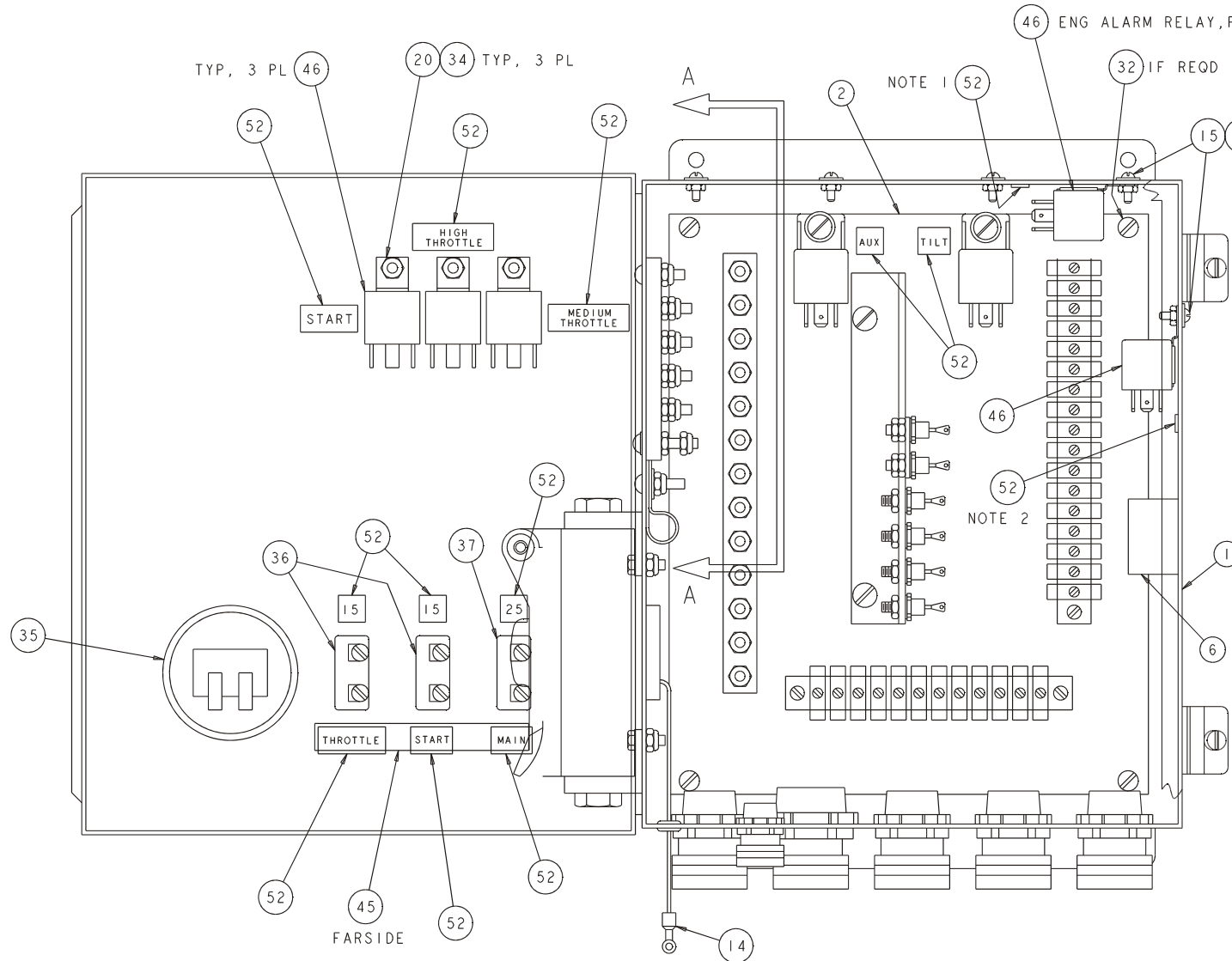
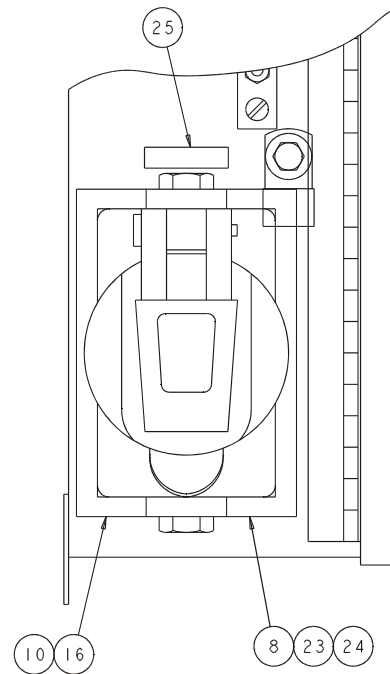


Wiring Box, Cummins and Deutz Engines – TB42/TB50/TB47J

Item	Part No.	Qty.	Description
1	0074111	1	WIRING BOX DRILLED
2	007516828	1	PANEL SUB ASSY TB47J WIRING BOX
3	3040116	1	CONN .75 .500-.625
4	3040110	4	NUT LKG .750 HUB
5	3040295	2	CONN .75 .625-.75
6	0070967	1	CORROSION INHIBITOR
8	3045278	1	OUTLET-5278C
10	984009	6	NUT, #6-32 HEX PLATED
11	3040285	1	CONN .75 .375-.500
13	5560716	2	SCR TRHD #10-24 X .75 PLTD
14	0071561	1	WIRE 12 R250I R250I 17
15	974239	4	SCR RHD #6-32 X .50 SLTD
16	986159	6	WASHER, #6 FLAT
17	5560654	1	WASHER, #10 STAR TOOTH LOCK
18	5093001	1	CLP CUSH .50
19	984049	1	NUT, #10-24 HEX
20	5560034	6	NUT, #10-24 ESNA
21	987349	4	WASHER, #6 MED LOCK
22	3040386	1	CONN 1.00 .875-1.0
23	3040118	1	EXTENSION W/GASKET
24	3040121	4	CLOSE-UP PLUG
25	0150606	1	DECAL 125V 15AMP PWR TO PLATF
27	0070732	1	WIRE 12 R10I R10I 10
28	0090621	5	WIRE 16 R10I FEM188I 13
29	0181112	5	WIRE 16 FEM188I FEM188I 16
30	3040387	1	NUT LKG 1.00 HUB
31	0074120	3	WIRE 12 R8I FEM250FI 8.5
32	5560707	4	SCREW, #10-32 X .375 PANHD PLTD
33	0071583	2	WIRE 12 R8I R8I 5
34	5560609	3	SCREW, #10-24 X .50 TRHD PLTD
35	3070001	1	HOURMETER
36	3040252	2	CIRCUIT BREAKER 15 AMP
37	3040069	1	CIRCUIT BREAKER 25 AMP
39	3040214	1	RELAY DPDT 12V 10AMP
40	5560038	4	NUT, #10-32 ESNA
41	3044704	1	TERM STRIP (4) #10 STUD
42	0152609	1	DECAL TERM STRIP VERT 5TERM-TERM #125,5,5C,126,3
43	986009	1	WASHER, #10 FLAT
44	0074112	1	INTERNAL WIRE ASSY
45	0111735	1	DECAL MAIN SYSTEM/RUN/THROTTLE
46	3040469	3	RELAY SPDT 12V 30AMP
48	986089	1	WASHER, #10 MED LOCK
49	986019	1	WASHER, 1/4 FLAT
50	974709	1	M SCR #10-24 X 1.00 RNDHD PLTD
51	5569003	1	GROMMET .188ID .438OD .125-AN931-A3-5
52	0074384	1	DECAL SET RELAYS/AMPS
53	3030122	1	ENG PROTECT MODULE 4-PNT HIGH
54	3040187	1	CONN .500 .313-.438
55	3040070	1	NUT LKG .500 HUB



VIEW B-B

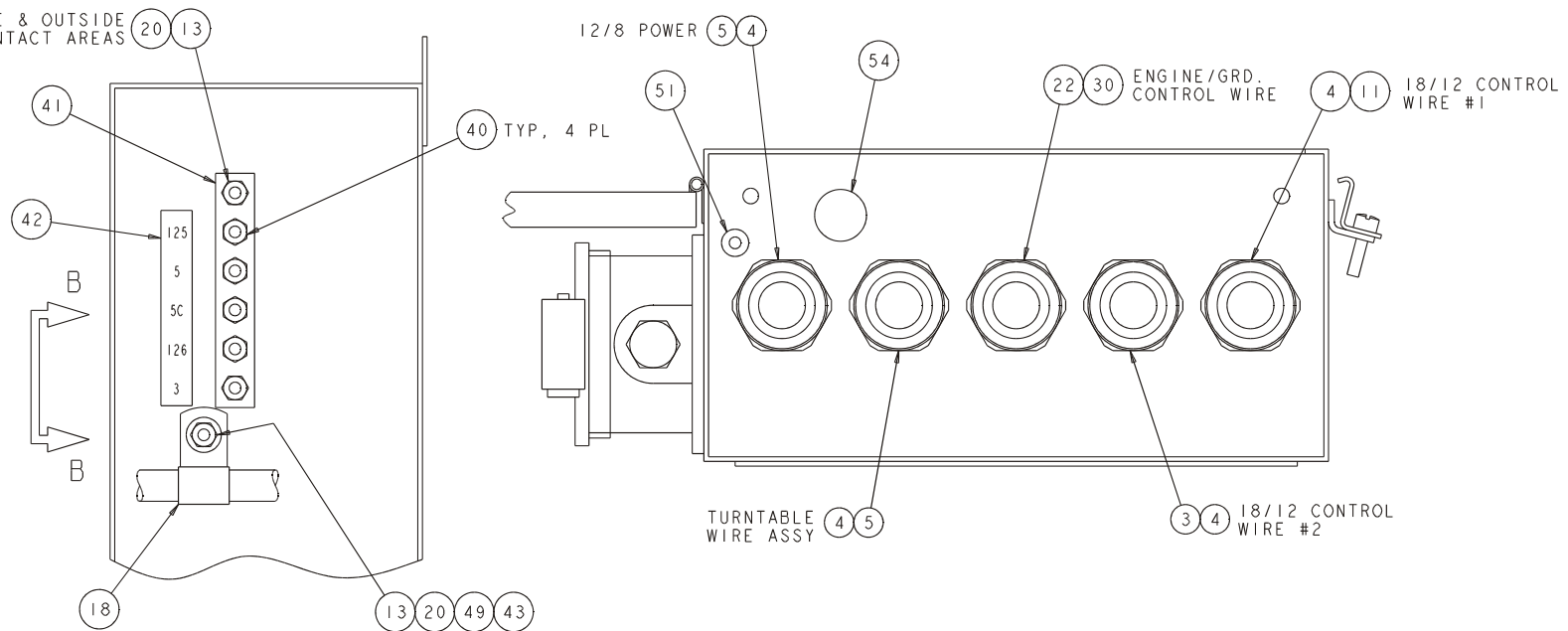


APPLY SILICONE SEALANT UNDER LOCK WASHER AND SCREW HEAD -- TYP 5 PLCS

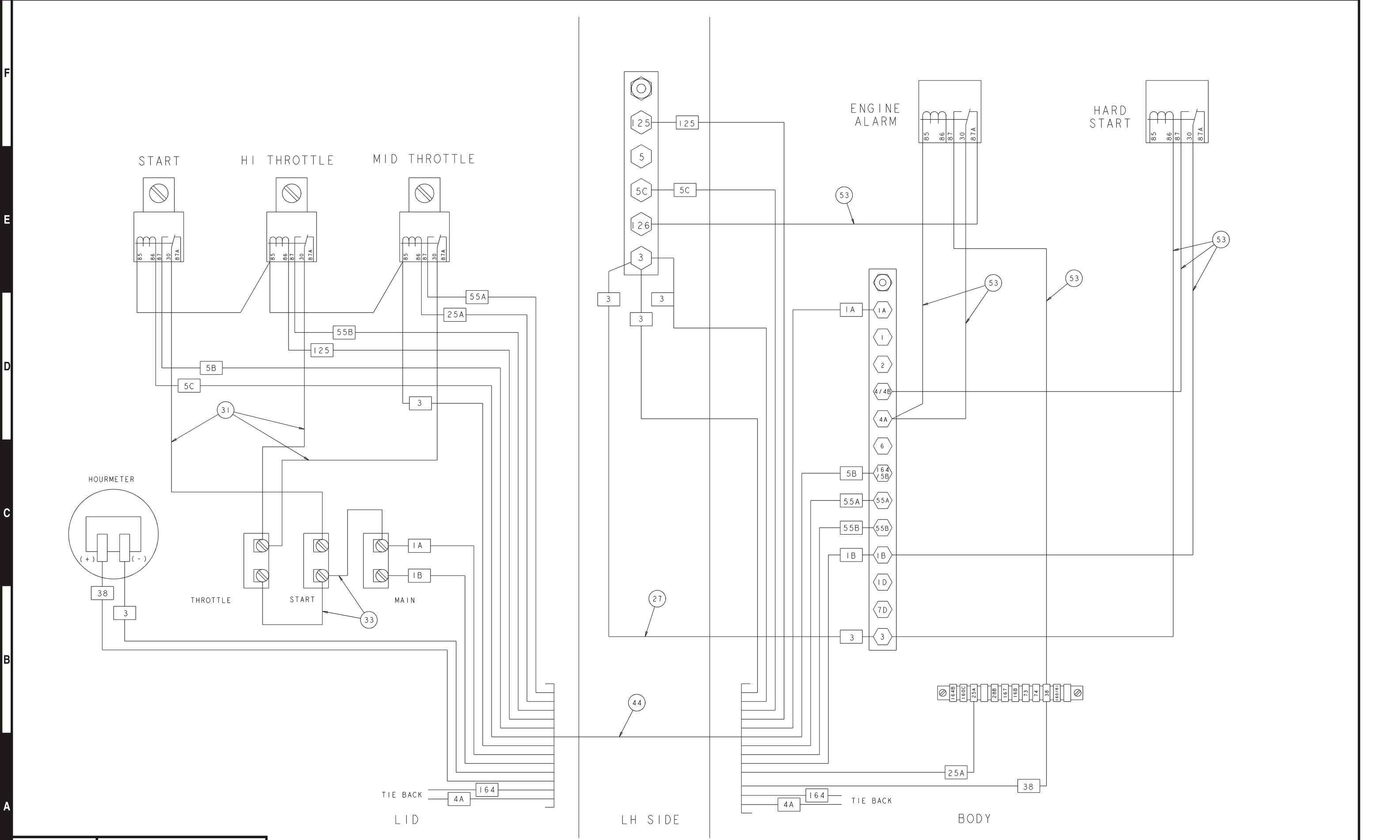
NOTES:

1. ATTACH DECAL, "ENGINE ALARM" ON BOX INTERIOR WALL ADJACENT TO RELAY.
2. ATTACH DECAL "HARD START" ON BOX INTERIOR WALL ADJACENT TO RELAY.

SCRAPE INSIDE & OUTSIDE OF BOX AT CONTACT AREAS



VIEW A-A



Wiring Box, Ford Engine – TB42/TB50/TB47J

Item	Part No.	Qty.	Description
1	0074111	1	WIRING BOX DRILLED
2	007516828	1	PANEL SUB ASSY TB47J WIRING BOX
3	3040116	1	CONN .75 .500-.625
4	3040110	4	NUT LKG .750 HUB
5	3040295	2	CONN .75 .625-.75
6	0070967	1	CORROSION INHIBITOR
8	3045278	1	OUTLET-5278C
10	984009	7	NUT. #6-32 HEX PLATED
11	3040285	1	CONN .75 .375-.500
13	974689	2	SCR TRHD #10-24 X .75 PLTD
14	0071561	1	WIRE 12 R250I R250I 17
15	974239	5	SCR RHD #6-32 X .50 SLTD
16	986159	7	WASHER #6 FLAT
17	5560654	1	WASHER, #10 STAR TOOTH LOCK
18	5093001	1	CLP CUSH .50
19	984049	1	NUT, #10-24 HEX
20	5560034	6	NUT,#10-24 ESNA
21	987349	5	WASHER, #6 MED LOCK
22	3040386	1	CONN 1.00 .875-1.0
23	3040118	1	EXTENSION W/GASKET-
24	3040121	4	CLOSE-UP PLUG
25	0150606	1	DECAL 125V 15AMP PWR TO PLATF
27	0070732	1	WIRE 12 R10I R10I 10
30	3040387	1	NUT LKG 1.00 HUB
31	0074120	3	WIRE 12 R8I FEM250FI 8.5
32	5560707	4	SCREW #10-32 X .375 PANHD PLTD
33	0071583	2	WIRE 12 R8I R8I 5
34	5560609	3	SCREW, #10-24 X .50 TRHD PLTD
35	3070001	1	HOURLMETER
36	3040252	2	CIRCUIT BREAKER 15 AMP
37	3040069	1	CIRCUIT BREAKER 25 AMP
40	5560038	4	NUT, #10-32 ESNA
41	3044704	1	TERM STRIP (4) #10 STUD
42	0152609	1	DECAL TERM STRIP VERT 5TERM-TERM #125,5,5C,126,3
43	986009	1	WASHER, #10 FLAT
44	0074112	1	INTERNAL WIRE ASSY
45	0111735	1	DECAL MAIN SYSTEM/RUN/THROTTLE
46	3040469	5	RELAY SPDT 12V 30AMP
48	987089	1	WASHER, #10 MED. LOCK
49	986019	1	WASHER, 1/4 FLAT
50	974709	1	M SCR. #10-24 X 1.00 RNDHD PLTD
51	5569003	1	GROMMET .188ID .438OD .125
52	0074384	1	DECAL SET RELAYS/AMPS
53	0181103	7	WIRE 16 R10 FEM250FI 15
54	3040301	1	PLUG HOLE .875

F

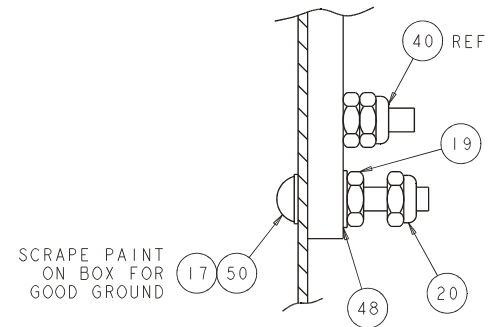
E

D

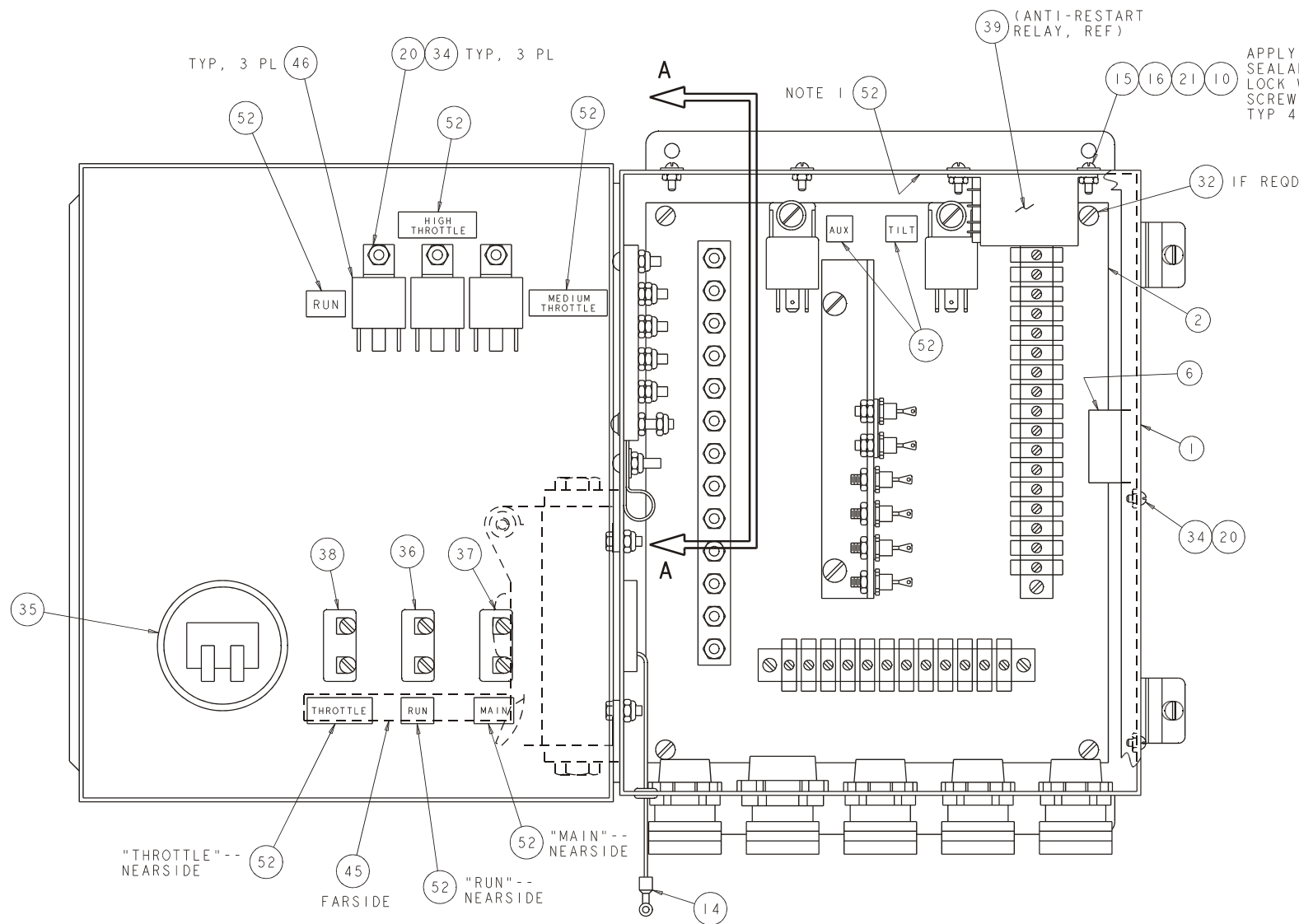
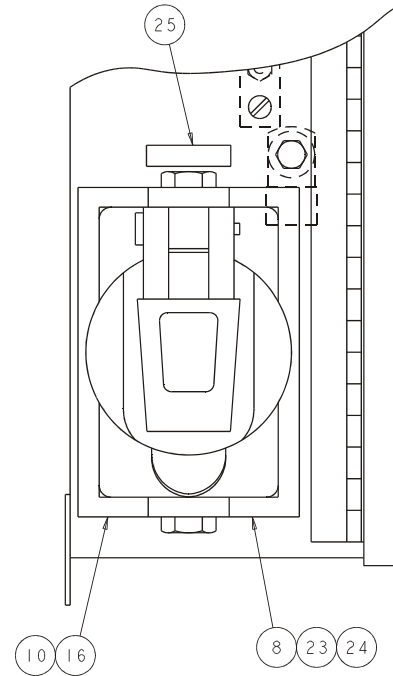
C

B

A

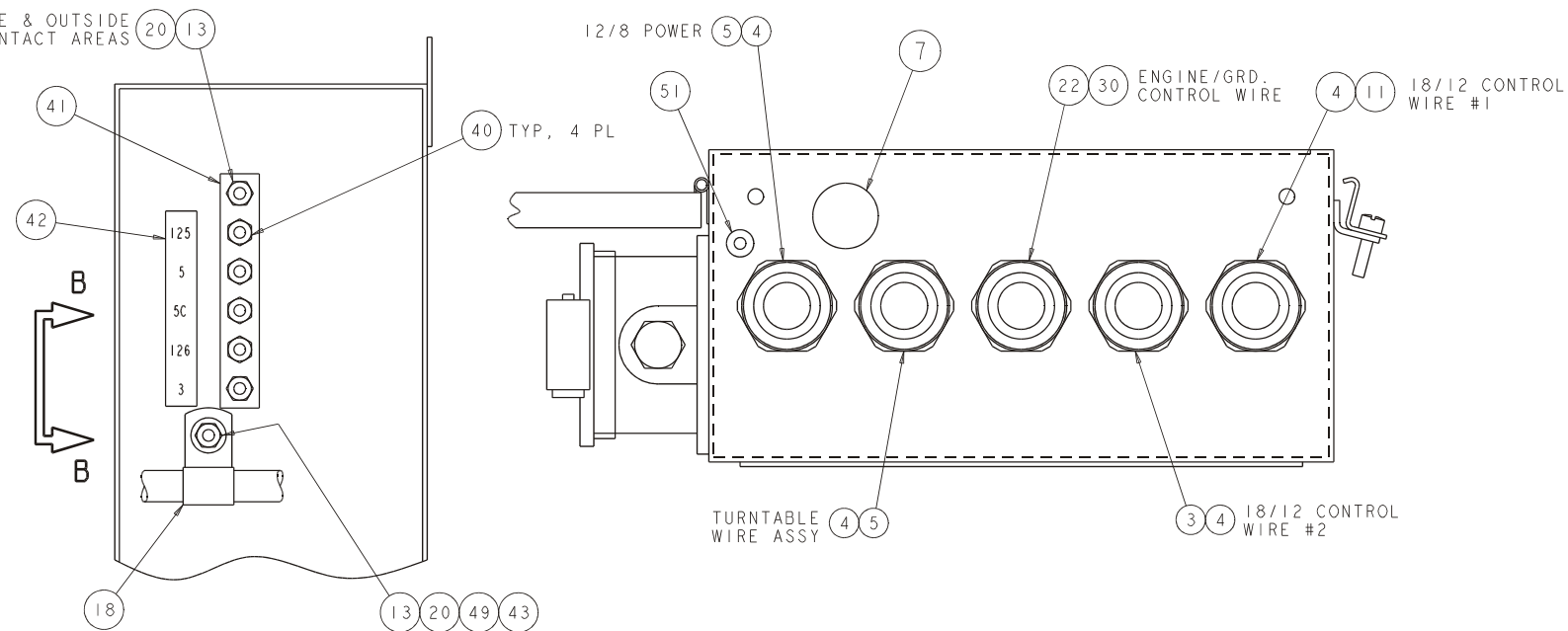


VIEW B-B



- NOTES:
- 1. ATTACH DECAL, "ANTI-RESTART" ON BOX INTERIOR WALL ADJACENT TO RELAY. (REF ITEM 52, P/N 0074384).

SCRAPE INSIDE & OUTSIDE OF BOX AT CONTACT AREAS



VIEW A-A

F

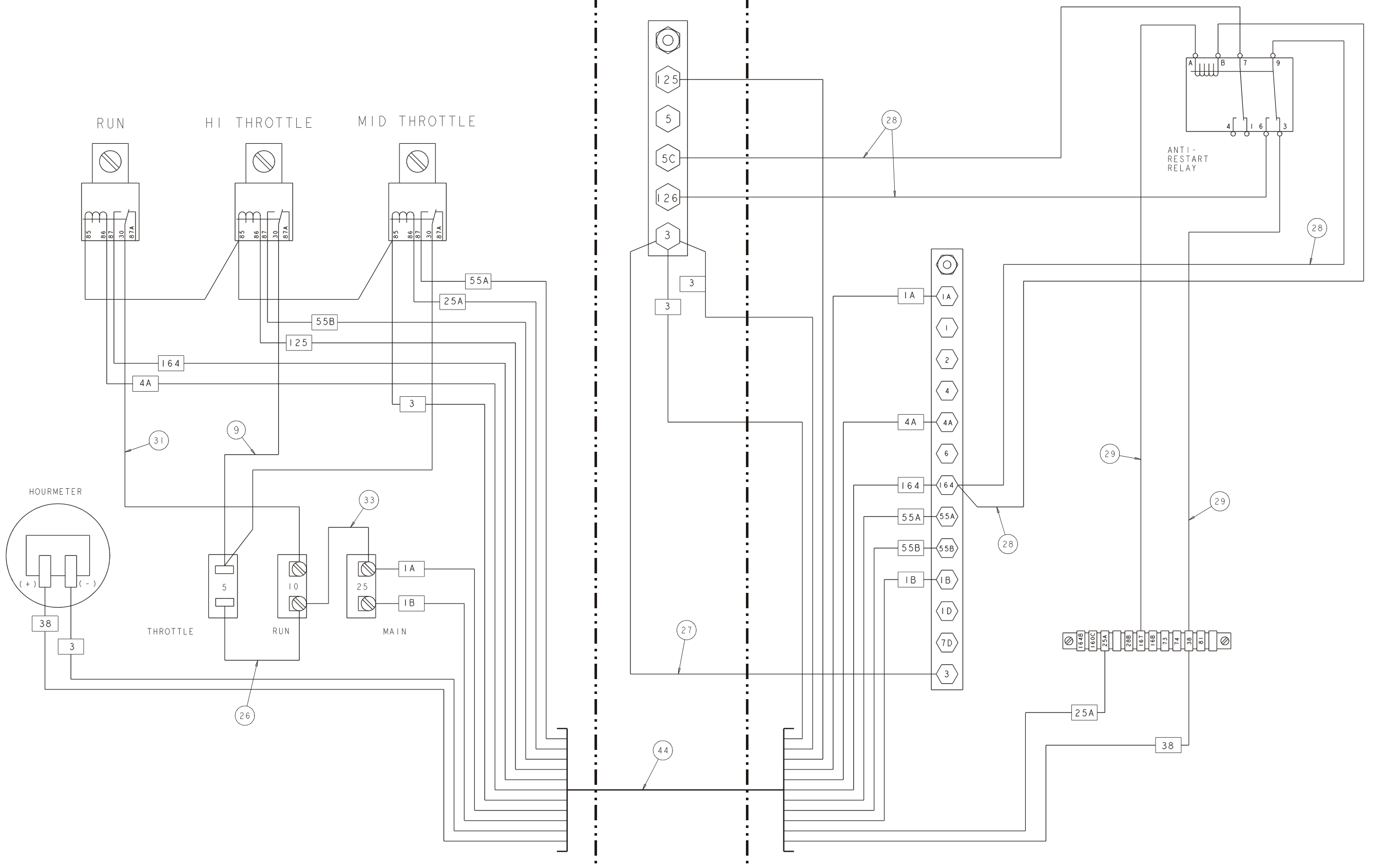
E

D

C

B

A



Wiring Box, GM Engine – TB42/TB50/TB47J

Item	Part No.	Qty.	Description
1	0074111	1	WIRING BOX DRILLED
2	007516828	1	PANEL SUB ASSY TB47J WIRING BOX
3	3040116	1	CONN .75 .500-.625
4	3040110	4	NUT LKG .750 HUB
5	3040295	2	CONN .75 .625-.75
6	0070967	1	CORROSION INHIBITOR
7	3040301	1	PLUG .875 DIA
8	3045278	1	OUTLET-5278C
9	0075332	1	WIRE 18 FEM250F1 FEM 250F1 SP
10	984009	6	NUT. #6-32 HEX PLATED
11	3040285	1	CONN .75 .375-.500
13	974689	2	SCR TRHD #10-24 X .75 PLTD
14	0071561	1	WIRE 12 R250I R250I 17
15	974239	4	SCR RHD #6-32 X .50 SLTD
16	986159	6	WASHER #6 FLAT
17	5560654	1	WASHER, #10 STAR TOOTH LOCK
18	5093001	1	CLP CUSH .50
19	984049	1	NUT, #10-24 HEX
20	5560034	8	NUT,#10-24 ESNA
21	987349	4	WASHER, #6 MED LOCK
22	3040386	1	CONN 1.00 .875-1.0
23	3040118	1	EXTENSION W/GASKET-
24	3040121	4	CLOSE-UP PLUG
25	0150606	1	DECAL 125V 15AMP PWR TO PLATF
26	0081558	1	WIRE 18 R61 FEM250F1 4
27	0070732	1	WIRE 12 R10I R10I 10
28	0090621	4	WIRE 16 R10I FEM1871 13
29	0181112	2	WIRE 16 FEM1871 FEM 1871 16
30	3040387	1	NUT LKG 1.00 HUB
31	0074120	4	WIRE 12 R8I FEM250FI 8.5
32	5560707	4	SCREW #10-32 X .375 PANHD PLTD
33	0071583	1	WIRE 12 R8I R8I 5
34	5560609	5	SCREW, #10-24 X .50 TRHD PLTD
35	3070001	1	HOURMETER
36	3220019	2	CIRCUIT BREAKER 10 AMP
37	3040069	1	CIRCUIT BREAKER 25 AMP
38	582206	1	CIRCUIT BREAKER 5 AMP
39	3040214	1	RELAY, 12V DPDT
40	5560038	4	NUT, #10-32 ESNA
41	3044704	1	TERM STRIP (4) #10 STUD
42	0152609	1	DECAL TERM STRIP VERT 5TERM-TERM #125,5,5C,126,3
43	986009	1	WASHER, #10 FLAT
44	0074112	1	INTERNAL WIRE ASSY
45	0111735	1	DECAL MAIN SYSTEM/RUN/THROTTLE
46	3040469	3	RELAY SPDT 12V 30AMP
48	987089	1	WASHER, #10 MED. LOCK
49	986019	1	WASHER, 1/4 FLAT
50	974709	1	M SCR. #10-24 X 1.00 RNDHD PLTD
51	5569003	1	GROMMET .188ID .438OD .125
52	0074384	1	DECAL SET RELAYS/AMPS

F

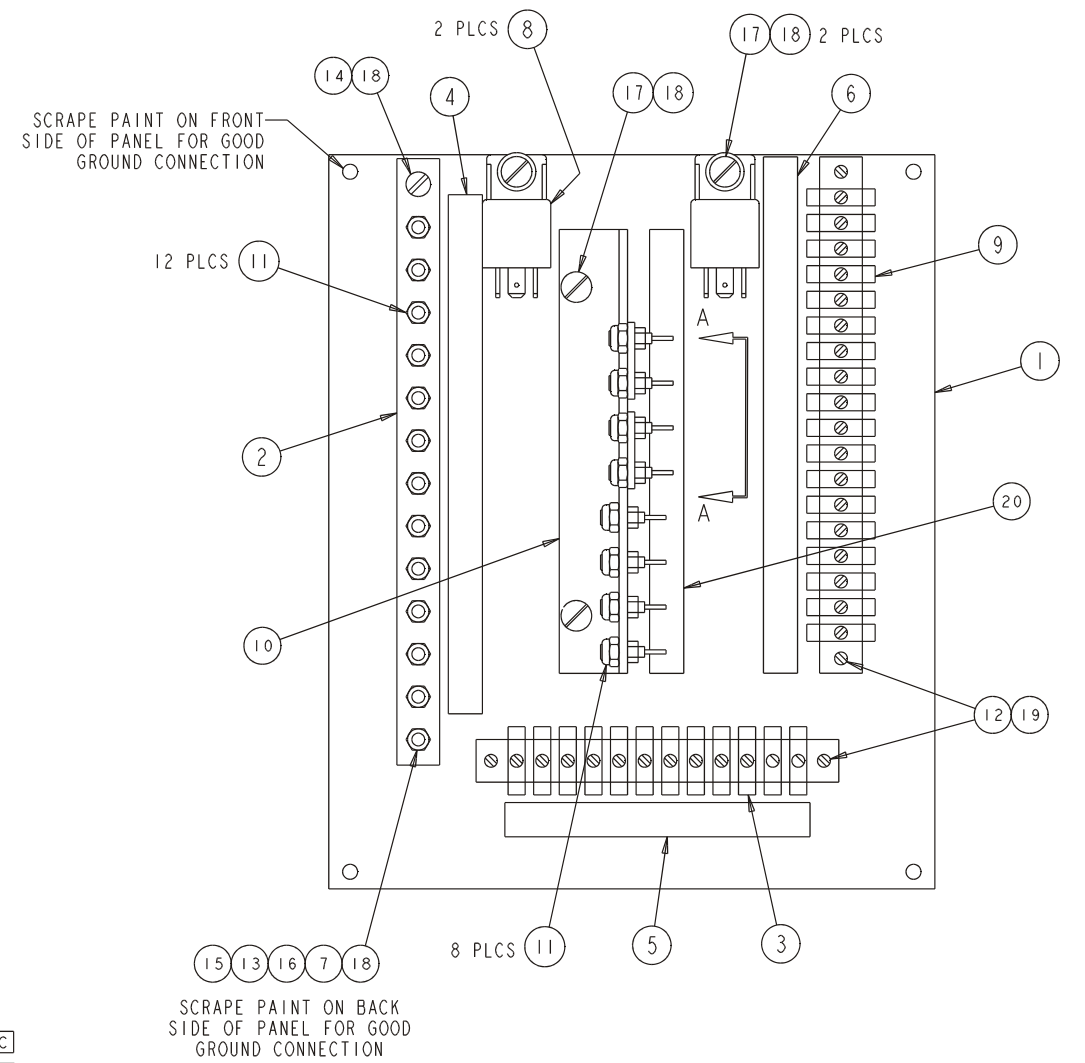
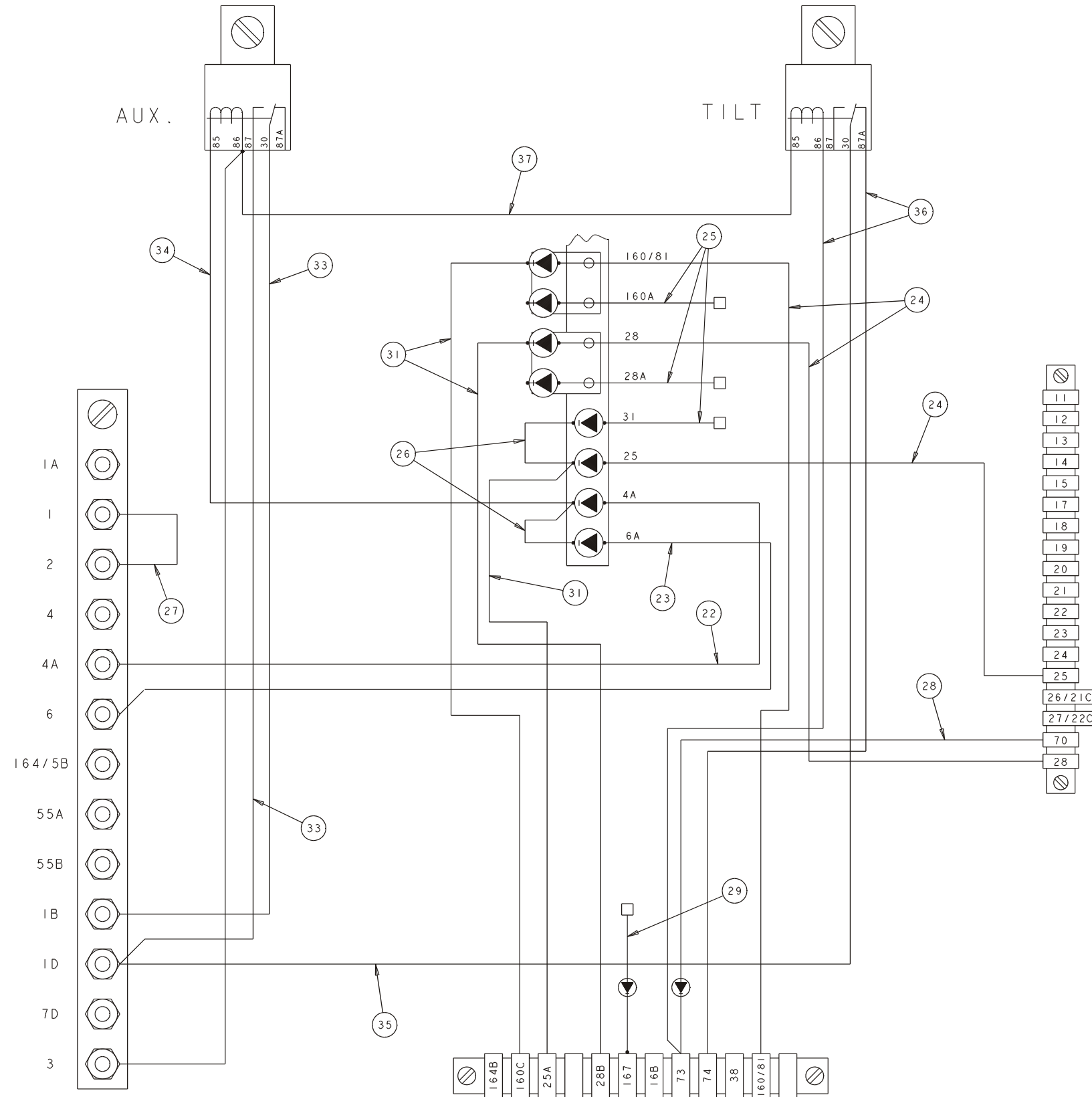
E

D

C

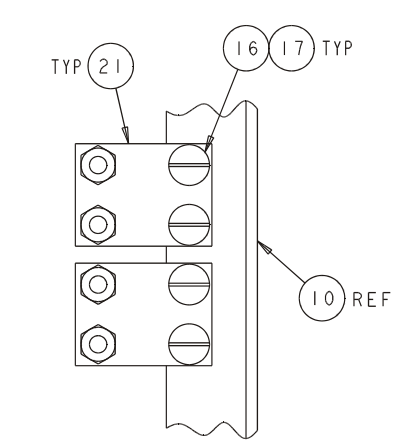
B

A

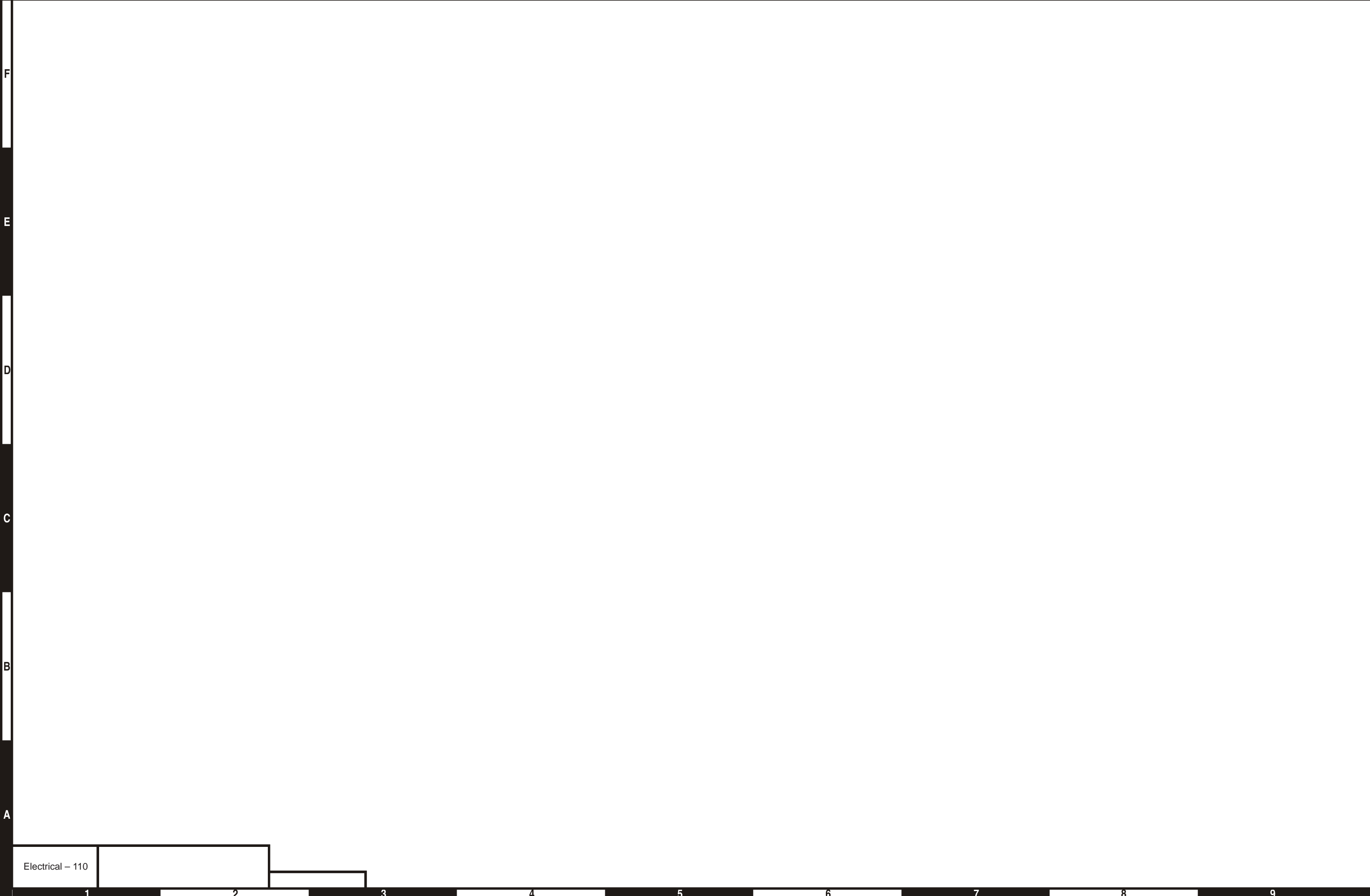


SCRAPE PAINT ON FRONT SIDE OF PANEL FOR GOOD GROUND CONNECTION

SCRAPE PAINT ON BACK SIDE OF PANEL FOR GOOD GROUND CONNECTION



VIEW A-A



F

E

D

C

B

A

Electrical - 110

1

2

3

4

5

6

7

8

9

Wiring Box Panel, All Engines – TB42/TB50/TB47J

Item	Part No.	Qty.	Description
1	0072950	1	PANEL DRILLED
2	3044712	1	TERM STRIP (12) #10 STUD
3	3040433	1	TERMINAL STRIP (12) .188 TAB
4	0074116	1	DECAL TERM STRIP VERT
5	0075169	1	DECAL, TERMINAL STRIP
6	0172253	1	DECAL, TERM STRIP 18 TAB TB42J
7	5560654	1	WASHER, #10 TOOTH LOCK (STAR)
8	3040469	2	RELAY SPDT 12V 30AMP
9	3040057	1	TERMINAL STRIP 18 CIRCUIT
10	0150488	1	DIODE HOLDER-10PLC
11	5560038	20	NUT #10-32 ESNA
12	974279	4	SCR RHD #6-32 X .75
13	984049	5	NUT HEX HD #10-24
14	974689	1	SCR RHD #10-24 X .75
15	974729	1	SCR RHD #10-24 X 1.25
16	5560034	4	NUT #10-24 ESNA
17	5560609	6	SCR TRHD #10-24 X .50
18	987089	5	LOCKWASHER #10 MED
19	987349	4	LOCKWASHER #6 MED
20	0075170	1	DECAL, DIODES
21	0073631	2	DIODE STAND-OFF 2-DIODE
22	0110918	1	WIRE 16 R10I DIODE 10
23	0070681	1	WIRE 16 R10 DIODE 7
24	0070682	3	WIRE 16 FEM188I DIODE 7
25	0181110	3	WIRE 16 FEM250FI DIO 2.25
26	0070724	2	WIRE 18 R10I R10I 3
27	0070711	1	WIRE 12 R10I R10I 3
28	0170335	1	WIRE 18 FEM188I FEM188I 5 DIO
29	0112164	1	WIRE 18 FEM188I FEM188I 12 DIO
31	0070719	3	WIRE 18 R10I FEM188I 7
33	0090975	2	WIRE 12 R10I FEM250FI 9
34	0071555	1	WIRE 16 R10I FEM250I 6
35	0081560	1	WIRE 16 R10I FEM250FI 12
36	0090622	2	WIRE 18 FEM188I FEM250I 9
37	0152603	1	WIRE 16 SEE DWG

F

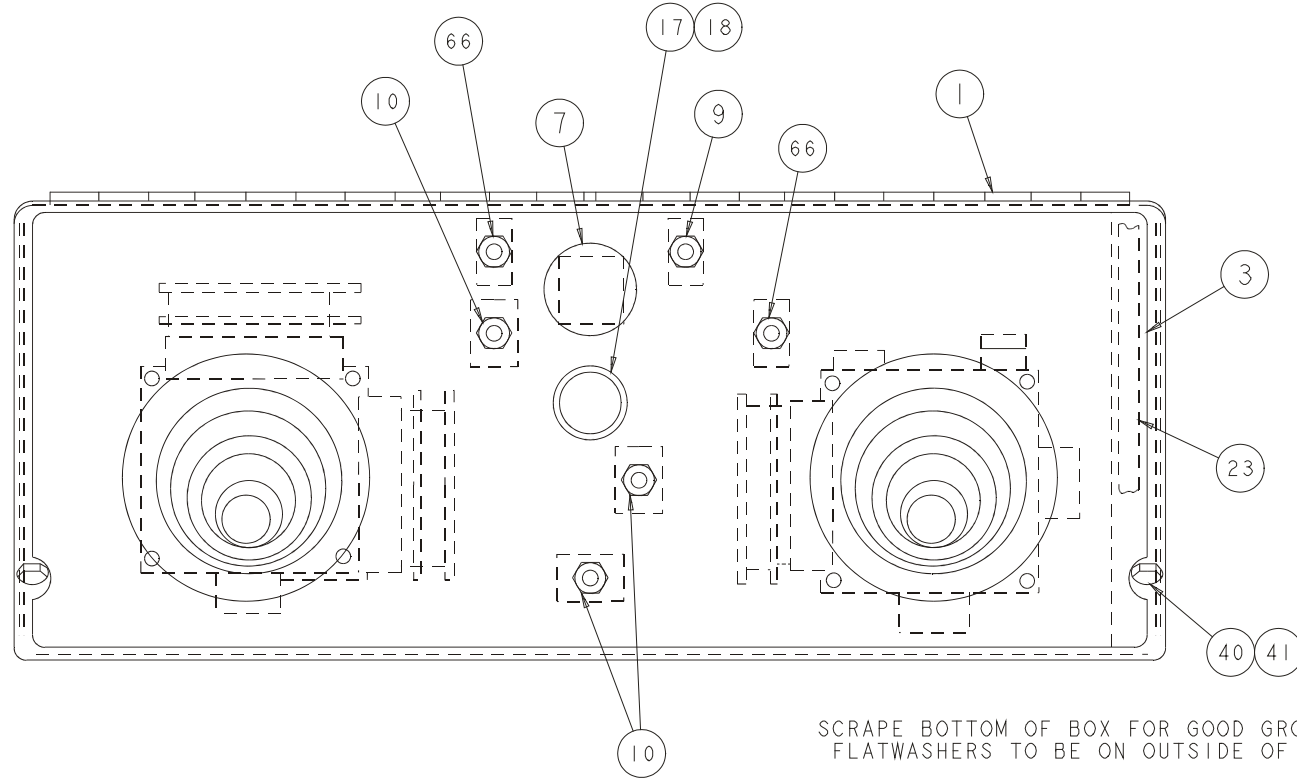
E

D

C

B

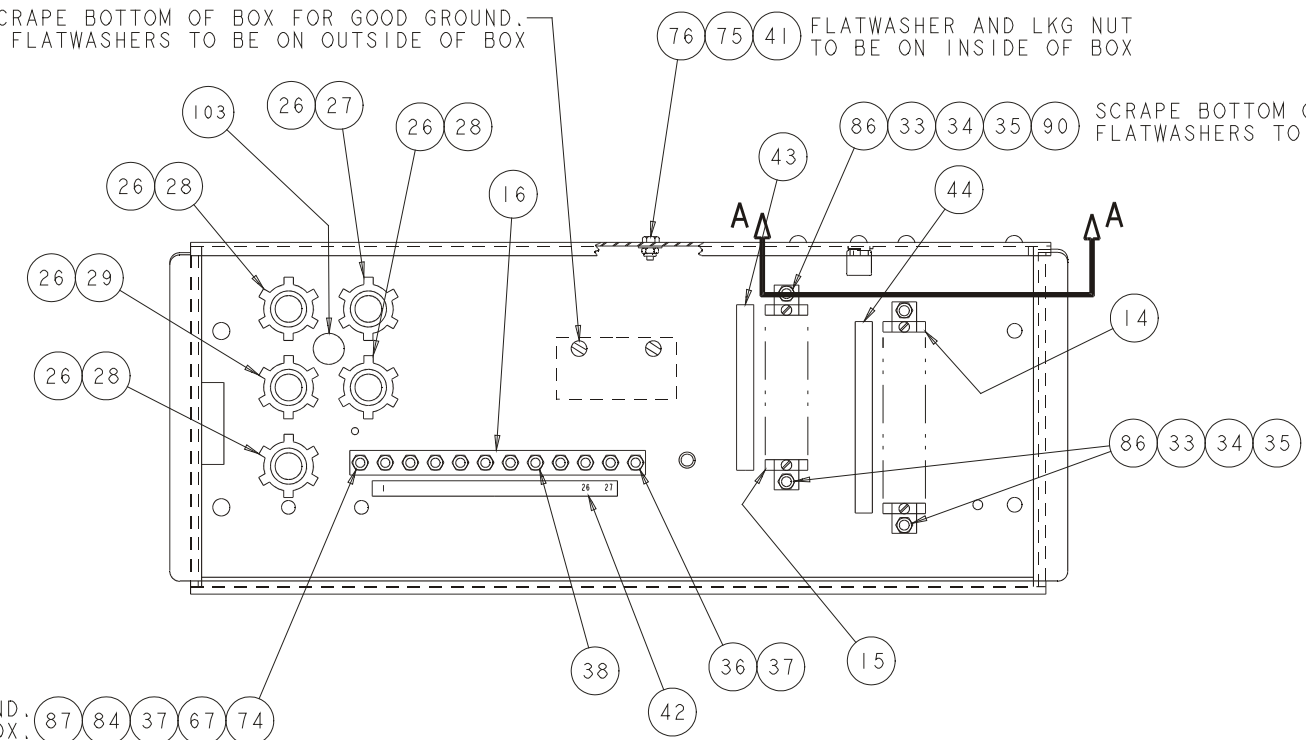
A



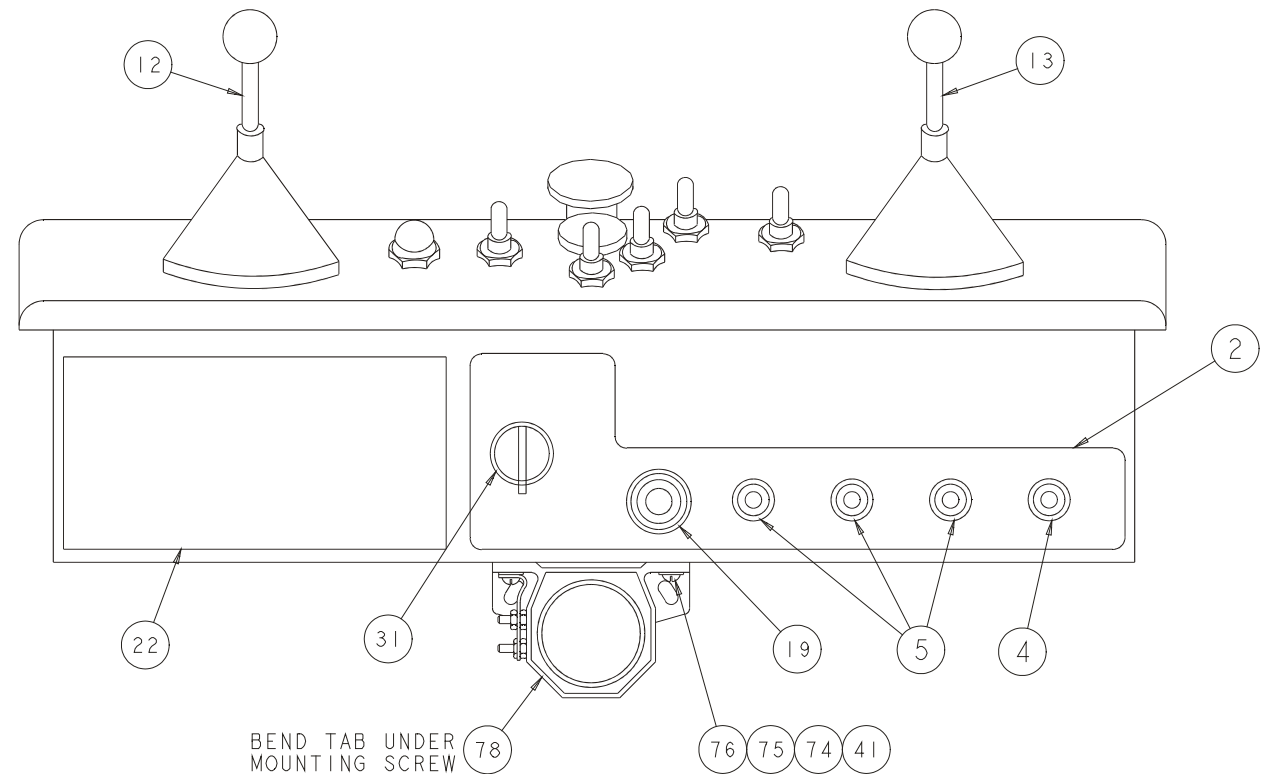
SCRAPE BOTTOM OF BOX FOR GOOD GROUND.
FLATWASHERS TO BE ON OUTSIDE OF BOX

76 75 41 FLATWASHER AND LKG NUT
TO BE ON INSIDE OF BOX

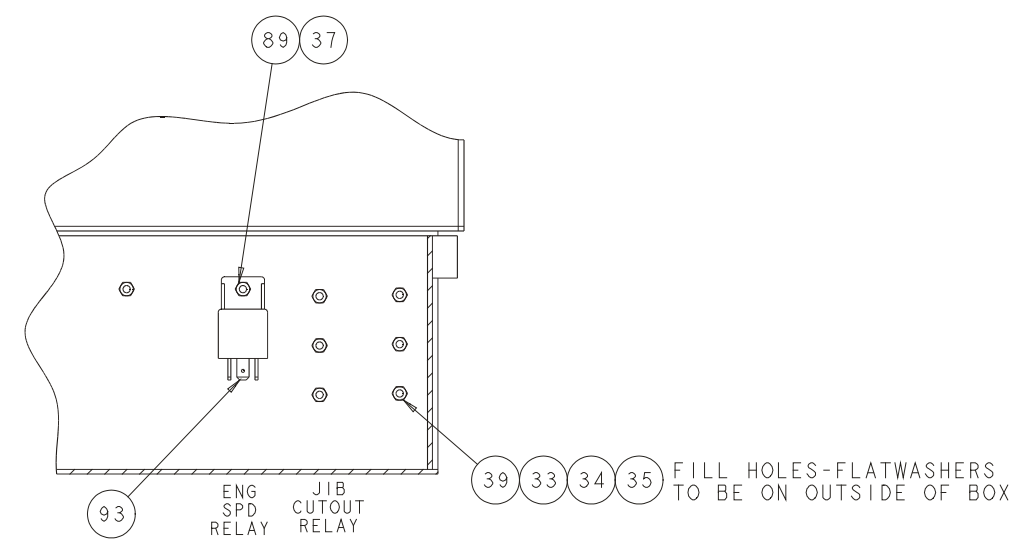
SCRAPE BOTTOM OF BOX FOR GOOD GROUND.
FLATWASHERS TO BE ON OUTSIDE OF BOX.



SCRAPE BOTTOM OF BOX FOR GOOD GROUND.
FLATWASHERS TO BE ON OUTSIDE OF BOX. 87 84 37 67 74



BEND TAB UNDER
MOUNTING SCREW



SECTION A-A

39 33 34 35 FILL HOLES-FLATWASHERS
TO BE ON OUTSIDE OF BOX

Upper Control Box, All Engines – TB42/TB50

Item	Part No.	Qty.	Description
1	0180842	1	CONTROL BOX
2	0180846	1	PLAC PLATF CONT BOX FRONT
3	0082014	1	PLAC DNGR PLATF CONT BOX TOP
4	3040068	1	CIRCUIT BREAKER 20 AMP
5	3040535	3	CIRCUIT BREAKER 3AMP
6	0073295	1	WIRE 16 R6I FEM250FI 8
7	3020020	1	SW EMER STOP PUSH/PULL
8	0070967	1	CORROSION INHIBITOR
9	3020080	1	SW TGL SPDT (M/NONE/ON) SEALED
10	3020018	3	SW TGL DPDT (M/OFF/M)
12	304037828	1	LIFT/SWING CONTROLLER
13	304037728	1	DRIVE/STEER CONTROLLER
14	3040057	1	TERMINAL STRIP 18 CIRCUIT
15	3040433	1	TERMINAL STRIP (12) .188 TAB
16	3044710	1	TERM STRIP (10) #10 STUD
17	018094928	1	RHEOSTAT SUB ASSY
18	3040348	1	KNOB RHEOSTAT
19	3040411	1	ALARM MINI SIREN 6-28VDC
22	0072530	1	DECAL DNGR ELEC HAZARD
23	7190001	72 in	GASKET WEATHERPROOF 6.00LG-1/8 " X 1/2"
26	3040110	5	NUT LKG .750 HUB
27	3040285	1	CONN .75 .375-.500
28	3040116	3	CONN .75 .500-.625
29	3040295	1	CONN .75 .625-.75
31	3020090	1	SW ANTI-RESTART IGNITION
33	987349	10	WSHR LOCK #6 MDM
34	986159	10	WSHR FLAT #6
35	984009	10	NUT HEX 6-32
36	5560648	1	SCR TRHD 10-24 .75 GR5
37	5560034	9	NUT LKG 10-24
38	5560038	14	NUT LKG 10-32
39	974239	6	SCR RHD 6-32 .50 GR5
40	970049	2	BLT HEX HD .250-20 1.00 GR5
41	5560004	5	NUT LKG .250-20
42	0180886	1	DECAL TERM STRIP HORIZ 10TERM
43	0180887	1	DECAL TERM STRIP HORIZ 13TERM
44	0180888	1	DECAL TERM STRIP HORIZ 16TERM
45	0180850	1	WIRE ASSY, PLAT CONT BOX
46	0082007	1	WIRE ASSEMBLY - CONTROL
48	0060373	3	JUMPER, SWITCH TERMINAL STRAP
49	0070747	7	WIRE 16 R6I R6I 3
51	0070730	1	WIRE 16 R6I R6I 5.5
52	0070711	1	WIRE 12 R10I R10I 3
53	0070712	3	WIRE 12 R10I R10I 5
55	0240483	1	WIRE 16 R6I R10I 8
56	0181074	1	WIRE 16 SPECIAL (SEE DWG)
61	0181028	1	WIRE 16 R6 FEM188 10.5
63	0151816	1	WIRE 16 R10I R10I 7.5
64	0070713	1	WIRE 18 R10I FEM188I 10
66	3020013	2	SW TGL SPST ON OFF SEALED
67	986009	2	WSHR FLAT #10
68	0181029	1	WIRE 12 R6 R10 19.5
69	0101298	1	WIRE 18 R6I R6I 23.5
71	0070746	3	WIRE 16 R6I R6I 9
72	0070753	1	WIRE 16 R6I R6I 12
74	5560341	1	WSHR STAR .250
75	986019	3	WSHR FLAT .250
76	970029	3	BLT HEX HD .250-20 .75 GR5
77	5569711	1	GROMMET .438ID .938OD .125

Upper Control Box, All Engines – TB42/TB50

Item	Part No.	Qty.	Description
78	480652	1	ALARM,97DBA DUAL TONE 12/24V
79	0181030	1	WIRE 16 FEM188 FEM250FI 15
80	3040046	1	TERM MALE250FI 22/18
81	3044161	1	TERM R10I 16/14
82	0090622	3	WIRE 18 FEM188I FEM250I 9
84	5560654	3	WSHR STAR #10
85	0151910	1	WIRE 16 R6 R10 14
86	974289	4	SCR RHD 6-32 1.25 GR5
87	974709	1	SCR TRHD 10-24 1.00 GR5
89	974659	7	SCR TRHD 10-24 .500 GR5
90	5560663	1	WSHR STAR #6
91	0071557	1	WIRE 18 R8I MALE250FI 7
93	3040469	1	RELAY SPDT 12V 30AMP
102	0083778	1	RESISTOR WIRE ASSY
103	3040301	1	PLUG HOLE .875

F

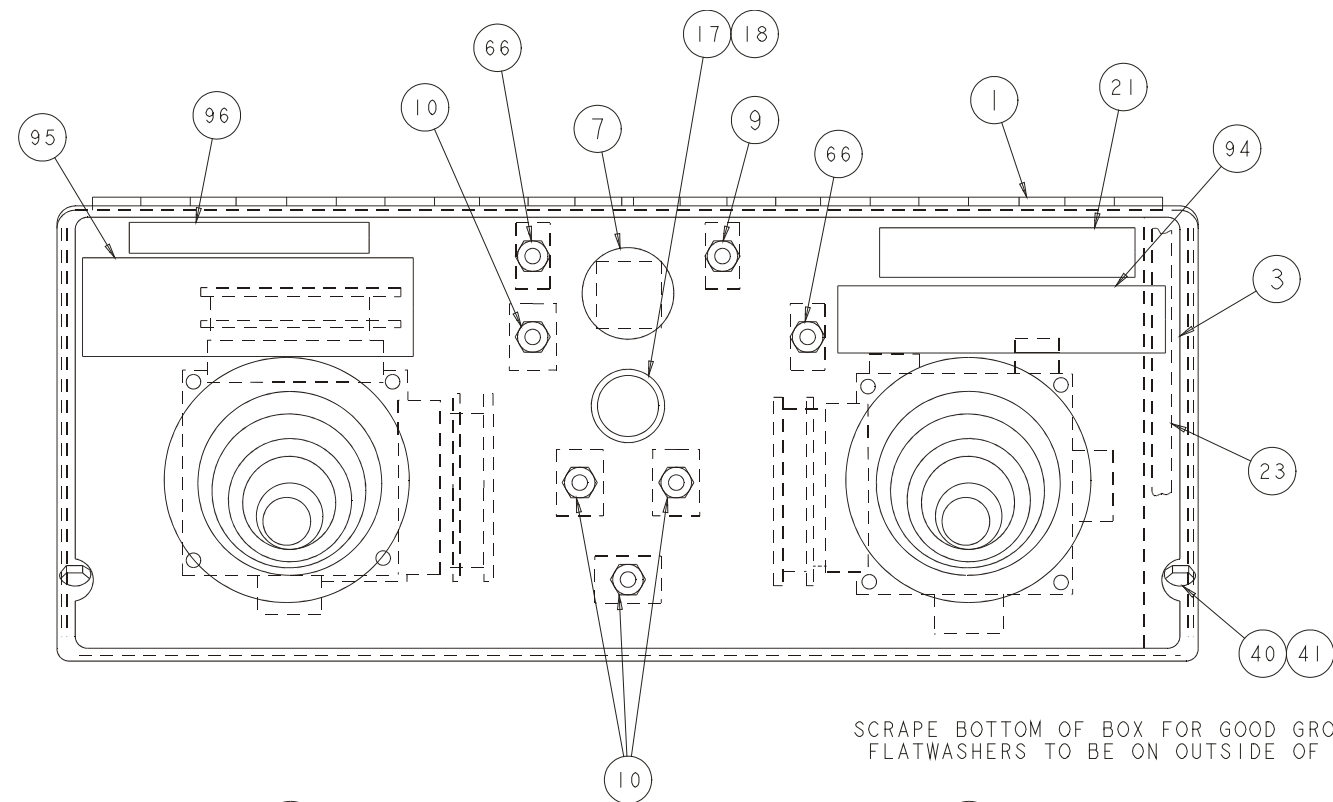
E

D

C

B

A

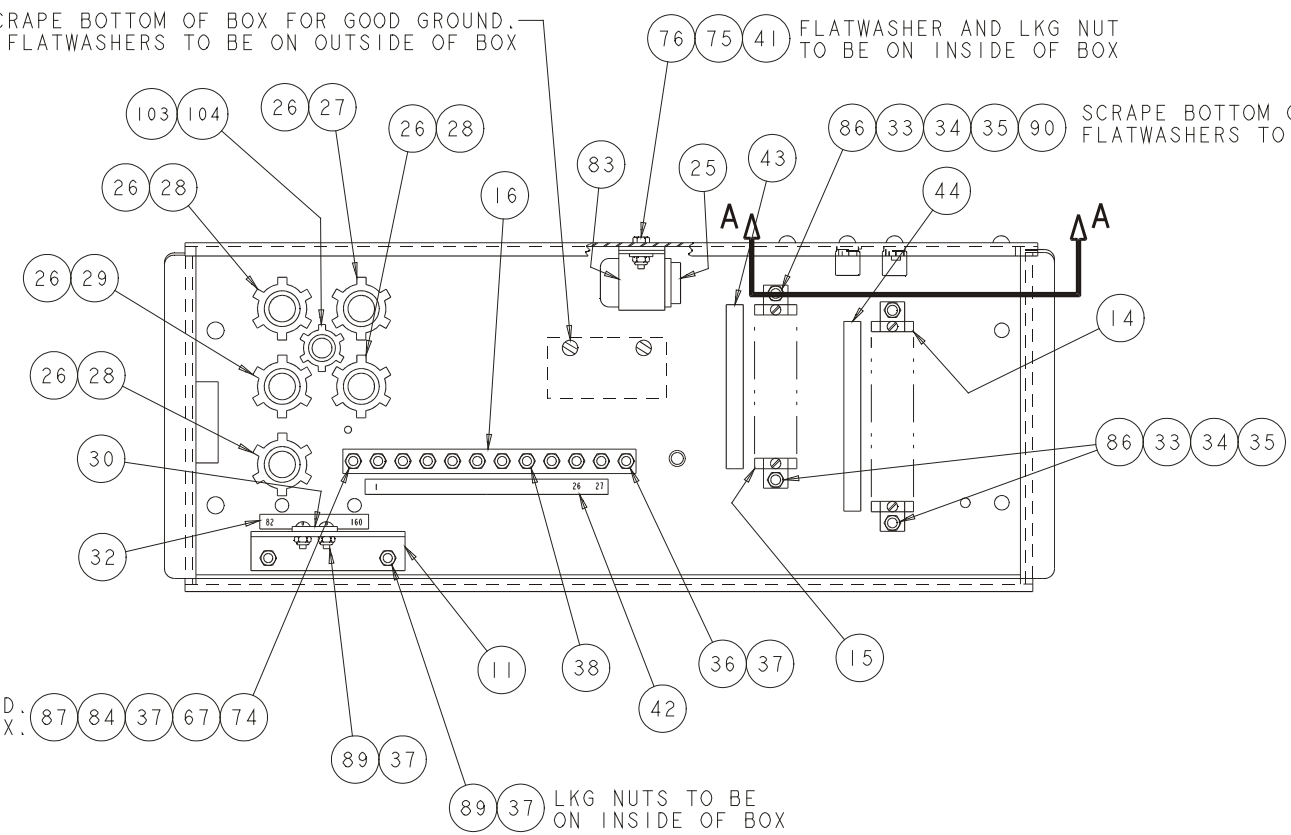


SCRAPE BOTTOM OF BOX FOR GOOD GROUND.
FLATWASHERS TO BE ON OUTSIDE OF BOX.

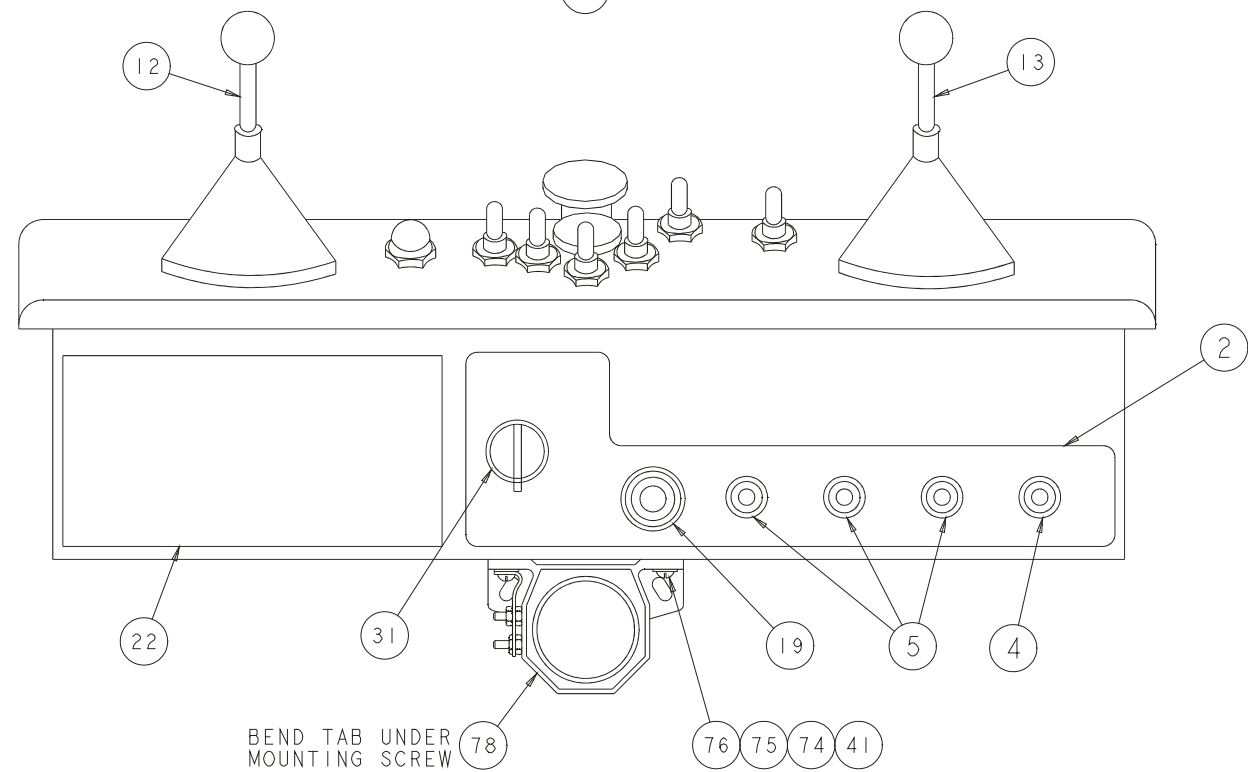
SCRAPE BOTTOM OF BOX FOR GOOD GROUND.
FLATWASHERS TO BE ON OUTSIDE OF BOX.

FLATWASHER AND LKG NUT
TO BE ON INSIDE OF BOX

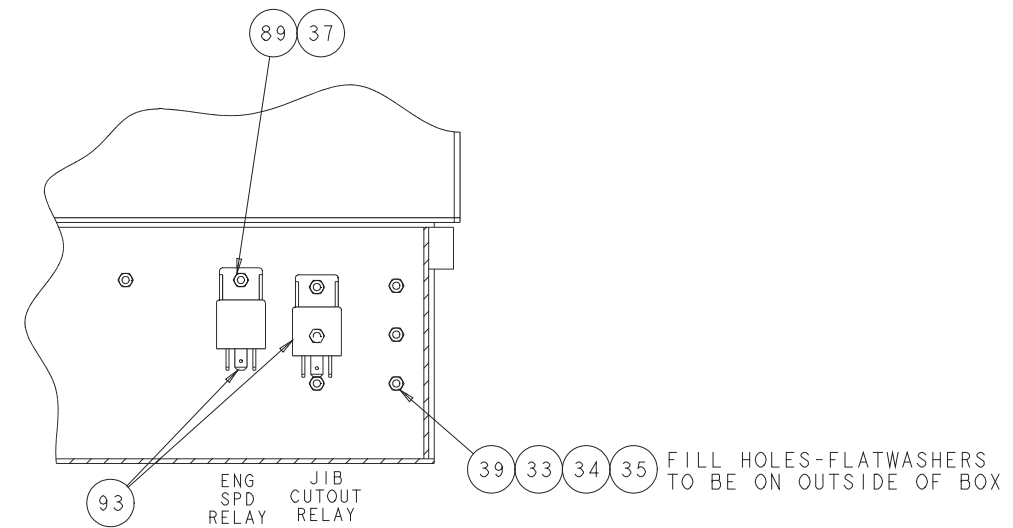
SCRAPE BOTTOM OF BOX FOR GOOD GROUND.
FLATWASHERS TO BE ON OUTSIDE OF BOX.



LKG NUTS TO BE
ON INSIDE OF BOX



BEND TAB UNDER
MOUNTING SCREW



SECTION A-A

ENG
SPD
RELAY

JIB
CUTOUT
RELAY

FILL HOLES-FLATWASHERS
TO BE ON OUTSIDE OF BOX

F

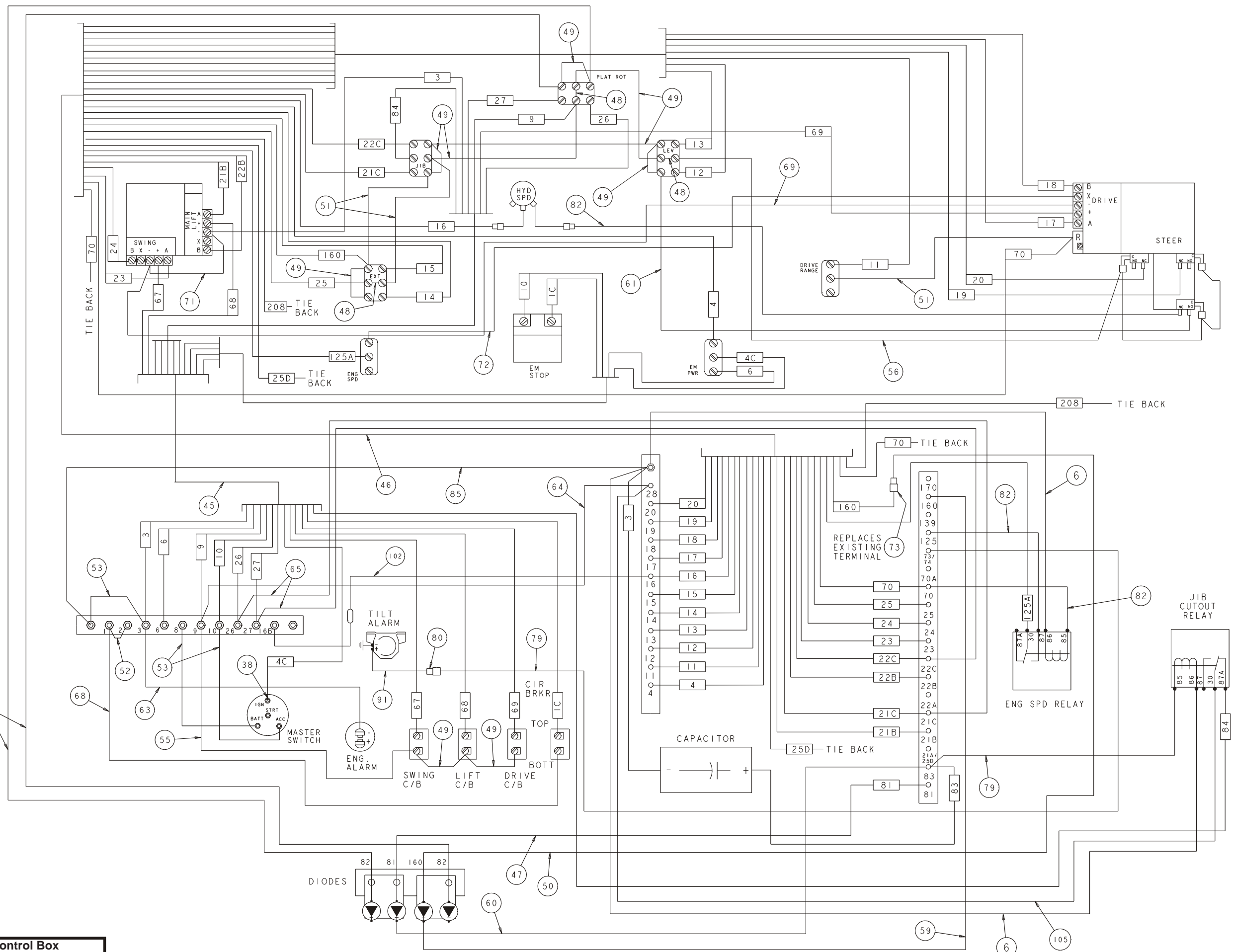
E

D

C

B

A



Upper Control Box, All Engines – TB47J

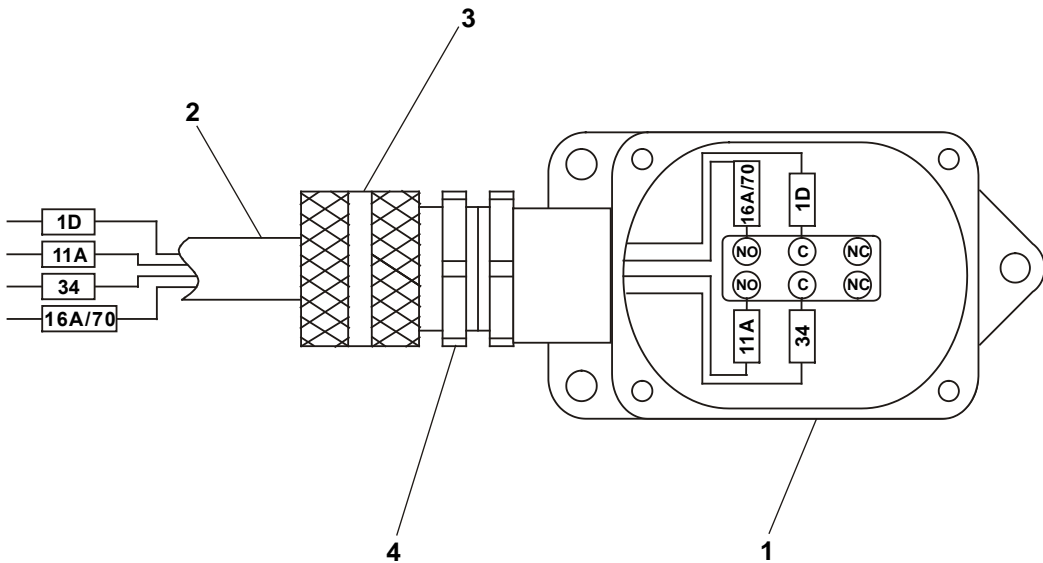
Item	Part No.	Qty.	Description
1	0180842	1	CONTROL BOX
2	0180846	1	PLAC PLATF CONT BOX FRONT
3	0081979	1	PLAC PLATF CONT BOX TOP
4	3040068	1	CIRCUIT BREAKER 20 AMP
5	3040535	3	CIRCUIT BREAKER 3AMP
6	0073295	2	WIRE 16 R6I FEM250FI 8
7	3020020	1	SW EMER STOP PUSH/PULL
8	0070967	1	CORROSION INHIBITOR
9	3020080	1	SW TGL SPDT (M/NONE/ON) SEALED
10	3020018	4	SW TGL DPDT (M/OFF/M)
11	0172240	1	DIODE HOLDER-6PLC
12	304037828	1	LIFT/SWING CONTROLLER
13	304037728	1	DRIVE/STEER CONTROLLER
14	3040057	1	TERMINAL STRIP 18 CIRCUIT
15	3040433	1	TERMINAL STRIP (12) .188 TAB
16	3044710	1	TERM STRIP (10) #10 STUD
17	018094928	1	RHEOSTAT SUB ASSY
18	3040348	1	KNOB RHEOSTAT
19	3040411	1	ALARM MINI SIREN 6-28VDC
21	0181654	1	DECAL DNGR INSPECT UNIT
22	0072530	1	DECAL DNGR ELEC HAZARD
23	7190001	72"	GASKET WEATHERPROOF 6.00LG-1/8 " X 1/2"
25	0172234	1	CAPACITOR WIRE ASSY
26	3040110	5	NUT LKG .750 HUB
27	3040285	1	CONN .75 .375-.500
28	3040116	3	CONN .75 .500-.625
29	3040295	1	CONN .75 .625-.75
30	0073631	2	DIODE STAND-OFF 2-DIODE
31	3020090	1	SW ANTI-RESTART IGNITION
32	0172235	1	DECAL, DIODES
33	987349	10	WSHR LOCK #6 MDM
34	986159	10	WSHR FLAT #6
35	984009	10	NUT HEX 6-32
36	5560648	1	SCR TRHD 10-24 .75 GR5
37	5560034	9	NUT LKG 10-24
38	5560038	14	NUT LKG 10-32
39	974239	6	SCR RHD 6-32 .50 GR5
40	970049	2	BLT HEX HD .250-20 1.00 GR5 SEMS
41	5560004	5	NUT LKG .250-20
42	0180886	1	DECAL TERM STRIP HORIZ 10TERM
43	0180887	1	DECAL TERM STRIP HORIZ 13TERM
44	0180888	1	DECAL TERM STRIP HORIZ 16TERM
45	0180850	1	WIRE ASSY, PLAT CONT BOX
46	0082007	1	WIRE ASSEMBLY - CONTROL
47	0172236	1	WIRE 16 188FI DIO 16
48	0060373	3	JUMPER, SWITCH TERMINAL STRAP
49	0070747	9	WIRE 16 R6I R6I 3
50	0172237	1	WIRE 16 250FFI DIO 16
51	0070730	3	WIRE 16 R6I R6I 5.5
52	0070711	1	WIRE 12 R10I R10I 3
53	0070712	3	WIRE 12 R10I R10I 5
54	0172238	2	WIRE 16 R6I DIO 30
55	0240483	1	WIRE 16 R6I R10I 8
56	0181074	1	WIRE 16 SPECIAL (SEE DWG)
59	0110835	1	WIRE 16 R10I FEM188I 24
60	0073728	1	WIRE 16 R10 FEM188I 18
61	0181028	1	WIRE 16 R6 FEM188 10.5
63	0151816	1	WIRE 16 R10I R10I 7.5
64	0070713	1	WIRE 18 R10I FEM188I 10

Upper Control Box, All Engines – TB47J

Item	Part No.	Qty.	Description
65	0090621	2	WIRE 16 R10I FEM188I 13
66	3020013	2	SW TGL SPST ON OFF SEALED
67	986009	2	WSHR FLAT #10
68	0181029	1	WIRE 12 R6 R10 19.5
69	0101298	1	WIRE 18 R6I R6I 23.5
71	0070746	1	WIRE 16 R6I R6I 9
72	0070753	1	WIRE 16 R6I R6I 12
73	3040082	1	TERM MALE250FI 16/14
74	5560341	1	WSHR STAR .250
75	986019	3	WSHR FLAT .250
76	970029	3	BLT HEX HD .250-20 .75 GR5
77	5569711	1	GROMMET .438ID .938OD .125
78	480652	1	ALARM,97DBA DUAL TONE 12/24V
79	0181030	2	WIRE 16 FEM188 FEM250FI 15
80	3040046	1	TERM MALE250FI 22/18
81	3044161	1	TERM R10I 16/14
82	0090622	3	WIRE 18 FEM188I FEM250I 9
83	5093009	1	CLP CUS 1.12
84	5560703	3	WSHR STAR #10
85	0151910	1	WIRE 16 R6 R10 14
86	974289	4	SCR RHD 6-32 1.25 GR5
87	984709	1	SCR TRHD 10-24 1.00 GR5
89	974659	7	SCR TRHD 10-24 .500 GR5
90	5560663	1	WSHR STAR #6
91	0071557	1	WIRE 18 R8I MALE250FI 7
93	3040469	2	RELAY SPDT 12V 30 AMP
94	0181655	1	DECAL CAUTN MOVE CONT HDL SLOW
95	0072541	1	DECAL DANGER DO NOT OPERATE
96	0073668	1	DECAL CAUTN DO NOT USE BOOM
102	0083778	1	RESISTOR WIRE ASSY
103	3040070	1	NUT LKG .500 HUB
104	3040187	1	CONN .500 .313-.438
105	0151205	1	WIRE 16 FEM188 FEM250FI 7

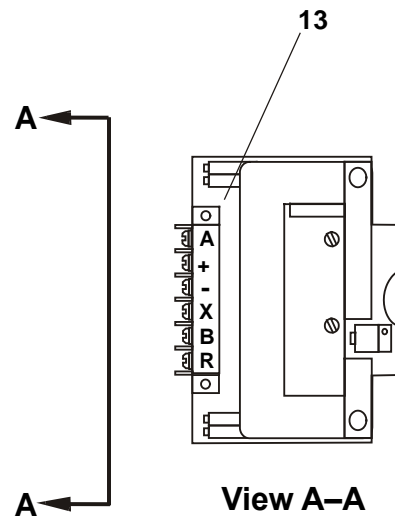
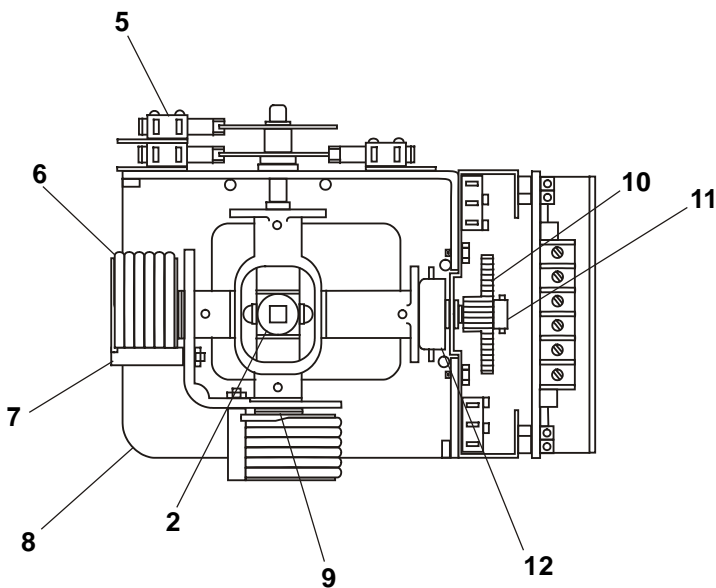
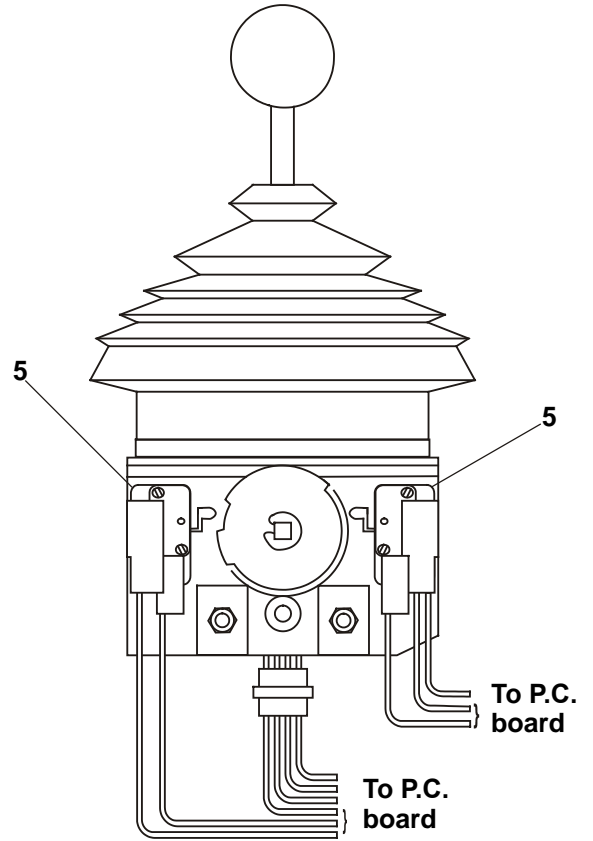
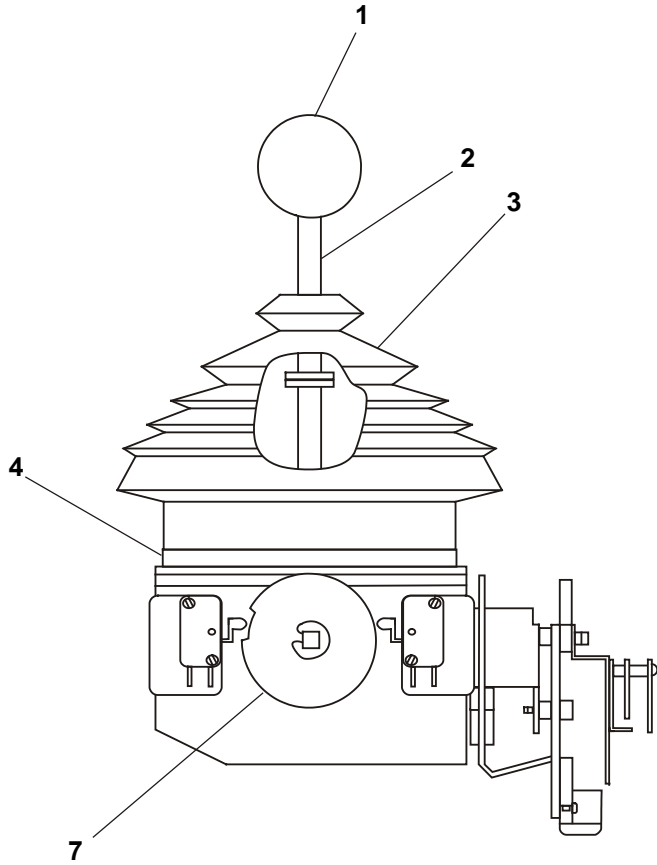
Boom Switch, Drive Speed

Item	Part No.	Qty.	Description
1	007180128	1	BOOM SWITCH, DRIVE SPEED
	3020019	1	SWITCH
2	0070598	1	WIRE HARNESS, DRIVE SPEED BOOM SWITCH
3	3040187	1	CONNECTOR
4	3040070	1	CONNECTOR LOCKNUT



AW0071801

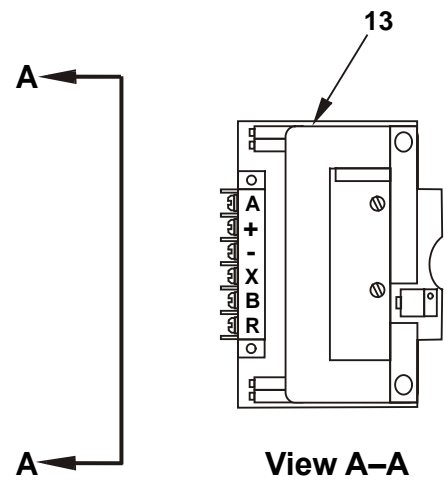
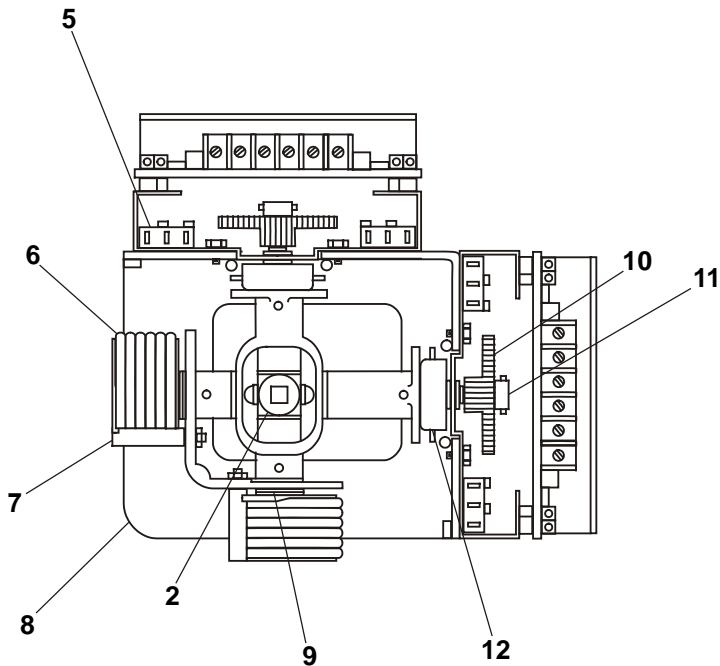
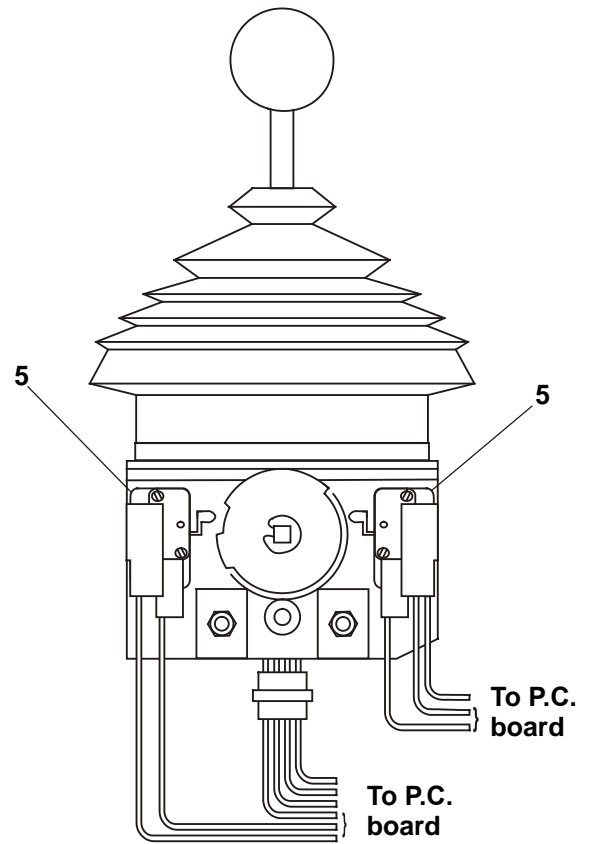
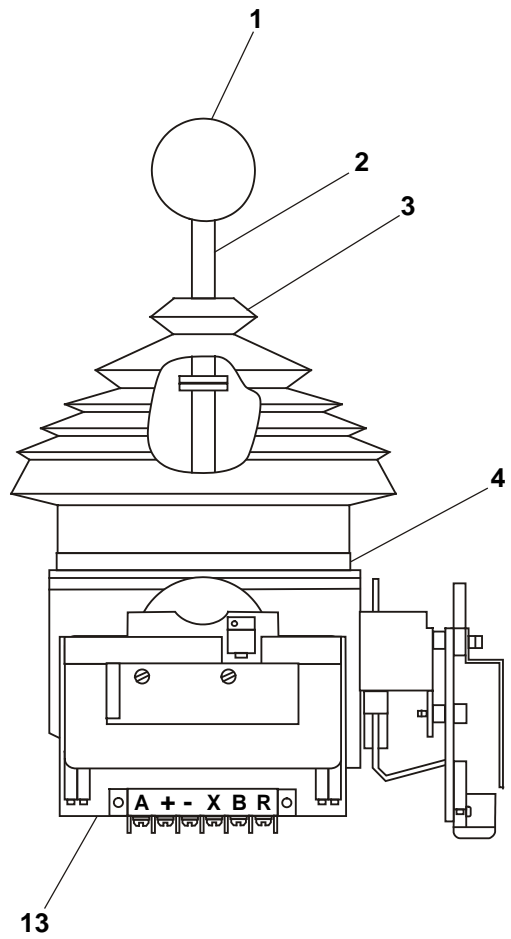
Controller, Drive/Steer



Controller, Drive/Steer

Item	Part No.	Qty.	Description
	3040377	1	CONTROLLER, DRIVE/STEER
1	2660002	1	KNOB
2	3040086	1	SHAFT
3	3040146	1	BOOT
4	3040169	1	BOOT CLAMP RING
5	3020033	6	MICROSWITCH
6	8150005	2	SPRING RETURN WITH HOUSING
7	8150004	2	SPRING RETURN BOLT
8	8150003	1	CASTING, MODIFIED
9	3040271	4	BUSHING
10	3040073	1	DRIVE GEAR
11	3040072	1	SLAVE GEAR
12	3040392	1	POT WITH BRACKET AND CONNECTOR
13	3040394	1	CIRCUIT BOARD

Controller, Lift/Swing

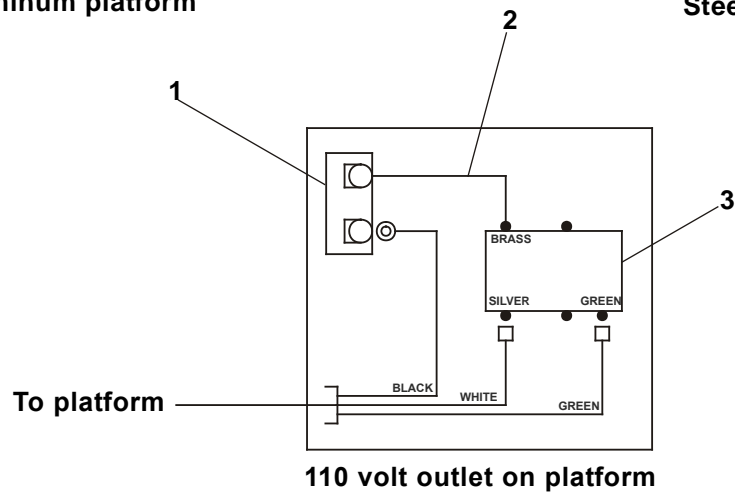
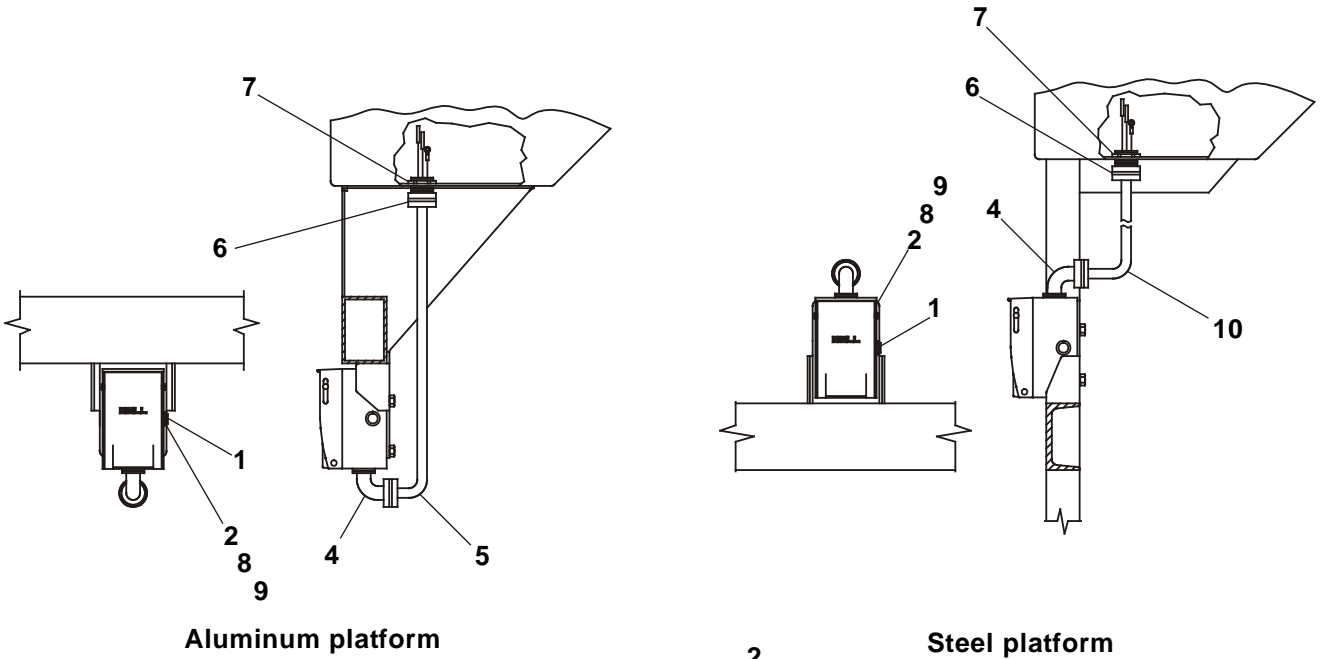


Controller, Lift/Swing

Item	Part No.	Qty.	Description
	3040378	1	CONTROLLER, LIFT/SWING
1	2660002	1	KNOB
2	3040086	1	SHAFT
3	3040146	1	BOOT
4	3040169	1	BOOT CLAMP RING
5	3020033	4	MICROSWITCH
6	8150005	2	SPRING RETURN WITH HOUSING
7	8150004	2	SPRING RETURN BOLT
8	8150003	1	CASTING, MODIFIED
9	3040271	4	BUSHING
10	3040073	2	DRIVE GEAR
11	3040072	2	SLAVE GEAR
12	3040392	2	POT WITH BRACKET AND CONNECTOR
13	3040393	1	CIRCUIT BOARD

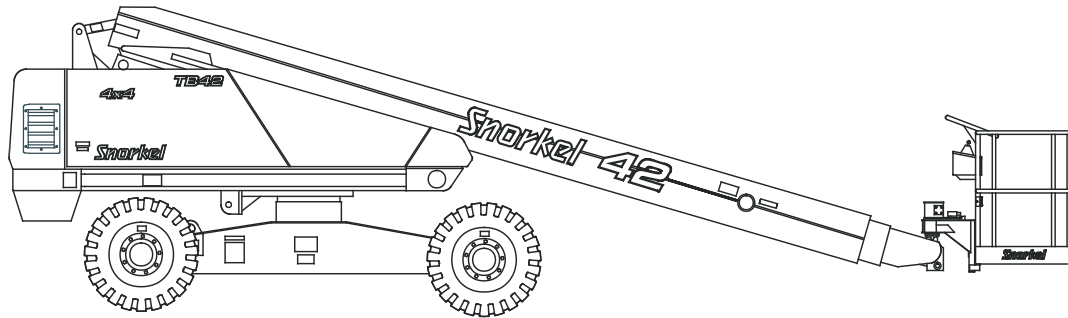
GFCI 110 Volt Power

Item	Part No.	Qty.	Description
1	3040252	1	CIRCUIT BREAKER, 15 AMP CAPACITY
2	0071582	1	JUMPER WIRE
3	3040624	1	RECEPTACLE, GFCI OUTLET - 20 AMP
4	3040691	1	CONNECTOR
5	0074368	1	CABLE, 110 V POWER TO PLATFORM - (USED ON ALUMINUM PLATFORMS ONLY)
6	3040116	1	CONNECTOR
7	3040110	1	CONNECTOR LOCKNUT
8	0074379	1	ELECTRICAL BOX, DRILLED
9	3040625	1	COVER, GFCI OUTLET
10	0074369	1	CABLE, 110 V POWER TO PLATFORM - (USED ON STEEL PLATFORMS ONLY)



AW007034

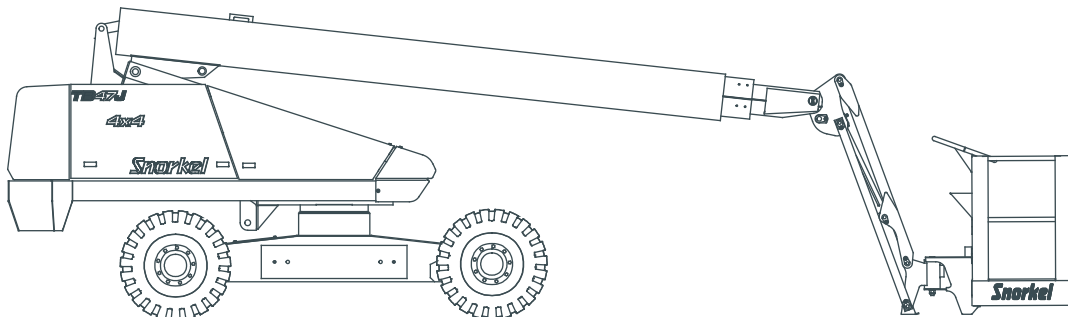
Options



TB42

TB50

Manufactured 02-05 and after
With Simplified Hydraulics



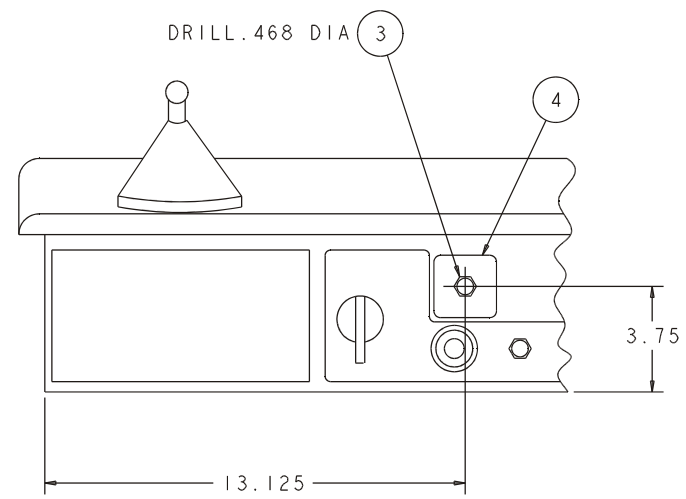
TB47J

With Simplified Hydraulics

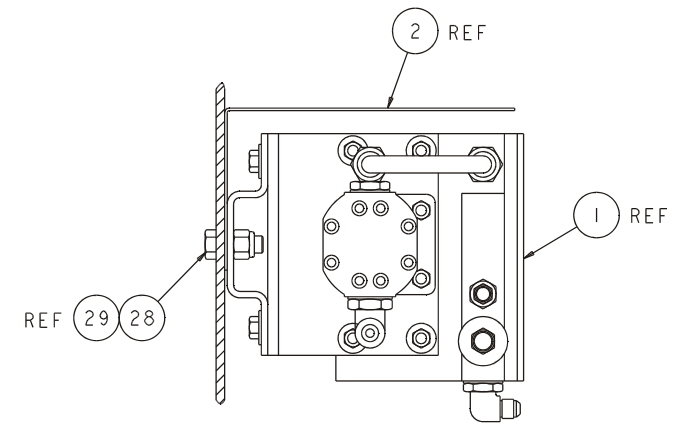
Snorkel
INTERNATIONAL

F
E
D
C
B
A

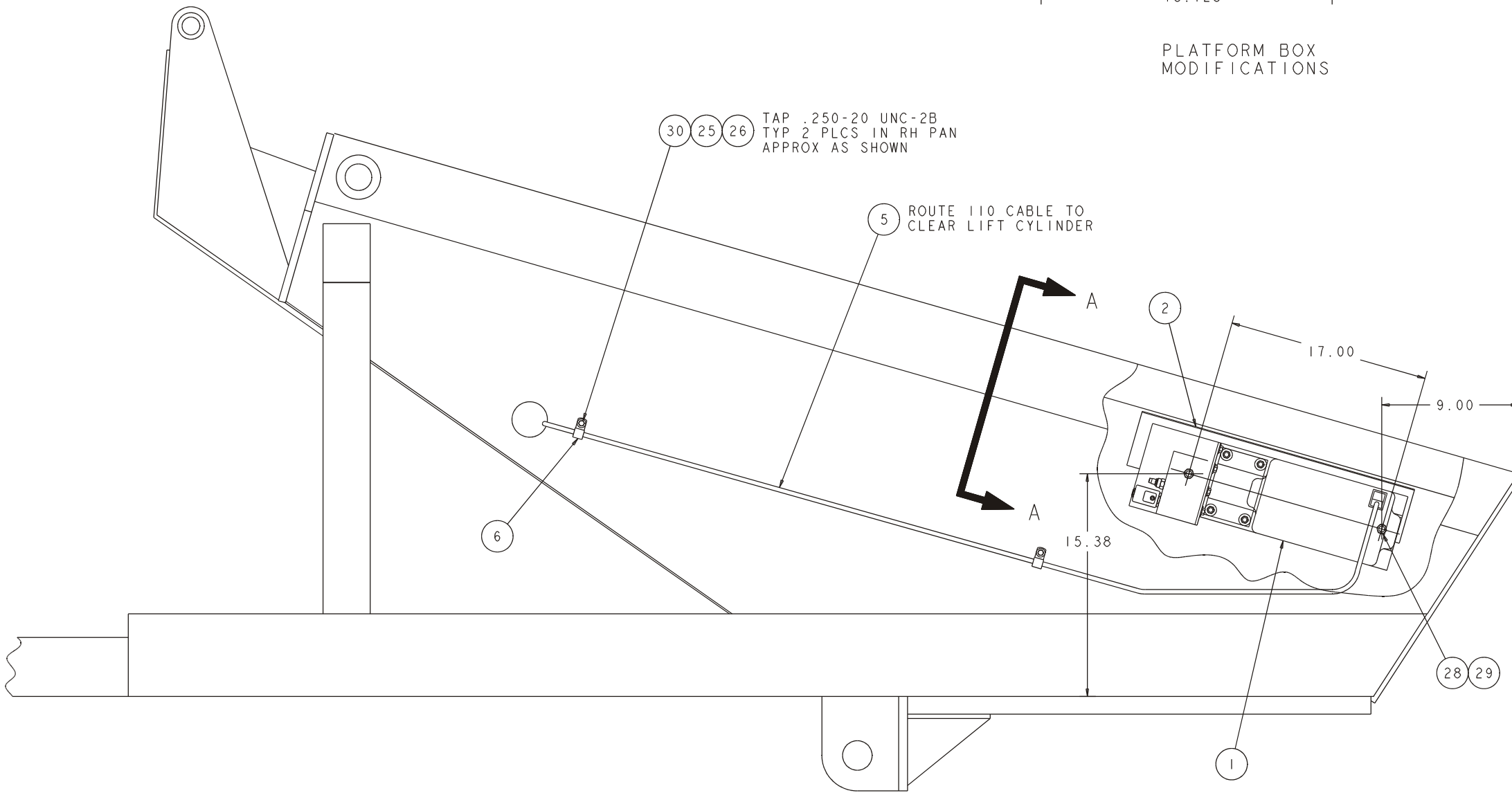
NOTES:
1. BEFORE OPERATION REFER TO 0151583
ADJUSTMENT AND TEST PROCEDURE FOR
PROPER SET UP.



PLATFORM BOX
MODIFICATIONS



VIEW A-A



F

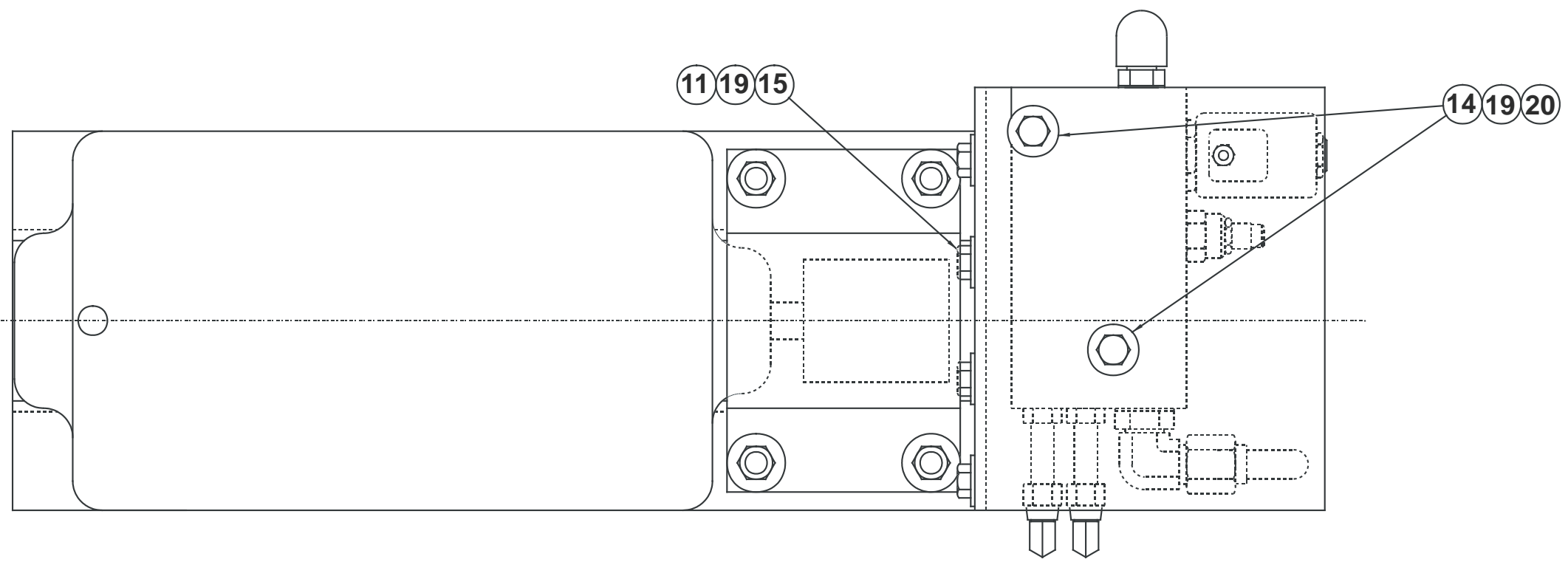
E

D

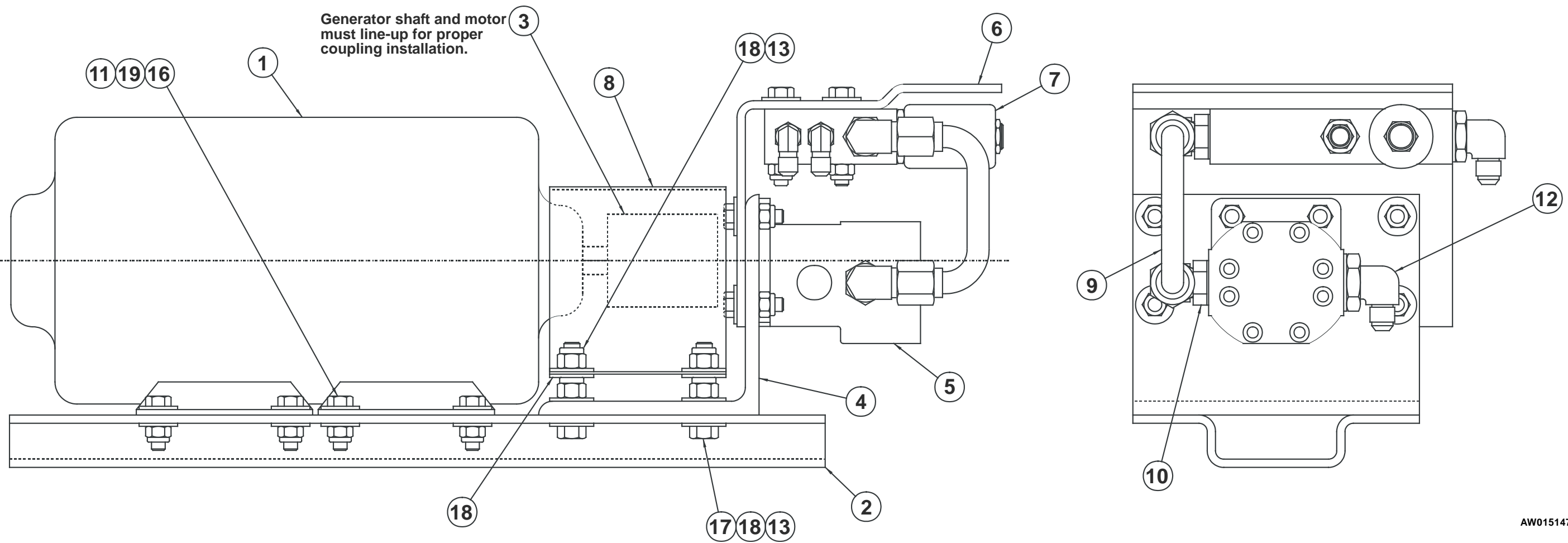
C

B

A



Generator shaft and motor
must line-up for proper
coupling installation.



AW0151471

Options - 4

AC Generator

AW0151471

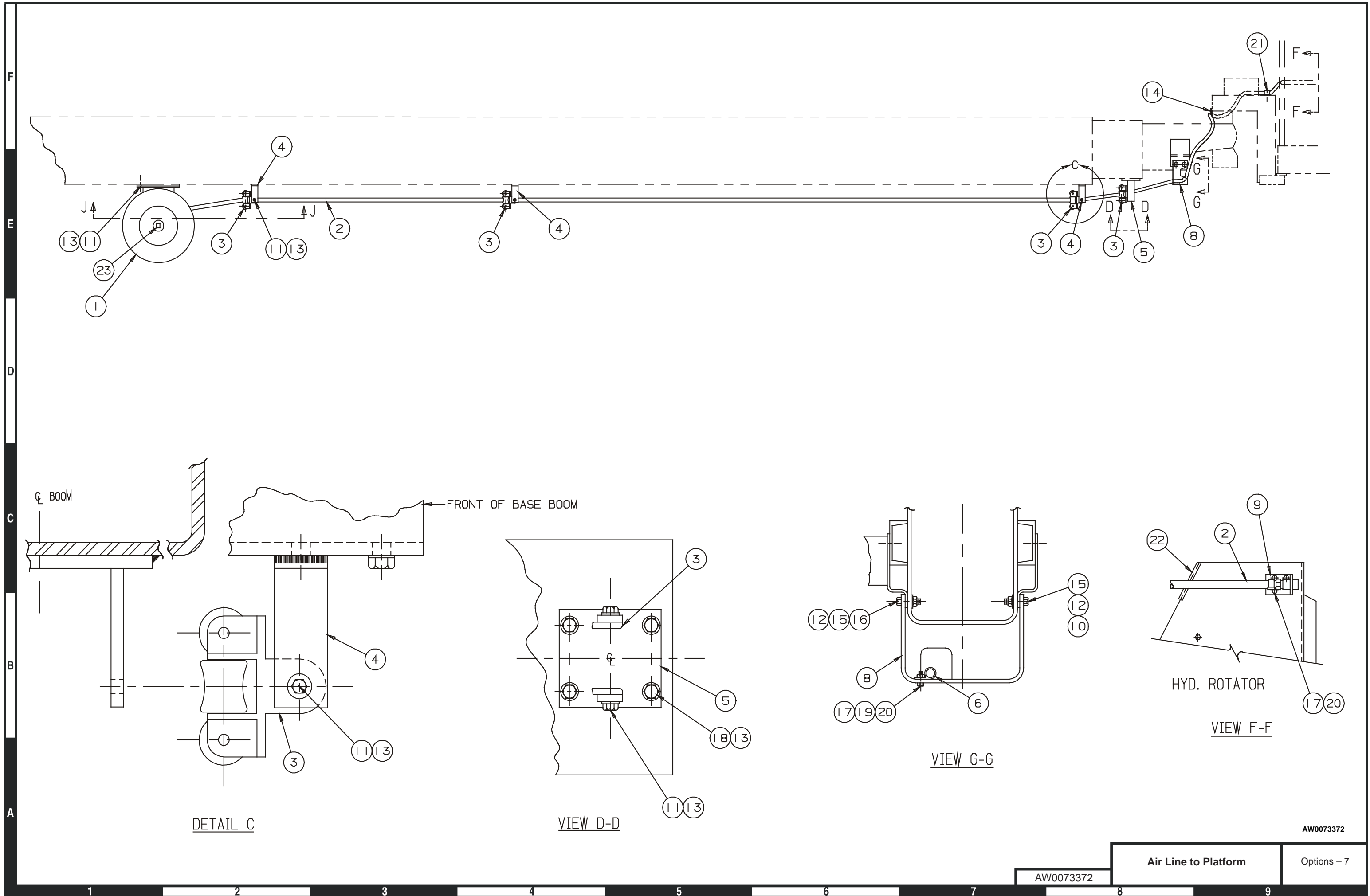
1 2 3 4 5 6 7 8 9

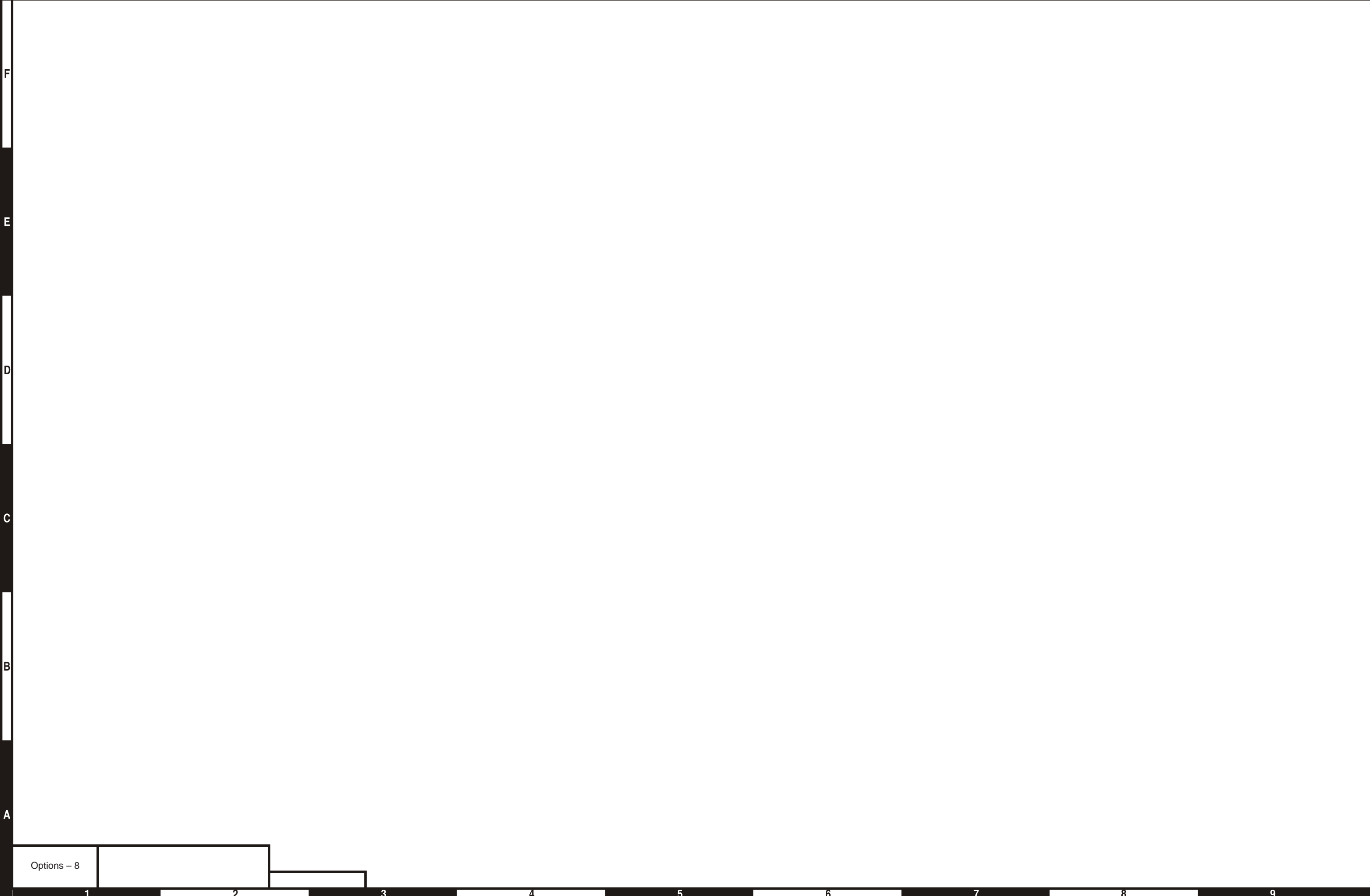
AC Generator Mounting

Item	Part No.	Qty.	Description
1	015147128	1	AC GENERATOR
2	5037003	2	SWIVEL NUT 90° ELBOW
3	0073543	1	SHIELD
4	0111287	1	1/4 INCH HYDRAULIC HOSE
5	3020048	1	SWITCH, TOGGLE
6	0151459	1	PLACARD, AC GENERATOR
7	0073544	1	CABLE, 110 VOLT POWER AC GENERATOR
8	5093008	2	CLAMP
9	970909	2	CAPSCREW 1/2-13 X 1-1/2 INCH LONG HEX HEAD GRADE 5
10	5560039	2	NUT 1/2-13 SELF LOCKING
11	970009	2	CAPSCREW 1/4-20 X 1/2 INCH LONG HEX HEAD GRADE 5
12	987099	2	WASHER 1/4 MEDIUM LOCK
13	5064005	1	TUBE END REDUCER
14	3040452	1	INSULATOR BOOT
15	3044146	1	TERMINAL #10 STUD INSULATED 22/18 WIRE
16	3040046	3	TERMINAL .250 TAB MALE SLIP-ON FULLY INSULATED 22/18 WIRE
17	3044852	1	TERMINAL RING TONGUE INSULATED 12/10 WIRE
18	0090757	2	TERMINAL RING TONGUE INSULATED 12/10 WIRE
19	0070747	3	JUMPER WIRE
20	0073542	2	JUMPER WIRE
21	0071844	1	JUMPER WIRE
22	0140398	1	JUMPER WIRE
23	0101247	1	1/2 INCH HYDRAULIC HOSE
24	5036706	1	SWIVEL NUT RUN TEE
25	0111287	1	1/4 INCH HYDRAULIC HOSE
26	0100422	1	3/8 INCH HYDRAULIC HOSE
27	5036705	1	SWIVEL NUT RUN TEE
28	3011801	1	WIRE, 16 GAUGE SINGLE CONDUCTOR X 180 INCH LONG
29	3090019	1	FLEXGARD TUBE, 72 INCH LONG
30	3040047	1	TERMINAL .250 TAB FEMALE SLIP-ON FULLY INSULATED 22/18 WIRE

AC Generator

Item	Part No.	Qty.	Description
	015147128	1	AC GENERATOR
1	3080001	1	GENERATOR, AC HYDRAULIC POWERED
2	0151457	1	MOUNT PLATE
3	7240012	1	COUPLING
4	0151458	1	MOTOR MOUNTING ANGLE
5	6030029	1	HYDRAULIC MOTOR, AC GENERATOR
	8020018	1	SEAL REPAIR KIT
6	0151469	1	BRACKET, VALVE MOUNTING
7	0152831	1	AC GENERATOR VALVE - (SEE HYDRAULICS PAGE 37 FOR PARTS BREAKDOWN)
8	0151484	1	COUPLING COVER
9	0151470	1	1/2 INCH HYDRAULIC TUBE
10	5035306	1	STRAIGHT THREAD 90° ELBOW
11	5560031	18	NUT 5/16-18 SELF LOCKING
12	5035320	1	STRAIGHT THREAD 90° ELBOW
13	5560033	8	NUT 3/8-16 SELF LOCKING
14	970299	2	CAPSCREW 5/16-18 X 2 INCH LONG HEX HEAD GRADE 5
15	970269	8	CAPSCREW 5/16-18 X 1-1/4 INCH LONG HEX HEAD GRADE 5
16	970369	8	CAPSCREW 5/16-18 X 1 INCH LONG HEX HEAD GRADE 5
17	970499	4	CAPSCREW 3/8-16 X 1-3/4 INCH LONG HEX HEAD GRADE 5
18	986299	12	WASHER 3/8 MEDIUM FLAT
19	986269	30	WASHER 5/16 MEDIUM FLAT





F

E

D

C

B

A

Options - 8

1

2

3

4

5

6

7

8

9

Air Line to Platform

Item	Part No.	Qty.	Description
1	5240002	1	HOSE REEL
2	0081104	1	AIR HOSE, 54 FEET - 6 INCH LONG
3	5550021	3	CABLE GUIDE, 4 ROLLER
4	0080749	2	CABLE GUIDE BRACKET, BASE BOOM
5	0080752	1	CABLE GUIDE BRACKET, INTERMEDIATE BOOM
6	5093006	2	CLAMP
7	0080754	2	MOUNTING BAR
8	0080762	1	HOSE BRACKET
9	0080759	1	ANGLE
10	970849	2	CAPSCREW 1/2-13 X 1-1/4 INCH LONG HEX HEAD GRADE 5
11	970426	10	CAPSCREW 3/8-16 X 7/8 INCH LONG HEX HEAD GRADE 5
12	986359	4	WASHER 1/2 MEDIUM FLAT
13	987119	14	WASHER 3/8 MEDIUM LOCK
14	5093012	1	CLAMP
15	5560039	4	NUT 1/2-13 SELF LOCKING
16	970909	2	CAPSCREW 1/2-13 X 1-1/2 INCH LONG HEX HEAD GRADE 5
17	970049	5	CAPSCREW 1/4-20 X 1 INCH LONG HEX HEAD GRADE 5
18	970489	4	CAPSCREW 3/8-16 X 1-1/2 INCH LONG HEX HEAD GRADE 5
19	986019	3	WASHER 1/4 MEDIUM FLAT
20	5560004	5	NUT 1/4-20 SELF LOCKING
21	5093010	2	CLAMP
22	5560082	1	TRIM LOCK, 1/4 INCH X 4 INCH LONG

F

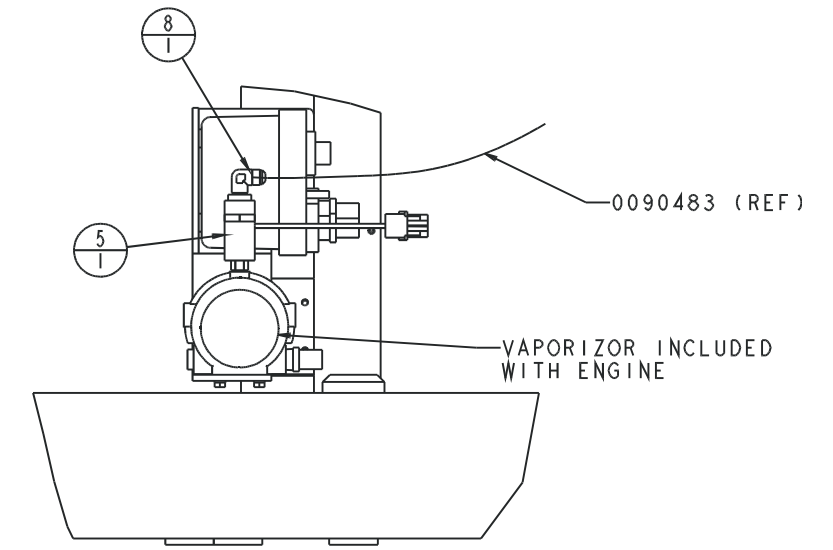
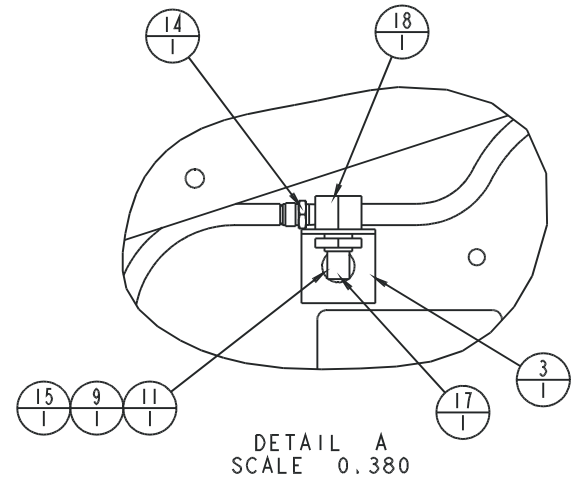
E

D

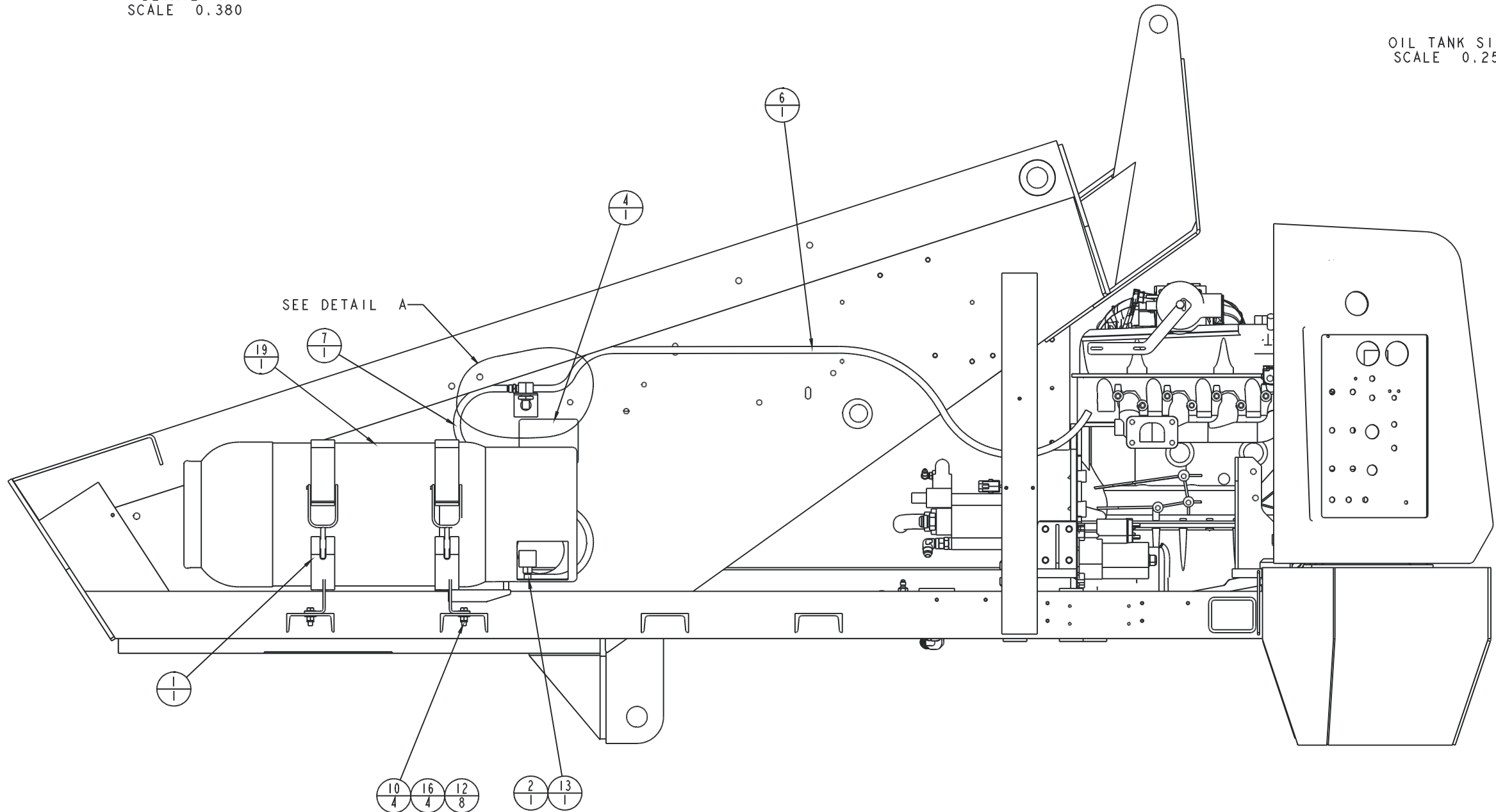
C

B

A



OIL TANK SIDE
SCALE 0.250

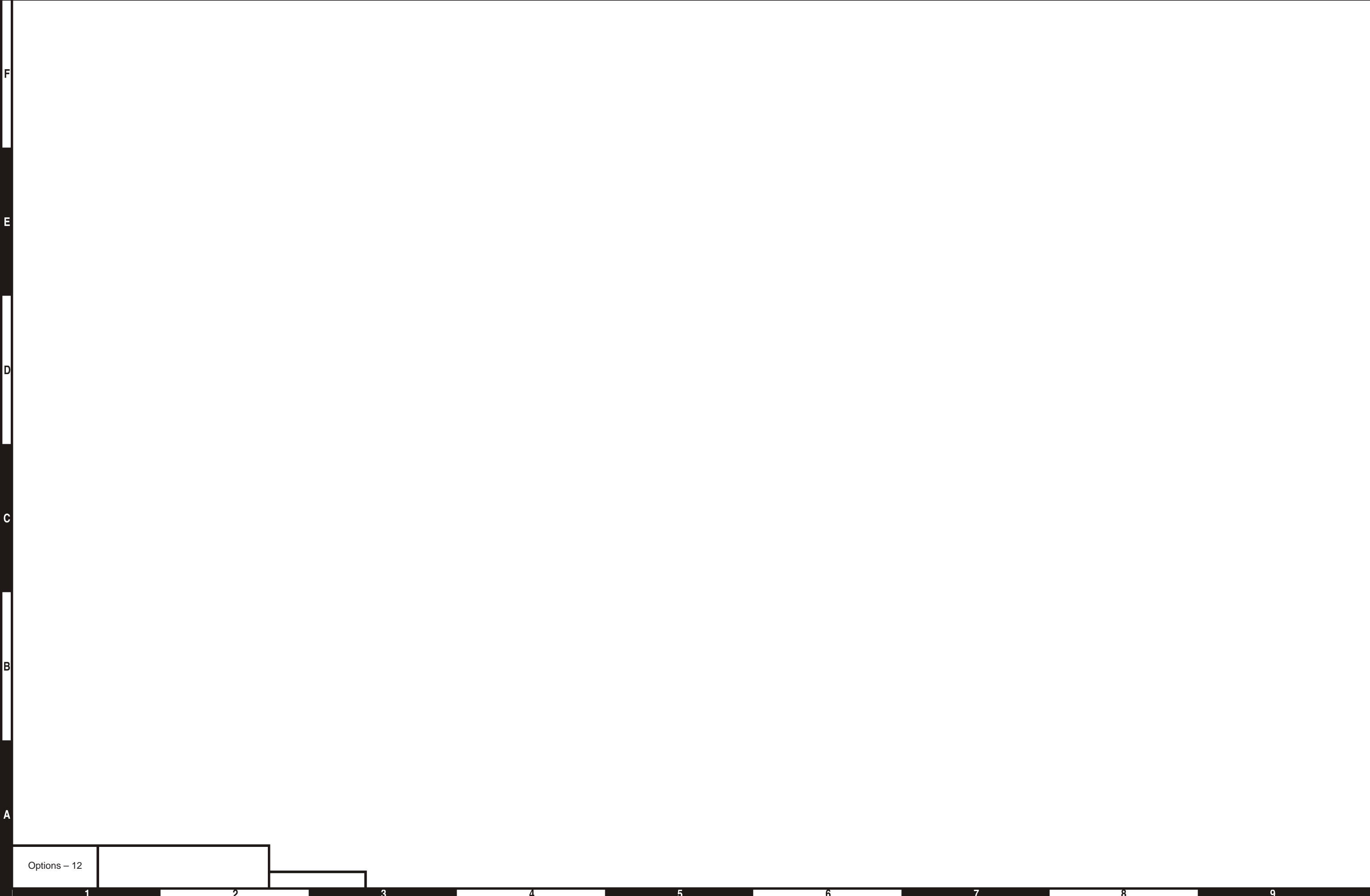


0075019

LP Fuel
Ford Engine

Options - 11

1 2 3 4 5 6 7 8 9



F

E

D

C

B

A

Options - 12

1

2

3

4

5

6

7

8

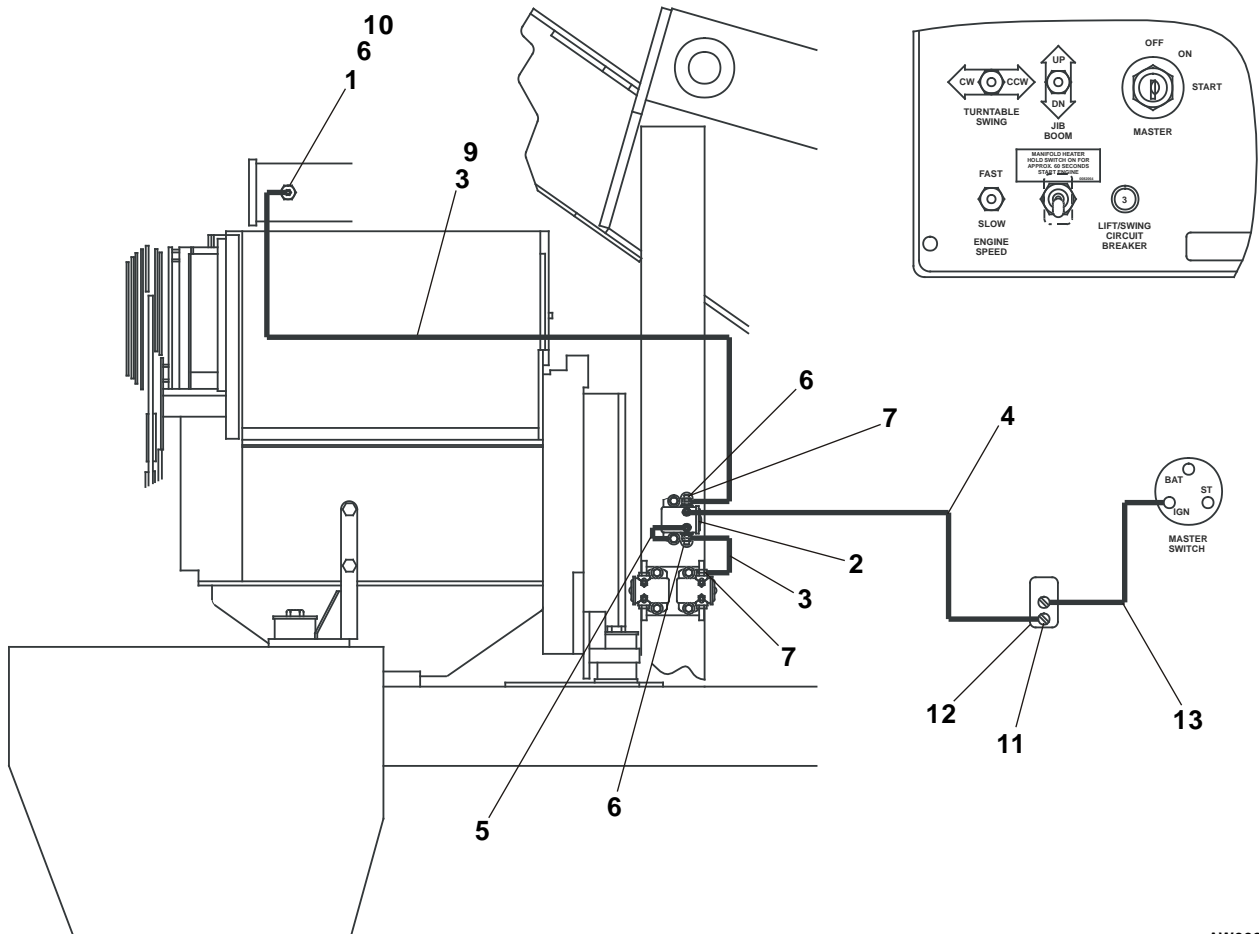
9

LP Fuel – Ford Engine

Item	Part No.	Qty.	Description
1	0070969	1	BRACKET, LP GAS CYLINDER - (INCLUDES LEFT AND RIGHT HAND BRACKETS)
2	0070974	1	COUPLER, FEMALE LPG
3	0080668	1	RELIEF VALVE MOUNT BRACKET
4	0081441	1	DECAL, CAUTION LIQUID WITHDRAWAL
5	0083949	1	FILTERLOCK ASSEMBLY
6	0090483	1	LP GAS FUEL HOSE
7	0101724	1	LP GAS FUEL HOSE
8	564266	1	FTG ELB90 SAE45 -6LPG-4N BR
9	970369	1	BLT .313-18 1.00 GR5
10	970419	4	BLT .375-16 1.25 GR5
11	986269	1	WASHER FLAT .313
12	986299	8	WASHER FLAT .38
13	5031002	1	FTG ELB90ST -4-4 STL
14	5090049	1	FTG MALE CONN SAE45 -6LPG-4N BR
15	5560031	1	NUT LKG .313-18
16	5560033	4	NUT LKG .375-16
17	7630703	1	HYDROSTATIC RELIEF VALVE LPG
18	7630704	1	FTG TEE BULKHEAD LPG
19	9940018	1	LP FUEL TANK 43.5 LB CAPACITY FILLED
	0151899		LP AND DUAL FUEL KIT
	0091073	1	LP HOSE, 5/8 INCH DIA X 30 INCH
	7630703	1	HYDROSTATIC RELIEF VALVE
	7630704	1	BULKHEAD TEE
	7630705	1	FILTERLOCK, LP GAS 12V
	8020016	1	ADAPTER LP CARB
	8020036	1	GAS REGULATOR

Air Inlet Heater – Deutz

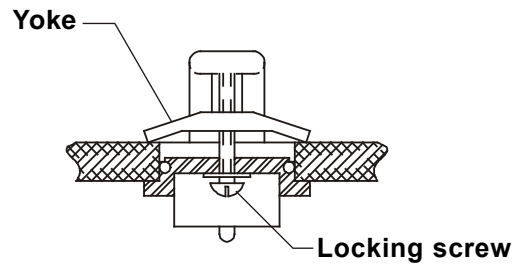
Item	Part No.	Qty.	Description
	0170273	1	CHASSIS DRIVE VALVE
1	0170378	1	DRIVE CONTROL VALVE - (SEE HYDRAULICS PAGE 25 FOR PARTS BREAKDOWN)
2	0170295	1	COUNTERBALANCE VALVE
3	0170376	1	5/8 INCH HYDRAULIC TUBE
4	0170377	1	5/8 INCH HYDRAULIC TUBE
5	5569857	2	CAPSCREW 5/16-18 X 3-1/2 INCH LONG SOCKET HEAD
6	987109	2	WASHER 5/16 MEDIUM LOCK
7	984089	2	NUT 5/16-18 HEX
8	970529	2	CAPSCREW 3/8-16 X 2-1/2 INCH LONG HEX HEAD GRADE 5
9	987119	2	WASHER 3/8 MEDIUM LOCK
10	984109	2	NUT 3/8-16 HEX
11	0170294	1	MOUNT CHANNEL



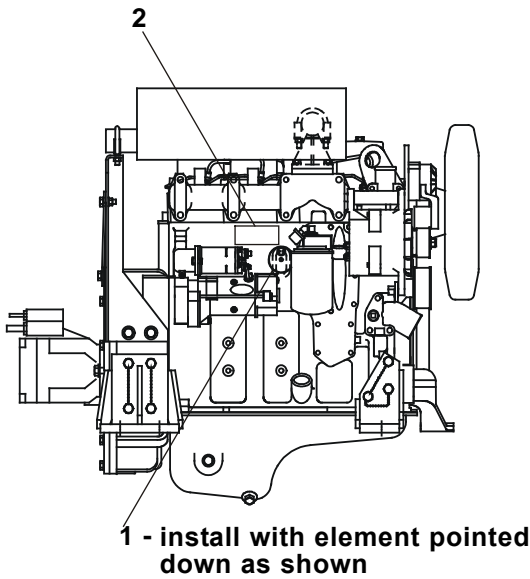
AW0082058

Engine Block Heater

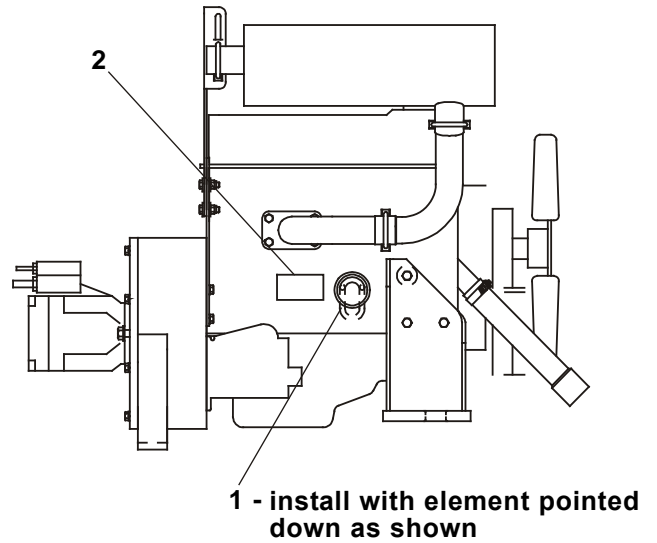
Item	Part No.	Qty.	Description
1	7630343	1	ENGINE BLOCK HEATER WITH CORD, FORD LRG ENGINE
	7630762	1	ENGINE BLOCK HEATER WITH CORD, CUMMINS 3.3 ENGINE
2	0181634	1	DECAL, ENGINE BLOCK HEATER



Heater installation position



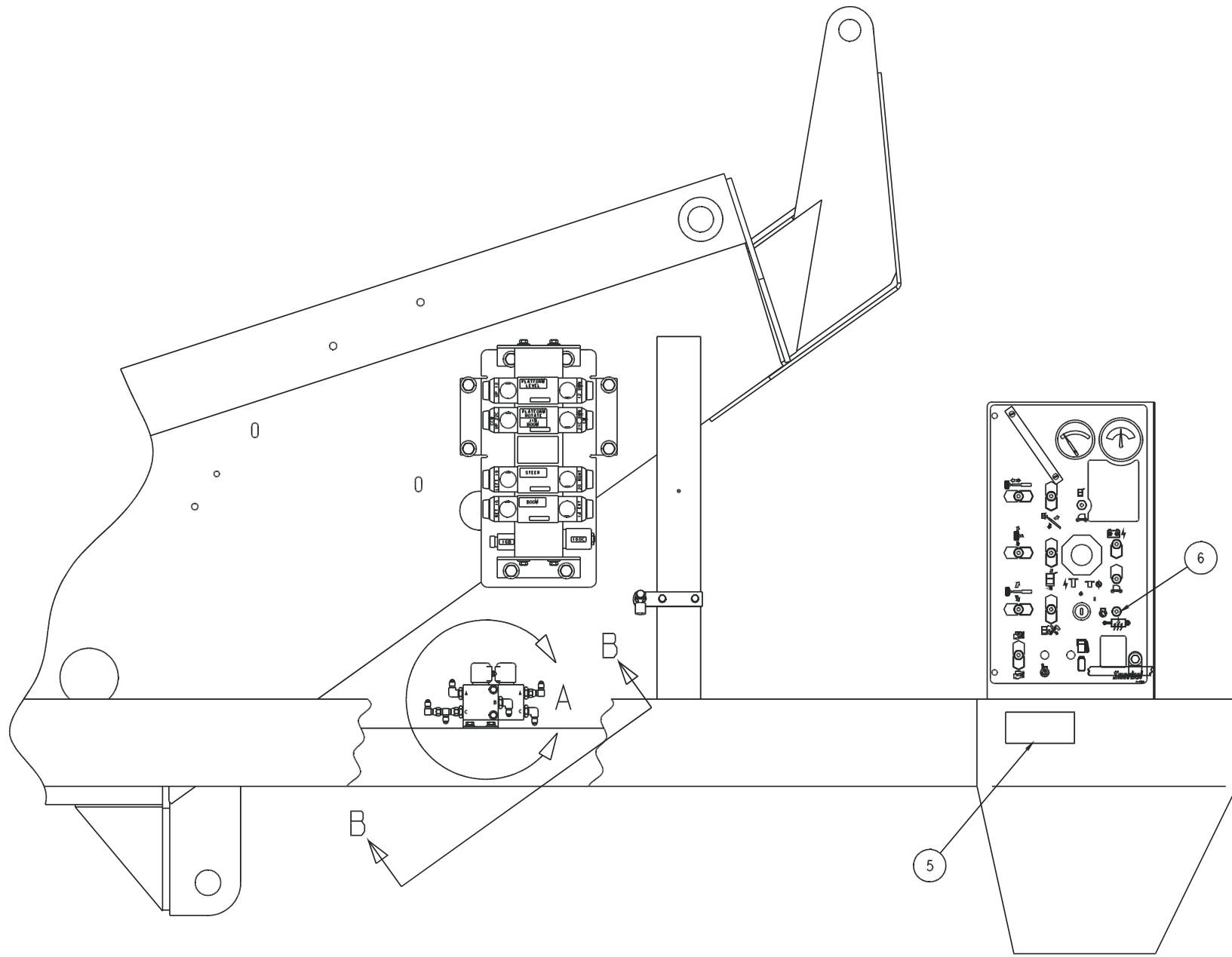
Cummins 3.3 engine



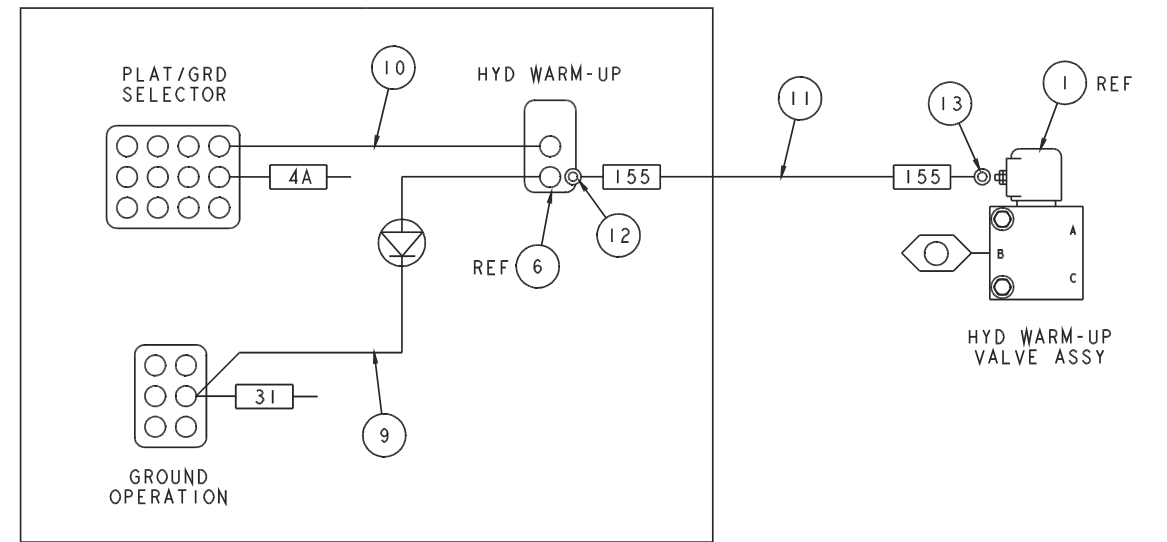
Ford LRG engine

AW0074263

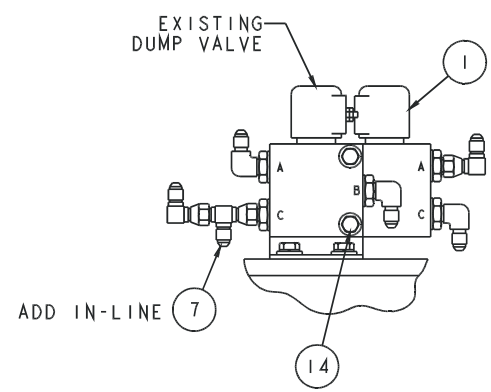
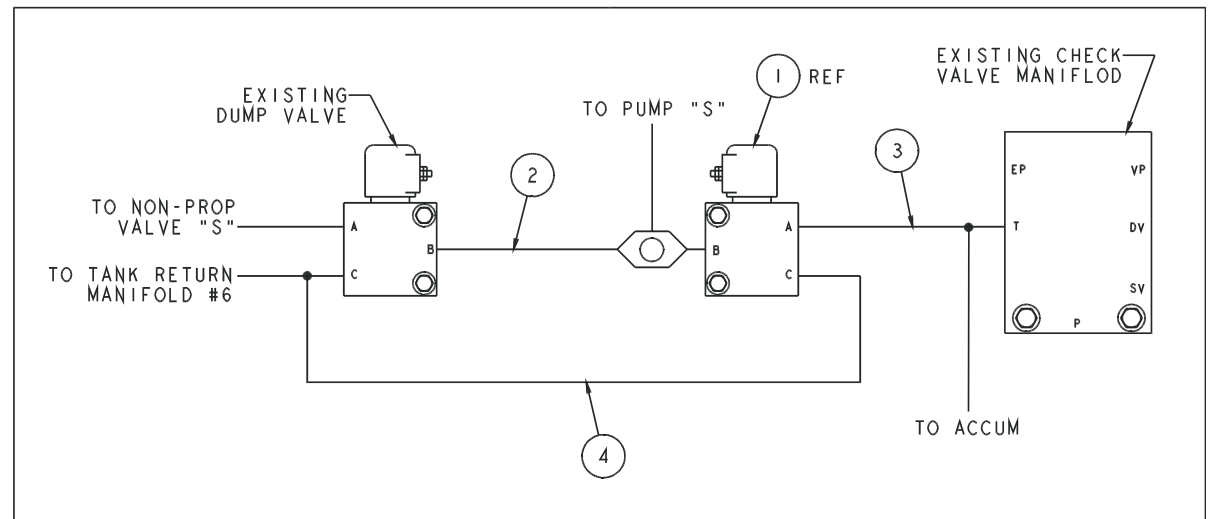
F
E
D
C
B
A



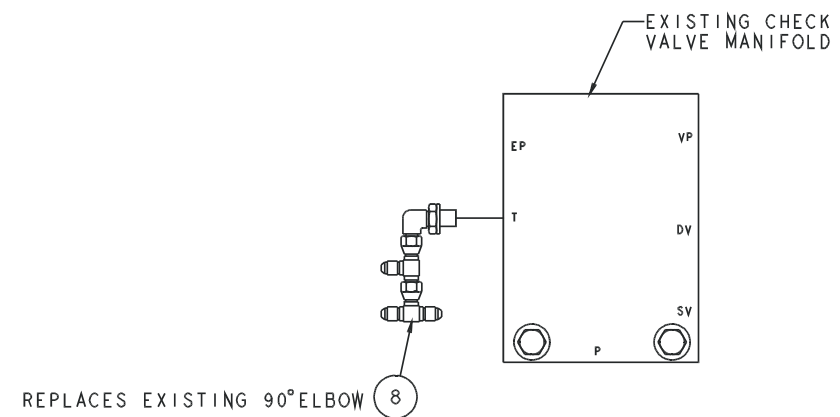
GROUND CONTROL PANEL



HYD SCHEMATIC

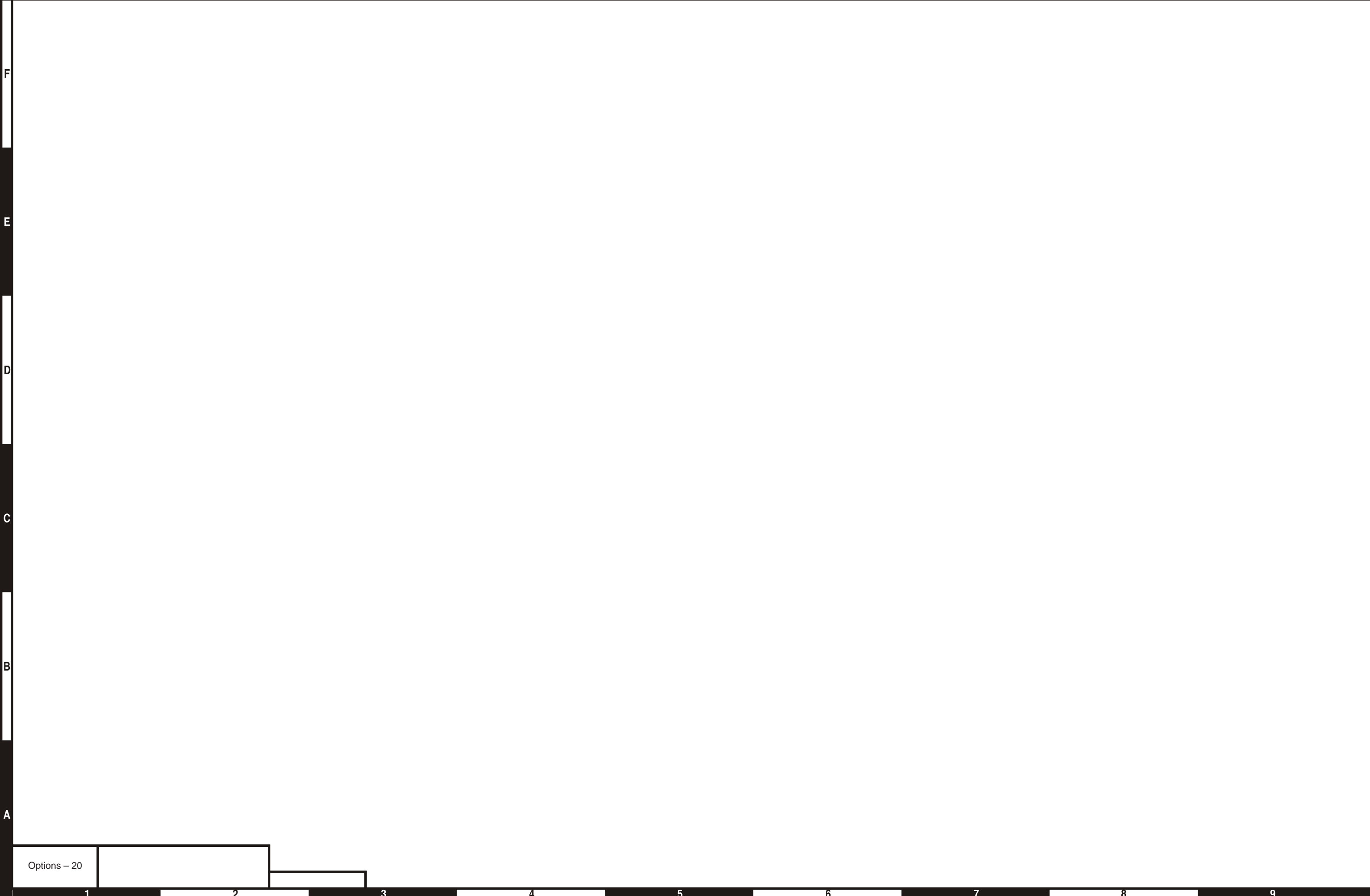


DETAIL "A"



REPLACES EXISTING 90° ELBOW

VIEW B-B



F

E

D

C

B

A

Options – 20

1

2

3

4

5

6

7

8

9

Hydraulic Warm Up

Item	Part No.	Qty.	Description
1	0073072	1	WARM UP VALVE ASSY
2	0070908	1	HOSE-4-4S-4S 9.75 100R1
3	0070768	1	HOSE-4-4S-4S 18.5 100R1
4	0020283	1	HOSE-4-4S-4S 15.25 100R1
5	0071793	1	DECAL HYDR SYS WARM-UP INSTR
6	3020013	1	SW TGL SPST ON OFF SEALED
7	5036703	1	FTG TEE SWVL RUN-4S-4S STL
8	5036803	1	FTG TEE SWVL BR-4S-4S STL
9	0111477	1	WIRE 16 R6I R6I 10 DIO
10	0070730	1	WIRE 16 R6I R6I 5.5
11	3011601	6 IN	WIRE 16GA SINGLE CONDUCTOR BLK-TYPE GPT
12	3044158	1	TERM R6I 16/14
13	3044161	1	TERM R10I 16/14
14	970159	2	BLT .250-20 X 3.50LG HH

F

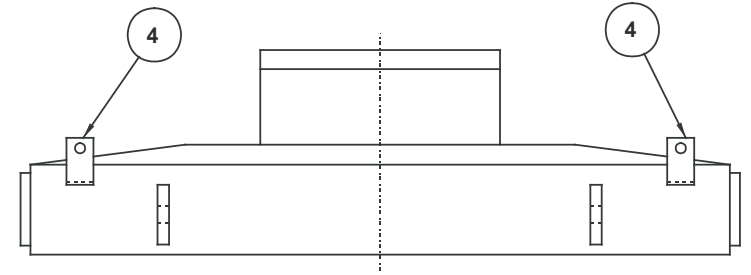
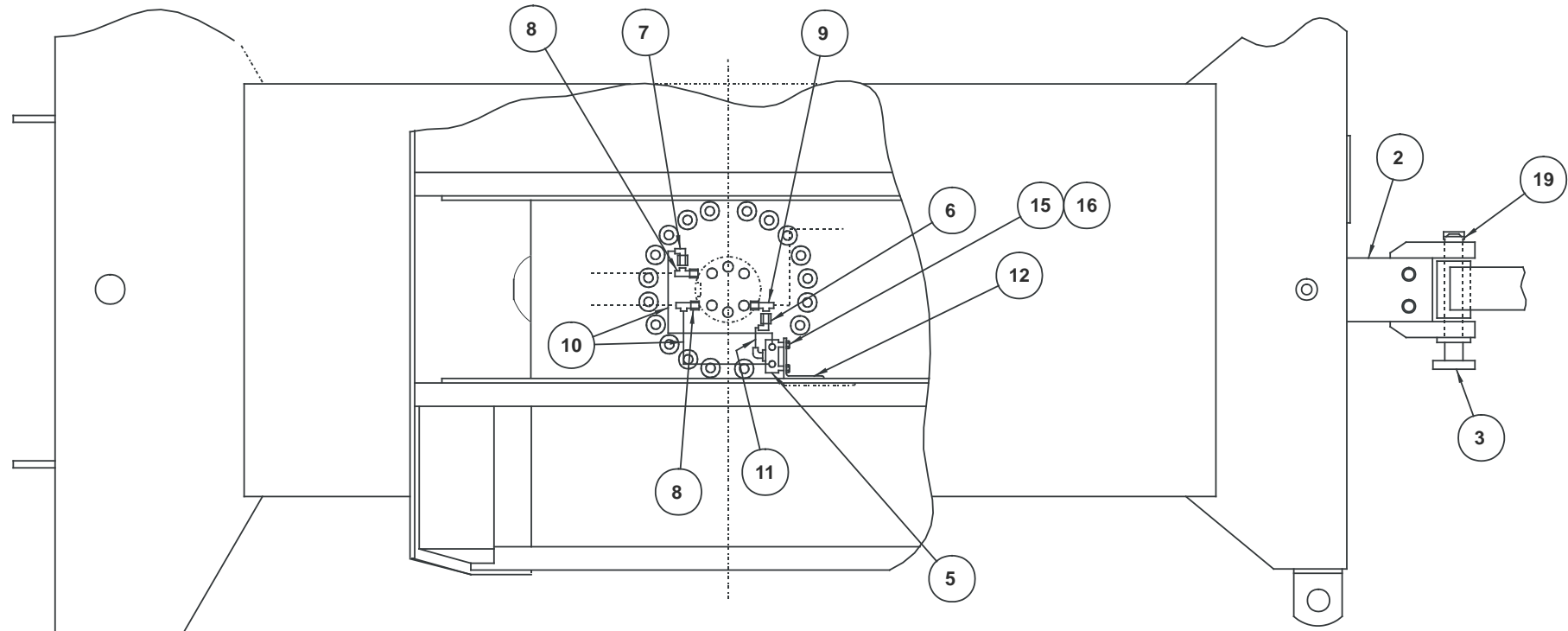
E

D

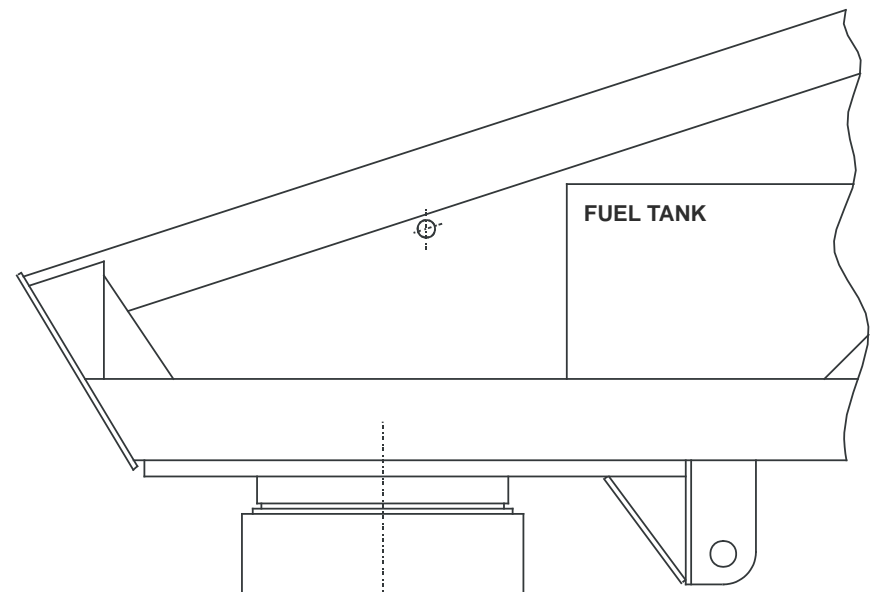
C

B

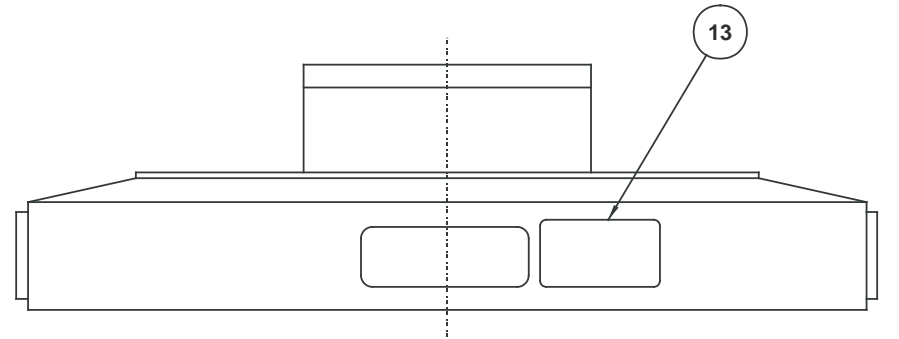
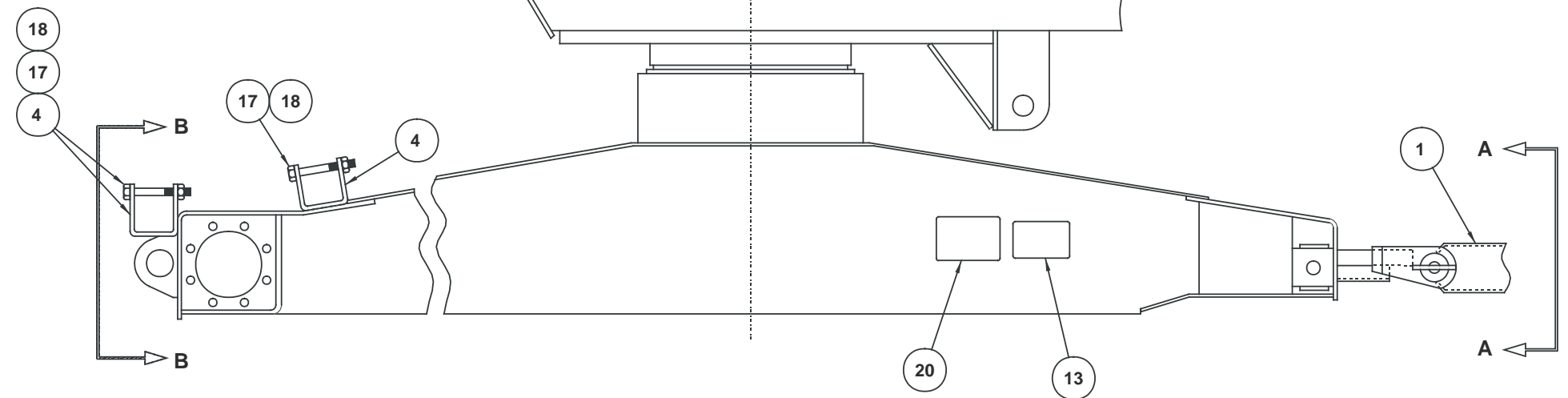
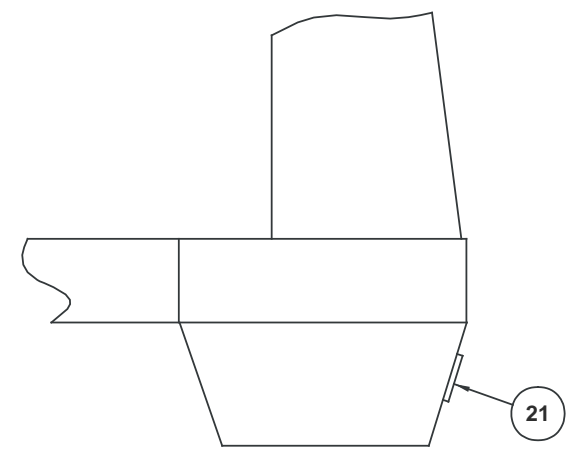
A



SECTION B-B



PLATFORM ROTATOR



SECTION A-A

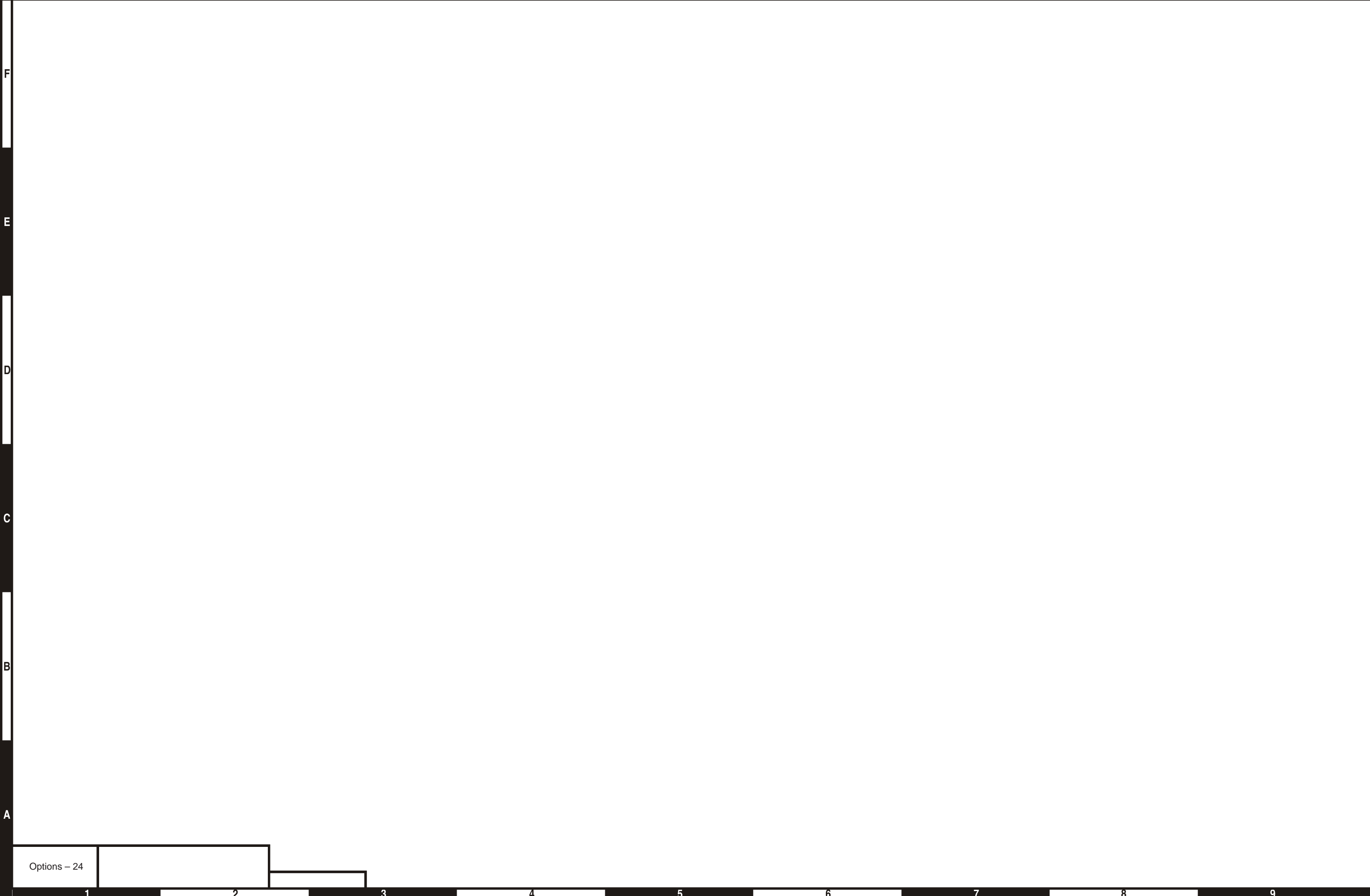
AW0072198

AW0072198

Tow Package

Options - 23

1 2 3 4 5 6 7 8 9



F

E

D

C

B

A

Options - 24

1

2

3

4

5

6

7

8

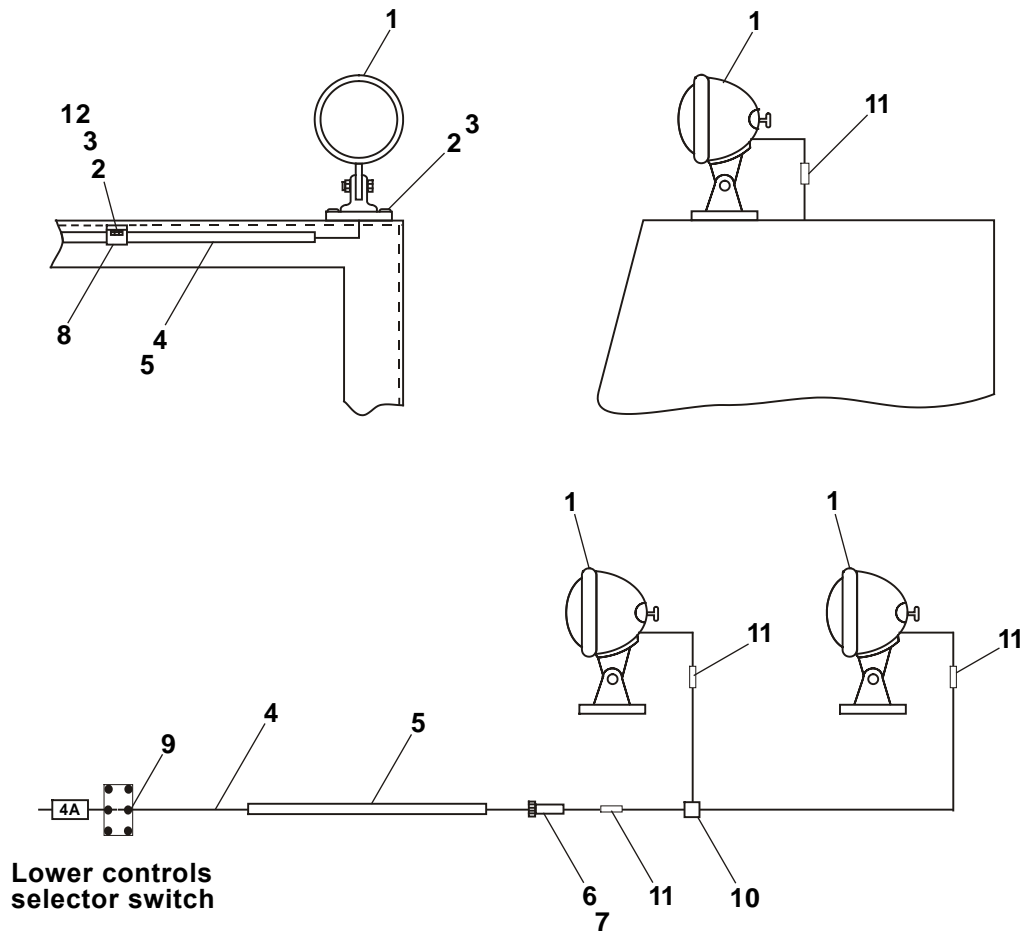
9

Tow Package

Item	Part No.	Qty.	Description
1	0072214	1	TOW BAR
2	0072215	1	TOW BAR STEERING ARM
3	0072216	1	TOWING PIN
4	0072224	2	TOW BAR STORAGE CRADLE
5	0072225	1	FLOAT VALVE
6	5037006	1	SWIVEL NUT 90° ELBOW
7	5037005	1	SWIVEL NUT 90° ELBOW
8	5036705	2	SWIVEL NUT RUN TEE
9	5036706	1	SWIVEL NUT RUN TEE
10	0070775	2	1/4 INCH HYDRAULIC HOSE
11	0070791	1	1/2 INCH HYDRAULIC HOSE
12	0072226	1	BRACKET, FLOAT VALVE
13	0072203	2	DECAL, TOWING INSTRUCTIONS
14	0082164	1	DECAL, DANGER DO NOT RIDE
15	970239	2	CAPSCREW 5/16-18 X 3/4 INCH LONG HEX HEAD GRADE 5
16	987109	2	WASHER 5/16 MEDIUM LOCK
17	5560647	2	CAPSCREW 1/2-13 X 5 INCH LONG HEX HEAD GRADE 5
18	5560039	2	NUT 1/2-13 SELF LOCKING
19	5580002	1	SNAPPER PIN
20	0082160	1	DECAL, DANGER TOW PACKAGE
21	0082203	1	DECAL, DANGER CRUSHING HAZARD

Headlights

Item	Part No.	Qty.	Description
1	3064414	1	LIGHT, FLOOD WITH ROUND BASE
2	974709	9	MACHINE SCREW #10-24 X 1 INCH LONG ROUND HEAD
3	5560034	9	NUT #10-24 SELF LOCKING
4	3011601	1	WIRE, 16 GAUGE SINGLE CONDUCTOR X 120 INCH LONG
5	3090006	1	FLEXGARD TUBE, 120 INCH LONG
6	3040038	1	FUSE HOLDER, IN-LINE
7	3040039	1	FUSE, 10 AMP CAPACITY
8	5093000	1	CLAMP
9	3044158	1	TERMINAL #6 STUD INSULATED 16/14 WIRE
10	3040114	1	CONNECTOR, IN-LINE 16/14 WIRE
11	3040071	3	BUTT CONNECTOR INSULATED 16/14 WIRE
12	986009	1	WASHER #10 MEDIUM FLAT

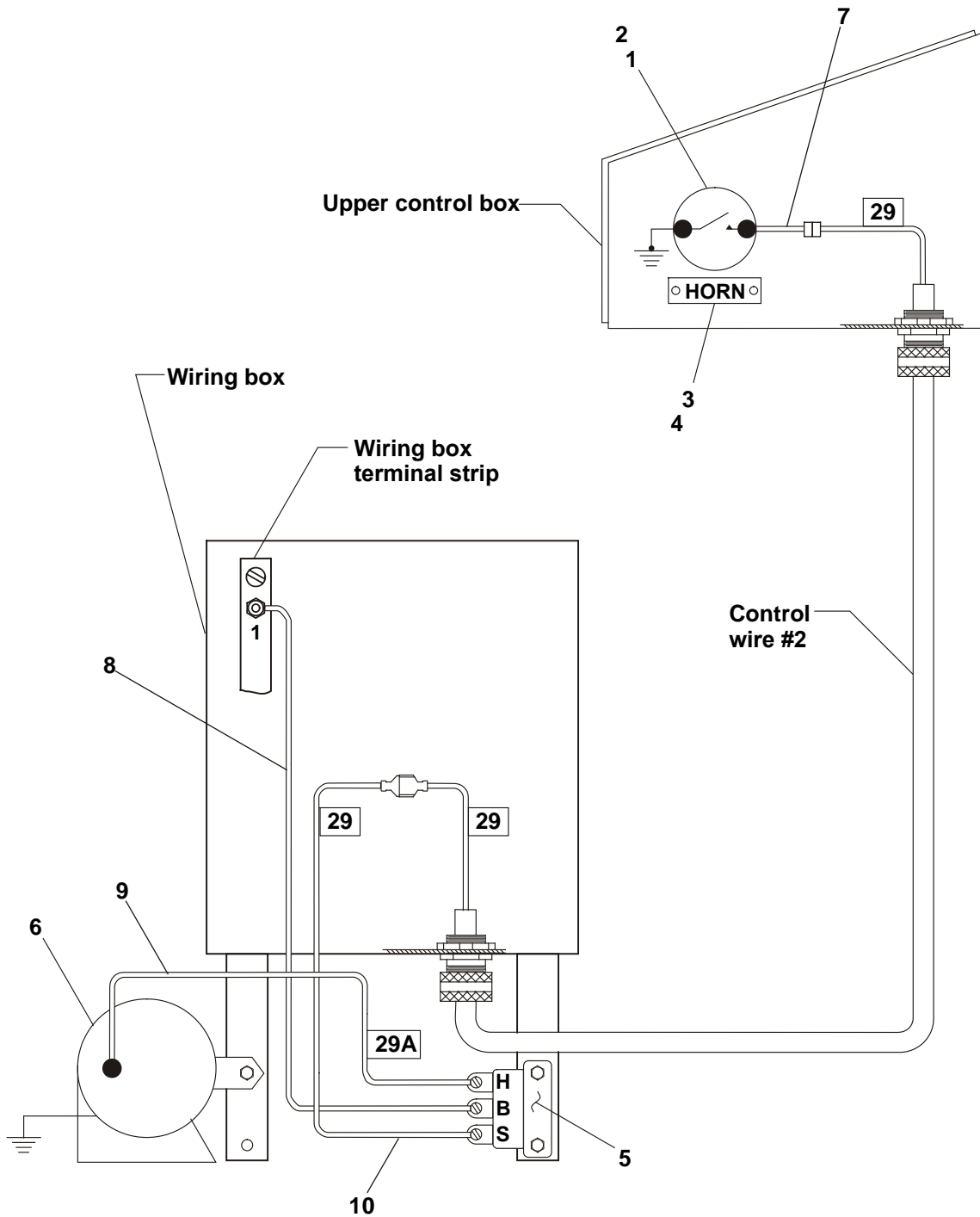


Wiring diagram

AW0071739

Horn

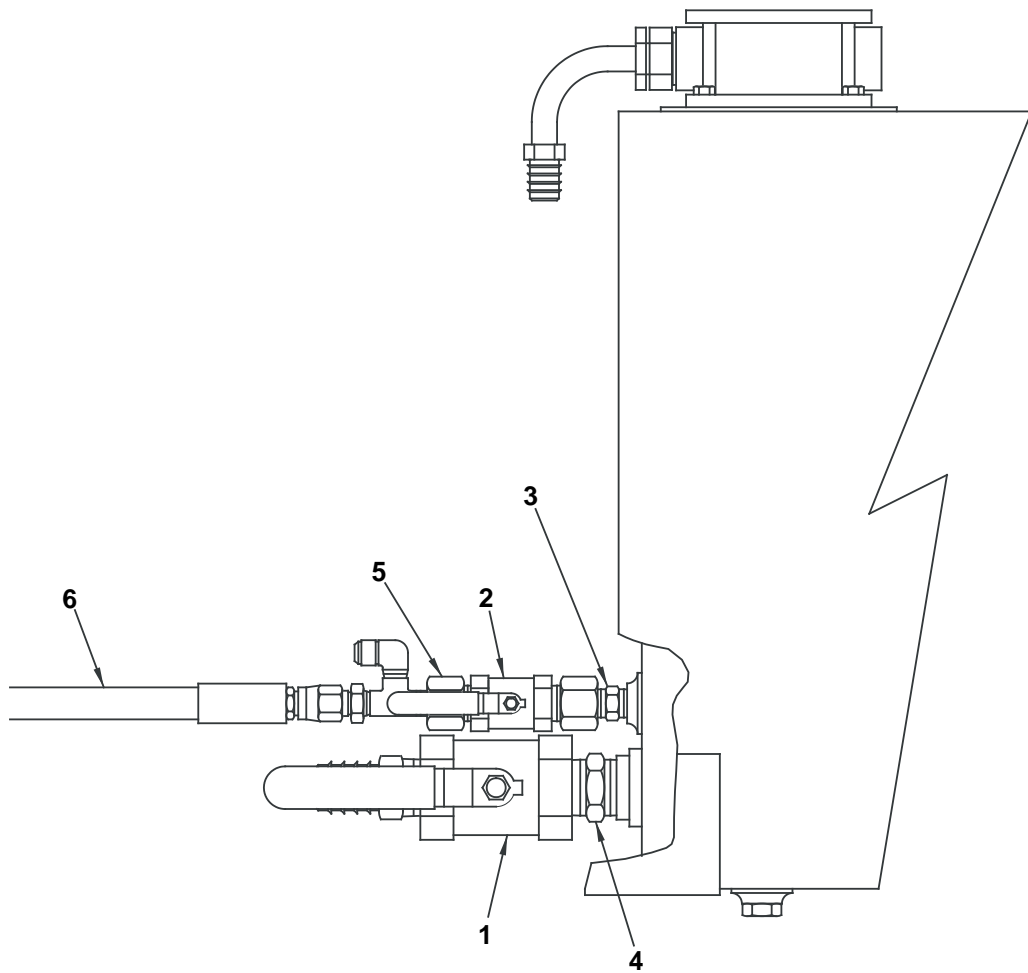
Item	Part No.	Qty.	Description
1	3026027	1	SWITCH, PUSH BUTTON
2	7140092	1	SWITCH SEAL
3	0071269	1	PLACARD, HORN
4	5560655	2	POP RIVET #AD32-ABS
5	3040128	1	HORN RELAY, 12 VOLT DC
6	3040127	1	HORN, 12 VOLT DC
7	0071557	1	JUMPER WIRE
8	0070733	2	JUMPER WIRE
9	0070759	1	JUMPER WIRE
10	0070760	1	JUMPER WIRE



AW0071270

Isolation Valve

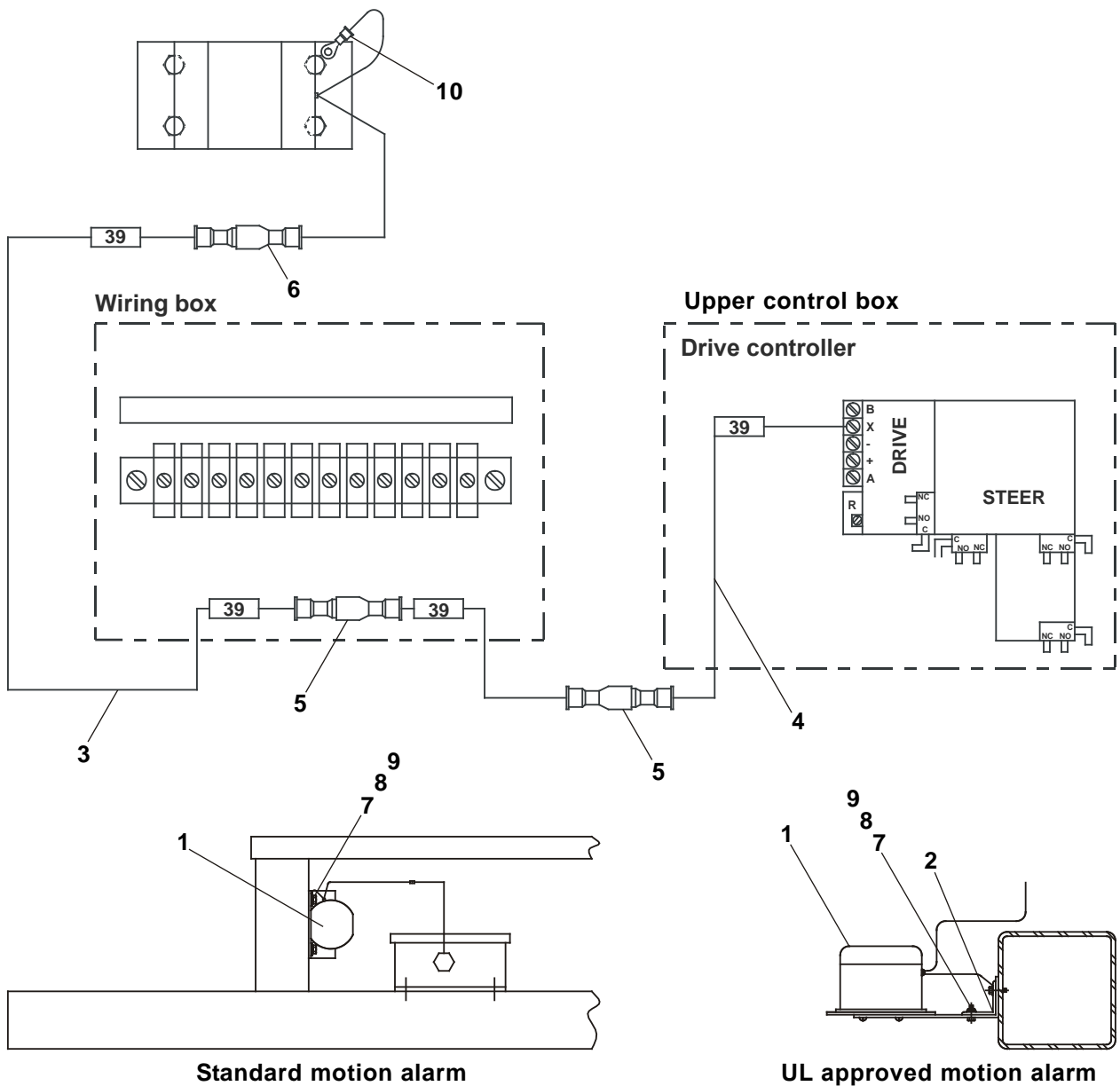
Item	Part No.	Qty.	Description
1	6010494	1	BALL VALVE, 1/2 NPT
2	6010498	1	BALL VALVE, 1-1/2 NPT
3	7740014	1	CLOSE NIPPLE 1/2 NPT
4	7740110	1	CLOSE NIPPLE 1-1/4 NPT
5	7720604	1	REDUCER BUSHING 3/4 X 1/2
6	0070927	1	1/2 INCH HYDRAULIC HOSE



AWA07055B

Motion Alarm, Drive

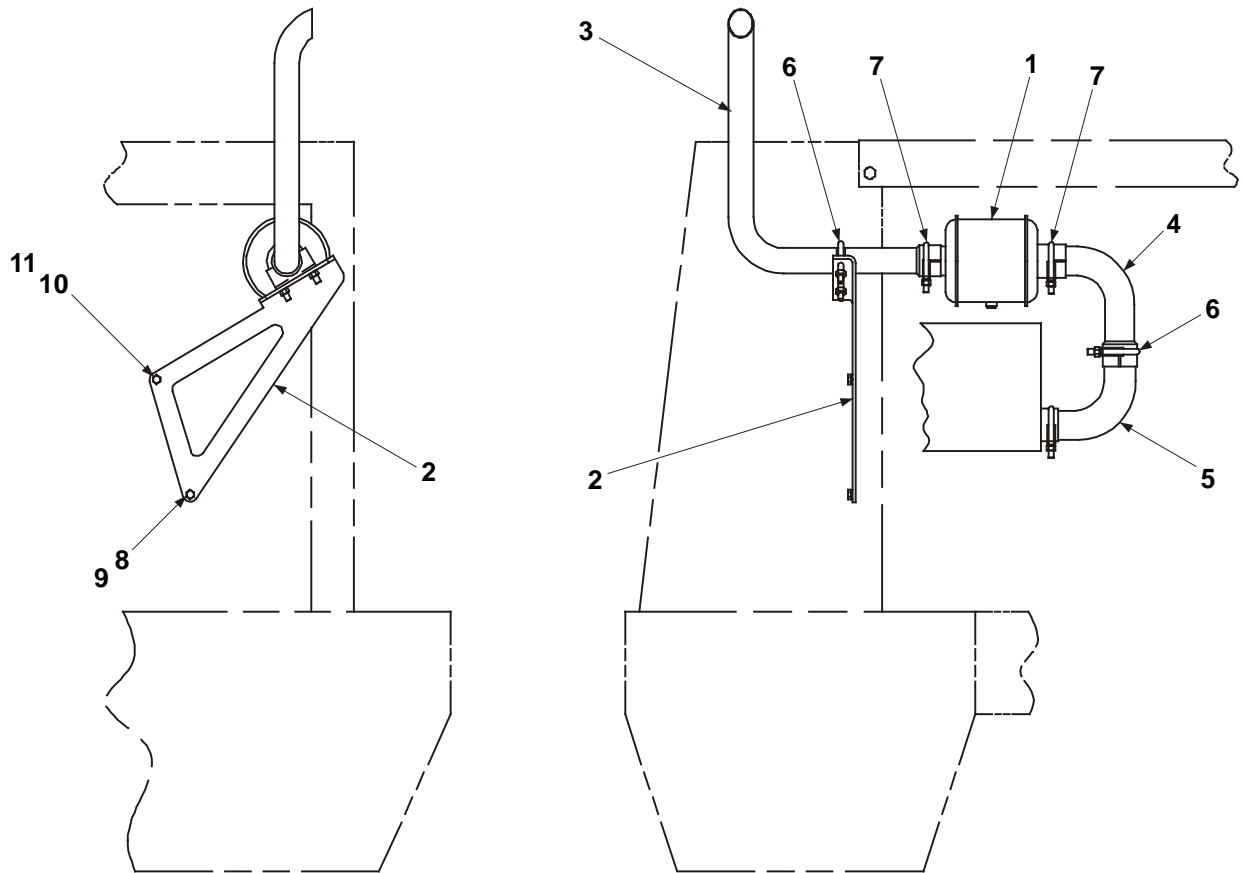
Item	Part No.	Qty.	Description
1	3040129	1	MOTION WARNING ALARM, STANDARD
	3040462	1	MOTION WARNING ALARM, UL APPROVED
2	0081422	1	MOUNT ANGLE - (USED WITH UL APPROVED WARNING ALARM ONLY)
3	0073642	1	JUMPER WIRE
4	0073071	1	JUMPER WIRE
5	3040046	2	TERMINAL .250 TAB MALE SLIP-ON FULLY INSULATED 22/18 WIRE
6	3040082	1	TERMINAL .250 TAB MALE SLIP-ON FULLY INSULATED 16/14 WIRE
7	970029	4	CAPSCREW 1/4-20 X 3/4 INCH LONG HEX HEAD GRADE 5
8	987099	4	WASHER 1/4 MEDIUM LOCK
9	986019	4	WASHER 1/4 MEDIUM FLAT
10	3044162	1	TERMINAL 1/4 STUD INSULATED 16/14 WIRE



AW0073066

Spark Arrestor Muffler – Deutz

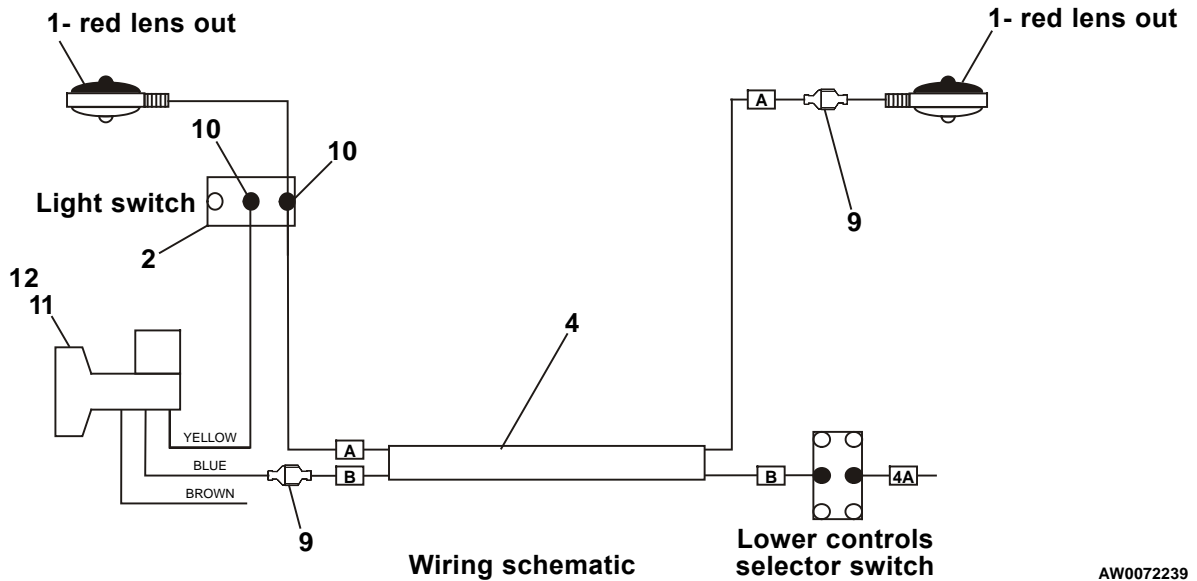
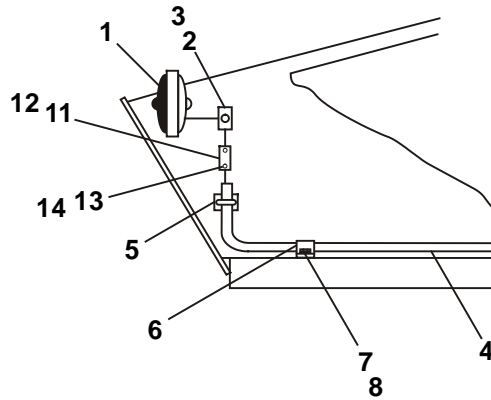
Item	Part No.	Qty.	Description
1	7630243	1	MUFFLER, SPARK ARRESTOR
2	0074202	1	TAIL PIPE BRACE
3	0074201	1	TAIL PIPE
4	0074199	1	UPPER EXHAUST PIPE
5	0074200	1	LOWER EXHAUST PIPE
6	5550007	2	CLAMP
7	5550014	2	CLAMP
8	5560625	1	CAPSCREW METRIC M10-1.5 X 20MM LONG HEX HEAD
9	5560356	1	WASHER METRIC M10 LOCK
10	972029	1	CAPSCREW METRIC M8-1.25 X 20MM LONG HEX HEAD
11	5560355	1	WASHER METRIC M8 LOCK



AW0074203

Taillights

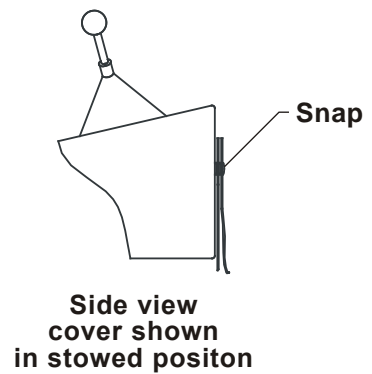
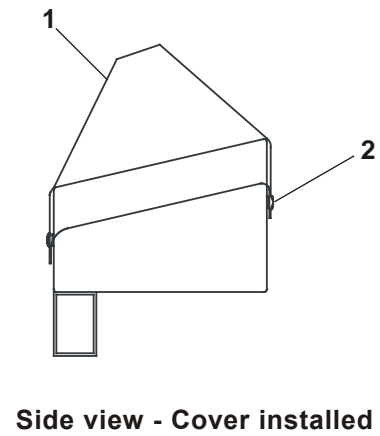
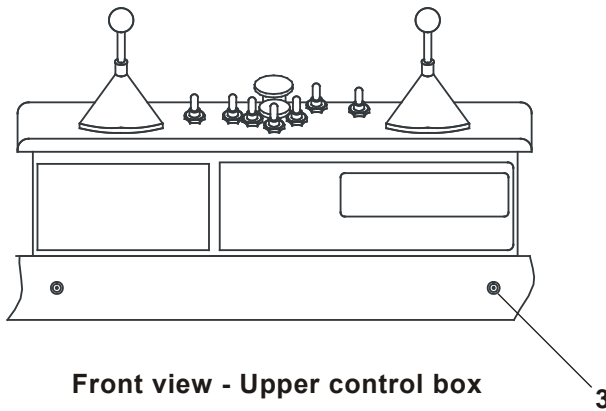
Item	Part No.	Qty.	Description
1	3060017	1	LIGHT, TURN SIGNAL
2	3020013	1	SWITCH, TOGGLE
3	3040009	1	SWITCH BOOT, SHORT
4	0072238	1	WIRE HARNESS, TAIL LIGHTS
5	3040113	2	MOUNTING BASE
6	5093002	2	CLAMP
7	970029	2	CAPSCREW 1/4-20 X 3/4 INCH LONG HEX HEAD GRADE 5
8	987099	2	WASHER 1/4 MEDIUM LOCK
9	3040083	2	TERMINAL .250 TAB FEMALE SLIP-ON FULLY INSULATED 16/14 WIRE
10	3044158	2	TERMINAL #6 STUD INSULATED 16/14 WIRE
11	3060019	1	FLASHER
12	3060018	1	FLASHER BASE
13	974679	2	MACHINE SCREW #10-24 X 5/8 INCH LONG ROUND HEAD
14	5560034	2	NUT #10-24 SELF LOCKING



AW0072239

Upper Control Box Cover

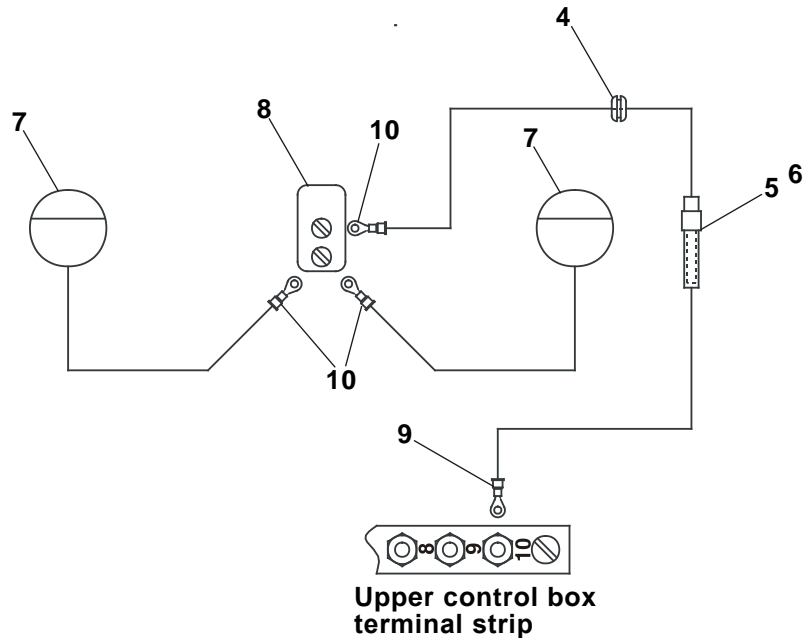
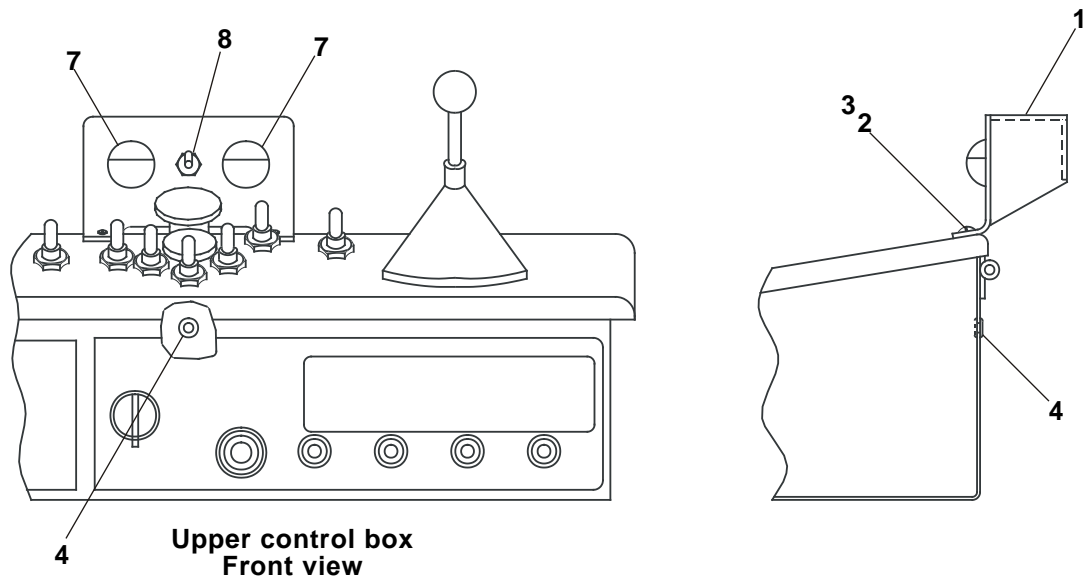
Item	Part No.	Qty.	Description
1	0073076	1	UPPER CONTROL BOX COVER, STANDARD
	0074782	1	UPPER CONTROL BOX COVER, FIRE RESISTANT
2	5560657	3	POP RIVET 1/8 INCH ALUMINUM #RVT-AD48 ABS
3	5560656	2	POP RIVET 1/8 INCH ALUMINUM #RVT-AD46 ABS



AW0071654

Upper Control Box Lights

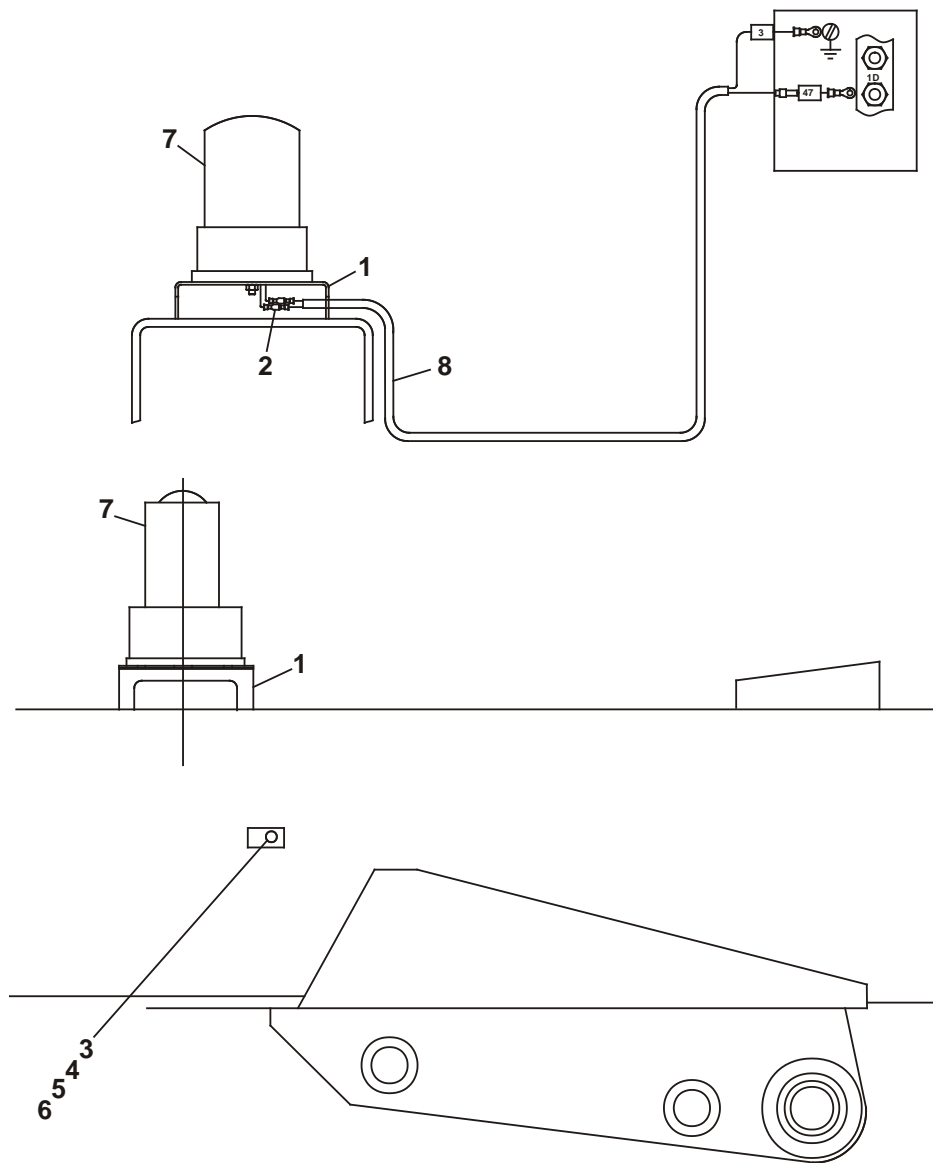
Item	Part No.	Qty.	Description
1	0072004	1	LIGHT BRACKET
2	5560648	2	MACHINE SCREW #10-24 X 3/4 INCH LONG TRUSS HEAD
3	5560034	2	NUT #10-24 SELF LOCKING
4	5569003	1	GROMMET
5	3040038	1	FUSE HOLDER, IN-LINE
6	3040039	1	FUSE, 10 AMP CAPACITY
7	3060008	2	LIGHT, PLATFORM
8	3020013	1	SWITCH, TOGGLE
9	3044161	1	TERMINAL #10 STUD INSULATED 16/14 WIRE
10	3044158	3	TERMINAL #6 STUD INSULATED 16/14 WIRE



AW0072012

Warning Light, Single Beacon

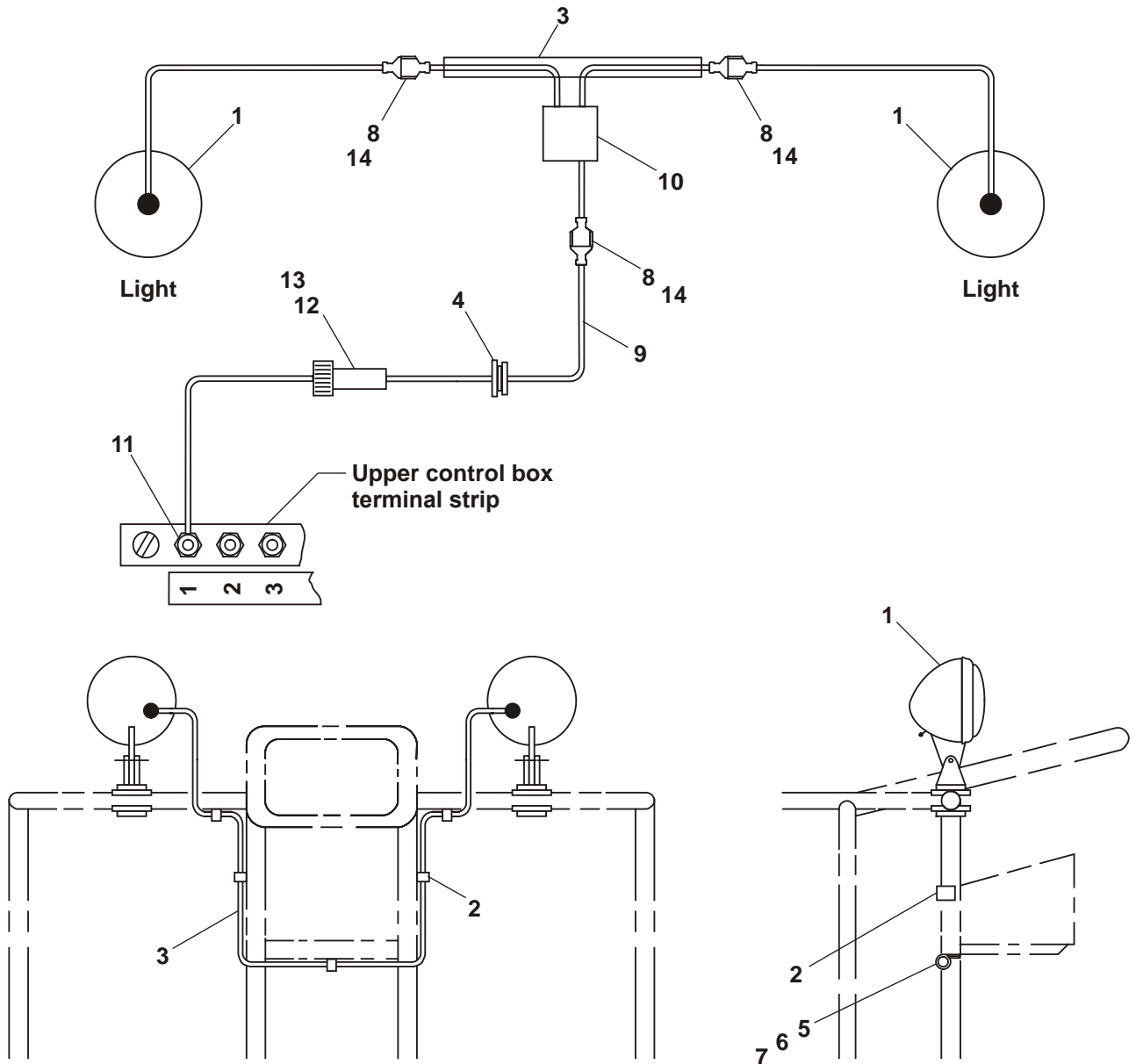
Item	Part No.	Qty.	Description
1	0074877	1	MOUNTING BRACKET
2	3040046	2	TERMINAL .250 TAB MALE SLIP-ON FULLY INSULATED 22/18 WIRE
3	986019	1	WASHER 1/4 MEDIUM FLAT
4	987099	1	WASHER 1/4 MEDIUM LOCK
5	970029	1	CAPSCREW 1/4-20 X 3/4 INCH LONG HEX HEAD GRADE 5
6	5093019	1	CLAMP
7	3060083	1	WARNING LIGHT, AMBER LENS
	3060084	1	WARNING LIGHT, RED LENS
	8160047	1	REPLACEMENT BULB
8	3014706	1	WIRE HARNESS, WARNING LIGHT



AWA08112B-2

Work Lights

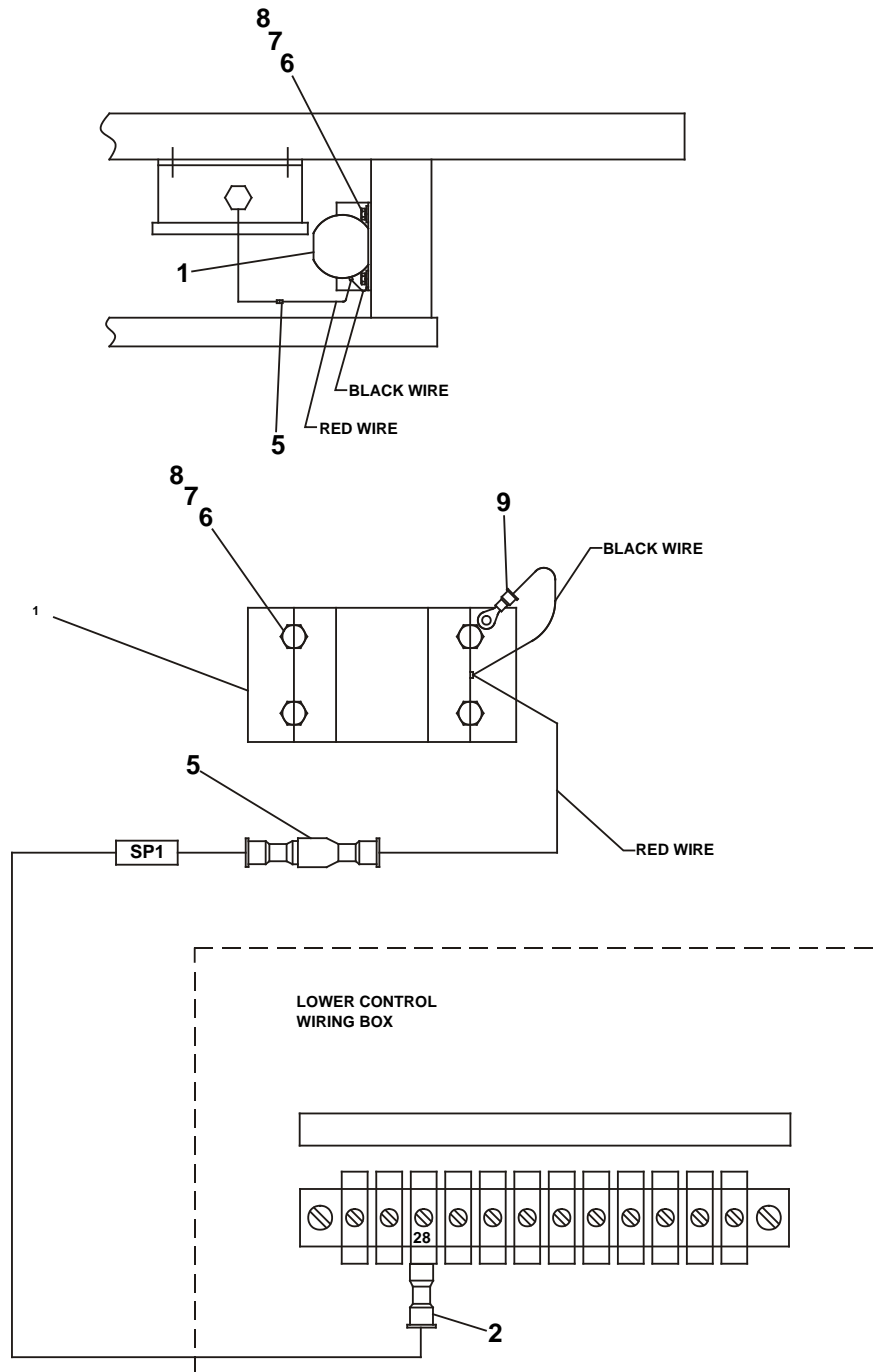
Item	Part No.	Qty.	Description
1	3064413	2	LIGHT, INCANDESCENT WITH CLAMP BRACKET
	3067620	2	LIGHT, HALOGEN WITH CLAMP BRACKET
2	5093019	7	HOSE CLAMP
3	3090019	1	FLEXGARD TUBE, 80 INCH LONG
4	5569003	1	GROMMET
5	970029	7	CAPSCREW 1/4-20 X 3/4 INCH LONG HEX HEAD GRADE 5
6	986019	7	WASHER 1/4 MEDIUM FLAT
7	987099	7	WASHER 1/4 MEDIUM LOCK
8	3040082	3	TERMINAL .250 TAB MALE FULLY INSULATED 16/14 WIRE
9	3011601	1	WIRE, 16 GAUGE SINGLE CONDUCTOR X 80 INCH LONG
10	3040114	1	CONNECTOR, IN-LINE 16/14 WIRE
11	3044161	1	TERMINAL #10 STUD INSULATED 16/14 WIRE
12	3040038	1	FUSE HOLDER, IN-LINE
13	3040039	1	FUSE, 10 AMP CAPACITY
14	3040083	3	TERMINAL .250 TAB FEMALE FULLY INSULATED 16/14 WIRE



AW0080768

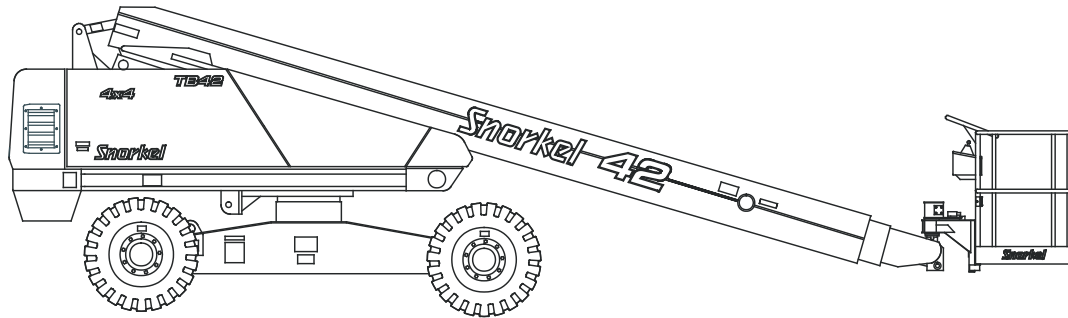
Motion Alarm, All Motion

Item	Part No.	Qty.	Description
1	3040129	1	MOTION WARNING ALARM, STANDARD
2	3046697	1	TERMINAL .188 TAB FEMALE SLIP-ON INSULATED 16/14 WIRE
3	3040082	1	TERMINAL .250 TAB MALE FULLY INSULATED 16/14 WIRE
4	970029	4	CAPSCREW 1/4-20 X 3/4 INCH LONG HEX HEAD GRADE 5
5	987099	4	WASHER 1/4 MEDIUM LOCK
6	986019	4	WASHER 1/4 MEDIUM FLAT
7	3044162	1	TERMINAL 1/4 RING TONGUE INSULATED 16/14 WIRE



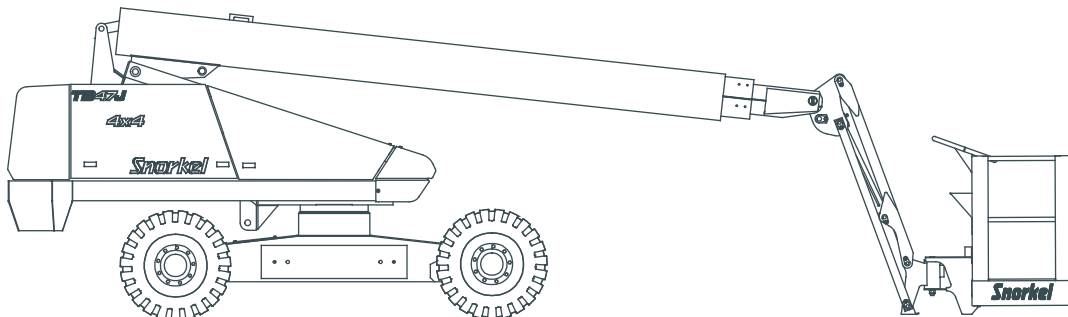
AW0074926-1

Maintenance



TB42 **TB50**

Manufactured 02-05 and after
With Simplified Hydraulics



TB47J

With Simplified Hydraulics

Snorkel
INTERNATIONAL

Maintenance

Every person who maintains, inspects, tests or repairs the aerial platform must be qualified to do so. Maintenance functions must be performed by maintenance personnel who are qualified to work on the aerial platform.

Caution

Welding current can be very intense. Damage to electronic components can result. Connect the ground clamp as close as possible to the area being welded. Disconnect the battery cables and any microprocessors and engine control modules before welding on the machine.

If it becomes necessary to weld aerial platform components as a method of repair, take all precautions to prevent damage to electronic circuitry and devices on the machine. This includes, but may not be limited to, disconnecting battery cables and electronic devices.

Do not modify this aerial platform without prior written consent of the Snorkel Engineering Department. Modification may void the warranty, adversely affect stability or affect the operation characteristics of the aerial platform.

Maintenance Schedules

Snorkel has established a preventative maintenance schedule to detect any defective, damaged or improperly secured parts and provide information regarding lubrication and other minor maintenance items.

This schedule includes the following:

- Daily Prestart Inspection
- Frequent Inspection and Maintenance – Every 90 Days or 150 Hours
- Annual Maintenance – Every 500 Hours

The Daily Prestart Inspection must be performed by a trained operation. All other maintenance and inspection must be performed by a trained service technician only. Retain a copy of these forms for your records.

All placards and decal on the machine must be in place and legible. Use the Placards and Decals parts page in the Repair Parts section of this manual to check these placards and decals.

Snorkel recommends that you make additional copies of the Preventative Inspection Maintenance Checklist form for your use in performing these inspections.

Warning

The potential for accident increases when operating an aerial platform that is damaged or malfunctioning. Death or serious injury can result from such accidents. Do not operate the aerial platform if it is damaged or malfunctioning.

Repair all defects before returning the machine to service.

General Information

The parts drawings located in the Repair Parts section are designed for use as a guide for proper disassembly of the machine and components, as well as, for parts replacement.

Danger

Hydraulic fluid escaping under pressure can have enough force to inject fluid into the flesh. Serious infection or reaction will result if medical treatment is not given immediately. In case of injury by escaping hydraulic fluid, seek medical attention at once.

Always refer to the hydraulic system installation drawings and the electrical wiring diagram before removing or disassembling associated parts.

When disassembling or reassembling components, complete the procedural step in sequence. Do not partially disassemble or assemble one part, then start on another. Always check our work to assure that nothing has been overlooked.

Keep the following in mind when disassembling or assembling the machine.

- Always be conscious of weight.
- Never attempt to lift heavy objects without the aid of a mechanical device.
- Do not allow heavy object to rest in an unstable condition.
- Always make sure the work platform in the stowed position, blocked or the weight removed by a suitable lifting device before removing any components from the machine.
- When raising a portion of the machine, be sure that adequate blocking is properly positioned. Do not depend solely on the lifting device to hold and secure weight.
- If a part resists removal, check to see if all fasteners, electrical wiring, hydraulic lines, etc., have been removed or that other parts are not interfering.

Parts should be thoroughly inspected before restoring to service at the time of reassembly. Burrs, nicks or scratches may be removed from machines surfaces by honing or polishing with a #600 crocus cloth, followed by a thorough cleaning with an approved cleaning solvent, and blown dry with compressed air. Do not alter the contour of any part. If this operation does not restore the part to a serviceable condition, replace the part.

Replace all o-rings, seals and gaskets at reassembly. Use new roll pins or cotter pins. Dip all packing rings and seals in hydraulic oil before reassembling in cylinder and manifolds. Replace any part having imperfect threads. In general, machines that have been disassembled can be reassembled by reversing the order of disassembly.

The service life of a machine can be increased by keeping dirt and foreign materials out of the vital components. Shields, covers, seals and filters help to keep air and oil supplies clean. However, these items must be maintained on a scheduled basis in order to function properly.

Clean surrounding areas, as well as the opening and fittings before disconnecting air or oil lines. As soon as a line or component is disconnected, cap or cover all openings to prevent the entry of dirt or foreign materials.

New parts should remain in their container until they are ready to be used.

Clearly mark or tag hydraulic lines and electrical wiring connections when disconnecting or removing them from the machine. This will assure that they are correctly reinstalled.

Proper assembly is critical to the successful rebuilding of any machine. Carefully, inspect any parts which are to be reused. If in doubt, replace.

"Safety First" is a good slogan.

Replace any guards and protective devices that have been removed to carry out maintenance and repair work.

Daily Prestart Inspection

Item	Inspect For	Ok
Operator's Manual	In manual holder	
Engine		
Oil Level	Between full and add marks	
Coolant	Proper fluid level	
Radiator	Cap tight, good condition and clean	
Air cooled engines	Air intake and fan free of obstructions Belt in good condition	
Fuel tank and line	Tank full, cap in place and tight/no leaks	
Air filter	Green indicator	
Charging system	Proper operation	
Cold weather start kit	No damage or deformation	
Electrical System		
Emergency power battery	Condition and charged for proper operation	
Battery fluid level and terminals	Proper level/clean, connectors tight	
Cables and wiring harness	No wear or physical damage	
Hydraulic System		
Fluid level	Between full and add marks	
Fluid filter	Verify operation in the green zone	
Hoses, tubes and fittings	No leaks	
Cold weather warm-up kit	Proper operation	
Tires		
Air filled	Good condition, proper infla	
Foam filled	Good condition	
Wheels	All wheel lug nuts present and tight	
Lower Control System		
Operating controls	Proper operation	
Emergency stop and emergency power	Shuts off lower controls/proper operation	
Emergency Lowering	Proper operation	
Level Sensor	Sounds tilt alarm	
Flashing Light	Proper operation	
Sandblast Protection Kit	In place and proper operation	
Structures		
Weldments – Chassis, turntable, booms, platform, etc.	Welds intact, no damage or deformation	
Slide Pads	In place, no damage or deformation	
Fasteners	In place and tight	
Wire Ropes	No deformation or broken strands	
Upper Control Station		
Guardrail system and lanyard anchors	Welds intact, no damage or deformation All fasteners in place, no loose or missing parts	
Operating controls	Proper operation	
Emergency stop and emergency power	Shuts off upper controls/proper operation	
Horn	Sounds when activated	
Electrical power outlet	Proper operation	
Drive motion alarm	Sounds when aerial platform moves	
Driving and work lights	Proper operation	
Platform control cover	In place and proper operation	
Air line	Good condition, proper operation	
Tow Kit	In place, no damage or deformation	
Placards and Decals	In place and readable	

Performed by: _____ Date: _____

Frequent Inspection and Maintenance – Every 90 Days or 150 Hours

Item	Procedure	Information	OK
Chassis			
Structural	Check for damage and cracked welds		
Steering cylinder pin caps and tie wire	Verify that all fasteners are in place and are tight		
Steering linkage	Check for proper operation		
Tires	Check for wear and damage		
	Proper inflation	65 psi to 70 psi – Air filled tires only	
Hydraulic tubes and hoses	Check for leaks, wear, and damage		
Drive motor brake	Check for proper operation		
Torque drive and steer wheel lug nuts per placard on wheel	Torque lug bolts/nuts to proper value on machine placard	Front 4x4: 200 to 225 ft lb Front 4x2: 400 to 450 ft lb Rear: 200 to 225 ft lb	
Right drive motor	Check for leaks		
Left drive motor	Check for leaks		
Tie-down and lifting lugs	Check for damage and cracked welds		
Decals and placards	Check for damage and readability Order replacements as necessary		
Turntable			
Structural	Check for damage and cracked welds		
Torque turntable top bolts	Torque to proper value	180 to 200 ft lbs	
Torque turntable bottom bolts	Torque to proper value	180 to 200 ft lbs	
Hydraulic tubes and hoses	Check for leaks, wear, and damage		
Centerpost	Check for leaks, wear, and damage		
Centerpost mounting bolts	Verify that all fasteners are in place and are tight		
Lift cylinder pin caps and tie wire	Verify that all fasteners are in place and are tight		
Lift cylinder and holding valve	Check for leaks, wear, damage, and for proper operation		
Master level cylinder pin caps and tie wire	Verify that all fasteners are in place and are tight		
Master level cylinder and holding valves	Check for leaks, wear, damage, and for proper operation		
Emergency bleed down valve	Check for proper operation		
Cowling	Check for wear/damage and that fasteners are in place and are tight		
Wire harness	Check for wear/damage and that fasteners are in place and are tight		
Rotation brake	Check for proper operation		
Rotation backlash	Check for wear and damage		
Operator's Manual	Proper manual in document holder		
System pressure	Check maximum system pressure	3,000 psi	
Decals and placards	Check for damage and readability Order replacements as necessary		

Frequent Inspection and Maintenance – Every 90 Days or 150 Hours

Item	Procedure	Information	OK
Lower Controls			
Control switch in the lower controls position	Check for proper operation	With selector in the lower controls position, upper controls do not work	
Station selector switch in the upper controls position	Check for proper operation	With selector in the upper controls position, lower controls do not work	
Engine Start – Stop	Check for proper operation		
Throttle High – Low	Check for proper operation		
Turntable CW – CCW	Check for proper operation		
Boom elevation Up – Down	Check for proper operation		
Boom Extend – Retract	Check for proper operation		
Envelope Restriction	Check for proper operation	Raise main boom to horizontal and extend tip boom until it stops. Envelope restriction light at upper controls should be on.	
Jib Up – Down	Check for proper operation		
Platform level Up – Down	Check for proper operation		
Platform rotation CW – CCW	Check for proper operation		
Emergency power, all functions	Check for proper operation		
Emergency stop	Check for proper operation		
Booms			
Structural	Check for damage and cracked welds		
Lift cylinder pin caps and tie wire	Verify that all fasteners are in place and are tight		
Hydraulic tubes and hoses	Check for leaks, wear, and damage		
Extension cylinder pin caps and tie wire	Verify that all fasteners are in place and are tight		
Extension cylinder and holding valve	Check for leaks, wear, damage, and for proper operation		
Jib boom pin caps and snap rings	Verify that all fasteners are in place and properly installed		
Jib cylinder pin caps and snap rings	Verify that all fasteners are in place and properly installed		
Jib cylinder and holding valve	Check for leaks, wear, damage, and for proper operation		
Slave level cylinder pin caps and tie wire	Verify that all fasteners are in place and are tight		
Slave level cylinder and holding valves	Check for leaks, wear, damage, and for proper operation		
Hose carrier tube and support	Check for residue buildup/proper operation		
Plastic hose track	Check for wear and damage		
Electrical wires	Check for wear and damage		
Extend/retract wire ropes and sheaves	Check for wear/damage and that fasteners are in place and tight		
Decals and placards	Check for damage and readability Order replacements as necessary		

Frequent Inspection and Maintenance – Every 90 Days or 150 Hours

Item	Procedure	Information	OK
Platform			
Structural	Check for damage and cracked welds		
Entry Gate	Check for proper operation		
Hydraulic tubes and hoses	Check for leaks, wear, and damage		
Slave level cylinder pin caps and tie wire	Verify that all fasteners are in place and are tight		
Slave level cylinder holding valves	Check for leaks, wear, damage, and for proper operation		
Decals and placards	Check for damage and readability Order replacements as necessary		
Upper Control Station			
Foot switch	Check for proper operation	With the foot switch engaged the engine should not start. Functions should be operational when foot switch is engaged	
Engine Start – Stop	Check for proper operation		
Throttle High – Low	Check for proper operation		
Turntable CW – CCW	Check for proper operation		
Boom elevation Up – Down	Check for proper operation		
Boom Extend – Retract	Check for proper operation		
Jib Up – Down	Check for proper operation		
Platform level Up – Down	Check for proper operation		
Platform rotation CW – CCW	Check for proper operation		
Drive speed	Boom up and/or extended Low – 1.0 mph	1 mph = 100 ft in 65 to 75 sec	
	Boom down and retracted High – 3.0 mph	3 mph = 100 ft in 22 to 28 sec	
Drive range – boom stowed	Check for proper operation	Slow speed only with boom raised	
Engine choke – gas engine only	Check for proper operation		
Emergency power, all functions	Check for proper operation		
Emergency stop	Check for proper operation		
Gradual start to stop lift/swing/ drive controls	Check for proper operation		
Speed limit switch	Check for proper operation		
5° tilt alarm	Check for proper operation		
110 volt AC power to platform	Check for proper operation		
Hydraulic Oil Reservoir			
Filler/breather cap and tank	Check for wear/securely fasten	Above 10°F (-13°C) Mobil DTE-13M, ISO VG32 Below 10°F (-13°C) Mobil DTE-11M, ISO VG15	
Hydraulic fluid level	Replace after the first 50 hours, every 90 days or 150 hours thereafter		
Hydraulic filter	Inspect filter for foreign matter that could indicate component wear		

Frequent Inspection and Maintenance – Every 90 Days or 150 Hours

Item	Procedure	Information	OK
Engine			
Charging system	Check for proper operation		
Air filter	Check for wear and damage		
Hour meter	Check for proper operation		
Belts and hoses	Check for wear and damage		
Hydraulic pump	Check for proper operation		
Battery terminals	Clean terminals and check cable condition		
Battery electrolyte	Check electrolyte levels	Add distilled water if necessary	
Indicator gauges	Check for wear/damage and proper operation		
Engine oil	Check for wear and damage/level	Between add and full	
Engine coolant	Check level	Between add and full	
Engine Start – Stop	Check for proper operation		
Electric throttle	Check for proper operation		
Electric choke, if equipped	Check for proper operation		
Engine governor setting	Check for proper operation		
Platform Rotator			
Structural	Check for damage and cracked welds		
Hydraulic rotator actuator	Check for leaks, wear, and damage		
Platform rotation holding valve	Check for proper operation		
Mounting bolts and pin caps	Verify that all fasteners are in place and are tight		
Options			
110 volt AC generator	Check for proper operation		
Dual fuel system	Check condition and for proper operation		
LP gas system and control	Check condition and for proper operation		
Horn	Check for proper operation		
Motion warning alarm	Check for proper operation		
Operation warning light	Check for proper operation		
Key type master switch	Check for proper operation		
Flashing light	Check for proper operation		
Cold weather start kit – diesel only	Check for proper operation		
Hydraulic system cold weather warm up kit	Check for proper operation		
Extension cylinder bleed down	Check for proper operation		
Driving lights	Check for proper operation		
Platform work lights	Check for proper operation		
Sandblast protection kit	Check for proper operation		
Airline to platform	Check for proper operation		
Tow package	Check for wear/damage and proper operation		
Optional platform	Verify that all fasteners are in place and are tight		

Frequent Maintenance – Every 90 Days or 150 Hours

Item	Procedure	Information	OK
Daily maintenance	Perform maintenance as per schedule	Retain copy of checklist	
Preventive inspection maintenance checklist	Perform inspection, complete form	Retain copy of checklist	
Placards and decals inspection	Inspect using drawing and parts listing in Section 1 – Repair Parts Manual	Replace any missing or unreadable decals/placards	
Door hinges and latches	Lubricate	SAE 10W oil or spray lubricant	
Rotation bearing	Lubricate	Conoco Super Sta #2 Above 32° F Mobilgrease CM-P Below 32° F Mobilgrease CM-L	
Rotation bearing teeth and pinion	Lubricate	Mobil Mobiltac 375NC	
Tie rods	Lubricate	Conoco Super Sta #2 Above 32° F Mobilgrease CM-P Below 32° F Mobilgrease CM-L	
Gear hubs	Check fluid level, fill if low	Mobil Mobilube HD 80W-90	
Swing drive	Check fluid level, fill if low	Mobil Mobilube HD 80W-90	
Platform rotator	Refill if disassembled for repairs	Consult factory	
Platform controller	Check smooth operation/speeds		
Batteries	Check specific gravity	1.260/1.275 at 80° F	
Hydraulic return filter	Check condition	Replace if dirty	
Engine RPM	Check for proper engine RPM	See engine owner's manual	
Engine oil and filter	Replace per engine owner's manual	See engine owner's manual	
Engine fuel filter	Check condition	Replace every 6 months or if dirty	

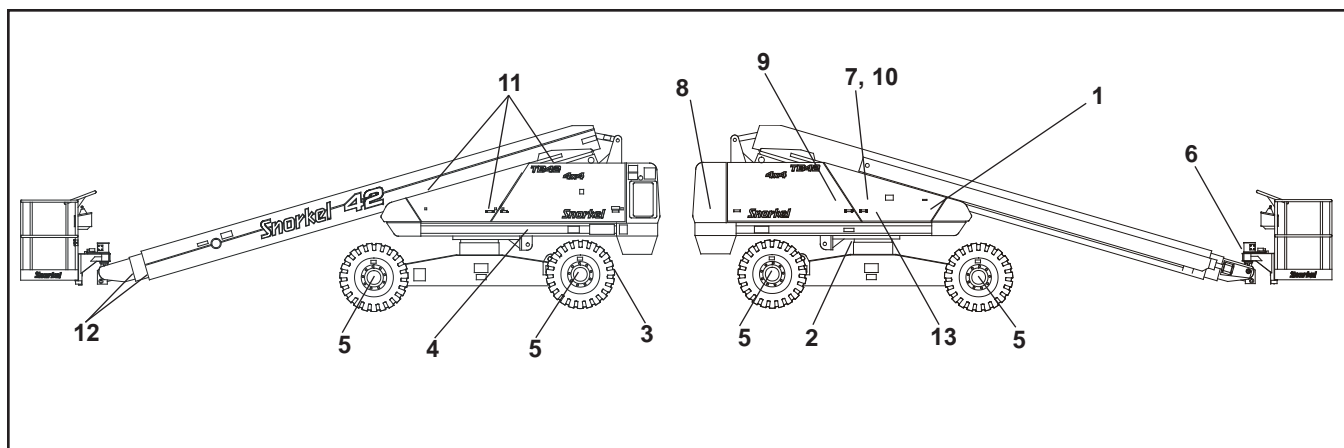
Performed by: _____ Date: _____

Annual Maintenance – Every 500 Hours

Item	Procedure	Information	OK
90 day or 150 hour maintenance	Perform maintenance per schedule	Retain copy of checklist	
Hydraulic oil reservoir	Clean and replace fluid	Above 10° F (-13° C) Mobil DTE-13M, ISO VG32 Below 10° F (-13° C) Mobil DTE-11M, ISO VG15	
Hydraulic return filter	Replace	After first 50 hours, then at recommended interval	
Hydraulic reservoir suction filter	Clean and reinstall		
Hydraulic pressures	Pump setting	Standby pressure: 350-375 psi	
	Function pressures	Boom up: 2,400-2,500 psi With 8 ft steel platform: 2,700 psi	
		Boom down: 700-750 psi With 8 ft steel platform: 2,700 psi	
		Steer: 2000 psi	
		Level: 3000 psi	
		Extend: 1,700` psi	
		Retract: 2,800 psi	
Gear hubs	Replace fluid	Mobil Mobilube HD 80W-90	
Swing drive	Replace fluid	Mobil Mobilube HD 80W-90	
Engine coolant	Check condition	See engine owner's manual	
Front wheel bearings	Clean and repack	Conoco Super Sta #2 Above 32° F Mobilgrease CM-P Below 32° F Mobilgrease CM-L	

Performed by: _____ Date: _____

Lubrication Points



Lubrication

Specific lubricants as recommended by Snorkel, should be used in maintaining the unit. If in doubt regarding the use of lubricants other than those listed, contact Snorkel Customer Service Department for evaluation and recommendation.

Refer to the above lubrication illustration for location item numbers.

Service all fittings as indicated in the Maintenance Schedule and lubrication illustration. Wipe away all excess lubricant from exposed surfaces. Over lubrication can collect dirt and foreign matter which acts as an abrasive. Lubrication of accessory equipment should be in accordance with the manufacturer's recommendations.

Rotation Bearing

Rotation bearing – Item 1. Pressure gun lubricate bearing at recommended interval using lubricant as outlined in the maintenance schedule. Rotate while lubricating. Lubrication fitting is located on the front plate of the turntable.

Rotation Gear Teeth and Pinion

Rotation gear teeth and pinion – Item 2. Gear teeth and gear box pinion should be lubricated with a spray-on type open gear lubricant.

Tie Rods

Tie rods – Item 3. Lubricate at recommended interval using lubricant as outlined in the maintenance schedule.

Swing Drive

Swing drive – Item 4. To check oil level, remove check plug located on the side of the gear box. Unit is full if oil is level with bottom of fill hole or just starts to run out.

Gear Hubs

Gear hubs – Item 5. To check and fill Gear hubs:

1. Rotate wheel until bottom of filler/drain plug is about 1 inch above horizontal centerline.

2. Remove plug with drive ratchet and extension.
3. Fill until lubricant is level with bottom of fill hole.

Note

Do not overfill gear hubs as they are not vented and need air space for expansion of oil to prevent damage to hubs.

Platform Rotator

Platform Rotator – Item 6. Platform rotators will require lubrication only if disassembled for repairs. Consult factory for proper lubricant if replacement of platform rotator is required.

Hydraulic Oil Reservoir

Hydraulic oil reservoir – Item 7. The fluid level should be kept between the low and full marks on the sight gauge indicator and should be checked with all cylinders fully retracted and the platform in stowed position.

The interior of the reservoir should be wiped out and cleaned each time the hydraulic oil is changed. The reservoir filler/breather cap should be removed and the cap strainer cleaned with Kerosene, fuel oil, or other solvent at this time.

It is absolutely necessary that only new, clean hydraulic oil is added.

Note

If it becomes necessary to add or use an oil other than the recommended fluid, it is important that it be compatible and equivalent to the factory fill. Local oil suppliers can generally furnish this information.

If questions still remain, contact Snorkel Customer Service Department for further information.

Engine

Engine – Item 8. Refer to the engine manufacturer's instruction manual or consult your local engine service representative if engine adjustments or repairs are needed. The engine must be operated in accordance with manufacturer's instructions and serviced at recommended intervals.

Hydraulic Oil Return Filter

Return filter – Item 9. The hydraulic oil return filter is mounted on top of the hydraulic oil reservoir.

The filter element is a throw-away type filter and should be changed after the initial break-in period (approximately 50 hours operation time).

The filter is equipped with a hydraulic pressure gauge to indicate the filter element condition. A by-pass relief within the filter base is provided and is set to by-pass at 25 PSI. If pressure readings are above 25 PSI, the filter should be changed.

The filter condition should be checked at the 90 day or 150 hour Preventive Inspection Maintenance interval or more frequently under extreme working conditions.

The filter condition indicator is accurate only when the engine is running at maximum RPM and pump is discharging maximum flow, which occurs only during full speed driving. This requires that the indicator be observed while the unit is in motion, booms fully retracted and in stowed position, drive range switch in “LO” position, and drive controller fully forward. Oil temperature should be at least 90 degrees F.

Warning

Use extreme caution while observing the condition indicator because of the motion of the drive wheels. The condition indicator is best observed from outside of the tract of the vehicle wheels to avoid possible personal injury or machine damage.

When changing the filter element, the oil inside of the filter element, should be examined for deposits of metal cuttings, which is present, could indicate excessive wear in some of the system components.

Suction Strainer

Suction strainer – Item 10. A 100 mesh strainer is located within the hydraulic oil reservoir and filters the pump suction flow.

The strainer is cleanable and should be cleaned at the time interval shown in the maintenance schedule chart, using Kerosene, Fuel oil or other solvent and a soft bristled brush.

Inspect filter for damage to wire cloth. Holes in the filter cloth leak dirt into the pump and other vital hydraulic components. If element is damaged, replace.

When filter has been thoroughly cleaned, reinstall filter on suction line and tighten securely.

Door Hinges and Latches

Door hinges and latches – Item 11. After lubricating, remove any excess oil or over spray so it will not collect dirt or debris.

Slide Pads

Slide pads – Item 12. Check slide pads for excessive wear and replace as required. Slide pads do not require lubrication.

Batteries

Batteries – Item 13. Batteries will have longer life if the water level is maintained and they are kept charged. The unit will have better starting characteristics with a fully charged battery. In cold weather the battery should be maintained at full charge to keep from freezing. An extremely low or dead battery can freeze in cold weather. Make sure connections are clean and tight.

Make sure charging equipment is operating properly.

Danger

Lead-acid batteries produce flammable and explosive gases. Never allow smoking, flames or sparks around batteries. Lead-acid batteries contain sulfuric acid which will damage eyes or skin on contact. When working around batteries, always wear a face shield to avoid acid in eyes.

If acid contacts eyes, flush immediately with clear water and get medical attention. Wear rubber gloves and protective clothing to keep acid off skin, if acid contacts skin, wash off immediately with clear water.

Battery Care and Maintenance





The following information about battery care and maintenance was supplied by Interstate Batteries and is reprinted here with their permission.

1. New batteries need to be cycled several times before reaching full capacity (20-50 cycles, depending on type). Usage should be limited during this period.
2. Always recharge batteries fully, immediately after use. Batteries perform best when they are fully charged. More capacity and longer life will result from this practice.
3. The deeper the discharge, the fewer number of cycles a lead-acid battery will deliver. Deep discharges deteriorate the battery quicker than lighter shallow cycles.
4. Battery cables should be intact and connectors kept tight at all times. Systematic inspection is recommended.
5. Vent caps should be kept in place and tight during vehicle operation and battery charging.
6. Batteries should be kept clean – free of dirt and corrosion – at all times. Always keep the top of batteries clean. A film on top of the battery can cause the current to migrate between the posts, accelerating self discharge.

-
7. Never let the electrolyte level of a lead-acid battery fall below the plates. Lack of maintaining the electrolyte in a lead-acid battery causes damage to the exposed portion of the plate which reduces capacity.
 8. Always check electrolyte level before charging. Do not add water to individual cells unless plates are exposed. Batteries should be watered after charging unless the plates are exposed before charging. If exposed before charging, the plates should be covered by approximately 1/8" of water. Check water level after charging. Water should be kept 1/4" below the bottom of the fill tube in the cell cover.
 9. Water used to replenish batteries should be distilled or treated to not exceed 200 T.D.S. (total dissolved solids... parts per million). Particular care should be taken to avoid metallic solids (iron).
 10. A fully charged battery will give you the best and longest service. Be sure the batteries are fully charged before testing or using. A fully charged battery, without a drain or load, after the surface charge has dissipated, is 6.35 volts for a 6 volt battery.
 11. Batteries should not be discharged below 20% of capacity (approximately 1.8 volts per cell under normal operating load; 1.98 volts open circuit; 1.145 specific gravity). Proper battery sizing will help avoid excessive discharge.
 12. Battery chargers should be sized to fully charge batteries in an eight hour period. Chargers should be kept in proper operating condition.
 13. Do not use a mismatched charger of any type; i.e., a 12 volt charger on a 24 volt pack or a 24 volt charger on a 12 volt pack. An undersized charger will never get the job done, no matter how long it tries. An oversized charger will cause excess gassing and heat that could possibly result in a battery meltdown and/or explosion.
 14. Never charge a lead-acid battery with a sealed (gel cell) battery charger. The lead-acid battery needs higher voltage to finish its charge. Without it the battery will never come back to 100% and sulfation can occur.
 15. Always allow batteries to cool off after charging. The cooling time is very important because heat is generated during the recharge and discharge cycles. Without the cooling time the heat grows, accelerating grid corrosion which is one of the major causes of battery failure. Charging practice should enable batteries to cool before use.
 16. Deep cycle batteries need to be equalized periodically. Equalizing is an extended, low current charge performed after the normal charge cycle. It helps keep cells in balance. Actively used batteries should be equalized once per week. Manually timed chargers should have the charge time extended approximately 3 hours. Automatically controlled chargers should be unplugged and reconnected after completing a charge cycle.
 17. In situations where multiple batteries are connected in series, parallel or series-parallel, a replacement battery's should be of the same size, age and usage level as the companion batteries. Do not put a new battery in a pack that has 50 or more cycles. Either replace all the batteries with new batteries or install a good used battery's in place of the bad. New batteries should be given a full charge before use.
 18. Periodic battery testing is an important preventative maintenance procedure. Hydrometer readings of each cell (fully charged) give an indication of balance and true charge level. Imbalance could mean the need for equalizing and is often a sign of improper charging or a bad cell. Voltage checks (open circuit, charged and discharged) can locate a bad cell or weak battery. Load testing will pick out a bad cell when other methods fail. The point is to look for the abnormal. A weak cell or battery will cause premature failure of companion cells or batteries respectively.
 19. As batteries age, their maintenance requirements change, Generally their specific gravity is higher and gassing voltage goes up. This means longer charging time and/or higher finish rate (higher amperage at the end of charge). Usually, older batteries need to be watered more often and their capacity decreases.
 20. "Opportunity charging", a short partial charge during an extended duty cycle, is a controversial subject. Generally, the practice is a "crutch" to make up for undersized batteries. The correct approach is to install adequate battery capacity. If this is impossible because of lack of space in the battery compartment or extreme operating conditions (24 hour intermittent use, as an example), "opportunity charging" is better than excessive battery discharging. However, the practice can cause batteries to overheat, require more watering and usually will shorten battery life. "Opportunity charging" is a trade off; something to avoid if possible. One charging cycle per day is preferable.

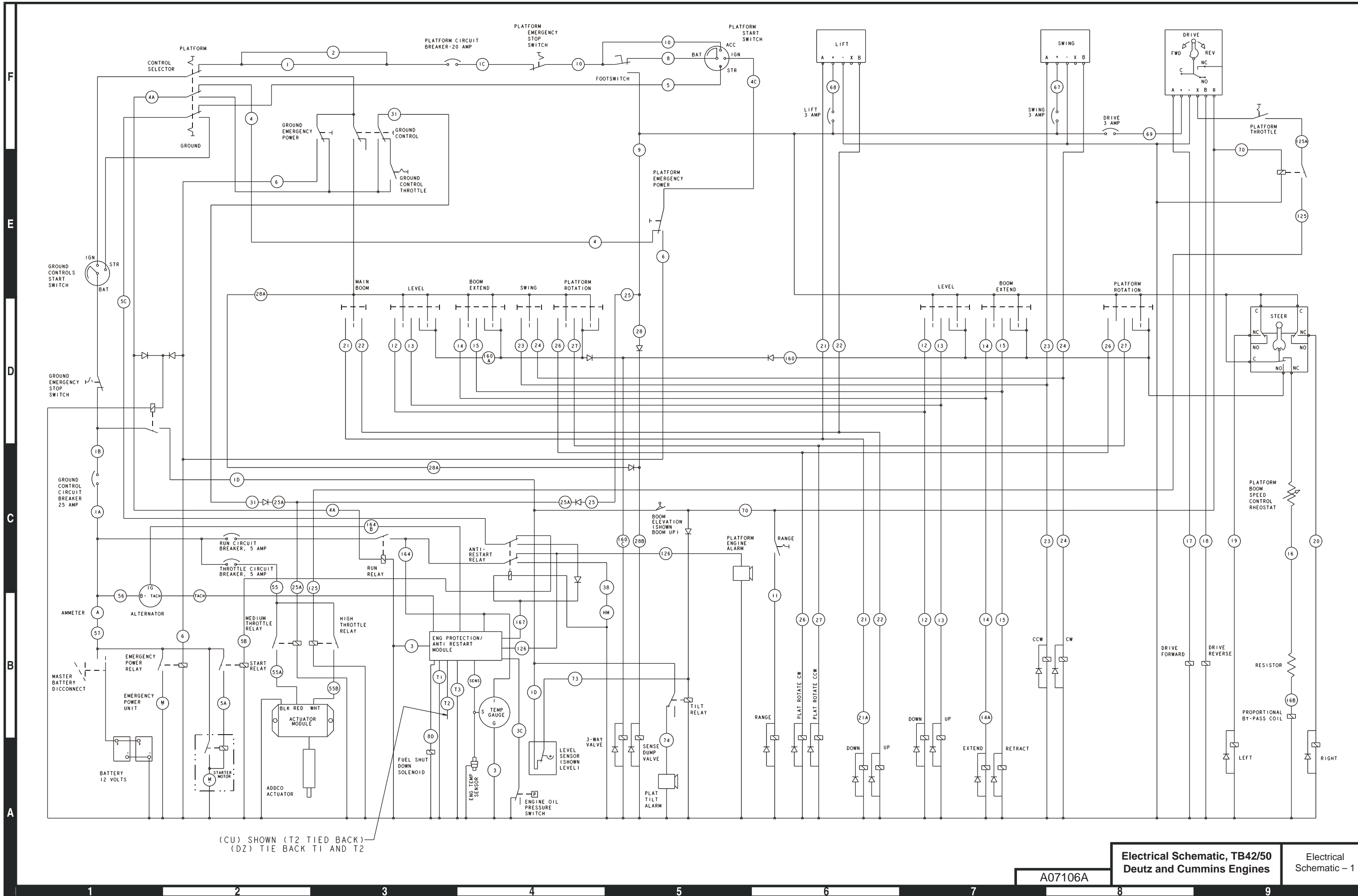
-
21. Extreme temperatures can substantially affect battery performance and charging. Cold reduces battery capacity and retards charging. Heat increases water usage and can result in overcharging. Very high temperature can cause “thermal run away” which may lead to an explosion or fire. If extreme temperature is an unavoidable part of an application, consult a battery/charger specialist about ways to deal with the problem.
 22. An overly discharged battery might need to be cycled a few times before it can recover fully. If a battery begins to heat before coming up to a full charge, it might be necessary to discharge the battery and recharge it a few times. The charge and discharge cycle might help the current acceptance of the battery and facilitate its recovery to a usable condition.
 23. Inactivity can be harmful to deep cycle batteries. If they sit for several months, a “boost” charge should be given – more frequently in warm climate (about once a month) than in cold (every 2-3 months).
 24. Never store a battery in a discharged state. The sulfate that forms during discharge can make the battery impossible to recharge fully.

Fastener Torque Chart

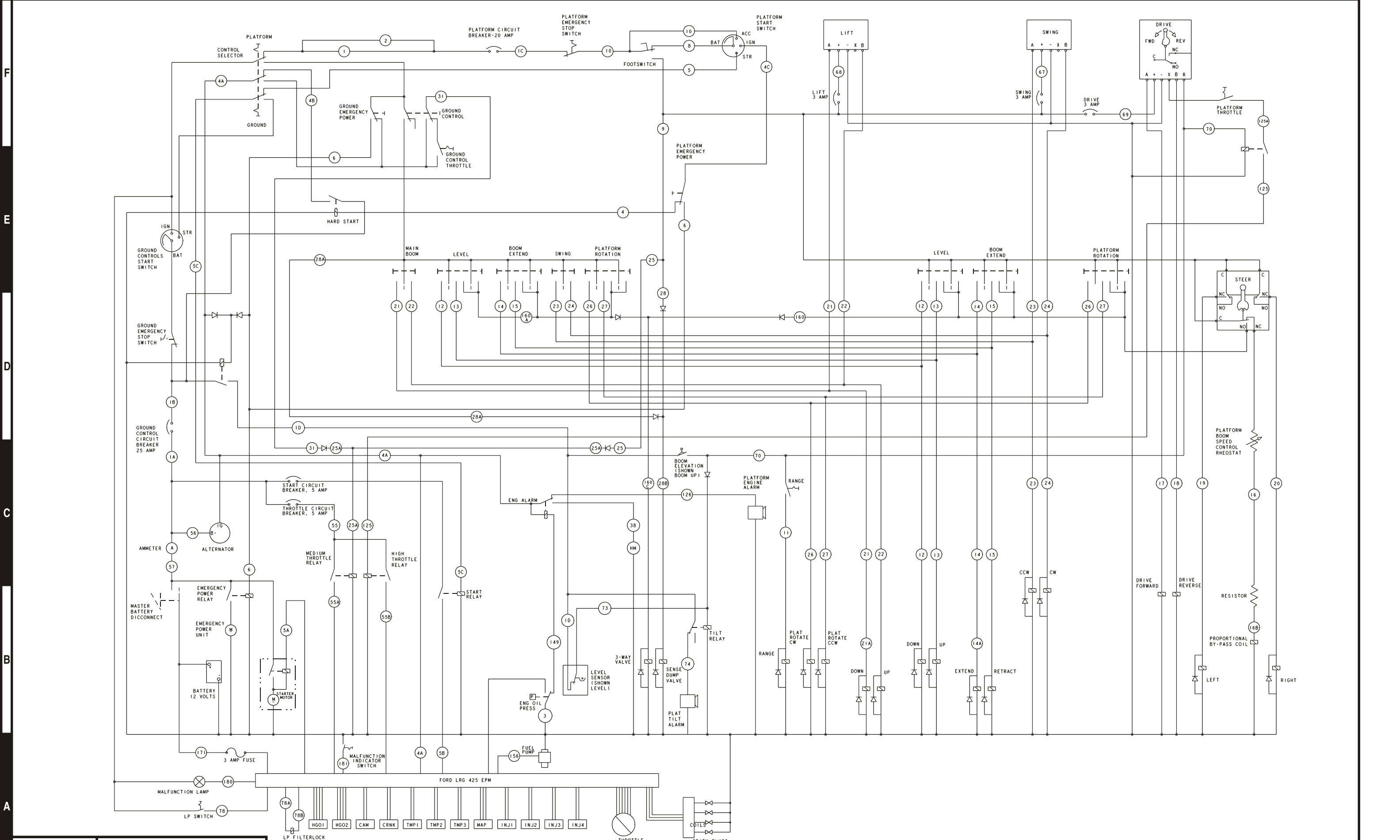
Bolt Grade	SAE Grade 1 or 2	SAE Grade 5	SAE Grade 6	SAE Grade 8
Marking				
Definition	Indeterminate Quality	Minimum Commercial Quality	Medium Commercial Quality	Best Commercial Quality
Material	Low Carbon Steel	Medium Carbon Steel Tempered	Medium Carbon Steel Quenched and Tempered	Medium Carbon Alloy Steel Quenched and Tempered
Minimum Tensile Strength	64,000 psi.	105,000 psi	133,000 psi.	150,000 psi
Bolt Size	Recommended Torque Value (ft lbs)			
1/4	5	7	10	10.5
5/16	9	14	19	22
3/8	15	25	34	37
7/16	24	40	55	60
1/2	37	60	85	92
9/16	53	88	120	132
5/8	74	120	167	180
3/4	120	200	280	296
7/8	190	302	440	473
1	282	466	660	714

Torque chart information:

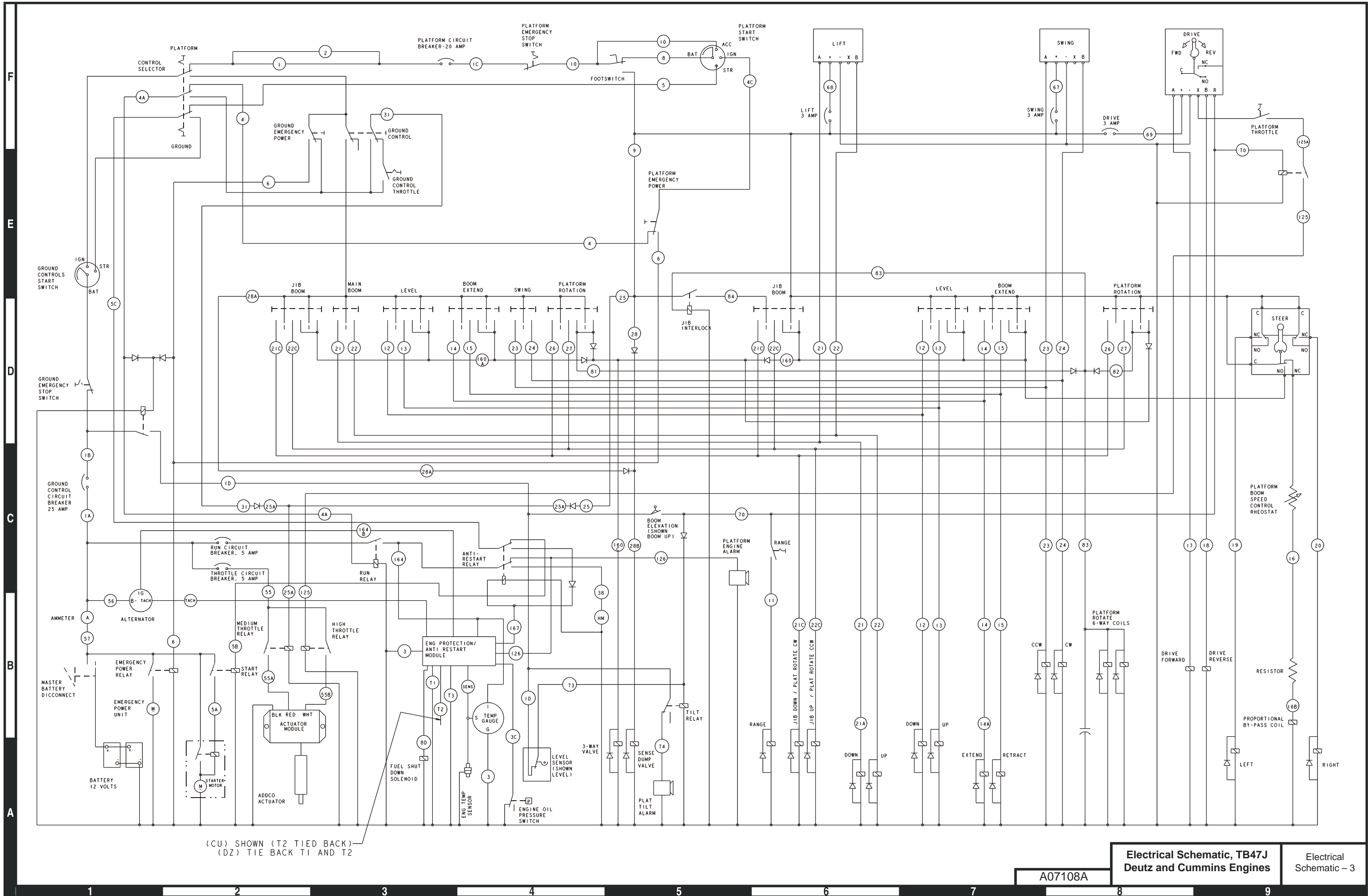
- Consult manufacturers' specific recommendations, when available.
- The chart may be used with both coarse and fine thread fasteners lightly lubricated.
- Increase torque by 20% when multiple tapered tooth (shake proof) lock washers are used.
- The torque values are given in foot-pounds.
- Inch/pound equivalent may be obtained by multiplying by 12.

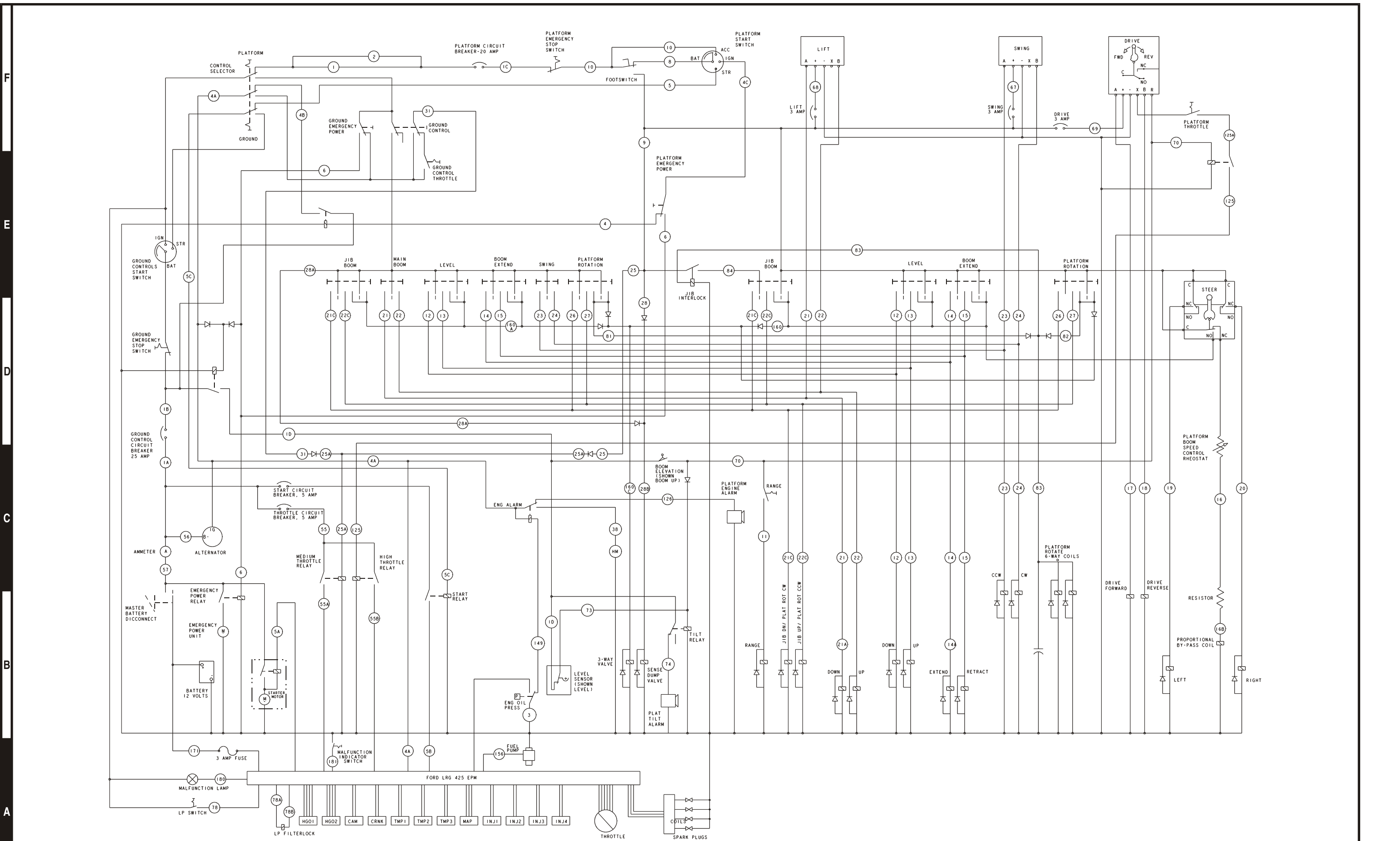


(CU) SHOWN (T2 TIED BACK)
 (DZ) TIE BACK T1 AND T2



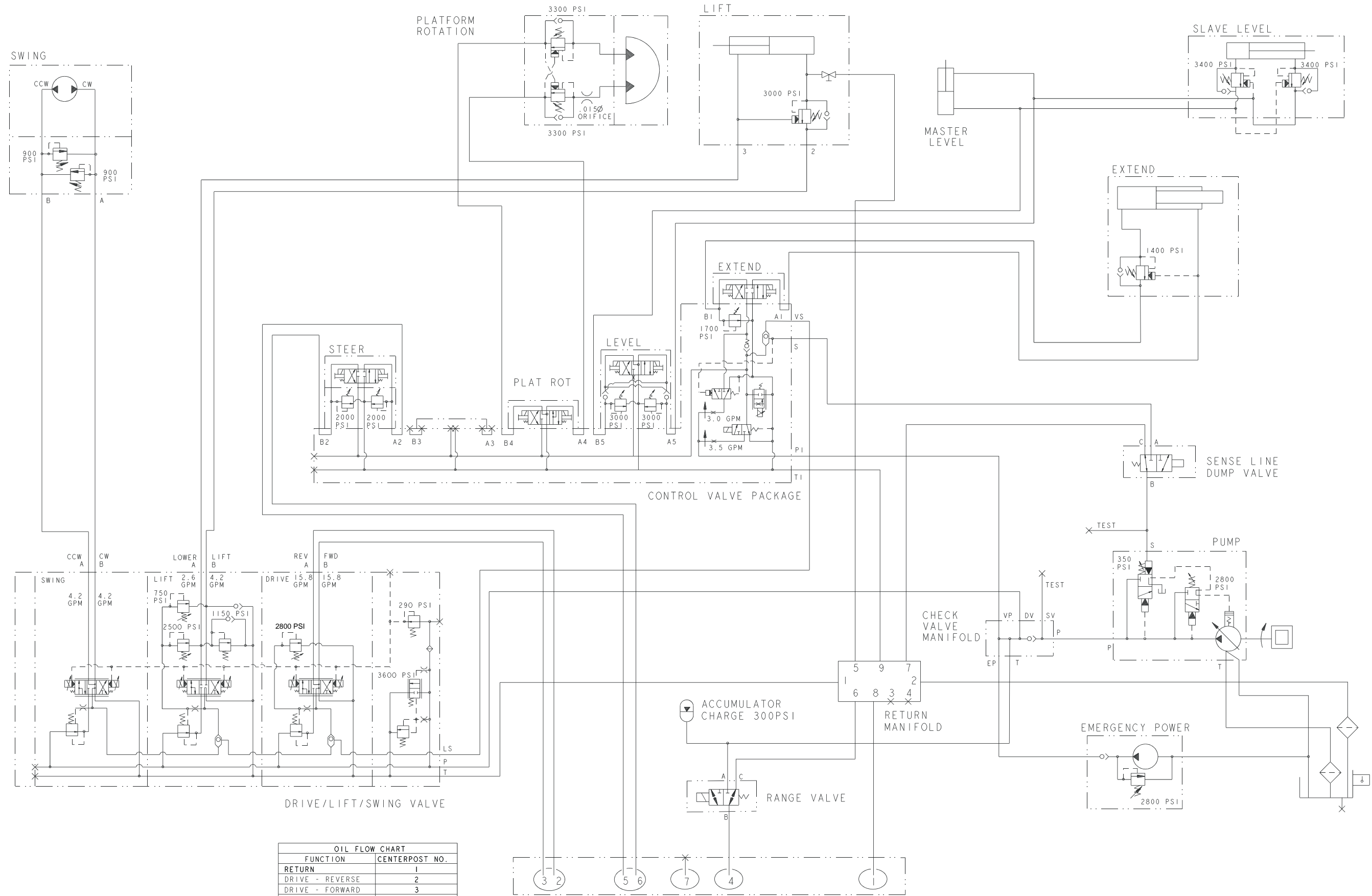
Electrical Schematic - 2
Electrical Schematic, TB42/50 Ford Engine
 A07107A



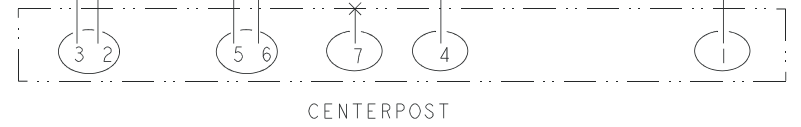


Electrical Schematic - 4
Electrical Schematic, TB47J
Ford Engine

A07109A



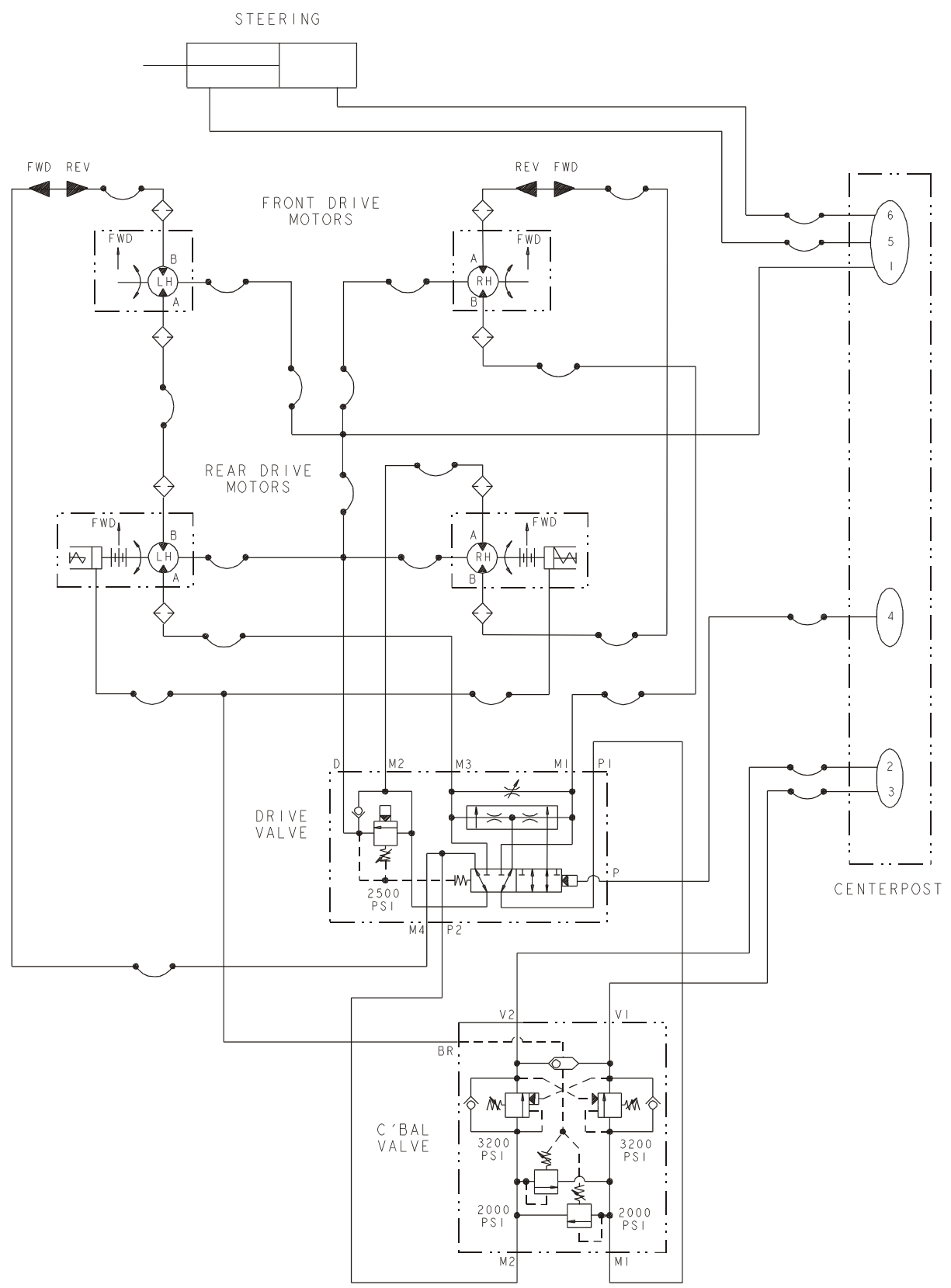
OIL FLOW CHART	
FUNCTION	CENTERPOST NO.
RETURN	1
DRIVE - REVERSE	2
DRIVE - FORWARD	3
PILOT	4
STEER - RIGHT	5
STEER - LEFT	6
NOT USED	7



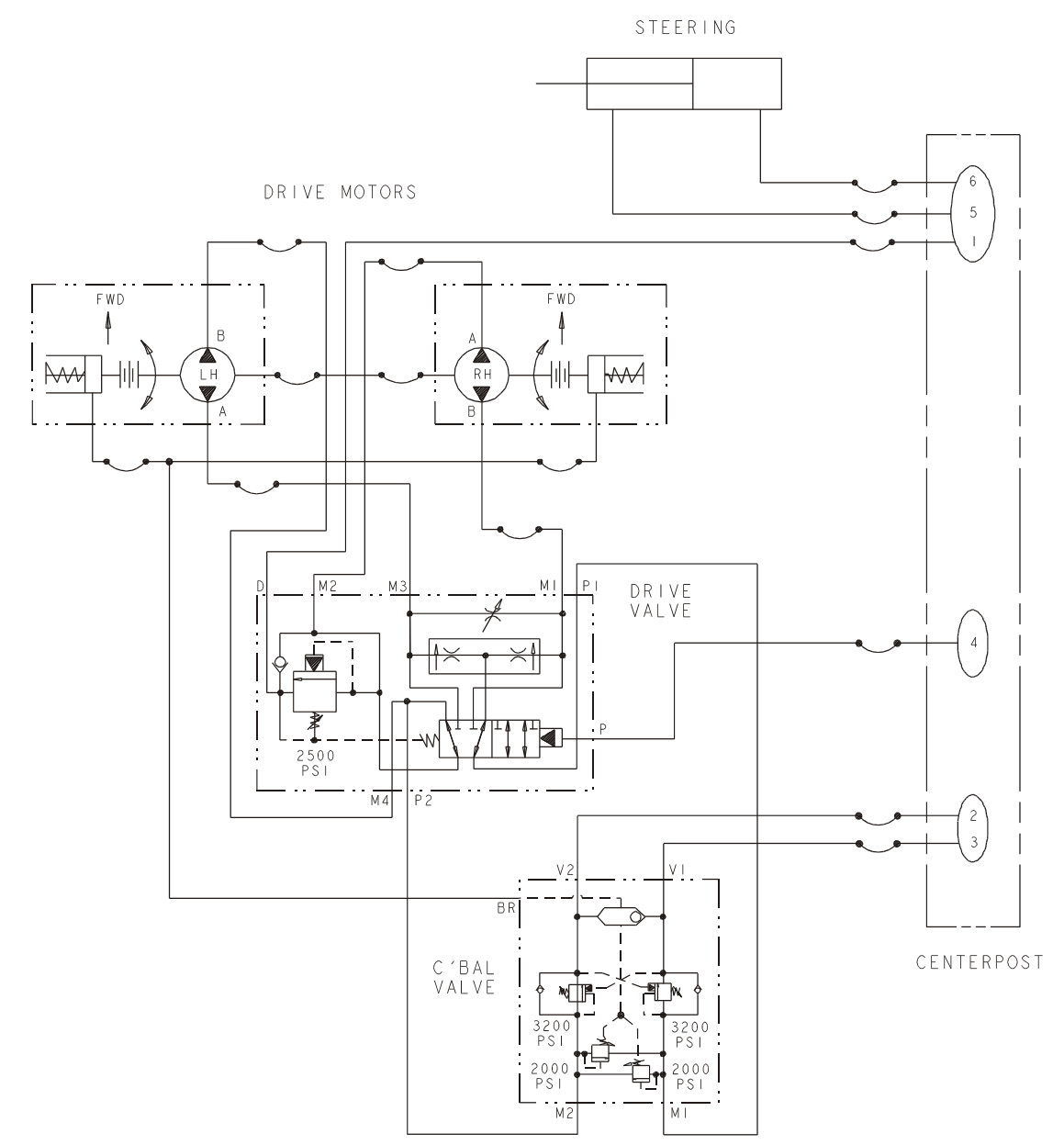
F
E
D
C
B
A

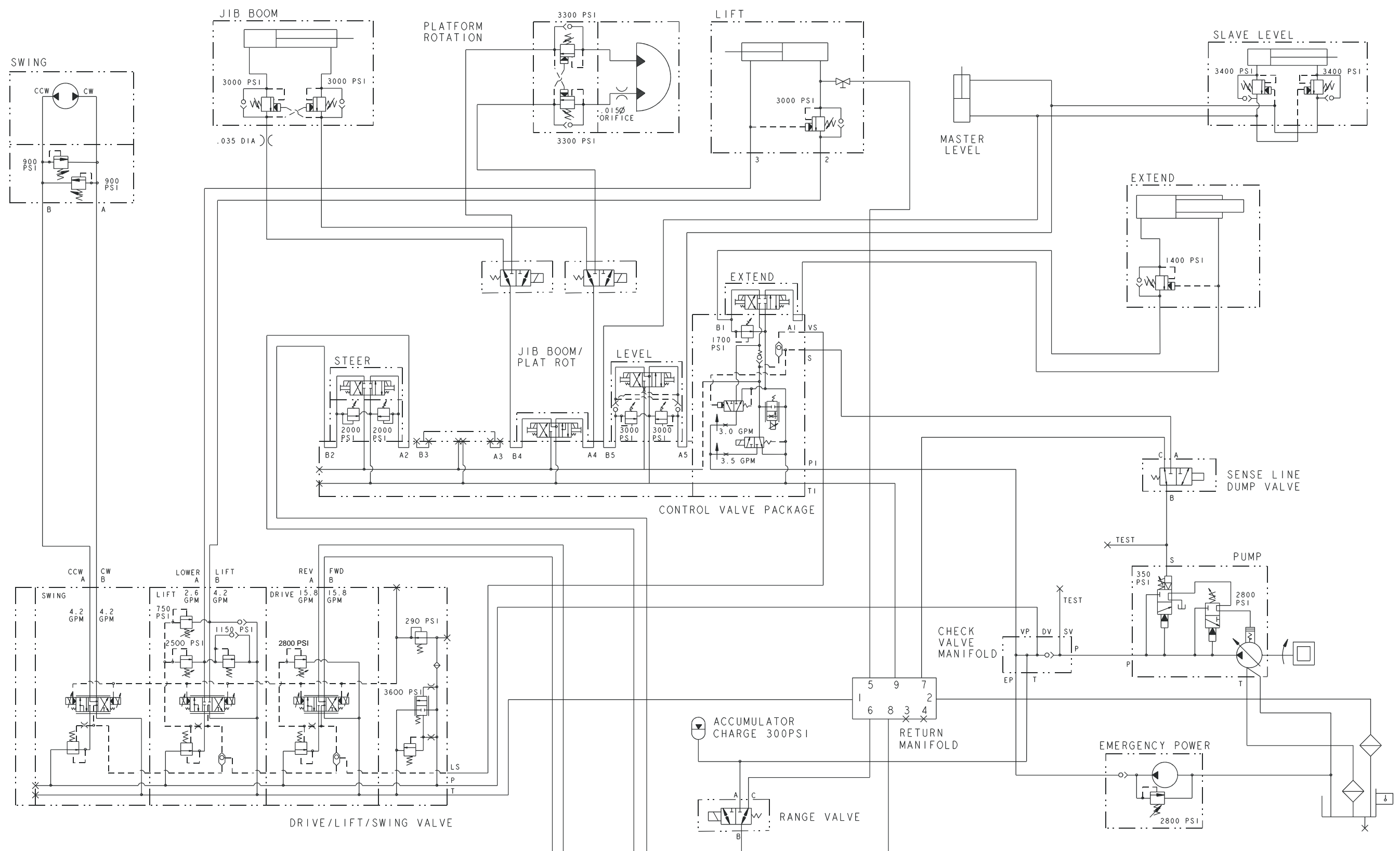
1 2 3 4 5 6 7 8 9

4X4 CHASSIS

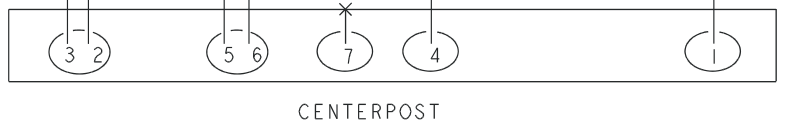


4X2 CHASSIS





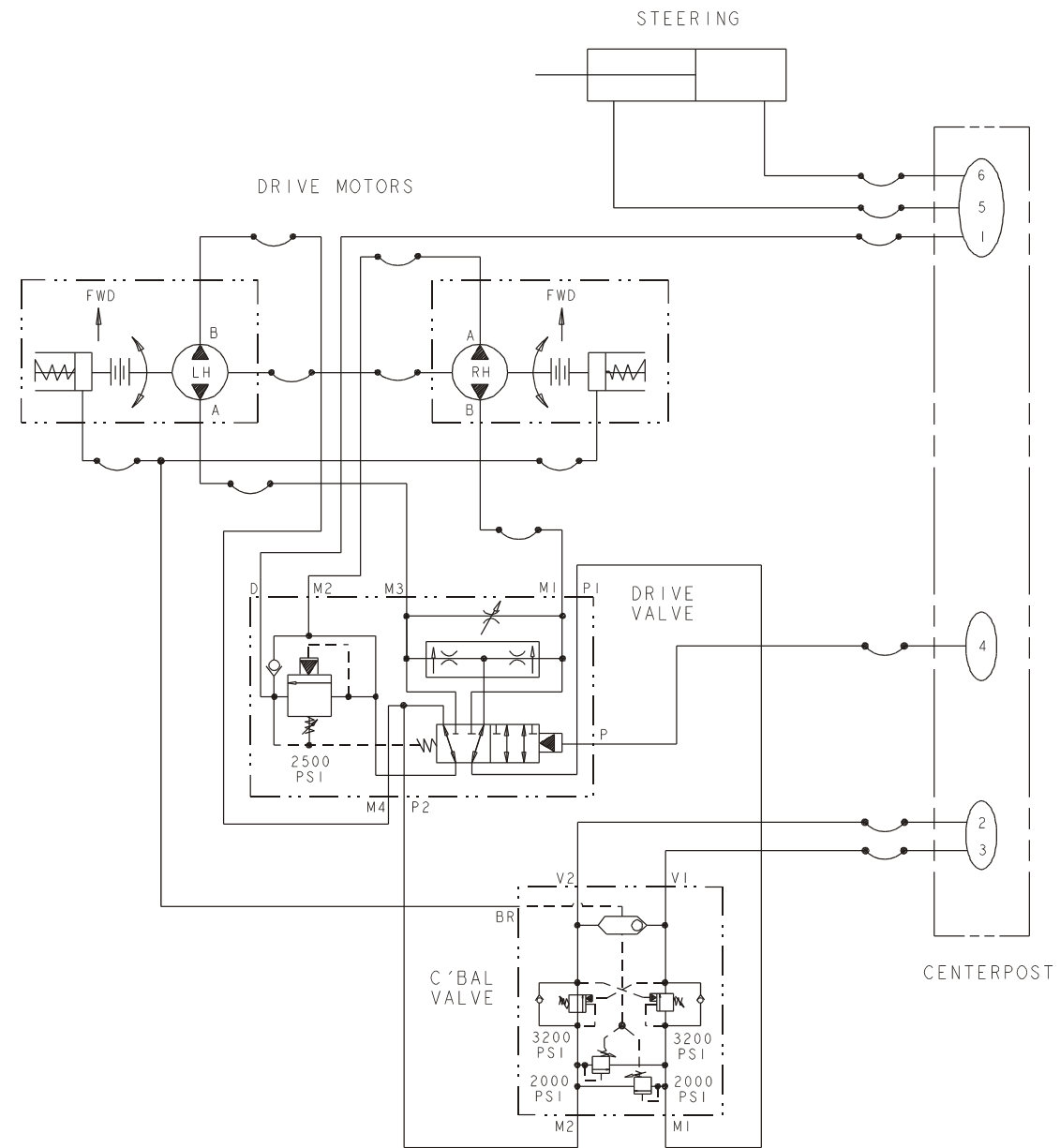
OIL FLOW CHART	
FUNCTION	CENTERPOST NO.
RETURN	1
DRIVE - REVERSE	2
DRIVE - FORWARD	3
PILOT	4
STEER - RIGHT	5
STEER - LEFT	6
NOT USED	7



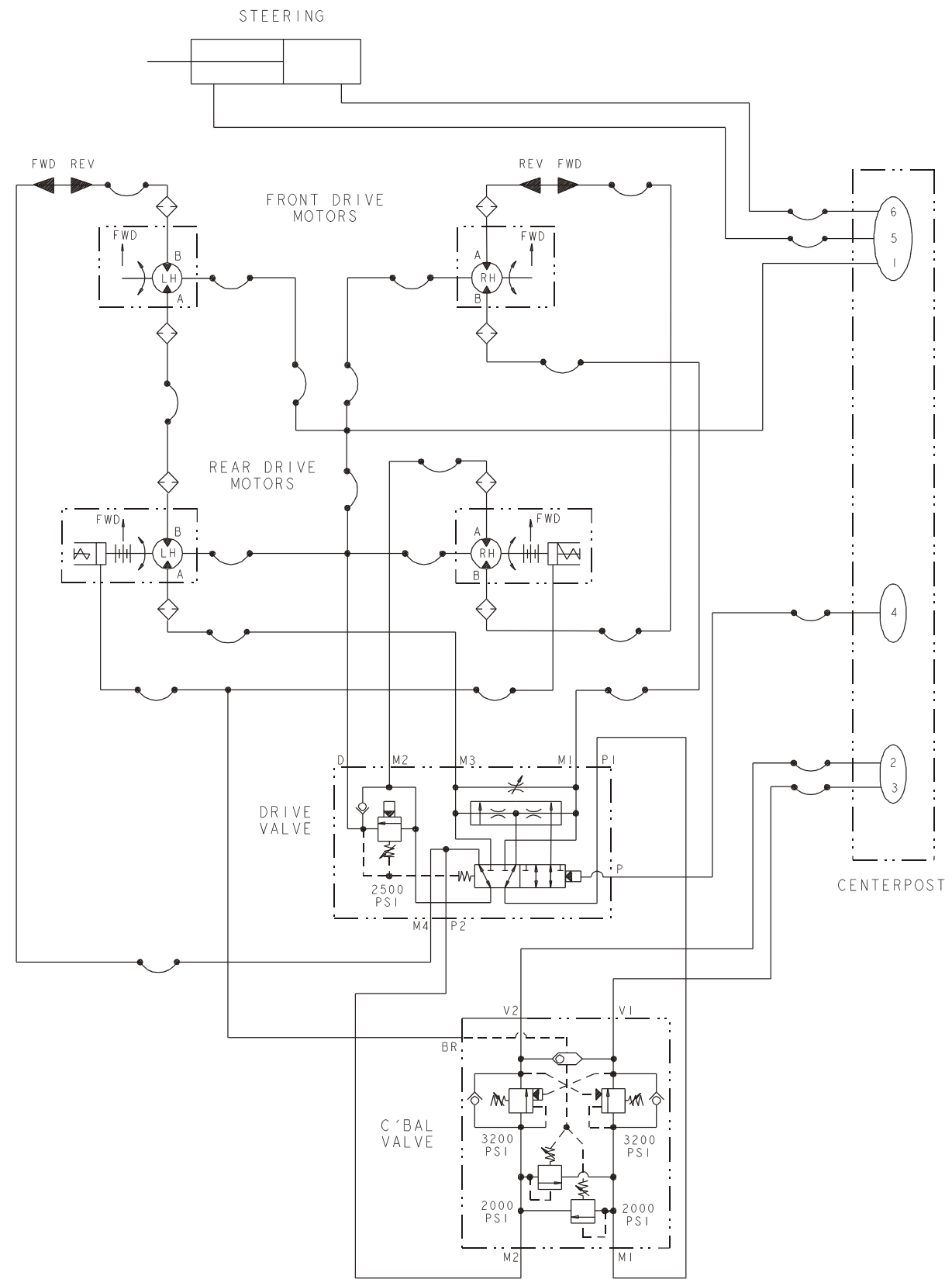
F
E
D
C
B
A

1 2 3 4 5 6 7 8 9

4X2 CHASSIS



4X4 CHASSIS



LIMITED WARRANTY

Snorkel warrants each new machine manufactured and sold by it to be free from defects in material and workmanship for a period of one (1) year from date of delivery to a Customer or for one year after the machine has been placed in first service in a Dealer rental fleet, whichever comes first. Any part or parts which, upon examination by the Snorkel Service Department, are found to be defective, will be replaced or repaired, at the sole discretion of Snorkel, through its local Authorized Dealer at no charge.

Snorkel further warrants the structural components; specifically, the mainframe chassis, turntable, booms and scissor arms, of each new machine manufactured by it to be free from defects in material and workmanship for an additional period of four (4) years. Any such part or parts which, upon examination by the Snorkel Service Department, are found to be defective will be replaced or repaired by Snorkel through its local Authorized Dealer at no charge; however, any labor charges incurred as a result of such replacement or repair will be the responsibility of the Customer or Dealer.

The Snorkel Service Department must be notified within forty-eight (48) hours of any possible warranty situation during the applicable warranty period. Personnel performing warranty repair or replacement must obtain specific approval by Snorkel Service Department prior to performing any warranty repair or replacement.

Customer and Dealer shall not be entitled to the benefits of this warranty and Snorkel shall have no obligations hereunder unless the "Pre-Delivery and Inspection Report" has been properly completed and returned to the Snorkel Service Department within ten (10) days after delivery of the Snorkel product to Customer or Dealer's rental fleet. Snorkel must be notified, in writing, within ten (10) days, of any machine sold to a Customer from a Dealer's rental fleet during the warranty period.

At the direction of the Snorkel Service Department, any component part(s) of Snorkel products to be replaced or repaired under this warranty program must be returned freight prepaid to the Snorkel Service Department for inspection. All warranty replacement parts will be shipped freight prepaid (standard ground) from the Snorkel Service Department or from Snorkel's Vendor to Dealer or Customer.

REPLACEMENT PARTS WARRANTY

Any replacement or service part made or sold by Snorkel is not subject to the preceding **Limited Warranty** beyond the normal warranty period of the machine upon which the part was installed.

THIS WARRANTY EXCLUDES AND SNORKEL DOES NOT WARRANT:

1. Engines, motors, tires and batteries which are manufactured by suppliers to Snorkel, who furnish their own warranty. Snorkel will, however, to the extent permitted, pass through any such warranty protection to the Customer or Dealer.
2. Any Snorkel product which has been modified or altered outside Snorkel's factory without Snorkel's written approval, if such modification or alteration, in the sole judgment of Snorkel's Engineering and/or Service Departments, adversely affects the stability, reliability or service life of the Snorkel product or any component thereof.
3. Any Snorkel product which has been subject to misuse, improper maintenance or accident. "Misuse" includes but is not limited to operation beyond the factory-rated load capacity and speeds. "Improper maintenance" includes but is not limited to failure to follow the recommendations contained in the Snorkel Operation, Maintenance, Repair Parts Manuals. Snorkel is not responsible for normal maintenance, service adjustments and replacements, including but not limited to hydraulic fluid, filters and lubrication.
4. Normal wear of any Snorkel component part(s). Normal wear of component parts may vary with the type application or type of environment in which the machine may be used; such as, but not limited to sandblasting applications.
5. Any Snorkel product that has come in direct contact with any chemical or abrasive material.
6. Incidental or consequential expenses, losses, or damages related to any part or equipment failure, including but not limited to freight cost to transport the machine to a repair facility, downtime of the machine, lost time for workers, lost orders, lost rental revenue, lost profits or increased cost.

This warranty is expressly in lieu of all other warranties, representations or liabilities of Snorkel, either expressed or implied, unless otherwise amended in writing by Snorkel's President, Vice President-Engineering, Vice President-Sales or Vice President-Marketing.

SNORKEL MAKES NO WARRANTIES WHICH EXTEND BEYOND THE DESCRIPTION OF THIS LIMITED WARRANTY. SNORKEL MAKES NO IMPLIED WARRANTY OF MERCHANTABILITY OR FITNESS FOR A PARTICULAR PURPOSE AND DISCLAIMS ALL LIABILITY FOR INCIDENTAL OR CONSEQUENTIAL DAMAGES, INCLUDING BUT NOT LIMITED TO INJURY TO PERSONS OR PROPERTY.

The Customer shall make all warranty claims through its local Authorized Dealer and should contact the Dealer from whom the Snorkel product was purchased for warranty service. Or, if unable to contact the Dealer, contact the Snorkel Service Department for further assistance.

Effective July 1995

Local Distributor:

Lokaler Vertriebshändler:

Distributeur local:

El Distribuidor local:

Il Distributore locale:

USA

TEL: +1 (559) 443 6600
FAX: +1 (559) 268 2433

UpRight
POWERED ACCESS

www.upright.com

Europe

TEL: +44 (0) 845 1550 058
FAX: +44 (0) 195 2299 948

PN-