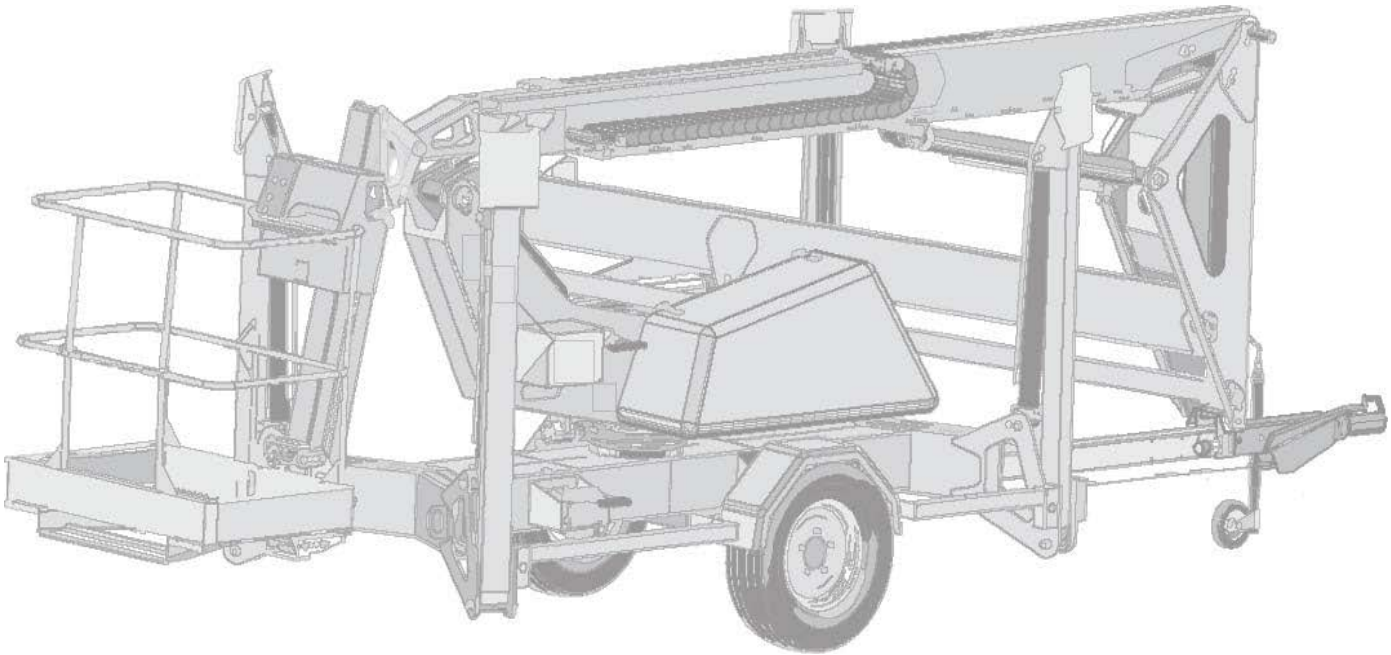


# UpRight

POWERED ACCESS



## TL49K

WORK PLATFORM

PARTS MANUAL

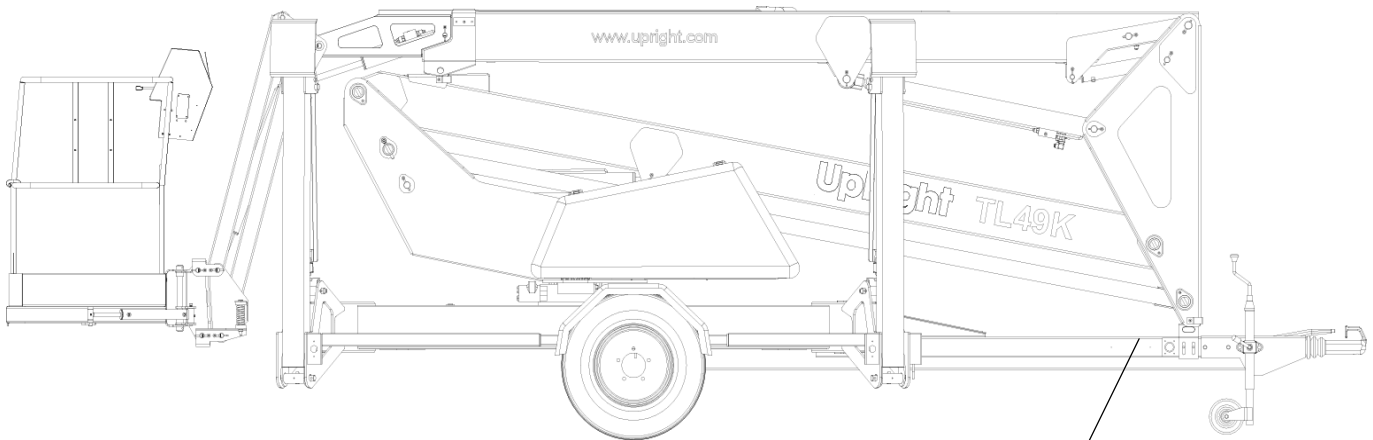


# TL49K

## Serial Numbers 8000 – Current

### ENGLISH

When contacting UpRight for service or parts information, be sure to include the MODEL and SERIAL NUMBERS from the equipment nameplate. Should the nameplate be missing, the SERIAL NUMBER is also stamped on top of the chassis behind the toe hitch.



Serial number stamped on chassis behind the toe hitch and above the Vehical Identification Number Plate.

**UpRight**  
**POWERED ACCESS**

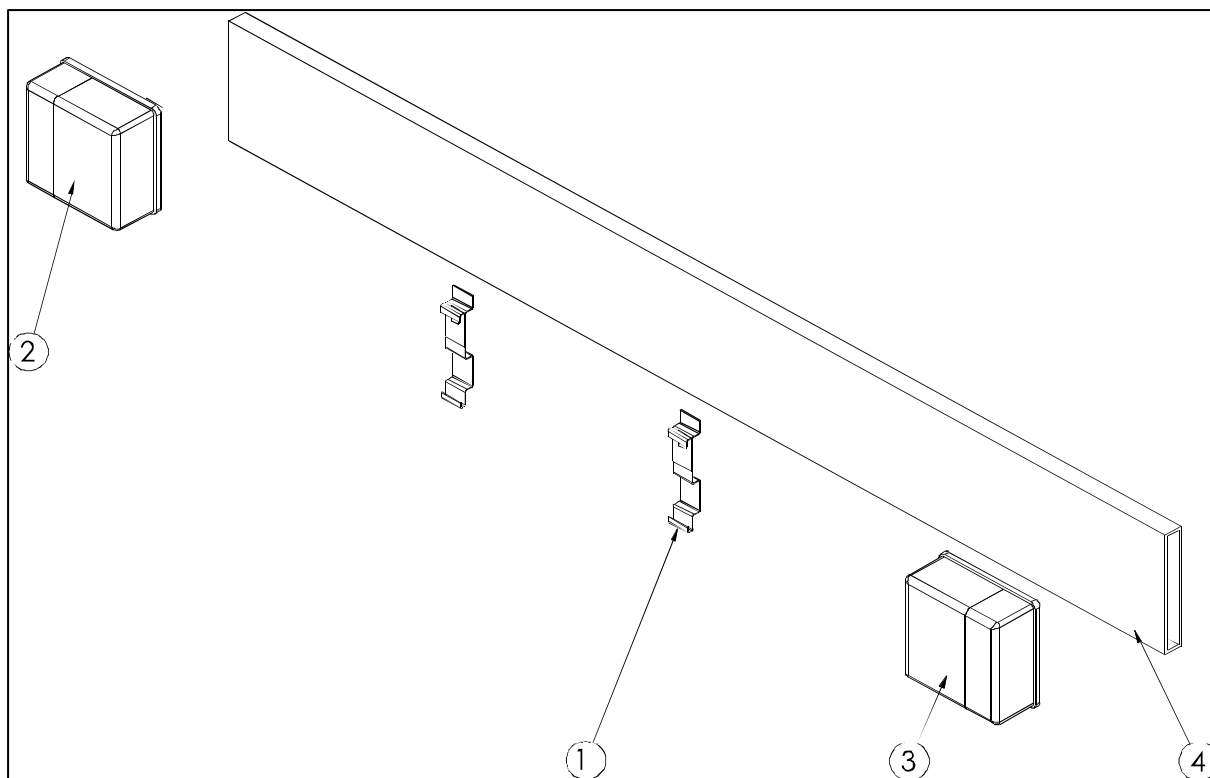
[www.upright.com](http://www.upright.com)



## CONTENTS

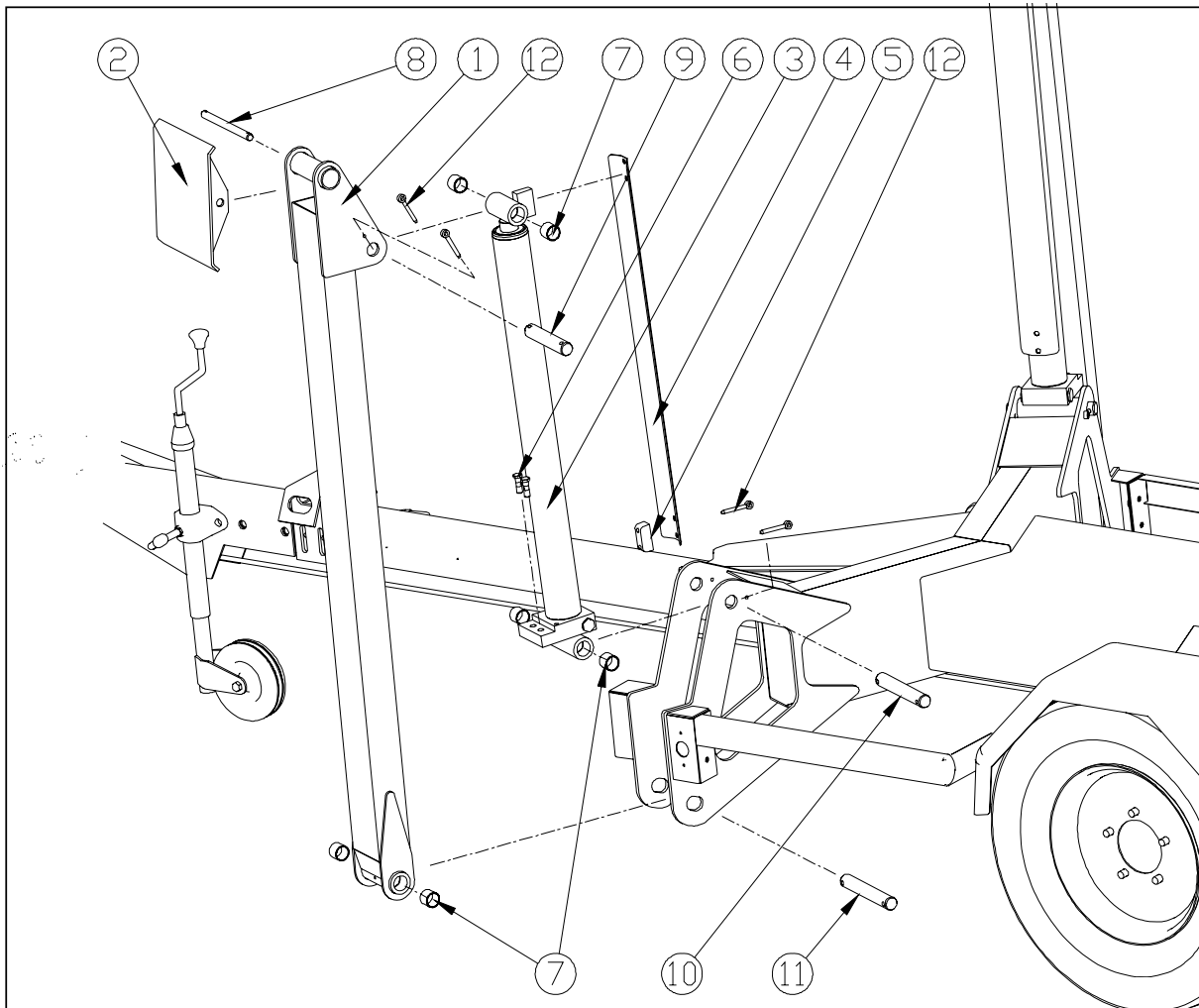
	Page Number
Illustrated Mechanical Parts List	2
Electrical Parts List	27
Hydraulic Hose and Fittings Lists	29
Electrical Schematics	
Battery Power	33
Mains Power	34
Diesel/Petrol	35
Bi-Fuel Power	36
Hydraulic Schematics	
Battery/Mains Power	37
Diesel/Petrol	38
Bi-Fuel Power	39
Friction Drive Option	40

### LIGHTING BOARD ASSEMBLY



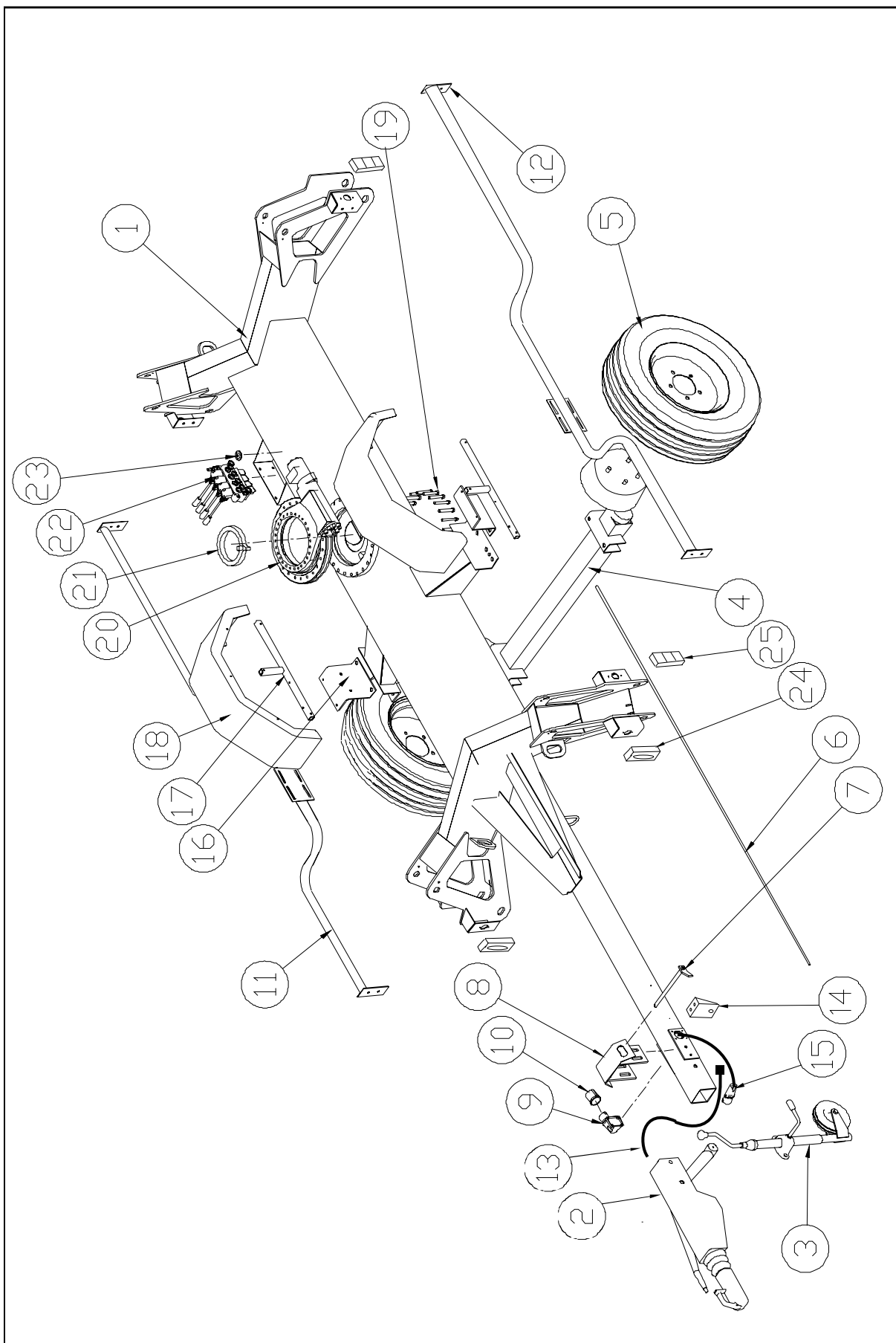
Lighting Board Assembly			
Item	Part No.	Description	Qty.
	25-0338	Lighting Board Assembly	1
1	25-0241	Number Plate Holder	2
2	25-0338/1	Combination Lamp L/H	1
	25-0338/5	Lens Cover L/H	
3	25-0338/4	Combination Lamp R/H	1
	25-0338/6	Lens Cover R/H	
4	25-0285-1	Plank	1

## OUTRIGGER COMPONENTS



Outrigger Components			
Item	Part No.	Description	Qty.
1	10-5069	Outrigger	4
2	10-5070	Outrigger Foot	4
3	13-3608	Outrigger Ram	4
4	22-5179	Outrigger Ram Cover	4
5	15-0886	Ram Cover Skid Pad	4
6	12-2054	Banjo Bolt	8
7	SB-030030	Bush	24
8	SP-016E216	Pin	4
9	SP-030D171	Pin	4
10	SP-030D203	Pin	4
11	SP-030K211	Pin	4
12	10-2672	Retaining Peg	16

# CHASSIS COMPONENTS





## CHASSIS COMPONENTS

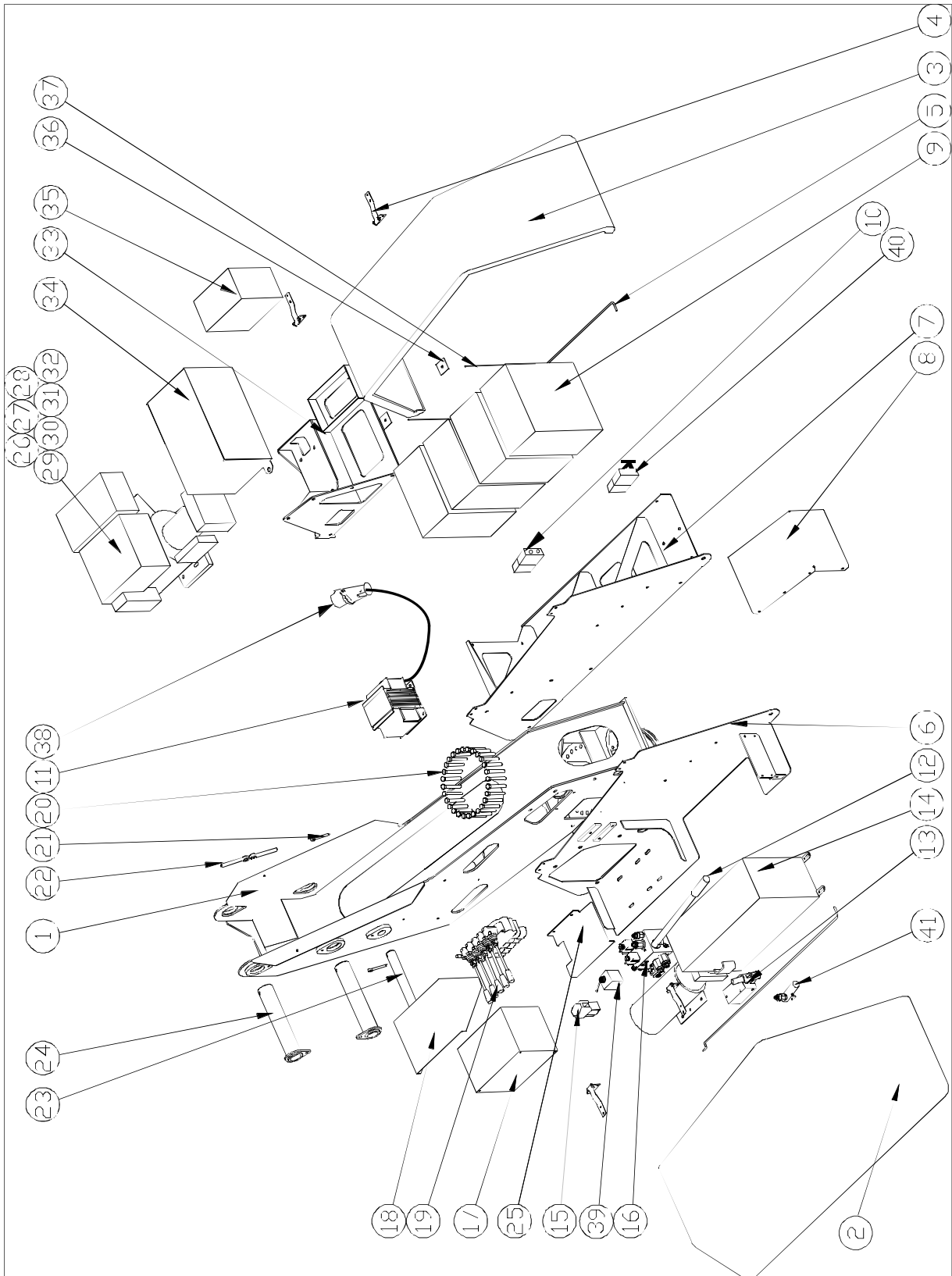
Chassis Components			
Item	Part No.	Description	Qty.
1	10-5066	Chassis	1
2	508106-000	Towing Coupling	1
3	508107-000	Adjustable Jockey Wheel	1
4	03-0275	2300 kg rubber suspension axle c/w brake cables	1
5	03-0277	205/75R16 Wheel Assembly (5 stud)	2
	03 0275/01	Wheel Studs	10
	03-0275/02	Wheel Nuts	10
6	24-3998	Brake Rod	1
7	21-0855	Boom Retaining Pin	1
8	10-5068	Boom Lock	1
9	09-1273	Inlet Plug	1
10	09-1394	Inlet Plug Cap	1
11	10-5414	Cycle Guard L/H	1
12	10-5415	Cycle Guard R/H	1
13	508133-000	Bowden Cable	1
14	508134-000	Cable Bracket	1
15	508112-000	NATO Plug	1
16	22-5846	Mudguard Support Bracket	2
17	10-5281	Mudguard Bracket	2
18	25-0329	Mudguard (bi-fuel)	2
19	11-3449	Bolt (M12 x 80mm)	26
20	08-0192	Slew Bearing/worm Drive c/w Motor	1
21	10-5271	Slew Limiting Ring	1
22	13-2537	Stabiliser Control Valve	1
23	25-0239	Levelling Bubble	1
	02-2615	Marker Lamp Kit c/w Harness	1
24	09-2126	Amber Marker Lamp	4
25	09-2164	White Marker Lamp	2

Brake Hub Components		
Part No.	Description	Qty.
14305.08	Knott 300 x 60 Std. Brake Assembly	2
DPSM 63 90 10	Oil Seal	2
368A / 362A	Inner Bearing Cone/Cup	2
LM501349 / 501310	Outer Bearing Cone/Cup	2
24929.03	Standard Brake Shoe	2
1053 08	Load Washer	2

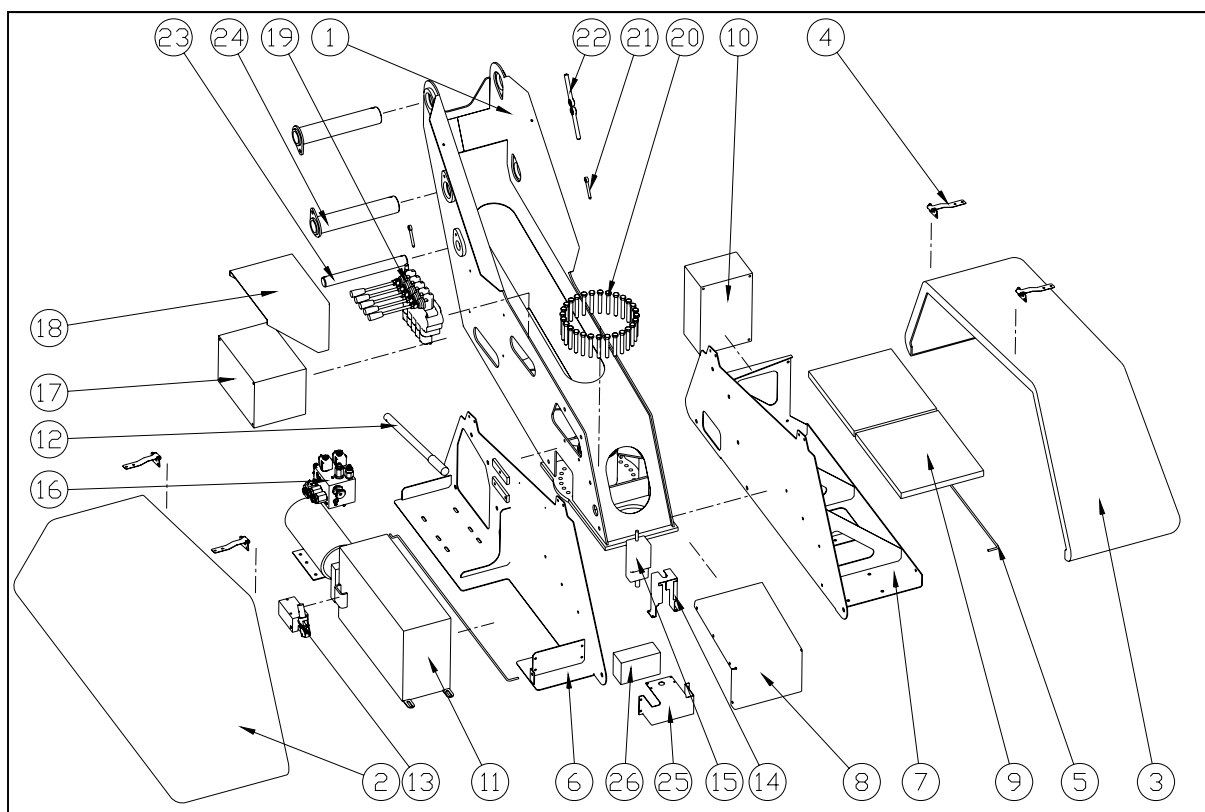
## SLEW COMPONENTS (BI-FUEL POWER)

Slew Components (Bi-Fuel Powered Machine)			
Item	Part No.	Description	Qty.
1	10-5071	Slew Platform	1
2	16-0147	GRP Cover	1
3	16-0148	GRP Cover	1
4	15-0858	Hinge	4
5	24-4097	Cover Stay	2
6	10-5266	Power-pack Tray	1
7	10-5267	Battery Tray	1
8	22-5576	Cross Brace	1
9	09-1185	Battery 6v	4
10	TA0064-2639	Battery Power Connectors	2
11	09-2280	Platform Charger/Transformer Module	1
12	19-0154/2	Hand-pump Handle	1
13	19-0154/1	Hand-pump	1
14	19-0154	Power-pack	1
15	09-0998	Contactor	1
16	13-3609	Hydraulics Manifold	1
17	02-2639	Electrical Control Box (Parts list	1
18	22-5581	Control Box Cover	1
19	13-0888	Base Control Valve	1
20	11-3448	Bolt (M12 x 85mm)	28
21	10-2672	Retaining Peg	2
22	24-2880	Retaining Peg - Large	2
23	SP-035D320	Pin	1
24	21-0852	Pin	2
25	2-5577	Splash Guard	1
26	20-0055	Kubota OC60 diesel engine c/w stop/start kit	1
27	13-0529	In-Line Check Valve	2
28	13-1949	Bell Housing	1
29	13-1950	Flexible Coupling	1
30	13-3649	Pump	1
31	13-3650	Outlet Elbow	1
32	13-3651	Suction Elbow	1
33	10-5269	Engine Mounting Bracket	1
34	10-5270	Battery/Pump Cover	1
35	09-1009	Battery 12v	1
36	11-3438	Clamp Plate	2
37	22-5177	Battery Clamp Rod	2
38	09-1393	230vPlug	1
39	13-0146	3-way Valve	1
40		Engine Jump-start Battery Kit	1
	G70241	Battery Disconnect Connector, Female	1
	G70242	Battery Disconnect Connector, Male	1
	G70243	Battery Disconnect Connector, Handle	1
41	508136-000	Hydraulic Tank Drain Kit	1

SLEW COMPONENTS (BI-FUEL POWER)

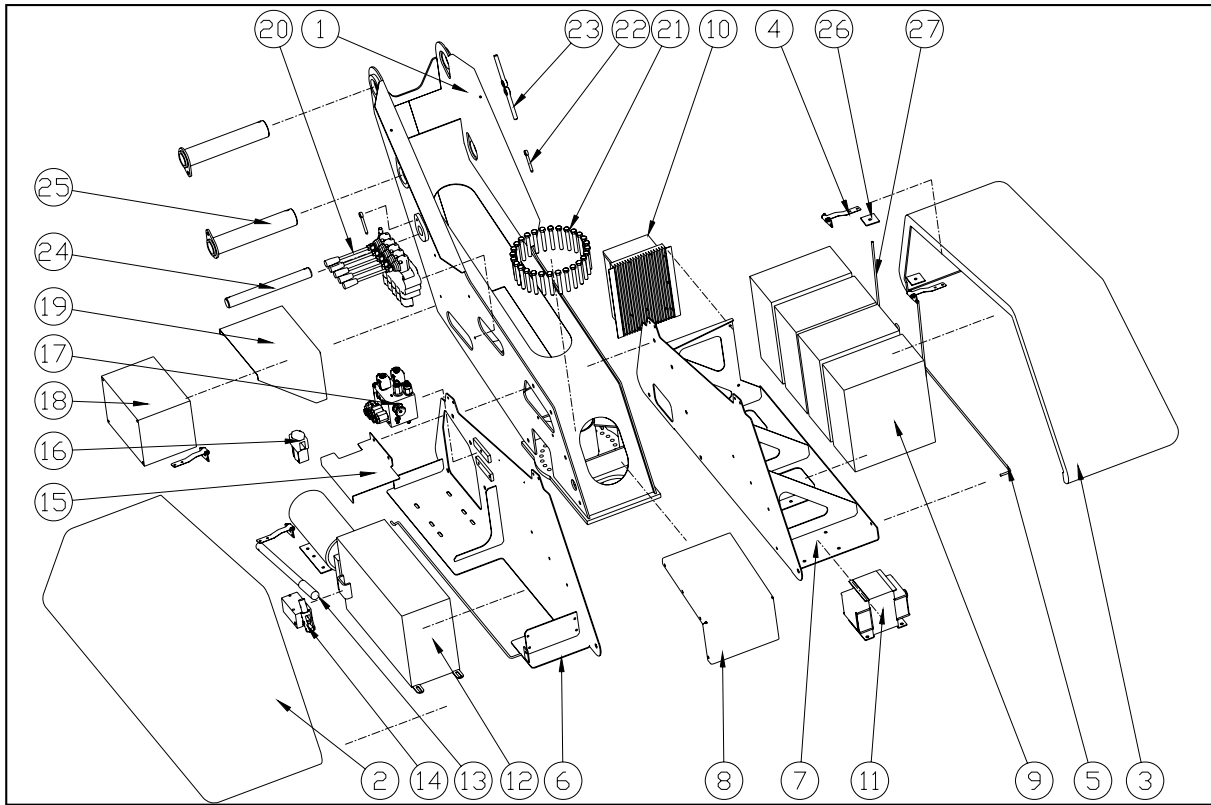


### SLEW COMPONENTS (MAINS POWER)



Slew Components (Mains Powered Machine)			
Item	Part No.	Description	Qty.
1	10-5071	Slew Platform	1
2	16-0147	GRP Cover	1
3	16-0148	GRP Cover	1
4	15-0858	Hinge	4
5	24-4097	Cover Stay	2
6	10-5266	Powerpack Tray	1
7	10-5267	Battery Tray	1
8	22-5576	Cross Brace	1
9	-	Ballast Plate	2
10	-	230V Control Box	1
11	19-0155	Powerpack	1
12	19-0154/2	Handpump Handle	1
13	19-0154/1	Handpump	1
14	22-5516	Float Charger Cover	1
15	09-1937	Float Charger	1
16	13-3609	Hydraulics Manifold	1
17	-	Slew Control Box	1
18	22-5581	Control Box Cover	1
19	13-0888	Base Control Valve	1
20	11-3448	Bolt	28
21	10-2672	Retaining Peg	2
22	24-2880	Retaining Peg - Large	2
23	SP-035D320	Pin	1
24	21-0852	Pin	2
25	22-5508	Emergency Battery Holder	1
26	09-2087	Dry Battery	1

### SLEW COMPONENTS (BATTERY POWER)

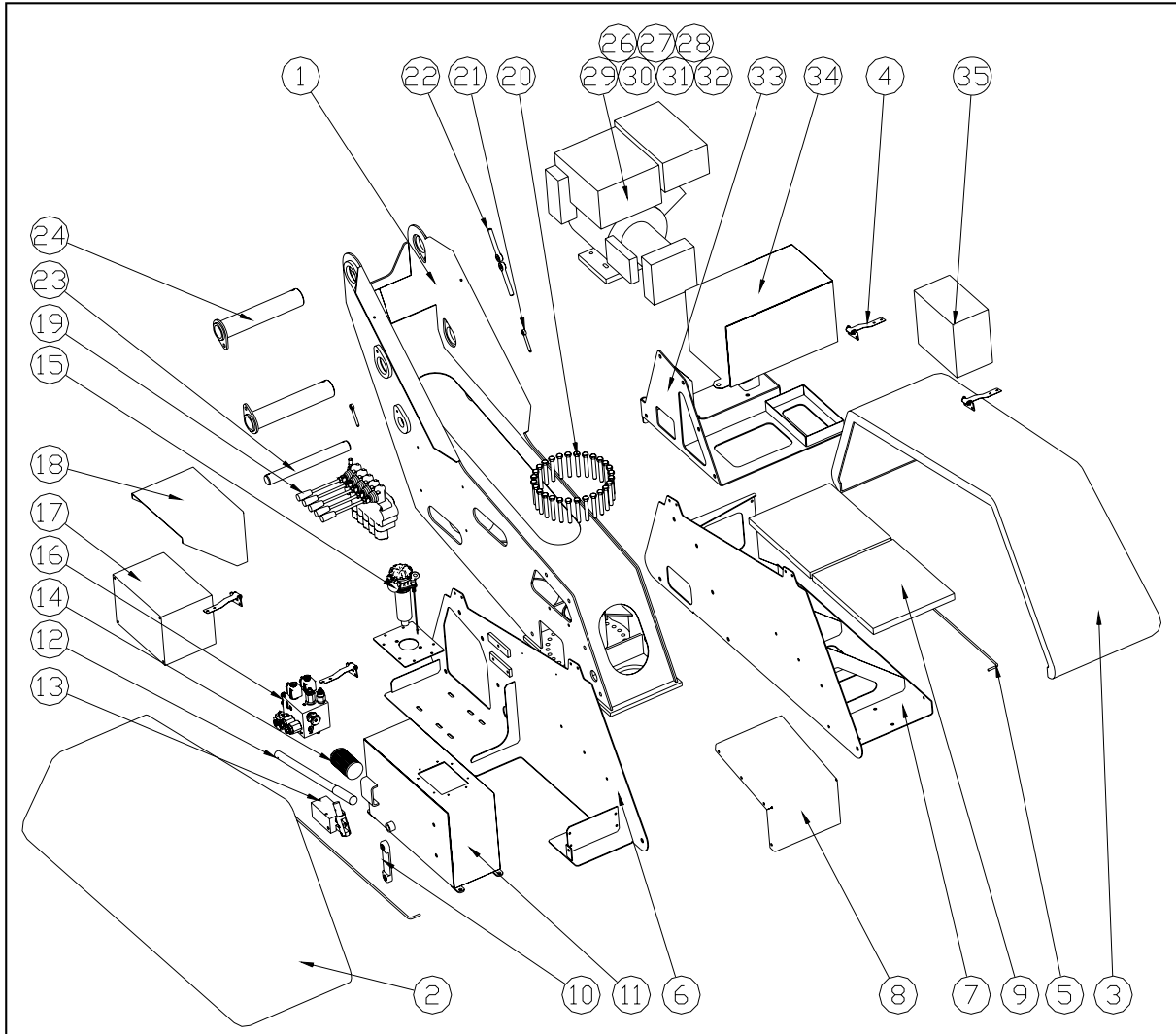


Slew Components (Battery Powered Machine)			
Item	Part No.	Description	Qty.
1	10-5071	Slew Platform	1
2	16-0147	GRP Cover	1
3	16-0148	GRP Cover	1
4	15-0858	Hinge	4
5	24-4097	Cover Stay	2
6	10-5266	Powerpack Tray	1
7	10-5267	Battery Tray	1
8	22-5576	Cross Brace	1
9	09-1185	Battery	4
10	09-1663	Charger Power Module	1
11	09-1665	Transformer	1
12	19-0154	Powerpack	1
13	19-0154/2	Handpump Handle	1
14	19-0154/1	Handpump	1
15	22-5577	Splash Guard	1
16	09-0998	Contactur	1
17	13-3609	Hydraulics Manifold	1
18	-	Slew Control Box	1
19	22-5581	Control Box Cover	1
20	13-0888	Base Control Valve	1
21	11-3448	Bolt	28
22	10-2672	Retaining Peg	2
23	24-2880	Retaining Peg - Large	2
24	SP-035D320	Pin	1
25	21-0852	Pin	2
26	11-3438	Clamp Plate	2
27	22-5177	Battery Clamp Rod	2

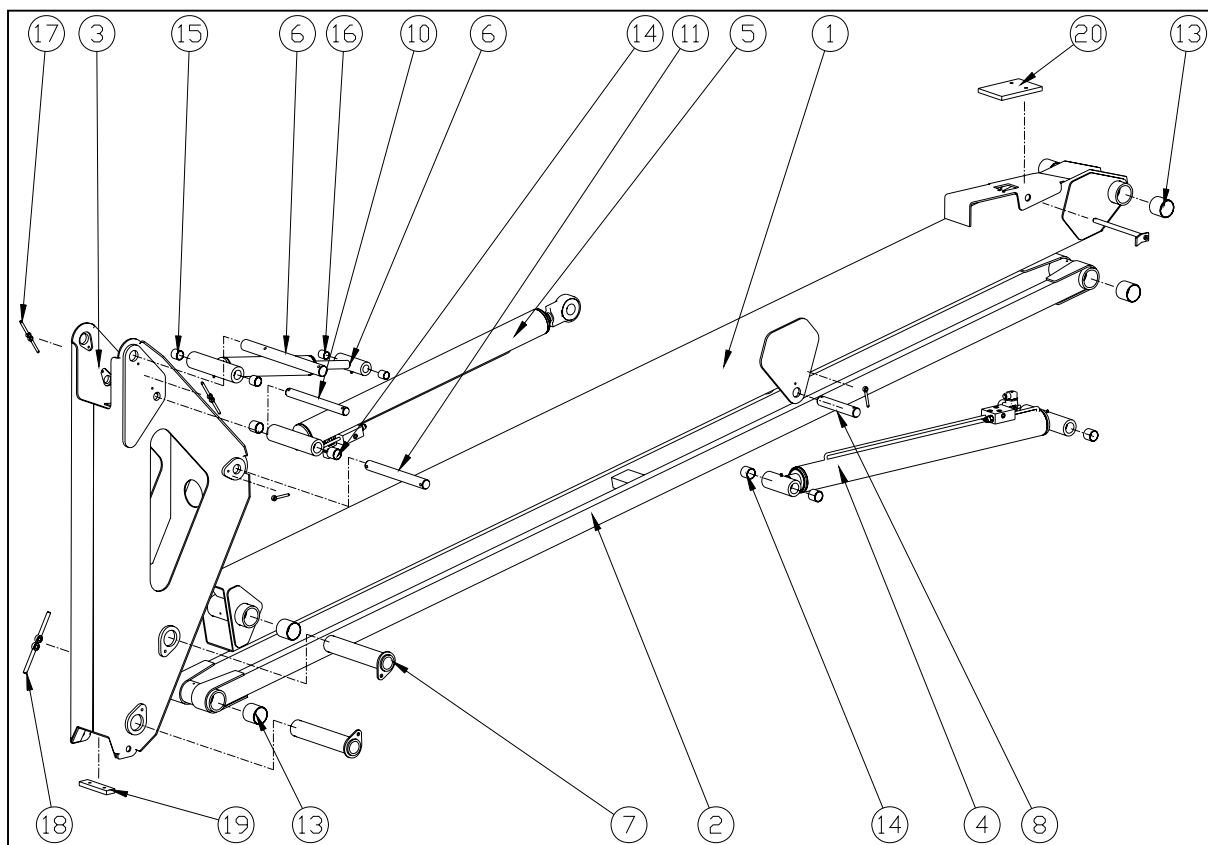
## SLEW COMPONENTS (ENGINE POWER)

Slew Components (Engine Powered Machine)			
Item	Part No.	Description	Qty.
1	10-5071	Slew Platform	1
2	16-0147	GRP Cover	1
3	16-0148	GRP Cover	1
4	15-0858	Hinge	4
5	24-4097	Cover Stay	2
6	10-5266	Powerpack Tray	1
7	10-5267	Battery Tray	1
8	22-5576	Cross Brace	1
9	-	Ballast Plate	2
10	HS03	Sight Gauge	1
11	10-5310	Hydraulic Tank	1
12	19-0154/2	Handpump Handle	1
13	19-0154/1	Handpump	1
14	13-0339	Suction Strainer	1
15	13-2543	Return Line Filter	1
16	13-3609	Hydraulics Manifold	1
17	-	Slew Control Box	1
18	22-5581	Control Box Cover	1
19	13-0888	Base Control Valve	1
20	11-3448	Bolt	28
21	10-2672	Retaining Peg	2
22	24-2880	Retaining Peg - Large	2
23	SP-035D320	Pin	1
24	21-0852	Pin	2
25	22-5613	Tank Lid	1
26	20-0044	Engine (Petrol)	1
26	20-0055	Engine (Diesel)	1
27	13-0529	In-Line Check Valve	2
28	13-1949	Bell Housing	1
29	13-1950	Flexible Coupling	1
30	13-3649	Pump	1
31	13-3650	Outlet Elbow	1
32	13-3651	Suction Elbow	1
33	10-5269	Engine Mounting Bracket	1
34	10-5270	Battery/Pump Cover	1
35	09-1009	Battery	1

## SLEW COMPONENTS (ENGINE POWER)



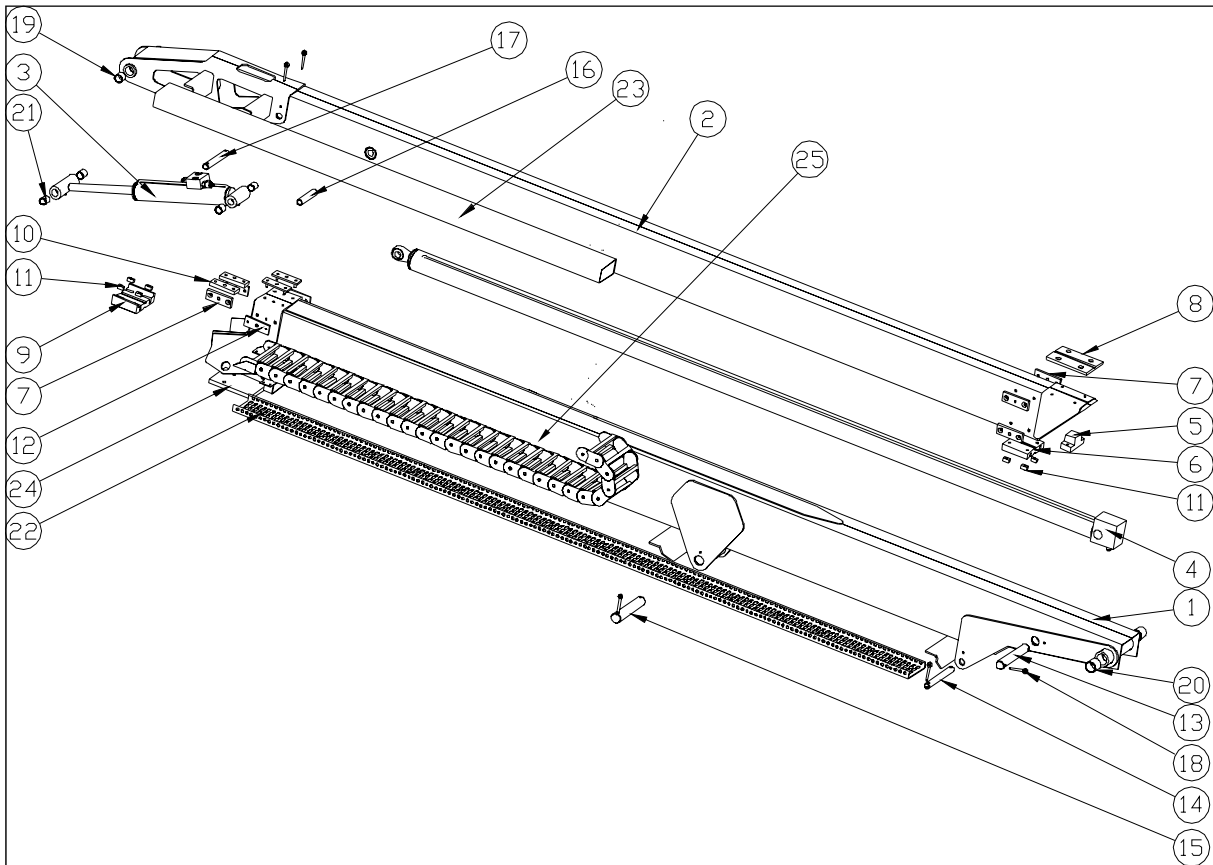
### LOWER BOOM COMPONENTS



Lower Boom Components			
Item	Part No.	Description	Qty.
1	10-5072	Bottom Boom	1
2	10-5073	Tie Bar	1
3	10-5263	Vertical Boom	1
4	13-3607	Bottom Ram	1
5	13-3606	Top Ram	1
6	13-3604	Master Ram	1
7	21-0852	Pin	2
8	SP-035D201	Pin	1
9	21-0850	Pin	1
10	SP-030D320	Pin	1
11	SP-035D320	Pin	1
12			
13	SB-060060	Bush	8
14	SB-035035	Bush	6
15	SB-030030	Bush	2
16	SB-025025	Bush	2
17	10-2672	Retaining Peg	8
18	24-2880	Retaining Peg	2
19	15-0884	Boom Rest Pad	1
20	15-0883	Boom Rest Pad	1

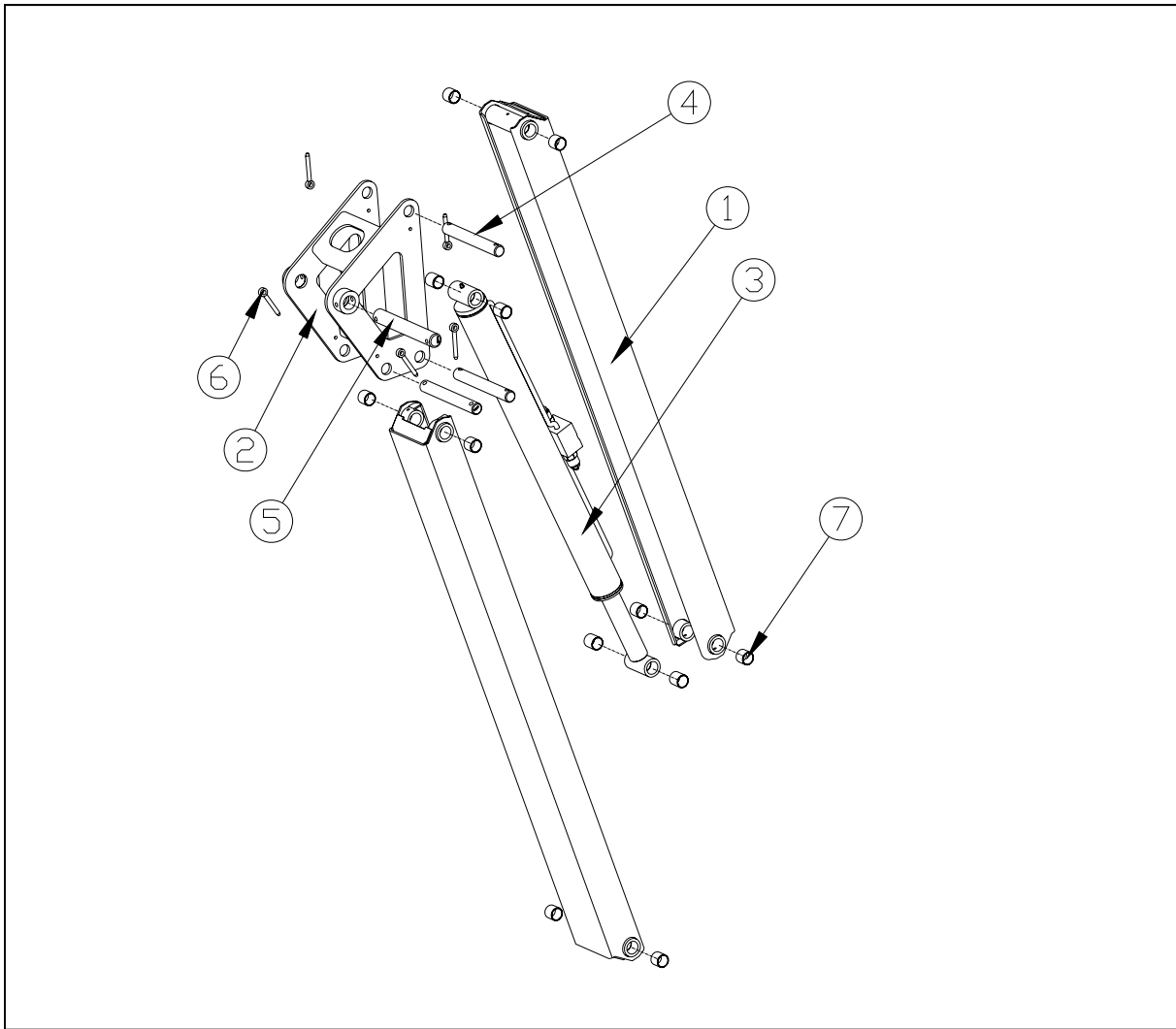


### TOP BOOM COMPONENTS



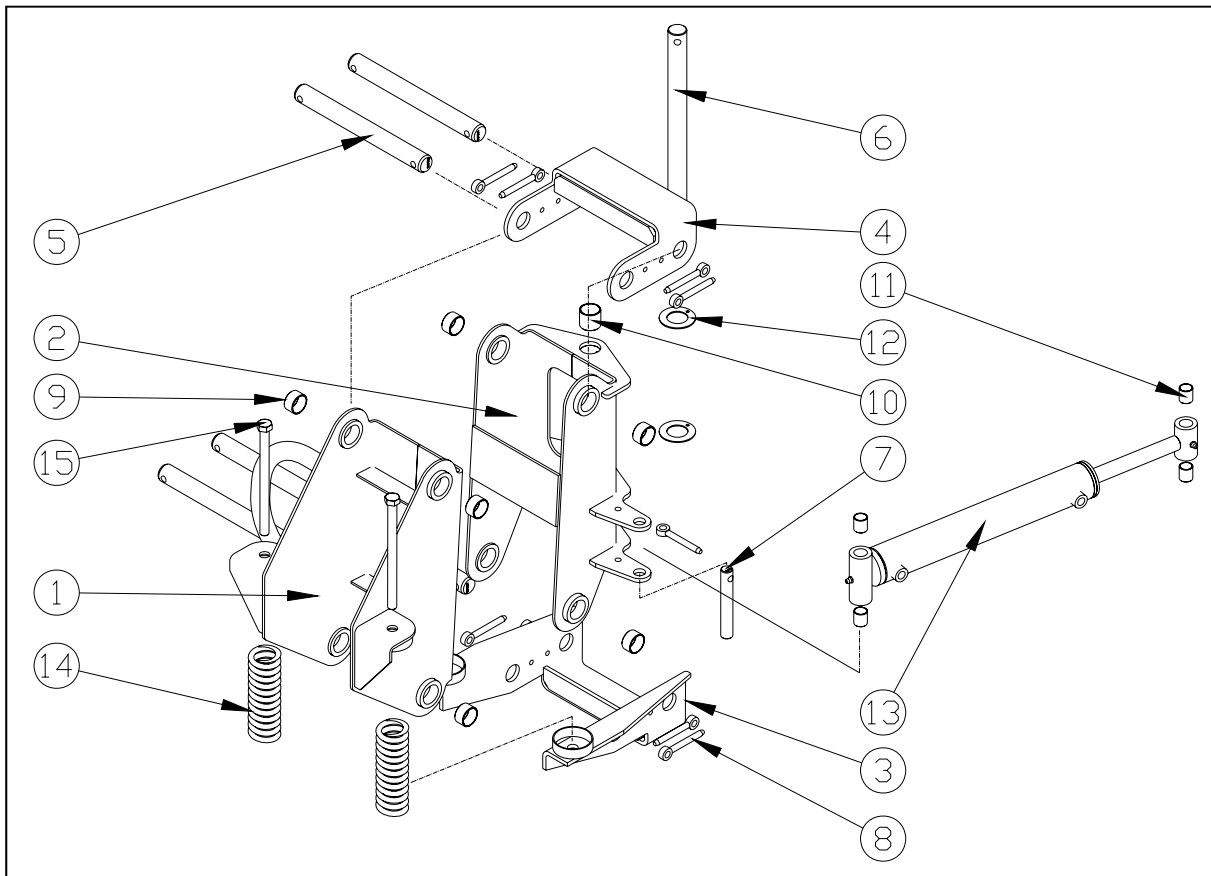
Top Boom Components			
Item	Part No.	Description	Qty.
1	10-5075	Top Boom	1
2	10-5076	Telescopic Boom	1
3	13-3603	Cage Levelling Ram	1
4	13-3605	Telescope Ram	1
5	15-0899	Tele Ram Support Block	1
6	15-0881	Wear Pad	1
7	15-0880	Wear Pad	6
8	15-0895	Wear Pad	1
9	15-0896	Wear Pad	1
10	15-0882	Wear Pad	2
11	24-3952	Pad Retaining Nut	8
12	10-5138	Wear Pad Keep Plate	4
13	SP-035D203	Pin	1
14	SP-025D200	Pin	1
15	SP-040D203	Pin	1
16	SP-025A120	Pin	1
17	SP-025D164	Pin	1
18	10-2672	Retaining Peg	8
19	SB-030030	Bush	2
20	SB-040040	Bush	2
21	SB-025025	Bush	4
22	09-2121	Cable Tray	1
23	24-3909	Hose Trunking	1
24	15-0883	Boom Rest Pad	1
25	15-1009	Drag-chain Complete	1

## DROPNOSE COMPONENTS



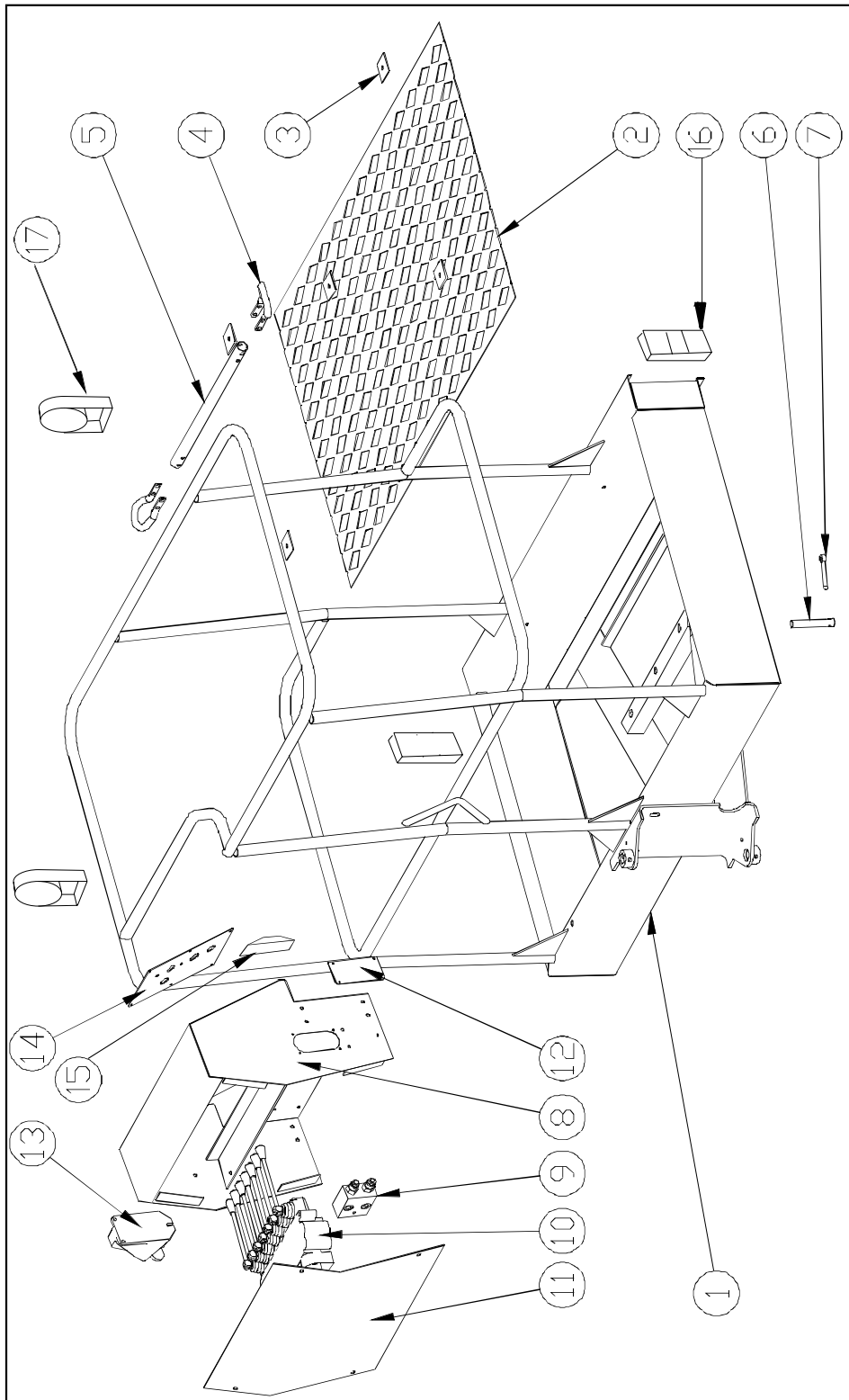
Drop-nose Components			
Item	Part No.	Description	Qty.
1	10-5078	Drop-nose Boom	2
2	10-5077	Quadrant	1
3	13-3602	Drop-nose Ram	1
4	SP-025D200	Pin	3
5	SP-030D216	Pin	1
6	10-2672	Retaining Peg	6
7	SB-025025	Bush	12

### CAGE SUPPORT COMPONENTS



Cage Support Components			
Item	Part No.	Description	Qty.
1	10-5232	Pivot Support	1
2	10-5231	Cage Slew Pivot	1
3	10-5229	See-Saw Bracket	1
4	10-5230	Upper Link Bracket	1
5	SP-025D235	Pin	4
6	SP-025D330	Pin	1
7	SP-016B108	Pin	1
8	10-2672	Retaining Peg	9
9	SB-025015	Bush	8
10	SB-025025	Bush	2
11	SB-016020	Bush	4
12	04-0113	Thrust Washer	2
13	13-2403	Cage Rotation Ram	1
14	23-0031	Spring	2
15	11-3442	Bolt (M12 x 170mm)	2

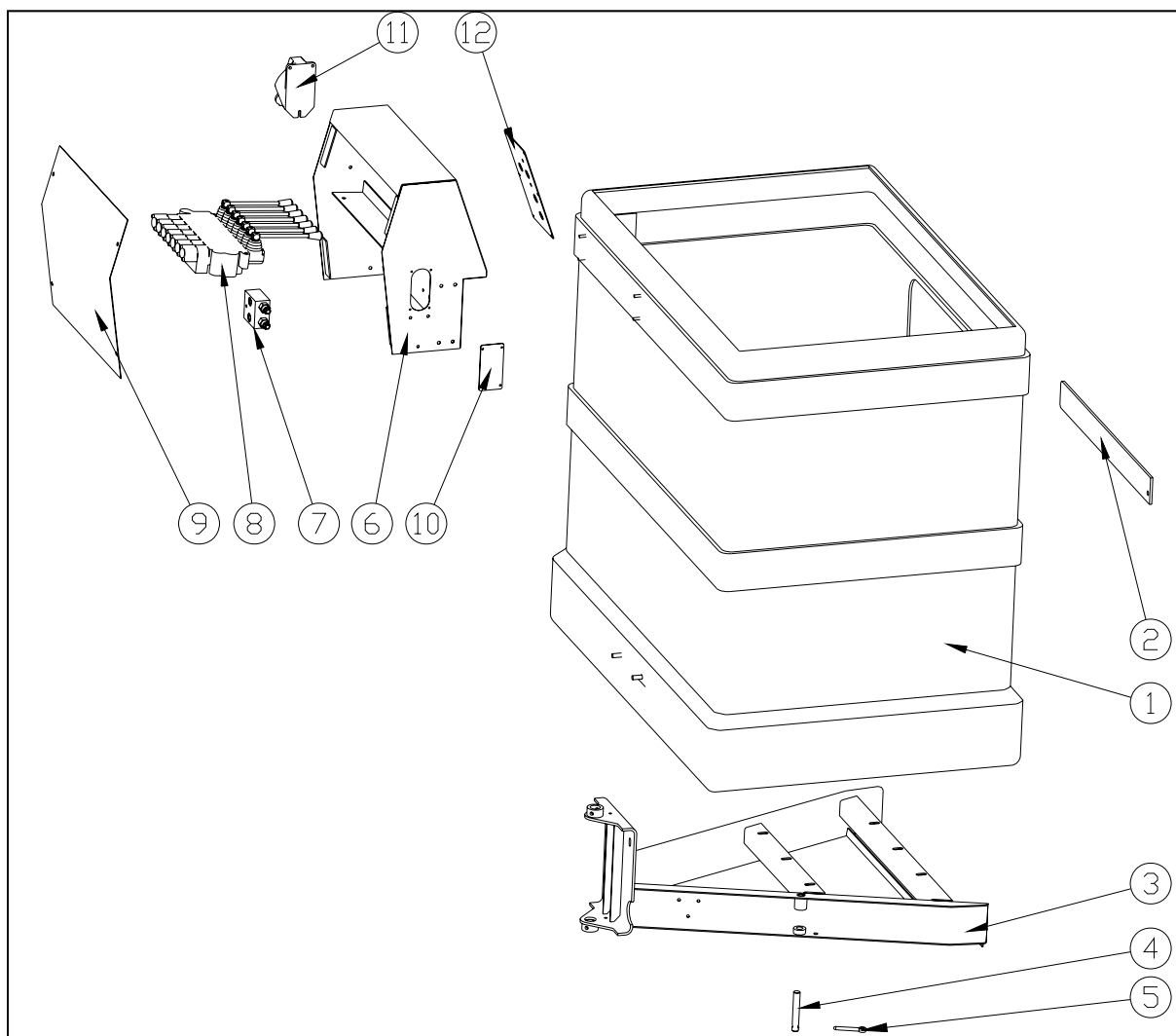
### STEEL CAGE COMPONENTS



## STEEL CAGE COMPONENTS

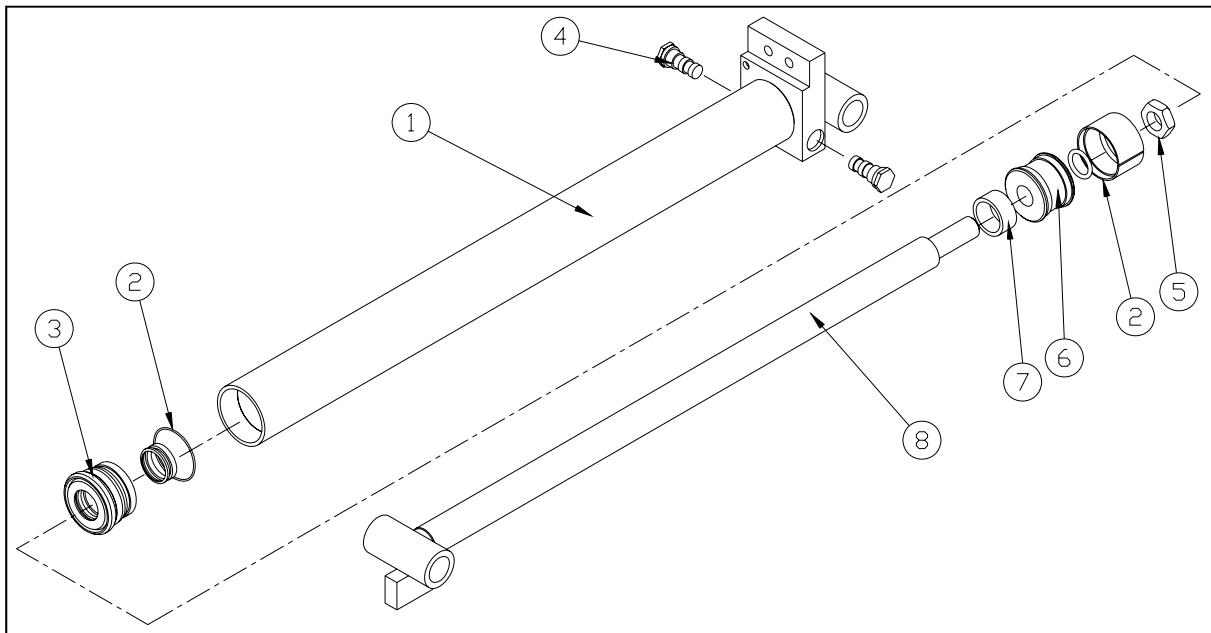
Steel Cage Components			
Item	Part No.	Description	Qty.
1	10-5201	Steel Cage	1
2	22-5065	Cage Floor	1
3	11-3438	Clamp Plate	5
4	24-3773	U-Clamp	2
5	24-3772	Access Bar	1
6	SP-016B102	Pin	1
7	10-2672	Retaining Peg	1
8	10-5206	Control Support	1
9	13-0176	Double Over-centre Valve	1
10	13-2200	Control Valve	1
11	22-5370	Rear Cover	1
12	22-5601	Blanking Plate	1
13	09-1276	Socket (110V)	1
14	22-5543	Control Support Top Plate (Battery & Engine Powered)	1
15	508140-000	RCD	1
16	09-2126	Amber Marker Lamp	2
17	09-1939	Swivel Light	2

### GRP BASKET COMPONENTS



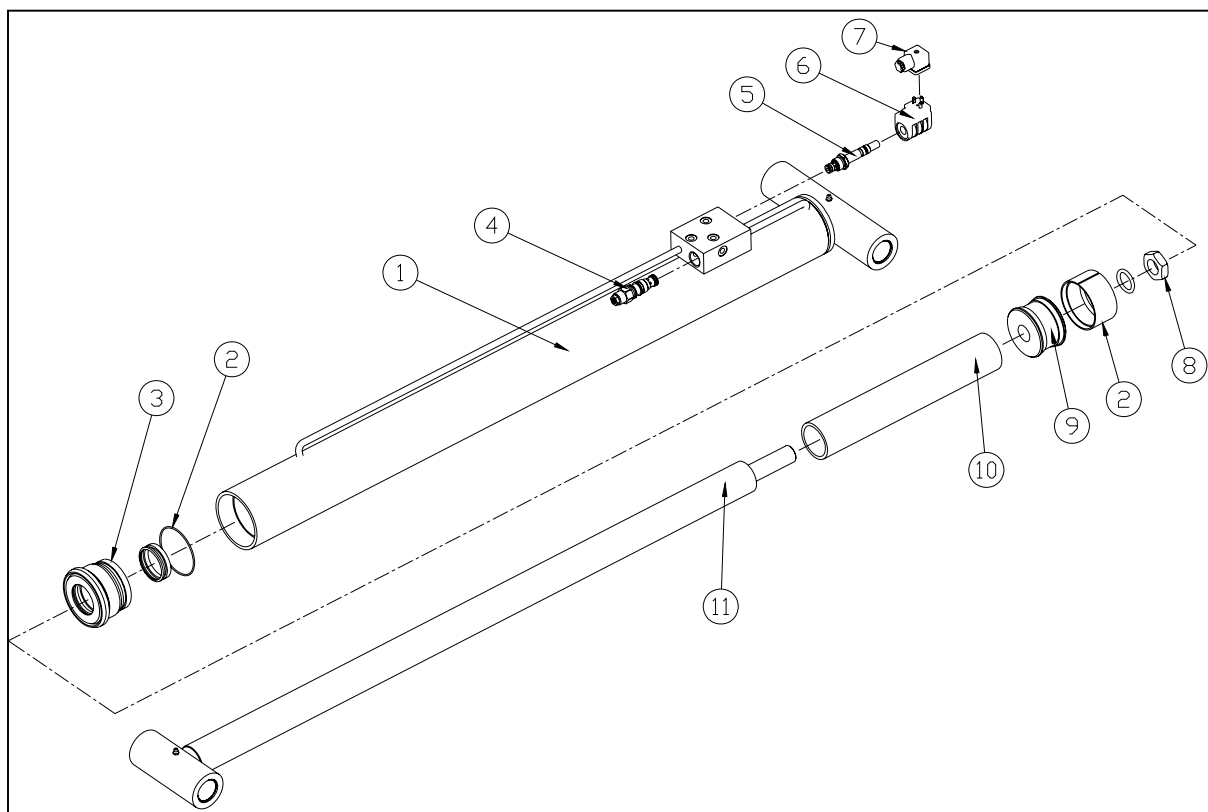
GRP Basket Components			
Item	Part No.	Description	Qty.
1	02-2674	GRP Basket	1
2	22-5603	Access Guard	1
3	10-5317	Basket Support	1
4	SP-016B102	Pin	1
5	10-2672	Retaining Peg	1
6	10-5206	Control Support	1
7	13-0176	Double Overcentre Valve	1
8	13-2200	Control Valve	1
9	22-5370	Rear Cover	1
10	22-5601	Blanking Plate	1
11	09-1276	Socket (110V)	1
11	09-1392	Socket (230V)	1
12	22-5543	Control Support Top Plate (Battery & Engine Powered)	1
12	22-5542	Control Support Top Plate (Mains Powered)	1
12	22-5544	Control Support Top Plate (Mains Powered c/w Generator)	1

## OUTRIGGER RAM COMPONENTS



Outrigger Ram - 13-3608			
Item	Part No.	Description	Qty.
1	13-3608-1	Tube Assembly	1
2	13-2351	Seal Kit	1
3	13-1004	Head Bush	1
4	13-0604	PO Check Valve	2
5	13-0973	Locknut	1
6	13-1007	Piston	1
7	SS-0400023	Spacer	1
8	13-3608-2	Rod Assembly	1

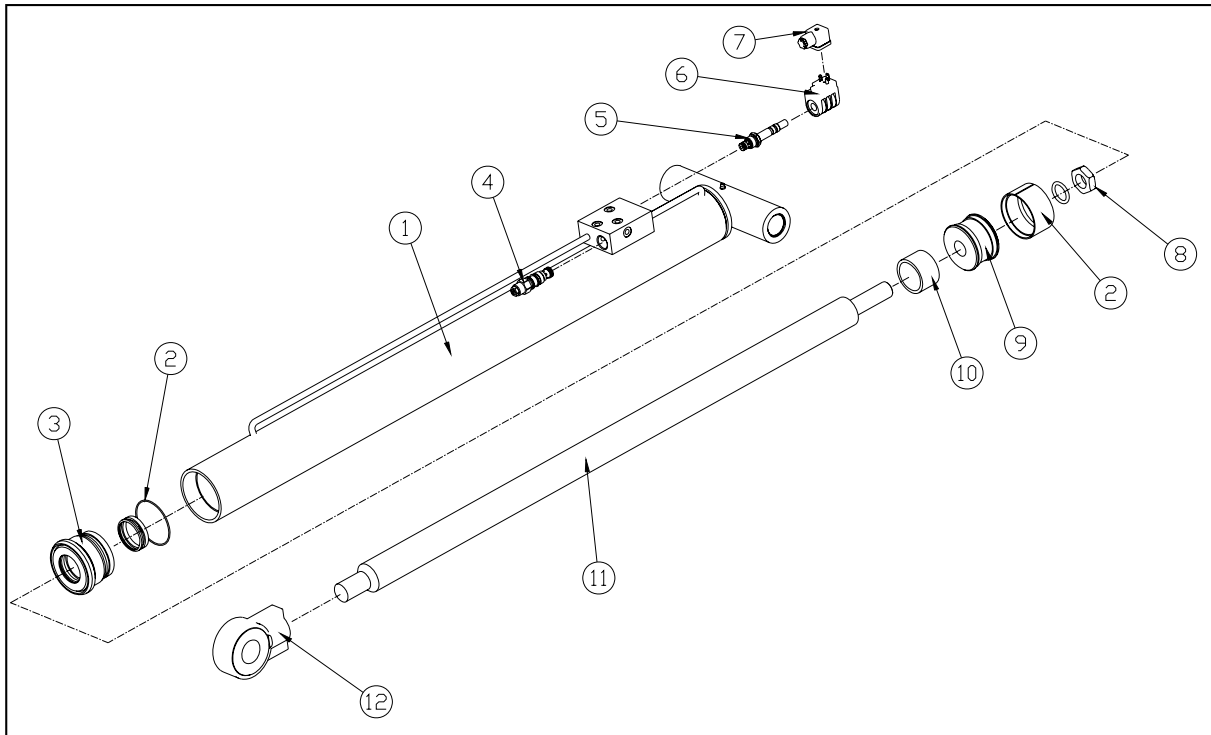
## BOTTOM RAM COMPONENTS



Bottom Ram - 13-3607			
Item	Part No.	Description	Qty.
1	13-3607-1	Tube Assembly	1
2	13-0972	Seal Kit	1
3	13-0968	Head Bush	1
4	13-0392	Over-centre Valve	1
5	13-2474/2	Emergency Lower Valve	1
6	09-2090	Solenoid	1
7	13-2425/77	Hirschmann Connector	1
8	13-0973	Locknut	1
9	13-0971	Piston	1
10	SS-0500343	Spacer	1
11	13-3607-2	Rod Assembly	1



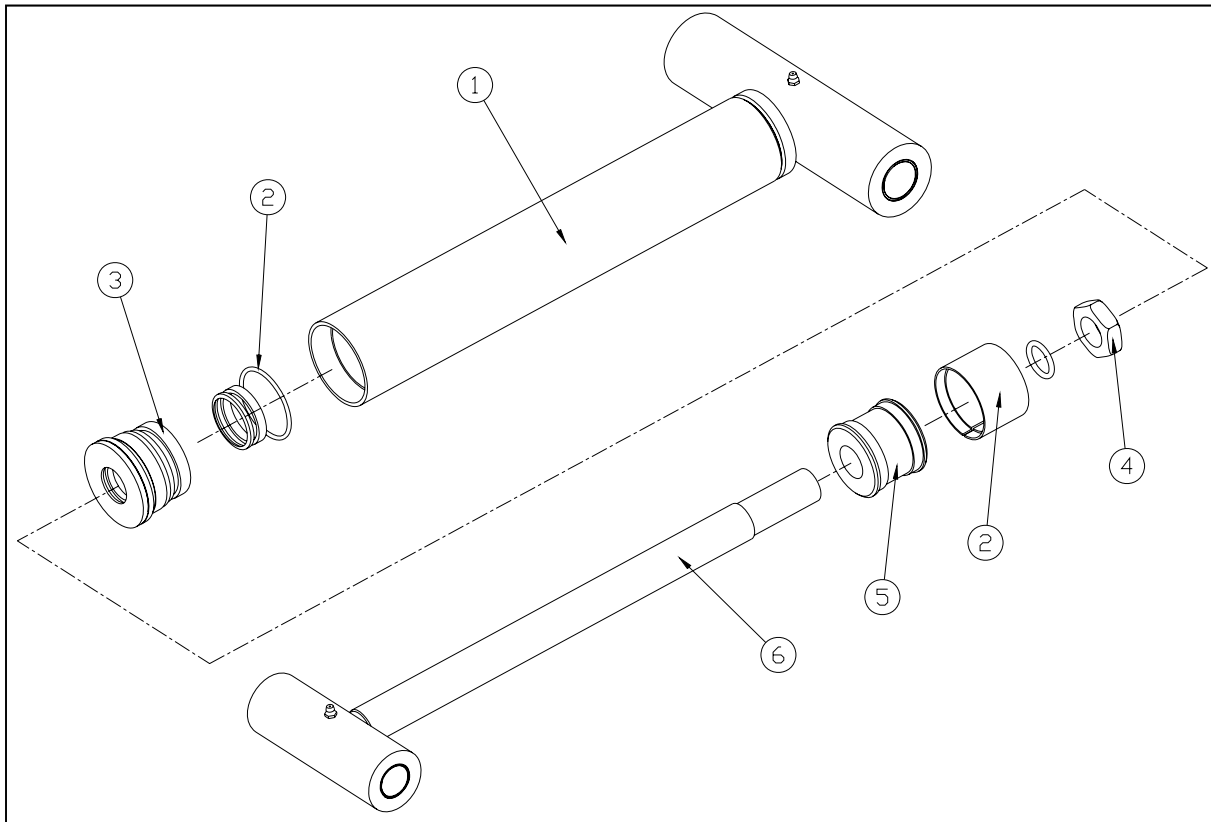
### TOP RAM COMPONENTS



Top Ram - 13-3606

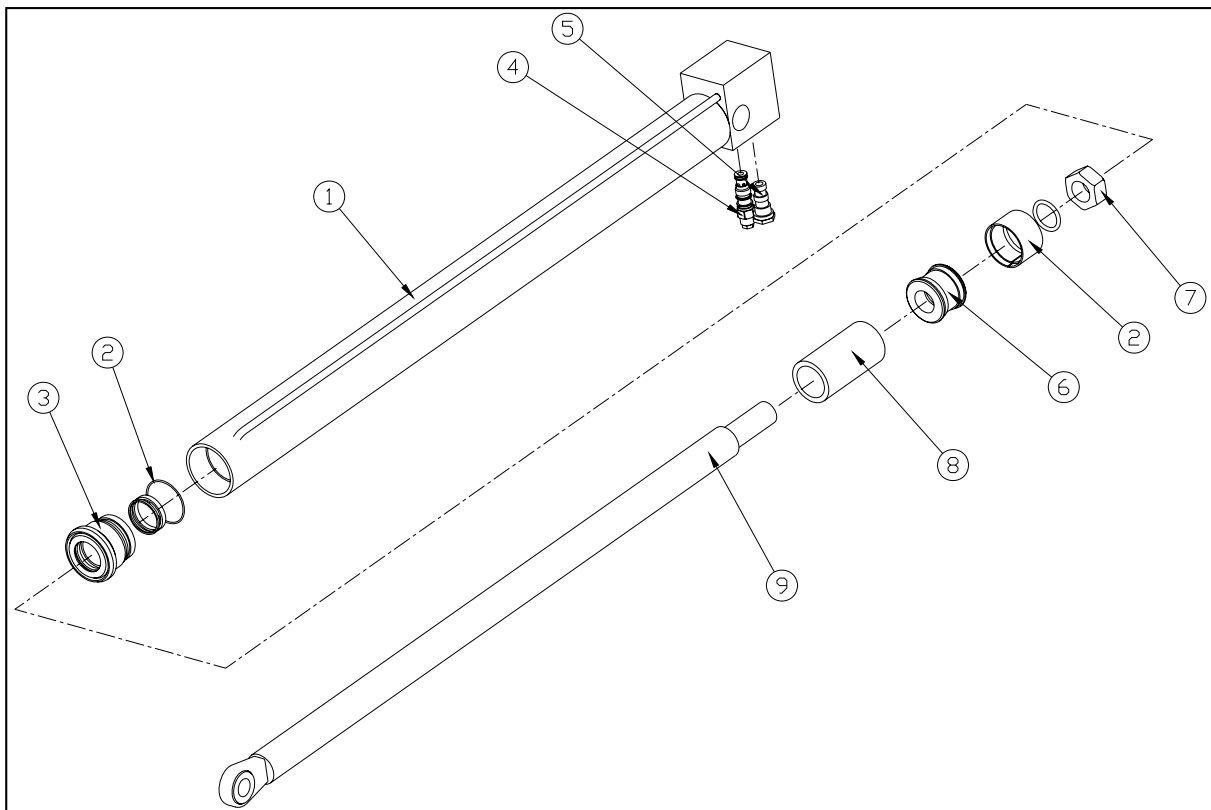
Item	Part No.	Description	Qty.
1	13-3606-1	Tube Assembly	1
2	13-0972	Seal Kit	1
3	13-0968	Head Bush	1
4	13-0392	Over-centre Valve	1
5	13-2474/2	Emergency Lower Valve	1
6	09-2090	Solenoid	1
7	13-2425/77	Hirschmann Connector	1
8	13-0973	Locknut	1
9	13-0971	Piston	1
10	SS-0500037	Spacer	1
11	13-3606-2	Rod	1
12	13-3606-3	Bearing	1

### MASTER RAM COMPONENTS



Master Ram - 13-3604			
Item	Part No.	Description	Qty.
1	13-3604-1	Tube Assembly	1
2	13-3603-3	Seal Kit	1
3	13-1061	Head Bush	1
4	13-0973	Locknut	1
5	13-1064	Piston	1
6	13-3604-2	Rod Assembly	1

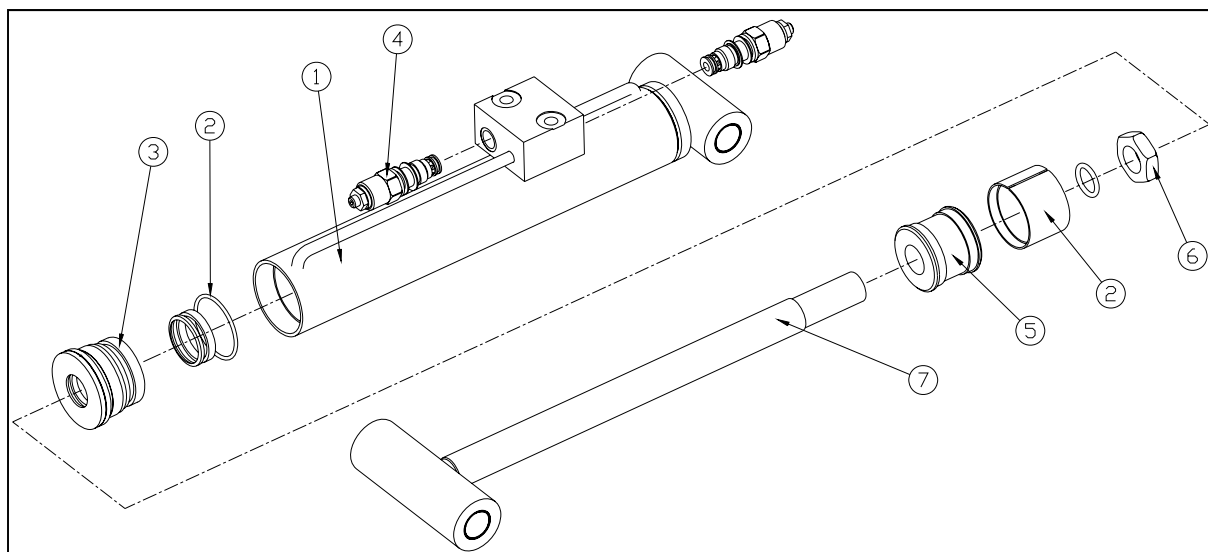
## TELESCOPE RAM COMPONENTS



Telescope Ram - 13-3605

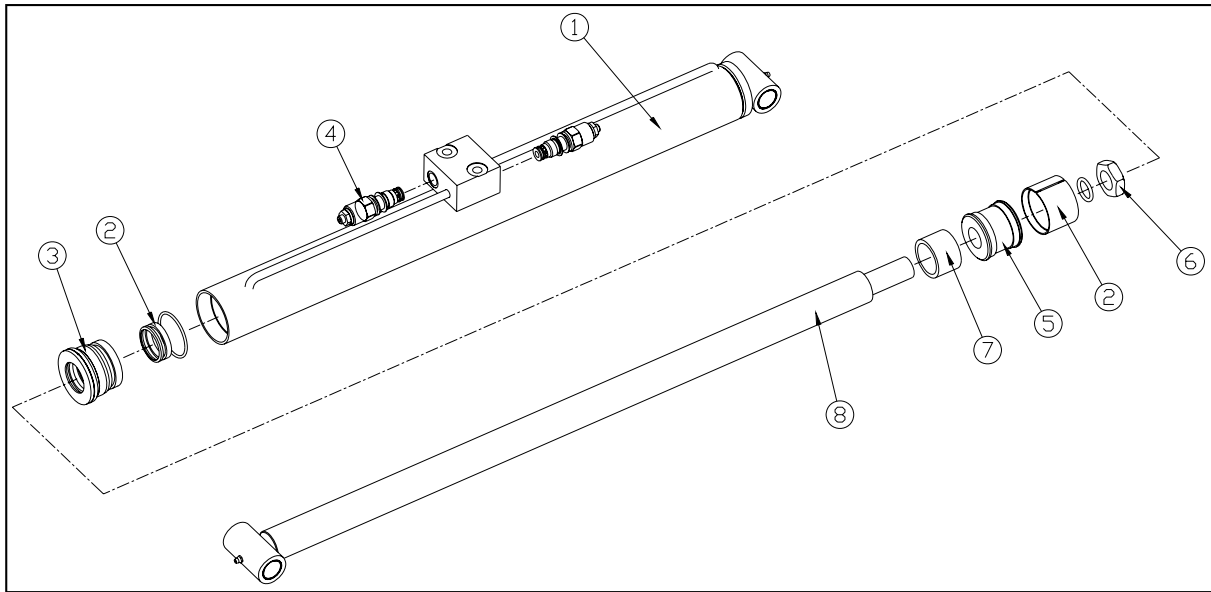
Item	Part No.	Description	Qty.
1	13-3605-1	Tube Assembly	1
2	13-3605-3	Seal Kit	1
3	13-3605-4	Head Bush	1
4	13-0472	Over-centre Valve	1
5	13-0659	PO Check Valve	1
6	13-3605-5	Piston	1
7	13-3605-6	Locknut	1
8	13-3605-7	Spacer	1
9	13-3605-2	Rod Assembly	1

### LEVELLING RAM COMPONENTS



Levelling Ram - 13-3603			
Item	Part No.	Description	Qty.
1	13-3603-1	Tube Assembly	1
2	13-3603-3	Seal Kit	1
3	13-1061	Head Bush	1
4	13-2489	Over-centre Valve	2
5	13-1064	Piston	1
6	13-0973	Locknut	1
7	13-3603-2	Rod Assembly	1

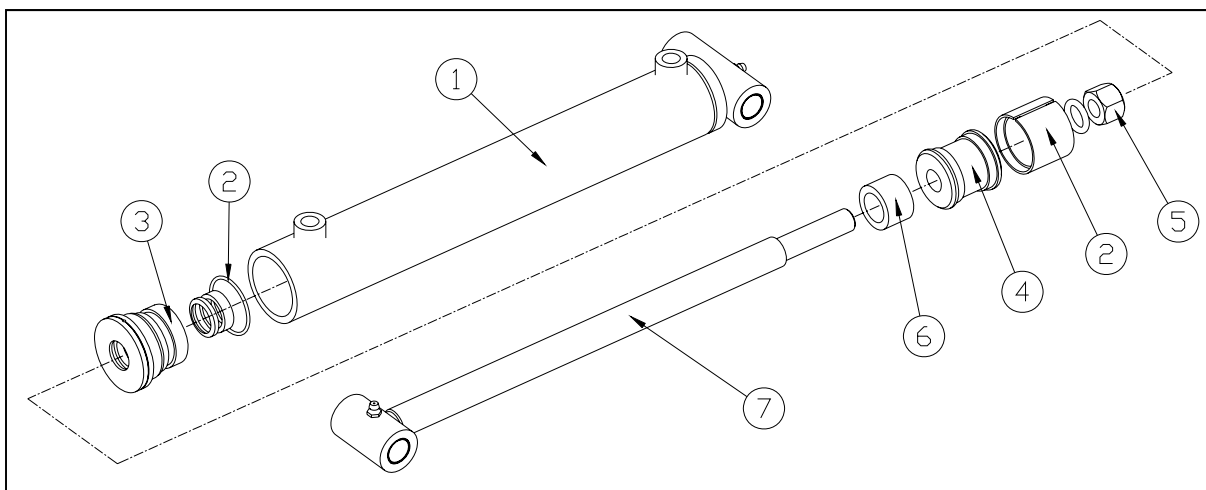
## DROPNOSE RAM COMPONENTS



Drop-nose Ram - 13-3602

Item	Part No.	Description	Qty.
1	13-3602-1	Tube Assembly	1
2	13-3603-3	Seal Kit	1
3	13-1061	Head Bush	1
4	13-2489	Over-centre Valve	2
5	13-1064	Piston	1
6	13-0973	Locknut	1
7	13-3602-3	Spacer	1
8	13-3602-2	Rod Assembly	1

### CAGE ROTATION RAM COMPONENTS



Cage Rotation Ram - 13-2403			
Item	Part No.	Description	Qty.
1	13-2403-1	Tube Assembly	1
2	13-0993	Seal Kit	1
3	13-0988	Head Bush	1
4	13-0992	Piston	1
5	13-0994	Locknut	1
6	SS-0200020	Spacer	1
7	13-2403-2	Rod Assembly	1

Electrical Parts Kit 02-2639			
Location	Part No.	Description	Qty.
Control Box	TA0001-2639	Control Box Lable	1
Control Box	TA0002-2639	Top Hat DIN Rail	0.3
Control Box	TA0003-2639	SN04062K Weiland Safety Relay	2
Control Box	TA0004-2639	4 AMP 1 Pole MCB Type C	2
Control Box	TA0005-2639	Interface Relay Type P16	10
Control Box	TA0006-2639	Entrelec 2.5mm Double Deck ISO Terminals	28
Control Box	TA0007-2639	End Plate for TA0006	1
Control Box	TA0008-2639	IN4001 Diode	4
Cage	TA0009-2639	20 Way Connection Strip for P16	2
	TA0010-2639	6A 250v AC with 391-8350-729 Actuator	1
Control Box	TA0011-2639	M20 Gland (Black)	1
Hour Meter	TA0012-2639	M/C Box PS111165 2 Hole	1
Cage	TA0013-2639	Buzzer	1
Hour Meter	TA0014-2639	PG09 Grey Locknut	2
Control Box & Cage	TA0015-2639	Emergency Stop Button	2
Top Boom	TA0016-2639	Limit Switch	1
	TA0017-2639	PG09 Grey Gland	2
Control Box	TA0018-2639	2 Pos.Stay-put Key	1
	TA0019-2639	Booted Actuator	1
Hour Meter	TA0020-2639	Hour Meter AC	2
	TA0021-2639	3 POSITIVE LONG HANDLE	2
Outriggers	TA0022-2639	Limit Switch 2 N/C	4
	TA0023-2639	16mm Slit Conduit 25M Coil	1
Control Box & Cage	TA0024-2639	40mm Mushroom Head Green Spring Button	2
	TA0025-2639	Turret Head	4
	TA0026-2639	4 Pin Male M12 Chassis Plug with M20 Thread	6
Control Box & Cage	TA0027-2639	40mm Mushroom Head Black Spring Button	1
Control Box & Cage	TA0028-2639	1 N/O Contact	5
Control Box & Cage	TA0029-2639	2 N/O Contact	3
Control Box & Cage	TA0030-2639	2 x N/C Contact	2
Control Box & Cage	TA0031-2639	N/O ANS N/C CONTACTS	1
Control Box & Cage	TA0032-2639	10 Way Jumper Bar	3
Control Box & Cage	TA0033-2639	Red L.E.D.	2
Control Box & Cage	TA0034-2639	Green L.E.D with Panel Mount Fitting	5
	TA0035-2639	M12 ST FM 4 POLE 5M PUR	4
	TA0036-2639	M12 5M BRAD H.LEAD 90 DEGREE	1
	TA0037-2639	Terminal Devider	11
Control Box & Cage	TA0038-2639	N/C Contact Block	1
Cage	TA0039-2639	16mm Black Nylon Locknut	12
Cage	TA0040-2639	M16 Gland Black	12
Cage	TA0041-2639	Cable Gland	2
Cage	TA0042-2639	Locknut	2

Electrical Parts Kit 02-2639 (Cont)			
Location	Part No.	Description	Qty.
	TA0047-2639	KA132000B9 Valve Plug	5
Control Box	TA0050-2639	ABS Machined Enclosure	1
	TA0054-2639	Blanking Plug	1
	TA0055-2639	2 Position Key (spring to off)	1
Cage	TA0056-2639	Key Selector Switch (3 Position)	1
Cage	TA0057-2639	Green Push Button Switch	1
	TA0058-2639	12 Way Terminal Block 15 AMP	2
	TA0059-2639	1 N/O Add-on Contact	2
Cage	TA0060-2639	Cage Control Plate	1
	TA0064-2639	Battery Power Conectors	2
	TA0065-2639	ETU 35 / 8 Non ROHS Compliant	4



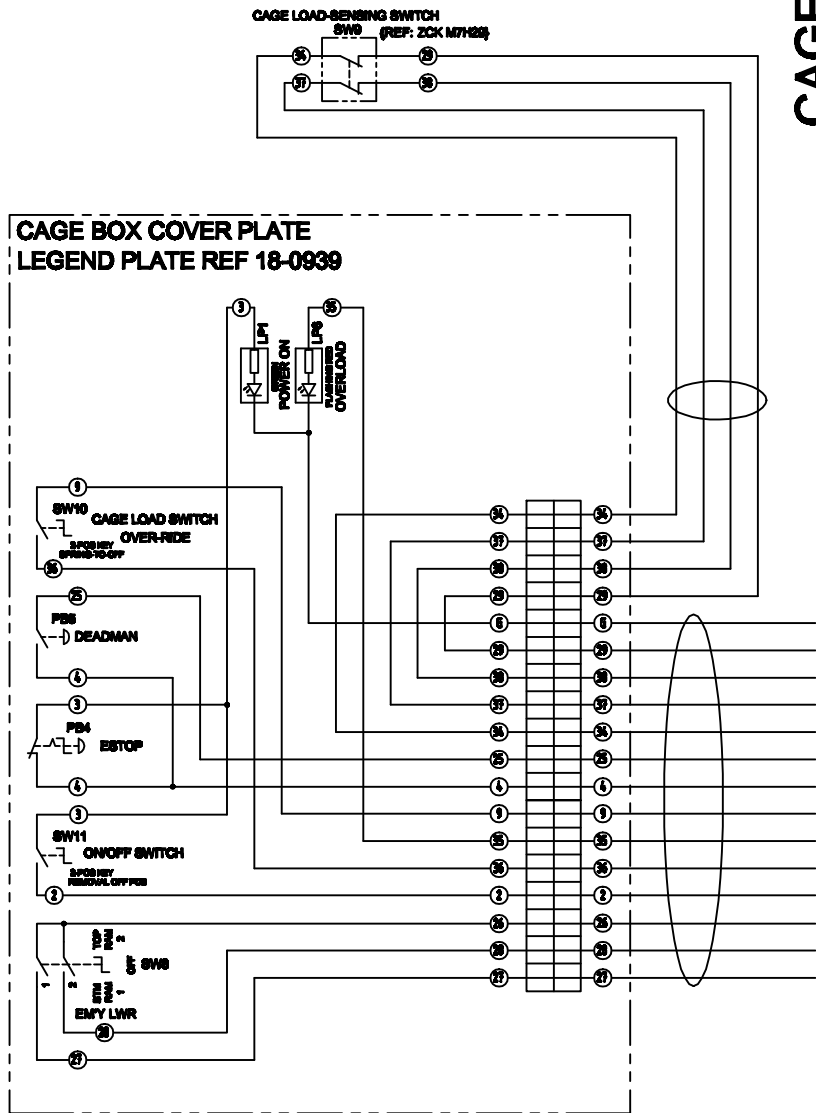
K17T Basic Fittings Kit (All Specifications)		
Part N°	Description	QTY.
12-1008	¼" BSP Male x 7/16" JIC Male Straight Adaptor	27
12-1007	3/8" BSP Male x 7/16" JIC Male Straight Adaptor	44
12-1009	½" BSP Male x 7/16" JIC Male Straight Adaptor	2
12-1013	3/8" BSP Male x 9/16" JIC Male Straight Adaptor	12
12-1017	½" BSP Male x 9/16" JIC Male Straight Adaptor	1
12-1869	¼" BSP Male x 7/16" JIC Male Positional Elbow	8
12-1110	7/16" JIC Equal Tee Female-on-Run.	4
12-1501	½" Dowty Washer	4
12-1502	3/8" Dowty Washer	62
12-1507	¼" Dowty Washer	27
12-1511	1/8" Dowty Washer	1
12-1867	9/16" JIC Male/Female Elbow	1
12-2001	½" BSP Male Plug	1
12-2003	3/8" BSP Male Plug	6
12-2002	1/8" BSP Male Plug	1
12-1062	¼" NPT Male x 9/16" JIC Male Straight Adaptor	2
12-1061	3/4" NPT Male x 9/16" JIC Male Straight Adaptor	1
12-0927	9/16" UNF Male x 9/16" JIC Male Straight Adaptor	1
Part N°	Description	QTY.
12-0916	¼" BSP Male x ¼" BSP Female Straight Adaptor	1
12-1001	3/8" BSP Male x ¼" BSP Male Straight Adaptor	6
12-1502	3/8" Dowty Washer	6
12-1879	¼" BSP Female x ¼" BSP Female Compact 90 deg Elbow	1

# Illustrated Parts List

Part Number	N° Off	Location	Hose Size	End Fittings		Length
				End 'A'	End 'B'	
G1	2	Outrigger Valve to Outrigger Ram 1	¼ R7	7/16 JIC Female Straight	7/16 JIC Female 135 deg	3000
G2	2	Outrigger Valve to Outrigger Ram 2	¼ R7	7/16 JIC Female Straight	7/16 JIC Female 135 deg	3100
G3	2	Outrigger Valve to Outrigger Ram 3	¼ R7	7/16 JIC Female Straight	7/16 JIC Female 135 deg	1800
G4	2	Outrigger Valve to Outrigger Ram 4	¼ R7	7/16 JIC Female Straight	7/16 JIC Female 135 deg	1700
G5	1	Outrigger Valve to Manifold P	¼ R7	7/16 JIC Female Straight	7/16 JIC Female Straight	1700
G6	1	Outrigger Valve to Tank Manifold	¼ R7	7/16 JIC Female Straight	7/16 JIC Female Straight	1700
G7	2	Base Valve to Bottom Ram	¼ R7	7/16 JIC Female Straight	7/16 JIC Female Straight	1500
G8	1	Bottom Ram Emergency Lower	¼ R7	7/16 JIC Female Straight	7/16 JIC Female Straight	1530
G9	2	Base Valve to Top Ram	¼ R7	7/16 JIC Female Straight	7/16 JIC Female Straight	6700
G10	1	Top Ram Emergency Lower	¼ R7	7/16 JIC Female Straight	7/16 JIC Female Straight	6800
G11	2	Base Valve to Telescope Ram	¼ R7	7/16 JIC Female Straight	7/16 JIC Female Straight	6900
G12	1	Telescope Ram Drain	¼ R7	7/16 JIC Female Straight	7/16 JIC Female Straight	6900
G13	1	Base Valve P to Manifold GP	<sup>3</sup> / <sub>8</sub> 702	9/16 JIC Female Straight	9/16 JIC Female Straight	1200
G14	2	Base Valve to Manifold Slew Tee	¼ R7	7/16 JIC Female Straight	7/16 JIC Female 90 deg	1000
G15	1	Hand-pump to Manifold HP1	¼ R7	7/16 JIC Female 90 deg	7/16 JIC Female Straight	700
G16	2	Slew Motor to Manifold SLA/SLB	¼ R7	7/16 JIC Female 90 deg	7/16 JIC Female 90 deg	1200
G17	2	Base Valve to Drop-nose Ram	¼ R7	7/16 JIC Female Straight	7/16 JIC Female Straight	18200
G18	2	Basket Valve to Bottom Ram	¼ R7	7/16 JIC Female Straight	7/16 JIC Female Straight	17800
G19	2	Basket Valve to Manifold Slew Tee	¼ R7	7/16 JIC Female Straight	7/16 JIC Female Straight	18700
G20	1	Basket Valve P to Manifold CP	<sup>3</sup> / <sub>8</sub> 702	9/16 JIC Female Straight	9/16 JIC Female Straight	18700
G21	1	Tank Manifold to Manifold T	<sup>3</sup> / <sub>8</sub> 702	9/16 JIC Female Straight	9/16 JIC Female Straight	600
G22	1	Tank Manifold to Base Valve T	<sup>3</sup> / <sub>8</sub> 702	9/16 JIC Female Straight	9/16 JIC Female Straight	370
G23	1	Pump to Manifold P	<sup>3</sup> / <sub>8</sub> 702	9/16 JIC Female Straight	9/16 JIC Female 90 deg	400
G24	1	Tank Manifold to Filter	<sup>3</sup> / <sub>8</sub> 702	9/16 JIC Female Straight	9/16 JIC Female Straight	1000

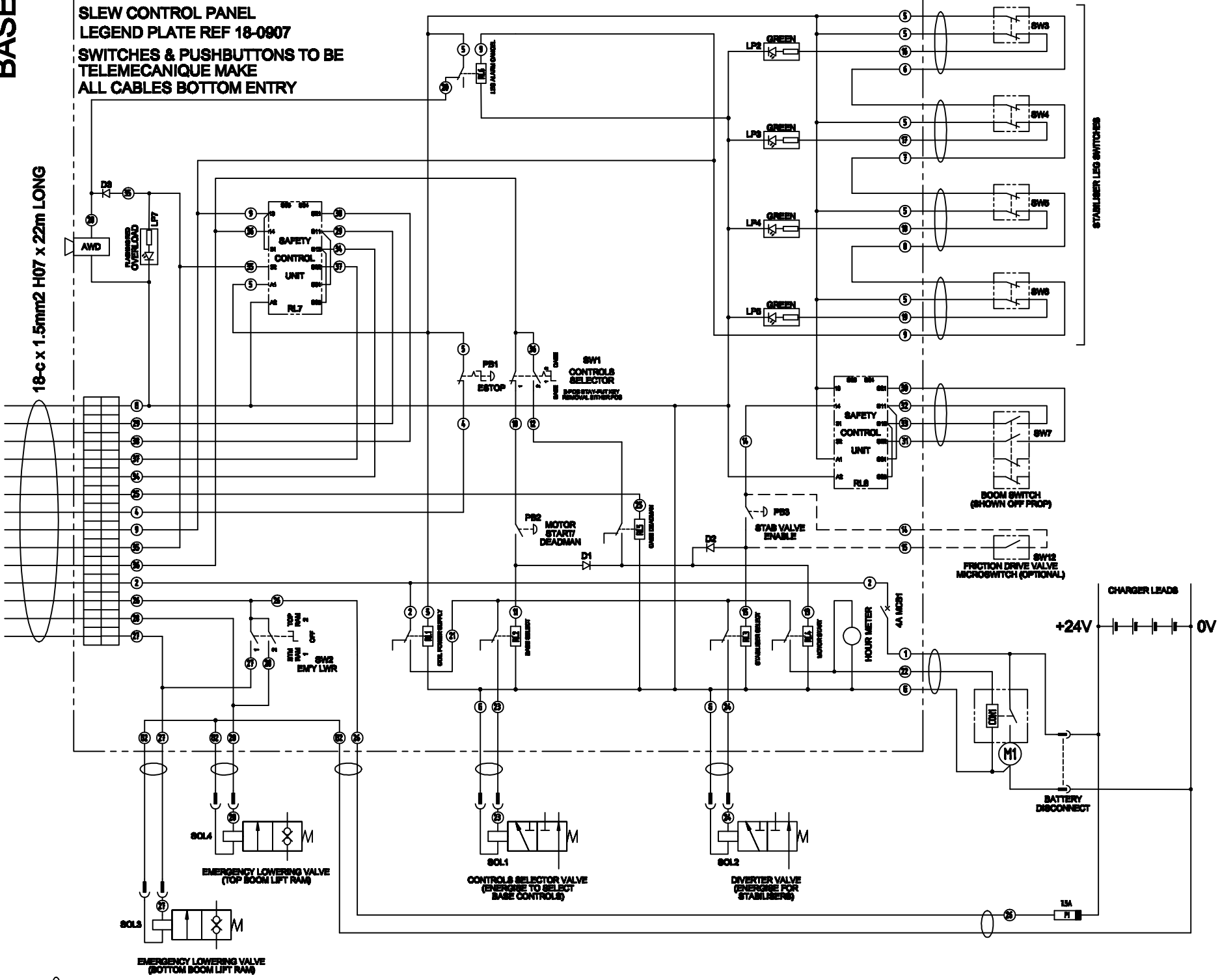
Part Number	N° Off	Location	Hose Size	End Fittings		Length
				End 'A'	End 'B'	
G26	1	Basket Valve to Tank Manifold	<sup>3</sup> / <sub>8</sub> 702	9/16 JIC Female Straight	9/16 JIC Female Straight	18300
G27	2	Basket Valve to Top Ram	1/4 R7	7/16 JIC Female Straight	7/16 JIC Female Straight	12700
G28	2	Basket Valve to Telescope Ram	1/4 R7	7/16 JIC Female Straight	7/16 JIC Female Straight	12000
G29	2	Master Ram to DOC Valve	1/4 R7	7/16 JIC Female Straight	7/16 JIC Female Straight	12100
G30	1	Basket Valve to Slewing Ram	1/4 R7	7/16 JIC Female Straight	7/16 JIC Female 90 deg	2300
G31	1	Basket Valve to Slewing Ram	1/4 R7	7/16 JIC Female Straight	7/16 JIC Female 90 deg	2200
G32	2	Basket Valve to Drop-nose Ram	1/4 R7	7/16 JIC Female Straight	7/16 JIC Female 90 deg	4100
G33	2	DOC Valve to Basket Levelling Ram	1/4 R7	7/16 JIC Female Straight	7/16 JIC Female 90 deg	3900
G34	2	Basket Valve to DOC Valve	1/4 R7	7/16 JIC Female Straight	7/16 JIC Female 90 deg	600
H1	1	Pump to Manifold	1/4 R7	9/16 JIC Female Straight	7/16 JIC Female 90 deg	300
H2	1	Engine Pump to Manifold Tee	1/4 R7	9/16 JIC Female Straight	9/16 JIC Female 90 deg	1200
H3	1	Engine Pump to Tank Suction Port	<sup>1</sup> / <sub>2</sub> R1AT	1/2 BSP Female Straight	1/2 BSP Female 90 deg	1940
H14	1	Pressure Relief V/V to Tank	1/4 R7	9/16 JIC Female 90 deg	9/16 JIC Female Straight	1060





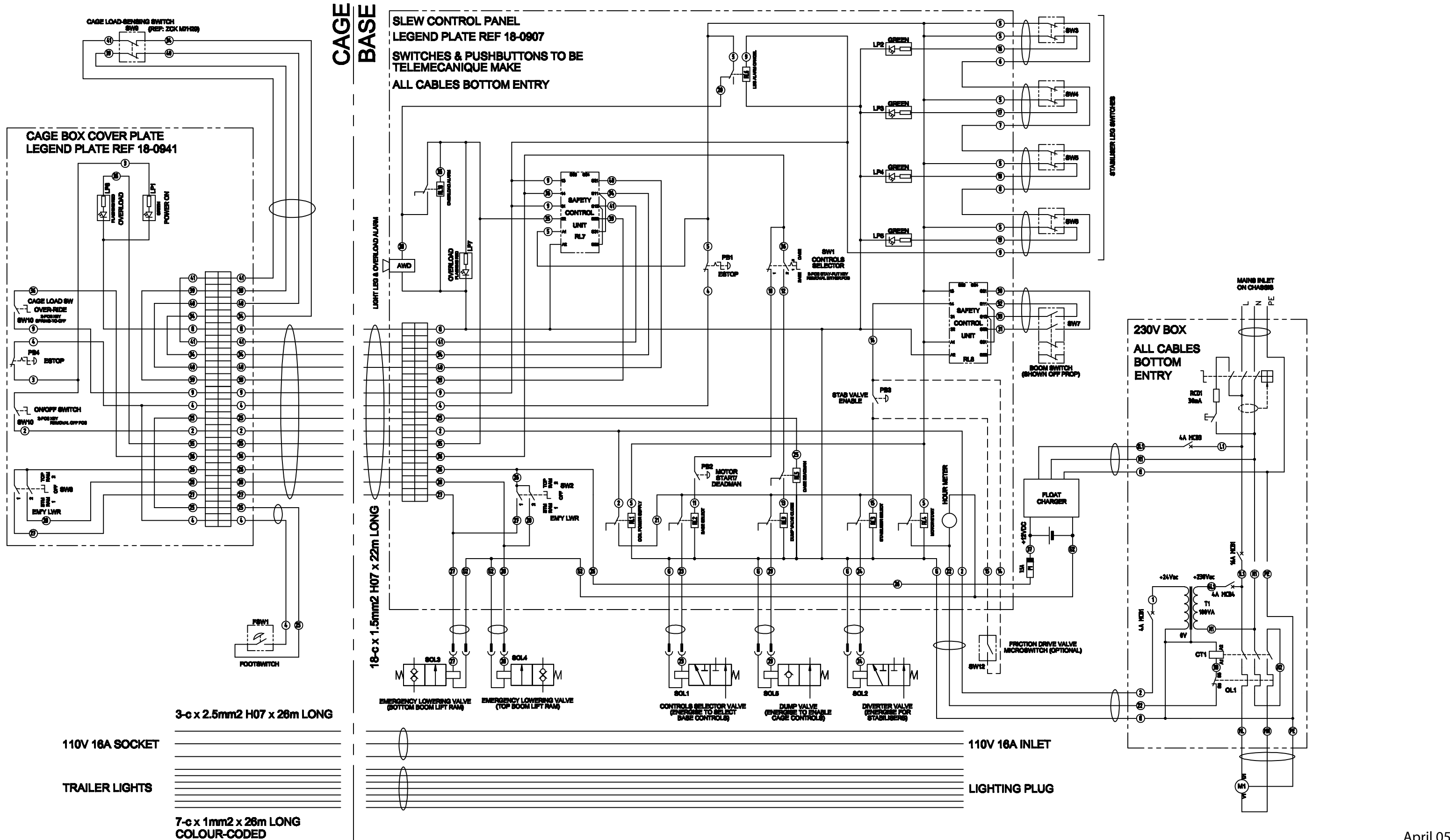
**CAGE  
BASE**

**SLEW CONTROL PANEL  
LEGEND PLATE REF 18-0907  
SWITCHES & PUSHBUTTONS TO BE  
TELEMECANIQUE MAKE  
ALL CABLES BOTTOM ENTRY**



3-c x 2.5mm2 H07 x 26m LONG  
110V 16A SOCKET  
TRAILER LIGHTS  
7-c x 1mm2 x 26m LONG  
COLOUR-CODED

110V 16A INLET  
LIGHTING PLUG



**CAGE  
BASE**

**SLEW CONTROL PANEL**  
**LEGEND PLATE REF 18-0907**  
**SWITCHES & PUSHBUTTONS TO BE**  
**TELEMECANIQUE MAKE**  
**ALL CABLES BOTTOM ENTRY**

**CAGE BOX COVER PLATE**  
**LEGEND PLATE REF 18-0941**

STABILIZER LEG SWITCHES

18-c x 1.5mm2 H07 x 22m LONG

**230V BOX**  
**ALL CABLES**  
**BOTTOM**  
**ENTRY**

3-c x 2.5mm2 H07 x 28m LONG

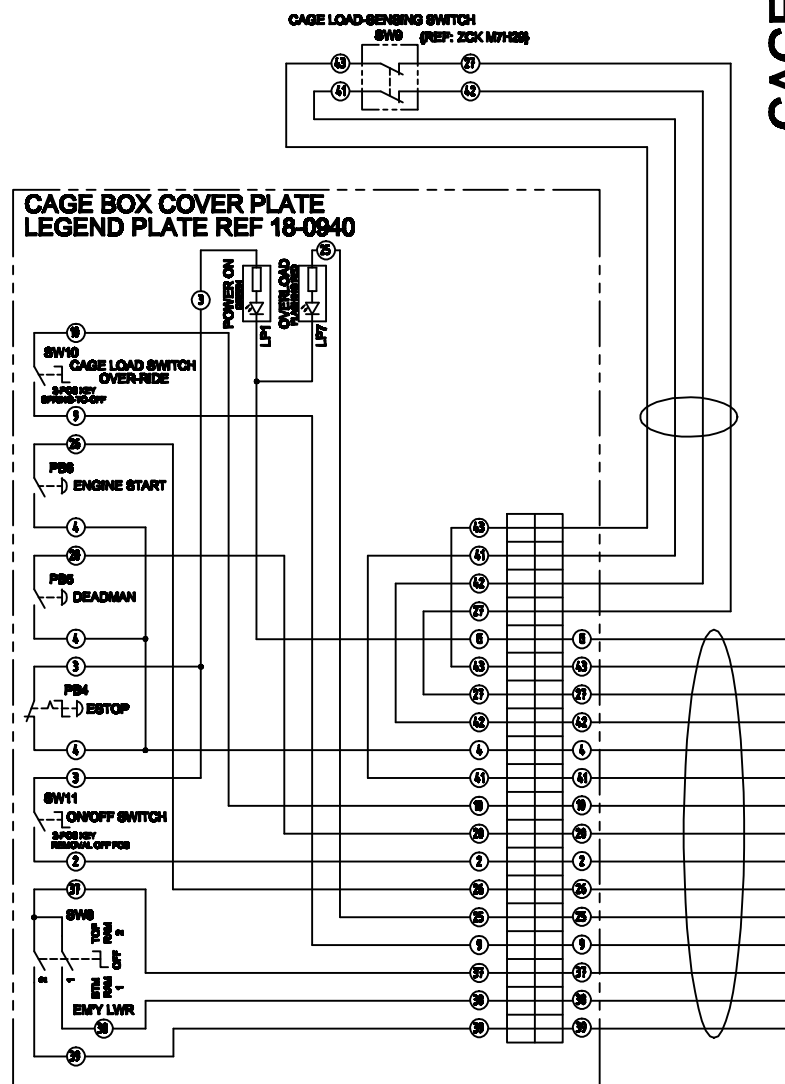
110V 16A SOCKET

TRAILER LIGHTS

7-c x 1mm2 x 28m LONG  
 COLOUR-CODED

110V 16A INLET

LIGHTING PLUG



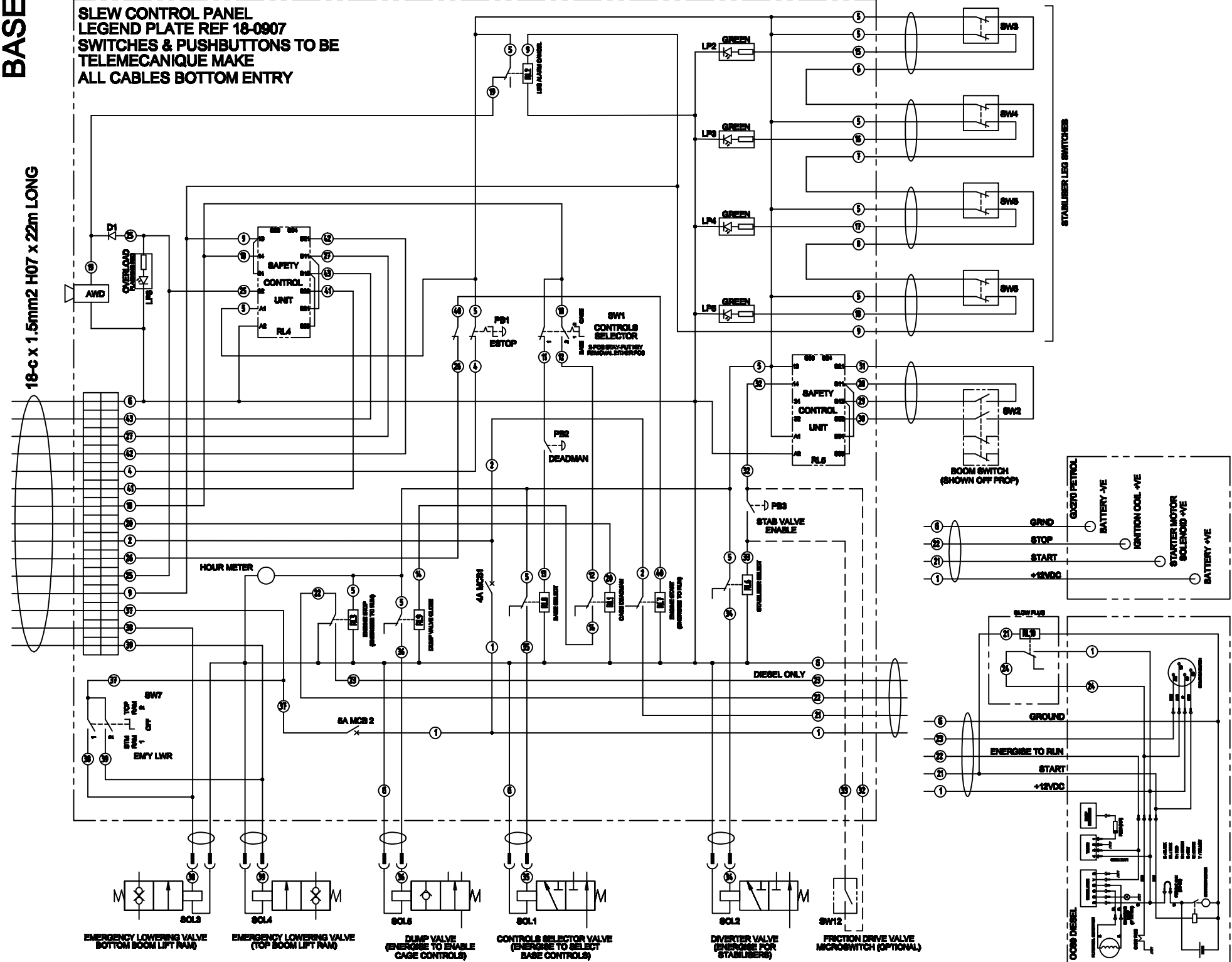
110V 16A SOCKET

TRAILER LIGHTS

3-c x 2.5mm<sup>2</sup> H07 x 24m LONG

7-c x 1mm<sup>2</sup> x 24m LONG  
COLOUR-CODED

**CAGE  
BASE**



EMERGENCY LOWERING VALVE  
BOTTOM BOOM LIFT RAM

EMERGENCY LOWERING VALVE  
(TOP BOOM LIFT RAM)

DUMP VALVE  
(ENERGISE TO ENABLE  
CAGE CONTROLS)

CONTROLS SELECTOR VALVE  
(ENERGISE TO SELECT  
BASE CONTROLS)

DIVERTER VALVE  
(DIVERGENCE FOR  
STABILISERS)

FRICTION DRIVE VALVE  
MICROSWITCH (OPTIONAL)

110V 16A INLET

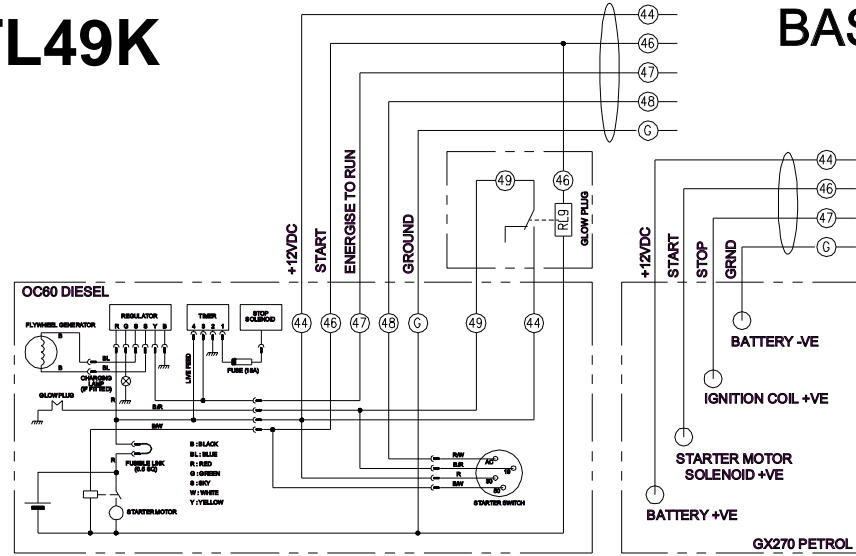
LIGHTING PLUG

# TL49K

# BASE

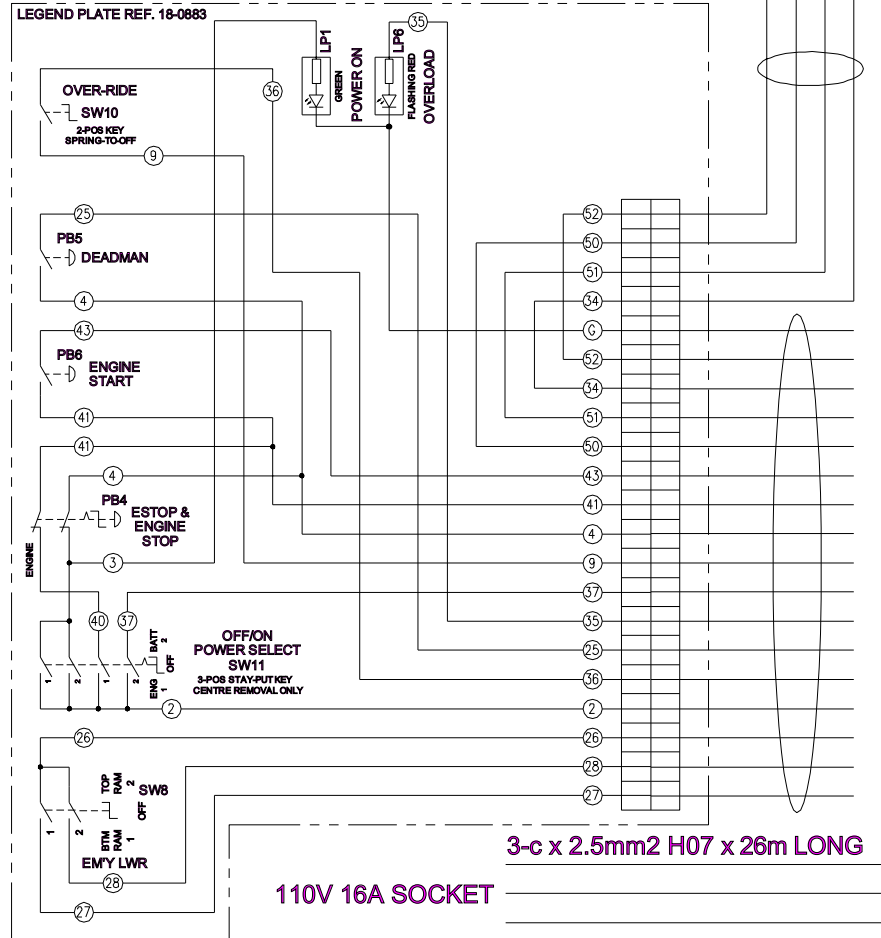
IMPORTANT: REMOVE MCB2 ON MACHINES WITH OC60 DIESEL ENGINE

LEGEND PLATE REF. 18-0907



# CAGE

## CAGE BOX COVER PLATE



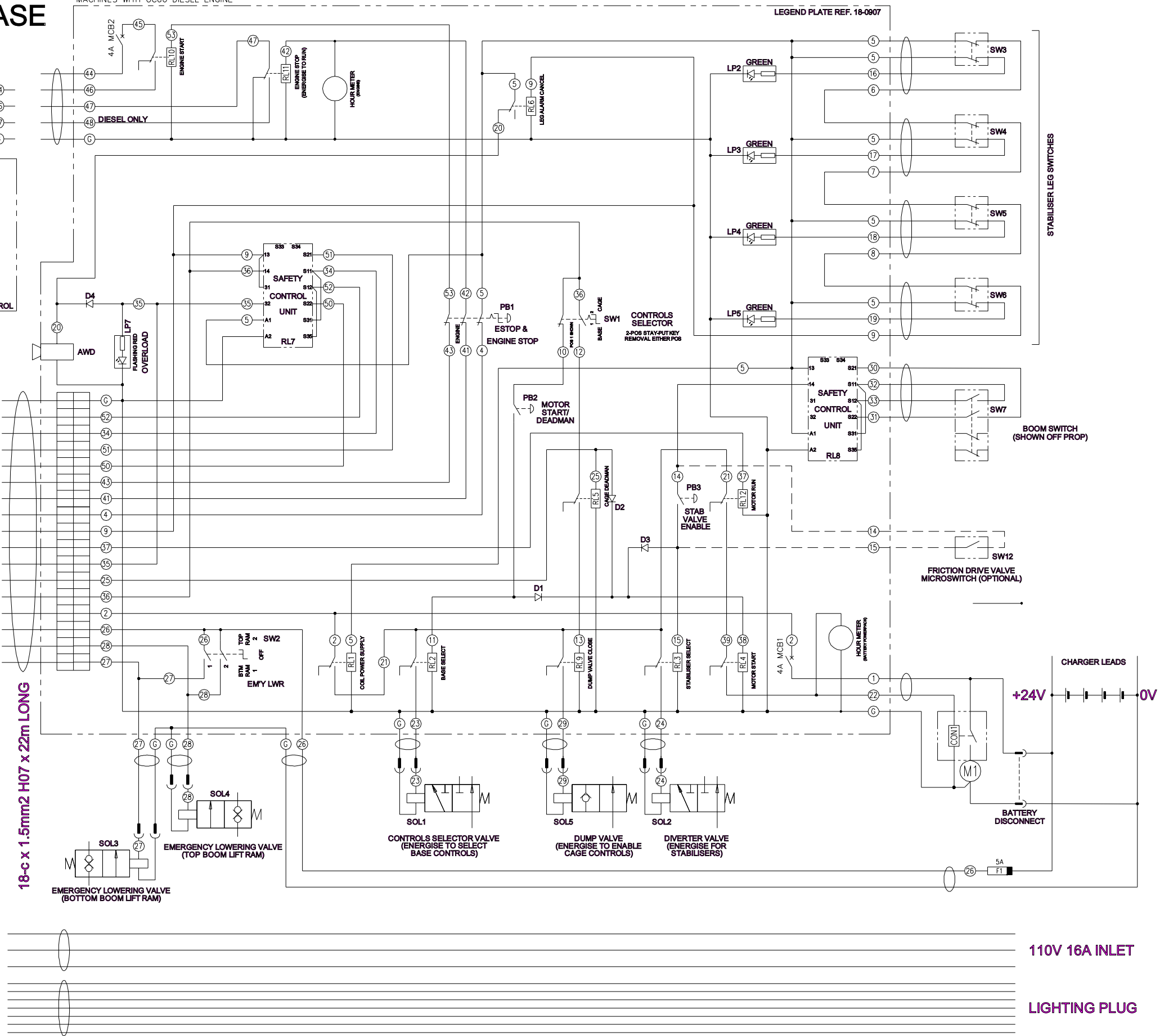
3-c x 2.5mm<sup>2</sup> H07 x 26m LONG

110V 16A SOCKET

TRAILER LIGHTS

7-c x 1mm<sup>2</sup> x 26m LONG  
COLOUR-CODED

18-c x 1.5mm<sup>2</sup> H07 x 22m LONG

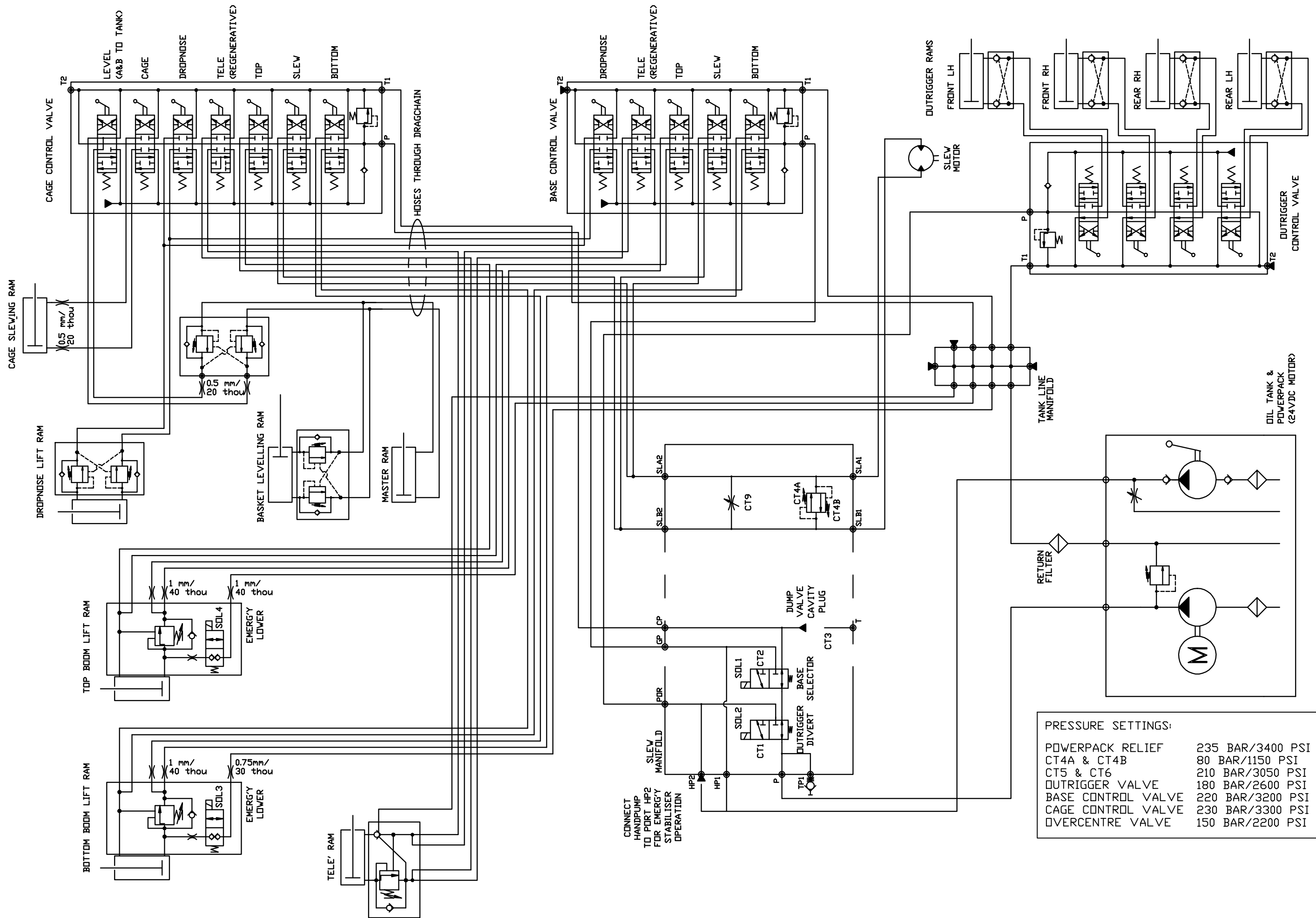


110V 16A INLET

LIGHTING PLUG



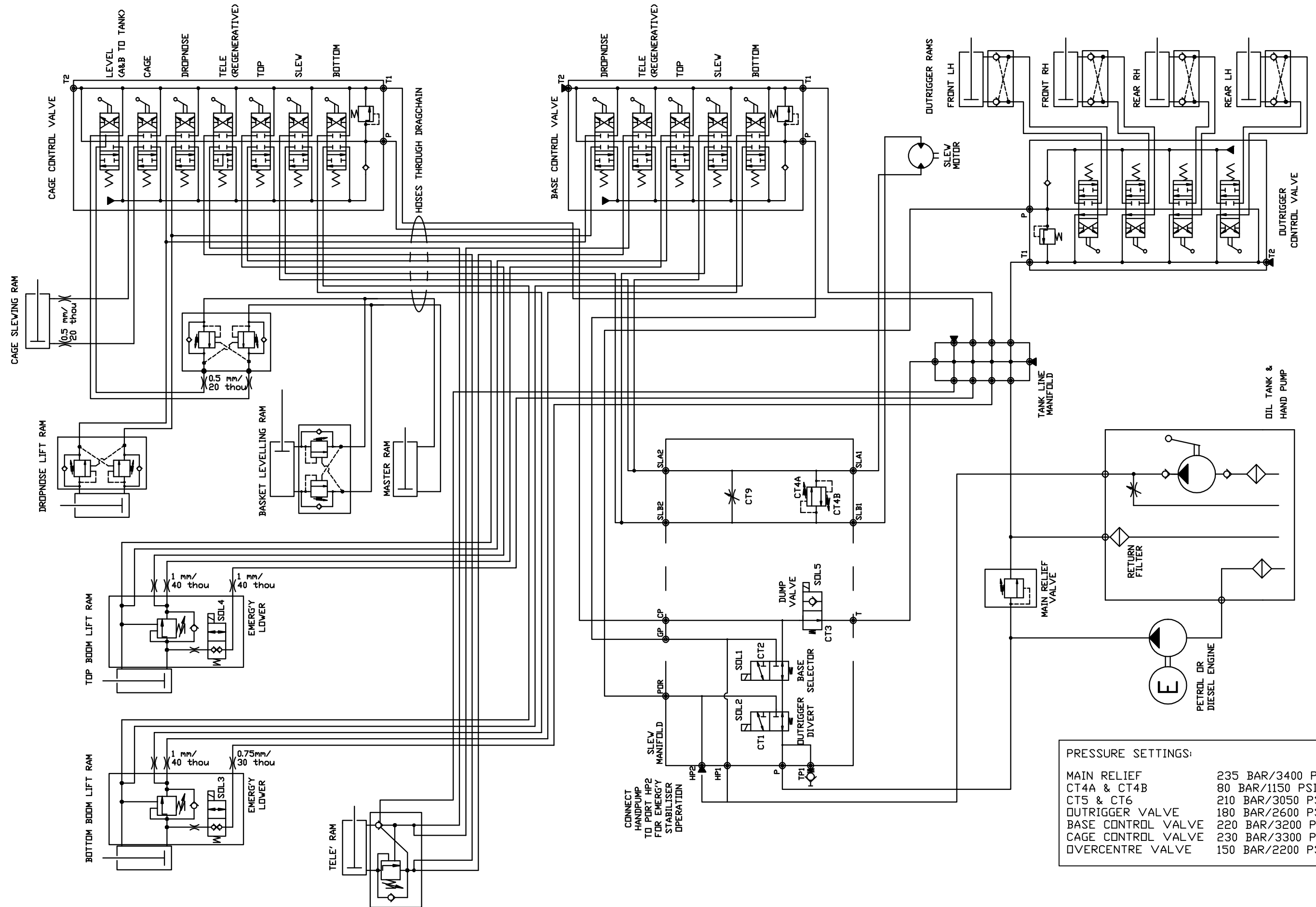
# TL49K Battery/Mains Power



**PRESSURE SETTINGS:**

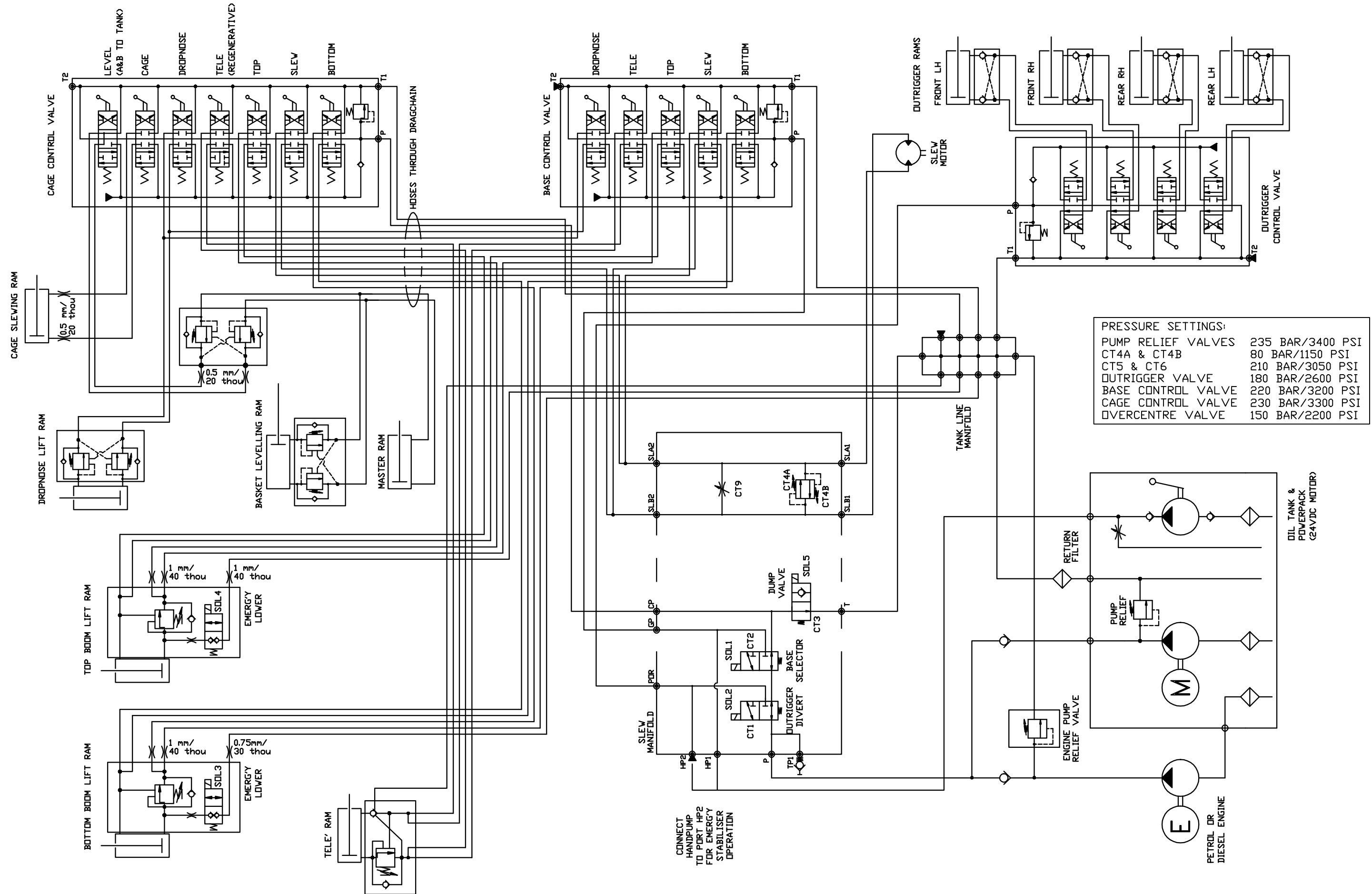
POWERPACK RELIEF	235 BAR/3400 PSI
CT4A & CT4B	80 BAR/1150 PSI
CT5 & CT6	210 BAR/3050 PSI
OUTRIGGER VALVE	180 BAR/2600 PSI
BASE CONTROL VALVE	220 BAR/3200 PSI
CAGE CONTROL VALVE	230 BAR/3300 PSI
OVERCENTRE VALVE	150 BAR/2200 PSI

# TL49K Diesel/Petrol Powered

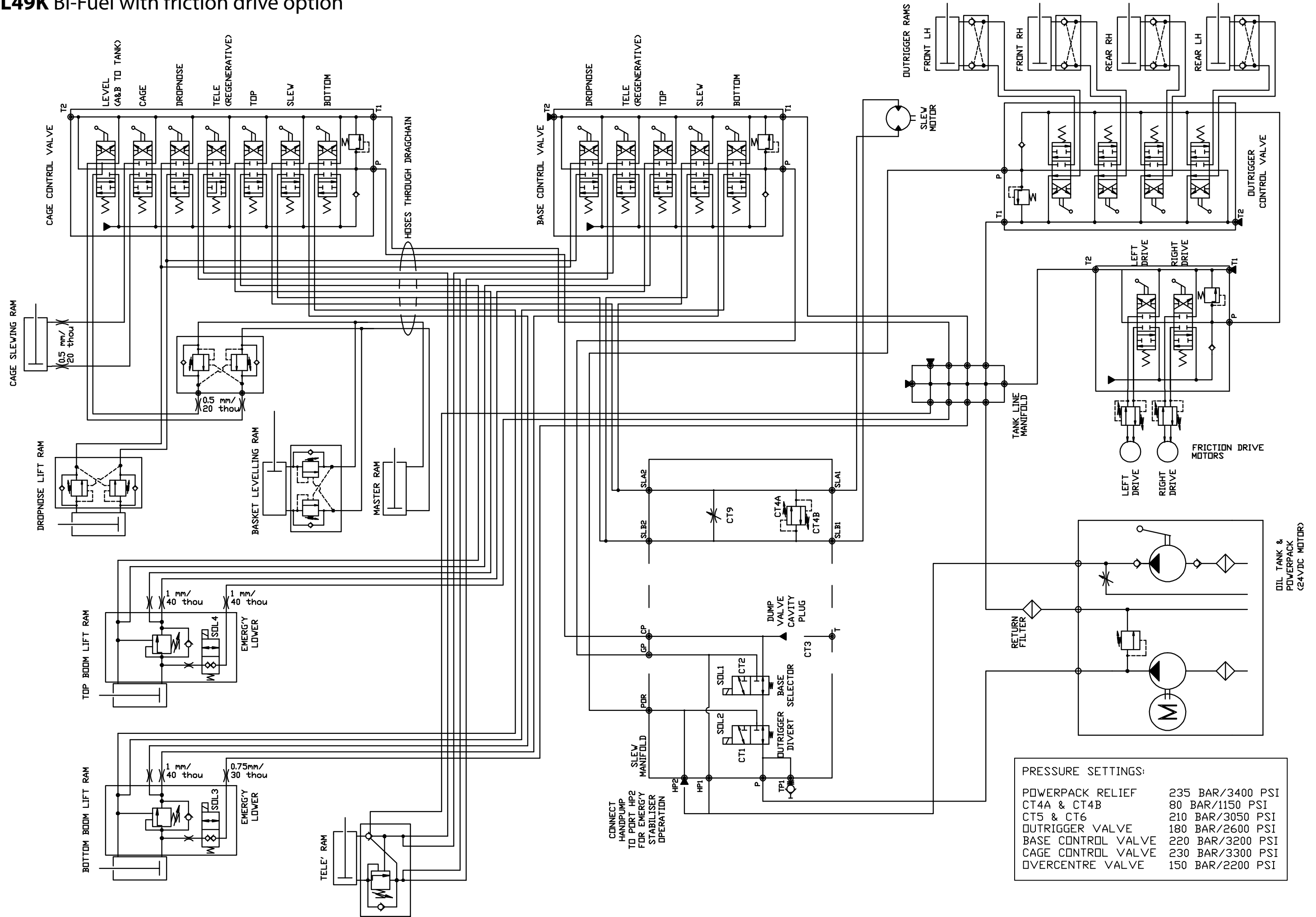


CONNECT HANDPUMP TO PORT HP2 FOR EMERGENCY STABILISER OPERATION

PRESSURE SETTINGS:	
MAIN RELIEF	235 BAR/3400 PSI
CT4A & CT4B	80 BAR/1150 PSI
CT5 & CT6	210 BAR/3050 PSI
OUTRIGGER VALVE	180 BAR/2600 PSI
BASE CONTROL VALVE	220 BAR/3200 PSI
CAGE CONTROL VALVE	230 BAR/3300 PSI
OVERCENTRE VALVE	150 BAR/2200 PSI



# TL49K Bi-Fuel with friction drive option



**PRESSURE SETTINGS:**

POWERPACK RELIEF	235 BAR/3400 PSI
CT4A & CT4B	80 BAR/1150 PSI
CT5 & CT6	210 BAR/3050 PSI
OUTRIGGER VALVE	180 BAR/2600 PSI
BASE CONTROL VALVE	220 BAR/3200 PSI
CAGE CONTROL VALVE	230 BAR/3300 PSI
OVERCENTRE VALVE	150 BAR/2200 PSI



**Local Distributor:**

**Lokaler Vertiebshändler:**

**Distributeur local:**

**El Distribuidor local:**

**Il Distributore locale:**

**USA**

TEL: +1 (559) 443 6600  
FAX: +1 (559) 268 2433

**UpRight**  
**POWERED ACCESS**

[www.upright.com](http://www.upright.com)

**Europe**

TEL: +44 (0) 845 1550 058  
FAX: +44 (0) 195 2299 948

PN - 508158-000